

Engineering Release Notice (ERN)	Location	Change Description	A = Added D = Deleted	W = Was	Document Release Status RELEASED
D-16194-85		SEE DCN			Date Modification Count

WIRING DIAGRAM INDEX, 12V

NAME	DESCRIPTION	Page	NAME	DESCRIPTION	Page
AA-O	POWER DISTRIBUTION 1/2	2	GD	LIGHTING-FORWARD/SIGNAL (CXU,GU7,GU8)	30
AB-O	POWER DISTRIBUTION 2/2	3	GF	LIGHTING - TAIL/PERIMETER	31
AC-O	KEY SW., START & CHARGING	4	GG	TRAILER LIGHTING CONTROL	32
AD	GROUNDING	5	GH-O	INTERIOR LIGHTING	33
AE	BATTERY CONFIGURATION	6	GI	SNOWPLOW PREP CONNECTOR	34
AJ-O	POWER DISTRIBUTION	7	GL	LIGHTING - BEACON LAMPS	35
BA	VEHICLE ECU 1/4	8	GP-O	WIPER/WASHER	36
BB	VEHICLE ECU 2/4	9	GQ	HORN WIRING/SPOTLIGHT	37
BC	VEHICLE ECU 3/4 - DCL CONNECTOR	10	HA	CLIMATE CONTROL	38
BD	VEHICLE ECU 4/4	11	HC	HEATED SEATS, HEATED WINDSHIELD, AUX FAN 1/2	39
BE	INSTRUMENT CLUSTER 1/3	12	HG	HEATED SEATS, HEATED WINDSHIELD, AUX FAN 2/2	40
BF	INSTRUMENT CLUSTER 2/3	13	IA	RH & LH MOTORIZED WINDOWS	41
BG	INSTRUMENT CLUSTER 3/3	14	IC	MIRROR CONTROL 1/2	42
BH-O	ALLISON BODY BUILDER INTERFACE	15	ID	RH ONLY MOTORIZED WINDOW & DOOR CNTR.	43
BJ	BODY BUILDER CIRCUITS - OPTIONAL	16	IE	RH & LH DOOR CONTROL	44
BK	BODY BUILDER CIRCUITS - 2010 BODYLINK	17	KB	AUDIO SYSTEM - NONPROGRAMMABLE	45
BM	TELEMATICS GATEWAY (TGW)	18	KC	POWER OUTLET CONNECTIONS	46
CA	ENGINE INTERFACE MP 11	19	NA-O	IGNITION & BATTERY SW.& SPARE CONNECTION	47
CB-O	DPF REGENERATION SYSTEM	20	NB	JUNCTION POSTS	48
CC	ENGINE HEATER	21	NC	ADDITIONAL IGN. & BATTERY SWITCHES 1/3	49
CD	UREA DOSING SYSTEM	22	NE	ADDITIONAL IGN. & BATTERY SWITCHES 2/3	50
DC	TRANSMISSION CNTR:4 GENERATION 1/2	23	NF	ADDITIONAL IGN. & BATTERY SWITCHES 3/3	51
DD	TRANSMISSION CNTR: 4 GENERATION 2/2	24	XA-O	DATA LINK / DIAGNOSTICS 1/2	52
ED	ABS8 BENDIX W/ESP	25	XB	DATA LINK / DIAGNOSTICS 2/2	53
FA	AIR DRYER/HEATER DRAIN	26			
FB	CHASSIS SOLENOIDS	27			
FC-O	WORKBRAKE SOL, FUEL PRIMER PUMP, HOURMETER	28			
GA-O	LIGHTING CONTROL	29			

The copying, distribution and utilization of this document as well as the communication of its contents to others without expressed authorization is prohibited. Offenders will be held liable for payment of damages. All rights reserved in the event of the grant of a patent, utility model or ornamental design registration.

Document Title
WIRING DIAGRAM
GU - NYC SANITATION
12V

MACK

Mack Trucks, Inc.

Document Type
TECHNICAL REGULATION

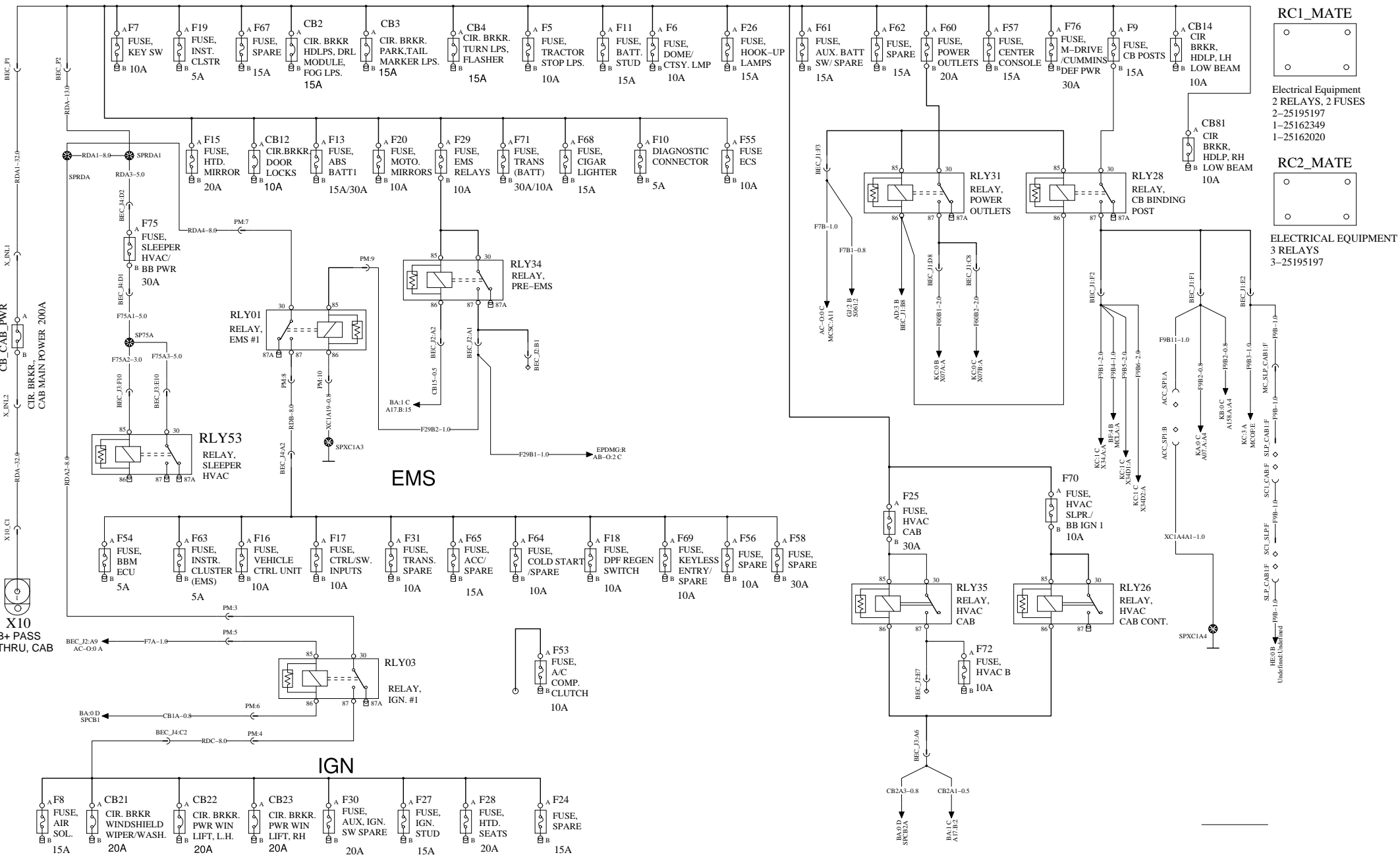
Owner Domain: Document Prefix

Document No	Issue Index	Volume No	Page No
22448341	03	01	1(53)

POWER DISTRIBUTION 1/2

BATT

WIRING DIAGRAM : AA-0



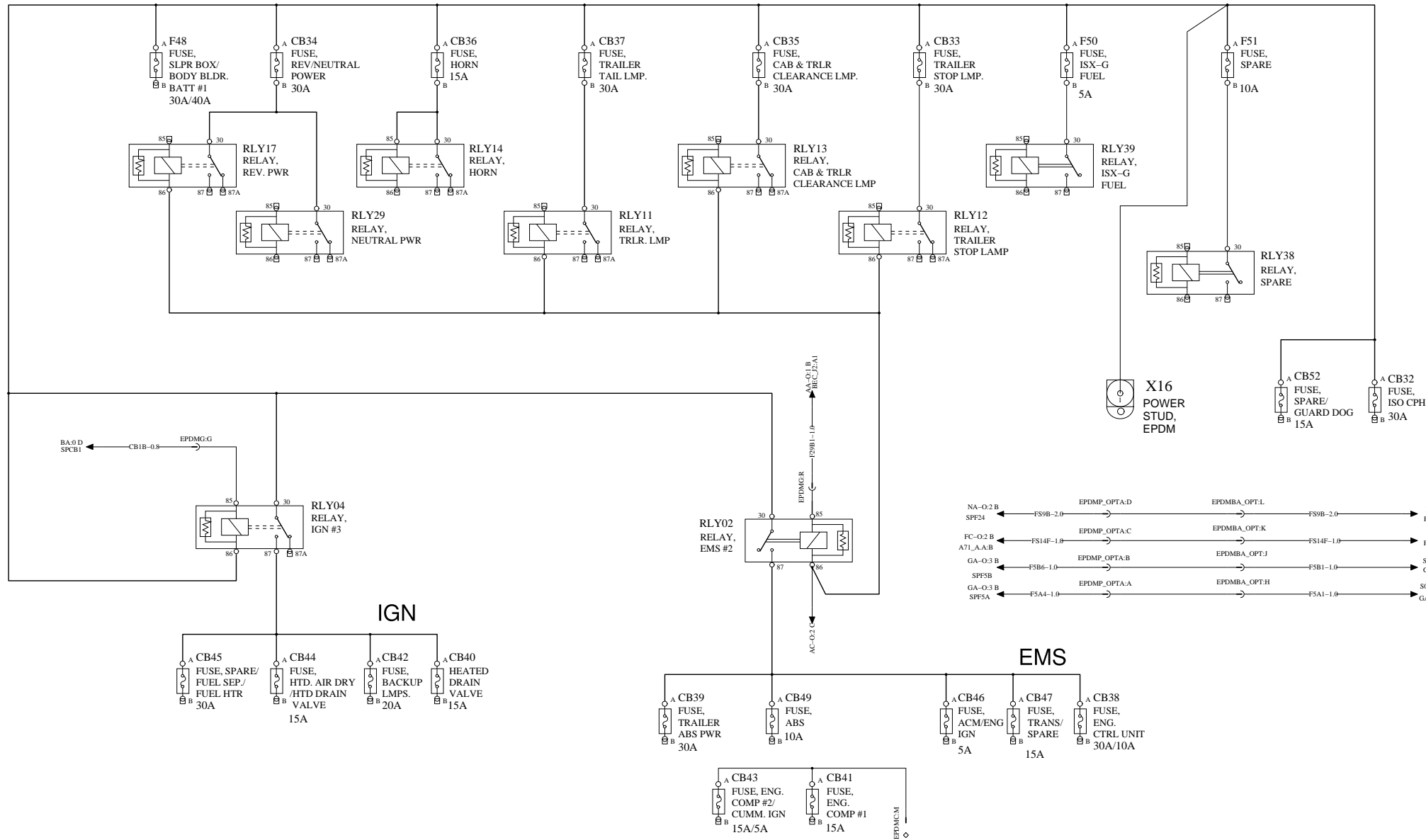
RC1_MATE

Electrical Equipment
2 RELAYS, 2 FUSES
2-25195197
1-25162349
1-25162020

RC2_MATE

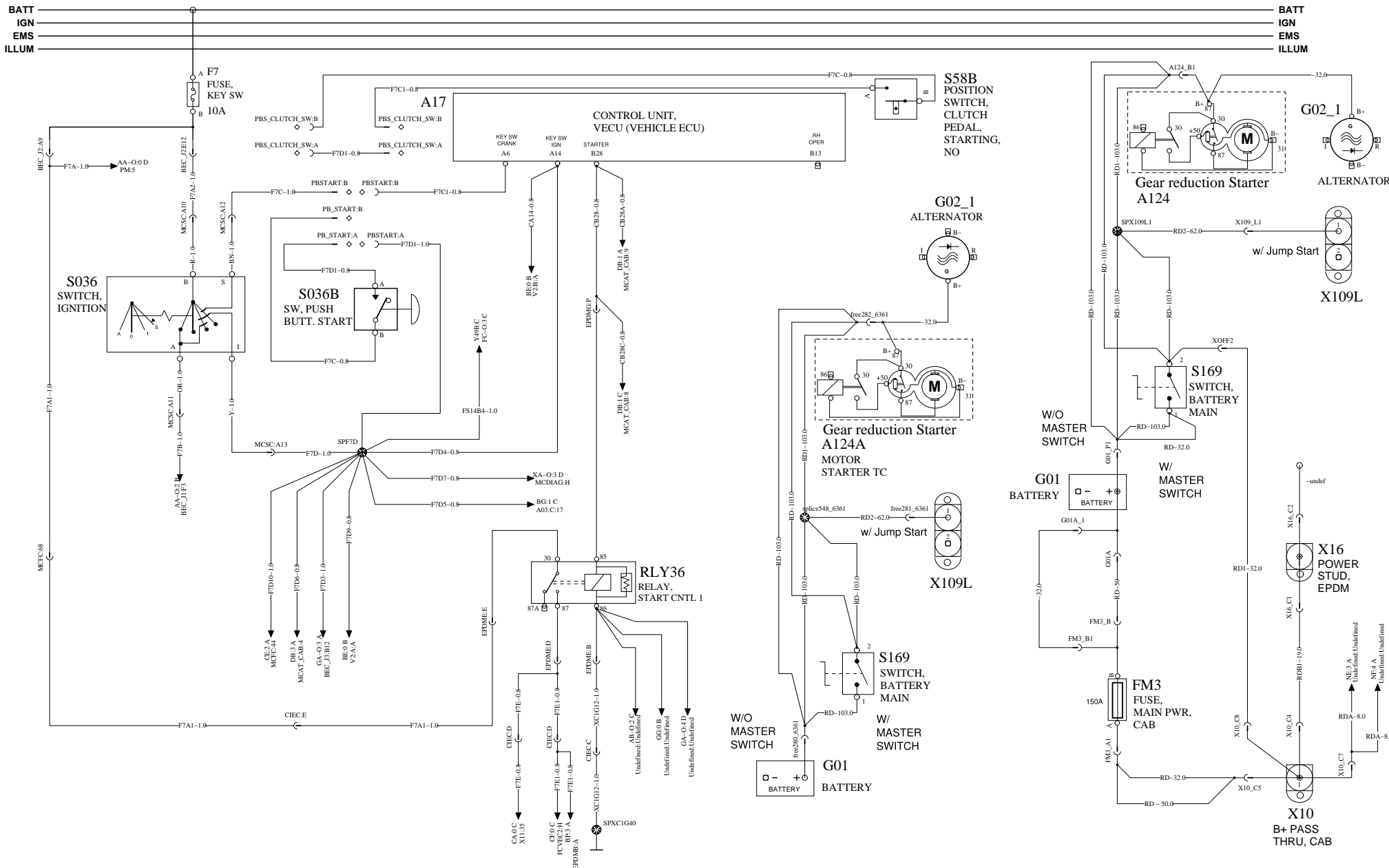
ELECTRICAL EQUIPMENT
3 RELAYS
3-25195197

BATT



KEY SW., START & CHARGING

WIRING DIAGRAM : AC-0

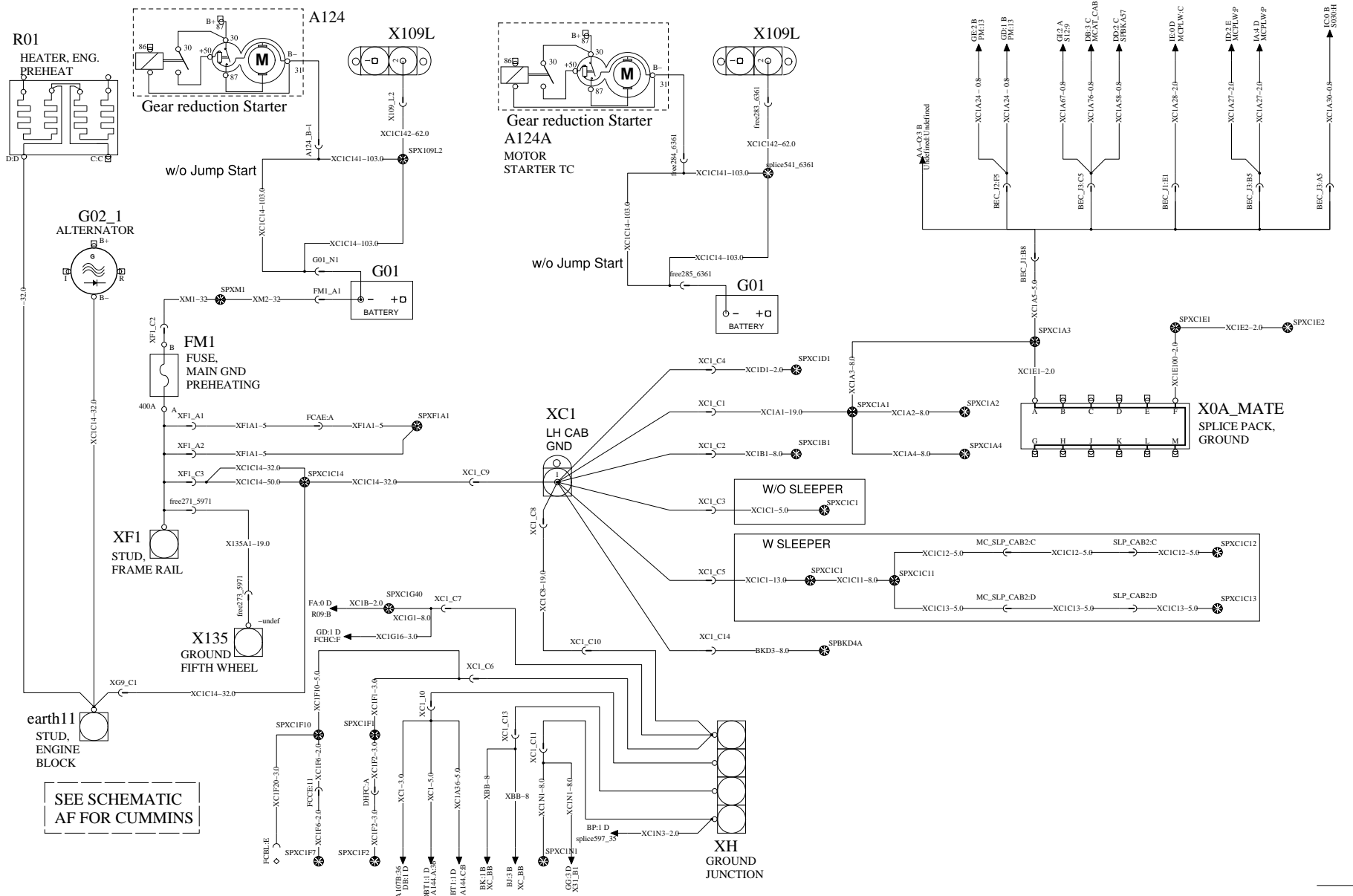


GROUNDING

WIRING DIAGRAM : AD

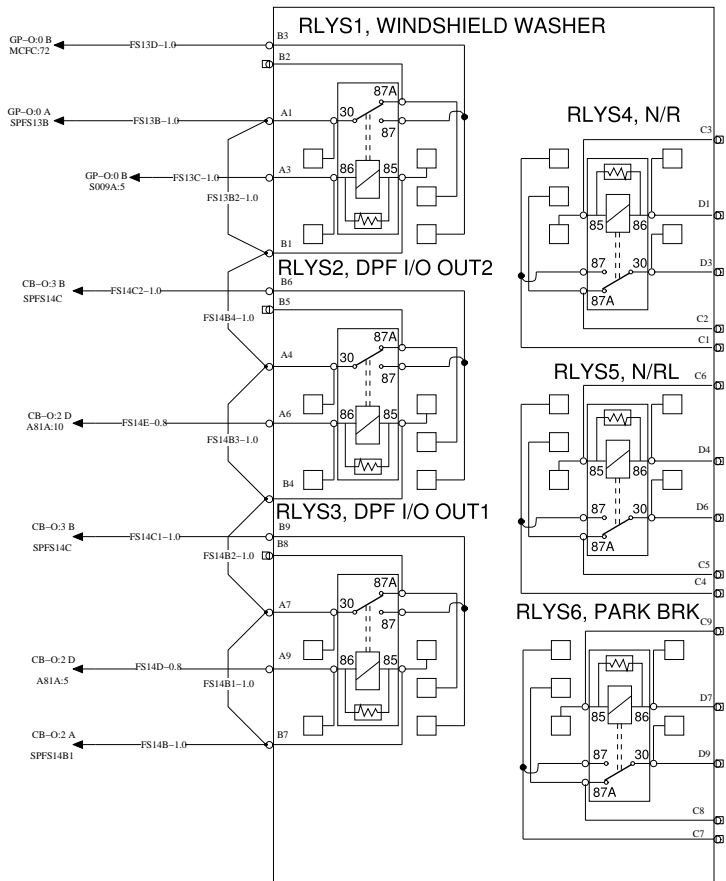
BATT
IGN
EMS
ILLUM

BATT
IGN
EMS
ILLUM



SEE SCHEMATIC AF FOR CUMMINS

BATT _____ BATT
 IGN _____ IGN
 EMS _____ EMS
 ILLUM _____ ILLUM



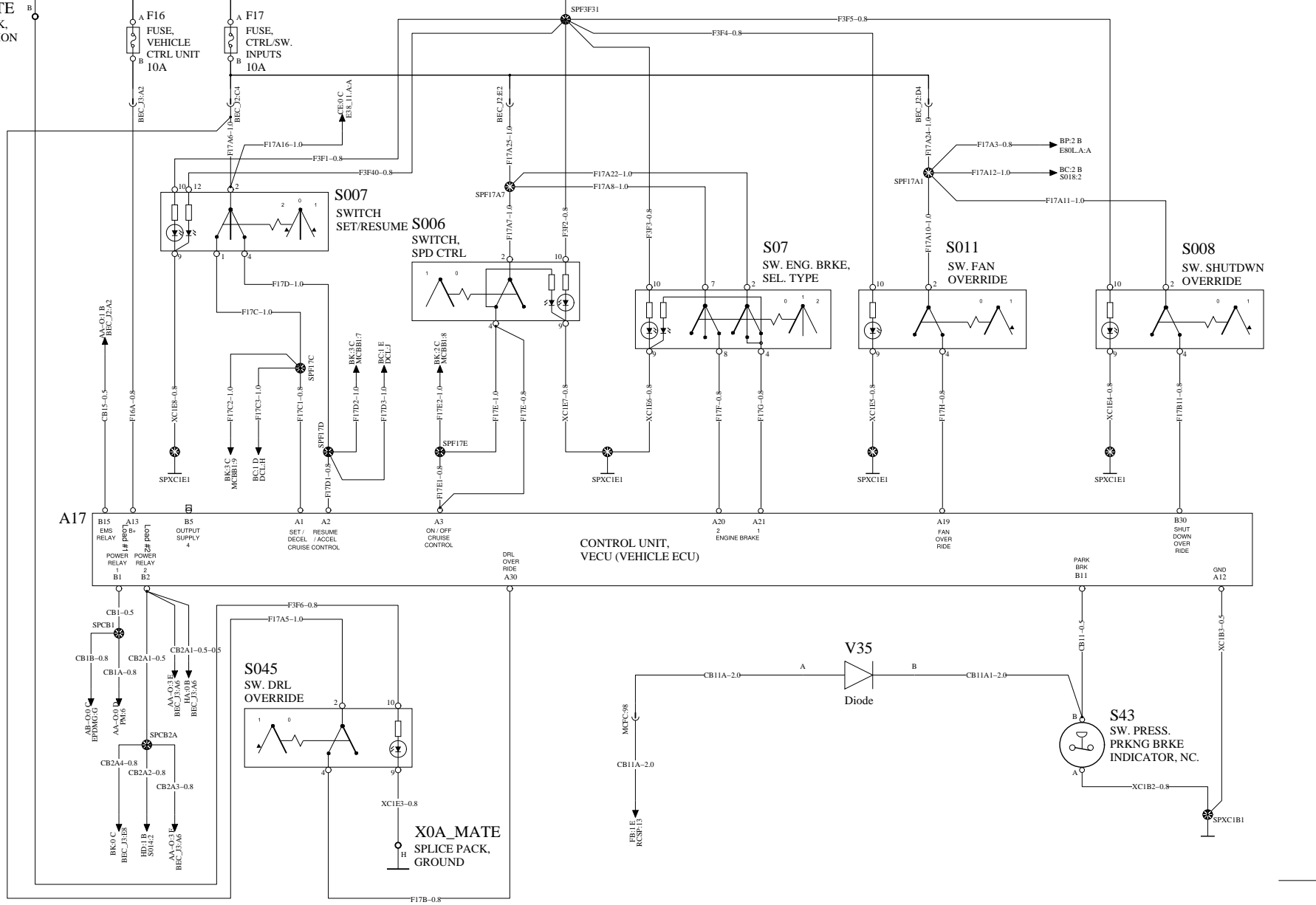
A01_B
 6 RELAY
 CENTER 1,
 NYC
 SPECIAL

VEHICLE ECU 1/4

WIRING DIAGRAM: BA

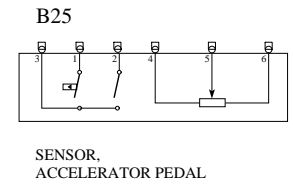
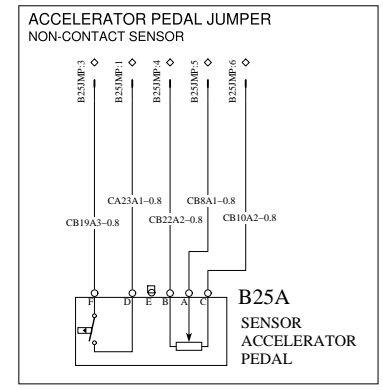
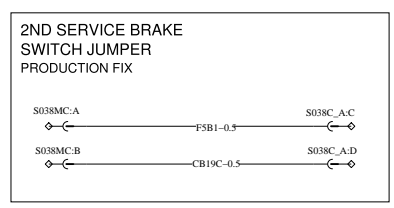
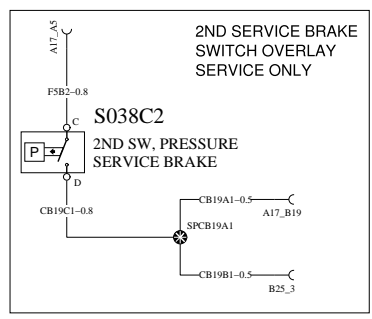
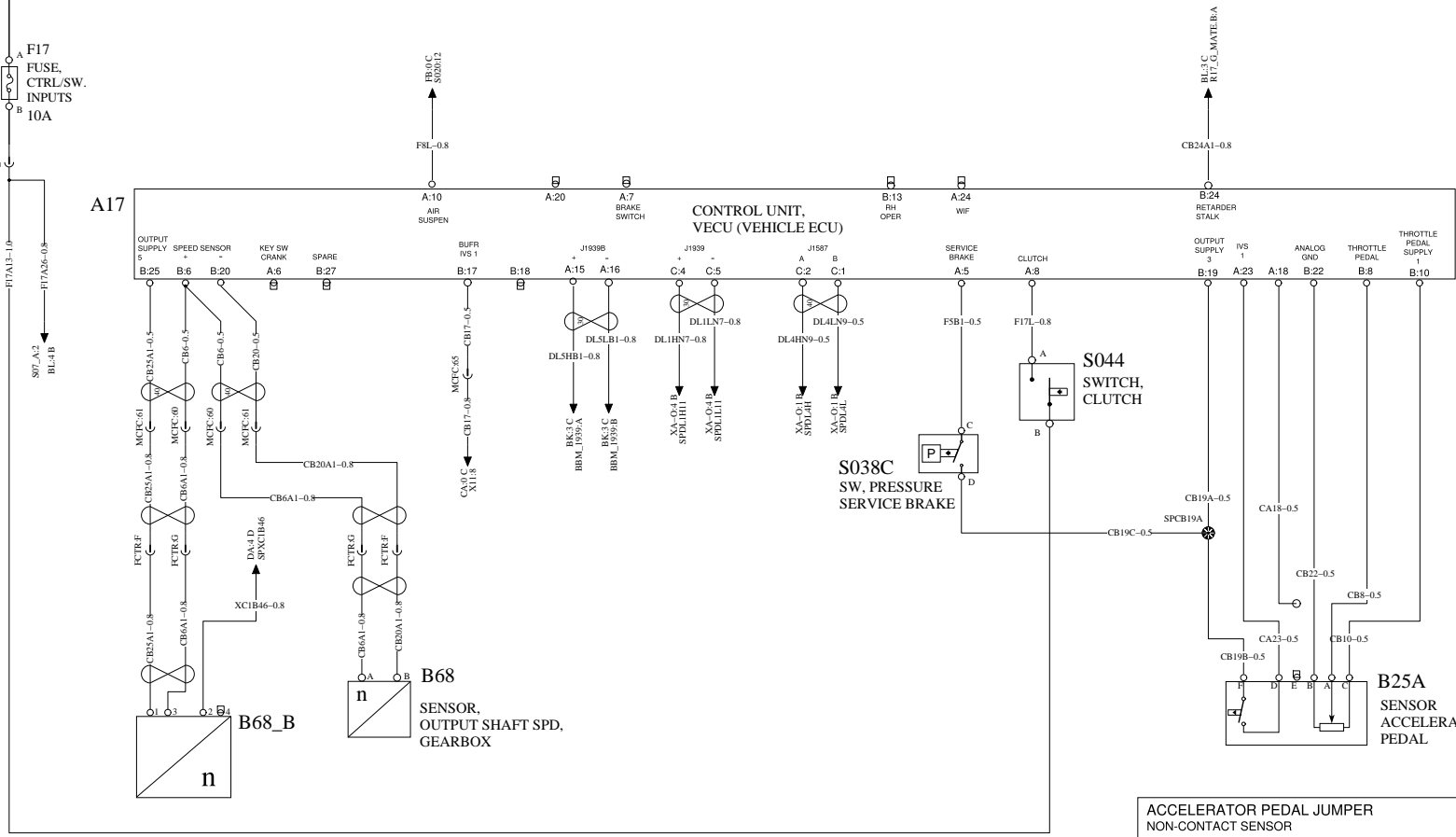
BATT
IGN
EMS
ILLUM

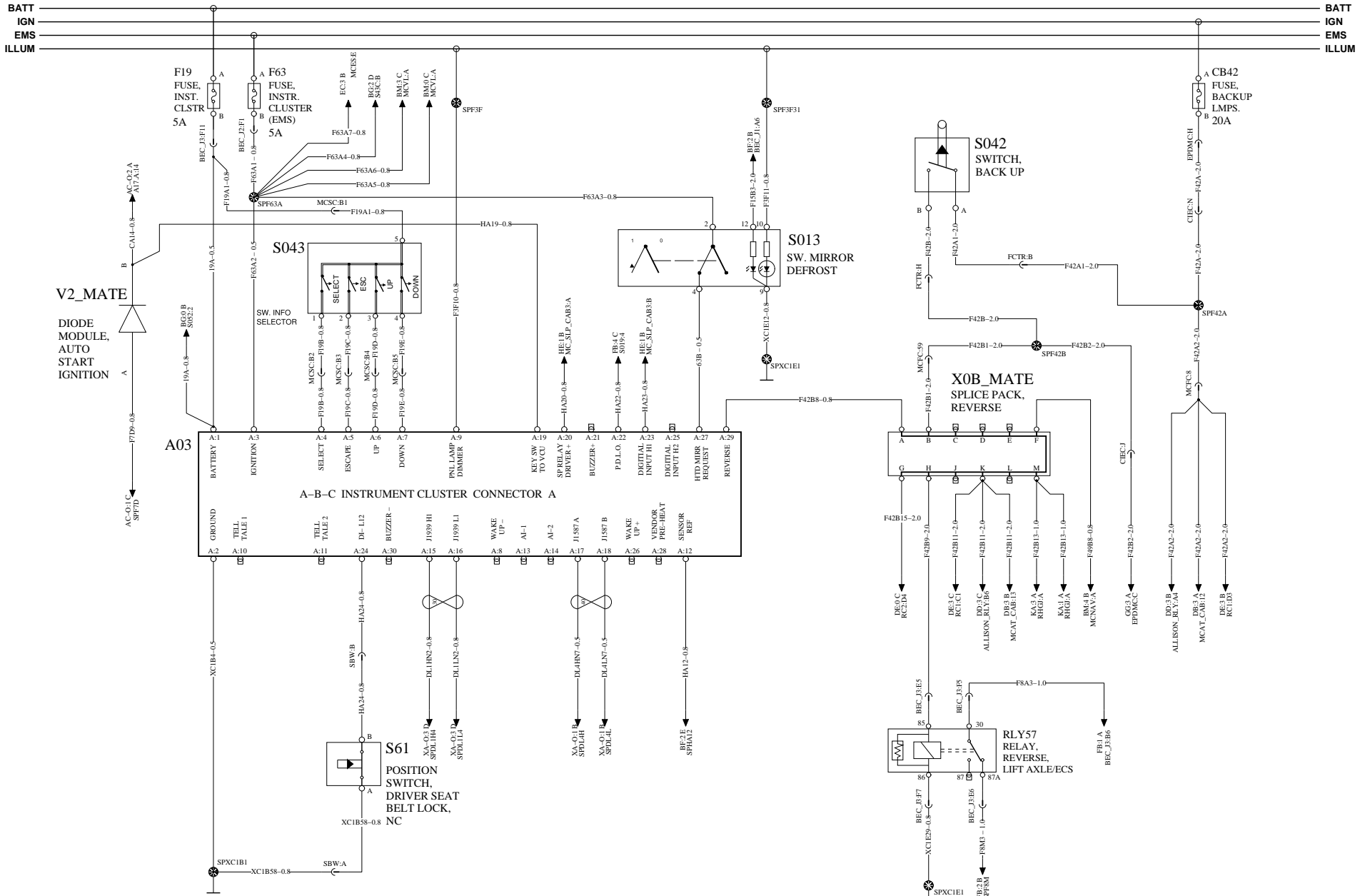
XOC_MATE
SPLICE PACK,
ILLUMINATION

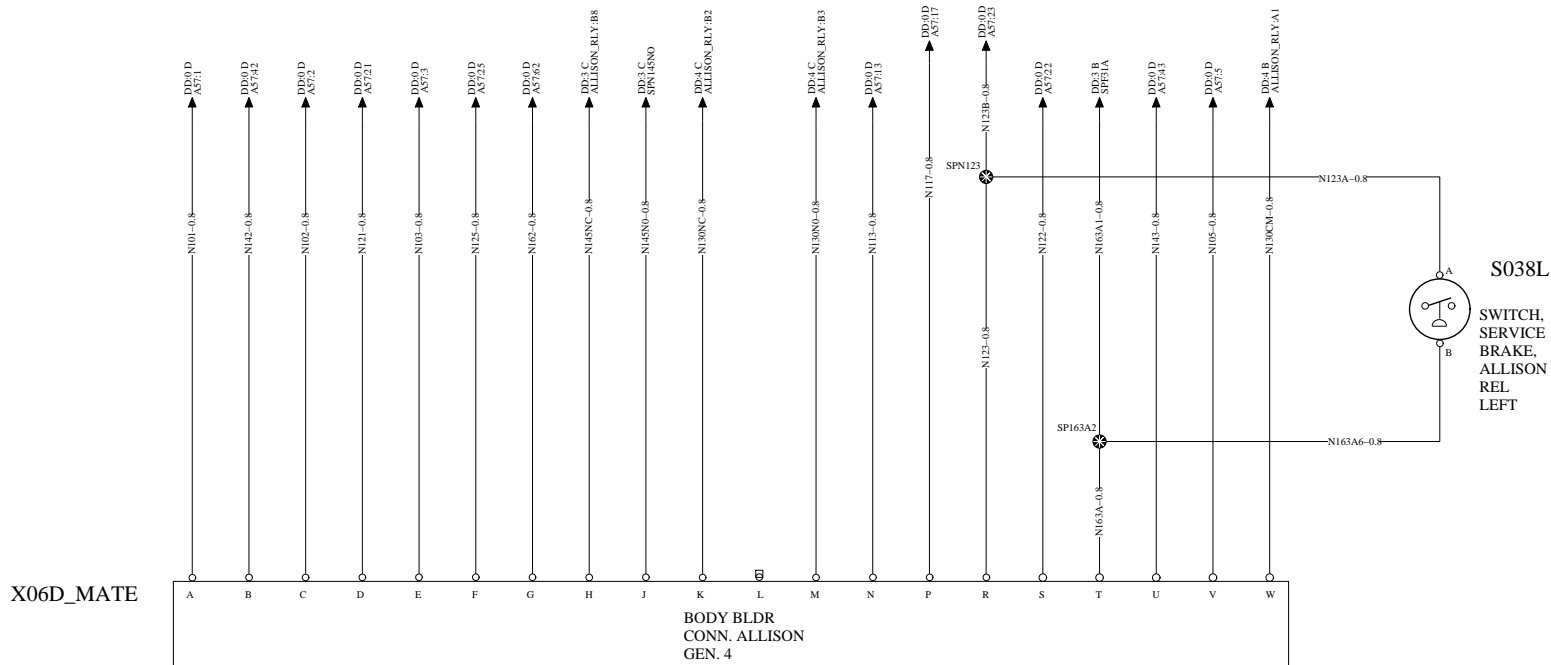
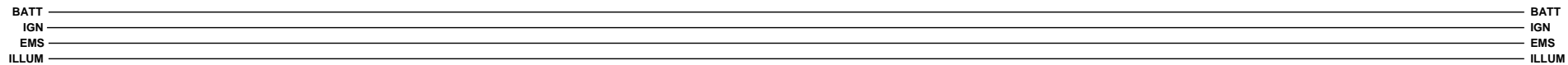


	Document title	Document No	Issue	Volume	Page
	WIRE DIAGRAM-CONVENTIONAL, 12V MACK, 2013BP	22448341	03	1 (1)	8 (53)
	Document type				
	PRODUCT SCHEMATIC				

BATT
IGN
EMS
ILLUM





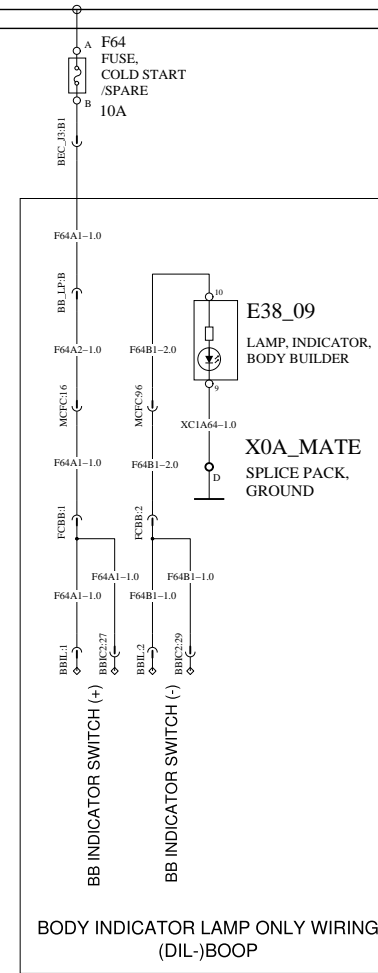
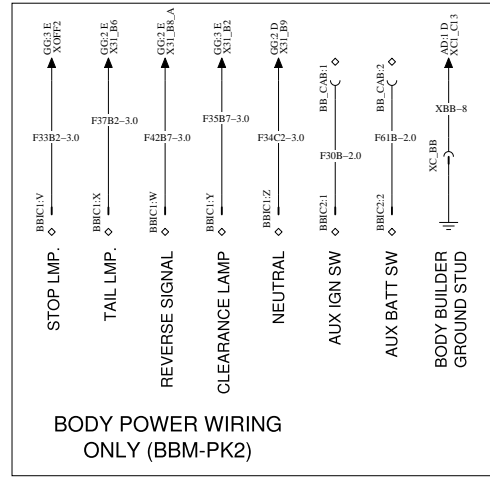
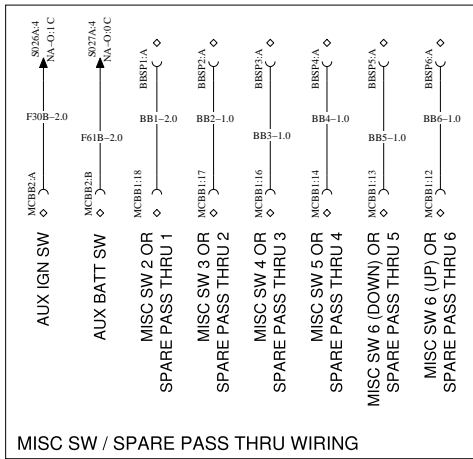
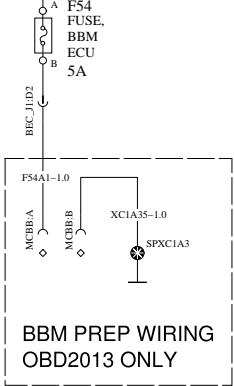


BODY BUILDER CIRCUITS – OPTIONAL WIRING

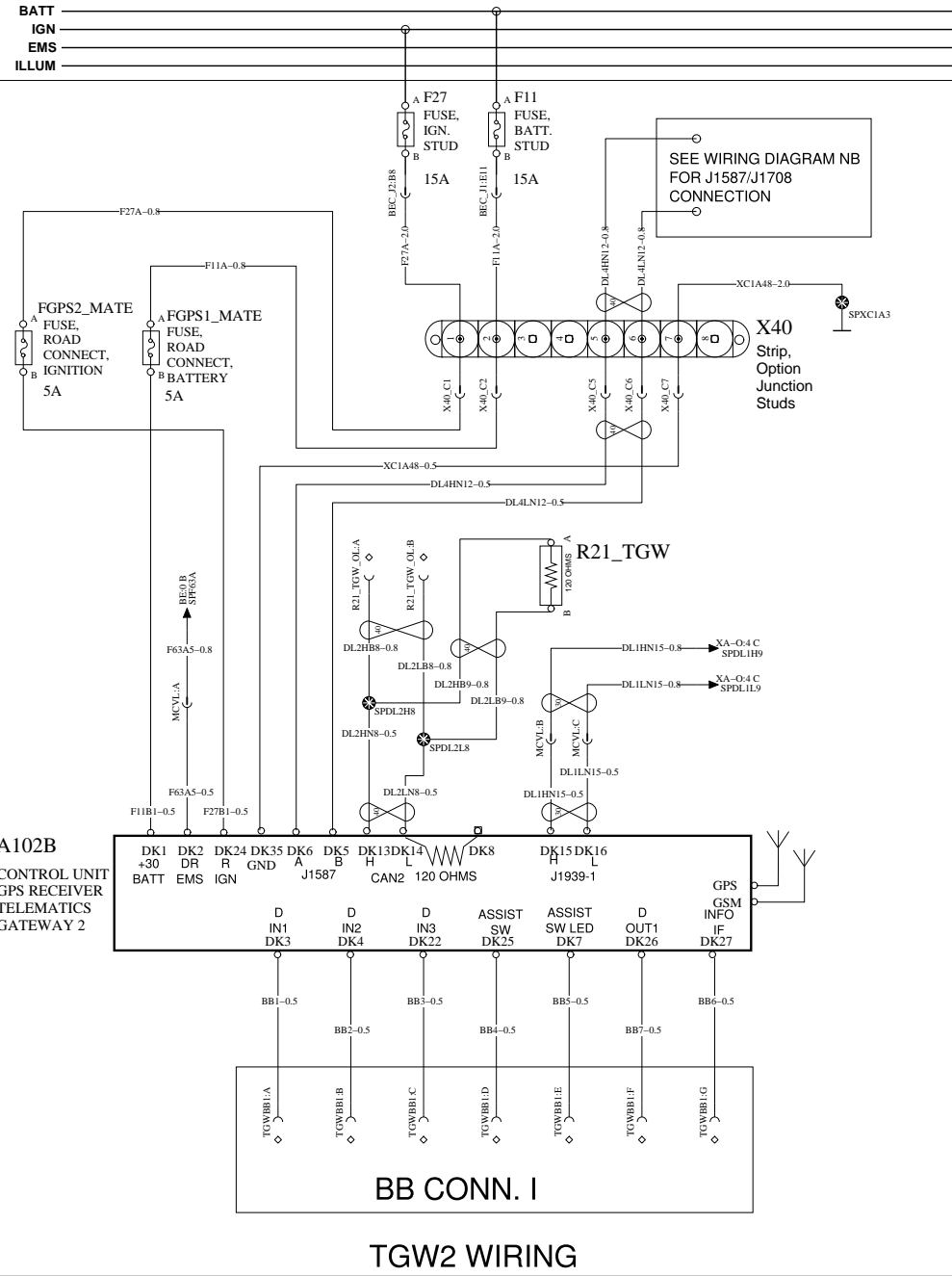
WIRING DIAGRAM : BJ

BATT
IGN
EMS
ILLUM

BATT
IGN
EMS
ILLUM

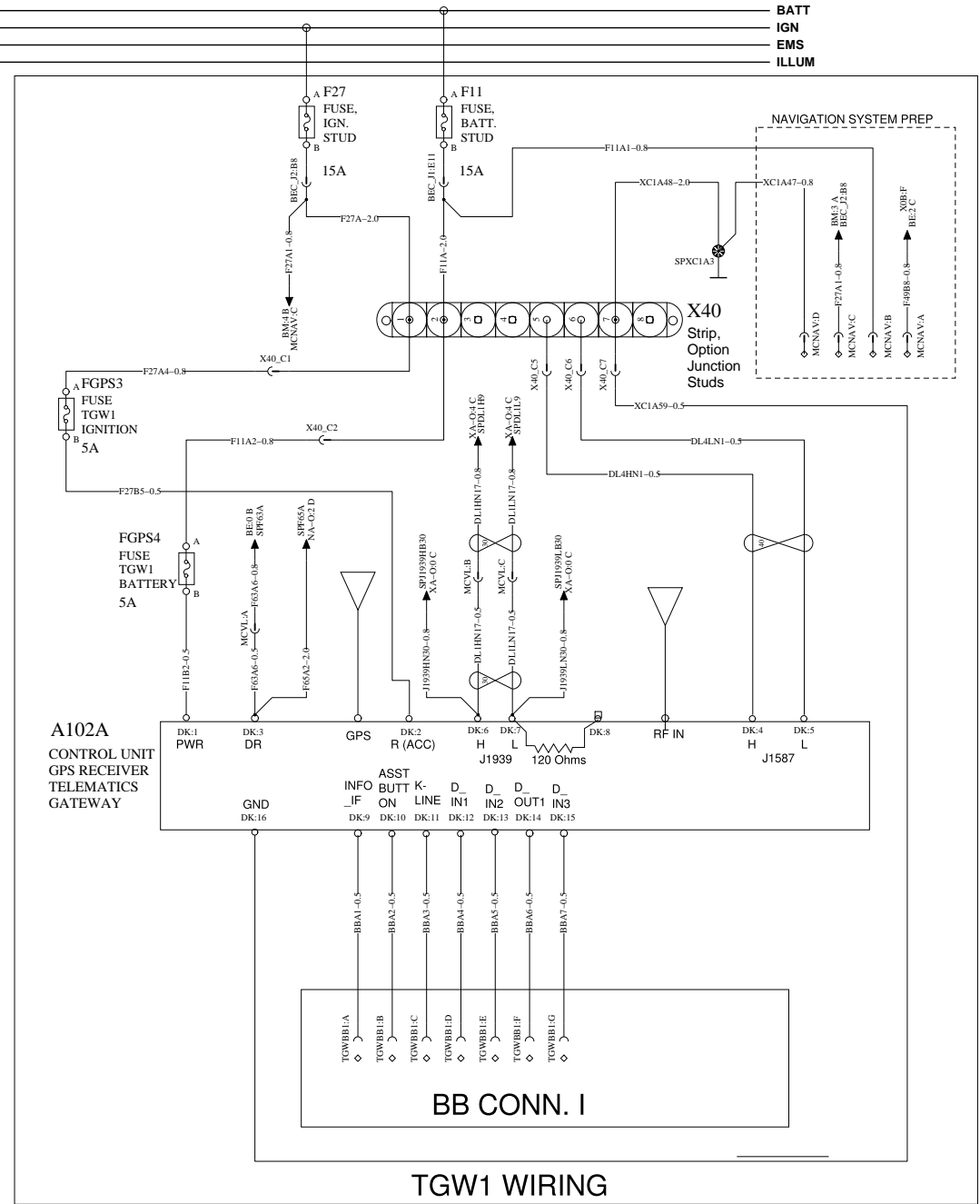


TELEMATICS GATEWAY (TGW)



TGW2 WIRING

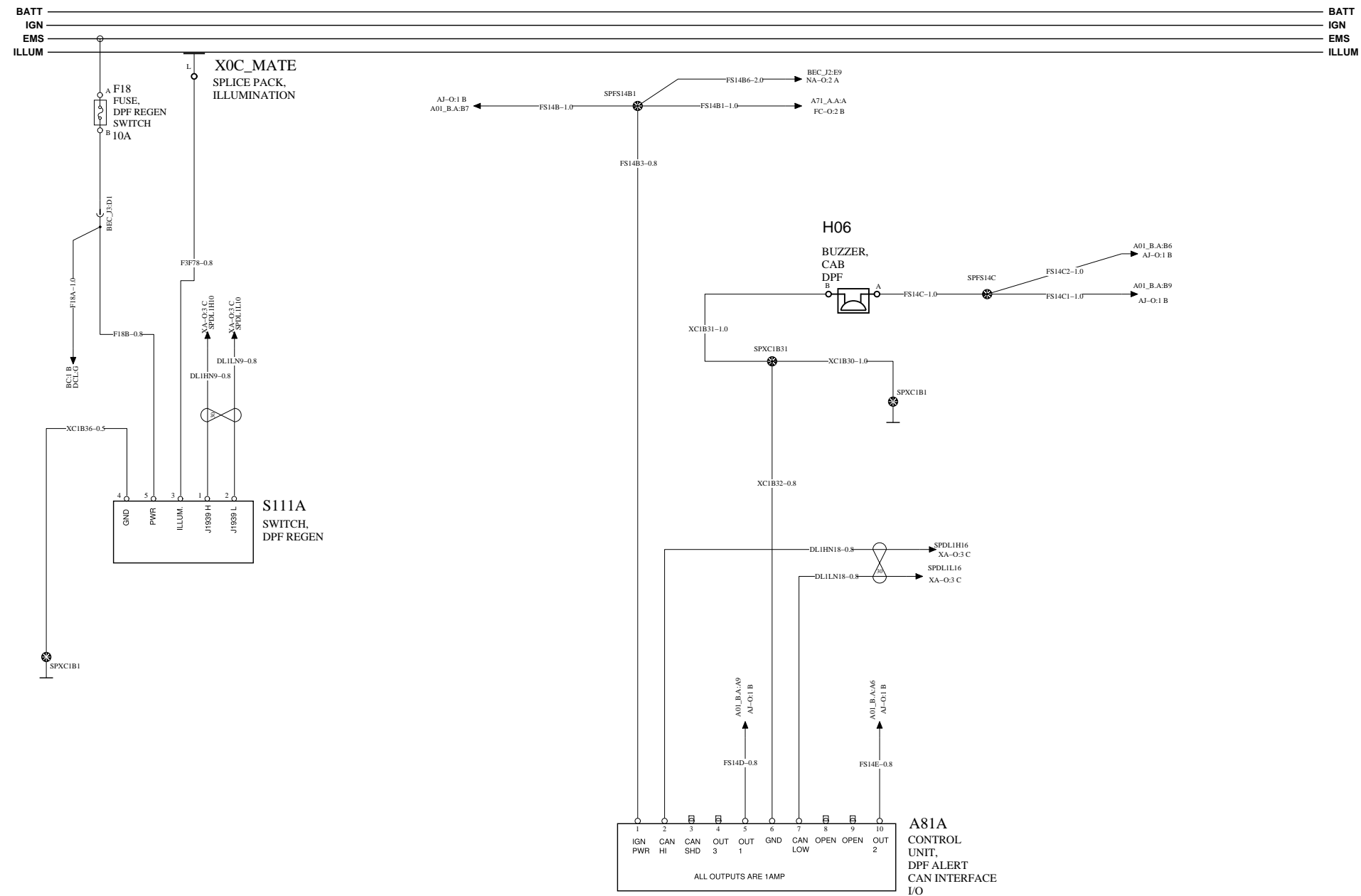
WIRING DIAGRAM : BM



TGW1 WIRING

DPF REGENERATION SYSTEM

WIRING DIAGRAM : CB-0

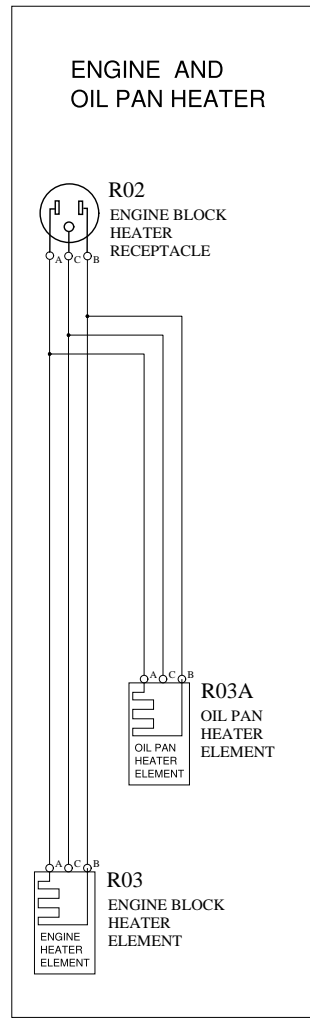
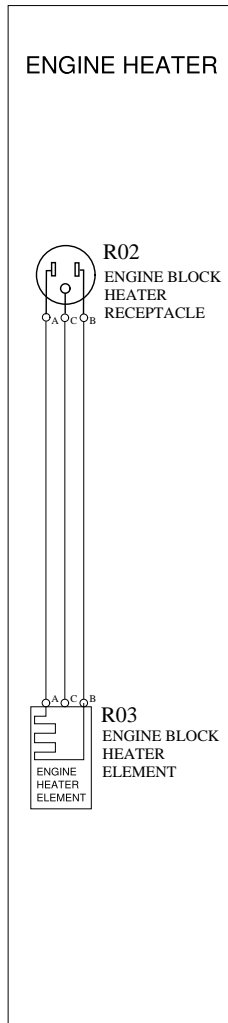


ENGINE HEATER

WIRING DIAGRAM : CC

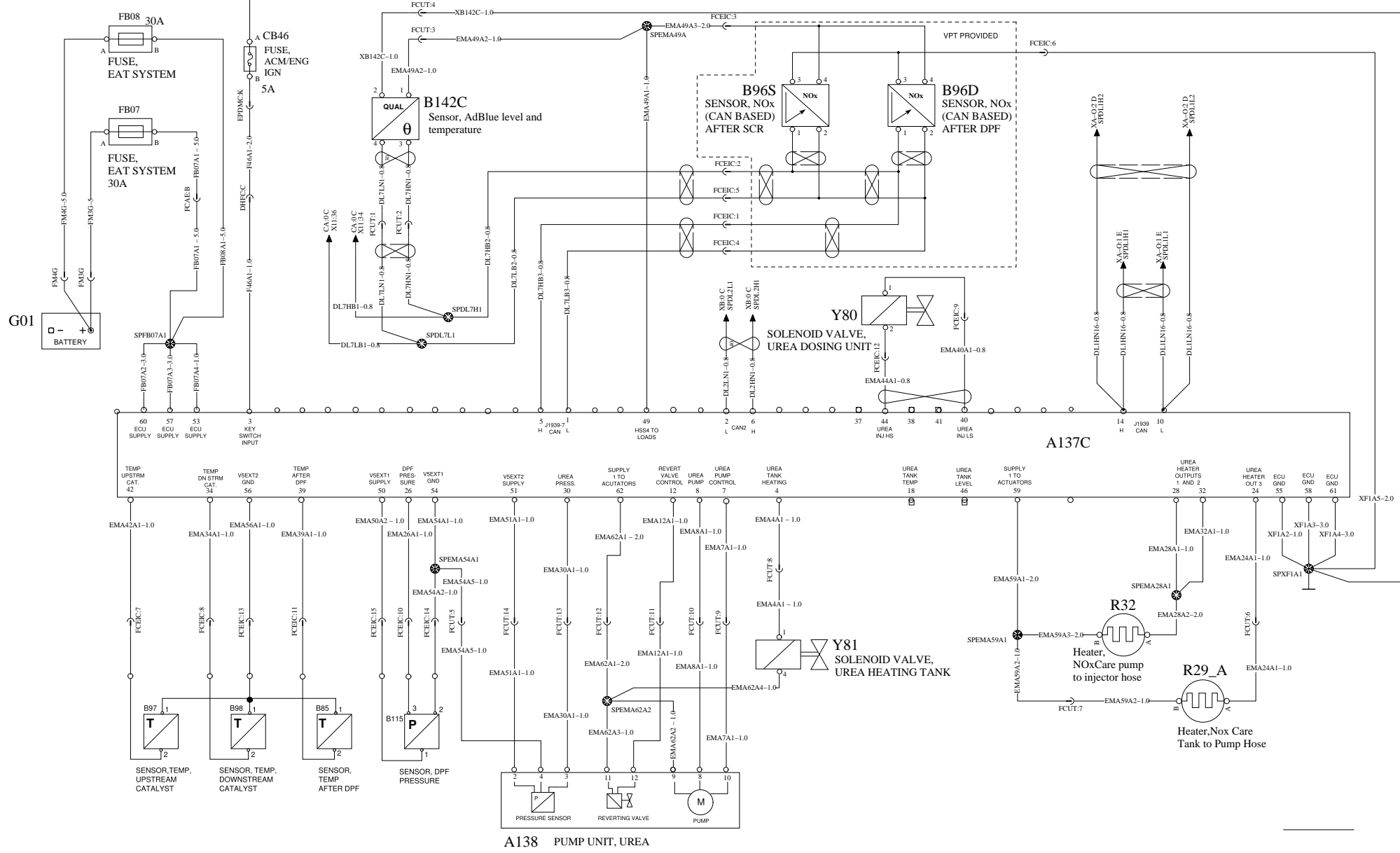
BATT
IGN
EMS
ILLUM

BATT
IGN
EMS
ILLUM



BATT
IGN
EMS
ILLUM

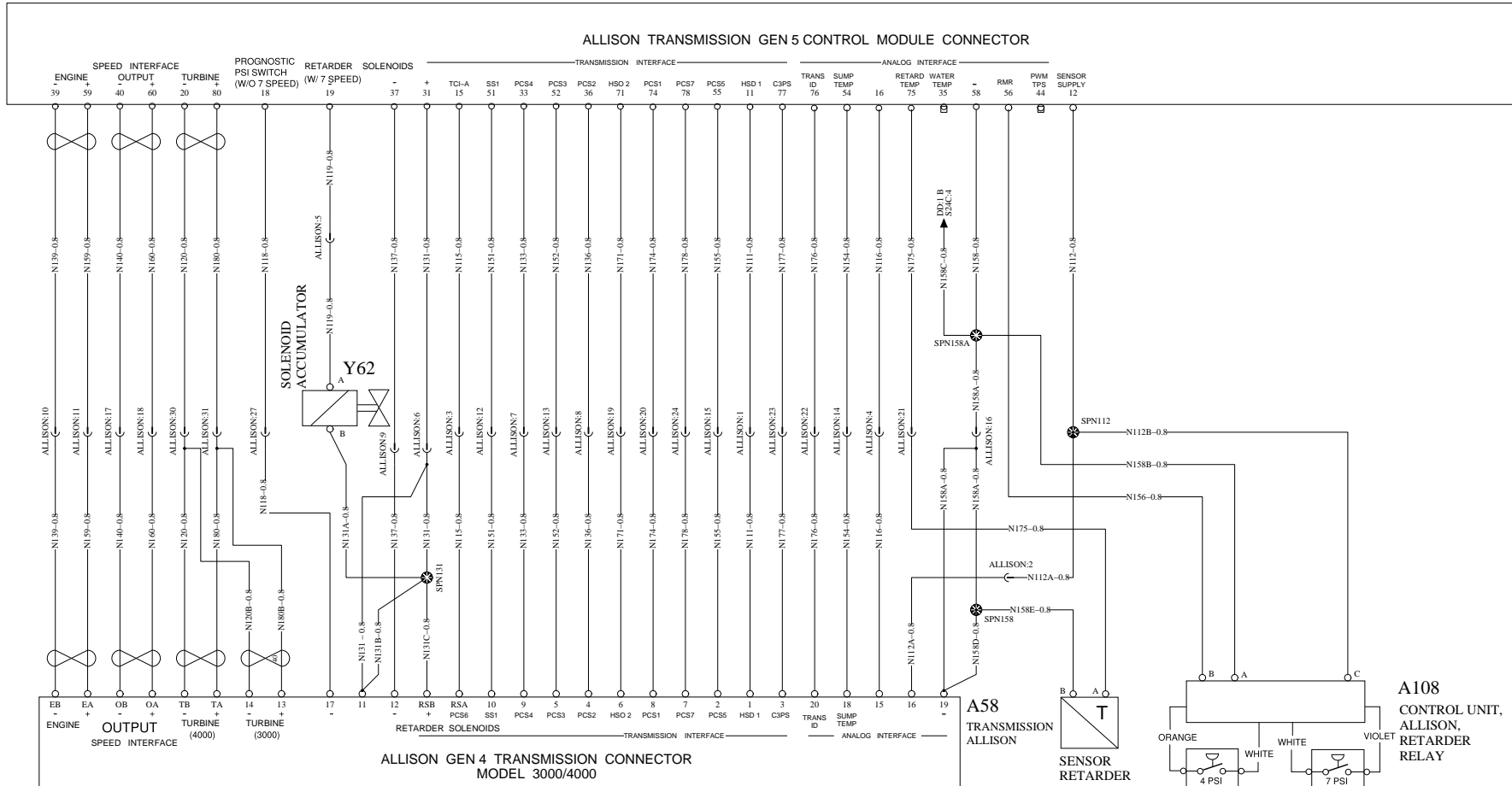
BATT
IGN
EMS
ILLUM



BATT
IGN
EMS
ILLUM

BATT
IGN
EMS
ILLUM

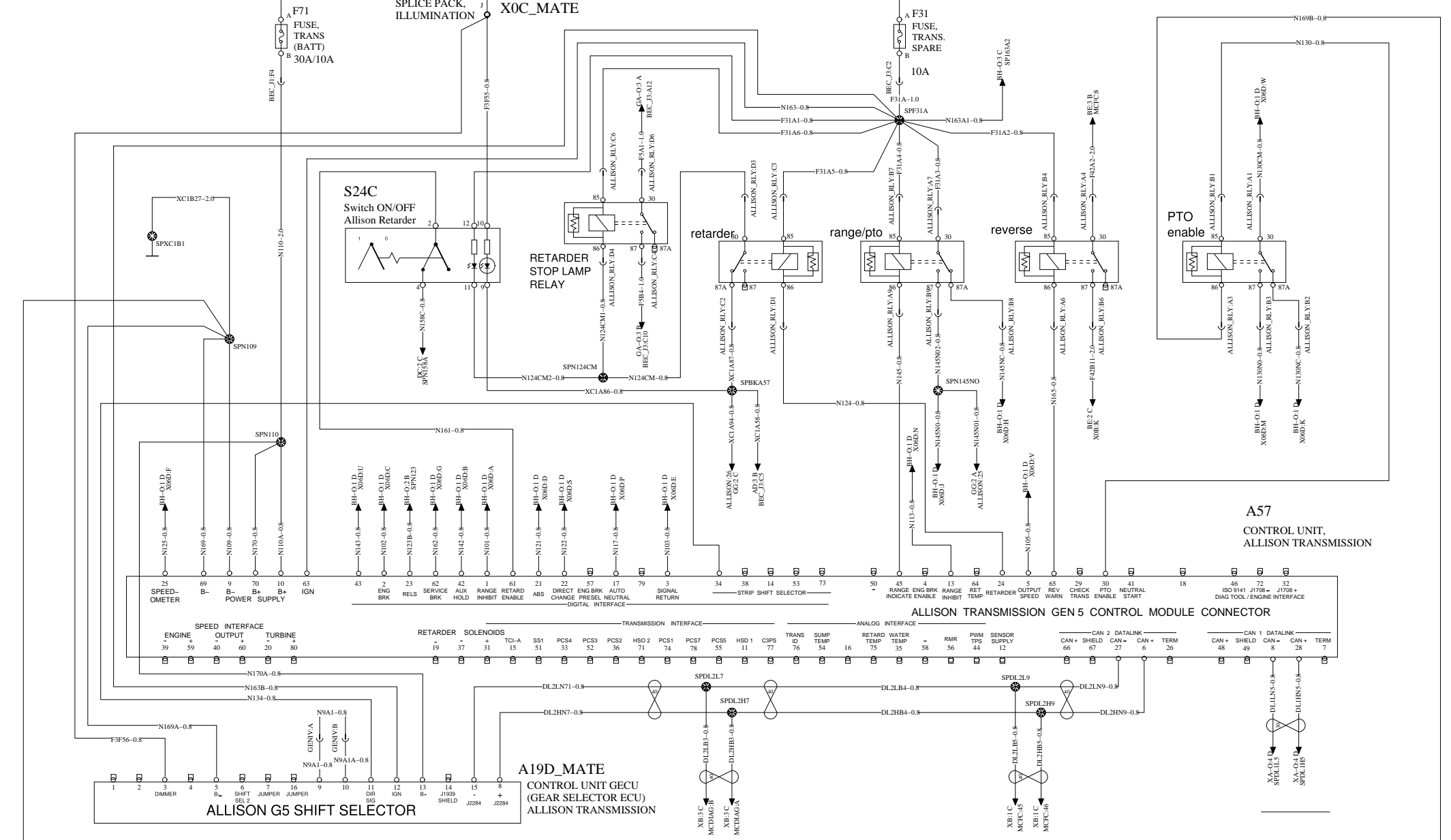
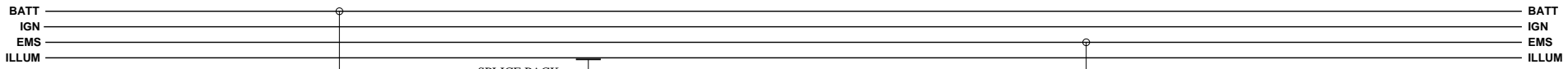
A57 CONTROL UNIT,
ALLISON TRANSMISSION



Document title
WIRE DIAGRAM-CONVENTIONAL, 12V MACK, 2013BP

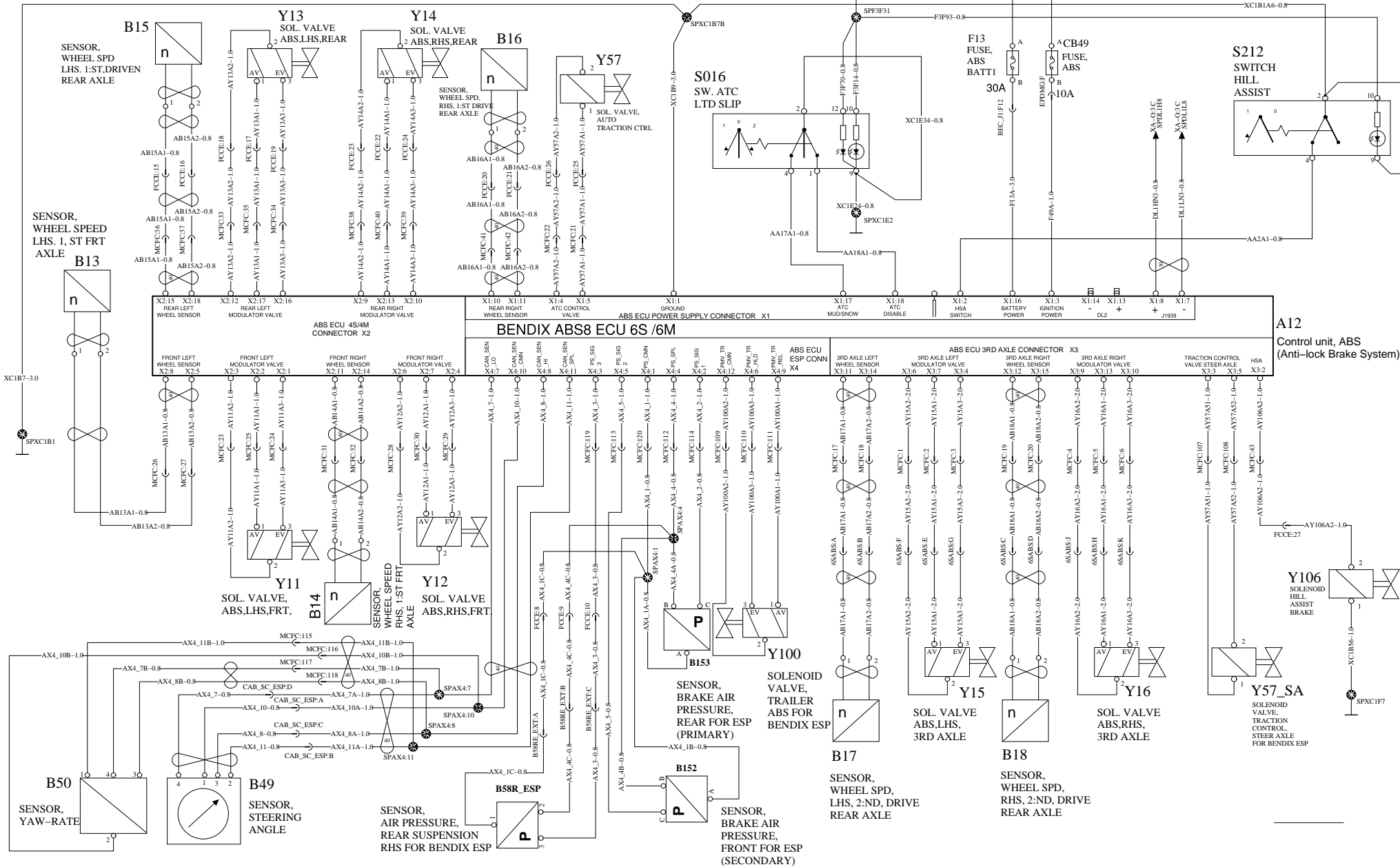
Document type
PRODUCT SCHEMATIC

Document No	Issue	Volume	Page
22448341	03	1 (1)	23 (53)



BATT
IGN
EMS
ILLUM

BATT
IGN
EMS
ILLUM



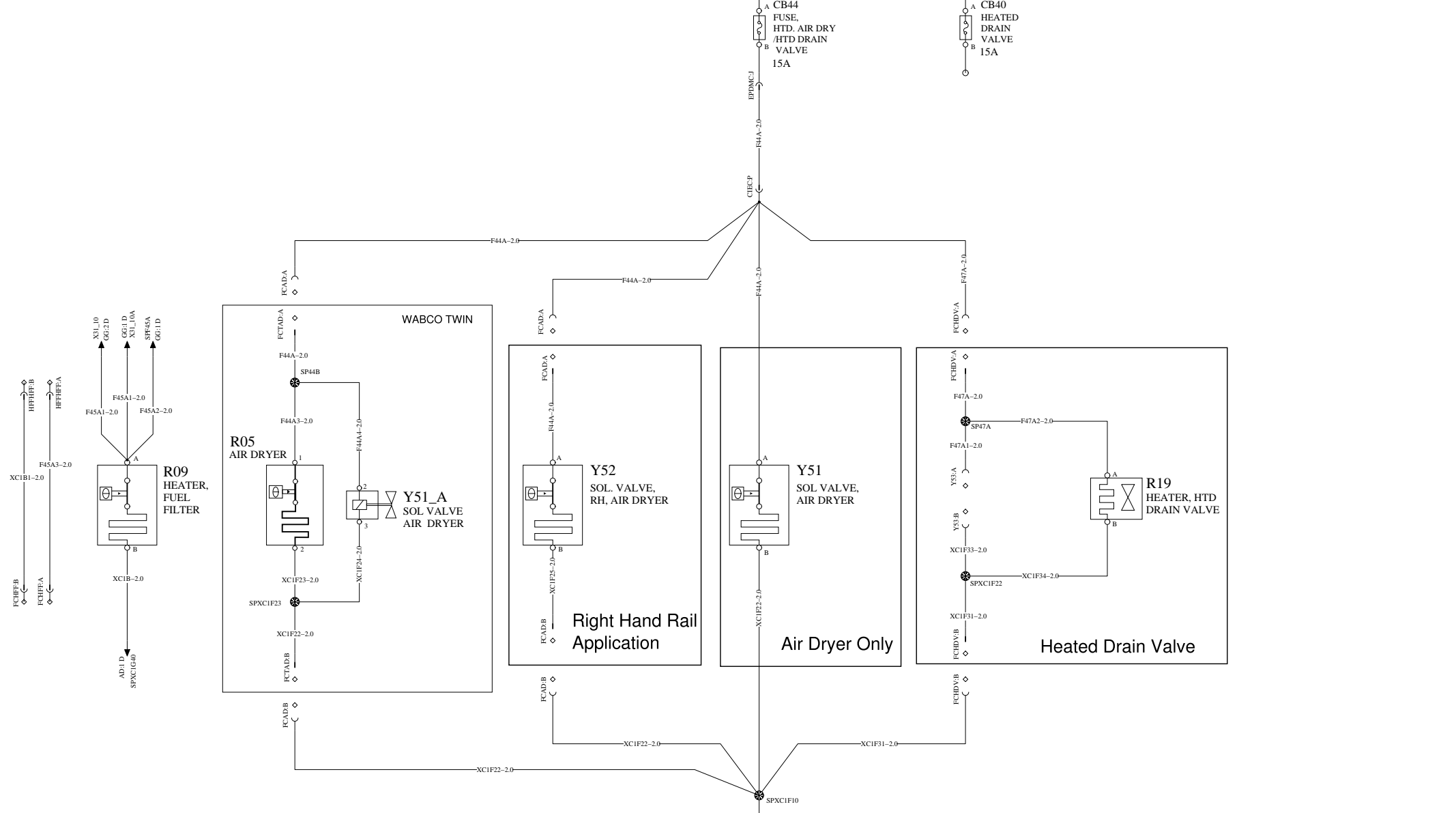
Document title	WIRING DIAGRAM	Document No	22448341	Issue	03	Volume	1 (1)	Page	25 (53)
Document type	PRODUCT SCHEMATIC								

AIR DRYER /HEATED DRAIN

WIRING DIAGRAM : FA

BATT
IGN
EMS
ILLUM

BATT
IGN
EMS
ILLUM



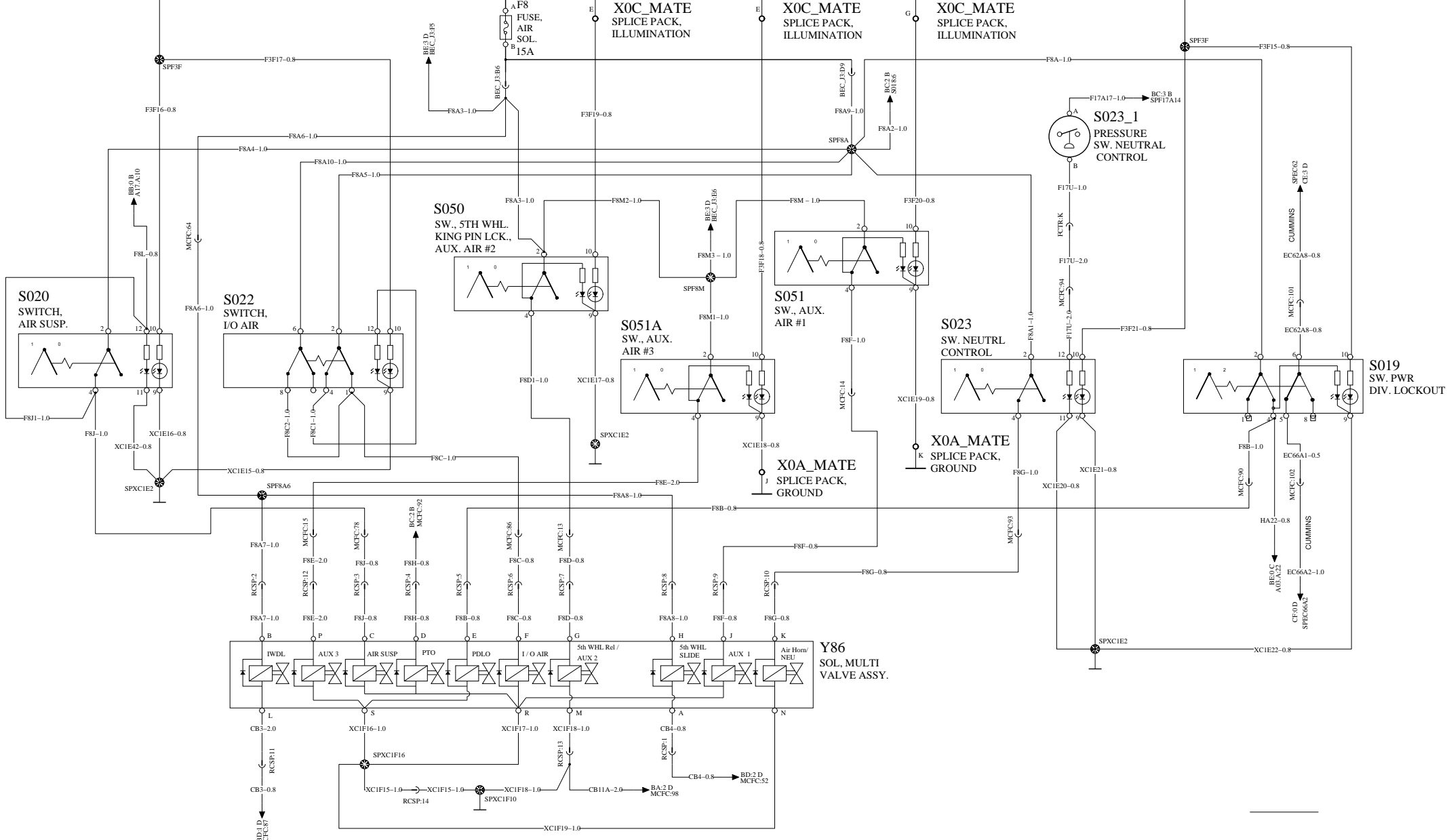
CHASSIS SOLENOIDS

WIRING DIAGRAM

: FB

BATT
IGN
EMS
ILLUM

BATT
IGN
EMS
ILLUM



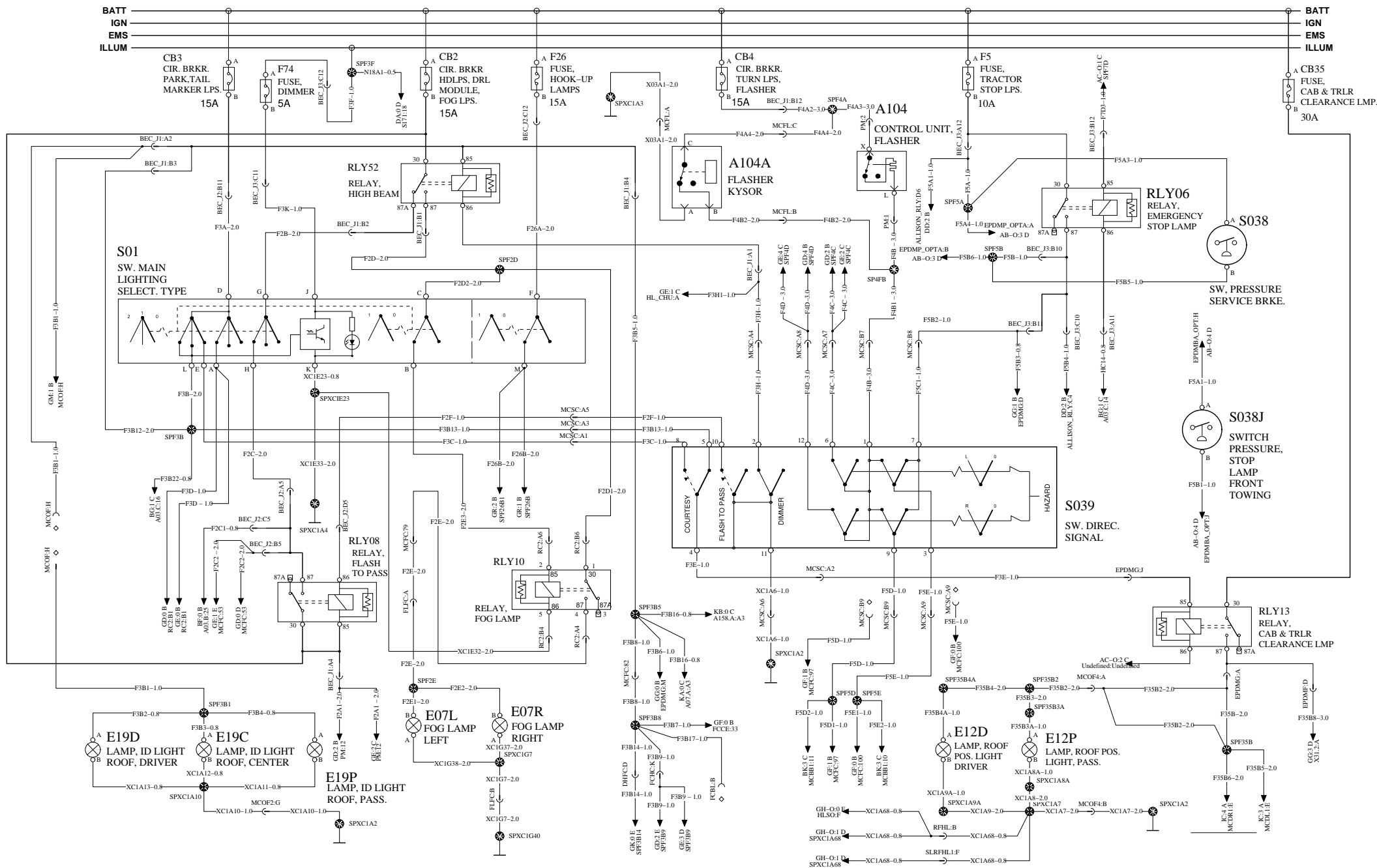
Document title WIRE DIAGRAM-CONVENTIONAL, 12V MACK, 2013BP
Document type PRODUCT SCHEMATIC

Document No 22448341	Issue 03	Volume 1 (1)	Page 27 (53)
--------------------------------	--------------------	------------------------	------------------------

LIGHTING CONTROL

WIRING DIAGRAM

: GA-0

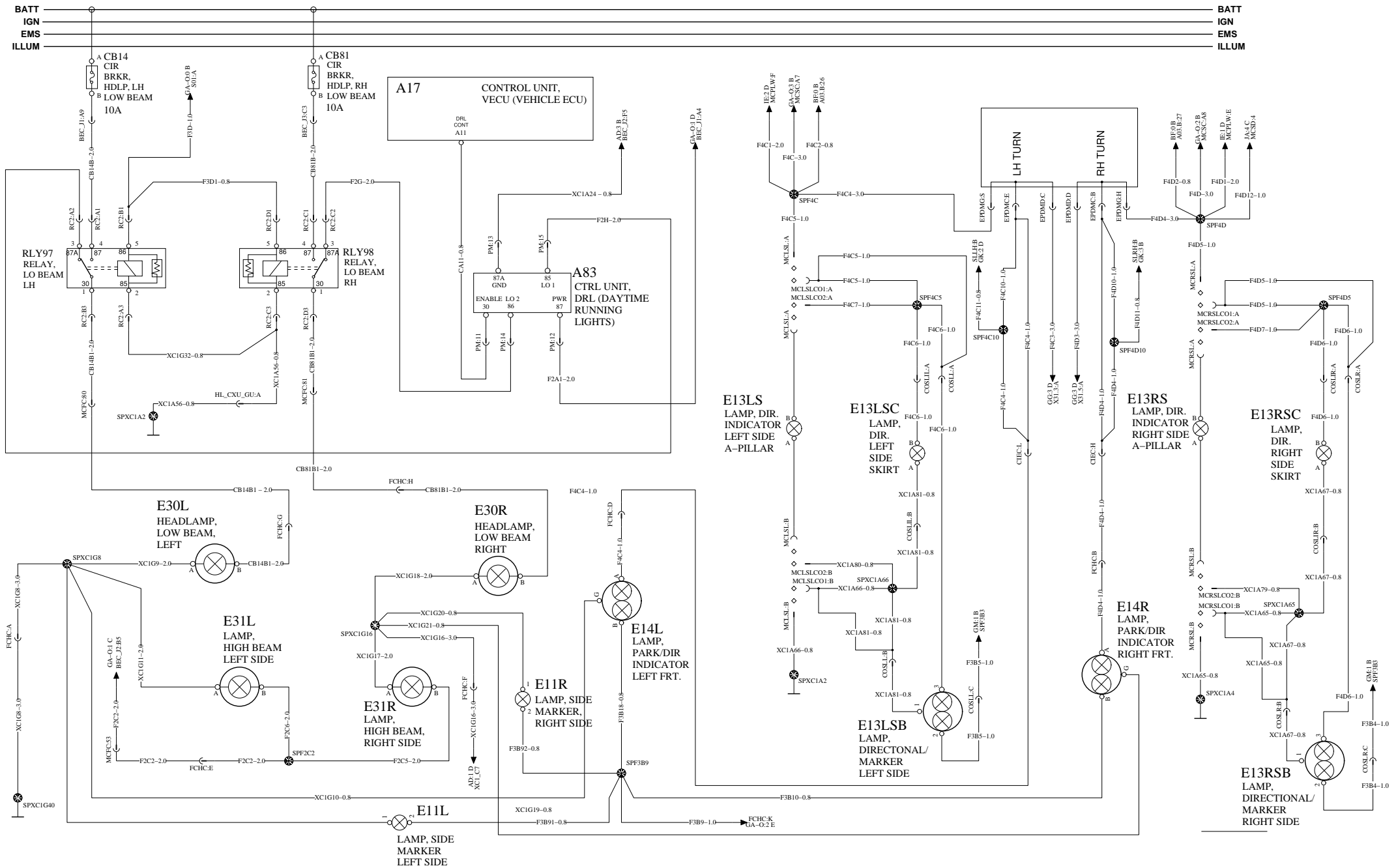


Document title
 WIRE DIAGRAM-CONVENTIONAL, 12V MACK, 2013BP
 Document type
 PRODUCT SCHEMATIC

Document No	Issue	Volume	Page
22448341	03	1 (1)	29 (53)

LIGHTING- FORWARD/SIGNAL (CXU, GU7 & GU8)

WIRING DIAGRAM : GD

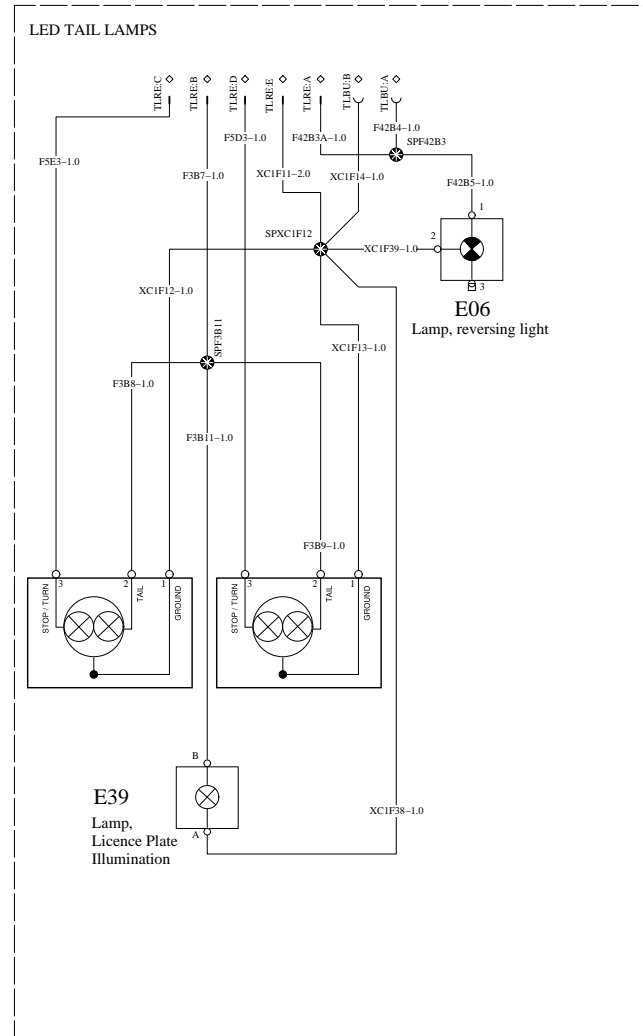
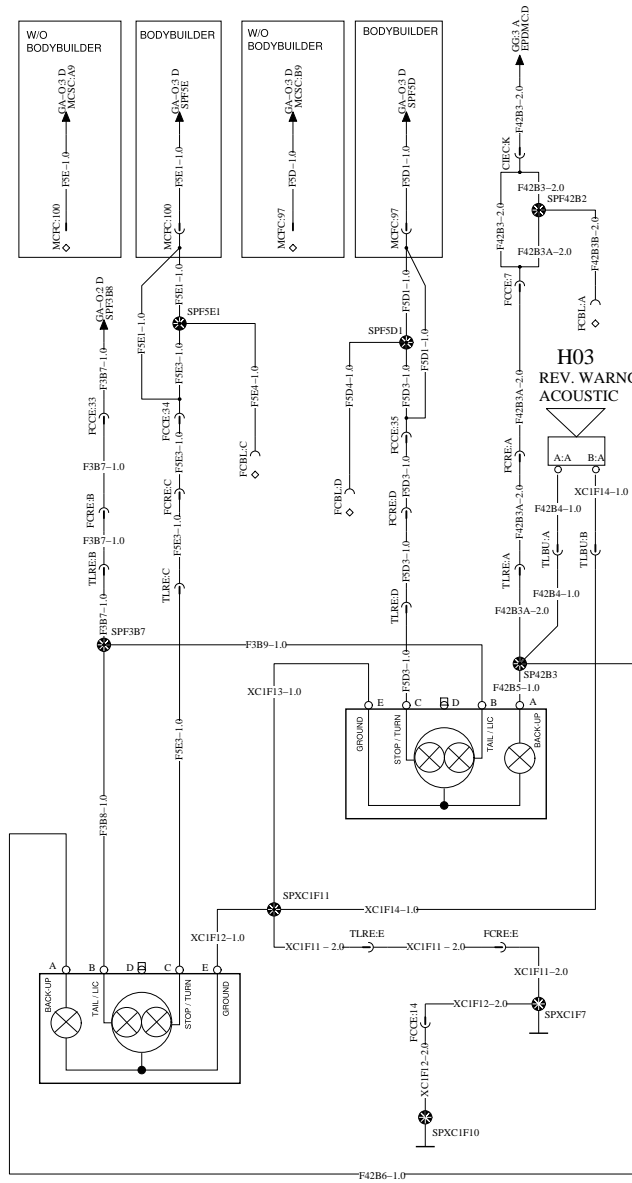


LIGHTING -TAIL/PERIMETER

WIRING DIAGRAM : GF

BATT
IGN
EMS
ILLUM

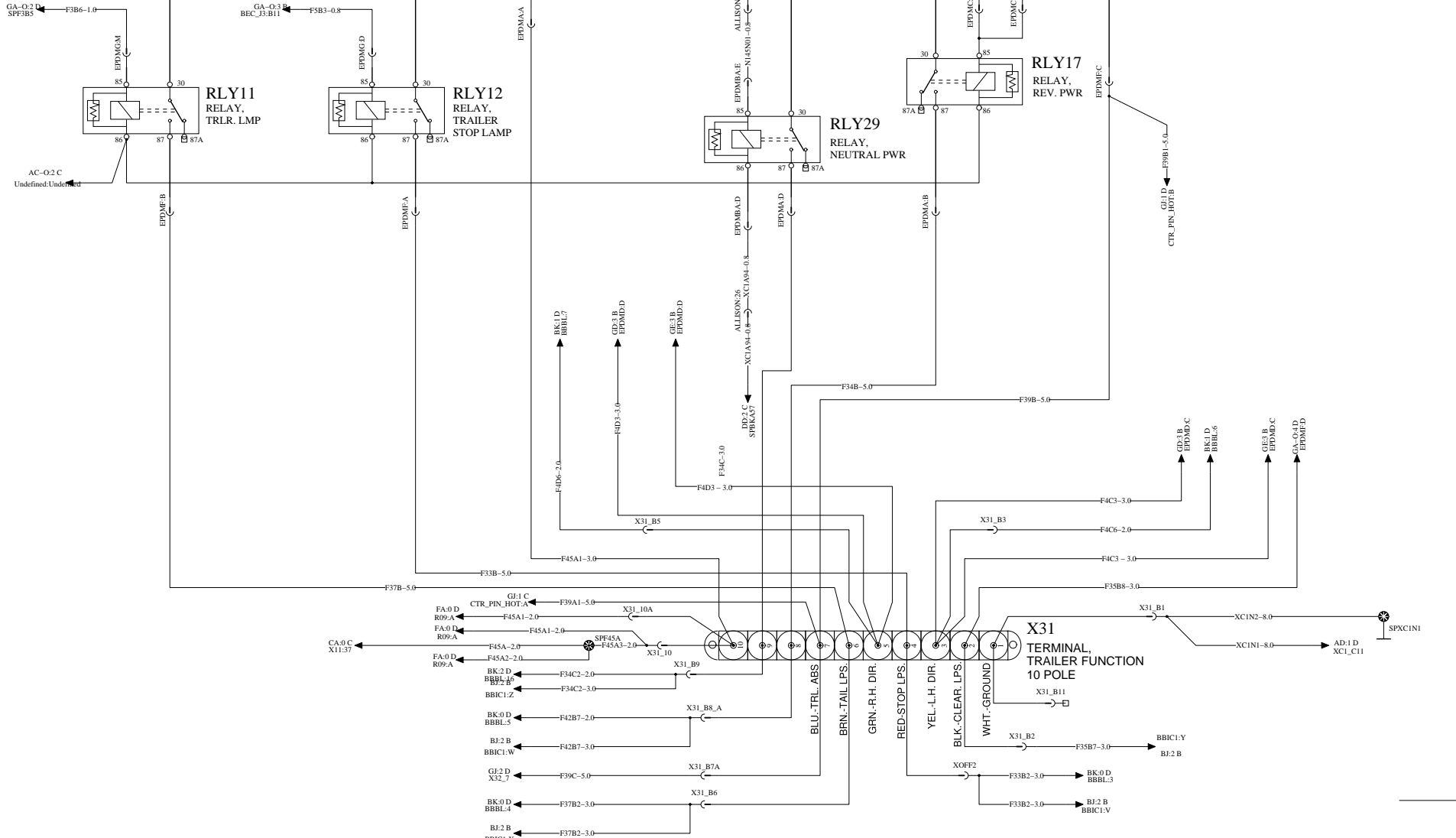
BATT
IGN
EMS
ILLUM



TRAILER LIGHTING CONTROL

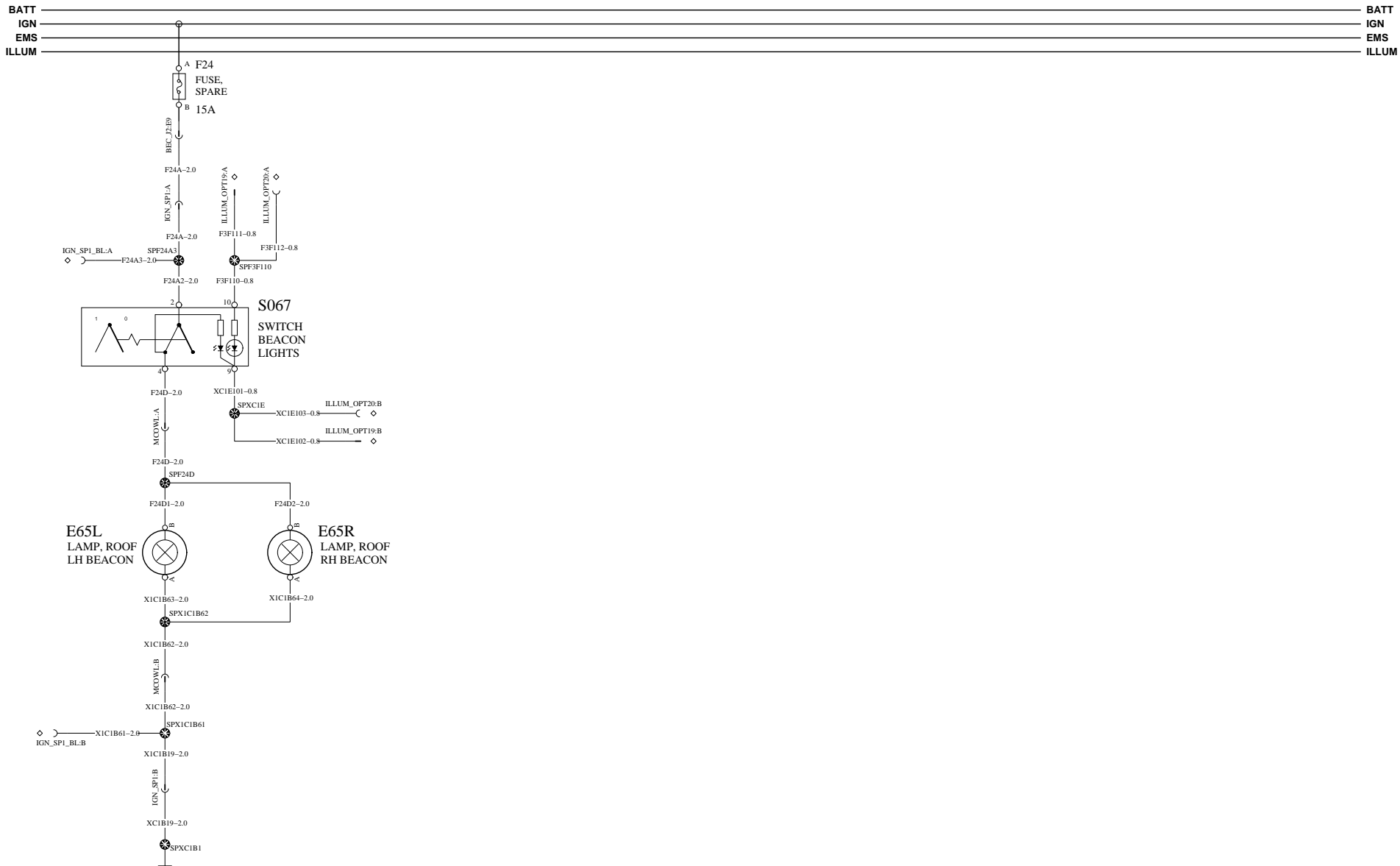
WIRING DIAGRAM : GG

BATT
IGN
EMS
ILLUM



LIGHTING - BEACON LAMPS

WIRING DIAGRAM : GL

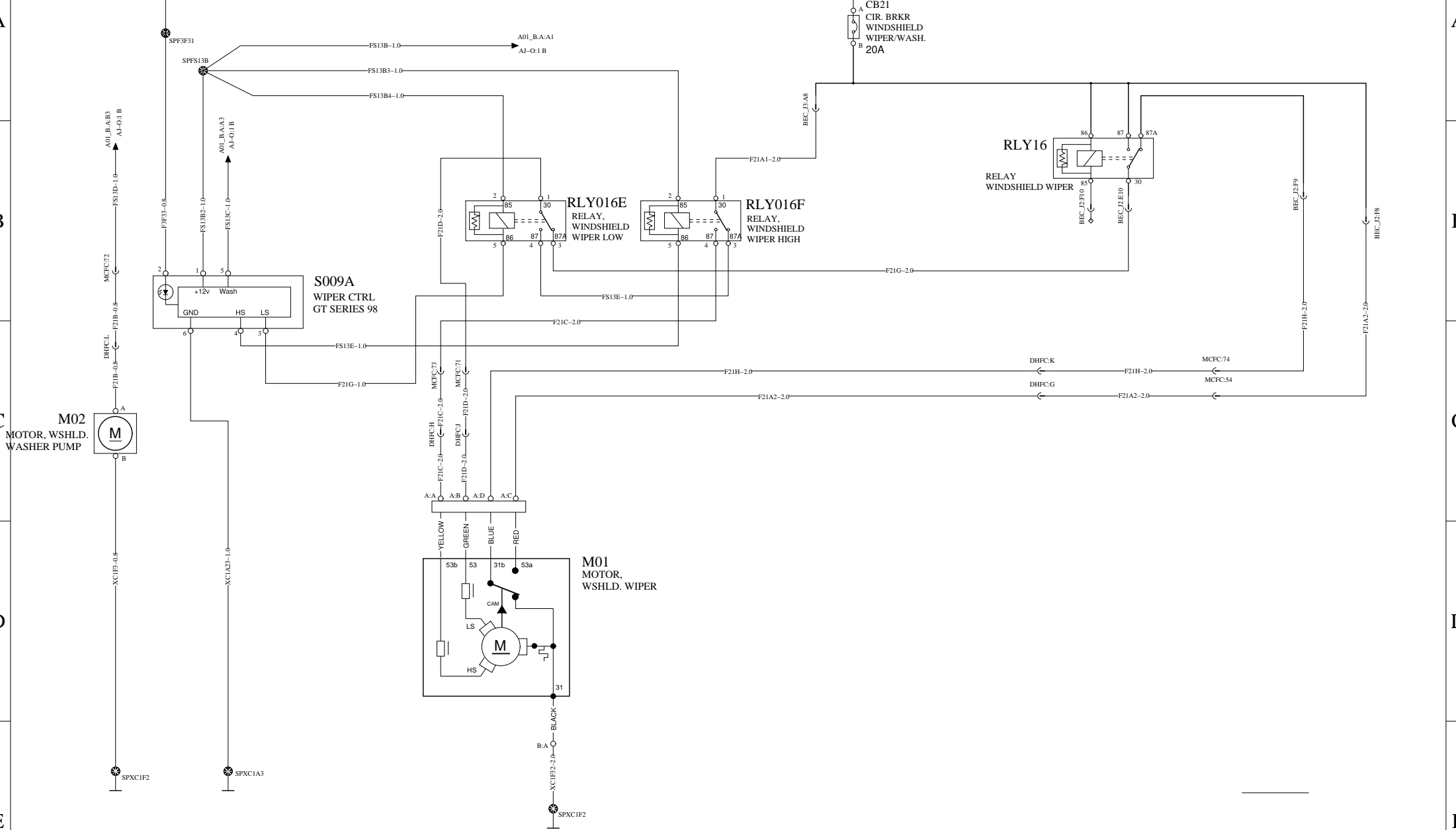


WIPER/WASHER

WIRING DIAGRAM : GP

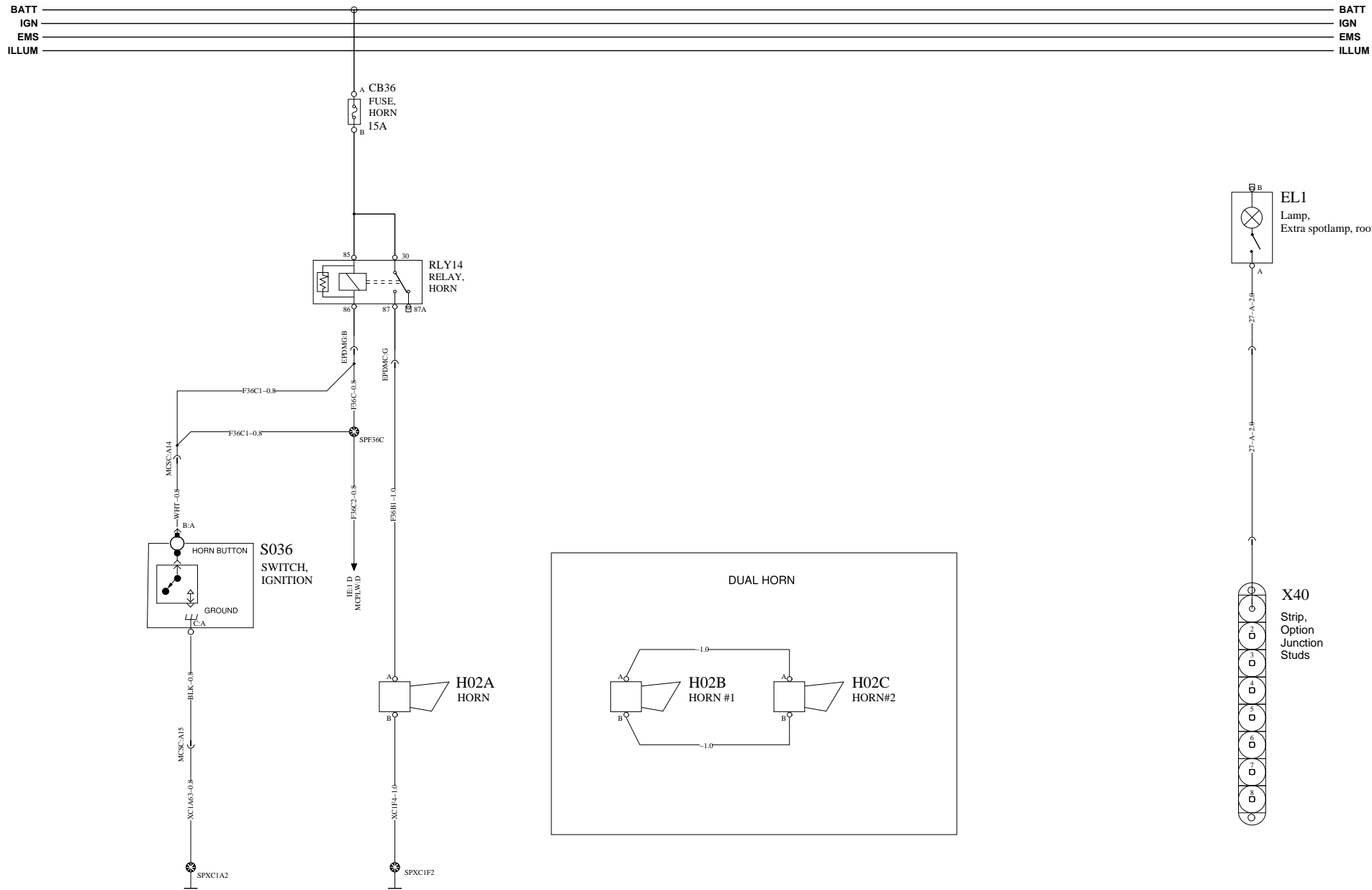
BATT
IGN
EMS
ILLUM

BATT
IGN
EMS
ILLUM



HORN WIRING/ SPOTLIGHT

WIRING DIAGRAM : GQ

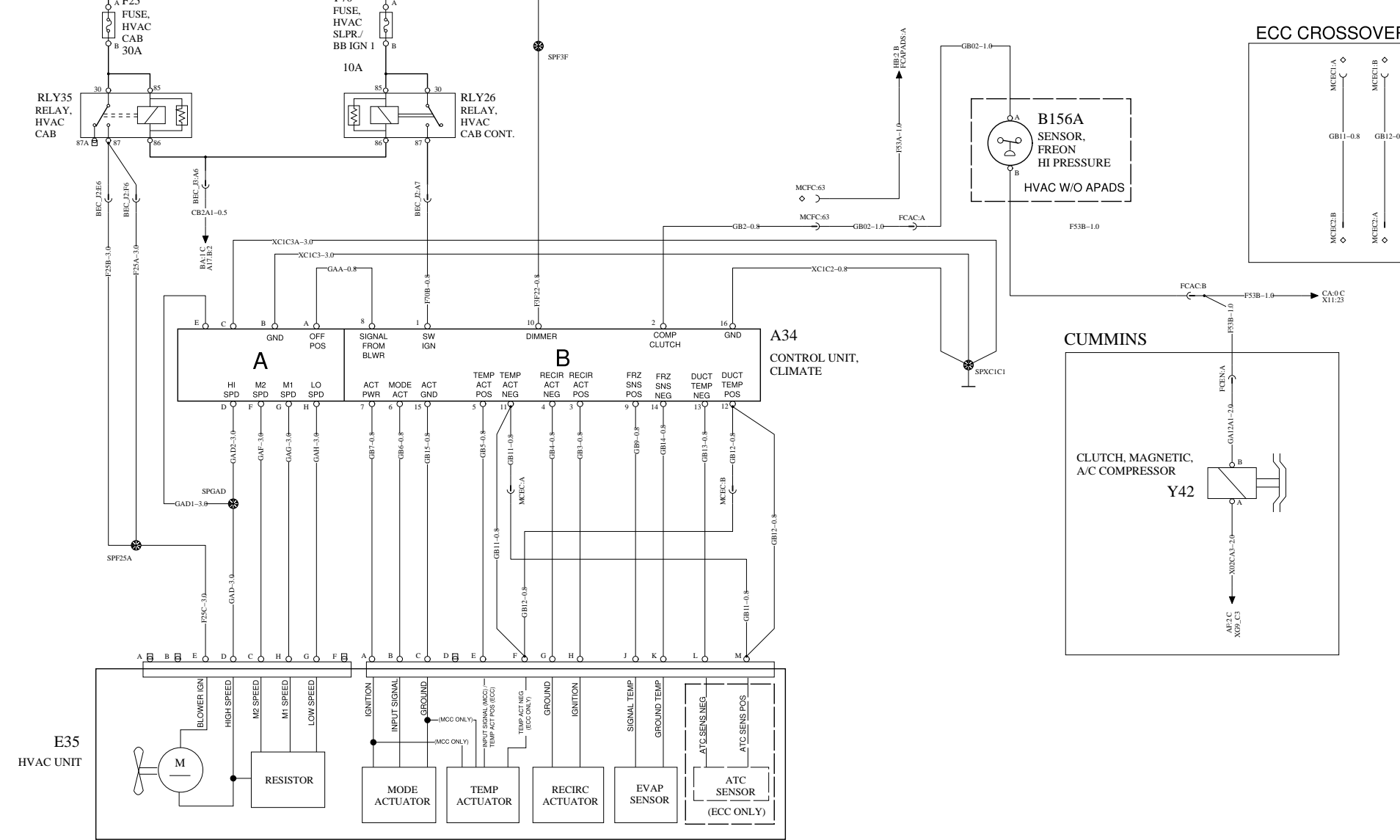


CLIMATE CONTROL

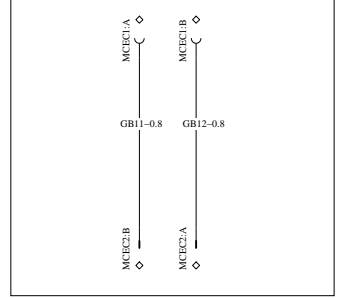
WIRING DIAGRAM : HA

BATT
IGN
EMS
ILLUM

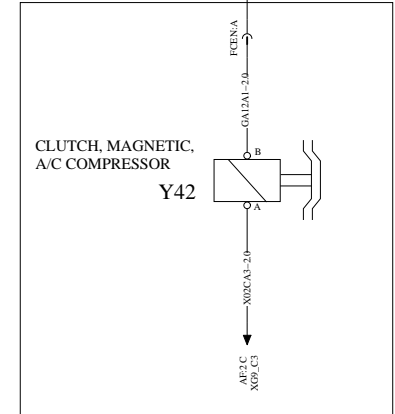
BATT
IGN
EMS
ILLUM



ECC CROSSOVER JUMPER



CUMMINS



0

1

2

3

4

HEATED SEATS, HEATED WINDSHIELD, AUX FAN 1/2

WIRING DIAGRAM

: HC

BATT
IGN
EMS
ILLUM

BATT
IGN
EMS
ILLUM

A

A

B

B

C

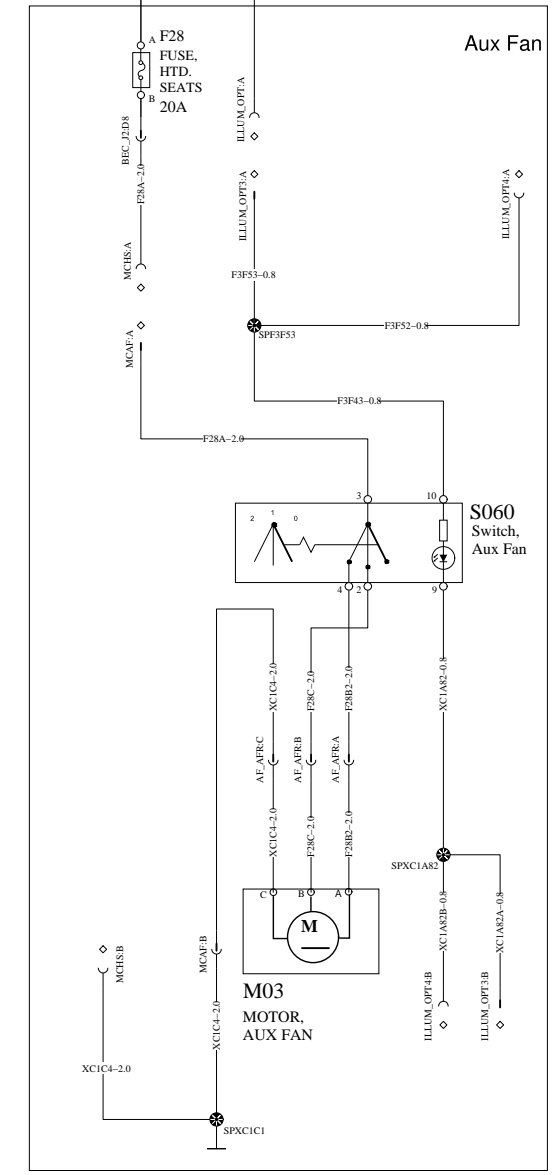
C

D

D

E

E



0

1

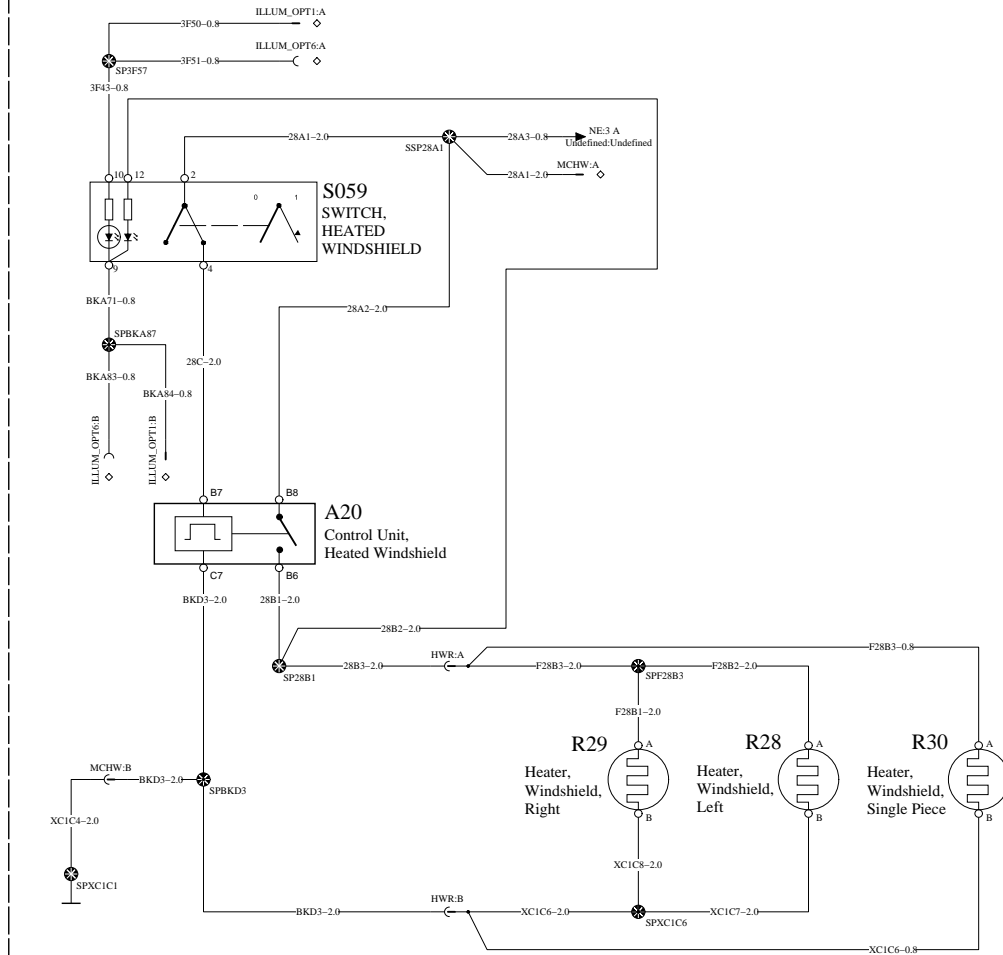
2

3

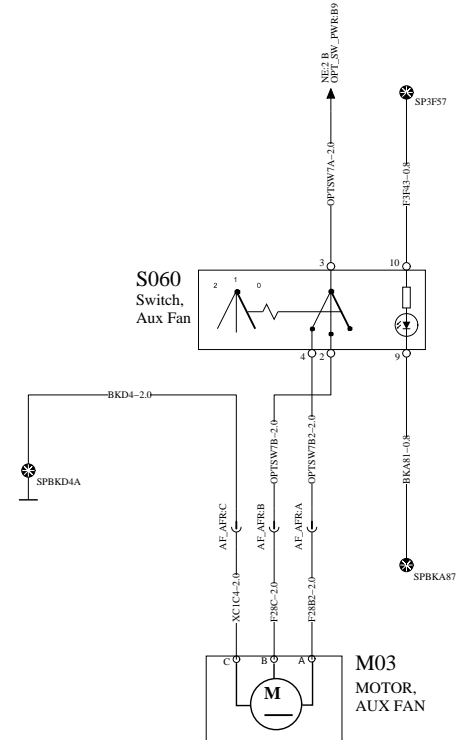
4

BATT _____ BATT
 IGN _____ IGN
 EMS _____ EMS
 ILLUM _____ ILLUM

HEATED WINDSHIELD



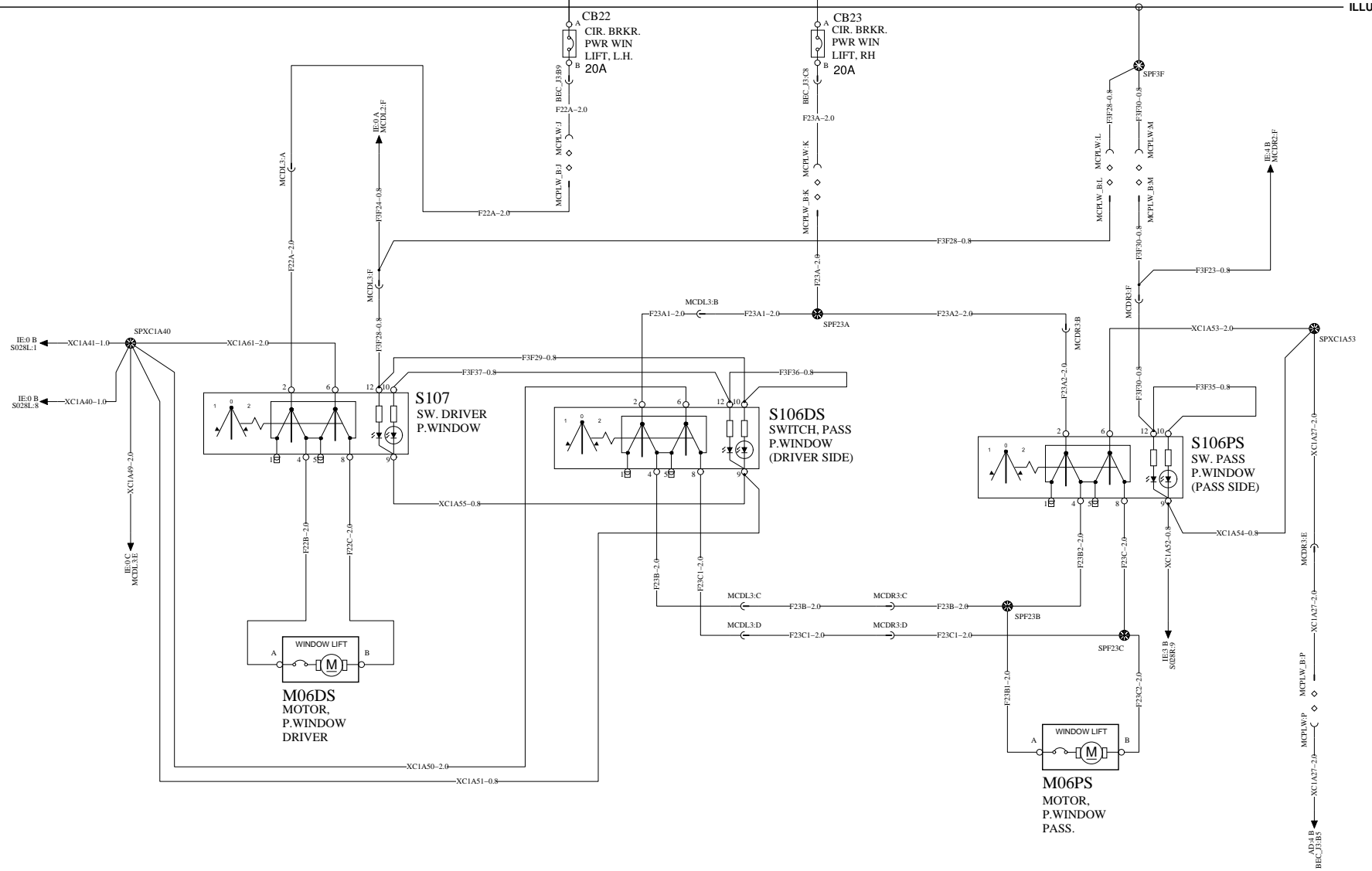
AUX FAN



RH & LH MOTORIZED WINDOWS

WIRING DIAGRAM : IA

BATT
IGN
EMS
ILLUM

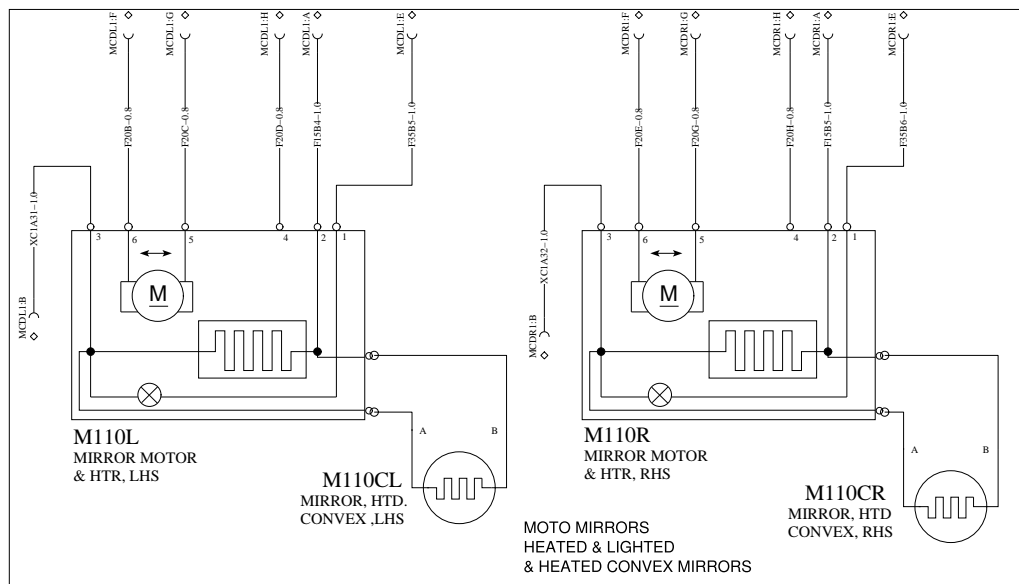
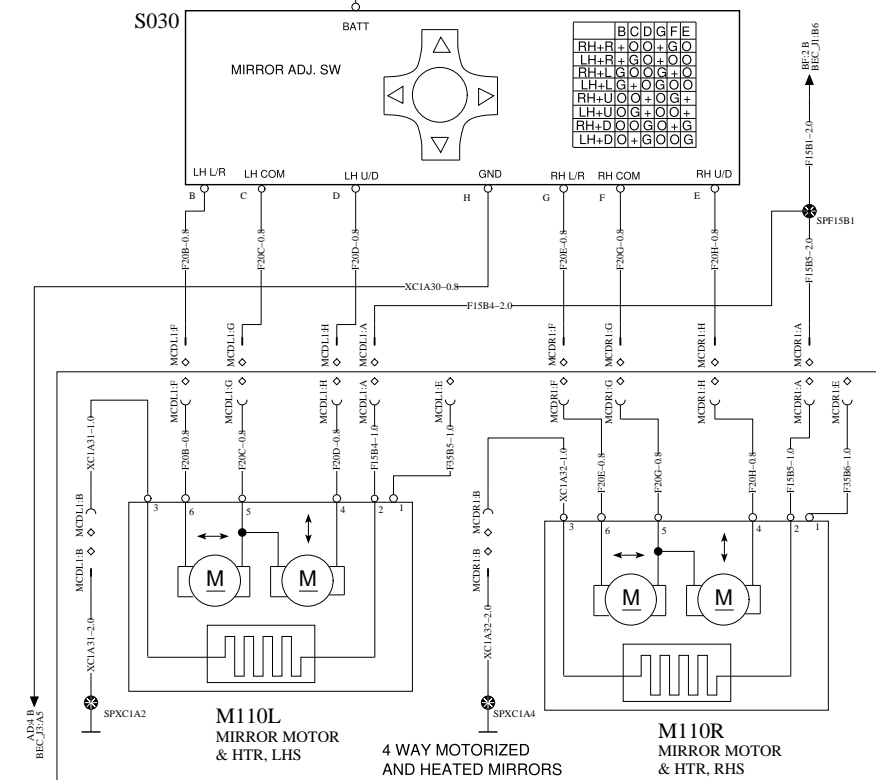
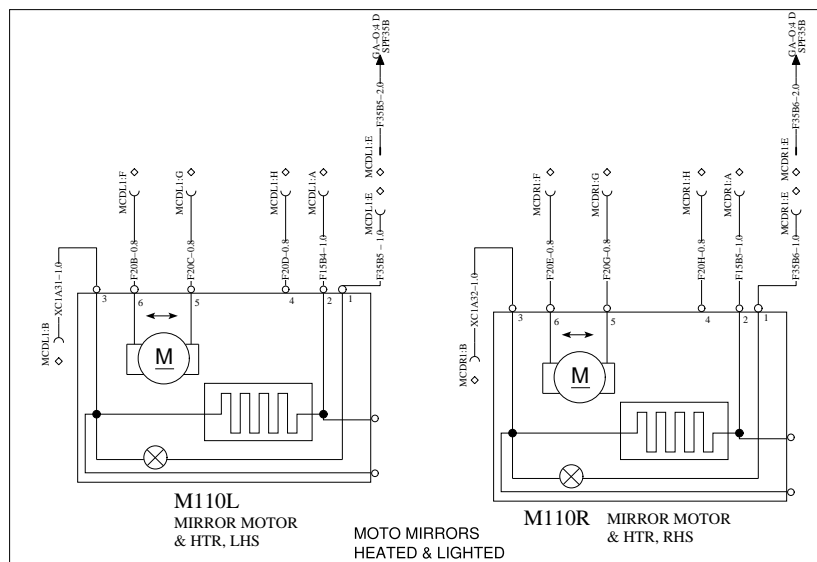
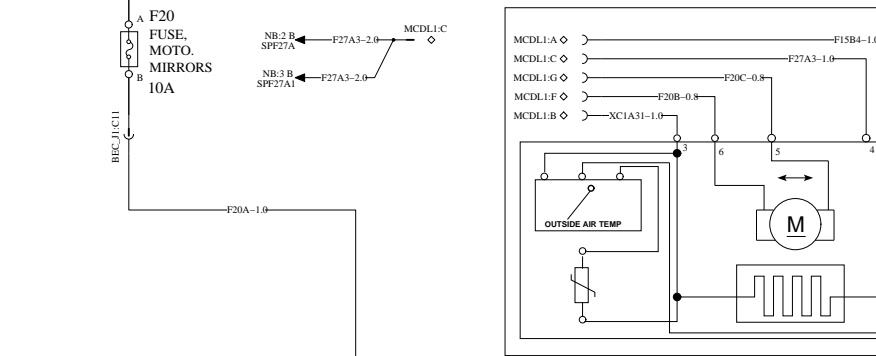


MIRROR CONTROL 1/2

WIRING DIAGRAM : IC

BATT
IGN
EMS
ILLUM

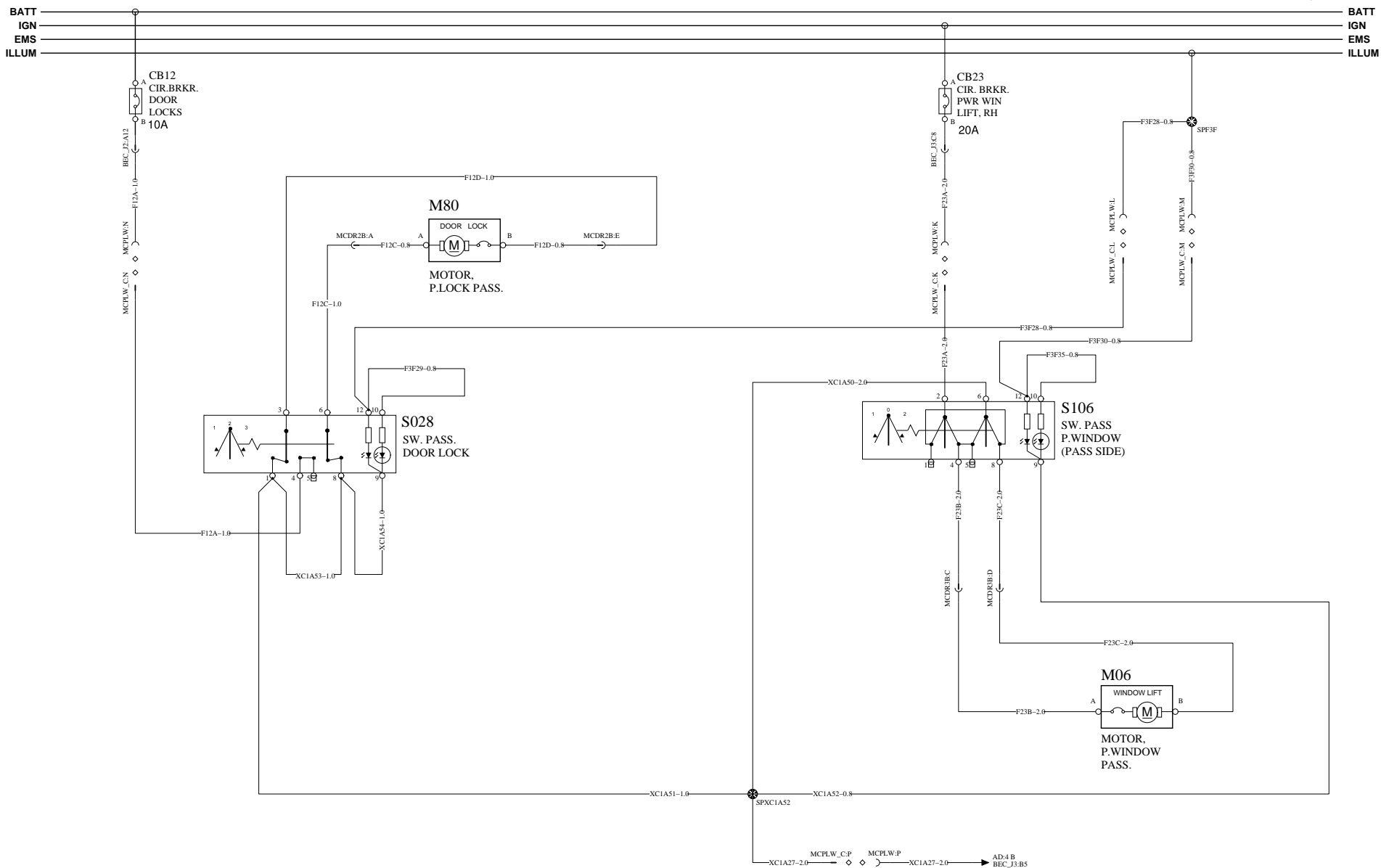
BATT
IGN
EMS
ILLUM



RH ONLY MOTORIZED WINDOWS & DOOR CONTROL

WIRING DIAGRAM

: ID



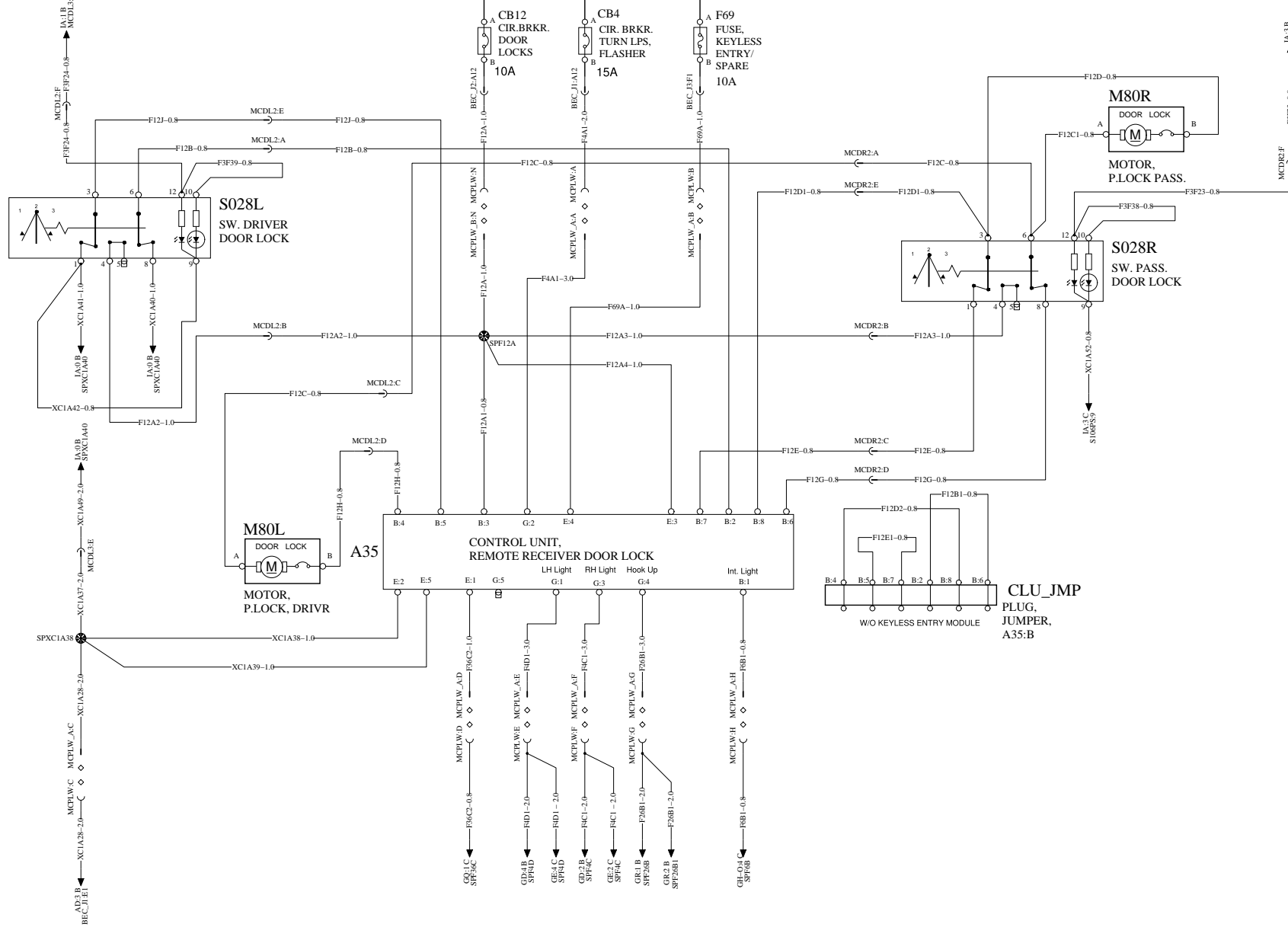
RH & LH DOOR CONTROL

WIRING DIAGRAM

: IE

BATT
IGN
EMS
ILLUM

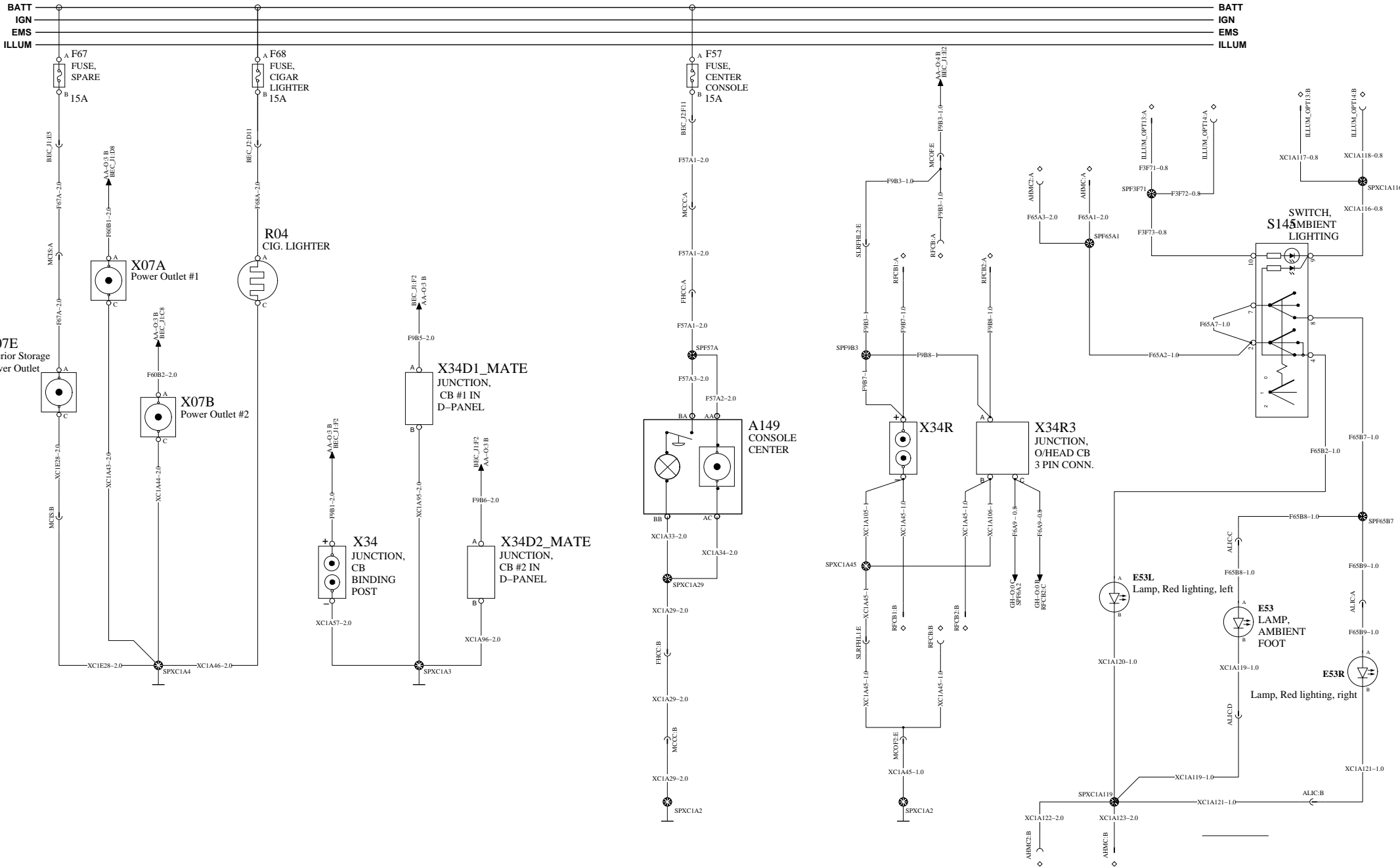
BATT
IGN
EMS
ILLUM



POWER OUTLET CONNECTIONS

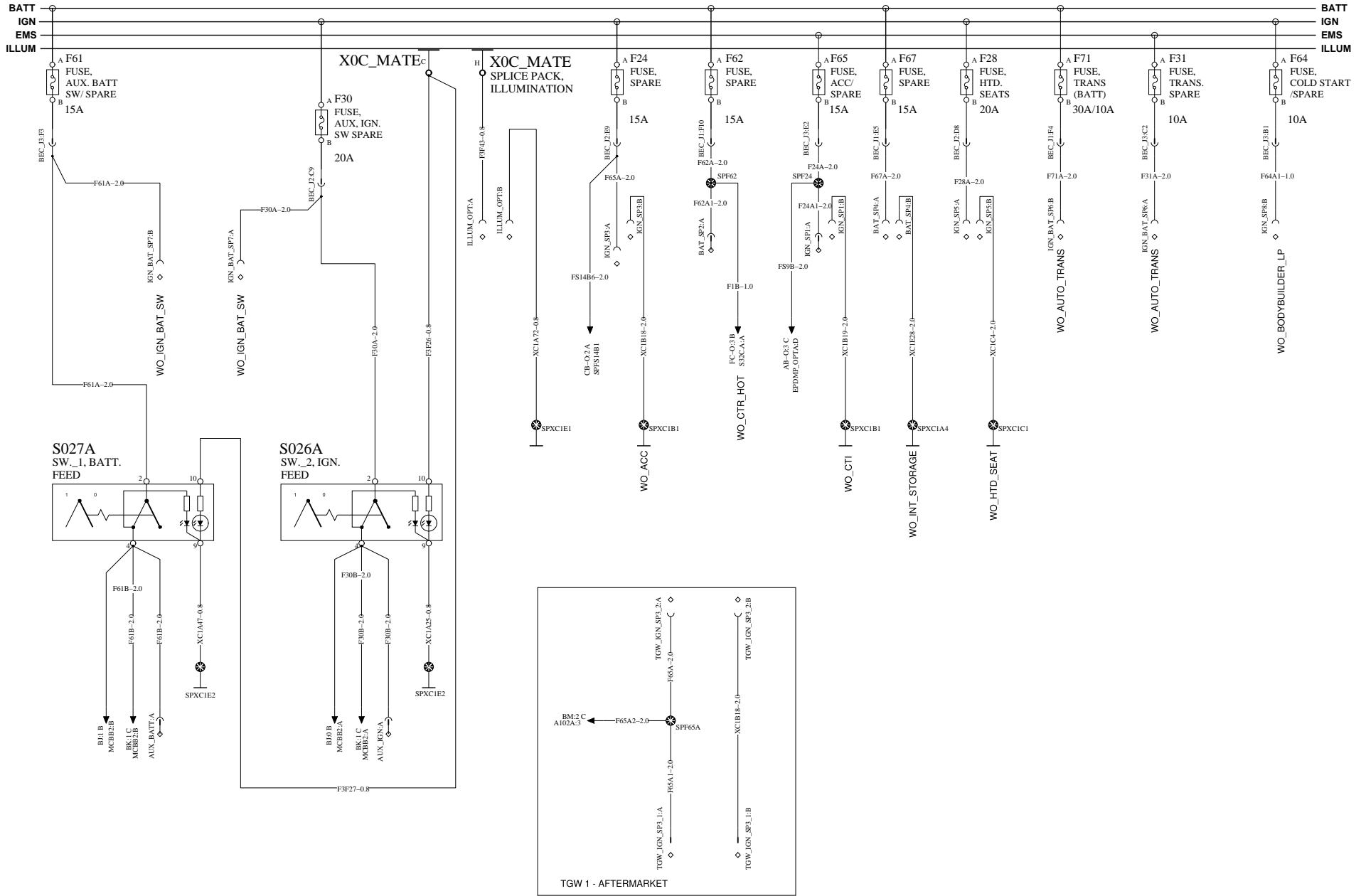
WIRING DIAGRAM

: KC



IGNITION & BATTERY SWITCHES & SPARE CONNECTORS

WIRING DIAGRAM : NA-O



JUNCTION POSTS

WIRING DIAGRAM

: NB

BATT
IGN
EMS
ILLUM

A

A

B

B

C

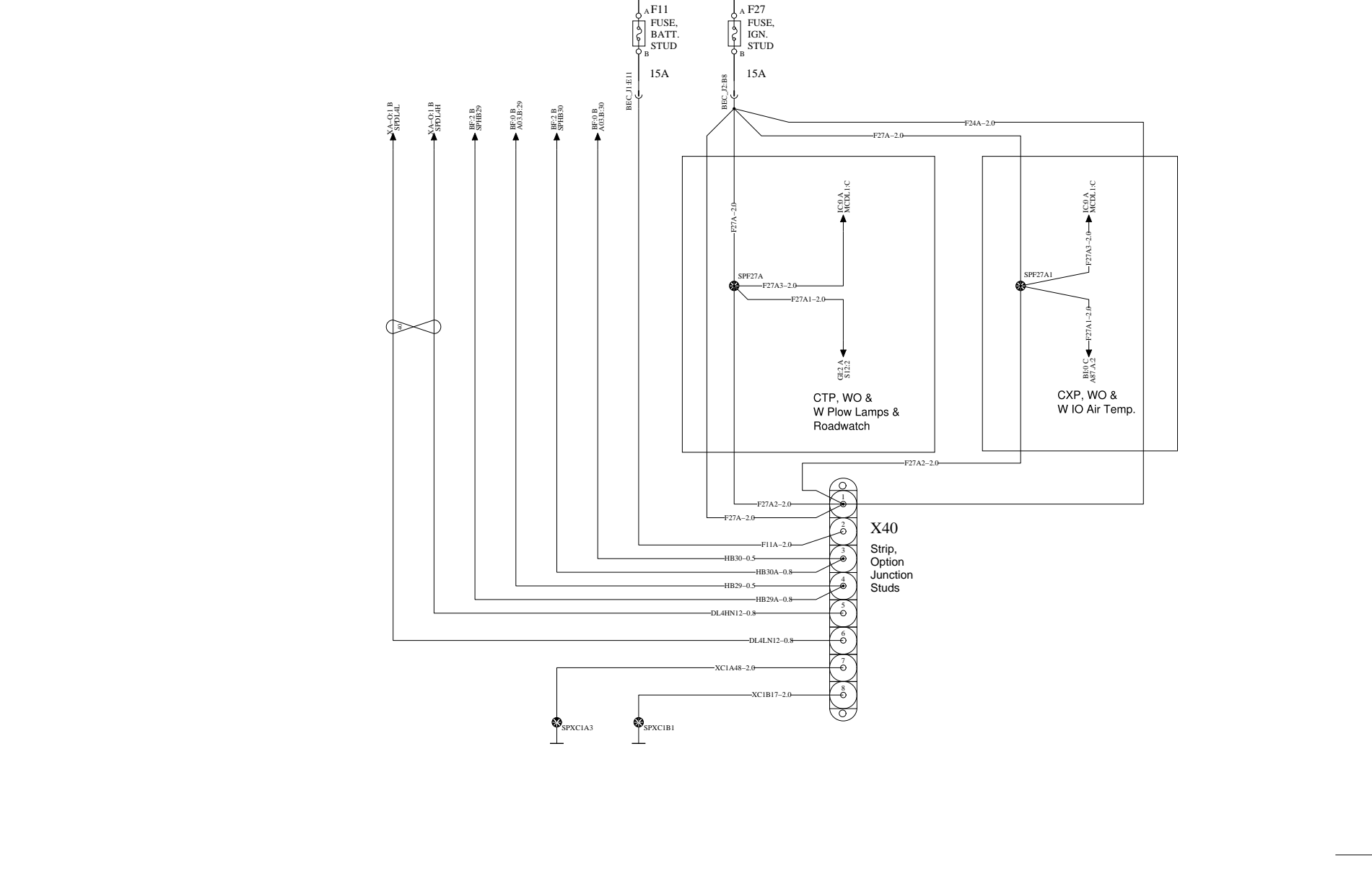
C

D

D

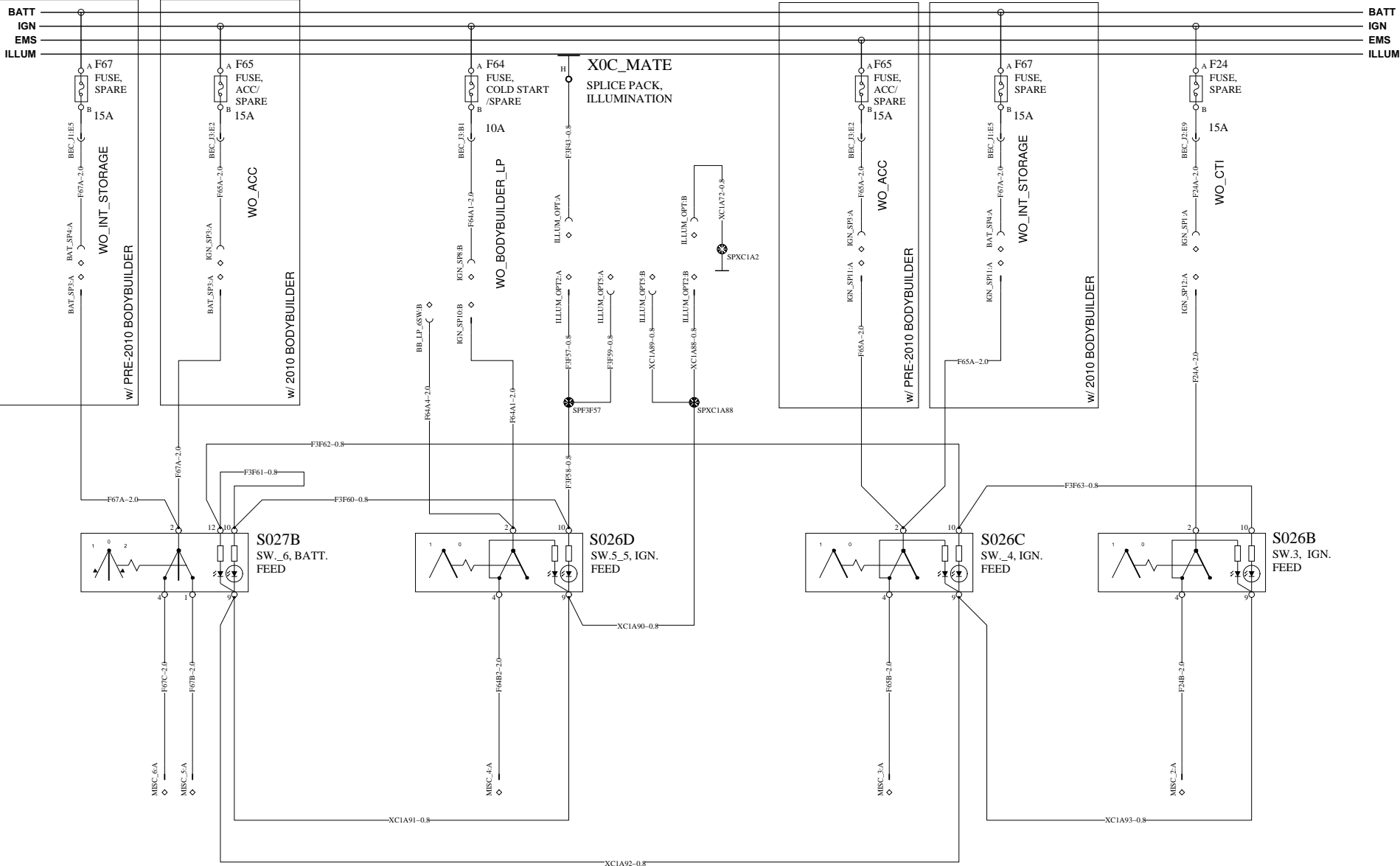
E

E



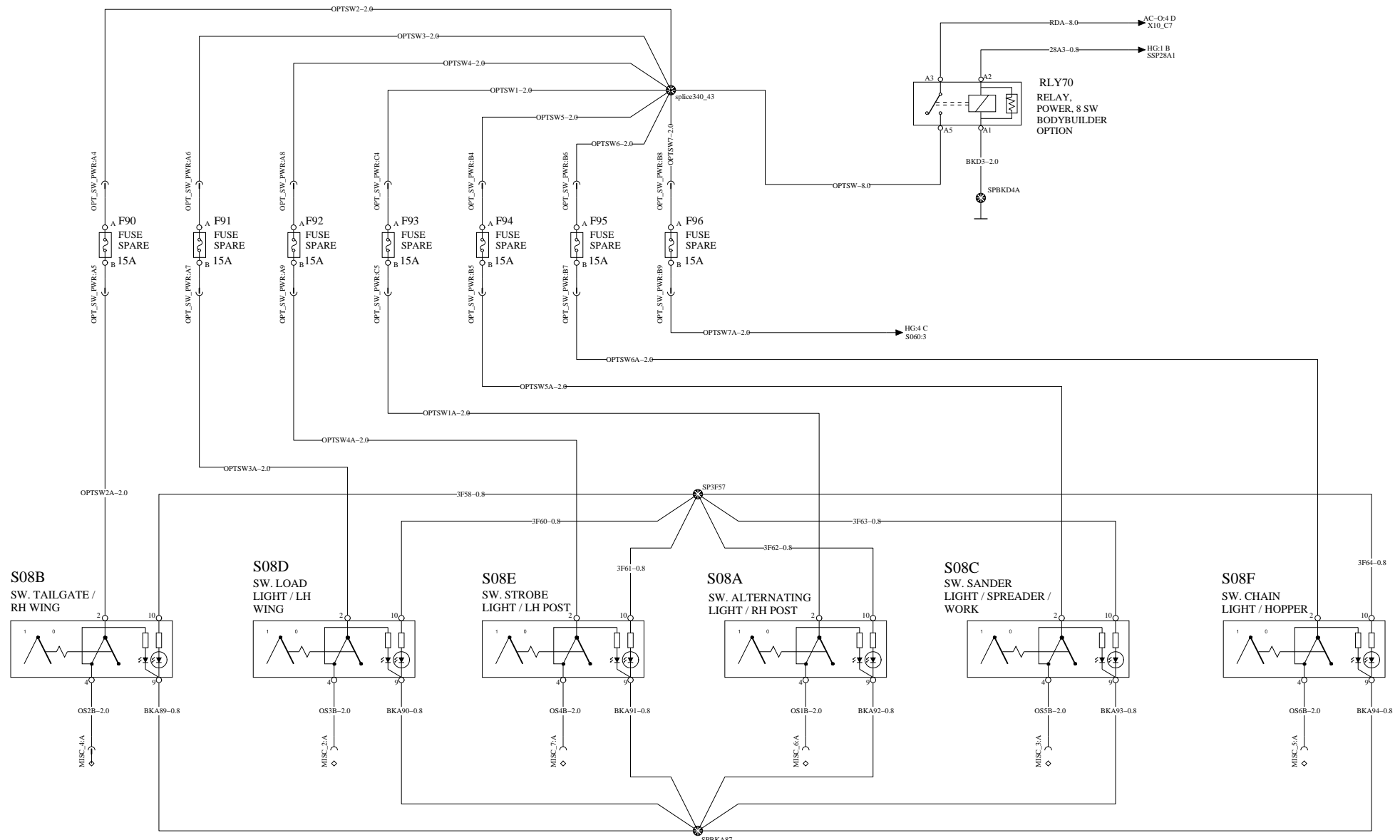
ADDITIONAL IGNITION & BATTERY SWITCHES 1/3

WIRING DIAGRAM : NC



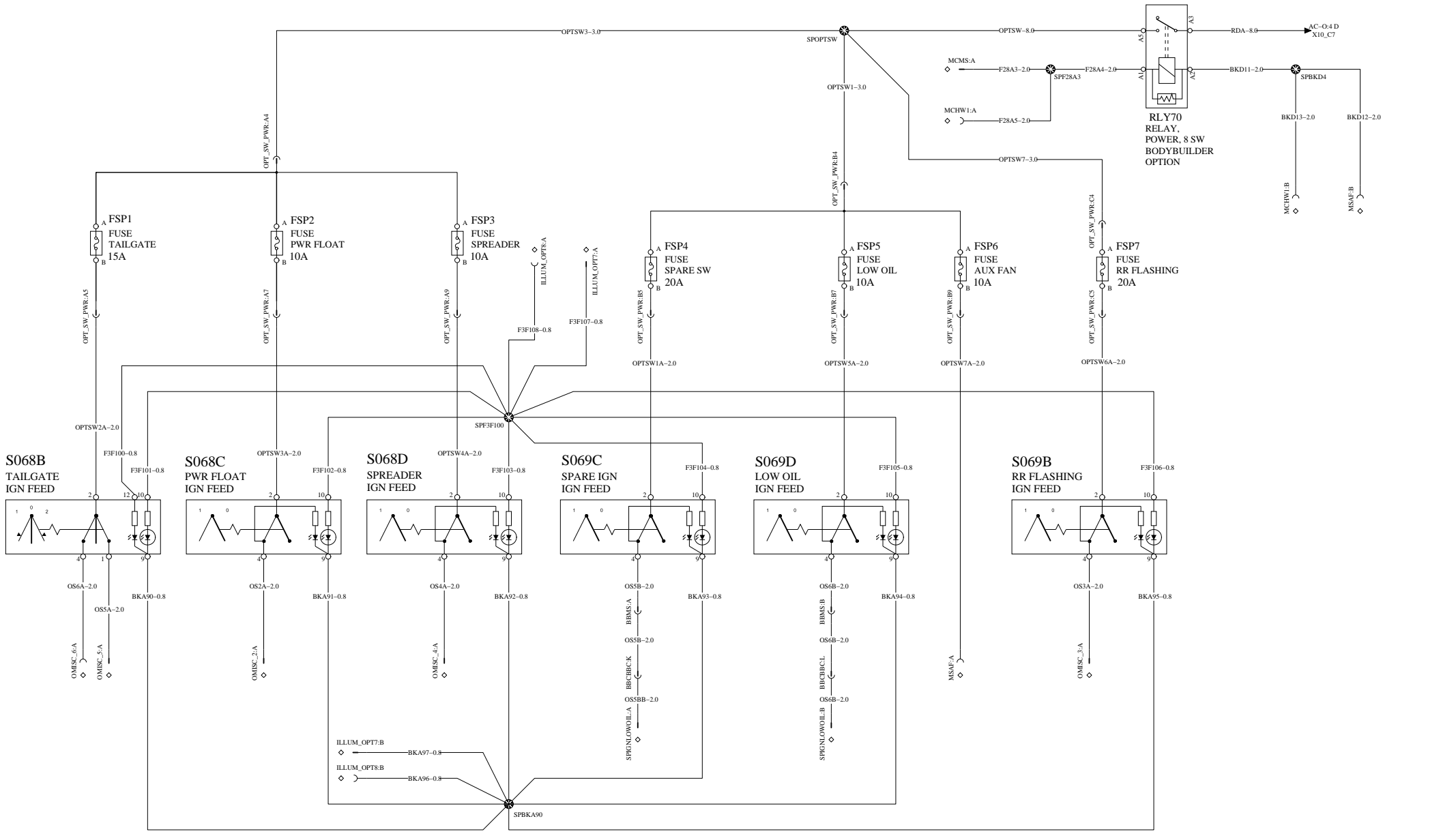
BATT
IGN
EMS
ILLUM

BATT
IGN
EMS
ILLUM



BATT
IGN
EMS
ILLUM

BATT
IGN
EMS
ILLUM



BATT _____ BATT
 IGN _____ IGN
 EMS _____ EMS
 ILLUM _____ ILLUM

