

D-16513-96

See DCN

**RELEASED**

Date

Modification Count

# WIRING DIAGRAM INDEX

NAME	DESCRIPTION	PAGE
AA	POWER DISTRIBUTION 1/2	3
AB	POWER DISTRIBUTION 2/2	4
AC	KEY SW, START & CHARGING	5
AD	GROUNDING	6
BA	VEHICLE ECU 1/5	7
BB	VEHICLE ECU STWPOS-D 2/5	8
BC	VEHICLE ECU 4/5 - DCL CONNECTOR	9
BD	VEHICLE ECU 5/5	10
BE	INSTRUMENT CLUSTER 1/3	11
BF	INSTRUMENT CLUSTER 2/3	12
BG	INSTRUMENT CLUSTER (SECONDARY CLUSTER) 3	13
BH	ALLISON BODYBUILDER INTERFACE	14
BI	TGW2	15
BM	REFUSE AND CONSTRUCTION	16
BQ	VEHICLE ECU STWPOS-R 5/5	17
CA	ENGINE INTERFACE MACK	18
CC	ENGINE HEATER	19
CD	AUXILIARY COOLING FANS	20
CE	ENGINE INTERFACE CUMMINS ISLG	21
CG	CNG FUEL LEVEL	22
CH	UREA DOSING SYSTEM	23
CI	METHANE DETECTION	24
DC	TRANSMISSION CONTROL 5th GENERATION 1/3	25
DD	TRANSMISSION CONTROL 5th GENERATION 2/3	26
DE	TRANSMISSION CONTROL 5th GENERATION 3/3	27

NAME	DESCRIPTION	PAGE
EA	ABS - MERITOR	28
EC	ABS BENDIX 8	29
FA	AIR DRYER/HEATED DRAIN	30
FB	CHASSIS SOLENOIDS	31
FC	MUNCIE PUMP, BEACON LAMPS & WORKBRAKE SO	32
FD	PARKER PTO	33
GA	LIGHTING - CONTROLS	34
GD	LIGHTING - FORWARD/SIGNAL	35
GF	LIGHTING - TAIL LAMP	36
GG	LIGHTING - TRAILER CONTROL	37
GH	LIGHTING - LH/RH CONTROL & INTERIOR	38
GP	WINDSHIELD WASHER	39
GQ	HORN WIRING	40
HA	CLIMATE CONTROL	41
IC	MIRRORS DUAL REMOTE	42
ID	MIRRORS DUAL REMOTE MEMORY	43
IE	POWER WINDOWS	44
IF	POWER DOOR LOCKS	45
KA	AUDIO & VISUAL SYSTEMS	46
KC	POWER OUTLET CONNECTIONS	47
NA	SPARE CONNECTIONS AND FEEDS	48
NB	JUNCTION POSTS	49
XA	OBD - DATA LINK 1 & DIAGNOSTICS	50
XB	OBD - DATA LINK 2	51
XC	OBD - DATA LINK 4	52

The copying, distribution and utilization of this document as well as the communication of its contents to others without expressed authorization is prohibited. Offenders will be held liable for payment of damages. All rights reserved in the event of the grant of a patent, utility model or ornamental design registration.

Document title

**WIRING DIAGRAM - TYPE-OL L1EH1**

The legal owner of this document is as stated under "Design Location" in KOLA and in the associated "Part Version Report"

Document type

**PRODUCT SCHEMATICS**

Document No

**22484611**

Issue

**05**

Volume

**1 (2)**

Sheet No

**1 (52)**



Group Trucks Technology

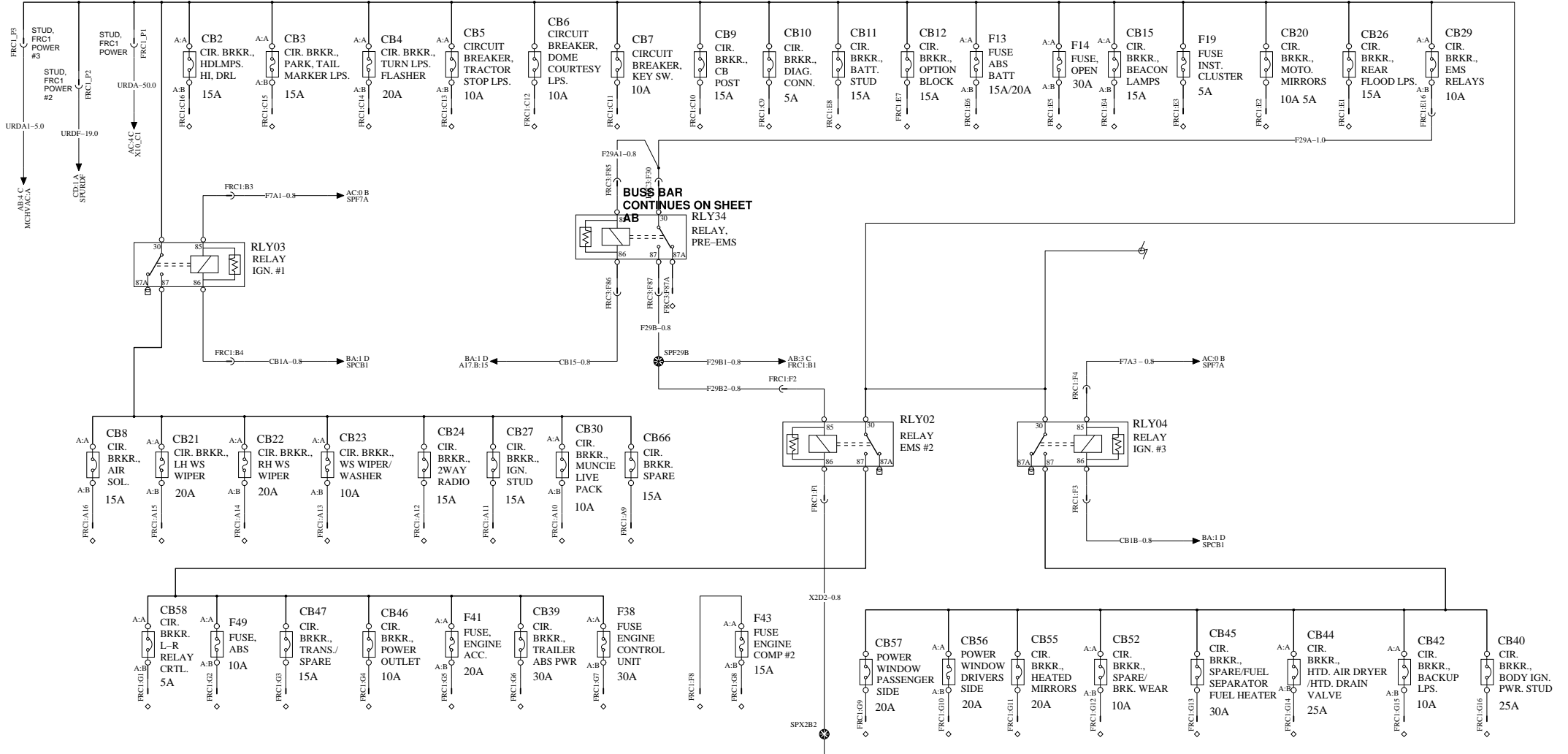
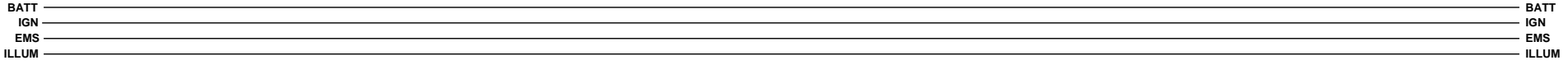
## ABBREVIATION LIST, 12V

SHELL CAVITY	HARNESSES	WHERE USED
6SABS	REAR_CHASSIS_EXTENSION	FRONT_CHASSIS
A57	AUTOTRANS_CAB	AUTOTRANS_CAB
ABS_OPTION	MAIN_CAB	
ABS_X1	MAIN_CAB	ABS_JUMPER
ABS_X2	MAIN_CAB	ABS_JUMPER
ALLISON	AUTOTRANS_TRANS	AUTOTRANS_CAB
ATTR	AUTOTRANS_CAB	AUTOTRANS_TRANS
BBCAB_TRANS	BODY_BUILDER_CAB	BODY_BUILDER_CHASSIS
BBMCO	MAIN_CAB	BODY_BUILDER_CAB
BPMCF	BODYPOWER_CAB	BODYPOWER_FRONTCHASSIS
BWFC	BRAKE_WEAR_FRONT	FRONT_CHASSIS
BWRC	FRONT_CHASSIS	BRAKE_WEAR_REAR
CBBFCBB	BODY_BUILDER_CHASSIS	BODY_BUILDER_CAB
CDPF	FRONT_CHASSIS	RH_STANTION
CLN_PWR	CLEAN_POWER	FRONT_CHASSIS
DRL_OR_BB	MAIN_CAB	DRL_OVERRIDE_SWITCH
DRL_OR_DCL	BODY_BUILDER_CAB	DRL_OVERRIDE_SWITCH
DRL_OR_DCL2	BODY_BUILDER_CAB	DRL_OVERRIDE_SWITCH
DS_PTO	BODY_BUILDER_CHASSIS_PTO	BODY_BUILDER_CAB
DSFC	DS_HARNESS	REAR_CHASSIS_EXTENSION
DSFRT	DS_HARNESS	DS_HARNESS_EXT_MERITOR
DSRR	DS_HARNESS	DS_HARNESS_EXT_MERITOR
DUAL_PTO	SOLENOID_SW	BODY_BUILDER_CAB
FCATR	AUTOTRANS_TRANS	
FCBL	FRONT_CHASSIS	BODY_BUILDER_CHASSIS
FCCE	FRONT_CHASSIS	REAR_CHASSIS_EXTENSION
FCCP	CLN_PWR_ACM	FRONT_CHASSIS
FCCPBB	CLN_PWR_BB	BODY_BUILDER_CAB
FCEIC	FRONT_CHASSIS	
PCFH	FRONT_CHASSIS	FUEL_HEATER
FCLA	FRONT_CHASSIS	LIFT_AXLE
FCSH	FRONT_CHASSIS	STANTION_HARNESS
FCSP	REAR_CHASSIS_EXTENSION	AIR_SOLENOID_PACK
FCTR	FRONT_CHASSIS	TRANSMISSION
FCUT	UREA_TANK	UREA_TANK_EXTENSION
FCUTEXT	FRONT_CHASSIS	UREA_TANK_EXTENSION
FRC1	MAIN_CAB	
FRC2	MAIN_CAB	
FRC3	MAIN_CAB	
HN_REM	MAIN_CAB	BODY_BUILDER_CAB
HOOKUP_LP	MAIN_CAB	
ILLUM_OPT	MAIN_CAB	
ILLUM_OPT2	CAMERA_SWITCH	
ILLUM_OPT3	CAMERA_SWITCH	
ILLUM_OPT4	MAIN_CAB	DRL_OVERRIDE_SWITCH
ILLUM_OPT5	MAIN_CAB	DRL_OVERRIDE_SWITCH

SHELL CAVITY	HARNESSES	WHERE USED
ILLUM_OPT6	MAIN_CAB	PARKER_PTO_OVERLAY
ILLUM_OPT7	MAIN_CAB	PARKER_PTO_OVERLAY
LHCS	FRONT_CHASSIS	STANTION_HARNESS
MC_DUAL_PTO	MAIN_CAB	SOLENOID_SW
MC_SOL_SW	MAIN_CAB	SOLENOID_SW
MCAATS	MAIN_CAB	AIR_TEMP_SENSOR
MCAF	MAIN_CAB	AUX_FAN
MCAF2	MAIN_CAB	AUX_FAN
MCAS	MAIN_CAB	AIR_SWITCH
MCAT	MAIN_CAB	AUTOTRANS_CAB
MCDO	MAIN_CAB	DRL_OVERRIDE_SWITCH
MCFC	MAIN_CAB	FRONT_CHASSIS
MCFCAF	MAIN_CAB	FRONT_CHASSIS
MCFG	MAIN_CAB	FUEL_GAUGE_JUMPER
MCMISO	MAIN_CAB	MIRROR_SWITCH_OVERLAY
MCPM	MAIN_CAB	PWR_MIRROR_CAB
MCRF1	MAIN_CAB	ROOF
MCRF2	MAIN_CAB	ROOF
MCRF3	MAIN_CAB	ROOF
MCRF4	MAIN_CAB	ROOF
MCTL	TAIL_LAMP	TAIL_LAMP_EXT
MCTL1	REAR_CHASSIS_EXTENSION	TAIL_LAMP_EXT
PB_START	PBSTART_HARNESS	
PMP_DRV	BODY_BUILDER_CAB	SOLENOID_SW
PPCO	PARKER_PTO_OVERLAY	AUTOTRANS_CAB
PTO_DCL_A	BODY_BUILDER_CAB	
PTO_DCL_B	BODY_BUILDER_CAB	
RC1	MAIN_CAB	
RC2	BODY_BUILDER_CAB	
RC3	AUX_FAN	
RC4	MAIN_CAB	BODY_BUILDER_CAB
RC5	MAIN_CAB	MIRROR_SWITCH_OVERLAY
RFH	ROOF	ROOF_HEADLINER
RHGJ	ROOF	GLAD_JUMPER
RHGJ1	ROOF	GLAD_JUMPER
SHAR	STANTION_HARNESS	AIR_FILTER_RESTRICTION
SP_BAT1	MAIN_CAB	
SP_IGN1	MAIN_CAB	
SP_IGN2	MAIN_CAB	BODY_BUILDER_CAB
SP_IGN3	MAIN_CAB	
SP_RLY1	MAIN_CAB	BODY_BUILDER_CAB
SP_RLY2	MAIN_CAB	BODY_BUILDER_CAB
SP_RLY53	MAIN_CAB	
SP_RLY53_87A	MAIN_CAB	
TLBU	TAIL_LAMP	BACKUP_ALARM
TRPTO	AUTOTRANS_TRANS	PTO

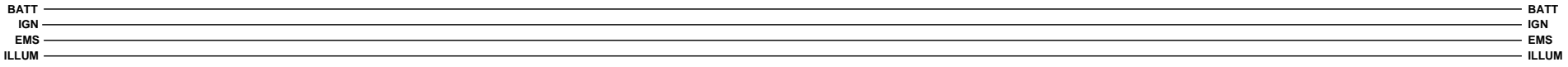
POWER DISTRIBUTION 1/2

WIRING DIAGRAM: AA

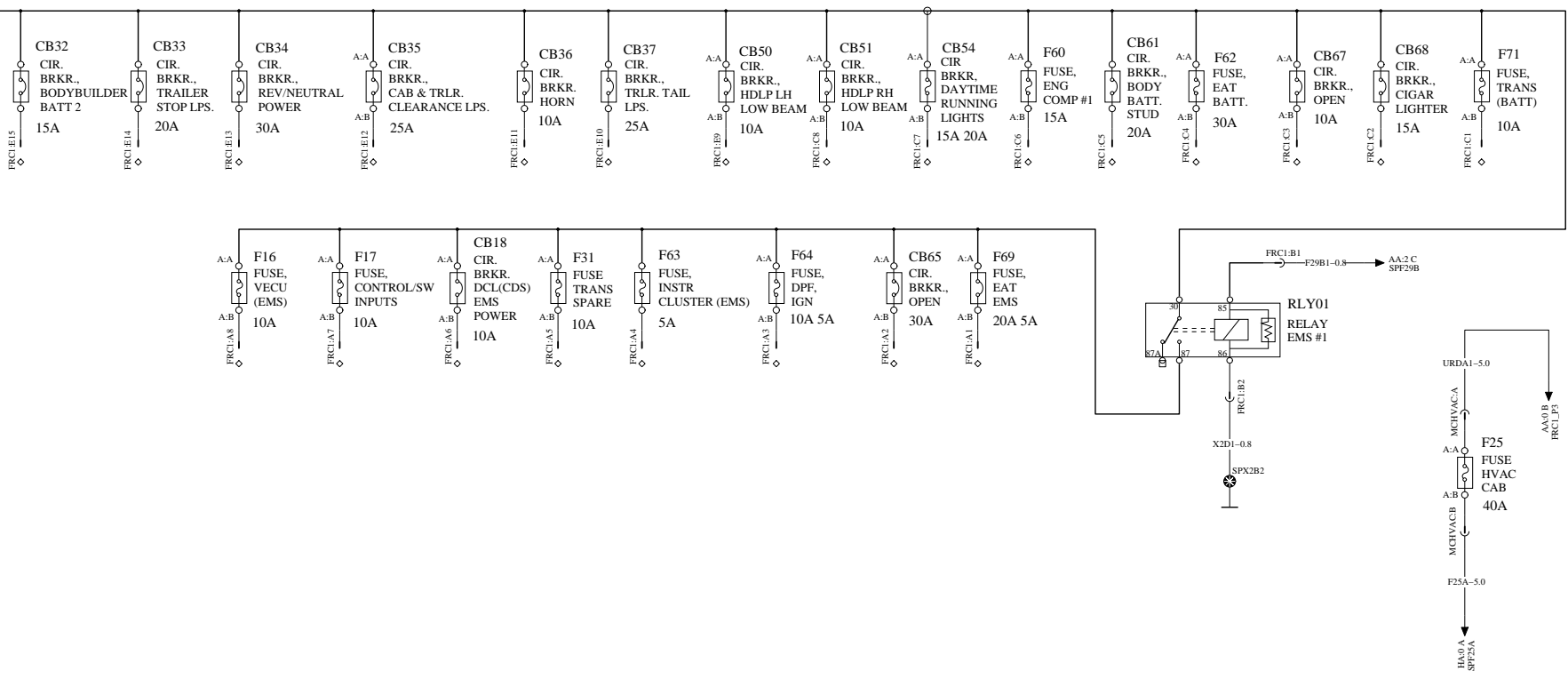


POWER DISTRIBUTION 2/2

WIRING DIAGRAM: AB

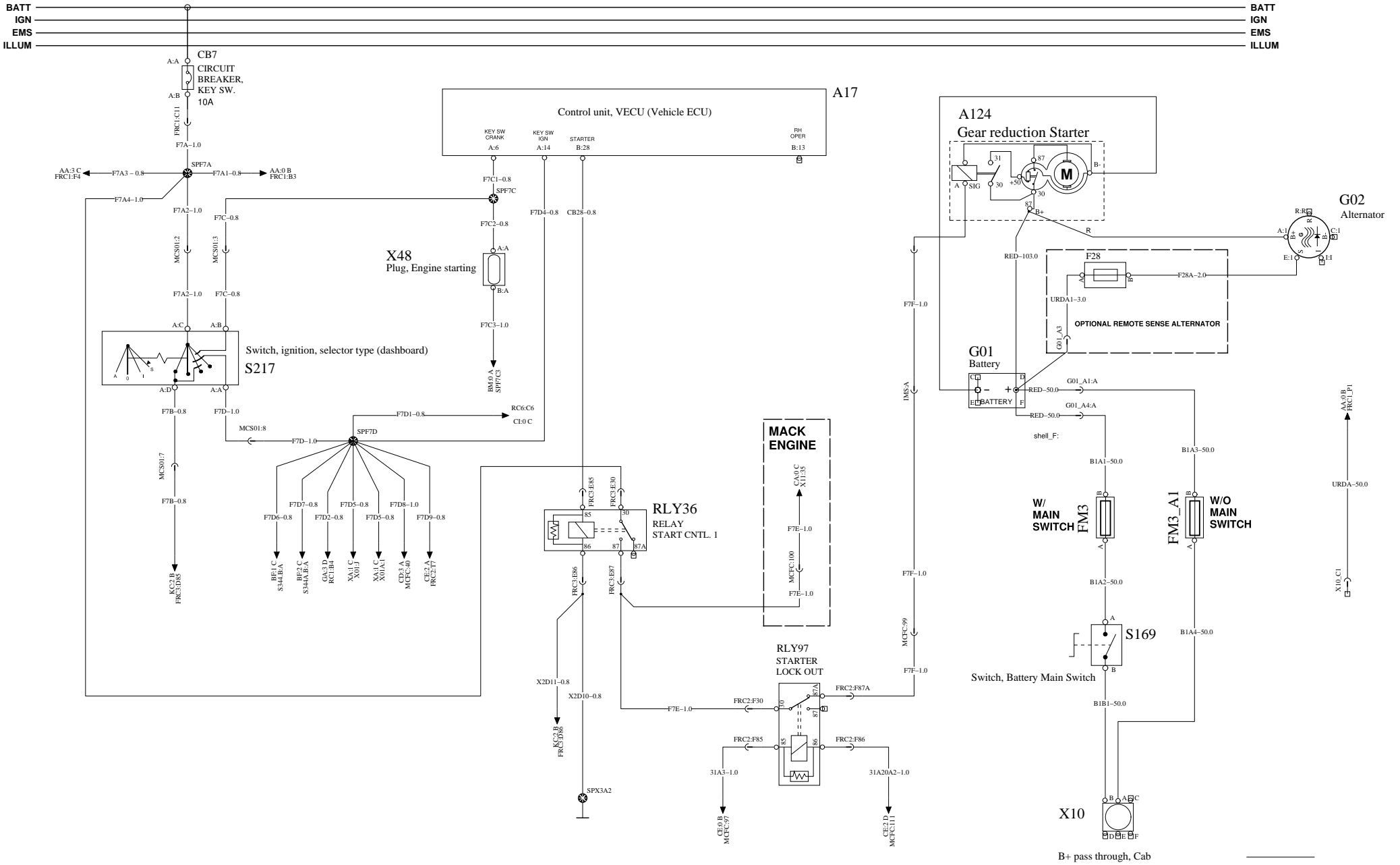


BUSS BAR  
CONTINUES ON  
SHEET  
AA



# KEY SW, START & CHARGING

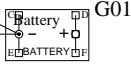
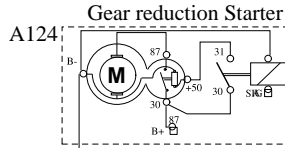
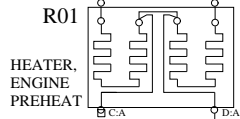
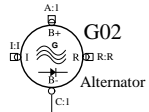
# WIRING DIAGRAM: AC



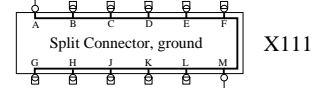
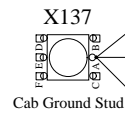
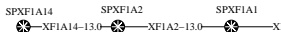
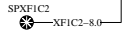
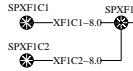
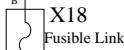
GROUNDING

WIRING DIAGRAM: AD

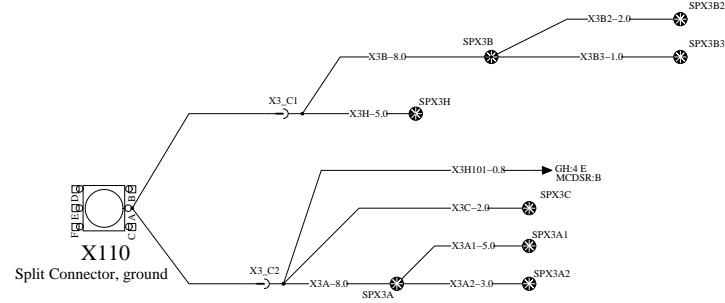
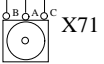
BATT  
IGN  
EMS  
ILLUM



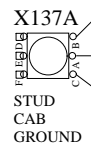
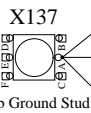
Battery Box Ground Stud



GROUND, ENGINE BLOCK,  
ALTERNATOR, PRE-HEATER



shell\_F:



Document title  
WIRING DIAGRAM - TYPE-OL L1EH1

Document type  
PRODUCT SCHEMATIC

Document No

22484611

Issue

05

Volume

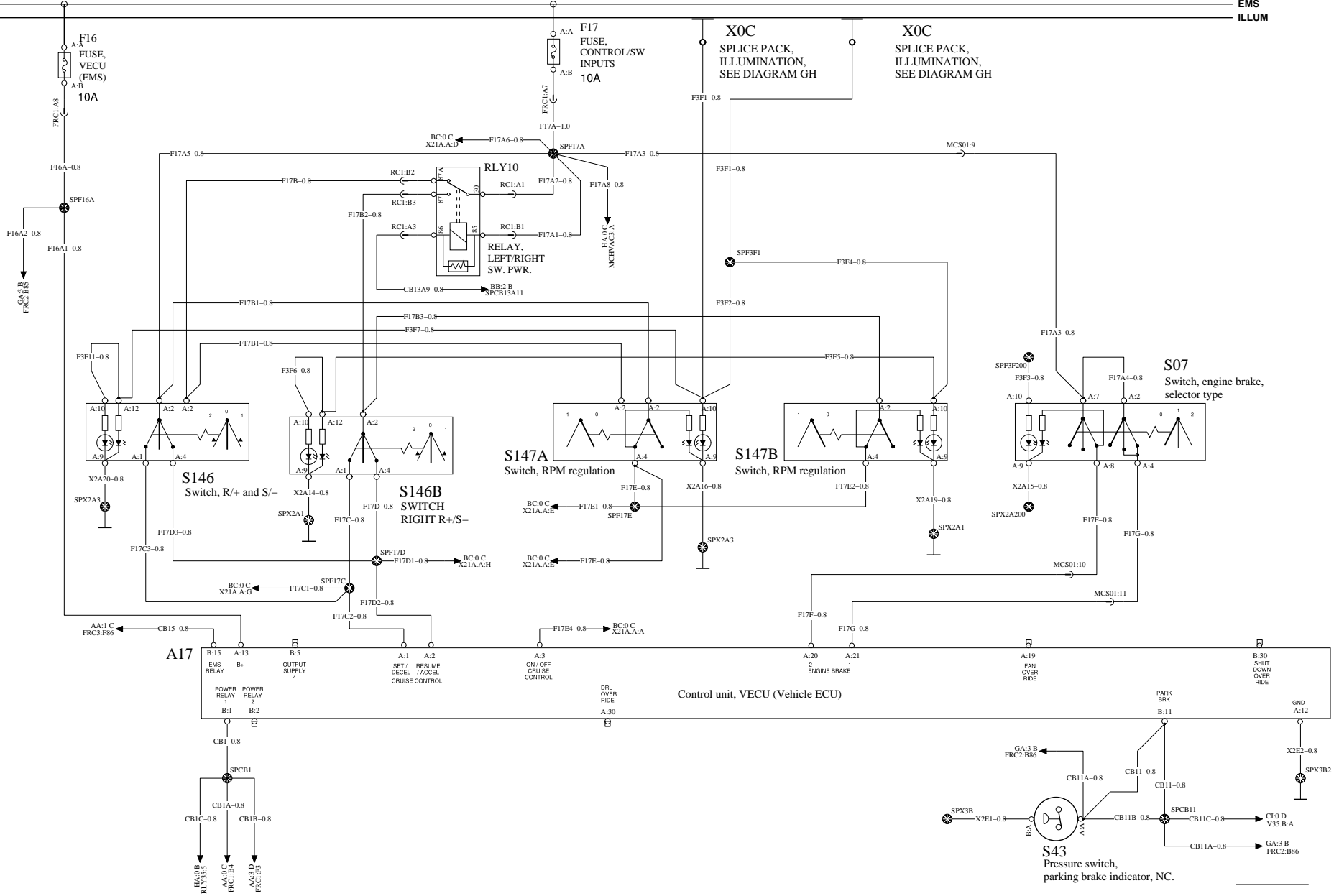
1 (2)

Page

6 (52)

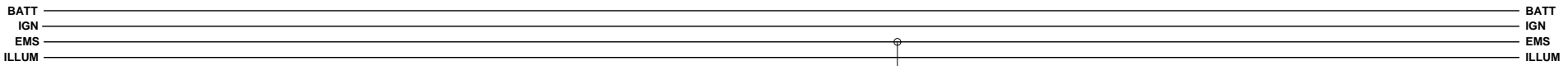
BATT  
IGN  
EMS  
ILLUM

BATT  
IGN  
EMS  
ILLUM



VEHICLE ECU STWPOS-D 2/5

WIRING DIAGRAM: BB



A

A

B

B

C

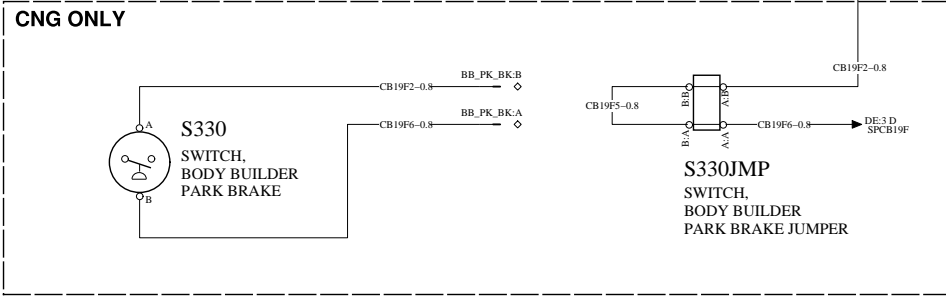
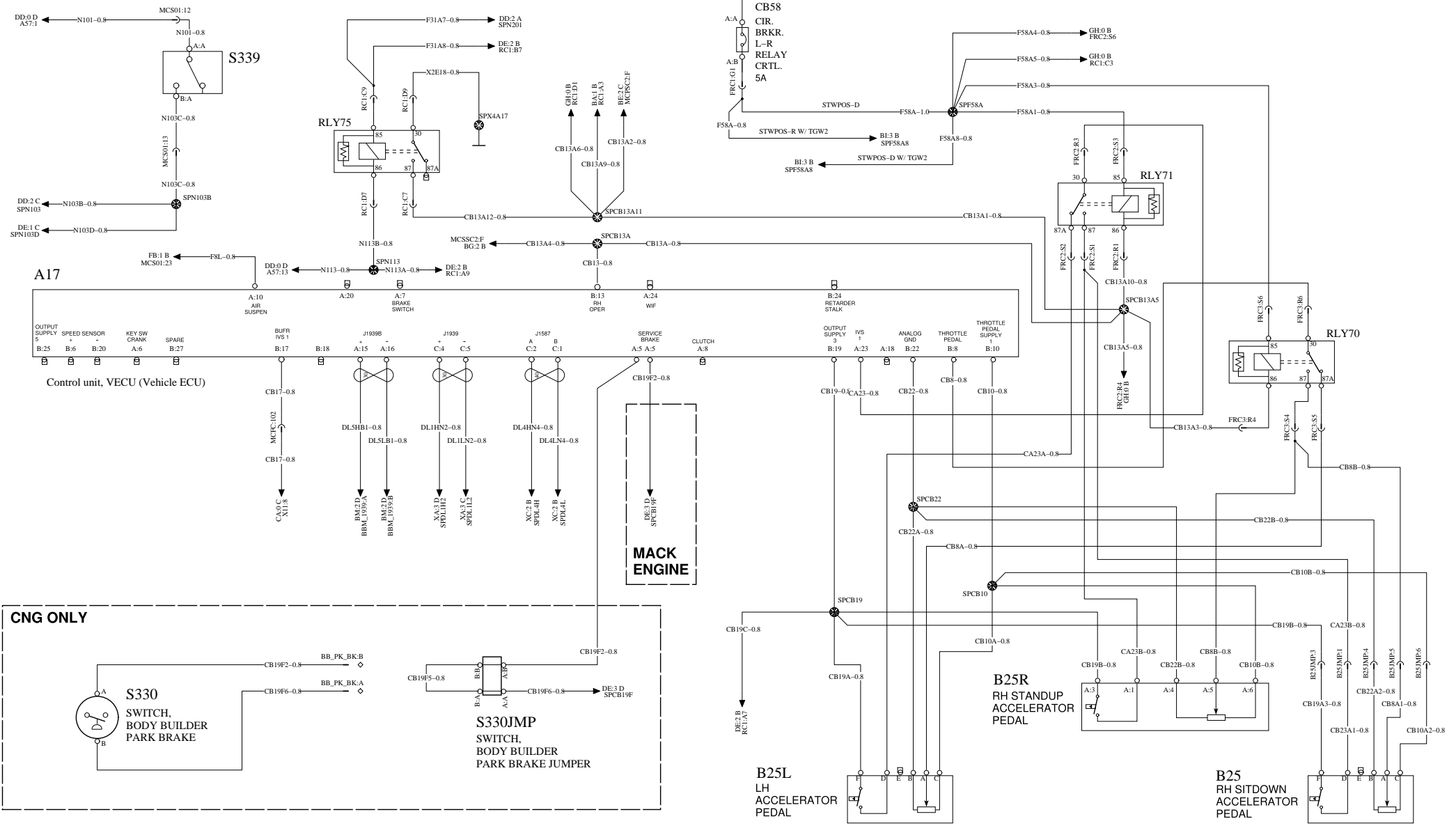
C

D

D

E

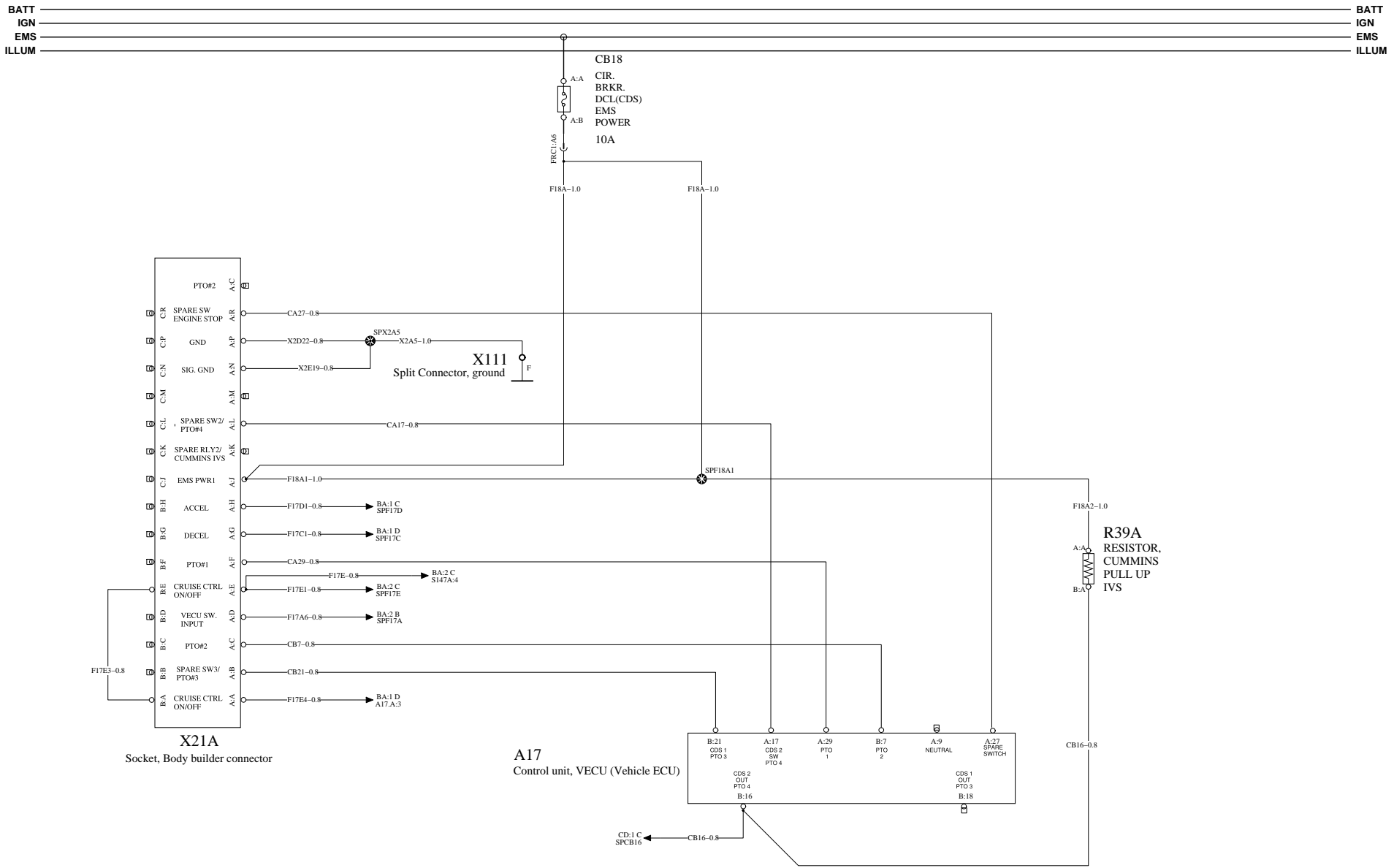
E



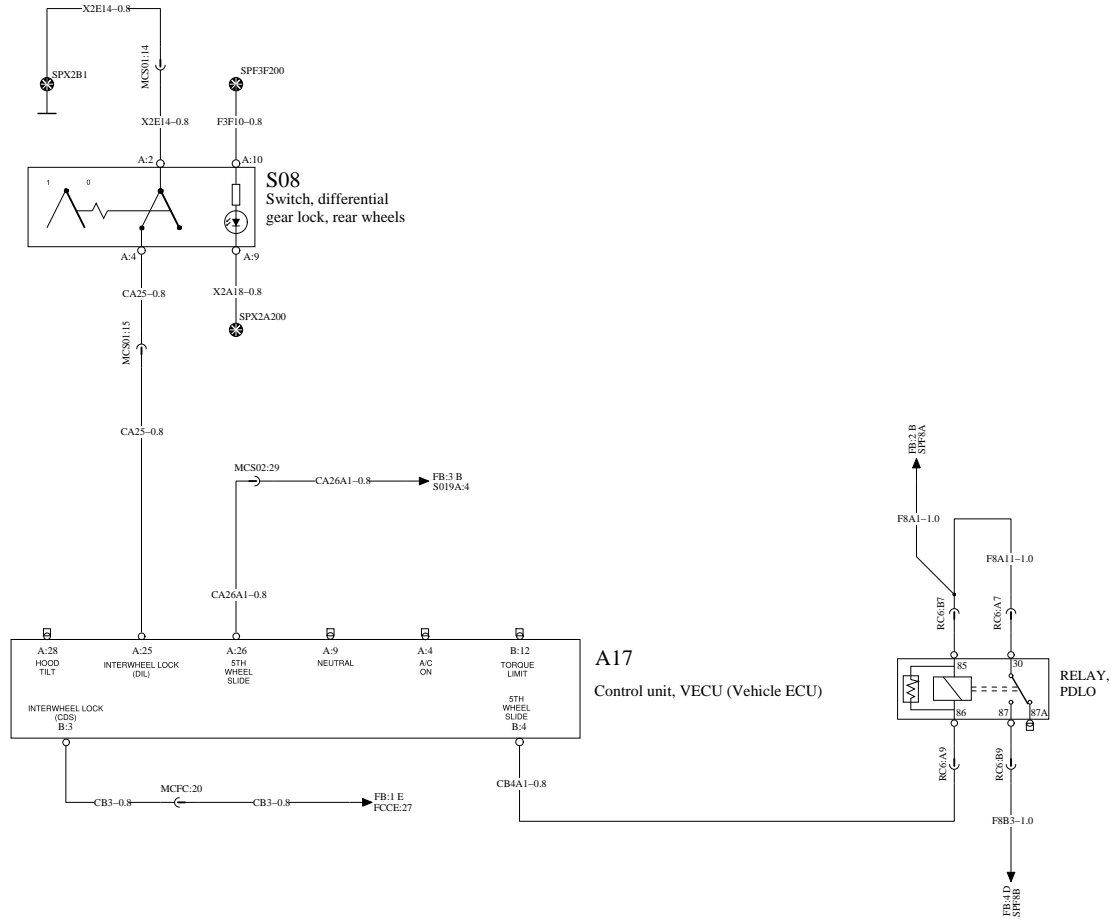


VEHICLE ECU 4/5 – DCL CONNECTOR

WIRING DIAGRAM: BC

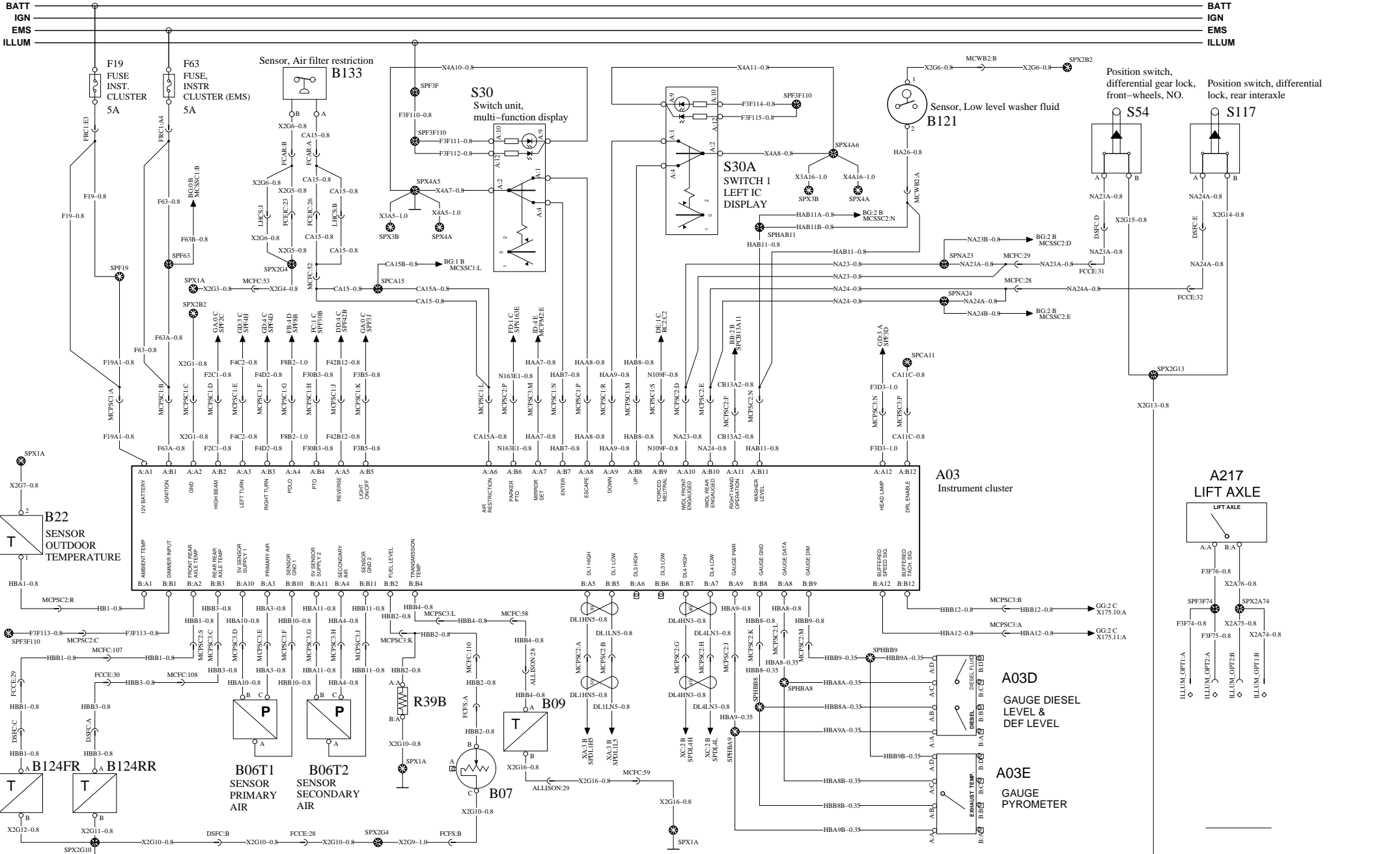


BATT \_\_\_\_\_ BATT  
 IGN \_\_\_\_\_ IGN  
 EMS \_\_\_\_\_ EMS  
 ILLUM \_\_\_\_\_ ILLUM



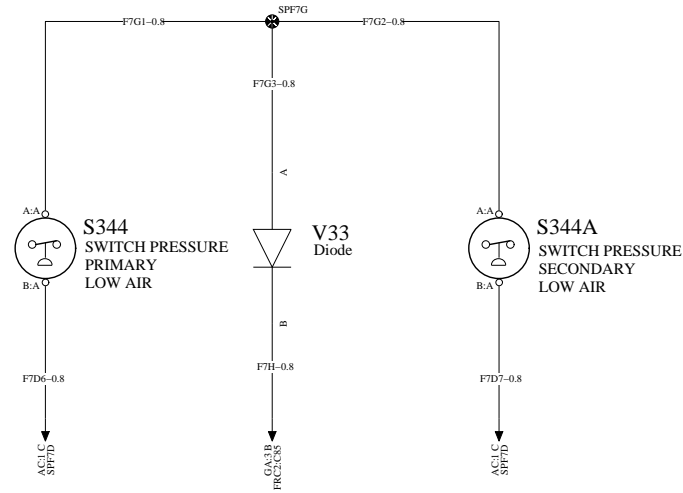
INSTRUMENT CLUSTER 1/3

WIRING DIAGRAM: BE



<p><b>VOLVO</b> Group Trucks Technology</p>	<p>Document title WIRING DIAGRAM - TYPE-OL L1EH1</p>	<p>Document No 22484611</p>	<p>Issue 05</p>	<p>Volume 1 (2)</p>	<p>Page 11 (52)</p>
	<p>Document type PRODUCT SCHEMATIC</p>				

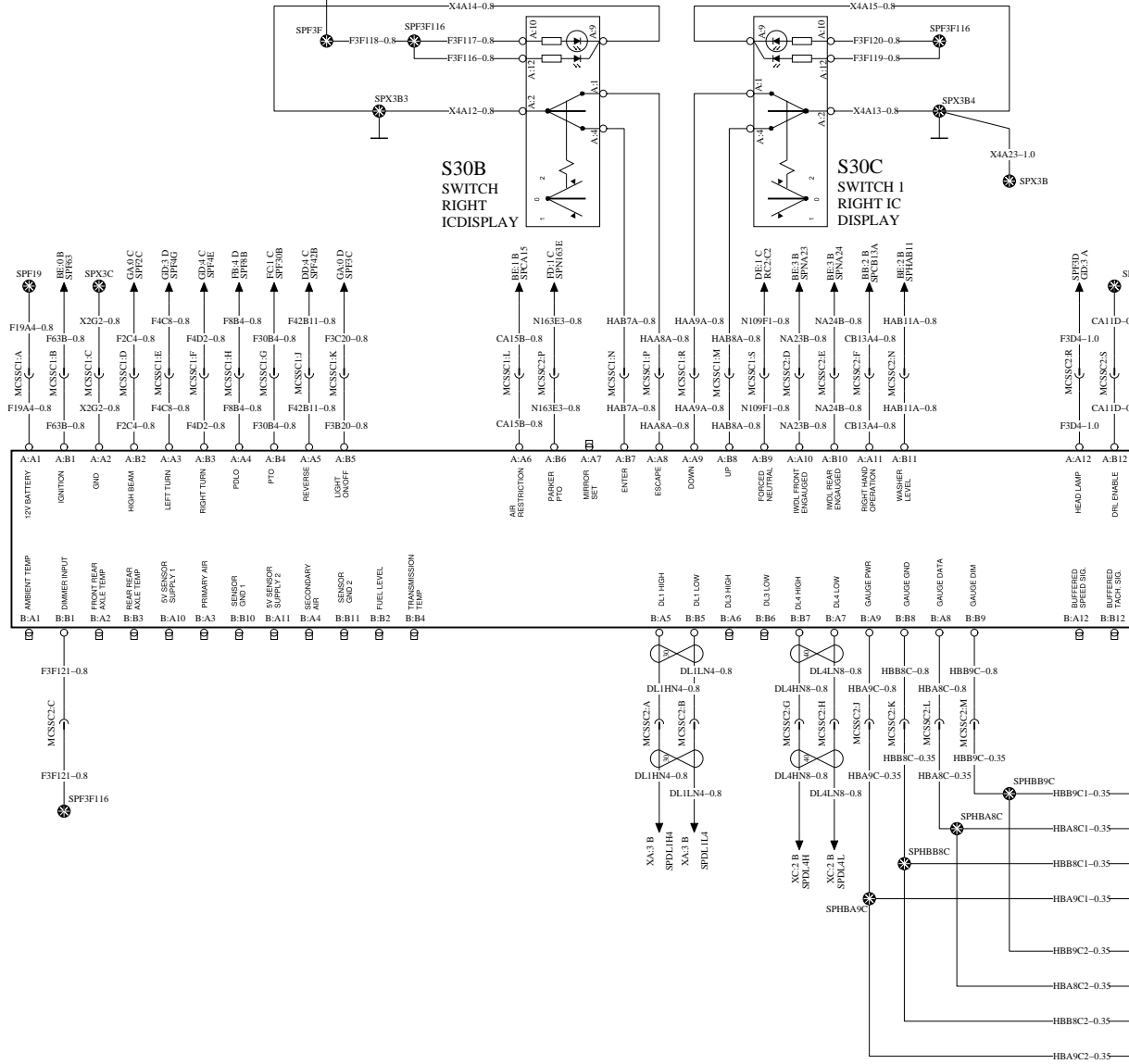
BATT	_____	BATT
IGN	_____	IGN
EMS	_____	EMS
ILLUM	_____	ILLUM



INSTRUMENT CLUSTER (SECONDARY CLUSTER) 3/4

WIRING DIAGRAM: BG

BATT  
IGN  
EMS  
ILLUM



A153  
Instrument Cluster

A153A  
GAUGE  
FUEL

A153B  
GAUGE  
PYROMETER

0

1

2

3

4

ALLISON BODYBUILDER INTERFACE

WIRING DIAGRAM: BH

BATT \_\_\_\_\_ BATT  
 IGN \_\_\_\_\_ IGN  
 EMS \_\_\_\_\_ EMS  
 ILLUM \_\_\_\_\_ ILLUM

**AVAILABLE WITH STWPOS-R ONLY**

**BODY BUILDER CONNECTOR ALLISON GEN 4**

**X06D**  
CONNECTOR,  
ALLISON  
BODY  
BUILDER

**VOLVO** Group Trucks Technology

Document title  
WIRING DIAGRAM - TYPE-OL L1EH1

Document type  
PRODUCT SCHEMATIC

Document No

22484611

Issue

05

Volume

1 (2)

Page

14 (52)

0

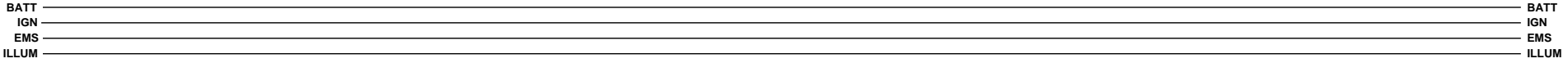
1

2

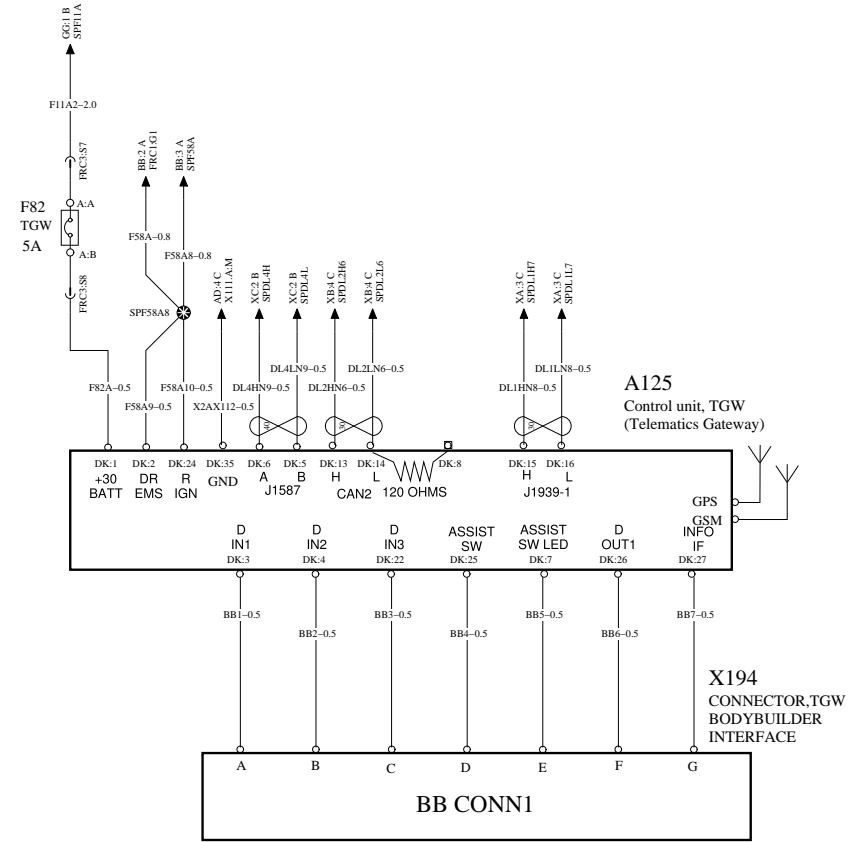
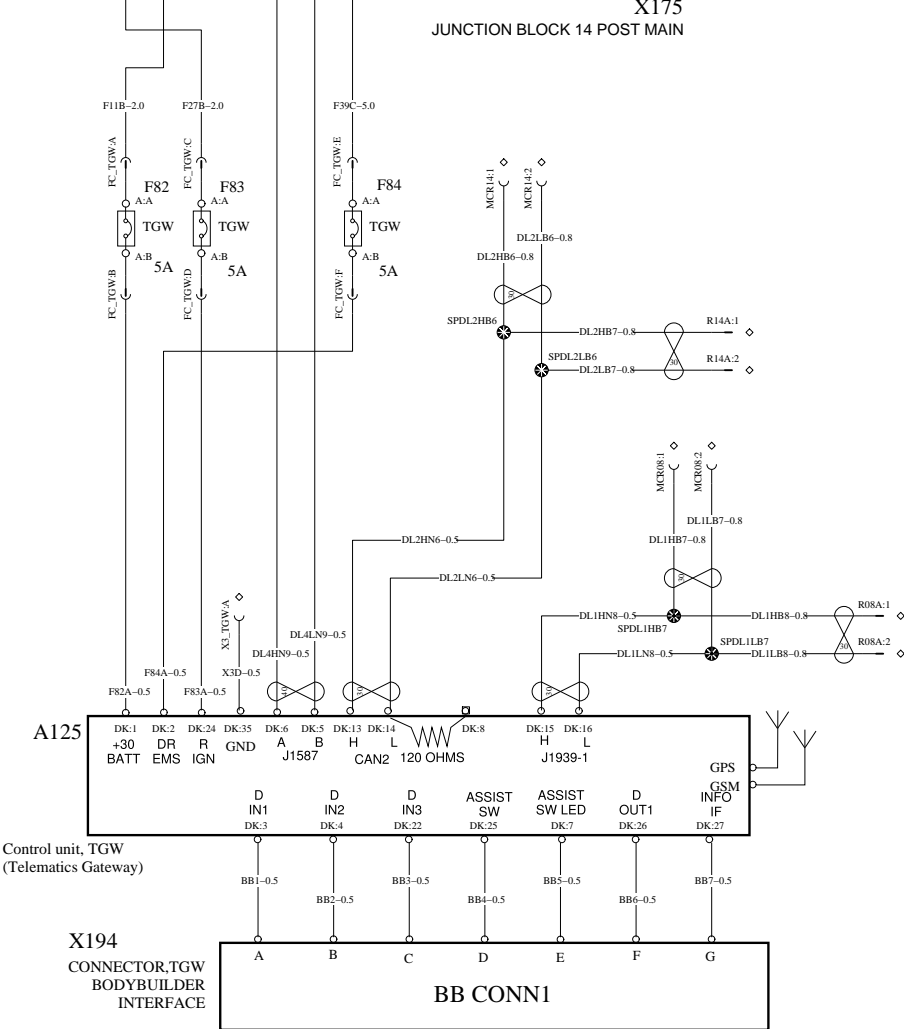
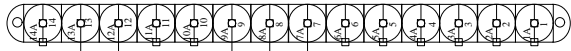
3

4

TGW2



WIRING DIAGRAM: BI



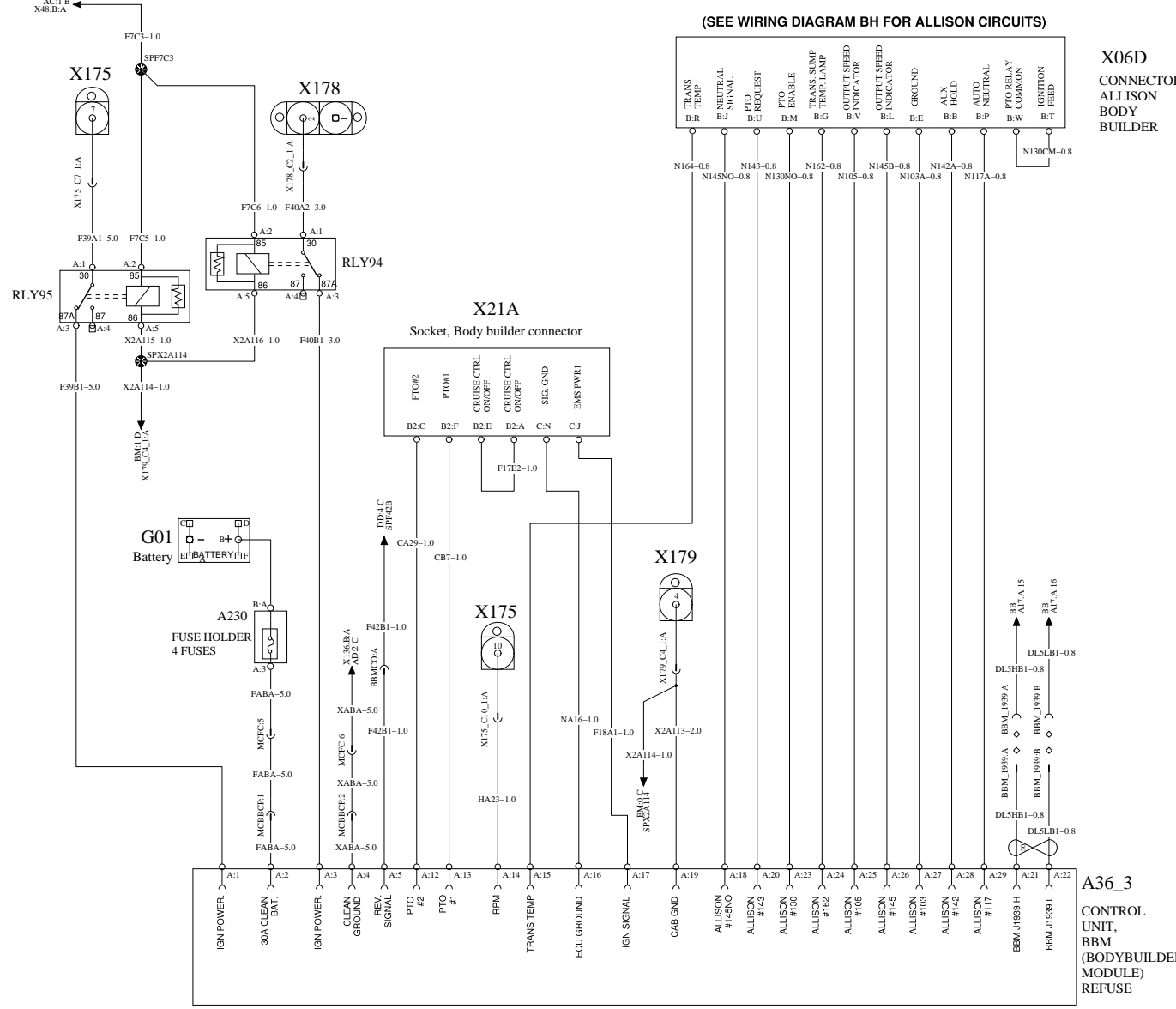
REFUSE AND CONSTRUCTION

BATT  
IGN  
EMS  
ILLUM

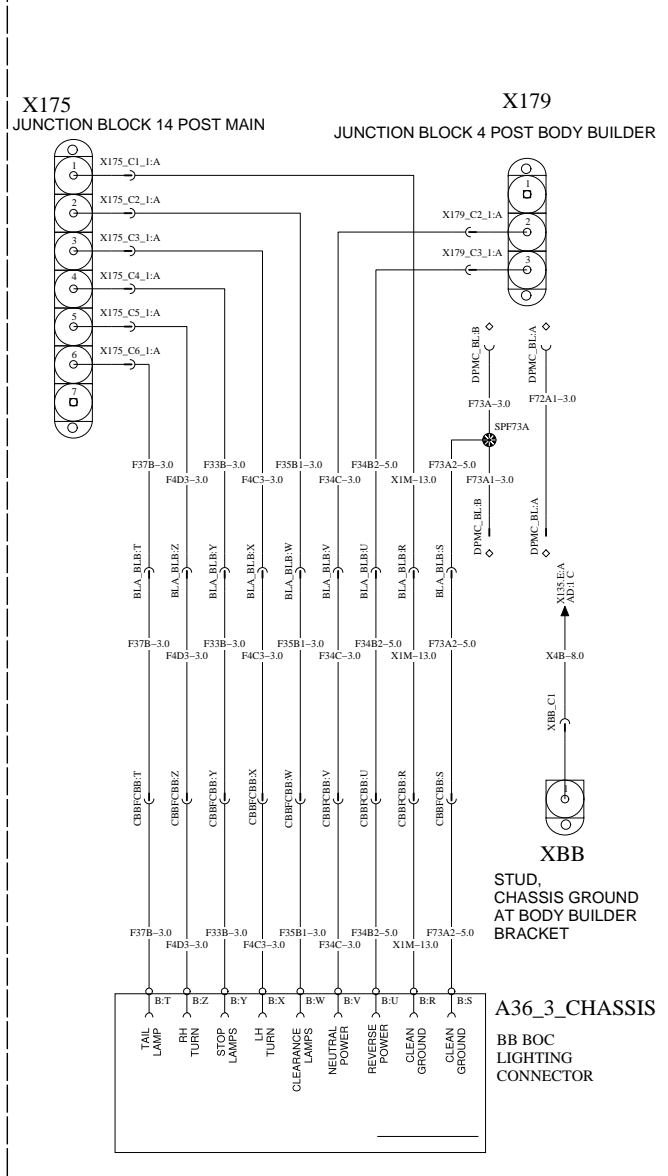
WIRING DIAGRAM: BM

BATT  
IGN  
EMS  
ILLUM

REFUSE ONLY

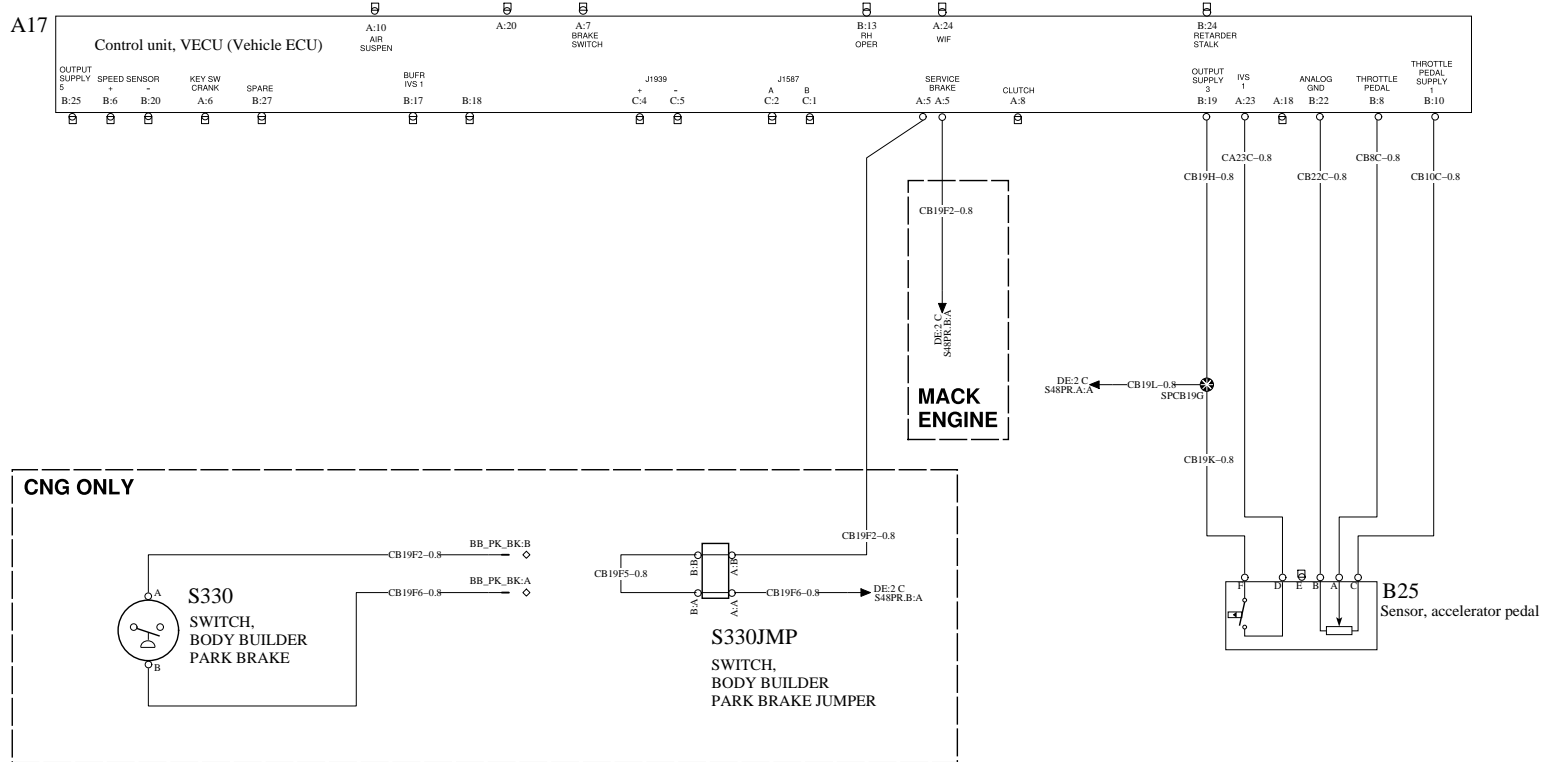


REFUSE AND CONSTRUCTION





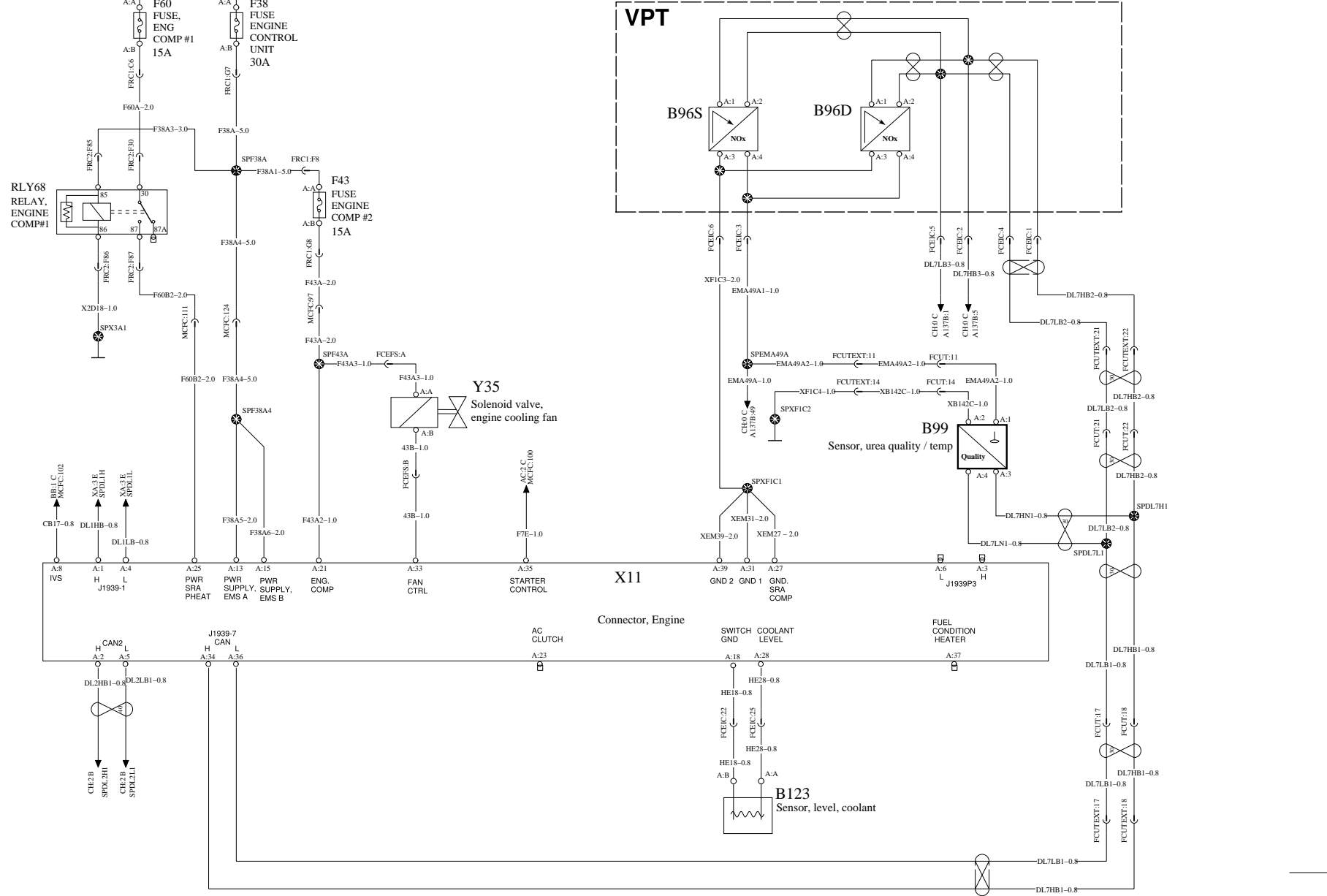
BATT \_\_\_\_\_ BATT  
 IGN \_\_\_\_\_ IGN  
 EMS \_\_\_\_\_ EMS  
 ILLUM \_\_\_\_\_ ILLUM



# ENGINE INTERFACE MACK

# WIRING DIAGRAM: CA

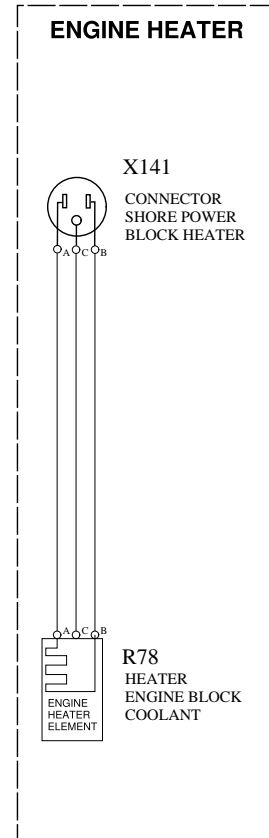
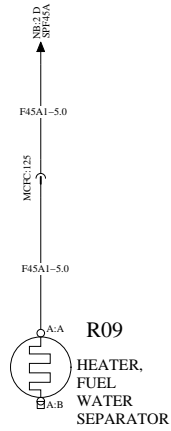
BATT  
IGN  
EMS  
ILLUM



ENGINE HEATER

WIRING DIAGRAM: CC

BATT	_____	BATT
IGN	_____	IGN
EMS	_____	EMS
ILLUM	_____	ILLUM



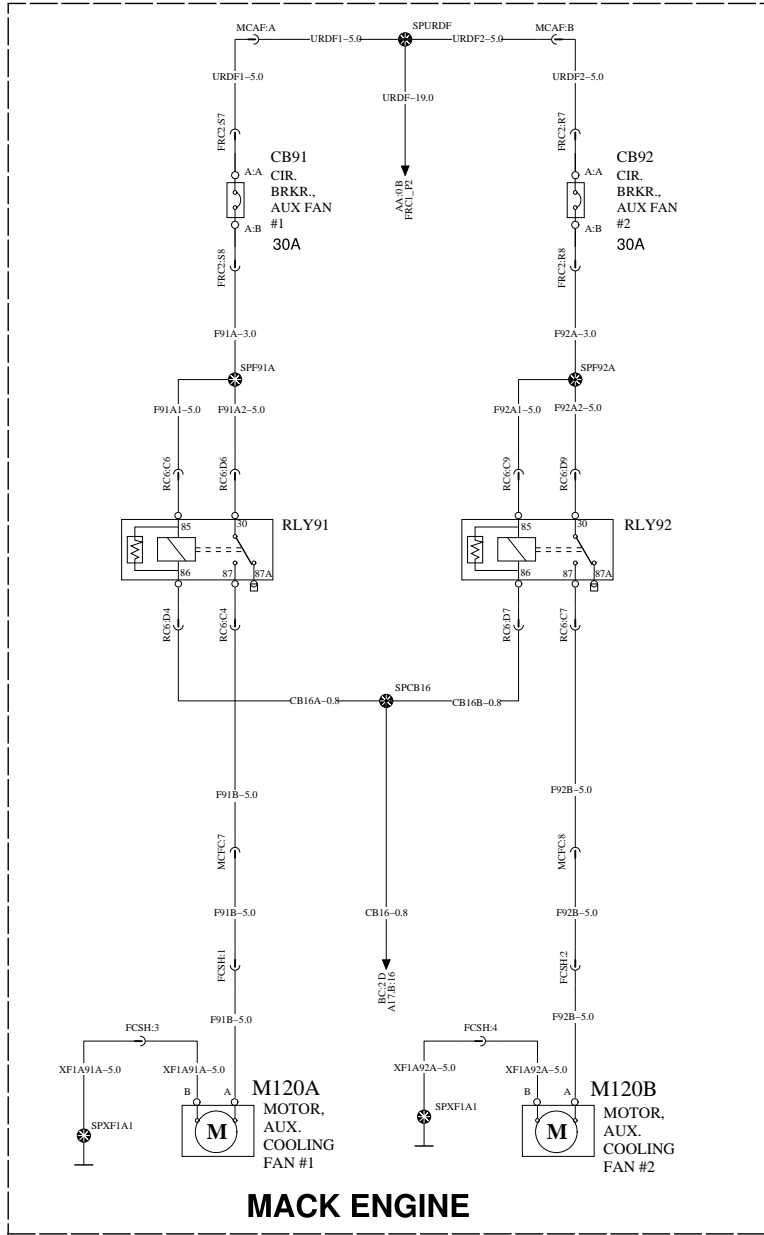
ENGINE HEATER

X141  
CONNECTOR  
SHORE POWER  
BLOCK HEATER

R78  
HEATER  
ENGINE BLOCK  
COOLANT

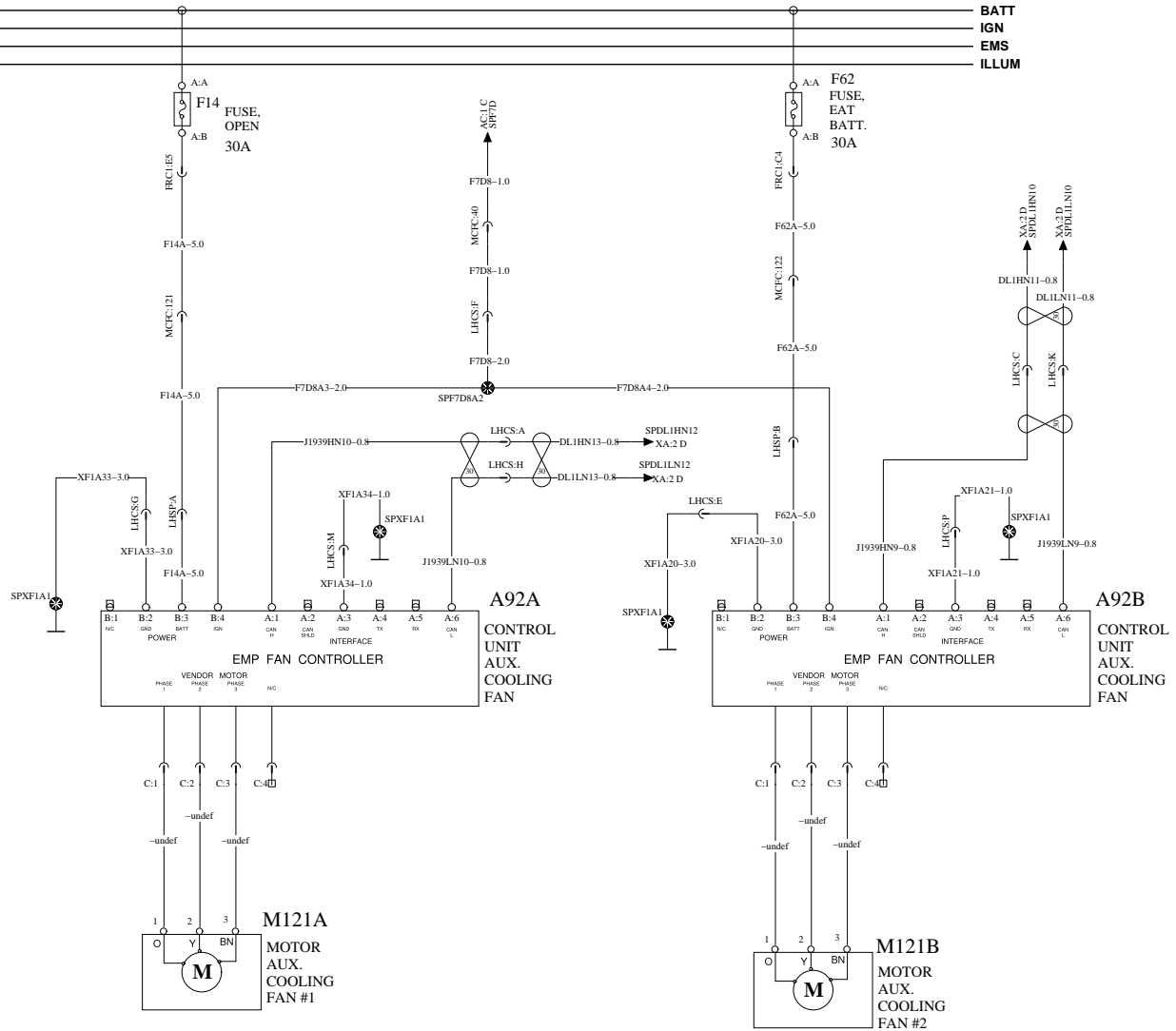
# AUXILIARY COOLING FANS

BATT  
IGN  
EMS  
ILLUM



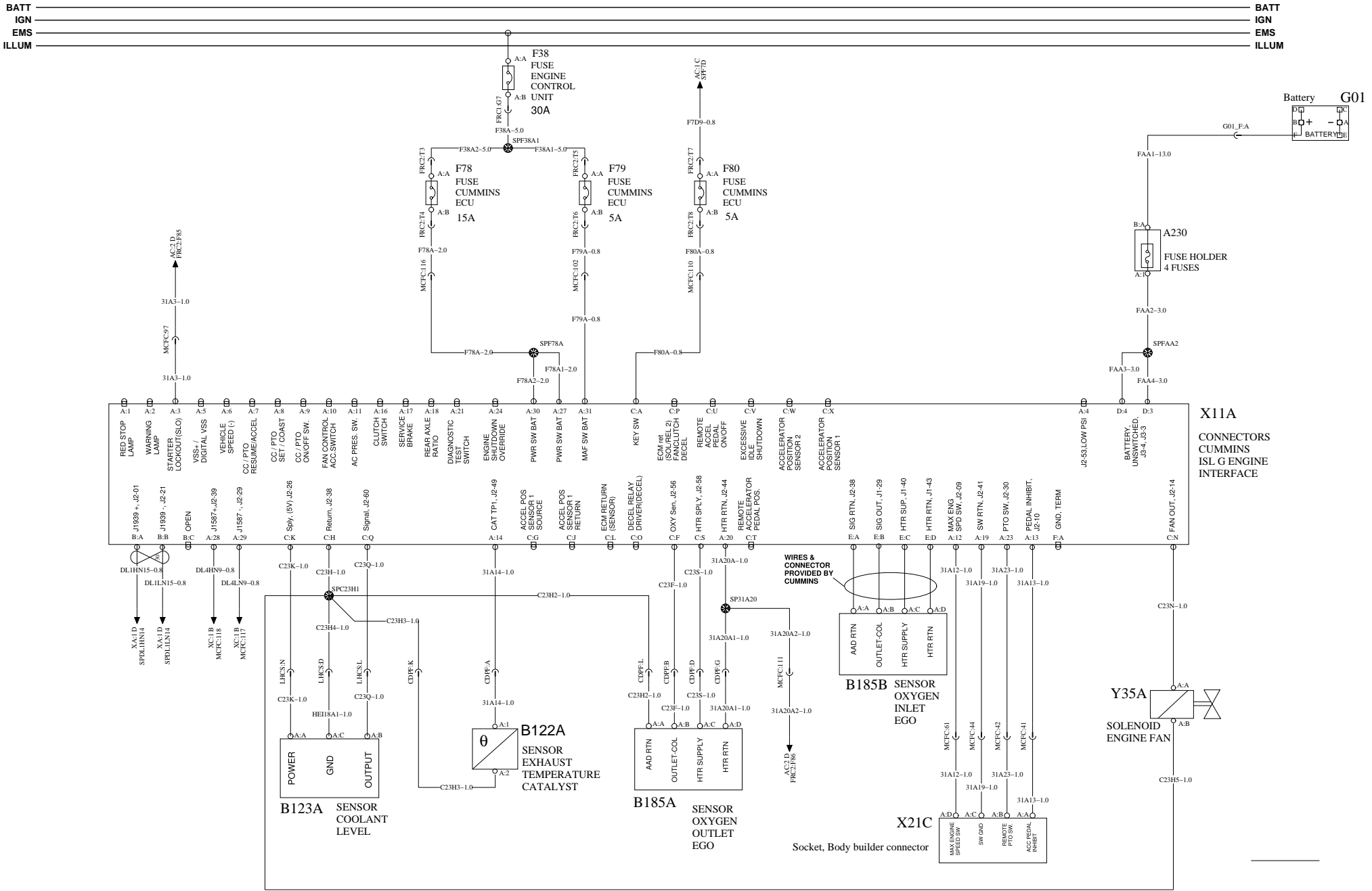
# WIRING DIAGRAM: CD

BATT  
IGN  
EMS  
ILLUM



# ENGINE INTERFACE CUMMINS ISLG

# WIRING DIAGRAM: CE

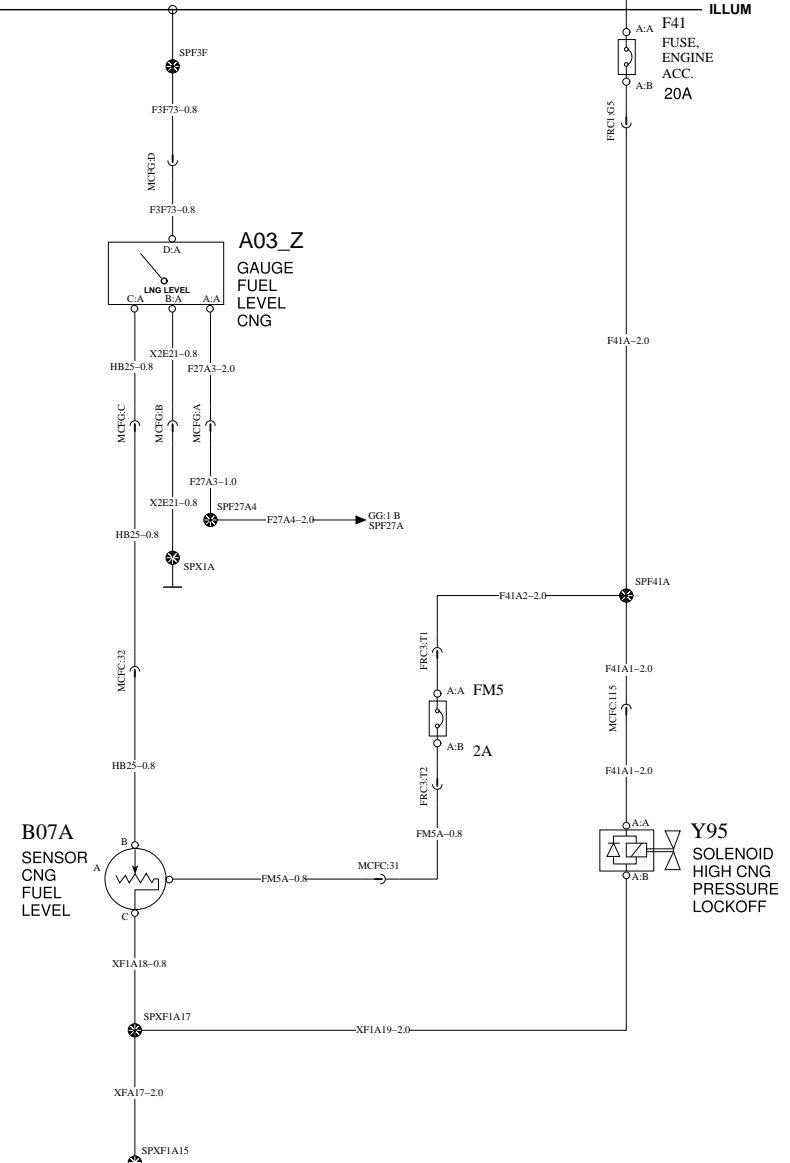
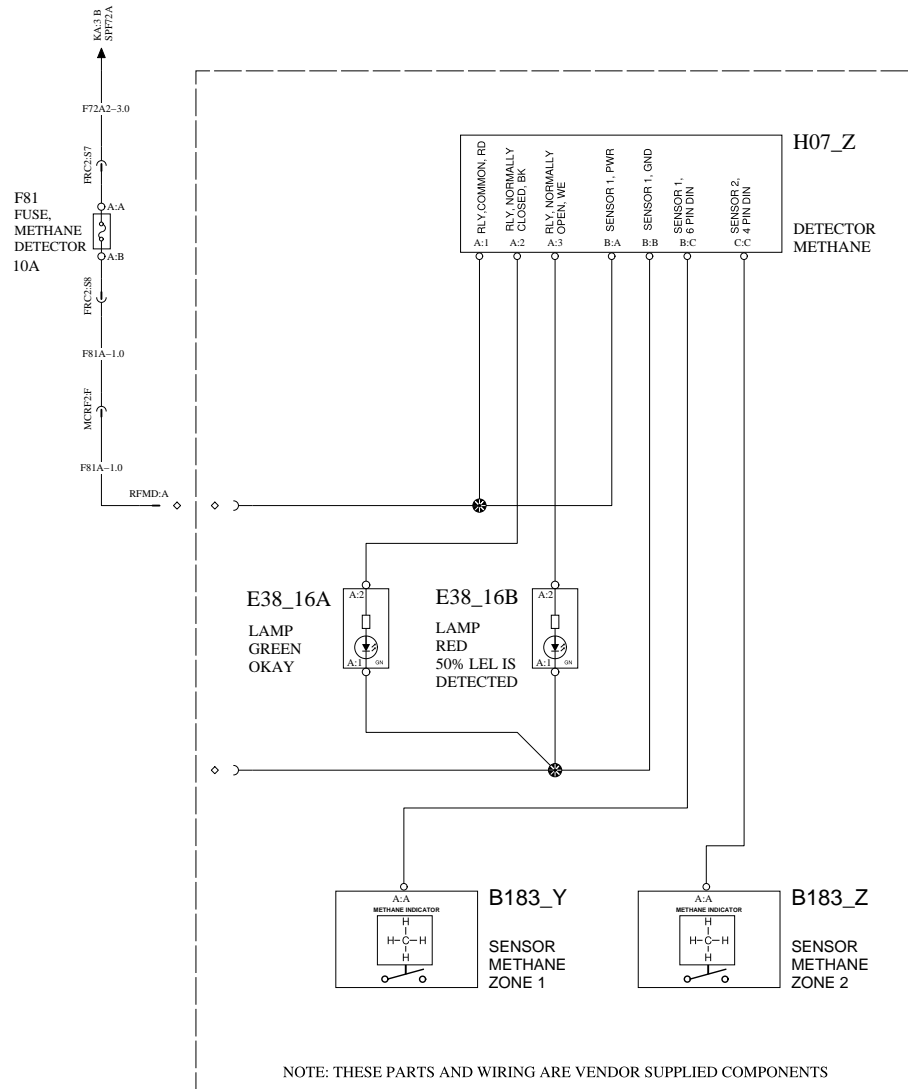


# CNG FUEL LEVEL

BATT  
IGN  
EMS  
ILLUM

# WIRING DIAGRAM: CG

BATT  
IGN  
EMS  
ILLUM

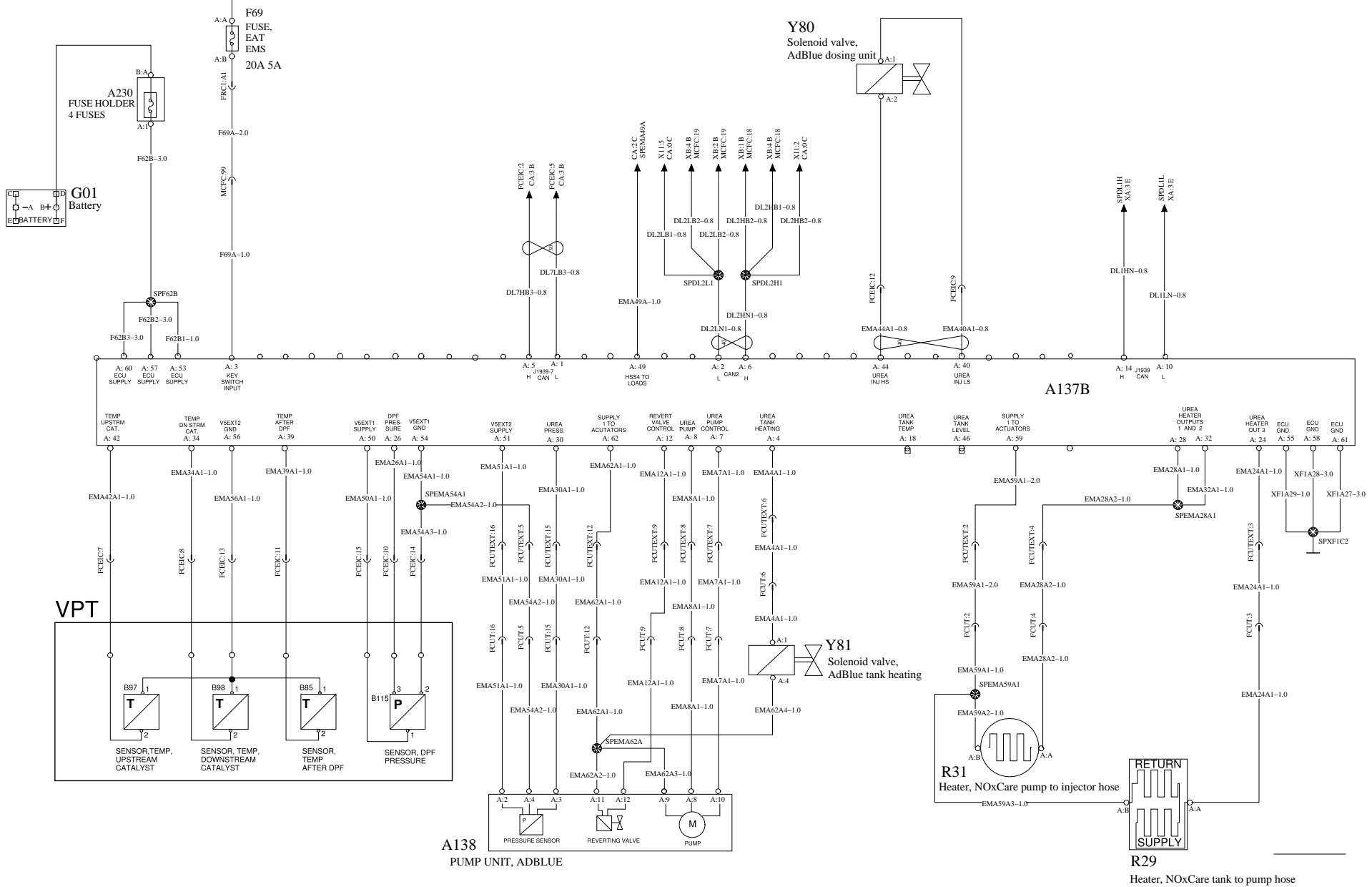


# UREA DOSING SYSTEM

# WIRING DIAGRAM: CH

BATT  
IGN  
EMS  
ILLUM

BATT  
IGN  
EMS  
ILLUM

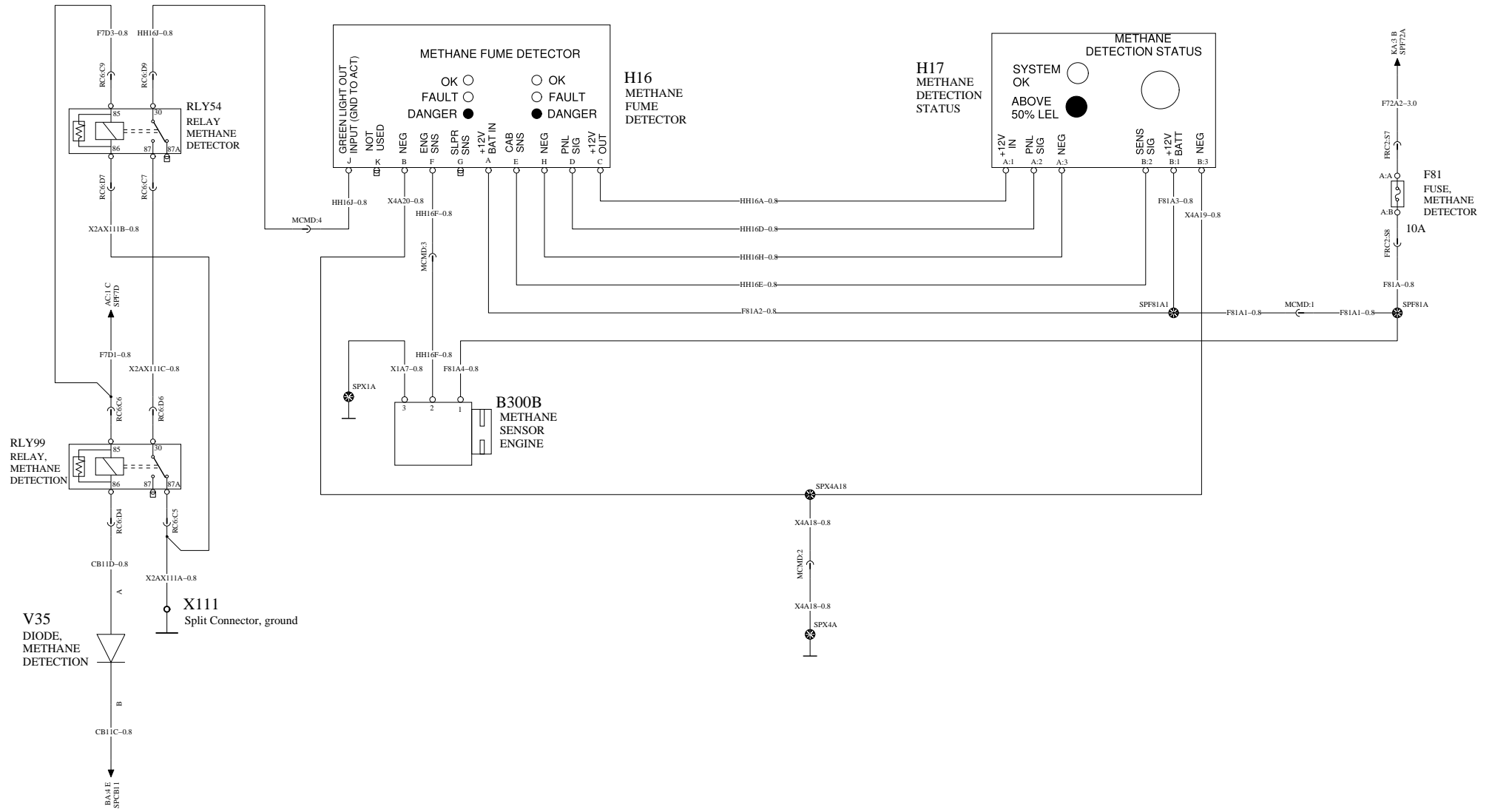


Document title WIRING DIAGRAM - TYPE-OL L1EH1	Document No <b>22484611</b>	Issue <b>05</b>	Volume <b>1 (2)</b>	Page <b>23 (52)</b>
Document type PRODUCT SCHEMATIC				

METHANE DETECTION

WIRING DIAGRAM: CI

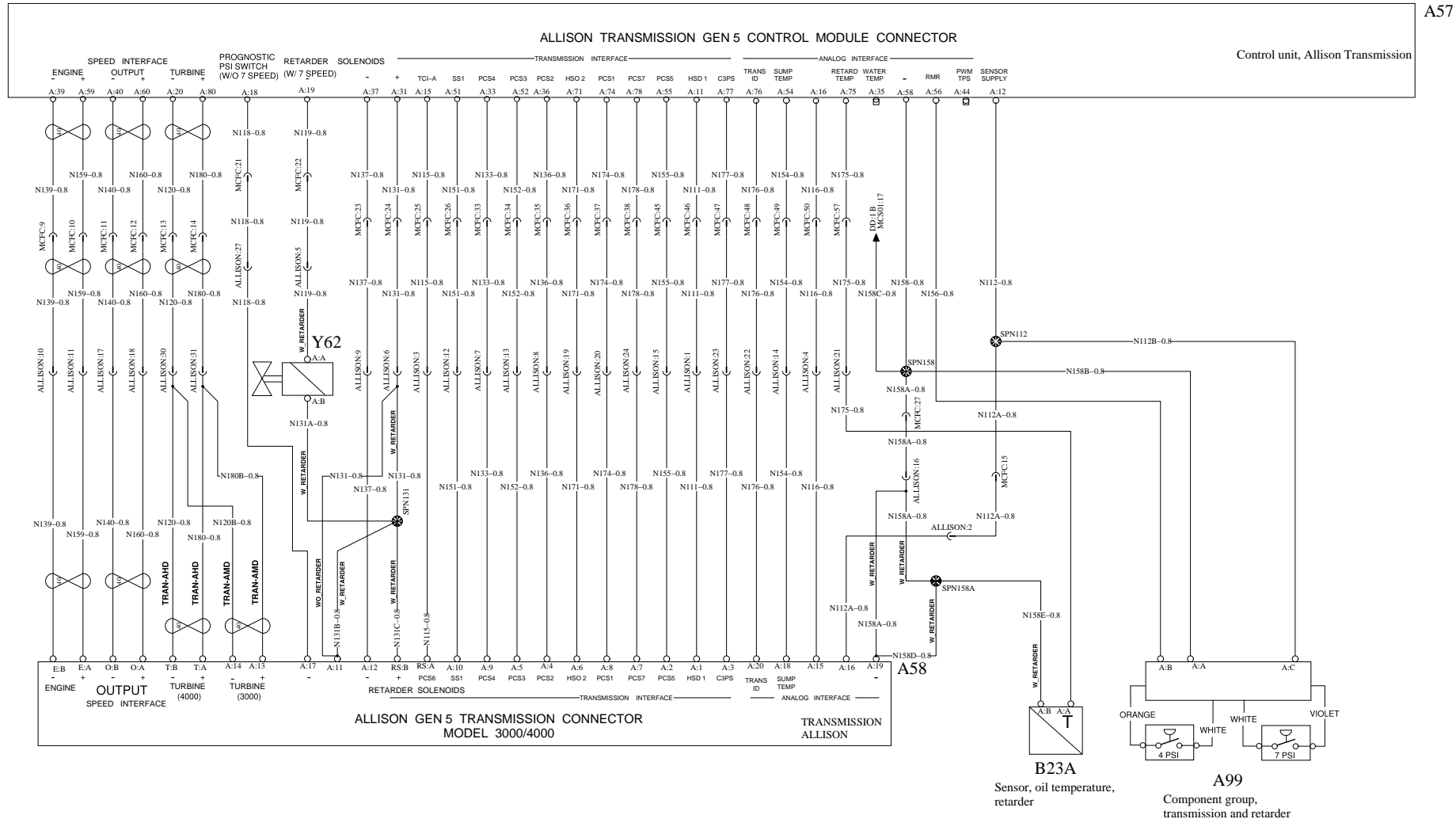
BATT \_\_\_\_\_ BATT  
 IGN \_\_\_\_\_ IGN  
 EMS \_\_\_\_\_ EMS  
 ILLUM \_\_\_\_\_ ILLUM





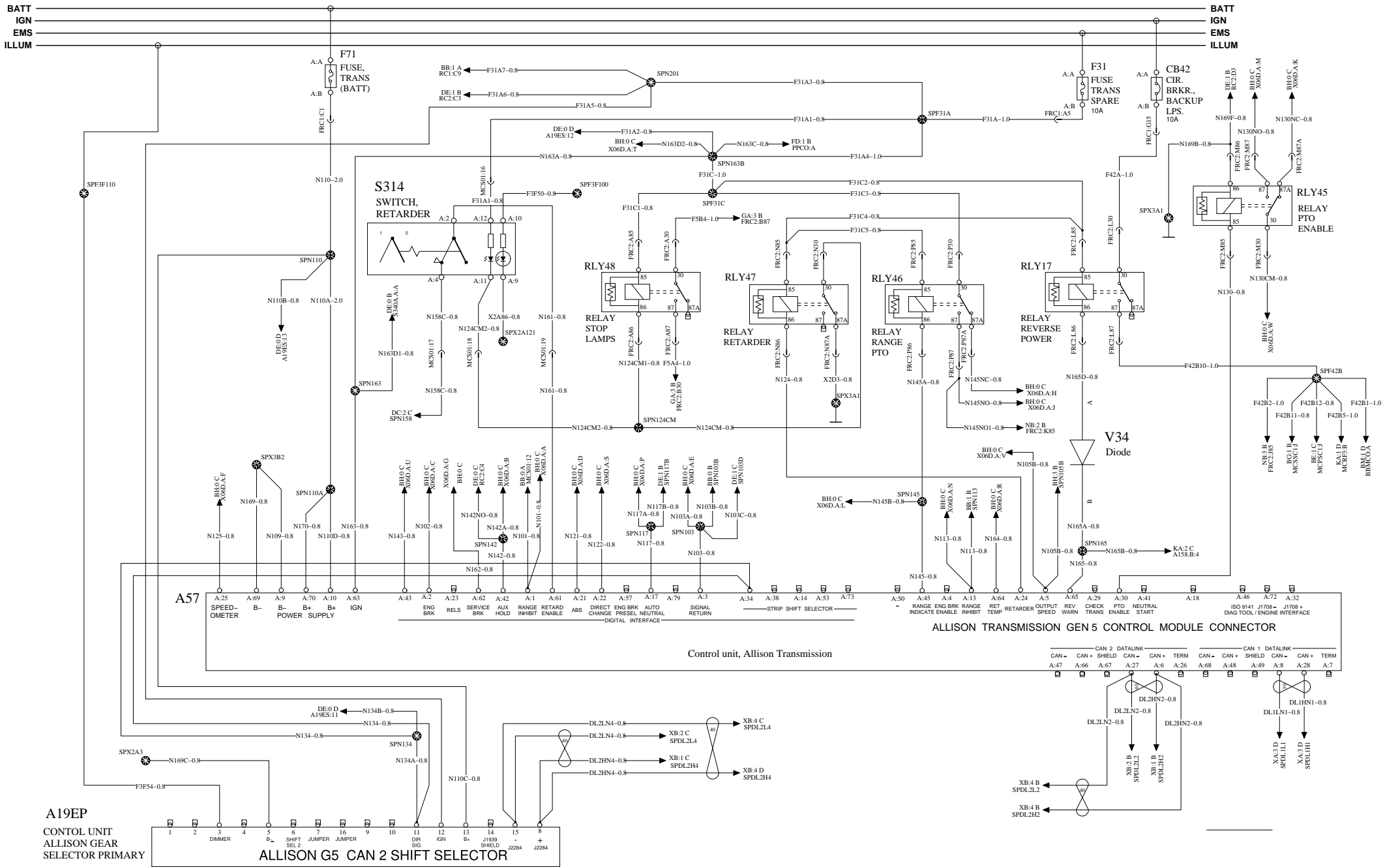
BATT  
IGN  
EMS  
ILLUM

BATT  
IGN  
EMS  
ILLUM

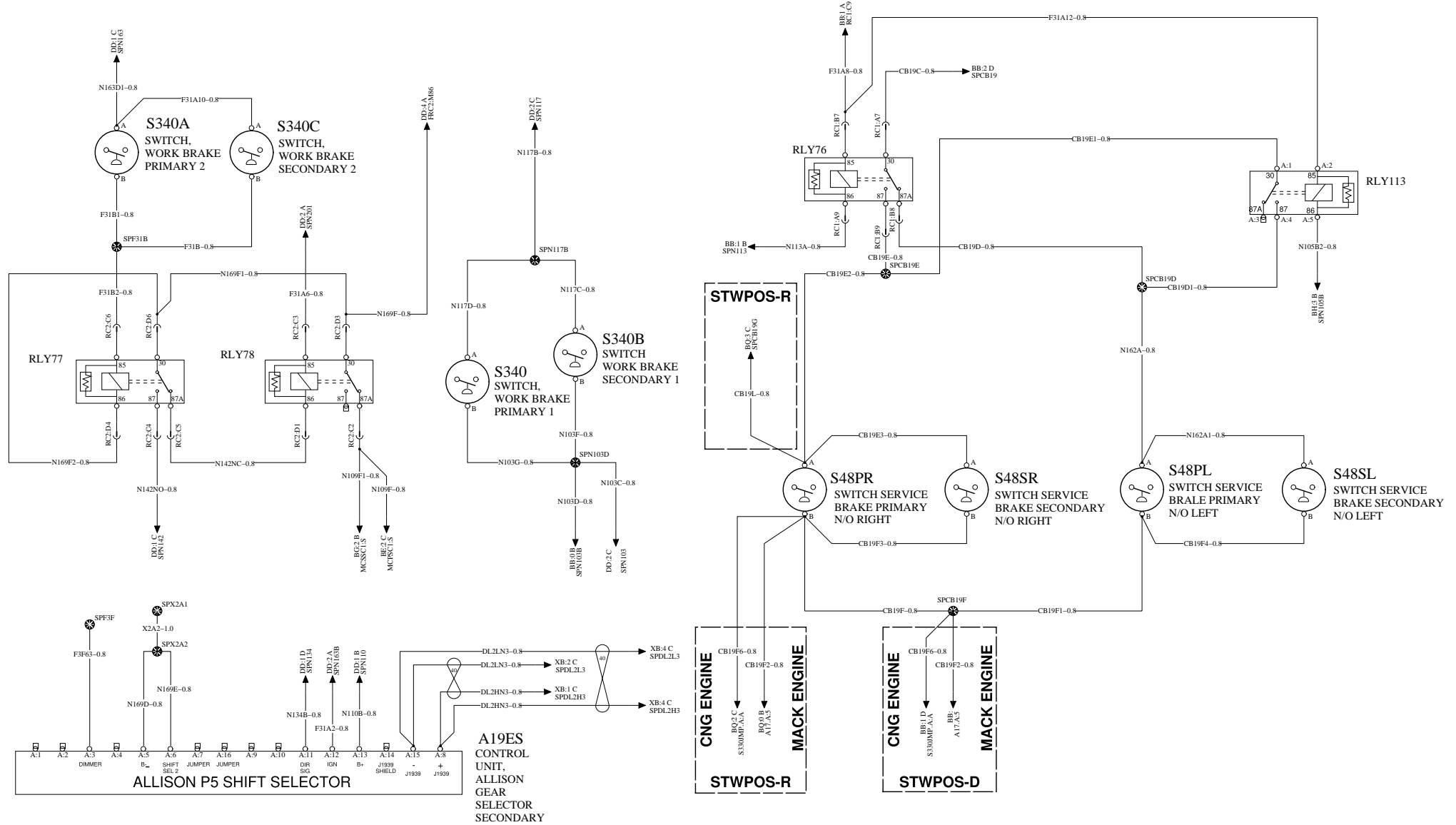


TRANSMISSION CONTROL 5th GENERATION 2/3

WIRING DIAGRAM: DD



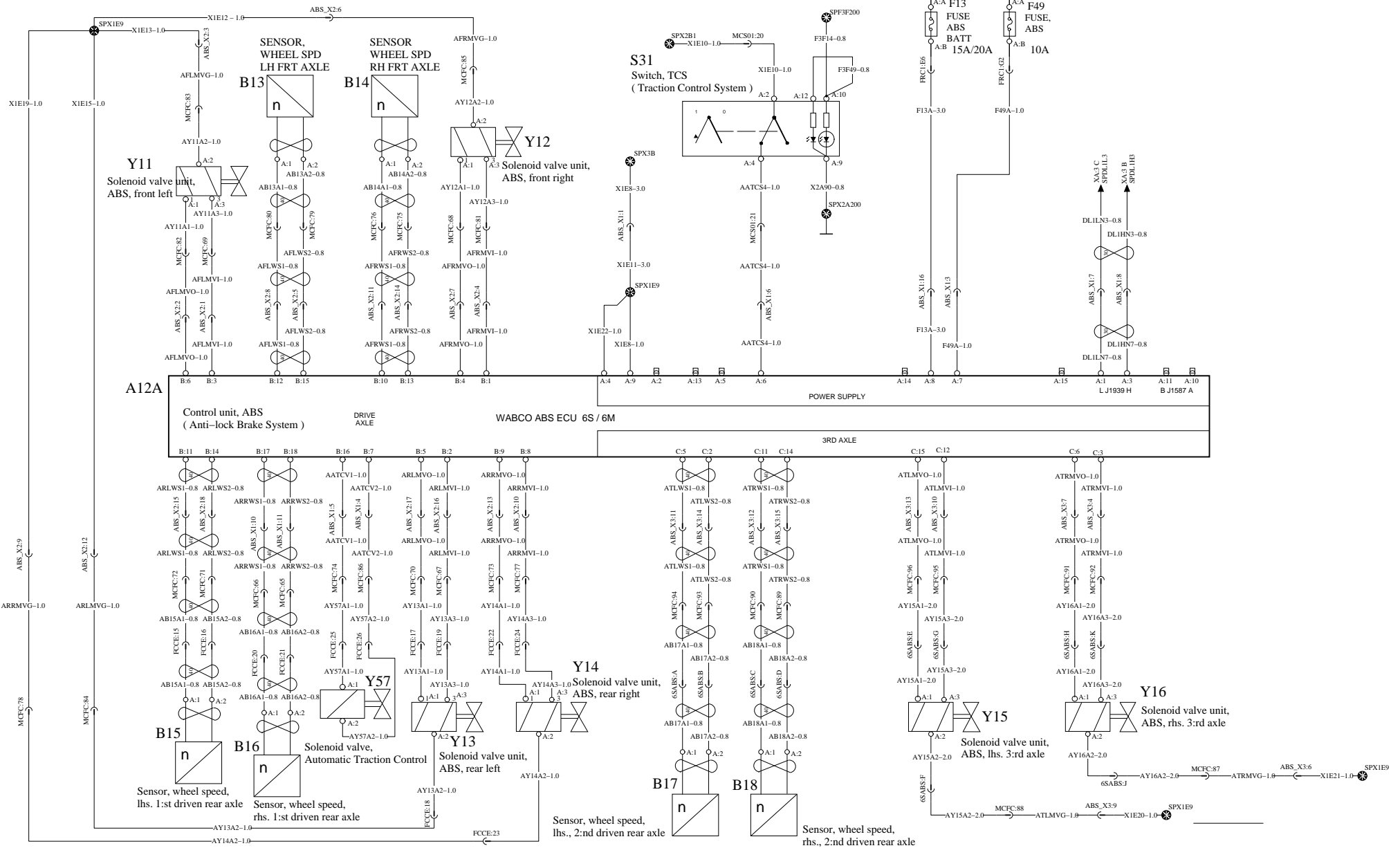
BATT  
IGN  
EMS  
ILLUM



ABS - MERITOR

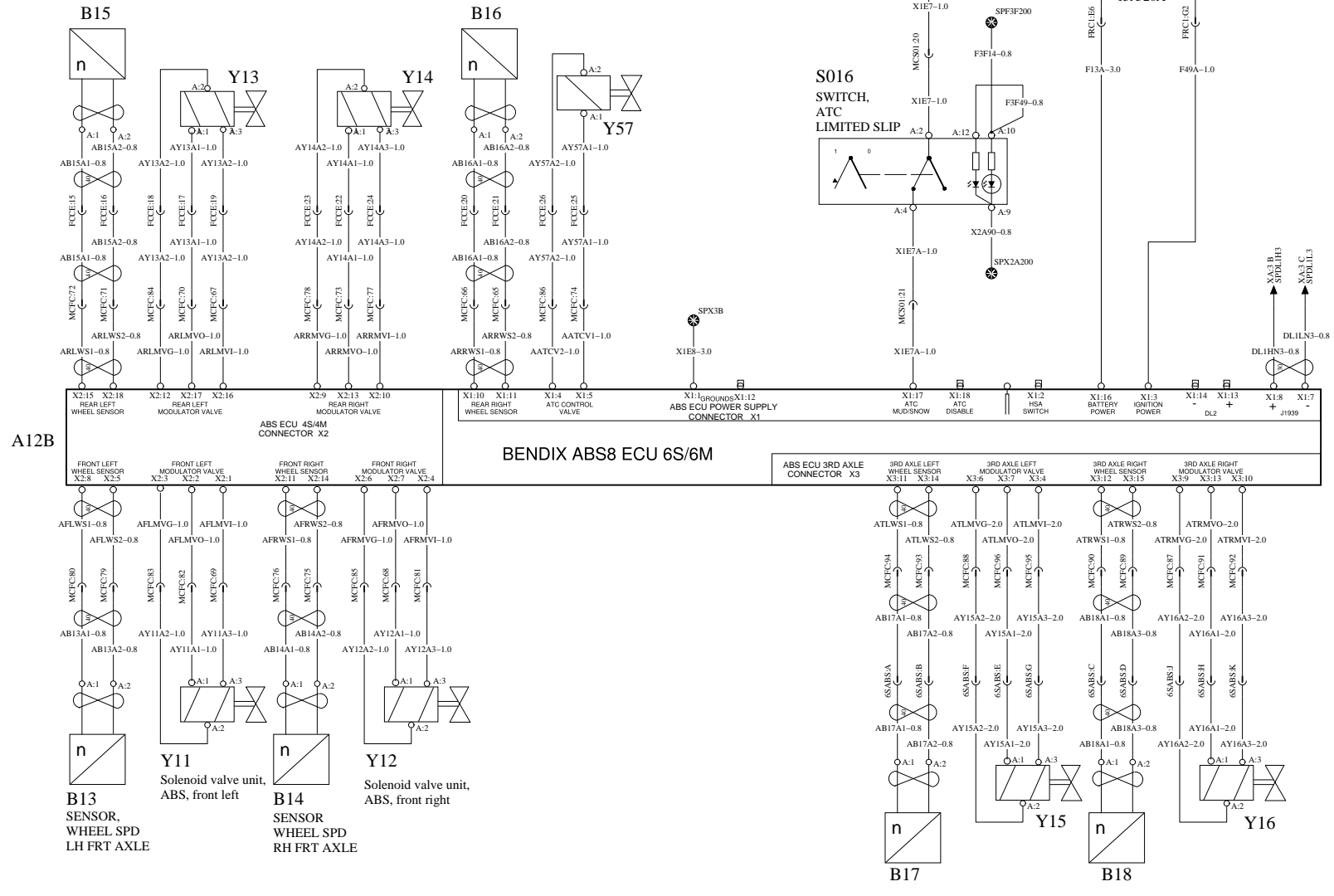
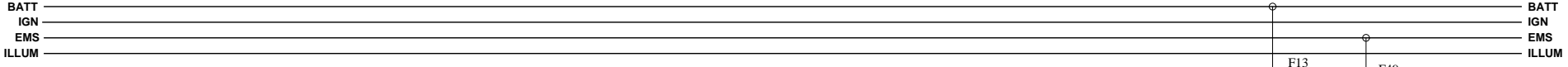
WIRING DIAGRAM: EA

BATT  
IGN  
EMS  
ILLUM



ABS BENDIX 8

WIRING DIAGRAM: EC



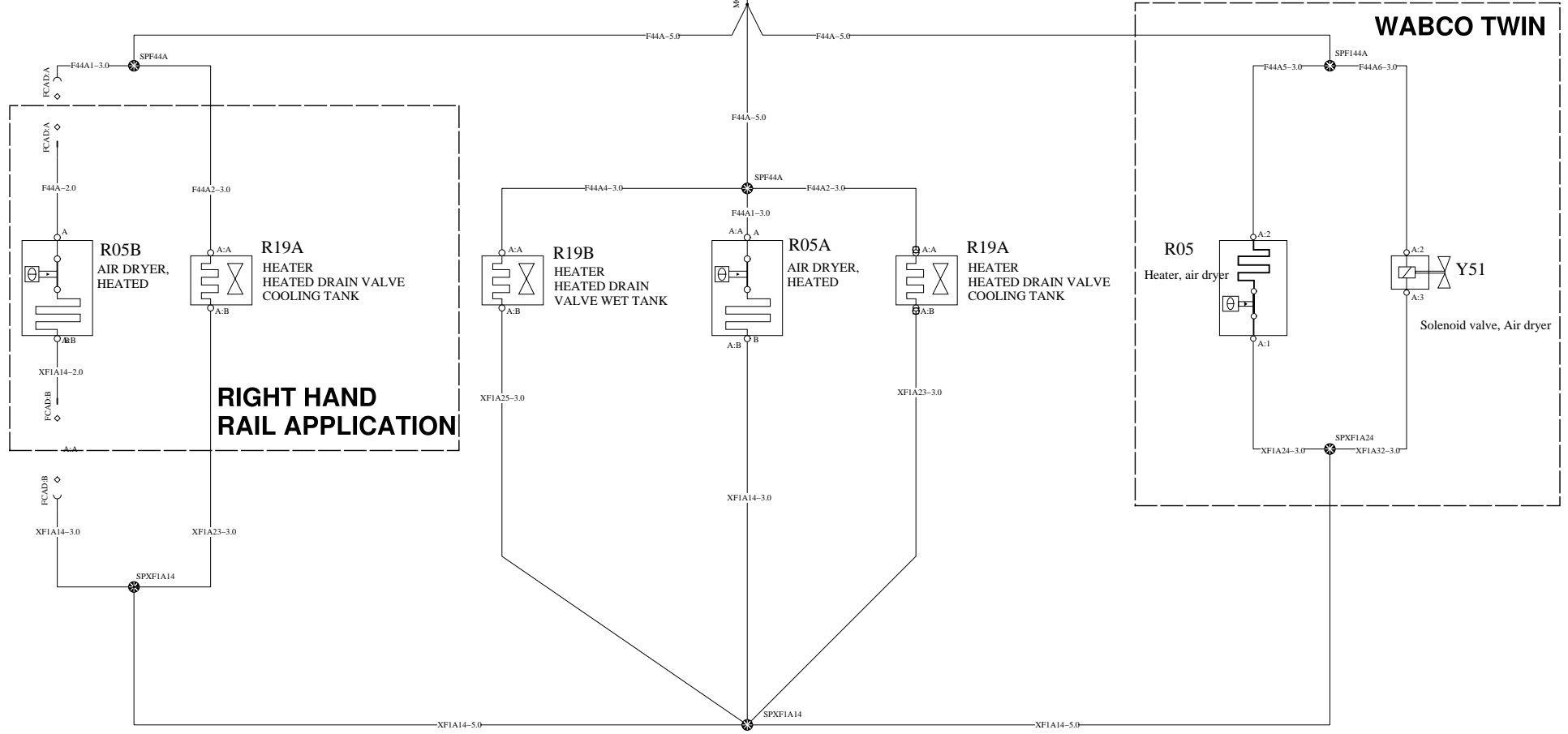
	Document title WIRING DIAGRAM - TYPE-OL L1EH1	Document No <b>22484611</b>	Issue <b>05</b>	Volume <b>1 (2)</b>	Page <b>29 (52)</b>
	Document type PRODUCT SCHEMATIC				

AIR DRYER/HEATED DRAIN

WIRING DIAGRAM: FA

BATT  
IGN  
EMS  
ILLUM

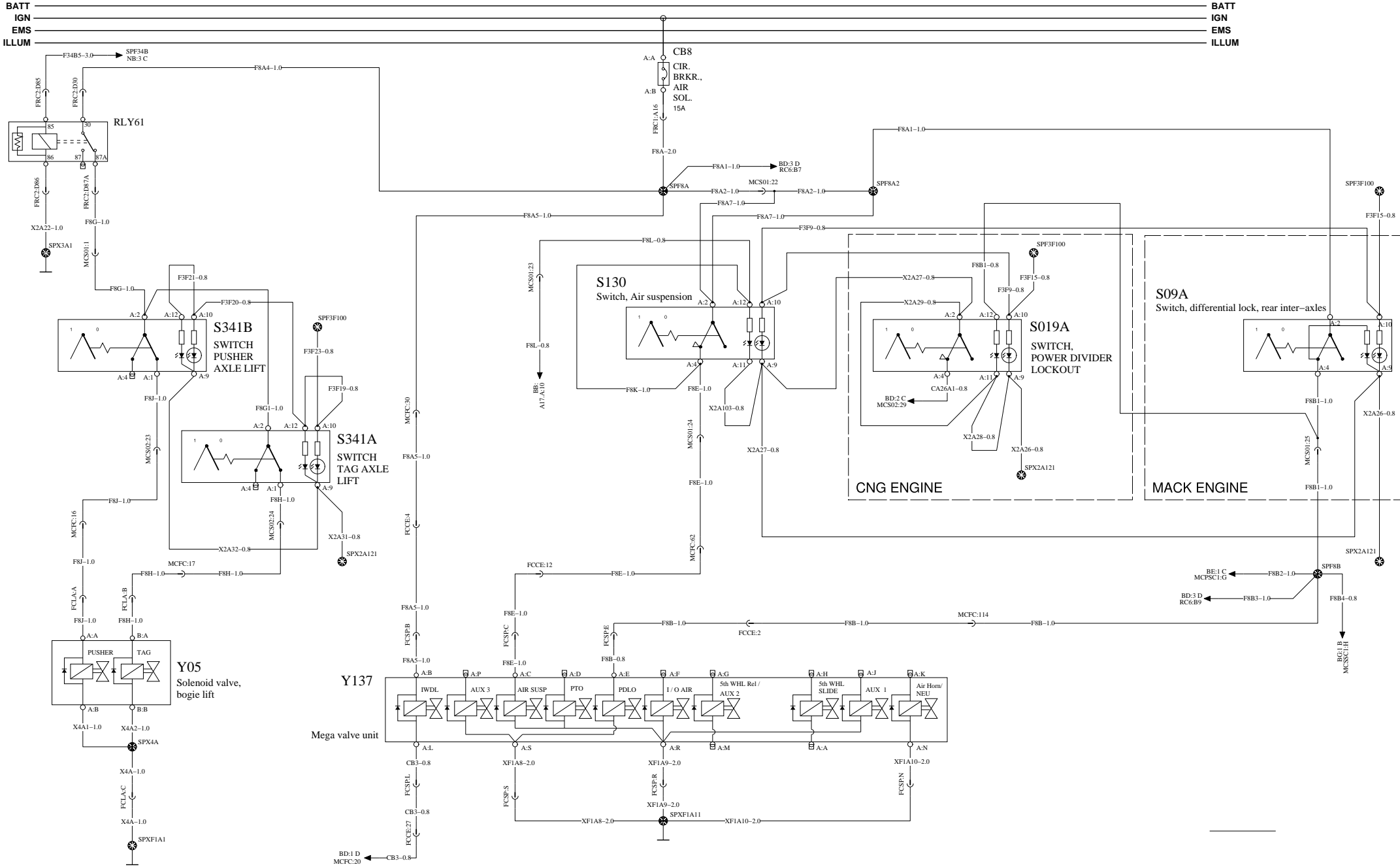
CB44  
CIR.  
BRKR.  
HTD. AIR DRYER  
/HTD. DRAIN  
VALVE  
25 A



**Air Dryer, Cooling Tank  
Heated Drain Valve, and  
Wet Tank Heated Drain Valve**

# CHASSIS SOLENOIDS

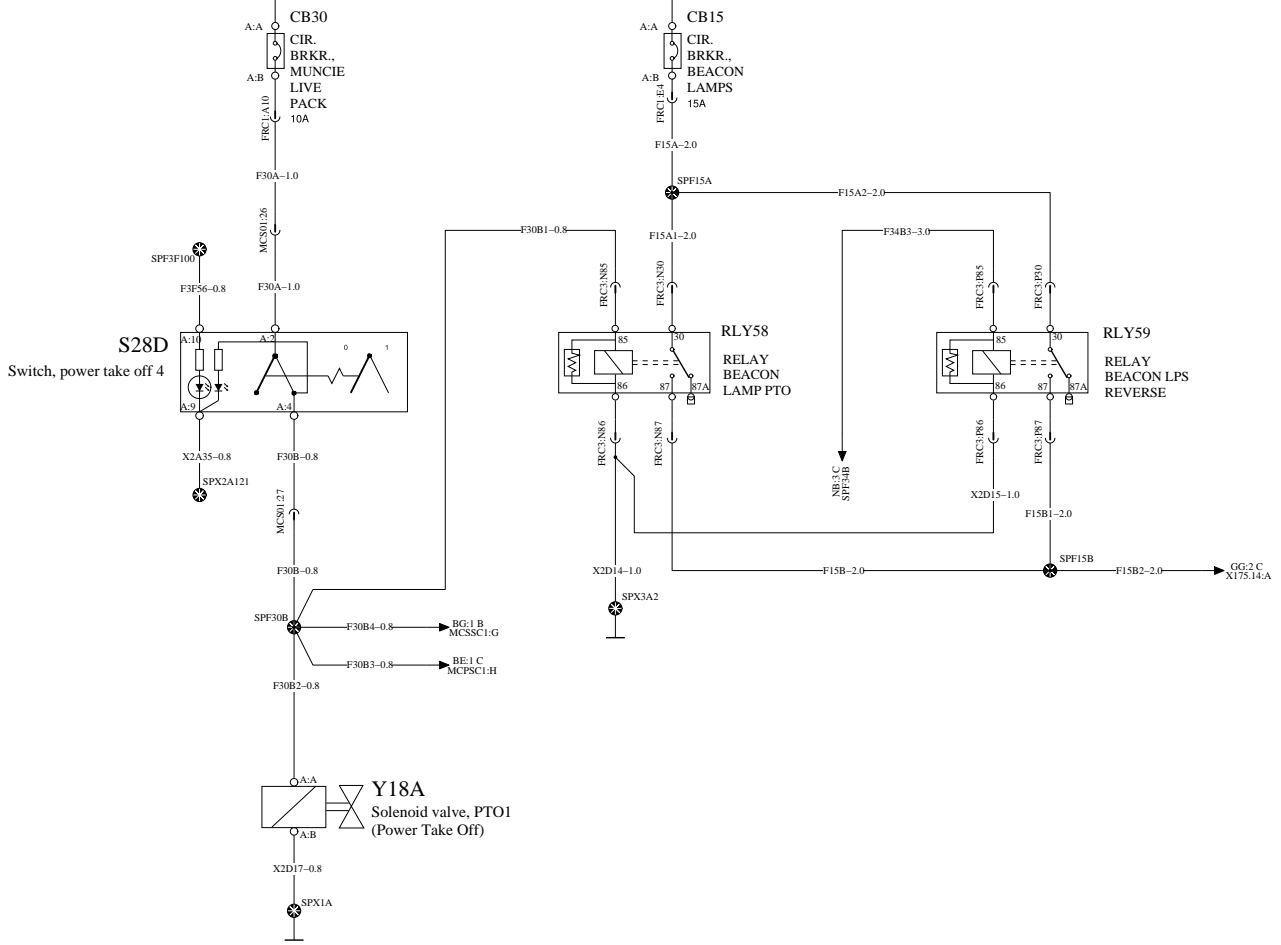
# WIRING DIAGRAM: FB



MUNCIE PUMP, BEACON LAMPS & WORKBRAKE SOLENOID

WIRING DIAGRAM: FC

BATT  
IGN  
EMS  
ILLUM

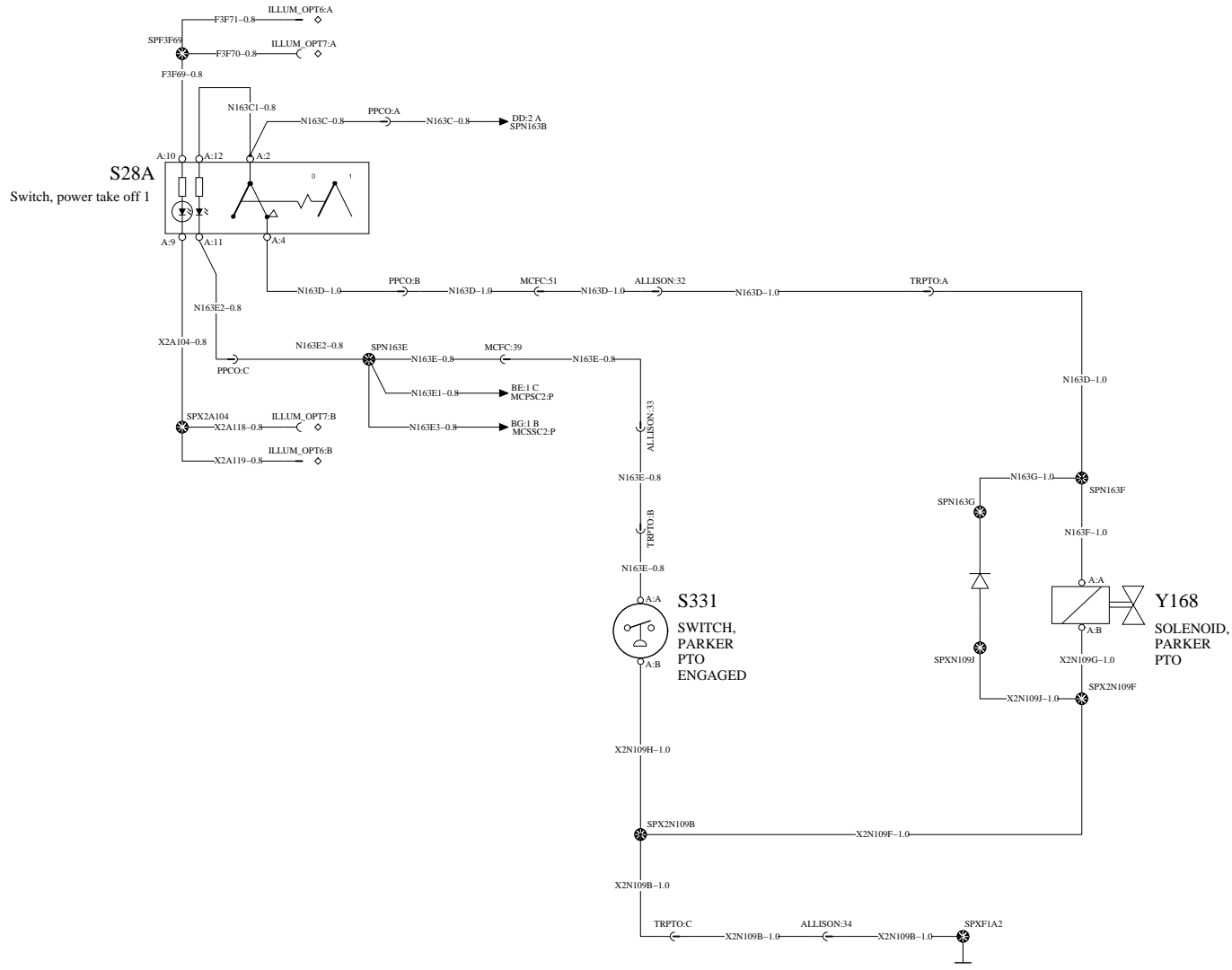




PARKER PTO

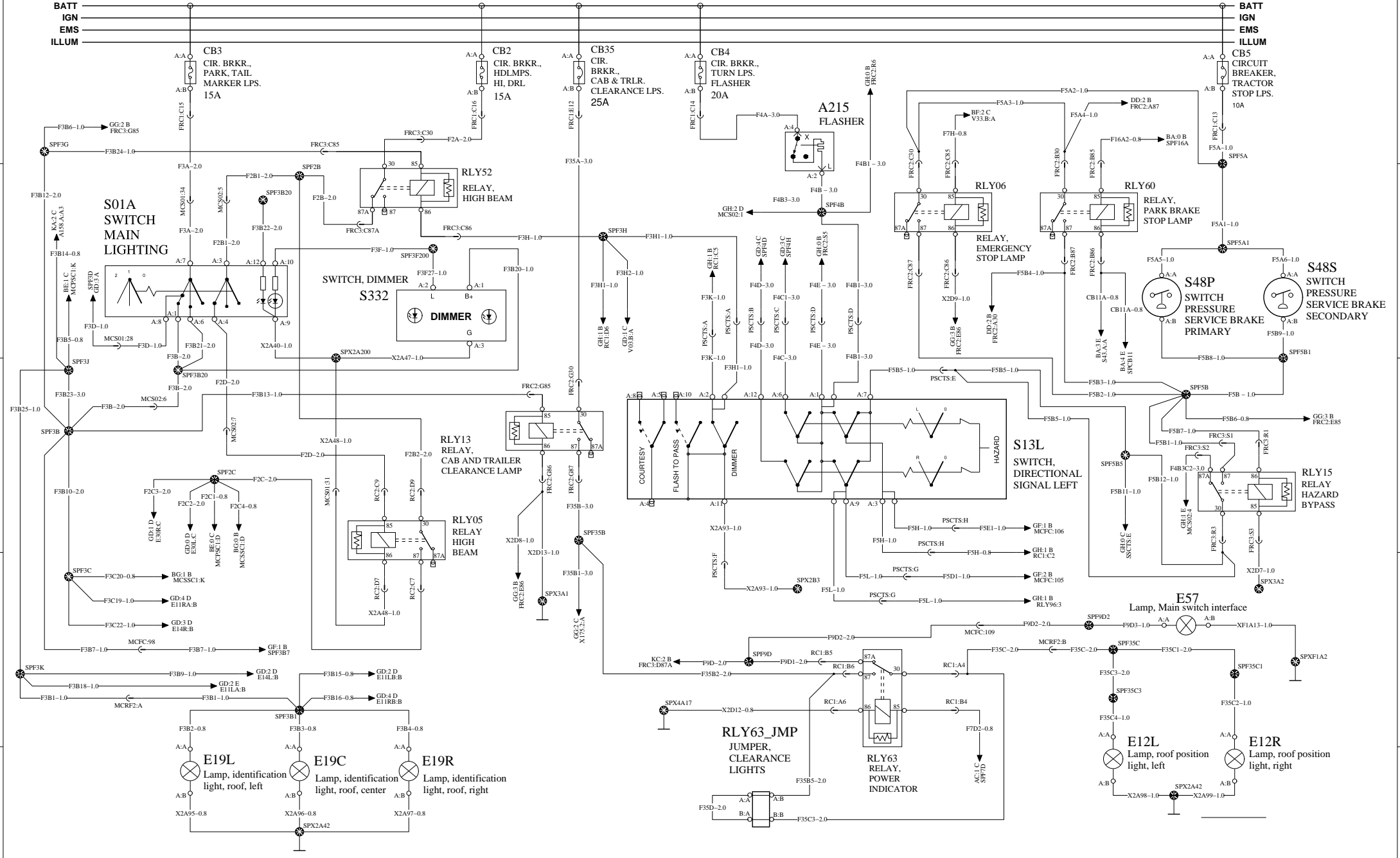
WIRING DIAGRAM: FD

BATT \_\_\_\_\_ BATT  
 IGN \_\_\_\_\_ IGN  
 EMS \_\_\_\_\_ EMS  
 ILLUM \_\_\_\_\_ ILLUM



LIGHTING - CONTROLS

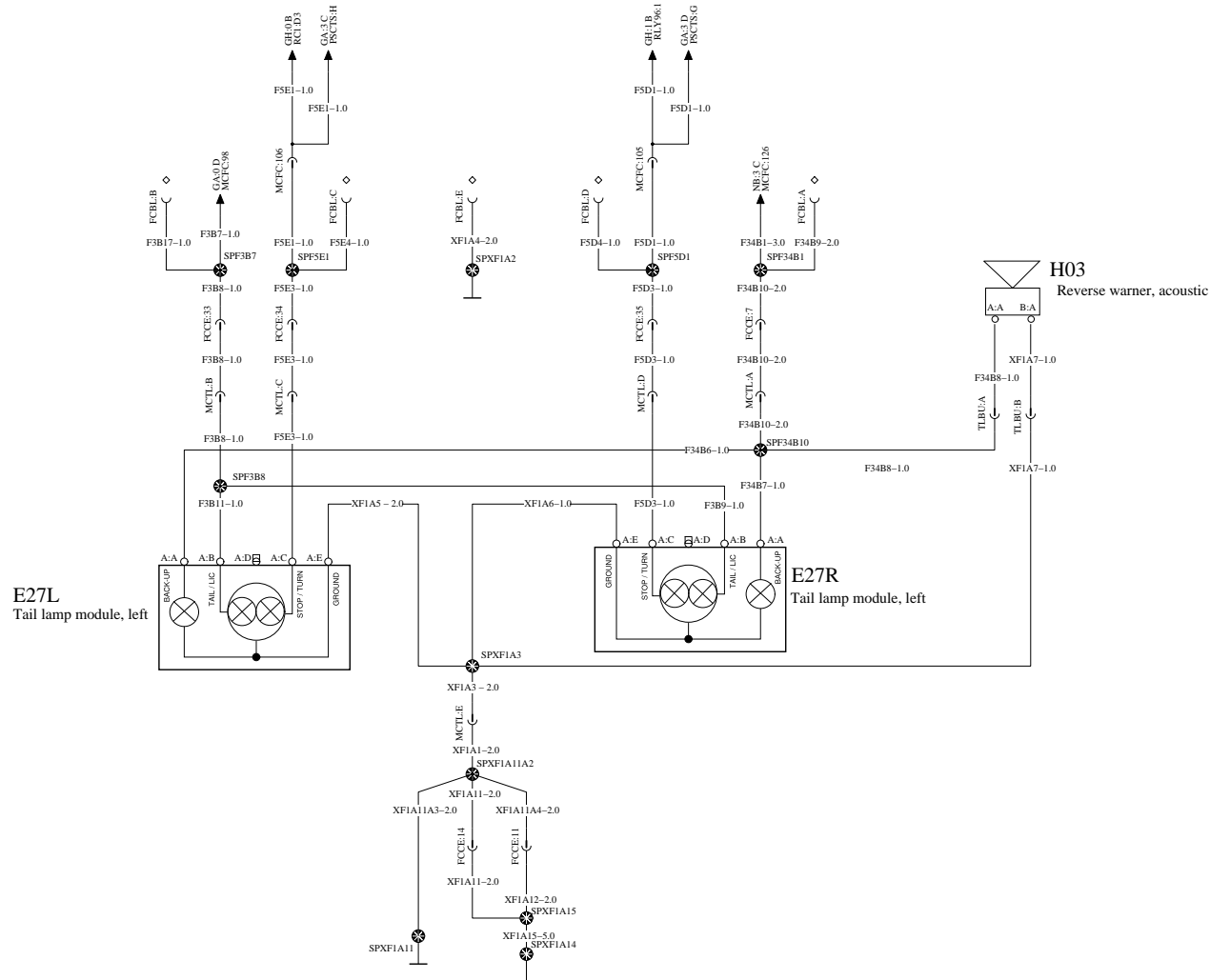
WIRING DIAGRAM: GA



	Document title	Document No	Issue	Volume	Page
	WIRING DIAGRAM - TYPE-OL L1EH1	22484611	05	1 (2)	34 (52)
	Document type				
	PRODUCT SCHEMATIC				

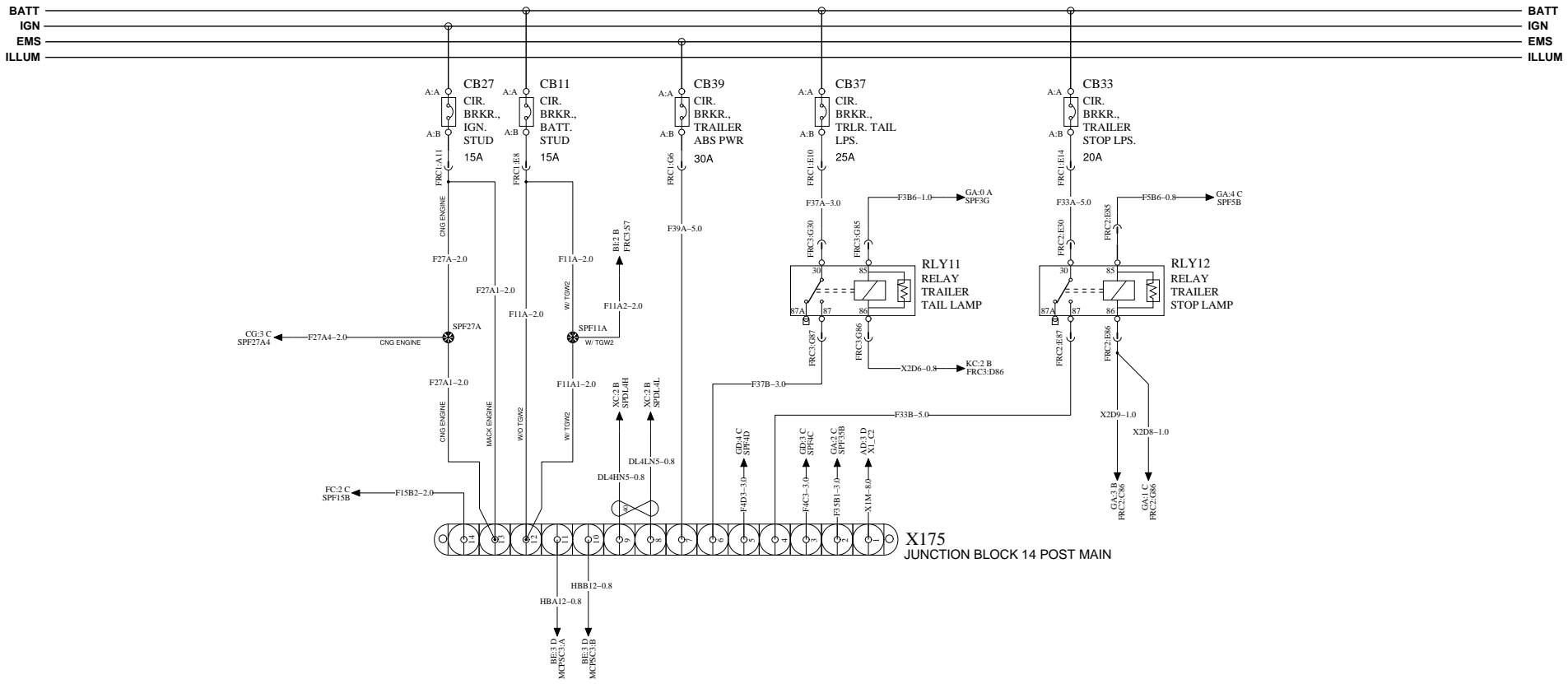


BATT  
IGN  
EMS  
ILLUM



LIGHTING - TRAILER CONTROL

WIRING DIAGRAM: GG

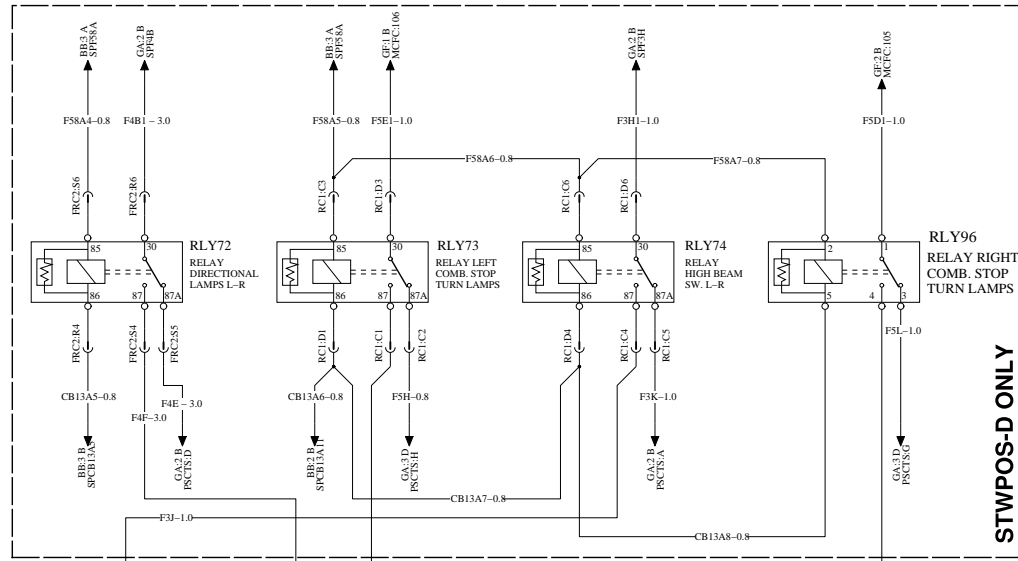


# LIGHTING - LH/RH CONTROL & INTERIOR

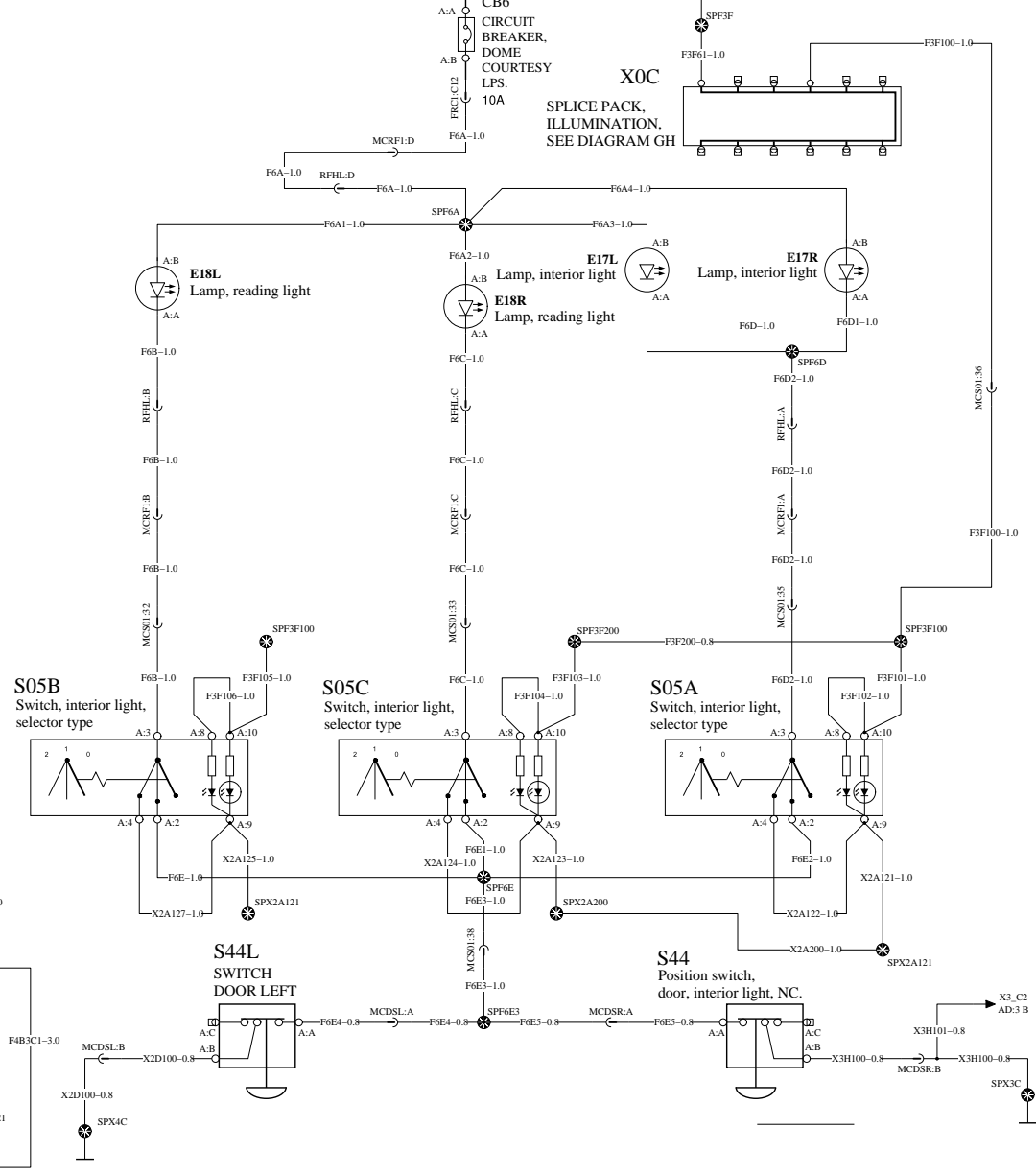
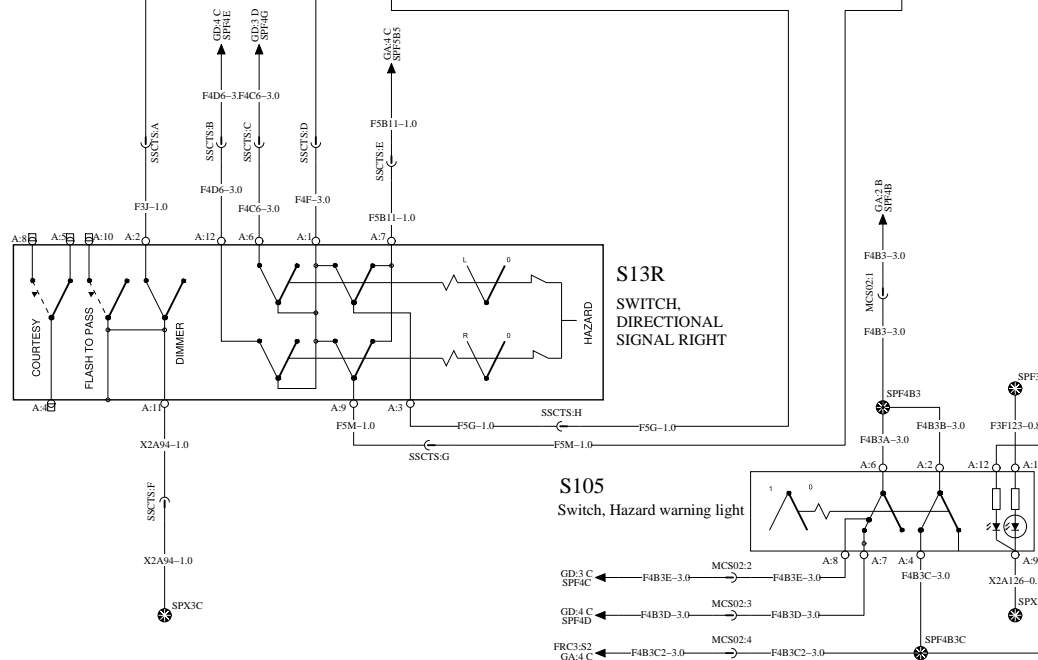
# WIRING DIAGRAM: GH

BATT  
IGN  
EMS  
ILLUM

BATT  
IGN  
EMS  
ILLUM

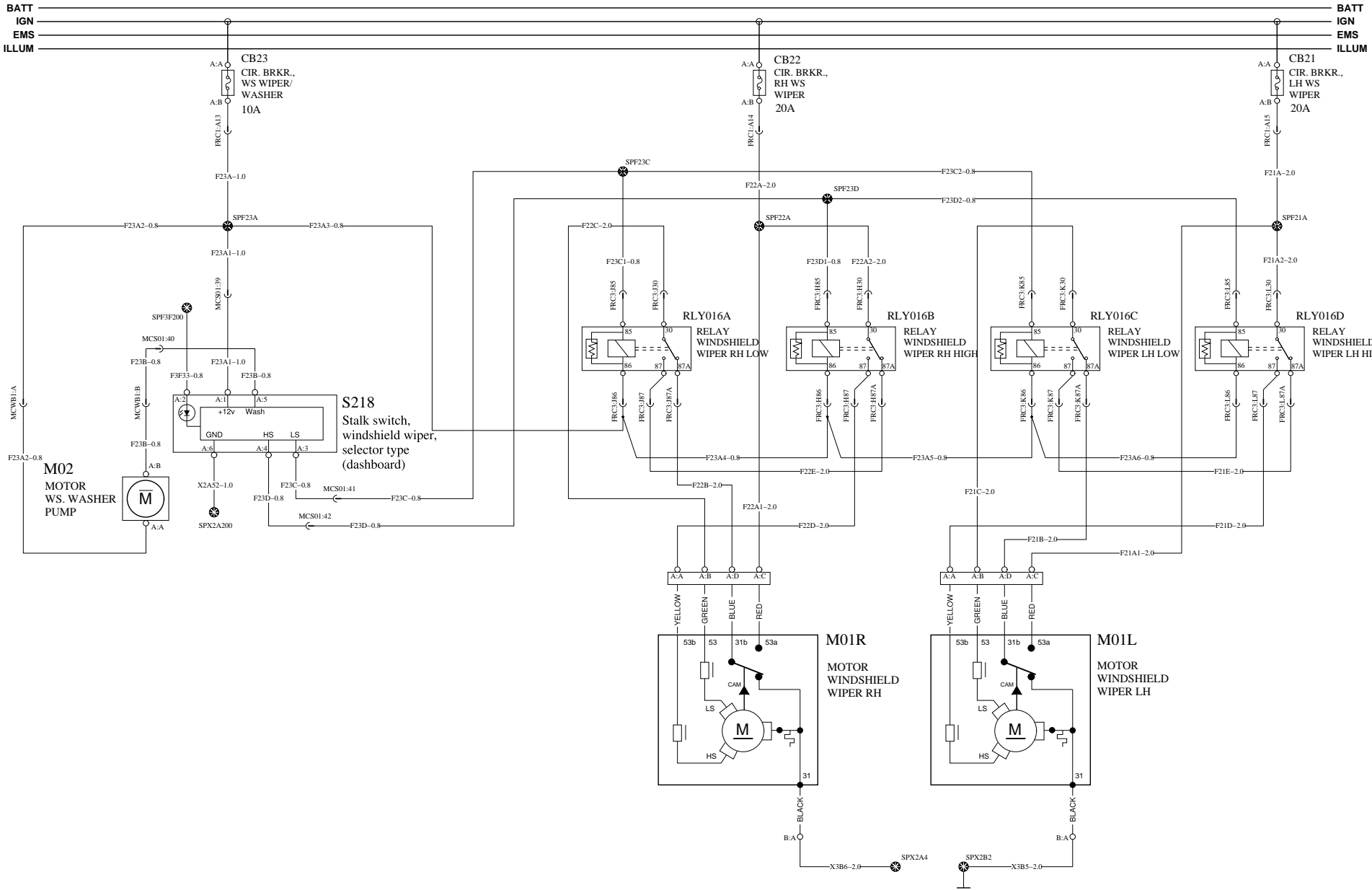


STWPOS-D ONLY



# WINDSHIELD WASHER

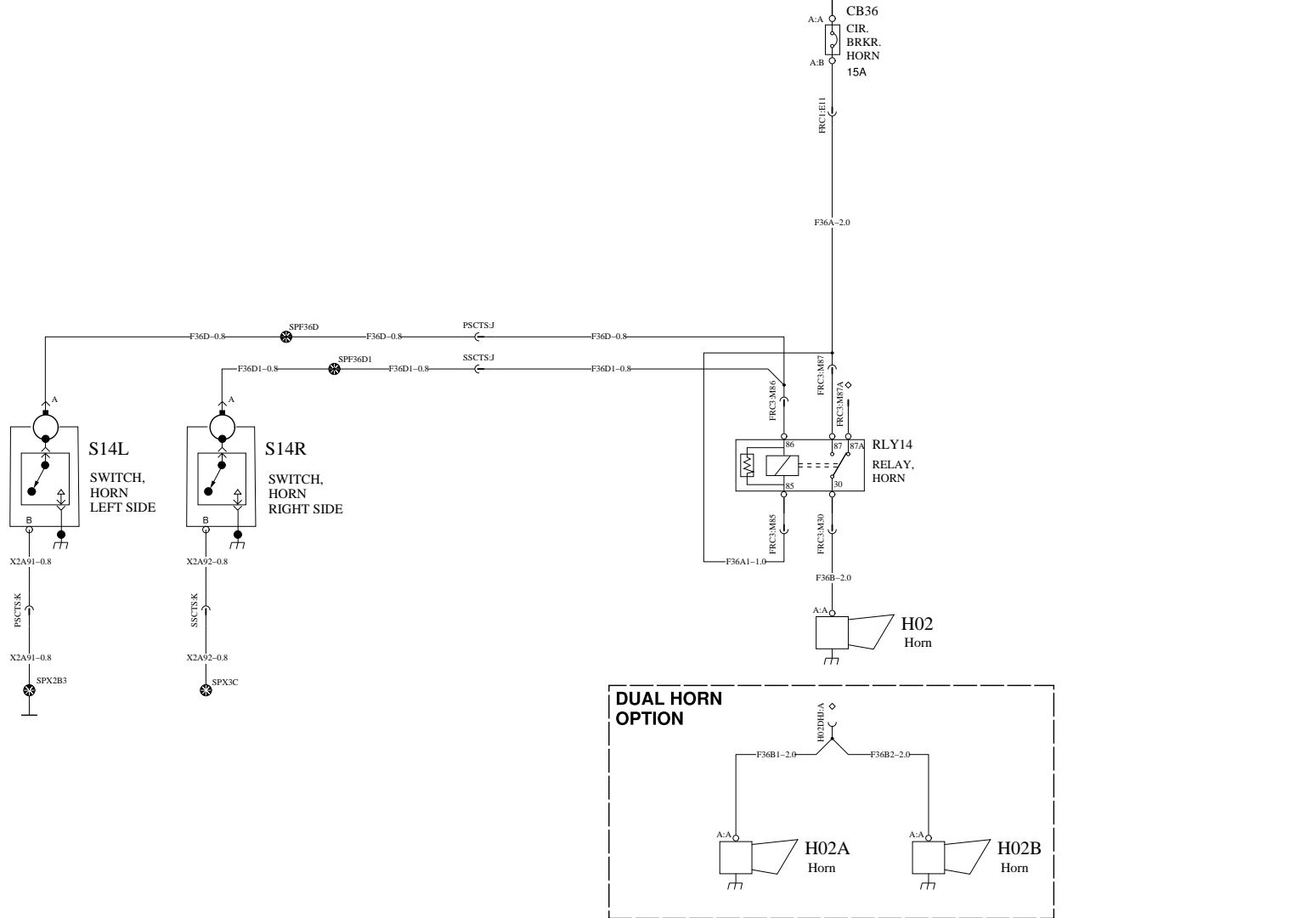
# WIRING DIAGRAM: GP



HORN WIRING

WIRING DIAGRAM: GQ

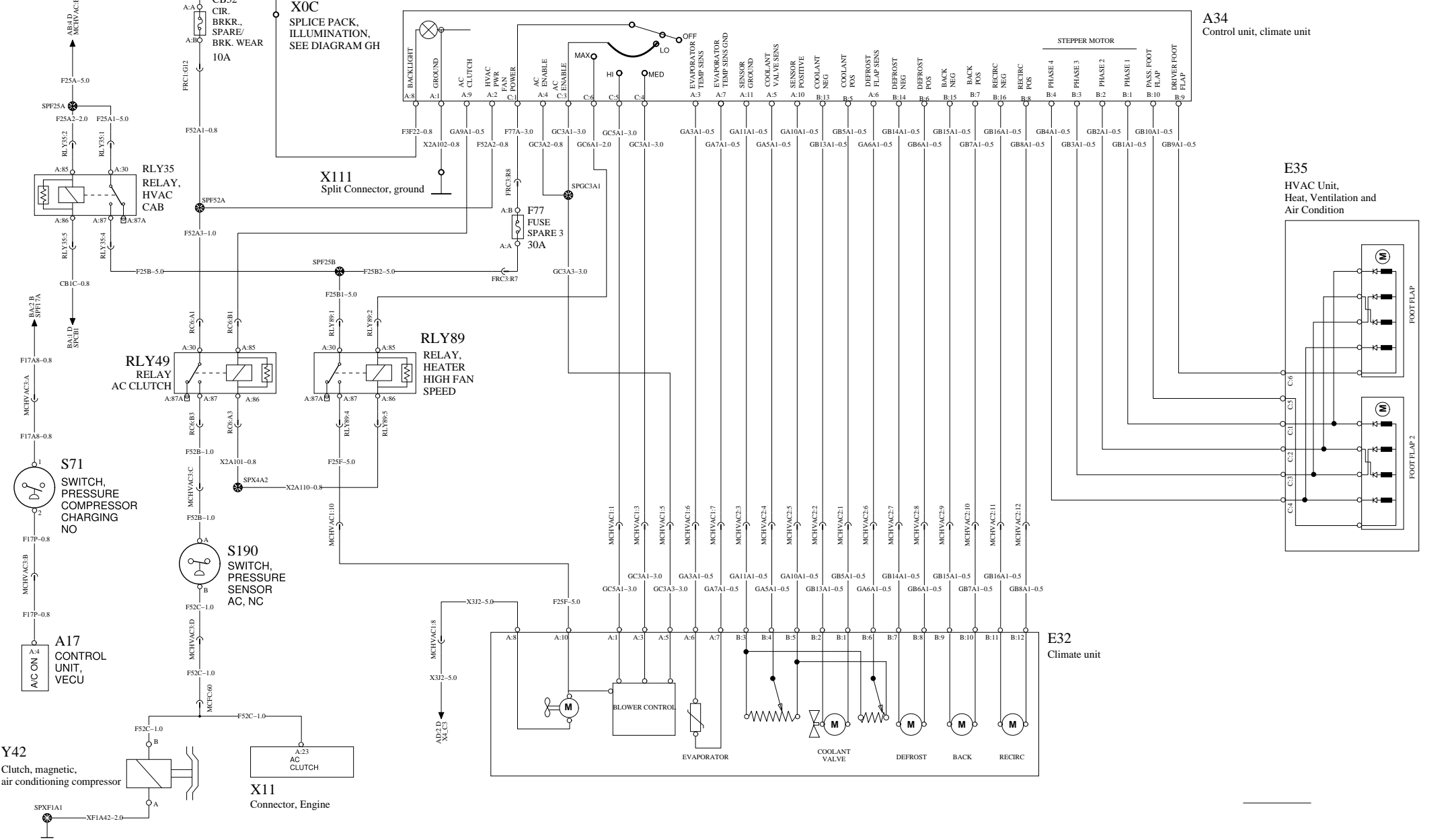
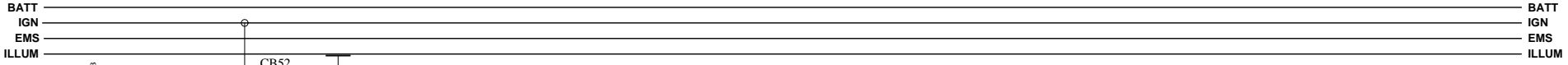
BATT  
IGN  
EMS  
ILLUM





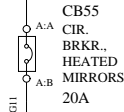
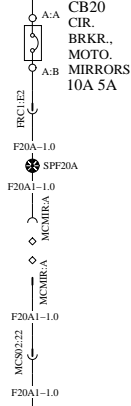
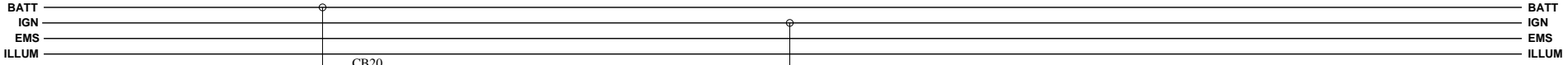
# CLIMATE CONTROL

# WIRING DIAGRAM: HA

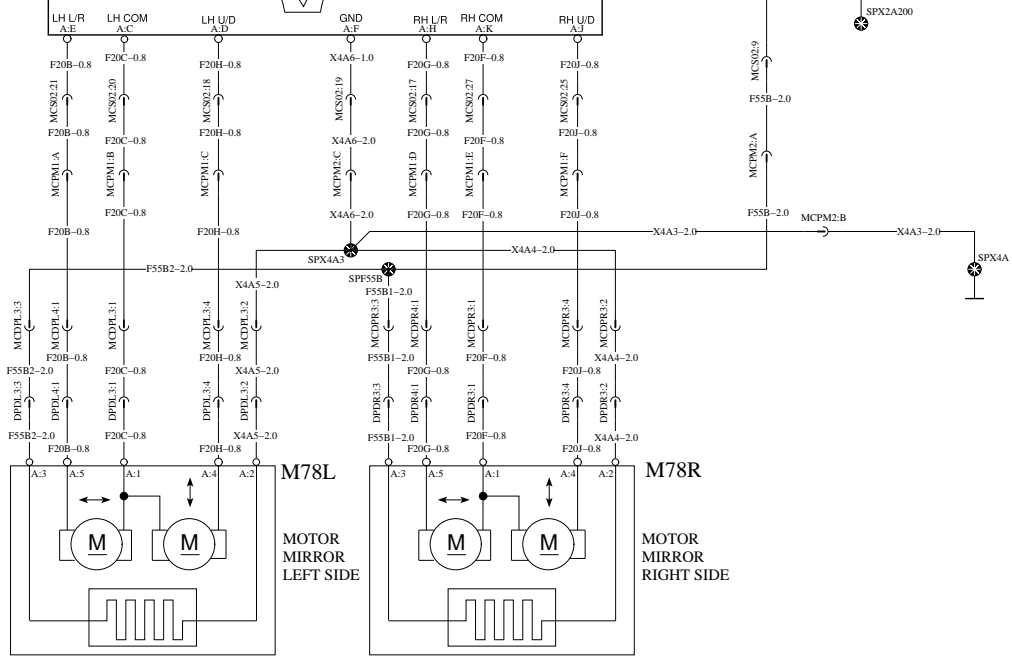
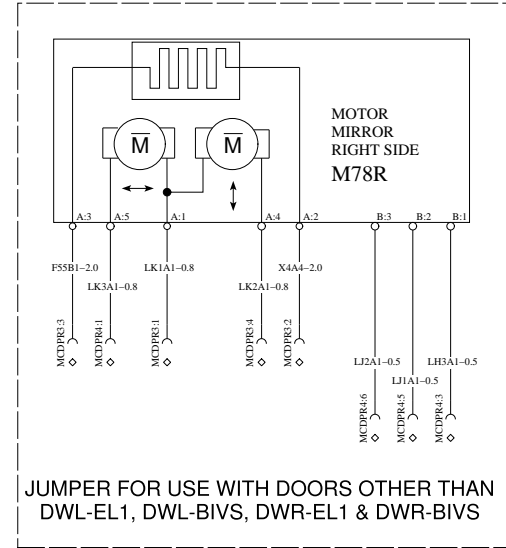
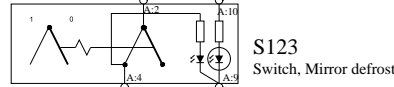
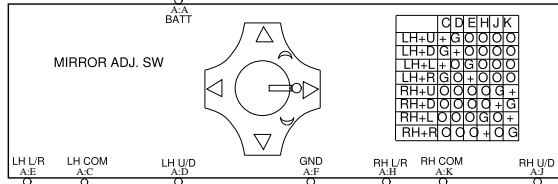


MIRRORS DUAL REMOTE

WIRING DIAGRAM: IC

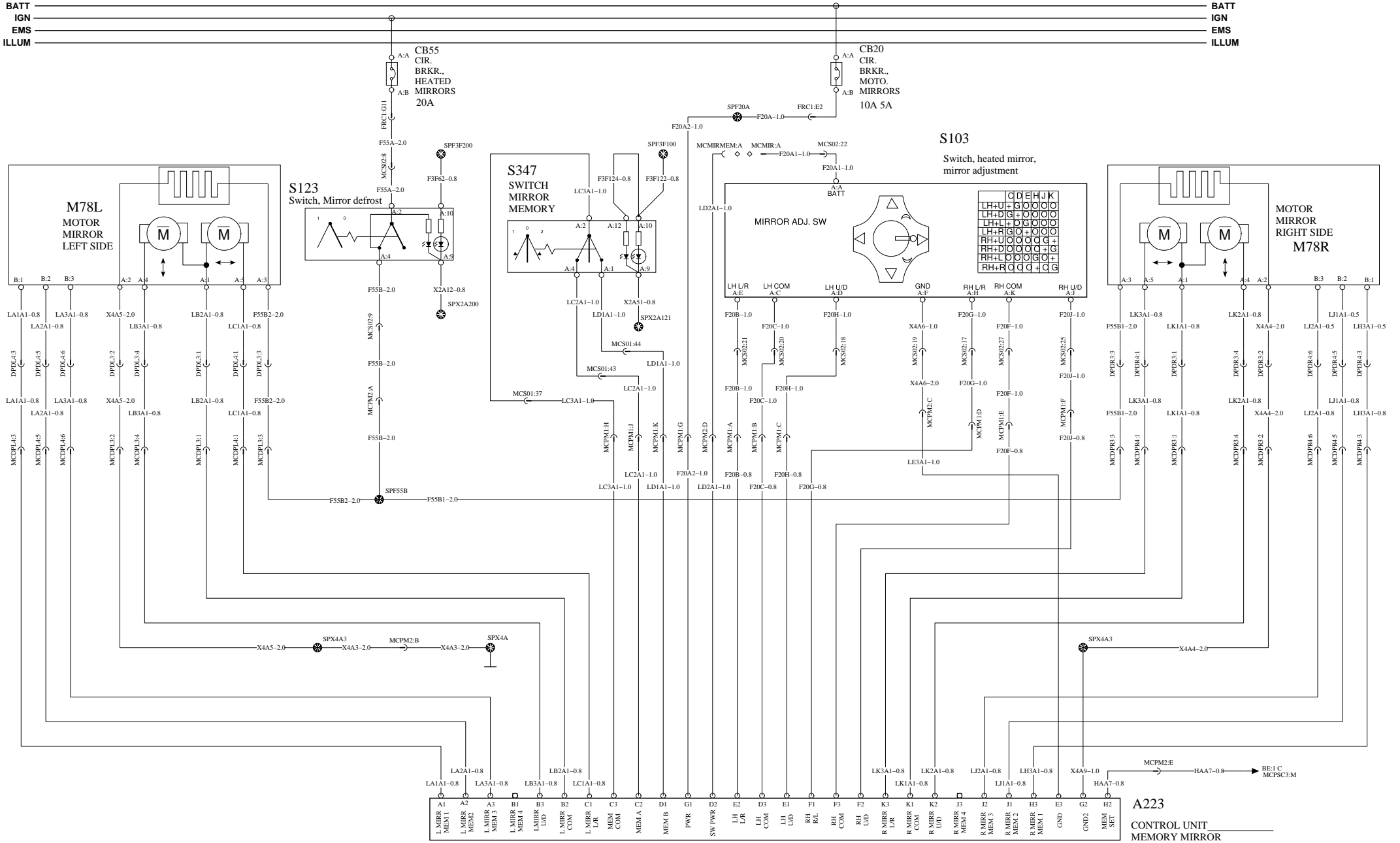


S103  
Switch, heated mirror,  
mirror adjustment



MIRRORS DUAL REMOTE MEMORY

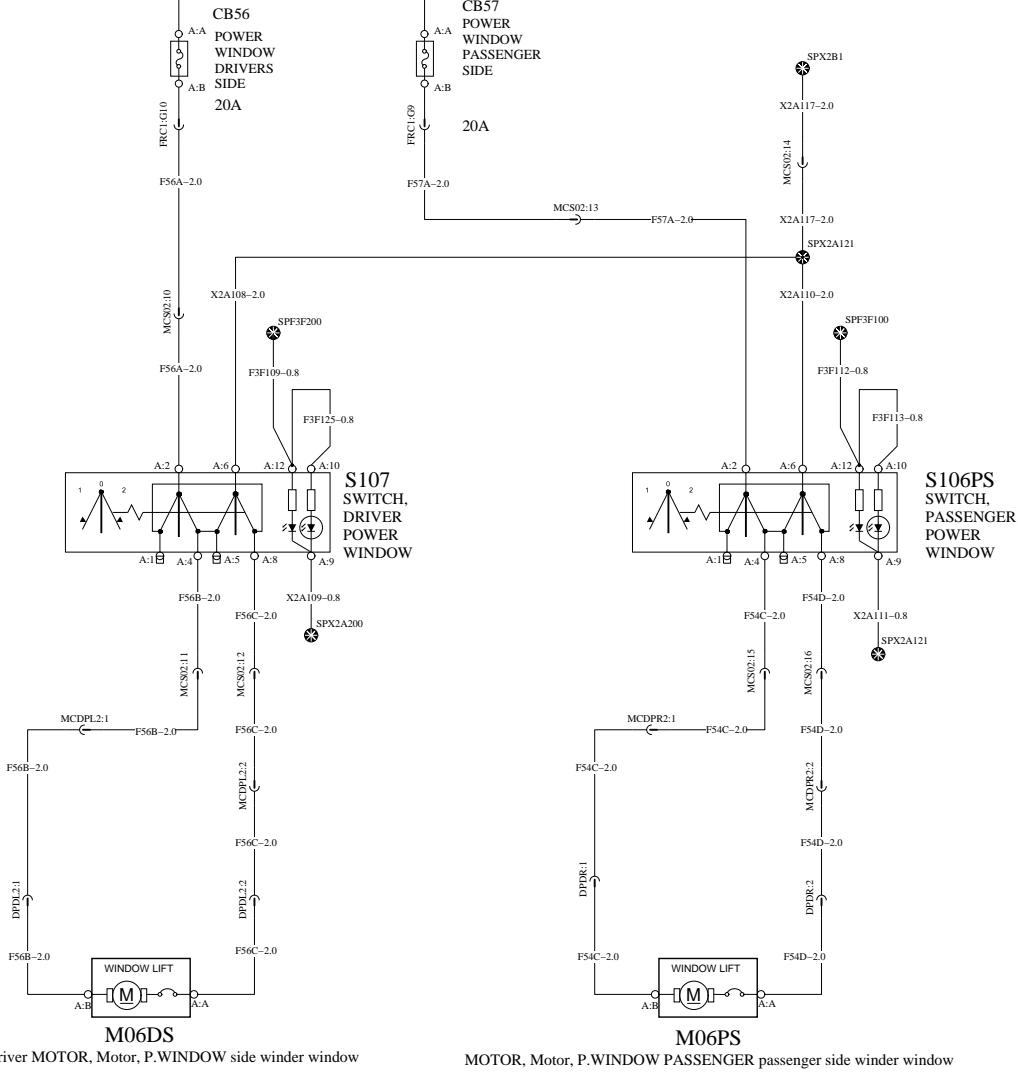
WIRING DIAGRAM: ID



POWER WINDOWS

WIRING DIAGRAM: IE

BATT  
IGN  
EMS  
ILLUM

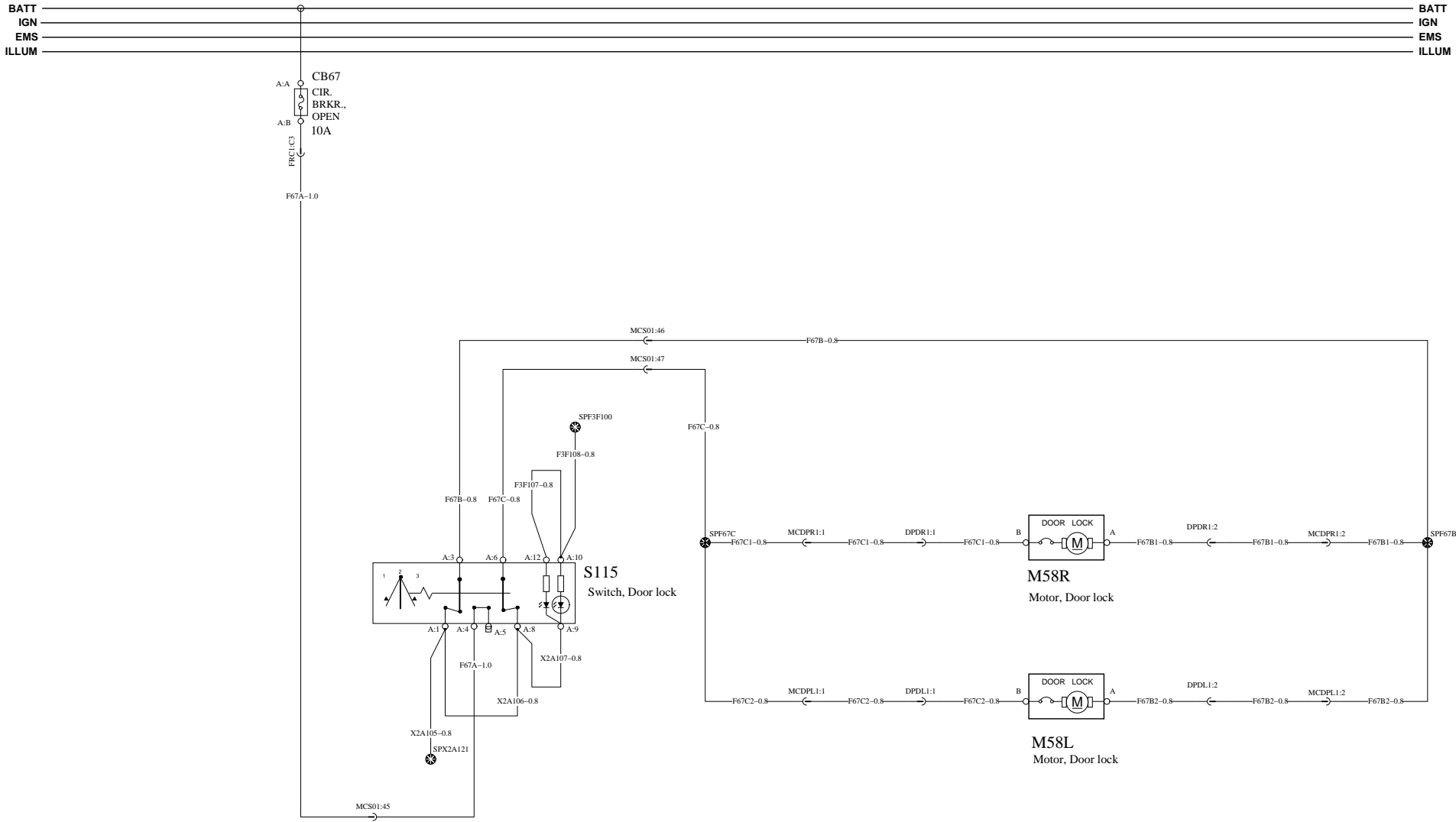


M06DS DRIVER driver MOTOR, Motor, P.WINDOW side winder window

M06PS MOTOR, Motor, P.WINDOW PASSENGER passenger side winder window

POWER DOOR LOCKS

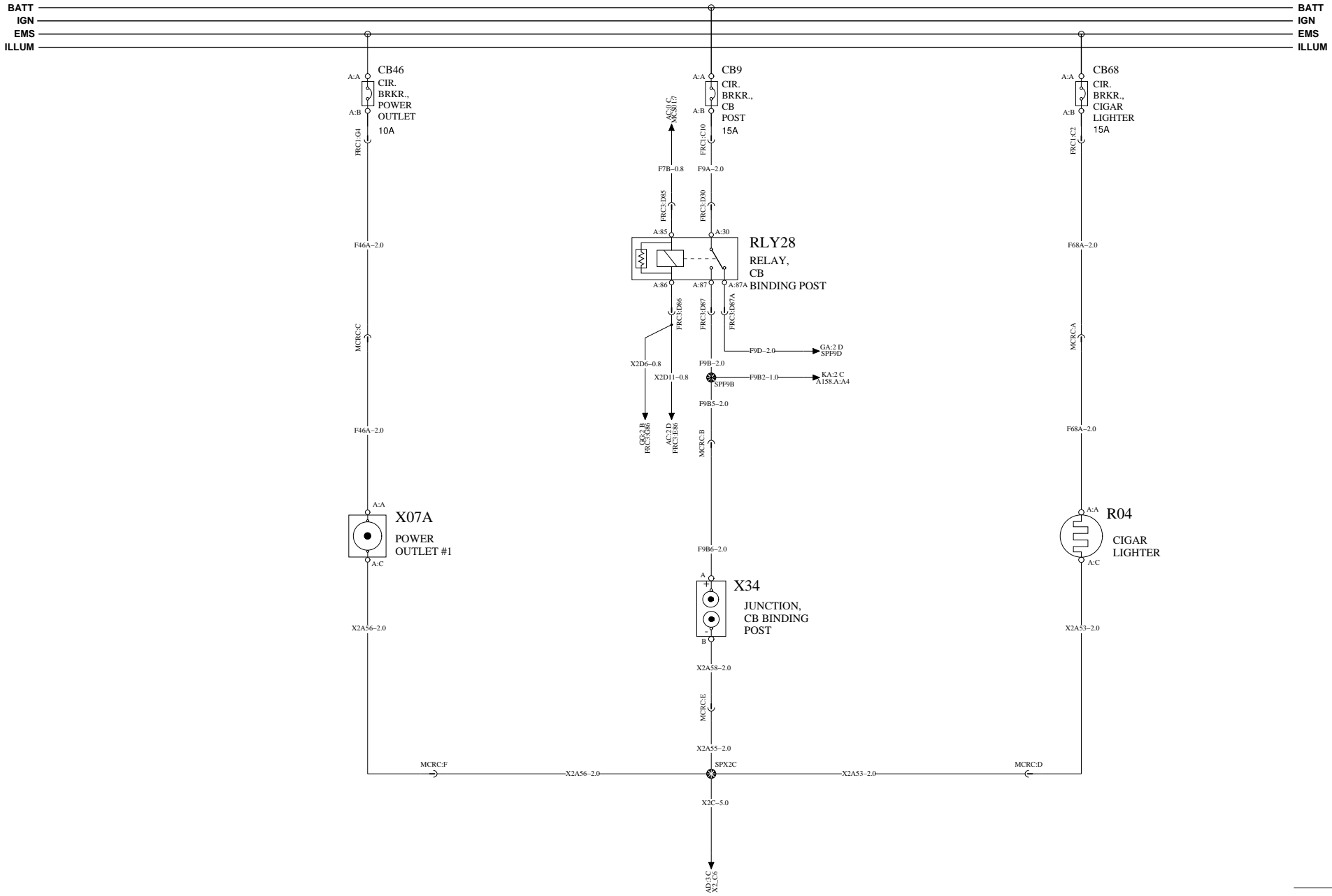
WIRING DIAGRAM: IF





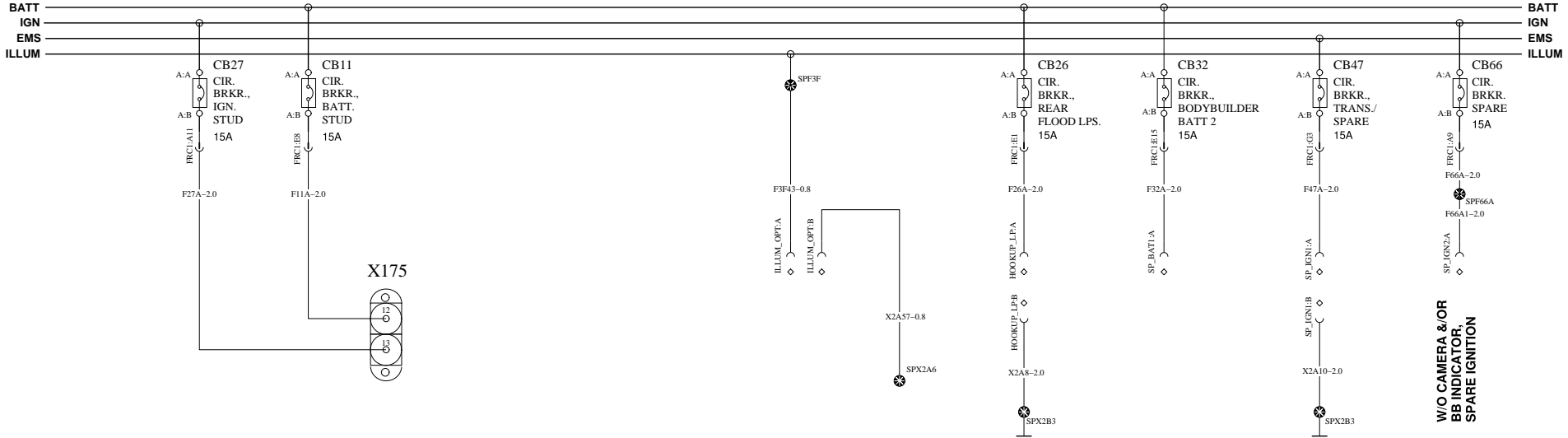
POWER OUTLET CONNECTIONS

WIRING DIAGRAM: KC



SPARE CONNECTIONS AND FEEDS

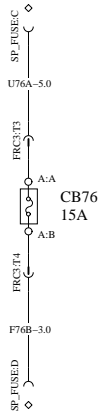
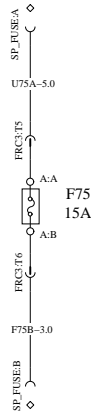
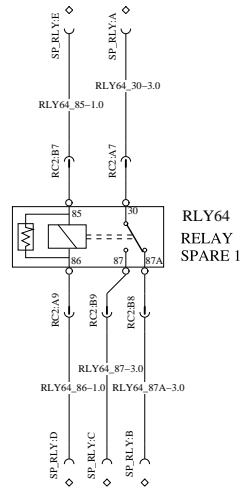
WIRING DIAGRAM: NA



W/O CAMERA &/OR  
BB INDICATOR,  
SPARE IGNITION

OPTIONAL HOOK-UP LAMPS,  
OR SPARE BATTERY

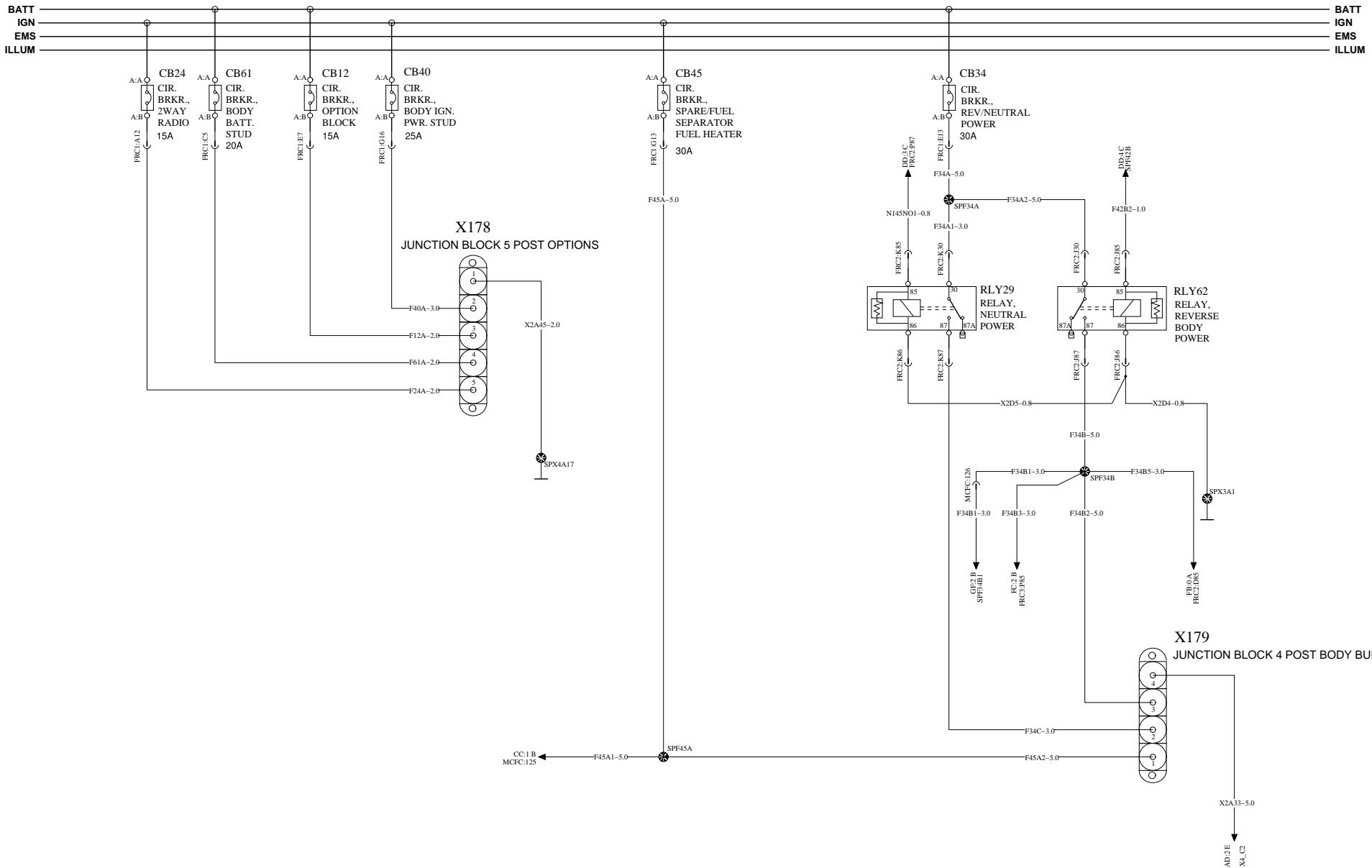
OPTIONAL TRANS. OR  
AUX. FAN





JUNCTION POSTS

WIRING DIAGRAM: NB





OBID – DATA LINK 2

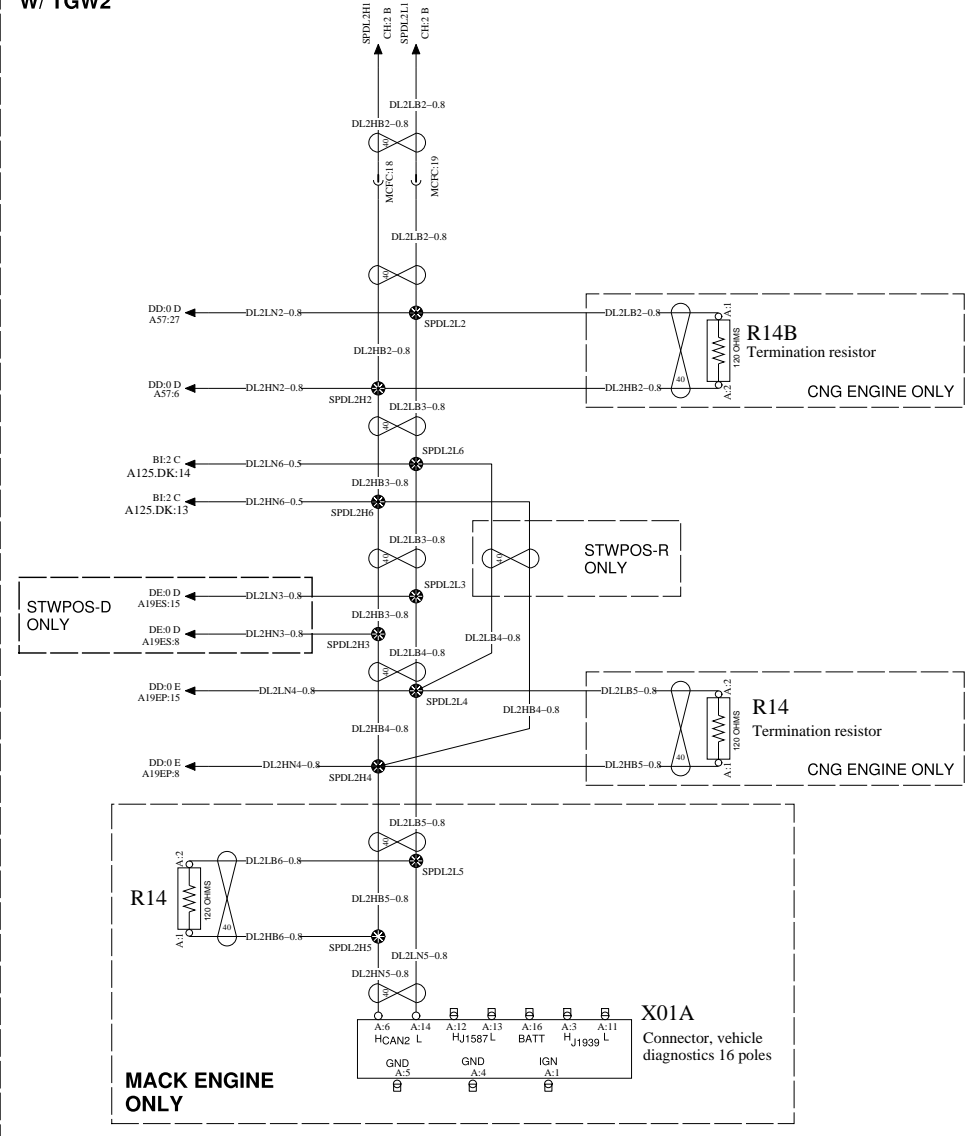
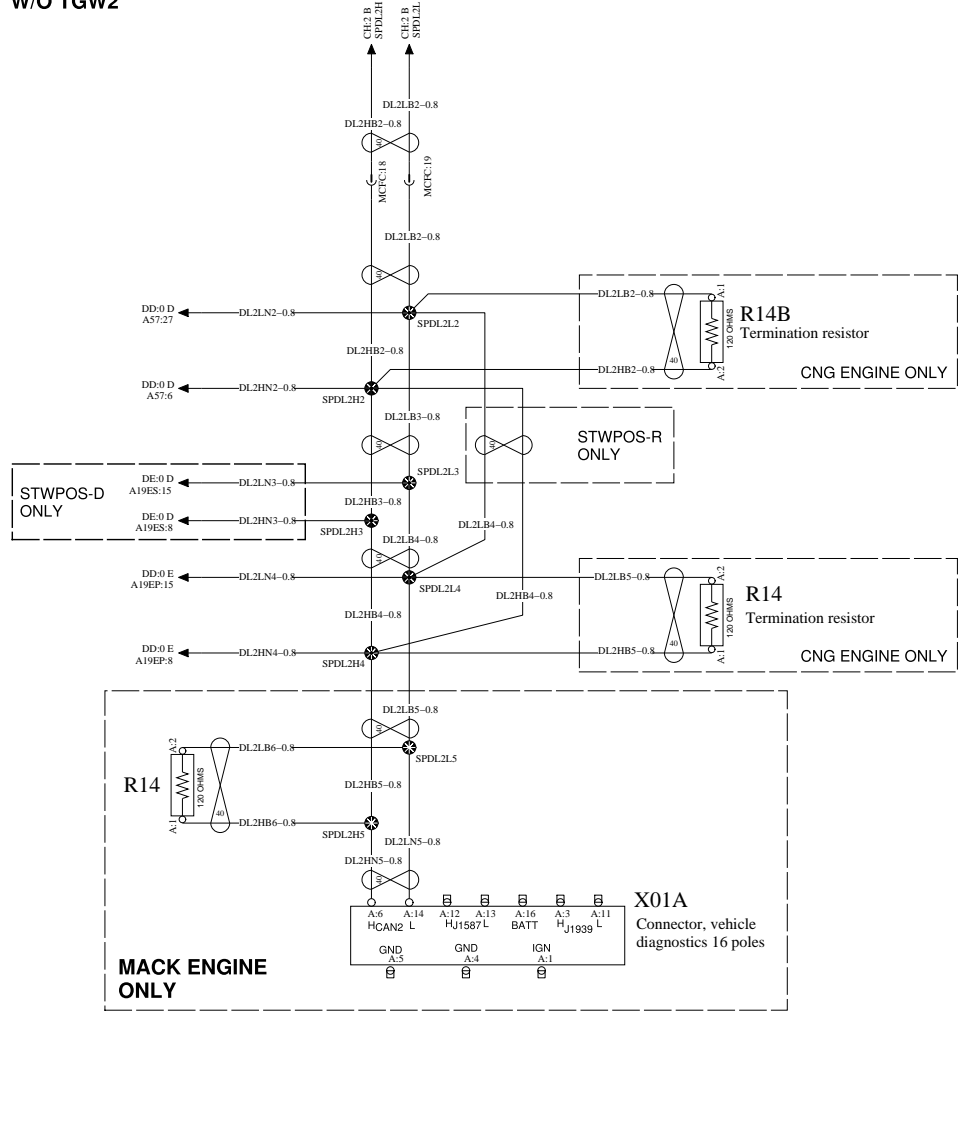
WIRING DIAGRAM: XB

BATT  
IGN  
EMS  
ILLUM

BATT  
IGN  
EMS  
ILLUM

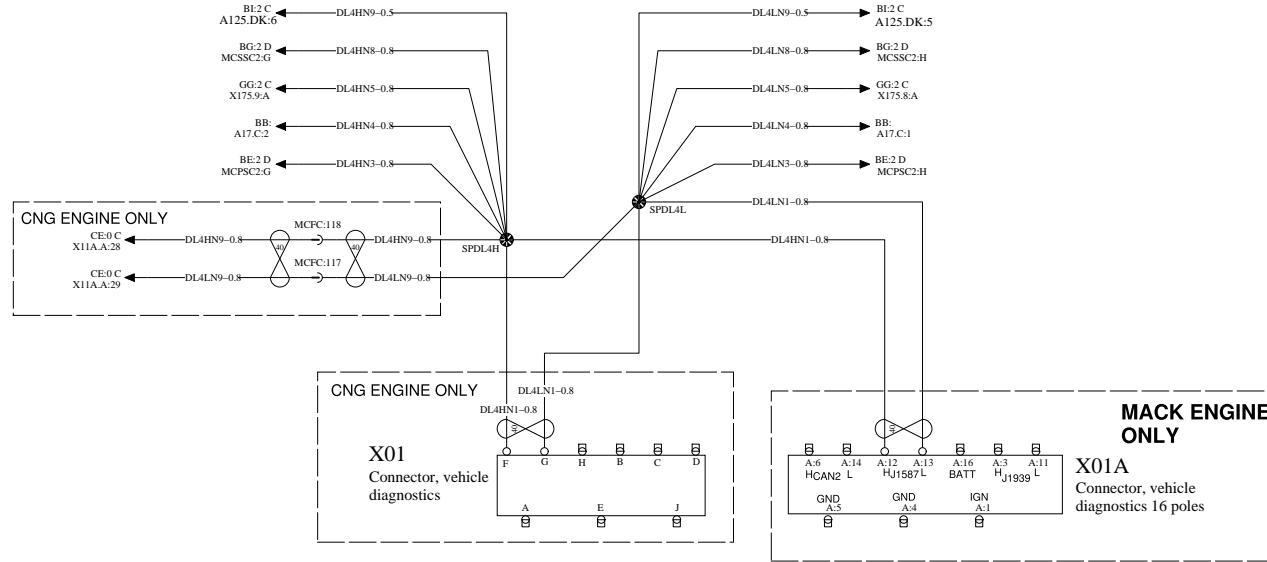
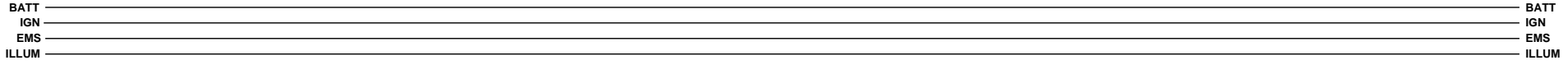
W/O TGW2

W/ TGW2



OBD – DATA LINK 4

WIRING DIAGRAM: XC



0

1

2

3

4

### BILL OF MATERIALS INDEX (VOL 2)

NAME	PAGE
GROUNDS	2
FUSES AND CIRCUIT BREAKERS	3

NAME	PAGE
RELAYS	5
COMPONENTS	6

NAME	PAGE
INLINES	10
SPLICES	15

NAME	PAGE
SHELLS	17
REFERENCES	19

A

A

B

B

C

C

D

D

E

E

**VOLVO** Group Trucks Technology

Document title  
WIRING DIAGRAM - TYPE-OL L1EH1

Document No

Issue

Volume

Page

Document type  
PRODUCT SCHEMATIC

22484611

05

2 (2)

1 (42)

0

1

2

3

4

0

1

2

3

4

### GROUNDS

NAME	PAGE
SPX1A	AD 3 D
SPX1A	BE 0 C
SPX1A	CG 3 C
SPX1A	CI 1 C
SPX1A	FC 1 D
SPX1A3	AD 1 C
SPX1E9	EA 0 A
SPX2A1	AD 3 C
SPX2A1	BA 3 C
SPX2A1	DE 0 D
SPX2A2	DE 0 D
SPX2A3	AD 3 C
SPX2A3	BA 0 C
SPX2A3	DD 0 E
SPX2A4	GD 2 B
SPX2A4	GP 2 E
SPX2A5	BC 1 B
SPX2A6	AD 3 C
SPX2A6	NA 2 B
SPX2A42	GA 1 E
SPX2A42	GD 4 D
SPX2A74	BE 4 D
SPX2A104	FD 0 C
SPX2A114	BM 0 C
SPX2A121	DD 1 B
SPX2A121	FB 1 D
SPX2A121	FC 0 C

NAME	PAGE
SPX2A121	GD 4 B
SPX2A121	GH 3 D
SPX2A121	ID 2 B
SPX2A121	IE 2 B
SPX2A121	IF 1 D
SPX2A200	BA 3 C
SPX2A200	BD 2 C
SPX2A200	EA 3 B
SPX2A200	EC 3 B
SPX2A200	GA 1 C
SPX2A200	GH 3 D
SPX2A200	GP 0 C
SPX2A200	IC 2 C
SPX2A200	ID 1 B
SPX2A200	IE 1 C
SPX2B	AD 3 B
SPX2B1	AD 3 B
SPX2B1	BD 1 B
SPX2B1	EA 2 A
SPX2B1	EC 3 A
SPX2B1	IE 2 A
SPX2B2	AA 2 E
SPX2B2	AB 3 D
SPX2B2	AD 3 B
SPX2B2	BE 3 A
SPX2B2	GP 3 E
SPX2B2	KA 2 D

NAME	PAGE
SPX2B3	AD 4 B
SPX2B3	GA 2 D
SPX2B3	GQ 0 D
SPX2B3	NA 3 B
SPX2C	KC 2 D
SPX2D16	GD 1 D
SPX2G4	BE 1 B
SPX2G10	BE 0 E
SPX2G13	BE 4 C
SPX2N109B	FD 1 D
SPX2N109F	FD 3 D
SPX3A	AD 3 B
SPX3A1	AD 3 B
SPX3A1	CA 0 B
SPX3A1	DD 2 C
SPX3A1	FB 0 B
SPX3A1	GA 1 D
SPX3A1	NB 3 C
SPX3A2	AC 2 E
SPX3A2	AD 3 B
SPX3A2	FC 1 C
SPX3A2	GA 4 D
SPX3B	AD 3 A
SPX3B	BA 3 E
SPX3B	BE 1 B
SPX3B	BG 2 B
SPX3B	EA 2 B

NAME	PAGE
SPX3B	EC 2 B
SPX3B2	AD 4 A
SPX3B2	BA 4 D
SPX3B2	DD 0 C
SPX3B3	AD 4 A
SPX3B3	BG 1 A
SPX3B4	BG 2 A
SPX3C	AD 3 B
SPX3C	BG 0 B
SPX3C	GH 4 E
SPX3C	GQ 1 D
SPX3H	AD 3 B
SPX3H	GD 4 E
SPX4A	AD 3 E
SPX4A	BE 1 B
SPX4A	CI 2 D
SPX4A	FB 0 D
SPX4A	IC 2 D
SPX4A	ID 1 D
SPX4A2	AD 3 E
SPX4A2	HA 0 C
SPX4A3	IC 1 D
SPX4A3	ID 3 D
SPX4A5	BE 1 B
SPX4A6	BE 2 A
SPX4A17	AD 4 E
SPX4A17	BB 1 B

NAME	PAGE
SPX4A17	GA 2 D
SPX4A17	NB 1 C
SPX4A18	CI 2 C
SPX4B	AD 3 E
SPX4B	GD 2 E
SPX4C	AD 3 D
SPX4C	GD 4 E
SPX4C	GH 2 E
SPX4C	KA 1 D
SPX4D	AD 3 E
SPX4D	XA 1 D
SPXA1	AD 1 B
SPXF1A1	AD 1 C
SPXF1A1	CD 0 E
SPXF1A1	FB 0 E
SPXF1A1	HA 0 E
SPXF1A2	AD 1 C
SPXF1A2	FD 2 E
SPXF1A2	GA 4 D
SPXF1A2	GF 2 B
SPXF1A3	GF 2 D
SPXF1A11	FB 2 E
SPXF1A11	GF 1 E
SPXF1A11A2	GF 2 D
SPXF1A14	AD 0 C
SPXF1A14	FA 2 E
SPXF1A14	GF 2 E

NAME	PAGE
SPXF1A15	CG 2 E
SPXF1A15	GF 2 D
SPXF1A17	CG 2 D
SPXF1A24	FA 4 C
SPXF1C	AD 1 C
SPXF1C1	AD 1 C
SPXF1C1	CA 2 C
SPXF1C2	AD 1 C
SPXF1C2	CA 2 C
SPXF1C2	CH 4 C
SPXN109J	FD 2 D
X0C	BA 3 A
X0C	GH 4 A
X0C	HA 1 A
X01	XA 1 C
X01	XC 2 C
X01A	XA 1 C
X01A	XB 1 D
X01A	XC 2 C
X06D	BH 0 C
X06D	BM 1 A
X07A	KC 1 C
X71	AD 0 D

0

1

2

3

4

## FUSES AND CIRCUIT BREAKERS

FUSE	DESCRIPTION	PAGE
CB5 (10A)	CIRCUIT BREAKER, TRACTOR STOP LPS.	AA 1 B
CB5 (10A)	CIRCUIT BREAKER, TRACTOR STOP LPS.	GA 4 A
CB6 (10A)	CIRCUIT BREAKER, DOME COURTESY LPS.	AA 1 B
CB6 (10A)	CIRCUIT BREAKER, DOME COURTESY LPS.	GH 3 A
CB7 (10A)	CIRCUIT BREAKER, KEY SW.	AA 1 B
CB7 (10A)	CIRCUIT BREAKER, KEY SW.	AC 0 A
CB8 (15A)	CIR. BRKR., AIR SOL.	AA 0 C
CB8 (15A)	CIR. BRKR., AIR SOL.	FB 2 A
CB9 (15A)	CIR. BRKR., CB POST	AA 2 B
CB9 (15A)	CIR. BRKR., CB POST	KC 2 A
CB10 (5A)	CIR. BRKR., DIAG. CONN.	AA 2 B
CB10 (5A)	CIR. BRKR., DIAG. CONN.	KA 3 A
CB10 (5A)	CIR. BRKR., DIAG. CONN.	XA 2 A
CB11 (15A)	CIR. BRKR., BATT. STUD	AA 2 B
CB11 (15A)	CIR. BRKR., BATT. STUD	GG 1 A
CB11 (15A)	CIR. BRKR., BATT. STUD	NA 0 A
CB12 (15A)	CIR. BRKR., OPTION BLOCK	AA 2 B
CB12 (15A)	CIR. BRKR., OPTION BLOCK	NB 1 A
CB15 (15A)	CIR. BRKR., BEACON LAMPS	AA 3 B
CB15 (15A)	CIR. BRKR., BEACON LAMPS	FC 1 A
CB18 (10A)	CIR. BRKR. DCL(CDS) EMS POWER	AB 1 C
CB18 (10A)	CIR. BRKR. DCL(CDS) EMS POWER	BC 1 A
CB20 (1A)	CIR. BRKR., MOTO. MIRRORS	AA 4 B
CB20 (1A)	CIR. BRKR., MOTO. MIRRORS	IC 0 A
CB20 (1A)	CIR. BRKR., MOTO. MIRRORS	ID 2 A
CB24 (15A)	CIR. BRKR., 2WAY RADIO	AA 1 C
CB24 (15A)	CIR. BRKR., 2WAY RADIO	NB 0 A
CB26 (15A)	CIR. BRKR., REAR FLOOD LPS.	AA 4 B
CB26 (15A)	CIR. BRKR., REAR FLOOD LPS.	NA 2 A
CB27 (15A)	CIR. BRKR., IGN. STUD	AA 1 C
CB27 (15A)	CIR. BRKR., IGN. STUD	GG 1 A
CB27 (15A)	CIR. BRKR., IGN. STUD	NA 0 A
CB29 (10A)	CIR. BRKR., EMS RELAYS	AA 4 B
CB30 (10A)	CIR. BRKR., MUNCIE LIVE PACK	AA 1 C
CB30 (10A)	CIR. BRKR., MUNCIE LIVE PACK	FC 1 A
CB32 (15A)	CIR. BRKR., BODYBUILDER BATT 2	AB 0 B
CB32 (15A)	CIR. BRKR., BODYBUILDER BATT 2	NA 3 A
CB33 (20A)	CIR. BRKR., TRAILER STOP LPS.	AB 0 B
CB33 (20A)	CIR. BRKR., TRAILER STOP LPS.	GG 3 A
CB34 (30A)	CIR. BRKR., REV/NEUTRAL POWER	AB 1 B
CB34 (30A)	CIR. BRKR., REV/NEUTRAL POWER	NB 3 A
CB35 (25A)	CIR. BRKR., CAB & TRLR. CLEARANCE LPS.	AB 1 B
CB35 (25A)	CIR. BRKR., CAB & TRLR. CLEARANCE LPS.	GA 2 A
CB36 (15A)	CIR. BRKR. HORN	AB 1 B
CB36 (15A)	CIR. BRKR. HORN	GQ 3 A
CB37 (25A)	CIR. BRKR., TRLR. TAIL LPS.	AB 2 B
CB37 (25A)	CIR. BRKR., TRLR. TAIL LPS.	GG 2 A
CB39 (30A)	CIR. BRKR., TRAILER ABS PWR	AA 1 D
CB39 (30A)	CIR. BRKR., TRAILER ABS PWR	GG 1 A
CB40 (25A)	CIR. BRKR., BODY IGN. PWR. STUD	AA 4 D

FUSE	DESCRIPTION	PAGE
CB40 (25A)	CIR. BRKR., BODY IGN. PWR. STUD	NB 1 A
CB42 (10A)	CIR. BRKR., BACKUP LPS.	AA 4 D
CB42 (10A)	CIR. BRKR., BACKUP LPS.	DD 4 A
CB44 (25A)	CIR. BRKR., HTD. AIR DRYER /HTD. DRAIN VA	AA 4 D
CB44 (25A)	CIR. BRKR., HTD. AIR DRYER /HTD. DRAIN VA	FA 2 A
CB45 (30A)	CIR. BRKR., SPARE/FUEL SEPARATOR FUEL HEA	AA 3 D
CB45 (30A)	CIR. BRKR., SPARE/FUEL SEPARATOR FUEL HEA	NB 2 A
CB46 (10A)	CIR. BRKR., POWER OUTLET	AA 1 D
CB46 (10A)	CIR. BRKR., POWER OUTLET	KC 1 A
CB47 (15A)	CIR. BRKR., TRANS./ SPARE	AA 0 D
CB47 (15A)	CIR. BRKR., TRANS./ SPARE	NA 3 A
CB50 (10A)	CIR. BRKR., HDLP LH LOW BEAM	AB 2 B
CB50 (10A)	CIR. BRKR., HDLP LH LOW BEAM	GD 0 A
CB51 (10A)	CIR. BRKR., HDLP RH LOW BEAM	AB 2 B
CB51 (10A)	CIR. BRKR., HDLP RH LOW BEAM	GD 1 A
CB52 (15A)	CIR. BRKR., SPARE/ BRK. WEAR	AA 3 D
CB52 (15A)	CIR. BRKR., SPARE/ BRK. WEAR	HA 0 A
CB55 (20A)	CIR. BRKR., HEATED MIRRORS	AA 3 D
CB55 (20A)	CIR. BRKR., HEATED MIRRORS	IC 2 A
CB55 (20A)	CIR. BRKR., HEATED MIRRORS	ID 1 A
CB57 (15A)	POWER WINDOW PASSENGER SIDE	AA 2 D
CB57 (15A)	POWER WINDOW PASSENGER SIDE	IE 1 A
CB58 (5A)	CIR. BRKR. L-R RELAY CRTL.	AA 0 D
CB58 (5A)	CIR. BRKR. L-R RELAY CRTL.	BB 2 A
CB61 (20A)	CIR. BRKR., BODY BATT. STUD	AB 3 B
CB61 (20A)	CIR. BRKR., BODY BATT. STUD	NB 0 A
CB66 (15A)	CIR. BRKR. SPARE	AA 2 C
CB66 (15A)	CIR. BRKR. SPARE	KA 1 A
CB66 (15A)	CIR. BRKR. SPARE	NA 4 A
CB68 (15A)	CIR. BRKR., CIGAR LIGHTER	AB 4 B
CB68 (15A)	CIR. BRKR., CIGAR LIGHTER	KC 3 A
CB74 (5A)	CIR. BRKR., RADIO MEMORY	KA 3 B
CB91 (30A)	CIR. BRKR., AUX FAN #1	CD 0 B
CB92 (30A)	CIR. BRKR., AUX FAN #2	CD 1 B
F13 (15A/20A)	FUSE ABS BATT	AA 3 B
F13 (15A/20A)	FUSE ABS BATT	EA 3 A
F13 (15A/20A)	FUSE ABS BATT	EC 3 A
F14 (30A)	FUSE, OPEN	AA 3 B
F14 (30A)	FUSE, OPEN	CD 2 A
F16 (10A)	FUSE, VECU (EMS)	AB 1 C
F16 (10A)	FUSE, VECU (EMS)	BA 0 A
F17 (10A)	FUSE, CONTROL/SW INPUTS	AB 1 C
F17 (10A)	FUSE, CONTROL/SW INPUTS	BA 2 A
F19 (5A)	FUSE INST. CLUSTER	AA 3 B
F19 (5A)	FUSE INST. CLUSTER	BE 0 A
F31 (10A)	FUSE TRANS SPARE	AB 1 C
F31 (10A)	FUSE TRANS SPARE	DD 3 A
F38 (30A)	FUSE ENGINE CONTROL UNIT	AA 1 D
F38 (30A)	FUSE ENGINE CONTROL UNIT	CA 0 A
F38 (30A)	FUSE ENGINE CONTROL UNIT	CE 1 A

## FUSES AND CIRCUIT BREAKERS

FUSE	DESCRIPTION	PAGE
F41 (20A)	FUSE, ENGINE ACC.	AA 1 D
F41 (20A)	FUSE, ENGINE ACC.	CG 4 A
F43 (15A)	FUSE ENGINE COMP #2	AA 2 D
F43 (15A)	FUSE ENGINE COMP #2	CA 1 B
F49 (10A)	FUSE, ABS	AA 0 D
F49 (10A)	FUSE, ABS	EA 3 A
F49 (10A)	FUSE, ABS	EC 3 A
F60 (15A)	FUSE, ENG COMP #1	AB 3 B
F60 (15A)	FUSE, ENG COMP #1	CA 0 A
F62 (30A)	FUSE, EAT BATT.	AB 3 B
F62 (30A)	FUSE, EAT BATT.	CD 3 A

FUSE	DESCRIPTION	PAGE
F63 (5A)	FUSE, INSTR CLUSTER (EMS)	AB 2 C
F63 (5A)	FUSE, INSTR CLUSTER (EMS)	BE 0 A
F64 (10A)	FUSE, DPF, IGN	AB 2 C
F69 (5A)	FUSE, EAT EMS	AB 3 C
F69 (5A)	FUSE, EAT EMS	CH 0 A
F71 (10A)	FUSE, TRANS (BATT)	AB 4 B
F71 (10A)	FUSE, TRANS (BATT)	DD 1 A
F78 (15A)	FUSE CUMMINS ECU	CE 1 B
F79 (5A)	FUSE CUMMINS ECU	CE 2 B
F80 (5A)	FUSE CUMMINS ECU	CE 2 B
FM5 (1A)	RCIOM power supply 1	CG 3 C



RELAYS

RELAY	DESCRIPTION	PAGE
RLY01	RELAY EMS #1	AB 3 C
RLY02	RELAY EMS #2	AA 2 C
RLY03	RELAY IGN. #1	AA 0 B
RLY04	RELAY IGN. #3	AA 3 C
RLY05	RELAY HIGH BEAM	GA 1 C
RLY06	RELAY, EMERGENCY STOP LAMP	GA 3 B
RLY10	RELAY, LEFT/RIGHT SW. PWR.	BA 1 B
RLY11	RELAY TRAILER TAIL LAMP	GG 2 B
RLY12	RELAY TRAILER STOP LAMP	GG 3 B
RLY13	RELAY, CAB AND TRAILER CLEARANCE LAMP	GA 1 C
RLY14	RELAY, HORN	GQ 2 C
RLY15	RELAY HAZARD BYPASS	GA 4 C
RLY016A	RELAY WINDSHIELD WIPER RH LOW	GP 2 B
RLY016B	RELAY WINDSHIELD WIPER RH HIGH	GP 2 B
RLY016C	RELAY WINDSHIELD WIPER LH LOW	GP 3 B
RLY016D	RELAY WINDSHIELD WIPER LH HIGH	GP 3 B
RLY17	RELAY REVERSE POWER	DD 3 B
RLY19	El. adjustable seat (optional fan and hea	GD 3 B
RLY28	RELAY, CB BINDING POST	KC 2 B
RLY29	RELAY, NEUTRAL POWER	NB 2 B
RLY34	RELAY, PRE-EMS	AA 1 B
RLY35	RELAY, HVAC CAB	HA 0 B
RLY36	RELAY START CNTL. 1	AC 2 C
RLY38	RELAY, LOW BEAM LEFT	GD 0 B
RLY39	RELAY, LOW BEAM RIGHT	GD 1 B
RLY45	RELAY PTO ENABLE	DD 4 B
RLY46	RELAY RANGE PTO	DD 3 B
RLY47	RELAY RETARDER	DD 2 B
RLY48	RELAY STOP LAMPS	DD 2 B
RLY49	RELAY AC CLUTCH	HA 0 C
RLY52	RELAY, HIGH BEAM	GA 1 B

RELAY	DESCRIPTION	PAGE
RLY54	RELAY METHANE DETECTOR	CI 0 B
RLY58	RELAY BEACON LAMP PTO	FC 1 B
RLY59	RELAY BEACON LPS REVERSE	FC 2 B
RLY60	RELAY, PARK BRAKE STOP LAMP	GA 3 B
RLY61	RELAY LIFT AXLE REVERSE	FB 0 A
RLY62	RELAY, REVERSE BODY POWER	NB 3 B
RLY63	RELAY, POWER INDICATOR	GA 3 D
RLY63	JMP JUMPER, CLEARANCE LIGHTS	GA 2 E
RLY64	1 DETECT METHANE RELAY RELAY, SPARE	NA 0 C
RLY68	RELAY, ENGINE COMP#1	CA 0 B
RLY70	RELAY, TPS L-R REF.	BB 4 C
RLY71	RELAY, TPS L-R IVS	BB 3 B
RLY72	RELAY DIRECTIONAL LAMPS L-R	GH 0 B
RLY73	RELAY LEFT COMB. STOP TURN LAMPS	GH 0 B
RLY74	RELAY HIGH BEAM SW. L-R	GH 1 B
RLY75	RELAY, ALLISON L-R SHIFT INHIBIT	BB 1 B
RLY76	RELAY ALLISON L/R SERVICE BRAKE INHIBIT	DE 2 B
RLY77	RELAY AUTO NEUTRAL PACKER	DE 0 C
RLY78	RELAY AUTO NEUTRAL WORK BRAKE	DE 1 C
RLY80	RELAY, WORK LAMPS LEFT	GD 0 A
RLY81	RELAY, WORK LAMPS RIGHT	GD 2 B
RLY89	RELAY, HEATER HIGH FAN SPEED	HA 1 C
RLY91	#1 (optional AUX. El. FAN RELAY adjustabl	CD 0 C
RLY92	#2 (optional AUX. El. FAN RELAY adjustabl	CD 1 C
RLY94	(optional 1 El. INTERRUPT RELAY START adj	BM 0 B
RLY95	(optional 2 El. INTERRUPT RELAY START adj	BM 0 B
RLY96	RELAY RIGHT COMB. STOP TURN LAMPS	GH 1 B
RLY97	STARTER LOCK OUT	AC 2 D
RLY98	RELAY, PDLO	BD 3 D
RLY99	RELAY, METHANE DETECTION	CI 0 C
RLY113	RELAY, L/R MPH/RPM BRAKE STATUS CONTROLLE	DE 4 B

## COMPONENTS

COMPONENT	DESCRIPTION	PAGE
A03	Instrument cluster	BE 0 D
A03 Z	GAUGE FUEL LEVEL LNG	CG 3 E
A03D	GAUGE DIESEL LEVEL & DEF LEVEL	BE 3 D
A03E	GAUGE PYROMETER	BE 3 E
A12A	Control unit, ABS (Anti-lock Brake Syst	EA 0 C
A12B	Control unit, ABS (Anti-lock Brake Syst	EC 0 C
A17	Control unit, VECU (Vehicle ECU)	AC 2 A
A17	Control unit, VECU (Vehicle ECU)	BA 1 D
A17	Control unit, VECU (Vehicle ECU)	BC 2 D
A17	Control unit, VECU (Vehicle ECU)	BD 2 D
A17	Control unit, VECU (Vehicle ECU)	BQ 0 B
A17	Control unit, VECU (Vehicle ECU)	GD 2 A
A17	Control unit, VECU (Vehicle ECU)	HA 0 D
A19EP	CONTROL UNIT ALLISON GEAR SELECTOR PRIMARY	DD 0 E
A19ES	CONTROL UNIT, ALLISON GEAR SELECTOR SECON	DE 0 D
A34	Control unit, climate unit	HA 1 A
A36_3	CONTROL UNIT, BBM (BODYBUILDER MODULE) RE	BM 0 D
A36_3_CHASSIS	BB BOC LIGHTING CONNECTOR	BM 3 D
A39	Control unit, camera	KA 0 E
A57	Control unit, Allison Transmission	DC 0 A
A57	Control unit, Allison Transmission	DD 0 D
A58	TRANSMISSION ALLISON	DC 0 D
A83	Control unit, Daytime running lights	GD 2 B
A92A	CONTROL UNIT AUX. COOLING FAN	CD 2 C
A92B	CONTROL UNIT AUX. COOLING FAN	CD 3 C
A99	Component group, transmission and retarde	DC 3 D
A124	COMPONENT GROUP, STARTER MOTOR, M04 & K65	AC 3 B
A124	COMPONENT GROUP, STARTER MOTOR, M04 & K65	AD 2 A
A125	Control unit, TGW (Telematics Gateway)	BI 2 C
A137B	Contol Module, ACM (Adblue control modu	CH 0 C
A138	PUMP UNIT, ADBLUE	CH 1 E
A153	Instrument Cluster	BG 0 C
A153A	GAUGE FUEL	BG 3 D
A153B	GAUGE PYROMETER	BG 3 E
A158	Radio	KA 2 C
A158 J1	JUMPER BATTERY FEED	KA 3 E
A158 J2	JUMPER BATTERY FEED	KA 3 C
A215	FLASHER	GA 2 A
A216	CAMERA MONITOR	KA 1 D
A217	GAUGE LIFT AXLE PUSHER	BE 4 C
A223	CONTROL UNIT MEMORY MIRROR	ID 1 E
B06T1	SENSOR PRIMARY AIR	BE 0 D
B06T2	SENSOR SECONDARY AIR	BE 1 D
B07	Sensor, fuel level	BE 1 D
B07A	SENSOR LNG FUEL LEVEL	CG 2 D
B09	SENSOR TRANSMISSION TEMPERATURE	BE 1 D
B13	SENSOR, WHEEL SPD LH FRT AXLE	EA 1 B
B13	SENSOR, WHEEL SPD LH FRT AXLE	EC 0 D
B14	SENSOR WHEEL SPD RH FRT AXLE	EA 1 B
B14	SENSOR WHEEL SPD RH FRT AXLE	EC 1 D

COMPONENT	DESCRIPTION	PAGE
B15	Sensor, wheel speed, lhs. 1:st driven re	EA 0 D
B15	Sensor, wheel speed, lhs. 1:st driven re	EC 0 B
B16	Sensor, wheel speed, rhs. 1:st driven re	EA 1 D
B16	Sensor, wheel speed, rhs. 1:st driven re	EC 1 B
B17	Sensor, wheel speed, lhs., 2:nd driven r	EA 2 E
B17	Sensor, wheel speed, lhs., 2:nd driven r	EC 3 D
B18	Sensor, wheel speed, rhs., 2:nd driven r	EA 2 E
B18	Sensor, wheel speed, rhs., 2:nd driven r	EC 3 D
B22	SENSOR OUTDOOR TEMPERATURE	BE 0 D
B23A	Sensor, oil temperature, retarder	DC 3 D
B25	Sensor, accelerator pedal	BB 4 E
B25	Sensor, accelerator pedal	BQ 3 C
B25L	SENSOR, ACCELERATOR PEDAL LEFT	BB 3 E
B25R	SENSOR, ACCELERATOR PEDAL RIGHT	BB 4 D
B60LF	Loudspeaker, left front	KA 2 E
B60RF	Loudspeaker, right front	KA 2 E
B67	Rear view camera	KA 0 D
B80	Handsfree, Loudspeaker, Microphone	KA 2 C
B96D	SENSOR, NOx (CAN BASED) AFTER DPF	CA 2 A
B96S	SENSOR, NOx (CAN BASED) AFTER SCR	CA 2 A
B99	Sensor, urea quality / temp	CA 3 C
B121	Sensor, Low level washer fluid	BE 3 A
B122A	SENSOR EXHAUST TEMPERATURE CATALYST	CE 1 D
B123	Sensor, level, coolant	CA 2 D
B123A	SENSOR COOLANT LEVEL	CE 1 D
B124FR	SENSOR, OIL TEMP., FRONT REAR AXLE	BE 0 E
B124RR	SENSOR, OIL TEMP. REAR REAR AXLE	BE 0 E
B133	Sensor, Air filter restriction	BE 1 A
B183 Y	SENSOR METHANE ZONE 1	CG 1 D
B183 Z	SENSOR METHANE ZONE 2	CG 1 D
B185A	SENSOR OXYGEN OUTLET EGO	CE 2 D
B185B	SENSOR OXYGEN INLET EGO	CE 2 D
B245A	Camera, accessory	KA 0 D
B300B	METHANE SENSOR ENGINE	CI 1 C
CB2	CIR. BRKR., HDLMPS. HI, DRL	AA 0 B
CB2	CIR. BRKR., HDLMPS. HI, DRL	GA 1 A
CB3	CIR. BRKR., PARK, TAIL MARKER LPS.	AA 0 B
CB3	CIR. BRKR., PARK, TAIL MARKER LPS.	GA 0 A
CB4	CIR. BRKR., TURN LPS. FLASHER	AA 1 B
CB4	CIR. BRKR., TURN LPS. FLASHER	GA 2 A
CB21	CIR. BRKR., LH WS WIPER	AA 0 C
CB21	CIR. BRKR., LH WS WIPER	GP 4 A
CB22	CIR. BRKR., RH WS WIPER	AA 0 C
CB22	CIR. BRKR., RH WS WIPER	GP 2 A
CB23	CIR. BRKR., WS WIPER/ WASHER	AA 1 C
CB23	CIR. BRKR., WS WIPER/ WASHER	GP 0 A
CB54	CIR BRKR, DAYTIME RUNNING LIGHTS	AB 2 B
CB54	CIR BRKR, DAYTIME RUNNING LIGHTS	GD 3 A
CB56	POWER WINDOW DRIVERS SIDE	AA 3 D
CB56	POWER WINDOW DRIVERS SIDE	IE 0 A

## COMPONENTS

COMPONENT	DESCRIPTION	PAGE
CB76	CIR. BRKR., HYDRAULIC PUMP PROTECTION WEB	NA 1 D
E11LA	Lamp, side marker light, left side 1	GD 2 E
E11LB	Lamp, side marker light, left side 2	GD 2 D
E11RA	Lamp, side marker light, right side 1	GD 4 D
E11RB	Lamp, side marker light, right side 2	GD 4 D
E12L	Lamp, roof position light, left	GA 3 D
E12R	Lamp, roof position light, right	GA 4 D
E14L	Lamp, beacon warning lamp	GD 2 D
E14R	Lamp, beacon warning lamp	GD 3 D
E17L	Lamp, interior light	GH 4 B
E17R	Lamp, interior light	GH 4 B
E18L	Lamp, reading light	GH 2 B
E18R	Lamp, reading light	GH 3 B
E19C	Lamp, identification light, roof, center	GA 1 E
E19L	Lamp, identification light, roof, left	GA 0 E
E19R	Lamp, identification light, roof, right	GA 1 E
E27L	Tail lamp module, left	GF 1 C
E27R	Tail lamp module, left	GF 2 C
E30L	Lamp, full- and dipped beams, left	GD 0 D
E30R	Lamp, full- and dipped beams, right	GD 1 D
E32	Climate unit	HA 1 D
E35	HVAC Unit, Heat, Ventilation and Air Cond	HA 4 D
E38_16A	LAMP GREEN OKAY	CG 1 C
E38_16B	LAMP RED 50% LEL IS DETECTED	CG 1 C
E57	Lamp, Main switch interface	GA 4 D
EL3L	Lamp, Cab/body working light, left	GD 0 C
EL3R	Lamp, Cab/body working light, right	GD 1 C
F25	FUSE HVAC CAB	AB 4 D
F28	FUSE, ALT SENSE	AC 3 B
F48	FUSE LED DRL	GD 4 C
F77	FUSE SPARE 3	HA 1 B
F81	FUSE, METHANE DETECTOR	CG 0 B
F81	FUSE, METHANE DETECTOR	CI 4 B
F82	TGW	BI 0 B
F83	TGW	BI 0 B
F84	TGW	BI 0 B
FM3	FUSE MAIN PWR. CAB	AC 3 C
FM3_A1	MAIN CIRCUIT BREAKER	AC 4 C
G01	Battery	AC 3 C
G01	Battery	AD 2 B
G01	Battery	BM 0 C
G01	Battery	CE 4 A
G01	Battery	CH 0 B
G01	Battery	KA 4 A
G02	Alternator	AC 4 B
G02	Alternator	AD 0 A
H02	Horn	GQ 3 C
H02A	Horn	GQ 2 D
H02B	Horn	GQ 3 D
H03	Reverse warner, acoustic	GF 3 B

COMPONENT	DESCRIPTION	PAGE
H07_Z	DETECTOR METHANE	CG 1 B
H16	METHANE FUME DETECTOR	CI 1 B
H17	METHANE DETECTION STATUS	CI 3 B
M01L	MOTOR WINDSHIELD WIPER LH	GP 3 C
M01R	MOTOR WINDSHIELD WIPER RH	GP 2 C
M02	MOTOR WS. WASHER PUMP	GP 0 C
M78L	MOTOR MIRROR LEFT SIDE	IC 0 D
M78L	MOTOR MIRROR LEFT SIDE	ID 0 B
M78R	MOTOR MIRROR RIGHT SIDE	IC 3 C
M78R	MOTOR MIRROR RIGHT SIDE	ID 3 B
M120A	MOTOR, AUX. COOLING FAN #1	CD 0 E
M120B	MOTOR, AUX. COOLING FAN #2	CD 1 E
M121A	MOTOR AUX. COOLING FAN #1	CD 2 D
M121B	MOTOR AUX. COOLING FAN #2	CD 3 D
R01	HEATER, ENGINE PREHEAT	AD 0 A
R04	CIGAR LIGHTER	KC 3 C
R05	Heater, air dryer	FA 3 C
R05A	AIR DRYER, HEATED	FA 2 C
R05B	AIR DRYER, HEATED	FA 0 C
R08	RESISTOR, TERMINATION J1939 CAN	XA 3 A
R09	HEATER, FUEL WATER SEPARATOR	CC 1 C
R14	Termination resistor	XB 2 C
R14B	Termination resistor	XB 2 B
R19A	HEATER HEATED DRAIN VALVE COOLING TANK	FA 0 C
R19B	HEATER HEATED DRAIN VALVE WET TANK	FA 1 C
R29	Heater, NOxCare tank to pump hose	CH 3 E
R31	Heater, NOxCare pump to injector hose	CH 3 D
R34	Termination resistor	XA 0 E
R39A	RESISTOR, CUMMINS PULL UP IVS	BC 3 C
R39B	RESISTOR CUMMINS PULL DOWN FUEL LEVEL	BE 1 D
R78	HEATER ENGINE BLOCK COOLANT	CC 2 C
S01A	SWITCH, MAIN LIGHTING	GA 0 B
S03	Switch, loading lamps / working lamps	GD 4 A
S05A	Switch, interior light, selector type	GH 4 D
S05B	Switch, interior light, selector type	GH 2 D
S05C	Switch, interior light, selector type	GH 3 D
S07	Switch, engine brake, selector type	BA 3 C
S08	Switch, differential gear lock, rear whe	BD 1 B
S09A	Switch, differential lock, rear inter-axl	FB 4 B
S13L	SWITCH, DIRECTIONAL SIGNAL LEFT	GA 2 C
S13R	SWITCH, DIRECTIONAL SIGNAL RIGHT	GH 0 D
S14L	SWITCH, HORN LEFT SIDE	GQ 0 C
S14R	SWITCH, HORN RIGHT SIDE	GQ 1 C
S016	SWITCH, ATC LIMITED SLIP	EC 3 B
S019A	SWITCH, POWER DIVIDER LOCKOUT	FB 3 B
S28A	Switch, power take off 1	FD 0 B
S28D	Switch, power take off 4	FC 1 B
S30	Switch unit, multi-function display	BE 1 B
S30A	SWITCH 1 LEFT IC DISPLAY	BE 2 A
S30B	SWITCH RIGHT ICDISPLAY	BG 1 A

## COMPONENTS

COMPONENT	DESCRIPTION	PAGE
S30C	SWITCH 1 RIGHT IC DISPLAY	BG 2 A
S31	Switch, TCS ( Traction Control System )	EA 2 A
S40	Switch, rear view camera, camera selecti	KA 0 B
S43	Pressure switch, parking brake indicator	BA 3 E
S44	Position switch, door, interior light, N	GH 4 E
S44L	SWITCH DOOR LEFT	GH 3 E
S48P	SWITCH PRESSURE SERVICE BRAKE PRIMARY	GA 4 B
S48PL	SWITCH SERVICE BRALE PRIMARY N/O LEFT	DE 3 C
S48PR	SWITCH SERVICE BRAKE PRIMARY N/O RIGHT	DE 2 C
S48S	SWITCH PRESSURE SERVICE BRAKE SECONDARY	GA 4 B
S48SL	SWITCH SERVICE BRAKE SECONDARY N/O LEFT	DE 4 C
S48SR	SWITCH SERVICE BRAKE SECONDARY N/O RIGHT	DE 3 C
S54	Position switch, differential gear lock,	BE 3 B
S71	Pressure switch, compressor charging, NO	HA 0 C
S103	Switch, heated mirror, mirror adjustment	IC 0 B
S103	Switch, heated mirror, mirror adjustment	ID 2 B
S105	Switch, Hazard warning light	GH 2 D
S106PS	SWITCH, PASSENGER POWER WINDOW	IE 2 B
S107	SWITCH, DRIVER POWER WINDOW	IE 0 B
S115	Switch, Door lock	IF 1 C
S117	Position switch, differential lock, rear	BE 4 B
S123	Switch, Mirror defrost	IC 2 B
S123	Switch, Mirror defrost	ID 1 B
S130	Switch, Air suspension	FB 2 B
S146	Switch, R/+ and S/-	BA 0 C
S146B	SWITCH RIGHT R+/S-	BA 1 C
S147A	Switch, RPM regulation	BA 2 C
S147B	Switch, RPM regulation	BA 3 C
S169	Switch, Battery Main Switch	AC 3 D
S190	Switch, pressure sensor / airconditioning	HA 0 D
S217	Switch, ignition, selector type (dashboar	AC 0 C
S218	Stalk switch, windscreen wiper, selector	GP 0 B
S314	SWITCH, RETARDER	DD 1 B
S330	SWITCH, BODY BUILDER PARK BRAKE	BB 0 D
S330	SWITCH, BODY BUILDER PARK BRAKE	BQ 0 C
S330JMP	SWITCH, BODY BUILDER PARK BRAKE JUMPER	BB 1 D
S330JMP	SWITCH, BODY BUILDER PARK BRAKE JUMPER	BQ 2 C
S331	SWITCH, PARKER PTO ENGAGED	FD 1 C
S332	SWITCH, DIMMER	GA 1 B
S339	SWITCH, MASTER LEFT/RIGHT DRIVE	BB 0 A
S340	SWITCH, WORK BRAKE PRIMARY 1	DE 1 C
S340A	SWITCH, WORK BRAKE PRIMARY 2	DE 0 B
S340B	SWITCH WORK BRAKE SECONDARY 1	DE 1 B
S340C	SWITCH, WORK BRAKE SECONDARY 2	DE 0 B
S341A	SWITCH TAG AXLE LIFT	FB 0 C
S341B	SWITCH PUSHER AXLE LIFT	FB 0 B
S344	SWITCH PRESSURE PRIMARY LOW AIR	BF 1 C
S344A	SWITCH PRESSURE SECONDARY LOW AIR	BF 2 C
S347	SWITCH MIRROR MEMORY	ID 2 B
V03	Diode	GD 1 C

COMPONENT	DESCRIPTION	PAGE
V33	Diode	BF 2 C
V34	Diode	DD 3 C
V35	DIODE, METHANE DETECTION	CI 0 D
X10	B+ pass through, Cab	AC 3 E
X11	Connector, Engine	CA 0 C
X11	Connector, Engine	HA 0 E
X11A	CONNECTORS CUMMINS ISL G ENGINE INTERFACE	CE 0 C
X18	Fusible Link	AD 1 B
X21A	Socket, Body builder connector	BC 0 C
X21A	Socket, Body builder connector	BM 1 B
X21C	Socket, Body builder connector	CE 3 E
X34	JUNCTION, CB BINDING POST	KC 2 C
X48	Plug, Engine starting	AC 1 B
X71	GROUND, ENGINE BLOCK, ALTERNATOR, PRE-HE	AD 0 D
X110	Split Connector, ground	AD 2 B
X111	Split Connector, ground	AD 4 C
X111	Split Connector, ground	BC 1 B
X111	Split Connector, ground	CI 1 D
X111	Split Connector, ground	GD 2 B
X111	Split Connector, ground	HA 1 B
X135	Chassis Ground Stud	AD 1 C
X136	Cab Passthrough Ground Stud	AD 2 C
X137	Cab Ground Stud	AD 2 C
X137A	STUD CAB GROUND	AD 2 E
X140	Battery Box Ground Stud	AD 1 B
X141	CONNECTOR SHORE POWER BLOCK HEATER	CC 2 B
X175	JUNCTION BLOCK 14 POST MAIN	BI 1 A
X175	JUNCTION BLOCK 14 POST MAIN	BM 3 B
X175	JUNCTION BLOCK 14 POST MAIN	GG 2 C
X175	JUNCTION BLOCK 14 POST MAIN	NA 1 A
X178	JUNCTION BLOCK 5 POST OPTIONS	BM 1 B
X178	JUNCTION BLOCK 5 POST OPTIONS	NB 1 B
X179	JUNCTION BLOCK 4 POST BODY BUILDER	BM 4 B
X179	JUNCTION BLOCK 4 POST BODY BUILDER	KA 0 C
X179	JUNCTION BLOCK 4 POST BODY BUILDER	NB 3 D
X194	CONNECTOR, TGW BODYBUILDER INTERFACE	BI 0 D
XBB	STUD, CHASSIS GROUND AT BODY BUILDER BRAC	BM 4 D
Y05	Solenoid valve, bogie lift	FB 0 D
Y11	Solenoid valve unit, ABS, front left	EA 0 B
Y11	Solenoid valve unit, ABS, front left	EC 1 D
Y12	Solenoid valve unit, ABS, front right	EA 1 B
Y12	Solenoid valve unit, ABS, front right	EC 1 D
Y13	Solenoid valve unit, ABS, rear left	EA 1 D
Y13	Solenoid valve unit, ABS, rear left	EC 1 B
Y14	Solenoid valve unit, ABS, rear right	EA 2 D
Y14	Solenoid valve unit, ABS, rear right	EC 1 B
Y15	Solenoid valve unit, ABS, lhs. 3:rd axle	EA 3 D
Y15	Solenoid valve unit, ABS, lhs. 3:rd axle	EC 3 D
Y16	Solenoid valve unit, ABS, rhs. 3:rd axle	EA 3 D
Y16	Solenoid valve unit, ABS, rhs. 3:rd axle	EC 3 D

0

1

2

3

4

## COMPONENTS

COMPONENT	DESCRIPTION	PAGE
Y18A	Solenoid valve, PTO1 (Power Take Off)	FC 1 D
Y35	Solenoid valve, engine cooling fan	CA 1 C
Y35A	SOLENOID ENGINE FAN	CE 4 D
Y42	Clutch, magnetic, air conditioning compr	HA 0 E
Y51	Solenoid valve, Air dryer	FA 4 C
Y57	Solenoid valve, Automatic Traction Contr	EA 1 D
Y57	Solenoid valve, Automatic Traction Contr	EC 2 B

COMPONENT	DESCRIPTION	PAGE
Y62	Solenoid valve, TCM backup	DC 0 C
Y80	Solenoid valve, AdBlue dosing unit	CH 3 A
Y81	Solenoid valve, AdBlue tank heating	CH 2 D
Y95	SOLENOID HIGH NG PRESSURE LOCKOFF	CG 4 D
Y137	Mega valve unit	FB 1 D
Y168	SOLENOID, PARKER PTO	FD 3 C

0

1

2

3

4

INLINES

INLINE	PAGE
6SABS:A	EA 2 D
6SABS:A	EC 3 D
6SABS:B	EA 2 D
6SABS:B	EC 3 D
6SABS:C	EA 2 D
6SABS:C	EC 3 D
6SABS:D	EA 2 D
6SABS:D	EC 3 D
6SABS:E	EA 3 D
6SABS:E	EC 3 D
6SABS:F	EA 3 E
6SABS:F	EC 3 D
6SABS:G	EA 3 D
6SABS:G	EC 3 D
6SABS:H	EA 3 D
6SABS:H	EC 3 D
6SABS:J	EA 4 E
6SABS:J	EC 3 D
6SABS:K	EA 3 D
6SABS:K	EC 3 D
ABS_X1:1	EA 2 B
ABS_X1:3	EA 3 B
ABS_X1:4	EA 1 C
ABS_X1:5	EA 1 C
ABS_X1:6	EA 2 B
ABS_X1:7	EA 3 B
ABS_X1:8	EA 4 B
ABS_X1:10	EA 1 C
ABS_X1:11	EA 1 C
ABS_X1:16	EA 3 B
ABS_X2:1	EA 1 B
ABS_X2:2	EA 0 B
ABS_X2:3	EA 0 A
ABS_X2:4	EA 1 B
ABS_X2:5	EA 1 B
ABS_X2:6	EA 1 A
ABS_X2:7	EA 1 B
ABS_X2:8	EA 1 B
ABS_X2:9	EA 0 D
ABS_X2:10	EA 2 C
ABS_X2:11	EA 1 B
ABS_X2:12	EA 0 D
ABS_X2:13	EA 1 C
ABS_X2:14	EA 1 B
ABS_X2:15	EA 0 C
ABS_X2:16	EA 1 C
ABS_X2:17	EA 1 C
ABS_X2:18	EA 1 C
ABS_X3:4	EA 3 C
ABS_X3:6	EA 4 E

INLINE	PAGE
ABS_X3:7	EA 3 C
ABS_X3:9	EA 3 E
ABS_X3:10	EA 3 C
ABS_X3:11	EA 2 C
ABS_X3:12	EA 2 C
ABS_X3:13	EA 3 C
ABS_X3:14	EA 2 C
ABS_X3:15	EA 2 C
ALLISON:1	DC 2 C
ALLISON:2	DC 2 C
ALLISON:3	DC 1 C
ALLISON:4	DC 2 C
ALLISON:5	DC 0 B
ALLISON:6	DC 1 C
ALLISON:7	DC 1 C
ALLISON:8	DC 1 C
ALLISON:9	DC 1 C
ALLISON:10	DC 0 C
ALLISON:11	DC 0 C
ALLISON:12	DC 1 C
ALLISON:13	DC 1 C
ALLISON:14	DC 2 C
ALLISON:15	DC 2 C
ALLISON:16	DC 2 C
ALLISON:17	DC 0 C
ALLISON:18	DC 0 C
ALLISON:19	DC 1 C
ALLISON:20	DC 1 C
ALLISON:21	DC 2 C
ALLISON:22	DC 2 C
ALLISON:23	DC 2 C
ALLISON:24	DC 1 C
ALLISON:27	DC 0 B
ALLISON:28	BE 1 D
ALLISON:29	BE 1 E
ALLISON:30	DC 0 C
ALLISON:31	DC 0 C
ALLISON:32	FD 1 B
ALLISON:33	FD 1 C
ALLISON:34	FD 2 E
B25JMP:1	BB 4 D
B25JMP:3	BB 4 D
B25JMP:4	BB 4 D
B25JMP:5	BB 4 D
B25JMP:6	BB 4 D
BB_PK_BK:A	BB 1 D
BB_PK_BK:A	BQ 1 C
BB_PK_BK:B	BB 1 D
BB_PK_BK:B	BQ 1 C
BBM_1939:A	BM 2 D

INLINE	PAGE
BBM_1939:A	BM 2 D
BBM_1939:B	BM 2 D
BBM_1939:B	BM 2 D
BBMCO:A	BM 1 D
BLA_BLB:R	BM 4 C
BLA_BLB:S	BM 4 C
BLA_BLB:T	BM 3 C
BLA_BLB:U	BM 4 C
BLA_BLB:V	BM 4 C
BLA_BLB:W	BM 4 C
BLA_BLB:X	BM 4 C
BLA_BLB:Y	BM 3 C
BLA_BLB:Z	BM 3 C
CBBFCBB:R	BM 4 D
CBBFCBB:S	BM 4 D
CBBFCBB:T	BM 3 D
CBBFCBB:U	BM 4 D
CBBFCBB:V	BM 4 D
CBBFCBB:W	BM 4 D
CBBFCBB:X	BM 4 D
CBBFCBB:Y	BM 3 D
CBBFCBB:Z	BM 3 D
CDPF:A	CE 1 D
CDPF:B	CE 2 D
CDPF:D	CE 2 D
CDPF:G	CE 2 D
CDPF:K	CE 1 D
CDPF:L	CE 2 D
DPDL1:1	IF 2 D
DPDL1:2	IF 3 D
DPDL2:1	IE 0 D
DPDL2:2	IE 0 D
DPDL3:1	IC 0 D
DPDL3:1	ID 0 C
DPDL3:2	IC 1 D
DPDL3:2	ID 0 C
DPDL3:3	IC 0 D
DPDL3:3	ID 0 C
DPDL3:4	IC 0 D
DPDL3:4	ID 0 C
DPDL4:1	IC 0 D
DPDL4:1	ID 0 C
DPDL4:3	ID 0 C
DPDL4:5	ID 0 C
DPDL4:6	ID 0 C
DPDR1:1	IF 2 C
DPDR1:2	IF 3 C
DPDR3:1	IC 1 D
DPDR3:1	ID 4 C
DPDR3:2	IC 1 D

INLINE	PAGE
DPDR3:2	ID 4 C
DPDR3:3	IC 1 D
DPDR3:3	ID 3 C
DPDR3:4	IC 1 D
DPDR3:4	ID 4 C
DPDR4:1	IC 1 D
DPDR4:1	ID 4 C
DPDR4:3	ID 4 C
DPDR4:5	ID 4 C
DPDR4:6	ID 4 C
DPDR:1	IE 1 D
DPDR:2	IE 2 D
DPMC:A	KA 4 A
DPMC:B	KA 4 A
DPMC_BL:A	BM 4 B
DPMC_BL:A	BM 4 C
DPMC_BL:B	BM 4 B
DPMC_BL:B	BM 4 C
DSFC:A	BE 0 D
DSFC:B	BE 0 E
DSFC:C	BE 0 D
DSFC:D	BE 3 B
DSFC:E	BE 4 B
FC_TGW:A	BI 0 B
FC_TGW:B	BI 0 B
FC_TGW:C	BI 0 B
FC_TGW:D	BI 0 B
FC_TGW:E	BI 0 B
FC_TGW:F	BI 0 B
FCAD:A	FA 0 B
FCAD:B	FA 0 D
FCAD:B	FA 0 C
FCAR:A	BE 1 A
FCAR:B	BE 1 A
FCBL:A	GF 2 B
FCBL:B	GF 1 B
FCBL:C	GF 1 B
FCBL:D	GF 2 B
FCBL:E	GF 2 B
FCCE:2	FB 2 D
FCCE:4	FB 1 C
FCCE:7	GF 2 B
FCCE:11	GF 2 D
FCCE:12	FB 1 D
FCCE:14	GF 2 D
FCCE:15	EA 0 D
FCCE:15	EC 0 B
FCCE:16	EA 1 D
FCCE:16	EC 0 B

INLINE	PAGE
FCCE:17	EA 1 D
FCCE:17	EC 1 E
FCCE:18	EA 1 E
FCCE:18	EC 0 B
FCCE:19	EA 1 D
FCCE:19	EC 1 B
FCCE:20	EA 1 D
FCCE:20	EC 1 E
FCCE:21	EA 1 D
FCCE:21	EC 1 B
FCCE:22	EA 1 D
FCCE:22	EC 1 B
FCCE:23	EA 1 E
FCCE:23	EC 1 E
FCCE:24	EA 2 D
FCCE:24	EC 1 B
FCCE:25	EA 1 D
FCCE:25	EC 2 B
FCCE:26	EA 1 D
FCCE:26	EC 2 B
FCCE:27	FB 1 E
FCCE:28	BE 1 E
FCCE:29	BE 0 D
FCCE:30	BE 0 D
FCCE:31	BE 3 B
FCCE:32	BE 4 B
FCCE:33	GF 1 B
FCCE:34	GF 1 B
FCCE:35	GF 2 B
FCEFS:A	CA 1 C
FCEFS:B	CA 1 C
FCEIC:1	CA 3 B
FCEIC:2	CA 3 B
FCEIC:3	CA 2 B
FCEIC:4	CA 3 B
FCEIC:5	CA 3 B
FCEIC:6	CA 2 B
FCEIC:7	CH 0 D
FCEIC:8	CH 0 D
FCEIC:9	CH 3 B
FCEIC:10	CH 1 D
FCEIC:11	CH 1 D
FCEIC:12	CH 3 B
FCEIC:13	CH 0 D
FCEIC:14	CH 1 D
FCEIC:15	CH 1 D
FCEIC:22	CA 2 D
FCEIC:23	BE 1 B
FCEIC:25	CA 2 D
FCEIC:26	BE 1 B

INLINE	PAGE
FCFS:A	BE 1 D
FCFS:B	BE 1 E
FCLA:A	FB 0 D
FCLA:B	FB 0 D
FCLA:C	FB 0 E
FCSH:1	CD 0 D
FCSH:2	CD 1 D
FCSH:3	CD 0 D
FCSH:4	CD 1 D
FCSP:B	FB 1 D
FCSP:C	FB 1 D
FCSP:E	FB 2 D
FCSP:L	FB 1 E
FCSP:N	FB 3 E
FCSP:R	FB 2 E
FCSP:S	FB 1 E
FCUT:2	CH 3 D
FCUT:3	CH 4 D
FCUT:4	CH 3 D
FCUT:5	CH 1 D
FCUT:6	CH 2 D
FCUT:7	CH 2 D
FCUT:8	CH 2 D
FCUT:9	CH 2 D
FCUT:11	CA 3 C
FCUT:12	CH 2 D
FCUT:14	CA 3 C
FCUT:15	CH 1 D
FCUT:16	CH 1 D
FCUT:17	CA 3 D
FCUT:18	CA 3 D
FCUT:21	CA 3 C
FCUT:22	CA 3 C
FCUTEXT:2	CH 3 C
FCUTEXT:3	CH 4 C
FCUTEXT:4	CH 3 C
FCUTEXT:5	CH 1 C
FCUTEXT:6	CH 2 C
FCUTEXT:7	CH 2 C
FCUTEXT:8	CH 2 C
FCUTEXT:9	CH 2 C
FCUTEXT:11	CA 2 C
FCUTEXT:12	CH 2 C
FCUTEXT:14	CA 2 C
FCUTEXT:15	CH 1 C
FCUTEXT:16	CH 1 C
FCUTEXT:17	CA 3 E
FCUTEXT:18	CA 3 E
FCUTEXT:21	CA 3 C
FCUTEXT:22	CA 3 C

0

1

2

3

4

## INLINES

INLINE	PAGE
FRC1:A1	AB 3 C
FRC1:A1	CH 0 A
FRC1:A2	AB 2 C
FRC1:A3	AB 2 C
FRC1:A4	AB 2 C
FRC1:A4	BE 0 A
FRC1:A5	AB 1 C
FRC1:A5	DD 3 A
FRC1:A6	AB 1 C
FRC1:A6	BC 1 A
FRC1:A7	AB 1 C
FRC1:A7	BA 2 A
FRC1:A8	AB 1 C
FRC1:A8	BA 0 A
FRC1:A9	AA 2 D
FRC1:A9	KA 1 A
FRC1:A9	NA 4 A
FRC1:A10	AA 1 D
FRC1:A10	FC 1 A
FRC1:A11	AA 1 D
FRC1:A11	GG 1 A
FRC1:A11	NA 0 A
FRC1:A12	AA 1 D
FRC1:A12	NB 0 A
FRC1:A13	AA 1 D
FRC1:A13	GP 0 A
FRC1:A14	AA 0 D
FRC1:A14	GP 2 A
FRC1:A15	AA 0 D
FRC1:A15	GP 4 A
FRC1:A16	AA 0 D
FRC1:A16	FB 2 A
FRC1:B1	AB 3 C
FRC1:B2	AB 3 C
FRC1:B3	AA 0 B
FRC1:B4	AA 0 C
FRC1:C1	AB 4 B
FRC1:C1	DD 1 A
FRC1:C2	AB 4 B
FRC1:C2	KC 3 A
FRC1:C3	AB 3 B
FRC1:C3	IF 0 A
FRC1:C4	AB 3 B
FRC1:C4	CD 3 A
FRC1:C5	AB 3 B
FRC1:C5	NB 0 A
FRC1:C6	AB 3 B
FRC1:C6	CA 0 A
FRC1:C7	AB 2 B
FRC1:C7	GD 3 A

INLINE	PAGE
FRC1:C8	AB 2 B
FRC1:C8	GD 1 A
FRC1:C9	AA 2 B
FRC1:C9	KA 3 A
FRC1:C9	XA 2 A
FRC1:C10	AA 2 B
FRC1:C10	KC 2 A
FRC1:C11	AA 1 B
FRC1:C11	AC 0 A
FRC1:C12	AA 1 B
FRC1:C12	GH 3 A
FRC1:C13	AA 1 B
FRC1:C13	GA 4 A
FRC1:C14	AA 1 B
FRC1:C14	GA 2 A
FRC1:C15	AA 0 B
FRC1:C15	GA 0 A
FRC1:C16	AA 0 B
FRC1:C16	GA 1 A
FRC1:E1	AA 4 B
FRC1:E1	NA 2 A
FRC1:E2	AA 4 B
FRC1:E2	IC 0 A
FRC1:E2	ID 2 A
FRC1:E3	AA 3 B
FRC1:E3	BE 0 A
FRC1:E4	AA 3 B
FRC1:E4	FC 1 A
FRC1:E5	AA 3 B
FRC1:E5	CD 2 A
FRC1:E6	AA 3 B
FRC1:E6	EA 3 A
FRC1:E7	AA 2 B
FRC1:E7	NB 1 A
FRC1:E8	AA 2 B
FRC1:E8	GG 1 A
FRC1:E8	NA 0 A
FRC1:E9	AB 2 B
FRC1:E9	GD 0 A
FRC1:E10	AB 2 B
FRC1:E10	GG 2 A
FRC1:E11	AB 1 B
FRC1:E11	GQ 3 B
FRC1:E12	AB 1 B
FRC1:E12	GA 2 A
FRC1:E13	AB 1 B
FRC1:E13	NB 3 A
FRC1:E14	AB 0 B
FRC1:E14	GG 3 A

INLINE	PAGE
FRC1:E15	AB 0 B
FRC1:E15	NA 3 A
FRC1:E16	AA 4 B
FRC1:F1	AA 2 D
FRC1:F2	AA 2 D
FRC1:F3	AA 3 D
FRC1:F4	AA 3 C
FRC1:F8	AA 2 D
FRC1:F8	CA 1 B
FRC1:G1	AA 0 D
FRC1:G1	BB 2 A
FRC1:G2	AA 0 D
FRC1:G2	EA 3 A
FRC1:G2	EC 3 A
FRC1:G3	AA 0 D
FRC1:G3	NA 3 A
FRC1:G4	AA 1 D
FRC1:G4	KC 1 A
FRC1:G5	AA 1 D
FRC1:G5	CG 4 A
FRC1:G6	AA 1 D
FRC1:G6	GG 1 A
FRC1:G7	AA 1 D
FRC1:G7	CA 0 A
FRC1:G7	CE 1 A
FRC1:G8	AA 2 B
FRC1:G8	CA 1 B
FRC1:G9	AA 2 E
FRC1:G9	IE 1 A
FRC1:G10	AA 3 E
FRC1:G10	IE 0 A
FRC1:G11	AA 3 E
FRC1:G11	IC 2 A
FRC1:G11	ID 1 A
FRC1:G12	AA 3 E
FRC1:G12	HA 0 A
FRC1:G13	AA 3 E
FRC1:G13	NB 2 A
FRC1:G14	AA 4 E
FRC1:G14	FA 2 A
FRC1:G15	AA 4 E
FRC1:G15	DD 4 A
FRC1:G16	AA 4 E
FRC1:G16	NB 1 A
FRC2:A30	DD 2 B
FRC2:A85	DD 2 B
FRC2:A86	DD 2 B
FRC2:A87	DD 2 B
FRC2:B30	GA 3 B
FRC2:B85	GA 3 B

INLINE	PAGE
FRC2:B86	GA 3 B
FRC2:B87	GA 3 B
FRC2:C30	GA 3 B
FRC2:C85	GA 3 B
FRC2:C86	GA 3 B
FRC2:C87	GA 3 B
FRC2:D30	FB 0 A
FRC2:D85	FB 0 A
FRC2:D86	FB 0 B
FRC2:D87A	FB 0 B
FRC2:E30	GG 3 B
FRC2:E85	GG 3 B
FRC2:E86	GG 3 B
FRC2:E87	GG 3 B
FRC2:F30	AC 2 D
FRC2:F30	CA 0 B
FRC2:F85	AC 2 D
FRC2:F85	CA 0 B
FRC2:F86	AC 2 D
FRC2:F86	CA 0 B
FRC2:F87	CA 0 B
FRC2:F87A	AC 2 D
FRC2:G30	GA 2 C
FRC2:G85	GA 1 C
FRC2:G86	GA 1 C
FRC2:G87	GA 2 C
FRC2:J30	NB 3 B
FRC2:J85	NB 3 B
FRC2:J86	NB 3 B
FRC2:J87	NB 3 B
FRC2:K30	NB 3 B
FRC2:K85	NB 2 B
FRC2:K86	NB 2 B
FRC2:K87	NB 3 B
FRC2:L30	DD 3 B
FRC2:L85	DD 3 B
FRC2:L86	DD 3 B
FRC2:L87	DD 3 B
FRC2:M30	DD 4 B
FRC2:M85	DD 4 B
FRC2:M86	DD 4 A
FRC2:M87	DD 4 A
FRC2:M87A	DD 4 A
FRC2:N30	DD 2 B
FRC2:N85	DD 2 B
FRC2:N86	DD 2 B
FRC2:N87A	DD 2 B
FRC2:P30	DD 3 B
FRC2:P85	DD 3 B
FRC2:P86	DD 3 B

INLINE	PAGE
FRC2:P87	DD 3 C
FRC2:P87A	DD 3 B
FRC2:R1	BB 3 B
FRC2:R3	BB 3 B
FRC2:R4	GH 0 B
FRC2:R6	GH 0 B
FRC2:R7	CD 1 A
FRC2:R8	CD 1 B
FRC2:S1	BB 3 B
FRC2:S2	BB 3 B
FRC2:S3	BB 3 B
FRC2:S4	GH 0 B
FRC2:S5	GH 0 B
FRC2:S6	GH 0 B
FRC2:S7	CD 0 A
FRC2:S7	CG 0 B
FRC2:S7	CI 4 B
FRC2:S8	CD 0 B
FRC2:S8	CG 0 B
FRC2:S8	CI 4 B
FRC2:T1	KA 3 B
FRC2:T2	KA 3 B
FRC2:T3	CE 1 A
FRC2:T4	CE 1 B
FRC2:T5	CE 2 A
FRC2:T6	CE 2 B
FRC2:T7	CE 2 A
FRC2:T8	CE 2 B
FRC3:A30	GD 0 C
FRC3:A85	GD 0 C
FRC3:A86	GD 0 B
FRC3:A87	GD 0 B
FRC3:A87A	GD 0 B
FRC3:B30	GD 1 C
FRC3:B85	GD 1 C
FRC3:B86	GD 1 B
FRC3:B87	GD 1 B
FRC3:B87A	GD 1 B
FRC3:C30	GA 1 A
FRC3:C85	GA 1 A
FRC3:C86	GA 1 B
FRC3:C87A	GA 1 B
FRC3:D30	KC 2 B
FRC3:D85	KC 2 B
FRC3:D86	KC 2 B
FRC3:D87	KC 2 B
FRC3:D87A	KC 2 B
FRC3:E30	AC 2 C
FRC3:E85	AC 2 C
FRC3:E86	AC 2 D

INLINE	PAGE
FRC3:E87	AC 2 D
FRC3:F30	AA 2 B
FRC3:F85	AA 1 B
FRC3:F86	AA 1 C
FRC3:F87	AA 2 C
FRC3:F87A	AA 2 C
FRC3:G30	GG 2 B
FRC3:G85	GG 2 B
FRC3:G86	GG 2 B
FRC3:G87	GG 2 B
FRC3:H30	GP 2 B
FRC3:H85	GP 2 B
FRC3:H86	GP 2 C
FRC3:H87	GP 2 C
FRC3:H87A	GP 2 C
FRC3:J30	GP 2 B
FRC3:J85	GP 2 B
FRC3:J86	GP 2 C
FRC3:J87	GP 2 C
FRC3:J87A	GP 2 C
FRC3:K30	GP 3 B
FRC3:K85	GP 3 B
FRC3:K86	GP 3 C
FRC3:K87	GP 3 C
FRC3:K87A	GP 3 C
FRC3:L30	GP 4 B
FRC3:L85	GP 3 B
FRC3:L86	GP 3 C
FRC3:L87	GP 4 C
FRC3:L87A	GP 4 C
FRC3:M30	GQ 3 C
FRC3:M85	GQ 2 C
FRC3:M86	GQ 2 C
FRC3:M87	GQ 3 C
FRC3:M87A	GQ 3 C
FRC3:N30	FC 1 B
FRC3:N85	FC 1 B
FRC3:N86	FC 1 B
FRC3:P30	FC 2 B
FRC3:P85	FC 2 B
FRC3:P86	FC 2 B
FRC3:P87	FC 2 B
FRC3:R1	GA 4 C
FRC3:R3	GA 4 C
FRC3:R4	BB 4 C
FRC3:R6	BB 4 B
FRC3:R7	HA 1 B
FRC3:R8	HA 1 B
FRC3:S1	GA 4 C

**VOLVO**

Group Trucks Technology

Document title  
WIRING DIAGRAM - TYPE-OL L1EH1Document type  
PRODUCT SCHEMATIC

Document No

22484611

Issue

05

Volume

2 (2)

Page

11 (42)

0

1

2

3

4

INLINES

INLINE	PAGE
FRC3:S2	GA 4 C
FRC3:S3	GA 4 C
FRC3:S4	BB 4 C
FRC3:S5	BB 4 C
FRC3:S6	BB 4 B
FRC3:S7	BI 2 B
FRC3:S8	BI 2 B
FRC3:T1	CG 3 C
FRC3:T2	CG 3 C
FRC3:T3	NA 1 D
FRC3:T4	NA 1 D
FRC3:T5	NA 1 D
FRC3:T6	NA 1 D
FRC3:T7	GD 4 B
FRC3:T8	GD 4 C
G01_A1:A	AC 3 C
G01_A4:A	AC 3 C
G01_F:A	CE 4 A
H02DHJ:A	GQ 3 D
HOOKUP_LP:A	NA 2 B
HOOKUP_LP:B	NA 2 B
ILLUM_OPT1:A	BE 4 D
ILLUM_OPT1:B	BE 4 D
ILLUM_OPT2:A	BE 4 D
ILLUM_OPT2:B	BE 4 D
ILLUM_OPT6:A	FD 1 A
ILLUM_OPT6:B	FD 1 C
ILLUM_OPT7:A	FD 1 A
ILLUM_OPT7:B	FD 1 C
ILLUM_OPT:A	NA 2 B
ILLUM_OPT:B	NA 2 B
IHS:A	AC 3 C
LHCS:A	CD 3 B
LHCS:B	BE 1 B
LHCS:C	CD 4 B
LHCS:D	CE 1 D
LHCS:E	CD 3 B
LHCS:F	CD 3 B
LHCS:G	CD 2 B
LHCS:H	CD 3 B
LHCS:J	BE 0 B
LHCS:K	CD 4 B
LHCS:L	CE 1 D
LHCS:M	CD 2 C
LHCS:N	CE 1 D
LHCS:P	CD 4 C
LHSP:A	CD 2 B
LHSP:B	CD 3 B
MCAF:A	CD 0 A
MCAF:B	CD 1 A

INLINE	PAGE
MCBBCP:1	BM 0 D
MCBBCP:2	BM 1 D
MCDPL1:1	IF 2 D
MCDPL1:2	IF 4 D
MCDPL2:1	IE 0 C
MCDPL2:2	IE 0 D
MCDPL3:1	IC 0 D
MCDPL3:1	ID 0 C
MCDPL3:2	IC 1 D
MCDPL3:2	ID 0 C
MCDPL3:3	IC 0 D
MCDPL3:3	ID 0 C
MCDPL3:4	IC 0 D
MCDPL3:4	ID 0 C
MCDPL4:1	IC 0 D
MCDPL4:1	ID 0 C
MCDPL4:3	ID 0 C
MCDPL4:5	ID 0 C
MCDPL4:6	ID 0 C
MCDPR1:1	IF 2 C
MCDPR1:2	IF 4 C
MCDPR2:1	IE 1 C
MCDPR2:2	IE 2 D
MCDPR3:1	IC 1 D
MCDPR3:1	IC 3 D
MCDPR3:1	ID 4 C
MCDPR3:2	IC 1 D
MCDPR3:2	IC 4 D
MCDPR3:2	ID 4 C
MCDPR3:3	IC 1 D
MCDPR3:3	IC 3 D
MCDPR3:3	ID 3 C
MCDPR3:4	IC 1 D
MCDPR3:4	IC 3 D
MCDPR3:4	ID 4 C
MCDPR4:1	IC 1 D
MCDPR4:1	IC 3 D
MCDPR4:1	ID 4 C
MCDPR4:3	IC 4 D
MCDPR4:3	ID 4 C
MCDPR4:5	IC 4 D
MCDPR4:5	ID 4 C
MCDPR4:6	IC 4 D
MCDPR4:6	ID 4 C
MCDSL:A	GH 3 E
MCDSL:B	GH 2 E
MCDSR:A	GH 3 E
MCDSR:B	GH 4 E
MCFC:5	BM 0 D
MCFC:6	BM 1 D

INLINE	PAGE
MCFC:7	CD 0 D
MCFC:8	CD 1 D
MCFC:9	DC 0 B
MCFC:10	DC 0 B
MCFC:11	DC 0 B
MCFC:12	DC 0 B
MCFC:13	DC 0 B
MCFC:14	DC 0 B
MCFC:15	DC 2 C
MCFC:16	FB 0 C
MCFC:17	FB 0 D
MCFC:18	XB 1 B
MCFC:18	XB 4 B
MCFC:19	XB 2 B
MCFC:19	XB 4 B
MCFC:20	BD 1 D
MCFC:21	DC 0 B
MCFC:22	DC 0 B
MCFC:23	DC 1 B
MCFC:24	DC 1 B
MCFC:25	DC 1 B
MCFC:26	DC 1 B
MCFC:27	DC 2 C
MCFC:28	BE 3 B
MCFC:29	BE 3 B
MCFC:30	FB 1 C
MCFC:31	CG 3 D
MCFC:32	CG 2 C
MCFC:33	DC 1 B
MCFC:34	DC 1 B
MCFC:35	DC 1 B
MCFC:36	DC 1 B
MCFC:37	DC 1 B
MCFC:38	DC 1 B
MCFC:39	FD 1 C
MCFC:40	CD 3 A
MCFC:41	CE 3 D
MCFC:42	CE 3 D
MCFC:44	CE 3 D
MCFC:45	DC 2 B
MCFC:46	DC 2 B
MCFC:47	DC 2 B
MCFC:48	DC 2 B
MCFC:49	DC 2 B
MCFC:50	DC 2 B
MCFC:51	FD 1 B
MCFC:52	BE 1 B
MCFC:53	BE 0 B
MCFC:57	DC 2 B
MCFC:58	BE 1 D

INLINE	PAGE
MCFC:59	BE 2 E
MCFC:60	HA 0 D
MCFC:61	CE 3 D
MCFC:62	FB 2 C
MCFC:63	XA 3 D
MCFC:64	XA 3 D
MCFC:65	EA 1 D
MCFC:65	EC 1 B
MCFC:66	EA 1 D
MCFC:66	EC 1 B
MCFC:67	EA 1 D
MCFC:67	EC 1 B
MCFC:68	EA 1 B
MCFC:68	EC 1 D
MCFC:69	EA 1 B
MCFC:69	EC 1 D
MCFC:70	EA 1 D
MCFC:70	EC 1 B
MCFC:71	EA 1 D
MCFC:71	EC 0 B
MCFC:72	EA 0 D
MCFC:72	EC 0 B
MCFC:73	EA 1 D
MCFC:73	EC 1 B
MCFC:74	EA 1 D
MCFC:74	EC 2 B
MCFC:75	EA 1 B
MCFC:75	EC 1 D
MCFC:76	EA 1 B
MCFC:76	EC 1 D
MCFC:77	EA 2 D
MCFC:77	EC 1 B
MCFC:78	EA 0 D
MCFC:78	EC 1 B
MCFC:79	EA 1 B
MCFC:79	EC 0 D
MCFC:80	EA 1 B
MCFC:80	EC 0 D
MCFC:81	EA 1 B
MCFC:81	EC 1 D
MCFC:82	EA 0 B
MCFC:82	XC 1 D
MCFC:83	EA 0 A
MCFC:83	EC 0 D
MCFC:84	EA 0 D
MCFC:84	EC 0 B
MCFC:85	EA 1 A
MCFC:85	EC 1 D
MCFC:86	EA 1 D
MCFC:86	EC 2 B

INLINE	PAGE
MCFC:87	EA 4 E
MCFC:87	EC 3 C
MCFC:88	EA 3 E
MCFC:88	EC 3 C
MCFC:89	EA 2 D
MCFC:89	EC 3 C
MCFC:90	EA 2 D
MCFC:90	EC 3 C
MCFC:91	EA 3 D
MCFC:91	EC 3 C
MCFC:92	EA 3 D
MCFC:92	EC 3 C
MCFC:93	EA 2 D
MCFC:93	EC 3 C
MCFC:94	EA 2 D
MCFC:94	EC 3 C
MCFC:95	EA 3 D
MCFC:95	EC 3 C
MCFC:96	EA 3 D
MCFC:96	EC 3 C
MCFC:97	CA 1 B
MCFC:97	CE 0 B
MCFC:98	GA 0 D
MCFC:99	AC 3 D
MCFC:99	CH 0 B
MCFC:100	AC 2 C
MCFC:102	BB 1 C
MCFC:102	CE 2 B
MCFC:105	GF 2 B
MCFC:106	GF 1 B
MCFC:107	BE 0 D
MCFC:108	BE 0 D
MCFC:109	GA 3 D
MCFC:110	BE 1 D
MCFC:110	CE 2 B
MCFC:111	CA 0 B
MCFC:111	CE 2 D
MCFC:114	FB 3 D
MCFC:115	CG 4 C
MCFC:116	CE 1 B
MCFC:117	XC 1 B
MCFC:118	XC 1 B
MCFC:121	CD 2 B
MCFC:122	CD 3 B
MCFC:124	CA 0 B
MCFC:125	CC 1 B
MCFC:126	NB 3 C
MCFC:127	FA 2 B
MCFC:128	KA 4 C
MCFC:A	CG 3 B

INLINE	PAGE
MCFG:B	CG 3 B
MCFG:C	CG 2 B
MCFG:D	CG 3 A
MCHVAC1:1	HA 2 D
MCHVAC1:3	HA 2 D
MCHVAC1:5	HA 2 D
MCHVAC1:6	HA 2 D
MCHVAC1:7	HA 2 D
MCHVAC1:8	HA 1 D
MCHVAC1:10	HA 1 D
MCHVAC2:1	HA 2 D
MCHVAC2:2	HA 2 D
MCHVAC2:3	HA 2 D
MCHVAC2:4	HA 2 D
MCHVAC2:5	HA 2 D
MCHVAC2:6	HA 3 D
MCHVAC2:7	HA 3 D
MCHVAC2:8	HA 3 D
MCHVAC2:9	HA 3 D
MCHVAC2:10	HA 3 D
MCHVAC2:11	HA 3 D
MCHVAC2:12	HA 3 D
MCHVAC3:A	HA 0 C
MCHVAC3:B	HA 0 D
MCHVAC3:C	HA 0 C
MCHVAC3:D	HA 0 D
MCHVAC:A	AB 4 C
MCHVAC:B	AB 4 D
MCMD:1	CI 4 C
MCMD:2	CI 2 D
MCMD:3	CI 1 B
MCMD:4	CI 1 B
MCMIR:A	IC 0 B
MCMIR:A	IC 0 B
MCMIR:A	ID 2 A
MCMIRMEM:A	ID 2 A
MCPM1:A	IC 0 C
MCPM1:A	ID 2 C
MCPM1:B	IC 0 C
MCPM1:B	ID 2 C
MCPM1:C	IC 0 C
MCPM1:C	ID 2 C
MCPM1:D	IC 1 C
MCPM1:D	ID 3 C
MCPM1:E	IC 1 C
MCPM1:E	ID 3 C
MCPM1:F	IC 1 C
MCPM1:F	ID 3 C
MCPM1:G	ID 2 C
MCPM1:H	ID 2 C



INLINES

INLINE	PAGE
MCPM1:J	ID 2 C
MCPM1:K	ID 2 C
MCPM2:A	IC 2 C
MCPM2:A	ID 1 C
MCPM2:B	IC 2 D
MCPM2:B	ID 1 D
MCPM2:C	IC 1 C
MCPM2:C	ID 3 C
MCPM2:D	ID 2 C
MCPM2:E	ID 4 E
MCPSC1:A	BE 0 C
MCPSC1:B	BE 0 C
MCPSC1:C	BE 0 C
MCPSC1:D	BE 0 C
MCPSC1:E	BE 0 C
MCPSC1:F	BE 0 C
MCPSC1:G	BE 1 C
MCPSC1:H	BE 1 C
MCPSC1:J	BE 1 C
MCPSC1:K	BE 1 C
MCPSC1:L	BE 1 C
MCPSC1:M	BE 2 C
MCPSC1:N	BE 2 C
MCPSC1:P	BE 2 C
MCPSC1:R	BE 2 C
MCPSC1:S	BE 2 C
MCPSC2:A	BE 2 D
MCPSC2:B	BE 2 D
MCPSC2:C	BE 0 D
MCPSC2:D	BE 2 C
MCPSC2:E	BE 2 C
MCPSC2:F	BE 2 C
MCPSC2:G	BE 2 D
MCPSC2:H	BE 2 D
MCPSC2:J	BE 2 D
MCPSC2:K	BE 2 D
MCPSC2:L	BE 2 D
MCPSC2:M	BE 2 D
MCPSC2:N	BE 2 C
MCPSC2:P	BE 1 C
MCPSC2:R	BE 0 D
MCPSC2:S	BE 0 D
MCPSC3:A	BE 3 D
MCPSC3:B	BE 3 D
MCPSC3:C	BE 0 D
MCPSC3:D	BE 0 D
MCPSC3:E	BE 0 D
MCPSC3:F	BE 1 D
MCPSC3:G	BE 1 D
MCPSC3:H	BE 1 D

INLINE	PAGE
MCPSC3:J	BE 1 D
MCPSC3:K	BE 1 D
MCPSC3:L	BE 1 D
MCPSC3:M	BE 1 C
MCPSC3:N	BE 3 C
MCPSC3:P	BE 3 C
MCR08:1	BI 1 C
MCR08:2	BI 1 C
MCR14:1	BI 1 B
MCR14:2	BI 1 B
MCRC:A	KC 3 B
MCRC:B	KC 2 C
MCRC:C	KC 1 B
MCRC:D	KC 3 D
MCRC:E	KC 2 C
MCRC:F	KC 1 D
MCRF1:A	GH 4 C
MCRF1:B	GH 2 C
MCRF1:C	GH 3 C
MCRF1:D	GH 3 B
MCRF1:E	KA 2 D
MCRF1:F	KA 2 D
MCRF1:G	KA 2 D
MCRF1:H	KA 2 D
MCRF2:A	GA 0 D
MCRF2:B	GA 3 D
MCRF2:C	GD 2 D
MCRF2:D	GD 4 D
MCRF2:E	GD 4 D
MCRF2:F	CG 0 C
MCRF3:A	KA 1 D
MCRF3:B	KA 1 D
MCRF3:C	KA 1 D
MCS01:1	FB 0 B
MCS01:2	AC 0 B
MCS01:3	AC 0 B
MCS01:7	AC 0 C
MCS01:8	AC 0 C
MCS01:9	BA 3 B
MCS01:10	BA 3 C
MCS01:11	BA 3 D
MCS01:12	BB 0 A
MCS01:13	BB 0 B
MCS01:14	BD 1 B
MCS01:15	BD 1 C
MCS01:16	DD 1 B
MCS01:17	DD 1 B
MCS01:18	DD 1 B
MCS01:19	DD 1 B
MCS01:20	EA 2 A

INLINE	PAGE
MCS01:20	EC 3 A
MCS01:21	EA 2 B
MCS01:21	EC 3 B
MCS01:22	FB 2 B
MCS01:23	FB 1 B
MCS01:24	FB 2 C
MCS01:25	FB 4 C
MCS01:26	FC 1 B
MCS01:27	FC 1 C
MCS01:28	GA 0 B
MCS01:29	GD 4 A
MCS01:30	GD 4 B
MCS01:31	GA 1 C
MCS01:32	GH 2 C
MCS01:33	GH 3 C
MCS01:34	GA 0 B
MCS01:35	GH 4 C
MCS01:36	GH 4 B
MCS01:37	ID 1 C
MCS01:38	GH 3 D
MCS01:39	GP 0 B
MCS01:40	GP 0 B
MCS01:41	GP 1 C
MCS01:42	GP 1 C
MCS01:43	ID 2 C
MCS01:44	ID 2 B
MCS01:45	IF 1 D
MCS01:46	IF 1 B
MCS01:47	IF 1 B
MCS02:1	GH 2 D
MCS02:2	GH 1 E
MCS02:3	GH 1 E
MCS02:4	GH 1 E
MCS02:5	GA 0 B
MCS02:6	GA 0 C
MCS02:7	GA 0 C
MCS02:8	IC 2 B
MCS02:8	ID 1 B
MCS02:9	IC 2 C
MCS02:9	ID 1 B
MCS02:10	IE 0 B
MCS02:11	IE 0 C
MCS02:12	IE 0 C
MCS02:13	IE 1 B
MCS02:14	IE 2 A
MCS02:15	IE 2 C
MCS02:16	IE 2 C
MCS02:17	IC 1 C
MCS02:17	ID 3 B
MCS02:18	IC 0 C

INLINE	PAGE
MCS02:18	ID 2 B
MCS02:19	IC 1 C
MCS02:19	ID 3 B
MCS02:20	IC 0 C
MCS02:20	ID 2 B
MCS02:21	IC 0 C
MCS02:21	ID 2 B
MCS02:22	IC 0 B
MCS02:22	ID 2 A
MCS02:23	FB 0 C
MCS02:24	FB 1 C
MCS02:25	IC 1 C
MCS02:25	ID 3 B
MCS02:27	IC 1 C
MCS02:27	ID 3 B
MCS02:29	BD 2 C
MCSSC1:A	BG 0 B
MCSSC1:B	BG 0 B
MCSSC1:C	BG 0 B
MCSSC1:D	BG 0 B
MCSSC1:E	BG 0 B
MCSSC1:F	BG 0 B
MCSSC1:G	BG 1 B
MCSSC1:H	BG 1 B
MCSSC1:J	BG 1 B
MCSSC1:K	BG 1 B
MCSSC1:L	BG 1 B
MCSSC1:M	BG 2 B
MCSSC1:N	BG 2 B
MCSSC1:P	BG 2 B
MCSSC1:R	BG 2 B
MCSSC1:S	BG 2 B
MCSSC2:A	BG 2 D
MCSSC2:B	BG 2 D
MCSSC2:C	BG 0 D
MCSSC2:D	BG 2 B
MCSSC2:E	BG 2 B
MCSSC2:F	BG 2 B
MCSSC2:G	BG 2 D
MCSSC2:H	BG 2 D
MCSSC2:J	BG 2 D
MCSSC2:K	BG 2 D
MCSSC2:L	BG 2 D
MCSSC2:M	BG 2 D
MCSSC2:N	BG 2 B
MCSSC2:P	BG 1 B
MCSSC2:R	BG 3 B
MCSSC2:S	BG 3 B
MCTL:A	GF 2 C
MCTL:B	GF 1 C

INLINE	PAGE
MCTL:C	GF 1 C
MCTL:D	GF 2 C
MCTL:E	GF 2 D
MCWB1:A	GP 0 C
MCWB1:B	GP 0 C
MCWB2:A	BE 3 B
MCWB2:B	BE 3 A
PPCO:A	FD 1 B
PPCO:B	FD 1 B
PPCO:C	FD 0 C
PSCTS:A	GA 2 B
PSCTS:A	GA 2 B
PSCTS:B	GA 2 B
PSCTS:C	GA 2 B
PSCTS:D	GA 2 B
PSCTS:D	GA 3 B
PSCTS:E	GA 3 C
PSCTS:F	GA 2 D
PSCTS:G	GA 3 D
PSCTS:G	GA 3 D
PSCTS:H	GA 3 D
PSCTS:H	GA 3 C
PSCTS:J	GQ 2 B
PSCTS:K	GQ 0 C
R08A:1	BI 2 C
R08A:2	BI 2 C
R14A:1	BI 1 B
R14A:2	BI 1 B
RC1:A1	BA 1 B
RC1:A3	BA 1 B
RC1:A4	GA 3 D
RC1:A6	GA 2 D
RC1:A7	DE 2 B
RC1:A9	DE 2 B
RC1:B1	BA 1 B
RC1:B2	BA 1 B
RC1:B3	BA 1 B
RC1:B4	GA 3 D
RC1:B5	GA 2 D
RC1:B6	GA 3 D
RC1:B7	DE 2 B
RC1:B8	DE 2 B
RC1:B9	DE 2 B
RC1:C1	GH 0 B
RC1:C2	GH 1 B
RC1:C3	GH 0 B
RC1:C4	GH 1 B
RC1:C5	GH 1 B
RC1:C6	GH 1 B
RC1:C7	BB 1 B

INLINE	PAGE
RC1:C9	BB 1 A
RC1:D1	GH 0 B
RC1:D3	GH 0 B
RC1:D4	GH 1 B
RC1:D6	GH 1 B
RC1:D7	BB 1 B
RC1:D9	BB 1 A
RC2:A1	GD 0 A
RC2:A3	GD 0 B
RC2:A4	GD 1 B
RC2:A6	GD 2 B
RC2:A7	NA 0 C
RC2:A9	NA 0 D
RC2:B1	GD 0 A
RC2:B2	GD 0 B
RC2:B3	GD 0 B
RC2:B4	GD 2 B
RC2:B5	GD 1 B
RC2:B6	GD 1 B
RC2:B7	NA 0 C
RC2:B8	NA 0 D
RC2:B9	NA 0 D
RC2:C2	DE 1 C
RC2:C3	DE 1 B
RC2:C4	DE 0 C
RC2:C5	DE 0 C
RC2:C6	DE 0 B
RC2:C7	GA 1 D
RC2:C9	GA 1 C
RC2:D1	DE 1 C
RC2:D3	DE 1 B
RC2:D4	DE 0 C
RC2:D6	DE 0 B
RC2:D7	GA 1 D
RC2:D9	GA 1 C
RC6:A1	HA 0 C
RC6:A3	HA 0 C
RC6:A7	BD 3 D
RC6:A9	BD 3 D
RC6:B1	HA 0 C
RC6:B3	HA 0 C
RC6:B7	BD 3 D
RC6:B9	BD 3 D
RC6:C1	GD 3 C
RC6:C3	GD 3 B
RC6:C4	CD 0 C
RC6:C5	CI 0 C
RC6:C6	CD 0 C
RC6:C6	CI 0 C
RC6:C7	CD 1 C

0

1

2

3

4

## INLINES

INLINE	PAGE
RC6:C7	CI 0 B
RC6:C9	CD 1 C
RC6:C9	CI 0 A
RC6:D1	GD 3 C
RC6:D3	GD 3 B
RC6:D4	CD 0 C
RC6:D4	CI 0 C
RC6:D6	CD 0 C
RC6:D6	CI 0 C
RC6:D7	CD 1 C
RC6:D7	CI 0 B
RC6:D9	CD 1 C
RC6:D9	CI 0 A

INLINE	PAGE
RFHL:A	GH 4 B
RFHL:B	GH 2 B
RFHL:C	GH 3 B
RFHL:D	GH 3 B
RFHL:E	KA 2 D
RFHL:F	KA 2 D
RFHL:G	KA 2 D
RFHL:H	KA 2 D
RFMD:A	CG 0 C
RFMD:A	CG 0 C
RFMIC:A	KA 2 C
RFMIC:B	KA 2 C
RLY35:1	HA 0 B

INLINE	PAGE
RLY35:2	HA 0 B
RLY35:4	HA 0 B
RLY35:5	HA 0 B
RLY89:1	HA 1 C
RLY89:2	HA 1 C
RLY89:4	HA 1 C
RLY89:5	HA 1 C
SP_BAT1:A	NA 3 B
SP_FUSE:A	NA 1 C
SP_FUSE:B	NA 1 D
SP_FUSE:C	NA 1 C
SP_FUSE:D	NA 1 D
SP_IGN1:A	NA 3 B

INLINE	PAGE
SP_IGN1:B	NA 3 B
SP_IGN2:A	NA 4 B
SP_RLY:A	NA 0 C
SP_RLY:B	NA 0 D
SP_RLY:C	NA 0 D
SP_RLY:D	NA 0 D
SP_RLY:E	NA 0 C
SSCTS:A	GH 0 C
SSCTS:B	GH 0 C
SSCTS:C	GH 0 C
SSCTS:D	GH 0 C
SSCTS:E	GH 0 C
SSCTS:F	GH 0 E

INLINE	PAGE
SSCTS:G	GH 1 D
SSCTS:H	GH 1 D
SSCTS:J	GQ 2 C
SSCTS:K	GQ 1 C
TLBU:A	GF 3 C
TLBU:B	GF 3 C
TRPTO:A	FD 2 B
TRPTO:B	FD 1 C
TRPTO:C	FD 1 E
WL:A	GD 0 B
WL:B	GD 1 B
WL:C	GD 1 D
X3_TGW:A	BI 0 C

INLINE	PAGE
X175_C1_1:A	BM 3 B
X175_C2_1:A	BM 3 B
X175_C3_1:A	BM 3 B
X175_C4_1:A	BM 3 B
X175_C5_1:A	BM 3 B
X175_C6_1:A	BM 3 B
X175_C7_1:A	BM 0 B
X175_C10_1:A	BM 1 D
X178_C2_1:A	BM 0 B
X179_C2_1:A	BM 4 B
X179_C3_1:A	BM 4 B
X179_C4_1:A	BM 1 D

0

1

2

3

4

## SPLICES

SPLICE	PAGE
SP31A20 (S)	CE 2 D
SPC23H1 (S)	CE 1 D
SPCA11 (T)	BE 3 C
SPCA11 (T)	BG 3 B
SPCA11 (T)	GD 2 B
SPCA15 (T)	BE 1 B
SPCB1 (T)	BA 1 D
SPCB10 (T)	BB 3 D
SPCB11 (T)	BA 4 E
SPCB13A (T)	BB 2 B
SPCB13A5 (T)	BB 3 B
SPCB13A11 (T)	BB 2 B
SPCB16 (T)	CD 1 C
SPCB19 (T)	BB 2 D
SPCB19D (S)	DE 3 B
SPCB19E (S)	DE 2 B
SPCB19F (T)	DE 3 D
SPCB19G (T)	BQ 3 C
SPCB22 (T)	BB 3 C
SPDL1H (S)	XA 3 E
SPDL1H1 (S)	XA 3 D
SPDL1H2 (S)	XA 3 D
SPDL1H3 (S)	XA 3 B
SPDL1H4 (S)	XA 3 B
SPDL1H5 (S)	XA 3 B
SPDL1H6 (S)	XA 3 B
SPDL1H7 (S)	XA 3 C
SPDL1HB7 (S)	BI 1 C
SPDL1HN10 (S)	XA 2 D
SPDL1HN12 (S)	XA 2 D
SPDL1HN14 (S)	XA 1 D
SPDL1L (S)	XA 3 E
SPDL1L1 (S)	XA 3 D
SPDL1L2 (S)	XA 3 C
SPDL1L3 (S)	XA 3 C
SPDL1L4 (S)	XA 3 B
SPDL1L5 (S)	XA 3 B
SPDL1L6 (S)	XA 3 B
SPDL1L7 (S)	XA 3 C
SPDL1LB7 (S)	BI 1 C
SPDL1LN10 (S)	XA 2 D
SPDL1LN12 (S)	XA 2 D
SPDL1LN14 (S)	XA 1 D
SPDL2H1 (S)	CH 2 B
SPDL2H2 (S)	XB 1 B
SPDL2H3 (S)	XB 1 C
SPDL2H4 (S)	XB 1 C
SPDL2H5 (S)	XB 1 D
SPDL2H6 (S)	XB 4 C
SPDL2HB6 (S)	BI 1 B

SPLICE	PAGE
SPDL2L1 (S)	CH 2 B
SPDL2L2 (S)	XB 2 B
SPDL2L3 (S)	XB 2 C
SPDL2L4 (S)	XB 2 C
SPDL2L5 (S)	XB 2 D
SPDL2L6 (S)	XB 4 C
SPDL2LB6 (S)	BI 1 B
SPDL4H (S)	XC 2 B
SPDL4L (S)	XC 2 B
SPDL7H1 (S)	CA 3 C
SPDL7L1 (S)	CA 3 C
SPEMA28A1 (S)	CH 3 C
SPEMA49A (S)	CA 2 C
SPEMA54A1 (S)	CH 1 C
SPEMA59A1 ( )	CH 3 D
SPEMA62A ( )	CH 2 D
SPF2B (T)	GA 1 B
SPF2C (T)	GA 0 C
SPF2G (T)	GD 2 C
SPF2H (T)	GD 2 C
SPF3B (T)	GA 0 C
SPF3B1 (S)	GA 1 D
SPF3B7 (S)	GF 1 B
SPF3B8 ( )	GF 1 C
SPF3B20 (S)	GA 0 C
SPF3C (T)	GA 0 D
SPF3D (T)	GD 3 A
SPF3F (T)	BE 1 A
SPF3F (T)	BG 1 A
SPF3F (T)	CG 3 A
SPF3F (T)	DE 0 D
SPF3F (T)	GH 4 A
SPF3F (T)	KA 3 B
SPF3F (T)	NA 2 A
SPF3F1 (T)	BA 2 B
SPF3F69 (T)	FD 0 A
SPF3F74 (T)	BE 4 D
SPF3F100 (S)	DD 2 B
SPF3F100 (S)	FB 1 B
SPF3F100 (S)	FC 0 B
SPF3F100 (S)	GD 4 A
SPF3F100 (S)	GH 3 C
SPF3F100 (S)	ID 2 A
SPF3F100 (S)	IE 2 B
SPF3F100 (S)	IF 1 C
SPF3F110 (T)	BE 1 A
SPF3F110 (T)	DD 0 B
SPF3F116 (T)	BG 1 A
SPF3F200 (S)	BA 3 B
SPF3F200 (S)	BD 2 B

SPLICE	PAGE
SPF3F200 (S)	EA 3 A
SPF3F200 (S)	EC 3 A
SPF3F200 (S)	GA 1 B
SPF3F200 (S)	GH 3 C
SPF3F200 (S)	GP 0 B
SPF3F200 (S)	IC 2 B
SPF3F200 (S)	ID 1 A
SPF3F200 (S)	IE 0 B
SPF3G (T)	GA 0 A
SPF3H (T)	GA 2 B
SPF3J (T)	GA 0 C
SPF3K (T)	GA 0 D
SPF3M (S)	GD 4 B
SPF4B (T)	GA 2 B
SPF4B3 (S)	GH 2 D
SPF4B3C (S)	GH 2 E
SPF4C (T)	GD 3 C
SPF4D (T)	GD 4 C
SPF4E (T)	GD 4 C
SPF4F (T)	GD 2 C
SPF4G (T)	GD 3 D
SPF4H (T)	GD 3 C
SPF5A (T)	GA 4 B
SPF5A1 (S)	GA 4 B
SPF5B (T)	GA 4 C
SPF5B1 (S)	GA 4 C
SPF5B5 (T)	GA 4 C
SPF5D1 (S)	GF 2 B
SPF5E1 (S)	GF 1 B
SPF6A (T)	GH 3 B
SPF6D (T)	GH 4 B
SPF6E (S)	GH 3 D
SPF6E3 (T)	GH 3 E
SPF7A (T)	AC 0 B
SPF7C (T)	AC 1 B
SPF7C3 (S)	BM 0 A
SPF7D (T)	AC 1 C
SPF7D8A2 (S)	CD 3 B
SPF7G (T)	BF 2 B
SPF8A (T)	FB 2 B
SPF8A2 (S)	FB 3 B
SPF8B (T)	FB 4 D
SPF9B (T)	KC 2 B
SPF9D (T)	GA 2 D
SPF9D2 (S)	GA 3 D
SPF10A (T)	KA 3 B
SPF10A (T)	XA 2 B
SPF10C (T)	KA 3 C
SPF11A (T)	GG 1 B
SPF15A (T)	FC 1 B

SPLICE	PAGE
SPF15B (T)	FC 2 C
SPF16A (T)	BA 0 B
SPF17A (T)	BA 2 B
SPF17C (T)	BA 1 D
SPF17D (T)	BA 1 C
SPF17E (T)	BA 2 C
SPF18A1 (T)	BC 2 C
SPF19 (T)	BE 0 B
SPF19 (T)	BG 0 B
SPF20A (T)	IC 0 A
SPF20A (T)	ID 2 A
SPF21A (T)	GP 4 B
SPF22A (T)	GP 2 B
SPF23A (T)	GP 0 B
SPF23C (T)	GP 2 A
SPF23D (T)	GP 2 B
SPF25A (T)	HA 0 A
SPF25B (T)	HA 1 B
SPF27A (T)	GG 1 B
SPF27A4 (T)	CG 3 C
SPF29B (T)	AA 2 C
SPF30B (T)	FC 1 C
SPF31A (T)	DD 3 A
SPF31B (T)	DE 0 B
SPF31C (T)	DD 2 B
SPF34A (T)	NB 3 B
SPF34B (T)	NB 3 C
SPF34B1 (S)	GF 2 B
SPF34B10 ( )	GF 2 C
SPF35B (T)	GA 2 C
SPF35C (S)	GA 3 D
SPF35C1 (S)	GA 4 D
SPF35C3 (S)	GA 3 D
SPF36D (T)	GQ 1 B
SPF36D1 (T)	GQ 1 C
SPF38A (T)	CA 0 B
SPF38A1 (T)	CE 1 A
SPF38A4 (S)	CA 0 C
SPF41A (T)	CG 4 C
SPF42B (T)	DD 4 C
SPF43A (S)	CA 1 C
SPF44A (S)	FA 2 B
SPF45A (T)	NB 2 D
SPF52A (T)	HA 0 B
SPF54A (T)	GD 3 B
SPF55B (T)	IC 1 D
SPF55B (T)	ID 1 C
SPF58A (T)	BB 3 A
SPF58A8 (T)	BI 3 B
SPF62B (S)	CH 0 B

SPLICE	PAGE
SPF63 (T)	BE 0 B
SPF66A (T)	KA 1 B
SPF66A (T)	NA 4 A
SPF67B (T)	IF 4 C
SPF67C (T)	IF 2 C
SPF72A (T)	KA 3 B
SPF73A (S)	BM 4 C
SPF78A (S)	CE 1 B
SPF81A (T)	CI 4 C
SPF81A1 (T)	CI 3 C
SPF91A (T)	CD 0 B
SPF92A (T)	CD 1 B
SPF144A ( )	FA 4 B
SPFAA2 (S)	CE 3 B
SPGC3A1 (T)	HA 1 B
SPHAB11 (T)	BE 2 B
SPHBA8 (T)	BE 2 D
SPHBA8C (T)	BG 2 D
SPHBA9 (T)	BE 2 D
SPHBA9C (T)	BG 2 D
SPHBB8 (T)	BE 2 D
SPHBB8C (T)	BG 2 D
SPHBB9 (T)	BE 3 D
SPHBB9C (T)	BG 2 D
SPN103 (T)	DD 2 C
SPN103B (T)	BB 0 B
SPN103D (T)	DE 1 C
SPN105B (T)	BH 3 B
SPN110 (T)	DD 1 B
SPN110A (T)	DD 1 C
SPN112 (T)	DC 2 C
SPN113 (T)	BB 1 B
SPN117 (T)	DD 2 C
SPN117B (T)	DE 1 B
SPN124CM (T)	DD 2 C
SPN131 (S)	DC 1 C
SPN134 (T)	DD 1 D
SPN142 (T)	DD 1 C
SPN145 (T)	DD 3 C
SPN158 (T)	DC 2 C
SPN158A (S)	DC 2 C
SPN163 (T)	DD 1 C
SPN163B (T)	DD 2 A
SPN163E (S)	FD 1 C
SPN163F ( )	FD 3 C
SPN163G (S)	FD 2 C
SPN165 (T)	DD 3 C
SPN201 (T)	DD 2 A
SPNA23 (T)	BE 3 B
SPNA24 (T)	BE 3 B

SPLICES

SPLICE	PAGE
SPURDF (S)	CD 1 A
SPX1A (S)	AD 3 D
SPX1A (S)	BE 0 C
SPX1A (S)	CG 3 C
SPX1A (S)	CI 1 C
SPX1A (S)	FC 1 D
SPX1A3 (S)	AD 1 C
SPX1E9 (T)	EA 0 A
SPX2A1 (T)	AD 3 C
SPX2A1 (T)	BA 3 C
SPX2A1 (T)	DE 0 D
SPX2A2 (T)	DE 0 D
SPX2A3 (T)	AD 3 C
SPX2A3 (T)	BA 0 C
SPX2A3 (T)	DD 0 E
SPX2A4 (T)	GD 2 B
SPX2A4 (T)	GP 2 E
SPX2A5 (T)	BC 1 B
SPX2A6 (T)	AD 3 C
SPX2A6 (T)	NA 2 B
SPX2A42 (S)	GA 1 E
SPX2A42 (S)	GD 4 D
SPX2A74 (T)	BE 4 D
SPX2A104 (T)	FD 0 C
SPX2A114 (S)	BM 0 C
SPX2A121 (S)	DD 1 B
SPX2A121 (S)	FB 1 D
SPX2A121 (S)	FC 0 C
SPX2A121 (S)	GD 4 B
SPX2A121 (S)	GH 3 D

SPLICE	PAGE
SPX2A121 (S)	ID 2 B
SPX2A121 (S)	IE 2 B
SPX2A121 (S)	IF 1 D
SPX2A200 (S)	BA 3 C
SPX2A200 (S)	BD 2 C
SPX2A200 (S)	EA 3 B
SPX2A200 (S)	EC 3 B
SPX2A200 (S)	GA 1 C
SPX2A200 (S)	GH 3 D
SPX2A200 (S)	GP 0 C
SPX2A200 (S)	IC 2 C
SPX2A200 (S)	ID 1 B
SPX2A200 (S)	IE 1 C
SPX2B (T)	AD 3 B
SPX2B1 (T)	AD 3 B
SPX2B1 (T)	BD 1 B
SPX2B1 (T)	EA 2 A
SPX2B1 (T)	EC 3 A
SPX2B1 (T)	IE 2 A
SPX2B2 (T)	AA 2 E
SPX2B2 (T)	AB 3 D
SPX2B2 (T)	AD 3 B
SPX2B2 (T)	BE 3 A
SPX2B2 (T)	GP 3 E
SPX2B2 (T)	KA 2 D
SPX2B3 (T)	AD 4 B
SPX2B3 (T)	GA 2 D
SPX2B3 (T)	GO 0 D
SPX2B3 (T)	NA 3 B
SPX2C (T)	KC 2 D

SPLICE	PAGE
SPX2D16 (S)	GD 1 D
SPX2G4 (S)	BE 1 B
SPX2G10 (S)	BE 0 E
SPX2G13 (S)	BE 4 C
SPX2N109B (S)	FD 1 D
SPX2N109F (S)	FD 3 D
SPX3A (T)	AD 3 B
SPX3A1 (T)	AD 3 B
SPX3A1 (T)	CA 0 B
SPX3A1 (T)	DD 2 C
SPX3A1 (T)	FB 0 B
SPX3A1 (T)	GA 1 D
SPX3A1 (T)	NB 3 C
SPX3A2 (T)	AC 2 E
SPX3A2 (T)	AD 3 B
SPX3A2 (T)	FC 1 C
SPX3A2 (T)	GA 4 D
SPX3B (T)	AD 3 A
SPX3B (T)	BA 3 E
SPX3B (T)	BE 1 B
SPX3B (T)	BG 2 B
SPX3B (T)	EA 2 B
SPX3B (T)	EC 2 B
SPX3B2 (T)	AD 4 A
SPX3B2 (T)	BA 4 D
SPX3B2 (T)	DD 0 C
SPX3B3 (T)	AD 4 A
SPX3B3 (T)	BG 1 A
SPX3B4 (T)	BG 2 A
SPX3C (T)	AD 3 B

SPLICE	PAGE
SPX3C (T)	BG 0 B
SPX3C (T)	GH 4 E
SPX3C (T)	GO 1 D
SPX3H (T)	AD 3 B
SPX3H (T)	GD 4 E
SPX4A (T)	AD 3 E
SPX4A (T)	BE 1 B
SPX4A (T)	CI 2 D
SPX4A (T)	FB 0 D
SPX4A (T)	IC 2 D
SPX4A (T)	ID 1 D
SPX4A2 (T)	AD 3 E
SPX4A2 (T)	HA 0 C
SPX4A3 (T)	IC 1 D
SPX4A3 (T)	ID 3 D
SPX4A5 (T)	BE 1 B
SPX4A6 (T)	BE 2 A
SPX4A17 (T)	AD 4 E
SPX4A17 (T)	BB 1 B
SPX4A17 (T)	GA 2 D
SPX4A17 (T)	NB 1 C
SPX4A18 (T)	CI 2 C
SPX4B (T)	AD 3 E
SPX4B (T)	GD 2 E
SPX4C (T)	AD 3 D
SPX4C (T)	GD 4 E
SPX4C (T)	GH 2 E
SPX4C (T)	KA 1 D
SPX4D (T)	AD 3 E
SPX4D (T)	XA 1 D

SPLICE	PAGE
SPXA1 (S)	AD 1 B
SPXF1A1 (S)	AD 1 C
SPXF1A1 (S)	CD 0 E
SPXF1A1 (S)	FB 0 E
SPXF1A1 (S)	HA 0 E
SPXF1A2 (S)	AD 1 C
SPXF1A2 (S)	FD 2 E
SPXF1A2 (S)	GA 4 D
SPXF1A2 (S)	GF 2 B
SPXF1A3 ( )	GF 2 D
SPXF1A11 (S)	FB 2 E
SPXF1A11 (S)	GF 1 E
SPXF1A11A2 (S)	GF 2 D
SPXF1A14 (S)	AD 0 C
SPXF1A14 (S)	FA 2 E
SPXF1A14 (S)	GF 2 E
SPXF1A15 (S)	CG 2 E
SPXF1A15 (S)	GF 2 D
SPXF1A17 (S)	CG 2 D
SPXF1A24 ( )	FA 4 C
SPXF1C (S)	AD 1 C
SPXF1C1 (S)	AD 1 C
SPXF1C1 (S)	CA 2 C
SPXF1C2 (S)	AD 1 C
SPXF1C2 (S)	CA 2 C
SPXF1C2 (S)	CH 4 C
SPXN109J (S)	FD 2 D

0

1

2

3

4

## SHELLS

REF	PAGE
A03	BE 0 D
A03 Z	CG 3 B
A03D	BE 3 D
A03E	BE 3 E
A12A	EA 0 C
A12B	EC 0 C
A17	AC 2 A
A17	BA 1 D
A17	BC 2 D
A17	BD 2 D
A17	BQ 0 B
A17	GD 2 A
A17	HA 0 D
A19EP	DD 0 E
A19ES	DE 0 D
A34	HA 1 A
A36_3	BM 0 D
A36_3_CHASSIS	BM 3 D
A39	KA 0 E
A57	DC 0 A
A57	DD 0 D
A58	DC 0 D
A83	GD 2 B
A92A	CD 2 C
A92B	CD 3 C
A99	DC 3 D
A124	AC 3 B
A124	AD 2 A
A125	BI 2 C
A137B	CH 0 C
A138	CH 1 E
A153	BG 0 C
A153A	BG 3 D
A153B	BG 3 E
A158	KA 2 C
A158_J1	KA 3 B
A158_J2	KA 3 C
A215	GA 2 A
A216	KA 1 D
A217	BE 4 C
A223	ID 1 E
A230	BM 0 D
A230	CE 3 B
A230	CH 0 A
A230A	KA 4 B
B06T1	BE 0 D
B06T2	BE 1 D
B07	BE 1 D
B07A	CG 2 D
B09	BE 1 D

REF	PAGE
B13	EA 1 B
B13	EC 0 D
B14	EA 1 B
B14	EC 1 D
B15	EA 0 D
B15	EC 0 B
B16	EA 1 D
B16	EC 1 B
B17	EA 2 E
B17	EC 3 D
B18	EA 2 E
B18	EC 3 D
B22	BE 0 D
B23A	DC 3 D
B25	BB 4 E
B25	BQ 3 C
B25L	BB 3 E
B25R	BB 4 D
B60LF	KA 2 E
B60RF	KA 2 E
B67	KA 0 D
B80	KA 2 C
B96D	CA 2 A
B96S	CA 2 A
B99	CA 3 C
B121	BE 3 A
B122A	CE 1 D
B123	CA 2 D
B123A	CE 1 D
B124FR	BE 0 E
B124RR	BE 0 E
B133	BE 1 A
B183_Y	CG 1 D
B183_Z	CG 1 D
B185A	CE 2 D
B185B	CE 2 D
B245A	KA 0 D
B300B	CI 1 C
CB2	AA 0 B
CB2	GA 1 A
CB3	AA 0 B
CB3	GA 0 A
CB4	AA 1 B
CB4	GA 2 A
CB5	AA 1 B
CB5	GA 4 A
CB6	AA 1 B
CB6	GH 3 A
CB7	AA 1 B
CB7	AC 0 A

REF	PAGE
CB8	AA 0 C
CB8	FB 2 A
CB9	AA 2 B
CB9	KC 2 A
CB10	AA 2 B
CB10	KA 3 A
CB10	XA 2 A
CB11	AA 2 B
CB11	GG 1 A
CB11	NA 0 A
CB12	AA 2 B
CB12	NB 1 A
CB15	AA 3 B
CB15	FC 1 A
CB18	AB 1 C
CB18	BC 1 A
CB20	AA 4 B
CB20	IC 0 A
CB20	ID 2 A
CB21	AA 0 C
CB21	GP 4 A
CB22	AA 0 C
CB22	GP 2 A
CB23	AA 1 C
CB23	GP 0 A
CB24	AA 1 C
CB24	NB 0 A
CB26	AA 4 B
CB26	NA 2 A
CB27	AA 1 C
CB27	GG 1 A
CB27	NA 0 A
CB29	AA 4 B
CB30	AA 1 C
CB30	FC 1 A
CB32	AB 0 B
CB32	NA 3 A
CB33	AB 0 B
CB33	GG 3 A
CB34	AB 1 B
CB34	NB 3 A
CB35	AB 1 B
CB35	GA 2 A
CB36	AB 1 B
CB36	GQ 3 A
CB37	AB 2 B
CB37	GG 2 A
CB39	AA 1 D
CB39	GG 1 A
CB40	AA 4 D

REF	PAGE
CB40	NB 1 A
CB42	AA 4 D
CB42	DD 4 A
CB44	AA 4 D
CB44	FA 2 A
CB45	AA 3 D
CB45	NB 2 A
CB46	AA 1 D
CB46	KC 1 A
CB47	AA 0 D
CB47	NA 3 A
CB50	AB 2 B
CB50	GD 0 A
CB51	AB 2 B
CB51	GD 1 A
CB52	AA 3 D
CB52	HA 0 A
CB54	AB 2 B
CB54	GD 3 A
CB55	AA 3 D
CB55	IC 2 A
CB55	ID 1 A
CB56	AA 3 D
CB56	IE 0 A
CB57	AA 2 D
CB57	IE 1 A
CB58	AA 0 D
CB58	BB 2 A
CB61	AB 3 B
CB61	NB 0 A
CB65	AB 2 C
CB66	AA 2 C
CB66	KA 1 A
CB66	NA 4 A
CB67	AB 3 B
CB67	IF 0 A
CB68	AB 4 B
CB68	KC 3 A
CB74	KA 3 B
CB76	NA 1 D
CB91	CD 0 B
CB92	CD 1 E
E11LA	GD 2 E
E11LB	GD 2 D
E11RA	GD 4 D
E11RB	GD 4 D
E12L	GA 3 D
E12R	GA 4 D
E14L	GD 2 D
E14R	GD 3 D

REF	PAGE
E17L	GH 4 B
E17R	GH 4 B
E18L	GH 2 B
E18R	GH 3 B
E19C	GA 1 E
E19L	GA 0 E
E19R	GA 1 E
E27L	GF 1 C
E27R	GF 2 C
E30L	GD 0 D
E30R	GD 1 D
E32	HA 1 D
E35	HA 4 D
E38_16A	CG 1 C
E38_16B	CG 1 C
E57	GA 4 D
EL3L	GD 0 C
EL3R	GD 1 C
F13	AA 3 B
F13	EA 3 A
F13	EC 3 A
F14	AA 3 B
F14	CD 2 A
F16	AB 1 C
F16	BA 0 A
F17	AB 1 C
F17	BA 2 A
F19	AA 3 B
F19	BE 0 A
F25	AB 4 D
F28	AC 3 B
F31	AB 1 C
F31	DD 3 A
F38	AA 1 D
F38	CA 0 A
F38	CE 1 A
F41	AA 1 D
F41	CG 4 A
F43	AA 2 D
F43	CA 1 B
F48	GD 4 C
F49	AA 0 D
F49	EA 3 A
F49	EC 3 A
F60	AB 3 B
F60	CA 0 A
F62	AB 3 B
F62	CD 3 A
F63	AB 2 C
F63	BE 0 A

REF	PAGE
F64	AB 2 C
F69	AB 3 C
F69	CH 0 A
F71	AB 4 B
F71	DD 1 A
F75	NA 1 D
F77	HA 1 B
F78	CE 1 B
F79	CE 2 B
F80	CE 2 B
F81	CG 0 B
F81	CI 4 B
F82	BI 0 B
F83	BI 0 B
F84	BI 0 B
FM3	AC 3 C
FM3_A1	AC 4 C
FM5	CG 3 C
G01	AC 3 C
G01	AD 2 B
G01	BM 0 C
G01	CE 4 A
G01	CH 0 B
G01	KA 4 A
G02	AC 4 B
G02	AD 0 A
H02	GQ 3 C
H02A	GQ 2 D
H02B	GQ 3 D
H03	GF 3 B
H07_Z	CG 1 B
H16	CI 1 B
H17	CI 3 B
M01L	GP 3 C
M01R	GP 2 C
M02	GP 0 C
M06DS	IE 0 D
M06PS	IE 2 D
M58L	IF 3 D
M58R	IF 3 C
M78L	IC 0 D
M78L	ID 0 B
M78R	IC 3 C
M78R	ID 3 B
M120A	CD 0 E
M120B	CD 1 E
M121A	CD 2 D
M121B	CD 3 D
R01	AD 0 A
R04	KC 3 C

**VOLVO** Group Trucks Technology

Document title  
WIRING DIAGRAM - TYPE-OL L1EH1

Document type  
PRODUCT SCHEMATIC

Document No

22484611

Issue

05

Volume

2 (2)

Page

17 (42)

0

1

2

3

4

0

1

2

3

4

## SHELLS

REF	PAGE
R05	FA 3 C
R05A	FA 2 C
R05B	FA 0 C
R08	XA 3 A
R09	CC 1 C
R14	XB 2 C
R14B	XB 2 B
R19A	FA 0 C
R19B	FA 1 C
R29	CH 3 E
R31	CH 3 D
R34	XA 0 E
R39A	BC 3 C
R39B	BE 1 D
R78	CC 2 C
RLY01	AB 3 C
RLY02	AA 2 C
RLY03	AA 0 B
RLY04	AA 3 C
RLY05	GA 1 C
RLY06	GA 3 B
RLY10	BA 1 B
RLY11	GG 2 B
RLY12	GG 3 B
RLY13	GA 1 C
RLY14	GQ 2 C
RLY15	GA 4 C
RLY016A	GP 2 B
RLY016B	GP 2 B
RLY016C	GP 3 B
RLY016D	GP 3 B
RLY17	DD 3 B
RLY19	GD 3 B
RLY28	KC 2 B
RLY29	NB 2 B
RLY34	AA 1 B

REF	PAGE
RLY35	HA 0 B
RLY36	AC 2 C
RLY38	GD 0 B
RLY39	GD 1 B
RLY45	DD 4 B
RLY46	DD 3 B
RLY47	DD 2 B
RLY48	DD 2 B
RLY49	HA 0 C
RLY52	GA 1 B
RLY54	CI 0 B
RLY58	FC 1 B
RLY59	FC 2 B
RLY60	GA 3 B
RLY61	FB 0 A
RLY62	NB 3 B
RLY63	GA 3 D
RLY63_JMP	GA 2 E
RLY64	NA 0 C
RLY68	CA 0 B
RLY70	BB 4 C
RLY71	BB 3 B
RLY72	GH 0 B
RLY73	GH 0 B
RLY74	GH 1 B
RLY75	BB 1 B
RLY76	DE 2 B
RLY77	DE 0 C
RLY78	DE 1 C
RLY80	GD 0 A
RLY81	GD 2 B
RLY89	HA 1 C
RLY91	CD 0 C
RLY92	CD 1 C
RLY94	BM 0 B
RLY95	BM 0 B

REF	PAGE
RLY96	GH 1 B
RLY97	AC 2 D
RLY98	BD 3 D
RLY99	CI 0 C
RLY113	DE 4 B
S01A	GA 0 B
S03	GD 4 A
S05A	GH 4 D
S05B	GH 2 D
S05C	GH 3 D
S07	BA 3 C
S08	BD 1 B
S09A	FB 4 B
S13L	GA 2 C
S13R	GH 0 D
S14L	GQ 0 C
S14R	GQ 1 C
S016	EC 3 B
S019A	FB 3 B
S28A	FD 0 B
S28D	FC 1 B
S30	BE 1 B
S30A	BE 2 A
S30B	BG 1 A
S30C	BG 2 A
S31	EA 2 A
S40	KA 0 B
S43	BA 3 E
S44	GH 4 E
S44L	GH 3 E
S48P	GA 4 B
S48PL	DE 3 C
S48PR	DE 2 C
S48S	GA 4 B
S48SL	DE 4 C
S48SR	DE 3 C

REF	PAGE
S54	BE 3 B
S71	HA 0 C
S103	IC 0 B
S103	ID 2 B
S105	GH 2 D
S106PS	IE 2 B
S107	IE 0 B
S115	IF 1 C
S117	BE 4 B
S123	IC 2 B
S123	ID 1 B
S130	FB 2 B
S146	BA 0 C
S146B	BA 1 C
S147A	BA 2 C
S147B	BA 3 C
S169	AC 3 D
S190	HA 0 D
S217	AC 0 C
S218	GP 0 B
S314	DD 1 B
S330	BB 0 D
S330	BQ 0 C
S330JMP	BB 1 D
S330JMP	BQ 2 C
S331	FD 1 C
S332	GA 1 B
S339	BB 0 A
S340	DE 1 C
S340A	DE 0 B
S340B	DE 1 B
S340C	DE 0 B
S341A	FB 0 C
S341B	FB 0 B
S344	BF 1 C
S344A	BF 2 C

REF	PAGE
S347	ID 2 B
V03	GD 1 C
V33	BF 2 C
V34	DD 3 C
V35	CI 0 D
X0C	BA 3 A
X0C	GH 4 A
X0C	HA 1 A
X01	XA 1 C
X01	XC 2 C
X01A	XA 1 C
X01A	XB 1 D
X01A	XC 2 C
X06D	BH 0 C
X06D	BM 1 A
X07A	KC 1 C
X10	AC 3 E
X11	CA 0 C
X11	HA 0 E
X11A	CE 0 C
X18	AD 1 B
X21A	BC 0 C
X21A	BM 1 B
X21C	CE 3 E
X34	KC 2 C
X48	AC 1 B
X71	AD 0 D
X110	AD 2 B
X111	AD 4 C
X111	BC 1 B
X111	CI 1 D
X111	GD 2 B
X111	HA 1 B
X135	AD 1 C
X136	AD 2 C
X137	AD 2 C

REF	PAGE
X137A	AD 2 E
X140	AD 1 B
X141	CC 2 B
X194	BI 0 D
XBB	BM 4 D
Y05	FB 0 D
Y11	EA 0 B
Y11	EC 1 D
Y12	EA 1 B
Y12	EC 1 D
Y13	EA 1 D
Y13	EC 1 B
Y14	EA 2 D
Y14	EC 1 B
Y15	EA 3 D
Y15	EC 3 D
Y16	EA 3 D
Y16	EC 3 D
Y18A	FC 1 D
Y35	CA 1 C
Y35A	CE 4 D
Y42	HA 0 E
Y51	FA 4 C
Y57	EA 1 D
Y57	EC 2 B
Y62	DC 0 C
Y80	CH 3 A
Y81	CH 2 D
Y95	CG 4 D
Y137	FB 1 D
Y168	FD 3 C

0

1

2

3

4

## REFERENCES

REF	DESCRIPTION	PAGE
6SABS:A		EA 2 D
6SABS:A		EC 3 D
6SABS:B		EA 2 D
6SABS:B		EC 3 D
6SABS:C		EA 2 D
6SABS:C		EC 3 D
6SABS:D		EA 2 D
6SABS:D		EC 3 D
6SABS:E		EA 3 D
6SABS:E		EC 3 D
6SABS:F		EA 3 E
6SABS:F		EC 3 D
6SABS:G		EA 3 D
6SABS:G		EC 3 D
6SABS:H		EA 3 D
6SABS:H		EC 3 D
6SABS:J		EA 4 E
6SABS:J		EC 3 D
6SABS:K		EA 3 D
6SABS:K		EC 3 D
A03	Instrument cluster	BE 0 D
A03_Z	GAUGE FUEL LEVEL LNG	CG 3 B
A03D	GAUGE DIESEL LEVEL & DEF LEVEL	BE 3 D
A03E	GAUGE PYROMETER	BE 3 E
A12A	Control unit, ABS ( Anti-lock Brake Syst	EA 0 C
A12B	Control unit, ABS ( Anti-lock Brake Syst	EC 0 C
A17	Control unit, VECU (Vehicle ECU)	AC 2 A
A17	Control unit, VECU (Vehicle ECU)	BA 1 D
A17	Control unit, VECU (Vehicle ECU)	BC 2 D
A17	Control unit, VECU (Vehicle ECU)	BD 2 D
A17	Control unit, VECU (Vehicle ECU)	BQ 0 B
A17	Control unit, VECU (Vehicle ECU)	GD 2 A
A17	Control unit, VECU (Vehicle ECU)	HA 0 D
A19EP	CONTROL UNIT ALLISON GEAR SELECTOR PRIMARY	DD 0 E
A19ES	CONTROL UNIT, ALLISON GEAR SELECTOR SECON	DE 0 D
A34	Control unit, climate unit	HA 1 A
A36_3	CONTROL UNIT, BBM (BODYBUILDER MODULE) RE	BM 0 D
A36_3 CHASSIS	BB BOC LIGHTING CONNECTOR	BM 3 D
A39	Control unit, camera	KA 0 E
A57	Control unit, Allison Transmission	DC 0 A
A57	Control unit, Allison Transmission	DD 0 D
A58	TRANSMISSION ALLISON	DC 0 D
A83	Control unit, Daytime running lights	GD 2 B
A92A	CONTROL UNIT AUX. COOLING FAN	CD 2 C
A92B	CONTROL UNIT AUX. COOLING FAN	CD 3 C
A99	Component group, transmission and retarde	DC 3 D
A124	COMPONENT GROUP, STARTER MOTOR, M04 & K65	AC 3 B
A124	COMPONENT GROUP, STARTER MOTOR, M04 & K65	AD 2 A
A125	Control unit, TGW (Telematics Gateway)	BI 2 C
A137B	Contol Module, ACM (Adblue control modu	CH 0 C

REF	DESCRIPTION	PAGE
A138	PUMP UNIT, ADBLUE	CH 1 E
A153	Instrument Cluster	BG 0 C
A153A	GAUGE FUEL	BG 3 D
A153B	GAUGE PYROMETER	BG 3 E
A158	Radio	KA 2 C
A158_J1	JUMPER BATTERY FEED	KA 3 B
A158_J2	JUMPER BATTERY FEED	KA 3 C
A215	FLASHER	GA 2 A
A216	CAMERA MONITOR	KA 1 D
A217	GAUGE LIFT AXLE PUSHER	BE 4 C
A223	CONTROL UNIT MEMORY MIRROR	ID 1 E
A230	FUSE HOLDER 4 FUSES	BM 0 D
A230	FUSE HOLDER 4 FUSES	CE 3 B
A230	FUSE HOLDER 4 FUSES	CH 0 A
A230A	FUSE HOLDER 4 FUSES	KA 4 B
ABS_X1:1		EA 2 B
ABS_X1:3		EA 3 B
ABS_X1:4		EA 1 C
ABS_X1:5		EA 1 C
ABS_X1:6		EA 2 B
ABS_X1:7		EA 3 B
ABS_X1:8		EA 4 B
ABS_X1:10		EA 1 C
ABS_X1:11		EA 1 C
ABS_X1:16		EA 3 B
ABS_X2:1		EA 1 B
ABS_X2:2		EA 0 B
ABS_X2:3		EA 0 A
ABS_X2:4		EA 1 B
ABS_X2:5		EA 1 B
ABS_X2:6		EA 1 A
ABS_X2:7		EA 1 B
ABS_X2:8		EA 1 B
ABS_X2:9		EA 0 D
ABS_X2:10		EA 2 C
ABS_X2:11		EA 1 B
ABS_X2:12		EA 0 D
ABS_X2:13		EA 1 C
ABS_X2:14		EA 1 B
ABS_X2:15		EA 0 C
ABS_X2:16		EA 1 C
ABS_X2:17		EA 1 C
ABS_X2:18		EA 1 C
ABS_X3:4		EA 3 C
ABS_X3:6		EA 4 E
ABS_X3:7		EA 3 C
ABS_X3:9		EA 3 E
ABS_X3:10		EA 3 C
ABS_X3:11		EA 2 C
ABS_X3:12		EA 2 C

0

1

2

3

4

## REFERENCES

REF	DESCRIPTION	PAGE
ABS_X3:13		EA 3 C
ABS_X3:14		EA 2 C
ABS_X3:15		EA 2 C
ALLISON:1		DC 2 C
ALLISON:2		DC 2 C
ALLISON:3		DC 1 C
ALLISON:4		DC 2 C
ALLISON:5		DC 0 B
ALLISON:6		DC 1 C
ALLISON:7		DC 1 C
ALLISON:8		DC 1 C
ALLISON:9		DC 1 C
ALLISON:10		DC 0 C
ALLISON:11		DC 0 C
ALLISON:12		DC 1 C
ALLISON:13		DC 1 C
ALLISON:14		DC 2 C
ALLISON:15		DC 2 C
ALLISON:16		DC 2 C
ALLISON:17		DC 0 C
ALLISON:18		DC 0 C
ALLISON:19		DC 1 C
ALLISON:20		DC 1 C
ALLISON:21		DC 2 C
ALLISON:22		DC 2 C
ALLISON:23		DC 2 C
ALLISON:24		DC 1 C
ALLISON:27		DC 0 B
ALLISON:28		BE 1 D
ALLISON:29		BE 1 E
ALLISON:30		DC 0 C
ALLISON:31		DC 0 C
ALLISON:32		FD 1 B
ALLISON:33		FD 1 C
ALLISON:34		FD 2 E
B06T1	SENSOR PRIMARY AIR	BE 0 D
B06T2	SENSOR SECONDARY AIR	BE 1 D
B07	Sensor, fuel level	BE 1 D
B07A	SENSOR LNG FUEL LEVEL	CG 2 D
B09	SENSOR TRANSMISSION TEMPERATURE	BE 1 D
B13	SENSOR, WHEEL SPD LH FRT AXLE	EA 1 B
B13	SENSOR, WHEEL SPD LH FRT AXLE	EC 0 D
B14	SENSOR WHEEL SPD RH FRT AXLE	EA 1 B
B14	SENSOR WHEEL SPD RH FRT AXLE	EC 1 D
B15	Sensor, wheel speed, lhs. 1:st driven re	EA 0 D
B15	Sensor, wheel speed, lhs. 1:st driven re	EC 0 B
B16	Sensor, wheel speed, rhs. 1:st driven re	EA 1 D
B16	Sensor, wheel speed, rhs. 1:st driven re	EC 1 B
B17	Sensor, wheel speed, lhs., 2:nd driven r	EA 2 E
B17	Sensor, wheel speed, lhs., 2:nd driven r	EC 3 D

REF	DESCRIPTION	PAGE
B18	Sensor, wheel speed, rhs., 2:nd driven r	EA 2 E
B18	Sensor, wheel speed, rhs., 2:nd driven r	EC 3 D
B22	SENSOR OUTDOOR TEMPERATURE	BE 0 D
B23A	Sensor, oil temperature, retarder	DC 3 D
B25	Sensor, accelerator pedal	BB 4 E
B25	Sensor, accelerator pedal	BQ 3 C
B25JMP:1		BB 4 D
B25JMP:3		BB 4 D
B25JMP:4		BB 4 D
B25JMP:5		BB 4 D
B25JMP:6		BB 4 D
B25L	SENSOR, ACCELERATOR PEDAL LEFT	BB 3 E
B25R	SENSOR, ACCELERATOR PEDAL RIGHT	BB 4 D
B60LF	Loudspeaker, left front	KA 2 E
B60RF	Loudspeaker, right front	KA 2 E
B67	Rear view camera	KA 0 D
B80	Handsfree, Loudspeaker, Microphone	KA 2 C
B96D	SENSOR, NOx (CAN BASED) AFTER DPF	CA 2 A
B96S	SENSOR, NOx (CAN BASED) AFTER SCR	CA 2 A
B99	Sensor, urea quality / temp	CA 3 C
B121	Sensor, Low level washer fluid	BE 3 A
B122A	SENSOR EXHAUST TEMPERATURE CATALYST	CE 1 D
B123	Sensor, level, coolant	CA 2 D
B123A	SENSOR COOLANT LEVEL	CE 1 D
B124FR	SENSOR, OIL TEMP., FRONT REAR AXLE	BE 0 E
B124RR	SENSOR, OIL TEMP. REAR REAR AXLE	BE 0 E
B133	Sensor, Air filter restriction	BE 1 A
B183_Y	SENSOR METHANE ZONE 1	CG 1 D
B183_Z	SENSOR METHANE ZONE 2	CG 1 D
B185A	SENSOR OXYGEN OUTLET EGO	CE 2 D
B185B	SENSOR OXYGEN INLET EGO	CE 2 D
B245A	Camera, accessory	KA 0 D
B300B	METHANE SENSOR ENGINE	CI 1 C
BB PK BK:A		BB 1 D
BB PK BK:A		BQ 1 C
BB PK BK:B		BB 1 D
BB PK BK:B		BQ 1 C
BBM 1939:A		BM 2 D
BBM 1939:A		BM 2 D
BBM 1939:B		BM 2 D
BBM 1939:B		BM 2 D
BBMCO:A		BM 1 D
BLA BLB:R		BM 4 C
BLA BLB:S		BM 4 C
BLA BLB:T		BM 3 C
BLA BLB:U		BM 4 C
BLA BLB:V		BM 4 C
BLA BLB:W		BM 4 C
BLA BLB:X		BM 4 C
BLA BLB:Y		BM 3 C

**VOLVO** Group Trucks Technology

Document title  
WIRING DIAGRAM - TYPE-OL L1EH1

Document type  
PRODUCT SCHEMATIC

Document No

22484611

Issue

05

Volume

2 (2)

Page

20 (42)

0

1

2

3

4



## REFERENCES

REF	DESCRIPTION	PAGE
BLA_BLB:Z		BM 3 C
CB2	CIR. BRKR., HDLMPS. HI, DRL	AA 0 B
CB2	CIR. BRKR., HDLMPS. HI, DRL	GA 1 A
CB3	CIR. BRKR., PARK, TAIL MARKER LPS.	AA 0 B
CB3	CIR. BRKR., PARK, TAIL MARKER LPS.	GA 0 A
CB4	CIR. BRKR., TURN LPS. FLASHER	AA 1 B
CB4	CIR. BRKR., TURN LPS. FLASHER	GA 2 A
CB5	CIRCUIT BREAKER, TRACTOR STOP LPS.	AA 1 B
CB5	CIRCUIT BREAKER, TRACTOR STOP LPS.	GA 4 A
CB6	CIRCUIT BREAKER, DOME COURTESY LPS.	AA 1 B
CB6	CIRCUIT BREAKER, DOME COURTESY LPS.	GH 3 A
CB7	CIRCUIT BREAKER, KEY SW.	AA 1 B
CB7	CIRCUIT BREAKER, KEY SW.	AC 0 A
CB8	CIR. BRKR., AIR SOL.	AA 0 C
CB8	CIR. BRKR., AIR SOL.	FB 2 A
CB9	CIR. BRKR., CB POST	AA 2 B
CB9	CIR. BRKR., CB POST	KC 2 A
CB10	CIR. BRKR., DIAG. CONN.	AA 2 B
CB10	CIR. BRKR., DIAG. CONN.	KA 3 A
CB10	CIR. BRKR., DIAG. CONN.	XA 2 A
CB11	CIR. BRKR., BATT. STUD	AA 2 B
CB11	CIR. BRKR., BATT. STUD	GG 1 A
CB11	CIR. BRKR., BATT. STUD	NA 0 A
CB12	CIR. BRKR., OPTION BLOCK	AA 2 B
CB12	CIR. BRKR., OPTION BLOCK	NB 1 A
CB15	CIR. BRKR., BEACON LAMPS	AA 3 B
CB15	CIR. BRKR., BEACON LAMPS	FC 1 A
CB18	CIR. BRKR. DCL(CDS) EMS POWER	AB 1 C
CB18	CIR. BRKR. DCL(CDS) EMS POWER	BC 1 A
CB20	CIR. BRKR., MOTO. MIRRORS	AA 4 B
CB20	CIR. BRKR., MOTO. MIRRORS	IC 0 A
CB20	CIR. BRKR., MOTO. MIRRORS	ID 2 A
CB21	CIR. BRKR., LH WS WIPER	AA 0 C
CB21	CIR. BRKR., LH WS WIPER	GP 4 A
CB22	CIR. BRKR., RH WS WIPER	AA 0 C
CB22	CIR. BRKR., RH WS WIPER	GP 2 A
CB23	CIR. BRKR., WS WIPER/ WASHER	AA 1 C
CB23	CIR. BRKR., WS WIPER/ WASHER	GP 0 A
CB24	CIR. BRKR., 2WAY RADIO	AA 1 C
CB24	CIR. BRKR., 2WAY RADIO	NB 0 A
CB26	CIR. BRKR., REAR FLOOD LPS.	AA 4 B
CB26	CIR. BRKR., REAR FLOOD LPS.	NA 2 A
CB27	CIR. BRKR., IGN. STUD	AA 1 C
CB27	CIR. BRKR., IGN. STUD	GG 1 A
CB27	CIR. BRKR., IGN. STUD	NA 0 A
CB29	CIR. BRKR., EMS RELAYS	AA 4 B
CB30	CIR. BRKR., MUNCIE LIVE PACK	AA 1 C
CB30	CIR. BRKR., MUNCIE LIVE PACK	FC 1 A
CB32	CIR. BRKR., BODYBUILDER BATT 2	AB 0 B
CB32	CIR. BRKR., BODYBUILDER BATT 2	NA 3 A

REF	DESCRIPTION	PAGE
CB33	CIR. BRKR., TRAILER STOP LPS.	AB 0 B
CB33	CIR. BRKR., TRAILER STOP LPS.	GG 3 A
CB34	CIR. BRKR., REV/NEUTRAL POWER	AB 1 B
CB34	CIR. BRKR., REV/NEUTRAL POWER	NB 3 A
CB35	CIR. BRKR., CAB & TRLR. CLEARANCE LPS.	AB 1 B
CB35	CIR. BRKR., CAB & TRLR. CLEARANCE LPS.	GA 2 A
CB36	CIR. BRKR. HORN	AB 1 B
CB36	CIR. BRKR. HORN	GQ 3 A
CB37	CIR. BRKR., TRLR. TAIL LPS.	AB 2 B
CB37	CIR. BRKR., TRLR. TAIL LPS.	GG 2 A
CB39	CIR. BRKR., TRAILER ABS PWR	AA 1 D
CB39	CIR. BRKR., TRAILER ABS PWR	GG 1 A
CB40	CIR. BRKR., BODY IGN. PWR. STUD	AA 4 D
CB40	CIR. BRKR., BODY IGN. PWR. STUD	NB 1 A
CB42	CIR. BRKR., BACKUP LPS.	AA 4 D
CB42	CIR. BRKR., BACKUP LPS.	DD 4 A
CB44	CIR. BRKR., HTD. AIR DRYER /HTD. DRAIN VA	AA 4 D
CB44	CIR. BRKR., HTD. AIR DRYER /HTD. DRAIN VA	FA 2 A
CB45	CIR. BRKR., SPARE/FUEL SEPARATOR FUEL HEA	AA 3 D
CB45	CIR. BRKR., SPARE/FUEL SEPARATOR FUEL HEA	NB 2 A
CB46	CIR. BRKR., POWER OUTLET	AA 1 D
CB46	CIR. BRKR., POWER OUTLET	KC 1 A
CB47	CIR. BRKR., TRANS./ SPARE	AA 0 D
CB47	CIR. BRKR., TRANS./ SPARE	NA 3 A
CB50	CIR. BRKR., HDLP LH LOW BEAM	AB 2 B
CB50	CIR. BRKR., HDLP LH LOW BEAM	GD 0 A
CB51	CIR. BRKR., HDLP RH LOW BEAM	AB 2 B
CB51	CIR. BRKR., HDLP RH LOW BEAM	GD 1 A
CB52	CIR. BRKR., SPARE/ BRK. WEAR	AA 3 D
CB52	CIR. BRKR., SPARE/ BRK. WEAR	HA 0 A
CB54	CIR BRKR, DAYTIME RUNNING LIGHTS	AB 2 B
CB54	CIR BRKR, DAYTIME RUNNING LIGHTS	GD 3 A
CB55	CIR. BRKR., HEATED MIRRORS	AA 3 D
CB55	CIR. BRKR., HEATED MIRRORS	IC 2 A
CB55	CIR. BRKR., HEATED MIRRORS	ID 1 A
CB56	POWER WINDOW DRIVERS SIDE	AA 3 D
CB56	POWER WINDOW DRIVERS SIDE	IE 0 A
CB57	POWER WINDOW PASSENGER SIDE	AA 2 D
CB57	POWER WINDOW PASSENGER SIDE	IE 1 A
CB58	CIR. BRKR. L-R RELAY CRTL.	AA 0 D
CB58	CIR. BRKR. L-R RELAY CRTL.	BB 2 A
CB61	CIR. BRKR., BODY BATT. STUD	AB 3 B
CB61	CIR. BRKR., BODY BATT. STUD	NB 0 A
CB65	CIR. BRKR., OPEN	AB 2 C
CB66	CIR. BRKR. SPARE	AA 2 C
CB66	CIR. BRKR. SPARE	KA 1 A
CB66	CIR. BRKR. SPARE	NA 4 A
CB67	CIR. BRKR., OPEN	AB 3 B
CB67	CIR. BRKR., OPEN	IF 0 A
CB68	CIR. BRKR., CIGAR LIGHTER	AB 4 B

0

1

2

3

4

## REFERENCES

REF	DESCRIPTION	PAGE
CB68	CIR. BRKR., CIGAR LIGHTER	KC 3 A
CB74	CIR. BRKR., RADIO MEMORY	KA 3 B
CB76	CIR. BRKR., HYDRAULIC PUMP PROTECTION WEB	NA 1 D
CB91	CIR. BRKR., AUX FAN #1	CD 0 B
CB92	CIR. BRKR., AUX FAN #2	CD 1 B
CB 20828057_33121	Y_GN_30t_m	CA 3 A
CBBFCBB:R		BM 4 D
CBBFCBB:S		BM 4 D
CBBFCBB:T		BM 3 D
CBBFCBB:U		BM 4 D
CBBFCBB:V		BM 4 D
CBBFCBB:W		BM 4 D
CBBFCBB:X		BM 4 D
CBBFCBB:Y		BM 3 D
CBBFCBB:Z		BM 3 D
CDPF:A		CE 1 D
CDPF:B		CE 2 D
CDPF:D		CE 2 D
CDPF:G		CE 2 D
CDPF:K		CE 1 D
CDPF:L		CE 2 D
d1_Lighting_V1		FD 2 C
DPDL1:1		IF 2 D
DPDL1:2		IF 3 D
DPDL2:1		IE 0 D
DPDL2:2		IE 0 D
DPDL3:1		IC 0 D
DPDL3:1		ID 0 C
DPDL3:2		IC 1 D
DPDL3:2		ID 0 C
DPDL3:3		IC 0 D
DPDL3:3		ID 0 C
DPDL3:4		IC 0 D
DPDL3:4		ID 0 C
DPDL4:1		IC 0 D
DPDL4:1		ID 0 C
DPDL4:3		ID 0 C
DPDL4:5		ID 0 C
DPDL4:6		ID 0 C
DPDR1:1		IF 2 C
DPDR1:2		IF 3 C
DPDR3:1		IC 1 D
DPDR3:1		ID 4 C
DPDR3:2		IC 1 D
DPDR3:2		ID 4 C
DPDR3:3		IC 1 D
DPDR3:3		ID 3 C
DPDR3:4		IC 1 D
DPDR3:4		ID 4 C
DPDR4:1		IC 1 D

REF	DESCRIPTION	PAGE
DPDR4:1		ID 4 C
DPDR4:3		ID 4 C
DPDR4:5		ID 4 C
DPDR4:6		ID 4 C
DPDR:1		IE 1 D
DPDR:2		IE 2 D
DPMC:A		KA 4 A
DPMC:B		KA 4 A
DPMC_BL:A		BM 4 B
DPMC_BL:A		BM 4 C
DPMC_BL:B		BM 4 B
DPMC_BL:B		BM 4 C
DSFC:A		BE 0 D
DSFC:B		BE 0 E
DSFC:C		BE 0 D
DSFC:D		BE 3 B
DSFC:E		BE 4 B
E11LA	Lamp, side marker light, left side 1	GD 2 E
E11LB	Lamp, side marker light, left side 2	GD 2 D
E11RA	Lamp, side marker light, right side 1	GD 4 D
E11RB	Lamp, side marker light, right side 2	GD 4 D
E12L	Lamp, roof position light, left	GA 3 D
E12R	Lamp, roof position light, right	GA 4 D
E14L	Lamp, beacon warning lamp	GD 2 D
E14R	Lamp, beacon warning lamp	GD 3 D
E17L	Lamp, interior light	GH 4 B
E17R	Lamp, interior light	GH 4 B
E18L	Lamp, reading light	GH 2 B
E18R	Lamp, reading light	GH 3 B
E19C	Lamp, identification light, roof, center	GA 1 E
E19L	Lamp, identification light, roof, left	GA 0 E
E19R	Lamp, identification light, roof, right	GA 1 E
E27L	Tail lamp module, left	GF 1 C
E27R	Tail lamp module, left	GF 2 C
E30L	Lamp, full- and dipped beams, left	GD 0 D
E30R	Lamp, full- and dipped beams, right	GD 1 D
E32	Climate unit	HA 1 D
E35	HVAC Unit, Heat, Ventilation and Air Cond	HA 4 D
E38_16A	LAMP GREEN OKAY	CG 1 C
E38_16B	LAMP RED 50% LEL IS DETECTED	CG 1 C
E57	Lamp, Main switch interface	GA 4 D
EL3L	Lamp, Cab/body working light, left	GD 0 C
EL3R	Lamp, Cab/body working light, right	GD 1 C
F13	FUSE ABS BATT	AA 3 B
F13	FUSE ABS BATT	EA 3 A
F13	FUSE ABS BATT	EC 3 A
F14	FUSE, OPEN	AA 3 B
F14	FUSE, OPEN	CD 2 A
F16	FUSE, VECU (EMS)	AB 1 C
F16	FUSE, VECU (EMS)	BA 0 A

**VOLVO** Group Trucks Technology

Document title  
WIRING DIAGRAM - TYPE-OL L1EH1

Document type  
PRODUCT SCHEMATIC

Document No

22484611

Issue

05

Volume

2 (2)

Page

22 (42)

0

1

2

3

4

## REFERENCES

REF	DESCRIPTION	PAGE
F17	FUSE, CONTROL/SW INPUTS	AB 1 C
F17	FUSE, CONTROL/SW INPUTS	BA 2 A
F19	FUSE INST. CLUSTER	AA 3 B
F19	FUSE INST. CLUSTER	BE 0 A
F25	FUSE HVAC CAB	AB 4 D
F28	FUSE, ALT SENSE	AC 3 B
F31	FUSE TRANS SPARE	AB 1 C
F31	FUSE TRANS SPARE	DD 3 A
F38	FUSE ENGINE CONTROL UNIT	AA 1 D
F38	FUSE ENGINE CONTROL UNIT	CA 0 A
F38	FUSE ENGINE CONTROL UNIT	CE 1 A
F41	FUSE, ENGINE ACC.	AA 1 D
F41	FUSE, ENGINE ACC.	CG 4 A
F43	FUSE ENGINE COMP #2	AA 2 D
F43	FUSE ENGINE COMP #2	CA 1 B
F48	FUSE LED DRL	GD 4 C
F49	FUSE, ABS	AA 0 D
F49	FUSE, ABS	EA 3 A
F49	FUSE, ABS	EC 3 A
F60	FUSE, ENG COMP #1	AB 3 B
F60	FUSE, ENG COMP #1	CA 0 A
F62	FUSE, EAT BATT.	AB 3 B
F62	FUSE, EAT BATT.	CD 3 A
F63	FUSE, INSTR CLUSTER (EMS)	AB 2 C
F63	FUSE, INSTR CLUSTER (EMS)	BE 0 A
F64	FUSE, DPF, IGN	AB 2 C
F69	FUSE, EAT EMS	AB 3 C
F69	FUSE, EAT EMS	CH 0 A
F71	FUSE, TRANS (BATT)	AB 4 B
F71	FUSE, TRANS (BATT)	DD 1 A
F75		NA 1 D
F77	FUSE SPARE 3	HA 1 B
F78	FUSE CUMMINS ECU	CE 1 B
F79	FUSE CUMMINS ECU	CE 2 B
F80	FUSE CUMMINS ECU	CE 2 B
F81	FUSE, METHANE DETECTOR	CG 0 B
F81	FUSE, METHANE DETECTOR	CI 4 B
F82	TGW	BI 0 B
F83	TGW	BI 0 B
F84	TGW	BI 0 B
FC TGW:A		BI 0 B
FC TGW:B		BI 0 B
FC TGW:C		BI 0 B
FC TGW:D		BI 0 B
FC TGW:E		BI 0 B
FC TGW:F		BI 0 B
FCAD:A		FA 0 B
FCAD:A		FA 0 B
FCAD:B		FA 0 D
FCAD:B		FA 0 C

REF	DESCRIPTION	PAGE
FCAR:A		BE 1 A
FCAR:B		BE 1 A
FCBL:A		GF 2 B
FCBL:B		GF 1 B
FCBL:C		GF 1 B
FCBL:D		GF 2 B
FCBL:E		GF 2 B
FCCE:2		FB 2 D
FCCE:4		FB 1 C
FCCE:7		GF 2 B
FCCE:11		GF 2 D
FCCE:12		FB 1 D
FCCE:14		GF 2 D
FCCE:15		EA 0 D
FCCE:15		EC 0 B
FCCE:16		EA 1 D
FCCE:16		EC 0 B
FCCE:17		EA 1 D
FCCE:17		EC 1 B
FCCE:18		EA 1 E
FCCE:18		EC 0 B
FCCE:19		EA 1 D
FCCE:19		EC 1 B
FCCE:20		EA 1 D
FCCE:20		EC 1 B
FCCE:21		EA 1 D
FCCE:21		EC 1 B
FCCE:22		EA 1 D
FCCE:22		EC 1 B
FCCE:23		EA 1 E
FCCE:23		EC 1 B
FCCE:24		EA 2 D
FCCE:24		EC 1 B
FCCE:25		EA 1 D
FCCE:25		EC 2 B
FCCE:26		EA 1 D
FCCE:26		EC 2 B
FCCE:27		FB 1 E
FCCE:28		BE 1 E
FCCE:29		BE 0 D
FCCE:30		BE 0 D
FCCE:31		BE 3 B
FCCE:32		BE 4 B
FCCE:33		GF 1 B
FCCE:34		GF 1 B
FCCE:35		GF 2 B
FCEFS:A		CA 1 C
FCEFS:B		CA 1 C
FCEIC:1		CA 3 B
FCEIC:2		CA 3 B

## REFERENCES

REF	DESCRIPTION	PAGE
FCEIC:3		CA 2 B
FCEIC:4		CA 3 B
FCEIC:5		CA 3 B
FCEIC:6		CA 2 B
FCEIC:7		CH 0 D
FCEIC:8		CH 0 D
FCEIC:9		CH 3 B
FCEIC:10		CH 1 D
FCEIC:11		CH 1 D
FCEIC:12		CH 3 B
FCEIC:13		CH 0 D
FCEIC:14		CH 1 D
FCEIC:15		CH 1 D
FCEIC:22		CA 2 D
FCEIC:23		BE 1 B
FCEIC:25		CA 2 D
FCEIC:26		BE 1 B
FCFS:A		BE 1 D
FCFS:B		BE 1 E
FCLA:A		FB 0 D
FCLA:B		FB 0 D
FCLA:C		FB 0 E
FCSH:1		CD 0 D
FCSH:2		CD 1 D
FCSH:3		CD 0 D
FCSH:4		CD 1 D
FCSP:B		FB 1 D
FCSP:C		FB 1 D
FCSP:E		FB 2 D
FCSP:L		FB 1 E
FCSP:N		FB 3 E
FCSP:R		FB 2 E
FCSP:S		FB 1 E
FCUT:2		CH 3 D
FCUT:3		CH 4 D
FCUT:4		CH 3 D
FCUT:5		CH 1 D
FCUT:6		CH 2 D
FCUT:7		CH 2 D
FCUT:8		CH 2 D
FCUT:9		CH 2 D
FCUT:11		CA 3 C
FCUT:12		CH 2 D
FCUT:14		CA 3 C
FCUT:15		CH 1 D
FCUT:16		CH 1 D
FCUT:17		CA 3 D
FCUT:18		CA 3 D
FCUT:21		CA 3 C
FCUT:22		CA 3 C

REF	DESCRIPTION	PAGE
FCUTEXT:2		CH 3 C
FCUTEXT:3		CH 4 C
FCUTEXT:4		CH 3 C
FCUTEXT:5		CH 1 C
FCUTEXT:6		CH 2 C
FCUTEXT:7		CH 2 C
FCUTEXT:8		CH 2 C
FCUTEXT:9		CH 2 C
FCUTEXT:11		CA 2 C
FCUTEXT:12		CH 2 C
FCUTEXT:14		CA 2 C
FCUTEXT:15		CH 1 C
FCUTEXT:16		CH 1 C
FCUTEXT:17		CA 3 E
FCUTEXT:18		CA 3 E
FCUTEXT:21		CA 3 C
FCUTEXT:22		CA 3 C
FM1 A2		AD 1 B
FM3	FUSE MAIN PWR. CAB	AC 3 C
FM3 A1	MAIN CIRCUIT BREAKER	AC 4 C
FM5	RCIOM power supply 1	CG 3 C
FRC1:A1		AB 3 C
FRC1:A1		CH 0 A
FRC1:A2		AB 2 C
FRC1:A3		AB 2 C
FRC1:A4		AB 2 C
FRC1:A4		BE 0 A
FRC1:A5		AB 1 C
FRC1:A5		DD 3 A
FRC1:A6		AB 1 C
FRC1:A6		BC 1 A
FRC1:A7		AB 1 C
FRC1:A7		BA 2 A
FRC1:A8		AB 1 C
FRC1:A8		BA 0 A
FRC1:A9		AA 2 D
FRC1:A9		KA 1 A
FRC1:A9		NA 4 A
FRC1:A10		AA 1 D
FRC1:A10		FC 1 A
FRC1:A11		AA 1 D
FRC1:A11		GG 1 A
FRC1:A11		NA 0 A
FRC1:A12		AA 1 D
FRC1:A12		NB 0 A
FRC1:A13		AA 1 D
FRC1:A13		GP 0 A
FRC1:A14		AA 0 D
FRC1:A14		GP 2 A
FRC1:A15		AA 0 D

## REFERENCES

REF	DESCRIPTION	PAGE
FRC1:A15		GP 4 A
FRC1:A16		AA 0 D
FRC1:A16		FB 2 A
FRC1:B1		AB 3 C
FRC1:B2		AB 3 C
FRC1:B3		AA 0 B
FRC1:B4		AA 0 C
FRC1:C1		AB 4 B
FRC1:C1		DD 1 A
FRC1:C2		AB 4 B
FRC1:C2		KC 3 A
FRC1:C3		AB 3 B
FRC1:C3		IF 0 A
FRC1:C4		AB 3 B
FRC1:C4		CD 3 A
FRC1:C5		AB 3 B
FRC1:C5		NB 0 A
FRC1:C6		AB 3 B
FRC1:C6		CA 0 A
FRC1:C7		AB 2 B
FRC1:C7		GD 3 A
FRC1:C8		AB 2 B
FRC1:C8		GD 1 A
FRC1:C9		AA 2 B
FRC1:C9		KA 3 A
FRC1:C9		XA 2 A
FRC1:C10		AA 2 B
FRC1:C10		KC 2 A
FRC1:C11		AA 1 B
FRC1:C11		AC 0 A
FRC1:C12		AA 1 B
FRC1:C12		GH 3 A
FRC1:C13		AA 1 B
FRC1:C13		GA 4 A
FRC1:C14		AA 1 B
FRC1:C14		GA 2 A
FRC1:C15		AA 0 B
FRC1:C15		GA 0 A
FRC1:C16		AA 0 B
FRC1:C16		GA 1 A
FRC1:E1		AA 4 B
FRC1:E1		NA 2 A
FRC1:E2		AA 4 B
FRC1:E2		IC 0 A
FRC1:E2		ID 2 A
FRC1:E3		AA 3 B
FRC1:E3		BE 0 A
FRC1:E4		AA 3 B
FRC1:E4		FC 1 A
FRC1:E5		AA 3 B

REF	DESCRIPTION	PAGE
FRC1:E5		CD 2 A
FRC1:E6		AA 3 B
FRC1:E6		EA 3 A
FRC1:E6		EC 3 A
FRC1:E7		AA 2 B
FRC1:E7		NB 1 A
FRC1:E8		AA 2 B
FRC1:E8		GG 1 A
FRC1:E8		NA 0 A
FRC1:E9		AB 2 B
FRC1:E9		GD 0 A
FRC1:E10		AB 2 B
FRC1:E10		GG 2 A
FRC1:E11		AB 1 B
FRC1:E11		GQ 3 B
FRC1:E12		AB 1 B
FRC1:E12		GA 2 A
FRC1:E13		AB 1 B
FRC1:E13		NB 3 A
FRC1:E14		AB 0 B
FRC1:E14		GG 3 A
FRC1:E15		AB 0 B
FRC1:E15		NA 3 A
FRC1:E16		AA 4 B
FRC1:F1		AA 2 D
FRC1:F2		AA 2 C
FRC1:F3		AA 3 D
FRC1:F4		AA 3 C
FRC1:F8		AA 2 D
FRC1:F8		CA 1 B
FRC1:G1		AA 0 D
FRC1:G1		BB 2 A
FRC1:G2		AA 0 D
FRC1:G2		EA 3 A
FRC1:G2		EC 3 A
FRC1:G3		AA 0 D
FRC1:G3		NA 3 A
FRC1:G4		AA 1 D
FRC1:G4		KC 1 A
FRC1:G5		AA 1 D
FRC1:G5		CG 4 A
FRC1:G6		AA 1 D
FRC1:G6		GG 1 A
FRC1:G7		AA 1 D
FRC1:G7		CA 0 A
FRC1:G7		CE 1 A
FRC1:G8		AA 2 D
FRC1:G8		CA 1 B
FRC1:G9		AA 2 E
FRC1:G9		IE 1 A

0

1

2

3

4

## REFERENCES

REF	DESCRIPTION	PAGE
FRC1:G10		AA 3 E
FRC1:G10		IE 0 A
FRC1:G11		AA 3 E
FRC1:G11		IC 2 A
FRC1:G11		ID 1 A
FRC1:G12		AA 3 E
FRC1:G12		HA 0 A
FRC1:G13		AA 3 E
FRC1:G13		NB 2 A
FRC1:G14		AA 4 E
FRC1:G14		FA 2 A
FRC1:G15		AA 4 E
FRC1:G15		DD 4 A
FRC1:G16		AA 4 E
FRC1:G16		NB 1 A
FRC1_P1	STUD, FRC1 POWER	AA 0 B
FRC1_P2	STUD, FRC1 POWER #2	AA 0 B
FRC1_P3	STUD, FRC1 POWER #3	AA 0 B
FRC2:A30		DD 2 B
FRC2:A85		DD 2 B
FRC2:A86		DD 2 B
FRC2:A87		DD 2 B
FRC2:B30		GA 3 B
FRC2:B85		GA 3 B
FRC2:B86		GA 3 B
FRC2:B87		GA 3 B
FRC2:C30		GA 3 B
FRC2:C85		GA 3 B
FRC2:C86		GA 3 B
FRC2:C87		GA 3 B
FRC2:D30		FB 0 A
FRC2:D85		FB 0 A
FRC2:D86		FB 0 B
FRC2:D87A		FB 0 B
FRC2:E30		GG 3 B
FRC2:E85		GG 3 B
FRC2:E86		GG 3 B
FRC2:E87		GG 3 B
FRC2:F30		AC 2 D
FRC2:F30		CA 0 B
FRC2:F85		AC 2 D
FRC2:F85		CA 0 B
FRC2:F86		AC 2 D
FRC2:F86		CA 0 B
FRC2:F87		CA 0 B
FRC2:F87A		AC 2 D
FRC2:G30		GA 2 C
FRC2:G85		GA 1 C
FRC2:G86		GA 1 C
FRC2:G87		GA 2 C

REF	DESCRIPTION	PAGE
FRC2:J30		NB 3 B
FRC2:J85		NB 3 B
FRC2:J86		NB 3 B
FRC2:J87		NB 3 B
FRC2:K30		NB 3 B
FRC2:K85		NB 2 B
FRC2:K86		NB 2 B
FRC2:K87		NB 3 B
FRC2:L30		DD 3 B
FRC2:L85		DD 3 B
FRC2:L86		DD 3 B
FRC2:L87		DD 3 B
FRC2:M30		DD 4 B
FRC2:M85		DD 4 B
FRC2:M86		DD 4 A
FRC2:M87		DD 4 A
FRC2:M87A		DD 4 A
FRC2:N30		DD 2 B
FRC2:N85		DD 2 B
FRC2:N86		DD 2 B
FRC2:N87A		DD 2 B
FRC2:P30		DD 3 B
FRC2:P85		DD 3 B
FRC2:P86		DD 3 B
FRC2:P87		DD 3 C
FRC2:P87A		DD 3 B
FRC2:R1		BB 3 B
FRC2:R3		BB 3 B
FRC2:R4		GH 0 B
FRC2:R6		GH 0 B
FRC2:R7		CD 1 A
FRC2:R8		CD 1 B
FRC2:S1		BB 3 B
FRC2:S2		BB 3 B
FRC2:S3		BB 3 B
FRC2:S4		GH 0 B
FRC2:S5		GH 0 B
FRC2:S6		GH 0 B
FRC2:S7		CD 0 A
FRC2:S7		CG 0 B
FRC2:S7		CI 4 B
FRC2:S8		CD 0 B
FRC2:S8		CG 0 B
FRC2:S8		CI 4 B
FRC2:T1		KA 3 B
FRC2:T2		KA 3 B
FRC2:T3		CE 1 A
FRC2:T4		CE 1 B
FRC2:T5		CE 2 A
FRC2:T6		CE 2 B

**VOLVO** Group Trucks Technology

Document title  
WIRING DIAGRAM - TYPE-OL L1EH1

Document type  
PRODUCT SCHEMATIC

Document No

22484611

Issue

05

Volume

2 (2)

Page

26 (42)

0

1

2

3

4

0

1

2

3

4

## REFERENCES

REF	DESCRIPTION	PAGE
FRC2:T7		CE 2 A
FRC2:T8		CE 2 B
FRC3:A30		GD 0 C
FRC3:A85		GD 0 C
FRC3:A86		GD 0 B
FRC3:A87		GD 0 B
FRC3:A87A		GD 0 B
FRC3:B30		GD 1 C
FRC3:B85		GD 1 C
FRC3:B86		GD 1 B
FRC3:B87		GD 1 B
FRC3:B87A		GD 1 B
FRC3:C30		GA 1 A
FRC3:C85		GA 1 A
FRC3:C86		GA 1 B
FRC3:C87A		GA 1 B
FRC3:D30		KC 2 B
FRC3:D85		KC 2 B
FRC3:D86		KC 2 B
FRC3:D87		KC 2 B
FRC3:D87A		KC 2 B
FRC3:E30		AC 2 C
FRC3:E85		AC 2 C
FRC3:E86		AC 2 D
FRC3:E87		AC 2 D
FRC3:F30		AA 2 B
FRC3:F85		AA 1 B
FRC3:F86		AA 1 C
FRC3:F87		AA 2 C
FRC3:F87A		AA 2 C
FRC3:G30		GG 2 B
FRC3:G85		GG 2 B
FRC3:G86		GG 2 B
FRC3:G87		GG 2 B
FRC3:H30		GP 2 B
FRC3:H85		GP 2 B
FRC3:H86		GP 2 C
FRC3:H87		GP 2 C
FRC3:H87A		GP 2 C
FRC3:J30		GP 2 B
FRC3:J85		GP 2 B
FRC3:J86		GP 2 C
FRC3:J87		GP 2 C
FRC3:J87A		GP 2 C
FRC3:K30		GP 3 B
FRC3:K85		GP 3 B
FRC3:K86		GP 3 C
FRC3:K87		GP 3 C
FRC3:K87A		GP 3 C
FRC3:L30		GP 4 B

REF	DESCRIPTION	PAGE
FRC3:L85		GP 3 B
FRC3:L86		GP 3 C
FRC3:L87		GP 4 C
FRC3:L87A		GP 4 C
FRC3:M30		GQ 3 C
FRC3:M85		GQ 2 C
FRC3:M86		GQ 2 C
FRC3:M87		GQ 3 C
FRC3:M87A		GQ 3 C
FRC3:N30		FC 1 B
FRC3:N85		FC 1 B
FRC3:N86		FC 1 B
FRC3:N87		FC 1 B
FRC3:P30		FC 2 B
FRC3:P85		FC 2 B
FRC3:P86		FC 2 B
FRC3:P87		FC 2 B
FRC3:R1		GA 4 C
FRC3:R3		GA 4 C
FRC3:R4		BB 4 C
FRC3:R6		BB 4 B
FRC3:R7		HA 1 B
FRC3:R8		HA 1 B
FRC3:S1		GA 4 C
FRC3:S2		GA 4 C
FRC3:S3		GA 4 C
FRC3:S4		BB 4 C
FRC3:S5		BB 4 C
FRC3:S6		BB 4 B
FRC3:S7		BI 2 B
FRC3:S8		BI 2 B
FRC3:T1		CG 3 C
FRC3:T2		CG 3 C
FRC3:T3		NA 1 D
FRC3:T4		NA 1 D
FRC3:T5		NA 1 D
FRC3:T6		NA 1 D
FRC3:T7		GD 4 B
FRC3:T8		GD 4 C
G01	Battery	AC 3 C
G01	Battery	AD 2 B
G01	Battery	BM 0 C
G01	Battery	CE 4 A
G01	Battery	CH 0 B
G01	Battery	KA 4 A
G01 A1:A		AC 3 C
G01 A3		AC 3 B
G01 A4:A		AC 3 C
G01 F:A		CE 4 A
G02	Alternator	AC 4 B

**VOLVO** Group Trucks Technology

Document title  
WIRING DIAGRAM - TYPE-OL L1EH1

Document type  
PRODUCT SCHEMATIC

Document No

22484611

Issue

05

Volume

2 (2)

Page

27 (42)

0

1

2

3

4

## REFERENCES

REF	DESCRIPTION	PAGE
G02	Alternator	AD 0 A
H02	Horn	GQ 3 C
H02A	Horn	GQ 2 D
H02B	Horn	GQ 3 D
H02DHJ:A		GQ 3 D
H03	Reverse warner, acoustic	GF 3 B
H07_Z	DETECTOR METHANE	CG 1 B
H16	METHANE FUME DETECTOR	CI 1 B
H17	METHANE DETECTION STATUS	CI 3 B
HOOKUP_LP:A		NA 2 B
HOOKUP_LP:B		NA 2 B
ILLUM_OPT1:A		BE 4 D
ILLUM_OPT1:B		BE 4 D
ILLUM_OPT2:A		BE 4 D
ILLUM_OPT2:B		BE 4 D
ILLUM_OPT6:A		FD 1 A
ILLUM_OPT6:B		FD 1 C
ILLUM_OPT7:A		FD 1 A
ILLUM_OPT7:B		FD 1 C
ILLUM_OPT:A		NA 2 B
ILLUM_OPT:B		NA 2 B
IMS:A		AC 3 C
LHCS:A		CD 3 B
LHCS:B		BE 1 B
LHCS:C		CD 4 B
LHCS:D		CE 1 D
LHCS:E		CD 3 B
LHCS:F		CD 3 B
LHCS:G		CD 2 B
LHCS:H		CD 3 B
LHCS:J		BE 0 B
LHCS:K		CD 4 B
LHCS:L		CE 1 D
LHCS:M		CD 2 C
LHCS:N		CE 1 D
LHCS:P		CD 4 C
LHSP:A		CD 2 B
LHSP:B		CD 3 B
M01L	MOTOR WINDSHIELD WIPER LH	GP 3 C
M01R	MOTOR WINDSHIELD WIPER RH	GP 2 C
M02	MOTOR WS. WASHER PUMP	GP 0 C
M06DS	DRIVER driver MOTOR, Motor, P.WINDOW side	IE 0 D
M06PS	MOTOR, Motor, P.WINDOW PASSENGER passenge	IE 2 D
M58L	Motor, Door lock	IF 3 D
M58R	Motor, Door lock	IF 3 C
M78L	MOTOR MIRROR LEFT SIDE	IC 0 D
M78L	MOTOR MIRROR LEFT SIDE	ID 0 B
M78R	MOTOR MIRROR RIGHT SIDE	IC 3 C
M78R	MOTOR MIRROR RIGHT SIDE	ID 3 B
M120A	MOTOR, AUX. COOLING FAN #1	CD 0 E

REF	DESCRIPTION	PAGE
M120B	MOTOR, AUX. COOLING FAN #2	CD 1 E
M121A	MOTOR AUX. COOLING FAN #1	CD 2 D
M121B	MOTOR AUX. COOLING FAN #2	CD 3 D
MCAF:A		CD 0 A
MCAF:B		CD 1 A
MCBBBCP:1		BM 0 D
MCBBBCP:2		BM 1 D
MCDPL1:1		IF 2 D
MCDPL1:2		IF 4 D
MCDPL2:1		IE 0 C
MCDPL2:2		IE 0 D
MCDPL3:1		IC 0 D
MCDPL3:1		ID 0 C
MCDPL3:2		IC 1 D
MCDPL3:2		ID 0 C
MCDPL3:3		IC 0 D
MCDPL3:3		ID 0 C
MCDPL3:4		IC 0 D
MCDPL3:4		ID 0 C
MCDPL4:1		IC 0 D
MCDPL4:1		ID 0 C
MCDPL4:3		ID 0 C
MCDPL4:5		ID 0 C
MCDPL4:6		ID 0 C
MCDPR1:1		IF 2 C
MCDPR1:2		IF 4 C
MCDPR2:1		IE 1 C
MCDPR2:2		IE 2 D
MCDPR3:1		IC 1 D
MCDPR3:1		IC 3 D
MCDPR3:1		ID 4 C
MCDPR3:2		IC 1 D
MCDPR3:2		IC 4 D
MCDPR3:2		ID 4 C
MCDPR3:3		IC 1 D
MCDPR3:3		IC 3 D
MCDPR3:3		ID 3 C
MCDPR3:4		IC 1 D
MCDPR3:4		IC 3 D
MCDPR3:4		ID 4 C
MCDPR4:1		IC 1 D
MCDPR4:1		IC 3 D
MCDPR4:1		ID 4 C
MCDPR4:3		IC 4 D
MCDPR4:3		ID 4 C
MCDPR4:5		IC 4 D
MCDPR4:5		ID 4 C
MCDPR4:6		IC 4 D
MCDPR4:6		ID 4 C
MCDSL:A		GH 3 E



0

1

2

3

4

## REFERENCES

REF	DESCRIPTION	PAGE
MCDSL:B		GH 2 E
MCDSR:A		GH 3 E
MCDSR:B		GH 4 E
MCFC:5		BM 0 D
MCFC:6		BM 1 D
MCFC:7		CD 0 D
MCFC:8		CD 1 D
MCFC:9		DC 0 B
MCFC:10		DC 0 B
MCFC:11		DC 0 B
MCFC:12		DC 0 B
MCFC:13		DC 0 B
MCFC:14		DC 0 B
MCFC:15		DC 2 C
MCFC:16		FB 0 C
MCFC:17		FB 0 D
MCFC:18		XB 1 B
MCFC:18		XB 4 B
MCFC:19		XB 2 B
MCFC:19		XB 4 B
MCFC:20		BD 1 D
MCFC:21		DC 0 B
MCFC:22		DC 0 B
MCFC:23		DC 1 B
MCFC:24		DC 1 B
MCFC:25		DC 1 B
MCFC:26		DC 1 B
MCFC:27		DC 2 C
MCFC:28		BE 3 B
MCFC:29		BE 3 B
MCFC:30		FB 1 C
MCFC:31		CG 3 D
MCFC:32		CG 2 C
MCFC:33		DC 1 B
MCFC:34		DC 1 B
MCFC:35		DC 1 B
MCFC:36		DC 1 B
MCFC:37		DC 1 B
MCFC:38		DC 1 B
MCFC:39		FD 1 C
MCFC:40		CD 3 A
MCFC:41		CE 3 D
MCFC:42		CE 3 D
MCFC:44		CE 3 D
MCFC:45		DC 2 B
MCFC:46		DC 2 B
MCFC:47		DC 2 B
MCFC:48		DC 2 B
MCFC:49		DC 2 B
MCFC:50		DC 2 B

REF	DESCRIPTION	PAGE
MCFC:51		FD 1 B
MCFC:52		BE 1 B
MCFC:53		BE 0 B
MCFC:57		DC 2 B
MCFC:58		BE 1 D
MCFC:59		BE 2 E
MCFC:60		HA 0 D
MCFC:61		CE 3 D
MCFC:62		FB 2 C
MCFC:63		XA 3 D
MCFC:64		XA 3 D
MCFC:65		EA 1 D
MCFC:65		EC 1 B
MCFC:66		EA 1 D
MCFC:66		EC 1 B
MCFC:67		EA 1 D
MCFC:67		EC 1 B
MCFC:68		EA 1 B
MCFC:68		EC 1 D
MCFC:69		EA 1 B
MCFC:69		EC 1 D
MCFC:70		EA 1 D
MCFC:70		EC 1 B
MCFC:71		EA 1 D
MCFC:71		EC 0 B
MCFC:72		EA 0 D
MCFC:72		EC 0 B
MCFC:73		EA 1 D
MCFC:73		EC 1 B
MCFC:74		EA 1 D
MCFC:74		EC 2 B
MCFC:75		EA 1 B
MCFC:75		EC 1 D
MCFC:76		EA 1 B
MCFC:76		EC 1 D
MCFC:77		EA 2 D
MCFC:77		EC 1 B
MCFC:78		EA 0 D
MCFC:78		EC 1 B
MCFC:79		EA 1 B
MCFC:79		EC 0 D
MCFC:80		EA 1 B
MCFC:80		EC 0 D
MCFC:81		EA 1 B
MCFC:81		EC 1 D
MCFC:82		EA 0 B
MCFC:82		EC 1 D
MCFC:83		EA 0 A
MCFC:83		EC 0 D
MCFC:84		EA 0 D

**VOLVO** Group Trucks Technology

Document title  
WIRING DIAGRAM - TYPE-OL L1EH1

Document type  
PRODUCT SCHEMATIC

Document No

22484611

Issue

05

Volume

2 (2)

Page

29 (42)

0

1

2

3

4

## REFERENCES

REF	DESCRIPTION	PAGE
MCFC:84		EC 0 B
MCFC:85		EA 1 A
MCFC:85		EC 1 D
MCFC:86		EA 1 D
MCFC:86		EC 2 B
MCFC:87		EA 4 E
MCFC:87		EC 3 C
MCFC:88		EA 3 E
MCFC:88		EC 3 C
MCFC:89		EA 2 D
MCFC:89		EC 3 C
MCFC:90		EA 2 D
MCFC:90		EC 3 C
MCFC:91		EA 3 D
MCFC:91		EC 3 C
MCFC:92		EA 3 D
MCFC:92		EC 3 C
MCFC:93		EA 2 D
MCFC:93		EC 3 C
MCFC:94		EA 2 D
MCFC:94		EC 3 C
MCFC:95		EA 3 D
MCFC:95		EC 3 C
MCFC:96		EA 3 D
MCFC:96		EC 3 C
MCFC:97		CA 1 B
MCFC:97		CE 0 B
MCFC:98		GA 0 D
MCFC:99		AC 3 D
MCFC:99		CH 0 B
MCFC:100		AC 2 C
MCFC:102		BB 1 C
MCFC:102		CE 2 B
MCFC:105		GF 2 B
MCFC:106		GF 1 B
MCFC:107		BE 0 D
MCFC:108		BE 0 D
MCFC:109		GA 3 D
MCFC:110		BE 1 D
MCFC:110		CE 2 B
MCFC:111		CA 0 B
MCFC:111		CE 2 D
MCFC:114		FB 3 D
MCFC:115		CG 4 C
MCFC:116		CE 1 B
MCFC:117		XC 1 B
MCFC:118		XC 1 B
MCFC:121		CD 2 B
MCFC:122		CD 3 B
MCFC:124		CA 0 B

REF	DESCRIPTION	PAGE
MCFC:125		CC 1 B
MCFC:126		NB 3 C
MCFC:127		FA 2 B
MCFC:128		KA 4 C
MCFG:A		CG 3 B
MCFG:B		CG 3 B
MCFG:C		CG 2 B
MCFG:D		CG 3 A
MCHVAC1:1		HA 2 D
MCHVAC1:3		HA 2 D
MCHVAC1:5		HA 2 D
MCHVAC1:6		HA 2 D
MCHVAC1:7		HA 2 D
MCHVAC1:8		HA 1 D
MCHVAC1:10		HA 1 D
MCHVAC2:1		HA 2 D
MCHVAC2:2		HA 2 D
MCHVAC2:3		HA 2 D
MCHVAC2:4		HA 2 D
MCHVAC2:5		HA 2 D
MCHVAC2:6		HA 3 D
MCHVAC2:7		HA 3 D
MCHVAC2:8		HA 3 D
MCHVAC2:9		HA 3 D
MCHVAC2:10		HA 3 D
MCHVAC2:11		HA 3 D
MCHVAC2:12		HA 3 D
MCHVAC3:A		HA 0 C
MCHVAC3:B		HA 0 D
MCHVAC3:C		HA 0 C
MCHVAC3:D		HA 0 D
MCHVAC:A		AB 4 C
MCHVAC:B		AB 4 D
MCMD:1		CI 4 C
MCMD:2		CI 2 D
MCMD:3		CI 1 B
MCMD:4		CI 1 B
MCMIR:A		IC 0 B
MCMIR:A		IC 0 B
MCMIR:A		ID 2 A
MCMIRMEM:A		ID 2 A
MCPM1:A		IC 0 C
MCPM1:A		ID 2 C
MCPM1:B		IC 0 C
MCPM1:B		ID 2 C
MCPM1:C		IC 0 C
MCPM1:C		ID 2 C
MCPM1:D		IC 1 C
MCPM1:D		ID 3 C
MCPM1:E		IC 1 C

0

1

2

3

4

## REFERENCES

REF	DESCRIPTION	PAGE
MCPM1:E		ID 3 C
MCPM1:F		IC 1 C
MCPM1:F		ID 3 C
MCPM1:G		ID 2 C
MCPM1:H		ID 2 C
MCPM1:J		ID 2 C
MCPM1:K		ID 2 C
MCPM2:A		IC 2 C
MCPM2:A		ID 1 C
MCPM2:B		IC 2 D
MCPM2:B		ID 1 D
MCPM2:C		IC 1 C
MCPM2:C		ID 3 C
MCPM2:D		ID 2 C
MCPM2:E		ID 4 E
MCPSC1:A		BE 0 C
MCPSC1:B		BE 0 C
MCPSC1:C		BE 0 C
MCPSC1:D		BE 0 C
MCPSC1:E		BE 0 C
MCPSC1:F		BE 0 C
MCPSC1:G		BE 1 C
MCPSC1:H		BE 1 C
MCPSC1:J		BE 1 C
MCPSC1:K		BE 1 C
MCPSC1:L		BE 1 C
MCPSC1:M		BE 2 C
MCPSC1:N		BE 2 C
MCPSC1:P		BE 2 C
MCPSC1:R		BE 2 C
MCPSC1:S		BE 2 C
MCPSC2:A		BE 2 D
MCPSC2:B		BE 2 D
MCPSC2:C		BE 0 D
MCPSC2:D		BE 2 C
MCPSC2:E		BE 2 C
MCPSC2:F		BE 2 C
MCPSC2:G		BE 2 D
MCPSC2:H		BE 2 D
MCPSC2:J		BE 2 D
MCPSC2:K		BE 2 D
MCPSC2:L		BE 2 D
MCPSC2:M		BE 2 D
MCPSC2:N		BE 2 C
MCPSC2:P		BE 1 C
MCPSC2:R		BE 0 D
MCPSC2:S		BE 0 D
MCPSC3:A		BE 3 D
MCPSC3:B		BE 3 D
MCPSC3:C		BE 0 D

REF	DESCRIPTION	PAGE
MCPSC3:D		BE 0 D
MCPSC3:E		BE 0 D
MCPSC3:F		BE 1 D
MCPSC3:G		BE 1 D
MCPSC3:H		BE 1 D
MCPSC3:J		BE 1 D
MCPSC3:K		BE 1 D
MCPSC3:L		BE 1 D
MCPSC3:M		BE 1 C
MCPSC3:N		BE 3 C
MCPSC3:P		BE 3 C
MCR08:1		BI 1 C
MCR08:2		BI 1 C
MCR14:1		BI 1 B
MCR14:2		BI 1 B
MCRC:A		KC 3 B
MCRC:B		KC 2 C
MCRC:C		KC 1 B
MCRC:D		KC 3 D
MCRC:E		KC 2 D
MCRC:F		KC 1 D
MCRF1:A		GH 4 C
MCRF1:B		GH 2 C
MCRF1:C		GH 3 C
MCRF1:D		GH 3 B
MCRF1:E		KA 2 D
MCRF1:F		KA 2 D
MCRF1:G		KA 2 D
MCRF1:H		KA 2 D
MCRF2:A		GA 0 D
MCRF2:B		GA 3 D
MCRF2:C		GD 2 D
MCRF2:D		GD 4 D
MCRF2:E		GD 4 D
MCRF2:F		CG 0 C
MCRF3:A		KA 1 D
MCRF3:B		KA 1 D
MCRF3:C		KA 1 D
MCS01:1		FB 0 B
MCS01:2		AC 0 B
MCS01:3		AC 0 B
MCS01:7		AC 0 C
MCS01:8		AC 0 C
MCS01:9		BA 3 B
MCS01:10		BA 3 C
MCS01:11		BA 3 D
MCS01:12		BB 0 A
MCS01:13		BB 0 B
MCS01:14		BD 1 B
MCS01:15		BD 1 C

**VOLVO** Group Trucks Technology

Document title  
WIRING DIAGRAM - TYPE-OL L1EH1

Document type  
PRODUCT SCHEMATIC

Document No

22484611

Issue

05

Volume

2 (2)

Page

31 (42)

0

1

2

3

4

0

1

2

3

4

## REFERENCES

REF	DESCRIPTION	PAGE
MCS01:16		DD 1 B
MCS01:17		DD 1 B
MCS01:18		DD 1 B
MCS01:19		DD 1 B
MCS01:20		EA 2 A
MCS01:20		EC 3 A
MCS01:21		EA 2 B
MCS01:21		EC 3 B
MCS01:22		FB 2 B
MCS01:23		FB 1 B
MCS01:24		FB 2 C
MCS01:25		FB 4 C
MCS01:26		FC 1 B
MCS01:27		FC 1 C
MCS01:28		GA 0 B
MCS01:29		GD 4 A
MCS01:30		GD 4 B
MCS01:31		GA 1 C
MCS01:32		GH 2 C
MCS01:33		GH 3 C
MCS01:34		GA 0 B
MCS01:35		GH 4 C
MCS01:36		GH 4 B
MCS01:37		ID 1 C
MCS01:38		GH 3 D
MCS01:39		GP 0 B
MCS01:40		GP 0 B
MCS01:41		GP 1 C
MCS01:42		GP 1 C
MCS01:43		ID 2 C
MCS01:44		ID 2 B
MCS01:45		IF 1 D
MCS01:46		IF 1 B
MCS01:47		IF 1 B
MCS02:1		GH 2 D
MCS02:2		GH 1 E
MCS02:3		GH 1 E
MCS02:4		GH 1 E
MCS02:5		GA 0 B
MCS02:6		GA 0 C
MCS02:7		GA 0 C
MCS02:8		IC 2 B
MCS02:8		ID 1 B
MCS02:9		IC 2 C
MCS02:9		ID 1 B
MCS02:10		IE 0 B
MCS02:11		IE 0 C
MCS02:12		IE 0 C
MCS02:13		IE 1 B
MCS02:14		IE 2 A

REF	DESCRIPTION	PAGE
MCS02:15		IE 2 C
MCS02:16		IE 2 C
MCS02:17		IC 1 C
MCS02:17		ID 3 B
MCS02:18		IC 0 C
MCS02:18		ID 2 B
MCS02:19		IC 1 C
MCS02:19		ID 3 B
MCS02:20		IC 0 C
MCS02:20		ID 2 B
MCS02:21		IC 0 C
MCS02:21		ID 2 B
MCS02:22		IC 0 B
MCS02:22		ID 2 A
MCS02:23		FB 0 C
MCS02:24		FB 1 C
MCS02:25		IC 1 C
MCS02:25		ID 3 B
MCS02:27		IC 1 C
MCS02:27		ID 3 B
MCS02:29		BD 2 C
MCSSC1:A		BG 0 B
MCSSC1:B		BG 0 B
MCSSC1:C		BG 0 B
MCSSC1:D		BG 0 B
MCSSC1:E		BG 0 B
MCSSC1:F		BG 0 B
MCSSC1:G		BG 1 B
MCSSC1:H		BG 1 B
MCSSC1:J		BG 1 B
MCSSC1:K		BG 1 B
MCSSC1:L		BG 1 B
MCSSC1:M		BG 2 B
MCSSC1:N		BG 2 B
MCSSC1:P		BG 2 B
MCSSC1:R		BG 2 B
MCSSC1:S		BG 2 B
MCSSC2:A		BG 2 D
MCSSC2:B		BG 2 D
MCSSC2:C		BG 0 D
MCSSC2:D		BG 2 B
MCSSC2:E		BG 2 B
MCSSC2:F		BG 2 B
MCSSC2:G		BG 2 D
MCSSC2:H		BG 2 D
MCSSC2:J		BG 2 D
MCSSC2:K		BG 2 D
MCSSC2:L		BG 2 D
MCSSC2:M		BG 2 D
MCSSC2:N		BG 2 B

**VOLVO** Group Trucks Technology

Document title  
WIRING DIAGRAM - TYPE-OL L1EH1

Document type  
PRODUCT SCHEMATIC

Document No

22484611

Issue

05

Volume

2 (2)

Page

32 (42)

0

1

2

3

4

## REFERENCES

REF	DESCRIPTION	PAGE
MCSSC2:P		BG 1 B
MCSSC2:R		BG 3 B
MCSSC2:S		BG 3 B
MCTL:A		GF 2 C
MCTL:B		GF 1 C
MCTL:C		GF 1 C
MCTL:D		GF 2 C
MCTL:E		GF 2 D
MCWB1:A		GP 0 C
MCWB1:B		GP 0 C
MCWB2:A		BE 3 B
MCWB2:B		BE 3 A
MSTC-2_3447	GXL 0.8 2	CA 3 B
MSTC-3_3447	GXL 0.8 2	CA 3 E
PPCO:A		FD 1 B
PPCO:B		FD 1 B
PPCO:C		FD 0 C
PSCTS:A		GA 2 B
PSCTS:A		GA 2 B
PSCTS:B		GA 2 B
PSCTS:C		GA 2 B
PSCTS:D		GA 2 B
PSCTS:D		GA 3 B
PSCTS:E		GA 3 C
PSCTS:F		GA 2 D
PSCTS:G		GA 3 D
PSCTS:G		GA 3 D
PSCTS:H		GA 3 D
PSCTS:H		GA 3 C
PSCTS:J		GQ 2 B
PSCTS:K		GQ 0 C
R01	HEATER, ENGINE PREHEAT	AD 0 A
R04	CIGAR LIGHTER	KC 3 C
R05	Heater, air dryer	FA 3 C
R05A	AIR DRYER, HEATED	FA 2 C
R05B	AIR DRYER, HEATED	FA 0 C
R08	RESISTOR, TERMINATION J1939 CAN	XA 3 A
R08A:1		BI 2 C
R08A:2		BI 2 C
R09	HEATER, FUEL WATER SEPARATOR	CC 1 C
R14	Termination resistor	XB 2 C
R14A:1		BI 1 B
R14A:2		BI 1 B
R14B	Termination resistor	XB 2 B
R19A	HEATER HEATED DRAIN VALVE COOLING TANK	FA 0 C
R19B	HEATER HEATED DRAIN VALVE WET TANK	FA 1 C
R29	Heater, NOxCare tank to pump hose	CH 3 E
R31	Heater, NOxCare pump to injector hose	CH 3 D
R34	Termination resistor	XA 0 E
R39A	RESISTOR, CUMMINS PULL UP IVS	BC 3 C

REF	DESCRIPTION	PAGE
R39B	RESISTOR CUMMINS PULL DOWN FUEL LEVEL	BE 1 D
R78	HEATER ENGINE BLOCK COOLANT	CC 2 C
RC1:A1		BA 1 B
RC1:A3		BA 1 B
RC1:A4		GA 3 D
RC1:A6		GA 2 D
RC1:A7		DE 2 B
RC1:A9		DE 2 B
RC1:B1		BA 1 B
RC1:B2		BA 1 B
RC1:B3		BA 1 B
RC1:B4		GA 3 D
RC1:B5		GA 2 D
RC1:B6		GA 3 D
RC1:B7		DE 2 B
RC1:B8		DE 2 B
RC1:B9		DE 2 B
RC1:C1		GH 0 B
RC1:C2		GH 1 B
RC1:C3		GH 0 B
RC1:C4		GH 1 B
RC1:C5		GH 1 B
RC1:C6		GH 1 B
RC1:C7		BB 1 B
RC1:C9		BB 1 A
RC1:D1		GH 0 B
RC1:D3		GH 0 B
RC1:D4		GH 1 B
RC1:D6		GH 1 B
RC1:D7		BB 1 B
RC1:D9		BB 1 A
RC2:A1		GD 0 A
RC2:A3		GD 0 B
RC2:A4		GD 1 B
RC2:A6		GD 2 B
RC2:A7		NA 0 C
RC2:A9		NA 0 D
RC2:B1		GD 0 A
RC2:B2		GD 0 B
RC2:B3		GD 0 B
RC2:B4		GD 2 B
RC2:B5		GD 1 B
RC2:B6		GD 1 B
RC2:B7		NA 0 C
RC2:B8		NA 0 D
RC2:B9		NA 0 D
RC2:C2		DE 1 C
RC2:C3		DE 1 B
RC2:C4		DE 0 C
RC2:C5		DE 0 C

## REFERENCES

REF	DESCRIPTION	PAGE
RC2:C6		DE 0 B
RC2:C7		GA 1 D
RC2:C9		GA 1 C
RC2:D1		DE 1 C
RC2:D3		DE 1 B
RC2:D4		DE 0 C
RC2:D6		DE 0 B
RC2:D7		GA 1 D
RC2:D9		GA 1 C
RC6:A1		HA 0 C
RC6:A3		HA 0 C
RC6:A7		BD 3 D
RC6:A9		BD 3 D
RC6:B1		HA 0 C
RC6:B3		HA 0 C
RC6:B7		BD 3 D
RC6:B9		BD 3 D
RC6:C1		GD 3 C
RC6:C3		GD 3 B
RC6:C4		CD 0 C
RC6:C5		CI 0 C
RC6:C6		CD 0 C
RC6:C6		CI 0 C
RC6:C7		CD 1 C
RC6:C7		CI 0 B
RC6:C9		CD 1 C
RC6:C9		CI 0 A
RC6:D1		GD 3 C
RC6:D3		GD 3 B
RC6:D4		CD 0 C
RC6:D4		CI 0 C
RC6:D6		CD 0 C
RC6:D6		CI 0 C
RC6:D7		CD 1 C
RC6:D7		CI 0 B
RC6:D9		CD 1 C
RC6:D9		CI 0 A
RFHL:A		GH 4 B
RFHL:B		GH 2 B
RFHL:C		GH 3 B
RFHL:D		GH 3 B
RFHL:E		KA 2 D
RFHL:F		KA 2 D
RFHL:G		KA 2 D
RFHL:H		KA 2 D
RFMD:A		CG 0 C
RFMD:A		CG 0 C
RFMIC:A		KA 2 C
RFMIC:B		KA 2 C
RLY01	RELAY EMS #1	AB 3 C

REF	DESCRIPTION	PAGE
RLY02	RELAY EMS #2	AA 2 C
RLY03	RELAY IGN. #1	AA 0 B
RLY04	RELAY IGN. #3	AA 3 C
RLY05	RELAY HIGH BEAM	GA 1 C
RLY06	RELAY, EMERGENCY STOP LAMP	GA 3 B
RLY10	RELAY, LEFT/RIGHT SW. PWR.	BA 1 B
RLY11	RELAY TRAILER TAIL LAMP	GG 2 B
RLY12	RELAY TRAILER STOP LAMP	GG 3 B
RLY13	RELAY, CAB AND TRAILER CLEARANCE LAMP	GA 1 C
RLY14	RELAY, HORN	GQ 2 C
RLY15	RELAY HAZARD BYPASS	GA 4 C
RLY016A	RELAY WINDSHIELD WIPER RH LOW	GP 2 B
RLY016B	RELAY WINDSHIELD WIPER RH HIGH	GP 2 B
RLY016C	RELAY WINDSHIELD WIPER LH LOW	GP 3 B
RLY016D	RELAY WINDSHIELD WIPER LH HIGH	GP 3 B
RLY17	RELAY REVERSE POWER	DD 3 B
RLY19	El. adjustable seat (optional fan and hea	GD 3 B
RLY28	RELAY, CB BINDING POST	KC 2 B
RLY29	RELAY, NEUTRAL POWER	NB 2 B
RLY34	RELAY, PRE-EMS	AA 1 B
RLY35	RELAY, HVAC CAB	HA 0 B
RLY35:1		HA 0 B
RLY35:2		HA 0 B
RLY35:4		HA 0 B
RLY35:5		HA 0 B
RLY36	RELAY START CNTL. 1	AC 2 C
RLY38	RELAY, LOW BEAM LEFT	GD 0 B
RLY39	RELAY, LOW BEAM RIGHT	GD 1 B
RLY45	RELAY PTO ENABLE	DD 4 B
RLY46	RELAY RANGE PTO	DD 3 B
RLY47	RELAY RETARDER	DD 2 B
RLY48	RELAY STOP LAMPS	DD 2 B
RLY49	RELAY AC CLUTCH	HA 0 C
RLY52	RELAY, HIGH BEAM	GA 1 B
RLY54	RELAY METHANE DETECTOR	CI 0 B
RLY58	RELAY BEACON LAMP PTO	FC 1 B
RLY59	RELAY BEACON LPS REVERSE	FC 2 B
RLY60	RELAY, PARK BRAKE STOP LAMP	GA 3 B
RLY61	RELAY LIFT AXLE REVERSE	FB 0 A
RLY62	RELAY, REVERSE BODY POWER	NB 3 B
RLY63	RELAY, POWER INDICATOR	GA 3 D
RLY63 JMP	JUMPER, CLEARANCE LIGHTS	GA 2 E
RLY64	1 DETECT METHANE RELAY RELAY, SPARE	NA 0 C
RLY68	RELAY, ENGINE COMP#1	CA 0 B
RLY70	RELAY, TPS L-R REF.	BB 4 C
RLY71	RELAY, TPS L-R IVS	BB 3 B
RLY72	RELAY DIRECTIONAL LAMPS L-R	GH 0 B
RLY73	RELAY LEFT COMB. STOP TURN LAMPS	GH 0 B
RLY74	RELAY HIGH BEAM SW. L-R	GH 1 B
RLY75	RELAY, ALLISON L-R SHIFT INHIBIT	BB 1 B

## REFERENCES

REF	DESCRIPTION	PAGE
RLY76	RELAY ALLISON L/R SERVICE BRAKE INHIBIT	DE 2 B
RLY77	RELAY AUTO NEUTRAL PACKER	DE 0 C
RLY78	RELAY AUTO NEUTRAL WORK BRAKE	DE 1 C
RLY80	RELAY, WORK LAMPS LEFT	GD 0 A
RLY81	RELAY, WORK LAMPS RIGHT	GD 2 B
RLY89	RELAY, HEATER HIGH FAN SPEED	HA 1 C
RLY89:1		HA 1 C
RLY89:2		HA 1 C
RLY89:4		HA 1 C
RLY89:5		HA 1 C
RLY91	#1 (optional AUX. El. FAN RELAY adjustabl	CD 0 C
RLY92	#2 (optional AUX. El. FAN RELAY adjustabl	CD 1 C
RLY94	(optional 1 El. INTERRUPT RELAY START adj	BM 0 B
RLY95	(optional 2 El. INTERRUPT RELAY START adj	BM 0 B
RLY96	RELAY RIGHT COMB. STOP TURN LAMPS	GH 1 B
RLY97	STARTER LOCK OUT	AC 2 D
RLY98	RELAY, PDLO	BD 3 D
RLY99	RELAY, METHANE DETECTION	CI 0 C
RLY113	RELAY, L/R MPH/RPM BRAKE STATUS CONTROLLE	DE 4 B
S01A	SWITCH, MAIN LIGHTING	GA 0 B
S03	Switch, loading lamps / working lamps	GD 4 A
S05A	Switch, interior light, selector type	GH 4 D
S05B	Switch, interior light, selector type	GH 2 D
S05C	Switch, interior light, selector type	GH 3 D
S07	Switch, engine brake, selector type	BA 3 C
S08	Switch, differential gear lock, rear whe	BD 1 B
S09A	Switch, differential lock, rear inter-axl	FB 4 B
S13L	SWITCH, DIRECTIONAL SIGNAL LEFT	GA 2 C
S13R	SWITCH, DIRECTIONAL SIGNAL RIGHT	GH 0 D
S14L	SWITCH, HORN LEFT SIDE	GQ 0 C
S14R	SWITCH, HORN RIGHT SIDE	GQ 1 C
S016	SWITCH, ATC LIMITED SLIP	EC 3 B
S019A	SWITCH, POWER DIVIDER LOCKOUT	FB 3 B
S28A	Switch, power take off 1	FD 0 B
S28D	Switch, power take off 4	FC 1 B
S30	Switch unit, multi-function display	BE 1 B
S30A	SWITCH 1 LEFT IC DISPLAY	BE 2 A
S30B	SWITCH RIGHT ICDISPLAY	BG 1 A
S30C	SWITCH 1 RIGHT IC DISPLAY	BG 2 A
S31	Switch, TCS ( Traction Control System )	EA 2 A
S40	Switch, rear view camera, camera selecti	KA 0 B
S43	Pressure switch, parking brake indicator	BA 3 E
S44	Position switch, door, interior light, N	GH 4 E
S44L	SWITCH DOOR LEFT	GH 3 E
S48P	SWITCH PRESSURE SERVICE BRAKE PRIMARY	GA 4 B
S48PL	SWITCH SERVICE BRALE PRIMARY N/O LEFT	DE 3 C
S48PR	SWITCH SERVICE BRAKE PRIMARY N/O RIGHT	DE 2 C
S48S	SWITCH PRESSURE SERVICE BRAKE SECONDARY	GA 4 B
S48SL	SWITCH SERVICE BRAKE SECONDARY N/O LEFT	DE 4 C
S48SR	SWITCH SERVICE BRAKE SECONDARY N/O RIGHT	DE 3 C

REF	DESCRIPTION	PAGE
S54	Position switch, differential gear lock, BE	3 B
S71	Pressure switch, compressor charging, NO	HA 0 C
S103	Switch, heated mirror, mirror adjustment	IC 0 C
S103	Switch, heated mirror, mirror adjustment	ID 2 B
S105	Switch, Hazard warning light	GH 2 D
S106PS	SWITCH, PASSENGER POWER WINDOW	IE 2 B
S107	SWITCH, DRIVER POWER WINDOW	IE 0 B
S115	Switch, Door lock	IF 1 C
S117	Position switch, differential lock, rear	BE 4 B
S123	Switch, Mirror defrost	IC 2 B
S123	Switch, Mirror defrost	ID 1 B
S130	Switch, Air suspension	FB 2 B
S146	Switch, R/+ and S/-	BA 0 C
S146B	SWITCH RIGHT R/+S-	BA 1 C
S147A	Switch, RPM regulation	BA 2 C
S147B	Switch, RPM regulation	BA 3 C
S169	Switch, Battery Main Switch	AC 3 D
S190	Switch, pressure sensor / airconditioning	HA 0 D
S217	Switch, ignition, selector type (dashboar	AC 0 C
S218	Stalk switch, windscreen wiper, selector	GP 0 B
S314	SWITCH, RETARDER	DD 1 B
S330	SWITCH, BODY BUILDER PARK BRAKE	BB 0 D
S330	SWITCH, BODY BUILDER PARK BRAKE	BQ 0 C
S330JMP	SWITCH, BODY BUILDER PARK BRAKE JUMPER	BB 1 D
S330JMP	SWITCH, BODY BUILDER PARK BRAKE JUMPER	BQ 2 C
S331	SWITCH, PARKER PTO ENGAGED	FD 1 C
S332	SWITCH, DIMMER	GA 1 B
S339	SWITCH, MASTER LEFT/RIGHT DRIVE	BB 0 A
S340	SWITCH, WORK BRAKE PRIMARY 1	DE 1 C
S340A	SWITCH, WORK BRAKE PRIMARY 2	DE 0 B
S340B	SWITCH WORK BRAKE SECONDARY 1	DE 1 B
S340C	SWITCH, WORK BRAKE SECONDARY 2	DE 0 B
S341A	SWITCH TAG AXLE LIFT	FB 0 C
S341B	SWITCH PUSHER AXLE LIFT	FB 0 B
S344	SWITCH PRESSURE PRIMARY LOW AIR	BF 1 C
S344A	SWITCH PRESSURE SECONDARY LOW AIR	BF 2 C
S347	SWITCH MIRROR MEMORY	ID 2 B
SC-2 100	MKFK 0.35 1	KA 2 C
SC-4 560	MKFK 0.35 1	KA 2 C
SP31A20	S	CE 2 D
SP BAT1:A		NA 3 B
SP FUSE:A		NA 1 C
SP FUSE:B		NA 1 D
SP FUSE:C		NA 1 C
SP FUSE:D		NA 1 D
SP IGN1:A		NA 3 B
SP IGN1:B		NA 3 B
SP IGN2:A		NA 4 B
SP_RLY:A		NA 0 C
SP_RLY:B		NA 0 D

0

1

2

3

4

## REFERENCES

REF	DESCRIPTION	PAGE
SP_RLY:C		NA 0 D
SP_RLY:D		NA 0 D
SP_RLY:E		NA 0 C
SPC23H1	S	CE 1 D
SPCA11	T	BE 3 C
SPCA11	T	BG 3 B
SPCA11	T	GD 2 B
SPCA15	T	BE 1 B
SPCB1	T	BA 1 D
SPCB10	T	BB 3 D
SPCB11	T	BA 4 E
SPCB13A	T	BB 2 B
SPCB13A5	T	BB 3 B
SPCB13A11	T	BB 2 B
SPCB16	T	CD 1 C
SPCB19	T	BB 2 D
SPCB19D	S	DE 3 B
SPCB19E	S	DE 2 B
SPCB19F	T	DE 3 D
SPCB19G	T	BQ 3 C
SPCB22	T	BB 3 C
SPDL1H	S	XA 3 E
SPDL1H1	S	XA 3 D
SPDL1H2	S	XA 3 D
SPDL1H3	S	XA 3 B
SPDL1H4	S	XA 3 B
SPDL1H5	S	XA 3 B
SPDL1H6	S	XA 3 B
SPDL1H7	S	XA 3 C
SPDL1HB7	S	BI 1 C
SPDL1HN10	S	XA 2 D
SPDL1HN12	S	XA 2 D
SPDL1HN14	S	XA 1 D
SPDL1L	S	XA 3 E
SPDL1L1	S	XA 3 D
SPDL1L2	S	XA 3 C
SPDL1L3	S	XA 3 C
SPDL1L4	S	XA 3 B
SPDL1L5	S	XA 3 B
SPDL1L6	S	XA 3 B
SPDL1L7	S	XA 3 C
SPDL1LB7	S	BI 1 C
SPDL1LN10	S	XA 2 D
SPDL1LN12	S	XA 2 D
SPDL1LN14	S	XA 1 D
SPDL2H1	S	CH 2 B
SPDL2H2	S	XB 1 B
SPDL2H3	S	XB 1 C
SPDL2H4	S	XB 1 C
SPDL2H5	S	XB 1 D

REF	DESCRIPTION	PAGE
SPDL2H6	S	XB 4 C
SPDL2HB6	S	BI 1 B
SPDL2L1	S	CH 2 B
SPDL2L2	S	XB 2 B
SPDL2L3	S	XB 2 C
SPDL2L4	S	XB 2 C
SPDL2L5	S	XB 2 D
SPDL2L6	S	XB 4 C
SPDL2LB6	S	BI 1 B
SPDL4H	S	XC 2 B
SPDL4L	S	XC 2 B
SPDL7H1	S	CA 3 C
SPDL7L1	S	CA 3 C
SPEMA28A1	S	CH 3 C
SPEMA49A	S	CA 2 C
SPEMA54A1	S	CH 1 C
SPEMA59A1		CH 3 D
SPEMA62A		CH 2 D
SPF2B	T	GA 1 B
SPF2C	T	GA 0 C
SPF2G	T	GD 2 C
SPF2H	T	GD 2 C
SPF3B	T	GA 0 C
SPF3B1	S	GA 1 D
SPF3B7	S	GF 1 B
SPF3B8		GF 1 C
SPF3B20	S	GA 0 C
SPF3C	T	GA 0 D
SPF3D	T	GD 3 A
SPF3F	T	BE 1 A
SPF3F	T	BG 1 A
SPF3F	T	CG 3 A
SPF3F	T	DE 0 D
SPF3F	T	GH 4 A
SPF3F	T	KA 3 B
SPF3F	T	NA 2 A
SPF3F1	T	BA 2 B
SPF3F69	T	FD 0 A
SPF3F74	T	BE 4 D
SPF3F100	S	DD 2 B
SPF3F100	S	FB 1 B
SPF3F100	S	FC 0 B
SPF3F100	S	GD 4 A
SPF3F100	S	GH 3 C
SPF3F100	S	ID 2 A
SPF3F100	S	IE 2 B
SPF3F100	S	IF 1 C
SPF3F110	T	BE 1 A
SPF3F110	T	DD 0 B
SPF3F116	T	BG 1 A

**VOLVO** Group Trucks Technology

Document title  
WIRING DIAGRAM - TYPE-OL L1EH1

Document type  
PRODUCT SCHEMATIC

Document No

22484611

Issue

05

Volume

2 (2)

Page

36 (42)

0

1

2

3

4



REFERENCES

REF	DESCRIPTION	PAGE
SPF3F200	S	BA 3 B
SPF3F200	S	BD 2 B
SPF3F200	S	EA 3 A
SPF3F200	S	EC 3 A
SPF3F200	S	GA 1 B
SPF3F200	S	GH 3 C
SPF3F200	S	GP 0 B
SPF3F200	S	IC 2 B
SPF3F200	S	ID 1 A
SPF3F200	S	IE 0 B
SPF3G	T	GA 0 A
SPF3H	T	GA 2 B
SPF3J	T	GA 0 C
SPF3K	T	GA 0 D
SPF3M	S	GD 4 B
SPF4B	T	GA 2 B
SPF4B3	S	GH 2 D
SPF4B3C	S	GH 2 E
SPF4C	T	GD 3 C
SPF4D	T	GD 4 C
SPF4E	T	GD 4 C
SPF4F	T	GD 2 C
SPF4G	T	GD 3 D
SPF4H	T	GD 3 C
SPF5A	T	GA 4 B
SPF5A1	S	GA 4 B
SPF5B	T	GA 4 C
SPF5B1	S	GA 4 C
SPF5B5	T	GA 4 C
SPF5D1	S	GF 2 B
SPF5E1	S	GF 1 B
SPF6A	T	GH 3 B
SPF6D	T	GH 4 B
SPF6E	S	GH 3 D
SPF6E3	T	GH 3 E
SPF7A	T	AC 0 B
SPF7C	T	AC 1 B
SPF7C3	S	BM 0 A
SPF7D	T	AC 1 C
SPF7D8A2	S	CD 3 B
SPF7G	T	BF 2 B
SPF8A	T	FB 2 B
SPF8A2	S	FB 3 B
SPF8B	T	FB 4 D
SPF9B	T	KC 2 B
SPF9D	T	GA 2 D
SPF9D2	S	GA 3 D
SPF10A	T	KA 3 B
SPF10A	T	XA 2 B
SPF10C	T	KA 3 C

REF	DESCRIPTION	PAGE
SPF11A	T	GG 1 B
SPF15A	T	FC 1 B
SPF15B	T	FC 2 C
SPF16A	T	BA 0 B
SPF17A	T	BA 2 B
SPF17C	T	BA 1 D
SPF17D	T	BA 1 C
SPF17E	T	BA 2 C
SPF18A1	T	BC 2 C
SPF19	T	BE 0 B
SPF19	T	BG 0 B
SPF20A	T	IC 0 A
SPF20A	T	ID 2 A
SPF21A	T	GP 4 B
SPF22A	T	GP 2 B
SPF23A	T	GP 0 B
SPF23C	T	GP 2 A
SPF23D	T	GP 2 B
SPF25A	T	HA 0 A
SPF25B	T	HA 1 B
SPF27A	T	GG 1 B
SPF27A4	T	CG 3 C
SPF29B	T	AA 2 C
SPF30B	T	FC 1 C
SPF31A	T	DD 3 A
SPF31B	T	DE 0 B
SPF31C	T	DD 2 B
SPF34A	T	NB 3 B
SPF34B	T	NB 3 C
SPF34B1	S	GF 2 B
SPF34B10		GF 2 C
SPF35B	T	GA 2 C
SPF35C	S	GA 3 D
SPF35C1	S	GA 4 D
SPF35C3	S	GA 3 D
SPF36D	T	GO 1 B
SPF36D1	T	GO 1 C
SPF38A	T	CA 0 B
SPF38A1	T	CE 1 A
SPF38A4	S	CA 0 C
SPF41A	T	CG 4 C
SPF42B	T	DD 4 C
SPF43A	S	CA 1 C
SPF44A	S	FA 2 B
SPF45A	T	NB 2 D
SPF52A	T	HA 0 B
SPF54A	T	GD 3 B
SPF55B	T	IC 1 D
SPF55B	T	ID 1 C
SPF58A	T	BB 3 A

0

1

2

3

4

## REFERENCES

REF	DESCRIPTION	PAGE
SPF58A8	T	BI 3 B
SPF62B	S	CH 0 B
SPF63	T	BE 0 B
SPF66A	T	KA 1 B
SPF66A	T	NA 4 A
SPF67B	T	IF 4 C
SPF67C	T	IF 2 C
SPF72A	T	KA 3 B
SPF73A	S	BM 4 C
SPF78A	S	CE 1 B
SPF81A	T	CI 4 C
SPF81A1	T	CI 3 C
SPF91A	T	CD 0 B
SPF92A	T	CD 1 B
SPF144A		FA 4 B
SPFAA2	S	CE 3 B
SPGC3A1	T	HA 1 B
SPHAB11	T	BE 2 B
SPHBA8	T	BE 2 D
SPHBA8C	T	BG 2 D
SPHBA9	T	BE 2 D
SPHBA9C	T	BG 2 D
SPHBB8	T	BE 2 D
SPHBB8C	T	BG 2 D
SPHBB9	T	BE 3 D
SPHBB9C	T	BG 2 D
splice327_732		CA 3 A
splice328_732		CA 3 A
splice329_732		CA 2 B
splice330_732		CA 2 B
splice407_509	S	KA 1 B
splice408_509	S	KA 1 A
splice437_945		CG 1 C
splice438_945		CG 1 D
SPN103	T	DD 2 C
SPN103B	T	BB 0 B
SPN103D	T	DE 1 C
SPN105B	T	BH 3 B
SPN110	T	DD 1 B
SPN110A	T	DD 1 C
SPN112	T	DC 2 C
SPN113	T	BB 1 B
SPN117	T	DD 2 C
SPN117B	T	DE 1 B
SPN124CM	T	DD 2 C
SPN131	S	DC 1 C
SPN134	T	DD 1 D
SPN142	T	DD 1 C
SPN145	T	DD 3 C
SPN158	T	DC 2 C

REF	DESCRIPTION	PAGE
SPN158A	S	DC 2 D
SPN163	T	DD 1 C
SPN163B	T	DD 2 A
SPN163E	S	FD 1 C
SPN163F		FD 3 C
SPN163G	S	FD 2 C
SPN165	T	DD 3 C
SPN201	T	DD 2 A
SPNA23	T	BE 3 B
SPNA24	T	BE 3 B
SPURDF	S	CD 1 A
SPX1A	S	AD 3 D
SPX1A	S	BE 0 C
SPX1A	S	CG 3 C
SPX1A	S	CI 1 C
SPX1A	S	FC 1 D
SPX1A3	S	AD 1 C
SPX1E9	T	EA 0 A
SPX2A1	T	AD 3 C
SPX2A1	T	BA 3 C
SPX2A1	T	DE 0 D
SPX2A2	T	DE 0 D
SPX2A3	T	AD 3 C
SPX2A3	T	BA 0 C
SPX2A3	T	DD 0 E
SPX2A4	T	GD 2 E
SPX2A4	T	GP 2 E
SPX2A5	T	BC 1 B
SPX2A6	T	AD 3 C
SPX2A6	T	NA 2 B
SPX2A42	S	GA 1 E
SPX2A42	S	GD 4 D
SPX2A74	T	BE 4 D
SPX2A104	T	FD 0 C
SPX2A114	S	BM 0 C
SPX2A121	S	DD 1 B
SPX2A121	S	FB 1 D
SPX2A121	S	FC 0 C
SPX2A121	S	GD 4 B
SPX2A121	S	GH 3 D
SPX2A121	S	ID 2 B
SPX2A121	S	IE 2 B
SPX2A121	S	IF 1 D
SPX2A200	S	BA 3 C
SPX2A200	S	BD 2 C
SPX2A200	S	EA 3 B
SPX2A200	S	EC 3 B
SPX2A200	S	GA 1 C
SPX2A200	S	GH 3 D
SPX2A200	S	GP 0 C

**VOLVO** Group Trucks Technology

Document title  
WIRING DIAGRAM - TYPE-OL L1EH1

Document type  
PRODUCT SCHEMATIC

Document No

22484611

Issue

05

Volume

2 (2)

Page

38 (42)

0

1

2

3

4

0

1

2

3

4

## REFERENCES

REF	DESCRIPTION	PAGE
SPX2A200	S	IC 2 C
SPX2A200	S	ID 1 B
SPX2A200	S	IE 1 C
SPX2B	T	AD 3 B
SPX2B1	T	AD 3 B
SPX2B1	T	BD 1 B
SPX2B1	T	EA 2 A
SPX2B1	T	EC 3 A
SPX2B1	T	IE 2 A
SPX2B2	T	AA 2 E
SPX2B2	T	AB 3 D
SPX2B2	T	AD 3 B
SPX2B2	T	BE 3 A
SPX2B2	T	GP 3 E
SPX2B2	T	KA 2 D
SPX2B3	T	AD 4 B
SPX2B3	T	GA 2 D
SPX2B3	T	GQ 0 D
SPX2B3	T	NA 3 B
SPX2C	T	KC 2 D
SPX2D16	S	GD 1 D
SPX2G4	S	BE 1 B
SPX2G10	S	BE 0 E
SPX2G13	S	BE 4 C
SPX2N109B	S	FD 1 D
SPX2N109F	S	FD 3 D
SPX3A	T	AD 3 B
SPX3A1	T	AD 3 B
SPX3A1	T	CA 0 B
SPX3A1	T	DD 2 C
SPX3A1	T	FB 0 B
SPX3A1	T	GA 1 D
SPX3A1	T	NB 3 C
SPX3A2	T	AC 2 E
SPX3A2	T	AD 3 B
SPX3A2	T	FC 1 C
SPX3A2	T	GA 4 D
SPX3B	T	AD 3 A
SPX3B	T	BA 3 E
SPX3B	T	BE 1 B
SPX3B	T	BG 2 B
SPX3B	T	EA 2 B
SPX3B	T	EC 2 B
SPX3B2	T	AD 4 A
SPX3B2	T	BA 4 D
SPX3B2	T	DD 0 C
SPX3B3	T	AD 4 A
SPX3B3	T	BG 1 A
SPX3B4	T	BG 2 A
SPX3C	T	AD 3 B

REF	DESCRIPTION	PAGE
SPX3C	T	BG 0 B
SPX3C	T	GH 4 E
SPX3C	T	GO 1 D
SPX3H	T	AD 3 B
SPX3H	T	GD 4 E
SPX4A	T	AD 3 E
SPX4A	T	BE 1 B
SPX4A	T	CI 2 D
SPX4A	T	FB 0 D
SPX4A	T	IC 2 D
SPX4A	T	ID 1 D
SPX4A2	T	AD 3 E
SPX4A2	T	HA 0 C
SPX4A3	T	IC 1 D
SPX4A3	T	ID 3 D
SPX4A5	T	BE 1 B
SPX4A6	T	BE 2 A
SPX4A17	T	AD 4 E
SPX4A17	T	BB 1 B
SPX4A17	T	GA 2 D
SPX4A17	T	NB 1 C
SPX4A18	T	CI 2 C
SPX4B	T	AD 3 E
SPX4B	T	GD 2 E
SPX4C	T	AD 3 D
SPX4C	T	GD 4 E
SPX4C	T	GH 2 E
SPX4C	T	KA 1 D
SPX4D	T	AD 3 E
SPX4D	T	XA 1 D
SPXA1	S	AD 1 B
SPXF1A1	S	AD 1 C
SPXF1A1	S	CD 0 E
SPXF1A1	S	FB 0 E
SPXF1A1	S	HA 0 E
SPXF1A2	S	AD 1 C
SPXF1A2	S	FD 2 E
SPXF1A2	S	GA 4 D
SPXF1A2	S	GF 2 B
SPXF1A3	S	GF 2 D
SPXF1A11	S	FB 2 E
SPXF1A11	S	GF 1 E
SPXF1A11A2	S	GF 2 D
SPXF1A14	S	AD 0 C
SPXF1A14	S	FA 2 E
SPXF1A14	S	GF 2 E
SPXF1A15	S	CG 2 E
SPXF1A15	S	GF 2 D
SPXF1A17	S	CG 2 D
SPXF1A24	S	FA 4 C

**VOLVO** Group Trucks Technology

Document title  
WIRING DIAGRAM - TYPE-OL L1EH1

Document type  
PRODUCT SCHEMATIC

Document No

22484611

Issue

05

Volume

2 (2)

Page

39 (42)

0

1

2

3

4

## REFERENCES

REF	DESCRIPTION	PAGE
SPXF1C	S	AD 1 C
SPXF1C1	S	AD 1 C
SPXF1C1	S	CA 2 C
SPXF1C2	S	AD 1 C
SPXF1C2	S	CA 2 C
SPXF1C2	S	CH 4 C
SPXN109J	S	FD 2 D
SSCTS:A		GH 0 C
SSCTS:B		GH 0 C
SSCTS:C		GH 0 C
SSCTS:D		GH 0 C
SSCTS:E		GH 0 C
SSCTS:F		GH 0 E
SSCTS:G		GH 1 D
SSCTS:H		GH 1 D
SSCTS:J		GQ 2 C
SSCTS:K		GQ 1 C
T30_1_100	J1939	BG 2 C
T30_1_158	GXL 0.8 2	CD 4 B
T30_1_191	J1939	XA 1 B
T30_1_399	J1939	BB 1 C
T30_1_509	J1939	BM 2 D
T30_1_945		BI 0 D
T30_2_100	J1939	BE 2 D
T30_2_158	GXL 0.8 2	CD 3 B
T30_2_175		BI 3 C
T30_2_945	twisted pair	BI 1 D
T30_2_2339	J1939	XA 3 A
T30_2_2384	GXL 0.8 2	CA 3 D
T30_2_Brakes_ABS_V1	J1939	EC 4 C
T30_3_100	J1939	BE 2 D
T30_3_158	GXL 0.8 2	CD 3 B
T30_3_945	J1939	BI 1 C
T30_3_Aftertreatment_V1	GXL 0.8 2	CH 1 B
T30_4_100	J1939	XA 3 B
T30_4_158	GXL 0.8 2	CD 4 B
T30_4_538	GXL 0.8 2	XA 4 D
T30_4_945	J1939	BI 2 C
T30_5_100	J1939	XA 3 D
T30_5_158	GXL 0.8 2	CE 0 C
T30_5_945		BI 1 B
T30_6_100	J1939	XA 3 D
T30_6_158	GXL 0.8 2	XA 0 D
T30_6_175	twisted pair	BI 3 C
T30_6_945		BI 1 B
T30_7_100	J1939	XA 3 C
T30_7_158	GXL 0.8 2	XA 1 D
T30_8_100	J1939	XA 3 B
T30_8_158	GXL 0.8 2	XA 2 D
T30_9_100	J1939	XA 3 B

REF	DESCRIPTION	PAGE
T30_9_158	GXL 0.8 2	XA 3 D
T30_10_100	J1939	BG 2 D
T30_10_2339	GXL 0.8 2	XA 3 E
T30_11_100	J1939	XA 3 B
T30_12_100	J1939	XA 2 C
T30_13_2339	GXL 0.8 2	XA 4 E
T30_17_2339	GXL 0.8 2	CA 3 C
T30_18_2339	GXL 0.8 2	CA 3 C
T30_19_2339	GXL 0.8 2	CA 3 D
T30_21_175	J1939	XA 3 C
T30_21_2339	GXL 0.8 2	CA 3 C
T30_22_2339	J1939	DD 4 D
T30_23_175	J1939	XA 3 C
T30_28_2339	J1939	EA 3 B
T30_29_2339	J1939	EA 3 C
T30_31_2339	J1939	BB 1 C
TC40-1_57		DC 0 B
TC40-1_100		BE 2 D
TC40-1_175		BI 3 C
TC40-1_538		CH 2 C
TC40-1_807		EC 3 D
TC40-1_863		EA 2 D
TC40-1_945		BI 0 D
TC40-1_2968		DC 0 B
TC40-2_57		DC 0 B
TC40-2_100		BG 2 C
TC40-2_175		XB 4 C
TC40-2_538		CA 0 D
TC40-2_863		EA 2 D
TC40-2_2968		DC 0 B
TC40-3_57		DC 0 B
TC40-3_100		BG 2 D
TC40-3_175		XB 4 D
TC40-3_538		CH 3 C
TC40-3_807		EC 3 D
TC40-3_863		EA 2 C
TC40-3_2968		DC 0 B
TC40-4_100		BE 2 D
TC40-4_175		XB 4 C
TC40-4_807		EC 3 D
TC40-4_863		EA 2 D
TC40-4_2339		BB 1 C
TC40-5_175		XB 4 C
TC40-5_807		EC 3 D
TC40-5_863		EA 2 D
TC40-5_2384		EA 0 D
TC40-6_175		XB 4 B
TC40-6_807		EC 0 D
TC40-6_863		EA 2 D
TC40-6_2384		EA 1 D

## REFERENCES

REF	DESCRIPTION	PAGE
TC40-6 3180		DE 1 D
TC40-7 57		DC 0 D
TC40-7 175		XB 3 D
TC40-7 807		EC 1 D
TC40-7 863		EA 2 C
TC40-7 3180		DD 2 D
TC40-8 57		DC 0 D
TC40-8 175		XB 4 B
TC40-8 807		EC 0 B
TC40-8 863		EA 2 D
TC40-9 57		DC 0 D
TC40-9 175		XB 4 B
TC40-9 807		EC 1 B
TC40-9 3180		DD 4 D
TC40-9 Brakes_ABS_V1		EC 0 C
TC40-10 57		DC 0 D
TC40-10 175		XB 4 D
TC40-10 807		EC 0 B
TC40-10 Brakes_ABS_V1		EC 1 C
TC40-11 175		XB 4 D
TC40-11 807		EC 1 B
TC40-11 Brakes_ABS_V1		EC 1 C
TC40-12 175		DD 2 D
TC40-12 2339		GG 1 C
TC40-12 Brakes_ABS_V1		EC 0 C
TC40-13 175		XB 4 B
TC40-13 Brakes_ABS_V1		EC 3 C
TC40-14 175		DE 2 D
TC40-14 Brakes_ABS_V1		EC 3 C
TC40-15 175		DD 3 E
TC40-16 175		XB 1 D
TC40-17 175		XC 2 C
TC40-18 175		XB 1 C
TC40-19 175		XB 2 B
TC40-20 175		XB 1 B
TC40-21 175		XB 2 C
TC40-22 175		XB 1 C
TC40-23 175		XB 1 B
TC40-24 175		XB 2 C
TC40-25 175		XC 3 C
TC40-26 175		XC 1 B
TC40-27 175		XB 1 C
TC40-28 175		XC 1 B
TC40-29 175		XB 1 D
TC40-37 2339		EA 1 D
TC40-39 2339		EA 1 D
TC40-40 2339		EA 1 C
TC40-41 2339		EA 0 D
TC40-42 2339		EA 0 C
TC40-44 2339		EA 0 D

REF	DESCRIPTION	PAGE
TC40-45 2339		EA 1 B
TC40-46 2339		EA 1 C
TC40-48 2339		EA 1 B
TC40-50 2339		EA 1 C
TC40-51 2339		EA 1 B
TC40-52 2339		EA 1 B
TC 1 732		CA 2 A
TC 3 541		CA 3 A
TLBU:A		GF 3 C
TLBU:B		GF 3 C
TRPTO:A		FD 2 B
TRPTO:B		FD 1 C
TRPTO:C		FD 1 E
V03	Diode	GD 1 C
V33	Diode	BF 2 C
V34	Diode	DD 3 C
V35	DIODE, METHANE DETECTION	CI 0 D
WL:A		GD 0 B
WL:B		GD 1 B
WL:C		GD 1 D
X0C	SPLICE PACK, ILLUMINATION, SEE DIAGRAM GH BA 3 A	BA 3 A
X0C	SPLICE PACK, ILLUMINATION, SEE DIAGRAM GH GH 4 A	GH 4 A
X0C	SPLICE PACK, ILLUMINATION, SEE DIAGRAM GH HA 1 A	HA 1 A
X01	Connector, vehicle diagnostics	XA 1 C
X01	Connector, vehicle diagnostics	XC 2 C
X1 C2	STUD, CAB GND #1	AD 3 D
X1 C5	STUD, CAB GND #1 ALLISION	AD 3 D
X01A	Connector, vehicle diagnostics 16 poles	XA 1 C
X01A	Connector, vehicle diagnostics 16 poles	XB 1 D
X01A	Connector, vehicle diagnostics 16 poles	XC 2 C
X2 C1	BOLT, LEFT CAB GND #2 STANDARD	AD 3 C
X2 C4	BOLT, LEFT CAB GND #2 MAIN	AD 3 C
X2 C6		AD 3 C
X3 C1	BOLT, RIGHT CAB GROUND #3	AD 3 B
X3 C2	BOLT, RIGHT CAB GROUND #3	AD 3 B
X3 TGW:A		BI 0 C
X4 C1	X4 JUNCTION, TERMINAL,	AD 2 E
X4 C2	STUD, CAB GND #1	AD 2 E
X4 C3		AD 2 D
X06D	CONNECTOR, ALLISON BODY BUILDER	BH 0 C
X06D	CONNECTOR, ALLISON BODY BUILDER	BM 1 A
X07A	POWER OUTLET #1	KC 1 C
X10	B+ pass through, Cab	AC 3 E
X10 C1	L.H. CAB B+ STUD	AC 4 C
X11	Connector, Engine	CA 0 C
X11	Connector, Engine	HA 0 E
X11A	CONNECTORS CUMMINS ISL G ENGINE INTERFACE	CE 0 C
X18	Fusible Link	AD 1 B
X21A	Socket, Body builder connector	BC 0 C
X21A	Socket, Body builder connector	BM 1 B

REFERENCES

REF	DESCRIPTION	PAGE
X21C	Socket, Body builder connector	CE 3 E
X34	JUNCTION, CB BINDING POST	KC 2 C
X43_C1	WORK LAMP, TERMINAL, LEFT "+"	GD 0 C
X43_C2	WORK LAMP, TERMINAL, LEFT "-"	GD 0 C
X44_C1	WORK LAMP, TERMINAL, RIGHT "+"	GD 1 B
X44_C2	WORK LAMP, TERMINAL, RIGHT "-"	GD 1 C
X48	Plug, Engine starting	AC 1 B
X71	GROUND, ENGINE BLOCK, ALTERNATOR, PRE-HE	AD 0 D
X110	Split Connector, ground	AD 2 B
X111	Split Connector, ground	AD 4 C
X111	Split Connector, ground	BC 1 B
X111	Split Connector, ground	CI 1 D
X111	Split Connector, ground	GD 2 B
X111	Split Connector, ground	HA 1 B
X135	Chassis Ground Stud	AD 1 C
X136	Cab Passthrough Ground Stud	AD 2 C
X137	Cab Ground Stud	AD 2 C
X137A	STUD CAB GROUND	AD 2 E
X140	Battery Box Ground Stud	AD 1 B
X141	CONNECTOR SHORE POWER BLOCK HEATER	CC 2 B
X175	JUNCTION BLOCK 14 POST MAIN	BI 1 A
X175	JUNCTION BLOCK 14 POST MAIN	BM 3 B
X175	JUNCTION BLOCK 14 POST MAIN	GG 2 C
X175	JUNCTION BLOCK 14 POST MAIN	NA 1 A
X175_C1_1:A		BM 3 B
X175_C2_1:A		BM 3 B
X175_C3_1:A		BM 3 B
X175_C4_1:A		BM 3 B
X175_C5_1:A		BM 3 B
X175_C6_1:A		BM 3 B
X175_C7_1:A		BM 0 B
X175_C10_1:A		BM 1 D
X178	JUNCTION BLOCK 5 POST OPTIONS	BM 1 B
X178	JUNCTION BLOCK 5 POST OPTIONS	NB 1 B
X178_C2_1:A		BM 0 B

REF	DESCRIPTION	PAGE
X179	JUNCTION BLOCK 4 POST BODY BUILDER	BM 4 B
X179	JUNCTION BLOCK 4 POST BODY BUILDER	KA 0 C
X179	JUNCTION BLOCK 4 POST BODY BUILDER	NB 3 D
X179_C2_1:A		BM 4 B
X179_C3_1:A		BM 4 B
X179_C4_1:A		BM 1 D
X194	CONNECTOR,TGW BODYBUILDER INTERFACE	BI 0 D
XBB	STUD, CHASSIS GROUND AT BODY BUILDER BRAC	BM 4 D
XBB_C1		BM 4 C
Y05	Solenoid valve, bogie lift	FB 0 D
Y11	Solenoid valve unit, ABS, front left	EA 0 B
Y11	Solenoid valve unit, ABS, front left	EC 1 D
Y12	Solenoid valve unit, ABS, front right	EA 1 B
Y12	Solenoid valve unit, ABS, front right	EC 1 D
Y13	Solenoid valve unit, ABS, rear left	EA 1 D
Y13	Solenoid valve unit, ABS, rear left	EC 1 B
Y14	Solenoid valve unit, ABS, rear right	EA 2 D
Y14	Solenoid valve unit, ABS, rear right	EC 1 B
Y15	Solenoid valve unit, ABS, lhs. 3:rd axle	EA 3 D
Y15	Solenoid valve unit, ABS, lhs. 3:rd axle	EC 3 D
Y16	Solenoid valve unit, ABS, rhs. 3:rd axle	EA 3 D
Y16	Solenoid valve unit, ABS, rhs. 3:rd axle	EC 3 D
Y18A	Solenoid valve, PTO1 (Power Take Off)	FC 1 D
Y35	Solenoid valve, engine cooling fan	CA 1 C
Y35A	SOLENOID ENGINE FAN	CE 4 D
Y42	Clutch, magnetic, air conditioning compr	HA 0 E
Y51	Solenoid valve, Air dryer	FA 4 C
Y57	Solenoid valve, Automatic Traction Contr	EA 1 D
Y57	Solenoid valve, Automatic Traction Contr	EC 2 B
Y62	Solenoid valve, TCM backup	DC 0 C
Y80	Solenoid valve, AdBlue dosing unit	CH 3 A
Y81	Solenoid valve, AdBlue tank heating	CH 2 D
Y95	SOLENOID HIGH NG PRESSURE LOCKOFF	CG 4 D
Y137	Mega valve unit	FB 1 D
Y168	SOLENOID, PARKER PTO	FD 3 C