

VOLKSWAGEN

MODEL IDENTIFICATION

Before making an estimate or using any prices listed, it is recommended that the vehicle first be identified by the chassis number. Then, referring to the chart listed below, find the model and chassis number.

CHASSIS NUMBER LOCATION

BEETLE, SUPER BEETLE & THING –
On identification plate and on frame tunnel under rear seat.

GHIA –
On frame tunnel under the emergency seat.

FASTBACK-SQUAREBACK –
On frame tunnel under the rear seat.

411 (TYPE 4) –
On identification plate under rear seat between inner seat belt mountings.

TRUCK & BUS –
On engine cover plate under the air cleaner.

DASHER –
In engine compartment on front partition above windshield washer container.

RABBIT & SCIROCCO –
On the suspension strut mounting at right front wheelhouse.

VANAGON –
On plate under vehicle on right side of front crossmember.

JETTA & QUANTUM
In engine compartment on cowl top panel.

ENGINE NUMBER LOCATIONS

BEETLE-SUPER BEETLE-GHIA –
On crankcase at the generator support flange.

FASTBACK-SQUAREBACK –
On the crankcase beside the joint near the oil cooler.

411 (TYPE 4) –
On right hand crankcase half below the breather support.

TRUCK & BUS –
On the crankcase flange under the generator support.

THING –
On crankcase at generator support flange.

DASHER-RABBIT-SCIROCCO –
On left hand side of engine block above fuel pump.

VANAGON –
On right hand crankcase behind fan housing.

JETTA –
On engine block, under glow plug cylinder 3.

STARTING CHASSIS NUMBERS

BEETLE (TYPE 1)					
1968	118000001				
1969	119000001				
1970	110200001				
1971	111200001				
1972	112200001				
1973	113200001				
1974	114200001				
1975	115200001				
1976	116200001				
1977	117200001				
1978	118200001				
SUPER BEETLE (TYPE 1)					
1971	111200001				
1972	112200001				
1973	133200001				
1974	134200001				
1975	135200001				
1976	156200001				
1977	157200001				
1978	158200001				
1979	159200001				
GHIA (TYPE 1)					
1968	148000001				
1969	149000001				
1970	140200001				
1971	141200001				
1972	142200001				
1973	143200001				
1974	144200001				
THING					
1971	181200001				
1972	182200001				
1973	183200001				
1974	184200001				
1975	185200001				
		TRUCK & BUS (TYPE 2)			
		1968	218000001		
		1969	219000001		
		1970	210200001		
		1971	211200001		
		1972	212200001		
		1973	213200001		
		1974	214200001		
		1975	215200001		
		1976	216200001		
		1977	217200001		
		1978	218200001		
		1979	219200001		
		FASTBACK-SQUAREBACK (TYPE 3)			
		1968	318000001		
		1969	319000001		
		1970	310200001		
		1971	311200001		
		1972	312200001		
		1973	313200001		
		411 & 412 (TYPE 4)			
		1969	419000001		
		1970	410200001		
		1971	411200001		
		1972	412200001		
		1973	413200001		
		1974	414200001		
		DASHER			
		1974	3242011947		
		1975	325200001		
		1976	326200001		
		1977	327200001		
		1978	328200001		
		1979	329200001		
		1980	32A000001		
		1981	32B900001		
				RABBIT	
				1975	1753025868
				1976	176300001
				1977	177300001
				1978	178300001
				1979	179300001 (Imported)
				1979	1793750050 (Domestic)
				1980	15A080001 (Imported)
				1980	17A0750001 (Domestic)
				1981	15B000001 (Imported)
				1981	17B000001 (Domestic)
				1982	15C000001 (Imported)
				1982	17C000001 (Domestic)
				1983	15D000001 (Imported)
				1983	17D000001 (Domestic)
				PICK-UP	
				1980	17A0705001
				1981	17B000001
				1982	17C000001
				1983	17D000001
				SCIROCCO	
				1975	535200001
				1976	536200001
				1977	537200001
				1978	538200001
				1979	539200001
				1980	53A000001
				1981	53B000001
				1982	53C000001
				1983	53D000001
				JETTA	
				1980	16A000001
				1981	16B000001
				1982	16C000001
				1983	16D000001
				VANAGON	
				1980	24A000001
				1981	24B000001
				1982	24C000001
				1983	24D000001
				QUANTUM	
				1982	32C000001
				1983	32D000001

VOLKSWAGEN

BODY TYPE NUMBER LOCATION

- BEETLE & SUPER BEETLE** –
On a plate on reinforcement panel in front luggage compartment (behind spare wheel or on front cross panel for model "1301" & "1303")
- 411 (TYPE 4)** –
Under front panel beside the hood lock.
- GHIA-FASTBACK-NOTCHBACK-SQUAREBACK** –
On identification plate in front luggage compartment besides spare wheel.
- TRUCK & BUS** –
On identification plate on partition behind passenger seat.
- THING** –
On identification plate under front panel beside hood lock.
- DASHER** –
On right hand wheelhouse in the engine compartment.
- RABBIT – SCIROCCO – JETTA** –
On the front lock carrier to right of hood lock.
- VANAGON** –
On identification plate on right hand hinge pillar.

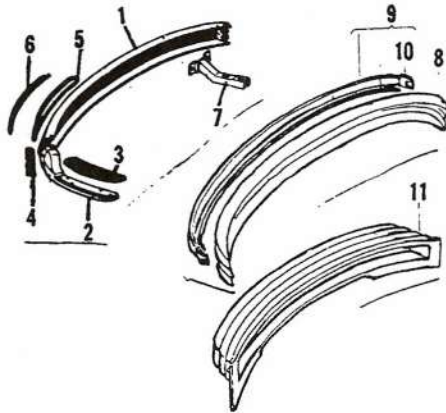
BODY TYPES

BEETLE	111	Standard Sedan			
	113	DeLuxe Sedan			
	115	Standard Sedan, w/sliding Roof			
	117	DeLuxe Sedan, w/sliding Roof			
	151	Convertible			
SUPER BEETLE	To July, 1972 (1302)–				
	113	DeLuxe Sedan			
	117	DeLuxe Sedan, w/sliding Roof			
	151	Convertible			
	From August 1972 (1303) –				
	133	DeLuxe Sedan			
GHIA	141	Convertible			
	143	Coupe			
TRUCK & BUS	211	DELIVERY VAN, Sliding Door Right			
	215	DELIVERY VAN, Sliding Door Right & Left			
	221	MICRO-BUS			
	225	MICRO-BUS, w/sliding Roof			
	231	KOMBI			
	235	KOMBI, w/sliding Roof			
	241	MICRO-BUS "L"			
	251	MICRO-BUS "L" 7 seater			
	261	Pick-Up, Single Cab			
	265	Pick-Up, Double Cab			
281	MICRO-BUS, 7 Seater				
285	MICRO-BUS, 7 Seater, w/sliding Roof				
FASTBACK	311	Sedan			
	313	Sedan, w/sliding Roof			
SQUAREBACK	365	Variant			
	367	Variant, w/sliding Roof			
411 & 412	421	4-Door Sedan "L"			
	461	2-Door Station Wagon "L" (Variant)			
DASHER	321	2-Door Sedan			
	323	4-Door Sedan			
	331	Station Wagon			
THING	181	4-Door			
RABBIT	171	2-Door Sedan (Imported Version)			
	173	4-Door Sedan (Imported Version)			
	175	2-Door Sedan (Domestic Version)			
	177	4-Door Sedan (Domestic Version)			
	155	2-Door Convertible			
	179	Pick-Up			
SCIROCCO	531	Coupe			
VANAGON	255	Micro-Bus			
JETTA	161	2-Door Sedan	QUANTUM	321	2-Door
	163	4-Door Sedan		327	4-Door
				331	4-Door, Square Back

1979-68 VW BUS & TRUCK

Information in the "GUIDE TO ESTIMATING" pages must be used with the text below to prepare a complete estimate.

FRONT BUMPER



FRONT BUMPER-1968-72

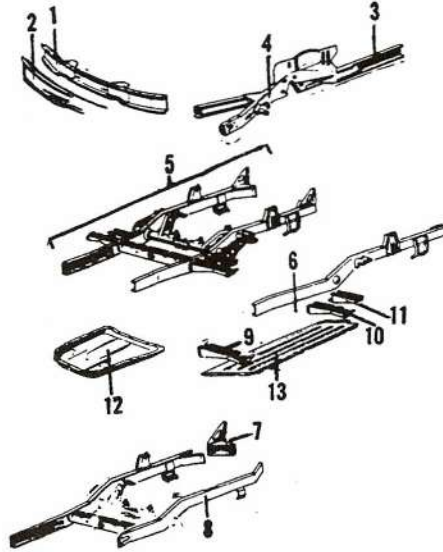
Assembly R&I	0.5		
Overhaul			
w/o guards	1.1		
w/guards	1.3		
Face bar			
1 center	(p.4) 104.05	0.8	21170711B
2 side	(p.4) RT 65.60	0.2	211707114
	(p.4) LT 65.60	0.2	211707113
3 step pad	RT 13.30	0.2	211707292
	LT 13.30	0.2	211707291
4 joint cover (rubber)	D 0.00		211707197
Guard & cushion	D 8.40	0.2	ZVW151812
cushion	D 1.85		ZVW151822
5 Trim midg	68-69 RT D 41.70		241707212B
	68-69 LT D 41.70		241707211D
	70-72 RT D 54.00		241707212C
	70-72 LT D 58.00		241707211E
6 rubber insert	68-70 D 14.00		241707221C
	71-72 D 14.00		241707221B
7 Mounting bracket	RT 16.75		211707136M
	LT 16.75		211707135E

FRONT BUMPER, 1973-79

Assembly R&I	0.5		
Overhaul			
8 Face bar, prime	164.95 # 1.5		211707111J
chrome	461.50 # 1.5		211707111
9 Rubber cush & end caps	71.95		241707221E
10 end caps	8.85		241707219
11 Deformation element	186.45	3.0	211707271

Time is for overhaul.

FRAME



1968-71

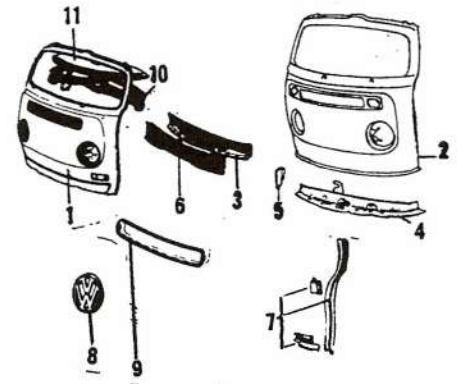
1 Front crossmember	59.60 # 2.5	211703071G	
2 cover plate	33.40	211805257	
3 Sidemember, outer	68-69 RT D150.00 # 10.0	211703022B	
	68-69 LT D150.00 # 10.0	211703021B	
	70-71 RT 249.15 # 10.0	211703022D	
	70-71 LT 249.15 # 10.0	211703021D	
4 inner	RT D132.00 # 6.0	21170304A	
	LT D132.00 # 6.0	21170303A	
5 Rear, assembly	D471.10	211703051C	
6 sidemember, outer	RT D 88.00 # 8.0	211703110A	
	LT D 88.00 # 8.0	211703109A	
7 bracket	D 11.00	211703591	
8 inner	D 48.00 # 4.0	211703459	
9 Outrigger, front	RT 65.45	211703116	
	LT 65.45	211703115	
10 center	65.45	211703119A	
11 rear	9.20	211703163	
12 Cover plate, front	51.90	0.5	211703611H
13 side, under floor	RT 58.55		215703706G
	LT 58.55		215703705G

1972-79

1 Front crossmember	72	59.60 # 2.5	211703071G
	73-79	96.95 # 3.5	211703561D
2 cover plate	72	33.40	211805257
3 Sidemember, outer	72-73 RT 249.15 # 10.0	211703022D	
	72-73 LT 249.15 # 10.0	211703021D	
	74-79 RT 249.15 # 10.5	211703022E	
	74-79 LT 249.15 # 10.5	211703021E	
4 inner	72 RT D132.00 # 6.0	211703304A	
	72 LT D132.00 # 6.0	211703303A	
	73-79 RT 188.90 # 6.0	211703304C	
	73-79 LT 188.90 # 6.0	211703303C	
5 Rear assy	72	D471.10	211703051C
	73-76	D584.00	211703051E
use separate parts			
6 sidemember, outer	RT 129.35 # 8.0	211703110D	
	LT 129.35 # 8.0	211703109D	
8 inner	RT 88.65	211703460E	
	LT 79.30	211703459E	
crossmember, rear	67.45 # 3.0	211703655B	
gusset plate		211703655B	
9 Outrigger, front	65.45	211703115	
10 center	RT 65.45	211703120A	
	LT 65.45	211703119A	
11 rear	9.20	211703163	
12 Cover plate, front	51.90	0.5	211703611H
13 side, under floor	RT 58.55		215703706G
	LT 58.55		215703705G

After necessary dismantling.
\$ After outer rail is removed.
† After all bolted-on parts are removed.

FRONT STRUCTURAL COMPONENTS, GLASS & LAMPS



FRONT PANEL & W/SHIELD

Front panel				
1 wo/air duct	(p.3.7) 68-72	491.90 # 19.5	211805035H	
2	(p.3.7) 73-79	491.90 # 19.5	211805035J	
w/air duct	(p.3.7)	726.00 # 19.5	211805031AJ	
3 reinf, lwr to floor	68-72	D 38.00	211805331D	
4	73-79	50.35	211805331F	
5 extension	73-79 RT	5.50	211805268	
	73-79 LT	5.50	211805267	
cover plate	68-72	33.40	0.5	211805257
6 lower plate		71.50	211805269	
7 hinge pillar	(p1.0) 68-72	D142.00 # 9.0	211809201F	
	(p1.0) 73-79	224.35 # 9.0	211809201E	
conn piece, upper		8.20	211809269	
lower	72	10.15	211809249B	
	73-79	10.15	211809249C	
8 Emblem, VW, painted	68-72	37.75	0.2	211853601C
	73-79	9.55	0.2	211853601E
chrome	68-72	D 31.00	0.2	241853601B
	73-79	35.10	0.2	241853601E
Air intake grille	68-72	55.25		211259161
	73-79	38.55		211259163A
9 trim frame		61.90	0.5	241853215
screen	68-79	27.50		211259165A
Windshield				
glass, VW, Clear		169.85 †	1.6	211845101K
Sunshade		426.30 †	1.6	221845101
NAGS, clear		220.25 †	1.6	FCW201C
Sunshade		264.15 †	1.6	FCW201S
rubber chnl	68-71	57.00		241845121B
	72-79	58.00		211845121D
moulding, reveal		10.05		25585345A
joint		1.00		315853009
Mirror, inside	68-69	61.85	0.2	211857501A
	70-71	60.30	0.2	211857501K90V
	72-79	60.30	0.2	211857501J
Wiper arm	68	10.95	0.1	211955407C
	69-72	15.00	0.1	211955409A
	73-79	17.70	0.1	211955409B
blade	68	13.80	0.1	147955425B
	69-72	10.15	0.1	161955425
	73-79	5.20	0.1	176955425A
motor	68-72	189.75	1.0	211955113H
	73-79	172.40	1.0	211955113Q
washer reservoir		27.60	0.4	211955453B
pump		33.00		823955651
Instrument panel				
10 padded				
to 2142164060		320.85 †	3.3	211805045F
fm 2146164060		320.85 †	3.3	211805045B041
unpadded				
to 2142164060		D135.00 †	2.1	261805051G
fm 2142164060		146.70 †	2.1	211805051AP
padded strip		120.20	1.1	211857205B041
grab handle		12.00	0.3	211857643B041
plate, top cover		108.95 †	1.6	211805155D
Glove box door		63.85		221857121A041

CONTINUED

1979-68 VW BUS & TRUCK

Information in the "GUIDE TO ESTIMATING" pages must be used with the text below to prepare a complete estimate.

FRONT STRUCTURAL COMPONENTS, GLASS & LAMPS (CONT)

HEADLAMP			
Aim headlamps			0.2
Assy, wo/door & seal beam			
68-73 RT	D 49.55	0.4	211941042
68-73 LT	D 49.55	0.4	211941041
order component parts			
Mtg ring & hsg	RT 38.10		321941045
	LT 50.55		111941045
Door, chrome	RT 22.50	0.1	211941176C
	LT 24.55	0.1	211941175C
silver	RT 22.50	0.1	211941176C
	LT 24.55	0.1	211941175C
Seal beam		12.30	0.2
retaining ring			
chrome		21.50	
silver			
to 2172100001		14.30	111941049
fm 2172100001		14.15	111941049A
PARKING LAMP			
Body	68 RT D 12.00	0.2	211953052E
	68 LT D 12.00	0.2	211953051E
	69-72 RT 21.80	0.2	211953052K
	69-72 LT 21.80	0.2	211953051K
	73-79 58.75	0.2	211953163D
Lens	68-71 RT 37.75	0.1	211953142J
	68-71 LT 37.75	0.1	211953141J
	72 RT 31.65	0.1	211953142P
	72 LT 31.65	0.1	211953141P
	73-79 15.85	0.1	211953141T
gasket	68-72 4.85		211953165C
	73-79 3.40		211953165D
Bulb	68-72 1.10		N0177382
	73-77 1.35		N0177322

Cut in w/shld opng or below opening 15.5. Refinish 3.0.
 \$ After front panel is removed 4.0.
 † With reveal mldgs, add .2.
 ‡ With air cond add .8.

AIR CONDITIONER & HEATER

With any operation requiring a coolant line disconnect, add .9 to recharge system & add for freon.

AIR COND-1968-69

Condenser, early	68-69 D 69.30	0.7	ZVW217310
late	69 D 126.45	0.7	ZVW217312
hsg, upr, early	68-69 D 16.15		ZVW217307
late	69 D 0.00		ZVW217317
lwr, early	68-69 D 29.35		ZVW217305
late	69 D 0.00		ZVW217318
scoop	D 42.60		ZVW217308
motor, early	68-69 D 40.80	0.3	ZVW225318
late	69 D 14.70	0.3	ZVW217324
mount, early	68-69 D 1.95		ZVW217320
late	69 D 2.00		ZVW217313
fan, early	68-69 D 2.55	0.3	ZVW217322
late	69 D 0.00	0.3	ZVW217309
screen, early	68-69 D 2.05		ZVW217323
late	69 D 0.00		ZVW217316
Receiver & dehydrator	D 11.70	0.4	ZVW217433
Compressor	D 100.55	0.8	ZVW217102
clutch & pulley	68 D 83.00	0.4	ZVW215130
	69 D 110.00	0.4	ZVW217130
pulley only	D 21.20		ZVW217132
coil	D 22.25		ZVW215131
mounting brkt	68 D 13.30		ZVW217202
	69 D 13.25		ZVW217212
brace, side	68 D 7.50		ZVW217207
	69 D 8.00		ZVW215201
front	69 D 4.15		ZVW215202
Pulley, driving	D 10.60	0.5	ZVW215229
idler	68 D 12.90	0.3	ZVW215235
bracket	D 9.30		ZVW217208
support	D 6.85		ZVW217209
Belt	17.40	0.3	ZVW217221
Hose			
comp to cond	D 45.00		ZVW217402
comp to evap	D 46.00		ZVW217412
cond to dehyd	68 D 12.00		ZVW217404
	69 D 0.00		ZVW217405
dehyd to evap	68 D 15.00		ZVW217408

tube	69 D 28.00		ZVW217403
	68 D 1.40		ZVW217406
Evaporator core	D 75.40	0.8	ZVW217006
motor	D 15.65	1.1	ZVW217020
fan, wheel	D 3.75		ZVW217018
Valve			
expansion	29.75	0.5	ZVW231057
comp, high press	9.55		059260865
low press	10.60		059260855

AIR COND-1970-73 TO SER NUMBER 22-301707

Condenser	D 147.80	0.1	ZVW227310
hsg, upper	D 49.70		ZVW227304
motor	53.85	0.3	ZVW227318
mount	D 1.50		ZVW227320
fan blade	8.70	0.3	ZVW216312
screen, front	D 37.90		ZVW227325
rear	D 13.60		ZVW227329
Receiver-dehyd	31.10	0.4	
	31.10	0.4	
Compressor	303.45	0.8	059260805
clutch & pulley	D 63.00	0.4	ZVW215130
pulley only	88.80		ZVW218132
coil	D 22.25		ZVW215131
mounting brkt	70 D 13.25		ZVW217212
	71 D 16.80		ZVW232200
	72-73 D 45.00		ZVW234239
brkt, side	70 D 8.00		ZVW215201
	71 D 10.05		ZVW232212
	72-73 D 14.15		ZVW402225
front	70 D 4.15		ZVW215202
	71 9.75		ZVW424213
Pulley, driving	70-71 D 11.85	0.5	ZVW225202
	72-73 21.40	0.5	255272807
belt	70 D 16.10	0.3	ZVW227221
	71 20.10	0.3	ZVW232221
	72-73 18.55	0.3	ZVW219222
Hose, comp to cond	70 D 36.00		ZVW227402
	71 D 28.00		ZVW232402
	72-73 D 30.00		ZVW219400
comp to evap	70 D 67.00		ZVW227412
	71 D 50.00		ZVW232412
	72-73 D 55.00		ZVW219415
cond to dehyd	71-72 D 0.00		ZVW227411
	72-73 D 0.00		ZVW252406
dehyd to evap	D 27.00		ZVW227408
Evaporator core	70-71 D 126.45	0.8	ZVW227010
motor	D 35.70	1.1	ZVW227020
fan, wheel	D 25.60		ZVW227018
Valve, expansion	34.25	0.5	803260109
comp, high pressure	9.55		059260865
low pressure	10.60		059260855

AIR COND-1973-79, FROM SERIAL NUMBER 22-301707

SEE PREVIOUS SECTION EXC			
Condenser, front	52.60		
	76-79 106.80		ZVW432336
rear	68.10		
	76-79 115.35		ZVW432310
housing, upper, rear	D 22.50		ZVW402302
motor, each	53.85		ZVW227318
mount	8.80		ZVW402324
fan blade, each	8.70		ZVW216312
screen, front	D 28.60		ZVW402332
rear	D 40.10		ZVW402311
Receiver & dehydrator	31.10	0.4	

HEATER 44-47-50 B.H.P.

Heat exchanger	130.00	1.5	043255106F
hose, to fan housing	6.00		028129087A
warm air, front	39.00		211255387
Pipes, rear section			
fork piece	68-72 24.55		211255755C
	73-79 57.00		211255755F
rear of fork	68-71 RT D 19.55		211255766F
	68-71 LT D 19.55		211255765F
front of fork	68-72 17.30		211255785A
	73-79 56.20		211255785F
Pipes, front section			
warm air cond	68 D 2.20		211255477
	69-72 20.75		211255477A

vent, upper	68 D 3.45		211255477B
	69-72 RT 10.75		211255476A
	69-72 LT D 9.65		211255475A
	73-74 10.20		211255475B
distributor		61.65	221255881D
elbow	68-75 21.25		211255805B
	76 13.75		211255805C
front		25.15	211255815B
center		39.60	211255825B
rear	68-72 D 21.00		221255795
	73-79 29.20		211255795

62-66-68 B.H.P.

SEE PREVIOUS SECTION EXC

Heat exchanger			
62 & 66 BHP	260.20	1.5	021256091M
68 bhp	260.20	1.5	021256091J
conn pipe, hot air	RT 20.15		021256332A
	LT 19.35		021256331A
elbow	RT 24.95	0.6	0212568052B
	LT 24.95	0.6	0212568051B
heat control box	RT 55.05	0.6	021256206K
	LT 55.05	0.6	021256205K
warm air hose	39.00		211255387
bracket, rear	RT 8.90		021256304A
	LT 1.60		021256303B

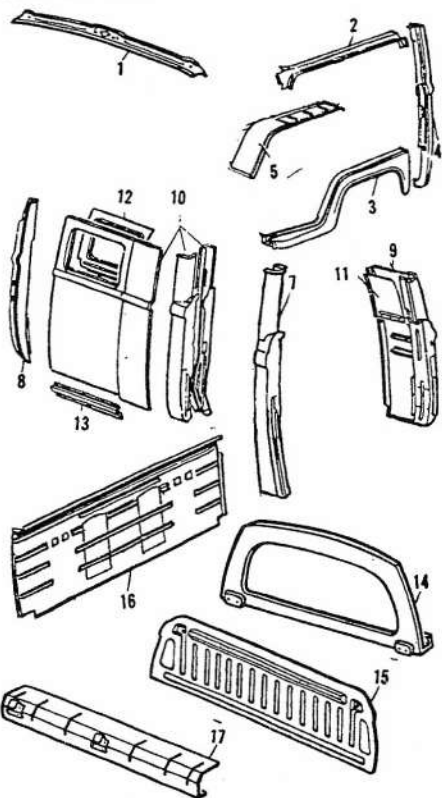
70 BHP

Models wo/ catalyst			
heat exchanger	68-74 260.20		021256091M
	75 260.20		021256091T
control box	RT 55.05		021256206K
	LT 55.05		021256205K
elbow, front	39.60		021256051C
conn pipe to fan	68-74 20.15		021256332A
	75-77 20.15		021256332B
flex hose	39.00		211255387
Models w/ catalyst			
heat exchanger	260.20		021256091T
pipe, exhaust	220.55		021251551
afterburner	197.00		021251201
control box	55.05		021256205K
elbow, front	39.60		021256051C
conn pipe to fan	20.15		021256332B
flex hose	39.00		211255387

1979-68 VW BUS & TRUCK

Information in the "GUIDE TO ESTIMATING" pages must be used with the text below to prepare a complete estimate.

CAB ASSEMBLY



VAN

Rails					
1	front, above w/shld	29.15	# 1.8	211805283A	
2	side, above door	65.80	# 2.0	211817518D	
		65.80	# 2.0	211817517D	
3	Rocker panel	184.50	# 5.0	211809502B	
	(p1.0) 68-71 RT	184.50	# 5.0	211809501B	
	(p1.0) 72 RT	221.05	# 5.0	211809502C	
	(p1.0) 72 LT	221.05	# 5.0	211809501C	
	(p1.0) 73-79 RT	221.05	# 5.0	211809502D	
	(p1.0) 73-79 LT	221.05	# 5.0	211809501D	
4	Lock pillar	164.60	† 5.5	241809252	
	RT	164.60	† 5.5	241809251	
5	Wheelhouse	45.00	† 3.5	211801326L	
	68-71 RT	45.00	† 3.5	211801325L	
	68-71 LT	32.75	† 3.5	211801325P	
	72-79 RT	80.70	† 3.5	211801326P	
	72-79 LT	80.70	† 3.5	211801325P	
PICK-UP, SEE VAN, EXC					
Rails, side above door					
6	single cab	59.55	# 2.0	261817518B	
	LT	59.55	# 2.0	261817517B	
	double cab, front	65.80	# 2.0	211817518D	
	LT	65.80	# 2.0	211817517D	
	rear	28.35		265817536D	
Lock pillar					
7	single cab	172.80	† 5.0	261809252G	
	(p1.0) RT	172.80	† 5.0	261809251F	
	(p1.0) LT	172.80	† 5.0	265809252	
8	double cab	172.80	† 5.0	265809251	
	(p1.0) RT	164.60	† 5.0	26580924B	
9	Corner pnl, otr	324.05	11.0	265809073C	
	(p1.5) LT	381.40	14.0	265809944	
10		20.05		265809405A	
11	inr	68.05		265809585C	
12		25.85			
Sill, below pnl					
Back panel					
4	upper	122.80		261805421D	
5	center	74.00		261805431B	
	72-79	37.50		261805431C	
6	lower	121.15		261801081H	
7	x-mbr btwn upr & ctr	25.85		261805441C	

glass, w/o heated	D 46.00	1.2	261845501D
w/ heated	217.25	1.2	261845495C
weatherstrip	34.30		261845521A
* After roof panel is removed.			
† With hinge or lock pillar removed 3.5.			
‡ After side panel is removed 2.5.			
§ After outer panel is removed.			

FRONT DOOR

SINGLE CAB

Assembly R & l		0.8	
Door w/hinges (p2.5)	469.35	# 3.0	211831056
W' strip around door	63.45	0.3	211831721D
Moulding			
side front (d.2)	D 5.00	0.2	241853511B
rear (d.1)	D 10.00	0.1	241853515
window reveal	68-73	61.60	211853321
	74-77	61.60	211853321B
Mirror, outside, std			
pick-up, long top		20.85	211857513H
		0.3	261851513A
Glass, clear			
tinted	68-79	100.80	221845201A
sash channel		5.15	211837571A
regulator		45.15	211837501
regulator		45.15	241837403
Vent frame & w' strip			
glass w/channel & handle		112.15	211837801A
clear		150.70	221837801A
tinted		32.60	211845251D
glass only, clear		46.05	0.8
tinted		76.95	0.5
Handle w/cyl & keys			
68		69.25	0.5
69-77		69.25	0.5
Lock			
68	D 27.00	1.4	211837015E
69-73		36.30	1.4
74-77		36.30	1.4
striker		9.10	0.3
cylinder & keys	68	26.80	0.6
	69-77	25.55	0.6
Hinge, cab half			
to 2152153713		21.35	211831405A
fm 2152153713		14.70	211831405B
fm 2162126632		13.90	261831405
Check strap		30.40	0.5
Reflector			
to 2162090464		10.90	0.1
fm 2162090464		10.90	0.1
seal		7.75	211945161

DOUBLE CAB

Rear door			
w/hinge (p2.5)	386.55	# 2.2	265841082K
W' strip around door	45.15	0.7	265841818A
lower, on body	23.40	0.7	265841819A
Stationary glass			
rear	68-71	24.75	0.8
	72-79	49.05	0.8
w' strip	D 15.00		265845321
Vent assembly			
glass only, clear		87.55	1.2
tinted		17.45	0.3
weatherstrip		25.55	0.3
weatherstrip		45.85	0.3
Handle, see cab door			
Lock			
68	D 20.60	0.4	265841606
69-79		41.10	0.4
striker		9.10	211837296B
Check strap			
Front, reflector		7.60	0.2
68, see side assy			
see cab door			

* Paint time is for inner & outer.

SEAT TRACKS

Seat track			
outer	68-76	D 17.00	211801343B
	77	10.00	211801345E
inner	68-76	D 9.00	211801346D
	77	10.00	211801345F

ELECTRICAL

GENERATOR & REGULATOR

Generator assembly			
to eng B1037106	1.0		113903031PV

fm eng B1037106	1.0		211903031DV
pulley			
to eng B1037106	15.65	0.3	043903109
fm eng B1037106	38.75	0.3	211903109
belt	2.85	0.3	111903137D
support	115.45		113101211G

Voltage regulator

to eng B1037106	24.95	0.4	113903803E
fm eng B1037106	27.05	0.4	211903803E

ALTERNATOR & REGULATOR

Alternator assy

55 amp	1.0		021903023FV
70 amp	1.0		211903023EV
pulley, 55 amp alt	23.20	0.3	022903109A
70 amp alt	45.20	0.3	022903109
belt	5.70	0.3	021903137A
Voltage regulator	41.90	0.4	043903803B

DISTRIBUTOR & IGNITION

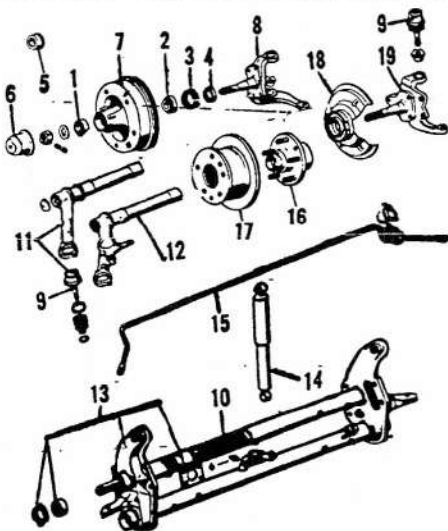
Dist assy, 4447 BHP	225.80	0.4	111905205AA
50 BHP	D208.00	0.4	211905205Q
62 BHP	283.65	0.4	021905205Q
66 BHP	313.60	0.4	021905205E
68, 70 BHP	261.95	0.4	021905205S
cap, exc	7.15		113905207C
4447 BHP	5.15		111905207C

Ignition coil

w/o emission control	23.10	1.4	043905115C
w/emission control	23.10	1.4	043905115C
switch only			
to 2142164060	19.00		111905865F
fm 2142164060	21.25		111905865L
cylinder & key	68-70	25.45	0.5
	71-79	23.25	0.5

HORN			
Horn	10.55	0.3	111951113B

WHEELS & FRONT SUSPENSION



Wheel alignment		1.0	
Toe-in, adjust		0.5	
Suspension, overhaul		7.0	

WHEELS

Wheel	(p.5) 68-70	100.85	# 0.3	211601027F
	(p.5) 71-79	65.80	# 0.3	211601027H
Hub cap	68-70	21.65		111601151
	71-79	13.90		251601151
	chrome	68-70	34.70	113601151
		71-79	29.20	251601151A
Trim ring		D 24.00		241601155B

Bearing, front wheel

1 bearing, outer	9.50	0.6	211405645D
2 inner	14.80	0.6	211405625

CONTINUED

1979-68 VW BUS & TRUCK

Information in the "GUIDE TO ESTIMATING" pages must be used with the text below to prepare a complete estimate.

WHEELS & FRONT SUSPENSION (CONT)

3	oil seal spacer	8.30	211405641D
4	w/o disc brake	D 6.30	211405631A
5	w/disc brake	18.40	211405631B
6	grease cap	3.80	211405691B

FRONT SUSPENSION DRUM BRAKE

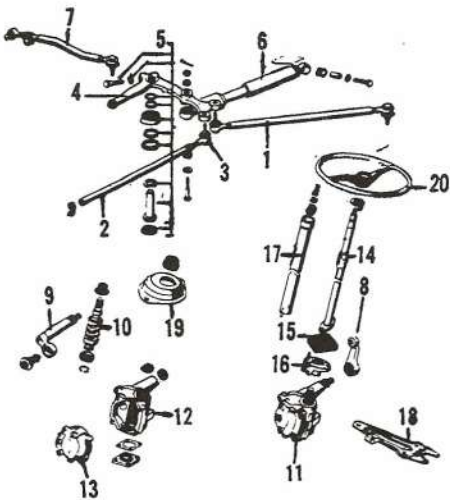
7	Hub & drum	D213.00	0.8	211405615C
	Brake support plate	161.80	1.3	211609139C
	hose	37.10	0.8	211611703
8	Steering knuckle & arm	D177.00	1.4	211405311C
9	ball-joint, 48.3 mm	36.80	0.8	211405371A
	48.6 mm	88.75	0.8	211405373
10	Torsion bar (spring) arm & ball-joint	273.10	2.7	211411033E
11	upper	RT 279.25	0.8	211405102A
		LT 279.25	0.8	211405101B
12	lower	RT 332.20	0.8	211405152
		LT 260.45	0.8	21140511E
13	Axle beam	68-69 786.00 ‡	2.5	211401061K
		70-79 786.00 ‡	2.5	211401061N
14	Shock, standard	68-69 48.40	0.4	211413031F
		70-79 55.40	0.4	211413031P
	heavy duty	68-69 84.10	0.4	211413031G
		70-79 84.10	0.4	211413031R
	adjustable	68-79 174.65	0.4	211413035
15	Stabilizer bar	94.40	0.6	211411309A

FRONT SUSPENSION DISC BRAKE SEE DRUM BRAKE, EXC

16	Hub	121.70	0.8	211405579
17	Brake disc	68-72 147.80	0.4	211615301A
		73-79 115.90	0.4	211615301B
	caliper, wo/pads	71-72 RT 215.30	0.8	211615108
		71-72 LT 215.30	0.8	211615107
		73-79 149.20	0.8	211615107B
	Girling	149.20	0.8	211615107B
18	splash shield	RT 20.30		211405593
		LT 20.30		211405593
	hose	28.90	0.8	281611775B
19	Strg knuckle & arm	68-72 RT 332.00	1.4	211405312E
		68-72 LT D281.70	1.4	211405311E
		73-79 RT 332.00	1.4	211405312F
		73-79 LT 332.00	1.4	211405311F
	Shock absorber, std	55.40	0.4	211413031P
	heavy duty	84.10	0.4	211413031R
	adjustable	174.65	0.4	211413035

Add for balance, weights & valve stem.
 § Time is for one, both .8.
 ‡ Time is to R & l tube assy. To overhaul, add 4.5.

STEERING



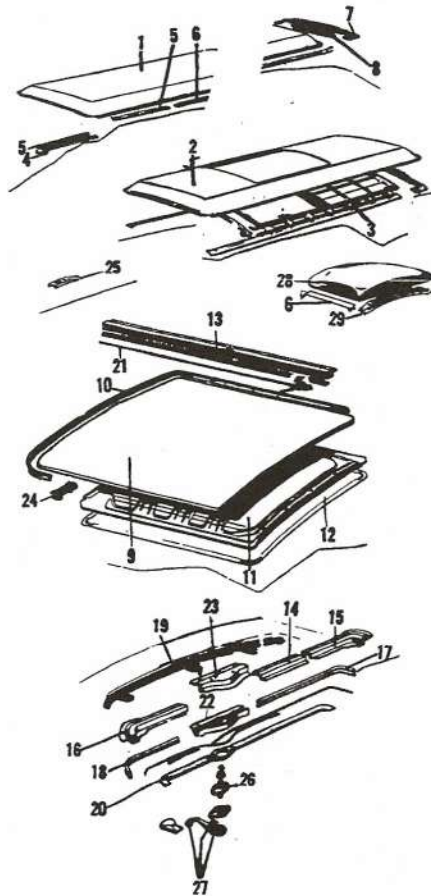
1	Tie rod assy	RT 44.50	0.4	211415801F
2	end	LT 44.50	0.4	211415801F
3	end	21.05	0.3	311415811C
4	Intermediate arm	112.85	1.0	211415741D
5	shaft package	55.25		211498171A
6	Damper	17.90	0.5	211425021A
7	Drag link	57.55	0.9	211415701G
8	Pitman arm	68-72 107.85	0.5	211415371B
		73-77 78.90	0.5	211415371C
9	shaft & cam	68-69 D139.00		211415221D
		70-72 185.55		211415221F
	use gear assembly	73-79 265.95		211415205F
10	worm	68-72 265.95		211415205F
	use gear assembly	73-79 588.00 #	1.7	211415049F
11	Gear assembly	68-72 588.00 #	1.7	211415049H
		73-79 588.00 #	1.7	211415131B
12	housing, use assy		3.5	
13	end cover	68-72 D 32.00		

STEERING COLUMN & WHEEL

14	Main shaft	68-74 126.35	0.7	211415501A
	to 2142164060	72-74 120.55	0.7	211415501C
	fm 2142164060	11.65		211415417
15	coupling disc	53.20		211415409
16	flange, lower	D 38.00	1.3	211415561
17	Column jacket	70-71 D 42.75	1.3	211415561C
	to 2142164060	72-74 57.65	1.3	211415451
	fm 2142164060	74-79 54.05		211415601F
18	brkt, at inst panel	D 15.00		211415621
19	cap, lower	6.90		211415651D
20	Wheel, to 2142164060	153.25	0.4	211415651G
	fm 2142164060	160.30	0.4	211415651G043

With air cond, add .7.
 § Time is for overhaul. With air cond, add .7.

ROOF



WAGON & VAN

Headlining R & I	7.3		
Roof panel			
1 solid roof (p5.0)	557.00	# 21.0	211817111G
2 sliding roof (p4.7)	678.00	28.5	241817111G
	enlarged (plastic)	2264.00	211817111K
3 Frame, sliding roof	770.00 §	6.0	241817201
	rail above slide door		
4 guide	41.35 §	1.8	211809904A
5 channel	7.20		211809908A
6 above body side	R&L 35.95 §	3.5	211817537D
7 rear	44.50 §	2.3	211817565G
8 cover plate	68-70 D 17.50		211817569
	70-77 28.60		211817569B

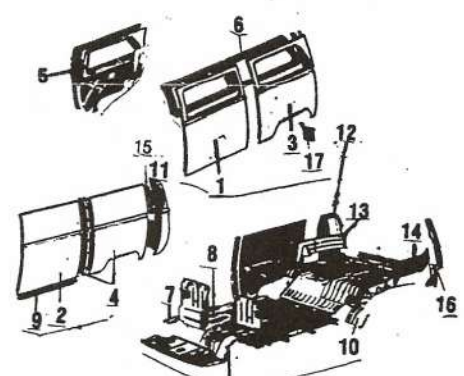
SLIDING ROOF SECTION (FIG K)

9 Sliding panel	464.30	0.7	241877071
10 Weatherstrip	72.35	0.5	241877223
11 Frame	92.10		241877259
12 Lining	67.50	0.8	241877505A581
13 Guide rail, side	R&L 91.50		241877355
Cable channel			
14 upper center	3.00		241877361
15 side	RT 3.75		313877366A
	LT 6.70		241877365
16 lower	RT 54.30		241877364
	LT 41.55		241877363
17 Rain gutter	18.60		241877523
18 Gasket, front	12.00		241877415A
19 Guide, w/cable	RT 51.80		241877306
	LT 48.80		241877305
20 housing, front	13.40	0.6	241877369
21 cover	4.75		241877375
22 Guide, front	R&L 3.90		241877481
23 rear	4.45		241877541
24 Winding gear	32.55	0.4	241877403
25 Handle	7.40	0.2	161877453

PICK-UP

28 Roof panel			
w/o double cab. (p2.8)	416.25	13.0	261817111G
w/ double cab (p3.3)	693.00	16.0	265817111G
29 Rail, above back panel	27.80 §	2.0	261817575C
# Station wagon 27.5			
§ After roof panel is removed.			

BODY SIDE PANELS



Side panel, outer front			
1 bus & truck (p3.0)	LT 367.75	19.0	231809151
2 van (p2.8)	386.25	17.5	211809151
rear			
3 bus & truck (p3.0)	68-70 D411.35	22.0	241809164
	71 D469.00	22.0	241809164A
	(p3.0) 72-76 702.00	22.0	211809164G
	(p3.0) 77-79 670.00	22.0	221809164A
4 van (p2.8)	68-70 D439.00	20.0	211809164
	(p2.8) 71 D525.00	20.0	211809164C
	(p2.8) 72-79 702.00	20.0	211809164G
rear			
bus & truck (p3.0)	68-70 670.00	19.0	241809163

CONTINUED

The times listed are based on new, undamaged O.E.M. parts installed on new undamaged vehicles as an individual operation. Add for alignment pulls and refinishing as required.

1979-68 VW BUS & TRUCK

Information in the "GUIDE TO ESTIMATING" pages must be used with the text below to prepare a complete estimate.

REAR BUMPER (CONT)			
chrome	73-79	461.65 # 1.0	221707311A
8 Rubber cush & end caps	73-79	81.60	241707421D
9 end caps	73-79	8.85	241707219
10 Mounting brkt	73-79 RT	44.20	211707336C
	73-79 LT	35.95	211707335D
11 Cover plate, muffler	73-79	16.45 0.2	211707399A
<i># Time is for overhaul.</i>			
<i>§ After bumper is removed.</i>			
IEA9107			
NOTES			

NOTES

NOTES