

L
U
L
L

P
A
R
T
S

B
O
O
K

MODEL

6
4
4

18350-3 MODEL 644 FINAL ASSEMBLY - DEERE

● DRIVE TRAIN (Includes Axle and Transmission Breakdown)

- 18352 Drive Train Assembly - Deere
- 18369 Throttle Assembly
- 18372 Radiator & Transmission Oil Cooler Assembly
- 18375 Air Cleaner Assembly
- 18378 Exhaust Assembly

● FRAME & PLATFORM

- 18354 Main Frame Assembly
- 18379 Operators Platform Assembly
- 18380 Instrument Panel Assembly

● BOOM & TRANSFER

- 18355 Telescopic Boom Assembly
- 18384 Hose Reel & Cable Assembly
- 18356 Transfer Carriage Assembly

● UPPER HYDRAULICS

- 29946 Hoist - Transfer Hydraulic Assembly
- 18357 Boom Hydraulic Assembly
- 18385 Hoist Cylinder Assembly
- 18386 Boom Extension Cylinder Assembly
- 18387 Rear Carriage Tilt Cylinder Assembly
- 18388 Front Carriage Tilt Cylinder Assembly
- 18393 Transfer Cylinder Assembly

● LOWER HYDRAULICS

- 18358 Pump, Suction - Return Hydraulics Assembly
- 29947 Joystick Control Hydraulics Assembly
- 29948 Frame Hydraulics Assembly
- 18392 Frame Tilt Cylinder Assembly
- 29949 Test Port Hydraulics Assembly
- 18389 Hydraulic Steering & Diff. Lock Assembly

● BRAKES

- 18361 Hydraulic Service Brake Assembly
- 18394 Parking Brake Assembly

● ELECTRICAL

- 18363 Electrical Assembly - Deere
- 18397 Wiring Diagram

● DECAL & ACCESSORIES

- 18365 Decal Group Assembly
- 18365 Optional Equipment (Accessories)

● FORKS CARRIAGE(S)

- Oil Seal CR-49398 USA

CR49098

RANSAN

609-567

572F

Wheel Seal

NATIONAL
B370063BG

Wheel Seal

6 $\frac{3}{8}$ out

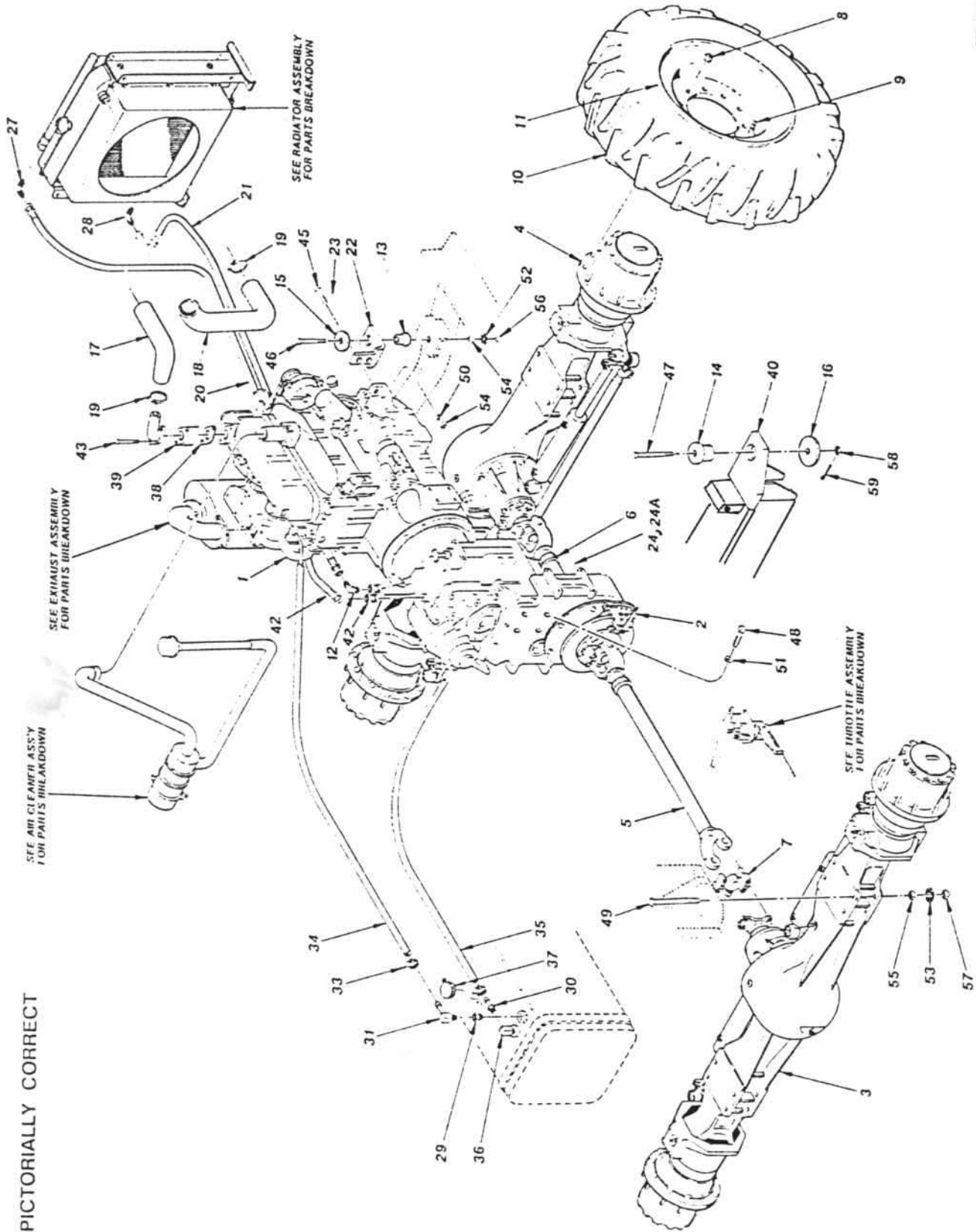
in (5) inches

S/N 2784 THRU

MODEL 644		MISCELLANEOUS FILTERS		REMARKS
PART NUMBERS		FILTERS		
P22635	X	Oil Filter		
P19793	X	Oil Filter		
P20995	X	Oil Filter		
P20498	X	Oil Filter		
P12089	X	Oil Filter		Spin-On Element
P22636	X	Fuel Filter		
P19856	X	Fuel Filter		
P21001	X	Fuel Filter		
P15267	X	Fuel Filter		
P12179	X	Air Filter		
P21498	X	Air Filter-Primary		S/N 711 Thru
P21499	X	Air Filter-Safety		S/N 711 Thru
P17276	X	Air Filter		
P19133	X	Transmission Filter		Funk
P19868	X	Transmission Filter		Clark
P19801	X	Hydraulic Oil Filter		Spin-On Element
P13586	X	Hydraulic Oil Filter		Tank Mounted
P24315	X	Hydraulic Oil Filter		

239 DEERE
 230 DEUTZ
 236 PERKINS
 225 CHRYSLER

NOT PICTORIALY CORRECT



PART

PART

ITEM	PART NUMBER	DESCRIPTION	ITEM	PART NUMBER	DESCRIPTION	QTY.	DESCRIPTION
1	P31134	Engine, Deere 239 C.I.D. 4 Cylinder Transmission, ZF	37	P12182	Fuel Cap	REF	
2	P31437	Axle, Front (Includes Item 8)	38	P25386	Gasket, Thermostat	REF	
3	P31260	Axle, Rear (Includes Item 8)	39	P21785	Extension, Thermostat Housing	1	
4	P31259	Drive Shaft, Front (Includes Item 7)	40	18412B	Extension (use with Optional Heater)	-	
5	P21779	Drive Shaft, Rear (Includes Item 7)	41	35026B	Transmssion Mount	1	
6	P24270	Cross & Bearing	42	35080A	Strap, Transmission Dipstick	1	
7	P18749	Lug Nut, Wheel	43	P31573	Connector	2	
8	P13894	Valve Stem	44*	P00213	Bolt, Hx., 3/8"-16 x 3 1/4"	2	
9	P13673	Tire, 13.00 x 24 8 PLY	45	P00604	Bolt, Hx., 5/8"-11 x 2"	2	
10	P11688	Tire, 13.00 x 24 12 PLY	46	P00605	Bolt, Hx., 5/8"-11 x 2 1/4"	2	
10A*	P19043	Tire, 13.00 x 24 12 PLY Steelguard	47	P00689	Bolt, Hx., 5/8"-18 x 3 1/2"	2	GR 8
11	P16443	Tube, 13.00 x 24	48	30260A	Bolt, Hx., 5/8"-18 x 4 1/2"	2	GR 8 (w/Hole)
12	P21570	Wheel, Rim	49	P04354	Bolt, Hs., M20-2.5 x 50mm	4	GR 8
13	P31122	90° Elbow	50	P00791	Bolt, Hx., 3/4"-16 x 7"	16	GR 8
14	P21632	Rubber Mount, Engine	51	P01314	Lockwasher, 5/8"	4	
15	P18180	Rubber Mount, Transmission	52	P04613	Lockwasher, M20	4	
16	P18181	Snubbing Washer, Engine	53	P01363	Starwasher, 5/8"	2	
17	P20396	Snubbing Washer, Transmission	54	P01364	Starwasher, 3/4"	16	
18	P20395	Radiator Hose, Upper	55	P01535	Nut, Hx., 5/8"-18	4	
19	P24298	Radiator Hose, Lower	56	P01536	Nut, Hx., 3/4"-16	16	
20	P21987	Hose Clamp Radiator	57	P01585	Jam Nut, Hx., 5/8"-16	2	
21	P10601	Hose, Transmission Cooler, 99" LG.	58	P01586	Jam Nut, Hx., 3/4"-16	16	
22	P32420	Hose, Transmission Cooler, 68" LG.	59	P01635	Castle Nut, Hx., 5/8"-18	2	
23	P32419	Engine Mount, L.H.	REF*	P03838	Cotter Pin, 1/8" x 1"	2	
24	28474B	Engine Mount, R.H.			Engine Block Heater Kit (Optional)	1	
24A	28473B	O-Ring, Transmission Filter	REF*	20844B	Engine Oil Filter	-	
25	P31925	Transmission Filter	REF	P22635	Engine Fuel Filter	-	
26	P19133	45° Elbow, JIC-Pipe	REF	P22636	Engine Fuel Filter	-	
27	P17792	90° Elbow, JIC-Pipe					
28	P17808	Reducer Bushing					
29	P10690	Adapter, Pipe to Hose					
30	P13619	90° Elbow, Pipe to Hose - Fuel Tank					
31	P21317	90° Elbow, Pipe to Hose - Fuel Pump					
32*	P21236	Hose Clamp, Fuel Line					
33	P14047	Return Line, 1/4" I.D. Hose					
34	N11433	Full Line, 5/16" I.D. Hose					
35	N11437	Stand Tube, Fuel					
36	P24983						

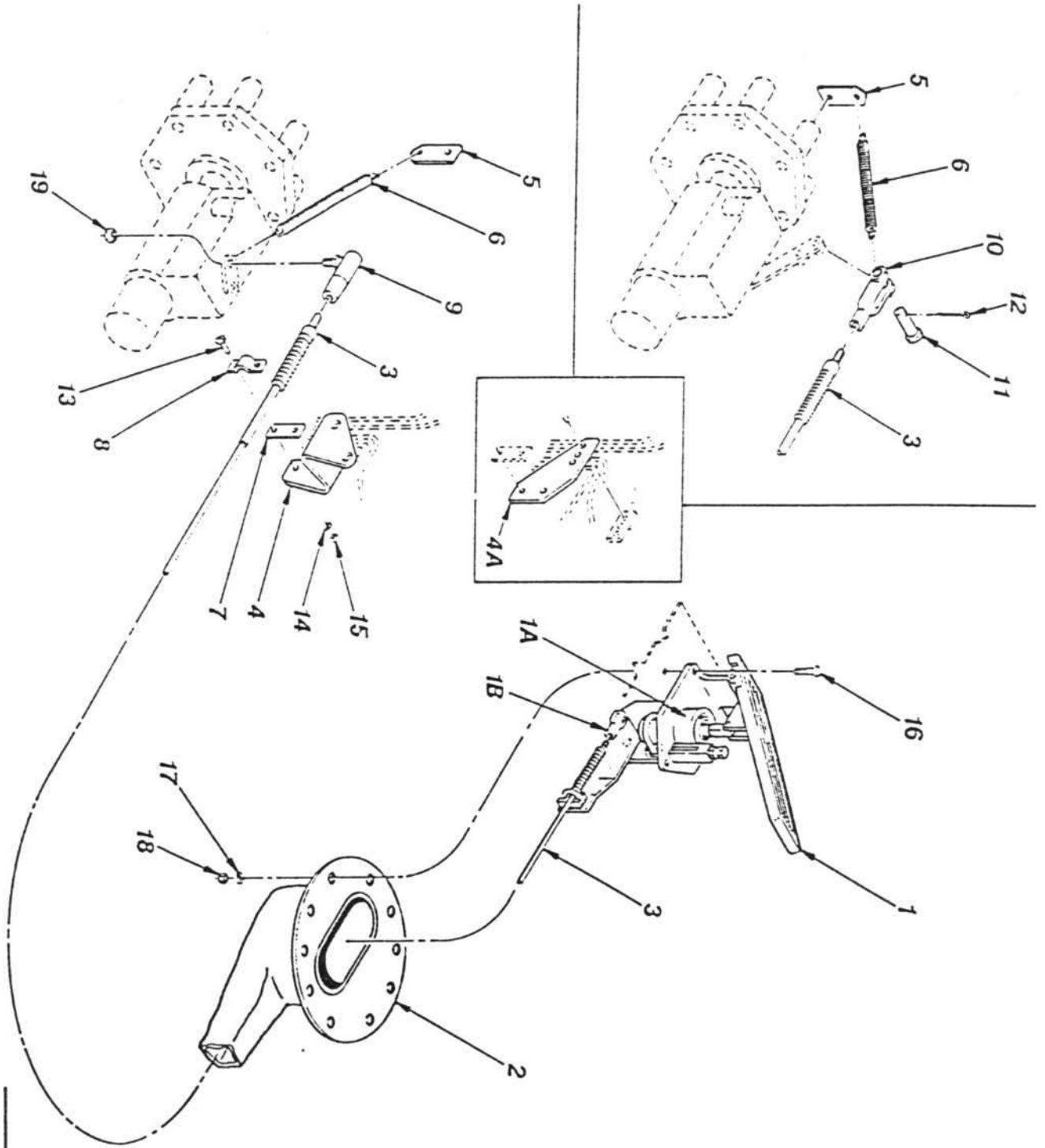
* Not Illustrated

18352-9

644 S/N 3090, 3091, 3093 THRU

DRIVE TRAIN ASSEMBLY (Deere/ZF)

8/93



18369-1

ITEM	PART NUMBER	DESCRIPTION	QTY.	DESCRIPTION	ITEM	PART NUMBER	QTY.	DESCRIPTION
1	P19263	Accelerator Pedal	1					
1A	P20069	Bellows	REF					
1B	P20072	Clevis Kit	REF					
2	P19268	Boot Gaurd	1					
3	P19264	Cable, Throttle	1					
4	18028B	Bracket, Cable	1					
4A	A)18764A	Bracket, Cable	-					
5	17786A	Anchor, Spring	1					
6	P21260	Spring	1					
7	P19128	Shim, Cap	1					
8	P17678	Clamp, Cable	1					
9	P10505	Ball Joint	1					
10	A)P10508	Clevis	1					
11	A)P10509	Clevis Pin	1					
12	A)P03823	Cotter Pin, 3/32" x 3/4"	1					
13	P02057	Screw, Rd. Hd., #10-24 x 3/4"	2					
14	P01306	Lockwasher, #10	2					
15	P01504	Nut, Hx., #10-24	2					
16	P00005	Bolt, Hx., 1/4"-20 x 1"	3					
17	P01308	Lockwasher, 1/4"	3					
18	P01506	Nut, Hx., 1/4"-20	3					
19	P01529	Nut, Hx., 1/4"-28	1					

NOTES:

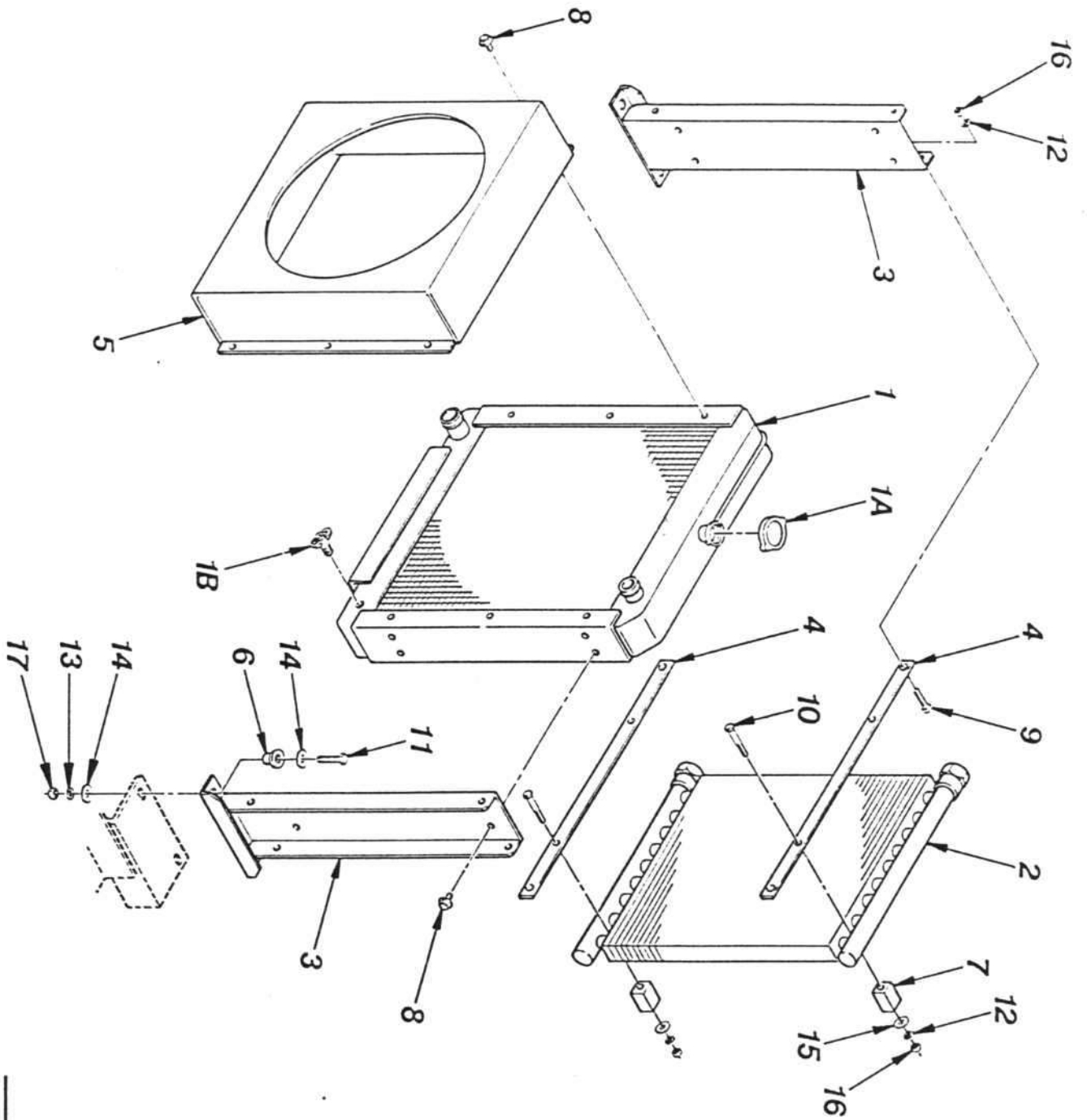
A) Alternate used in Production.

18369-1

644 S/N 101 THRU

5/89

THROTTLE ASSEMBLY (Deere)



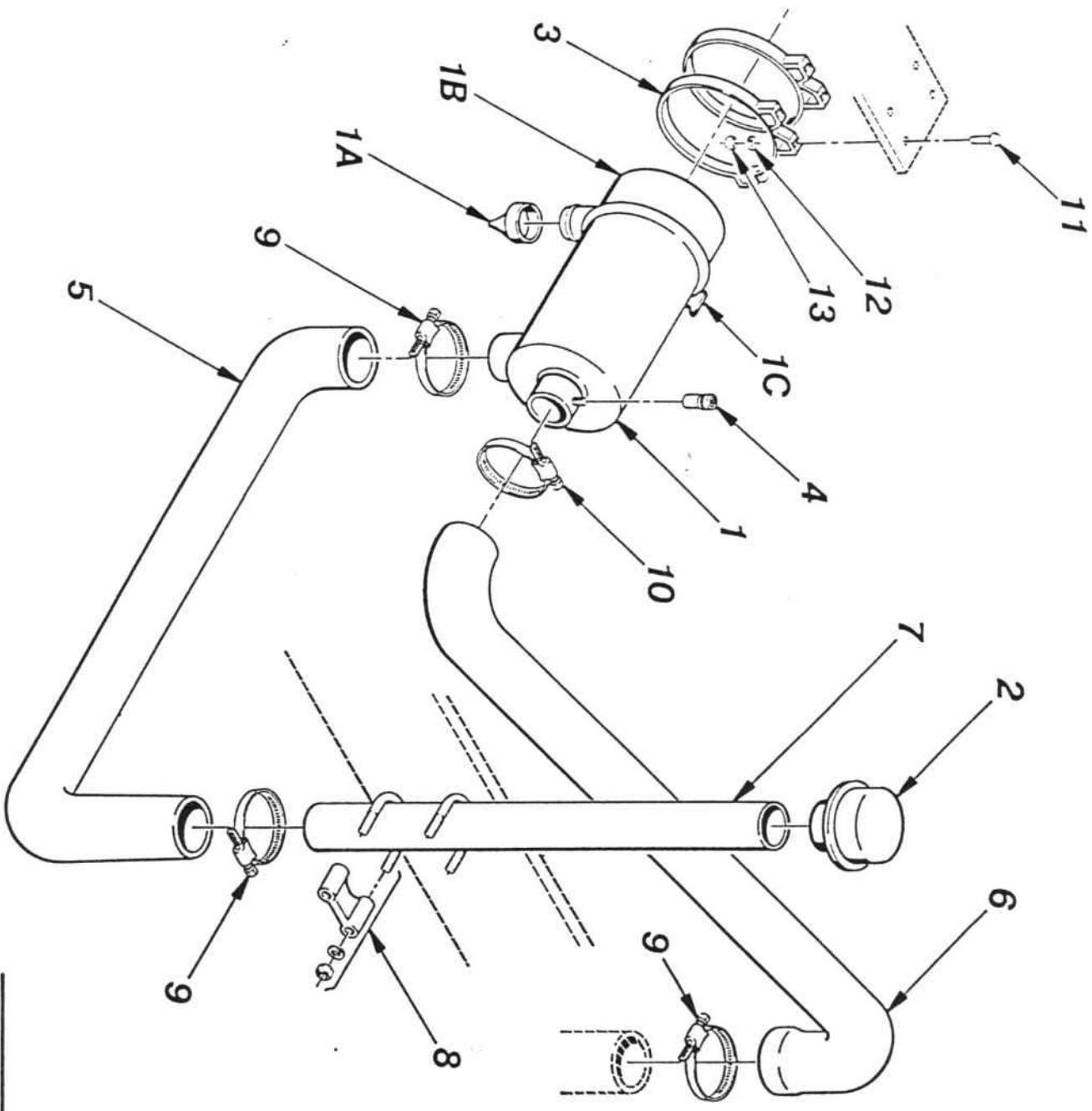
18372-2

ITEM	PART NUMBER	DESCRIPTION	QTY.	DESCRIPTION	ITEM	PART NUMBER	QTY.	DESCRIPTION
1	P24296	Radiator	1					
1A	P25365	Cap, Radiator	REF					
1B	P16675	Drain Cock	REF					
2	P17598	Oil Cooler, Transmission	1					
3	18751B	Mounting Bracket, Transmission	2					
4	18415B	Mounting Bar, Oil Cooler	2					
5	P24731	Fan Shroud	1					
6	P18723	Rubber Grommet	4					
7	P26312	Rubber Mounting Block	4					
8	P24307	Bolt, Flange Hd., 5/16"-18 x 1/2"	14					
9	P00104	Bolt, Hx., 5/16"-18 x 1"	4					
10	P00111	Bolt, Hx., 5/16"-18 x 2 3/4"	4					
11	P00205	Bolt, Hx., 3/8"-16 x 1 1/4"	4					
12	P01309	Lockwasher, 5/16"	8					
13	P01310	Lockwasher, 3/8"	4					
14	P01404	Flatwasher, 3/8"	8					
15	P01453	Flatwasher, 5/16" - Fender	4					
16	P01507	Nut, Hx., 5/16"-18	8					
17	P01508	Nut, Hx., 3/8"-16	4					

18372-2

644 S/N 771, 774 THRU 5/89

RADIATOR & TRANS. OIL COOLER ASSEMBLY (Deere)



18375-2

ITEM PART NUMBER DESCRIPTION QTY. PART NUMBER QTY. DESCRIPTION

1	P21483	Air Cleaner	1		
1A	P21497	Vacuator Valve	REF		
1B	P19727	Vacuator Cup	REF		
1C	P20499	Clamp, Air Cleaner	REF		
1D*	P20076	Baffle	REF		
1E*	P21496	Wing Nut and Washer Gasket	REF		
1F*	P21498	Filter Element, Safety	REF		
1G*	P21499	Filter Element, Primary	REF		
2	P17136	Rain Cap	1		
3	P12165	Mounting Band	2		
4	P21485	Service Indicator	1		
5	P21508	Intake Hose, Air Stack	1		
6	P21509	Intake Hose, Engine	1		
7	18347-13C	Tube, Air Stack	1		
8	P17169	Clamp, Stack Tube	2		
9	P10553	Hose Clamp	3		
10	P10601	Hose Clamp	1		
11	P00204	Bolt, Hx., 3/8"-16 x 1"	4		
12	P01310	Lockwasher, 3/8"	4		
13	P01508	Nut, Hx., 3/8"-16	4		

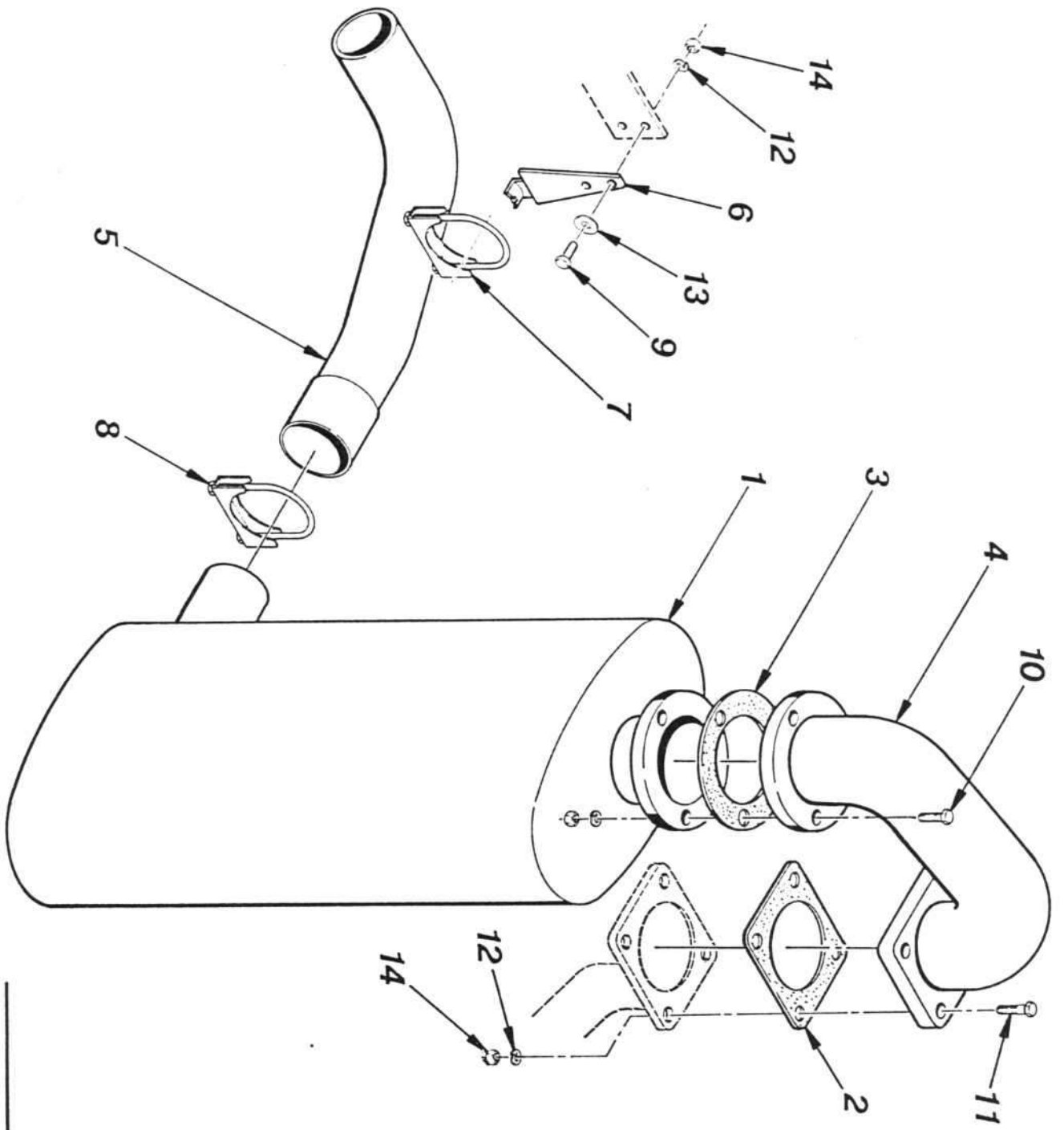
* Not Illustrated

18375-2

644 S/N 711 THRU

5/89

AIR CLEANER ASSEMBLY (Deere)



18378-2

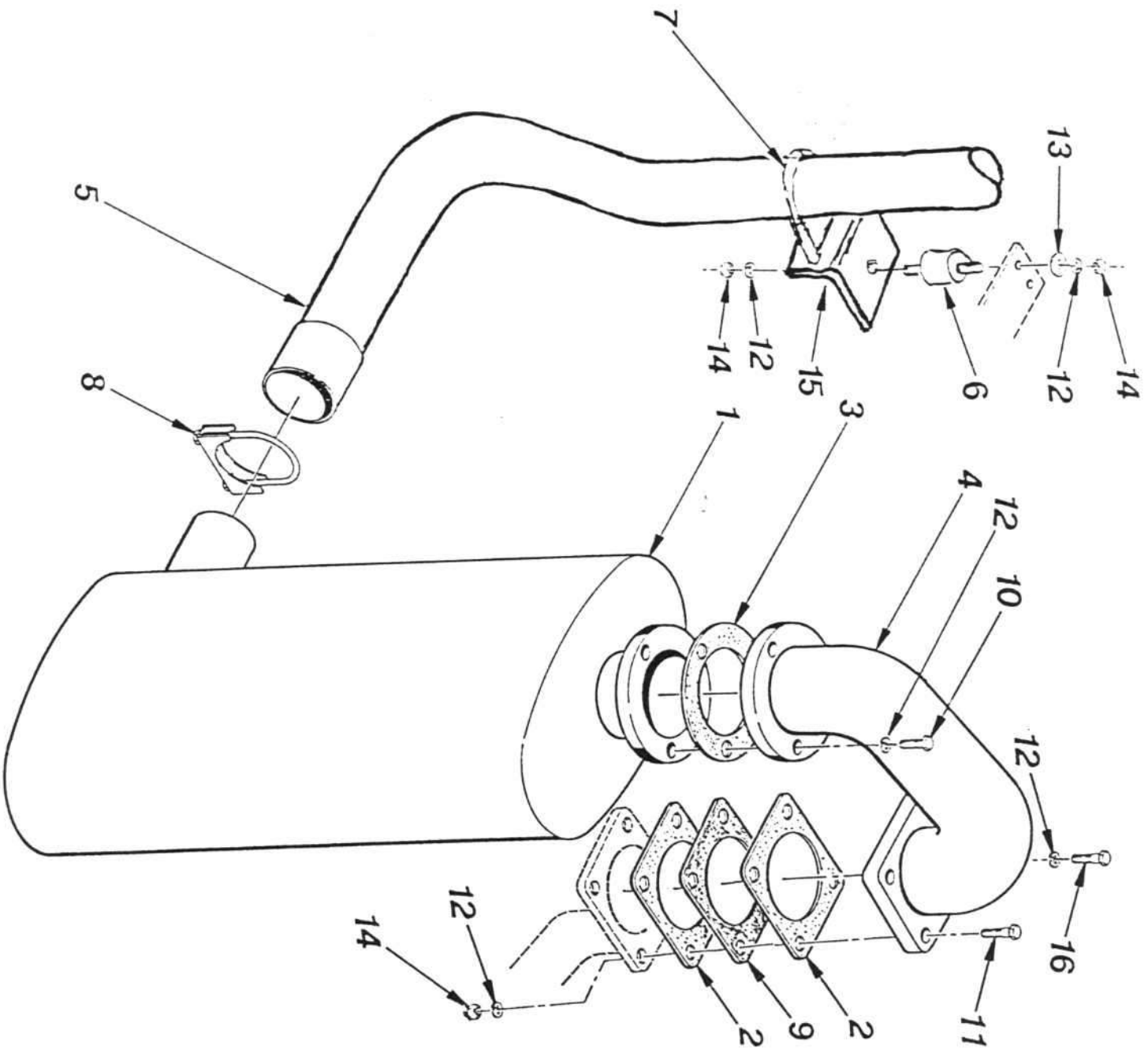
ITEM	PART NUMBER	DESCRIPTION	QTY.	ITEM	PART NUMBER	DESCRIPTION	QTY.
1	P21790	Muffler	1				
2	P21786	Gasket, Manifold	1				
3	P22197	Gasket, Muffler	1				
4	18990C	Exhaust Elbow	1				
5	P21800	Tail Pipe	1				
6	P19280	Hanger, Tail Pipe	1				
7	P12169	Muffler, Clamp, 2 1/2"	1				
8	P21078	Muffler, Clamp, 2 3/4"	1				
9	P00202	Bolt, Hx., 3/8"-16 x 3/4"	2				
10	P00205	Bolt, Hx., 3/8"-16 x 1 1/4"	3				
11	P00207	Bolt, Hx., 3/8"-16 x 1 3/4"	4				
12	P01310	Lockwasher, 3/8"	9				
13	P01404	Flatwasher, 3/8"	2				
14	P01508	Nut, Hx., 3/8"-16	9				

18378-2

5/89

644 S/N 101 THRU

EXHAUST ASSEMBLY (Deere)



18378-3

ITEM PART NUMBER QTY. DESCRIPTION ITEM PART NUMBER QTY. DESCRIPTION

1	35095A	1	Muffler		
2	P21786	2	Gasket, Manifold		
3	P22197	1	Gasket, Muffler		
4	18990C	1	Exhaust Elbow		
5	P31671	1	Tail Pipe		
6	P27620	1	Rubber Mount		
7	P12169	1	Muffler, Clamp, 2 1/2"		
8	P21078	1	Muffler, Clamp, 2 3/4"		
9	P31669	1	Spacer		
10	P00205	3	Bolt, Hx., 3/8"-16 x 1 1/4"		
11	P00210	3	Bolt, Hx., 3/8"-16 x 2 1/2"		
12	P01310	9	Lockwasher, 3/8"		
13	P01404	1	Flatwasher, 3/8"		
14	P01508	5	Nut, Hx., 3/8"-16		
15	35099A	1	Bracket		
16	P00208	1	Bolt, Hx., 3/8"-16 x 2"		

18378-3

644 S/N 3112 THRU 8/93

EXHAUST ASSEMBLY (Deere)