

VOLTAS

KION India

KION
GROUP

MAX Power
MAX Performance
MAX Productivity

Capacity : 2000 / 3000 kg at 500 mm LC





ENGINE

A four-cylinder, BS-III diesel engine conforming to IS: 10000 (1980) is used. Air inlet to the engine is through top of the canopy ensuring clean air if fed to the engine for longer life. The engine cooling system with cross flow radiator and a pusher type fan is standard. 12 volts electrical system with starter motor, alternator and battery is standard.

AUTOMATIC TORQUE TRANSMISSION

The truck is equipped with a world class transmission making the drive unit compact. The fully automatic transmission uses a torque converter, which has been matched to the engine characteristics using a computer programme. This provides stepless variable torque multiplication for meeting all specified load and road conditions. Gear shifting is done electrically, using an effortless shift lever mounted on the steering column. The hydraulic inching is a standard feature provided on the truck for easy maneuverability. A neutral gear start is a standard safety feature preventing accidental truck movement at the time of starting

BRAKES

Service brakes are heavy duty drum brakes that are self-energizing and self-adjusting, conforming to IS:9701 (2001). Independent hand Operated parking brake is provided for additional safety.

STEERAXLE

The axle is fabricated from steel plates for durability and strength. The axle is supported in the frame by using hardened steel bushings for providing the required articulation. The integrated balanced power cylinder is well protected inside the axle body. The axle assembly is made by using plain pin joints for ease of maintenance.

HYDROSTATIC POWER STEERING

The hydrostatic power steering provides a finger touch effortless, smooth steering, enhancing operator comfort. The load sensing system saves power by using a priority valve that directs hydraulic flow for steering action only on demand.

HYDRAULIC SYSTEM

Hydraulic system consists of reservoir, pump, directional control valves, cylinders and full flow filtration system with bypass protection, suction strainer and 25 micron replaceable return line filter. Pressure relief, tilt lock and flow control valves are provided for safety. Tank capacity: 40 liters.

INSTRUMENTATION AND CONTROLS

Instrument panel consisting of fuel, oil pressure, water temperature and ammeter and engine hour meter gauges is ergonomically located for operator's view. All the gauges are illuminated for night driving. All control levers, switches and pedals are located ergonomically enhancing operator comfort.

AFTER SALES SERVICE AND TECHNICAL SUPPORT

After Sales Service and technical support is ensured through a nationwide network of more than 60 Voltas Touch Points with strong dealer network. Factory trained engineers at locations support speedy resolution of field problems. Our Central Parts Warehouse located at Pune caters to timely supply of parts with additional stock maintained at more than 60 Voltas Touch Points.

OPTIONS

A variety of Hydraulic and Mechanical accessories and attachments are available on requests to meet customized requirements. Contact our nearest Dealer or Branch office for further details.

MAST CONFIGURATIONS

TYPE OF MAST	MAST MODEL	OAH	FFH	MFH	OAH@MFH	TILT ANGLE DEGREE FWD / BWD	SPEEDS LADEN		CAPACITY at MFH @ 500 mm LC	
		h1 mm	h2 mm	h3 mm	with LBR h4mm		LIFTING mm/s	LOWERING mm/s	DVX20	DVX30
2-Stage	HVM	2360	100	3620	4230	6 / 12	500	550	2000*	3000*
3-Stage	HVT 2125	2125	1465	4500	5105	6 / 8	500	550	2000*	2750*
3-Stage	HVT 2400	2400	1765	5350	6570	6 / 6	500	550	1500*	2000*
3-Stage	HVT 2600	2600	2085	6030	6640	6 / 6	500	550	1000*	1500*

OAH : Overall Mast Height FFH: Free Fork Height MFH: Max Fork Height FWD : Forward BWD : Backward
 * Capacity shall derate by 200kg with sideshifter.

SALIENT FEATURES



Powerful BS-III compliant Fuel efficient Diesel engine



Reliable In house manufactured drive line for lower operating costs and increase performance



Single electric gear shift lever for Forward reverse / Hi-Low speed (Fully Automatic)



Top air inlet through canopy for cleaner air to engine



C-JJ wide view mast for clear front operator visibility



Deluxe adjustable seat with Arm rest & seat belt for operator safety



Ample operator leg room for longer hours of fatigue free operation



Wider operator foot rest for safer entry & exit



Large operator hand assisted access grip



Easy access combination switch



Lever for smooth opening of engine hood



Ergonomically cowl-mounted controls for ease in operation



High combination lights for clear visibility & safety



Protective light guards prevents damage



IP65 class smooth key start ignition provides protection from rain water ingress & longer life



Large engine hood space provides ample space for maintenance



Sleek single piece overhead guard with acrylic top cover for operator protection from sun and rain



Elegant IP65 protected panel maps vehicle diagnostic parameters



Large opening on counter weight for effective engine cooling

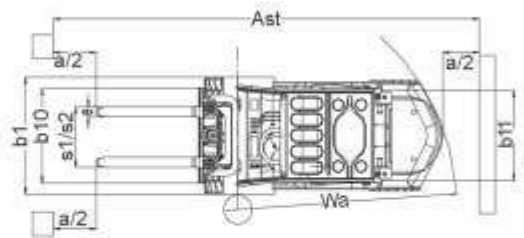
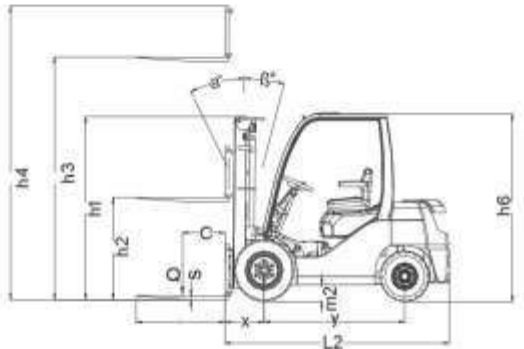
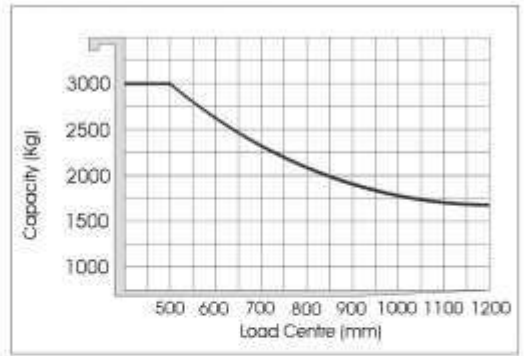


28 x 9 x 15 front tyres for better road grip and higher stability

SPECIFICATIONS					
GENERAL	1	MANUFACTURER		VMH	
	2	MODEL		DVX30 KAT	
	3	CAPACITY	LIFTING LOAD	KG Q	3000
	4	LOAD CENTER	DISTANCE	MM C	500
	5	POWER UNIT	ENGINE TYPE		DIESEL
	6	TYRES	CUSHION (BC) / PNEUMATIC (P) OPTIONAL		CUSHION - STD
DIMENSIONS	7	LIFT HEIGHT STD MAST	MAX FORK HEIGHT	MM h3	3620
	8		FREE LIFT WITH STD HVM MAST	MM h2	100
	9	FORK CARRIAGE	ISO CLASS		3A
	10	FORK DIMENSIONS	THICKNESS(S) X WIDTH(E) X LENGTH(I)	MM	45 X 125 X 1070
	11	FORK SPREAD	MINIMUM - MAXIMUM	MM s1 / s2	240-965
	12	TILT ANGLE WITH HVM	FORWARD / BACKWARD	DEG	6/12
	13		LENGTH TO FACE OF FORKS	MM L2	2730
	14		OVERALL WIDTH	MM b1	1230
	15	OVERALL DIMENSIONS WITH STD HVT MAST	HEIGHT WITH COLLAPSED MAST	MM h1	2360
	16		HEIGHT WITH EXTENDED MAST & LBR	MM h4	4230
	17		HEIGHT OF CANOPY GUARD	MM h6	2150
	18	TURNING RADIUS		MM Wa	2475
	19	FRONT OVERHANG		MM x	470
20	AISLE WIDTH	EQUAL AISLE	MM	2200	
21		AISLE RIGHT ANGLE WITH 1200 x 1000 PALLETS	MM Ast	4120	
PERFORMANCE	22	LIFTING SPEEDS WITH STD HVM	TRAVEL - LADEN / UNLADEN	KMPH	17 / 17
	23		LIFTING - LADEN / UNLADEN	MM/S	500 / 550
	24		LOWERING - LADEN / UNLADEN	MM/S	450 / 400
	25	GRADABILITY**	(PNEUMATIC TYRES) LADEN / UNLADEN	%	17 / 20
26	STEERING TYRE	POWER STEERING		HYDROSTATIC	
FRAME & TYRES	27	SERVICE WEIGHT	LADEN / UNLADEN	KG	7300 / 4300
	28		NO - FRONT / REAR	NO	02 / 02
	29	TYRES	SIZE - FRONT	MM	28 X 9 - 15
	30		SIZE - REAR	MM	6.50 X 10
	31	WHEEL BASE		MM y	1700
	32	TRACK	FRONT / REAR	MM b10/b11	1000 / 970
33	GROUND CLEARANCE	UNDER FRAME	MM m2	175	
BRAKES	34	SERVICE		HYDRAULIC	
	35	PARKING		MECHANICAL	
DRIVE	36	MANUFACTURER / MODEL		MAHINDRA / NE4523A	
	37	ENGINE	RATED HP AS PER IS 10000	HP	49@2100 rpm
	38		RATED TORQUE (Nm @ RPM) APPX		19 @ 1400
	39	GEAR BOX	TRANSMISSION		AUTOMATIC

SAFETY: TRUCK CONFORMS TO STABILITY REQUIREMENT AS PER 'BIS & ISO' STANDARDS. ALL SPECIFICATIONS ARE SUBJECT TO +/- 12% TOLERANCE
DUE TO CONTINUOUS DESIGN IMPROVEMENTS THE SPECIFICATIONS ARE SUBJECT TO CHANGE WITHOUT NOTICE.

DVX 30 KAT



VOLTAS

KION India Pvt. Ltd.

Plant & HO : 5/4 Chandan Nagar, Pune - Nagar Road,
Pune - 411 014, Maharashtra

Visit Us at : www.voltas-mh.com

For Enquiries

e-mail : in.enquiries@kiongroup.com

Contact us : 020 - 6732194 / 188 / 190 / 193



F.MKT.MH.302.140.00

BRANCHES

Ahmedabad 9925013566 • Bangalore 9731017401 • Bhubaneswar 9090963883 • Chandigarh 9878677873
Chennai 8680067711/8680067712 • Cochin 9747357888 • Coimbatore 9747397666/9747357888 • Delhi 7840010261
Hyderabad 9010150999 • Indore 7770862223 • Jaipur 9352573157 • Jamshedpur 9031098801 • Kolkata 9088026730
Lucknow 9889033532 • Madurai 9840234189/8680067712 • Mumbai 7774027853/7774027851 • Nagpur 7774027836
Pune 7774027840 • Rudrapur 8057405111 • Surat 7624005557 • Vizag 9951066618

DEALERS

Agartala 9435993430 • Ahmedabad 8347009991 • Ankleshwar 8347000648 • Aurangabad 9657722566
Bangalore 9449857458 • Baroda 8347009993 • Bhopal 9826052942 • Bhubaneswar 9238310721 • Chakan 9604503624
Chandigarh 9463998214 • Chennai 9940052996 • Cochin 8129400987 • Coimbatore 9842315181
Delhi 9899684448/9711206090 • Durgam 9830194044 • Erode 9842015187 • Gandhidham 8347009982
Goa 9423312625/9850471387 • Guwahati 9435993430 • Haldia 9830194044 • Hosur 9629302584 • Hubli 9482233151
Hyderabad 9032047822 • Indore 9826052942 • Itanagar 9435993430 • Jabalpur 9826052942 • Jaipur 9414159451
Jaipur 9090963883 • Jamshedpur 9798426330 • Jharsuguda 9090963883 • Jodhpur 9414159451 • Jorhat 9435993430
Kolhapur 9922996273 • Kolkata 9830194044 • Kota 9414189976 • Lucknow 9415005471 • Ludhiana 9463998214
Madurai 9750955044 • Mangalore 9482233151 • Mumbai 9324267044 • Mysore 9449857458 • Nagpur 9552470007
Nasik 8600921789 • Nellore 9959194936 • Palghat 8129192277 • Pantnagar 8057405111 • Patna 9031464206
Pondicherry 9787735921 • Pune 9922996269 • Raipur 8236835202 • Rajkot 8347000647 • Ranipet 9787735921
Roorkee 9219000900 • Salem 9715415181 • Shillong 9435993430 • Siliguri 9830194044 • Surat 9099981641
Taloja 8888996333 • Tirunelveli 9750955044 • Trichy 9750955044 • Trivandrum 9995801271 • Udaipur 9414159451
Vapi 9978901772 • Varanasi 9415005471 • Vijaywada 9966112330 • Vizag 9885011142