



PREFACE

THANK YOU FOR PURCHASING A BRANSON 25 SERIES TRACTOR.

► **BEFORE USE, READ AND UNDERSTAND THIS MANUAL COMPLETE.**

1. After reading this manual, keep it close to the tractor for immediate reference.
2. Any one operating this tractor should review this manual.
3. In case this manual is lost or damaged, please contact your nearest authorized dealer for a copy.
4. Some parts of this product may have been changed for the improvement of quality or for safety reason.
5. In this case, the photographs or drawings of such parts in this booklet may not be the same as the actual parts installed on this product.
6. If you find anything in this manual unclear or in need of further explanation, please contact your authorized dealer for inquiry.

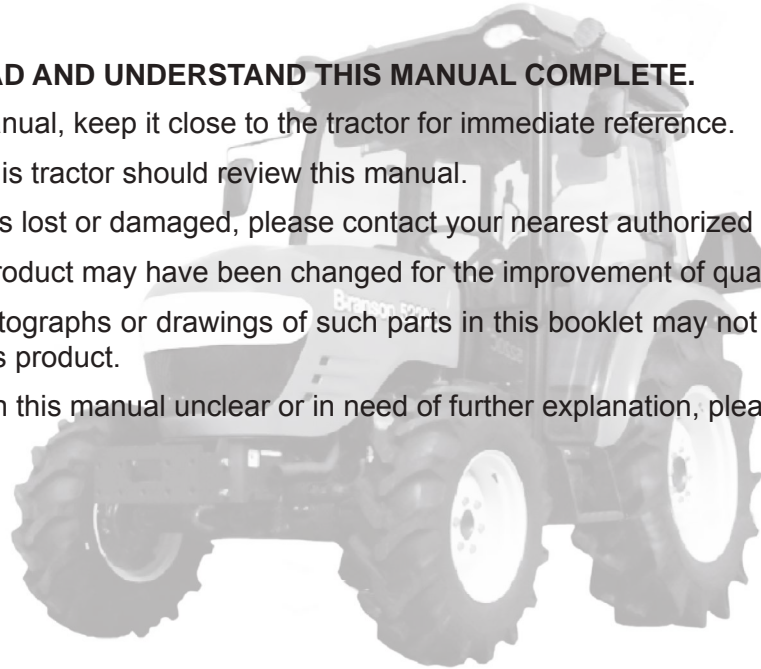
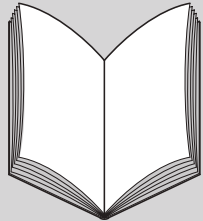






TABLE OF CONTENTS

SECTION



- GENERAL PRECAUTIONS 1
- ABOUT WARRANTY 2
- OVERVIEW OF THE TRACTOR 3
- FUNCTIONS 4
- OPERATION & WORK 5
- MAINTENANCE AFTER WORK 6
- PERIODIC MAINTENANCE AND ADJUSTMENT 7
- TROUBLE SHOOTING 8
- SPECIFICATIONS 9
- INDEX 10



TABLE OF CONTENTS

GENERAL PRECAUTIONS..... 1-1

TO ENSURE SAFE OPERATION1-2

 BEFORE USING THE MACHINE 1-2

 WHILE WORKING 1-11

 AFTER USING THE MACHINE 1-13

 PRECAUTION FOR PROLONGED STORAGE.. 1-15

 PRECAUTIONS IN INCLINED AREA..... 1-17

 MAINTENANCE BEFORE OPERATING 1-18

 OTHERS 1-19

OVERVIEW OF SAFETY DECAL.....1-30

ABOUT WARRANTY2-1

WARRANTY2-2

TROUBLE SHOOTING.....2-2

OVERVIEW OF THE TRACTOR3-1

EXTERIOR VIEW3-2

FUNCTION.....4-1

SWITCHES AND LEVERS..... 4-3

 MAIN KEY SWITCH 4-3

 ACCELERATOR LEVER 4-4

 F/R SHUTTLE LEVER 4-4

 DIRECTOR LAMP S/W 4-5

 HEAD LAMP & HORN S/W 4-5

 STEERING WHEEL TILT LEVER..... 4-5

 PTO SHIFT SWITCH..... 4-6

 CRUISE CONTROL SWITCH 4-6

 EMERGENCY LAMP SWITCH 4-7

INSTRUMENT PANEL 4-8

 ENGINE RPM INDICATOR 4-9

 ENGINE HOUR METER 4-9

 PTO POSITION..... 4-9

 PTO LAMP 4-10

 PRE-HEAT LAMP 4-10

 BATTERY CHARGING LAMP 4-11

 ENGINE OIL PRESSURE LAMP 4-11

 FUEL GAUGE 4-11

 WATER TEMP GAUGE 4-12



TABLE OF CONTENTS

HEAD LAMP (HIGH BEAM)	4-12	PTO LEVER	4-18
DPF LAMP	4-12	DIFFERENTIAL LOCK PEDAL	4-19
PEDALS	4-13	PARTS FOR OTHER.....	4-19
CLUTCH PEDAL	4-13	WORK LAMP SWITCH	4-19
BRAKE PEDALS AND COUPLER	4-13	POWER OUT 12V	4-19
ACCELERATOR PEDAL	4-14	WIPER SWITCH	4-20
F-R HST PEDAL (HST)	4-14	CLIMATE CONTROL.....	4-21
LEVER OPERATION (R).....	4-15	SEAT BELT.....	4-21
MID REMOTE VALVE JOYSTICK.....	4-15	SEAT ADJUSTMENT	4-22
MAIN GEAR SHIFT LEVER	4-15	TAIL LAMP	4-23
3PT POSITION CONTROL LEVER	4-16	BRAKE LAMP	4-23
RANGE SHIFT LEVER	4-16	REVERSE DRIVE LAMP	4-23
PARK BRAKE LEVER.....	4-17	WORK LAMP	4-24
REAR REMOTE CONTROL LEVER (I,II)	4-17	OPERATION & WORK	5-1
LEVER OPERATION (L).....	4-17	CHECKING BEFORE OPERATION	5-2
STOP/SLOW RETURN VALVE	4-18	STARTING / STOPPING THE ENGINE	5-9
MFWD LEVER	4-18	TO START THE ENGINE	5-10



TABLE OF CONTENTS

<p>TO STOP THE ENGINE 5-12</p> <p>TO RAISE OR LOWER THE IMPLEMENT 5-13</p> <p>ADJUSTING THE LOWERING SPEED OF THE IMPLEMENT 5-13</p> <p>DRIVING ON THE ROAD.....5-14</p> <p>DRIVING ON THE SLOPE.....5-14</p> <p>ENTERING AND LEAVING THE PAVEMENT5-15</p> <p>TURNING ON THE PAVEMENT5-16</p> <p>DIFFERENTIAL GEAR LOCK5-16</p> <p>TRACTOR LOADING /UNLOADING 5-17</p> <p>INSTALLING 3-POINT LINK.....5-18</p> <p>PRECAUTIONS FOR CONNECTING THE IMPLEMENT 5-20</p> <p>ADJUSTING WHEEL TREAD.....5-20</p> <p>POWER STEERING 5-21</p>	<p>TOWING INSTRUCTIONS..... 5-22</p> <p>PTO SPECIFICATIONS & PRECAUTIONS 5-22</p> <p>LOADER OPERATION..... 5-23</p> <p>CARRYING THE LOAD5-24</p> <p>HANDLING LARGE HEAVY OBJECTS5-25</p> <p>ROPS FOLDING METHOD.....5-26</p> <p> HOW TO FOLD DOWN THE ROPS 5-26</p> <p> HOW TO FOLD DOWN THE ROPS 5-27</p> <p>MAINTENANCE AFTER WORK..... 6-1</p> <p> MAINTENANCE AFTER WORK..... 6-2</p> <p> MAINTENANCE FOR PROLONGED STORAGE6-2</p> <p>PERIODIC MAINTENANCE AND ADJUSTMENT 7-1</p> <p>PERIODIC MAINTENANCE SCHEDULE 7-2</p> <p>OIL, GREASE AND ANTI-FREEZE CHART 7-4</p>
---	---



TABLE OF CONTENTS

FUEL, OIL AND COOLANT CHART7-5

CHECKING AND CHANGING OF OIL7-6

- ENGINE OIL..... 7-6
- TRANSMISSION / HYD OIL FLUID 7-7
- FRONT AXLE FLUID..... 7-8

FILTERS / COOLANT REPLACEMENT.....7-9

- ENGINE OIL FILTER..... 7-9
- TRANSMISSION OIL FILTER 7-9
- FUEL FILTER 7-10
- DRAINING AIR IN FUEL LINE 7-10
- COOLANT 7-11

OTHERS.....7-12

- RADIATOR SCREEN AND AIR CLEANER..... 7-12
- BATTERY 7-13
- ADJUSTING PARKING BRAKE..... 7-14
- FUEL PIPES AND HOSES..... 7-14
- ELECTRICAL CABLES 7-15
- GREASING 7-15

- CLUTCH..... 7-16
- HST PEDAL..... 7-16
- STEERING WHEEL 7-17
- BRAKE 7-17
- FAN BELT..... 7-18
- AIR COMPRESSOR BELT..... 7-19
- TOE-IN 7-20
- FUSE & FUSIBLE LINKS..... 7-20
- COLOR OF EXHAUST GAS 7-21

TIRES PRESSURE7-21

TROUBLESHOOTING8-1

TROUBLESHOOTING8-2

- ENGINE..... 8-2
- CLUTCH AND BRAKE 8-4
- HYDRAULIC SYSTEM..... 8-5
- ELECTRICAL SYSTEM 8-6

SPECIFICATIONS.....9-1



TABLE OF CONTENTS

SPECIFICATIONS.....9-2

INDEX.....10-1





INDEX.....10-2





SAFETY AND VEHICLE DAMAGE WARNING

The instructions given with the following marks are very important for your safety.

 DANGER	Failure to observe the instruction given with this mark may result in death or injury.
 WARNING	Failure to observe the instruction given with this mark may expose you to the risk of death or injury.
 CAUTION	Failure to observe the instruction given with this mark may expose you to injury. <ul style="list-style-type: none">• The section, “ To Ensure Safe Operation,” on the following pages details safety points to be observed to ensure safe operation of your tractor.• Please make sure you read it carefully before operating the tractor.
NOTE	This instruction is to give additional description to operator so that he/she can operate the machine more effectively.
 IMPORTANT	Read this Manual for correct and safe use of the product. Failure to use the product properly may result in an accident. Keep this Manual close to the tractor after you have read it.



SYMBOL MARKS OF CONTROLLER

This manual includes symbol marks of controller to ease tractor's maneuverability and maintenance. These meanings are as below, so carefully read it for a proper function.



Direction Lamp (LH)



DPF



Engine Oil Pressure Lamp



Direction Lamp (RH)



PTO



Battery Charging Lamp



Low Beam



Parking Brake



4WD



High Beam



Preheat

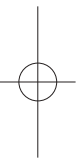


"USE AND DISPOSAL" POLICY CONCERNED WITH ENVIRONMENT PRESERVATION

We try our best to preserve the environment, always concerned about our environmental impact at each step of planning, development, production, distribution, use and disposal of products, and for our overall operations through “environmentally friendly” management system. We comply with international environmental regulations, environmental regulations designated by country and local authorities and other requirements with which we are in agreement, and we work towards the prevention of environmental pollution and the conservation of resources. We provide environmental education and have an awareness campaign to raise environmental awareness among all our employees and members of the supporting companies.

Here we introduce “Use and Disposal” policy concerned with environment preservation as follows.

1. Please read the operator’s manual though for global environment protection and avoid overload job. Overload on the machine shortens the product life and increases the harmful exhaust gas which cause air pollution due to the incomplete combustion.
2. When replacing various fluids (for engine, transmission, hydraulics, etc.) by yourself, don’t dispose the used oil to anywhere not recommended. It can pollute the ground and water seriously. Please contact our local dealer to dispose it legally.
3. Observe the operator’s manual and store or dispose the waste product properly. Rust, oil, etc leaked from waste product improperly stored can pollute the ground and water. Accordingly for a waste product disposal, contact the necessarily “approved waste collection and recycling facility” to discard the used machinery legally.





1. GENERAL PRECAUTIONS

TO ENSURE SAFE OPERATION 1-2

- BEFORE USING THE MACHINE 1-2
- WHILE WORKING 1-11
- AFTER USING THE MACHINE 1-13
- PRECAUTION FOR PROLONGED STORAGE 1-15
- PRECAUTIONS IN INCLINED AREA 1-17
- MAINTENANCE BEFORE OPERATING 1-18
- OTHERS 1-19

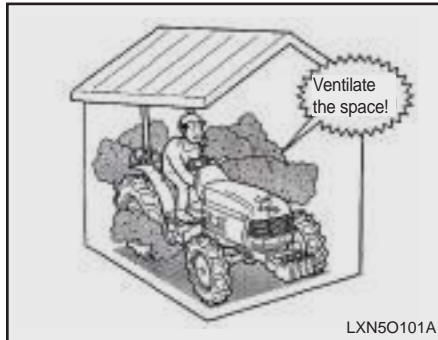
OVERVIEW OF SAFETY DECAL 1-30



1-2 BRANSON 25 SERIES

TO ENSURE SAFE OPERATION BEFORE USING THE MACHINE

Make sure to observe the instruction given in this section to avoid equipment failure or personal injury or death.

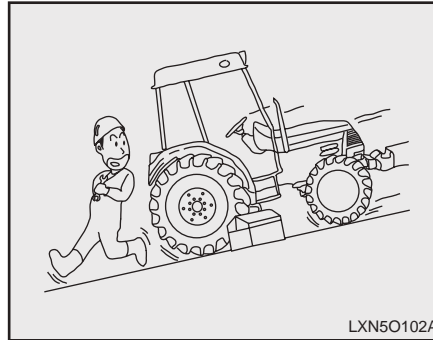


⚠ WARNING

Beware of exhaust gas;

- Start engine in a well ventilated area.

[Otherwise]
The exhaust gas can cause intoxication and lead to fatal consequences.

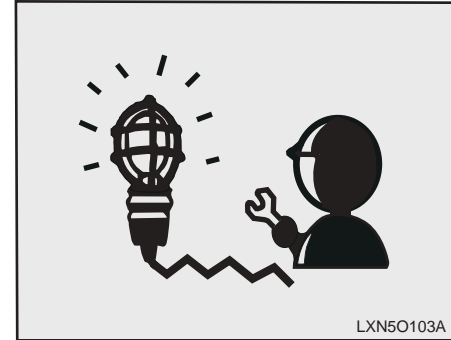


⚠ WARNING

Maintenance on a flat and safe place:

- Select a flat and safe location to secure the tractor in place and will not cause a risk to people passing by. Before carrying out the maintenance. Block the front and rear tires to prevent moving while servicing tracks.

[Otherwise]
An unexpected accident may occur, such as overturning of the tractor.

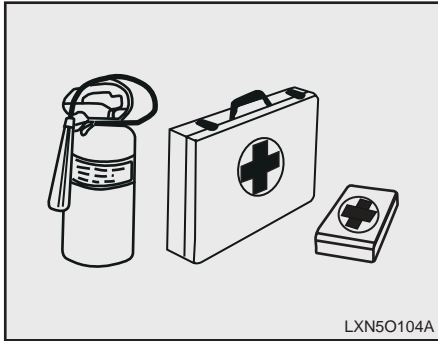


⚠ WARNING

Carry out maintenance in a well-lit place:

- Make sure work area is properly lighted.
- Use safety work lights with protection covering.

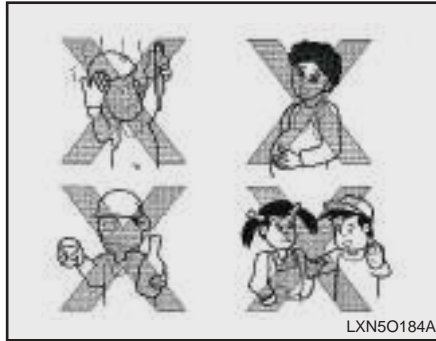
[Otherwise]
An unexpected accident may occur, possibly fire or explosion.



⚠ WARNING

Prepare for emergencies:

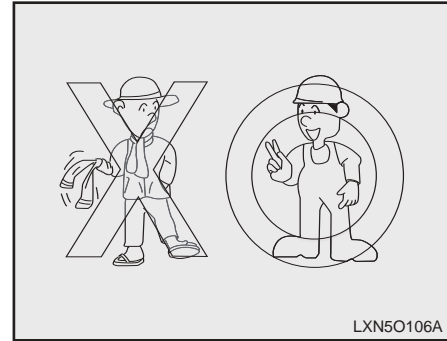
- Keep a first aid kit and fire extinguisher handy at all times while operating equipment.



⚠ WARNING

Do not drive if you are:

- Unable to concentrate because of fatigue, under treatment of medicine.
- Under the influence on alcohol.
- Pregnant.
- Under the age of 18.



⚠ WARNING

Wear the appropriate clothing when operating equipment

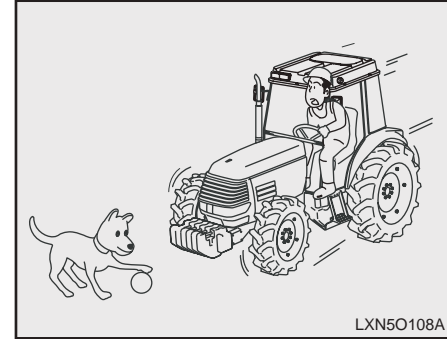
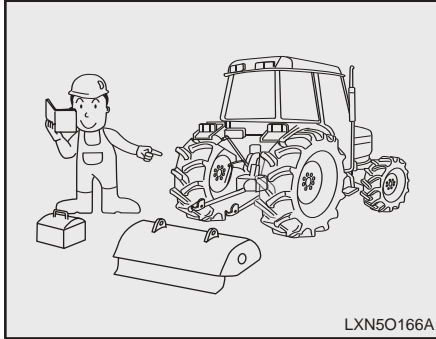
- Do not wear loose fitting clothes.
- Do wear proper foot wear with anti-slip soles, safety helmet and protective comfortable clothes to allow freedom of movement.

[Otherwise]

You will be exposed to a risk of being entangled will equipment resulting in injury.



1-4 BRANSON 25 SERIES



Use only recommended implements:

- Be sure to use only implements which are recommended by manufacturer.

[Otherwise]

An un expected accident may occur or tractor may not perform properly.

WARNING

Fasten your seat belt at all times.

- Keep your seat belt fasten at all times while operation tractor.

[Otherwise]

You will be exposed to a risk of death or serious injury if the tractor overturns.

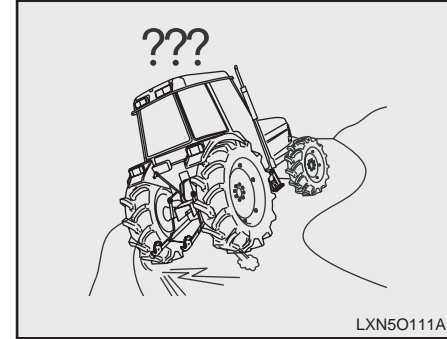
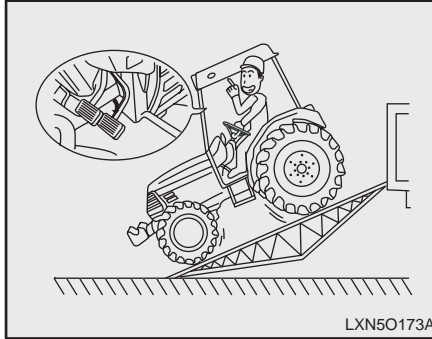
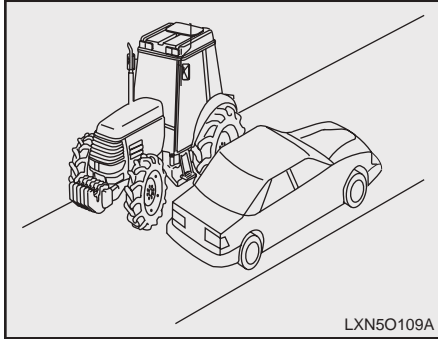
WARNING

Check the safety of the tractor and start to move slowly:

- Only operate tractor while people or animals are at safe distance away.
- Check around the tractor, start the engine, and move slowly.

[Otherwise]

There is a risk of injury.



⚠ WARNING

Pay attention to the shoulder of the road :

- When moving along the unpaved road with ditches or slanted sides, pay attention to the shoulders.

[Otherwise]
There is a risk of falling over.

⚠ WARNING

Connect the break pedals when driving on a road:

- Make sure to connect the brake pedals when driving on a road.

[Otherwise]
There is a danger of abrupt turning or overturning due to one-sided braking when the brake pedal is depressed.

⚠ WARNING

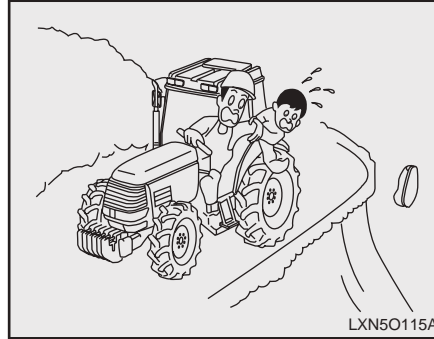
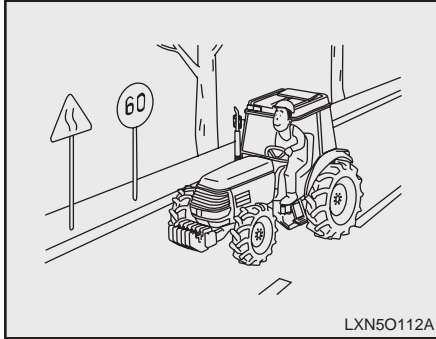
Avoid braking, or turning at excessive Speed:

- Reduce throttle speed when making a turn, apply brake when driving on a hilly or curved roads.

[Otherwise]
There is a risk of overturning.



1-6 BRANSON 25 SERIES



⚠ WARNING

Observe traffic regulations and drive safely:

- When driving on the road, observe the traffic regulations and wear a helmet.

[Otherwise]

There is a danger of accident or injury.

⚠ WARNING

Only driver should be aboard the tractor while in operation:

- This tractor is designed to allow only one operator. The driver must not allow anyone else to get on the tractor. (Especially, children).

[Otherwise]

An unexpected accident may occur.

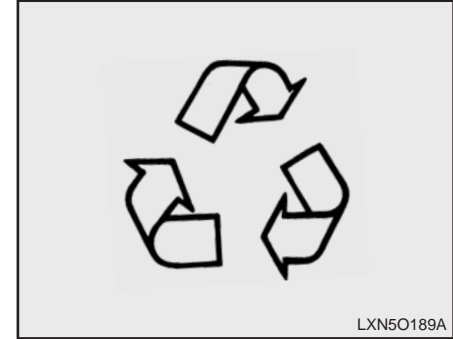
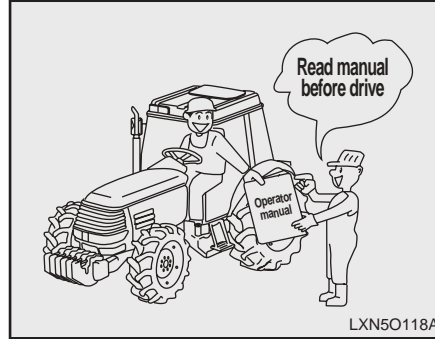
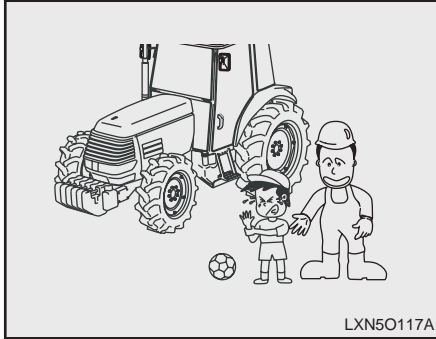
⚠ WARNING

Do not allow anyone near while operating the tractor or implement:

- When engaging or disengaging the implement by moving the tractor, make sure that no one is allowed around the tractor or between the implement or attachment and the tractor.

[Otherwise]

There is a danger of accident or injury.



⚠ WARNING

Keep children away from the tractor:

- Fully warn children and keep them away from the tractor at all times.

[Otherwise]
There is a risk of injury.

⚠ WARNING

Properly train anyone operating:

- Before allowing other people to use your tractor, explain how to operate and have them read this manual.

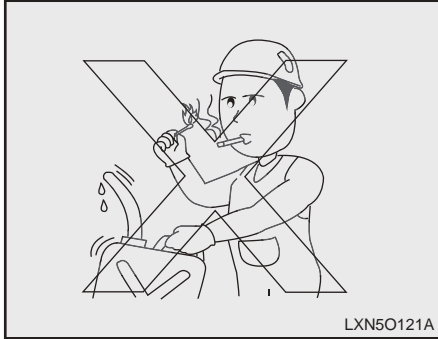
[Otherwise]
There is a danger of death, serious injury, or damage to the tractor.

Treatment of hazardous materials

- Properly discard hazardous materials.
- Hazardous materials from tractor are the following: Coolant, brake oil, oil filter elements, battery and so on.
- When draining fuel, oil or other liquids, use a container without holes. Do not dispose of chemicals on the ground or in rivers or waterways



1-8 BRANSON 25 SERIES

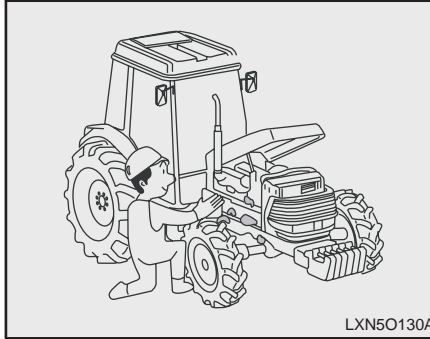


No smoking or open flame when fueling:

- Absolutely no lit cigarettes, matches, or lighters anywhere near when fueling the tank.

[Otherwise]

Fire or explosion may occur.

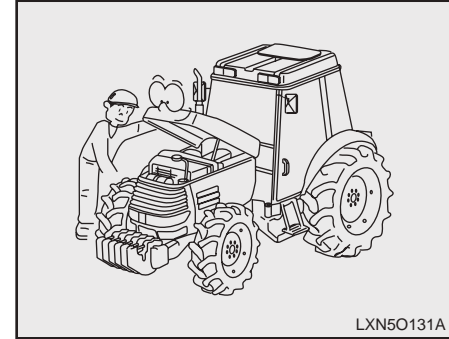


WARNING

- Every day before operating the tractor, check for straws, dust, fuel, or other residue on and around the muffler and the engine and remove them.

[Otherwise]

It may result in a fire.



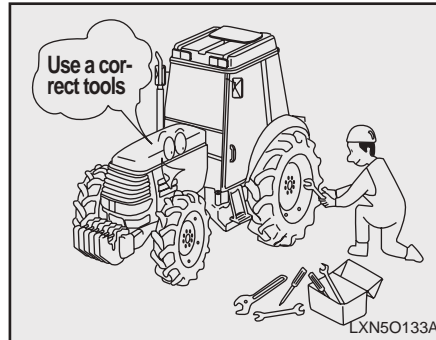
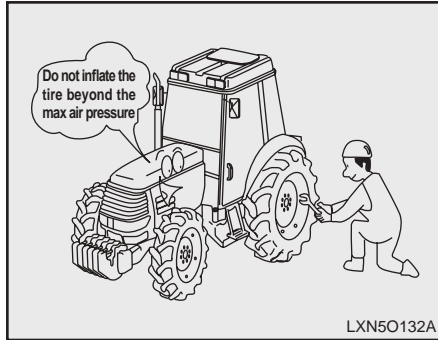
WARNING

Frequency inspects the electrical parts and wiring:

- Inspect electrical wiring contact insulation to avoid shorting or spark.

[Otherwise]

There is a risk of fire due to short circuit.



⚠ CAUTION

Do not over inflate tires:

- When filling tires with air, do not inflate it beyond the maximum pressure stated in this booklet.

[Otherwise]
The tire may blow out, causing an injury.

⚠ CAUTION

Use correct tools:

- Use proper tools to carry out all maintenance procedure.

[Otherwise]
There is a danger of accident due to poor maintenance.

⚠ CAUTION

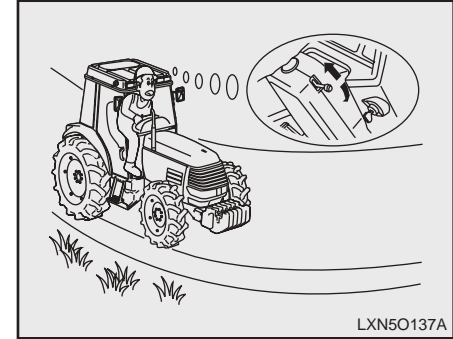
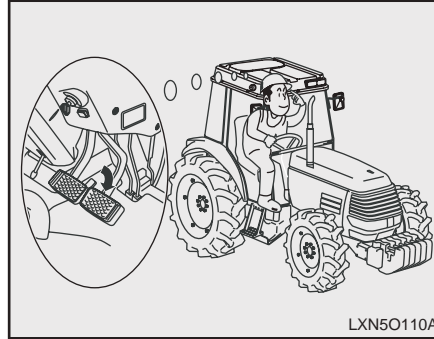
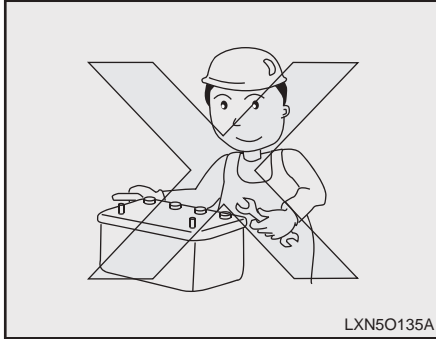
Secure hood and side covers before operate tractor:

- After opening the hood for checking or maintenance, make sure to put them in their place.

[Otherwise]
There is a risk that you may get entangled in the tractor or get injured.



1-10 BRANSON 25 SERIES



⚠ CAUTION

Observe correct procedures when installing or removing the battery:

- Connect the (+) terminal first when installing the battery, and disconnect the (-) terminal first when removing it.

[Otherwise]

There is a risk of burn or fire due to short circuit.

⚠ WARNING

Connect dual brake pedal before moving tractor:

- Check if the brakes work properly and evenly on both sides or if the steering wheel is loose.

[Otherwise]

There is a risk of accident.

⚠ WARNING

Lock steering tilt before moving tractor:

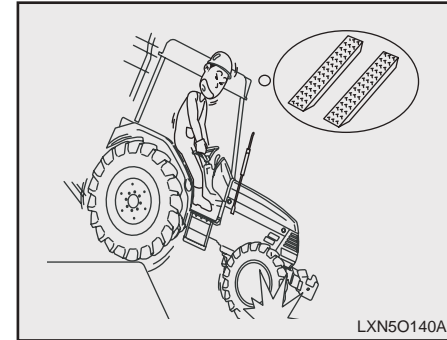
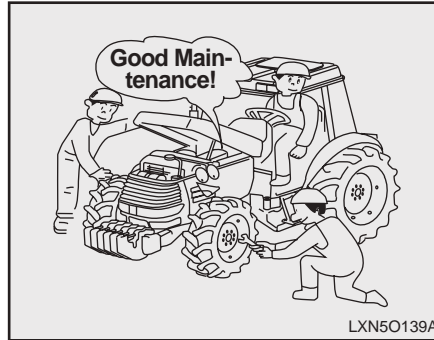
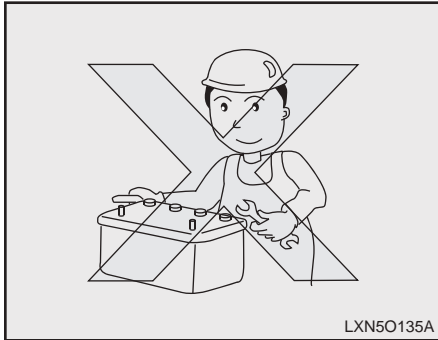
- Except when you adjust the steering wheel, make sure that the tilt lever is placed in the <Lock> position.

[Otherwise]

The tractor may not turn to the direction you want and may cause an accident.



WHILE WORKING



1

⚠ DANGER

Avoid contact with the battery solution:

- Be careful that your body or your clothes do not come in contact with the battery solution. If you come in contact with the battery solution, rinse it off with water immediately.

[Otherwise]
You may get burnt or your clothes may be damaged.

⚠ WARNING

- Perform periodic maintenance, keep each part of the tractor in normal condition.
- Make sure to replace all hydraulic hoses and brake hoses once every two years.

[Otherwise]
There is danger of accident or equipment failure due to poor maintenance.

⚠ WARNING

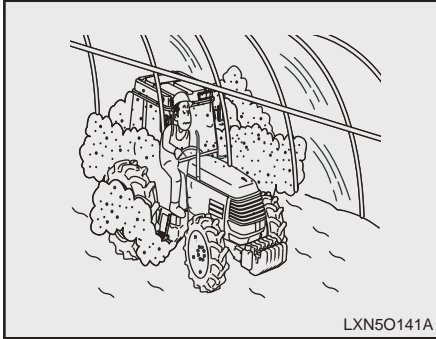
Use the loading ramps when crossing a ditch or a dike:

- Be sure to use the loading ramps when crossing a ditch or dike, or when passing through soft land. The loading ramps must be suitable for the tractor in width, length and strength.

[Otherwise]
There is a risk of accident that the tractor may slip or turn over.



1-12 BRANSON 25 SERIES



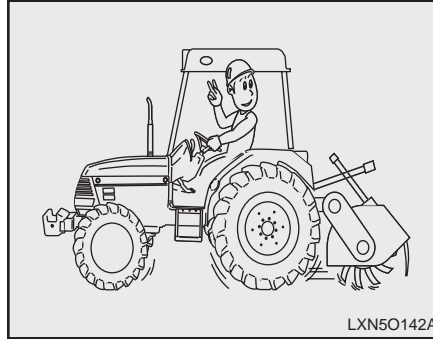
⚠ WARNING

Properly ventilate when working in a green house:

- Ventilate the area to let out the exhaust gas.

[Otherwise]

The exhaust gas can cause intoxication and lead to fatal consequences.

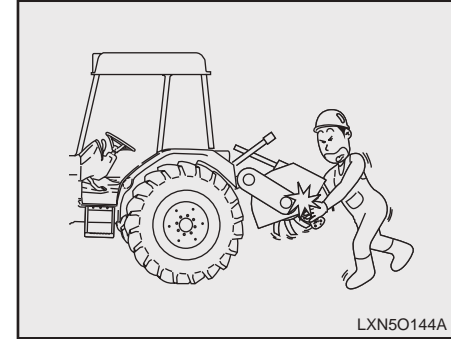


⚠ WARNING

- Pay attention and keep hands on the steering wheel while driving.

[Otherwise]

There is a risk of accident to injury.



⚠ WARNING

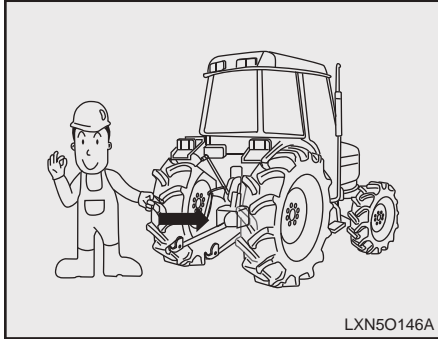
- Stop the engine when removing grass, etc. from the blades of the cultivator.

[Otherwise]

There is a danger that you will get entangled in the cultivator or sustain a serious injury.



AFTER USING THE MACHINE

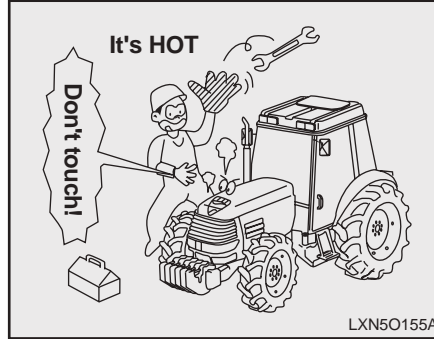


⚠ CAUTION

Cover the PTO shaft when not in use.

When the PTO shaft is not in use, apply grease to it and keep it covered.

[Otherwise]
There is a risk that you may get entangled or get injured.



⚠ CAUTION

- During operation and right after the engine is turned off, the muffler is very hot. Avoid touching it, as you may get burnt.

[Otherwise]
There is a risk of getting burnt.



⚠ CAUTION

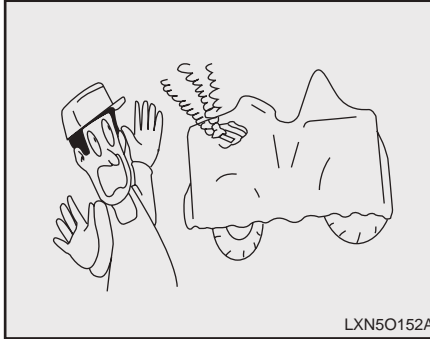
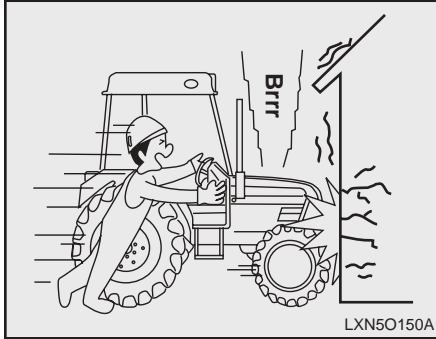
Be careful of high oil pressure:

- Make sure that the hydraulic coupling or the hose is not loose or damaged. Before separating the hydraulic coupling or the hose, eliminate the high pressure inside the hydraulic system.

[Otherwise]
The oil under high pressure may cause damage to the skin or injury.



1-14 BRANSON 25 SERIES



WARNING

Make sure that you are seated in the driver's seat with your seat belt fastened before start engine:

- When starting the engine, make sure that you are seated in the driver's seat with your seat belt fastened and the safety inspection has been performed.

[Otherwise]

An unexpected accident may occur.

DANGER

Put tractor cover on only after tractor has cooled down:

- Put tractor cover on only after parts such as the engine and muffler cooled down.

[Otherwise]

There is a risk of fire.

DANGER

Do not open the radiator cap when the radiator is hot:

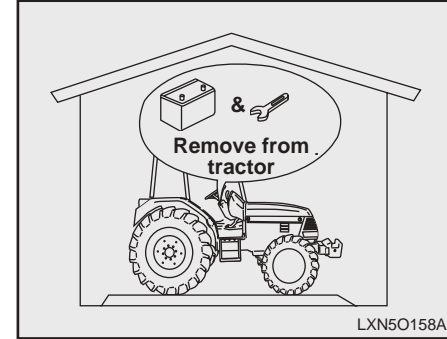
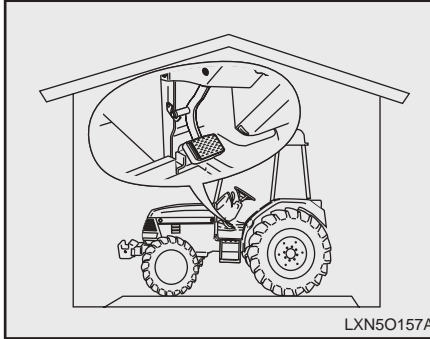
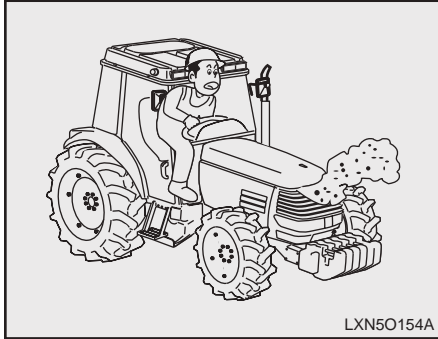
- Never open the radiator cap when the radiator is heated.

[Otherwise]

Hot water may splash, causing burns or damage.



PRECAUTION FOR PROLONGED STORAGE



1

⚠ WARNING

- Every day before operating the tractor, check if the electrical wiring is contact with other parts, or if the insulation is peeling off, or the contact points are loose.

[Otherwise]
There is a danger of fire due to short circuit.

⚠ CAUTION

Disconnect the clutch when storing the tractor for a long time:

- When storing the tractor for a long period of time, make sure to put the clutch pedal in the "Disconnect" position.

[Otherwise]
The tractor may move and cause injury or an accident.

⚠ WARNING

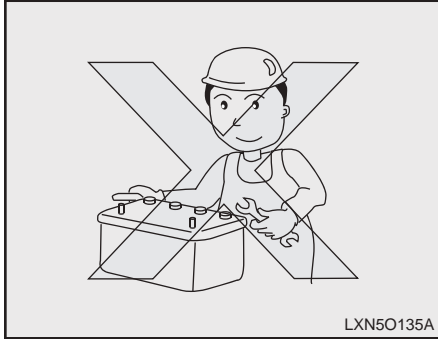
Disconnect the Battery and the key when storing the tractor for a long period of time:

- When storing the tractor without use for a long period of time, remove the battery and keep the key in a safe place.

[Otherwise]
There is a risk of an accident.



1-16 BRANSON 25 SERIES



⚠ CAUTION

Be sure to connect battery cable on the right side and sequence:

- When connecting battery to tractor, connect + terminal first then – terminal but when disconnecting battery from tractor disconnect – terminal first then + terminal

[Otherwise]

There is a risk of fire or injury



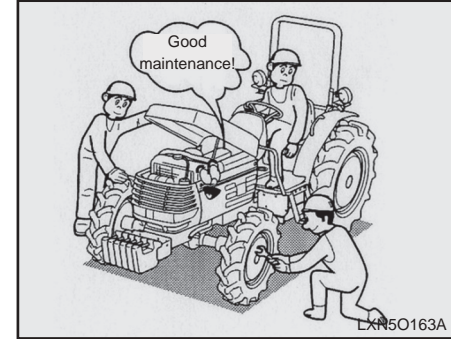
⚠ WARNING

Confirm that the implement is down on the ground when starting the engine:

- When starting the engine, confirm that the position lever is on “Lowest” and that the auto rotary lever is on “Release”.

[Otherwise]

Implement may come down suddenly and cause an injury.



⚠ CAUTION

Maintenance periodically:

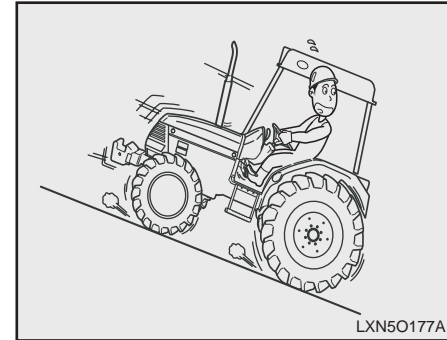
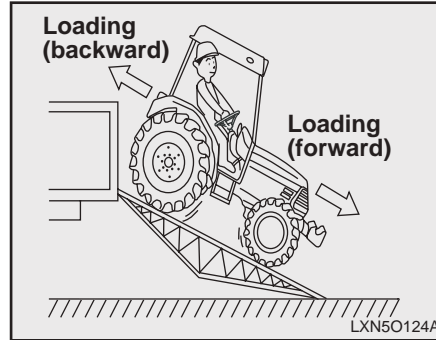
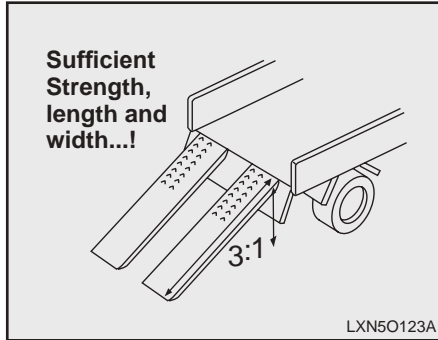
- After using tractor, visit your local dealer for maintenance, such as oil change and filters.

[Otherwise]

There is a risk of accident due to poor maintenance.



PRECAUTIONS IN INCLINED AREA



1

⚠ WARNING

Use loading ramps with proper slope & loading capacity:

- Loading or unloading must be done on a flat and safe place, the tractor engine switched off, and the parking brake engaged.
- The loading ramps must be non-slip and have sufficient strength, length, and width for the tractor.

[Otherwise]
The tractor may roll backward or fall off causing accident or injury.

⚠ WARNING

Move the tractor backward when loading, and forward when unloading:

- Move the tractor backward when loading it on the truck, and forward when unloading from the truck.

[Otherwise]
The tractor may roll backward or fall off causing accident or injury.

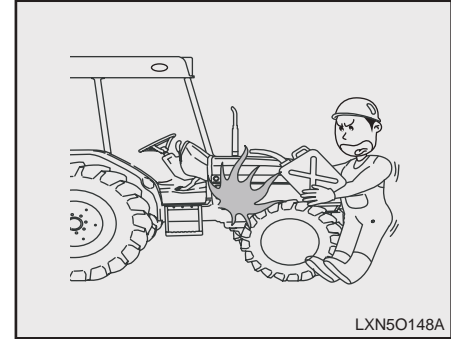
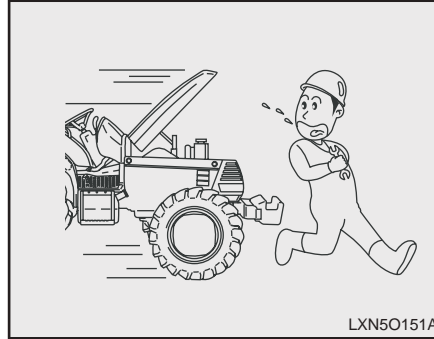
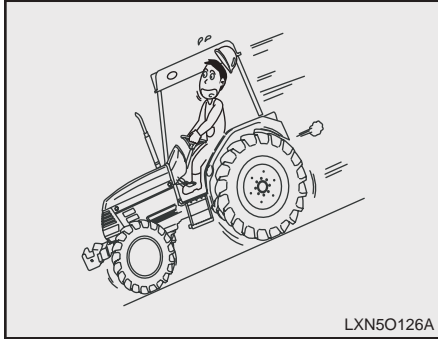
⚠ WARNING

- Be careful when driving on the loading ramps.

[Otherwise]
The tractor may roll backwards or fall causing accident or injury.



MAINTENANCE BEFORE OPERATING



⚠ WARNING

Do not shift gears on slopes or on the loading ramps:

- When driving on slopes or on the loading ramps, select the proper gear and then do not shift the gear.

[Otherwise]
There is a risk of slipping, rolling, or overturning.

⚠ CAUTION

Stop the engine before maintenance:

- Turn engine off before performing any maintenance on tractor.

[Otherwise]
There is a risk of injury.

⚠ DANGER

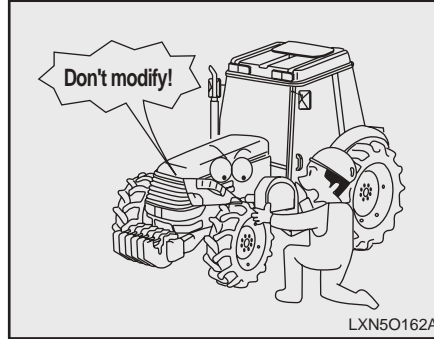
Fill the fuel tank only after the engine has cooled:

- Never add the fuel while the engine is running or hot.

[Otherwise]
The fuel may ignite and result in fire.



OTHERS



1

⚠ DANGER

Use caution when checking the battery:

- Avoid fire when checking or charging the battery.

[Otherwise]
You may get burnt due to ignition or explosion of the battery.

⚠ CAUTION

- Use only the genuine parts or other approved parts. Do not modify the tractor.

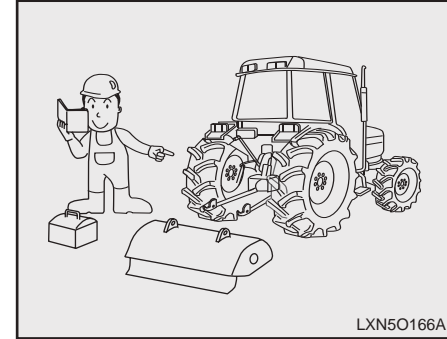
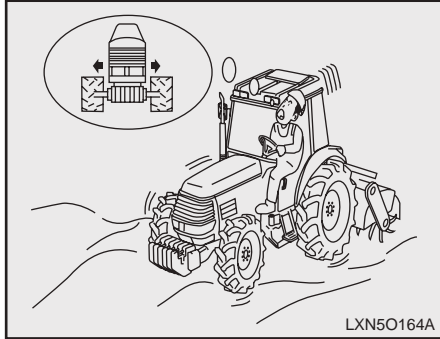
[Otherwise]
There is a danger of accident or injury or equipment failure. Please remember that the failure due to modification may not be covered by warranty.

⚠ WARNING

Pay attention when turning with implement.

- Depending on implements, the overall length may become very long. Pay particular attention to people or objects nearby when making a turn.

[Otherwise]
There is a risk of person injury or a collision of the implement.



⚠ WARNING

Do not shift gears on slopes or on the loading ramps:

- When driving on slopes or on the loading ramps, select the proper gear and then do not shift the gear.

[Otherwise]
There is a risk of slipping, rolling, or overturning.

⚠ CAUTION

Stop the engine before maintenance:

- Turn engine off before performing any maintenance on tractor.

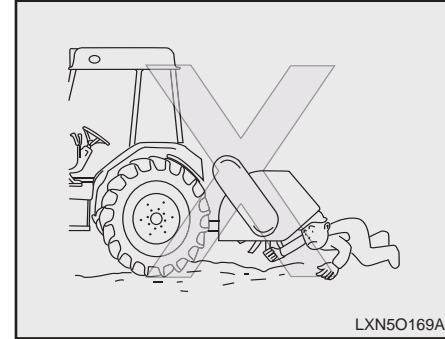
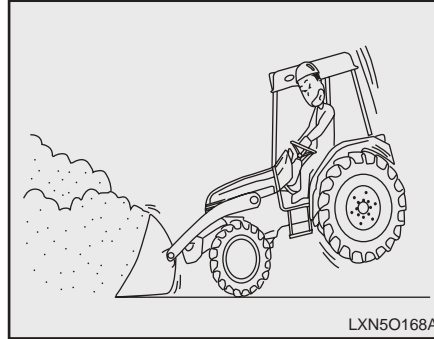
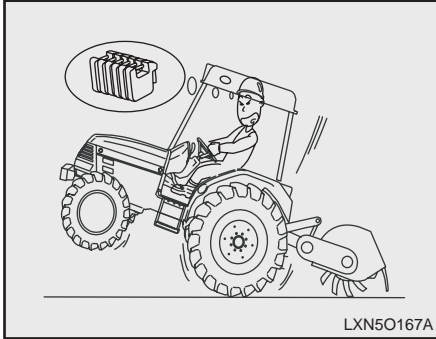
[Otherwise]
There is a risk of injury.

⚠ WARNING

Follow the instruction manual when engaging an implement:

- When engaging an implement to the tractor, follow the instruction manual for the implement.

[Otherwise]
There is a risk of personal injury or damage to the tractor.



⚠ WARNING

Balance a heavy implement with weights:

- When engaging a heavy implement or attachment, load the weight on the front to keep the balance of the tractor.

[Otherwise]
There is a danger of accident or injury due to loss of balance.

⚠ WARNING

Pay attention to the balance between the front and rear side during loader operation:

- During loader operation, apply weights or a implement to avoid losing balance between the front and the rear side tractor.

[Otherwise]
There is a risk of overturning accident due to loss of balance.

⚠ WARNING

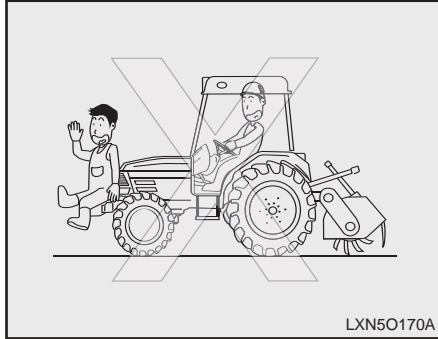
Do not put hands or feet under or near implement:

- Do not get under implement or put your feet under it.

[Otherwise]
The implement unit may fall down and there is a risk of injury.



1-22 BRANSON 25 SERIES



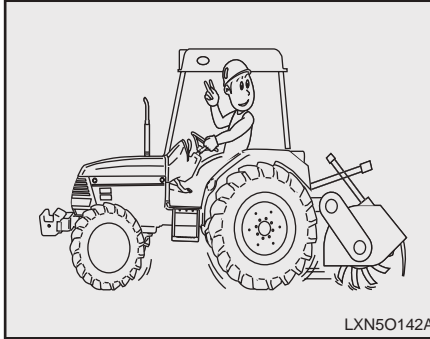
⚠ WARNING

Do not substitute balance weights with a person or anything else:

- Do not use a person on anything else in place of the balance weight. Use only recommended balance weight for the work.

[Otherwise]

There is a danger of accident or injury.



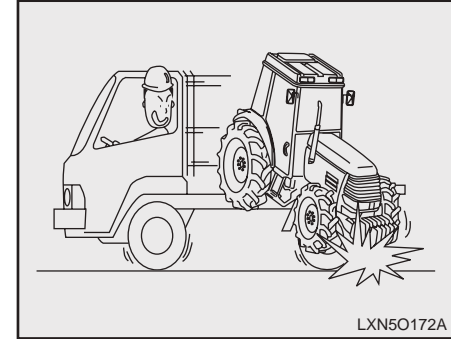
⚠ WARNING

Be careful of unexpected movement when using a the rotary:

- When working with the rotary, put the rotary slowly on soft or rocky ground. The tractor may be pushed in an unexpected direction by the rotating force of the rotary.

[Otherwise]

There is a risk of accident or injury.



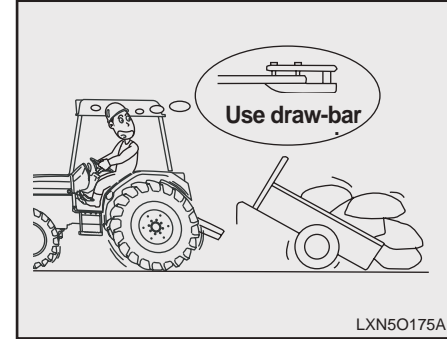
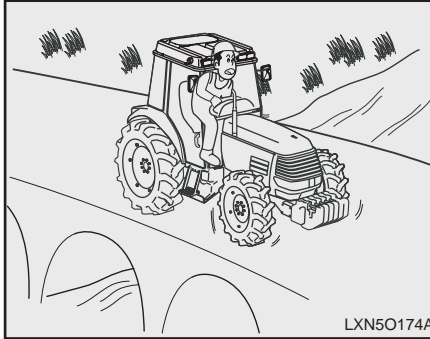
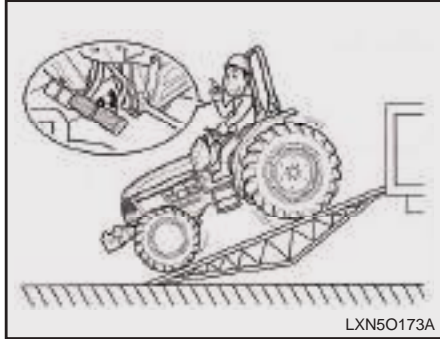
⚠ WARNING

Properly secure tractor during transports:

- When transporting the tractor, apply the parking brake with gear engaged and fasten the tractor to the truck securely sufficient strength.

[Otherwise]

There is a risk of accident that the tractor may fall off the truck.



1

⚠ DANGER

- Make sure to connect the brakes on both sides when loading or unloading the tractor.

[Otherwise]
The tractor may overturn due to one-sided braking when the brake pedal is depressed in an emergency.

⚠ WARNING

- Make sure to release the differential gear lock when making a turn.

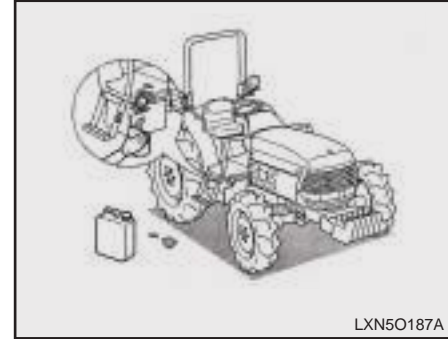
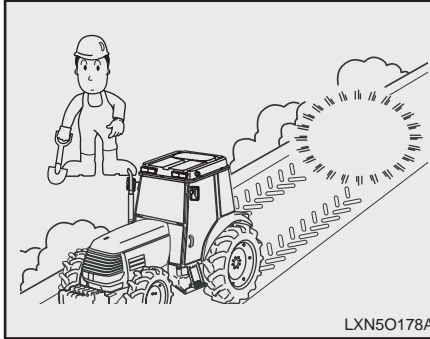
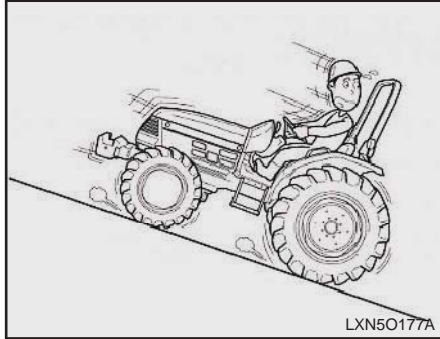
[Otherwise]
The tractor may not turn to the direction you want and cause an accident and damage the tractor.

⚠ WARNING

Use the draw-bar when towing:

- Make sure to use the draw-bar when towing. Never tow anything with the top link or the lower link.

[Otherwise]
Tractor may turn over.



⚠ WARNING

Pay special attention when on a slope or loading ramps:

- Pay special attention to driving on a slope or the loading ramps.

[Otherwise]
There is a risk of accident that the tractor may slip, roll, or overturn.

⚠ WARNING

Turn off engine in a flat area when leaving the tractor:

- When leaving the tractor, park the tractor on a flat and safe area, turn off the engine, and apply the parking brake. Also, let the implement rest on the ground.

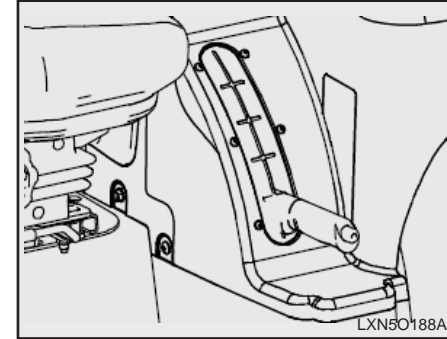
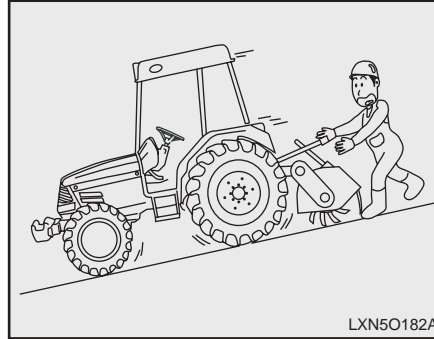
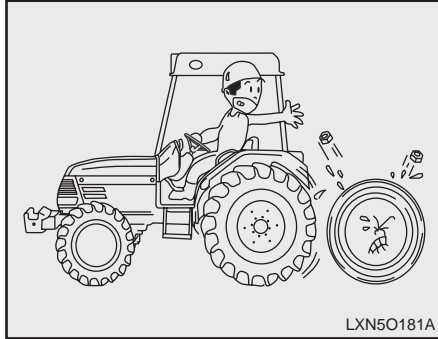
[Otherwise]
The tractor may move and cause an accident.

⚠ DANGER

Remove spilled excess fuel before starting engine:

- After filling the fuel tank, close the fuel filler cap completely and wipe off the excess fuel thoroughly.

[Otherwise]
It may result in a fire accident or environmental pollution.



⚠ WARNING

Be aware of the PTO RPM requirements for the implements:

- Do not use a low-revolution implement at high revolution. Be sure to the designated PTO requirements for the implements.

[Otherwise]

The performance of the implement may not properly work and there is a risk of accident or injury or damage to the tractor.

⚠ WARNING

Only engage or disengage implements on flat, level area:

- Engage or disengage the implement on a flat and safe place. Supply proper lighting at all times and especially night.

[Otherwise]

There is a danger of accident.

⚠ WARNING

- Engage the parking brake during warm of engine.

[Otherwise]

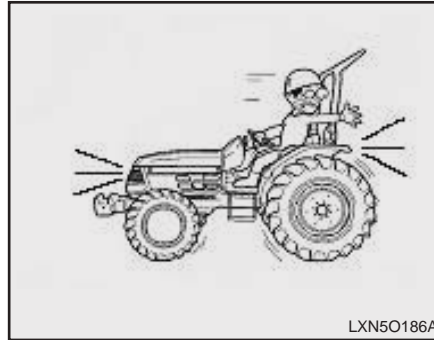
The tractor may move and cause an accident or injury.



⚠ DANGER

- If fuel pipe is damaged, fuel will leak. Make sure that you check for any leakage.

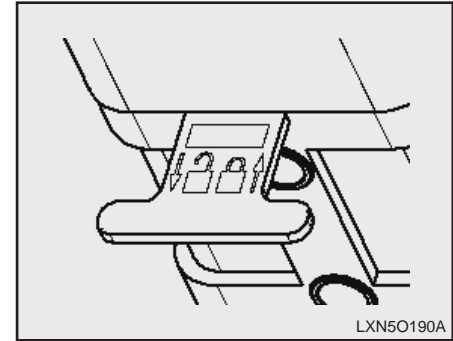
[Otherwise]
There is a danger of fire.



⚠ WARNING

- Check carefully that the various safety lamps such as direction indication lamp works well before driving the tractor

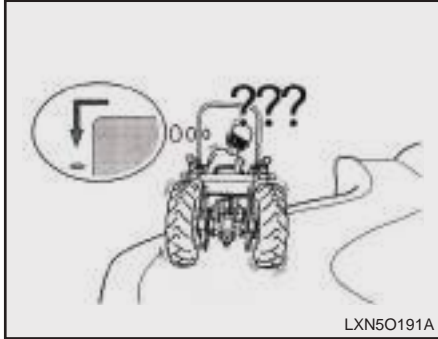
[Otherwise]
Because signal cannot be send to nearby workers, agricultural equipment, automobiles, etc. It may result in a cause of accident.



⚠ WARNING

- Check and perform maintenance to loader after lifting it. And fix the joystick safety lever when dismantling .

[Otherwise]
There is a danger of an unexpected death accident.



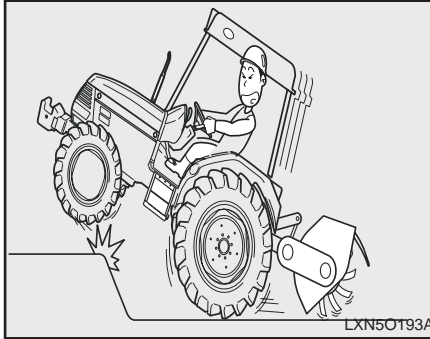
LXN5O191A

⚠ WARNING

- Check if the brakes work properly and evenly on both sides or if the steering wheel is loose.

[Otherwise]

There is a risk of overturning.



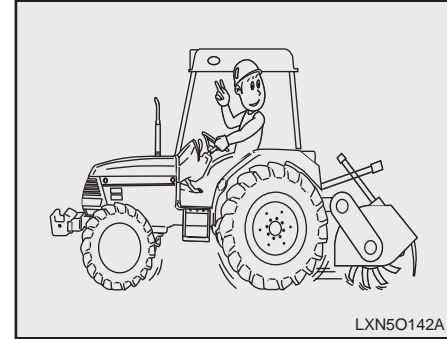
LXN5OT93A

⚠ WARNING

- Do not look away or take hands off the steering wheel while driving.

[Otherwise]

There is a danger of accident or injury.



LXN5O142A

⚠ WARNING

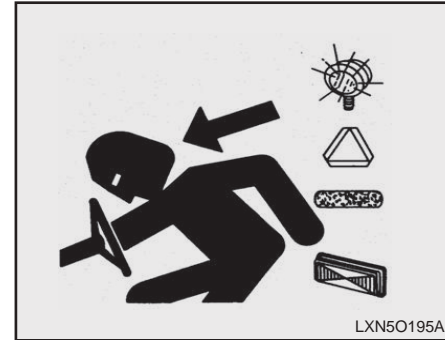
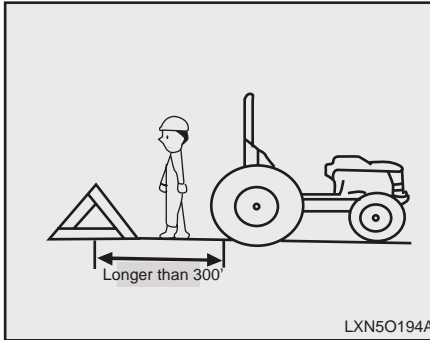
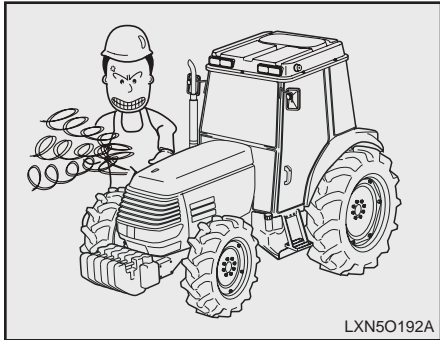
- When entering or leaving the farming field, or moving across a dike or a raised ground, use the loading ramp and lower the implement as much as possible and so that it does not touch the ground.

[Otherwise]

There is a danger that the tractor may turn over due to loss of balance.



1-28 BRANSON 25 SERIES



⚠ WARNING

- Every day before operating the tractor, check for straw, dust fuel, or other residue on and around the muffler and the engine and remove them.

[Otherwise]

There is a danger of fire.

⚠ WARNING

- Install the indication of disable car in accordance with the local regulation when a failure occurs during travelling at the 300' rear place from the tractor.

[Otherwise]

It may cause a danger of rear-end accident.

1. When the tractor has an implement attached or is moving slowly, you must often watch the rear side traffic status to avoid a collision accident when travelling on the road. In particular, be careful when you change directions. If necessary, the signal must be given by hand or direction indication lamp must be used.

2. Always turn on the head light, and/or emergency lamp at night and day as requested by the local traffic regulation.



3. Maintain the light and indication plate so it can be visible always. Immediately repair or attach the broken or missed light and indicating plates.

⚠ CAUTION
<ul style="list-style-type: none"> • Item regarding lighting devices. (alarm lamp and safety device)



1

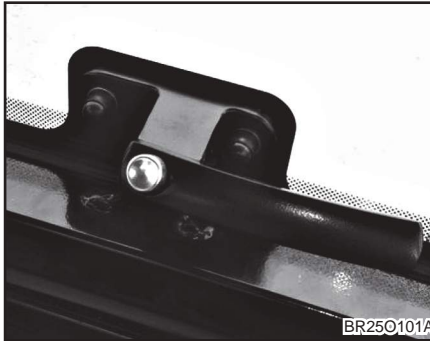
1. Entanglement in rotating drive-line can cause serious injury or death.
2. Keep tractor master shield and drive-line shields in place at all times. Make sure rotating shields turn freely.
3. Understand service procedure before doing work. Keep area clean and dry.
4. Never lubricate, service, or adjust machine while it is moving. Keep

hands, feet , and clothing from power-driven parts. Disengage all power and operate controls to relieve pressure. Lower equipment to the ground. Stop the engine. Remove the key. Allow machine to cool.

5. Securely support any machine elements that must be raised for service work.
6. Keep all parts in good condition

and properly installed. Fix damage immediately. Replace worn or broken parts. Remove any buildup of grease, oil, or debris.

7. On self-propelled equipment, disconnect battery ground cable (-) before making adjustments on electrical systems or welding on machine.
8. On towed implements, disconnect wiring harnesses from tractor before servicing electrical system components or welding on machine.



► LOCATION AND METHOD OF OPENING OF EMERGENCY EXITS

Removable rear cab window provides a large exit path if the cab door is blocked in an emergency situation.

The following items, maintenance and adjustment should not be attempted, but contact the nearest authorized dealer, if necessary.

1. Adjustment of engine injection pump
Adjustment of injection pump without pre-approval may cause to deteriorate the durability and performance of the engine and may cause a fatal malfunction.
2. Adjustment of hydraulic pressure
Adjustment of hydraulic pressure set at shipment may cause a fatal failure of related components and a subsequent accident.
3. If you intend to adjust the components that may deteriorate durability and performance, always contact your nearest authorized dealer or service department of the head office.

[Otherwise]

Be careful it may cause a fatal error or may not be covered by the warranty.



Use agricultural chemicals in a safe manner.

1

1. Agricultural chemicals must be sprayed properly.
2. Spraying of agricultural chemicals must be noticed in advanced and damage to surroundings.
3. Do wear the protective clothing (mask, glove) for agricultural chemicals before spray work.
4. Clean the equipment and tractor just after spraying work.

[Otherwise]

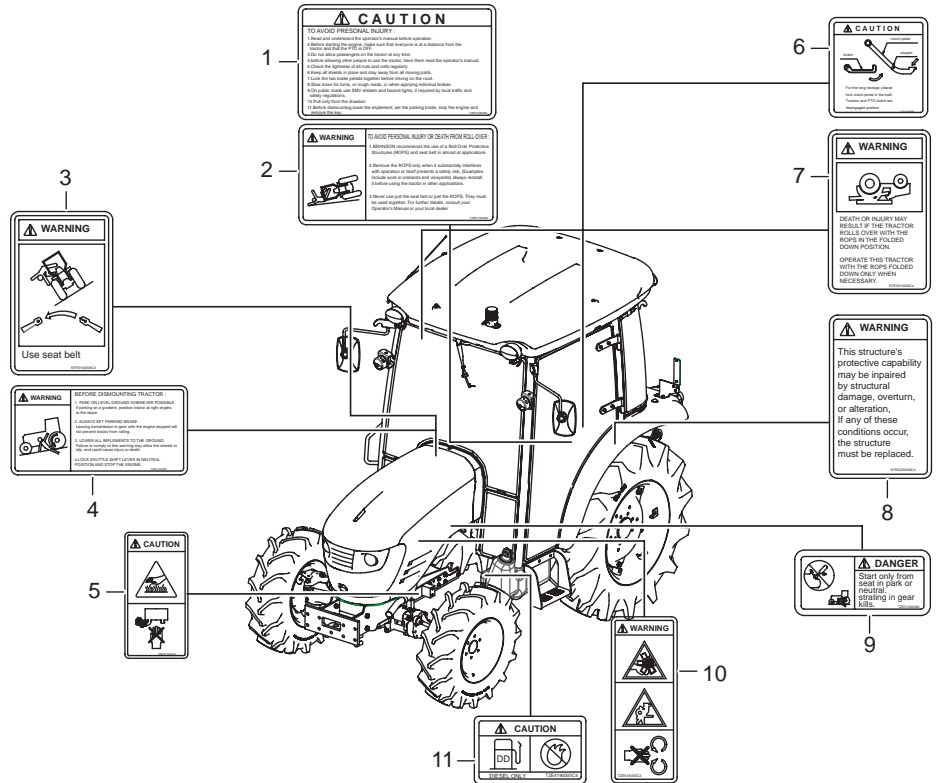
You may be exposed to agricultural chemicals by wind.



1-32 BRANSON 25 SERIES

OVERVIEW OF SAFETY DECAL

[CABIN]



No	Part Code	Part Description
1	TZE516000B3	CAUTION-SAFETY
2	TZE517000B3	ROPS
3	NTE515000C4	SEAT
4	FTE414000A4	CAUTION-GETTING OFF
5	TZE513000C4	CAUTION
6	NTE413000B4	CLUTCH PEDAL
7	NTE521000C4	CAUTION ROPS
8	NTE522000C4	DANGER
9	TZE510000B4	START
10	TZE518000C4	CAUTION-ROTATION
11	TZE419000C4	REFUEL

CAUTION

• Work in wetland area.
• Check work area before or conditional because it could be unsafe. If you can't see or can't stand from the foot and get outside or out the area.

WARNING

• Do not use the tractor for any purpose other than that intended for it.
• Do not use the tractor for any purpose other than that intended for it.
• Do not use the tractor for any purpose other than that intended for it.

CAUTION

• To avoid personal injury or property damage, do not use the tractor for any purpose other than that intended for it.
• Do not use the tractor for any purpose other than that intended for it.
• Do not use the tractor for any purpose other than that intended for it.

FUEL INDICATOR IN SLOPE

As fuel tanks being installed at right and left side both, begin work on right side or left side sloping area may show different fuel indicator in dash board from actually remaining fuel quantity in tanks.

Model	Volume	Capacity
Branson 2555G	8.3	Capable working
Branson 2555G	10.0	Tractor under load
Branson 2555G	8.3	load operation
Branson 2555G	8.3	and full tank fuel.
Branson 2555G	10.0	
Branson 2555G	11.0	

WARNING

Keep the starter relay, away from water while cleaning. If not followed, damage can occur by starter motor.

WARNING

Using the Parking Brake



When engaging or disengaging the parking brake, always press the brake pedal fully before moving the parking brake lever.

WARNING

Warning when starting on a slope

• Before starting on a slope, please ensure that both loader joysticks are fully engaged. When you have finished the work, please release the brakes as the tractor begins to move in the forward direction.

WARNING

Fix loader joystick safety lock during no use.

WARNING

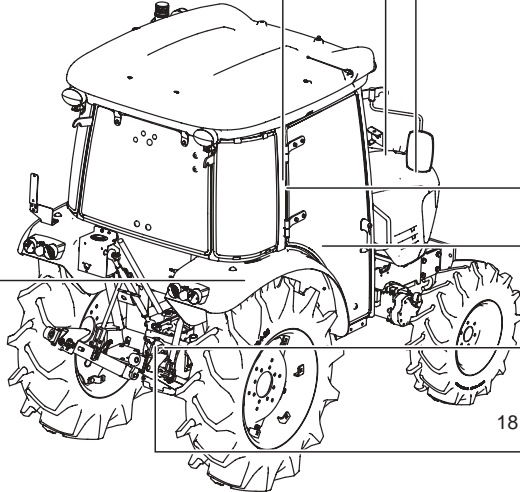
TO AVOID PERSONAL INJURY:

1. Attach pulley or loader back to the loader only.
2. Use the 3-point hitch only with equipment designed for 3-point hitch usage.

WARNING

TO AVOID PERSONAL INJURY:

1. Keep PTO shield or guard in place at all times.
2. Do not operate the PTO without the proper implement manufacturer.
3. Do not use PTO without implement set with capacity 1000000.
4. Never touch, feel, or reach into moving parts.



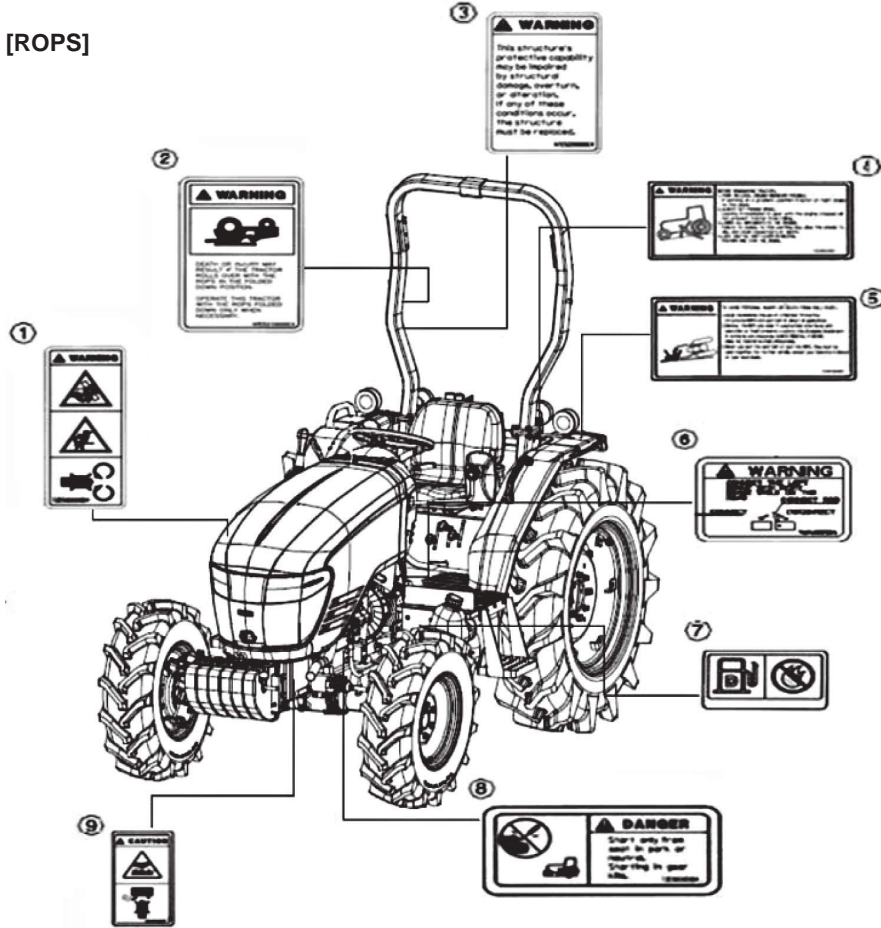
No	Part Code	Part Description
12	TZE577000B3	CAUTION-SAFETY
13	TA00028504A	WARNING CAUTION
14	TA00028501A	WARNING CAUTION
15	NTE5270000A4	STARTER RELAY
16	-	LOADER
17	TZE512000B4	CAUTION-CONNECTION
18	TA00015596A	PTO COVER
19	TA00026053A	CAUTION-FUEL

1

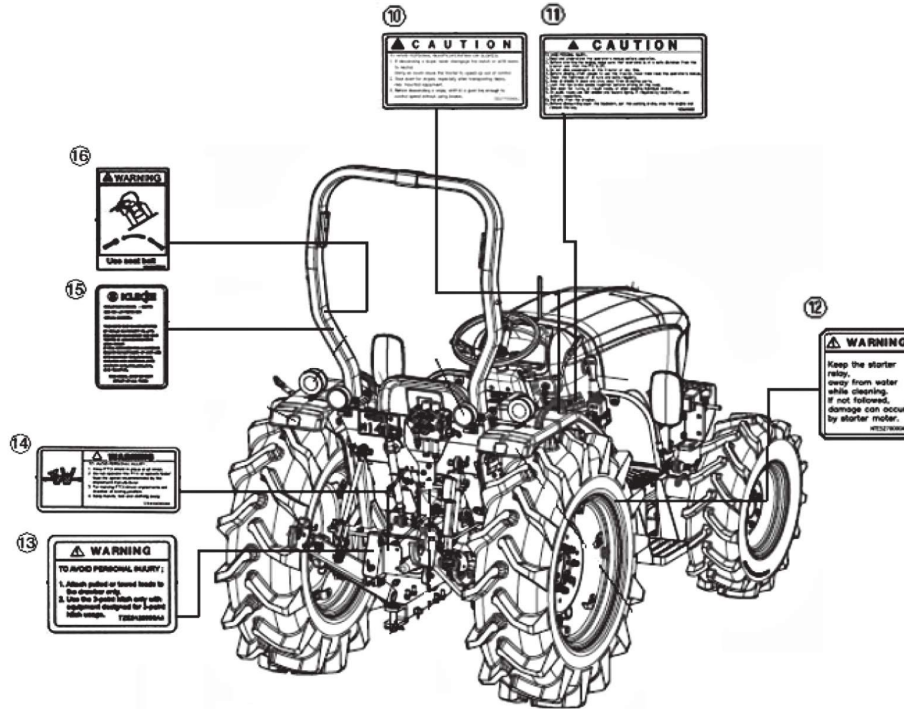


1-34 BRANSON 25 SERIES

[ROPS]



No	Part Code	Part Description
1	NTE5210000C4	CAUTION ROPS
2	FTE4140000A4	CAUTION-GETTING OFF
3	TZE513000C4	CAUTION
4	TZE4190000C4	REFUEL
5	NTE5220000C4	DANGER
6	TZE517000B3	ROPS
7	TZE516000B3	CAUTION-SAFETY
8	TZE510000B4	START
9	TZE518000C4	CAUTION-ROTATION



No	Part Code	Part Description
10	TA00026053A	CAUTION-FUEL
11	TZE577000B3	CAUTION-SAFETY
12	NTE515000C4	SEAT
13	NTE527000A4	STARTER RELAY
14		LOADER
15	TZE512000B4	CAUTION-CONNECTION
16	TA00015596A	PTO COVER
17	TZE512000B4	CAUTION-CONNECTION
18	TA00015596A	PTO COVER
19	TA00026053A	CAUTION-FUEL



1-36 BRANSON 25 SERIES

Safety decals are provided to ensure safe operation.

Keep the safety decals clean at all times and protect them from damage.

In case of loss or damage, replace with a new decal.





2. ABOUT WARRANTY

WARRANTY.....2-2

TROUBLE SHOOTING.....2-2



2-2 BRANSON 25 SERIES

WARRANTY

You will need the “Warranty paper work” when your tractor requires warranty service. Read it and keep in a safe place.

TROUBLE SHOOTING

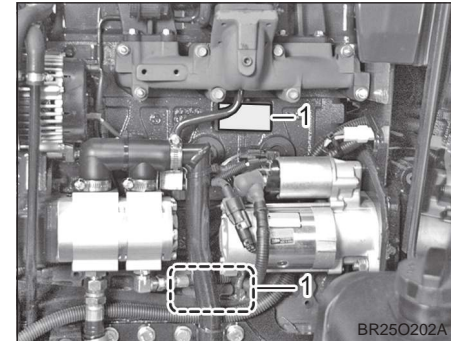
In case of mechanical trouble, refer to “Trouble shooting” on end of this manual. If the problem cannot be corrected, please contact your nearest authorized dealer.

<Information you will need when contacting the dealer for service>

- Type of model and tractor s/n number.
- In case of engine, the engine s/n number.
- Circumstances of breakdown. (What kind of work, gear position, etc)
- Amount of work done. (Square footage or number of hours)
- Other information in as much detail as possible surrounding the circumstances of the breakdown.



(1) Tractor Serial number.



(1) Engine Serial Number



3. OVERVIEW OF THE TRACTOR

EXTERIOR VIEW3-2



3-2 BRANSON 25 SERIES

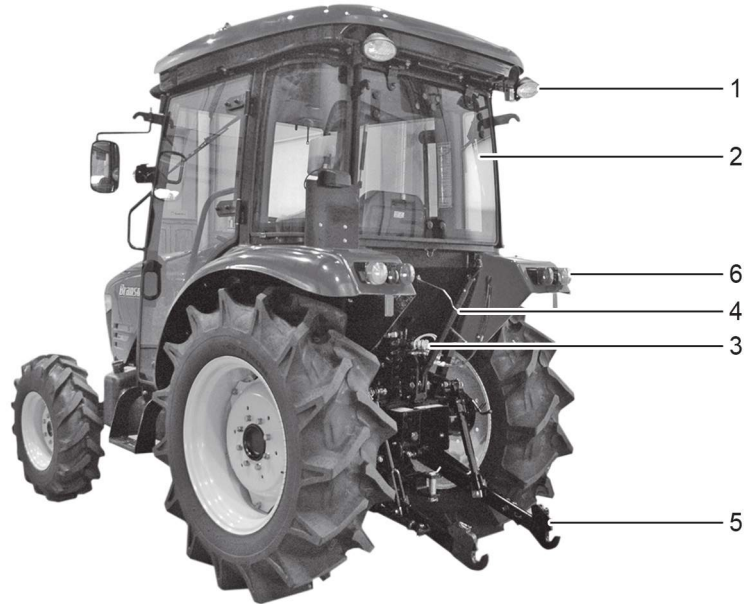
EXTERIOR VIEW

[CABIN]



- (1) Work Lamp (F)
- (2) Side Mirror
- (3) Door Glass
- (4) Rear Tire
- (5) Step
- (6) Front Tire
- (7) Head Lamp
- (8) Hood

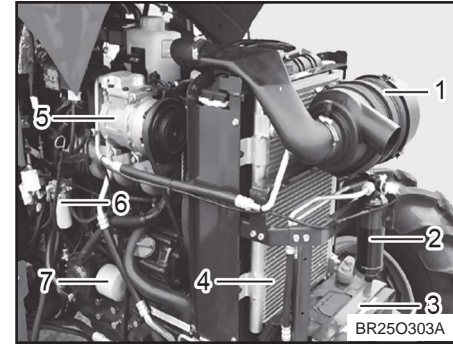
BR25O301A



- (1) Work Lamp (R)
- (2) Rear Window
- (3) Rear Remote Valve
- (4) Top Link

- (5) Lower Link
- (6) Rear Combination Lamp

BR25O302A



- (1) Air Cleaner
- (2) Receiver Dryer
- (3) Battery
- (4) Condenser
- (5) Compressor
- (6) Fuel Filter
- (7) Engine Oil Filter

3



3-4 BRANSON 25 SERIES

[ROPS]



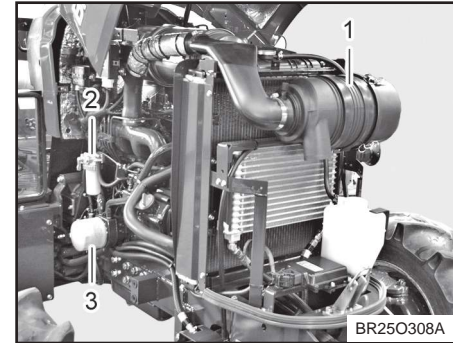
- (1) *Steering Wheel*
- (2) *Head Lamp*
- (3) *Muffler*
- (4) *Front Tire*
- (5) *Rear Tire*
- (6) *Direction Lamp*
- (7) *Road Lamp*
- (8) *ROPS Frame*

BR25O306A



(9) Back Up Lamp
(10) Work Lamp

(11) Draw Bar
(12) Brake Lamp



3

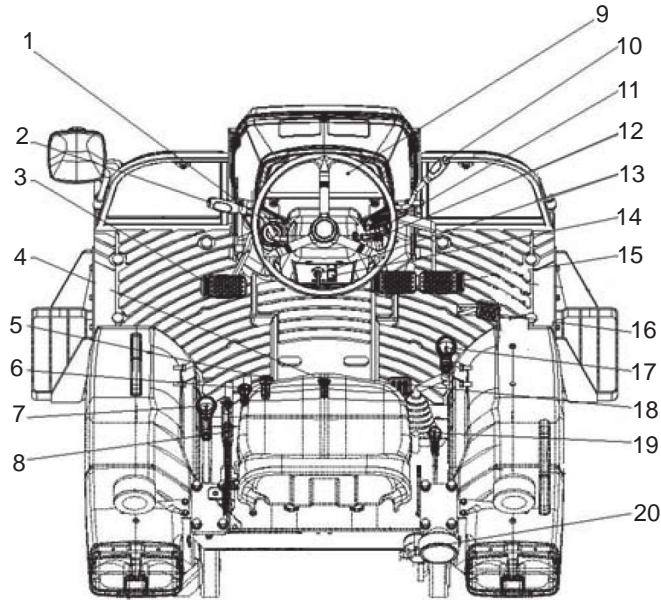
(1) Air Cleaner
(2) Fuel Filter
(3) Engine Oil Filter

BR25O307A



3-6 BRANSON 25 SERIES

[MANUAL]

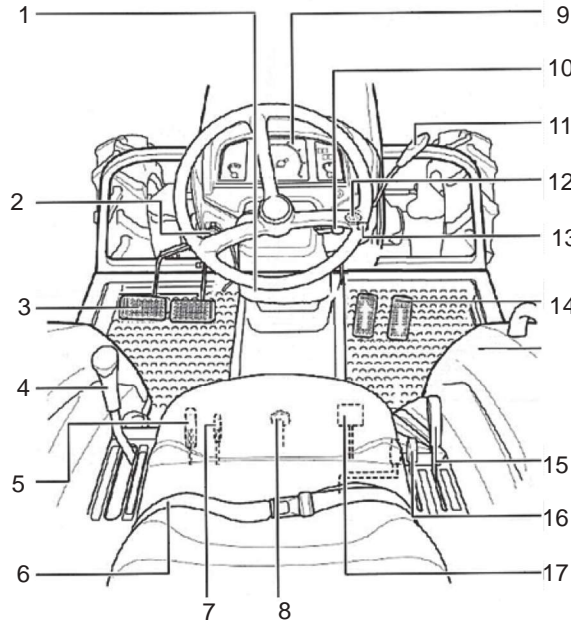


- (1) Combination Lamp Switch Horn Switch
- (2) F-R Shuttle Lever
- (3) Clutch Pedal
- (4) Hyd. Stop Valve
- (5) MFWD Lever
- (6) PTO Shift Lever
- (7) Range Shift Lever
- (8) Parking Brake Lever
- (9) Instrument Panel
- (10) Accelerator Lever
- (11) Main Key Switch
- (12) Steering Wheel Tilt Lever
- (13) PTO Switch
- (14) Hazard Lamp Switch
- (15) Brake Pedal
- (16) Accelerator Pedal
- (17) Main Gear Shift Lever
- (18) Diff. Lock Pedal
- (19) Position Control Lever
- (20) Work Lamp

BR25O305A



[HST]



- (1) Control Panel
- (2) Combination S/W
- (3) Brake Pedals
- (4) Range Shift Lever
- (5) PTO Shift Lever
- (6) Seat Belt
- (7) MFWD Lever
- (8) Slow Return Valve
- (9) Instrument Panel
- (10) Steering Tilt Lever
- (11) Accelerator Lever
- (12) Key Switch
- (13) Emergency Lamp S/W
- (14) F-R HST Pedals
- (15) Position Lever
- (16) Draft Lever
- (17) Differential Lock Pedal

BR25O305A



4. FUNCTIONS

SWITCHES AND LEVERS4-3

- MAIN KEY SWITCH 4-3
- ACCELERATOR LEVER 4-4
- F/R SHUTTLE LEVER..... 4-4
- DIRECTOR LAMP S/W 4-5
- HEAD LAMP & HORN S/W 4-5
- STEERING WHEEL TILT LEVER..... 4-5
- PTO SHIFT SWITCH..... 4-6
- CRUISE CONTROL SWITCH 4-6
- EMERGENCY LAMP SWITCH..... 4-7

INSTRUMENT PANEL4-8

- ENGINE RPM INDICATOR 4-9
- ENGINE HOUR METER..... 4-9
- PTO POSITION 4-9
- PTO LAMP 4-10
- PRE-HEAT LAMP 4-10
- BATTERY CHARGING LAMP 4-11
- ENGINE OIL PRESSURE LAMP 4-11
- FUEL GAUGE..... 4-11
- WATER TEMP GAUGE 4-12

- HEAD LAMP (HIGH BEAM) 4-12
- DPF LAMP..... 4-12

PEDALS4-13

- CLUTCH PEDAL 4-13
- BRAKE PEDALS AND COUPLER..... 4-13
- ACCELATOR PEDAL 4-14
- F-R HST PEDAL (HST) 4-14

LEVER OPERATION (R)4-15

- MID REMOTE VALVE JOYSTICK 4-15
- MAIN GEAR SHIFT LEVER 4-15
- 3-PT POSITION CONTROL LEVER..... 4-16
- RANGE SHIFT LEVER 4-16
- PARK BRAKE LEVER 4-17
- REAR REMOTE CONTROL LEVER (I,II)..... 4-17

LEVER OPERATION (L).....4-17

- STOP/SLOW RETURN VALVE 4-18
- MFWD LEVER..... 4-18
- PTO LEVER..... 4-18



4. FUNCTIONS

DIFFERENTIAL LOCK PEDAL..... 4-19

PARTS FOR OTHER4-19

WORK LAMP SWITCH..... 4-19

POWER OUT 12V 4-19

WIPER SWITCH..... 4-20

CLIMATE CONTROL..... 4-21

SEAT BELT 4-21

SEAT ADJUSTMENT..... 4-22

TAIL LAMP 4-23

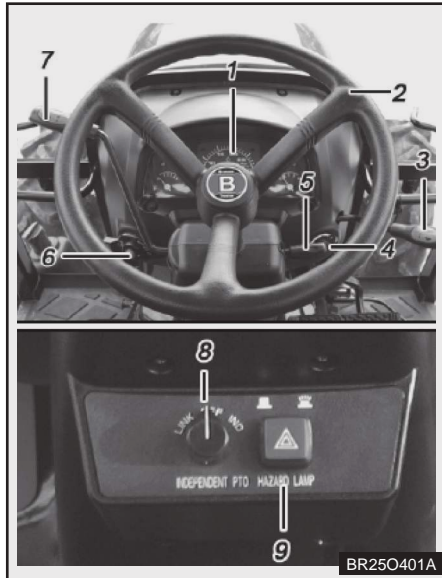
BRAKE LAMP 4-23

REVERSE DRIVE LAMP..... 4-23

WORK LAMP 4-24

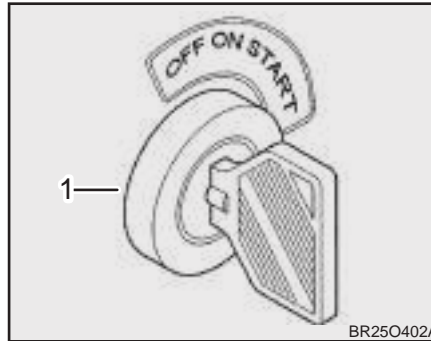


SWITCHES AND LEVERS



- (1) Dash Meter
- (2) Steering Wheel
- (3) Accelerator Lever
- (4) Main Key Switch
- (5) Steering Column Tilt Lever
- (6) Combination Lamp Switch
- (7) F/R Shuttle Lever
- (8) PTO Shift Switch
- (9) Emergency Lamp Switch

MAIN KEY SWITCH



(1) Main Key Switch

It is used to start the engine.

- "OFF"
The engine is stopped, and current does no flow. (The key can be taken out)

- "ON"

Electric current flows to the switched of all electrical parts. If the engine is stopped, the engine oil pressure pilot lamp and the battery charge pilot lamp are lit. Depending on the outside temperature, the thermostat pilot lamp may also be lit.

- "START"

Starting motor turns and the engine is started.

Once the engine is started, take your hand off the key.

The key will return to the "ON" position automatically and the engine will keep running.

Turn engine off before performing any maintenance on tractor

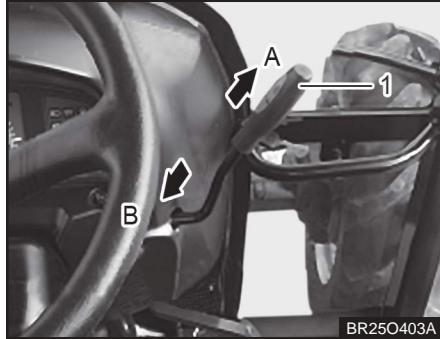
CAUTION

- When the tractor is not in use, take out the key and keep it in a safe place.



4-4 BRANSON 25 SERIES

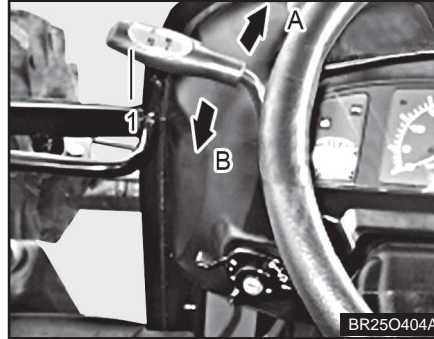
ACCELERATOR LEVER



(1) Accelerator Lever
(A) Decreases (B) Increases

It is used to make the engine run faster or slower. It is also used when working at a constant speed.

F/R SHUTTLE LEVER



(1) F/R Shuttle Lever
(A) Forward (B) Reverse

It is used for shifting between “Forward” and “Reverse” drive. When shifting the gear, depress the clutch fully.

⚠ CAUTION

- For safety, when shifting from “forward” to “reverse” or from “reverse” to “forward”, put the lever in the “neutral” position and wait for the tractor to stop moving before shifting the gear to the opposite direction. To ensure safety, the lever must first be pulled upward for shifting to another position.

**DIRECTOR LAMP S/W***(1) Director Lamp S/W*

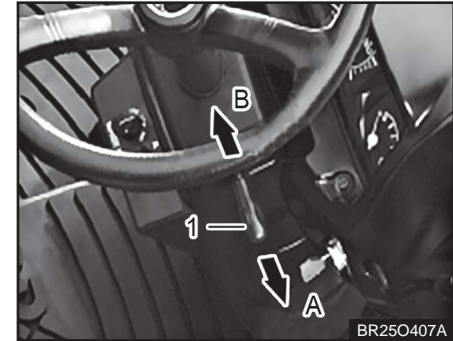
With the key switch in the “ON” position, turn the direction indicator switch to the right to turn on the direction indicator lamp in the right side, and turn the indicator switch to the left to turn on the lamp on the left.

HEAD LAMP & HORN S/W*(1) Head Lamp (2) Horn***► HEAD LAMP S/W**

With the main switch in the “ON” position, turn the light switch one click to the right for high beam and two clicks to the right for low beam.

► HORN S/W

With the main switch in the “ON” position, press the horn button to sound the horn.

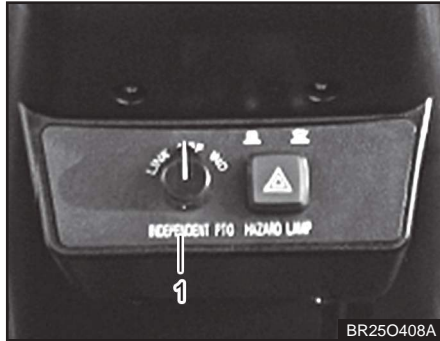
STEERING WHEEL TILT LEVER*(1) Steering Wheel Tilt Lever
(A) Lock (B) Release*

Confirm that the steering wheel is firmly fixed.



4-6 BRANSON 25 SERIES

PTO SHIFT SWITCH



(1) PTO Shift Switch

It is used for turning on or off the PTO clutch.

▶ PTO CLUTCH SWITCH [IND]

PTO gets independent, and even when the lift arm is lifted, PTO continues to rotate and PTO lamp lights on the instrument panel.

▶ PTO CLUTCH SWITCH [LINK]

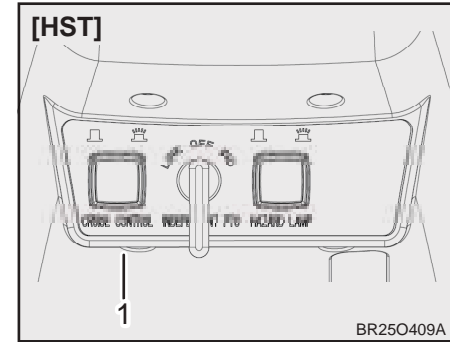
PTO gets connected, and when the lift arm is lifted, PTO stops to rotate. And when the lift arm is lowered, PTO rotates and PTO lamp lights on the instrument panel.

▶ PTO CLUTCH SWITCH [OFF]

PTO does not rotate. When not working, put to this position.

※The engine does not start up, when the PTO clutch is in “IND” or “LINK”. Put to “OFF” position for starting up the engine.

CRUISE CONTROL SWITCH



(1) Cruise Control Switch

1. When the machine has reached the desired speed, press cruise control switch to “ON”. Release the HST pedal and the machine will operate at the selected speed.
2. When applying full pressure to the Brake pedals, the cruise control will deactivated and it will be necessary to reset the cruise control to the desired speed.



EMERGENCY LAMP SWITCH

- When applying light pressure to the Brake pedals, the machine's ground speed will be reduced until the Brake pedals released. At that point the machine will continue at the previous setting.
- To reset the desired speed, you should turn off the cruise control switch then increase machine speed to reach the desired speed push cruise switch to on.



(1) Emergency Lamp Switch

CAUTION

- When stop the machine cruise control keep machine stop status.
- Make sure connecting the both Brake pedals when use cruise control function.

[Otherwise]

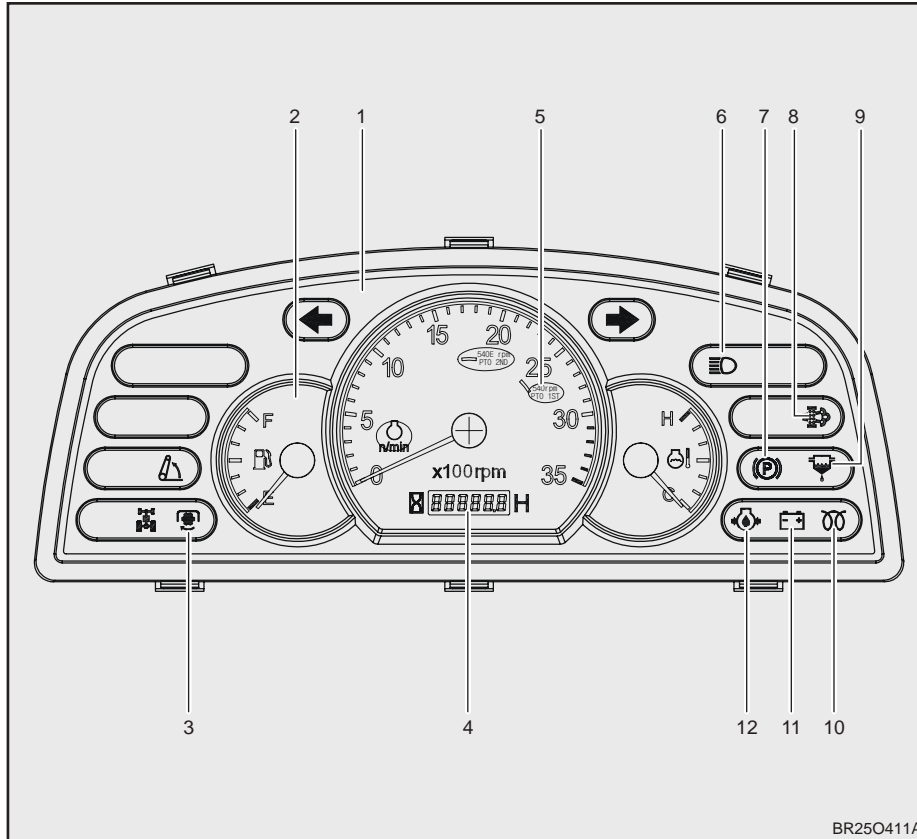
There is a risk abrupt turning or overturning due to on-sided Braking when the Brake pedal is depressed.

Used to prevent accidents in an emergency. Activate by pressing the switch as to warn other vehicles. Emergency lamp operates regardless of main switch and every direction lamp will cease at once. Press once again to cancel.



4-8 BRANSON 25 SERIES

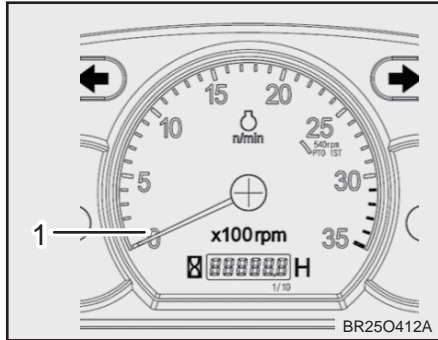
INSTRUMENT PANEL



- (1) Meter Panel
- (2) Fuel Gauge
- (3) PTO Lamp
- (4) Hour Meter
- (5) PTO Position
- (6) Head lamp High beam
- (7) Park Brake Lamp
- (8) DPF Lamp
- (9) Engine oil pressure Pilot lamp
- (10) Pre-heat Lamp
- (11) Battery Charge Lamp
- (12) Water Temp Gauge

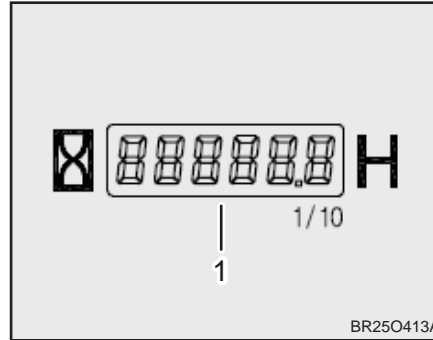


ENGINE RPM INDICATOR

*(1) Engine Rpm Indicator*

The needle indicates the number of engine RPM.

ENGINE HOUR METER

*(1) Engine Hour Meter*

It indicates the tractor's running hours. By multiplying the digit in the far right position by 6, you will get the time in minute.

PTO POSITION

*(1) PTO Position*

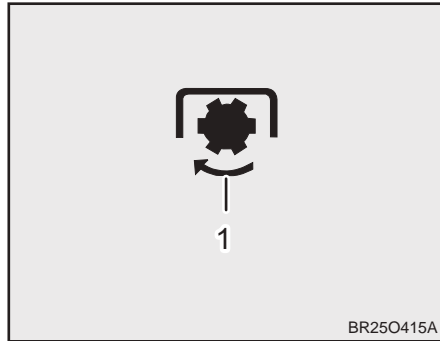
It indicates the position where PTO achieves 540 rpm when engine rpm is 2,600 rpm at PTO 1st stage.

It indicates the position where PTO achieves 1,000 rpm when engine rpm is 2,600 rpm or where PTO achieves 540 rpm when engine rpm is 1,000 rpm at PTO 2nd stage. (Eco-no-position).



4-10 BRANSON 25 SERIES

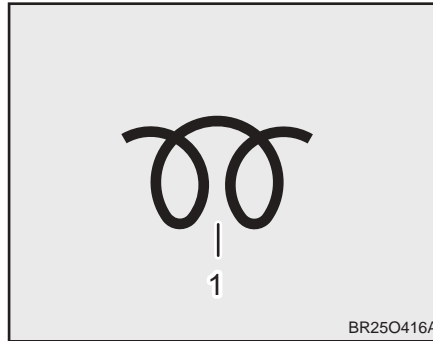
PTO LAMP



(1) PTO Lamp

Lamp will come on when PTO is engaged. On the contrary, if PTO is disengaged, lamp will be turned off.

PRE-HEAT LAMP



(1) Pre-heat Lamp

Lamp will come on when the ignition switch is put into the "ON" position with outside temperature of around 40°F, indicating that electricity is supplied to the heater or glow plugs. Turn the ignition switch to "START" after the lamp has been turned off (it is turned off automatically) then it will start the engine.

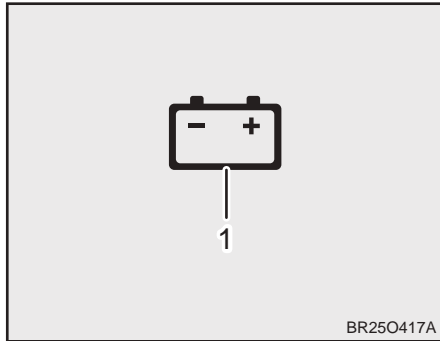
NOTE

- The length of time the thermostat stays on will depend on the temperature of the engine coolant.

※ Coolant temp :

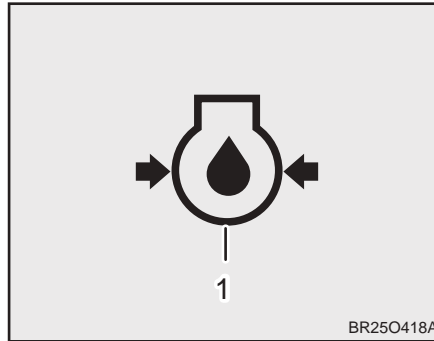
32°F ~ 60°F 10 sec

32°F ~ 5°F 20 sec

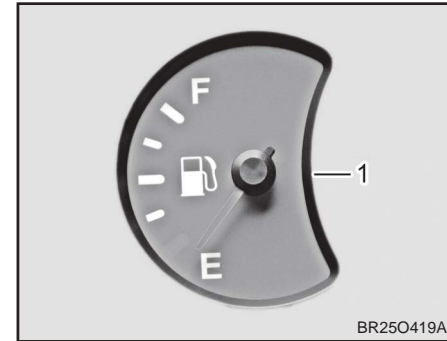
**BATTERY CHARGING LAMP***(1) Battery Charge Lamp*

It will be turned on when the key switch is put into the "ON" position, and will be turned off when the battery starts being charged after engine is started and the engine revolution increases.

The battery will not be charged with the engine below 1,000 rpm. (The rpm should be 1,500 rpm or higher)

ENGINE OIL PRESSURE LAMP*(1) Engine Oil Pressure Lamp*

Lamp will come on when the ignition switch is put into the "ON" position. It will turn off when the engine is started. If this lamp comes on while the engine is running, it indicates a problem in the engine oil system. Stop the engine immediately and check for problems.

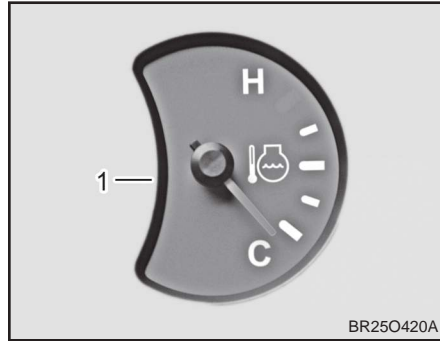
FUEL GAUGE*(1) Fuel Gauge*

Indicates the quantity of fuel remaining in the tank. If the needle is in the red zone, refill immediately.



4-12 BRANSON 25 SERIES

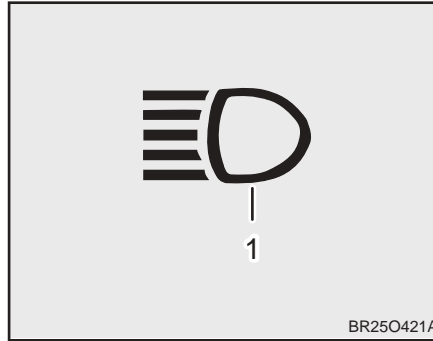
WATER TEMP GAUGE



(1) Water Temp Gauge

The needle indicates the temperature of the engine coolant during running. If the needle is in the red zone, stop running the engine and check for problems.

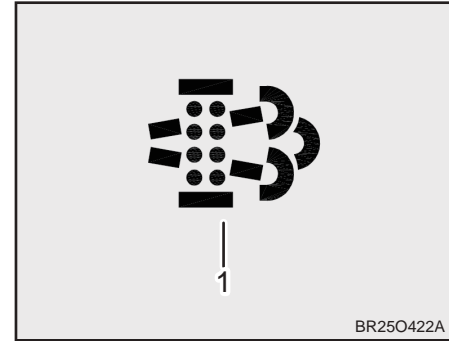
HEAD LAMP (HIGH BEAM)



(1) High Beam Head Lamp

Indicates the head lamps beam's position. It will come on when the head lamps are on Hi beam. On the contrary, if the head lamps are in the low beam, this indicator will not be lit.

DPF LAMP

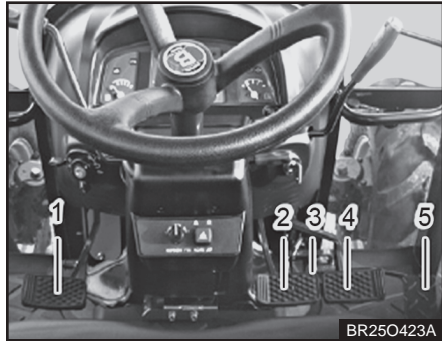


(1) DPF Lamp

Lamp will be turned on when DPF is forced to be operated.

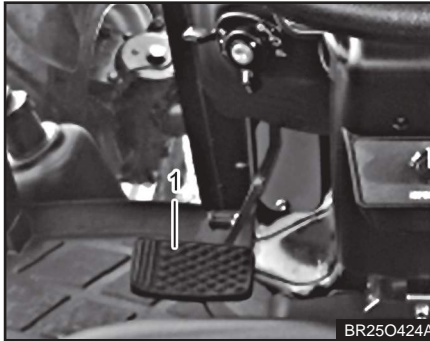


PEDALS



- (1) Clutch Pedal
- (2) Brake Pedal (L)
- (3) Brake Pedal Coupler
- (4) Brake Pedal (R)
- (5) Accelerator Pedal

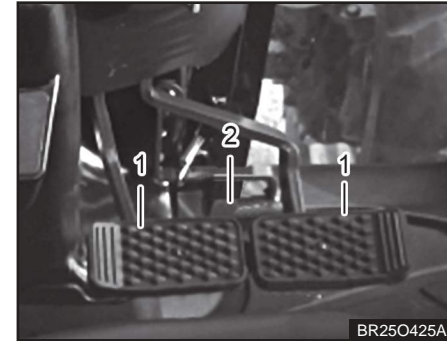
CLUTCH PEDAL



- (1) Clutch Pedal

It is used to transmit the engine power.

BRAKE PEDALS AND COUPLER



- (1) Brake Pedal
- (2) Brake Pedal Coupler

Brake pedals are independent of each other and can be used for making a small turn on the pavement.

Depressing the Brake pedal on the side to which to make a turn, the rear wheel on that side is stopped and the tractor can make a small turn.

⚠ WARNING

- **Make sure to connect the Brake pedals with the coupler when driving on a road.**

[Otherwise]
There is a risk of abrupt turning or overturning due to one-sided Braking.

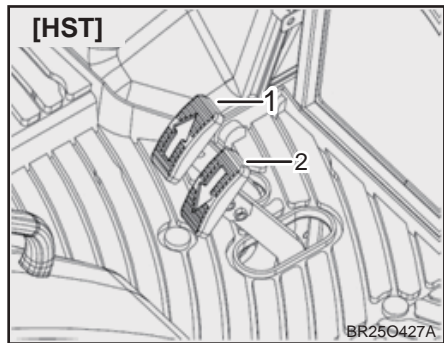
ACCELATOR PEDAL



(1) Accelerator Pedal

It is used to make the engine run faster or slower. It is usually used when driving on a road. (Manual transmission only)

F-R HST PEDAL (HST)



(1) HST Pedal Forward
 (2) HST Pedal Reverse

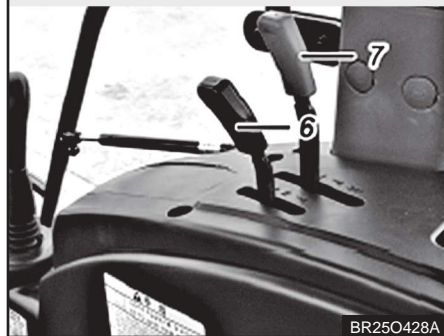
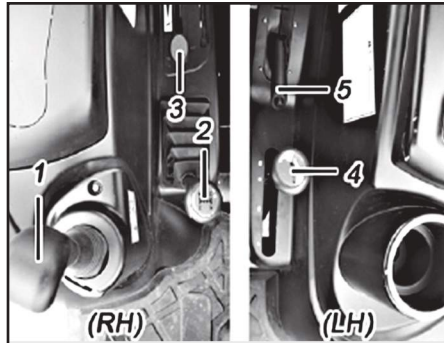
It is used for shifting between “forward” and “reverse” drive. And stay pedals at neutral machine should be stopped.

⚠ CAUTION

- **For safety, do not shift quickly from “forward” to “reverse” or from “reverse” to “forward”. Engage Brake pedals when the machine for machine to stop quickly.**



LEVER OPERATION (R)



- (1) Mid Remote Valve Joystick
- (2) Main Gear Shift Lever
- (3) 3-PT Position Lever
- (4) Range Shift
- (5) Park Brake Lever
- (6,7) Rear Remote Control Lever (I,II)

MID REMOTE VALVE JOYSTICK



- (1) Mid Remote Valve Joystick
- (A) Lock
- (B) Unlock

Front-loader exclusive joystick valve is attached and control lever is attached on right-front side of driver's seat.

Loader will move up when pushed forward and move down when pulled backward. Bucket will move up when pushed to the left and move down when pushed to the right. Joystick lever must be locked when driving while loader is lifted. Otherwise it may cause accident.

MAIN GEAR SHIFT LEVER



- (1) Main Gear Shift Lever

The gear is shifted in four levels. When shifting the gears depress the clutch fully.



4-16 BRANSON 25 SERIES

3-PT POSITION CONTROL LEVER



(1) 3-PT Position Control Lever

It is used to keep the implement constantly at a certain position. When the lift lamp is on, the implement cannot be lowered with position control lever. A stopper is used to fix the position control lever in the "UP" position while driving on a road.

When lowering the implement, set the position control lever, and the implement will go down to the set position.

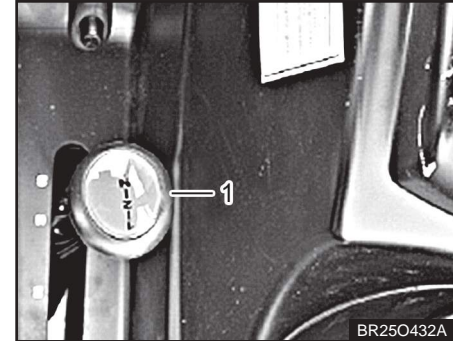
WARNING

- Confirm that no one or a foot is under the implement before operating the system.

[Otherwise]

There is a danger of injury.

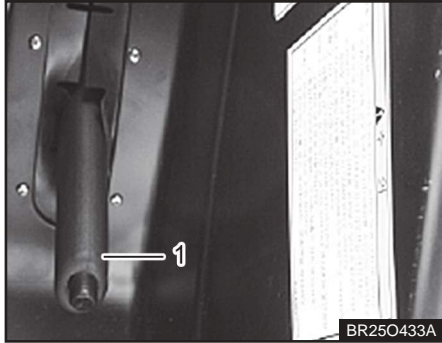
RANGE SHIFT LEVER



(1) Range Shift Lever

The range gear is shifted in three levels (A-B-C). The combination with the main gear provides 12 levels (3 levels: HST only) of gear shifting.

When shifting the range gear, stop tractor and depress clutch pedal fully.

**PARK BRAKE LEVER***(1) Park Brake Lever*

Pull the lever up while depressing the Brake pedal fully to engage the parking Brake. To release the parking Brake, step on the Brake pedal and push the lever down.

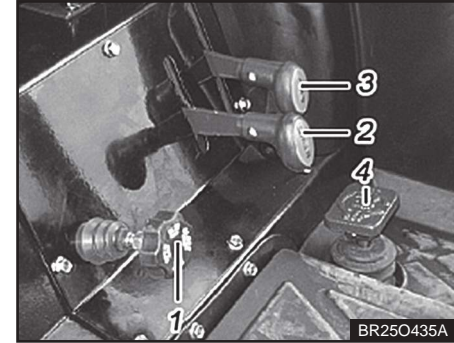
Connect both Brake pedals with the connector.

REAR REMOTE CONTROL LEVER (I, II)

*(1) Rear Remote Control Lever (I)
(2) Rear Remote Control Lever (II)*

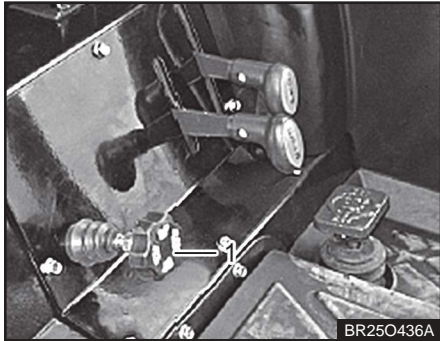
It is used to for the rear implement hyd-function.

LEVER #	I	II
DETENT	N/A	REAR

LEVER OPERATION (L)

*(1) Stop / Slow Return Valve
(2) MFWD Lever
(3) PTO Lever
(4) Differential Lock Pedal*

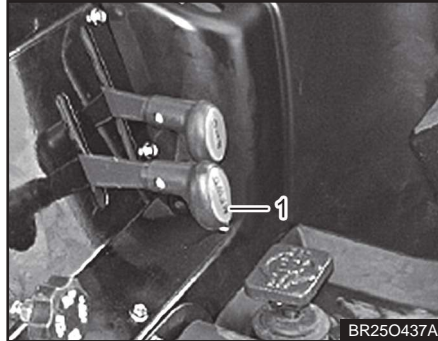
STOP/SLOW RETURN VALVE



(1) Stop / Slow Return Valve

It is used to regulate the lowering speed of the implement (slow return function). Also, if you wind the valve fully to the right, the hydraulic pressure to the device raising the implement is stopped.

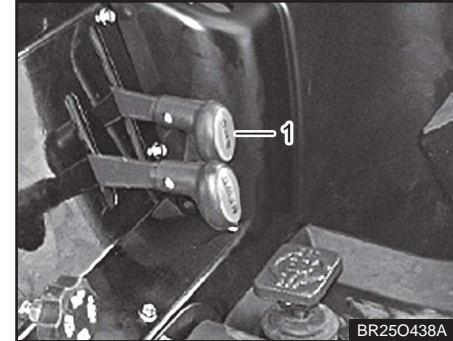
MFWD LEVER



(1) MFWD Lever

It is used to shift between 2-wheel drive and 4-wheel drive. Depress the clutch pedal when shifting the lever.

PTO LEVER



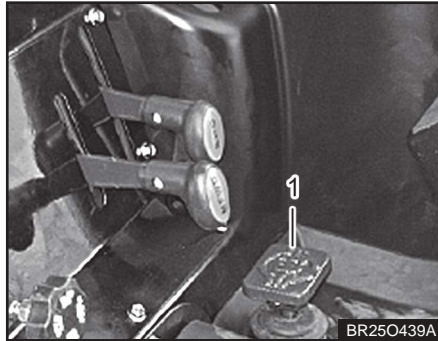
(1) PTO Lever

The revolution of the PTO shaft can be shifted in two levels. When shifting level, shift PTO switch to "OFF" position.

PTO 1	540 RPM
PTO 2	790 RPM (540E)

⚠ CAUTION

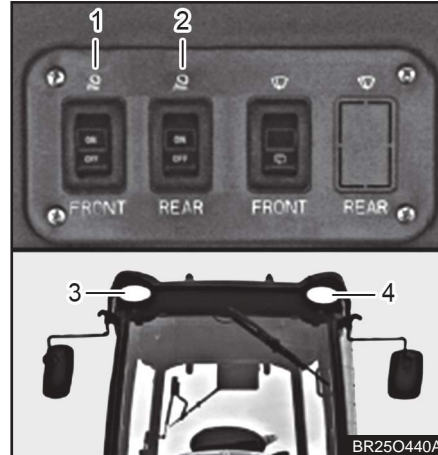
- Observe the PTO speed designated on the implement. Otherwise, the implement may be damaged and cause an accident.

**DIFFERENTIAL LOCK PEDAL***(1) Differential Lock Pedal*

It is used to transmit the same power to both rear wheels and serves to prevent slipping when one of the rear wheels is idling.

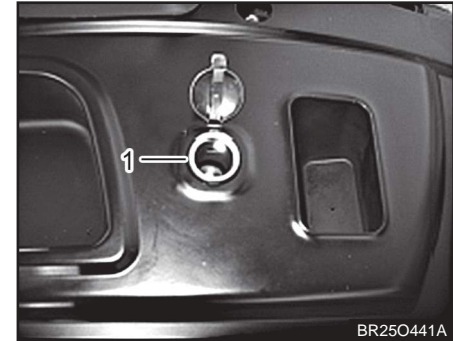
⚠ WARNING

- **Release the differential gear lock when making a turn. Otherwise, the tractor may not turn in the direction you want and cause an accident..**

PARTS FOR OTHER WORK LAMP SWITCH

- (1) Work Lamp Switch (FRT) (2) Work Lamp Switch (RR)
(3) Work Lamp (R) (4) Work Lamp (L)

It is used to turn on work lamps on the top roof.

POWER OUT 12V*(1) Power Out 12V*

Accessory 12-volt electrical outlet is used when connecting auxiliary equipment.

4



WIPER SWITCH



(1) Wiper Switch

Wiper blades will operate when upper buttons of wiper switch are pressed.

Washer fluid is sprayed on to windshield and the wipers are operated when buttons are pressed once more.

Lower buttons will only spout wash liquid. Wash liquid tank for cleaning is located on rear left side of cab exterior.



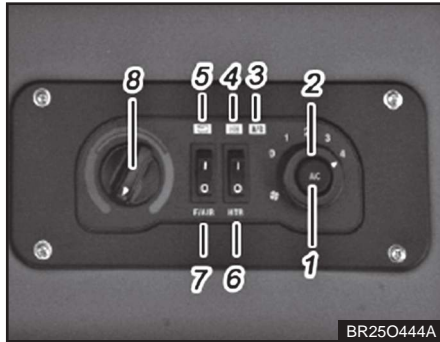
(1) Wash Liquid Tank

⚠ CAUTION

- Do not use the washers when the washer fluid reservoir is empty, otherwise you will damage the washer pump.
- Do not use the washers if there is any danger that the fluid will freeze on the windshield. If you do, your vision could be obscured. For this reason, use antifreeze



CLIMATE CONTROL



- (1) Cooling Function
- (2) Air Flow Rate
- (3) Air-conditioning Indicator
- (4) Heater Indicator
- (5) Air Circulate Indicator
- (6) Heater Control
- (7) Air Circulate Control
- (8) Temperature

► COOLING FUNCTION

When the cooling function is on, the air compressor is worked then re-heated according to the temperature setting.

► AIR FLOW RATE

Adjust the air flow rate. The higher the rate, the more effective the heating or cooling will be.

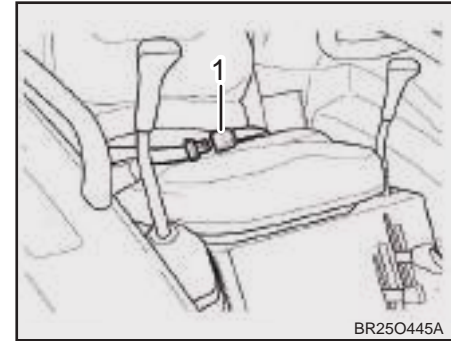
► AIR CIRCULATE CONTROL

Used to shift the supply of outside air and re-circulates the inside air

► TEMPERATURE:

Red, to increase the temperature.
Blue, to decrease the temperature.

SEAT BELT



- (1) Seat Belt

4

▲ WARNING

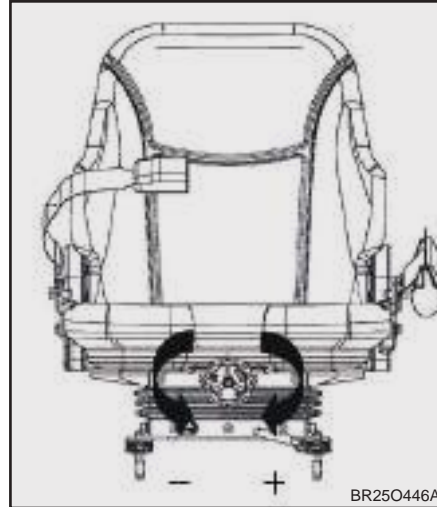
- **Do not wear the seat belt when the safety frame is folded down. With the frame folded down, it does not provide safety.**
- **When operating the tractor, make sure to keep the safety frame in the upright position and wear the seat belt.**



SEAT ADJUSTMENT

⚠ WARNING

[Otherwise]
There is a risk of death or injury if the tractor turns over. Adjust the seat to the driver and keep the upper body upright. Wrap the seat belt around the waist and insert it into the buckle until the clicking sound is heard. When releasing the seat belt, use the “PRESS” button.



► FORE AND AFT POSITIONING

Lift handle and move the seat forward or rearward. Release the handle at one of several positions.

► BACK CUSHION ANGLE ADJUSTMENT

Lift the handle and let the back cushion spring forward, or lean backward

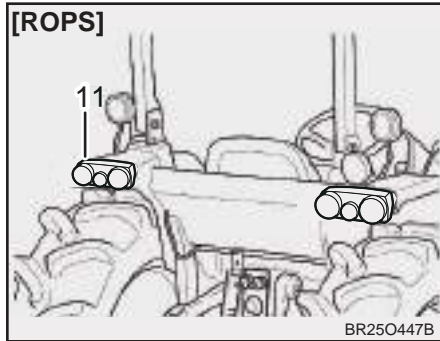
into the cushion. Release the handle at desired position

► WEIGHT ADJUSTMENT

With seat in mid-position, extend the crank lever from knob and rotate minus(-) direction for less support or Plus(+) for more support. Use the indicator for approximate weight setting. Release crank lever

⚠ CAUTION

- **Never attempt to adjust your seat while the tractor is moving. The seat could respond with unexpected movement, and the ensuing loss of tractor control could lead to an accident.**

**TAIL LAMP***(1) Tail Lamp*

It is connected with the headlamp and is turned on when the headlamp is turned on.

BRAKE LAMP*(1) Brake Lamp*

It is turned on when the Brake pedal is depressed.

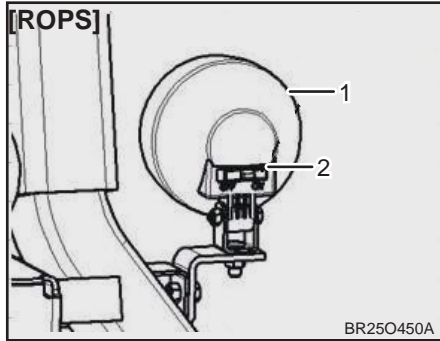
REVERSE DRIVE LAMP*(1) Reverse Drive Lamp*

This lamp flashed on when connecting the shuttle lever to R (backward).



4-24 BRANSON 25 SERIES

WORK LAMP



(1) Work Lamp (2) Work Lamp switch

It is used for work at rear side at night. The work lamp has an on-off switch itself.



5. OPERATION & WORK

CHECKING BEFORE OPERATION	5-2	PRECAUTIONS FOR	
STARTING / STOPPING THE ENGINE	5-9	CONNECTING THE IMPLEMENT	5-20
TO START THE ENGINE	5-10	ADJUSTING WHEEL TREAD	5-20
TO STOP THE ENGINE	5-12	POWER STEERING	5-21
TO RAISE OR LOWER THE IMPLEMENT	5-13	TOWING INSTRUCTIONS	5-22
ADJUSTING THE LOWERING		PTO SPECIFICATIONS & PRECAUTIONS	5-22
SPEED OF THE IMPLEMENT	5-13	LOADER OPERATION	5-23
DRIVING ON THE ROAD	5-14	CARRYING THE LOAD	5-24
DRIVING ON THE SLOPE.....	5-14	HANDLING LARGE HEAVY OBJECTS.....	5-25
ENTERING AND LEAVING THE PAVEMENT.....	5-15	ROPS FOLDING METHOD.....	5-26
TURNING ON THE PAVEMENT	5-16	HOW TO FOLD DOWN THE ROPS.....	5-26
DIFFERENTIAL GEAR LOCK	5-16	HOW TO FOLD DOWN THE ROPS.....	5-27
TRACTOR LOADING /UNLOADING.....	5-17		
INSTALLING 3-POINT LINK.....	5-18		



CHECKING BEFORE OPERATION

DANGER

- Do not provide illumination with a lit cigarette or a lighter when fueling.
- Never fill the fuel tank while the engine is running or hot.
- After filling the fuel tank, close the fuel filler cap completely and wipe off the excess fuel thoroughly.
- If the fuel hoses are damaged, fuel will leak. Make sure that you check for any leakage.

WARNING

- Perform the maintenance on a flat and safe location that will keep the tractor in place and will not cause a risk to people passing by. Before carrying out the maintenance, place blocks at the front tires to prevent movement.

[Otherwise]

An unexpected accident may occur, such as overturning of the tractor.

- When going under the implement, fully close the slow/stop valve.

[Otherwise]

There is a risk of injury due to implement falling.

CAUTION

- Stop the engine during checking, maintenance, or repair
- Carry out the maintenance work after heated area such as the muffler or the engine have fully cooled down.

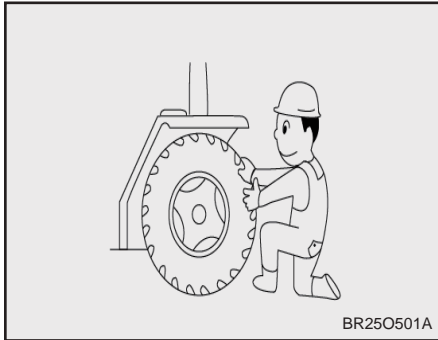
[Otherwise]

There is risk of burn.

- After detaching the covers for checking or maintenance, make sure to put them back in their place.

[Otherwise]

There is a risk that you may get entangled in the tractor or get injured.



2. Check around the tractor.

- Parking deformation, damage or stains.
- Tire pressure and abrasion.
- Damage to the tractor, or loosened bolts.
- Loosening of wheel bolts.
- Fuel quantity, fuel leaks, or damage to the fuel hose.



To ensure a safe and comfortable operation, please carry out the routine check-up everyday before starting work. Correct any problem immediately, and also check for problems after work. This checking should be done in the following sequence.

1. Check the suspicious parts of the previous day.

- Check the parts that you thought were not normal during the work of previous day.

3. Open the engine hood.

- Engine oil level, contamination, or leakage.



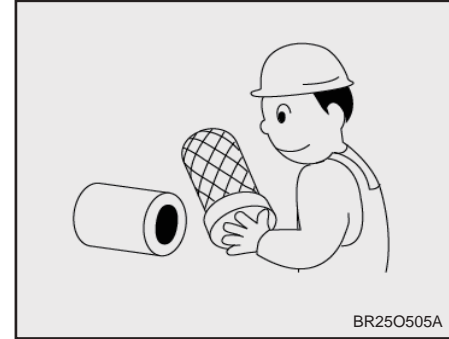
5-4 BRANSON 25 SERIES



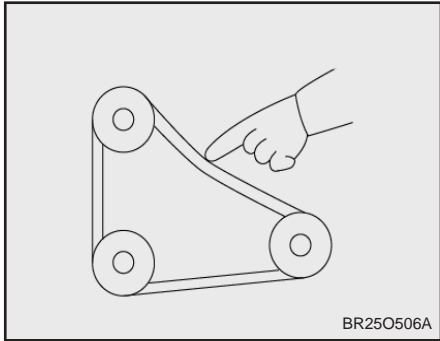
- Engine coolant level, leakage, or damage to the hose.



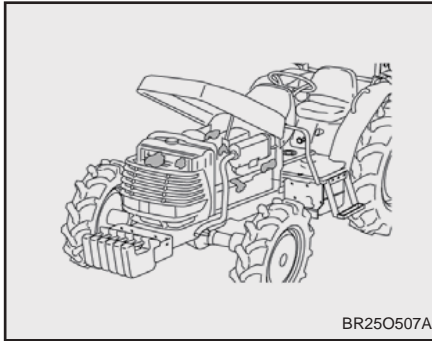
- Battery solution level.



- Air cleaner.



- Cooling fan belt tension, damage.



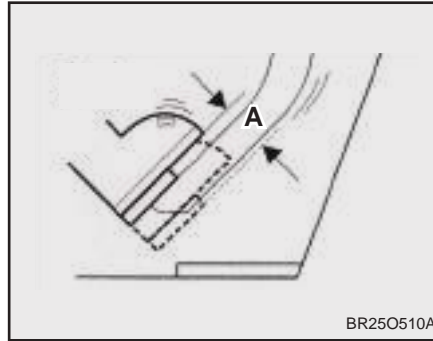
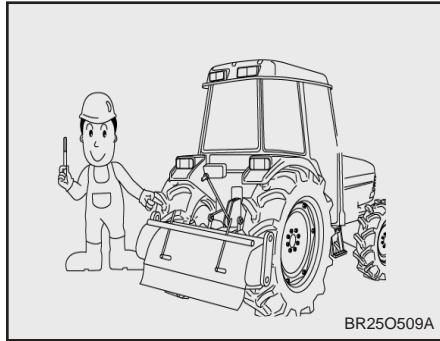
- Dust or straw on the radiator grill or the engine.



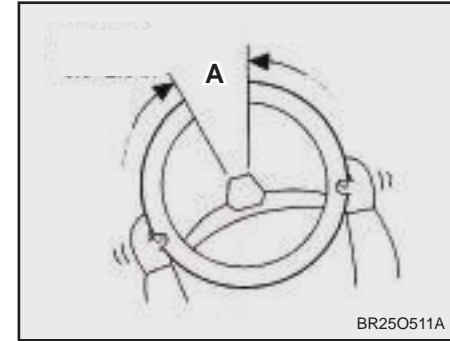
- Damage to the coating of the cables, or loosening of the contacts.



5-6 BRANSON 25 SERIES



(A) Free play 0.2 ~ 0.4 in



(A) Free play 0.8 ~ 2.0 in

4. Check around the implement.

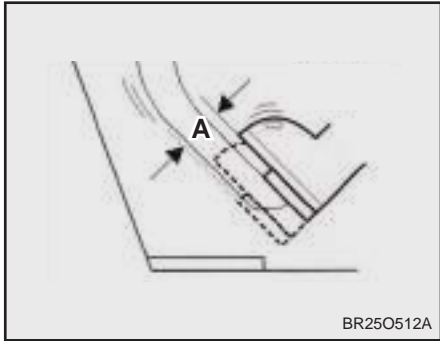
- Condition of the locking pin of the universal joint inserted in the PTO shaft.
- Condition of R pins in each part.
- Loosening of the bolts holding the blade.
- Quantity of oil in each part. For more details, please refer to the implement manufacturer's instructions.

5. Check on the driver seat.

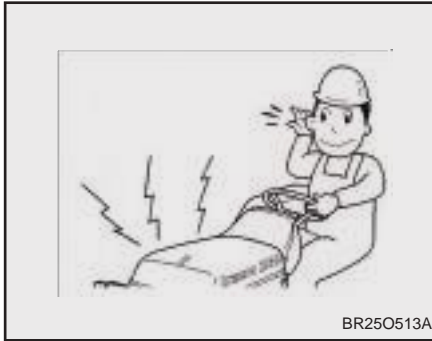
- Operational condition and free play of the brake. (0.2~0.4 in)

- Free play of the steering wheel. (0.8~2.0 in)

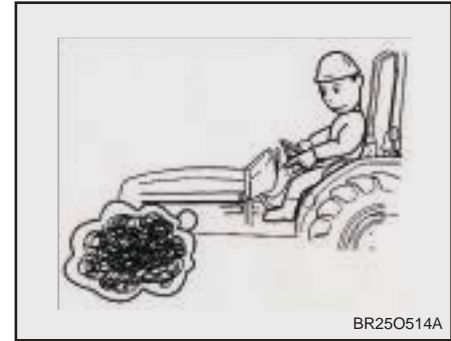




(A) Free play 1.0 ~ 1.4 in



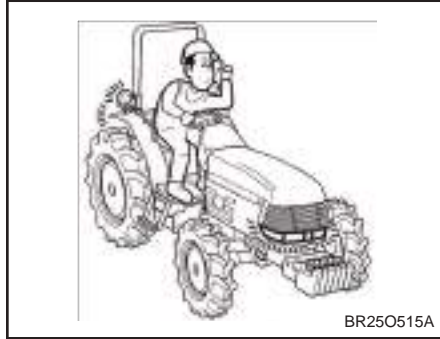
- 6. Start the engine.
 - Abnormal noise from the engine.



- Color of the exhaust gas.



5-8 BRANSON 25 SERIES



of grease or oil. Never jump when exiting machine. Never mount or dismount a moving machine

DANGER

- **Getting off the tractor, make the implement descend.**

[Otherwise]

The implement descends itself, and then causes some unexpected accident.

- Operation of lamps and gauges

► **Boarding And Leaving The Tractor**

Use Steps and Hand-holds Correctly

1. Prevent falls by facing the machine when getting on and off. Maintain 3-point contact with steps and handrails. Never use machine controls as hand-holds.
2. Use extra care when mud, snow, or moisture present slippery conditions. Keep steps clean and free



STARTING / STOPPING THE ENGINE

► Note: Breaking in your tractor (First 50 hours)

The operation of a new tractor during the first 50 hours is very important, as it will greatly influence the life and performance of the tractor.

Pay attention to the following precautions during the break-in period.

1. Avoid rapid accelerating and abrupt stopping.
2. Avoid over-speeding and over-loads.
3. Drive the tractor after the engine has been warmed up.
4. Reduce the speed while driving on a rough road or a slope.
5. At the first 50th hour, carry out inspections of each part and replace the engine oil.

⚠ DANGER

- **When starting the engine, make sure that you are seated in the driver's seat and check position of the levers and the safety around the tractor.**

[Otherwise]

There is a risk of injury.

- **Do not start the engine in an enclosed space. You must start the engine outside where there is open air. If you should have to start the engine inside a building, make sure that the space is well ventilated.**

[Otherwise]

The exhaust gas can cause intoxication and can lead to fatal consequences.

⚠ CAUTION

- **Make sure to carry out checking and maintenance before and after the use of the tractor, particularly the operating devices such as the clutch and the brake lever.**

[Otherwise]

There is a risk of injury or machinery breakdown. Engage the parking brake during warming-up. Otherwise, the tractor may move and cause an accident.

- **Don't crank engine unless hitch control lever is in the lowest position.**

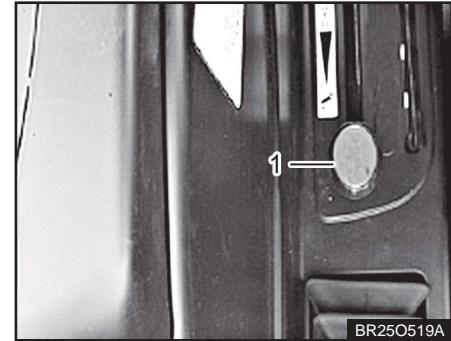
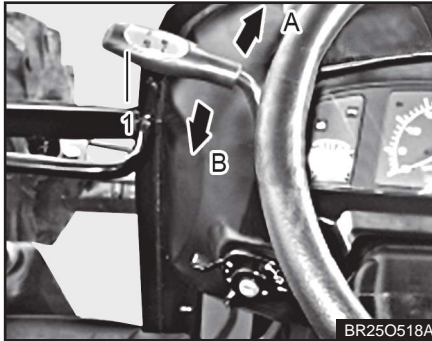
[Otherwise]

Implement might rise quickly and there is a risk of injury or machinery breakdown.



5-10 BRANSON 25 SERIES

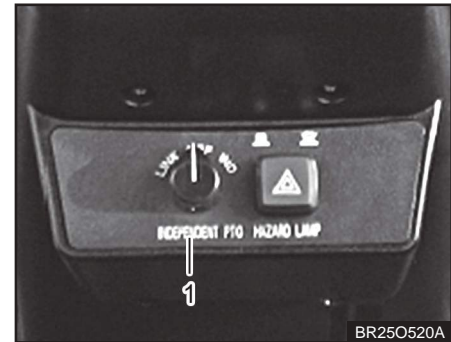
TO START THE ENGINE



(1) Shuttle Lever
(A) Forward (B) Reverse

1. Check fuel.
 - Check if there is enough fuel by observing fuel gauge.

2. Shuttle lever into "Neutral" position.



(1) PTO Switch (2) PTO Shift Switch



3. Put the position control lever into the “lowest” position and PTO switch turn to OFF position.

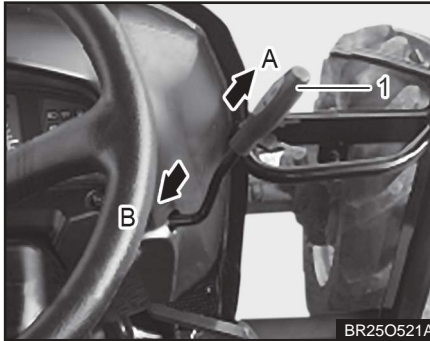
⚠ WARNING

- Don't crank engine unless position control lever is in the lowest position.

[Otherwise]
Implement might rise quickly and there is a risk of injury or machinery breakdown.

- Check the safety around the tractor and start to move slowly.

[Otherwise]
There is a risk of injury.



(1) Acceleration Lever
(A) Decrease (B) Increase

4. Put the acceleration lever to Min.

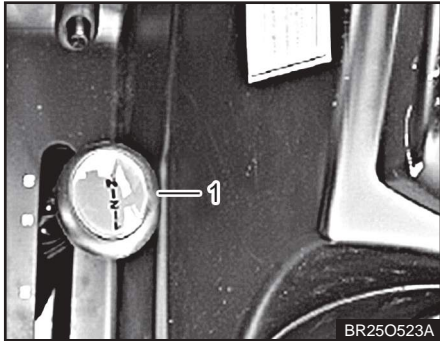


(1) Main Shift Lever

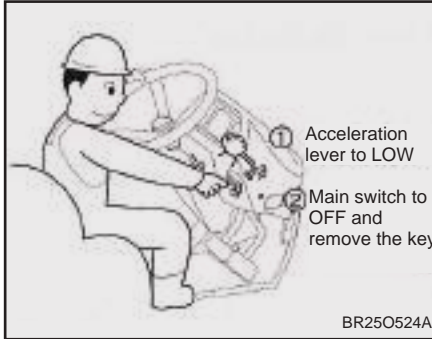
5. Main shift lever / range shift lever into “NEUTRAL” position.
6. After the thermostat lamp has turned off, depress the clutch pedal fully and turn main key switch to start.



TO STOP THE ENGINE



(1) Range Shift Lever



7. Once the engine has started, take your hand off the ignition switch.
8. Increase the engine to about 1,500 rpm and warm it up for about five minutes without a load.

1. Put the acceleration lever on LOW, and turn the main switch to "OFF".
2. Put shuttle lever, main gearshift lever and PTO shift lever to "N". put PTO ON/OFF switch in to the "OFF" position and front wheel lever to the "OFF".
3. Put the hitch control lever on "DOWN"

CAUTION

- When stopping the engine, never stop it with the reducer lever.
- After stopping the engine, make sure to apply the parking brake.

NOTE

- For warming-up operation, strongly step on the brake pedal and pull your parking brake.

WARNING

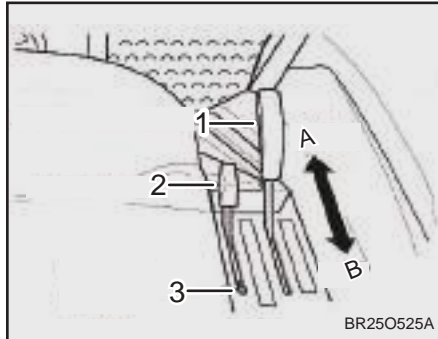
- When leaving the tractor, park the tractor in a flat and safe place, put the shuttle lever and the main shift lever to "N", and block the tires.

[Otherwise]

The tractor may move and cause an accident. Always set the parking brake.



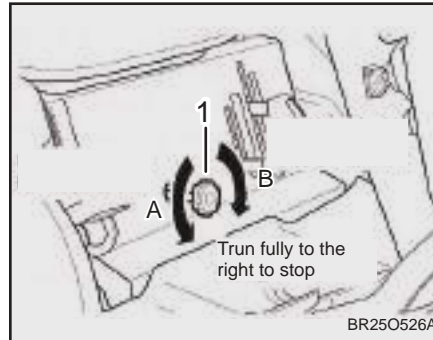
TO RAISE OR LOWER THE IMPLEMENT



(1) Position Control Lever
(2) Draft Control Lever (3) Restriction Bracket
(A) Down (B) Up

1. Move the position control lever forward or backward to lower or raise the implement.

ADJUSTING THE LOWERING SPEED OF THE IMPLEMENT



(1) Stop/Slow Return Valve
(A) Fast (B) Slow

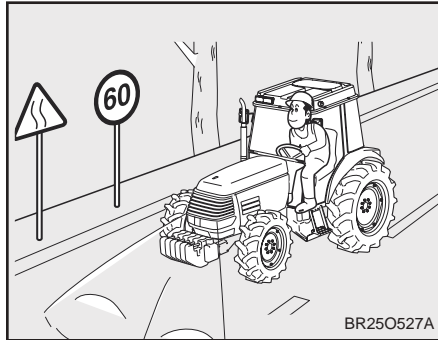
For adjusting the lowering speed, turn the stop/slow return valve (A) to the left for faster movement or to the right for slower movement. Turning the valve fully to the right will block the hydraulic pressure and will cause the implement to stop.

WARNING

- Do not work under or put a foot under the implement.
[Otherwise]
The implement may fall and cause an injury.



DRIVING ON THE ROAD



⚠ WARNING

- When driving on a road or crossing a dike, make sure to connect the brake pedals. Otherwise, the tractor may turn abruptly or turn over due to one-sided braking.
- Observe the traffic regulations when driving on the road. Otherwise, you may be involved in an accident.

⚠ WARNING

- This tractor is designed to accommodate only one person. Do not allow anyone on the tractor other than the driver. Otherwise, you will be exposed to a risk of accident.
- Put the PTO lever into “N” and connect the brake pedals.
- When making a turn, turn on the direction indicator lamp to inform other vehicles of your intention.
- Pay particular cautions to narrow farm roads, slopes, and grassy shoulders, and reduce the speed.
- Put the position control lever to UP and lock it with the stopper. Otherwise, you will be exposed to a risk of an accident.
- Connect the brake pedals when driving on a road. Otherwise, there is a risk of abrupt turning or overturning due to one-sided braking.
- Before every operation, make sure that operator wears safety belt.

DRIVING ON THE SLOPE



⚠ WARNING

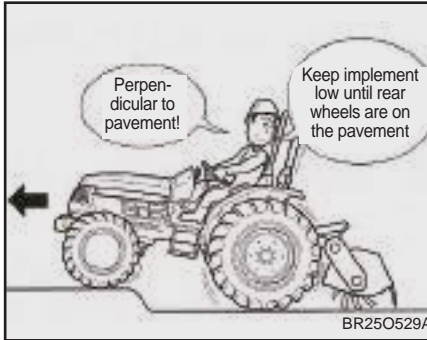
- Select a proper speed, and do not shift the gear.
- Do not park on a slope. Otherwise, the tractor may slip or overturn and cause an accident.
- Reduce speed and pay special attention to the speed.



ENTERING AND LEAVING THE PAVEMENT

⚠ WARNING

- Do not depress the clutch pedal when driving on a slope. The tractor may slide down and lead to a serious situation.
- When starting the tractor upwards on a slope, start slowly in low gear with low engine rpm. Otherwise, the front of the tractor may be lifted and cause a very dangerous situation.
- You may shift the gear when you are no longer on the slope. If you stop on a slope, apply the parking brake. Otherwise, you may be exposed to a risk of accident.

**⚠ WARNING**

- Make sure to connect the brake pedal. Otherwise, the tractor may turnover due to one-sided braking.

⚠ WARNING

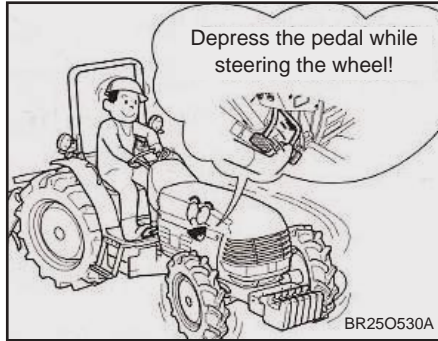
- When you cross a dike or raised ground to enter or leave the pavement, use loading ramps with sufficient strength, and lower the implement to achieve a lower center of gravity.
- Drive backward when climbing up a steep slope, and drive forward when climbing down.

NOTE

- Enter or leave the pavement in a perpendicular direction. When climbing onto the pavement, lower the implement to achieve a lower center of gravity. Once all wheels of the tractor are on the pavement, raise the implement.



TURNING ON THE PAVEMENT

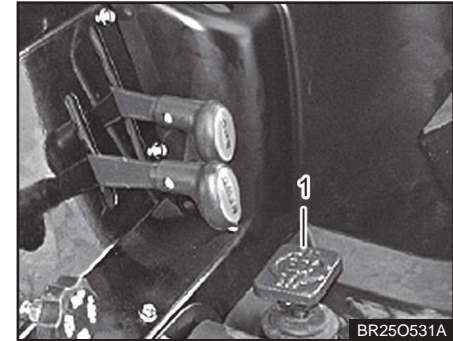


⚠ WARNING

- **Make sure to release the differential gear lock before making a turn.**

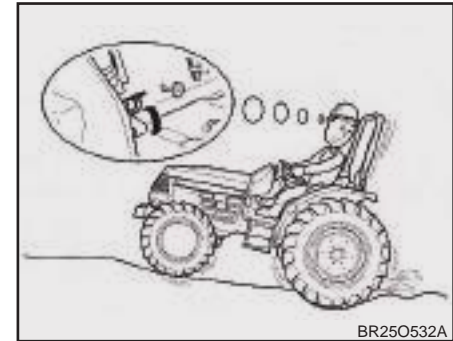
[Otherwise]
The tractor will not turn in the intended direction but may cause an accident.

DIFFERENTIAL GEAR LOCK



(1) Differential Gear Lock

When making a turn, reduce the engine rpm and make a slow turn. When making a turn on the pavement, remove the connector of the brake pedals. Depress the brake pedal on the side to which to make a turn, while steering the wheel, this will allow the tractor to make the turn without moving ahead. Make sure to keep the implement in the up position when making a turn.



**TRACTOR LOADING /UNLOADING**

Depressing the differential gear lock pedal will make both rear wheels roll at the same speed. Releasing the pedal will automatically unlock the differential gear..

⚠ WARNING

- **Make sure to release the differential gear lock when making a turn.**

[Otherwise]

The tractor will not turn in the intended direction and may cause an accident.

⚠ CAUTION

- **Never lock the differential gear when driving on a road.**

[Otherwise]

Driving will be unstable and the tractor may cause an accident.

⚠ DANGER

- **Fix the direction so that the tractor will not have to modify its direction on the loading bridge, and proceed at the lowest speed.**

- **Never depress the clutch pedal to change direction or stop.**

[Otherwise]

There is a danger that the tractor may turn over.

⚠ WARNING

- **Loading and unloading must be done on flat and safe place, with the engine turned off and the parking brake engaged. The loading lamp must be non-slippery and have sufficient strength, length, and width for the tractor. To avoid slipping of the loading lamp, latch it securely onto the truck. Move the tractor backward when loading, and forward when unloading. Fasten the tractor to the truck securely with rope.**

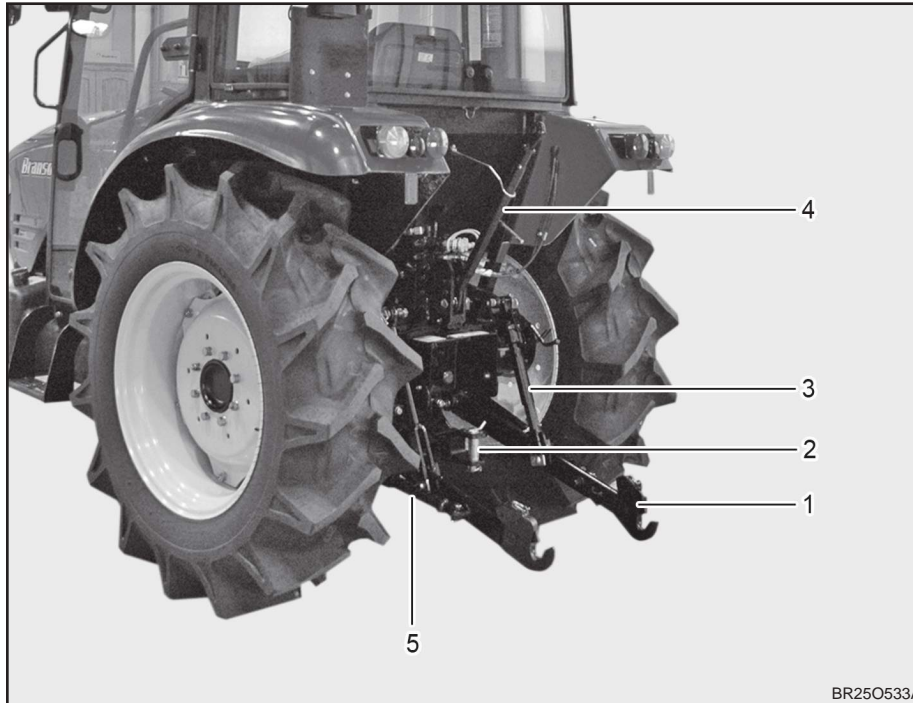
[Otherwise]

The tractor may fall off the truck and cause an accident.



5-18 BRANSON 25 SERIES

INSTALLING 3POINT LINK



1. Attach the lower link to the link hook and insert pin into hook.
 2. Connect Check chain to bracket & Lift link mounting hole and adjust length.
- ※ Refer to instruction of implement for adjusting swing clearance.

(1) Lower Link
(2) Draw Bar

(3) Lift Link
(4) Center Link

(5) Stabilizer Link

BR25O533A