

# Service Manual Trucks

Group **37**  
Wiring Diagram

FL6 LHD

CHID B166080-

# Foreword

The descriptions and service procedures contained in this manual are based on design and method studies placed up to August 1996.

The products are under continuous development. Vehicles and components produced after the above date may therefore have different specifications and repair methods. When this is judged to have a significant bearing on this manual, supplementary service bulletins will be issued to cover the changes.

The new edition of this manual will update the changes.

In service procedures where the title incorporates an operation number, this is a reference to V.S.T. (Volvo Standard Times).

Service procedures which do not include an operation number in the title are for general information and no reference is made to V.S.T.

The following levels of observations, cautions and warnings are used in this Service Documentation:

**Note:** Indicates a situation, handling or circumstance which should be observed.

**Important:** Indicates a situation, handling or circumstance which should be emphasized so as not to lead to personal injury or damage to property.

**Caution:** Indicates a potentially hazardous situation which, if not avoided, may result in minor or moderate injury or damage to property.

**Warning:** Indicates a potentially hazardous situation which, if not avoided, could result in death, serious injury or major damage to property.

**Danger:** Indicates an imminently hazardous situation which, if not avoided, will result in death or serious injury.

**Volvo Truck Corporation**

Göteborg, Sweden

**Order number: TSP 23769/1**

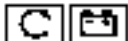













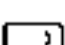

© 1996 Volvo Truck Corporation, Göteborg, Sweden



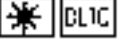


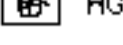


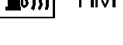
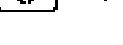
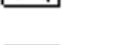
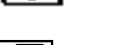





All rights reserved. No part of this publication may be reproduced, stored in retrieval system, or transmitted in any forms by any means, electronic, mechanical, photocopying, recording or otherwise, without the prior written permission of Volvo Truck Corporation.




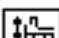

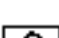
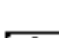
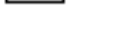



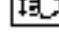




# Contents

<b>Component wiring diagram index</b> .....	2
<b>Component wiring diagrams</b> .....	5
<b>Illustrations</b> .....	32
<b>Fuses on circuit board (32) electrical centre</b> .....	85
<b>Fuses</b> .....	86
<b>Relays on circuit board (32) electrical centre</b> .....	86
<b>Cable harness illustration index</b> .....	87
<b>List of connectors</b> .....	90
<b>List of components</b> .....	93
<b>Abbreviations</b> .....	96
<b>Cable colour code</b> .....	96
<b>Feedback</b>	

# Component wiring diagram index

	AA	Starter system .....	page 5
	BB	Coolant level, coolant temperature, preheating, exhaust pressure governor, exhaust brake, range inhibitor, interval wipe .....	page 6
	BC	Engine control, Supercharger .....	page 6
	BG	Engine shut-off .....	page 7
	BK	Speed limitation .....	page 7
	CE	Head lights, position lights, marker lights, DRL, spotlights .....	page 8
	CG	Front fog lights .....	page 9
	CK	Brake lights .....	page 9
	CN	Direction indicators, hazard warning lights .....	page 9
	EA	Reversing lights, reversing warning .....	page 10
	ED	Loading light, fifth wheel light .....	page 10
	EG	Rear fog lights .....	page 10
	EN	Rotating warning light .....	page 11
	ER	Interior lights .....	page 11
	EV	Cigarette lighter .....	page 11
	FA	Horn .....	page 11

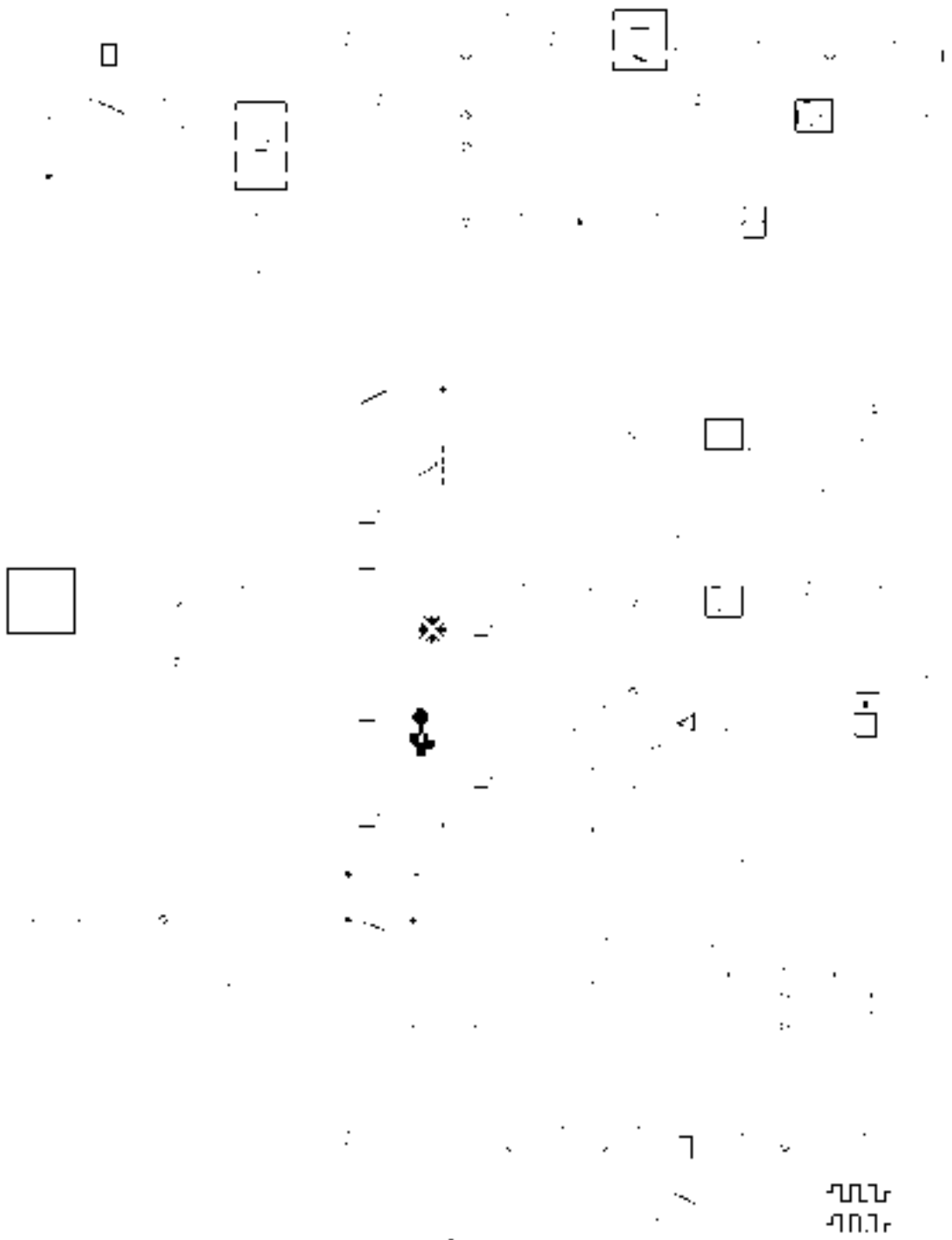
	GA	Windscreen wipers and washers, headlamp wipers and washers ....	page 12
	HA	Climate unit .....	page 12
	HB	Cab heater, PH-CAB .....	page 13
	HC	Cab and engine heater, PH-ENGCA .....	page 14
	HD	Electrically heated seat .....	page 15
	HG	Electrically heated mirror .....	page 15
	HH	Electrically operated mirror .....	page 15
	HK	Air dryer .....	page 15
	HM	Fuel filter heater .....	page 16
	HN	City filter .....	page 16
	JA	Radio, voltage divider, loudspeaker .....	page 17
	KA	Electrically operated window winder .....	page 17
	KH	Electrically operated passenger door lock .....	page 18
	LD	Power take-off .....	page 18
	LE	Power take-off, clutch-independent .....	page 19
	LF	Automatic transmission, SKMT 113, SKMT 137 .....	page 19
	LG	Diff. lock .....	page 20

	LK	Automatic transmission .....	page 20
	LN	Split .....	page 20
	MA	Bogie lift hydraulic .....	page 21
	MN	Air suspension .....	page 21
	NA	Instrument unit .....	page 22
	ND	Indicator lamps .....	page 23
	NG	Tachograph, speedometer .....	page 24
	OA	Anti-lock brakes (ABS) 4-channel .....	page 25
	OC	Anti-lock brakes (ABS) 2-channel .....	page 26
	OD	Retarder (electro-magnetic) .....	page 27
	FA	Headlight level control .....	page 28
	XA	Extra fuses .....	page 28
	XB	Spare relay .....	page 29
	XD	Extra connection .....	page 29
	ZA	Earth connections .....	page 30
	ZE	ADR-FRA .....	page 31

# Component wiring diagrams



T3008442

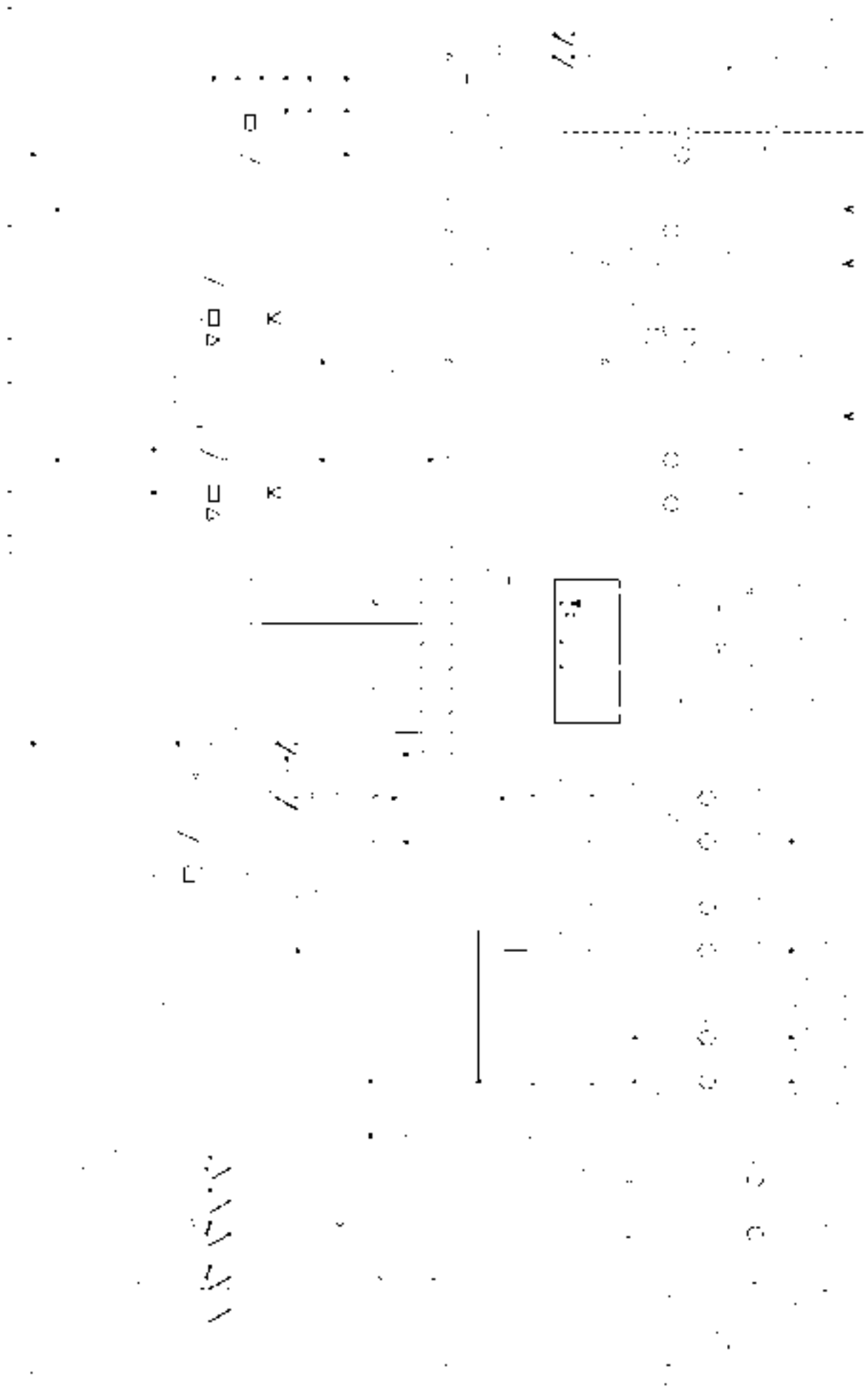


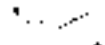
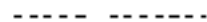
T3008443



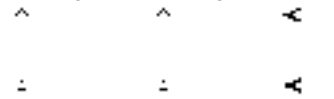
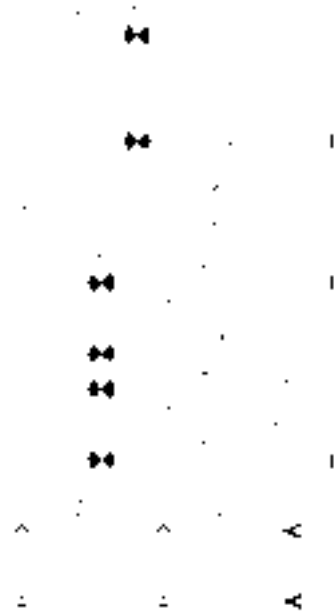


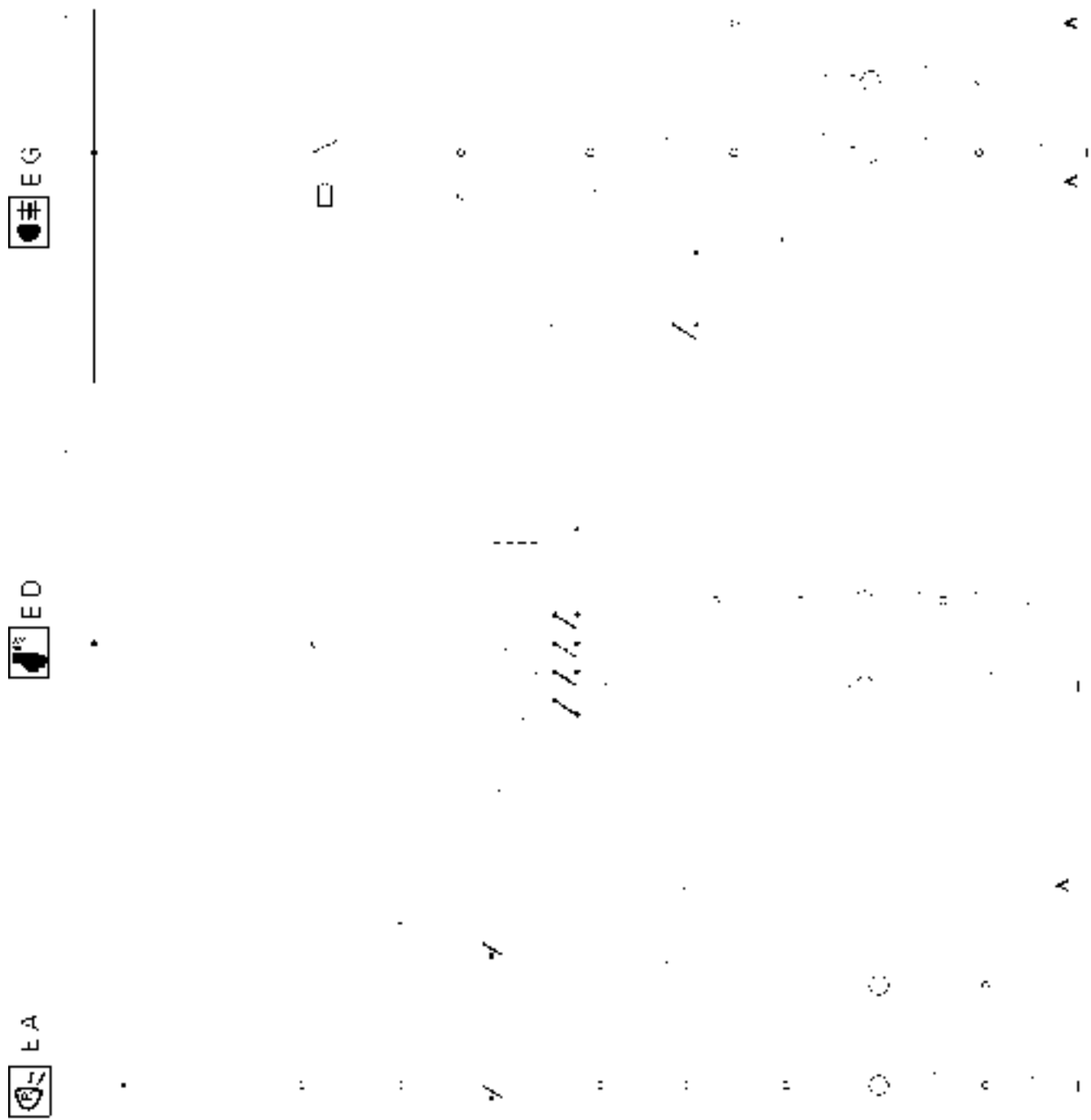
T3008444





1.1

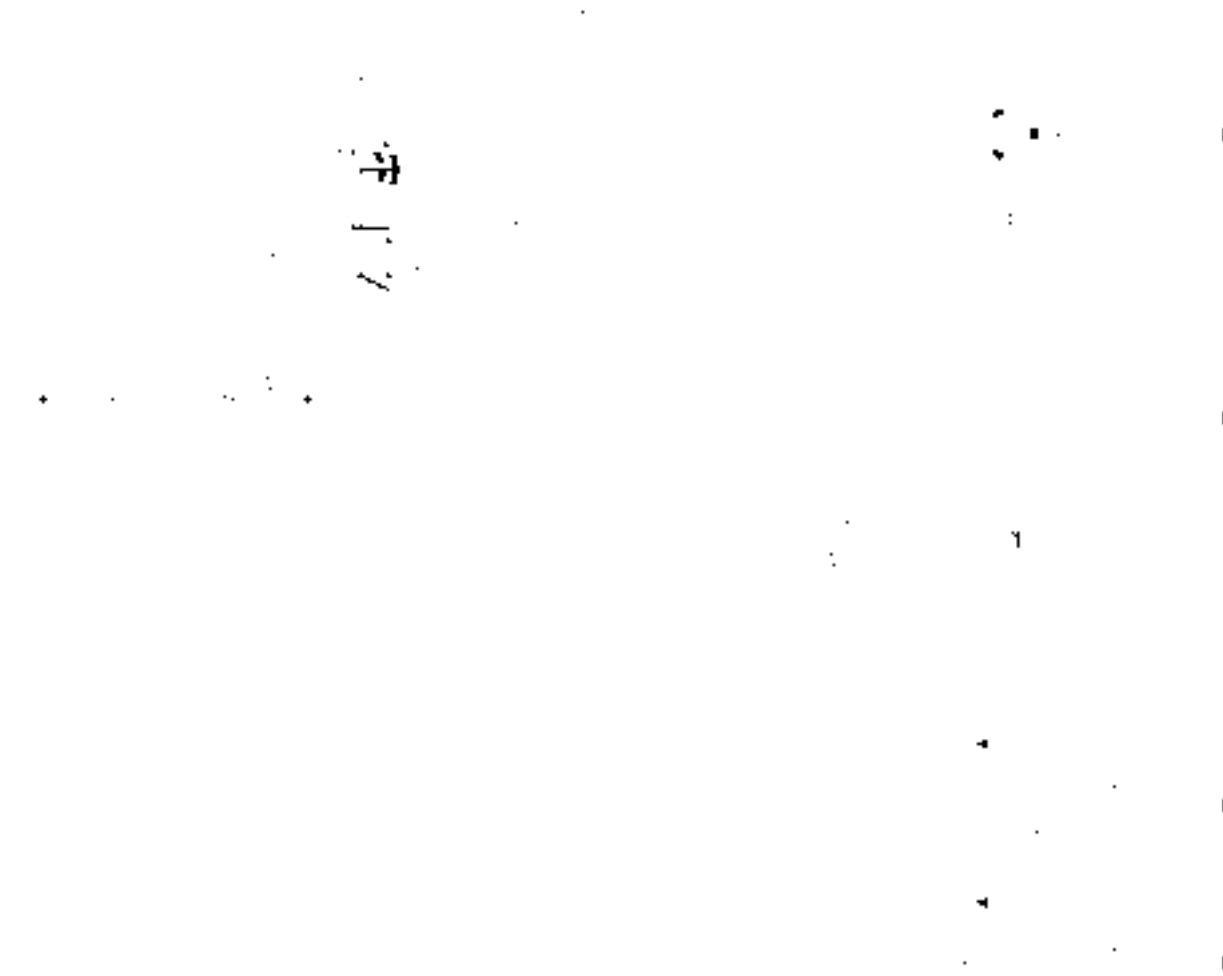


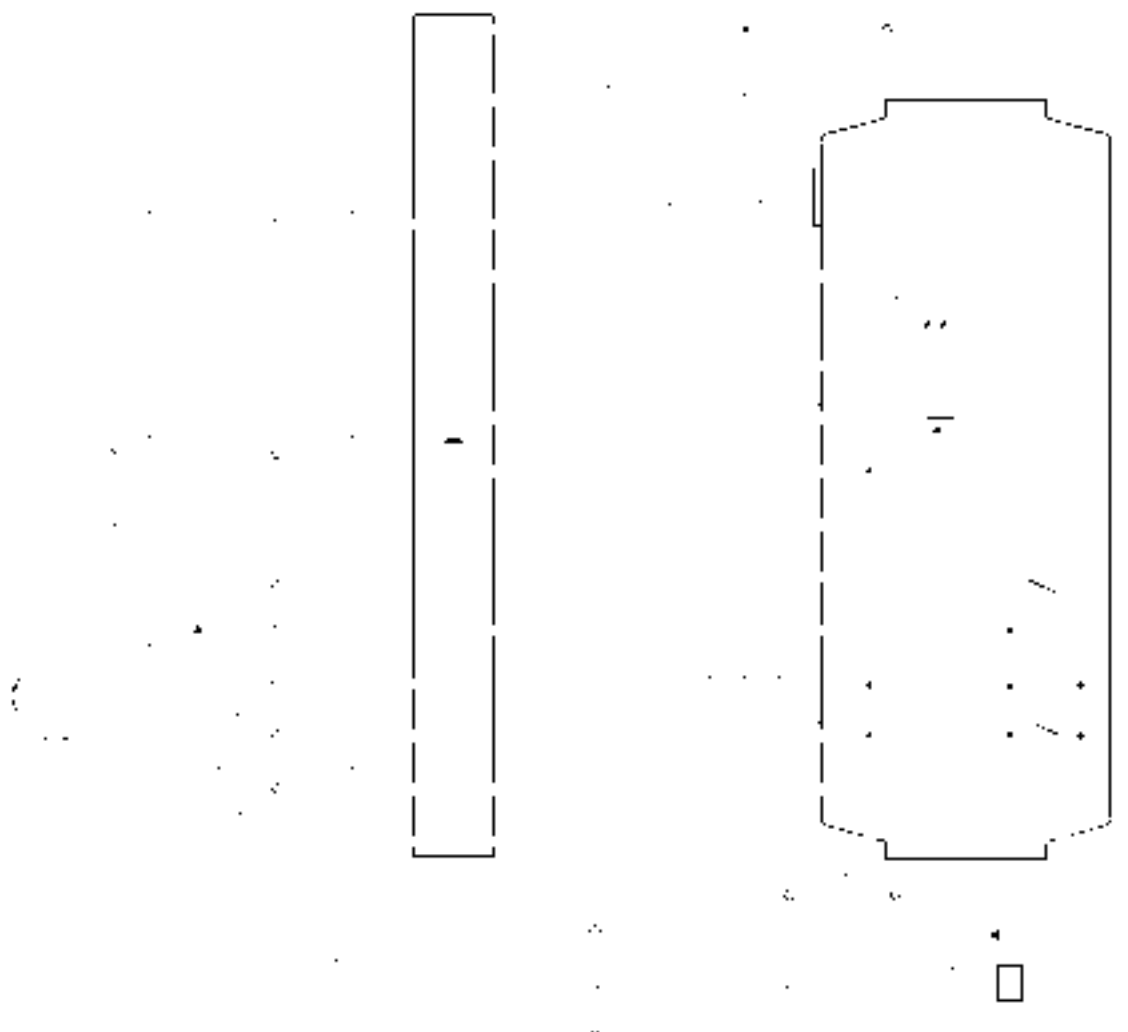
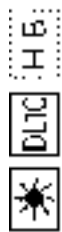


T3008447

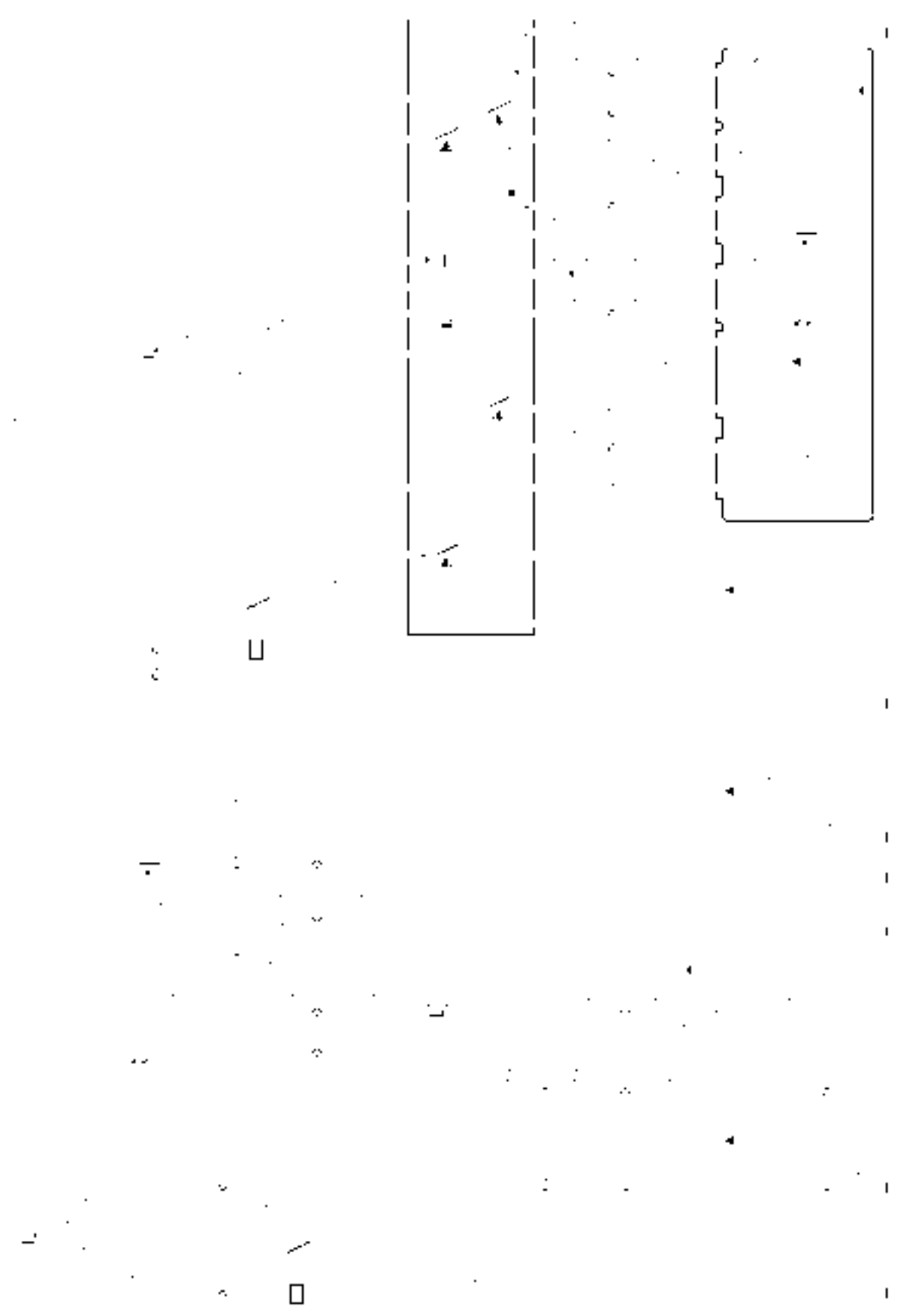


T3008448

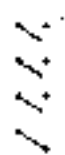
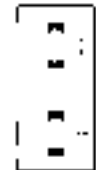
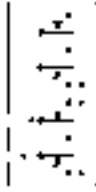




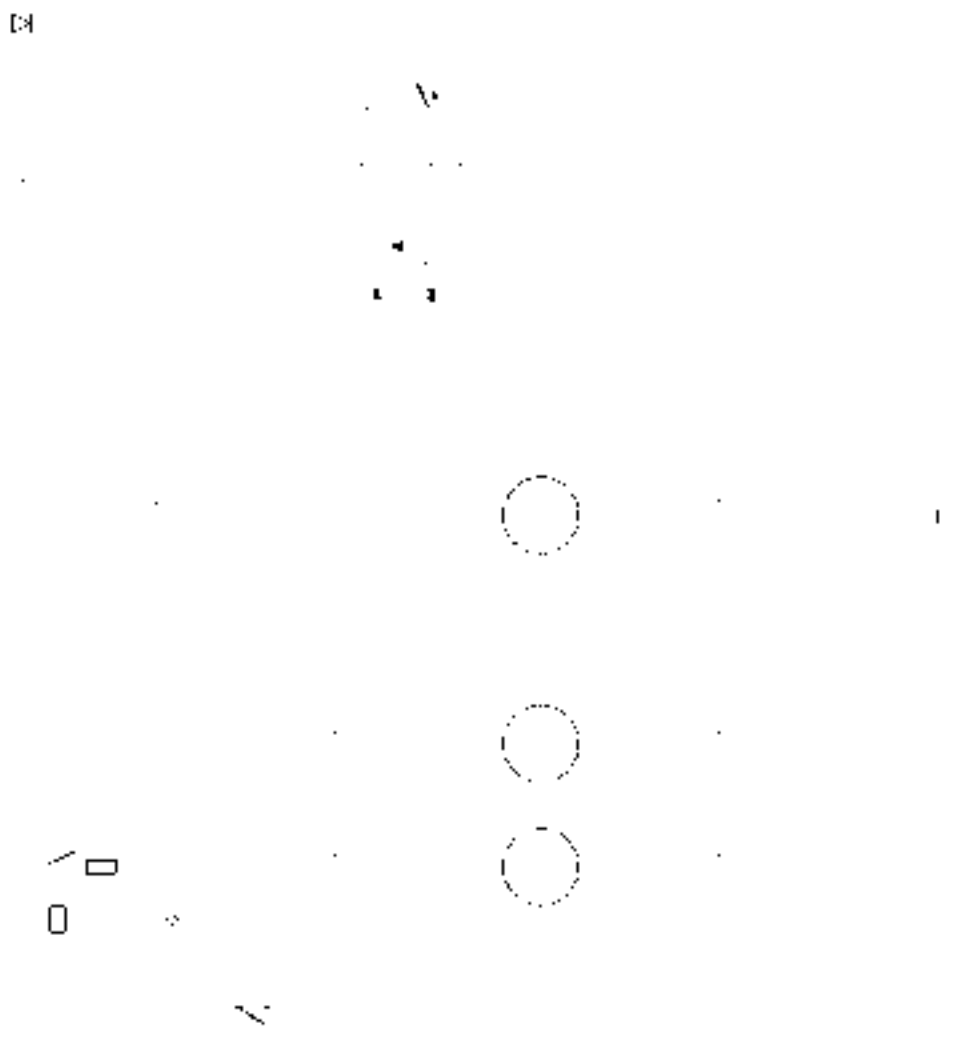
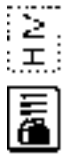
T3008450



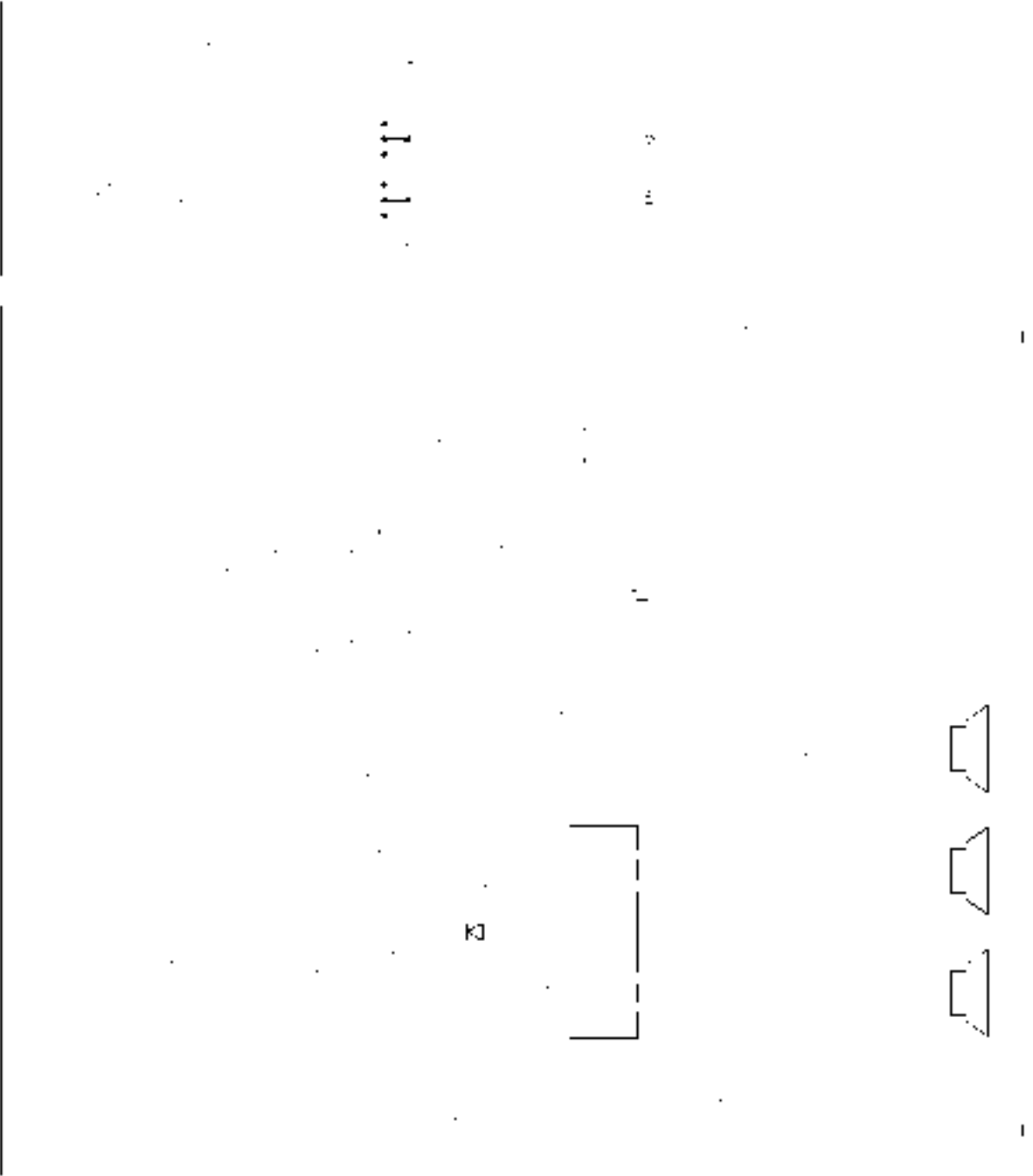




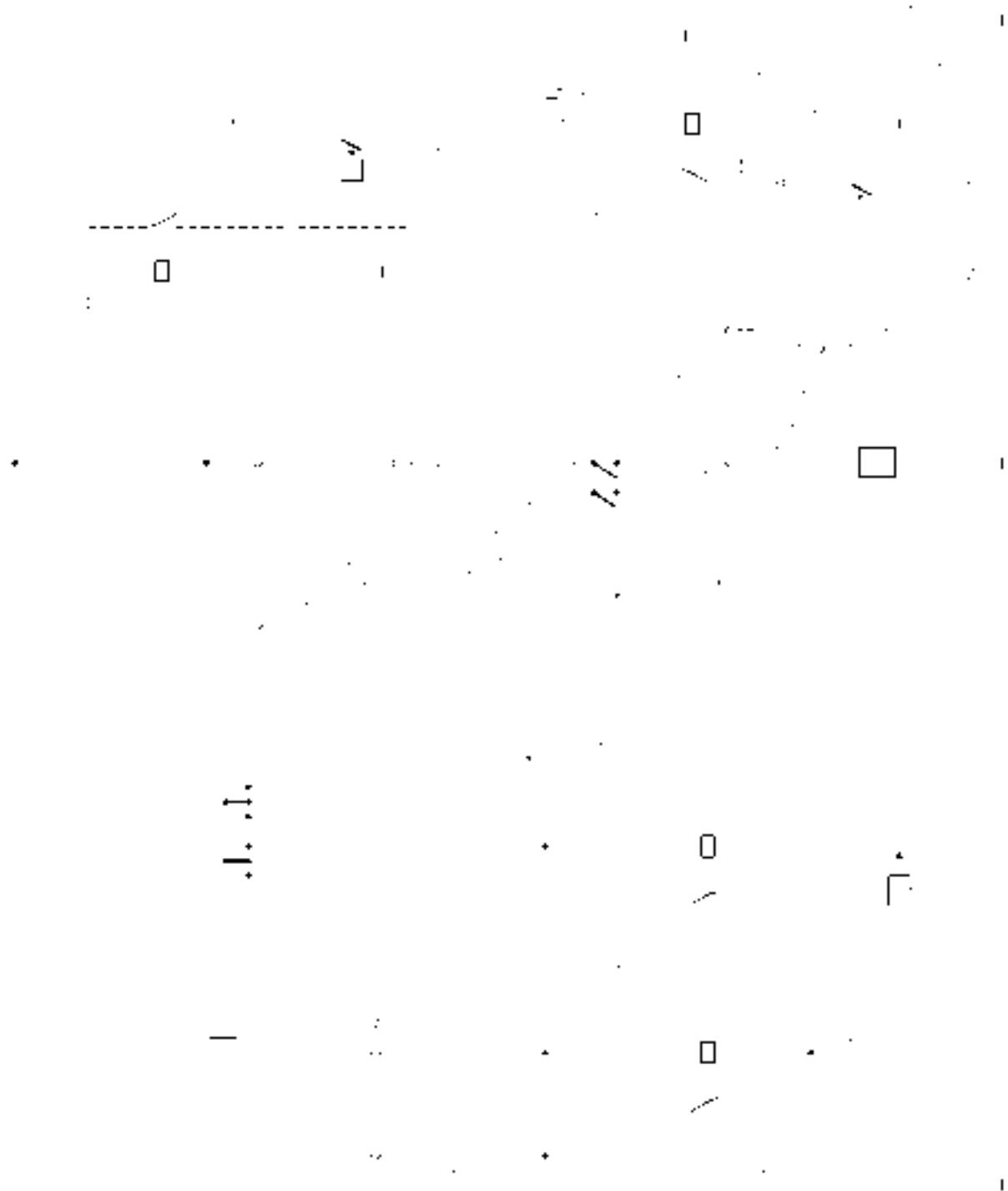
T3008452



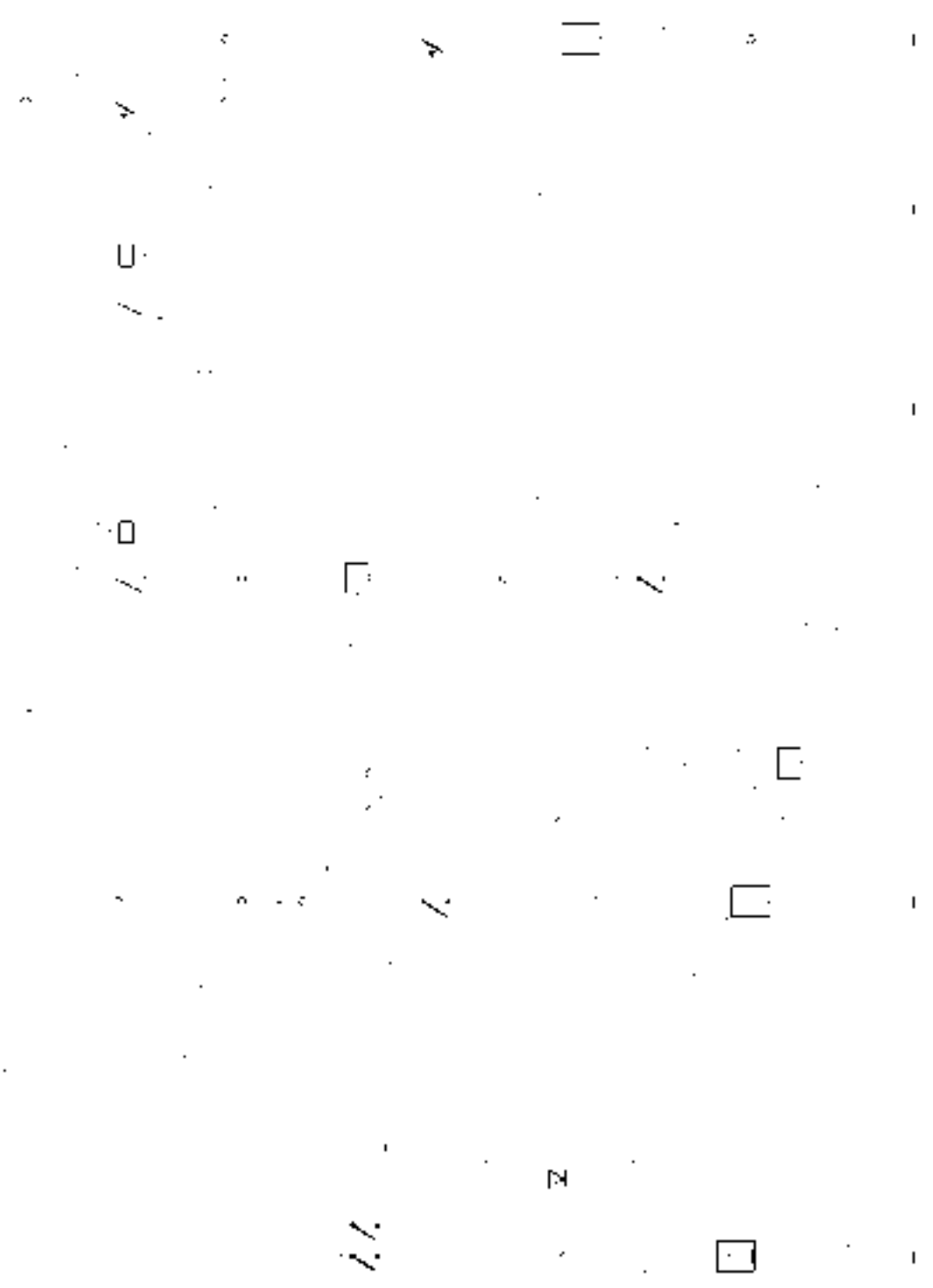
T3008453



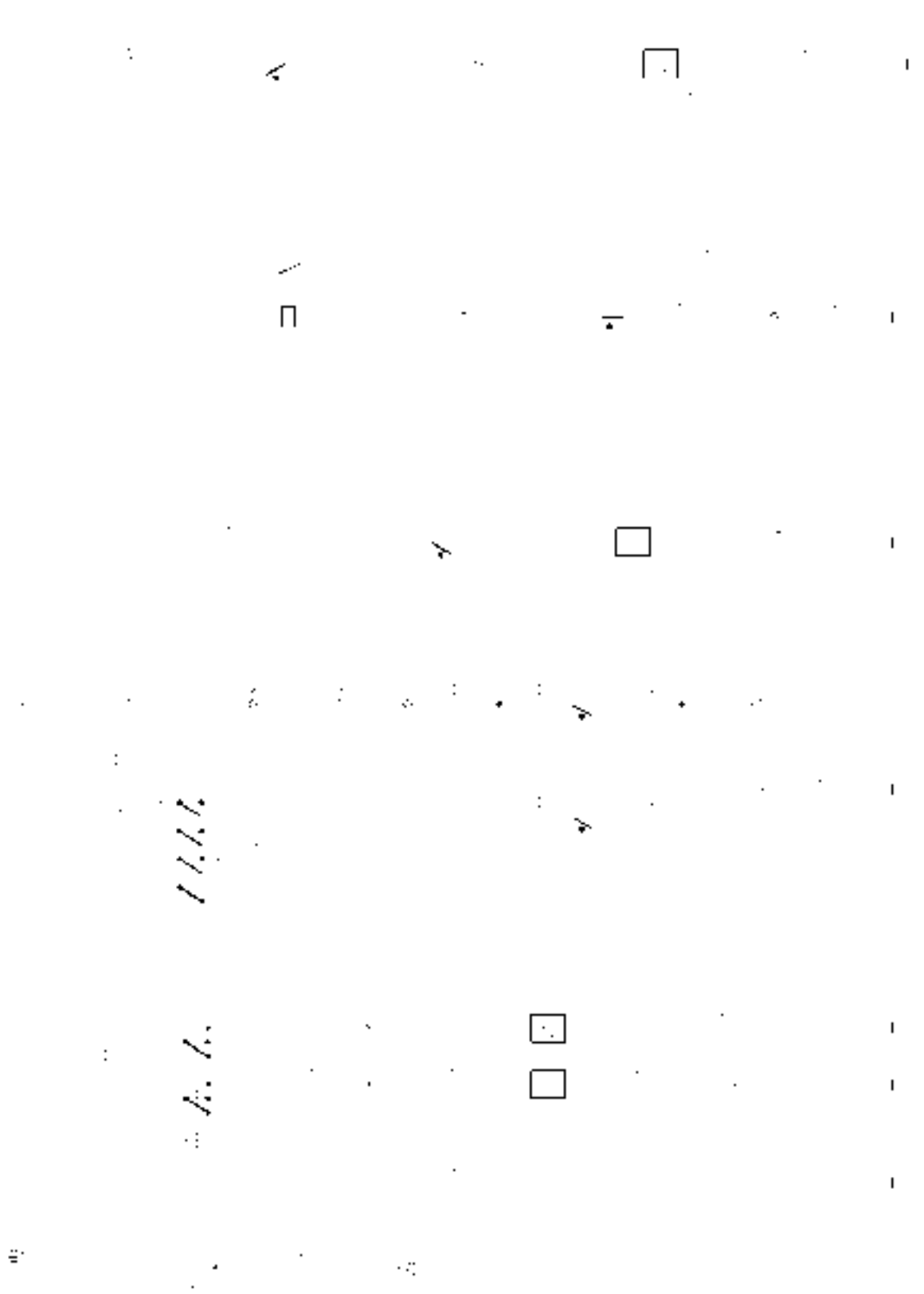
T3008454



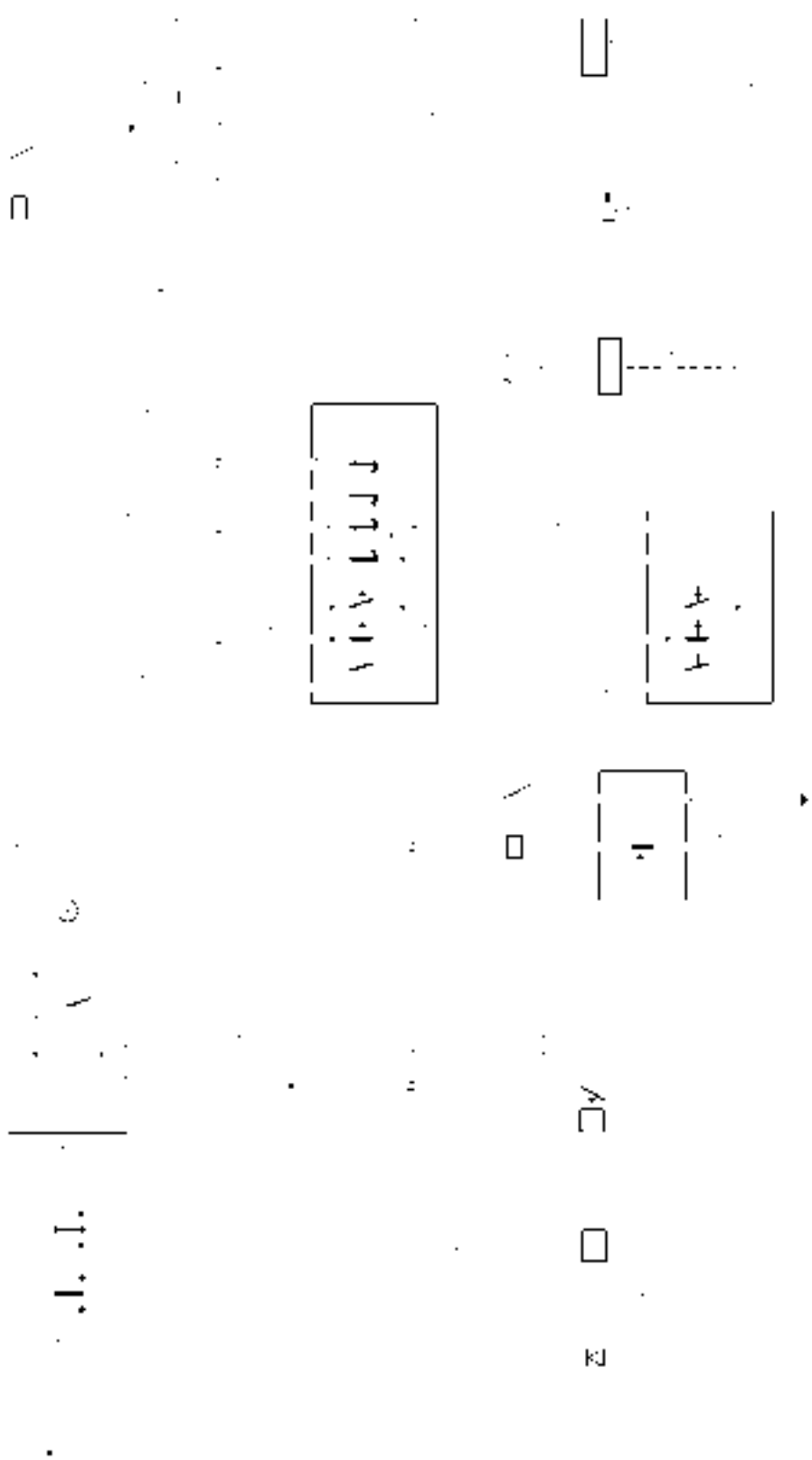
T3008455

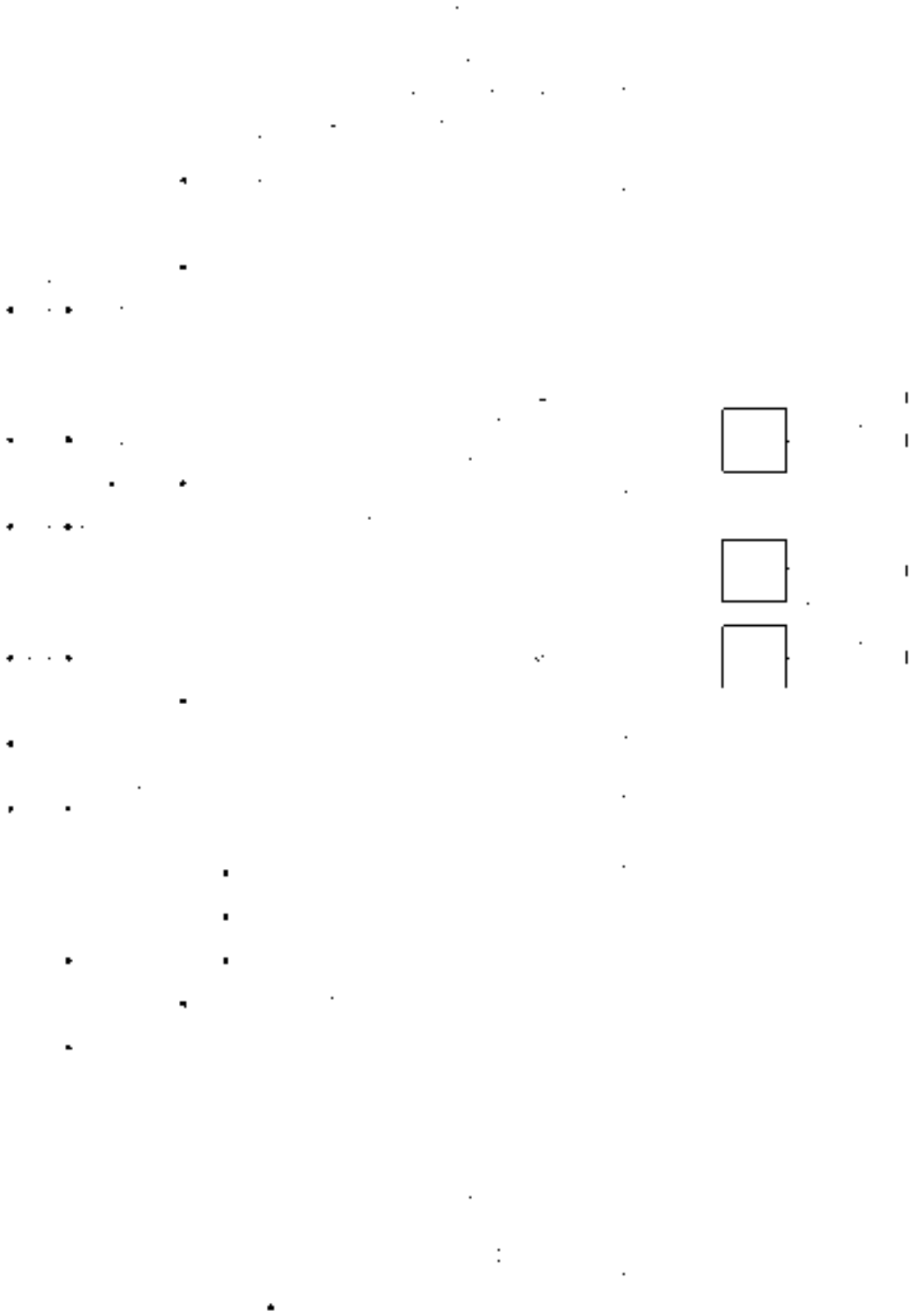


T3008456




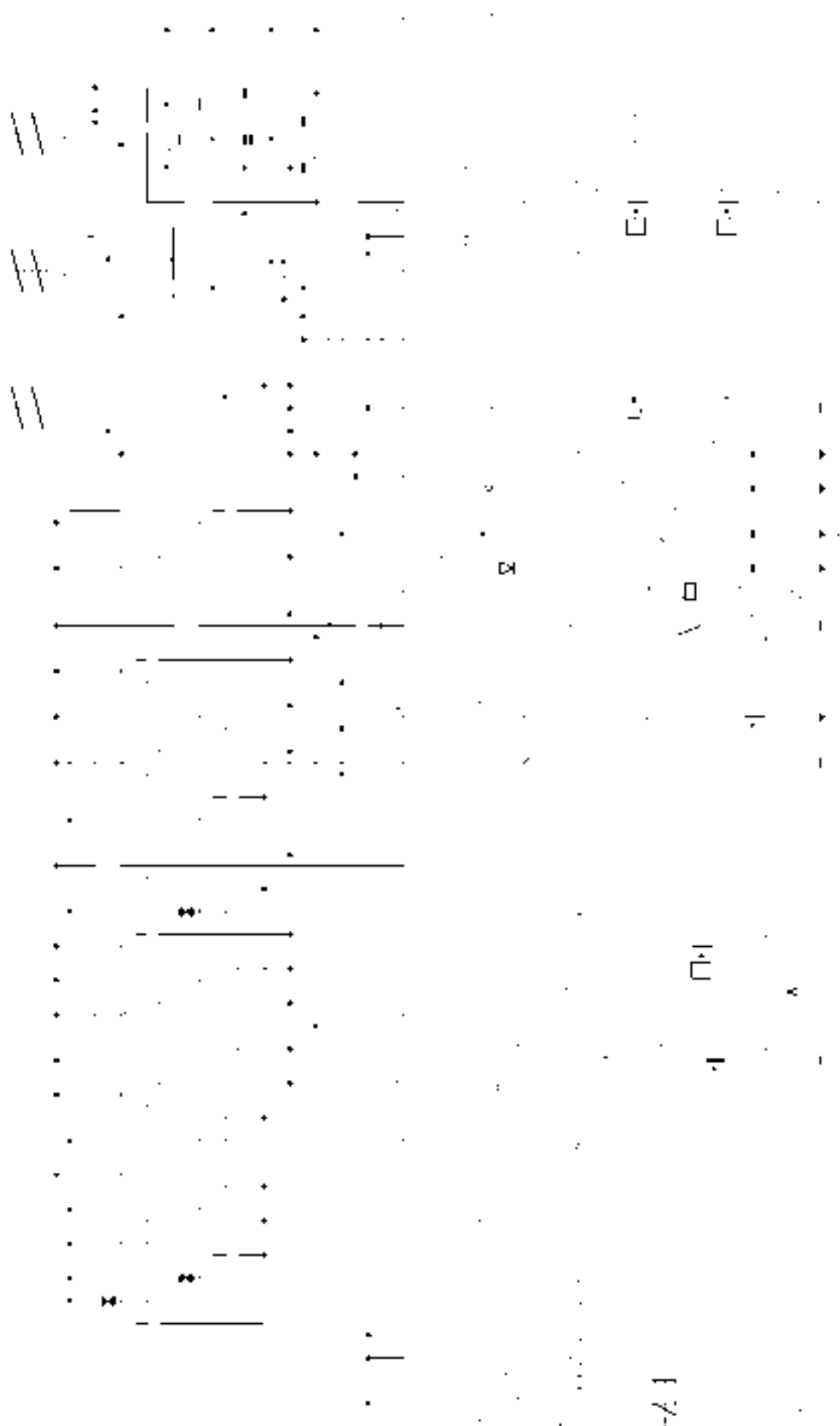
T3008457







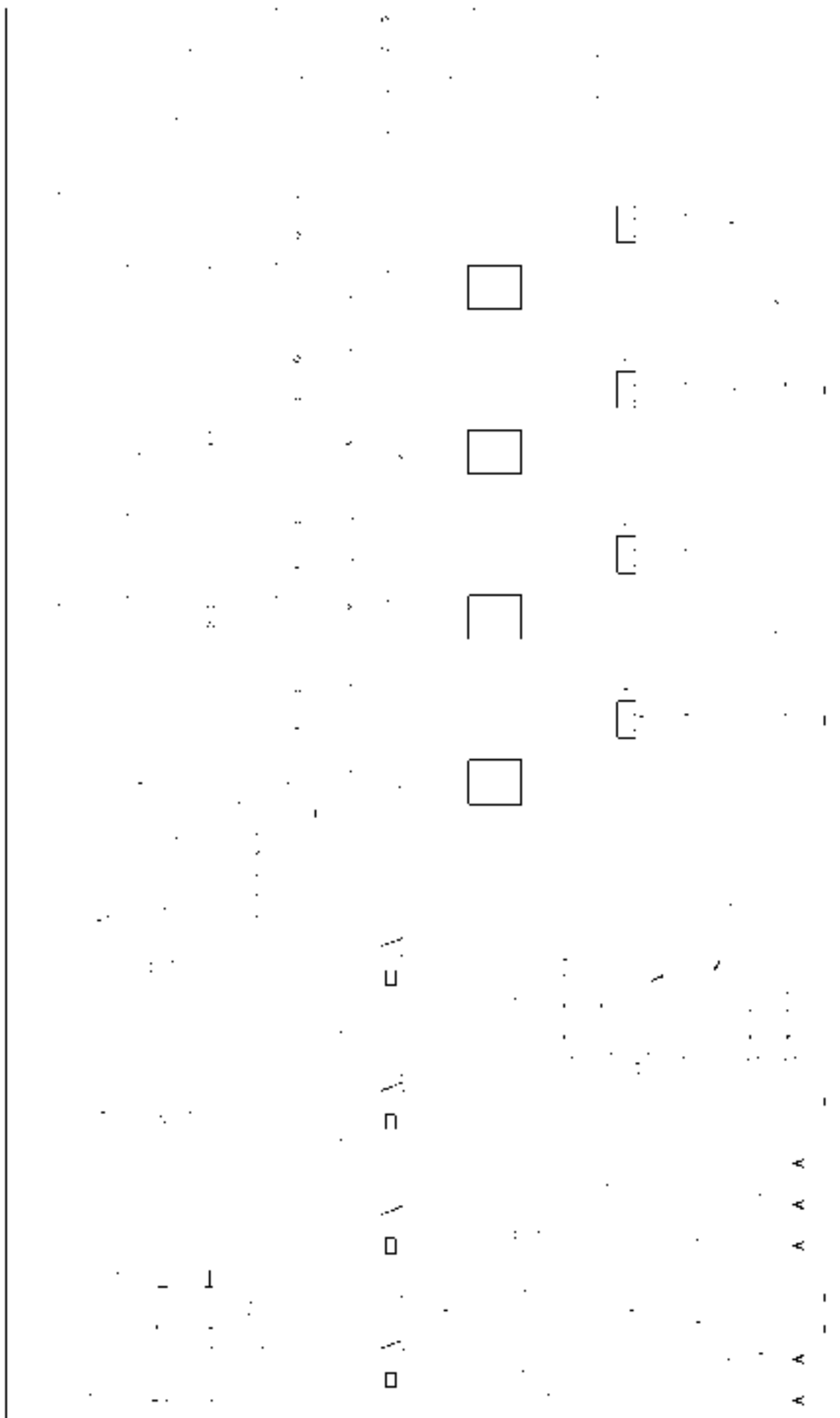
ND  




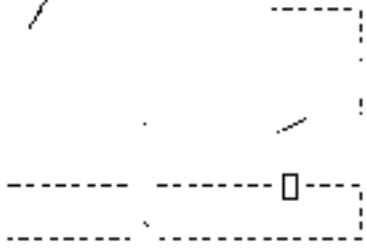
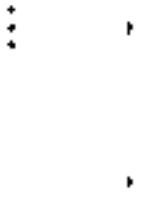
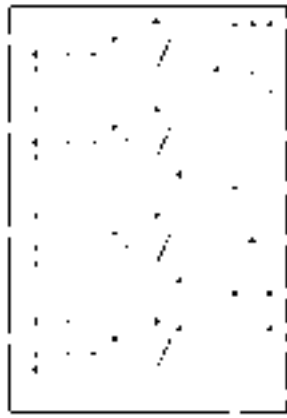


N  
S

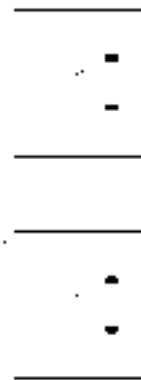
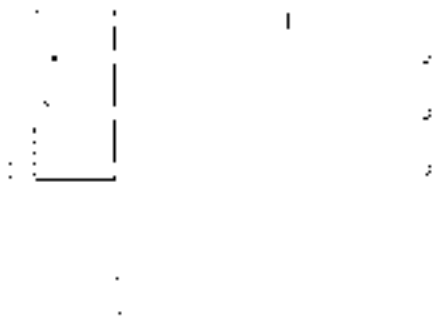




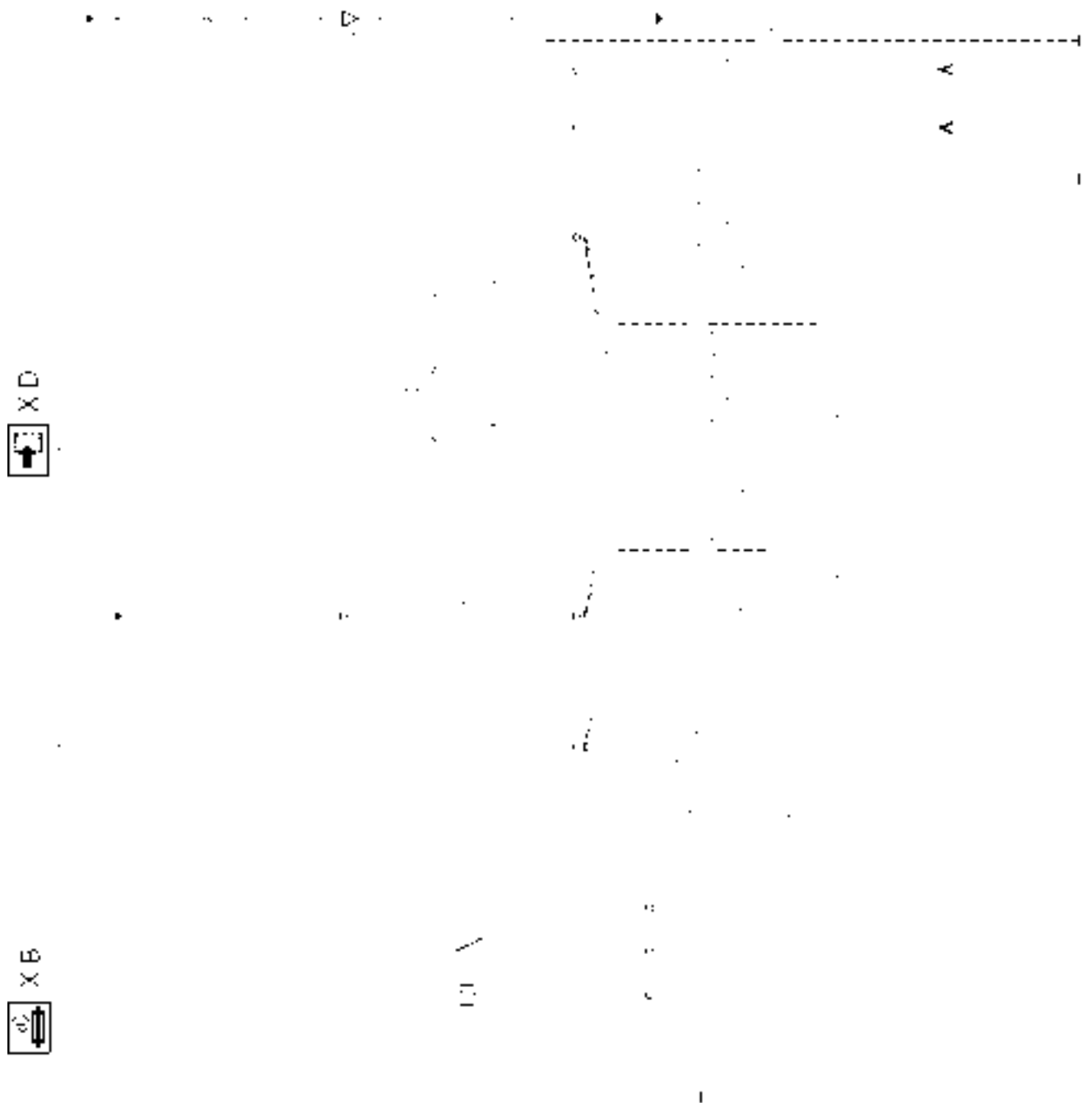




T3008464

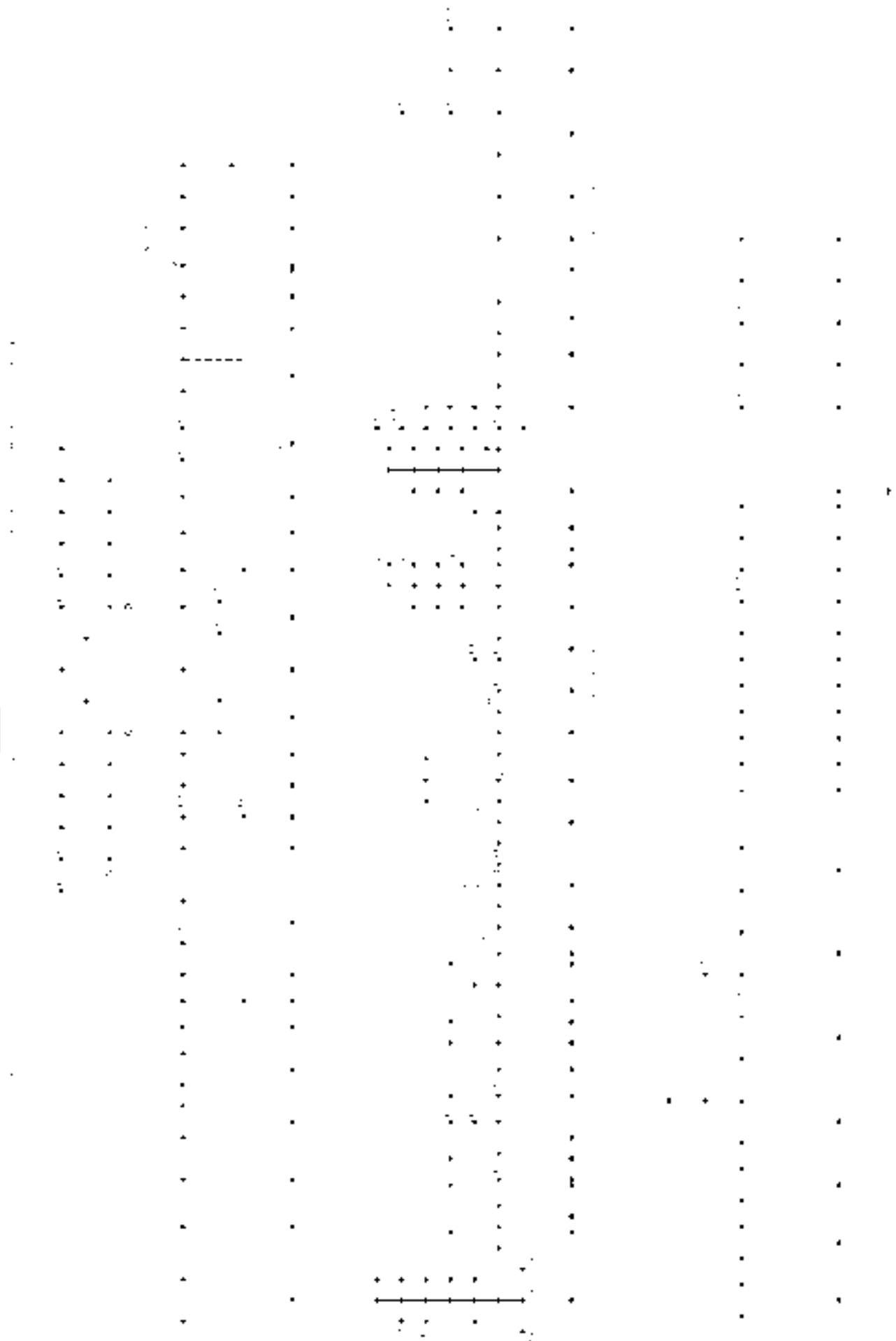


T3008465

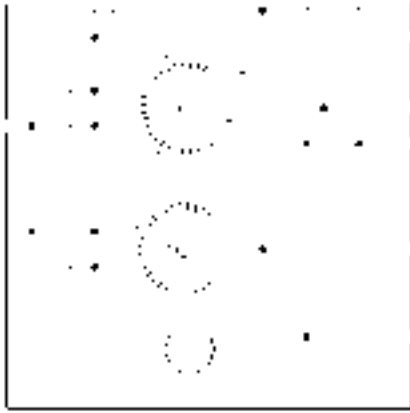


T3008466

**I** ZA







Z E

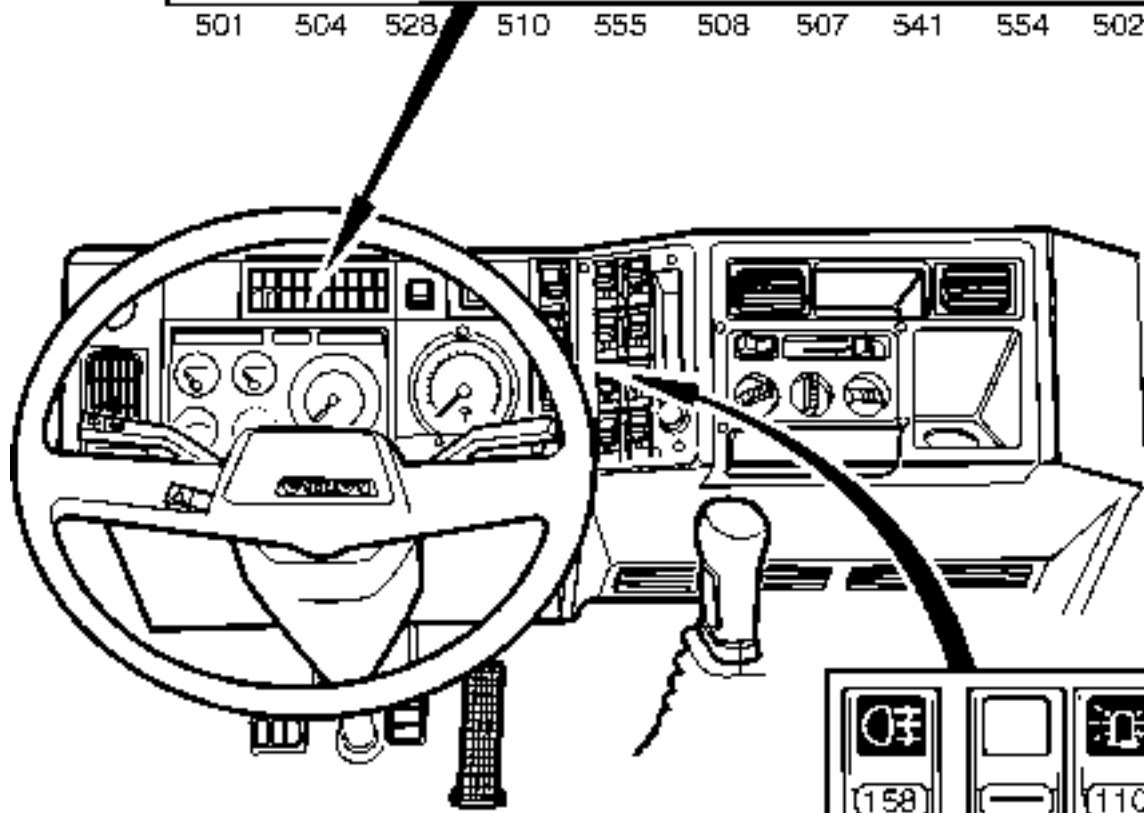
ADF



T3008468

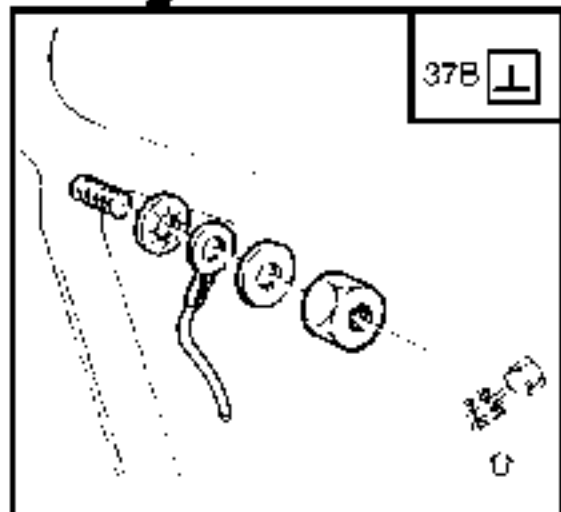
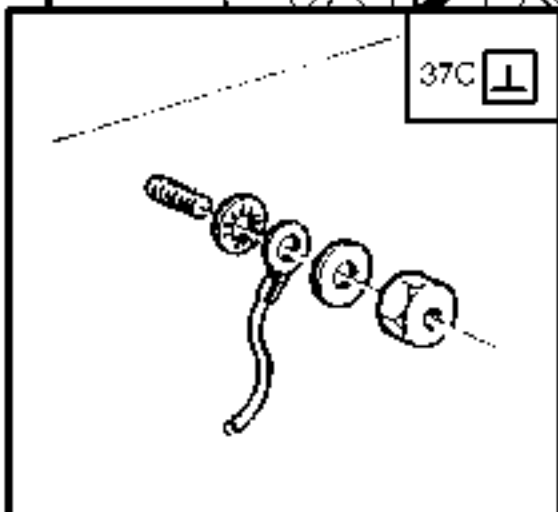
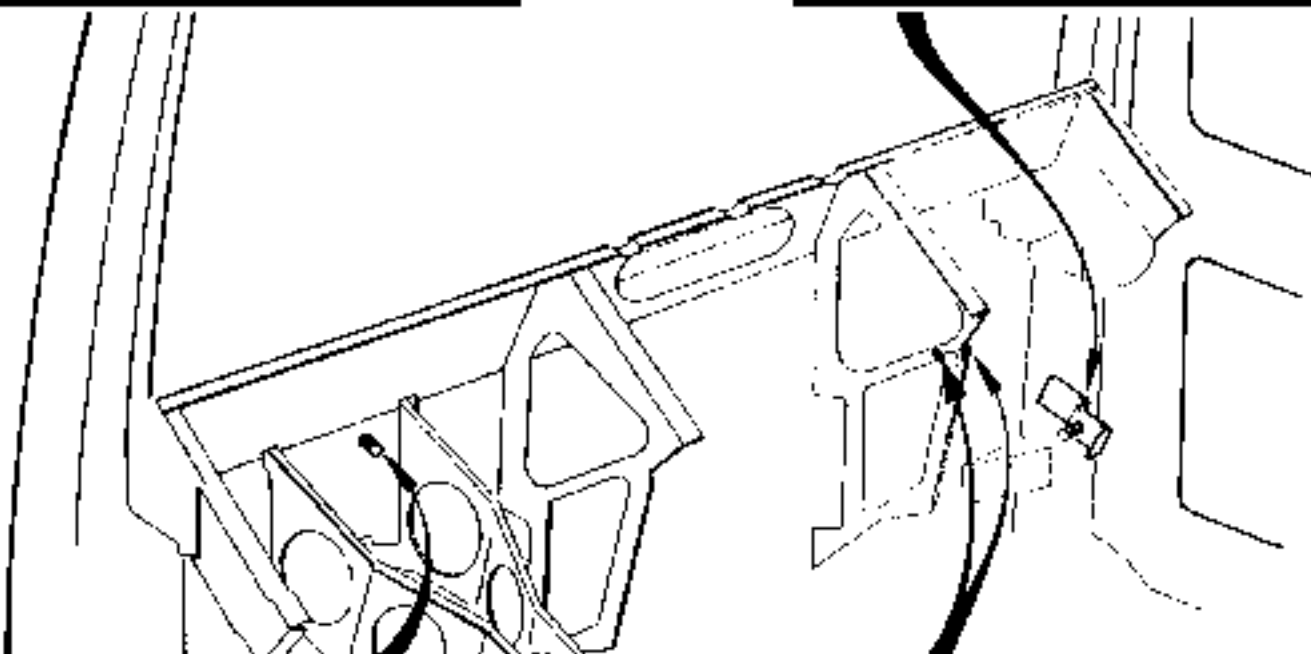
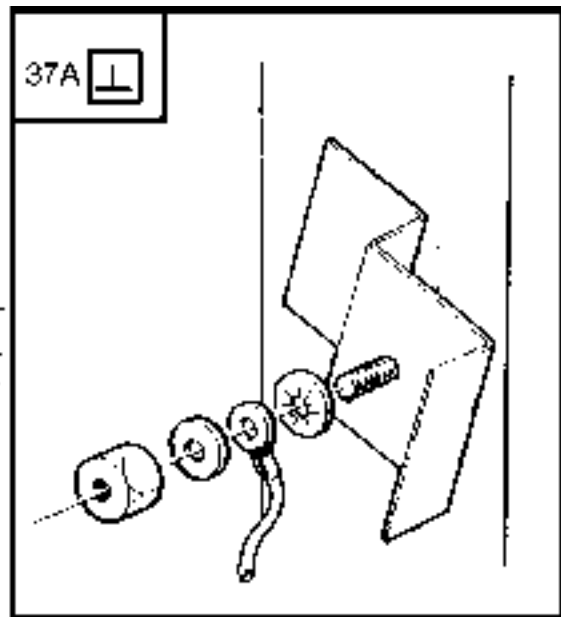
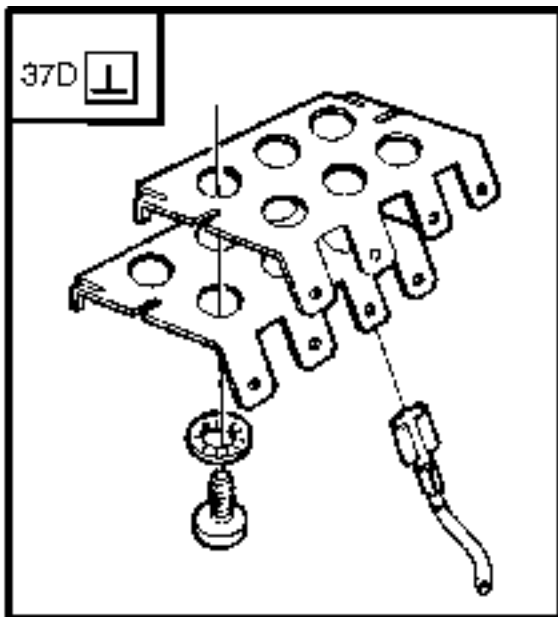
# Illustrations

500	5028	5008	514	5010	515	507	503	505	550
501	504	528	510	555	508	507	541	554	5027

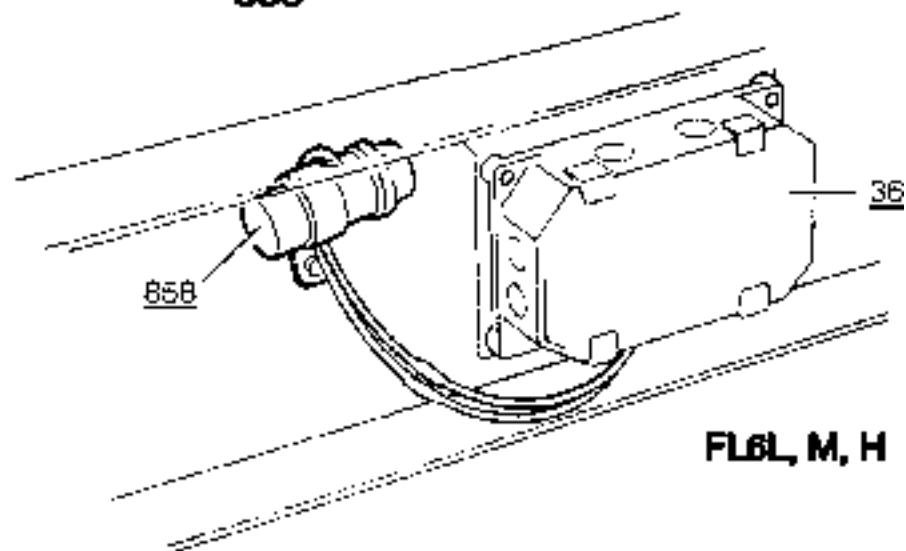


158		110
123	104	102
126	111	103
	LOCK UP	
128	178	118

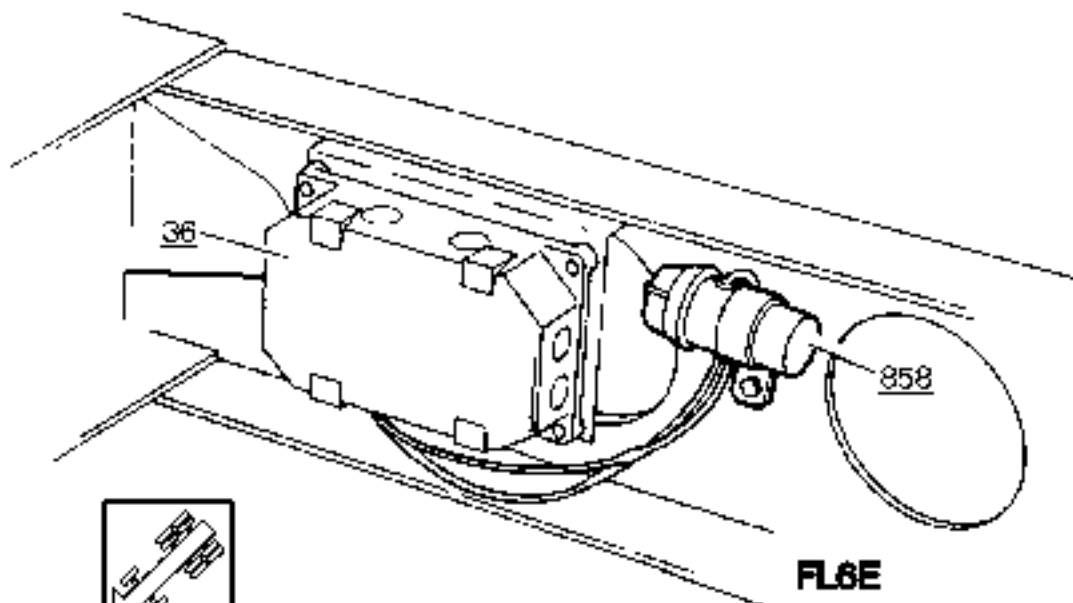
T3008470



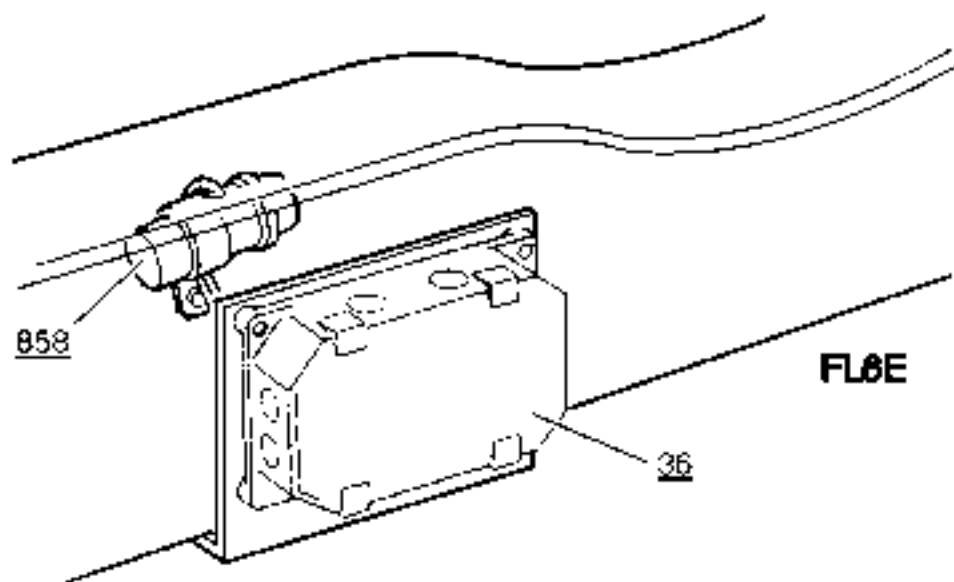
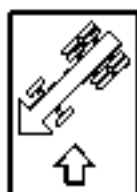
**858**



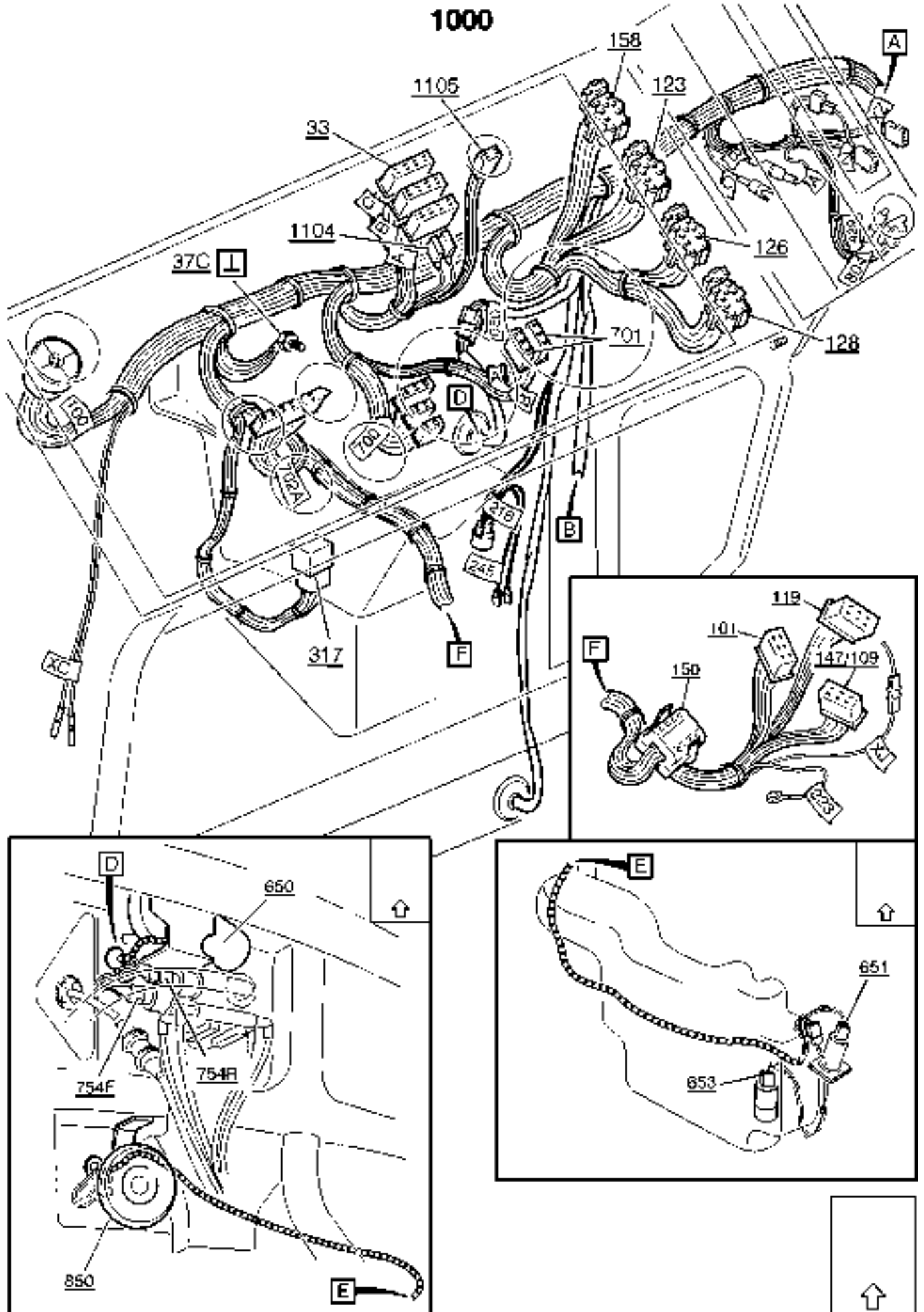
**FL6L, M, H**

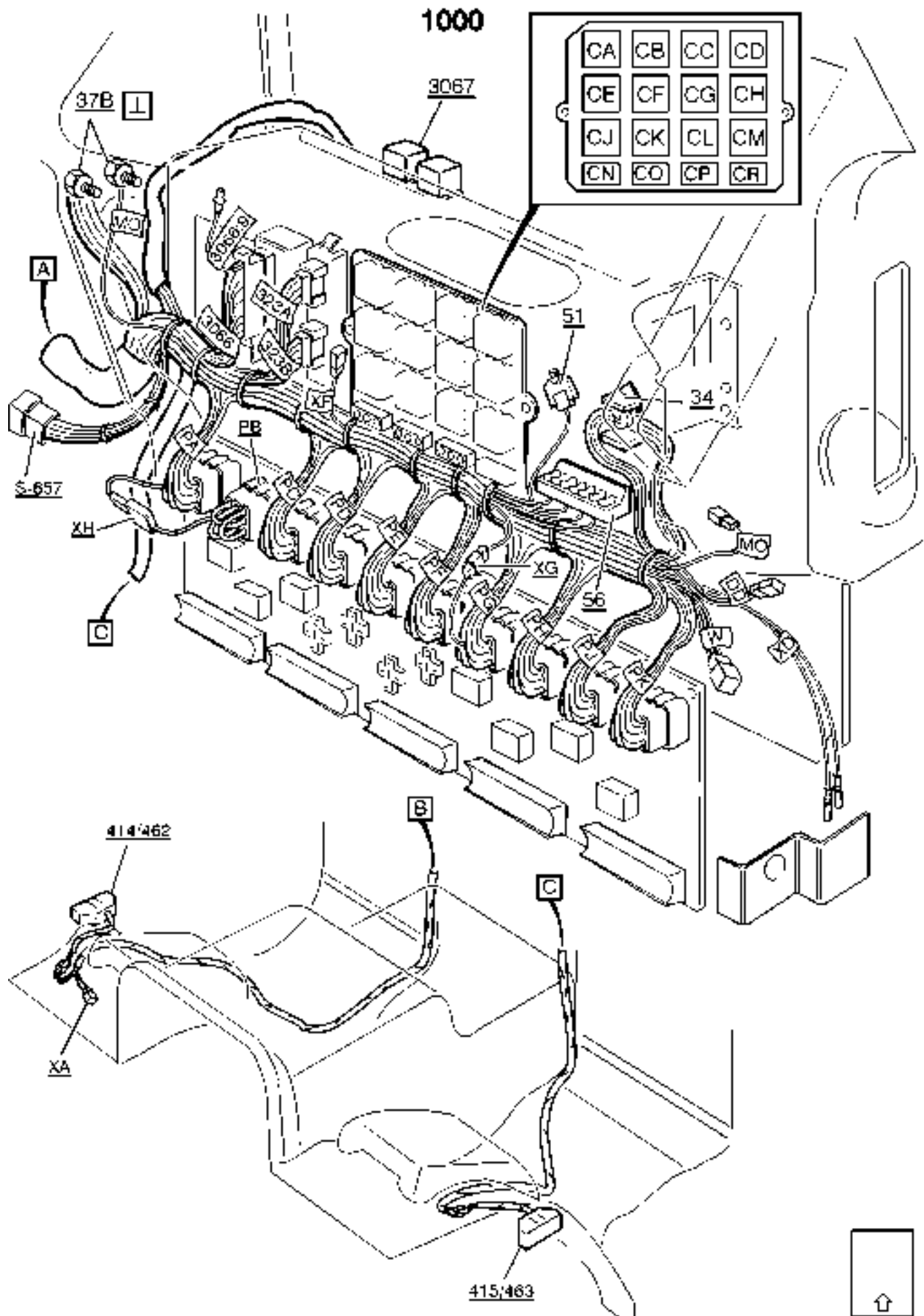


**FL6E**

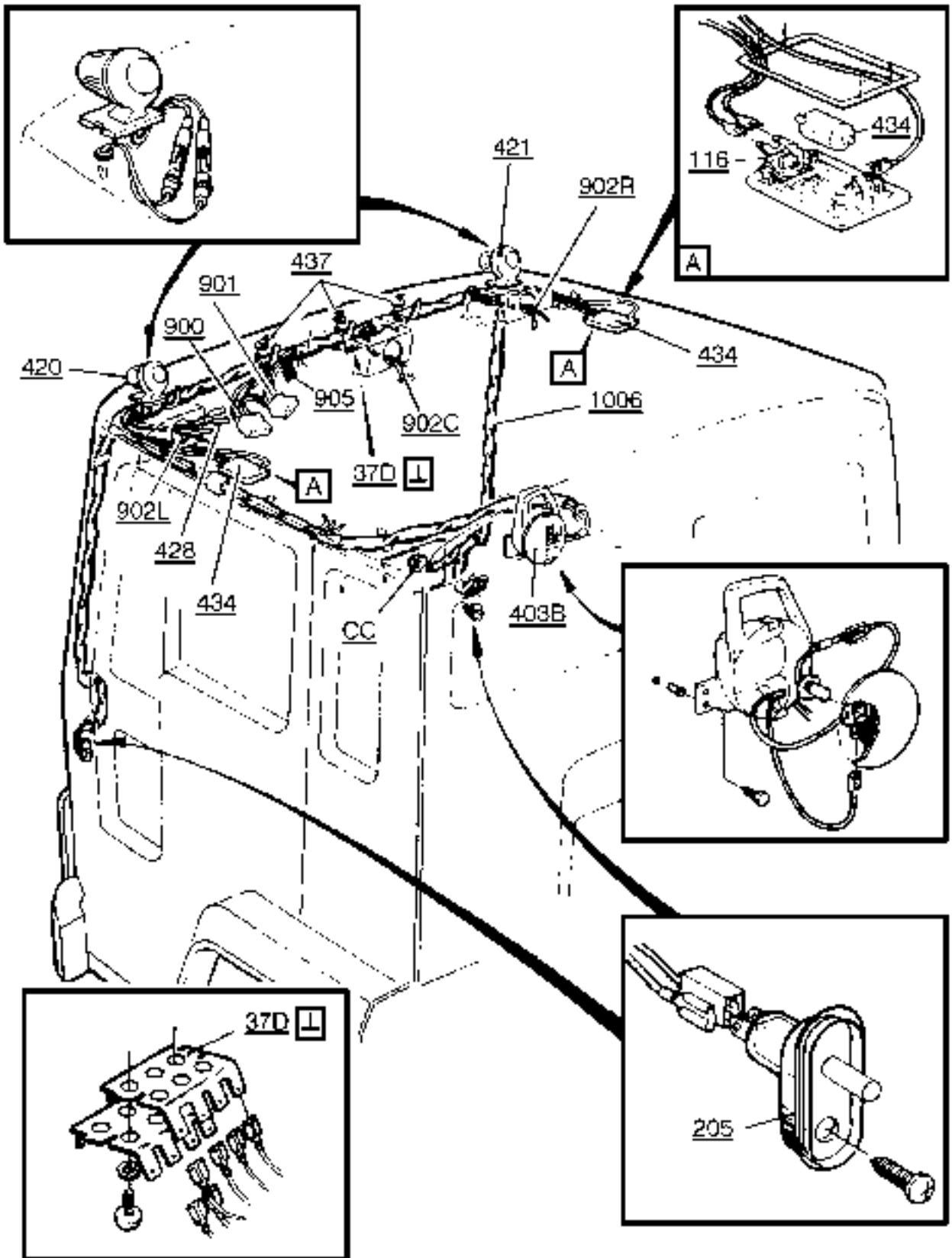


**FL6E**



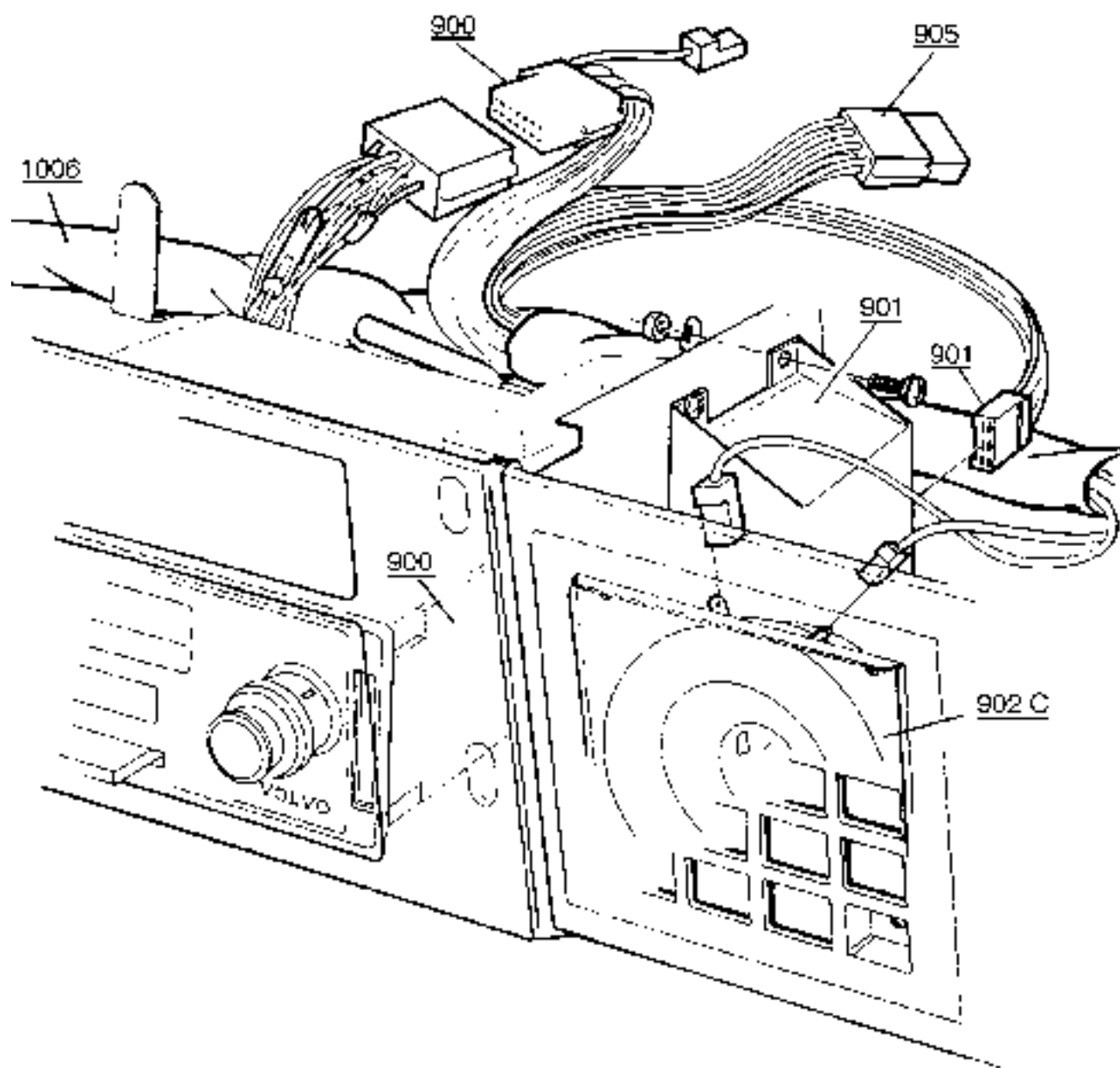


# 1006



T3008473

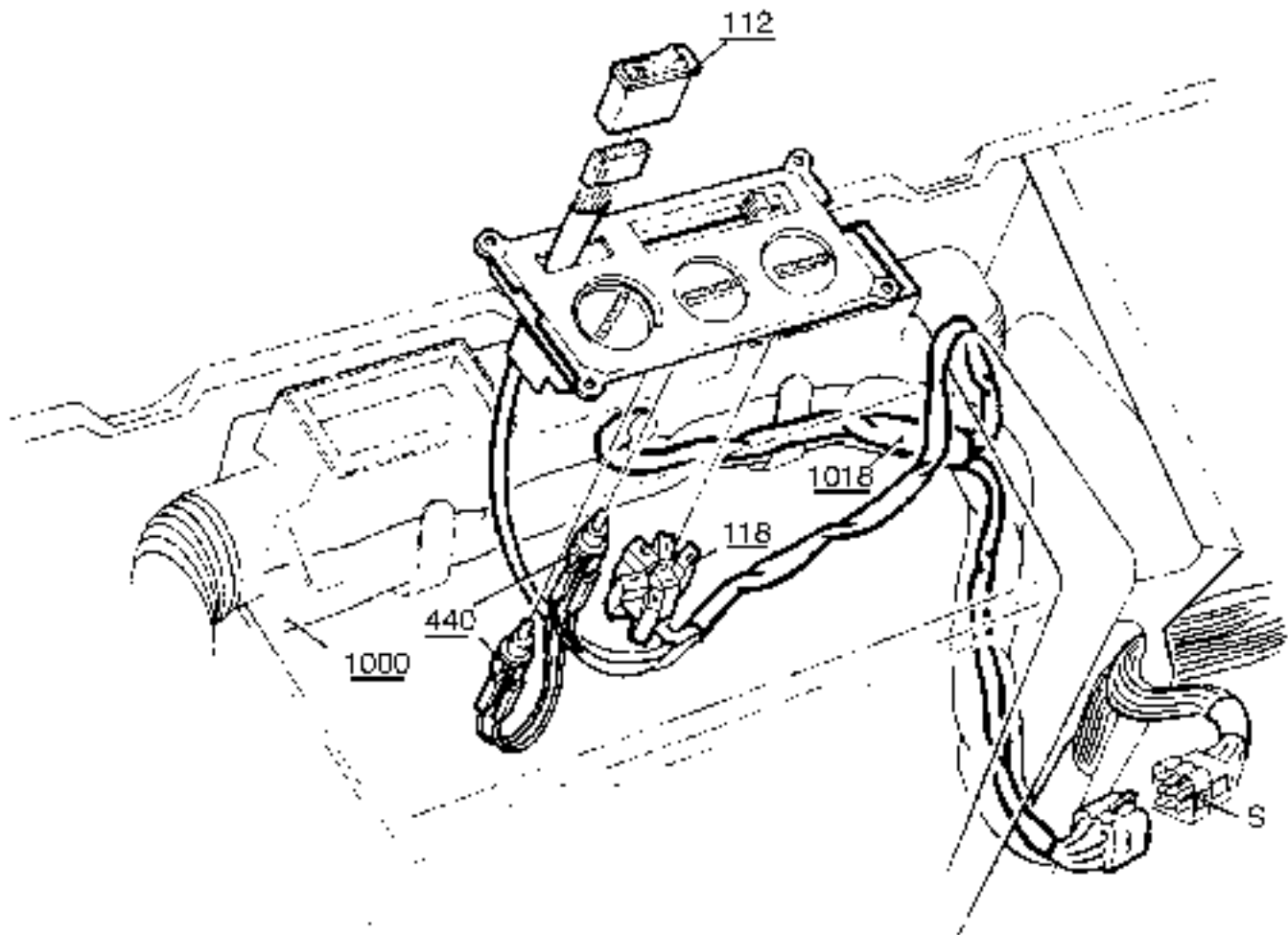
# 1008



T3008474

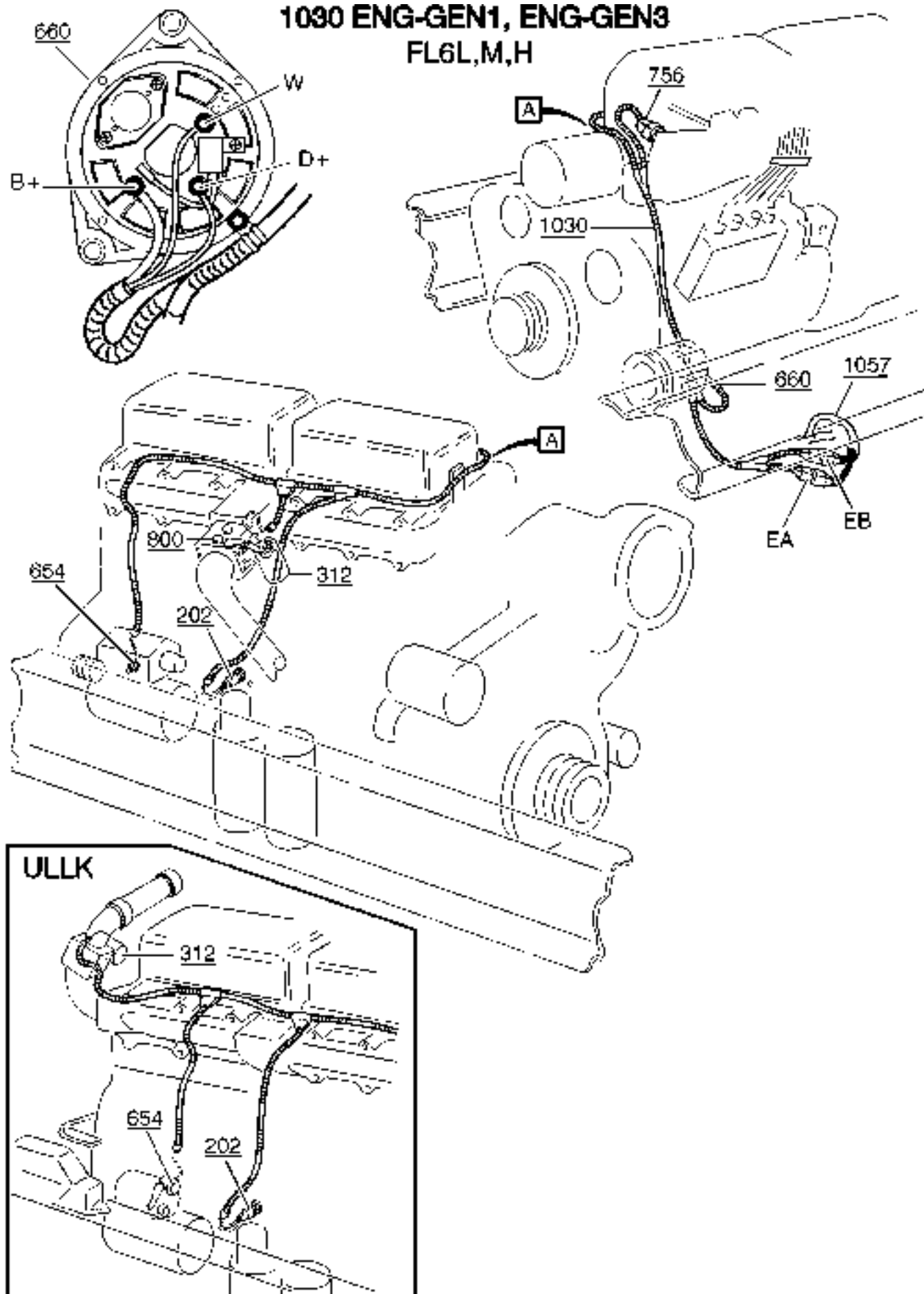


# 1018

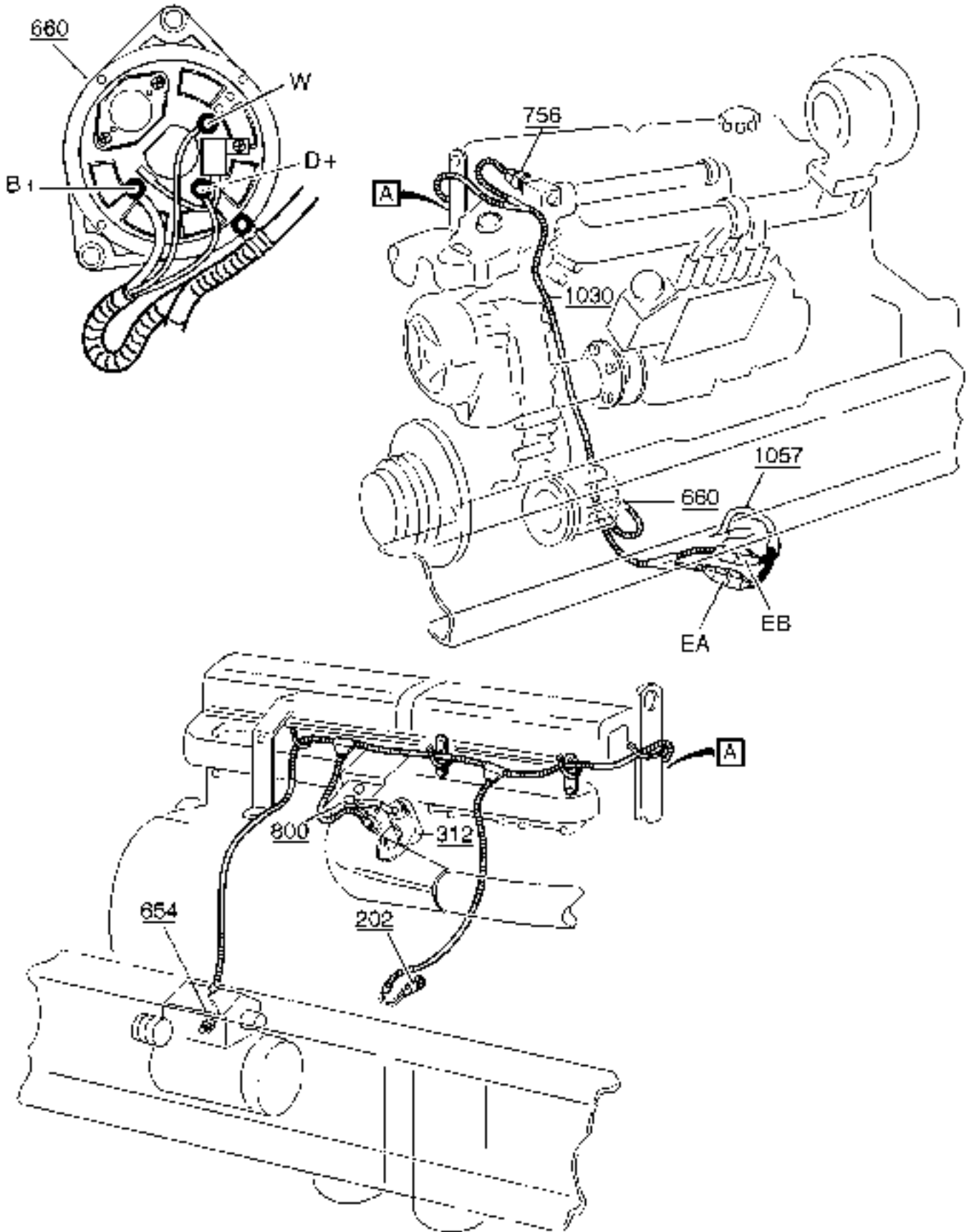


T3007467

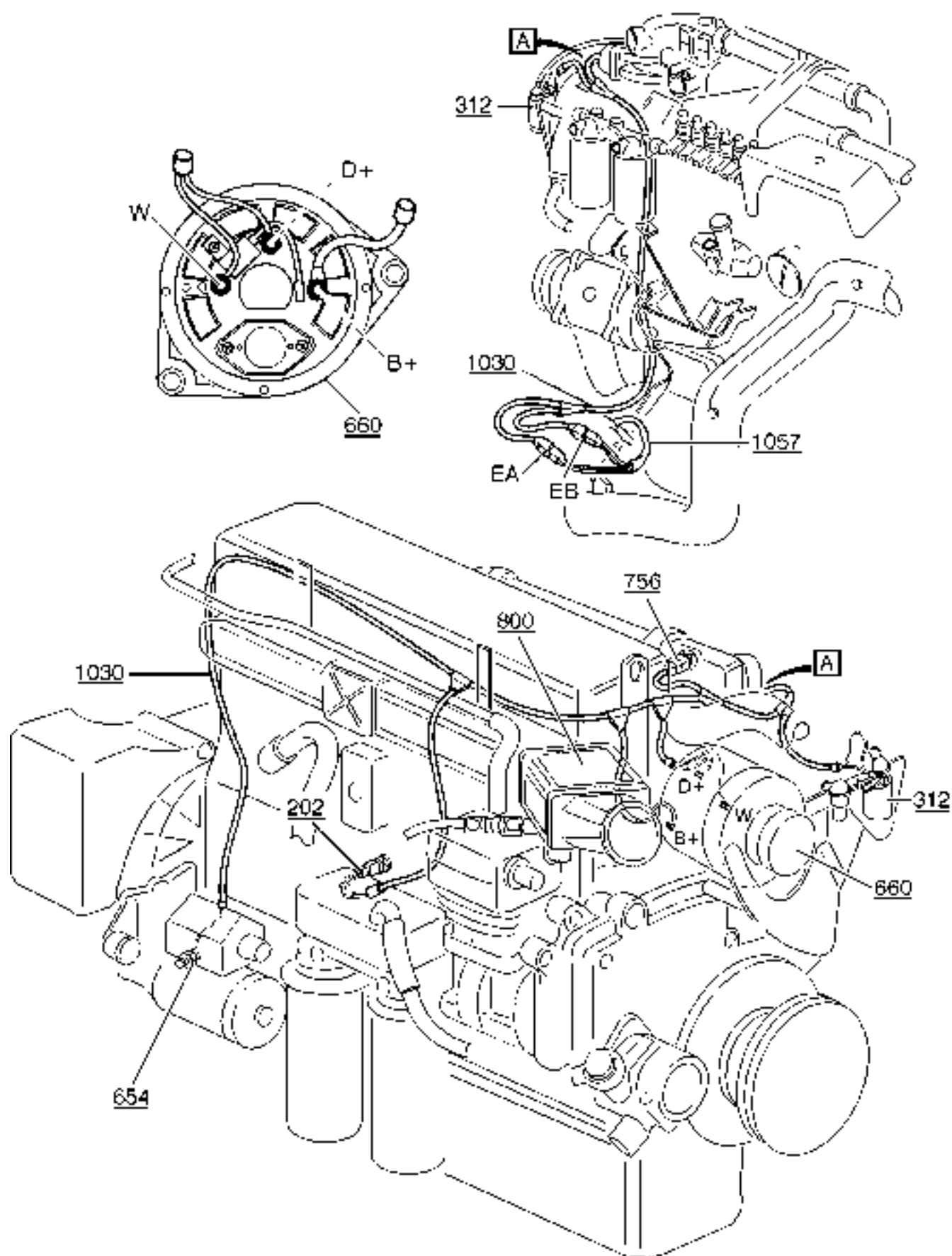
### 1030 ENG-GEN1, ENG-GEN3 FL6L,M,H



### 1030 ENG-GEN1, ENG-GEN3 FL6E

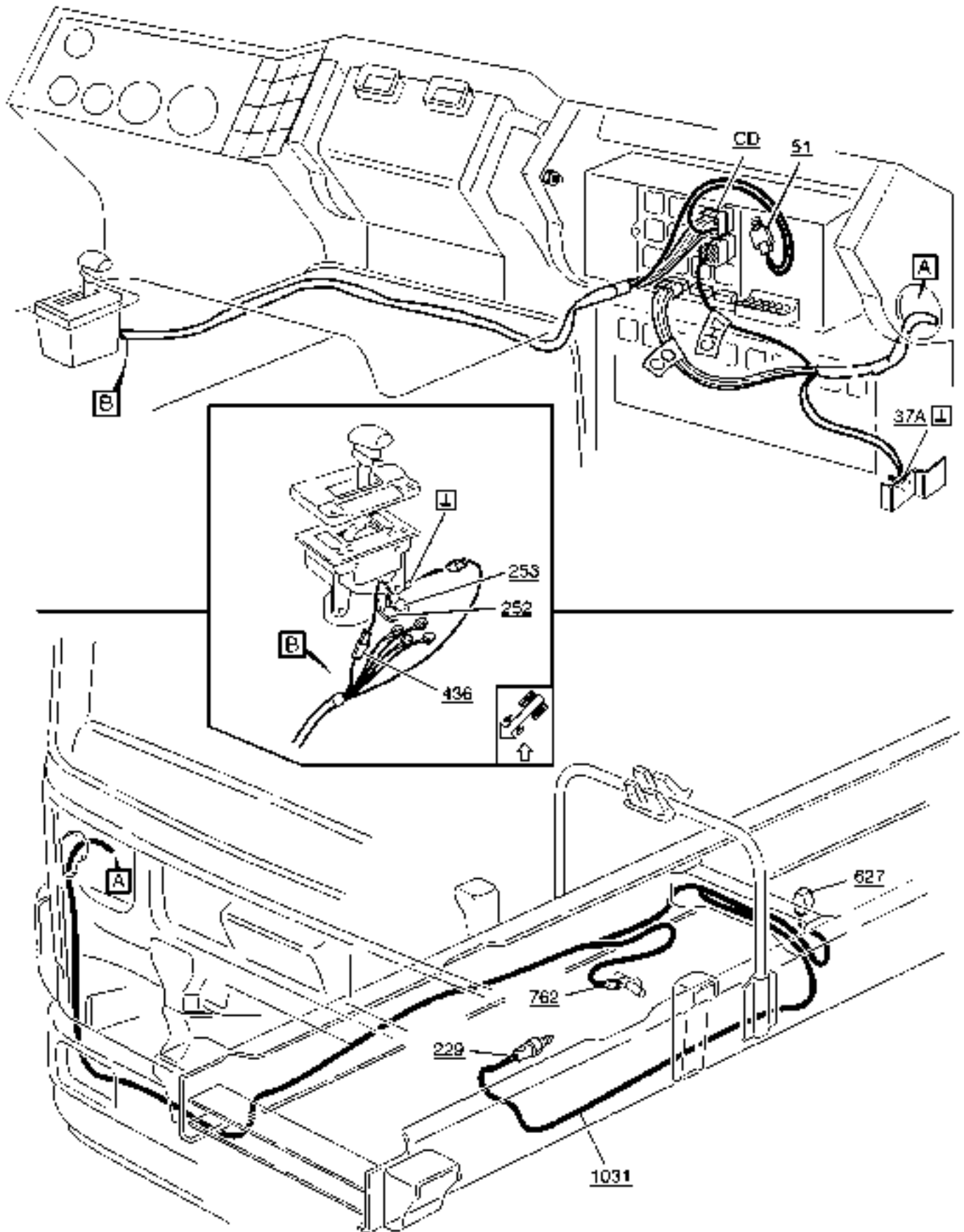


T3008547

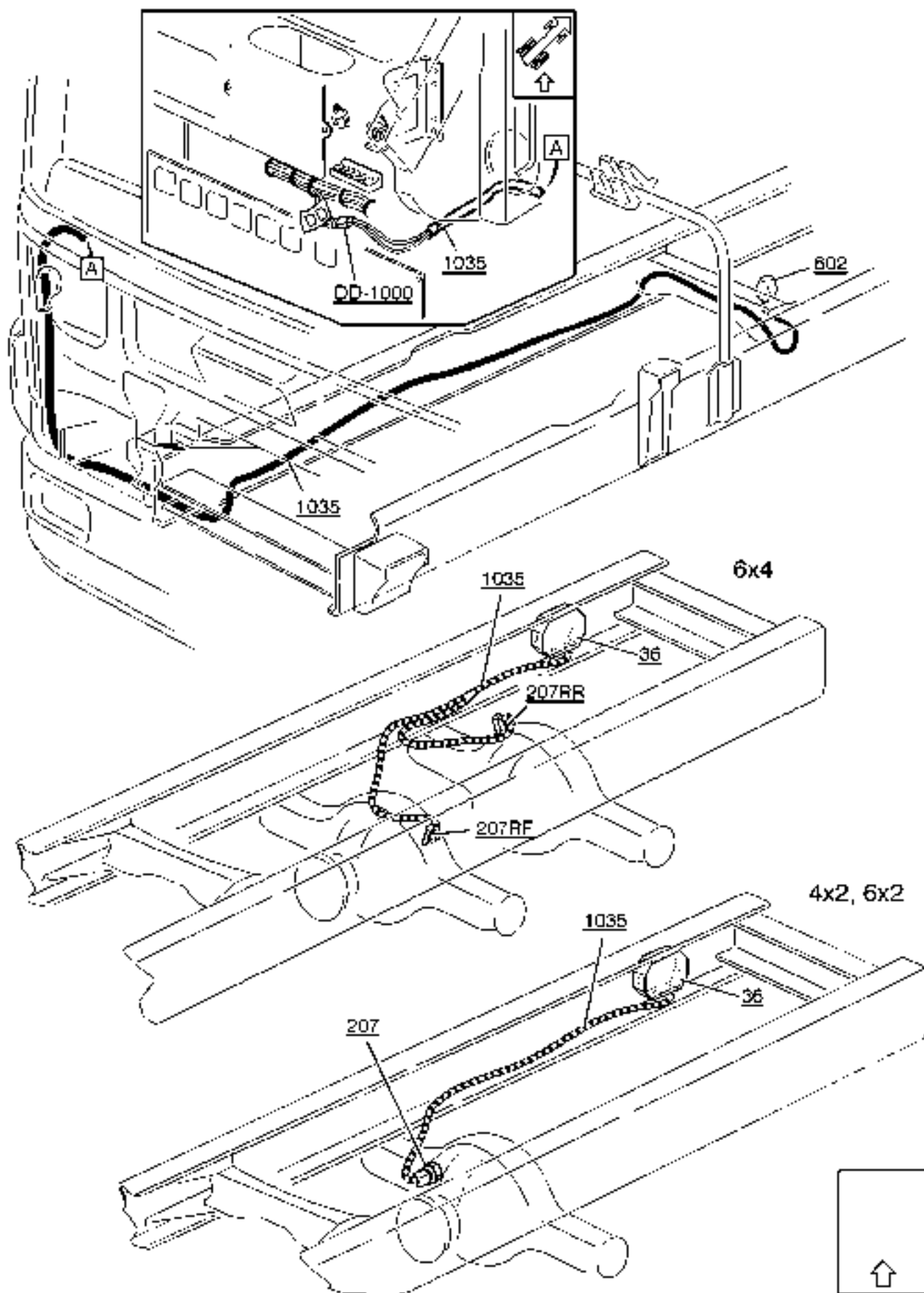
**1030 ENG-GEN4**

T3007831

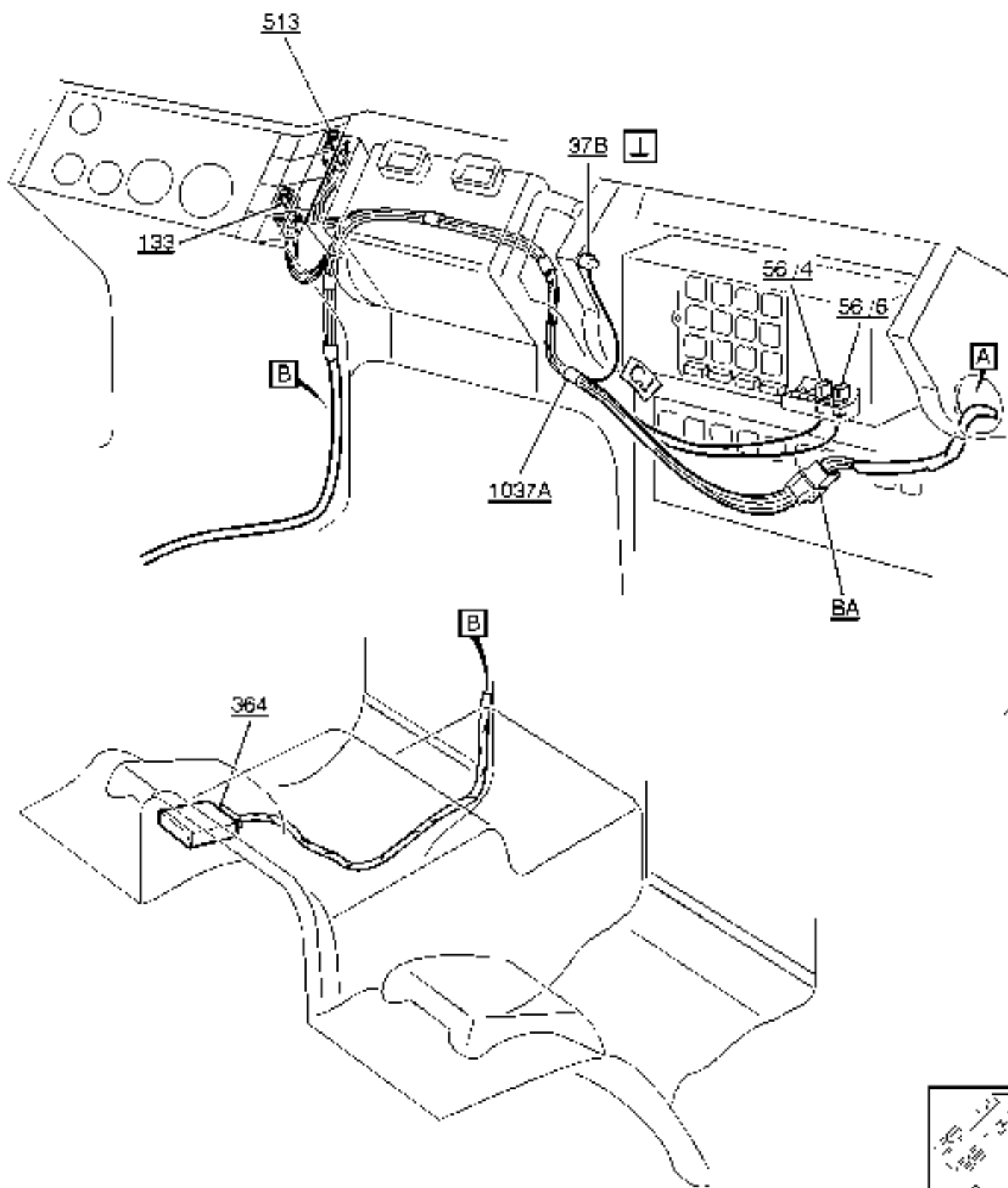
# 1031 FL6 M, H, E

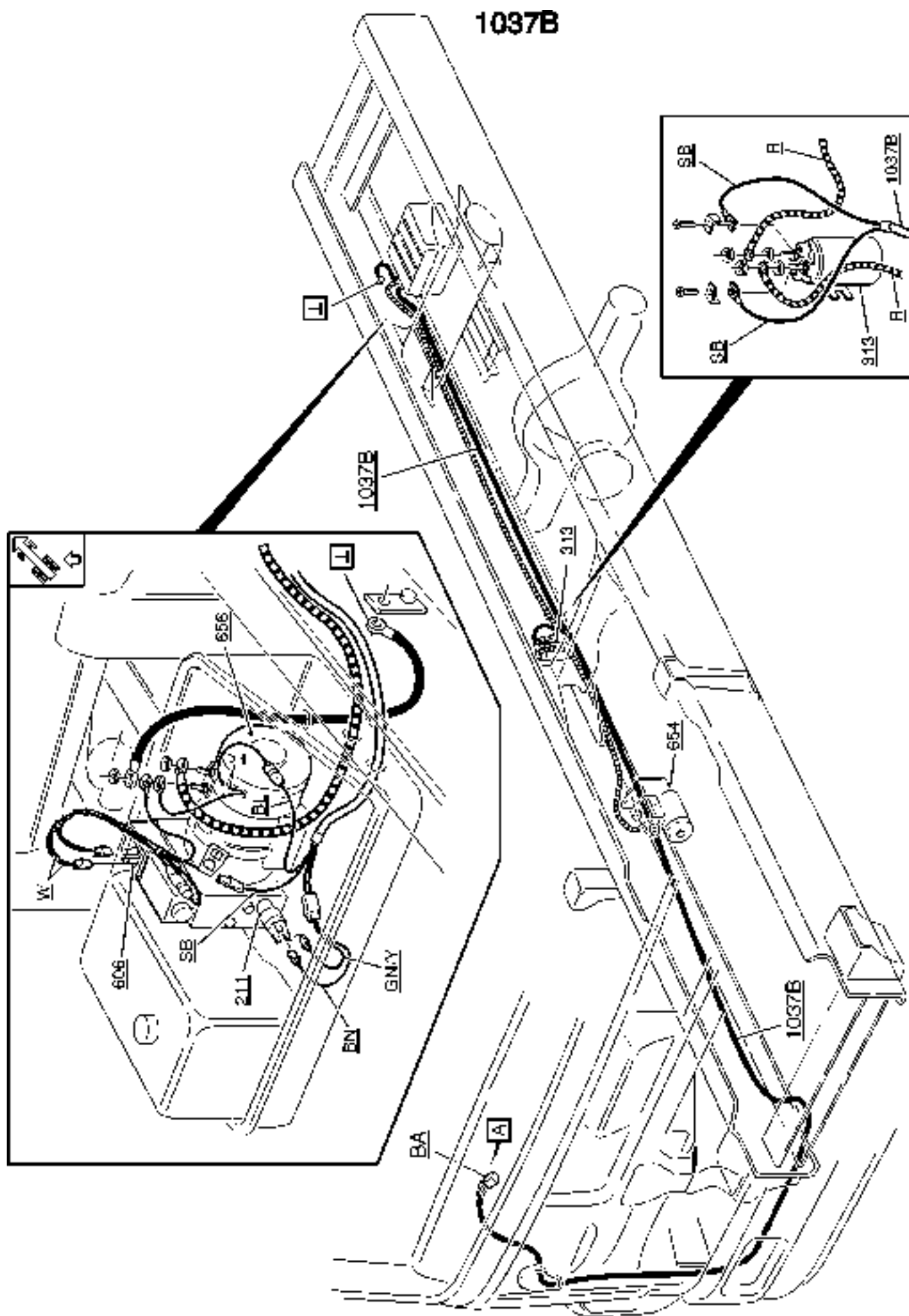


# 1035



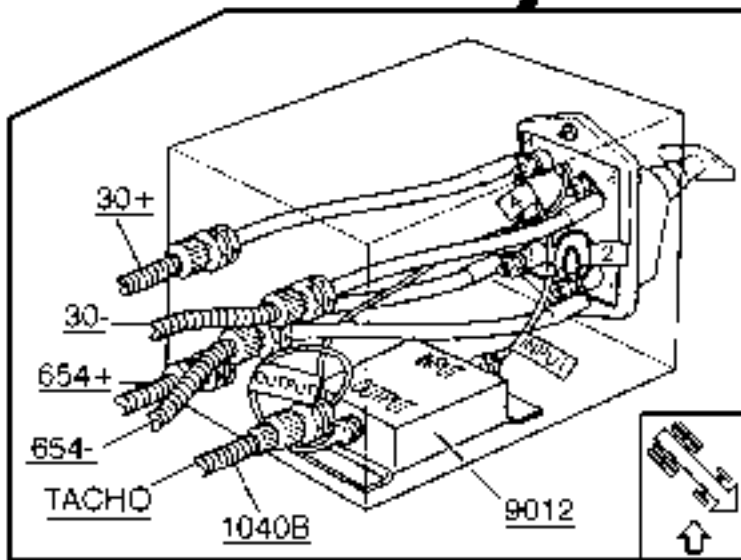
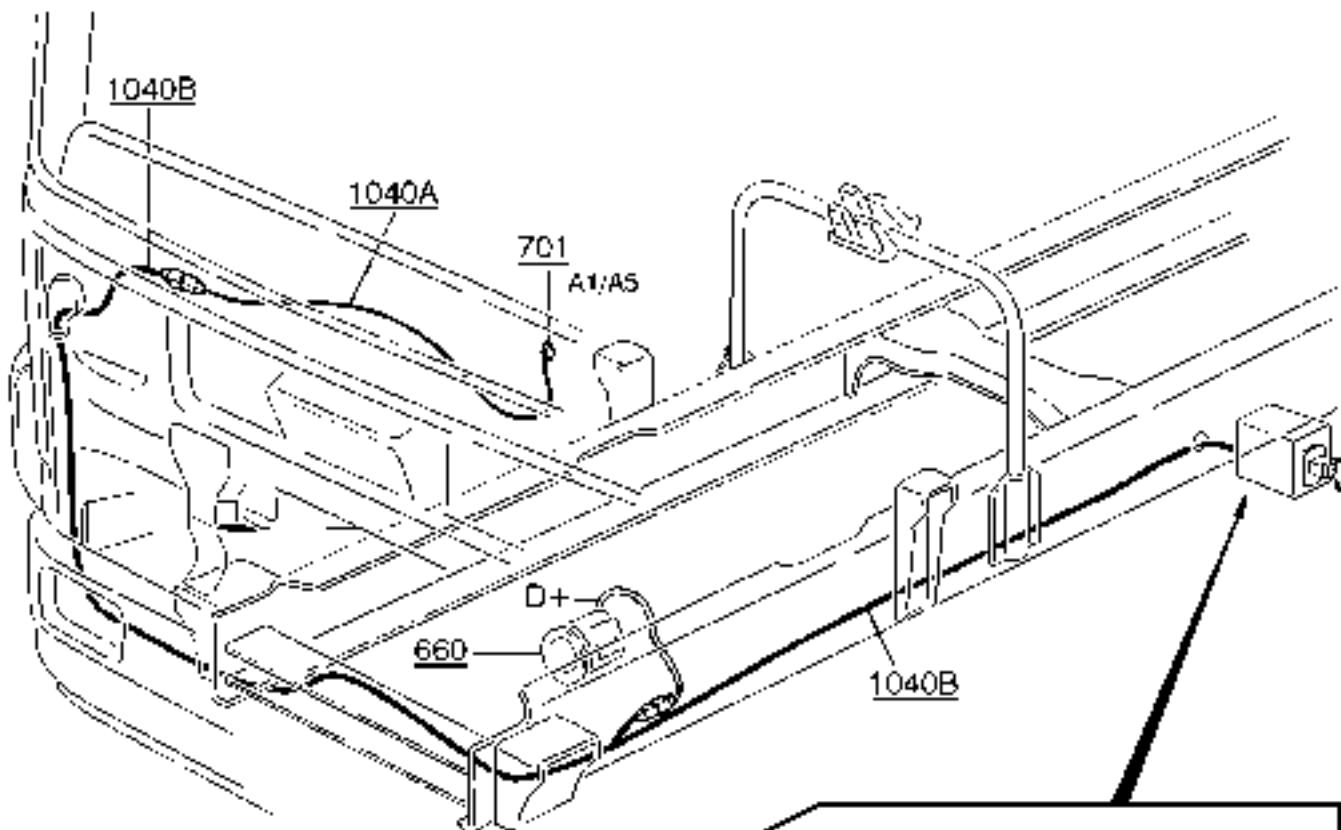
# 1037A



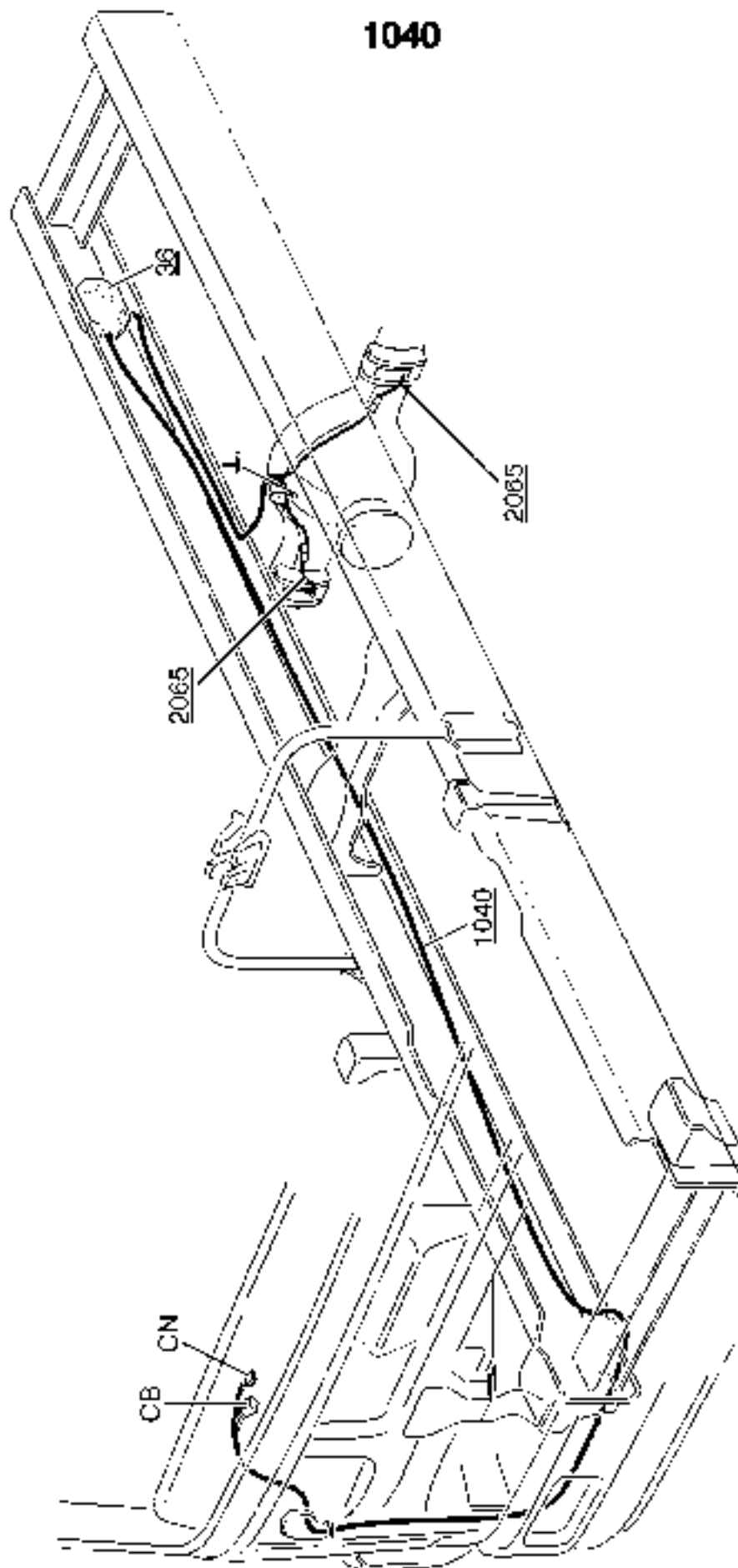




# 1040A,1040B ADR

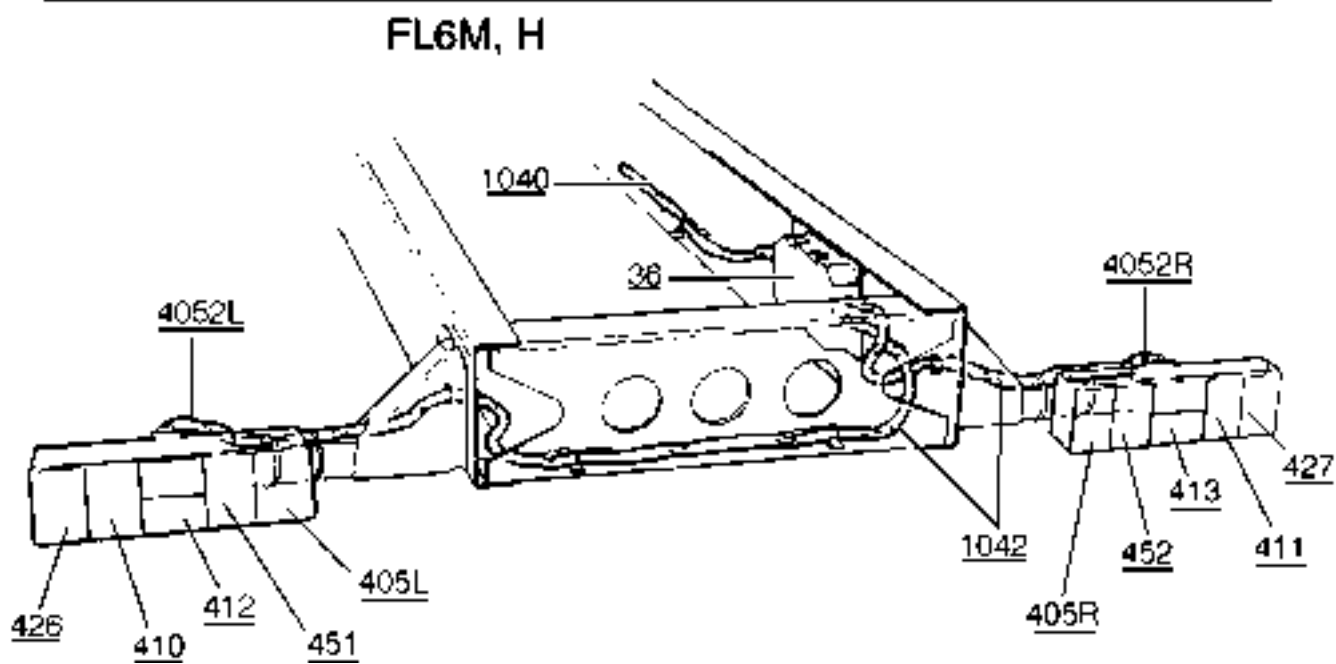
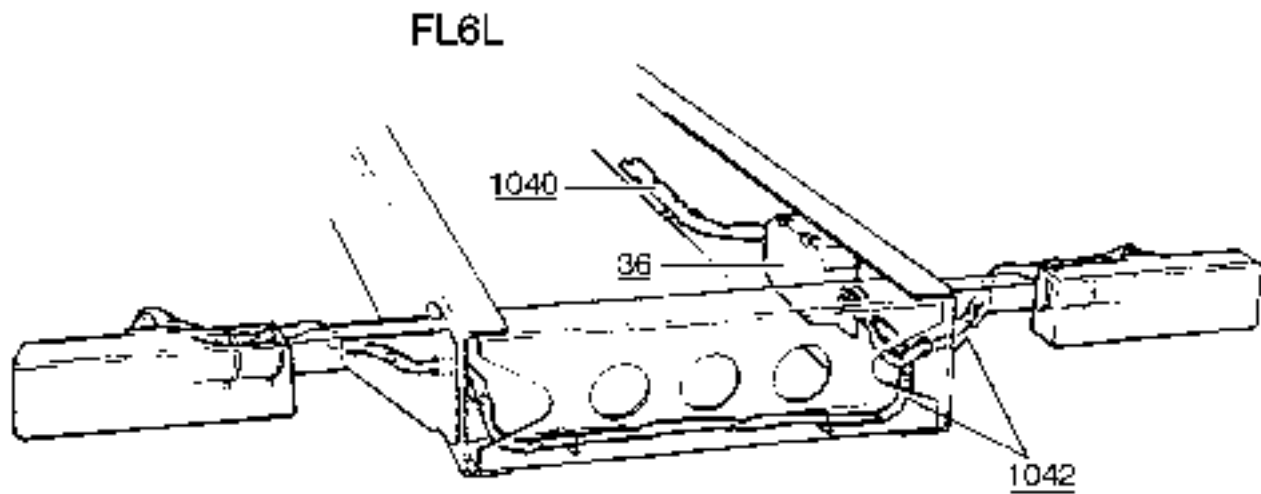


T3007833



T3007838

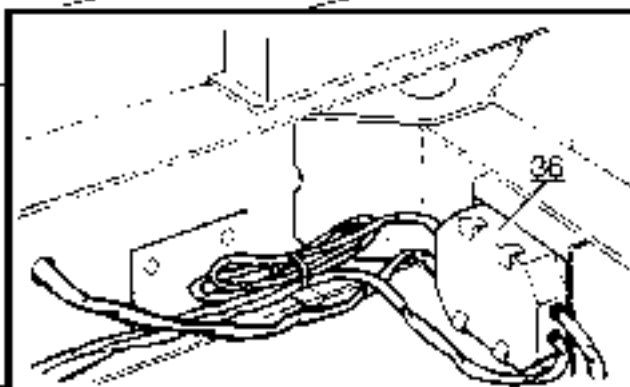
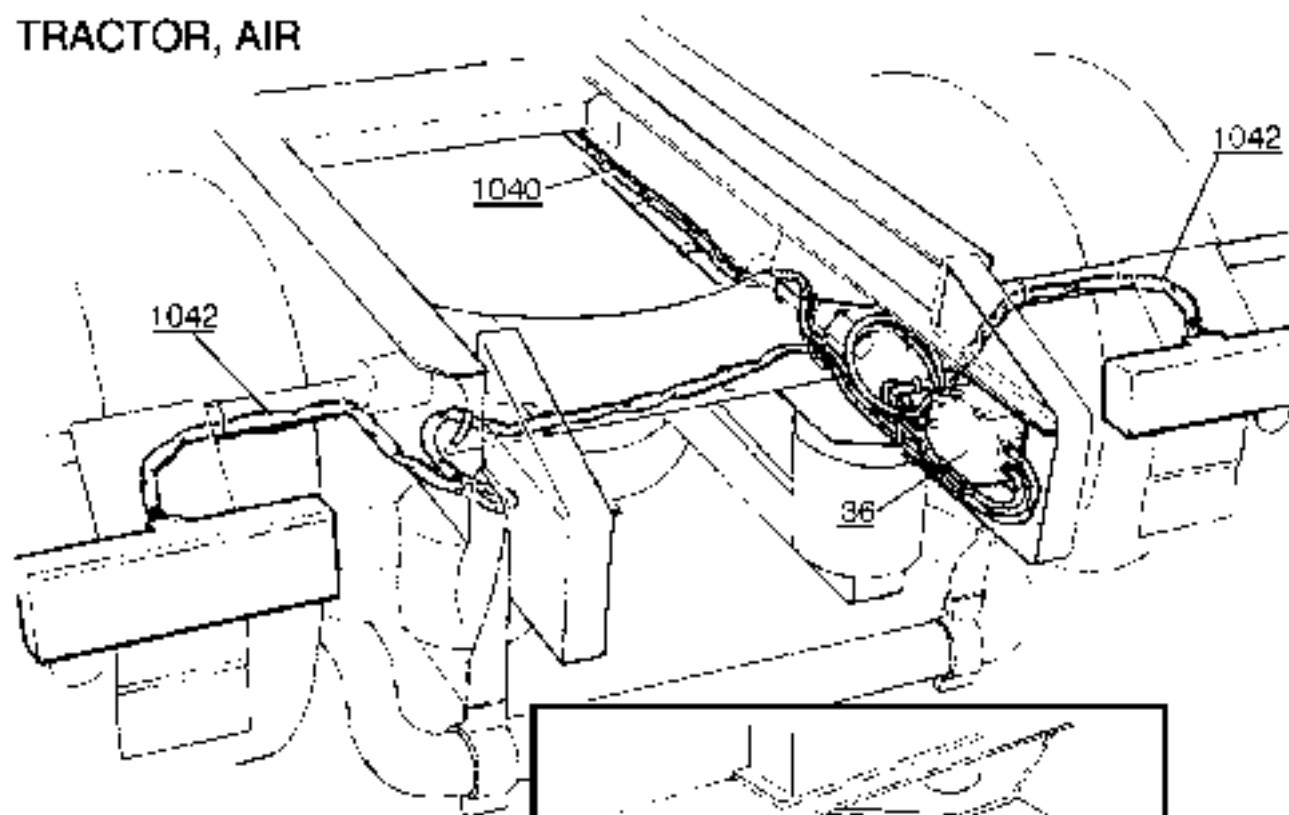
# 1040, 1042



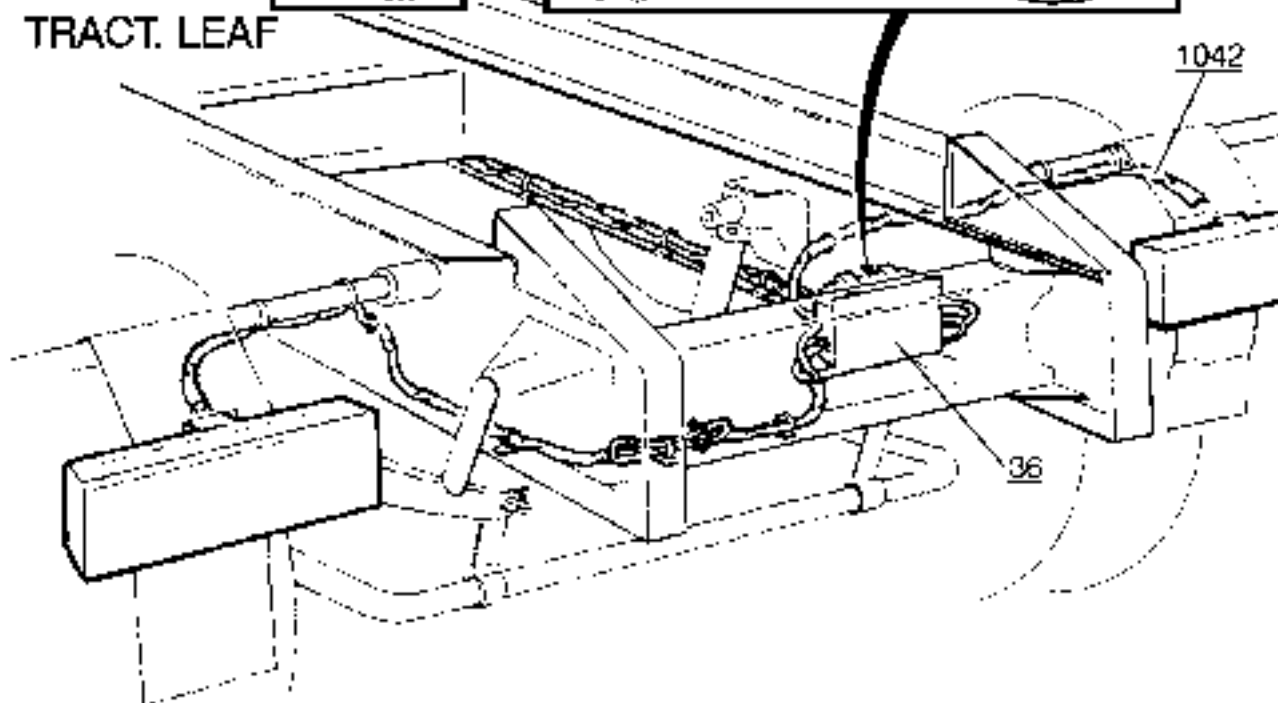
T3008478

### 1040, 1042

#### TRACTOR, AIR

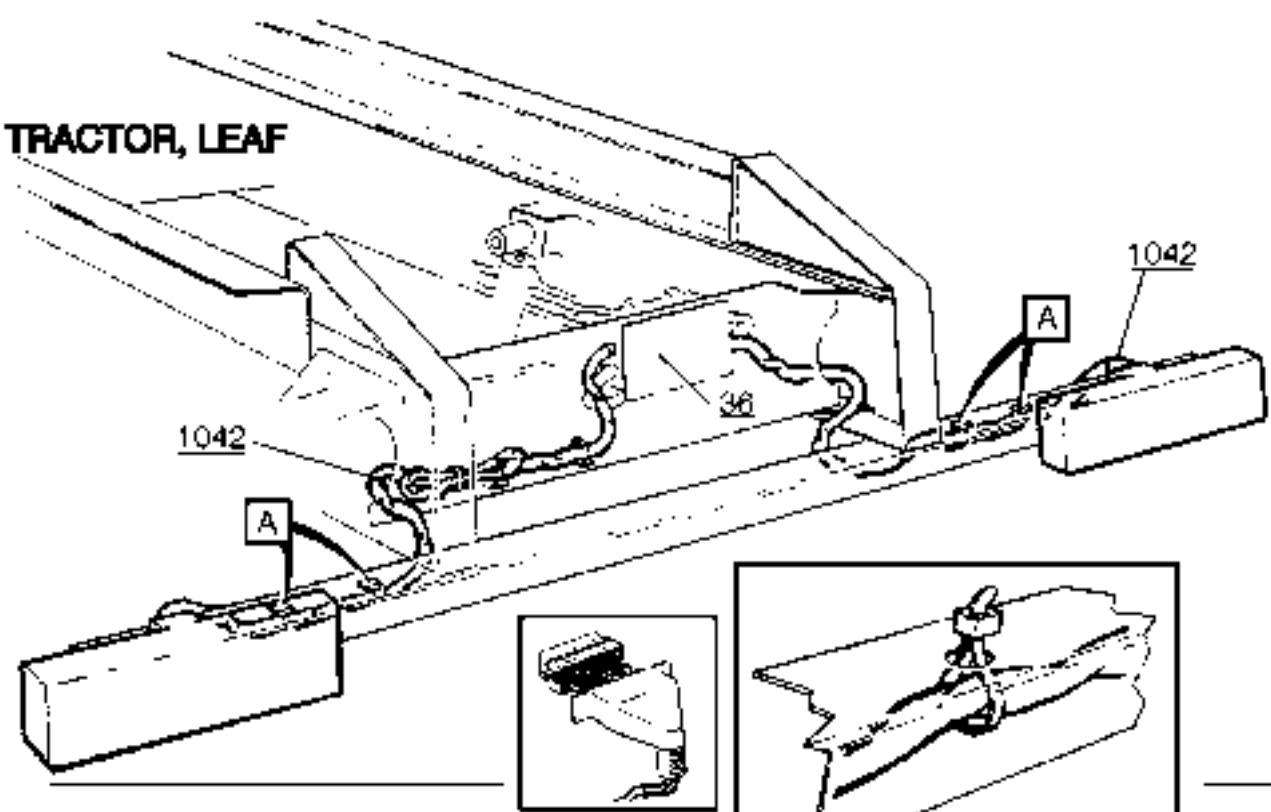


#### TRACT. LEAF

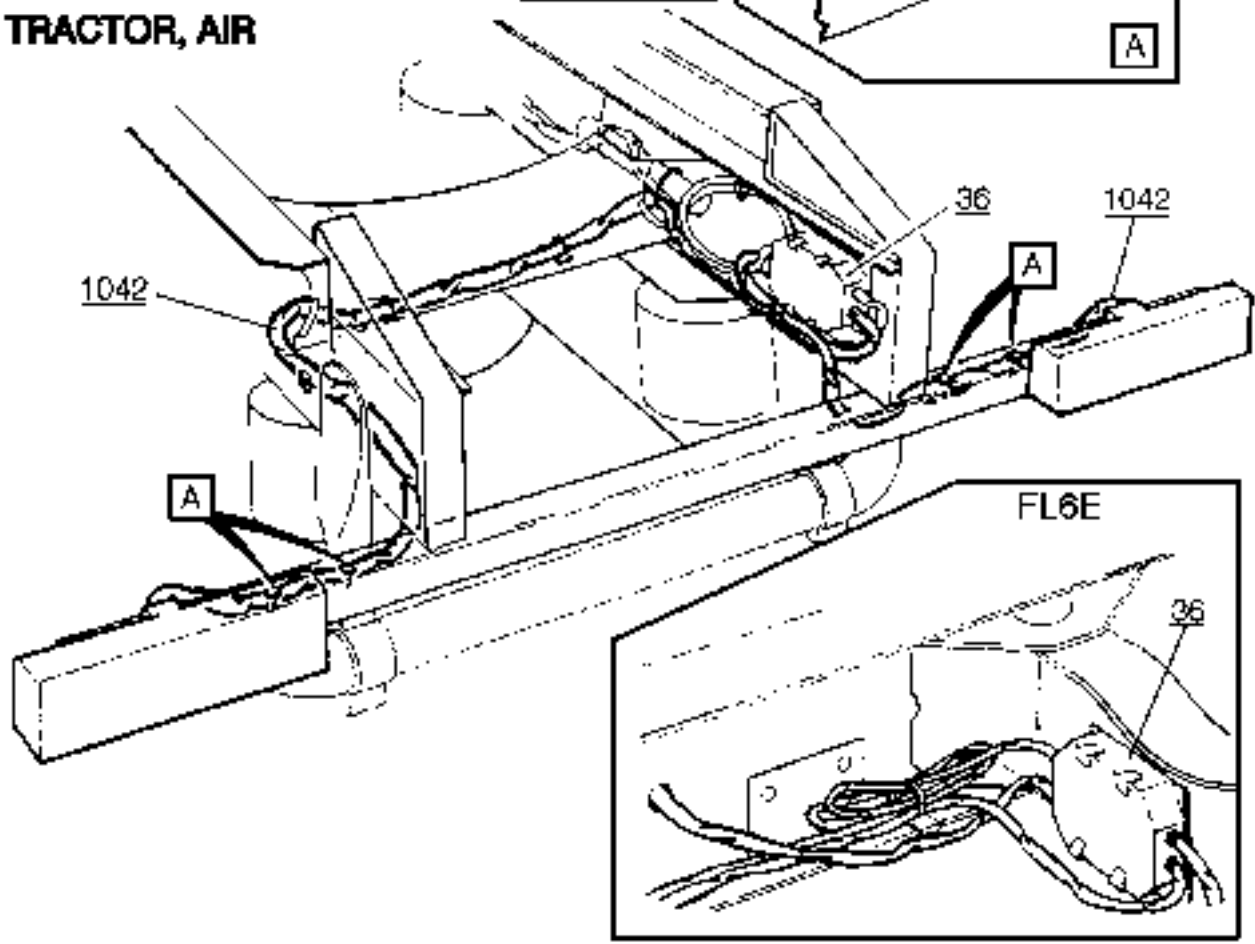


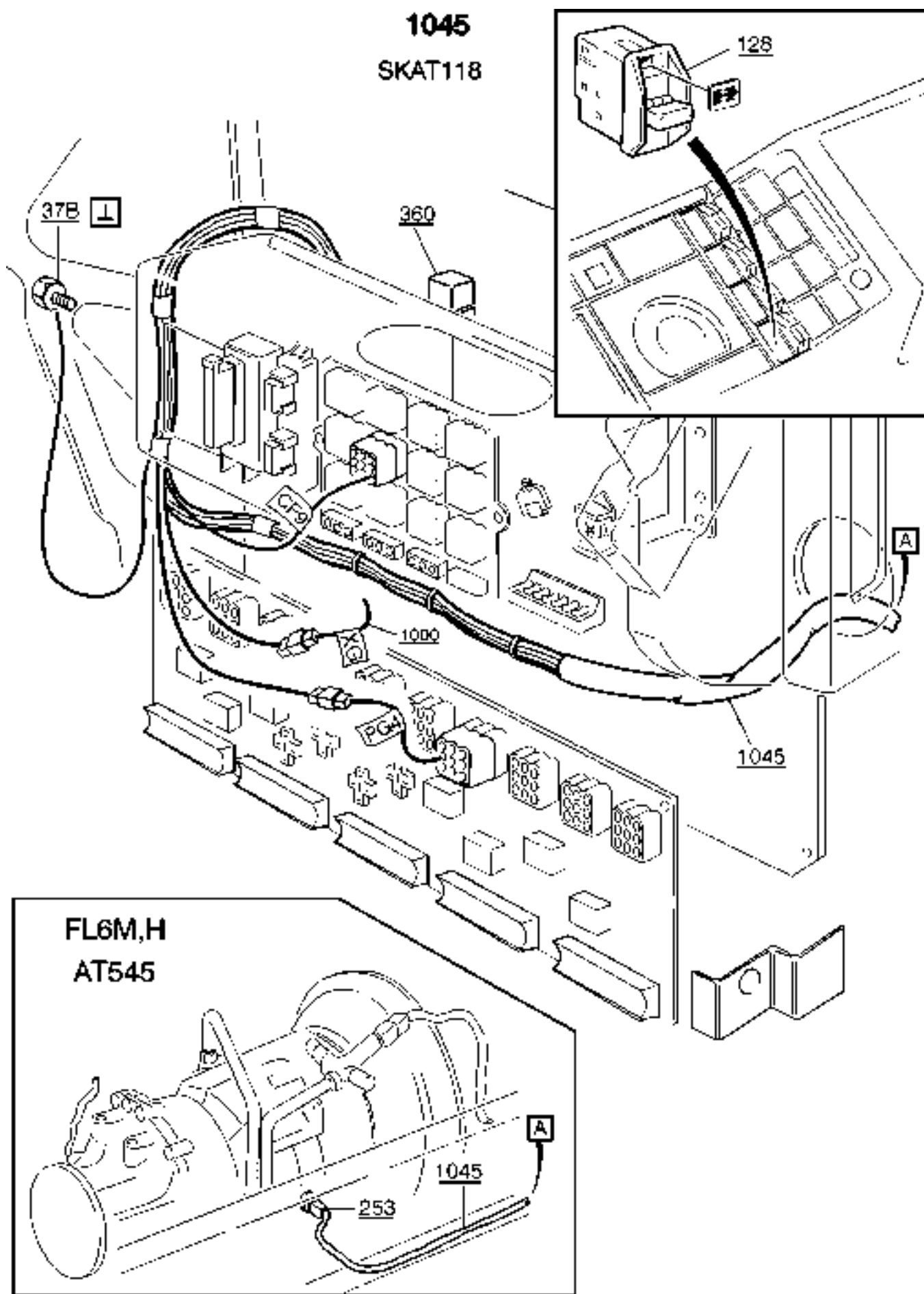
# 1040, 1042

## TRACTOR, LEAF



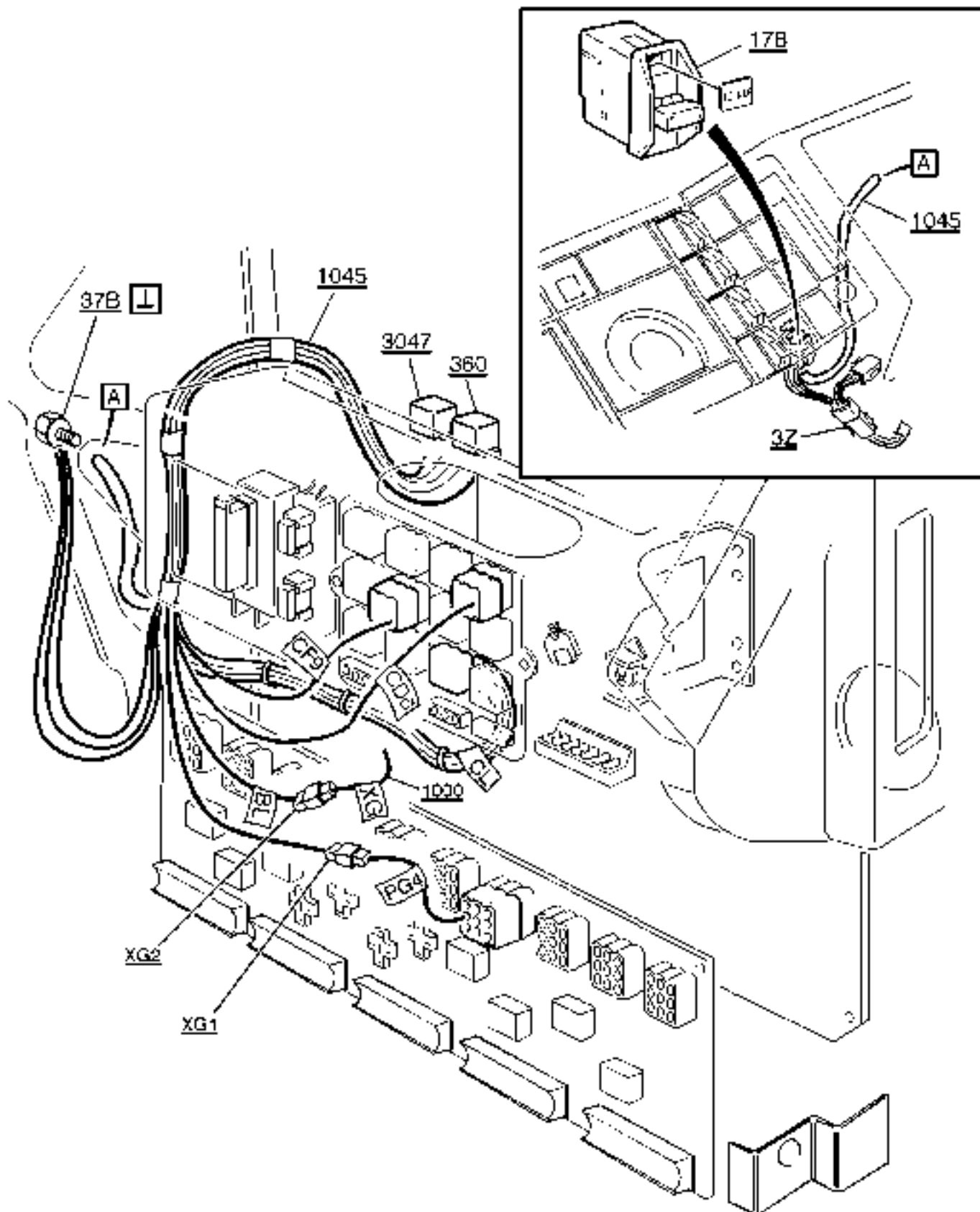
## TRACTOR, AIR





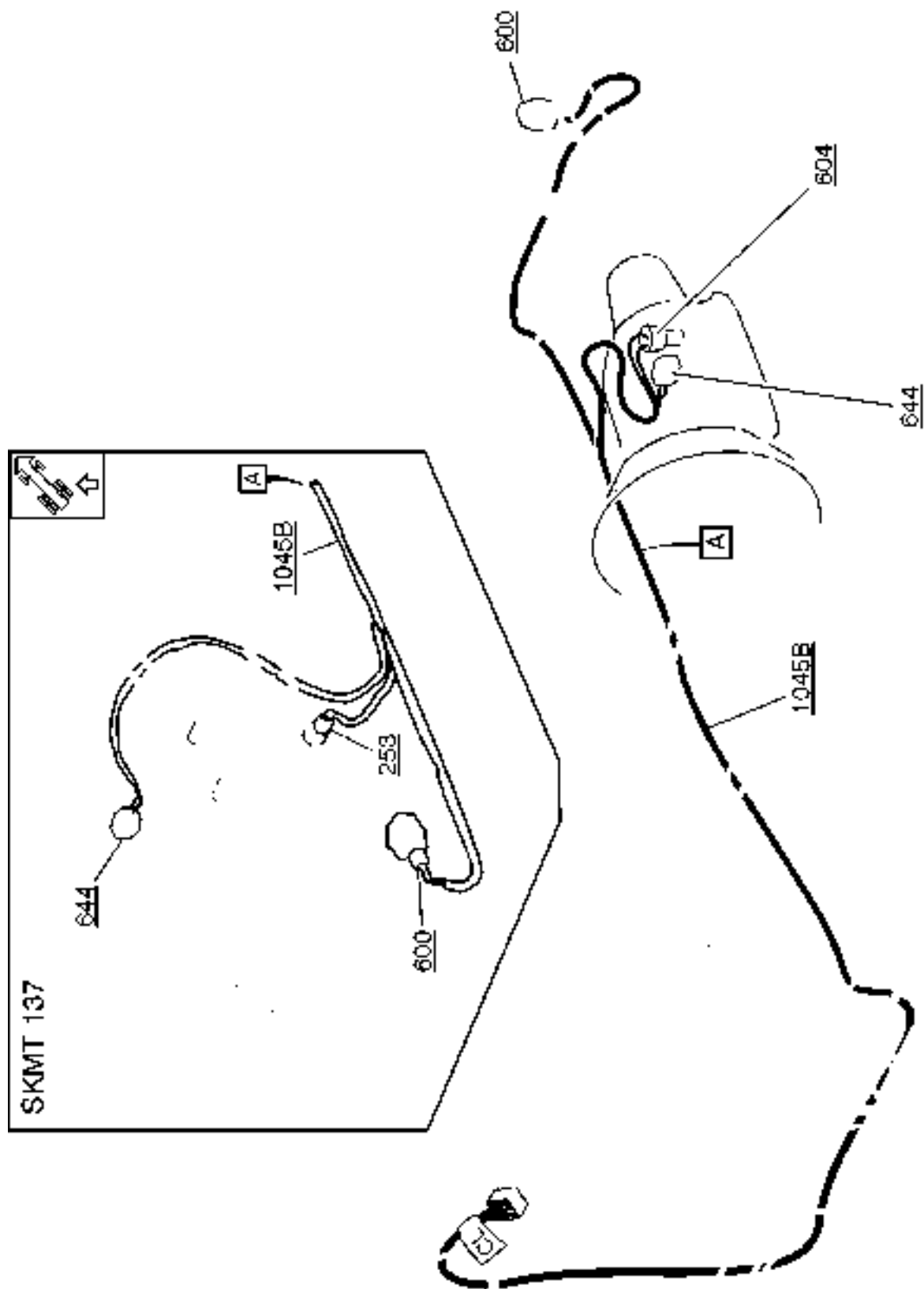
# 1045

## SKMTH113, SKMT113, SKMT137



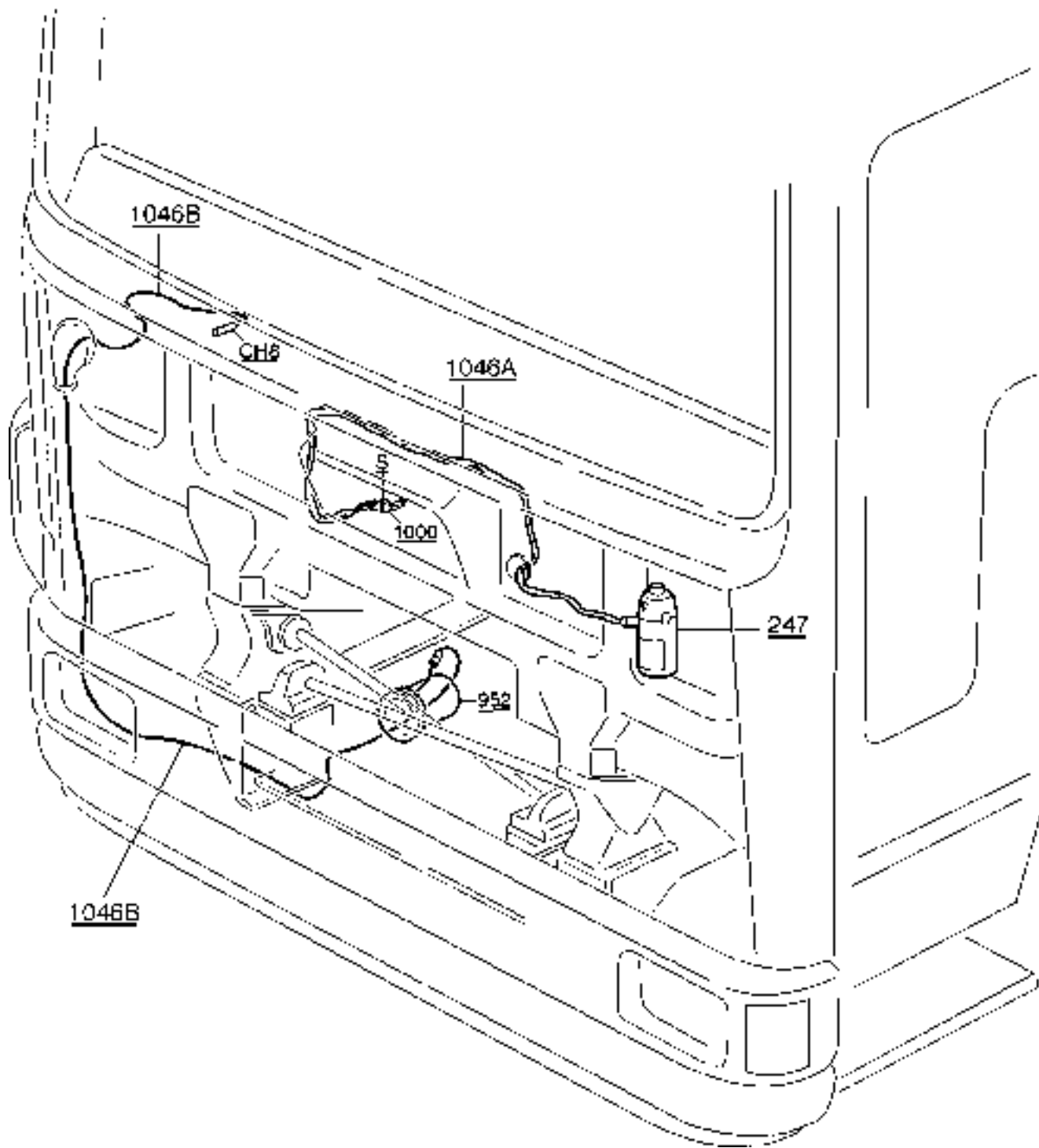
# 1045B

SKMT 113/ SKMTH 113/ SKMT 137





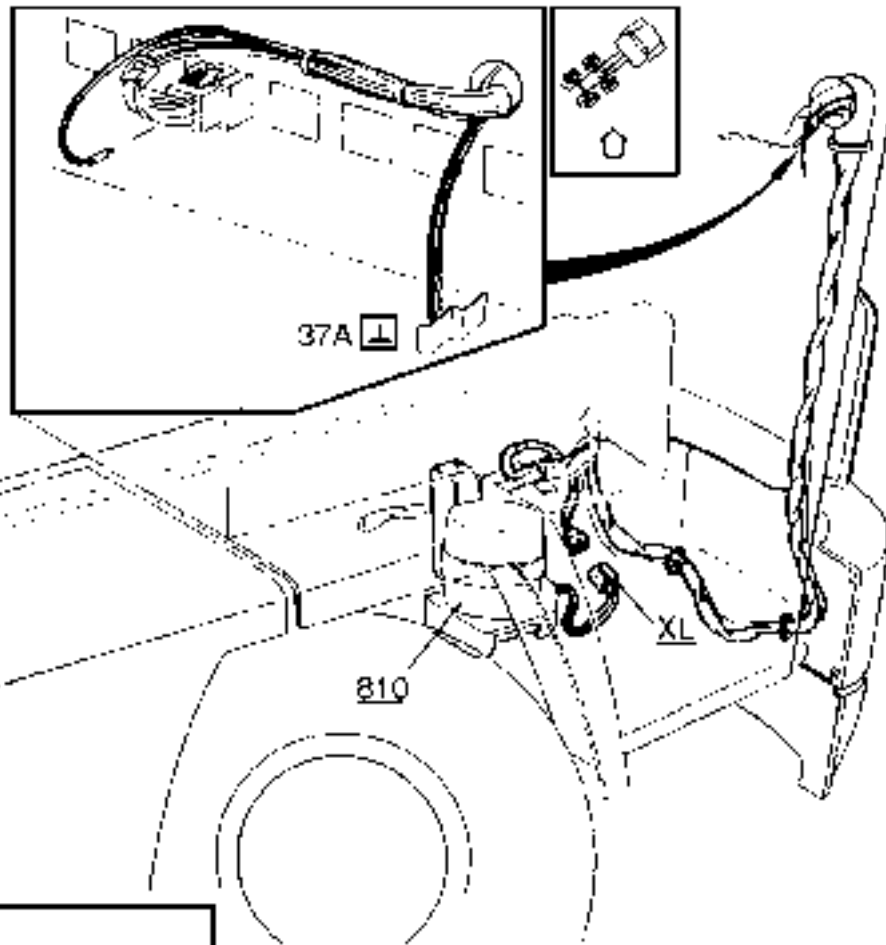
# 1046A,1046B



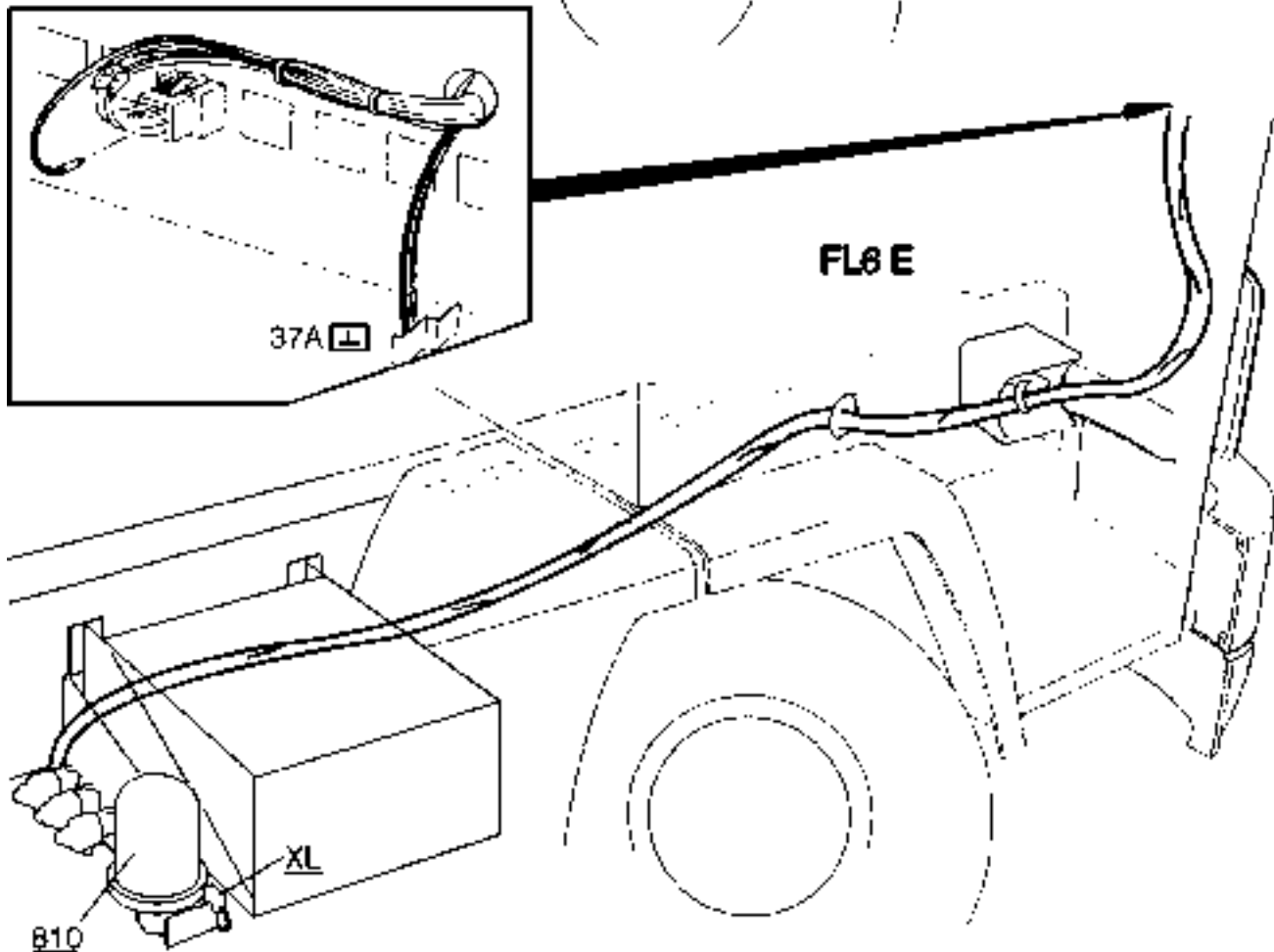
T3007837

1058

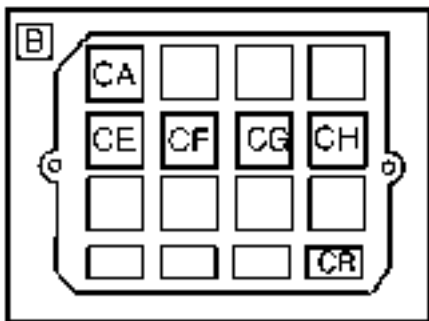
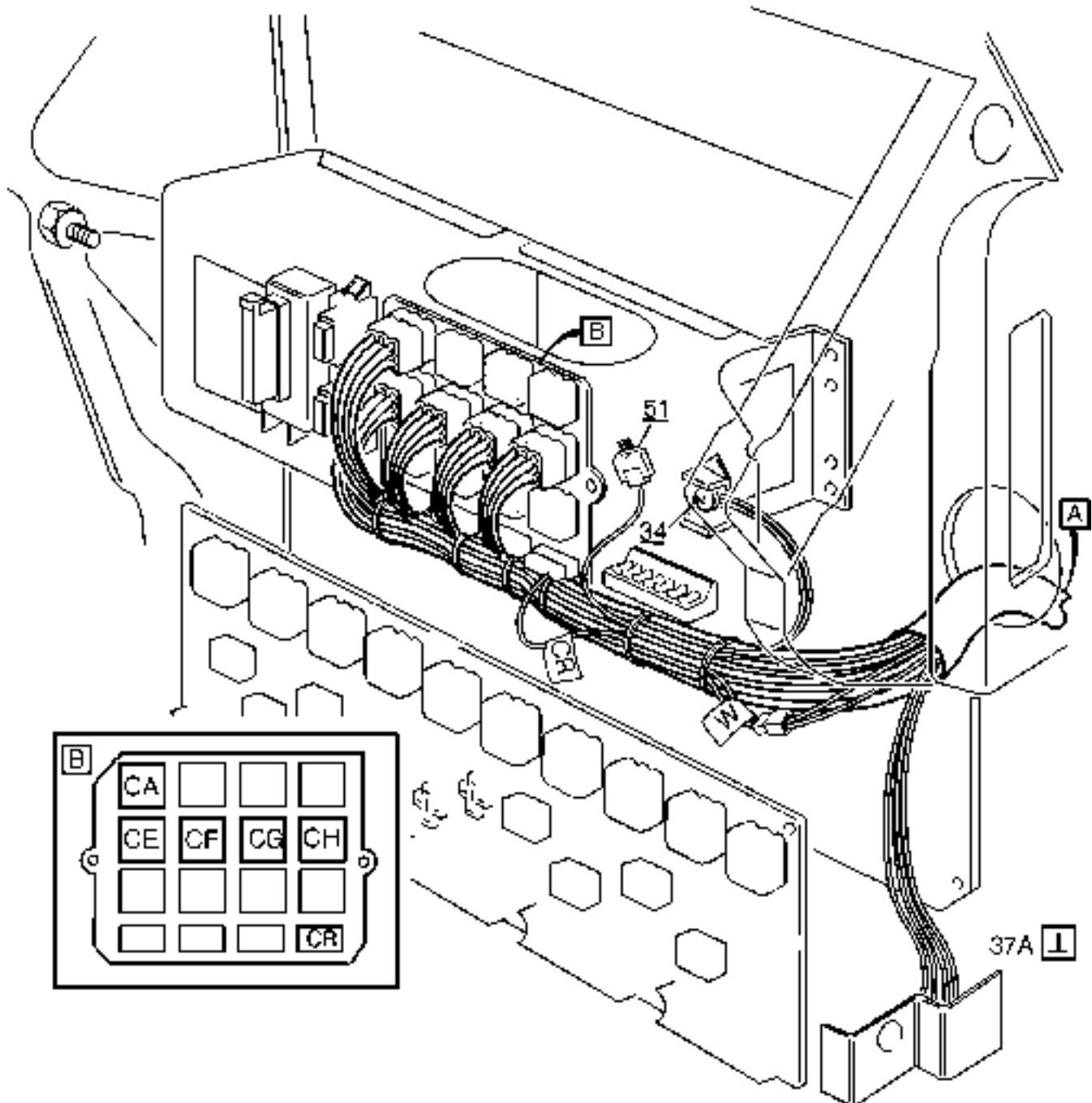
FL6 M/H



FL6 E

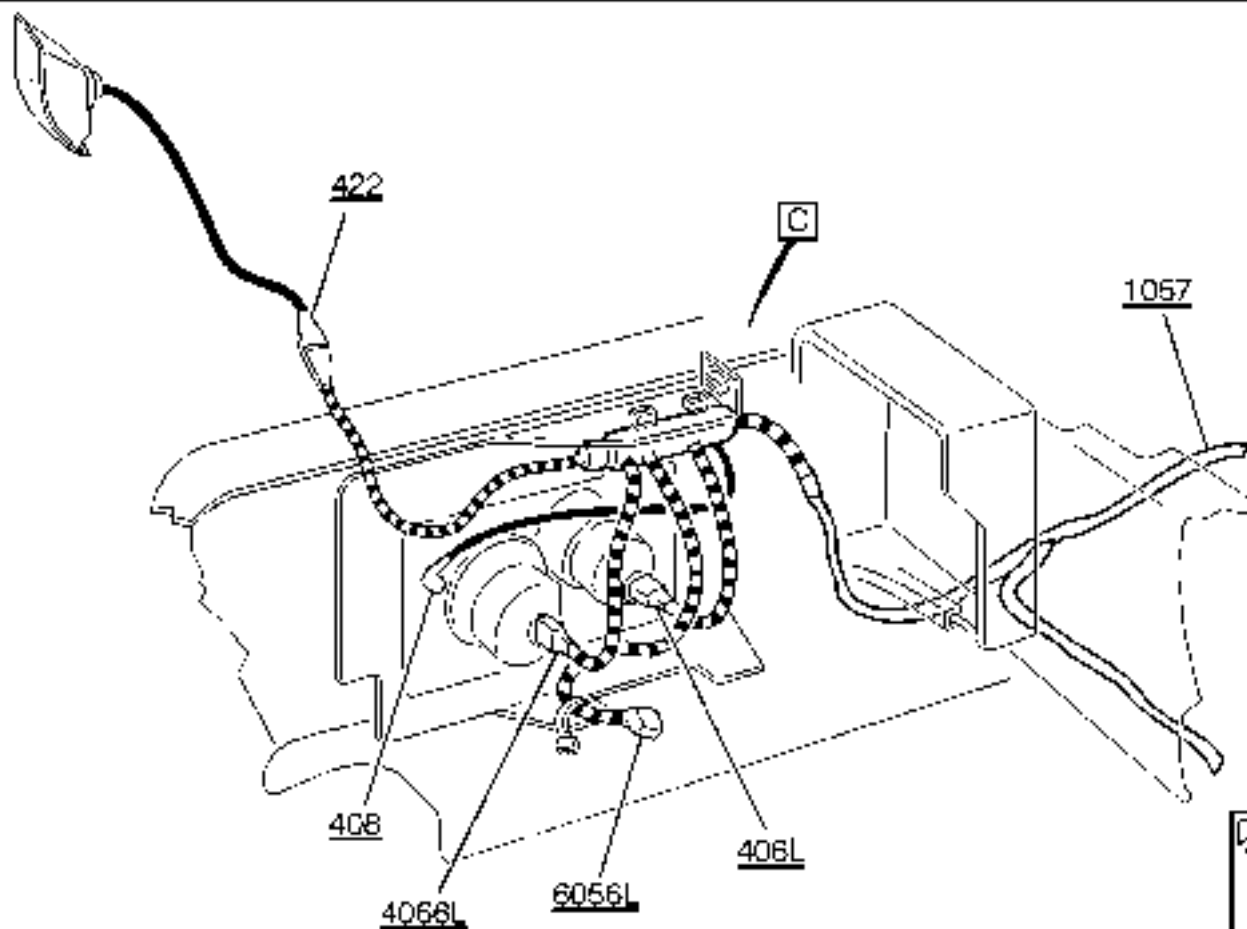
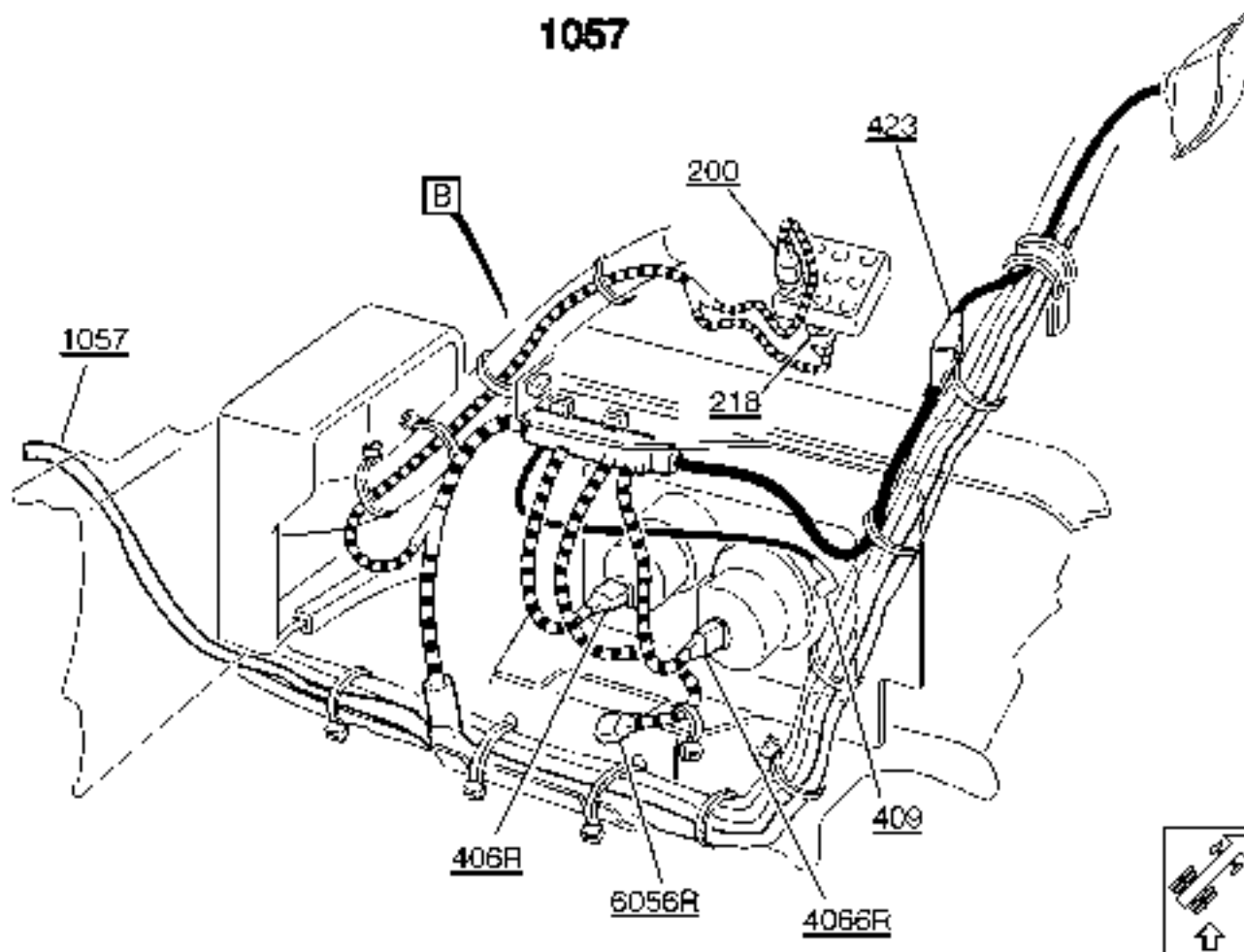


1057

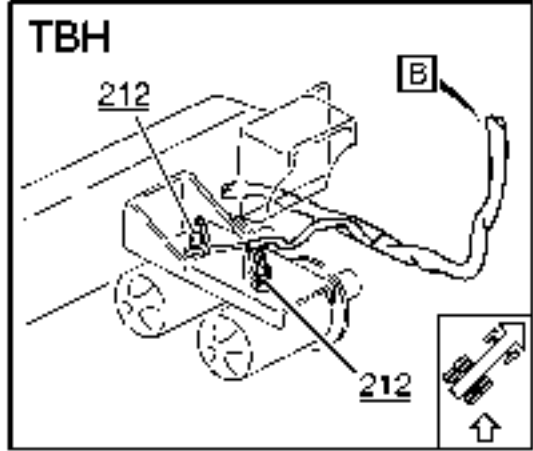
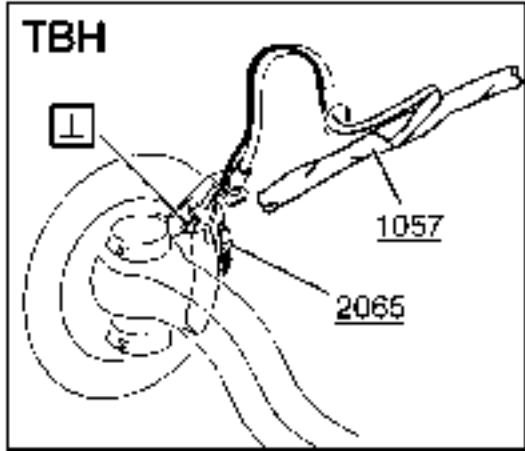
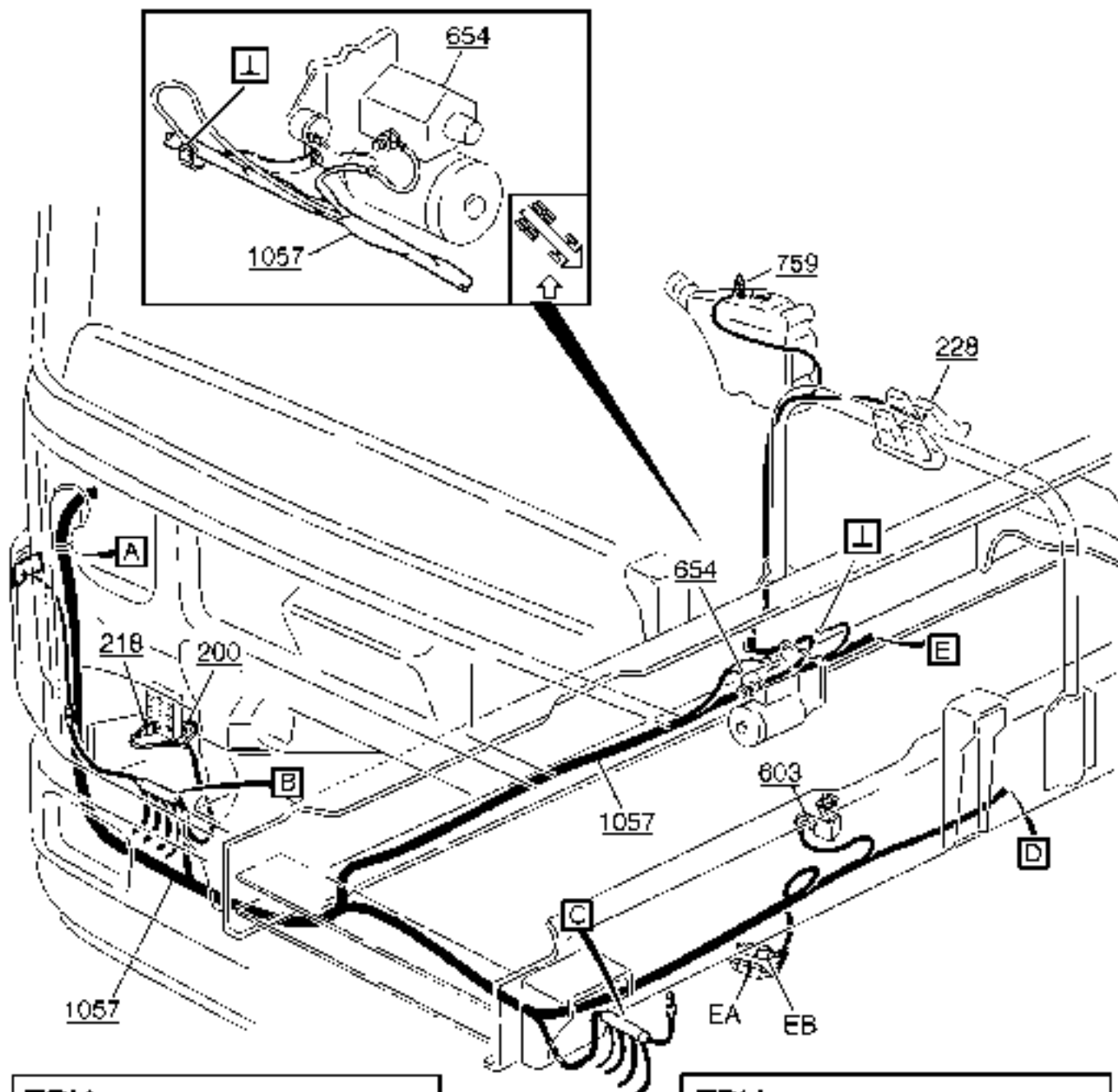


T3007839

1057

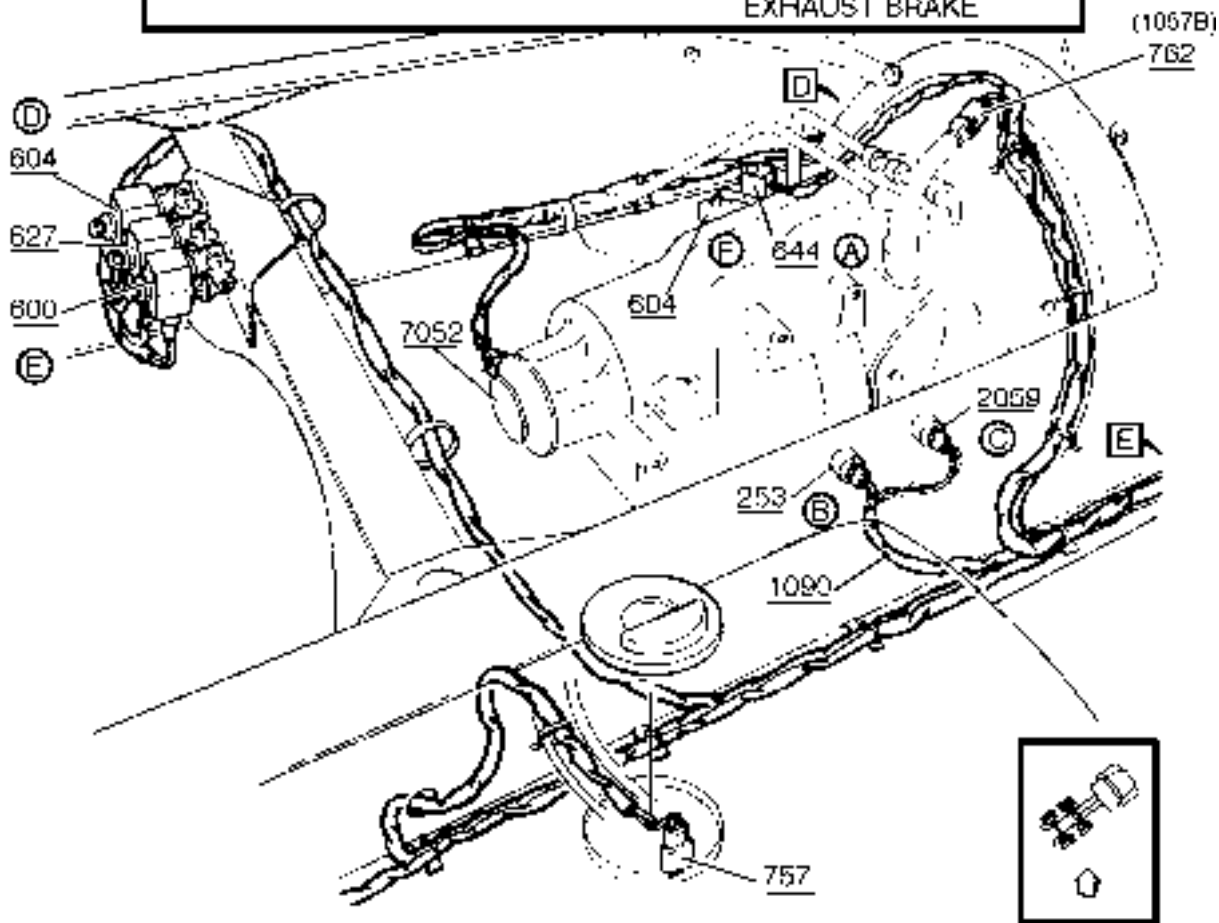


# 1057



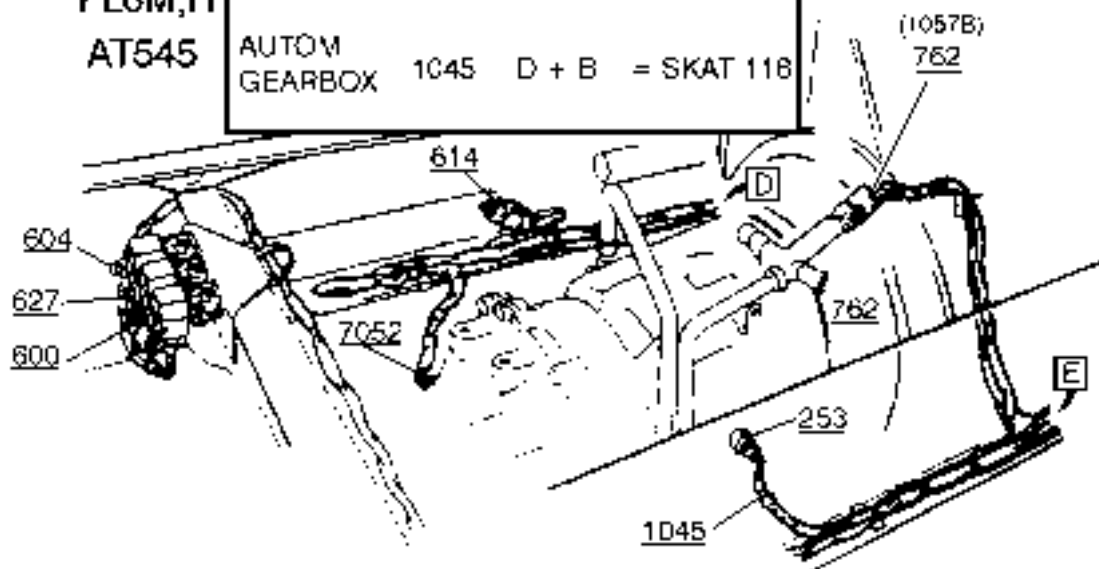
**1057**  
**FL6M,H**  
**MT643, MT653**

AUTOM. GEARBOX	1045	D + B	= SKAT 118
	1045	D + B + A	SKMT 137
	1045/90	D - B + A + C - E	= SKMT + EXH. BRAKE
	1090	C + E	= EXH. BRAKE
	1045	F + A	= SKMT 113/113H
	1045	F + A + C + E	= SKMT 113/113H + EXHAUST BRAKE



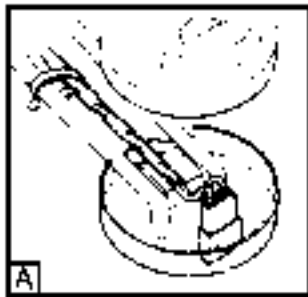
**FL6M,H**  
**AT545**

AUTOM GEARBOX	1045	D + B	= SKAT 118
------------------	------	-------	------------

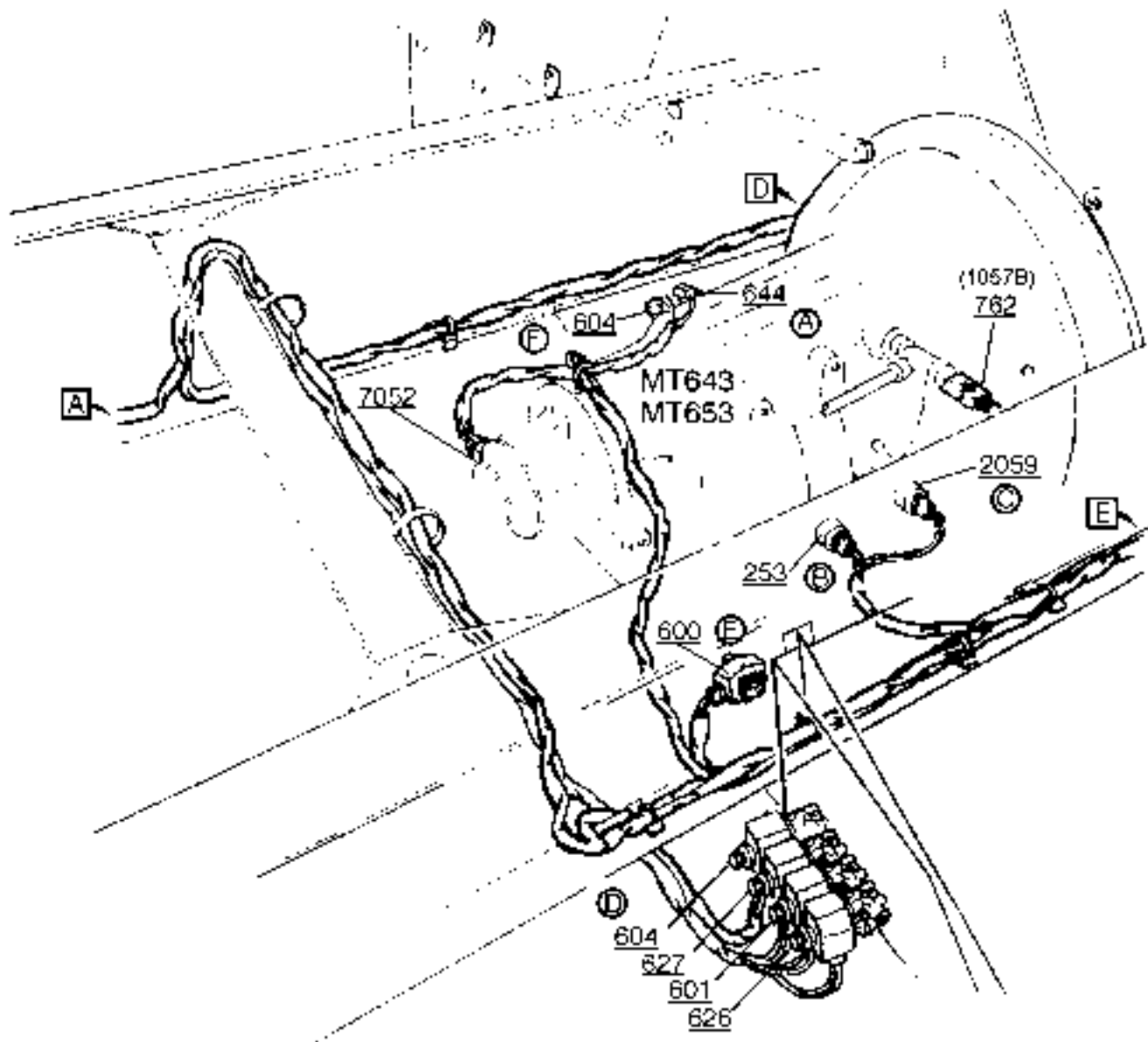


# 1057

FL6E



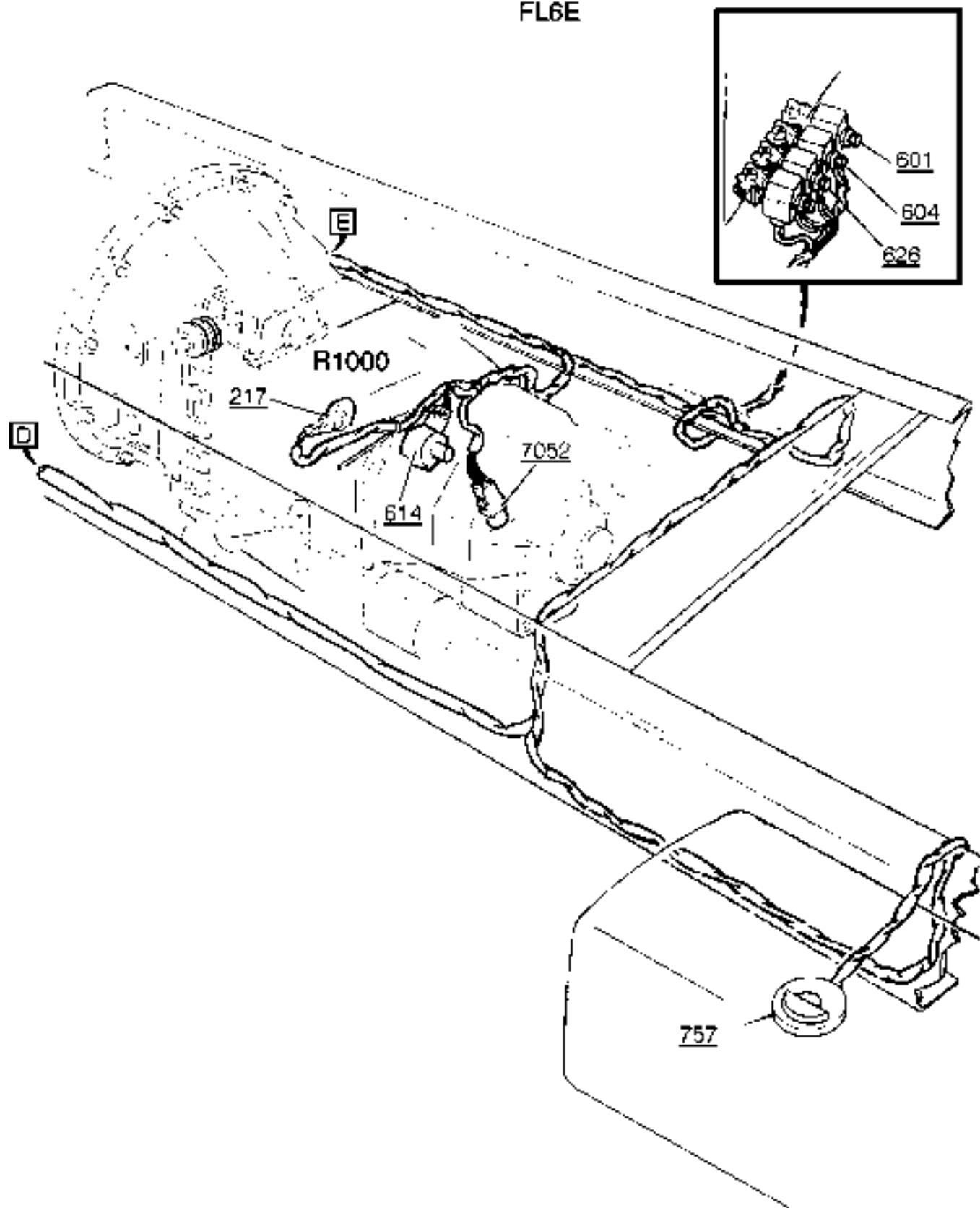
AUTOM. GEARBOX	1045	D + B + A	= SKMT 137
	1045/90	D + B + A + C + E	SKMT 137 + EXH. BRAKE
	1090	C + E	EXH BRAKE
	1045	F + A	SKMT 113/113H
	1045	F + A + C + E	= SKMT 113/113H + EXHAUST BRAKE



T3008482

1057

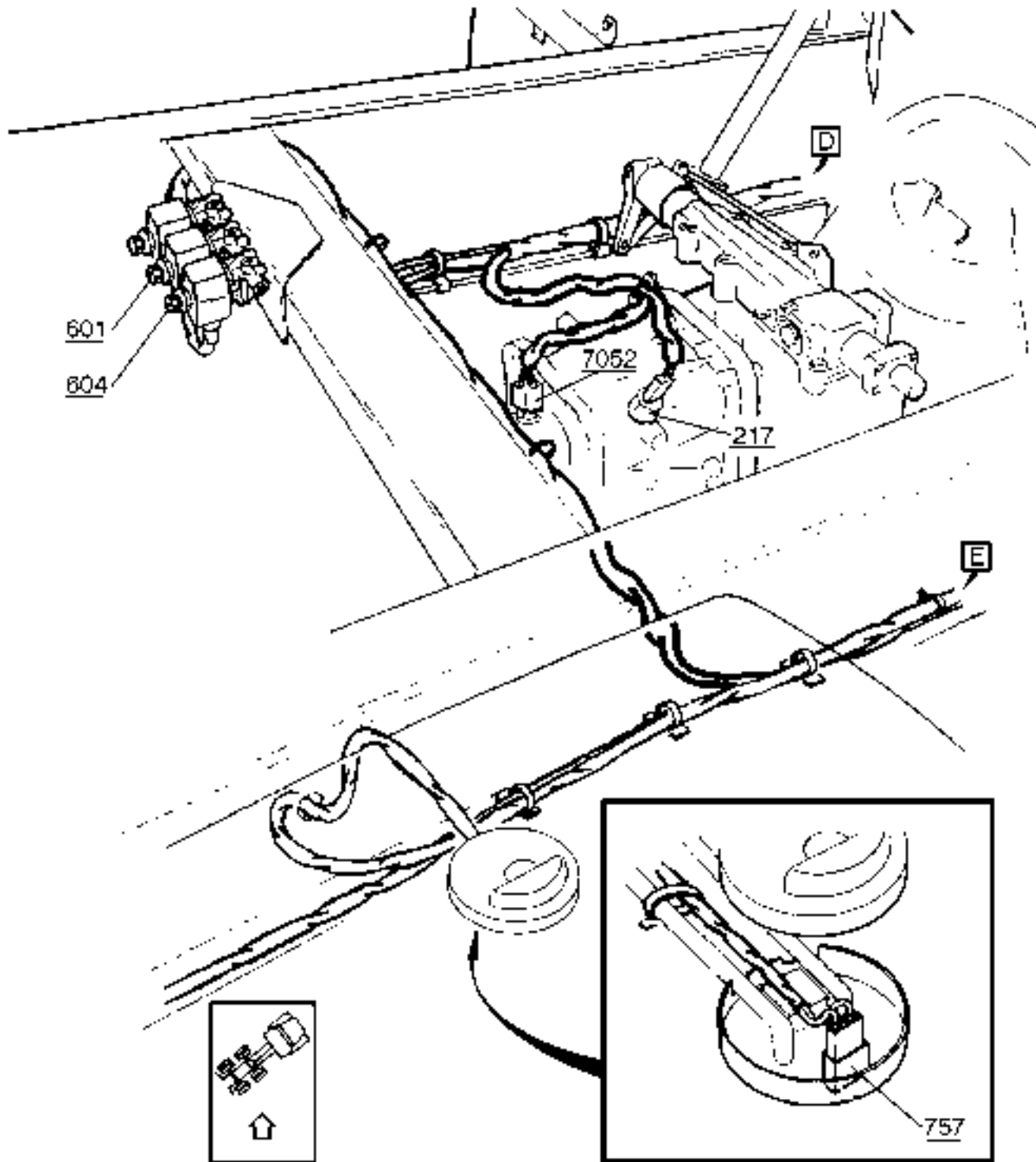
FL6E



T3008483

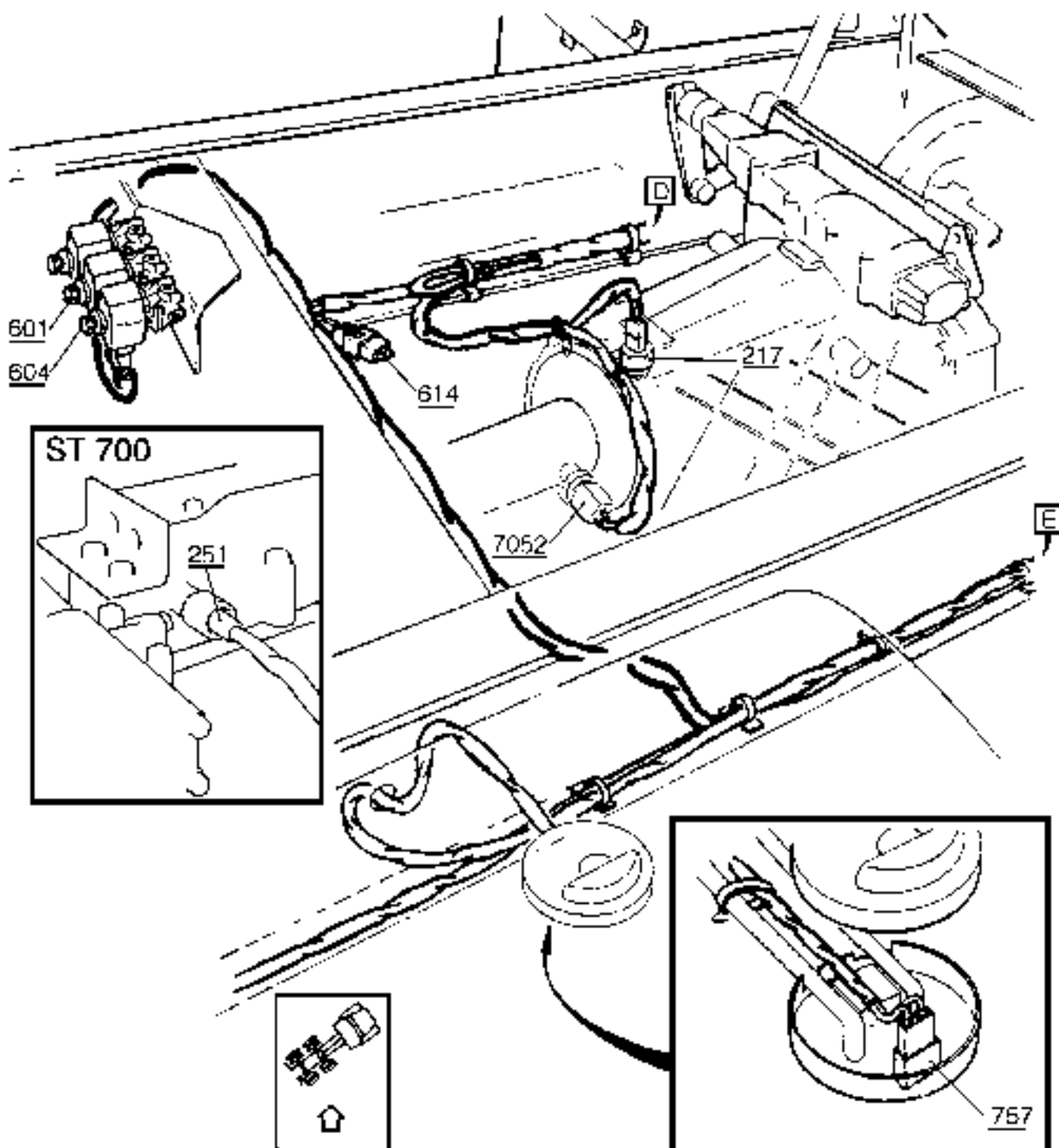


**1057**  
**FL6L,M**  
**T600**



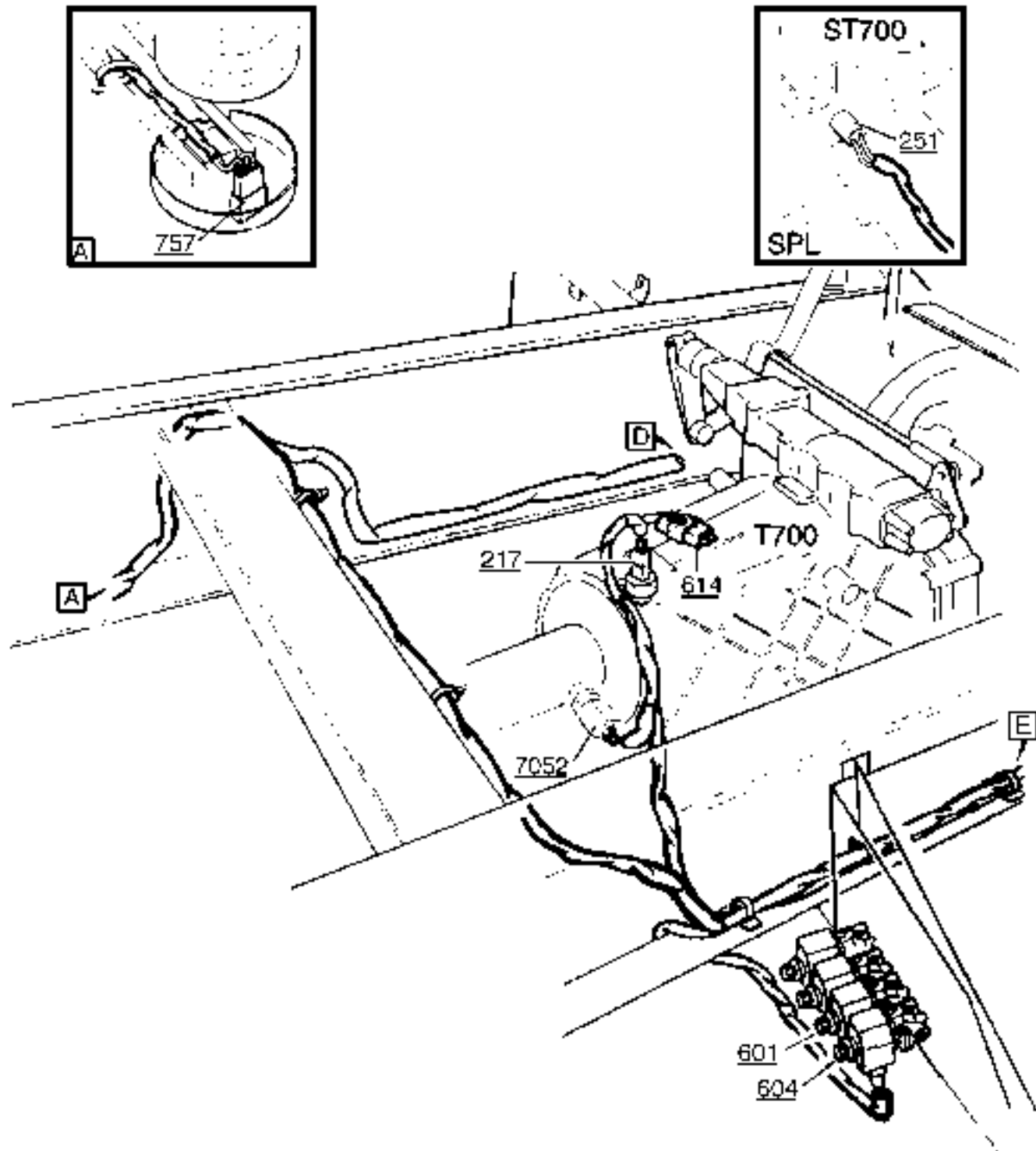
T3007846

**1057**  
**FL6M,H**  
**T700**



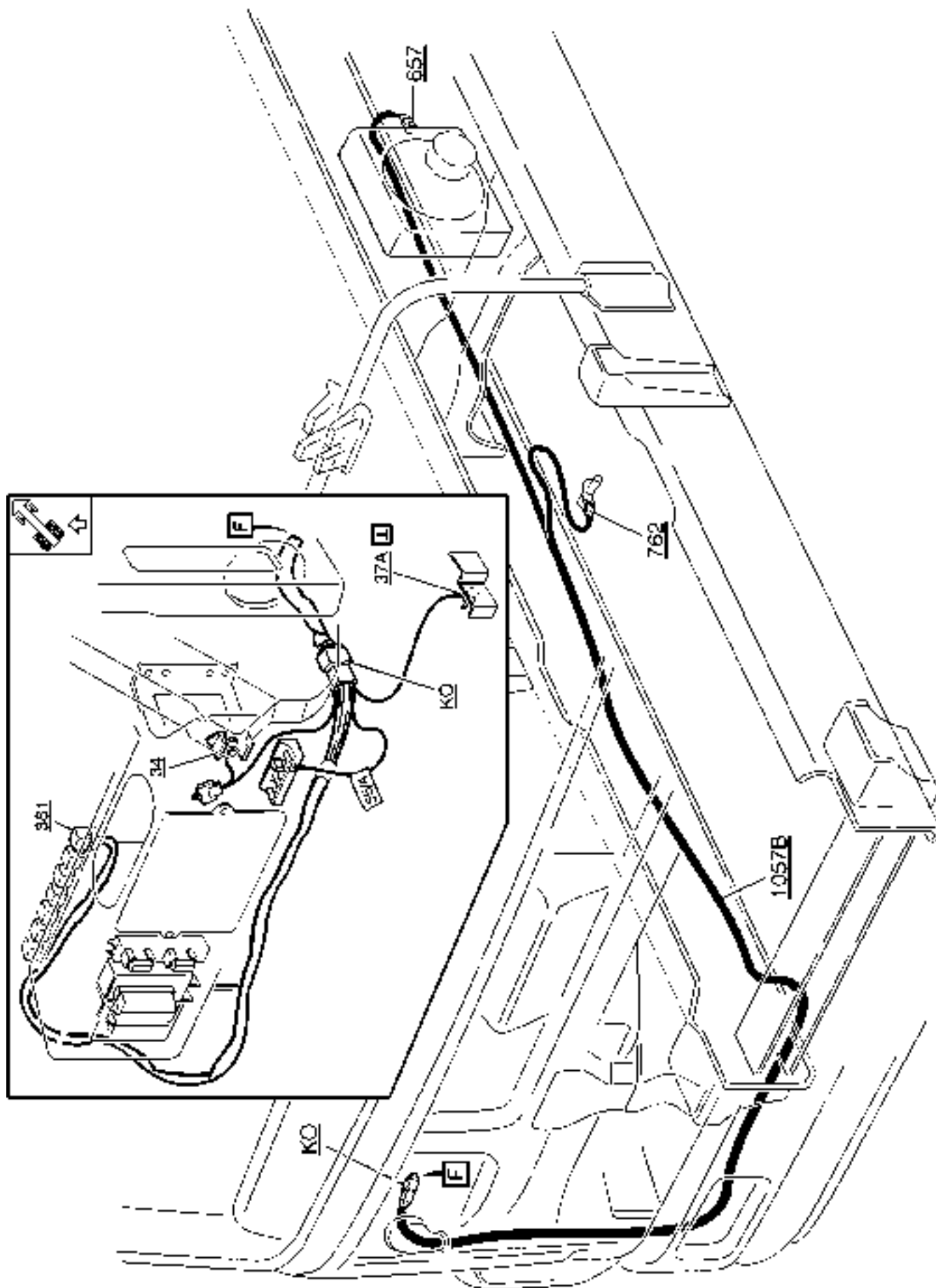
T3007847

# 1057 FL6E

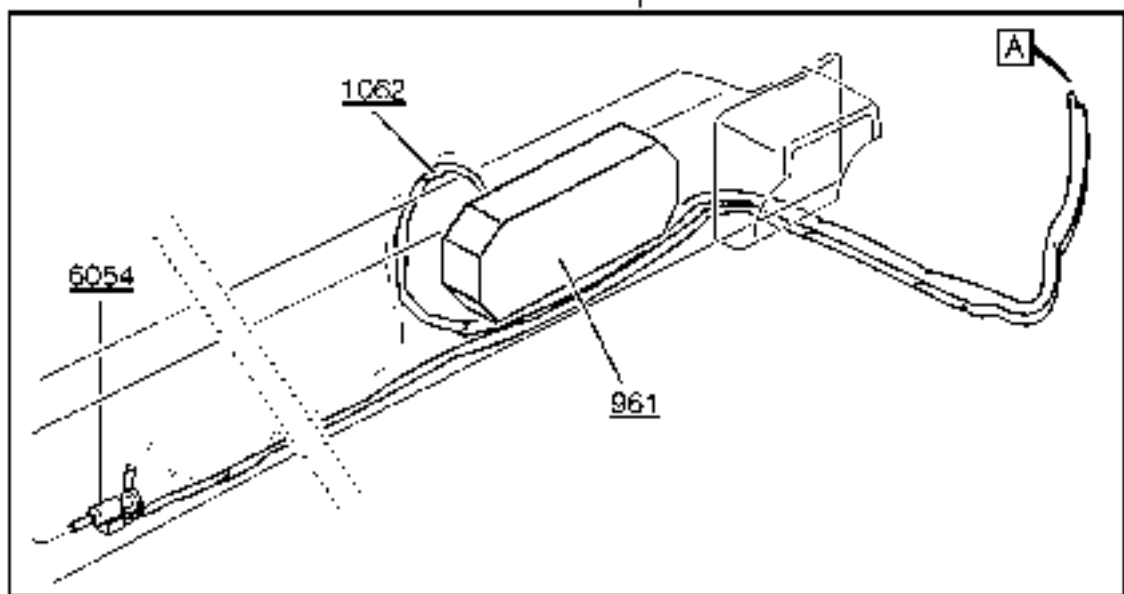
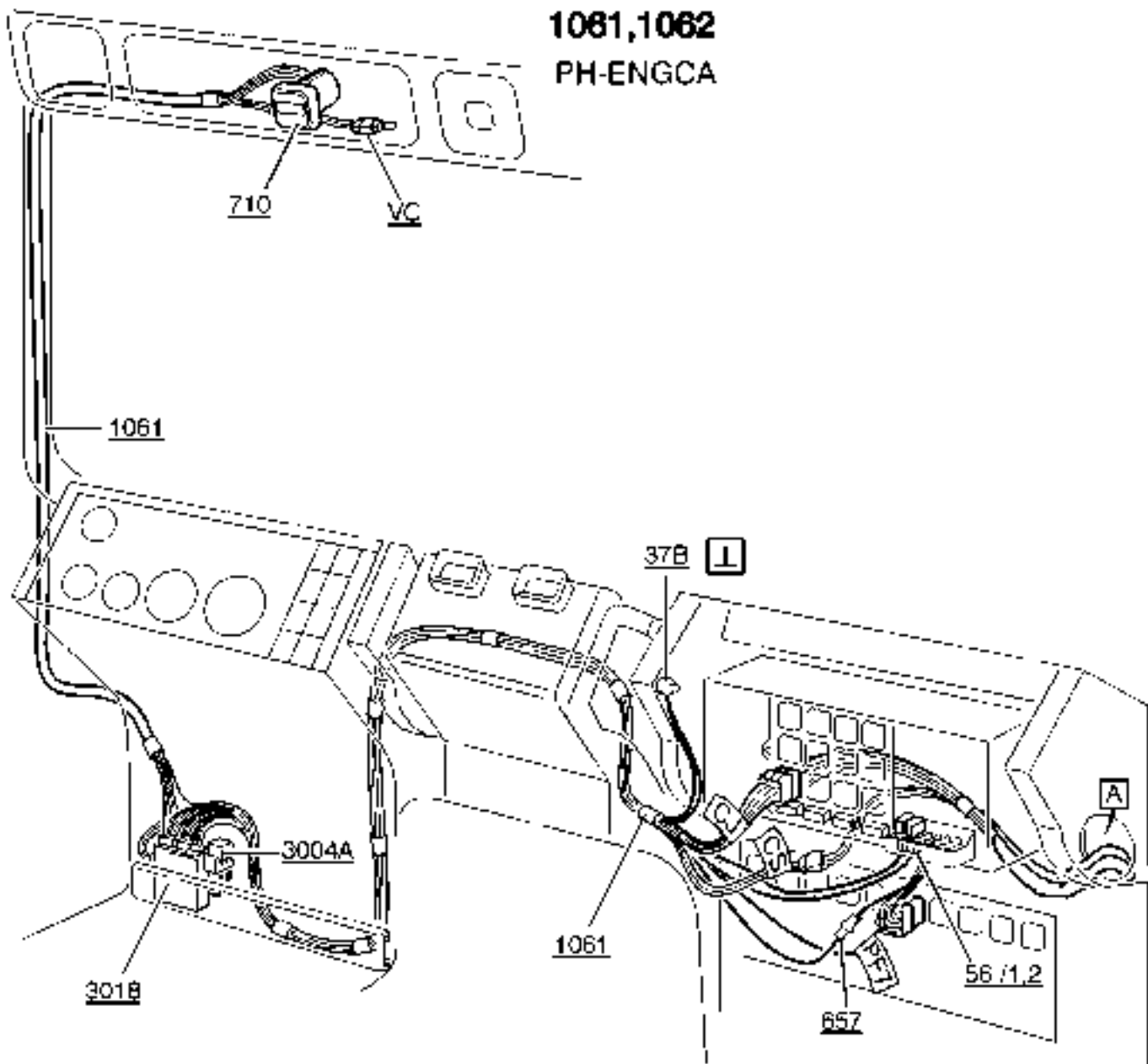


T3007848

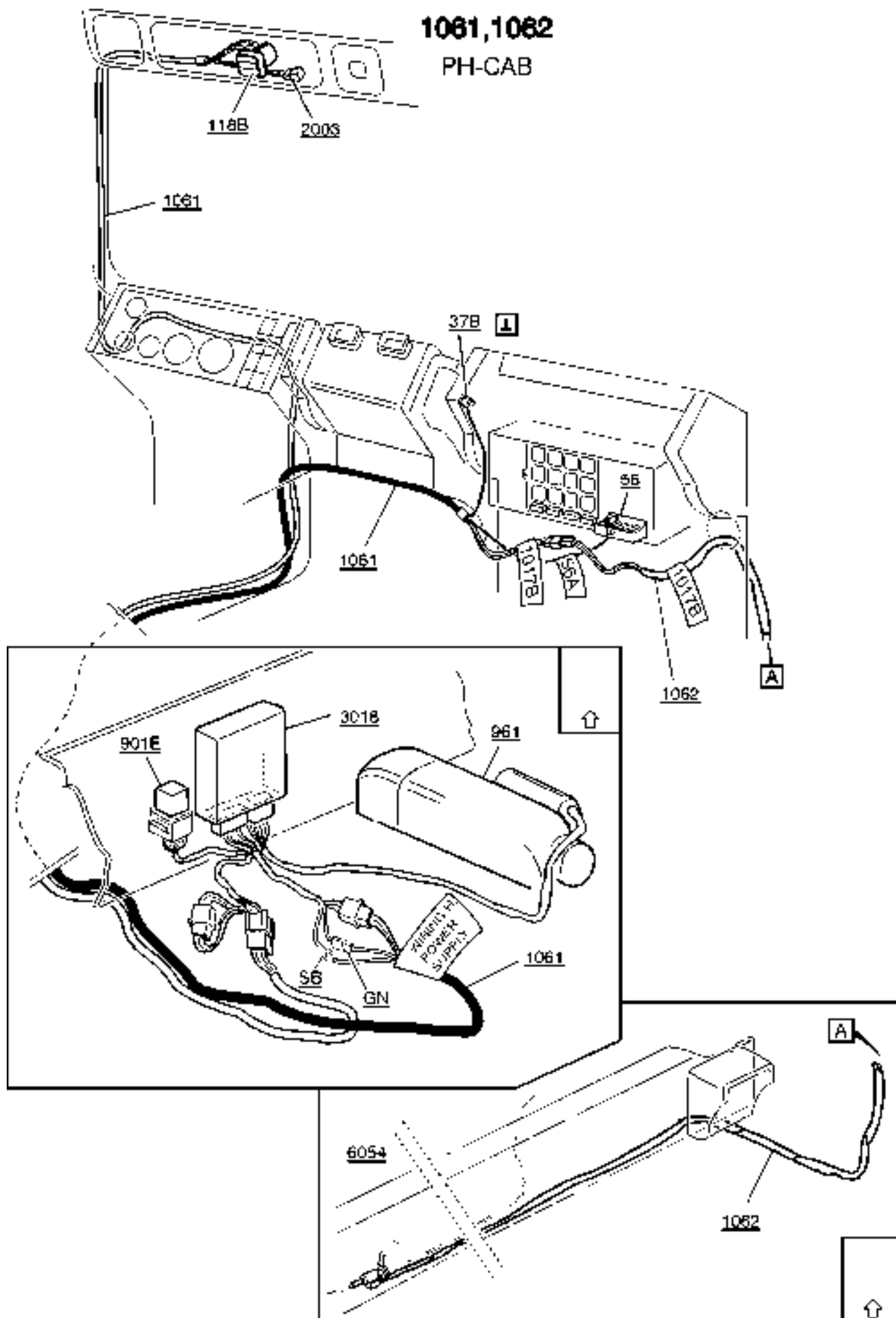
# 1057B



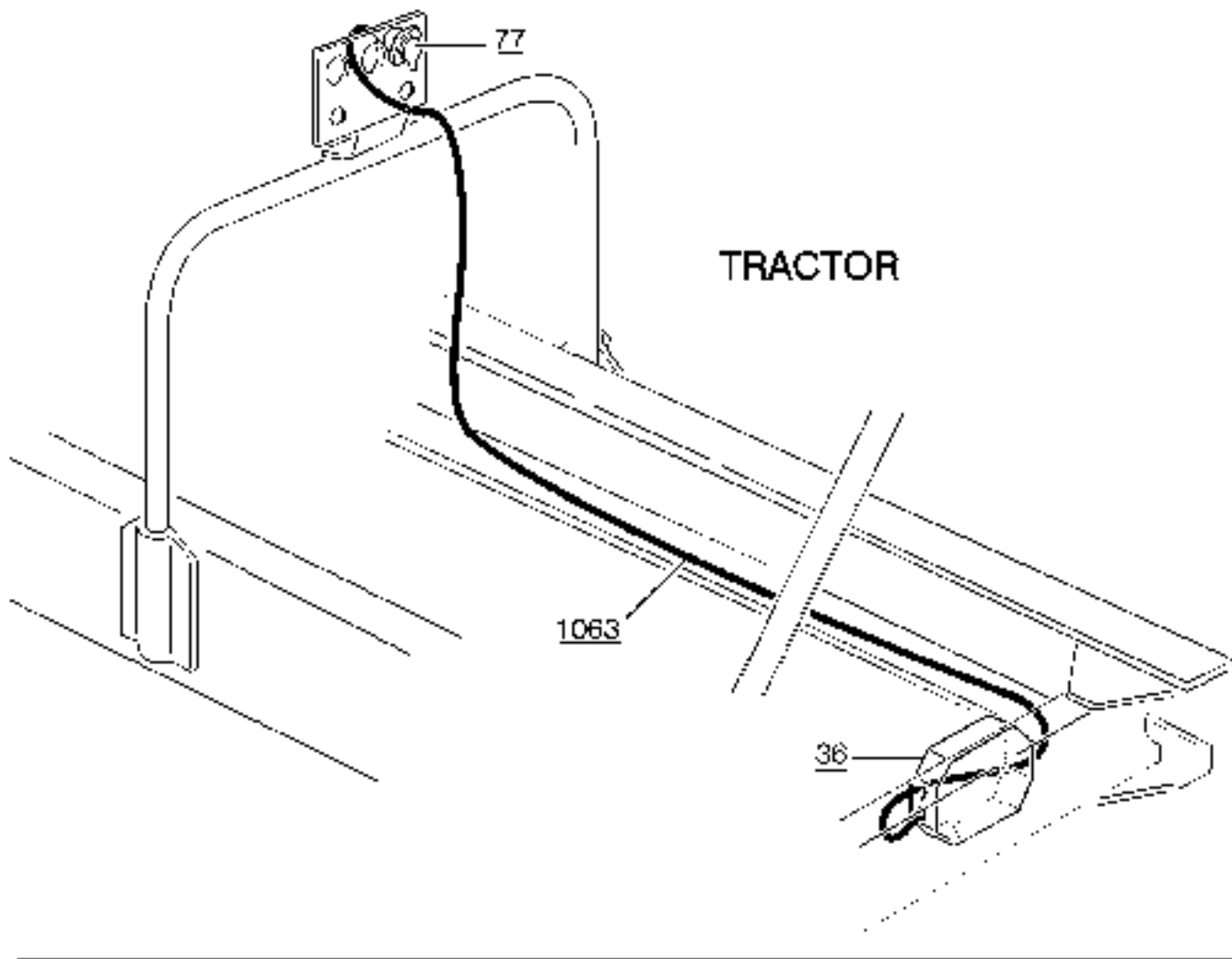
### 1081,1062 PH-ENGCA



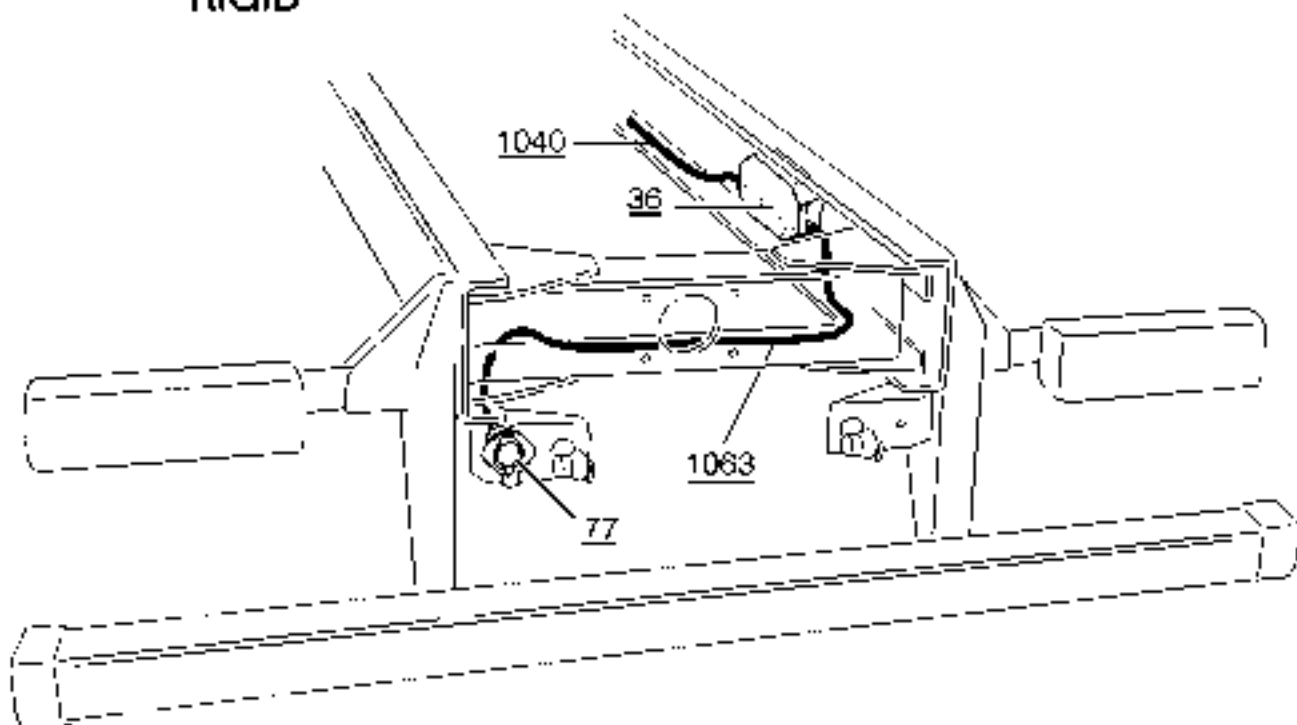
T3008485



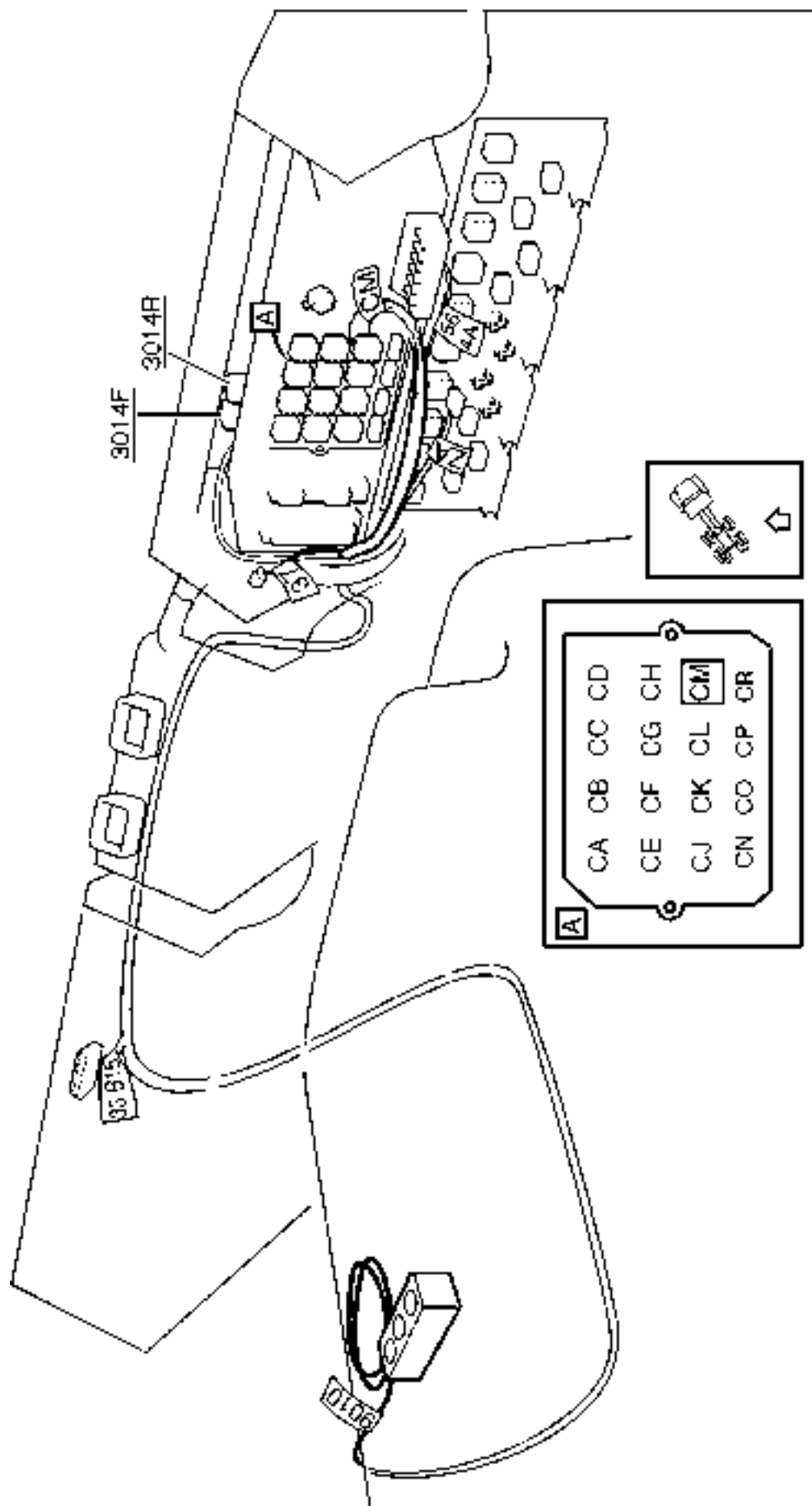
**1063**



**RIGID**

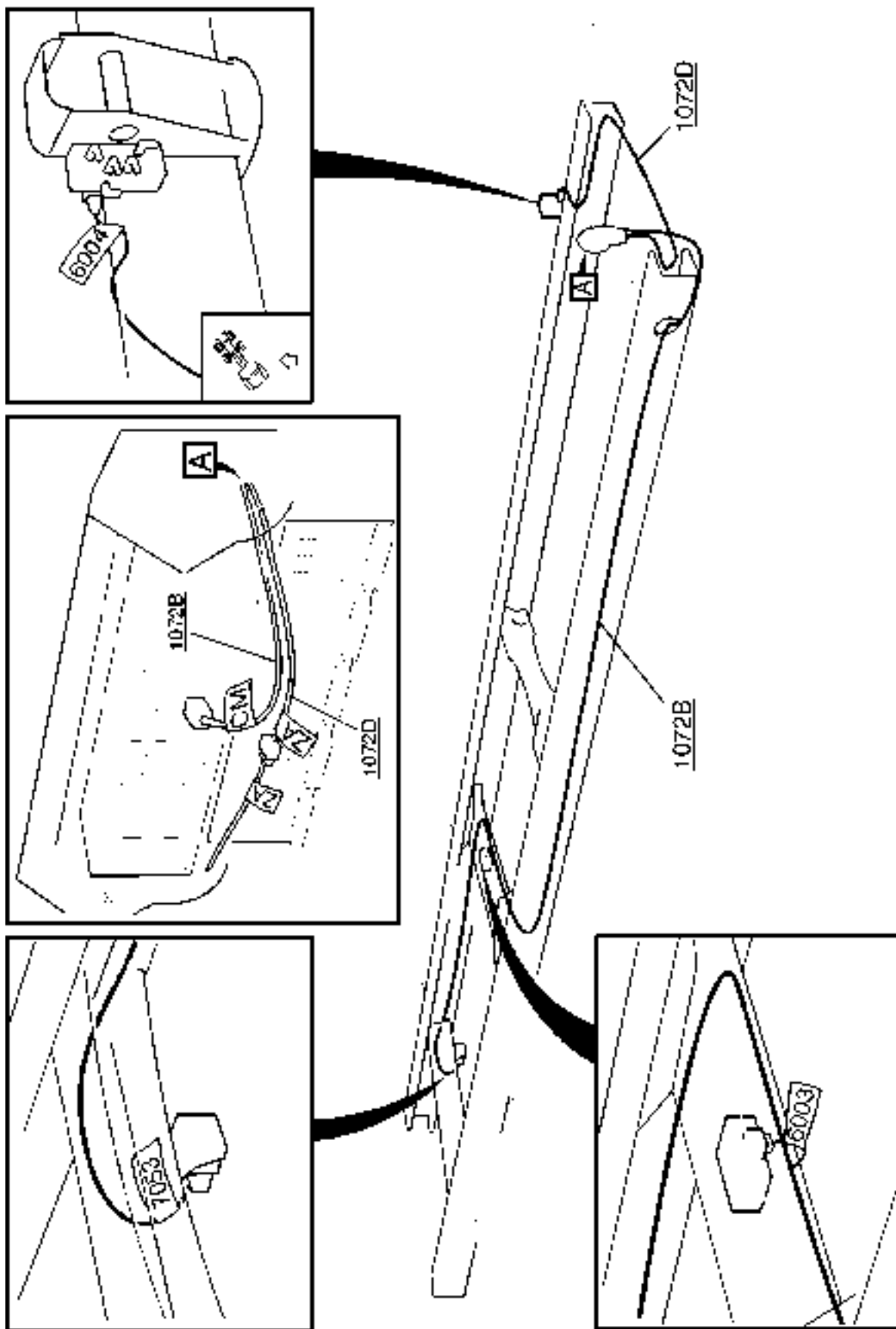


# 1072 A



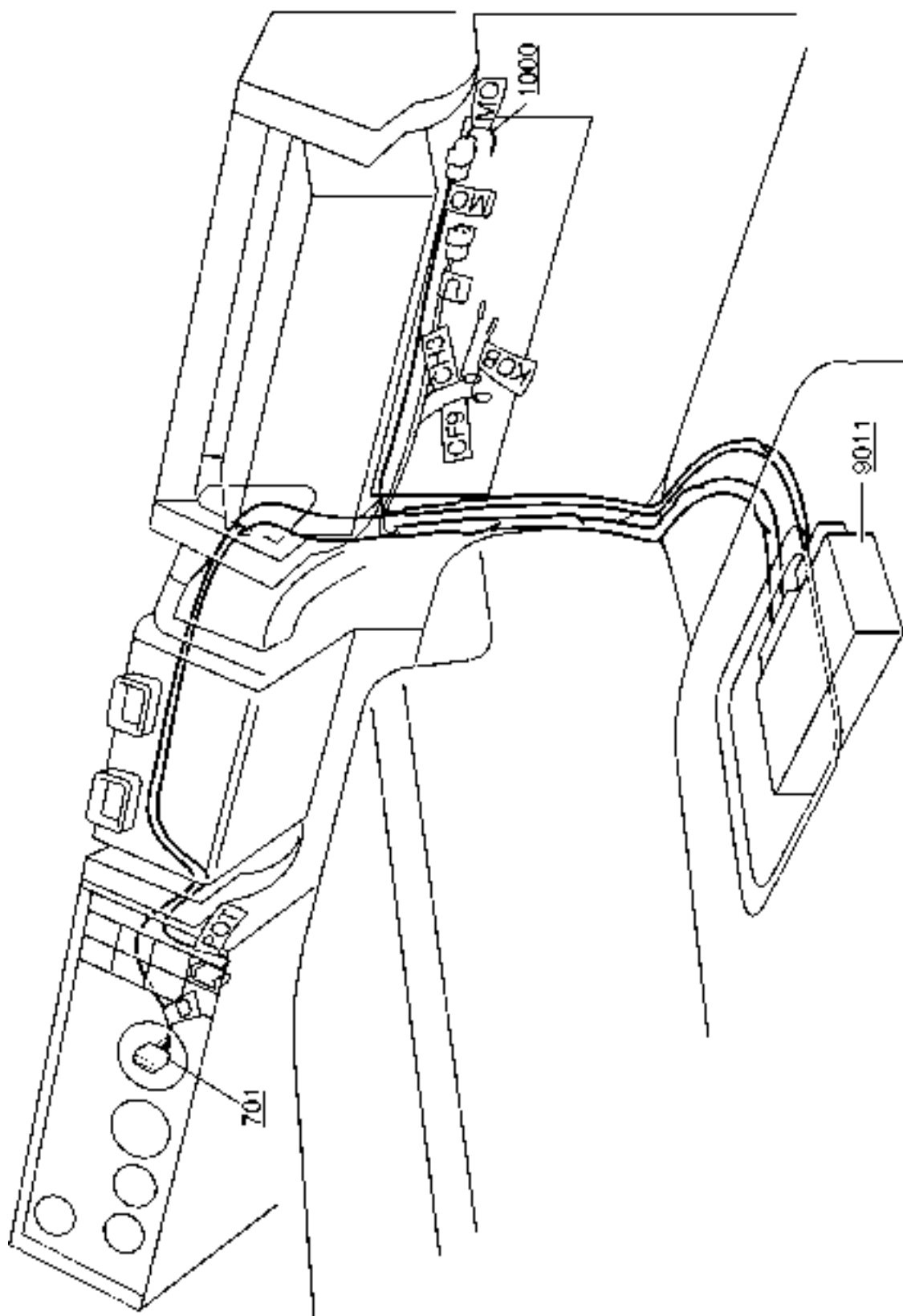


### 1072B, 1072D



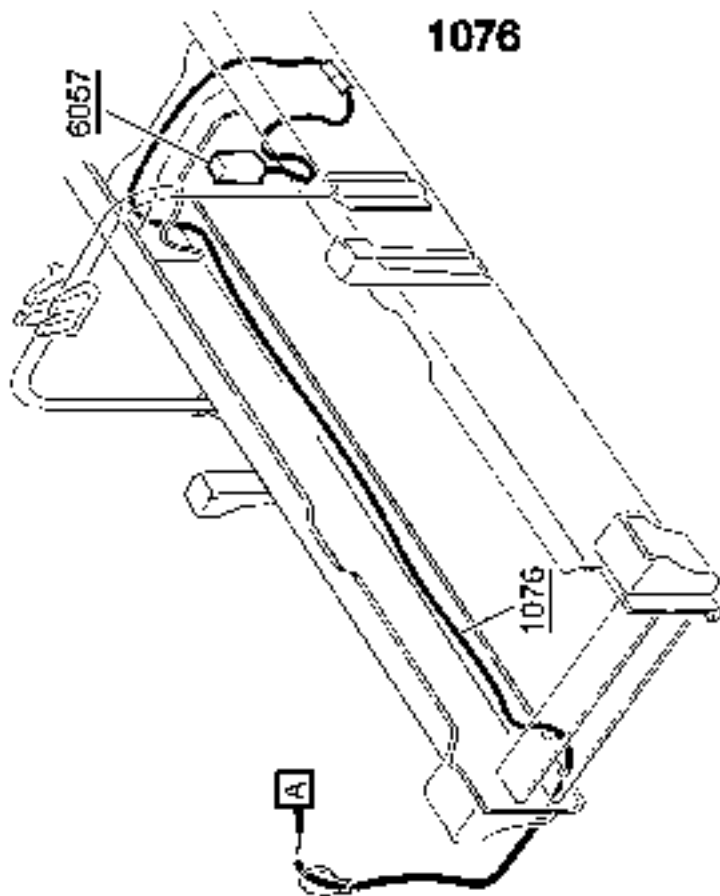
T3008487

# 1076

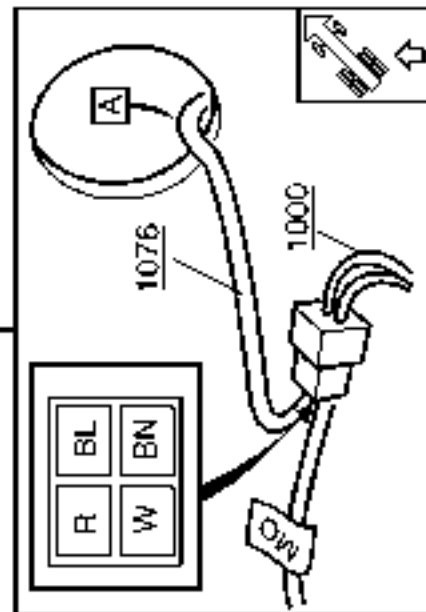
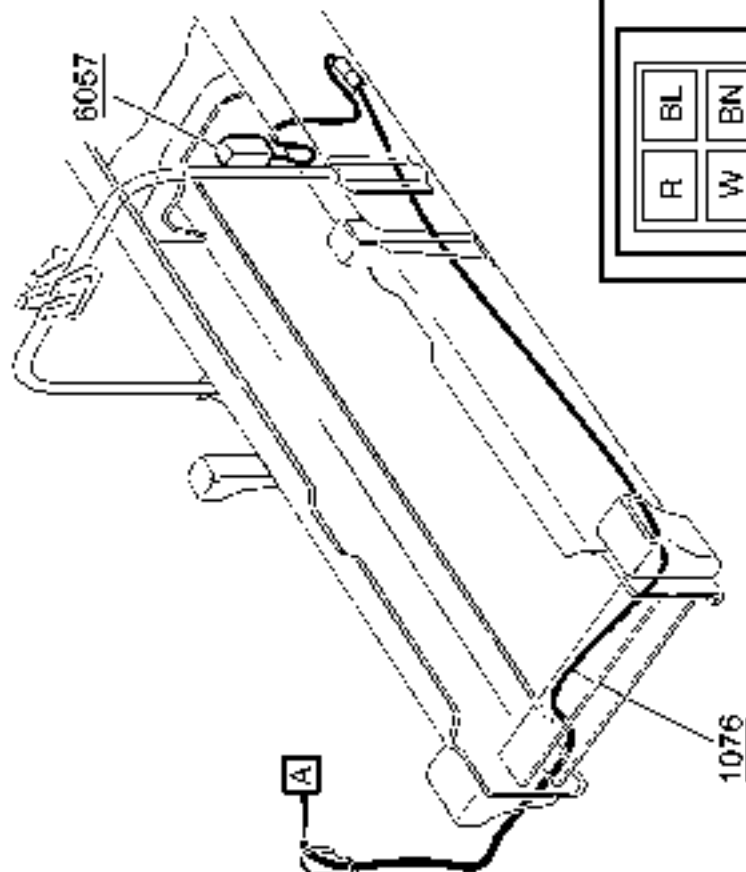


T3007852

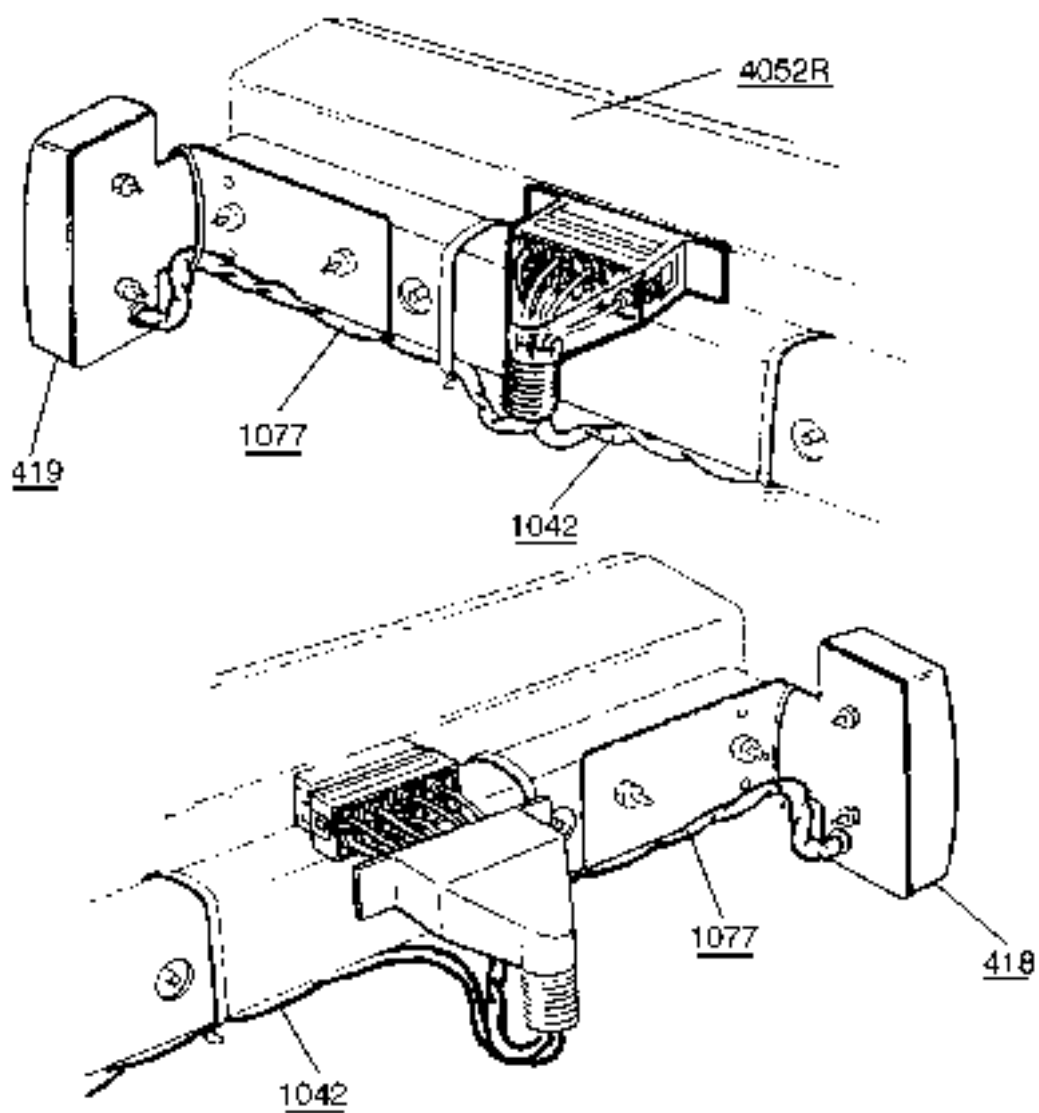
E-medium



L, M, H-medium

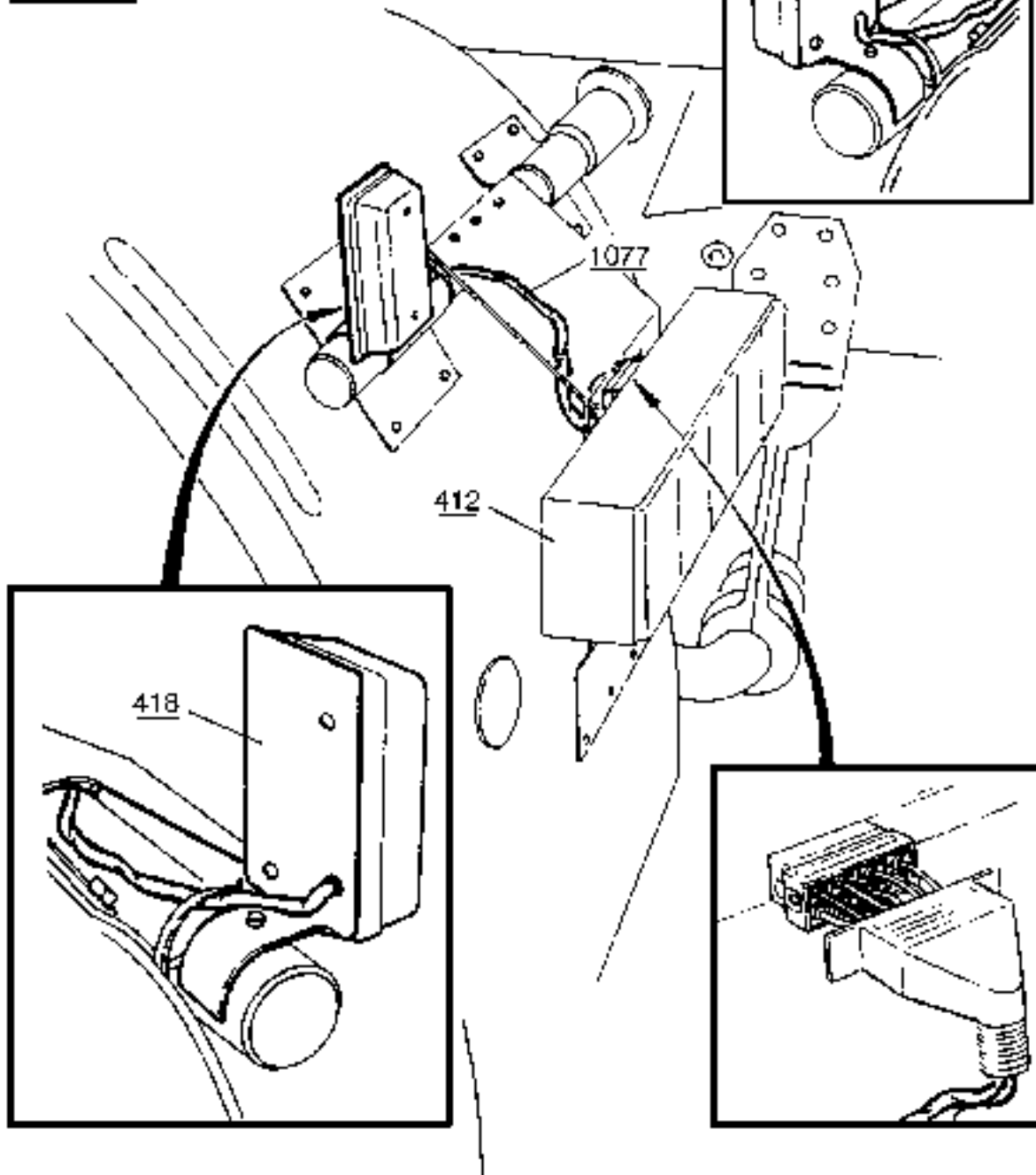
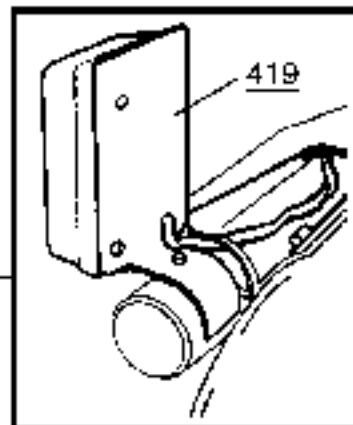
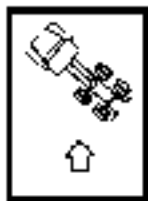


# 1077



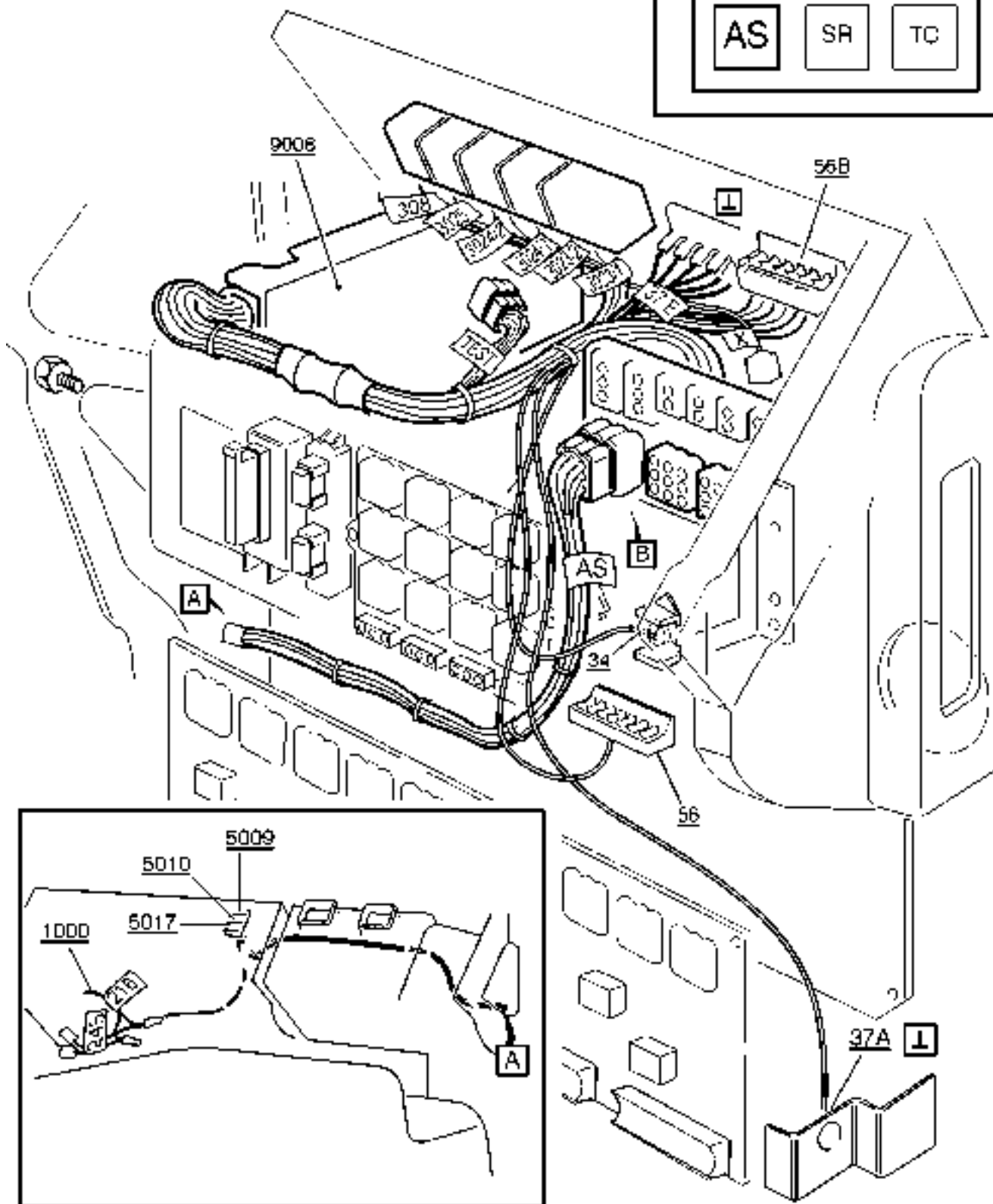
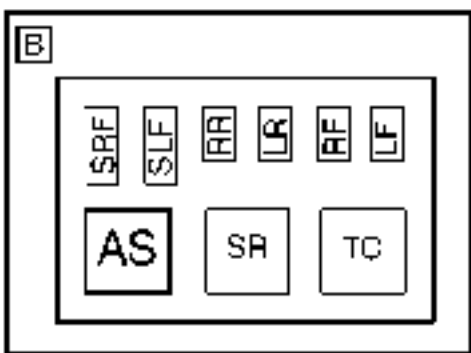
T3007495

**1077**  
**FL6**  
**TRACTOR**



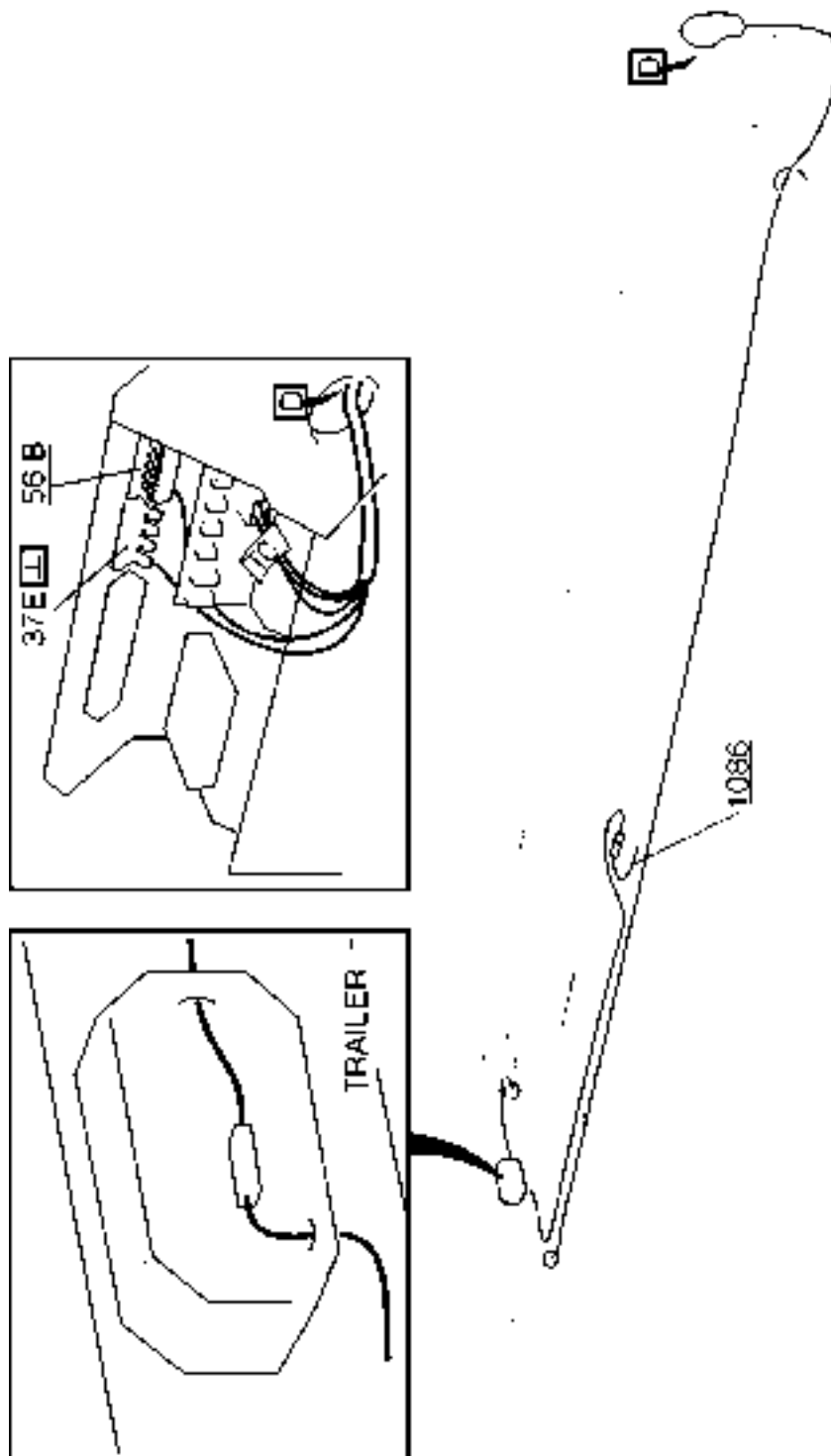
T3007496

# 1084



T3008488

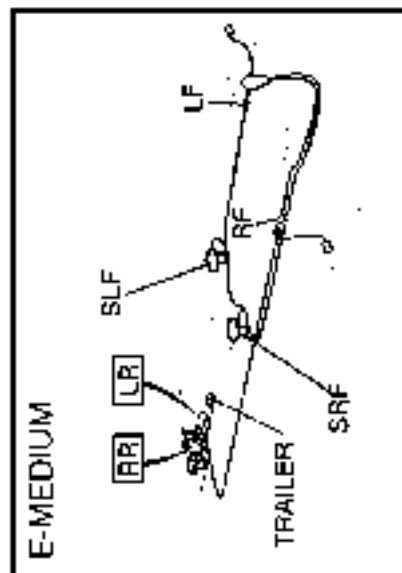
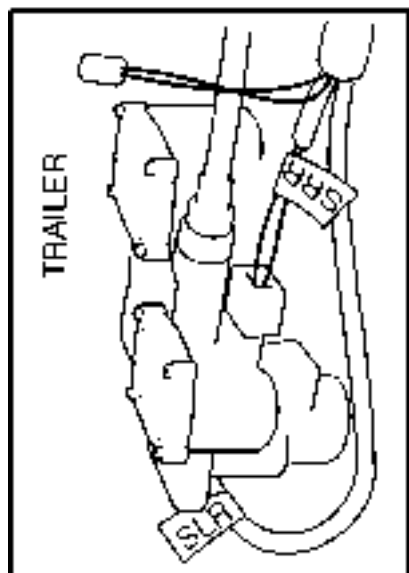
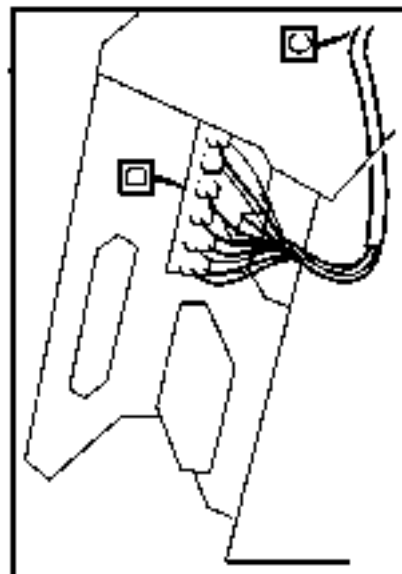
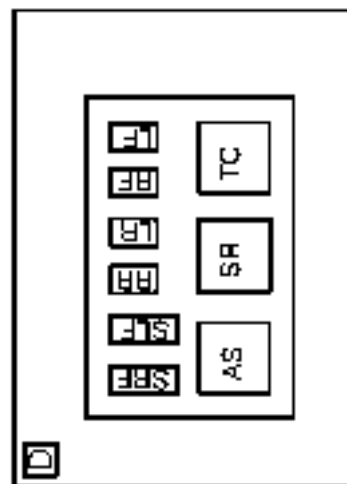
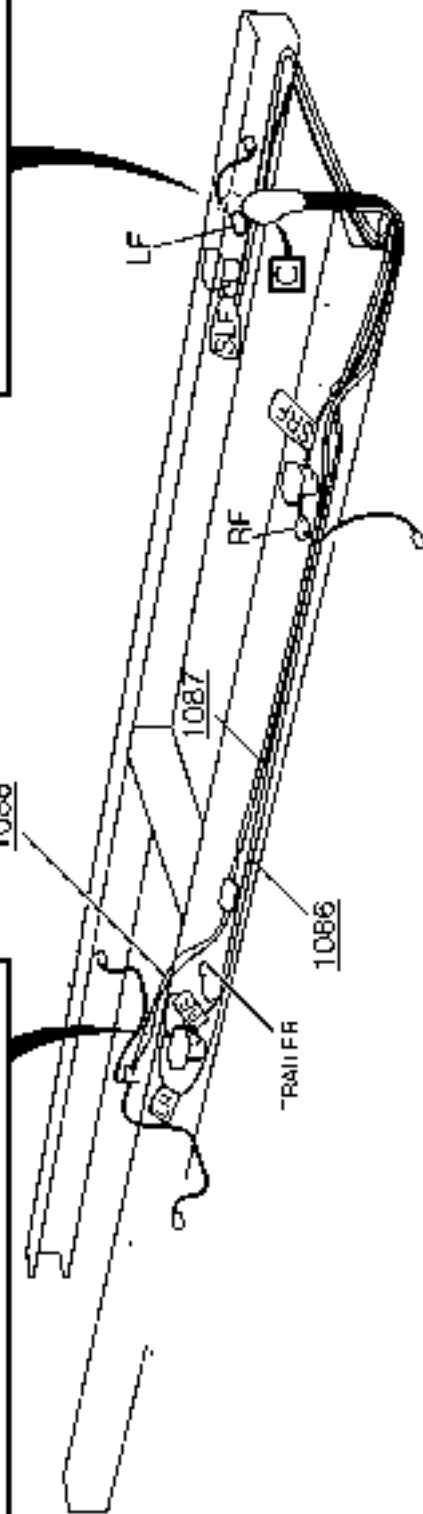
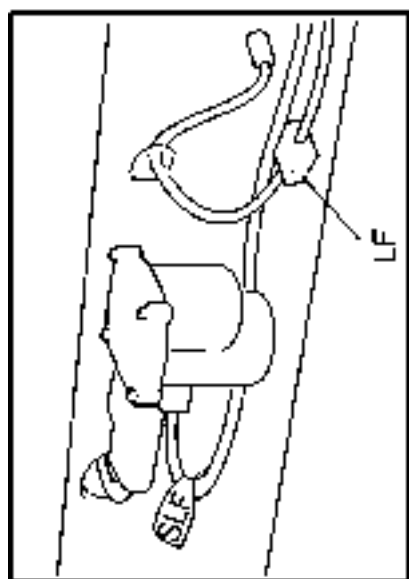
# 1086, TRAILER



T3007498

# 1086/1087/1088

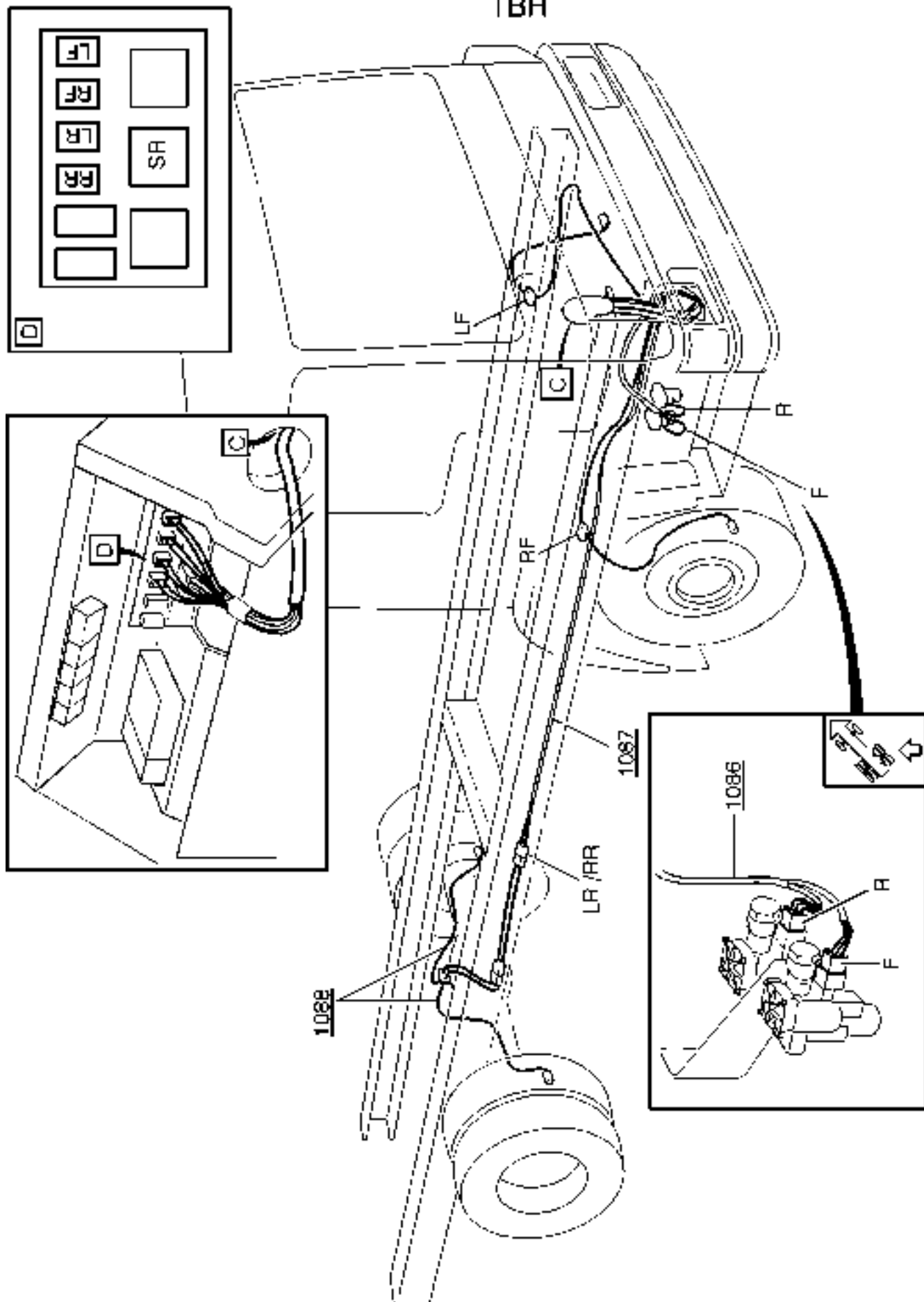
## TB



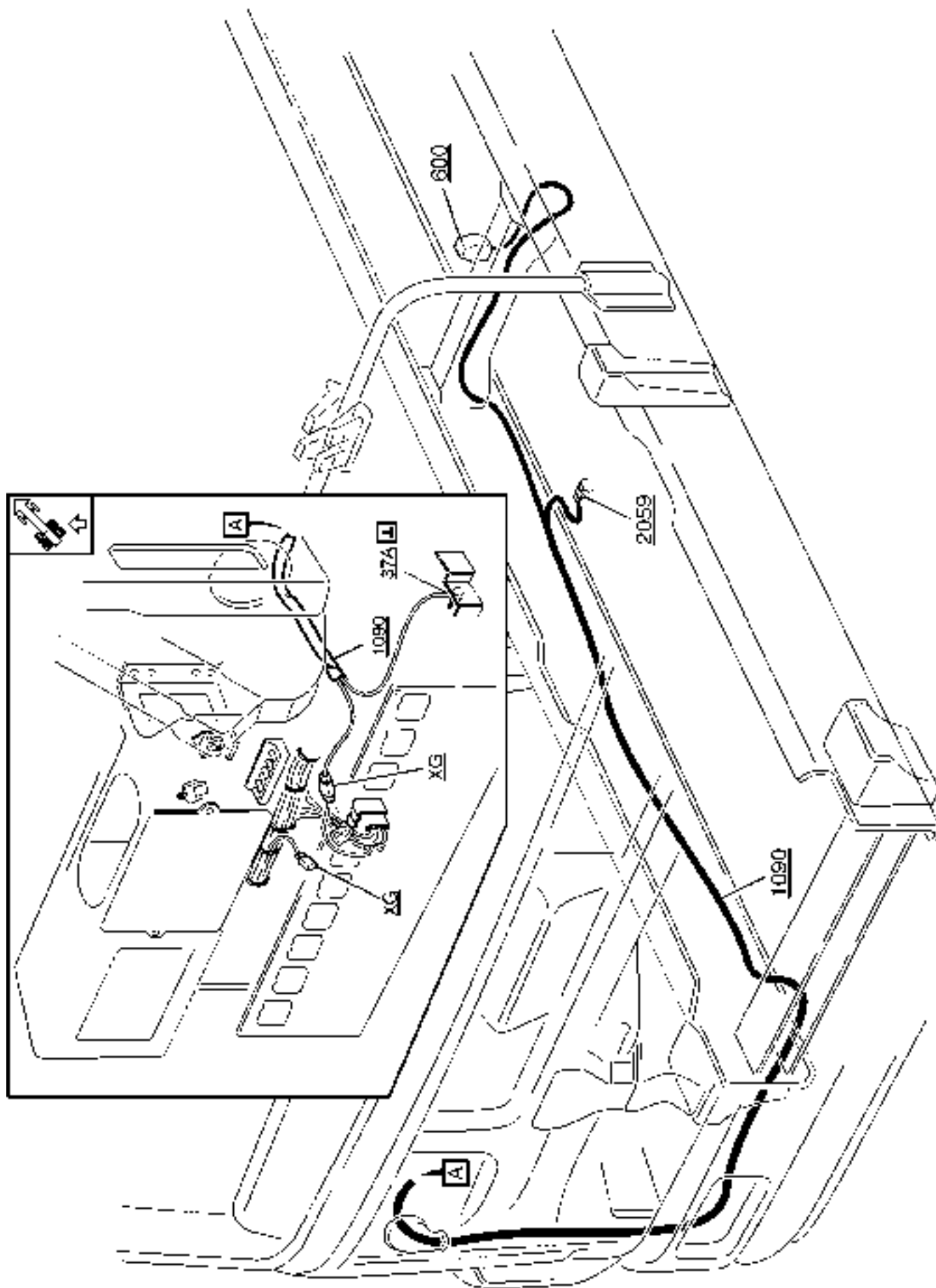
T3008489



### 1086/1087/1088 TBH

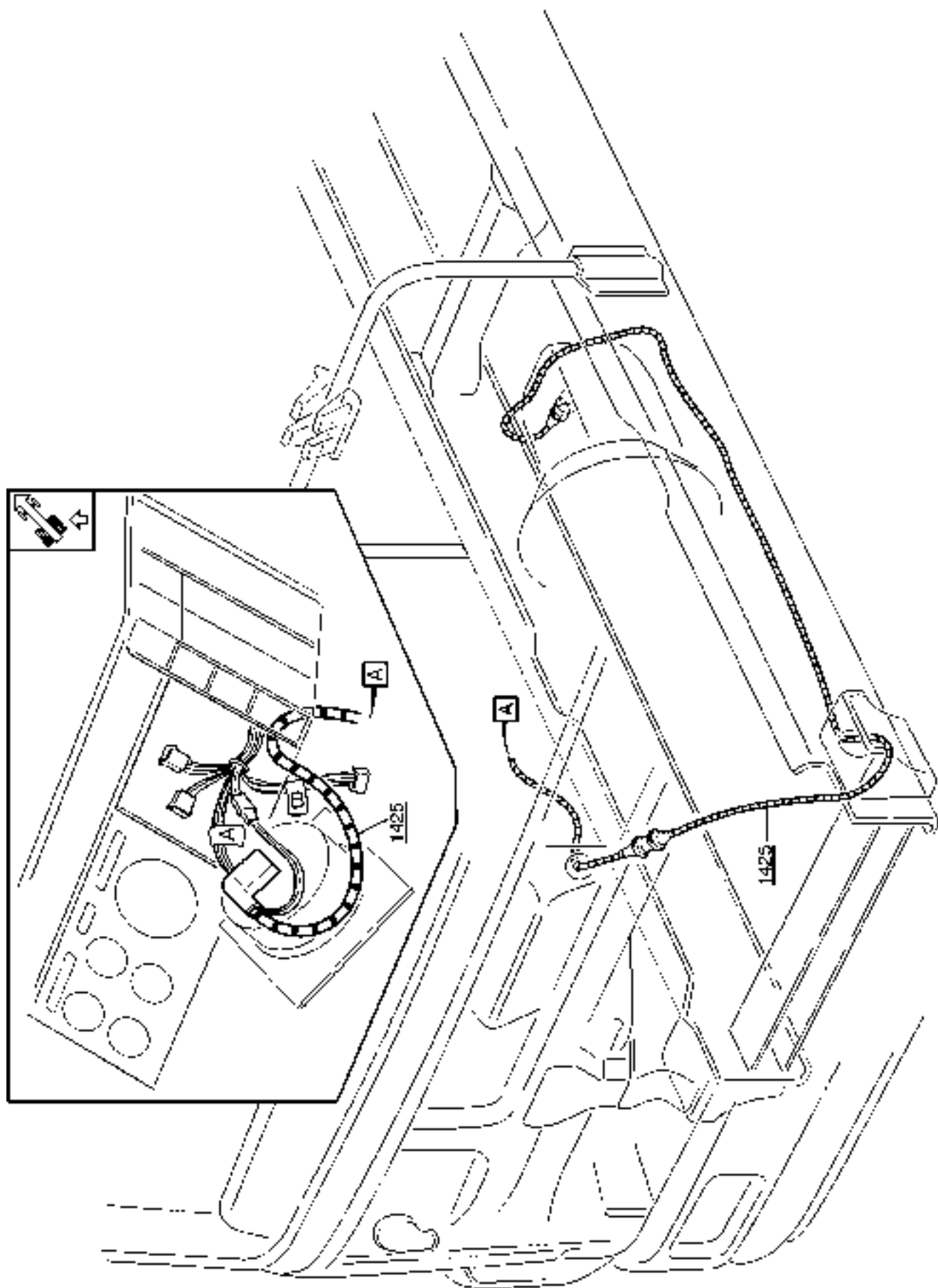


1090

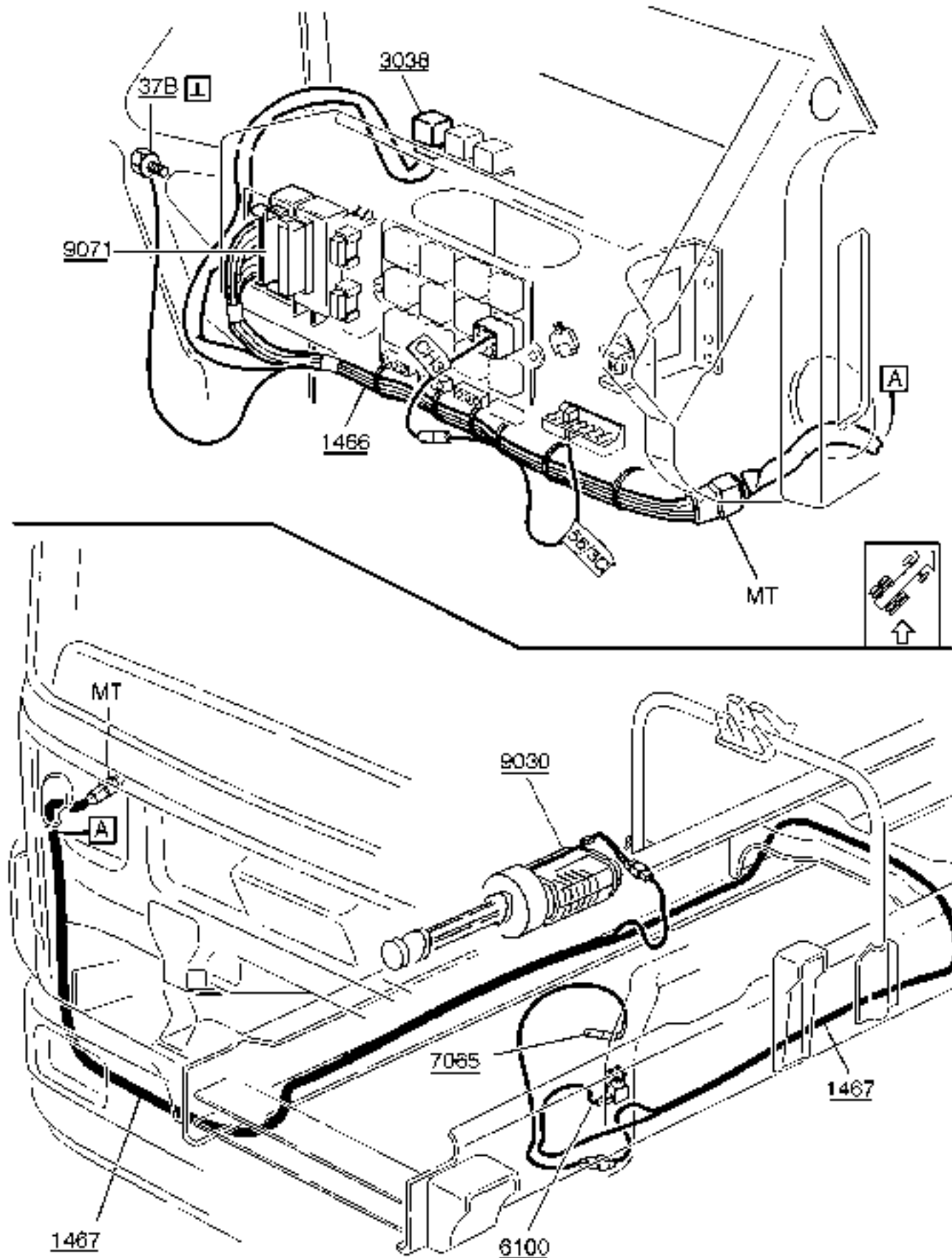


T3008490

# 1425

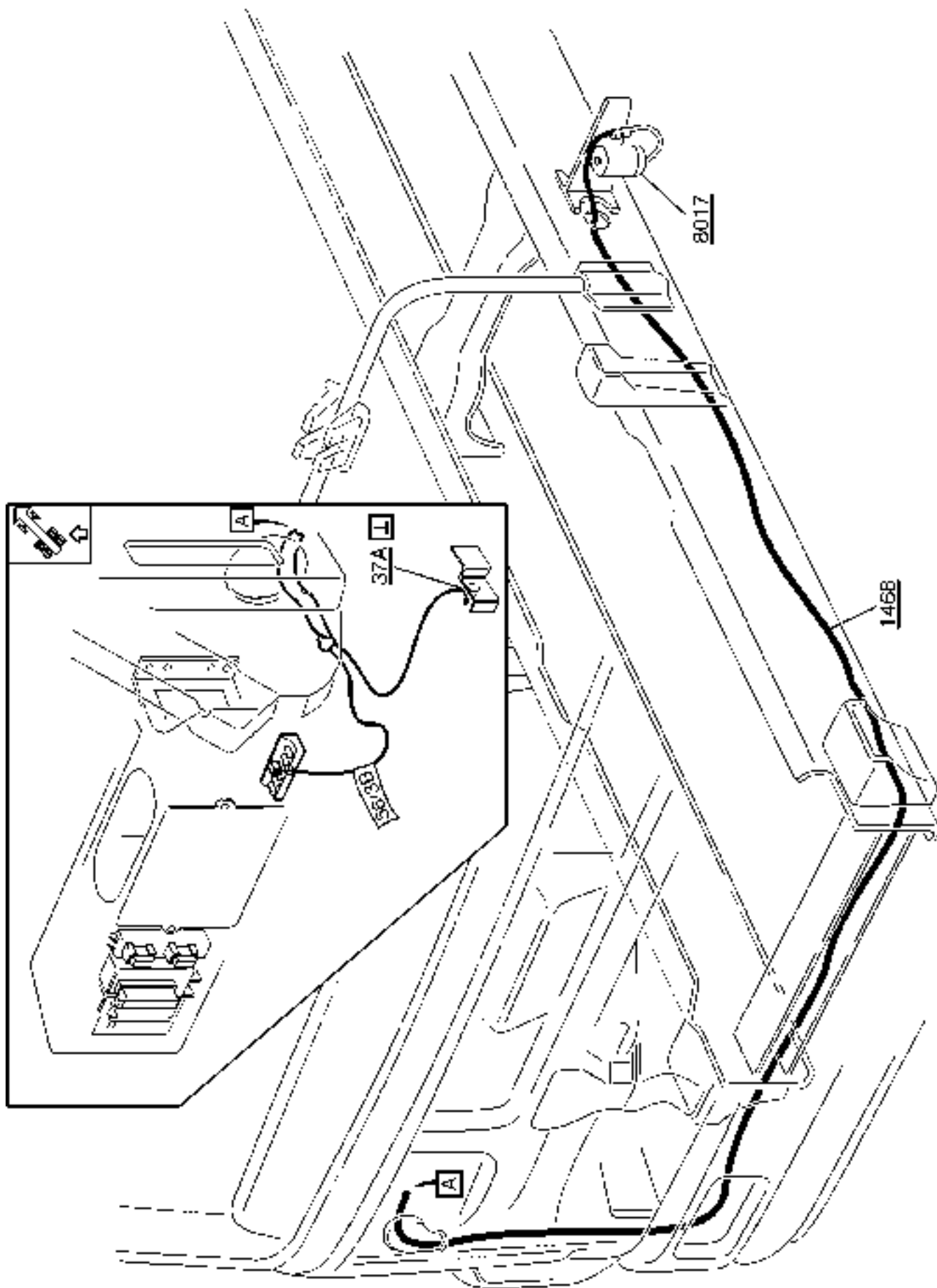


### 1466, 1467 MTE



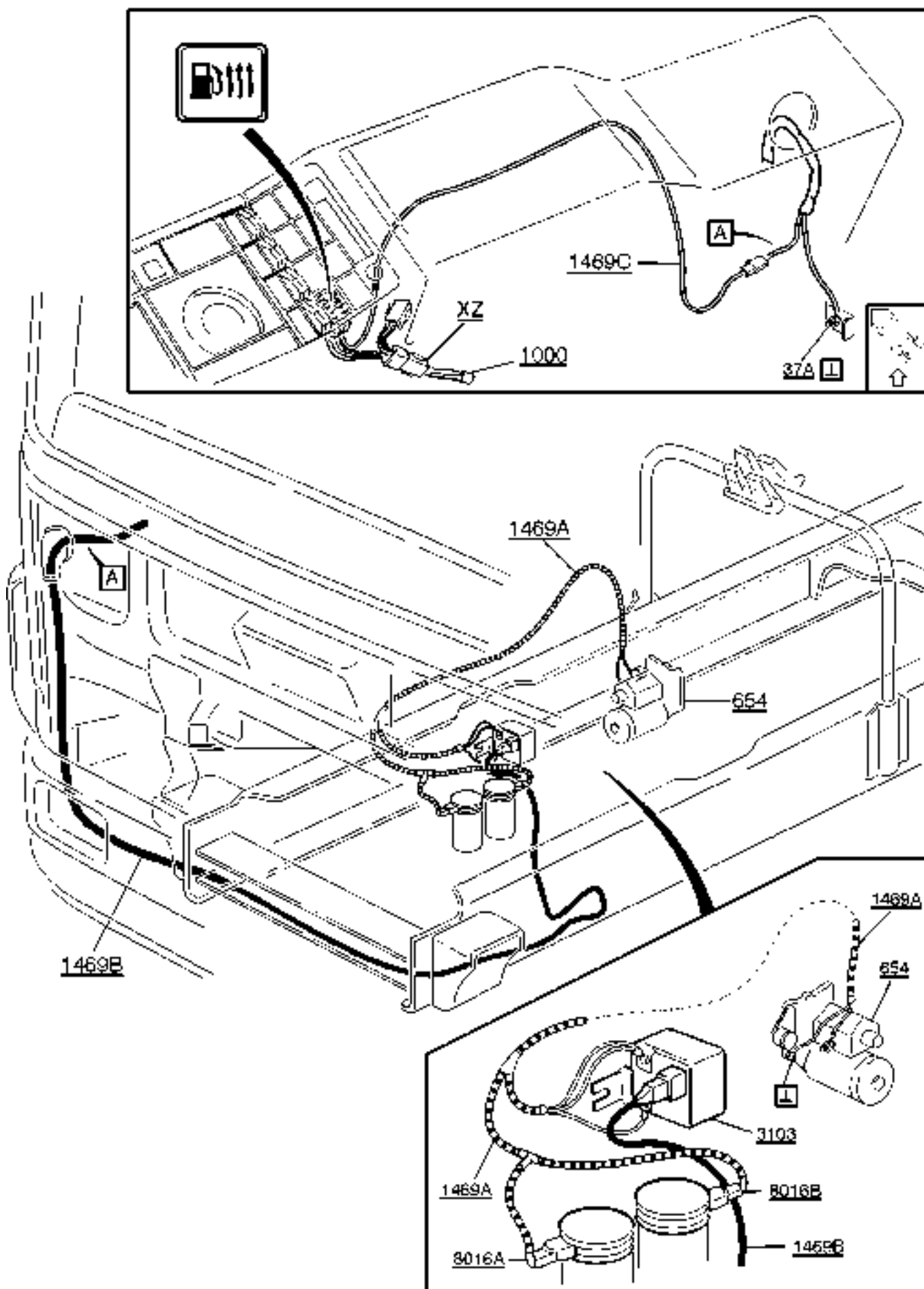
T3007856

# 1488



T3008492

# 1469



## Fuses on circuit board (32) electrical centre

1	Dipped beam, left .....	(CE23)
2	Dipped beam, right .....	(CE26)
3	Full beams, left and right .....	(CE28)
4	Spot lights .....	(CE58)
5	Front fog lights .....	(CG9)
6	Rear fog lights .....	(EG10)
7	Parking lights .....	(CE15)
8	Lighting instruments .....	(CE13)
9	Front side marker lights .....	(CE44)
10	Left rear lights .....	(CE48)
11	Right rear lights .....	(CE53)
12	Heated air dryer .....	(HK4)
13	Air conditioning .....	(HA16)
14	Direction indicators .....	(CN8)
15	Reversing lights .....	(EA7)
16	Fan and parking heater .....	(HA21)
17	Spare, "+ 15", PTO clutch independant, city filter and window winder, splitter .	(XD9)
18	PCB instruments and controllamps ....	(NA4)
19	Windscreen and headlamp cleaner ...	(GA18)
20	Heated seat .....	(HD5)
21	Diff. lock, power take-off .....	(LF5) (LD8)
22	Combination relay, preheating and range lock, waterlevel, interval .....	(BB14)
23	Heated mirror, window winder .....	(HG8)
24	"Kick-down" speed limiter .....	(LK3)
25	Hazard warning, brake lights .....	(CK8)
26	Interior light, radio, tachograph .....	(ER17)
27	Lighting general .....	(CE31)
28	Rotating warning light, loading light ...	(ED8)
29	Cigarette lighter, horn .....	(EV5)
30	Fuse check .....	(XD29)

# Fuses

## 1-unit fuse holder

51	(AA25)
51	(BG6)
51	(LK12)

## 6-unit fuse holder

56	"1" (XA21)
56	"2" (XA18)
56	"3" (XA15)
56	"4" (XA12)
56	"5" (XA9)
56	"6" (XA6)
56 B	"1" (OA3) (OC3)
56 B	"2" (OA4) (OC4)
56 B	"3" (OA6) (OC6)
56 B	"4" (OA8) (OC8)
56 B	"5" (OA10) (OC10)
56 B	"6" (OA11) (OC11)

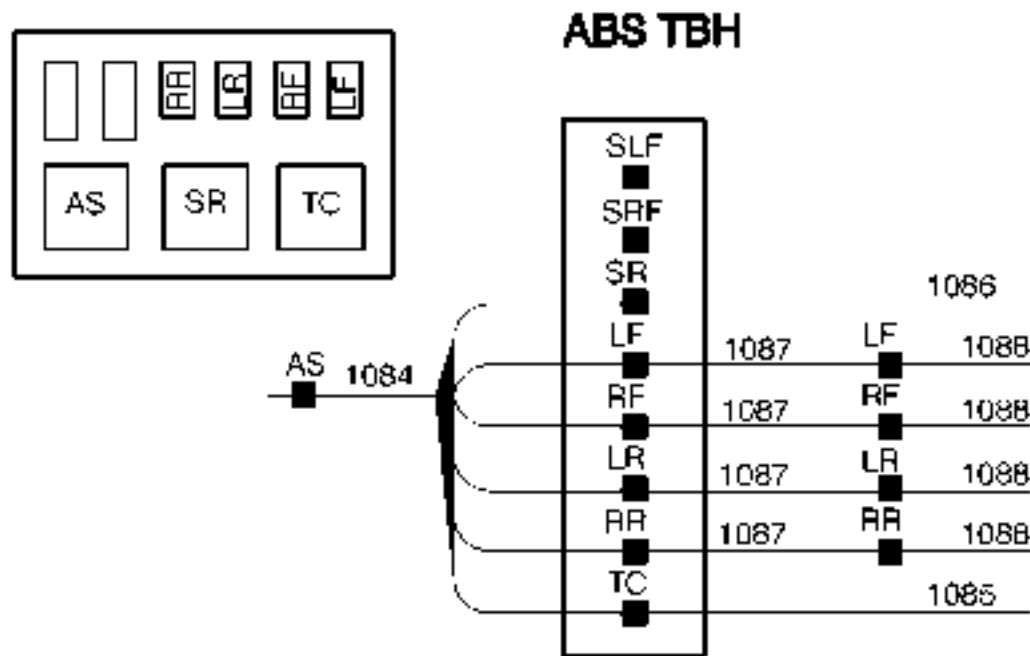
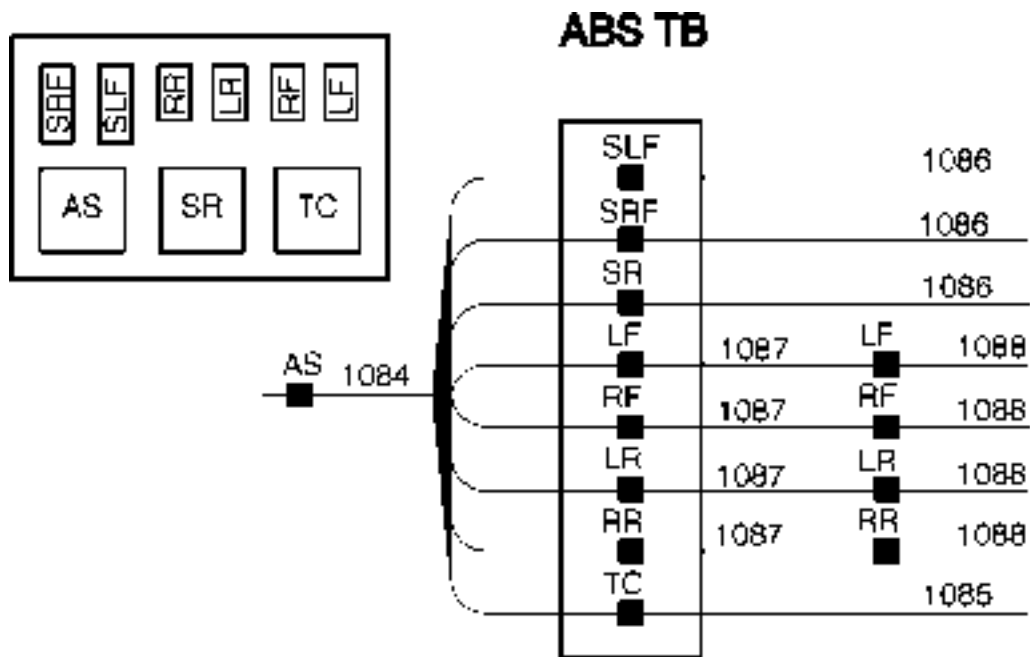
## Relays on circuit board (32) electrical centre

301	Relay, fog lights "2" .....	(CG7)
302	Relay, spot lights "1" .....	(CE58)
309	Relay, parking light "9" .....	(XA5)
315 A	Relay, starting switch "12" .....	(AA45)
315 B	Relay, starting switch "11" .....	(AA36)
343	Relay, rear fog lights "3" .....	(EG8)
345	Relay, start inhibitor "6" .....	(AA28)
375	Relay, day running lights "4" ....	(CE42)
375	Relay, day running lights "5" ....	(CE50)
3005	Alternator-controlled relay "10" .	(XA11)

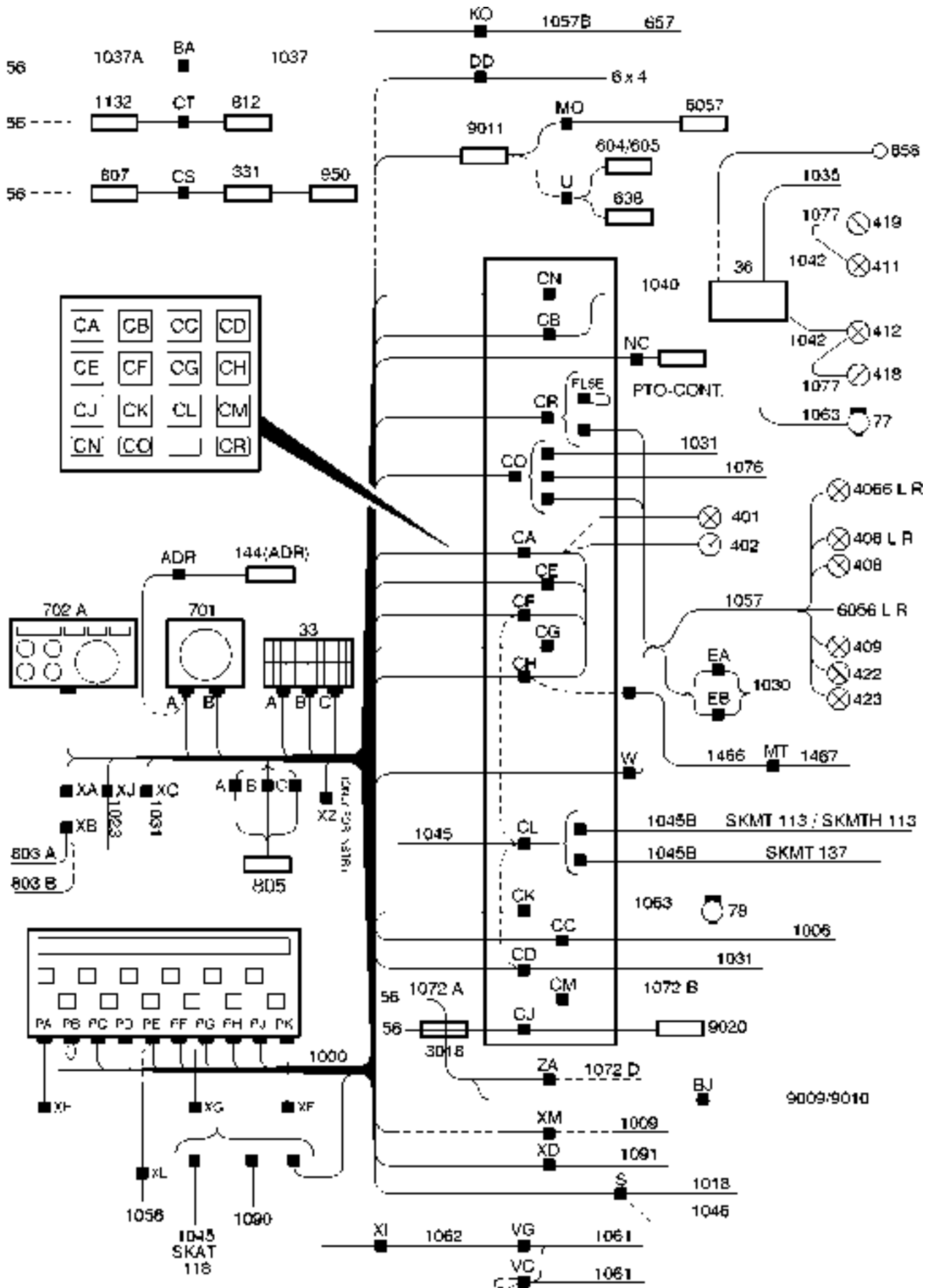


## Cable harness illustration index

1000	Cable harness, instruments .....	page 35
1006	Cable harness, cab, upper .....	page 37
1009	Cable harness, electric window winder .....	-
1018	Cable harness, air conditioning .....	page 39
1023	Cable harness, horn .....	-
1030	Cable harness, engine .....	page 40
1031	Cable harness, automatic transmission .....	page 43
1035	Cable harness, diff. lock .....	page 44
1037	Cable harness, bogie lift .....	page 45
1040	Cable harness, frame .....	page 47
1042	Cable harness, tail lights .....	page 49
1045	Cable harness, engage inhibitor, power take off .....	page 52
1046	Cable harness, closing contact, climate system .....	page 55
1056	Cable harness, air dryer .....	page 56
1057	Cable harness, chassis .....	page 57
1061	Cable harness, parking heater, cab .....	page 67
1062	Cable harness, parking heater, frame .....	page 67
1063	Cable harness, trailer connection .....	page 69
1072	Cable harness, air suspension .....	page 70
1076	Cable harness, speed limiter, engine .....	page 72
1077	Cable harness, side marking lamp .....	page 74
1084	Cable harness, cab, ABS .....	page 76
1085	Cable harness, trailer connection, ABS .....	page 77
1086	Cable harness, solenoid valve, ABS .....	page 78
1087	Cable harness, sensor, chassis, ABS .....	page 78
1088	Cable harness, sensor, ABS .....	page 78
1090	Cable harness, engage inhibitor, exhaust brake .....	page 80
1091	Cable harness, heated mirror .....	-
1425	Cable harness, pulse sensor-tachograph .....	page 81
1466	Cable harness, MTE cab .....	page 82
1467	Cable harness, MTE chassis .....	page 82
1468	Cable harness, water separator .....	page 83
1469	Cable harness, fuel filter heater .....	page 84



T3007857



T3008469

## List of connectors

A	(CE38) (HB3)	CF3	(LG12)
ADR1	(ZE21)	CF4	(BB2)
ADR2	(ZE19)	CF5	(BB25)
AS1	(OA7) (OC7)	CF6	(AA34)
AS3	(OA64) (OC64)	CF7	(BB7)
AS4	(OA66) (OC66)	CF8	(AA20)
AS6	(OA68) (OC68)	CF9	(LD13)
AS7	(OA70) (OC70)	CF9	(LF9)
B	(CE34) (HB4)	CG1	(ND18)
BA1	(MA15)	CG2	(ND33)
BA2	(MA16)	CG3	(ND56)
BA3	(MA10)	CG4	(LN3)
BA7	(MA23)	CG6	(EA7)
BJ1	(MN3)	CG7	(EA7)
BJ3	(MN4)	CG8	(BB23)
BJ4	(MN10)	CG9	(BB25)
BJ6	(MN8)	CH1	(BB11)
BJ7	(MN9)	CH2	(NA27)
BJ8	(MN7)	CH3	(AA30)
C	(CE32) (HB6)	CH4	(NA46)
CA1	(CE58)	CH5	(BB12)
CA2	(CE59)	CH6	(BB25)
CA3	(CG9)	CH7	(ND31)
CA4	(CG13)	CH8	(HA8)
CA6	(CE23)	CH9	(ND23)
CA7	(CE21)	CJ1	(HC52)
CA8	(CE28)	CJ2	(HC51)
CA9	(CE26)	CJ3	(HC38)
CB1	(CN7)	CJ4	(HC37)
CB2	(EA7)	CJ5	(HC47)
CB3	(CE48)	CJ6	(HC40)
CB4	(EG10)	CJ7	(HC50)
CB5	(CE53)	CJ8	(HC45)
CB6	(CK8)	CJ9	(HC43)
CB7	(CN23)	CK1	(XD27)
CB8	(CN9)	CK2	(EA14)
CB9	(CN20)	CK3	(EV9)
CC1	(EN6)	CK4	(ND21)
CC2	(ER17)	CK5	(XD25)
CC3	(JA9)	CK6	(EG14)
CC4	(ER20)	CL1	(LF33)
CC5	(NA48)	CL2	(LF9)
CC6	(ED9)	CL3	(LF31)
CC7	(CE5)	CL4	(LF31)
CC8	(CE8)	CL5	(LF15)
CC9	(CE11)	CL6	(LF15)
CD1	(CE4)	CL8	(LF33)
CD2	(CE2)	CM1	(MN18)
CD3	(EA12)	CM2	(MN19)
CD4	(EA12)	CM3	(MN23)
CD5	(AA25)	CM4	(MN22)
CD6	(AA25)	CM9	(MN20)
CE1	(PA9)	CN1	(LG23)
CE2	(PA10)	CO1	(AA16)
CE3	(BB13)	CO2	(AA17)
CE3	(PA12)	CO3	(LK3)
CE4	(BB22)	CR1	(BB17)
CE5	(ND43)	CR2	(BB19)
CE6	(ND47)	CR3	(BB30)
CE7	(CE15)	CS1	(HC32)
CE8	(CN13)	CS2	(HC34)
CE9	(CN14)	CS3	(OD24)
CF2	(LD8)	CS4	(OD9)
CF2	(LF5)	CS5	(OD21)

CS6	(OD19)	PD2	(CE13)
CS7	(OD16)	PD3	(CE15)
CS8	(OD13)	PD4	(CE48)
CT1	(HH4)	PD5	(CE44)
CT2	(HH6)	PD6	(CE42)
CT3	(HH3)	PD7	(CE40)
CT8	(HG6)	PD8	(CE54)
CT8	(HH8)	PD9	(CE53)
CT9	(HG6)	PE1	(AA25)
CT9	(HH10)	PE2	(CN8)
DD1	(LG10)	PE3	(HA16)
DD2	(LG10)	PE4	(AA23)
EA1	(BB11)	PE5	(AA22)
EA2	(BB12)	PE7	(AA20)
EA3	(BB13)	PE8	(EA7)
EA4	(ND33)	PE9	(XB9)
EB1	(AA34)	PF1	(XD9)
EB2	(AA30)	PF2	(XB7)
EB3	(BB7)	PF3	(XB6)
EB4	(BB2)	PF4	(NA7)
KO1	(LK11)	PF5	(NA4)
KO2	(LK13)	PF7	(HA21)
KO3	(LK11)	PG1	(GA18)
LF1	(OA32) (OC32)	PG2	(HD5)
LF2	(OA33) (OC33)	PG4	(LD8) (LF5)
LR1	(OA48) (OC48)	PG5	(LD3)
LR2	(OA49) (OC49)	PG6	(XA5)
MO1	(BK10)	PG7	(XA6)
MO2	(BK9)	PG8	(HG8)
MO3	(BK7)	PG9	(XA12)
MO4	(BK8)	PH1	(XA13)
MT1	(BC2)	PH2	(BB14)
MT2	(BC5)	PH3	(XA6)
MT3	(BC6)	PH4	(XA11)
MT4	(BC8)	PH5	(ER13)
MT9	(BC8)	PH6	(ER17)
NC1	(LD18)	PH7	(XA12)
NC2	(LD18)	PH8	(LK3)
NC3	(LD14)	PH9	(CK8)
PA1	(CE62)	PJ1	(ED8)
PA2	(CE26)	PJ2	(CE25)
PA3	(CE23)	PJ3	(AA45)
PA4	(CG9)	PJ4	(AA38)
PA5	(CG13)	PJ5	(CE31)
PA6	(CE28)	PJ6	(EV5)
PA7	(AA39)	PJ7	(AA36)
PA8	(CG7)	PJ8	(AA38)
PA9	(CE26)	PJ9	(EV9)
PB1	(CE36)	PK1	(AA41)
PB2	(CE30)	PK2	(AA40)
PB3	(CE31)	PK3	(AA37)
PB4	(CE34)	PK4	(AA42)
PB5	(CE33)	PK5	(AA41)
PB6	(CE37)	PK6	(AA38)
PB7	(CE38)	PK7	(AA44)
PB8	(CE35)	PK8	(CE55)
PB9	(CE32)	PK9	(AA39)
PC1	(CE58)	RF1	(OA41) (OC41)
PC2	(CE33)	RF2	(OA40) (OC40)
PC3	(CE64)	RR1	(OA56) (OC56)
PC4	(EG8)	RR2	(OA57) (OC57)
PC5	(CE59)	S1	(HA21)
PC6	(CE37)	S2	(HA17)
PC7	(EG10)	S3	(HA15)
PC8	(CE21)	S4	(HA8)
PC9	(CE28)	S5	(HA8)
PD1	(CE9)	S6	(HA12)

S7	(HA16)	XB3	(HD5)
SLF1	(OA36)	XC	(HG3)
SLF2	(OA35)	XD	(HG9)
SLF3	(OA37)	XF	(BB27)
SR1	(OA52) (OC36)	XG	(LD8)
SR2	(OA51) (OC35)	XG1	(LF5)
SR3	(OA53) (OC37)	XG2	(LF5)
SR4	(OA60) (OC60)	XH	(AA39)
SR5	(OA59) (OC59)	XI1	(HC11)
SR6	(OA61) (OC61)	XI2	(HC11)
SR7	(OA4) (OC4)	XI3	(HC14)
SRF1	(OA44)	XI4	(HC14)
SRF2	(OA43)	XI5	(HC17)
SRF3	(OA45)	XI6	(HC17)
TC2	(OA14) (OC14)	XI7	(HC17)
TC3	(OA5) (OC5)	XI8	(HC16)
TC5	(OA12) (OC12)	XI9	(HC19)
U1	(BK16)	XI10	(HC21)
U2	(BK19)	XI11	(HC25)
U3	(BK17)	XI12	(HC23)
U4	(BK18)	XJ	(FA4)
VC1	(HC11) (HC30)	XL1	(HK4)
VC2	(HC31) (HC7)	XL2	(HK4)
VG1	(HC14)	XM1	(KA6)
VG2	(HC20)	XM2	(KA4)
VG3	(HC11)	XW1	(NG40)
VG4	(HC17)	XW2	(NG42)
VG5	(HC21)	XW3	(NG43)
VG6	(HC16)	XW4	(NG44)
VG7	(HC17)	XZ1	(XD17)
VG8	(HC23)	XZ2	(XD15)
VG9	(HC24)	XW3	(XD20)
W1	(NG12)	Z1	(XD4)
W2	(NG13)	Z2	(XD9)
W3	(NG14)	Z3	(XD22)
W4	(NG16)	ZA1	(MN12)
XA1	(HD5)	ZA2	(MN13)
XA2	(HD5)	ZA3	(MN13)
XB1	(HD5) (HD9)		
XB2	(HD5) (HD9)		

# List of components

28	Test connector (OA27)	104	Switch, loading light (ED6)
28	Test connector (OC27)	109	Switch, hazard warning lights (CN8)
30 A	Battery (AA2)	110	Switch, rotating warning light (EN5)
30 A	Battery (ZE4)	111	Switch, window winder (KA4)
30 B	Battery (AA2)	112	Switch, air conditioning (HA7)
30 B	Battery (ZE4)	118	Switch, fan (HA18)
33	Circuit card, indicator/warning lights (ND6)	119	Switch, windscreen wiper (GA25)
34	Connector (AA25)	120	Switch, windscreen washer (GA22)
36	Connector, tail lamp junction box (ND41)	123	Switch, heated rearview mirror (HG6)
36/1	Connector, tail lamp junction box (CN7)	126	Switch, diff. lock wheels, rear (LG17)
36/2	Connector, tail lamp junction box (EA7)	127	Switch, diff. lock inter axles (LG9)
36/3	Connector, tail lamp junction box (CE48)	128	Switch, power take-off, side (LD6)
36/4	Connector, tail lamp junction box (EG10)	128	Switch, power take-off, side (LF5)
36/5	Connector, tail lamp junction box (CE53)	133	Switch, bogie lift (MA9)
36/6	Connector, tail lamp junction box (CK8)	144	Switch, battery master switch (AA2)
36/7	Connector, tail lamp junction box (CN23)	144	Switch, battery master switch (ZE10)
36/8	Connector, tail lamp junction box (CE53)	147	Switch direction indicators (CN15)
36/8	Connector, tail lamp junction box (CK13)	149	Switch, horn (FA4)
36/8	Connector, tail lamp junction box (CN23)	150	Switch, starting switch (AA12)
36/8	Connector, tail lamp junction box (EA7)	158	Switch, tail fog lights (EG4)
36/8	Connector, tail lamp junction box (EG12)	176	Switch, SPLIT (LN3)
36/9	Connector, tail lamp junction box (LG20)	178	Switch, lock-up (LF15)
36/10	Connector, tail lamp junction box (CE48)	1104	Switch, bulb control (ND3)
36/10	Connector, tail lamp junction box (CK8)	1105	Switch, level control, headlights (PA9)
36/10	Connector, tail lamp junction box (CN20)	1107A	Switch, door lock (KH15)
36/10	Connector, tail lamp junction box (EA11)	1107B	Switch, door lock (KH9)
36/10	Connector, tail lamp junction box (EG10)	1118	Switch, power take-off, clutch independent (LE3)
36/10	Connector, tail lamp junction box (LG23)	1132	Switch, el. operated rearview mirror (HH3)
36/11	Connector, tail lamp junction box (CN9)	1135	Switch, cruise control (BK4)
36/12	Connector, tail lamp junction box (CN20)	1150	Switch, fuel filter heater (HM8)
36/12	Connector, tail lamp junction box (LG23)	200	Break contact, warning light, parking brake (ND23)
42	Joint sleeve (ER17)	202	Break contact, warning light, oil pressure (ND33)
51	Fuse holder, 1-unit (AA25)	205 L	Break contact, interior light (ER12)
51	Fuse holder, 1-unit (BG6)	205 R	Break contact, interior light (ER18)
51	Fuse holder, 1-unit (LK12)	207	Closing contact, indicator light, diff. lock, rear wheels (LG23)
56	Fuse holder, 6-unit (XA6)		
56B	Fuse holder, 6-unit (OA3)	207B	Closing contact, indicator light, diff. lock, rear wheels (LG19)
56B	Fuse holder, 6-unit (OC3)		
77	Plug socket, 7-unit (CE46)	211	Closing contact, indicator light, bogie lift (MA15)
77	Plug socket, 7-unit (CE53)	212	Closing contact, warning light, service brakes (ND56)
77	Plug socket, 7-unit (CE55)		
77	Plug socket, 7-unit (CK4)	216	Closing contact, brake lights (CK8)
77	Plug socket, 7-unit (CN7)	217	Closing contact, reversing lights (EA7)
77	Plug socket, 7-unit (CN9)	218	Break contact, exhaust pressure governor (BB22)
77	Plug socket, 7-unit (EG9)	223	Slip contact, horn (FA4)
78	Plug socket, 7-unit, extra (EA14)	228	Closing contact, cab lock (ND47)
78	Plug socket, 7-unit, extra (EG14)	229	Closing contact, "kick-down" (LK3)
78	Plug socket, 7-unit, extra (EV9)	239	Break contact, thermal (HA8)
78	Plug socket, 7-unit, extra (ND21)	239	Break contact, thermal (HC23)
78	Plug socket, 7-unit, extra (XD25)	239	Break contact, thermal (HD5)
78	Plug socket, 7-unit, extra (XD27)	239	Break contact, thermal (HD9)
79	Plug socket, ABS (OA10)	239	Break contact, thermal (HK4)
79	Plug socket, ABS (OA12)	245	Break contact, brake light, trailer (CK12)
79	Plug socket, ABS (OA14)	247	Closing contact, climate system (air conditioning) (HA8)
79	Plug socket, ABS (OA3)		
79	Plug socket, ABS (OA5)	251	Break contact, SPLIT (ND18)
79	Plug socket, ABS (OC10)	252	Closing contact, start inhibitor (AA25)
79	Plug socket, ABS (OC12)	253	Closing contact, reversing lights, autom. transm. (EA12)
79	Plug socket, ABS (OC14)		
79	Plug socket, ABS (OC3)	253	Closing contact, reversing lights, autom. transm. (LD19)
79	Plug socket, ABS (OC5)		
100	Switch, headlights (CE6)	253	Closing contact, reversing lights, autom. transm. (LF31)
101	Switch, full beams and dipped beams (CE28)	2002	Flame sensor, parking heater (HC16)
102	Switch, fog lights (CG5)		
103	Switch, spot lights (CE61)		

2003	Thermostat, parking heater (HB10)	414	Bulb, side marker light, left, front (CE42)
2011	Break contact, neutral (LD18)	415	Bulb, side marker light, right, front (CE44)
2059	Closing contact, lock-up (LF33)	418	Bulb, side marker light, left, rear (CE50)
2065 LF	Contact, wear indicator, brake linings (ND43)	419	Bulb, side marker light, right, rear (CE54)
2065 LR	Contact, wear indicator, brake linings (ND40)	420	Bulb, position light roof, left (CE8)
2065 RF	Contact, wear indicator, brake linings (ND45)	421	Bulb, position light roof, right (CE11)
2065 RR	Contact, wear indicator, brake linings (ND41)	422	Bulb, direction indicator, left, front (CN13)
301	Relay, fog lights (CG7)	423	Bulb, direction indicator, right, front (CN14)
302	Relay, spot lights (CE58)	426	Bulb, direction indicator, left, rear (CN20)
308	Relay, brake lights (OA4)	427	Bulb, direction indicator, right, rear (CN23)
308	Relay, brake lights (OC4)	428	Bulb, rotating warning lamp (EN6)
309	Relay, parking lights (XA5)	429	Bulb, cigarette lighter lighting (EV7)
312	Relay, starting heater (BB7)	434	Bulb, interior light (ER11)
313	Relay, bogie lift motor (MA23)	434	Bulb, interior light (ER17)
315 A	Relay, starting switch (AA45)	435	Bulb, bunk light (ER4)
315 B	Relay, starting switch (AA36)	435	Bulb, bunk light (ER8)
317	Relay, headlight wiper (GA12)	436	Bulb, controls light (CE4)
323	Relay, flasher unit (CN9)	437	Bulb, identification light, front (CE3)
324	Relay, range inhibitor (LD20)	440	Bulb, heater control light (HA2)
331	Relay, eddy-retarder (OD13)	451	Bulb, rear fog light, left (EG10)
343	Relay, fog lights, rear (EG8)	452	Bulb, rear fog light, right (EG12)
345	Relay, start inhibitor (AA28)	462	Bulb, side dir. light, left (CN11)
360	Relay, engage inhibitor, power take-off (LD15)	463	Bulb, side dir. light, right (CN16)
360	Relay, engage inhibitor, power take-off (LF24)	4066L	Bulb, dipped beams (CE23)
364	Operating controls, bogie lift (MA14)	4066R	Bulb, dipped beams (CE26)
375	Relay, day running lights (CE42)	500	Indicator light, dir. indicator, tractor (ND8)
375	Relay, day running lights (CE50)	501	Indicator light, dir. indicator, trailer 1 (ND7)
376	Relay, power take-off (LD18)	503	Warning light, oil pressure, engine (ND33)
381	Relay, extra (LK11)	504	Indicator light, full beams (ND10)
3004	Relay, parking heater (HC31)	505	Warning light, battery charging (ND36)
3004	Relay, parking heater (HC7)	507	Warning light, service brakes (ND26)
3005	Alternator-controlled relay (XA11)	508	Warning light, parking brake (ND23)
3018	Relay, control unit, parking heater (HB8)	510	Indicator light, diff. lock, rear wheels (ND16)
3018	Relay, control unit, parking heater (HC11)	511	Indicator light, diff. lock, inter-axles (LG6)
3018	Relay, control unit, parking heater (HC34)	513	Indicator light, bogie lift (MA21)
3023	Relay, information ABS (OA19)	514	Indicator light, overdrive (ND17)
3023	Relay, information ABS (OC19)	515	Indicator light, hazard warning lights (ND24)
3024	Relay, solenoid control valve ABS (OC16)	517	Indicator light, power take-off, side (LD3)
3024/1	Relay, solenoid control valve ABS (OA10)	518	Indicator light, power take-off, rear (LD21)
3024/2	Relay, solenoid control valve ABS (OA16)	520	Indicator light, fog light, front (CG2)
3025	Relay, indicator lamp ABS (OA23)	521	Indicator light, spot light (CE61)
3025	Relay, indicator lamp ABS (OC23)	528	Indicator light, preheating (ND13)
3038	Relay, pole change (BC6)	530	Indicator light, heated rearview mirror (HG11)
3047	Relay, lock-up (LF15)	531	Indicator light, loading light (ED11)
3061	Relay, retarder (OD4)	536	Indicator light, rear fog light (EG6)
3066	Combination relay, several functions (BB14)	541	Warning light, gearbox temperature (ND31)
3067	Relay, wear indicator, brake linings (ND37)	550	Warning light, cab lock (ND41)
3071	Relay, central lock, open door (KH6)	554	Indicator light, coolant temperature (ND35)
3072	Relay, central lock, lock door (KH13)	555	Indicator light, coolant level (ND20)
3092	Relay, height limiter (MN18)	5004	Indicator lamp, rotating warning light (EN10)
3103	Relay, fuel filter heater (HM10)	5008	Indicator lamp, air suspension, manual position (ND14)
401 L	Bulb, fog lights (CG9)		
401 R	Bulb, fog lights (CG13)	5009	Indicator lamp, vehicle, ABS (OA64)
402 L	Bulb, spot lights (CE58)	5009	Indicator lamp, vehicle, ABS (OC64)
402 R	Bulb, spot lights (CE59)	5010	Indicator lamp, trailer, ABS (OA66)
403 A	Bulb, loading light (ED6)	5010	Indicator lamp, trailer, ABS (OC66)
403 B	Bulb, loading light (ED9)	5010	Indicator lamp, trailer, ABS (ND21)
405 L	Bulb, reversing lights (EA11)	5017	Indicator lamp, trailer, ABS information (OA68)
405 R	Bulb, reversing lights (EA7)	5017	Indicator lamp, trailer, ABS information (OC68)
406L	Bulb, full beams (CE21)	5018	Indicator lamp, power take-off, clutch-independent (LE6)
406R	Bulb, full beams (CE28)		
408	Bulb, parking light, left front (CE15)	5022	Indicator lamp, retarder (OD24)
409	Bulb, parking light, right front (CE17)	5027	Warning lamp, wear indicator/brake linings (ND39)
410	Bulb, brake light, left (CK8)	5028	Warning lamp, refrigerant level (ND11)
411	Bulb, brake light, right (CK13)	5030	Indicator lamp, city filter (HN13)
412	Bulb, tail light, left (CE47)	600	Solenoid valve, exhaust brake (LF33)
413	Bulb, tail light, right (CE51)	601	Solenoid valve, diff. lock, rear wheels (LG12)



602	Solenoid valve, diff. lock, inter axles (LG10)	7057 LR	Sensor, pole wheel, ABS (OC48)
603	Solenoid valve, engine stop (BG6)	7057 RF	Sensor, pole wheel, ABS (OA40)
604	Solenoid valve, power take-off, side (LD8)	7057 RF	Sensor, pole wheel, ABS (OC40)
604	Solenoid valve, power take-off, side (LF5)	7057 RR	Sensor, pole wheel, ABS (OA56)
604	Solenoid valve, power take-off, side (LF9)	7057 RR	Sensor, pole wheel, ABS (OC56)
606	Solenoid valve, bogie lift, up (MA10)	7065	Sensor, accelerator pedal (BC8)
614	Solenoid valve, range inhibitor (BB25)	800	Starting heater (BB4)
626	Solenoid valve, exhaust pressure governor (BB30)	802 L	Heated rearview mirror (HG3)
627	Solenoid valve, kick-down (LK3)	802 R	Heated rearview mirror (HG6)
638	Solenoid valve, injection pump (BK17)	802 R	Heated rearview mirror (HG9)
642	Solenoid valve, SPLIT (LN3)	803 A	Heated seat (HD5)
644	Solenoid valve, lock-up (LF15)	803 A	Heated seat (HD9)
650	Windscreen wiper motor (GA22)	803 B	Heated seat (HD5)
651	Windscreen washer motor (GA2)	803 B	Heated seat (HD9)
653	Headlamp washer motor (GA7)	804	Cigarette lighter (EV5)
654	Starter motor (AA8)	805	Rheostat (CE32)
654	Starter motor (ZE16)	806	Resistance (HC17)
656	Bogie lift motor (MA23)	807	Eddy-retarder control (OD10)
657	Fan (heater) (HA14)	810	Heated air dryer (HK4)
657	Fan (heater) (LK13)	812	El. operated rearview mirror (HH3)
660	Alternator with charging regulator (AA32)	850	Horn (FA4)
660	Alternator with charging regulator (ZE21)	858	Buzzer, reverse warner (EA4)
661	Window winder motor (KA4)	8003	Thermistor, evaporator (HC19)
6003/6004	Solenoid valve, level control (MN22)	8007	Potentiometer (BK11)
6013 F	Solenoid control valve, ABS (OC35)	8014	Regenerating unit, city filter (HN5)
6013 LF	Solenoid control valve, ABS (OA35)	8016A	Fuel filter heater (HM12)
6013 LR	Solenoid control valve, ABS (OA51)	8016B	Fuel filter heater (HM15)
6013 R	Solenoid control valve, ABS (OC59)	8017	Water separator (HM22)
6013 RF	Solenoid control valve, ABS (OA43)	900	Radio (JA7)
6013 RR	Solenoid control valve, ABS (OA59)	901	Voltage converter (JA9)
6043	Solenoid valve, air suspension, front axle (MN12)	901	Voltage converter (JA19)
6052	Fan motor, parking heater (HC14)	901	Voltage converter (JA20)
6054	Fuel pump, parking heater (HB4)	901E	Voltage converter (HB25)
6054	Fuel pump, parking heater (HC24)	902 C	Loudspeaker (JA15)
6054	Fuel pump, parking heater (HC31)	902 L	Loudspeaker (JA11)
6055	Coolant pump, parking heater (HC11)	902 R	Loudspeaker (JA7)
6056L	Motor, level control, headlights (PA3)	903	Diode (BB21)
6056R	Motor, level control, headlights (PA9)	903	Diode (HA8)
6057	Motor, speed limiter (BK9)	903	Diode (HN11)
6058	Motor, door lock (KH14)	903	Diode (JA10)
6068	Power take-off, clutch-independent (LE3)	903	Diode (LE6)
700	Speedometer (NG24)	903	Diode (MA7)
701	Tachograph (NG4)	903	Diode (ND40)
701	Tachograph (NG32)	905	Communication radio (JA27)
701	Tachograph (ZE25)	950	Electric coils, eddy-retarder (OD14)
702 A	Combined instrument (NA10)	952	Magnetic clutch, air conditioning (HA8)
710	Timer, engine/cab heater (HC40)	961	Engine/cab heater (HB10)
710	Timer, engine/cab heater (HC7)	961	Engine/cab heater (HC37)
754 F	Pressure sensor, air (NA30)	9006	Glow plug, parking heater (HC19)
754 R	Pressure sensor, air (NA34)	9008	Control unit, ABS (OA13)
756	Temperature sensor, coolant (BB11)	9008	Control unit, ABS (OC13)
757	Fuel gauge sensor (NA27)	9009	Control box, air suspension, rigids (MN3)
759	Level indicator, coolant (BB25)	9010	Control box, air suspension, tractors (MN3)
762	Oil temperature sensor, gearbox (LK11)	9011 A	Control unit, speed limiter (BK4)
762	Oil temperature sensor, gearbox (ND31)	9012	Current limiter (ZE10)
7052	Sensor, speedometer (NG14)	9021	Control box, city filter (HN5)
7052	Sensor, speedometer (NG43)	9022	Mains connection 220 V, city filter (HN6)
7053	Inductive sensor, bogie lift (MN18)	9030	Magnetic coupling, MTE, compressor (BC2)
7057 LF	Sensor, pole wheel, ABS (OA32)	9071	Control unit, MTE (BC4)
7057 LF	Sensor, pole wheel, ABS (OC32)		
7057 LR	Sensor, pole wheel, ABS (OA48)		

## Abbreviations

ATC .....	Automatic Temperatur Control	M-medium .....	Medium gross vehicle rating, 12-14ton
CABLE-B .....	Cable for tachograph, basic	H-medium .....	High gross vehicle rating, 14-15 ton
CABLE-EC .....	Cable for tachograph, European community	E-medium .....	Extra gross vehicle rating, 16-26ton
C .....	Centre	MTE .....	Mecanical compressor, D6A 250
D .....	Driver	P .....	Passenger
DRL .....	Day running light	PH-CAB .....	Parking heater cab
ENG-GEN 4 ....	Helpvariant D6A	PH-ENGCA .....	Parking heater engine and cab
F .....	Front	PTO .....	Power take off
KH .....	Short length cab	R .....	Right
KOBLAM .....	Clutch independent power take off	RF .....	Right front
L .....	Left	RHD .....	Right hand drive
L .....	Lower	RL .....	Right lower
LF .....	Left front	RR .....	Right rear
LH .....	Long length cab	RU .....	Right upper
LHD .....	Left hand drive	SKMT .....	Side power take off
LL .....	Left lower	TB .....	Air brakes
LR .....	Left rear	TBH .....	Air brakes, hydraulic
LU .....	Left upper	UFSKR .....	Without tachograph
L-medium .....	Low gross vehicle rating, 8-12ton		

## Cable colour code

BL .....	Blue	PU .....	Purple
BN .....	Brown	R .....	Red
GN .....	Green	SB .....	Black
GR .....	Grey	VO .....	Violet
I .....	Ivory	W .....	White
LBL .....	Light blue	Y .....	Yellow
LBN .....	Light brown		
OR .....	Orange		
P .....	Pink		

**Note:** If a cable has two colours, this is written out like the following example: Y/R = Yellow/Red.

# Feedback

One of our objectives is that workshop personnel should have access to correct and appropriate service manuals where it concerns fault tracing, repairs and maintenance of Volvo trucks.

In order to maintain the high standards of our literature, your opinions and experience when using this manual would be greatly appreciated.

If you have any comments or suggestions, make a copy of this page, write down your comments and send them to us, either via telefax or mailing directly to the address listed below.

To

Volvo Truck Parts Corporation

Dept. Service Support 31201

S-405 08 GÖTEBORG

Sweden

Fax +46 31 661057

From

.....  
 .....  
 .....  
 .....  
 .....  
 .....

Comments/proposals

.....  
 .....  
 .....  
 .....  
 .....  
 .....  
 .....  
 .....  
 .....  
 .....  
 .....  
 .....  
 .....  
 .....  
 .....  
 .....

Concerns Service Manual: .....

**VOLVO**  
Volvo Truck Corporation  
Göteborg, Sweden