

2006 Sprinter



Jeep

CHRYSLER • PLYMOUTH • DODGE • JEEP

THE MOPAR DIFFERENCE

2006 Sprinter VA

VIN PLATE DECODING INFORMATION

VIN_POS	SITIOIN DESCRIPT	CODE = CODE DESCRIPTION
1	Country of Origin	W = DaimlerChrysler AG
2	Assembler	D - Sprinter
3	Vehicle Type	W = Dodge Bus X = Dodge Incomplete B = Dodge Multipurpose Passenger Vehicle D = Dodge Wagon P = Freightliner Incomplete R = Freightliner Multipurpose Passenger Vehicle Y = Freightliner Wagon I = Sprinter Cab-Chassis t = Sprinter Chassis-Cab 3 = Sprinter Multipurpose Passenger Vehicle 5 = Sprinter Multipurpose Passenger Vehicle 2 = Sprinter Truck
4	G/VWR & Pass Salely	X = 4 X 2 Cab-Chassis W = 4 X 2 Multipurpose Passenger Vehicle Y = 4 X 2 Truck P = 4X2 - U.S. B = 4X4 - Canada
5	Vehicle Line	D = Combine with position 6
6	Series	1 = 2500C/C2500/P2500 3000 mm 15 in. wheel 8,001 - 9,000 lbs. Class G 2 = 2500C/C2500/P2500 3550 mm 15 in. wheel 8,001 - 9,000 lbs. Class G 6 = 2500C/C2500/P2500 3567 mm 16 in. wheel 8,001 - 9,000 lbs. Class G 3 = 2500C/C2500/P2500 4025 mm 15 in. wheel 8,001 - 9,000 lbs. Class G 7 = 2500C/C2500/P2500 4042 mm 16 in. wheel 8,001 - 9,000 lbs. Class G 8 = 3500C 3567 mm 16 in. wheel 10,001 - 14,000 lbs. Class 3 9 = 3500C 4042 mm 16 in. wheel 10,001 - 14,000 lbs. Class 3 4 = 3500C/C3500 3550 mm 15 in. wheel 9,001 - 10,000 lbs. Class H 5 = 3500C/C3500 4025 mm 15 in. wheel 9,001 - 10,000 lbs. Class H 1 = C2500/P2500 3000 mm 15 in. wheel 8,001 - 9000 lbs. Class G 4 = C3500 3550 mm 15 in. wheel 9,001 - 10,000 lbs. Class H 5 = C3500 4025 mm 15 in. wheel 9,001 - 10,000 lbs. Class H
7	Body Style	4 = Combine with position 8
8	Engine	3 = 2.7L 45 State Diesel, Hydraulic Brakes 2 = 2.7L 50 State Diesel, Hydraulic Brakes 4 = 2.7L 50 State Diesel, Hydraulic Brakes 1 = 2.7L I-5 Diesel, Hydraulic Brakes
9	Check Digit	= Check Digit
10	Model Year	6 = 2006
11	Assembly Plant	5 = Dusseldorf R = Dusseldorf

2006 Sprinter (VA)

SERIES

L =LOWLINE

LINE

3 =HD DODGE 2WD

8 =HD DODGE 4WD

6 =Lt. Duty DODGE 4WD

2 =Med. Duty DODGE 2WD

7 =Med. Duty DODGE 4WD

4 =TRUCK

BODY

01 =CHASSIS FORWARD CONTROL W.B.1

02 =CAB CHASSIS WHEEL BASE 2

06 =CAB CHASSIS WHEEL BASE 6

11 =VAN WHEEL BASE 1

12 =VAN WHEEL BASE 2

51 =WAGON WHEEL BASE 1

52 =WAGON WHEEL BASE 2

14 =VAN WHEEL BASE 4

15 =VAN WHEEL BASE 5

16 =VAN WHEEL BASE 6

54 =WAGON WHEEL BASE 4

55 =WAGON WHEEL BASE 5

56 =WAGON WHEEL BASE 6

ENGINE

EX8=2.7L I5 Turbo Diesel Engine

EX9=2.7L I5 Mercedes-Benz TD Engine

TRANSMISSION

DGJ=5-Speed Automatic MB Transmission

DGZ=4-Spd. Automatic MT643 Transmission

Group – 002

Front Suspension & Drive

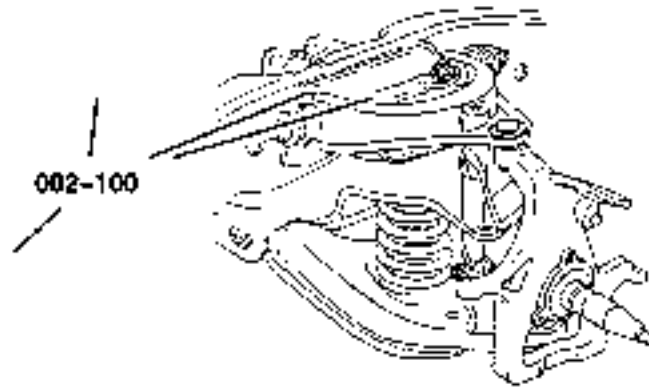
GROUP 2 - Front Suspension & Drive


Illustration Title

Group-Fig. No.

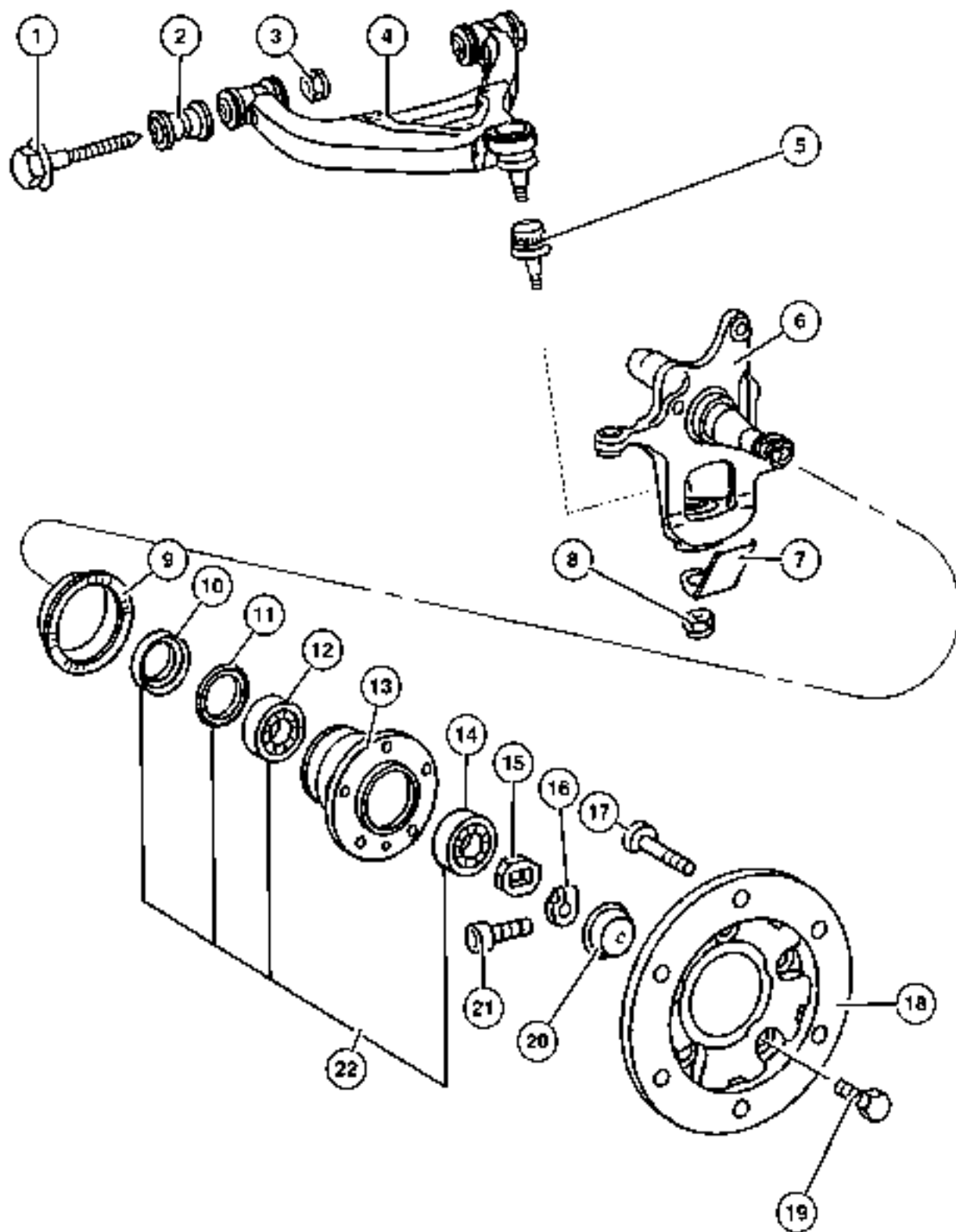
Front Suspension

Front Control Arms, Knuckles, Bearings and Hubs	Fig. 002-110
Front Shocks	Fig. 002-120
Front Stabilizer Bar	Fig. 002-130
Front Spring	Fig. 002-140



<p>002-100 Front Suspension</p> 			
---	--	--	--

Front Control Arms, Knuckles, Bearings and Hubs
Figure 002-110



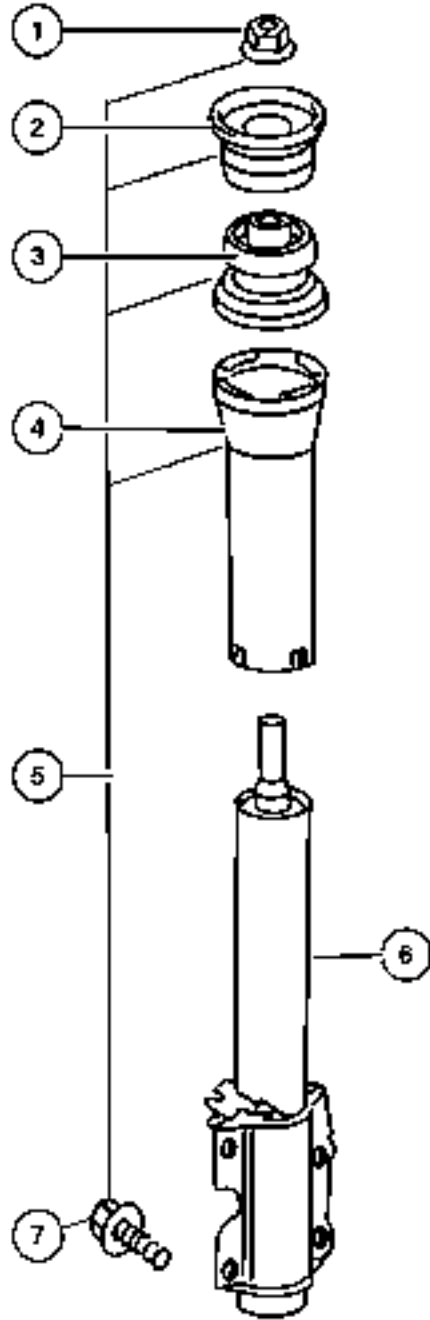
ITEM	PART NUMBER	QTY	LINE	SERIES	BODY	ENGINE	TRANS	TRIM	DESCRIPTION
Note: Sales Codes									
Note: On Up To and From parts, you will have to refer to the Vehicle Data Card.									
1	5133 819AA	4							BOLT, Hex Head
2	5133 818AA	2	2, 3, 6, 7						BUSHING, Control Arm
3									NUT
	6104 719AA	2	2, 6	L	01, 02, 06				
		2	2, 6	L	11, 12, 14, 15, 16				
		2	2, 6	L	51, 52, 54, 55, 56				
		2	3, 7	L	02, 06				
		2	3, 7	L	12, 15, 16				
4									ARM, Lower Control, Front
	5136 057AB	1	2, 3, 6, 7						Right
	5104 578AB	1	2, 3, 6, 7						Left
5	5139 559AA	2							BALL JOINT, Lower Control Arm
6									KNUCKLE, Front
	5135 232AA	1	2, 6	L	01, 02, 06				Right
	5135 233AA	1	2, 6	L	01, 02, 06				Left
	5135 232AA	1	2, 6	L	11, 12, 14, 15, 16				Right
	5135 233AA	1	2, 6	L	11, 12, 14, 15, 16				Left
	5135 232AA	1	2, 6	L	51, 52, 54, 55, 56				Right
	5135 233AA	1	2, 6	L	51, 52, 54, 55, 56				Left
	5139 492AA	1	3, 7						Right
	5104 579AA	1	3, 7						Left
7	5136 122AA	2							PLATE, Control Arm
8	5136 123AA	1	2, 3, 6, 7						NUT, Ball Joint
9	5139 358AA	2							RING, Tone
10	5103 901AB	2							SEAL, Hub
11	5139 359AA	2							SEAL, Wheel Hub
12	5103 779AA	2							BEARING, Axle, Inner
13									HUB, Front Wheel

Refer to Model Legend Information Bookmark

AR = Use as required - = Non illustrated part # = New this model year

March 3, 2006

Front Shocks Figure 002-120



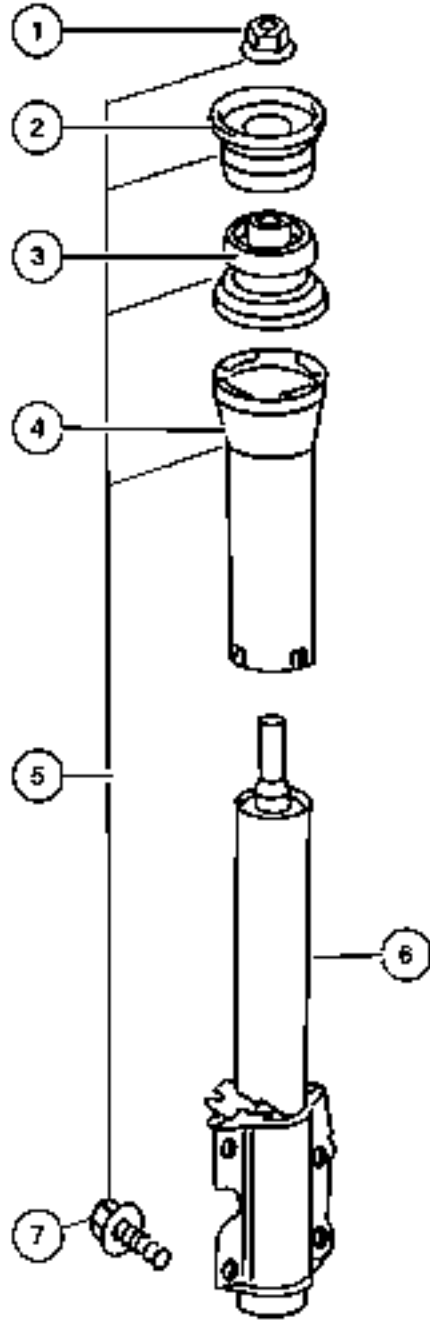
ITEM	PART NUMBER	QTY	LINE	SERIES	BODY	ENGINE	TRANS	TRIM	DESCRIPTION
Note: Sales Codes: [SHA]=Stabilizer Bar - Front [3AT]=Rear Springs Weight 3.88T									
1	5125 762AA	2	2, 6	L	01, 02, 06				NUT
		2	2, 6	L	11, 12, 14, 15, 16				
		2	2, 6	L	51, 52, 54, 55, 56				
		2	3, 7	L	02, 06				
		2	3, 7	L	12, 15, 16				
2	5118 718AA	2	2, 6	L	01, 02, 06				BUSHING, Shock Absorber
		2	2, 6	L	11, 12, 14, 15, 16				
		2	2, 6	L	51, 52, 54, 55, 56				
		2	3, 7	L	12, 15, 16				
		2	3, 7	L	02, 06				
3	5118 722AA	2	2, 6	L	01, 02, 06				BUSHING, Shock Absorber
		2	2, 6	L	11, 12, 14, 15, 16				
		2	2, 6	L	51, 52, 54, 55, 56				
		2	3, 7	L	02, 06				
		2	3, 7	L	12, 15, 16				
4	5118 728AA	2	2, 6	L	01, 02, 06				SHIELD, Shock Absorber Dust
		2	2, 6	L	11, 12, 14, 15, 16				

Refer to Model Legend Information Bookmark

AR = Use as required - = Non illustrated part # = New this model year

March 3, 2006

Front Shocks
Figure 002-120



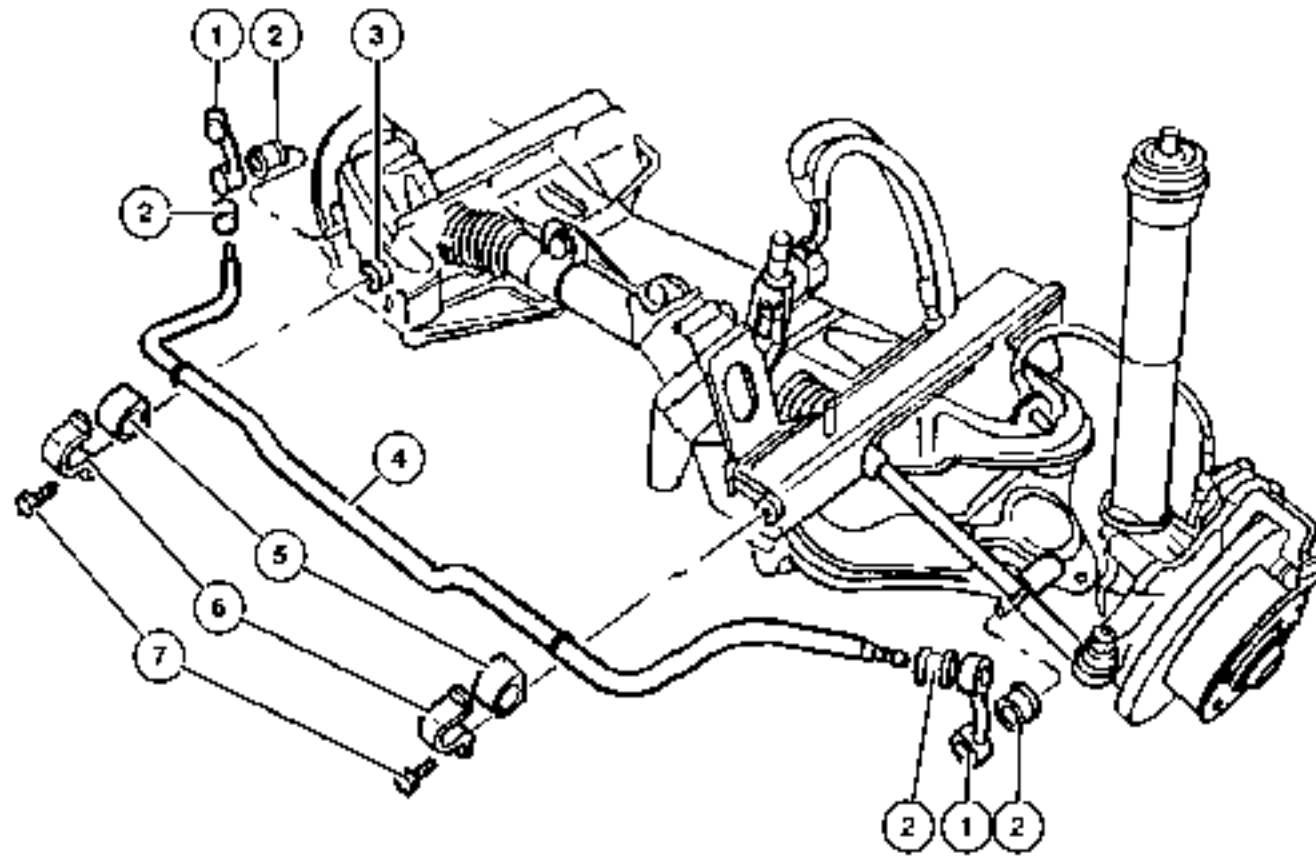
ITEM	PART NUMBER	QTY	LINE	SERIES	BODY	ENGINE	TRANS	TRIM	DESCRIPTION
		2	2, 6	L	51, 52, 54, 55, 56				
		2	3, 7	L	02, 06				
		2	3, 7	L	12, 15, 16				
5	5133 869AA	2	2, 6	L	01, 02, 06				PARTS KIT, Shock
		2	2, 6	L	11, 12, 14, 15, 16				
		2	2, 6	L	51, 52, 54, 55, 56				
		2	3, 7	L	02, 06				
		2	3, 7	L	12, 15, 16				
6	5104 063AA	2	2, 6	L					ABSORBER, Shock
	5139 548AA	2	2, 6						[3AT,SHA]
	5128 502AA	2	3, 7	L	12, 15, 16				
7	5125 699AA	8							SCREW, Strut to Knuckle, Mounting

Refer to Model Legend Information Bookmark

AR = Use as required - = Non illustrated part # = New this model year

March 3, 2006

Front Stabilizer Bar
Figure 002-130



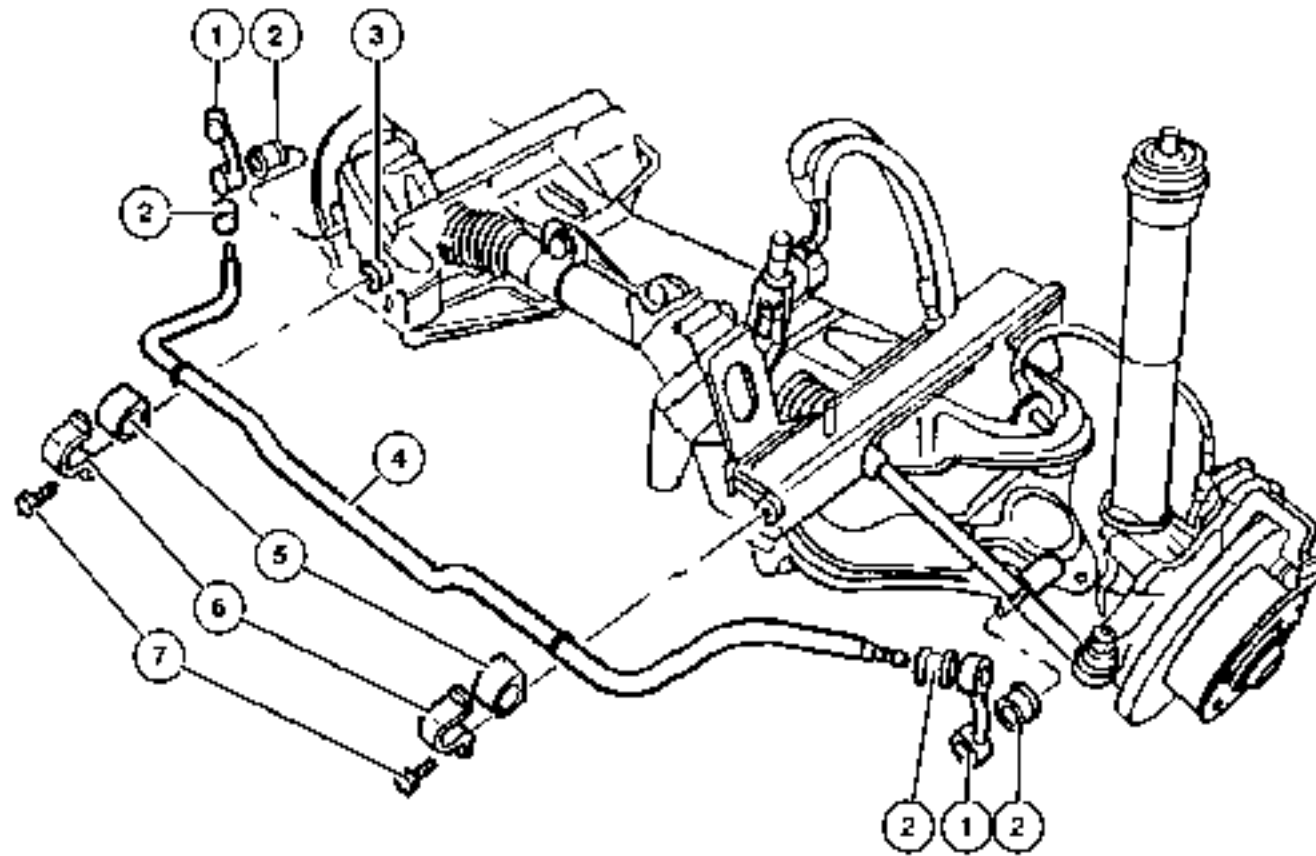
ITEM	PART NUMBER	QTY	LINE	SERIES	BODY	ENGINE	TRANS	TRIM	DESCRIPTION
Note; Sales Codes;									
[SHA]=Stabilizer Bar-Front									
[SHB]=									
[SHJ]=									
1									LINK, sway bar
	5104 060AA	1	2, 6	L	01, 02, 06				[SHA,SHJ], Right
	5104 059AA	1	2, 6	L	01, 02, 06				[SHA,SHJ], Left
	5104 060AA	1	2, 6	L	11, 12, 14, 15, 16				[SHA,SHJ], Right
	5104 059AA	1	2, 6	L	11, 12, 14, 15, 16				[SHA,SHJ], Left
	5104 060AA	1	2, 6	L	51, 52, 54, 55, 56				[SHA,SHJ], Right
	5104 059AA	1	2, 6	L	51, 52, 54, 55, 56				[SHA,SHJ], Left
	5127 277AA	1	2, 6	L	11, 12, 14, 15, 16				[SHB], Right
	5127 276AA	1	2, 6	L	11, 12, 14, 15, 16				[SHB], Left
	5104 060AA	1	3, 7	L	02, 06				[SHJ], Right
	5104 059AA	1	3, 7	L	02, 06				[SHJ], Left
	5104 060AA	1	3, 7	L	12, 15, 16				[SHJ], Right
	5104 059AA	1	3, 7	L	12, 15, 16				[SHJ], Left
2									BUSHING
	5104 066AA	4	2, 6	L	01, 02, 06				
		4	2, 6	L	11, 12, 14, 15, 16				
		4	2, 6	L	51, 52, 54, 55, 56				
		4	3, 7	L	02, 06				
		4	3, 7	L	12, 15, 16				
3									NUT

Refer to Model Legend Information Bookmark

AR = Use as required - = Non illustrated part # = New this model year

March 3, 2006

Front Stabilizer Bar
Figure 002-130



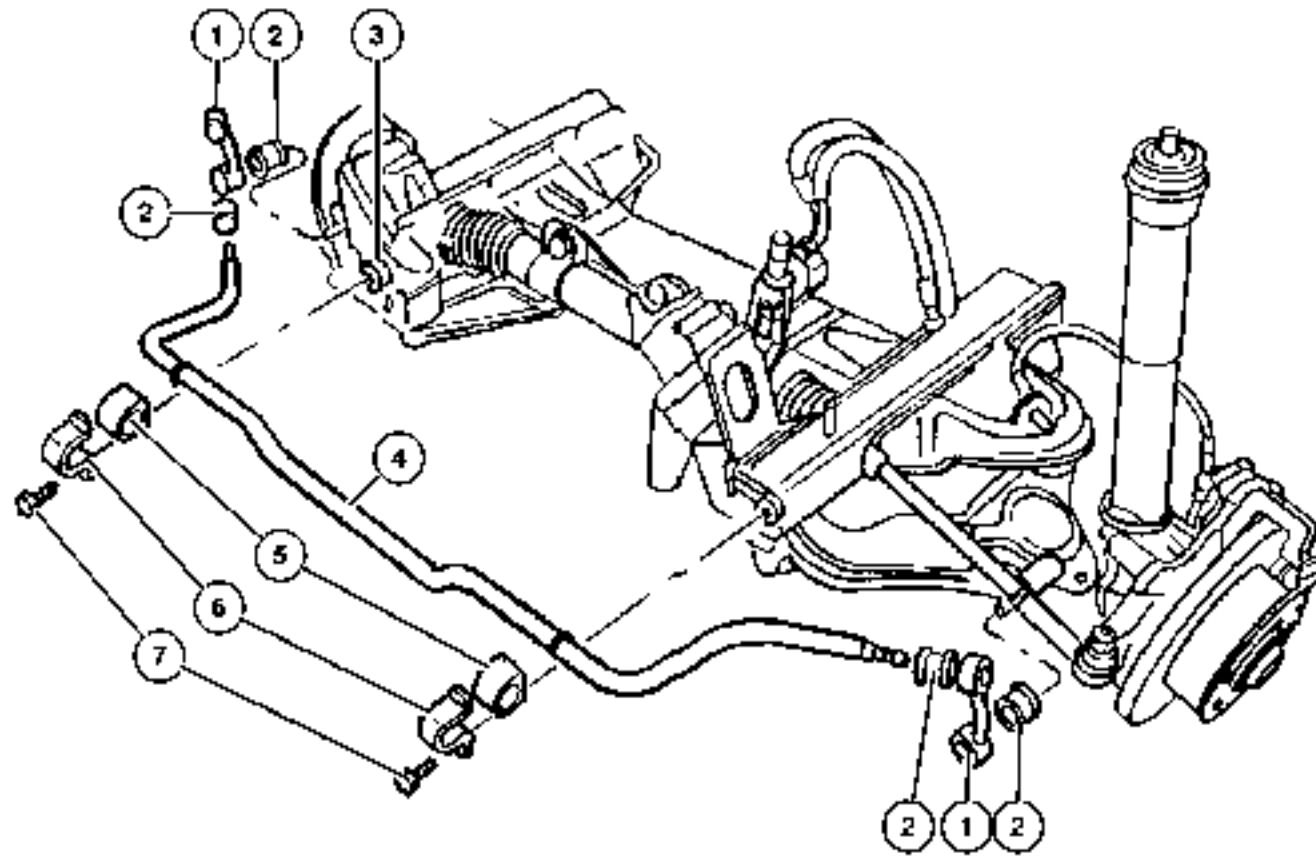
ITEM	PART NUMBER	QTY	LINE	SERIES	BODY	ENGINE	TRANS	TRIM	DESCRIPTION
	5104 677AA	2	2, 6	L	01, 02, 06				
		2	2, 6	L	11, 12, 14, 15, 16				
		2	2, 6	L	51, 52, 54, 55, 56				
		2	3, 7	L	02, 06				
		2	3, 7	L	12, 15, 16				
4	5104 576AA	1	2, 6	L	01, 02, 06				BAR, Front Sway [SHA]
	5128 572AA	1	2, 6	L	01, 02, 06				[SHJ]
	5104 576AA	1	2, 6	L	11, 12, 14, 15, 16				[SHA]
		1	2, 6	L	51, 52, 54, 55, 56				[SHA]
	5127 272AA	1	2, 6	L	11, 12, 14, 15, 16				[SHB]
	5128 572AA	1	2, 6	L	11, 12, 14, 15, 16				[SHJ]
		1	2, 6	L	51, 52, 54, 55, 56				[SHJ]
	5104 576AA	1	3, 7	L	02, 06				[SHJ]
		1	3, 7	L	12, 15, 16				[SHJ]
5	5104 577AA	2	2, 6	L	01, 02, 06				BUSHING, Sway Bar [SHA]
		2	2, 6	L	11, 12, 14, 15, 16				[SHA]
		2	2, 6	L	51, 52, 54, 55, 56				[SHA]

Refer to Model Legend Information Bookmark

AR = Use as required - = Non illustrated part # = New this model year

March 3, 2006

Front Stabilizer Bar
Figure 002-130



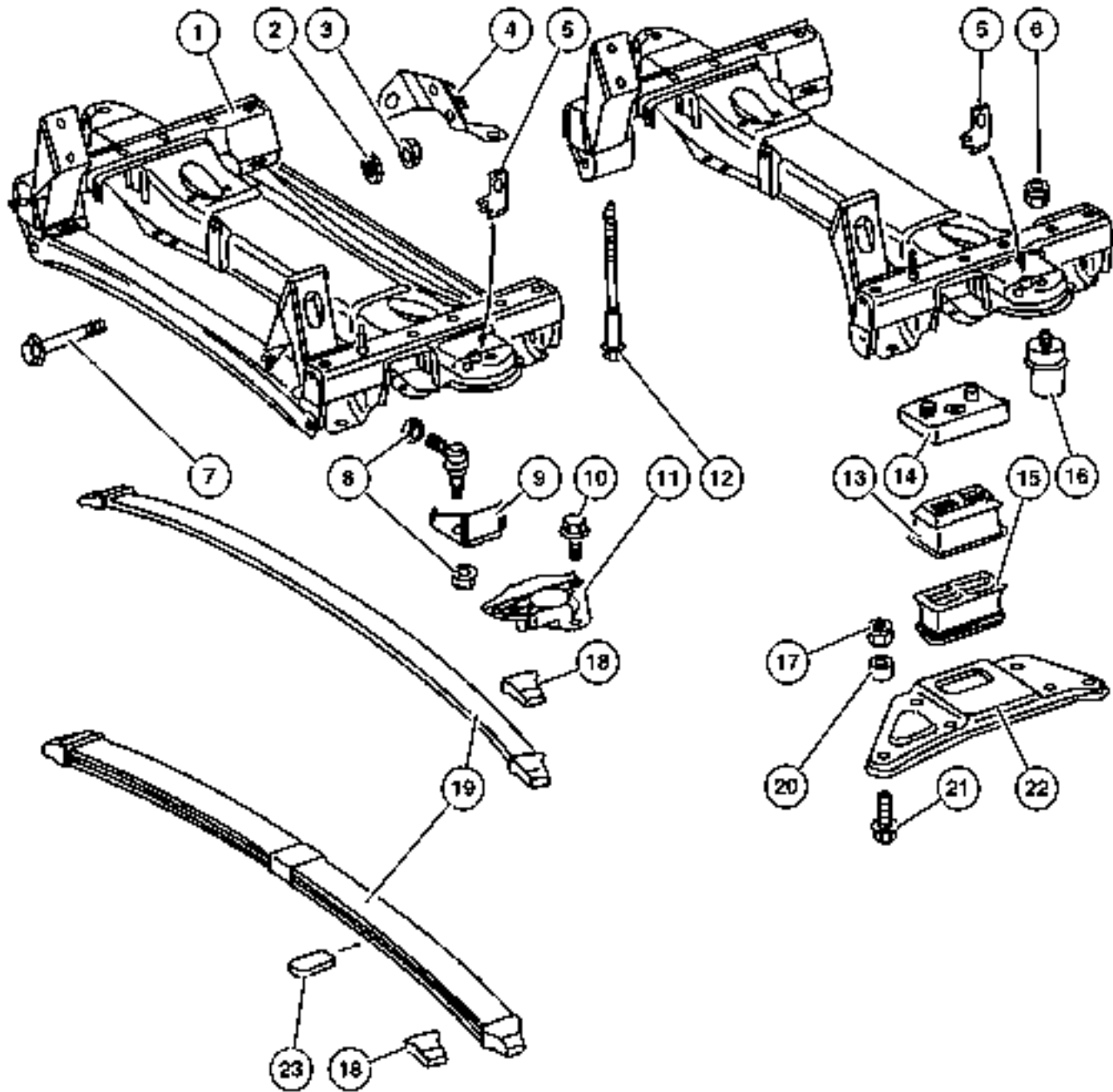
ITEM	PART NUMBER	QTY	LINE	SERIES	BODY	ENGINE	TRANS	TRIM	DESCRIPTION
	5127 273AA	2	2, 6	L	11, 12, 14, 15, 16				[SHB]
	5104 065AA	2	2, 6	L	01, 02, 06				[SHJ]
		2	2, 6	L	11, 12, 14, 15, 16				[SHJ]
		2	2, 6	L	51, 52, 54, 55, 56				[SHJ]
	5104 577AA	2	3, 7	L	02, 06				[SHJ]
		2	3, 7	L	12, 15, 16				[SHJ]
6	5104 067AA	2	2, 6	L	01, 02, 06				RETAINER, Sway Bar [SHA,SHJ]
		2	2, 6	L	11, 12, 14, 15, 16				[SHA,SHJ]
		2	2, 6	L	51, 52, 54, 55, 56				[SHA,SHJ]
	5127 274AA	2	2, 6	L	11, 12, 14, 15, 16				[SHB]
	5104 067AA	2	3, 7	L	02, 06				[SHJ]
		2	3, 7	L	12, 15, 16				[SHJ]
7	5104 656AA	2	2, 6	L	01, 02, 06				BOLT
		2	2, 6	L	11, 12, 14, 15, 16				
		2	2, 6	L	51, 52, 54, 55, 56				
		2	3, 7	L	02, 06				
		2	3, 7	L	12, 15, 16				

Refer to Model Legend Information Bookmark

AR = Use as required - = Non illustrated part # = New this model year

March 3, 2006

Front Spring Figure 002-140



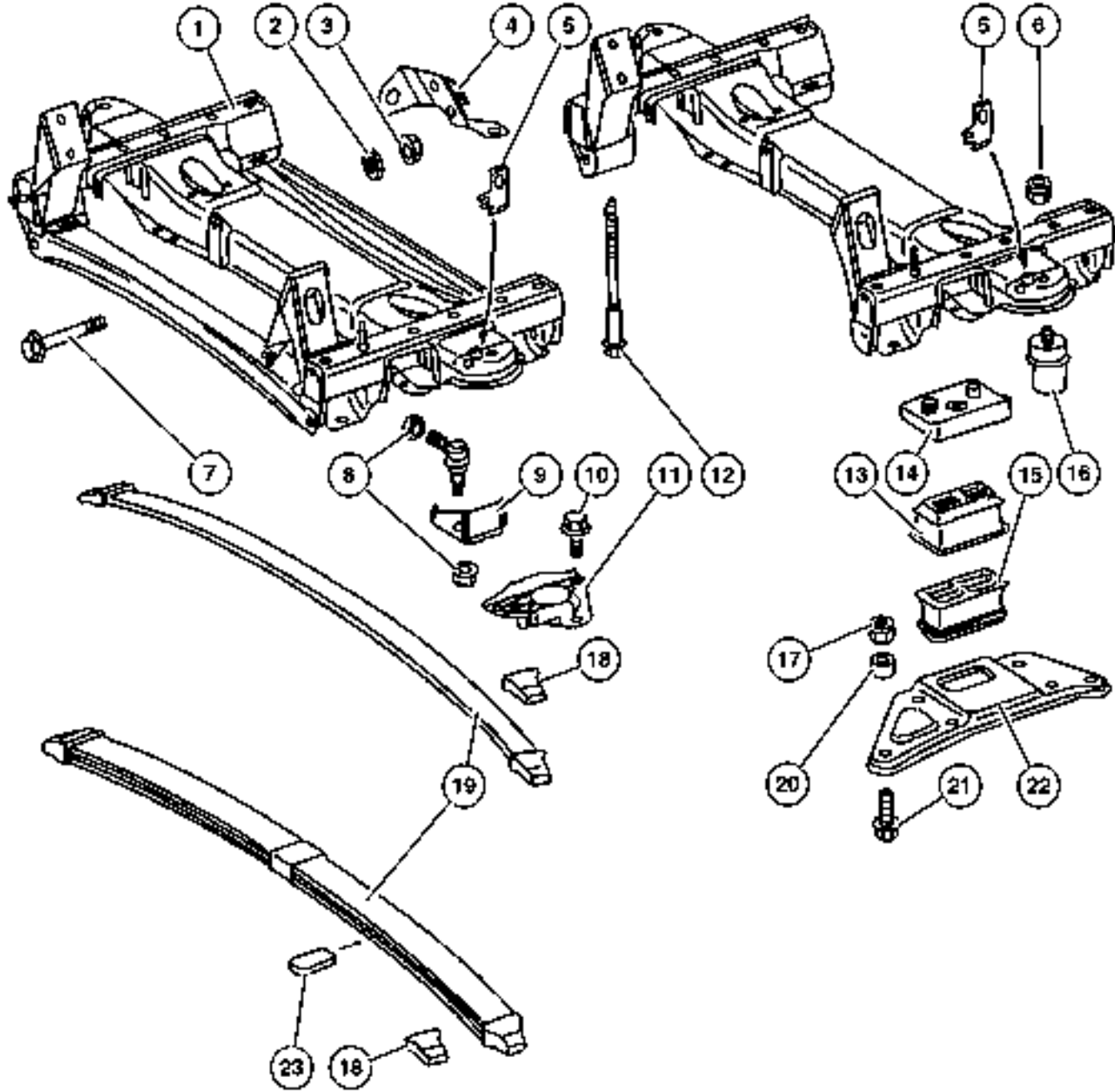
ITEM	PART NUMBER	QTY	LINE	SERIES	BODY	ENGINE	TRANS	TRIM	DESCRIPTION
Note: Sales Codes									
Note: On Up To and From parts, you will have to refer to the Vehicle Data Card.									
Note: On SV#'s [Special Version codes], refer to the Vehicle Data Card.									
1									CROSSMEMBER, Front Axle
	5104 074AA	1	2, 6						
	5139 740AA	1							
2									WASHER, (NOT SERVICED) (Not Serviced)
3									NUT
	6104 718AA	2	2, 6	L	01, 02, 06				
		2	2, 6	L	11, 12, 14, 15, 16				
		2	2, 6	L	51, 52, 54, 55, 56				
		2	3, 7	L	02, 06				
		2	3, 7	L	12, 15, 16				
4									BRACKET, Steering Gear
	5119 553AA	1	2, 6	L	01, 02, 06				
		1	2, 6	L	11, 12, 14, 15, 16				
		1	2, 6	L	51, 52, 54, 55, 56				
		1	3, 7	L	02, 06				
		1	3, 7	L	12, 15, 16				
5									BRACKET, (NOT SERVICED) (Not Serviced)
6									NUT
	5132 896AA	6	2, 6	L	11, 12, 14, 15, 16				
		6	2, 6	L	51, 52, 54, 55, 56				
7									SCREW
	5125 714AA	4	2, 6	L	01, 02, 06				

Refer to Model Legend Information Bookmark

AR = Use as required - = Non illustrated part # = New this model year

March 3, 2006

Front Spring
Figure 002-140



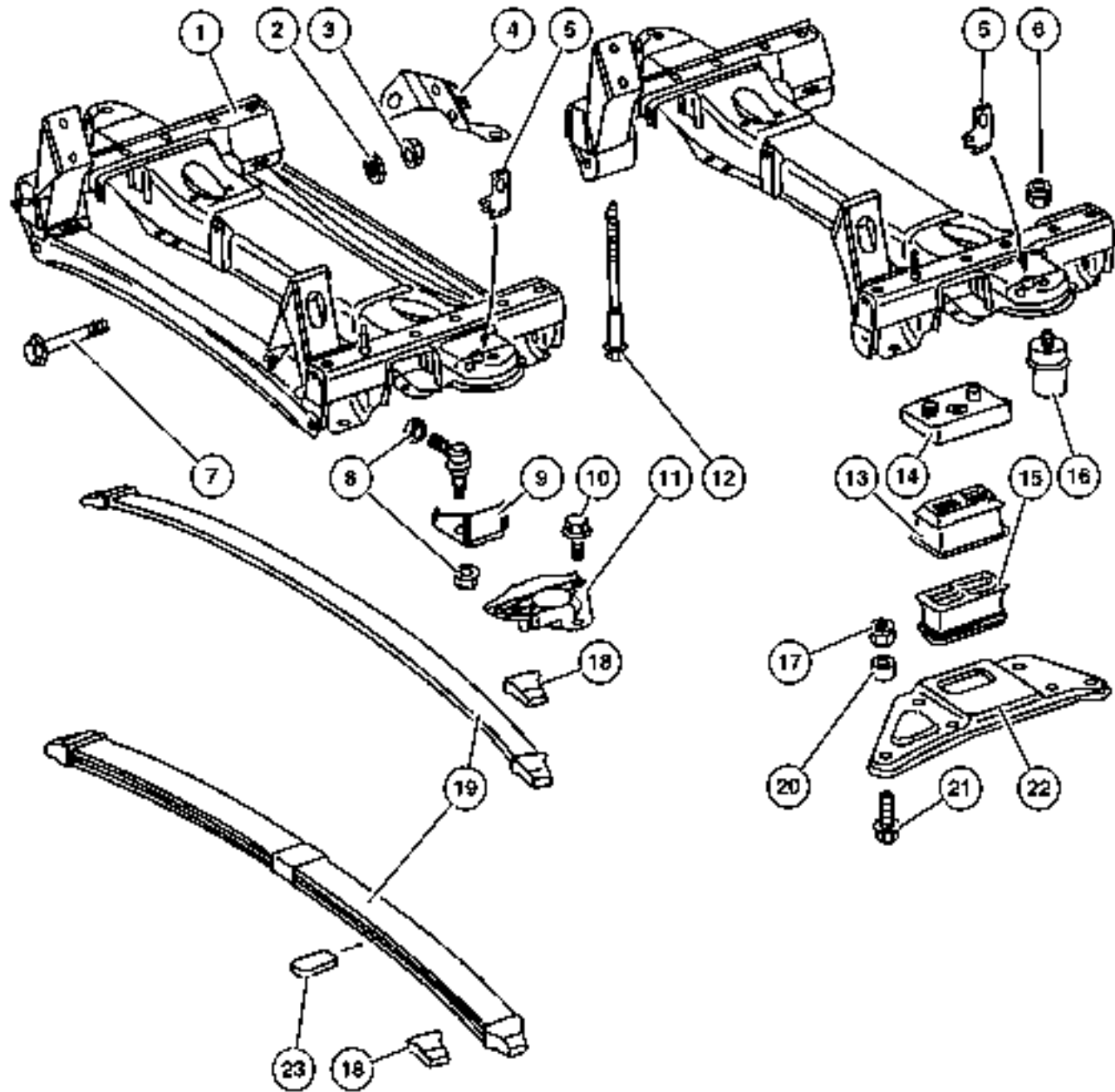
ITEM	PART NUMBER	QTY	LINE	SERIES	BODY	ENGINE	TRANS	TRIM	DESCRIPTION
		4	2, 6	L	11, 12,				
					14, 15,				
					16				
		4	2, 6	L	51, 52,				
					54, 55,				
					56				
		4	3, 7	L	02, 06				
		4	3, 7	L	12, 15,				
					16				
8	5125 761AA	2	2, 6	L	01, 02,				NUT
					06				
		2	2, 6	L	11, 12,				
					14, 15,				
					16				
		2	2, 6	L	51, 52,				
					54, 55,				
					56				
		2	3, 7	L	02, 06				
		2	3, 7	L	12, 15,				
					16				
9	5119 249AA	2	2, 6	L	01, 02,				PLATE, Backing
					06				
		2	2, 6	L	11, 12,				
					14, 15,				
					16				
		2	2, 6	L	51, 52,				
					54, 55,				
					56				
		2	3, 7	L	02, 06				
		2	3, 7	L	12, 15,				
					16				
10	5126 233AA	6	2, 6	L	01, 02,				BOLT
					06				
		6	2, 6	L	11, 12,				
					14, 15,				
					16				
		6	2, 6	L	51, 52,				
					54, 55,				
					56				
		6	3, 7	L	02, 06				
		6	3, 7	L	12, 15,				
					16				
11									PLATE, Sway Bar

Refer to Model Legend Information Bookmark

AR = Use as required - = Non illustrated part # = New this model year

March 3, 2006

Front Spring
Figure 002-140



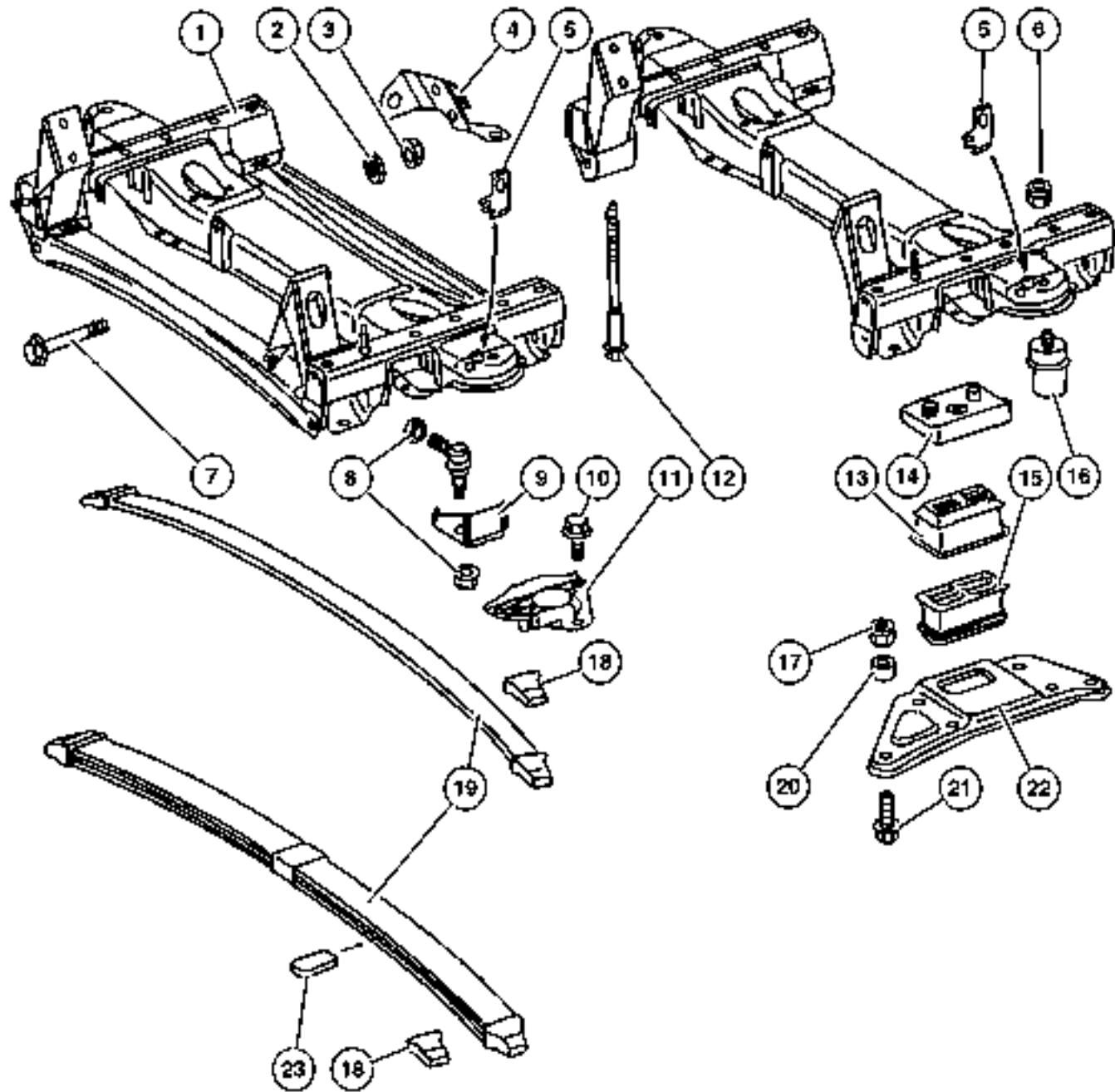
ITEM	PART NUMBER	QTY	LINE	SERIES	BODY	ENGINE	TRANS	TRIM	DESCRIPTION
	5104 064AA	1	2, 6	L	01, 02, 06				With [SHA,SHJ,WDG], Right
	5118 707AA	1	2, 6	L	01, 02, 06				With [SHA,SHJ,WDG], Left
	5104 064AA	1	2, 6	L	11, 12, 14, 15, 16				With [SHA,SHJ,WDG], Right
	5118 707AA	1	2, 6	L	11, 12, 14, 15, 16				With [SHA,SHJ,WDG], Left
	5104 064AA	1	2, 6	L	51, 52, 54, 55, 56				With [SHA,SHJ,WDG], Right
	5118 707AA	1	2, 6	L	51, 52, 54, 55, 56				With [SHA,SHJ,WDG], Left
	5104 064AA	1	3, 7	L	02, 06				[SHJ], Right
	5118 707AA	1	3, 7	L	02, 06				[SHJ], Left
	5104 064AA	1	3, 7	L	12, 15, 16				[SHJ], Right
	5118 707AA	1	3, 7	L	12, 15, 16				[SHJ], Left
	5118 705AA	1	2, 6	L	01, 02, 06				Without [SHA,SHJ,WDG], Right or Left
		1	2, 6	L	11, 12, 14, 15, 16				Without [SHA,SHJ,WDG], Right or Left
		1	2, 6	L	51, 52, 54, 55, 56				Without [SHA,SHJ,WDG], Right or Left
		1	3, 7	L	02, 06				Without [SHJ], Right or Left
		1	3, 7	L	12, 15, 16				Without [SHJ], Right or Left
12	5125 726AA	8	2, 6	L	01, 02, 06				SCREW AND WASHER, Hex
		8	2, 6	L	11, 12, 14, 15, 16				
		8	2, 6	L	51, 52, 54, 55, 56				
		8	3, 7	L	02, 06				
		8	3, 7	L	12, 15, 16				
13									SEAT, Spring

Refer to Model Legend Information Bookmark

AR = Use as required - = Non illustrated part # = New this model year

March 3, 2006

Front Spring
Figure 002-140



ITEM	PART NUMBER	QTY	LINE	SERIES	BODY	ENGINE	TRANS	TRIM	DESCRIPTION
	5139 190AB	2							To Frame with SV#500323/03
	5139 558AA	2							To Frame with SV#500323/02
14	5139 554AA	1							SHIM, Spring Seat Right
	5139 552AA	1							Left
15	5139 189AA	1							SEAT, Spring Right
	5139 188AA	1							Left
16	5139 555AA	2							BUMPER, Suspension Jounce
17	6104 717AA	8	2, 6	L	01, 02, 06				NUT M10x1.5
		8	2, 6	L	11, 12, 14, 15, 16				M10x1.5
		8	2, 6	L	51, 52, 54, 55, 56				M10x1.5
		8	3, 7	L	02, 06				M10x1.5
		8	3, 7	L	12, 15, 16				M10x1.5
	6104 718AA	8	2, 6	L	01, 02, 06				M12x1.5
		8	2, 6	L	11, 12, 14, 15, 16				M12x1.5
		8	2, 6	L	51, 52, 54, 55, 56				M12x1.5
		8	3, 7	L	02, 06				M12x1.5
		8	3, 7	L	12, 15, 16				M12x1.5
18	5139 556AA	2							SEAT, Spring
19	5139 112AA	1							SPRING, Front Leaf
20	5139 737AA	4							BUSHING, Spring
21	6104 233AA	4							BOLT, Hex Head
22									PLATE, Suspension
	5139 187AA	1							Right
	5139 186AA	1							Left
23									SHIM, (NOT SERVICED) (Not Serviced)

Refer to Model Legend Information Bookmark

AR = Use as required - = Non illustrated part # = New this model year

March 3, 2006

Group – 003

Rear Axle

GROUP 3 - Rear Axle

Illustration Title

Group-Fig. No.

Rear Axle

Differential Assembly,Rear Fig. 003-110

Differential and Housing

Internal Differential Parts,Rear Fig. 003-210

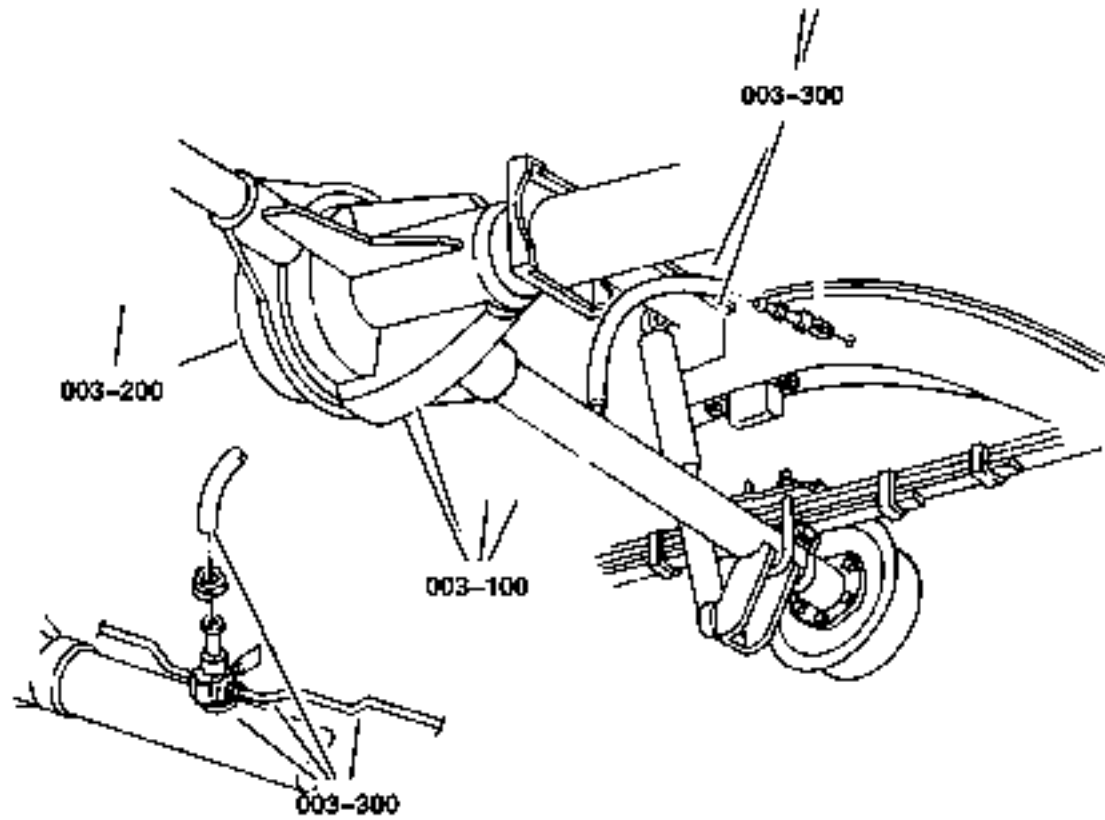
Differential Housing,Rear Fig. 003-220

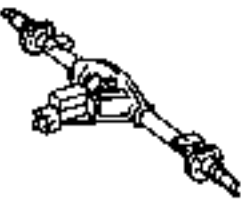

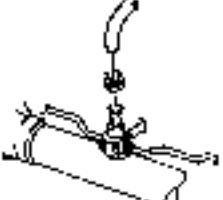
Axle Shaft and Wheel Bearings,Single Rear Wheels Fig. 003-230

Axle Shaft and Wheel Bearings,Dual Rear Wheels Fig. 003-240

Rear Axle Vent

Vent,Rear Axle Fig. 003-310



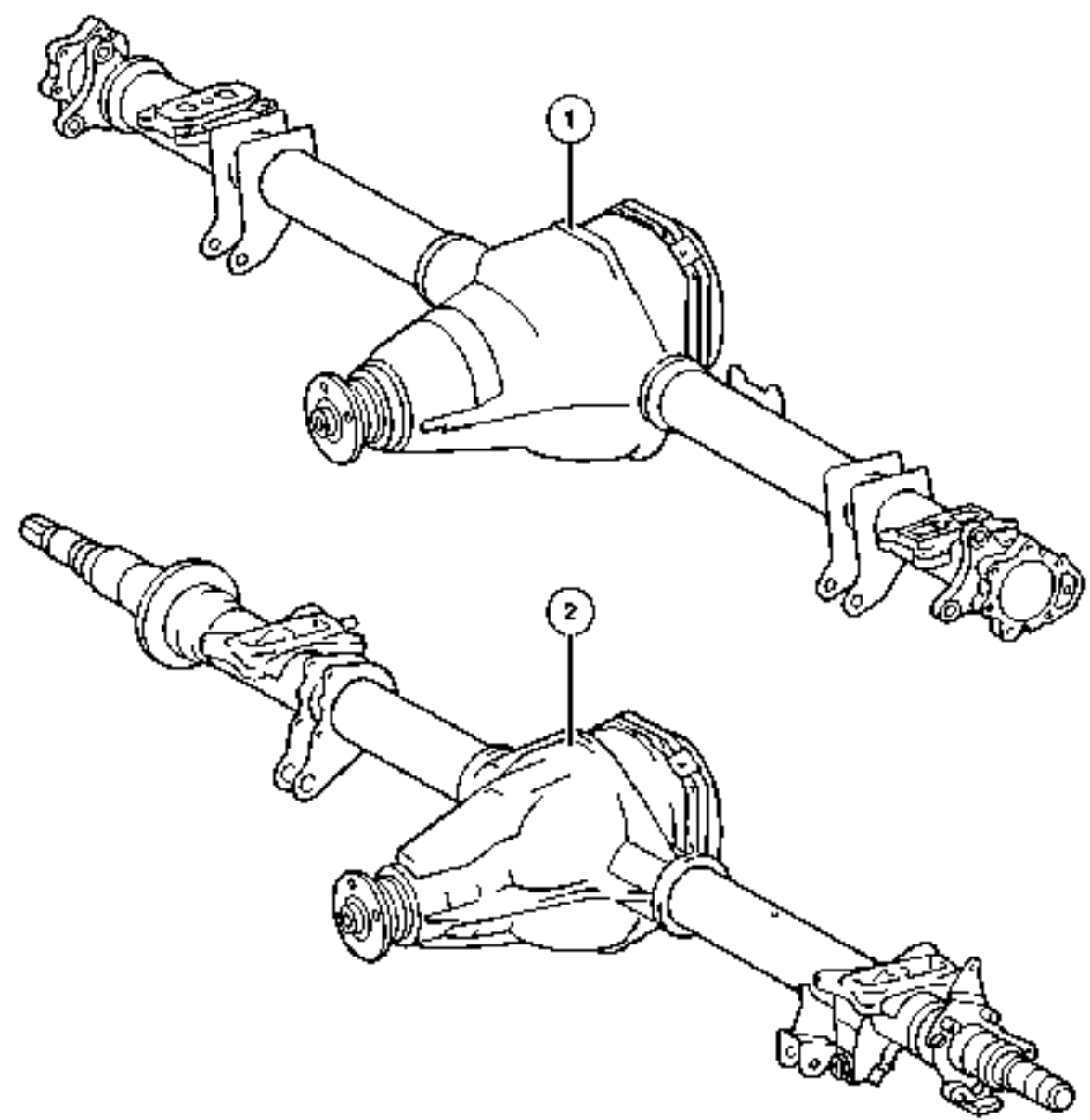
<p>003-100 Rear Axle</p> 	<p>003-200 Differential and Housing</p> 	<p>003-300 Rear Axle Vent</p> 	
---	--	---	--

Differential Assembly,Rear Figure 003-110

ITEM	PART NUMBER	QTY	LINE	SERIES	BODY	ENGINE	TRANS	TRIM	DESCRIPTION
------	-------------	-----	------	--------	------	--------	-------	------	-------------

Note: Sales Codes:
 DRW means Dual Rear Wheels
 SRW means Single Rear Wheels
 [BGK]=4-WHEEL ANTI-LOCK BRAKES
 [DME]=Axle Ratio - 3.72
 [DMF]=Axle Ratio - 4.11
 [4JR]=Dual Rear Wheel Chassis With/16" TIRES

1	5137 591AA	1	2, 6						AXLE, Service Rear [DME] SRW
	5137 755AA	1	2, 6	L					[DMF] SRW
2	5135 823AA	1	3, 7	L			12, 15, 16		AXLE, Service Rear [DME] With 15 Inch DRW
	5135 928AA	1	3, 7	L					[DMF] With 15 Inch DRW
	5140 856AB	1	3, 7	L		02, 06			[DME,4JR] With 16 Inch DRW
		1	3, 7	L		12, 15, 16			[DME,4JR] With 16 Inch DRW
	5140 855AB	1	3, 7	L		02, 06			[DMF,4JR] With 16 Inch DRW
		1	3, 7	L		12, 15, 16			[DMF,4JR] With 16 Inch DRW

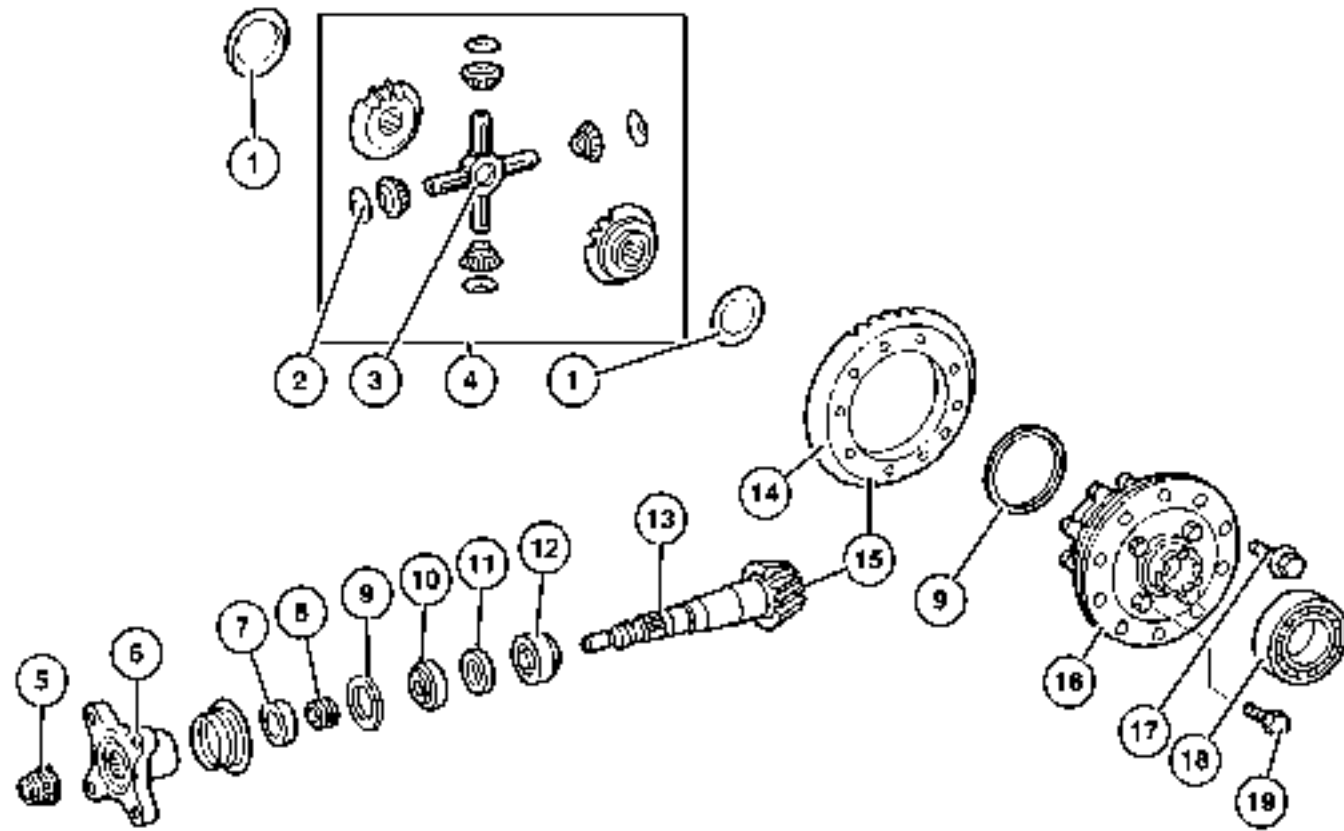


Refer to Model Legend Information Bookmark

AR = Use as required - = Non illustrated part # = New this model year

March 3, 2006

**Internal Differential Parts,Rear
Figure 003-210**



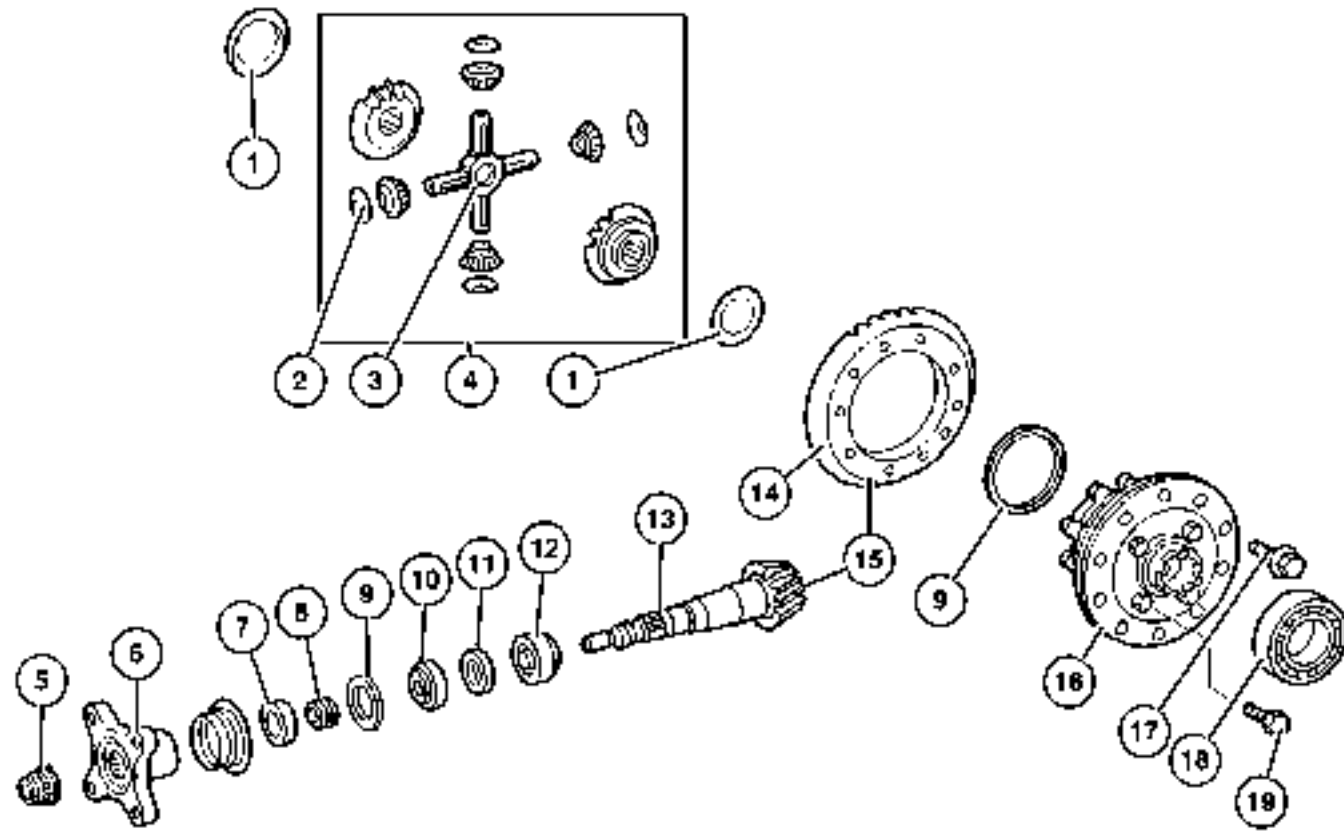
ITEM	PART NUMBER	QTY	LINE	SERIES	BODY	ENGINE	TRANS	TRIM	DESCRIPTION
Note:Sales Codes									
[DME]=3.72 Axle Ratio									
[DMF]=4.10 Axle Ratio									
1									WASHER, Side Gear Thrust
	5136 792AA	AR	3, 7	L					[1.30mm Steel]
	5136 810AA	AR	3, 7	L					[1.30mm Brass]
	5136 820AA	AR	3, 7	L					[1.40mm Steel]
	5136 819AA	AR	2, 3, 6, 7	L					[1.40mm Brass]
	5136 822AA	AR	3, 7	L					[1.50mm Steel]
	5136 823AA	AR	3, 7	L					[1.50mm Brass]
	5136 826AA	AR	3, 7	L					[1.60mm Steel]
	5136 827AA	AR	3, 7	L					[1.60mm Brass]
	5136 829AA	AR	3, 7	L					[1.70mm Steel]
	5136 830AA	AR	3, 7	L					[1.70mm Brass]
	5136 834AA	AR	3, 7	L					[1.80mm Steel]
	5136 835AA	AR	3, 7	L					[1.80mm Brass]
	5136 841AA	AR	3, 7	L					[1.90mm Steel]
2									WASHER, Pinion Gear Thrust
	5136 148AA	4	2, 6						Thrust
		4	3, 7						Thrust
3	5136 150AA	1	3, 7						SHAFT, Differential Pinion
4	5137 602AA	1	2, 3, 6, 7						GEAR PACKAGE, Differential
5									NUT, Pinion Yoke
	5103 957AA	1							Up To Axle L538154 or X004694
	5103 958AA	1							From Axle L538155 or X004695
6	5134 541AA	1		L					FLANGE, Driveshaft Yoke
7	5103 966AA	1		L					RING, pinion flange
8	5134 540AA	1		L					SPACER, Drive Pinion Bearing
9									SHIM, Axle
	5134 415AA	1	2, 3, 6, 7						[4.90mm]
	5134 416AA	1	2, 3, 6, 7						[4.92mm]
	5134 417AA	1	2, 3, 6, 7						[4.94mm]
	5134 418AB	1	2, 3, 6, 7						[4.96mm]
	5134 419AA	1	2, 3, 6, 7						[5.00mm]
	5134 420AA	1	2, 3, 6, 7						[5.02mm]
	5134 421AA	1	2, 3, 6, 7						[5.04mm]
	5134 422AB	1	2, 3, 6, 7						[5.06mm]
	5134 423AA	1	2, 3, 6, 7						[5.12mm]
	5134 425AA	1	2, 3, 6, 7	L					[5.20mm]
	5134 427AA	1	2, 3, 6, 7	L					[5.24mm]
	5134 428AA	1	2, 3, 6, 7	L					[5.28mm]
	5134 429AA	1	2, 3, 6, 7	L					[5.32mm]
	5134 430AA	1	2, 3, 6, 7	L					[5.36mm]
	5134 431AA	1	2, 3, 6, 7	L					[5.40mm]
	5134 432AA	1	2, 3, 6, 7	L					[5.50mm]

Refer to Model Legend Information Bookmark

AR = Use as required - = Non illustrated part # = New this model year

March 3, 2006

Internal Differential Parts,Rear
Figure 003-210



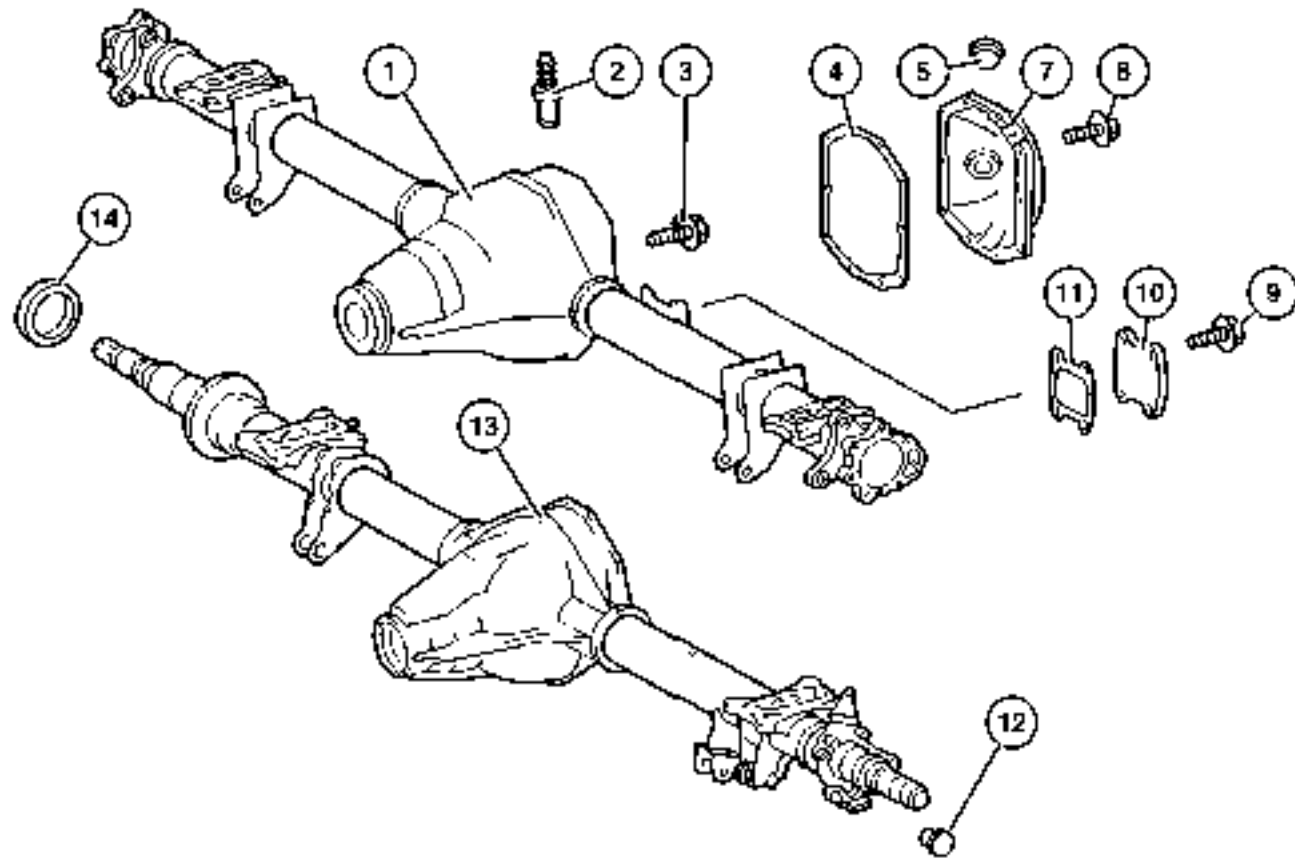
ITEM	PART NUMBER	QTY	LINE	SERIES	BODY	ENGINE	TRANS	TRIM	DESCRIPTION
	5134 433AA	1	2, 3, 6, 7	L					[5.60mm]
	5134 434AA	1	2, 3, 6, 7	L					[5.72mm]
	5134 435AA	1	2, 3, 6, 7	L					[5.78mm]
	5134 436AA	1	2, 3, 6, 7	L					[5.80mm]
	5134 437AA	1	2, 3, 6, 7	L					[5.84mm]
	5134 438AA	1	2, 3, 6, 7	L					[5.88mm]
	5134 439AA	1	2, 3, 6, 7	L					[5.92mm]
	5134 440AA	1	2, 3, 6, 7						[5.96mm]
	5134 441AA	1	2, 3, 6, 7	L					[6.00mm]
	5134 466AB	1	2, 3, 6, 7	L					[6.10mm]
	5134 467AA	1	2, 3, 6, 7	L					[6.20mm]
	5134 468AB	1	2, 3, 6, 7	L					[6.30mm]
	5134 469AA	1	2, 3, 6, 7	L					[6.38mm]
10	5136 772AA	1		L					BEARING, Front
11	5103 900AA	1		L					SEAL, Drive Pinion
12	5134 442AA	1		L					BEARING, Drive Pinion, Rear
13	5136 773AA	1	2, 3, 6, 7	L					PINION, Differential, [DME]
14	5136 774AA	1		L					GEAR, Differential Ring, [DME]
15	5136 156AA	1	2, 3, 6, 7	L					GEAR KIT, Ring And Pinion [DMF]
		1	2, 3, 6, 7	L					11, 12, 14, 15, 16 [DMF]
16	5137 618AA	1	2, 3, 6, 7						CASE, Differential [DME]
	5136 172AA	1	3, 7						11, 12, 14, 15, 16 [DMF]
17	5103 849AA	10	2, 3, 6, 7	L					BOLT, Ring Gear, Mounting
18	5097 700AA	1	2, 3, 6, 7						BEARING, Differential
19	5136 178AA	8							SCREW, Differential, Differential Case Half, Mounting

Refer to Model Legend Information Bookmark

AR = Use as required - = Non illustrated part # = New this model year

March 3, 2006

Differential Housing,Rear
Figure 003-220



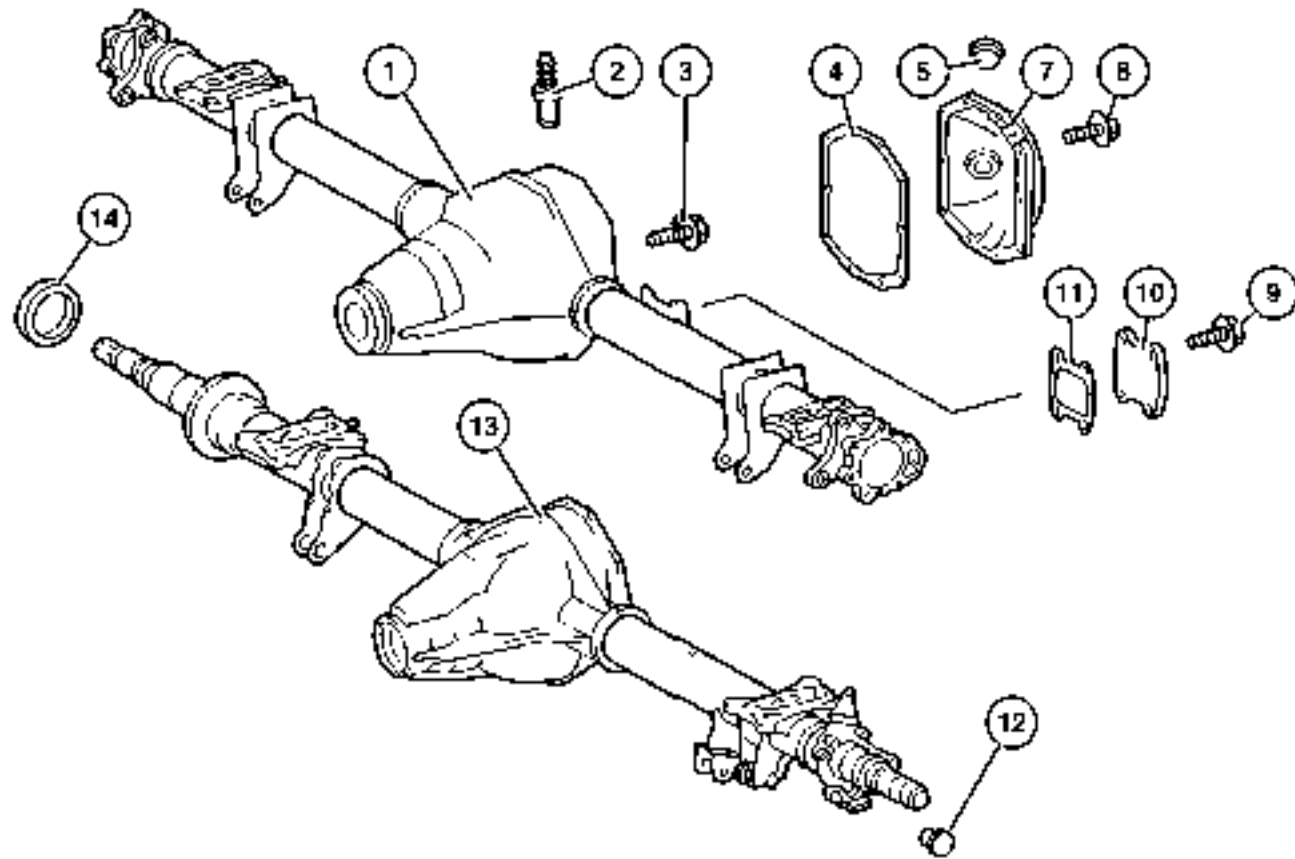
ITEM	PART NUMBER	QTY	LINE	SERIES	BODY	ENGINE	TRANS	TRIM	DESCRIPTION
1									HOUSING, Rear Axle, Order Axle Assembly, (NOT SERVICED) (Not Serviced)
2	5103 948AA	1	2, 6	L	01, 02, 06				VENT, Axle
		1	2, 6	L	11, 12, 14, 15, 16				
		1	2, 6	L	51, 52, 54, 55, 56				
		1	3, 7	L	02, 06				
		1	3, 7	L	12, 15, 16				
3	6104 225AA	4	2, 6	L	01, 02, 06				BOLT, Hex Head Carrier Bearing Cap, Mounting
		4	2, 6	L	11, 12, 14, 15, 16				Carrier Bearing Cap, Mounting
		4	2, 6	L	51, 52, 54, 55, 56				Carrier Bearing Cap, Mounting
		4	3, 7	L	02, 06				Carrier Bearing Cap, Mounting
		4	3, 7	L	12, 15, 16				Carrier Bearing Cap, Mounting
4	5103 574AA	1	2, 3, 6, 7						GASKET, Differential Cover, Mounting
5	5097 712AA	1	2, 3, 6, 7						PLUG, Oil Drain
-6	5134 372AA-	1	2, 3, 6, 7						GASKET, Oil Drain Plug, Mounting
7	5103 953AA	1	2, 6	L	01, 02, 06				COVER, Differential
		1	2, 6	L	11, 12, 14, 15, 16				
		1	2, 6	L	51, 52, 54, 55, 56				
		1	3, 7	L	02, 06				
		1	3, 7	L	12, 15, 16				
8	5134 371AA	10	2, 3, 6, 7						SCREW AND WASHER, Differential Cover, Mounting
9									SCREW

Refer to Model Legend Information Bookmark

AR = Use as required - = Non illustrated part # = New this model year

March 3, 2006

Differential Housing,Rear
Figure 003-220



ITEM	PART NUMBER	QTY	LINE	SERIES	BODY	ENGINE	TRANS	TRIM	DESCRIPTION
	6104 195AA	4	2, 6	L	01, 02, 06				Axle Housing Cover, Mounting
		4	2, 6	L	11, 12, 14, 15, 16				Axle Housing Cover, Mounting
		4	2, 6	L	51, 52, 54, 55, 56				Axle Housing Cover, Mounting
10									COVER
	5134 668AA	1	2, 6	L	01, 02, 06				Axle Housing
		1	2, 6	L	11, 12, 14, 15, 16				Axle Housing
		1	2, 6	L	51, 52, 54, 55, 56				Axle Housing
11									GASKET
	5134 669AA	1	2, 6	L	01, 02, 06				Axle Housing Cover, Mounting
		1	2, 6	L	11, 12, 14, 15, 16				Axle Housing Cover, Mounting
		1	2, 6	L	51, 52, 54, 55, 56				Axle Housing Cover, Mounting
12									PLUG
	5133 367AA	1	2, 6	L	01, 02, 06				To Lock Holes for ABS
		1	2, 6	L	11, 12, 14, 15, 16				To Lock Holes for ABS
		1	2, 6	L	51, 52, 54, 55, 56				To Lock Holes for ABS
		1	3, 7	L	02, 06				To Lock Holes for ABS
		1	3, 7	L	12, 15, 16				To Lock Holes for ABS
13									HOUSING, Rear Axle
	5139 133AA	1	3, 7	L	02, 06				Dual Rear Wheels
		1	3, 7	L	12, 15, 16				Dual Rear Wheels
14									THRUST RING
	5104 027AA	1	3, 7	L	02, 06				Right
	5134 665AA	1	3, 7	L	02, 06				Left

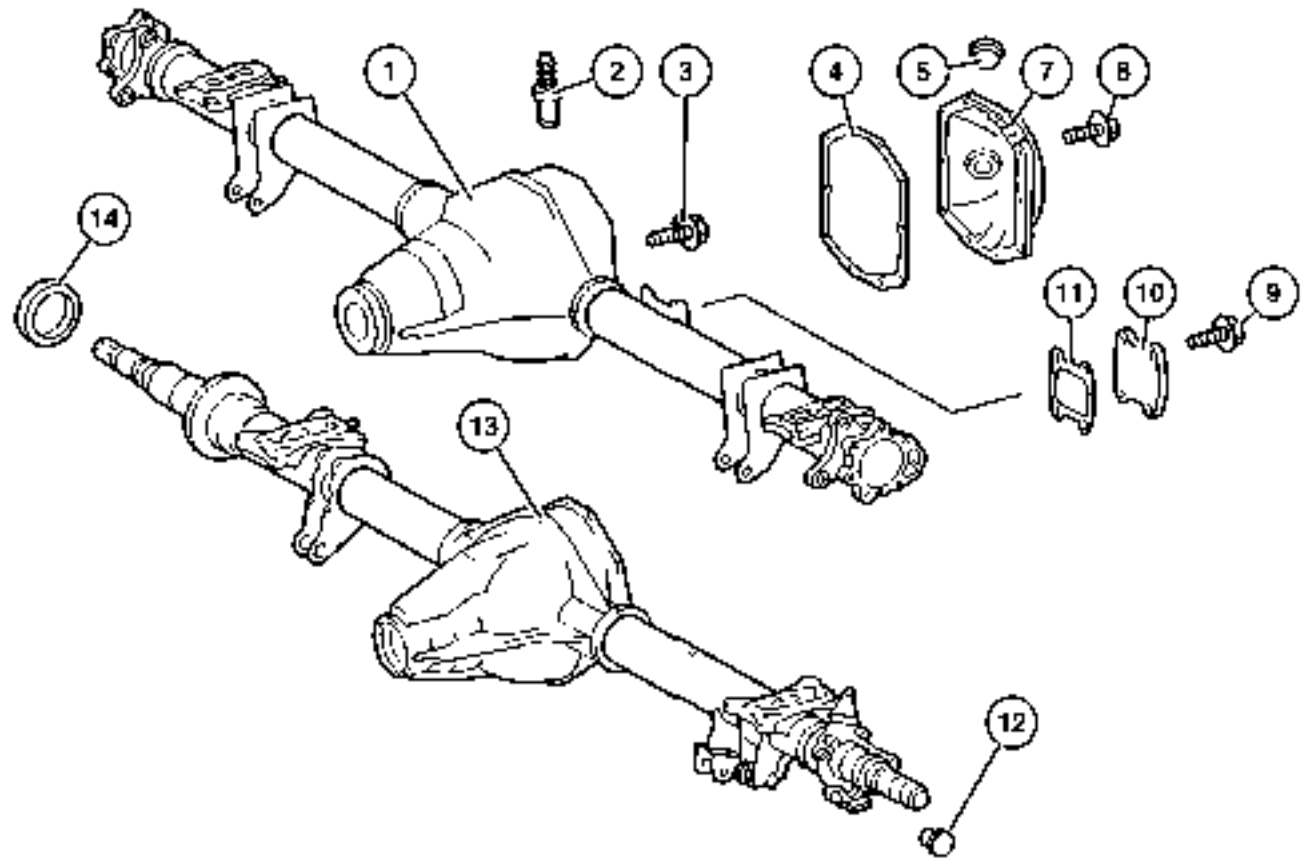
Refer to Model Legend Information Bookmark

AR = Use as required - = Non illustrated part # = New this model year

March 3, 2006

Differential Housing,Rear
Figure 003-220

ITEM	PART NUMBER	QTY	LINE	SERIES	BODY	ENGINE	TRANS	TRIM	DESCRIPTION
	5104 027AA	1	3, 7	L	12, 15, 16				Right
	5134 665AA	1	3, 7	L	12, 15, 16				Left

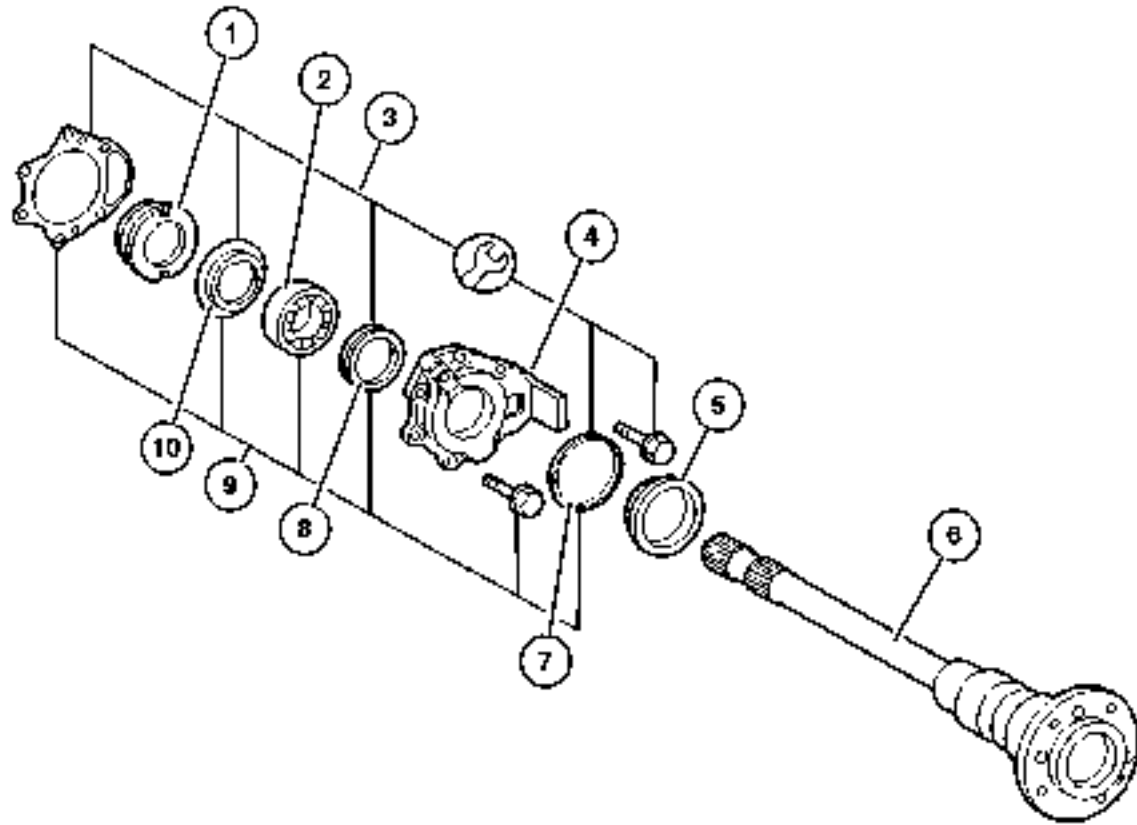


Refer to Model Legend Information Bookmark

AR = Use as required - = Non illustrated part # = New this model year

March 3, 2006

Axle Shaft and Wheel Bearings, Single Rear Wheels
Figure 003-230



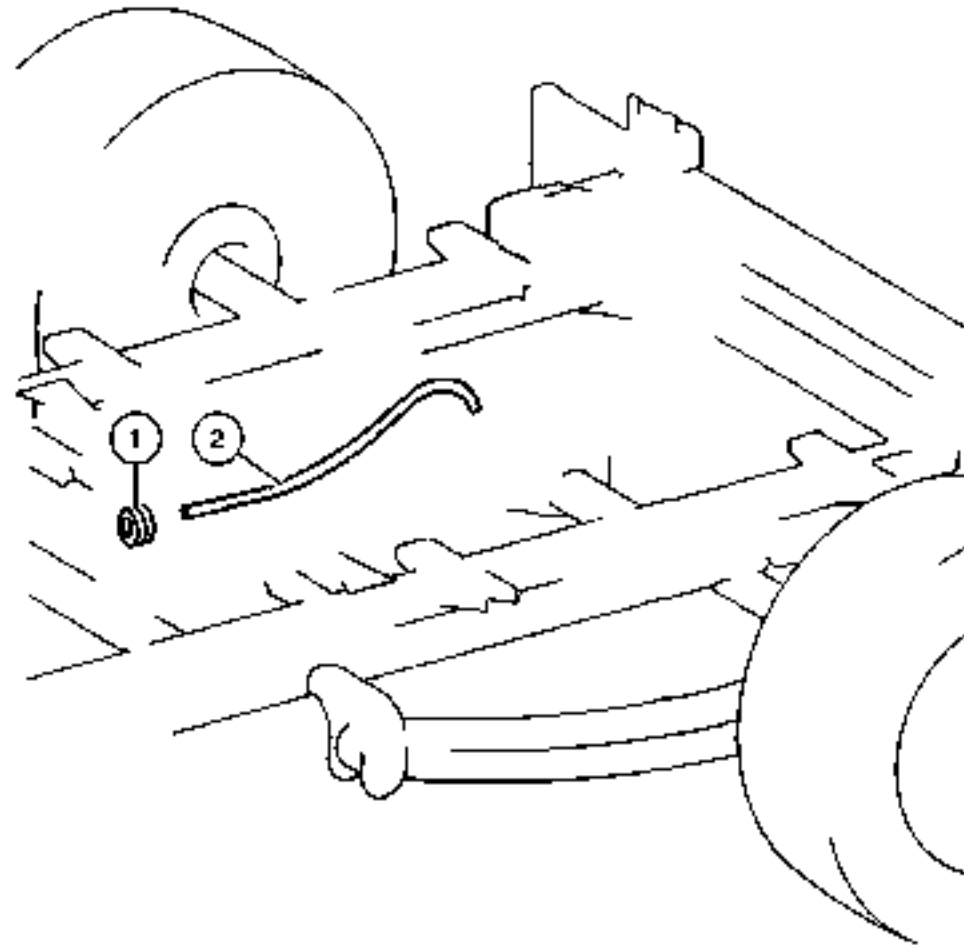
ITEM	PART NUMBER	QTY	LINE	SERIES	BODY	ENGINE	TRANS	TRIM	DESCRIPTION
1									NUT, axle shaft
	5134 634AA	1	2, 6	L					Right
	5134 635AA	1	2, 6	L					Left
2	5103 883AB	2	2, 6	L					BEARING, Wheel
3	5104 559AA	2	2, 6	L					SEAL KIT, axle shaft
4									COVER, axle bearing
	5134 638AB	1	2, 6	L					Right
	5134 639AB	1	2, 6	L					Left
5	5134 641AA	2	2, 6	L					TONE RING, Sensor
6									SHAFT, Axle
	5134 660AA	1	2, 6	L					Right
	5134 661AA	1	2, 6	L					Left
7	5104 566AA	2	2, 6						SEAL, Rear Axle Flange
8	5139 760AA	2	2, 6						SEAL, Rear Axle Flange
9	5103 601AA	2	2, 6	L					BEARING KIT, axle shaft
10	5139 738AA	2	2, 6						LOCK, Hub Nut

Refer to Model Legend Information Bookmark

AR = Use as required - = Non illustrated part # = New this model year

March 3, 2006

Vent,Rear Axle
Figure 003-310



ITEM	PART NUMBER	QTY	LINE	SERIES	BODY	ENGINE	TRANS	TRIM	DESCRIPTION
1									GROMMET
	5125 930AA	1	2, 6	L	01, 02, 06				
		1	2, 6	L	11, 12, 14, 15, 16				
		1	2, 6	L	51, 52, 54, 55, 56				
		1	3, 7	L	02, 06				
		1	3, 7	L	12, 15, 16				
2									HOSE, Axle Vent
	5104 076AA	1	2, 6	L	01, 02, 06				
		1	2, 6	L	11, 12, 14, 15, 16				
		1	2, 6	L	51, 52, 54, 55, 56				
		1	3, 7	L	02, 06				
		1	3, 7	L	12, 15, 16				

Refer to Model Legend Information Bookmark

AR = Use as required - = Non illustrated part # = New this model year

March 3, 2006

Group – 004

Parking Brake

GROUP 4 - Parking Brake

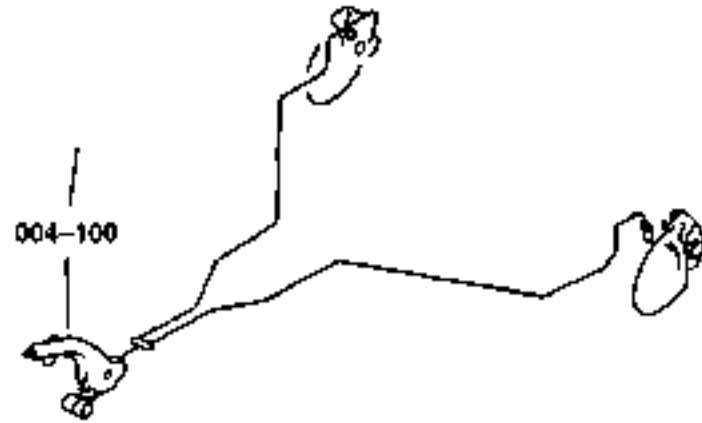
Illustration Title


Group-Fig. No.

Parking Brake Lever and Cables

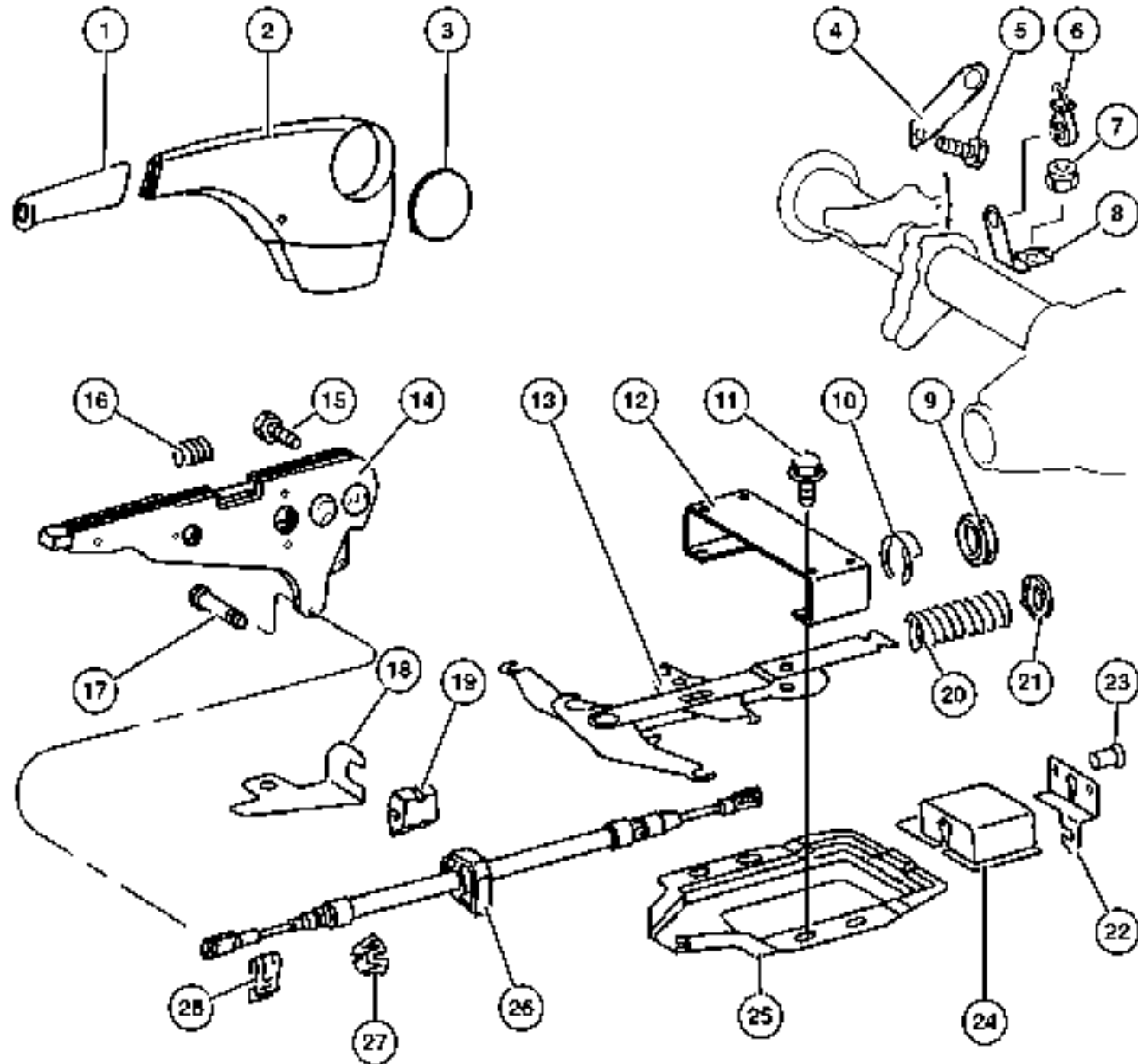
Parking Brake Lever Assembly Fig. 004-110

Parking Brake Assembly Fig. 004-120



<p>004-100 Parking Brake Lever and Cables</p> 			
---	--	--	--

**Parking Brake Lever Assembly
Figure 004-110**



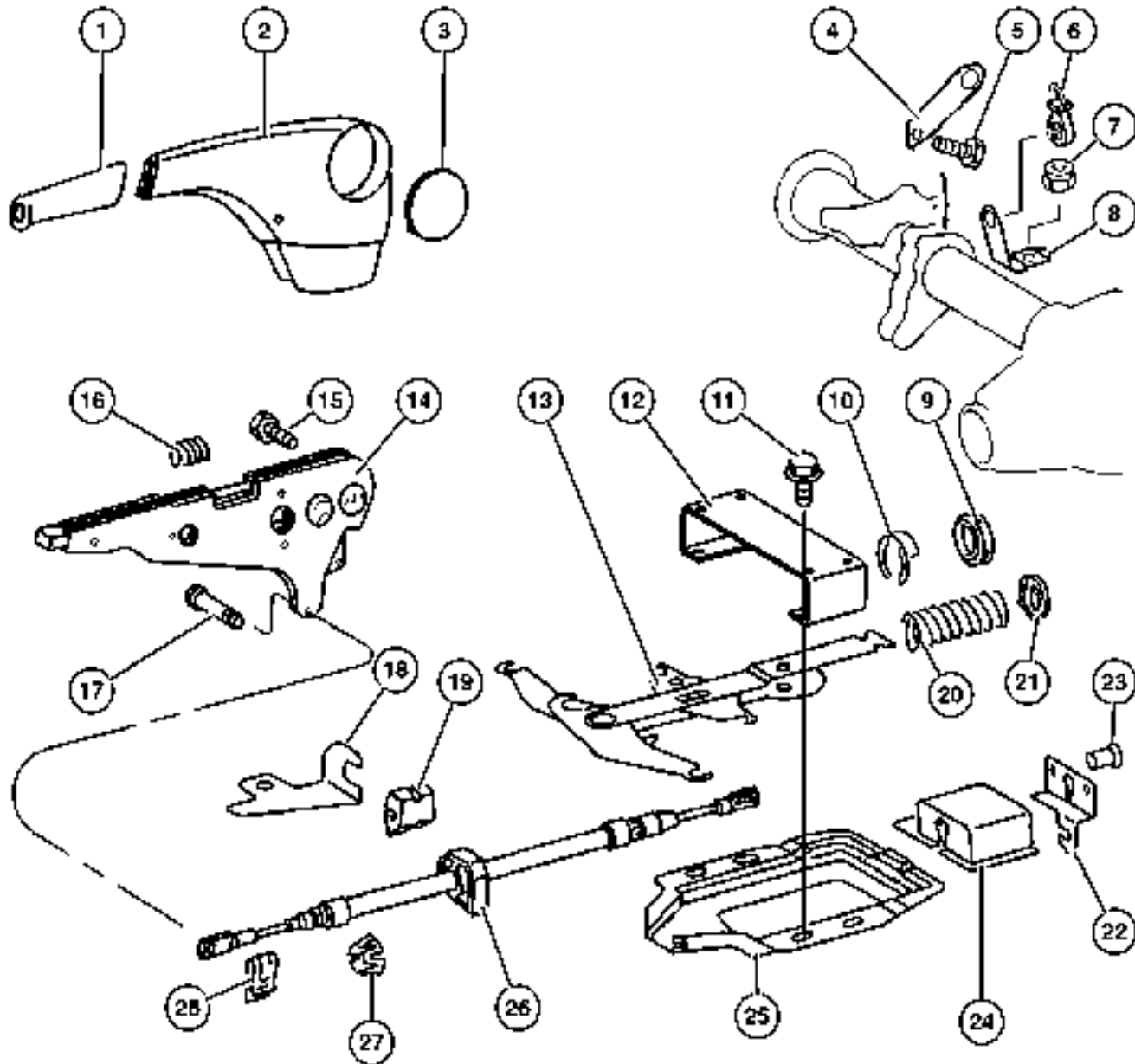
ITEM	PART NUMBER	QTY	LINE	SERIES	BODY	ENGINE	TRANS	TRIM	DESCRIPTION
1									HANDLE, Parking Brake
	5119 259AA	1	2, 6						
		1	3, 7		02, 06				
		1	3, 7		12, 15, 16				
2									COVER, Parking Brake Housing
	5119 264AA	1	2, 6		01, 02, 06				
		1	2, 6		11, 12, 14, 15, 16				
		1	2, 6		51, 52, 54, 55, 56				
		1	3, 7		02, 06				
		1	3, 7		12, 15, 16				
3									COVER, Parking Brake
	5104 086AA	1	2, 6		01, 02, 06				
		1	2, 6		11, 12, 14, 15, 16				
		1	2, 6		51, 52, 54, 55, 56				
		1	3, 7		02, 06				
		1	3, 7		12, 15, 16				
4									BRACKET
	5119 277AA	1	2, 6		01, 02, 06				Right
	5119 274AA	1	2, 6		01, 02, 06				Left
	5119 277AA	1	2, 6		11, 12, 14, 15, 16				Right
	5119 274AA	1	2, 6		11, 12, 14, 15, 16				Left
	5119 277AA	1	2, 6		51, 52, 54, 55, 56				Right

Refer to Model Legend Information Bookmark

AR = Use as required - = Non illustrated part # = New this model year

March 3, 2006

**Parking Brake Lever Assembly
Figure 004-110**



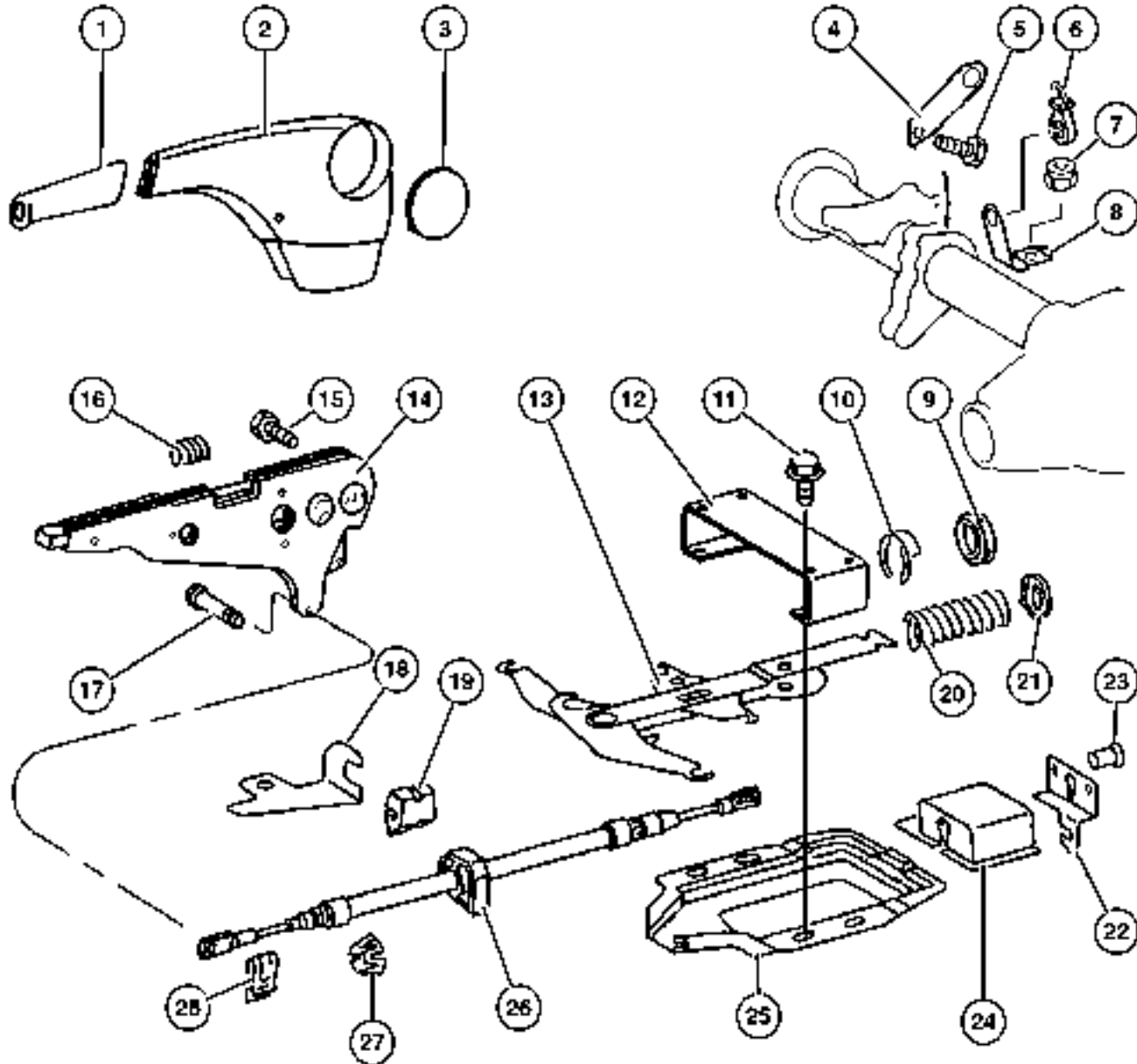
ITEM	PART NUMBER	QTY	LINE	SERIES	BODY	ENGINE	TRANS	TRIM	DESCRIPTION
	5119 274AA	1	2, 6		51, 52, 54, 55, 56				Left
	5136 069AA	1	3, 7		02, 06				Right
	5136 070AA	1	3, 7		02, 06				Left
	5136 069AA	1	3, 7		12, 15, 16				Right
	5136 070AA	1	3, 7		12, 15, 16				Left
5	5104 655AA	2	2, 6		01, 02, 06				BOLT
		2	2, 6		11, 12, 14, 15, 16				
		2	2, 6		51, 52, 54, 55, 56				
		2	3, 7		02, 06				
		2	3, 7		12, 15, 16				
6	5119 283AA	4	2, 6		01, 02, 06				CLIP, Parking Brake Cable
		4	2, 6		11, 12, 14, 15, 16				
		4	2, 6		51, 52, 54, 55, 56				
		6	3, 7		02, 06				
		6	3, 7		12, 15, 16				
7	5127 449AA	2	2, 6		01, 02, 06				NUT, Hex, M6
		2	2, 6		11, 12, 14, 15, 16				
		2	2, 6		51, 52, 54, 55, 56				
		2	3, 7		02, 06				
		2	3, 7		12, 15, 16				

Refer to Model Legend Information Bookmark

AR = Use as required - = Non illustrated part # = New this model year

March 3, 2006

**Parking Brake Lever Assembly
Figure 004-110**



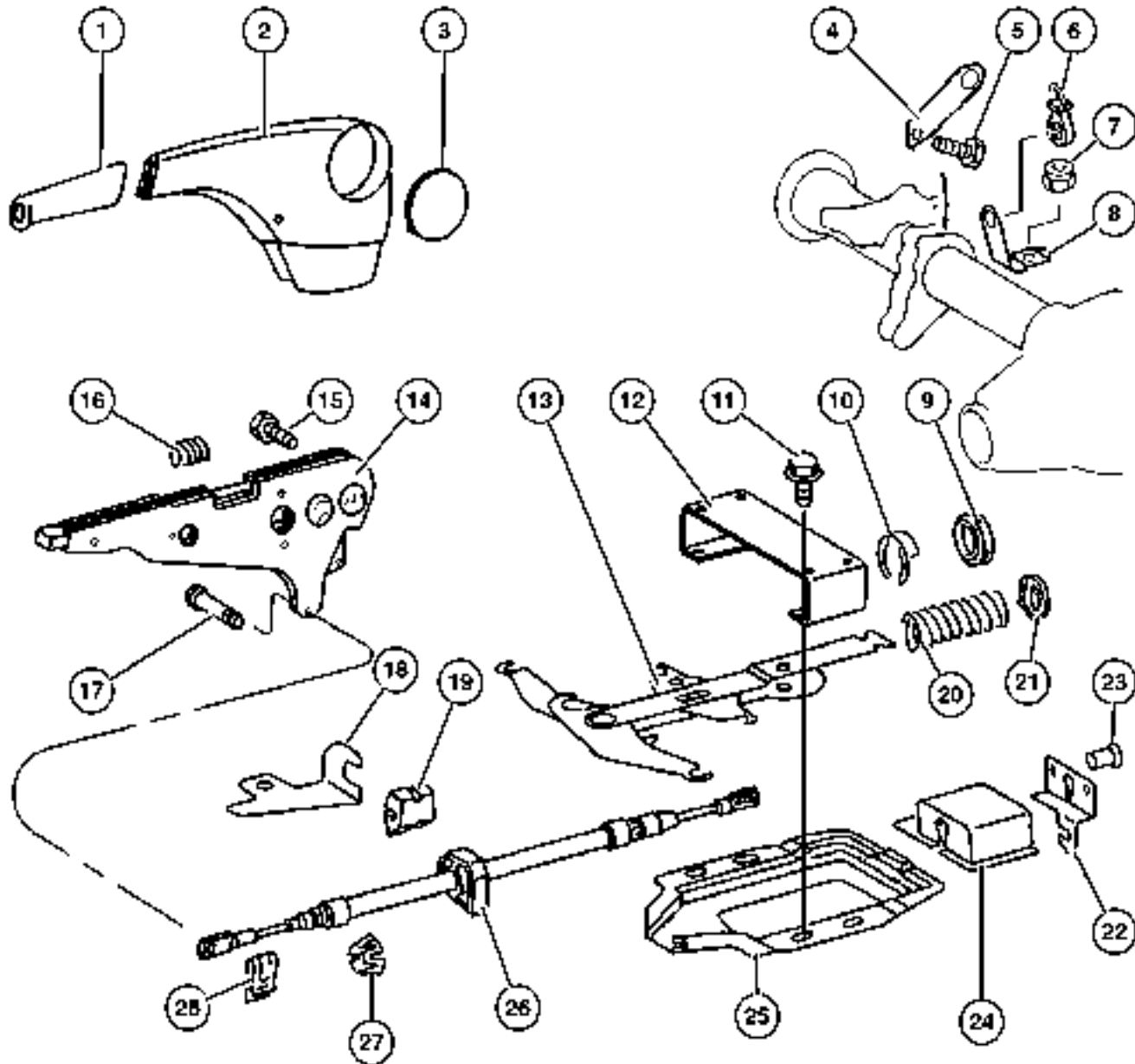
ITEM	PART NUMBER	QTY	LINE	SERIES	BODY	ENGINE	TRANS	TRIM	DESCRIPTION
8									BRACKET, Parking Brake Cable
									Guide
	5119 273AA	1	2, 6		01, 02, 06				Right
	5119 270AA	1	2, 6		01, 02, 06				Left
	5119 273AA	1	2, 6		11, 12, 14, 15, 16				Right
	5119 270AA	1	2, 6		11, 12, 14, 15, 16				Left
	5119 273AA	1	2, 6		51, 52, 54, 55, 56				Right
	5119 270AA	1	2, 6		51, 52, 54, 55, 56				Left
9									GROMMET, Parking Brake Cable
	5125 927AA	1	2, 6		01, 02, 06				
		1	2, 6		11, 12, 14, 15, 16				
		1	2, 6		51, 52, 54, 55, 56				
		1	3, 7		02, 06				
		1	3, 7		12, 15, 16				
10									CLIP, Spring
	5125 586AA	1	2, 6		01, 02, 06				
		1	2, 6		11, 12, 14, 15, 16				
		1	2, 6		51, 52, 54, 55, 56				
		1	3, 7		02, 06				
		1	3, 7		12, 15, 16				
11									SCREW
	5126 264AA	4	3, 7		02, 06				

Refer to Model Legend Information Bookmark

AR = Use as required - = Non illustrated part # = New this model year

March 3, 2006

**Parking Brake Lever Assembly
Figure 004-110**



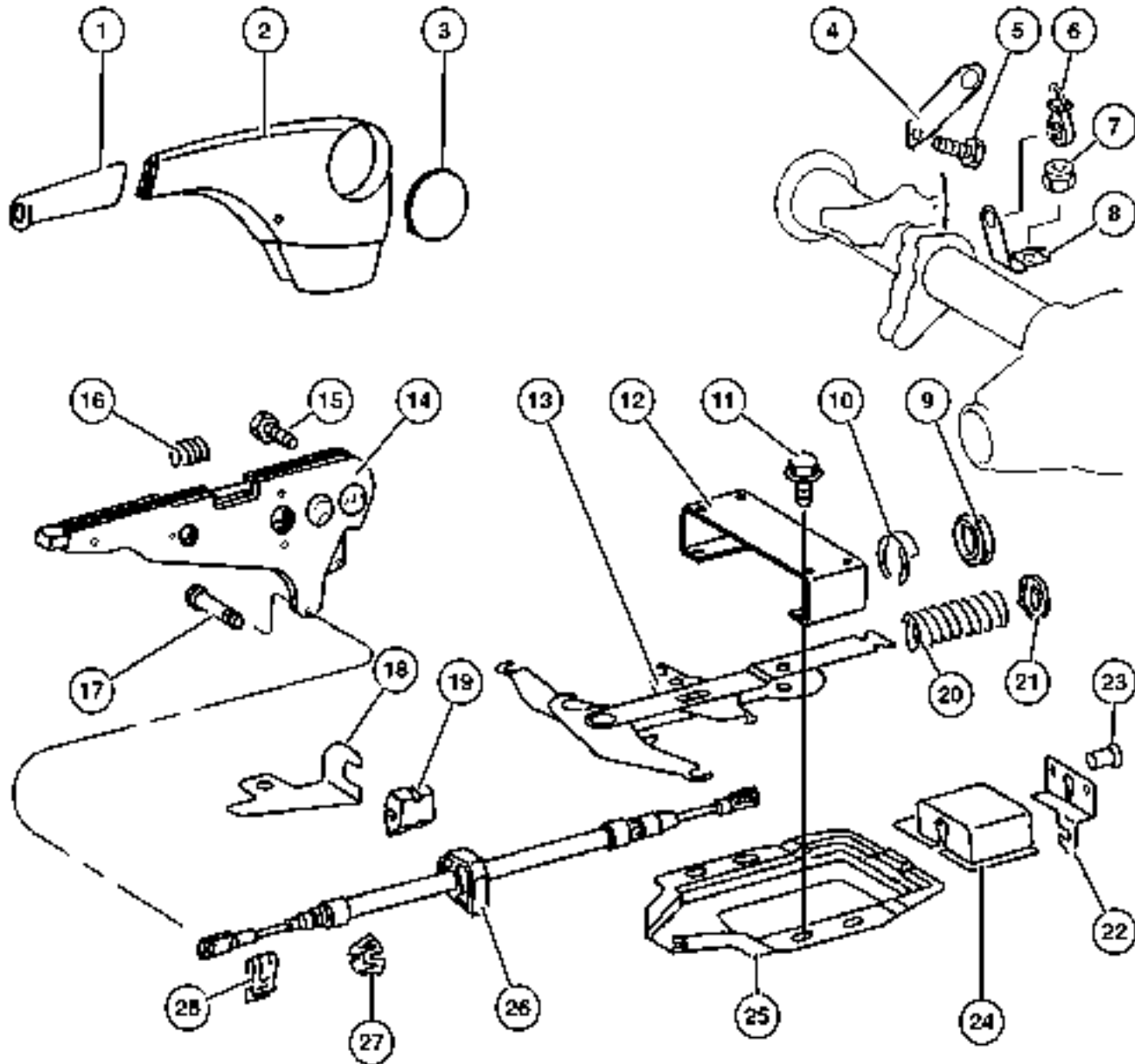
ITEM	PART NUMBER	QTY	LINE	SERIES	BODY	ENGINE	TRANS	TRIM	DESCRIPTION
		4	2, 6		51, 52, 54, 55, 56				
		4	2, 6		11, 12, 14, 15, 16				
		4	2, 6		01, 02, 06				
		4	3, 7		12, 15, 16				
12	5133 901AA	1	3, 7		12, 15, 16				BRACKET
13	5119 231AA	1	3, 7		02, 06				EQUALIZER, Parking Brake Cable
		1	2, 6		01, 02, 06				
		1	2, 6		11, 12, 14, 15, 16				
		1	2, 6		51, 52, 54, 55, 56				
	5140 766AA	1	3, 7		02, 06				With [4JR]
	5119 232AA	1	3, 7		02, 06				Without [4JR]
		1	3, 7		12, 15, 16				
14	5119 146AA	1	2, 6		01, 02, 06				LEVER, Park Brake
		1	2, 6		11, 12, 14, 15, 16				
		1	2, 6		51, 52, 54, 55, 56				
		1	3, 7		02, 06				
		1	3, 7		12, 15, 16				
15	5097 692AA	2	2, 6		01, 02, 06				SCREW, m8x20
		2	2, 6		11, 12, 14, 15, 16				

Refer to Model Legend Information Bookmark

AR = Use as required - = Non illustrated part # = New this model year

March 3, 2006

**Parking Brake Lever Assembly
Figure 004-110**



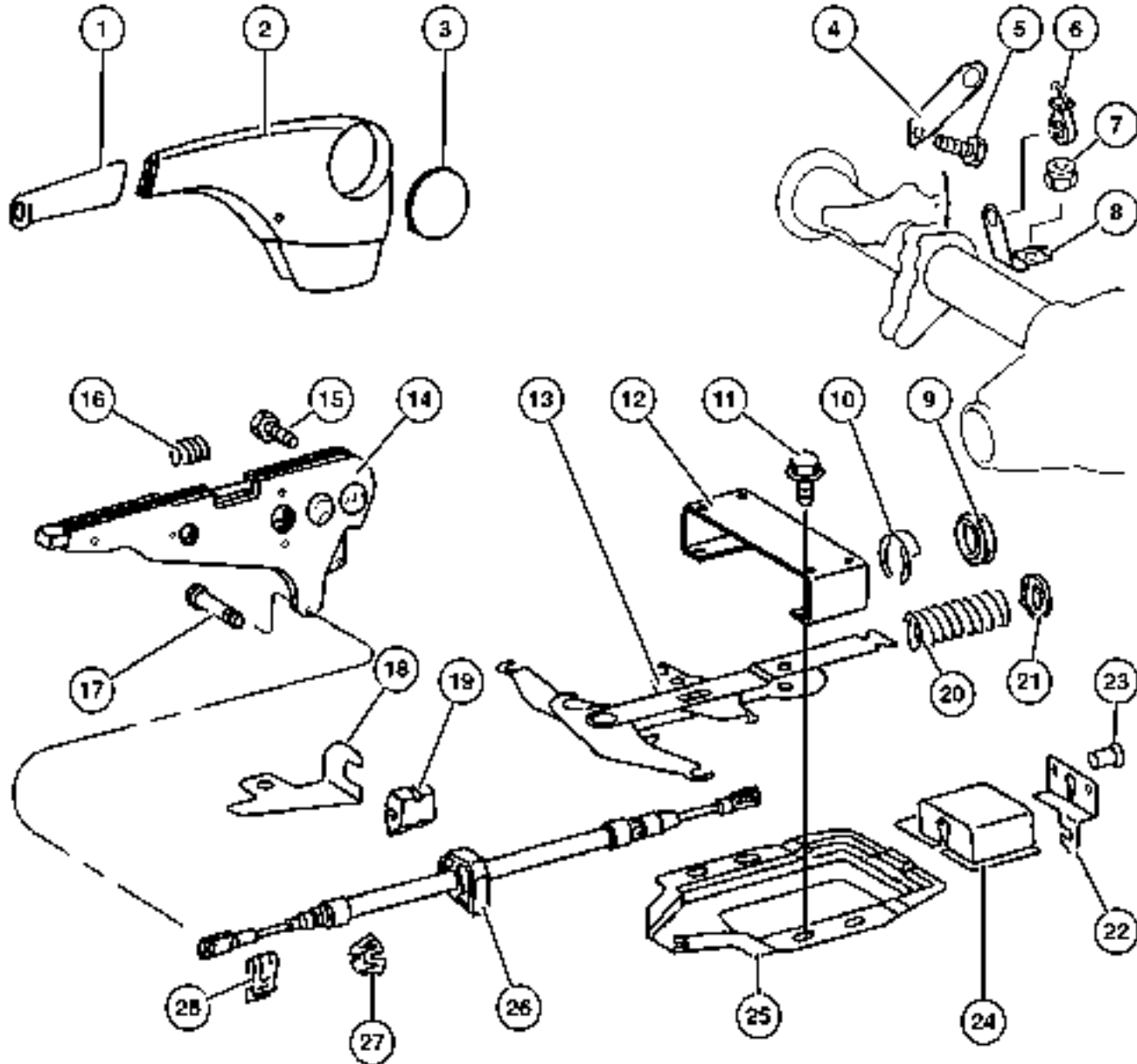
ITEM	PART NUMBER	QTY	LINE	SERIES	BODY	ENGINE	TRANS	TRIM	DESCRIPTION
		2	2, 6		51, 52, 54, 55, 56				
		2	3, 7		02, 06				
		2	3, 7		12, 15, 16				
16	5125 844AA	1	3, 7		02, 06				SPRING
		1	3, 7		12, 15, 16				
17	5119 284AA	1	2, 6		01, 02, 06				PIN, Parking Brake Handle
		1	2, 6		11, 12, 14, 15, 16				
		1	2, 6		51, 52, 54, 55, 56				
		1	3, 7		02, 06				
		1	3, 7		12, 15, 16				
18	5119 275AA	1	2, 6		02				BRACKET, Hand Brake
		1	2, 6		12, 15				
		1	2, 6		52, 55				
		1	3, 7		02				
		1	3, 7		12, 15				
19	5119 295AA	2	2, 6		02				GROMMET, Parking Brake Cable
		2	2, 6		12, 15				
		2	2, 6		52, 55				
		2	3, 7		02				
		2	3, 7		06				
		2	3, 7		12, 15				
		2	3, 7		16				
20	5119 260AA	1	2, 6		01, 02, 06				SPRING, Parking Brake Release
		1	2, 6		11, 12, 14, 15, 16				
		1	2, 6		51, 52, 54, 55, 56				

Refer to Model Legend Information Bookmark

AR = Use as required - = Non illustrated part # = New this model year

March 3, 2006

**Parking Brake Lever Assembly
Figure 004-110**



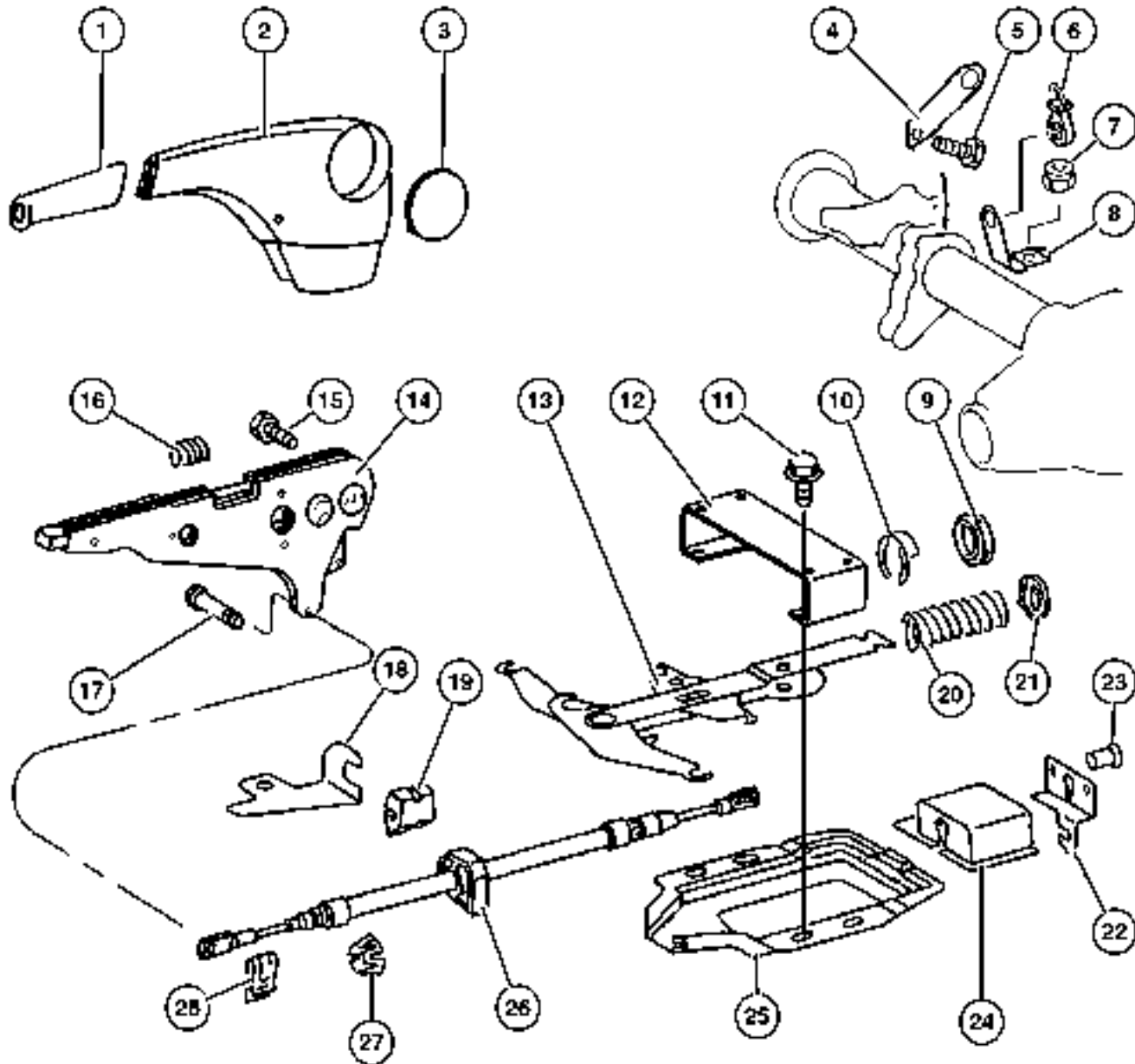
ITEM	PART NUMBER	QTY	LINE	SERIES	BODY	ENGINE	TRANS	TRIM	DESCRIPTION
		1	3, 7		02, 06				
		1	3, 7		12, 15, 16				
21	5119 287AA	1	2, 6		01, 02, 06				WASHER
		1	2, 6		11, 12, 14, 15, 16				
		1	2, 6		51, 52, 54, 55, 56				
		1	3, 7		02, 06				
		1	3, 7		12, 15, 16				
22									REINFORCEMENT, Park Brake Mounting
	5118 455AA	1	2, 6		01, 02 06				
		1	2, 6		06				
		1	2, 6		11, 12, 14, 15				
		1	3, 7		02				
		1	3, 7		06				
		1	3, 7		12, 15				
23									RIVET, Blind Bulb
	5133 417AA	3	2, 6		01, 02, 06				
		3	2, 6		11, 12, 14, 15, 16				
		3	2, 6		51, 52, 54, 55, 56				
		3	3, 7		02, 06				
		3	3, 7		12, 15, 16				
24									COVER, Parking Brake Cable
	5118 469AA	1	2, 6		01, 02, 06				
		1	2, 6		11, 12, 14, 15, 16				
		1	2, 6		51, 52, 54, 55, 56				

Refer to Model Legend Information Bookmark

AR = Use as required - = Non illustrated part # = New this model year

March 3, 2006

**Parking Brake Lever Assembly
Figure 004-110**



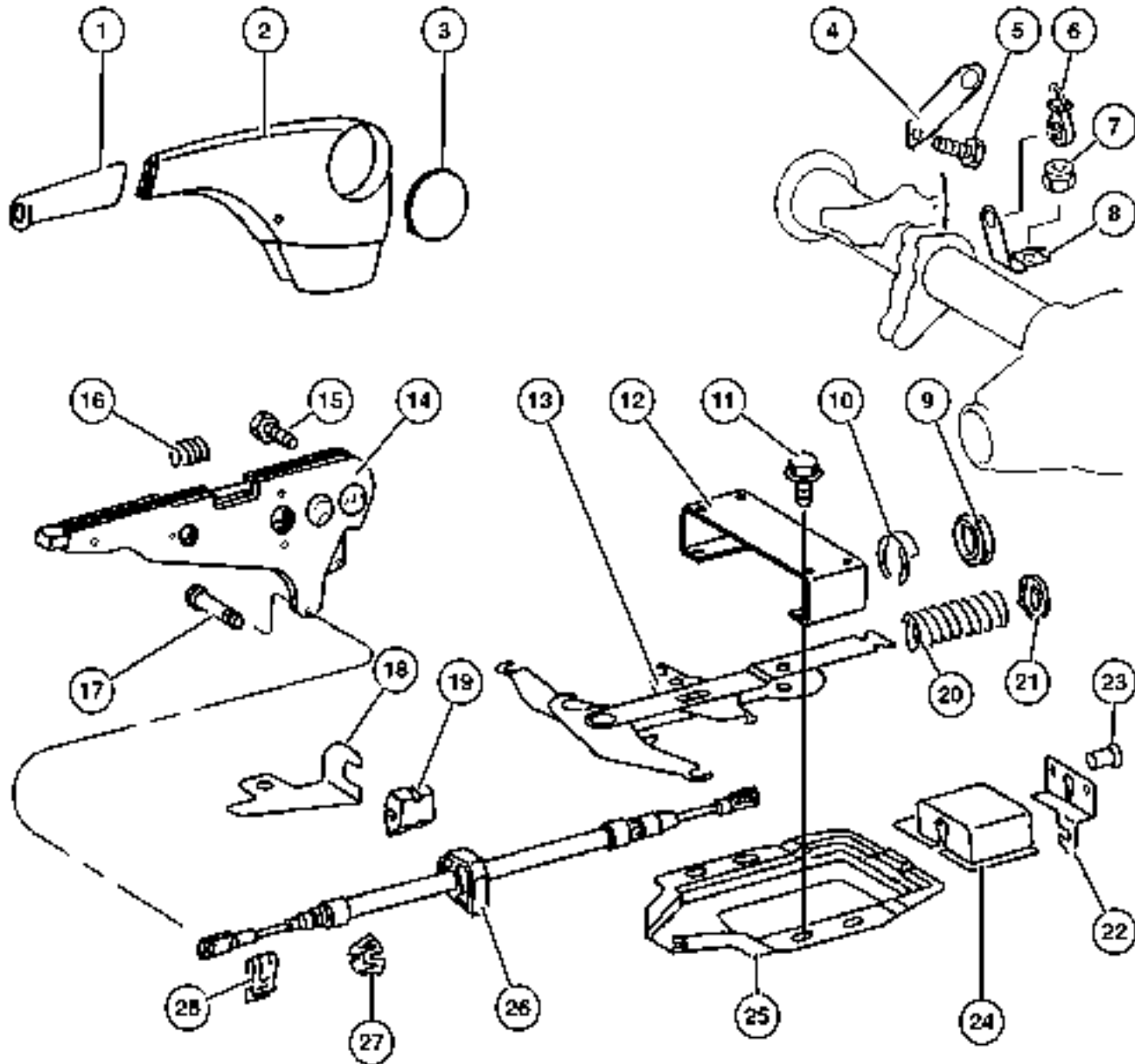
ITEM	PART NUMBER	QTY	LINE	SERIES	BODY	ENGINE	TRANS	TRIM	DESCRIPTION
		1	3, 7		02, 06				
		1	3, 7		12, 15, 16				
25	5119 224AA	1	2, 6		01, 02, 06				COVER, Equalizer
		1	2, 6		11, 12, 14, 15, 16				
		1	2, 6		51, 52, 54, 55, 56				
		1	3, 7		02, 06				
		1	3, 7		12, 15, 16				
26	5129 192AA	1	2, 6		01				CABLE, Parking Brake
	5119 245AA	1	2, 6		02				
	5119 247AA	1	2, 6		06				
	5129 192AA	1	2, 6		11, 14				
	5119 245AA	1	2, 6		12, 15				
	5119 247AA	1	2, 6		16				
	5129 192AA	1	2, 6		51, 54				
	5119 245AA	1	2, 6		52, 55				
	5119 247AA	1	2, 6		56				
	5119 245AA	1	3, 7		02				
	5119 247AA	1	3, 7		06				
	5119 245AA	1	3, 7		12, 15				
	5119 247AA	1	3, 7		16				
27	5119 298AA	1	2, 6		01, 02, 06				CLIP, Cable
		1	2, 6		11, 12, 14, 15, 16				
		1	2, 6		51, 52, 54, 55, 56				
		1	3, 7		02, 06				
		1	3, 7		12, 15, 16				
28	5126 243AA	1	2, 6		01, 02, 06				CLIP, Retaining

Refer to Model Legend Information Bookmark

AR = Use as required - = Non illustrated part # = New this model year

March 3, 2006

Parking Brake Lever Assembly
Figure 004-110



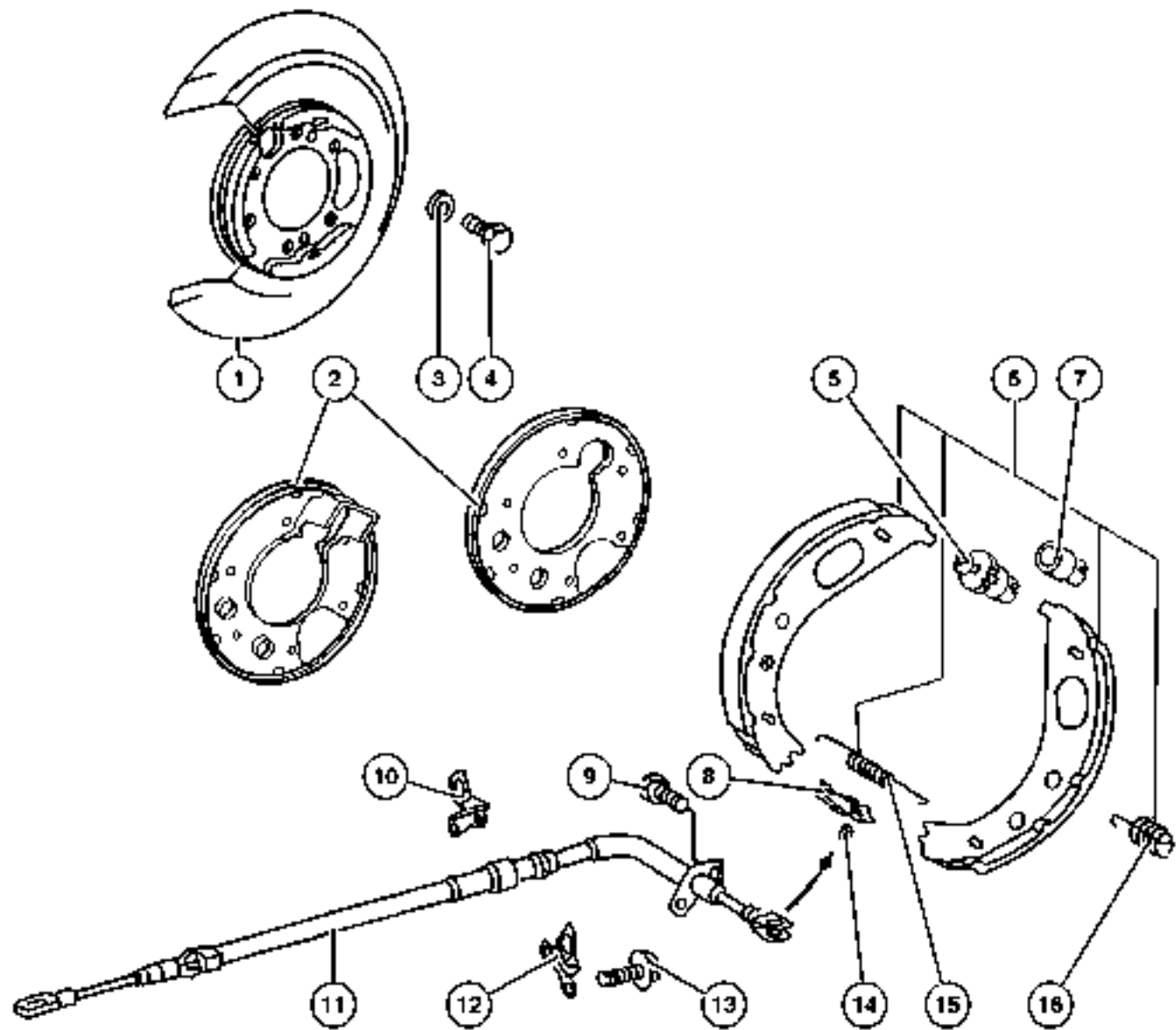
ITEM	PART NUMBER	QTY	LINE	SERIES	BODY	ENGINE	TRANS	TRIM	DESCRIPTION
		1	2, 6		11, 12,				
		1	2, 6		14, 15,				16
		1	3, 7		51, 52,				54, 55,
		1	3, 7		56				02, 06
		1	3, 7		12, 15,				16

Refer to Model Legend Information Bookmark

AR = Use as required - = Non illustrated part # = New this model year

March 3, 2006

Parking Brake Assembly Figure 004-120



ITEM	PART NUMBER	QTY	LINE	SERIES	BODY	ENGINE	TRANS	TRIM	DESCRIPTION
1									PLATE, Brake Backing
	5139 222AA	1	2, 6						Right
	5103 952AA	1	2, 6						Left
2									PLATE, Brake Backing
	5139 224AA	1	3, 7						Right
	5139 223AA	1	3, 7						Left
3	5139 232AA	4	3, 7						WASHER
4	5139 231AA	4							SCREW
5	5139 234AA	2	2, 3, 6, 7						ADJUSTER, Parking Brake
6									SHOE AND LINING, parking Brake
	5103 792AA	1	2, 6						
	5103 793AA	1	3, 7						
7	5139 233AA	2	2, 3, 6, 7						BUSHING
8	5101 691AA	2							PLATE, Brake Shoe Guide
9	5098 124AA	2							SCREW
10	5139 229AA	1	3, 7						BRACKET, Parking Brake, Right Rear
11									CABLE, Parking Brake
	5139 225AA	2	2, 6						Right or Left
	5139 227AA	1	3, 7						Right
	5139 226AA	1	3, 7						Left
12	5139 228AA	1	3, 7						BRACKET, Parking Brake, Left Rear
13	5134 371AA	10	2, 3, 6, 7						SCREW AND WASHER
14	5098 414AA	2							PIN
15	5139 736AA	2	2, 6						SPRING, Brake Shoe to Shoe
16	5139 479AA	4	2, 6						SPRING, Brake Shoe Hold Down

Refer to Model Legend Information Bookmark

AR = Use as required - = Non illustrated part # = New this model year

March 3, 2006

Group – 005

Service Brakes

GROUP 5 - Service Brakes

Illustration Title

Group-Fig. No.

Front Brakes

Brakes, Front Fig. 005-110

Rear Brakes

Brakes,Rear,272MM Fig. 005-210

Brakes,Rear,285MM Fig. 005-220

Power Brake Booster

Booster Fig. 005-310

Vacuum Lines Fig. 005-320

Vacuum Reservoir Fig. 005-330

Brake Master Cylinder

Master Cylinder Fig. 005-410

Hydraulic Control Unit and ABS Module Fig. 005-420

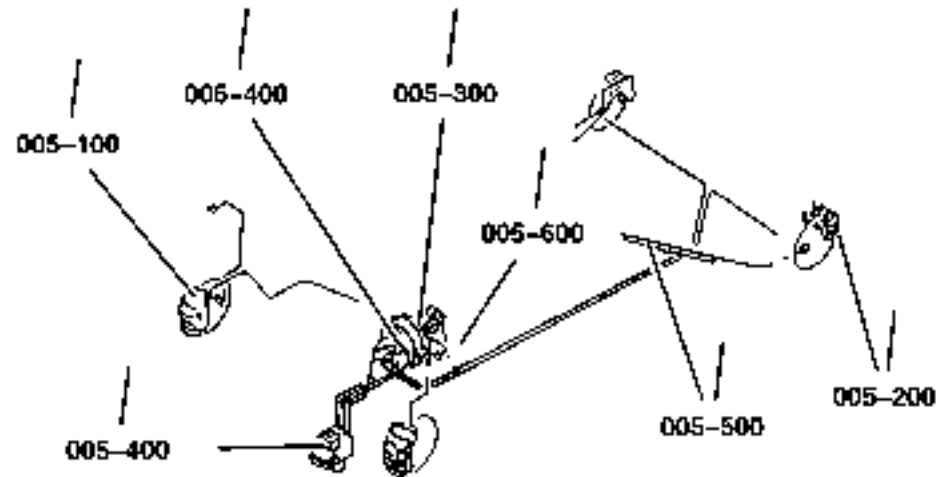
Brake Lines and Hoses







Lines,Brake,With ABS,2500/3500 Series Fig. 005-510

Brake, Power Regulator Fig. 005-520

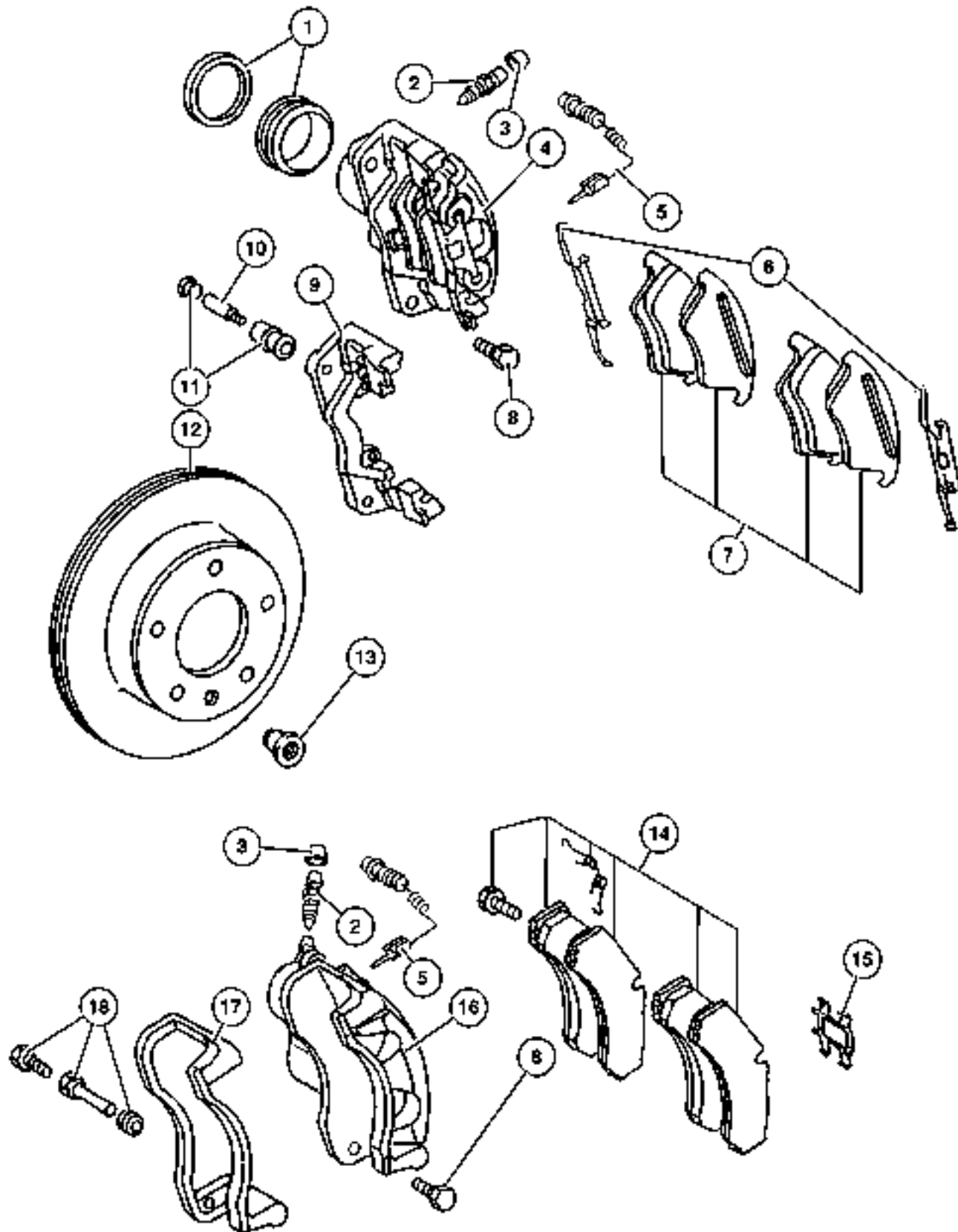
Brake Pedals

Pedal Brake Fig. 005-610



<p>005-100 Front Brakes</p> 	<p>005-200 Rear Brakes</p> 	<p>005-300 Power Brake Booster</p> 	<p>005-400 Brake Master Cylinder</p> 
<p>005-500 Brake Lines and Hoses</p> 	<p>005-600 Brake Pedals</p> 		

Brakes, Front Figure 005-110



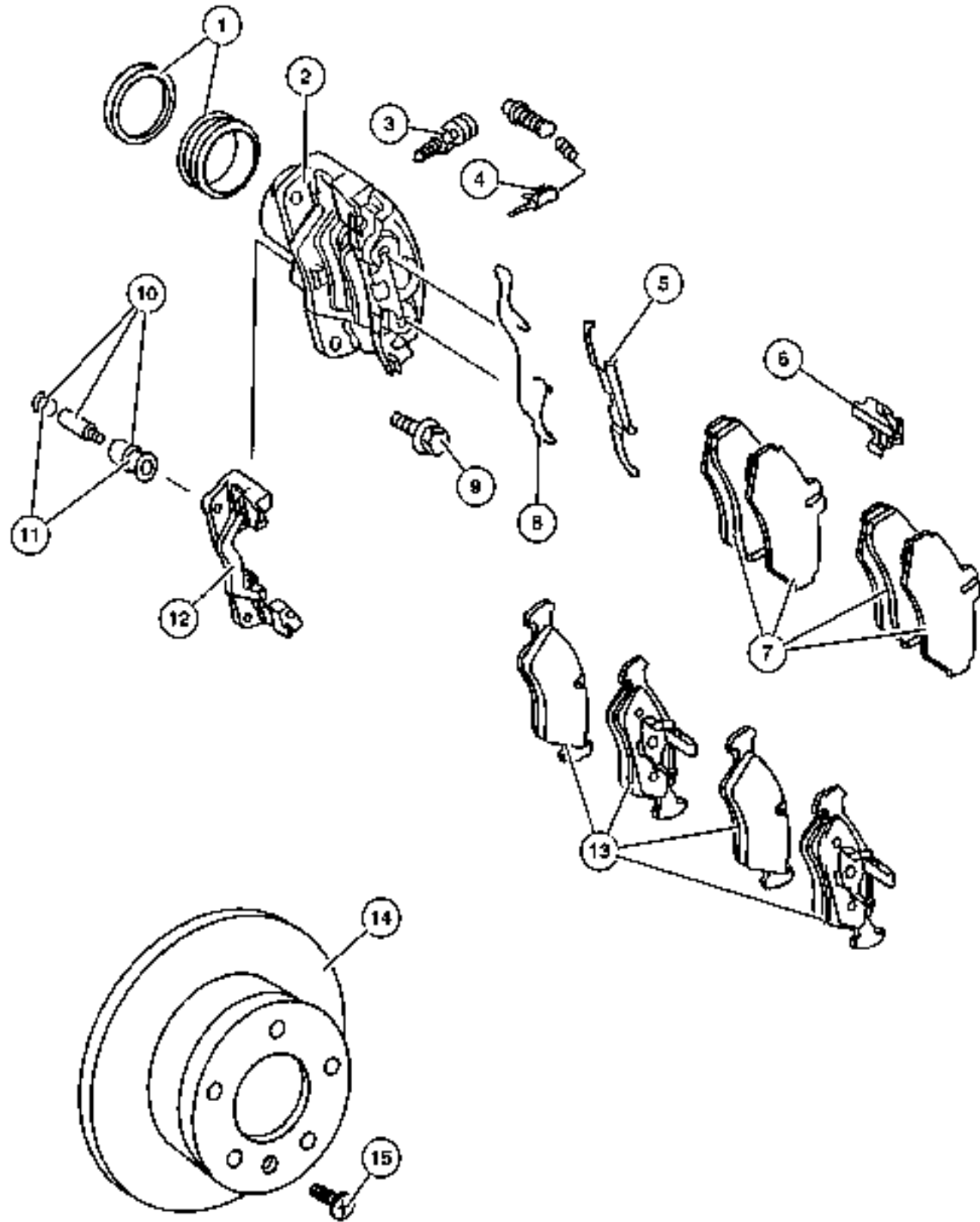
ITEM	PART NUMBER	QTY	LINE	SERIES	BODY	ENGINE	TRANS	TRIM	DESCRIPTION
Note: You must check the brand name on the old caliper to determine which one to order.									
Note: On item 7, either part number can be used for item 4.									
1	5139 261AA	1							SEAL, Caliper Piston
2	5139 258AA	1	2, 6						BLEEDER SCREW, Brake
3	5126 309AA	1	2, 3, 6, 7						CAP, Bleeder
4	5135 642AA	1							CALIPER, Disc Brake Teves/Jurid, Right
	5135 643AA	1							Teves/Jurid, Left
5	5103 583AB	2	2, 3, 6, 7						SENSOR, brake wear
6	5139 906AA	2	2, 6						SPRING, Brake Pad Retraction
7	5103 794AA	1							PAD KIT, Disc Brake Teves
	5135 895AA	1							Galfer
8	5139 464AA	4							SCREW
9	5103 631AA	1							ADAPTER, Disc Brake Caliper
10	5103 632AA	1							PIN KIT, Disc Brake
11	5114 556AA	1							BUSHING, Caliper
12	5104 561AA	1							ROTOR, Brake Up To Front Axle S482213/ Y422059
	5103 602AC	1							From Front Axle S482214/Y422060
	5114 479AA	1							
13	5104 621AA	2							SCREW M8-Up To Front Axle S482213/ Y422059
	5139 361AA	2							M12-From Front Axle S482214/ Y422060
14	5103 556AA	1	2, 3, 6, 7						PAD KIT, Disc Brake Bosch
	5103 790AA	1							Wabco/Perrot
15	5103 635AA	2							RETAINER, Brake Hold Down Spring
16	5127 482AA	1							CALIPER, Disc Brake Bosch, Right
	5127 483AA	1							Bosch, Left
	5127 486AA	1							Wabco/Perrot, Right
	5135 215AA	1							Wabco/Perrot, Left
17	5135 915AA	1							ADAPTER, Disc Brake Caliper Bosch
	5135 916AA	1							Wabco/Perrot
18	5103 729AA	1							PIN KIT, Disc Brake Bosch
	5103 630AA	1							Wabco/Perrot

Refer to Model Legend Information Bookmark

AR = Use as required - = Non illustrated part # = New this model year

March 3, 2006

Brakes,Rear,272MM
Figure 005-210



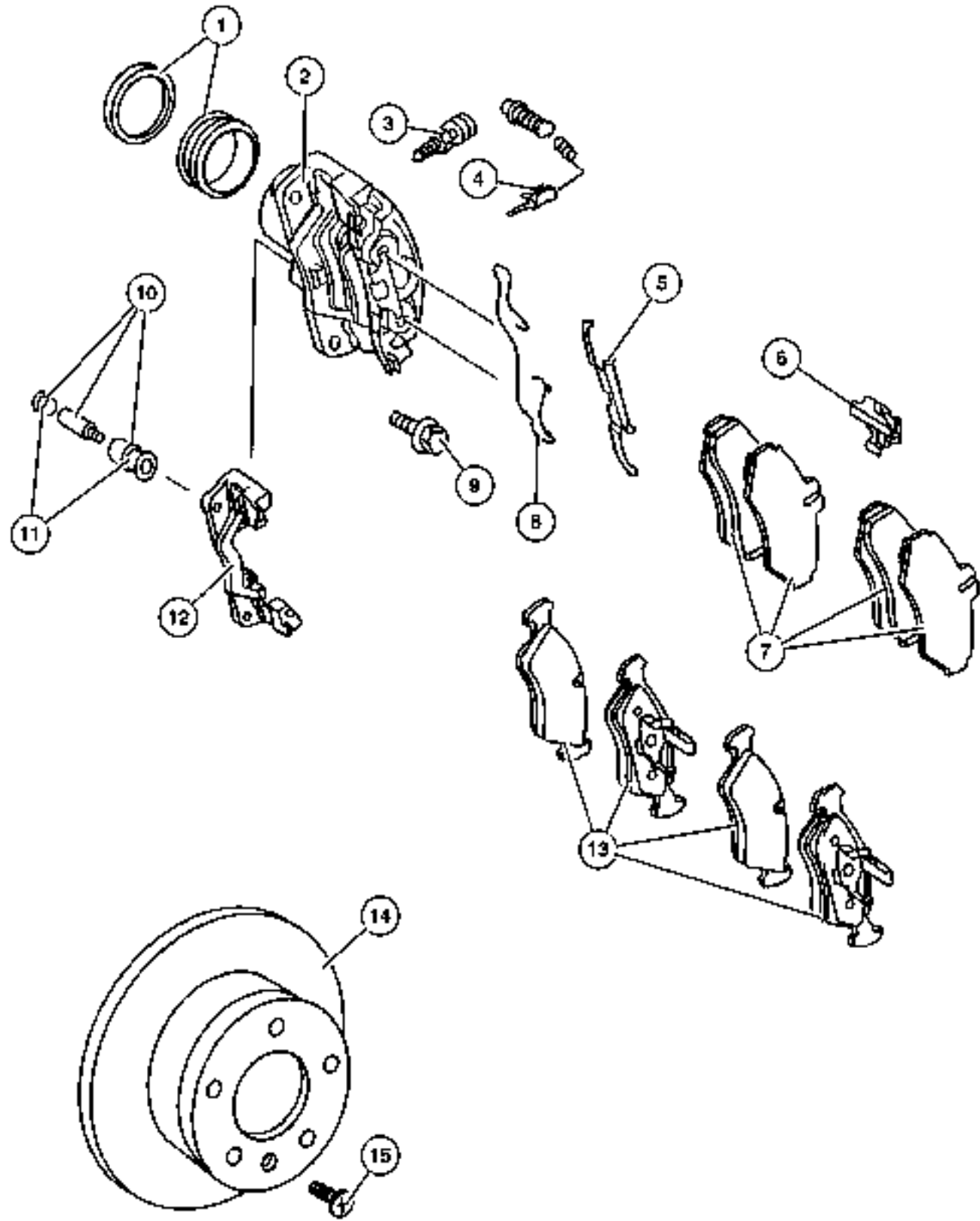
ITEM	PART NUMBER	QTY	LINE	SERIES	BODY	ENGINE	TRANS	TRIM	DESCRIPTION
Note: You must check the brand name on the old caliper to determine which one to order.									
Note: On item 7,either part number can be used it this is the style on the vehicle.									
1	5139 264AA	1	2, 6						SEAL, Caliper Piston Bosch
	5139 263AA	1	2, 6						Teves
2	5103 742AA	1	2, 6						CALIPER, Disc Brake Bosch, Right
	5103 741AA	1	2, 6						Bosch, Left
	5135 897AA	1	2, 6						Teves, Right
	5135 898AA	1	2, 6						Teves, Left
3	5139 258AA	1	2, 6						BLEEDER SCREW, Brake Bosch
	5139 245AA	1	2, 6						Teves
4	5103 583AB	2	2, 3, 6, 7						SENSOR, brake wear
5	5139 265AA	1	2, 3, 6, 7						SPRING, Retainer, Teves,Jurid, Right or Left
6	5103 634AA	1	2, 6						CLIP, Brake Anti-Rattle
7	5103 557AA	1	2, 6						PAD KIT, Disc Brake Bosch,Ferodo
	5139 260AA	1	2, 6						Bosch,Jurid
8	5139 266AA	1	2, 6						SPRING, Retainer, Teves,Textar, Right or Left
9	6104 234AA	2	2, 6			01, 02, 06			SCREW
		2	2, 6			11, 12, 14, 15, 16			
		2	2, 6			51, 52, 54, 55, 56			
		2	3, 7			02, 06			
		2	3, 7			12, 15, 16			
10	5103 729AA	1							PIN KIT, Disc Brake Bosch
	5103 632AA	1							Teves
11	5114 556AA	1							BUSHING, Caliper, Teves
12	5103 633AA	1							ADAPTER, Disc Brake Caliper Bosch, Right or Left
	5135 747AA	1							Teves, Right or Left
13	5103 550AA	1	2, 3, 6, 7						PAD KIT, Disc Brake, Teves
14									ROTOR, Brake

Refer to Model Legend Information Bookmark

AR = Use as required - = Non illustrated part # = New this model year

March 3, 2006

Brakes,Rear,272MM
Figure 005-210



ITEM	PART NUMBER	QTY	LINE	SERIES	BODY	ENGINE	TRANS	TRIM	DESCRIPTION
	5103 603AA	2	2, 6		11, 12,				
		2	2, 6		14, 15,				
					16				
					51, 52,				
					54, 55,				
					56				
15	5139 361AA	2							SCREW

Refer to Model Legend Information Bookmark

AR = Use as required - = Non illustrated part # = New this model year

March 3, 2006

Brakes,Rear,285MM
Figure 005-220

ITEM	PART NUMBER	QTY	LINE	SERIES	BODY	ENGINE	TRANS	TRIM	DESCRIPTION
------	-------------	-----	------	--------	------	--------	-------	------	-------------

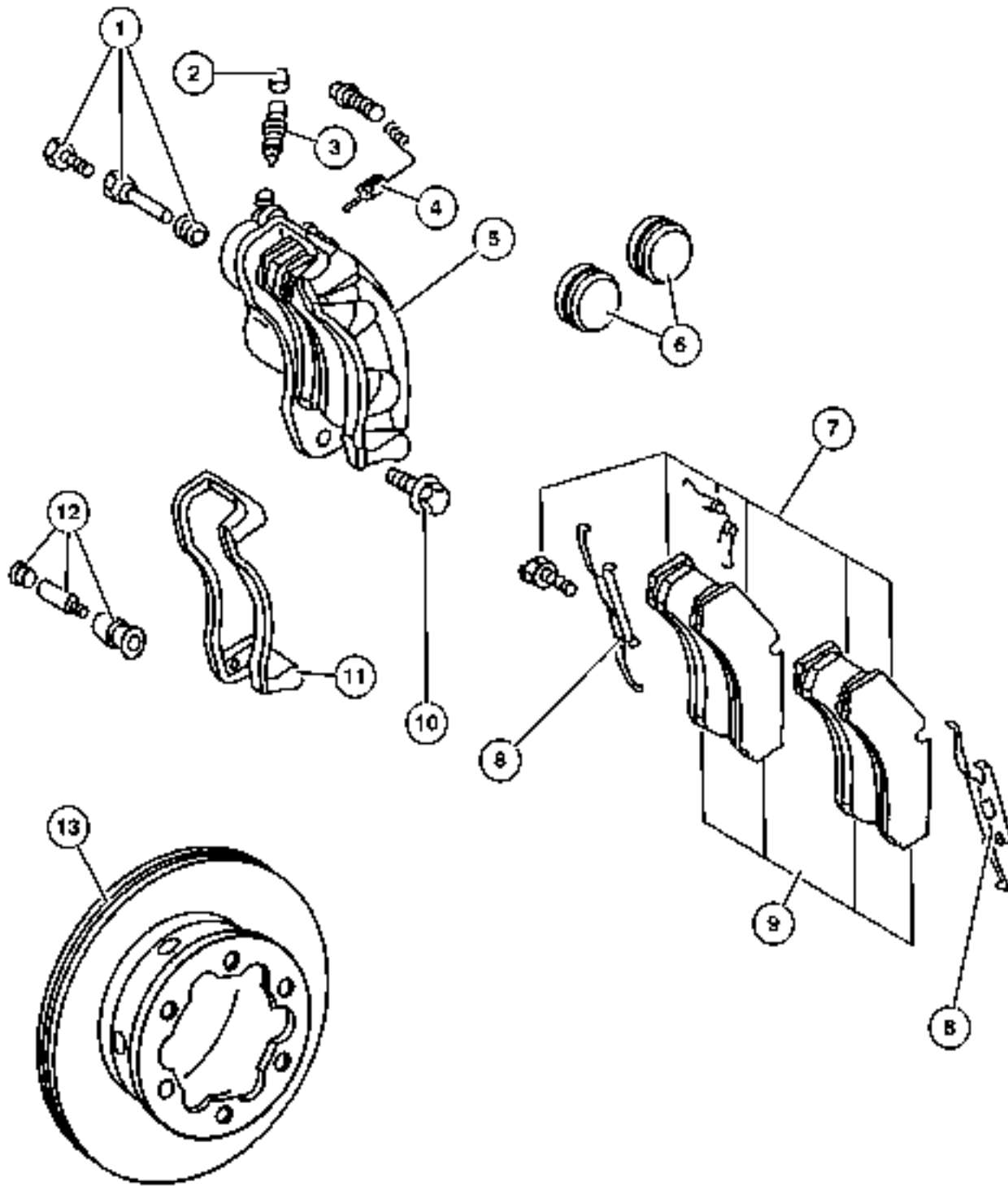
Note: You must check the brand name on the old caliper to determine which one to order.

1	5103 630AA	1							PIN KIT, Disc Brake, Right or Left
2	5126 309AA	1	2, 3, 6, 7						CAP, Bleeder
3	5139 258AA	1	2, 6						BLEEDER SCREW, Brake Bosch
	5139 259AA	1							Perrot/Wabco,Textar
4	5103 583AB	2	2, 3, 6, 7						SENSOR, brake wear, Right or Left
5	5127 482AA	1							CALIPER, Disc Brake Bosch, Right
	5127 483AA	1							Bosch, Left
	5127 486AA	1							Wabco, Right
	5135 215AA	1							Wabco, Left
6	5139 261AA	1							SEAL, Caliper Piston, Bosch,Textar
7	5103 790AA	1							PAD KIT, Disc Brake, Perrot/Wabco, Textar
8	5103 635AA	2							RETAINER, Brake Hold Down Spring, Bosch,Textar
9	5103 556AA	1	2, 3, 6, 7						PAD KIT, Disc Brake, Bosch,Textar
10	5139 464AA	4							SCREW
11	5135 915AA	1							ADAPTER, Disc Brake Caliper Bosch, Right or Left
	5135 916AA	1							Wabco, Right or Left
12	5103 729AA	1							PIN KIT, Disc Brake, Teilesatz,Bosch
13	5103 603AA	2	2, 6						ROTOR, Brake
									11, 12, 14, 15, 16
									51, 52, 54, 55, 56
	5103 606AA	2	3, 7						

Refer to Model Legend Information Bookmark

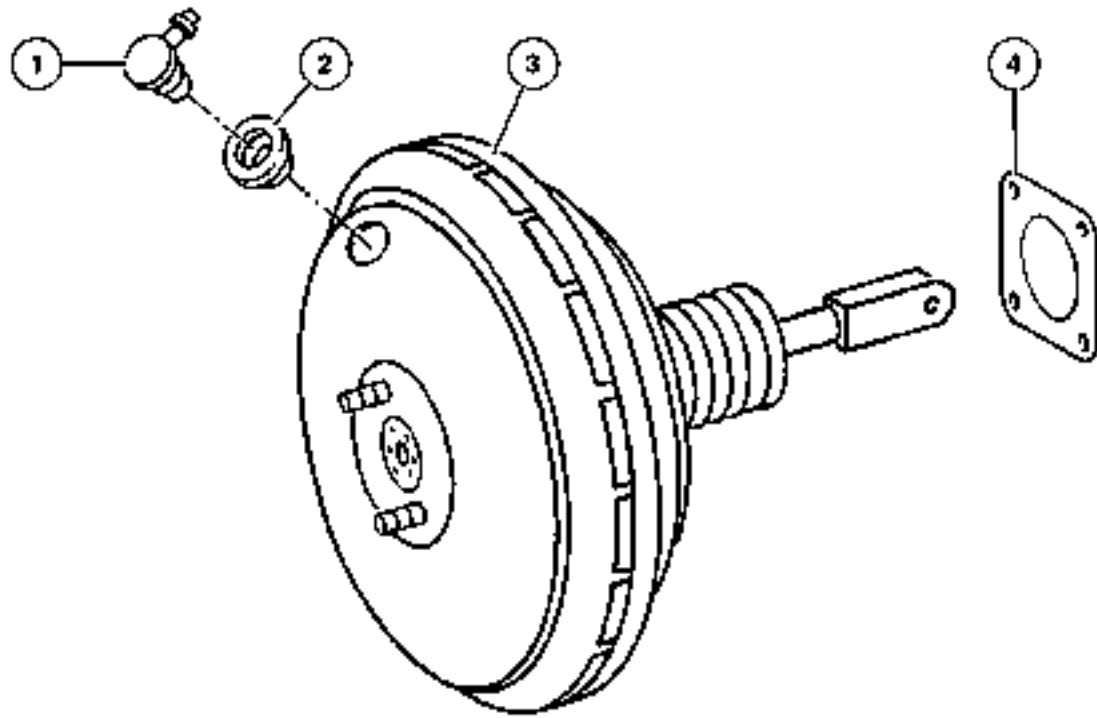
AR = Use as required - = Non illustrated part # = New this model year

March 3, 2006



Booster
Figure 005-310

ITEM	PART NUMBER	QTY	LINE	SERIES	BODY	ENGINE	TRANS	TRIM	DESCRIPTION
1									VALVE, Brake Booster Check
	5119 362AA	1	2, 6		01, 02, 06				
		1	2, 6		11, 12, 14, 15, 16				
		1	2, 6		51, 52, 54, 55, 56				
		1	3, 7		02, 06				
		1	3, 7		12, 15, 16				
2									GASKET
	5133 696AA	1	2, 6		01, 02, 06				Vacuum Line to Booster
		1	2, 6		11, 12, 14, 15, 16				Vacuum Line to Booster
		1	2, 6		51, 52, 54, 55, 56				Vacuum Line to Booster
		1	3, 7		02, 06				Vacuum Line to Booster
		1	3, 7		12, 15, 16				Vacuum Line to Booster
3									BOOSTER, Power Brake
	5119 372AA	1	2, 6		01, 02, 06				
		1	2, 6		11, 12, 14, 15, 16				
		1	2, 6		51, 52, 54, 55, 56				
		1	3, 7		02, 06				
		1	3, 7		12, 15, 16				
4									GASKET, Booster To Dash
	5119 386AA	1	2, 6		01, 02, 06				
		1	2, 6		11, 12, 14, 15, 16				
		1	2, 6		51, 52, 54, 55, 56				



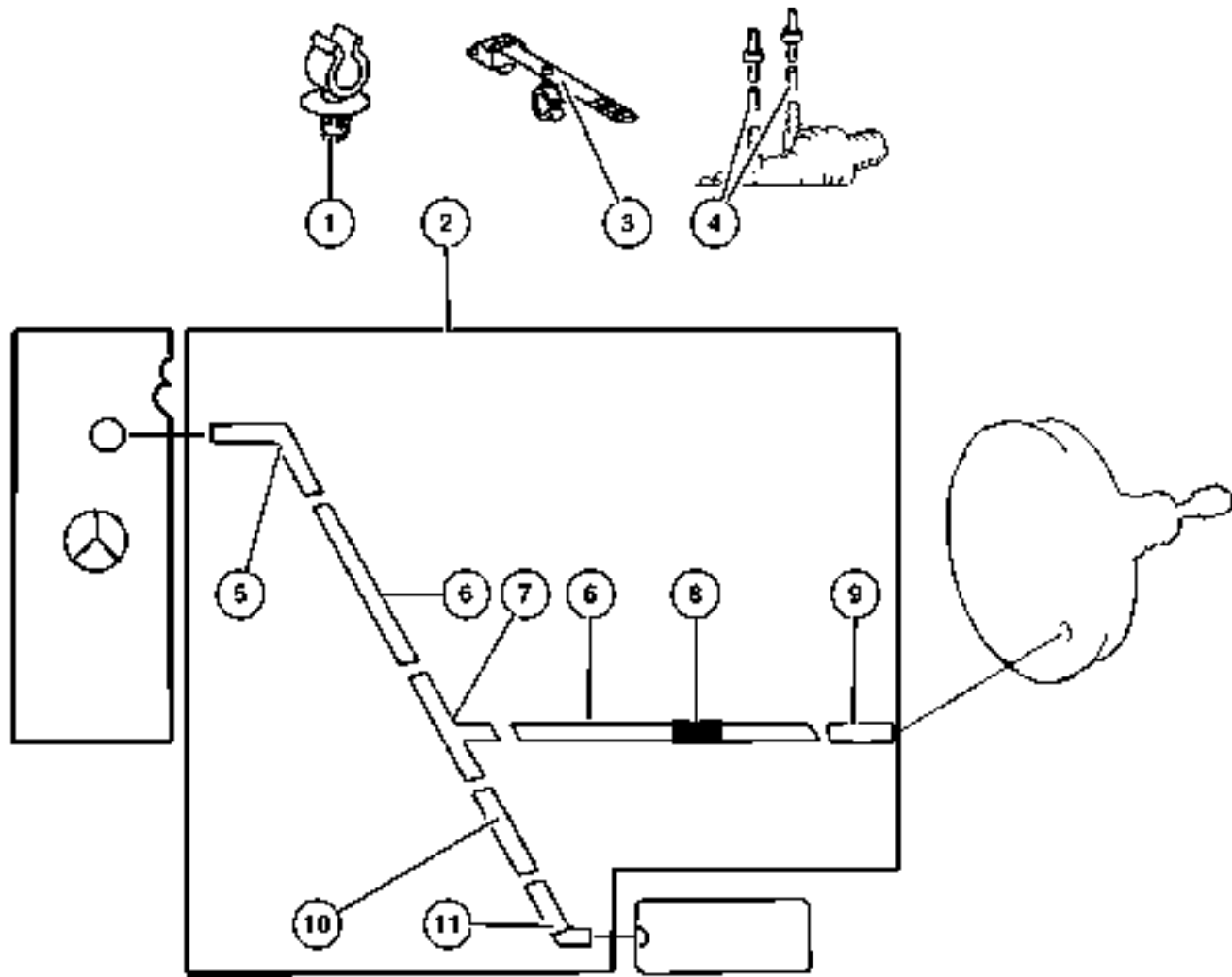
Refer to Model Legend Information Bookmark

AR = Use as required - = Non illustrated part # = New this model year

March 3, 2006

Vacuum Lines
Figure 005-320

ITEM	PART NUMBER	QTY	LINE	SERIES	BODY	ENGINE	TRANS	TRIM	DESCRIPTION
1									CLIP, Brake Line
	5125 578AA	2	3, 7		02, 06				
		2	3, 7		12, 15, 16				
2									HARNESS, Vacuum
	5119 349AA	1	3, 7		02, 06				
		1	3, 7		12, 15, 16				
	5129 239AA	1	2, 6		01, 02, 06				
		1	2, 6		11, 12, 14, 15, 16				
		1	2, 6		51, 52, 54, 55, 56				
3									STRAP
	6104 770AA	1	2, 6		01, 02, 06				
		1	2, 6		11, 12, 14, 15, 16				
		1	2, 6		51, 52, 54, 55, 56				
		1	3, 7		02, 06				
		1	3, 7		12, 15, 16				
4									HOSE
	5080 390AA	1	2, 6		01, 02, 06				
		1	2, 6		11, 12, 14, 15, 16				
		1	2, 6		51, 52, 54, 55, 56				
		1	3, 7		02, 06				
		1	3, 7		12, 15, 16				
5									CONNECTOR
	5126 007AA	1	2, 6		01, 02, 06				

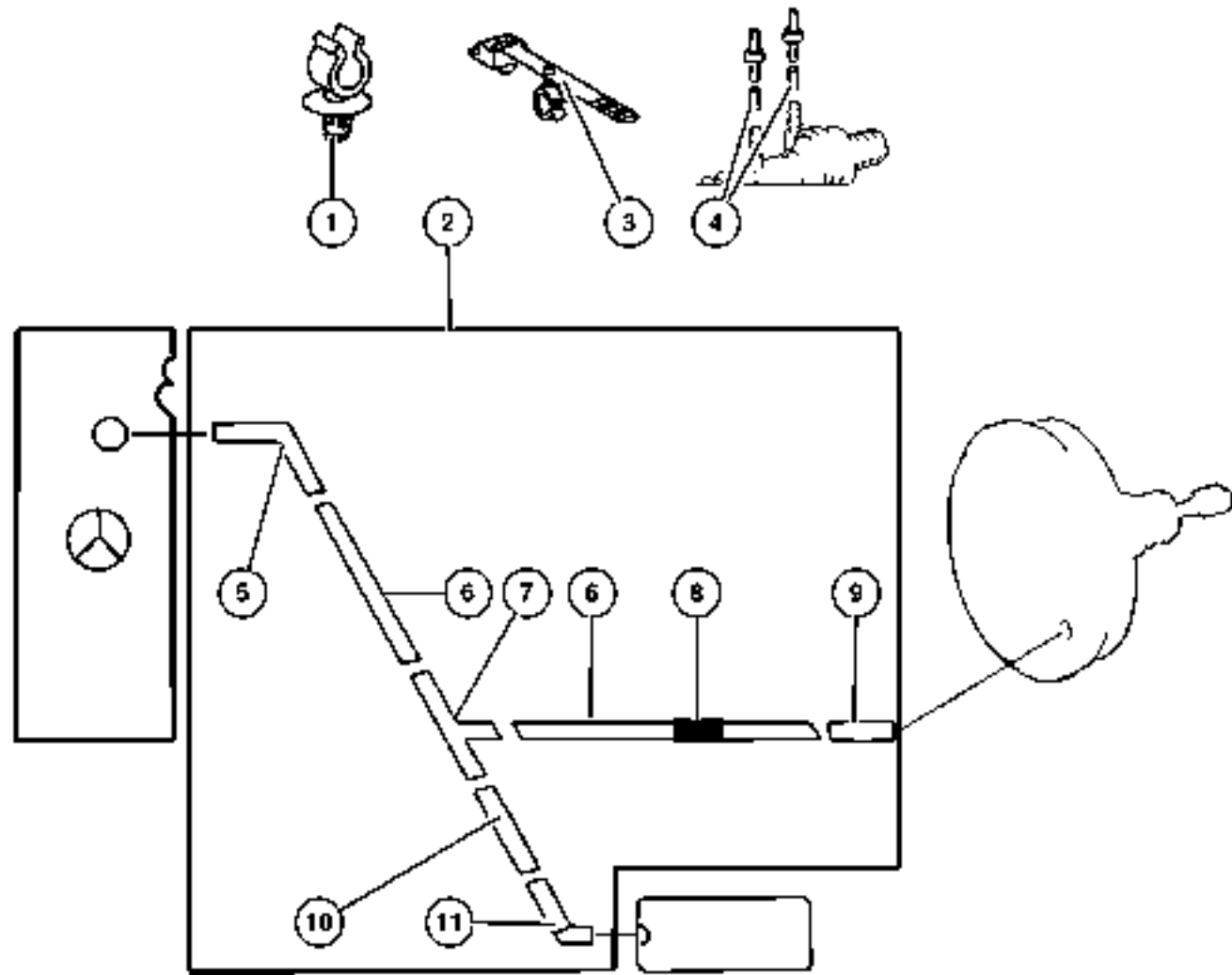


Refer to Model Legend Information Bookmark

AR = Use as required - = Non illustrated part # = New this model year

March 3, 2006

Vacuum Lines
Figure 005-320



ITEM	PART NUMBER	QTY	LINE	SERIES	BODY	ENGINE	TRANS	TRIM	DESCRIPTION
		1	2, 6		11, 12,				
					14, 15,				
					16				
		1	2, 6		51, 52,				
					54, 55,				
					56				
		1	3, 7		02, 06				
		1	3, 7		12, 15,				
					16				
6	5119 395AA	1	2, 6		01, 02,				HOSE, Vacuum
					06				
		1	2, 6		11, 12,				
					14, 15,				
					16				
		1	2, 6		51, 52,				
					54, 55,				
					56				
		1	3, 7		02, 06				
		1	3, 7		12, 15,				
					16				
7	5119 363AA	1	3, 7		02, 06				TEE, vacuum hose
		1	3, 7		12, 15,				
					16				
8	5125 507AB	2	2, 6		01, 02,				WASHER
					06				
		2	2, 6		11, 12,				
					14, 15,				
					16				
		2	2, 6		51, 52,				
					54, 55,				
					56				
		200	3, 7		02, 06				
		2	3, 7		12, 15,				
					16				
9	5119 362AA	1	2, 6		01, 02,				VALVE, Brake Booster Check
					06				
		1	2, 6		11, 12,				
					14, 15,				
					16				

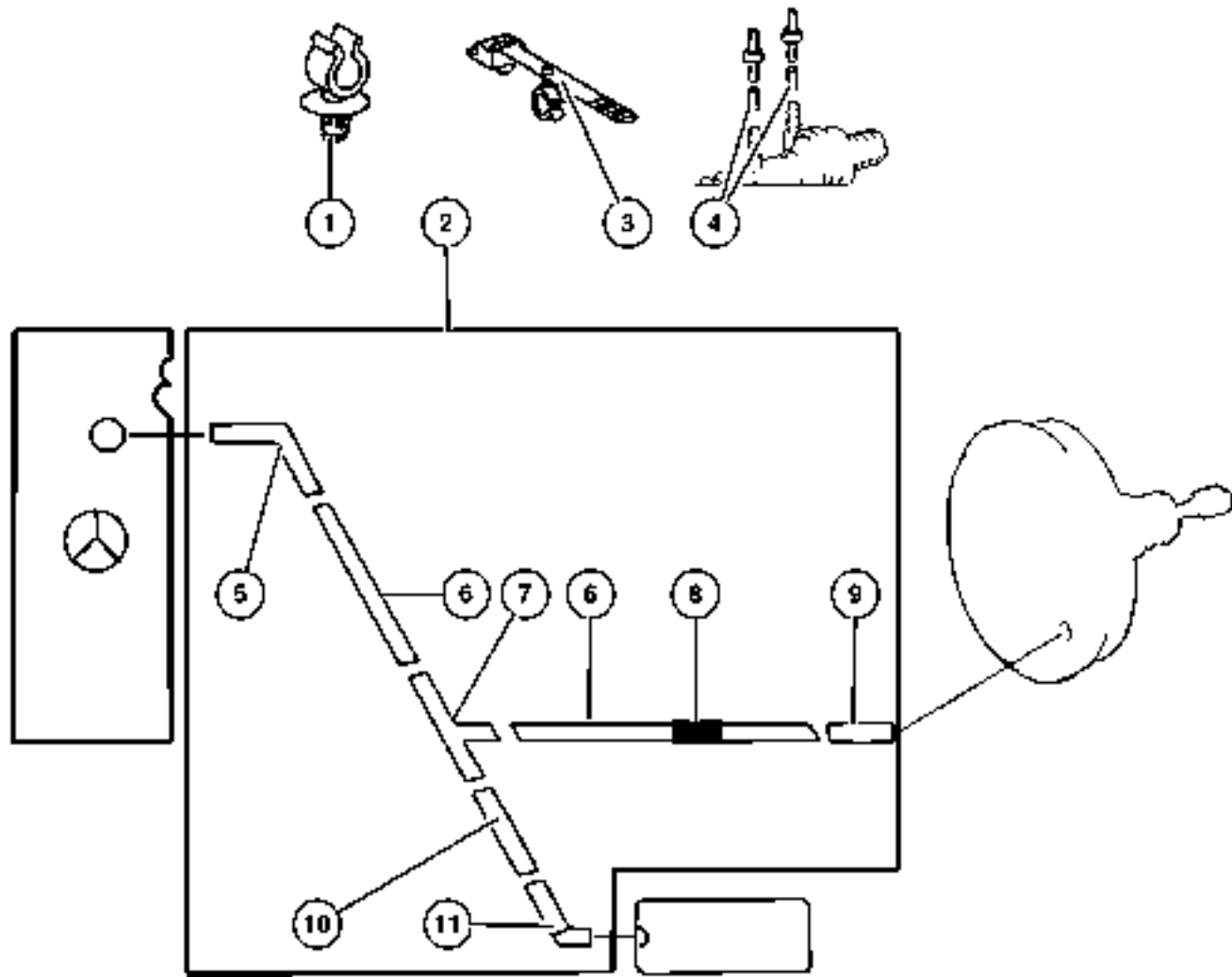
Refer to Model Legend Information Bookmark

AR = Use as required - = Non illustrated part # = New this model year

March 3, 2006

Vacuum Lines
Figure 005-320

ITEM	PART NUMBER	QTY	LINE	SERIES	BODY	ENGINE	TRANS	TRIM	DESCRIPTION
		1	2, 6		51, 52, 54, 55, 56				
		1	3, 7		02, 06				
		1	3, 7		12, 15, 16				
10	5119 392AA	1							HOSE, Vacuum
11	5125 804AA	1	3, 7		02, 06				COUPLING, Male
		1	3, 7		12, 15, 16				
-12	5098 383AA-	1	2, 3, 6, 7						CAP, Nut



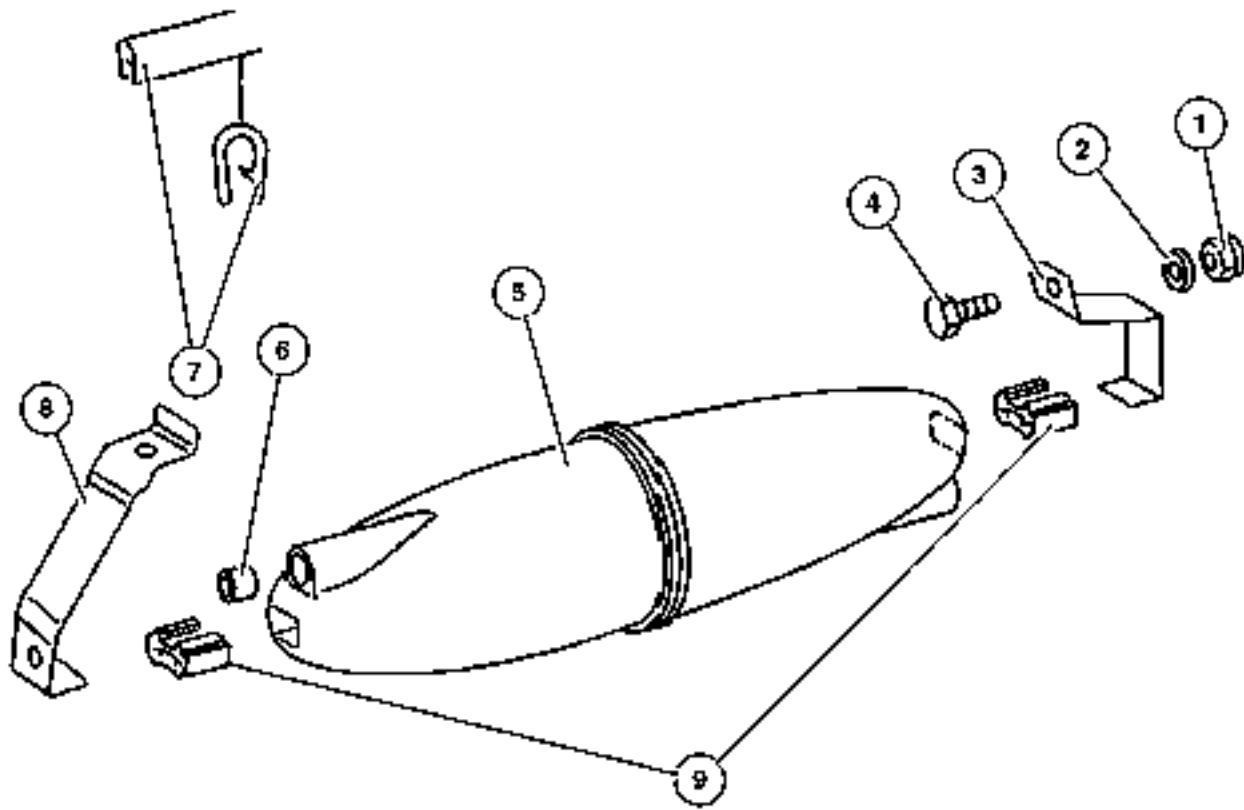
Refer to Model Legend Information Bookmark

AR = Use as required - = Non illustrated part # = New this model year

March 3, 2006

Vacuum Reservoir
Figure 005-330

ITEM	PART NUMBER	QTY	LINE	SERIES	BODY	ENGINE	TRANS	TRIM	DESCRIPTION
1									NUT, Hex
	5126 237AA	2	3, 7		02, 06				
		2	3, 7		12, 15, 16				
2									WASHER, Flat, M8, (NOT SERVICED) (Not Serviced)
3									BRACKET, Vacuum Reservoir
	5119 388AA	1	3, 7		02, 06				
		1	3, 7		12, 15, 16				
4									BOLT
	5104 655AA	2	3, 7		02, 06				
		2	3, 7		12, 15, 16				
5									RESERVOIR, Vacuum
	5119 357AA	1	3, 7		02, 06				
		1	3, 7		12, 15, 16				
6									SEAL, Vacuum Line
	5119 400AA	1	3, 7		02, 06				
		1	3, 7		12, 15, 16				
7									GUARD, Edge
	5132 721AA	100	3, 7		02, 06				
		100	3, 7		12, 15, 16				
8									BRACKET, Vacuum Reservoir
	5119 388AA	1	3, 7		02, 06				
		1	3, 7		12, 15, 16				
9									ISOLATOR
	5125 498AA	2	3, 7		02, 06				
		2	3, 7		12, 15, 16				

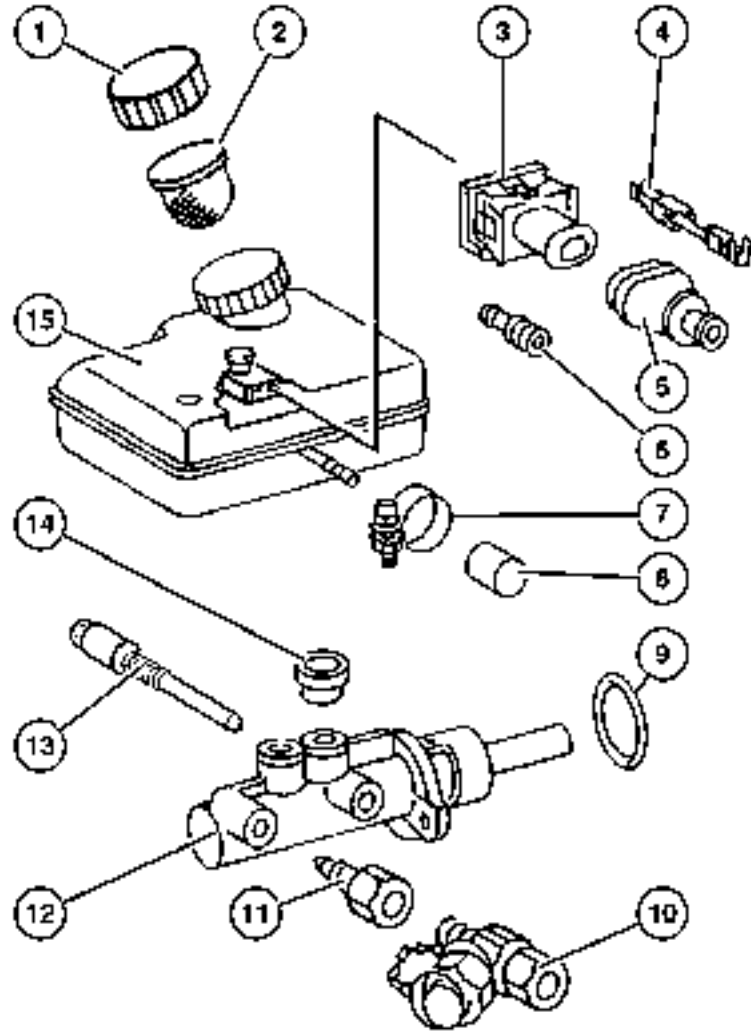


Refer to Model Legend Information Bookmark

AR = Use as required - = Non illustrated part # = New this model year

March 3, 2006

**Master Cylinder
Figure 005-410**



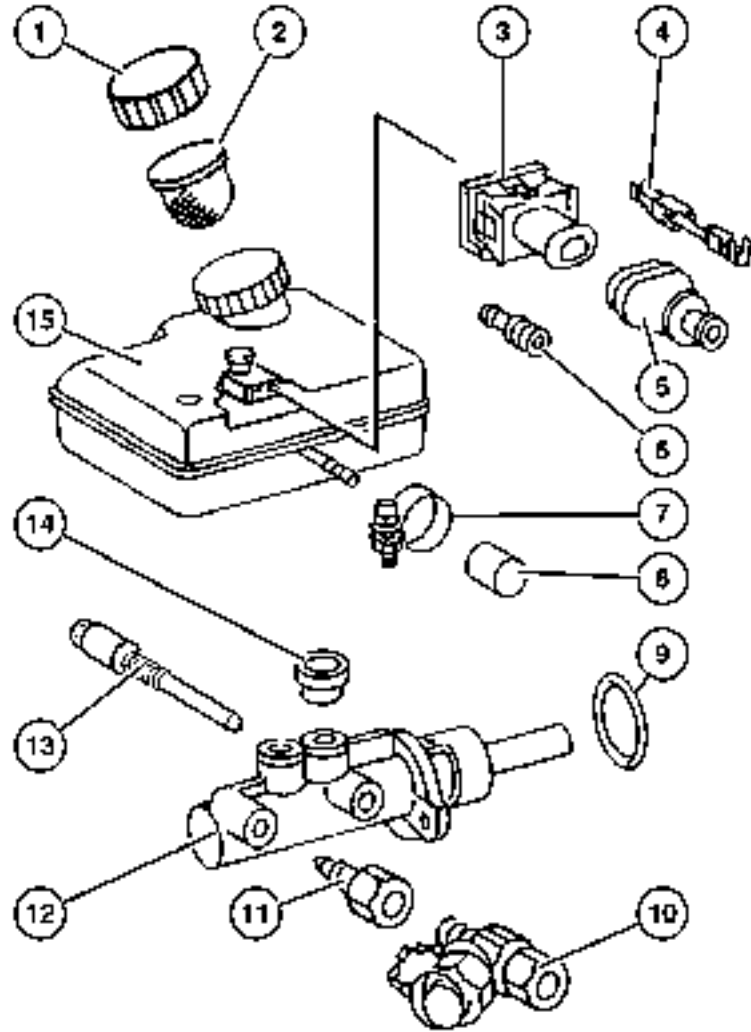
ITEM	PART NUMBER	QTY	LINE	SERIES	BODY	ENGINE	TRANS	TRIM	DESCRIPTION
Note: Sales Codes: [4DR]=Weight Variant 3.88T									
1	5098 710AA	1	2, 6		01, 02, 06				CAP, Master Cylinder Reservoir
		1	2, 6		11, 12, 14, 15, 16				
		1	2, 6		51, 52, 54, 55, 56				
		1	3, 7		02, 06				
		1	3, 7		12, 15, 16				
2	5119 374AA	1	2, 6		01, 02, 06				FILTER, Brake Master Cylinder
		1	2, 6		11, 12, 14, 15, 16				
		1	2, 6		51, 52, 54, 55, 56				
		1	3, 7		02, 06				
		1	3, 7		12, 15, 16				
3	5120 749AA	1	2, 6		01, 02, 06				CONNECTOR
		1	2, 6		11, 12, 14, 15, 16				
		1	2, 6		51, 52, 54, 55, 56				
		1	3, 7		02, 06				
		1	3, 7		12, 15, 16				
4	5103 880AA	99	2, 6		01, 02, 06				TERMINAL
		99	2, 6		11, 12, 14, 15, 16				

Refer to Model Legend Information Bookmark

AR = Use as required - = Non illustrated part # = New this model year

March 3, 2006

Master Cylinder
Figure 005-410



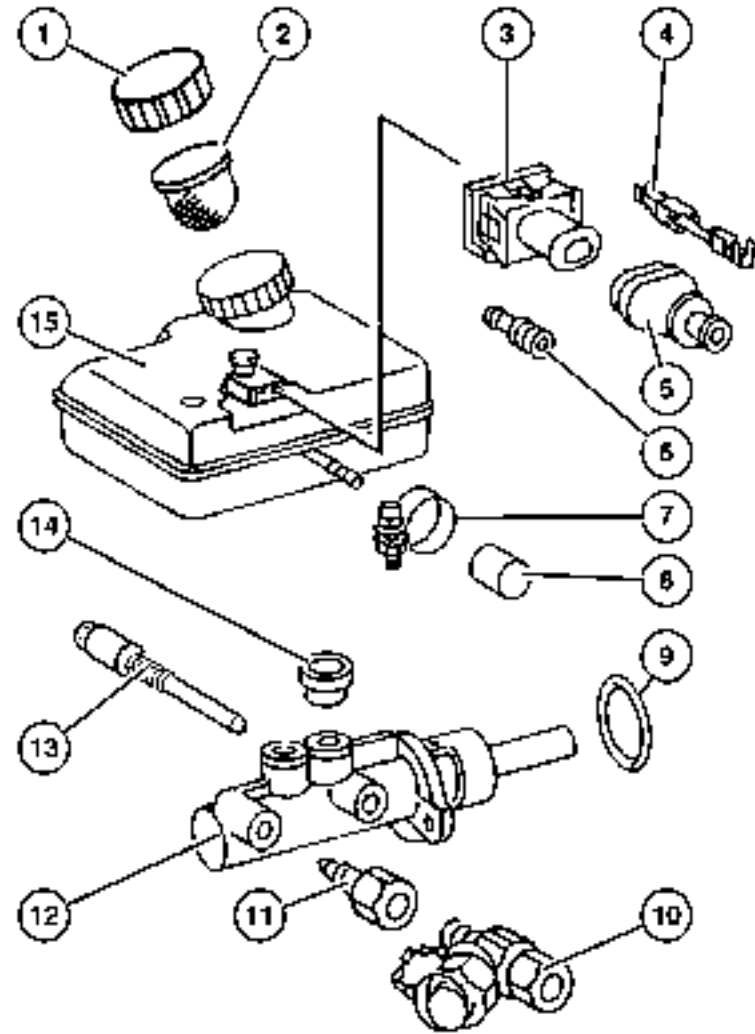
ITEM	PART NUMBER	QTY	LINE	SERIES	BODY	ENGINE	TRANS	TRIM	DESCRIPTION
		99	2, 6		51, 52,				
					54, 55,				
					56				
		99	3, 7		02, 06				
		99	3, 7		12, 15,				
					16				
5	5120 881AA	1	2, 6		01, 02,				BOOT
					06				
		1	2, 6		11, 12,				
					14, 15,				
					16				
		1	2, 6		51, 52,				
					54, 55,				
					56				
		1	3, 7		02, 06				
		1	3, 7		12, 15,				
					16				
6	5103 661AA	1	2, 6		01, 02,				GASKET
					06				
		1	2, 6		11, 12,				
					14, 15,				
					16				
		1	2, 6		51, 52,				
					54, 55,				
					56				
		1	3, 7		02, 06				
		1	3, 7		12, 15,				
					16				
7	5080 440AB	1	2, 6		01, 02,				CLAMP
					06				
		1	2, 6		11, 12,				
					14, 15,				
					16				
		1	2, 6		51, 52,				
					54, 55,				
					56				
		1	3, 7		02, 06				
		1	3, 7		12, 15,				
					16				
8	5119 387AA	1	2, 6		01, 02,				CAP
					06				

Refer to Model Legend Information Bookmark

AR = Use as required - = Non illustrated part # = New this model year

March 3, 2006

Master Cylinder
Figure 005-410



ITEM	PART NUMBER	QTY	LINE	SERIES	BODY	ENGINE	TRANS	TRIM	DESCRIPTION
		1	2, 6		11, 12,				
					14, 15,				
		1	2, 6		16				
		1	2, 6		51, 52,				
					54, 55,				
					56				
		1	3, 7		02, 06				
		1	3, 7		12, 15,				
					16				
9									GASKET
	5133 696AA	1	2, 6		01, 02,				
					06				
		1	2, 6		11, 12,				
					14, 15,				
					16				
		1	2, 6		51, 52,				
					54, 55,				
					56				
		1	3, 7		02, 06				
		1	3, 7		12, 15,				
					16				
10									TEST CONNECTION, Master Cylinder
	5103 640AA	2	2, 6		01, 02,				
					06				
		2	2, 6		11, 12,				
					14, 15,				
					16				
		2	2, 6		51, 52,				
					54, 55,				
					56				
		2	3, 7		02, 06				
		2	3, 7		12, 15,				
					16				
11									FITTING, (NOT SERVICED) (Not Serviced)
12									CYLINDER, Brake Master
	5119 354AA	1	2, 6		01, 02,				With [4DR]
					06				
	5119 355AA	1	2, 6		01, 02,				Without [4DR]
					06				
	5119 354AA	1	2, 6		11, 12,				With [4DR]
					14, 15,				
					16				

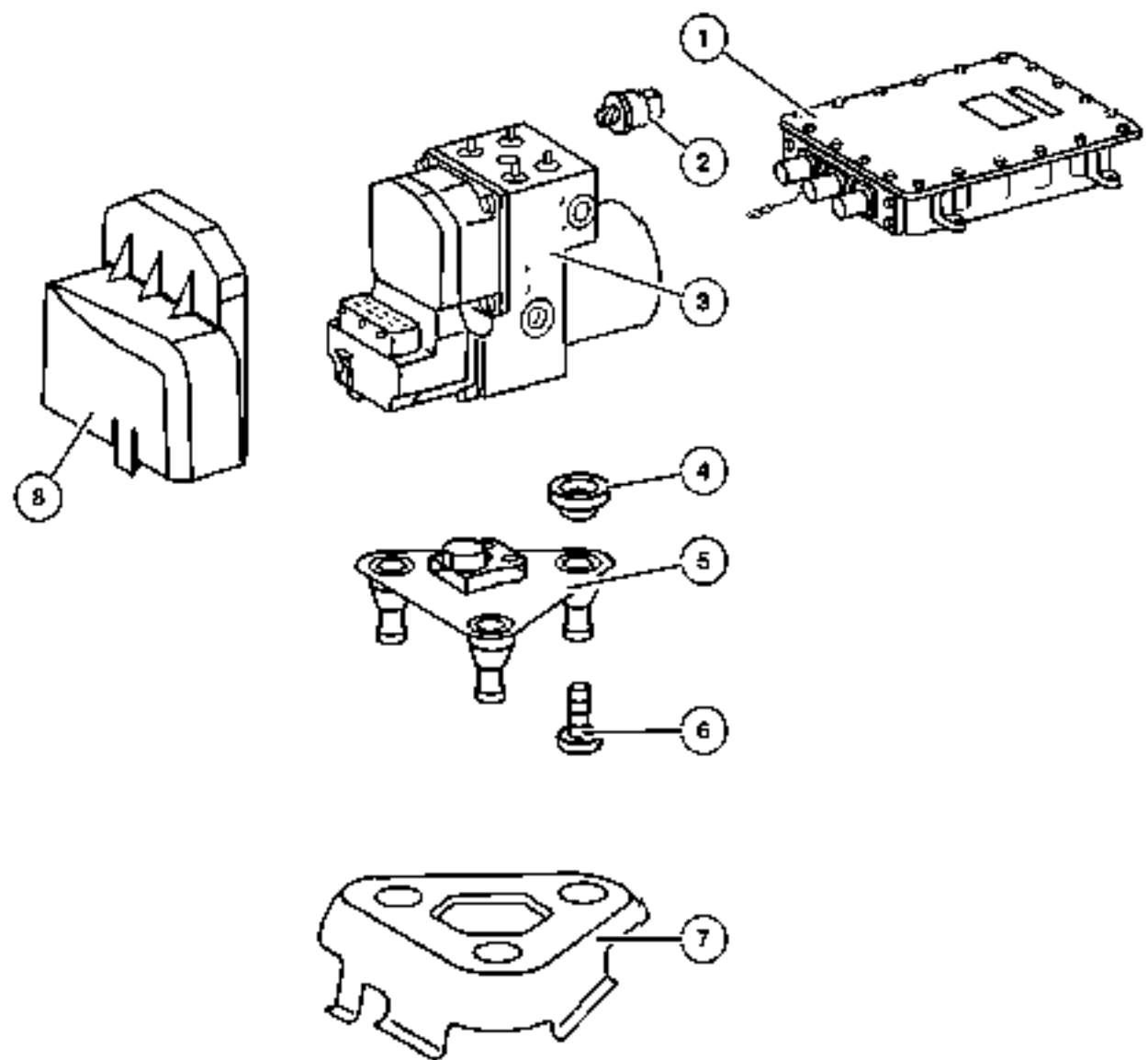
Refer to Model Legend Information Bookmark

AR = Use as required - = Non illustrated part # = New this model year

March 3, 2006

Hydraulic Control Unit and ABS Module Figure 005-420

ITEM	PART NUMBER	QTY	LINE	SERIES	BODY	ENGINE	TRANS	TRIM	DESCRIPTION
Note;Sales Codes									
[BGK]=4-Wheel Anti-Lock Brakes									
[BNB]=Electronic Stability Program									
[HBD]=Rear Heavy Duty Air Conditioning									
[4DR]=Weight Variant 3.88T									
1	5133 700AA	1	2, 6		01, 02, 06				MODULE, Anti-lock Brakes Without [BNB]
	5161 052AA	1	2, 6		01, 02, 06				With [BNB]
	5133 700AA	1	2, 6		11, 12, 14, 15, 16				
		1	2, 6		51, 52, 54, 55, 56				
2	5133 702AA	1	3, 7		02, 06				SENDING UNIT
		1	3, 7		12, 15, 16				
3	5127 536AA	1	2, 6		01, 02, 06				CONTROL UNIT, Anti-Lock Brake [BGK]
		1	2, 6		11, 12, 14, 15, 16				[BGK]
		1	2, 6		51, 52, 54, 55, 56				[BGK]
	5161 051AA	1	2, 6		01, 02, 06				[BGK,BNB]
	5136 077AA	1	2, 6		11, 12, 14, 15, 16				[BGK,BNB]
		1	2, 6		51, 52, 54, 55, 56				[BGK,BNB]
	5127 538AA	1	2, 6		01, 02, 06				[BGK,4DR]
		1	2, 6		11, 12, 14, 15, 16				[BGK,4DR]
		1	2, 6		51, 52, 54, 55, 56				[BGK,4DR]



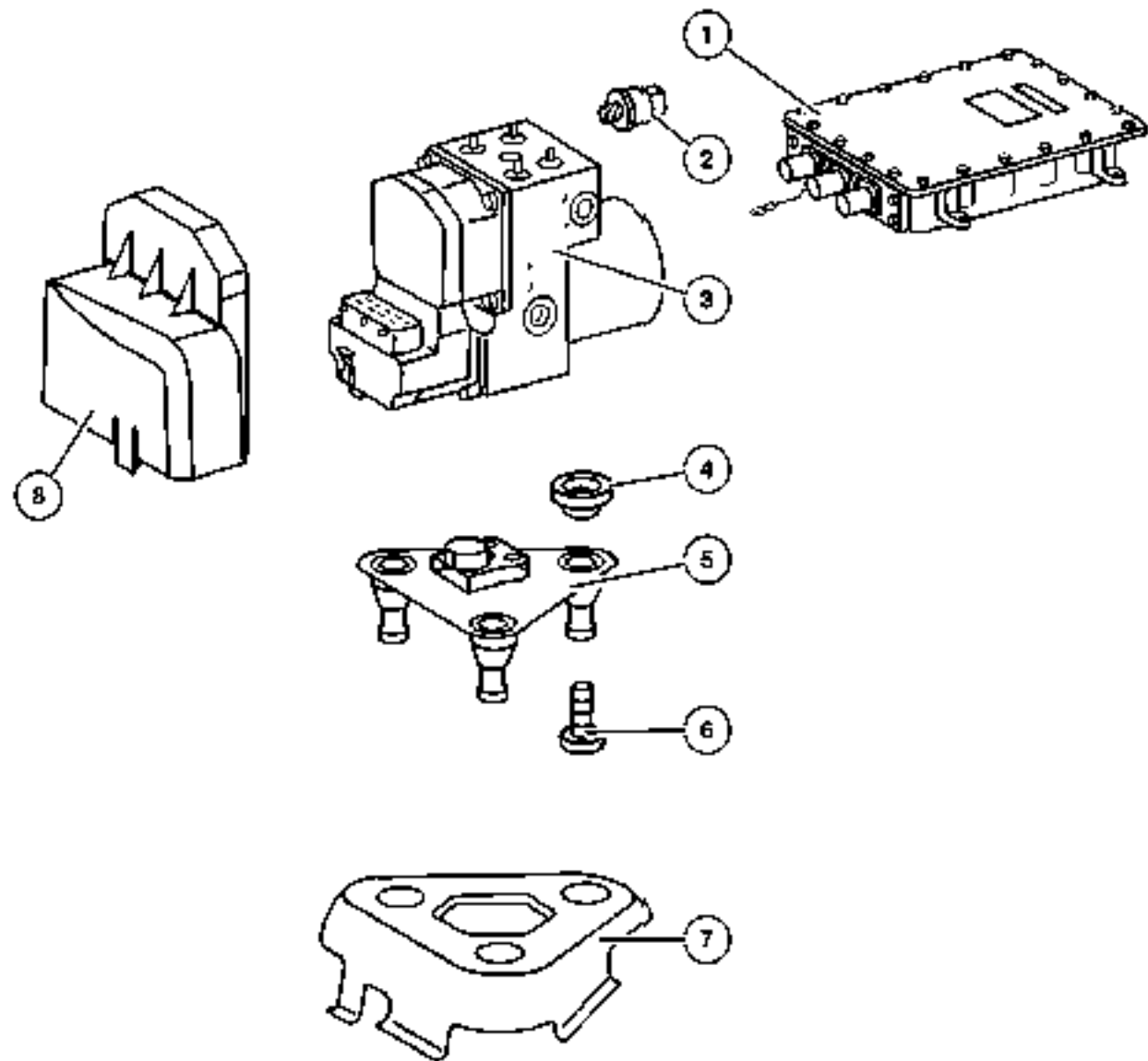
Refer to Model Legend Information Bookmark

AR = Use as required - = Non illustrated part # = New this model year

March 3, 2006

Hydraulic Control Unit and ABS Module Figure 005-420

ITEM	PART NUMBER	QTY	LINE	SERIES	BODY	ENGINE	TRANS	TRIM	DESCRIPTION
	5140 695AB	1	2, 6		01, 02, 06				[BGK,BNB,4DR]
		1	2, 6		11, 12, 14, 15, 16				[BGK,BNB,4DR]
		1	2, 6		51, 52, 54, 55, 56				[BGK,BNB,4DR]
	5127 536AA	1	3, 7		02, 06				[BGK]
		1	3, 7		12, 15, 16				[BGK]
4	5099 283AA	3	2, 6		01, 02, 06				GROMMET, Hydraulic Control Unit
		3	2, 6		11, 12, 14, 15, 16				
		3	2, 6		51, 52, 54, 55, 56				
		3	3, 7		02, 06				
		3	3, 7		12, 15, 16				
5									BRACKET, hydraulic control unit, upper
	5119 383AA	1	2, 6		01, 02, 06				
		1	2, 6		11, 12, 14, 15, 16				
		1	2, 6		51, 52, 54, 55, 56				
		1	3, 7		02, 06				
		1	3, 7		12, 15, 16				
6									SCREW
	5126 138AA	2	2, 6		01, 02, 06				
		2	2, 6		11, 12, 14, 15, 16				
		2	2, 6		51, 52, 54, 55, 56				



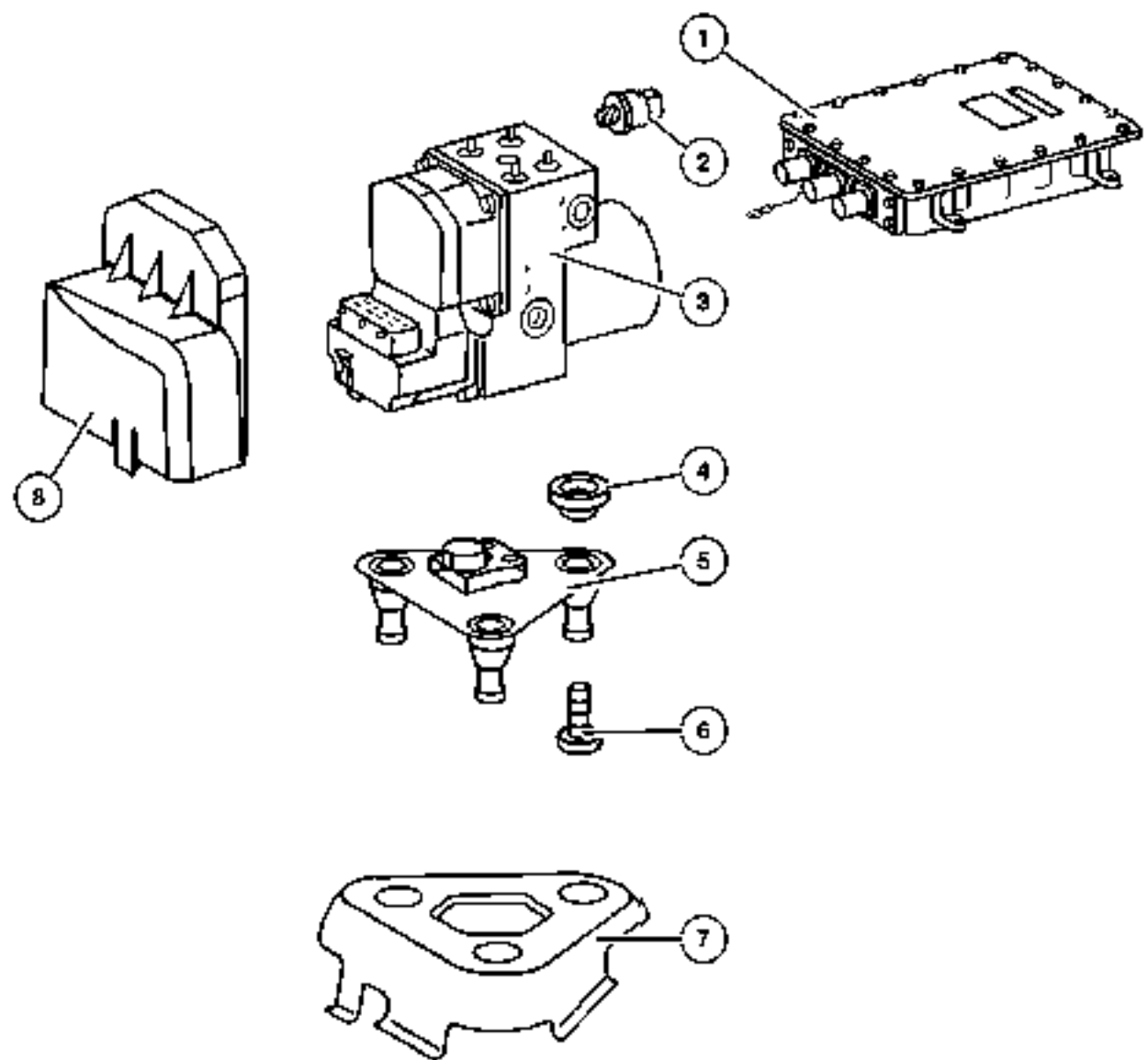
Refer to Model Legend Information Bookmark

AR = Use as required - = Non illustrated part # = New this model year

March 3, 2006

Hydraulic Control Unit and ABS Module Figure 005-420

ITEM	PART NUMBER	QTY	LINE	SERIES	BODY	ENGINE	TRANS	TRIM	DESCRIPTION
		2	3, 7		02, 06				
		2	3, 7		12, 15, 16				
7									BRACKET, hydraulic control unit, lower
	5104 088AA	1	2, 6		01, 02, 06				[BGK]
		1	2, 6		11, 12, 14, 15, 16				[BGK]
		1	2, 6		51, 52, 54, 55, 56				[BGK]
		1	3, 7		02, 06				[BGK]
		1	3, 7		12, 15, 16				[BGK]
	5139 489AA	1	2, 6		11, 12, 14, 15, 16				[BGK,HBD]
		1	2, 6		51, 52, 54, 55, 56				[BGK,HBD]
		1	3, 7		12, 15, 16				[BGK,HBD]
8									COVER, Hydraulic Control Unit
	5120 888AA	1	2, 6		01, 02, 06				
		1	2, 6		11, 12, 14, 15, 16				
		1	2, 6		51, 52, 54, 55, 56				
		1	3, 7		02, 06				
		1	3, 7		12, 15, 16				



Refer to Model Legend Information Bookmark

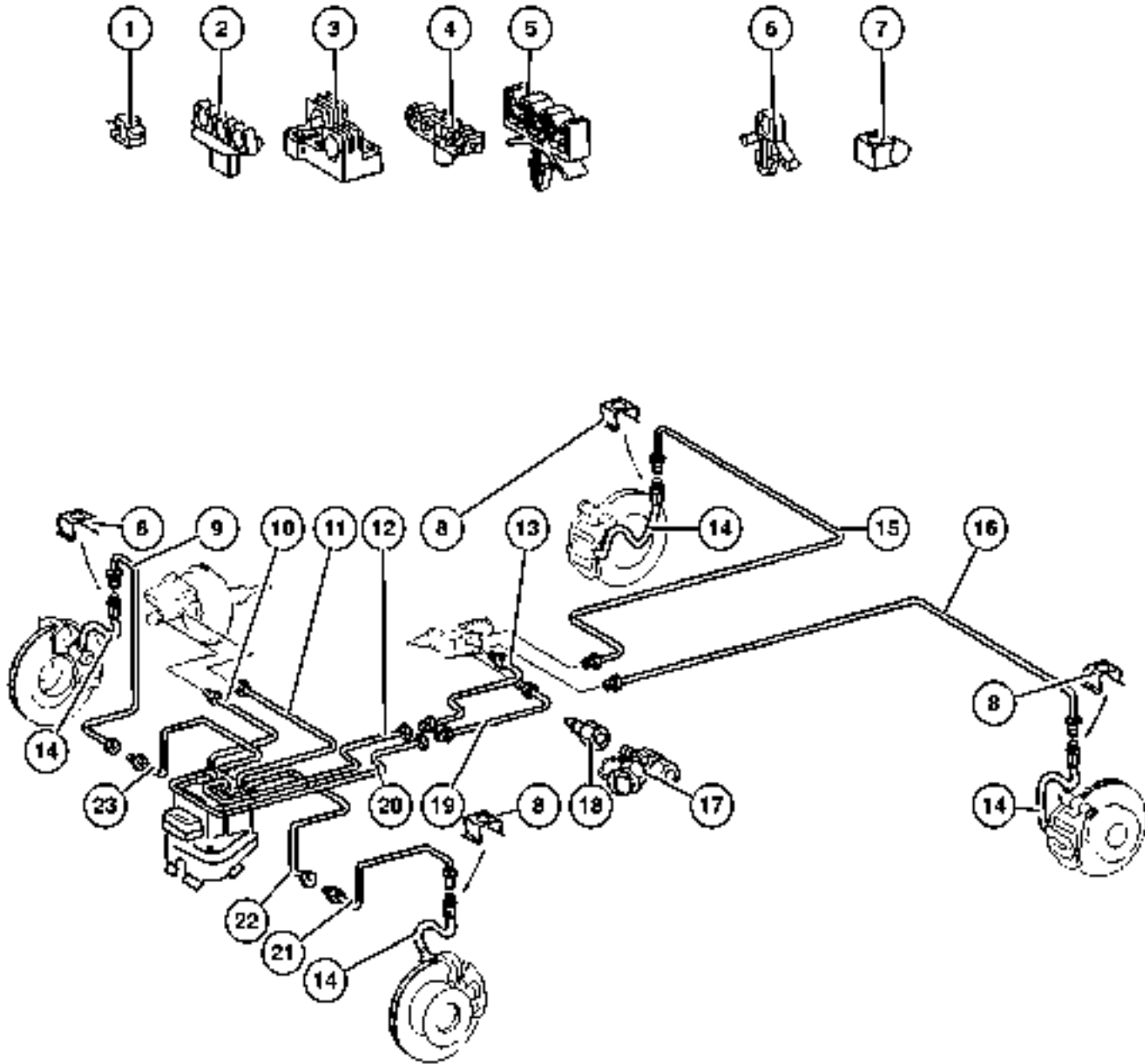
AR = Use as required - = Non illustrated part # = New this model year

March 3, 2006

Lines, Brake, With ABS, 2500/3500 Series
Figure 005-510

ITEM	PART NUMBER	QTY	LINE	SERIES	BODY	ENGINE	TRANS	TRIM	DESCRIPTION
------	-------------	-----	------	--------	------	--------	-------	------	-------------

Note; Sales Codes;
 [WDG]=Wheels - 16 X 6 STEEL
 [3S6]=Test Connections Hydraulic Brake
 [5AC]=118" Wheelbase
 [5AE]=140" Wheelbase
 [5AF]=158" Wheelbase
 [5NZ]=Delete Load Sensitive Brake



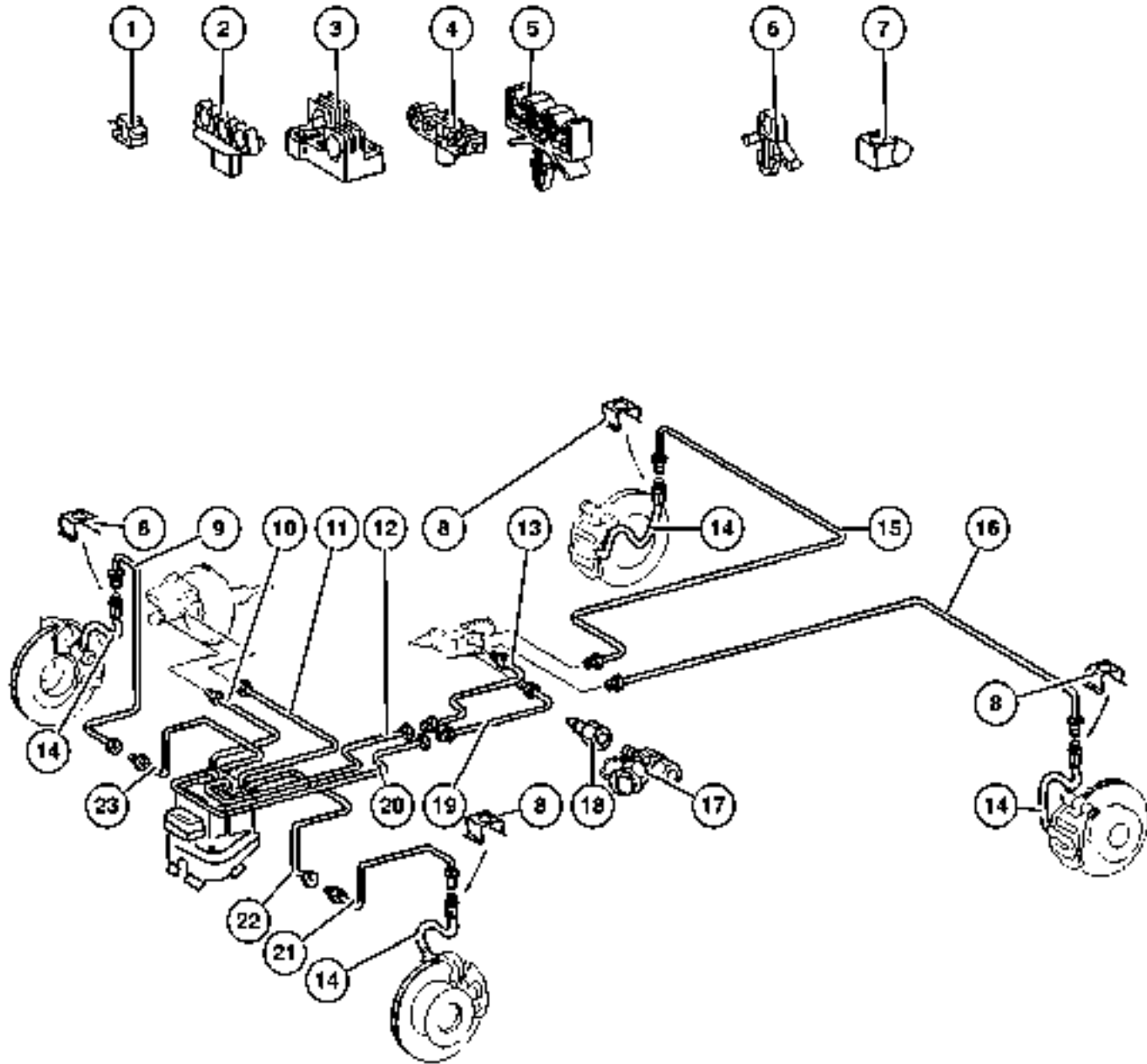
1	5119 689AA	4	2, 6		01, 02, 06				CLIP, Brake Line
		4	2, 6		11, 12, 14, 15, 16				
		4	2, 6		51, 52, 54, 55, 56				
		4	3, 7		02, 06				
		4	3, 7		12, 15, 16				
2	5135 743AA	1	2, 6		11, 12, 14, 15, 16				CLIP, Brake Line
		1	2, 6		51, 52, 54, 55, 56				
3	5119 331AA	1	2, 6		01, 02, 06				BRACKET, Brake Tube
		1	2, 6		11, 12, 14, 15, 16				
		1	2, 6		51, 52, 54, 55, 56				
		1	3, 7		02, 06				
		1	3, 7		12, 15, 16				
4	5119 330AA	2	2, 6		01, 02, 06				CLIP, Brake Line
		2	2, 6		11, 12, 14, 15, 16				

Refer to Model Legend Information Bookmark

AR = Use as required - = Non illustrated part # = New this model year

March 3, 2006

Lines, Brake, With ABS, 2500/3500 Series
Figure 005-510



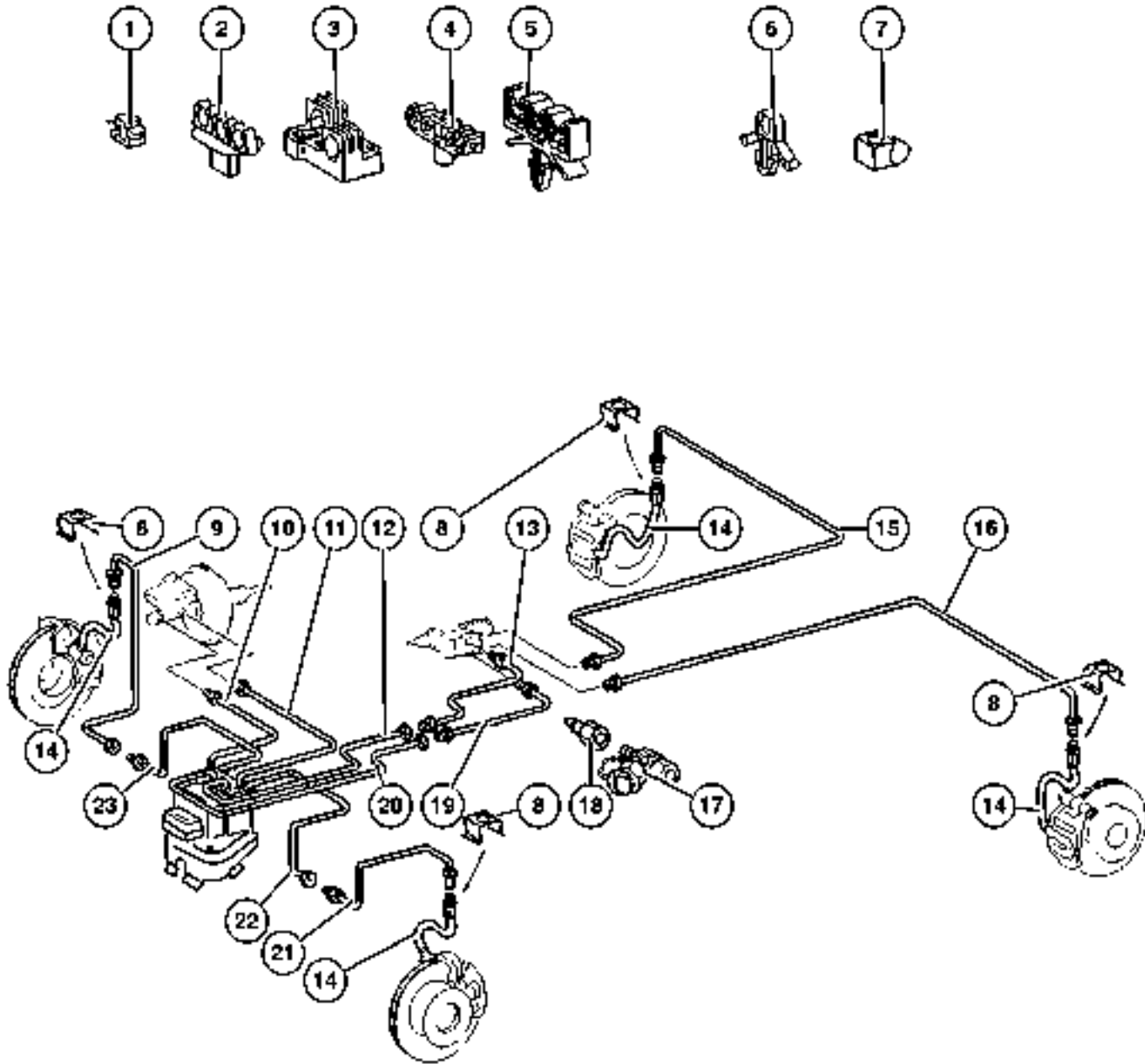
ITEM	PART NUMBER	QTY	LINE	SERIES	BODY	ENGINE	TRANS	TRIM	DESCRIPTION
		2	2, 6		51, 52,				
					54, 55,				
					56				
		2	3, 7		02, 06				
		2	3, 7		12, 15,				
					16				
5	5119 328AA	1	2, 6		01, 02,				CLIP, Brake Line
					06				
		1	2, 6		11, 12,				
					14, 15,				
					16				
		1	2, 6		51, 52,				
					54, 55,				
					56				
		1	3, 7		02, 06				
		1	3, 7		12, 15,				
					16				
6	5119 329AA	1	2, 6		01, 02,				CLIP, Brake Line
					06				
		1	2, 6		11, 12,				
					14, 15,				
					16				
		1	2, 6		51, 52,				
					54, 55,				
					56				
		1	3, 7		02, 06				
		1	3, 7		12, 15,				
					16				
7	5125 566AA	1	2, 6		01, 02,				CLIP, Brake Line
					06				
		1	2, 6		11, 12,				
					14, 15,				
					16				
		1	2, 6		51, 52,				
					54, 55,				
					56				
		1	3, 7		02, 06				
		1	3, 7		12, 15,				
					16				
8	5098 140AA	2	2, 6		01, 02,				CLIP, Spring Front or Rear, Right or Left
					06				

Refer to Model Legend Information Bookmark

AR = Use as required - = Non illustrated part # = New this model year

March 3, 2006

Lines, Brake, With ABS, 2500/3500 Series
Figure 005-510



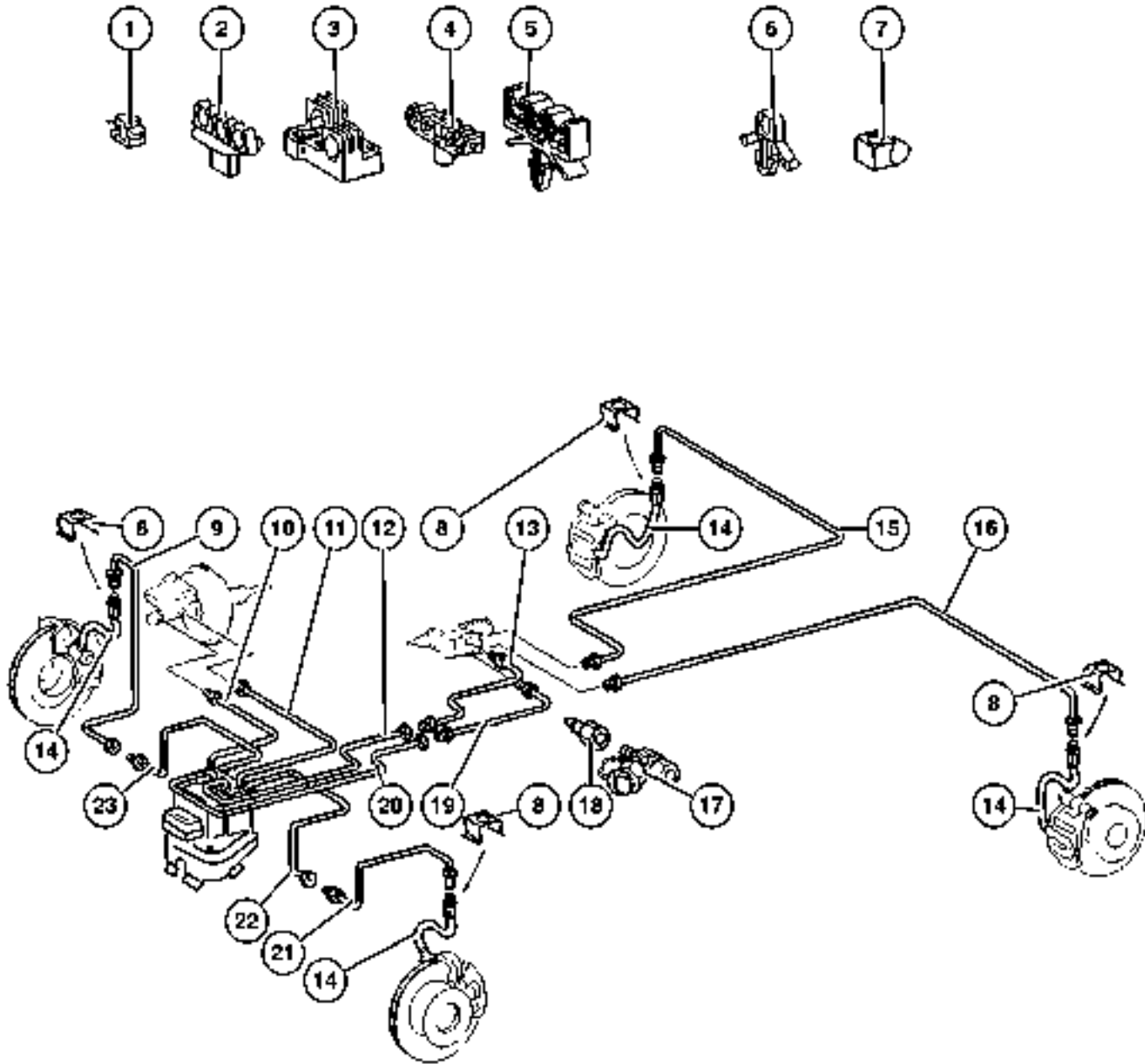
ITEM	PART NUMBER	QTY	LINE	SERIES	BODY	ENGINE	TRANS	TRIM	DESCRIPTION
		2	2, 6		11, 12,				Front or Rear, Right or Left
		2	2, 6		14, 15, 16				Front or Rear, Right or Left
		2	3, 7		02, 06				Front or Rear, Right or Left
		2	3, 7		12, 15, 16				Front or Rear, Right or Left
9	5119 198AA	1	2, 6		01, 02, 06				TUBE, Brake [BGK, BNB], Right Front
		1	2, 6		11, 12, 14, 15, 16				[BGK, BNB], Right Front
		1	2, 6		51, 52, 54, 55, 56				[BGK, BNB], Right Front
	5119 163AA	1	2, 6		01, 02, 06				[BGK, BNB, WDG], Right Front
		1	2, 6		11, 12, 14, 15, 16				[BGK, BNB, WDG], Right Front
		1	2, 6		51, 52, 54, 55, 56				[BGK, BNB, WDG], Right Front
		1	3, 7		02, 06				[BGK], Right Front
		1	3, 7		12, 15, 16				[BGK], Right Front
10	5119 217AA	1	2, 6		01, 02, 06				TUBE, Brake Secondary
		1	2, 6		11, 12, 14, 15, 16				Secondary
		1	2, 6		51, 52, 54, 55, 56				Secondary
		1	3, 7		02, 06				Secondary
		1	3, 7		12, 15, 16				Secondary
11	5119 217AA	1	2, 6		01, 02, 06				TUBE, Brake Primary

Refer to Model Legend Information Bookmark

AR = Use as required - = Non illustrated part # = New this model year

March 3, 2006

Lines, Brake, With ABS, 2500/3500 Series
Figure 005-510



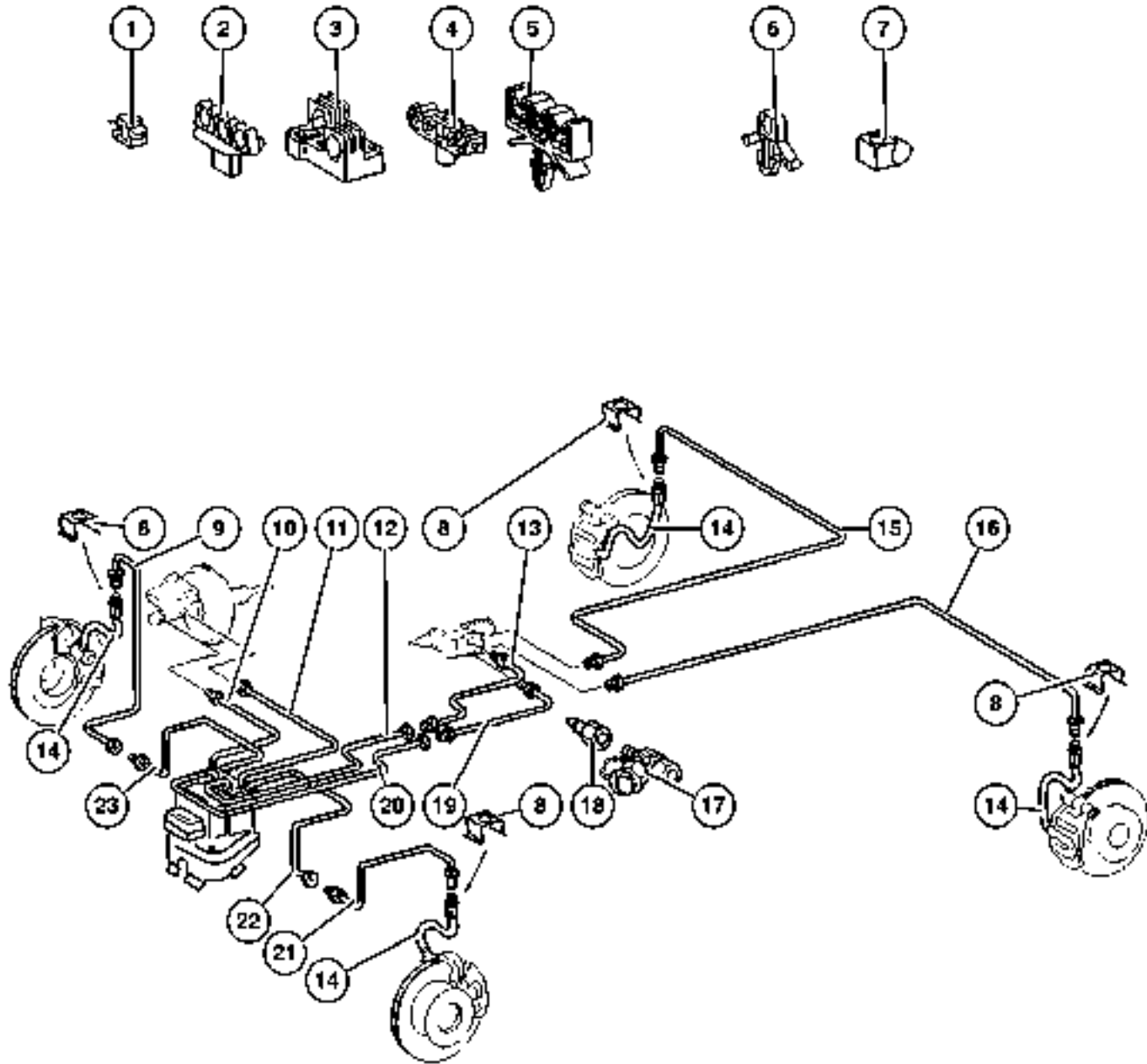
ITEM	PART NUMBER	QTY	LINE	SERIES	BODY	ENGINE	TRANS	TRIM	DESCRIPTION
		1	2, 6		11, 12,				Primary
		1	2, 6		14, 15,				Primary
		1	3, 7		51, 52,				Primary
		1	3, 7		54, 55,				Primary
		1	3, 7		56				Primary
		1	3, 7		02, 06				Primary
		1	3, 7		12, 15,				Primary
		1	3, 7		16				Primary
12	5119 197AA	1	2, 6		01, 02,				TUBE, Brake
		1	2, 6		06				
		1	2, 6		11, 12,				
		1	2, 6		14, 15,				
		1	2, 6		16				
		1	2, 6		51, 52,				
		1	2, 6		54, 55,				
		1	2, 6		56				
		1	3, 7		02, 06				
		1	3, 7		12, 15,				
		1	3, 7		16				
13	5133 704AA	1	2, 6		01				TUBE, Brake
	5133 709AA	1	2, 6		01				[+BGK]
		1	2, 6		01				[+5NZ]
		1	2, 6		02				[+BGK]
	5133 728AA	1	2, 6		02				[+5NZ]
		1	2, 6		06				[+BGK]
	5133 704AA	1	2, 6		11, 14				[+BGK]
	5133 709AA	1	2, 6		11, 14				[+5NZ]
		1	2, 6		12, 15				[+BGK]
	5133 728AA	1	2, 6		12, 15				[+5NZ]
		1	2, 6		16				[+BGK]
	5133 704AA	1	2, 6		51, 54				[+BGK]
	5133 709AA	1	2, 6		51, 54				[+5NZ]
		1	2, 6		52, 55				[+BGK]
	5133 728AA	1	2, 6		52, 55				[+5NZ]
		1	2, 6		56				[+BGK]
	5133 709AA	1	3, 7		02				[-BGK]
		1	3, 7		02				[+BGK]
		1	3, 7		12, 15				[-BGK]
		1	3, 7		12, 15				[+BGK]
14	5104 087AA	1	2, 6		01, 02,				HOSE, Brake
					06				Left or Right, Front or Rear

Refer to Model Legend Information Bookmark

AR = Use as required - = Non illustrated part # = New this model year

March 3, 2006

Lines, Brake, With ABS, 2500/3500 Series
Figure 005-510



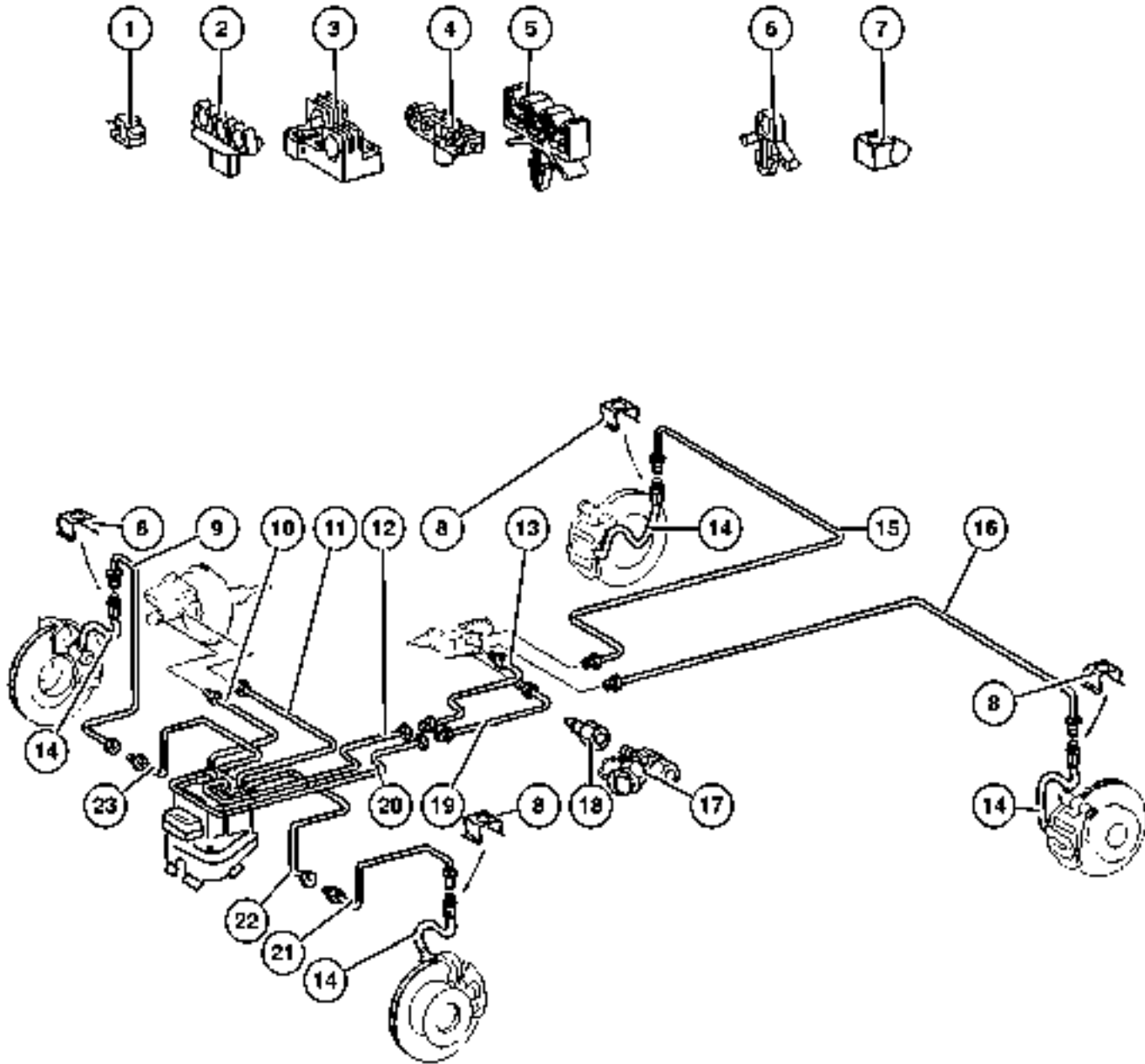
ITEM	PART NUMBER	QTY	LINE	SERIES	BODY	ENGINE	TRANS	TRIM	DESCRIPTION
		1	2, 6		11, 12,				Left or Right, Front or Rear
		1	2, 6		14, 15, 16				Left or Right, Front or Rear
		1	3, 7		02, 06				Left or Right, Front or Rear
		1	3, 7		12, 15, 16				Left or Right, Front or Rear
15	5133 712AA	1	2, 6		01, 02, 06				TUBE, Brake [-5NZ], Right Rear
	5133 710AA	1	2, 6		01				[+5NZ], Right Rear
	5133 730AA	1	2, 6		02				[+5NZ], Right Rear
	5133 731AA	1	2, 6		06				[+5NZ], Right Rear
	5133 712AA	1	2, 6		11, 12, 14, 15, 16				[-5NZ], Right Rear
	5133 710AA	1	2, 6		11, 14				[+5NZ], Right Rear
	5133 730AA	1	2, 6		12, 15				[+5NZ], Right Rear
	5133 731AA	1	2, 6		16				[+5NZ], Right Rear
	5133 712AA	1	2, 6		51, 52, 54, 55, 56				[-5NZ], Right Rear
	5133 710AA	1	2, 6		51, 54				[+5NZ], Right Rear
	5133 730AA	1	2, 6		52, 55				[+5NZ], Right Rear
	5133 731AA	1	2, 6		56				[+5NZ], Right Rear
	5133 712AA	1	3, 7		02, 06				Right Rear
	5133 710AA	1	3, 7		06				Right Rear
	5133 712AA	1	3, 7		12, 15, 16				Right Rear
	5133 710AA	1	3, 7		16				Right Rear
16	5133 732AA	1	2, 6		01, 02, 06				TUBE, Brake [-5NZ], Left Rear
	5133 709AA	1	2, 6		01				[+5NZ], Left Rear
	5133 728AA	1	2, 6		02				[+5NZ], Left Rear
	5133 729AA	1	2, 6		06				[+5NZ], Left Rear
	5133 732AA	1	2, 6		11, 12, 14, 15, 16				[-5NZ], Left Rear
	5133 709AA	1	2, 6		11, 14				[+5NZ], Left Rear
	5133 728AA	1	2, 6		12, 15				[+5NZ], Left Rear
	5133 729AA	1	2, 6		16				[+5NZ], Left Rear

Refer to Model Legend Information Bookmark

AR = Use as required - = Non illustrated part # = New this model year

March 3, 2006

Lines, Brake, With ABS, 2500/3500 Series
Figure 005-510



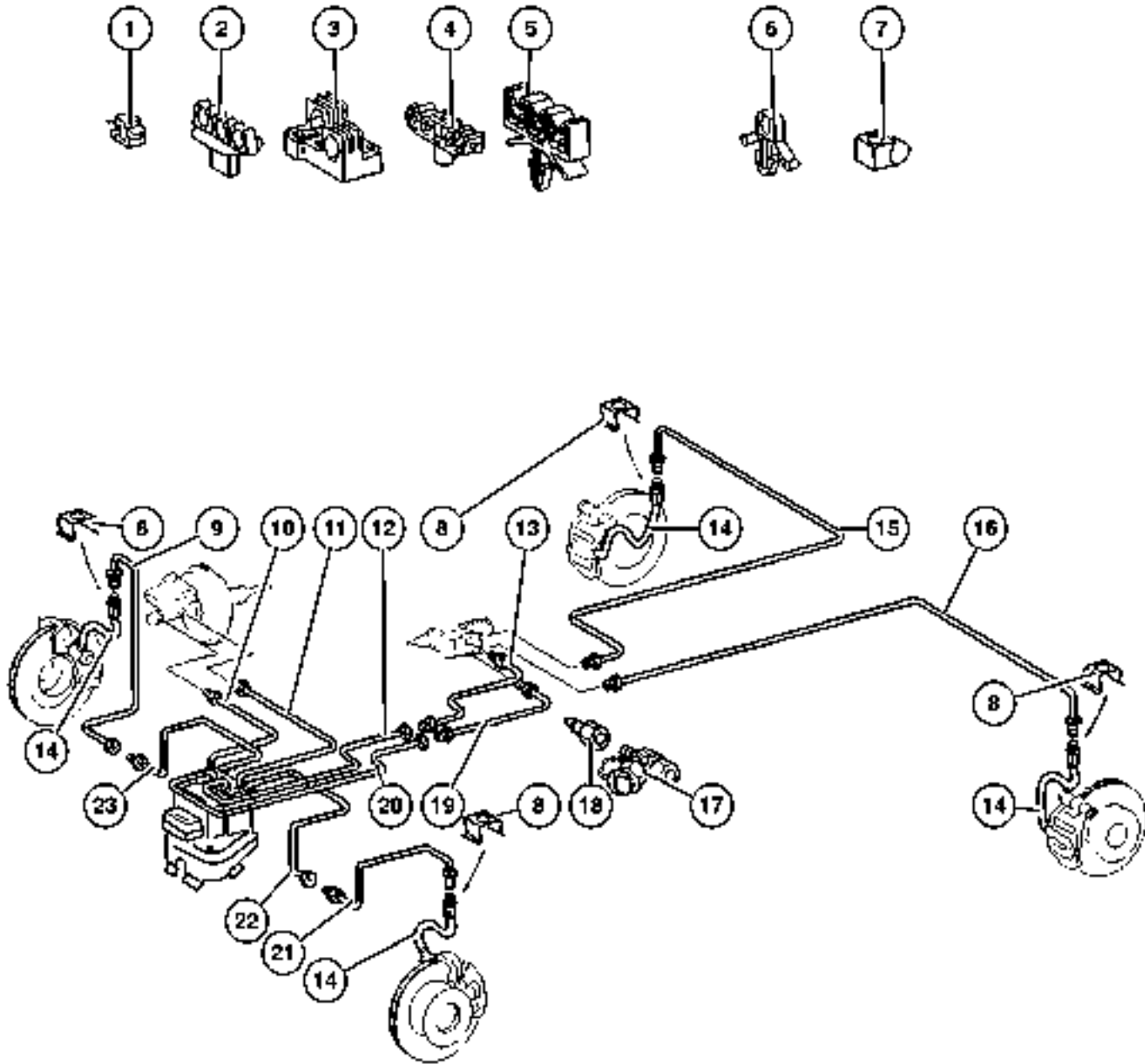
ITEM	PART NUMBER	QTY	LINE	SERIES	BODY	ENGINE	TRANS	TRIM	DESCRIPTION
	5133 732AA	1	2, 6		51, 52, 54, 55, 56				[-5NZ], Left Rear
	5133 709AA	1	2, 6		51, 54				[+5NZ], Left Rear
	5133 728AA	1	2, 6		52, 55				[+5NZ], Left Rear
	5133 729AA	1	2, 6		56				[+5NZ], Left Rear
	5133 709AA	1	2, 6		02				[+BGK], Left Rear
	5133 728AA	1	2, 6		06				[+BGK], Left Rear
	5133 709AA	1	2, 6		12, 15				[+BGK], Left Rear
	5133 728AA	1	2, 6		16				[+BGK], Left Rear
	5133 709AA	1	2, 6		52, 55				[+BGK], Left Rear
	5133 728AA	1	2, 6		56				[+BGK], Left Rear
	5133 709AA	1	3, 7		02				Left Rear
17		1	3, 7		12, 15				TEST CONNECTION, Master Cylinder
	5103 640AA	2	2, 6		01, 02, 06				[3S6]
		2	2, 6		11, 12, 14, 15, 16				[3S6]
		2	2, 6		51, 52, 54, 55, 56				[3S6]
		1	3, 7		02, 06				[3S6]
		2	3, 7		02, 06				[3S6+BGK]
		1	3, 7		12, 15, 16				[3S6]
		2	3, 7		12, 15, 16				[3S6+BGK]
18	5103 636AA	2	2, 6		01, 02, 06				FITTING, Orifice [3S6]
		2	2, 6		11, 12, 14, 15, 16				[3S6]
		2	2, 6		51, 52, 54, 55, 56				[3S6]
		1	3, 7		02, 06				[3S6]
		2	3, 7		02, 06				[3S6+BGK]
		1	3, 7		12, 15, 16				[3S6]
		2	3, 7		12, 15, 16				[3S6+BGK]
19									TUBE, Brake

Refer to Model Legend Information Bookmark

AR = Use as required - = Non illustrated part # = New this model year

March 3, 2006

Lines,Brake,With ABS,2500/3500 Series
Figure 005-510



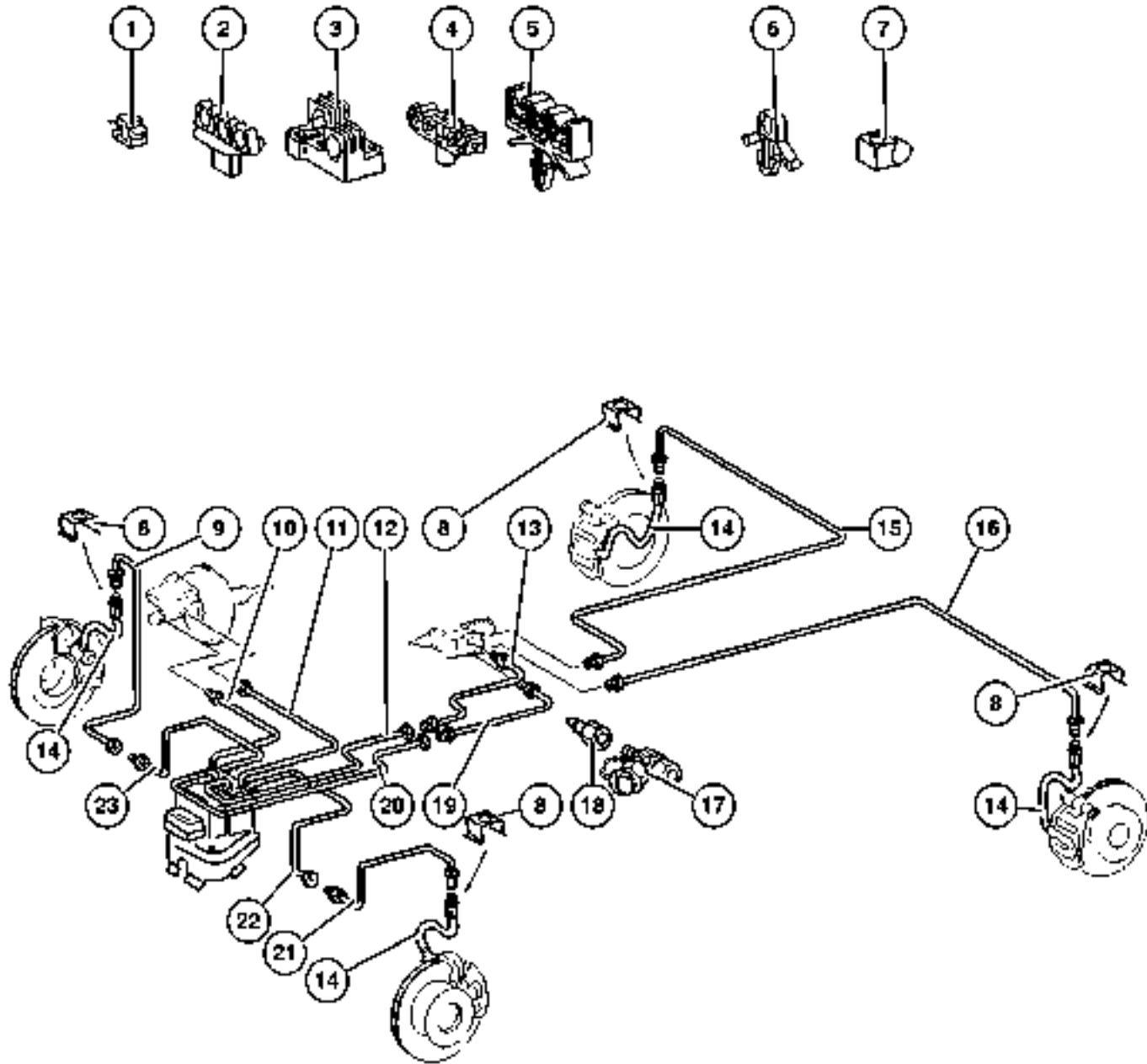
ITEM	PART NUMBER	QTY	LINE	SERIES	BODY	ENGINE	TRANS	TRIM	DESCRIPTION
	5133 709AA	1	2, 6		01				[+5NZ]
	5133 728AA	1	2, 6		02				[+5NZ]
	5133 709AA	1	2, 6		11, 14				[+5NZ]
	5133 728AA	1	2, 6		12, 15				[+5NZ]
	5133 709AA	1	2, 6		51, 54				[+5NZ]
	5133 728AA	1	2, 6		52, 55				[+5NZ]
	5133 704AA	1	2, 6		01				[+BGK]
	5133 709AA	1	2, 6		02				[+BGK]
	5133 728AA	1	2, 6		06				[+BGK]
	5133 704AA	1	2, 6		11, 14				[+BGK]
	5133 709AA	1	2, 6		12, 15				[+BGK]
	5133 728AA	1	2, 6		16				[+BGK]
	5133 704AA	1	2, 6		51, 54				[+BGK]
	5133 709AA	1	2, 6		52, 55				[+BGK]
	5133 728AA	1	2, 6		56				[+BGK]
	5133 709AA	1	3, 7		02				[+BGK]
		1	3, 7		02				[-BGK]
		1	3, 7		12, 15				[+BGK]
20	5119 196AA	1	2, 6		01, 02, 06				TUBE, Brake [BGK,BNB]
		1	2, 6		11, 12, 14, 15, 16				[BGK,BNB]
		1	2, 6		51, 52, 54, 55, 56				[BGK,BNB]
		1	3, 7		02, 06				[BGK]
		1	3, 7		12, 15, 16				[BGK]
21	5119 185AA	1	2, 6		01, 02, 06				TUBE, Brake [BGK,BNB]
		1	2, 6		11, 12, 14, 15, 16				[BGK,BNB]
		1	2, 6		51, 52, 54, 55, 56				[BGK,BNB]
	5119 160AA	1	2, 6		01, 02, 06				[BGK,BNB,WDG]
		1	2, 6		11, 12, 14, 15, 16				[BGK,BNB,WDG]

Refer to Model Legend Information Bookmark

AR = Use as required - = Non illustrated part # = New this model year

March 3, 2006

Lines,Brake,With ABS,2500/3500 Series
Figure 005-510



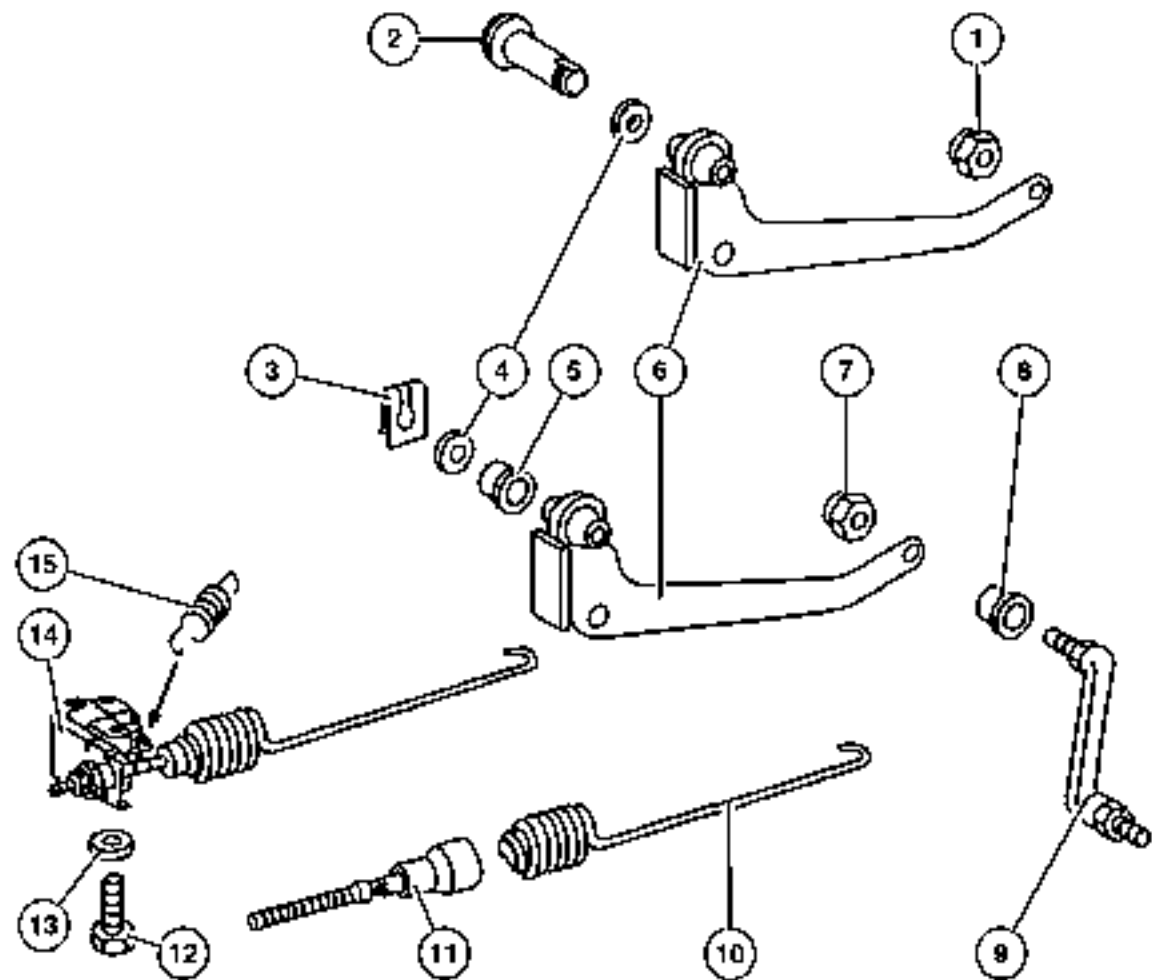
ITEM	PART NUMBER	QTY	LINE	SERIES	BODY	ENGINE	TRANS	TRIM	DESCRIPTION
		1	2, 6		51, 52, 54, 55, 56				[BGK,BNB,WDG]
		1	3, 7		02, 06				[BGK]
		1	3, 7		12, 15, 16				[BGK]
22	5133 706AA	1	2, 6		01, 02, 06				TUBE, Brake [BGK,BNB], Left Front
		1	2, 6		11, 12, 14, 15, 16				[BGK,BNB], Left Front
		1	2, 6		51, 52, 54, 55, 56				[BGK,BNB], Left Front
		1	3, 7		02, 06				[BGK], Left Front
		1	3, 7		12, 15, 16				[BGK], Left Front
23	5133 708AA	1	2, 6		01, 02, 06				TUBE, Brake
		1	2, 6		11, 12, 14, 15, 16				[BGK,BNB], Left Front
		1	2, 6		51, 52, 54, 55, 56				[BGK,BNB], Left Front
		1	3, 7		02, 06				[BGK], Left Front
		1	3, 7		12, 15, 16				[BGK], Left Front
-24	5098 485AA-	1	2, 6		01, 02, 06				UNION, Brake Line Repair
		1	2, 6		11, 12, 14, 15, 16				[BGK,BNB], Left Front
		1	2, 6		51, 52, 54, 55, 56				[BGK,BNB], Left Front
		1	3, 7		02, 06				[BGK], Left Front
		1	3, 7		12, 15, 16				[BGK], Left Front

Refer to Model Legend Information Bookmark

AR = Use as required - = Non illustrated part # = New this model year

March 3, 2006

Brake, Power Regulator
Figure 005-520



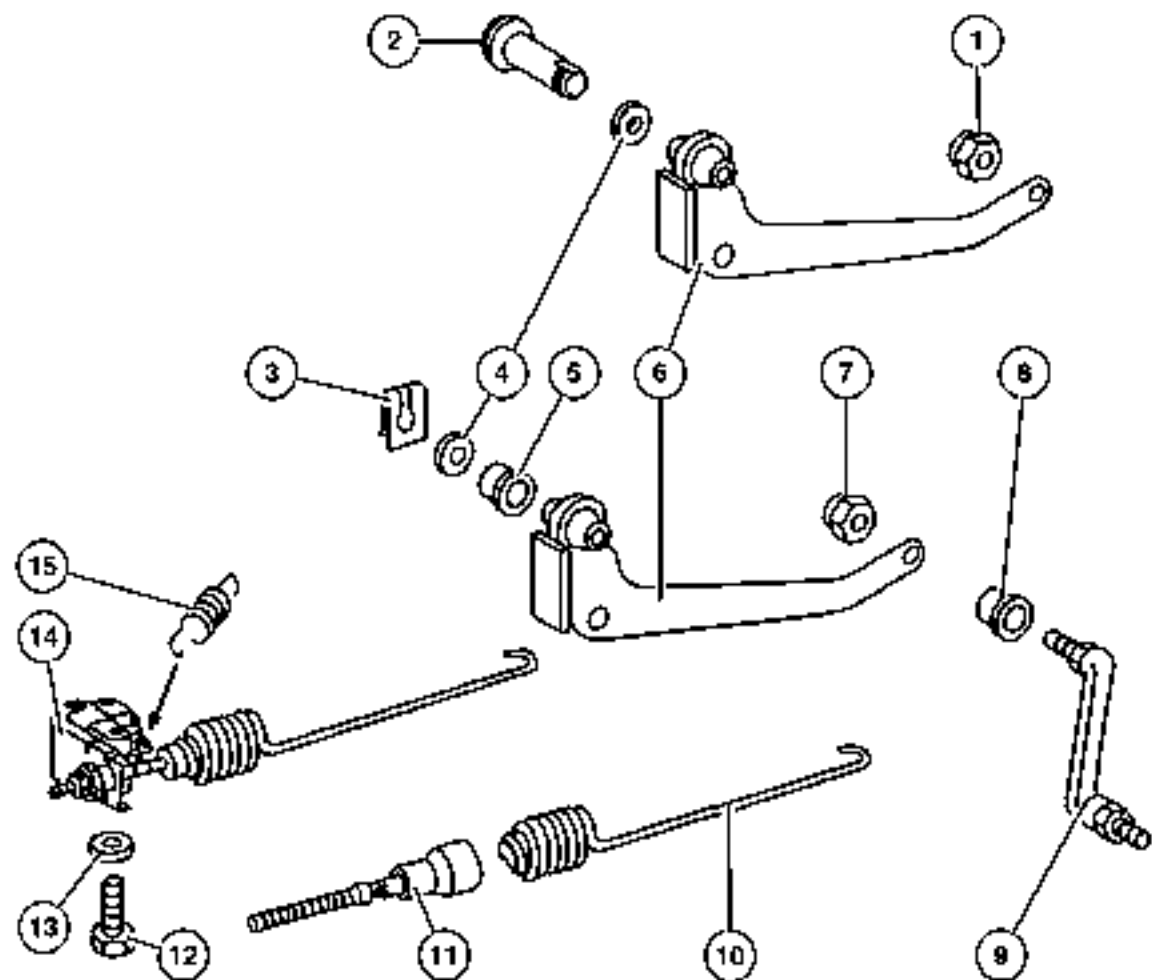
ITEM	PART NUMBER	QTY	LINE	SERIES	BODY	ENGINE	TRANS	TRIM	DESCRIPTION
1	5097 684AA	2	2, 3, 6, 7						NUT
2	5119 385AA	1	3, 7		02, 06				PIN
		1	3, 7		12, 15, 16				
3	5126 244AA	1	2, 6		01, 02, 06				CLIP, Retaining
		1	2, 6		11, 12, 14, 15, 16				
		1	2, 6		51, 52, 54, 55, 56				
		1	3, 7		02, 06				
		1	3, 7		12, 15, 16				
4	5133 725AA	1	2, 6		01, 02, 06				WASHER
		1	2, 6		11, 12, 14, 15, 16				
		1	2, 6		51, 52, 54, 55, 56				
		1	3, 7		02, 06				
		1	3, 7		12, 15, 16				
5	5096 550AA	2	2, 6		01, 02, 06				BUSHING, Pedal Shaft
		2	2, 6		11, 12, 14, 15, 16				
		2	2, 6		51, 52, 54, 55, 56				
		2	3, 7		02, 06				
		2	3, 7		12, 15, 16				
6	5119 337AA	1	2, 6		01, 02, 06				LEVER, Load Sensing

Refer to Model Legend Information Bookmark

AR = Use as required - = Non illustrated part # = New this model year

March 3, 2006

Brake, Power Regulator
Figure 005-520



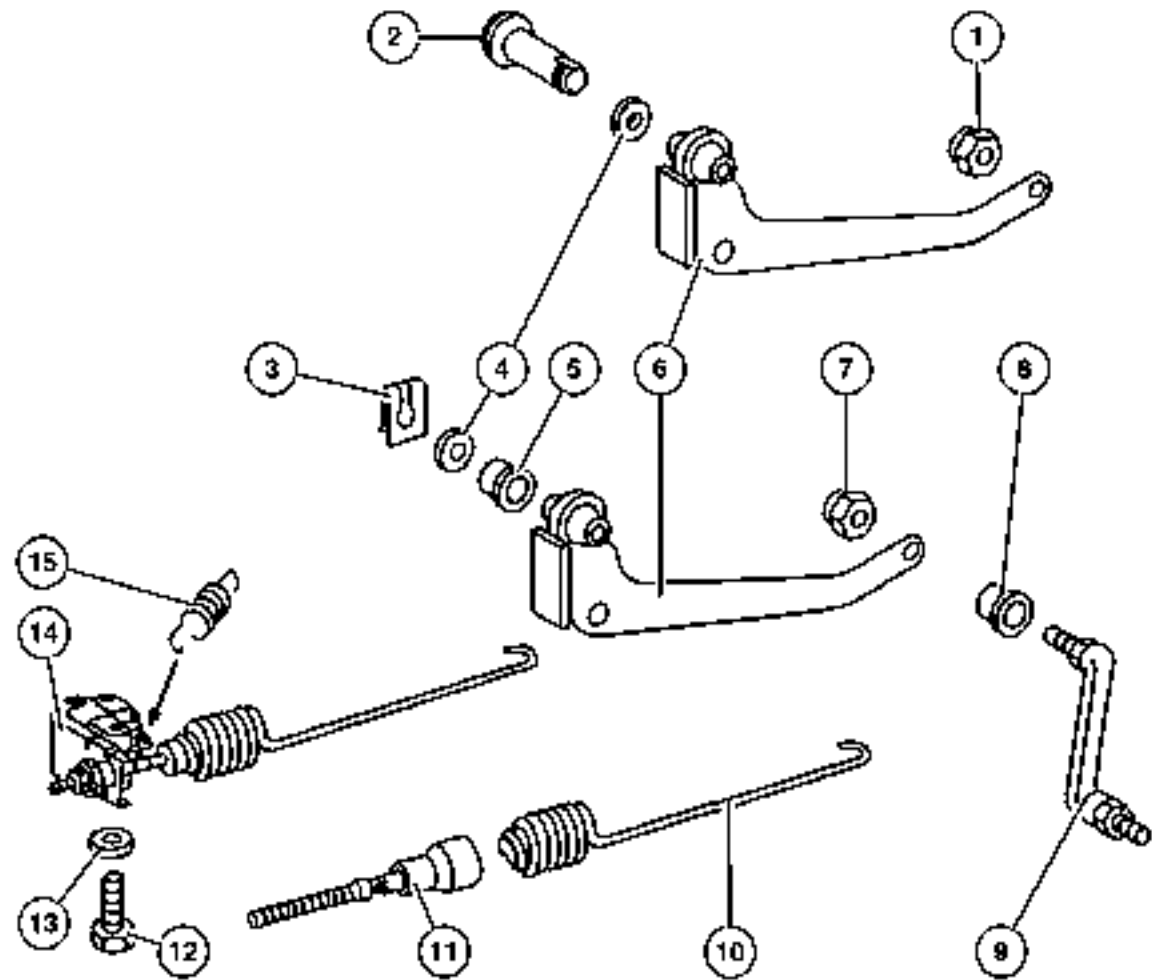
ITEM	PART NUMBER	QTY	LINE	SERIES	BODY	ENGINE	TRANS	TRIM	DESCRIPTION
		1	2, 6		11, 12,				
					14, 15,				
		1	2, 6		51, 52,				
					54, 55,				
					56				
	5119 339AA	1	3, 7		02, 06				
		1	3, 7		12, 15,				
					16				
7									NUT, Hex
	5097 685AA	2	2, 6		01, 02,				
					06				
		2	2, 6		11, 12,				
					14, 15,				
					16				
		2	2, 6		51, 52,				
					54, 55,				
					56				
		2	3, 7		02, 06				
		2	3, 7		12, 15,				
					16				
8									BUSHING
	5118 723AA	2	2, 6		01, 02,				
					06				
		2	2, 6		11, 12,				
					14, 15,				
					16				
		2	2, 6		51, 52,				
					54, 55,				
					56				
		2	3, 7		02, 06				
		2	3, 7		12, 15,				
					16				
9									LINK, Load Sensing
	5103 920AA	1	2, 6		01, 02,				
					06				
		1	2, 6		11, 12,				
					14, 15,				
					16				
		1	2, 6		51, 52,				
					54, 55,				
					56				
		1	3, 7		02, 06				
		1	3, 7		12, 15,				
					16				
10									SPRING, Load Sensing Lever

Refer to Model Legend Information Bookmark

AR = Use as required - = Non illustrated part # = New this model year

March 3, 2006

Brake, Power Regulator
Figure 005-520



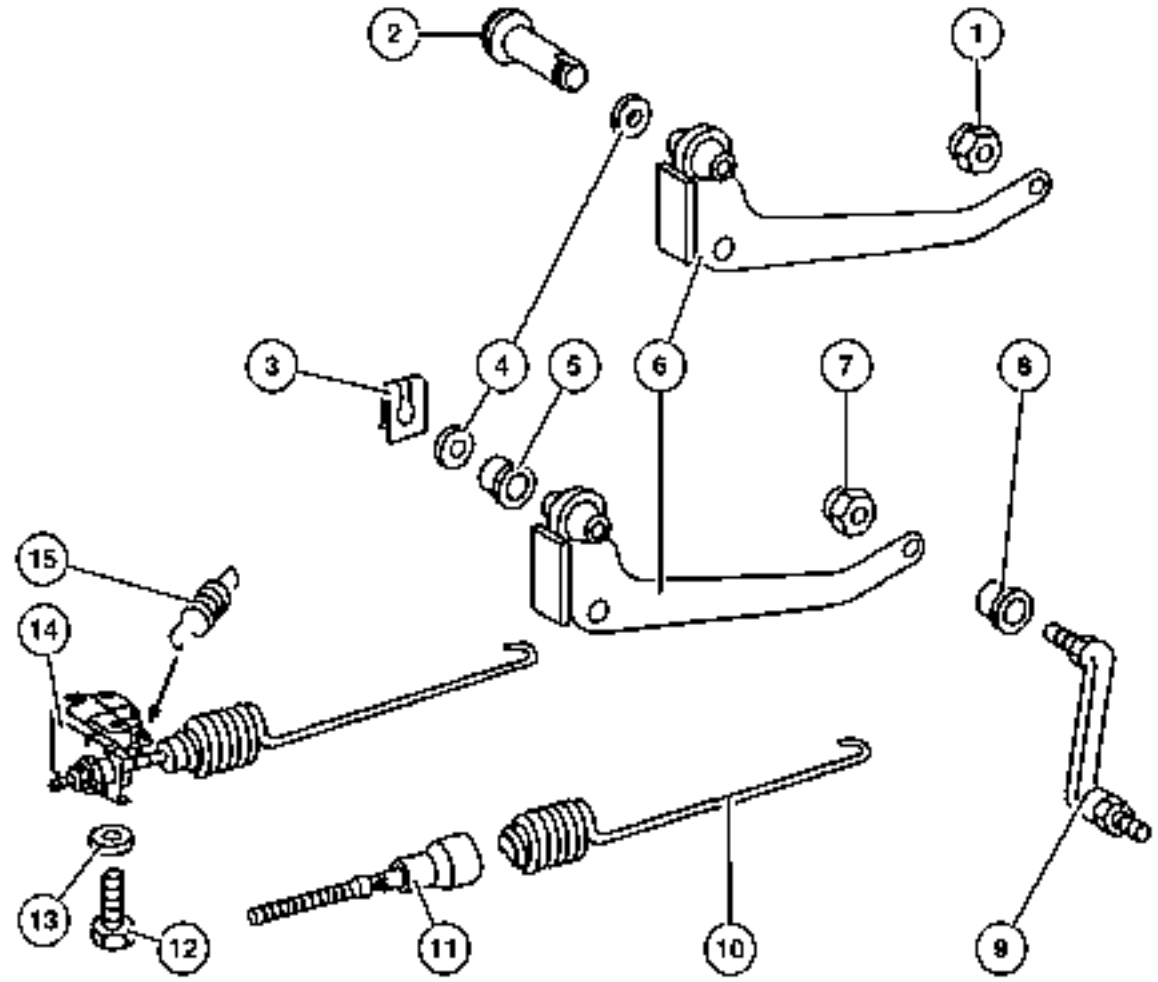
ITEM	PART NUMBER	QTY	LINE	SERIES	BODY	ENGINE	TRANS	TRIM	DESCRIPTION
	5133 722AA	1	2, 6		01, 02, 06				
		1	2, 6		11, 12, 14, 15, 16				
		1	2, 6		51, 52, 54, 55, 56				
		1	3, 7		02, 06				
11		1	3, 7		12, 15, 16				SCREW, Load Sensing Adjustment
	5133 723AA	1	2, 6		01, 02, 06				
		1	2, 6		11, 12, 14, 15, 16				
		1	2, 6		51, 52, 54, 55, 56				
		1	3, 7		02, 06				
		1	3, 7		12, 15, 16				
12									BOLT, M8
	5133 724AA	2	2, 6		01, 02, 06				
		2	2, 6		11, 12, 14, 15, 16				
		2	2, 6		51, 52, 54, 55, 56				
		2	3, 7		02, 06				
		2	3, 7		12, 15, 16				
13									WASHER
	5104 613AA	1	2, 6		01, 02, 06				
		1	2, 6		11, 12, 14, 15, 16				
		1	2, 6		51, 52, 54, 55, 56				
	5104 614AA	1	3, 7		02, 06				

Refer to Model Legend Information Bookmark

AR = Use as required - = Non illustrated part # = New this model year

March 3, 2006

Brake, Power Regulator
Figure 005-520



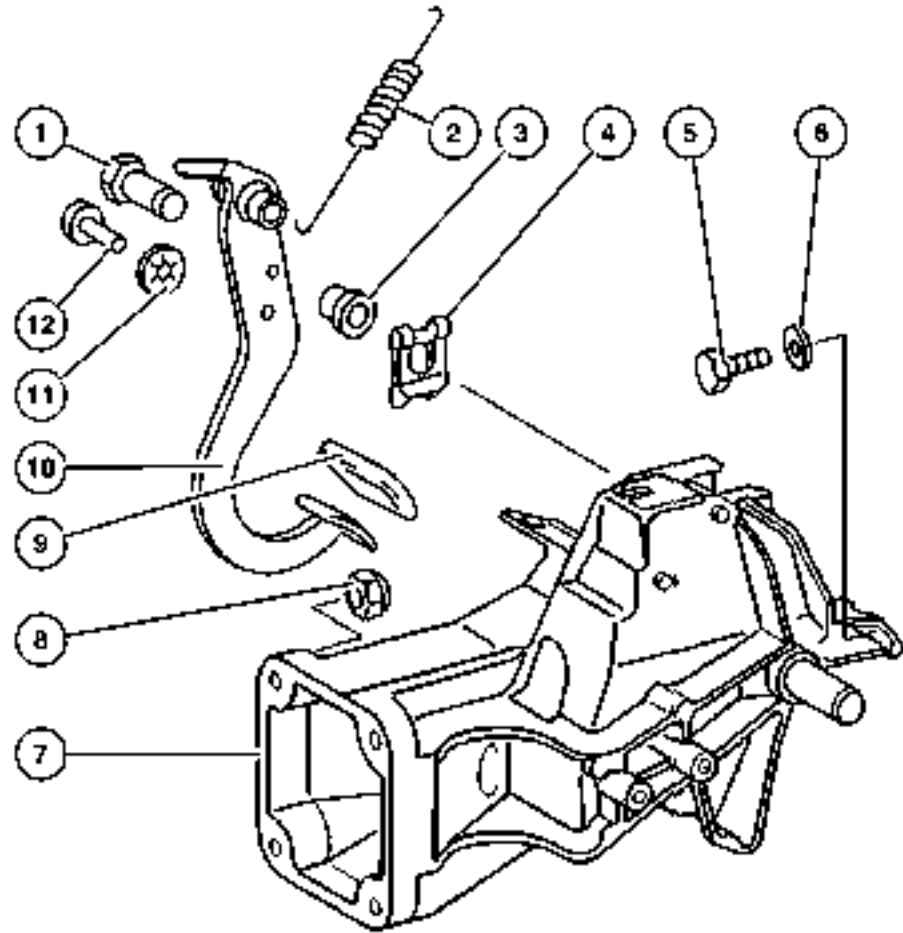
ITEM	PART NUMBER	QTY	LINE	SERIES	BODY	ENGINE	TRANS	TRIM	DESCRIPTION
		1	3, 7		12, 15, 16				
14	5103 824AA	1	2, 6		01, 02, 06				VALVE, Load sensing
		1	2, 6		11, 12, 14, 15, 16				
		1	2, 6		51, 52, 54, 55, 56				
		1	3, 7		02, 06				
		1	3, 7		12, 15, 16				
15	5133 720AA	1	2, 6		01, 02, 06				SPRING, Load Sensing Valve
		1	2, 6		11, 12, 14, 15, 16				
		1	2, 6		51, 52, 54, 55, 56				
		1	3, 7		02, 06				
		1	3, 7		12, 15, 16				

Refer to Model Legend Information Bookmark

AR = Use as required - = Non illustrated part # = New this model year

March 3, 2006

Pedal Brake
Figure 005-610



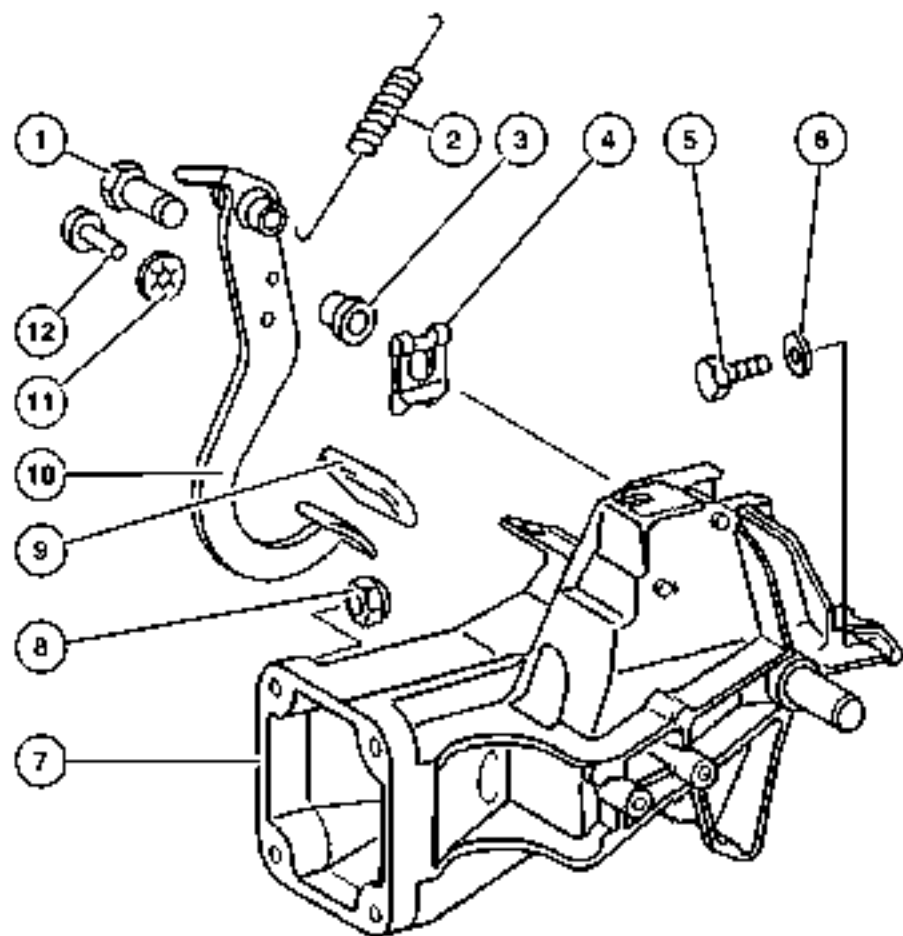
ITEM	PART NUMBER	QTY	LINE	SERIES	BODY	ENGINE	TRANS	TRIM	DESCRIPTION
1									PIN, Brake Pedal Pivot Shaft
	5117 911AA	1	2, 6		01, 02, 06				
		1	2, 6		11, 12, 14, 15, 16				
		1	2, 6		51, 52, 54, 55, 56				
		1	3, 7		02, 06				
		1	3, 7		12, 15, 16				
2									SPRING, Brake Pedal Return
	5125 847AA	1	2, 6		01, 02, 06				
		1	2, 6		11, 12, 14, 15, 16				
		1	2, 6		51, 52, 54, 55, 56				
		1	3, 7		02, 06				
		1	3, 7		12, 15, 16				
3									BUSHING, Pedal Shaft
	5096 550AA	2	2, 6		01, 02, 06				
		2	2, 6		11, 12, 14, 15, 16				
		2	2, 6		51, 52, 54, 55, 56				
		2	3, 7		02, 06				
		2	3, 7		12, 15, 16				
4									RETAINER
	5125 872AA	1	2, 6		01, 02, 06				
		1	2, 6		11, 12, 14, 15, 16				
		1	2, 6		51, 52, 54, 55, 56				

Refer to Model Legend Information Bookmark

AR = Use as required - = Non illustrated part # = New this model year

March 3, 2006

**Pedal Brake
Figure 005-610**



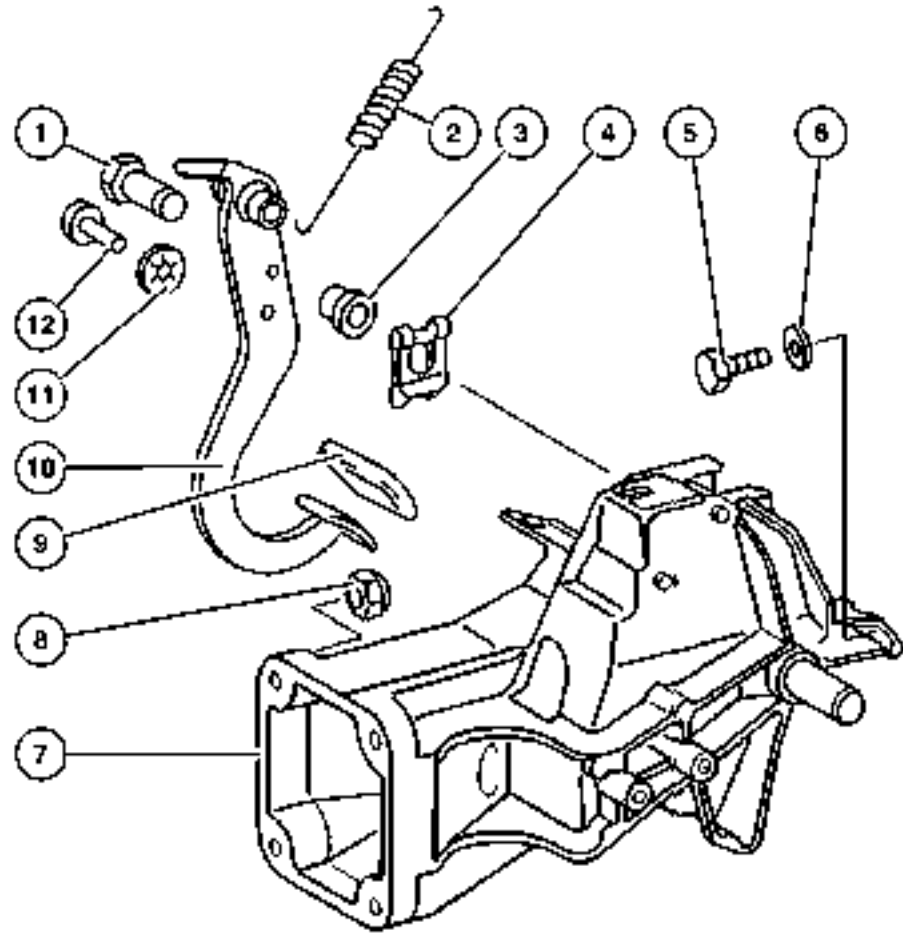
ITEM	PART NUMBER	QTY	LINE	SERIES	BODY	ENGINE	TRANS	TRIM	DESCRIPTION
		1	3, 7		02, 06				
		1	3, 7		12, 15, 16				
5	5126 231AA	1	2, 6		01, 02, 06				BOLT Bracket to Firewall, Mounting
		1	2, 6		11, 12, 14, 15, 16				Bracket to Firewall, Mounting
		1	2, 6		51, 52, 54, 55, 56				Bracket to Firewall, Mounting
		1	3, 7		02, 06				Bracket to Firewall, Mounting
		1	3, 7		12, 15, 16				Bracket to Firewall, Mounting
6	5098 108AA	1	2, 6		01, 02, 06				WASHER, Flat Bracket to Firewall, Mounting
		1	2, 6		11, 12, 14, 15, 16				Bracket to Firewall, Mounting
		1	2, 6		51, 52, 54, 55, 56				Bracket to Firewall, Mounting
		1	3, 7		12, 15, 16				Bracket to Firewall, Mounting
		1	3, 7		02, 06				Bracket to Firewall, Mounting BRACKET, Brake Pedal
7	5128 211AA	1	2, 6		01, 02, 06				
		1	2, 6		11, 12, 14, 15, 16				
		1	2, 6		51, 52, 54, 55, 56				
		1	3, 7		02, 06				
		1	3, 7		12, 15, 16				
8	6104 716AA	4	2, 6		01, 02, 06				NUT
		4	2, 6		11, 12, 14, 15, 16				

Refer to Model Legend Information Bookmark

AR = Use as required - = Non illustrated part # = New this model year

March 3, 2006

Pedal Brake
Figure 005-610



ITEM	PART NUMBER	QTY	LINE	SERIES	BODY	ENGINE	TRANS	TRIM	DESCRIPTION
		4	2, 6		51, 52, 54, 55, 56				
		4	3, 7		02, 06				
		4	3, 7		12, 15, 16				
9	5104 017AA	1	2, 6		01, 02, 06				PAD, Pedal
		1	2, 6		11, 12, 14, 15, 16				
		1	2, 6		51, 52, 54, 55, 56				
		1	3, 7		02, 06				
		1	3, 7		12, 15, 16				
10	5104 045AA	1	2, 6		01, 02, 06				PEDAL, Brake
		1	2, 6		11, 12, 14, 15, 16				
		1	2, 6		51, 52, 54, 55, 56				
		1	3, 7		02, 06				
		1	3, 7		12, 15, 16				
11	5097 670AA	1	2, 6		01, 02, 06				CLIP, Spring
		1	2, 6		11, 12, 14, 15, 16				
		1	2, 6		51, 52, 54, 55, 56				
		1	3, 7		02, 06				
		1	3, 7		12, 15, 16				
12	5117 903AA	1	2, 6		01, 02, 06				PIN, Brake Pedal Pivot Shaft

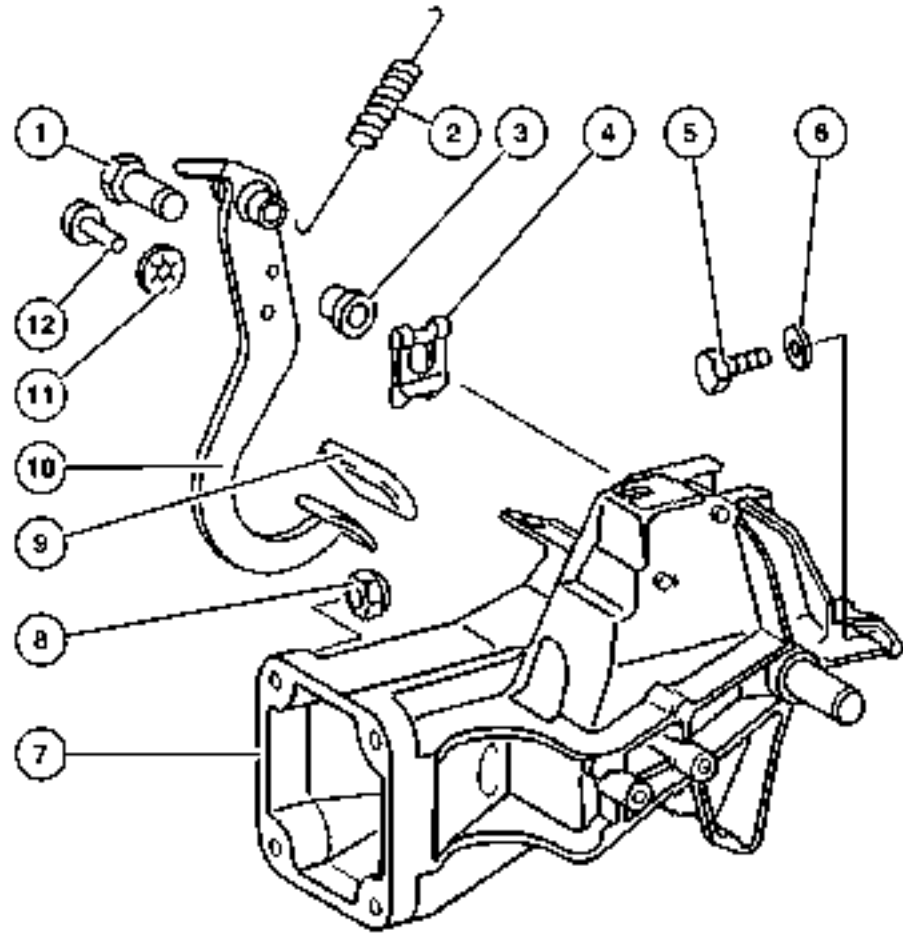
Refer to Model Legend Information Bookmark

AR = Use as required - = Non illustrated part # = New this model year

March 3, 2006

Pedal Brake
Figure 005-610

ITEM	PART NUMBER	QTY	LINE	SERIES	BODY	ENGINE	TRANS	TRIM	DESCRIPTION
		1	2, 6		11, 12, 14, 15, 16				
		1	2, 6		51, 52, 54, 55, 56				
		1	3, 7		02, 06				
		1	3, 7		12, 15, 16				



Refer to Model Legend Information Bookmark

AR = Use as required - = Non illustrated part # = New this model year

March 3, 2006

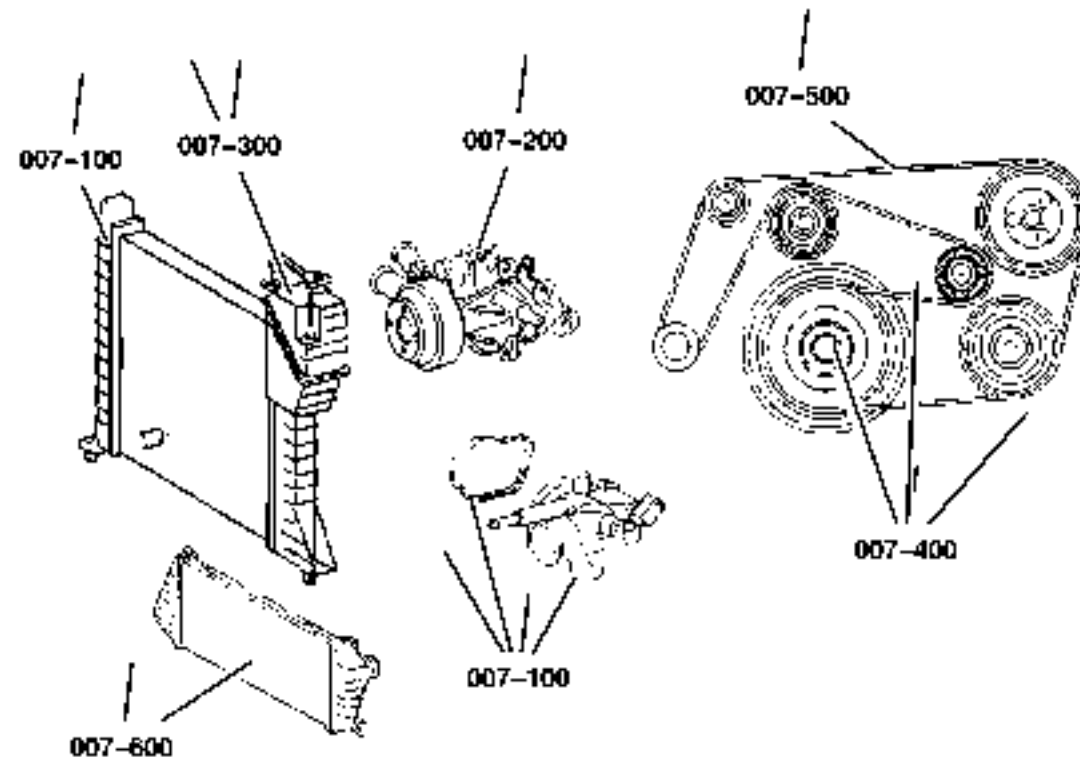
Group - 007

Cooling

GROUP 7 - Cooling

Illustration Title

Group-Fig. No.



Radiator and Related Parts

Radiator and Related Parts Fig. 007-120

Charge Air Intercooler Fig. 007-130

Water Pump and Related Parts

Water Pump and Related Parts Fig. 007-210

Pulleys and Related Parts

Drive Pulleys Fig. 007-410

Drive Belts

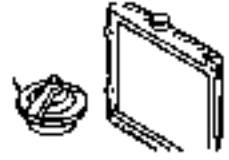



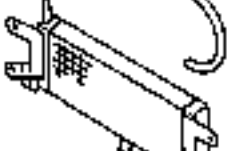

Drive Belts Fig. 007-520

Lines, Transmission Oil Cooler

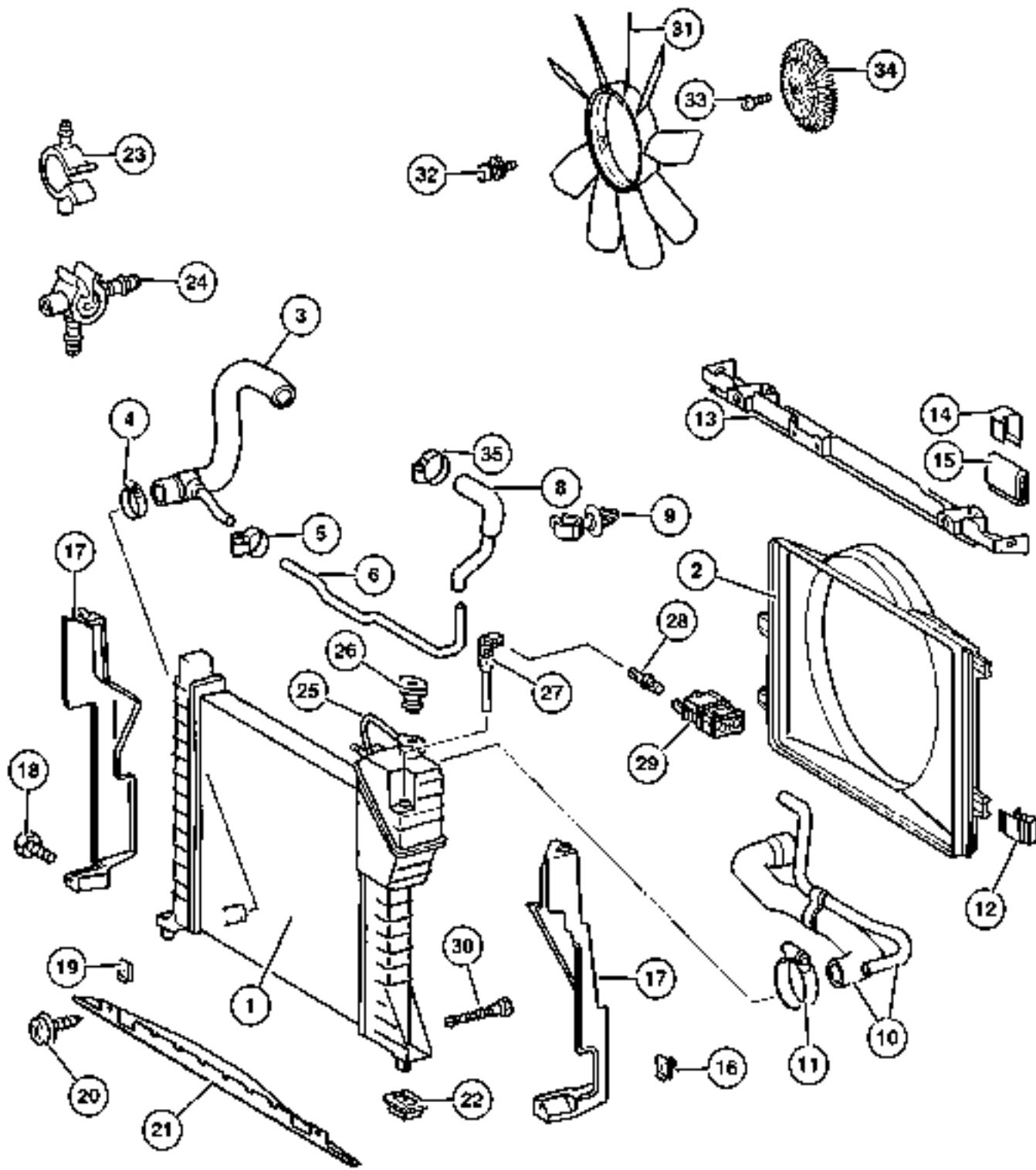
Oil Cooler Lines Fig. 007-610

Grilles

Grille and Related Parts Fig. 007-710

<p>007-100 Radiator and Related Parts</p> 	<p>007-200 Water Pump and Related Parts</p> 	<p>007-400 Pulleys and Related Parts</p> 	<p>007-500 Drive Belts</p> 
<p>007-600 Lines, Transmission Oil Cooler</p> 	<p>007-700 Grilles</p> 		

Radiator and Related Parts Figure 007-120



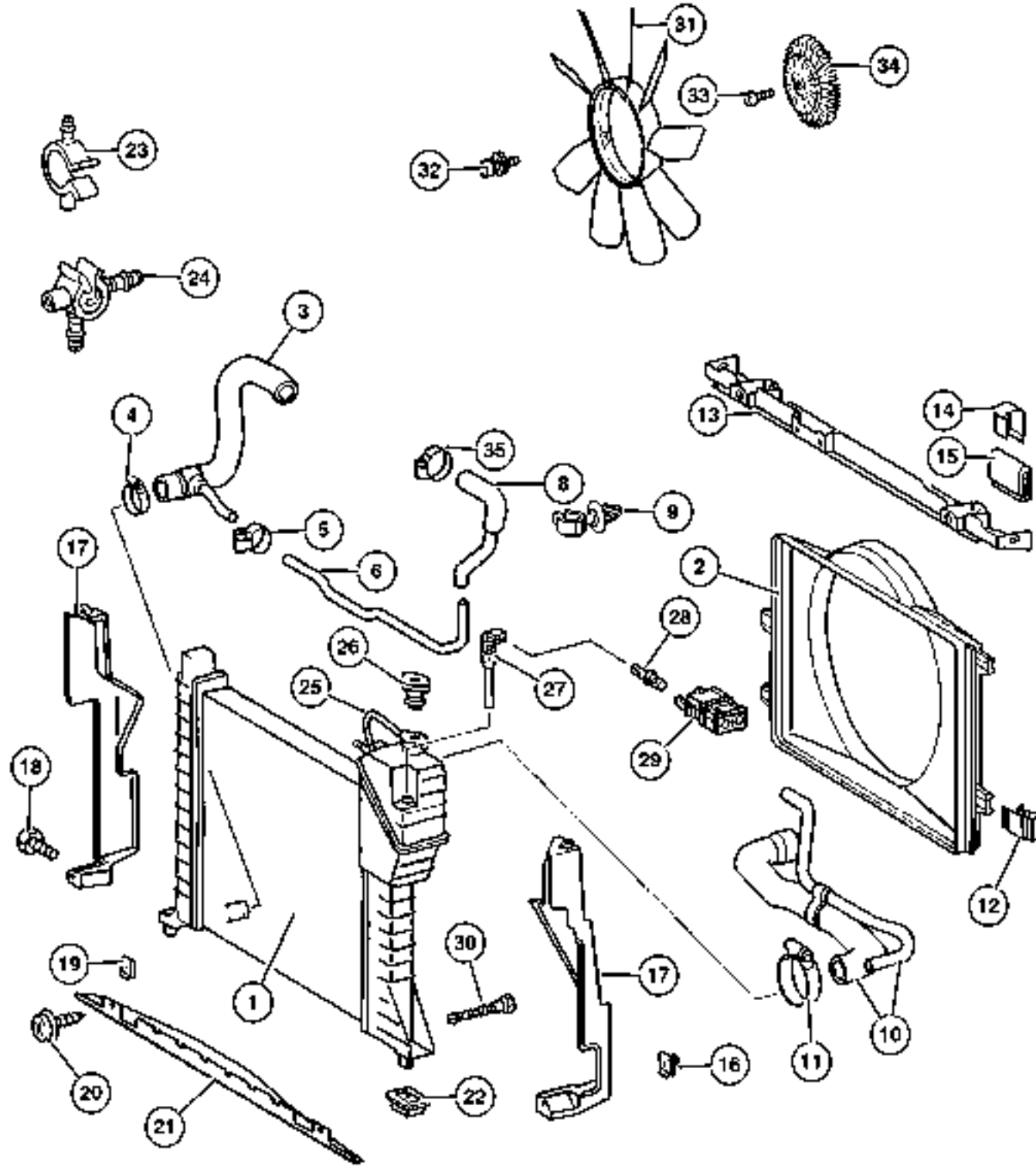
ITEM	PART NUMBER	QTY	LINE	SERIES	BODY	ENGINE	TRANS	TRIM	DESCRIPTION
NOTES: Sales Codes:									
[EK8] = 2.7L I5 Turbo Diesel Engine									
1	5104 117AA	1	2, 6			EX8	DGZ		RADIATOR
		1	3, 7			EX8	DGZ		
2	5104 130AA	1	2, 6			EX8	DGZ		SHROUD, Fan
		1	3, 7			EX8	DGZ		
3	5103 581AA	1	2, 6			EX8			HOSE, Radiator Outlet
		1	3, 7			EX8			
4	6104 785AA	2	2, 6			EX8	DGZ		CLAMP, Hose
		2	3, 7			EX8	DGZ		
5	6104 779AA	3	2, 6			EX8	DGZ		CLAMP, HOSE CLAMP
		3	3, 7			EX8	DGZ		
6	5103 581AA	1	2, 6			EX8			HOSE, Radiator Outlet
		1	3, 7			EX8			
-7	5135 342AA-	1	2, 6			EX8	DGZ		HOSE, Coolant
		1	3, 7			EX8	DGZ		
8	5103 580AA	1	2, 6			EX8	DGZ		HOSE, Radiator
		1	3, 7			EX8	DGZ		
9	5125 879AA	4	2, 6			EX8	DGZ		CLIP, Cable
		4	3, 7			EX8	DGZ		
10	5103 582AA	1	2, 6			EX8	DGZ		HOSE, Radiator Inlet
		1	3, 7			EX8	DGZ		
11	6104 784AA	2	2, 6			EX8	DGZ		CLAMP, Hose
		2	3, 7			EX8	DGZ		
12	5099 355AA	4	2, 6			EX8	DGZ		CLIP, Fan Shroud
		4	3, 7			EX8	DGZ		
13	5104 125AA	1	2, 6			EX8	DGZ		COVER, Radiator
		1	3, 7			EX8	DGZ		
14	5104 122AA	2	2, 6			EX8	DGZ		CLAMP, Radiator
		2	3, 7			EX8	DGZ		
15									ISOLATOR, Radiator

Refer to Model Legend Information Bookmark

AR = Use as required - = Non illustrated part # = New this model year

March 3, 2006

Radiator and Related Parts
Figure 007-120



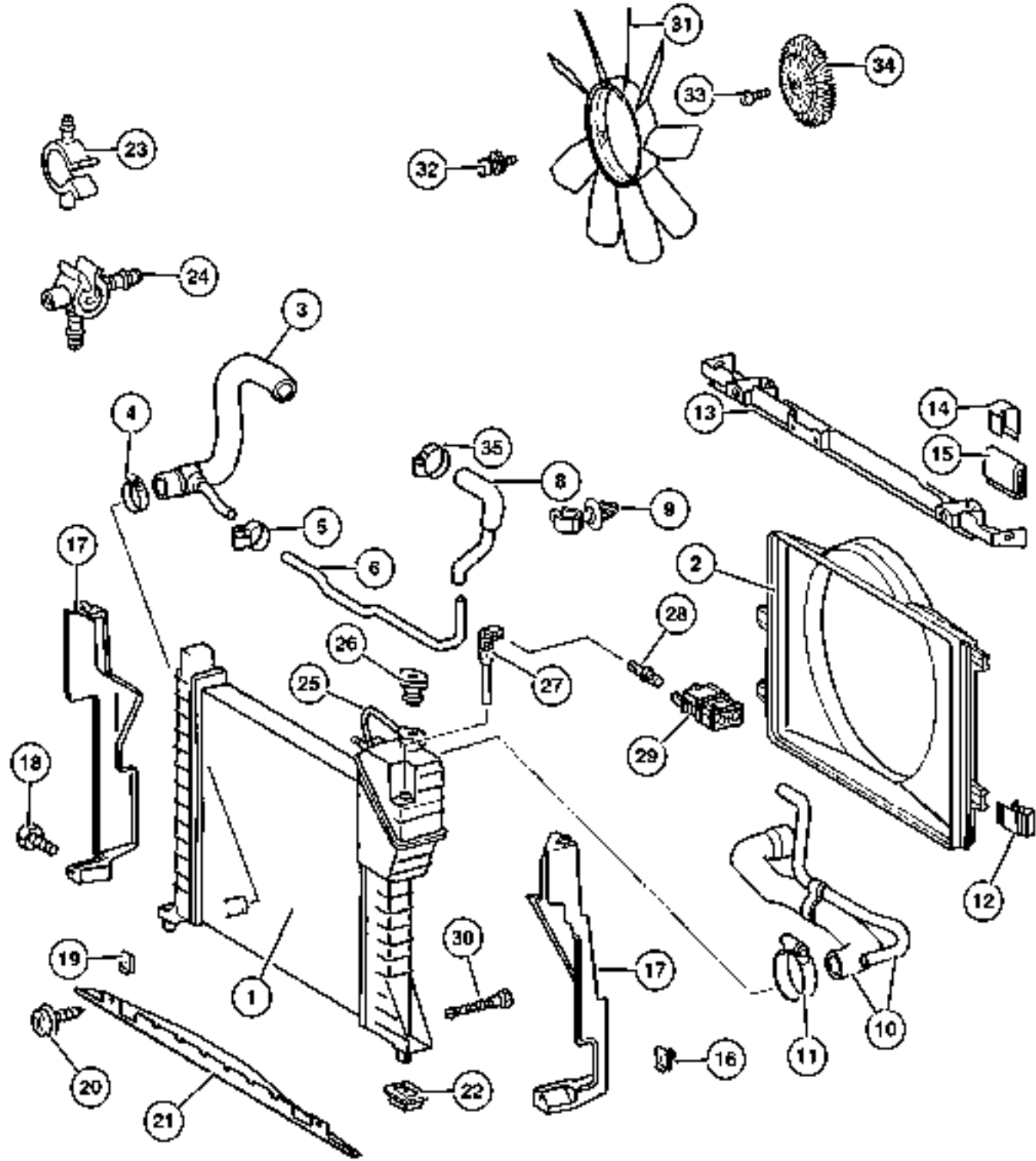
ITEM	PART NUMBER	QTY	LINE	SERIES	BODY	ENGINE	TRANS	TRIM	DESCRIPTION
	5104 123AA	2	2, 6			EX8	DGZ		
		2	3, 7			EX8	DGZ		
16	5103 733AA	3	2, 6			EX8	DGZ		NUT
		3	3, 7			EX8	DGZ		
17	5104 128AA	1	2, 6			EX8	DGZ		SHIELD, Side, Radiator Cooling
		1	3, 7			EX8	DGZ		Right
	5104 127AA	1	2, 6			EX8	DGZ		Right
		1	3, 7			EX8	DGZ		Left
18	5133 476AB	3	2, 6			EX8	DGZ		Left
		2	3, 7			EX8	DGZ		SCREW
19	5133 497AA	2	2, 6			EX8	DGZ		CLIP
		2	3, 7			EX8	DGZ		
20	6104 574AA	2	2, 6			EX8	DGZ		SCREW, Tapping
		4	3, 7			EX8	DGZ		
21	5104 129AA	1	2, 6			EX8	DGZ		SHIELD, Radiator
		1	3, 7			EX8	DGZ		
22	5104 021AA	2	2, 6			EX8	DGZ		ISOLATOR, Radiator
		2	3, 7			EX8	DGZ		
23									CLIP, (NOT SERVICED) (Not Serviced)
24	6104 924AA	1	2, 6			EX8	DGZ		CLIP, Retaining
		1	3, 7			EX8	DGZ		
25	5125 974AA	900	3, 7			EX8	DGZ		HOSE 1 METER
26	5103 533AA	1	2, 6			EX8	DGZ		CAP, Radiator
		1	3, 7			EX8	DGZ		
27	5120 509AA	1	2, 6			EX8	DGZ		SENSOR, Coolant Level
		1	3, 7			EX8	DGZ		
28	5120 519AA	1	2, 6			EX8	DGZ		TERMINAL
		1	3, 7			EX8	DGZ		
29	5120 692AA	1	2, 6			EX8	DGZ		CONNECTOR
		1	3, 7			EX8	DGZ		
30	5098 834AA	1	2, 6			EX8	DGZ		DRAINCOCK, Radiator

Refer to Model Legend Information Bookmark

AR = Use as required - = Non illustrated part # = New this model year

March 3, 2006

Radiator and Related Parts
Figure 007-120



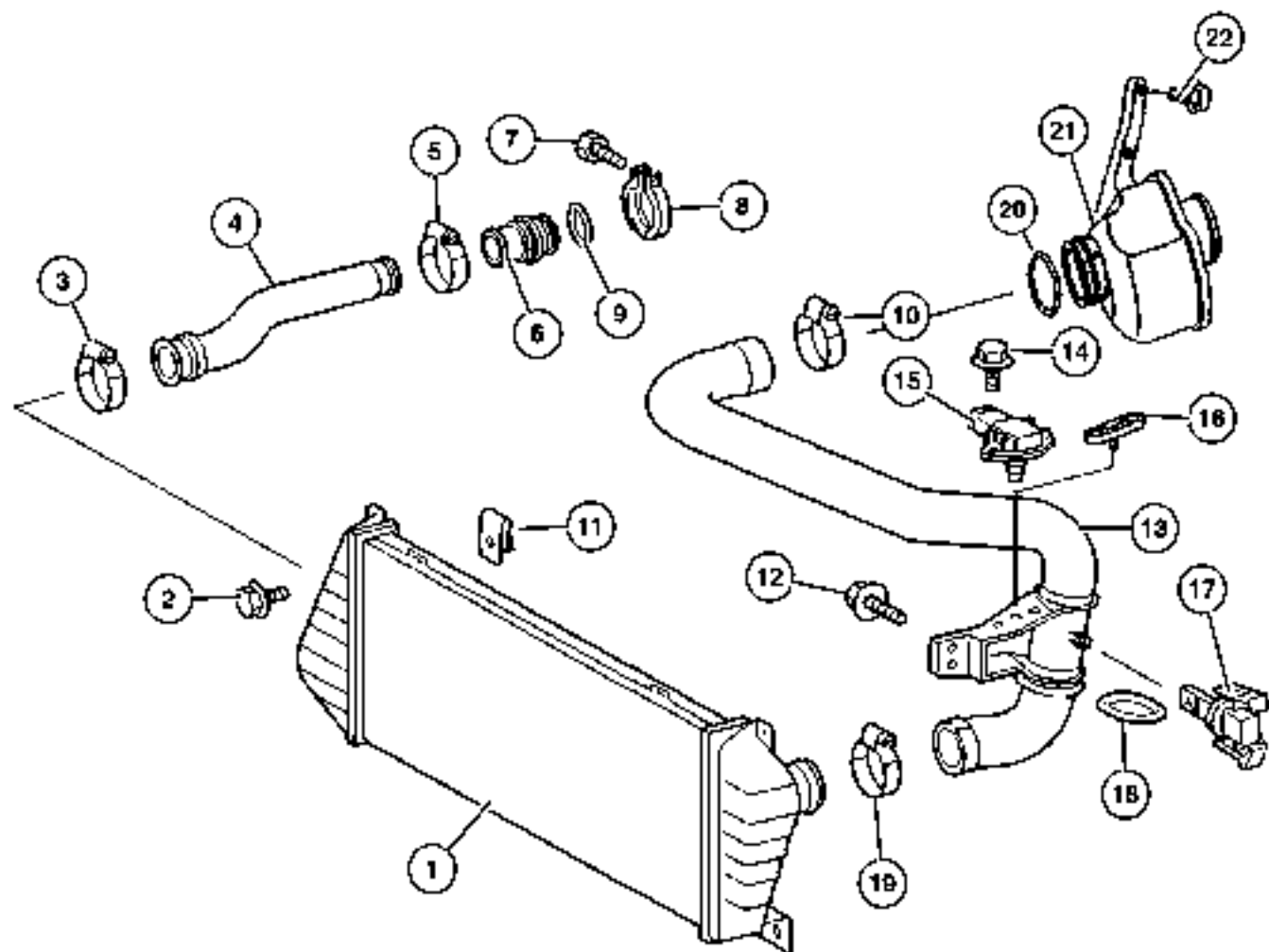
ITEM	PART NUMBER	QTY	LINE	SERIES	BODY	ENGINE	TRANS	TRIM	DESCRIPTION
		1	3, 7			EX8	DGZ		
31	5136 052AA	1	2, 6			EX8	DGZ		FAN, Cooling
		1	3, 7			EX8	DGZ		
32									SCREW, (NOT SERVICED) (Not Serviced)
33	5104 618AA	1	2, 6			EX8	DGZ		SCREW, Hitch Ball
		1	3, 7			EX8	DGZ		
34	5103 623AA	1	2, 6			EX8	DGJ		DRIVE, Fan
		1	3, 7			EX8	DGJ		
35	5133 494AA	1	2, 6			EX8	DGZ		CLAMP
		1	3, 7			EX8	DGZ		

Refer to Model Legend Information Bookmark

AR = Use as required - = Non illustrated part # = New this model year

March 3, 2006

Charge Air Intercooler Figure 007-130



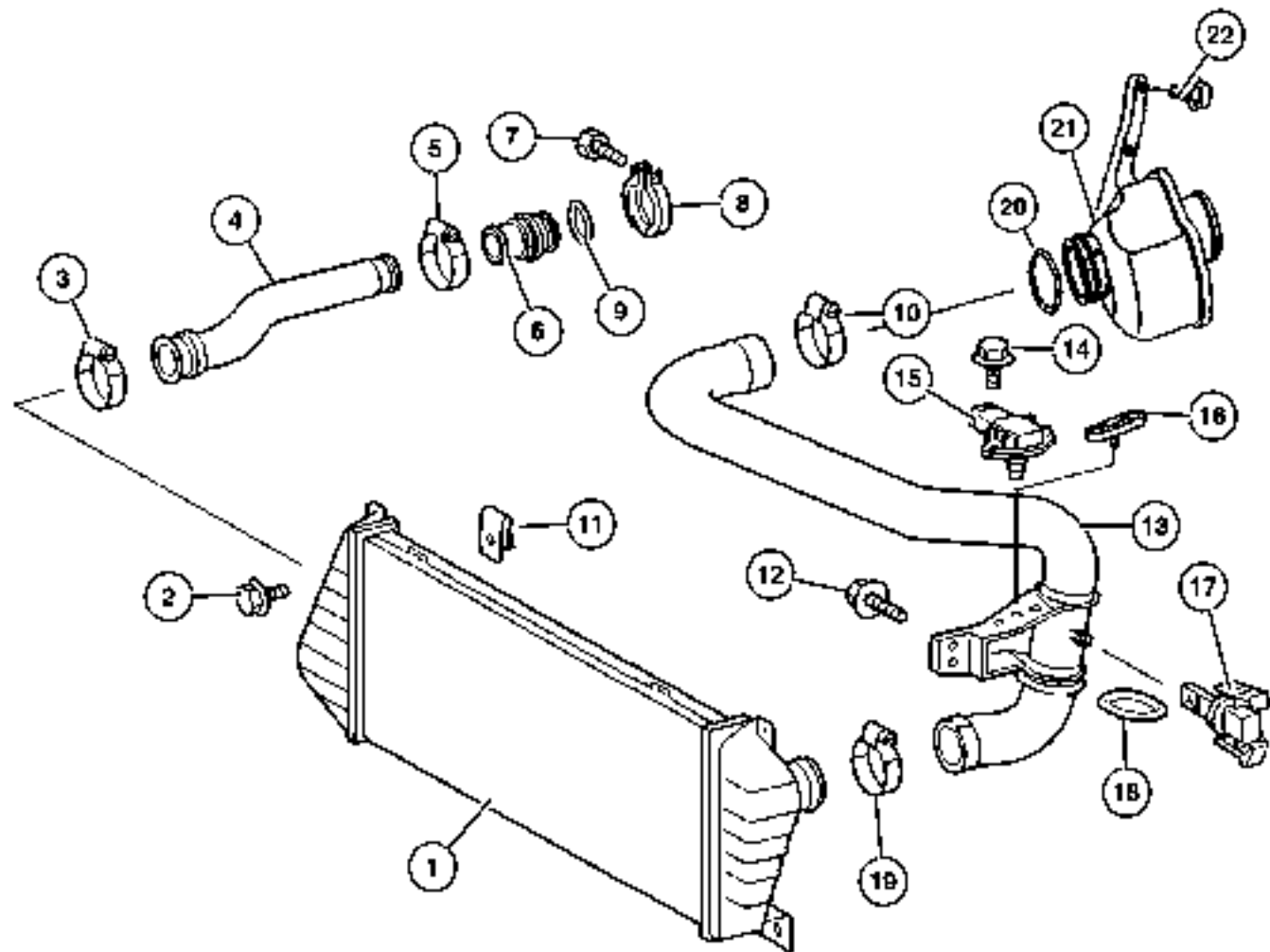
ITEM	PART NUMBER	QTY	LINE	SERIES	BODY	ENGINE	TRANS	TRIM	DESCRIPTION
NOTES: Sales Codes:									
[EK8] = 2.7L I5 Turbo Diesel Engine									
1	5119 997AA	1	2, 6			EX8	DGZ		COOLER, Charge Air
		1	3, 7			EX8	DGZ		
2	5133 476AB	4	2, 6			EX8	DGZ		SCREW
		4	3, 7			EX8	DGZ		
3	5104 602AA	1	2, 6			EX8,			CLAMP
		1	3, 7			EX9,			
						EX8,			
						EX9			
4	5104 142AA	1	2, 6			EX8,			HOSE, Turbo to Charge Air Cooler
		1	3, 7			EX9			
5	5104 601AA	1	2, 6			EX8	DGZ		CLAMP, Hose
		1	3, 7			EX8	DGZ		
6	5104 118AA	1	2, 6			EX8	DGZ		PIPE
		1	3, 7			EX8	DGZ		
7	5096 986AA	2	2, 6			EX8	DGZ		SCREW
8	5125 874AA	1	2, 6			EX8	DGZ		CLAMP, Mounting
		1	3, 7			EX8	DGZ		
9	5080 311AA	1	2, 3, 6, 7			EX8	DGJ		O RING
10	5104 602AA	1	2, 6			EX8,			CLAMP
		1	3, 7			EX8,			
						EX9			
11	5125 863AA	4	2, 6			EX8	DGZ		U-NUT
		4	3, 7			EX8	DGZ		
12	5104 610AA	2	2, 6			EX8	DGZ		SCREW
		2	3, 7			EX8	DGZ		
13	5120 147AA	1	2, 6			EX8	DGZ		HOSE, Radiator
		1	3, 7			EX8	DGZ		
14	6104 172AA	2	2, 6			EX8	DGZ		SCREW

Refer to Model Legend Information Bookmark

AR = Use as required - = Non illustrated part # = New this model year

March 3, 2006

**Charge Air Intercooler
Figure 007-130**



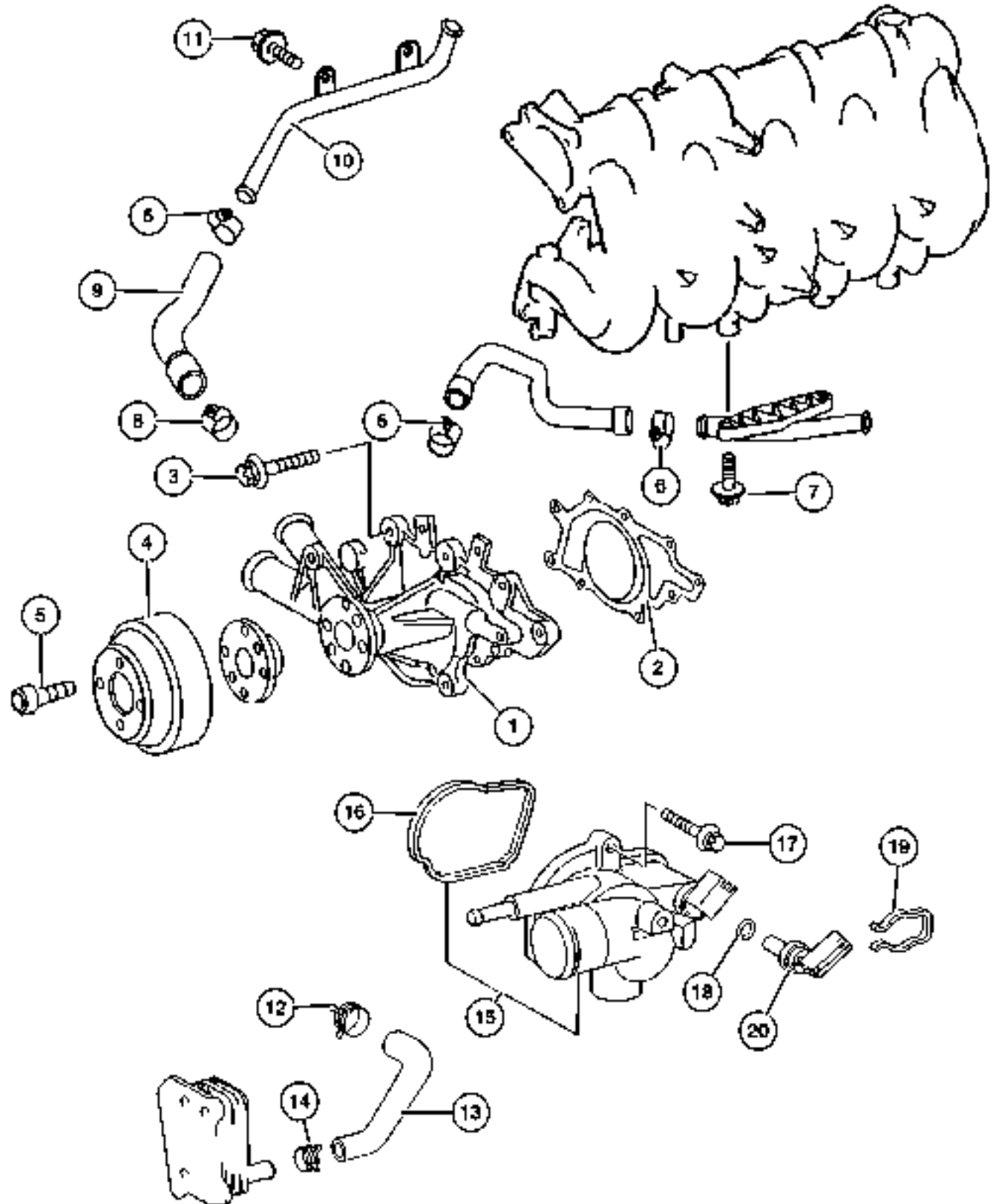
ITEM	PART NUMBER	QTY	LINE	SERIES	BODY	ENGINE	TRANS	TRIM	DESCRIPTION
		1	3, 7			EX8	DGZ		
15	5117 545AA	1	2, 6			EX8	DGZ		SENSOR, Map
		1	3, 7			EX8	DGZ		
16									SPACER, (NOT SERVICED) (Not Serviced)
17	5174 042AA	1	2, 3, 6, 7			EX8	DGZ		SENSOR, Temperature, AIR INTAKE TEMP. SENSOR
18	5103 906AA	1	3, 7			EX8	DGZ		O RING
19	5104 602AA	1	2, 6			EX8, EX9			CLAMP
		1	3, 7			EX8, EX9			
20	5139 047AA	1	2, 3, 6, 7			EX8	DGZ		O RING
21	5137 154AA	1	2, 3, 6, 7			EX8	DGZ		RESONATOR, turbo
22	6104 077AA	2	2, 3, 6, 7			EX8	DGZ		SCREW

Refer to Model Legend Information Bookmark

AR = Use as required - = Non illustrated part # = New this model year

March 3, 2006

Water Pump and Related Parts
Figure 007-210



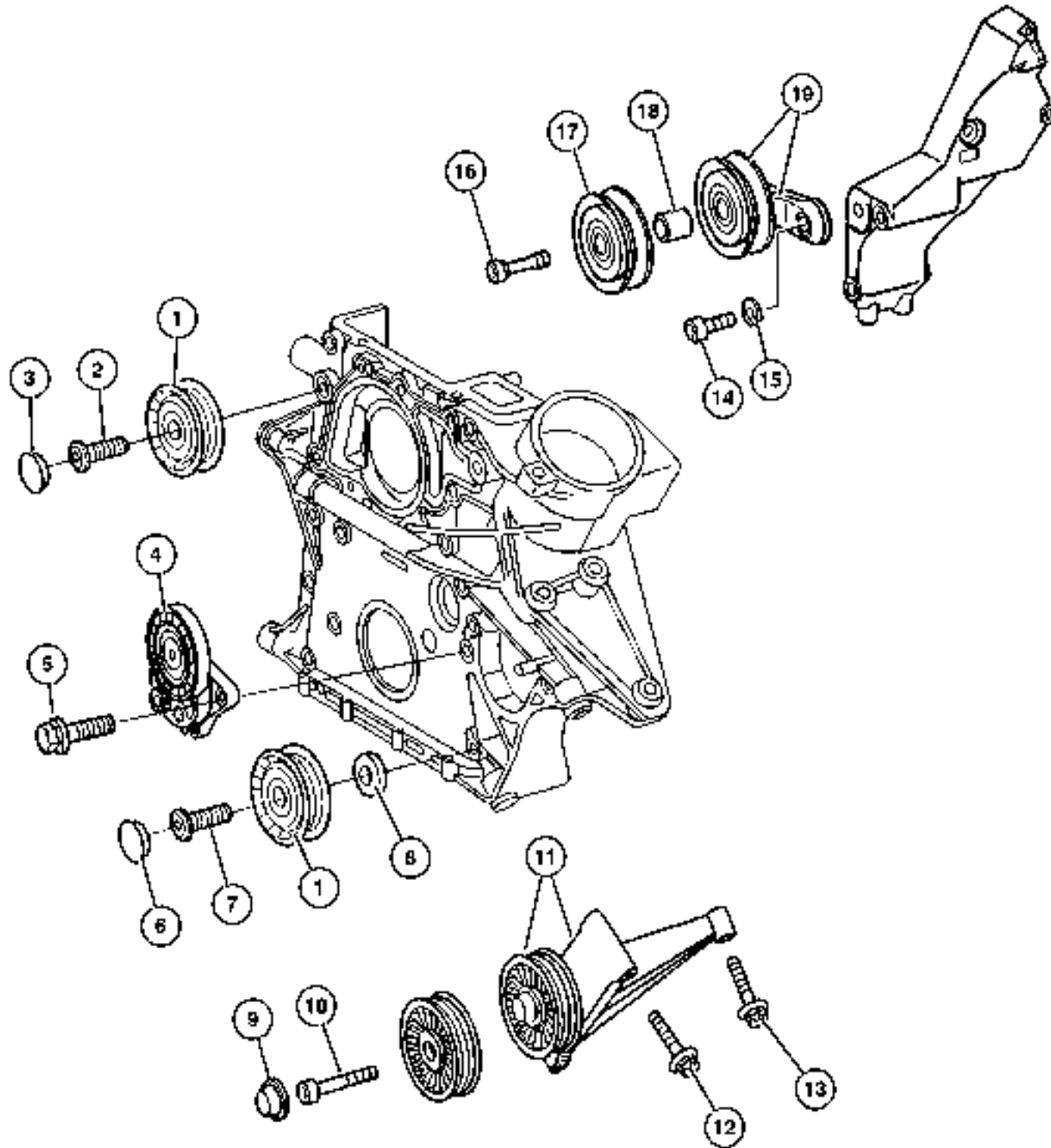
ITEM	PART NUMBER	QTY	LINE	SERIES	BODY	ENGINE	TRANS	TRIM	DESCRIPTION
1	5138 057AA	1	2, 3, 6, 7			EX8	DGZ		PUMP, Water
2	5080 144AA	1	2, 3, 6, 7			EX8	DGZ		GASKET, Water Pump, Coolant Pump
3	6104 682AA	3	2, 3, 6, 7			EX8	DGZ		SCREW
4	5136 764AA	1	2, 3, 6, 7			EX8	DGZ		PULLEY, Water Pump
5	6104 140AA	4	2, 3, 6, 7			EX8	DGZ		SCREW
6	6104 781AA	1	2, 3, 6, 7			EX8	DGZ		CLAMP, Hose
7	5096 986AA	2	2, 6			EX8	DGZ		SCREW
8									CLAMP
	5133 494AA	1	2, 6			EX8	DGZ		
		1	3, 7			EX8	DGZ		
9	5103 985AA	1	2, 3, 6, 7			EX8	DGZ		TUBE, Heater Return
10	5117 644AA	1	2, 3, 6, 7			EX8	DGZ		TUBE, Heater Return
11									SCREW
	6104 005AA	2	2, 6			EX8	DGZ		
		2	3, 7			EX8	DGZ		
12	5080 153AA	1	2, 3, 6, 7			EX8	DGJ		CLAMP, Hose
13	5103 986AA	1	2, 3, 6, 7			EX8	DGZ		HOSE
14									CLAMP
	5133 496AA	1	2, 6			EX8	DGZ		
		1	3, 7			EX8	DGZ		
15	5080 146AB	1	2, 3, 6, 7			EX8	DGZ		THERMOSTAT
16	5080 150AA	1	2, 3, 6, 7			EX8	DGZ		GASKET, Thermostat
17	6104 144AA		2, 3, 6, 7			EX8	DGZ		SCREW
18	5080 148AA	1	2, 3, 6, 7			EX8	DGZ		O RING
19	5080 149AA	1	2, 3, 6, 7			EX8	DGZ		CLIP
20	5080 147AA	1	2, 3, 6, 7			EX8	DGZ		SENDING UNIT, Temperature Gauge
-21	5137 502AA-	1	2, 3, 6, 7			EX8	DGZ		GASKET, Water Pump, Lower Hose/Tube to Water Pump

Refer to Model Legend Information Bookmark

AR = Use as required - = Non illustrated part # = New this model year

March 3, 2006

Drive Pulleys Figure 007-410



ITEM	PART NUMBER	QTY	LINE	SERIES	BODY	ENGINE	TRANS	TRIM	DESCRIPTION
NOTES: Sales Code:									
[EK8] = 2.7L I5 Turbo Diesel Engine									
1	5080 246AA	2	2, 3, 6, 7			EX8	DGZ		PULLEY, Tensioner
2	5073 902AA	1	2, 3, 6, 7			EX8	DGZ		SCREW
3	5080 250AA	1	2, 3, 6, 7			EX8	DGZ		CAP, CAP
4	5080 243AA	1	2, 3, 6, 7			EX8	DGZ		TENSIONER, Belt
5	5073 896AA	4	2, 3, 6, 7			EX8	DGZ		SCREW
6	5080 250AA	1	2, 3, 6, 7			EX8	DGZ		CAP, CAP
7	5073 902AA	1	2, 3, 6, 7			EX8	DGZ		SCREW
8	5080 248AA	1	2, 3, 6, 7			EX8	DGZ		WASHER
9	5125 553AA	1	2, 3, 6, 7			EX8	DGZ		CAP, Screw Cover
10	5126 143AA	1	2, 3, 6, 7			EX8	DGZ		SCREW
11									PULLEY, Tensioner
	5117 691AA	1	2, 6			EX8	DGZ		
		1	3, 7			EX8	DGZ		
12									SCREW
	6104 035AA	2	2, 6			EX8	DGZ		
		2	3, 7			EX8	DGZ		
13	5133 207AA	3	2, 3, 6, 7			EX8	DGZ		BOLT, Hex Head
14									SCREW, (NOT SERVICED) (Not Serviced)
15									WASHER, (NOT SERVICED) (Not Serviced)
16									SCREW
	5125 736AA	1	2, 6			EX8	DGZ		
		1	3, 7			EX8	DGZ		
17									TENSIONER, Belt
	5117 510AA	1	2, 6			EX8	DGZ		
		1	3, 7			EX8	DGZ		
18									BUSHING, Idler Pulley
	5117 516AA	1	2, 6			EX8	DGZ		
		1	3, 7			EX8	DGZ		
19	5080 243AA	1	2, 3, 6, 7			EX8	DGZ		TENSIONER, Belt

Refer to Model Legend Information Bookmark

AR = Use as required - = Non illustrated part # = New this model year

March 3, 2006

Drive Belts
Figure 007-520

ITEM	PART NUMBER	QTY	LINE	SERIES	BODY	ENGINE	TRANS	TRIM	DESCRIPTION
------	-------------	-----	------	--------	------	--------	-------	------	-------------

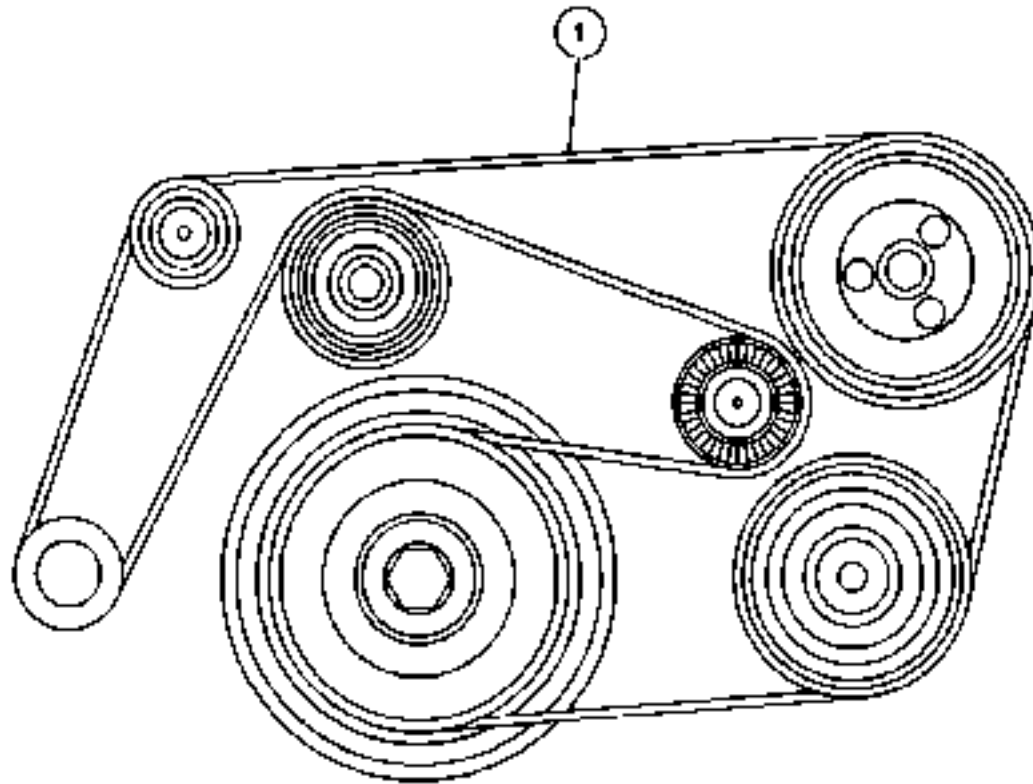
NOTE:

Sales Codes:

[DGZ]=5 Speed Automatic [W5A380] Transmission

[EX8]=2.7L I-5 Turbo Diesel Engine

1									BELT, Accessory Drive
	5127 258AA	1	2, 6			EX8	DGZ		With Air Conditioning, 21.36X2260
		1	3, 7			EX8	DGZ		With Air Conditioning, 21.36X2260
	5132 825AA	1	2, 3, 6, 7			EX8	DGZ		
		1	2, 6			EX8	DGZ		
		1	3, 7			EX8	DGZ		
-2									BELT, V-Belt
	5125 848AA-	1	2, 6			EX8	DGZ		
		1	3, 7			EX8	DGZ		

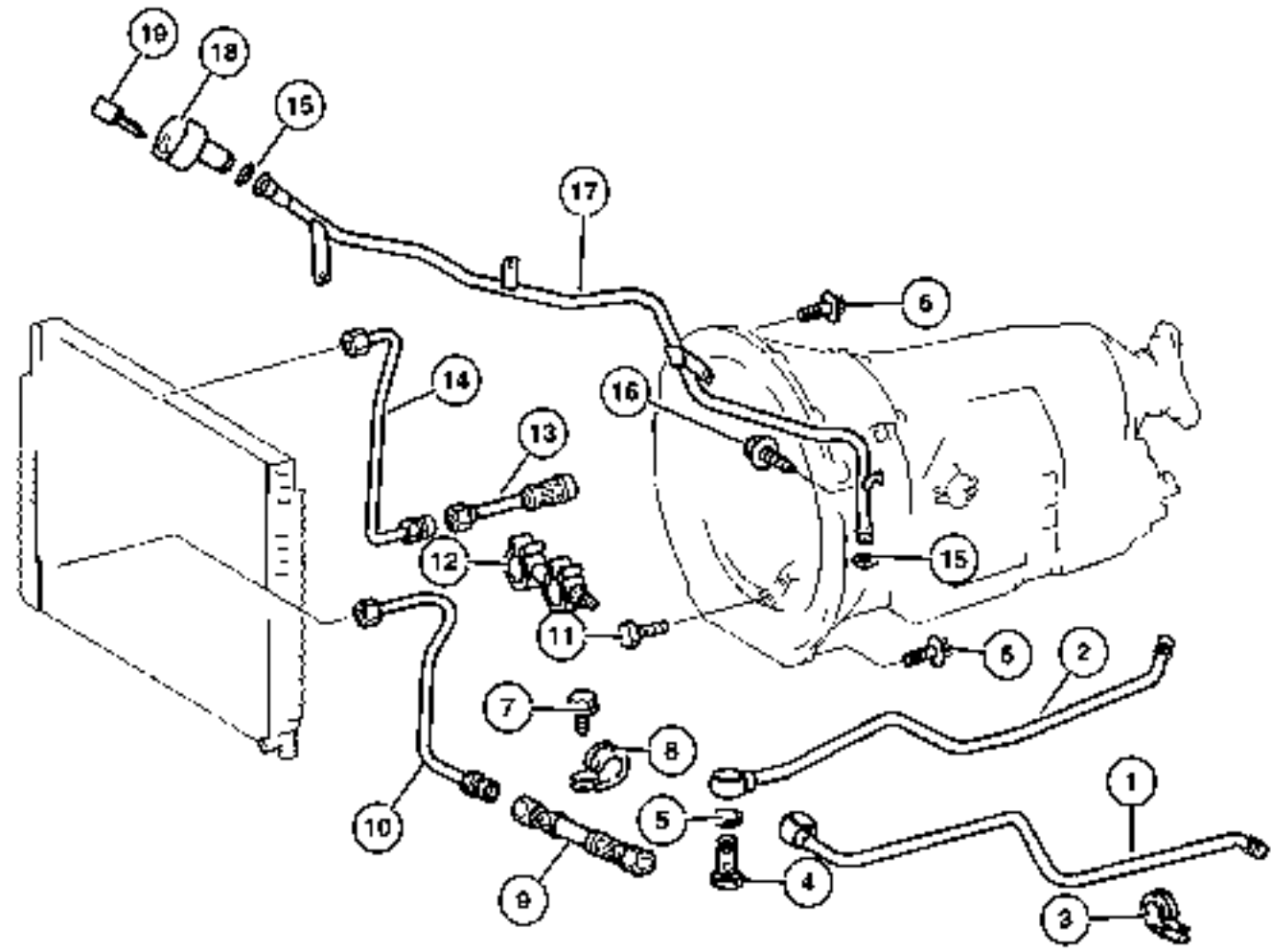


Refer to Model Legend Information Bookmark

AR = Use as required - = Non illustrated part # = New this model year

March 3, 2006

Oil Cooler Lines Figure 007-610



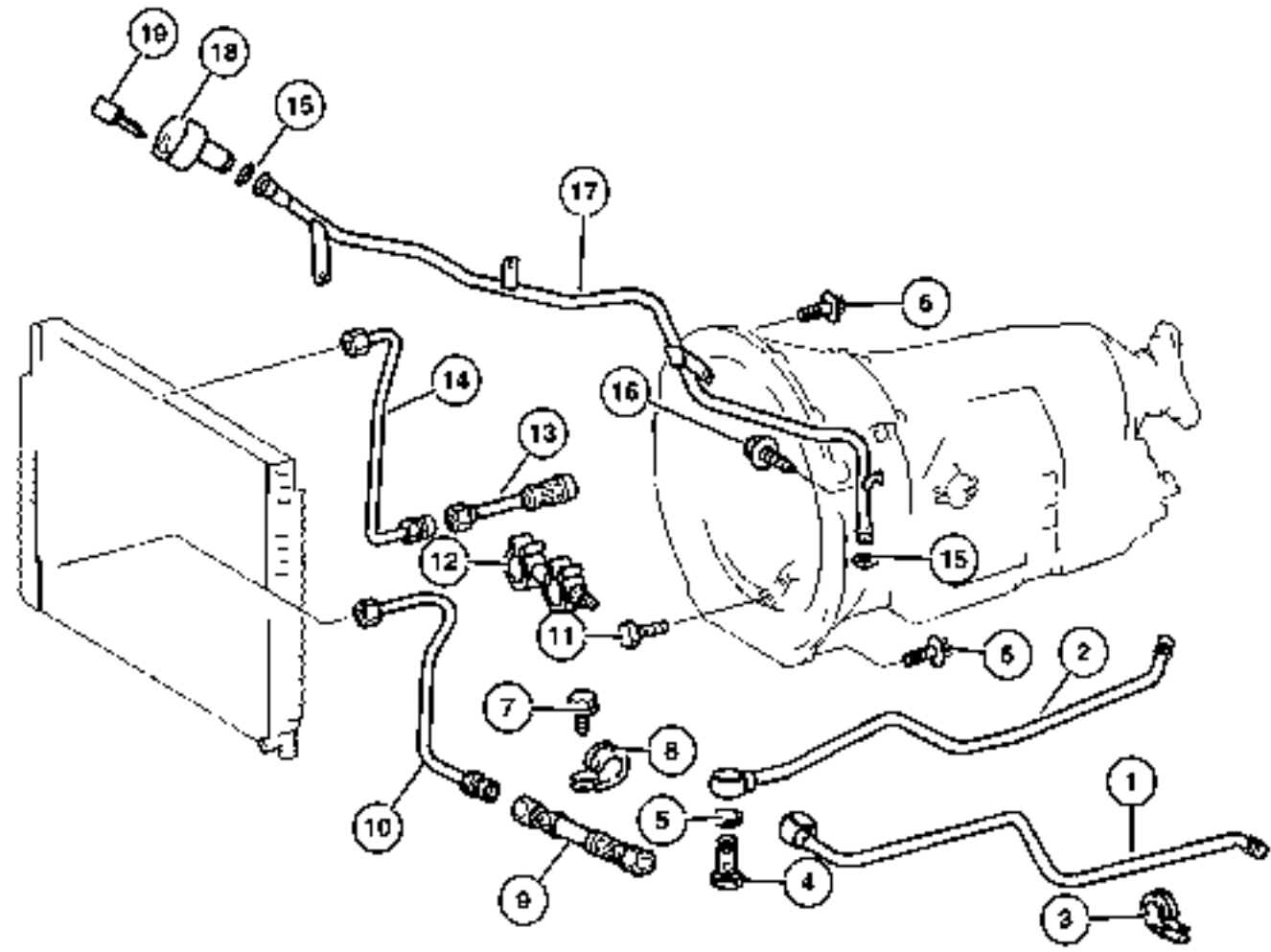
ITEM	PART NUMBER	QTY	LINE	SERIES	BODY	ENGINE	TRANS	TRIM	DESCRIPTION
NOTES: Sales Code:									
[EK8] = 2.7L I5 Turbo Diesel Engine									
1									TUBE, Oil Feed
	5117 855AA	1	2, 6			EX8	DGZ		
		1	3, 7			EX8	DGZ		
2									LINE, Transmission Oil Cooler Pressure
	5117 857AA	1	2, 6			EX8	DGZ		
		1	3, 7			EX8	DGZ		
3									CLAMP, CLAMP
	5097 689AA	3	2, 6			EX8	DGZ		
		3	3, 7			EX8	DGZ		
4									BOLT, Banjo
	6507 437AA	2	2, 6			EX8	DGZ		
		2	3, 7			EX8	DGZ		
5									WASHER, Banjo
	6507 454AA	4	2, 6			EX8	DGZ		
		4	3, 7			EX8	DGZ		
6									SCREW
	6104 047AA	2	2, 6			EX8	DGZ		
		2	3, 7			EX8	DGZ		
7									SCREW
	5073 824AA	1	2, 6			EX8	DGZ		
		2	3, 7			EX8	DGZ		
8									CLAMP, Oil Cooler Line
	5096 952AA	3	2, 6			EX8	DGZ		
		1	3, 7			EX8	DGZ		
9									LINE, Transmission Oil Cooler Pressure
	5117 856AA	1	2, 6			EX8	DGZ		
		1	3, 7			EX8	DGZ		
10									LINE, Oil Cooler Supply
	5119 991AA	1	2, 6			EX8	DGZ		
		1	3, 7			EX8	DGZ		
11									SCREW
	6507 095AA	6	2, 6			EX8	DGZ		
		6	3, 7			EX8	DGZ		
12									BRACKET, Transmission Oil Cooler
	5125 878AA	2	2, 6			EX8	DGZ		
		2	3, 7			EX8	DGZ		
13									TUBE AND HOSE, Oil Cooler
	5127 830AA	1	2, 6			EX8	DGZ		
		1	3, 7			EX8	DGZ		
14									LINE, Oil Cooler Return
	5119 993AA	1	2, 6			EX8	DGZ		

Refer to Model Legend Information Bookmark

AR = Use as required - = Non illustrated part # = New this model year

March 3, 2006

Oil Cooler Lines
Figure 007-610



ITEM	PART NUMBER	QTY	LINE	SERIES	BODY	ENGINE	TRANS	TRIM	DESCRIPTION
		1	3, 7			EX8	DGZ		
15	5101 154AA	1	2, 6			EX8	DGZ		SEAL, Oil Filler Tube
		1	3, 7			EX8	DGZ		
16	5125 738AA	1	2, 6			EX8	DGZ		SCREW
		1	3, 7			EX8	DGZ		
17	5117 847AA	1	2, 6			EX8	DGZ		TUBE, Transmission Oil Filler
		1	3, 7			EX8	DGZ		
18	53013 549AA	1	2, 6			EX8	DGZ		CAP, Oil Filler
		1	3, 7			EX8	DGZ		
19	5093 746AA	1	2, 6			EX8	DGZ		PIN
		1	3, 7			EX8	DGZ		

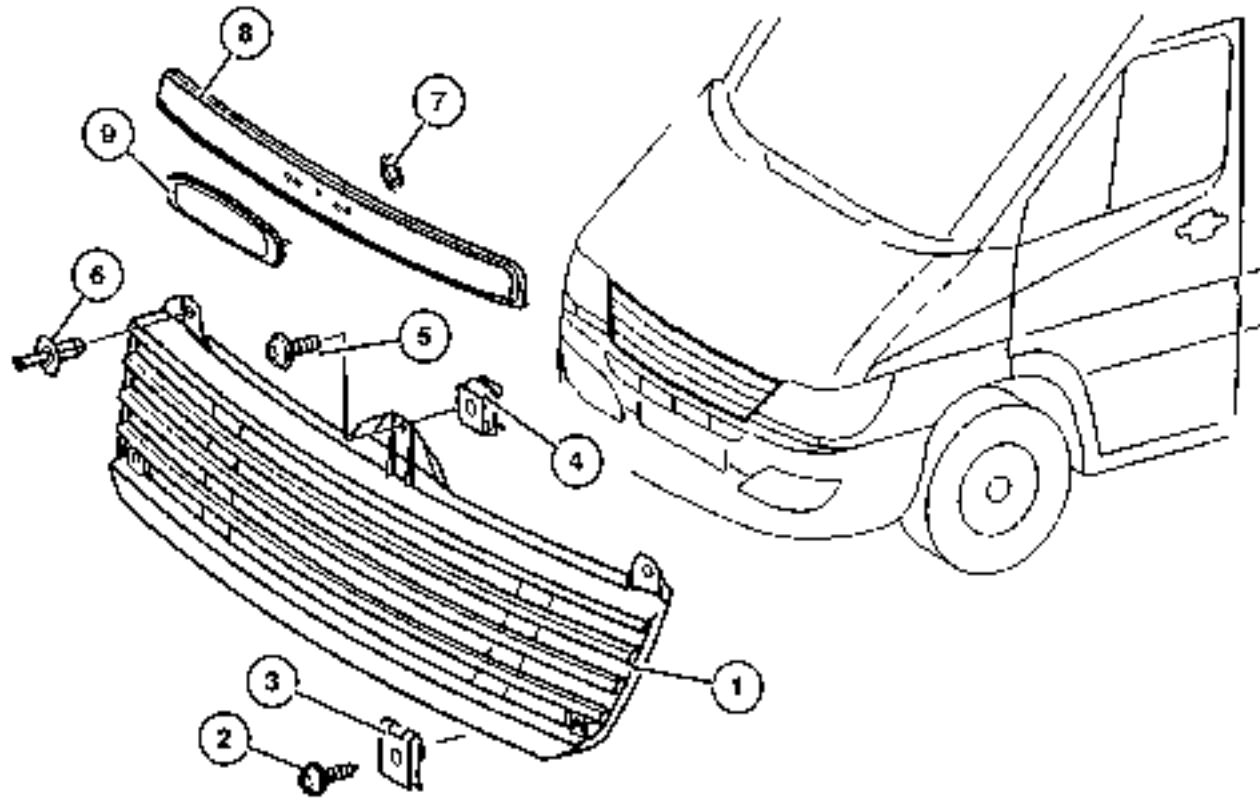
Refer to Model Legend Information Bookmark

AR = Use as required - = Non illustrated part # = New this model year

March 3, 2006

**Grille and Related Parts
Figure 007-710**

ITEM	PART NUMBER	QTY	LINE	SERIES	BODY	ENGINE	TRANS	TRIM	DESCRIPTION
NOTES: Sales Codes: [EK8] = 2.7L I5 Turbo Diesel Engine [MGQ] = Freightliner Badge [MQ4] = Dodge Badge									
1									GRILLE, Radiator
	5104 507AA	1	6			EX8	DGZ		[MGQ]
		1	7			EX8	DGZ		[MGQ]
	5114 373AA	1	2			EX8	DGZ		[MG4]
		1	3			EX8	DGZ		[MG4]
2									SCREW
	6104 576AA	2	6			EX8	DGZ		
		4	2			EX8	DGZ		[MG4]
		2	3			EX8	DGZ		
		2	7			EX8	DGZ		
3									NUT, Clip-On
	6104 736AA	4	2, 6			EX8	DGZ		
		4	3, 7			EX8	DGZ		
4									NUT
	5126 253AA	2	2, 6			EX8	DGZ		
		2	3, 7			EX8	DGZ		
5									SCREW, Hex Flange Head
	6104 121AA	2	2, 6			EX8	DGZ		
		2	3, 7			EX8	DGZ		
6									PIN, Push
	6104 905AA	2	6			EX8	DGZ		
		2	3, 7			EX8	DGZ		
7									RETAINER, Hood Ornament
	5096 429AA	2	2, 6			EX8	DGZ		[MG4]
		2	3, 7			EX8	DGZ		[MG4]
8									MOLDING, Hood
	5104 400AA	1	6			EX8	DGZ		[MGQ]
		1	7			EX8	DGZ		[MGQ]
9									NAMEPLATE, Hood
	5104 449AA	1	6			EX8	DGZ		[MGQ]
		1	7			EX8	DGZ		[MGQ]



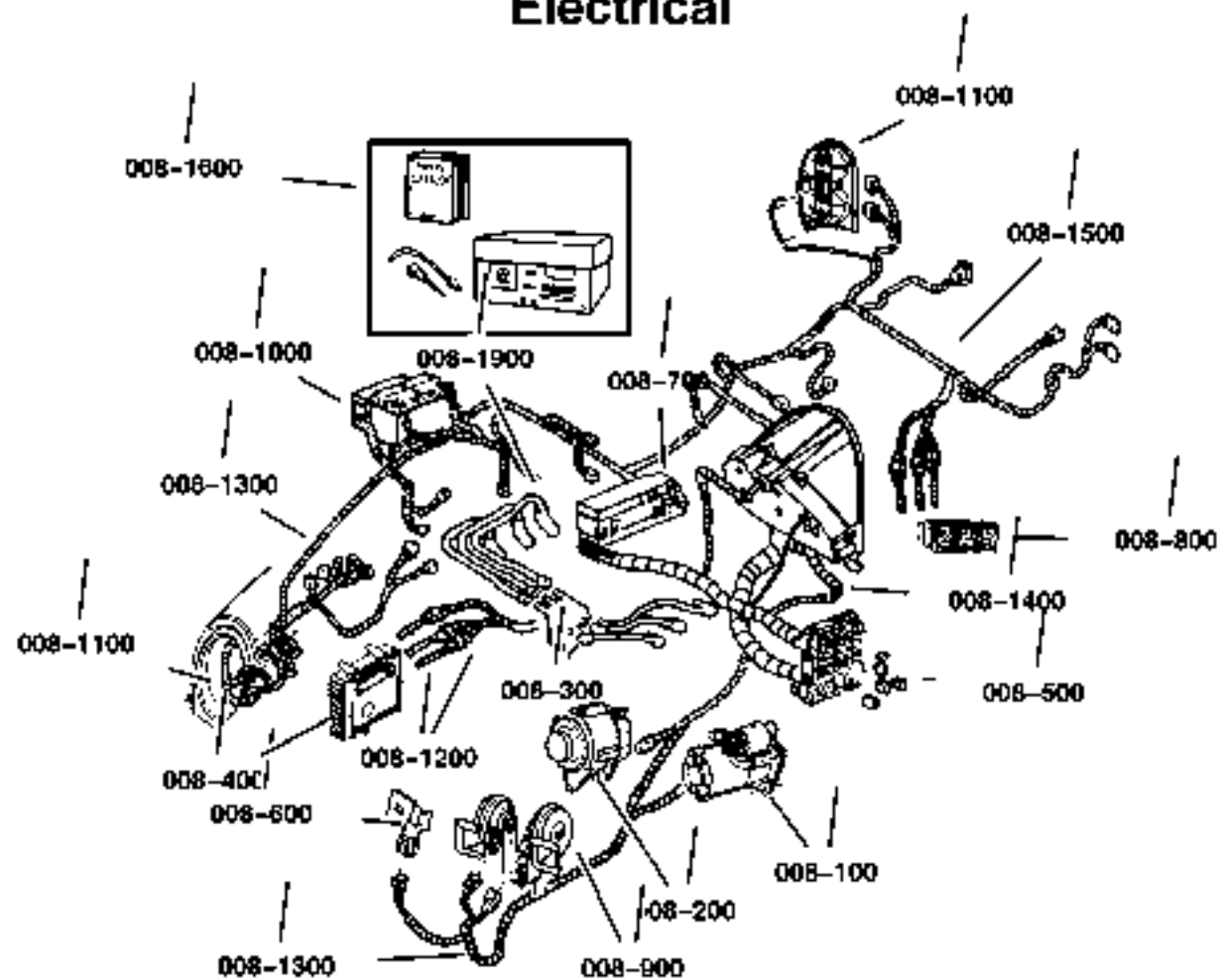
Refer to Model Legend Information Bookmark

AR = Use as required - = Non illustrated part # = New this model year

March 3, 2006










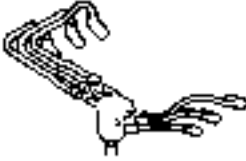
Group – 008



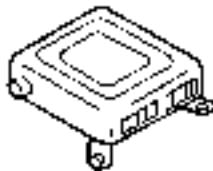


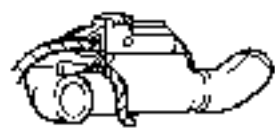
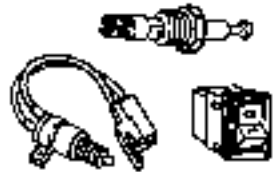

Electrical



Group – 008

Electrical

008-1000 Battery Tray and Cables 	008-1100 Lamps – Front, Rear and Courtesy 	008-1200 Wiring-Engine & Related Parts 	008-1300 Wiring-Headlamp to Dash 
008-1400 Wiring-Instrument Panel 	008-1500 Wiring-Body & Accessories 	008-1600 Wiring Repair 	008-1700 Air Bag System 
008-1800 Peak Assist 	008-1900 Spark Plugs-Cables-Coils 		

008-100 Starters 	008-200 Alternators 	008-400 Modules 	008-500 Relays 
008-600 Sensors 	008-700 Single Board Engine Controllers 	008-800 Switches 	008-900 Horns 

GROUP 8 - Electrical

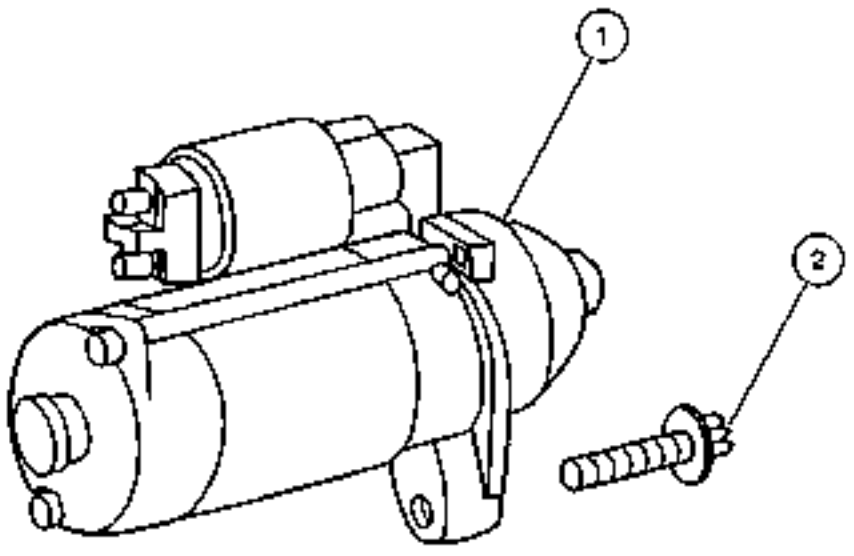
Illustration Title	Group-Fig. No.
Starters	
Starters & Mounting	Fig. 008-105
Alternators	
Alternators (Generator)	Fig. 008-205
Modules	
Modules Seating Area	Fig. 008-405
Modules and Related Parts	Fig. 008-410
Relays	
Under Seat - Relays & Fuses	Fig. 008-505
Instrument Panel - Relays & Fuses	Fig. 008-510
Sensors	
Sensors Engine	Fig. 008-605
Sensors - Drivetrain	Fig. 008-610
Sensors - Brakes	Fig. 008-615
Sensors Ambient Temperature and Rain	Fig. 008-620
Single Board Engine Controllers	
Powertrain Control	Fig. 008-715
Switches	
Switches - Instrument Panel	Fig. 008-805
Switches -Steering Column	Fig. 008-810
Switches - Doors	Fig. 008-815
Switch Brake and Clutch	Fig. 008-820
Horns	
Horns & Alarm	Fig. 008-905
Battery Tray and Cables	
Battery Tray & Cables	Fig. 008-1005
Lamps - Front, Rear and Courtesy	
Lamps - Front End	Fig. 008-1105
Lamps - Rear End	Fig. 008-1110
Lamps Rear End Cab and Chassis Vehicles	Fig. 008-1115
Lamps Interior Passenger Van	Fig. 008-1120
Lamps Interior Cargo Van	Fig. 008-1125
Lamp - Bulbs	Fig. 008-1130
Wiring-Engine & Related Parts	
Wiring - Engine	Fig. 008-1205
Wiring-Headlamp to Dash	
Wiring - Headlamp & Dash	Fig. 008-1305
Wiring-Instrument Panel	
Wiring - Instrument Panel	Fig. 008-1405

GROUP 8 - Electrical

Illustration Title	Group-Fig. No.
Wiring-Body & Accessories	
Wiring - Body & Accessories	Fig. 008-1505
Wiring Repair	
Connectors Engine Compartment	Fig. 008-1605
Connectors Body	Fig. 008-1610
Connectors Roof	Fig. 008-1615
Connectors Front Doors	Fig. 008-1620
Connectors Rear Doors	Fig. 008-1625
Connectors Seating Area	Fig. 008-1630
Air Bag Systems	
Air Bag System Drivers Side	Fig. 008-1705
Air Bag System Passenger Side	Fig. 008-1710
Park Assist	
Park Assist, Back up Detection System	Fig. 008-1805
Spark Plugs-Cables-Coils	
Glow Plugs	Fig. 008-1910

**Starters & Mounting
Figure 008-105**

ITEM	PART NUMBER	QTY	LINE	SERIES	BODY	ENGINE	TRANS	TRIM	DESCRIPTION
1									STARTER, Engine
	5134 510AA	1	2, 6	L	01, 02, 06	EX8	DGZ		
		1	2, 6	L	11, 12, 14, 15, 16	EX8	DGZ		
		1	2, 6	L	51, 52, 54, 55, 56	EX8	DGZ		
		1	3, 7	L	02, 06	EX8	DGZ		
		1	3, 7	L	12, 15, 16	EX8	DGZ		
2									SCREW, Starter Motor
	6104 053AA	2	2, 6	L	01, 02, 06	EX8	DGZ		
		2	2, 6	L	11, 12, 14, 15, 16	EX8	DGZ		
		2	2, 6	L	51, 52, 54, 55, 56	EX8	DGZ		
		2	3, 7	L	02, 06	EX8	DGZ		
		2	3, 7	L	12, 15, 16	EX8	DGZ		

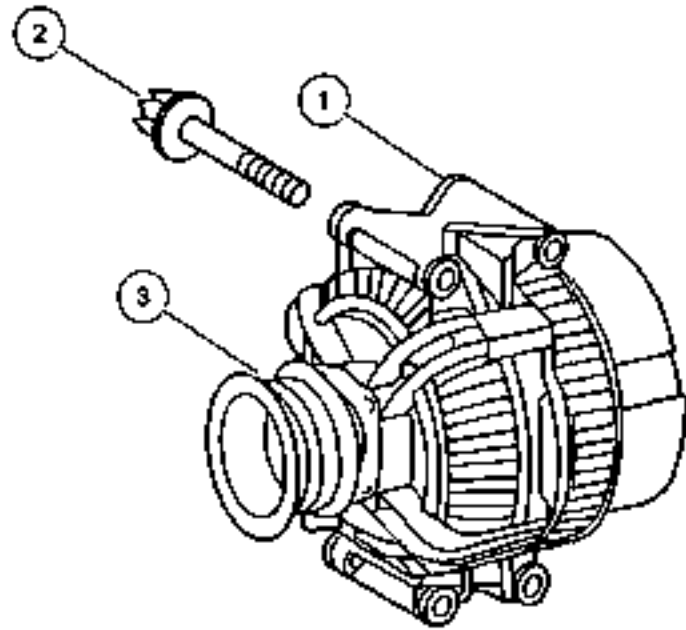


Refer to Model Legend Information Bookmark

AR = Use as required - = Non illustrated part # = New this model year

March 3, 2006

**Alternators (Generator)
Figure 008-205**



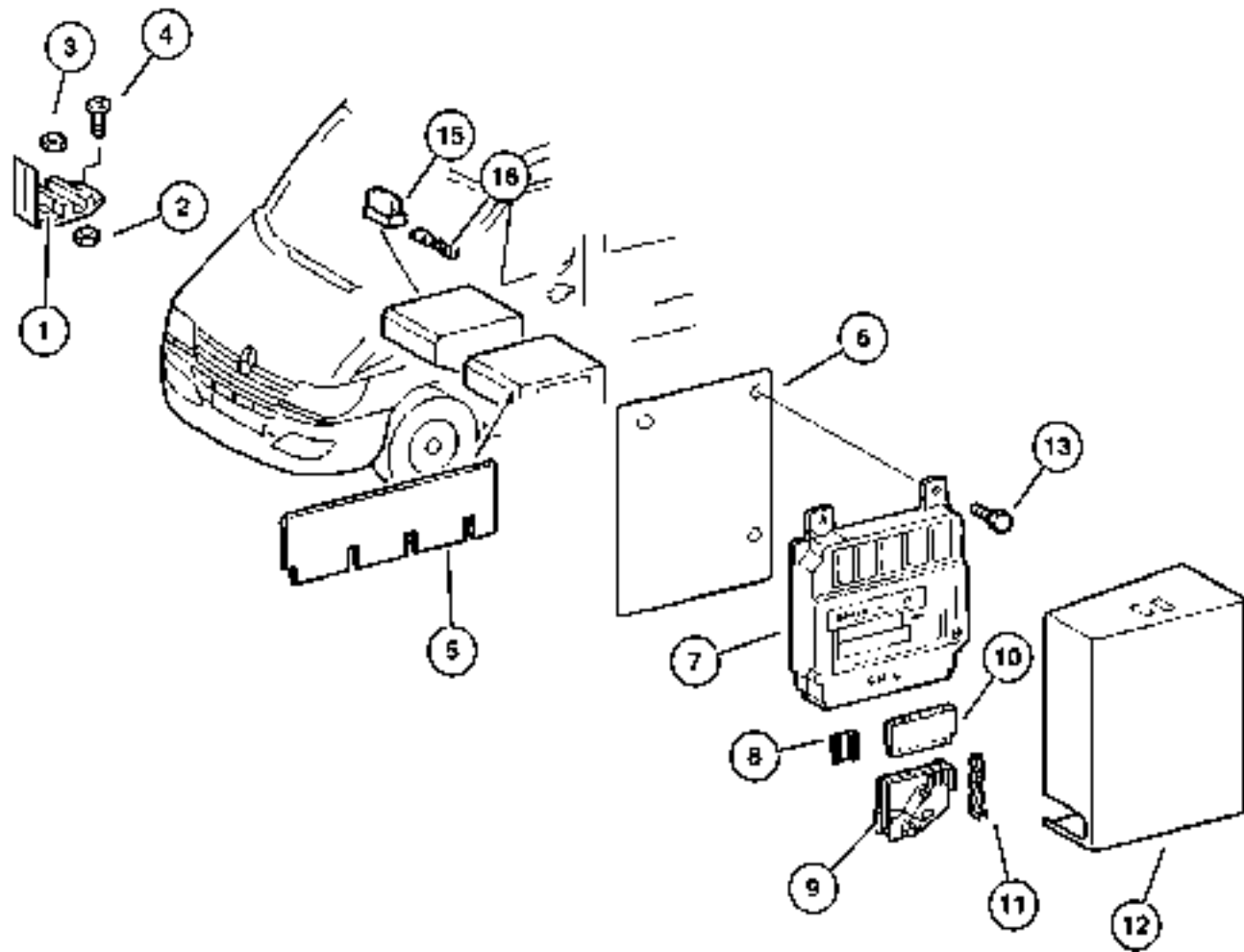
ITEM	PART NUMBER	QTY	LINE	SERIES	BODY	ENGINE	TRANS	TRIM	DESCRIPTION
1	5134 199AA	1	2, 3, 6, 7	L		EX8	DGZ		ALTERNATOR
2	6104 035AA	2	2, 6	L	01, 02, 06	EX8	DGZ		SCREW
		1	2, 6	L	51, 52, 54, 55, 56	EX8	DGZ		
		2	2, 6	L	51, 52, 54, 55, 56	EX8	DGZ		
		2	3, 7	L	02, 06	EX8	DGZ		
		2	3, 7	L	12, 15, 16	EX8	DGZ		
3	5117 591AA	1	2, 3, 6, 7	L		EX8	DGZ		PULLEY, Alternator
-4	5135 837AA-	1	2, 6	L	01, 02, 06	EX8	DGZ		REGULATOR, Alternator
		1	2, 6	L	11, 12, 14, 15, 16	EX8	DGZ		
		1	2, 6	L	51, 52, 54, 55, 56	EX8	DGZ		
		1	3, 7	L	02, 06	EX8	DGZ		
		1	3, 7	L	12, 15, 16	EX8	DGZ		

Refer to Model Legend Information Bookmark

AR = Use as required - = Non illustrated part # = New this model year

March 3, 2006

Modules Seating Area
Figure 008-405



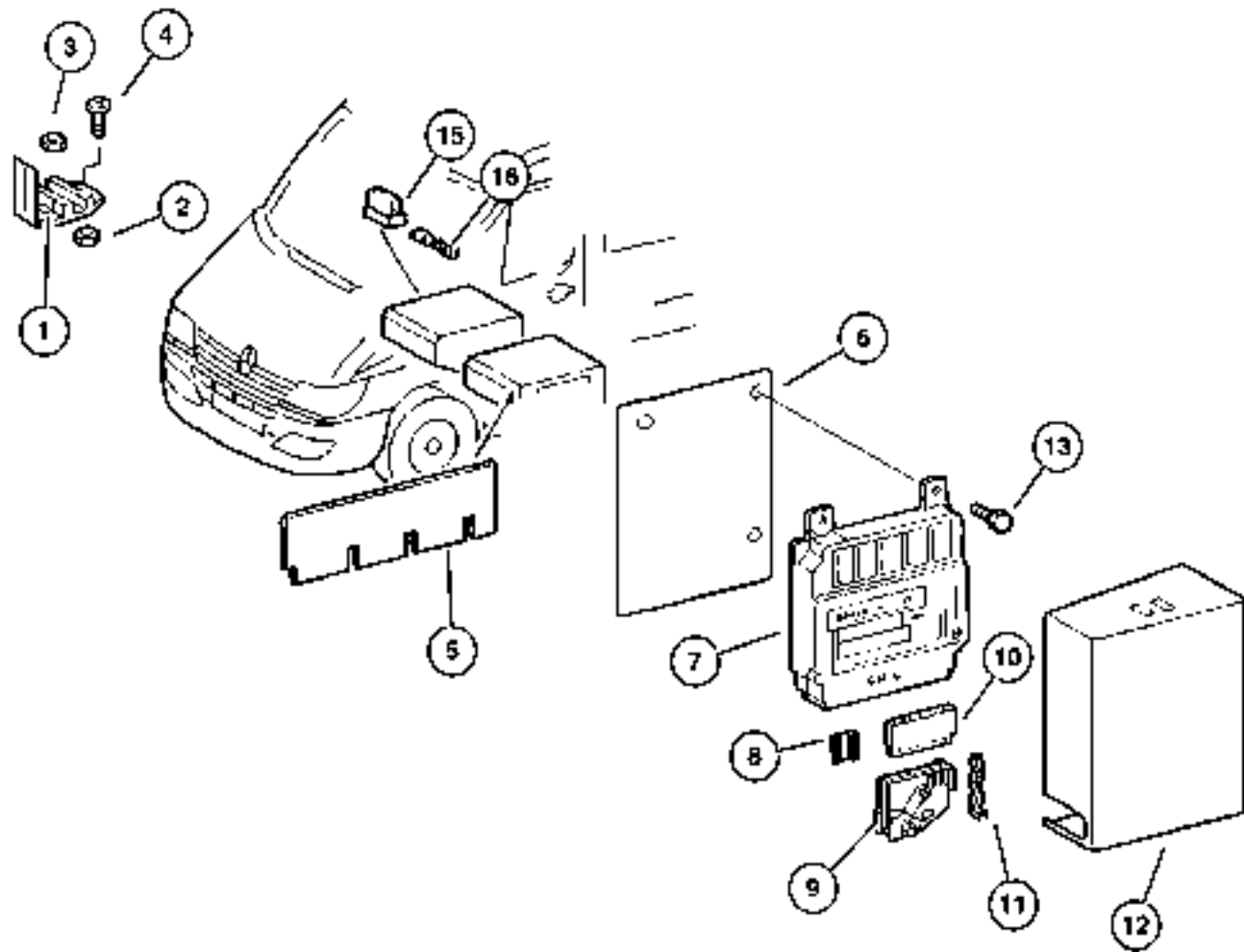
ITEM	PART NUMBER	QTY	LINE	SERIES	BODY	ENGINE	TRANS	TRIM	DESCRIPTION
1									RETAINER, Wiring Harness
	5120 249AA	1	2, 6	L	01, 02, 06	EX8	DGZ		
		1	2, 6	L	11, 12, 14, 15, 16	EX8	DGZ		
		1	2, 6	L	51, 52, 54, 55, 56	EX8	DGZ		
		1	3, 7	L	02, 06	EX8	DGZ		
		1	3, 7	L	12, 15, 16	EX8	DGZ		
2									NUT
	5126 203AA	1	2, 6	L	01, 02, 06	EX8	DGZ		
		1	2, 6	L	11, 12, 14, 15, 16	EX8	DGZ		
		1	2, 6	L	51, 52, 54, 55, 56	EX8	DGZ		
		2	3, 7	L	02, 06	EX8	DGZ		
		2	3, 7	L	12, 15, 16	EX8	DGZ		
3									NUT
	5126 203AA	1	2, 6	L	01, 02, 06	EX8	DGZ		
		1	2, 6	L	11, 12, 14, 15, 16	EX8	DGZ		
		1	2, 6	L	51, 52, 54, 55, 56	EX8	DGZ		
		1	3, 7	L	02, 06	EX8	DGZ		
		1	3, 7	L	12, 15, 16	EX8	DGZ		
4									BOLT, Hex Head
	5126 100AA	2	2, 6	L	01, 02, 06	EX8	DGZ		
		2	2, 6	L	11, 12, 14, 15, 16	EX8	DGZ		
		2	2, 6	L	51, 52, 54, 55, 56	EX8	DGZ		

Refer to Model Legend Information Bookmark

AR = Use as required - = Non illustrated part # = New this model year

March 3, 2006

Modules Seating Area
Figure 008-405



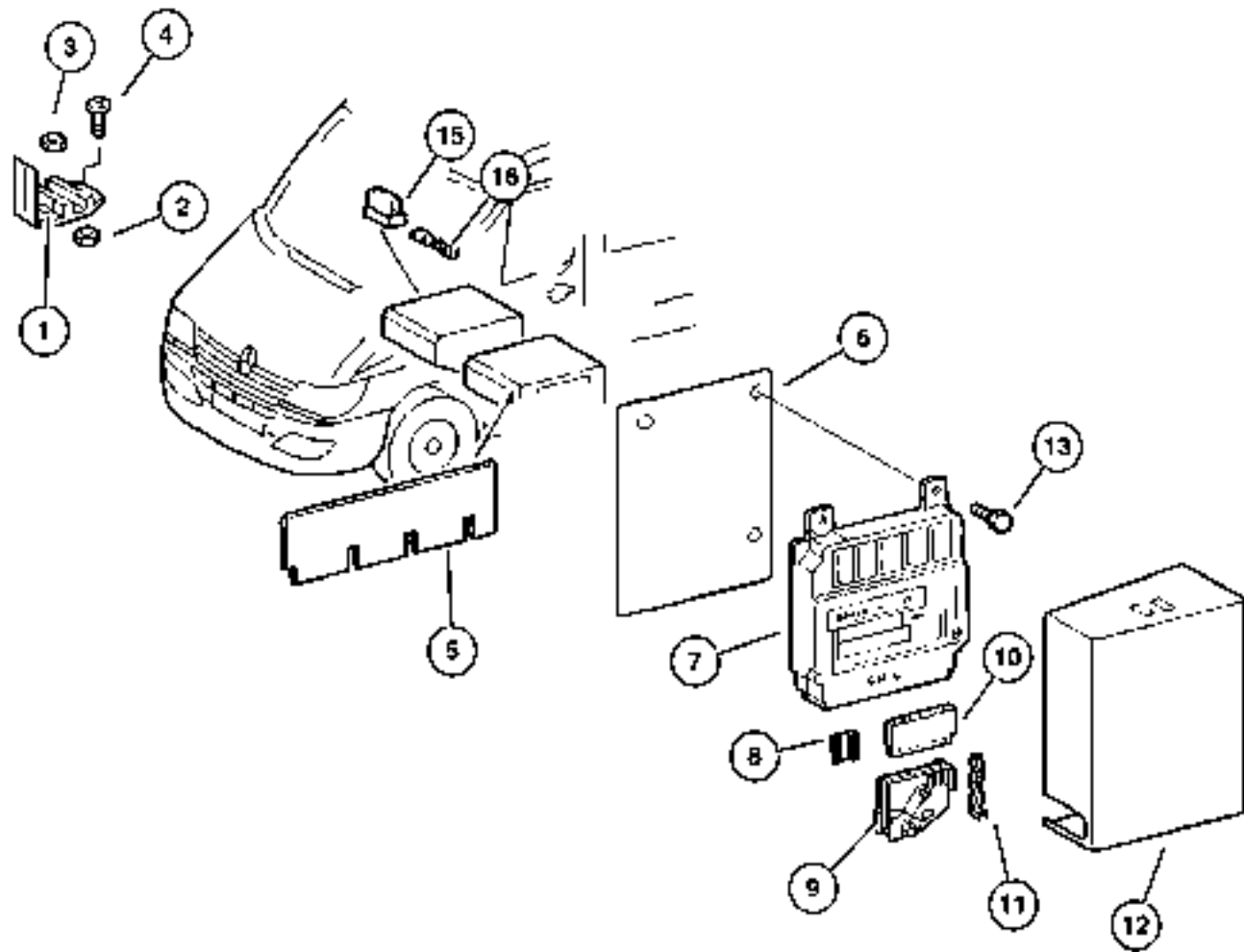
ITEM	PART NUMBER	QTY	LINE	SERIES	BODY	ENGINE	TRANS	TRIM	DESCRIPTION
		2	3, 7	L	02, 06	EX8	DGZ		
		2	3, 7	L	12, 15, 16	EX8	DGZ		
5	5123 542AA	2	2, 6	L	11, 12, 14, 15, 16	EX8	DGZ		PANEL, Seat Base
		2	2, 6	L	12, 15	EX8	DGZ		
		2	2, 6	L	51, 52, 54, 55, 56	EX8	DGZ		
		2	2, 6	L	52, 55	EX8	DGZ		
		2	3, 7	L	12, 15	EX8	DGZ		
6	5120 891AA	1	2, 6	L	01, 02, 06	EX8	DGZ		PLATE, Air Bag Module
		1	2, 6	L	11, 12, 14, 15, 16	EX8	DGZ		
		1	2, 6	L	51, 52, 54, 55, 56	EX8	DGZ		
		1	3, 7	L	02, 06	EX8	DGZ		
		1	3, 7	L	12, 15, 16	EX8	DGZ		
7	5119 435AA	1	2, 6	L	01, 02, 06	EX8	DGZ		MODULE, Air Bag Control
		1	2, 6	L	11, 12, 14, 15, 16	EX8	DGZ		
		1	2, 6	L	51, 52, 54, 55, 56	EX8	DGZ		
		1	3, 7	L	02, 06	EX8	DGZ		
		1	3, 7	L	12, 15, 16	EX8	DGZ		
8	5120 412AA	1	2, 6	L	01, 02, 06	EX8	DGZ		COVER, Insulator, Wiring Protection
		1	2, 6	L	11, 12, 14, 15, 16	EX8	DGZ		

Refer to Model Legend Information Bookmark

AR = Use as required - = Non illustrated part # = New this model year

March 3, 2006

Modules Seating Area
Figure 008-405



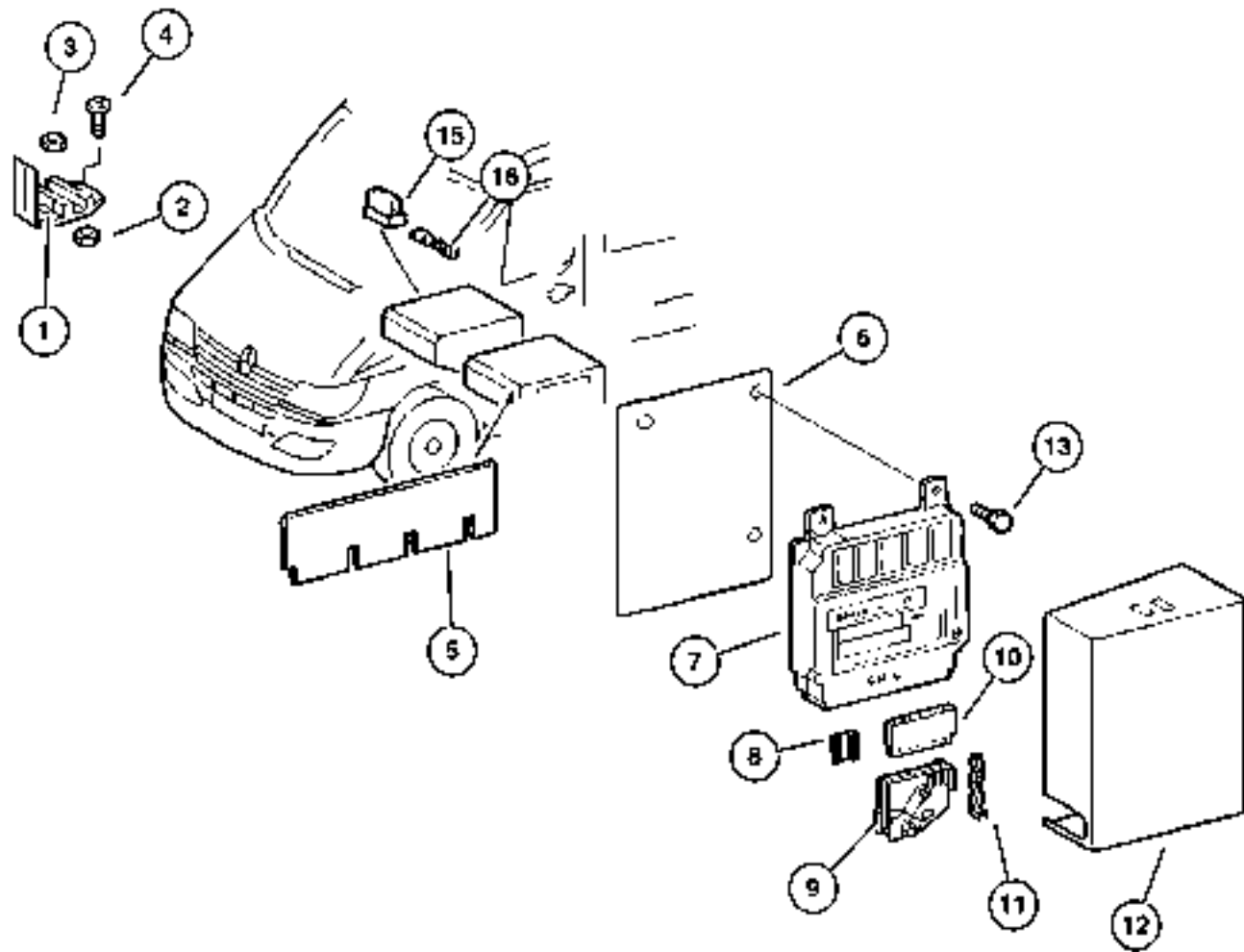
ITEM	PART NUMBER	QTY	LINE	SERIES	BODY	ENGINE	TRANS	TRIM	DESCRIPTION
		1	2, 6	L	51, 52, 54, 55, 56	EX8	DGZ		
		1	3, 7	L	02, 06	EX8	DGZ		
		1	3, 7	L	12, 15, 16	EX8	DGZ		
9	5120 799AA	1	2, 6	L	01, 02, 06	EX8	DGZ		CONNECTOR, Wiring
		1	2, 6	L	11, 12, 14, 15, 16	EX8	DGZ		
		1	2, 6	L	51, 52, 54, 55, 56	EX8	DGZ		
		1	3, 7	L	02, 06	EX8	DGZ		
		1	3, 7	L	12, 15, 16	EX8	DGZ		
10	5120 834AA	1	2, 6	L	01, 02, 06	EX8	DGZ		CONNECTOR
		1	2, 6	L	11, 12, 14, 15, 16	EX8	DGZ		
		1	2, 6	L	51, 52, 54, 55, 56	EX8	DGZ		
		1	3, 7	L	02, 06	EX8	DGZ		
		1	3, 7	L	12, 15, 16	EX8	DGZ		
11	5120 549AA	1	2, 6	L	01, 02, 06	EX8	DGZ		TERMINAL
		1	2, 6	L	11, 12, 14, 15, 16	EX8	DGZ		
		1	2, 6	L	51, 52, 54, 55, 56	EX8	DGZ		
		1	3, 7	L	02, 06	EX8	DGZ		
		1	3, 7	L	12, 15, 16	EX8	DGZ		
12	5104 148AA	1	2, 6	L	01, 02, 06	EX8	DGZ		COVER, Air Bag Module

Refer to Model Legend Information Bookmark

AR = Use as required - = Non illustrated part # = New this model year

March 3, 2006

Modules Seating Area
Figure 008-405



ITEM	PART NUMBER	QTY	LINE	SERIES	BODY	ENGINE	TRANS	TRIM	DESCRIPTION
		1	2, 6	L	11, 12, 14, 15, 16	EX8	DGZ		
		1	2, 6	L	51, 52, 54, 55, 56	EX8	DGZ		
		1	3, 7	L	02, 06	EX8	DGZ		
		1	3, 7	L	12, 15, 16	EX8	DGZ		
13	6104 005AA	2	2, 6	L	11, 12, 14, 15, 16	EX8	DGZ		SCREW
		2	2, 6	L	51, 52, 54, 55, 56	EX8	DGZ		
		3	2, 6	L	01, 02, 06	EX8	DGZ		
		3	3, 7	L	02, 06	EX8	DGZ		
		3	3, 7	L	12, 15, 16	EX8	DGZ		
-14	5120 515AA-	1	2, 6	L	01, 02, 06	EX8	DGZ		SOCKET, Accessory, Outlet
		1	2, 6	L	11, 12, 14, 15, 16	EX8	DGZ		
		1	2, 6	L	51, 52, 54, 55, 56	EX8	DGZ		
		1	3, 7	L	02, 06	EX8	DGZ		
		1	3, 7	L	12, 15, 16	EX8	DGZ		
15	5103 754AA	1	2, 6	L	01, 02, 06	EX8	DGZ		INSULATOR, 2 Way Female
		1	2, 6	L	11, 12, 14, 15, 16	EX8	DGZ		
		1	2, 6	L	51, 52, 54, 55, 56	EX8	DGZ		
		2	3, 7	L	02, 06	EX8	DGZ		
		2	3, 7	L	12, 15, 16	EX8	DGZ		
16									TERMINAL, Female

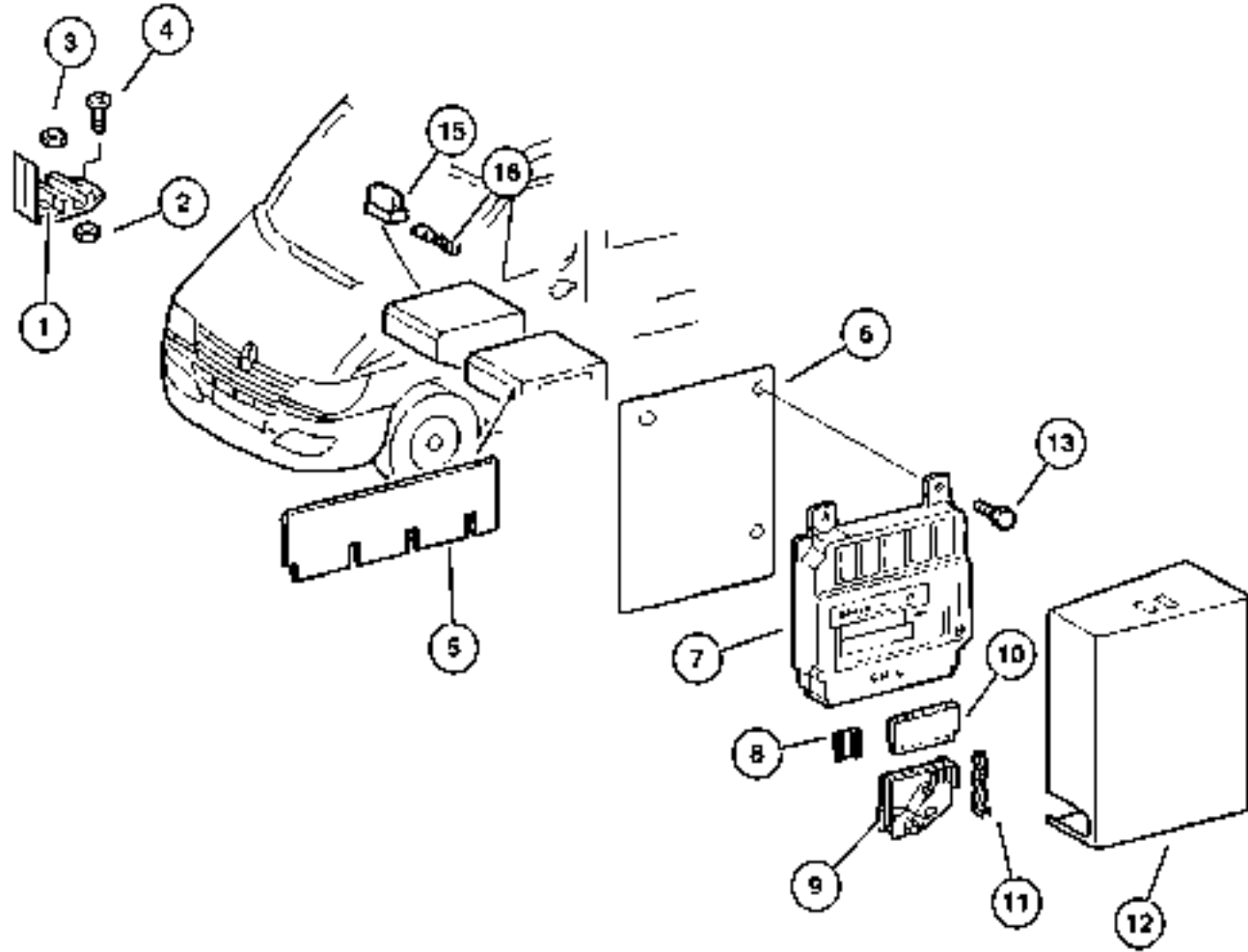
Refer to Model Legend Information Bookmark

AR = Use as required - = Non illustrated part # = New this model year

March 3, 2006

Modules Seating Area
Figure 008-405

ITEM	PART NUMBER	QTY	LINE	SERIES	BODY	ENGINE	TRANS	TRIM	DESCRIPTION
	5133 359AA	1	2, 6	L	01, 02,	EX8	DGZ		
		1	2, 6	L	06 11, 12, 14, 15, 16	EX8	DGZ		
		1	2, 6	L	51, 52, 54, 55, 56	EX8	DGZ		
		1	3, 7	L	02, 06	EX8	DGZ		
		1	3, 7	L	12, 15, 16	EX8	DGZ		



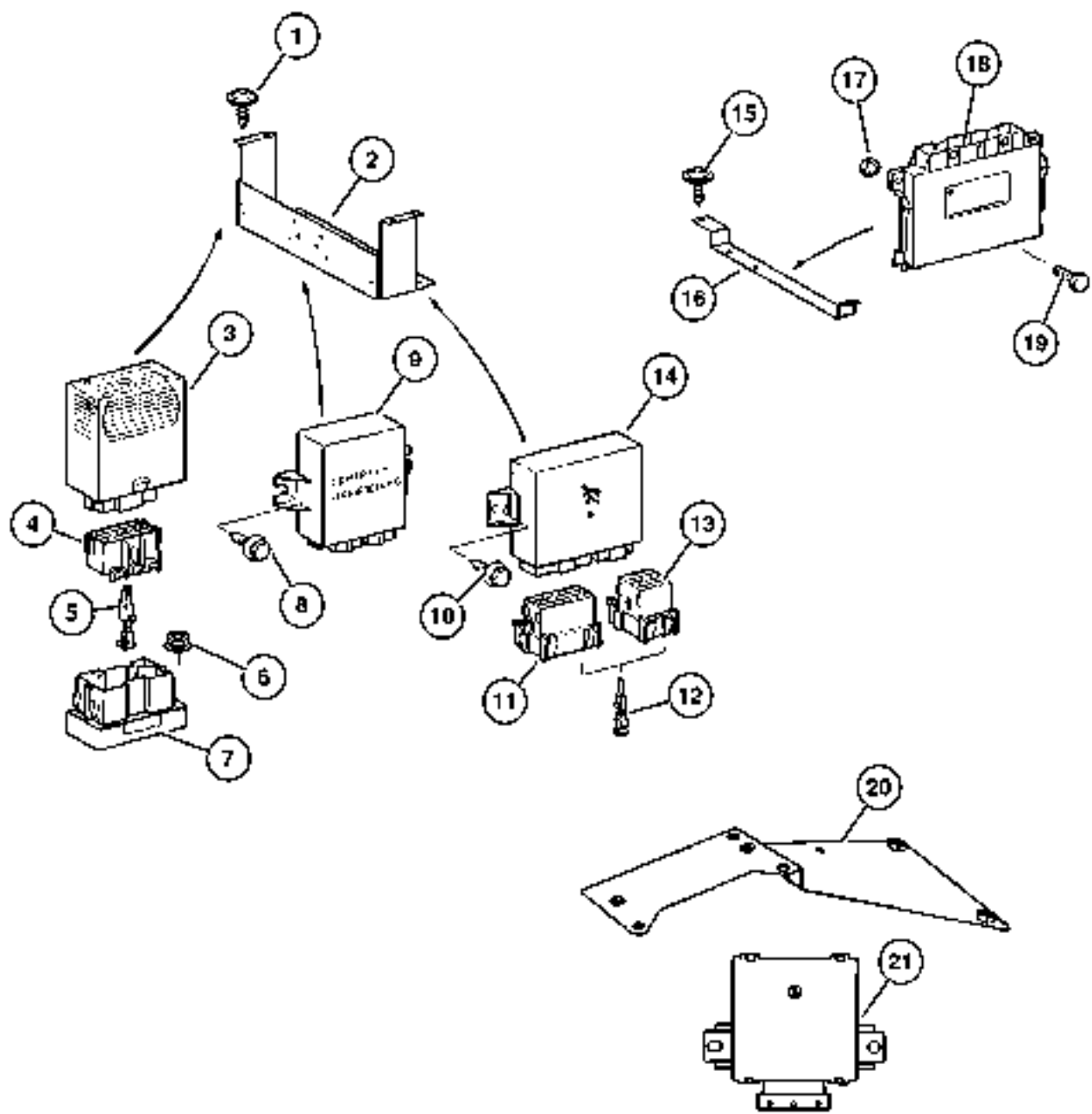
Refer to Model Legend Information Bookmark

AR = Use as required - = Non illustrated part # = New this model year

March 3, 2006

Modules and Related Parts
Figure 008-410

ITEM	PART NUMBER	QTY	LINE	SERIES	BODY	ENGINE	TRANS	TRIM	DESCRIPTION					
1	6104 573AA	2	2, 6	L	01, 02, 06	EX8	DGZ		SCREW, Tapping					
										2	2, 6	L	11, 12, 14, 15, 16	EX8
		2	2, 6	L	51, 52, 54, 55, 56	EX8	DGZ							
										2	3, 7	L	02, 06	EX8
		2	3, 7	L	12, 15, 16	EX8	DGZ							
										2	5120 844AA	1	2, 6	L
1	2, 6	L	11, 12, 14, 15, 16	EX8	DGZ									
						1	2, 6	L	51, 52, 54, 55, 56					
1	3, 7	L	02, 06	EX8	DGZ									
												1	3, 7	L
3	5139 996AA	1	2, 6	L	01, 02, 06	EX8	DGZ	FLASHER MODULE, FLASHER MODULE-TURN SIGNAL						
									1	2, 6	L	11, 12, 14, 15, 16	EX8	DGZ
		1	3, 7	L	02, 06	EX8	DGZ							
									1	3, 7	L	12, 15, 16	EX8	DGZ
		4	5133 333AA	1	2, 6	L	01, 02, 06							
1	2, 6							L	11, 12, 14, 15, 16	EX8	DGZ			



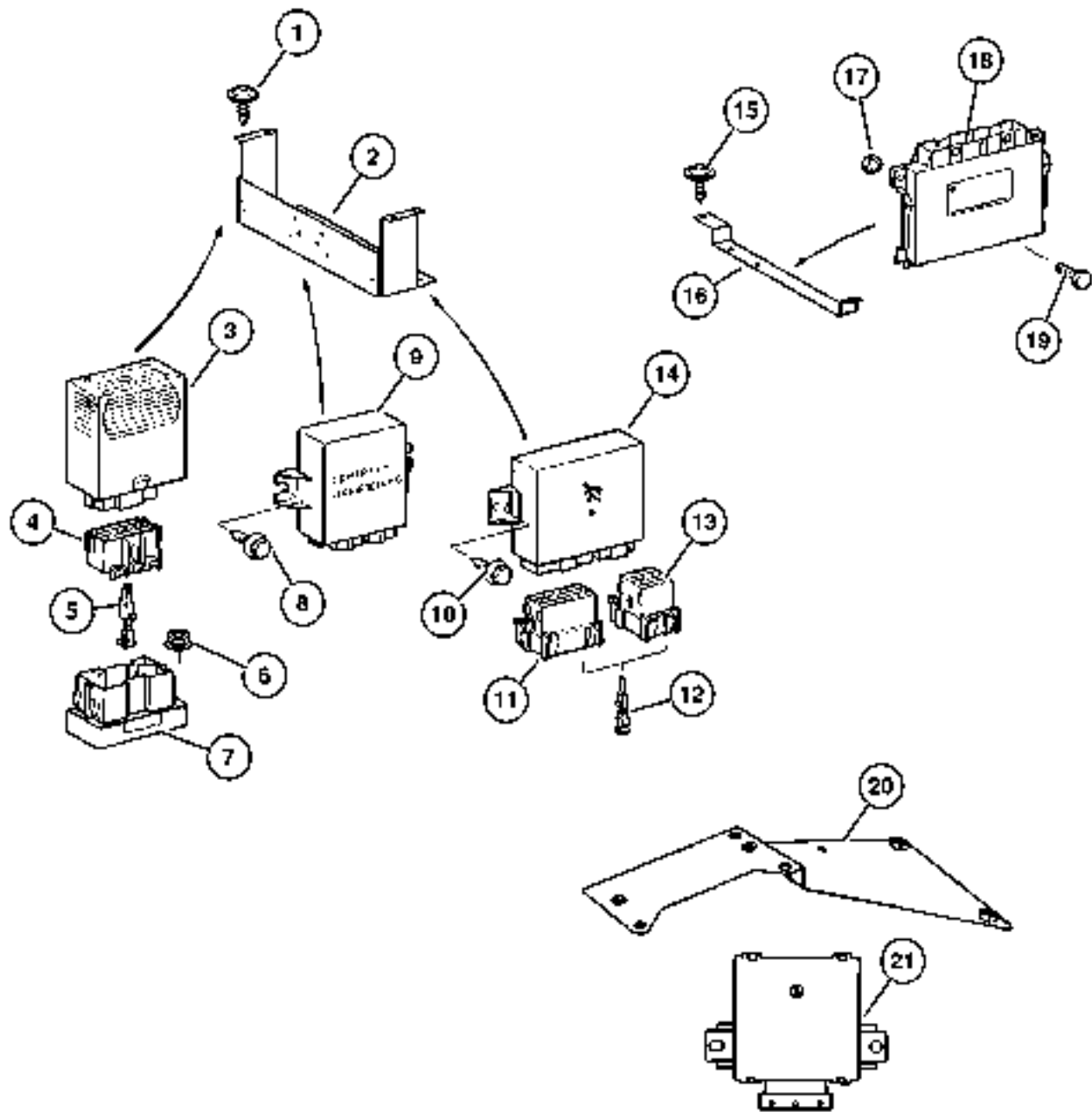
Refer to Model Legend Information Bookmark

AR = Use as required - = Non illustrated part # = New this model year

March 3, 2006

Modules and Related Parts
Figure 008-410

ITEM	PART NUMBER	QTY	LINE	SERIES	BODY	ENGINE	TRANS	TRIM	DESCRIPTION
		1	2, 6	L	51, 52, 54, 55, 56	EX8	DGZ		
		1	3, 7	L	02, 06	EX8	DGZ		
		1	3, 7	L	12, 15, 16	EX8	DGZ		
5	5103 881AA	99	2, 6	L	01, 02, 06	EX8	DGZ		TERMINAL
		99	2, 6	L	11, 12, 14, 15, 16	EX8	DGZ		
		99	2, 6	L	51, 52, 54, 55, 56	EX8	DGZ		
		99	3, 7	L	02, 06	EX8	DGZ		
		99	3, 7	L	12, 15, 16	EX8	DGZ		
6	6104 714AA	2	2, 6	L	01, 02, 06	EX8	DGZ		NUT
		2	2, 6	L	11, 12, 14, 15, 16	EX8	DGZ		
		2	2, 6	L	51, 52, 54, 55, 56	EX8	DGZ		
		2	3, 7	L	02, 06	EX8	DGZ		
		2	3, 7	L	12, 15, 16	EX8	DGZ		
7	5139 184AA	1	2, 6	L	01, 02, 06	EX8	DGZ		CONNECTOR
		1	2, 6	L	11, 12, 14, 15, 16	EX8	DGZ		
		1	2, 6	L	51, 52, 54, 55, 56	EX8	DGZ		
		1	3, 7	L	02, 06	EX8	DGZ		
		1	3, 7	L	12, 15, 16	EX8	DGZ		
8	5104 609AA	4	2, 6	L	01, 02, 06	EX8	DGZ		SCREW



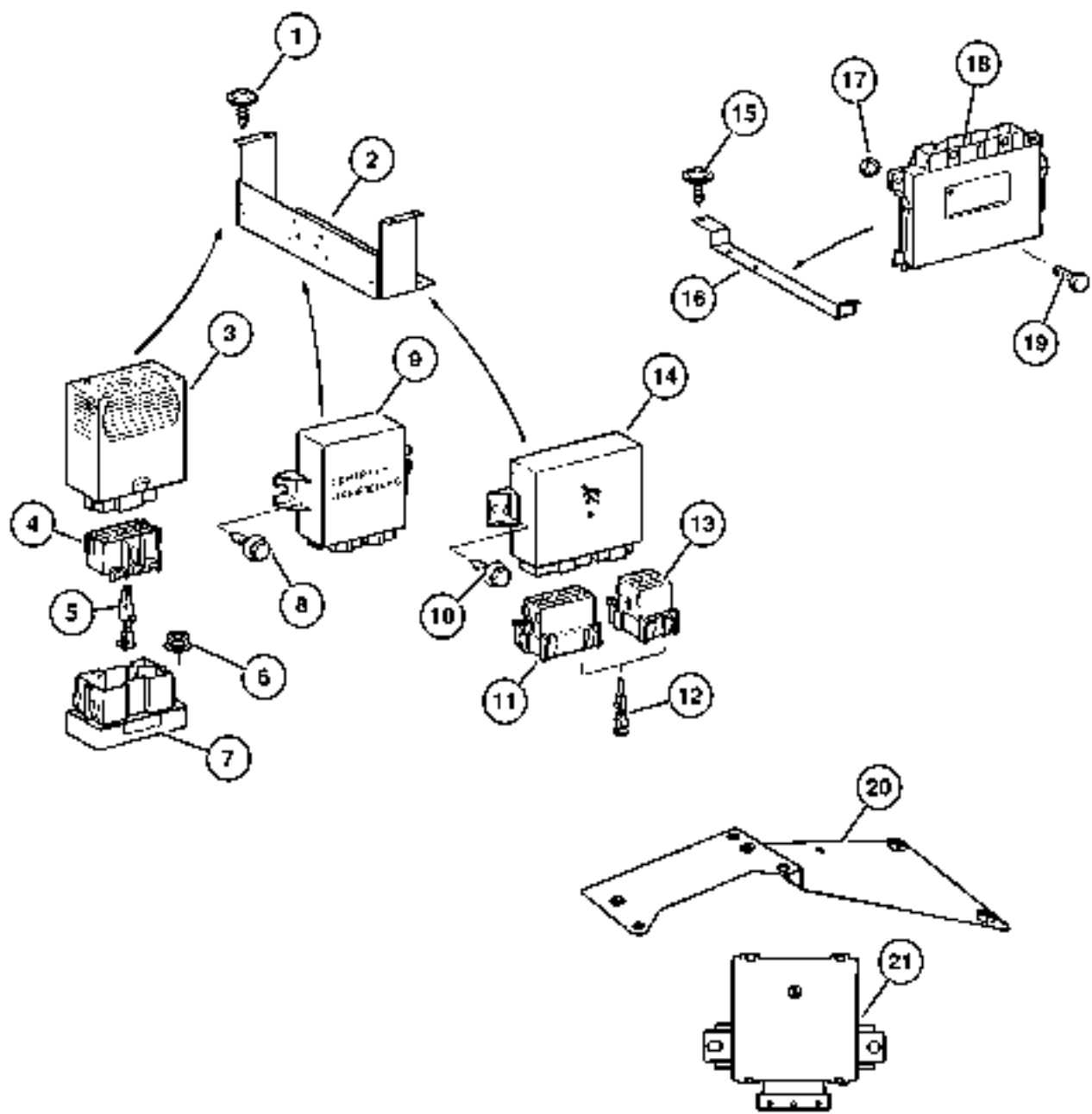
Refer to Model Legend Information Bookmark

AR = Use as required - = Non illustrated part # = New this model year

March 3, 2006

Modules and Related Parts
Figure 008-410

ITEM	PART NUMBER	QTY	LINE	SERIES	BODY	ENGINE	TRANS	TRIM	DESCRIPTION
		4	2, 6	L	11, 12, 14, 15, 16	EX8	DGZ		
		4	2, 6	L	51, 52, 54, 55, 56	EX8	DGZ		
		4	3, 7	L	02, 06	EX8	DGZ		
		4	3, 7	L	12, 15, 16	EX8	DGZ		
9									MODULE, Central Locking
	5127 217AA	1	2, 6	L	01, 02, 06	EX8	DGZ		
		1	2, 6	L	11, 12, 14, 15, 16	EX8	DGZ		
		1	3, 7	L	02, 06	EX8	DGZ		
		1	3, 7	L	12, 15, 16	EX8	DGZ		
	5129 301AA	1	2, 6	L	51, 52, 54, 55, 56	EX8	DGZ		
10									SCREW, Tapping
	6104 574AA	2	2, 6	L	01, 02, 06	EX8	DGZ		
		2	2, 6	L	11, 12, 14, 15, 16	EX8	DGZ		
		2	2, 6	L	51, 52, 54, 55, 56	EX8	DGZ		
		2	3, 7	L	02, 06	EX8	DGZ		
		2	3, 7	L	12, 15, 16	EX8	DGZ		
11									CONNECTOR
	5133 333AA	1	2, 6	L	01, 02, 06	EX8	DGZ		
		1	2, 6	L	11, 12, 14, 15, 16	EX8	DGZ		
		1	2, 6	L	51, 52, 54, 55, 56	EX8	DGZ		
		1	3, 7	L	02, 06	EX8	DGZ		
		1	3, 7	L	12, 15, 16	EX8	DGZ		
12									TERMINAL



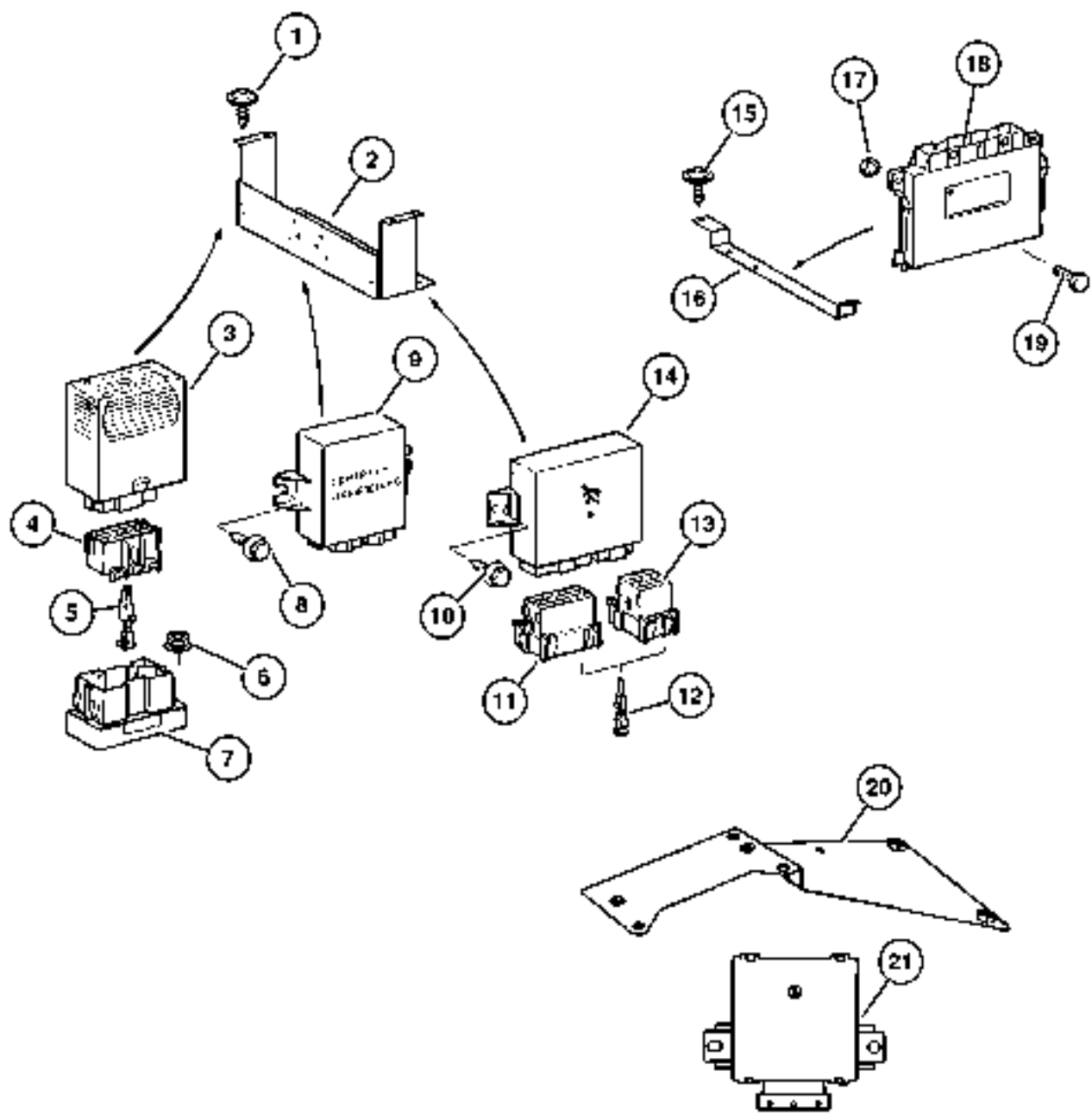
Refer to Model Legend Information Bookmark

AR = Use as required - = Non illustrated part # = New this model year

March 3, 2006

Modules and Related Parts
Figure 008-410

ITEM	PART NUMBER	QTY	LINE	SERIES	BODY	ENGINE	TRANS	TRIM	DESCRIPTION
	5103 882AA	99	2, 6	L	01, 02, 06	EX8	DGZ		
		99	2, 6	L	11, 12, 14, 15, 16	EX8	DGZ		
		99	2, 6	L	51, 52, 54, 55, 56	EX8	DGZ		
		99	3, 7	L	02, 06	EX8	DGZ		
		99	3, 7	L	12, 15, 16	EX8	DGZ		
13	5120 552AA	1	2, 6	L	01, 02, 06	EX8	DGZ		CONNECTOR
		1	2, 6	L	11, 12, 14, 15, 16	EX8	DGZ		
		1	2, 6	L	51, 52, 54, 55, 56	EX8	DGZ		
		1	3, 7	L	02, 06	EX8	DGZ		
		1	3, 7	L	12, 15, 16	EX8	DGZ		
14	5119 439AA	1	2, 6	L	01, 02, 06	EX8	DGZ		CONTROL, theftproof
		1	2, 6	L	11, 12, 14, 15, 16	EX8	DGZ		
		1	2, 6	L	51, 52, 54, 55, 56	EX8	DGZ		
		1	3, 7	L	02, 06	EX8	DGZ		
		1	3, 7	L	12, 15, 16	EX8	DGZ		
15	6104 573AA	2	2, 6	L	01, 02, 06	EX8	DGZ		SCREW, Tapping
		2	2, 6	L	11, 12, 14, 15, 16	EX8	DGZ		
		2	2, 6	L	51, 52, 54, 55, 56	EX8	DGZ		
		2	3, 7	L	02, 06	EX8	DGZ		



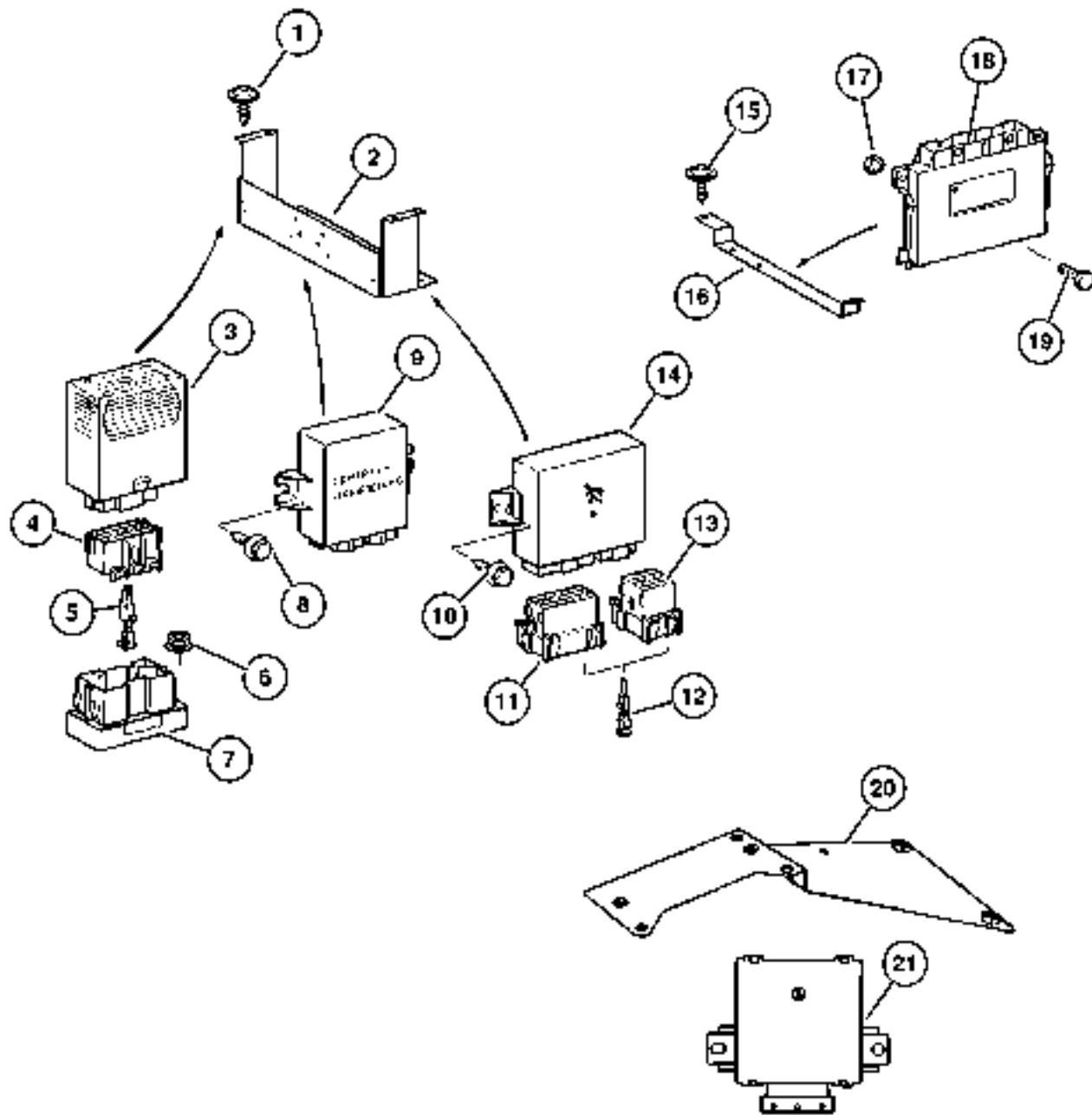
Refer to Model Legend Information Bookmark

AR = Use as required - = Non illustrated part # = New this model year

March 3, 2006

Modules and Related Parts
Figure 008-410

ITEM	PART NUMBER	QTY	LINE	SERIES	BODY	ENGINE	TRANS	TRIM	DESCRIPTION
		2	3, 7	L	12, 15, 16	EX8	DGZ		
16	5120 842AA	2	2, 6	L	01, 02, 06	EX8	DGZ		BRACKET, Control Unit
		2	2, 6	L	11, 12, 14, 15, 16	EX8	DGZ		
		2	2, 6	L	51, 52, 54, 55, 56	EX8	DGZ		
		2	3, 7	L	02, 06	EX8	DGZ		
		2	3, 7	L	12, 15, 16	EX8	DGZ		
17	6104 714AA	2	2, 6	L	01, 02, 06	EX8	DGZ		NUT
		2	2, 6	L	11, 12, 14, 15, 16	EX8	DGZ		
		2	2, 6	L	51, 52, 54, 55, 56	EX8	DGZ		
		2	3, 7	L	02, 06	EX8	DGZ		
		2	3, 7	L	12, 15, 16	EX8	DGZ		
18	5140 526AA	1	2, 6	L	01, 02, 06	EX8	DGZ		MODULE, Transmission Control
		1	2, 6	L	11, 12, 14, 15, 16	EX8	DGZ		
		1	2, 6	L	51, 52, 54, 55, 56	EX8	DGZ		
		1	3, 7	L	02, 06	EX8	DGZ		
		1	3, 7	L	12, 15, 16	EX8	DGZ		
19	6104 173AA	2	2, 6	L	01, 02, 06	EX8	DGZ		SCREW, Hex Head
		2	2, 6	L	11, 12, 14, 15, 16	EX8	DGZ		



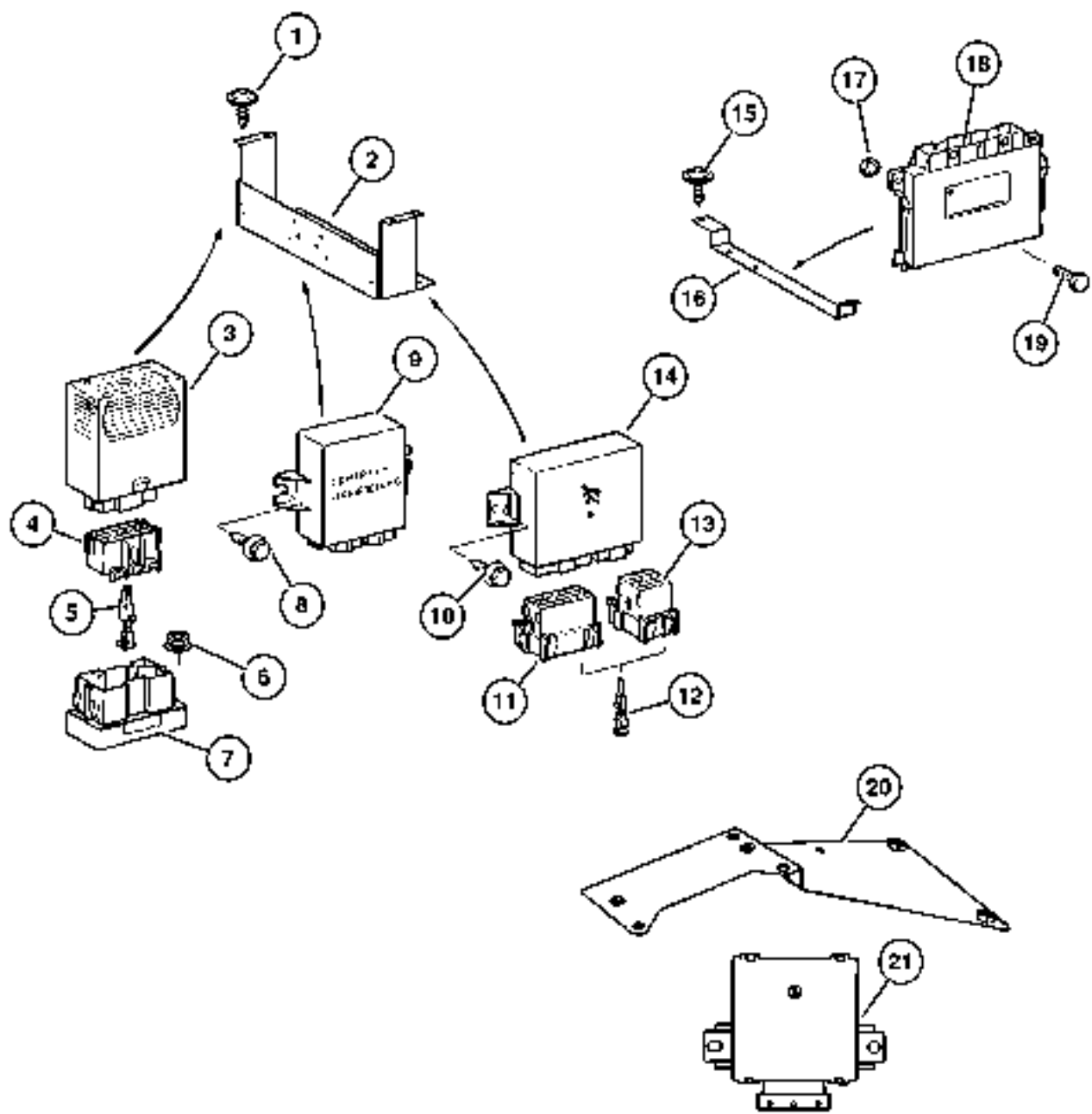
Refer to Model Legend Information Bookmark

AR = Use as required - = Non illustrated part # = New this model year

March 3, 2006

Modules and Related Parts
Figure 008-410

ITEM	PART NUMBER	QTY	LINE	SERIES	BODY	ENGINE	TRANS	TRIM	DESCRIPTION
		2	2, 6	L	51, 52, 54, 55, 56	EX8	DGZ		
		2	3, 7	L	02, 06	EX8	DGZ		
		2	3, 7	L	12, 15, 16	EX8	DGZ		
20	5120 255AA	1	2, 6	L	01, 02, 06	EX8	DGZ		BRACKET, Module
		1	2, 6	L	11, 12, 14, 15, 16	EX8	DGZ		
		1	2, 6	L	51, 52, 54, 55, 56	EX8	DGZ		
		1	3, 7	L	02, 06	EX8	DGZ		
		1	3, 7	L	12, 15, 16	EX8	DGZ		
21	5124 447AA	1	2, 6	L	01, 02, 06	EX8	DGZ		MODULE, Rain Sensor
		1	2, 6	L	11, 12, 14, 15, 16	EX8	DGZ		
		1	2, 6	L	51, 52, 54, 55, 56	EX8	DGZ		
		1	3, 7	L	02, 06	EX8	DGZ		
		1	3, 7	L	12, 15, 16	EX8	DGZ		
-22	6104 075AA-	2	2, 6	L	01, 02, 06	EX8	DGZ		SCREW
		2	2, 6	L	11, 12, 14, 15, 16	EX8	DGZ		
		2	2, 6	L	51, 52, 54, 55, 56	EX8	DGZ		
		2	3, 7	L	02, 06	EX8	DGZ		
		2	3, 7	L	12, 15, 16	EX8	DGZ		

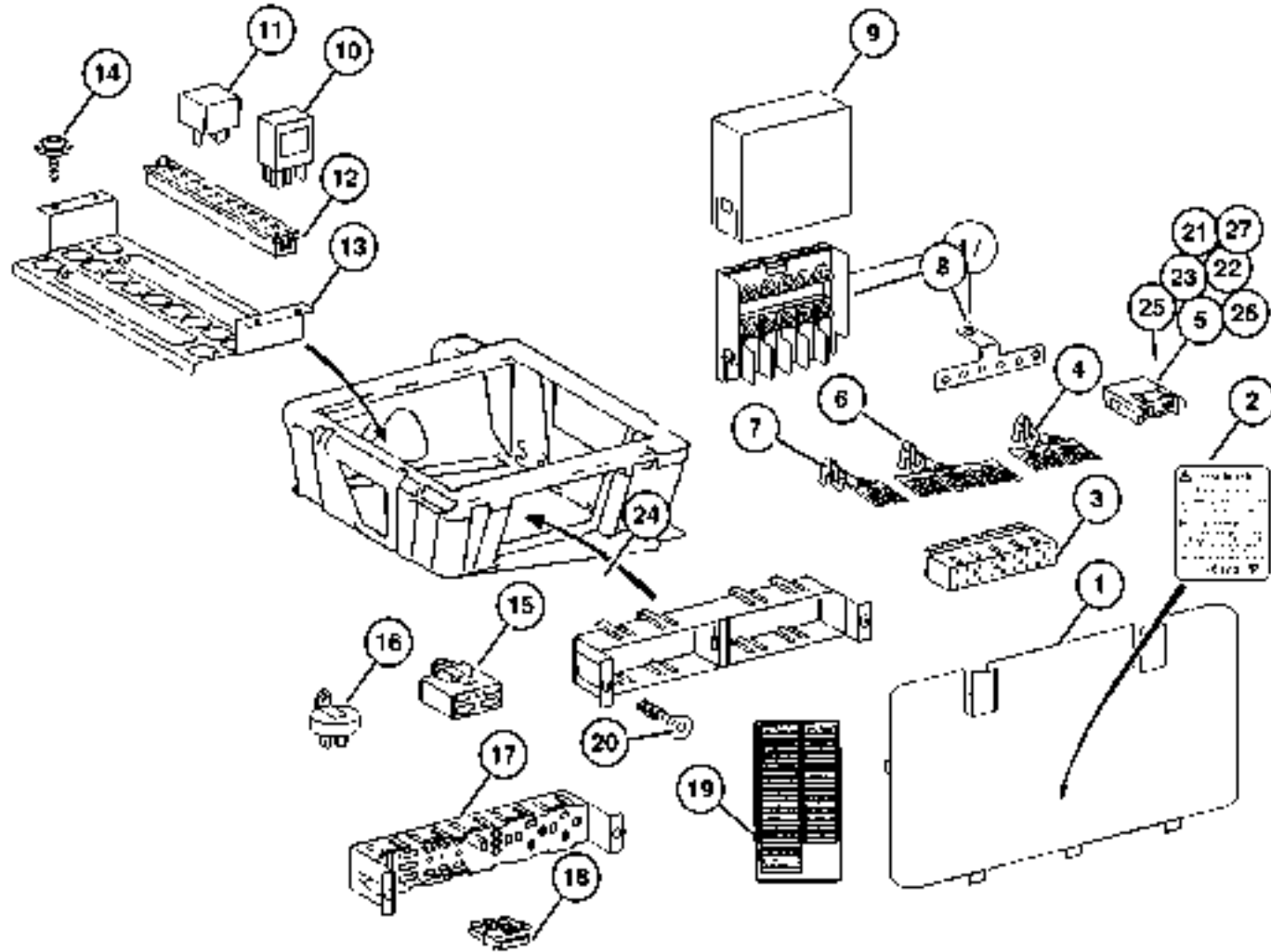


Refer to Model Legend Information Bookmark

AR = Use as required - = Non illustrated part # = New this model year

March 3, 2006

**Under Seat - Relays & Fuses
Figure 008-505**



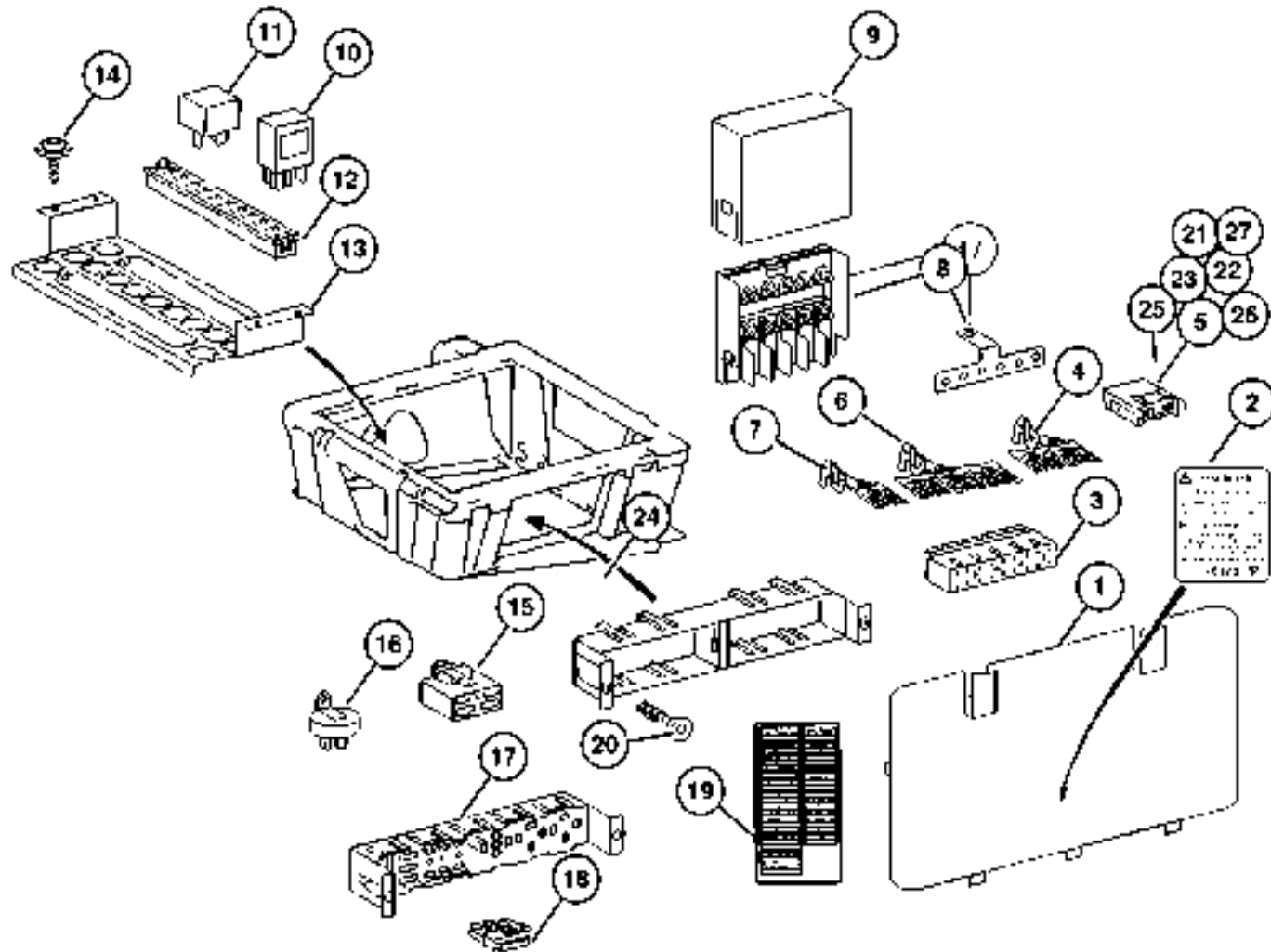
ITEM	PART NUMBER	QTY	LINE	SERIES	BODY	ENGINE	TRANS	TRIM	DESCRIPTION
1	5103 749AA	1	2, 6	L	01, 02, 06	EX8	DGZ		COVER, Fuse Access
		1	2, 6	L	11, 12, 14, 15, 16	EX8	DGZ		
		1	2, 6	L	51, 52, 54, 55, 56	EX8	DGZ		
	5133 683AA	1	3, 7	L	02, 06	EX8	DGZ		
		1	3, 7	L	12, 15, 16	EX8	DGZ		
2	5121 112AA	1	2, 6	L	01, 02, 06	EX8	DGZ		LABEL, Warning
		1	2, 6	L	11, 12, 14, 15, 16	EX8	DGZ		
		1	2, 6	L	51, 52, 54, 55, 56	EX8	DGZ		
		1	3, 7	L	02, 06	EX8	DGZ		
		1	3, 7	L	12, 15, 16	EX8	DGZ		
3	5120 401AA	1	2, 6	L	01, 02, 06	EX8	DGZ		CONNECTOR Number 1 thru 9
		1	2, 6	L	11, 12, 14, 15, 16	EX8	DGZ		
		1	2, 6	L	51, 52, 54, 55, 56	EX8	DGZ		Number 1 thru 9
		1	3, 7	L	02, 06	EX8	DGZ		Number 1 thru 9
		1	3, 7	L	12, 15, 16	EX8	DGZ		Number 1 thru 9
	5120 402AA	1	2, 6	L	01, 02, 06	EX8	DGZ		Number 10 thru 18
		1	2, 6	L	11, 12, 14, 15, 16	EX8	DGZ		Number 10 thru 18
		1	2, 6	L	51, 52, 54, 55, 56	EX8	DGZ		Number 10 thru 18
		1	3, 7	L	02, 06	EX8	DGZ		Number 10 thru 18

Refer to Model Legend Information Bookmark

AR = Use as required - = Non illustrated part # = New this model year

March 3, 2006

Under Seat - Relays & Fuses Figure 008-505



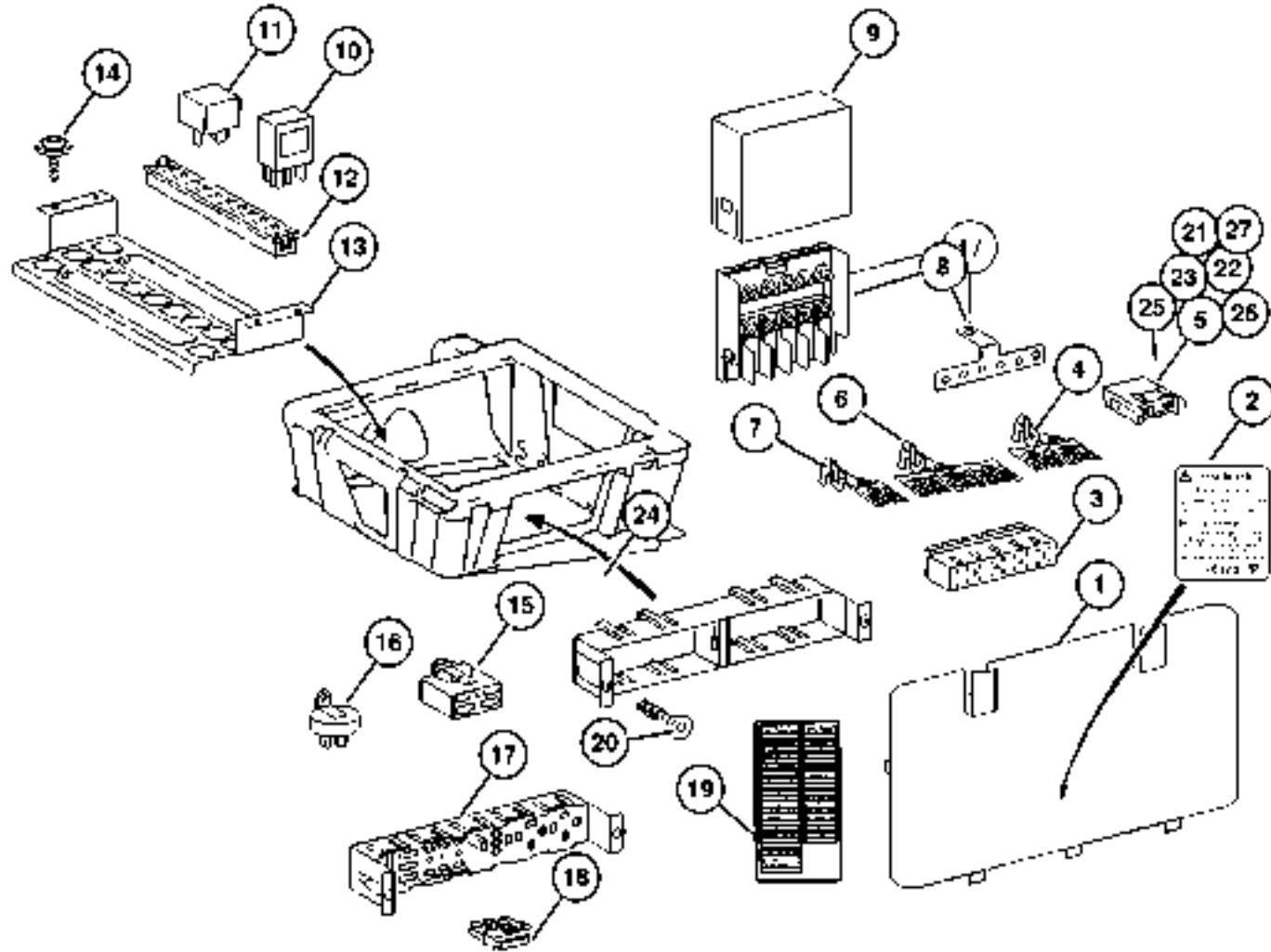
ITEM	PART NUMBER	QTY	LINE	SERIES	BODY	ENGINE	TRANS	TRIM	DESCRIPTION
		1	3, 7	L	12, 15, 16	EX8	DGZ		Number 10 thru 18
	5120 403AA	1	2, 6	L	01, 02, 06	EX8	DGZ		Number 28 thru 36
		1	2, 6	L	11, 12, 14, 15, 16	EX8	DGZ		Number 28 thru 36
		1	2, 6	L	51, 52, 54, 55, 56	EX8	DGZ		Number 28 thru 36
		1	3, 7	L	02, 06	EX8	DGZ		Number 28 thru 36
		1	3, 7	L	12, 15, 16	EX8	DGZ		Number 28 thru 36
4	5133 404AA	99	2, 6	L	01, 02, 06	EX8	DGZ		TERMINAL
		99	2, 6	L	11, 12, 14, 15, 16	EX8	DGZ		
		99	2, 6	L	51, 52, 54, 55, 56	EX8	DGZ		
		99	3, 7	L	02, 06	EX8	DGZ		
		99	3, 7	L	12, 15, 16	EX8	DGZ		
5	5133 407AA	1	2, 6	L	01, 02, 06	EX8	DGZ		FUSE
		1	2, 6	L	11, 12, 14, 15, 16	EX8	DGZ		
		1	2, 6	L	51, 52, 54, 55, 56	EX8	DGZ		
		1	3, 7	L	02, 06	EX8	DGZ		
		1	3, 7	L	12, 15, 16	EX8	DGZ		
6	5133 405AA	99	2, 6	L	01, 02, 06	EX8	DGZ		TERMINAL
		99	2, 6	L	11, 12, 14, 15, 16	EX8	DGZ		

Refer to Model Legend Information Bookmark

AR = Use as required - = Non illustrated part # = New this model year

March 3, 2006

**Under Seat - Relays & Fuses
Figure 008-505**



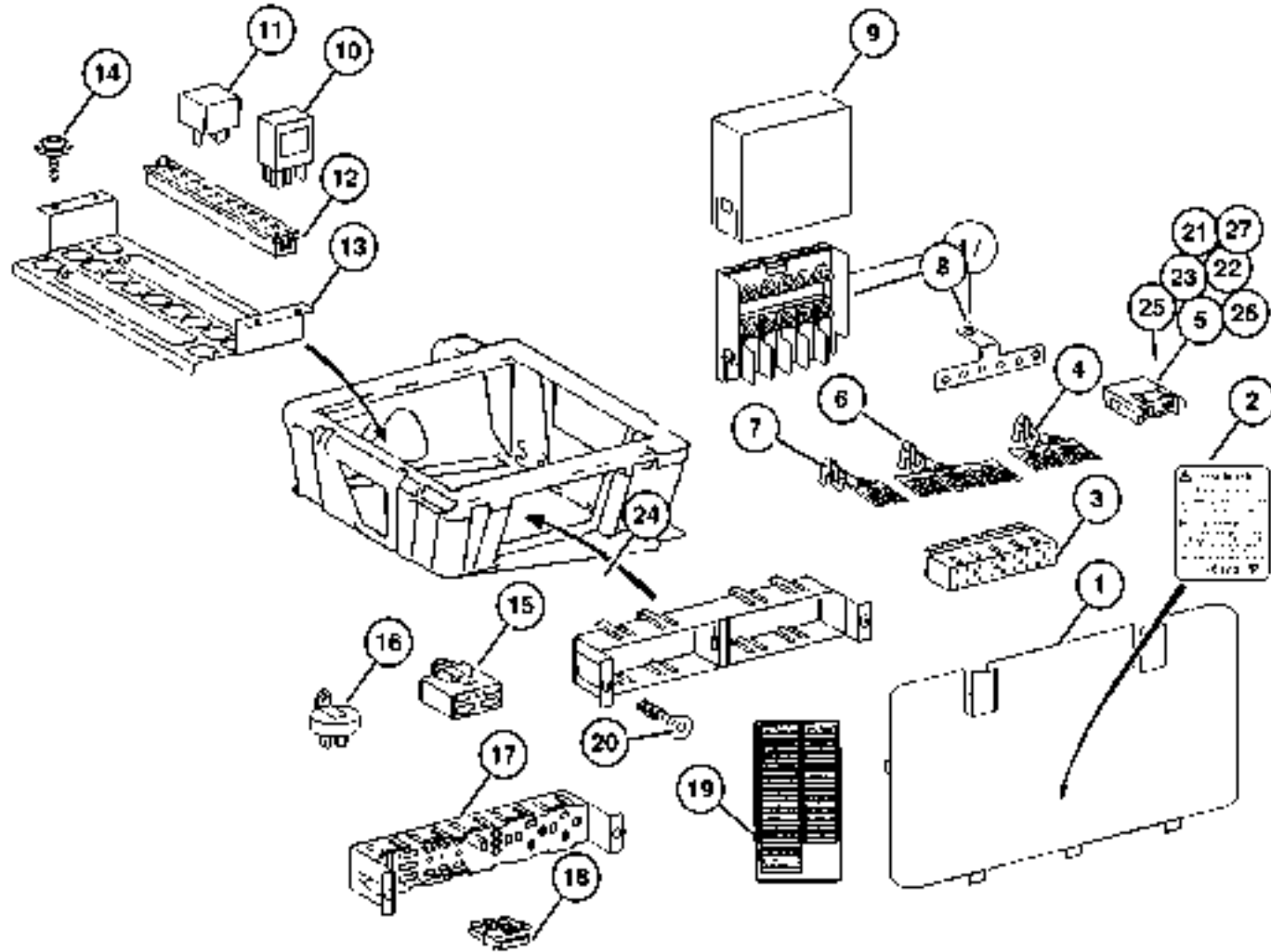
ITEM	PART NUMBER	QTY	LINE	SERIES	BODY	ENGINE	TRANS	TRIM	DESCRIPTION
		99	2, 6	L	51, 52, 54, 55, 56	EX8	DGZ		
		99	3, 7	L	02, 06	EX8	DGZ		
		99	3, 7	L	12, 15, 16	EX8	DGZ		
7	5133 403AA	99	2, 6	L	01, 02, 06	EX8	DGZ		TERMINAL
		99	2, 6	L	11, 12, 14, 15, 16	EX8	DGZ		
		99	2, 6	L	51, 52, 54, 55, 56	EX8	DGZ		
		99	3, 7	L	02, 06	EX8	DGZ		
		99	3, 7	L	12, 15, 16	EX8	DGZ		
8	5103 829AA	1	2, 6	L	01, 02, 06	EX8	DGZ		HOLDER, Fuse
		1	2, 6	L	11, 12, 14, 15, 16	EX8	DGZ		
		1	2, 6	L	51, 52, 54, 55, 56	EX8	DGZ		
		1	3, 7	L	02, 06	EX8	DGZ		
		1	3, 7	L	12, 15, 16	EX8	DGZ		
9	5103 749AA	1	2, 6	L	01, 02, 06	EX8	DGZ		COVER, Fuse Access
		1	2, 6	L	11, 12, 14, 15, 16	EX8	DGZ		
		1	2, 6	L	51, 52, 54, 55, 56	EX8	DGZ		
		1	3, 7	L	02, 06	EX8	DGZ		
		1	3, 7	L	12, 15, 16	EX8	DGZ		
10	5103 560AA	1	2, 6	L	01, 02, 06	EX8	DGZ		RELAY

Refer to Model Legend Information Bookmark

AR = Use as required - = Non illustrated part # = New this model year

March 3, 2006

**Under Seat - Relays & Fuses
Figure 008-505**



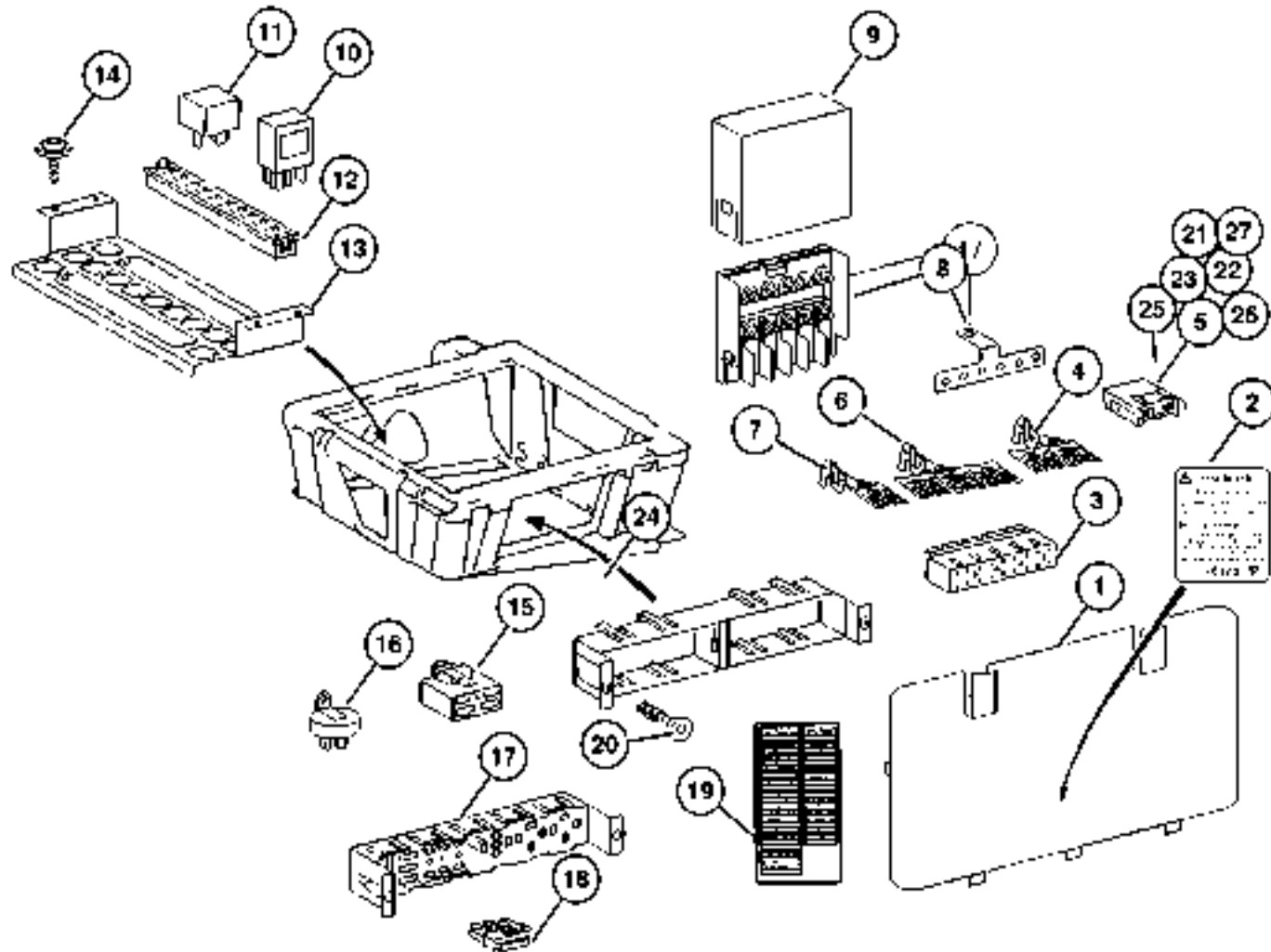
ITEM	PART NUMBER	QTY	LINE	SERIES	BODY	ENGINE	TRANS	TRIM	DESCRIPTION
		1	2, 6	L	11, 12, 14, 15, 16	EX8	DGZ		
		1	2, 6	L	51, 52, 54, 55, 56	EX8	DGZ		
		1	3, 7	L	02, 06	EX8	DGZ		
		1	3, 7	L	12, 15, 16	EX8	DGZ		
11	5103 551AA	1	2, 6	L	01, 02, 06	EX8	DGZ		RELAY
		1	2, 6	L	11, 12, 14, 15, 16	EX8	DGZ		
		1	2, 6	L	51, 52, 54, 55, 56	EX8	DGZ		
		1	3, 7	L	02, 06	EX8	DGZ		
		1	3, 7	L	12, 15, 16	EX8	DGZ		
12	5120 374AA	1	2, 6	L	01, 02, 06	EX8	DGZ		CONNECTOR
		1	2, 6	L	11, 12, 14, 15, 16	EX8	DGZ		
		1	2, 6	L	51, 52, 54, 55, 56	EX8	DGZ		
		1	3, 7	L	02, 06	EX8	DGZ		
		1	3, 7	L	12, 15, 16	EX8	DGZ		
13	5120 840AA	1	2, 6	L	01, 02, 06	EX8	DGZ		BRACKET, Fuse Block
		1	2, 6	L	11, 12, 14, 15, 16	EX8	DGZ		
		1	2, 6	L	51, 52, 54, 55, 56	EX8	DGZ		
		1	3, 7	L	02, 06	EX8	DGZ		
		1	3, 7	L	12, 15, 16	EX8	DGZ		
14									SCREW, Tapping

Refer to Model Legend Information Bookmark

AR = Use as required - = Non illustrated part # = New this model year

March 3, 2006

**Under Seat - Relays & Fuses
Figure 008-505**



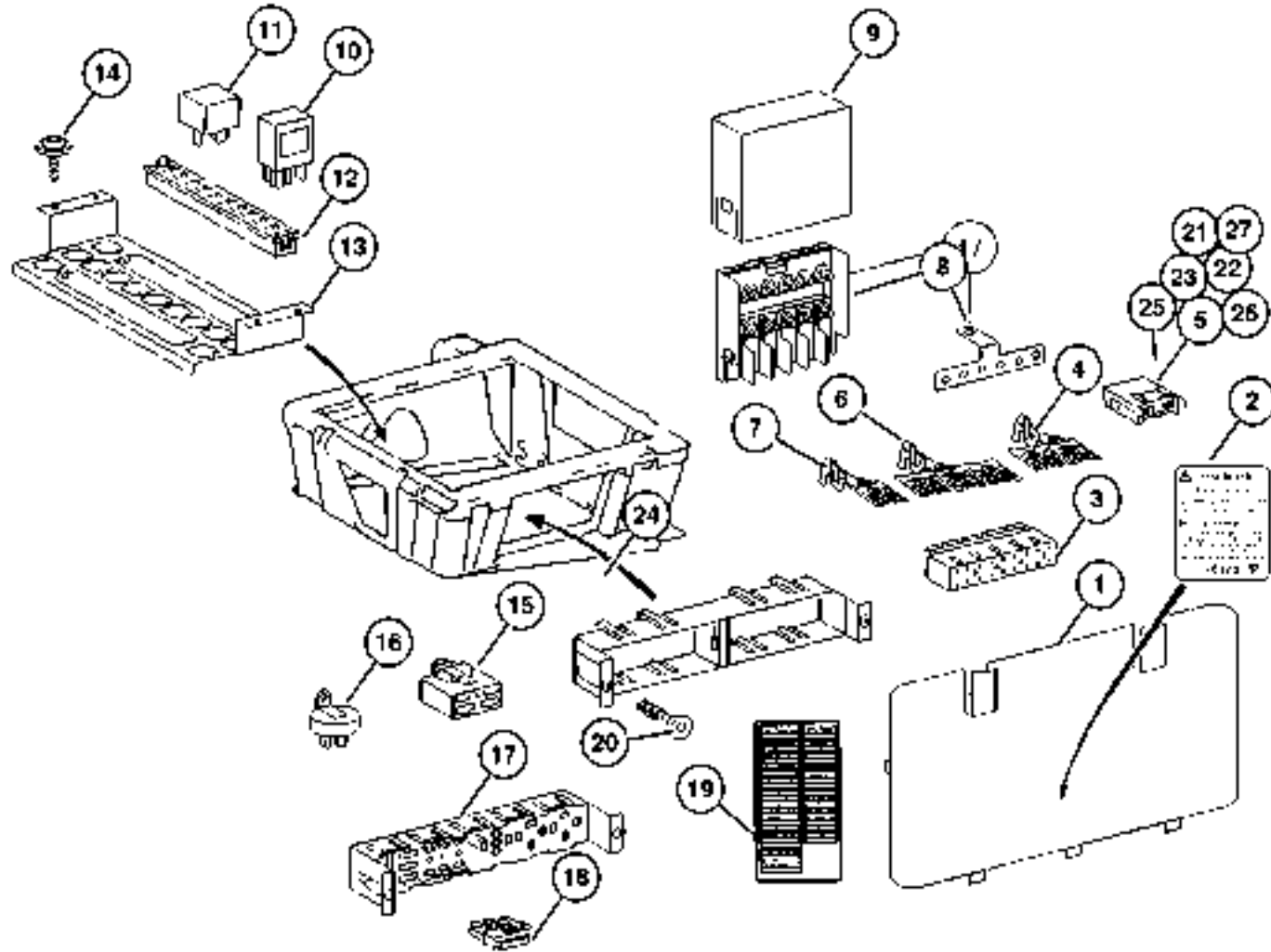
ITEM	PART NUMBER	QTY	LINE	SERIES	BODY	ENGINE	TRANS	TRIM	DESCRIPTION
	6104 573AA	2	2, 6	L	11, 12, 14, 15, 16	EX8	DGZ		
		2	2, 6	L	01, 02, 06	EX8	DGZ		
		2	2, 6	L	51, 52, 54, 55, 56	EX8	DGZ		
		2	3, 7	L	12, 15, 16	EX8	DGZ		
15		2	3, 7	L	02, 06	EX8	DGZ		CONNECTOR
	5120 553AA	1	2, 6	L	51, 52, 54, 55, 56	EX8	DGZ		
		1	3, 7	L	02, 06	EX8	DGZ		
		1	3, 7	L	12, 15, 16	EX8	DGZ		
	5120 554AA	1	2, 6	L	01, 02, 06	EX8	DGZ		
		1	2, 6	L	11, 12, 14, 15, 16	EX8	DGZ		
16		1	2, 6	L	01, 02, 06	EX8	DGZ		DIODE
	5120 186AA	1	2, 6	L	11, 12, 14, 15, 16	EX8	DGZ		
		1	2, 6	L	51, 52, 54, 55, 56	EX8	DGZ		
		1	3, 7	L	02, 06	EX8	DGZ		
		1	3, 7	L	12, 15, 16	EX8	DGZ		
17		1	2, 6	L	01, 02, 06	EX8	DGZ		BLOCK, Fuse
	5120 849AA	1	2, 6	L	11, 12, 14, 15, 16	EX8	DGZ		
		1	2, 6	L	51, 52, 54, 55, 56	EX8	DGZ		
		1	3, 7	L	02, 06	EX8	DGZ		

Refer to Model Legend Information Bookmark

AR = Use as required - = Non illustrated part # = New this model year

March 3, 2006

**Under Seat - Relays & Fuses
Figure 008-505**



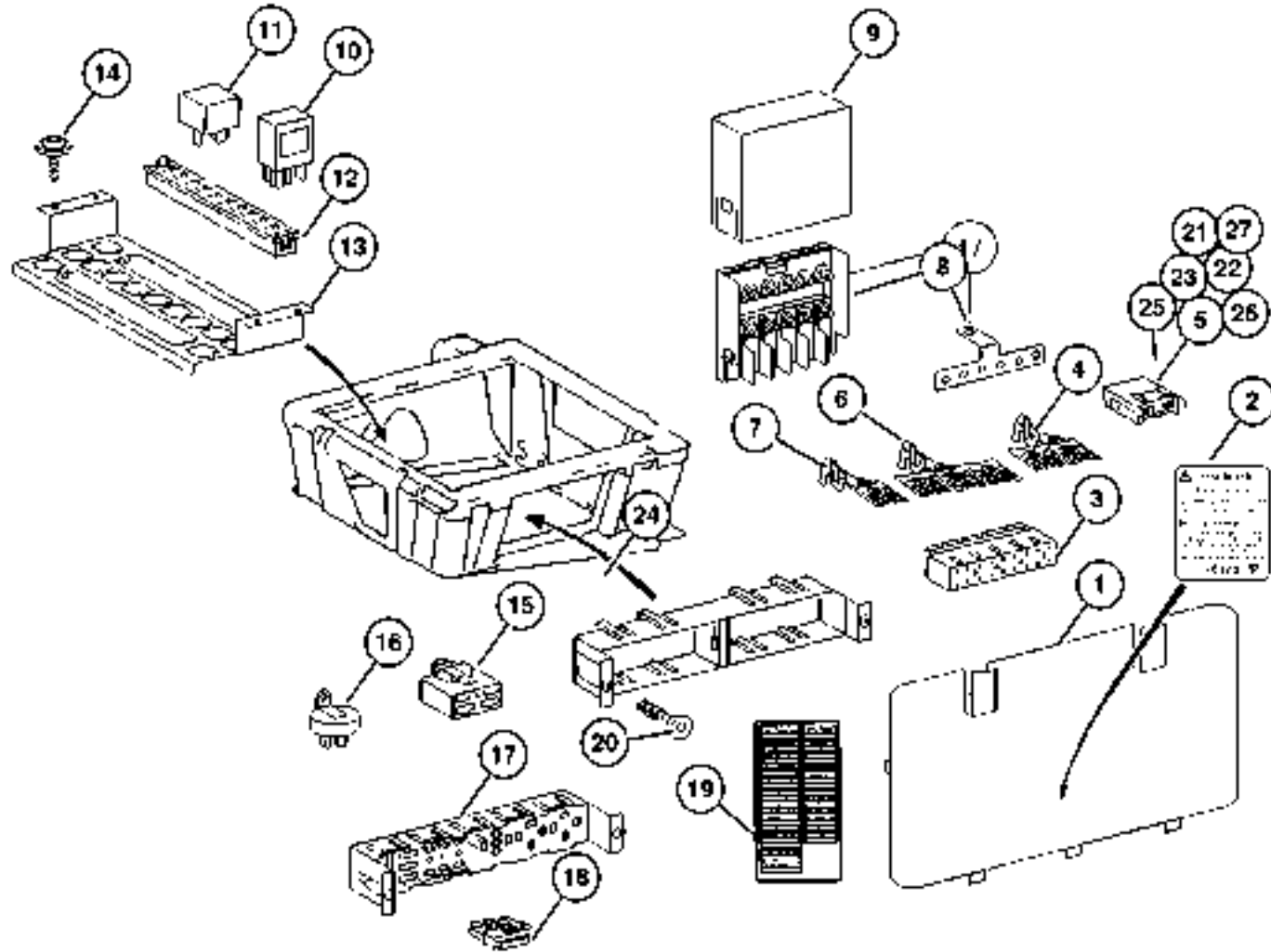
ITEM	PART NUMBER	QTY	LINE	SERIES	BODY	ENGINE	TRANS	TRIM	DESCRIPTION
		1	3, 7	L	12, 15, 16	EX8	DGZ		
18	5120 963AA	1	2, 6	L	01, 02, 06	EX8	DGZ		DIODE
		1	2, 6	L	11, 12, 14, 15, 16	EX8	DGZ		
		1	2, 6	L	51, 52, 54, 55, 56	EX8	DGZ		
		1	3, 7	L	02, 06	EX8	DGZ		
		1	3, 7	L	12, 15, 16	EX8	DGZ		
19	5121 117AA	1	2, 6	L	01, 02, 06	EX8	DGZ		LABEL
		1	2, 6	L	11, 12, 14, 15, 16	EX8	DGZ		
		1	2, 6	L	51, 52, 54, 55, 56	EX8	DGZ		
		1	3, 7	L	02, 06	EX8	DGZ		
		1	3, 7	L	12, 15, 16	EX8	DGZ		
20	6104 654AA	2	2, 6	L	01, 02, 06	EX8	DGZ		SCREW, Counter Sunk
		2	2, 6	L	11, 12, 14, 15, 16	EX8	DGZ		
		2	2, 6	L	51, 52, 54, 55, 56	EX8	DGZ		
		2	3, 7	L	02, 06	EX8	DGZ		
		2	3, 7	L	12, 15, 16	EX8	DGZ		
21	5120 507AA	1	2, 6	L	01, 02, 06	EX8	DGZ		CONNECTOR
		1	2, 6	L	11, 12, 14, 15, 16	EX8	DGZ		

Refer to Model Legend Information Bookmark

AR = Use as required - = Non illustrated part # = New this model year

March 3, 2006

**Under Seat - Relays & Fuses
Figure 008-505**



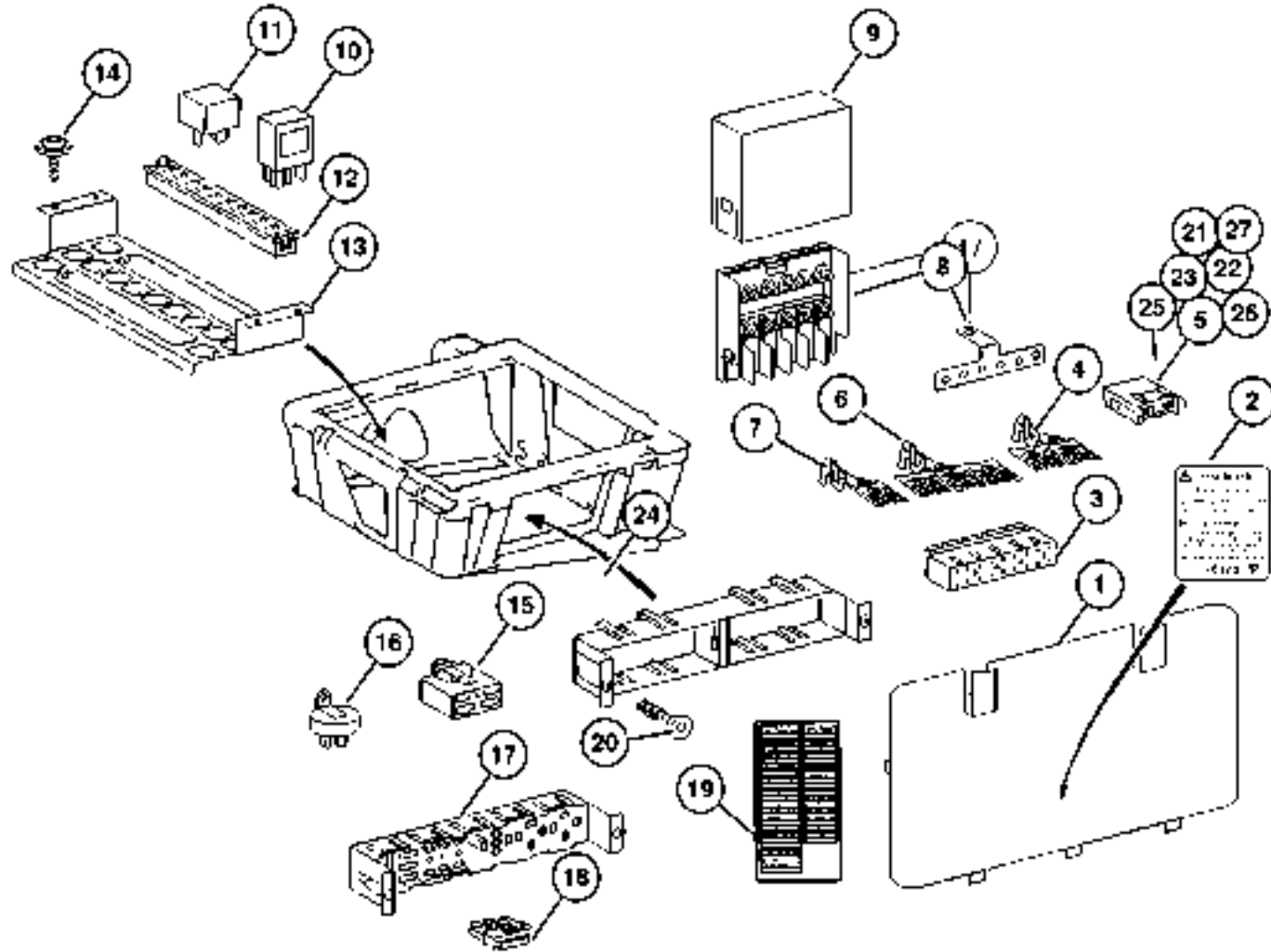
ITEM	PART NUMBER	QTY	LINE	SERIES	BODY	ENGINE	TRANS	TRIM	DESCRIPTION
		1	2, 6	L	51, 52, 54, 55, 56	EX8	DGZ		
		1	3, 7	L	02, 06	EX8	DGZ		
		1	3, 7	L	12, 15, 16	EX8	DGZ		
22	5104 596AA	99	2, 6	L	01, 02, 06	EX8	DGZ		FUSE 200 AMP
		99	2, 6	L	11, 12, 14, 15, 16	EX8	DGZ		200 AMP
		99	2, 6	L	51, 52, 54, 55, 56	EX8	DGZ		200 AMP
		99	3, 7	L	02, 06	EX8	DGZ		200 AMP
		99	3, 7	L	12, 15, 16	EX8	DGZ		200 AMP
23	5104 598AA	99	2, 6	L	01, 02, 06	EX8	DGZ		FUSE 70 AMP in PDC
		99	2, 6	L	11, 12, 14, 15, 16	EX8	DGZ		70 AMP in PDC
		99	2, 6	L	51, 52, 54, 55, 56	EX8	DGZ		70 AMP in PDC
		99	3, 7	L	02, 06	EX8	DGZ		70 AMP in PDC
		99	3, 7	L	12, 15, 16	EX8	DGZ		70 AMP in PDC
24	5126 094AA	1	2, 6	L	01, 02, 06	EX8	DGZ		FUSE, Maxi, 60 AMP, Blue
		1	2, 6	L	11, 12, 14, 15, 16	EX8	DGZ		
		1	2, 6	L	51, 52, 54, 55, 56	EX8	DGZ		
		1	3, 7	L	02, 06	EX8	DGZ		
		1	3, 7	L	12, 15, 16	EX8	DGZ		
25	5133 472AA	99	2, 6	L	01, 02, 06	EX8	DGZ		FUSE, Standard, 30 AMP, Green

Refer to Model Legend Information Bookmark

AR = Use as required - = Non illustrated part # = New this model year

March 3, 2006

**Under Seat - Relays & Fuses
Figure 008-505**



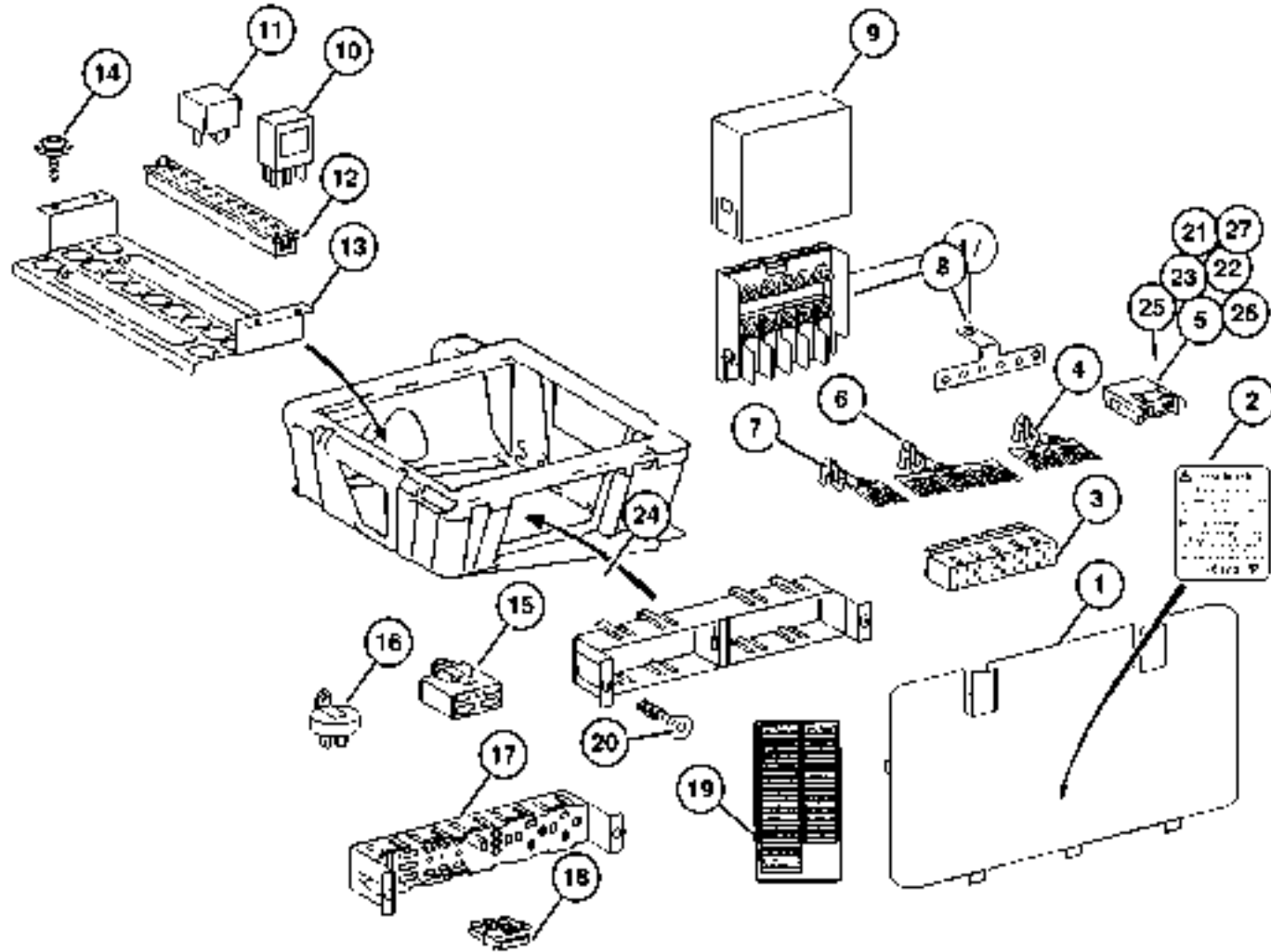
ITEM	PART NUMBER	QTY	LINE	SERIES	BODY	ENGINE	TRANS	TRIM	DESCRIPTION
		99	2, 6	L	11, 12, 14, 15, 16	EX8	DGZ		
		99	2, 6	L	51, 52, 54, 55, 56	EX8	DGZ		
		99	3, 7	L	02, 06	EX8	DGZ		
		99	3, 7	L	12, 15, 16	EX8	DGZ		
26	5133 473AA	99	2, 6	L	01, 02, 06	EX8	DGZ		FUSE, Maxi, 50 AMP, Red
		99	2, 6	L	11, 12, 14, 15, 16	EX8	DGZ		
		99	2, 6	L	51, 52, 54, 55, 56	EX8	DGZ		
		99	3, 7	L	02, 06	EX8	DGZ		
		99	3, 7	L	12, 15, 16	EX8	DGZ		
27	5138 904AA	3	2, 6	L	11, 12, 14, 15, 16	EX8	DGZ		FUSE
		3	2, 6	L	51, 52, 54, 55, 56	EX8	DGZ		
		3	3, 7	L	12, 15, 16	EX8	DGZ		
-28	5120 844AA-	1	2, 6	L	01, 02, 06	EX8	DGZ		BRACKET, Fuse Block
		1	2, 6	L	11, 12, 14, 15, 16	EX8	DGZ		
		1	2, 6	L	51, 52, 54, 55, 56	EX8	DGZ		
		1	3, 7	L	02, 06	EX8	DGZ		
		1	3, 7	L	12, 15, 16	EX8	DGZ		
-29	5104 599AA-	99	2, 6	L	01, 02, 06	EX8	DGZ		FUSE 100 AMP

Refer to Model Legend Information Bookmark

AR = Use as required - = Non illustrated part # = New this model year

March 3, 2006

**Under Seat - Relays & Fuses
Figure 008-505**



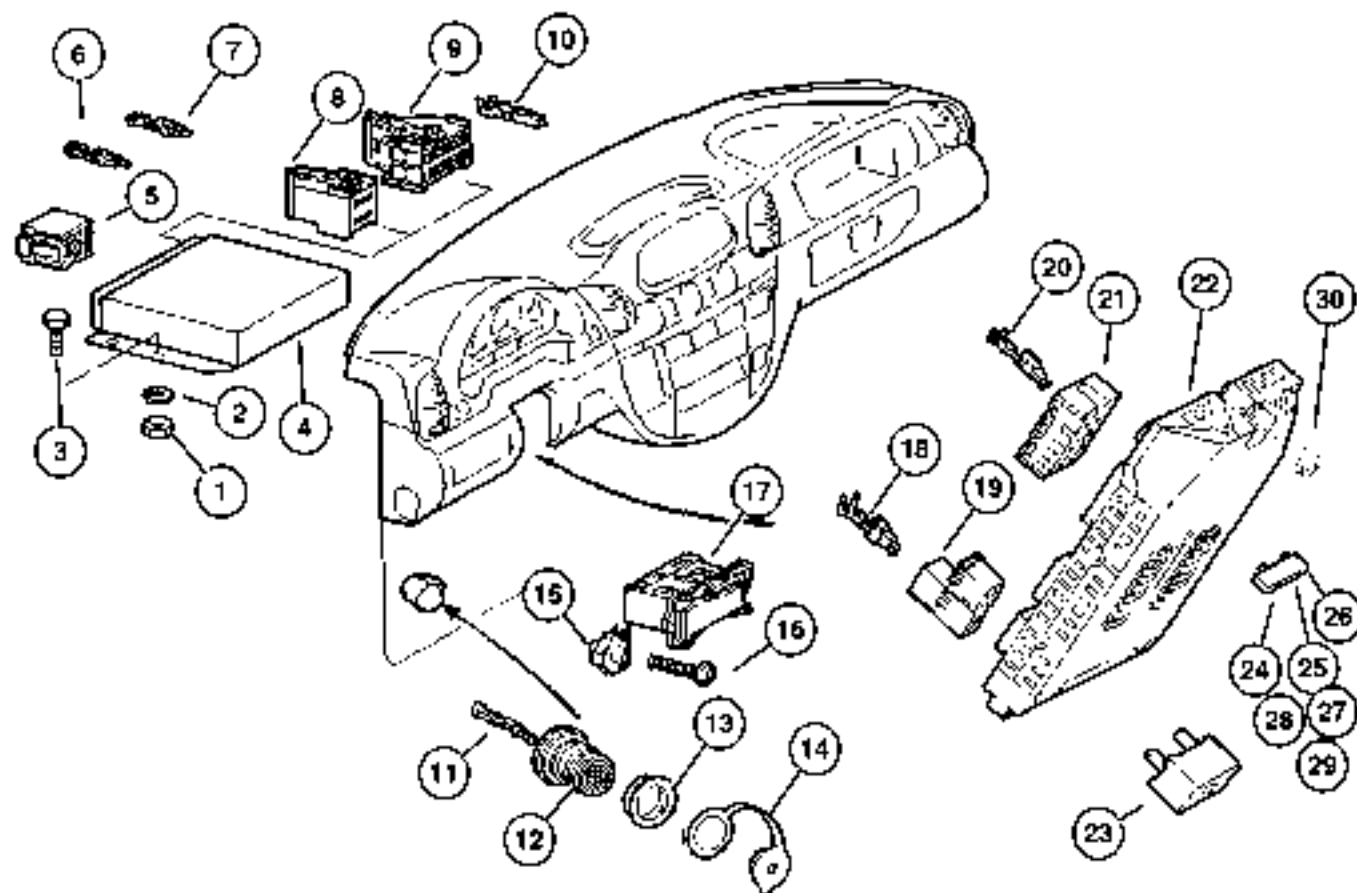
ITEM	PART NUMBER	QTY	LINE	SERIES	BODY	ENGINE	TRANS	TRIM	DESCRIPTION
		99	2, 6	L	11, 12, 14, 15, 16	EX8	DGZ		100 AMP
		99	2, 6	L	51, 52, 54, 55, 56	EX8	DGZ		100 AMP
		99	3, 7	L	02, 06	EX8	DGZ		100 AMP
		99	3, 7	L	12, 15, 16	EX8	DGZ		100 AMP

Refer to Model Legend Information Bookmark

AR = Use as required - = Non illustrated part # = New this model year

March 3, 2006

Instrument Panel - Relays & Fuses Figure 008-510



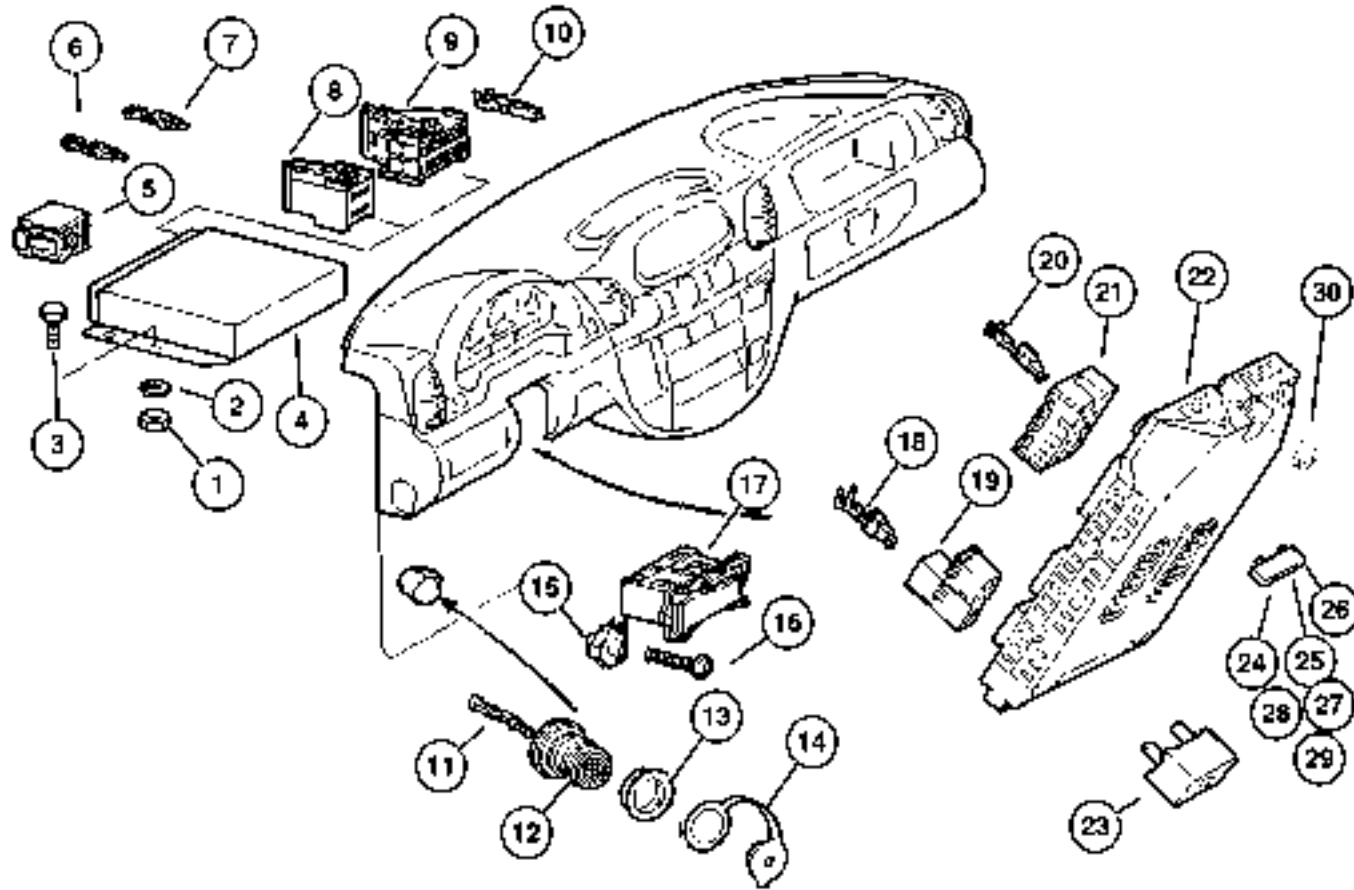
ITEM	PART NUMBER	QTY	LINE	SERIES	BODY	ENGINE	TRANS	TRIM	DESCRIPTION					
1	5126 198AA	9	2, 6	L	11, 12, 14, 15, 16	EX8	DGZ		BOLT, M6x20					
									4	2, 6	L	01, 02, 06	EX8	DGZ
									4	3, 7	L	02, 06	EX8	DGZ
									2					
3	5126 240AA	1	2, 6	L	01, 02, 06	EX8	DGZ							
									1	2, 6	L	11, 12, 14, 15, 16	EX8	DGZ
									4	3, 7	L	02, 06	EX8	DGZ
									4	5166 760AA	1	2, 6	L	01, 02, 06
1	2, 6	L	11, 12, 14, 15, 16	EX8	DGZ									
						1	2, 6	L						
1	3, 7	L	02, 06	EX8	DGZ									
						1	3, 7	L						
5	5120 752AA	1	2, 6	L	01, 02, 06									
						1	2, 6	L	11, 12, 14, 15, 16	EX8	DGZ			

Refer to Model Legend Information Bookmark

AR = Use as required - = Non illustrated part # = New this model year

March 3, 2006

Instrument Panel - Relays & Fuses
Figure 008-510



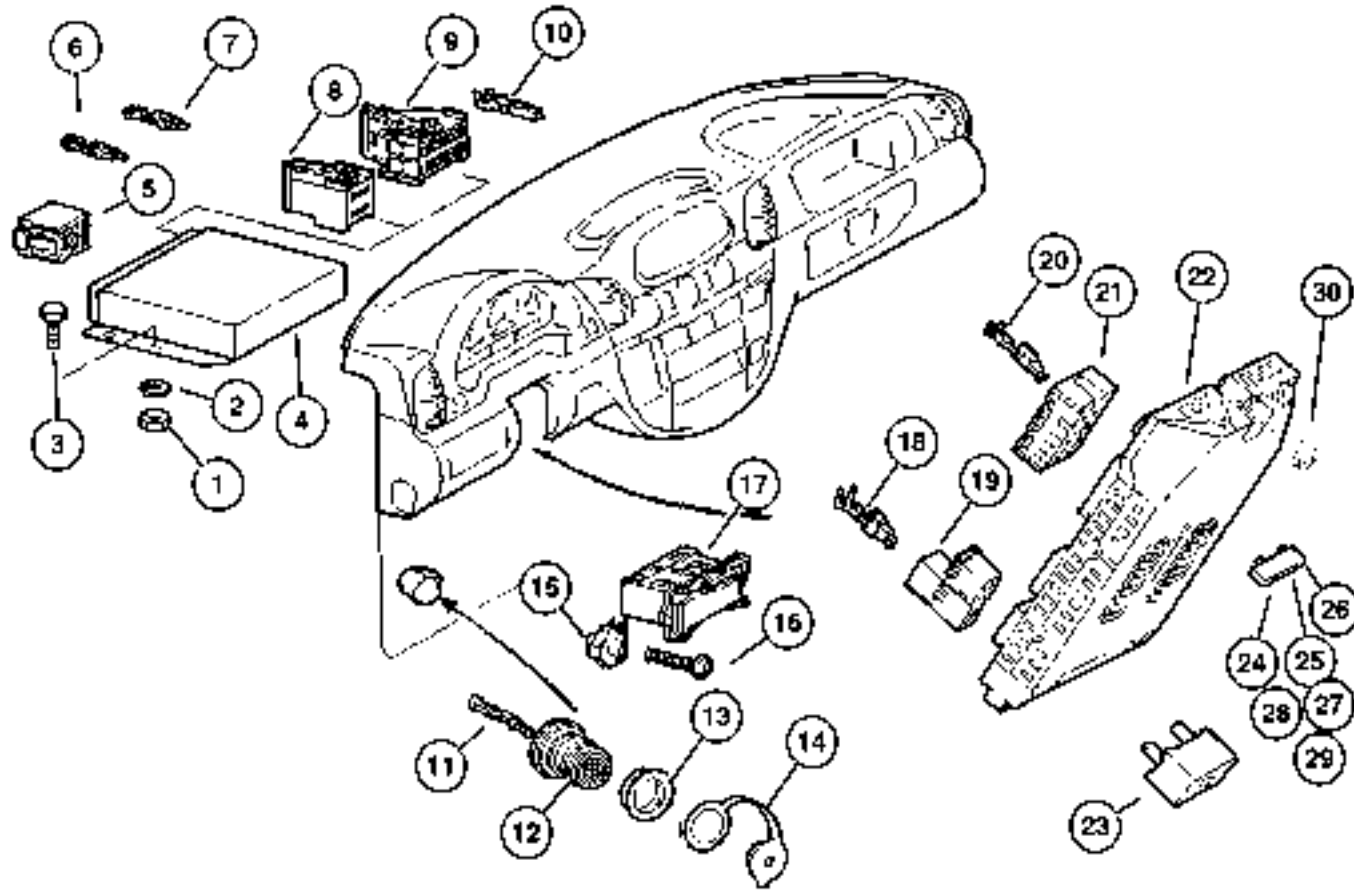
ITEM	PART NUMBER	QTY	LINE	SERIES	BODY	ENGINE	TRANS	TRIM	DESCRIPTION
		1	2, 6	L	51, 52, 54, 55, 56	EX8	DGZ		
		1	3, 7	L	02, 06	EX8	DGZ		
		1	3, 7	L	12, 15, 16	EX8	DGZ		
6	5133 372AA	1	2, 6	L	01, 02, 06	EX8	DGZ		TERMINAL
		1	2, 6	L	11, 12, 14, 15, 16	EX8	DGZ		
		1	2, 6	L	51, 52, 54, 55, 56	EX8	DGZ		
		1	3, 7	L	02, 06	EX8	DGZ		
		1	3, 7	L	12, 15, 16	EX8	DGZ		
7	5103 882AA	1	2, 6	L	01, 02, 06	EX8	DGZ		TERMINAL
		1	2, 6	L	11, 12, 14, 15, 16	EX8	DGZ		
		1	2, 6	L	51, 52, 54, 55, 56	EX8	DGZ		
		1	3, 7	L	02, 06	EX8	DGZ		
		1	3, 7	L	12, 15, 16	EX8	DGZ		
8	5120 753AA	1	2, 6	L	11, 12, 14, 15, 16	EX8	DGZ		CONNECTOR
		1	2, 6	L	51, 52, 54, 55, 56	EX8	DGZ		
		1	3, 7	L	02, 06	EX8	DGZ		
		1	3, 7	L	12, 15, 16	EX8	DGZ		
9	5120 754AA	1	2, 6	L	01, 02, 06	EX8	DGZ		CONNECTOR

Refer to Model Legend Information Bookmark

AR = Use as required - = Non illustrated part # = New this model year

March 3, 2006

Instrument Panel - Relays & Fuses
Figure 008-510



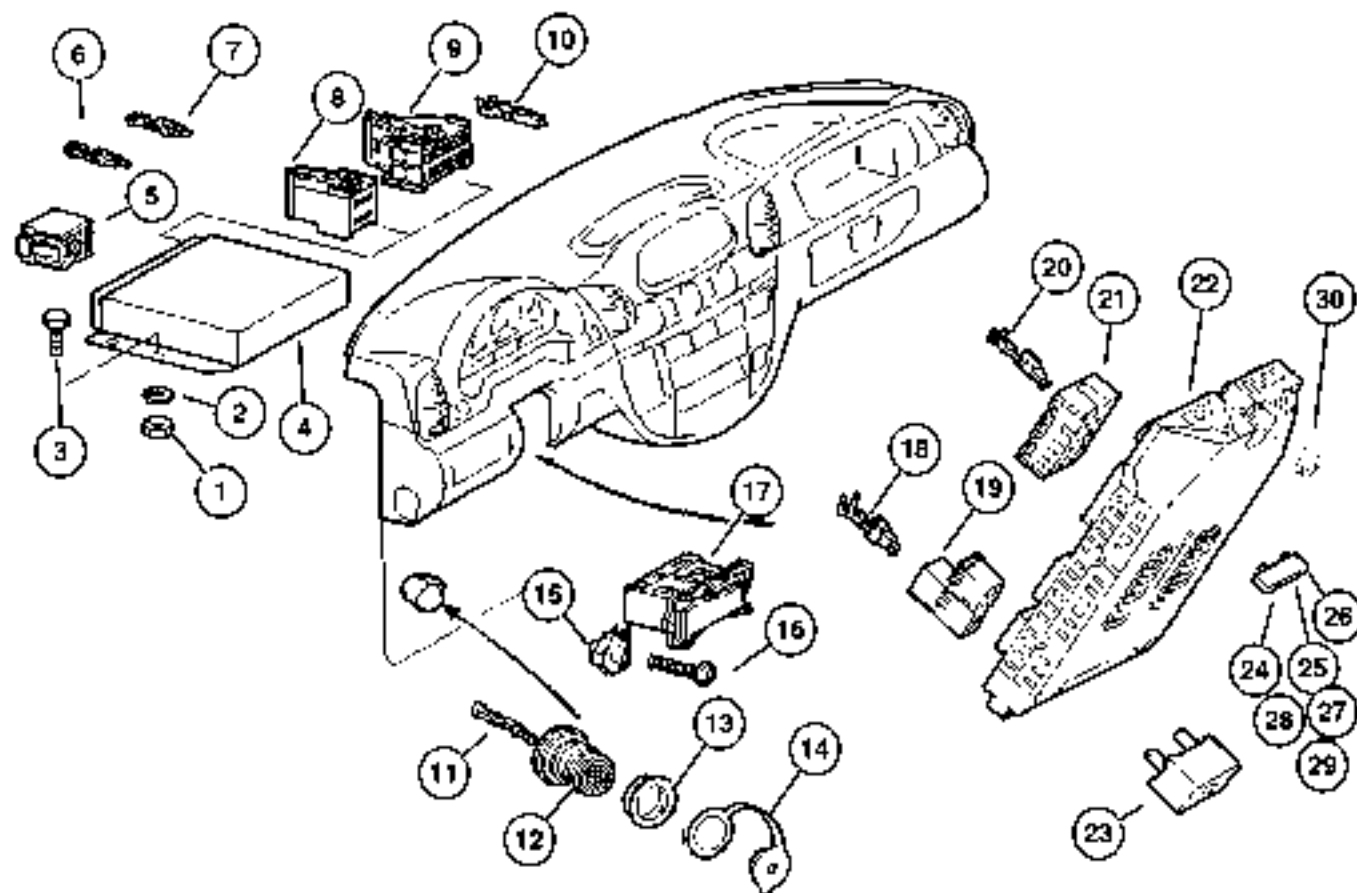
ITEM	PART NUMBER	QTY	LINE	SERIES	BODY	ENGINE	TRANS	TRIM	DESCRIPTION
		1	2, 6	L	11, 12, 14, 15, 16	EX8	DGZ		
		1	2, 6	L	51, 52, 54, 55, 56	EX8	DGZ		
		1	3, 7	L	02, 06	EX8	DGZ		
		1	3, 7	L	12, 15, 16	EX8	DGZ		
10									TERMINAL
	5103 874AA	99	2, 6	L	01, 02, 06	EX8	DGZ		
		99	2, 6	L	11, 12, 14, 15, 16	EX8	DGZ		
		99	2, 6	L	51, 52, 54, 55, 56	EX8	DGZ		
		99	3, 7	L	02, 06	EX8	DGZ		
		99	3, 7	L	12, 15, 16	EX8	DGZ		
11									TERMINAL
	5133 383AB	1	2, 6	L	01, 02, 06				
		1	2, 6	L	11, 12, 14, 15, 16				
		1	2, 6	L	51, 52, 54, 55, 56				
		1	3, 7	L	12, 15, 16				
12									CONNECTOR
	5120 544AA	1	2, 6	L	01, 02, 06	EX8	DGZ		
		1	2, 6	L	11, 12, 14, 15, 16	EX8	DGZ		
		1	2, 6	L	51, 52, 54, 55, 56	EX8	DGZ		
		1	3, 7	L	02, 06	EX8	DGZ		
		1	3, 7	L	12, 15, 16	EX8	DGZ		
13									STRAP, Ground

Refer to Model Legend Information Bookmark

AR = Use as required - = Non illustrated part # = New this model year

March 3, 2006

Instrument Panel - Relays & Fuses
Figure 008-510



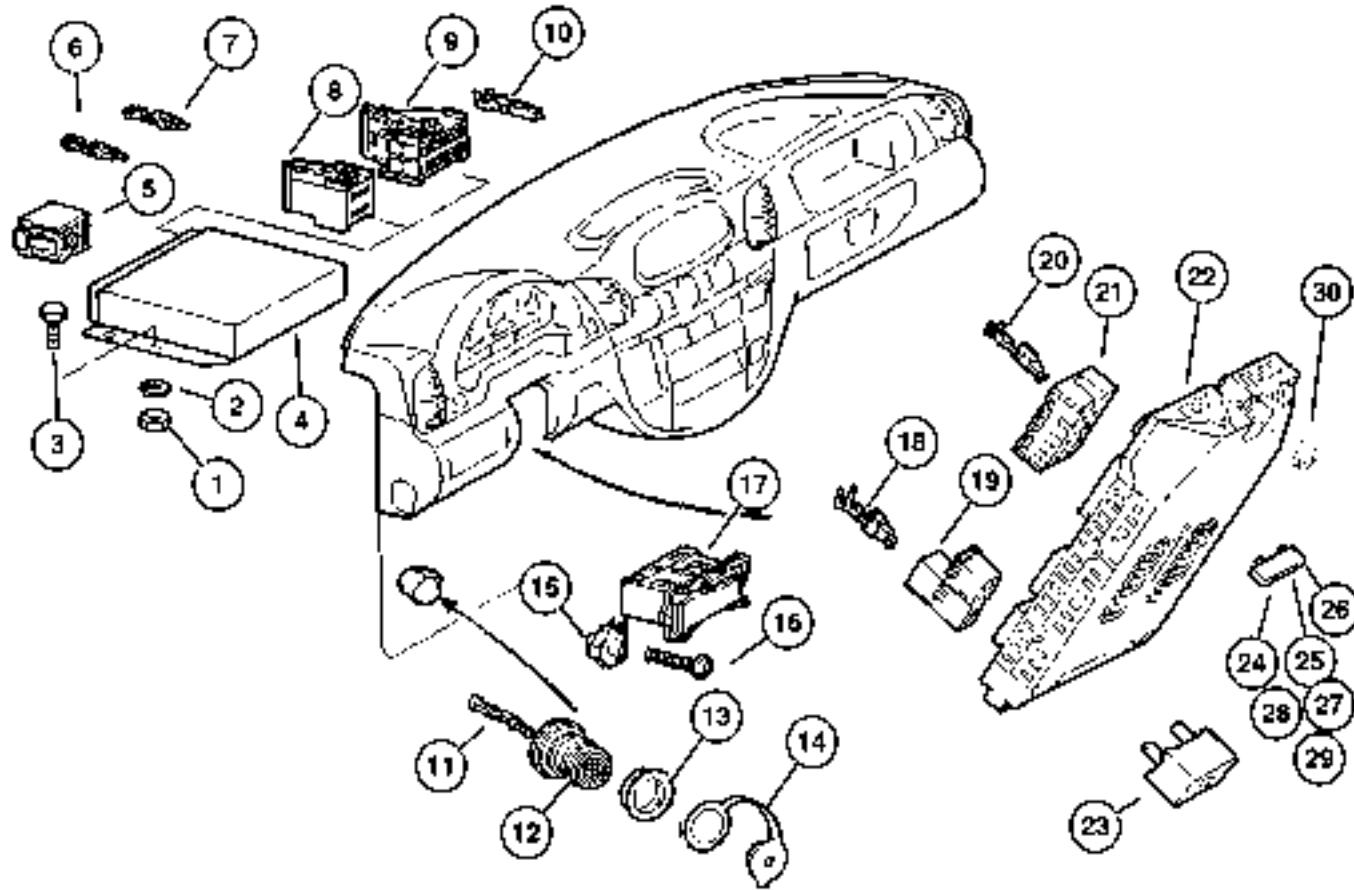
ITEM	PART NUMBER	QTY	LINE	SERIES	BODY	ENGINE	TRANS	TRIM	DESCRIPTION
	5120 226AA	1	2, 6	L	01, 02, 06	EX8	DGZ		
		1	2, 6	L	11, 12, 14, 15, 16	EX8	DGZ		
		1	2, 6	L	51, 52, 54, 55, 56	EX8	DGZ		
		1	3, 7	L	02, 06	EX8	DGZ		
		1	3, 7	L	12, 15, 16	EX8	DGZ		
14									PLUG, Wiring
	5103 747AA	1	2, 6	L	01, 02, 06				
		1	2, 6	L	11, 12, 14, 15, 16				
		1	2, 6	L	51, 52, 54, 55, 56				
		1	3, 7	L	02, 06				
		1	3, 7	L	12, 15, 16				
15									NUT, Spring
	5125 861AA	2	2, 6	L	01, 02, 06	EX8	DGZ		
		2	2, 6	L	11, 12, 14, 15, 16	EX8	DGZ		
		2	2, 6	L	51, 52, 54, 55, 56	EX8	DGZ		
		2	3, 7	L	12, 15, 16	EX8	DGZ		
16									SCREW
	6104 496AA	2	2, 6	L	01, 02, 06	EX8	DGZ		
		2	2, 6	L	11, 12, 14, 15, 16	EX8	DGZ		
		2	2, 6	L	51, 52, 54, 55, 56	EX8	DGZ		
		2	3, 7	L	02, 06	EX8	DGZ		

Refer to Model Legend Information Bookmark

AR = Use as required - = Non illustrated part # = New this model year

March 3, 2006

Instrument Panel - Relays & Fuses
Figure 008-510



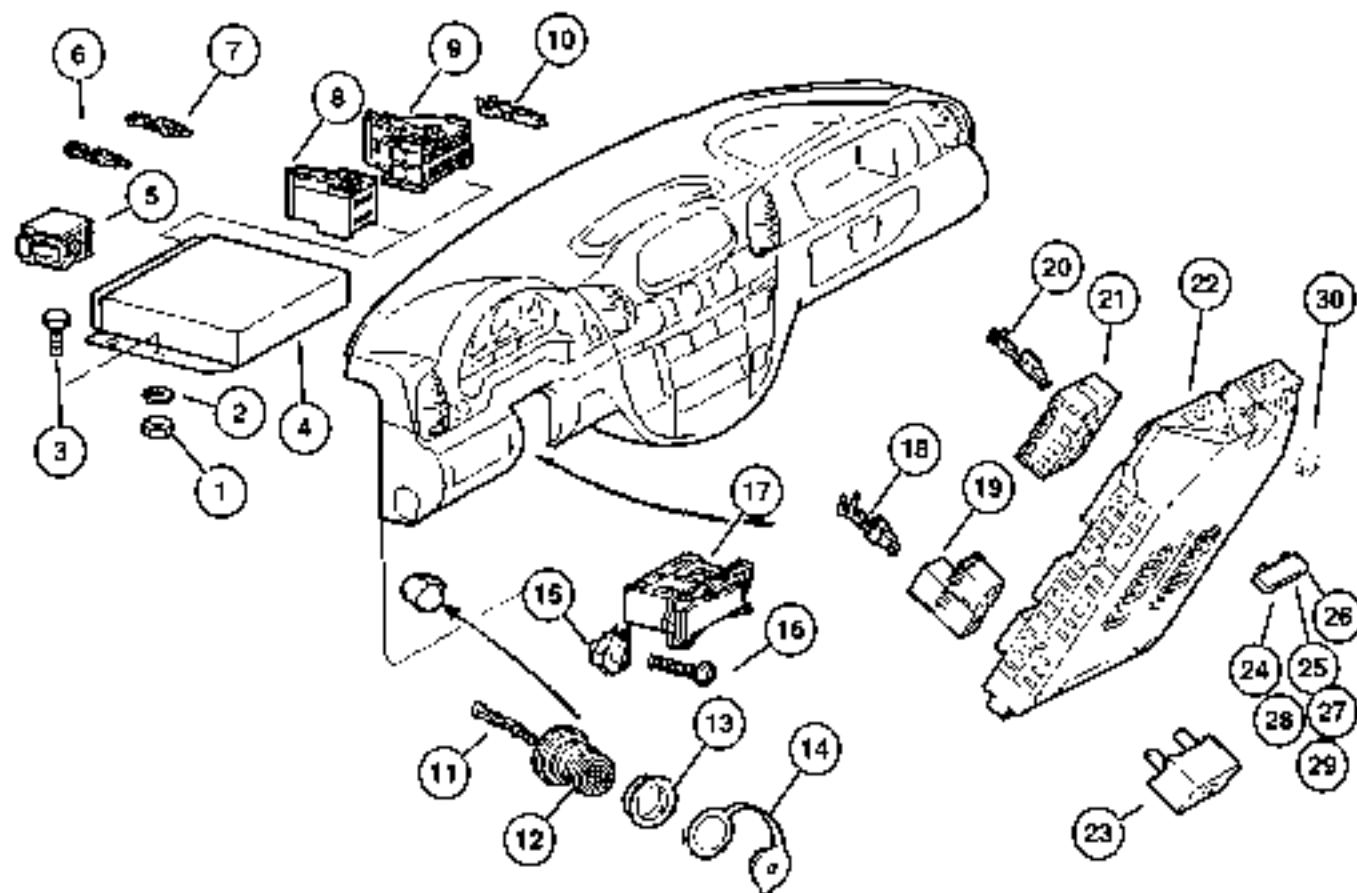
ITEM	PART NUMBER	QTY	LINE	SERIES	BODY	ENGINE	TRANS	TRIM	DESCRIPTION
		2	3, 7	L	12, 15, 16	EX8	DGZ		
17	5098 297AA	1	2, 6	L	01, 02, 06	EX8	DGZ		BRACKET, Diagnostic Module
		1	2, 6	L	11, 12, 14, 15, 16	EX8	DGZ		
		1	2, 6	L	51, 52, 54, 55, 56	EX8	DGZ		
		1	3, 7	L	02, 06	EX8	DGZ		
		1	3, 7	L	12, 15, 16	EX8	DGZ		
18	5133 372AA	1	2, 6	L	01, 02, 06	EX8	DGZ		TERMINAL
		1	2, 6	L	11, 12, 14, 15, 16	EX8	DGZ		
		1	2, 6	L	51, 52, 54, 55, 56	EX8	DGZ		
		1	3, 7	L	12, 15, 16	EX8	DGZ		
19	5120 555AA	99	3, 7	L	02, 06	EX8	DGZ		CONNECTOR
		1	2, 6	L	01, 02, 06	EX8	DGZ		
		1	2, 6	L	11, 12, 14, 15, 16	EX8	DGZ		
		1	2, 6	L	51, 52, 54, 55, 56	EX8	DGZ		
		1	3, 7	L	02, 06	EX8	DGZ		
		1	3, 7	L	12, 15, 16	EX8	DGZ		
20	5103 893AA	99	2, 6	L	01, 02, 06	EX8	DGZ		TERMINAL
		99	2, 6	L	11, 12, 14, 15, 16	EX8	DGZ		

Refer to Model Legend Information Bookmark

AR = Use as required - = Non illustrated part # = New this model year

March 3, 2006

Instrument Panel - Relays & Fuses
Figure 008-510



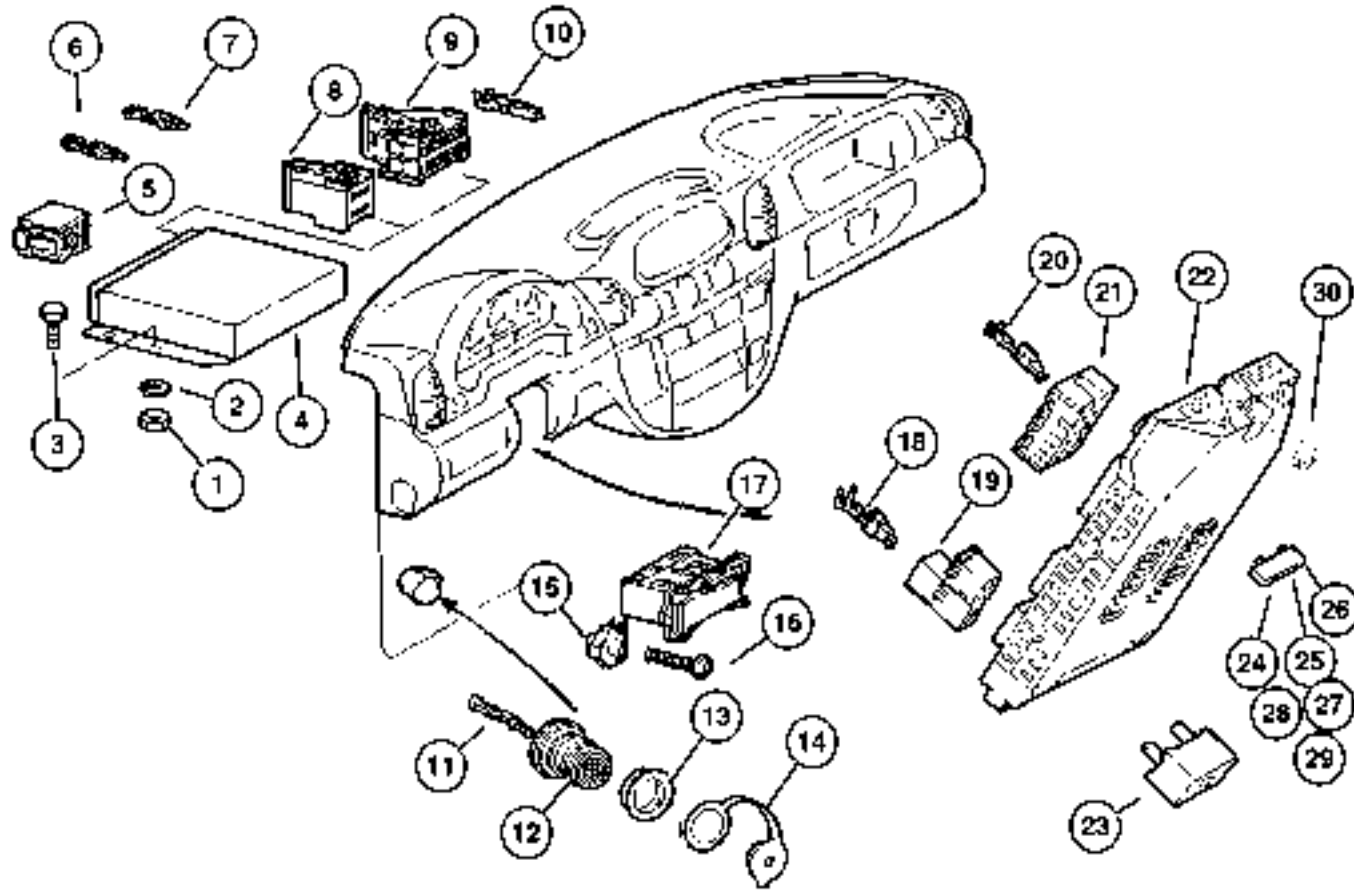
ITEM	PART NUMBER	QTY	LINE	SERIES	BODY	ENGINE	TRANS	TRIM	DESCRIPTION
		99	2, 6	L	51, 52, 54, 55, 56	EX8	DGZ		
		99	3, 7	L	02, 06	EX8	DGZ		
		99	3, 7	L	12, 15, 16	EX8	DGZ		
21	5120 646AA	1	2, 6	L	01, 02, 06	EX8	DGZ		CONNECTOR
		1	2, 6	L	11, 12, 14, 15, 16	EX8	DGZ		
		1	2, 6	L	51, 52, 54, 55, 56	EX8	DGZ		
		1	3, 7	L	02, 06	EX8	DGZ		
		1	3, 7	L	12, 15, 16	EX8	DGZ		
22	5120 244AA	1	2, 6	L	01, 02, 06	EX8	DGZ		BLOCK, Fuse
		1	2, 6	L	11, 12, 14, 15, 16	EX8	DGZ		
		1	2, 6	L	51, 52, 54, 55, 56	EX8	DGZ		
		1	3, 7	L	02, 06	EX8	DGZ		
		1	3, 7	L	12, 15, 16	EX8	DGZ		
23	5103 746AA	1	2, 6	L	11, 12, 14, 15, 16				RELAY
		1	2, 6	L	51, 52, 54, 55, 56				
		1	3, 7	L	12, 15, 16				
24	5104 643AA	99	2, 6	L	01, 02, 06	EX8	DGZ		FUSE, Standard, 10 AMP, Red
		99	2, 6	L	11, 12, 14, 15, 16	EX8	DGZ		

Refer to Model Legend Information Bookmark

AR = Use as required - = Non illustrated part # = New this model year

March 3, 2006

Instrument Panel - Relays & Fuses
Figure 008-510



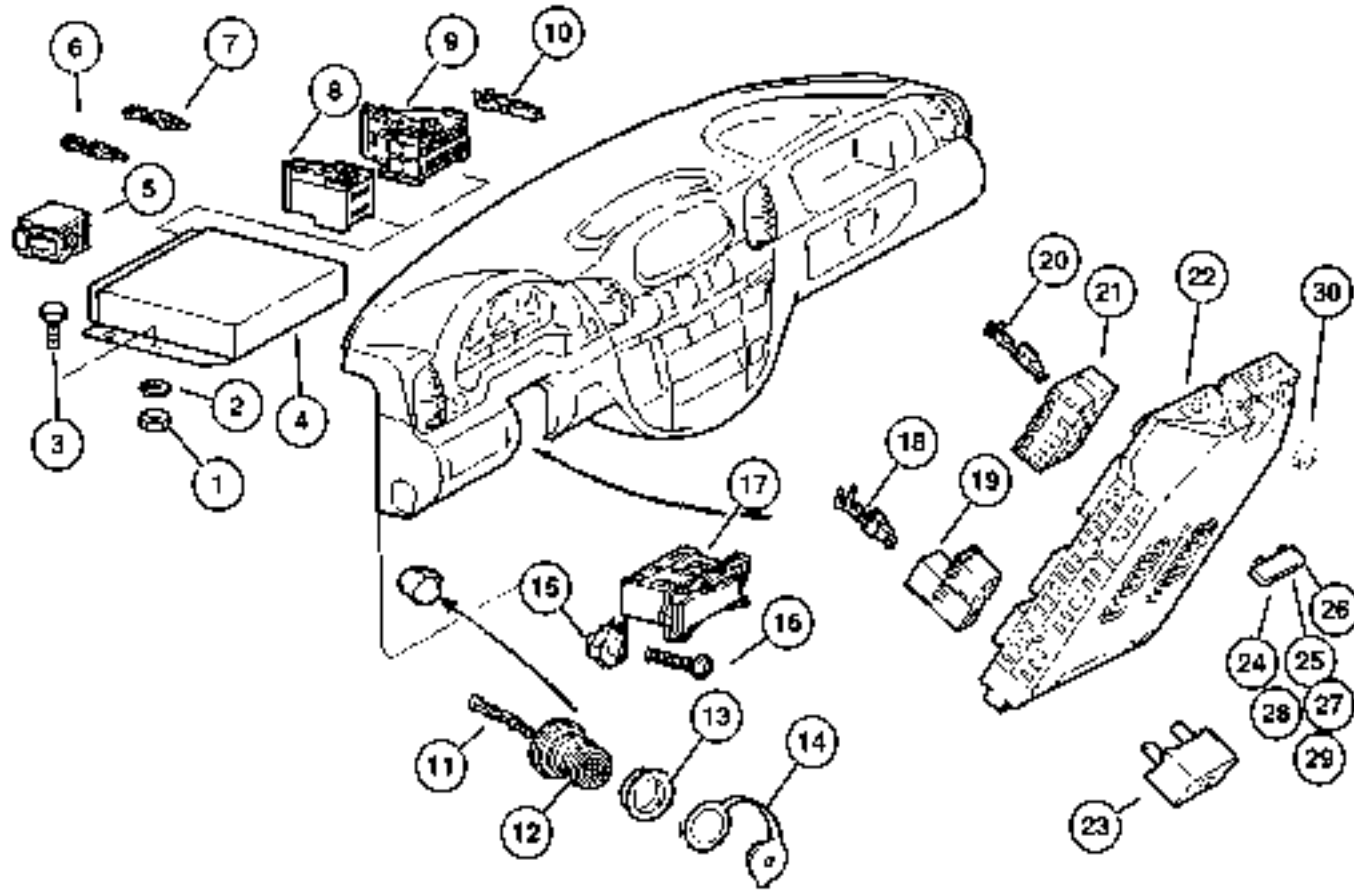
ITEM	PART NUMBER	QTY	LINE	SERIES	BODY	ENGINE	TRANS	TRIM	DESCRIPTION
		99	2, 6	L	51, 52, 54, 55, 56	EX8	DGZ		
		99	3, 7	L	02, 06	EX8	DGZ		
		99	3, 7	L	12, 15, 16	EX8	DGZ		
25	5104 604AA	1	2, 6	L	01, 02, 06	EX8	DGZ		FUSE 20 AMP
		1	2, 6	L	11, 12, 14, 15, 16	EX8	DGZ		20 AMP
		1	2, 6	L	51, 52, 54, 55, 56	EX8	DGZ		20 AMP
		1	3, 7	L	02, 06	EX8	DGZ		20 AMP
		1	3, 7	L	12, 15, 16	EX8	DGZ		20 AMP
26	5104 605AA	1	2, 6	L	01, 02, 06	EX8	DGZ		FUSE 30 AMP
		1	2, 6	L	11, 12, 14, 15, 16	EX8	DGZ		30 AMP
		1	2, 6	L	51, 52, 54, 55, 56	EX8	DGZ		30 AMP
		1	3, 7	L	02, 06	EX8	DGZ		30 AMP
		1	3, 7	L	12, 15, 16	EX8	DGZ		30 AMP
	5104 644AA	99	2, 6	L	01, 02, 06	EX8	DGZ		25 AMP
		99	2, 6	L	11, 12, 14, 15, 16	EX8	DGZ		25 AMP
		99	2, 6	L	51, 52, 54, 55, 56	EX8	DGZ		25 AMP
		99	3, 7	L	02, 06	EX8	DGZ		25 AMP
		99	3, 7	L	12, 15, 16	EX8	DGZ		25 AMP
27	5101 467AA	99	2, 6	L	01, 02, 06	EX8	DGZ		FUSE, Standard, 15 AMP, Light Blue

Refer to Model Legend Information Bookmark

AR = Use as required - = Non illustrated part # = New this model year

March 3, 2006

Instrument Panel - Relays & Fuses
Figure 008-510



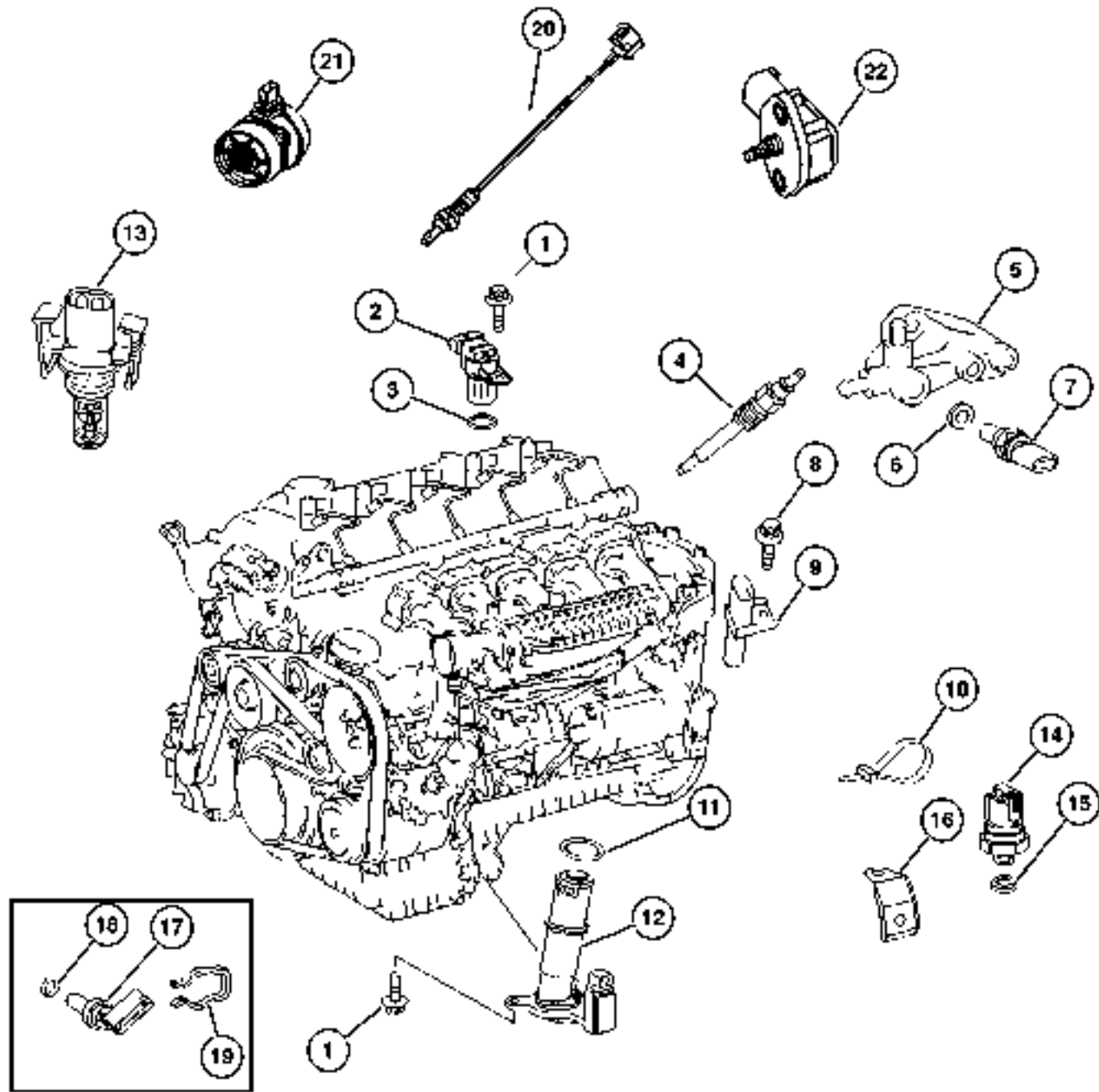
ITEM	PART NUMBER	QTY	LINE	SERIES	BODY	ENGINE	TRANS	TRIM	DESCRIPTION
		99	2, 6	L	11, 12, 14, 15, 16	EX8	DGZ		
		99	2, 6	L	51, 52, 54, 55, 56	EX8	DGZ		
		99	3, 7	L	02, 06	EX8	DGZ		
		99	3, 7	L	12, 15, 16	EX8	DGZ		
28	5103 799AA	99	2, 6	L	01, 02, 06	EX8	DGZ		FUSE, Blade Type, 7.5 AMP
		99	2, 6	L	11, 12, 14, 15, 16	EX8	DGZ		
		99	2, 6	L	51, 52, 54, 55, 56	EX8	DGZ		
		99	3, 7	L	02, 06	EX8	DGZ		
		99	3, 7	L	12, 15, 16	EX8	DGZ		
29	5138 903AA	1	2, 6	L	11, 12, 14, 15, 16	EX8	DGZ		FUSE, Standard, 7.5 AMP, Brown
		1	2, 6	L	51, 52, 54, 55, 56	EX8	DGZ		
		1	3, 7	L	12, 15, 16	EX8	DGZ		
30	5097 674AA	4	2, 6	L	11, 12, 14, 15, 16	EX8	DGZ		NUT, Hex
		4	2, 6	L	51, 52, 54, 55, 56	EX8	DGZ		
		2	2, 6	L	01, 02, 06	EX8	DGZ		
		4	3, 7	L	12, 15, 16	EX8	DGZ		
		2	3, 7	L	02, 06	EX8	DGZ		

Refer to Model Legend Information Bookmark

AR = Use as required - = Non illustrated part # = New this model year

March 3, 2006

Sensors Engine Figure 008-605



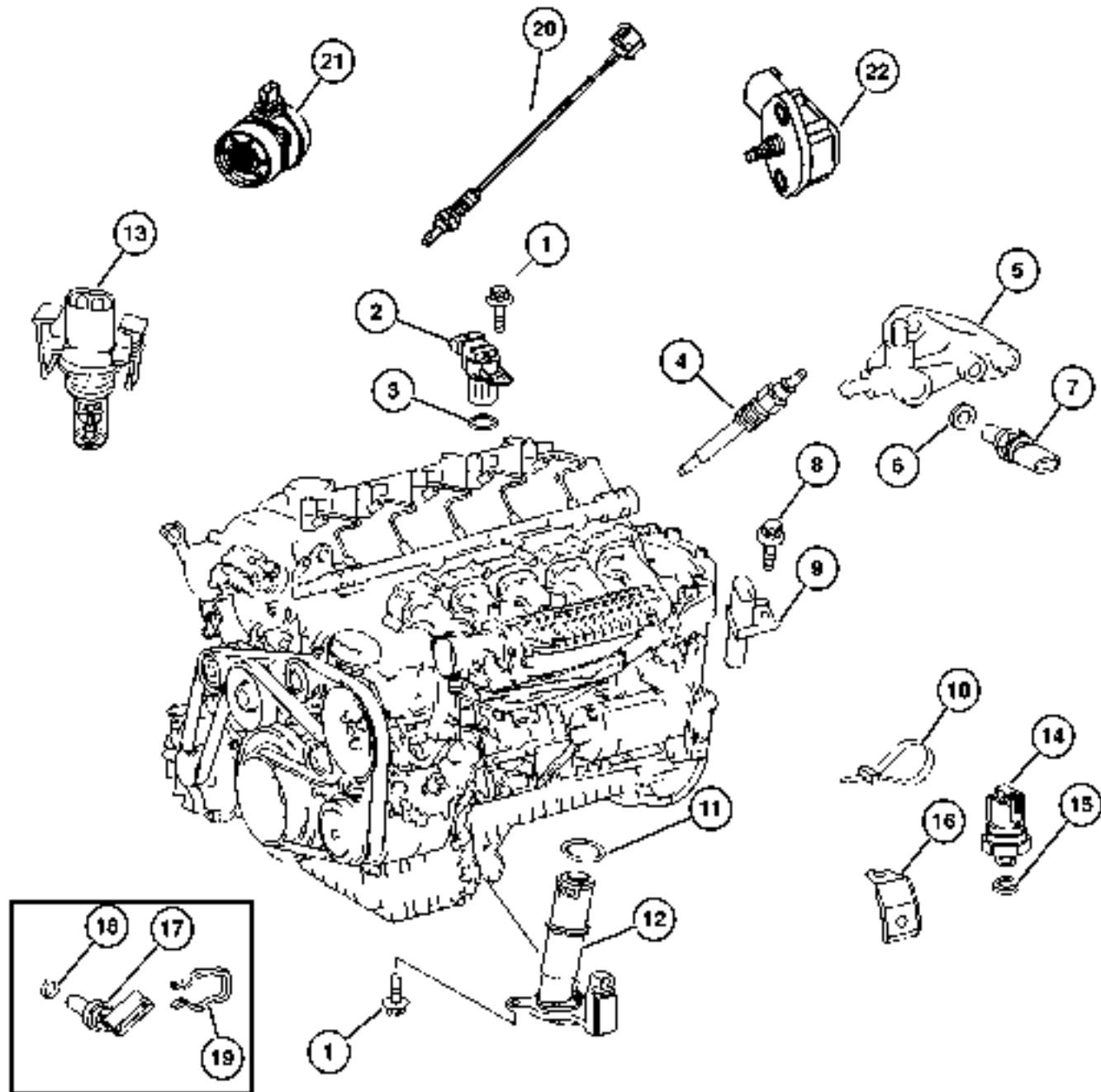
ITEM	PART NUMBER	QTY	LINE	SERIES	BODY	ENGINE	TRANS	TRIM	DESCRIPTION
1	6104 682AA	3	2, 3, 6, 7	L		EX8	DGZ		SCREW
2	5175 762AA	1	2, 3, 6, 7	L		EX8	DGZ		SENSOR, Camshaft
3	5183 535AA	1	2, 3, 6, 7	L		EX8	DGZ		O RING
4	5117 592AA	5	2, 3, 6, 7	L		EX8	DGZ		PLUG, Glow
5									BRACKET, (NOT REQUIRED)
6	6507 454AA	4	2, 6	L	01, 02, 06	EX8	DGZ		WASHER, Banjo
		4	2, 6	L	11, 12, 14, 15, 16	EX8	DGZ		
		4	2, 6	L	51, 52, 54, 55, 56	EX8	DGZ		
		4	3, 7	L	02, 06	EX8	DGZ		
		4	3, 7	L	12, 15, 16	EX8	DGZ		
7	5103 534AB	1	2, 3, 6, 7	L		EX8	DGZ		SENDING UNIT, Temperature Gauge
8	6104 076AA	1	2, 6	L	01, 02, 06	EX8	DGZ		SCREW
		1	2, 6	L	11, 12, 14, 15, 16	EX8	DGZ		
		1	2, 6	L	51, 52, 54, 55, 56	EX8	DGZ		
		1	3, 7	L	02, 06	EX8	DGZ		
		1	3, 7	L	12, 15, 16	EX8	DGZ		
9	5080 350AA	1	2, 3, 6, 7	L		EX8	DGZ		SENSOR, Crankshaft
10	5080 475AB	1	2, 6	L	01, 02, 06	EX8	DGZ		STRAP, Tie
		1	2, 6	L	11, 12, 14, 15, 16	EX8	DGZ		
		1	2, 6	L	51, 52, 54, 55, 56	EX8	DGZ		
		1	3, 7	L	02, 06	EX8	DGZ		
		1	3, 7	L	12, 15, 16	EX8	DGZ		
11	5103 567AA	1	2, 3, 6, 7	L		EX8	DGZ		SEAL RING

Refer to Model Legend Information Bookmark

AR = Use as required - = Non illustrated part # = New this model year

March 3, 2006

Sensors Engine Figure 008-605



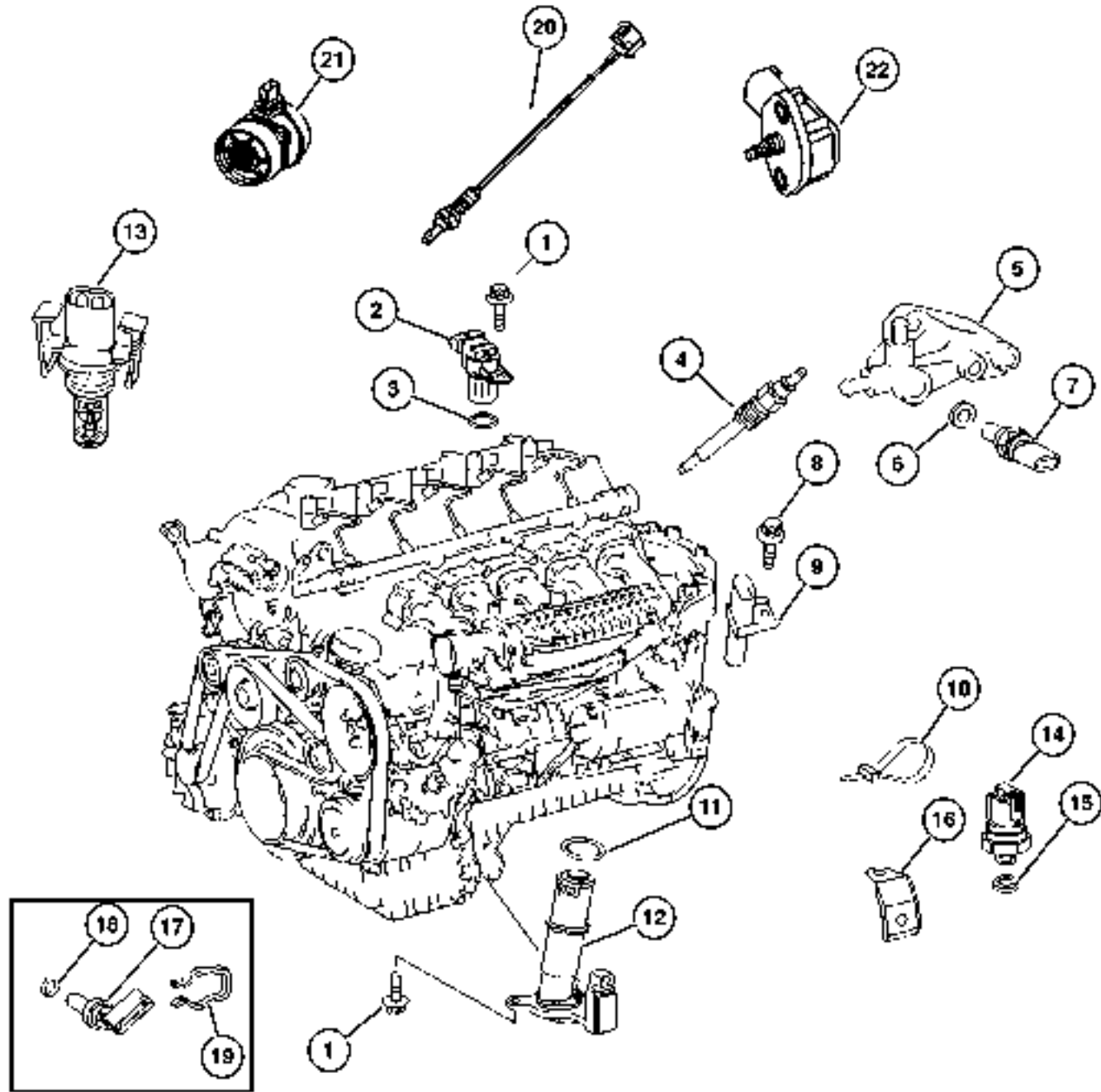
ITEM	PART NUMBER	QTY	LINE	SERIES	BODY	ENGINE	TRANS	TRIM	DESCRIPTION
12	5117 544AA	1	2, 3, 6, 7	L		EX8	DGZ		SENDING UNIT, Oil Pressure, Oil level, temperature and quality
13	5174 042AA	1	2, 6	L	01, 02, 06	EX8	DGZ		SENSOR, Temperature
		1	2, 6	L	11, 12, 14, 15, 16	EX8	DGZ		
		1	2, 6	L	51, 52, 54, 55, 56	EX8	DGZ		
		1	3, 7	L	02, 06	EX8	DGZ		
		1	3, 7	L	12, 15, 16	EX8	DGZ		
14	5189 422AA	1	2, 3, 6, 7	L		EX8	DGZ		SENDING UNIT, Oil Pressure
15	5104 639AA	99	2, 6	L	11, 12, 14, 15, 16	EX8	DGZ		WASHER
		99	2, 6	L	51, 52, 54, 55, 56	EX8	DGZ		
		16	3, 7	L	12, 15, 16	EX8	DGZ		
16	5096 466AA	1	2, 3, 6, 7	L		EX8	DGZ		BRACKET, Wiring
17	5080 147AA	1	2, 3, 6, 7	L		EX8	DGZ		SENDING UNIT, Temperature Gauge
18	5080 148AA	1	2, 3, 6, 7	L		EX8	DGZ		O RING
19	5080 149AA	1	2, 3, 6, 7	L		EX8	DGZ		CLIP
20	5135 667AA	1	2, 6	L	01, 02, 06	EX8	DGZ		SENSOR, Oxygen
		1	2, 6	L	11, 12, 14, 15, 16	EX8	DGZ		
		1	2, 6	L	51, 52, 54, 55, 56	EX8	DGZ		
		1	3, 7	L	02, 06	EX8	DGZ		
		1	3, 7	L	12, 15, 16	EX8	DGZ		
21	5117 501AA	1	2, 6	L	01, 02, 06	EX8	DGZ		SENSOR, Mass Airflow

Refer to Model Legend Information Bookmark

AR = Use as required - = Non illustrated part # = New this model year

March 3, 2006

Sensors Engine
Figure 008-605



ITEM	PART NUMBER	QTY	LINE	SERIES	BODY	ENGINE	TRANS	TRIM	DESCRIPTION
		1	2, 6	L	11, 12, 14, 15, 16	EX8	DGZ		
		1	2, 6	L	51, 52, 54, 55, 56	EX8	DGZ		
		1	3, 7	L	02, 06	EX8	DGZ		
		1	3, 7	L	12, 15, 16	EX8	DGZ		
22	5117 545AA	1	2, 6	L	01, 02, 06	EX8	DGZ		SENSOR, Map Stamped A0041538428
		1	2, 6	L	11, 12, 14, 15, 16	EX8	DGZ		Stamped A0041538428
		1	2, 6	L	51, 52, 54, 55, 56	EX8	DGZ		Stamped A0041538428
		1	3, 7	L	02, 06	EX8	DGZ		Stamped A0041538428
		1	3, 7	L	12, 15, 16	EX8	DGZ		Stamped A0041538428
-23	5117 542AA-	1	2, 3, 6, 7	L		EX8	DGZ		SENSOR, Fuel/Water

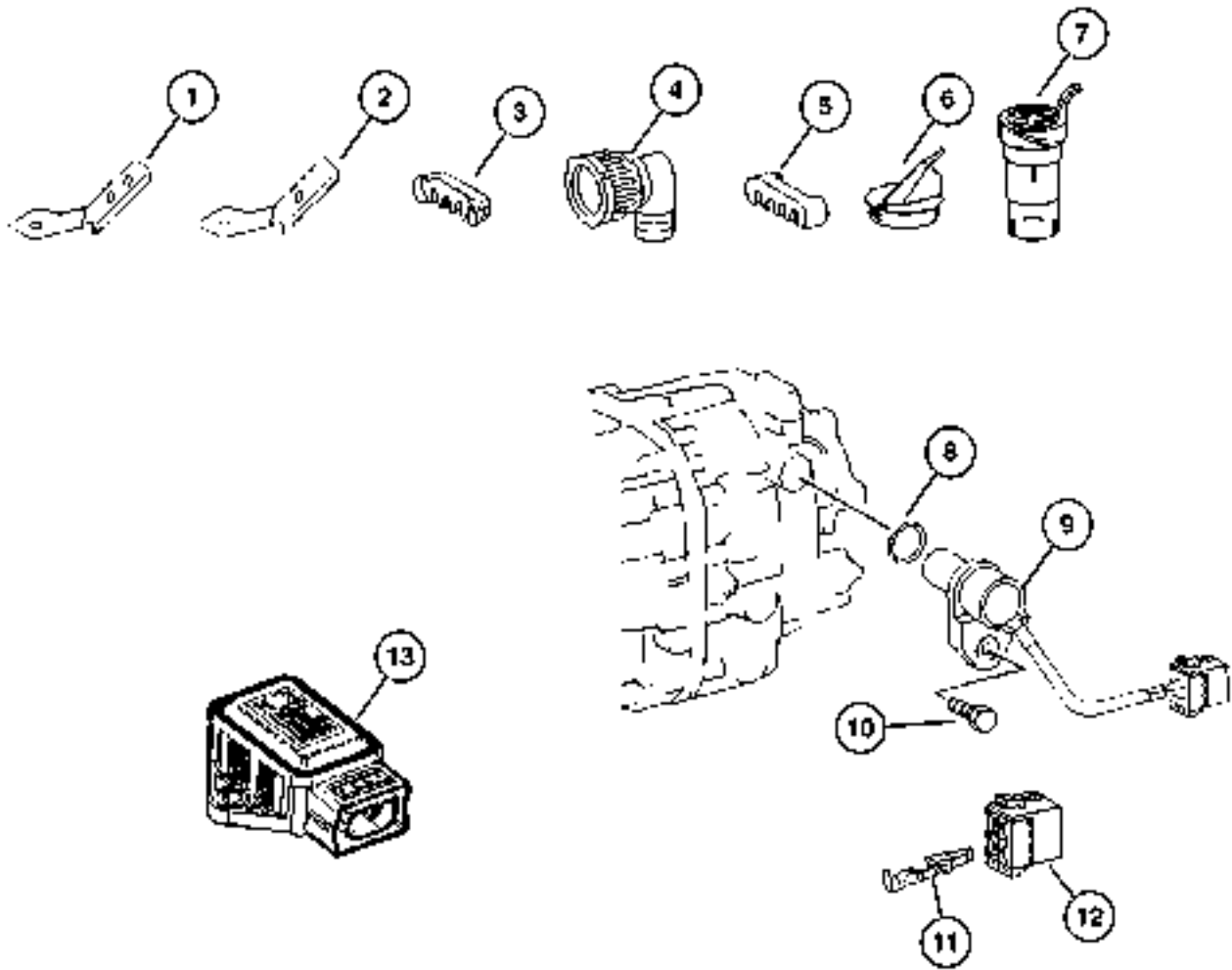
Refer to Model Legend Information Bookmark

AR = Use as required - = Non illustrated part # = New this model year

March 3, 2006

Sensors - Drivetrain
Figure 008-610

ITEM	PART NUMBER	QTY	LINE	SERIES	BODY	ENGINE	TRANS	TRIM	DESCRIPTION
1									BRACKET
	5120 944AA	1	2, 6	L	01, 02, 06	EX9			
		1	2, 6	L	11, 12, 14, 15, 16	EX9			
		1	2, 6	L	51, 52, 54, 55, 56	EX9			
		1	3, 7	L	02, 06	EX9			
		1	3, 7	L	12, 15, 16	EX9			
2									BRACKET
	5120 947AA	1	2, 6	L	01, 02, 06	EX8	DGZ		
		1	2, 6	L	11, 12, 14, 15, 16	EX8	DGZ		
		1	2, 6	L	51, 52, 54, 55, 56	EX8	DGZ		
		1	3, 7	L	02, 06	EX8	DGZ		
		1	3, 7	L	12, 15, 16	EX8	DGZ		
3									RETAINER, Wiring Harness
	5120 852AA	1	2, 6	L	01, 02, 06	EX8	DGZ		
		1	2, 6	L	11, 12, 14, 15, 16	EX8	DGZ		
		1	2, 6	L	51, 52, 54, 55, 56	EX8	DGZ		
		1	3, 7	L	02, 06	EX8	DGZ		
		1	3, 7	L	12, 15, 16	EX8	DGZ		
4									BOOT, BOOT
	5120 915AA	1	2, 6	L	01, 02, 06	EX8	DGZ		
		1	2, 6	L	11, 12, 14, 15, 16	EX8	DGZ		
		1	2, 6	L	51, 52, 54, 55, 56	EX8	DGZ		



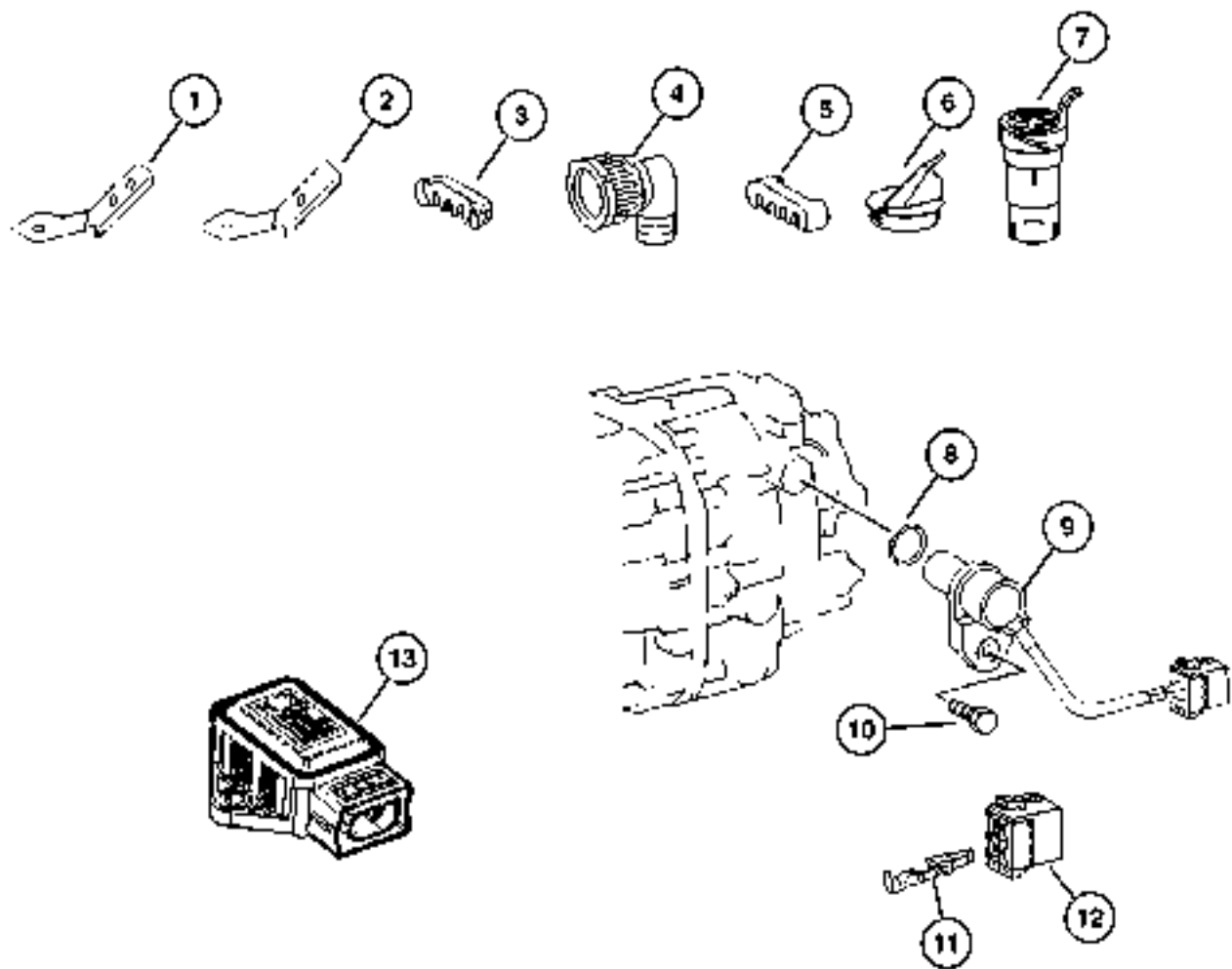
Refer to Model Legend Information Bookmark

AR = Use as required - = Non illustrated part # = New this model year

March 3, 2006

Sensors - Drivetrain
Figure 008-610

ITEM	PART NUMBER	QTY	LINE	SERIES	BODY	ENGINE	TRANS	TRIM	DESCRIPTION
		1	3, 7	L	02, 06	EX8	DGZ		
		1	3, 7	L	12, 15, 16	EX8	DGZ		
5	5120 883AA	1	2, 6	L	01, 02, 06	EX8	DGZ		RETAINER, Wiring Harness
		1	2, 6	L	11, 12, 14, 15, 16	EX8	DGZ		
		1	2, 6	L	51, 52, 54, 55, 56	EX8	DGZ		
		1	3, 7	L	02, 06	EX8	DGZ		
		1	3, 7	L	12, 15, 16	EX8	DGZ		
6	5120 884AA	1	2, 6	L	01, 02, 06	EX8	DGZ		CAP
		1	2, 6	L	11, 12, 14, 15, 16	EX8	DGZ		
		1	2, 6	L	51, 52, 54, 55, 56	EX8	DGZ		
		1	3, 7	L	02, 06	EX8	DGZ		
		1	3, 7	L	12, 15, 16	EX8	DGZ		
7	5120 265AA	1	2, 6	L	01, 02, 06	EX8	DGZ		CONNECTOR
		1	2, 6	L	11, 12, 14, 15, 16	EX8	DGZ		
		1	2, 6	L	51, 52, 54, 55, 56	EX8	DGZ		
		1	3, 7	L	02, 06	EX8	DGZ		
		1	3, 7	L	12, 15, 16	EX8	DGZ		
8	5125 908AA	2	2, 6	L	01, 02, 06	EX8	DGZ		O RING, Sensor
		2	2, 6	L	11, 12, 14, 15, 16	EX8	DGZ		



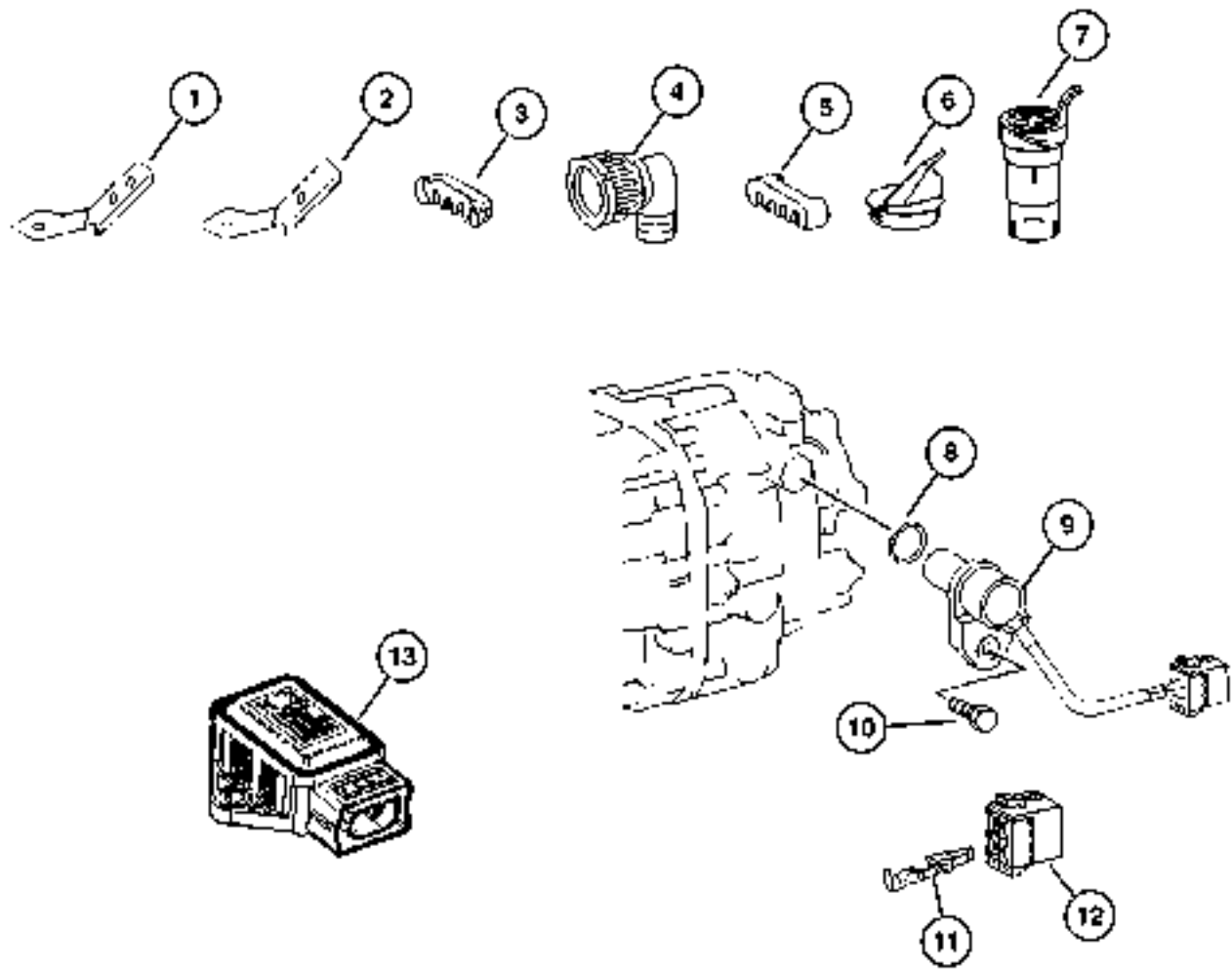
Refer to Model Legend Information Bookmark

AR = Use as required - = Non illustrated part # = New this model year

March 3, 2006

Sensors - Drivetrain
Figure 008-610

ITEM	PART NUMBER	QTY	LINE	SERIES	BODY	ENGINE	TRANS	TRIM	DESCRIPTION
		2	2, 6	L	51, 52, 54, 55, 56	EX8	DGZ		
		2	3, 7	L	02, 06	EX8	DGZ		
		2	3, 7	L	12, 15, 16	EX8	DGZ		
9	5120 309AA	1	2, 6	L	01, 02, 06	EX8	DGZ		SENSOR, Vehicle Speed Tach pulse sensor
		1	2, 6	L	11, 12, 14, 15, 16	EX8	DGZ		Tach pulse sensor
		1	2, 6	L	51, 52, 54, 55, 56	EX8	DGZ		Tach pulse sensor
		1	3, 7	L	02, 06	EX8	DGZ		Tach pulse sensor
		1	3, 7	L	12, 15, 16	EX8	DGZ		Tach pulse sensor
	5120 316AA	1	2, 6	L	01, 02, 06	EX8	DGZ		All wheel drive
		1	2, 6	L	11, 12, 14, 15, 16	EX8	DGZ		All wheel drive
		1	2, 6	L	51, 52, 54, 55, 56	EX8	DGZ		All wheel drive
		1	3, 7	L	02, 06	EX8	DGZ		All wheel drive
		1	3, 7	L	12, 15, 16	EX8	DGZ		All wheel drive
	5120 317AA	1	2, 6	L	01, 02, 06	EX8	DGZ		Auto trans
		1	2, 6	L	11, 12, 14, 15, 16	EX8	DGZ		Auto trans
		1	2, 6	L	51, 52, 54, 55, 56	EX8	DGZ		Auto trans
		1	3, 7	L	02, 06	EX8	DGZ		Auto trans
		1	3, 7	L	12, 15, 16	EX8	DGZ		Auto trans
10									SCREW
	5126 234AA	1	2, 6	L	01, 02, 06	EX8	DGZ		



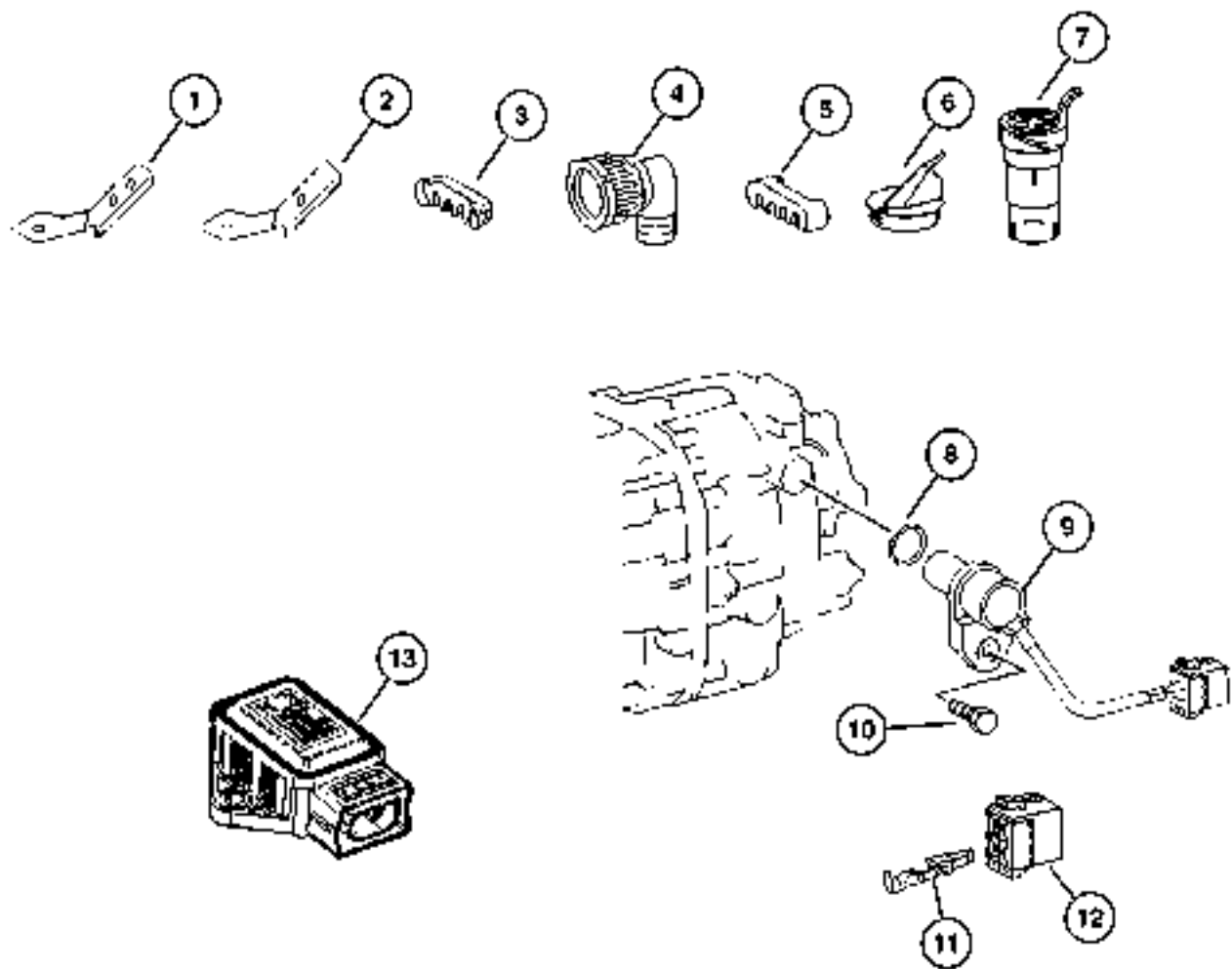
Refer to Model Legend Information Bookmark

AR = Use as required - = Non illustrated part # = New this model year

March 3, 2006

Sensors - Drivetrain
Figure 008-610

ITEM	PART NUMBER	QTY	LINE	SERIES	BODY	ENGINE	TRANS	TRIM	DESCRIPTION
		1	2, 6	L	11, 12, 14, 15, 16	EX8	DGZ		
		1	2, 6	L	51, 52, 54, 55, 56	EX8	DGZ		
		1	3, 7	L	02, 06	EX8	DGZ		
		1	3, 7	L	12, 15, 16	EX8	DGZ		
11									TERMINAL
	5103 877AA	99	2, 6	L	01, 02, 06	EX8	DGZ		
		99	2, 6	L	11, 12, 14, 15, 16	EX8	DGZ		
		99	2, 6	L	51, 52, 54, 55, 56	EX8	DGZ		
		99	3, 7	L	02, 06	EX8	DGZ		
		99	3, 7	L	12, 15, 16	EX8	DGZ		
12									CONNECTOR
	5103 931AA	1	2, 6	L	01, 02, 06	EX8	DGZ		
		1	2, 6	L	11, 12, 14, 15, 16	EX8	DGZ		
		1	2, 6	L	51, 52, 54, 55, 56	EX8	DGZ		
		1	3, 7	L	02, 06	EX8	DGZ		
		1	3, 7	L	12, 15, 16	EX8	DGZ		
13									SENSOR, acceleration
	5120 342AA	1	2, 6	L	01, 02, 06	EX8	DGZ		
		1	2, 6	L	11, 12, 14, 15, 16	EX8	DGZ		
		1	2, 6	L	51, 52, 54, 55, 56	EX8	DGZ		
		1	3, 7	L	02, 06	EX8	DGZ		
		1	3, 7	L	12, 15, 16	EX8	DGZ		



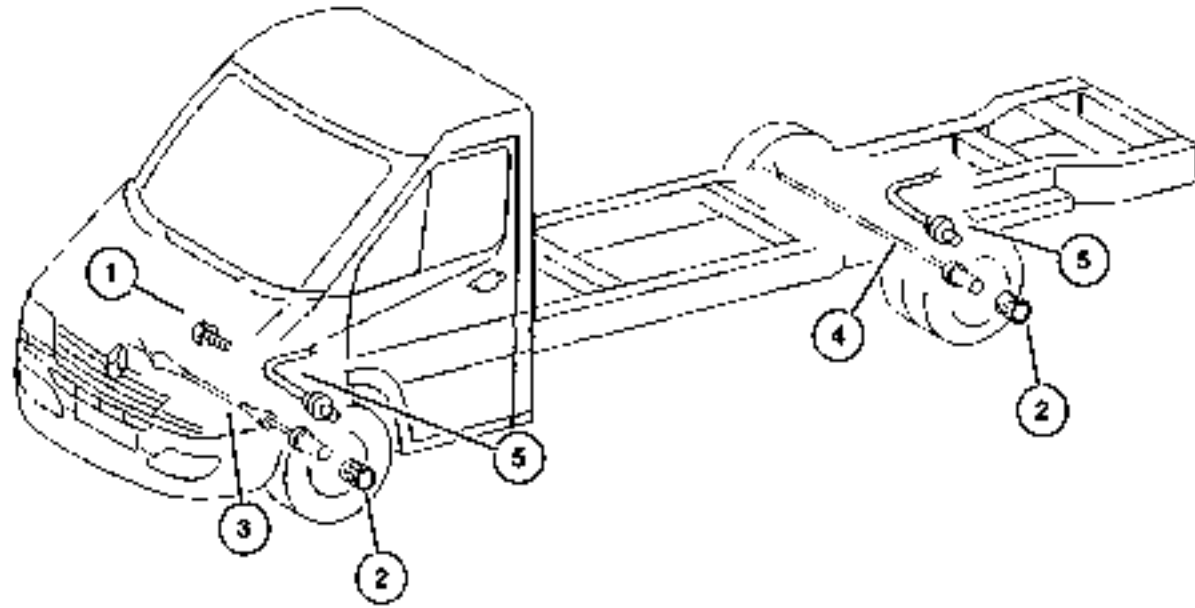
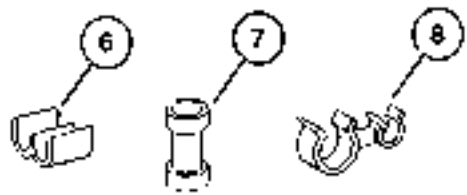
Refer to Model Legend Information Bookmark

AR = Use as required - = Non illustrated part # = New this model year

March 3, 2006

Sensors - Brakes
Figure 008-615

ITEM	PART NUMBER	QTY	LINE	SERIES	BODY	ENGINE	TRANS	TRIM	DESCRIPTION
1									SCREW
	5126 269AA	2	2, 6	L	01, 02, 06	EX8	DGZ		
		2	2, 6	L	11, 12, 14, 15, 16	EX8	DGZ		
		2	2, 6	L	51, 52, 54, 55, 56	EX8	DGZ		
		2	3, 7	L	02, 06	EX8	DGZ		
		2	3, 7	L	12, 15, 16	EX8	DGZ		
2									RETAINER
	5120 376AA	2	2, 6	L	01, 02, 06	EX8	DGZ		
		2	2, 6	L	11, 12, 14, 15, 16	EX8	DGZ		
		2	2, 6	L	51, 52, 54, 55, 56	EX8	DGZ		
		2	3, 7	L	02, 06	EX8	DGZ		
		2	3, 7	L	12, 15, 16	EX8	DGZ		
3									SENSOR, Wheel Speed
	5104 145AA	2	2, 6	L	01, 02, 06	EX8	DGZ		ALSO ORDER 2 X 05120376AA, 1 X 05103755AA & 1 X 05103801AA
		2	2, 6	L	11, 12, 14, 15, 16	EX8	DGZ		ALSO ORDER 2 X 05120376AA, 1 X 05103755AA & 1 X 05103801AA
		2	2, 6	L	51, 52, 54, 55, 56	EX8	DGZ		ALSO ORDER 2 X 05120376AA, 1 X 05103755AA & 1 X 05103801AA
		2	3, 7	L	02, 06	EX8	DGZ		ALSO ORDER 2 X 05120376AA, 1 X 05103755AA & 1 X 05103801AA
		2	3, 7	L	12, 15, 16	EX8	DGZ		ALSO ORDER 2 X 05120376AA, 1 X 05103755AA & 1 X 05103801AA
4									SENSOR, Wheel Speed
	5104 144AA	1	2, 6	L	01, 02, 06	EX8	DGZ		ALSO ORDER 2 X 05120376AA, 1 X 05103755AA & 1 X 05103801AA



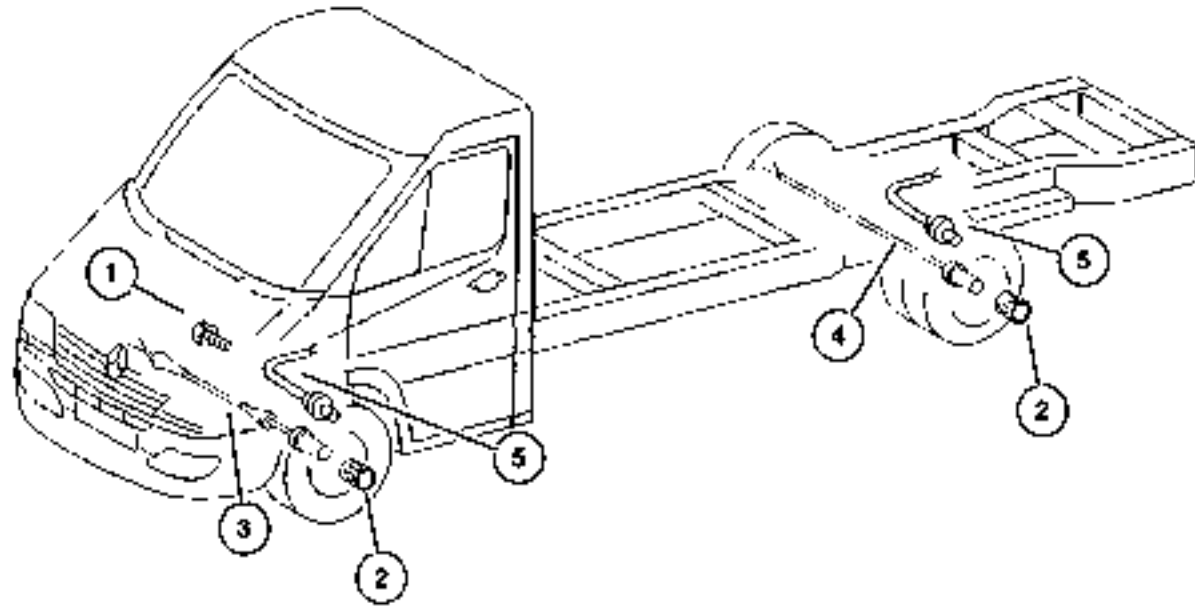
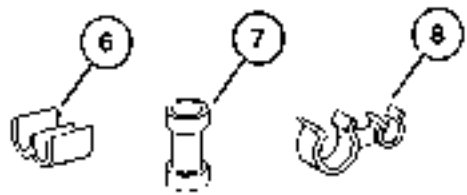
Refer to Model Legend Information Bookmark

AR = Use as required - = Non illustrated part # = New this model year

March 3, 2006

Sensors - Brakes
Figure 008-615

ITEM	PART NUMBER	QTY	LINE	SERIES	BODY	ENGINE	TRANS	TRIM	DESCRIPTION
		1	2, 6	L	11, 12, 14, 15, 16	EX8	DGZ		ALSO ORDER 2 X 05120376AA, 1 X 05103755AA & 1 X 05103801AA
		1	2, 6	L	51, 52, 54, 55, 56	EX8	DGZ		ALSO ORDER 2 X 05120376AA, 1 X 05103755AA & 1 X 05103801AA
		1	3, 7	L	02, 06	EX8	DGZ		ALSO ORDER 2 X 05120376AA, 1 X 05103755AA & 1 X 05103801AA
		1	3, 7	L	12, 15, 16	EX8	DGZ		ALSO ORDER 2 X 05120376AA, 1 X 05103755AA & 1 X 05103801AA
5									WIRING, Brake Indicator
	5103 654AA	1	2, 6	L	01, 02, 06	EX8	DGZ		
		1	2, 6	L	11, 12, 14, 15, 16	EX8	DGZ		
		1	2, 6	L	51, 52, 54, 55, 56	EX8	DGZ		
		1	3, 7	L	02, 06	EX8	DGZ		
		1	3, 7	L	12, 15, 16	EX8	DGZ		
6									CLIP, Wiring
	5126 024AA	2	2, 6	L	01, 02, 06	EX8	DGZ		
		2	2, 6	L	11, 12, 14, 15, 16	EX8	DGZ		
		2	2, 6	L	51, 52, 54, 55, 56	EX8	DGZ		
		2	3, 7	L	02, 06	EX8	DGZ		
		2	3, 7	L	12, 15, 16	EX8	DGZ		
7									CONNECTOR
	5103 755AA	99	2, 6	L	01, 02, 06	EX8	DGZ		
		99	2, 6	L	11, 12, 14, 15, 16	EX8	DGZ		
		99	2, 6	L	51, 52, 54, 55, 56	EX8	DGZ		



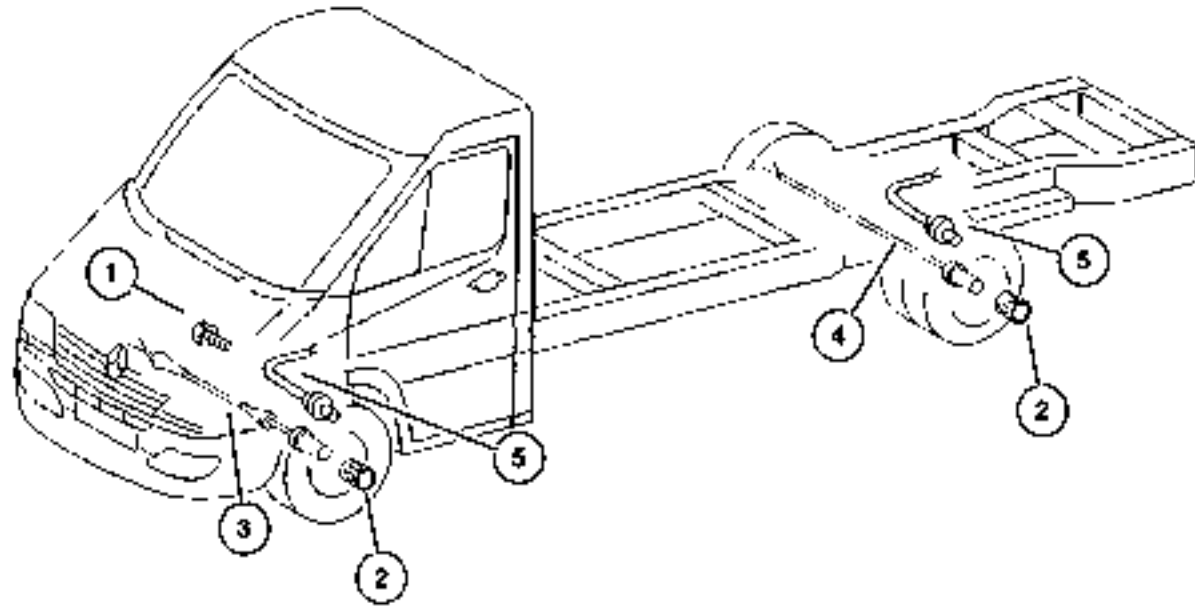
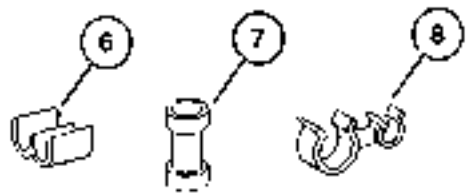
Refer to Model Legend Information Bookmark

AR = Use as required - = Non illustrated part # = New this model year

March 3, 2006

Sensors - Brakes
Figure 008-615

ITEM	PART NUMBER	QTY	LINE	SERIES	BODY	ENGINE	TRANS	TRIM	DESCRIPTION
		99	3, 7	L	02, 06	EX8	DGZ		
		99	3, 7	L	12, 15, 16	EX8	DGZ		
8	5120 943AA	6	2, 6	L	01, 02, 06	EX8	DGZ		BRACKET
		6	2, 6	L	11, 12, 14, 15, 16	EX8	DGZ		
		6	2, 6	L	51, 52, 54, 55, 56	EX8	DGZ		
		1	2, 6	L	01, 02, 06	EX8	DGZ		
		6	3, 7	L	02, 06	EX8	DGZ		
		6	3, 7	L	12, 15, 16	EX8	DGZ		

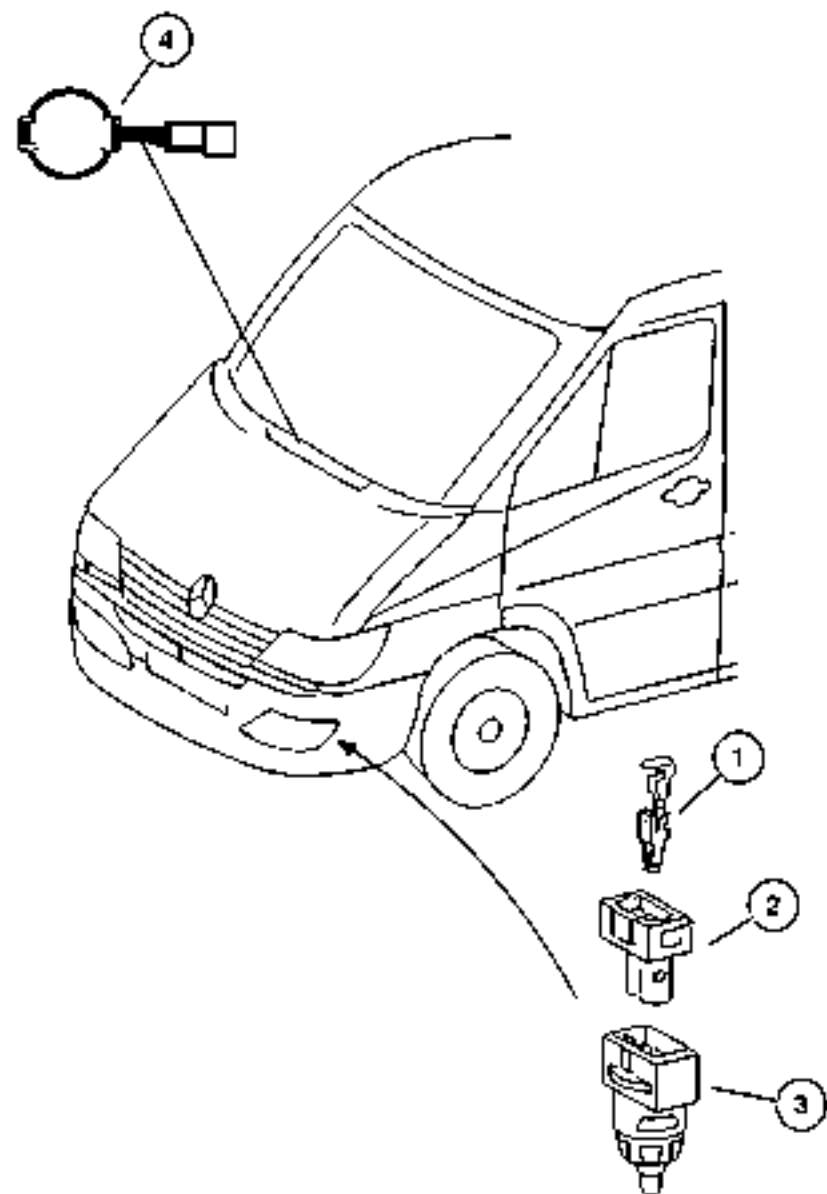


Refer to Model Legend Information Bookmark

AR = Use as required - = Non illustrated part # = New this model year

March 3, 2006

Sensors Ambient Temperature and Rain
Figure 008-620



ITEM	PART NUMBER	QTY	LINE	SERIES	BODY	ENGINE	TRANS	TRIM	DESCRIPTION
1									TERMINAL
	5103 880AA	99	2, 6	L	01, 02, 06	EX8	DGZ		
		99	2, 6	L	11, 12, 14, 15, 16	EX8	DGZ		
		99	2, 6	L	51, 52, 54, 55, 56	EX8	DGZ		
		99	3, 7	L	02, 06	EX8	DGZ		
		99	3, 7	L	12, 15, 16	EX8	DGZ		
2									CONNECTOR
	5120 749AA	1	2, 6	L	01, 02, 06	EX8	DGZ		
		1	2, 6	L	11, 12, 14, 15, 16	EX8	DGZ		
		1	2, 6	L	51, 52, 54, 55, 56	EX8	DGZ		
		1	3, 7	L	02, 06	EX8	DGZ		
		1	3, 7	L	12, 15, 16	EX8	DGZ		
3									SENSOR, Ambient Temperature
	5103 563AA	1	2, 6	L	01, 02, 06	EX8	DGZ		
		1	2, 6	L	11, 12, 14, 15, 16	EX8	DGZ		
		1	2, 6	L	51, 52, 54, 55, 56	EX8	DGZ		
		1	3, 7	L	02, 06	EX8	DGZ		
		1	3, 7	L	12, 15, 16	EX8	DGZ		
4									SENSOR, Rain
	5124 421AA	1	2, 6	L	01, 02, 06	EX8	DGZ		
		1	2, 6	L	11, 12, 14, 15, 16	EX8	DGZ		
		1	2, 6	L	51, 52, 54, 55, 56	EX8	DGZ		

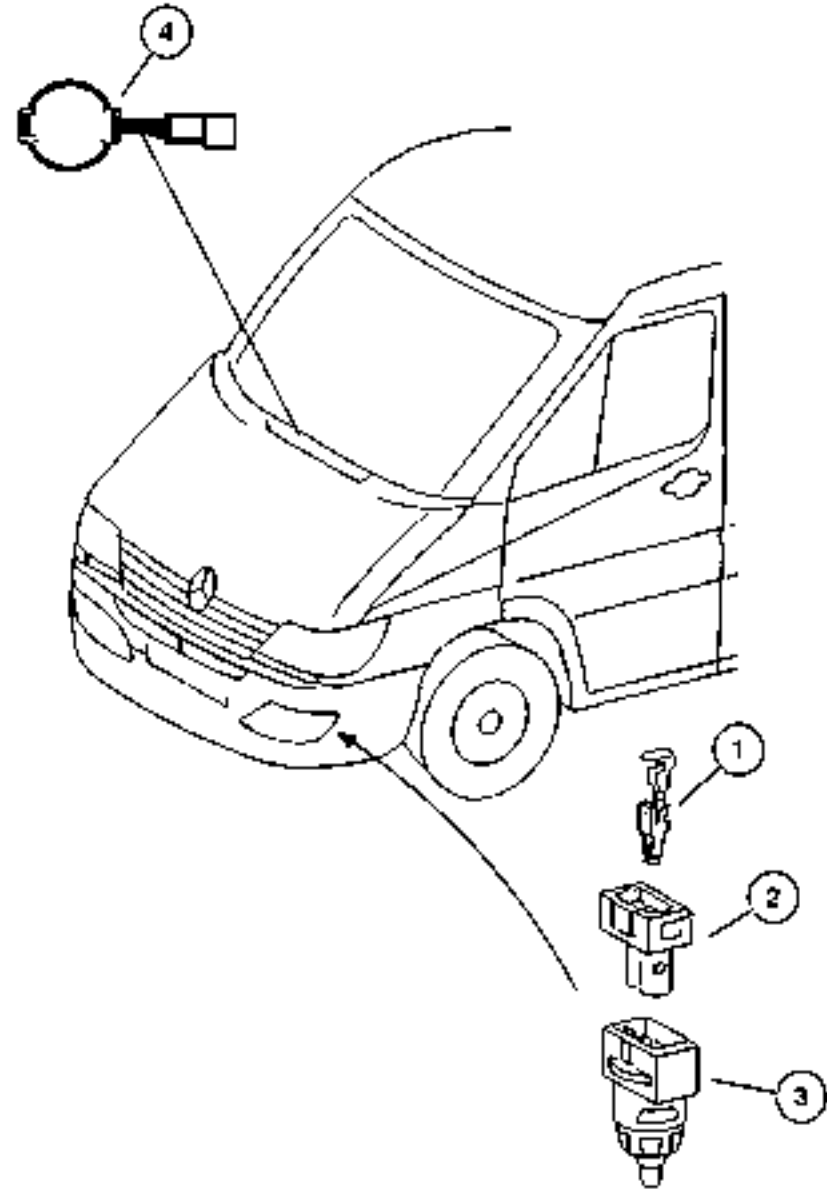
Refer to Model Legend Information Bookmark

AR = Use as required - = Non illustrated part # = New this model year

March 3, 2006

Sensors Ambient Temperature and Rain
Figure 008-620

ITEM	PART NUMBER	QTY	LINE	SERIES	BODY	ENGINE	TRANS	TRIM	DESCRIPTION
		1	3, 7	L	02, 06	EX8	DGZ		
		1	3, 7	L	12, 15, 16	EX8	DGZ		

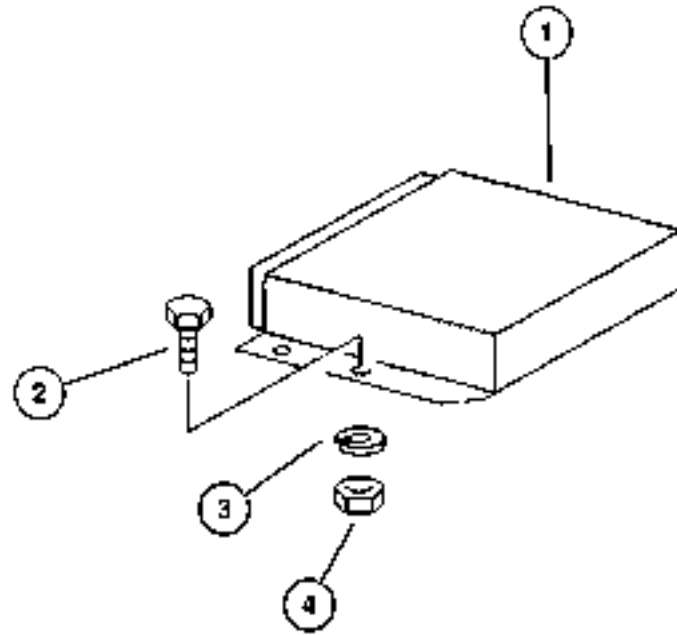


Refer to Model Legend Information Bookmark

AR = Use as required - = Non illustrated part # = New this model year

March 3, 2006

Powertrain Control
Figure 008-715



ITEM	PART NUMBER	QTY	LINE	SERIES	BODY	ENGINE	TRANS	TRIM	DESCRIPTION
1									MODULE, Powertrain Control
	5166 760AA	1	2, 6	L	01, 02, 06	EX8	DGZ		
		1	2, 6	L	11, 12, 14, 15, 16	EX8	DGZ		
		1	2, 6	L	51, 52, 54, 55, 56	EX8	DGZ		
		1	3, 7	L	02, 06	EX8	DGZ		
		1	3, 7	L	12, 15, 16	EX8	DGZ		
2									BOLT, M6x20
	5126 198AA	4	2, 6	L	01, 02, 06	EX8	DGZ		
		4	2, 6	L	11, 12, 14, 15, 16	EX8	DGZ		
		4	2, 6	L	51, 52, 54, 55, 56	EX8	DGZ		
		4	3, 7	L	02, 06	EX8	DGZ		
		4	3, 7	L	12, 15, 16	EX8	DGZ		
3									LOCK WASHER
	5126 240AA	4	2, 6	L	01, 02, 06	EX8	DGZ		
		4	2, 6	L	11, 12, 14, 15, 16	EX8	DGZ		
		4	2, 6	L	51, 52, 54, 55, 56	EX8	DGZ		
		4	3, 7	L	02, 06	EX8	DGZ		
		4	3, 7	L	12, 15, 16	EX8	DGZ		
4									NUT, Hex, (NOT SERVICED) (Not Serviced)
-5									MODULE, Transmission Control
	5140 526AA-	1	2, 6	L	01, 02, 06	EX8	DGZ		
		1	2, 6	L	11, 12, 14, 15, 16	EX8	DGZ		

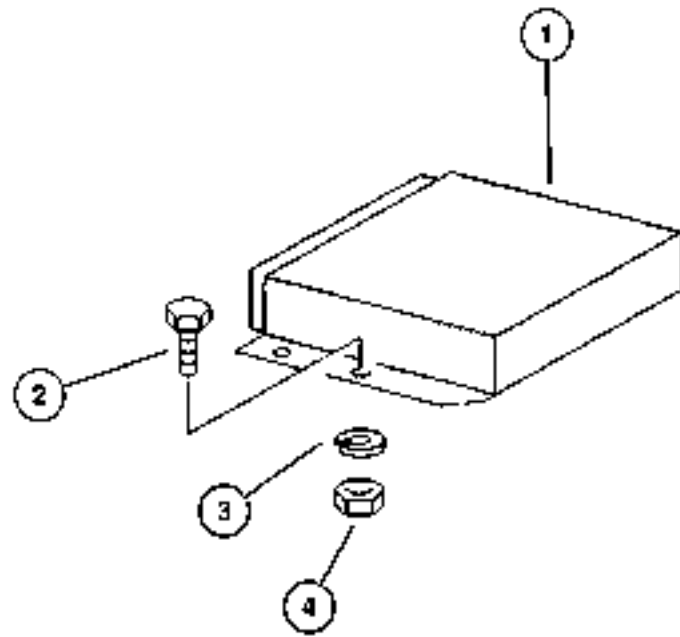
Refer to Model Legend Information Bookmark

AR = Use as required - = Non illustrated part # = New this model year

March 3, 2006

Powertrain Control
Figure 008-715

ITEM	PART NUMBER	QTY	LINE	SERIES	BODY	ENGINE	TRANS	TRIM	DESCRIPTION
		1	2, 6	L	51, 52, 54, 55, 56	EX8	DGZ		
		1	3, 7	L	02, 06	EX8	DGZ		
		1	3, 7	L	12, 15, 16	EX8	DGZ		

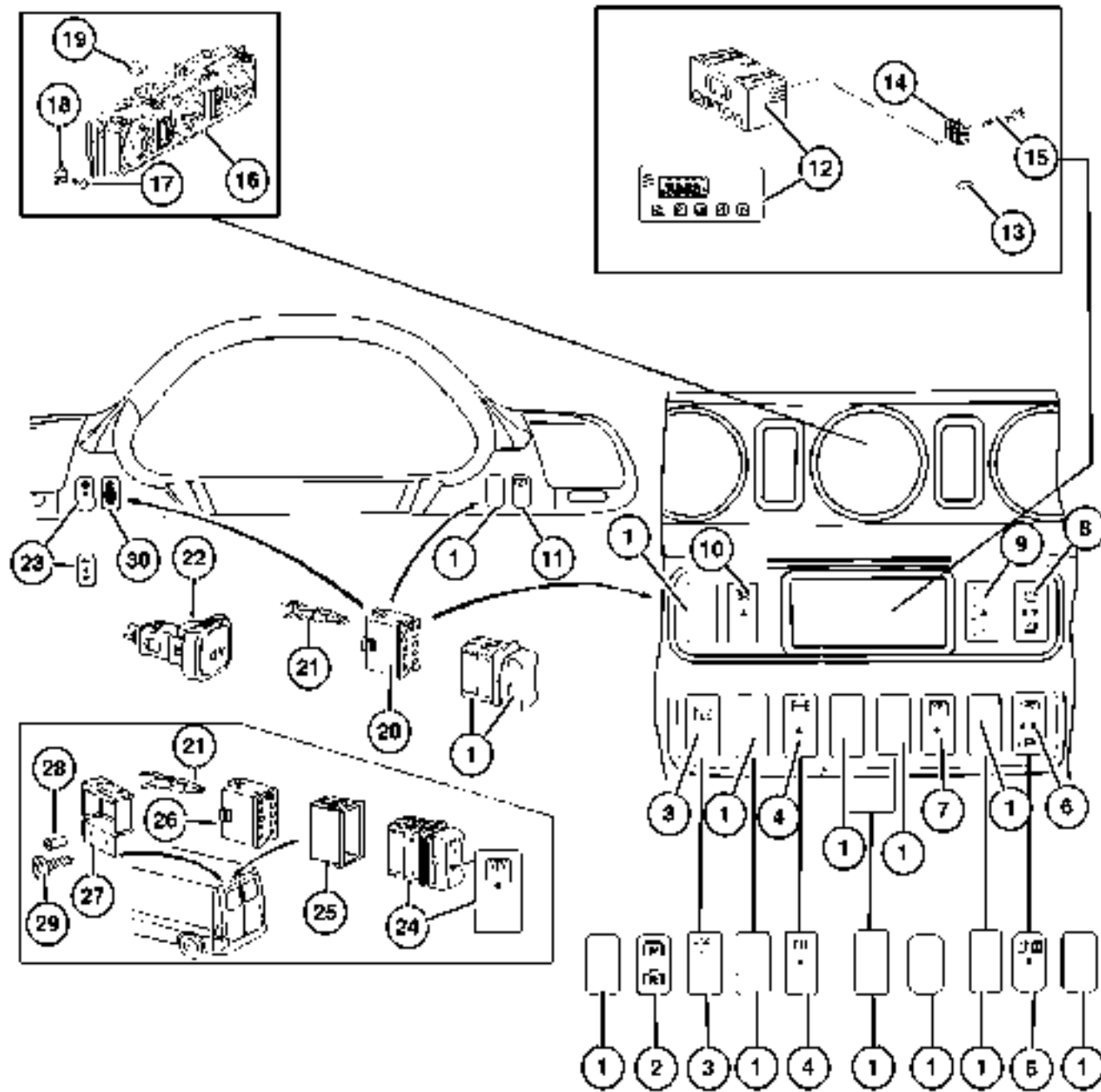


Refer to Model Legend Information Bookmark

AR = Use as required - = Non illustrated part # = New this model year

March 3, 2006

Switches - Instrument Panel
Figure 008-805



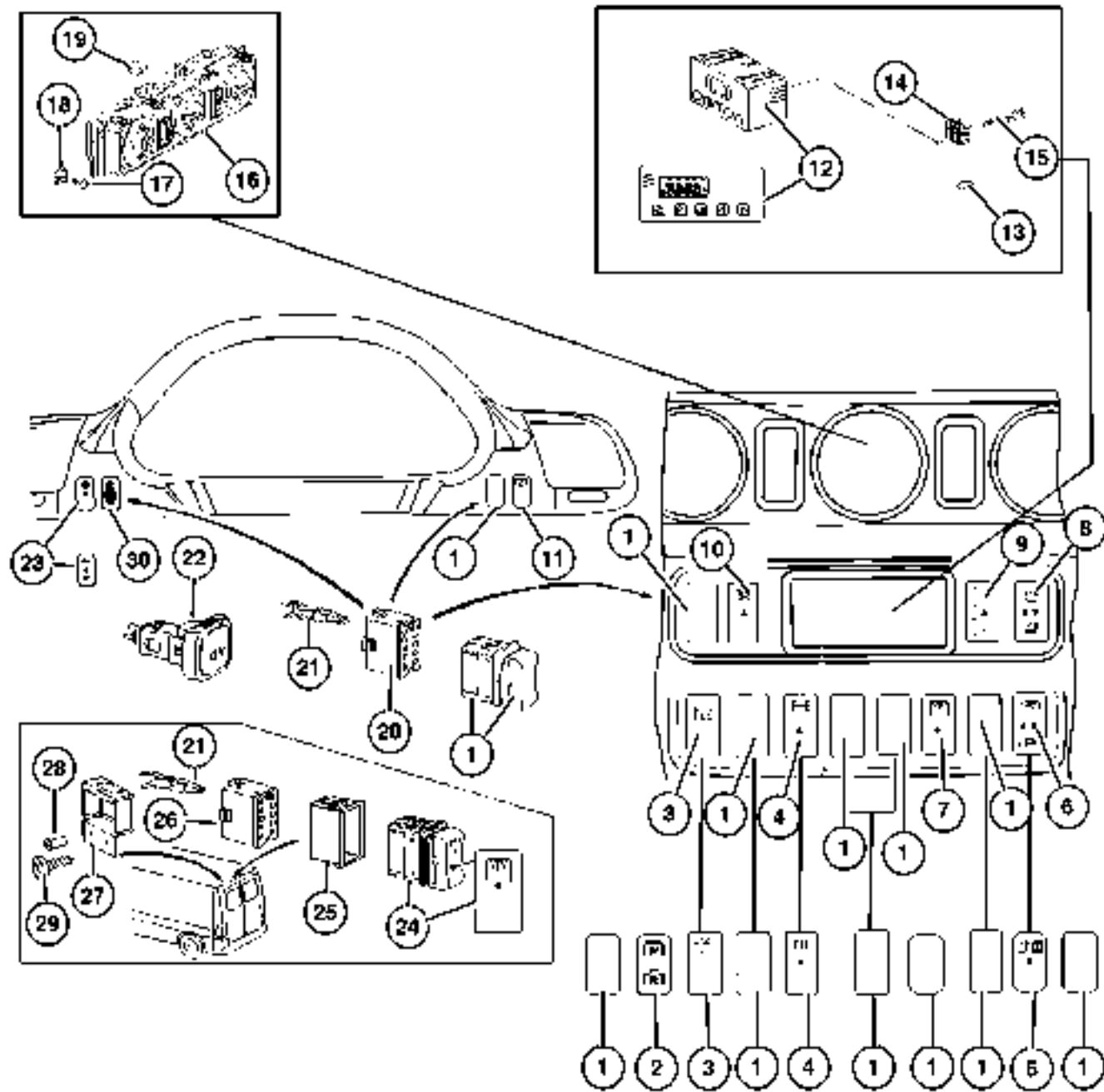
ITEM	PART NUMBER	QTY	LINE	SERIES	BODY	ENGINE	TRANS	TRIM	DESCRIPTION						
1	5122 925AA	3	2, 6	L	01, 02, 06	EX8	DGZ		COVER, Switch Opening						
										3	2, 6	L	11, 12, 14, 15, 16	EX8	DGZ
		3	3, 7	L	02, 06	EX8	DGZ								
								3	3, 7	L	12, 15, 16	EX8	DGZ		
		2	5120 490AA	1	2, 6	L	11, 12, 14, 15, 16							EX8	DGZ
1	2, 6							L	51, 52, 54, 55, 56	EX8	DGZ				
												1	3, 7		
1	3, 7			L	02, 06	EX8	DGZ								
								1	3, 7	L	12, 15, 16	EX8	DGZ		
3	472AA			1	3, 7	L	02, 06							EX8	DGZ
		1	3, 7					L	12, 15, 16	EX8	DGZ				
4	5103 853AA			1	2, 6	L	01, 02, 06					EX8	DGZ		SWITCH, Rear Blower
		1	2, 6					L	11, 12, 14, 15, 16	EX8	DGZ				
		1	3, 7	L	02, 06	EX8	DGZ								
								1	3, 7	L	12, 15, 16	EX8	DGZ		
		5	5124 392AA	1	2, 6	L	01, 02, 06							EX8	DGZ
1	2, 6							L	11, 12, 14, 15, 16	EX8	DGZ				

Refer to Model Legend Information Bookmark

AR = Use as required - = Non illustrated part # = New this model year

March 3, 2006

Switches - Instrument Panel
Figure 008-805



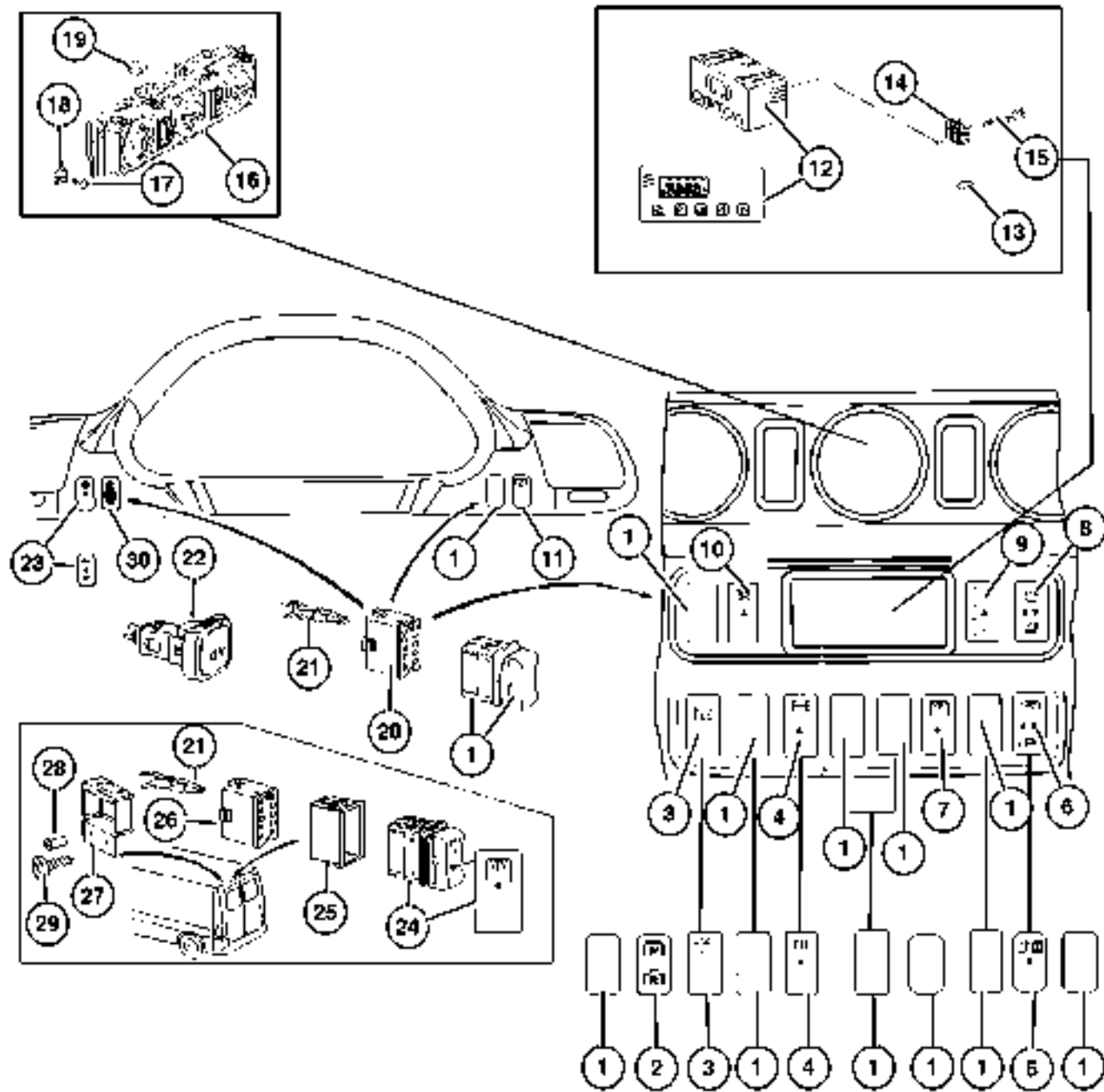
ITEM	PART NUMBER	QTY	LINE	SERIES	BODY	ENGINE	TRANS	TRIM	DESCRIPTION
		1	2, 6	L	51, 52, 54, 55, 56	EX8	DGZ		
		1	3, 7	L	02, 06	EX8	DGZ		
		1	3, 7	L	12, 15, 16	EX8	DGZ		
6	5103 855AA	1	2, 6	L	01, 02, 06	EX8	DGZ		SWITCH, Central Locking
		1	2, 6	L	11, 12, 14, 15, 16	EX8	DGZ		
		1	2, 6	L	51, 52, 54, 55, 56	EX8	DGZ		
		1	3, 7	L	02, 06	EX8	DGZ		
		1	3, 7	L	12, 15, 16	EX8	DGZ		
7	5103 844AA	1	2, 6	L	11, 12, 14, 15, 16	EX8	DGZ		SWITCH, Cargo Lamp
		1	3, 7	L	02, 06	EX8	DGZ		
		1	3, 7	L	12, 15, 16	EX8	DGZ		
8	5103 854AA	1	2, 6	L	01, 02, 06	EX8	DGZ		SWITCH, Heated Seat
	5120 444AA	2	2, 6	L	01, 02, 06	EX8	DGZ		
		2	2, 6	L	11, 12, 14, 15, 16	EX8	DGZ		
		2	2, 6	L	51, 52, 54, 55, 56	EX8	DGZ		
		2	3, 7	L	02, 06	EX8	DGZ		
		2	3, 7	L	12, 15, 16	EX8	DGZ		
9	5120 465AA	1	2, 6	L	01, 02, 06	EX8	DGZ		SWITCH, Security Alarm
		1	2, 6	L	11, 12, 14, 15, 16	EX8	DGZ		

Refer to Model Legend Information Bookmark

AR = Use as required - = Non illustrated part # = New this model year

March 3, 2006

Switches - Instrument Panel
Figure 008-805



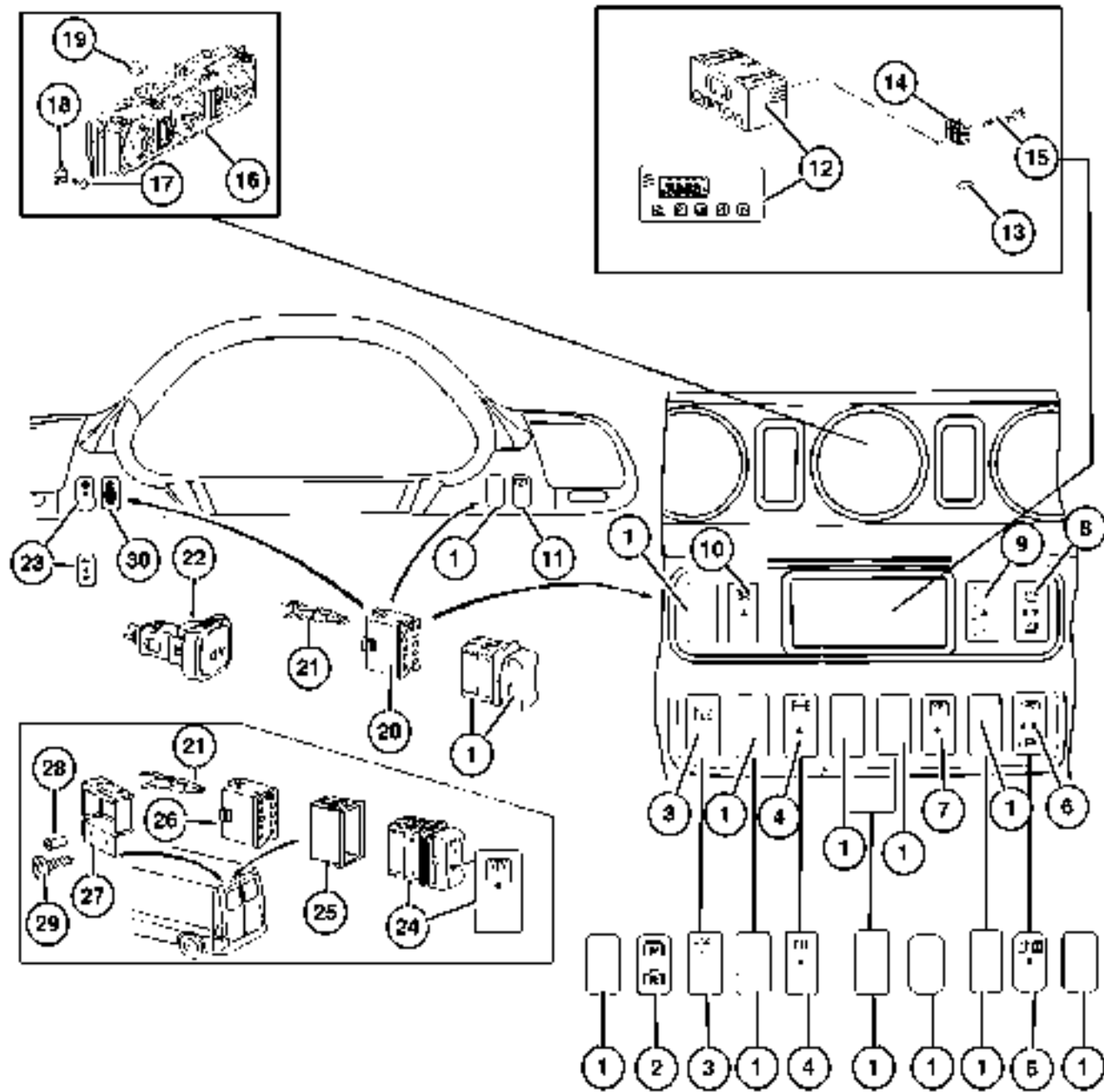
ITEM	PART NUMBER	QTY	LINE	SERIES	BODY	ENGINE	TRANS	TRIM	DESCRIPTION
		1	2, 6	L	51, 52, 54, 55, 56	EX8	DGZ		
		1	3, 7	L	02, 06	EX8	DGZ		
		1	3, 7	L	12, 15, 16	EX8	DGZ		
10	5120 466AA	1	2, 6	L	01, 02, 06	EX8	DGZ		SWITCH, Security Alarm
		1	2, 6	L	11, 12, 14, 15, 16	EX8	DGZ		
		1	2, 6	L	51, 52, 54, 55, 56	EX8	DGZ		
		1	3, 7	L	02, 06	EX8	DGZ		
		1	3, 7	L	12, 15, 16	EX8	DGZ		
11	5120 438AA	1	2, 6	L	11, 12, 14, 15, 16	EX8	DGZ		SWITCH, Defogger
		1	2, 6	L	51, 52, 54, 55, 56	EX8	DGZ		
		1	3, 7	L	12, 15, 16	EX8	DGZ		
12	5120 301AA	1	2, 6	L	01, 02, 06	EX8	DGZ		CLOCK
		1	2, 6	L	11, 12, 14, 15, 16	EX8	DGZ		
		1	2, 6	L	51, 52, 54, 55, 56	EX8	DGZ		
		1	3, 7	L	02, 06	EX8	DGZ		
		1	3, 7	L	12, 15, 16	EX8	DGZ		
13	5133 469AA	1	2, 6	L	01, 02, 06	EX8	DGZ		BULB, 12V 1.5W
		1	2, 6	L	11, 12, 14, 15, 16	EX8	DGZ		

Refer to Model Legend Information Bookmark

AR = Use as required - = Non illustrated part # = New this model year

March 3, 2006

Switches - Instrument Panel
Figure 008-805



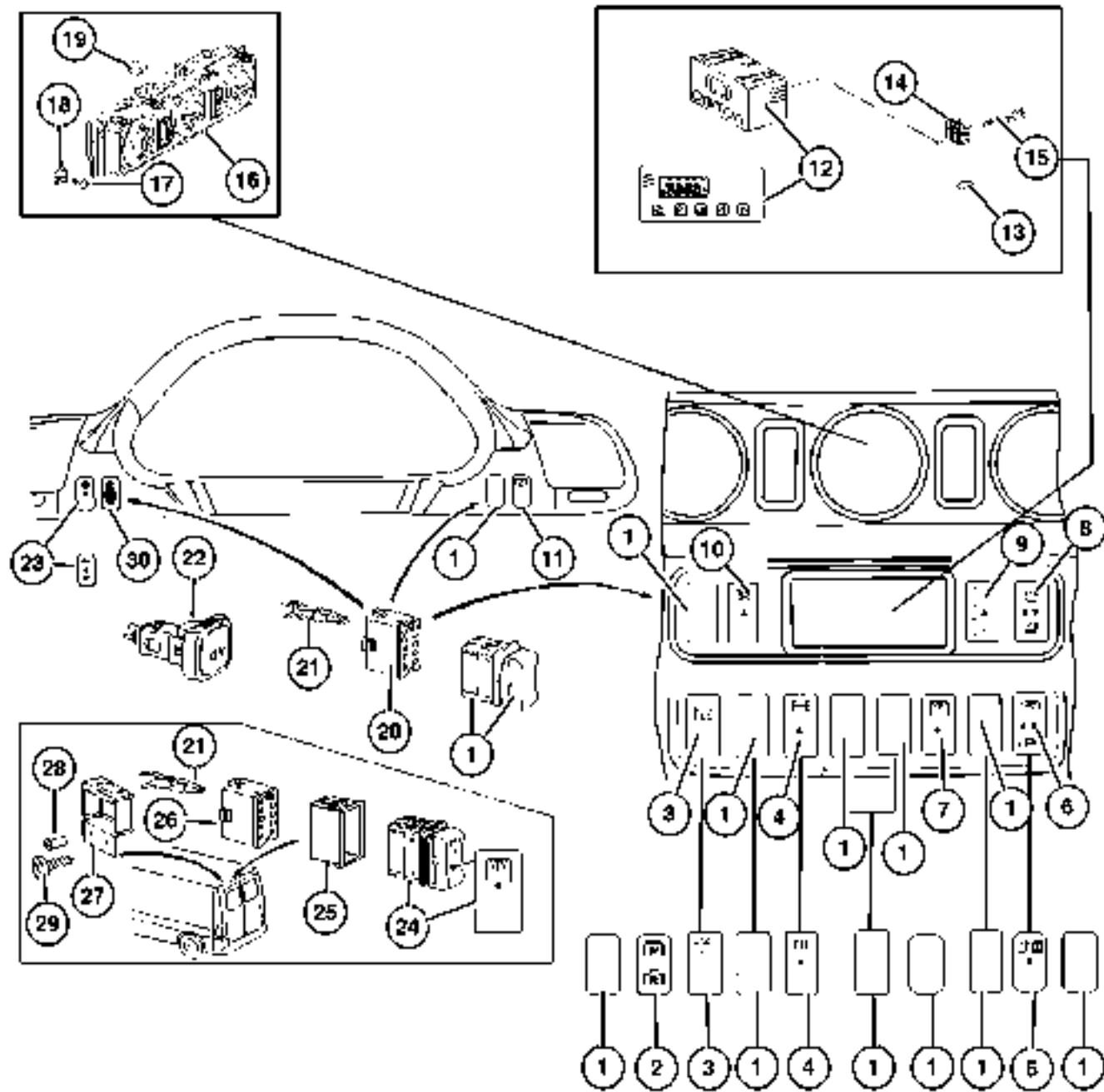
ITEM	PART NUMBER	QTY	LINE	SERIES	BODY	ENGINE	TRANS	TRIM	DESCRIPTION
		1	2, 6	L	51, 52, 54, 55, 56	EX8	DGZ		
		1	3, 7	L	02, 06	EX8	DGZ		
		1	3, 7	L	12, 15, 16	EX8	DGZ		
14	5120 552AA	1	2, 6	L	01, 02, 06	EX8	DGZ		CONNECTOR
		1	2, 6	L	11, 12, 14, 15, 16	EX8	DGZ		
		1	2, 6	L	51, 52, 54, 55, 56	EX8	DGZ		
		1	3, 7	L	02, 06	EX8	DGZ		
		1	3, 7	L	12, 15, 16	EX8	DGZ		
15	5103 881AA	99	2, 6	L	01, 02, 06	EX8	DGZ		TERMINAL
		99	2, 6	L	11, 12, 14, 15, 16	EX8	DGZ		
		99	2, 6	L	51, 52, 54, 55, 56	EX8	DGZ		
		99	3, 7	L	02, 06	EX8	DGZ		
		99	3, 7	L	12, 15, 16	EX8	DGZ		
16	5103 643AA	1	2, 6	L	01, 02, 06	EX8	DGZ		CONTROL, A/C And Heater [HAB]
		1	2, 6	L	11, 12, 14, 15, 16	EX8	DGZ		[HAB]
		1	2, 6	L	51, 52, 54, 55, 56	EX8	DGZ		[HAB]
		1	3, 7	L	02, 06	EX8	DGZ		[HAB]
		1	3, 7	L	12, 15, 16	EX8	DGZ		[HAB]
	5103 644AA	1	2, 6	L	01, 02, 06	EX8	DGZ		[HAB,3JV]

Refer to Model Legend Information Bookmark

AR = Use as required - = Non illustrated part # = New this model year

March 3, 2006

Switches - Instrument Panel
Figure 008-805



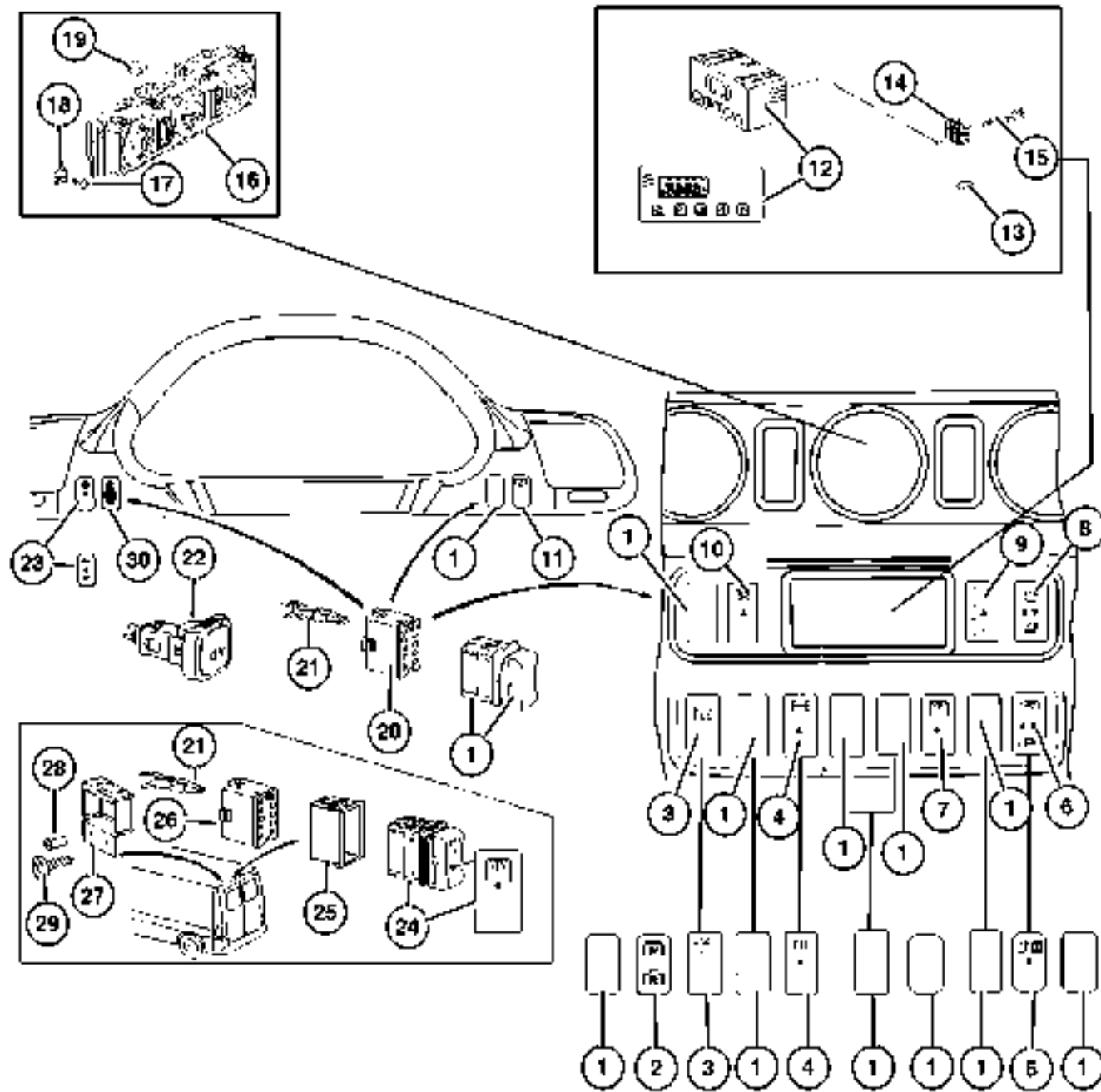
ITEM	PART NUMBER	QTY	LINE	SERIES	BODY	ENGINE	TRANS	TRIM	DESCRIPTION
		1	2, 6	L	11, 12, 14, 15, 16	EX8	DGZ		[HAB,3JV]
		1	2, 6	L	51, 52, 54, 55, 56	EX8	DGZ		[HAB,3JV]
		1	3, 7	L	02, 06	EX8	DGZ		[HAB,3JV]
		1	3, 7	L	12, 15, 16	EX8	DGZ		[HAB,3JV]
	5103 690AA	1	2, 6	L	01, 02, 06	EX8	DGZ		
		1	2, 6	L	11, 12, 14, 15, 16	EX8	DGZ		
		1	2, 6	L	51, 52, 54, 55, 56	EX8	DGZ		
		1	3, 7	L	02, 06	EX8	DGZ		
		1	3, 7	L	12, 15, 16	EX8	DGZ		
17									SCREW
	6104 610AA	2	2, 6	L	01, 02, 06	EX8	DGZ		
		2	2, 6	L	11, 12, 14, 15, 16	EX8	DGZ		
		2	2, 6	L	51, 52, 54, 55, 56	EX8	DGZ		
		2	3, 7	L	02, 06	EX8	DGZ		
		2	3, 7	L	12, 15, 16	EX8	DGZ		
18									NUT, Spring
	5125 861AA	2	2, 6	L	01, 02, 06	EX8	DGZ		
		2	2, 6	L	11, 12, 14, 15, 16	EX8	DGZ		
		2	2, 6	L	51, 52, 54, 55, 56	EX8	DGZ		
		2	3, 7	L	02, 06	EX8	DGZ		
		2	3, 7	L	12, 15, 16	EX8	DGZ		
19									BULB

Refer to Model Legend Information Bookmark

AR = Use as required - = Non illustrated part # = New this model year

March 3, 2006

Switches - Instrument Panel
Figure 008-805



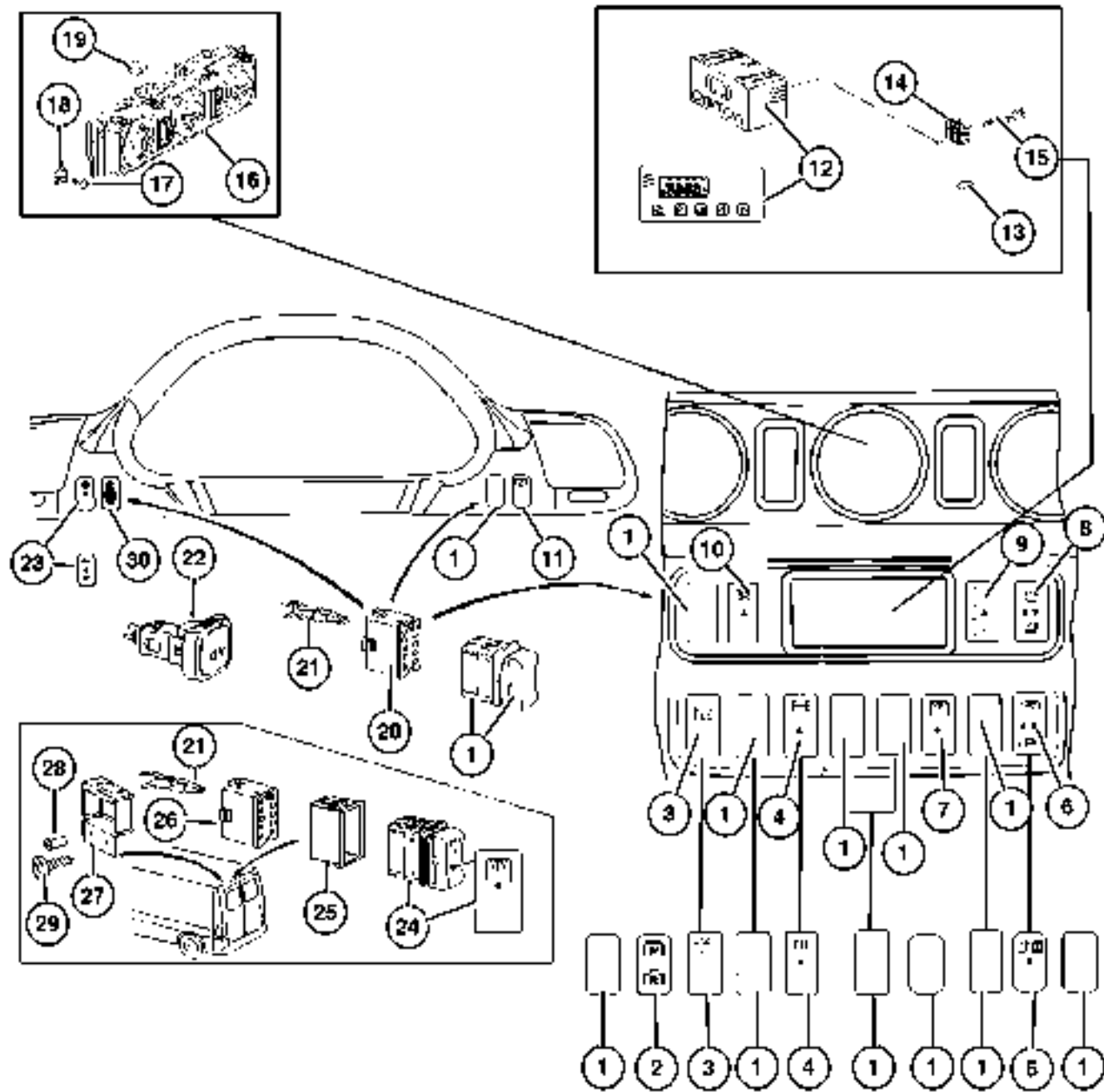
ITEM	PART NUMBER	QTY	LINE	SERIES	BODY	ENGINE	TRANS	TRIM	DESCRIPTION
	5133 468AA	1	2, 6	L	01, 02, 06	EX8	DGZ		
		1	2, 6	L	11, 12, 14, 15, 16	EX8	DGZ		
		1	2, 6	L	51, 52, 54, 55, 56	EX8	DGZ		
		1	3, 7	L	02, 06	EX8	DGZ		
		1	3, 7	L	12, 15, 16	EX8	DGZ		
20									CONNECTOR
	5120 633AA	99	2, 6	L	01, 02, 06	EX8	DGZ		
		99	2, 6	L	11, 12, 14, 15, 16	EX8	DGZ		
		99	2, 6	L	51, 52, 54, 55, 56	EX8	DGZ		
		99	3, 7	L	02, 06	EX8	DGZ		
		99	3, 7	L	12, 15, 16	EX8	DGZ		
21									TERMINAL
	5103 882AA	99	2, 6	L	01, 02, 06	EX8	DGZ		
		99	2, 6	L	11, 12, 14, 15, 16	EX8	DGZ		
		99	2, 6	L	51, 52, 54, 55, 56	EX8	DGZ		
		1	3, 7	L	02, 06	EX8	DGZ		
		1	3, 7	L	12, 15, 16	EX8	DGZ		
22									CONTROL, Air Conditioning
	5103 907AA	1	2, 6	L	11, 12, 14, 15, 16	EX8	DGZ		
		1	2, 6	L	51, 52, 54, 55, 56	EX8	DGZ		
		1	3, 7	L	12, 15, 16	EX8	DGZ		
23									SWITCH, Fog Lamp

Refer to Model Legend Information Bookmark

AR = Use as required - = Non illustrated part # = New this model year

March 3, 2006

Switches - Instrument Panel
Figure 008-805



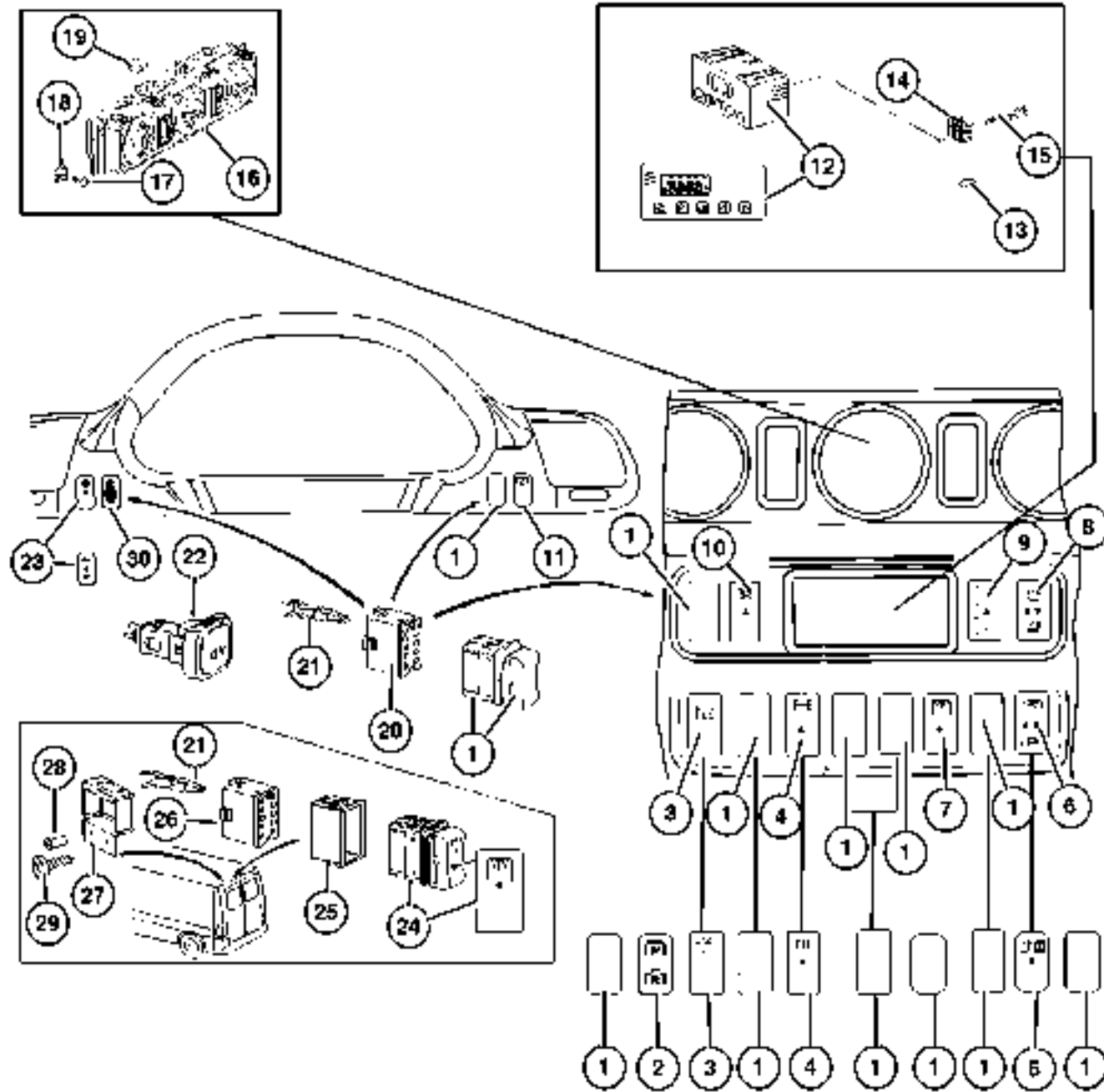
ITEM	PART NUMBER	QTY	LINE	SERIES	BODY	ENGINE	TRANS	TRIM	DESCRIPTION
	5103 864AA	1	2, 6	L	01, 02, 06	EX8	DGZ		
		1	2, 6	L	11, 12, 14, 15, 16	EX8	DGZ		
		1	2, 6	L	51, 52, 54, 55, 56	EX8	DGZ		
		1	3, 7	L	02, 06	EX8	DGZ		
		1	3, 7	L	12, 15, 16	EX8	DGZ		
24	5103 844AA	1	2, 6	L	11, 12, 14, 15, 16	EX8	DGZ		SWITCH, Cargo Lamp
		1	3, 7	L	02, 06	EX8	DGZ		
		1	3, 7	L	12, 15, 16	EX8	DGZ		
25	5120 247AA	2	2, 6	L	11, 12, 14, 15, 16	EX8	DGZ		HOUSING, Switch
		2	3, 7	L	12, 15, 16	EX8	DGZ		
26	5120 596AA	1	2, 6	L	11, 12, 14, 15, 16	EX8	DGZ		CONNECTOR
		2	3, 7	L	12, 15, 16	EX8	DGZ		
27	5104 354AA	2	2, 6	L	01, 02, 06	EX8	DGZ		COVER, Switch
		2	2, 6	L	11, 12, 14, 15, 16	EX8	DGZ		
		2	2, 6	L	51, 52, 54, 55, 56	EX8	DGZ		
		2	3, 7	L	02, 06	EX8	DGZ		
		2	3, 7	L	12, 15, 16	EX8	DGZ		
28	5103 838AA	4	2, 6	L	01, 02, 06	EX8	DGZ		RIVET

Refer to Model Legend Information Bookmark

AR = Use as required - = Non illustrated part # = New this model year

March 3, 2006

Switches - Instrument Panel
Figure 008-805



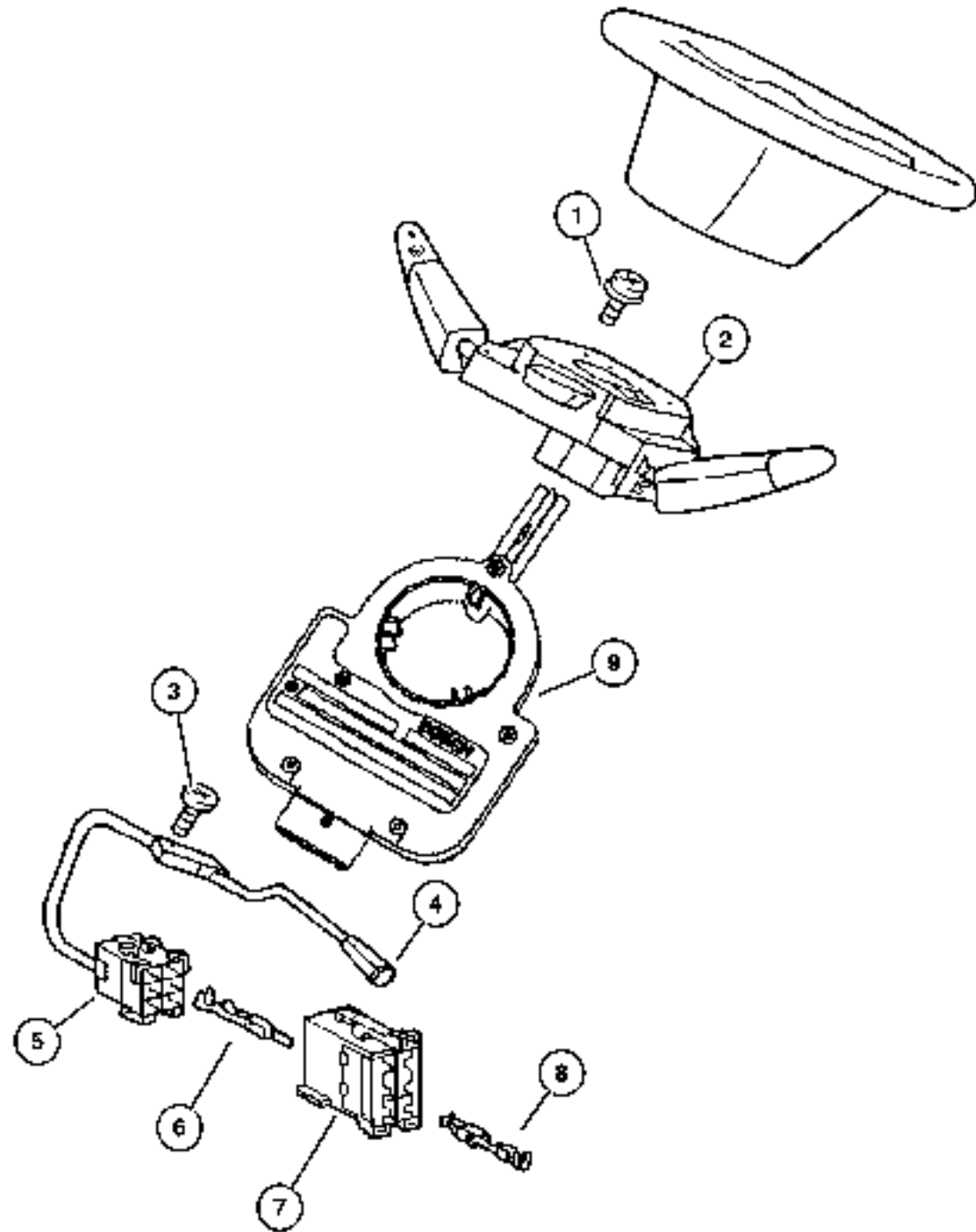
ITEM	PART NUMBER	QTY	LINE	SERIES	BODY	ENGINE	TRANS	TRIM	DESCRIPTION
		4	2, 6	L	11, 12, 14, 15, 16	EX8	DGZ		
		4	2, 6	L	51, 52, 54, 55, 56	EX8	DGZ		
		4	3, 7	L	02, 06	EX8	DGZ		
		4	3, 7	L	12, 15, 16	EX8	DGZ		
29	5126 272AA	1	2, 6	L	11, 12, 14, 15, 16	EX8	DGZ		SCREW
		1	2, 6	L	51, 52, 54, 55, 56	EX8	DGZ		
		1	3, 7	L	12, 15, 16	EX8	DGZ		
30	5103 658AA	1	2, 6	L	01, 02, 06	EX8	DGZ		SWITCH, Headlamp Leveling
		1	2, 6	L	11, 12, 14, 15, 16	EX8	DGZ		
		1	2, 6	L	51, 52, 54, 55, 56	EX8	DGZ		
		1	3, 7	L	02, 06	EX8	DGZ		
		1	3, 7	L	12, 15, 16	EX8	DGZ		

Refer to Model Legend Information Bookmark

AR = Use as required - = Non illustrated part # = New this model year

March 3, 2006

Switches -Steering Column
Figure 008-810



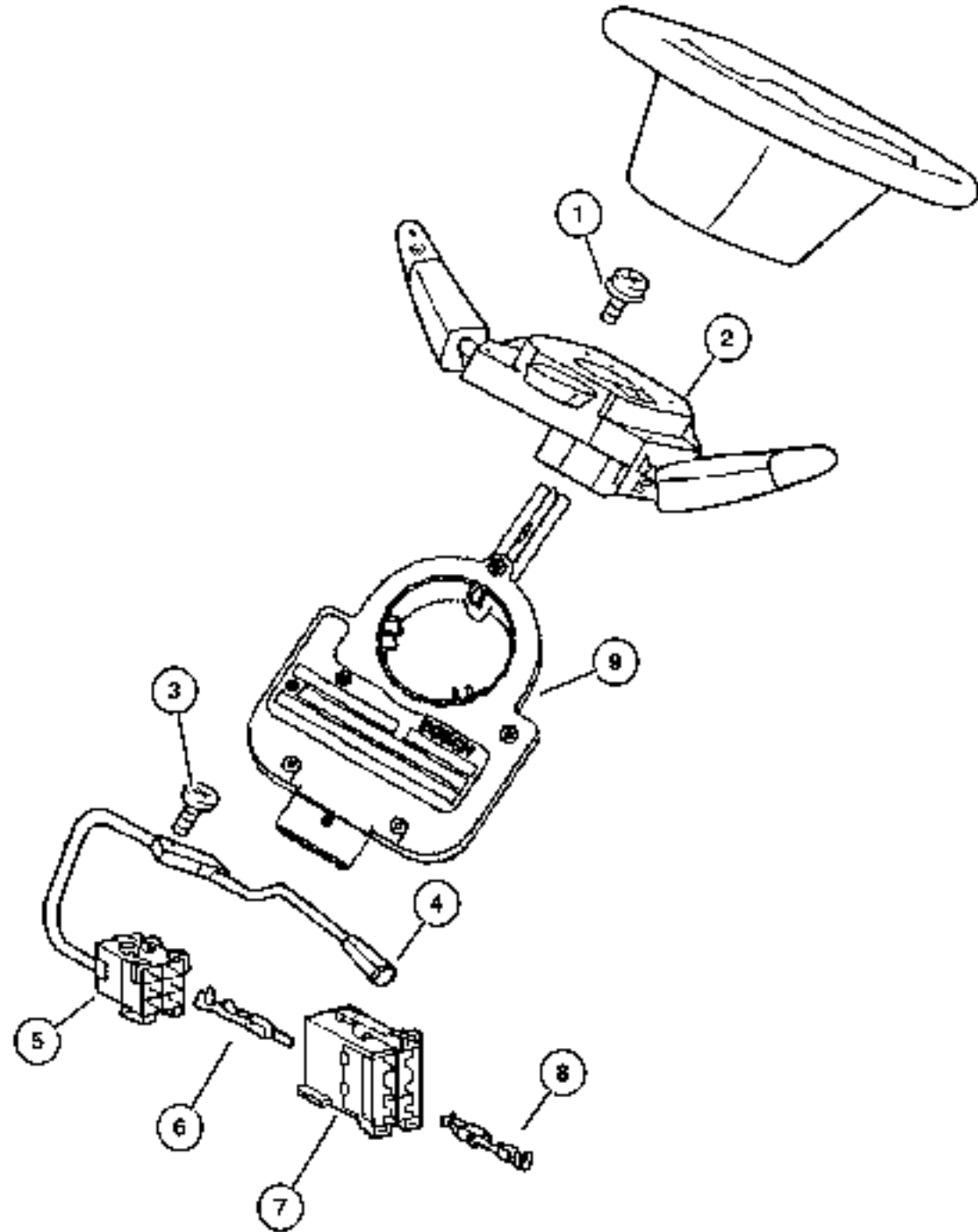
ITEM	PART NUMBER	QTY	LINE	SERIES	BODY	ENGINE	TRANS	TRIM	DESCRIPTION
1									SCREW
	5104 636AA	2	2, 6	L	01, 02, 06	EX8	DGZ		
		2	2, 6	L	11, 12, 14, 15, 16	EX8	DGZ		
		2	2, 6	L	51, 52, 54, 55, 56	EX8	DGZ		
		2	3, 7	L	02, 06	EX8	DGZ		
		2	3, 7	L	12, 15, 16	EX8	DGZ		
2									SWITCH, steering column
	5103 539AA	1	2, 6	L	06	EX8	DGZ		[5AF]
		1	2, 6	L	16	EX8	DGZ		[5AF]
		1	2, 6	L	56	EX8	DGZ		[5AF]
		1	3, 7	L	02	EX8	DGZ		[5AF]
		1	3, 7	L	06	EX8	DGZ		[5AF]
		1	3, 7	L	16	EX8	DGZ		[5AF]
	5103 745AA	1	2, 6	L	01, 02	EX8	DGZ		[4E9]
		1	2, 6	L	11, 12, 14, 15	EX8	DGZ		[4E9]
		1	2, 6	L	51, 52, 54, 55	EX8	DGZ		[4E9]
		1	3, 7	L	12, 15	EX8	DGZ		[4E9]
3									SCREW
	5126 175AA	1	2, 6	L	01, 02, 06	EX8	DGZ		
		1	2, 6	L	11, 12, 14, 15, 16	EX8	DGZ		
		1	2, 6	L	51, 52, 54, 55, 56	EX8	DGZ		
		1	3, 7	L	02, 06	EX8	DGZ		
		1	3, 7	L	12, 15, 16	EX8	DGZ		
4									SWITCH, Speed Control
	5103 744AA	1	2, 6	L	01, 02, 06	EX8	DGZ		
		1	2, 6	L	11, 12, 14, 15, 16	EX8	DGZ		

Refer to Model Legend Information Bookmark

AR = Use as required - = Non illustrated part # = New this model year

March 3, 2006

Switches -Steering Column
Figure 008-810



ITEM	PART NUMBER	QTY	LINE	SERIES	BODY	ENGINE	TRANS	TRIM	DESCRIPTION
		1	2, 6	L	51, 52, 54, 55, 56	EX8	DGZ		
		1	3, 7	L	02, 06	EX8	DGZ		
		1	3, 7	L	12, 15, 16	EX8	DGZ		
5	5120 792AA	1	2, 6	L	01, 02, 06	EX8	DGZ		INSULATOR, 6 Way
		1	2, 6	L	11, 12, 14, 15, 16	EX8	DGZ		
		1	2, 6	L	51, 52, 54, 55, 56	EX8	DGZ		
		1	3, 7	L	02, 06	EX8	DGZ		
		1	3, 7	L	12, 15, 16	EX8	DGZ		
6	5103 909AA	99	2, 6	L	01, 02, 06	EX8	DGZ		TERMINAL, Male
		99	2, 6	L	11, 12, 14, 15, 16	EX8	DGZ		
		99	2, 6	L	51, 52, 54, 55, 56	EX8	DGZ		
		99	3, 7	L	02, 06	EX8	DGZ		
		99	3, 7	L	12, 15, 16	EX8	DGZ		
7	5120 786AA	1	2, 6	L	01, 02, 06	EX8	DGZ		CONNECTOR
		1	2, 6	L	11, 12, 14, 15, 16	EX8	DGZ		
		1	2, 6	L	51, 52, 54, 55, 56	EX8	DGZ		
		1	3, 7	L	02, 06	EX8	DGZ		
		1	3, 7	L	12, 15, 16	EX8	DGZ		
8	5133 478AA	99	2, 6	L	01, 02, 06	EX8	DGZ		TERMINAL

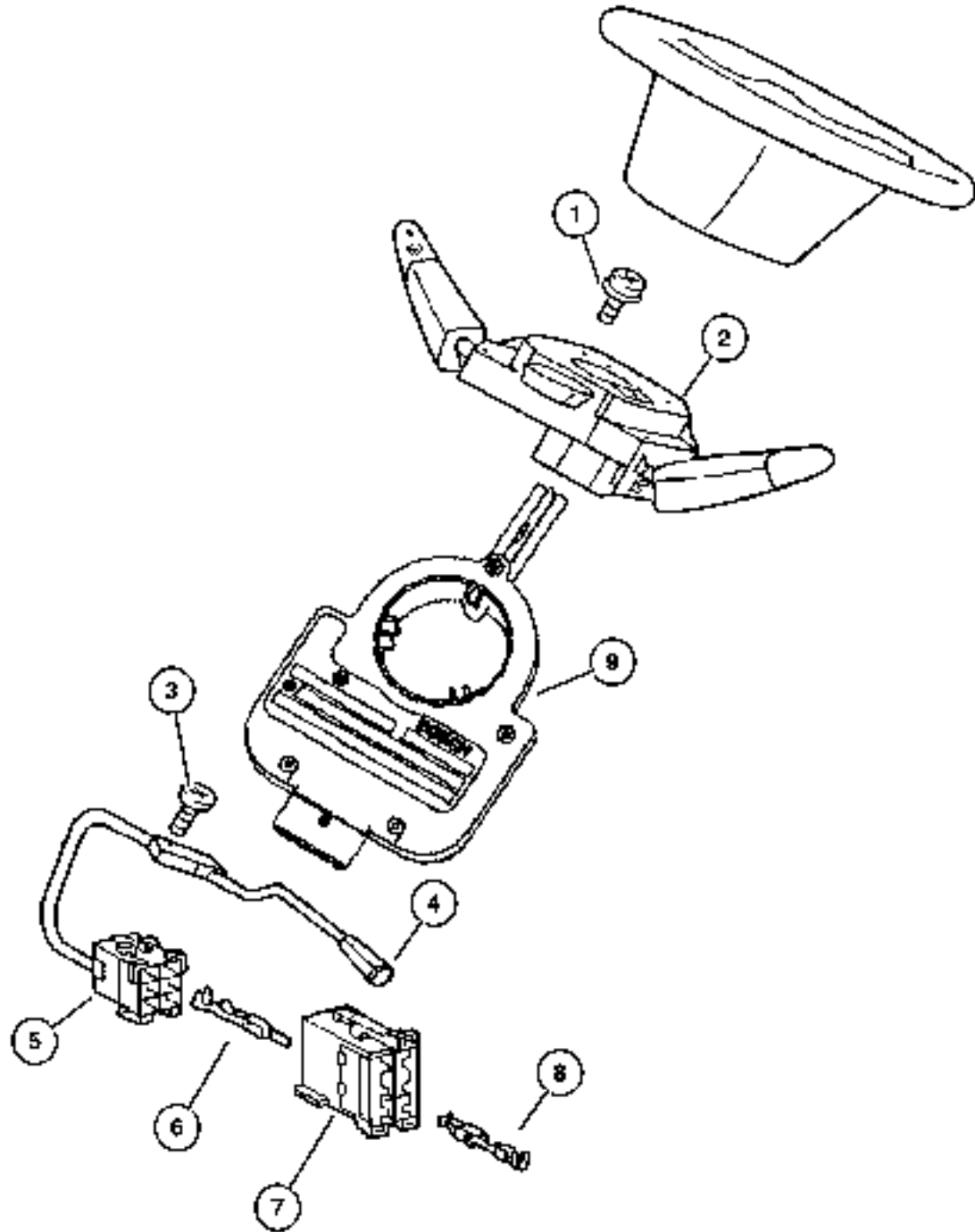
Refer to Model Legend Information Bookmark

AR = Use as required - = Non illustrated part # = New this model year

March 3, 2006

Switches -Steering Column
Figure 008-810

ITEM	PART NUMBER	QTY	LINE	SERIES	BODY	ENGINE	TRANS	TRIM	DESCRIPTION
		99	2, 6	L	11, 12, 14, 15, 16	EX8	DGZ		
		99	2, 6	L	51, 52, 54, 55, 56	EX8	DGZ		
		99	3, 7	L	02, 06	EX8	DGZ		
		99	3, 7	L	12, 15, 16	EX8	DGZ		
9	5129 606AA	1	2, 6	L	01, 02, 06	EX8	DGZ		SENSOR, Steering Wheel Angle
		1	2, 6	L	11, 12, 14, 15, 16	EX8	DGZ		
		1	2, 6	L	51, 52, 54, 55, 56	EX8	DGZ		

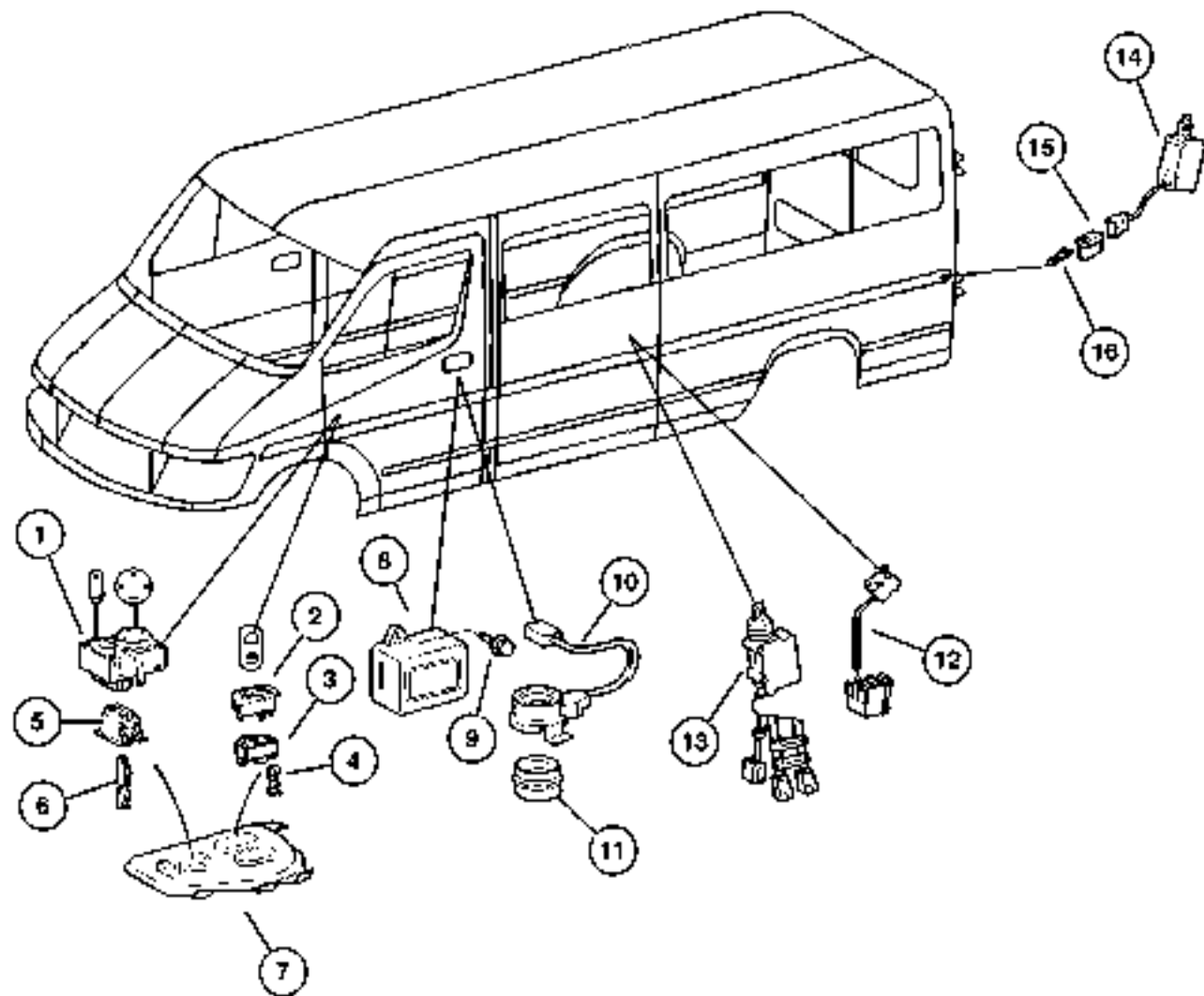


Refer to Model Legend Information Bookmark

AR = Use as required - = Non illustrated part # = New this model year

March 3, 2006

Switches - Doors
Figure 008-815



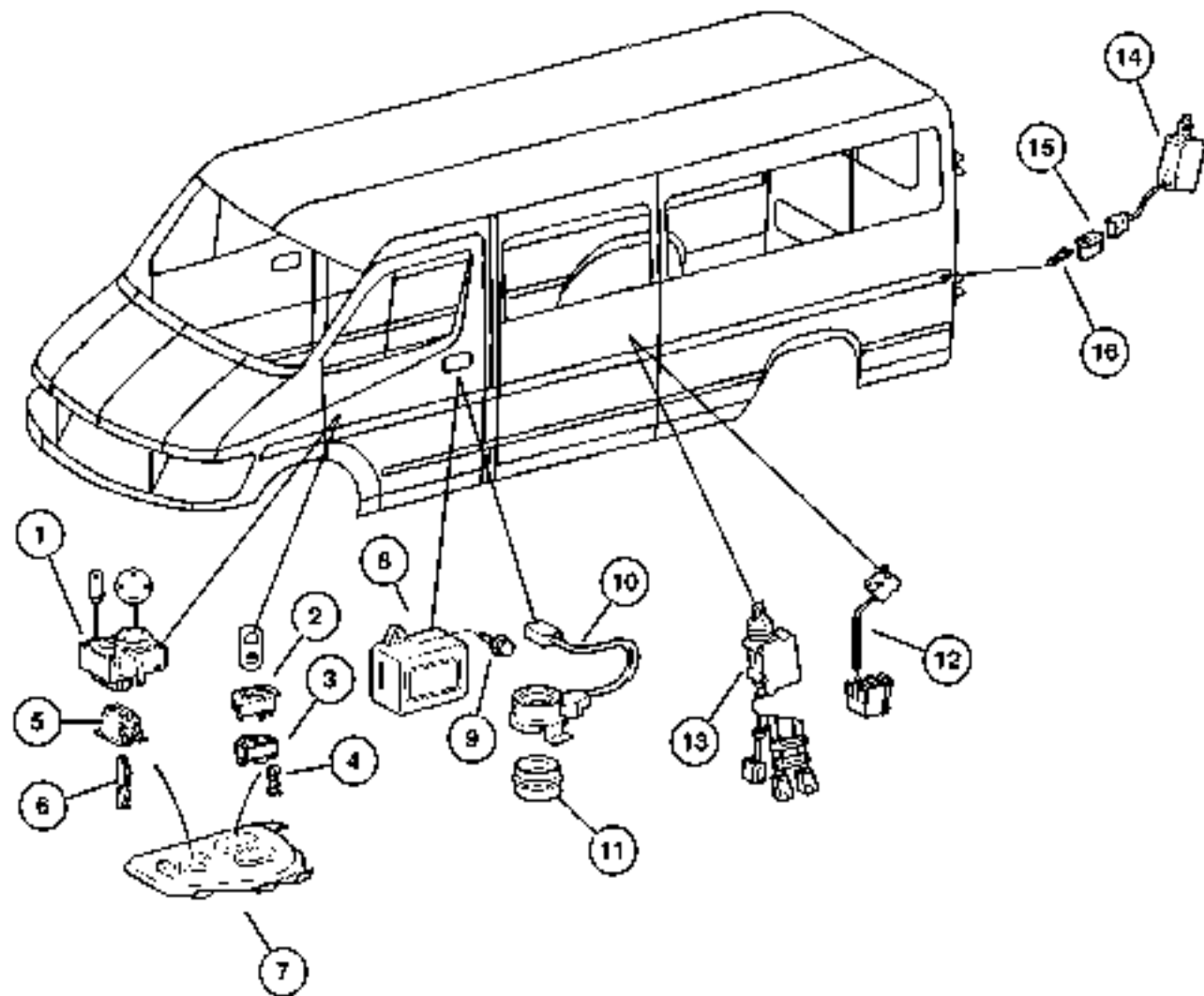
ITEM	PART NUMBER	QTY	LINE	SERIES	BODY	ENGINE	TRANS	TRIM	DESCRIPTION	
1	5103 845AA	1	2, 6	L	01, 02, 06	EX8	DGZ		SWITCH, Mirror [GTB]	
		1	2, 6	L	11, 12, 14, 15, 16	EX8	DGZ		[GTB]	
			1	2, 6	L	51, 52, 54, 55, 56	EX8	DGZ	[GTB]	
			1	3, 7	L	02, 06	EX8	DGZ	[GTB]	
			1	3, 7	L	12, 15, 16	EX8	DGZ	[GTB]	
	5123 792AA	1	2, 6	L	01, 02, 06	EX8	DGZ		[JPA]	
				1	2, 6	L	11, 12, 14, 15, 16	EX8	DGZ	[JPA]
				1	2, 6	L	51, 52, 54, 55, 56	EX8	DGZ	[JPA]
				1	3, 7	L	02, 06	EX8	DGZ	[JPA]
				1	3, 7	L	12, 15, 16	EX8	DGZ	[JPA]
2	5103 856AA	2	2, 6	L	01, 02, 06	EX8	DGZ		SWITCH, Power Window	
		2	2, 6	L	11, 12, 14, 15, 16	EX8	DGZ			
			2	2, 6	L	51, 52, 54, 55, 56	EX8	DGZ		
			2	3, 7	L	02, 06	EX8	DGZ		
			2	3, 7	L	12, 15, 16	EX8	DGZ		
3	5120 604AA	1	2, 6	L	01, 02, 06	EX8	DGZ		CONNECTOR	
				1	2, 6	L	11, 12, 14, 15, 16	EX8	DGZ	
				1	2, 6	L	51, 52, 54, 55, 56	EX8	DGZ	
				1	3, 7	L	02, 06	EX8	DGZ	

Refer to Model Legend Information Bookmark

AR = Use as required - = Non illustrated part # = New this model year

March 3, 2006

Switches - Doors
Figure 008-815



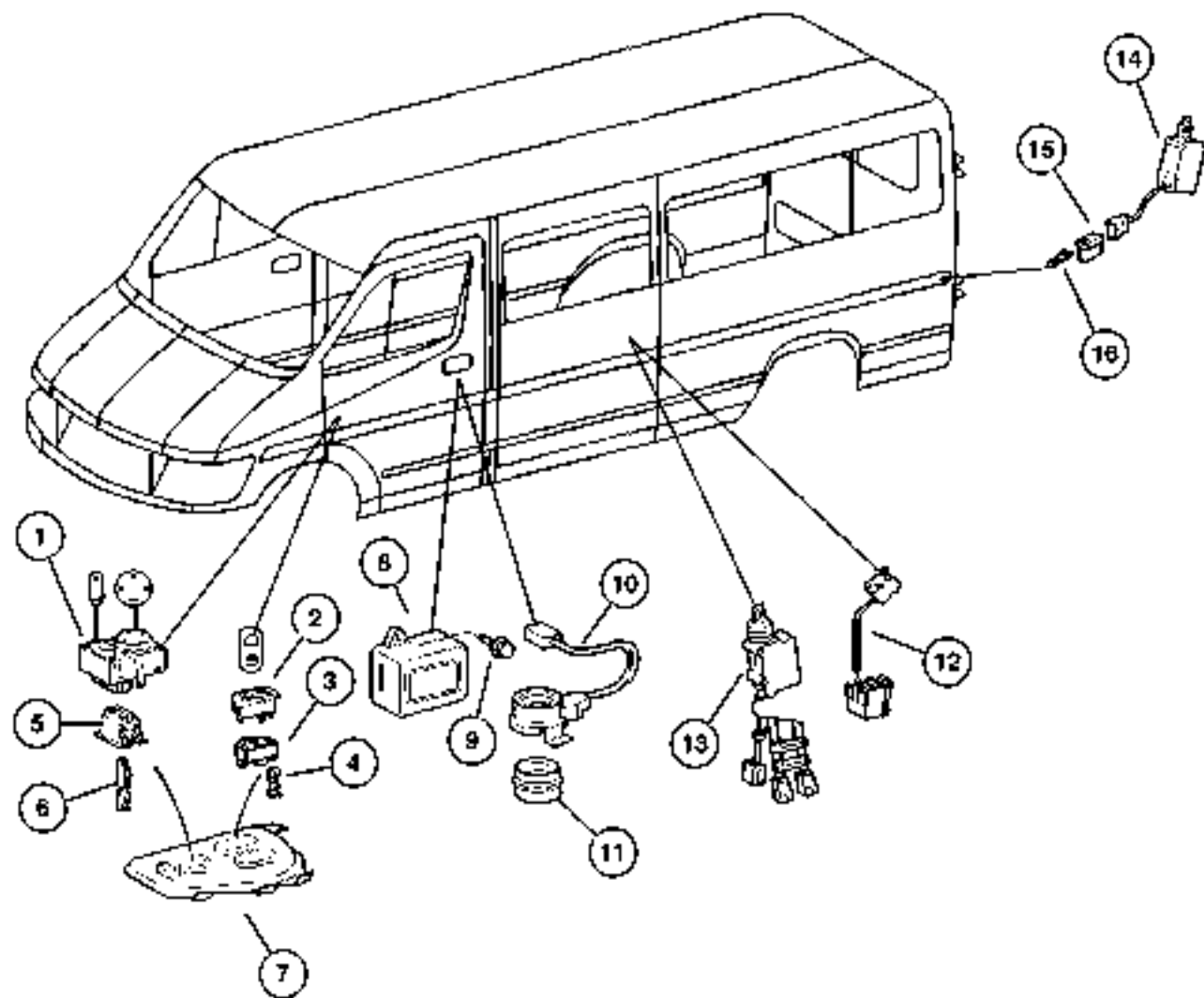
ITEM	PART NUMBER	QTY	LINE	SERIES	BODY	ENGINE	TRANS	TRIM	DESCRIPTION
		1	3, 7	L	12, 15, 16	EX8	DGZ		
4	5133 519AA	99	2, 6	L	01, 02, 06	EX8	DGZ		TERMINAL, Female
		99	2, 6	L	11, 12, 14, 15, 16	EX8	DGZ		
		99	2, 6	L	51, 52, 54, 55, 56	EX8	DGZ		
		99	3, 7	L	02, 06	EX8	DGZ		
		99	3, 7	L	12, 15, 16	EX8	DGZ		
5	5120 782AA	1	2, 6	L	01, 02, 06	EX8	DGZ		CONNECTOR
		1	2, 6	L	11, 12, 14, 15, 16	EX8	DGZ		
		1	2, 6	L	51, 52, 54, 55, 56	EX8	DGZ		
		1	3, 7	L	12, 15, 16	EX8	DGZ		
6	5103 873AA	99	2, 6	L	01, 02, 06	EX8	DGZ		TERMINAL
		99	2, 6	L	11, 12, 14, 15, 16	EX8	DGZ		
		99	2, 6	L	51, 52, 54, 55, 56	EX8	DGZ		
		99	3, 7	L	02, 06	EX8	DGZ		
		99	3, 7	L	12, 15, 16	EX8	DGZ		
7	5123 790AA	1	2, 6	L	01, 02, 06	EX8	DGZ		BEZEL, Power Window/Door Lock Switch Left
		1	2, 6	L	11, 12, 14, 15, 16	EX8	DGZ		Left

Refer to Model Legend Information Bookmark

AR = Use as required - = Non illustrated part # = New this model year

March 3, 2006

Switches - Doors
Figure 008-815



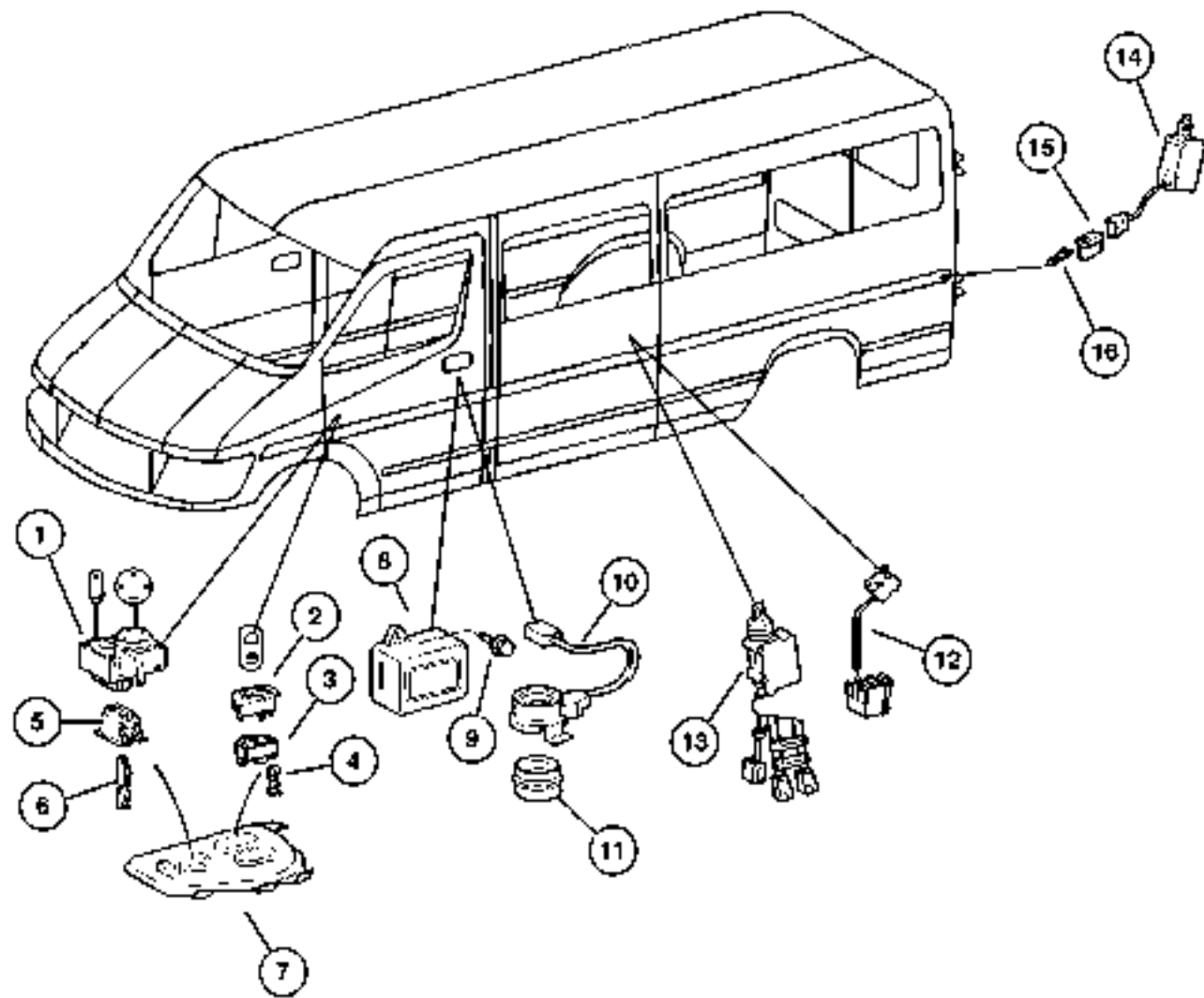
ITEM	PART NUMBER	QTY	LINE	SERIES	BODY	ENGINE	TRANS	TRIM	DESCRIPTION
		1	2, 6	L	51, 52, 54, 55, 56	EX8	DGZ		Left
		1	3, 7	L	02, 06	EX8	DGZ		Left
		1	3, 7	L	12, 15, 16	EX8	DGZ		Left
	5123 791AA	1	2, 6	L	01, 02, 06	EX8	DGZ		Right
		1	2, 6	L	11, 12, 14, 15, 16	EX8	DGZ		Right
		1	2, 6	L	51, 52, 54, 55, 56	EX8	DGZ		Right
		1	3, 7	L	02, 06	EX8	DGZ		Right
		1	3, 7	L	12, 15, 16	EX8	DGZ		Right
8									WSP CONTROL UNIT, Remote Control Key
	5135 344AA	1	2, 6	L	11, 12, 14, 15, 16	EX8	DGZ		
		1	2, 6	L	51, 52, 54, 55, 56	EX8	DGZ		
		1	3, 7	L	02, 06	EX8	DGZ		
		1	3, 7	L	12, 15, 16	EX8	DGZ		
	5135 345AA	1	2, 6	L	11, 12, 14, 15, 16	EX8	DGZ		[JPB]
		1	2, 6	L	51, 52, 54, 55, 56	EX8	DGZ		[JPB]
		1	3, 7	L	02, 06	EX8	DGZ		[JPB]
		1	3, 7	L	12, 15, 16	EX8	DGZ		[JPB]
9									SCREW, Tapping
	6104 574AA	3	2, 6	L	01, 02, 06	EX8	DGZ		
		3	2, 6	L	11, 12, 14, 15, 16	EX8	DGZ		

Refer to Model Legend Information Bookmark

AR = Use as required - = Non illustrated part # = New this model year

March 3, 2006

Switches - Doors
Figure 008-815



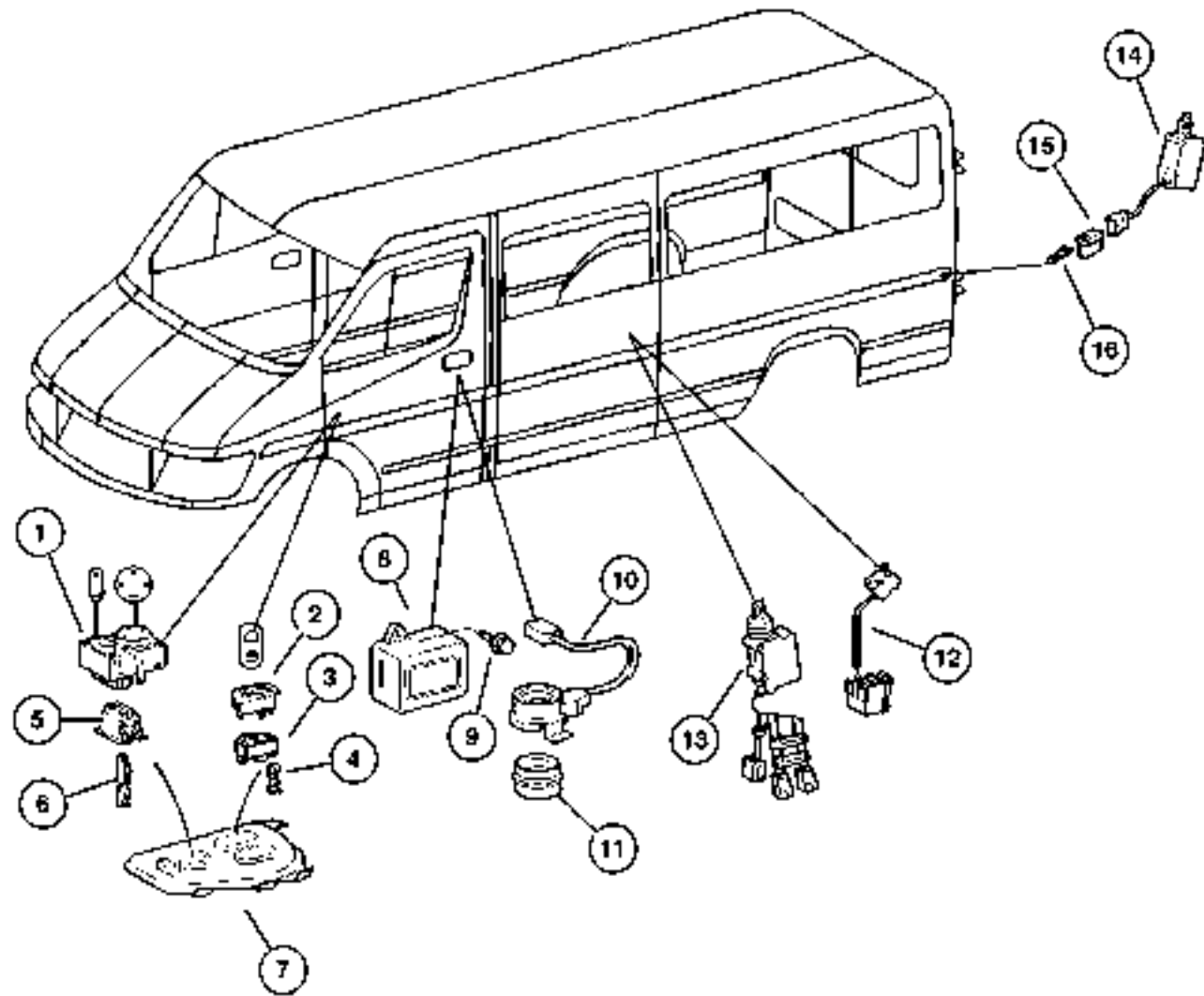
ITEM	PART NUMBER	QTY	LINE	SERIES	BODY	ENGINE	TRANS	TRIM	DESCRIPTION
		3	2, 6	L	51, 52, 54, 55, 56	EX8	DGZ		
		3	3, 7	L	02, 06	EX8	DGZ		
		3	3, 7	L	12, 15, 16	EX8	DGZ		
10	5120 812AA	1	2, 6	L	11, 12, 14, 15, 16	EX8	DGZ		TRANSPONDER, Steering Wheel
		1	2, 6	L	51, 52, 54, 55, 56	EX8	DGZ		
		1	2, 6	L	01, 02, 06	EX8	DGZ		
		1	3, 7	L	12, 15, 16	EX8	DGZ		
11	5104 593AA	1	3, 7	L	02, 06	EX8	DGZ		RING
		1	2, 6	L	11, 12, 14, 15, 16	EX8	DGZ		
		1	2, 6	L	51, 52, 54, 55, 56	EX8	DGZ		
		1	2, 6	L	01, 02, 06	EX8	DGZ		
		1	3, 7	L	02, 06	EX8	DGZ		
		1	3, 7	L	12, 15, 16	EX8	DGZ		
12	5133 527AA	1	2, 6	L	11, 12, 14, 15, 16	EX8	DGZ		SWITCH, Door Lock Right
		1	2, 6	L	51, 52, 54, 55, 56	EX8	DGZ		Right
		1	3, 7	L	12, 15, 16	EX8	DGZ		Right
	5133 999AA	1	2, 6	L	11, 12, 14, 15, 16	EX8	DGZ		Left
		1	2, 6	L	51, 52, 54, 55, 56	EX8	DGZ		Left

Refer to Model Legend Information Bookmark

AR = Use as required - = Non illustrated part # = New this model year

March 3, 2006

Switches - Doors
Figure 008-815



ITEM	PART NUMBER	QTY	LINE	SERIES	BODY	ENGINE	TRANS	TRIM	DESCRIPTION
		1	3, 7	L	12, 15, 16	EX8	DGZ		Left
13	5103 756AA	1	2, 6	L	11, 12, 14, 15, 16	EX8	DGZ		ACTUATOR, Power Door Lock
		1	2, 6	L	51, 52, 54, 55, 56	EX8	DGZ		
14	5133 998AA	1	2, 6	L	11, 12, 14, 15, 16	EX8	DGZ		ACTUATOR, Power Door Lock
		1	2, 6	L	51, 52, 54, 55, 56	EX8	DGZ		
15	5103 754AA	1	2, 6	L	01, 02, 06	EX8	DGZ		INSULATOR, 2 Way Female
		1	2, 6	L	11, 12, 14, 15, 16	EX8	DGZ		
		1	2, 6	L	51, 52, 54, 55, 56	EX8	DGZ		
		2	3, 7	L	02, 06	EX8	DGZ		
		2	3, 7	L	12, 15, 16	EX8	DGZ		
16	5133 395AA	99	2, 6	L	01, 02, 06	EX8	DGZ		TERMINAL, Female
		99	2, 6	L	11, 12, 14, 15, 16	EX8	DGZ		
		99	2, 6	L	51, 52, 54, 55, 56	EX8	DGZ		
		99	3, 7	L	02, 06	EX8	DGZ		
		99	3, 7	L	12, 15, 16	EX8	DGZ		

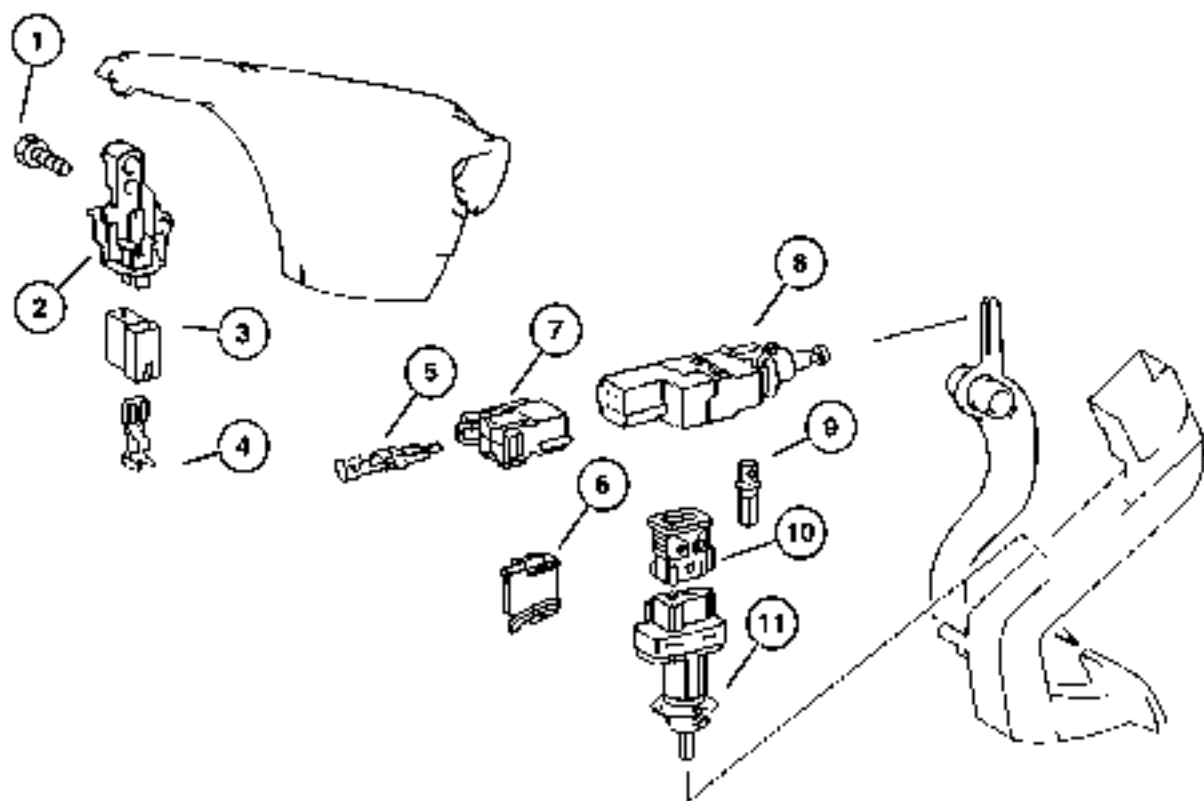
Refer to Model Legend Information Bookmark

AR = Use as required - = Non illustrated part # = New this model year

March 3, 2006

Switch Brake and Clutch Figure 008-820

ITEM	PART NUMBER	QTY	LINE	SERIES	BODY	ENGINE	TRANS	TRIM	DESCRIPTION
1	SCREW								
	5126 147AA	1	2, 6	L	01, 02, 06	EX8	DGZ		
		1	2, 6	L	11, 12, 14, 15, 16	EX8	DGZ		
		1	2, 6	L	51, 52, 54, 55, 56	EX8	DGZ		
		1	3, 7	L	02, 06	EX8	DGZ		
		1	3, 7	L	12, 15, 16	EX8	DGZ		
2	SWITCH, Parking Brake								
	5103 540AA	1	2, 6	L	01, 02, 06	EX8	DGZ		
		1	2, 6	L	11, 12, 14, 15, 16	EX8	DGZ		
		1	2, 6	L	51, 52, 54, 55, 56	EX8	DGZ		
		1	3, 7	L	02, 06	EX8	DGZ		
		1	3, 7	L	12, 15, 16	EX8	DGZ		
3	INSULATOR, 2 Way Female								
	5103 754AA	1	2, 6	L	01, 02, 06	EX8	DGZ		
		1	2, 6	L	11, 12, 14, 15, 16	EX8	DGZ		
		1	2, 6	L	51, 52, 54, 55, 56	EX8	DGZ		
		1	3, 7	L	02, 06	EX8	DGZ		
		1	3, 7	L	12, 15, 16	EX8	DGZ		
4	TERMINAL, Female								
	5114 451AA	99	2, 6	L	01, 02, 06	EX8	DGZ		
		99	2, 6	L	11, 12, 14, 15, 16	EX8	DGZ		
		99	3, 7	L	02, 06	EX8	DGZ		
		99	3, 7	L	12, 15, 16	EX8	DGZ		



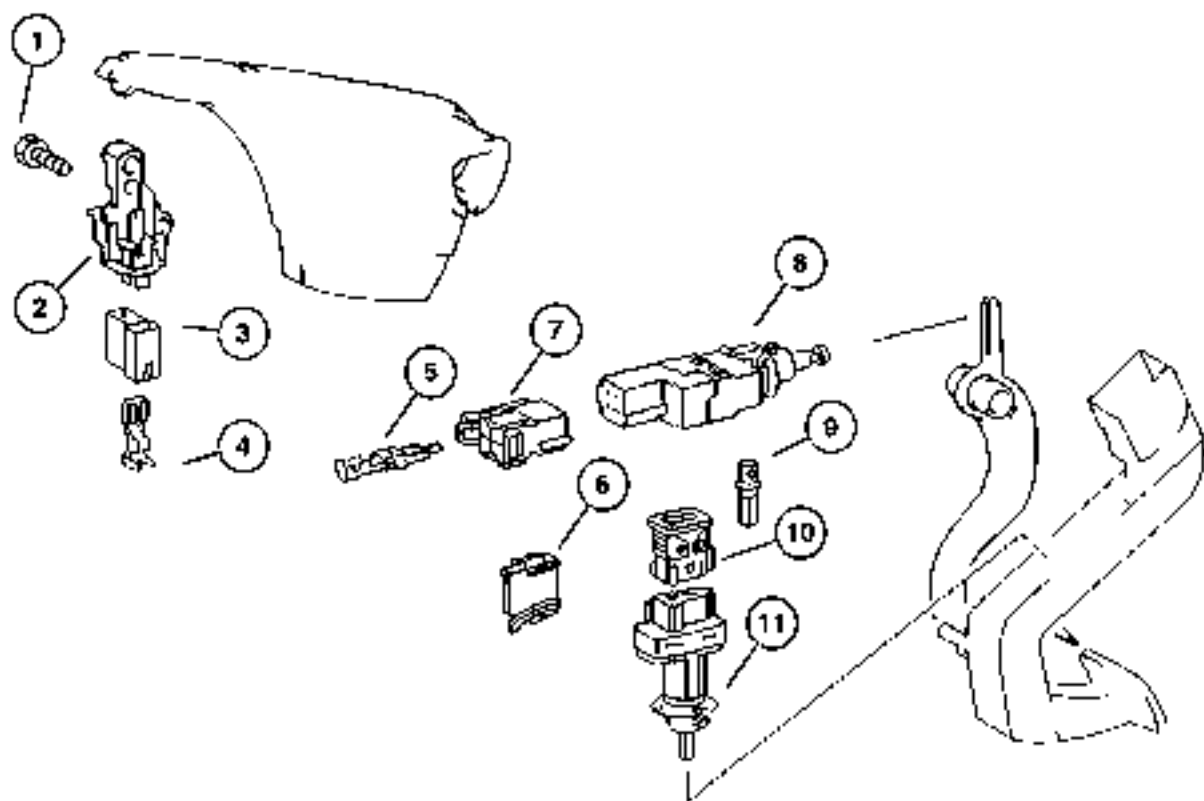
Refer to Model Legend Information Bookmark

AR = Use as required - = Non illustrated part # = New this model year

March 3, 2006

**Switch Brake and Clutch
Figure 008-820**

ITEM	PART NUMBER	QTY	LINE	SERIES	BODY	ENGINE	TRANS	TRIM	DESCRIPTION
		99	2, 6	L	51, 52, 54, 55, 56	EX8	DGZ		
5	5103 881AA	99	2, 6	L	01, 02, 06	EX8	DGZ		TERMINAL
		99	2, 6	L	11, 12, 14, 15, 16	EX8	DGZ		
		99	2, 6	L	51, 52, 54, 55, 56	EX8	DGZ		
		99	3, 7	L	02, 06	EX8	DGZ		
		99	3, 7	L	12, 15, 16	EX8	DGZ		
6	5120 772AA	1	2, 6	L	01, 02, 06	EX8	DGZ		CONNECTOR
		1	2, 6	L	11, 12, 14, 15, 16	EX8	DGZ		
		1	2, 6	L	51, 52, 54, 55, 56	EX8	DGZ		
		1	3, 7	L	02, 06	EX8	DGZ		
		1	3, 7	L	12, 15, 16	EX8	DGZ		
7	5120 776AA	1	2, 6	L	01, 02, 06	EX8	DGZ		INSULATOR, 4 Way
		1	2, 6	L	11, 12, 14, 15, 16	EX8	DGZ		
		1	2, 6	L	51, 52, 54, 55, 56	EX8	DGZ		
		1	3, 7	L	02, 06	EX8	DGZ		
		1	3, 7	L	12, 15, 16	EX8	DGZ		
8	5101 496AB	1	2, 6	L	01, 02, 06	EX8	DGZ		SWITCH, Stop Lamp
		1	2, 6	L	11, 12, 14, 15, 16	EX8	DGZ		



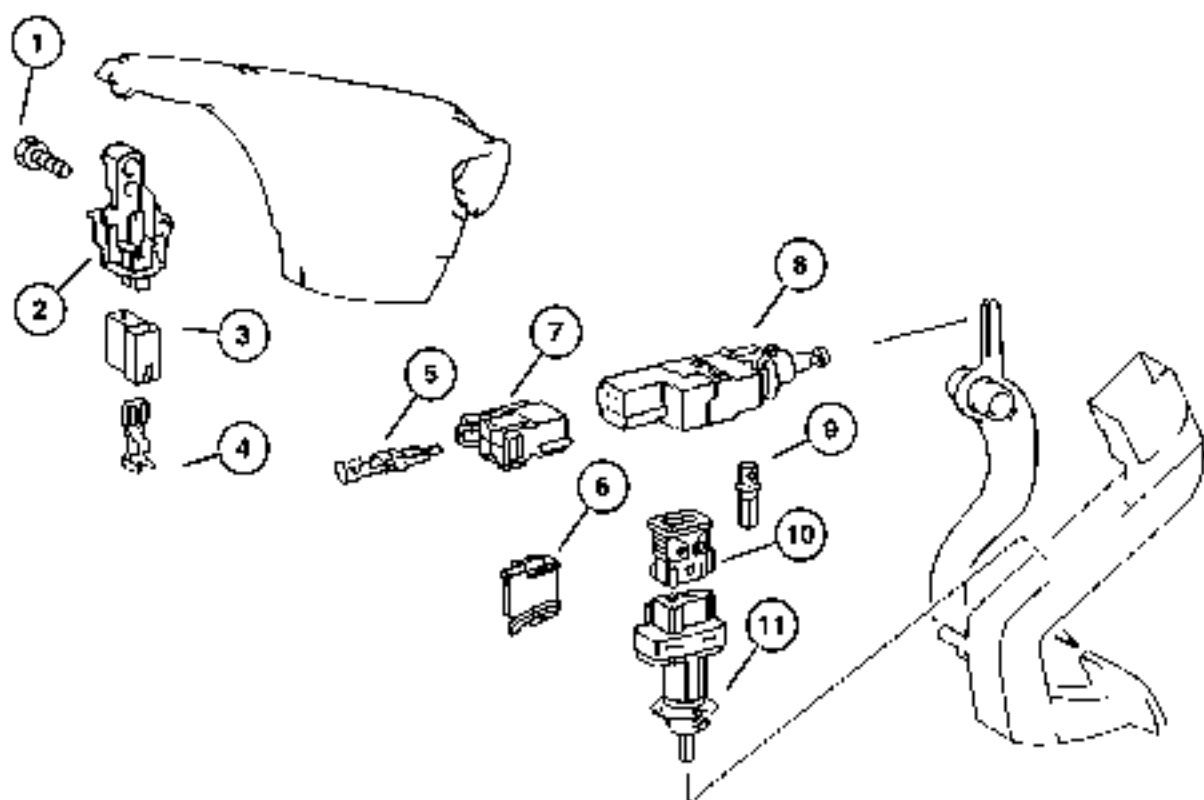
Refer to Model Legend Information Bookmark

AR = Use as required - = Non illustrated part # = New this model year

March 3, 2006

**Switch Brake and Clutch
Figure 008-820**

ITEM	PART NUMBER	QTY	LINE	SERIES	BODY	ENGINE	TRANS	TRIM	DESCRIPTION
		1	2, 6	L	51, 52, 54, 55, 56	EX8	DGZ		
		1	3, 7	L	02, 06	EX8	DGZ		
		1	3, 7	L	12, 15, 16	EX8	DGZ		
	5103 748AA	1	2, 6	L	01, 02, 06	EX8	DGZ		[BNB]
		1	2, 6	L	11, 12, 14, 15, 16	EX8	DGZ		[BNB]
		1	2, 6	L	51, 52, 54, 55, 56	EX8	DGZ		[BNB]
9	5133 478AA	99	2, 6	L	01, 02, 06	EX8	DGZ		TERMINAL
		99	2, 6	L	11, 12, 14, 15, 16	EX8	DGZ		
		99	2, 6	L	51, 52, 54, 55, 56	EX8	DGZ		
		99	3, 7	L	02, 06	EX8	DGZ		
		99	3, 7	L	12, 15, 16	EX8	DGZ		
10	5120 725AA	1	2, 6	L	01, 02, 06	EX8	DGZ		INSULATOR, 2 Way Female
		1	2, 6	L	11, 12, 14, 15, 16	EX8	DGZ		
		1	2, 6	L	51, 52, 54, 55, 56	EX8	DGZ		
		1	3, 7	L	02, 06	EX8	DGZ		
		1	3, 7	L	12, 15, 16	EX8	DGZ		
11	5098 407AA	1	2, 6	L	01, 02, 06	EX8	DGZ		SWITCH, Clutch
		1	2, 6	L	11, 12, 14, 15, 16	EX8	DGZ		

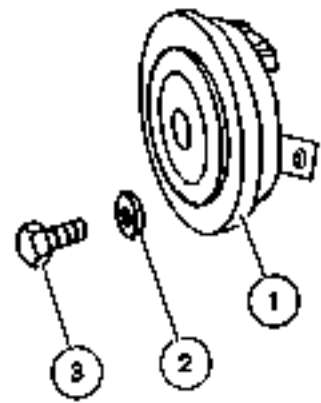
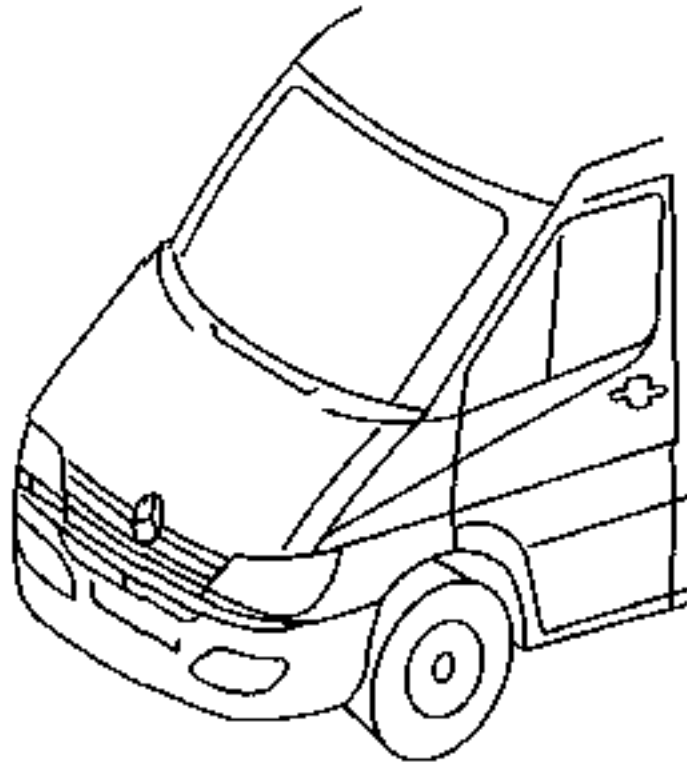


Refer to Model Legend Information Bookmark

AR = Use as required - = Non illustrated part # = New this model year

March 3, 2006

Horns & Alarm
Figure 008-905



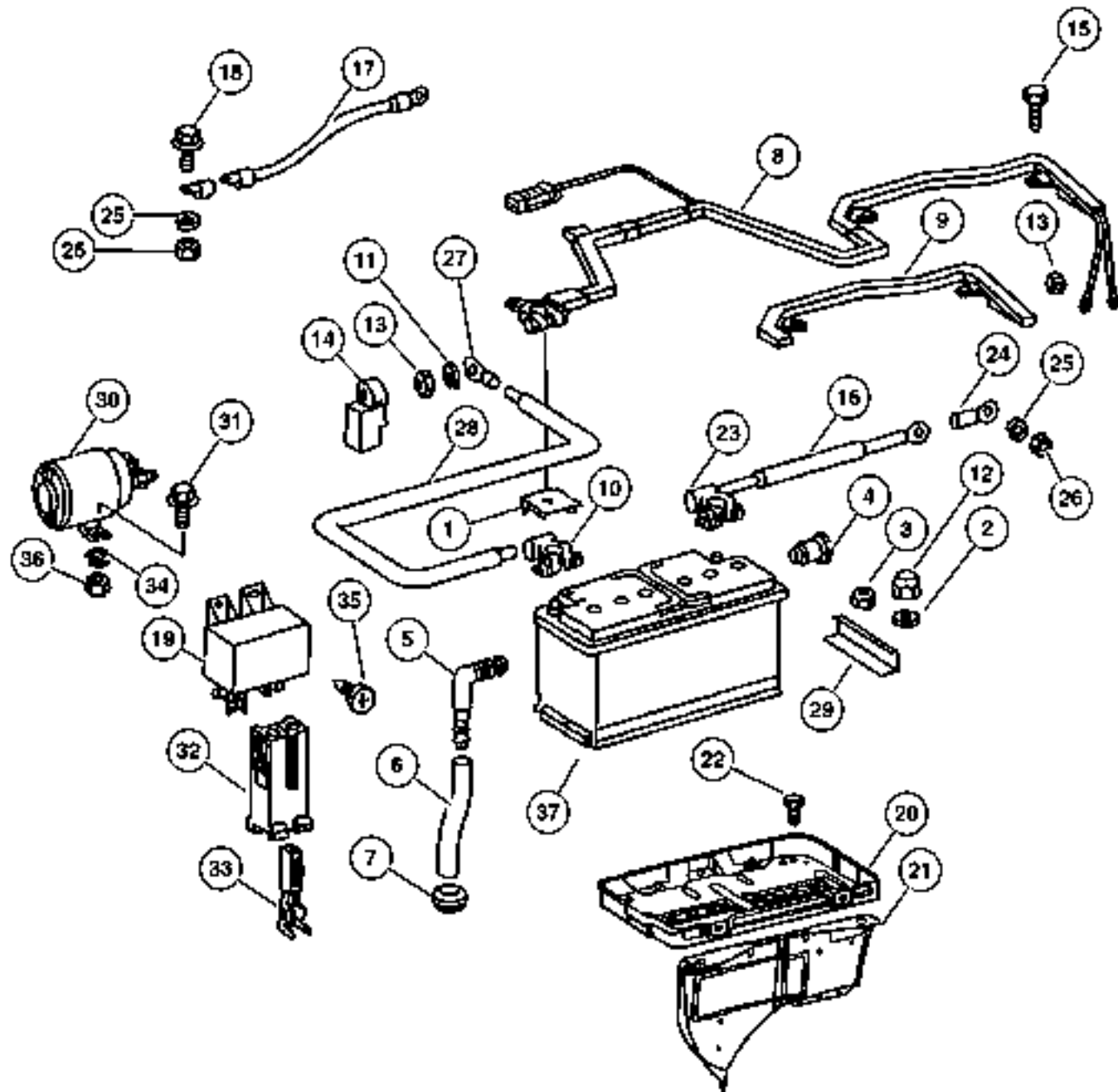
ITEM	PART NUMBER	QTY	LINE	SERIES	BODY	ENGINE	TRANS	TRIM	DESCRIPTION
1									HORN
	5120 370AA	1	2, 6	L	01, 02, 06	EX8	DGZ		
		1	2, 6	L	11, 12, 14, 15, 16	EX8	DGZ		
		1	2, 6	L	51, 52, 54, 55, 56	EX8	DGZ		
		1	3, 7	L	02, 06	EX8	DGZ		
		1	3, 7	L	12, 15, 16	EX8	DGZ		
2									LOCK WASHER
	5104 669AA	1	2, 6	L	01, 02, 06	EX8	DGZ		
		1	2, 6	L	11, 12, 14, 15, 16	EX8	DGZ		
		1	2, 6	L	51, 52, 54, 55, 56	EX8	DGZ		
		1	3, 7	L	02, 06	EX8	DGZ		
		1	3, 7	L	12, 15, 16	EX8	DGZ		
3									SCREW
	6104 022AB	1	2, 6	L	01, 02, 06	EX8	DGZ		
		1	2, 6	L	11, 12, 14, 15, 16	EX8	DGZ		
		1	2, 6	L	51, 52, 54, 55, 56	EX8	DGZ		
		1	3, 7	L	02, 06	EX8	DGZ		
		1	3, 7	L	12, 15, 16	EX8	DGZ		

Refer to Model Legend Information Bookmark

AR = Use as required - = Non illustrated part # = New this model year

March 3, 2006

Battery Tray & Cables
Figure 008-1005



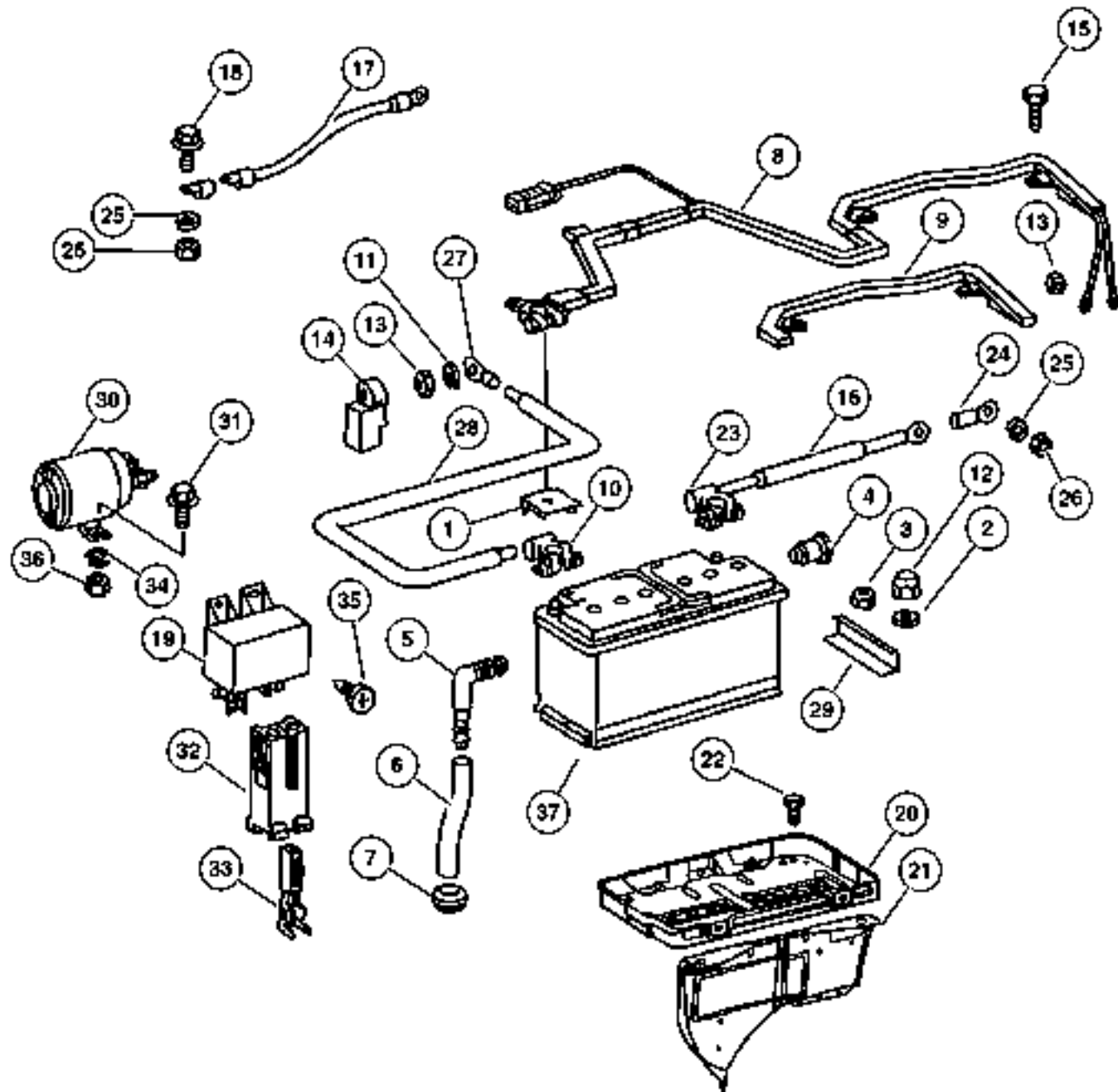
ITEM	PART NUMBER	QTY	LINE	SERIES	BODY	ENGINE	TRANS	TRIM	DESCRIPTION
1									COVER, Battery Terminal
	5098 850AA	1	2, 6	L	01, 02, 06	EX8	DGZ		
		1	2, 6	L	11, 12, 14, 15, 16	EX8	DGZ		
		1	2, 6	L	51, 52, 54, 55, 56	EX8	DGZ		
		1	3, 7	L	02, 06	EX8	DGZ		
		1	3, 7	L	12, 15, 16	EX8	DGZ		
2									WASHER, Flat
	5104 612AA	2	2, 6	L	01, 02, 06	EX8	DGZ		
		2	2, 6	L	11, 12, 14, 15, 16	EX8	DGZ		
		2	2, 6	L	51, 52, 54, 55, 56	EX8	DGZ		
		99	3, 7	L	02, 06	EX8	DGZ		
		99	3, 7	L	12, 15, 16	EX8	DGZ		
3									NUT, Hex, M6, (NOT SERVICED) (Not Serviced)
4									PLUG
	5099 303AA	1	2, 6	L	01, 02, 06	EX8	DGZ		
		1	2, 6	L	11, 12, 14, 15, 16	EX8	DGZ		
		1	2, 6	L	51, 52, 54, 55, 56	EX8	DGZ		
		1	3, 7	L	02, 06	EX8	DGZ		
		1	3, 7	L	12, 15, 16	EX8	DGZ		
5									ELBOW, Male Adapter
	5125 802AA	1	2, 6	L	01, 02, 06	EX8	DGZ		
		1	2, 6	L	11, 12, 14, 15, 16	EX8	DGZ		

Refer to Model Legend Information Bookmark

AR = Use as required - = Non illustrated part # = New this model year

March 3, 2006

Battery Tray & Cables
Figure 008-1005



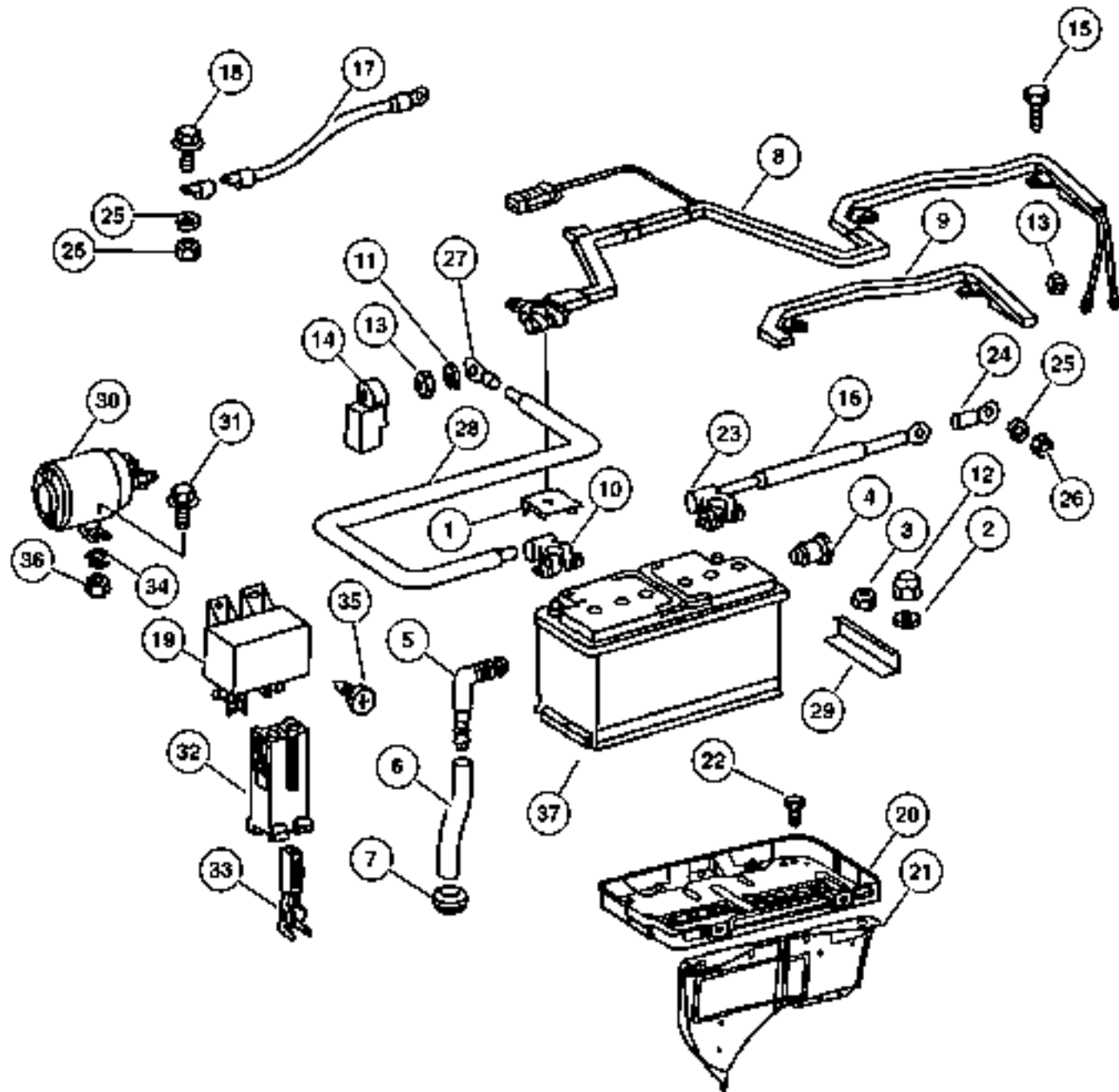
ITEM	PART NUMBER	QTY	LINE	SERIES	BODY	ENGINE	TRANS	TRIM	DESCRIPTION
		1	2, 6	L	51, 52, 54, 55, 56	EX8	DGZ		
		1	3, 7	L	02, 06	EX8	DGZ		
		1	3, 7	L	12, 15, 16	EX8	DGZ		
6	5125 962AA	40	2, 6	L	01, 02, 06	EX8	DGZ		HOSE, Battery Vent
		40	2, 6	L	11, 12, 14, 15, 16	EX8	DGZ		
		40	2, 6	L	51, 52, 54, 55, 56	EX8	DGZ		
		40	3, 7	L	02, 06	EX8	DGZ		
		40	3, 7	L	12, 15, 16	EX8	DGZ		
7	5125 940AA	1	2, 6	L	01, 02, 06	EX8	DGZ		GROMMET, Floor
		1	2, 6	L	11, 12, 14, 15, 16	EX8	DGZ		
		1	2, 6	L	51, 52, 54, 55, 56	EX8	DGZ		
		1	3, 7	L	02, 06	EX8	DGZ		
		1	3, 7	L	12, 15, 16	EX8	DGZ		
8	5133 949AA	900	2, 6	L	01, 02, 06	EX8	DGZ		CABLE, Battery Positive
		900	2, 6	L	11, 12, 14, 15, 16	EX8	DGZ		
		900	2, 6	L	51, 52, 54, 55, 56	EX8	DGZ		
		900	3, 7	L	02, 06	EX8	DGZ		
		900	3, 7	L	12, 15, 16	EX8	DGZ		
9	5120 950AA	1	2, 6	L	01, 02, 06	EX8	DGZ		COVER, Wiring Protector

Refer to Model Legend Information Bookmark

AR = Use as required - = Non illustrated part # = New this model year

March 3, 2006

Battery Tray & Cables
Figure 008-1005



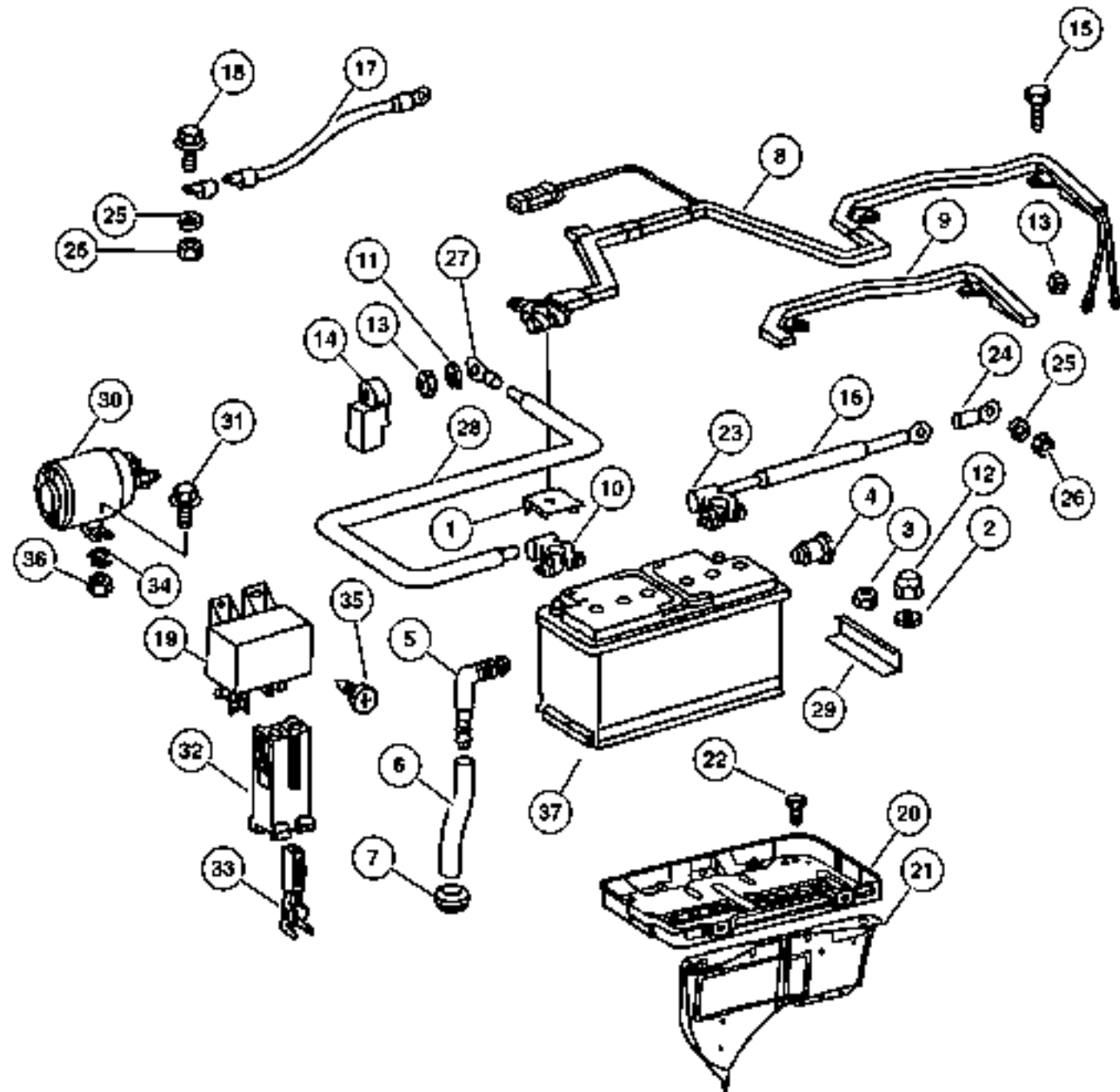
ITEM	PART NUMBER	QTY	LINE	SERIES	BODY	ENGINE	TRANS	TRIM	DESCRIPTION
		1	2, 6	L	11, 12, 14, 15, 16	EX8	DGZ		
		1	2, 6	L	51, 52, 54, 55, 56	EX8	DGZ		
		1	3, 7	L	02, 06	EX8	DGZ		
		1	3, 7	L	12, 15, 16	EX8	DGZ		
10	5120 949AA	1	2, 6	L	01, 02, 06	EX8	DGZ		TERMINAL, Battery
		1	2, 6	L	11, 12, 14, 15, 16	EX8	DGZ		
		1	2, 6	L	51, 52, 54, 55, 56	EX8	DGZ		
		1	3, 7	L	02, 06	EX8	DGZ		
		1	3, 7	L	12, 15, 16	EX8	DGZ		
11	5104 669AA	1	2, 6	L	01, 02, 06	EX8	DGZ		LOCK WASHER
		1	2, 6	L	11, 12, 14, 15, 16	EX8	DGZ		
		1	2, 6	L	51, 52, 54, 55, 56	EX8	DGZ		
		1	3, 7	L	02, 06	EX8	DGZ		
		1	3, 7	L	12, 15, 16	EX8	DGZ		
12	5133 943AA	2	2, 6	L	01, 02, 06	EX8	DGZ		NUT
		2	2, 6	L	11, 12, 14, 15, 16	EX8	DGZ		
		2	2, 6	L	51, 52, 54, 55, 56	EX8	DGZ		
		99	3, 7	L	02, 06	EX8	DGZ		
		99	3, 7	L	12, 15, 16	EX8	DGZ		
13									NUT, M8

Refer to Model Legend Information Bookmark

AR = Use as required - = Non illustrated part # = New this model year

March 3, 2006

Battery Tray & Cables
Figure 008-1005



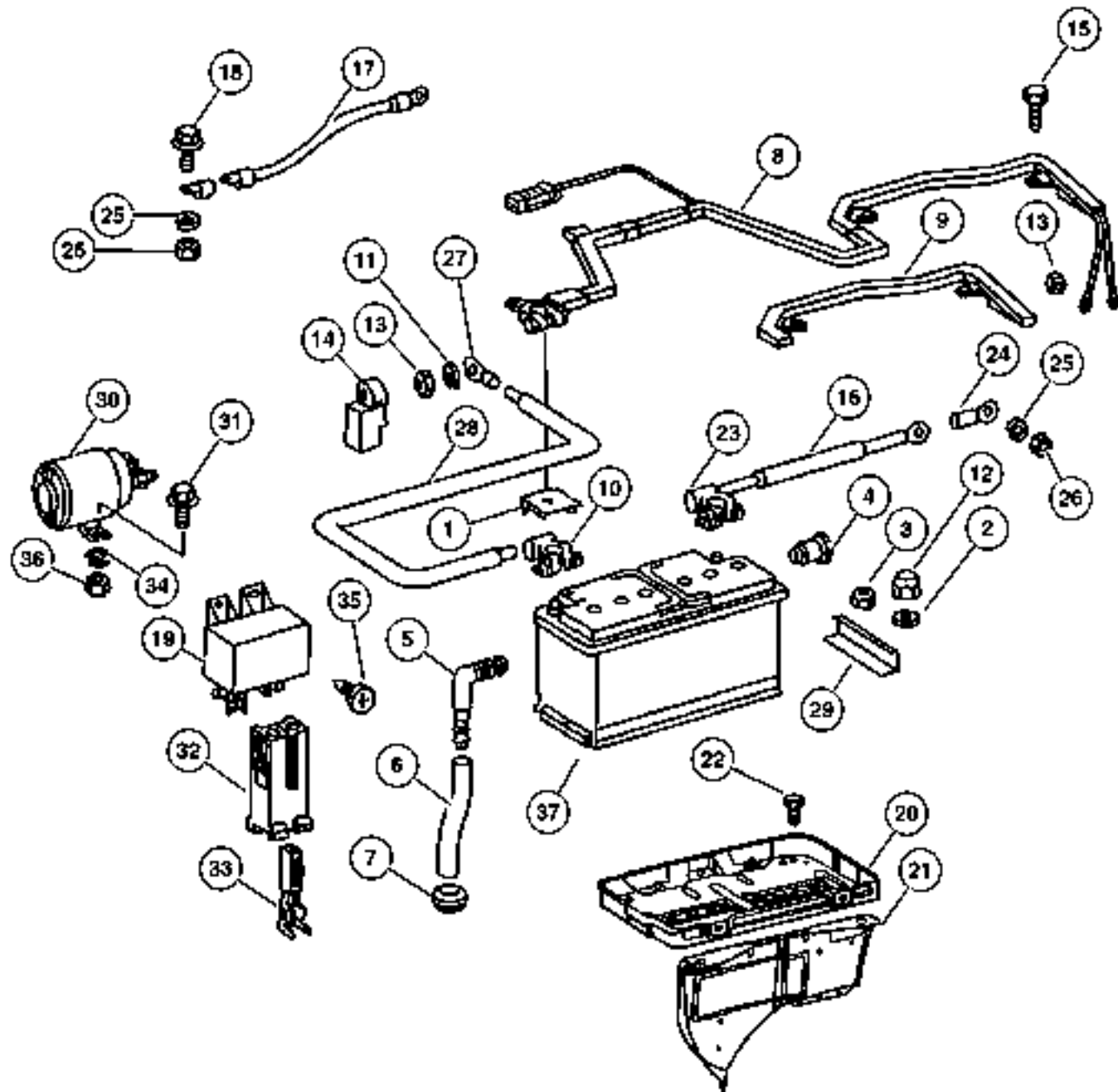
ITEM	PART NUMBER	QTY	LINE	SERIES	BODY	ENGINE	TRANS	TRIM	DESCRIPTION
	6104 709AA	1	2, 6	L	01, 02, 06	EX8	DGZ		
		1	2, 6	L	11, 12, 14, 15, 16	EX8	DGZ		
		1	2, 6	L	51, 52, 54, 55, 56	EX8	DGZ		
		1	3, 7	L	02, 06	EX8	DGZ		
		1	3, 7	L	12, 15, 16	EX8	DGZ		
14									COVER, Battery Terminal
	5120 925AA	1	2, 6	L	01, 02, 06	EX8	DGZ		
		1	2, 6	L	11, 12, 14, 15, 16	EX8	DGZ		
		1	2, 6	L	51, 52, 54, 55, 56	EX8	DGZ		
		1	3, 7	L	02, 06	EX8	DGZ		
		1	3, 7	L	12, 15, 16	EX8	DGZ		
15									SCREW
	5073 824AA	2	2, 6	L	01, 02, 06	EX8	DGZ		
		2	2, 6	L	11, 12, 14, 15, 16	EX8	DGZ		
		2	2, 6	L	51, 52, 54, 55, 56	EX8	DGZ		
		2	3, 7	L	02, 06	EX8	DGZ		
		2	3, 7	L	12, 15, 16	EX8	DGZ		
16									CABLE, Battery Negative
	5120 219AA	1	2, 6	L	01, 02, 06	EX8	DGZ		
		1	2, 6	L	11, 12, 14, 15, 16	EX8	DGZ		
		1	2, 6	L	51, 52, 54, 55, 56	EX8	DGZ		
		1	3, 7	L	02, 06	EX8	DGZ		

Refer to Model Legend Information Bookmark

AR = Use as required - = Non illustrated part # = New this model year

March 3, 2006

Battery Tray & Cables Figure 008-1005



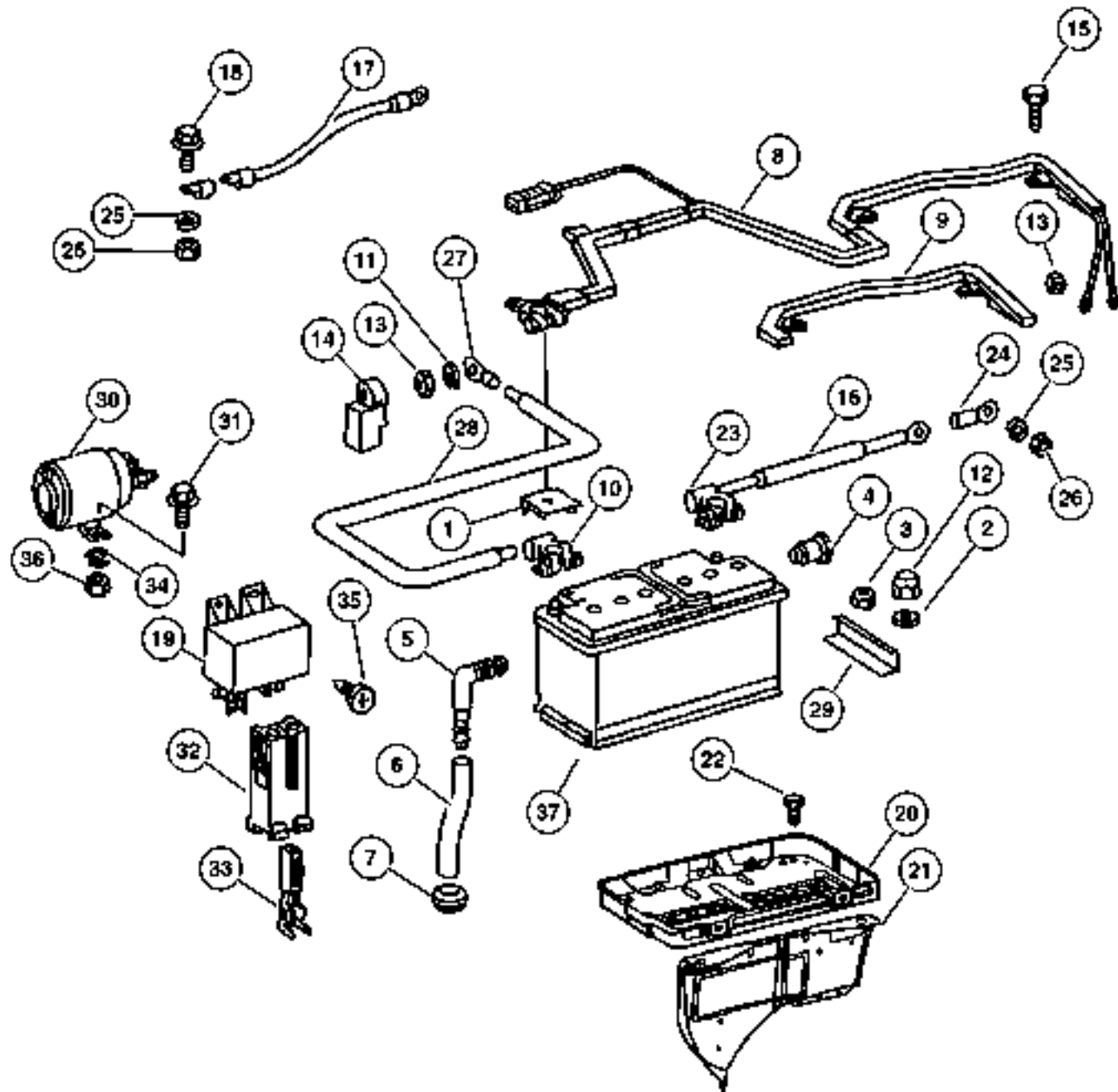
ITEM	PART NUMBER	QTY	LINE	SERIES	BODY	ENGINE	TRANS	TRIM	DESCRIPTION
		1	3, 7	L	12, 15, 16	EX8	DGZ		
	5133 954AA	100	2, 6	L	01, 02, 06	EX8	DGZ		[BC1]
		100	2, 6	L	11, 12, 14, 15, 16	EX8	DGZ		[BC1]
		100	2, 6	L	51, 52, 54, 55, 56	EX8	DGZ		[BC1]
		100	3, 7	L	02, 06	EX8	DGZ		[BC1]
		100	3, 7	L	12, 15, 16	EX8	DGZ		[BC1]
17	5120 226AA	1	2, 6	L	01, 02, 06	EX8	DGZ		STRAP, Ground
		1	2, 6	L	11, 12, 14, 15, 16	EX8	DGZ		
		1	2, 6	L	51, 52, 54, 55, 56	EX8	DGZ		
		1	3, 7	L	02, 06	EX8	DGZ		
		1	3, 7	L	12, 15, 16	EX8	DGZ		
18	5126 259AA	1	2, 6	L	01, 02, 06	EX8	DGZ		BOLT Ground cable to firewall
		1	2, 6	L	11, 12, 14, 15, 16	EX8	DGZ		Ground cable to firewall
		1	2, 6	L	51, 52, 54, 55, 56	EX8	DGZ		Ground cable to firewall
		1	3, 7	L	02, 06	EX8	DGZ		Ground cable to firewall
		1	3, 7	L	12, 15, 16	EX8	DGZ		Ground cable to firewall
	5126 260AA	1	2, 6	L	01, 02, 06	EX8	DGZ		Ground cable to body
		1	2, 6	L	11, 12, 14, 15, 16	EX8	DGZ		Ground cable to body
		1	2, 6	L	51, 52, 54, 55, 56	EX8	DGZ		Ground cable to body

Refer to Model Legend Information Bookmark

AR = Use as required - = Non illustrated part # = New this model year

March 3, 2006

Battery Tray & Cables
Figure 008-1005



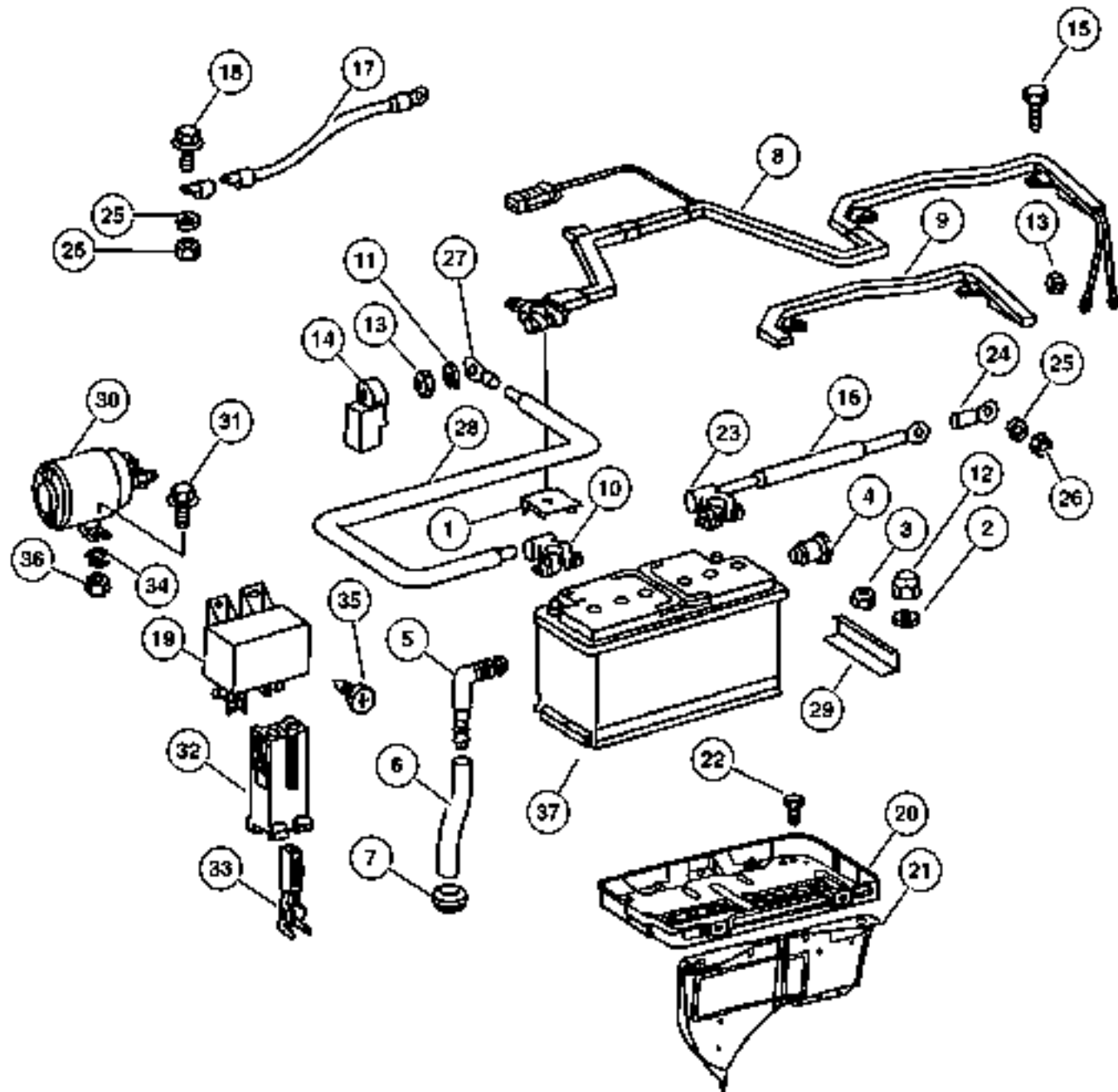
ITEM	PART NUMBER	QTY	LINE	SERIES	BODY	ENGINE	TRANS	TRIM	DESCRIPTION
		1	3, 7	L	02, 06	EX8	DGZ		Ground cable to body
		1	3, 7	L	12, 15, 16	EX8	DGZ		Ground cable to body
19	5120 361AA	1	2, 6	L	01, 02, 06	EX8	DGZ		RELAY
		1	2, 6	L	11, 12, 14, 15, 16	EX8	DGZ		
		1	2, 6	L	51, 52, 54, 55, 56	EX8	DGZ		
		1	3, 7	L	02, 06	EX8	DGZ		
		1	3, 7	L	12, 15, 16	EX8	DGZ		
20	5122 170AA	1	2, 6	L	01, 02, 06	EX8	DGZ		TRAY, Battery [BC1]
		1	2, 6	L	11, 12, 14, 15, 16	EX8	DGZ		[BC1]
		1	2, 6	L	51, 52, 54, 55, 56	EX8	DGZ		[BC1]
		1	3, 7	L	02, 06	EX8	DGZ		[BC1]
		1	3, 7	L	12, 15, 16	EX8	DGZ		[BC1]
	5125 223AA	1	2, 6	L	01, 02, 06	EX8	DGZ		
		1	2, 6	L	11, 12, 14, 15, 16	EX8	DGZ		
		1	2, 6	L	51, 52, 54, 55, 56	EX8	DGZ		
		1	3, 7	L	02, 06	EX8	DGZ		
		1	3, 7	L	12, 15, 16	EX8	DGZ		
21	5104 157AA	1	2, 6	L	01, 02, 06	EX8	DGZ		BRACKET, Battery Tray
		1	2, 6	L	11, 12, 14, 15, 16	EX8	DGZ		

Refer to Model Legend Information Bookmark

AR = Use as required - = Non illustrated part # = New this model year

March 3, 2006

Battery Tray & Cables
Figure 008-1005



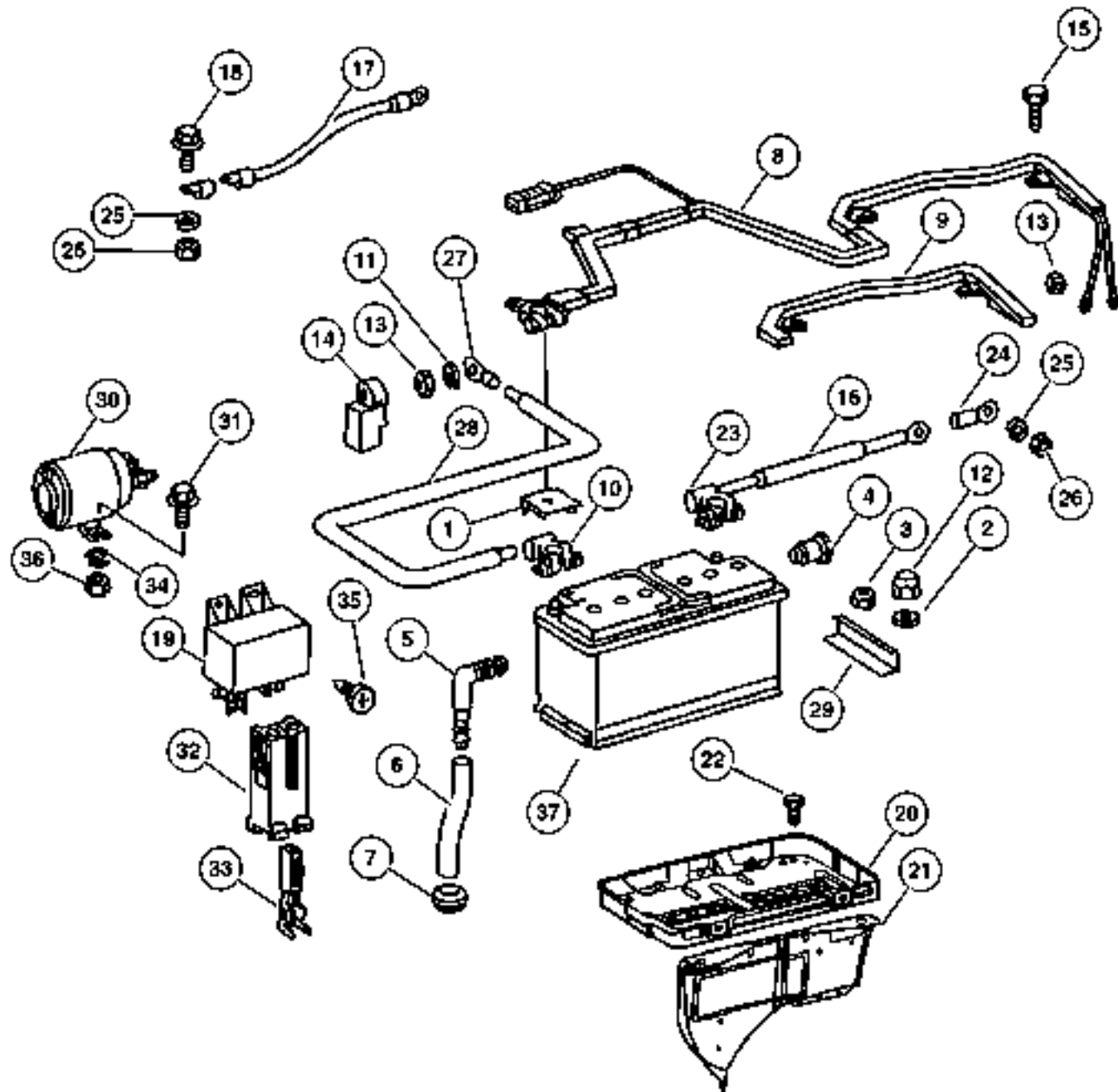
ITEM	PART NUMBER	QTY	LINE	SERIES	BODY	ENGINE	TRANS	TRIM	DESCRIPTION
		1	2, 6	L	51, 52, 54, 55, 56	EX8	DGZ		
		1	3, 7	L	02, 06	EX8	DGZ		
		1	3, 7	L	12, 15, 16	EX8	DGZ		
22	5126 227AA	2	2, 6	L	01, 02, 06	EX8	DGZ		BOLT, Hex Head
		2	2, 6	L	11, 12, 14, 15, 16	EX8	DGZ		
		2	2, 6	L	51, 52, 54, 55, 56	EX8	DGZ		
		2	3, 7	L	02, 06	EX8	DGZ		
		2	3, 7	L	12, 15, 16	EX8	DGZ		
23	5133 952AA	1	2, 6	L	01, 02, 06	EX8	DGZ		TERMINAL, Battery
		1	2, 6	L	11, 12, 14, 15, 16	EX8	DGZ		
		1	2, 6	L	51, 52, 54, 55, 56	EX8	DGZ		
		1	3, 7	L	02, 06	EX8	DGZ		
		1	3, 7	L	12, 15, 16	EX8	DGZ		
24	5133 953AA	1	2, 6	L	01, 02, 06	EX8	DGZ		TERMINAL, Eyelet
		1	2, 6	L	11, 12, 14, 15, 16	EX8	DGZ		
		1	2, 6	L	51, 52, 54, 55, 56	EX8	DGZ		
		1	3, 7	L	02, 06	EX8	DGZ		
		1	3, 7	L	12, 15, 16	EX8	DGZ		
25	5104 669AA	1	2, 6	L	01, 02, 06	EX8	DGZ		LOCK WASHER

Refer to Model Legend Information Bookmark

AR = Use as required - = Non illustrated part # = New this model year

March 3, 2006

Battery Tray & Cables
Figure 008-1005



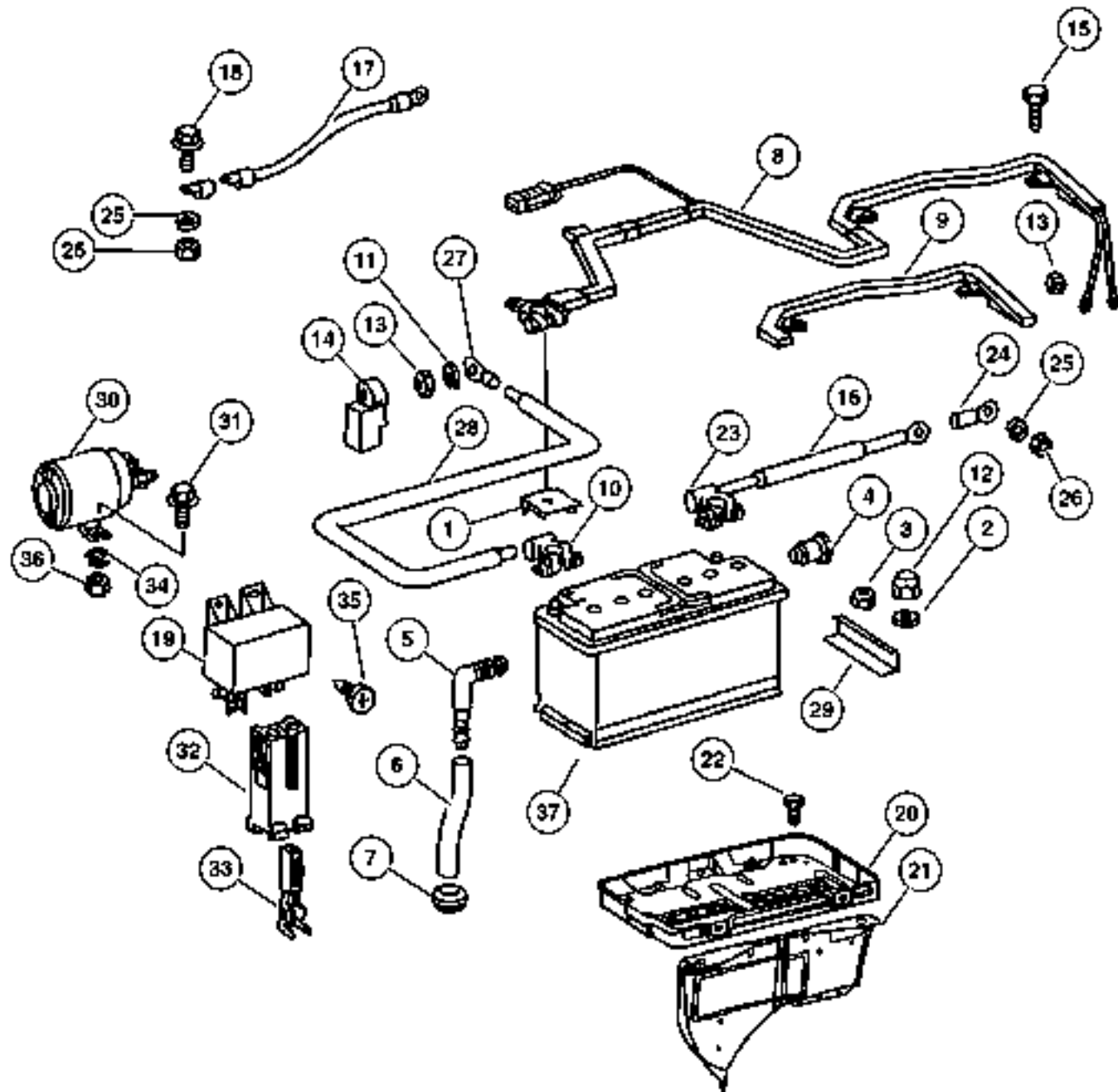
ITEM	PART NUMBER	QTY	LINE	SERIES	BODY	ENGINE	TRANS	TRIM	DESCRIPTION
		1	2, 6	L	11, 12, 14, 15, 16	EX8	DGZ		
		1	2, 6	L	51, 52, 54, 55, 56	EX8	DGZ		
		1	3, 7	L	02, 06	EX8	DGZ		
		1	3, 7	L	12, 15, 16	EX8	DGZ		
26	5126 206AA	99	2, 6	L	01, 02, 06	EX8	DGZ		NUT
		99	2, 6	L	11, 12, 14, 15, 16	EX8	DGZ		
		99	2, 6	L	51, 52, 54, 55, 56	EX8	DGZ		
		99	3, 7	L	02, 06	EX8	DGZ		
		99	3, 7	L	12, 15, 16	EX8	DGZ		
27	5133 950AA	1	2, 6	L	01, 02, 06	EX8	DGZ		TERMINAL
		1	2, 6	L	11, 12, 14, 15, 16	EX8	DGZ		
		1	2, 6	L	51, 52, 54, 55, 56	EX8	DGZ		
		1	3, 7	L	02, 06	EX8	DGZ		
		1	3, 7	L	12, 15, 16	EX8	DGZ		
28	5133 949AA	900	2, 6	L	01, 02, 06	EX8	DGZ		CABLE, Battery Positive
		900	2, 6	L	11, 12, 14, 15, 16	EX8	DGZ		
		900	2, 6	L	51, 52, 54, 55, 56	EX8	DGZ		
		900	3, 7	L	02, 06	EX8	DGZ		
		900	3, 7	L	12, 15, 16	EX8	DGZ		
29									RAIL

Refer to Model Legend Information Bookmark

AR = Use as required - = Non illustrated part # = New this model year

March 3, 2006

Battery Tray & Cables
Figure 008-1005



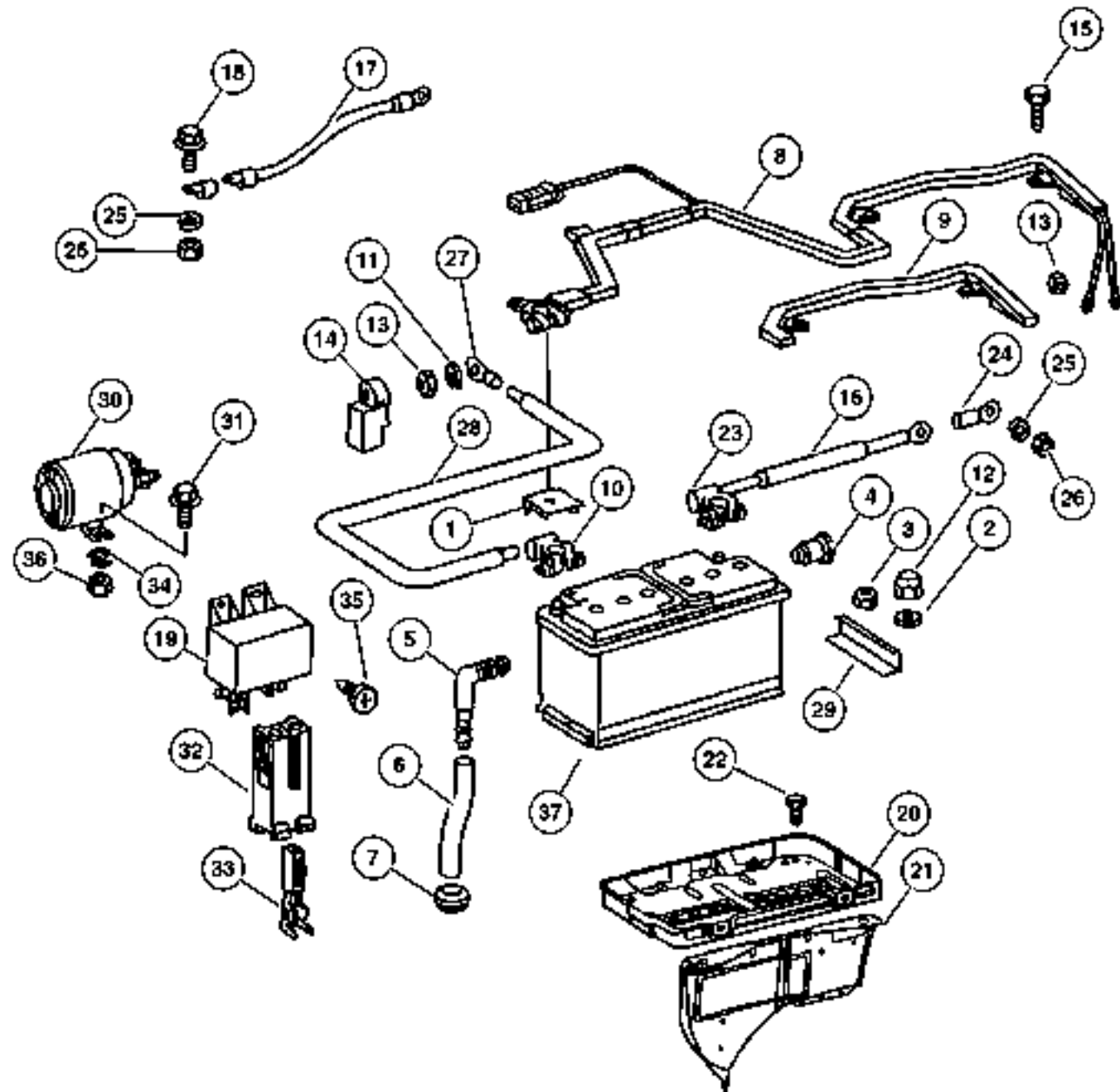
ITEM	PART NUMBER	QTY	LINE	SERIES	BODY	ENGINE	TRANS	TRIM	DESCRIPTION
	5121 607AA	2	2, 6	L	01, 02, 06	EX8	DGZ		
		2	2, 6	L	11, 12, 14, 15, 16	EX8	DGZ		
		2	2, 6	L	51, 52, 54, 55, 56	EX8	DGZ		
		2	3, 7	L	02, 06	EX8	DGZ		
		2	3, 7	L	12, 15, 16	EX8	DGZ		
30	5133 946AA	1	2, 6	L	01, 02, 06	EX8	DGZ		RELAY
		1	2, 6	L	11, 12, 14, 15, 16	EX8	DGZ		
		1	2, 6	L	51, 52, 54, 55, 56	EX8	DGZ		
		1	3, 7	L	02, 06	EX8	DGZ		
		1	3, 7	L	12, 15, 16	EX8	DGZ		
31	5133 947AA	2	2, 6	L	01, 02, 06	EX8	DGZ		BOLT
		2	2, 6	L	11, 12, 14, 15, 16	EX8	DGZ		
		2	2, 6	L	51, 52, 54, 55, 56	EX8	DGZ		
		2	3, 7	L	02, 06	EX8	DGZ		
		2	3, 7	L	12, 15, 16	EX8	DGZ		
32	5133 944AA	1	2, 6	L	01, 02, 06	EX8	DGZ		CONNECTOR
		1	2, 6	L	11, 12, 14, 15, 16	EX8	DGZ		
		1	2, 6	L	51, 52, 54, 55, 56	EX8	DGZ		
		1	3, 7	L	02, 06	EX8	DGZ		

Refer to Model Legend Information Bookmark

AR = Use as required - = Non illustrated part # = New this model year

March 3, 2006

Battery Tray & Cables
Figure 008-1005



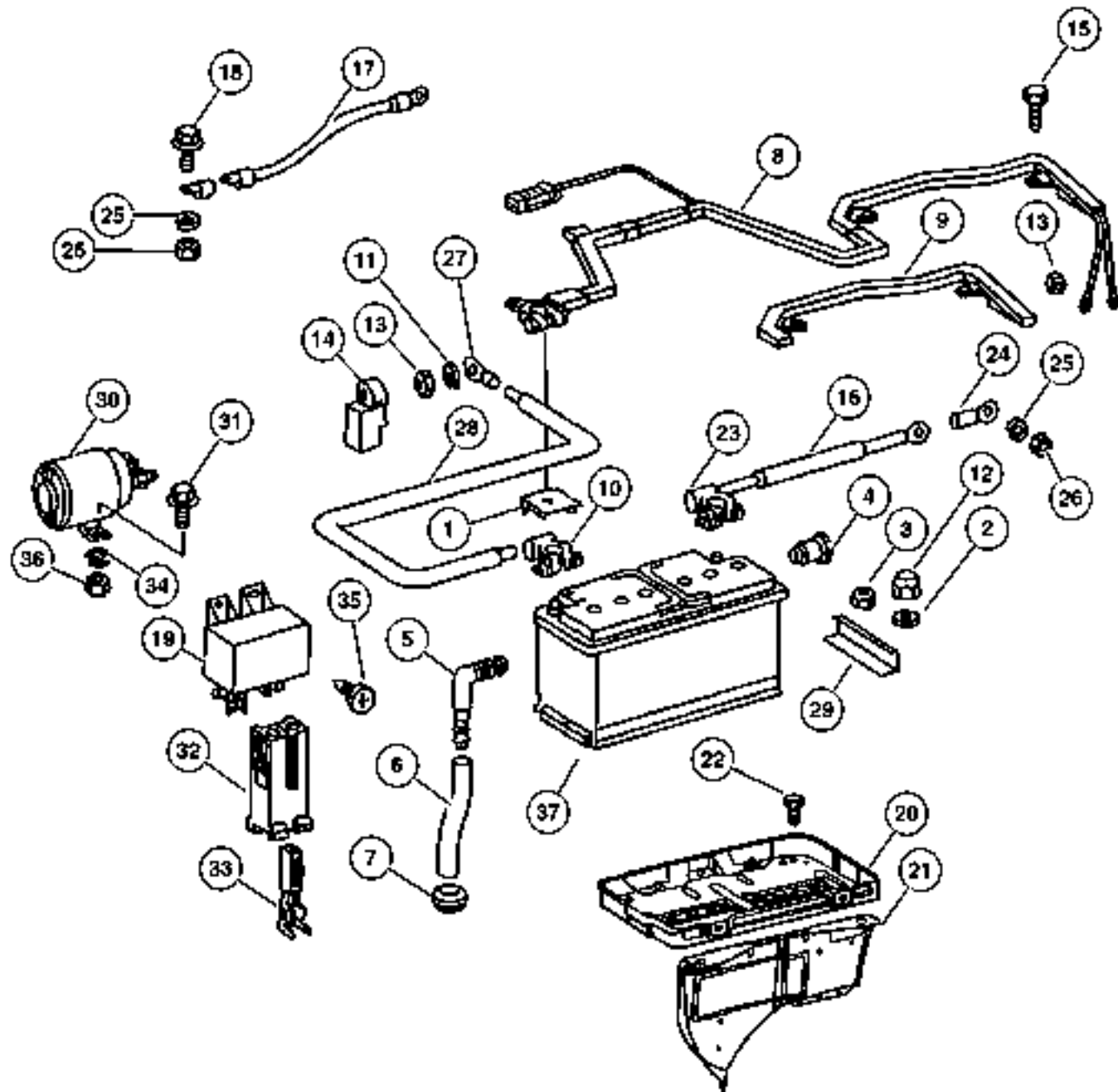
ITEM	PART NUMBER	QTY	LINE	SERIES	BODY	ENGINE	TRANS	TRIM	DESCRIPTION
		1	3, 7	L	12, 15, 16	EX8	DGZ		
33	5133 945AA	1	2, 6	L	01, 02, 06	EX8	DGZ		TERMINAL
		1	2, 6	L	11, 12, 14, 15, 16	EX8	DGZ		
		1	2, 6	L	51, 52, 54, 55, 56	EX8	DGZ		
		2	3, 7	L	02, 06	EX8	DGZ		
		2	3, 7	L	12, 15, 16	EX8	DGZ		
34	5104 668AA	2	2, 6	L	01, 02, 06	EX8	DGZ		WASHER, Lock
		2	2, 6	L	11, 12, 14, 15, 16	EX8	DGZ		
		2	2, 6	L	51, 52, 54, 55, 56	EX8	DGZ		
		2	3, 7	L	02, 06	EX8	DGZ		
		2	3, 7	L	12, 15, 16	EX8	DGZ		
35	5104 609AA	2	2, 6	L	01, 02, 06	EX8	DGZ		SCREW
		2	2, 6	L	11, 12, 14, 15, 16	EX8	DGZ		
		2	2, 6	L	51, 52, 54, 55, 56	EX8	DGZ		
		2	3, 7	L	02, 06	EX8	DGZ		
		2	3, 7	L	12, 15, 16	EX8	DGZ		
36	5133 948AA	2	2, 6	L	01, 02, 06	EX8	DGZ		NUT, Hex
		2	2, 6	L	11, 12, 14, 15, 16	EX8	DGZ		

Refer to Model Legend Information Bookmark

AR = Use as required - = Non illustrated part # = New this model year

March 3, 2006

Battery Tray & Cables Figure 008-1005



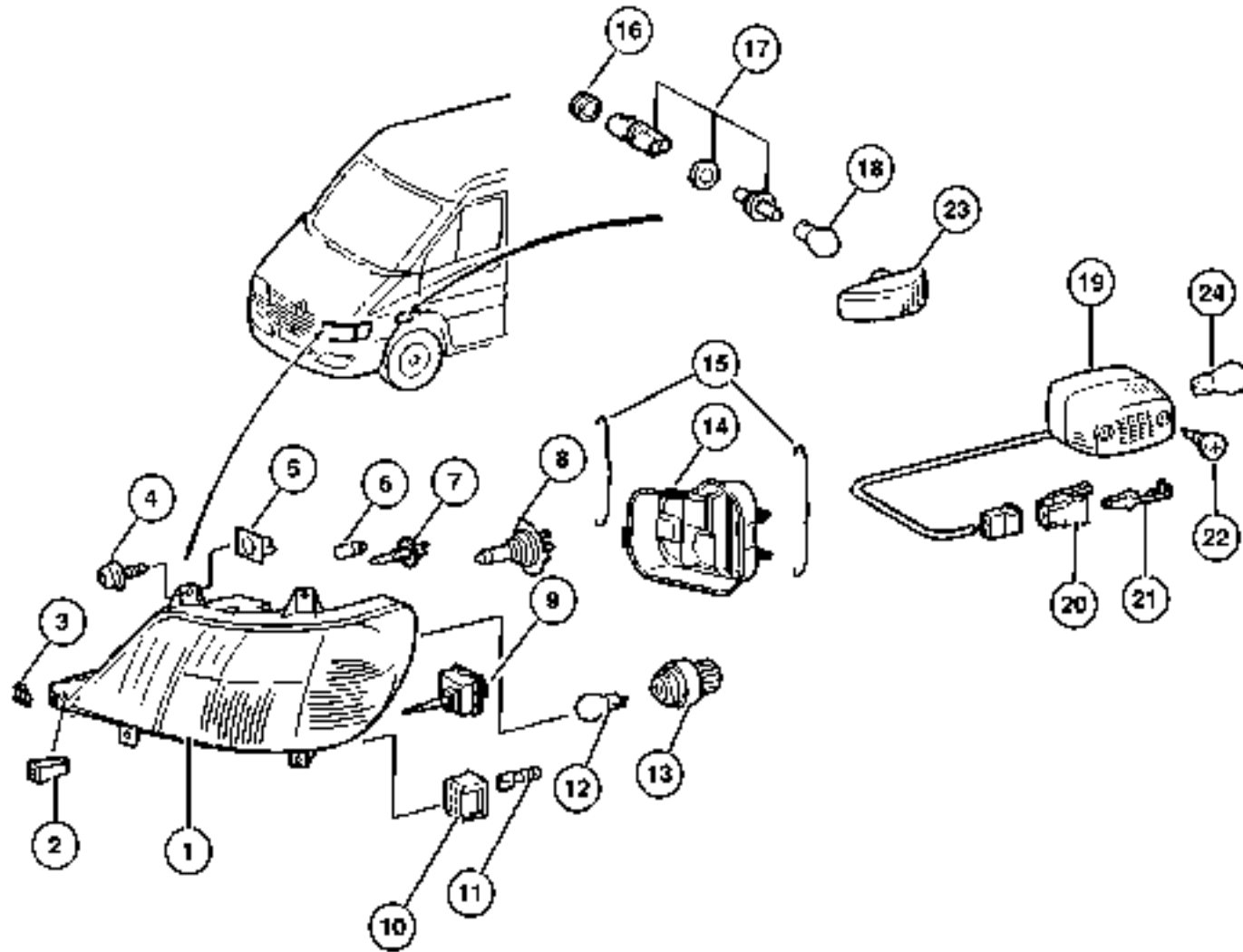
ITEM	PART NUMBER	QTY	LINE	SERIES	BODY	ENGINE	TRANS	TRIM	DESCRIPTION
		2	2, 6	L	51, 52, 54, 55, 56	EX8	DGZ		
		2	3, 7	L	02, 06	EX8	DGZ		
		2	3, 7	L	12, 15, 16	EX8	DGZ		
37	5133 941AA	1	2, 6	L	01, 02, 06	EX8	DGZ		BATTERY
		1	2, 6	L	11, 12, 14, 15, 16	EX8	DGZ		
		1	2, 6	L	51, 52, 54, 55, 56	EX8	DGZ		
		1	3, 7	L	02, 06	EX8	DGZ		
		1	3, 7	L	12, 15, 16	EX8	DGZ		

Refer to Model Legend Information Bookmark

AR = Use as required - = Non illustrated part # = New this model year

March 3, 2006

Lamps - Front End
Figure 008-1105



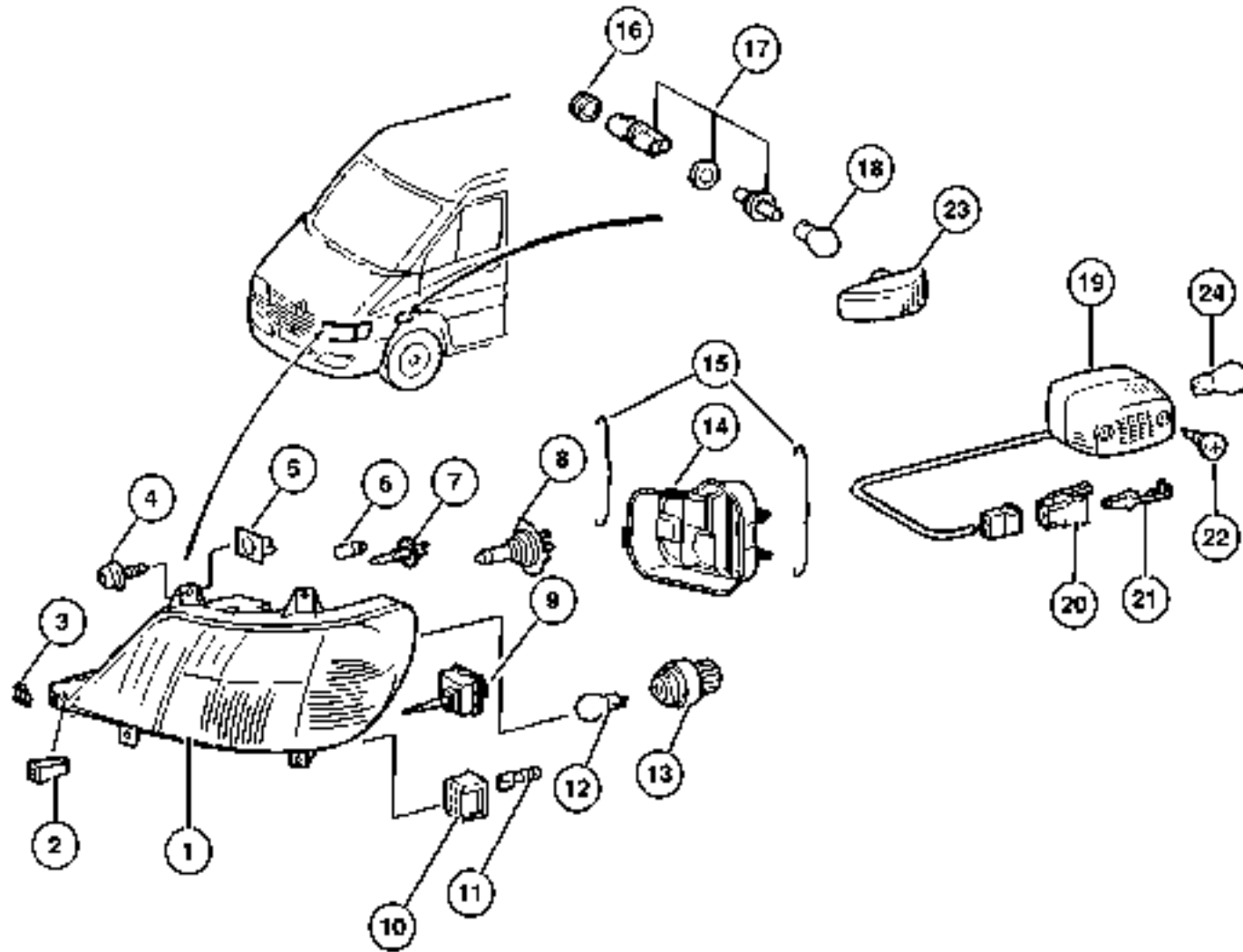
ITEM	PART NUMBER	QTY	LINE	SERIES	BODY	ENGINE	TRANS	TRIM	DESCRIPTION
1									LAMP, Headlamp Park And Turn
	5103 598AA	1	6	L	01, 02, 06	EX8	DGZ		[MGQ], Left
		1	6	L	11, 12, 14, 15, 16	EX8	DGZ		[MGQ], Left
		1	6	L	51, 52, 54, 55, 56	EX8	DGZ		[MGQ], Left
		1	7	L	02, 06	EX8	DGZ		[MGQ], Left
		1	7	L	12, 15, 16	EX8	DGZ		[MGQ], Left
	5103 599AA	1	6	L	01, 02, 06	EX8	DGZ		[MGQ], Right
		1	6	L	11, 12, 14, 15, 16	EX8	DGZ		[MGQ], Right
		1	6	L	51, 52, 54, 55, 56	EX8	DGZ		[MGQ], Right
		1	7	L	02, 06	EX8	DGZ		[MGQ], Right
		1	7	L	12, 15, 16	EX8	DGZ		[MGQ], Right
	5104 469AA	1	6	L	01, 02, 06	EX8	DGZ		[LNJ,MGQ], Right
		1	6	L	11, 12, 14, 15, 16	EX8	DGZ		[LNJ,MGQ], Right
		1	6	L	51, 52, 54, 55, 56	EX8	DGZ		[LNJ,MGQ], Right
		1	7	L	02, 06	EX8	DGZ		[LNJ,MGQ], Right
		1	7	L	12, 15, 16	EX8	DGZ		[LNJ,MGQ], Right
	5124 510AA	1	6	L	01, 02, 06	EX8	DGZ		[LNJ,MGQ], Left
		1	6	L	11, 12, 14, 15, 16	EX8	DGZ		[LNJ,MGQ], Left
		1	6	L	51, 52, 54, 55, 56	EX8	DGZ		[LNJ,MGQ], Left
		1	7	L	02, 06	EX8	DGZ		[LNJ,MGQ]
		1	7	L	12, 15, 16	EX8	DGZ		[LNJ,MGQ]

Refer to Model Legend Information Bookmark

AR = Use as required - = Non illustrated part # = New this model year

March 3, 2006

Lamps - Front End
Figure 008-1105



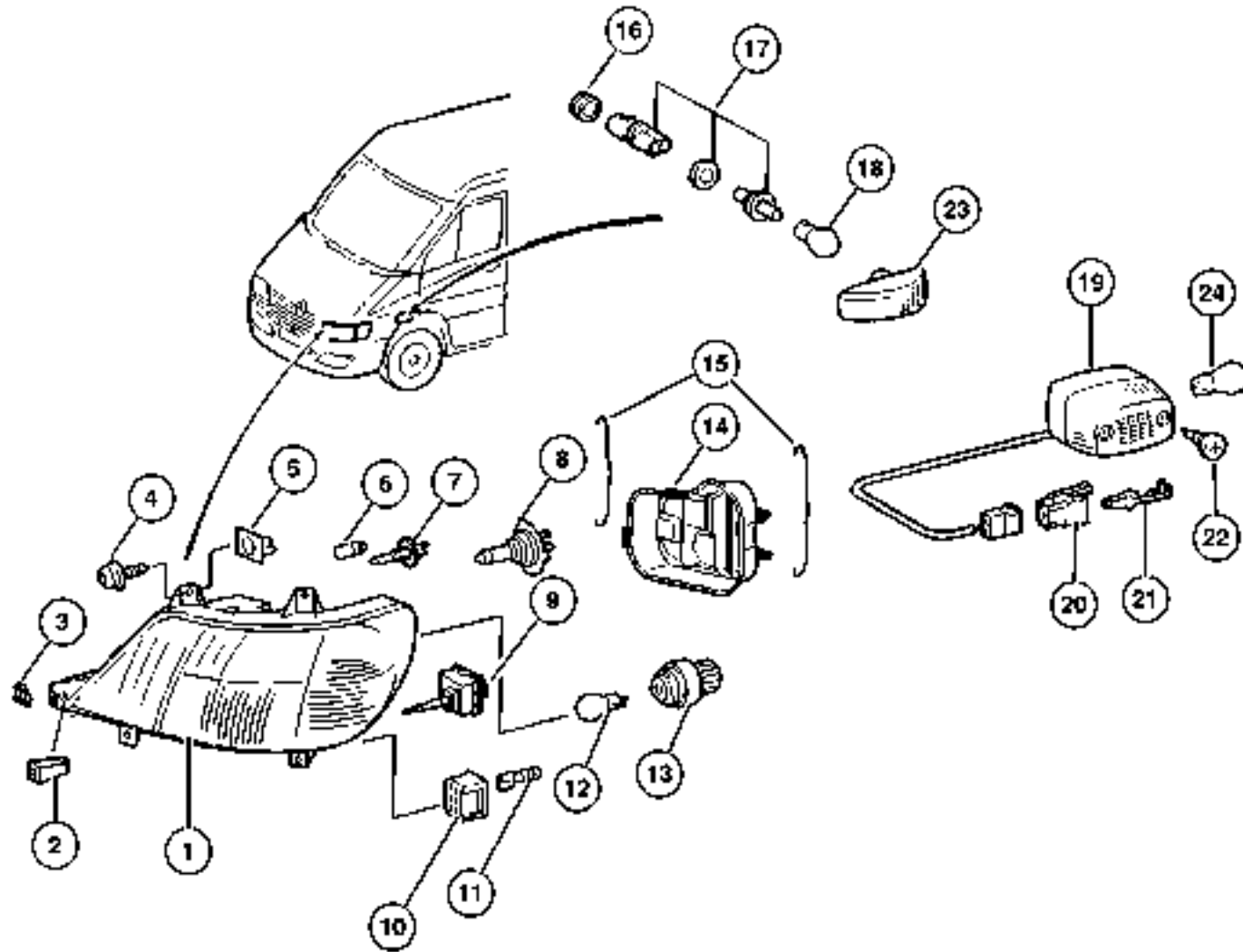
ITEM	PART NUMBER	QTY	LINE	SERIES	BODY	ENGINE	TRANS	TRIM	DESCRIPTION
	5124 526AA	1	2	L	01, 02, 06	EX8	DGZ		[MG4]
		1	2	L	11, 12, 14, 15, 16	EX8	DGZ		[MG4]
		1	2	L	51, 52, 54, 55, 56	EX8	DGZ		[MG4]
		1	3	L	02, 06	EX8	DGZ		[MG4]
		1	3	L	12, 15, 16	EX8	DGZ		[MG4]
	5124 528AA	1	2	L	01, 02, 06	EX8	DGZ		[MG4], Right
		1	2	L	11, 12, 14, 15, 16	EX8	DGZ		[MG4], Right
		1	2	L	51, 52, 54, 55, 56	EX8	DGZ		[MG4], Right
		1	3	L	02, 06	EX8	DGZ		[MG4], Right
		1	3	L	12, 15, 16	EX8	DGZ		[MG4], Right
	5124 529AA	1	2	L	01, 02, 06	EX8	DGZ		[MG4, LNJ]
		1	2	L	11, 12, 14, 15, 16	EX8	DGZ		[MG4, LNJ]
		1	2	L	51, 52, 54, 55, 56	EX8	DGZ		[MG4, LNJ]
		1	3	L	02, 06	EX8	DGZ		[MG4, LNJ]
		1	3	L	12, 15, 16	EX8	DGZ		[MG4, LNJ]
	5124 531AA	1	2	L	01, 02, 06	EX8	DGZ		[MG4, LNJ], Right
		1	2	L	11, 12, 14, 15, 16	EX8	DGZ		[MG4, LNJ], Right
		1	2	L	51, 52, 54, 55, 56	EX8	DGZ		[MG4, LNJ], Right
		1	3	L	02, 06	EX8	DGZ		[MG4, LNJ], Right
		1	3	L	12, 15, 16	EX8	DGZ		[MG4, LNJ], Right
2									NUT, Push In

Refer to Model Legend Information Bookmark

AR = Use as required - = Non illustrated part # = New this model year

March 3, 2006

Lamps - Front End
Figure 008-1105



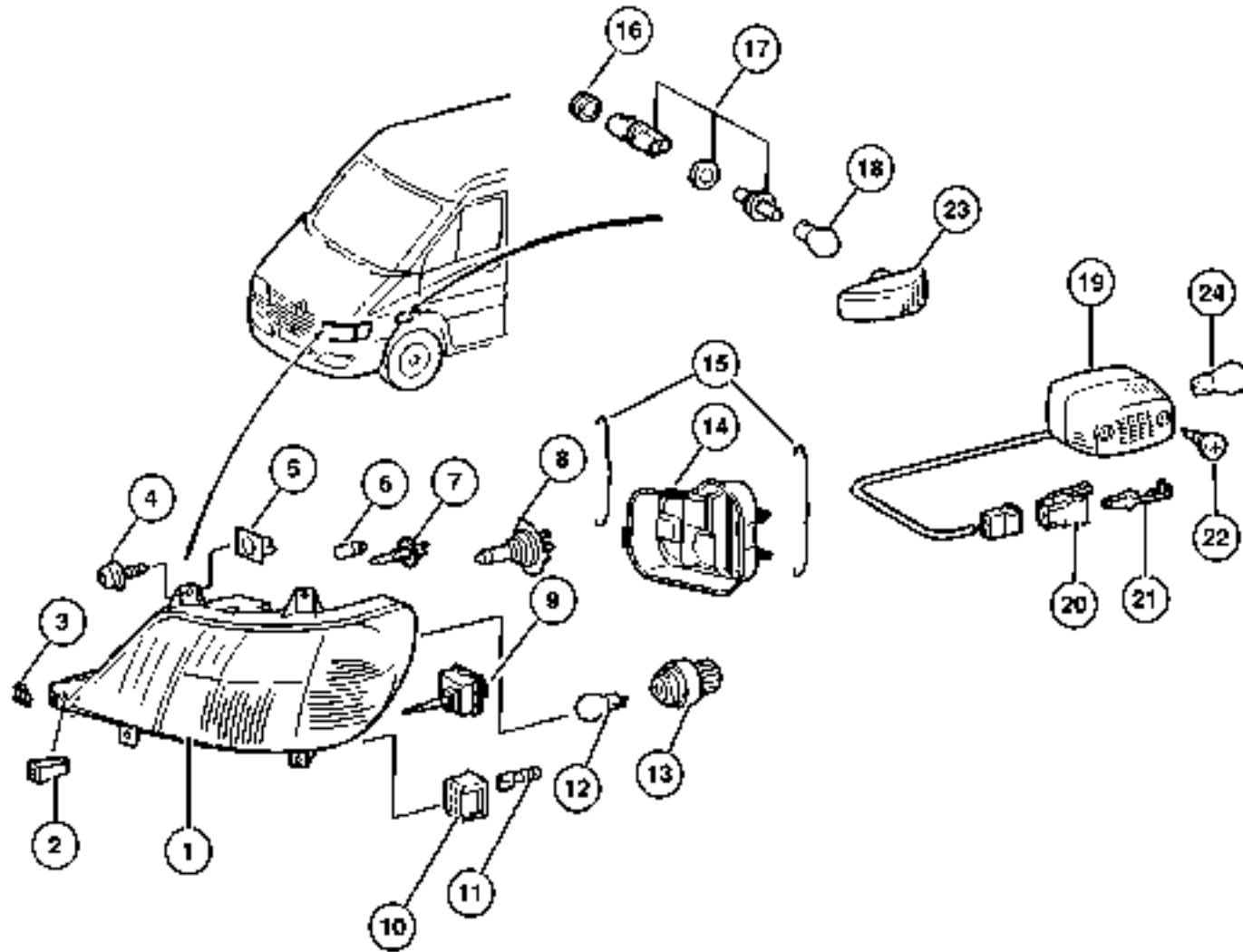
ITEM	PART NUMBER	QTY	LINE	SERIES	BODY	ENGINE	TRANS	TRIM	DESCRIPTION
	5103 784AA	2	2, 6	L	01, 02, 06	EX8	DGZ		
		2	2, 6	L	11, 12, 14, 15, 16	EX8	DGZ		
		2	2, 6	L	51, 52, 54, 55, 56	EX8	DGZ		
		2	3, 7	L	02, 06	EX8	DGZ		
		2	3, 7	L	12, 15, 16	EX8	DGZ		
3									NUT, Spring U Type
	5103 850AA	2	2, 6	L	01, 02, 06	EX8	DGZ		
		2	2, 6	L	11, 12, 14, 15, 16	EX8	DGZ		
		2	2, 6	L	51, 52, 54, 55, 56	EX8	DGZ		
		2	3, 7	L	02, 06	EX8	DGZ		
		2	3, 7	L	12, 15, 16	EX8	DGZ		
4									SCREW
	6104 614AA	16	2, 6	L	11, 12, 14, 15, 16	EX8	DGZ		
		16	2, 6	L	51, 52, 54, 55, 56	EX8	DGZ		
		16	3, 7	L	12, 15, 16	EX8	DGZ		
5									NUT, Plastic Snap-in
	5098 837AB	8	2, 6	L	01, 02, 06	EX8	DGZ		
		8	2, 6	L	11, 12, 14, 15, 16	EX8	DGZ		
		8	2, 6	L	51, 52, 54, 55, 56	EX8	DGZ		
6									BULB, 12V 5W
	5104 608AA	2	2, 6	L	01, 02, 06	EX8	DGZ		

Refer to Model Legend Information Bookmark

AR = Use as required - = Non illustrated part # = New this model year

March 3, 2006

Lamps - Front End
Figure 008-1105



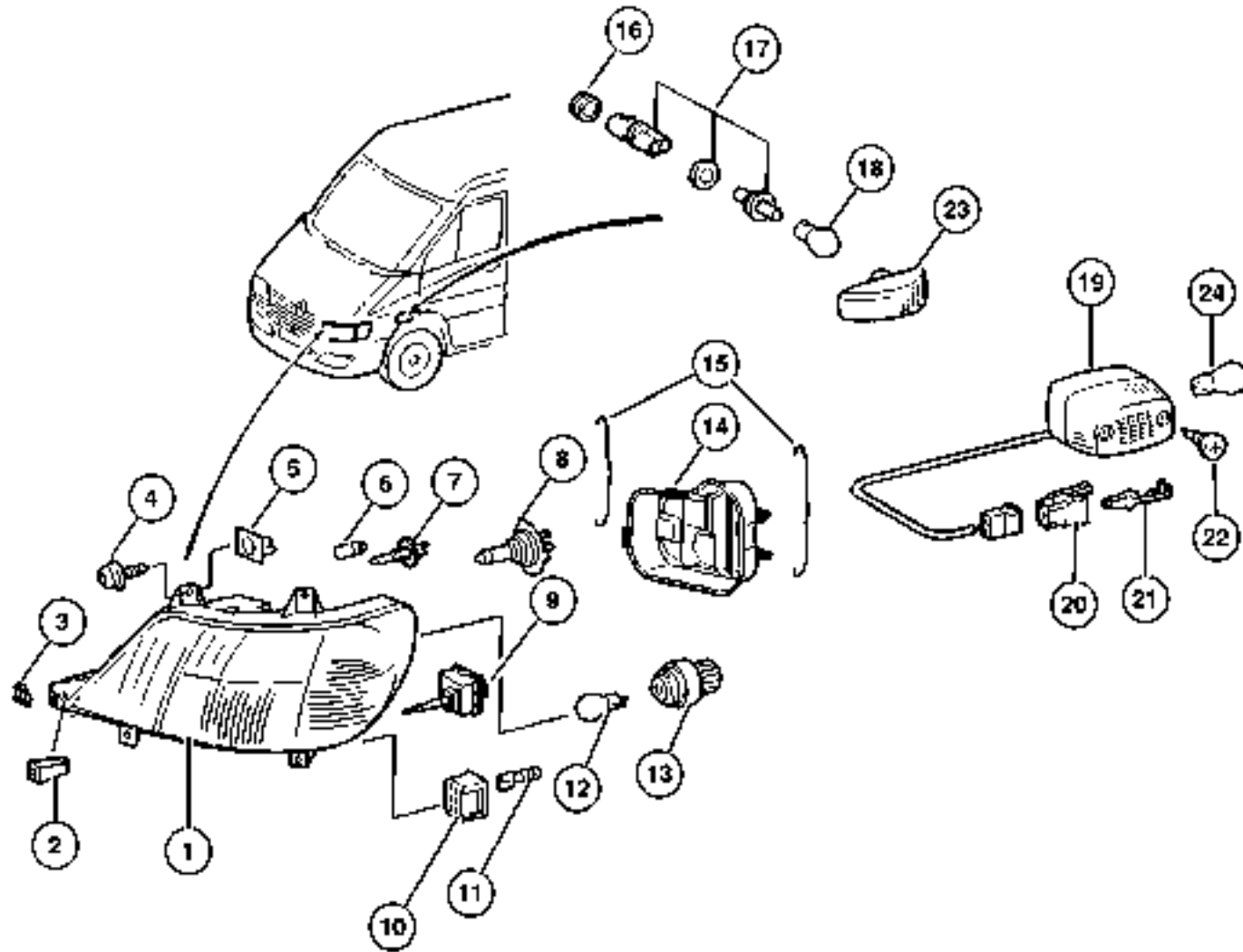
ITEM	PART NUMBER	QTY	LINE	SERIES	BODY	ENGINE	TRANS	TRIM	DESCRIPTION
		2	2, 6	L	11, 12, 14, 15, 16	EX8	DGZ		
		2	2, 6	L	51, 52, 54, 55, 56	EX8	DGZ		
		2	3, 7	L	02, 06	EX8	DGZ		
		2	3, 7	L	12, 15, 16	EX8	DGZ		
7	5133 960AA	2	2, 6	L	01, 02, 06	EX8	DGZ		BULB, Fog Lamp, H-3 55 WATT
		2	2, 6	L	11, 12, 14, 15, 16	EX8	DGZ		
		2	2, 6	L	51, 52, 54, 55, 56	EX8	DGZ		
		2	3, 7	L	02, 06	EX8	DGZ		
		2	3, 7	L	12, 15, 16	EX8	DGZ		
8	5104 684AA	2	2, 6	L	01, 02, 06	EX8	DGZ		BULB, Headlamp, H-7
		2	2, 6	L	11, 12, 14, 15, 16	EX8	DGZ		
		2	2, 6	L	51, 52, 54, 55, 56	EX8	DGZ		
		2	3, 7	L	02, 06	EX8	DGZ		
		2	3, 7	L	12, 15, 16	EX8	DGZ		
9	5103 688AA	2	2, 6	L	01, 02, 06	EX8	DGZ		MOTOR, Headlamp Leveling
		2	2, 6	L	11, 12, 14, 15, 16	EX8	DGZ		
		2	2, 6	L	51, 52, 54, 55, 56	EX8	DGZ		
		2	3, 7	L	02, 06	EX8	DGZ		
		2	3, 7	L	12, 15, 16	EX8	DGZ		
10									CONNECTOR

Refer to Model Legend Information Bookmark

AR = Use as required - = Non illustrated part # = New this model year

March 3, 2006

Lamps - Front End
Figure 008-1105



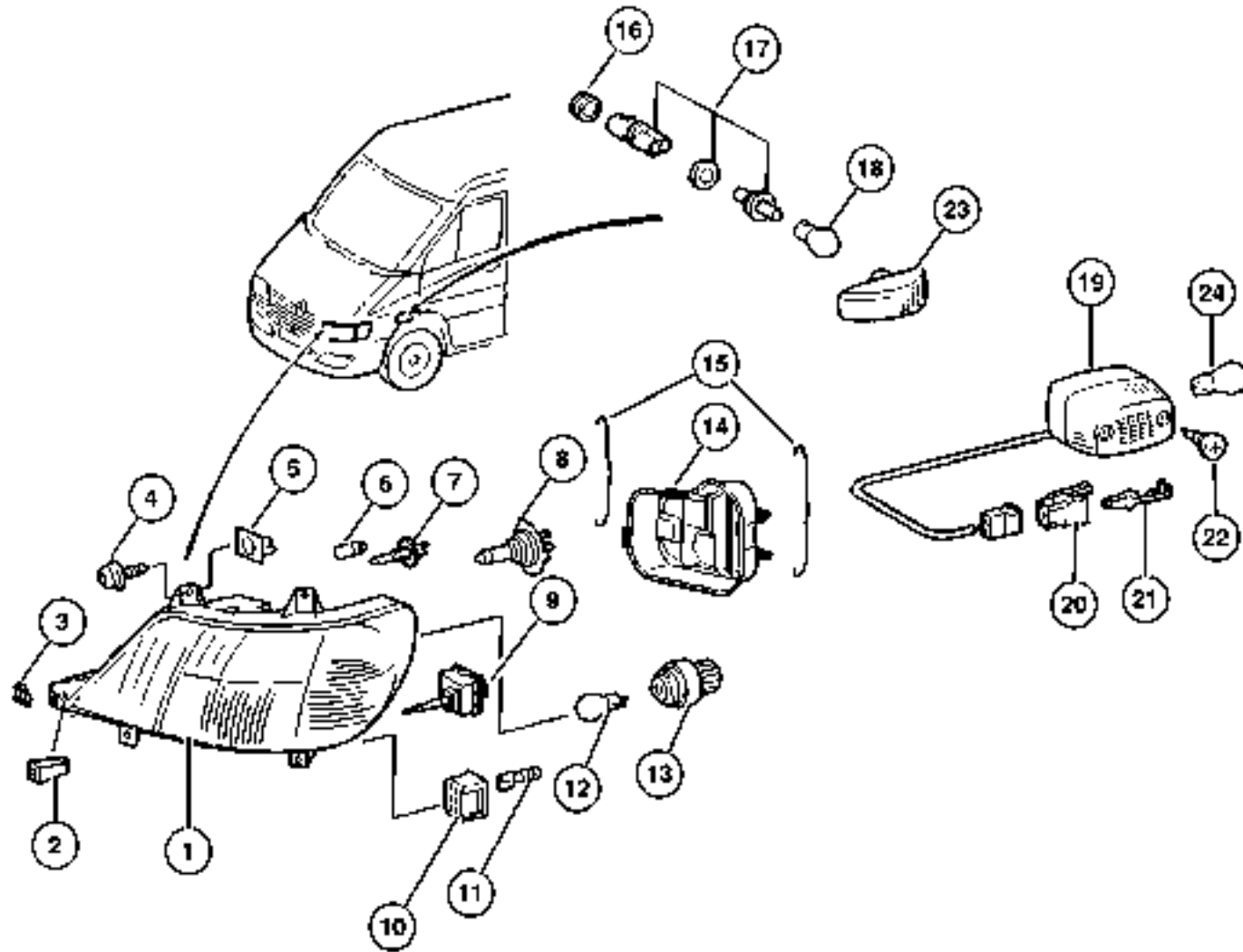
ITEM	PART NUMBER	QTY	LINE	SERIES	BODY	ENGINE	TRANS	TRIM	DESCRIPTION
	5103 896AA	2	2, 6	L	01, 02, 06	EX8	DGZ		
		2	2, 6	L	11, 12, 14, 15, 16	EX8	DGZ		
		2	2, 6	L	51, 52, 54, 55, 56	EX8	DGZ		
		2	3, 7	L	02, 06	EX8	DGZ		
		2	3, 7	L	12, 15, 16	EX8	DGZ		
11	5103 898AA	99	2, 6	L	01, 02, 06	EX8	DGZ		TERMINAL, Female
		99	2, 6	L	11, 12, 14, 15, 16	EX8	DGZ		
		99	2, 6	L	51, 52, 54, 55, 56	EX8	DGZ		
		99	3, 7	L	02, 06	EX8	DGZ		
		99	3, 7	L	12, 15, 16	EX8	DGZ		
12	5104 662AA	2	6	L	01, 02, 06	EX8	DGZ		BULB
		2	6	L	11, 12, 14, 15, 16	EX8	DGZ		
		2	7	L	02, 06	EX8	DGZ		
		2	7	L	12, 15, 16	EX8	DGZ		
13	5103 769AA	2	2, 6	L	01, 02, 06	EX8	DGZ		SOCKET, Lamp
		2	2, 6	L	11, 12, 14, 15, 16	EX8	DGZ		
		2	2, 6	L	51, 52, 54, 55, 56	EX8	DGZ		
		2	3, 7	L	02, 06	EX8	DGZ		
		2	3, 7	L	12, 15, 16	EX8	DGZ		
14									COVER, Lamp

Refer to Model Legend Information Bookmark

AR = Use as required - = Non illustrated part # = New this model year

March 3, 2006

Lamps - Front End
Figure 008-1105



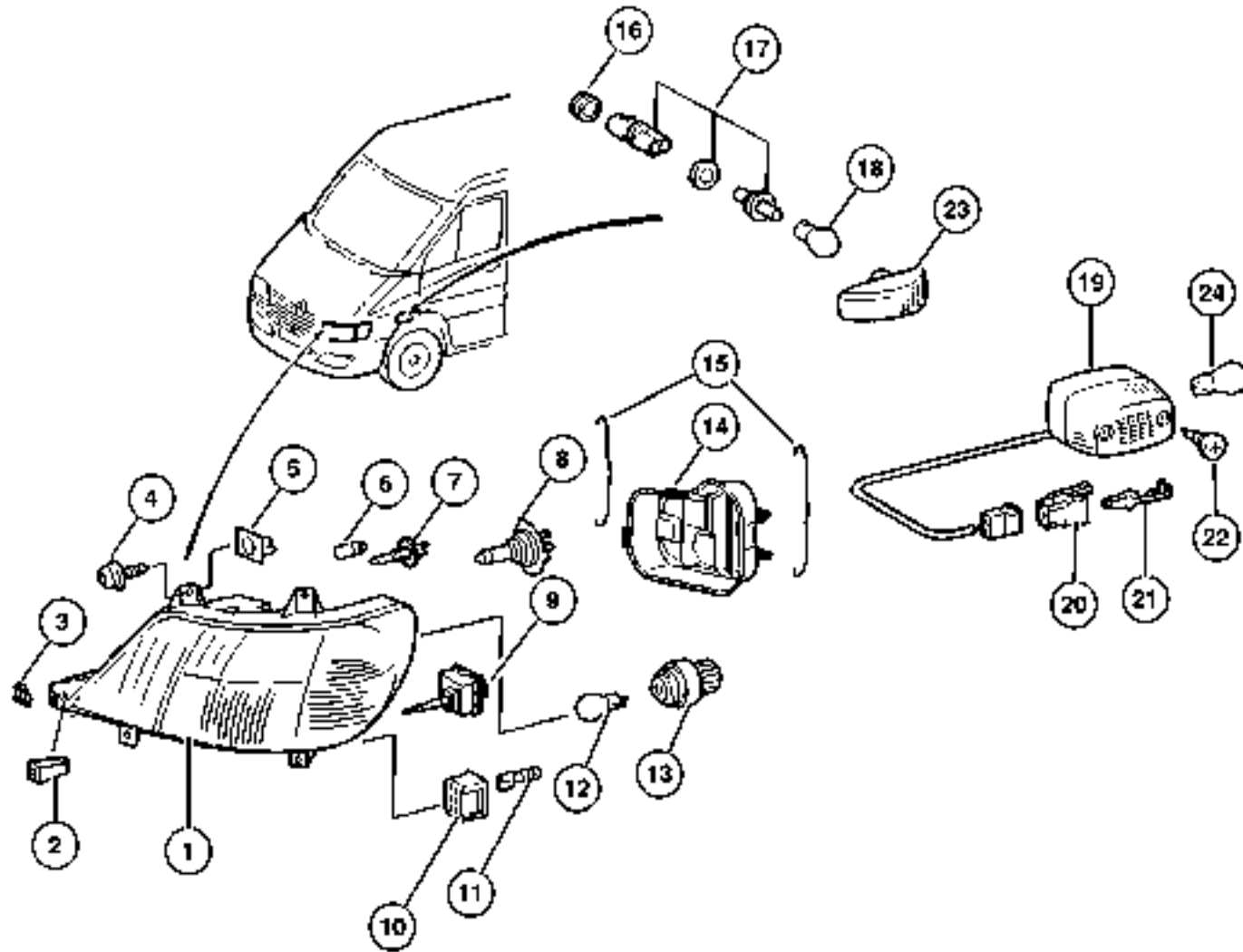
ITEM	PART NUMBER	QTY	LINE	SERIES	BODY	ENGINE	TRANS	TRIM	DESCRIPTION
	5103 685AA	1	2, 6	L	01, 02, 06	EX8	DGZ		
		1	2, 6	L	11, 12, 14, 15, 16	EX8	DGZ		
		1	2, 6	L	51, 52, 54, 55, 56	EX8	DGZ		
		1	3, 7	L	02, 06	EX8	DGZ		
		1	3, 7	L	12, 15, 16	EX8	DGZ		
15	5103 681AA	2	2, 6	L	01, 02, 06	EX8	DGZ		SPRING, Retainer Inside of Lamp
		2	2, 6	L	11, 12, 14, 15, 16	EX8	DGZ		Inside of Lamp
		2	2, 6	L	51, 52, 54, 55, 56	EX8	DGZ		Inside of Lamp
		2	3, 7	L	02, 06	EX8	DGZ		Inside of Lamp
		2	3, 7	L	12, 15, 16	EX8	DGZ		Inside of Lamp
	5103 682AA	2	2, 6	L	01, 02, 06	EX8	DGZ		Outside of Lamp
		2	2, 6	L	11, 12, 14, 15, 16	EX8	DGZ		Outside of Lamp
		2	2, 6	L	51, 52, 54, 55, 56	EX8	DGZ		Outside of Lamp
		2	3, 7	L	02, 06	EX8	DGZ		Outside of Lamp
		2	3, 7	L	12, 15, 16	EX8	DGZ		Outside of Lamp
16	5133 964AA	2	2, 6	L	01, 02, 06	EX8	DGZ		GROMMET, Lamp
		2	2, 6	L	11, 12, 14, 15, 16	EX8	DGZ		
		2	2, 6	L	51, 52, 54, 55, 56	EX8	DGZ		
		2	3, 7	L	02, 06	EX8	DGZ		

Refer to Model Legend Information Bookmark

AR = Use as required - = Non illustrated part # = New this model year

March 3, 2006

Lamps - Front End
Figure 008-1105



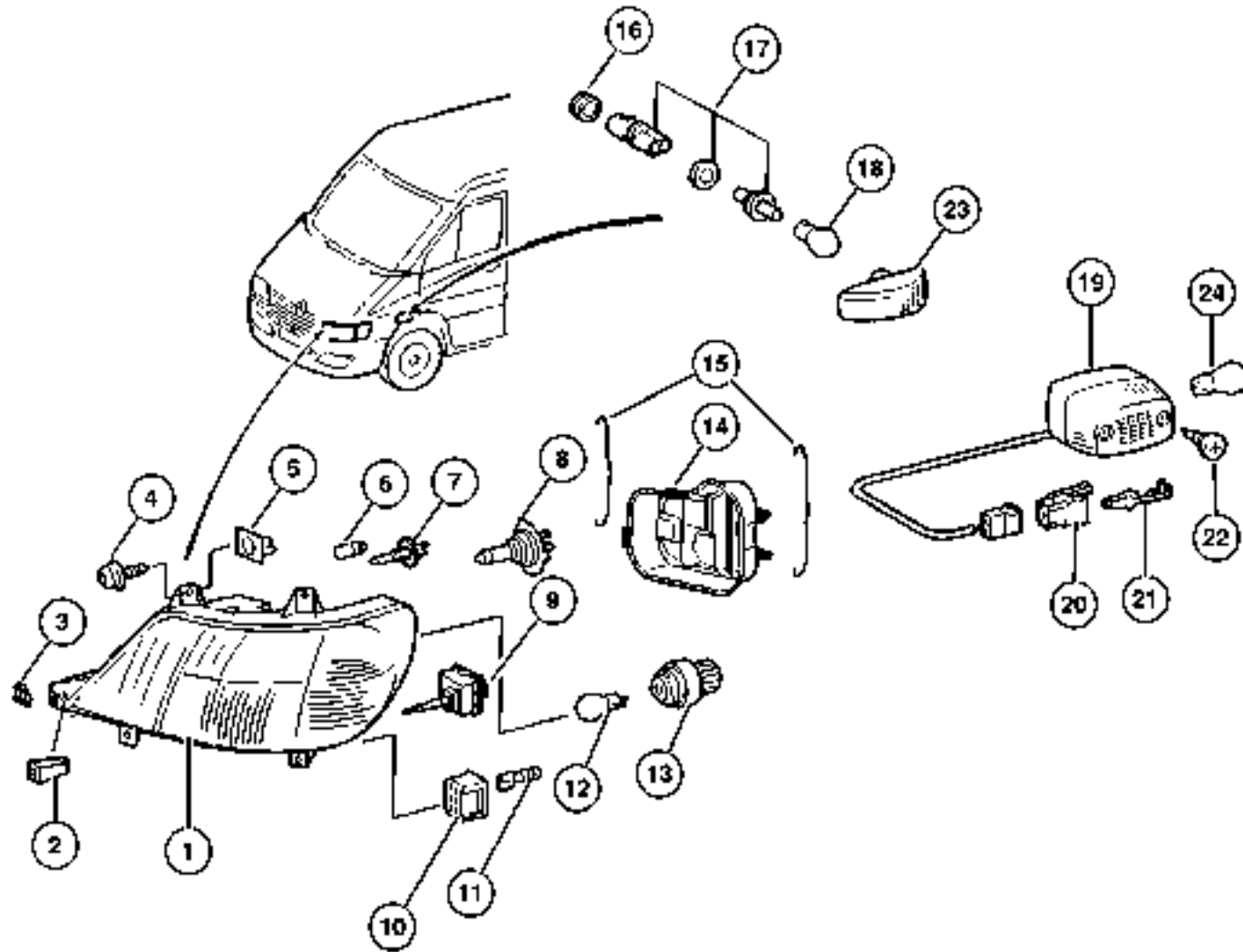
ITEM	PART NUMBER	QTY	LINE	SERIES	BODY	ENGINE	TRANS	TRIM	DESCRIPTION
		2	3, 7	L	12, 15, 16	EX8	DGZ		
17	5103 655AA	2	2, 6	L	01, 02, 06	EX8	DGZ		SOCKET
		2	2, 6	L	11, 12, 14, 15, 16	EX8	DGZ		
		2	2, 6	L	51, 52, 54, 55, 56	EX8	DGZ		
		2	3, 7	L	02, 06	EX8	DGZ		
		2	3, 7	L	12, 15, 16	EX8	DGZ		
18	5104 608AA	2	2, 6	L	01, 02, 06	EX8	DGZ		BULB, 12V 5W
		2	2, 6	L	11, 12, 14, 15, 16	EX8	DGZ		
		2	2, 6	L	51, 52, 54, 55, 56	EX8	DGZ		
		2	3, 7	L	02, 06	EX8	DGZ		
		2	3, 7	L	12, 15, 16	EX8	DGZ		
19	5103 935AA	2	2, 6	L	01, 02, 06				LAMP, Turn Signal
		2	2, 6	L	11, 12, 14, 15, 16				
		2	2, 6	L	51, 52, 54, 55, 56				
		2	3, 7	L	02, 06				
		2	3, 7	L	12, 15, 16				
20	5120 679AA	2	2, 6	L	01, 02, 06	EX8	DGZ		CONNECTOR
		2	2, 6	L	11, 12, 14, 15, 16	EX8	DGZ		

Refer to Model Legend Information Bookmark

AR = Use as required - = Non illustrated part # = New this model year

March 3, 2006

Lamps - Front End
Figure 008-1105



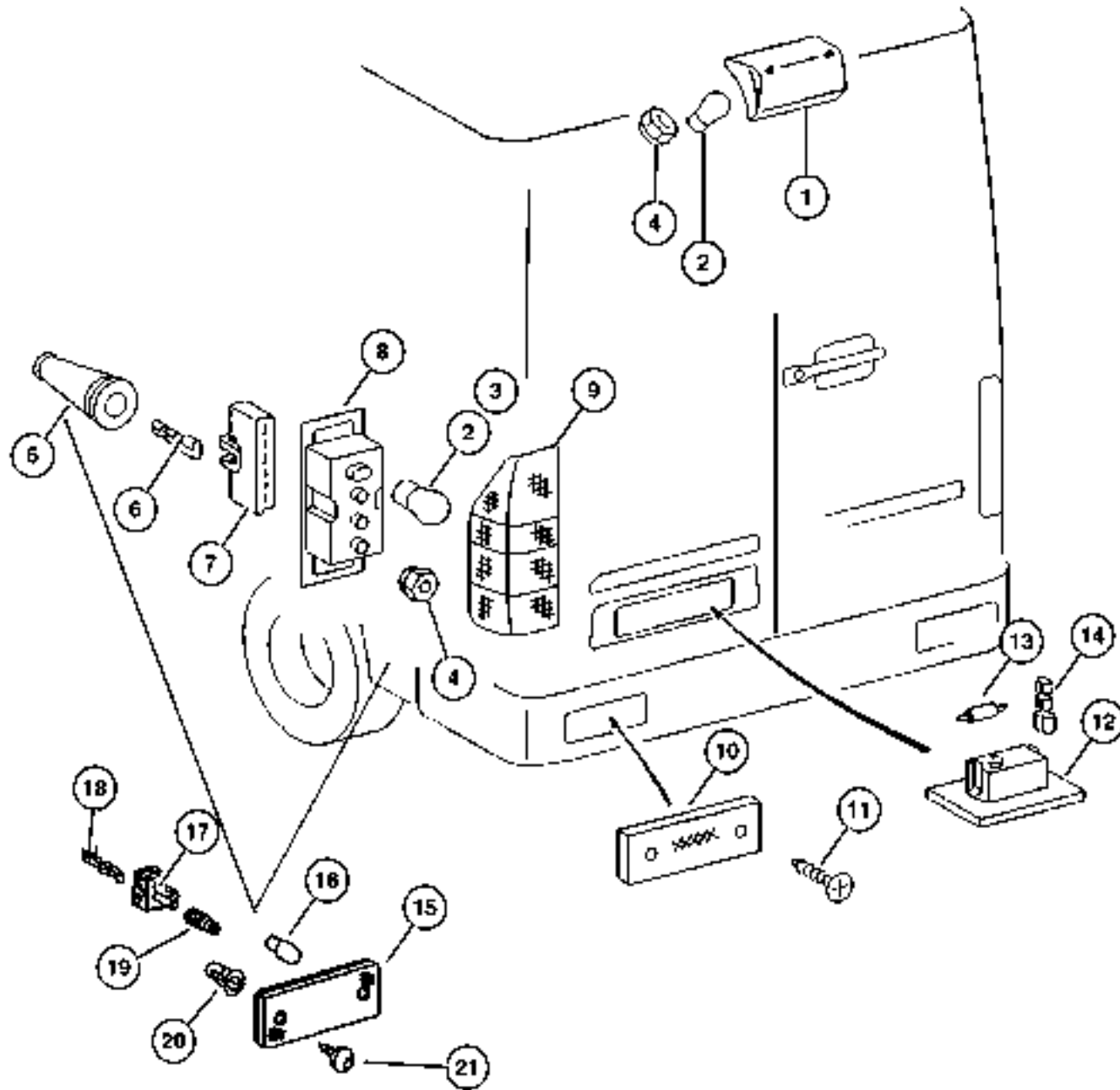
ITEM	PART NUMBER	QTY	LINE	SERIES	BODY	ENGINE	TRANS	TRIM	DESCRIPTION
		2	2, 6	L	51, 52, 54, 55, 56	EX8	DGZ		
		2	3, 7	L	02, 06	EX8	DGZ		
		2	3, 7	L	12, 15, 16	EX8	DGZ		
21	5103 881AA	99	2, 6	L	01, 02, 06	EX8	DGZ		TERMINAL
		99	2, 6	L	11, 12, 14, 15, 16	EX8	DGZ		
		99	2, 6	L	51, 52, 54, 55, 56	EX8	DGZ		
		99	3, 7	L	02, 06	EX8	DGZ		
		99	3, 7	L	12, 15, 16	EX8	DGZ		
22	6104 498AA	8	2, 6	L	56	EX8	DGZ		SCREW
		8	3, 7	L	16	EX8	DGZ		
23	5124 431AA	2	2, 6	L	01, 02, 06	EX8	DGZ		LAMP, Side Repeater
		2	2, 6	L	11, 12, 14, 15, 16	EX8	DGZ		
		2	2, 6	L	51, 52, 54, 55, 56	EX8	DGZ		
		2	3, 7	L	02, 06	EX8	DGZ		
		2	3, 7	L	12, 15, 16	EX8	DGZ		
24	5104 646AA	6	2, 6	L	01, 02, 06	EX8	DGZ		BULB
		4	2, 6	L	11, 12, 14, 15, 16	EX8	DGZ		
		4	2, 6	L	51, 52, 54, 55, 56	EX8	DGZ		
		6	3, 7	L	02, 06	EX8	DGZ		
		4	3, 7	L	12, 15, 16	EX8	DGZ		

Refer to Model Legend Information Bookmark

AR = Use as required - = Non illustrated part # = New this model year

March 3, 2006

Lamps - Rear End
Figure 008-1110



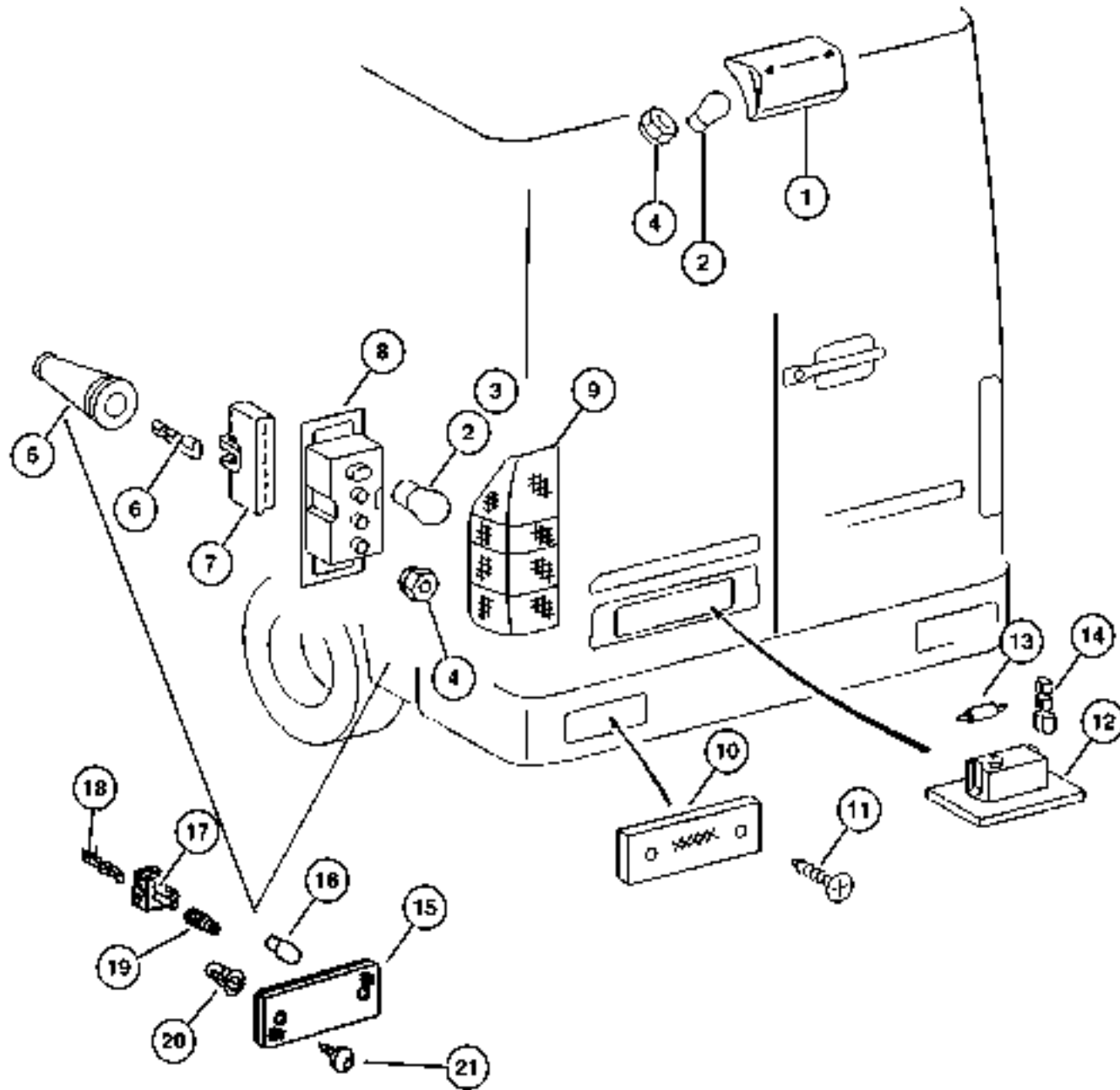
ITEM	PART NUMBER	QTY	LINE	SERIES	BODY	ENGINE	TRANS	TRIM	DESCRIPTION
1	5103 804AA	1	2, 6	L	14, 15, 16	EX8	DGZ		LAMP, Center High Mounted Stop
		1	2, 6	L	54, 55, 56	EX8	DGZ		
	5124 473AA	1	3, 7	L	15, 16	EX8	DGZ		
		1	2, 6	L	11, 12	EX8	DGZ		
		1	3, 7	L	12	EX8	DGZ		
2	5104 646AA	1	2, 6	L	11, 12, 14, 15, 16	EX8	DGZ		BULB Single filament
		1	2, 6	L	51, 52, 54, 55, 56	EX8	DGZ		Single filament
	5104 647AA	1	3, 7	L	12, 15, 16	EX8	DGZ		Single filament
		2	2, 6	L	11, 12, 14, 15, 16	EX8	DGZ		BULB, TAIL LAMP Double filament
3	5104 647AA	2	2, 6	L	51, 52, 54, 55, 56	EX8	DGZ		Double filament
		2	3, 7	L	12, 15, 16	EX8	DGZ		Double filament
		2	2, 6	L	11, 12, 14, 15, 16	EX8	DGZ		NUT, M5
4	6104 707AA	2	2, 6	L	51, 52, 54, 55, 56	EX8	DGZ		
		2	2, 6	L	12, 15, 16	EX8	DGZ		
		2	3, 7	L	12, 15, 16	EX8	DGZ		
5	5133 963AA	1	2, 6	L	11, 12, 14, 15, 16	EX8	DGZ		GROMMET, GROMMET
		1	2, 6	L	51, 52, 54, 55, 56	EX8	DGZ		
		1	3, 7	L	12, 15, 16	EX8	DGZ		
6								CONNECTOR	

Refer to Model Legend Information Bookmark

AR = Use as required - = Non illustrated part # = New this model year

March 3, 2006

Lamps - Rear End
Figure 008-1110



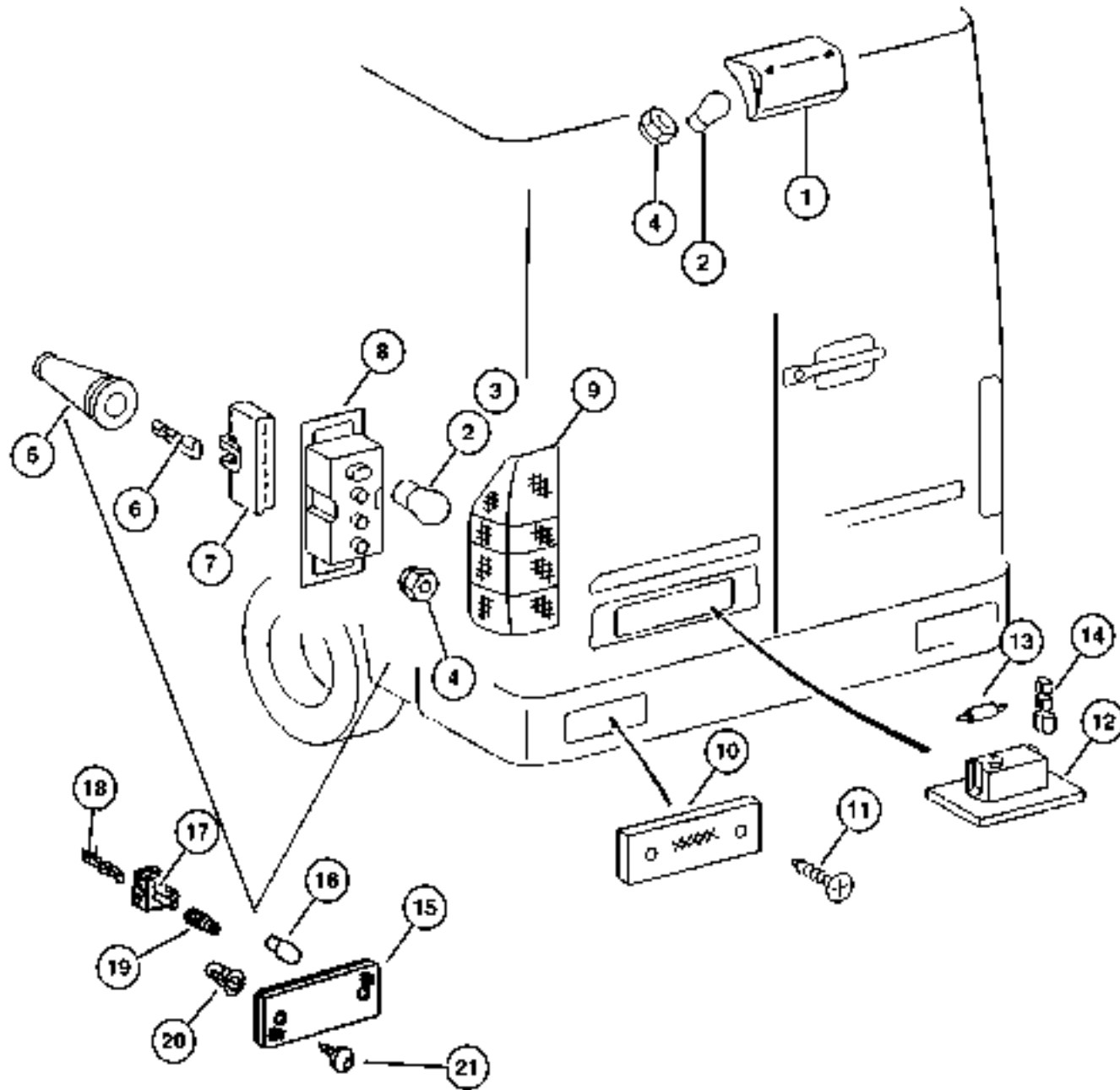
ITEM	PART NUMBER	QTY	LINE	SERIES	BODY	ENGINE	TRANS	TRIM	DESCRIPTION
	5120 596AA	1	2, 6	L	11, 12, 14, 15, 16	EX8	DGZ		
		2	2, 6	L	11, 12, 14, 15, 16	EX8	DGZ		
		2	3, 7	L	12, 15, 16	EX8	DGZ		
7									CONNECTOR
	5120 543AA	2	2, 6	L	11, 12, 14, 15, 16	EX8	DGZ		
		2	2, 6	L	51, 52, 54, 55, 56	EX8	DGZ		
		2	3, 7	L	12, 15, 16	EX8	DGZ		
8									LAMP, Tail Stop Turn Left
	5103 596AA	1	2, 6	L	11, 12, 14, 15, 16	EX8	DGZ		
		1	2, 6	L	51, 52, 54, 55, 56	EX8	DGZ		Left
		1	3, 7	L	12, 15, 16	EX8	DGZ		Left
	5103 597AA	1	2, 6	L	11, 12, 14, 15, 16	EX8	DGZ		Right
		1	2, 6	L	51, 52, 54, 55, 56	EX8	DGZ		Right
		1	3, 7	L	12, 15, 16	EX8	DGZ		Right
9									LENS, Taillamp, Serviced in Lamp Assembly, (NOT SERVICED) (Not Serviced)
10									REFLECTOR, Fascia
	5103 684AA	2	2, 6	L	11, 12, 14, 15, 16	EX8	DGZ		
		2	2, 6	L	51, 52, 54, 55, 56	EX8	DGZ		

Refer to Model Legend Information Bookmark

AR = Use as required - = Non illustrated part # = New this model year

March 3, 2006

Lamps - Rear End
Figure 008-1110



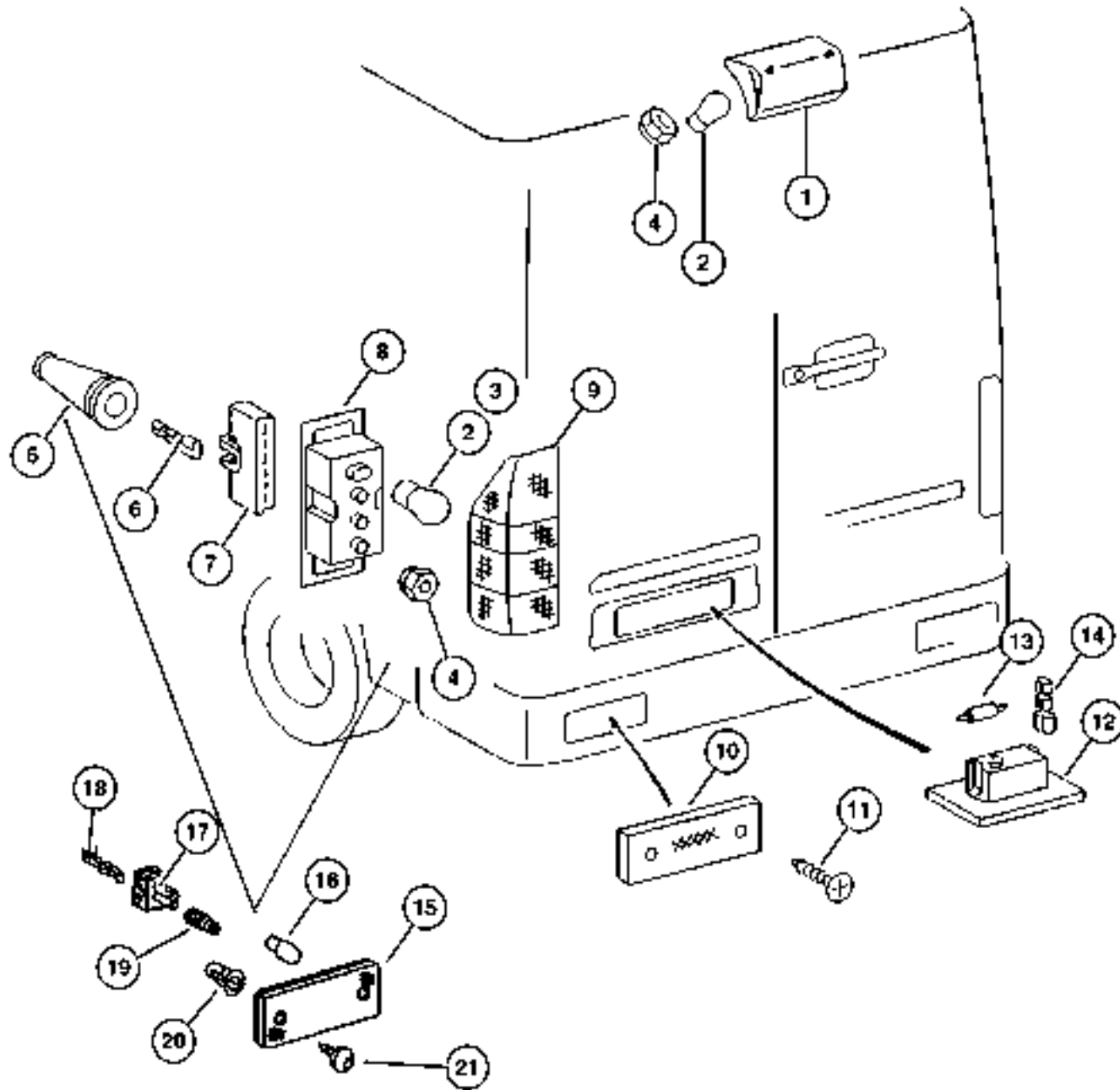
ITEM	PART NUMBER	QTY	LINE	SERIES	BODY	ENGINE	TRANS	TRIM	DESCRIPTION
		2	3, 7	L	12, 15, 16	EX8	DGZ		
11	6104 498AA	4	2, 6	L	11, 12, 14, 15, 16	EX8	DGZ		SCREW
		4	2, 6	L	51, 52, 54, 55, 56	EX8	DGZ		
12	5104 462AA	2	2, 6	L	11, 12, 14, 15, 16	EX8	DGZ		LAMP, License Plate
		2	2, 6	L	51, 52, 54, 55, 56	EX8	DGZ		
		2	3, 7	L	12, 15, 16	EX8	DGZ		
13	5096 968AA	2	2, 6	L	11, 12, 14, 15, 16	EX8	DGZ		BULB, 12V 5W
		2	2, 6	L	51, 52, 54, 55, 56	EX8	DGZ		
		2	3, 7	L	12, 15, 16	EX8	DGZ		
14	5133 927AA	99	2, 6	L	11, 12, 14, 15, 16	EX8	DGZ		TERMINAL, Female
		99	2, 6	L	51, 52, 54, 55, 56	EX8	DGZ		
		99	3, 7	L	12, 15, 16	EX8	DGZ		
15	5124 477AA	6	2, 6	L	16				LAMP, Side Marker
		4	2, 6	L	11, 12, 14, 15, 16				
		6	2, 6	L	56				

Refer to Model Legend Information Bookmark

AR = Use as required - = Non illustrated part # = New this model year

March 3, 2006

Lamps - Rear End
Figure 008-1110



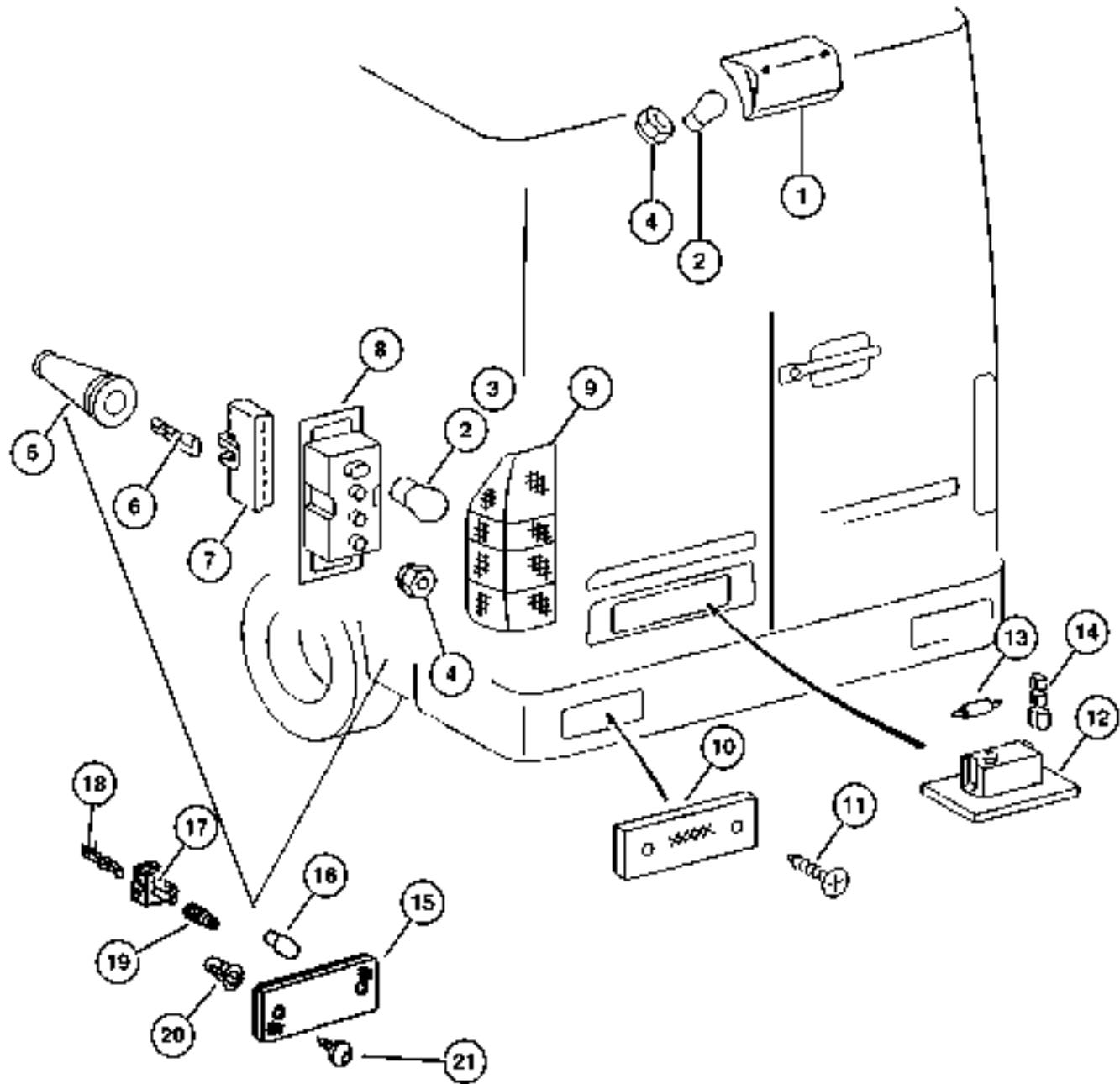
ITEM	PART NUMBER	QTY	LINE	SERIES	BODY	ENGINE	TRANS	TRIM	DESCRIPTION
		4	2, 6	L	51, 52, 54, 55, 56				
		4	3, 7	L	12, 15				
		6	3, 7	L	16				
16	5104 649AA	6	2, 6	L	01, 02, 06	EX8	DGZ		BULB
		2	2, 6	L	11, 12, 14, 15, 16	EX8	DGZ		
		2	2, 6	L	51, 52, 54, 55, 56	EX8	DGZ		
		6	3, 7	L	02, 06	EX8	DGZ		
		2	3, 7	L	12, 15, 16	EX8	DGZ		
17	5103 879AA	99	2, 6	L	01, 02, 06	EX8	DGZ		CONNECTOR
		99	2, 6	L	11, 12, 14, 15, 16	EX8	DGZ		
		99	2, 6	L	51, 52, 54, 55, 56	EX8	DGZ		
		99	3, 7	L	02, 06	EX8	DGZ		
		99	3, 7	L	12, 15, 16	EX8	DGZ		
18	5102 935AA	99	2, 6	L	01, 02, 06	EX8	DGZ		TERMINAL
		99	2, 6	L	11, 12, 14, 15, 16	EX8	DGZ		
		99	2, 6	L	51, 52, 54, 55, 56	EX8	DGZ		
		99	3, 7	L	02, 06	EX8	DGZ		
		99	3, 7	L	12, 15, 16	EX8	DGZ		
19	5120 833AA	99	2, 6	L	01, 02, 06	EX8	DGZ		GASKET

Refer to Model Legend Information Bookmark

AR = Use as required - = Non illustrated part # = New this model year

March 3, 2006

Lamps - Rear End
Figure 008-1110



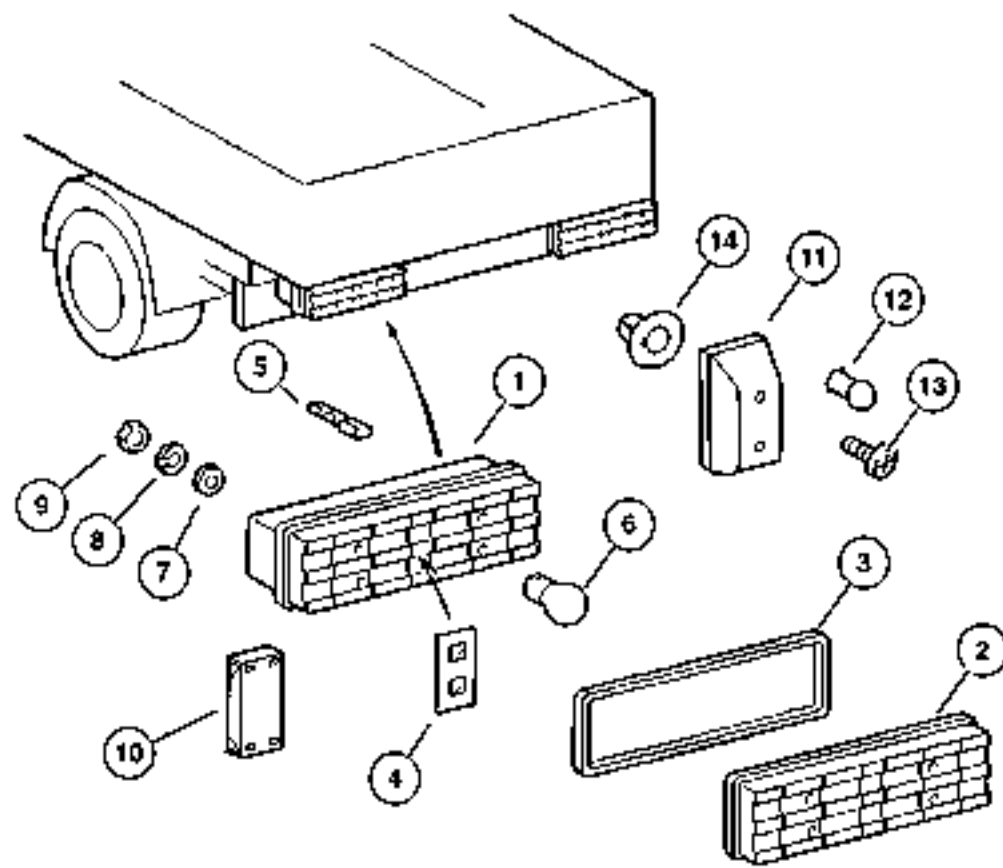
ITEM	PART NUMBER	QTY	LINE	SERIES	BODY	ENGINE	TRANS	TRIM	DESCRIPTION
		99	2, 6	L	11, 12, 14, 15, 16	EX8	DGZ		
		99	2, 6	L	51, 52, 54, 55, 56	EX8	DGZ		
		99	3, 7	L	12, 15, 16	EX8	DGZ		
		1	3, 7	L	02, 06	EX8	DGZ		
20	5103 841AA	6	2, 6	L	01, 02, 06	EX8	DGZ		NUT, Push In
		8	2, 6	L	16	EX8	DGZ		
		8	2, 6	L	56	EX8	DGZ		
		6	3, 7	L	02, 06	EX8	DGZ		
		8	3, 7	L	16	EX8	DGZ		
21	6104 498AA	4	2, 6	L	11, 12, 14, 15, 16	EX8	DGZ		SCREW
		4	3, 7	L	12, 15, 16	EX8	DGZ		

Refer to Model Legend Information Bookmark

AR = Use as required - = Non illustrated part # = New this model year

March 3, 2006

Lamps Rear End Cab and Chassis Vehicles
Figure 008-1115



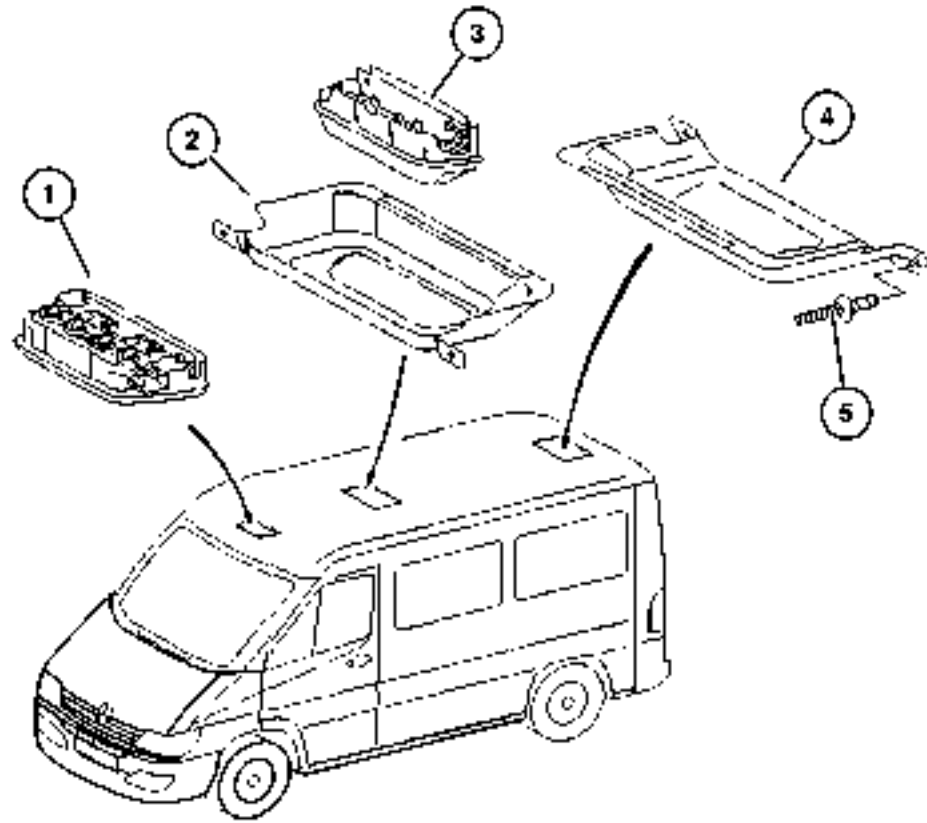
ITEM	PART NUMBER	QTY	LINE	SERIES	BODY	ENGINE	TRANS	TRIM	DESCRIPTION
1									LAMP, Tail Stop Turn
	5124 543AA	1	2, 6	L	01, 02, 06	EX8	DGZ		Left
		1	3, 7	L	02, 06	EX8	DGZ		Left
	5124 545AA	1	2, 6	L	01, 02, 06	EX8	DGZ		Right
		1	3, 7	L	02, 06	EX8	DGZ		Right
2									LENS, Serviced in lamp assembly, (NOT SERVICED) (Not Serviced)
3									GASKET, Tail Lamp, Serviced in lamp assembly, (NOT SERVICED) (Not Serviced)
4									REFLECTOR, Tail Lamp, (NOT REQUIRED)
5	5114 451AA	99	2, 6	L	01, 02, 06	EX8	DGZ		TERMINAL, Female
6									BULB
	5104 646AA	6	2, 6	L	01, 02, 06	EX8	DGZ		
		4	2, 6	L	11, 12, 14, 15, 16	EX8	DGZ		
7									WASHER, (NOT SERVICED) (Not Serviced)
8									WASHER, Lock
	5126 241AA	4	2, 6	L	01, 02, 06	EX8	DGZ		
		4	3, 7	L	02, 06	EX8	DGZ		
9									NUT
	5126 206AA	4	2, 6	L	01, 02, 06	EX8	DGZ		
		4	3, 7	L	02, 06	EX8	DGZ		
10									CAP, (NOT SERVICED) (Not Serviced)
11									LAMP, License Plate, (NOT REQUIRED)
12									BULB, 12V 10W, (NOT REQUIRED)
13									SCREW, (NOT REQUIRED)
14									NUT, Push In
	5103 841AA	6	2, 6	L	01, 02, 06	EX8	DGZ		
		8	2, 6	L	16	EX8	DGZ		
		8	2, 6	L	56	EX8	DGZ		

Refer to Model Legend Information Bookmark

AR = Use as required - = Non illustrated part # = New this model year

March 3, 2006

Lamps Interior Passenger Van
Figure 008-1120



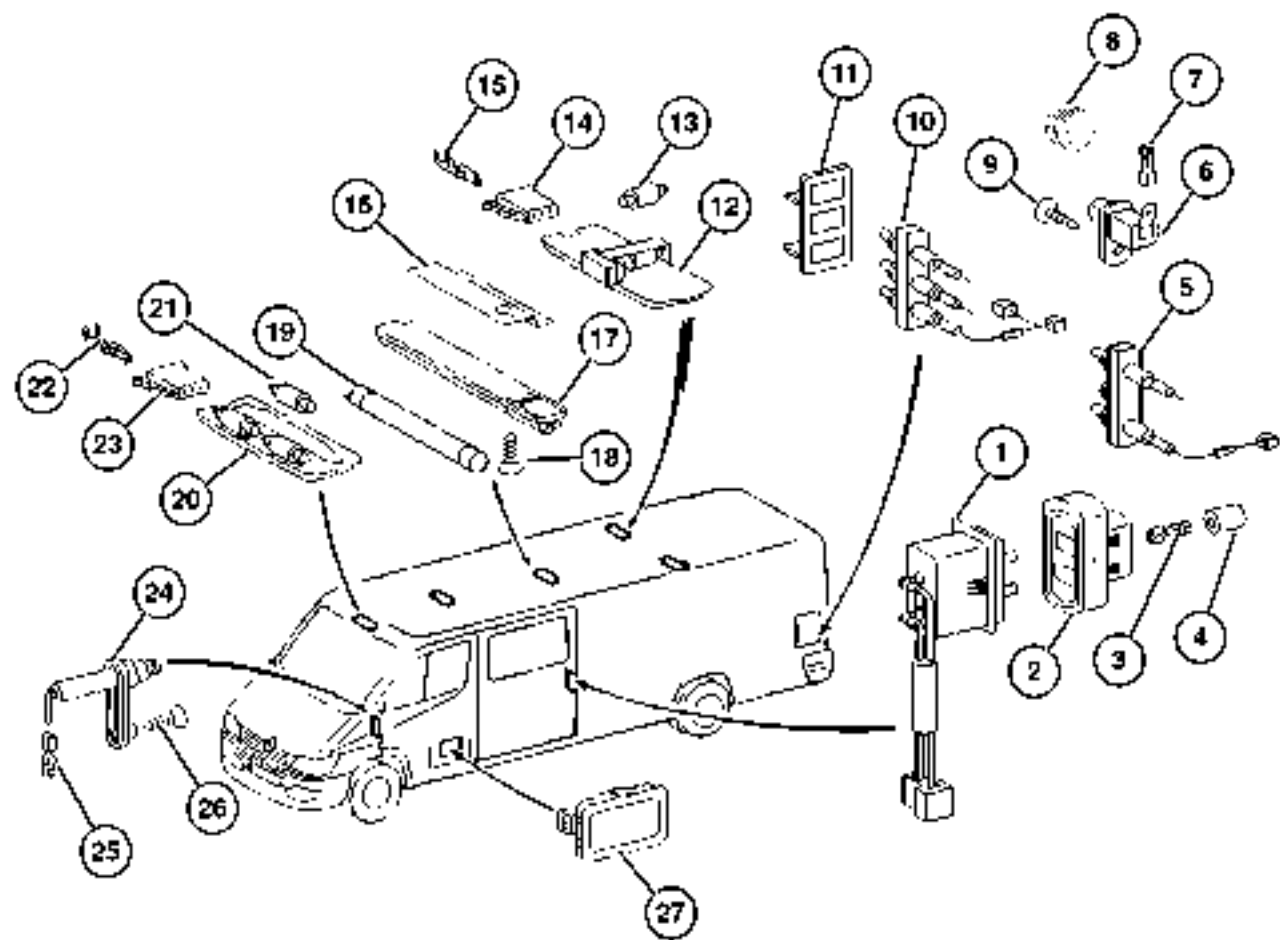
ITEM	PART NUMBER	QTY	LINE	SERIES	BODY	ENGINE	TRANS	TRIM	DESCRIPTION
1									LAMP, Reading
	5124 399AA	1	2, 6	L	01, 02, 06	EX8	DGZ		
		1	2, 6	L	11, 12, 14, 15, 16	EX8	DGZ		
		1	2, 6	L	51, 52, 54, 55, 56	EX8	DGZ		
		1	3, 7	L	02, 06	EX8	DGZ		
		1	3, 7	L	12, 15, 16	EX8	DGZ		
2									BRACKET
	1BD98 RC3AA	1	2, 6	L	11, 12, 14, 15, 16	EX8	DGZ		
		1	2, 6	L	51, 52, 54, 55, 56	EX8	DGZ		
		1	3, 7	L	12, 15, 16	EX8	DGZ		
3									SWITCH
	ZF50 RC3AA	2	2, 6	L	11, 12, 14, 15, 16	EX8	DGZ		
		2	2, 6	L	51, 52, 54, 55, 56	EX8	DGZ		
4									BRACKET
	1BD99 RC3AA	1	2, 6	L	11, 12, 14, 15, 16	EX8	DGZ		
		1	2, 6	L	51, 52, 54, 55, 56	EX8	DGZ		
5									RIVET, M4.8
	5133 934AA	4	2, 6	L	11, 12, 14, 15, 16	EX8	DGZ		
		4	2, 6	L	51, 52, 54, 55, 56	EX8	DGZ		
		4	3, 7	L	12, 15, 16	EX8	DGZ		

Refer to Model Legend Information Bookmark

AR = Use as required - = Non illustrated part # = New this model year

March 3, 2006

Lamps Interior Cargo Van
Figure 008-1125



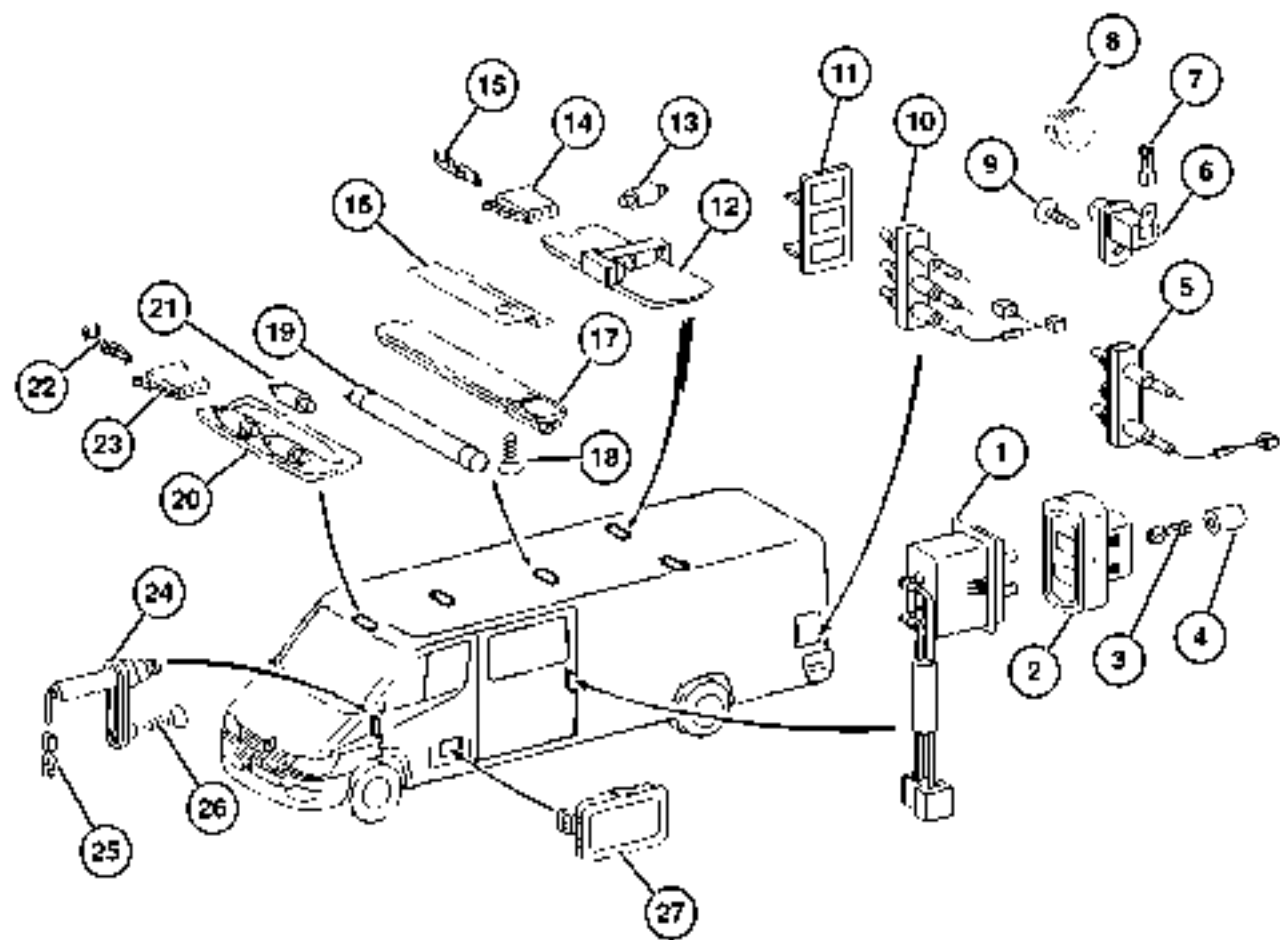
ITEM	PART NUMBER	QTY	LINE	SERIES	BODY	ENGINE	TRANS	TRIM	DESCRIPTION
1									CONTACT, Power Door Lock
	5104 463AA	2	2, 6	L	11, 12, 14, 15, 16	EX8	DGZ		
		2	2, 6	L	51, 52, 54, 55, 56	EX8	DGZ		
		4	3, 7	L	12, 15, 16	EX8	DGZ		
2									CONTACT, Power Door Lock
	5104 461AA	2	2, 6	L	11, 12, 14, 15, 16	EX8	DGZ		
		2	2, 6	L	51, 52, 54, 55, 56	EX8	DGZ		
		2	3, 7	L	12, 15, 16	EX8	DGZ		
3									TERMINAL, Female
	5114 451AA	99	2, 6	L	01, 02, 06	EX8	DGZ		
		99	2, 6	L	11, 12, 14, 15, 16	EX8	DGZ		
		99	2, 6	L	51, 52, 54, 55, 56	EX8	DGZ		
		99	3, 7	L	02, 06	EX8	DGZ		
		99	3, 7	L	12, 15, 16	EX8	DGZ		
4									GROMMET
	5133 968AA	99	2, 6	L	01, 02, 06	EX8	DGZ		
		99	2, 6	L	11, 12, 14, 15, 16	EX8	DGZ		
		99	2, 6	L	51, 52, 54, 55, 56	EX8	DGZ		
		99	3, 7	L	02, 06	EX8	DGZ		
		99	3, 7	L	12, 15, 16	EX8	DGZ		
5									CONTACT, Power Door Lock

Refer to Model Legend Information Bookmark

AR = Use as required - = Non illustrated part # = New this model year

March 3, 2006

Lamps Interior Cargo Van
Figure 008-1125



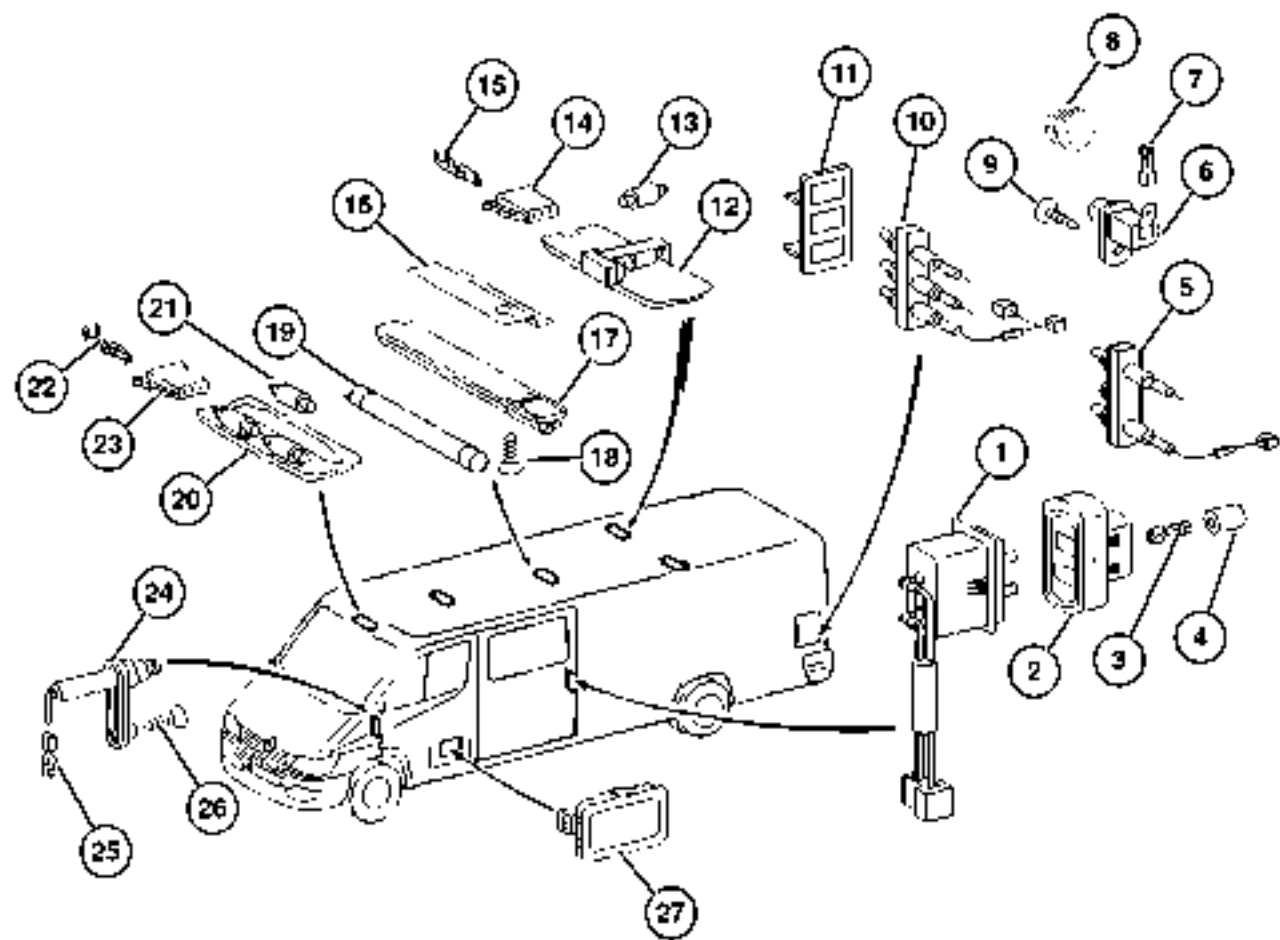
ITEM	PART NUMBER	QTY	LINE	SERIES	BODY	ENGINE	TRANS	TRIM	DESCRIPTION
	5104 016AA	3	2, 6	L	11, 12, 14, 15, 16	EX8	DGZ		
		3	2, 6	L	51, 52, 54, 55, 56	EX8	DGZ		
		3	3, 7	L	12, 15, 16	EX8	DGZ		
6									SWITCH
	5103 678AA	1	2, 6	L	11, 12, 14, 15, 16	EX8	DGZ		
		1	2, 6	L	51, 52, 54, 55, 56	EX8	DGZ		
		1	3, 7	L	12, 15, 16	EX8	DGZ		
7									TERMINAL, Female
	5133 359AA	99	2, 6	L	01, 02, 06	EX8	DGZ		
		99	2, 6	L	11, 12, 14, 15, 16	EX8	DGZ		
		99	2, 6	L	51, 52, 54, 55, 56	EX8	DGZ		
8									GROMMET
	5125 931AA	1	2, 6	L	11, 12, 14, 15, 16	EX8	DGZ		
		1	3, 7	L	12, 15, 16	EX8	DGZ		
9									SCREW
	5126 106AA	2	2, 6	L	11, 12, 14, 15, 16	EX8	DGZ		
		2	2, 6	L	51, 52, 54, 55, 56	EX8	DGZ		
		2	3, 7	L	02, 06	EX8	DGZ		
10									TERMINAL, Heated Rear Window
	5104 015AA	3	2, 6	L	11, 12, 14, 15, 16	EX8	DGZ		

Refer to Model Legend Information Bookmark

AR = Use as required - = Non illustrated part # = New this model year

March 3, 2006

Lamps Interior Cargo Van
Figure 008-1125



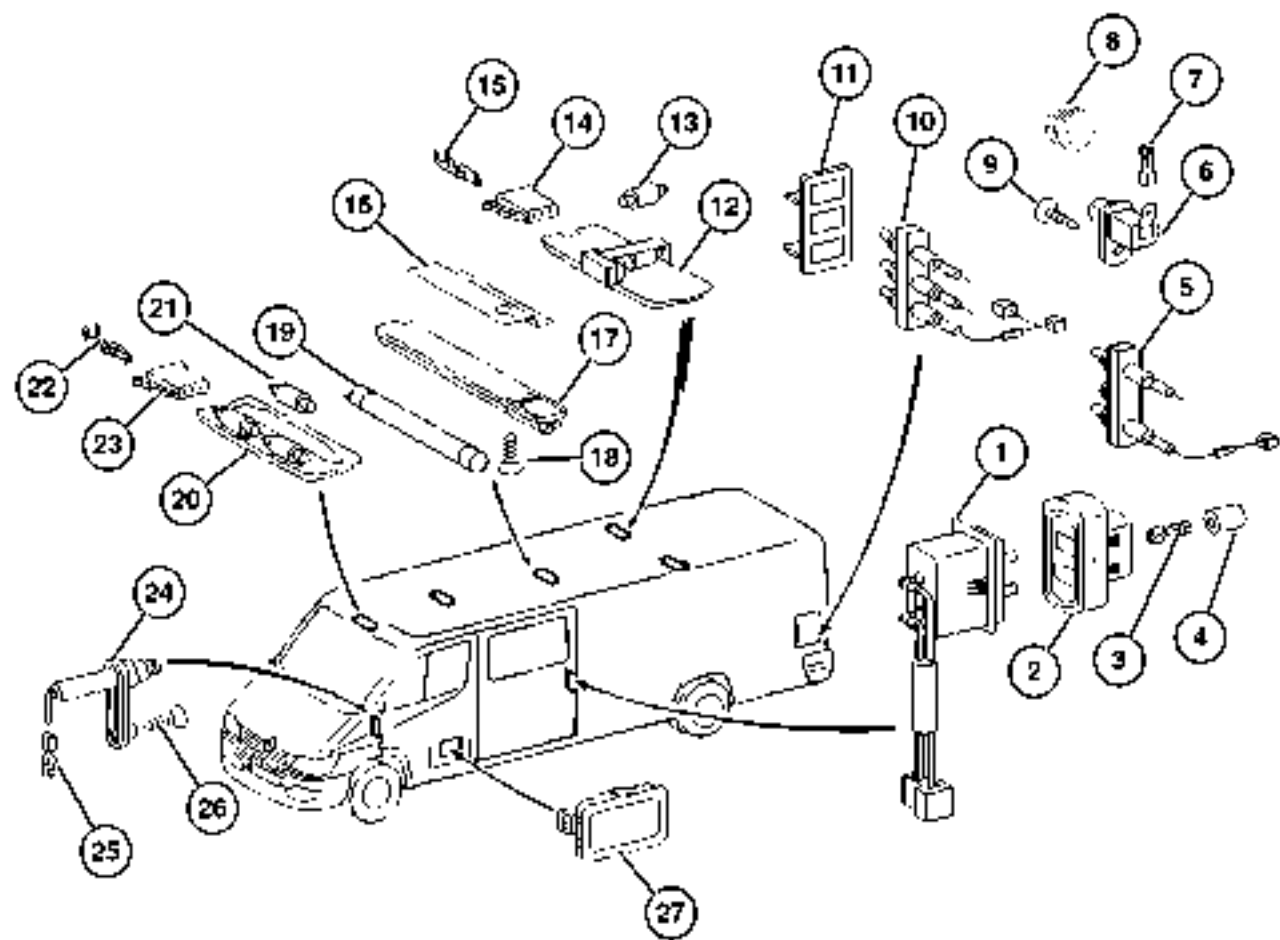
ITEM	PART NUMBER	QTY	LINE	SERIES	BODY	ENGINE	TRANS	TRIM	DESCRIPTION
		3	2, 6	L	51, 52, 54, 55, 56	EX8	DGZ		
		3	3, 7	L	12, 15, 16	EX8	DGZ		
11	5104 465AA	3	2, 6	L	11, 12, 14, 15, 16	EX8	DGZ		CONTACT, Power Door Lock
		3	2, 6	L	51, 52, 54, 55, 56	EX8	DGZ		
		3	3, 7	L	12, 15, 16	EX8	DGZ		
12	5104 459AA	1	2, 6	L	01, 02, 06	EX8	DGZ		LAMP, Cargo
		1	2, 6	L	11, 12, 14, 15, 16	EX8	DGZ		
		3	2, 6	L	12, 15	EX8	DGZ		
		1	2, 6	L	16	EX8	DGZ		
		2	2, 6	L	51, 52, 54, 55	EX8	DGZ		
		1	3, 7	L	02, 06	EX8	DGZ		
		1	3, 7	L	12, 15, 16	EX8	DGZ		
13	5104 645AA	1	2, 6	L	01, 02, 06	EX8	DGZ		BULB
		1	2, 6	L	11, 12, 14, 15, 16	EX8	DGZ		
		3	2, 6	L	12, 15	EX8	DGZ		
		1	2, 6	L	51, 52, 54, 55, 56	EX8	DGZ		
		1	3, 7	L	02, 06	EX8	DGZ		
		1	3, 7	L	12, 15, 16	EX8	DGZ		
14	5120 545AA	1	2, 6	L	01, 02, 06	EX8	DGZ		CONNECTOR

Refer to Model Legend Information Bookmark

AR = Use as required - = Non illustrated part # = New this model year

March 3, 2006

Lamps Interior Cargo Van
Figure 008-1125



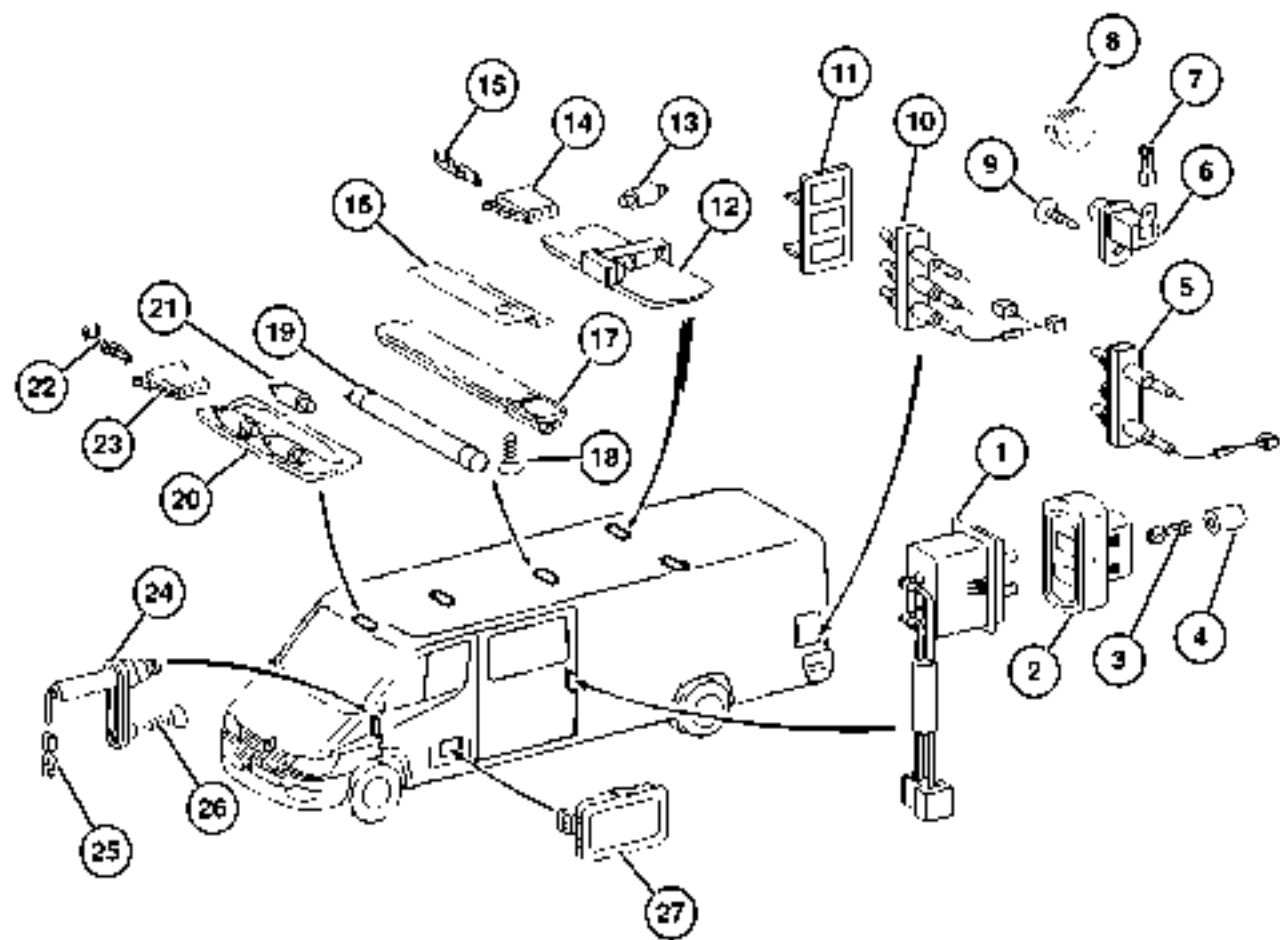
ITEM	PART NUMBER	QTY	LINE	SERIES	BODY	ENGINE	TRANS	TRIM	DESCRIPTION
		1	2, 6	L	11, 12, 14, 15, 16	EX8	DGZ		
		1	2, 6	L	51, 52, 54, 55, 56	EX8	DGZ		
		1	3, 7	L	02, 06	EX8	DGZ		
		1	3, 7	L	12, 15, 16	EX8	DGZ		
15									TERMINAL
	5103 881AA	99	2, 6	L	01, 02, 06	EX8	DGZ		
		99	2, 6	L	11, 12, 14, 15, 16	EX8	DGZ		
		99	2, 6	L	51, 52, 54, 55, 56	EX8	DGZ		
		99	3, 7	L	02, 06	EX8	DGZ		
		99	3, 7	L	12, 15, 16	EX8	DGZ		
16									BRACKET
	5121 426AA	1	2, 6	L	15	EX8	DGZ		
		1	3, 7	L	15	EX8	DGZ		
17									LAMP, Cargo
	5103 764AA	1	2, 6	L	11, 12, 14, 15, 16	EX8	DGZ		
		1	3, 7	L	12, 15, 16	EX8	DGZ		
18									SCREW
	6104 527AA	4	2, 6	L	11, 12, 14, 15, 16	EX8	DGZ		
		4	3, 7	L	12, 15, 16	EX8	DGZ		
19									BULB, 12V 8W
	5133 563AA	1	2, 6	L	11, 12, 14, 15, 16	EX8	DGZ		
		99	3, 7	L	12, 15, 16	EX8	DGZ		
20									LAMP, Dome
	5133 561AA	1	2, 6	L	01, 02, 06	EX8	DGZ		

Refer to Model Legend Information Bookmark

AR = Use as required - = Non illustrated part # = New this model year

March 3, 2006

Lamps Interior Cargo Van
Figure 008-1125



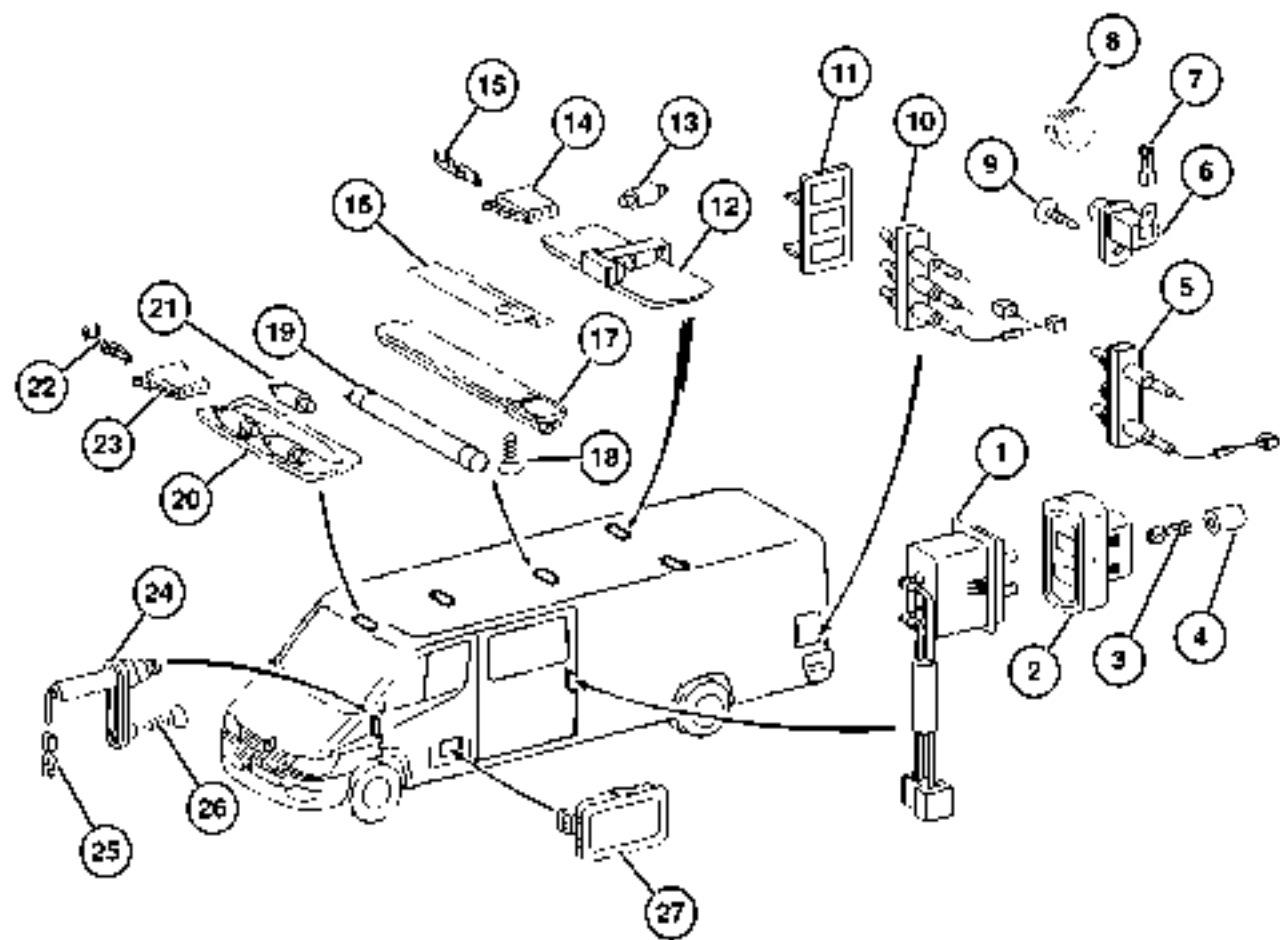
ITEM	PART NUMBER	QTY	LINE	SERIES	BODY	ENGINE	TRANS	TRIM	DESCRIPTION
		1	2, 6	L	11, 12,	EX8	DGZ		
		1	2, 6	L	14, 15, 16	EX8	DGZ		
		1	3, 7	L	02, 06	EX8	DGZ		
		1	3, 7	L	12, 15, 16	EX8	DGZ		
21	5096 967AA	2	2, 6	L	01, 02, 06	EX8	DGZ		BULB, 12V 10W
		2	2, 6	L	11, 12, 14, 15, 16	EX8	DGZ		
		2	2, 6	L	51, 52, 54, 55, 56	EX8	DGZ		
		2	3, 7	L	02, 06	EX8	DGZ		
		2	3, 7	L	12, 15, 16	EX8	DGZ		
22	5103 882AA	99	2, 6	L	01, 02, 06	EX8	DGZ		TERMINAL
		99	2, 6	L	11, 12, 14, 15, 16	EX8	DGZ		
		99	2, 6	L	51, 52, 54, 55, 56	EX8	DGZ		
		99	3, 7	L	02, 06	EX8	DGZ		
		99	3, 7	L	12, 15, 16	EX8	DGZ		
23	5120 545AA	1	3, 7	L	02, 06	EX8	DGZ		CONNECTOR
		1	3, 7	L	12, 15, 16	EX8	DGZ		
24	5103 861AA	2	2, 6	L	01, 02, 06	EX8	DGZ		SWITCH, Door Ajar
		2	2, 6	L	11, 12, 14, 15, 16	EX8	DGZ		

Refer to Model Legend Information Bookmark

AR = Use as required - = Non illustrated part # = New this model year

March 3, 2006

Lamps Interior Cargo Van
Figure 008-1125



ITEM	PART NUMBER	QTY	LINE	SERIES	BODY	ENGINE	TRANS	TRIM	DESCRIPTION
		2	2, 6	L	51, 52, 54, 55, 56	EX8	DGZ		
25	5103 871AA	99	2, 6	L	01, 02, 06	EX8	DGZ		TERMINAL, Female
		99	2, 6	L	51, 52, 54, 55, 56	EX8	DGZ		
		99	3, 7	L	12, 15, 16	EX8	DGZ		
26	5126 106AA	2	2, 6	L	01, 02, 06	EX8	DGZ		SCREW
		2	2, 6	L	11, 12, 14, 15, 16	EX8	DGZ		
		2	2, 6	L	51, 52, 54, 55, 56	EX8	DGZ		
		2	3, 7	L	02, 06	EX8	DGZ		
		2	3, 7	L	12, 15, 16	EX8	DGZ		
27	5103 765AA	2	2, 6	L	01, 02, 06	EX8	DGZ		LAMP, Courtesy
		2	2, 6	L	11, 12, 14, 15, 16	EX8	DGZ		
		2	2, 6	L	51, 52, 54, 55, 56	EX8	DGZ		
		2	3, 7	L	02, 06	EX8	DGZ		
		2	3, 7	L	12, 15, 16	EX8	DGZ		

Refer to Model Legend Information Bookmark

AR = Use as required - = Non illustrated part # = New this model year

March 3, 2006

Lamp - Bulbs
Figure 008-1130

BULB SPECIFICATIONS

LAMP	BULB
Backup	P21W - 12V 21W (1)
Brake & Rear Park	P21/5W - 12V 21/5W (1)
Center High Mounted Stop	P21W - 12V 21W (1)
Clearance	W3W - 12V 3W
Front Fog	H1 - 12V 55W (3)
Front Position	W5W - 12V 5W (6)
Front Turn, Park & Side Marker	3457 NA - 12V 28/7.5W Amber Glass (2) (5)
Low Beam Headlamp	H7 - 12V 55W (4)
High Beam Headlamp	H1 - 12V 55W (3)
License Plate	C5W - 12V 5W (8)
Rear Side Marker	R5W - 12V 5W (9)
Rear Turn	P21W - 12V 21W (10)
Side Repeater	W5W - 12V 3W (11)

LAMP	BULB
Cargo/Dome Lamp	K - 12V 18W (7)
Dome/Reading Lamp	K - 12V 10W (12)
Dome Lamp w/Intrusion Sensor	K - 12V 6W
Entry/Exit Lamp	W5W - 12V 5W (13)

ITEM	PART NUMBER	QTY	LINE	SERIES	BODY	ENGINE	TRANS	TRIM	DESCRIPTION
1									BULB
	5104 646AA	6	2, 6	L	01, 02, 06	EX8	DGZ		
		4	2, 6	L	11, 12, 14, 15, 16	EX8	DGZ		
		4	2, 6	L	51, 52, 54, 55, 56	EX8	DGZ		
		6	3, 7	L	02, 06	EX8	DGZ		
		4	3, 7	L	12, 15, 16	EX8	DGZ		
2									BULB, 12V 5W
	5104 608AA	2	2, 6	L	01, 02, 06	EX8	DGZ		
		2	2, 6	L	11, 12, 14, 15, 16	EX8	DGZ		
		2	2, 6	L	51, 52, 54, 55, 56	EX8	DGZ		
		2	3, 7	L	02, 06	EX8	DGZ		
		2	3, 7	L	12, 15, 16	EX8	DGZ		
3									BULB, Fog Lamp, 12V 55W
	5104 682AA	99	2, 6	L	01, 02, 06	EX8	DGZ		
		99	2, 6	L	11, 12, 14, 15, 16	EX8	DGZ		
		99	2, 6	L	51, 52, 54, 55, 56	EX8	DGZ		
		2	3, 7	L	02, 06	EX8	DGZ		
		2	3, 7	L	12, 15, 16	EX8	DGZ		
4									BULB, Headlamp, H-7
	5104 684AA	2	2, 6	L	01, 02, 06	EX8	DGZ		
		2	2, 6	L	11, 12, 14, 15, 16	EX8	DGZ		
		2	2, 6	L	51, 52, 54, 55, 56	EX8	DGZ		

Refer to Model Legend Information Bookmark

AR = Use as required - = Non illustrated part # = New this model year

March 3, 2006

Lamp - Bulbs
Figure 008-1130

BULB SPECIFICATIONS

LAMP	BULB
Backup	P21W - 12V 21W (1)
Brake & Rear Park	P21/5W - 12V 21/5W (1)
Center High Mounted Stop	P21W - 12V 21W (1)
Clearance	W3W - 12V 3W
Front Fog	H1 - 12V 55W (3)
Front Position	W5W - 12V 5W (6)
Front Turn, Park & Side Marker	3457 NA - 12V 28/7.5W Amber Glass (2) (5)
Low Beam Headlamp	H7 - 12V 55W (4)
High Beam Headlamp	H1 - 12V 55W (3)
License Plate	C5W - 12V 5W (8)
Rear Side Marker	R5W - 12V 5W (9)
Rear Turn	P21W - 12V 21W (10)
Side Repeater	W5W - 12V 3W (11)

LAMP	BULB
Cargo/Dome Lamp	K - 12V 18W (7)
Dome/Reading Lamp	K - 12V 10W (12)
Dome Lamp w/Intrusion Sensor	K - 12V 6W
Entry/Exit Lamp	W5W - 12V 5W (13)

ITEM	PART NUMBER	QTY	LINE	SERIES	BODY	ENGINE	TRANS	TRIM	DESCRIPTION
		2	3, 7	L	02, 06	EX8	DGZ		
		2	3, 7	L	12, 15, 16	EX8	DGZ		
5	5104 647AA	2	2, 6	L	11, 12, 14, 15, 16	EX8	DGZ		BULB, TAIL LAMP
		2	2, 6	L	51, 52, 54, 55, 56	EX8	DGZ		
		2	3, 7	L	12, 15, 16	EX8	DGZ		
6	5104 648AA	3	2, 6	L	01, 02, 06	EX8	DGZ		BULB, 12V 5W
		3	3, 7	L	02, 06	EX8	DGZ		
7	5104 645AA	1	2, 6	L	01, 02, 06	EX8	DGZ		BULB
		1	2, 6	L	11, 12, 14, 15, 16	EX8	DGZ		
		3	2, 6	L	12, 15	EX8	DGZ		
		1	2, 6	L	16	EX8	DGZ		
		1	2, 6	L	51, 52, 54, 55, 56	EX8	DGZ		
		3	2, 6	L	52, 55	EX8	DGZ		
		1	2, 6	L	56	EX8	DGZ		
		1	3, 7	L	02, 06	EX8	DGZ		
		1	3, 7	L	12, 15, 16	EX8	DGZ		
8	5104 649AA	6	2, 6	L	01, 02, 06	EX8	DGZ		BULB
		2	2, 6	L	11, 12, 14, 15, 16	EX8	DGZ		
		2	2, 6	L	51, 52, 54, 55, 56	EX8	DGZ		
		6	3, 7	L	02, 06	EX8	DGZ		
		2	3, 7	L	12, 15, 16	EX8	DGZ		
9									BULB, 12V 5W

Refer to Model Legend Information Bookmark

AR = Use as required - = Non illustrated part # = New this model year

March 3, 2006

Lamp - Bulbs
Figure 008-1130

BULB SPECIFICATIONS

LAMP	BULB
Backup	P21W - 12V 21W (1)
Brake & Rear Park	P21/5W - 12V 21/5W (1)
Center High Mounted Stop	P21W - 12V 21W (1)
Clearance	W3W - 12V 3W
Front Fog	H1 - 12V 55W (3)
Front Position	W5W - 12V 5W (6)
Front Turn, Park & Side Marker	3457 NA - 12V 28/7.5W Amber Glass (2) (5)
Low Beam Headlamp	H7 - 12V 55W (4)
High Beam Headlamp	H1 - 12V 55W (3)
License Plate	C5W - 12V 5W (8)
Rear Side Marker	R5W - 12V 5W (9)
Rear Turn	P21W - 12V 21W (10)
Side Repeater	W5W - 12V 3W (11)

LAMP	BULB
Cargo/Dome Lamp	K - 12V 18W (7)
Dome/Reading Lamp	K - 12V 10W (12)
Dome Lamp w/Intrusion Sensor	K - 12V 6W
Entry/Exit Lamp	W5W - 12V 5W (13)

ITEM	PART NUMBER	QTY	LINE	SERIES	BODY	ENGINE	TRANS	TRIM	DESCRIPTION
	5104 608AA	2	2, 6	L	01, 02, 06	EX8	DGZ		
		2	2, 6	L	11, 12, 14, 15, 16	EX8	DGZ		
		2	2, 6	L	51, 52, 54, 55, 56	EX8	DGZ		
		2	3, 7	L	02, 06	EX8	DGZ		
		2	3, 7	L	12, 15, 16	EX8	DGZ		
10	5104 646AA	6	2, 6	L	01, 02, 06	EX8	DGZ		BULB
		4	2, 6	L	11, 12, 14, 15, 16	EX8	DGZ		
		4	2, 6	L	51, 52, 54, 55, 56	EX8	DGZ		
11	5126 194AA	2	2, 6	L	01, 02, 06	EX8	DGZ		BULB, 12V 5W
		2	2, 6	L	11, 12, 14, 15, 16	EX8	DGZ		
		2	2, 6	L	51, 52, 54, 55, 56	EX8	DGZ		
		2	3, 7	L	02, 06	EX8	DGZ		
		2	3, 7	L	12, 15, 16	EX8	DGZ		
12	5096 967AA	2	2, 6	L	01, 02, 06	EX8	DGZ		BULB, 12V 10W
		2	2, 6	L	11, 12, 14, 15, 16	EX8	DGZ		
		2	2, 6	L	51, 52, 54, 55, 56	EX8	DGZ		
		2	3, 7	L	02, 06	EX8	DGZ		
		2	3, 7	L	12, 15, 16	EX8	DGZ		
13									BULB, 12V 8W

Refer to Model Legend Information Bookmark

AR = Use as required - = Non illustrated part # = New this model year

March 3, 2006

Lamp - Bulbs
Figure 008-1130

BULB SPECIFICATIONS

LAMP	BULB
Backup	P21W - 12V 21W (1)
Brake & Rear Park	P21/5W - 12V 21/5W (1)
Center High Mounted Stop	P21W - 12V 21W (1)
Clearance	W3W - 12V 3W
Front Fog	H1 - 12V 55W (3)
Front Position	W5W - 12V 5W (6)
Front Turn, Park & Side Marker	3457 NA - 12V 28/7.5W Amber Glass (2) (5)
Low Beam Headlamp	H7 - 12V 55W (4)
High Beam Headlamp	H1 - 12V 55W (3)
License Plate	C5W - 12V 5W (8)
Rear Side Marker	R5W - 12V 5W (9)
Rear Turn	P21W - 12V 21W (10)
Side Repeater	W5W - 12V 3W (11)

LAMP	BULB
Cargo/Dome Lamp	K - 12V 18W (7)
Dome/Reading Lamp	K - 12V 10W (12)
Dome Lamp w/Intrusion Sensor	K - 12V 6W
Entry/Exit Lamp	W5W - 12V 5W (13)

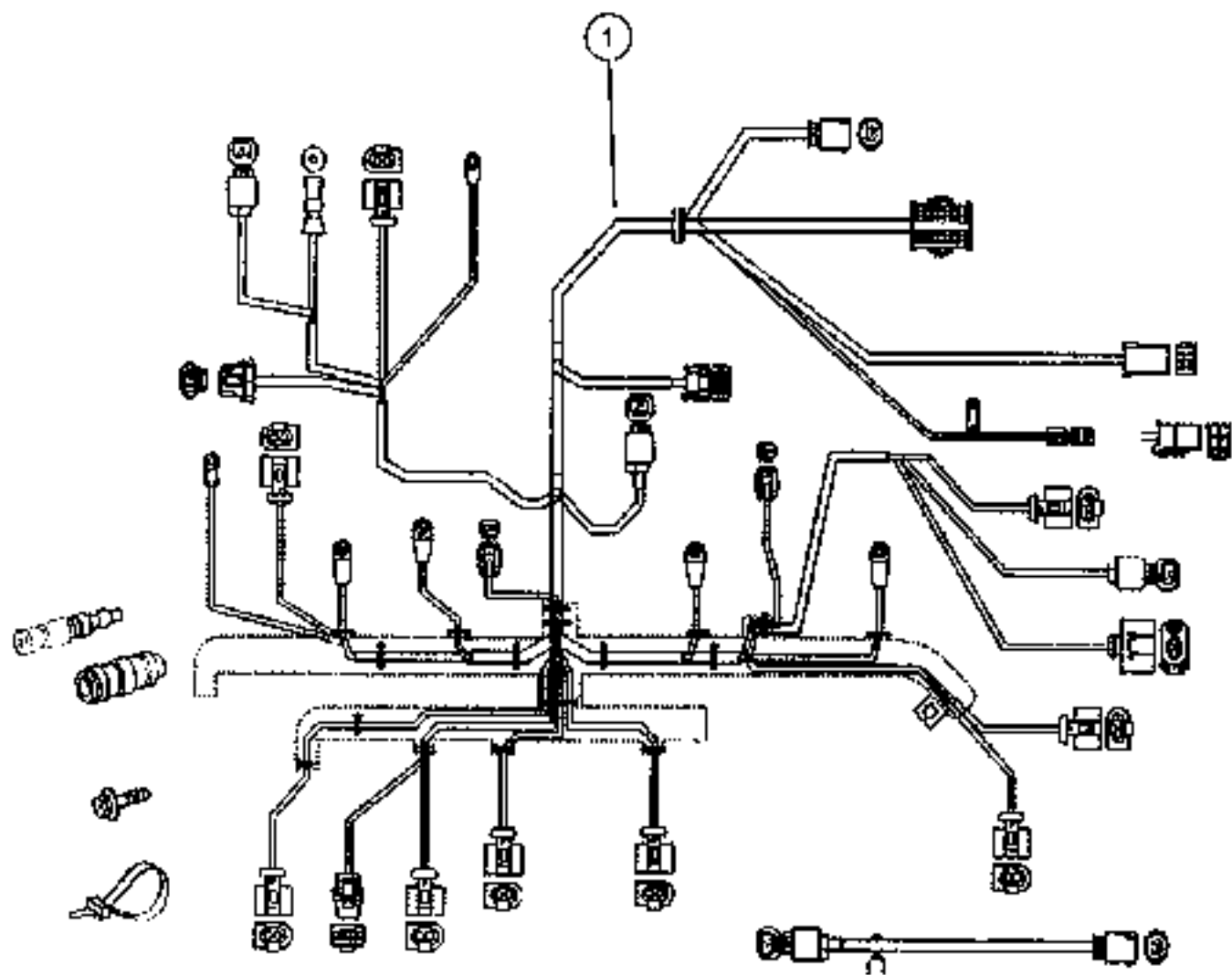
ITEM	PART NUMBER	QTY	LINE	SERIES	BODY	ENGINE	TRANS	TRIM	DESCRIPTION
	5133 563AA	1	2, 6	L	11, 12, 14, 15, 16	EX8	DGZ		
		99	3, 7	L	12, 15, 16	EX8	DGZ		
-14	5175 563AB-	1		L					BULB KIT, DESIGNATION: BOX H7 H1 --CONTENTS 1 PC EACH --64210 LONGLIFE H7 L000000H7--64150 LONGLIFE H1 05104682AA--7507 PY21W 05104662AA

Refer to Model Legend Information Bookmark

AR = Use as required - = Non illustrated part # = New this model year

March 3, 2006

Wiring - Engine
Figure 008-1205



ITEM	PART NUMBER	QTY	LINE	SERIES	BODY	ENGINE	TRANS	TRIM	DESCRIPTION
1	5120 167AA	1	2, 3, 6, 7	L		EX8	DGZ		WIRING, Engine
-2	5103 881AA-	99	2, 6	L	01, 02, 06	EX8	DGZ		TERMINAL
		99	2, 6	L	11, 12, 14, 15, 16	EX8	DGZ		
		99	2, 6	L	51, 52, 54, 55, 56	EX8	DGZ		
		99	3, 7	L	02, 06	EX8	DGZ		
		99	3, 7	L	12, 15, 16	EX8	DGZ		
-3	5133 396AA-	1	2, 6	L	01, 02, 06	EX8	DGZ		CONNECTOR, Wiring
		1	2, 6	L	11, 12, 14, 15, 16	EX8	DGZ		
		1	2, 6	L	51, 52, 54, 55, 56	EX8	DGZ		
		1	3, 7	L	02, 06	EX8	DGZ		
		1	3, 7	L	12, 15, 16	EX8	DGZ		
-4	5103 753AA-	99	2, 6	L	01, 02, 06	EX8	DGZ		CONNECTOR
		99	2, 6	L	11, 12, 14, 15, 16	EX8	DGZ		
		99	2, 6	L	51, 52, 54, 55, 56	EX8	DGZ		
		99	3, 7	L	12, 15, 16	EX8	DGZ		
		1	3, 7	L	02, 06	EX8	DGZ		
-5	5114 451AA-	99	2, 6	L	01, 02, 06	EX8	DGZ		TERMINAL, Female
		99	2, 6	L	11, 12, 14, 15, 16	EX8	DGZ		

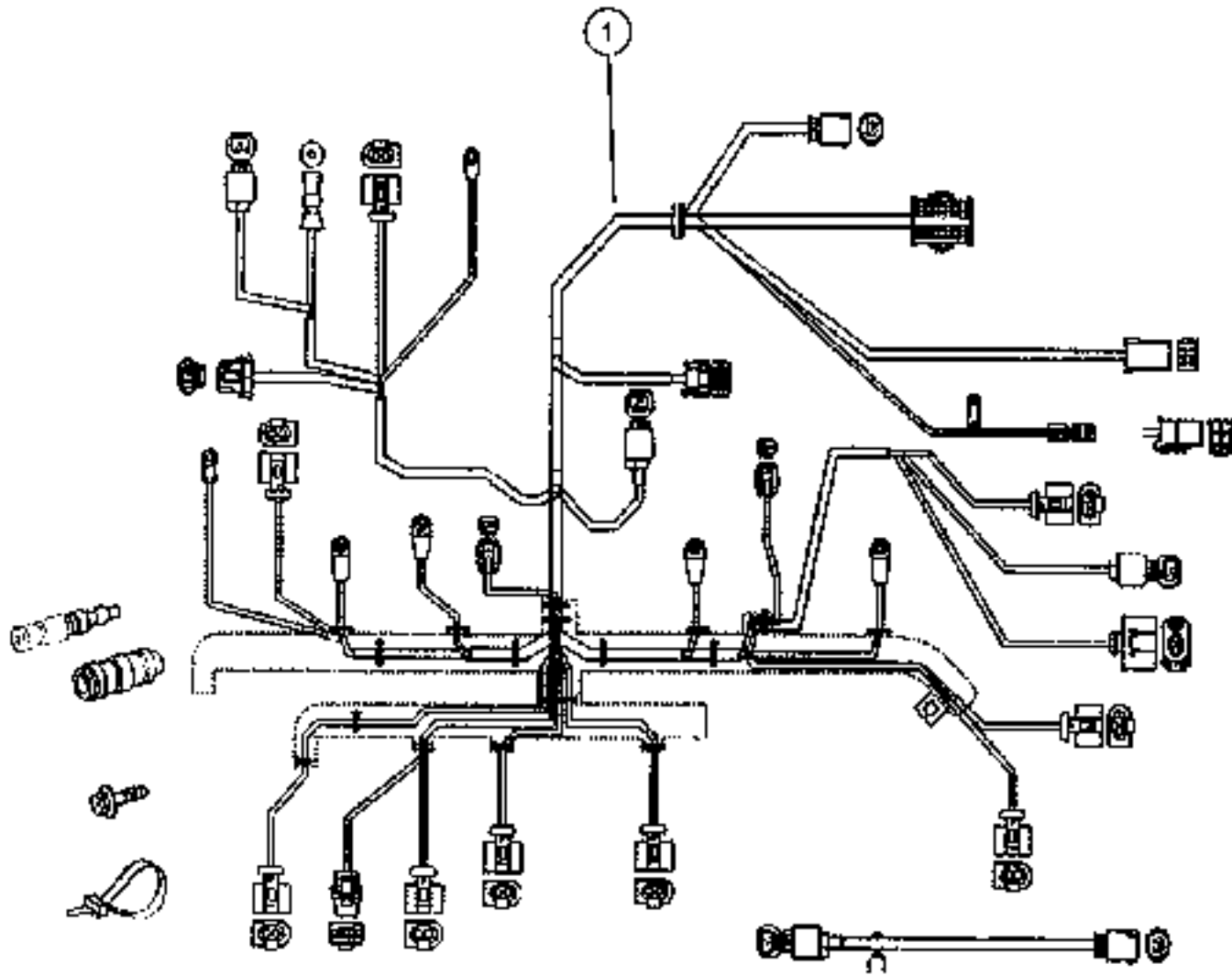
Refer to Model Legend Information Bookmark

AR = Use as required - = Non illustrated part # = New this model year

March 3, 2006

Wiring - Engine
Figure 008-1205

ITEM	PART NUMBER	QTY	LINE	SERIES	BODY	ENGINE	TRANS	TRIM	DESCRIPTION
		99	2, 6	L	51, 52, 54, 55, 56	EX8	DGZ		
		99	3, 7	L	02, 06	EX8	DGZ		
		99	3, 7	L	12, 15, 16	EX8	DGZ		
-6	5135 801AA-	99	2, 3, 6, 7	L		EX8	DGZ		WIRING REPAIR KIT, Diesel Engine

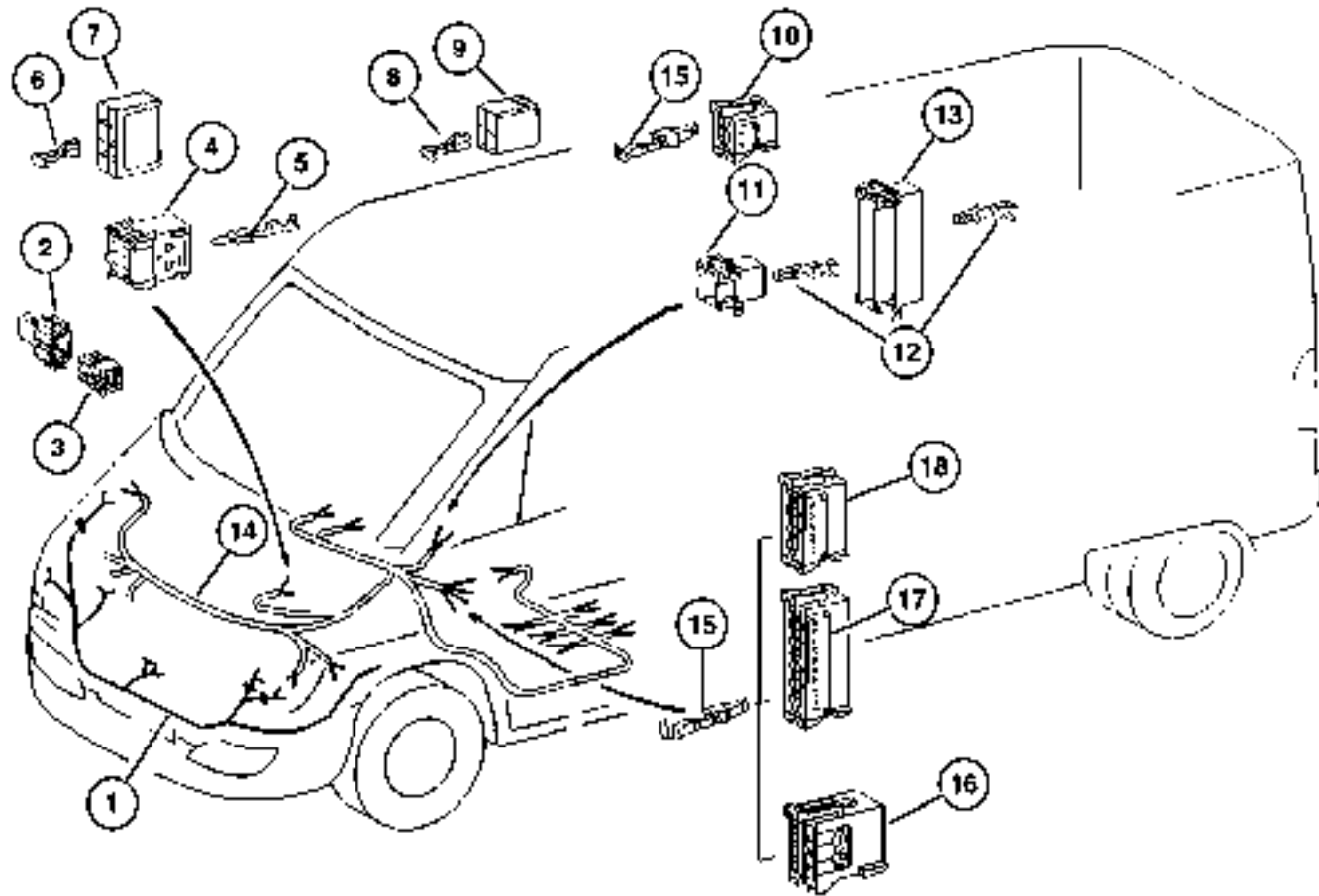


Refer to Model Legend Information Bookmark

AR = Use as required - = Non illustrated part # = New this model year

March 3, 2006

Wiring - Headlamp & Dash
Figure 008-1305



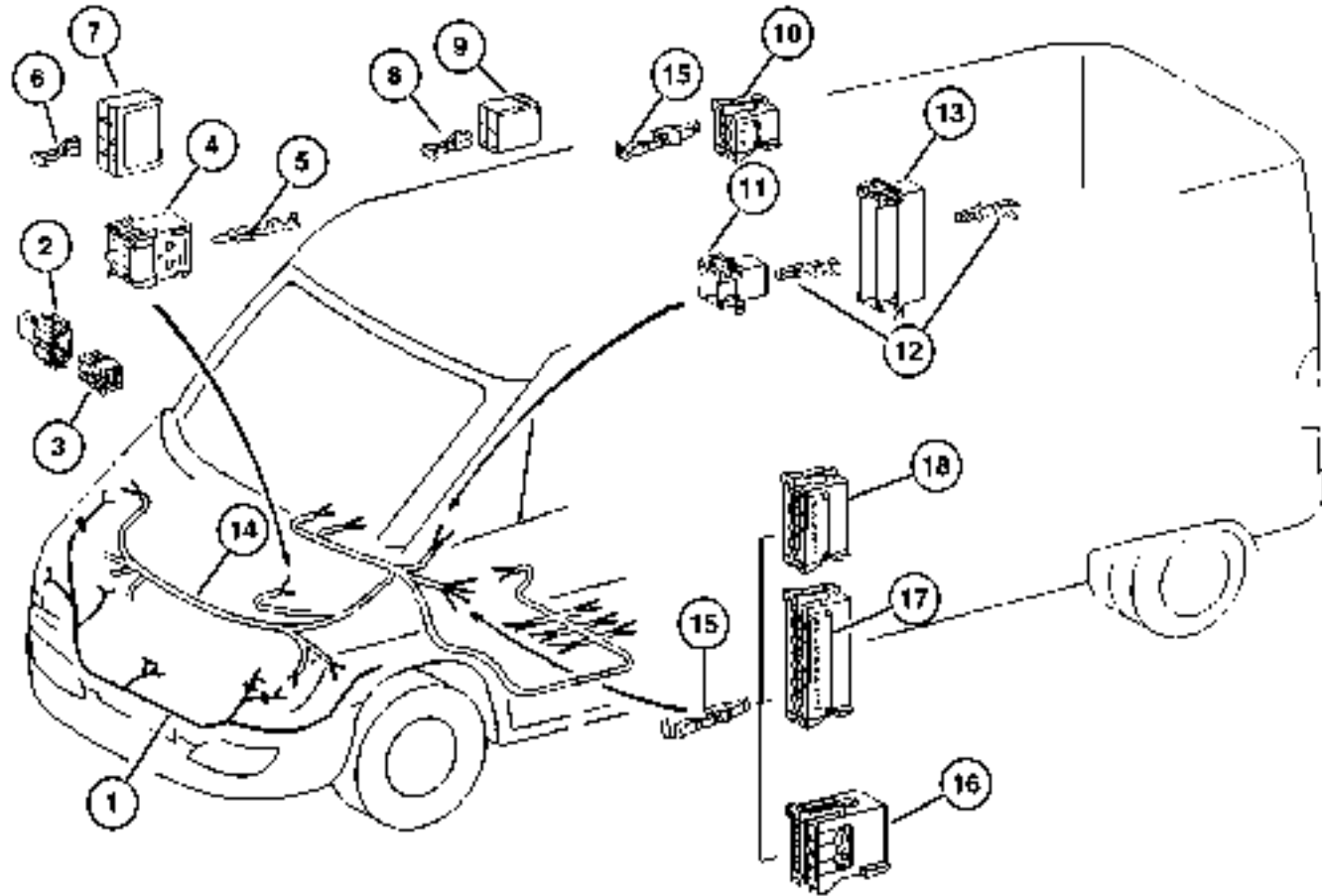
ITEM	PART NUMBER	QTY	LINE	SERIES	BODY	ENGINE	TRANS	TRIM	DESCRIPTION
1									WIRING, Headlamp
	5133 398AA	1	2, 6	L	01, 02, 06	EX8	DGZ		
		1	2, 6	L	11, 12, 14, 15, 16	EX8	DGZ		
		1	2, 6	L	51, 52, 54, 55, 56	EX8	DGZ		
		1	3, 7	L	02, 06	EX8	DGZ		
		1	3, 7	L	12, 15, 16	EX8	DGZ		
2									INSULATOR, 4 Way Male
	5133 397AA	1	2, 6	L	01, 02, 06	EX8	DGZ		
		1	2, 6	L	11, 12, 14, 15, 16	EX8	DGZ		
		1	2, 6	L	51, 52, 54, 55, 56	EX8	DGZ		
		1	3, 7	L	02, 06	EX8	DGZ		
		1	3, 7	L	12, 15, 16	EX8	DGZ		
3									CONNECTOR, Wiring
	5133 396AA	1	2, 6	L	01, 02, 06	EX8	DGZ		
		1	2, 6	L	11, 12, 14, 15, 16	EX8	DGZ		
		1	2, 6	L	51, 52, 54, 55, 56	EX8	DGZ		
		1	3, 7	L	02, 06	EX8	DGZ		
		1	3, 7	L	12, 15, 16	EX8	DGZ		
4									INSULATOR, 6 Way Male
	5133 327AA	1	2, 6	L	01, 02, 06	EX8	DGZ		
		1	2, 6	L	11, 12, 14, 15, 16	EX8	DGZ		
		1	2, 6	L	51, 52, 54, 55, 56	EX8	DGZ		

Refer to Model Legend Information Bookmark

AR = Use as required - = Non illustrated part # = New this model year

March 3, 2006

Wiring - Headlamp & Dash
Figure 008-1305



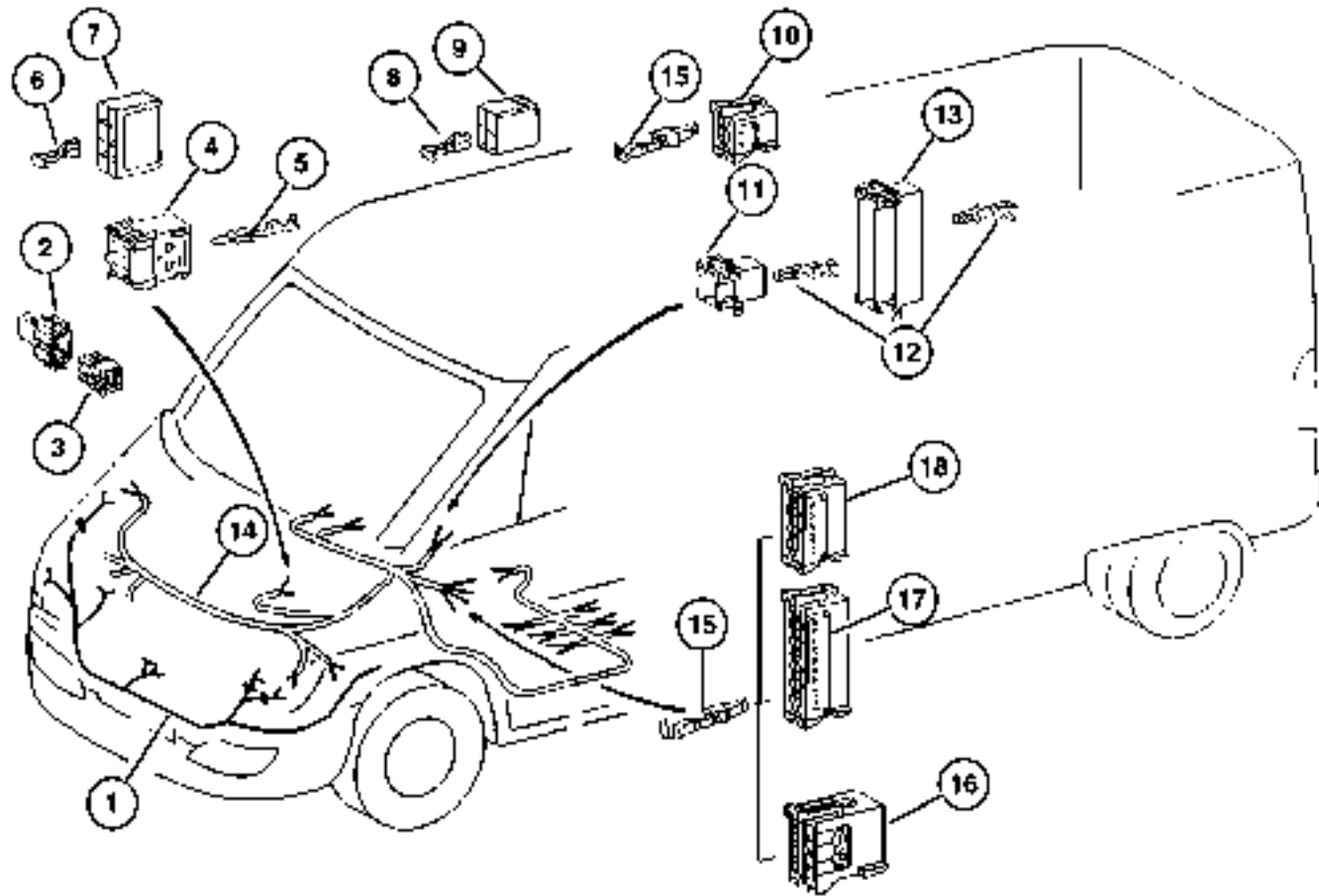
ITEM	PART NUMBER	QTY	LINE	SERIES	BODY	ENGINE	TRANS	TRIM	DESCRIPTION
		1	3, 7	L	02, 06	EX8	DGZ		
		1	3, 7	L	12, 15, 16	EX8	DGZ		
5	5103 909AA	1	2, 6	L	01, 02, 06	EX8	DGZ		TERMINAL, Male
		1	2, 6	L	11, 12, 14, 15, 16	EX8	DGZ		
		1	2, 6	L	51, 52, 54, 55, 56	EX8	DGZ		
		1	3, 7	L	02, 06	EX8	DGZ		
		1	3, 7	L	12, 15, 16	EX8	DGZ		
6	5133 359AA	1	2, 6	L	01, 02, 06	EX8	DGZ		TERMINAL, Female
		1	2, 6	L	11, 12, 14, 15, 16	EX8	DGZ		
		1	2, 6	L	51, 52, 54, 55, 56	EX8	DGZ		
		1	3, 7	L	02, 06	EX8	DGZ		
		1	3, 7	L	12, 15, 16	EX8	DGZ		
7	5103 752AA	1	2, 6	L	01, 02, 06	EX8	DGZ		CONNECTOR
		1	2, 6	L	11, 12, 14, 15, 16	EX8	DGZ		
		1	2, 6	L	51, 52, 54, 55, 56	EX8	DGZ		
		1	3, 7	L	02, 06	EX8	DGZ		
		1	3, 7	L	12, 15, 16	EX8	DGZ		
8	5133 360AA	99	2, 6	L	01, 02, 06	EX8	DGZ		TERMINAL, Female
		99	2, 6	L	11, 12, 14, 15, 16	EX8	DGZ		

Refer to Model Legend Information Bookmark

AR = Use as required - = Non illustrated part # = New this model year

March 3, 2006

Wiring - Headlamp & Dash
Figure 008-1305



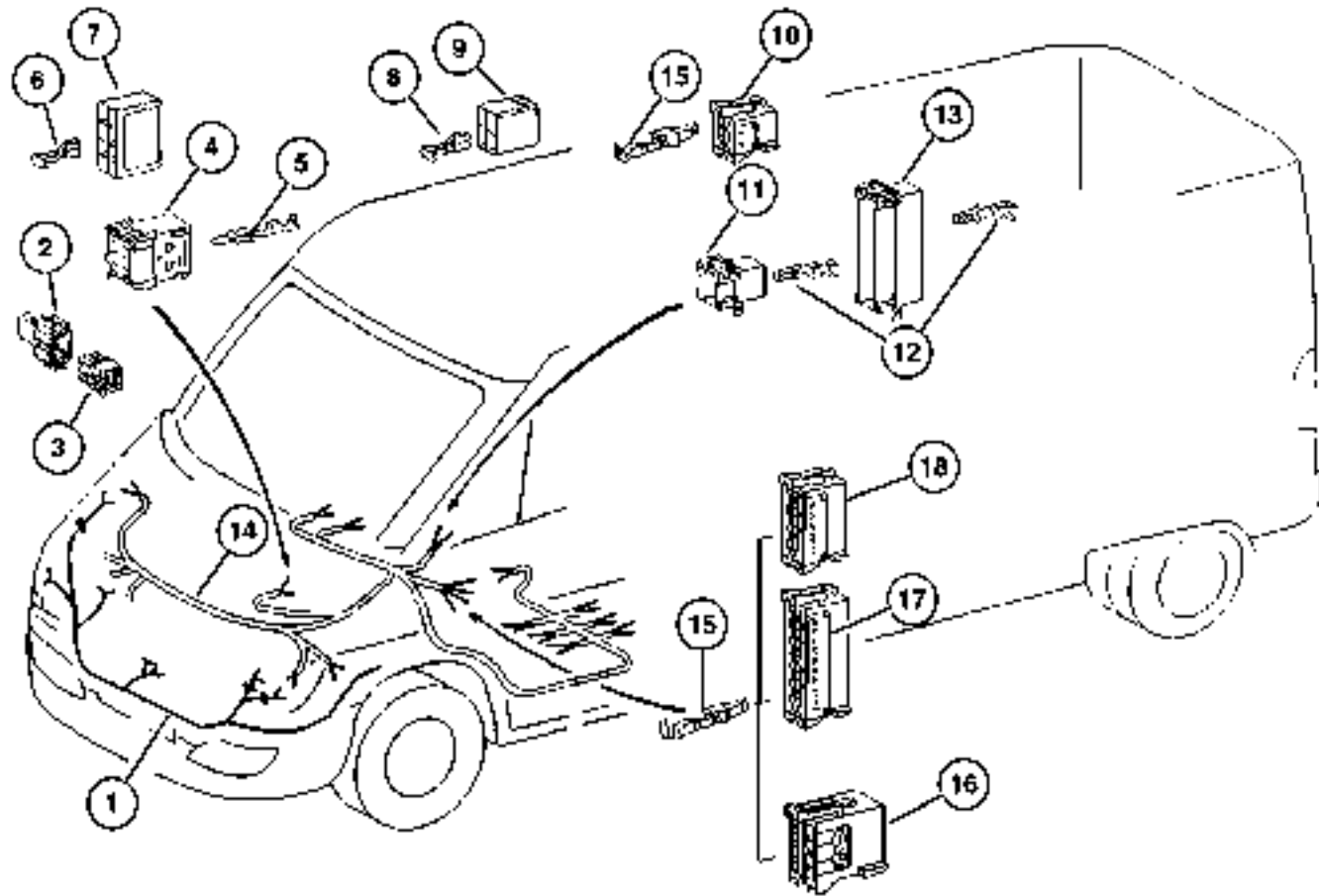
ITEM	PART NUMBER	QTY	LINE	SERIES	BODY	ENGINE	TRANS	TRIM	DESCRIPTION
		99	2, 6	L	51, 52, 54, 55, 56	EX8	DGZ		
		99	3, 7	L	02, 06	EX8	DGZ		
		99	3, 7	L	12, 15, 16	EX8	DGZ		
9	5103 753AA	99	2, 6	L	01, 02, 06	EX8	DGZ		CONNECTOR
		99	2, 6	L	11, 12, 14, 15, 16	EX8	DGZ		
		99	2, 6	L	51, 52, 54, 55, 56	EX8	DGZ		
		99	3, 7	L	02, 06	EX8	DGZ		
		99	3, 7	L	12, 15, 16	EX8	DGZ		
10	5120 785AA	1	2, 6	L	01, 02, 06	EX8	DGZ		CONNECTOR
		1	2, 6	L	11, 12, 14, 15, 16	EX8	DGZ		
		1	2, 6	L	51, 52, 54, 55, 56	EX8	DGZ		
		1	3, 7	L	02, 06	EX8	DGZ		
		1	3, 7	L	12, 15, 16	EX8	DGZ		
11	5120 791AA	1	2, 6	L	01, 02, 06	EX8	DGZ		CONNECTOR
		1	2, 6	L	11, 12, 14, 15, 16	EX8	DGZ		
		1	2, 6	L	51, 52, 54, 55, 56	EX8	DGZ		
		1	3, 7	L	02, 06	EX8	DGZ		
		1	3, 7	L	12, 15, 16	EX8	DGZ		
12	5133 377AA	1	2, 6	L	01, 02, 06	EX8	DGZ		TERMINAL, Male

Refer to Model Legend Information Bookmark

AR = Use as required - = Non illustrated part # = New this model year

March 3, 2006

Wiring - Headlamp & Dash
Figure 008-1305



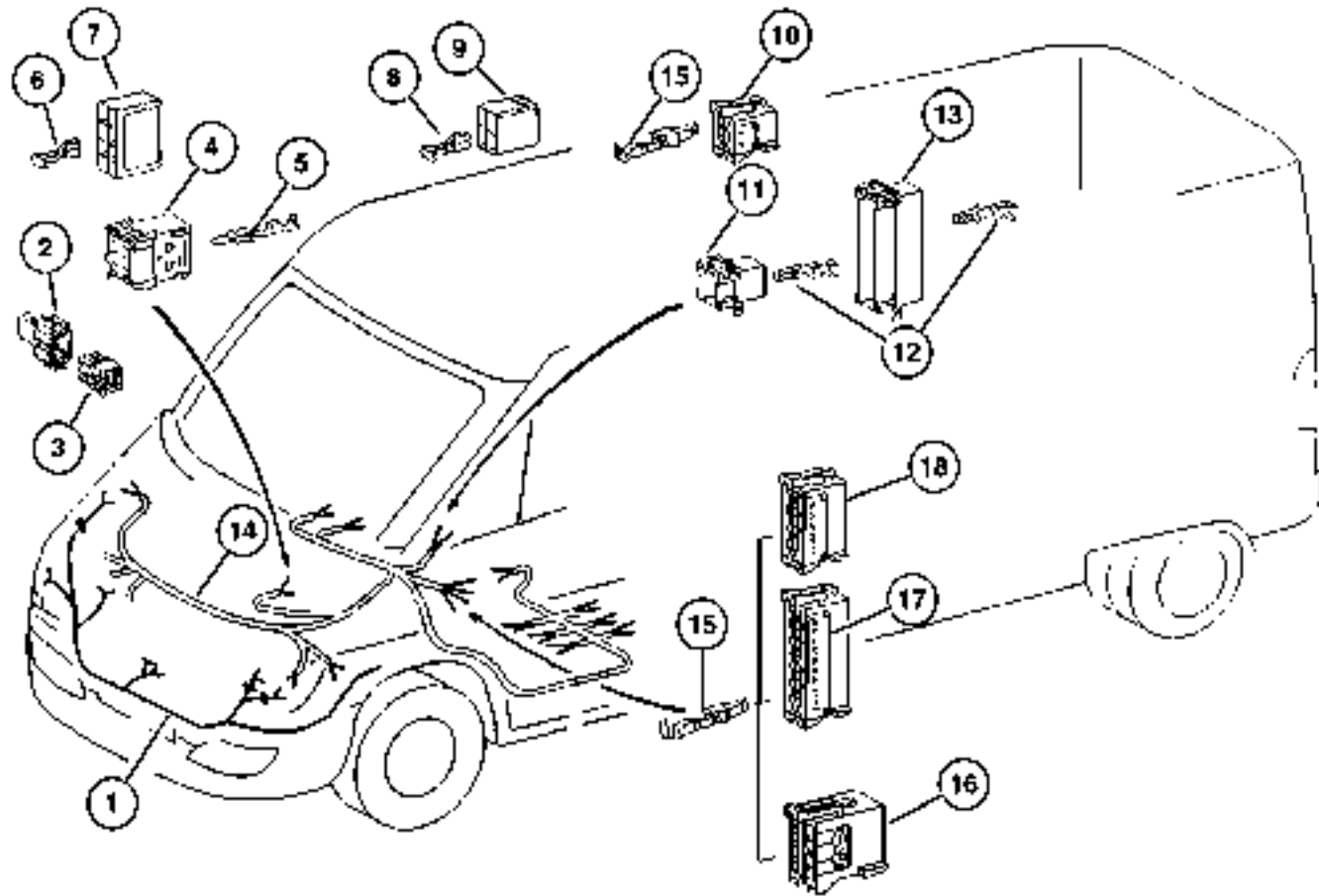
ITEM	PART NUMBER	QTY	LINE	SERIES	BODY	ENGINE	TRANS	TRIM	DESCRIPTION
		1	2, 6	L	11, 12,	EX8	DGZ		
		1	2, 6	L	14, 15, 16	EX8	DGZ		
		1	3, 7	L	02, 06	EX8	DGZ		
		1	3, 7	L	12, 15, 16	EX8	DGZ		
13									CONNECTOR
	5120 794AA	1	2, 6	L	01, 02, 06	EX8	DGZ		
		1	2, 6	L	11, 12,	EX8	DGZ		
		1	2, 6	L	14, 15, 16	EX8	DGZ		
		1	2, 6	L	51, 52, 54, 55, 56	EX8	DGZ		
		1	3, 7	L	02, 06	EX8	DGZ		
		1	3, 7	L	12, 15, 16	EX8	DGZ		
14									WIRING, Headlamp to Dash
	5114 935AA	1	2, 6	L	01, 02, 06	EX8	DGZ		
		1	2, 6	L	11, 12,	EX8	DGZ		
		1	2, 6	L	14, 15, 16	EX8	DGZ		
		1	2, 6	L	51, 52, 54, 55, 56	EX8	DGZ		
		1	3, 7	L	02, 06	EX8	DGZ		
		1	3, 7	L	12, 15, 16	EX8	DGZ		
15									TERMINAL
	5103 881AA	99	2, 6	L	11, 12, 14, 15, 16	EX8	DGZ		
		99	2, 6	L	51, 52, 54, 55, 56	EX8	DGZ		
		1	2, 6	L	01, 02, 06	EX8	DGZ		
		99	3, 7	L	02, 06	EX8	DGZ		
		99	3, 7	L	12, 15, 16	EX8	DGZ		
16									CONNECTOR

Refer to Model Legend Information Bookmark

AR = Use as required - = Non illustrated part # = New this model year

March 3, 2006

Wiring - Headlamp & Dash
Figure 008-1305



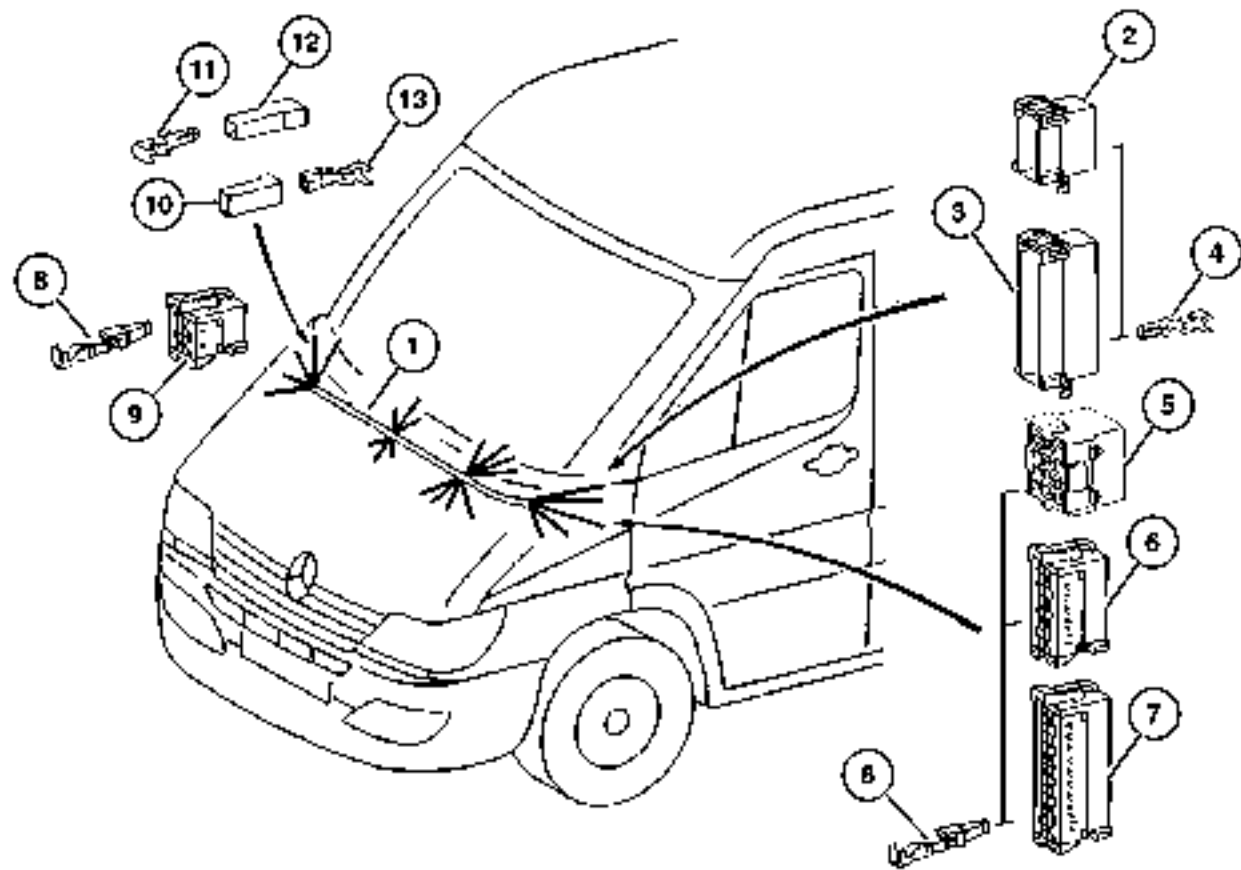
ITEM	PART NUMBER	QTY	LINE	SERIES	BODY	ENGINE	TRANS	TRIM	DESCRIPTION
	5120 796AA	1	2, 6	L	01, 02, 06	EX8	DGZ		
		1	2, 6	L	11, 12, 14, 15, 16	EX8	DGZ		
		1	2, 6	L	51, 52, 54, 55, 56	EX8	DGZ		
		1	3, 7	L	02, 06	EX8	DGZ		
		1	3, 7	L	12, 15, 16	EX8	DGZ		
17									CONNECTOR
	5120 789AA	1	2, 6	L	01, 02, 06	EX8	DGZ		
		1	2, 6	L	11, 12, 14, 15, 16	EX8	DGZ		
		1	2, 6	L	51, 52, 54, 55, 56	EX8	DGZ		
		1	3, 7	L	02, 06	EX8	DGZ		
		1	3, 7	L	12, 15, 16	EX8	DGZ		
18									CONNECTOR
	5120 788AA	1	2, 6	L	01, 02, 06	EX8	DGZ		
		1	2, 6	L	11, 12, 14, 15, 16	EX8	DGZ		
		1	2, 6	L	51, 52, 54, 55, 56	EX8	DGZ		
		1	3, 7	L	02, 06	EX8	DGZ		
		1	3, 7	L	12, 15, 16	EX8	DGZ		

Refer to Model Legend Information Bookmark

AR = Use as required - = Non illustrated part # = New this model year

March 3, 2006

Wiring - Instrument Panel
Figure 008-1405



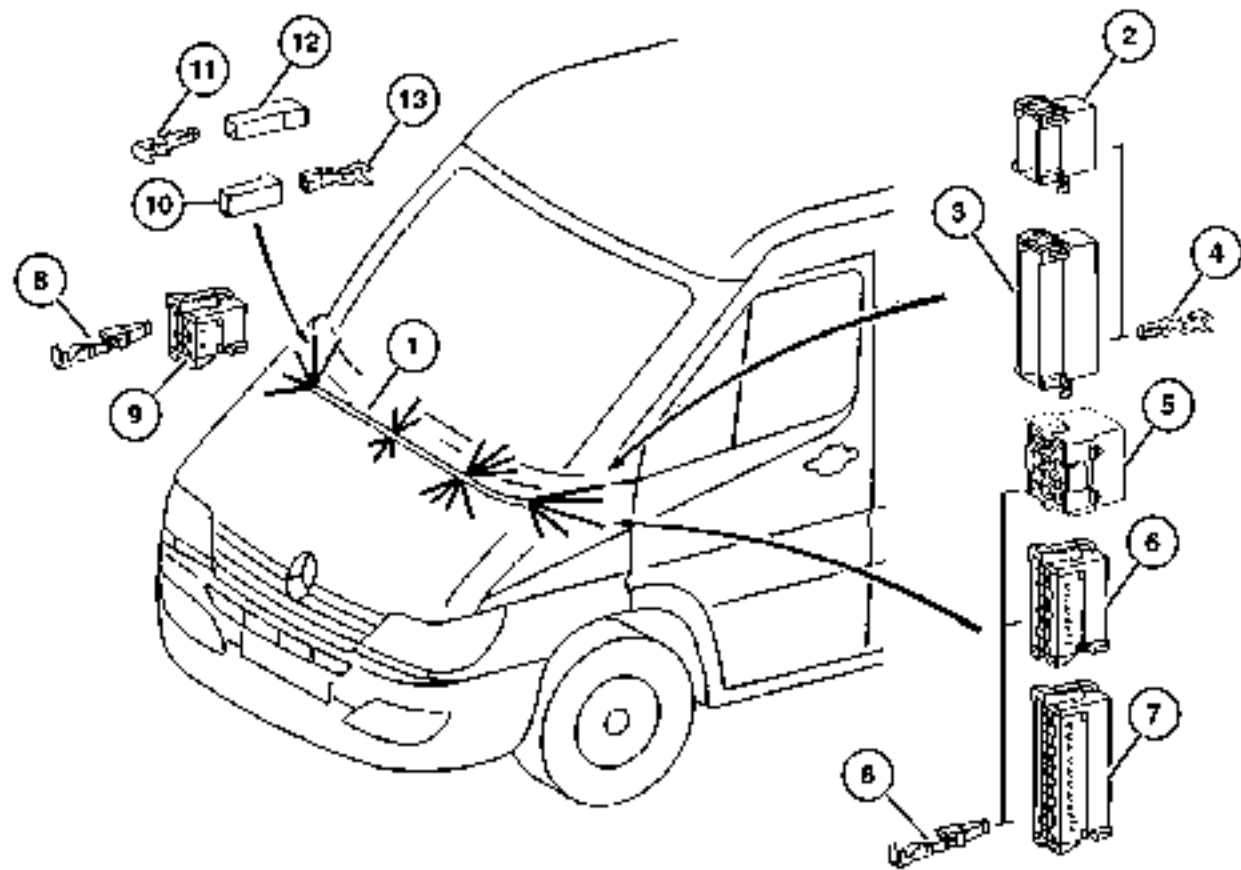
ITEM	PART NUMBER	QTY	LINE	SERIES	BODY	ENGINE	TRANS	TRIM	DESCRIPTION
1									WIRING, Instrument Panel
	5114 933AA	1	2, 6	L	01, 02, 06	EX8	DGZ		
		1	2, 6	L	11, 12, 14, 15, 16	EX8	DGZ		
		1	2, 6	L	51, 52, 54, 55, 56	EX8	DGZ		
		1	3, 7	L	02, 06	EX8	DGZ		
		1	3, 7	L	12, 15, 16	EX8	DGZ		
2									INSULATOR
	5133 393AA	1	2, 6	L	01, 02, 06	EX8	DGZ		
		1	2, 6	L	11, 12, 14, 15, 16	EX8	DGZ		
		1	2, 6	L	51, 52, 54, 55, 56	EX8	DGZ		
		1	3, 7	L	02, 06	EX8	DGZ		
		1	3, 7	L	12, 15, 16	EX8	DGZ		
3									CONNECTOR
	5120 793AA	1	2, 6	L	01, 02, 06	EX8	DGZ		
		1	2, 6	L	11, 12, 14, 15, 16	EX8	DGZ		
		1	2, 6	L	51, 52, 54, 55, 56	EX8	DGZ		
		1	3, 7	L	02, 06	EX8	DGZ		
		1	3, 7	L	12, 15, 16	EX8	DGZ		
4									TERMINAL, Male
	5133 377AA	1	2, 6	L	01, 02, 06	EX8	DGZ		
		1	2, 6	L	11, 12, 14, 15, 16	EX8	DGZ		
		1	2, 6	L	51, 52, 54, 55, 56	EX8	DGZ		

Refer to Model Legend Information Bookmark

AR = Use as required - = Non illustrated part # = New this model year

March 3, 2006

Wiring - Instrument Panel
Figure 008-1405



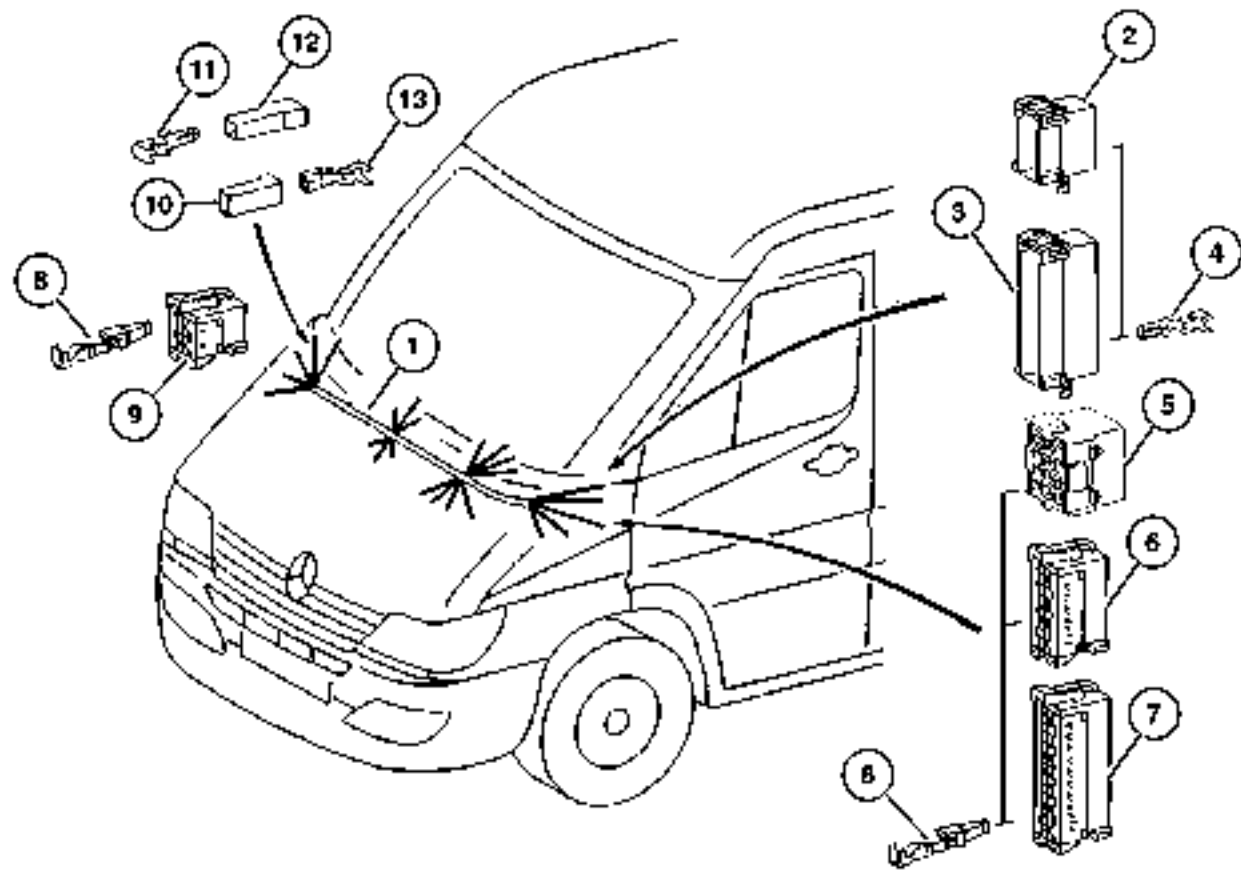
ITEM	PART NUMBER	QTY	LINE	SERIES	BODY	ENGINE	TRANS	TRIM	DESCRIPTION
		1	3, 7	L	02, 06	EX8	DGZ		
		1	3, 7	L	12, 15, 16	EX8	DGZ		
5	5120 675AA	1	2, 6	L	01, 02, 06	EX8	DGZ		CONNECTOR
		1	2, 6	L	11, 12, 14, 15, 16	EX8	DGZ		
		1	2, 6	L	51, 52, 54, 55, 56	EX8	DGZ		
		1	3, 7	L	02, 06	EX8	DGZ		
		1	3, 7	L	12, 15, 16	EX8	DGZ		
6	5120 787AA	1	2, 6	L	01, 02, 06	EX8	DGZ		CONNECTOR
		1	2, 6	L	11, 12, 14, 15, 16	EX8	DGZ		
		1	2, 6	L	51, 52, 54, 55, 56	EX8	DGZ		
		1	3, 7	L	02, 06	EX8	DGZ		
		1	3, 7	L	12, 15, 16	EX8	DGZ		
7	5120 789AA	1	2, 6	L	01, 02, 06	EX8	DGZ		CONNECTOR
		1	2, 6	L	11, 12, 14, 15, 16	EX8	DGZ		
		1	2, 6	L	51, 52, 54, 55, 56	EX8	DGZ		
		1	3, 7	L	02, 06	EX8	DGZ		
		1	3, 7	L	12, 15, 16	EX8	DGZ		
8	5103 881AA	99	2, 6	L	01, 02, 06	EX8	DGZ		TERMINAL
		99	2, 6	L	11, 12, 14, 15, 16	EX8	DGZ		

Refer to Model Legend Information Bookmark

AR = Use as required - = Non illustrated part # = New this model year

March 3, 2006

Wiring - Instrument Panel
Figure 008-1405



ITEM	PART NUMBER	QTY	LINE	SERIES	BODY	ENGINE	TRANS	TRIM	DESCRIPTION
		99	2, 6	L	51, 52, 54, 55, 56	EX8	DGZ		
		99	3, 7	L	02, 06	EX8	DGZ		
		99	3, 7	L	12, 15, 16	EX8	DGZ		
9	5120 785AA	1	2, 6	L	01, 02, 06	EX8	DGZ		CONNECTOR
		1	2, 6	L	11, 12, 14, 15, 16	EX8	DGZ		
		1	2, 6	L	51, 52, 54, 55, 56	EX8	DGZ		
		1	3, 7	L	02, 06	EX8	DGZ		
		1	3, 7	L	12, 15, 16	EX8	DGZ		
10	5120 684AA	1	2, 6	L	11, 12, 14, 15, 16	EX8	DGZ		CONNECTOR
		1	2, 6	L	51, 52, 54, 55, 56	EX8	DGZ		
		1	2, 6	L	01, 02, 06	EX8	DGZ		
		1	3, 7	L	12, 15, 16	EX8	DGZ		
11	5133 391AA	99	2, 6	L	02, 06	EX8	DGZ		TERMINAL, Male
		99	2, 6	L	11, 12, 14, 15, 16	EX8	DGZ		
		99	2, 6	L	51, 52, 54, 55, 56	EX8	DGZ		
		99	3, 7	L	02, 06	EX8	DGZ		
		99	3, 7	L	12, 15, 16	EX8	DGZ		
12									INSULATOR

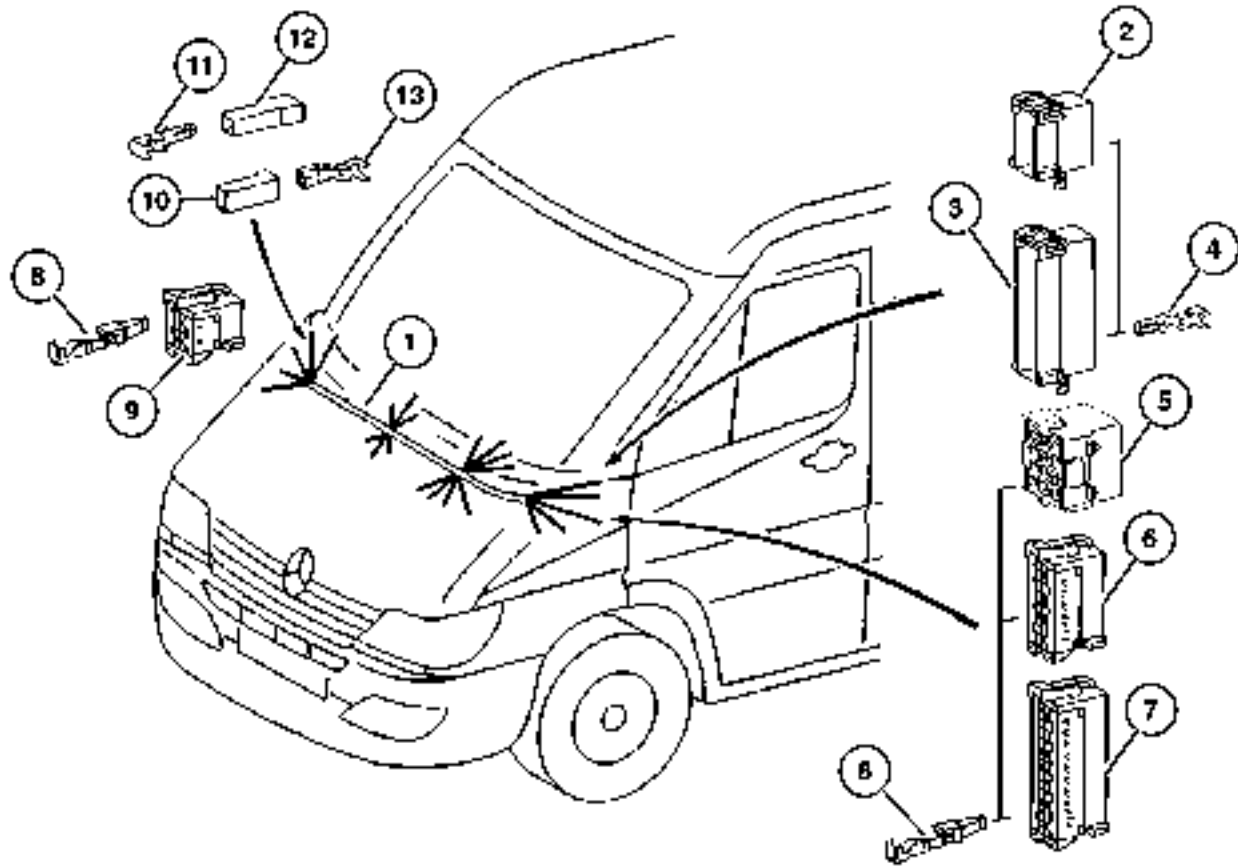
Refer to Model Legend Information Bookmark

AR = Use as required - = Non illustrated part # = New this model year

March 3, 2006

Wiring - Instrument Panel
Figure 008-1405

ITEM	PART NUMBER	QTY	LINE	SERIES	BODY	ENGINE	TRANS	TRIM	DESCRIPTION
	5120 685AA	2	2, 6	L	51, 52,	EX8	DGZ		
		2	2, 6	L	54, 55, 56	EX8	DGZ		
		1	2, 6	L	01, 02, 06	EX8	DGZ		
		2	3, 7	L	12, 15, 16	EX8	DGZ		
13		1	3, 7	L	02, 06	EX8	DGZ		TERMINAL, Female
	5103 871AA	1	2, 6	L	01, 02, 06	EX8	DGZ		
		1	2, 6	L	11, 12, 14, 15, 16	EX8	DGZ		
		1	2, 6	L	51, 52, 54, 55, 56	EX8	DGZ		
		99	3, 7	L	12, 15, 16	EX8	DGZ		
-14		1	3, 7	L	02, 06	EX8	DGZ		WIRING, Instrument Panel Jumper
	5133 418AA-	1	2, 6	L	01, 02, 06	EX8	DGZ		Ash tray
		1	2, 6	L	11, 12, 14, 15, 16	EX8	DGZ		Ash tray
		1	2, 6	L	51, 52, 54, 55, 56	EX8	DGZ		Ash tray
		1	3, 7	L	02, 06	EX8	DGZ		Ash tray
		1	3, 7	L	12, 15, 16	EX8	DGZ		Ash tray

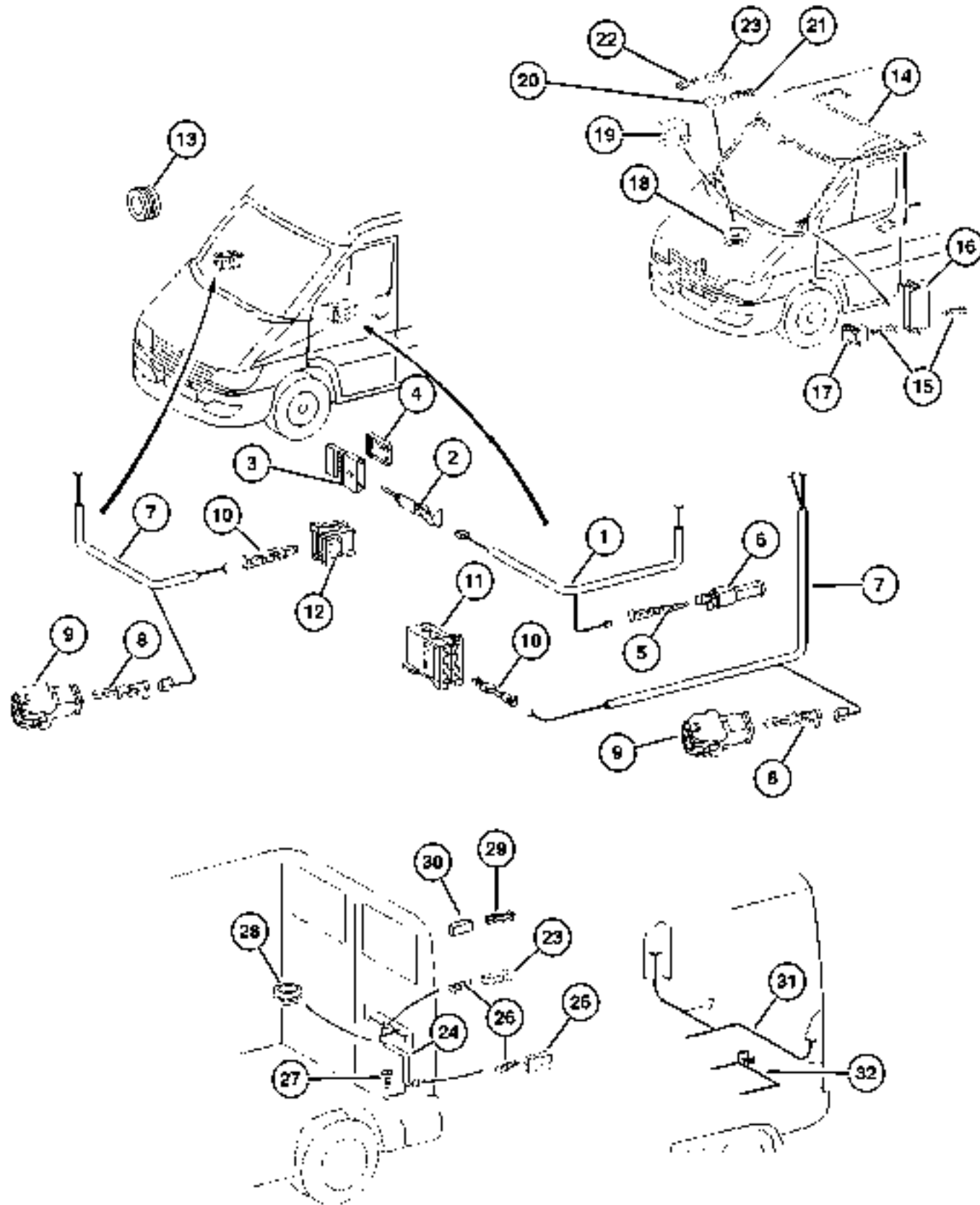


Refer to Model Legend Information Bookmark

AR = Use as required - = Non illustrated part # = New this model year

March 3, 2006

Wiring - Body & Accessories
Figure 008-1505



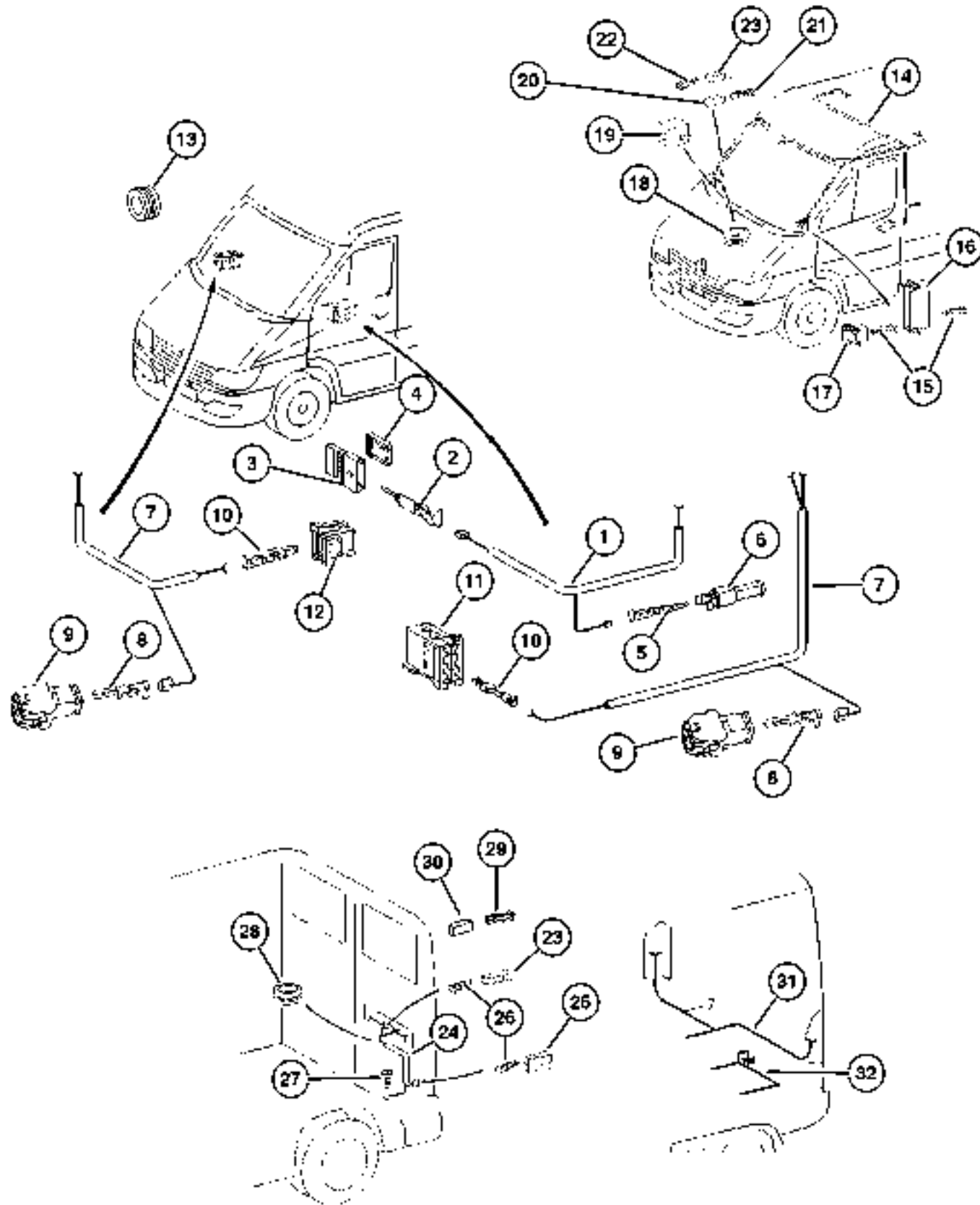
ITEM	PART NUMBER	QTY	LINE	SERIES	BODY	ENGINE	TRANS	TRIM	DESCRIPTION	
1	5120 224AA	1	2, 6	L	01, 02, 06	EX8	DGZ		WIRING, Mirror Jumper [GTB]	
		1	2, 6	L	11, 12, 14, 15, 16	EX8	DGZ		[GTB]	
		1	2, 6	L	51, 52, 54, 55, 56	EX8	DGZ		[GTB]	
		1	3, 7	L	02, 06	EX8	DGZ		[GTB]	
		1	3, 7	L	12, 15, 16	EX8	DGZ		[GTB]	
		5133 502AA	1	2, 6	L	01, 02, 06	EX8	DGZ		
			1	2, 6	L	11, 12, 14, 15, 16	EX8	DGZ		
			1	2, 6	L	51, 52, 54, 55, 56	EX8	DGZ		
			1	3, 7	L	02, 06	EX8	DGZ		
			1	3, 7	L	12, 15, 16	EX8	DGZ		
2	5133 990AA		99	2, 6	L	01, 02, 06	EX8	DGZ		TERMINAL, Male
		99	2, 6	L	11, 12, 14, 15, 16	EX8	DGZ			
		99	2, 6	L	51, 52, 54, 55, 56	EX8	DGZ			
		99	3, 7	L	02, 06	EX8	DGZ			
		99	3, 7	L	12, 15, 16	EX8	DGZ			
		3	5133 330AA	1	2, 6	L	01, 02, 06	EX8	DGZ	
1	2, 6			L	11, 12, 14, 15, 16	EX8	DGZ			
1	2, 6			L	51, 52, 54, 55, 56	EX8	DGZ			
1	3, 7			L	02, 06	EX8	DGZ			
1	3, 7			L	12, 15, 16	EX8	DGZ			

Refer to Model Legend Information Bookmark

AR = Use as required - = Non illustrated part # = New this model year

March 3, 2006

Wiring - Body & Accessories
Figure 008-1505



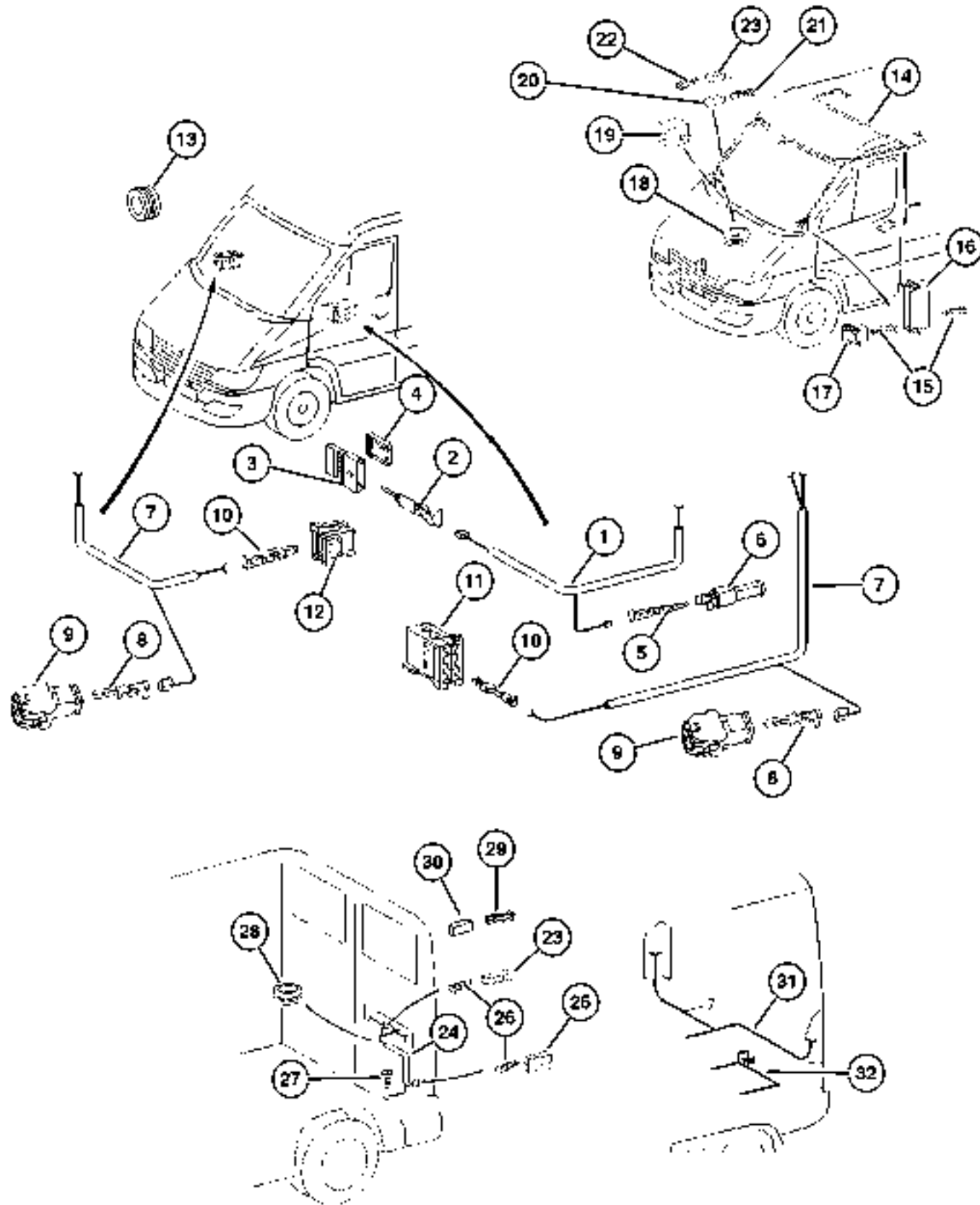
ITEM	PART NUMBER	QTY	LINE	SERIES	BODY	ENGINE	TRANS	TRIM	DESCRIPTION
		1	3, 7	L	12, 15, 16	EX8	DGZ		
4	5133 331AA	1	2, 6	L	01, 02, 06	EX8	DGZ		CONNECTOR, instrument cluster
		1	2, 6	L	11, 12, 14, 15, 16	EX8	DGZ		
		1	2, 6	L	51, 52, 54, 55, 56	EX8	DGZ		
		1	3, 7	L	02, 06	EX8	DGZ		
		1	3, 7	L	12, 15, 16	EX8	DGZ		
5	5133 387AA	5	2, 6	L	01, 02, 06	EX8	DGZ		TERMINAL
		5	2, 6	L	11, 12, 14, 15, 16	EX8	DGZ		
		5	2, 6	L	51, 52, 54, 55, 56	EX8	DGZ		
		5	3, 7	L	02, 06	EX8	DGZ		
		5	3, 7	L	12, 15, 16	EX8	DGZ		
6	5120 744AA	1	2, 6	L	01, 02, 06	EX8	DGZ		CONNECTOR
		1	2, 6	L	11, 12, 14, 15, 16	EX8	DGZ		
		1	2, 6	L	51, 52, 54, 55, 56	EX8	DGZ		
		1	3, 7	L	12, 15, 16	EX8	DGZ		
7	5120 220AA	1	2, 6	L	01, 02, 06	EX8	DGZ		WIRING, Power Window Drivers Side
		1	2, 6	L	11, 12, 14, 15, 16	EX8	DGZ		Drivers Side

Refer to Model Legend Information Bookmark

AR = Use as required - = Non illustrated part # = New this model year

March 3, 2006

Wiring - Body & Accessories
Figure 008-1505



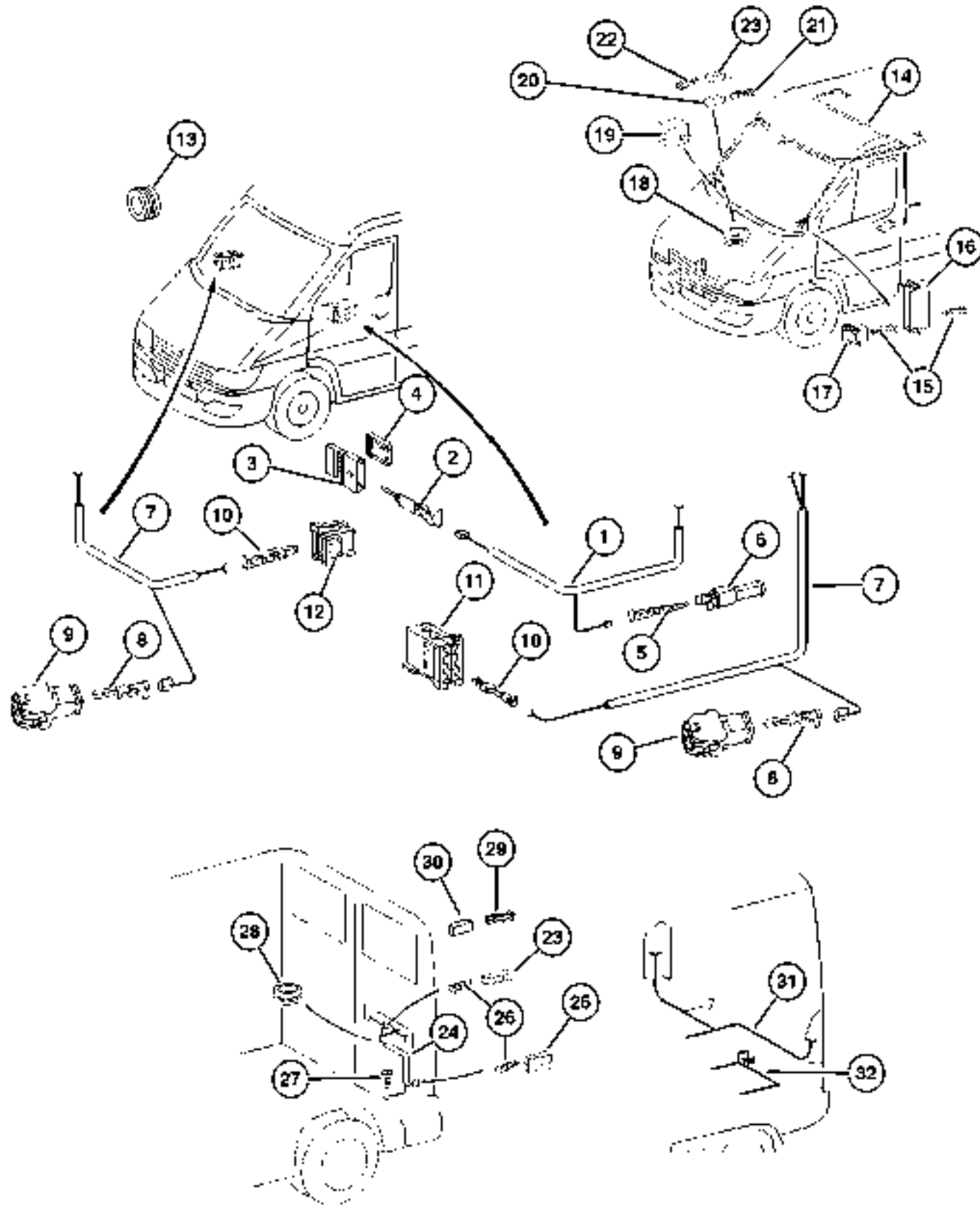
ITEM	PART NUMBER	QTY	LINE	SERIES	BODY	ENGINE	TRANS	TRIM	DESCRIPTION
		1	2, 6	L	51, 52, 54, 55, 56	EX8	DGZ		Drivers Side
		1	3, 7	L	02, 06	EX8	DGZ		Drivers Side
		1	3, 7	L	12, 15, 16	EX8	DGZ		Drivers Side
	5120 222AA	1	2, 6	L	01, 02, 06	EX8	DGZ		Passenger Side
		1	2, 6	L	11, 12, 14, 15, 16	EX8	DGZ		Passenger Side
		1	2, 6	L	51, 52, 54, 55, 56	EX8	DGZ		Passenger Side
		1	3, 7	L	02, 06	EX8	DGZ		Passenger Side
		1	3, 7	L	12, 15, 16	EX8	DGZ		Passenger Side
8	5133 378AA	99	2, 6	L	01, 02, 06	EX8	DGZ		TERMINAL, Male
		99	2, 6	L	11, 12, 14, 15, 16	EX8	DGZ		
		99	2, 6	L	51, 52, 54, 55, 56	EX8	DGZ		
		99	3, 7	L	02, 06	EX8	DGZ		
		99	3, 7	L	12, 15, 16	EX8	DGZ		
9	5103 895AA	1	2, 6	L	01, 02, 06	EX8	DGZ		CONNECTOR
		1	2, 6	L	11, 12, 14, 15, 16	EX8	DGZ		
		1	2, 6	L	51, 52, 54, 55, 56	EX8	DGZ		
		1	3, 7	L	02, 06	EX8	DGZ		
		1	3, 7	L	12, 15, 16	EX8	DGZ		
10	5103 881AA	99	2, 6	L	01, 02, 06	EX8	DGZ		TERMINAL

Refer to Model Legend Information Bookmark

AR = Use as required - = Non illustrated part # = New this model year

March 3, 2006

Wiring - Body & Accessories
Figure 008-1505



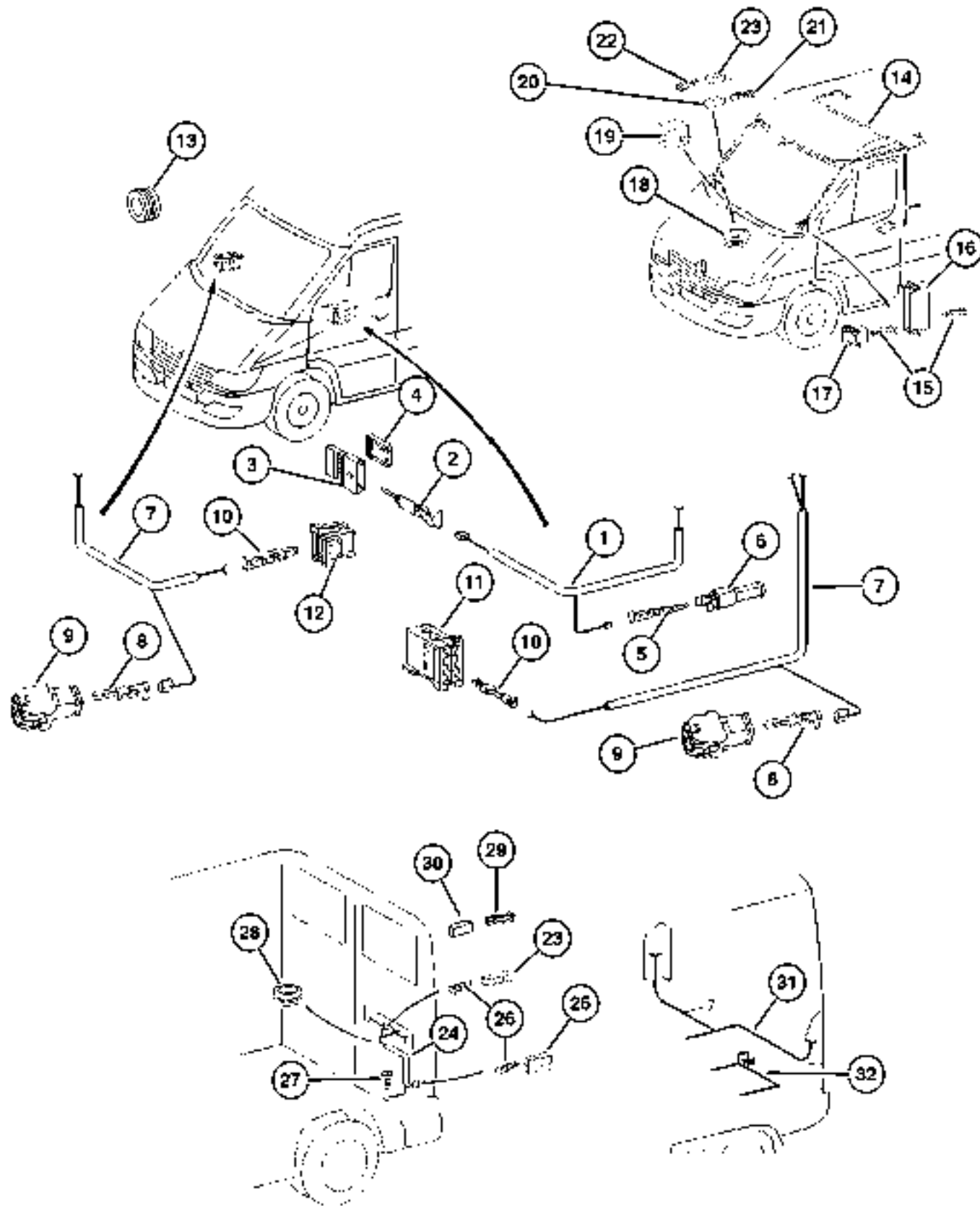
ITEM	PART NUMBER	QTY	LINE	SERIES	BODY	ENGINE	TRANS	TRIM	DESCRIPTION
		99	2, 6	L	11, 12, 14, 15, 16	EX8	DGZ		
		99	2, 6	L	51, 52, 54, 55, 56	EX8	DGZ		
		99	3, 7	L	02, 06	EX8	DGZ		
		99	3, 7	L	12, 15, 16	EX8	DGZ		
11	5120 786AA	1	2, 6	L	01, 02, 06	EX8	DGZ		CONNECTOR
		1	2, 6	L	11, 12, 14, 15, 16	EX8	DGZ		
		1	2, 6	L	51, 52, 54, 55, 56	EX8	DGZ		
		1	3, 7	L	02, 06	EX8	DGZ		
		1	3, 7	L	12, 15, 16	EX8	DGZ		
12	5120 785AA	1	2, 6	L	01, 02, 06	EX8	DGZ		CONNECTOR
		1	2, 6	L	11, 12, 14, 15, 16	EX8	DGZ		
		1	2, 6	L	51, 52, 54, 55, 56	EX8	DGZ		
		1	3, 7	L	02, 06	EX8	DGZ		
		1	3, 7	L	12, 15, 16	EX8	DGZ		
13	5125 942AA	2	2, 6	L	01, 02, 06	EX8	DGZ		GROMMET
		2	2, 6	L	11, 12, 14, 15, 16	EX8	DGZ		
		2	2, 6	L	51, 52, 54, 55, 56	EX8	DGZ		
		2	3, 7	L	02, 06	EX8	DGZ		
		2	3, 7	L	12, 15, 16	EX8	DGZ		
14									WIRING, Body

Refer to Model Legend Information Bookmark

AR = Use as required - = Non illustrated part # = New this model year

March 3, 2006

Wiring - Body & Accessories
Figure 008-1505



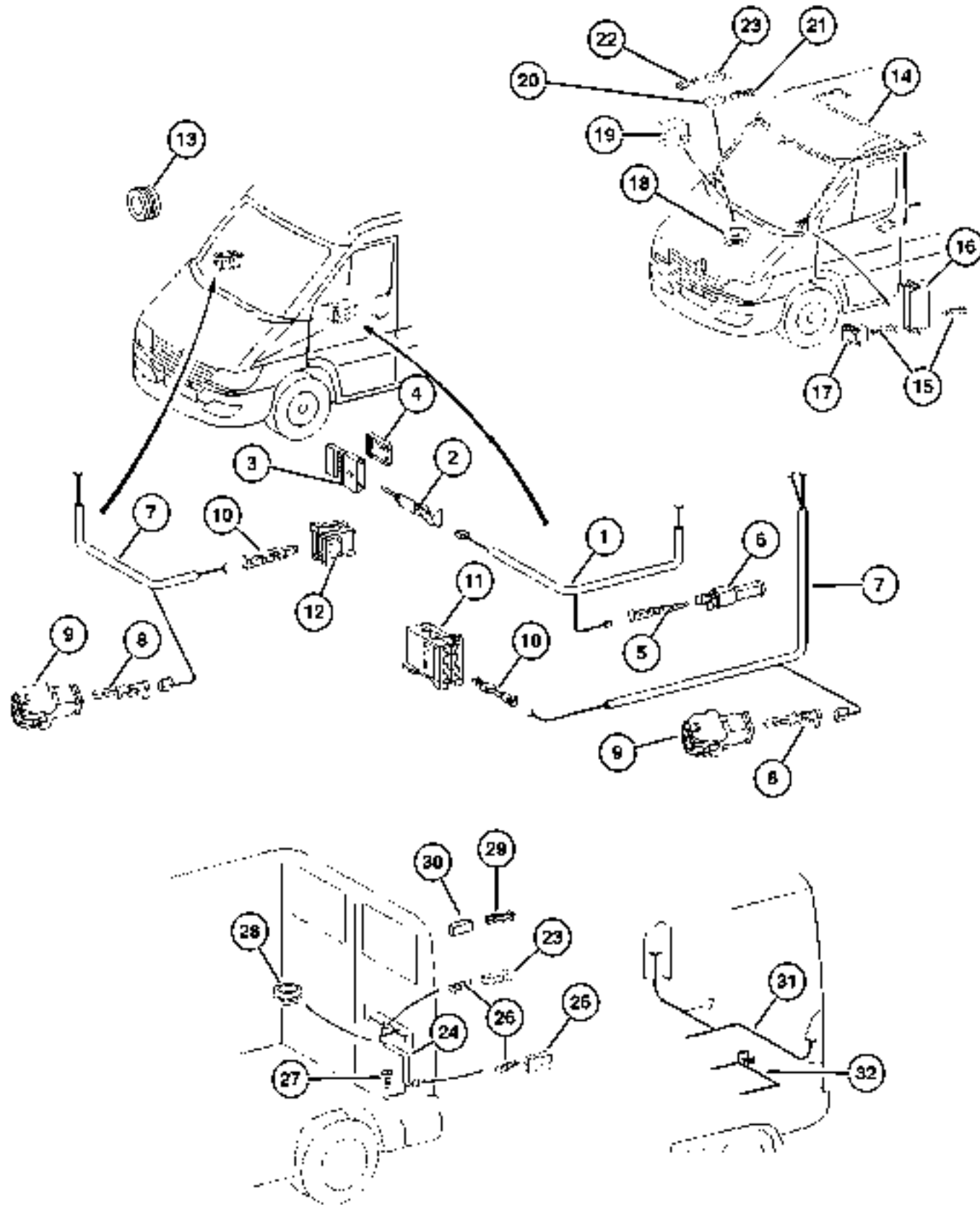
ITEM	PART NUMBER	QTY	LINE	SERIES	BODY	ENGINE	TRANS	TRIM	DESCRIPTION
	5114 931AA	1	2, 6	L	01, 02,	EX8	DGZ		
		1	2, 6	L	06 11, 12, 14, 15, 16	EX8	DGZ		
		1	2, 6	L	51, 52, 54, 55, 56	EX8	DGZ		
		1	3, 7	L	02, 06	EX8	DGZ		
		1	3, 7	L	12, 15, 16	EX8	DGZ		
15									TERMINAL, Male
	5133 377AA	1	2, 6	L	01, 02,	EX8	DGZ		
		1	2, 6	L	06 11, 12, 14, 15, 16	EX8	DGZ		
		1	2, 6	L	51, 52, 54, 55, 56	EX8	DGZ		
		1	3, 7	L	02, 06	EX8	DGZ		
		1	3, 7	L	12, 15, 16	EX8	DGZ		
16									CONNECTOR
	5120 794AA	1	2, 6	L	01, 02,	EX8	DGZ		
		1	2, 6	L	06 11, 12, 14, 15, 16	EX8	DGZ		
		1	2, 6	L	51, 52, 54, 55, 56	EX8	DGZ		
		1	3, 7	L	02, 06	EX8	DGZ		
		1	3, 7	L	12, 15, 16	EX8	DGZ		
17									CONNECTOR
	5120 791AA	1	2, 6	L	01, 02,	EX8	DGZ		
		1	2, 6	L	06 11, 12, 14, 15, 16	EX8	DGZ		
		1	2, 6	L	51, 52, 54, 55, 56	EX8	DGZ		
		1	3, 7	L	02, 06	EX8	DGZ		

Refer to Model Legend Information Bookmark

AR = Use as required - = Non illustrated part # = New this model year

March 3, 2006

Wiring - Body & Accessories
Figure 008-1505



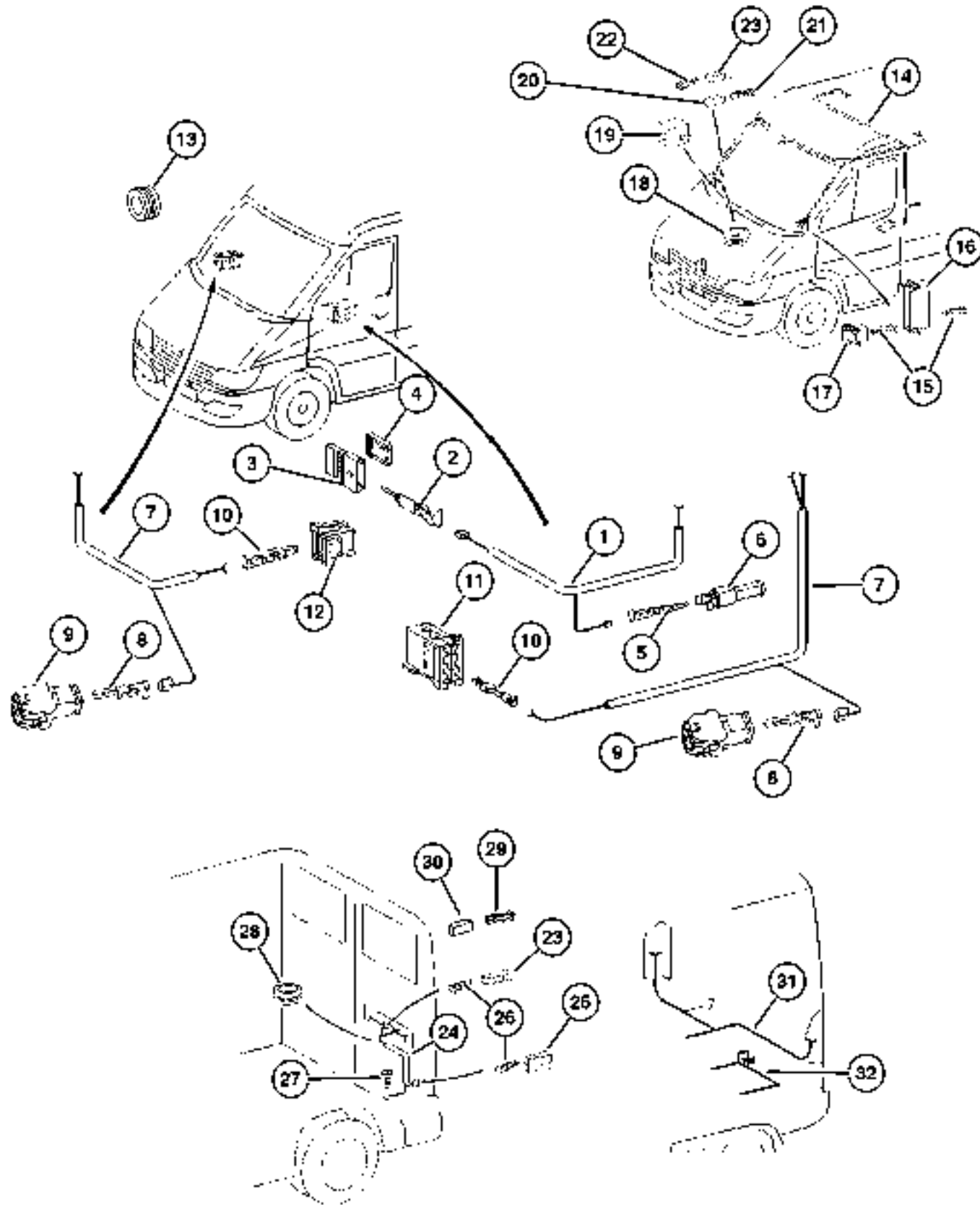
ITEM	PART NUMBER	QTY	LINE	SERIES	BODY	ENGINE	TRANS	TRIM	DESCRIPTION
		1	3, 7	L	12, 15, 16	EX8	DGZ		
18	5133 408AA	1	2, 6	L	01, 02, 06	EX8	DGZ		GROMMET, Chassis Wiring
		1	2, 6	L	11, 12, 14, 15, 16	EX8	DGZ		
		1	2, 6	L	51, 52, 54, 55, 56	EX8	DGZ		
		1	3, 7	L	02, 06	EX8	DGZ		
		1	3, 7	L	12, 15, 16	EX8	DGZ		
19	5133 401AA	1	2, 6	L	01, 02, 06	EX8	DGZ		INSULATOR, 2 Way
		1	2, 6	L	11, 12, 14, 15, 16	EX8	DGZ		
		1	2, 6	L	51, 52, 54, 55, 56	EX8	DGZ		
		1	3, 7	L	02, 06	EX8	DGZ		
		1	3, 7	L	12, 15, 16	EX8	DGZ		
20	5120 684AA	1	2, 6	L	11, 12, 14, 15, 16	EX8	DGZ		CONNECTOR
		1	2, 6	L	51, 52, 54, 55, 56	EX8	DGZ		
		1	2, 6	L	01, 02, 06	EX8	DGZ		
		1	3, 7	L	12, 15, 16	EX8	DGZ		
21	5103 871AA	1	2, 6	L	01, 02, 06	EX8	DGZ		TERMINAL, Female
		1	2, 6	L	11, 12, 14, 15, 16	EX8	DGZ		

Refer to Model Legend Information Bookmark

AR = Use as required - = Non illustrated part # = New this model year

March 3, 2006

Wiring - Body & Accessories
Figure 008-1505



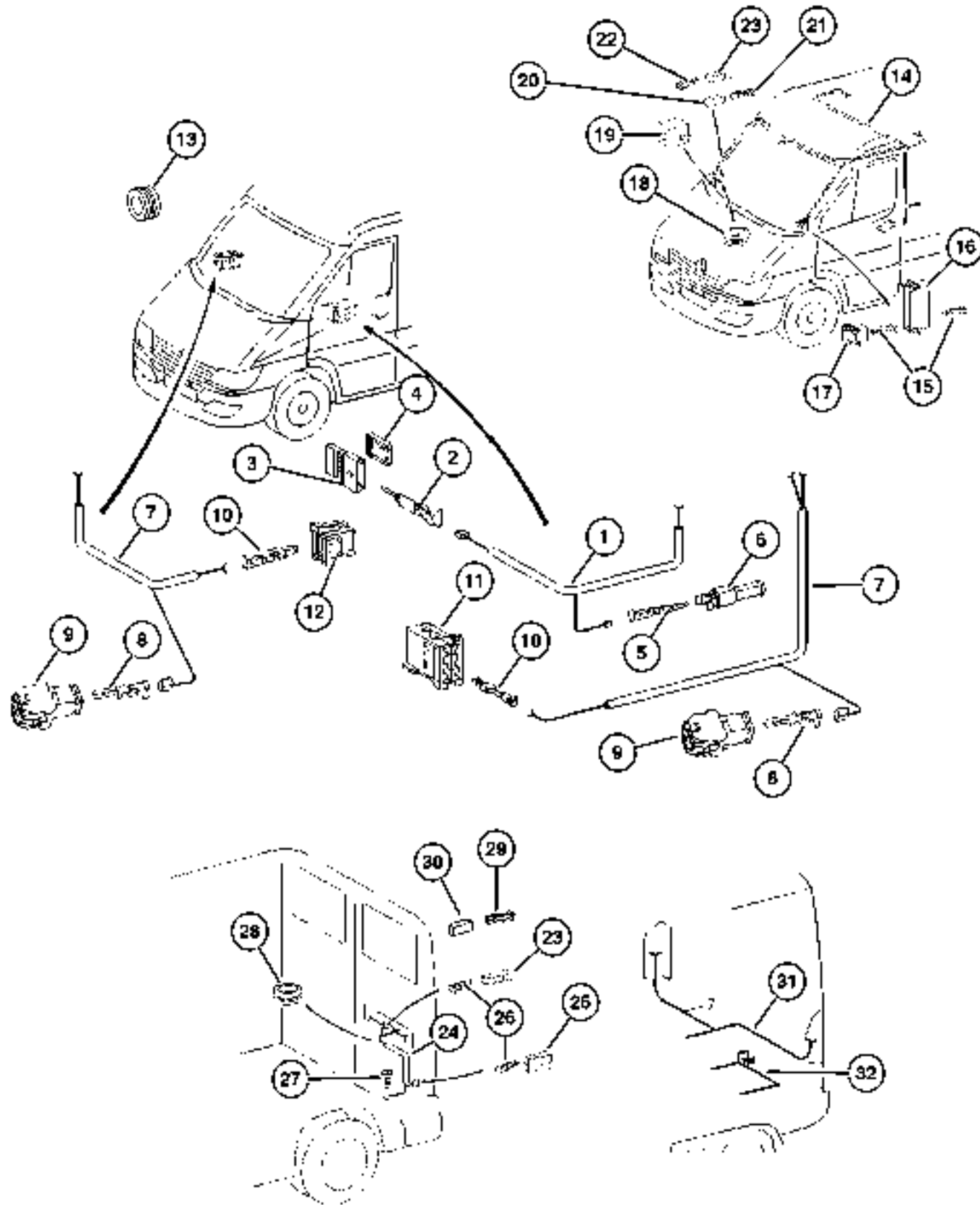
ITEM	PART NUMBER	QTY	LINE	SERIES	BODY	ENGINE	TRANS	TRIM	DESCRIPTION
		1	2, 6	L	51, 52, 54, 55, 56	EX8	DGZ		
		99	3, 7	L	12, 15, 16	EX8	DGZ		
22		1	3, 7	L	02, 06	EX8	DGZ		TERMINAL, Male
	5133 358AA	1	2, 6	L	01, 02, 06	EX8	DGZ		
		1	2, 6	L	11, 12, 14, 15, 16	EX8	DGZ		
		1	2, 6	L	51, 52, 54, 55, 56	EX8	DGZ		
		1	3, 7	L	02, 06	EX8	DGZ		
		1	3, 7	L	12, 15, 16	EX8	DGZ		
23		2	2, 6	L	11, 12, 14, 15, 16	EX8	DGZ		INSULATOR
	5120 685AA	2	2, 6	L	51, 52, 54, 55, 56	EX8	DGZ		
		2	3, 7	L	12, 15, 16	EX8	DGZ		
		1	3, 7	L	02, 06	EX8	DGZ		
		1	2, 6	L	01, 02, 06	EX8	DGZ		
24		1	2, 6	L	11, 12, 14, 15, 16	EX8	DGZ		WIRING, Rear Door
	5129 584AA	1	2, 6	L	51, 52, 54, 55, 56	EX8	DGZ		
		1	2, 6	L	51, 52, 54, 55, 56	EX8	DGZ		
		1	3, 7	L	12, 15, 16	EX8	DGZ		
25		1	2, 6	L	11, 12, 14, 15, 16	EX8	DGZ		CONNECTOR
	5103 751AA	1	2, 6	L	11, 12, 14, 15, 16	EX8	DGZ		

Refer to Model Legend Information Bookmark

AR = Use as required - = Non illustrated part # = New this model year

March 3, 2006

Wiring - Body & Accessories
Figure 008-1505



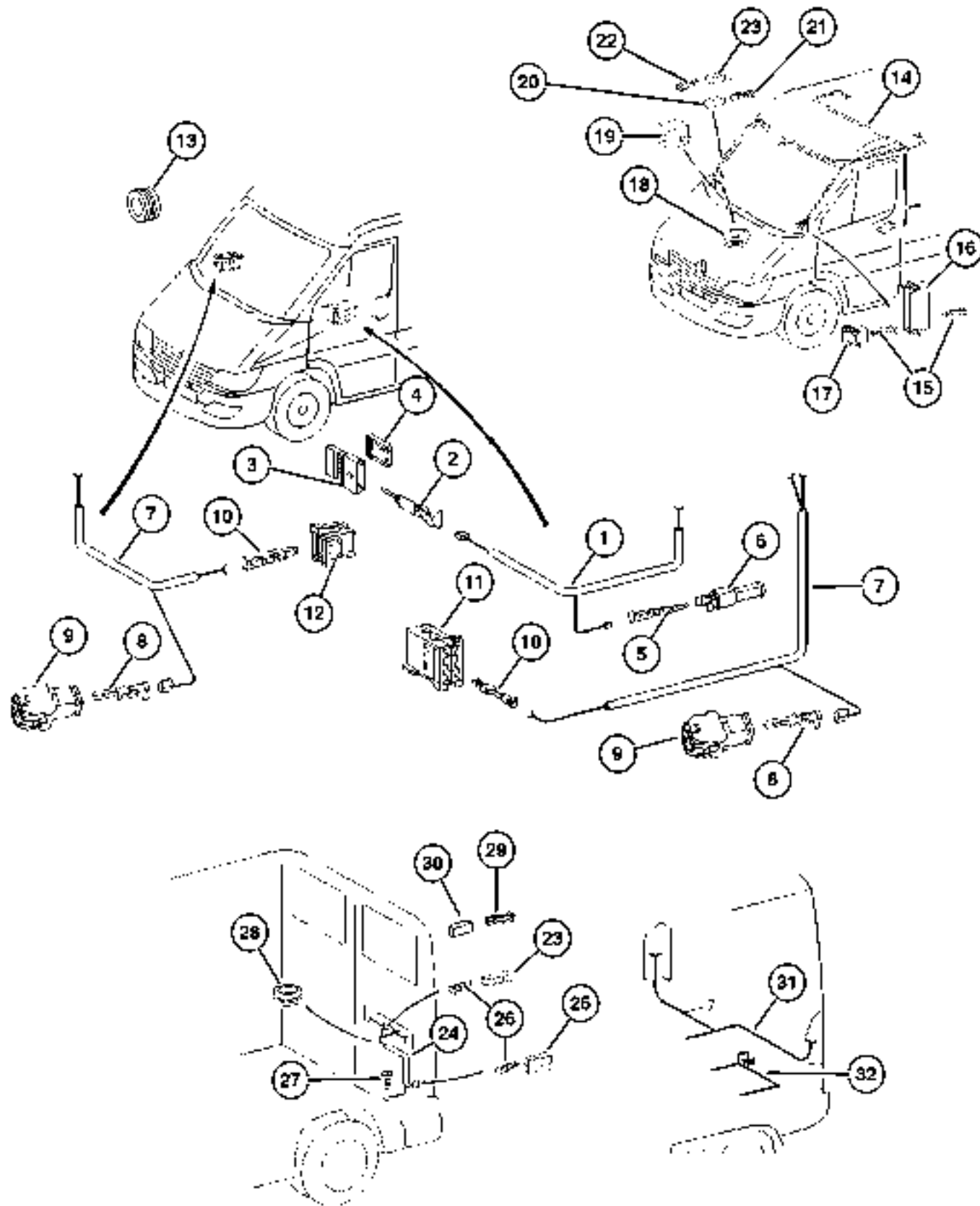
ITEM	PART NUMBER	QTY	LINE	SERIES	BODY	ENGINE	TRANS	TRIM	DESCRIPTION
		1	2, 6	L	51, 52, 54, 55, 56	EX8	DGZ		
		1	3, 7	L	12, 15, 16	EX8	DGZ		
26	5103 798AA	99	2, 6	L	11, 12, 14, 15, 16	EX8	DGZ		TERMINAL, Male
		99	2, 6	L	51, 52, 54, 55, 56	EX8	DGZ		
		1	2, 6	L	01, 02, 06	EX8	DGZ		
		99	3, 7	L	12, 15, 16	EX8	DGZ		
		1	3, 7	L	02, 06	EX8	DGZ		
27	6104 574AA	2	2, 6	L	01, 02, 06	EX8	DGZ		SCREW, Tapping
		2	2, 6	L	11, 12, 14, 15, 16	EX8	DGZ		
		2	2, 6	L	51, 52, 54, 55, 56	EX8	DGZ		
		2	3, 7	L	12, 15, 16	EX8	DGZ		
		2	3, 7	L	02, 06	EX8	DGZ		
28	5133 935AA	1	2, 6	L	01, 02, 06	EX8	DGZ		GROMMET, Door Wiring
		1	2, 6	L	11, 12, 14, 15, 16	EX8	DGZ		
		1	2, 6	L	51, 52, 54, 55, 56	EX8	DGZ		
		2	3, 7	L	12, 15, 16	EX8	DGZ		
		1	3, 7	L	02, 06	EX8	DGZ		
29	5120 684AA	1	2, 6	L	11, 12, 14, 15, 16	EX8	DGZ		CONNECTOR

Refer to Model Legend Information Bookmark

AR = Use as required - = Non illustrated part # = New this model year

March 3, 2006

Wiring - Body & Accessories
Figure 008-1505



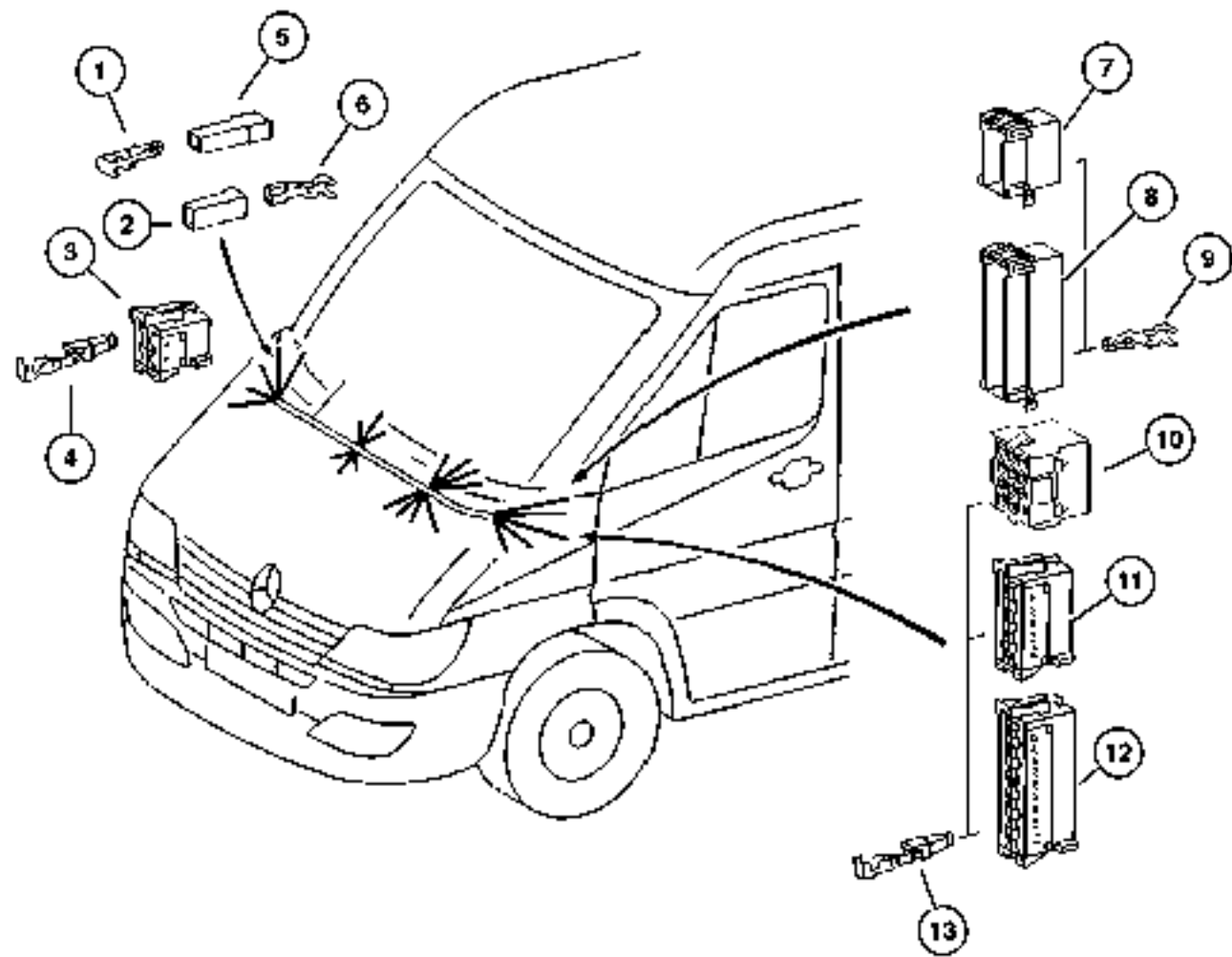
ITEM	PART NUMBER	QTY	LINE	SERIES	BODY	ENGINE	TRANS	TRIM	DESCRIPTION
		1	2, 6	L	51, 52, 54, 55, 56	EX8	DGZ		
		1	2, 6	L	01, 02, 06	EX8	DGZ		
		1	3, 7	L	12, 15, 16	EX8	DGZ		
		1	3, 7	L	02, 06	EX8	DGZ		
30									TERMINAL, Female
	5114 451AA	99	2, 6	L	01, 02, 06	EX8	DGZ		
		99	2, 6	L	11, 12, 14, 15, 16	EX8	DGZ		
		99	2, 6	L	51, 52, 54, 55, 56	EX8	DGZ		
		99	3, 7	L	02, 06	EX8	DGZ		
		99	3, 7	L	12, 15, 16	EX8	DGZ		
31									WIRING, Rear Body
	5133 399AA	1	2, 6	L	11, 12, 14, 15, 16	EX8	DGZ		
		1	2, 6	L	51, 52, 54, 55, 56	EX8	DGZ		
		1	3, 7	L	12, 15, 16	EX8	DGZ		
32									WIRING, Trailer Tow
	5133 400AA	1	2, 6	L	01, 02, 06	EX8	DGZ		
		1	2, 6	L	11, 12, 14, 15, 16	EX8	DGZ		
		1	2, 6	L	51, 52, 54, 55, 56	EX8	DGZ		
		1	3, 7	L	02, 06	EX8	DGZ		
		1	3, 7	L	12, 15, 16	EX8	DGZ		

Refer to Model Legend Information Bookmark

AR = Use as required - = Non illustrated part # = New this model year

March 3, 2006

Connectors Engine Compartment Figure 008-1605



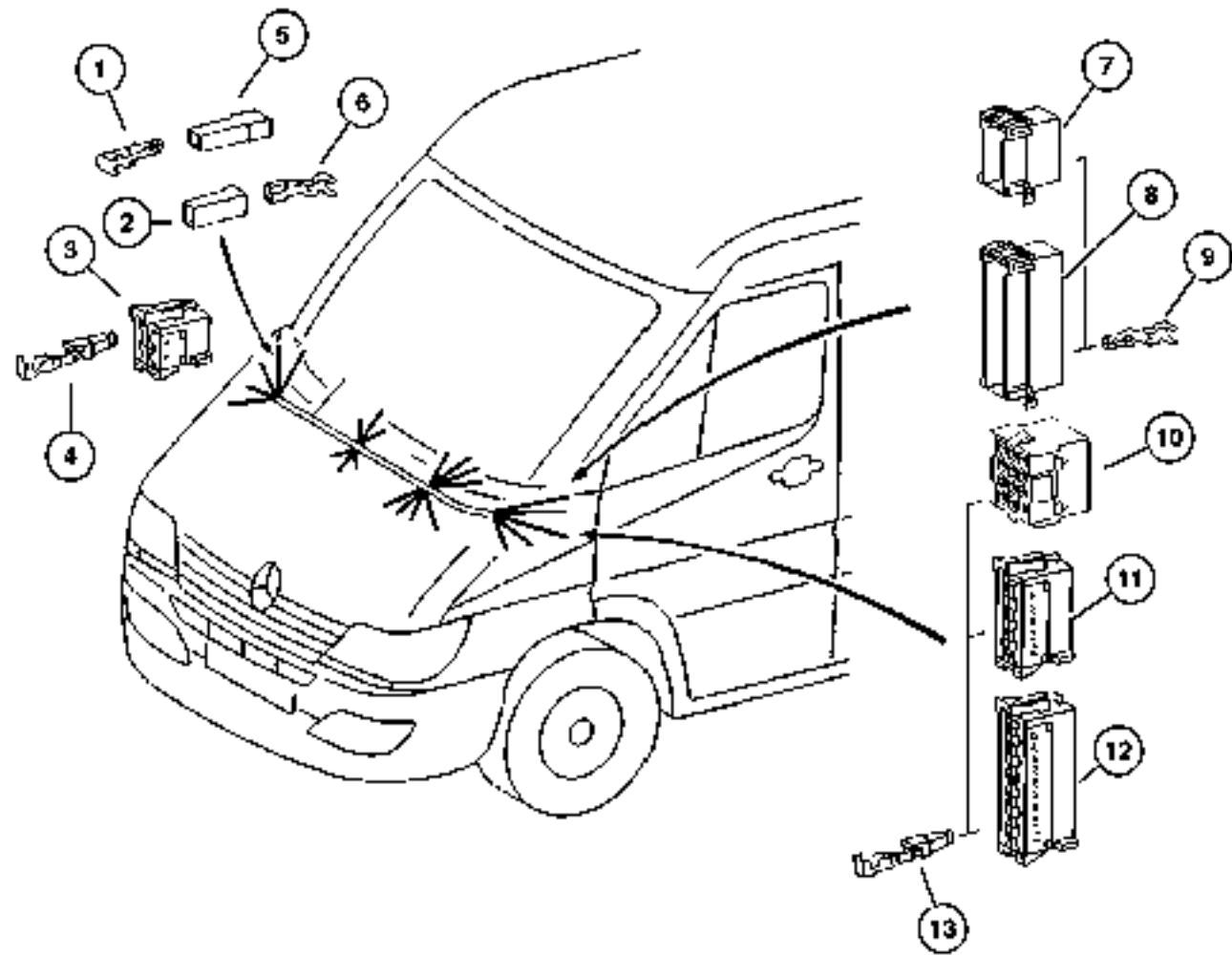
ITEM	PART NUMBER	QTY	LINE	SERIES	BODY	ENGINE	TRANS	TRIM	DESCRIPTION
1									TERMINAL, Male
	5133 391AA	99	2, 6	L	01, 02, 06	EX8	DGZ		
		99	2, 6	L	11, 12, 14, 15, 16	EX8	DGZ		
		99	2, 6	L	51, 52, 54, 55, 56	EX8	DGZ		
		99	3, 7	L	02, 06	EX8	DGZ		
		99	3, 7	L	12, 15, 16	EX8	DGZ		
2									CONNECTOR
	5120 684AA	1	2, 6	L	11, 12, 14, 15, 16	EX8	DGZ		
		1	2, 6	L	51, 52, 54, 55, 56	EX8	DGZ		
		1	2, 6	L	01, 02, 06	EX8	DGZ		
		1	3, 7	L	02, 06	EX8	DGZ		
		1	3, 7	L	12, 15, 16	EX8	DGZ		
3									TERMINAL
	5103 882AA	1	2, 6	L	01, 02, 06	EX8	DGZ		
		1	2, 6	L	11, 12, 14, 15, 16	EX8	DGZ		
		1	2, 6	L	51, 52, 54, 55, 56	EX8	DGZ		
		1	3, 7	L	02, 06	EX8	DGZ		
		1	3, 7	L	12, 15, 16	EX8	DGZ		
4									CONNECTOR
	5120 785AA	1	2, 6	L	01, 02, 06	EX8	DGZ		
		1	2, 6	L	11, 12, 14, 15, 16	EX8	DGZ		
		1	2, 6	L	51, 52, 54, 55, 56	EX8	DGZ		

Refer to Model Legend Information Bookmark

AR = Use as required - = Non illustrated part # = New this model year

March 3, 2006

Connectors Engine Compartment Figure 008-1605



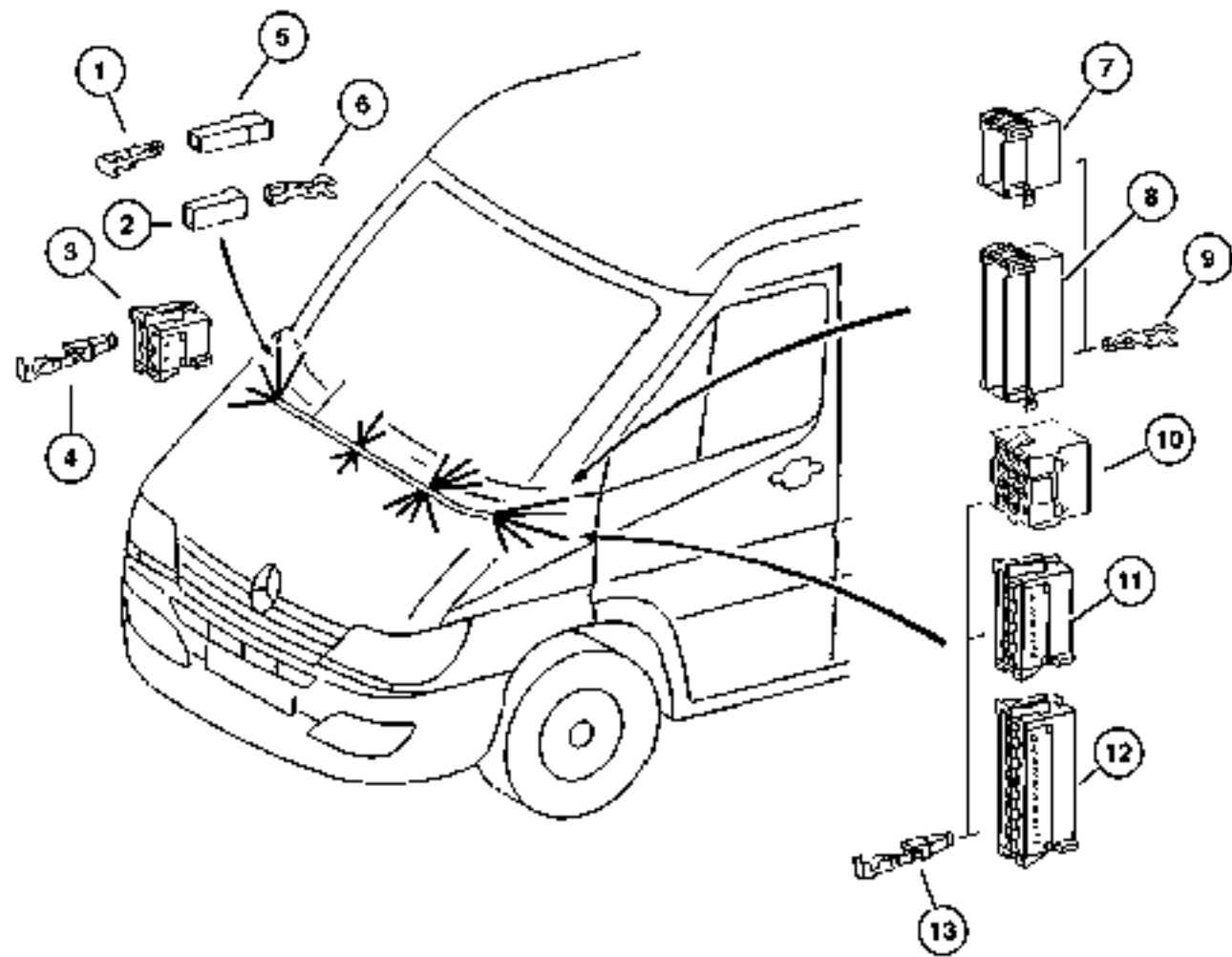
ITEM	PART NUMBER	QTY	LINE	SERIES	BODY	ENGINE	TRANS	TRIM	DESCRIPTION
		1	3, 7	L	02, 06	EX8	DGZ		
		1	3, 7	L	12, 15, 16	EX8	DGZ		
5	5120 685AA	2	2, 6	L	51, 52, 54, 55, 56	EX8	DGZ		INSULATOR
		2	2, 6	L	11, 12, 14, 15, 16	EX8	DGZ		
		1	2, 6	L	01, 02, 06	EX8	DGZ		
		1	3, 7	L	02, 06	EX8	DGZ		
		1	3, 7	L	12, 15, 16	EX8	DGZ		
6	5103 871AA	1	2, 6	L	01, 02, 06	EX8	DGZ		TERMINAL, Female
		1	2, 6	L	11, 12, 14, 15, 16	EX8	DGZ		
		1	2, 6	L	51, 52, 54, 55, 56	EX8	DGZ		
		99	3, 7	L	12, 15, 16	EX8	DGZ		
7	5133 393AA	1	3, 7	L	02, 06	EX8	DGZ		INSULATOR
		1	2, 6	L	01, 02, 06	EX8	DGZ		
		1	2, 6	L	11, 12, 14, 15, 16	EX8	DGZ		
		1	2, 6	L	51, 52, 54, 55, 56	EX8	DGZ		
		1	3, 7	L	02, 06	EX8	DGZ		
		1	3, 7	L	12, 15, 16	EX8	DGZ		
8	5120 793AA	1	2, 6	L	01, 02, 06	EX8	DGZ		CONNECTOR
		1	2, 6	L	11, 12, 14, 15, 16	EX8	DGZ		

Refer to Model Legend Information Bookmark

AR = Use as required - = Non illustrated part # = New this model year

March 3, 2006

**Connectors Engine Compartment
Figure 008-1605**



ITEM	PART NUMBER	QTY	LINE	SERIES	BODY	ENGINE	TRANS	TRIM	DESCRIPTION
		1	2, 6	L	51, 52, 54, 55, 56	EX8	DGZ		
		1	3, 7	L	02, 06	EX8	DGZ		
		1	3, 7	L	12, 15, 16	EX8	DGZ		
9	5133 371AA	1	2, 6	L	01, 02, 06	EX8	DGZ		TERMINAL, Male
		1	2, 6	L	11, 12, 14, 15, 16	EX8	DGZ		
		1	2, 6	L	51, 52, 54, 55, 56	EX8	DGZ		
		1	3, 7	L	02, 06	EX8	DGZ		
		1	3, 7	L	12, 15, 16	EX8	DGZ		
10	5120 675AA	1	2, 6	L	01, 02, 06	EX8	DGZ		CONNECTOR
		1	2, 6	L	11, 12, 14, 15, 16	EX8	DGZ		
		1	2, 6	L	51, 52, 54, 55, 56	EX8	DGZ		
		1	3, 7	L	02, 06	EX8	DGZ		
		1	3, 7	L	12, 15, 16	EX8	DGZ		
11	5120 787AA	1	2, 6	L	01, 02, 06	EX8	DGZ		CONNECTOR
		1	2, 6	L	11, 12, 14, 15, 16	EX8	DGZ		
		1	2, 6	L	51, 52, 54, 55, 56	EX8	DGZ		
		1	3, 7	L	02, 06	EX8	DGZ		
		1	3, 7	L	12, 15, 16	EX8	DGZ		
12	5120 789AA	1	2, 6	L	01, 02, 06	EX8	DGZ		CONNECTOR

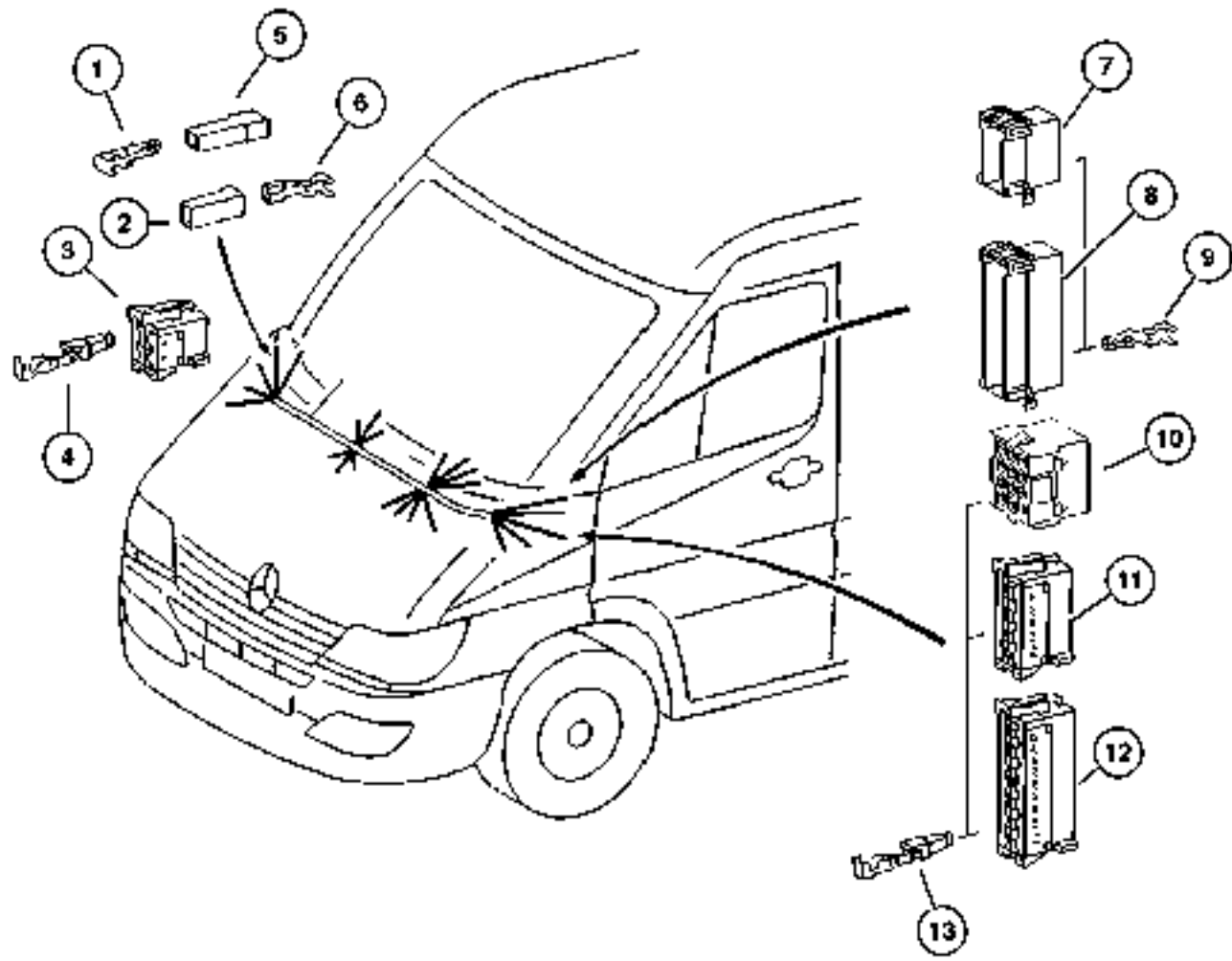
Refer to Model Legend Information Bookmark

AR = Use as required - = Non illustrated part # = New this model year

March 3, 2006

**Connectors Engine Compartment
Figure 008-1605**

ITEM	PART NUMBER	QTY	LINE	SERIES	BODY	ENGINE	TRANS	TRIM	DESCRIPTION
		1	2, 6	L	11, 12, 14, 15, 16	EX8	DGZ		
		1	2, 6	L	51, 52, 54, 55, 56	EX8	DGZ		
		1	3, 7	L	02, 06	EX8	DGZ		
		1	3, 7	L	12, 15, 16	EX8	DGZ		
13	5103 881AA	99	2, 6	L	01, 02, 06	EX8	DGZ		TERMINAL
		99	2, 6	L	11, 12, 14, 15, 16	EX8	DGZ		
		99	2, 6	L	51, 52, 54, 55, 56	EX8	DGZ		
		99	3, 7	L	12, 15, 16	EX8	DGZ		
		99	3, 7	L	02, 06	EX8	DGZ		

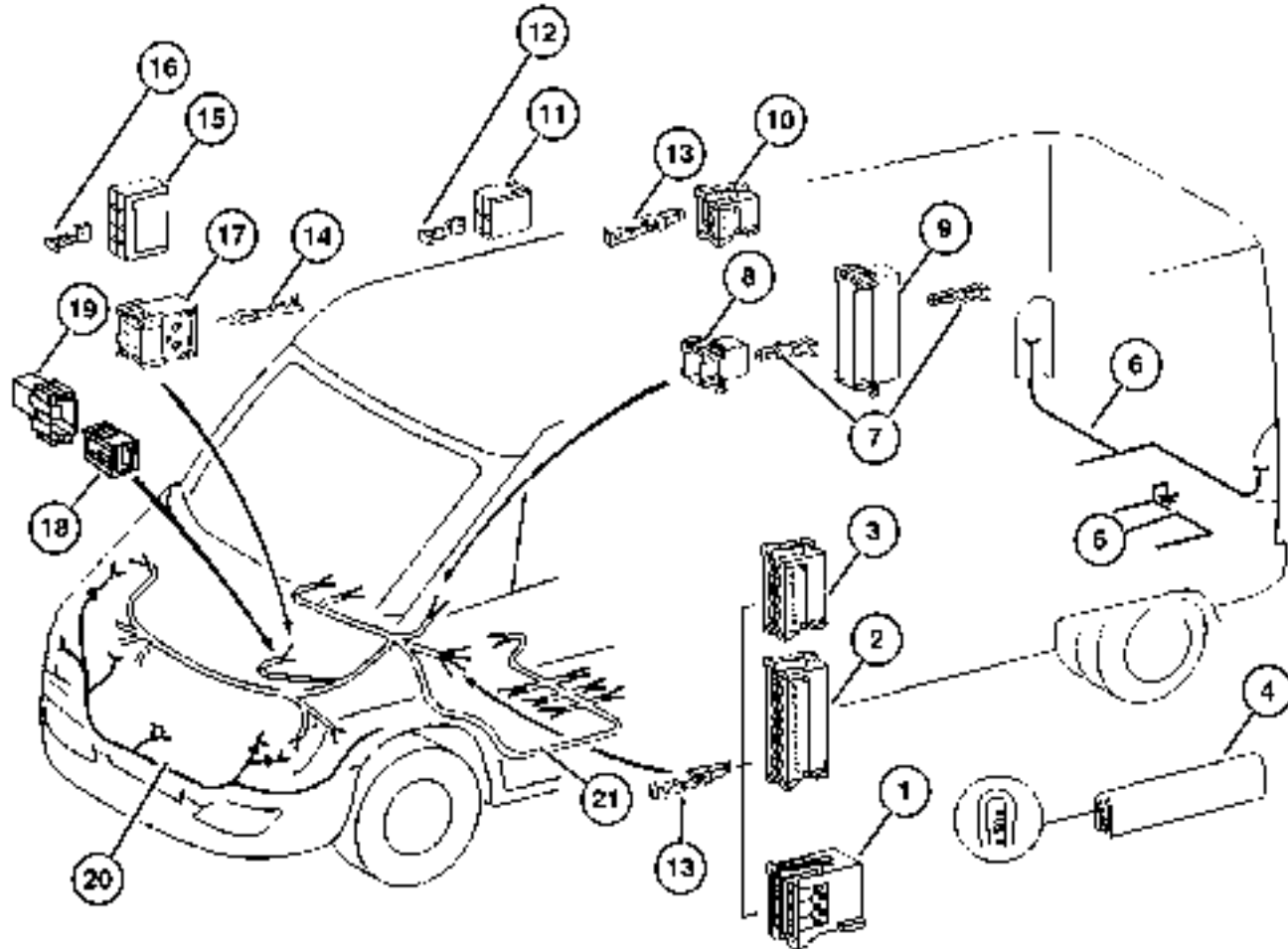


Refer to Model Legend Information Bookmark

AR = Use as required - = Non illustrated part # = New this model year

March 3, 2006

Connectors Body Figure 008-1610



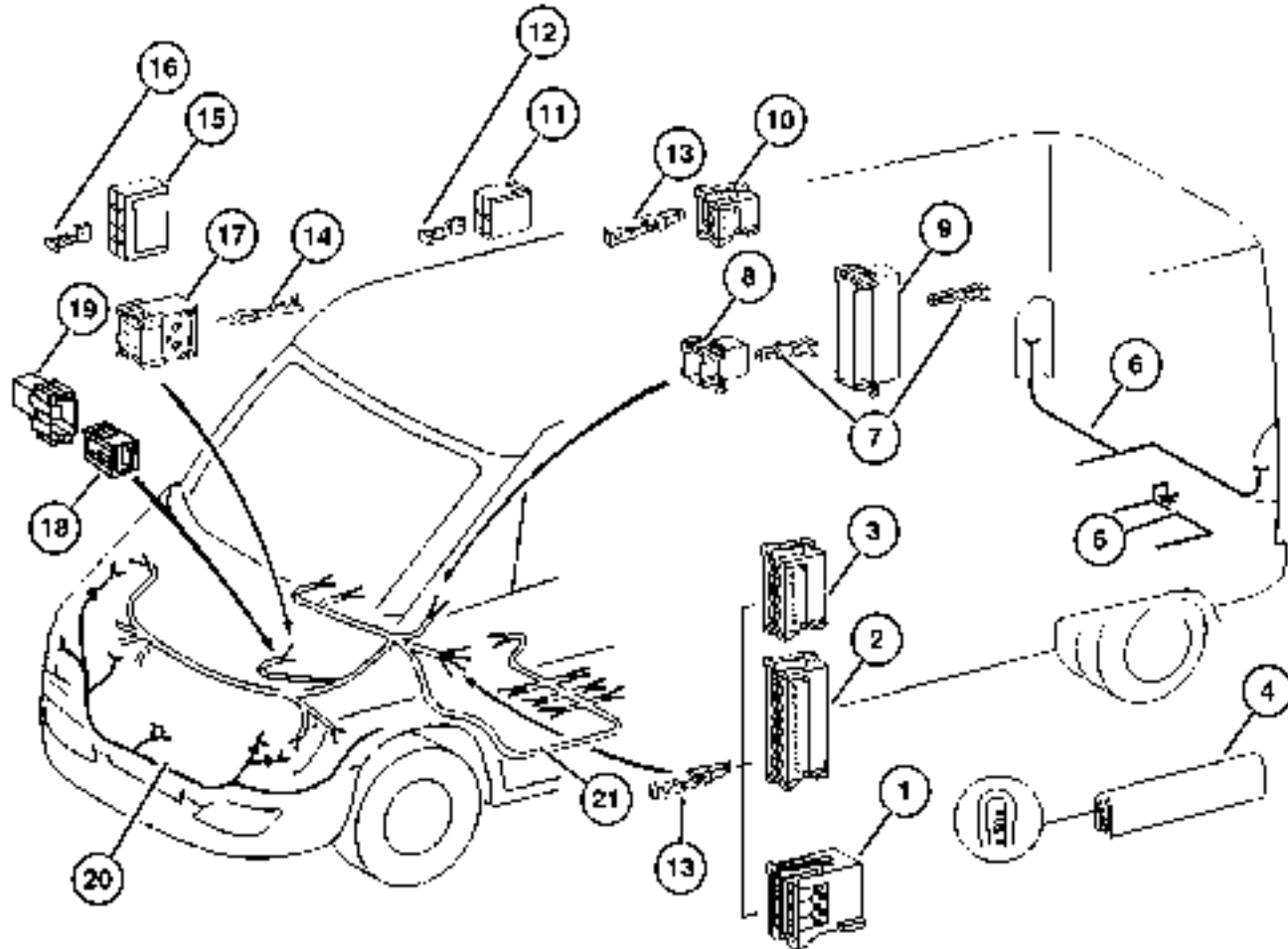
ITEM	PART NUMBER	QTY	LINE	SERIES	BODY	ENGINE	TRANS	TRIM	DESCRIPTION
1									CONNECTOR
	5120 796AA	1	2, 6	L	01, 02, 06	EX8	DGZ		
		1	2, 6	L	11, 12, 14, 15, 16	EX8	DGZ		
		1	2, 6	L	51, 52, 54, 55, 56	EX8	DGZ		
		1	3, 7	L	02, 06	EX8	DGZ		
		1	3, 7	L	12, 15, 16	EX8	DGZ		
2									CONNECTOR
	5120 789AA	1	2, 6	L	01, 02, 06	EX8	DGZ		
		1	2, 6	L	11, 12, 14, 15, 16	EX8	DGZ		
		1	2, 6	L	51, 52, 54, 55, 56	EX8	DGZ		
		1	3, 7	L	02, 06	EX8	DGZ		
		1	3, 7	L	12, 15, 16	EX8	DGZ		
3									CONNECTOR
	5120 788AA	1	2, 6	L	01, 02, 06	EX8	DGZ		
		1	2, 6	L	11, 12, 14, 15, 16	EX8	DGZ		
		1	2, 6	L	51, 52, 54, 55, 56	EX8	DGZ		
		1	3, 7	L	02, 06	EX8	DGZ		
		1	3, 7	L	12, 15, 16	EX8	DGZ		
4									PROTECTOR
	5132 391AA	1	2, 6	L	12, 15	EX8	DGZ		
		2	2, 6	L	11, 14, 16	EX8	DGZ		
		1	2, 6	L	52, 55	EX8	DGZ		
		2	2, 6	L	51, 54, 56	EX8	DGZ		
		5	3, 7	L	12, 15	EX8	DGZ		
		7	3, 7	L	16	EX8	DGZ		
5									WIRING, Trailer Tow

Refer to Model Legend Information Bookmark

AR = Use as required - = Non illustrated part # = New this model year

March 3, 2006

Connectors Body Figure 008-1610



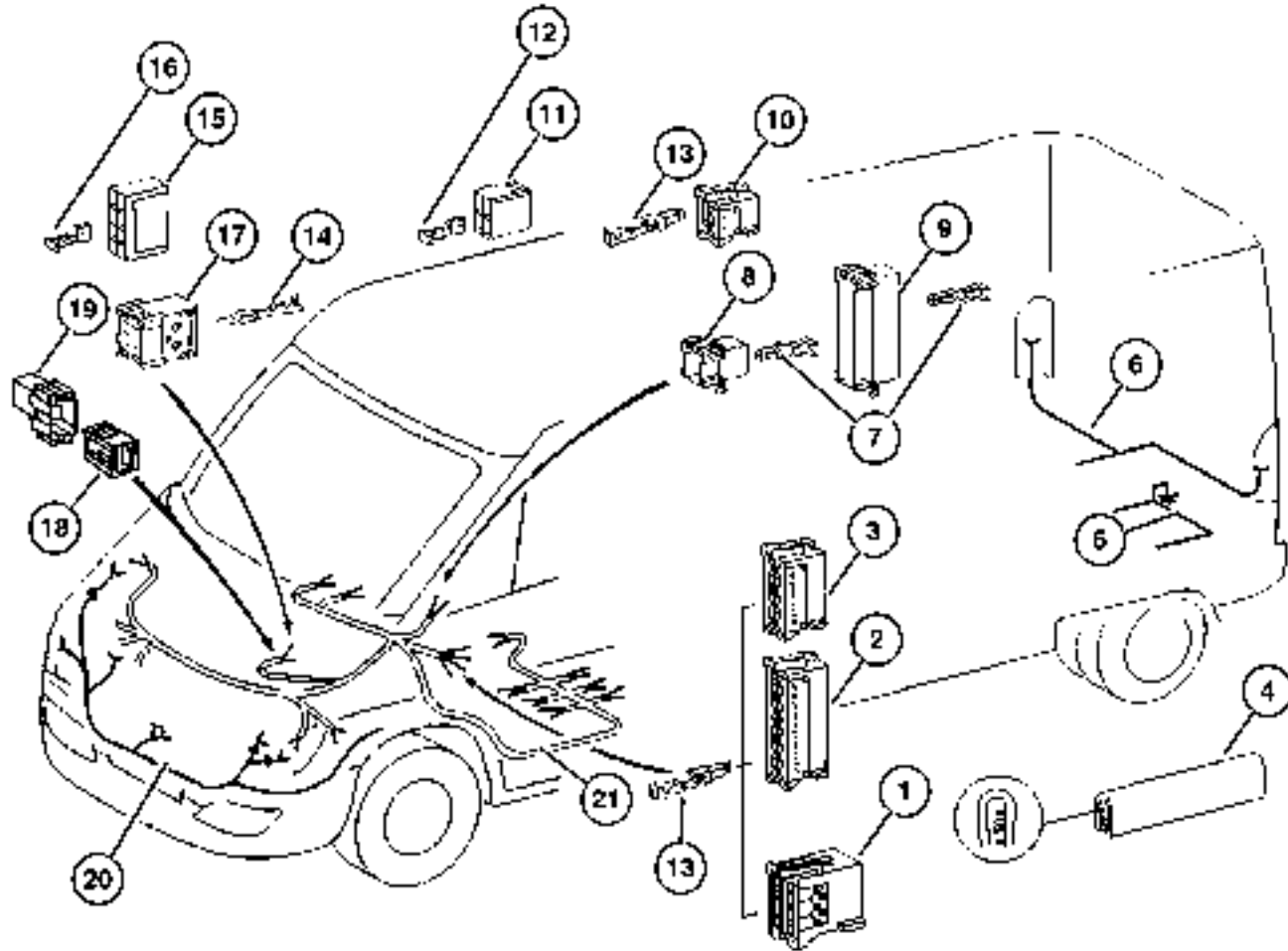
ITEM	PART NUMBER	QTY	LINE	SERIES	BODY	ENGINE	TRANS	TRIM	DESCRIPTION
	5133 400AA	1	2, 6	L	01, 02, 06	EX8	DGZ		
		1	2, 6	L	11, 12, 14, 15, 16	EX8	DGZ		
		1	2, 6	L	51, 52, 54, 55, 56	EX8	DGZ		
		1	3, 7	L	02, 06	EX8	DGZ		
		1	3, 7	L	12, 15, 16	EX8	DGZ		
6									WIRING, Rear Body
	5133 399AA	1	2, 6	L	11, 12, 14, 15, 16	EX8	DGZ		
		1	2, 6	L	51, 52, 54, 55, 56	EX8	DGZ		
		1	3, 7	L	12, 15, 16	EX8	DGZ		
7									TERMINAL, Male
	5133 377AA	1	2, 6	L	01, 02, 06	EX8	DGZ		
		1	2, 6	L	11, 12, 14, 15, 16	EX8	DGZ		
		1	2, 6	L	51, 52, 54, 55, 56	EX8	DGZ		
		1	3, 7	L	02, 06	EX8	DGZ		
		1	3, 7	L	12, 15, 16	EX8	DGZ		
8									CONNECTOR
	5120 791AA	1	2, 6	L	01, 02, 06	EX8	DGZ		
		1	2, 6	L	11, 12, 14, 15, 16	EX8	DGZ		
		1	2, 6	L	51, 52, 54, 55, 56	EX8	DGZ		
		1	3, 7	L	02, 06	EX8	DGZ		
		1	3, 7	L	12, 15, 16	EX8	DGZ		
9									CONNECTOR

Refer to Model Legend Information Bookmark

AR = Use as required - = Non illustrated part # = New this model year

March 3, 2006

Connectors Body
Figure 008-1610



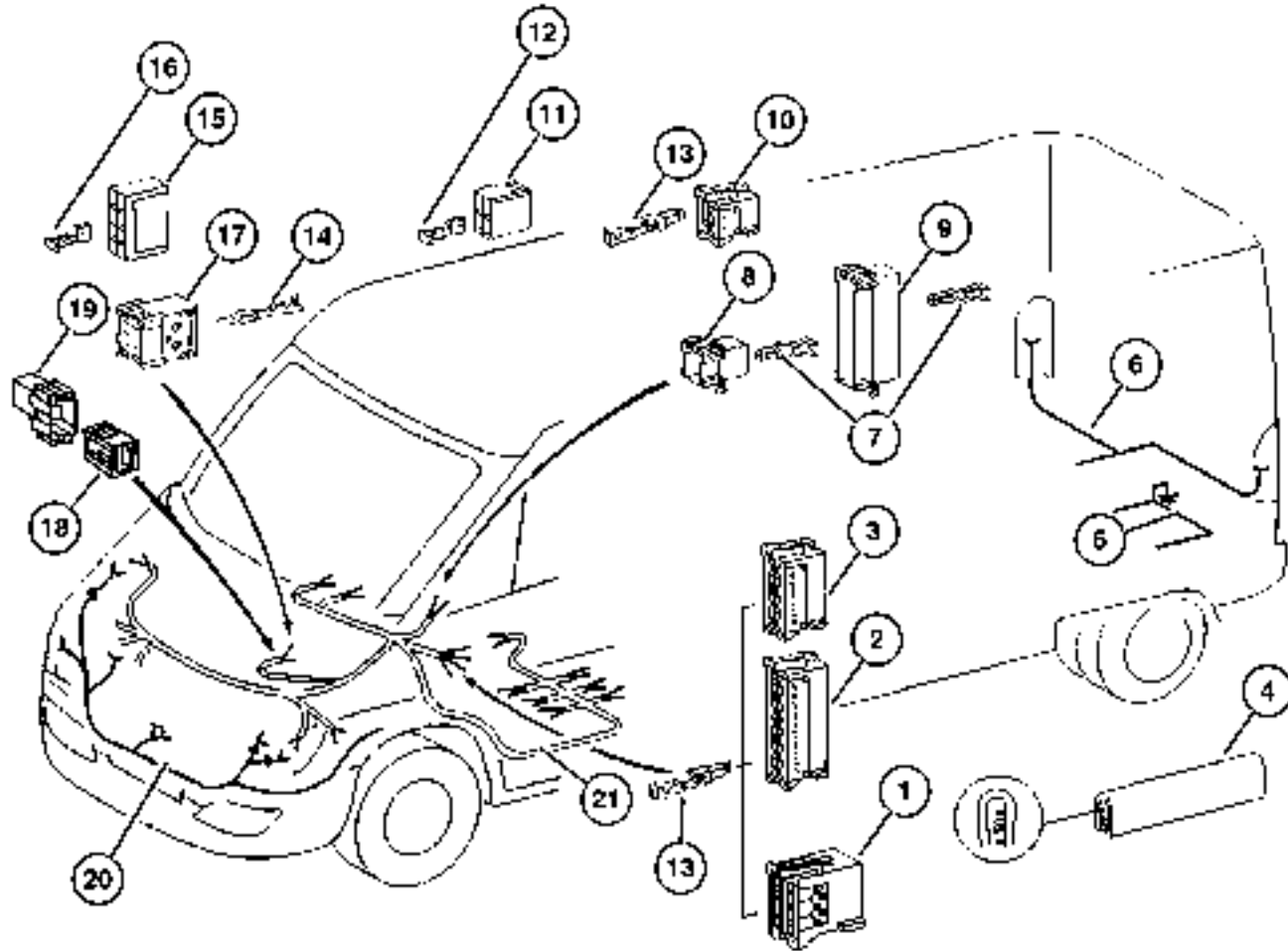
ITEM	PART NUMBER	QTY	LINE	SERIES	BODY	ENGINE	TRANS	TRIM	DESCRIPTION
	5120 794AA	1	2, 6	L	01, 02, 06	EX8	DGZ		
		1	2, 6	L	11, 12, 14, 15, 16	EX8	DGZ		
		1	2, 6	L	51, 52, 54, 55, 56	EX8	DGZ		
		1	3, 7	L	02, 06	EX8	DGZ		
		1	3, 7	L	12, 15, 16	EX8	DGZ		
10									CONNECTOR
	5120 785AA	1	2, 6	L	01, 02, 06	EX8	DGZ		
		1	2, 6	L	11, 12, 14, 15, 16	EX8	DGZ		
		1	2, 6	L	51, 52, 54, 55, 56	EX8	DGZ		
		1	3, 7	L	02, 06	EX8	DGZ		
		1	3, 7	L	12, 15, 16	EX8	DGZ		
11									CONNECTOR
	5103 753AA	99	2, 6	L	01, 02, 06	EX8	DGZ		
		99	2, 6	L	11, 12, 14, 15, 16	EX8	DGZ		
		99	2, 6	L	51, 52, 54, 55, 56	EX8	DGZ		
		99	3, 7	L	02, 06	EX8	DGZ		
		99	3, 7	L	12, 15, 16	EX8	DGZ		
12									TERMINAL, Female
	5133 360AA	99	2, 6	L	01, 02, 06	EX8	DGZ		
		99	2, 6	L	11, 12, 14, 15, 16	EX8	DGZ		
		99	2, 6	L	51, 52, 54, 55, 56	EX8	DGZ		
		99	3, 7	L	02, 06	EX8	DGZ		

Refer to Model Legend Information Bookmark

AR = Use as required - = Non illustrated part # = New this model year

March 3, 2006

Connectors Body Figure 008-1610



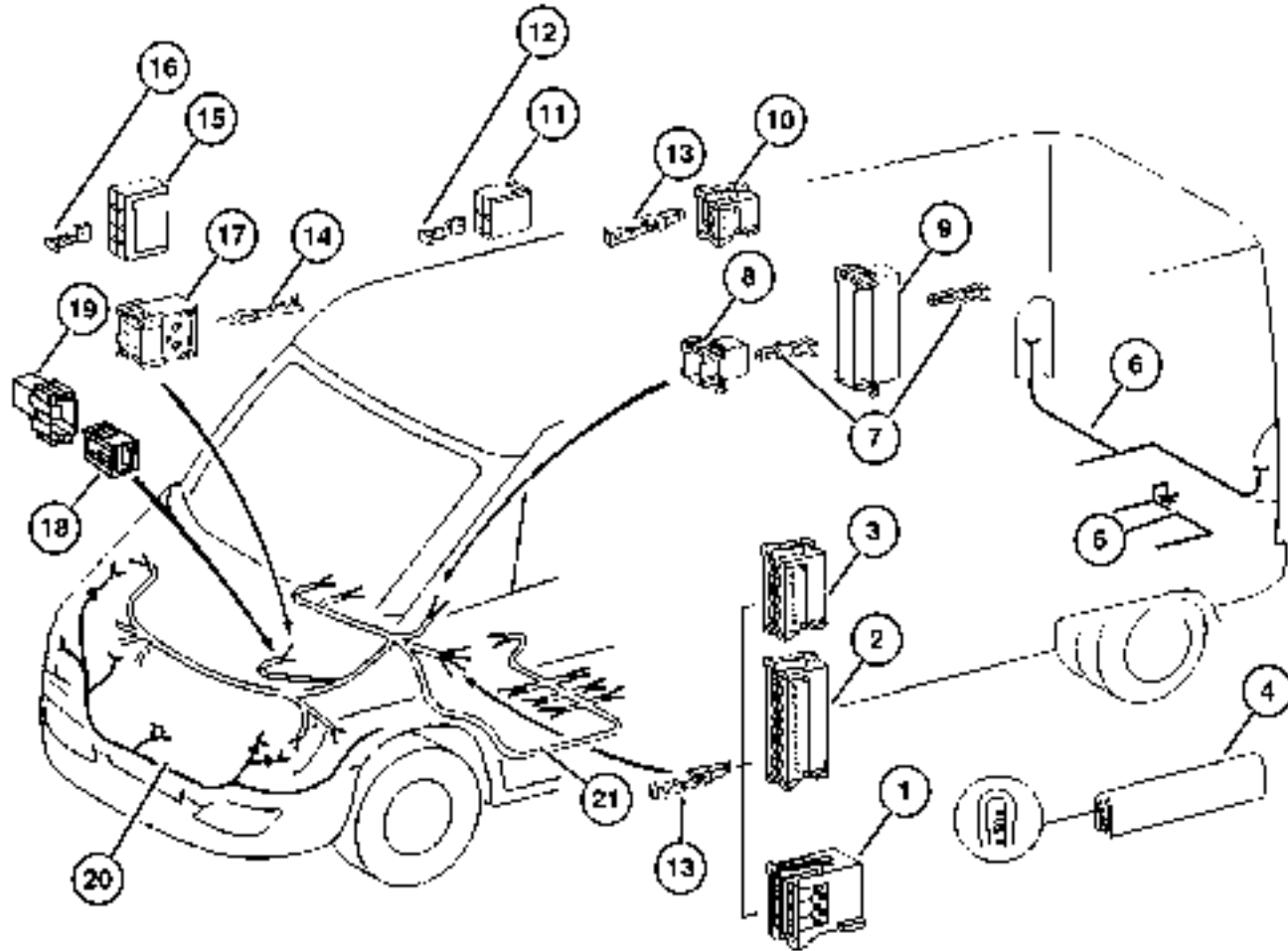
ITEM	PART NUMBER	QTY	LINE	SERIES	BODY	ENGINE	TRANS	TRIM	DESCRIPTION
		99	3, 7	L	12, 15, 16	EX8	DGZ		
13	5103 881AA	99	2, 6	L	01, 02, 06	EX8	DGZ		TERMINAL
		99	2, 6	L	11, 12, 14, 15, 16	EX8	DGZ		
		99	2, 6	L	51, 52, 54, 55, 56	EX8	DGZ		
		99	3, 7	L	02, 06	EX8	DGZ		
		99	3, 7	L	12, 15, 16	EX8	DGZ		
14	5103 909AA	1	2, 6	L	01, 02, 06	EX8	DGZ		TERMINAL, Male
		1	2, 6	L	11, 12, 14, 15, 16	EX8	DGZ		
		1	2, 6	L	51, 52, 54, 55, 56	EX8	DGZ		
		1	3, 7	L	02, 06	EX8	DGZ		
		1	3, 7	L	12, 15, 16	EX8	DGZ		
15	5103 752AA	1	2, 6	L	01, 02, 06	EX8	DGZ		CONNECTOR
		1	2, 6	L	11, 12, 14, 15, 16	EX8	DGZ		
		1	2, 6	L	51, 52, 54, 55, 56	EX8	DGZ		
		1	3, 7	L	02, 06	EX8	DGZ		
		1	3, 7	L	12, 15, 16	EX8	DGZ		
16	5133 359AA	1	2, 6	L	01, 02, 06	EX8	DGZ		TERMINAL, Female
		1	2, 6	L	11, 12, 14, 15, 16	EX8	DGZ		

Refer to Model Legend Information Bookmark

AR = Use as required - = Non illustrated part # = New this model year

March 3, 2006

Connectors Body Figure 008-1610



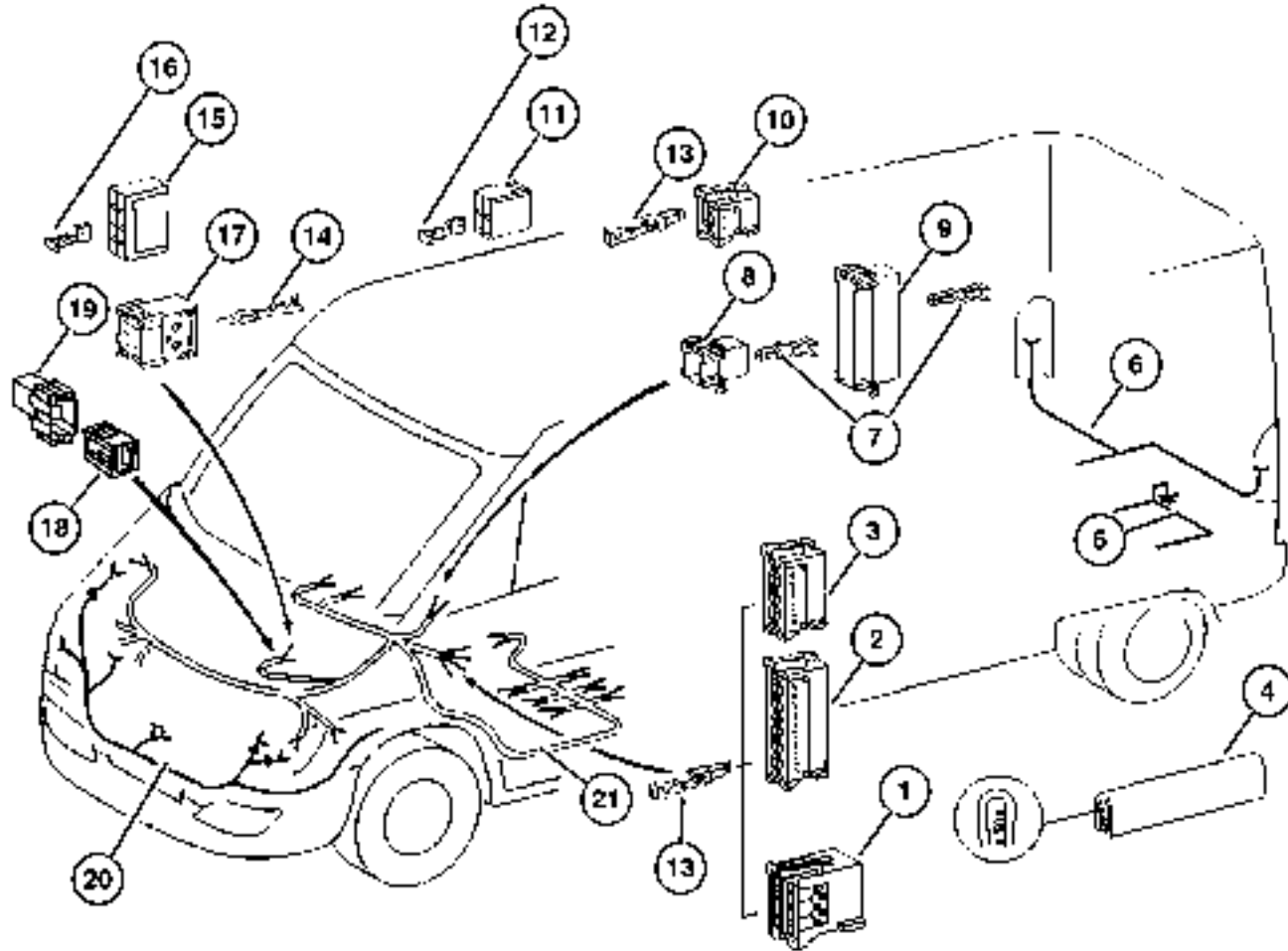
ITEM	PART NUMBER	QTY	LINE	SERIES	BODY	ENGINE	TRANS	TRIM	DESCRIPTION
		1	2, 6	L	51, 52, 54, 55, 56	EX8	DGZ		
		1	3, 7	L	02, 06	EX8	DGZ		
		1	3, 7	L	12, 15, 16	EX8	DGZ		
17	5133 327AA	1	2, 6	L	01, 02, 06	EX8	DGZ		INSULATOR, 6 Way Male
		1	2, 6	L	11, 12, 14, 15, 16	EX8	DGZ		
		1	2, 6	L	51, 52, 54, 55, 56	EX8	DGZ		
		1	3, 7	L	02, 06	EX8	DGZ		
		1	3, 7	L	12, 15, 16	EX8	DGZ		
18	5133 396AA	1	2, 6	L	01, 02, 06	EX8	DGZ		CONNECTOR, Wiring
		1	2, 6	L	11, 12, 14, 15, 16	EX8	DGZ		
		1	2, 6	L	51, 52, 54, 55, 56	EX8	DGZ		
		1	3, 7	L	02, 06	EX8	DGZ		
		1	3, 7	L	12, 15, 16	EX8	DGZ		
19	5133 397AA	1	2, 6	L	01, 02, 06	EX8	DGZ		INSULATOR, 4 Way Male
		1	2, 6	L	11, 12, 14, 15, 16	EX8	DGZ		
		1	2, 6	L	51, 52, 54, 55, 56	EX8	DGZ		
		1	3, 7	L	02, 06	EX8	DGZ		
		1	3, 7	L	12, 15, 16	EX8	DGZ		
20	5133 398AA	1	2, 6	L	01, 02, 06	EX8	DGZ		WIRING, Headlamp

Refer to Model Legend Information Bookmark

AR = Use as required - = Non illustrated part # = New this model year

March 3, 2006

Connectors Body Figure 008-1610



ITEM	PART NUMBER	QTY	LINE	SERIES	BODY	ENGINE	TRANS	TRIM	DESCRIPTION
		1	2, 6	L	11, 12, 14, 15, 16	EX8	DGZ		
		1	2, 6	L	51, 52, 54, 55, 56	EX8	DGZ		
		1	3, 7	L	02, 06	EX8	DGZ		
		1	3, 7	L	12, 15, 16	EX8	DGZ		
21	5114 935AA	1	2, 6	L	01, 02, 06	EX8	DGZ		WIRING, Headlamp to Dash
		1	2, 6	L	11, 12, 14, 15, 16	EX8	DGZ		
		1	2, 6	L	51, 52, 54, 55, 56	EX8	DGZ		
		1	3, 7	L	02, 06	EX8	DGZ		
		1	3, 7	L	12, 15, 16	EX8	DGZ		

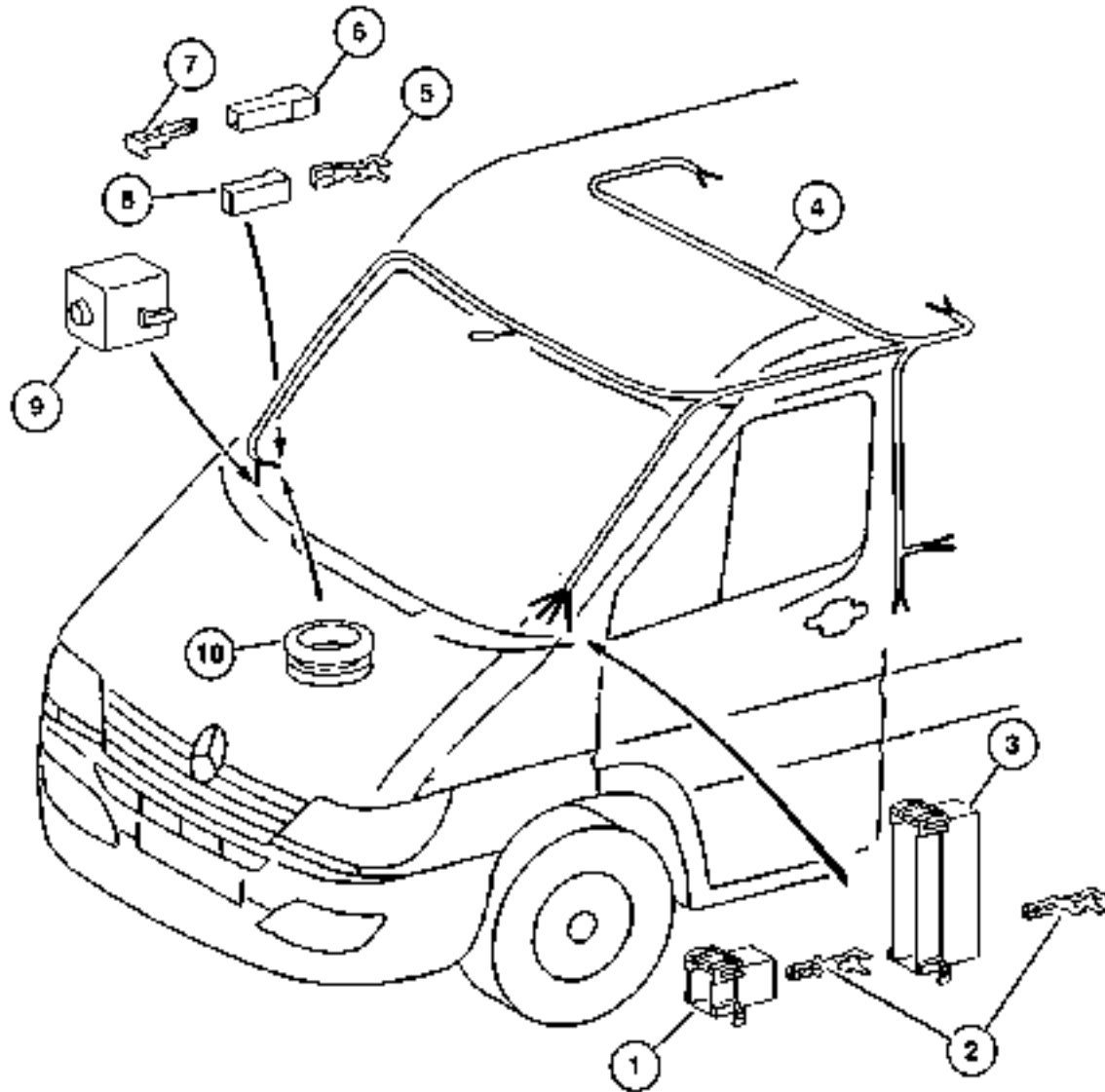
Refer to Model Legend Information Bookmark

AR = Use as required - = Non illustrated part # = New this model year

March 3, 2006

Connectors Roof
Figure 008-1615

ITEM	PART NUMBER	QTY	LINE	SERIES	BODY	ENGINE	TRANS	TRIM	DESCRIPTION
1	CONNECTOR								
	5120 791AA	1	2, 6	L	01, 02, 06	EX8	DGZ		
		1	2, 6	L	11, 12, 14, 15, 16	EX8	DGZ		
		1	2, 6	L	51, 52, 54, 55, 56	EX8	DGZ		
		1	3, 7	L	12, 15, 16	EX8	DGZ		
		1	3, 7	L	02, 06	EX8	DGZ		
2	TERMINAL, Male								
	5133 377AA	1	2, 6	L	01, 02, 06	EX8	DGZ		Small
		1	2, 6	L	11, 12, 14, 15, 16	EX8	DGZ		Small
		1	2, 6	L	51, 52, 54, 55, 56	EX8	DGZ		Small
		1	3, 7	L	02, 06	EX8	DGZ		Small
		1	3, 7	L	12, 15, 16	EX8	DGZ		Small
	5133 378AA	99	2, 6	L	01, 02, 06	EX8	DGZ		Large
		99	2, 6	L	11, 12, 14, 15, 16	EX8	DGZ		Large
		99	2, 6	L	51, 52, 54, 55, 56	EX8	DGZ		Large
		99	3, 7	L	02, 06	EX8	DGZ		Large
		99	3, 7	L	12, 15, 16	EX8	DGZ		Large
	3	CONNECTOR							
5120 794AA		1	2, 6	L	01, 02, 06	EX8	DGZ		
		1	2, 6	L	11, 12, 14, 15, 16	EX8	DGZ		
		1	2, 6	L	51, 52, 54, 55, 56	EX8	DGZ		
		1	3, 7	L	02, 06	EX8	DGZ		



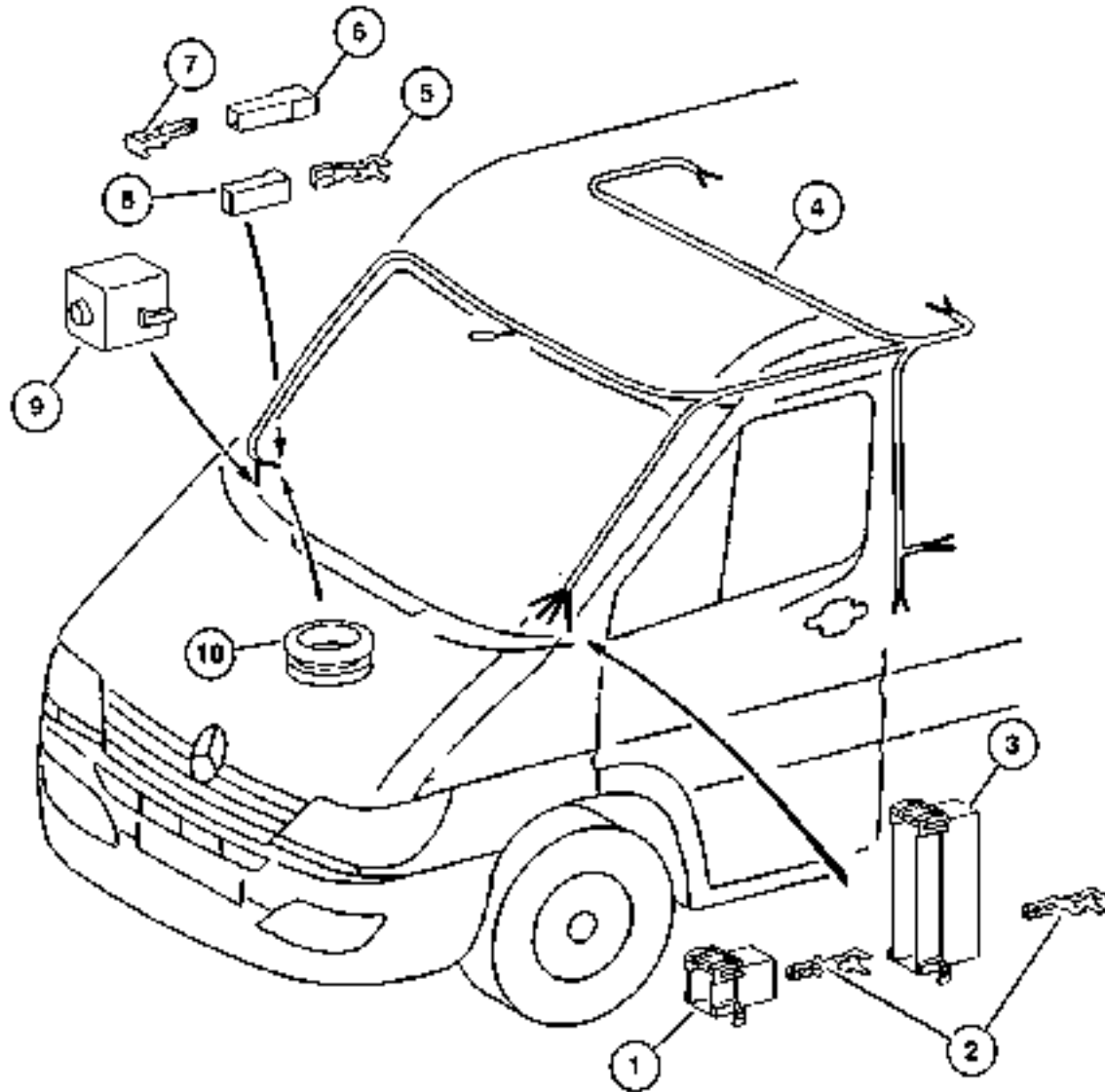
Refer to Model Legend Information Bookmark

AR = Use as required - = Non illustrated part # = New this model year

March 3, 2006

Connectors Roof
Figure 008-1615

ITEM	PART NUMBER	QTY	LINE	SERIES	BODY	ENGINE	TRANS	TRIM	DESCRIPTION
		1	3, 7	L	12, 15, 16	EX8	DGZ		
4	5114 931AA	1	2, 6	L	01, 02, 06	EX8	DGZ		WIRING, Body
		1	2, 6	L	11, 12, 14, 15, 16	EX8	DGZ		
		1	2, 6	L	51, 52, 54, 55, 56	EX8	DGZ		
		1	3, 7	L	02, 06	EX8	DGZ		
		1	3, 7	L	12, 15, 16	EX8	DGZ		
5	5103 871AA	1	2, 6	L	01, 02, 06	EX8	DGZ		TERMINAL, Female
		1	2, 6	L	11, 12, 14, 15, 16	EX8	DGZ		
		1	2, 6	L	51, 52, 54, 55, 56	EX8	DGZ		
		99	3, 7	L	12, 15, 16	EX8	DGZ		
6	5120 685AA	2	2, 6	L	11, 12, 14, 15, 16	EX8	DGZ		INSULATOR
		2	2, 6	L	51, 52, 54, 55, 56	EX8	DGZ		
		1	2, 6	L	01, 02, 06	EX8	DGZ		
		2	3, 7	L	12, 15, 16	EX8	DGZ		
7	5133 358AA	1	2, 6	L	01, 02, 06	EX8	DGZ		TERMINAL, Male
		1	2, 6	L	11, 12, 14, 15, 16	EX8	DGZ		



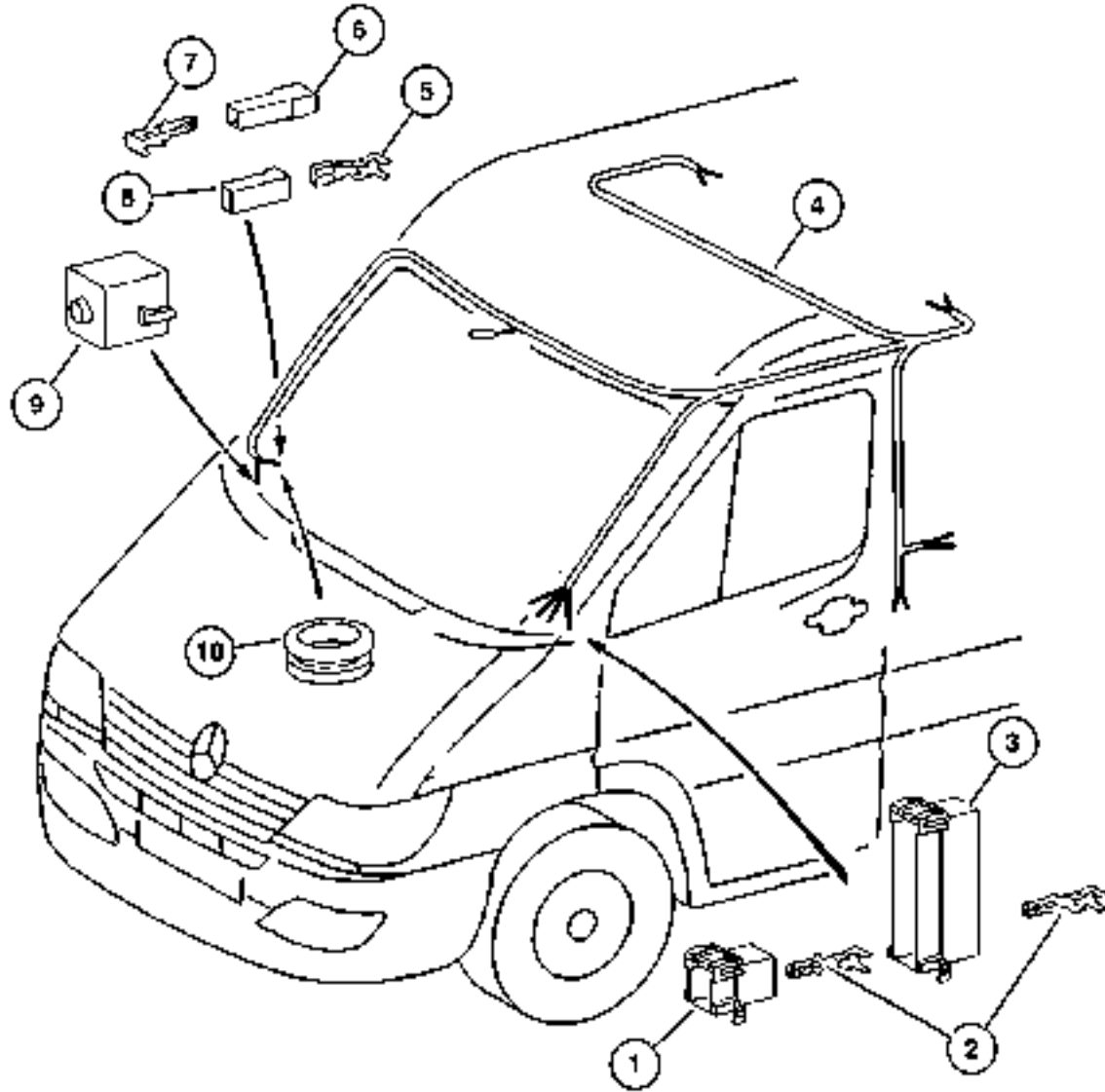
Refer to Model Legend Information Bookmark

AR = Use as required - = Non illustrated part # = New this model year

March 3, 2006

Connectors Roof
Figure 008-1615

ITEM	PART NUMBER	QTY	LINE	SERIES	BODY	ENGINE	TRANS	TRIM	DESCRIPTION
		1	2, 6	L	51, 52, 54, 55, 56	EX8	DGZ		
		1	3, 7	L	02, 06	EX8	DGZ		
		1	3, 7	L	12, 15, 16	EX8	DGZ		
8	5120 684AA	1	2, 6	L	11, 12, 14, 15, 16	EX8	DGZ		CONNECTOR
		1	2, 6	L	51, 52, 54, 55, 56	EX8	DGZ		
		1	2, 6	L	01, 02, 06	EX8	DGZ		
		1	3, 7	L	12, 15, 16	EX8	DGZ		
9	5133 401AA	1	3, 7	L	02, 06	EX8	DGZ		INSULATOR, 2 Way
		1	2, 6	L	01, 02, 06	EX8	DGZ		
		1	2, 6	L	11, 12, 14, 15, 16	EX8	DGZ		
		1	2, 6	L	51, 52, 54, 55, 56	EX8	DGZ		
		1	3, 7	L	02, 06	EX8	DGZ		
		1	3, 7	L	12, 15, 16	EX8	DGZ		
10	5133 408AA	1	2, 6	L	01, 02, 06	EX8	DGZ		GROMMET, Chassis Wiring
		1	2, 6	L	11, 12, 14, 15, 16	EX8	DGZ		
		1	2, 6	L	51, 52, 54, 55, 56	EX8	DGZ		
		1	3, 7	L	02, 06	EX8	DGZ		
		1	3, 7	L	12, 15, 16	EX8	DGZ		

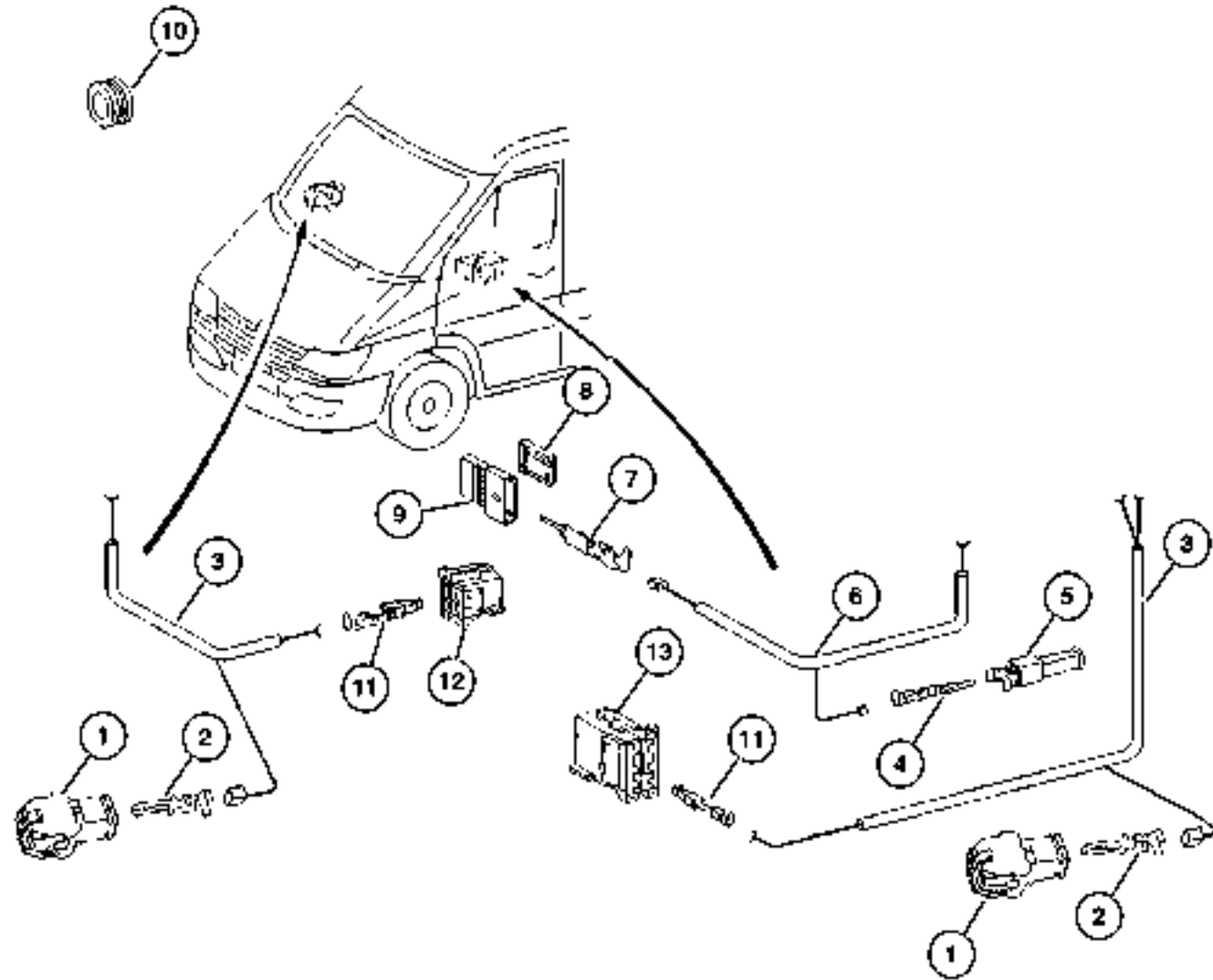


Refer to Model Legend Information Bookmark

AR = Use as required - = Non illustrated part # = New this model year

March 3, 2006

**Connectors Front Doors
Figure 008-1620**



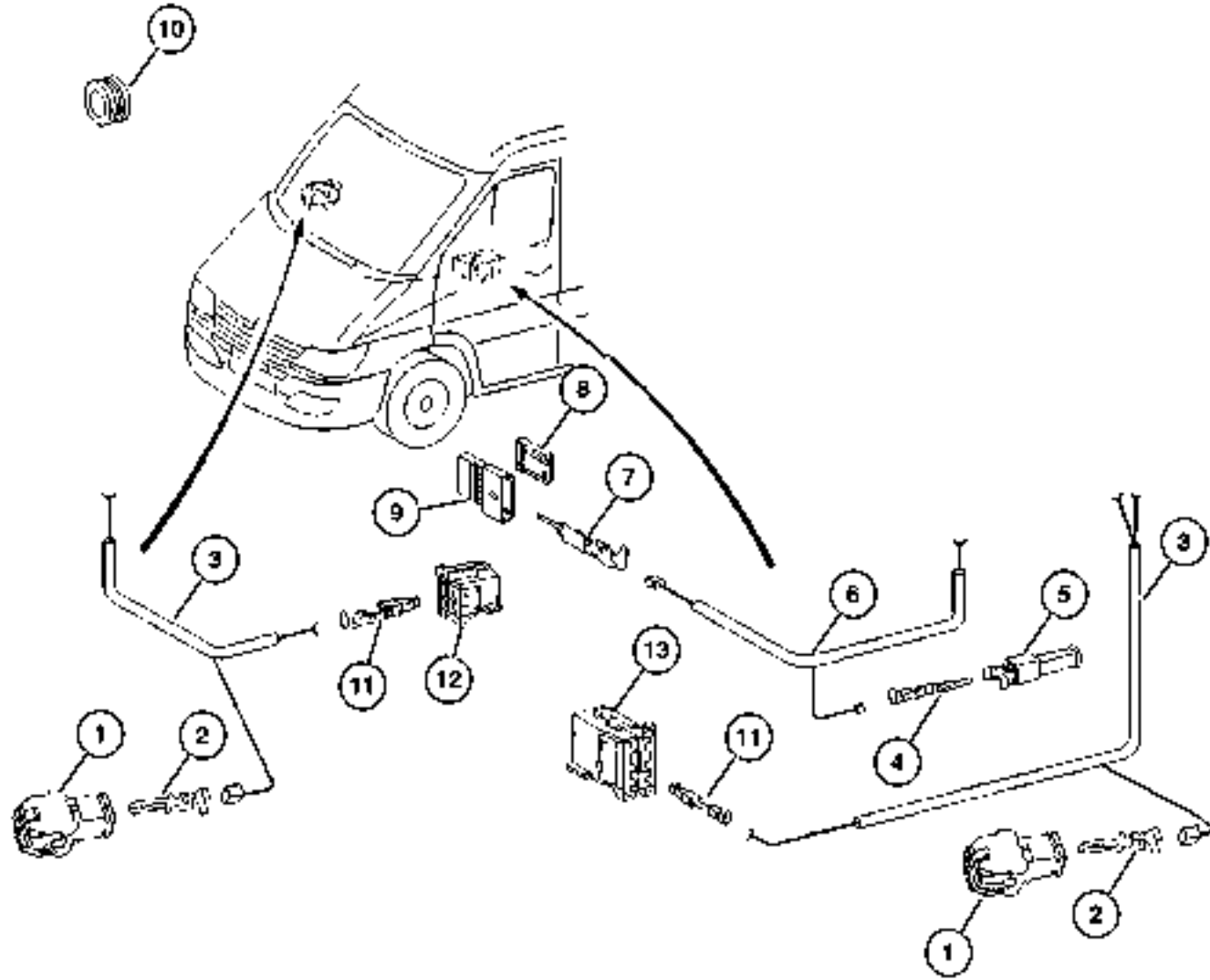
ITEM	PART NUMBER	QTY	LINE	SERIES	BODY	ENGINE	TRANS	TRIM	DESCRIPTION
1									CONNECTOR
	5120 795AA	1	2, 6	L	01, 02, 06	EX8	DGZ		
		1	2, 6	L	11, 12, 14, 15, 16	EX8	DGZ		
		1	2, 6	L	51, 52, 54, 55, 56	EX8	DGZ		
		1	3, 7	L	12, 15, 16	EX8	DGZ		
		1	3, 7	L	02, 06	EX8	DGZ		
2									TERMINAL, Male
	5133 378AA	99	2, 6	L	01, 02, 06	EX8	DGZ		
		99	2, 6	L	11, 12, 14, 15, 16	EX8	DGZ		
		99	2, 6	L	51, 52, 54, 55, 56	EX8	DGZ		
		1	3, 7	L	02, 06	EX8	DGZ		
		1	3, 7	L	12, 15, 16	EX8	DGZ		
3									WIRING, Power Window
	5120 220AA	1	2, 6	L	01, 02, 06	EX8	DGZ		Drivers door
		1	2, 6	L	11, 12, 14, 15, 16	EX8	DGZ		Drivers door
		1	2, 6	L	51, 52, 54, 55, 56	EX8	DGZ		Drivers door
		1	3, 7	L	02, 06	EX8	DGZ		Drivers door
		1	3, 7	L	12, 15, 16	EX8	DGZ		Drivers door
	5120 222AA	1	2, 6	L	01, 02, 06	EX8	DGZ		Passenger door
		1	2, 6	L	11, 12, 14, 15, 16	EX8	DGZ		Passenger door
		1	2, 6	L	51, 52, 54, 55, 56	EX8	DGZ		Passenger door
		1	3, 7	L	02, 06	EX8	DGZ		Passenger door

Refer to Model Legend Information Bookmark

AR = Use as required - = Non illustrated part # = New this model year

March 3, 2006

**Connectors Front Doors
Figure 008-1620**



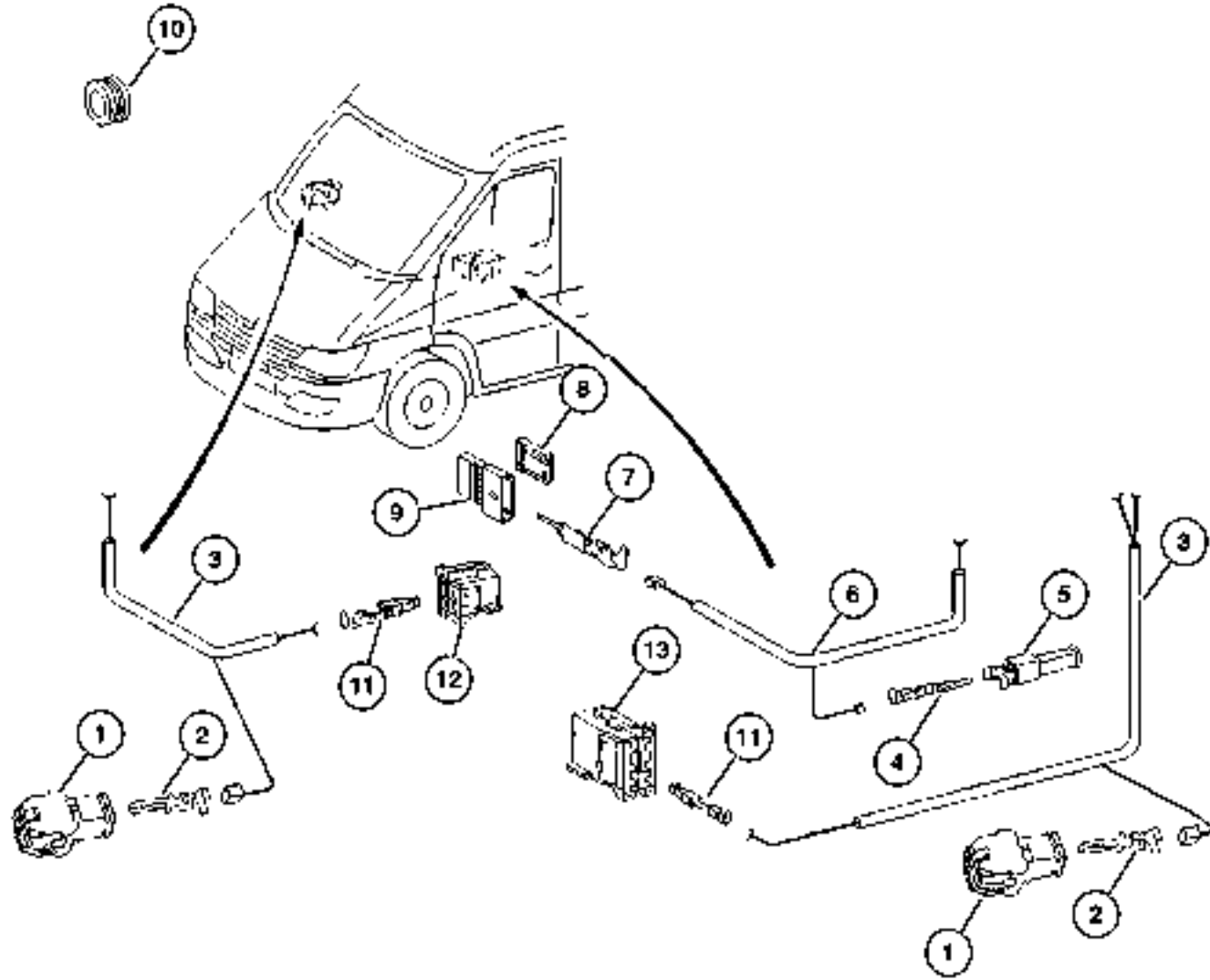
ITEM	PART NUMBER	QTY	LINE	SERIES	BODY	ENGINE	TRANS	TRIM	DESCRIPTION
		1	3, 7	L	12, 15, 16	EX8	DGZ		Passenger door
4	5133 387AA	5	2, 6	L	01, 02, 06	EX8	DGZ		TERMINAL
		5	2, 6	L	11, 12, 14, 15, 16	EX8	DGZ		
		5	2, 6	L	51, 52, 54, 55, 56	EX8	DGZ		
		5	3, 7	L	02, 06	EX8	DGZ		
		5	3, 7	L	12, 15, 16	EX8	DGZ		
5	5120 744AA	1	2, 6	L	01, 02, 06	EX8	DGZ		CONNECTOR
		1	2, 6	L	11, 12, 14, 15, 16	EX8	DGZ		
		1	2, 6	L	51, 52, 54, 55, 56	EX8	DGZ		
		1	3, 7	L	02, 06	EX8	DGZ		
		1	3, 7	L	12, 15, 16	EX8	DGZ		
6	5120 224AA	1	2, 6	L	01, 02, 06	EX8	DGZ		WIRING, Mirror Jumper
		1	2, 6	L	11, 12, 14, 15, 16	EX8	DGZ		
		1	2, 6	L	51, 52, 54, 55, 56	EX8	DGZ		
		1	3, 7	L	02, 06	EX8	DGZ		
		1	3, 7	L	12, 15, 16	EX8	DGZ		
7	5133 990AA	99	2, 6	L	01, 02, 06	EX8	DGZ		TERMINAL, Male
		99	2, 6	L	11, 12, 14, 15, 16	EX8	DGZ		

Refer to Model Legend Information Bookmark

AR = Use as required - = Non illustrated part # = New this model year

March 3, 2006

**Connectors Front Doors
Figure 008-1620**



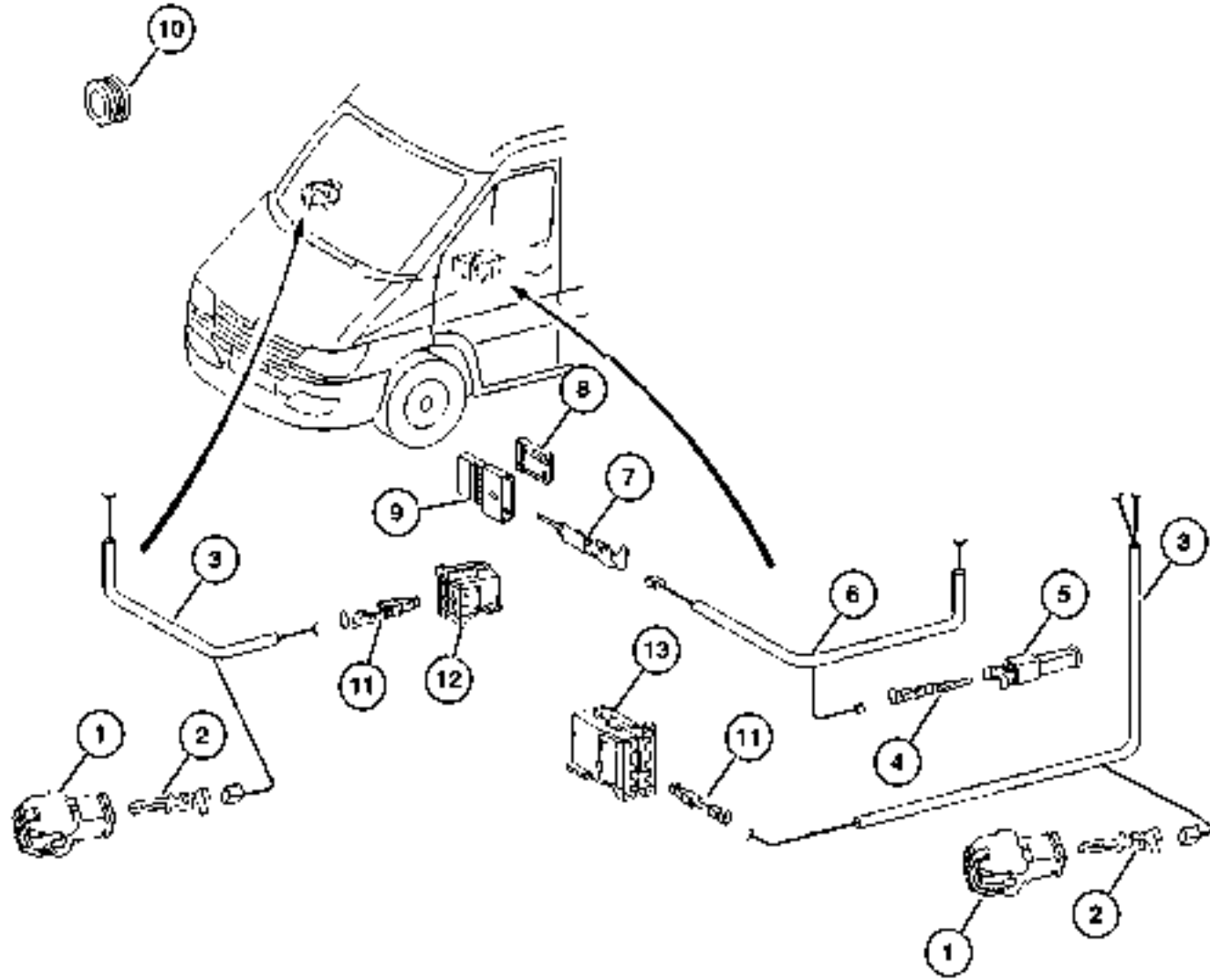
ITEM	PART NUMBER	QTY	LINE	SERIES	BODY	ENGINE	TRANS	TRIM	DESCRIPTION
		99	2, 6	L	51, 52, 54, 55, 56	EX8	DGZ		
		99	3, 7	L	02, 06	EX8	DGZ		
		99	3, 7	L	12, 15, 16	EX8	DGZ		
8	5133 331AA	1	2, 6	L	01, 02, 06	EX8	DGZ		CONNECTOR, instrument cluster
		1	2, 6	L	11, 12, 14, 15, 16	EX8	DGZ		
		1	2, 6	L	51, 52, 54, 55, 56	EX8	DGZ		
		1	3, 7	L	02, 06	EX8	DGZ		
		1	3, 7	L	12, 15, 16	EX8	DGZ		
9	5133 330AA	1	2, 6	L	01, 02, 06	EX8	DGZ		INSULATOR, 6 Way
		1	2, 6	L	11, 12, 14, 15, 16	EX8	DGZ		
		1	2, 6	L	51, 52, 54, 55, 56	EX8	DGZ		
		1	3, 7	L	02, 06	EX8	DGZ		
		1	3, 7	L	12, 15, 16	EX8	DGZ		
10	5125 942AA	2	2, 6	L	01, 02, 06	EX8	DGZ		GROMMET
		2	2, 6	L	11, 12, 14, 15, 16	EX8	DGZ		
		2	2, 6	L	51, 52, 54, 55, 56	EX8	DGZ		
		2	3, 7	L	02, 06	EX8	DGZ		
		2	3, 7	L	12, 15, 16	EX8	DGZ		
11	5103 881AA	99	2, 6	L	01, 02, 06	EX8	DGZ		TERMINAL

Refer to Model Legend Information Bookmark

AR = Use as required - = Non illustrated part # = New this model year

March 3, 2006

**Connectors Front Doors
Figure 008-1620**



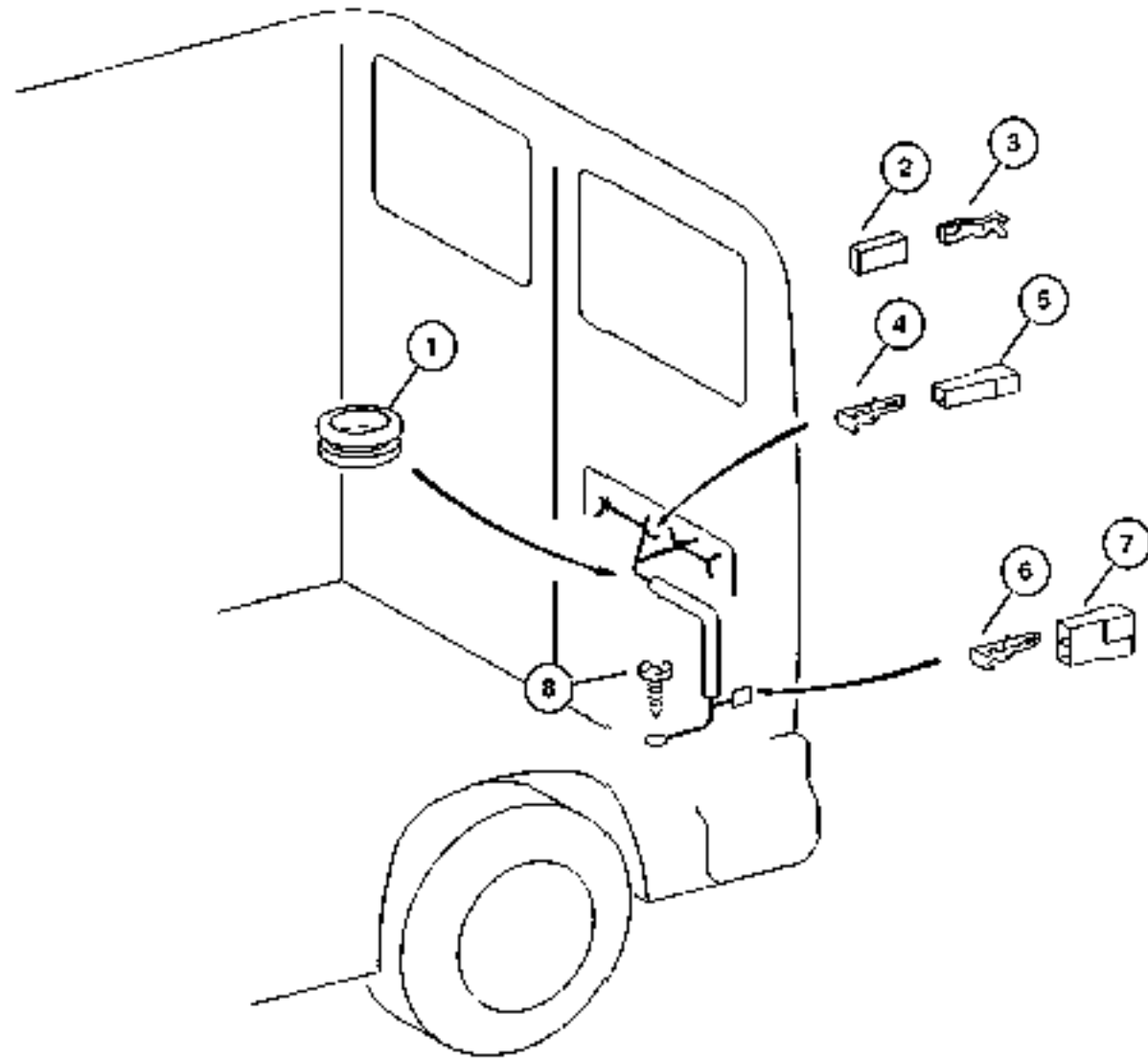
ITEM	PART NUMBER	QTY	LINE	SERIES	BODY	ENGINE	TRANS	TRIM	DESCRIPTION
		99	2, 6	L	11, 12, 14, 15, 16	EX8	DGZ		
		99	2, 6	L	51, 52, 54, 55, 56	EX8	DGZ		
		99	3, 7	L	12, 15, 16	EX8	DGZ		
12									CONNECTOR
	5120 785AA	1	2, 6	L	01, 02, 06	EX8	DGZ		
		1	2, 6	L	11, 12, 14, 15, 16	EX8	DGZ		
		1	2, 6	L	51, 52, 54, 55, 56	EX8	DGZ		
		1	3, 7	L	02, 06	EX8	DGZ		
		1	3, 7	L	12, 15, 16	EX8	DGZ		
13									CONNECTOR
	5120 786AA	1	2, 6	L	01, 02, 06	EX8	DGZ		
		1	2, 6	L	11, 12, 14, 15, 16	EX8	DGZ		
		1	2, 6	L	51, 52, 54, 55, 56	EX8	DGZ		
		1	3, 7	L	02, 06	EX8	DGZ		
		1	3, 7	L	12, 15, 16	EX8	DGZ		

Refer to Model Legend Information Bookmark

AR = Use as required - = Non illustrated part # = New this model year

March 3, 2006

**Connectors Rear Doors
Figure 008-1625**



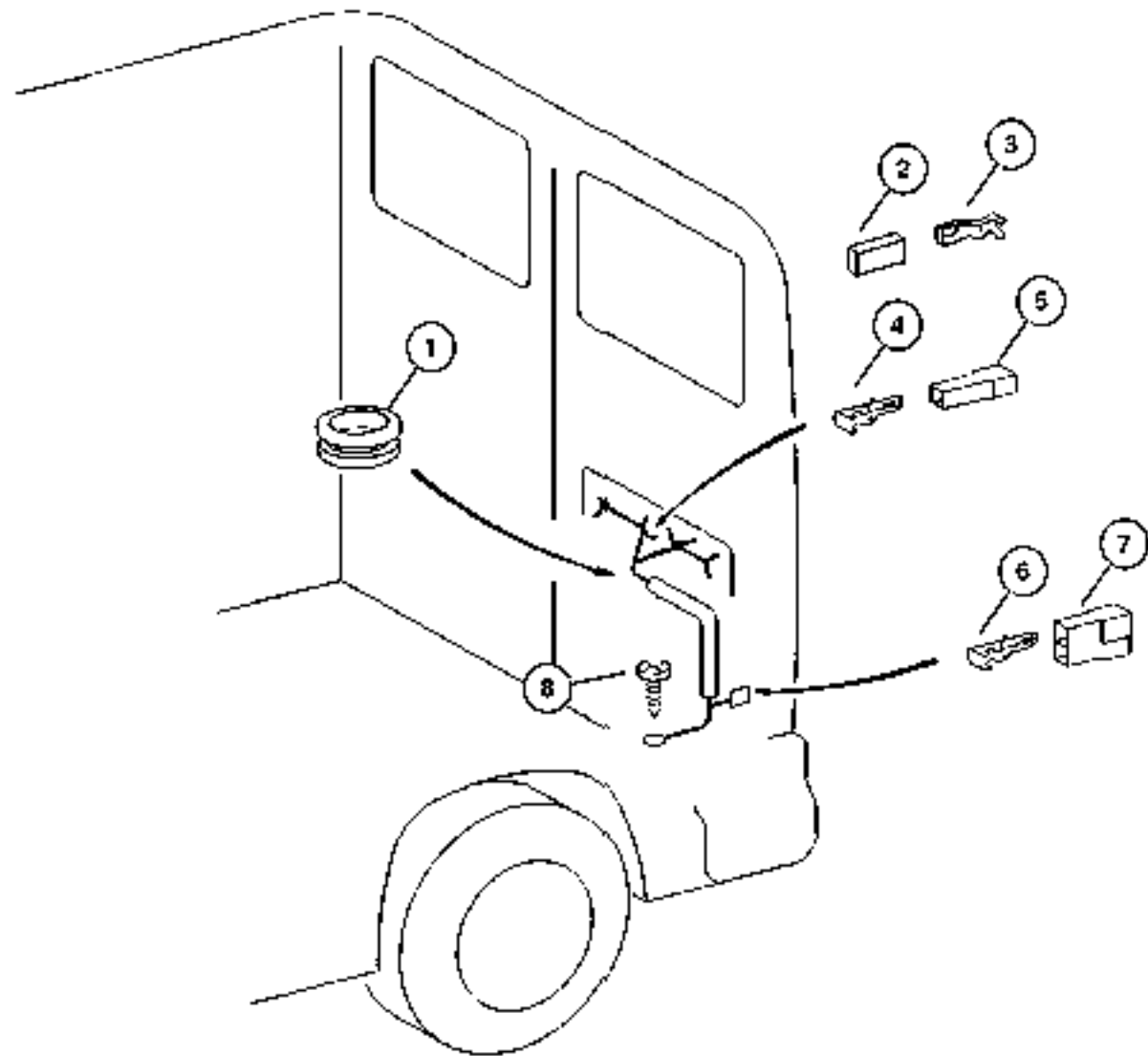
ITEM	PART NUMBER	QTY	LINE	SERIES	BODY	ENGINE	TRANS	TRIM	DESCRIPTION
1									GROMMET
	5125 931AA	1	2, 6	L	01, 02, 06	EX8	DGZ		
		1	2, 6	L	11, 12, 14, 15, 16	EX8	DGZ		
		1	2, 6	L	51, 52, 54, 55, 56	EX8	DGZ		
		2	3, 7	L	12, 15, 16	EX8	DGZ		
		1	3, 7	L	12, 15, 16	EX8	DGZ		
2									CONNECTOR
	5120 684AA	1	2, 6	L	11, 12, 14, 15, 16	EX8	DGZ		
		1	2, 6	L	51, 52, 54, 55, 56	EX8	DGZ		
		1	2, 6	L	01, 02, 06	EX8	DGZ		
		1	3, 7	L	12, 15, 16	EX8	DGZ		
		1	3, 7	L	02, 06	EX8	DGZ		
3									TERMINAL, Female
	5114 451AA	99	2, 6	L	01, 02, 06	EX8	DGZ		
		99	2, 6	L	11, 12, 14, 15, 16	EX8	DGZ		
		99	2, 6	L	51, 52, 54, 55, 56	EX8	DGZ		
		99	3, 7	L	02, 06	EX8	DGZ		
		99	3, 7	L	12, 15, 16	EX8	DGZ		
4									TERMINAL, Male
	5103 798AA	99	2, 6	L	11, 12, 14, 15, 16	EX8	DGZ		
		99	2, 6	L	51, 52, 54, 55, 56	EX8	DGZ		

Refer to Model Legend Information Bookmark

AR = Use as required - = Non illustrated part # = New this model year

March 3, 2006

**Connectors Rear Doors
Figure 008-1625**



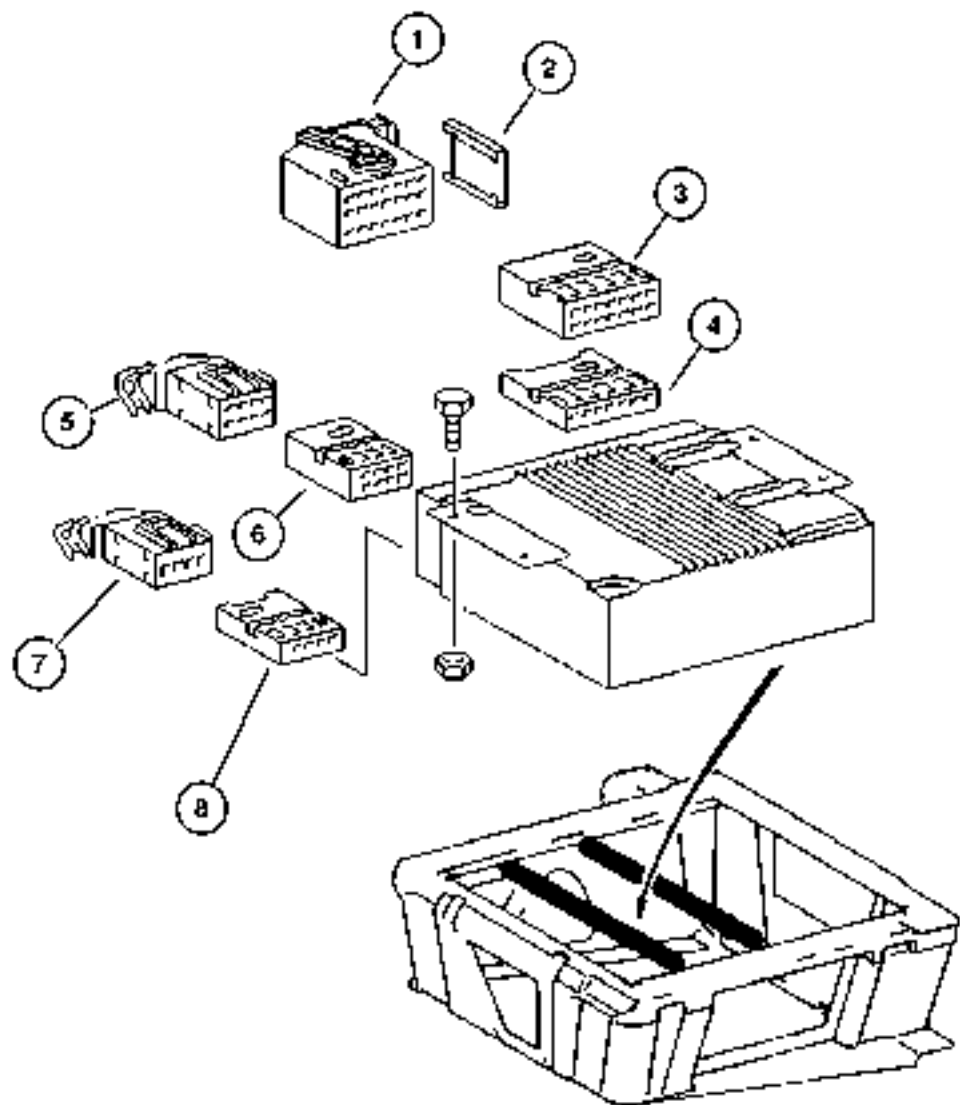
ITEM	PART NUMBER	QTY	LINE	SERIES	BODY	ENGINE	TRANS	TRIM	DESCRIPTION
		1	2, 6	L	01, 02, 06	EX8	DGZ		
		99	3, 7	L	12, 15, 16	EX8	DGZ		
		1	3, 7	L	02, 06	EX8	DGZ		
5	5120 685AA	2	2, 6	L	51, 52, 54, 55, 56	EX8	DGZ		INSULATOR
		2	2, 6	L	11, 12, 14, 15, 16	EX8	DGZ		
		1	2, 6	L	01, 02, 06	EX8	DGZ		
		2	3, 7	L	12, 15, 16	EX8	DGZ		
		1	3, 7	L	02, 06	EX8	DGZ		
6	5103 751AA	1	2, 6	L	11, 12, 14, 15, 16	EX8	DGZ		CONNECTOR
		1	2, 6	L	51, 52, 54, 55, 56	EX8	DGZ		
		1	3, 7	L	12, 15, 16	EX8	DGZ		
7	5103 798AA	99	2, 6	L	11, 12, 14, 15, 16	EX8	DGZ		TERMINAL, Male
		99	2, 6	L	51, 52, 54, 55, 56	EX8	DGZ		
		1	2, 6	L	01, 02, 06	EX8	DGZ		
		99	3, 7	L	12, 15, 16	EX8	DGZ		
8		1	3, 7	L	02, 06	EX8	DGZ		SCREW, Tapping, (NOT SERVICED) (Not Serviced)

Refer to Model Legend Information Bookmark

AR = Use as required - = Non illustrated part # = New this model year

March 3, 2006

Connectors Seating Area
Figure 008-1630



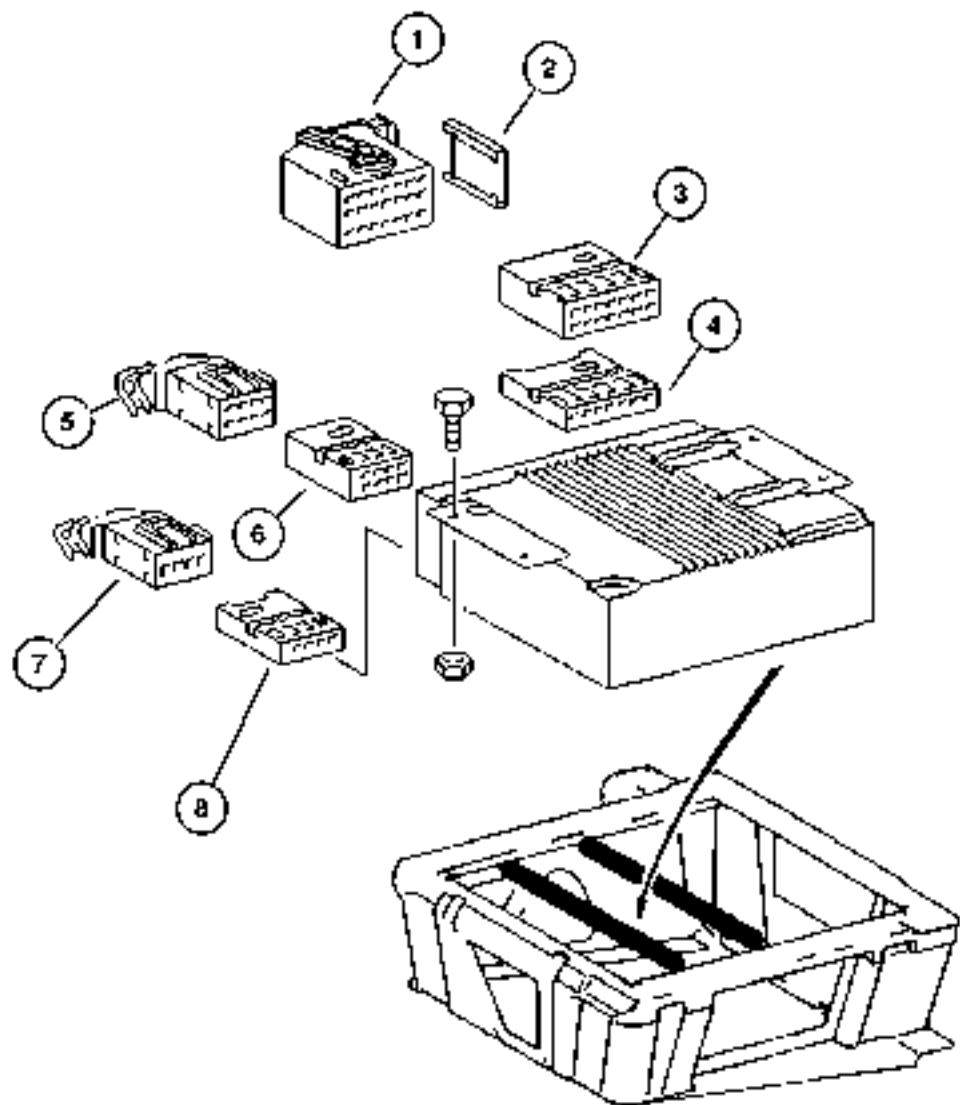
ITEM	PART NUMBER	QTY	LINE	SERIES	BODY	ENGINE	TRANS	TRIM	DESCRIPTION
1	5102 941AA	1	2, 6	L	01, 02, 06	EX8	DGZ		INSULATOR
		1	2, 6	L	11, 12, 14, 15, 16	EX8	DGZ		
		1	2, 6	L	51, 52, 54, 55, 56	EX8	DGZ		
		1	3, 7	L	12, 15, 16	EX8	DGZ		
		1	3, 7	L	02, 06	EX8	DGZ		
		1	3, 7	L	02, 06	EX8	DGZ		
2	5102 945AA	1	2, 6	L	01, 02, 06	EX8	DGZ		COVER
		1	2, 6	L	11, 12, 14, 15, 16	EX8	DGZ		
		1	2, 6	L	51, 52, 54, 55, 56	EX8	DGZ		
		1	3, 7	L	02, 06	EX8	DGZ		
		1	3, 7	L	12, 15, 16	EX8	DGZ		
		1	3, 7	L	12, 15, 16	EX8	DGZ		
3	5102 943AA	1	2, 6	L	01, 02, 06	EX8	DGZ		CONNECTOR
		1	2, 6	L	11, 12, 14, 15, 16	EX8	DGZ		
		1	2, 6	L	51, 52, 54, 55, 56	EX8	DGZ		
		1	3, 7	L	02, 06	EX8	DGZ		
		1	3, 7	L	12, 15, 16	EX8	DGZ		
		1	3, 7	L	12, 15, 16	EX8	DGZ		
4	5102 944AA	1	2, 6	L	01, 02, 06	EX8	DGZ		CONNECTOR, 7 Way
		1	2, 6	L	11, 12, 14, 15, 16	EX8	DGZ		
		1	2, 6	L	51, 52, 54, 55, 56	EX8	DGZ		

Refer to Model Legend Information Bookmark

AR = Use as required - = Non illustrated part # = New this model year

March 3, 2006

Connectors Seating Area
Figure 008-1630



ITEM	PART NUMBER	QTY	LINE	SERIES	BODY	ENGINE	TRANS	TRIM	DESCRIPTION						
5	5133 339AA	1	3, 7	L	02, 06	EX8	DGZ		INSULATOR, 8 Way						
		1	3, 7	L	12, 15, 16	EX8	DGZ								
		1	2, 6	L	01, 02, 06	EX8	DGZ								
		1	2, 6	L	11, 12, 14, 15, 16	EX8	DGZ								
		1	2, 6	L	51, 52, 54, 55, 56	EX8	DGZ								
		1	3, 7	L	02, 06	EX8	DGZ								
		1	3, 7	L	12, 15, 16	EX8	DGZ								
		6	5133 340AA	1	2, 6	L	01, 02, 06	EX8		DGZ		INSULATOR, 8 Way			
				1	2, 6	L	11, 12, 14, 15, 16	EX8		DGZ					
				1	2, 6	L	51, 52, 54, 55, 56	EX8		DGZ					
				1	3, 7	L	02, 06	EX8		DGZ					
				1	3, 7	L	12, 15, 16	EX8		DGZ					
7	5133 342AA			1	2, 6	L	01, 02, 06	EX8	DGZ		INSULATOR, 8 Way				
				1	2, 6	L	11, 12, 14, 15, 16	EX8	DGZ						
				1	2, 6	L	51, 52, 54, 55, 56	EX8	DGZ						
				1	3, 7	L	02, 06	EX8	DGZ						
				1	3, 7	L	12, 15, 16	EX8	DGZ						
				8	5133 341AA	1	2, 6	L	01, 02, 06	EX8			DGZ		INSULATOR, 8 Way
						1	2, 6	L	11, 12, 14, 15, 16	EX8			DGZ		

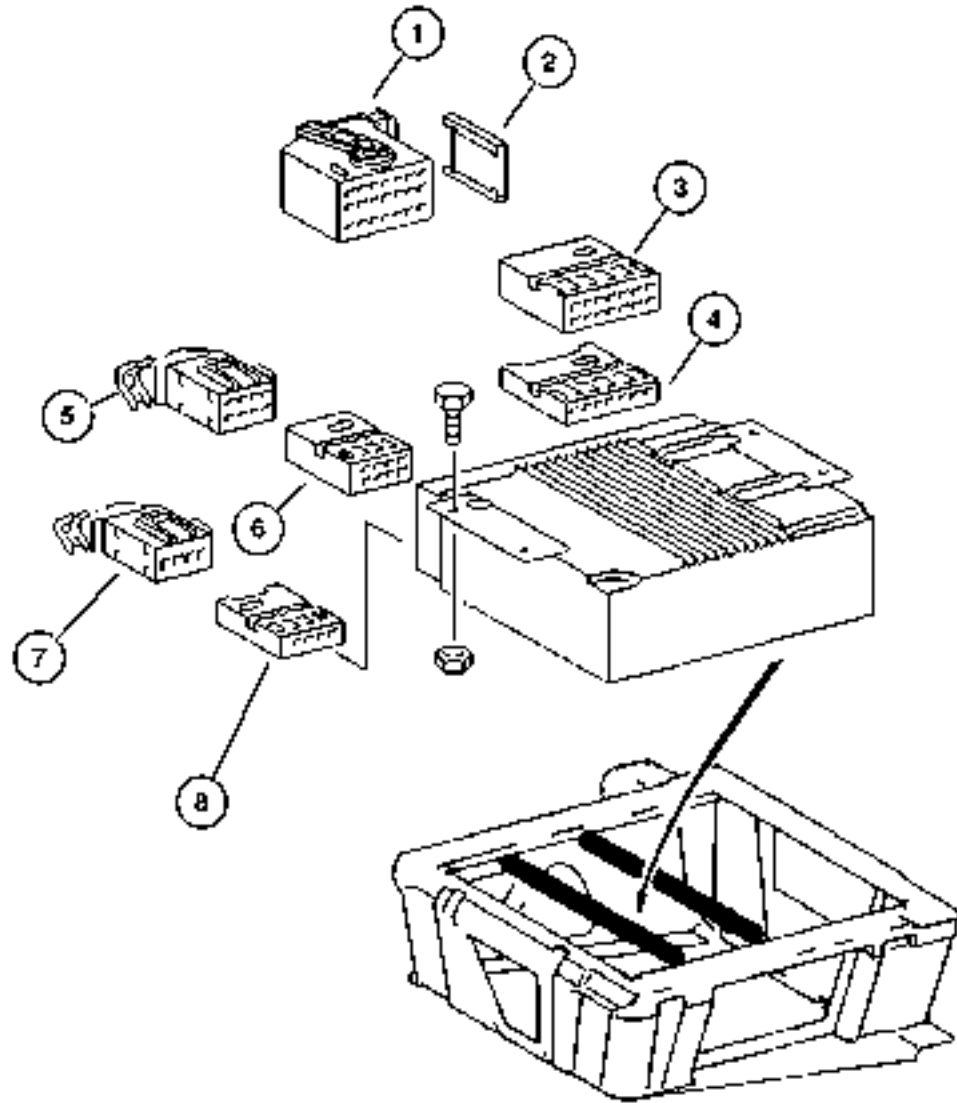
Refer to Model Legend Information Bookmark

AR = Use as required - = Non illustrated part # = New this model year

March 3, 2006

Connectors Seating Area
Figure 008-1630

ITEM	PART NUMBER	QTY	LINE	SERIES	BODY	ENGINE	TRANS	TRIM	DESCRIPTION
		1	2, 6	L	51, 52, 54, 55, 56	EX8	DGZ		
		1	3, 7	L	02, 06	EX8	DGZ		
		1	3, 7	L	12, 15, 16	EX8	DGZ		



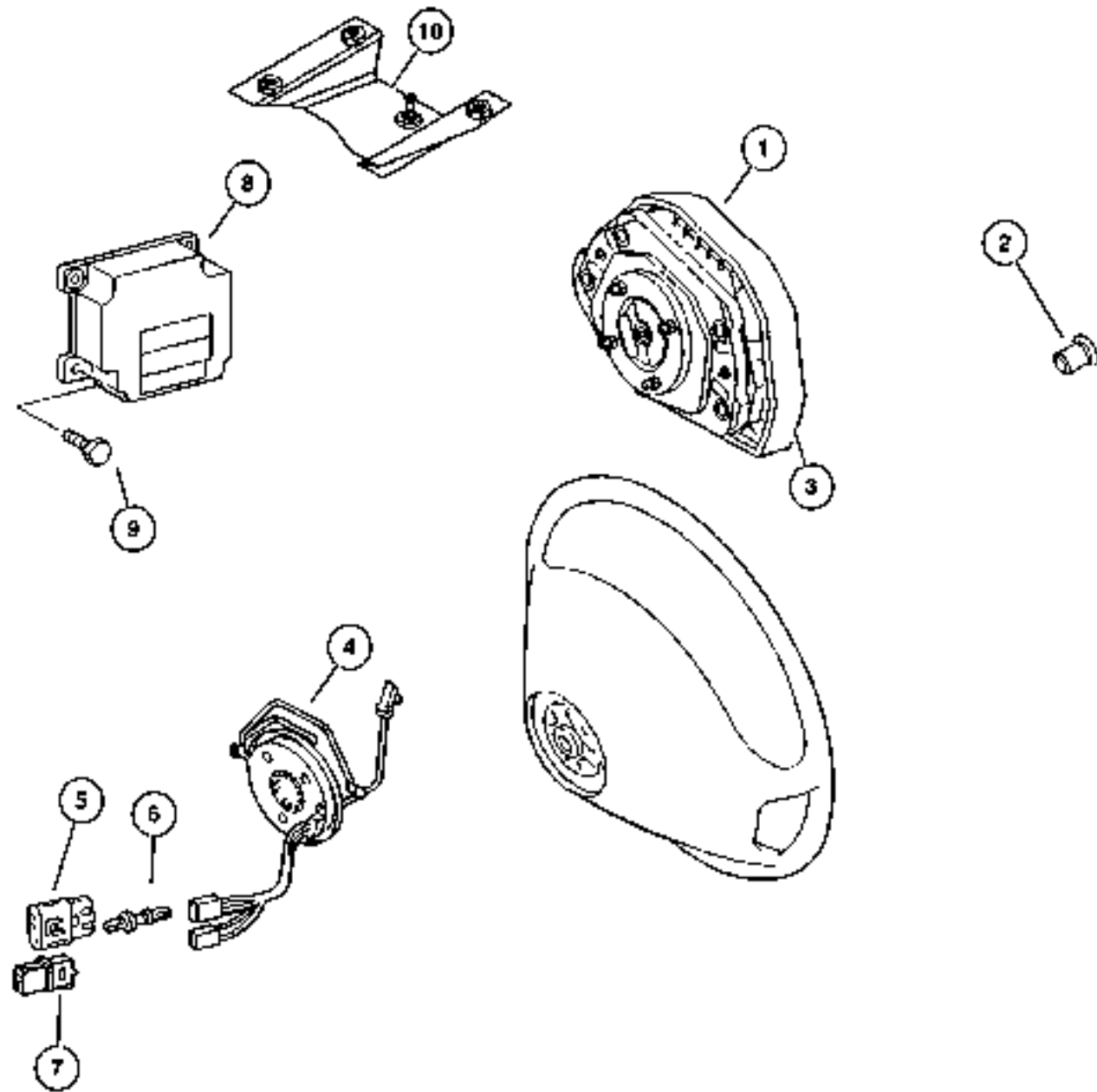
Refer to Model Legend Information Bookmark

AR = Use as required - = Non illustrated part # = New this model year

March 3, 2006

**Air Bag System Drivers Side
Figure 008-1705**

ITEM	PART NUMBER	QTY	LINE	SERIES	BODY	ENGINE	TRANS	TRIM	DESCRIPTION
1									AIR BAG, Driver
	5119 529AA	1	2	L	01, 02, 06	EX8	DGZ		Dodge emblem
		1	2	L	11, 12, 14, 15, 16	EX8	DGZ		Dodge emblem
		1	2	L	51, 52, 54, 55, 56	EX8	DGZ		Dodge emblem
		1	3	L	02, 06	EX8	DGZ		Dodge emblem
		1	3	L	12, 15, 16	EX8	DGZ		Dodge emblem
	1AR08 CSSAA	1	6	L	01, 02, 06	EX8	DGZ		Freightliner emblem
		1	6	L	11, 12, 14, 15, 16	EX8	DGZ		Freightliner emblem
		1	6	L	51, 52, 54, 55, 56	EX8	DGZ		Freightliner emblem
		1	7	L	02, 06	EX8	DGZ		Freightliner emblem
		1	7	L	12, 15, 16	EX8	DGZ		Freightliner emblem
2									SCREW
	5103 604AA	1	2, 6	L	01, 02, 06	EX8	DGZ		
		1	2, 6	L	11, 12, 14, 15, 16	EX8	DGZ		
		1	2, 6	L	51, 52, 54, 55, 56	EX8	DGZ		
		1	3, 7	L	02, 06	EX8	DGZ		
		1	3, 7	L	12, 15, 16	EX8	DGZ		
3									COVER, Steering Wheel, (NOT SERVICED) (Not Serviced)
4									CLOCKSPRING
	5104 089AA	1	2, 6	L	01, 02, 06	EX8	DGZ		
		1	2, 6	L	11, 12, 14, 15, 16	EX8	DGZ		



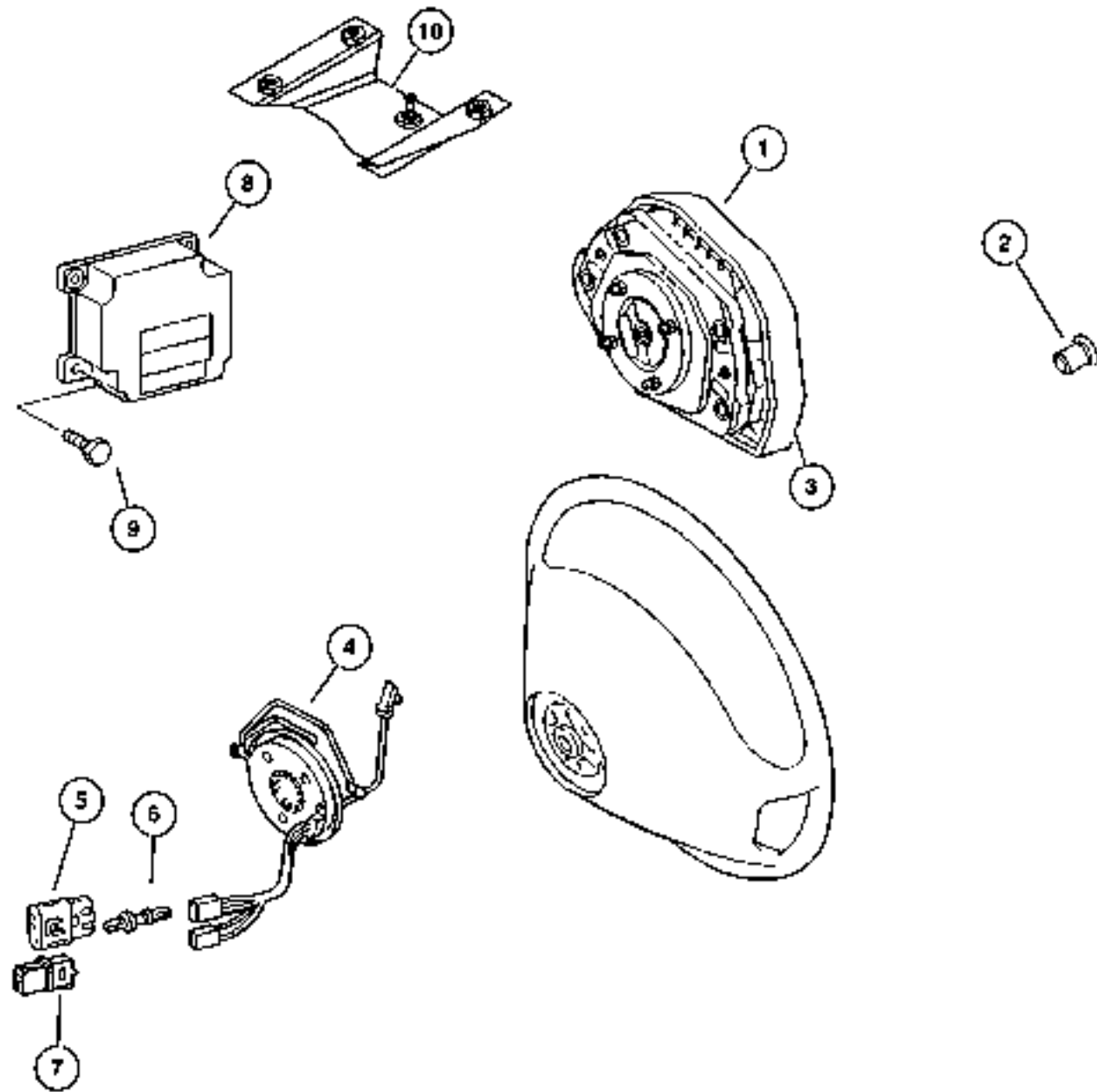
Refer to Model Legend Information Bookmark

AR = Use as required - = Non illustrated part # = New this model year

March 3, 2006

**Air Bag System Drivers Side
Figure 008-1705**

ITEM	PART NUMBER	QTY	LINE	SERIES	BODY	ENGINE	TRANS	TRIM	DESCRIPTION
		1	2, 6	L	51, 52, 54, 55, 56	EX8	DGZ		
		1	3, 7	L	02, 06	EX8	DGZ		
		1	3, 7	L	12, 15, 16	EX8	DGZ		
5	5103 904AA	1	2, 6	L	01, 02, 06	EX8	DGZ		CONNECTOR
		1	2, 6	L	11, 12, 14, 15, 16	EX8	DGZ		
		1	2, 6	L	51, 52, 54, 55, 56	EX8	DGZ		
		1	3, 7	L	02, 06	EX8	DGZ		
		1	3, 7	L	12, 15, 16	EX8	DGZ		
6	5103 828AA	99	2, 6	L	01, 02, 06	EX8	DGZ		TERMINAL
		99	2, 6	L	11, 12, 14, 15, 16	EX8	DGZ		
		99	2, 6	L	51, 52, 54, 55, 56	EX8	DGZ		
		99	3, 7	L	02, 06	EX8	DGZ		
		99	3, 7	L	12, 15, 16	EX8	DGZ		
7	5103 902AA	1	2, 6	L	01, 02, 06	EX8	DGZ		CONNECTOR
		1	2, 6	L	11, 12, 14, 15, 16	EX8	DGZ		
		1	2, 6	L	51, 52, 54, 55, 56	EX8	DGZ		
		1	3, 7	L	02, 06	EX8	DGZ		
		1	3, 7	L	12, 15, 16	EX8	DGZ		
8	5119 435AA	1	2, 6	L	01, 02, 06	EX8	DGZ		MODULE, Air Bag Control



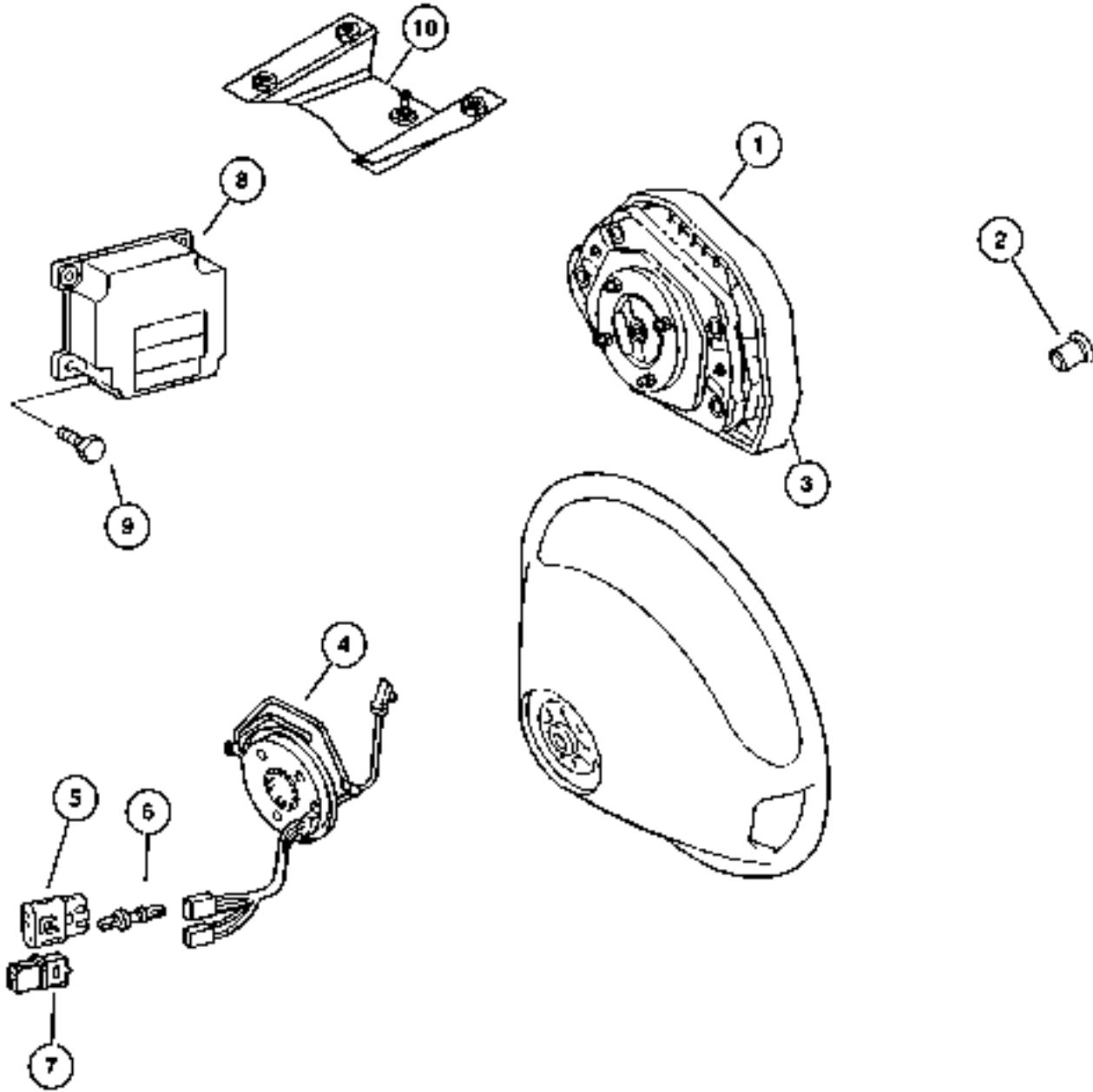
Refer to Model Legend Information Bookmark

AR = Use as required - = Non illustrated part # = New this model year

March 3, 2006

**Air Bag System Drivers Side
Figure 008-1705**

ITEM	PART NUMBER	QTY	LINE	SERIES	BODY	ENGINE	TRANS	TRIM	DESCRIPTION
		1	2, 6	L	11, 12, 14, 15, 16	EX8	DGZ		
		1	2, 6	L	51, 52, 54, 55, 56	EX8	DGZ		
		1	3, 7	L	02, 06	EX8	DGZ		
		1	3, 7	L	12, 15, 16	EX8	DGZ		
9	6104 005AA	2	2, 6	L	11, 12, 14, 15, 16	EX8	DGZ		SCREW
		2	2, 6	L	51, 52, 54, 55, 56	EX8	DGZ		
		3	2, 6	L	01, 02, 06	EX8	DGZ		
		2	3, 7	L	12, 15, 16	EX8	DGZ		
		3	3, 7	L	02, 06	EX8	DGZ		
10	5121 455AA	1	2, 6	L	01, 02, 06	EX8	DGZ		BRACKET, Air Bag Control Module
		1	2, 6	L	11, 12, 14, 15, 16	EX8	DGZ		
		1	2, 6	L	51, 52, 54, 55, 56	EX8	DGZ		
		1	3, 7	L	02, 06	EX8	DGZ		
		1	3, 7	L	12, 15, 16	EX8	DGZ		



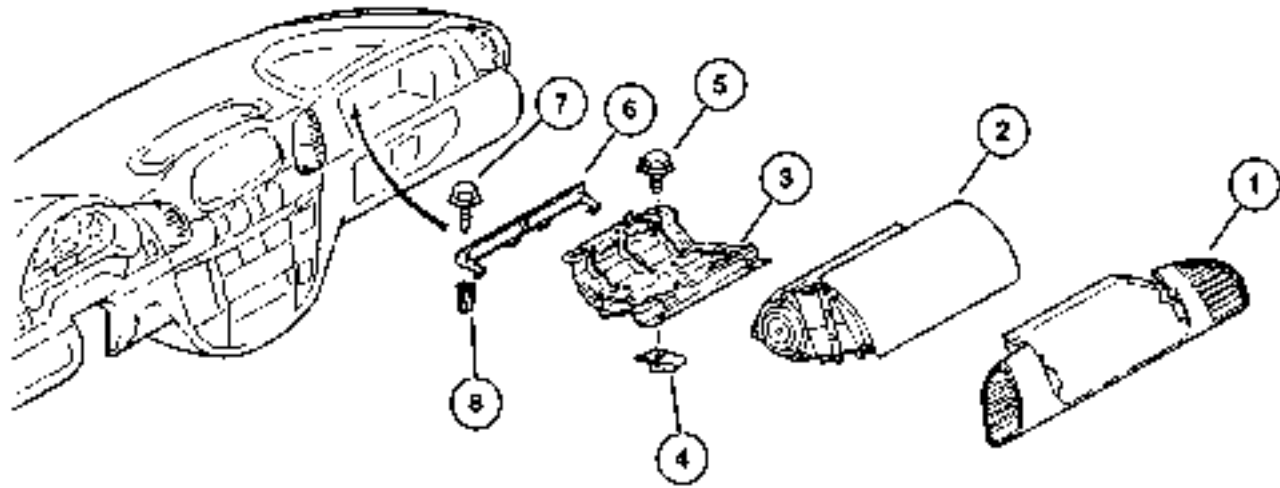
Refer to Model Legend Information Bookmark

AR = Use as required - = Non illustrated part # = New this model year

March 3, 2006

**Air Bag System Passenger Side
Figure 008-1710**

ITEM	PART NUMBER	QTY	LINE	SERIES	BODY	ENGINE	TRANS	TRIM	DESCRIPTION
1	DOOR, Passenger Air Bag								
	5104 261AA	1	2, 6	L	01, 02, 06	EX8	DGZ		
		1	2, 6	L	11, 12, 14, 15, 16	EX8	DGZ		
		1	2, 6	L	51, 52, 54, 55, 56	EX8	DGZ		
		1	3, 7	L	02, 06	EX8	DGZ		
		1	3, 7	L	12, 15, 16	EX8	DGZ		
2	AIR BAG, Passenger								
	5124 934AA	1	2, 6	L	01, 02, 06	EX8	DGZ		
		1	2, 6	L	11, 12, 14, 15, 16	EX8	DGZ		
		1	2, 6	L	51, 52, 54, 55, 56	EX8	DGZ		
		1	3, 7	L	02, 06	EX8	DGZ		
		1	3, 7	L	12, 15, 16	EX8	DGZ		
3	BRACKET, Air Bag								
	5122 938AA	1	2, 6	L	01, 02, 06	EX8	DGZ		
		1	2, 6	L	11, 12, 14, 15, 16	EX8	DGZ		
		1	2, 6	L	51, 52, 54, 55, 56	EX8	DGZ		
		1	3, 7	L	02, 06	EX8	DGZ		
		1	3, 7	L	12, 15, 16	EX8	DGZ		
4	NUT, Clip-On								
	5133 420AA	2	2, 6	L	01, 02, 06	EX8	DGZ		
		2	2, 6	L	11, 12, 14, 15, 16	EX8	DGZ		
		2	2, 6	L	51, 52, 54, 55, 56	EX8	DGZ		



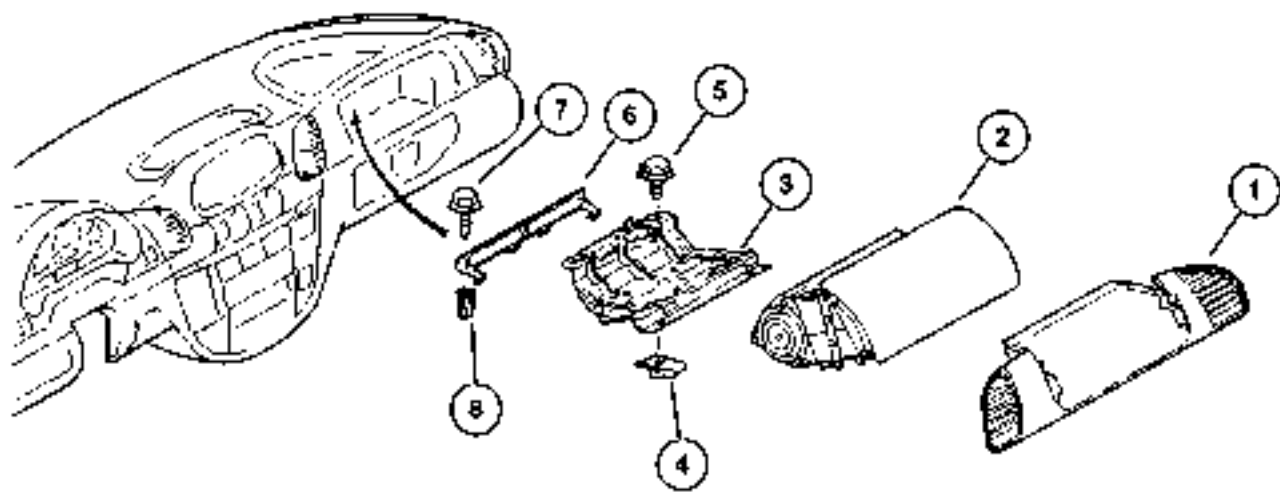
Refer to Model Legend Information Bookmark

AR = Use as required - = Non illustrated part # = New this model year

March 3, 2006

**Air Bag System Passenger Side
Figure 008-1710**

ITEM	PART NUMBER	QTY	LINE	SERIES	BODY	ENGINE	TRANS	TRIM	DESCRIPTION
		1	3, 7	L	02, 06	EX8	DGZ		
		1	3, 7	L	12, 15, 16	EX8	DGZ		
5	6104 565AA	2	2, 6	L	01, 02, 06	EX8	DGZ		SCREW
		2	2, 6	L	11, 12, 14, 15, 16	EX8	DGZ		
		2	2, 6	L	51, 52, 54, 55, 56	EX8	DGZ		
		2	3, 7	L	02, 06	EX8	DGZ		
		2	3, 7	L	12, 15, 16	EX8	DGZ		
6	5122 388AA	1	2, 6	L	01, 02, 06	EX8			BRACKET, Instrument Panel
		1	2, 6	L	11, 12, 14, 15, 16	EX8			
		1	2, 6	L	51, 52, 54, 55, 56	EX8			
		1	3, 7	L	02, 06	EX8			
		1	3, 7	L	12, 15, 16	EX8			
7									SCREW, (NOT SERVICED) (Not Serviced)
8	5125 576AA	2	2, 6	L	01, 02, 06	EX8	DGZ		NUT, Plastic Snap-in
		2	2, 6	L	11, 12, 14, 15, 16	EX8	DGZ		
		2	2, 6	L	51, 52, 54, 55, 56	EX8	DGZ		
		2	3, 7	L	02, 06	EX8	DGZ		
		2	3, 7	L	12, 15, 16	EX8	DGZ		

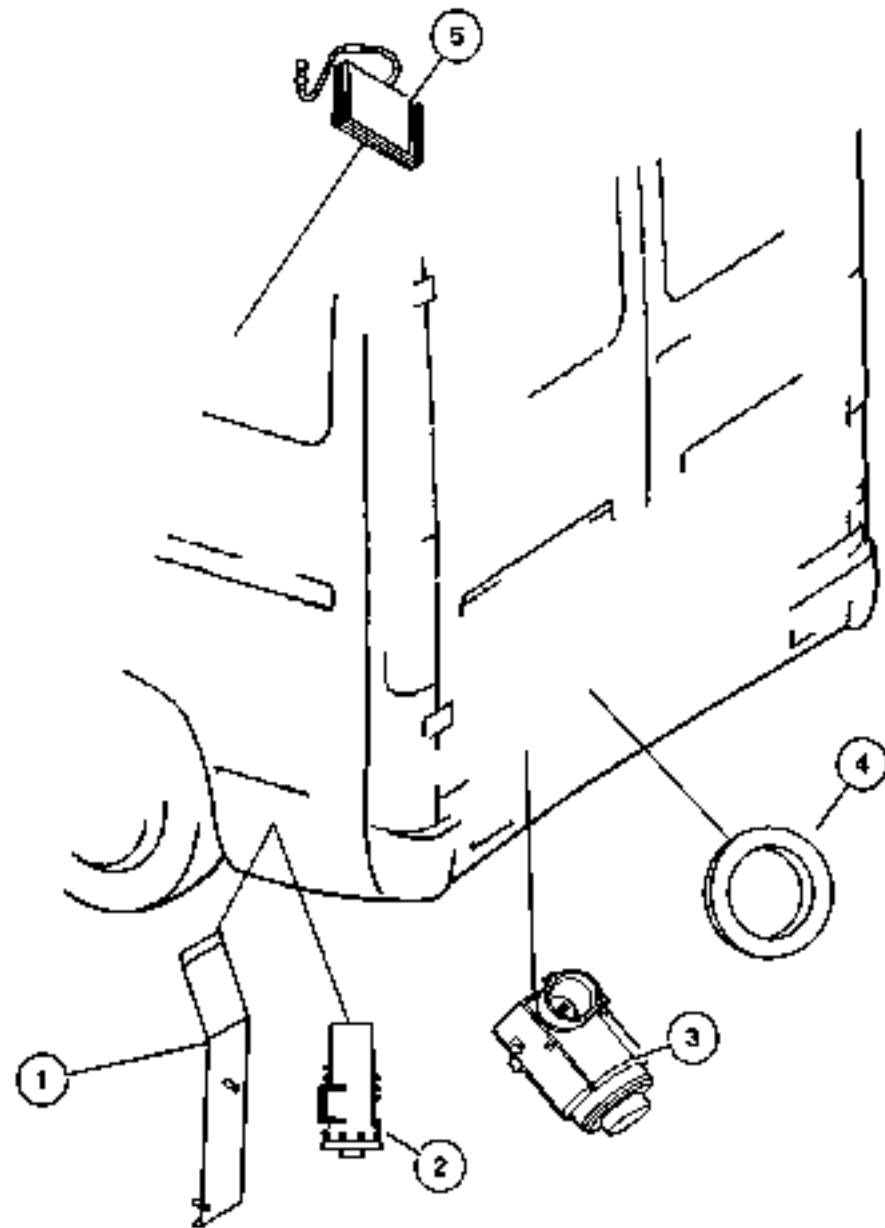


Refer to Model Legend Information Bookmark

AR = Use as required - = Non illustrated part # = New this model year

March 3, 2006

**Park Assist, Back up Detection System
Figure 008-1805**



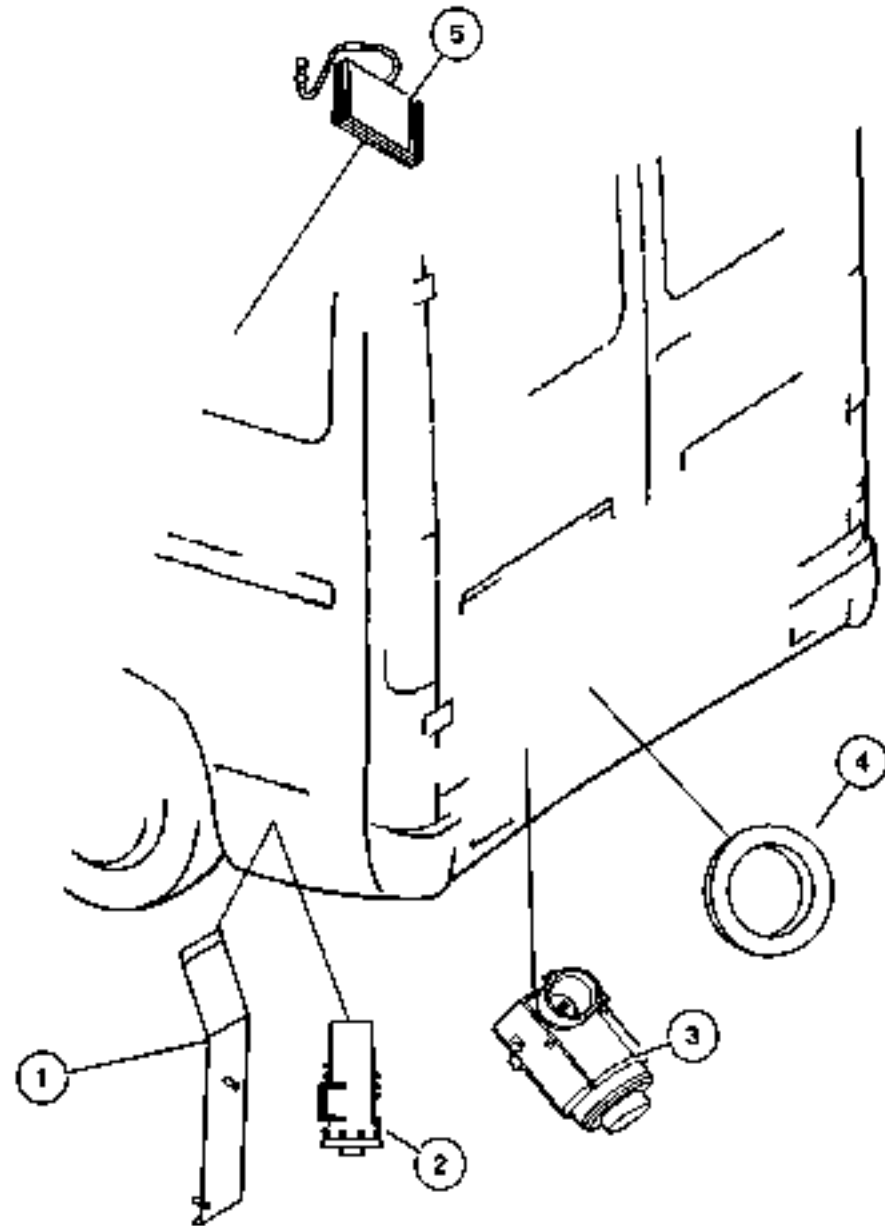
ITEM	PART NUMBER	QTY	LINE	SERIES	BODY	ENGINE	TRANS	TRIM	DESCRIPTION
1									BRACKET, Parktronics
	5121 731AA	1	2, 6	L	11, 12, 14, 15, 16	EX8	DGZ		
		1	2, 6	L	51, 52, 54, 55, 56	EX8	DGZ		
		1	3, 7	L	12, 15, 16	EX8	DGZ		
2									MODULE, Parking Assist
	5120 828AA	1	2, 6	L	11, 12, 14, 15, 16	EX8	DGZ		
		1	2, 6	L	51, 52, 54, 55, 56	EX8	DGZ		
		1	3, 7	L	12, 15, 16	EX8	DGZ		
3									SENSOR, Park Assist
	5120 341AA	4	2, 6	L	11, 12, 14, 15, 16	EX8	DGZ		
		4	2, 6	L	51, 52, 54, 55, 56	EX8	DGZ		
		4	3, 7	L	12, 15, 16	EX8	DGZ		
4									SPACER, Sensor
	5120 375AA	4	2, 6	L	11, 12, 14, 15, 16	EX8	DGZ		
		4	2, 6	L	51, 52, 54, 55, 56	EX8	DGZ		
		4	3, 7	L	12, 15, 16	EX8	DGZ		
5									DISPLAY, Parking Assist, AUDIOVOX SPECIALIZED APPLICATIONS, INC (ASA) --23319 COOPER DRIVE --ELKHART, IN 48514 --(219) 254-3135, (NOT SERVICED) (Not Serviced)
-6									ALARM

Refer to Model Legend Information Bookmark

AR = Use as required - = Non illustrated part # = New this model year

March 3, 2006

Park Assist, Back up Detection System
Figure 008-1805



ITEM	PART NUMBER	QTY	LINE	SERIES	BODY	ENGINE	TRANS	TRIM	DESCRIPTION
	5135 946AA-	1	2, 6	L	01, 02, 06	EX8	DGZ		
		1	2, 6	L	11, 12, 14, 15, 16	EX8	DGZ		
		1	2, 6	L	51, 52, 54, 55, 56	EX8	DGZ		
		1	3, 7	L	02, 06	EX8	DGZ		
		1	3, 7	L	12, 15, 16	EX8	DGZ		

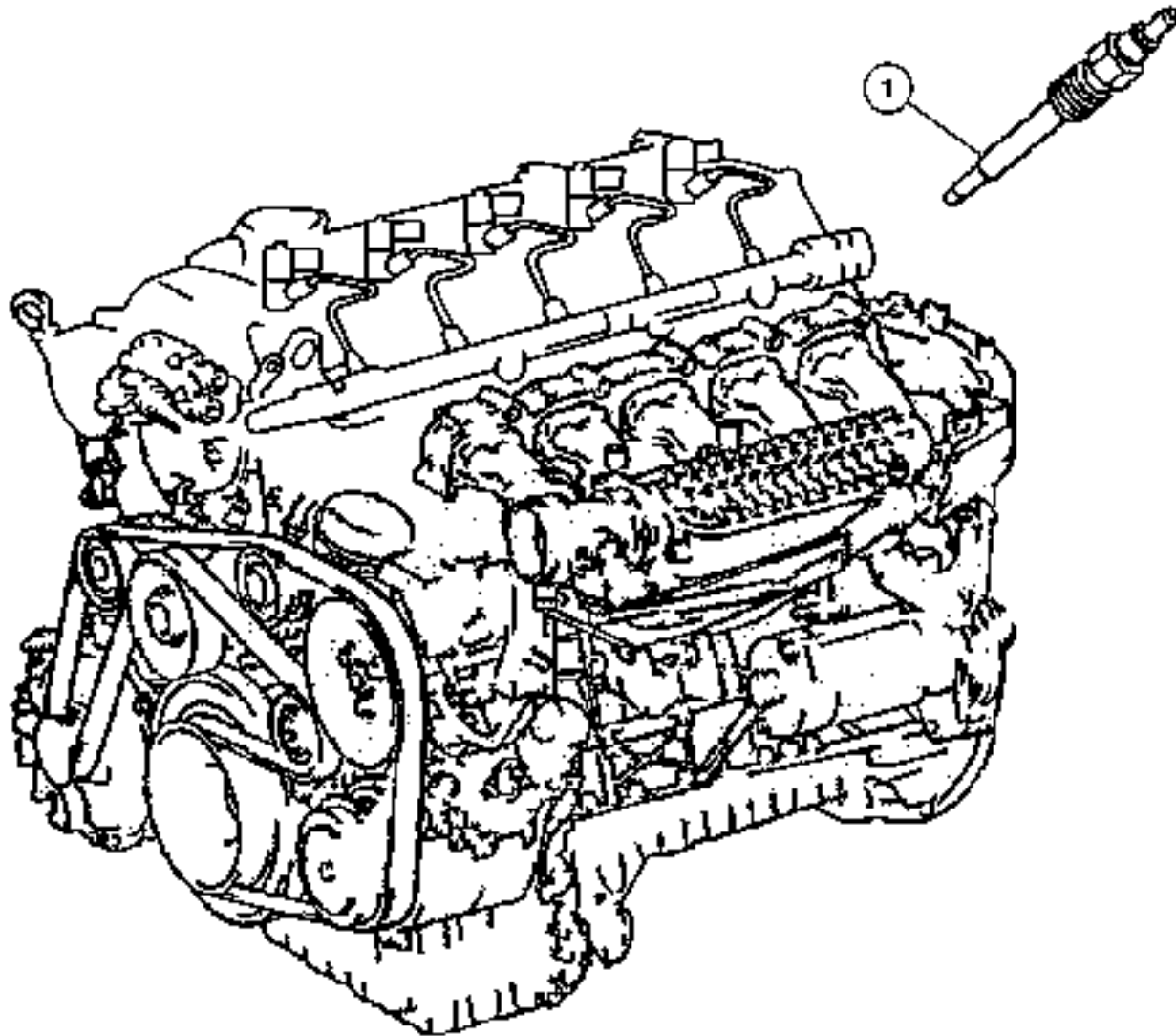
Refer to Model Legend Information Bookmark

AR = Use as required - = Non illustrated part # = New this model year

March 3, 2006



Glow Plugs
Figure 008-1910



ITEM	PART NUMBER	QTY	LINE	SERIES	BODY	ENGINE	TRANS	TRIM	DESCRIPTION
1	5117 592AA	5	2, 3, 6, 7	L		EX8	DGZ		PLUG, Glow
-2	5170 859AA-	1	2, 6	L	01, 02, 06	EX8	DGZ		RELAY, Electrical
		1	2, 6	L	11, 12, 14, 15, 16	EX8	DGZ		
		1	2, 6	L	51, 52, 54, 55, 56	EX8	DGZ		
		1	3, 7	L	02, 06	EX8	DGZ		
		1	3, 7	L	12, 15, 16	EX8	DGZ		

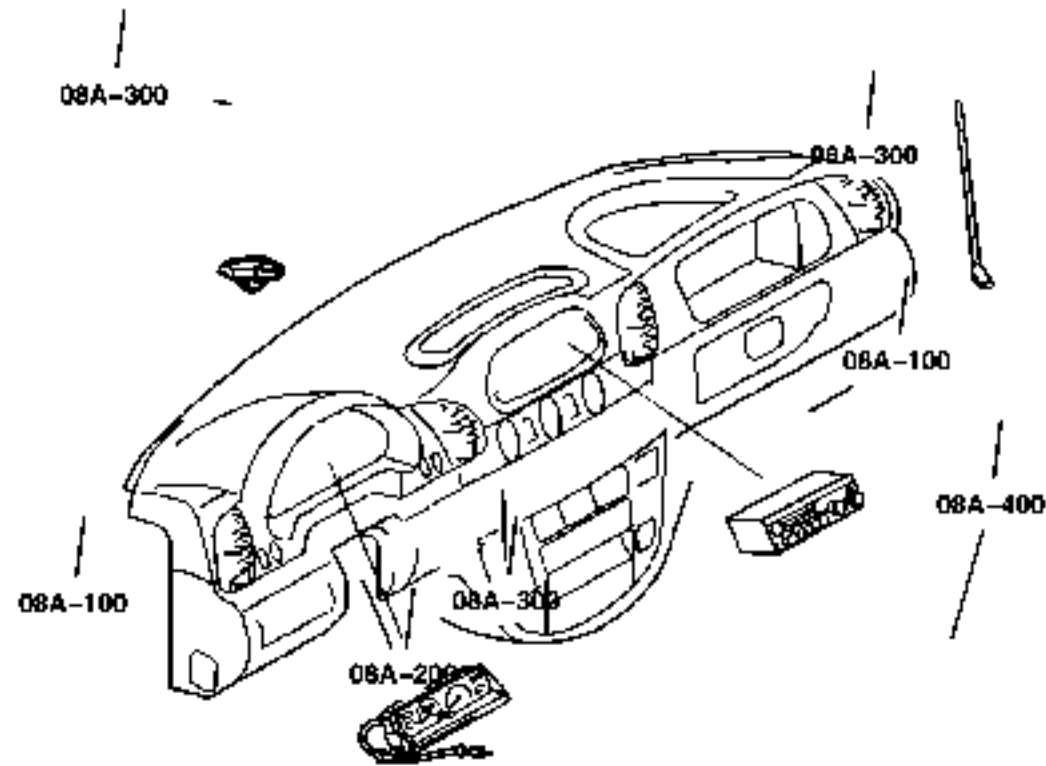
Refer to Model Legend Information Bookmark

AR = Use as required - = Non illustrated part # = New this model year

March 3, 2006

Group – 08A

Instrument Panel and Radios and Consoles



GROUP 8A - Instrument Panel and Radios and Consoles

Illustration Title

Group-Fig. No.

Instrument Panel

Instrument Panel	Fig. 08A-105
Instrument Panel Bezel and Related Parts	Fig. 08A-110
Ash Receiver and Glove Box	Fig. 08A-115
Instrument Panel Cover and Related Parts	Fig. 08A-120
Instrument Panel Reinforcement	Fig. 08A-125

Instrument Panel Cluster

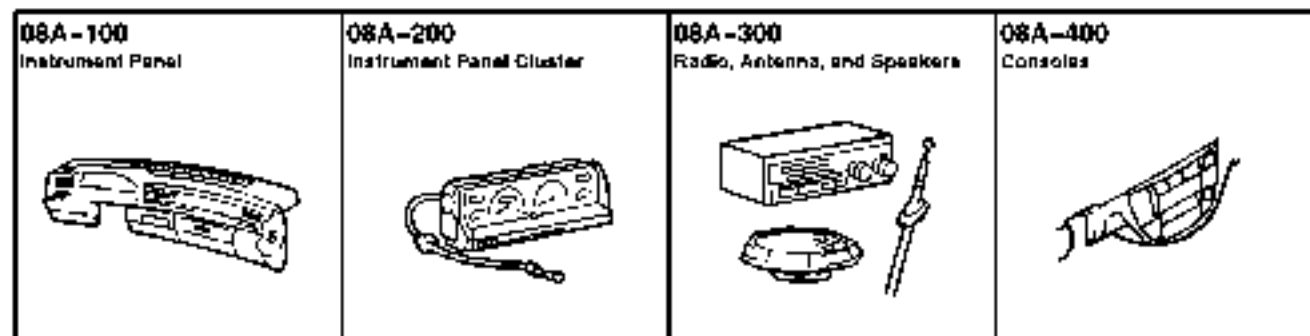
Instrument Panel Cluster	Fig. 08A-205
--------------------------------	--------------

Radio, Antenna, and Speakers

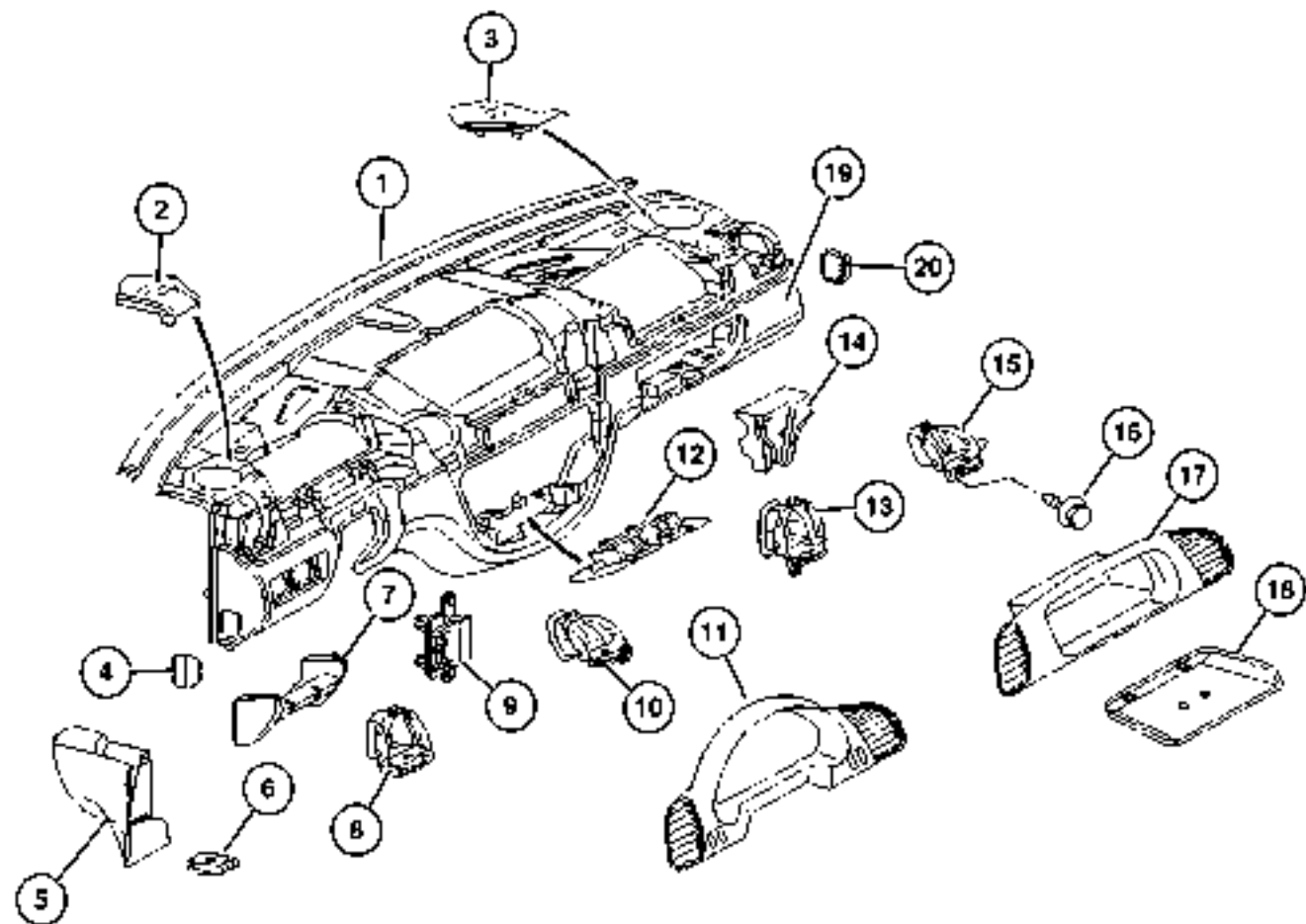
Radio	Fig. 08A-305
Antenna	Fig. 08A-310
Speakers	Fig. 08A-315

Consoles

Console Cup Holder	Fig. 08A-405
--------------------------	--------------



Instrument Panel
Figure 08A-105



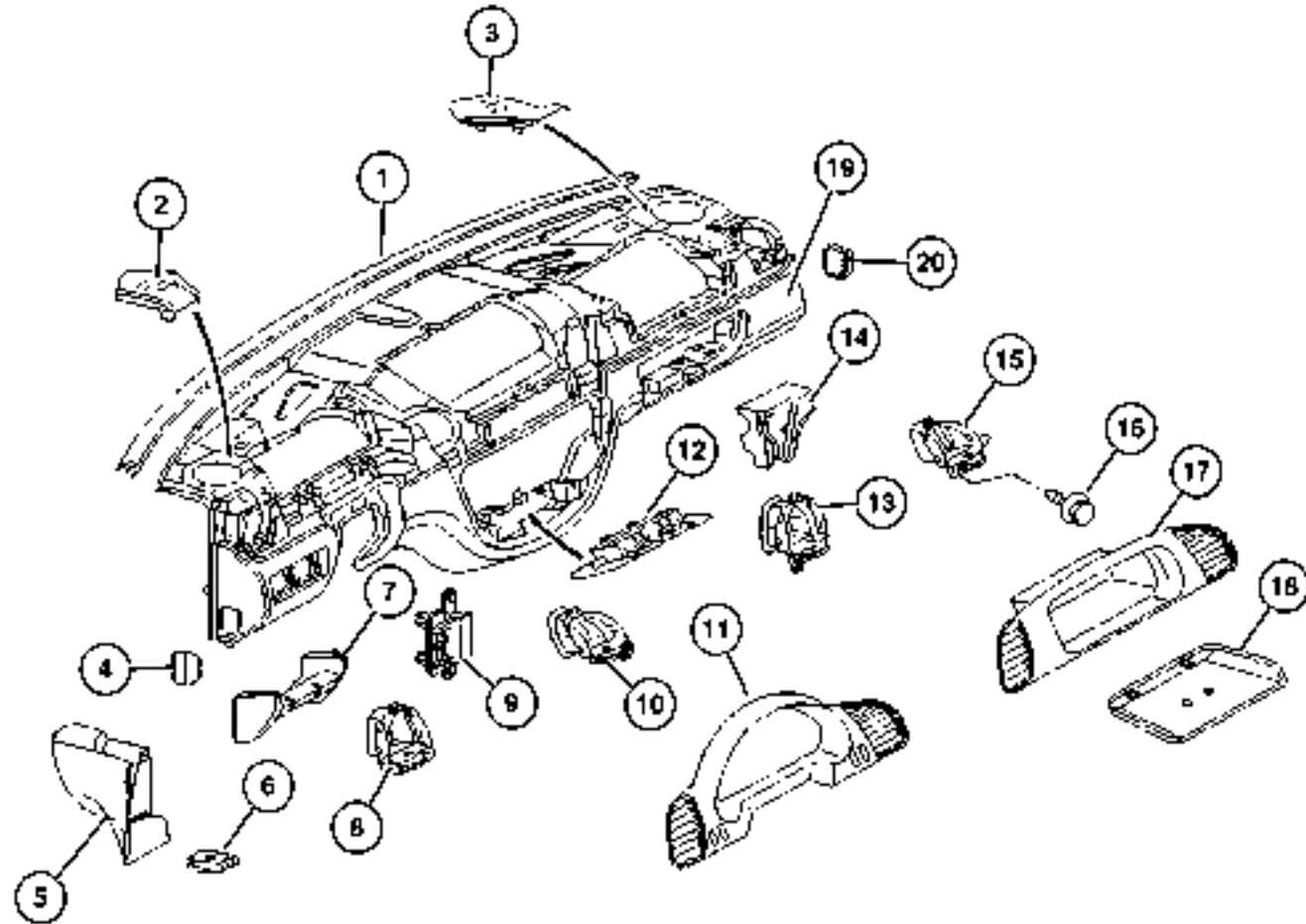
ITEM	PART NUMBER	QTY	LINE	SERIES	BODY	ENGINE	TRANS	TRIM	DESCRIPTION
1	5122 955AA	1	2, 6	L	01, 02, 06	EX8	DGZ		SEAL, Windshield
		1	2, 6	L	11, 12, 14, 15, 16	EX8	DGZ		
		1	2, 6	L	51, 52, 54, 55, 56	EX8	DGZ		
		1	3, 7	L	02, 06	EX8	DGZ		
		1	3, 7	L	12, 15, 16	EX8	DGZ		
2	5104 270AA	1	2, 6	L	01, 02, 06	EX8	DGZ		COVER, Speaker Opening
		1	2, 6	L	11, 12, 14, 15, 16	EX8	DGZ		
		1	2, 6	L	51, 52, 54, 55, 56	EX8	DGZ		
		1	3, 7	L	02, 06	EX8	DGZ		
		1	3, 7	L	12, 15, 16	EX8	DGZ		
3	5104 269AA	1	2, 6	L	01, 02, 06	EX8	DGZ		COVER, Speaker Opening
		1	2, 6	L	11, 12, 14, 15, 16	EX8	DGZ		
		1	2, 6	L	51, 52, 54, 55, 56	EX8	DGZ		
		1	3, 7	L	02, 06	EX8	DGZ		
		1	3, 7	L	12, 15, 16	EX8	DGZ		
4	5103 919AA	2	2, 6	L	01, 02, 06	EX8	DGZ		PLUG, Instrument Panel
		2	2, 6	L	11, 12, 14, 15, 16	EX8	DGZ		
		2	2, 6	L	51, 52, 54, 55, 56	EX8	DGZ		

Refer to Model Legend Information Bookmark

AR = Use as required - = Non illustrated part # = New this model year

March 3, 2006

Instrument Panel
Figure 08A-105



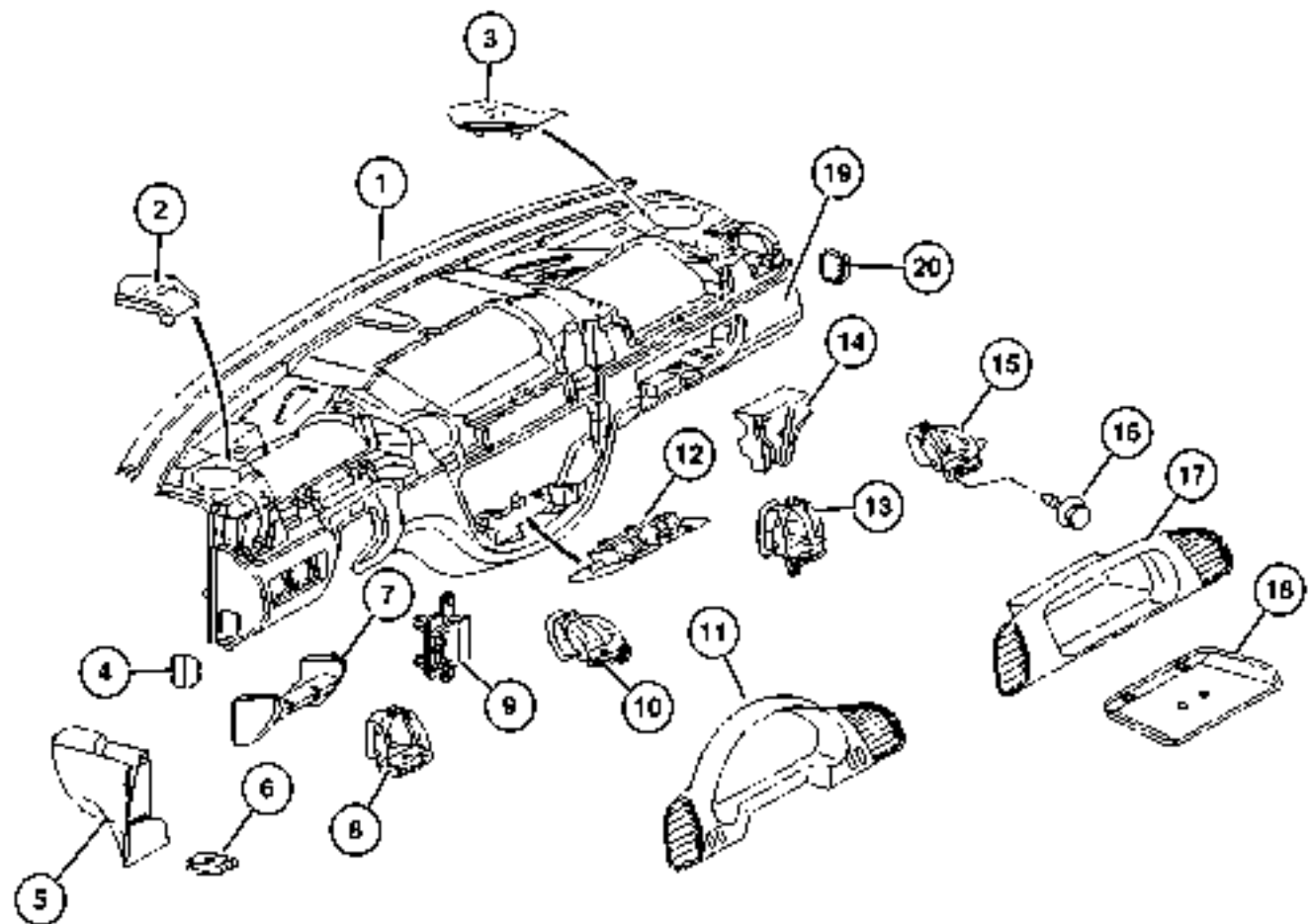
ITEM	PART NUMBER	QTY	LINE	SERIES	BODY	ENGINE	TRANS	TRIM	DESCRIPTION
		2	3, 7	L	02, 06	EX8	DGZ		
		2	3, 7	L	12, 15, 16	EX8	DGZ		
5	5122 934AA	1	2, 6	L	01, 02, 06	EX8	DGZ		END CAP, Instrument Panel
		1	2, 6	L	11, 12, 14, 15, 16	EX8	DGZ		
		1	2, 6	L	51, 52, 54, 55, 56	EX8	DGZ		
		1	3, 7	L	02, 06	EX8	DGZ		
		1	3, 7	L	12, 15, 16	EX8	DGZ		
6	5133 416AA	99	2, 6	L	01, 02, 06	EX8	DGZ		NUT, Spring U Type
		99	2, 6	L	11, 12, 14, 15, 16	EX8	DGZ		
		99	2, 6	L	51, 52, 54, 55, 56	EX8	DGZ		
		4	3, 7	L	02, 06	EX8	DGZ		
		4	3, 7	L	12, 15, 16	EX8	DGZ		
7	5122 933AA	1	2, 6	L	01, 02, 06	EX8	DGZ		PAD, Instrument Panel
		1	2, 6	L	11, 12, 14, 15, 16	EX8	DGZ		
		1	2, 6	L	51, 52, 54, 55, 56	EX8	DGZ		
		1	3, 7	L	02, 06	EX8	DGZ		
		1	3, 7	L	12, 15, 16	EX8	DGZ		
8	5104 252AA	1	2, 6	L	01, 02, 06	EX8	DGZ		OUTLET, Air Cluster Bezel, Left
		1	2, 6	L	11, 12, 14, 15, 16	EX8	DGZ		Cluster Bezel, Left

Refer to Model Legend Information Bookmark

AR = Use as required - = Non illustrated part # = New this model year

March 3, 2006

Instrument Panel
Figure 08A-105



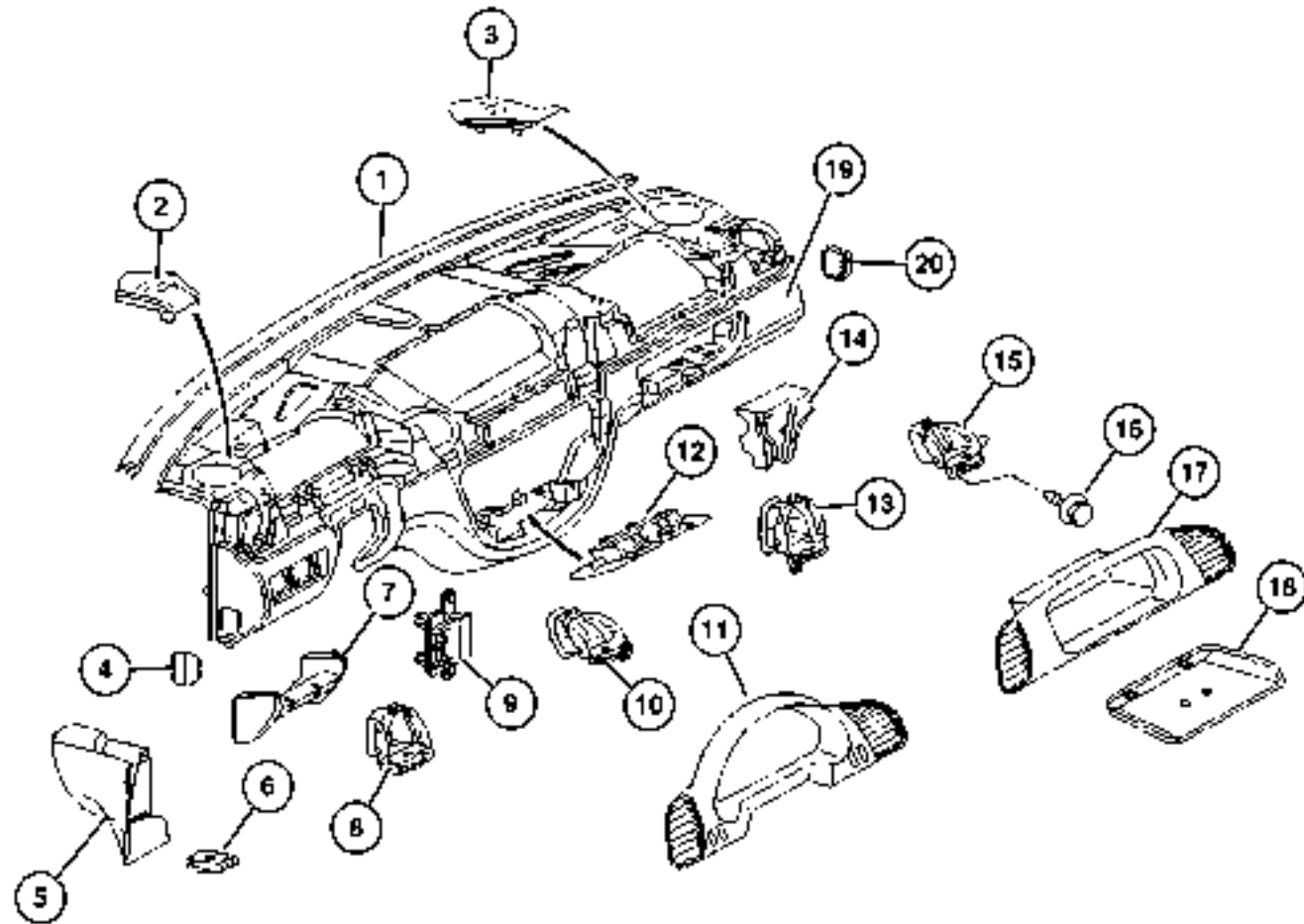
ITEM	PART NUMBER	QTY	LINE	SERIES	BODY	ENGINE	TRANS	TRIM	DESCRIPTION
		1	2, 6	L	51, 52, 54, 55, 56	EX8	DGZ		Cluster Bezel, Left
		1	3, 7	L	02, 06	EX8	DGZ		Cluster Bezel, Left
		1	3, 7	L	12, 15, 16	EX8	DGZ		Cluster Bezel, Left
9	5122 891AA	2	2, 6	L	01, 02, 06	EX8	DGZ		BRACKET, Mounting Heater Control
		2	2, 6	L	11, 12, 14, 15, 16	EX8	DGZ		Heater Control
		2	2, 6	L	51, 52, 54, 55, 56	EX8	DGZ		Heater Control
		2	3, 7	L	02, 06	EX8	DGZ		Heater Control
		2	3, 7	L	12, 15, 16	EX8	DGZ		Heater Control
10	5104 253AA	1	2, 6	L	01, 02, 06	EX8	DGZ		OUTLET, Air Cluster Bezel, Right
		1	2, 6	L	11, 12, 14, 15, 16	EX8	DGZ		Cluster Bezel, Right
		1	2, 6	L	51, 52, 54, 55, 56	EX8	DGZ		Cluster Bezel, Right
		1	3, 7	L	02, 06	EX8	DGZ		Cluster Bezel, Right
		1	3, 7	L	12, 15, 16	EX8	DGZ		Cluster Bezel, Right
11	5104 262AA	1	2, 6	L	01, 02, 06	EX8	DGZ		BEZEL, Cluster
		1	2, 6	L	11, 12, 14, 15, 16	EX8	DGZ		
		1	2, 6	L	51, 52, 54, 55, 56	EX8	DGZ		
		1	3, 7	L	02, 06	EX8	DGZ		
		1	3, 7	L	12, 15, 16	EX8	DGZ		
12	5122 927AA	1	2, 6	L	01, 02, 06	EX8	DGZ		COVER, Instrument Panel End Cap

Refer to Model Legend Information Bookmark

AR = Use as required - = Non illustrated part # = New this model year

March 3, 2006

Instrument Panel
Figure 08A-105



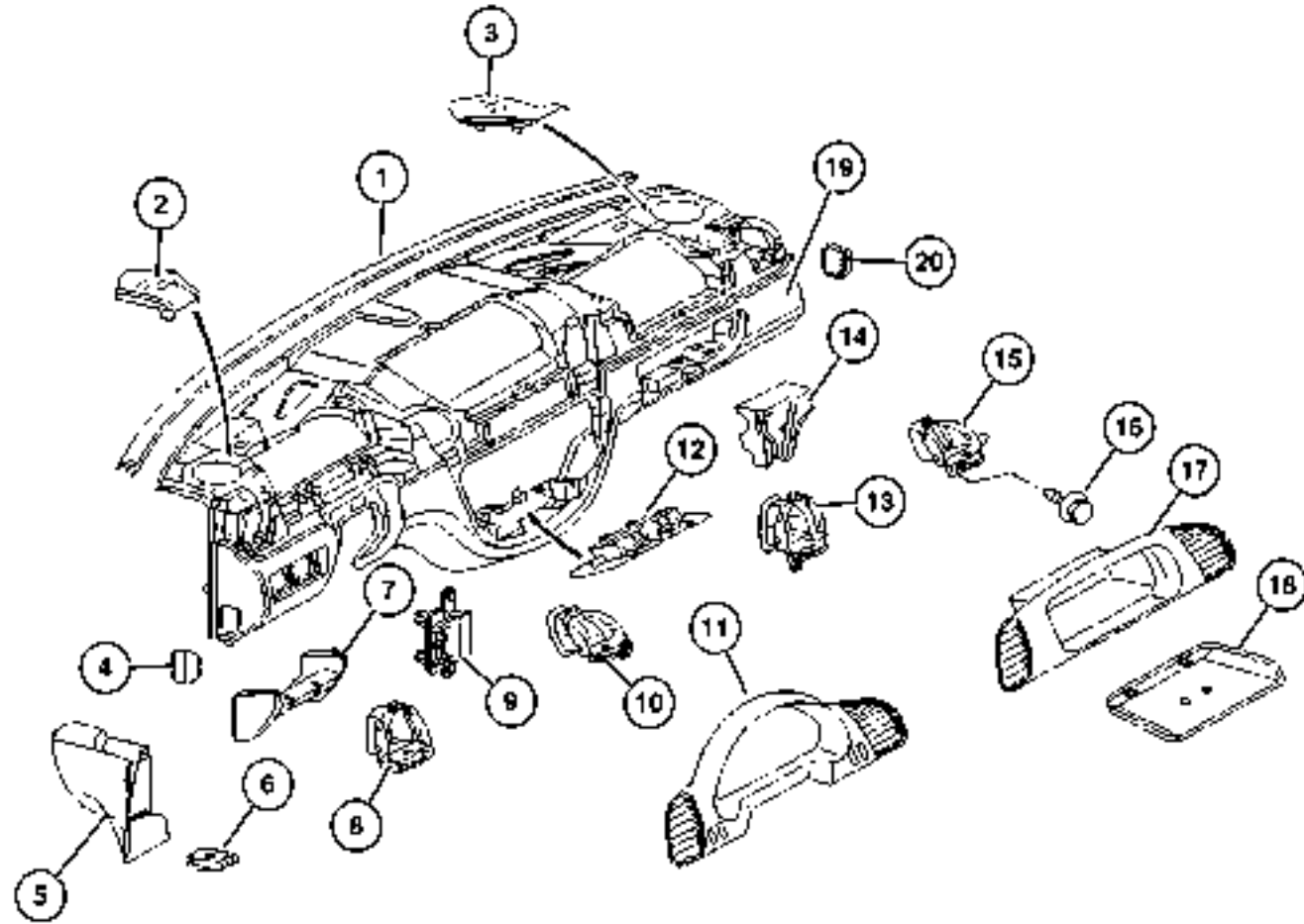
ITEM	PART NUMBER	QTY	LINE	SERIES	BODY	ENGINE	TRANS	TRIM	DESCRIPTION
		1	2, 6	L	11, 12, 14, 15, 16	EX8	DGZ		End Cap
		1	2, 6	L	51, 52, 54, 55, 56	EX8	DGZ		End Cap
		1	3, 7	L	02, 06	EX8	DGZ		End Cap
		1	3, 7	L	12, 15, 16	EX8	DGZ		End Cap
13	5104 256AA	1	2, 6	L	01, 02, 06	EX8	DGZ		OUTLET, Air
		1	2, 6	L	11, 12, 14, 15, 16	EX8	DGZ		
		1	2, 6	L	51, 52, 54, 55, 56	EX8	DGZ		
		1	3, 7	L	02, 06	EX8	DGZ		
		1	3, 7	L	12, 15, 16	EX8	DGZ		
14	5122 932AA	1	2, 6	L	01, 02, 06	EX8	DGZ		PAD, Instrument Panel
		1	2, 6	L	11, 12, 14, 15, 16	EX8	DGZ		
		1	2, 6	L	51, 52, 54, 55, 56	EX8	DGZ		
		1	3, 7	L	02, 06	EX8	DGZ		
		1	3, 7	L	12, 15, 16	EX8	DGZ		
15	5104 258AA	1	2, 6	L	01, 02, 06	EX8	DGZ		OUTLET, Air
		1	2, 6	L	11, 12, 14, 15, 16	EX8	DGZ		
		1	2, 6	L	51, 52, 54, 55, 56	EX8	DGZ		
		1	3, 7	L	02, 06	EX8	DGZ		
		1	3, 7	L	12, 15, 16	EX8	DGZ		
16									SCREW

Refer to Model Legend Information Bookmark

AR = Use as required - = Non illustrated part # = New this model year

March 3, 2006

Instrument Panel
Figure 08A-105



ITEM	PART NUMBER	QTY	LINE	SERIES	BODY	ENGINE	TRANS	TRIM	DESCRIPTION
	6104 610AA	2	2, 6	L	01, 02, 06	EX8	DGZ		
		2	2, 6	L	11, 12, 14, 15, 16	EX8	DGZ		
		2	2, 6	L	51, 52, 54, 55, 56	EX8	DGZ		
		2	3, 7	L	02, 06	EX8	DGZ		
		2	3, 7	L	12, 15, 16	EX8	DGZ		
17									DOOR, Passenger Air Bag
	5104 261AA	1	2, 6	L	01, 02, 06	EX8	DGZ		
		1	2, 6	L	11, 12, 14, 15, 16	EX8	DGZ		
		1	2, 6	L	51, 52, 54, 55, 56	EX8	DGZ		
		1	3, 7	L	02, 06	EX8	DGZ		
		1	3, 7	L	12, 15, 16	EX8	DGZ		
18									TRAY, Instrument Panel
	5122 952AA	1	2, 6	L	01, 02, 06	EX8	DGZ		
		1	2, 6	L	11, 12, 14, 15, 16	EX8	DGZ		
		1	2, 6	L	51, 52, 54, 55, 56	EX8	DGZ		
		1	3, 7	L	02, 06	EX8	DGZ		
		1	3, 7	L	12, 15, 16	EX8	DGZ		
19									PANEL, Instrument
	5122 362AA	1	2, 6	L	01, 02, 06	EX8	DGZ		
		1	2, 6	L	11, 12, 14, 15, 16	EX8	DGZ		
		1	2, 6	L	51, 52, 54, 55, 56	EX8	DGZ		
		1	3, 7	L	02, 06	EX8	DGZ		

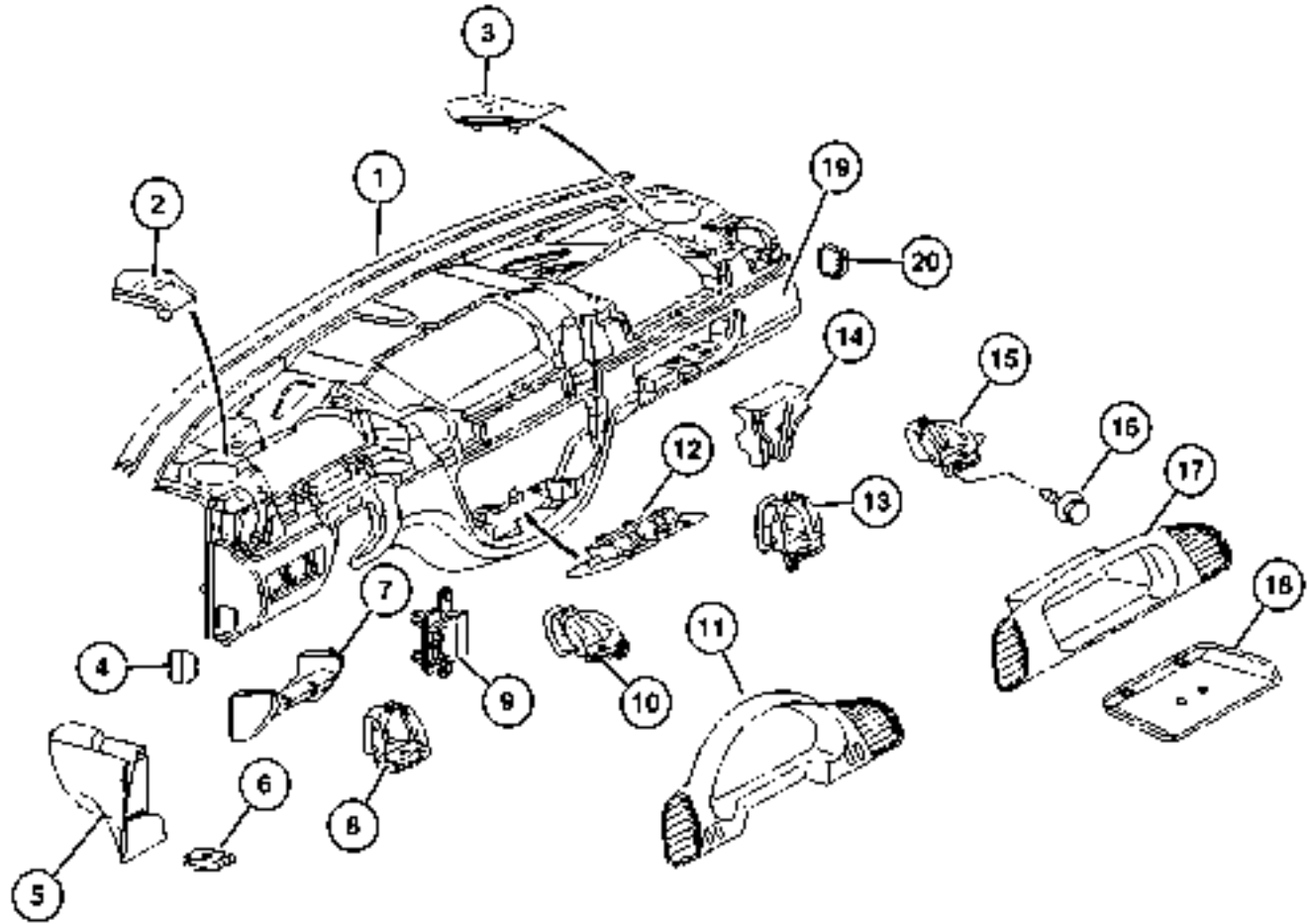
Refer to Model Legend Information Bookmark

AR = Use as required - = Non illustrated part # = New this model year

March 3, 2006

Instrument Panel
Figure 08A-105

ITEM	PART NUMBER	QTY	LINE	SERIES	BODY	ENGINE	TRANS	TRIM	DESCRIPTION
		1	3, 7	L	12, 15, 16	EX8	DGZ		
20	5103 919AA	2	2, 6	L	01, 02, 06	EX8	DGZ		PLUG, Instrument Panel
		2	2, 6	L	11, 12, 14, 15, 16	EX8	DGZ		
		2	2, 6	L	51, 52, 54, 55, 56	EX8	DGZ		
		2	3, 7	L	02, 06	EX8	DGZ		
		2	3, 7	L	12, 15, 16	EX8	DGZ		

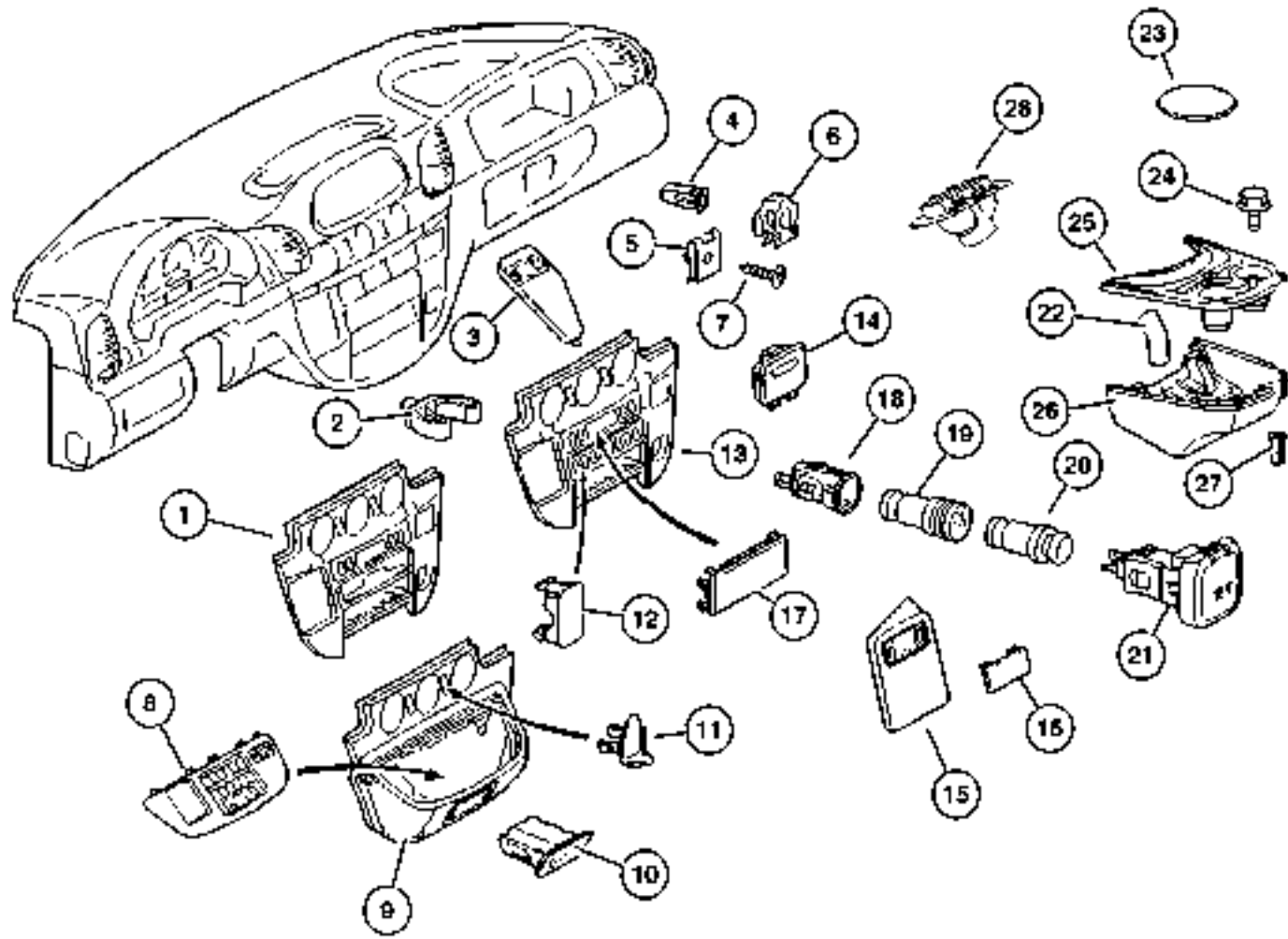


Refer to Model Legend Information Bookmark

AR = Use as required - = Non illustrated part # = New this model year

March 3, 2006

Instrument Panel Bezel and Related Parts
Figure 08A-110



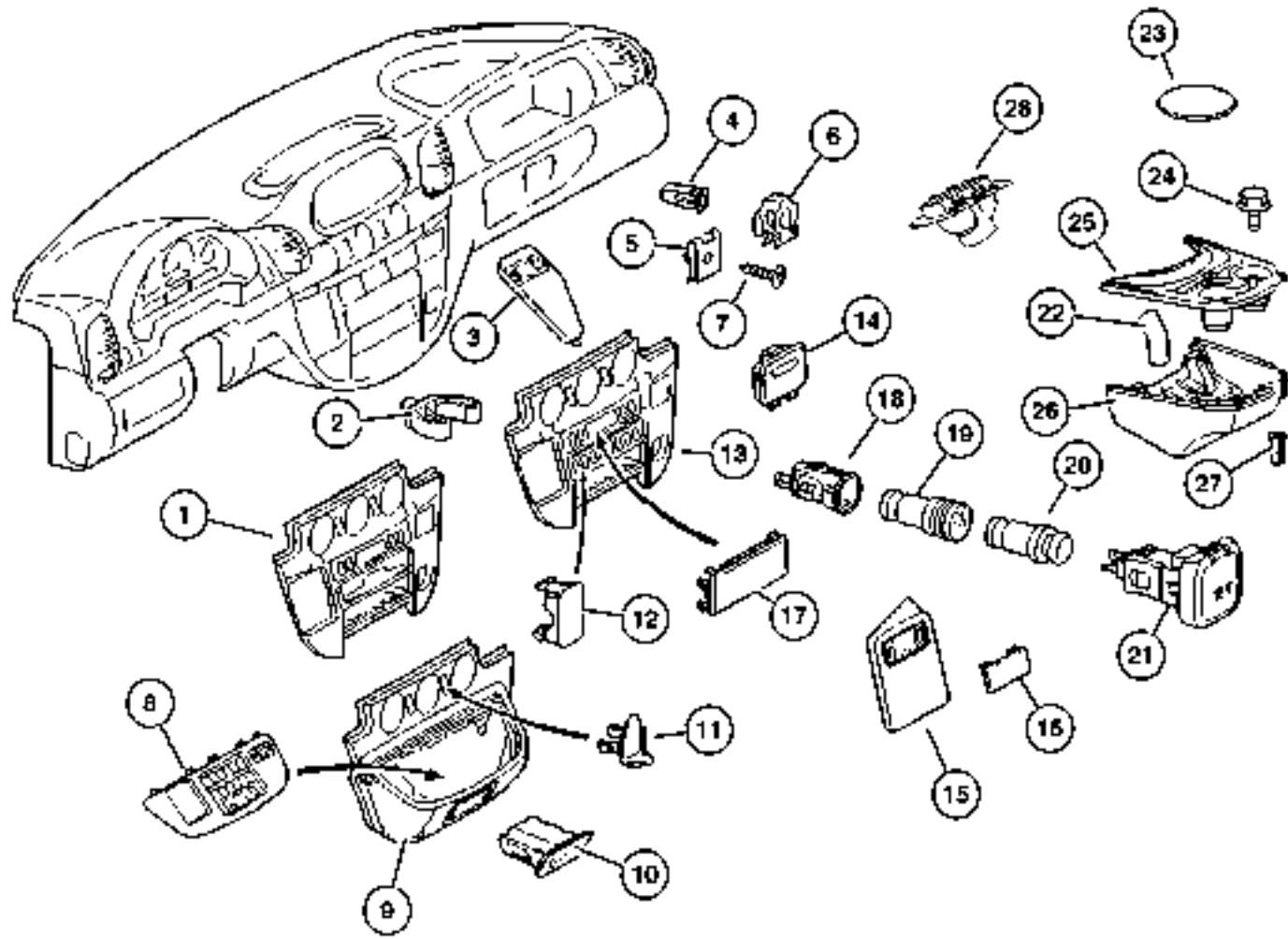
ITEM	PART NUMBER	QTY	LINE	SERIES	BODY	ENGINE	TRANS	TRIM	DESCRIPTION
1									BEZEL, Instrument Panel, Center
	5122 372AA	1	2, 6	L	01, 02, 06		DGZ		
		1	2, 6	L	11, 12, 14, 15, 16		DGZ		
		1	2, 6	L	51, 52, 54, 55, 56		DGZ		
		1	3, 7	L	02, 06		DGZ		
		1	3, 7	L	12, 15, 16		DGZ		
2									CLIP, U Type
	5125 582AA	6	2, 6	L	01, 02, 06	EX8	DGZ		Paneling to Right B Pillar
		6	2, 6	L	11, 12, 14, 15, 16	EX8	DGZ		Paneling to Right B Pillar
		6	2, 6	L	51, 52, 54, 55, 56	EX8	DGZ		Paneling to Right B Pillar
		6	3, 7	L	02, 06	EX8	DGZ		Paneling to Right B Pillar
		6	3, 7	L	12, 15, 16	EX8	DGZ		Paneling to Right B Pillar
3									BRACKET, Instrument Panel
	5122 388AA	1	2, 6	L	01, 02, 06	EX8			
		1	2, 6	L	11, 12, 14, 15, 16	EX8			
		1	2, 6	L	51, 52, 54, 55, 56	EX8			
		1	3, 7	L	02, 06	EX8			
		1	3, 7	L	12, 15, 16	EX8			
4									NUT, Plastic Snap-in
	5125 576AA	2	2, 6	L	01, 02, 06	EX8	DGZ		
		2	2, 6	L	11, 12, 14, 15, 16	EX8	DGZ		
		2	2, 6	L	51, 52, 54, 55, 56	EX8	DGZ		

Refer to Model Legend Information Bookmark

AR = Use as required - = Non illustrated part # = New this model year

March 3, 2006

Instrument Panel Bezel and Related Parts
Figure 08A-110



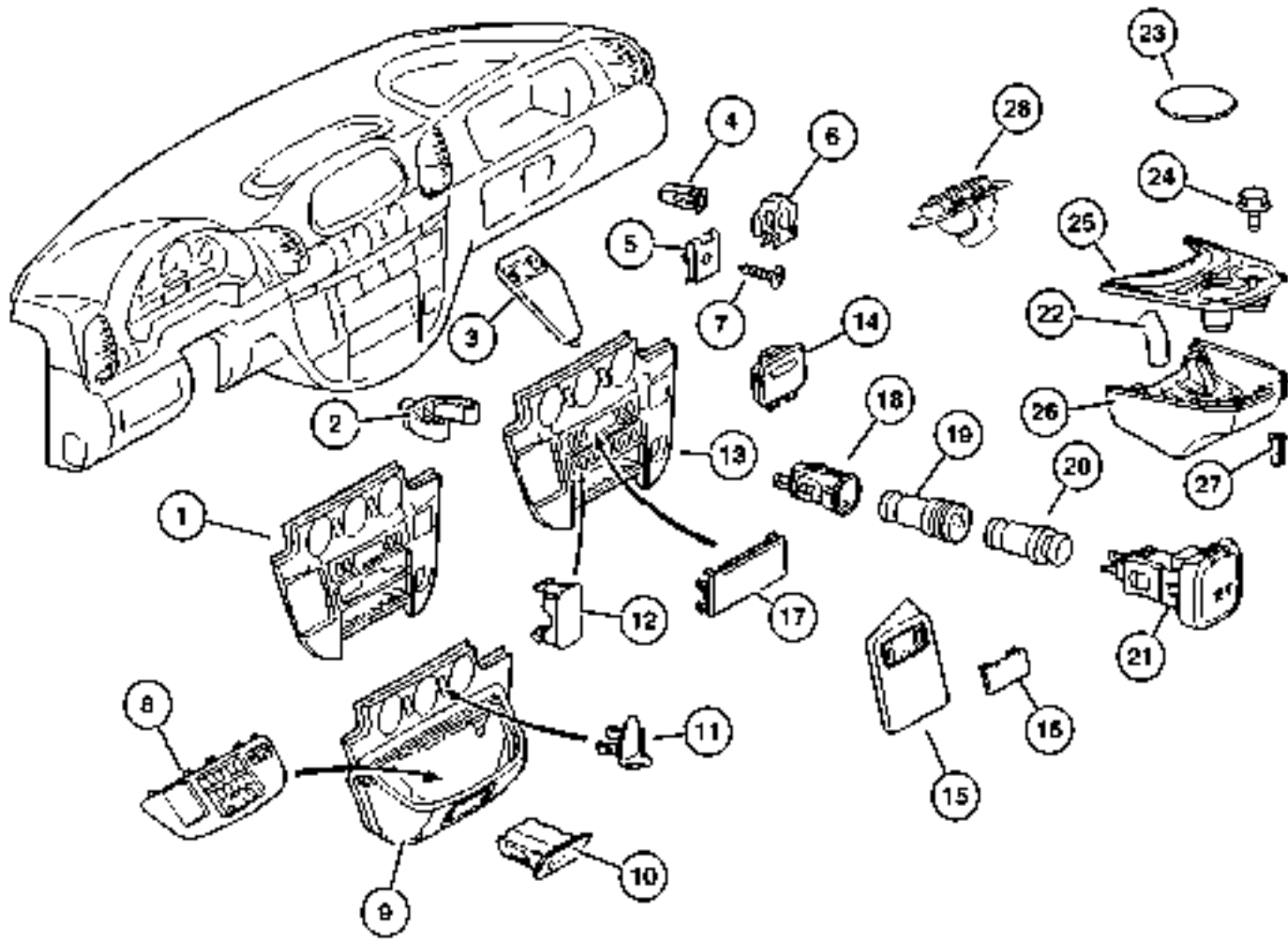
ITEM	PART NUMBER	QTY	LINE	SERIES	BODY	ENGINE	TRANS	TRIM	DESCRIPTION
		2	3, 7	L	02, 06	EX8	DGZ		
		2	3, 7	L	12, 15, 16	EX8	DGZ		
5	5125 857AA	2	2, 6	L	01, 02, 06	EX8	DGZ		NUT, Clip-On
		2	2, 6	L	11, 12, 14, 15, 16	EX8	DGZ		
		2	2, 6	L	51, 52, 54, 55, 56	EX8	DGZ		
		2	3, 7	L	02, 06	EX8	DGZ		
		2	3, 7	L	12, 15, 16	EX8	DGZ		
6	5125 861AA	2	2, 6	L	01, 02, 06	EX8	DGZ		NUT, Spring
		2	2, 6	L	11, 12, 14, 15, 16	EX8	DGZ		
		2	2, 6	L	51, 52, 54, 55, 56	EX8	DGZ		
		2	3, 7	L	02, 06	EX8	DGZ		
		2	3, 7	L	12, 15, 16	EX8	DGZ		
7	6104 610AA	5	2, 6	L	01, 02, 06	EX8	DGZ		SCREW
		5	2, 6	L	11, 12, 14, 15, 16	EX8	DGZ		
		5	2, 6	L	51, 52, 54, 55, 56	EX8	DGZ		
		5	3, 7	L	02, 06	EX8	DGZ		
		5	3, 7	L	12, 15, 16	EX8	DGZ		
8	5122 928AA	1	2, 6	L	01, 02, 06	EX8	DGZ		BEZEL, Center Console
		1	2, 6	L	11, 12, 14, 15, 16	EX8	DGZ		

Refer to Model Legend Information Bookmark

AR = Use as required - = Non illustrated part # = New this model year

March 3, 2006

**Instrument Panel Bezel and Related Parts
Figure 08A-110**



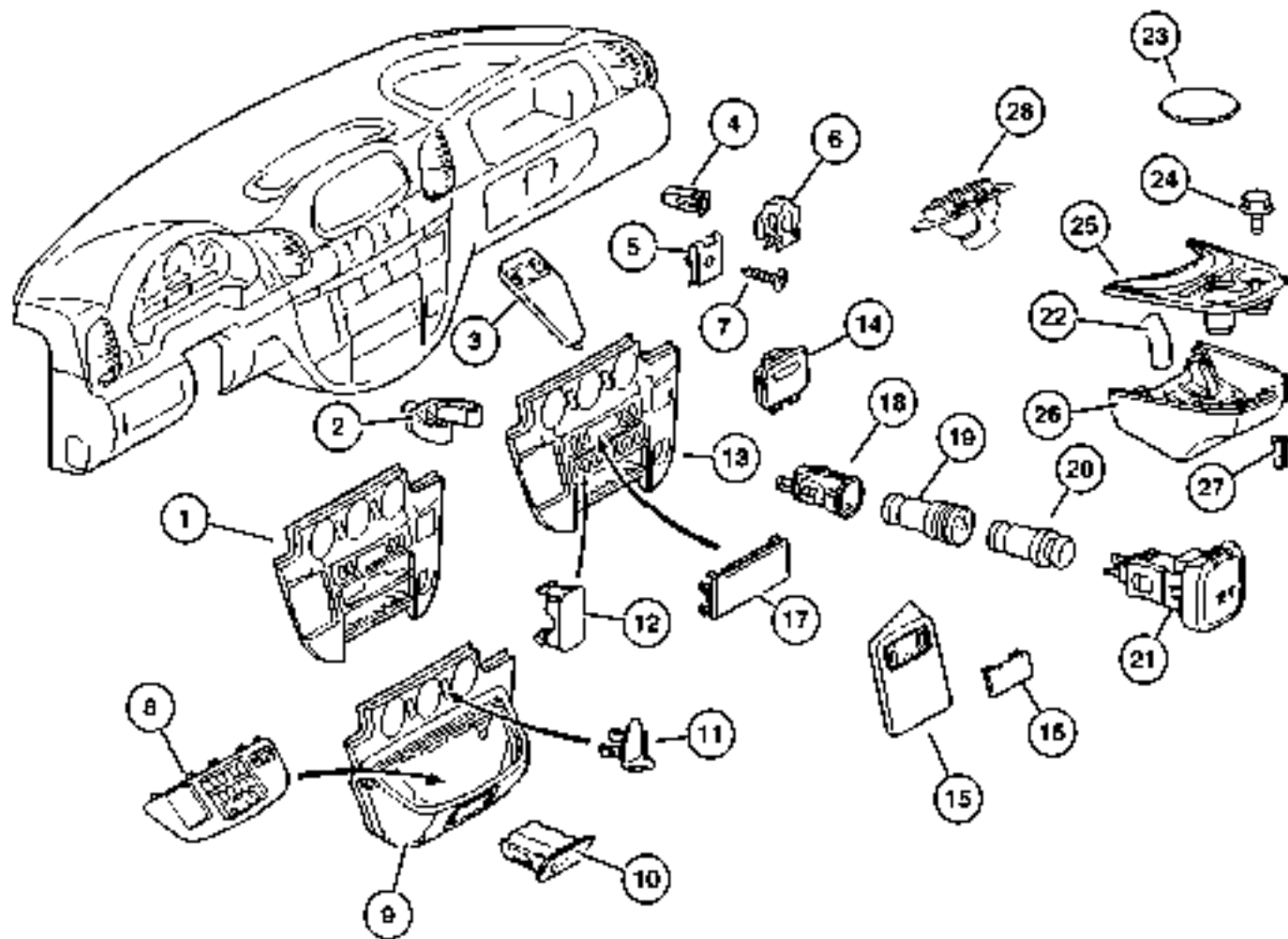
ITEM	PART NUMBER	QTY	LINE	SERIES	BODY	ENGINE	TRANS	TRIM	DESCRIPTION
		1	2, 6	L	51, 52, 54, 55, 56	EX8	DGZ		
		1	3, 7	L	02, 06	EX8	DGZ		
		1	3, 7	L	12, 15, 16	EX8	DGZ		
9	5122 880AA	1	2, 6	L	01, 02, 06	EX8	DGZ		CONSOLE, Instrument Panel
		1	2, 6	L	11, 12, 14, 15, 16	EX8	DGZ		
		1	2, 6	L	51, 52, 54, 55, 56	EX8	DGZ		
		1	3, 7	L	02, 06	EX8	DGZ		
		1	3, 7	L	12, 15, 16	EX8	DGZ		
10	5124 226AA	1	2, 6	L	01, 02, 06	EX8	DGZ		ASH RECEIVER, Instrument Panel
		1	2, 6	L	11, 12, 14, 15, 16	EX8	DGZ		
		1	2, 6	L	51, 52, 54, 55, 56	EX8	DGZ		
		1	3, 7	L	02, 06	EX8	DGZ		
		1	3, 7	L	12, 15, 16	EX8	DGZ		
11	5122 885AA	1	2, 6	L	01, 02, 06	EX8	DGZ		COVER, Center Console
		1	2, 6	L	11, 12, 14, 15, 16	EX8	DGZ		
		1	2, 6	L	51, 52, 54, 55, 56	EX8	DGZ		
		1	3, 7	L	02, 06	EX8	DGZ		
		1	3, 7	L	12, 15, 16	EX8	DGZ		
12	5122 925AA	3	2, 6	L	01, 02, 06	EX8	DGZ		COVER, Switch Opening

Refer to Model Legend Information Bookmark

AR = Use as required - = Non illustrated part # = New this model year

March 3, 2006

Instrument Panel Bezel and Related Parts
Figure 08A-110



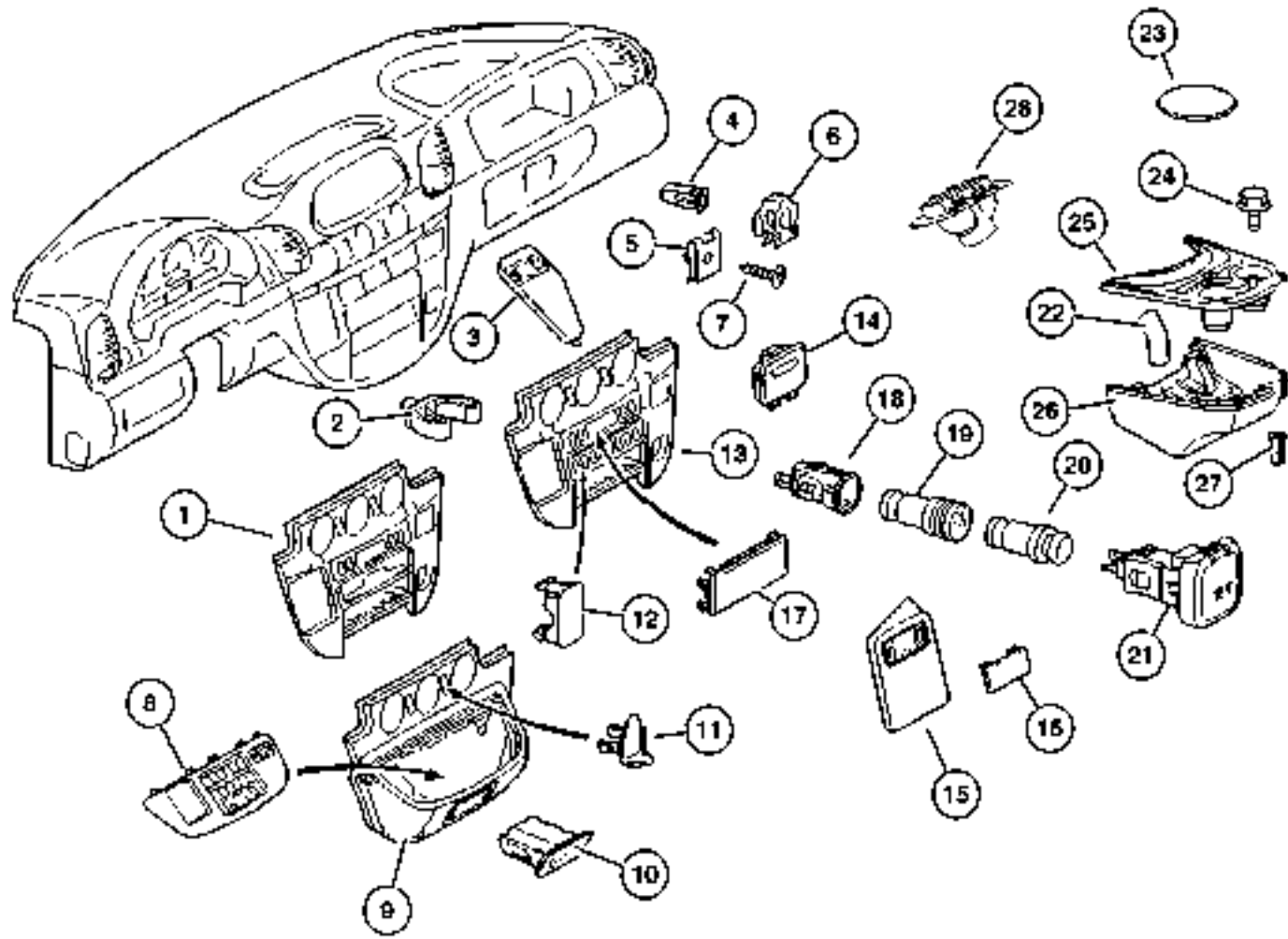
ITEM	PART NUMBER	QTY	LINE	SERIES	BODY	ENGINE	TRANS	TRIM	DESCRIPTION
		3	2, 6	L	11, 12, 14, 15, 16	EX8	DGZ		
		3	2, 6	L	51, 52, 54, 55, 56	EX8	DGZ		
		3	3, 7	L	02, 06	EX8	DGZ		
		3	3, 7	L	12, 15, 16	EX8	DGZ		
13	5122 873AA	1	2, 6	L	01, 02, 06		DGZ		BEZEL, Instrument Panel, Center
		1	2, 6	L	11, 12, 14, 15, 16		DGZ		
		1	2, 6	L	51, 52, 54, 55, 56		DGZ		
		1	3, 7	L	02, 06		DGZ		
		1	3, 7	L	12, 15, 16		DGZ		
14	5122 391AA	1	2, 6	L	01, 02, 06	EX8	DGZ		COVER, Instrument Panel Paper clip
		1	2, 6	L	11, 12, 14, 15, 16	EX8	DGZ		Paper clip
		1	2, 6	L	51, 52, 54, 55, 56	EX8	DGZ		Paper clip
		1	3, 7	L	02, 06	EX8	DGZ		Paper clip
		1	3, 7	L	12, 15, 16	EX8	DGZ		Paper clip
15	5122 939AA	1	2, 6	L	01, 02, 06	EX8	DGZ		BEZEL, Instrument Panel
		1	2, 6	L	11, 12, 14, 15, 16	EX8	DGZ		
		1	2, 6	L	51, 52, 54, 55, 56	EX8	DGZ		
		1	3, 7	L	02, 06	EX8	DGZ		
		1	3, 7	L	12, 15, 16	EX8	DGZ		
16									COVER, Instrument Panel

Refer to Model Legend Information Bookmark

AR = Use as required - = Non illustrated part # = New this model year

March 3, 2006

**Instrument Panel Bezel and Related Parts
Figure 08A-110**



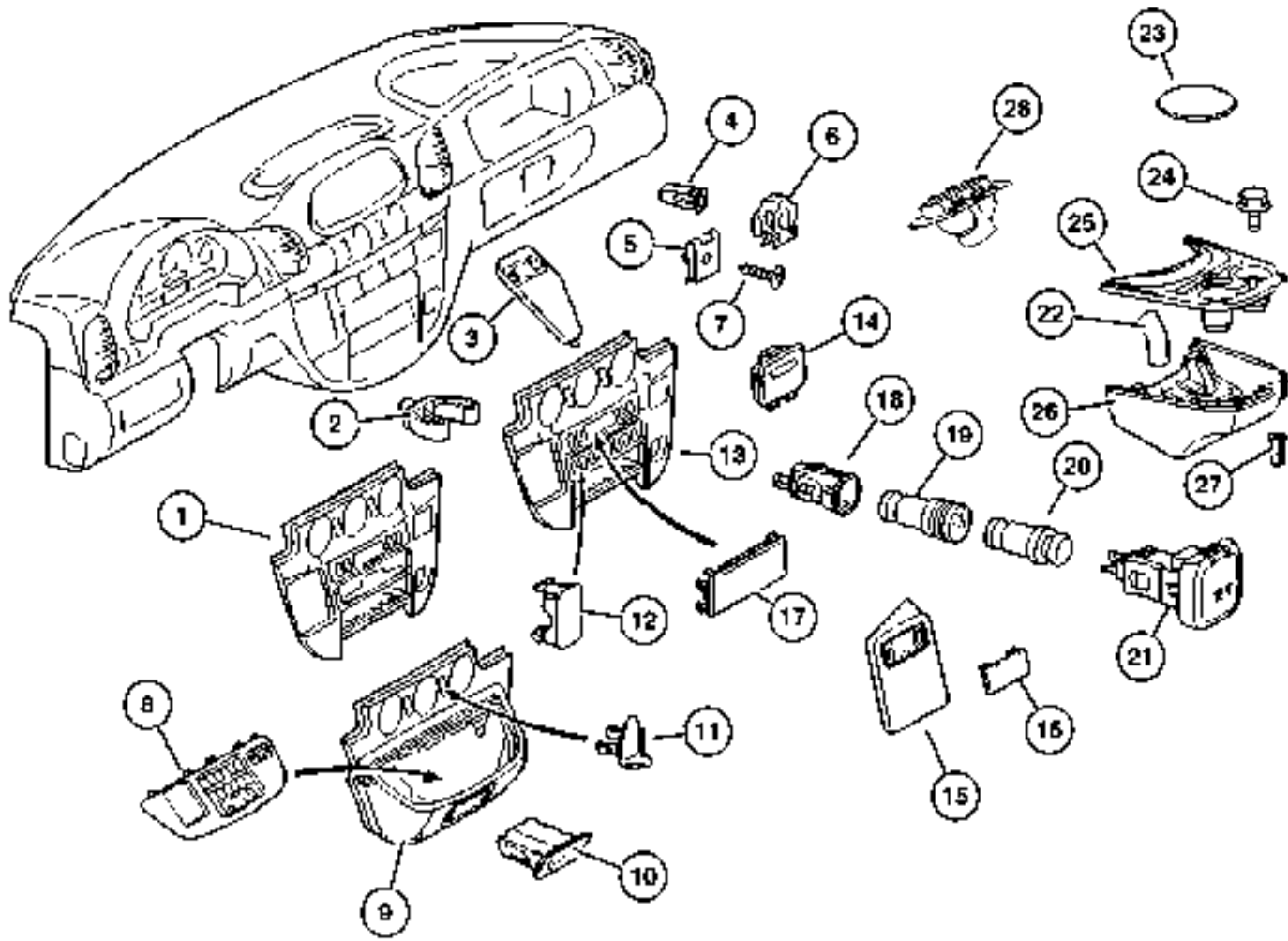
ITEM	PART NUMBER	QTY	LINE	SERIES	BODY	ENGINE	TRANS	TRIM	DESCRIPTION
	5122 878AA	1	2, 6	L	01, 02, 06	EX8	DGZ		
		1	2, 6	L	11, 12, 14, 15, 16	EX8	DGZ		
		1	2, 6	L	51, 52, 54, 55, 56	EX8	DGZ		
		1	3, 7	L	02, 06	EX8	DGZ		
		1	3, 7	L	12, 15, 16	EX8	DGZ		
17	5103 928AA	1	2, 6	L	01, 02, 06	EX8	DGZ		COVER, Radio Opening
		1	2, 6	L	11, 12, 14, 15, 16	EX8	DGZ		
		1	2, 6	L	51, 52, 54, 55, 56	EX8	DGZ		
		1	3, 7	L	02, 06	EX8	DGZ		
		1	3, 7	L	12, 15, 16	EX8	DGZ		
18	5124 456AA	1	2, 6	L	01, 02, 06	EX8	DGZ		BASE, Cigar Lighter
		1	2, 6	L	11, 12, 14, 15, 16	EX8	DGZ		
		1	2, 6	L	51, 52, 54, 55, 56	EX8	DGZ		
		1	3, 7	L	02, 06	EX8	DGZ		
		1	3, 7	L	12, 15, 16	EX8	DGZ		
19	5103 679AA	1	2, 6	L	01, 02, 06	EX8	DGZ		ELEMENT, Cigar Lighter
		1	2, 6	L	11, 12, 14, 15, 16	EX8	DGZ		
		1	2, 6	L	51, 52, 54, 55, 56	EX8	DGZ		
		1	3, 7	L	02, 06	EX8	DGZ		

Refer to Model Legend Information Bookmark

AR = Use as required - = Non illustrated part # = New this model year

March 3, 2006

**Instrument Panel Bezel and Related Parts
Figure 08A-110**



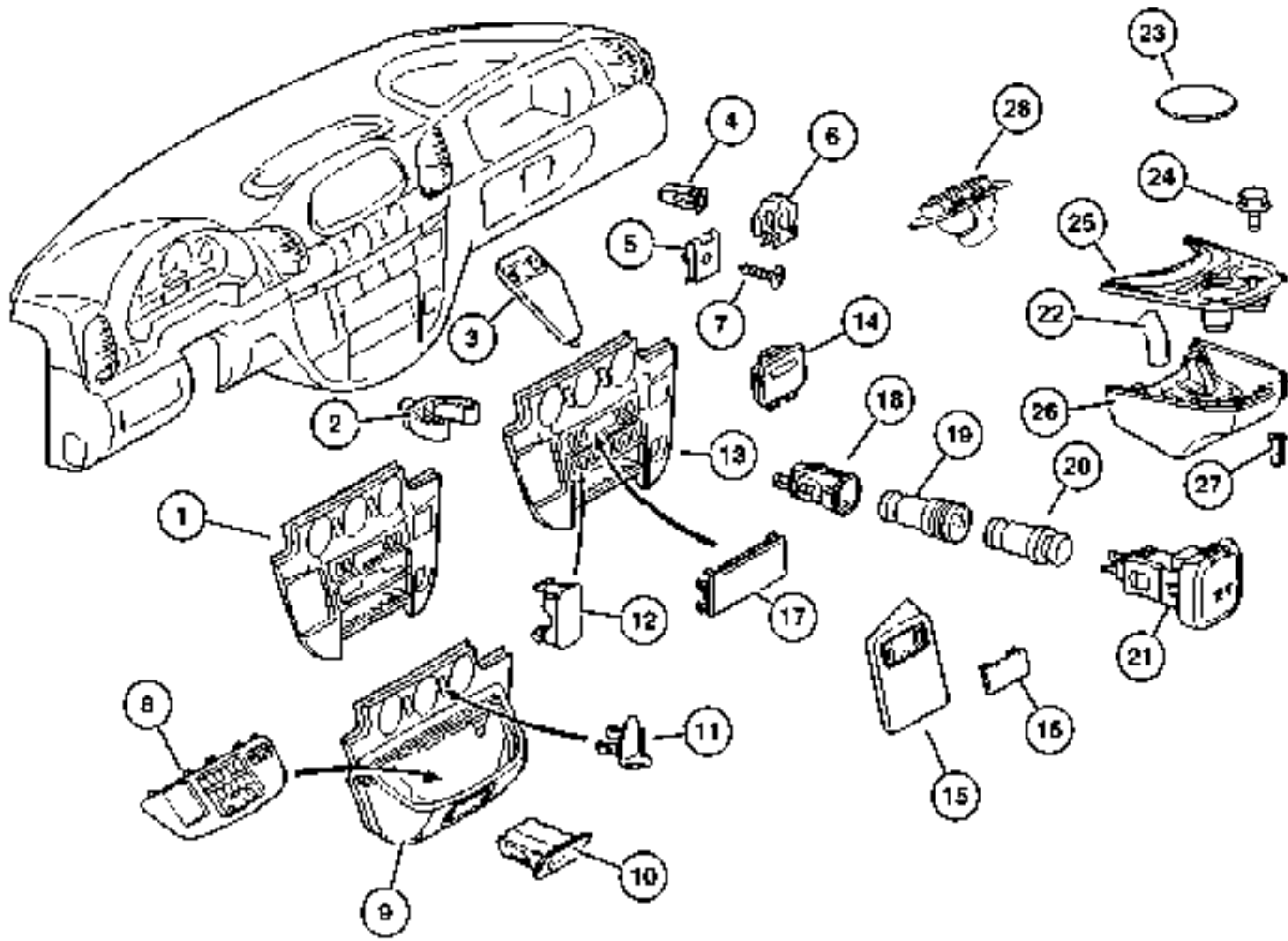
ITEM	PART NUMBER	QTY	LINE	SERIES	BODY	ENGINE	TRANS	TRIM	DESCRIPTION
		1	3, 7	L	12, 15, 16	EX8	DGZ		
20	5124 598AA	1	2, 6	L	01, 02, 06	EX8	DGZ		SOCKET, Accessory
		1	2, 6	L	11, 12, 14, 15, 16	EX8	DGZ		
		1	2, 6	L	51, 52, 54, 55, 56	EX8	DGZ		
		1	3, 7	L	02, 06	EX8	DGZ		
		1	3, 7	L	12, 15, 16	EX8	DGZ		
21	5124 458AA	1	2, 6	L	01, 02, 06	EX8	DGZ		POWER OUTLET
		1	2, 6	L	11, 12, 14, 15, 16	EX8	DGZ		
		1	2, 6	L	51, 52, 54, 55, 56	EX8	DGZ		
		1	3, 7	L	02, 06	EX8	DGZ		
		1	3, 7	L	12, 15, 16	EX8	DGZ		
	5183 902AA	1	2, 6	L	11, 12, 14, 15, 16	EX8	DGZ		[XAH]
22	5104 488AA	1	2, 6	L	01, 02, 06	EX8	DGZ		HOSE Air Duct Adapter
		1	2, 6	L	11, 12, 14, 15, 16	EX8	DGZ		Air Duct Adapter
		1	2, 6	L	51, 52, 54, 55, 56	EX8	DGZ		Air Duct Adapter
		1	3, 7	L	02, 06	EX8	DGZ		Air Duct Adapter
		1	3, 7	L	12, 15, 16	EX8	DGZ		Air Duct Adapter
23	5122 953AA	2	2, 6	L	01, 02, 06	EX8	DGZ		MAT, Single Cup

Refer to Model Legend Information Bookmark

AR = Use as required - = Non illustrated part # = New this model year

March 3, 2006

**Instrument Panel Bezel and Related Parts
Figure 08A-110**



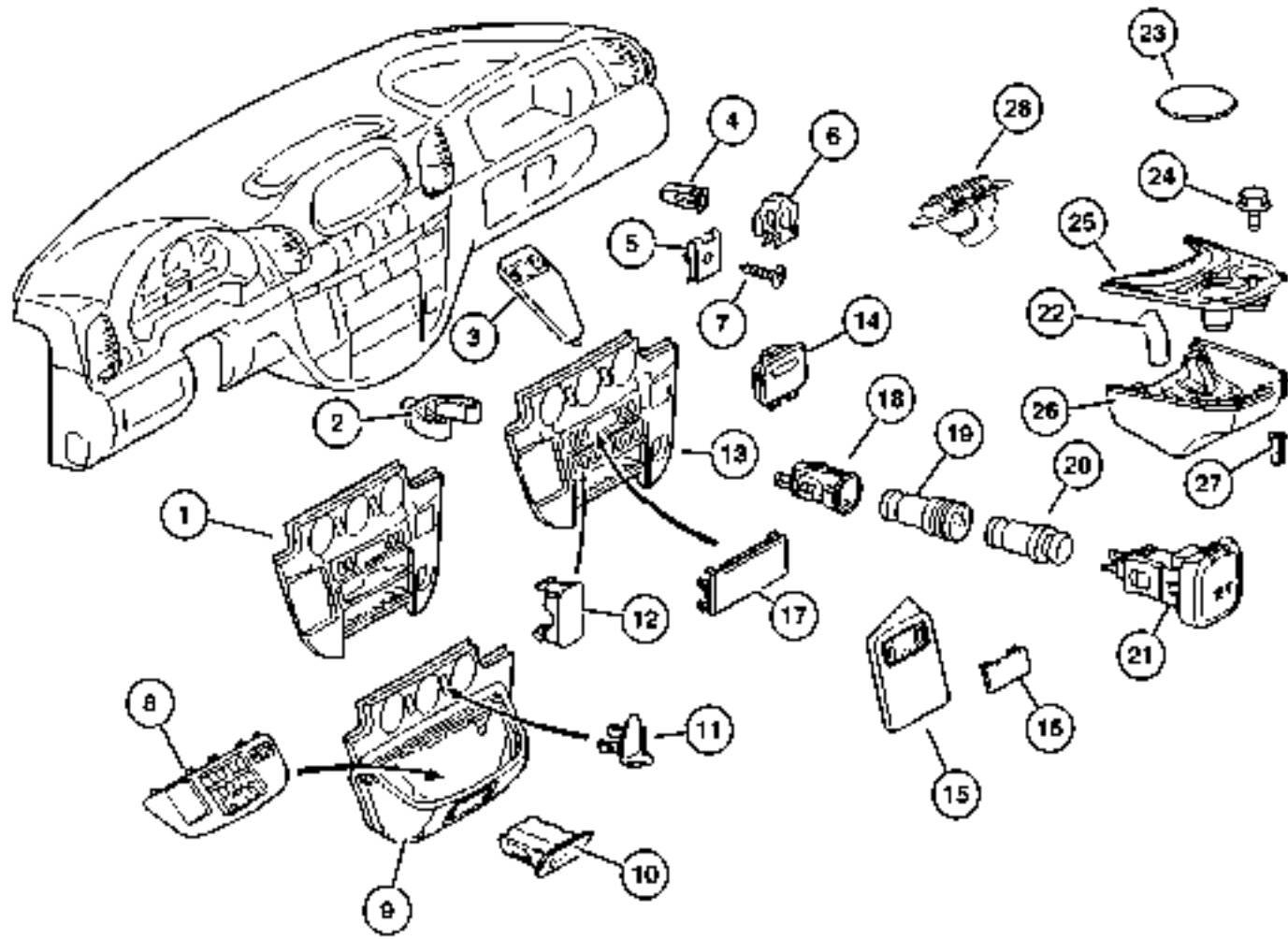
ITEM	PART NUMBER	QTY	LINE	SERIES	BODY	ENGINE	TRANS	TRIM	DESCRIPTION
		2	2, 6	L	11, 12, 14, 15, 16	EX8	DGZ		
		2	2, 6	L	51, 52, 54, 55, 56	EX8	DGZ		
		2	3, 7	L	02, 06	EX8	DGZ		
		2	3, 7	L	12, 15, 16	EX8	DGZ		
24	6104 121AA	4	2, 6	L	01, 02, 06	EX8	DGZ		SCREW, Hex Flange Head
		4	2, 6	L	11, 12, 14, 15, 16	EX8	DGZ		
		4	2, 6	L	51, 52, 54, 55, 56	EX8	DGZ		
		4	3, 7	L	02, 06	EX8	DGZ		
		4	3, 7	L	12, 15, 16	EX8	DGZ		
25	5104 254AA	1	2, 6	L	01, 02, 06	EX8	DGZ		CUP HOLDER, Lid
		1	2, 6	L	11, 12, 14, 15, 16	EX8	DGZ		
		1	2, 6	L	51, 52, 54, 55, 56	EX8	DGZ		
		1	3, 7	L	02, 06	EX8	DGZ		
		1	3, 7	L	12, 15, 16	EX8	DGZ		
26	5104 255AA	1	2, 6	L	01, 02, 06	EX8	DGZ		HOUSING, Cup Holder
		1	2, 6	L	11, 12, 14, 15, 16	EX8	DGZ		
		1	2, 6	L	51, 52, 54, 55, 56	EX8	DGZ		
		1	3, 7	L	02, 06	EX8	DGZ		
		1	3, 7	L	12, 15, 16	EX8	DGZ		
27									NUT, Rivet

Refer to Model Legend Information Bookmark

AR = Use as required - = Non illustrated part # = New this model year

March 3, 2006

**Instrument Panel Bezel and Related Parts
Figure 08A-110**



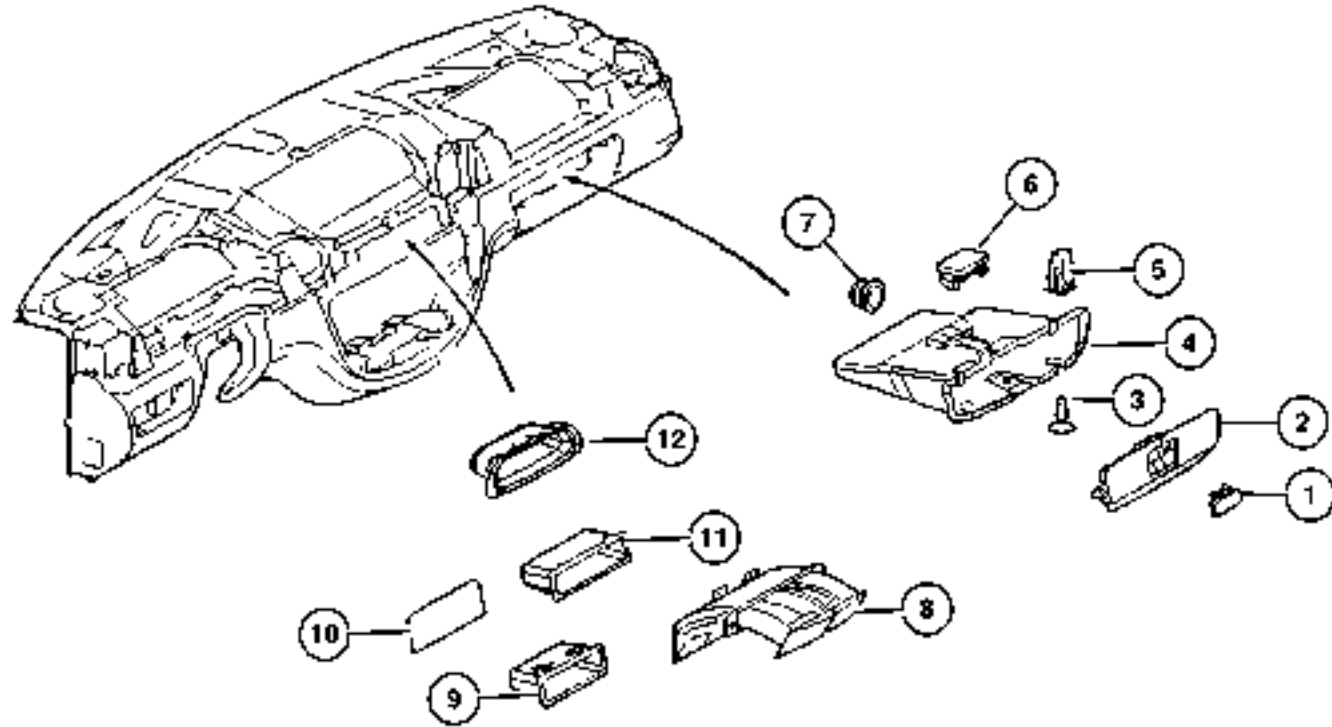
ITEM	PART NUMBER	QTY	LINE	SERIES	BODY	ENGINE	TRANS	TRIM	DESCRIPTION
	5133 975AA	4	2, 6	L	01, 02, 06	EX8	DGZ		
		4	2, 6	L	11, 12, 14, 15, 16	EX8	DGZ		
		4	2, 6	L	51, 52, 54, 55, 56	EX8	DGZ		
		4	3, 7	L	02, 06	EX8	DGZ		
		4	3, 7	L	12, 15, 16	EX8	DGZ		
28	5104 267AA	1	2, 6	L	01, 02, 06	EX8	DGZ		ADAPTER, Air Duct
		1	2, 6	L	11, 12, 14, 15, 16	EX8	DGZ		
		1	2, 6	L	51, 52, 54, 55, 56	EX8	DGZ		
		1	3, 7	L	02, 06	EX8	DGZ		
		1	3, 7	L	12, 15, 16	EX8	DGZ		

Refer to Model Legend Information Bookmark

AR = Use as required - = Non illustrated part # = New this model year

March 3, 2006

Ash Receiver and Glove Box
Figure 08A-115



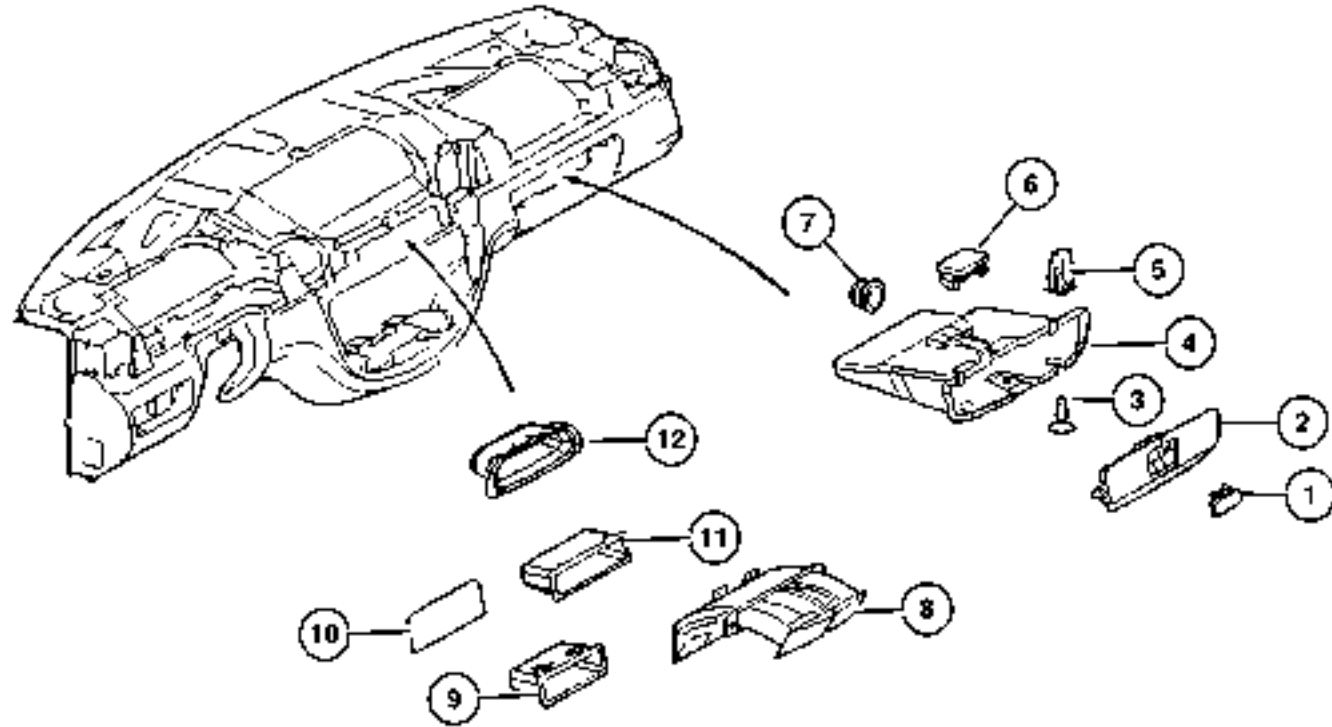
ITEM	PART NUMBER	QTY	LINE	SERIES	BODY	ENGINE	TRANS	TRIM	DESCRIPTION
1	LATCH, Glovebox								
	5104 257AA	1	2, 6	L	01, 02, 06	EX8	DGZ		
		1	2, 6	L	11, 12, 14, 15, 16	EX8	DGZ		
		1	2, 6	L	51, 52, 54, 55, 56	EX8	DGZ		
		1	3, 7	L	02, 06	EX8	DGZ		
		1	3, 7	L	12, 15, 16	EX8	DGZ		
2	DOOR, Glove Box								
	5104 260AA	1	2, 6	L	01, 02, 06	EX8	DGZ		
		1	2, 6	L	11, 12, 14, 15, 16	EX8	DGZ		
		1	2, 6	L	51, 52, 54, 55, 56	EX8	DGZ		
		1	3, 7	L	02, 06	EX8	DGZ		
		1	3, 7	L	12, 15, 16	EX8	DGZ		
3	SCREW								
	6104 610AA	5	2, 6	L	01, 02, 06	EX8	DGZ		
		5	2, 6	L	11, 12, 14, 15, 16	EX8	DGZ		
		5	2, 6	L	51, 52, 54, 55, 56	EX8	DGZ		
		5	3, 7	L	02, 06	EX8	DGZ		
		5	3, 7	L	12, 15, 16	EX8	DGZ		
4	GLOVE BOX, Instrument Panel								
	5122 413AA	1	2, 6	L	01, 02, 06	EX8	DGZ		
		1	2, 6	L	11, 12, 14, 15, 16	EX8	DGZ		
	1	2, 6	L	51, 52, 54, 55, 56	EX8	DGZ			

Refer to Model Legend Information Bookmark

AR = Use as required - = Non illustrated part # = New this model year

March 3, 2006

Ash Receiver and Glove Box
Figure 08A-115



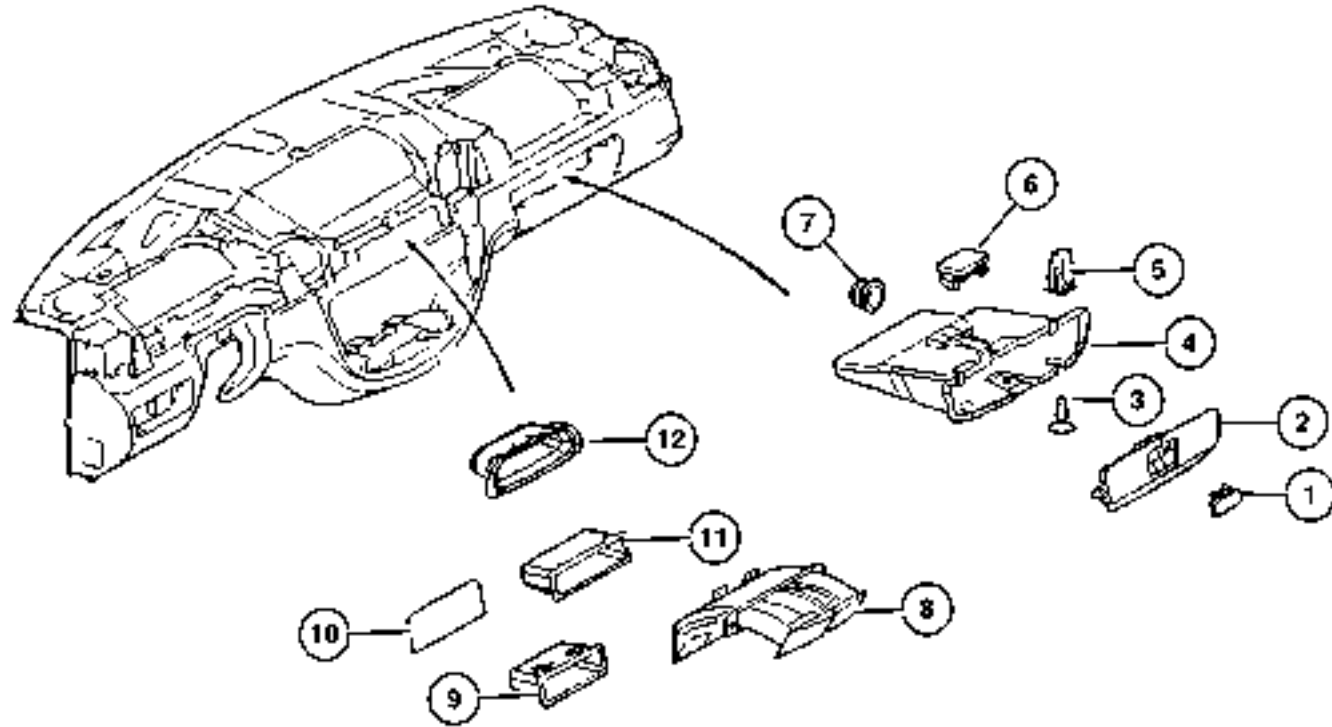
ITEM	PART NUMBER	QTY	LINE	SERIES	BODY	ENGINE	TRANS	TRIM	DESCRIPTION
		1	3, 7	L	02, 06	EX8	DGZ		
		1	3, 7	L	12, 15, 16	EX8	DGZ		
5	5125 576AA	2	2, 6	L	01, 02, 06	EX8	DGZ		NUT, Plastic Snap-in
		2	2, 6	L	11, 12, 14, 15, 16	EX8	DGZ		
		2	2, 6	L	51, 52, 54, 55, 56	EX8	DGZ		
		2	3, 7	L	02, 06	EX8	DGZ		
		2	3, 7	L	12, 15, 16	EX8	DGZ		
6	5125 551AA	2	2, 6	L	01, 02, 06	EX8	DGZ		PLUG
		2	2, 6	L	11, 12, 14, 15, 16	EX8	DGZ		
		2	2, 6	L	51, 52, 54, 55, 56	EX8	DGZ		
		2	3, 7	L	02, 06	EX8	DGZ		
		2	3, 7	L	12, 15, 16	EX8	DGZ		
7	5103 919AA	2	2, 6	L	01, 02, 06	EX8	DGZ		PLUG, Instrument Panel
		2	2, 6	L	11, 12, 14, 15, 16	EX8	DGZ		
		2	2, 6	L	51, 52, 54, 55, 56	EX8	DGZ		
		2	3, 7	L	02, 06	EX8	DGZ		
		2	3, 7	L	12, 15, 16	EX8	DGZ		
8	5124 226AA	1	2, 6	L	01, 02, 06	EX8	DGZ		ASH RECEIVER, Instrument Panel
		1	2, 6	L	11, 12, 14, 15, 16	EX8	DGZ		

Refer to Model Legend Information Bookmark

AR = Use as required - = Non illustrated part # = New this model year

March 3, 2006

**Ash Reciever and Glove Box
Figure 08A-115**



ITEM	PART NUMBER	QTY	LINE	SERIES	BODY	ENGINE	TRANS	TRIM	DESCRIPTION
		1	2, 6	L	51, 52, 54, 55, 56	EX8	DGZ		
		1	3, 7	L	02, 06	EX8	DGZ		
		1	3, 7	L	12, 15, 16	EX8	DGZ		
9	5122 945AA	1	2, 6	L	01, 02, 06	EX8	DGZ		CUBBY BOX, Instrument Panel
		1	2, 6	L	11, 12, 14, 15, 16	EX8	DGZ		
		1	2, 6	L	51, 52, 54, 55, 56	EX8	DGZ		
		1	3, 7	L	02, 06	EX8	DGZ		
		1	3, 7	L	12, 15, 16	EX8	DGZ		
10	5122 951AA	1	2, 6	L	01, 02, 06	EX8	DGZ		PAD, Backing
		1	2, 6	L	11, 12, 14, 15, 16	EX8	DGZ		
		1	2, 6	L	51, 52, 54, 55, 56	EX8	DGZ		
		1	3, 7	L	02, 06	EX8	DGZ		
		1	3, 7	L	12, 15, 16	EX8	DGZ		
11	5122 948AA	1	2, 6	L	01, 02, 06	EX8	DGZ		CUBBY BOX, Instrument Panel
		1	2, 6	L	11, 12, 14, 15, 16	EX8	DGZ		
		1	2, 6	L	51, 52, 54, 55, 56	EX8	DGZ		
		1	3, 7	L	02, 06	EX8	DGZ		
		1	3, 7	L	12, 15, 16	EX8	DGZ		
12	5122 943AA	1	3, 7	L	02, 06	EX8	DGZ		CUBBY BOX, Instrument Panel

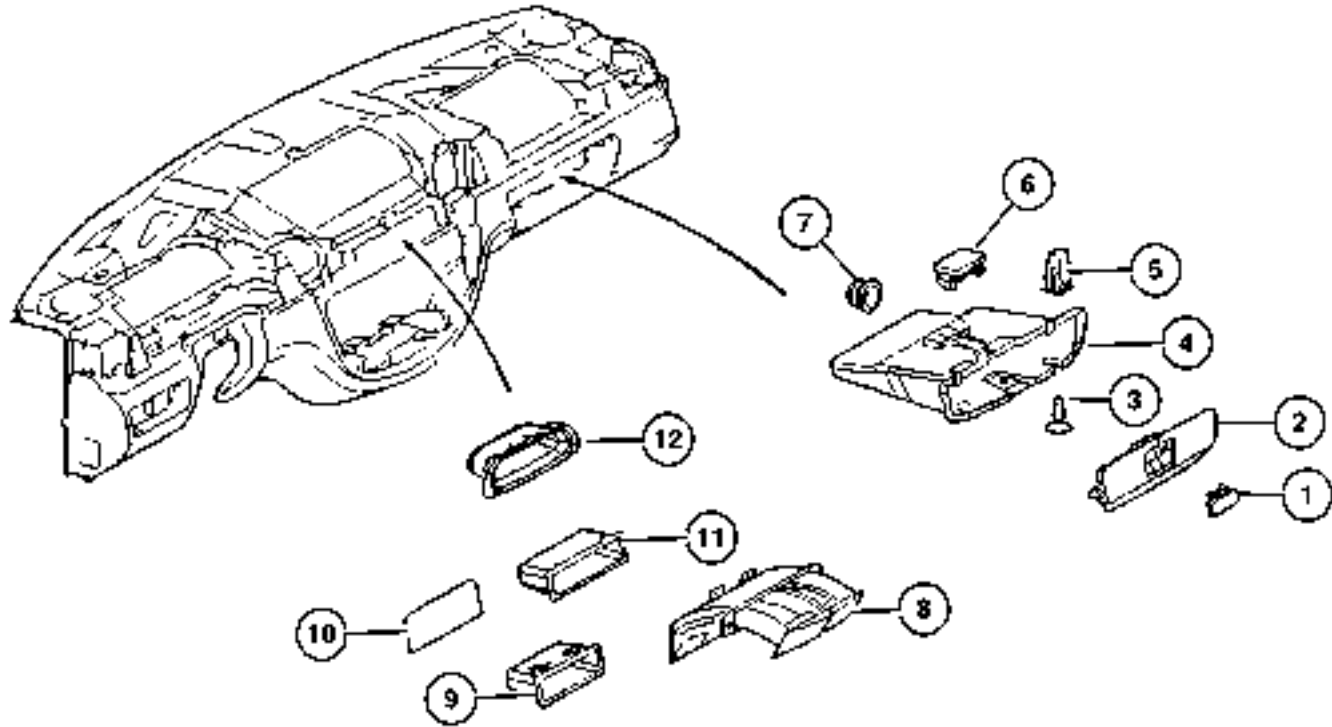
Refer to Model Legend Information Bookmark

AR = Use as required - = Non illustrated part # = New this model year

March 3, 2006

Ash Reciever and Glove Box
Figure 08A-115

ITEM	PART NUMBER	QTY	LINE	SERIES	BODY	ENGINE	TRANS	TRIM	DESCRIPTION
		1	3, 7	L	12, 15, 16	EX8	DGZ		



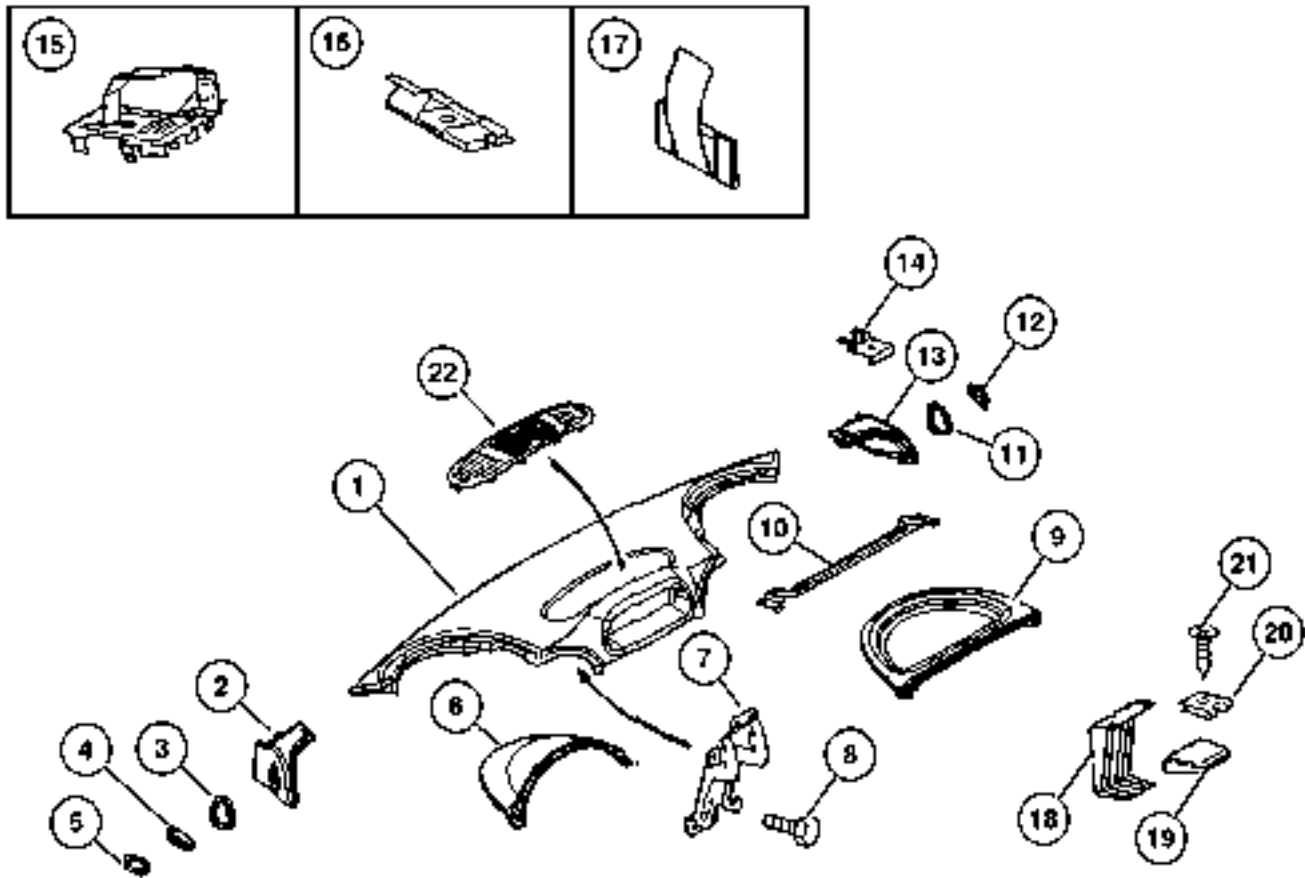
Refer to Model Legend Information Bookmark

AR = Use as required - = Non illustrated part # = New this model year

March 3, 2006

**Instrument Panel Cover and Related Parts
Figure 08A-120**

ITEM	PART NUMBER	QTY	LINE	SERIES	BODY	ENGINE	TRANS	TRIM	DESCRIPTION	
1	5122 364AA	1	2, 6	L	01, 02, 06	EX8	DGZ		COVER, Instrument Panel With Comfort/Soft Look Dash	
		1	2, 6	L	11, 12, 14, 15, 16	EX8	DGZ		With Comfort/Soft Look Dash	
		1	2, 6	L	51, 52, 54, 55, 56	EX8	DGZ		With Comfort/Soft Look Dash	
		1	3, 7	L	02, 06	EX8	DGZ		With Comfort/Soft Look Dash	
		1	3, 7	L	12, 15, 16	EX8	DGZ		With Comfort/Soft Look Dash	
		2	5122 876AA	1	2, 6	L	01, 02, 06	EX8	DGZ	
1	2, 6	L		11, 12, 14, 15, 16	EX8	DGZ		Left		
1	3, 7	L		02, 06	EX8	DGZ		Left		
1	3, 7	L		12, 15, 16	EX8	DGZ		Left		
3	5124 784AA	1		2, 6	L	01, 02, 06	EX8	DGZ		SEAL Left Demister to Instrument Panel
		1		2, 6	L	11, 12, 14, 15, 16	EX8	DGZ		Left Demister to Instrument Panel
		1	2, 6	L	51, 52, 54, 55, 56	EX8	DGZ		Left Demister to Instrument Panel	
		1	3, 7	L	02, 06	EX8	DGZ		Left Demister to Instrument Panel	
		1	3, 7	L	12, 15, 16	EX8	DGZ		Left Demister to Instrument Panel	
		4	5124 910AA	1	2, 6	L	01, 02, 06	EX8	DGZ	
1	2, 6	L		11, 12, 14, 15, 16	EX8	DGZ		Left		
1	2, 6	L		51, 52, 54, 55, 56	EX8	DGZ		Left		
1	3, 7	L		02, 06	EX8	DGZ		Left		
1	3, 7	L		12, 15, 16	EX8	DGZ		Left		
5										SEAL



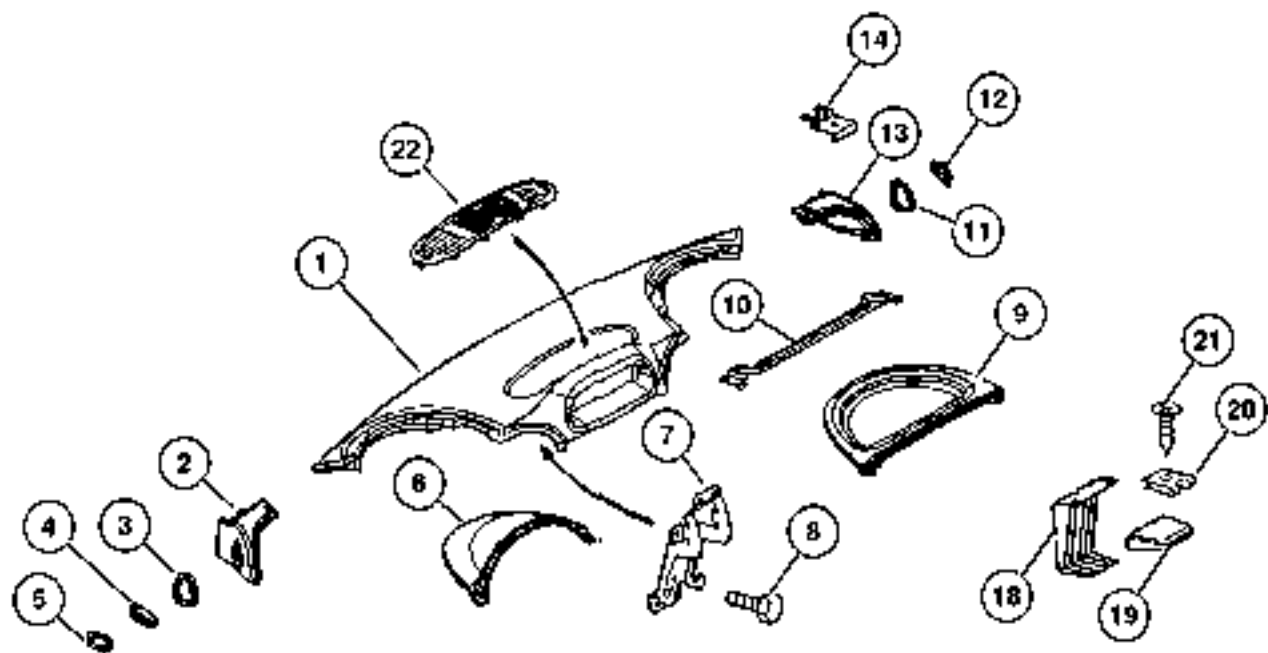
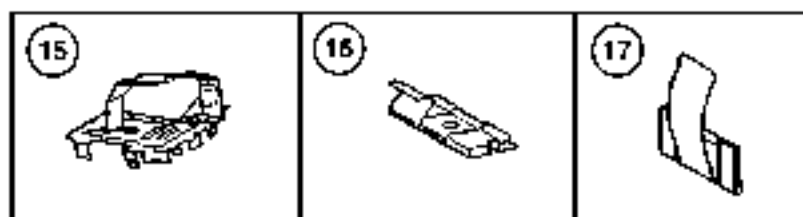
Refer to Model Legend Information Bookmark

AR = Use as required - = Non illustrated part # = New this model year

March 3, 2006

**Instrument Panel Cover and Related Parts
Figure 08A-120**

ITEM	PART NUMBER	QTY	LINE	SERIES	BODY	ENGINE	TRANS	TRIM	DESCRIPTION
	5124 781AA	1	2, 6	L	01, 02, 06	EX8	DGZ		
		1	2, 6	L	11, 12, 14, 15, 16	EX8	DGZ		
		1	2, 6	L	51, 52, 54, 55, 56	EX8	DGZ		
		1	3, 7	L	02, 06	EX8	DGZ		
		1	3, 7	L	12, 15, 16	EX8	DGZ		
6	5122 369AA	1	2, 6	L	01, 02, 06	EX8	DGZ		COVER Left
		1	2, 6	L	11, 12, 14, 15, 16	EX8	DGZ		Left
		1	2, 6	L	51, 52, 54, 55, 56	EX8	DGZ		Left
		1	3, 7	L	02, 06	EX8	DGZ		Left
		1	3, 7	L	12, 15, 16	EX8	DGZ		Left
7	5122 906AA	1	2, 6	L	01, 02, 06	EX8	DGZ		BRACKET, Instrument Panel Struts/KT/Ablage
		1	2, 6	L	11, 12, 14, 15, 16	EX8	DGZ		Struts/KT/Ablage
		1	2, 6	L	51, 52, 54, 55, 56	EX8	DGZ		Struts/KT/Ablage
		1	3, 7	L	02, 06	EX8	DGZ		Struts/KT/Ablage
		1	3, 7	L	12, 15, 16	EX8	DGZ		Struts/KT/Ablage
8	5104 663AA	4	2, 6	L	01, 02, 06	EX8	DGZ		SCREW
		4	2, 6	L	11, 12, 14, 15, 16	EX8	DGZ		
		4	2, 6	L	51, 52, 54, 55, 56	EX8	DGZ		
		4	3, 7	L	02, 06	EX8	DGZ		



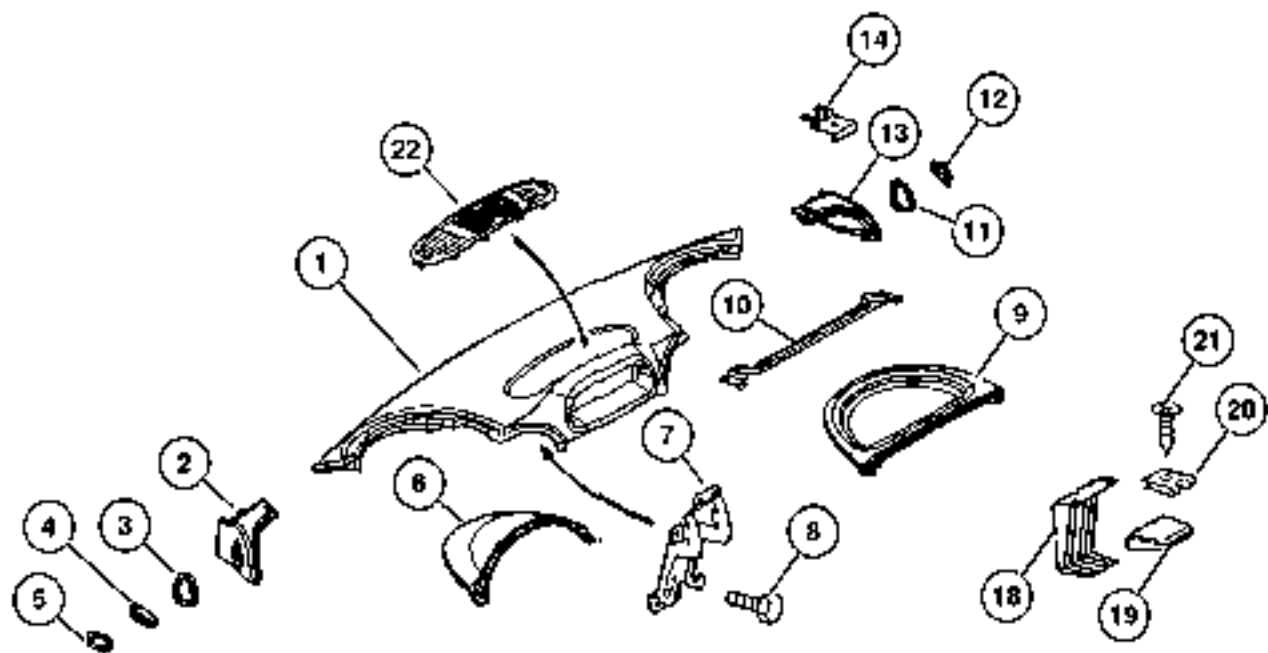
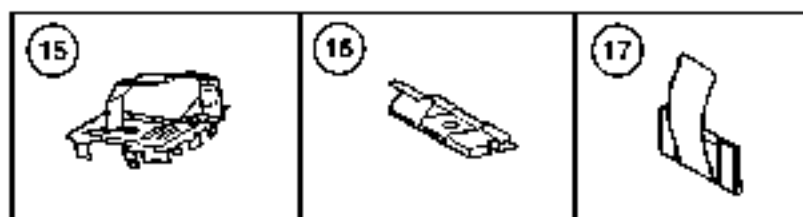
Refer to Model Legend Information Bookmark

AR = Use as required - = Non illustrated part # = New this model year

March 3, 2006

**Instrument Panel Cover and Related Parts
Figure 08A-120**

ITEM	PART NUMBER	QTY	LINE	SERIES	BODY	ENGINE	TRANS	TRIM	DESCRIPTION
		4	3, 7	L	12, 15, 16	EX8	DGZ		
9	5104 268AA	1	2, 6	L	01, 02, 06	EX8	DGZ		BEZEL, Instrument Panel Pigeon Hole Top, Right
		1	2, 6	L	11, 12, 14, 15, 16	EX8	DGZ		Pigeon Hole Top, Right
		1	2, 6	L	51, 52, 54, 55, 56	EX8	DGZ		Pigeon Hole Top, Right
		1	3, 7	L	02, 06	EX8	DGZ		Pigeon Hole Top, Right
		1	3, 7	L	12, 15, 16	EX8	DGZ		Pigeon Hole Top, Right
10	5122 390AA	1	2, 6	L	01, 02, 06	EX8	DGZ		BRACKET, Instrument Panel
		1	2, 6	L	11, 12, 14, 15, 16	EX8	DGZ		
		1	2, 6	L	51, 52, 54, 55, 56	EX8	DGZ		
		1	3, 7	L	02, 06	EX8	DGZ		
		1	3, 7	L	12, 15, 16	EX8	DGZ		
11	5124 784AA	1	2, 6	L	01, 02, 06	EX8	DGZ		SEAL Demister to Instrument Panel, Right
		1	2, 6	L	11, 12, 14, 15, 16	EX8	DGZ		Demister to Instrument Panel, Right
		1	2, 6	L	51, 52, 54, 55, 56	EX8	DGZ		Demister to Instrument Panel, Right
		1	3, 7	L	02, 06	EX8	DGZ		Demister to Instrument Panel, Right
		1	3, 7	L	12, 15, 16	EX8	DGZ		Demister to Instrument Panel, Right
12	5124 911AA	1	2, 6	L	01, 02, 06	EX8	DGZ		GRILLE, Demister Right
		1	2, 6	L	11, 12, 14, 15, 16	EX8	DGZ		Right



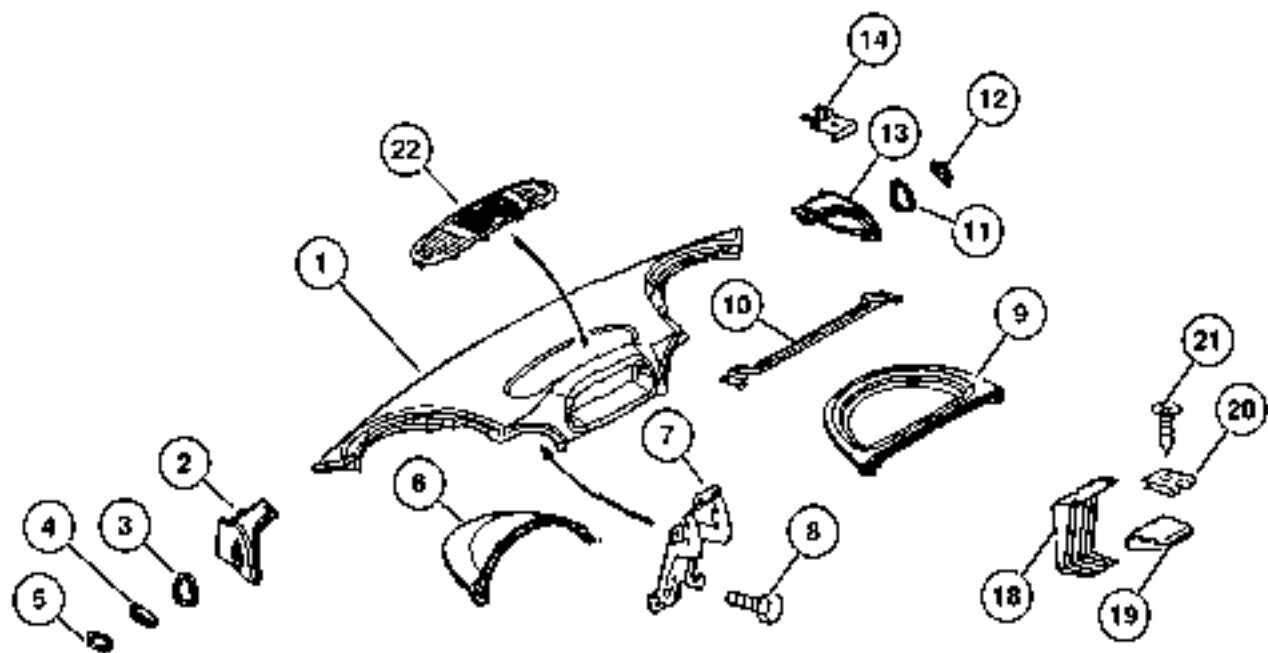
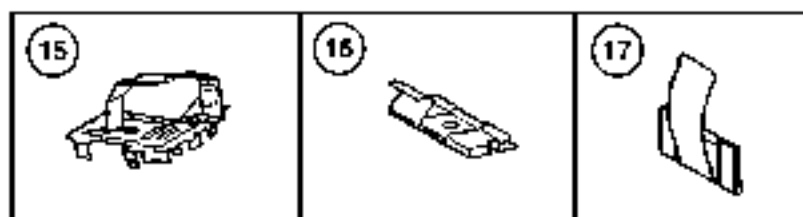
Refer to Model Legend Information Bookmark

AR = Use as required - = Non illustrated part # = New this model year

March 3, 2006

**Instrument Panel Cover and Related Parts
Figure 08A-120**

ITEM	PART NUMBER	QTY	LINE	SERIES	BODY	ENGINE	TRANS	TRIM	DESCRIPTION
		1	2, 6	L	51, 52, 54, 55, 56	EX8	DGZ		Right
		1	3, 7	L	02, 06	EX8	DGZ		Right
		1	3, 7	L	12, 15, 16	EX8	DGZ		Right
13	5122 877AA	1	2, 6	L	01, 02, 06	EX8	DGZ		HOUSING, Air Outlet
		1	2, 6	L	11, 12, 14, 15, 16	EX8	DGZ		
		1	3, 7	L	02, 06	EX8	DGZ		
		1	3, 7	L	12, 15, 16	EX8	DGZ		
14	5122 889AA	2	2, 6	L	01, 02, 06	EX8	DGZ		BRACKET, Instrument Panel
		2	2, 6	L	11, 12, 14, 15, 16	EX8	DGZ		
		2	2, 6	L	51, 52, 54, 55, 56	EX8	DGZ		
		2	3, 7	L	02, 06	EX8	DGZ		
		2	3, 7	L	12, 15, 16	EX8	DGZ		
15	5122 388AA	1	2, 6	L	01, 02, 06	EX8			BRACKET, Instrument Panel
		1	2, 6	L	11, 12, 14, 15, 16	EX8			
		1	2, 6	L	51, 52, 54, 55, 56	EX8			
		1	3, 7	L	02, 06	EX8			
		1	3, 7	L	12, 15, 16	EX8			
16	5125 589AA	2	2, 6	L	01, 02, 06	EX8			CLIP, Bracket
		2	2, 6	L	11, 12, 14, 15, 16	EX8			



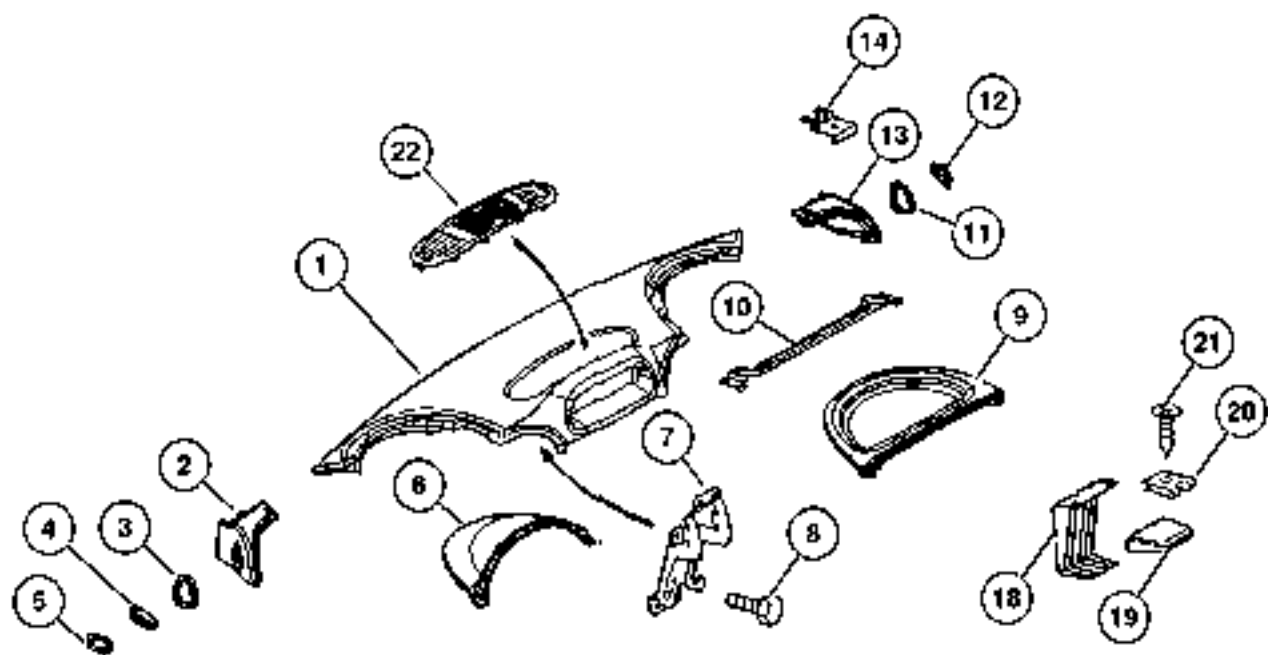
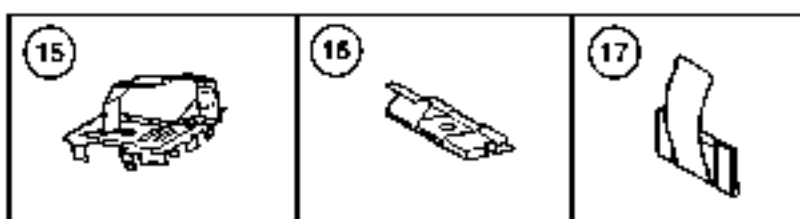
Refer to Model Legend Information Bookmark

AR = Use as required - = Non illustrated part # = New this model year

March 3, 2006

**Instrument Panel Cover and Related Parts
Figure 08A-120**

ITEM	PART NUMBER	QTY	LINE	SERIES	BODY	ENGINE	TRANS	TRIM	DESCRIPTION
		2	2, 6	L	51, 52, 54, 55, 56	EX8			
		2	3, 7	L	02, 06	EX8			
		2	3, 7	L	12, 15, 16	EX8			
17	5125 590AA	1	2, 6	L	01, 02, 06	EX8	DGZ		CLIP, Spring
		1	2, 6	L	11, 12, 14, 15, 16	EX8	DGZ		
		1	2, 6	L	51, 52, 54, 55, 56	EX8	DGZ		
		1	3, 7	L	02, 06	EX8	DGZ		
		1	3, 7	L	12, 15, 16	EX8	DGZ		
18	5122 394AA	1	2, 6	L	01, 02, 06	EX8	DGZ		BRACKET, Instrument Panel
		1	2, 6	L	11, 12, 14, 15, 16	EX8	DGZ		
		1	2, 6	L	51, 52, 54, 55, 56	EX8	DGZ		
		1	3, 7	L	02, 06	EX8	DGZ		
		1	3, 7	L	12, 15, 16	EX8	DGZ		
19	5122 942AA	1	2, 6	L	01, 02, 06	EX8	DGZ		PAD, Console Intermediate
		1	2, 6	L	11, 12, 14, 15, 16	EX8	DGZ		Intermediate
		1	2, 6	L	51, 52, 54, 55, 56	EX8	DGZ		Intermediate
		1	3, 7	L	02, 06	EX8	DGZ		Intermediate
		1	3, 7	L	12, 15, 16	EX8	DGZ		Intermediate
20	5125 867AA	2	2, 6	L	01, 02, 06	EX8	DGZ		NUT, Clip-On



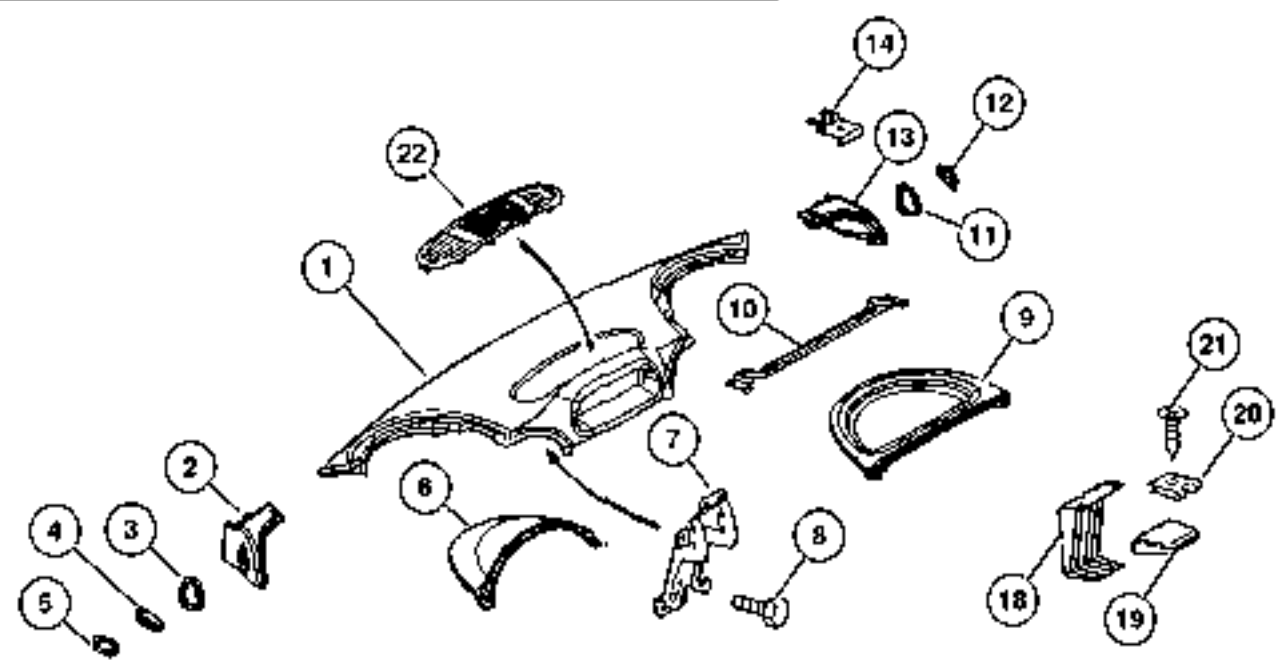
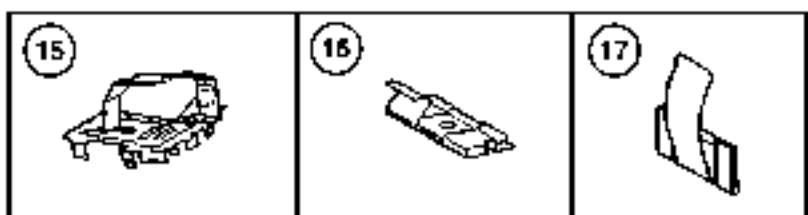
Refer to Model Legend Information Bookmark

AR = Use as required - = Non illustrated part # = New this model year

March 3, 2006

**Instrument Panel Cover and Related Parts
Figure 08A-120**

ITEM	PART NUMBER	QTY	LINE	SERIES	BODY	ENGINE	TRANS	TRIM	DESCRIPTION
		2	2, 6	L	11, 12, 14, 15, 16	EX8	DGZ		
		2	2, 6	L	51, 52, 54, 55, 56	EX8	DGZ		
		2	3, 7	L	02, 06	EX8	DGZ		
		2	3, 7	L	12, 15, 16	EX8	DGZ		
21	6104 610AA	5	2, 6	L	01, 02, 06	EX8	DGZ		SCREW
		2	2, 6	L	11, 12, 14, 15, 16	EX8	DGZ		
		2	2, 6	L	51, 52, 54, 55, 56	EX8	DGZ		
		2	3, 7	L	02, 06	EX8	DGZ		
		2	3, 7	L	12, 15, 16	EX8	DGZ		
22	5104 271AA	1	2, 6	L	01, 02, 06	EX8	DGZ		GRILLE, Defroster
		1	2, 6	L	11, 12, 14, 15, 16	EX8	DGZ		
		1	2, 6	L	51, 52, 54, 55, 56	EX8	DGZ		
		1	3, 7	L	02, 06	EX8	DGZ		
		1	3, 7	L	12, 15, 16	EX8	DGZ		



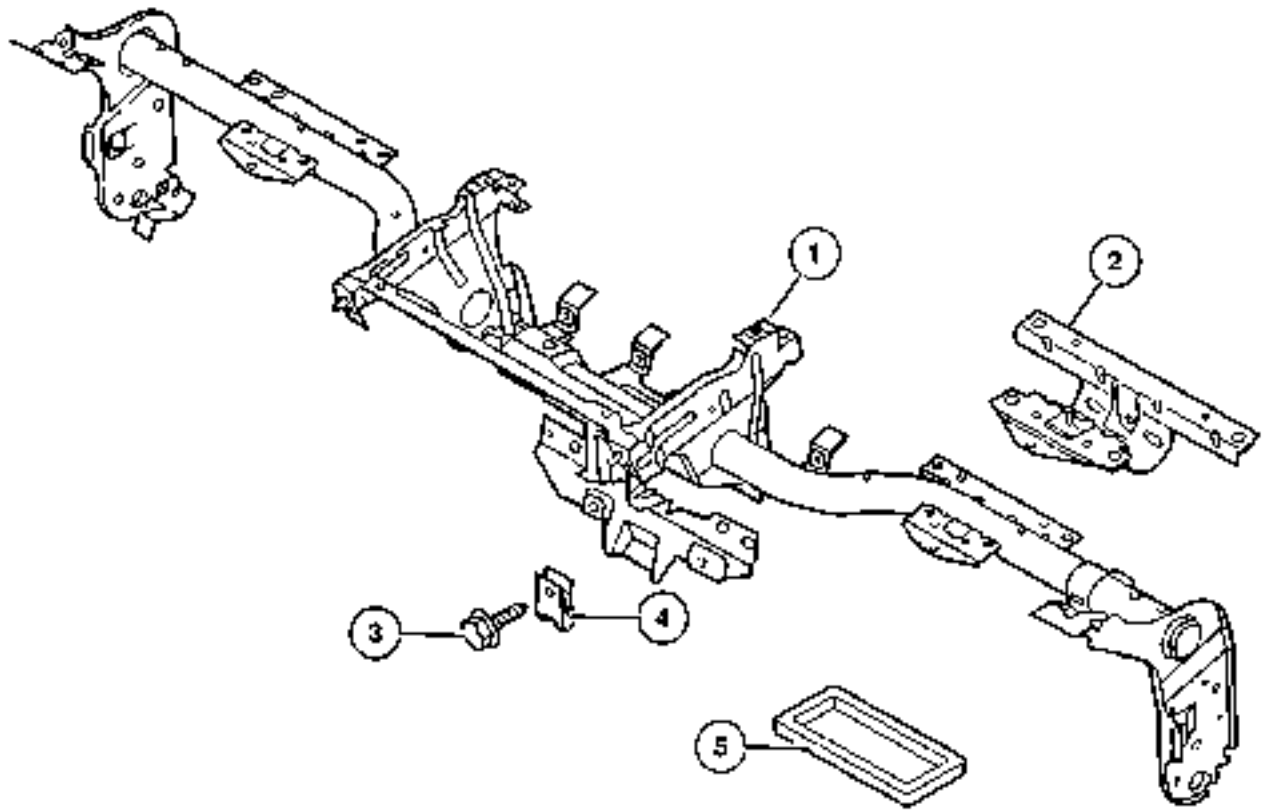
Refer to Model Legend Information Bookmark

AR = Use as required - = Non illustrated part # = New this model year

March 3, 2006

**Instrument Panel Reinforcement
Figure 08A-125**

ITEM	PART NUMBER	QTY	LINE	SERIES	BODY	ENGINE	TRANS	TRIM	DESCRIPTION
1	FRAME, Instrument Panel								
	5133 470AA	1	2, 6	L	01, 02, 06	EX8	DGZ		
		1	2, 6	L	11, 12, 14, 15, 16	EX8	DGZ		
		1	2, 6	L	51, 52, 54, 55, 56	EX8	DGZ		
		1	3, 7	L	02, 06	EX8	DGZ		
		1	3, 7	L	12, 15, 16	EX8	DGZ		
2	SUPPORT, Instrument Panel								
	5122 400AA	1	2, 6	L	01, 02, 06	EX8	DGZ		
		1	2, 6	L	11, 12, 14, 15, 16	EX8	DGZ		
		1	2, 6	L	51, 52, 54, 55, 56	EX8	DGZ		
		1	3, 7	L	02, 06	EX8	DGZ		
		1	3, 7	L	12, 15, 16	EX8	DGZ		
3	SCREW								
	6104 567AA	4	2, 6	L	01, 02, 06	EX8	DGZ		
		4	2, 6	L	11, 12, 14, 15, 16	EX8	DGZ		
		4	2, 6	L	51, 52, 54, 55, 56	EX8	DGZ		
		4	3, 7	L	02, 06	EX8	DGZ		
		4	3, 7	L	12, 15, 16	EX8	DGZ		
4	NUT, Clip-On								
	5125 853AA	8	2, 6	L	11, 12, 14, 15, 16	EX8	DGZ		
		8	2, 6	L	51, 52, 54, 55, 56	EX8	DGZ		
	8	3, 7	L	12, 15, 16	EX8	DGZ			



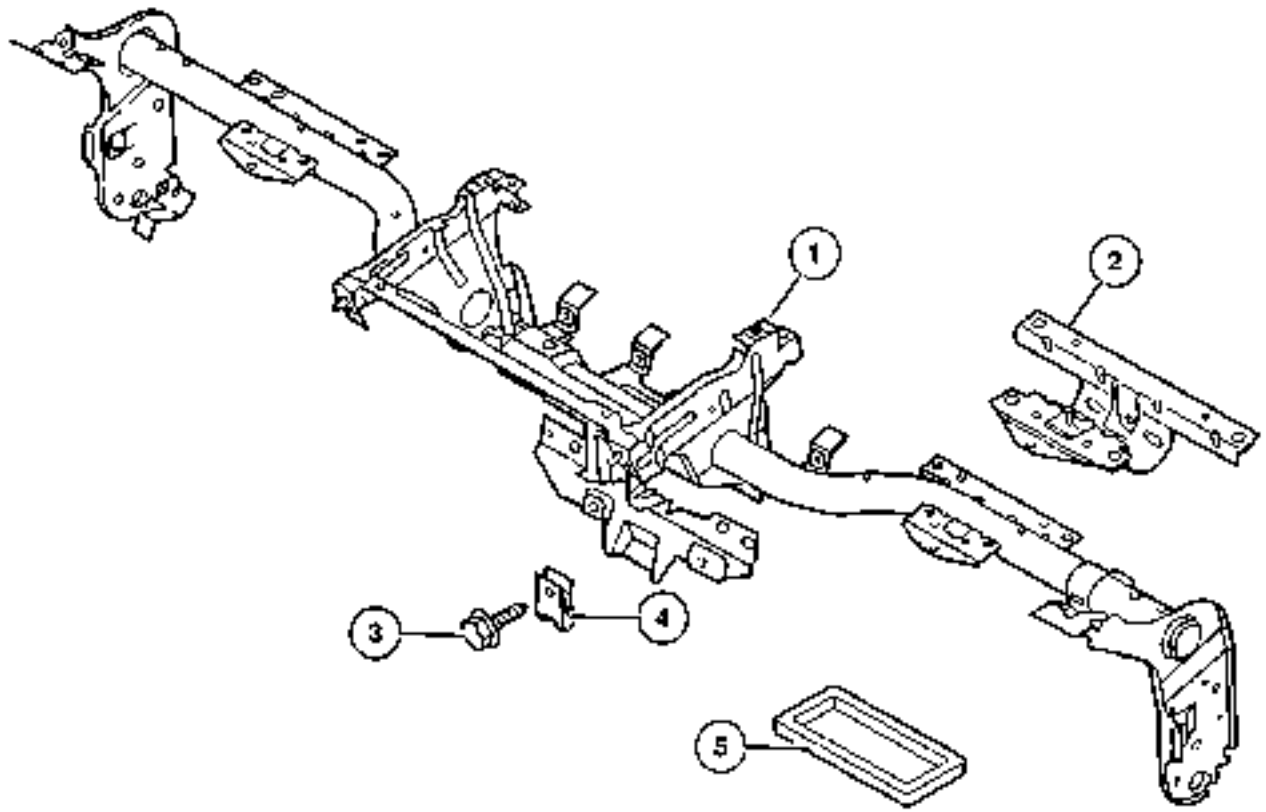
Refer to Model Legend Information Bookmark

AR = Use as required - = Non illustrated part # = New this model year

March 3, 2006

**Instrument Panel Reinforcement
Figure 08A-125**

ITEM	PART NUMBER	QTY	LINE	SERIES	BODY	ENGINE	TRANS	TRIM	DESCRIPTION
	5125 855AA	6	2, 6	L	01, 02, 06	EX8	DGZ		
5		6	3, 7	L	02, 06	EX8	DGZ		SEAL
	5124 783AA	2	2, 6	L	01, 02, 06	EX8	DGZ		
		2	2, 6	L	11, 12, 14, 15, 16	EX8	DGZ		
		2	2, 6	L	51, 52, 54, 55, 56	EX8	DGZ		
		2	3, 7	L	02, 06	EX8	DGZ		
		2	3, 7	L	12, 15, 16	EX8	DGZ		

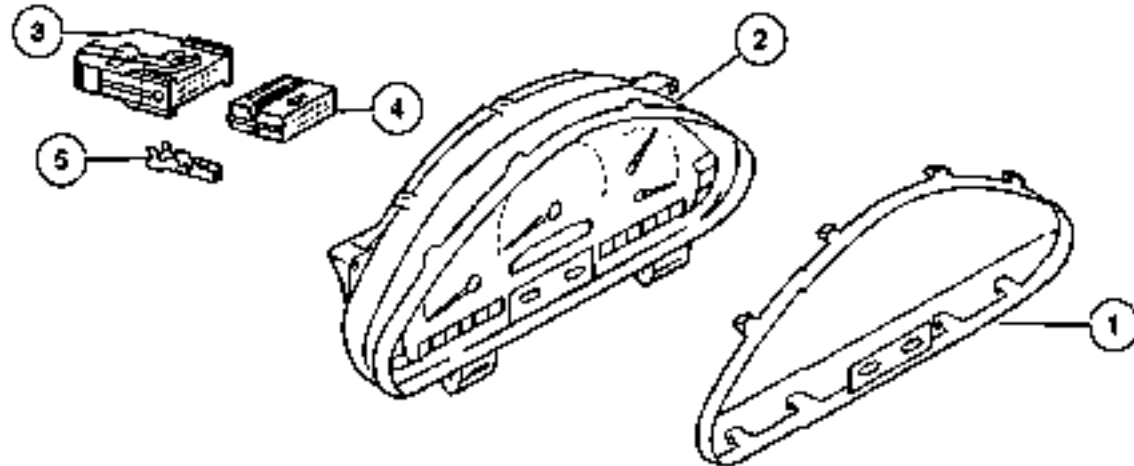


Refer to Model Legend Information Bookmark

AR = Use as required - = Non illustrated part # = New this model year

March 3, 2006

Instrument Panel Cluster
Figure 08A-205



ITEM	PART NUMBER	QTY	LINE	SERIES	BODY	ENGINE	TRANS	TRIM	DESCRIPTION	
1	5103 657AA	1	2, 6	L	01, 02, 06	EX8	DGZ		LENS, Cluster	
		1	2, 6	L	11, 12, 14, 15, 16	EX8	DGZ			
		1	2, 6	L	51, 52, 54, 55, 56	EX8	DGZ			
		1	3, 7	L	02, 06	EX8	DGZ			
		1	3, 7	L	12, 15, 16	EX8	DGZ			
		1	3, 7	L	12, 15, 16	EX8	DGZ			
2	5174 082AC	1	2, 6	L	01, 02, 06	EX8	DGZ		CLUSTER, Instrument Panel [4Z2,4Z1]	
		1	2, 6	L	11, 12, 14, 15, 16	EX8	DGZ			
		1	2, 6	L	51, 52, 54, 55, 56	EX8	DGZ			
		1	3, 7	L	02, 06	EX8	DGZ			
		1	3, 7	L	12, 15, 16	EX8	DGZ			
		1	3, 7	L	12, 15, 16	EX8	DGZ			
		1	2, 6	L	01, 02, 06	EX8	DGZ			[3SL,4XS]
		1	2, 6	L	11, 12, 14, 15, 16	EX8	DGZ			
		1	2, 6	L	51, 52, 54, 55, 56	EX8	DGZ			
		1	3, 7	L	02, 06	EX8	DGZ			
		1	3, 7	L	12, 15, 16	EX8	DGZ			
		1	3, 7	L	12, 15, 16	EX8	DGZ			
3	5120 662AA	1	2, 6	L	01, 02, 06	EX8	DGZ		CONNECTOR, Wiring	
		1	2, 6	L	11, 12, 14, 15, 16	EX8	DGZ			
		1	2, 6	L	51, 52, 54, 55, 56	EX8	DGZ			
		1	3, 7	L	02, 06	EX8	DGZ			

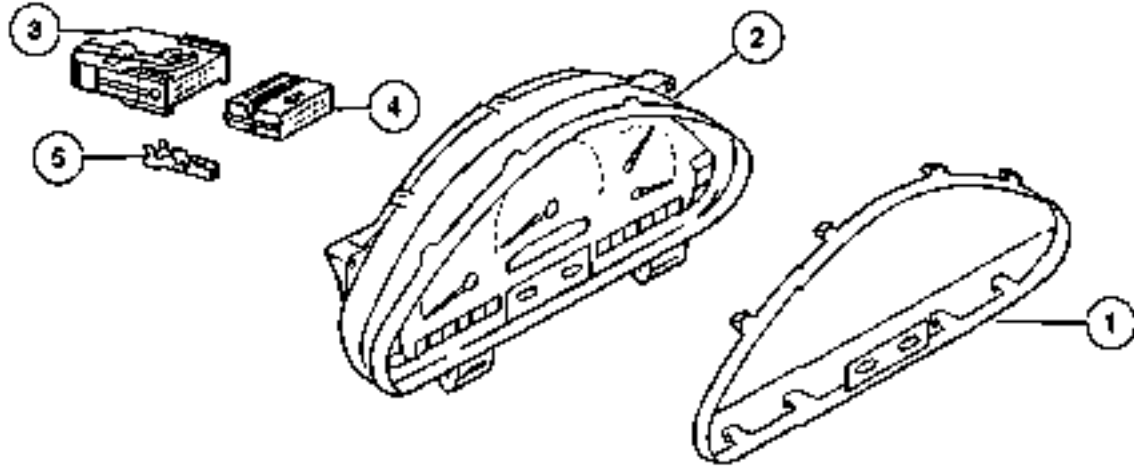
Refer to Model Legend Information Bookmark

AR = Use as required - = Non illustrated part # = New this model year

March 3, 2006

Instrument Panel Cluster
Figure 08A-205

ITEM	PART NUMBER	QTY	LINE	SERIES	BODY	ENGINE	TRANS	TRIM	DESCRIPTION
		1	3, 7	L	12, 15, 16	EX8	DGZ		
4	5103 750AA	1	2, 6	L	01, 02, 06	EX8	DGZ		CONNECTOR
		1	2, 6	L	11, 12, 14, 15, 16	EX8	DGZ		
		1	2, 6	L	51, 52, 54, 55, 56	EX8	DGZ		
		1	3, 7	L	12, 15, 16	EX8	DGZ		
5	5103 873AA	99	2, 6	L	01, 02, 06	EX8	DGZ		TERMINAL
		99	2, 6	L	11, 12, 14, 15, 16	EX8	DGZ		
		99	2, 6	L	51, 52, 54, 55, 56	EX8	DGZ		
		99	3, 7	L	02, 06	EX8	DGZ		
		99	3, 7	L	12, 15, 16	EX8	DGZ		

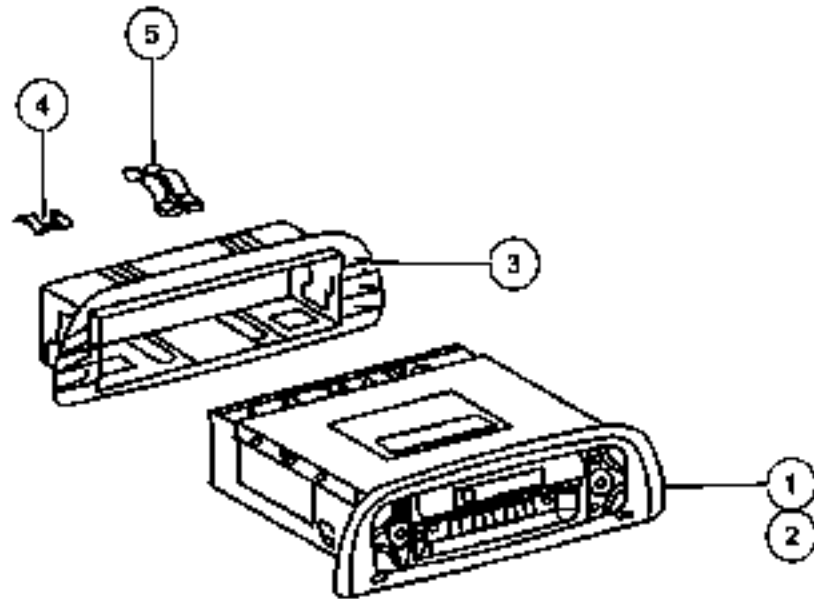


Refer to Model Legend Information Bookmark

AR = Use as required - = Non illustrated part # = New this model year

March 3, 2006

Radio
Figure 08A-305



ITEM	PART NUMBER	QTY	LINE	SERIES	BODY	ENGINE	TRANS	TRIM	DESCRIPTION
1	5124 583AA	1	2, 6	L	01, 02, 06	EX8	DGZ		RADIO [RAF]
		1	2, 6	L	11, 12, 14, 15, 16	EX8	DGZ		[RAF]
		1	2, 6	L	51, 52, 54, 55, 56	EX8	DGZ		[RAF]
		1	3, 7	L	02, 06	EX8	DGZ		[RAF]
		1	3, 7	L	12, 15, 16	EX8	DGZ		[RAF]
		2	5124 585AA	1	2, 6	L	01, 02, 06	EX8	DGZ
1	2, 6	L		11, 12, 14, 15, 16	EX8	DGZ		[RBE]	
1	2, 6	L		51, 52, 54, 55, 56	EX8	DGZ		[RBE]	
1	3, 7	L		02, 06	EX8	DGZ		[RBE]	
1	3, 7	L		12, 15, 16	EX8	DGZ		[RBE]	
3	5122 939AA	1		2, 6	L	01, 02, 06	EX8	DGZ	
1		2, 6	L	11, 12, 14, 15, 16	EX8	DGZ			
1		2, 6	L	51, 52, 54, 55, 56	EX8	DGZ			
1		3, 7	L	02, 06	EX8	DGZ			
1		3, 7	L	12, 15, 16	EX8	DGZ			
4		5124 612AA	2	2, 6	L	01, 02, 06	EX8	DGZ	
2	2, 6		L	11, 12, 14, 15, 16	EX8	DGZ			

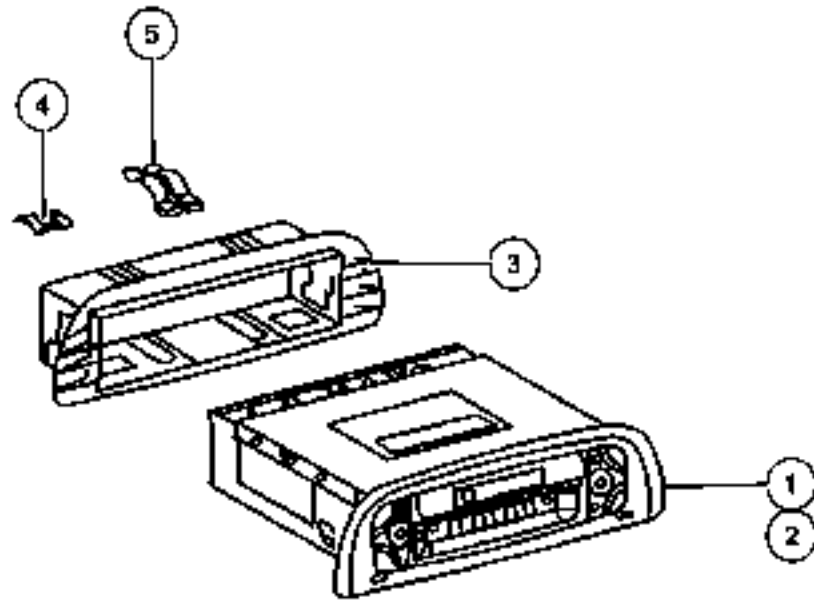
Refer to Model Legend Information Bookmark

AR = Use as required - = Non illustrated part # = New this model year

March 3, 2006

Radio
Figure 08A-305

ITEM	PART NUMBER	QTY	LINE	SERIES	BODY	ENGINE	TRANS	TRIM	DESCRIPTION
		2	2, 6	L	51, 52, 54, 55, 56	EX8	DGZ		
		2	3, 7	L	02, 06	EX8	DGZ		
		2	3, 7	L	12, 15, 16	EX8	DGZ		
5	5124 613AA	2	2, 6	L	01, 02, 06	EX8	DGZ		CLIP, Spring
		2	2, 6	L	11, 12, 14, 15, 16	EX8	DGZ		
		2	2, 6	L	51, 52, 54, 55, 56	EX8	DGZ		
		2	3, 7	L	02, 06	EX8	DGZ		
		2	3, 7	L	12, 15, 16	EX8	DGZ		

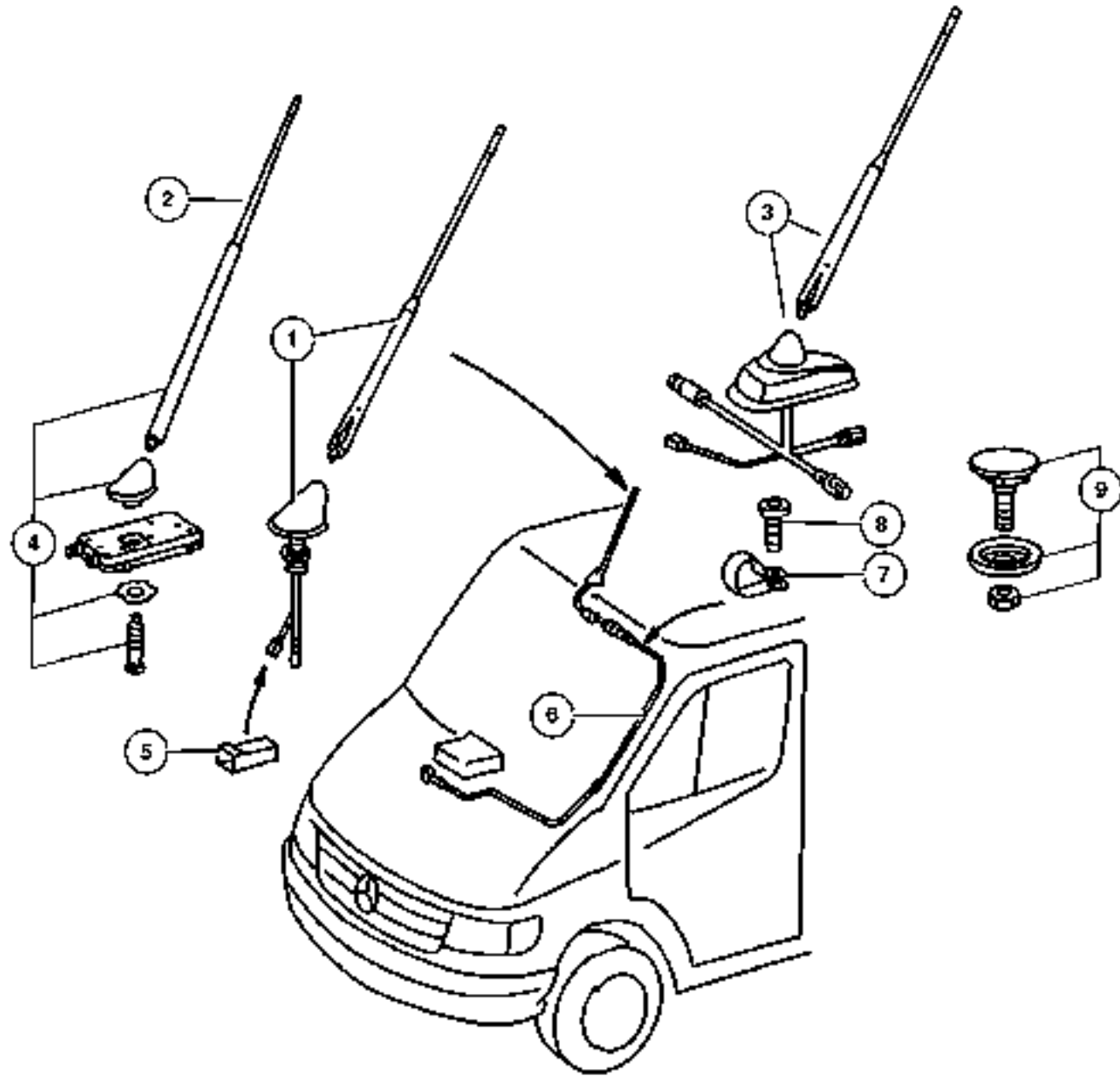


Refer to Model Legend Information Bookmark

AR = Use as required - = Non illustrated part # = New this model year

March 3, 2006

Antenna Figure 08A-310



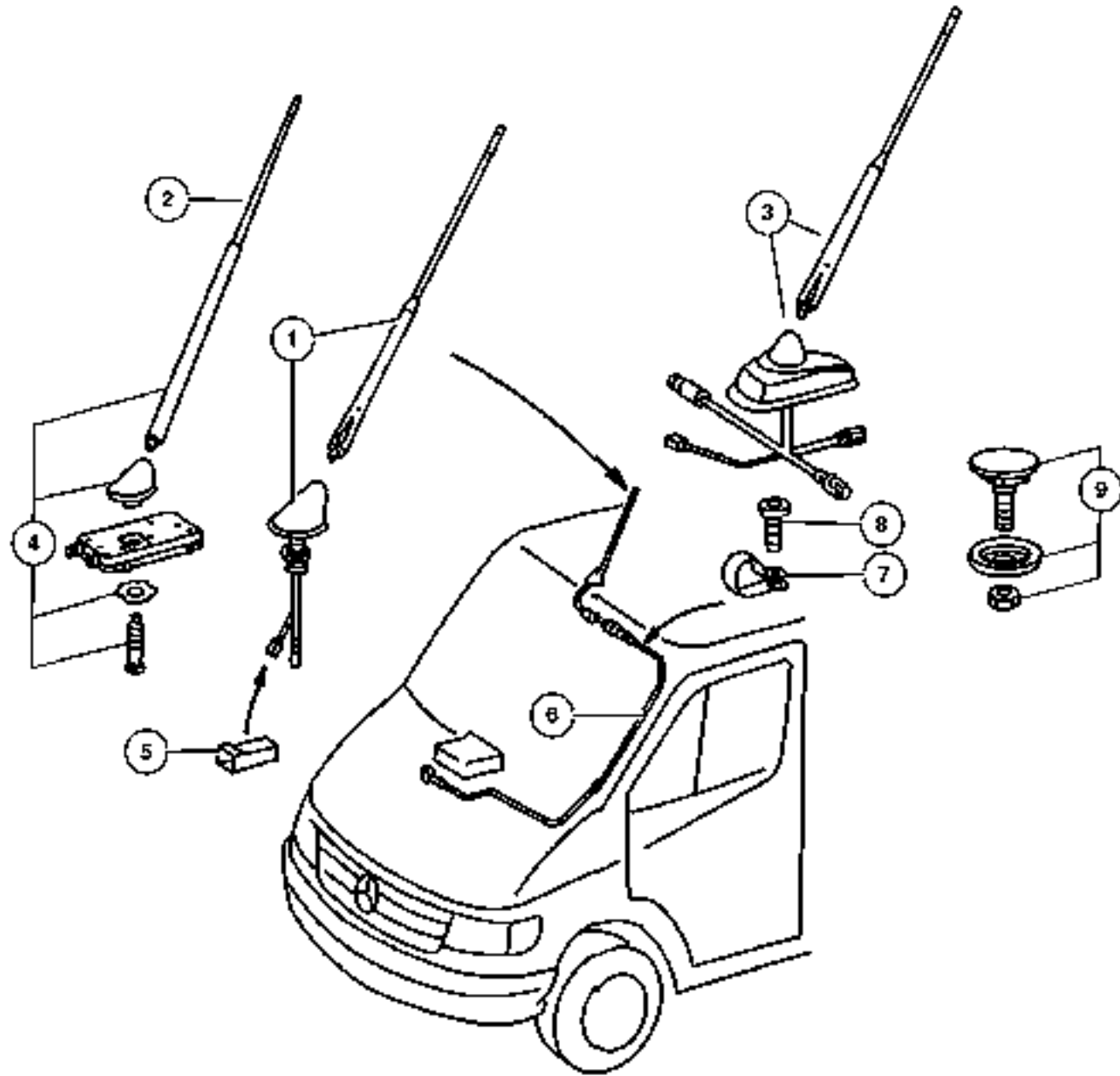
ITEM	PART NUMBER	QTY	LINE	SERIES	BODY	ENGINE	TRANS	TRIM	DESCRIPTION
1									ANTENNA
	5124 563AA	1	2, 6	L	01, 02, 06	EX8	DGZ		
		1	2, 6	L	11, 12, 14, 15, 16	EX8	DGZ		
		1	2, 6	L	51, 52, 54, 55, 56	EX8	DGZ		
		1	3, 7	L	02, 06	EX8	DGZ		
		1	3, 7	L	12, 15, 16	EX8	DGZ		
2									ANTENNA
	5124 561AA	1	2, 6	L	01, 02, 06	EX8	DGZ		
		1	2, 6	L	11, 12, 14, 15, 16	EX8	DGZ		
		1	2, 6	L	51, 52, 54, 55, 56	EX8	DGZ		
		1	3, 7	L	02, 06	EX8	DGZ		
		1	3, 7	L	12, 15, 16	EX8	DGZ		
3									ANTENNA
	5124 561AA	1	2, 6	L	01, 02, 06	EX8	DGZ		
		1	2, 6	L	11, 12, 14, 15, 16	EX8	DGZ		
		1	2, 6	L	51, 52, 54, 55, 56	EX8	DGZ		
		1	3, 7	L	02, 06	EX8	DGZ		
		1	3, 7	L	12, 15, 16	EX8	DGZ		
4									ANTENNA
	5133 980AA	1	2, 6	L	01, 02, 06	EX8	DGZ		
		1	2, 6	L	11, 12, 14, 15, 16	EX8	DGZ		
		1	2, 6	L	51, 52, 54, 55, 56	EX8	DGZ		

Refer to Model Legend Information Bookmark

AR = Use as required - = Non illustrated part # = New this model year

March 3, 2006

Antenna
Figure 08A-310



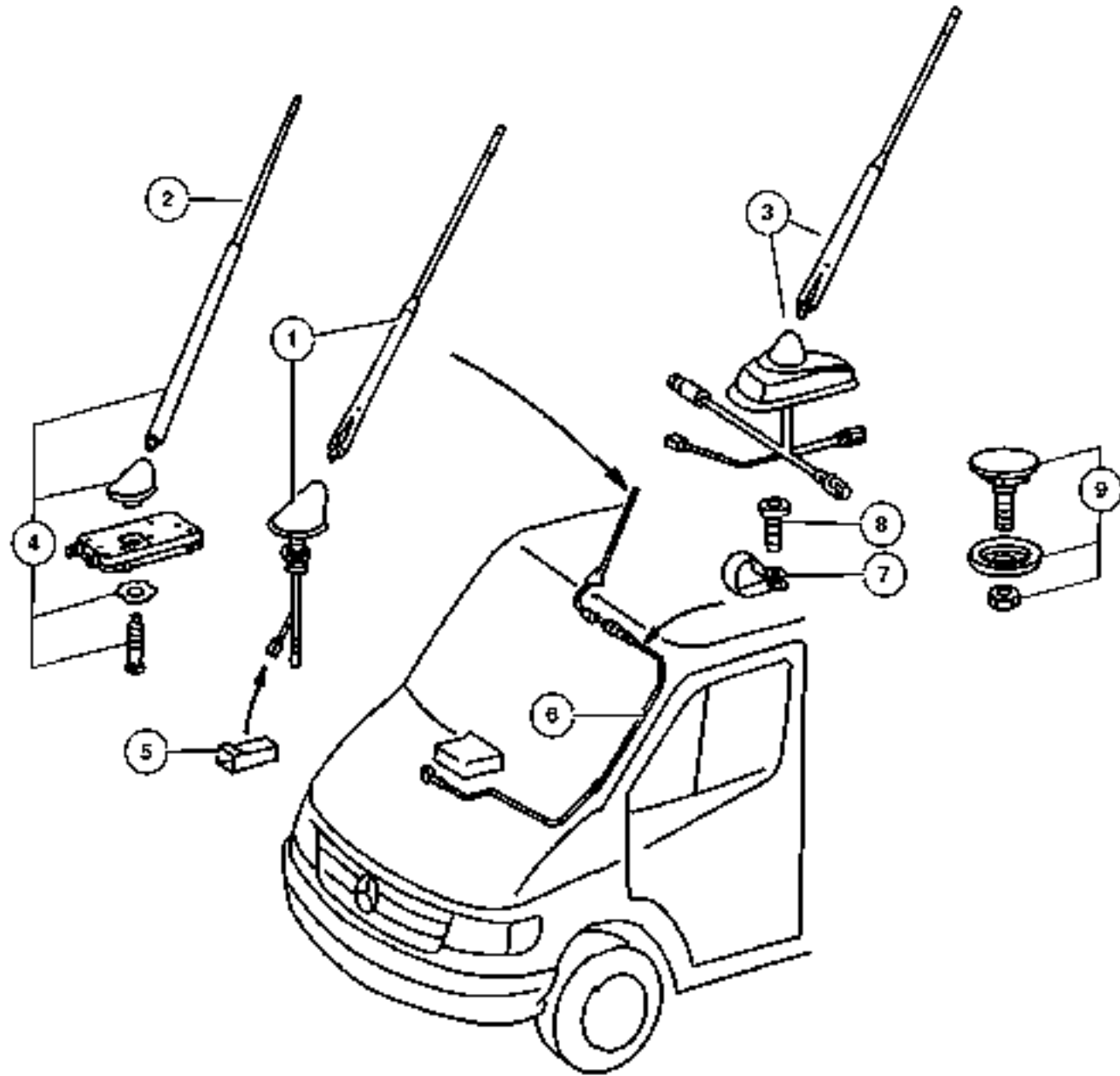
ITEM	PART NUMBER	QTY	LINE	SERIES	BODY	ENGINE	TRANS	TRIM	DESCRIPTION
		1	3, 7	L	02, 06	EX8	DGZ		
		1	3, 7	L	12, 15, 16	EX8	DGZ		
5	5120 596AA	1	2, 6	L	11, 12, 14, 15, 16	EX8	DGZ		CONNECTOR
		2	2, 6	L	11, 12, 14, 15, 16	EX8	DGZ		
		2	3, 7	L	12, 15, 16	EX8	DGZ		
6	5133 983AA	1	2, 6	L	01, 02, 06	EX8	DGZ		CABLE, Antenna
		1	2, 6	L	11, 12, 14, 15, 16	EX8	DGZ		
		1	2, 6	L	51, 52, 54, 55, 56	EX8	DGZ		
		1	3, 7	L	02, 06	EX8	DGZ		
		1	3, 7	L	12, 15, 16	EX8	DGZ		
7	5125 874AA	1	2, 6	L	01, 02, 06	EX8	DGZ		CLAMP, Mounting
		1	2, 6	L	11, 12, 14, 15, 16	EX8	DGZ		
		1	2, 6	L	51, 52, 54, 55, 56	EX8	DGZ		
		1	3, 7	L	02, 06	EX8	DGZ		
		1	3, 7	L	12, 15, 16	EX8	DGZ		
8	6104 504AA	1	2, 6	L	01, 02, 06	EX8	DGZ		SCREW
		1	2, 6	L	11, 12, 14, 15, 16	EX8	DGZ		
		1	2, 6	L	51, 52, 54, 55, 56	EX8	DGZ		

Refer to Model Legend Information Bookmark

AR = Use as required - = Non illustrated part # = New this model year

March 3, 2006

Antenna
Figure 08A-310



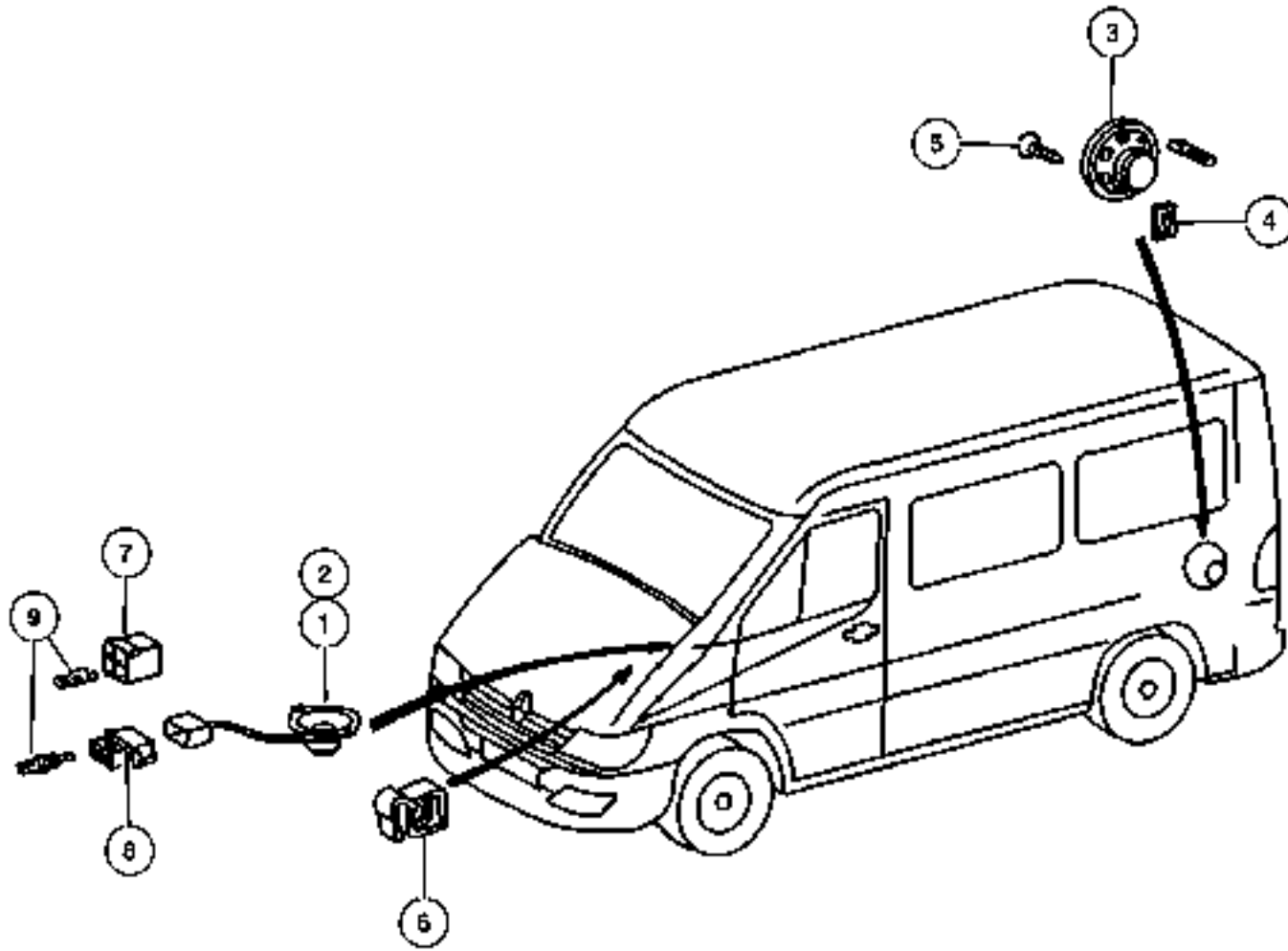
ITEM	PART NUMBER	QTY	LINE	SERIES	BODY	ENGINE	TRANS	TRIM	DESCRIPTION
		1	3, 7	L	02, 06	EX8	DGZ		
		1	3, 7	L	12, 15, 16	EX8	DGZ		
9	5124 422AA	1	2, 6	L	01, 02, 06	EX8	DGZ		PANEL
		1	2, 6	L	11, 12, 14, 15, 16	EX8	DGZ		
		1	2, 6	L	51, 52, 54, 55, 56	EX8	DGZ		
		1	3, 7	L	02, 06	EX8	DGZ		
		1	3, 7	L	12, 15, 16	EX8	DGZ		

Refer to Model Legend Information Bookmark

AR = Use as required - = Non illustrated part # = New this model year

March 3, 2006

Speakers Figure 08A-315



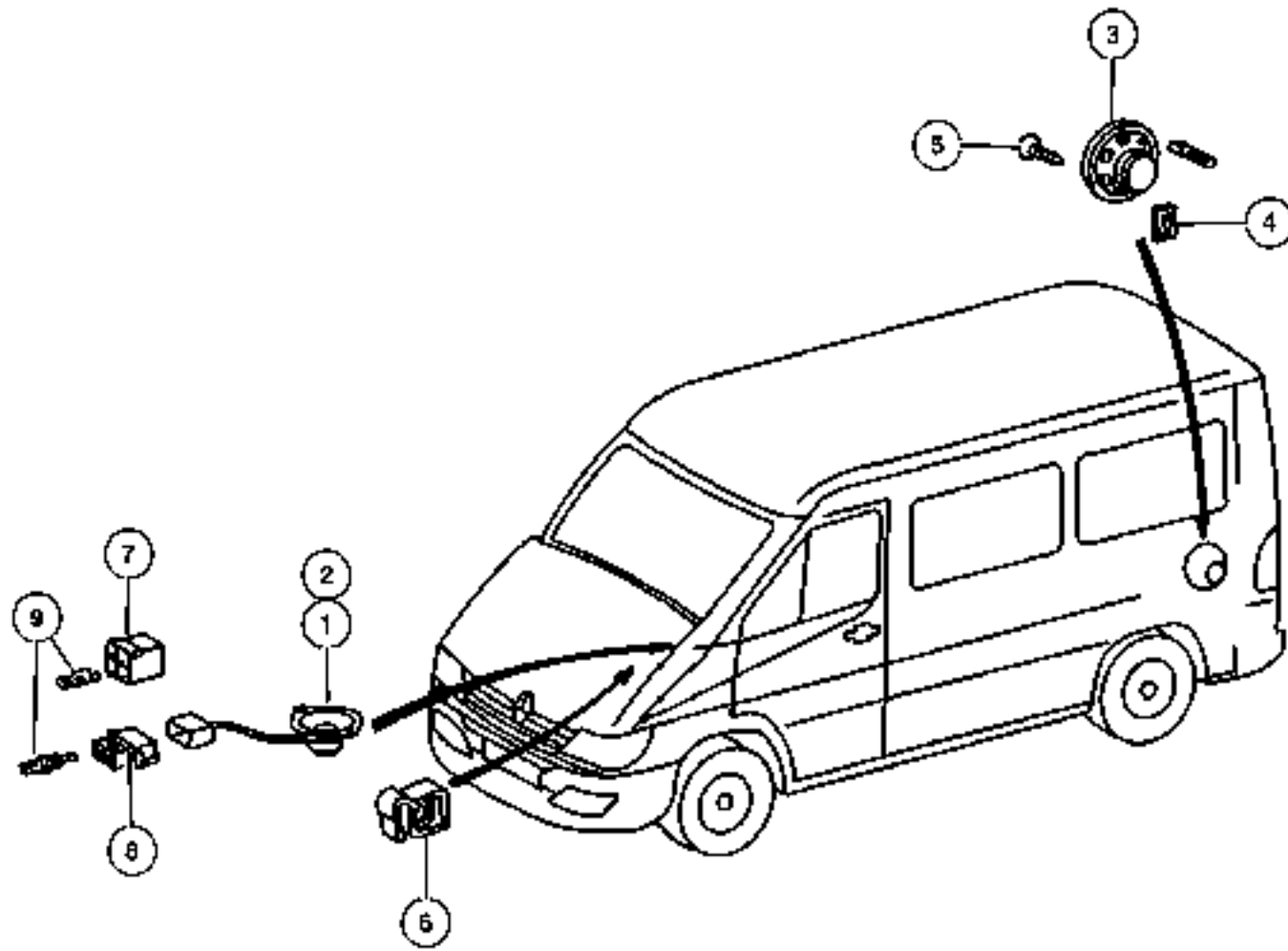
ITEM	PART NUMBER	QTY	LINE	SERIES	BODY	ENGINE	TRANS	TRIM	DESCRIPTION
1									SPEAKER, Front
	5103 762AC	2	2, 6	L	01, 02, 06				
		2	2, 6	L	11, 12, 14, 15, 16				
		2	2, 6	L	51, 52, 54, 55, 56				
		2	3, 7	L	12, 15, 16				
2									SPEAKER
	5142 455AA	1	2, 6	L	01, 02, 06	EX8	DGZ		
		1	2, 6	L	11, 12, 14, 15, 16	EX8	DGZ		
		1	2, 6	L	51, 52, 54, 55, 56	EX8	DGZ		
		1	3, 7	L	02, 06	EX8	DGZ		
		1	3, 7	L	12, 15, 16	EX8	DGZ		
3									SPEAKER
	5142 456AA	2	2, 6	L	11, 12, 14, 15, 16	EX8	DGZ		
		2	2, 6	L	51, 52, 54, 55, 56	EX8	DGZ		
		2	3, 7	L	12, 15, 16	EX8	DGZ		
4									NUT, Clip-On
	5125 853AA	8	2, 6	L	11, 12, 14, 15, 16	EX8	DGZ		
		8	2, 6	L	51, 52, 54, 55, 56	EX8	DGZ		
		8	3, 7	L	12, 15, 16	EX8	DGZ		
5									SCREW, Tapping
	6104 615AA	4	2, 6	L	01, 02, 06	EX8	DGZ		

Refer to Model Legend Information Bookmark

AR = Use as required - = Non illustrated part # = New this model year

March 3, 2006

Speakers Figure 08A-315



ITEM	PART NUMBER	QTY	LINE	SERIES	BODY	ENGINE	TRANS	TRIM	DESCRIPTION
		4	2, 6	L	11, 12, 14, 15, 16	EX8	DGZ		
		4	2, 6	L	51, 52, 54, 55, 56	EX8	DGZ		
		4	3, 7	L	02, 06	EX8	DGZ		
		4	3, 7	L	12, 15, 16	EX8	DGZ		
6	5126 041AA	99	2, 6	L	01, 02, 06	EX8	DGZ		RETAINER, Wiring Harness
		99	2, 6	L	11, 12, 14, 15, 16	EX8	DGZ		
		99	2, 6	L	51, 52, 54, 55, 56	EX8	DGZ		
		99	3, 7	L	02, 06	EX8	DGZ		
		99	3, 7	L	12, 15, 16	EX8	DGZ		
7	5103 753AA	99	2, 6	L	01, 02, 06	EX8	DGZ		CONNECTOR
		99	2, 6	L	11, 12, 14, 15, 16	EX8	DGZ		
		99	2, 6	L	51, 52, 54, 55, 56	EX8	DGZ		
		99	3, 7	L	02, 06	EX8	DGZ		
		99	3, 7	L	12, 15, 16	EX8	DGZ		
8	5120 694AA	1	2, 6	L	01, 02, 06	EX8	DGZ		CONNECTOR
		1	2, 6	L	11, 12, 14, 15, 16	EX8	DGZ		
		1	2, 6	L	51, 52, 54, 55, 56	EX8	DGZ		
		1	3, 7	L	02, 06	EX8	DGZ		
		1	3, 7	L	12, 15, 16	EX8	DGZ		
9									TERMINAL

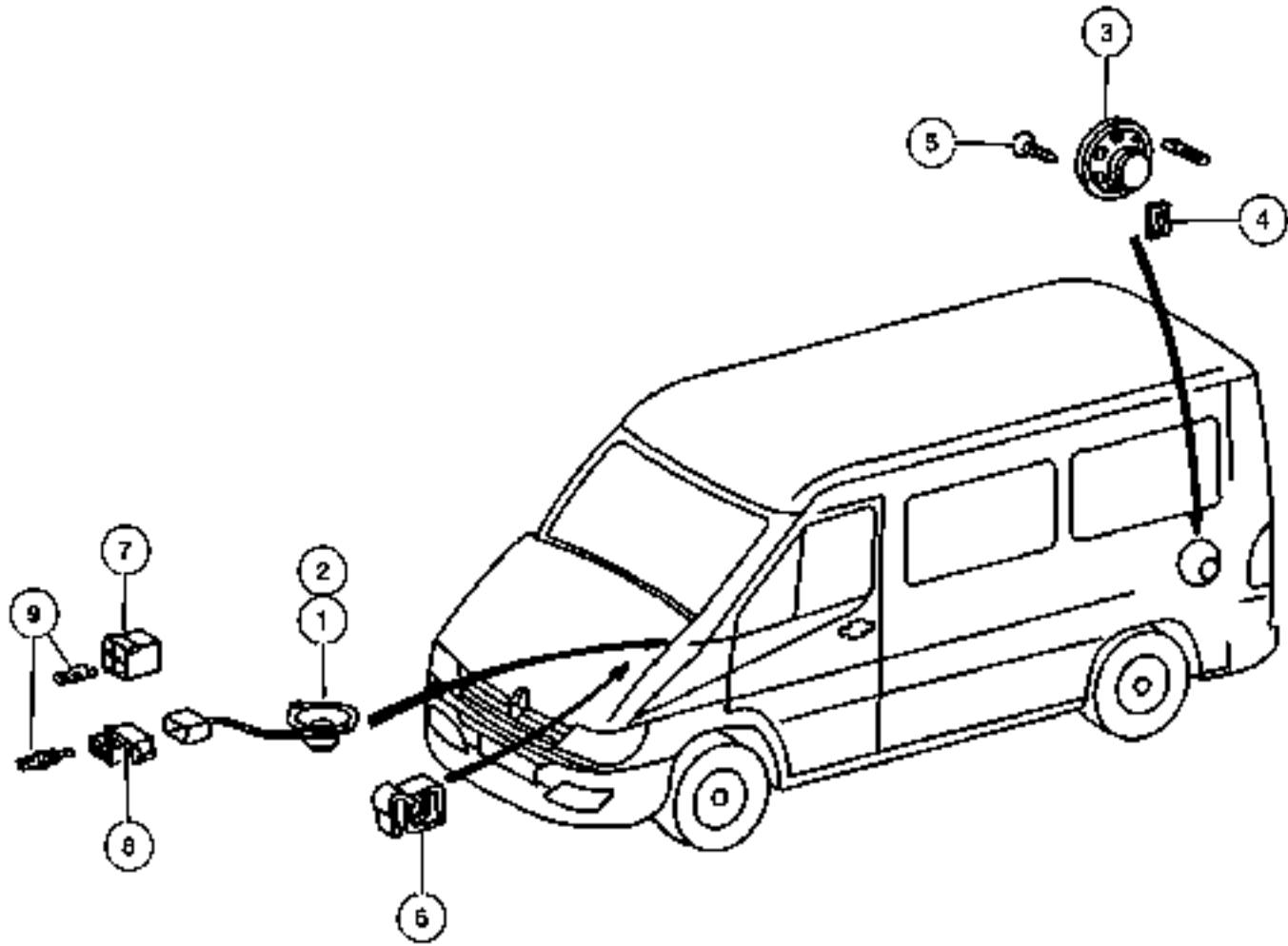
Refer to Model Legend Information Bookmark

AR = Use as required - = Non illustrated part # = New this model year

March 3, 2006

Speakers Figure 08A-315

ITEM	PART NUMBER	QTY	LINE	SERIES	BODY	ENGINE	TRANS	TRIM	DESCRIPTION
	5103 828AA	99	2, 6	L	01, 02,	EX8	DGZ		
		99	2, 6	L	06 11, 12, 14, 15, 16	EX8	DGZ		
		99	2, 6	L	51, 52, 54, 55, 56	EX8	DGZ		
		99	3, 7	L	02, 06	EX8	DGZ		
		99	3, 7	L	12, 15, 16	EX8	DGZ		

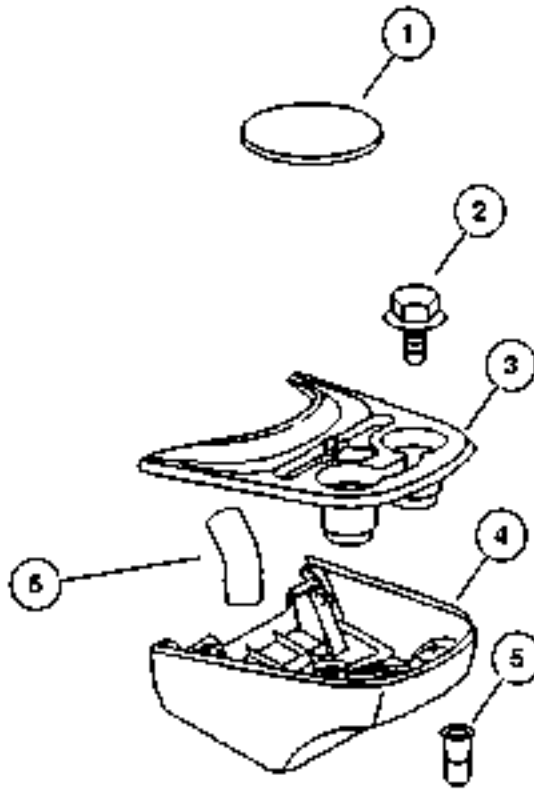


Refer to Model Legend Information Bookmark

AR = Use as required - = Non illustrated part # = New this model year

March 3, 2006

**Console Cup Holder
Figure 08A-405**



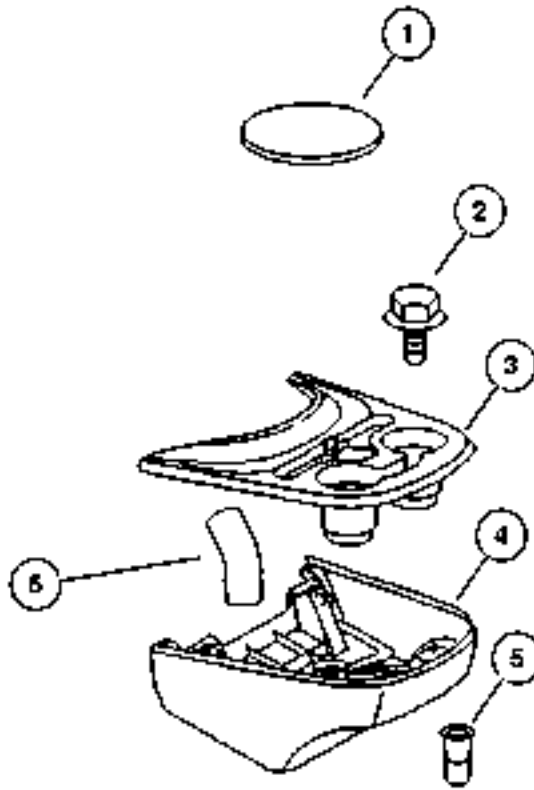
ITEM	PART NUMBER	QTY	LINE	SERIES	BODY	ENGINE	TRANS	TRIM	DESCRIPTION
1	5122 953AA	2	2, 6	L	01, 02, 06	EX8	DGZ		MAT, Single Cup
		2	2, 6	L	11, 12, 14, 15, 16	EX8	DGZ		
		2	2, 6	L	51, 52, 54, 55, 56	EX8	DGZ		
		2	3, 7	L	02, 06	EX8	DGZ		
		2	3, 7	L	12, 15, 16	EX8	DGZ		
		2	3, 7	L	12, 15, 16	EX8	DGZ		
2	6104 121AA	4	2, 6	L	01, 02, 06	EX8	DGZ		SCREW, Hex Flange Head Lid Lock, Rear
		4	2, 6	L	11, 12, 14, 15, 16	EX8	DGZ		
		4	2, 6	L	51, 52, 54, 55, 56	EX8	DGZ		
		4	3, 7	L	02, 06	EX8	DGZ		
		4	3, 7	L	12, 15, 16	EX8	DGZ		
		4	3, 7	L	12, 15, 16	EX8	DGZ		
3	5104 254AA	1	2, 6	L	01, 02, 06	EX8	DGZ		CUP HOLDER, Lid
		1	2, 6	L	11, 12, 14, 15, 16	EX8	DGZ		
		1	2, 6	L	51, 52, 54, 55, 56	EX8	DGZ		
		1	3, 7	L	02, 06	EX8	DGZ		
		1	3, 7	L	12, 15, 16	EX8	DGZ		
		1	3, 7	L	12, 15, 16	EX8	DGZ		
4	5104 255AA	1	2, 6	L	01, 02, 06	EX8	DGZ		HOUSING, Cup Holder
		1	2, 6	L	11, 12, 14, 15, 16	EX8	DGZ		
		1	2, 6	L	51, 52, 54, 55, 56	EX8	DGZ		

Refer to Model Legend Information Bookmark

AR = Use as required - = Non illustrated part # = New this model year

March 3, 2006

**Console Cup Holder
Figure 08A-405**



ITEM	PART NUMBER	QTY	LINE	SERIES	BODY	ENGINE	TRANS	TRIM	DESCRIPTION
		1	3, 7	L	02, 06	EX8	DGZ		
		1	3, 7	L	12, 15, 16	EX8	DGZ		
5	5133 975AA	4	2, 6	L	01, 02, 06	EX8	DGZ		NUT, Rivet
		4	2, 6	L	11, 12, 14, 15, 16	EX8	DGZ		
		4	2, 6	L	51, 52, 54, 55, 56	EX8	DGZ		
		4	3, 7	L	02, 06	EX8	DGZ		
		4	3, 7	L	12, 15, 16	EX8	DGZ		
6	5104 488AA	1	2, 6	L	01, 02, 06	EX8	DGZ		HOSE
		1	2, 6	L	11, 12, 14, 15, 16	EX8	DGZ		
		1	2, 6	L	51, 52, 54, 55, 56	EX8	DGZ		
		1	3, 7	L	02, 06	EX8	DGZ		
		1	3, 7	L	12, 15, 16	EX8	DGZ		

Refer to Model Legend Information Bookmark

AR = Use as required - = Non illustrated part # = New this model year

March 3, 2006

Group – 009

Engine Mounting

GROUP 9 - Engine Mounting

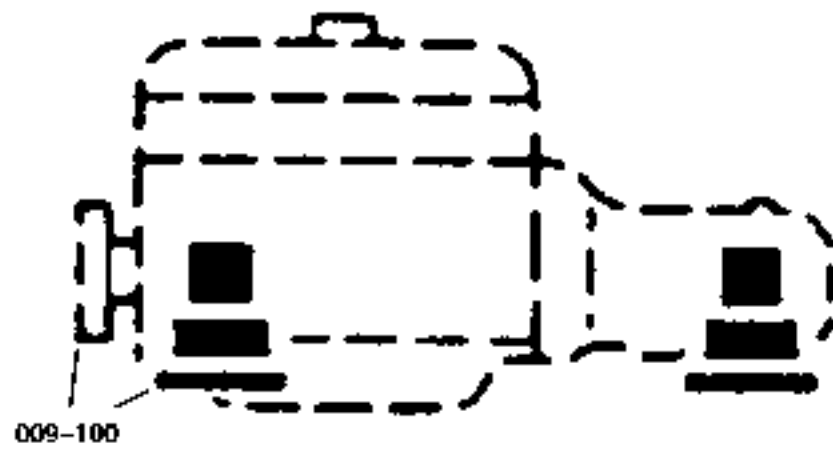
Illustration Title


Group-Fig. No.

Engine Mounting

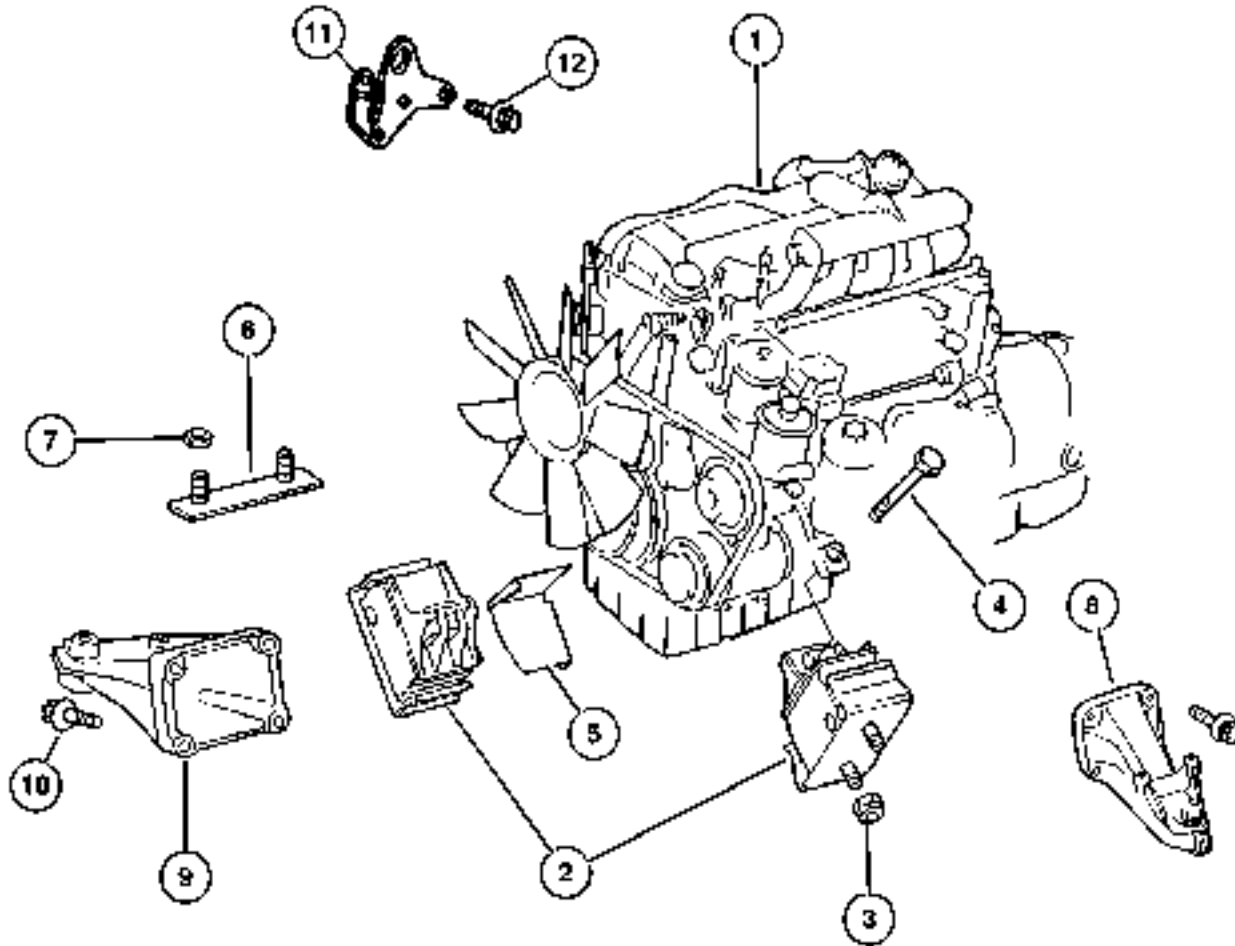
Engine Mounting Fig. 009-110

Transmission Mounting Fig. 009-120



<p>009-100 Engine Mounting</p> 			
--	--	--	--

Engine Mounting Figure 009-110



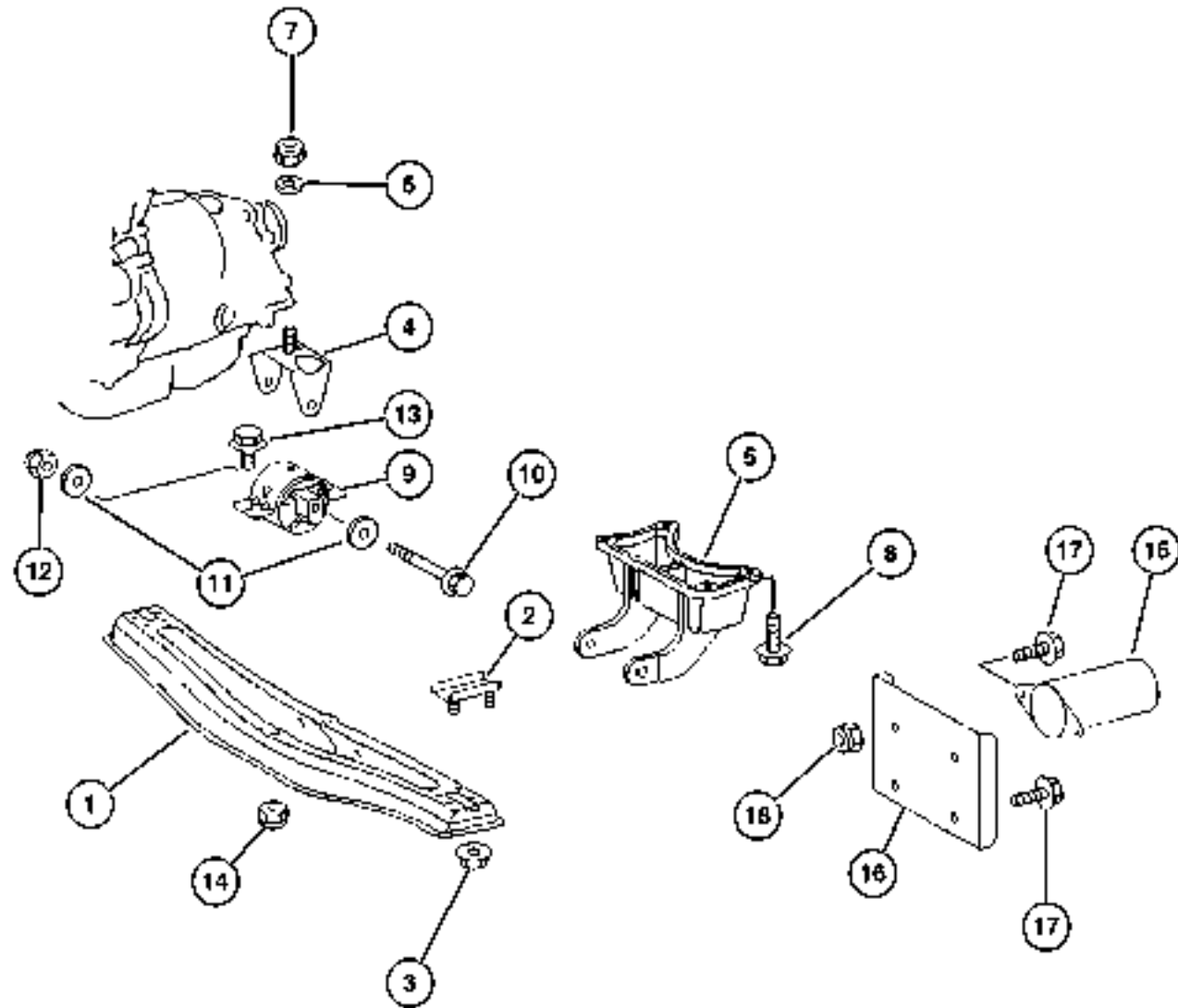
ITEM	PART NUMBER	QTY	LINE	SERIES	BODY	ENGINE	TRANS	TRIM	DESCRIPTION
NOTE:									
Sales Codes:									
[DGZ]=5 Speed Automatic [W5A380] Transmission									
[EX8]=2.7L I5 Turbo Diesel Engine									
1									ENGINE, Complete, See Group [2.7LD-HO], (NOT SERVICED) (Not Serviced)
2	5104 035AA	2	2, 6			EX8	DGZ		RUBBER, RUBBER-MOUNT
		2	3, 7			EX8	DGZ		
3	6104 717AA	4	2, 6			EX8	DGZ		NUT, [M10X1.5]
		4	3, 7			EX8	DGZ		
4	6104 239AA	2	2, 6			EX8	DGZ		BOLT, [M12X1.5X55.0]
		2	3, 7			EX8	DGZ		
5	5117 714AA	1	2, 6			EX8	DGZ		SHIELD, Engine Mount
		1	3, 7			EX8	DGZ		
6	5117 695AA	1	2, 6			EX8	DGZ		PLATE, Engine Mount
		1	3, 7			EX8	DGZ		
7	5127 449AA	2	2, 6			EX8	DGZ		NUT, M6x1.00
		2	3, 7			EX8	DGZ		
8	5117 659AA	1	2, 3, 6, 7			EX8	DGZ		BRACKET, Engine Mount
9	5103 988AA	1	2, 3, 6, 7			EX8	DGZ		SUPPORT, Engine
10	6104 027AA	1	2, 6			EX8	DGZ		SCREW, [M8X1.25X40.00]
		1	3, 7			EX8	DGZ		
11	5136 757AA	1	2, 3, 6, 7			EX8	DGZ		BRACKET, Engine Lift
12	5073 723AB	3	2, 3, 6, 7			EX8	DGZ		SCREW

Refer to Model Legend Information Bookmark

AR = Use as required - = Non illustrated part # = New this model year

March 3, 2006

Transmission Mounting Figure 009-120



ITEM	PART NUMBER	QTY	LINE	SERIES	BODY	ENGINE	TRANS	TRIM	DESCRIPTION
NOTE:									
Sales Codes:									
[DGZ]=5 Speed Automatic [W5A380] Transmission									
[EX8]=2.7L I5 Turbo Diesel Engine									
1									SUPPORT, Engine
	5104 036AA	1	2, 6			EX8	DGZ		
		1	3, 7			EX8	DGZ		
2									BRACKET, Engine Mount
	5117 698AA	1	2, 6			EX8	DGZ		
		1	3, 7			EX8	DGZ		
3									NUT, [M10X1.5]
	6104 717AA	4	2, 6			EX8	DGZ		
		4	3, 7			EX8	DGZ		
4									BRACKET, Engine Mount
	5117 712AA	1	2, 6			EX8	DGZ		
		1	3, 7			EX8	DGZ		
5									BRACKET, Transmission Mount
	5104 037AA	1	2, 6			EX8	DGZ		
		1	3, 7			EX8	DGZ		
6									WASHER
	5104 614AA	1	3, 7			EX8	DGZ		
7									NUT, [M12X1.5]
	6104 718AA	1	2, 6			EX8	DGZ		
		1	3, 7			EX8	DGZ		
		1	3, 7			EX8	DGZ		W/O 4XS
8									BOLT, Hex Head, [M8X1.25X30.0]
	6104 198AA	4	2, 6			EX8	DGZ		
		4	3, 7			EX8	DGZ		
9									RUBBER, RUBBER-MOUNT
	5104 038AA	1	2, 6			EX8	DGZ		
		1	3, 7			EX8	DGZ		
10									BOLT, [M6.0X1.0X23.0]
	6104 229AA	1	2, 6			EX8	DGZ		
		1	3, 7			EX8	DGZ		
11									WASHER, Flat
	5104 641AA	2	2, 6			EX8	DGZ		
		2	3, 7			EX8	DGZ		
12									NUT, [M10X1.5]
	6104 717AA	1	2, 6			EX8	DGZ		
		1	3, 7			EX8	DGZ		
13									BOLT, Hex Flange Head, M10x1.50x25
	6104 215AA	2	2, 6			EX8	DGZ		
		2	3, 7			EX8	DGZ		
14									NUT, [M10X1.5]
	6104 717AA	2	2, 6			EX8	DGZ		

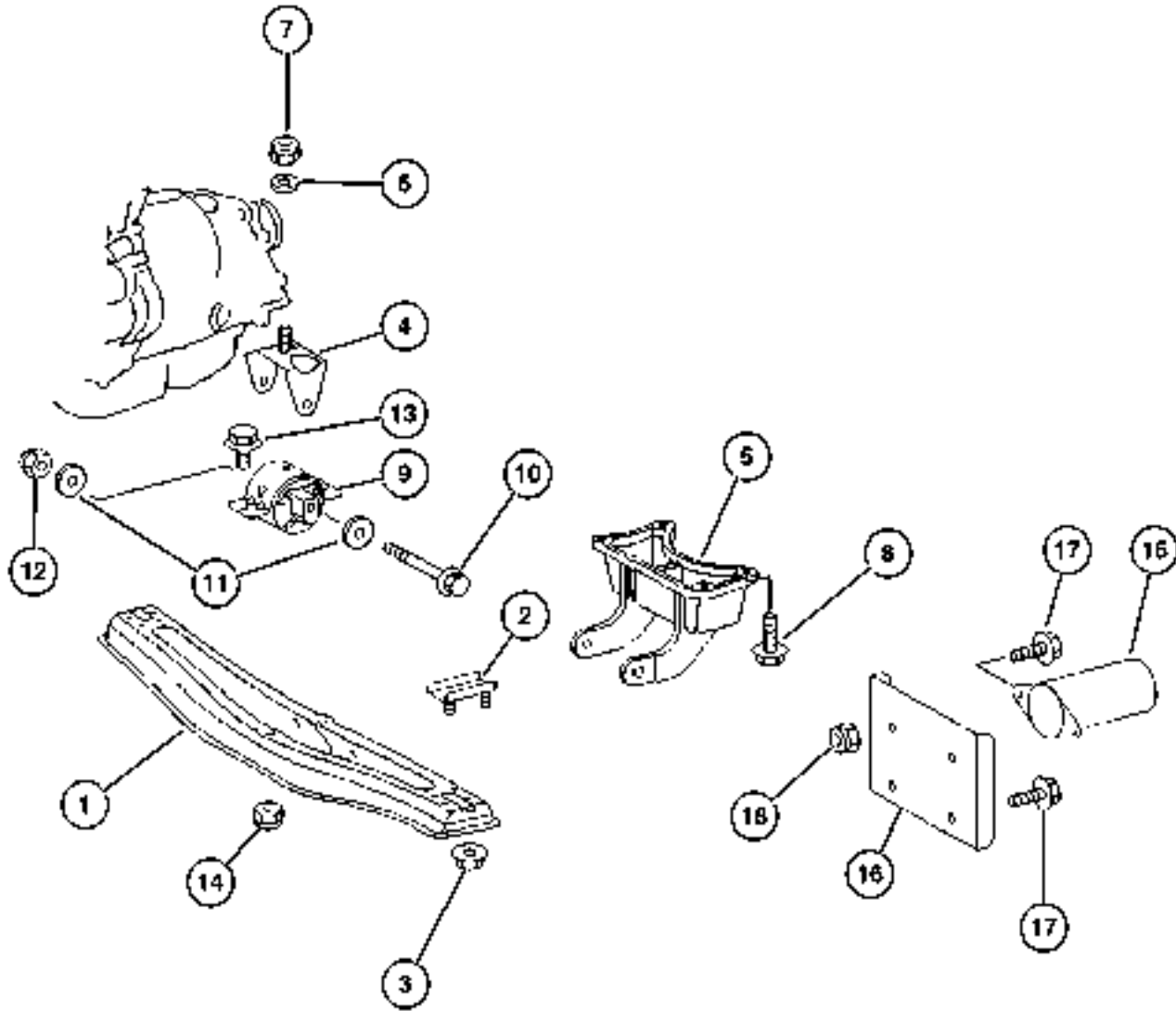
Refer to Model Legend Information Bookmark

AR = Use as required - = Non illustrated part # = New this model year

March 3, 2006

**Transmission Mounting
Figure 009-120**

ITEM	PART NUMBER	QTY	LINE	SERIES	BODY	ENGINE	TRANS	TRIM	DESCRIPTION
		2	3, 7			EX8	DGZ		
15	5117 716AA	1	2, 6			EX8	DGZ		ISOLATOR, Engine Mount
		1	3, 7			EX8	DGZ		
16	5133 781AA	1	2, 6			EX8	DGZ		BRACKET, Engine Roll Dampener
		1	3, 7			EX8	DGZ		
17	6104 195AA	2	2, 6			EX8	DGZ		SCREW, [M8X1.25X16.0]
		2	3, 7			EX8	DGZ		
18	6104 716AA	2	2, 6			EX8	DGZ		NUT, [M8X1.25]
		2	3, 7			EX8	DGZ		



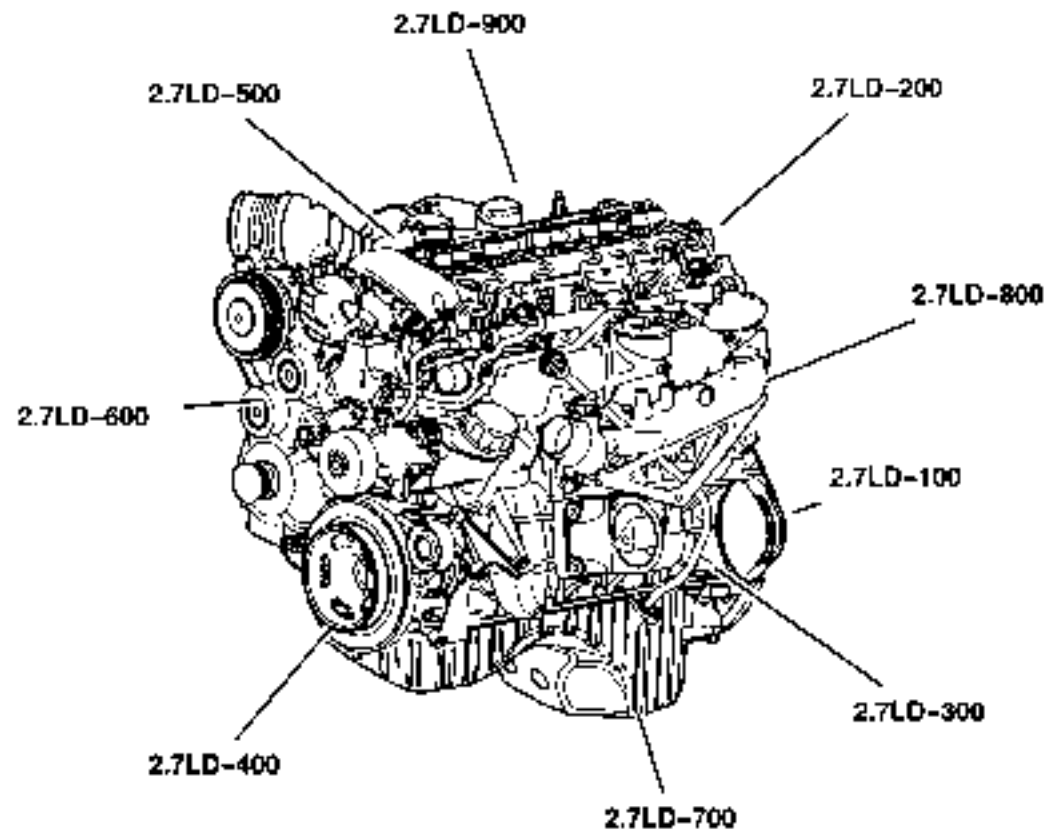
Refer to Model Legend Information Bookmark

AR = Use as required - = Non illustrated part # = New this model year

March 3, 2006


Group – 2.7LD-HO



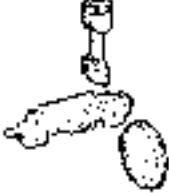
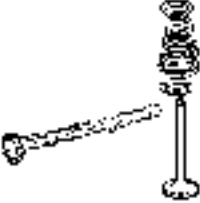



2.7L Diesel – Mercedes Benz [EX8]



Group – 2.7LD-HO

2.7L Diesel – Mercedes Benz [EX8]

<p>2.7LD-HO-900 Crankcase Ventilation</p> 			
---	--	--	--

<p>2.7LD-HO-100 Engine Identification</p> <table border="1" data-bbox="151 1413 418 1539"> <tr> <td>C</td> <td>B</td> <td>2000</td> <td>1000</td> <td>1000</td> </tr> <tr> <td>1</td> <td>2</td> <td>3</td> <td>4</td> <td>5</td> </tr> <tr> <td>6</td> <td>7</td> <td>8</td> <td>9</td> <td>10</td> </tr> </table>	C	B	2000	1000	1000	1	2	3	4	5	6	7	8	9	10	<p>2.7LD-HO-200 Cylinder Head</p> 	<p>2.7LD-HO-300 Cylinder Block</p> 	<p>2.7LD-HO-400 Crankshaft, Piston and Drive Plate</p> 
C	B	2000	1000	1000														
1	2	3	4	5														
6	7	8	9	10														
<p>2.7LD-HO-500 Camshafts and Valves</p> 	<p>2.7LD-HO-600 Timing Belt and Cover</p> 	<p>2.7LD-HO-700 Engine Oiling</p> 	<p>2.7LD-HO-800 Manifolds</p> 															

GROUP 2.7LD-HO - 2.7L Diesel - Mercedes Benz [EX8]

Illustration Title	Group-Fig. No.
Engine Identification	
Engine Complete 2.7L Diesel [EX8]	Fig. 2.7LD-HO-105
Cylinder Head	
Cylinder Head 2.7L Diesel [EX8]	Fig. 2.7LD-HO-205
Cylinder Head Cover 2.7L Diesel [EX8]	Fig. 2.7LD-HO-210
Cylinder Block	
Cylinder Block And Related Parts 2.7L Diesel [EX8]	Fig. 2.7LD-HO-305
Crankshaft, Piston and Drive Plate	
Crankshaft And Pistons 2.7L Diesel [EX8]	Fig. 2.7LD-HO-405
Camshafts and Valves	
Camshaft And Valves 2.7L Diesel [EX8]	Fig. 2.7LD-HO-505
Timing Belt and Cover	
Timing Cover And Chain 2.7L Diesel [EX8]	Fig. 2.7LD-HO-605
Vaccum Pump 2.7L Diesel [EX8]	Fig. 2.7LD-HO-610
Engine Oiling	
Oil Pump 2.7L Diesel [EX8]	Fig. 2.7LD-HO-705
Oil Cooler And Filter 2.7L Diesel [EX8]	Fig. 2.7LD-HO-710
Oil Pan 2.7L Diesel [EX8]	Fig. 2.7LD-HO-715
Turbo, Oil Feed And Return Lines 2.7L Diesel [EX8]	Fig. 2.7LD-HO-720
Manifolds	
Intake Manifold 2.7L Diesel [EX8]	Fig. 2.7LD-HO-805
Exhaust Manifold 2.7L Diesel [EX8]	Fig. 2.7LD-HO-810
Crankcase Ventilation	
Crankcase Ventilation 2.7L Diesel [EX8]	Fig. 2.7LD-HO-905

Engine Complete 2.7L Diesel [EX8]
Figure 2.7LD-HO-105

ITEM	PART NUMBER	QTY	LINE	SERIES	BODY	ENGINE	TRANS	TRIM	DESCRIPTION
------	-------------	-----	------	--------	------	--------	-------	------	-------------

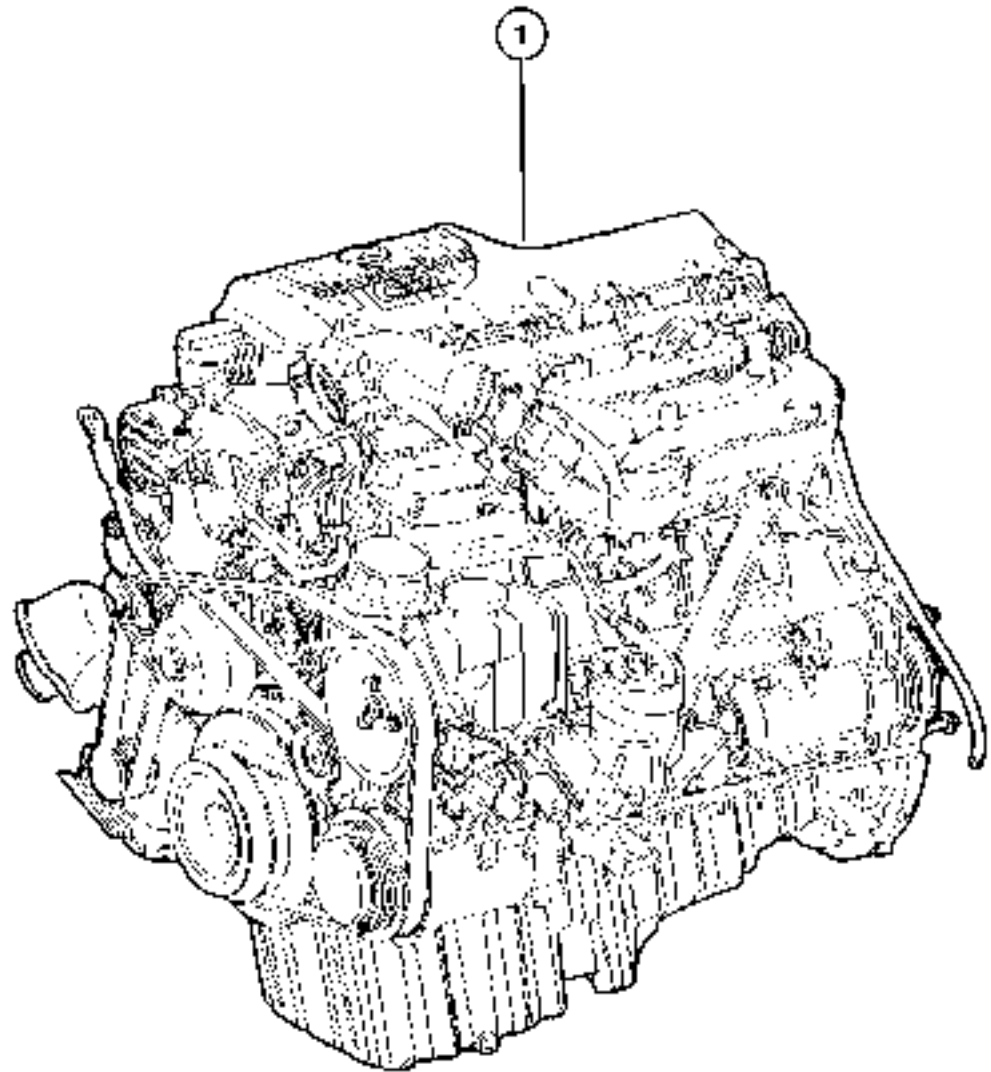
NOTE:

Sales Codes:

[EX8] = 2.7L Inline 5 Cylinder Turbo Diesel Engine

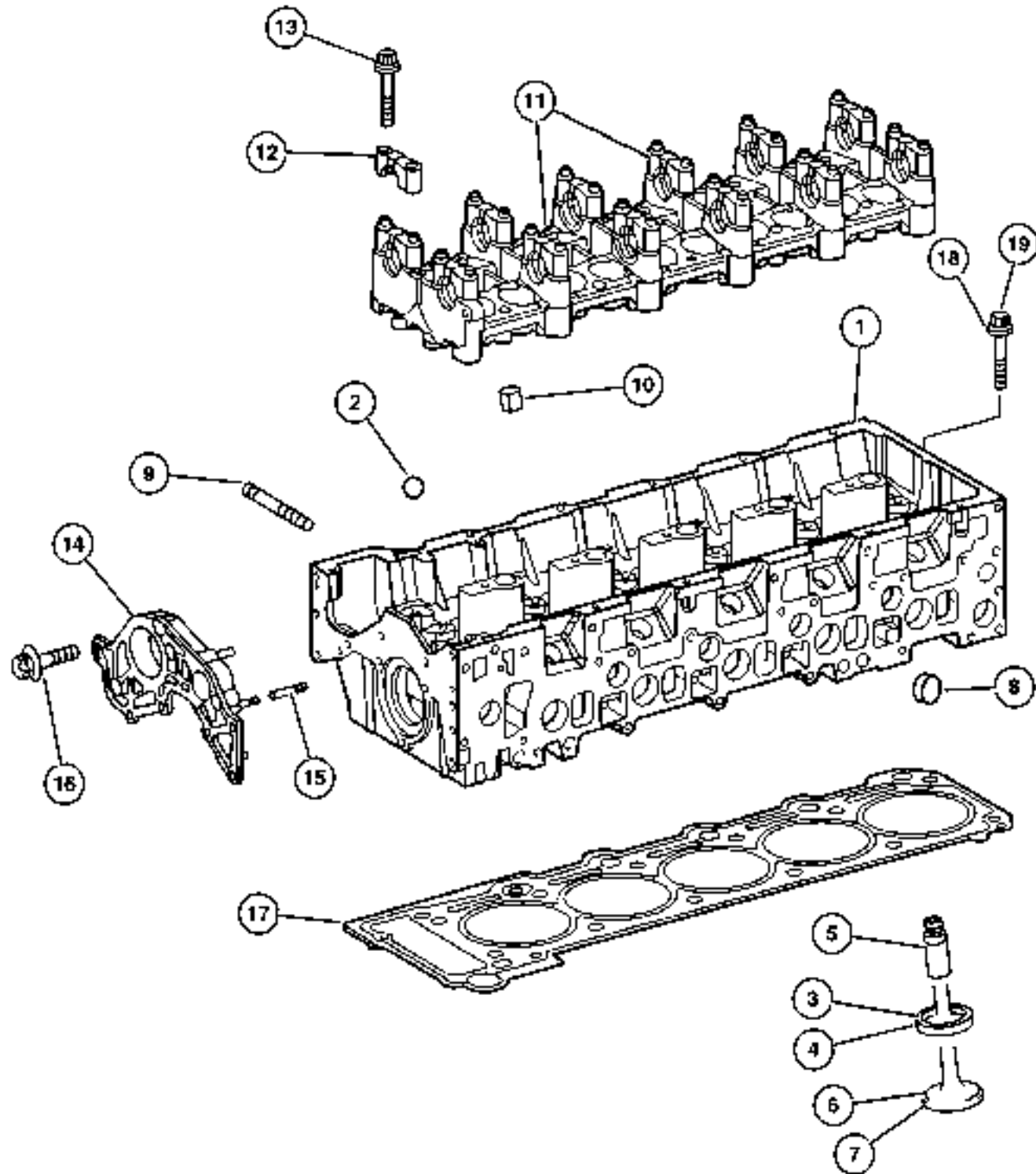
[NAS] = 50 State Emissions

1	5117 145AA	1	2, 3, 6, 7			EX8	DGZ		ENGINE, Complete, Diesel
---	------------	---	------------	--	--	-----	-----	--	--------------------------



Refer to Model Legend Information Bookmark _____

**Cylinder Head 2.7L Diesel [EX8]
Figure 2.7LD-HO-205**



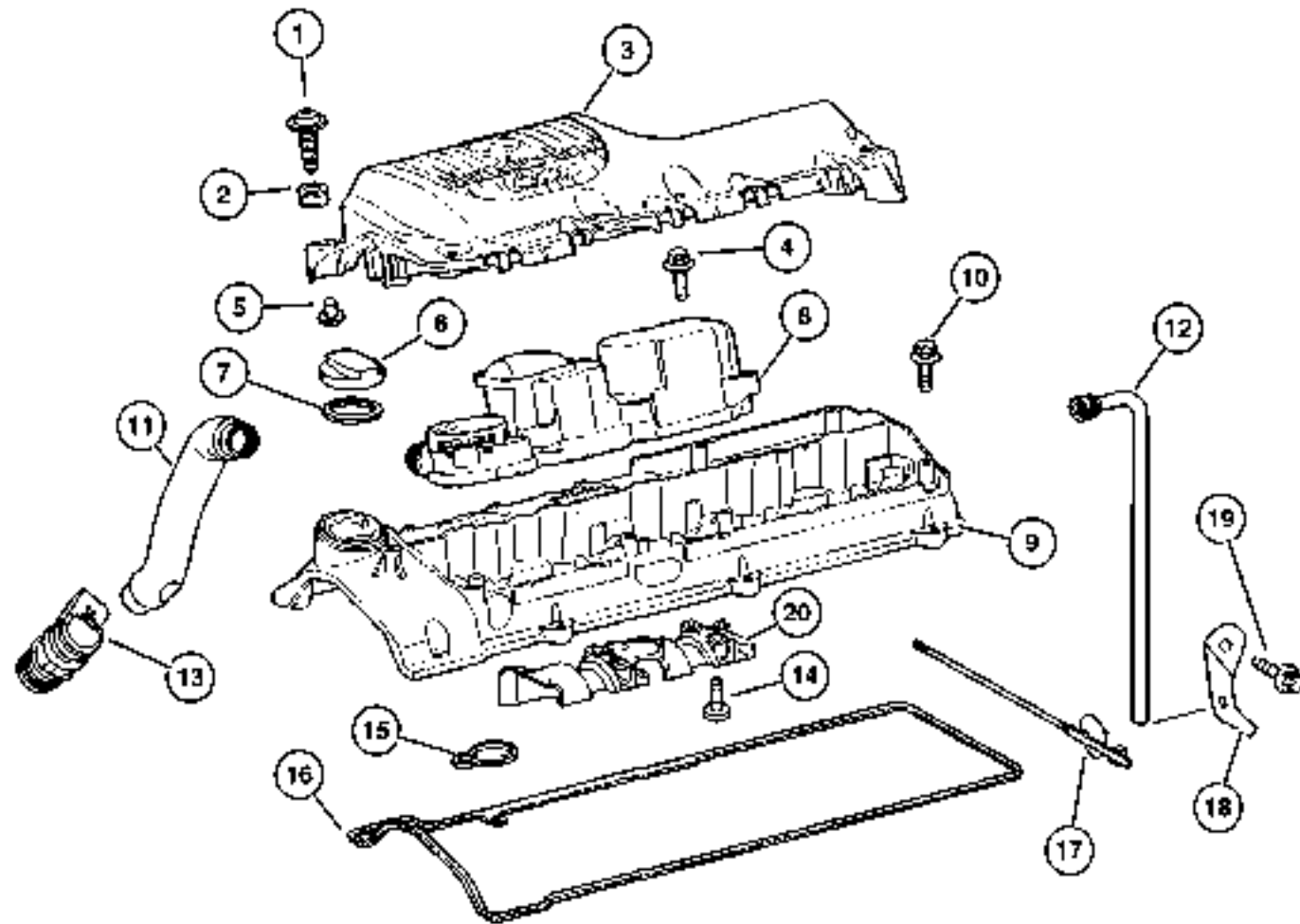
ITEM	PART NUMBER	QTY	LINE	SERIES	BODY	ENGINE	TRANS	TRIM	DESCRIPTION
NOTE:									
Sales Codes:									
[EX8] = 2.7L Inline 5 Cylinder Turbo Diesel Engine									
[NAS] = 50 State Emissions									
1	5136 759AA	1	2, 3, 6, 7			EX8	DGZ		HEAD, Cylinder
2	5080 045AA	5	2, 3, 6, 7			EX8	DGZ		BALL
3	5117 407AA	1	2, 3, 6, 7			EX8	DGZ		SEAT, Intake Valve [29.47mm]
	5135 830AA	10	2, 3, 6, 7			EX8	DGZ		[31.22mm]
4	5117 410AA	10	2, 3, 6, 7			EX8	DGZ		SEAT, Exhaust Valve [27.67mm]
	5135 831AA	10	2, 3, 6, 7			EX8	DGZ		[30.12mm]
5	5080 044AB	20	2, 3, 6, 7			EX8	DGZ		GUIDE, Intake/Exhaust Valve, Standard Size, Valve
6	5117 399AA	10	2, 3, 6, 7			EX8	DGZ		VALVE, Intake, Standard
7	5117 402AA	10	2, 3, 6, 7			EX8	DGZ		VALVE, Engine Exhaust
8	5080 071AA	1	2, 3, 6, 7			EX8	DGZ		PLUG, Expansion [18mm]
	5080 026AB	8	2, 3, 6, 7			EX8	DGZ		[22mm]
9	5080 027AA	11	2, 3, 6, 7			EX8	DGZ		STUD
10	5073 868AA	2	2, 3, 6, 7			EX8	DGZ		SLEEVE
11	5080 072AA	1	2, 3, 6, 7			EX8	DGZ		HOUSING, Camshaft Bearing, With Camshaft Bearing Caps
12									COVER, Serviced In Item 12 Housing, (NOT SERVICED) (Not Serviced)
13	5073 921AA	24	2, 3, 6, 7			EX8	DGZ		SCREW, Camshaft Bearing Cap To Cylinder Head, Mounting
14									CAP, Serviced In Item 2, (NOT SERVICED) (Not Serviced)
15	5080 080AA	1	2, 3, 6, 7			EX8	DGZ		PIN
16	5073 701AA	6	2, 3, 6, 7			EX8	DGZ		SCREW, End Cap To Cylinder Head, Mounting
17	5134 783AA	1	2, 3, 6, 7			EX8	DGZ		GASKET, Cylinder Head
18	5073 703AA	12	2, 3, 6, 7			EX8	DGZ		BOLT, Cylinder Head, Cylinder Head To Engine Block, Mounting
19	6104 035AA	2	2, 3, 6, 7			EX8	DGZ		SCREW, [M8X1.25X90.00], Cylinder Head, Mounting

Refer to Model Legend Information Bookmark

AR = Use as required - = Non illustrated part # = New this model year

March 3, 2006

**Cylinder Head Cover 2.7L Diesel [EX8]
Figure 2.7LD-HO-210**



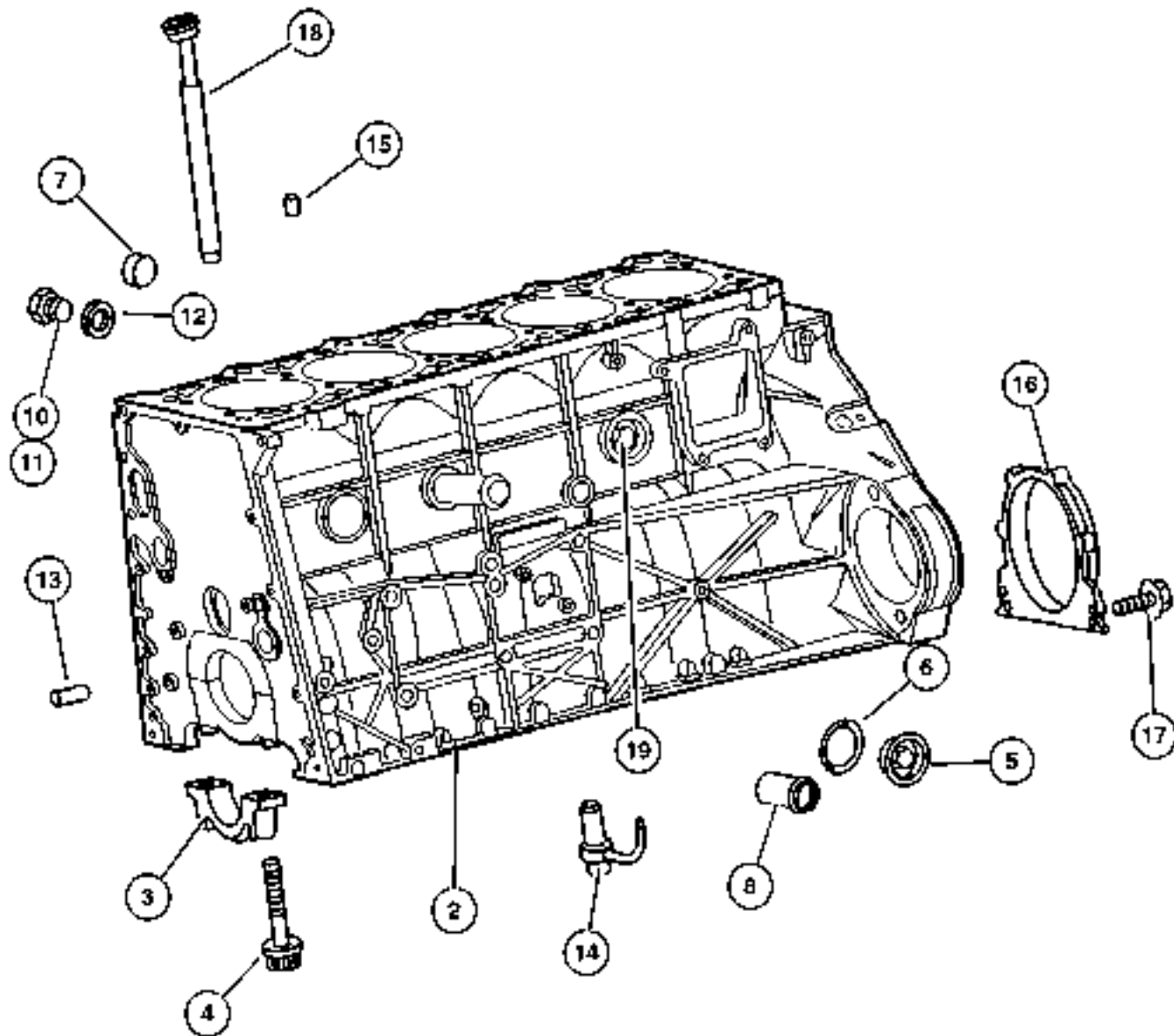
ITEM	PART NUMBER	QTY	LINE	SERIES	BODY	ENGINE	TRANS	TRIM	DESCRIPTION
NOTE:									
Sales Codes:									
[EX8] = 2.7L Inline 5 Cylinder Turbo Diesel Engine									
[NAS] = 50 State Emissions									
1	5103 968AA	7	2, 3, 6, 7			EX8	DGZ		SCREW, Engine Cover To Cylinder Head Cover, Mounting
2	5125 943AA	7	2, 3, 6, 7			EX8	DGZ		GROMMET, Engine Cover To Cylinder Head Cover, Mounting
3	5117 287AA	1	2, 3, 6, 7			EX8	DGZ		COVER, Engine
	5137 002AB	1	2, 3, 6, 7			EX8	DGZ		Intake Runner Cover
4	6104 684AA	7	2, 3, 6, 7			EX8	DGZ		SCREW, [M6.0X1.0X28.0], Oil Seperator, Mounting
5	5125 840AA	7	2, 3, 6, 7			EX8	DGZ		SLEEVE, Engine Cover, Mounting
6	5080 172AA	1	2, 3, 6, 7			EX8	DGZ		CAP, Oil Filler
7	5080 088AA	1	2, 3, 6, 7			EX8	DGZ		GASKET, Oil Filler Cap
8	5137 030AA	1	2, 3, 6, 7			EX8	DGZ		SEPERATOR, Oil
9	5117 166AA	1	2, 3, 6, 7			EX8	DGZ		COVER, Cylinder Head
10	6104 008AA	8	2, 3, 6, 7			EX8	DGZ		SCREW, [M6X1.00X30.00], Cylinder Head Cover, Mounting
11	5117 234AB	1	2, 3, 6, 7			EX8	DGZ		HOSE, Air Induction
12	5117 291AA	1	2, 3, 6, 7			EX8	DGZ		HOSE
13	5117 289AA	1	2, 3, 6, 7			EX8	DGZ		TUBE, Crankcase Vent Valve
14	6104 670AA	2	2, 3, 6, 7			EX8	DGZ		SCREW, [M5.0X0.8X9.0], Cylinder Head Cover, Mounting
15	5080 083AA	5	2, 3, 6, 7			EX8	DGZ		GASKET, Fuel Injector
16	5117 284AA	1	2, 3, 6, 7			EX8	DGZ		GASKET, Cylinder Head Cover
17	5126 078AA	99	2, 3, 6, 7			EX8	DGZ		TIE STRAP, Push In
18	5080 302AB	5	2, 3, 6, 7			EX8	DGZ		RETAINER, Fuel Injector
19	5073 824AA	1	2, 3, 6, 7			EX8	DGZ		SCREW, Injector Line, Mounting
20	5117 223AA	1	2, 3, 6, 7			EX8	DGZ		RETAINER, Crankshaft Rear Oil Seal

Refer to Model Legend Information Bookmark

AR = Use as required - = Non illustrated part # = New this model year

March 3, 2006

**Cylinder Block And Related Parts 2.7L Diesel [EX8]
Figure 2.7LD-HO-305**



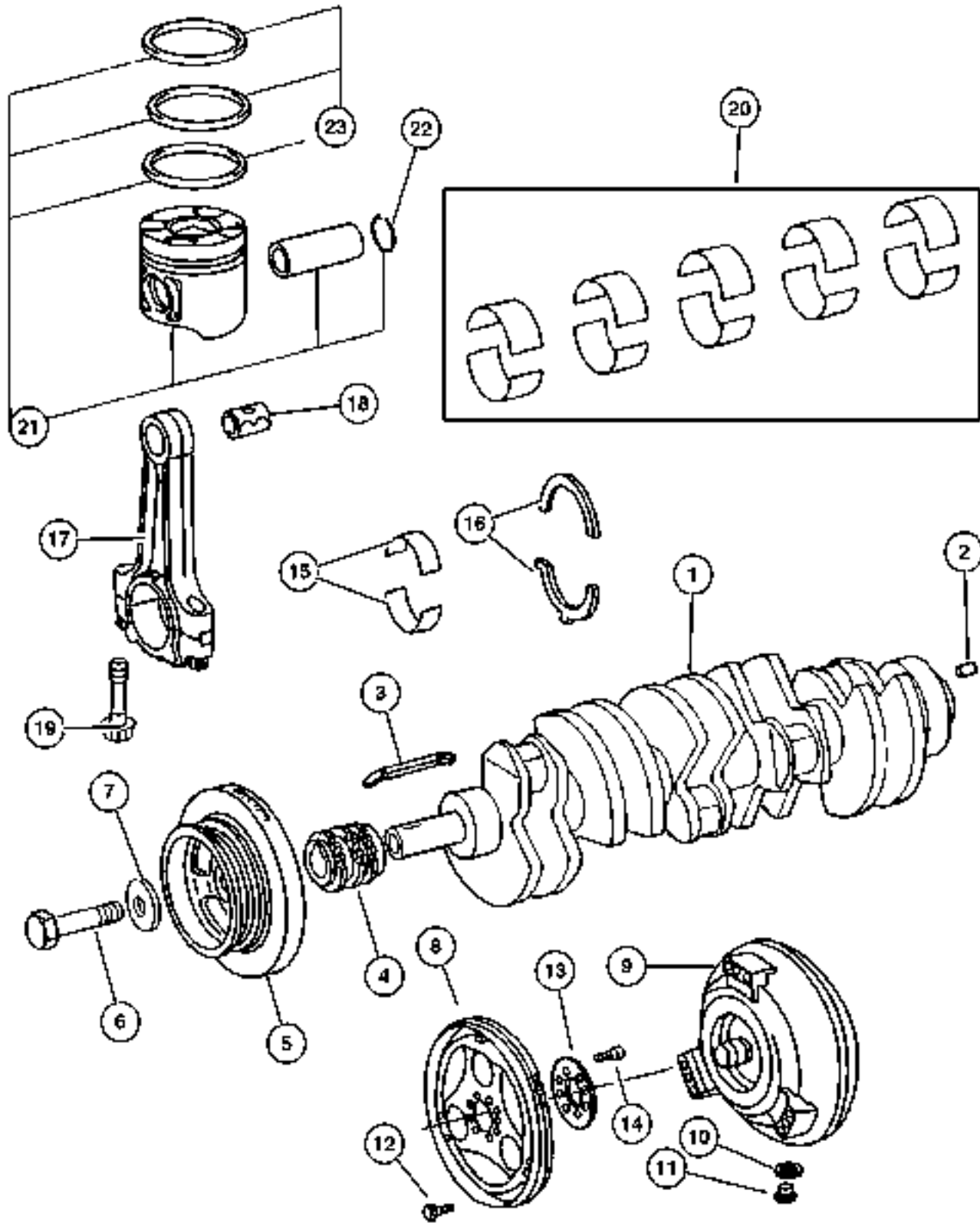
ITEM	PART NUMBER	QTY	LINE	SERIES	BODY	ENGINE	TRANS	TRIM	DESCRIPTION
NOTE:									
Sales Codes:									
[EX8] = 2.7L Inline 5 Cylinder Turbo Diesel Engine									
[NAS] = 50 State Emissions									
-1	5103 994AA-	1	2, 3, 6, 7			EX8	DGZ		GASKET KIT, Engine, Lower
2	5073 918AB	1	2, 3, 6, 7			EX8	DGZ		BLOCK, Cylinder, Bare Engine Block
3									CAP, Main, Serviced With Item 2, (NOT SERVICED) (Not Serviced)
4									BOLT, Main Bearing Cap, Serviced With Item 2, (NOT SERVICED) (Not Serviced)
5	5073 837AA	2	2, 3, 6, 7			EX8	DGZ		PLUG, Screw, Cylinder Block
6	5073 850AA	2	2, 3, 6, 7			EX8	DGZ		O RING
7	5073 860AA	3	2, 3, 6, 7			EX8	DGZ		PLUG, Expansion
8	5073 861AA	1	2, 3, 6, 7			EX8	DGZ		CONNECTOR
-9	5073 864AA-	1	2, 3, 6, 7			EX8	DGZ		BALL
10	6104 463AA	1	2, 3, 6, 7			EX8	DGZ		PLUG, [M12X1.5X15.0]
11	5073 890AA	1	2, 3, 6, 7			EX8	DGZ		PLUG
12	5073 891AA	1	2, 3, 6, 7			EX8	DGZ		O RING
13	5073 869AA	2	2, 3, 6, 7			EX8	DGZ		DOWEL
14	5073 895AA	5	2, 3, 6, 7			EX8	DGZ		JET, Piston Oil Cooler
15	5073 868AA	2	2, 3, 6, 7			EX8	DGZ		SLEEVE
16	5073 887AB	1	2, 3, 6, 7			EX8	DGZ		SEAL, Crankshaft Oil, Rear
17	6104 006AA	6	2, 3, 6, 7			EX8	DGZ		BOLT, [M6X1.00X20.00], Rear Seal Retainer, Mounting
18	5073 894AA	1	2, 3, 6, 7			EX8	DGZ		PIPE, Oil Return
19	5174 457AA	1	2, 3, 6, 7			EX8	DGZ		HEATER, Engine Block

Refer to Model Legend Information Bookmark

AR = Use as required - = Non illustrated part # = New this model year

March 3, 2006

**Crankshaft And Pistons 2.7L Diesel [EX8]
Figure 2.7LD-HO-405**



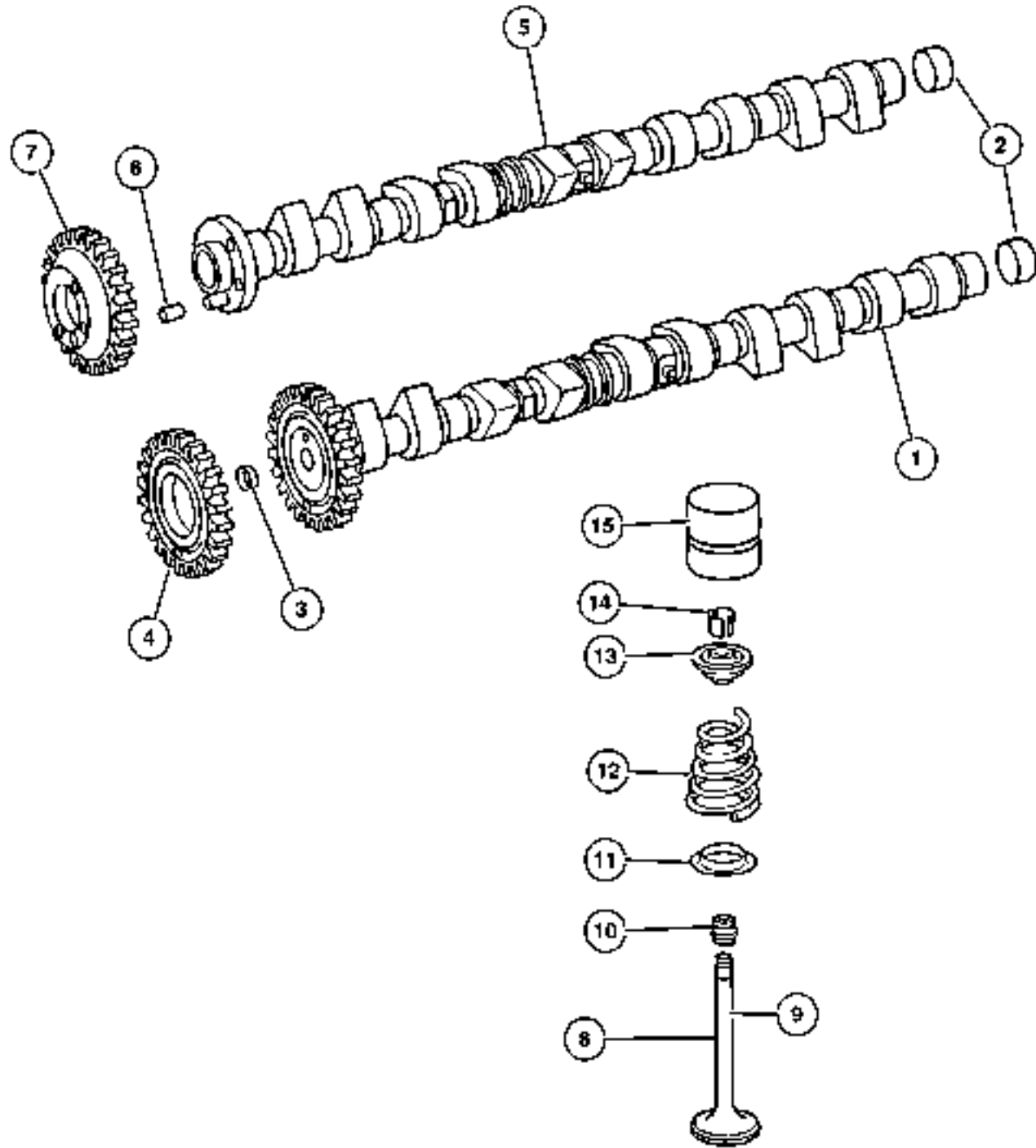
ITEM	PART NUMBER	QTY	LINE	SERIES	BODY	ENGINE	TRANS	TRIM	DESCRIPTION
NOTE:									
Sales Codes:									
[EX8] = 2.7L Inline 5 Cylinder Turbo Diesel Engine									
[NAS] = 50 State Emissions									
1	5080 012AA	1	2, 3, 6, 7			EX8	DGZ		CRANKSHAFT, Engine
2	5080 024AA	1	2, 3, 6, 7			EX8	DGZ		DOWEL
3	5073 998AA	1	2, 3, 6, 7			EX8	DGZ		KEY, Woodruff
4	5117 378AA	1	2, 3, 6, 7			EX8	DGZ		GEAR, Crankshaft
5	5103 972AB	1	2, 3, 6, 7			EX8	DGZ		DAMPER, Crankshaft
6	5073 696AA	1	2, 3, 6, 7			EX8	DGZ		SCREW, Vibration Dampner, Mounting
7	5080 005AA	1	2, 3, 6, 7			EX8	DGZ		WASHER, Vibration Dampner, Mounting
8	5137 274AA	1				EX8			FLEX PLATE
9	5104 567AA	1	2, 3, 6, 7			EX8	DGZ		CONVERTER, Torque
10	5080 014AA	1	2, 3, 6, 7			EX8	DGZ		O RING
11	5080 398AB	1	2, 3, 6, 7			EX8	DGZ		PLUG
12	6507 095AA	6	3, 7			EX8	DGZ		SCREW, [M8X1.25X18.00], Torque Converter To Flexplate, Mounting
13	5080 066AA	1				EX8	DGZ		WASHER
14	5103 968AA	7	2, 3, 6, 7			EX8	DGZ		SCREW
15	5086 294AA	6	2, 3, 6, 7			EX8	DGZ		BEARING, Crankshaft, Main
16	5086 295AA	2	2, 3, 6, 7			EX8	DGZ		BEARING, Crankshaft
17	5175 613AA	5	2, 3, 6, 7			EX8	DGZ		ROD, Connecting
18	5175 614AA	5	2, 3, 6, 7			EX8	DGZ		BUSHING, Connecting Rod
19	5073 698AA	10	2, 3, 6, 7			EX8	DGZ		BOLT, Connecting Rod
20	5086 153AA	1	2, 3, 6, 7			EX8	DGZ		BEARING, Connecting Rod, STD.
21	5161 392AA	5	2, 3, 6, 7			EX8	DGZ		PISTON
22	5080 034AA	10	2, 3, 6, 7			EX8	DGZ		RING, Piston Pin
23	5138 004AA	5	2, 3, 6, 7			EX8	DGZ		RING KIT, Piston

Refer to Model Legend Information Bookmark

AR = Use as required - = Non illustrated part # = New this model year

March 3, 2006

**Camshaft And Valves 2.7L Diesel [EX8]
Figure 2.7LD-HO-505**



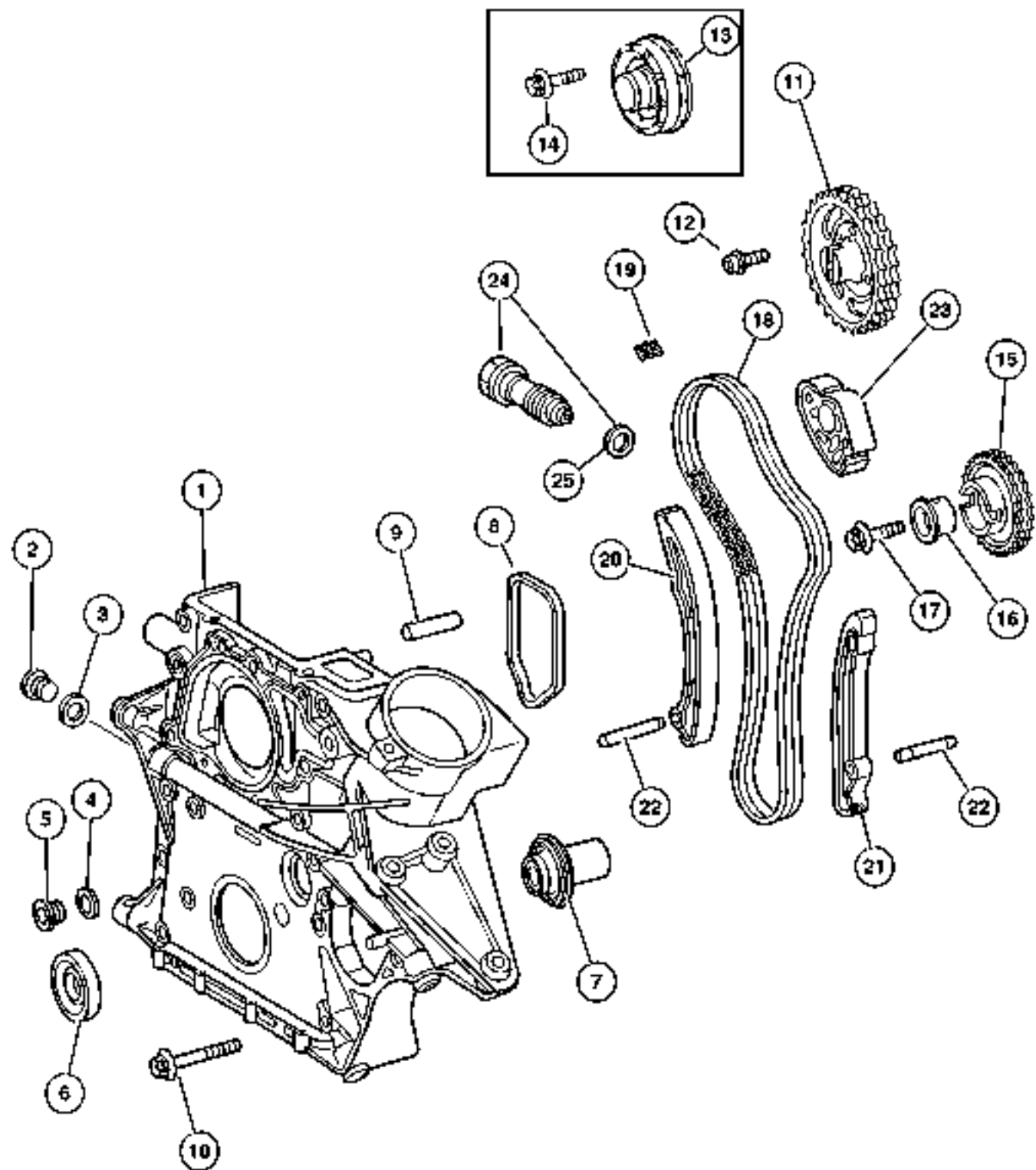
ITEM	PART NUMBER	QTY	LINE	SERIES	BODY	ENGINE	TRANS	TRIM	DESCRIPTION
NOTE:									
Sales Codes:									
[EX8] = 2.7L Inline 5 Cylinder Turbo Diesel Engine									
[NAS] = 50 State Emissions									
1	5117 371AA	1	2, 3, 6, 7			EX8	DGZ		CAMSHAFT, Intake
2	5080 071AA	1	2, 3, 6, 7			EX8	DGZ		PLUG, Expansion
3	5080 188AA	1	2, 3, 6, 7			EX8	DGZ		PLUG, Expansion, Intake
4	5080 110AA	1	2, 3, 6, 7			EX8	DGZ		GEAR, Camshaft, Intake
5	5080 095AA	1	2, 3, 6, 7			EX8	DGZ		CAMSHAFT, Exhaust
6	5080 096AA	1	2, 3, 6, 7			EX8	DGZ		PIN, Dowel
7	5073 814AA	1	2, 3, 6, 7			EX8	DGZ		GEAR, Camshaft, Exhaust
8	5117 399AA	10	2, 3, 6, 7			EX8	DGZ		VALVE, Intake, Standard
9	5117 402AA	10	2, 3, 6, 7			EX8	DGZ		VALVE, Engine Exhaust
10	5086 290AA	5	2, 3, 6, 7			EX8	DGZ		SEAL, Valve Guide, Parts Kit
11	5080 055AA	20	2, 3, 6, 7			EX8	DGZ		RETAINER, Valve Spring, Bottom
12	5117 403AA	10	2, 3, 6, 7			EX8	DGZ		SPRING, Valve
13	5080 052AA	20	2, 3, 6, 7			EX8	DGZ		RETAINER, Valve Spring, Top
14	5080 051AA	40	2, 3, 6, 7			EX8	DGZ		LOCK, Valve Spring Retainer
15	5080 060AB	20	2, 3, 6, 7			EX8	DGZ		TAPPET, Valve

Refer to Model Legend Information Bookmark

AR = Use as required - = Non illustrated part # = New this model year

March 3, 2006

**Timing Cover And Chain 2.7L Diesel [EX8]
Figure 2.7LD-HO-605**



ITEM	PART NUMBER	QTY	LINE	SERIES	BODY	ENGINE	TRANS	TRIM	DESCRIPTION
NOTE:									
Sales Codes:									
[EX8] = 2.7L Inline 5 Cylinder Turbo Diesel Engine									
[NAS] = 50 State Emissions									
1	5103 969AA	1	2, 3, 6, 7			EX8	DGZ		COVER, Timing Case
2	5080 071AA	1	2, 3, 6, 7			EX8	DGZ		PLUG, Expansion
3	5080 015AA	1	2, 3, 6, 7			EX8	DGZ		O RING
4	5080 014AA	1	2, 3, 6, 7			EX8	DGZ		O RING
5	5080 398AB	1	2, 3, 6, 7			EX8	DGZ		PLUG
6	5073 675AB	1	2, 3, 6, 7			EX8	DGZ		OIL SEAL
7	5080 179AA	1	2, 3, 6, 7			EX8	DGZ		VALVE, Pressure Relief
8	5073 677AA	1	2, 3, 6, 7			EX8	DGZ		GASKET, Timing Cover
9	5073 936AA	1	2, 3, 6, 7			EX8	DGZ		DOWEL
10	5137 660AA	3	2, 3, 6, 7			EX8	DGZ		SCREW [M8x1.25x80.0] Timing Cover, Mounting
	6104 031AA	10	2, 3, 6, 7			EX8	DGZ		[M8x1.25x60.00] Timing Cover, Mounting
	6104 035AA	1	2, 3, 6, 7			EX8	DGZ		[M8x1.25x90.00] Timing Cover, Mounting
11	5080 110AA	1	2, 3, 6, 7			EX8	DGZ		GEAR, Camshaft
12	5073 901AA	3	2, 3, 6, 7			EX8	DGZ		SCREW, Camshaft Pulley, Mounting
13	5137 030AA	1	2, 3, 6, 7			EX8	DGZ		SEPERATOR, Oil, Camshaft
14	6104 684AA	5	2, 3, 6, 7			EX8	DGZ		SCREW, [M6.0X1.0X28.0], Oil Seperator, Mounting
15	5117 380AA	1	2, 3, 6, 7			EX8	DGZ		GEAR, Intermediate
16	5080 098AA	1	2, 3, 6, 7			EX8	DGZ		BEARING
17	5073 707AA	1	2, 3, 6, 7			EX8	DGZ		SCREW, Intermediate Gear, Mounting
18	5080 209AB	1	2, 3, 6, 7			EX8	DGZ		CHAIN, Timing
19	5086 196AA	1	2, 3, 6, 7			EX8	DGZ		LINK, Chain
20	5080 099AA	1	2, 3, 6, 7			EX8	DGZ		GUIDE, Timing Chain
21	5080 100AA	1	2, 3, 6, 7			EX8	DGZ		GUIDE, Timing Chain
22	5073 870AA	2	2, 3, 6, 7			EX8	DGZ		DOWEL
23	5080 101AA	1	2, 3, 6, 7			EX8	DGZ		GUIDE, Timing Chain
24	5174 768AA	1	2, 3, 6, 7			EX8	DGZ		TENSIONER, Chain
25	5125 905AA	1	2, 3, 6, 7			EX8	DGZ		O RING

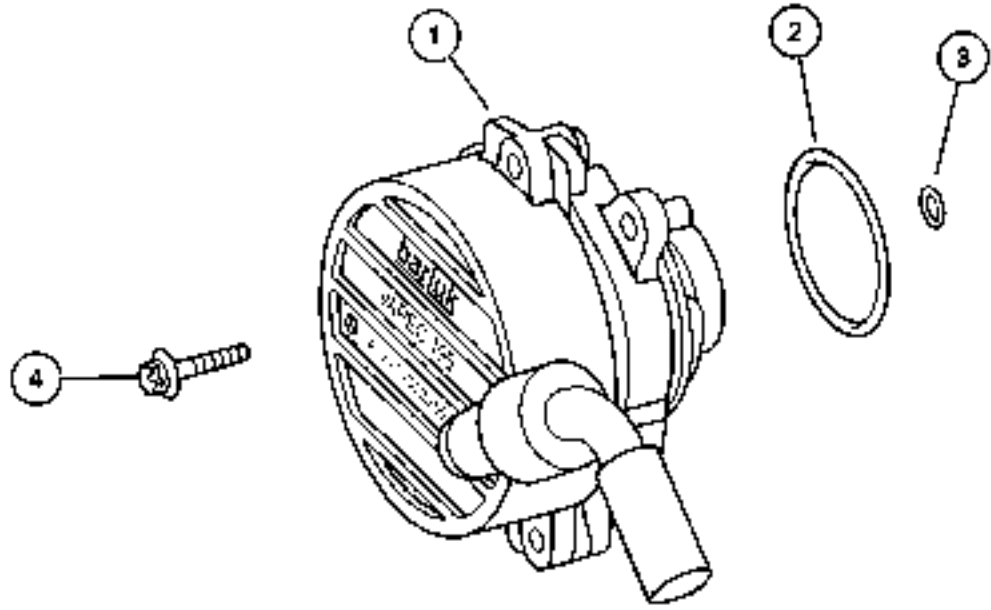
Refer to Model Legend Information Bookmark

AR = Use as required - = Non illustrated part # = New this model year

March 3, 2006

Vaccum Pump 2.7L Diesel [EX8]
Figure 2.7LD-HO-610

ITEM	PART NUMBER	QTY	LINE	SERIES	BODY	ENGINE	TRANS	TRIM	DESCRIPTION
NOTE:									
Sales Codes:									
[EX8] = 2.7L Inline 5 Cylinder Turbo Diesel Engine									
[NAS] = 50 State Emissions									
1	5117 675AA	1	2, 3, 6, 7			EX8	DGZ		PUMP, Vacuum
2	5080 334AA	1	2, 3, 6, 7			EX8	DGZ		O RING
3	5080 335AA	1	2, 3, 6, 7			EX8	DGZ		O RING
4	5073 702AA	2	2, 3, 6, 7			EX8	DGZ		SCREW, Vacuum Pump, Mounting



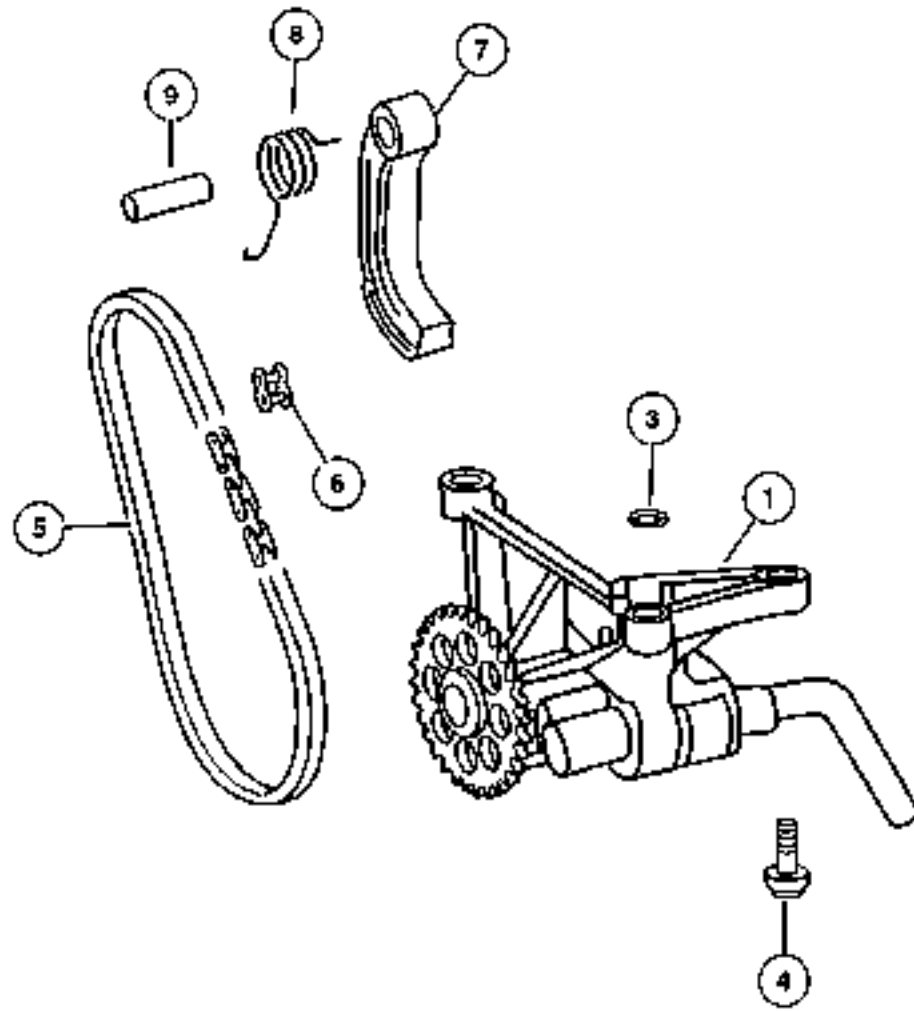
Refer to Model Legend Information Bookmark

AR = Use as required - = Non illustrated part # = New this model year

March 3, 2006

Oil Pump 2.7L Diesel [EX8]
Figure 2.7LD-HO-705

ITEM	PART NUMBER	QTY	LINE	SERIES	BODY	ENGINE	TRANS	TRIM	DESCRIPTION
NOTE:									
Sales Codes:									
[EX8] = 2.7L Inline 5 Cylinder Turbo Diesel Engine									
[NAS] = 50 State Emissions									
1	5117 594AA	1	2, 3, 6, 7			EX8	DGZ		PUMP, Engine Oil
-2	5080 119AA-	1	2, 3, 6, 7			EX8	DGZ		SNAP RING
3	5080 123AB	1	2, 3, 6, 7			EX8	DGZ		O RING
4	5073 710AA	3	2, 3, 6, 7			EX8	DGZ		SCREW, Oil Pump, Mounting
5	5080 128AA	1	2, 3, 6, 7			EX8	DGZ		CHAIN, Pump Drive
6	5080 129AA	1	2, 3, 6, 7			EX8	DGZ		LINK, Chain
7	5080 121AA	1	2, 3, 6, 7			EX8	DGZ		ARM, Tensioner
8	5080 120AA	1	2, 3, 6, 7			EX8	DGZ		SPRING
9	5073 871AA	1	2, 3, 6, 7			EX8	DGZ		DOWEL



Refer to Model Legend Information Bookmark

AR = Use as required - = Non illustrated part # = New this model year

March 3, 2006

**Oil Cooler And Filter 2.7L Diesel [EX8]
Figure 2.7LD-HO-710**

ITEM	PART NUMBER	QTY	LINE	SERIES	BODY	ENGINE	TRANS	TRIM	DESCRIPTION
------	-------------	-----	------	--------	------	--------	-------	------	-------------

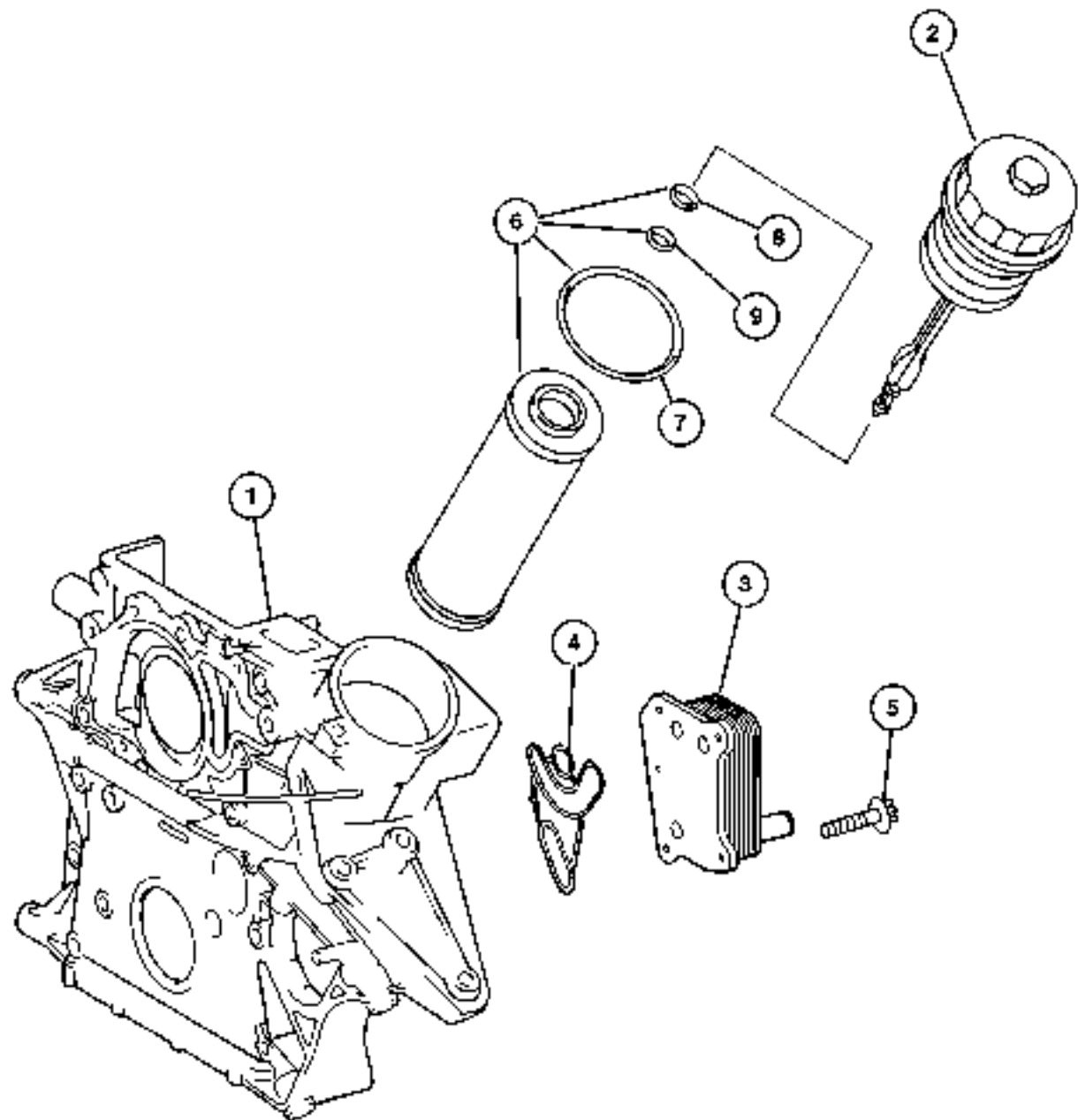
NOTE:

Sales Codes:

[EX8] = 2.7L Inline 5 Cylinder Turbo Diesel Engine

[NAS] = 50 State Emissions

1	5103 969AA	1	2, 3, 6, 7			EX8	DGZ		COVER, Timing Case
2	5080 029AA	1	2, 3, 6, 7			EX8	DGZ		HEAD, Oil Filter
3	5080 402AA	1	2, 3, 6, 7			EX8	DGZ		COOLER, Oil
4	5080 141AA	1	2, 3, 6, 7			EX8	DGZ		GASKET, Oil Cooler
5	6104 144AA	3	2, 3, 6, 7			EX8	DGZ		SCREW, [M6X1.0X25.0], Oil Cooler, Mounting
6	5086 301AA	1	2, 3, 6, 7			EX8	DGJ		FILTER, Engine Oil
7	5080 242AA	1	2, 3, 6, 7			EX8	DGZ		O RING
8	5080 242AA	1	2, 3, 6, 7			EX8	DGZ		O RING
9	5086 297AA	1	2, 3, 6, 7			EX8	DGZ		O RING

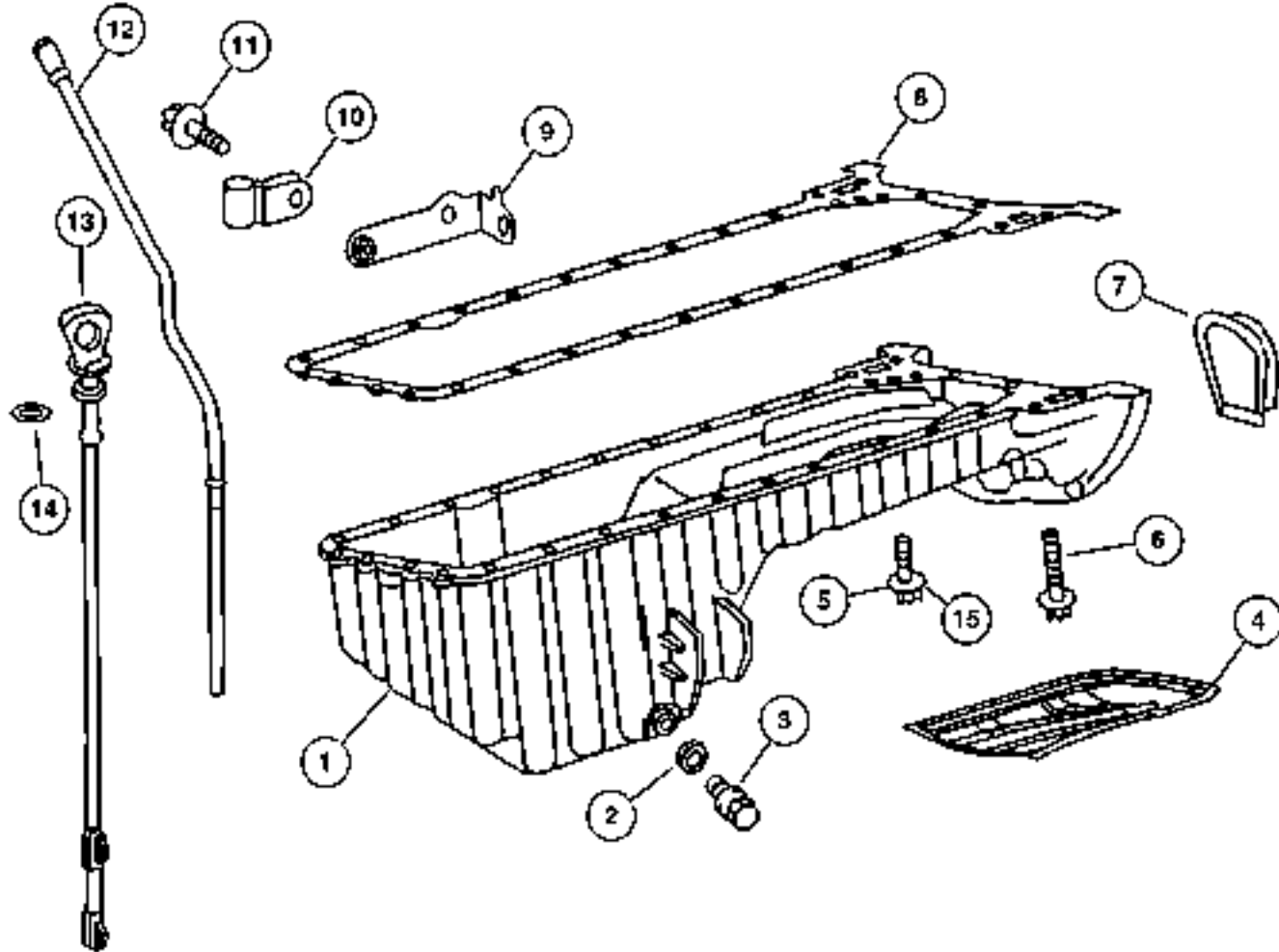


Refer to Model Legend Information Bookmark

AR = Use as required - = Non illustrated part # = New this model year

March 3, 2006

Oil Pan 2.7L Diesel [EX8]
Figure 2.7LD-HO-715



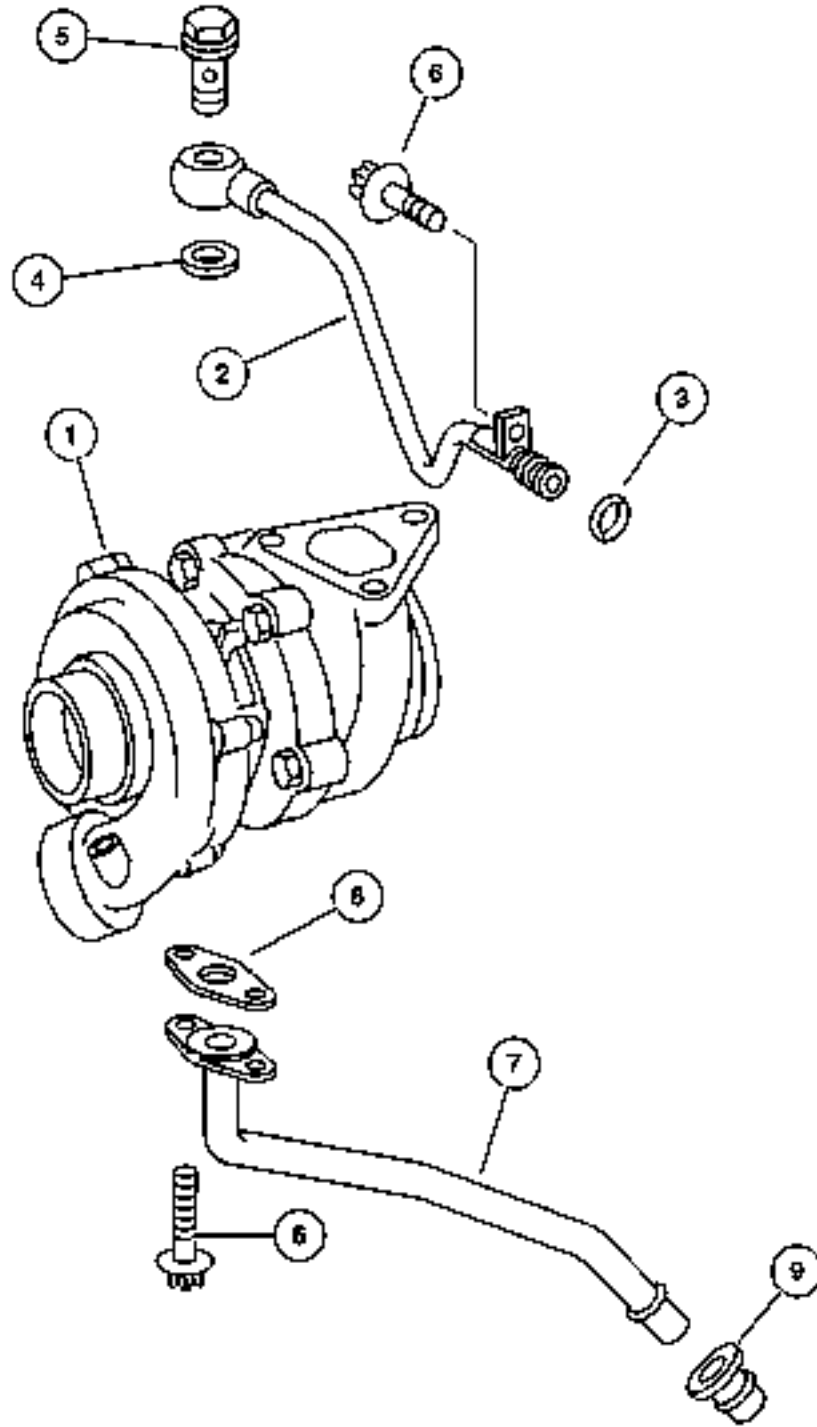
ITEM	PART NUMBER	QTY	LINE	SERIES	BODY	ENGINE	TRANS	TRIM	DESCRIPTION
NOTE:									
Sales Codes:									
[EX8] = 2.7L Inline 5 Cylinder Turbo Diesel Engine									
[NAS] = 50 State Emissions									
1	5117 152AA	1	2, 3, 6, 7			EX8	DGZ		PAN, Oil
2	5073 946AA	1	2, 3, 6, 7			EX8	DGZ		GASKET, Drain Plug
3	5073 945AA	1	2, 3, 6, 7			EX8	DGZ		PLUG, Oil Drain
4	5117 250AA	1	2, 3, 6, 7			EX8	DGZ		PAN, Oil, Windage Tray
5	5126 198AA	4	3, 7			EX8	DGZ		BOLT, M6x20, Mounting
6	6104 006AA	18	2, 3, 6, 7			EX8	DGZ		BOLT Oil Pan [M6X1.00X20.00], Mounting
	6104 029AA	2	2, 3, 6, 7			EX8	DGZ		Oil Pan [M8X1.25X50.00], Mounting
7	5103 911AA	1	2, 3, 6, 7			EX8	DGZ		COVER
8	5175 310AA	1	2, 3, 6, 7			EX8	DGZ		GASKET, Oil Pan
9	5117 308AA	1	2, 3, 6, 7			EX8	DGZ		BRACKET
10	5073 938AB	1	2, 3, 6, 7			EX8	DGZ		CLAMP, Tube Retaining
11	5135 828AA	1	2, 3, 6, 7			EX8	DGZ		SCREW, Oil Indicator Tube, Mounting
12	5117 302AA	1	2, 3, 6, 7			EX8	DGZ		TUBE, Engine Oil Indicator
13	5103 962AA	1	2, 3, 6, 7			EX8	DGZ		INDICATOR, Engine Oil Level
14	5073 943AA	1	2, 3, 6, 7			EX8	DGZ		O RING, Engine Oil Level Tube
15	5073 692AA	2	2, 3, 6, 7			EX8	DGZ		SCREW

Refer to Model Legend Information Bookmark

AR = Use as required - = Non illustrated part # = New this model year

March 3, 2006

Turbo, Oil Feed And Return Lines 2.7L Diesel [EX8]
Figure 2.7LD-HO-720



ITEM	PART NUMBER	QTY	LINE	SERIES	BODY	ENGINE	TRANS	TRIM	DESCRIPTION
------	-------------	-----	------	--------	------	--------	-------	------	-------------

NOTE:

Sales Codes:

[EX8] = 2.7L Inline 5 Cylinder Turbo Diesel Engine

[NAS] = 50 State Emissions

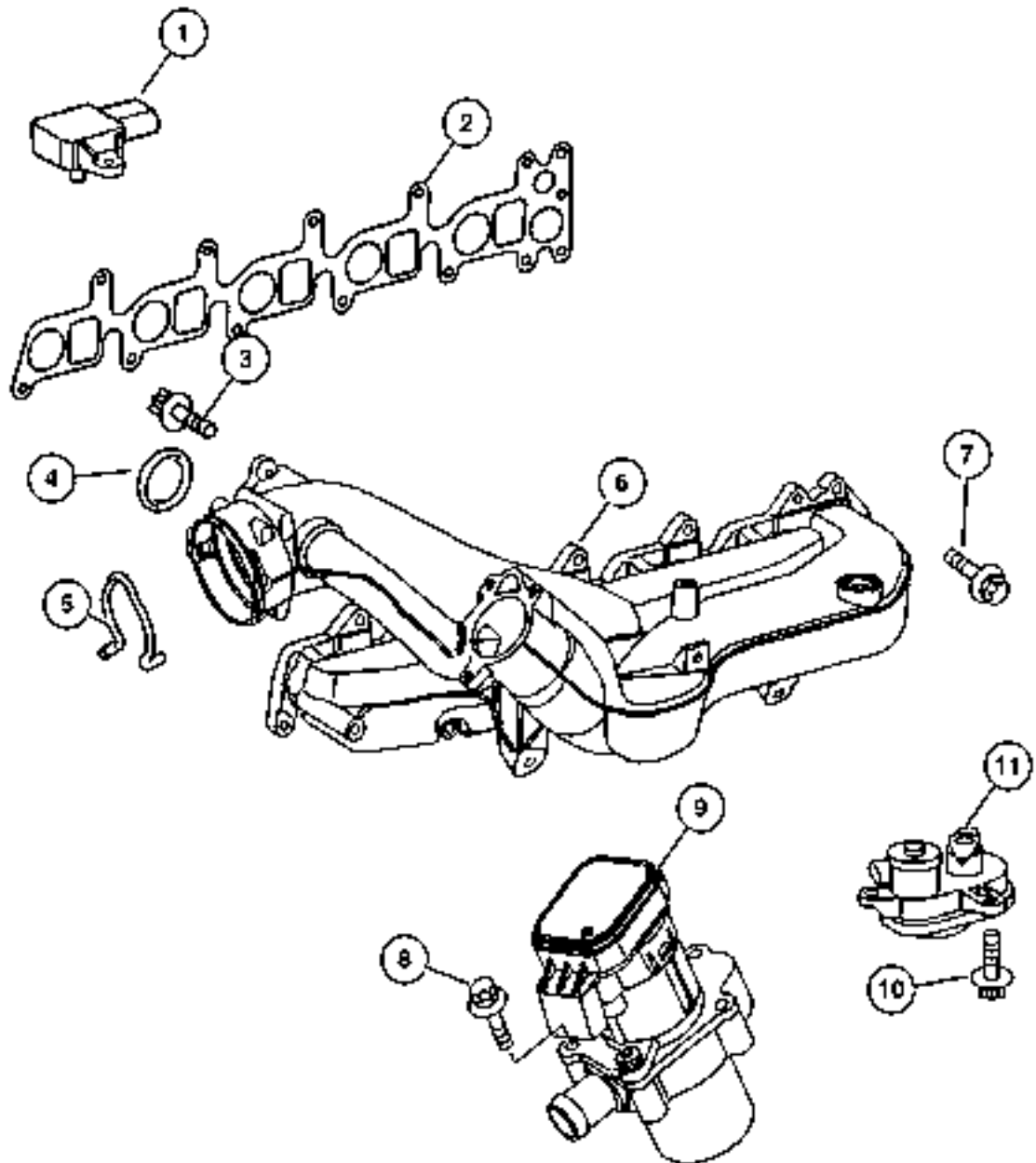
1	5142 494AA	1	2, 3, 6, 7			EX8	DGZ		TURBOCHARGER
2	5103 984AA	1	2, 3, 6, 7			EX8	DGZ		TUBE, Turbo Oil Feed
3	5080 135AA	1	2, 3, 6, 7			EX8	DGZ		O RING
4	5080 136AB	2	2, 3, 6, 7			EX8	DGZ		O RING
5	5080 137AA	1	2, 3, 6, 7			EX8	DGZ		SCREW, Oil Line, Mounting
6	6104 005AA	2	2, 3, 6, 7			EX8	DGZ		SCREW, [M6X1.00X16.00], Oil Line, Mounting
7	5103 983AA	1	2, 3, 6, 7			EX8	DGZ		TUBE, Turbo Oil Return
8	5117 624AA	1	2, 3, 6, 7			EX8	DGZ		GASKET, Turbo Oil Return Pipe
9	5080 140AB	1	2, 3, 6, 7			EX8	DGZ		GASKET, Turbo Oil Return Pipe

Refer to Model Legend Information Bookmark

AR = Use as required - = Non illustrated part # = New this model year

March 3, 2006

**Intake Manifold 2.7L Diesel [EX8]
Figure 2.7LD-HO-805**



ITEM	PART NUMBER	QTY	LINE	SERIES	BODY	ENGINE	TRANS	TRIM	DESCRIPTION
1									SENSOR, Coolant Level
	5120 509AA	1	2, 6			EX8	DGZ		
		1	3, 7			EX8	DGZ		
2	5080 324AA	1	2, 3, 6, 7			EX8	DGZ		GASKET, Intake Manifold
3	6104 005AA	2	2, 3, 6, 7			EX8	DGZ		SCREW, [M6X1.00X16.00], Intake Manifold, Mounting
4	5137 197AA	1	2, 3, 6, 7			EX8	DGZ		GASKET, EGR Valve
5	5136 770AA	1	2, 3, 6, 7			EX8	DGZ		SPRING
6	5136 769AA	1	2, 3, 6, 7			EX8	DGZ		MANIFOLD, Intake
7	5073 903AA	8	2, 3, 6, 7			EX8	DGZ		SCREW, Intake Manifold, Mounting
8	6104 008AA	8	2, 3, 6, 7			EX8	DGZ		SCREW, [M6X1.00X30.00], Mounting
9	5166 850AA	1	2, 3, 6, 7			EX8	DGZ		VALVE, EGR
10	6104 005AA	2	2, 3, 6, 7			EX8	DGZ		SCREW, [M6X1.00X16.00], Mounting
11	5135 893AA	1	2, 3, 6, 7			EX8	DGZ		MOTOR, Air Idle Speed

NOTE:
Sales Codes:
[EX8] = 2.7L Inline 5 Cylinder Turbo Diesel Engine
[NAS] = 50 State Emissions

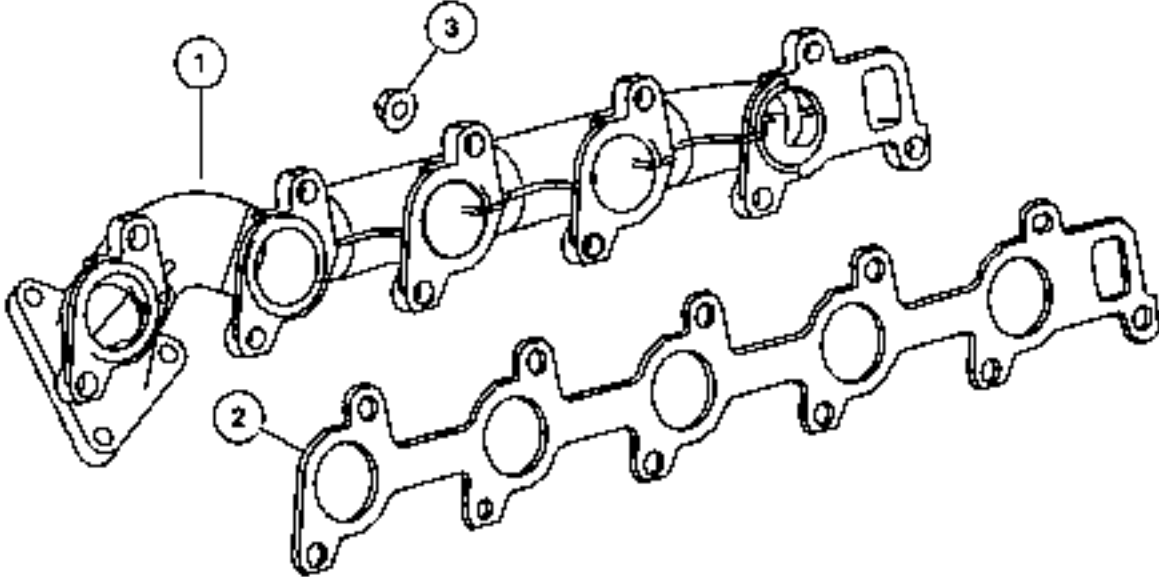
Refer to Model Legend Information Bookmark

AR = Use as required - = Non illustrated part # = New this model year

March 3, 2006

**Exhaust Manifold 2.7L Diesel [EX8]
Figure 2.7LD-HO-810**

ITEM	PART NUMBER	QTY	LINE	SERIES	BODY	ENGINE	TRANS	TRIM	DESCRIPTION
NOTE:									
Sales Codes:									
[EX8] = 2.7L Inline 5 Cylinder Turbo Diesel Engine									
[NAS] = 50 State Emissions									
1	5117 523AA	1	2, 3, 6, 7			EX8	DGZ		MANIFOLD, Exhaust
2	5117 528AA	1	2, 3, 6, 7			EX8	DGZ		GASKET, Exhaust Manifold
3	6104 729AA	11	2, 3, 6, 7			EX8	DGZ		NUT, [M8X1.25], Exhaust Manifold, Mounting



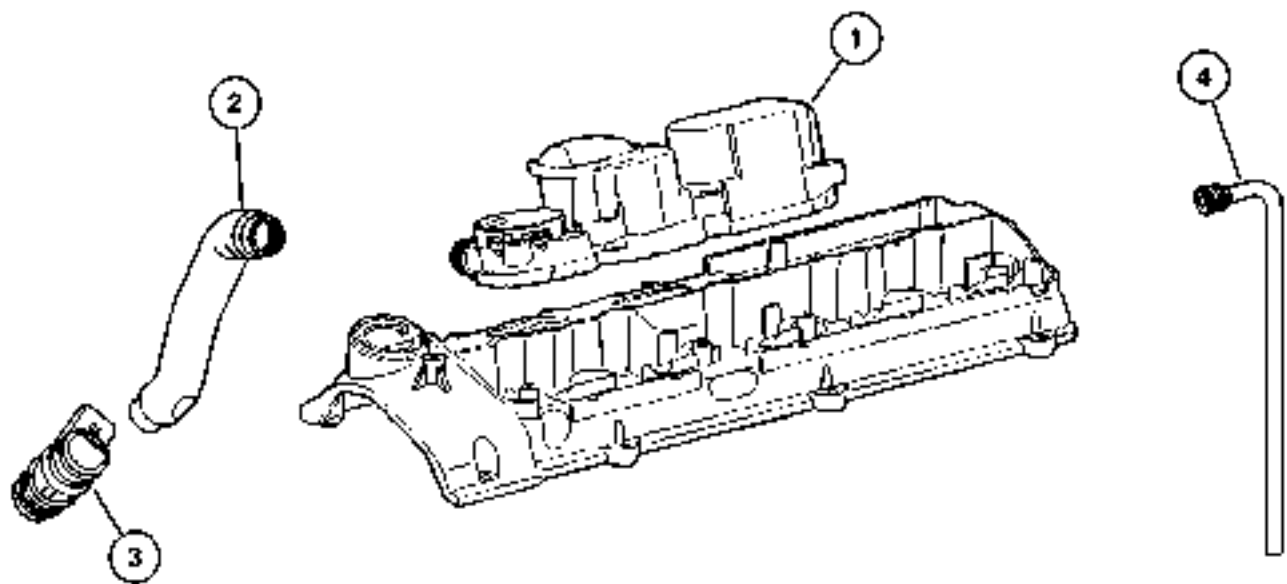
Refer to Model Legend Information Bookmark

AR = Use as required - = Non illustrated part # = New this model year

March 3, 2006

**Crankcase Ventilation 2.7L Diesel [EX8]
Figure 2.7LD-HO-905**

ITEM	PART NUMBER	QTY	LINE	SERIES	BODY	ENGINE	TRANS	TRIM	DESCRIPTION
NOTE:									
Sales Codes:									
[EX8] = 2.7L Inline 5 Cylinder Turbo Diesel Engine									
[NAS] = 50 State Emissions									
1	5137 030AA	1	2, 3, 6, 7			EX8	DGZ		SEPERATOR, Oil
2	5117 234AB	1	2, 3, 6, 7			EX8	DGZ		HOSE, Air Induction
3	5117 289AA	1	2, 3, 6, 7			EX8	DGZ		TUBE, Crankcase Vent Valve
4	5117 291AA	1	2, 3, 6, 7			EX8	DGZ		HOSE



Refer to Model Legend Information Bookmark

AR = Use as required - = Non illustrated part # = New this model year

March 3, 2006

Group – 011

Exhaust

GROUP 11 - Exhaust

Illustration Title

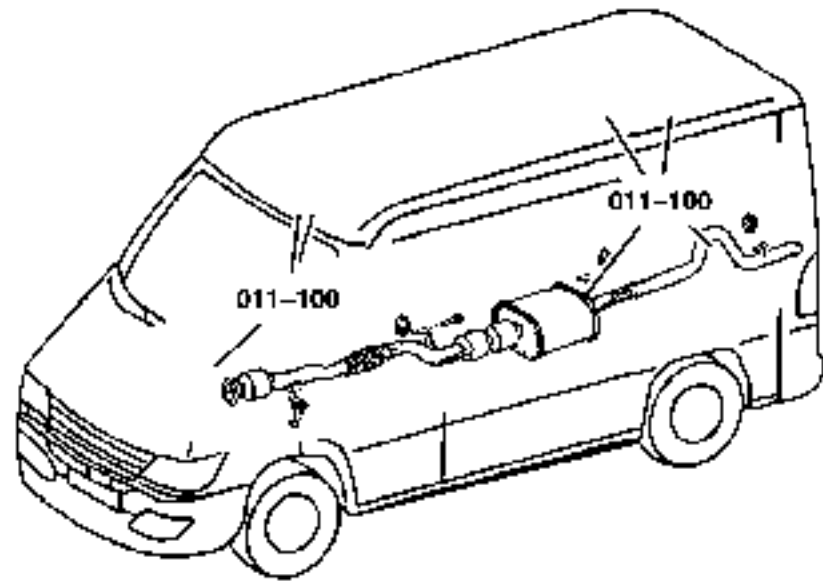
Group-Fig. No.

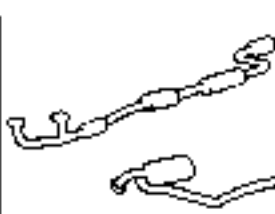

Exhaust System

Exhaust System Fig. 011-110

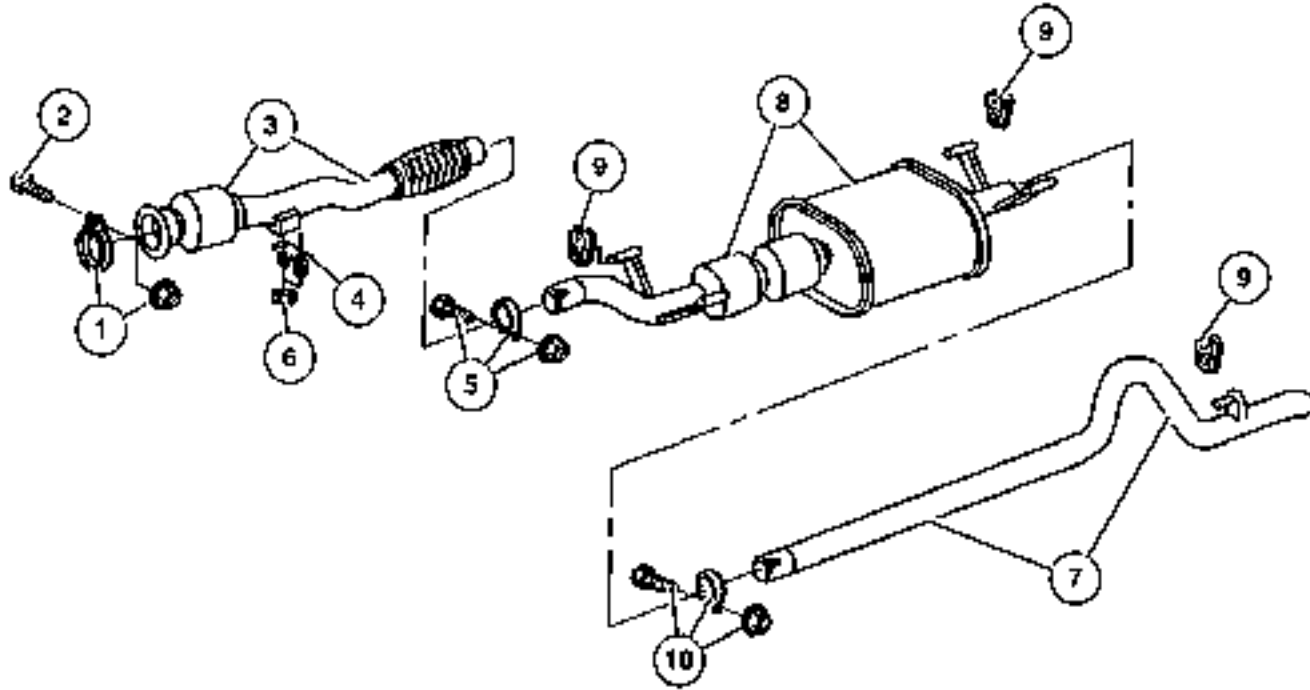
Heat Shields

Heat Shields Exhaust Fig. 011-210



<p>011-100 Exhaust System</p> 	<p>011-200 Heat Shields</p> 		
--	--	--	--

Exhaust System Figure 011-110



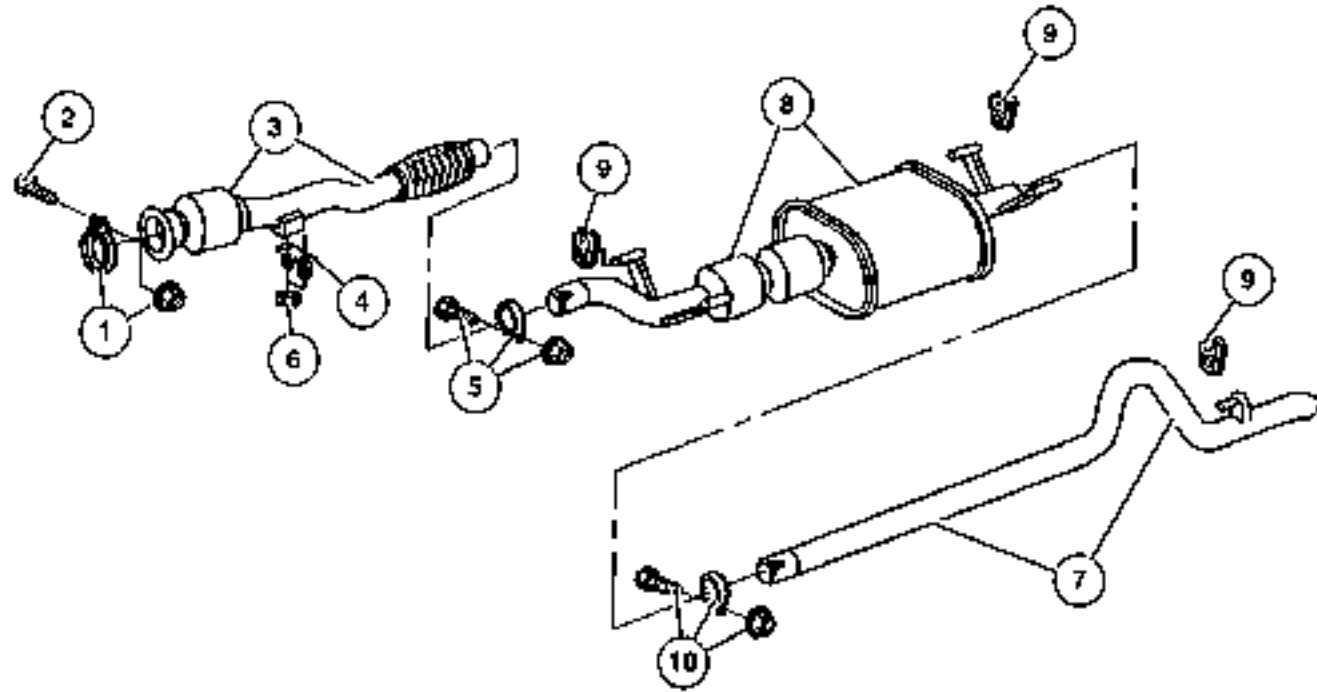
ITEM	PART NUMBER	QTY	LINE	SERIES	BODY	ENGINE	TRANS	TRIM	DESCRIPTION
Note; Sales Codes;									
[EX8] = 2.7L I5 Turbo Diesel Engine									
[5AC] = 118 Inch Wheel Base									
[5AE] = 140 Inch Wheel Base									
[5AF] = 158 Inch Wheel Base									
1									CLAMP, Exhaust, (NOT SERVICED) (Not Serviced)
2	6104 027AA	1	2, 6	L	01, 02, 06	EX8	DGZ		SCREW
		1	2, 6	L	11, 12, 14, 15, 16	EX8	DGZ		
		1	2, 6	L	51, 52, 54, 55, 56	EX8	DGZ		
		1	3, 7	L	02, 06	EX8	DGZ		
		1	3, 7	L	12, 15, 16	EX8	DGZ		
3	5136 635AA	1	2, 6	L	06	EX8	DGZ		PIPE, Exhaust
4	5119 943AA	1	2, 6	L	01, 02, 06	EX8	DGZ		BRACKET, Exhaust
		1	2, 6	L	11, 12, 14, 15, 16	EX8	DGZ		
		1	2, 6	L	51, 52, 54, 55, 56	EX8	DGZ		
		1	3, 7	L	02, 06	EX8	DGZ		
		1	3, 7	L	12, 15, 16	EX8	DGZ		
5	5127 230AA	1	2, 6	L	01, 02, 06	EX8	DGZ		CLAMP, Exhaust
		1	2, 6	L	11, 12, 14, 15, 16	EX8	DGZ		
		1	2, 6	L	51, 52, 54, 55, 56	EX8	DGZ		
		1	3, 7	L	02, 06	EX8	DGZ		
		1	3, 7	L	12, 15, 16	EX8	DGZ		
6									NUT, Catalytic Converter Mounting

Refer to Model Legend Information Bookmark

AR = Use as required - = Non illustrated part # = New this model year

March 3, 2006

Exhaust System Figure 011-110



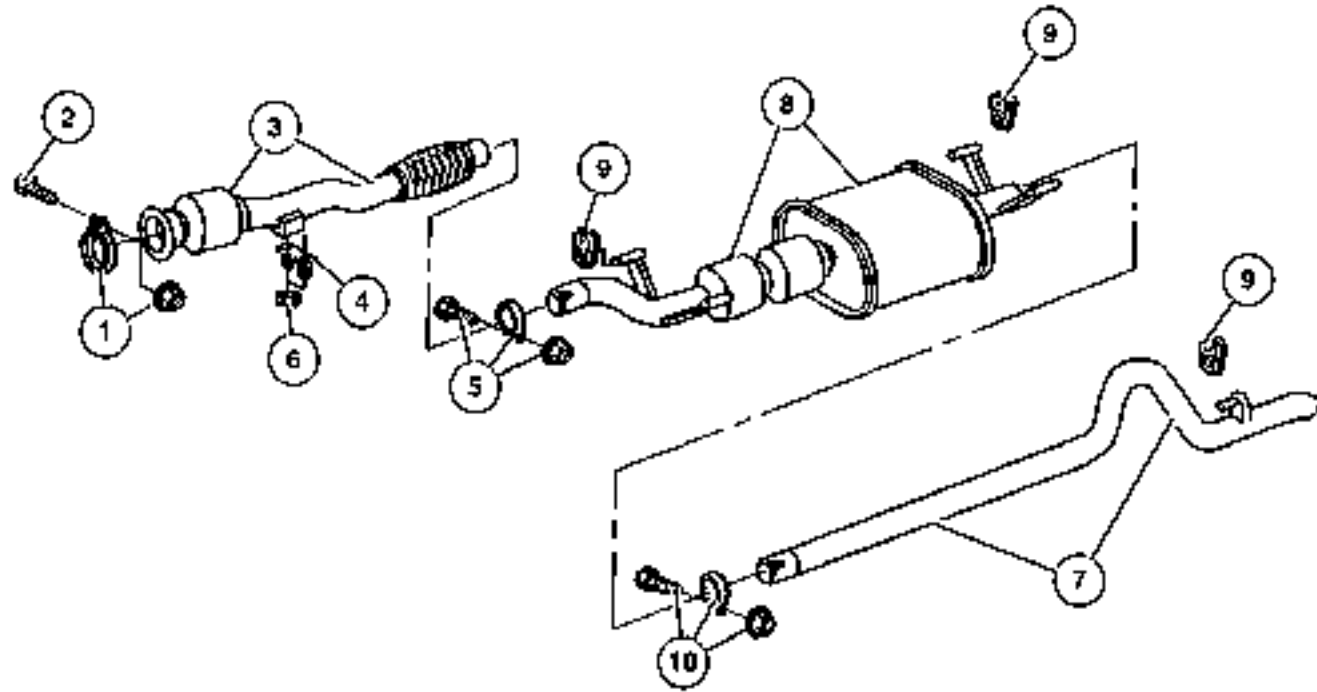
ITEM	PART NUMBER	QTY	LINE	SERIES	BODY	ENGINE	TRANS	TRIM	DESCRIPTION
	5101 226AA	2	2, 6	L	01, 02, 06	EX8	DGZ		
		2	2, 6	L	11, 12, 14, 15, 16	EX8	DGZ		
		2	2, 6	L	51, 52, 54, 55, 56	EX8	DGZ		
		2	3, 7	L	02, 06	EX8	DGZ		
		2	3, 7	L	12, 15, 16	EX8	DGZ		
7									PIPE, Tail
	5104 107AA	1	2, 6	L	02	EX8	DGZ		
		1	2, 6	L	12, 15	EX8	DGZ		
		1	2, 6	L	52, 55	EX8	DGZ		
	5104 108AA	1	2, 6	L	16	EX8	DGZ		
		1	2, 6	L	56	EX8	DGZ		
	5119 778AA	1	2, 6	L	01	EX8	DGZ		
		1	2, 6	L	11, 14	EX8	DGZ		
		1	2, 6	L	51, 54	EX8	DGZ		
	5119 791AA	1	3, 7	L	02	EX8	DGZ		
		1	3, 7	L	12, 15	EX8	DGZ		
8									MUFFLER, Exhaust
	5119 762AA	1	2, 6	L	01, 02, 06	EX8	DGZ		
		1	2, 6	L	11, 12, 14, 15, 16	EX8	DGZ		
		1	2, 6	L	51, 52, 54, 55, 56	EX8	DGZ		
		1	3, 7	L	02, 06	EX8	DGZ		
		1	3, 7	L	12, 15, 16	EX8	DGZ		
9									INSULATOR, Exhaust
	5104 109AA	4	2, 6	L	01, 02, 06	EX8	DGZ		
		4	2, 6	L	11, 12, 14, 15, 16	EX8	DGZ		
		4	2, 6	L	51, 52, 54, 55, 56	EX8	DGZ		
		1	3, 7	L	02, 06	EX8	DGZ		

Refer to Model Legend Information Bookmark

AR = Use as required - = Non illustrated part # = New this model year

March 3, 2006

Exhaust System Figure 011-110



ITEM	PART NUMBER	QTY	LINE	SERIES	BODY	ENGINE	TRANS	TRIM	DESCRIPTION
		4	3, 7	L	12, 15, 16	EX8	DGZ		
10	5127 230AA	1	2, 6	L	01, 02, 06	EX8	DGZ		CLAMP, Exhaust
		1	2, 6	L	11, 12, 14, 15, 16	EX8	DGZ		
		1	2, 6	L	51, 52, 54, 55, 56	EX8	DGZ		
		1	3, 7	L	02, 06	EX8	DGZ		
		1	3, 7	L	12, 15, 16	EX8	DGZ		
-11	5119 807AA-	1	2, 6	L	01, 02, 06	EX8	DGZ		BRACKET, Exhaust
		1	2, 6	L	11, 12, 14, 15, 16	EX8	DGZ		
		1	2, 6	L	51, 52, 54, 55, 56	EX8	DGZ		
	5119 931AA-	1	2, 6	L	01	EX8	DGZ		
		1	3, 7	L	12, 15, 16	EX8	DGZ		
	5119 943AA-	1	3, 7	L	02, 06	EX8	DGZ		
-12	5135 684AA-	1	2, 6	L	01, 02, 06	EX8	DGZ		SEAL, Exhaust
		1	2, 6	L	11, 12, 14, 15, 16	EX8	DGZ		
		1	2, 6	L	51, 52, 54, 55, 56	EX8	DGZ		
		1	3, 7	L	02, 06	EX8	DGZ		
		1	3, 7	L	12, 15, 16	EX8	DGZ		

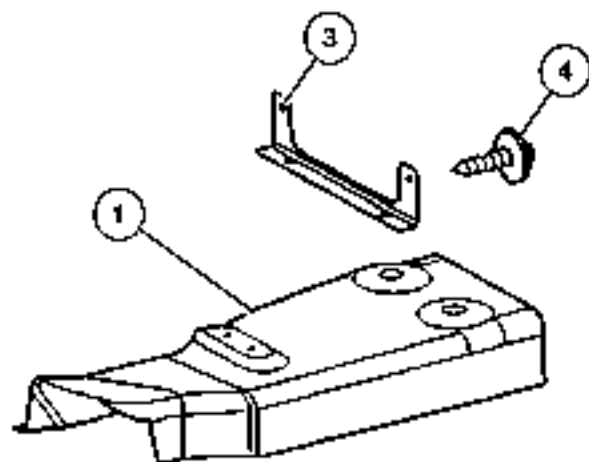
Refer to Model Legend Information Bookmark

AR = Use as required - = Non illustrated part # = New this model year

March 3, 2006

Heat Shields Exhaust Figure 011-210

ITEM	PART NUMBER	QTY	LINE	SERIES	BODY	ENGINE	TRANS	TRIM	DESCRIPTION
Sales Codes:EX8=2.7L I5 MERCEDES-BENZ									
DGJ=TRANSMISSION - 5-SPD AUTO									
1									SHIELD, Heat
	5135 681AA	1	2, 6	L	01, 02, 06	EX8	DGZ		
		1	2, 6	L	11, 12, 14, 15, 16	EX8	DGZ		
		1	2, 6	L	51, 52, 54, 55, 56	EX8	DGZ		
		1	3, 7	L	02, 06	EX8	DGZ		
		1	3, 7	L	12, 15, 16	EX8	DGZ		
-2									SCREW, Exhaust Bracket Mounting, Shield Mounting
	5125 748AA-	3	2, 6	L	01, 02, 06	EX8	DGZ		
		4	2, 6	L	11, 12, 14, 15, 16	EX8	DGZ		
		4	2, 6	L	51, 52, 54, 55, 56	EX8	DGZ		
		3	3, 7	L	02, 06	EX8	DGZ		
		4	3, 7	L	12, 15, 16	EX8	DGZ		
3									BRACKET, Exhaust
	5119 848AA	1	2, 6	L	01, 02, 06	EX8	DGZ		
		1	2, 6	L	11, 12, 14, 15, 16	EX8	DGZ		
		1	2, 6	L	51, 52, 54, 55, 56	EX8	DGZ		
		1	3, 7	L	02, 06	EX8	DGZ		
		1	3, 7	L	12, 15, 16	EX8	DGZ		
4									SCREW, Exhaust Bracket Mounting
	5125 748AA	4	2, 6	L	01, 02, 06	EX8	DGZ		
		4	2, 6	L	11, 12, 14, 15, 16	EX8	DGZ		



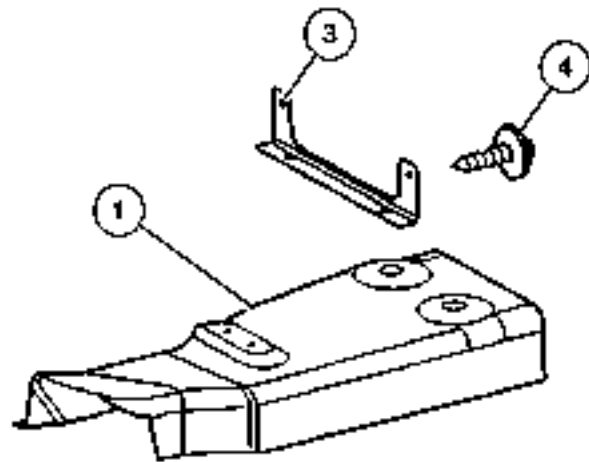
Refer to Model Legend Information Bookmark

AR = Use as required - = Non illustrated part # = New this model year

March 3, 2006

**Heat Shields Exhaust
Figure 011-210**

ITEM	PART NUMBER	QTY	LINE	SERIES	BODY	ENGINE	TRANS	TRIM	DESCRIPTION
		4	2, 6	L	51, 52, 54, 55, 56	EX8	DGZ		
		3	3, 7	L	02, 06	EX8	DGZ		
		4	3, 7	L	12, 15, 16	EX8	DGZ		



Refer to Model Legend Information Bookmark

AR = Use as required - = Non illustrated part # = New this model year

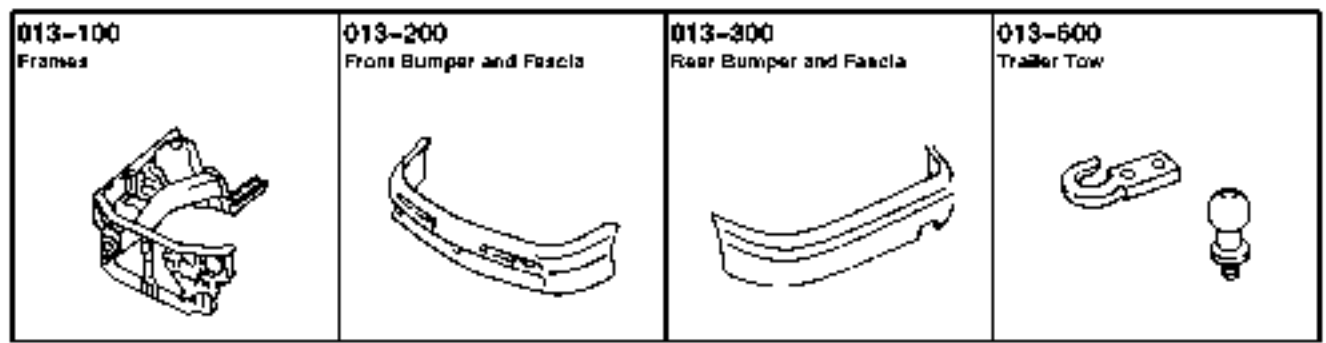
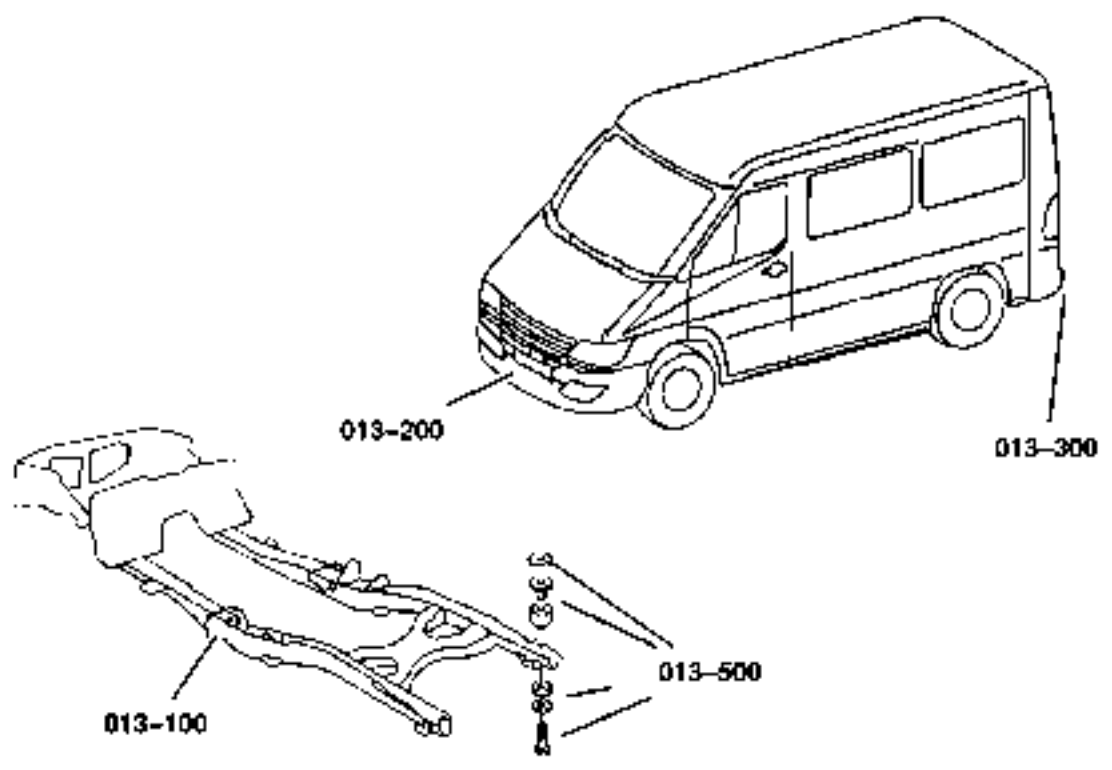
March 3, 2006

Group – 013

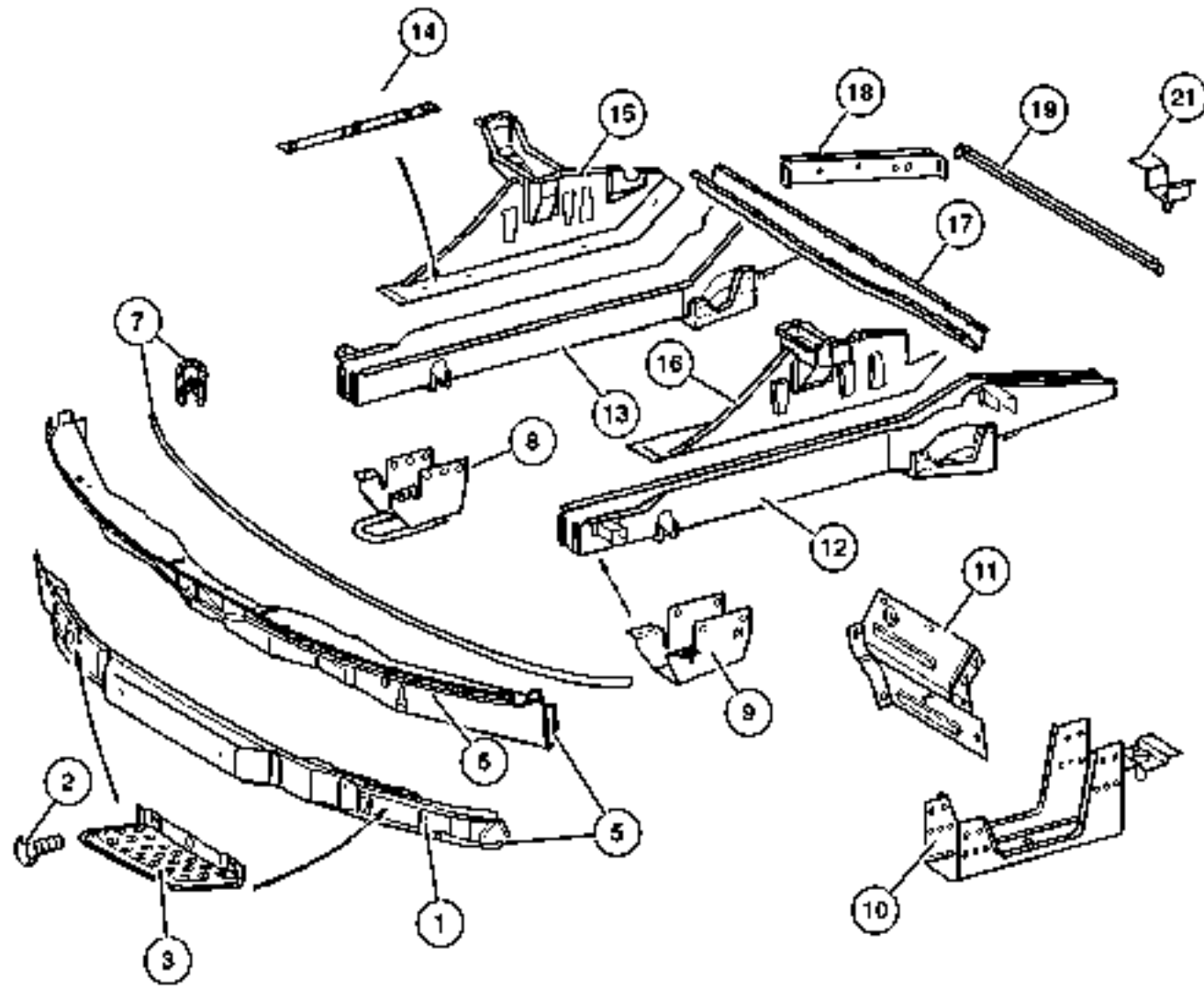
Frames and Bumpers

GROUP 13 - Frames and Bumpers

Illustration Title	Group-Fig. No.
Frames	
Front Frame Rails	Fig. 013-105
Side Frame Rails and Crossmembers 2500	Fig. 013-110
Side Frame Rails and Crossmembers 3500	Fig. 013-120
Brackets, Frame To Body Supports	Fig. 013-130
Front Bumper and Fascia	
Bumper, Front	Fig. 013-230
Rear Bumper and Fascia	
Bumper, Rear	Fig. 013-320
Trailer Tow	
Rear Hitch	Fig. 013-610
Trailer Tow	Fig. 013-620



Front Frame Rails
Figure 013-105



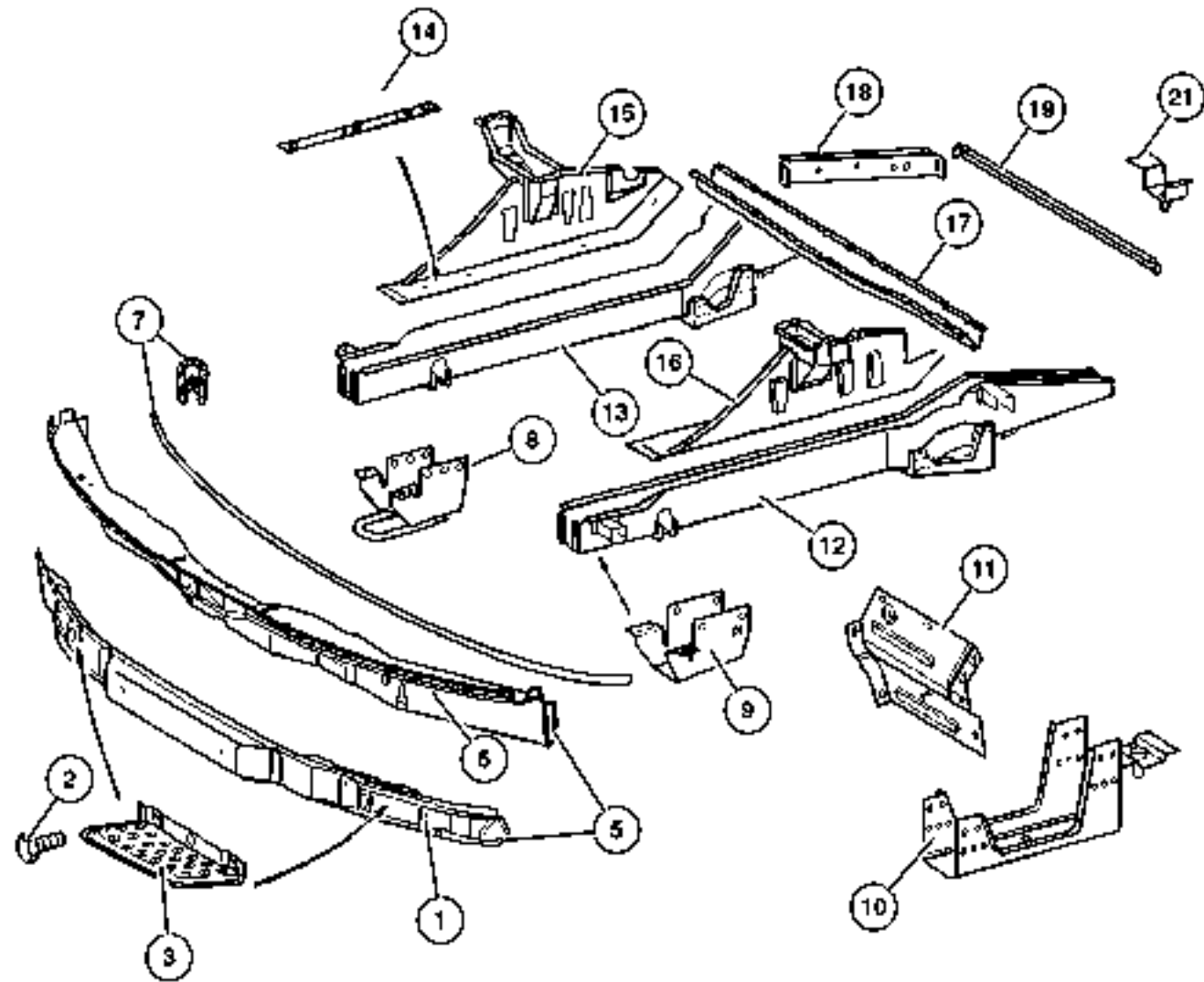
ITEM	PART NUMBER	QTY	LINE	SERIES	BODY	ENGINE	TRANS	TRIM	DESCRIPTION
1									COVER, Crossmember
	5133 848AA	1	2, 6	L	01, 02, 06				
		1	2, 6	L	11, 12, 14, 15, 16				
		1	2, 6	L	51, 52, 54, 55, 56				
		1	3, 7	L	02, 06				
		1	3, 7	L	12, 15, 16				
2									SCREW
	5073 723AB	2	2, 6	L	01, 02, 06				
		2	2, 6	L	11, 12, 14, 15, 16				
		2	2, 6	L	51, 52, 54, 55, 56				
		2	3, 7	L	02, 06				
		2	3, 7	L	12, 15, 16				
3									STEP, Left Side
	5104 136AA	1	2, 6	L	01, 02, 06				
		1	2, 6	L	11, 12, 14, 15, 16				
		1	2, 6	L	51, 52, 54, 55, 56				
		1	3, 7	L	02, 06				
		1	3, 7	L	12, 15, 16				
-4									STEP, Right Side
	5104 137AA-	1	2, 6	L	01, 02, 06				
		1	2, 6	L	11, 12, 14, 15, 16				
		1	2, 6	L	51, 52, 54, 55, 56				

Refer to Model Legend Information Bookmark

AR = Use as required - = Non illustrated part # = New this model year

March 3, 2006

Front Frame Rails
Figure 013-105



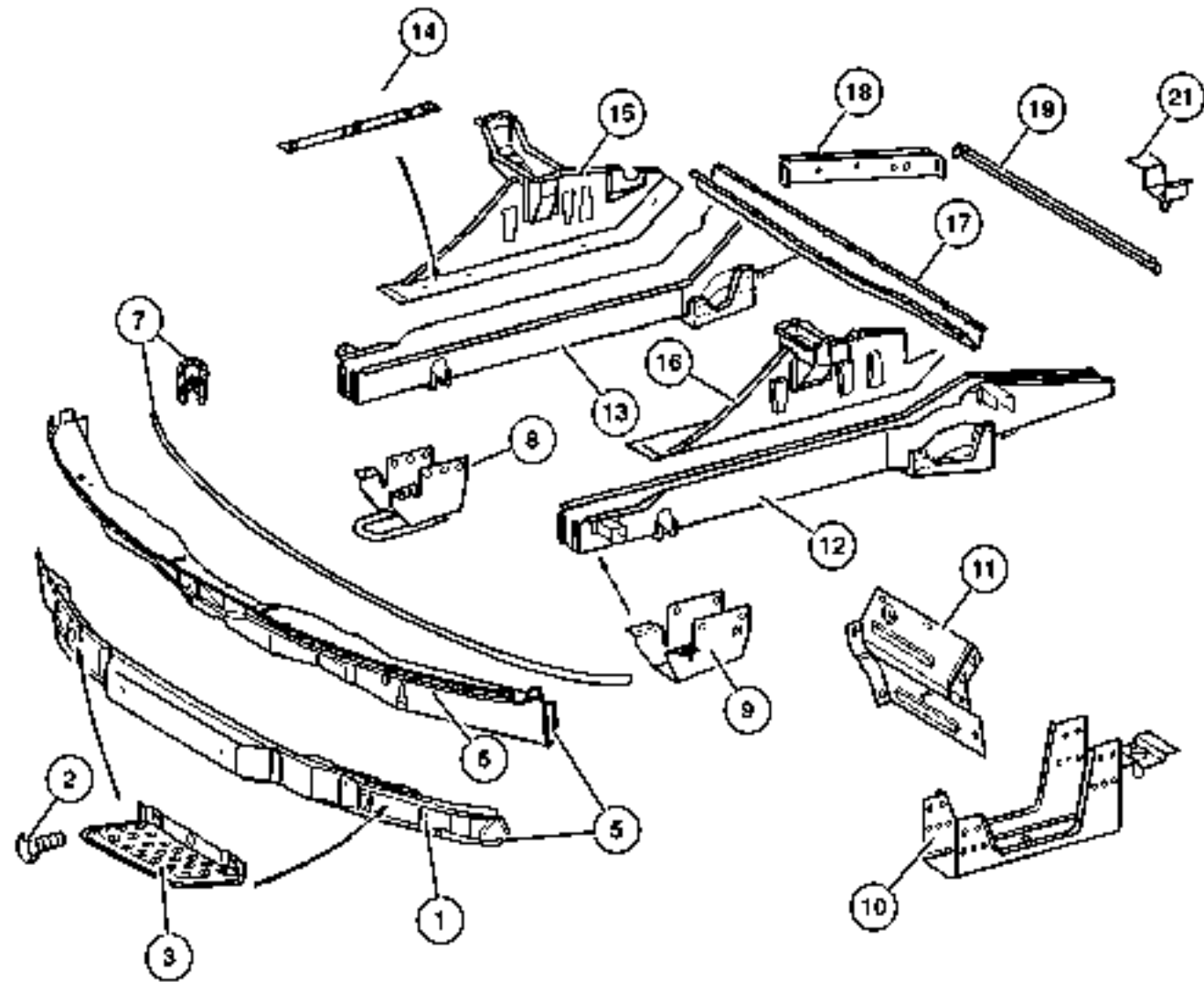
ITEM	PART NUMBER	QTY	LINE	SERIES	BODY	ENGINE	TRANS	TRIM	DESCRIPTION
		1	3, 7	L	02, 06				
		1	3, 7	L	12, 15, 16				
5	5104 054AA	1	2, 6	L	01, 02, 06				REINFORCEMENT, Front Bumper
		1	2, 6	L	11, 12, 14, 15, 16				
		1	2, 6	L	51, 52, 54, 55, 56				
		1	3, 7	L	02, 06				
		1	3, 7	L	12, 15, 16				
6	5104 054AA	1	2, 6	L	01, 02, 06				REINFORCEMENT, Front Bumper
		1	2, 6	L	11, 12, 14, 15, 16				
		1	2, 6	L	51, 52, 54, 55, 56				
		1	3, 7	L	02, 06				
		1	3, 7	L	12, 15, 16				
7	5123 544AA	1	2, 6	L	01, 02, 06				SEAL, Crossmember
		1	2, 6	L	11, 12, 14, 15, 16				
		1	2, 6	L	51, 52, 54, 55, 56				
		1	3, 7	L	02, 06				
		1	3, 7	L	12, 15, 16				
8	5104 053AA	1	2, 6	L	01, 02, 06				HOOK, Tow
		1	2, 6	L	11, 12, 14, 15, 16				

Refer to Model Legend Information Bookmark

AR = Use as required - = Non illustrated part # = New this model year

March 3, 2006

Front Frame Rails
Figure 013-105



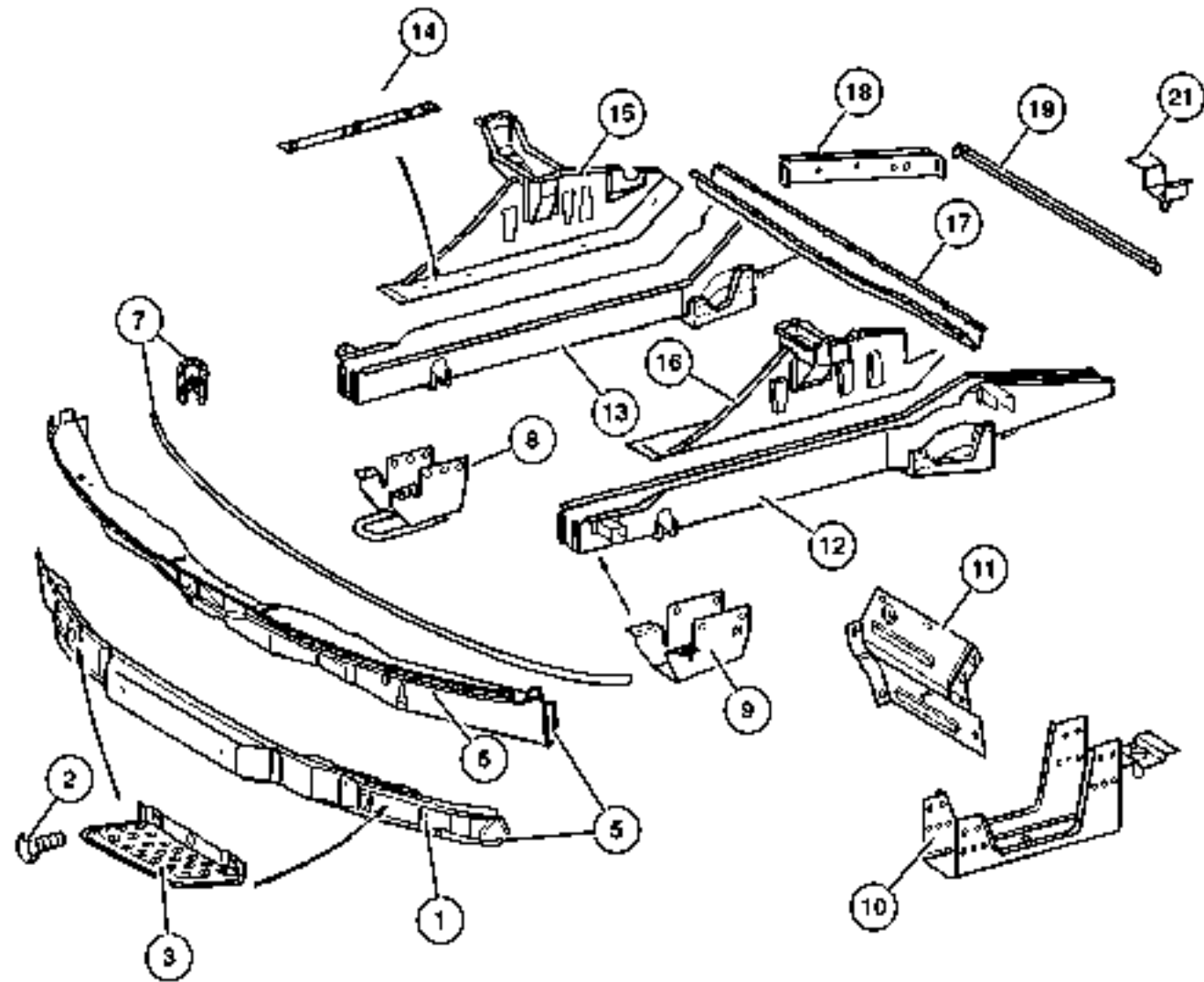
ITEM	PART NUMBER	QTY	LINE	SERIES	BODY	ENGINE	TRANS	TRIM	DESCRIPTION
		1	2, 6	L	51, 52, 54, 55, 56				
		1	3, 7	L	02, 06				
		1	3, 7	L	12, 15, 16				
9	5118 517AA	1	2, 6	L	01, 02, 06				BRACKET, Frame Rail
		1	2, 6	L	11, 12, 14, 15, 16				
		1	2, 6	L	51, 52, 54, 55, 56				
		1	3, 7	L	02, 06				
		1	3, 7	L	12, 15, 16				
10	5104 033AA	1	2, 6	L	01, 02, 06				REINFORCEMENT, Front Side Rail Right
		1	2, 6	L	11, 12, 14, 15, 16				Right
		1	2, 6	L	51, 52, 54, 55, 56				Right
		1	3, 7	L	02, 06				Right
		1	3, 7	L	12, 15, 16				Right
	5117 693AA	1	2, 6	L	01, 02, 06				Left
		1	2, 6	L	11, 12, 14, 15, 16				Left
		1	2, 6	L	51, 52, 54, 55, 56				Left
		1	3, 7	L	02, 06				Left
		1	3, 7	L	12, 15, 16				Left
11	5118 588AA	1	2, 6	L	01, 02, 06				REINFORCEMENT, Front Side Rail

Refer to Model Legend Information Bookmark

AR = Use as required - = Non illustrated part # = New this model year

March 3, 2006

Front Frame Rails
Figure 013-105



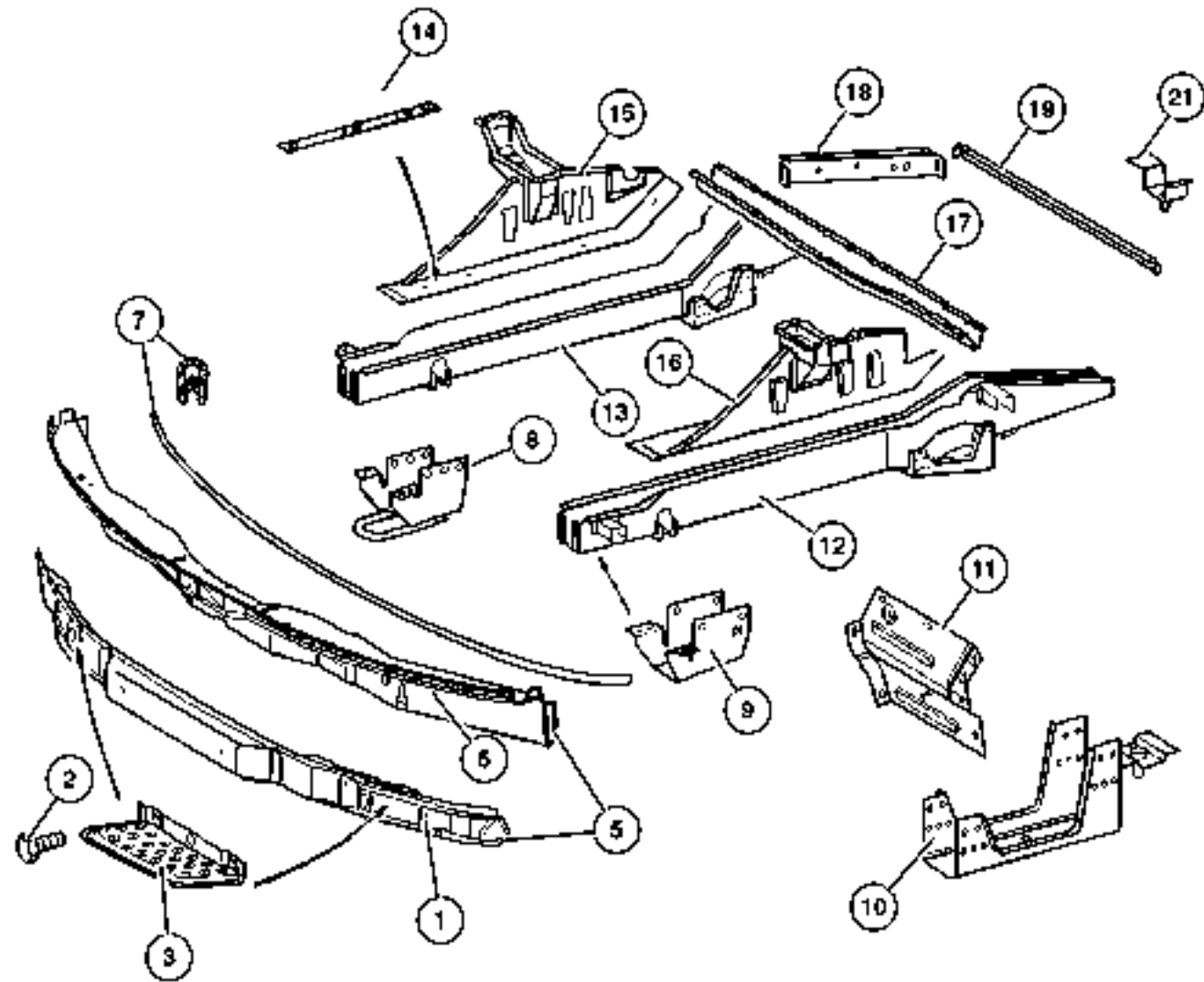
ITEM	PART NUMBER	QTY	LINE	SERIES	BODY	ENGINE	TRANS	TRIM	DESCRIPTION
		1	2, 6	L	11, 12,				
					14, 15,				
		1	2, 6	L	51, 52,				
					54, 55,				
		1	3, 7	L	02, 06				
		1	3, 7	L	12, 15,				
					16				
12									RAIL, Frame Front
	5104 055AA	1	2, 6	L	01, 02,				
					06				
		1	2, 6	L	11, 12,				
					14, 15,				
		1	2, 6	L	51, 52,				
					54, 55,				
					56				
		1	3, 7	L	02, 06				
		1	3, 7	L	12, 15,				
					16				
13									RAIL, Frame Front
	5104 052AA	1	2, 6	L	01, 02,				
					06				
		1	2, 6	L	11, 12,				
					14, 15,				
					16				
		1	2, 6	L	51, 52,				
					54, 55,				
					56				
		1	3, 7	L	02, 06				
		1	3, 7	L	12, 15,				
					16				
14									REINFORCEMENT, Rail Front
	5118 290AA	2	2, 6	L	01, 02,				
					06				
		2	2, 6	L	11, 12,				
					14, 15,				
					16				
		2	2, 6	L	51, 52,				
					54, 55,				
					56				
		2	3, 7	L	02, 06				
		2	3, 7	L	12, 15,				
					16				
15									SUPPORT, Under Body Hold Down

Refer to Model Legend Information Bookmark

AR = Use as required - = Non illustrated part # = New this model year

March 3, 2006

Front Frame Rails
Figure 013-105



ITEM	PART NUMBER	QTY	LINE	SERIES	BODY	ENGINE	TRANS	TRIM	DESCRIPTION
	5118 252AA	1	2, 6	L	01, 02, 06				Right
		1	2, 6	L	11, 12, 14, 15, 16				Right
		1	2, 6	L	51, 52, 54, 55, 56				Right
		1	3, 7	L	02, 06				Right
		1	3, 7	L	12, 15, 16				Right
16	5104 049AA	1	2, 6	L	01, 02, 06				SUPPORT, Under Body Hold Down Left
		1	2, 6	L	11, 12, 14, 15, 16				Left
		1	2, 6	L	51, 52, 54, 55, 56				Left
		1	3, 7	L	02, 06				Left
		1	3, 7	L	12, 15, 16				Left
17									CROSSMEMBER, Front Seat Retention
	5118 385AA	1	2, 6	L	01, 02, 06				
		1	2, 6	L	11, 12, 14, 15, 16				
		1	2, 6	L	51, 52, 54, 55, 56				
		1	3, 7	L	02, 06				
		1	3, 7	L	12, 15, 16				
18									REINFORCEMENT, Wheelhouse
	5118 015AA	2	2, 6	L	01, 02, 06				
		2	2, 6	L	11, 12, 14, 15, 16				
		2	2, 6	L	51, 52, 54, 55, 56				

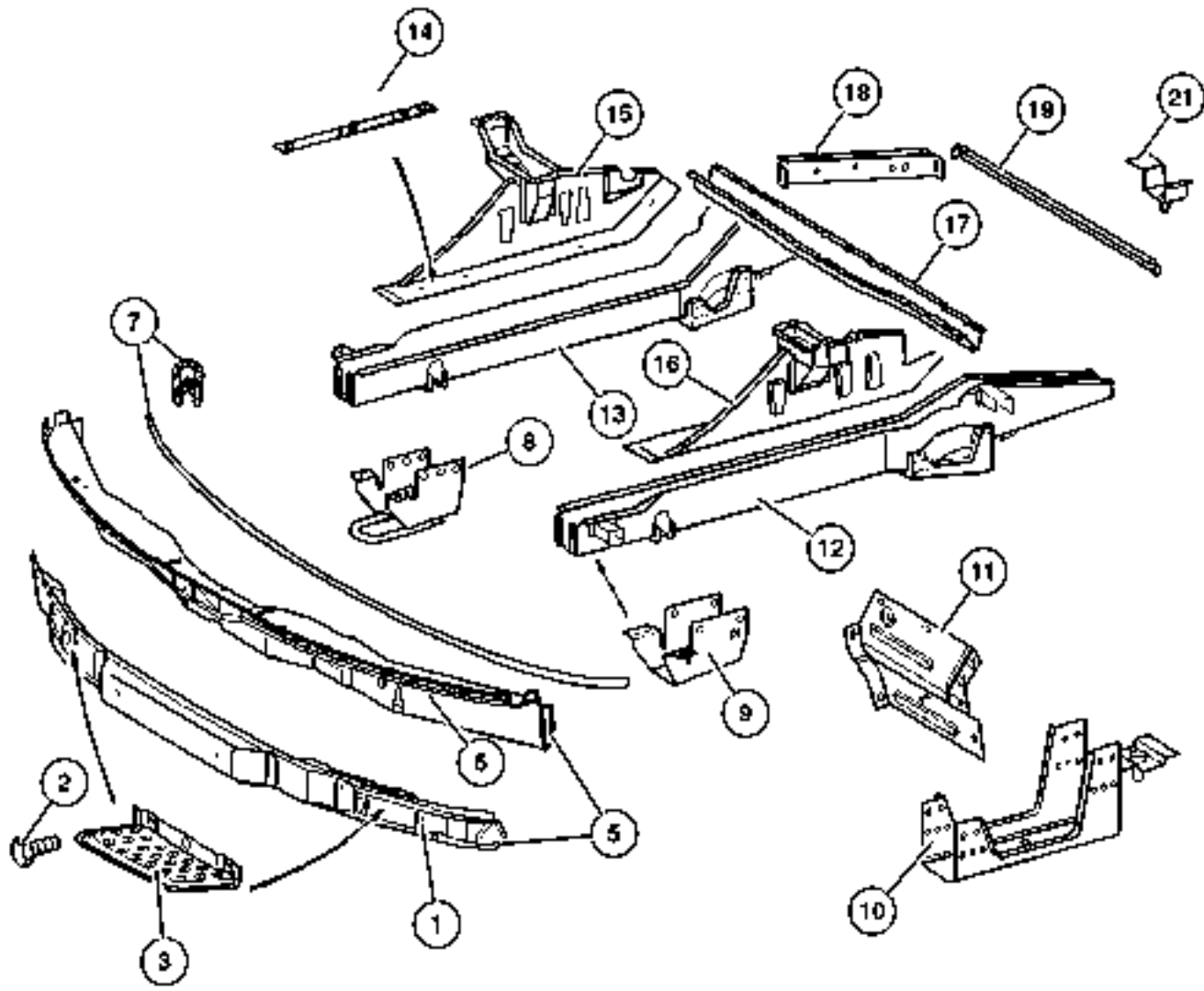
Refer to Model Legend Information Bookmark

AR = Use as required - = Non illustrated part # = New this model year

March 3, 2006

Front Frame Rails
Figure 013-105

ITEM	PART NUMBER	QTY	LINE	SERIES	BODY	ENGINE	TRANS	TRIM	DESCRIPTION
		2	3, 7	L	02, 06				
		2	3, 7	L	12, 15, 16				
19	5118 091AA	1	2, 6	L	01, 02, 06				CROSSMEMBER, Front Floor
		1	2, 6	L	11, 12, 14, 15, 16				
		1	2, 6	L	51, 52, 54, 55, 56				
		1	3, 7	L	02, 06				
		1	3, 7	L	12, 15, 16				
-20	5127 245AA-	1	2, 6	L	11, 12, 14, 15, 16				BRACKET, Aux A/C And Heater Line
		1	2, 6	L	51, 52, 54, 55, 56				
		1	3, 7	L	12, 15, 16				
21	5127 241AA	1	2, 6	L	11, 12, 14, 15, 16				BRACKET
		1	2, 6	L	51, 52, 54, 55, 56				
		1	3, 7	L	12, 15, 16				

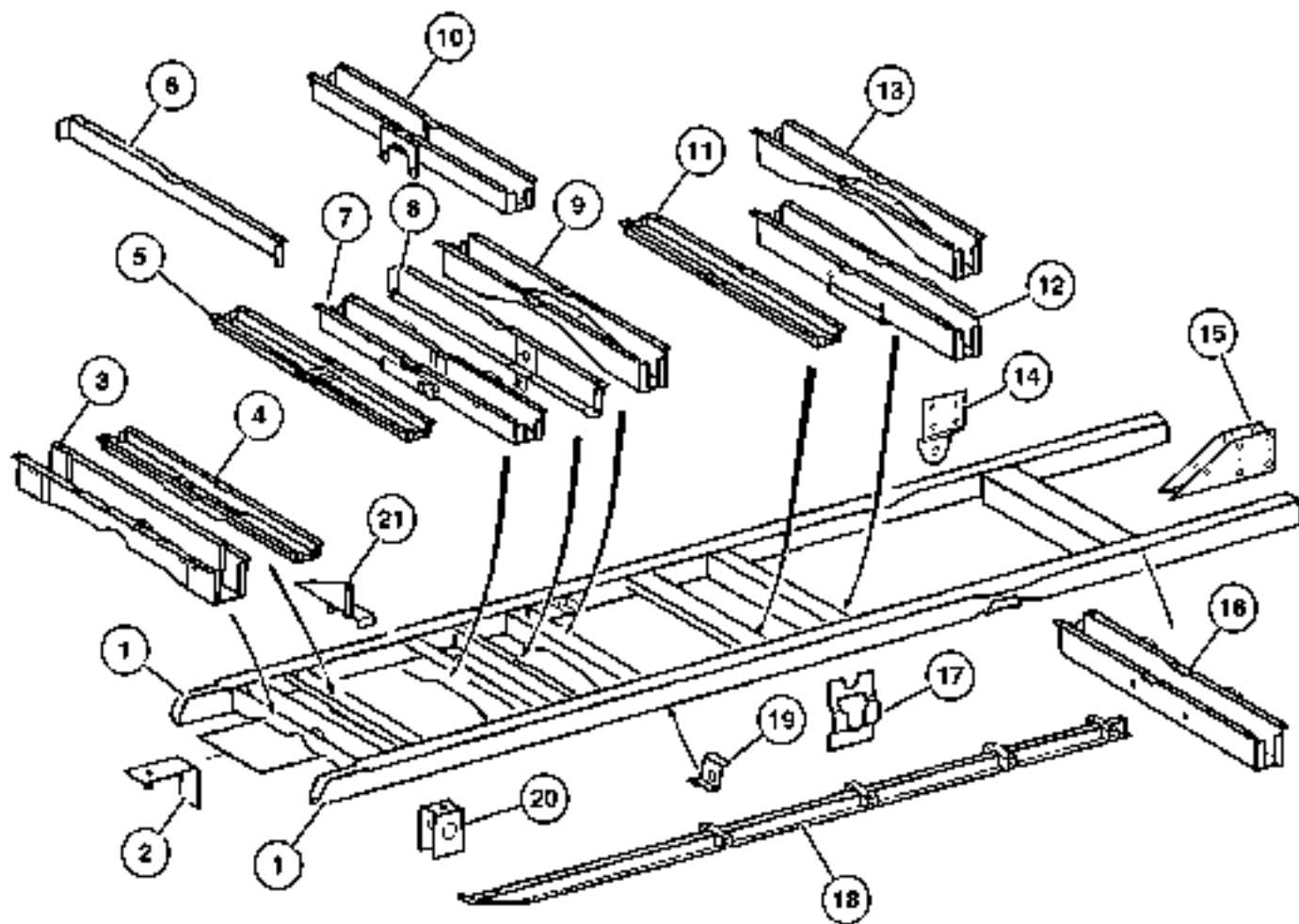


Refer to Model Legend Information Bookmark

AR = Use as required - = Non illustrated part # = New this model year

March 3, 2006

Side Frame Rails and Crossmembers 2500
Figure 013-110



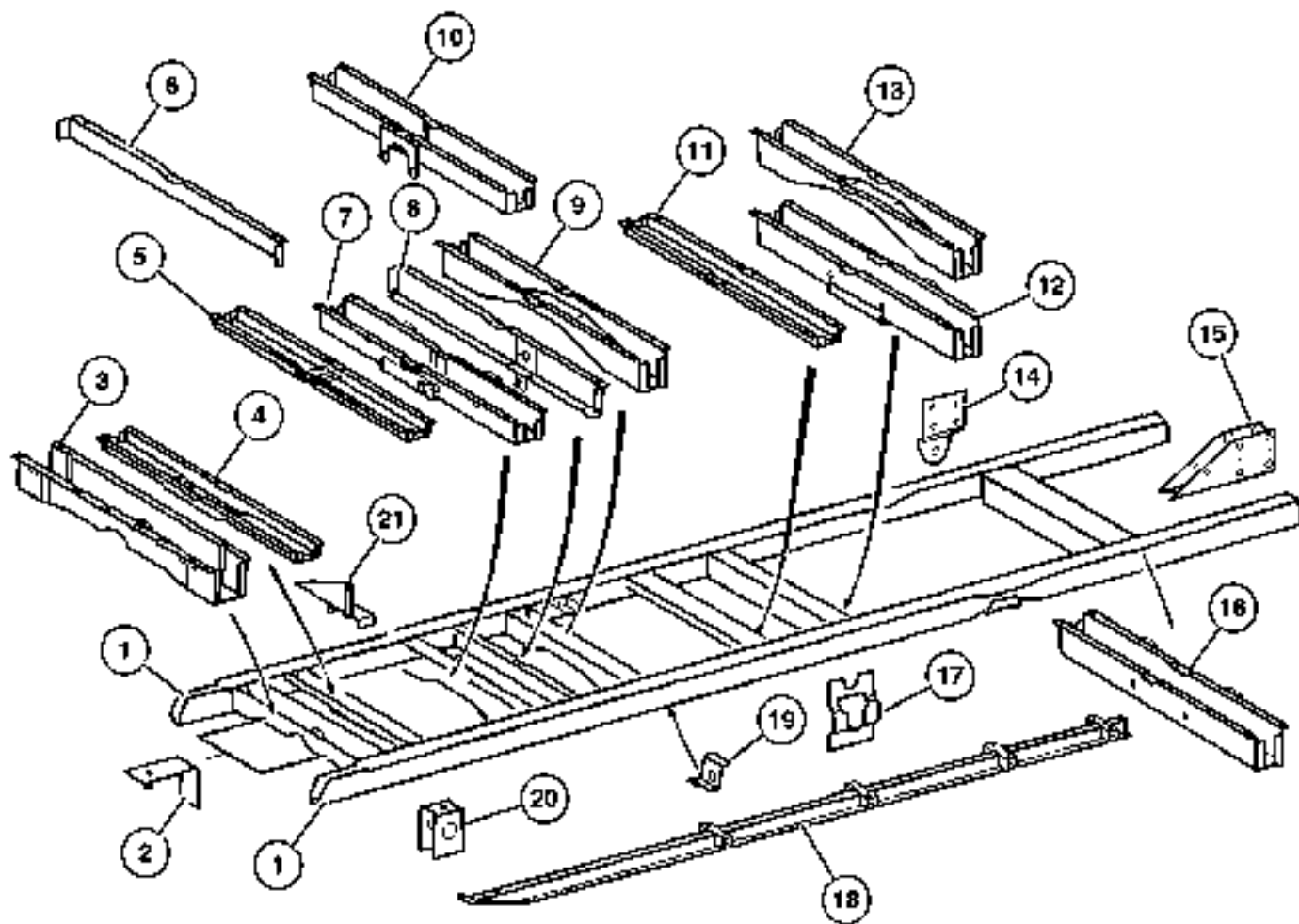
ITEM	PART NUMBER	QTY	LINE	SERIES	BODY	ENGINE	TRANS	TRIM	DESCRIPTION
1	RAIL, Frame Side								
	5104 554AA	1	2, 6	L	16				Right
		1	2, 6	L	56				Right
	5104 555AA	1	2, 6	L	16				Left
		1	2, 6	L	56				Left
	5118 059AA	1	3, 7	L	02				Right
	5118 063AA	1	3, 7	L	06				Right
		1	3, 7	L	16				Right
	5118 078AA	1	3, 7	L	02				Left
	5118 082AA	1	3, 7	L	06				Left
	1	3, 7	L	16				Left	
2	BRACKET, Frame								
	5127 243AA	1	2, 6	L	11, 12,				
					14, 15,				
		1	2, 6	L	51, 52,				
					54, 55,				
					56				
	1	3, 7	L	12, 15,					
					16				
3	CROSSMEMBER, Front Frame								
	5118 162AA	1	2, 6	L	01, 02,				
		1	2, 6	L	06				
					11, 12,				
					14, 15,				
					16				
	1	2, 6	L	51, 52,					
					54, 55,				
					56				
4	CROSSMEMBER, Front Frame								
	5118 152AA	1	2, 6	L	01, 06				
		1	2, 6	L	11, 14				
		1	2, 6	L	51, 54				
		1	3, 7	L	06				
	1	3, 7	L	12, 15,					
					16				
5	CROSSMEMBER, Front Frame								
	5118 142AA	1	2, 6	L	11, 12,				
					14, 15				
		1	2, 6	L	51, 52,				
					54, 55,				
					56				
	1	3, 7	L	12, 15,					
					16				
6	CROSSMEMBER, Front Frame, (NOT SERVICED) (Not Serviced)								

Refer to Model Legend Information Bookmark

AR = Use as required - = Non illustrated part # = New this model year

March 3, 2006

Side Frame Rails and Crossmembers 2500
Figure 013-110



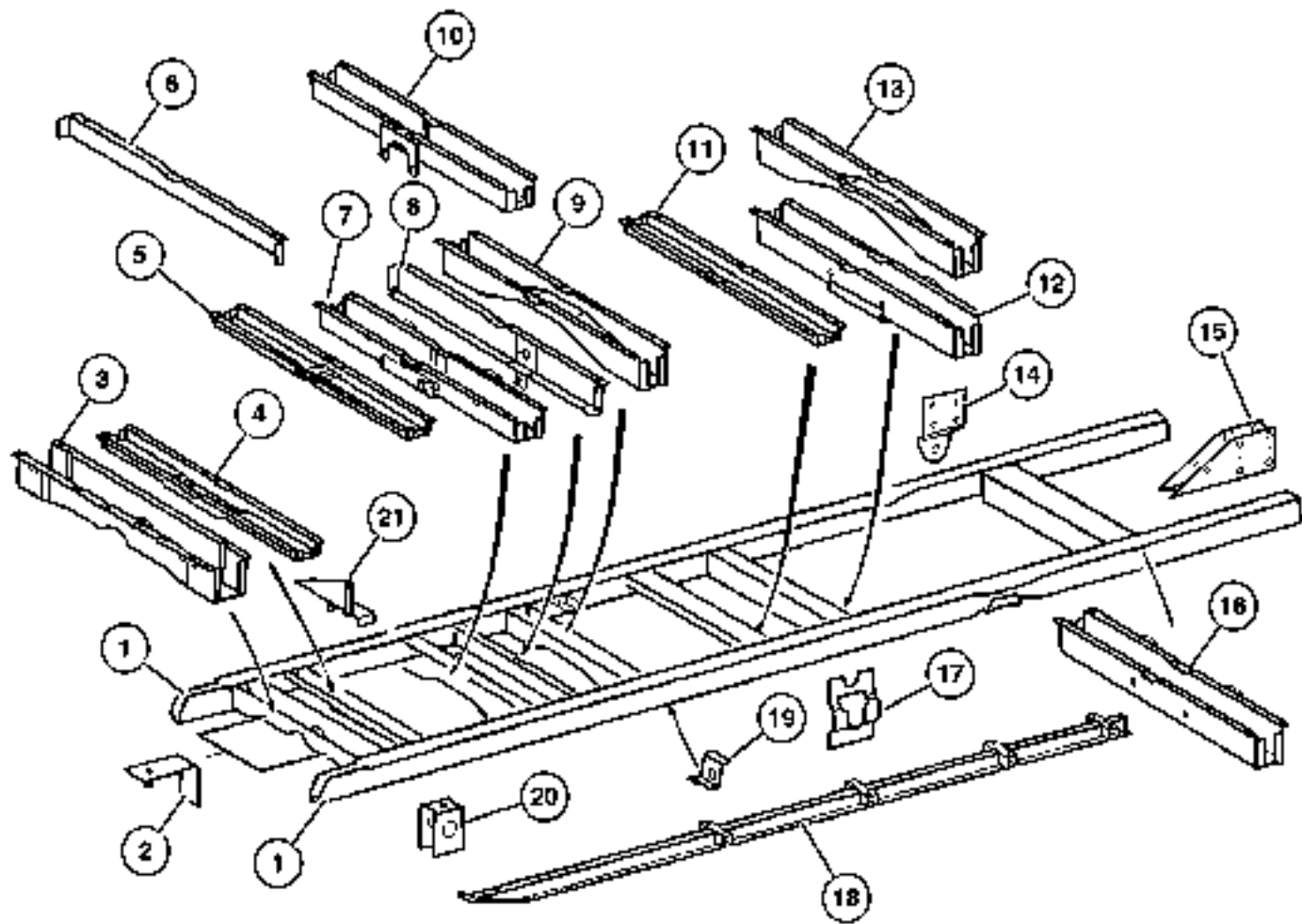
ITEM	PART NUMBER	QTY	LINE	SERIES	BODY	ENGINE	TRANS	TRIM	DESCRIPTION
7									CROSSMEMBER, Front Frame
	5118 097AA	1	2, 6	L	11, 12,				14, 15
		1	2, 6	L	51, 52,				54, 55
		1	3, 7	L	12, 15				
8									CROSSMEMBER, Front Frame
	5118 136AA	1	2, 6	L	01, 02				
		1	2, 6	L	11, 12,				14, 15,
		1	2, 6	L	16				
		1	2, 6	L	51, 52,				54, 55,
		1	3, 7	L	56				
		1	3, 7	L	02				
		1	3, 7	L	12, 15				
9									CROSSMEMBER, Front Frame
	5118 149AA	1	2, 6	L	11, 12,				14, 15
		1	2, 6	L	51, 54				
10									CROSSMEMBER, Front Frame
	5118 160AA	1	2, 6	L	11, 12,				14, 15,
		1	2, 6	L	16				
		1	2, 6	L	51, 52,				54, 55,
					56				
11									CROSSMEMBER, Front Frame
	5118 144AA	1	2, 6	L	11, 14				
		1	2, 6	L	51, 54				
		1	3, 7	L	12, 15,				16
12									CROSSMEMBER, Front Frame
	5118 168AA	1	2, 6	L	11, 12,				14, 15,
		1	2, 6	L	16				
		1	2, 6	L	51, 52,				54, 55,
		1	3, 7	L	56				
		1	3, 7	L	12, 15,				16
13									CROSSMEMBER, Front Frame
	5118 170AA	1	2, 6	L	11, 12,				14, 15,
					16				

Refer to Model Legend Information Bookmark

AR = Use as required - = Non illustrated part # = New this model year

March 3, 2006

Side Frame Rails and Crossmembers 2500
Figure 013-110



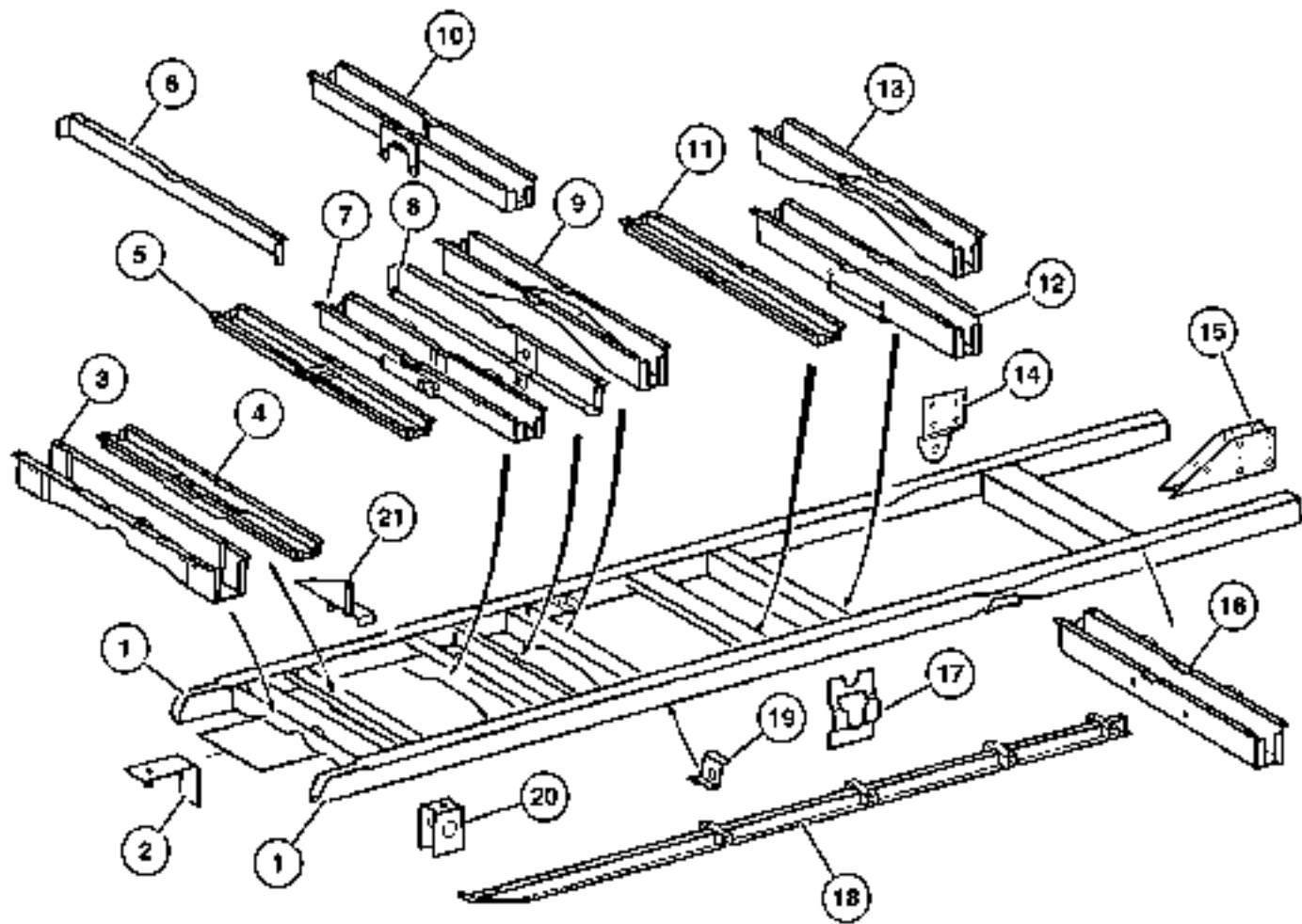
ITEM	PART NUMBER	QTY	LINE	SERIES	BODY	ENGINE	TRANS	TRIM	DESCRIPTION
		1	2, 6	L	51, 52, 54, 55, 56				
14	5118 791AA	2	2, 6	L	01, 02, 06				BRACKET, Frame
		2	2, 6	L	11, 12, 14, 15, 16				
		2	2, 6	L	51, 52, 54, 55, 56				
		4	3, 7	L	02, 06				
		4	3, 7	L	12, 15, 16				
15	5118 212AA	2	2, 6	L	11, 12, 14, 15, 16				BRACKET, Frame
		2	2, 6	L	51, 52, 54, 55, 56				
16	5118 154AA	1	2, 6	L	11, 12, 14, 15, 16				CROSSMEMBER, Front Frame
		1	2, 6	L	51, 52, 54, 55, 56				
17	5119 638AA	2	3, 7	L	02, 06				BRACKET, Frame
18	5118 220AA	1	2, 6	L	12, 15				BRACKET, Frame Rail
		1	2, 6	L	11, 12, 14, 15				
		1	2, 6	L	52, 55				
		1	3, 7	L	12, 15, 16				
19	5119 321AA	1	2, 6	L	01, 02, 06				BRACKET, Frame
		1	2, 6	L	11, 12, 14, 15, 16				

Refer to Model Legend Information Bookmark

AR = Use as required - = Non illustrated part # = New this model year

March 3, 2006

Side Frame Rails and Crossmembers 2500
Figure 013-110



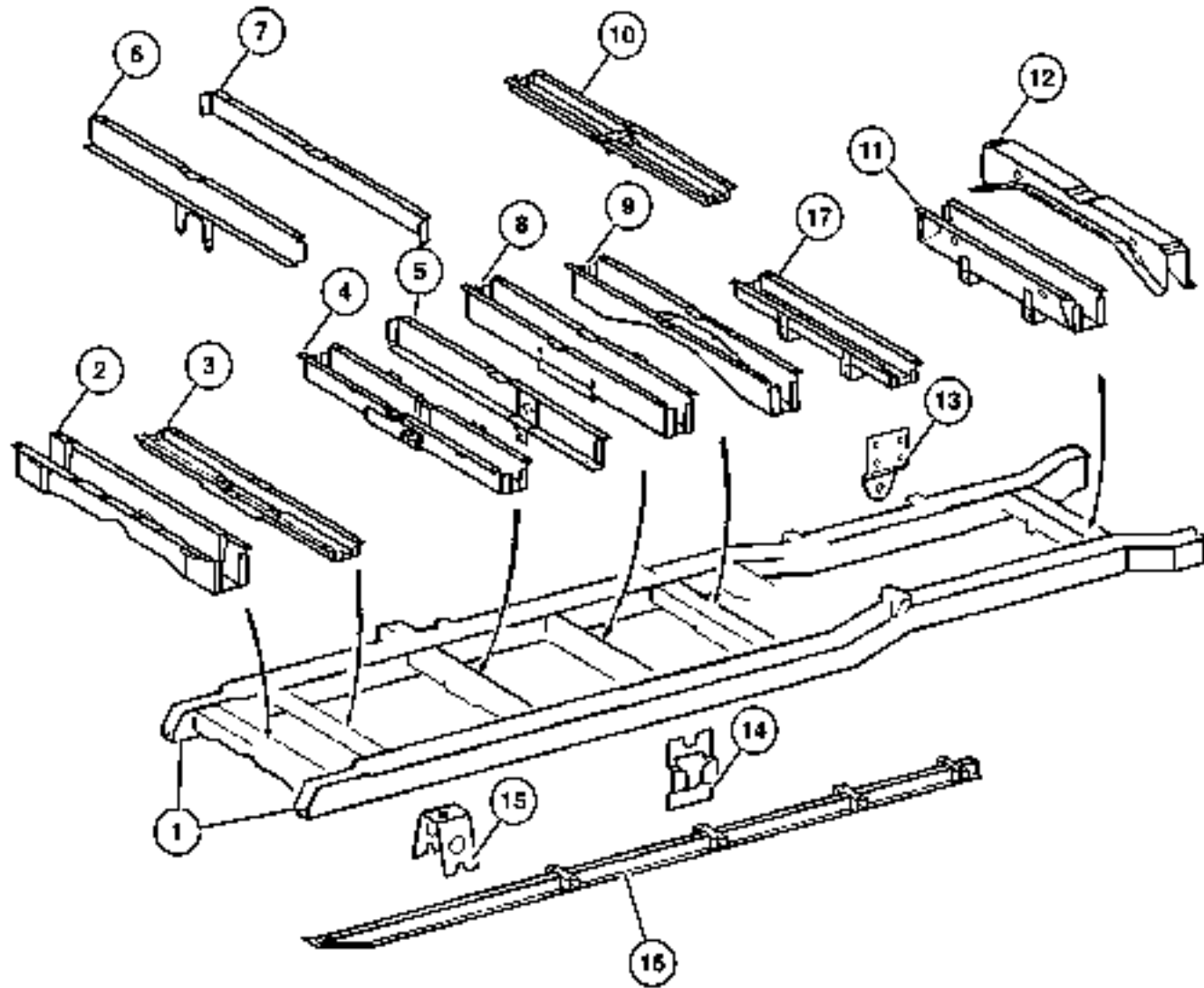
ITEM	PART NUMBER	QTY	LINE	SERIES	BODY	ENGINE	TRANS	TRIM	DESCRIPTION
		1	2, 6	L	51, 52, 54, 55, 56				
20	5118 266AA	4	2, 6	L	11, 12, 14, 15, 16				SUPPORT, Under Body Hold Down
		8	2, 6	L	12, 15				
		4	2, 6	L	11, 14				
		4	2, 6	L	51, 52, 54, 55, 56				
		4	2, 6	L	51, 54				
21	5127 246AA	2	2, 6	L	11, 12, 14, 15, 16				BRACKET, Frame
		8	2, 6	L	52, 55				
		2	2, 6	L	51, 52, 54, 55, 56				
		2	3, 7	L	12, 15, 16				

Refer to Model Legend Information Bookmark

AR = Use as required - = Non illustrated part # = New this model year

March 3, 2006

Side Frame Rails and Crossmembers 3500
Figure 013-120



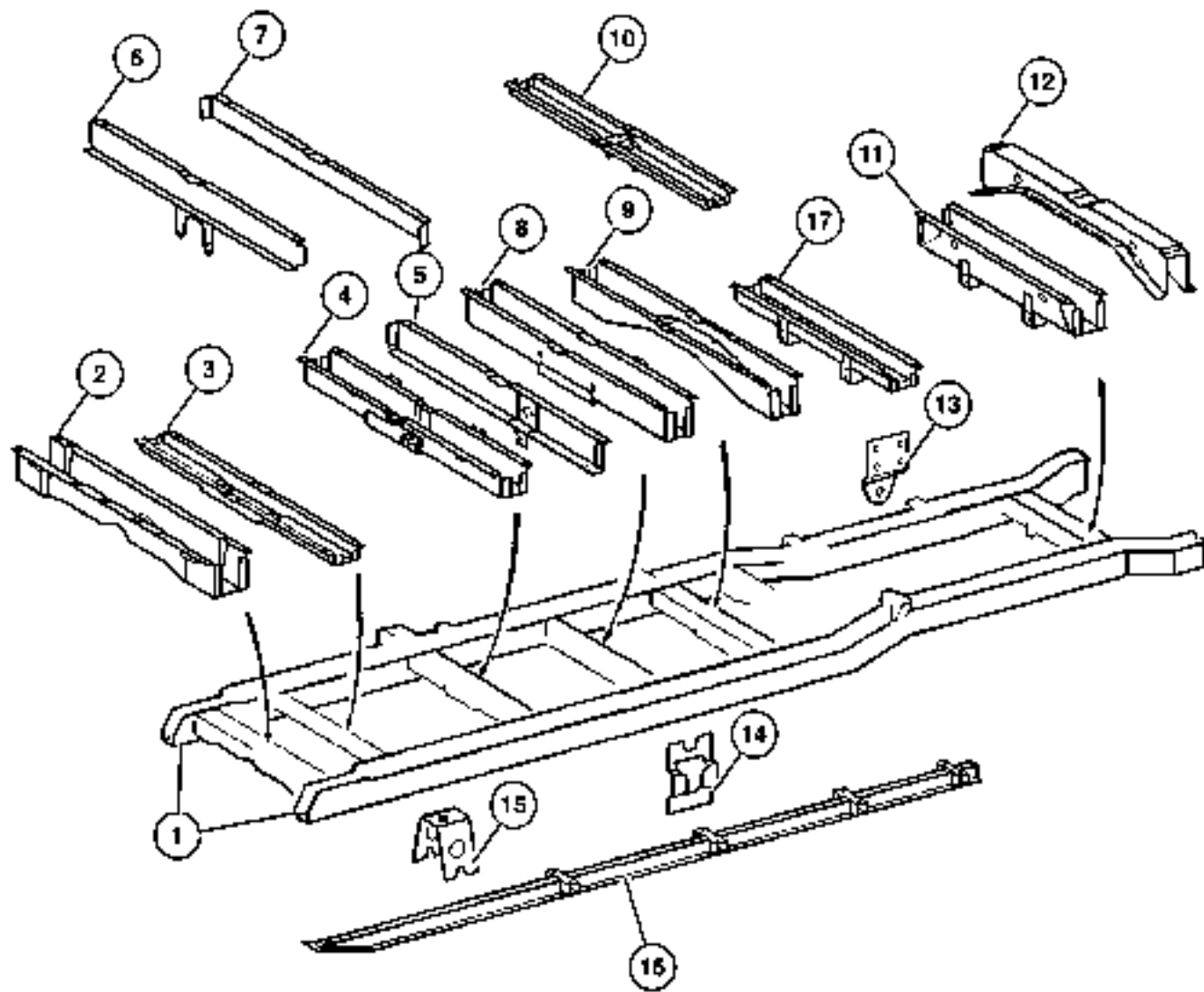
ITEM	PART NUMBER	QTY	LINE	SERIES	BODY	ENGINE	TRANS	TRIM	DESCRIPTION
1	5118 082AA	1	3, 7	L	06				RAIL, Frame Side, 05118063aa Lt.
		1	3, 7	L	16				
2	5118 178AA	1	3, 7	L	02, 06				CROSSMEMBER, Front Frame
		1	3, 7	L	12, 15, 16				
3	5118 097AA	1	2, 6	L	11, 12, 14, 15				CROSSMEMBER, Front Frame
		1	2, 6	L	51, 52, 54, 55				
		1	3, 7	L	12, 15				
4	5118 097AA	1	2, 6	L	11, 12, 14, 15				CROSSMEMBER, Front Frame
		1	2, 6	L	51, 52, 54, 55				
		1	3, 7	L	12, 15				
5	5118 136AA	1	2, 6	L	01, 02				CROSSMEMBER, Front Frame
		1	2, 6	L	11, 12, 14, 15				
		1	2, 6	L	11, 12, 14, 15, 16				
		1	2, 6	L	51, 52, 54, 55, 56				
		1	3, 7	L	02				
		1	3, 7	L	12, 15				
6	5118 182AA	1	3, 7	L	02, 06				CROSSMEMBER, Rear Frame
		1	3, 7	L	12, 15, 16				
7									CROSSMEMBER, Front Frame, (NOT SERVICED) (Not Serviced)
8	5118 149AA	1	2, 6	L	11, 12, 14, 15				CROSSMEMBER, Front Frame
		1	2, 6	L	51, 54				
9	5118 170AA	1	2, 6	L	11, 12, 14, 15, 16				CROSSMEMBER, Front Frame

Refer to Model Legend Information Bookmark

AR = Use as required - = Non illustrated part # = New this model year

March 3, 2006

Side Frame Rails and Crossmembers 3500
Figure 013-120



ITEM	PART NUMBER	QTY	LINE	SERIES	BODY	ENGINE	TRANS	TRIM	DESCRIPTION
		1	2, 6	L	51, 52, 54, 55, 56				CROSSMEMBER, Front Frame
10	5118 142AA	1	2, 6	L	11, 12, 14, 15				
		1	2, 6	L	51, 52, 54, 55, 56				
11	5118 182AA	1	3, 7	L	12, 15, 16				CROSSMEMBER, Rear Frame
		1	3, 7	L	02, 06				
12	5118 174AA	1	3, 7	L	12, 15, 16				CROSSMEMBER, Shock Mount
		1	3, 7	L	02, 06				
13	5118 791AA	2	2, 6	L	12, 15, 16				BRACKET, Frame
		2	2, 6	L	01, 02, 06				
		2	2, 6	L	11, 12, 14, 15, 16				
		2	2, 6	L	51, 52, 54, 55, 56				
		4	3, 7	L	02, 06				
		4	3, 7	L	12, 15, 16				
14	5119 638AA	1	3, 7	L	02, 06				BRACKET, Frame
		2	3, 7	L	12, 15, 16				
15	5118 223AA	2	3, 7	L	12, 15				BRACKET, Crossmember
		4	3, 7	L	16				
16	5118 220AA	1	2, 6	L	12, 15				BRACKET, Frame Rail
		1	2, 6	L	11, 12, 14, 15, 16				

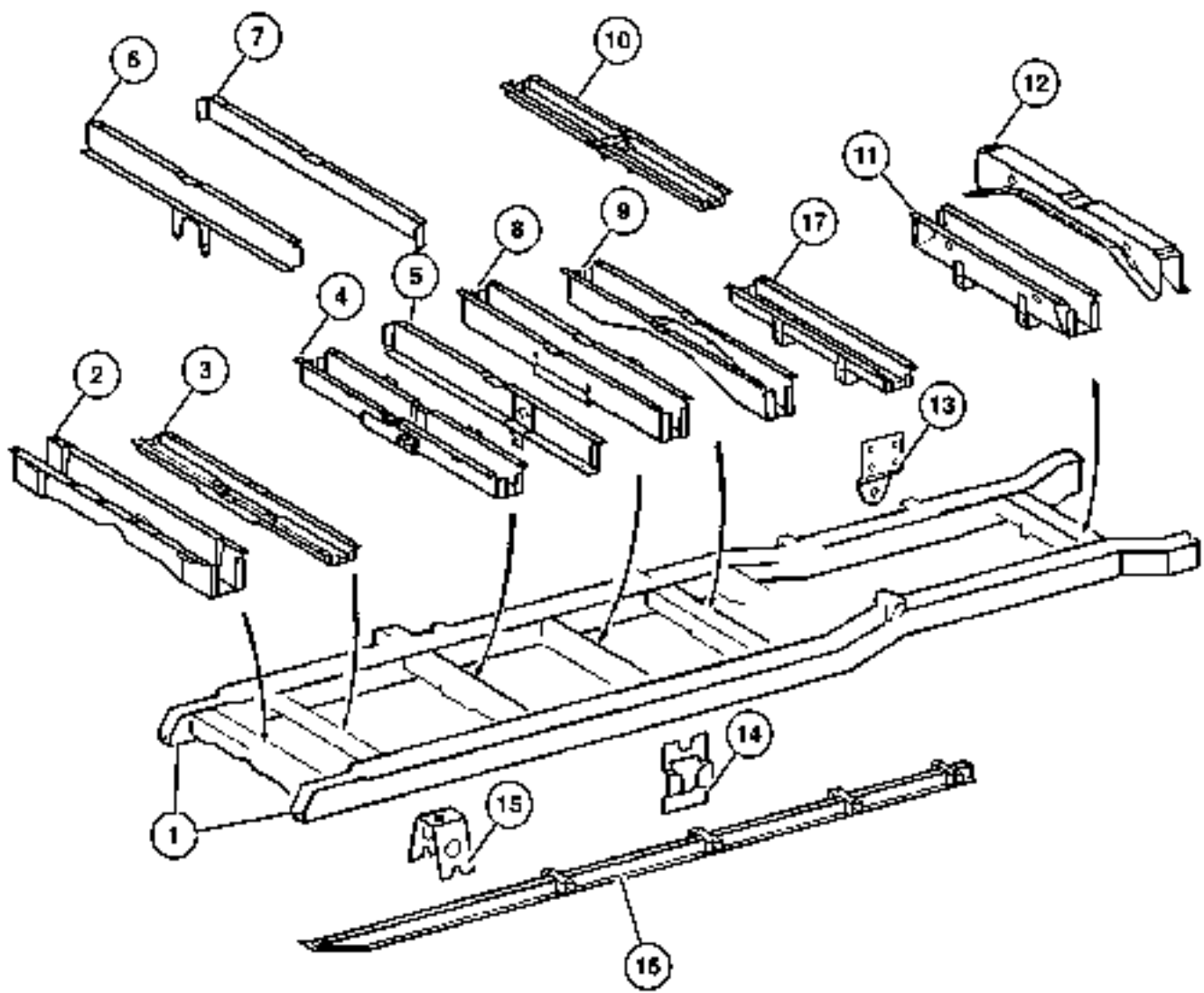
Refer to Model Legend Information Bookmark

AR = Use as required - = Non illustrated part # = New this model year

March 3, 2006

Side Frame Rails and Crossmembers 3500
Figure 013-120

ITEM	PART NUMBER	QTY	LINE	SERIES	BODY	ENGINE	TRANS	TRIM	DESCRIPTION
		1	2, 6	L	51, 52, 54, 55, 56				
		1	3, 7	L	12, 15, 16				
17									CROSSMEMBER, Rear Frame, (NOT SERVICED) (Not Serviced)

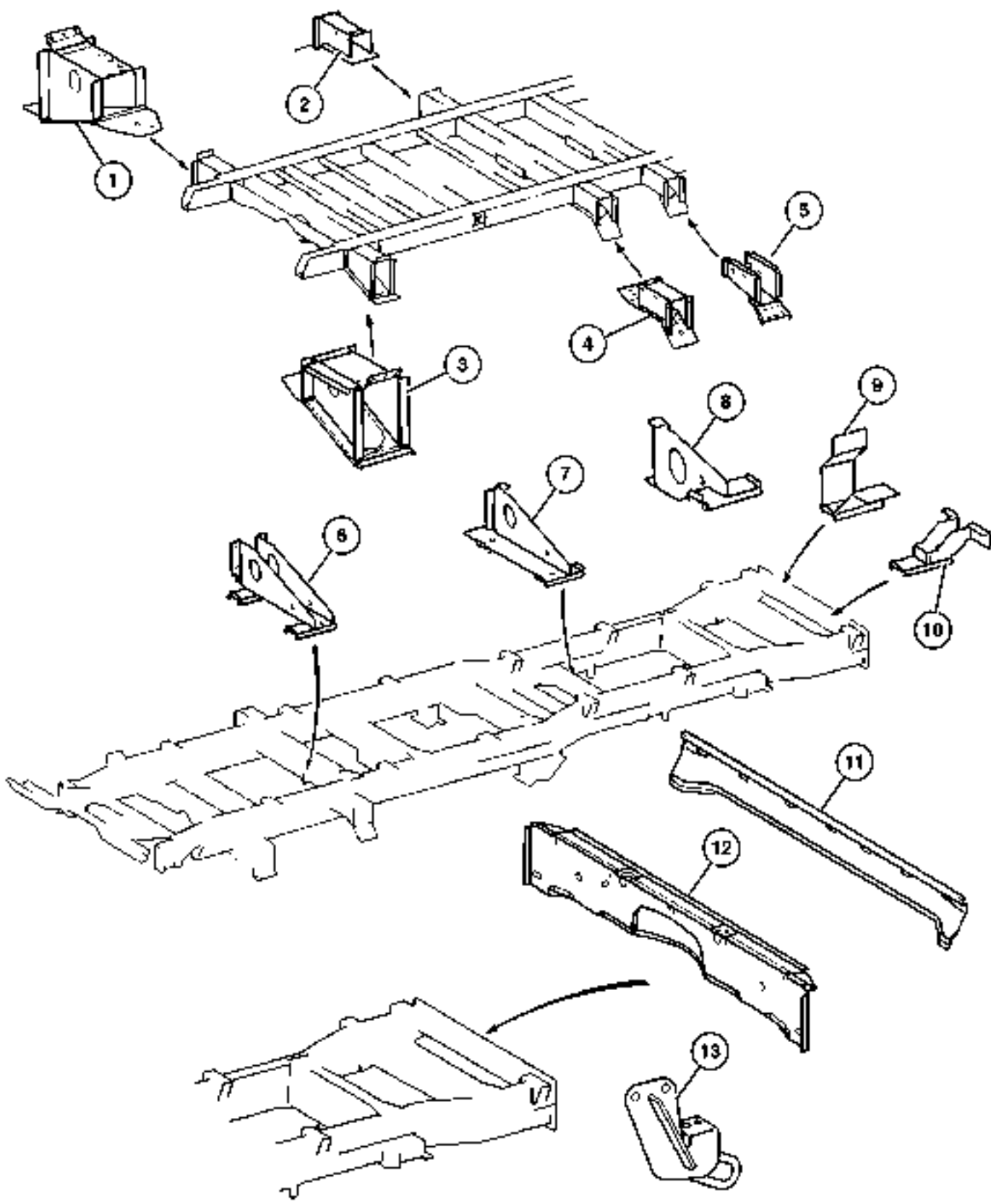


Refer to Model Legend Information Bookmark

AR = Use as required - = Non illustrated part # = New this model year

March 3, 2006

Brackets, Frame To Body Supports
Figure 013-130



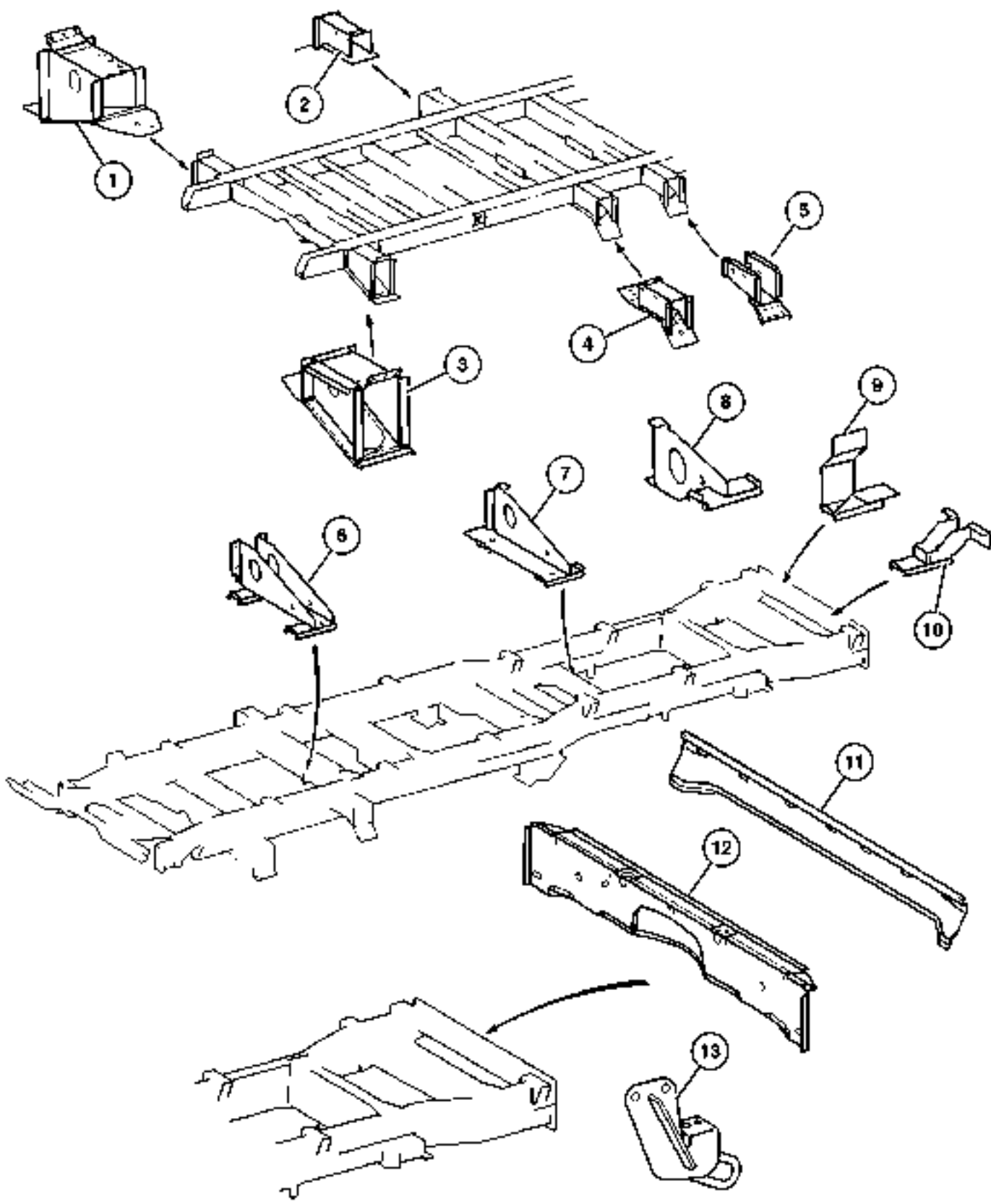
ITEM	PART NUMBER	QTY	LINE	SERIES	BODY	ENGINE	TRANS	TRIM	DESCRIPTION
1	5118 013AA	1	2, 6	L	11, 12, 14, 15, 16				BRACKET, Frame Rail Right
		1	2, 6	L	51, 52, 54, 55, 56				Right
2	5118 024AA	1	2, 6	L	12, 15				BRACKET, Frame Rail Right
		1	2, 6	L	52, 55				Right
		1	3, 7	L	12, 15, 16				Right
3	5118 031AA	1	2, 6	L	11, 12, 14, 15, 16				BRACKET, Frame Rail Left
		1	2, 6	L	51, 52, 54, 55, 56				Left
		1	3, 7	L	12, 15, 16				Left
4	5118 025AA	1	2, 6	L	12, 15				BRACKET, Frame Rail
		1	2, 6	L	52, 55				
		1	3, 7	L	12, 15, 16				
5	5118 029AA	2	3, 7	L	12, 15, 16				BRACKET, Frame Rail, Right & Left
6	5119 822AA	1	2, 6	L	01, 02, 06				BRACKET, Frame
		1	2, 6	L	11, 12, 14, 15, 16				
		1	2, 6	L	51, 52, 54, 55, 56				
		1	3, 7	L	02, 06				
		1	3, 7	L	12, 15, 16				
7	5119 804AA	1	2, 6	L	02, 06				BRACKET, Frame
		1	2, 6	L	11, 12, 14, 15, 16				

Refer to Model Legend Information Bookmark

AR = Use as required - = Non illustrated part # = New this model year

March 3, 2006

Brackets, Frame To Body Supports
Figure 013-130



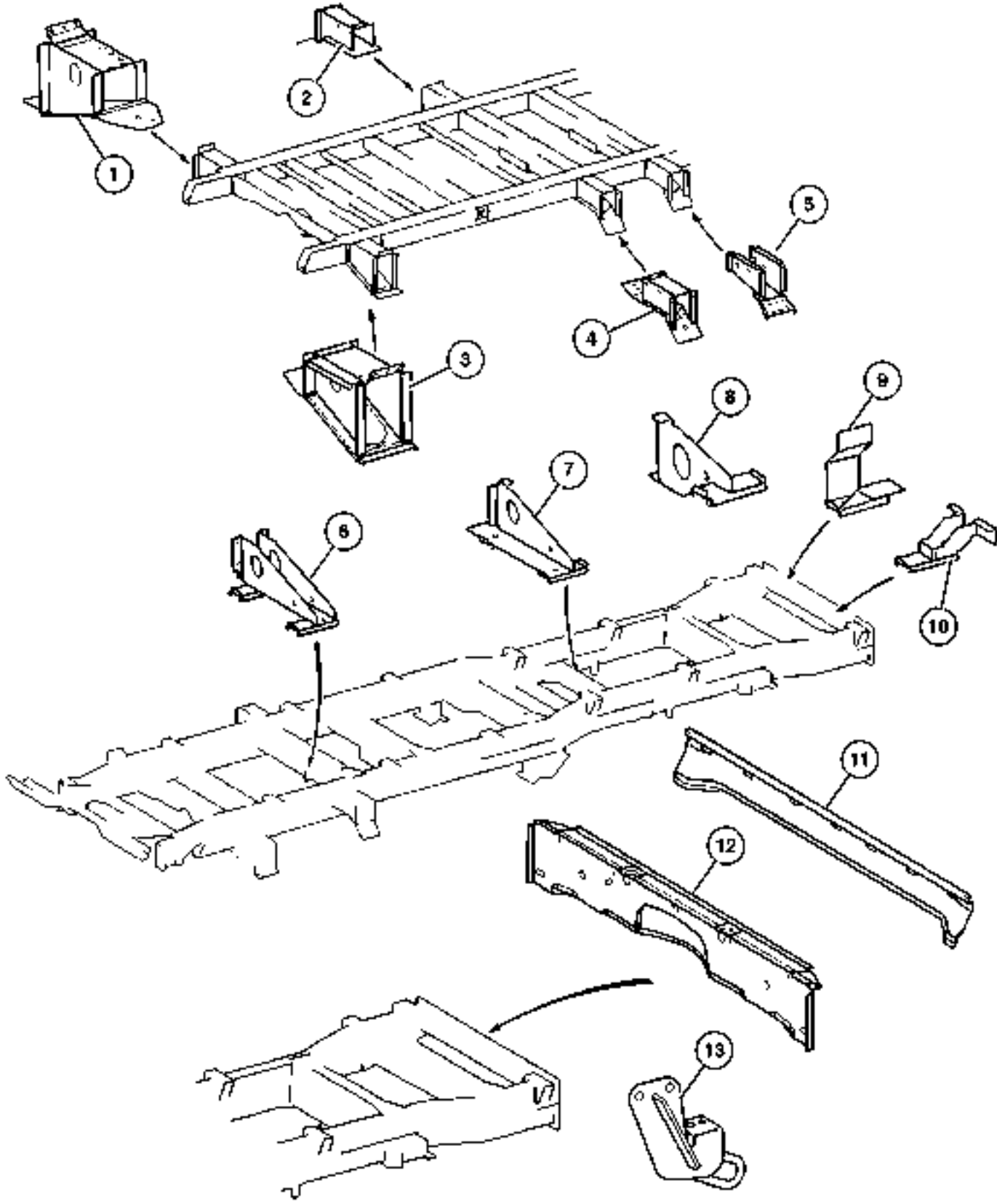
ITEM	PART NUMBER	QTY	LINE	SERIES	BODY	ENGINE	TRANS	TRIM	DESCRIPTION
		1	2, 6	L	51, 52, 54, 55, 56				
		1	3, 7	L	02, 06				
		1	3, 7	L	12, 15, 16				
8	5119 811AA	1	2, 6	L	06				BRACKET, Exhaust, Muffler
		1	2, 6	L	11, 12, 14, 15, 16				
		1	2, 6	L	51, 52, 54, 55, 56				
9	5119 826AA	1	3, 7	L	02, 06				BRACKET, Exhaust, Muffler
		1	3, 7	L	12, 15, 16				
10	5119 826AA	1	3, 7	L	02, 06				BRACKET, Exhaust, Muffler
		1	3, 7	L	12, 15, 16				
11	5104 159AA	1	2, 6	L	11, 12, 14, 15, 16				REINFORCEMENT, Rear Bumper
		1	2, 6	L	51, 52, 54, 55, 56				
		1	3, 7	L	12, 15, 16				
12	5104 050AA	1	2, 6	L	11, 12, 14, 15, 16				REINFORCEMENT, Rear Bumper
		1	2, 6	L	51, 52, 54, 55, 56				
		1	3, 7	L	12, 15, 16				
13	5118 001AA	1	2, 6	L	11, 14				HOOK, Tow
		1	2, 6	L	51, 54				
	5118 003AA	1	2, 6	L	12, 15				
		1	2, 6	L	52, 55				

Refer to Model Legend Information Bookmark

AR = Use as required - = Non illustrated part # = New this model year

March 3, 2006

Brackets, Frame To Body Supports
Figure 013-130



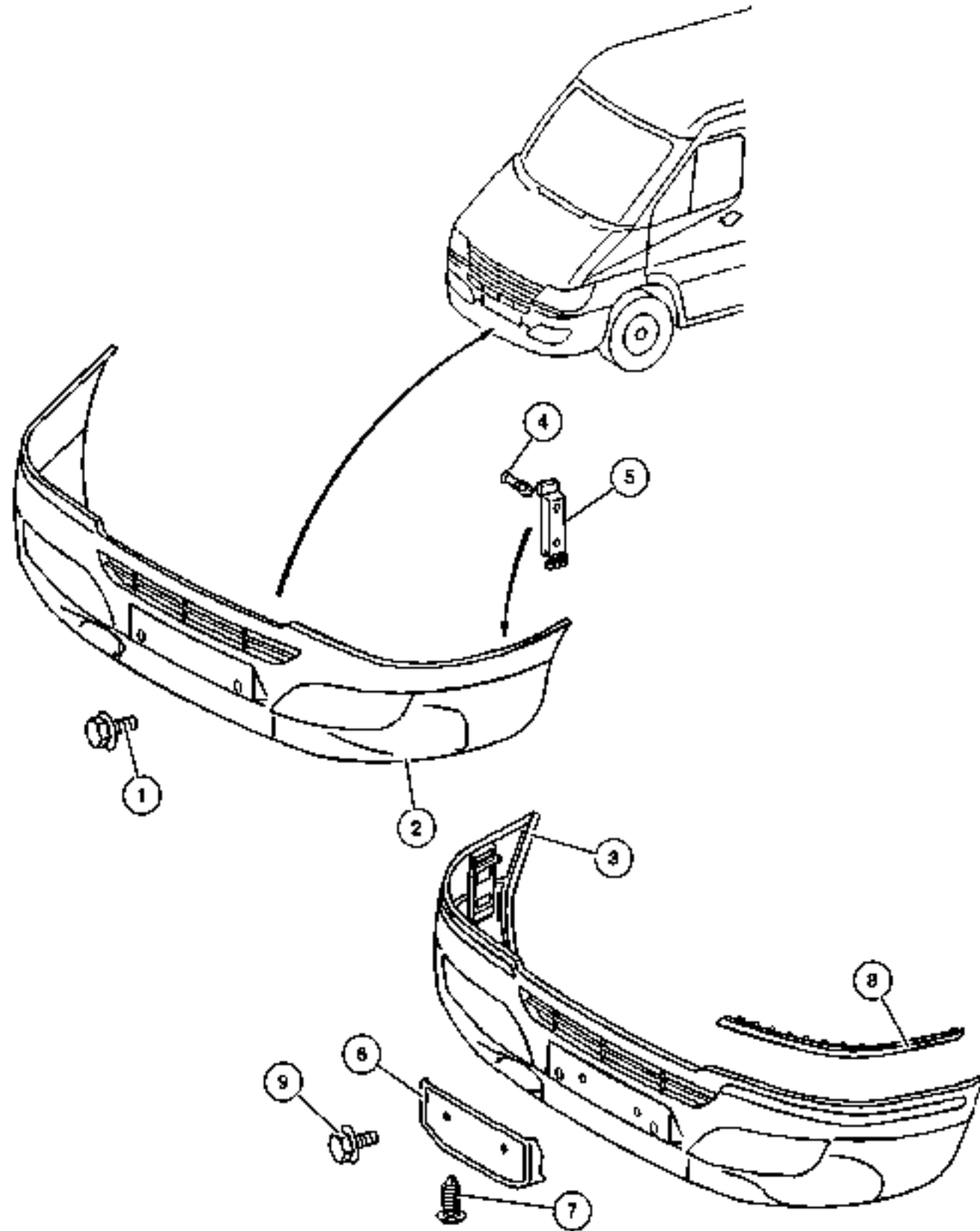
ITEM	PART NUMBER	QTY	LINE	SERIES	BODY	ENGINE	TRANS	TRIM	DESCRIPTION
	5118 006AA	1	3, 7	L	12, 15				
	5118 008AA	1	3, 7	L	16				

Refer to Model Legend Information Bookmark

AR = Use as required - = Non illustrated part # = New this model year

March 3, 2006

Bumper, Front Figure 013-230



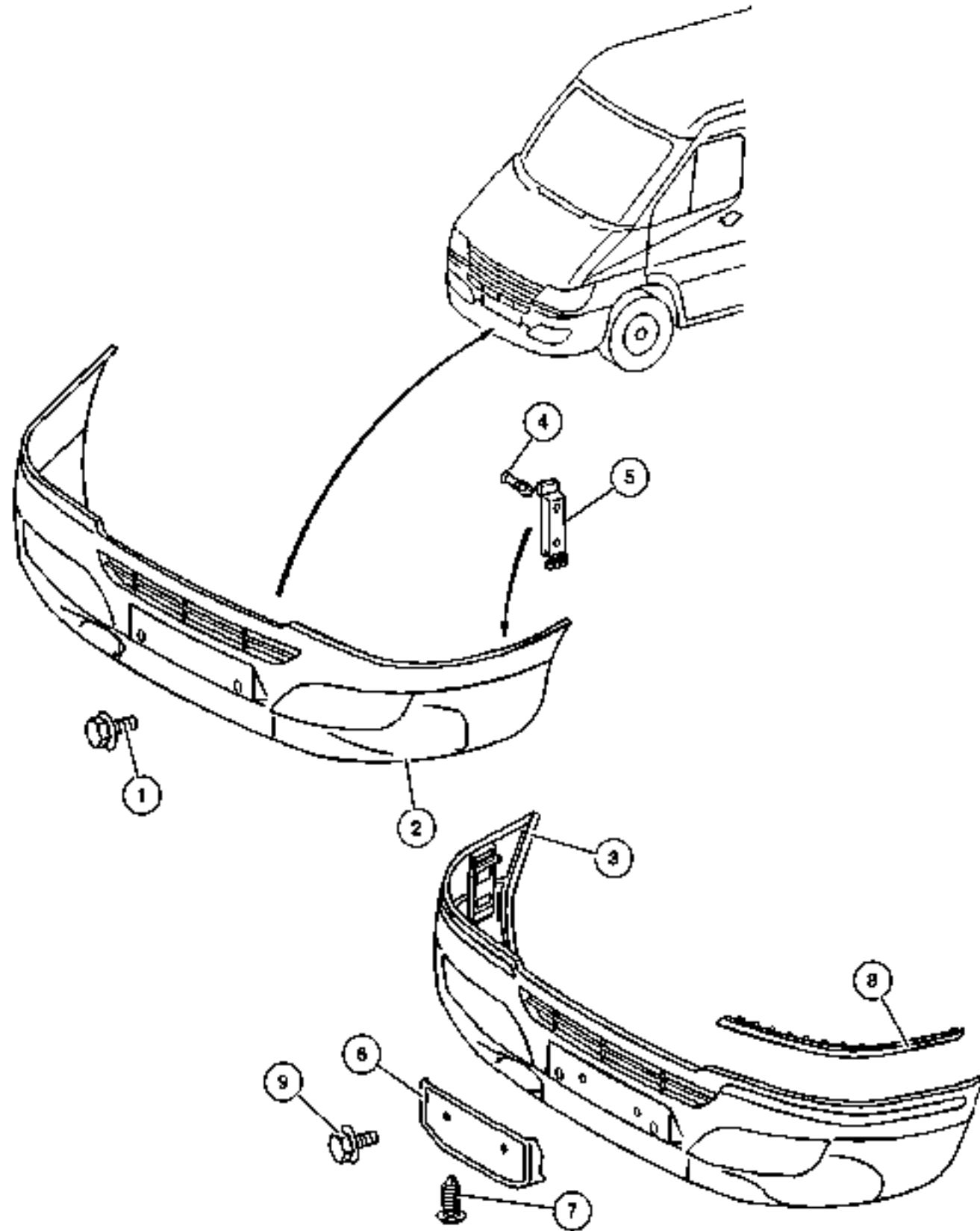
ITEM	PART NUMBER	QTY	LINE	SERIES	BODY	ENGINE	TRANS	TRIM	DESCRIPTION
1									SCREW
	5103 728AA	2	2, 6	L	01, 02, 06				
		2	2, 6	L	11, 12, 14, 15, 16				
		2	2, 6	L	51, 52, 54, 55, 56				
		2	3, 7	L	02, 06				
		2	3, 7	L	12, 15, 16				
2									FASCIA, Front
	5104 513AA	1	2, 6	L	01, 02, 06				Without [MJD] or [WDG]
		1	2, 6	L	11, 12, 14, 15, 16				
		1	2, 6	L	51, 52, 54, 55, 56				
		1	3, 7	L	02, 06				
		1	3, 7	L	12, 15, 16				
	5132 494AA	1	2, 6	L	01, 02, 06				[WDG]
		1	2, 6	L	11, 12, 14, 15, 16				[WDG]
		1	2, 6	L	51, 52, 54, 55, 56				[WDG]
		1	3, 7	L	02, 06				[WDG]
3									FASCIA, Front
	5104 517AA	1	2, 6	L	01, 02, 06				[MJD]
		1	2, 6	L	11, 12, 14, 15, 16				[MJD]
		1	2, 6	L	51, 52, 54, 55, 56				[MJD]
		1	3, 7	L	02, 06				[MJD]
		1	3, 7	L	12, 15, 16				[MJD]

Refer to Model Legend Information Bookmark

AR = Use as required - = Non illustrated part # = New this model year

March 3, 2006

Bumper, Front Figure 013-230



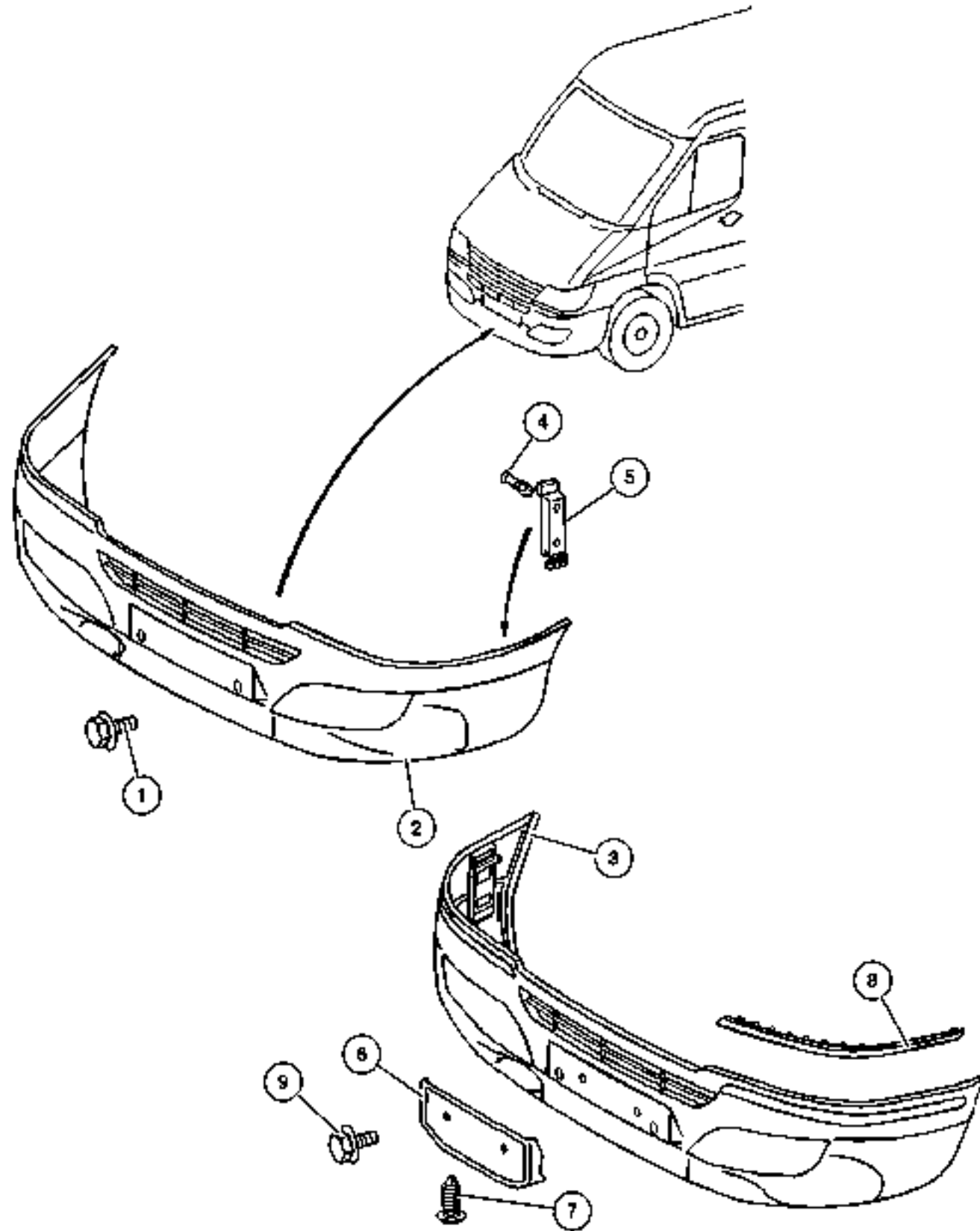
ITEM	PART NUMBER	QTY	LINE	SERIES	BODY	ENGINE	TRANS	TRIM	DESCRIPTION
	5132 496AA	1	2, 6	L	01, 02, 06				[MJD,WDG]
		1	2, 6	L	11, 12, 14, 15, 16				[MJD,WDG]
		1	2, 6	L	51, 52, 54, 55, 56				[MJD,WDG]
		1	3, 7	L	02, 06				[MJD,WDG]
4	5104 543AA	4	2, 6	L	01, 02, 06				RETAINER, Fascia
		4	2, 6	L	11, 12, 14, 15, 16				
		4	2, 6	L	51, 52, 54, 55, 56				
		4	3, 7	L	02, 06				
		4	3, 7	L	12, 15, 16				
5	5104 505AA	2	2, 6	L	01, 02, 06				BRACKET, Front Bumper
		2	2, 6	L	11, 12, 14, 15, 16				
		2	2, 6	L	51, 52, 54, 55, 56				
		2	3, 7	L	02, 06				
		2	3, 7	L	12, 15, 16				
6	5104 524AA	1	2, 6	L	01, 02, 06				BRACKET, License Plate, Chrome
		1	2, 6	L	11, 12, 14, 15, 16				
		1	2, 6	L	51, 52, 54, 55, 56				
		1	3, 7	L	02, 06				
		1	3, 7	L	12, 15, 16				
7									PLUG

Refer to Model Legend Information Bookmark

AR = Use as required - = Non illustrated part # = New this model year

March 3, 2006

Bumper, Front Figure 013-230



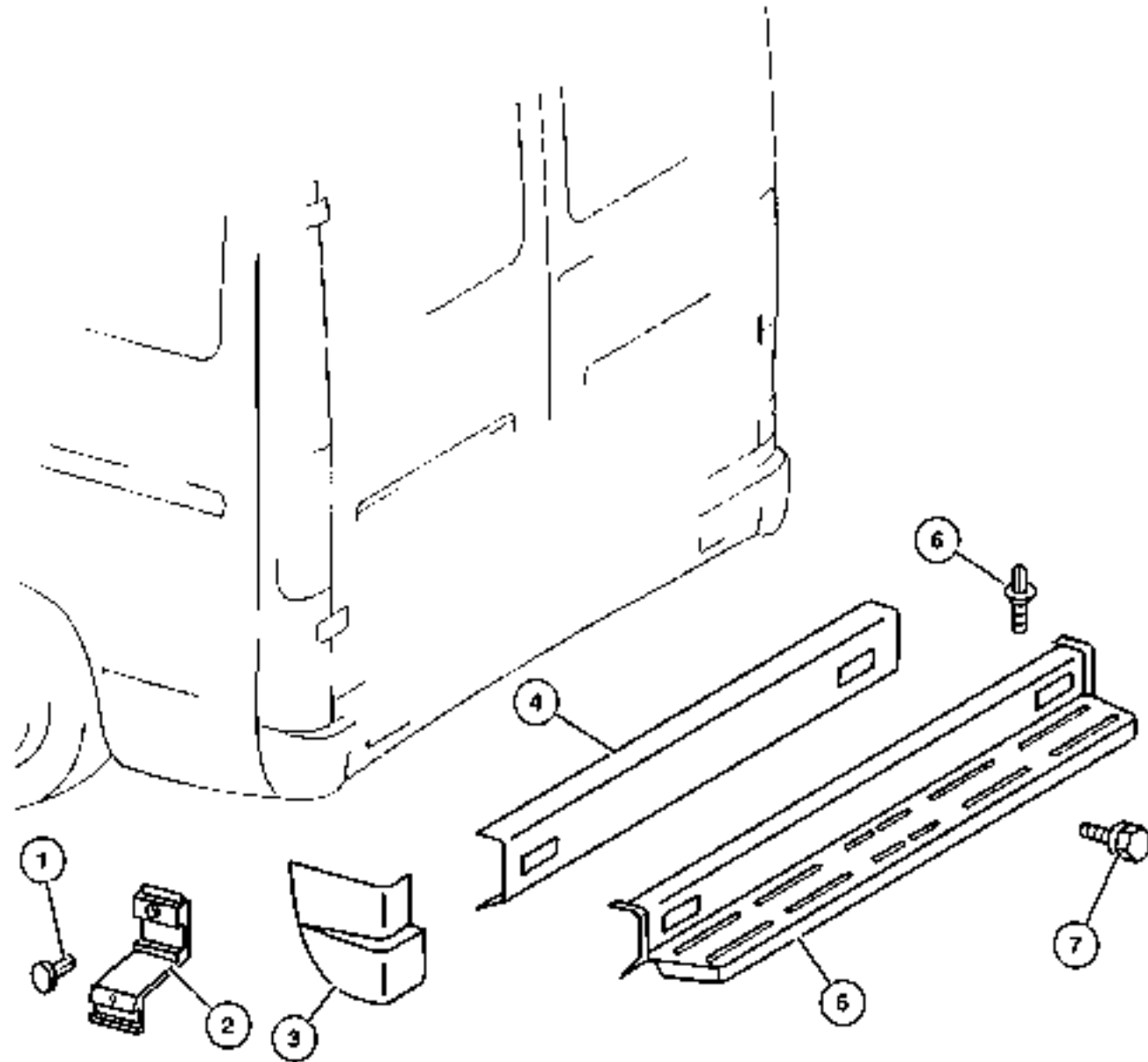
ITEM	PART NUMBER	QTY	LINE	SERIES	BODY	ENGINE	TRANS	TRIM	DESCRIPTION
	5103 817AA	2	2, 6	L	01, 02, 06				
		2	2, 6	L	11, 12, 14, 15, 16				
		2	2, 6	L	51, 52, 54, 55, 56				
		2	3, 7	L	02, 06				
		2	3, 7	L	12, 15, 16				
8	5104 523AA	1	2, 6	L	01, 02, 06				NERF, Fascia Right
		1	2, 6	L	11, 12, 14, 15, 16				Right
		1	2, 6	L	51, 52, 54, 55, 56				Right
		1	3, 7	L	02, 06				Right
		1	3, 7	L	12, 15, 16				Right
	5104 525AA	1	2, 6	L	01, 02, 06				Left
		1	2, 6	L	11, 12, 14, 15, 16				Left
		1	2, 6	L	51, 52, 54, 55, 56				Left
		1	3, 7	L	02, 06				Left
		1	3, 7	L	12, 15, 16				Left
9									SCREW, 5 x 16, (NOT SERVICED) (Not Serviced)

Refer to Model Legend Information Bookmark

AR = Use as required - = Non illustrated part # = New this model year

March 3, 2006

Bumper, Rear Figure 013-320



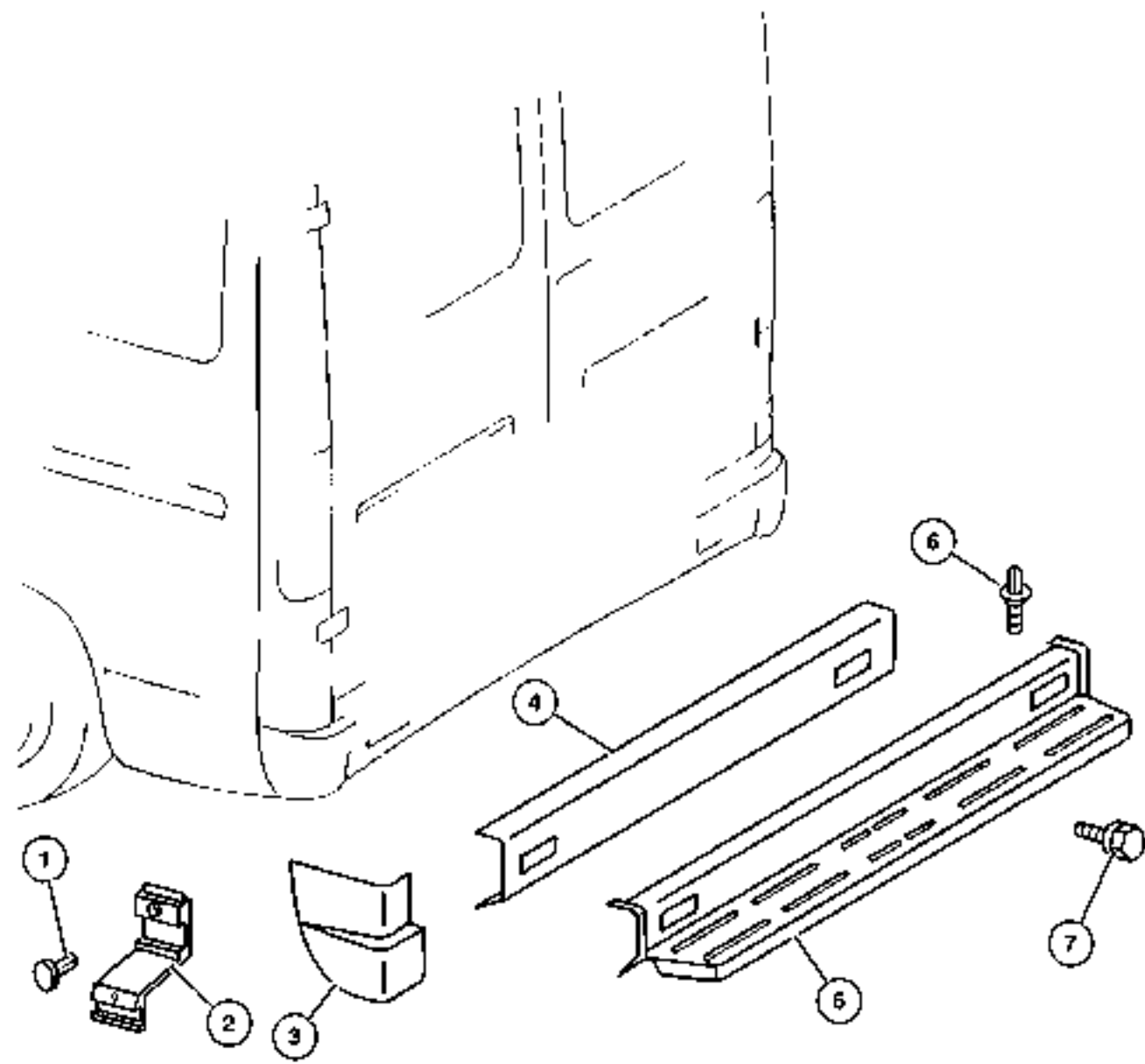
ITEM	PART NUMBER	QTY	LINE	SERIES	BODY	ENGINE	TRANS	TRIM	DESCRIPTION
1									RETAINER, Fascia
	5104 543AA	4	2, 6	L	01, 02, 06				
		4	2, 6	L	11, 12, 14, 15, 16				
		4	2, 6	L	51, 52, 54, 55, 56				
		4	3, 7	L	02, 06				
		4	3, 7	L	12, 15, 16				
2									BRACKET, Rear Bumper
	5104 508AA	1	2, 6	L	11, 12, 14, 15, 16				Left
		1	2, 6	L	51, 52, 54, 55, 56				Left
		1	3, 7	L	12, 15, 16				Left
	5104 510AA	1	2, 6	L	11, 12, 14, 15, 16				Right
		1	2, 6	L	51, 52, 54, 55, 56				Right
		1	3, 7	L	12, 15, 16				Right
3									COVER, Fascia
	5104 509AA	1	2, 6	L	11, 12, 14, 15, 16				Left
		1	2, 6	L	51, 52, 54, 55, 56				Left
		1	3, 7	L	12, 15, 16				Left
	5104 511AA	1	2, 6	L	11, 12, 14, 15, 16				Right
		1	2, 6	L	51, 52, 54, 55, 56				Right

Refer to Model Legend Information Bookmark

AR = Use as required - = Non illustrated part # = New this model year

March 3, 2006

Bumper, Rear Figure 013-320



ITEM	PART NUMBER	QTY	LINE	SERIES	BODY	ENGINE	TRANS	TRIM	DESCRIPTION
		1	3, 7	L	12, 15, 16				Right
4	5104 512AA	1	2, 6	L	11, 12, 14, 15, 16				BUMPER, Fascia, Rear
		1	2, 6	L	51, 52, 54, 55, 56				
5	5104 526AA	1	2, 6	L	11, 12, 14, 15, 16				BUMPER, Fascia, Rear [MBZ]
		1	2, 6	L	51, 52, 54, 55, 56				[MBZ]
		1	3, 7	L	12, 15, 16				[MBZ]
6	5103 730AA	4	2, 6	L	11, 12, 14, 15, 16				RIVET
		4	2, 6	L	51, 52, 54, 55, 56				
		4	3, 7	L	12, 15, 16				
7	5103 728AA	2	2, 6	L	01, 02, 06				SCREW
		2	2, 6	L	11, 12, 14, 15, 16				
		2	2, 6	L	51, 52, 54, 55, 56				
		2	3, 7	L	02, 06				
		2	3, 7	L	12, 15, 16				
-8	5104 132AA-	1	2, 6	L	12, 15				BUMPER, Step [MBZ,5AE,5AF]
		1	2, 6	L	52, 55				[MBZ,5AE,5AF]
	5104 133AA-	1	2, 6	L	11, 14				[MBZ,5AC]

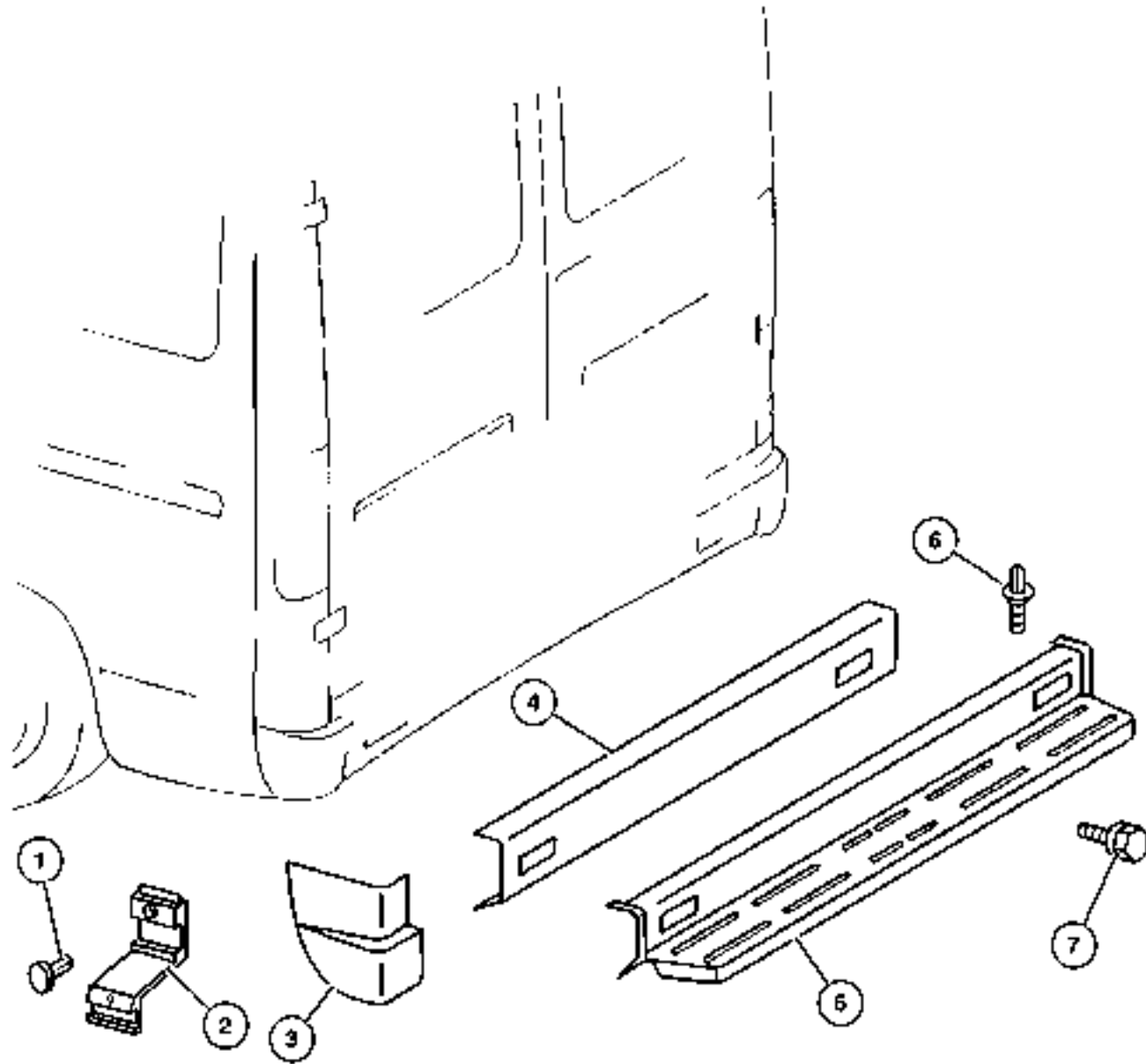
Refer to Model Legend Information Bookmark

AR = Use as required - = Non illustrated part # = New this model year

March 3, 2006

Bumper, Rear
Figure 013-320

ITEM	PART NUMBER	QTY	LINE	SERIES	BODY	ENGINE	TRANS	TRIM	DESCRIPTION
		1	2, 6	L	51, 54				[MBZ,5AC]
	5104 135AA-	1	2, 6	L	16				[MKB]
		1	2, 6	L	56				[MKB]
	5120 038AA-	1	3, 7	L	12, 15				[MBZ,5AE]
	5120 040AA-	1	3, 7	L	16				[MBZ,5AF]
	5129 550AA-	1	2, 6	L	11, 14				[MBZ,5AC,XAF]
		1	2, 6	L	51, 54				[MBZ,5AC,XAF]
-9	5120 057AA-	1	3, 7	L	02, 06				GUARD, Bumper

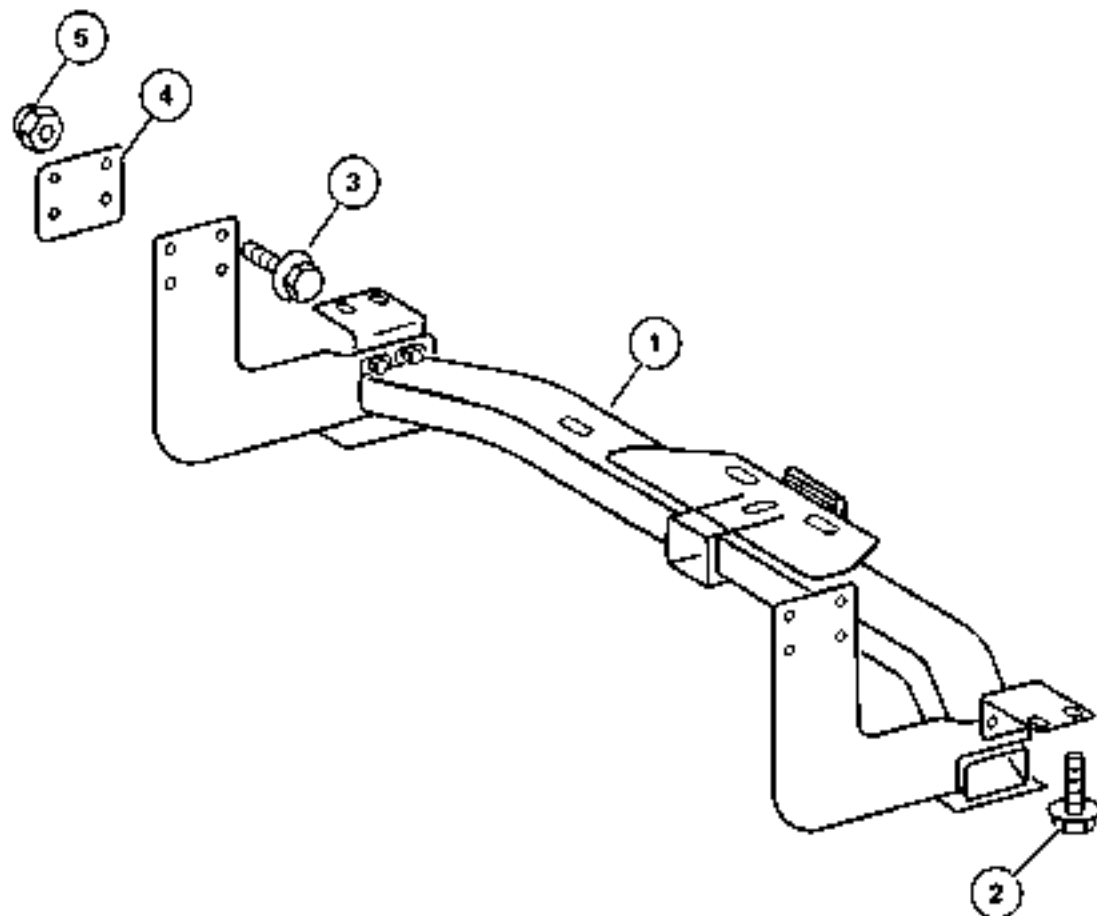


Refer to Model Legend Information Bookmark

AR = Use as required - = Non illustrated part # = New this model year

March 3, 2006

Rear Hitch Figure 013-610



ITEM	PART NUMBER	QTY	LINE	SERIES	BODY	ENGINE	TRANS	TRIM	DESCRIPTION
1									SUPPORT, Hitch
	5104 057AA	1	2, 6	L	12, 15				
		1	2, 6	L	52, 55				
		1	3, 7	L	16				
	5128 441AA	1	2, 6	L	11, 14				
		1	2, 6	L	51, 54				
2									BOLT, Hex Flange Head, M10x1.50x25
	6104 215AA	2	2, 6	L	11, 12, 14, 15, 16				
		2	2, 6	L	51, 52, 54, 55, 56				
		2	2, 6	L	01, 02, 06				
		4	3, 7	L	12, 15, 16				
3									SCREW
	5103 604AA	1	2, 6	L	01, 02, 06				
		1	2, 6	L	11, 12, 14, 15, 16				
		1	2, 6	L	51, 52, 54, 55, 56				
		1	3, 7	L	02, 06				
		1	3, 7	L	12, 15, 16				
4									PLATE, Towing Mounting
	5104 056AA	2	2, 6	L	01, 02, 06				
		2	2, 6	L	11, 12, 14, 15, 16				
		2	2, 6	L	51, 52, 54, 55, 56				
		2	3, 7	L	02, 06				
		2	3, 7	L	12, 15, 16				
5									NUT

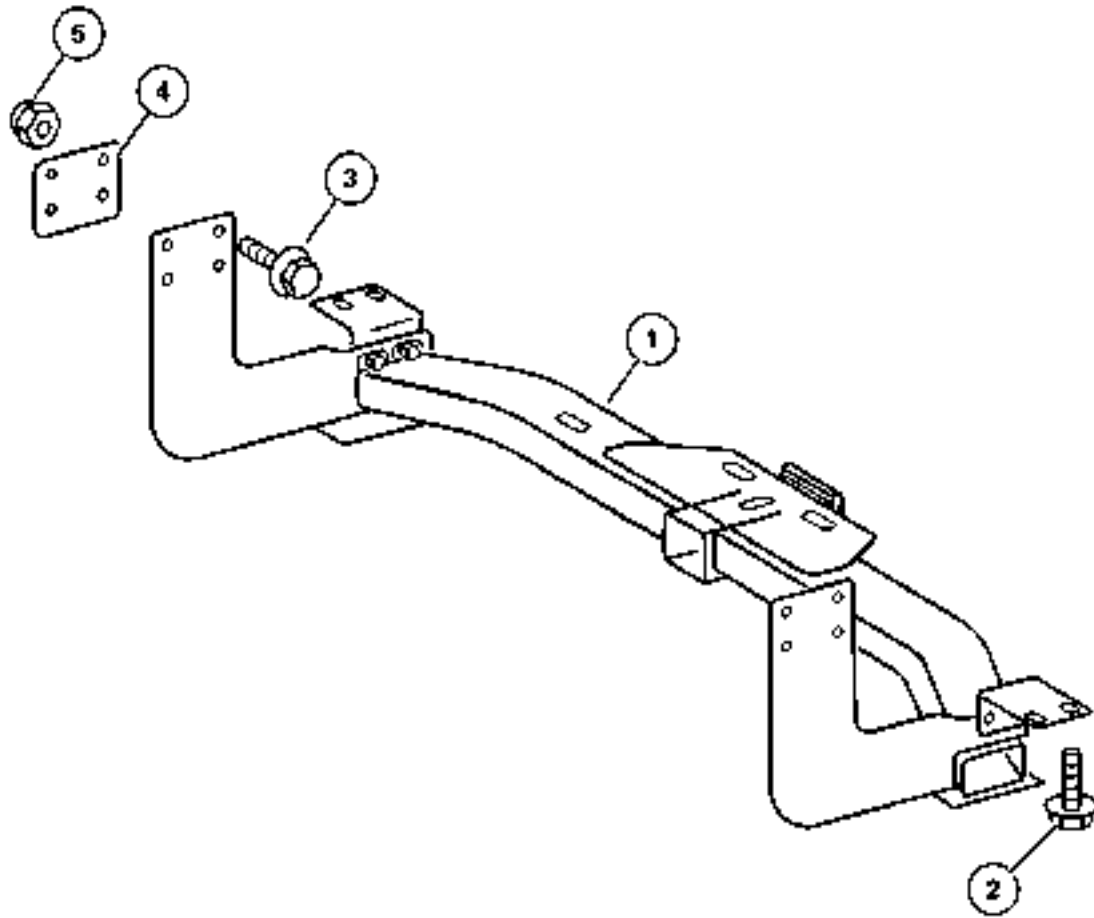
Refer to Model Legend Information Bookmark

AR = Use as required - = Non illustrated part # = New this model year

March 3, 2006

Rear Hitch
Figure 013-610

ITEM	PART NUMBER	QTY	LINE	SERIES	BODY	ENGINE	TRANS	TRIM	DESCRIPTION
	5103 668AA	1	2, 6	L	11, 12, 14, 15, 16				
		1	2, 6	L	51, 52, 54, 55, 56				
	6104 718AA	2	2, 6	L	51, 52, 54, 55, 56				
		8	2, 6	L	01, 02, 06				
		8	2, 6	L	11, 12, 14, 15, 16				
		8	3, 7	L	02, 06				
		8	3, 7	L	12, 15, 16				

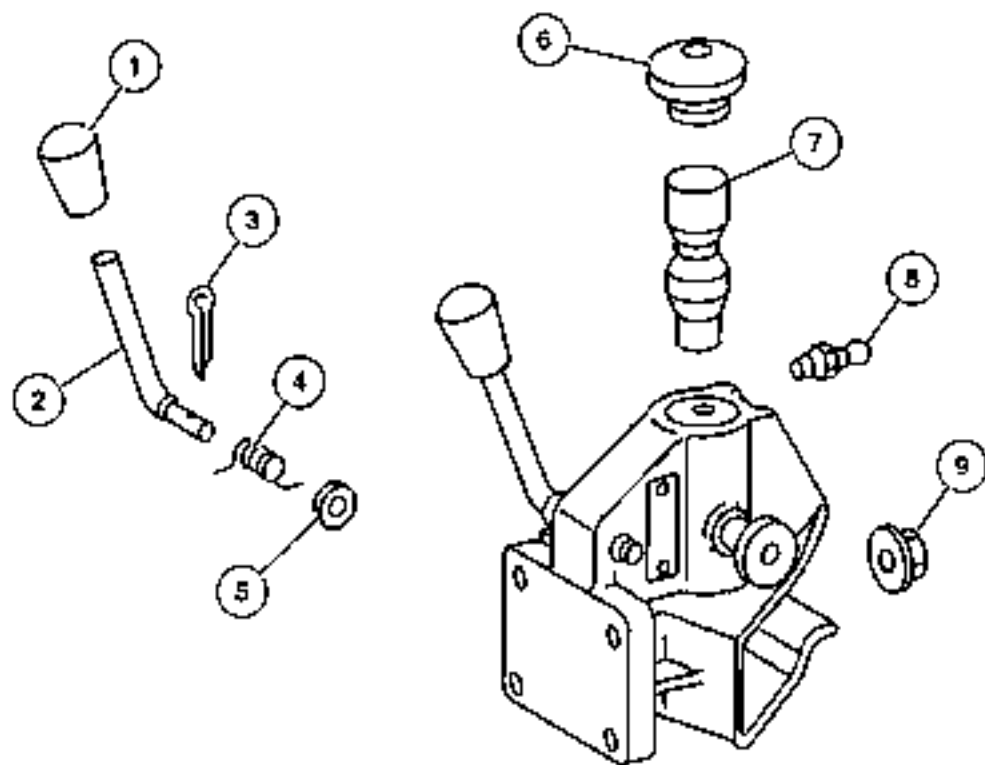


Refer to Model Legend Information Bookmark

AR = Use as required - = Non illustrated part # = New this model year

March 3, 2006

Trailer Tow Figure 013-620



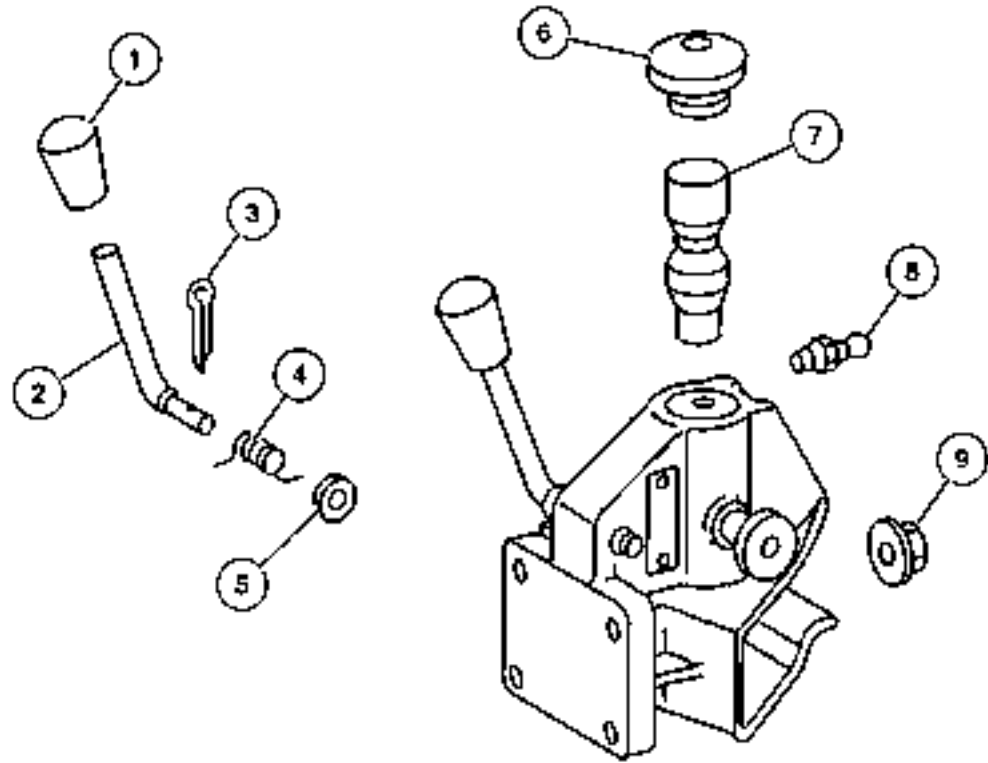
ITEM	PART NUMBER	QTY	LINE	SERIES	BODY	ENGINE	TRANS	TRIM	DESCRIPTION
1									HANDLE, Latch, (NOT SERVICED) (Not Serviced)
2	5133 855AA	1	2, 6	L	01, 02, 06				LEVER
		1	2, 6	L	11, 12, 14, 15, 16				
		1	2, 6	L	51, 52, 54, 55, 56				
		1	3, 7	L	02, 06				
		1	3, 7	L	12, 15, 16				
3	5133 860AA	1	2, 6	L	01, 02, 06				PIN
		1	2, 6	L	11, 12, 14, 15, 16				
		1	2, 6	L	51, 52, 54, 55, 56				
		1	3, 7	L	02, 06				
		1	3, 7	L	12, 15, 16				
4									SPRING, Lever, (NOT SERVICED) (Not Serviced)
5									WASHER, (NOT SERVICED) (Not Serviced)
6									COVER, (NOT SERVICED) (Not Serviced)
7									PIN, Hitch
	5133 853AA	1	2, 6	L	01, 02, 06				
		1	2, 6	L	11, 12, 14, 15, 16				
		1	2, 6	L	51, 52, 54, 55, 56				
		1	3, 7	L	02, 06				
		1	3, 7	L	12, 15, 16				
8									FITTING, Grease

Refer to Model Legend Information Bookmark

AR = Use as required - = Non illustrated part # = New this model year

March 3, 2006

Trailer Tow
Figure 013-620



ITEM	PART NUMBER	QTY	LINE	SERIES	BODY	ENGINE	TRANS	TRIM	DESCRIPTION
	5133 858AA	1	2, 6	L	01, 02,				
		1	2, 6	L	06				
		1	2, 6	L	11, 12,				
		1	2, 6	L	14, 15,				
		1	2, 6	L	16				
		1	2, 6	L	51, 52,				
		1	2, 6	L	54, 55,				
		1	2, 6	L	56				
		1	3, 7	L	02, 06				
		1	3, 7	L	12, 15,				
		1	3, 7	L	16				
9									NUT
	6104 717AA	4	2, 6	L	01, 02,				
		4	2, 6	L	06				
		4	2, 6	L	11, 12,				
		4	2, 6	L	14, 15,				
		4	2, 6	L	16				
		4	2, 6	L	51, 52,				
		4	2, 6	L	54, 55,				
		4	2, 6	L	56				
		4	3, 7	L	02, 06				
		4	3, 7	L	12, 15,				
		4	3, 7	L	16				

Refer to Model Legend Information Bookmark

AR = Use as required - = Non illustrated part # = New this model year

March 3, 2006

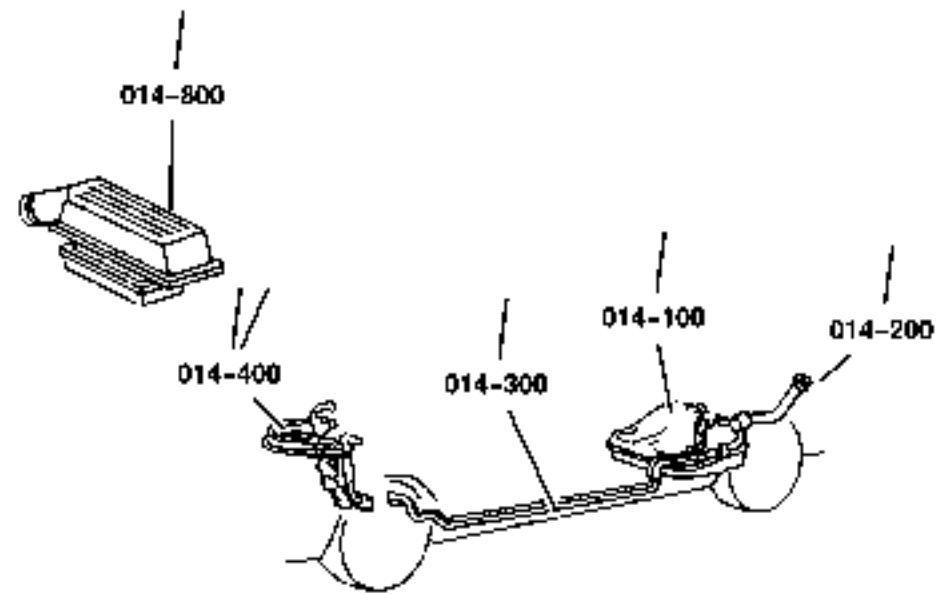
Group – 014

Fuel

GROUP 14 - Fuel

Illustration Title

Group-Fig. No.



Tank, Fuel

Fuel Tank Fig. 014-110

Fuel Tank Filler Tube

Fuel Tank Filler Tube Fig. 014-210

Fuel Lines

Fuel Lines Fig. 014-310

Fuel Line and Filter Fig. 014-320

Fuel Rail

Injection System [EX8] Fig. 014-410

Fuel Pump and Sending Unit

Fuel Module Fig. 014-510

Fuel Injection Pump & Turbo Charger

Fuel Injection Pump [EX8] Fig. 014-610







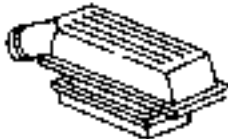

Turbo Charger Fig. 014-630

Air Cleaner

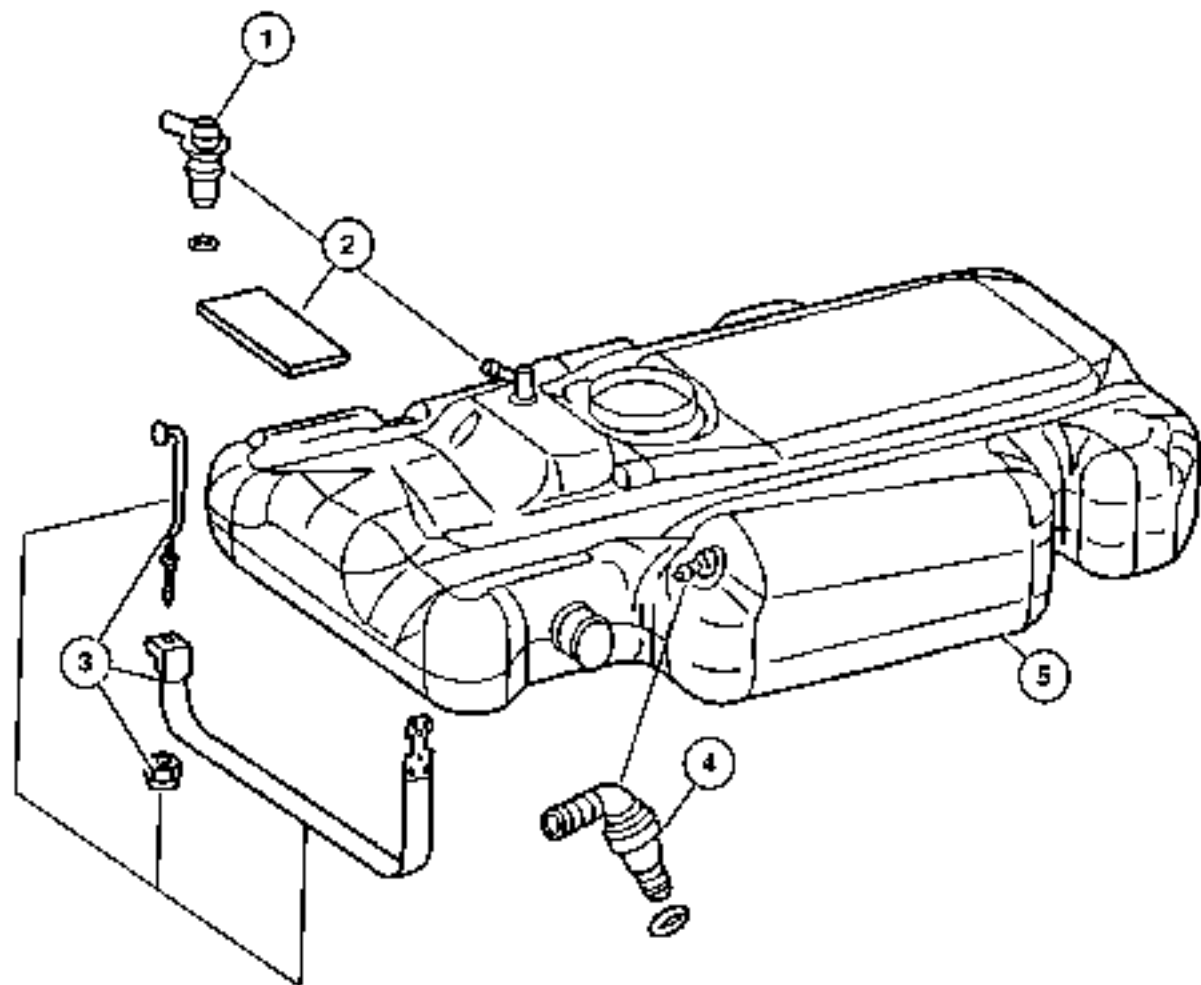
Air Cleaner Fig. 014-810

Accelerator Pedal

Accelerator Pedal Fig. 014-1110

014-100 Tank, Fuel 	014-200 Fuel Tank Filler Tube 	014-300 Fuel Lines 	014-400 Fuel Rail 
014-500 Fuel Pump and Sending Unit 	014-600 Fuel Injection Pump & Turbo Charger 	014-800 Air Cleaner 	014-1100 Accelerator Pedal 

Fuel Tank Figure 014-110



ITEM	PART NUMBER	QTY	LINE	SERIES	BODY	ENGINE	TRANS	TRIM	DESCRIPTION
Sales Codes:EX8=ENGINE-2.7L I5 MERCEDES TURBO									
DGJ=TRANSMISSION - 5-SPD AUTO									
1	5133 917AA	1	3, 7	L	02, 06	EX8	DGZ		VALVE, Vent
		1	3, 7	L	12, 15,	EX8	DGZ		
					16				
2	5133 443AA	4	2, 6	L	01, 02,	EX8	DGZ		PAD
		5	2, 6	L	11, 12,	EX8	DGZ		
					14, 15,				
					16				
		4	2, 6	L	51, 52,	EX8	DGZ		
					54, 55,				
					56				
		1	3, 7	L	02, 06	EX8	DGZ		
		5	3, 7	L	12, 15,	EX8	DGZ		
					16				
3	5104 102AA	2	2, 6	L	01, 02,	EX8	DGZ		STRAP, Fuel Tank
		2	2, 6	L	11, 12,	EX8	DGZ		
					14, 15,				
					16				
		2	2, 6	L	51, 52,	EX8	DGZ		
					54, 55,				
					56				
		2	3, 7	L	02, 06	EX8	DGZ		
		2	3, 7	L	12, 15,	EX8	DGZ		
					16				
4	5133 918AA	1	3, 7	L	02, 06	EX8	DGZ		VALVE, Vent
		1	3, 7	L	12, 15,	EX8	DGZ		
					16				
5	5119 634AB	1	2, 6	L	01, 02,	EX8	DGZ		TANK, Fuel
		1	2, 6	L	11, 12,	EX8	DGZ		
					14, 15,				
					16				
		1	2, 6	L	51, 52,	EX8	DGZ		
					54, 55,				
					56				
		1	3, 7	L	02, 06	EX8	DGZ		

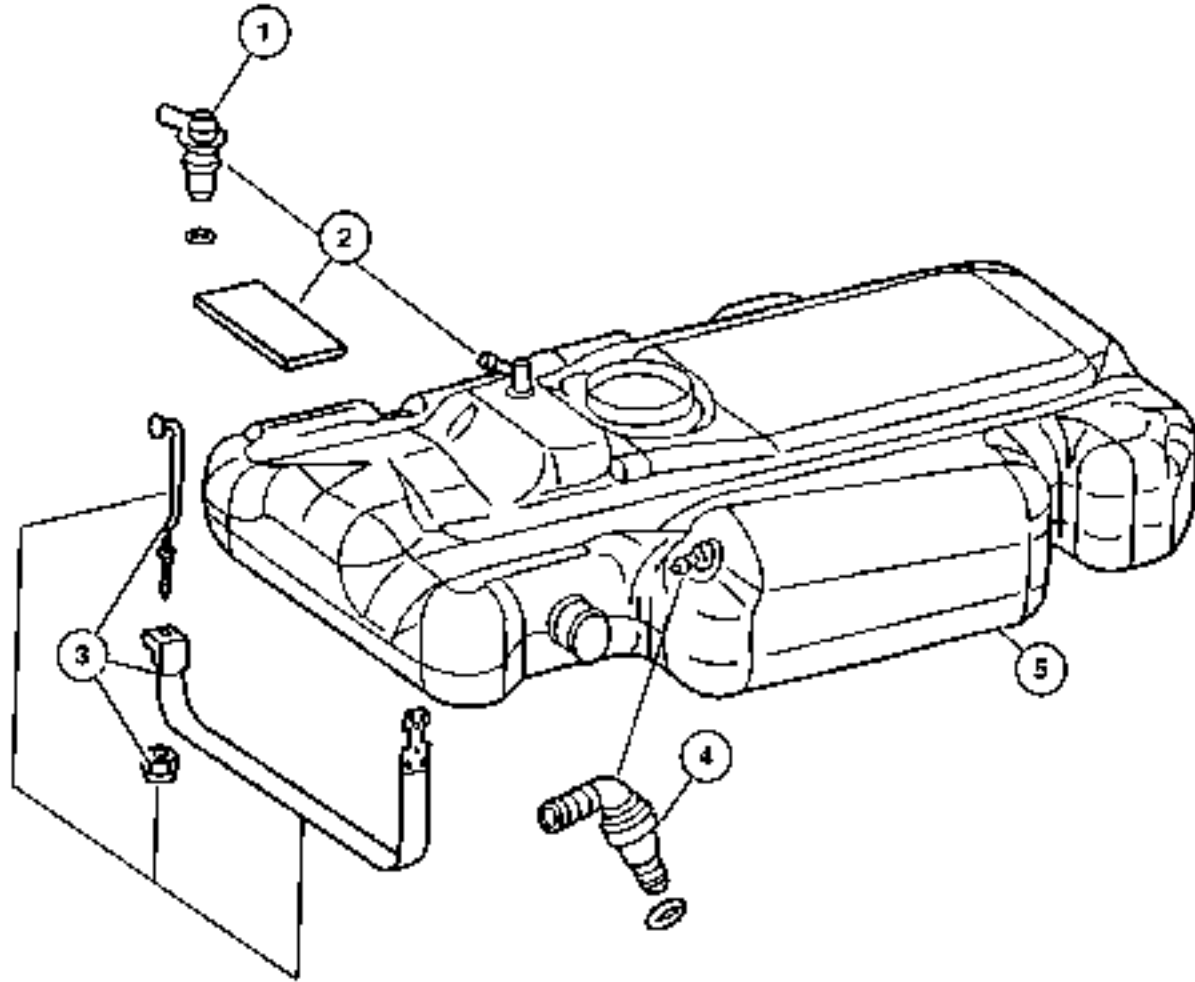
Refer to Model Legend Information Bookmark

AR = Use as required - = Non illustrated part # = New this model year

March 3, 2006

Fuel Tank
Figure 014-110

ITEM	PART NUMBER	QTY	LINE	SERIES	BODY	ENGINE	TRANS	TRIM	DESCRIPTION
		1	3, 7	L	12, 15, 16	EX8	DGZ		

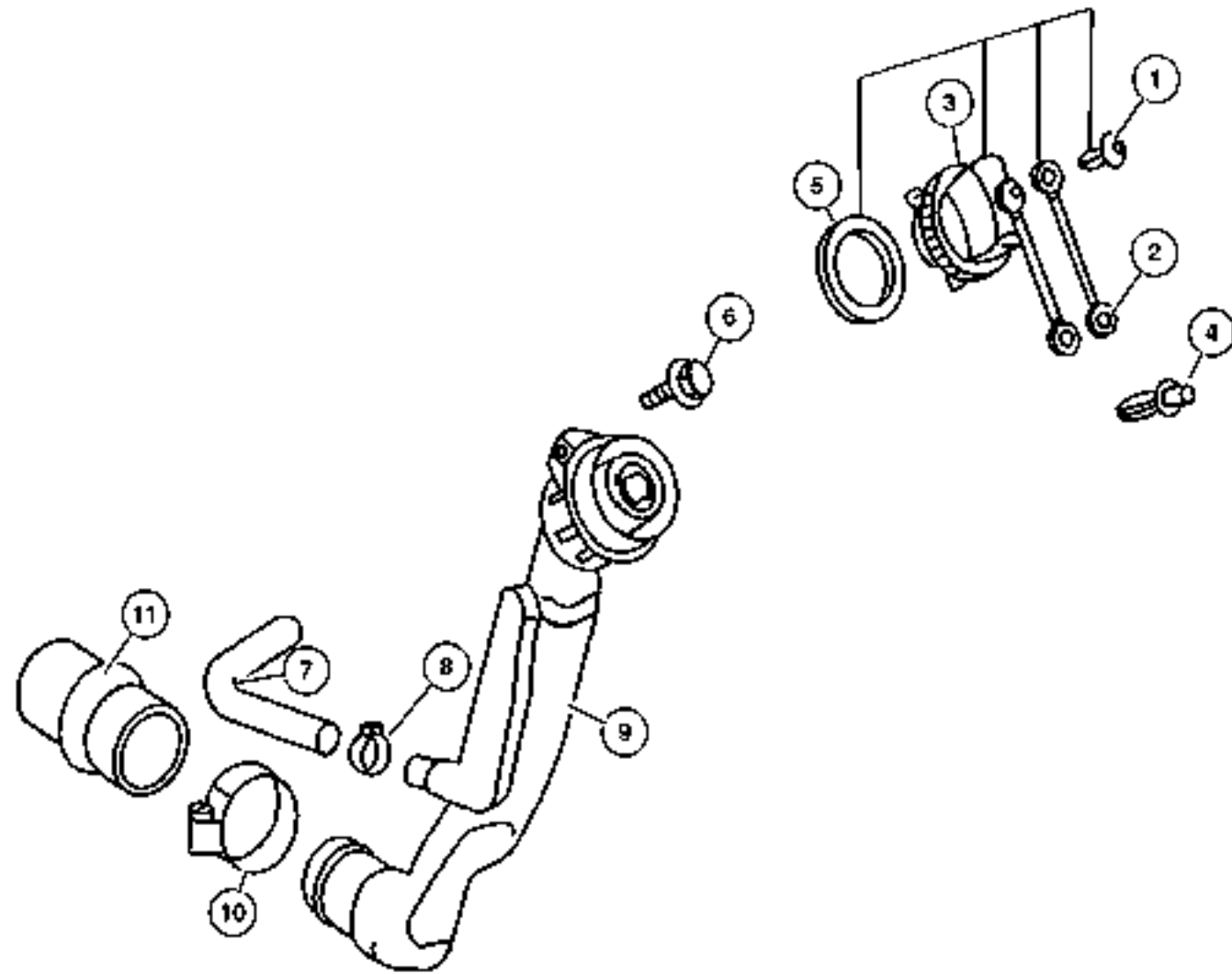


Refer to Model Legend Information Bookmark

AR = Use as required - = Non illustrated part # = New this model year

March 3, 2006

Fuel Tank Filler Tube Figure 014-210



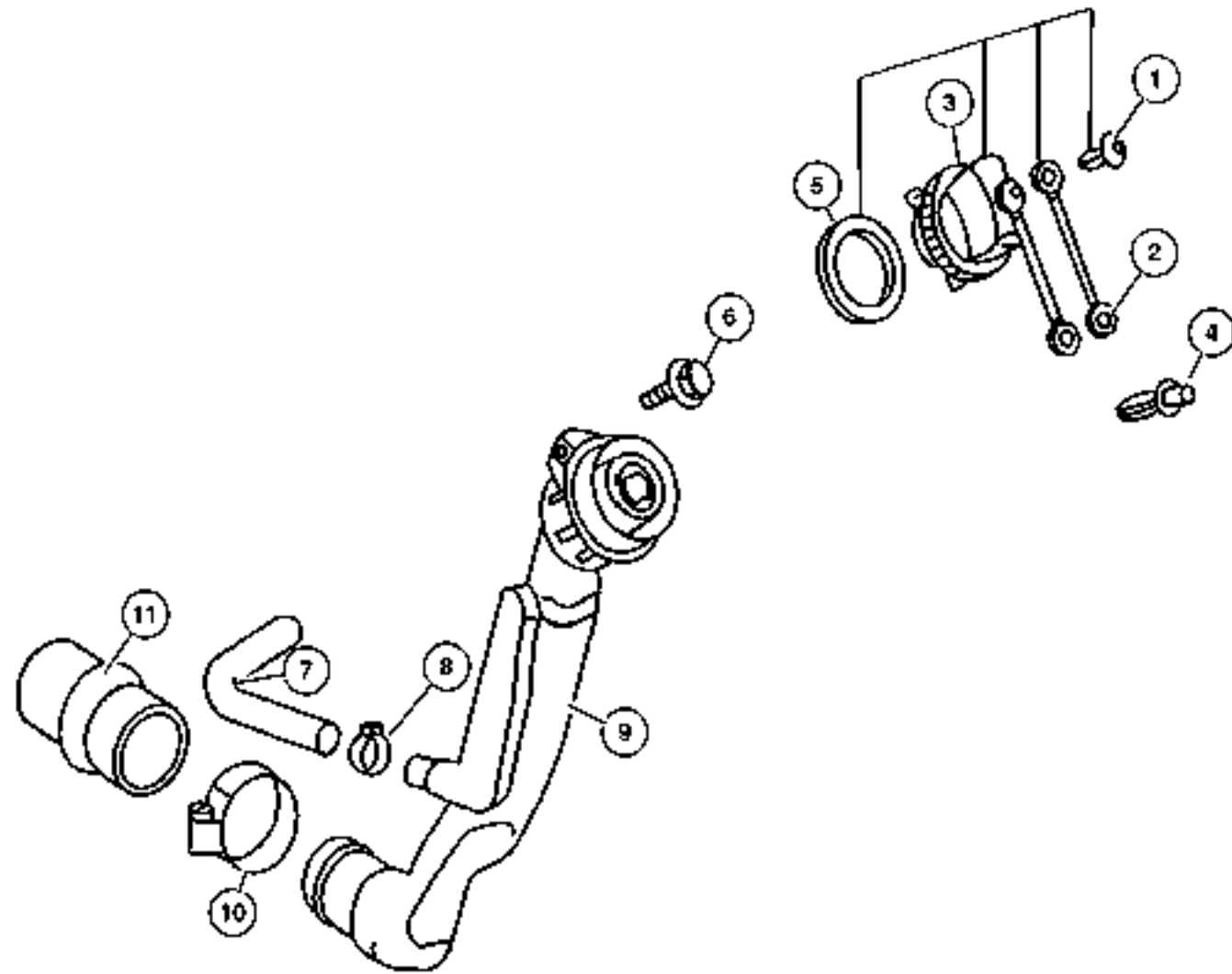
ITEM	PART NUMBER	QTY	LINE	SERIES	BODY	ENGINE	TRANS	TRIM	DESCRIPTION
Sales Codes:EX8=ENGINE-2.7L I5 MERCEDES TURBO									
DGJ=TRANSMISSION - 5-SPD AUTO									
1									RIVET
	6104 903AA	1	3, 7	L	02, 06	EX8	DGZ		
		1	3, 7	L	12, 15,	EX8	DGZ		
					16				
2									TETHER, Fuel Filler Cap
	5133 915AA	1	2, 6	L	01, 02,	EX8	DGZ		
		1	2, 6	L	11, 12,	EX8	DGZ		
		1	2, 6	L	14, 15,				
		1	2, 6	L	16				
		1	2, 6	L	51, 52,	EX8	DGZ		
		1	3, 7	L	54, 55,				
		1	3, 7	L	56	EX8	DGZ		
		1	3, 7	L	02, 06	EX8	DGZ		
		1	3, 7	L	12, 15,	EX8	DGZ		
					16				
3									CAP, Fuel Filler
	5119 573AA	1	2, 6	L	01, 02,	EX8	DGZ		
		1	2, 6	L	11, 12,	EX8	DGZ		
		1	2, 6	L	14, 15,				
		1	2, 6	L	16				
		1	2, 6	L	51, 52,	EX8	DGZ		
		1	3, 7	L	54, 55,				
		1	3, 7	L	56	EX8	DGZ		
		1	3, 7	L	02, 06	EX8	DGZ		
		1	3, 7	L	12, 15,	EX8	DGZ		
					16				
4									RIVET
	5103 787AA	1	2, 6	L	01, 02,	EX8	DGZ		
		1	2, 6	L	11, 12,	EX8	DGZ		
		1	2, 6	L	14, 15,				
		1	2, 6	L	16				
		1	2, 6	L	51, 52,	EX8	DGZ		
		1	3, 7	L	54, 55,				
		1	3, 7	L	56	EX8	DGZ		
		1	3, 7	L	02, 06	EX8	DGZ		
		1	3, 7	L	12, 15,	EX8	DGZ		
					16				
5									SEAL, Fuel Cap
	5133 916AA	1	3, 7	L	02, 06	EX8	DGZ		

Refer to Model Legend Information Bookmark

AR = Use as required - = Non illustrated part # = New this model year

March 3, 2006

Fuel Tank Filler Tube
Figure 014-210



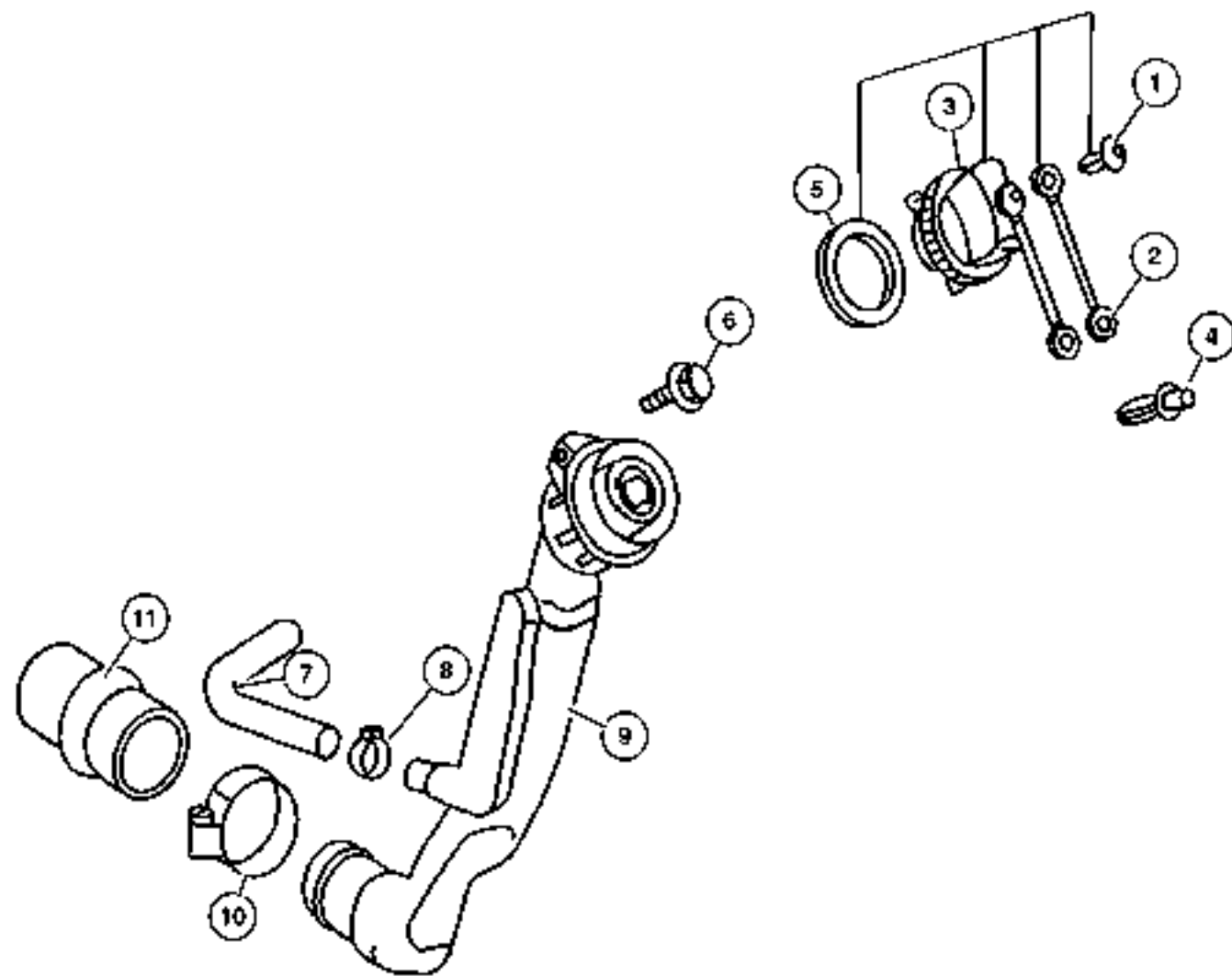
ITEM	PART NUMBER	QTY	LINE	SERIES	BODY	ENGINE	TRANS	TRIM	DESCRIPTION
		1	3, 7	L	12, 15, 16	EX8	DGZ		
6	6104 515AA	1	2, 6	L	01, 02, 06	EX8	DGZ		SCREW, Fuel Filler Tube Mounting
		1	2, 6	L	11, 12, 14, 15, 16	EX8	DGZ		
		1	2, 6	L	51, 52, 54, 55, 56	EX8	DGZ		
		1	3, 7	L	02, 06	EX8	DGZ		
		1	3, 7	L	12, 15, 16	EX8	DGZ		
7	5135 343AA	1	2, 6	L	01, 02, 06	EX8	DGZ		HOSE, Fuel Filler
		1	2, 6	L	11, 12, 14, 15, 16	EX8	DGZ		
		1	2, 6	L	51, 52, 54, 55, 56	EX8	DGZ		
		1	3, 7	L	02, 06	EX8	DGZ		
		1	3, 7	L	12, 15, 16	EX8	DGZ		
8	6104 780AA	2	2, 6	L	51, 52, 54, 55, 56	EX8	DGZ		CLAMP
		1	2, 6	L	01, 02, 06	EX8	DGZ		
		1	2, 6	L	11, 12, 14, 15, 16	EX8	DGZ		
		2	3, 7	L	12, 15, 16	EX8	DGZ		
9	5104 103AA	1	3, 7	L	02, 06	EX8	DGZ		TUBE, Fuel Filler
		1	2, 6	L	01, 02, 06	EX8	DGZ		
		1	2, 6	L	11, 12, 14, 15, 16	EX8	DGZ		

Refer to Model Legend Information Bookmark

AR = Use as required - = Non illustrated part # = New this model year

March 3, 2006

Fuel Tank Filler Tube
Figure 014-210



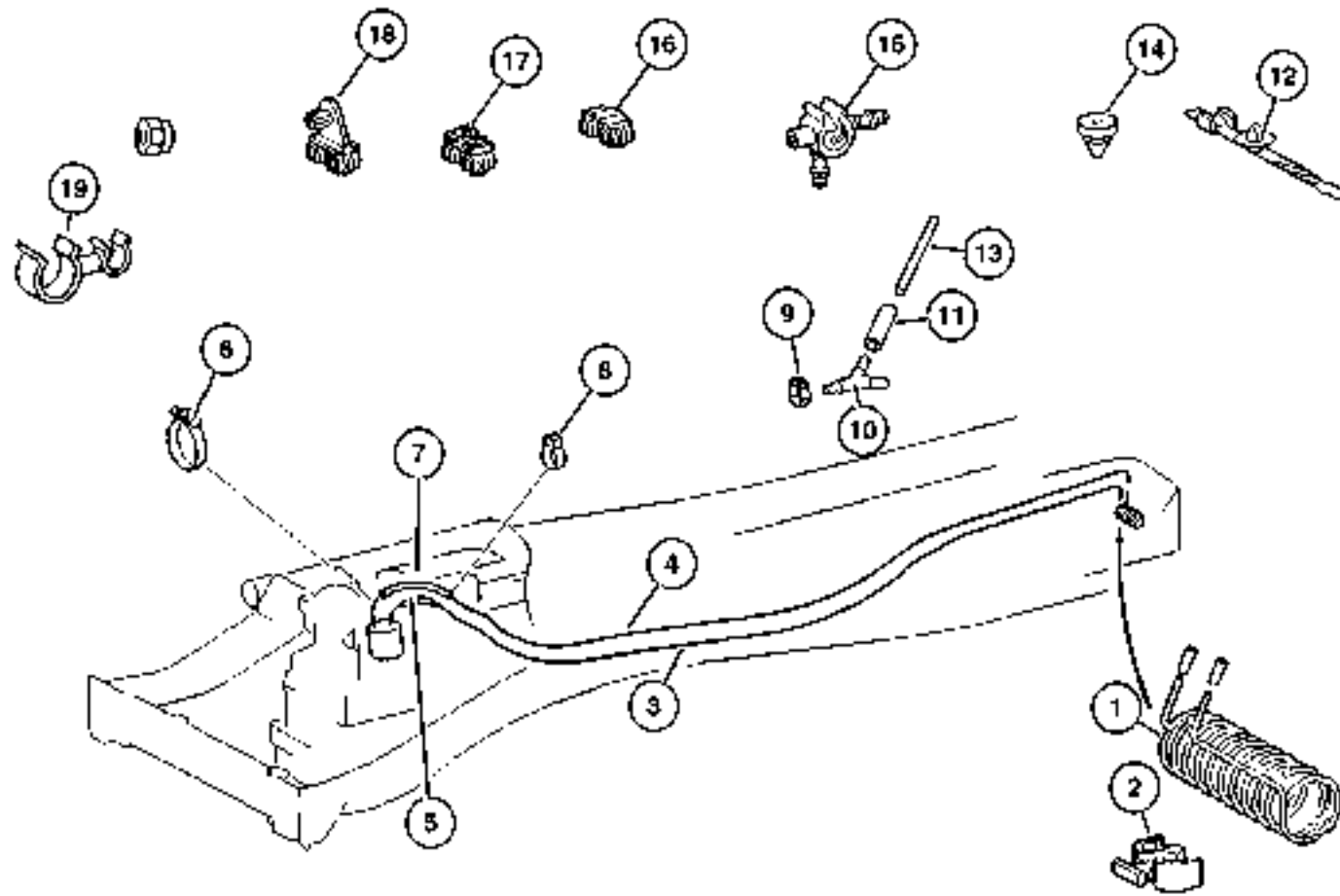
ITEM	PART NUMBER	QTY	LINE	SERIES	BODY	ENGINE	TRANS	TRIM	DESCRIPTION
		1	2, 6	L	51, 52, 54, 55, 56	EX8	DGZ		
		1	3, 7	L	02, 06	EX8	DGZ		
		1	3, 7	L	12, 15, 16	EX8	DGZ		
10	5104 601AA	1	2, 6	L	11, 12, 14, 15, 16	EX8	DGZ		CLAMP, Hose
		1	2, 6	L	51, 52, 54, 55, 56	EX8	DGZ		
		1	2, 6	L	01, 02, 06	EX8	DGZ		
		1	3, 7	L	12, 15, 16	EX8	DGZ		
11	5103 986AA	1	2, 3, 6, 7	L	02, 06	EX8	DGZ		HOSE

Refer to Model Legend Information Bookmark

AR = Use as required - = Non illustrated part # = New this model year

March 3, 2006

Fuel Lines
Figure 014-310



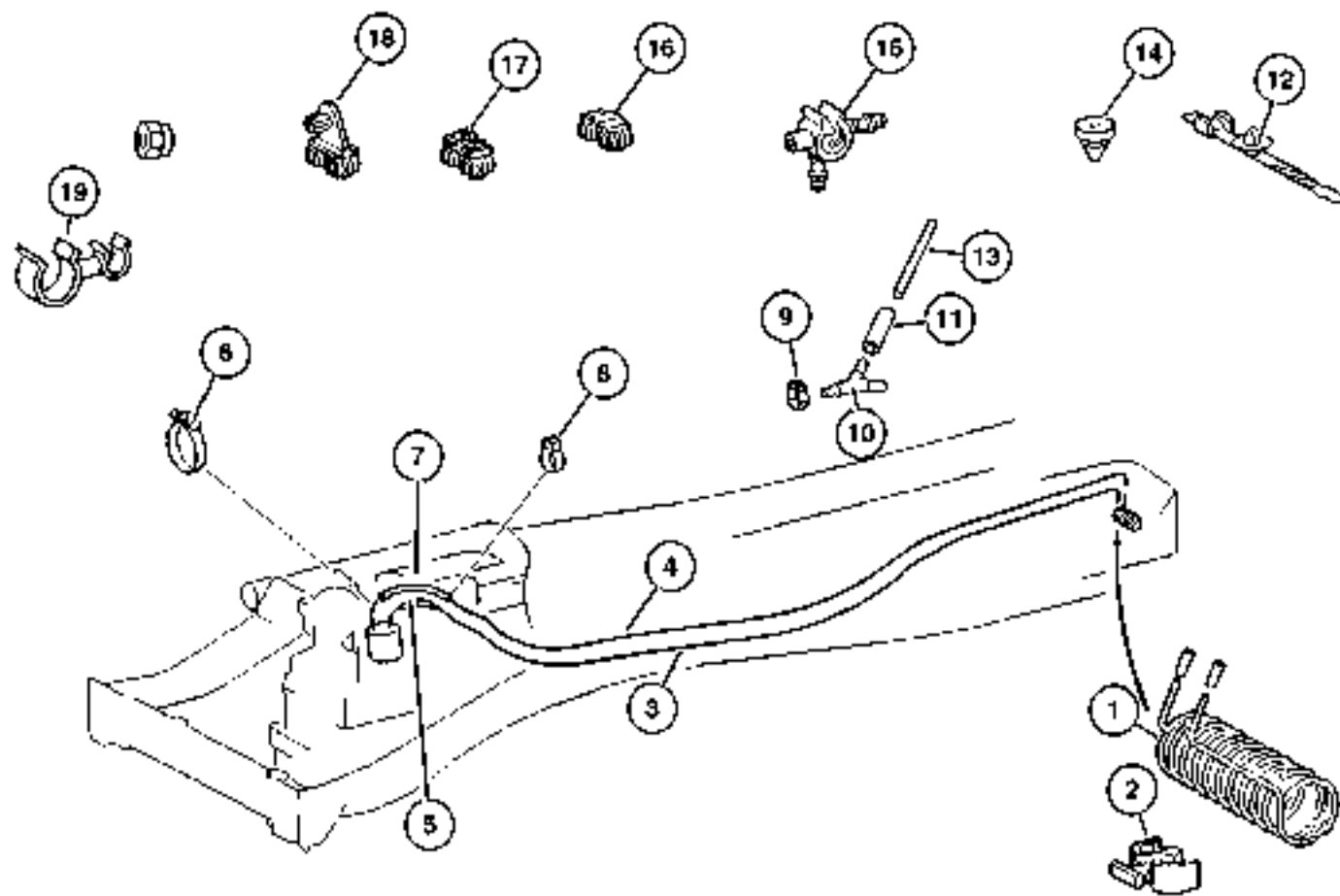
ITEM	PART NUMBER	QTY	LINE	SERIES	BODY	ENGINE	TRANS	TRIM	DESCRIPTION
1	5127 509AA	1	2, 6	L	01, 02, 06	EX8	DGZ		COOLER, Fuel, Diesel
		1	2, 6	L	11, 12, 14, 15, 16	EX8	DGZ		
		1	2, 6	L	51, 52, 54, 55, 56	EX8	DGZ		
		1	3, 7	L	02, 06	EX8	DGZ		
		1	3, 7	L	12, 15, 16	EX8	DGZ		
		1	3, 7	L	12, 15, 16	EX8	DGZ		
2	5119 698AA	3	2, 6	L	01, 02, 06	EX8	DGZ		CLIP, Fuel Line
		3	2, 6	L	11, 12, 14, 15, 16	EX8	DGZ		
		3	2, 6	L	51, 52, 54, 55, 56	EX8	DGZ		
		3	3, 7	L	02, 06	EX8	DGZ		
		3	3, 7	L	12, 15, 16	EX8	DGZ		
		3	3, 7	L	12, 15, 16	EX8	DGZ		
3	5119 646AA	1	2, 6	L	01, 02, 06	EX8	DGZ		TUBE, Fuel Supply
		1	2, 6	L	11, 12, 14, 15, 16	EX8	DGZ		
		1	2, 6	L	51, 52, 54, 55, 56	EX8	DGZ		
		1	3, 7	L	02, 06	EX8	DGZ		
		1	3, 7	L	12, 15, 16	EX8	DGZ		
		1	3, 7	L	12, 15, 16	EX8	DGZ		
4	5119 647AA	1	2, 6	L	01, 02, 06	EX8	DGZ		TUBE, Fuel Return Line
		1	2, 6	L	11, 12, 14, 15, 16	EX8	DGZ		
		1	2, 6	L	51, 52, 54, 55, 56	EX8	DGZ		

Refer to Model Legend Information Bookmark

AR = Use as required - = Non illustrated part # = New this model year

March 3, 2006

Fuel Lines
Figure 014-310



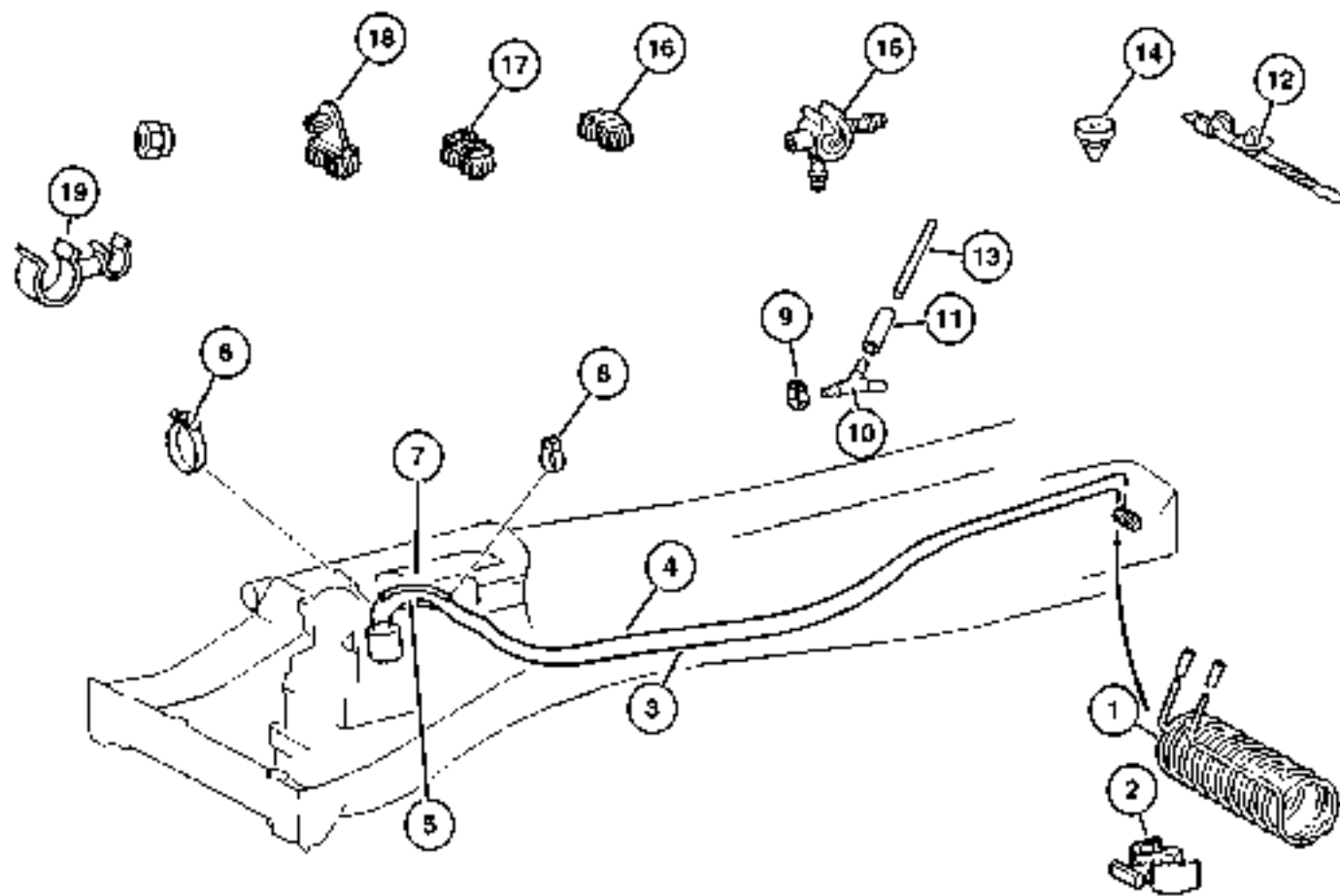
ITEM	PART NUMBER	QTY	LINE	SERIES	BODY	ENGINE	TRANS	TRIM	DESCRIPTION
		1	3, 7	L	02, 06	EX8	DGZ		
		1	3, 7	L	12, 15, 16	EX8	DGZ		
5 6	5137 327AA	1	2, 3, 6, 7	L		EX8	DGZ		TUBE, Fuel CLAMP, Hose
	6104 822AA	8	2, 6	L	01, 02, 06	EX8	DGZ		
		8	2, 6	L	11, 12, 14, 15, 16	EX8	DGZ		
		8	2, 6	L	51, 52, 54, 55, 56	EX8	DGZ		
		8	3, 7	L	02, 06	EX8	DGZ		
		8	3, 7	L	12, 15, 16	EX8	DGZ		
7 8									HOSE, (NOT REQUIRED) CLAMP, Hose
	5126 025AA	2	2, 6	L	01, 02, 06	EX8	DGZ		
		2	2, 6	L	11, 12, 14, 15, 16	EX8	DGZ		
		1	2, 6	L	51, 52, 54, 55, 56	EX8	DGZ		
		1	3, 7	L	02, 06	EX8	DGZ		
		1	3, 7	L	12, 15, 16	EX8	DGZ		
9	5126 025AA	1	2, 6	L	01, 02, 06	EX8	DGZ		CLAMP, Hose
		2	2, 6	L	11, 12, 14, 15, 16	EX8	DGZ		
		1	2, 6	L	51, 52, 54, 55, 56	EX8	DGZ		
		1	3, 7	L	02, 06	EX8	DGZ		
		1	3, 7	L	12, 15, 16	EX8	DGZ		
10	5133 920AA	1	2, 6	L	01, 02, 06	EX8	DGZ		CONNECTOR, Fuel Line

Refer to Model Legend Information Bookmark

AR = Use as required - = Non illustrated part # = New this model year

March 3, 2006

Fuel Lines
Figure 014-310



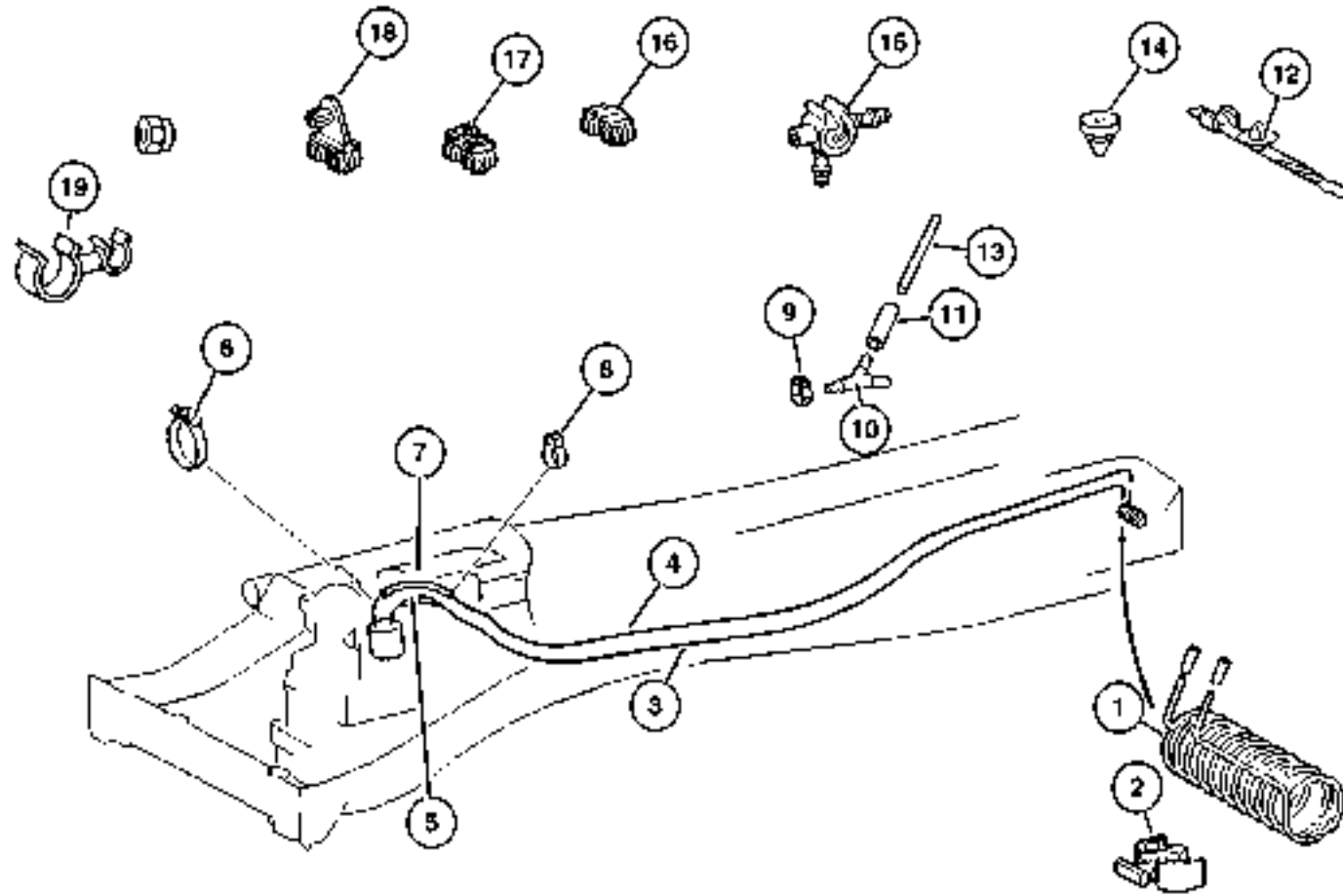
ITEM	PART NUMBER	QTY	LINE	SERIES	BODY	ENGINE	TRANS	TRIM	DESCRIPTION
		1	2, 6	L	11, 12, 14, 15, 16	EX8	DGZ		
		1	2, 6	L	51, 52, 54, 55, 56	EX8	DGZ		
11	5133 919AB	1	2, 6	L	01, 02, 06	EX8	DGZ		HOSE
		1	2, 6	L	11, 12, 14, 15, 16	EX8	DGZ		
		1	2, 6	L	51, 52, 54, 55, 56	EX8	DGZ		
12	5126 078AA	1	2, 6	L	01, 02, 06	EX8	DGZ		TIE STRAP, Push In
		1	2, 6	L	11, 12, 14, 15, 16	EX8	DGZ		
		1	2, 6	L	51, 52, 54, 55, 56	EX8	DGZ		
		1	3, 7	L	02, 06	EX8	DGZ		
		1	3, 7	L	12, 15, 16	EX8	DGZ		
13	5133 633AA	100	2, 6	L	01, 02, 06	EX8	DGZ		PIPE, Fuel
		100	2, 6	L	11, 12, 14, 15, 16	EX8	DGZ		
		100	2, 6	L	51, 52, 54, 55, 56	EX8	DGZ		
14	5125 501AA	2	2, 6	L	01, 02, 06	EX8	DGZ		BUMPER, Rubber
		2	2, 6	L	11, 12, 14, 15, 16	EX8	DGZ		
		2	2, 6	L	51, 52, 54, 55, 56	EX8	DGZ		

Refer to Model Legend Information Bookmark

AR = Use as required - = Non illustrated part # = New this model year

March 3, 2006

Fuel Lines
Figure 014-310



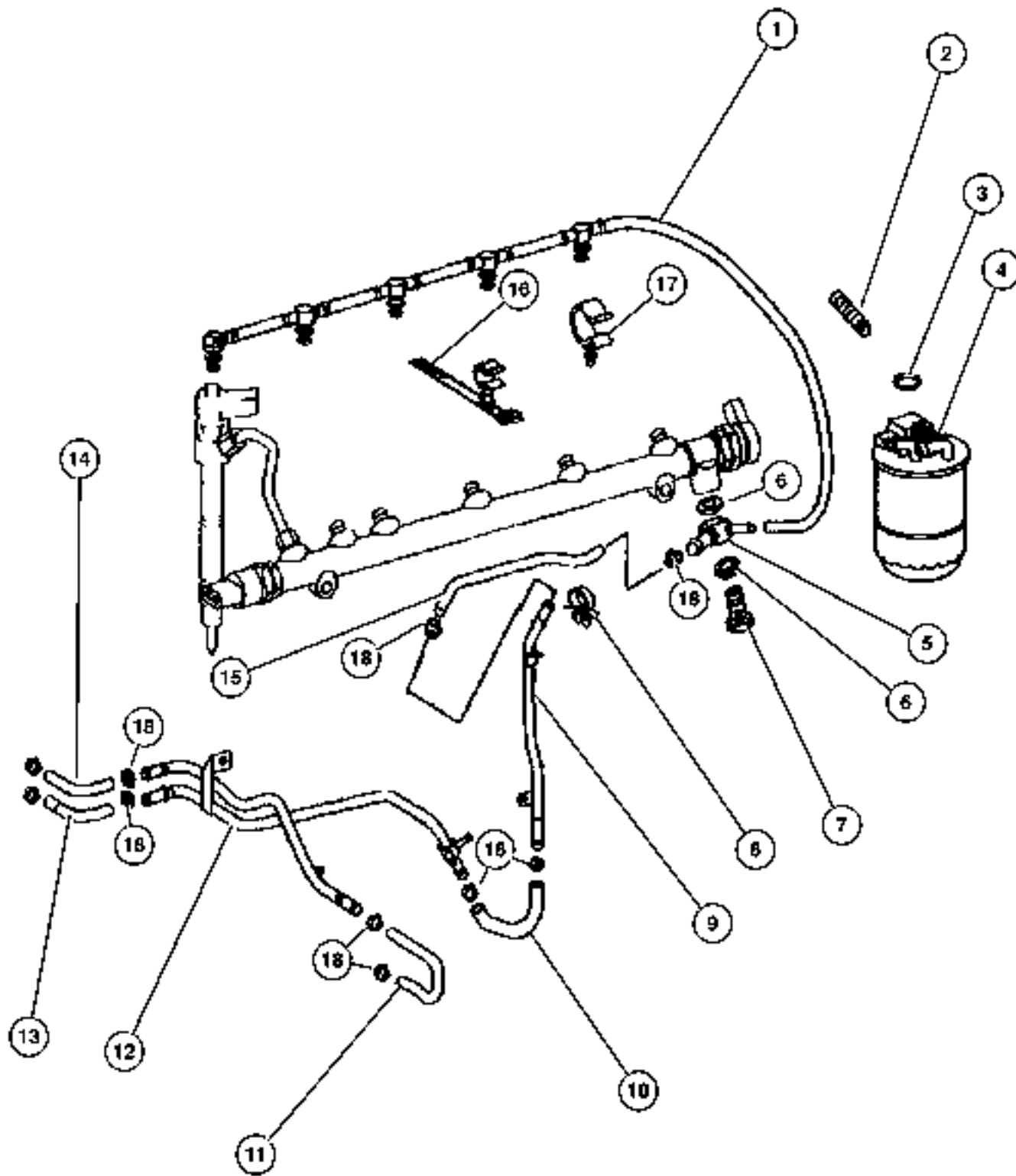
ITEM	PART NUMBER	QTY	LINE	SERIES	BODY	ENGINE	TRANS	TRIM	DESCRIPTION
		1	3, 7	L	02, 06	EX8	DGZ		
		1	3, 7	L	12, 15, 16	EX8	DGZ		
15	6104 924AA	1	2, 6	L	01, 02, 06	EX8	DGZ		CLIP, Retaining
		1	2, 6	L	11, 12, 14, 15, 16	EX8	DGZ		
		1	2, 6	L	51, 52, 54, 55, 56	EX8	DGZ		
		1	3, 7	L	02, 06	EX8	DGZ		
		1	3, 7	L	12, 15, 16	EX8	DGZ		
16									BRACKET, Fuel Line, (NOT REQUIRED)
17									CLIP, Fuel Line, (NOT REQUIRED)
18									BRACKET, Fuel Line, (NOT REQUIRED)
19									CLAMP
	5080 437AB	2	2, 6	L	01, 02, 06	EX8	DGZ		
		2	2, 6	L	11, 12, 14, 15, 16	EX8	DGZ		
		2	2, 6	L	51, 52, 54, 55, 56	EX8	DGZ		
		99	3, 7	L	02, 06	EX8	DGZ		
		99	3, 7	L	12, 15, 16	EX8	DGZ		

Refer to Model Legend Information Bookmark

AR = Use as required - = Non illustrated part # = New this model year

March 3, 2006

Fuel Line and Filter Figure 014-320



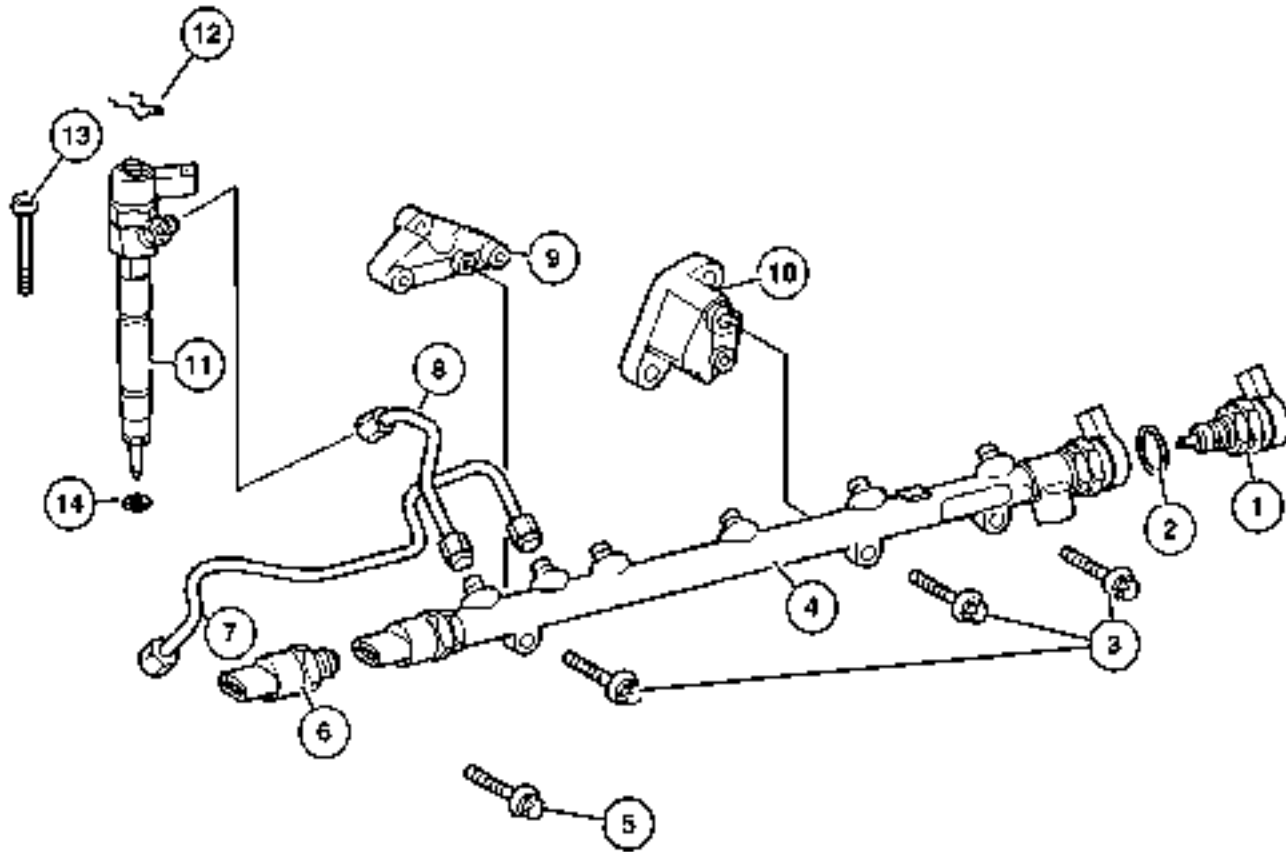
ITEM	PART NUMBER	QTY	LINE	SERIES	BODY	ENGINE	TRANS	TRIM	DESCRIPTION
1	5183 496AA	1	2, 3, 6, 7	L		EX8	DGZ		TUBE, Fuel
2	5135 867AA	900	2, 3, 6, 7	L		EX8	DGZ		INSULATOR
3	5138 876AA	1	2, 3, 6, 7	L		EX8	DGZ		O RING
4	5170 896AA	1	2, 3, 6, 7	L		EX8	DGZ		FILTER, Fuel
5	5103 977AA	1	2, 3, 6, 7	L		EX8	DGZ		UNION
6	5104 625AA	2	2, 3, 6, 7	L		EX8	DGZ		O RING
7	5080 339AA	1	2, 3, 6, 7	L		EX8	DGZ		BOLT, Banjo
8	5080 091AB	1	2, 3, 6, 7	L		EX8	DGZ		CLAMP
9	5137 327AA	1	2, 3, 6, 7	L		EX8	DGZ		TUBE, Fuel
10	5174 011AA	1	2, 3, 6, 7	L		EX8	DGZ		HOSE, Fuel, FUEL RETURN LINE
11	5137 341AB	1	2, 3, 6, 7	L		EX8	DGJ		HOSE, Fuel, FEED LINE TO FUEL FILTER
12									TUBE
	5137 341AB	1	2, 3, 6, 7	L		EX8	DGJ		FEED LINE TO FUEL FILTER
	5137 332AA	1	2, 3, 6, 7	L		EX8	DGZ		HOSE, Fuel, FEED/RETURN LINE TO HP PUMP
13	5174 009AA	1	2, 3, 6, 7	L		EX8	DGZ		HOSE, Fuel, FEED/RETURN LINE TO HP PUM
14	5174 008AA	1	2, 3, 6, 7	L		EX8	DGZ		HOSE, Fuel, FUEL RETURN LINE TIE STRAP
15	5174 010AA	1	2, 3, 6, 7	L		EX8	DGZ		CLAMP
16	5138 875AA	99	2, 3, 6, 7	L		EX8	DGJ		
17									
	5080 431AB	1	2, 6	L	01, 02, 06	EX8	DGZ		
		1	2, 6	L	11, 12, 14, 15, 16	EX8	DGZ		
		1	2, 6	L	51, 52, 54, 55, 56	EX8	DGZ		
		1	3, 7	L	02, 06	EX8	DGZ		
		1	3, 7	L	12, 15, 16	EX8	DGZ		
18									CLAMP
	5080 439AB	1	2, 6	L	01, 02, 06	EX8	DGJ		
		1	2, 6	L	11, 12, 14, 15, 16	EX8	DGJ		
		1	2, 6	L	51, 52, 54, 55, 56	EX8	DGJ		
		1	3, 7	L	02, 06	EX8	DGJ		
		1	3, 7	L	12, 15, 16	EX8	DGJ		

Refer to Model Legend Information Bookmark

AR = Use as required - = Non illustrated part # = New this model year

March 3, 2006

**Injection System [EX8]
Figure 014-410**



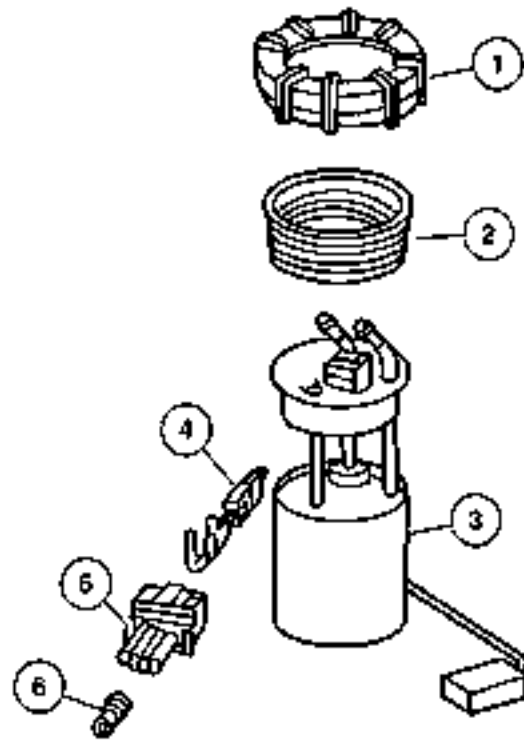
ITEM	PART NUMBER	QTY	LINE	SERIES	BODY	ENGINE	TRANS	TRIM	DESCRIPTION
Sales Codes:EX9=ENGINE-2.7L I5 MERCEDES TURBO									
DGJ=TRANSMISSION - 5-SPD AUTO									
1	5137 291AA	1	2, 3, 6, 7	L		EX8	DGZ		VALVE
2	5138 007AA	1	2, 3, 6, 7	L		EX8	DGZ		O RING
3	5073 701AA	3	2, 3, 6, 7	L		EX8	DGZ		SCREW
4	5137 290AA	1	2, 3, 6, 7	L		EX8	DGZ		RAIL, Fuel
5	5073 701AA	3	2, 3, 6, 7	L		EX8	DGZ		SCREW
6	5117 543AA	1	2, 3, 6, 7	L		EX8	DGZ		SENDING UNIT, Fuel
7	5117 421AA	1	2, 3, 6, 7	L		EX8	DGZ		TUBE, Fuel Injector Supply
8	5117 422AA	5	2, 3, 6, 7	L		EX8	DGZ		TUBE, Fuel Injector Supply
9	5117 449AA	1	2, 3, 6, 7	L		EX8	DGZ		CLIP, Fuel Injector
10	5117 450AA	1	2, 3, 6, 7	L		EX8	DGZ		CLIP, Fuel Injector
11	5137 297AA	5	2, 3, 6, 7	L		EX8	DGZ		INJECTOR, Fuel
12	5086 296AA	5	2, 3, 6, 7	L		EX8	DGZ		CLIP, Fuel Injector
13	5073 719AB	5	2, 3, 6, 7	L		EX8	DGZ		SCREW
14	5080 301AA	5	2, 3, 6, 7	L		EX8	DGZ		O RING, Fuel Injector

Refer to Model Legend Information Bookmark

AR = Use as required - = Non illustrated part # = New this model year

March 3, 2006

Fuel Module Figure 014-510



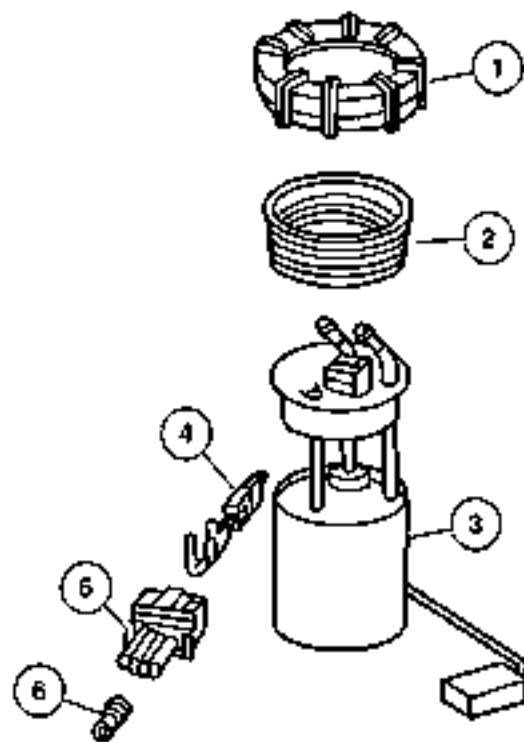
ITEM	PART NUMBER	QTY	LINE	SERIES	BODY	ENGINE	TRANS	TRIM	DESCRIPTION
Sales Codes:EX8=2.7L I5 MERCEDES-BENZ									
DGJ=TRANSMISSION - 5-SPD AUTO									
1	5104 539AA	1	2, 6	L	01, 02, 06	EX8	DGZ		NUT, Fuel Pump Module
		1	2, 6	L	11, 12, 14, 15, 16	EX8	DGZ		
		1	2, 6	L	51, 52, 54, 55, 56	EX8	DGZ		
		1	3, 7	L	02, 06	EX8	DGZ		
		1	3, 7	L	12, 15, 16	EX8	DGZ		
2	5119 613AA	1	2, 6	L	01, 02, 06	EX8	DGZ		SEAL, Fuel Pump and Level Unit
		1	2, 6	L	11, 12, 14, 15, 16	EX8	DGZ		
		1	2, 6	L	51, 52, 54, 55, 56	EX8	DGZ		
		1	3, 7	L	02, 06	EX8	DGZ		
		1	3, 7	L	12, 15, 16	EX8	DGZ		
3	5119 605AA	1	2, 6	L	01, 02, 06	EX8	DGZ		MODULE, Fuel Tank - Diesel
		1	2, 6	L	11, 12, 14, 15, 16	EX8	DGZ		
		1	2, 6	L	51, 52, 54, 55, 56	EX8	DGZ		
		1	3, 7	L	02, 06	EX8	DGZ		
		1	3, 7	L	12, 15, 16	EX8	DGZ		
	5119 607AA	1	2, 6	L	01, 02, 06	EX8	DGZ		With Heater Booster
		1	2, 6	L	11, 12, 14, 15, 16	EX8	DGZ		With Heater Booster

Refer to Model Legend Information Bookmark

AR = Use as required - = Non illustrated part # = New this model year

March 3, 2006

Fuel Module
Figure 014-510



ITEM	PART NUMBER	QTY	LINE	SERIES	BODY	ENGINE	TRANS	TRIM	DESCRIPTION
		1	2, 6	L	51, 52, 54, 55, 56	EX8	DGZ		With Heater Booster
		1	3, 7	L	02, 06	EX8	DGZ		With Heater Booster
		1	3, 7	L	12, 15, 16	EX8	DGZ		With Heater Booster
4	5102 935AA	99	2, 6	L	11, 12, 14, 15, 16	EX8	DGZ		TERMINAL
		99	2, 6	L	51, 52, 54, 55, 56	EX8	DGZ		
		99	3, 7	L	02, 06	EX8	DGZ		
		99	3, 7	L	12, 15, 16	EX8	DGZ		
		1	3, 7	L	02, 06	EX8	DGZ		
5	5120 544AA	1	2, 6	L	01, 02, 06	EX8	DGZ		CONNECTOR
		1	2, 6	L	11, 12, 14, 15, 16	EX8	DGZ		
		1	2, 6	L	51, 52, 54, 55, 56	EX8	DGZ		
		1	3, 7	L	02, 06	EX8	DGZ		
		1	3, 7	L	12, 15, 16	EX8	DGZ		
6	5103 661AA	99	2, 6	L	01, 02, 06	EX8	DGZ		GASKET
		99	2, 6	L	11, 12, 14, 15, 16	EX8	DGZ		
		99	2, 6	L	51, 52, 54, 55, 56	EX8	DGZ		
		1	3, 7	L	02, 06	EX8	DGZ		
		1	3, 7	L	12, 15, 16	EX8	DGZ		

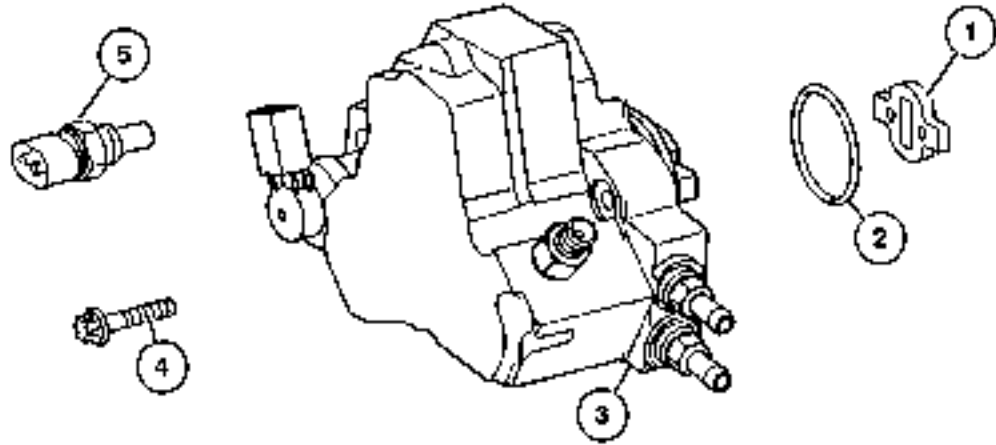
Refer to Model Legend Information Bookmark

AR = Use as required - = Non illustrated part # = New this model year

March 3, 2006

Fuel Injection Pump [EX8]
Figure 014-610

ITEM	PART NUMBER	QTY	LINE	SERIES	BODY	ENGINE	TRANS	TRIM	DESCRIPTION
Sales Codes:EX8=2.7L I5 MERCEDES-BENZ									
DGJ=TRANSMISSION - 5-SPD AUTO									
1	5103 610AA	1	2, 3, 6, 7	L		EX8	DGZ		DRIVE, Fuel Pump
2	5080 115AA	1	2, 3, 6, 7	L		EX8	DGZ		O RING
3	5142 257AA		2, 3, 6, 7	L		EX8	DGZ		PUMP, Injection
4	5125 738AA	1	2, 6	L	11, 12, 14, 15, 16	EX8	DGZ		SCREW
		1	2, 6	L	51, 52, 54, 55, 56	EX8	DGZ		
		1	2, 6	L	01, 02, 06	EX8	DGZ		
		1	3, 7	L	02, 06	EX8	DGZ		
		1	3, 7	L	12, 15, 16	EX8	DGZ		
5	5103 534AB	1	2, 3, 6, 7	L		EX8	DGZ		SENDING UNIT, Temperature Gauge
-6	5175 767AA-	1	2, 3, 6, 7	L		EX8	DGZ		VALVE, Flow Control



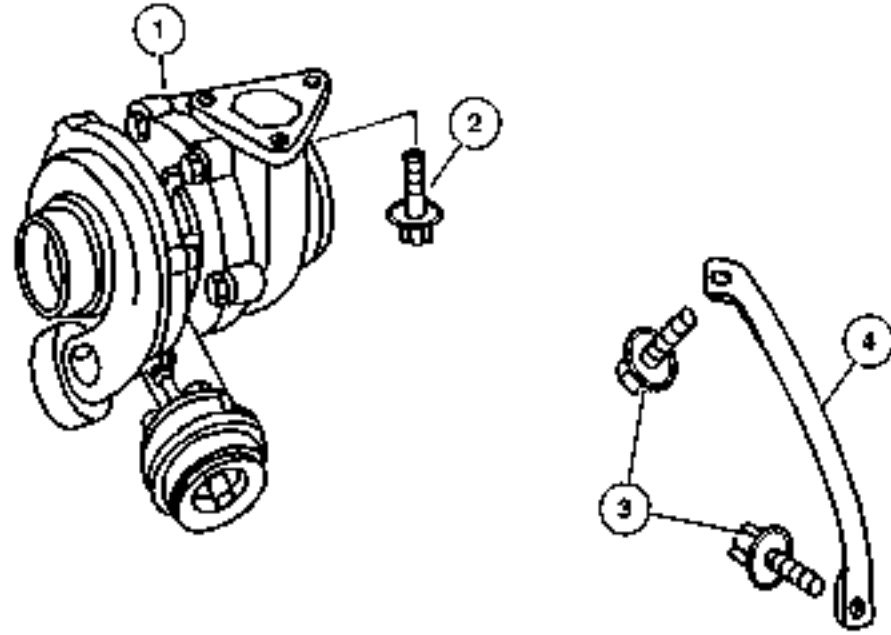
Refer to Model Legend Information Bookmark

AR = Use as required - = Non illustrated part # = New this model year

March 3, 2006

**Turbo Charger
Figure 014-630**

ITEM	PART NUMBER	QTY	LINE	SERIES	BODY	ENGINE	TRANS	TRIM	DESCRIPTION
Sales Codes:EX8=ENGINE-2.7L I5 MERCEDES TURBO									
DGJ=TRANSMISSION - 5-SPD AUTO									
1	5142 494AA	1	2, 3, 6, 7	L		EX8	DGZ		TURBOCHARGER
2	5073 720AC	3	2, 3, 6, 7	L		EX8	DGZ		SCREW
3	5073 720AA	3	2, 3, 6, 7	L		EX8	DGZ		SCREW
4	5137 201AA	1	2, 3, 6, 7	L		EX8	DGZ		BRACKET, Turbo Charger
-5	5137 154AA-	1	2, 3, 6, 7	L		EX8	DGZ		RESONATOR, turbo, See Group 7 ILL#130
-6									O RING
	5139 047AA-	1	2, 6	L	01, 02, 06	EX8	DGZ		
		1	2, 6	L	11, 12, 14, 15, 16	EX8	DGZ		
		1	2, 6	L	51, 52, 54, 55, 56	EX8	DGZ		
		1	3, 7	L	02, 06	EX8	DGZ		
		1	3, 7	L	12, 15, 16	EX8	DGZ		
-7	5138 048AA-	1	2, 3, 6, 7	L		EX8	DGZ		O RING

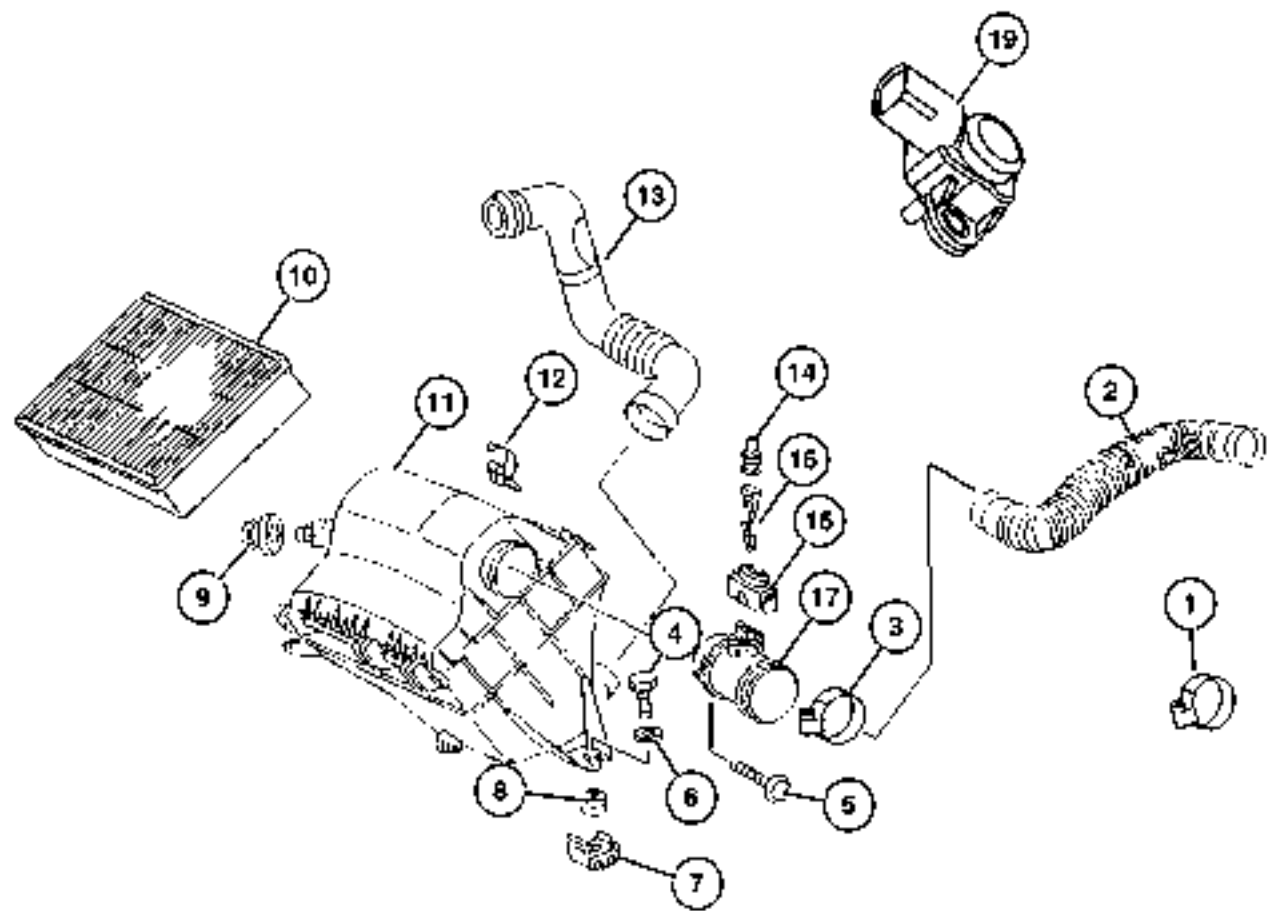


Refer to Model Legend Information Bookmark

AR = Use as required - = Non illustrated part # = New this model year

March 3, 2006

Air Cleaner Figure 014-810



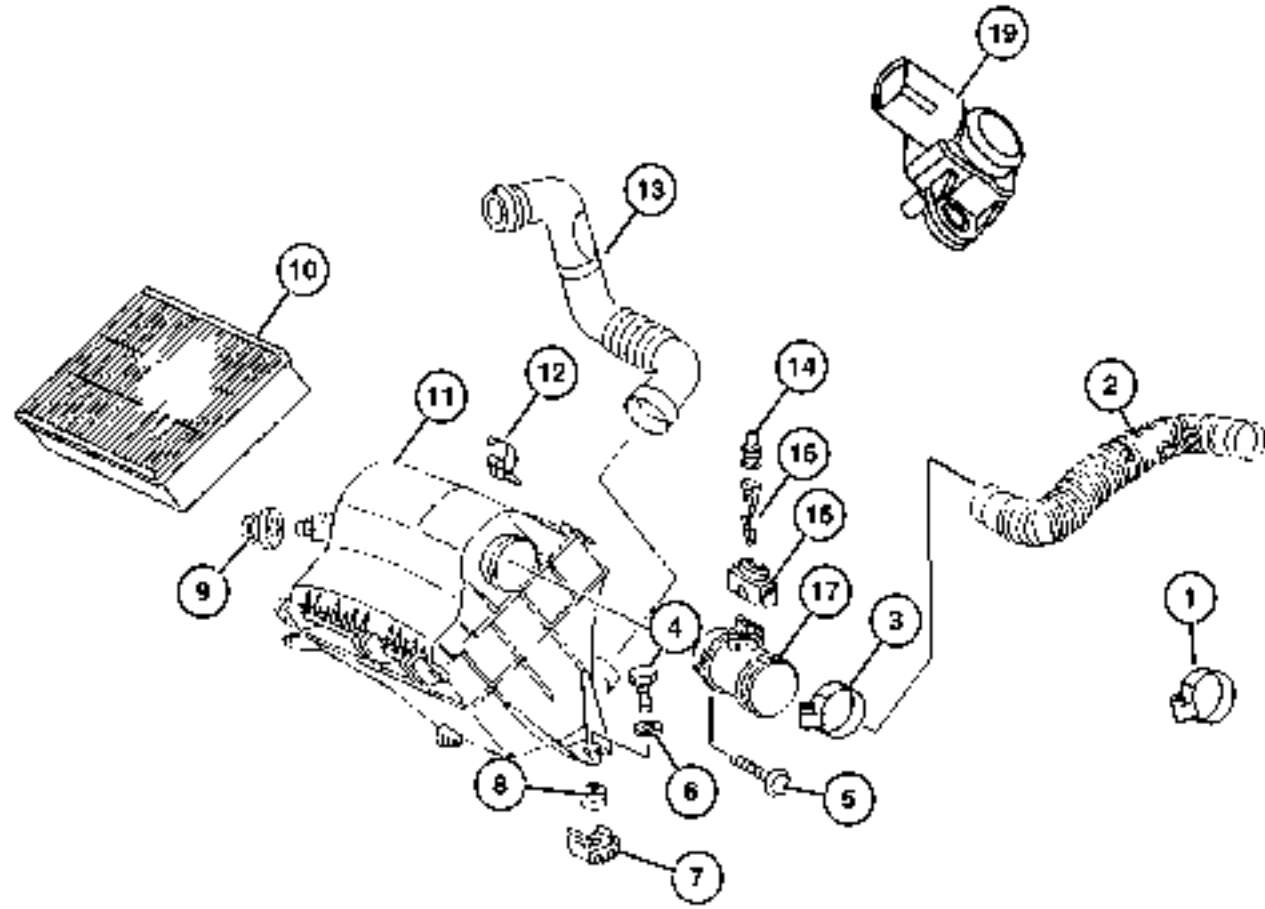
ITEM	PART NUMBER	QTY	LINE	SERIES	BODY	ENGINE	TRANS	TRIM	DESCRIPTION
1	6104 787AA	1	2, 6	L	01, 02, 06	EX8	DGZ		CLAMP
									11, 12, 14, 15, 16
									51, 52, 54, 55, 56
									02, 06
									12, 15, 16
2	5120 144AA	1	2, 6	L	01, 02, 06	EX8	DGZ		HOSE, Air Cleaner
									11, 12, 14, 15, 16
									51, 52, 54, 55, 56
									02, 06
									12, 15, 16
3	6104 790AA	1	2, 6	L	01, 02, 06	EX8	DGZ		CLAMP
									11, 12, 14, 15, 16
									51, 52, 54, 55, 56
									02, 06
									12, 15, 16
4	6104 124AA	1	2, 6	L	01, 02, 06	EX8	DGZ		BOLT
									11, 12, 14, 15, 16
									51, 52, 54, 55, 56

Refer to Model Legend Information Bookmark

AR = Use as required - = Non illustrated part # = New this model year

March 3, 2006

**Air Cleaner
Figure 014-810**



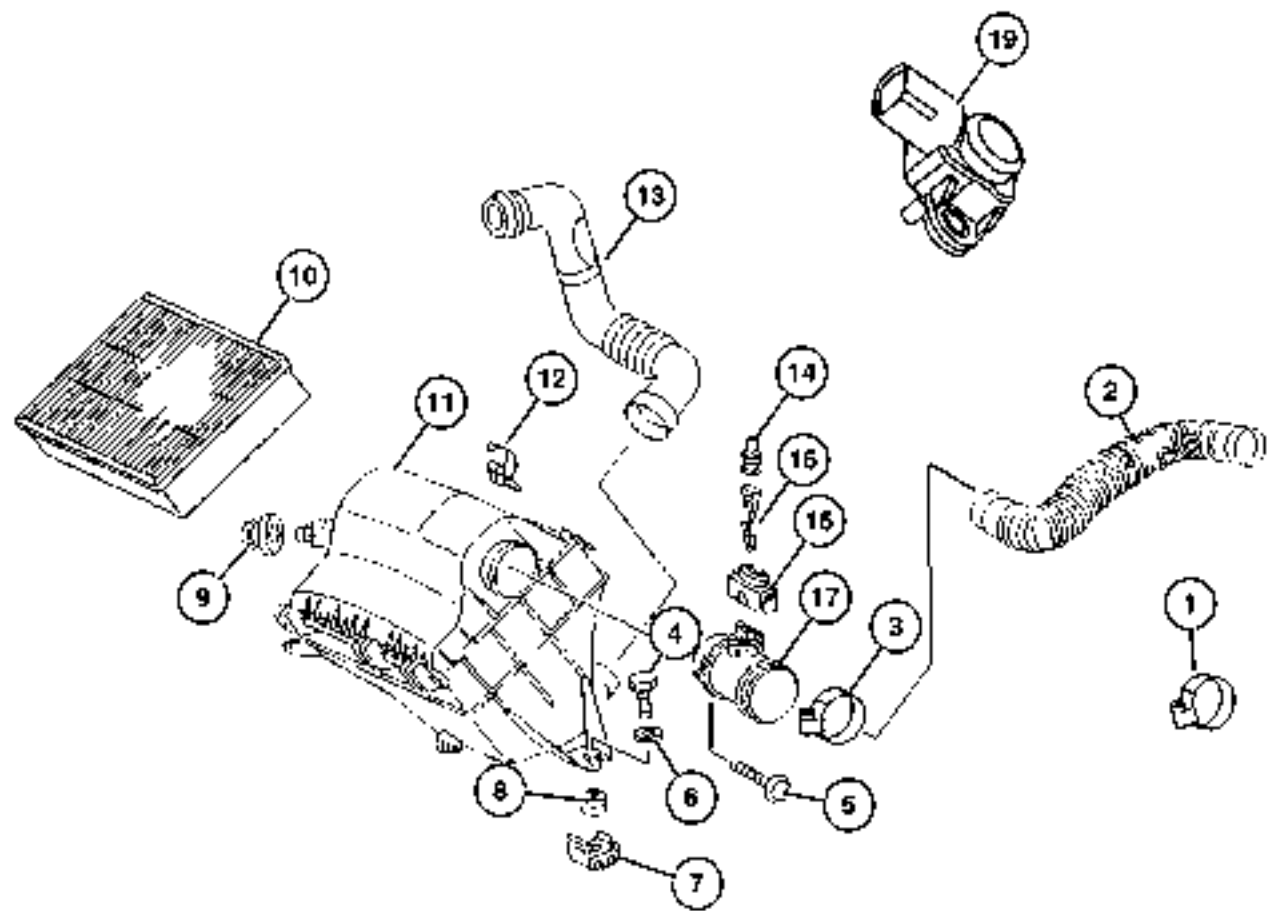
ITEM	PART NUMBER	QTY	LINE	SERIES	BODY	ENGINE	TRANS	TRIM	DESCRIPTION
		1	3, 7	L	02, 06	EX8	DGZ		
		1	3, 7	L	12, 15, 16	EX8	DGZ		
5	5133 748AA	2	2, 6	L	01, 02, 06	EX8	DGZ		BOLT, Hex Head
		2	2, 6	L	11, 12, 14, 15, 16	EX8	DGZ		
		2	2, 6	L	51, 52, 54, 55, 56	EX8	DGZ		
		2	3, 7	L	02, 06	EX8	DGZ		
		2	3, 7	L	12, 15, 16	EX8	DGZ		
6	5133 908AA	2	2, 6	L	01, 02, 06	EX8	DGZ		WASHER
		2	2, 6	L	11, 12, 14, 15, 16	EX8	DGZ		
		2	2, 6	L	51, 52, 54, 55, 56	EX8	DGZ		
		2	3, 7	L	02, 06	EX8	DGZ		
		2	3, 7	L	12, 15, 16	EX8	DGZ		
7	5126 253AA	2	2, 6	L	01, 02, 06	EX8	DGZ		NUT
		2	2, 6	L	11, 12, 14, 15, 16	EX8	DGZ		
		2	2, 6	L	51, 52, 54, 55, 56	EX8	DGZ		
		2	3, 7	L	02, 06	EX8	DGZ		
		2	3, 7	L	12, 15, 16	EX8	DGZ		
8	5133 742AA	1	2, 6	L	01, 02, 06	EX8	DGZ		BUSHING, Isolator Mounting Leg
		1	2, 6	L	11, 12, 14, 15, 16	EX8	DGZ		

Refer to Model Legend Information Bookmark

AR = Use as required - = Non illustrated part # = New this model year

March 3, 2006

Air Cleaner Figure 014-810



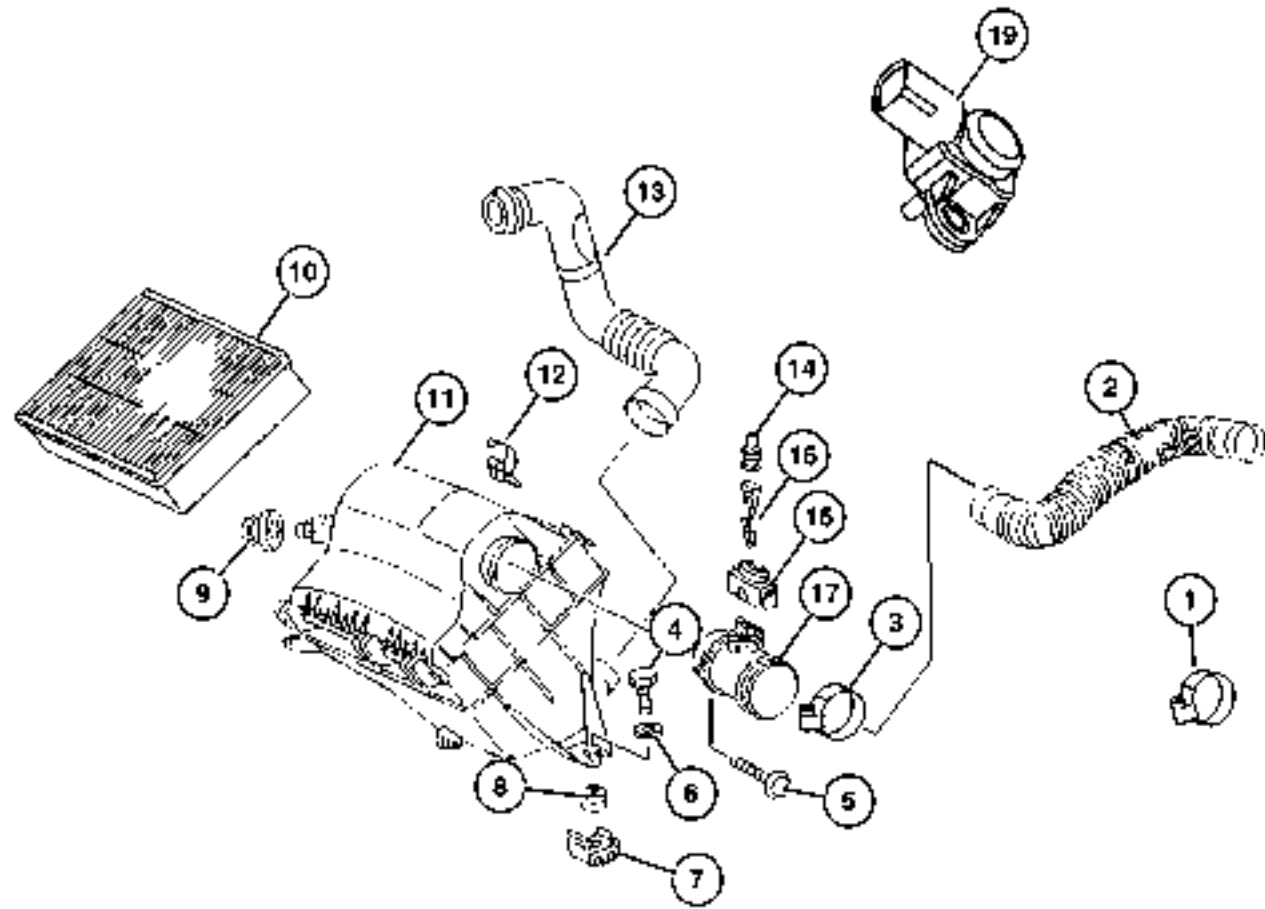
ITEM	PART NUMBER	QTY	LINE	SERIES	BODY	ENGINE	TRANS	TRIM	DESCRIPTION
		1	2, 6	L	51, 52, 54, 55, 56	EX8	DGZ		
		1	3, 7	L	02, 06	EX8	DGZ		
		1	3, 7	L	12, 15, 16	EX8	DGZ		
9	5120 012AA	2	2, 6	L	01, 02, 06	EX8	DGZ		GROMMET, Air Cleaner
		2	2, 6	L	11, 12, 14, 15, 16	EX8	DGZ		
		2	2, 6	L	51, 52, 54, 55, 56	EX8	DGZ		
		2	3, 7	L	02, 06	EX8	DGZ		
		2	3, 7	L	12, 15, 16	EX8	DGZ		
10	5103 554AA	1	2, 6	L	01, 02, 06	EX8	DGZ		FILTER, Air
		1	2, 6	L	11, 12, 14, 15, 16	EX8	DGZ		
		1	2, 6	L	51, 52, 54, 55, 56	EX8	DGZ		
		1	3, 7	L	02, 06	EX8	DGZ		
		1	3, 7	L	12, 15, 16	EX8	DGZ		
11	5117 478AA	1	2, 6	L	01, 02, 06	EX8	DGZ		AIR CLEANER
		1	2, 6	L	11, 12, 14, 15, 16	EX8	DGZ		
		1	2, 6	L	51, 52, 54, 55, 56	EX8	DGZ		
	5117 480AA	1	3, 7	L	02, 06	EX8	DGZ		
		1	3, 7	L	12, 15, 16	EX8	DGZ		
12	5133 741AA	1	2, 6	L	01, 02, 06	EX8	DGZ		LATCH, Air Cleaner

Refer to Model Legend Information Bookmark

AR = Use as required - = Non illustrated part # = New this model year

March 3, 2006

Air Cleaner Figure 014-810



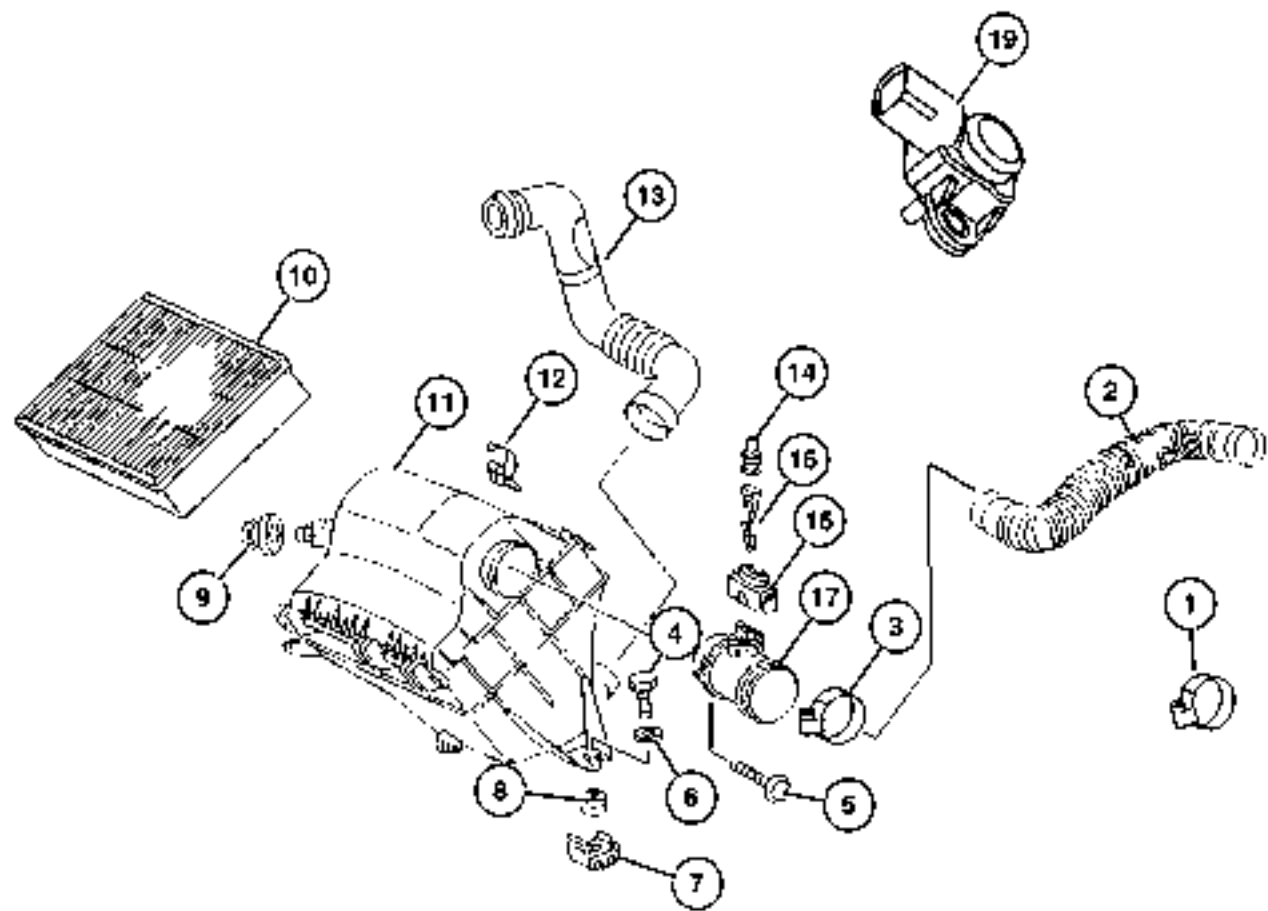
ITEM	PART NUMBER	QTY	LINE	SERIES	BODY	ENGINE	TRANS	TRIM	DESCRIPTION
		1	2, 6	L	11, 12, 14, 15, 16	EX8	DGZ		
		1	3, 7	L	02, 06	EX8	DGZ		
		1	3, 7	L	12, 15, 16	EX8	DGZ		
		1	2, 6	L	51, 52, 54, 55, 56	EX8	DGZ		
13	5103 616AA	1	2, 6	L	01, 02, 06	EX8	DGZ		HOSE, Air Cleaner
		1	2, 6	L	11, 12, 14, 15, 16	EX8	DGZ		
		1	2, 6	L	51, 52, 54, 55, 56	EX8	DGZ		
		1	3, 7	L	02, 06	EX8	DGZ		
		1	3, 7	L	12, 15, 16	EX8	DGZ		
14	5103 661AA	1	2, 6	L	51, 52, 54, 55, 56	EX8	DGZ		GASKET
		1	2, 6	L	01, 02, 06	EX8	DGZ		
		1	2, 6	L	11, 12, 14, 15, 16	EX8	DGZ		
		99	3, 7	L	02, 06	EX8	DGZ		
		99	3, 7	L	12, 15, 16	EX8	DGZ		
15	5102 935AA	1	2, 6	L	01, 02, 06	EX8	DGZ		TERMINAL
		1	2, 6	L	11, 12, 14, 15, 16	EX8	DGZ		
		1	2, 6	L	51, 52, 54, 55, 56	EX8	DGZ		
		1	3, 7	L	02, 06	EX8	DGZ		
		1	3, 7	L	12, 15, 16	EX8	DGZ		
16									PLUG

Refer to Model Legend Information Bookmark

AR = Use as required - = Non illustrated part # = New this model year

March 3, 2006

Air Cleaner Figure 014-810



ITEM	PART NUMBER	QTY	LINE	SERIES	BODY	ENGINE	TRANS	TRIM	DESCRIPTION
	5120 763AA	1	2, 6	L	51, 52, 54, 55, 56	EX8	DGZ		
		1	2, 6	L	01, 02, 06	EX8	DGZ		
		1	2, 6	L	11, 12, 14, 15, 16	EX8	DGZ		
		1	3, 7	L	02, 06	EX8	DGZ		
		1	3, 7	L	12, 15, 16	EX8	DGZ		
17	5117 501AA	1	2, 6	L	01, 02, 06	EX8	DGZ		SENSOR, Mass Airflow
		1	2, 6	L	11, 12, 14, 15, 16	EX8	DGZ		
		1	2, 6	L	51, 52, 54, 55, 56	EX8	DGZ		
		1	3, 7	L	02, 06	EX8	DGZ		
		1	3, 7	L	12, 15, 16	EX8	DGZ		
-18	5120 059AA-	1	2, 6	L	01, 02, 06	EX8	DGZ		BRACKET, Air Inlet
		1	2, 6	L	11, 12, 14, 15, 16	EX8	DGZ		
		1	2, 6	L	51, 52, 54, 55, 56	EX8	DGZ		
		1	3, 7	L	02, 06	EX8	DGZ		
		1	3, 7	L	12, 15, 16	EX8	DGZ		
19	5101 120AB	1	2, 6	L	01, 02, 06	EX8	DGZ		SENSOR, Air Pressure
		1	2, 6	L	11, 12, 14, 15, 16	EX8	DGZ		
		1	2, 6	L	51, 52, 54, 55, 56	EX8	DGZ		
		1	3, 7	L	02, 06	EX8	DGZ		

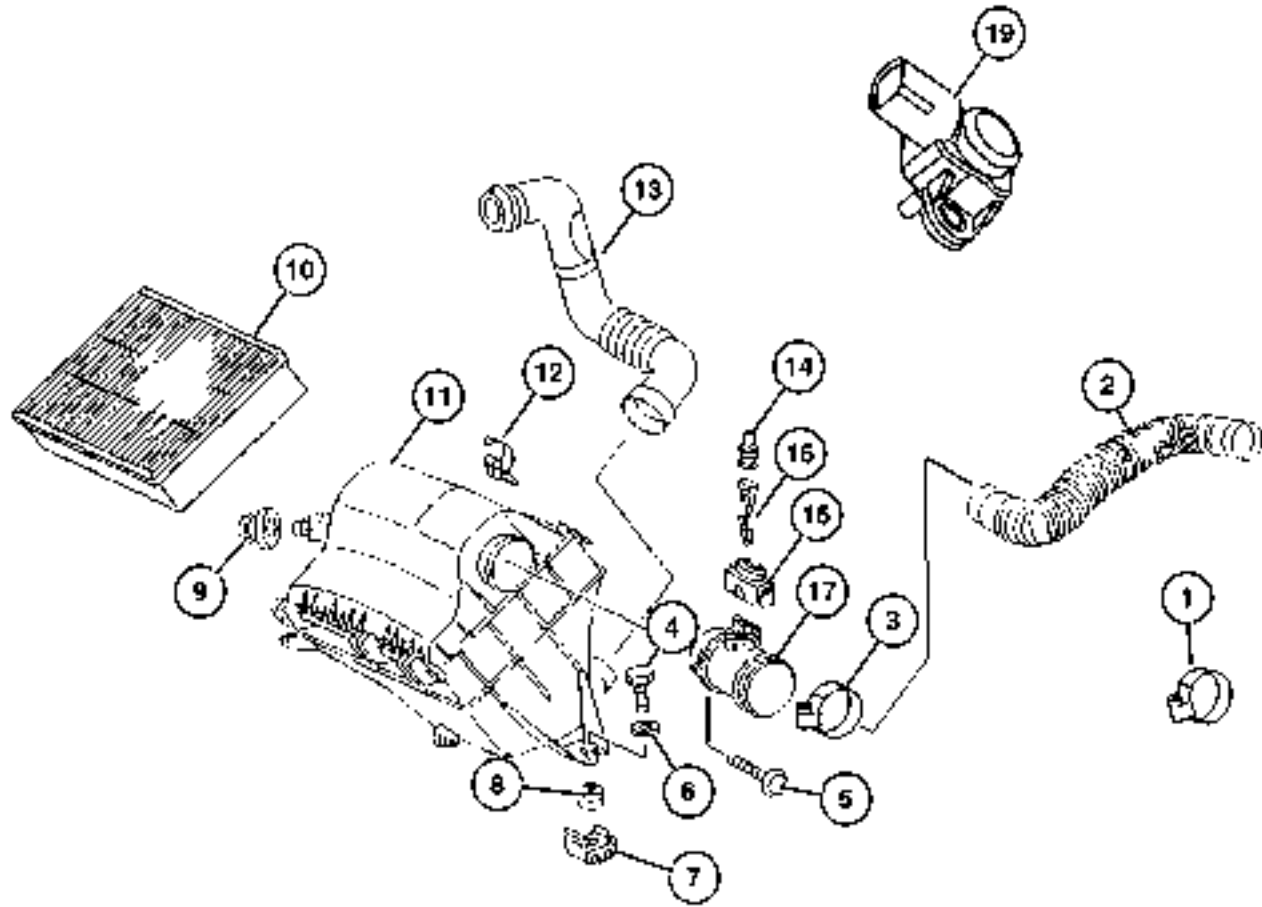
Refer to Model Legend Information Bookmark

AR = Use as required - = Non illustrated part # = New this model year

March 3, 2006

Air Cleaner
Figure 014-810

ITEM	PART NUMBER	QTY	LINE	SERIES	BODY	ENGINE	TRANS	TRIM	DESCRIPTION
		1	3, 7	L	12, 15,	EX8	DGZ		
					16				

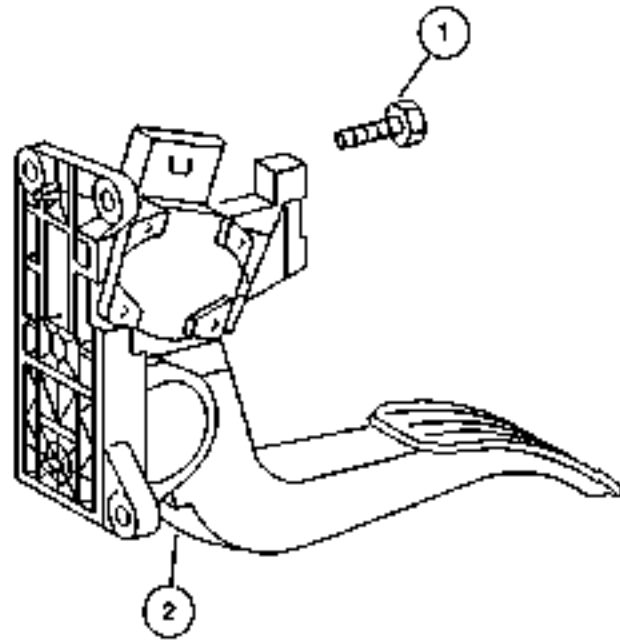


Refer to Model Legend Information Bookmark

AR = Use as required - = Non illustrated part # = New this model year

March 3, 2006

**Accelerator Pedal
Figure 014-1110**



ITEM	PART NUMBER	QTY	LINE	SERIES	BODY	ENGINE	TRANS	TRIM	DESCRIPTION
Sales Codes:[EX8]= 2.7L I5 MERCEDES-BENZ									
DGJ=TRANSMISSION - 5-SPD AUTO									
1	6104 005AA	2	2, 6	L	11, 12, 14, 15, 16	EX8	DGZ		SCREW
		2	2, 6	L	51, 52, 54, 55, 56	EX8	DGZ		
		3	2, 6	L	01, 02, 06	EX8	DGZ		
		3	2, 6	L	11, 12, 14, 15, 16	EX8	DGZ		
		2	3, 7	L	12, 15, 16	EX8	DGZ		
		3	3, 7	L	02, 06	EX8	DGZ		
2	5135 510AA	1	2, 6	L	01, 02, 06	EX8	DGZ		PEDAL, Accelerator
		1	2, 6	L	11, 12, 14, 15, 16	EX8	DGZ		
		1	2, 6	L	51, 52, 54, 55, 56	EX8	DGZ		
		1	3, 7	L	02, 06	EX8	DGZ		
		1	3, 7	L	12, 15, 16	EX8	DGZ		

Refer to Model Legend Information Bookmark

AR = Use as required - = Non illustrated part # = New this model year

March 3, 2006

Group - 016

Propeller Shafts and U-Joints

GROUP 16 - Propeller Shafts and U-Joints

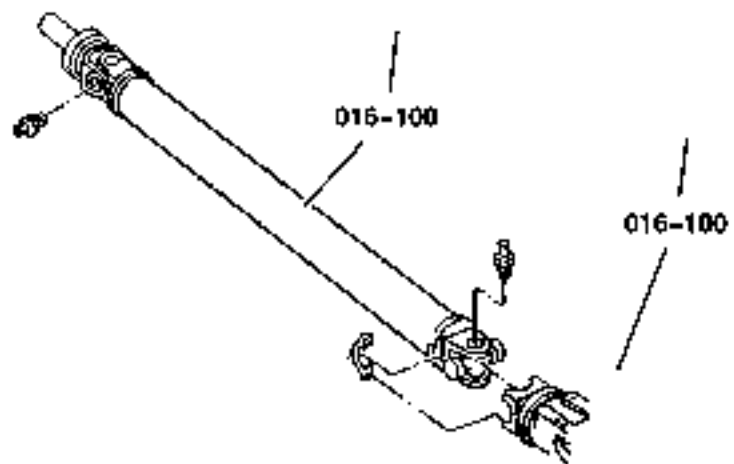
Illustration Title

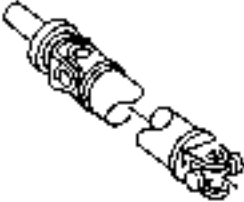
Group-Fig. No.

Propeller Shaft

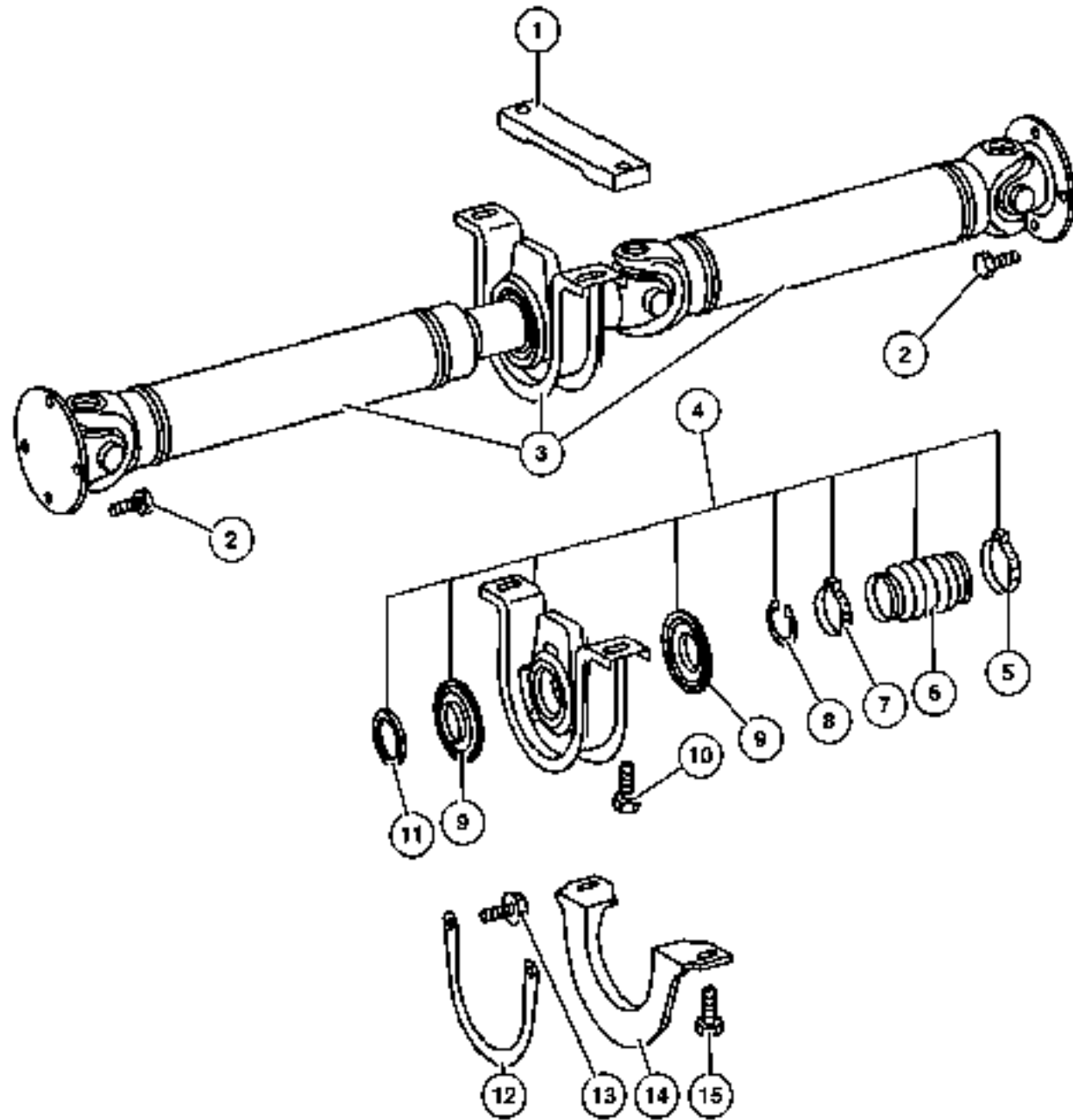
Shaft, Propeller, Rear, 2 Piece Fig. 016-120

Shaft, Propeller, Rear, 3 Piece Fig. 016-130



<p>016-100 Propeller Shaft</p> 			
---	--	--	--

Shaft, Propeller, Rear, 2 Piece
Figure 016-120



ITEM	PART NUMBER	QTY	LINE	SERIES	BODY	ENGINE	TRANS	TRIM	DESCRIPTION
1	5129 044AA	2		L			DGZ		SHIM, Drive Shaft Bearing
2	5103 939AA	8	2, 6	L	01, 02	EX8	DGZ		BOLT
		8	2, 6	L	11, 12, 14, 15	EX8	DGZ		
		8	2, 6	L	51, 52, 54, 55	EX8	DGZ		
		8	3, 7	L	02	EX8	DGZ		
		8	3, 7	L	12, 15	EX8	DGZ		
3	5129 034AA	1	2, 6	L	01	EX8	DGZ		SHAFT, Drive, 2 Piece
	5119 086AA	1	2, 6	L	02	EX8	DGZ		
	5129 034AA	1	2, 6	L	11, 14	EX8	DGZ		
	5119 086AA	1	2, 6	L	12, 15	EX8	DGZ		
	5129 034AA	1	2, 6	L	51, 54	EX8	DGZ		
	5119 086AA	1	2, 6	L	52, 55	EX8	DGZ		
		1	3, 7	L	02	EX8	DGZ		
		1	3, 7	L	12, 15	EX8	DGZ		
4	5104 574AA	1	2, 6	L	01, 02, 06	EX8	DGZ		CENTER BEARING, Drive Shaft
		1	2, 6	L	11, 12, 14, 15, 16	EX8	DGZ		
		1	2, 6	L	51, 52, 54, 55, 56	EX8	DGZ		
		1	3, 7	L	02, 06	EX8	DGZ		
		1	3, 7	L	12, 15, 16	EX8	DGZ		
5	5133 900AA	1	2, 6	L	01, 02, 06	EX8	DGZ		CLAMP, Boot
		1	2, 6	L	11, 12, 14, 15, 16	EX8	DGZ		
		1	2, 6	L	51, 52, 54, 55, 56	EX8	DGZ		
		1	3, 7	L	02, 06	EX8	DGZ		
		1	3, 7	L	12, 15, 16	EX8	DGZ		
6	5133 897AA	1	2, 6	L	01, 02, 06	EX8	DGZ		BOOT, Driveshaft

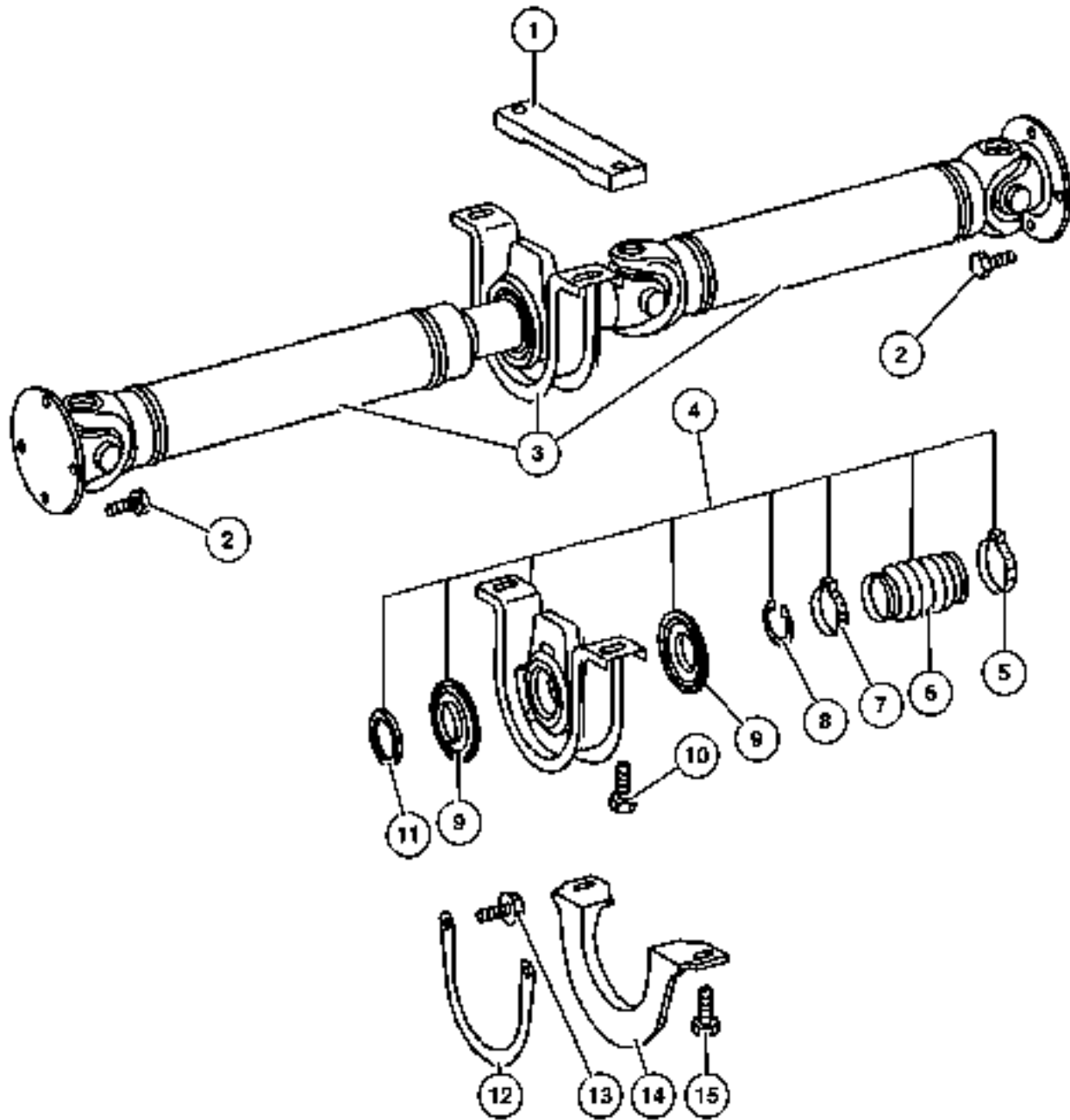
Refer to Model Legend Information Bookmark

AR = Use as required - = Non illustrated part # = New this model year

March 3, 2006

Shaft, Propeller, Rear, 2 Piece
Figure 016-120

ITEM	PART NUMBER	QTY	LINE	SERIES	BODY	ENGINE	TRANS	TRIM	DESCRIPTION
		1	2, 6	L	11, 12, 14, 15, 16	EX8	DGZ		
		1	2, 6	L	51, 52, 54, 55, 56	EX8	DGZ		
		1	3, 7	L	02, 06	EX8	DGZ		
		1	3, 7	L	12, 15, 16	EX8	DGZ		
7	5133 899AA	1	2, 6	L	01, 02, 06	EX8	DGZ		CLAMP, Boot
		1	2, 6	L	11, 12, 14, 15, 16	EX8	DGZ		
		1	2, 6	L	51, 52, 54, 55, 56	EX8	DGZ		
		1	3, 7	L	02, 06	EX8	DGZ		
		1	3, 7	L	12, 15, 16	EX8	DGZ		
8									SNAP RING, Purchase Item 5, (NOT SERVICED) (Not Serviced)
9	5133 898AA	1	2, 6	L	01, 02, 06	EX8	DGZ		BOOT, Driveshaft
		1	2, 6	L	11, 12, 14, 15, 16	EX8	DGZ		
		1	2, 6	L	51, 52, 54, 55, 56	EX8	DGZ		
		1	3, 7	L	02, 06	EX8	DGZ		
		1	3, 7	L	12, 15, 16	EX8	DGZ		
10	6104 238AA	2	2, 6	L	01, 02, 06	EX8	DGZ		BOLT
		2	2, 6	L	11, 12, 14, 15, 16	EX8	DGZ		
		2	2, 6	L	51, 52, 54, 55, 56	EX8	DGZ		
		2	3, 7	L	02, 06	EX8	DGZ		

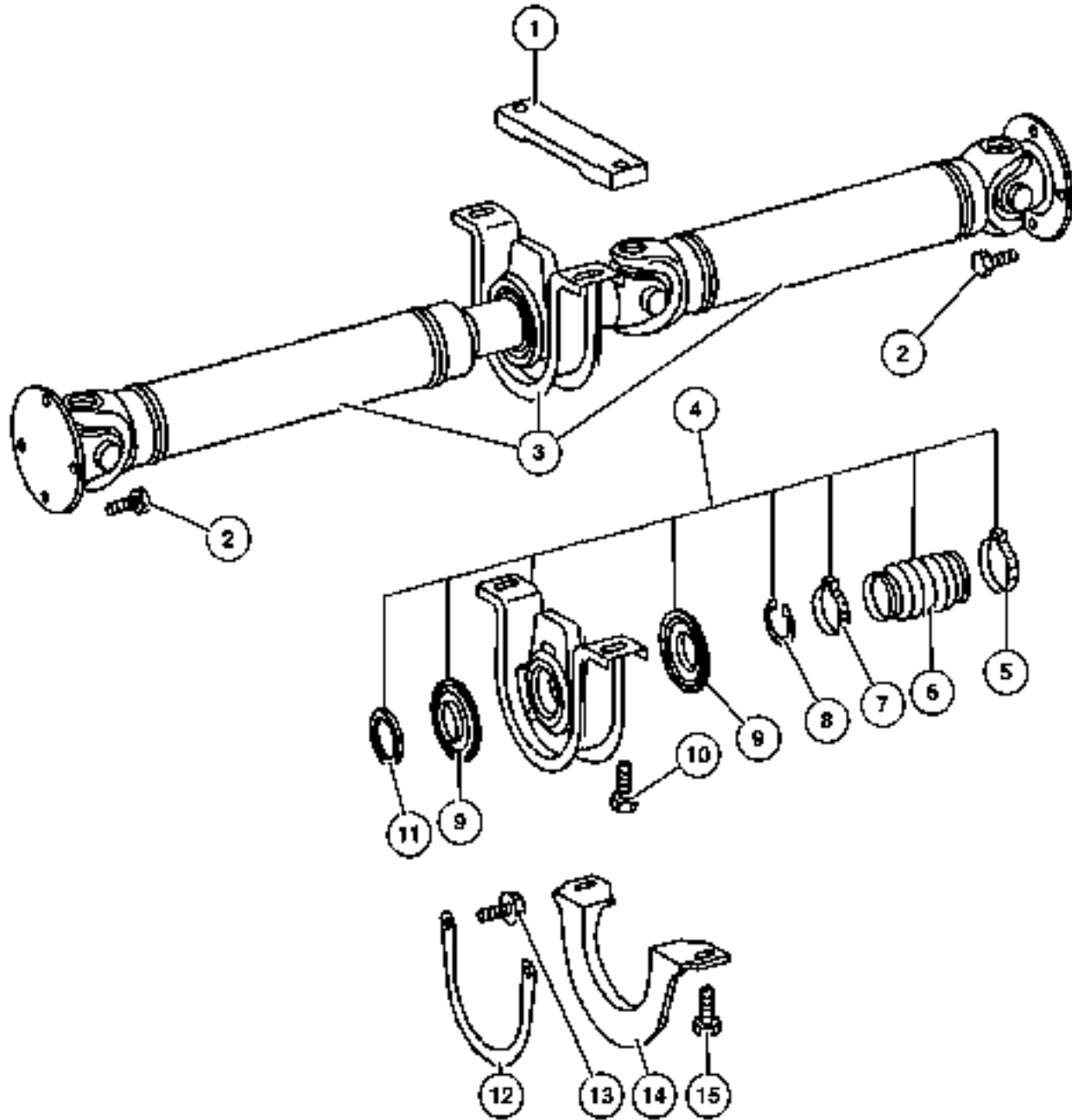


Refer to Model Legend Information Bookmark

AR = Use as required - = Non illustrated part # = New this model year

March 3, 2006

Shaft, Propeller, Rear, 2 Piece
Figure 016-120



ITEM	PART NUMBER	QTY	LINE	SERIES	BODY	ENGINE	TRANS	TRIM	DESCRIPTION
		2	3, 7	L	12, 15, 16	EX8	DGZ		
11									THRUST WASHER, Purchase Item 5, (NOT SERVICED) (Not Serviced)
12	5119 131AA	1	2, 6	L	01, 02, 06	EX8	DGZ		STRAP, Prop Shaft
		1	2, 6	L	11, 12, 14, 15, 16	EX8	DGZ		
		1	2, 6	L	51, 52, 54, 55, 56	EX8	DGZ		
		1	3, 7	L	02, 06	EX8	DGZ		
		1	3, 7	L	12, 15, 16	EX8	DGZ		
13	6104 234AA	2	2, 6	L	01, 02, 06	EX8	DGZ		SCREW
		2	2, 6	L	11, 12, 14, 15, 16	EX8	DGZ		
		2	2, 6	L	51, 52, 54, 55, 56	EX8	DGZ		
		2	3, 7	L	02, 06	EX8	DGZ		
		2	3, 7	L	12, 15, 16	EX8	DGZ		
14	5119 133AA	1	2, 6	L	01, 02	EX8	DGZ		BRACKET, Prop Shaft
		1	2, 6	L	11, 12, 14, 15, 16	EX8	DGZ		
		1	2, 6	L	51, 52, 54, 55, 56	EX8	DGZ		
		1	3, 7	L	02	EX8	DGZ		
		1	3, 7	L	12, 15, 16	EX8	DGZ		
15	5133 896AA	2	2, 6	L	01, 02	EX8	DGZ		BOLT, Hex
		2	2, 6	L	11, 12, 14, 15, 16	EX8	DGZ		

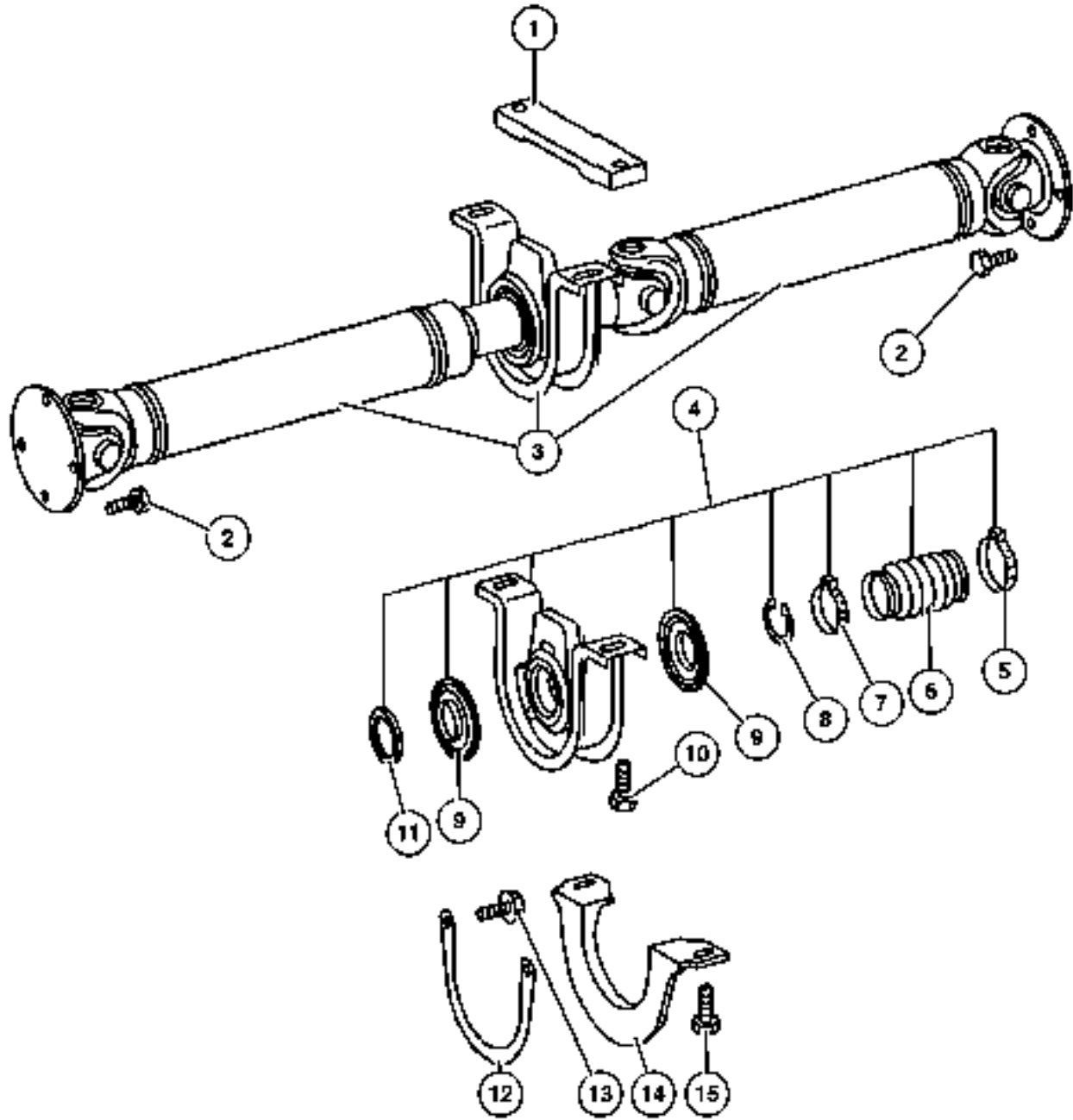
Refer to Model Legend Information Bookmark

AR = Use as required - = Non illustrated part # = New this model year

March 3, 2006

Shaft, Propeller, Rear, 2 Piece
Figure 016-120

ITEM	PART NUMBER	QTY	LINE	SERIES	BODY	ENGINE	TRANS	TRIM	DESCRIPTION
		2	2, 6	L	51, 52, 54, 55, 56	EX8	DGZ		
		2	3, 7	L	02	EX8	DGZ		
		2	3, 7	L	12, 15, 16	EX8	DGZ		

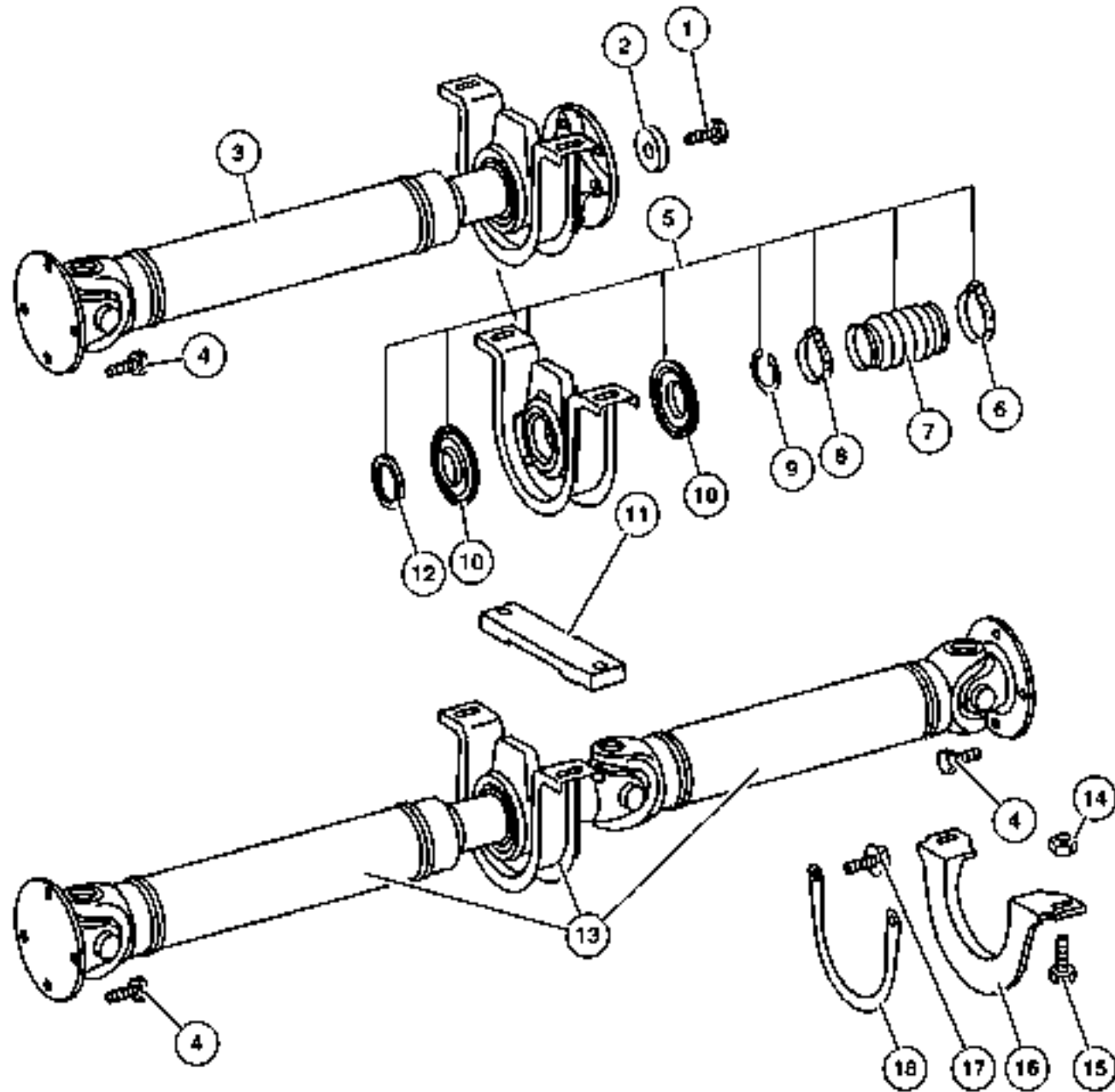


Refer to Model Legend Information Bookmark

AR = Use as required - = Non illustrated part # = New this model year

March 3, 2006

Shaft, Propeller, Rear, 3 Piece
Figure 016-130



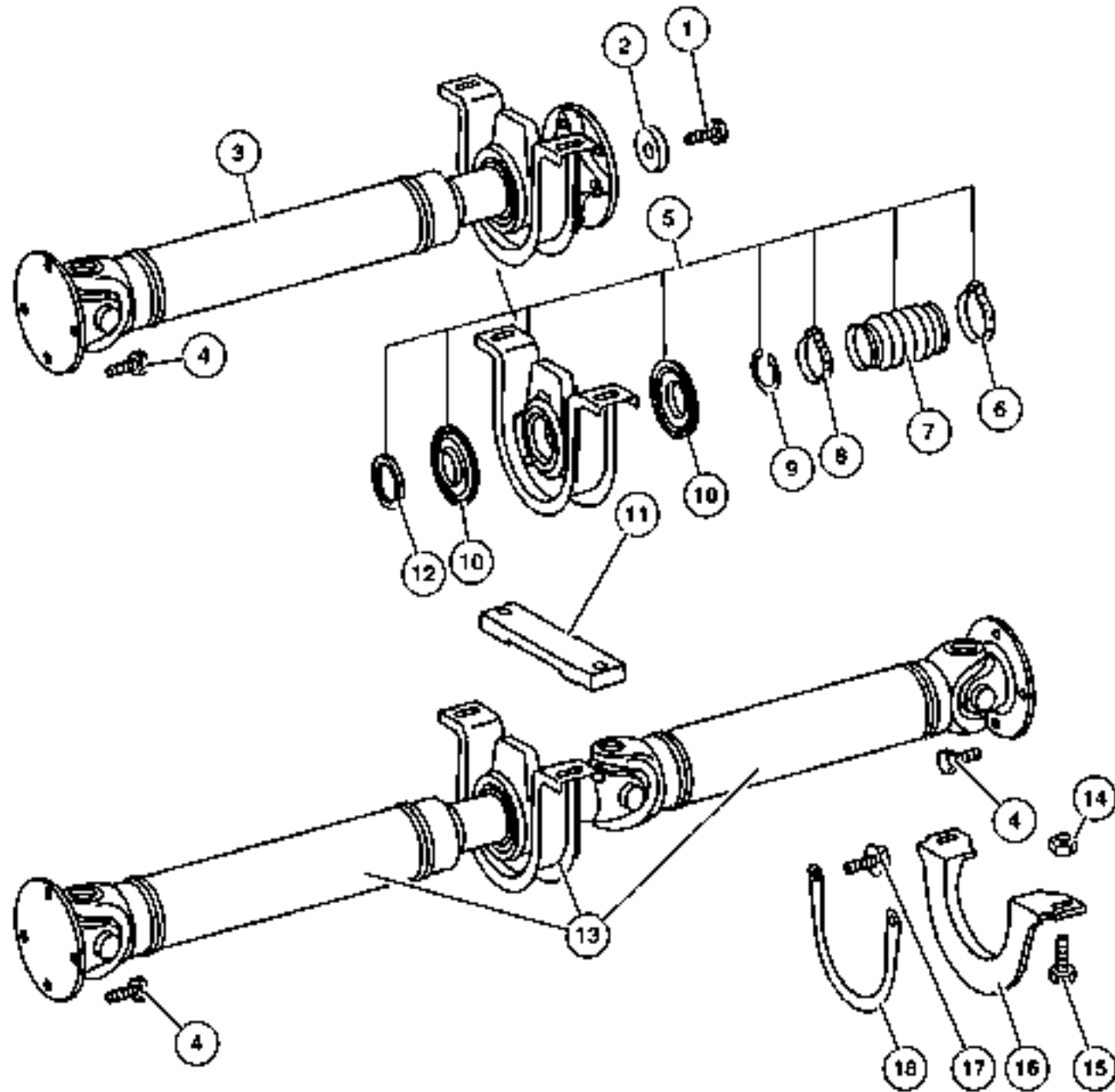
ITEM	PART NUMBER	QTY	LINE	SERIES	BODY	ENGINE	TRANS	TRIM	DESCRIPTION
1	5133 893AA	1	2, 6	L	01, 02, 06	EX8	DGZ		BOLT, Drive Shaft
		1	2, 6	L	11, 12, 14, 15, 16	EX8	DGZ		
		1	2, 6	L	51, 52, 54, 55, 56	EX8	DGZ		
		1	3, 7	L	02, 06	EX8	DGZ		
		1	3, 7	L	12, 15, 16	EX8	DGZ		
		1	3, 7	L	12, 15, 16	EX8	DGZ		
2	5133 894AA	1	2, 6	L	01, 02, 06	EX8	DGZ		WASHER, Thrust
		1	2, 6	L	11, 12, 14, 15, 16	EX8	DGZ		
		1	2, 6	L	51, 52, 54, 55, 56	EX8	DGZ		
		1	3, 7	L	02, 06	EX8	DGZ		
		1	3, 7	L	12, 15, 16	EX8	DGZ		
		1	3, 7	L	12, 15, 16	EX8	DGZ		
3	5104 083AA	1	2, 6	L	06	EX8	DGZ		SHAFT, Drive, Rear, Front section
		1	2, 6	L	11, 12, 14, 15, 16	EX8	DGZ		
		1	2, 6	L	51, 52, 54, 55, 56	EX8	DGZ		
		1	3, 7	L	02, 06	EX8	DGZ		
		1	3, 7	L	12, 15, 16	EX8	DGZ		
		1	3, 7	L	12, 15, 16	EX8	DGZ		
4	5103 939AA	12	2, 6	L	06	EX8	DGZ		BOLT
		12	2, 6	L	16	EX8	DGZ		
		12	2, 6	L	56	EX8	DGZ		
		12	3, 7	L	06	EX8	DGZ		
		12	3, 7	L	16	EX8	DGZ		
5	5104 574AA	1	2, 6	L	01, 02, 06	EX8	DGZ		CENTER BEARING, Drive Shaft

Refer to Model Legend Information Bookmark

AR = Use as required - = Non illustrated part # = New this model year

March 3, 2006

Shaft, Propeller, Rear, 3 Piece
Figure 016-130



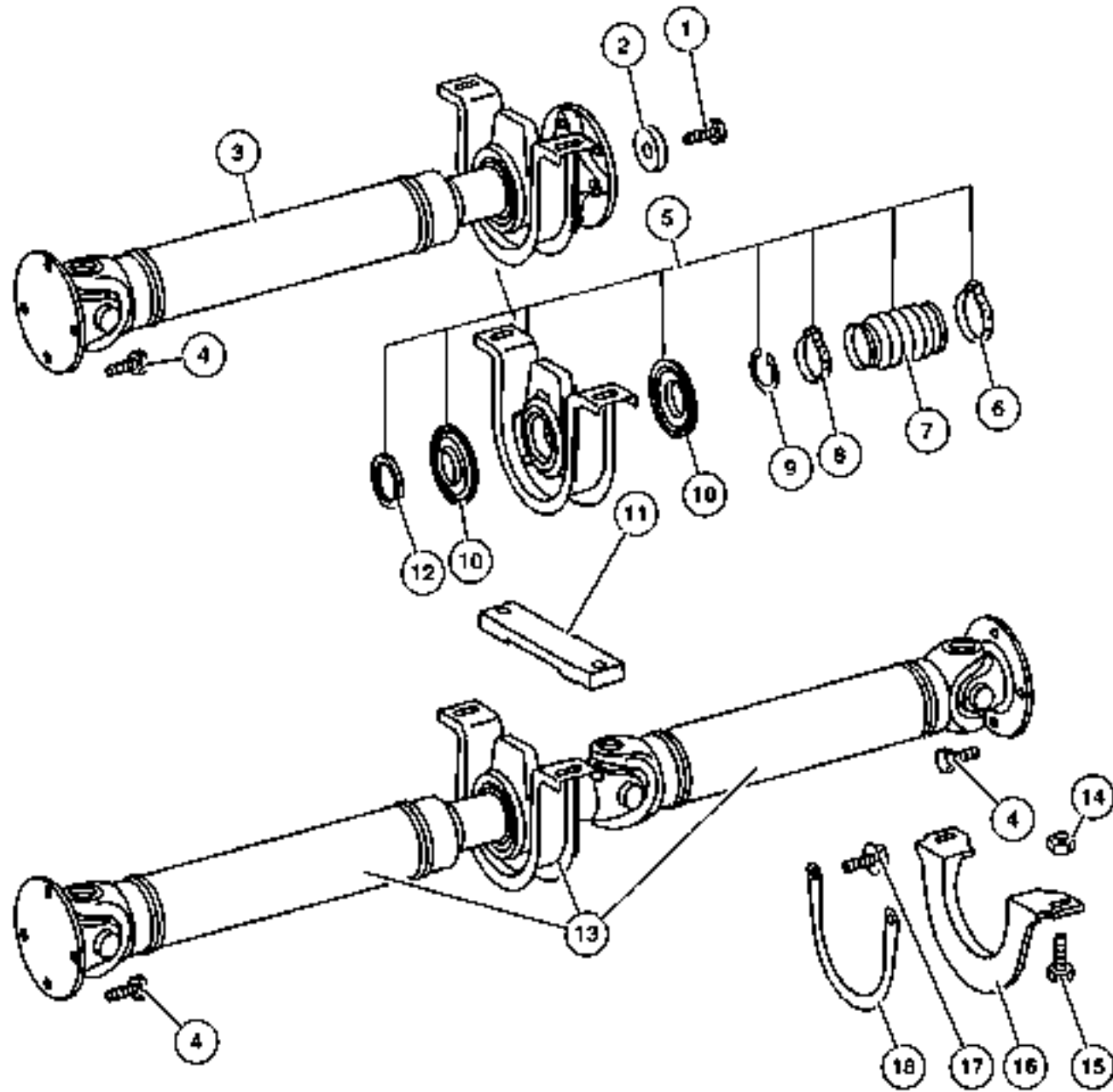
ITEM	PART NUMBER	QTY	LINE	SERIES	BODY	ENGINE	TRANS	TRIM	DESCRIPTION
		1	2, 6	L	11, 12,	EX8	DGZ		
					14, 15,				
					16				
		1	2, 6	L	51, 52,	EX8	DGZ		
					54, 55,				
					56				
		1	3, 7	L	02, 06	EX8	DGZ		
		1	3, 7	L	12, 15,	EX8	DGZ		
					16				
6	5133 900AA	1	2, 6	L	01, 02,	EX8	DGZ		CLAMP, Boot
					06				
		1	2, 6	L	11, 12,	EX8	DGZ		
					14, 15,				
					16				
		1	2, 6	L	51, 52,	EX8	DGZ		
					54, 55,				
					56				
		1	3, 7	L	02, 06	EX8	DGZ		
		1	3, 7	L	12, 15,	EX8	DGZ		
					16				
7	5133 897AA	1	2, 6	L	01, 02,	EX8	DGZ		BOOT, Driveshaft
					06				
		1	2, 6	L	11, 12,	EX8	DGZ		
					14, 15,				
					16				
		1	2, 6	L	51, 52,	EX8	DGZ		
					54, 55,				
					56				
		1	3, 7	L	02, 06	EX8	DGZ		
		1	3, 7	L	12, 15,	EX8	DGZ		
					16				
8	5133 899AA	1	2, 6	L	01, 02,	EX8	DGZ		CLAMP, Boot
					06				
		1	2, 6	L	11, 12,	EX8	DGZ		
					14, 15,				
					16				
		1	2, 6	L	51, 52,	EX8	DGZ		
					54, 55,				
					56				
		1	3, 7	L	02, 06	EX8	DGZ		
		1	3, 7	L	12, 15,	EX8	DGZ		
					16				

Refer to Model Legend Information Bookmark

AR = Use as required - = Non illustrated part # = New this model year

March 3, 2006

Shaft, Propeller, Rear, 3 Piece
Figure 016-130



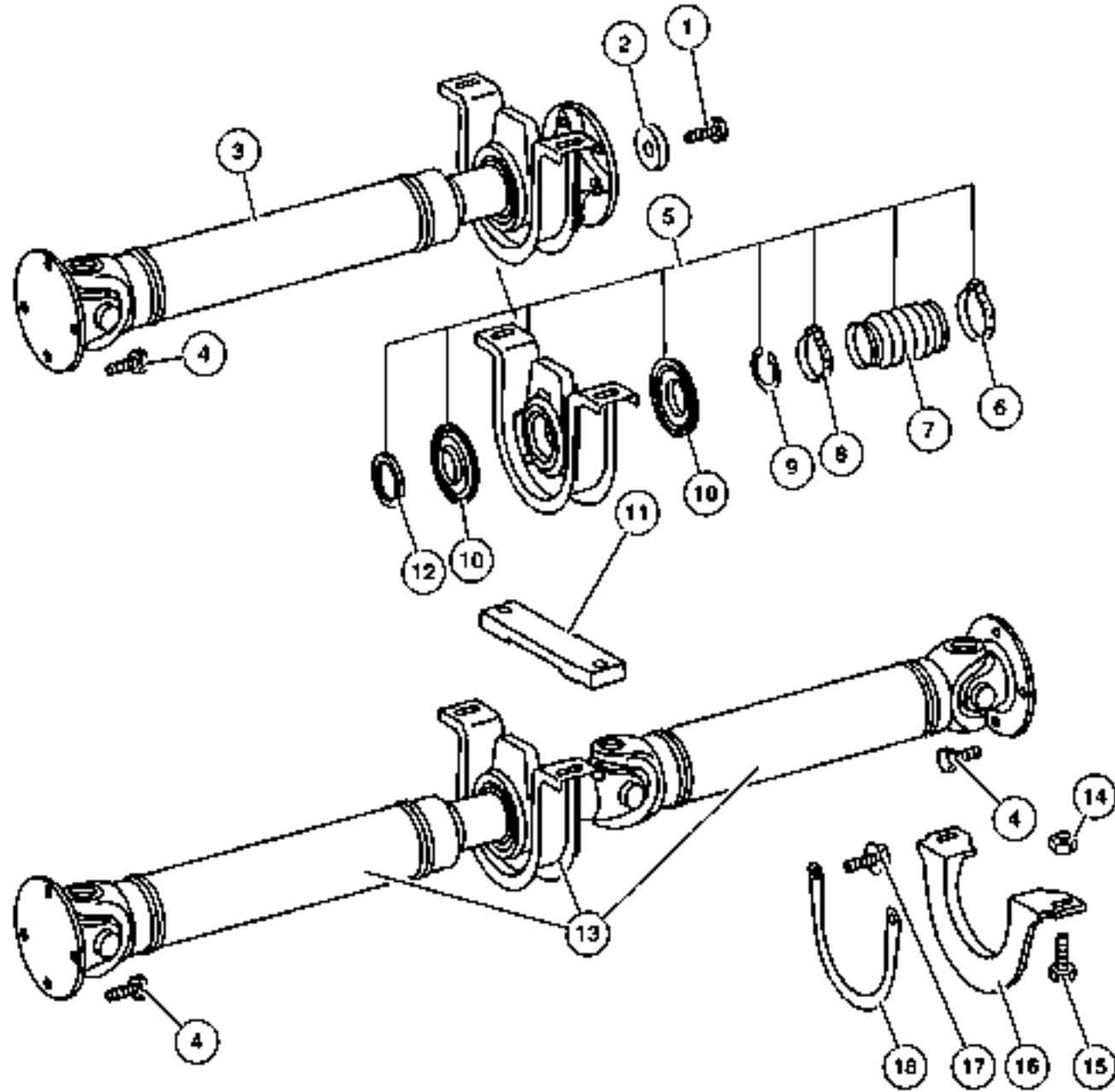
ITEM	PART NUMBER	QTY	LINE	SERIES	BODY	ENGINE	TRANS	TRIM	DESCRIPTION
9									SNAP RING, Purchase Item 5, (NOT SERVICED) (Not Serviced)
10	5133 898AA	1	2, 6	L	01, 02, 06	EX8	DGZ		BOOT, Driveshaft
		1	2, 6	L	11, 12, 14, 15, 16	EX8	DGZ		
		1	2, 6	L	51, 52, 54, 55, 56	EX8	DGZ		
		1	3, 7	L	02, 06	EX8	DGZ		
		1	3, 7	L	12, 15, 16	EX8	DGZ		
11	5129 044AA	2		L			DGZ		SHIM, Drive Shaft Bearing THRUST WASHER, Purchase Item 5, (NOT SERVICED) (Not Serviced)
12									
13	5104 084AA	1	2, 6	L	06	EX8	DGZ		SHAFT, Drive, Rear, Rear section
		1	2, 6	L	11, 12, 14, 15, 16	EX8	DGZ		
		1	2, 6	L	51, 52, 54, 55, 56	EX8	DGZ		
		1	3, 7	L	06	EX8	DGZ		
		1	3, 7	L	12, 15, 16	EX8	DGZ		
14	6104 718AA	2	2, 6	L	01, 02, 06	EX8	DGZ		NUT
		2	2, 6	L	11, 12, 14, 15, 16	EX8	DGZ		
		2	2, 6	L	51, 52, 54, 55, 56	EX8	DGZ		
		2	3, 7	L	02, 06	EX8	DGZ		
		2	3, 7	L	12, 15, 16	EX8	DGZ		
15	5133 896AA	4	2, 6	L	06	EX8	DGZ		BOLT, Hex

Refer to Model Legend Information Bookmark

AR = Use as required - = Non illustrated part # = New this model year

March 3, 2006

Shaft, Propeller, Rear, 3 Piece
Figure 016-130



ITEM	PART NUMBER	QTY	LINE	SERIES	BODY	ENGINE	TRANS	TRIM	DESCRIPTION
		4	2, 6	L	11, 12, 14, 15, 16	EX8	DGZ		
		4	2, 6	L	51, 52, 54, 55, 56	EX8	DGZ		
		4	3, 7	L	06	EX8	DGZ		
		4	3, 7	L	12, 15, 16	EX8	DGZ		
16									BRACKET, Prop Shaft
	5119 133AA	2	2, 6	L	06	EX8	DGZ		
		2	2, 6	L	11, 12, 14, 15, 16	EX8	DGZ		
		2	2, 6	L	51, 52, 54, 55, 56	EX8	DGZ		
		2	3, 7	L	06	EX8	DGZ		
		2	3, 7	L	12, 15, 16	EX8	DGZ		
17									SCREW
	6104 234AA	2	2, 6	L	01, 02, 06	EX8	DGZ		
		2	2, 6	L	11, 12, 14, 15, 16	EX8	DGZ		
		2	2, 6	L	51, 52, 54, 55, 56	EX8	DGZ		
		2	3, 7	L	02, 06	EX8	DGZ		
		2	3, 7	L	12, 15, 16	EX8	DGZ		
18									STRAP, Prop Shaft
	5119 131AA	1	2, 6	L	01, 02, 06	EX8	DGZ		
		1	2, 6	L	11, 12, 14, 15, 16	EX8	DGZ		
		1	2, 6	L	51, 52, 54, 55, 56	EX8	DGZ		
		1	3, 7	L	02, 06	EX8	DGZ		
		1	3, 7	L	12, 15, 16	EX8	DGZ		

Refer to Model Legend Information Bookmark

AR = Use as required - = Non illustrated part # = New this model year

March 3, 2006

Group – 017

Rear Suspension

GROUP 17 - Rear Suspension

Illustration Title

Group-Fig. No.

Rear Suspension

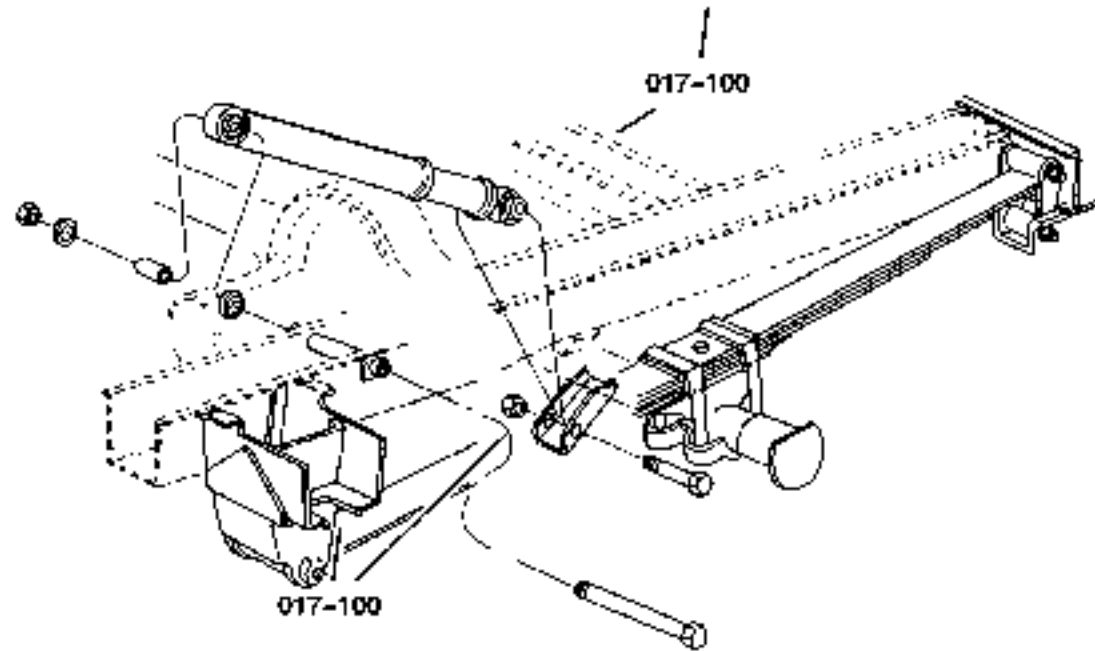
Rear Shocks Fig. 017-110


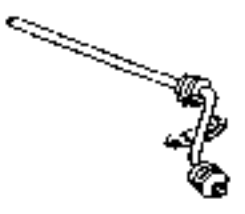
Rear Springs, 2500 Series Fig. 017-120

Rear Springs, 3500 Series Fig. 017-130

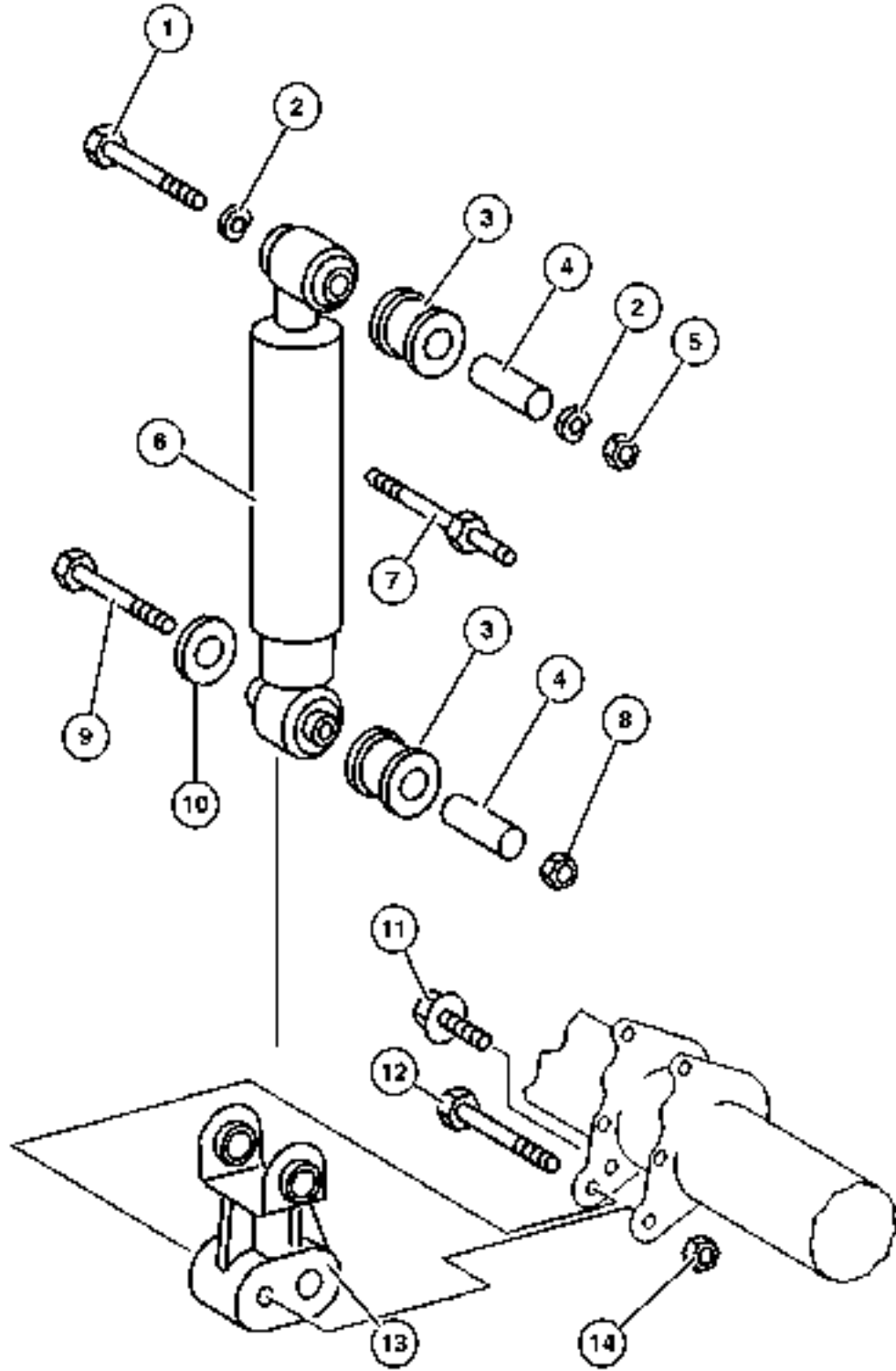
Rear Stabilizer

Stabilizer Bar,Rear Fig. 017-210



<p>017-100 Rear Suspension</p> 	<p>017-200 Rear Stabilizer</p> 		
---	---	--	--

Rear Shocks Figure 017-110



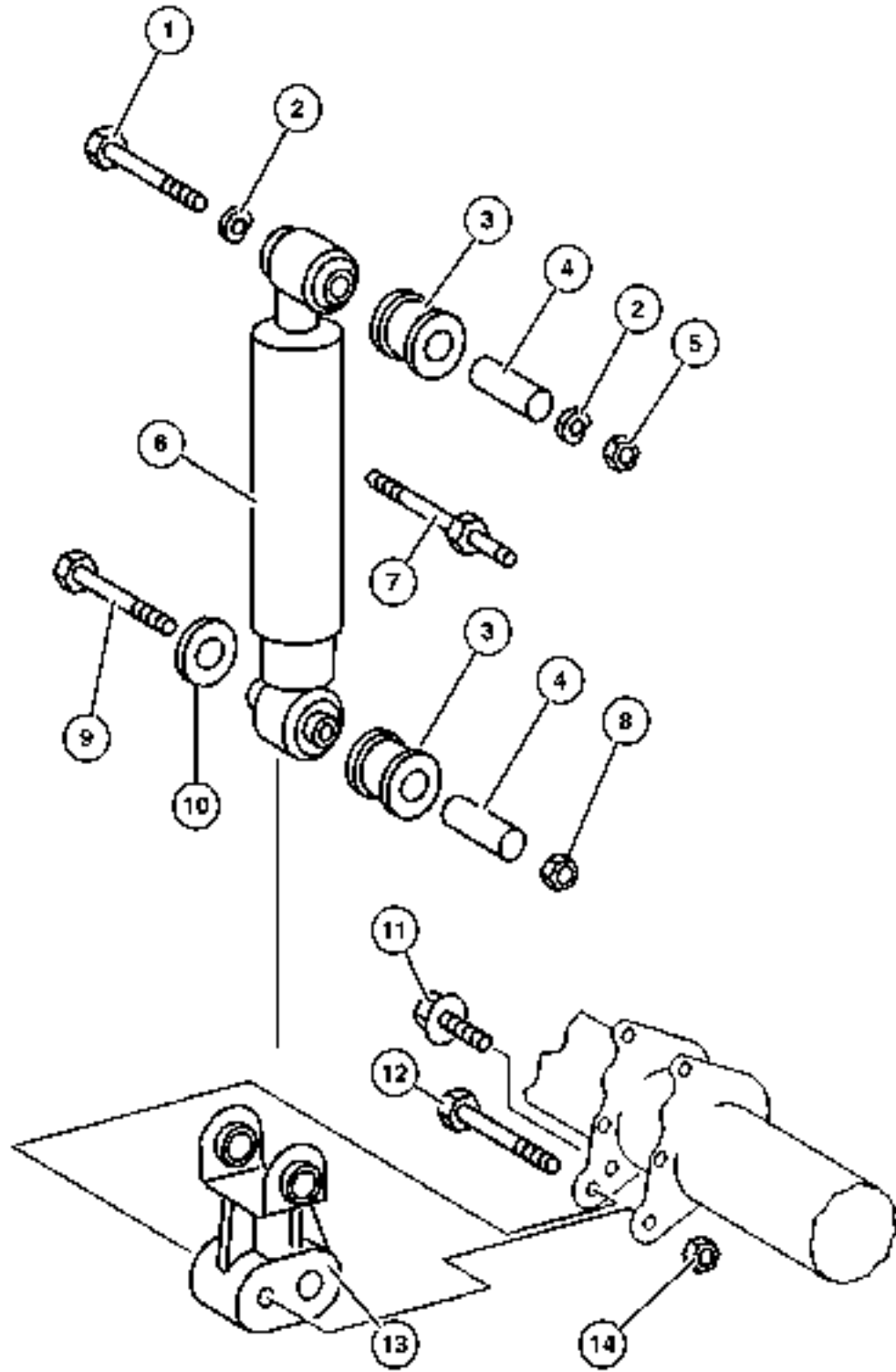
ITEM	PART NUMBER	QTY	LINE	SERIES	BODY	ENGINE	TRANS	TRIM	DESCRIPTION
Note: Sales Codes;									
[WDG]=16X6 Steel Wheels									
[3B5]=Shock Absorbers Reinforced									
1	6104 271AA	2	2, 6	L	01, 02, 06	EX8	DGZ		SCREW M14x1.5x150
		2	2, 6	L	11, 12, 14, 15, 16	EX8	DGZ		M14x1.5x150
		2	2, 6	L	51, 52, 54, 55, 56	EX8	DGZ		M14x1.5x150
	6104 265AA	2	3, 7	L	02, 06	EX8	DGZ		M14x1.5x150
		2	3, 7	L	12, 15, 16	EX8	DGZ		M14x1.5x150
2	5133 883AA	4	2, 6	L	01, 02, 06	EX8	DGZ		SPACER, Shock Absorber Bushing
		4	2, 6	L	11, 12, 14, 15, 16	EX8	DGZ		
		4	2, 6	L	51, 52, 54, 55, 56	EX8	DGZ		
	5133 876AA	4	3, 7	L	02, 06	EX8	DGZ		
		4	3, 7	L	12, 15, 16	EX8	DGZ		
3	5133 879AA	2	2, 6	L	01, 02, 06	EX8	DGZ		BUSHING, Shock Absorber Upper
	5133 880AA	4	2, 6	L	01, 02, 06	EX8	DGZ		Lower
	5133 879AA	2	2, 6	L	11, 12, 14, 15, 16	EX8	DGZ		Upper
	5133 880AA	4	2, 6	L	11, 12, 14, 15, 16	EX8	DGZ		Lower
	5133 879AA	2	2, 6	L	51, 52, 54, 55, 56	EX8	DGZ		Upper
	5133 880AA	4	2, 6	L	51, 52, 54, 55, 56	EX8	DGZ		Lower
	5133 873AA	4	3, 7	L	02, 06	EX8	DGZ		Upper or Lower

Refer to Model Legend Information Bookmark

AR = Use as required - = Non illustrated part # = New this model year

March 3, 2006

Rear Shocks Figure 017-110



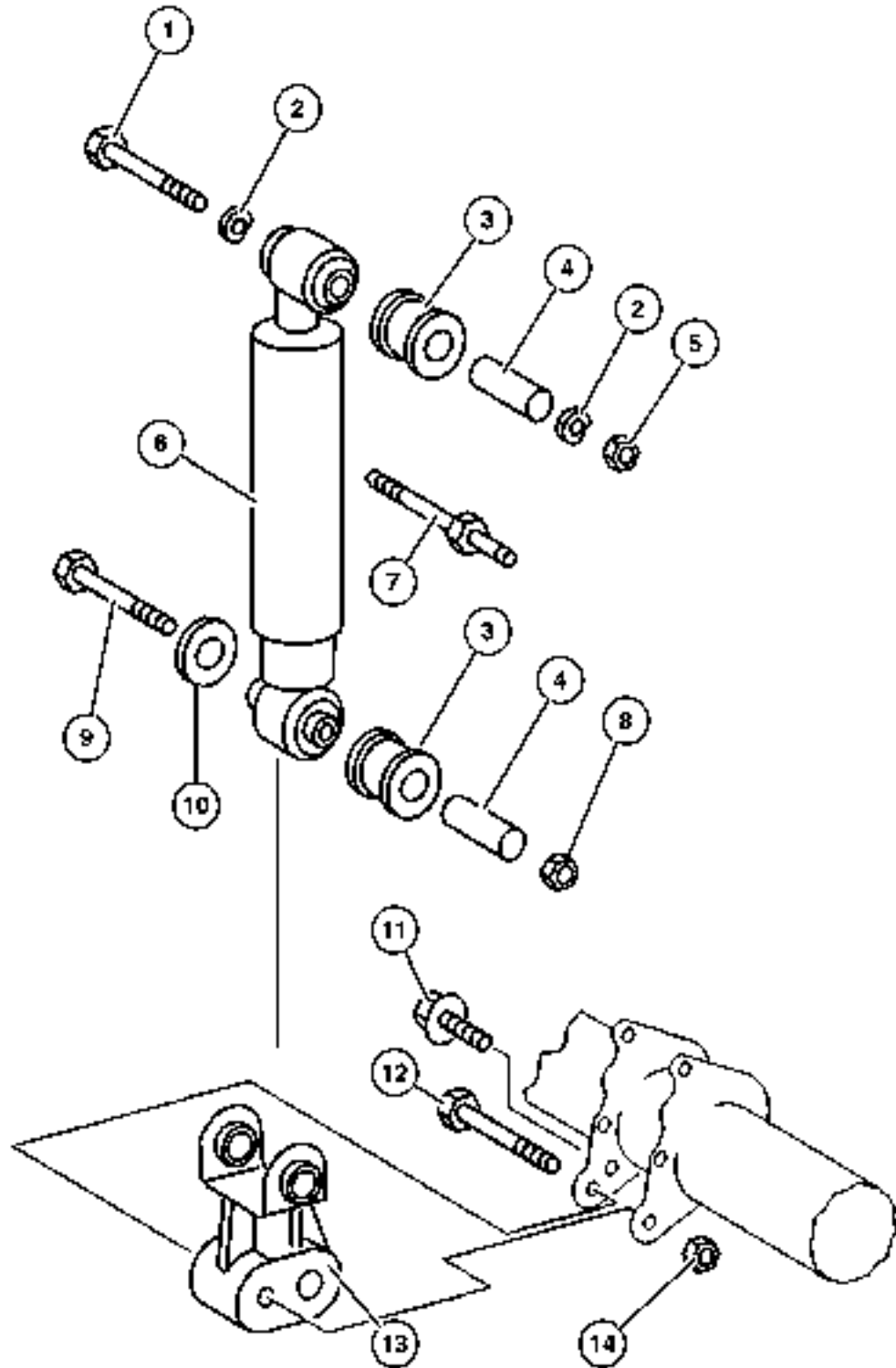
ITEM	PART NUMBER	QTY	LINE	SERIES	BODY	ENGINE	TRANS	TRIM	DESCRIPTION
		4	3, 7	L	12, 15, 16	EX8	DGZ		Upper or Lower
4	5133 881AA	2	2, 6	L	01, 02, 06	EX8	DGZ		SLEEVE, Shock Absorber Upper
	5133 882AA	2	2, 6	L	01, 02, 06	EX8	DGZ		Lower
	5133 881AA	2	2, 6	L	11, 12, 14, 15, 16	EX8	DGZ		Upper
	5133 882AA	2	2, 6	L	11, 12, 14, 15, 16	EX8	DGZ		Lower
	5133 881AA	2	2, 6	L	51, 52, 54, 55, 56	EX8	DGZ		Upper
	5133 882AA	2	2, 6	L	51, 52, 54, 55, 56	EX8	DGZ		Lower
	5133 874AA	2	3, 7	L	02, 06	EX8	DGZ		Upper
	5133 875AA	2	3, 7	L	02, 06	EX8	DGZ		Lower
	5133 874AA	2	3, 7	L	12, 15, 16	EX8	DGZ		Upper
	5133 875AA	2	3, 7	L	12, 15, 16	EX8	DGZ		Lower
5	6104 719AA	2	2, 6	L	01, 02, 06	EX8	DGZ		NUT M14x1.5
		2	2, 6	L	11, 12, 14, 15, 16	EX8	DGZ		M14x1.5
		2	2, 6	L	51, 52, 54, 55, 56	EX8	DGZ		M14x1.5
		2	3, 7	L	02, 06	EX8	DGZ		M14x1.5
		2	3, 7	L	12, 15, 16	EX8	DGZ		M14x1.5
6	5104 061AA	2	2, 6	L	01, 02, 06	EX8	DGZ		SHOCK ABSORBER, Suspension, Rear [3B5]
		2	2, 6	L	11, 12, 14, 15, 16	EX8	DGZ		[3B5]

Refer to Model Legend Information Bookmark

AR = Use as required - = Non illustrated part # = New this model year

March 3, 2006

Rear Shocks
Figure 017-110



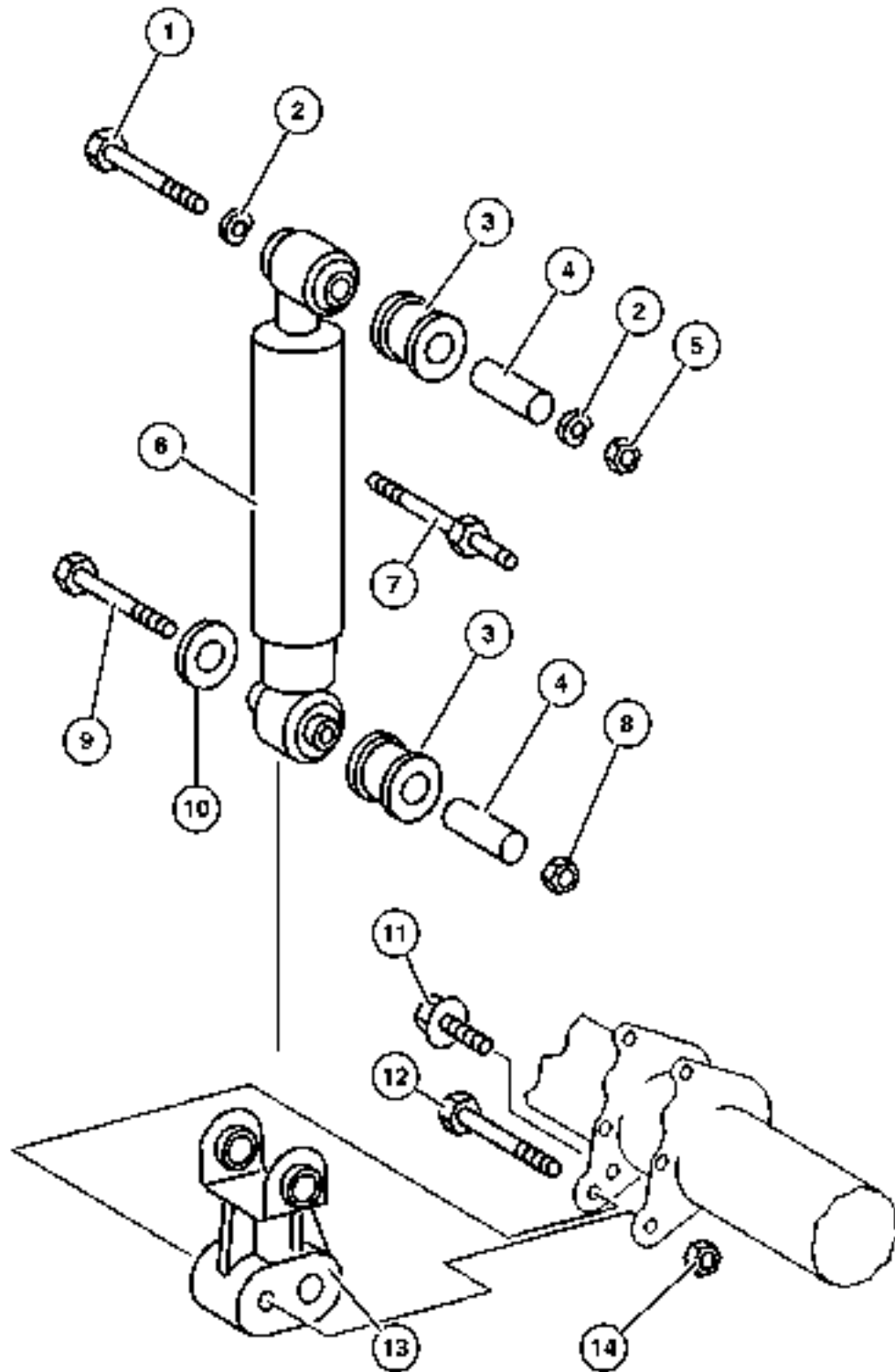
ITEM	PART NUMBER	QTY	LINE	SERIES	BODY	ENGINE	TRANS	TRIM	DESCRIPTION
		2	2, 6	L	51, 52, 54, 55, 56	EX8	DGZ		[3B5]
	5127 644AA	2	2, 6	L	01, 02, 06	EX8	DGZ		[3B5,WDG]
		2	2, 6	L	11, 12, 14, 15, 16	EX8	DGZ		[3B5,WDG]
		2	2, 6	L	51, 52, 54, 55, 56	EX8	DGZ		[3B5,WDG]
	5118 646AA	2	2, 6	L	01, 02, 06	EX8	DGZ		Without [3B5,WDG]
		2	2, 6	L	11, 12, 14, 15, 16	EX8	DGZ		Without [3B5,WDG]
		2	2, 6	L	51, 52, 54, 55, 56	EX8	DGZ		Without [3B5,WDG]
	5118 648AA	2	3, 7	L	02, 06	EX8	DGZ		
		2	3, 7	L	12, 15, 16	EX8	DGZ		
7	5118 796AA	1	2, 6	L	01, 02, 06	EX8	DGZ		BOLT
		1	2, 6	L	11, 12, 14, 15, 16	EX8	DGZ		
		1	2, 6	L	51, 52, 54, 55, 56	EX8	DGZ		
8	6104 718AA	2	2, 6	L	01, 02, 06	EX8	DGZ		NUT
		2	2, 6	L	11, 12, 14, 15, 16	EX8	DGZ		
		2	2, 6	L	51, 52, 54, 55, 56	EX8	DGZ		
		2	3, 7	L	02, 06	EX8	DGZ		
		2	3, 7	L	12, 15, 16	EX8	DGZ		
9									SCREW

Refer to Model Legend Information Bookmark

AR = Use as required - = Non illustrated part # = New this model year

March 3, 2006

Rear Shocks Figure 017-110



ITEM	PART NUMBER	QTY	LINE	SERIES	BODY	ENGINE	TRANS	TRIM	DESCRIPTION
	6104 241AA	2	2, 6	L	01, 02, 06	EX8	DGZ		M12x1.5x65
		2	2, 6	L	11, 12, 14, 15, 16	EX8	DGZ		M12x1.5x65
		2	2, 6	L	51, 52, 54, 55, 56	EX8	DGZ		M12x1.5x65
	6104 270AA	2	3, 7	L	02, 06	EX8	DGZ		M12x1.5x65
		2	3, 7	L	12, 15, 16	EX8	DGZ		M12x1.5x65
10	5133 877AA	4	3, 7	L	02, 06	EX8	DGZ		WASHER, Shock Absorber
		4	3, 7	L	12, 15, 16	EX8	DGZ		
11	6104 223AA	1	2, 3, 6, 7				DGZ		BOLT SCREW
12	6104 243AA	2	2, 6	L	11, 12, 14, 15, 16	EX8	DGZ		M12x1.5x80
		2	2, 6	L	51, 52, 54, 55, 56	EX8	DGZ		M12x1.5x80
13									BRACKET, (NOT SERVICED) (Not Serviced)
14	6104 717AA	4	2, 6	L	01, 02, 06	EX8	DGZ		NUT M10x1.5
		4	2, 6	L	11, 12, 14, 15, 16	EX8	DGZ		M10x1.5
		4	2, 6	L	51, 52, 54, 55, 56	EX8	DGZ		M10x1.5
		4	3, 7	L	02, 06	EX8	DGZ		M10x1.5
		4	3, 7	L	12, 15, 16	EX8	DGZ		M10x1.5
	6104 718AA	2	2, 6	L	01, 02, 06	EX8	DGZ		M12x1.5
		2	2, 6	L	11, 12, 14, 15, 16	EX8	DGZ		M12x1.5
		2	2, 6	L	51, 52, 54, 55, 56	EX8	DGZ		M12x1.5

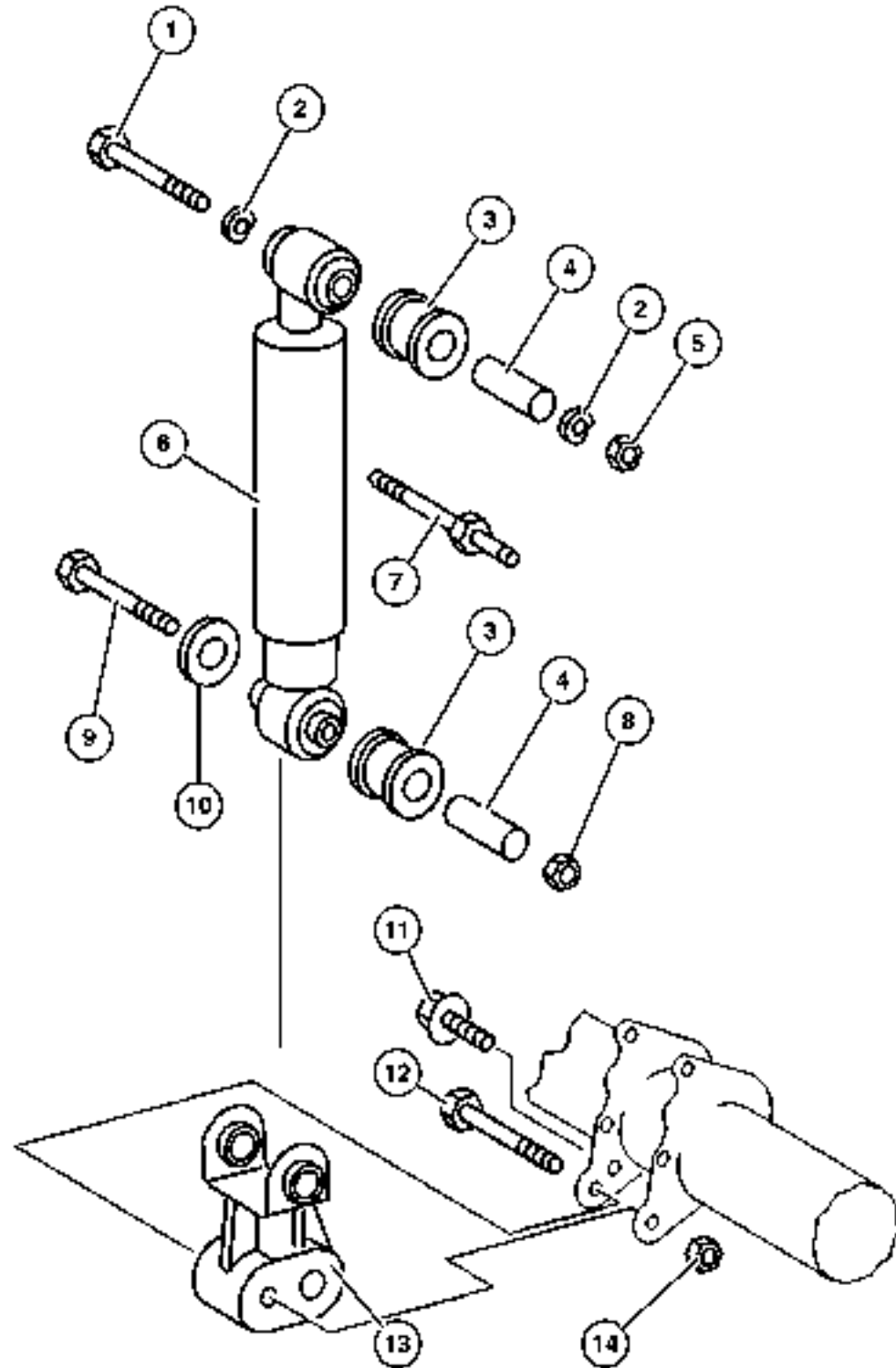
Refer to Model Legend Information Bookmark

AR = Use as required - = Non illustrated part # = New this model year

March 3, 2006

Rear Shocks
Figure 017-110

ITEM	PART NUMBER	QTY	LINE	SERIES	BODY	ENGINE	TRANS	TRIM	DESCRIPTION
		2	3, 7	L	02, 06	EX8	DGZ		M12x1.5
		2	3, 7	L	12, 15, 16	EX8	DGZ		M12x1.5

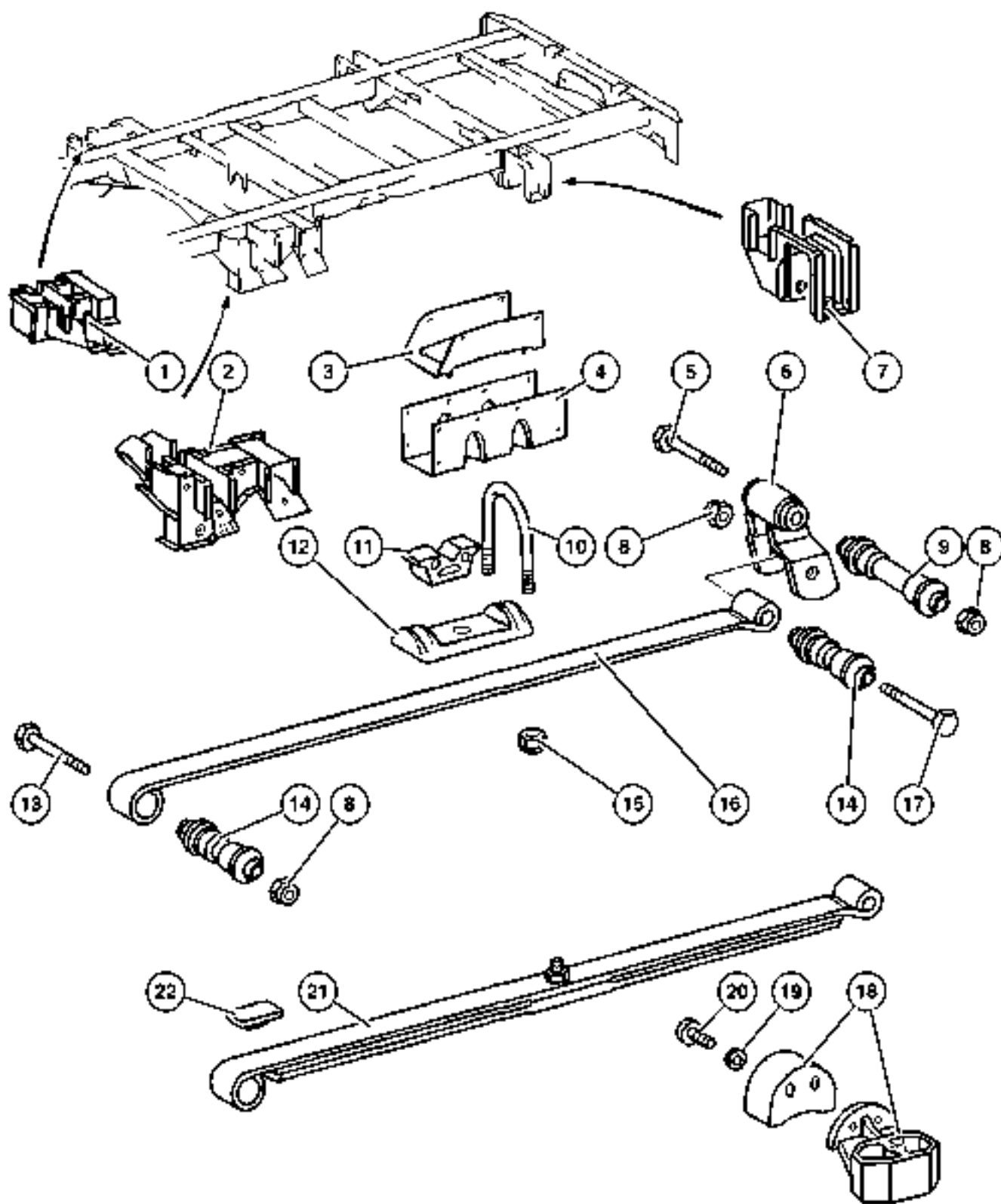


Refer to Model Legend Information Bookmark

AR = Use as required - = Non illustrated part # = New this model year

March 3, 2006

Rear Springs, 2500 Series Figure 017-120



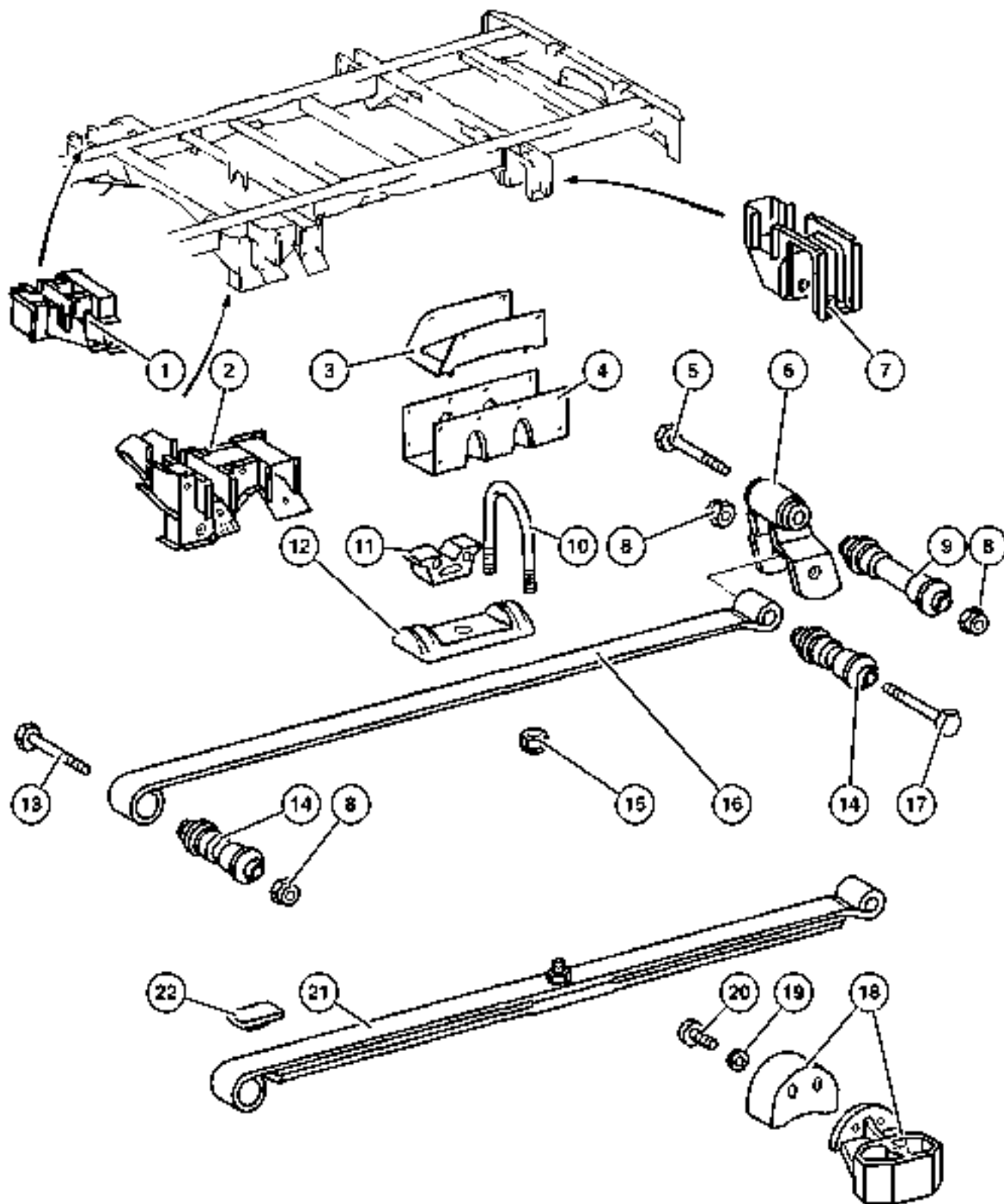
ITEM	PART NUMBER	QTY	LINE	SERIES	BODY	ENGINE	TRANS	TRIM	DESCRIPTION	
1									BRACKET, Spring Shackle	
	5118 676AA	2	2, 6	L	01, 02, 06	EX8	DGZ		Right or Left	
	5118 672AA	1	2, 6	L	11, 14	EX8	DGZ		Right Front	
	5118 670AA	1	2, 6	L	12, 15, 16	EX8	DGZ		Right Front	
	5118 672AA	1	2, 6	L	51, 54	EX8	DGZ		Right Front	
	5118 670AA	1	2, 6	L	52, 55, 56	EX8	DGZ		Right Front	
2									BRACKET, Spring Shackle	
	5128 553AA	1	2, 6	L	11, 14	EX8	DGZ			
	5118 668AA	1	2, 6	L	12, 15, 16	EX8	DGZ			
	5128 553AA	1	2, 6	L	51, 54	EX8	DGZ			
	5118 668AA	1	2, 6	L	52, 55, 56	EX8	DGZ			
3									BRACKET	
	5118 337AA	2	2, 6	L	01, 02, 06	EX8	DGZ			
		2	2, 6	L	11, 12, 14, 15, 16	EX8	DGZ			
		2	2, 6	L	51, 52, 54, 55, 56	EX8	DGZ			
4									TRUSS, leaf spring	
	5118 347AA	2	2, 6	L	01, 02, 06	EX8	DGZ			
		2	2, 6	L	11, 14	EX8	DGZ		With [CMZ+4XZ]	
		2	2, 6	L	12, 15, 16	EX8	DGZ		Without [CMZ+4XZ]	
	5128 390AA	2	2, 6	L	12, 15, 16	EX8	DGZ		With [4XZ]	
	5118 347AA	2	2, 6	L	51, 54	EX8	DGZ		With [4XZ]	
		2	2, 6	L	52, 55, 56	EX8	DGZ		Without [4XZ]	
	5128 390AA	2	2, 6	L	52, 55, 56	EX8	DGZ		With [4XZ]	
5									BOLT	
	5118 734AA	2	2, 6	L	01, 02, 06	EX8	DGZ		Shackle to Frame, Mounting	
		2	2, 6	L	11, 12, 14, 15, 16	EX8	DGZ		Shackle to Frame, Mounting	

Refer to Model Legend Information Bookmark

AR = Use as required - = Non illustrated part # = New this model year

March 3, 2006

Rear Springs, 2500 Series
Figure 017-120



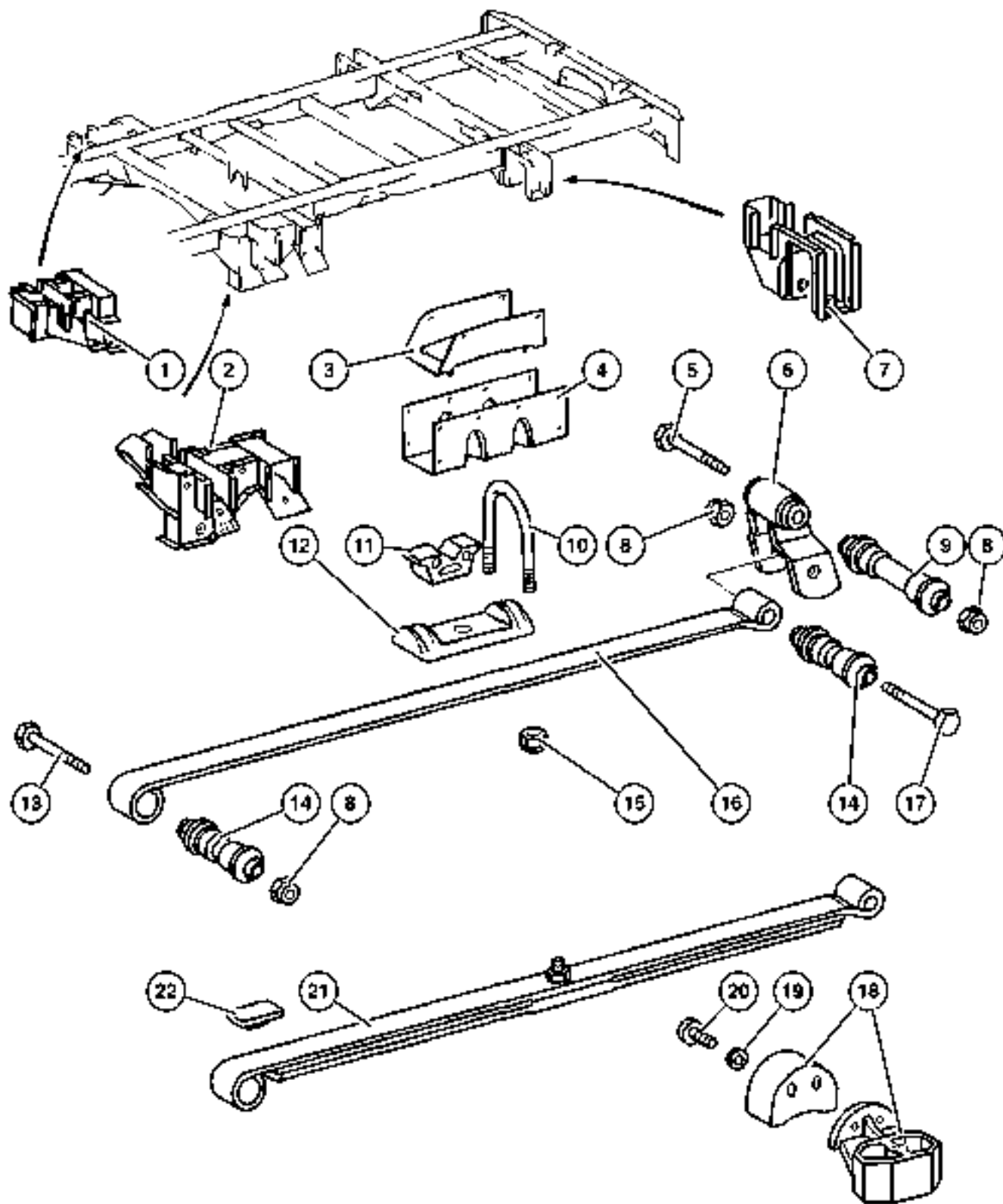
ITEM	PART NUMBER	QTY	LINE	SERIES	BODY	ENGINE	TRANS	TRIM	DESCRIPTION
		2	2, 6	L	51, 52, 54, 55, 56	EX8	DGZ		Shackle to Frame, Mounting
6	5118 653AA	2	2, 6	L	01, 02, 06	EX8	DGZ		SHACKLE, Spring
		2	2, 6	L	11, 12, 14, 15, 16	EX8	DGZ		
		2	2, 6	L	51, 52, 54, 55, 56	EX8	DGZ		
7	5118 663AA	2	2, 6	L	01, 02, 06	EX8	DGZ		BRACKET, Spring Shackle Without [4XZ]
	5136 654AA	2	2, 6	L	01, 02, 06	EX8	DGZ		[4XZ]
	5128 557AA	2	2, 6	L	11, 14	EX8	DGZ		[4XZ]
	5128 559AA	2	2, 6	L	12, 15	EX8	DGZ		[4XZ]
	5128 561AA	2	2, 6	L	16	EX8	DGZ		[4XZ]
	5128 557AA	2	2, 6	L	51, 54	EX8	DGZ		[4XZ]
8	5128 559AA	2	2, 6	L	52, 55	EX8	DGZ		[4XZ]
	5128 561AA	2	2, 6	L	56	EX8	DGZ		[4XZ]
	6104 718AA	8	2, 6	L	01, 02, 06	EX8	DGZ		NUT Shackle to Frame and Spring, Mounting
		8	2, 6	L	11, 12, 14, 15, 16	EX8	DGZ		Shackle to Frame and Spring, Mounting
		8	2, 6	L	51, 52, 54, 55, 56	EX8	DGZ		Shackle to Frame and Spring, Mounting
9	5118 731AA	2	2, 6	L	01, 02, 06	EX8	DGZ		BUSHING, shackle
		2	2, 6	L	11, 12, 14, 15, 16	EX8	DGZ		
		2	2, 6	L	51, 52, 54, 55, 56	EX8	DGZ		
10	5104 069AA	4	2, 6	L	01, 02, 06	EX8	DGZ		U-BOLT

Refer to Model Legend Information Bookmark

AR = Use as required - = Non illustrated part # = New this model year

March 3, 2006

Rear Springs, 2500 Series
Figure 017-120



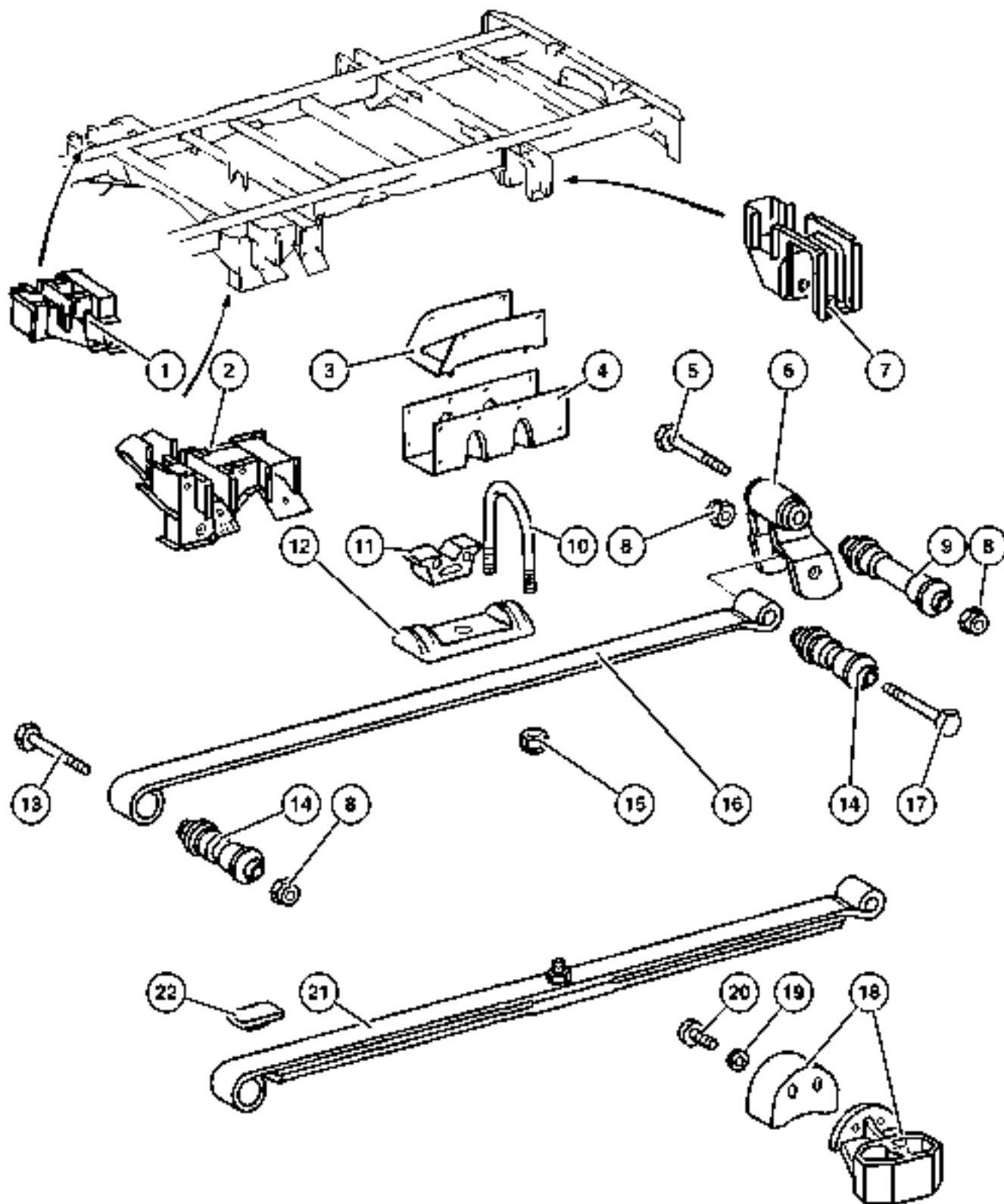
ITEM	PART NUMBER	QTY	LINE	SERIES	BODY	ENGINE	TRANS	TRIM	DESCRIPTION
		4	2, 6	L	11, 12,	EX8	DGZ		
	5104 070AA	4	2, 6	L	14, 15, 16 51, 52, 54, 55, 56	EX8	DGZ		
11	5118 762AA	2	2, 6	L	01, 02, 06	EX8	DGZ		BUMPER, Jounce Without [WDG]
		2	2, 6	L	11, 12, 14, 15, 16	EX8	DGZ		Without [WDG]
		2	2, 6	L	51, 52, 54, 55, 56	EX8	DGZ		Without [WDG]
	5128 586AA	2	2, 6	L	01, 02, 06	EX8	DGZ		With [WDG]
		2	2, 6	L	11, 12, 14, 15, 16	EX8	DGZ		With [WDG]
		2	2, 6	L	51, 52, 54, 55, 56	EX8	DGZ		With [WDG]
12	5118 774AA	2	2, 6	L	01, 02, 06	EX8	DGZ		PLATE, Rear Spring U-Bolt
		2	2, 6	L	11, 12, 14, 15, 16	EX8	DGZ		
		2	2, 6	L	51, 52, 54, 55, 56	EX8	DGZ		
13	6104 247AA	2	2, 6	L	01, 02, 06	EX8	DGZ		BOLT Spring to Frame, Mounting
		2	2, 6	L	11, 12, 14, 15, 16	EX8	DGZ		Spring to Frame, Mounting
		2	2, 6	L	51, 52, 54, 55, 56	EX8	DGZ		Spring to Frame, Mounting
14	5118 732AA	4	2, 6	L	01, 02, 06	EX8	DGZ		BUSHING, Spring

Refer to Model Legend Information Bookmark

AR = Use as required - = Non illustrated part # = New this model year

March 3, 2006

Rear Springs, 2500 Series
Figure 017-120



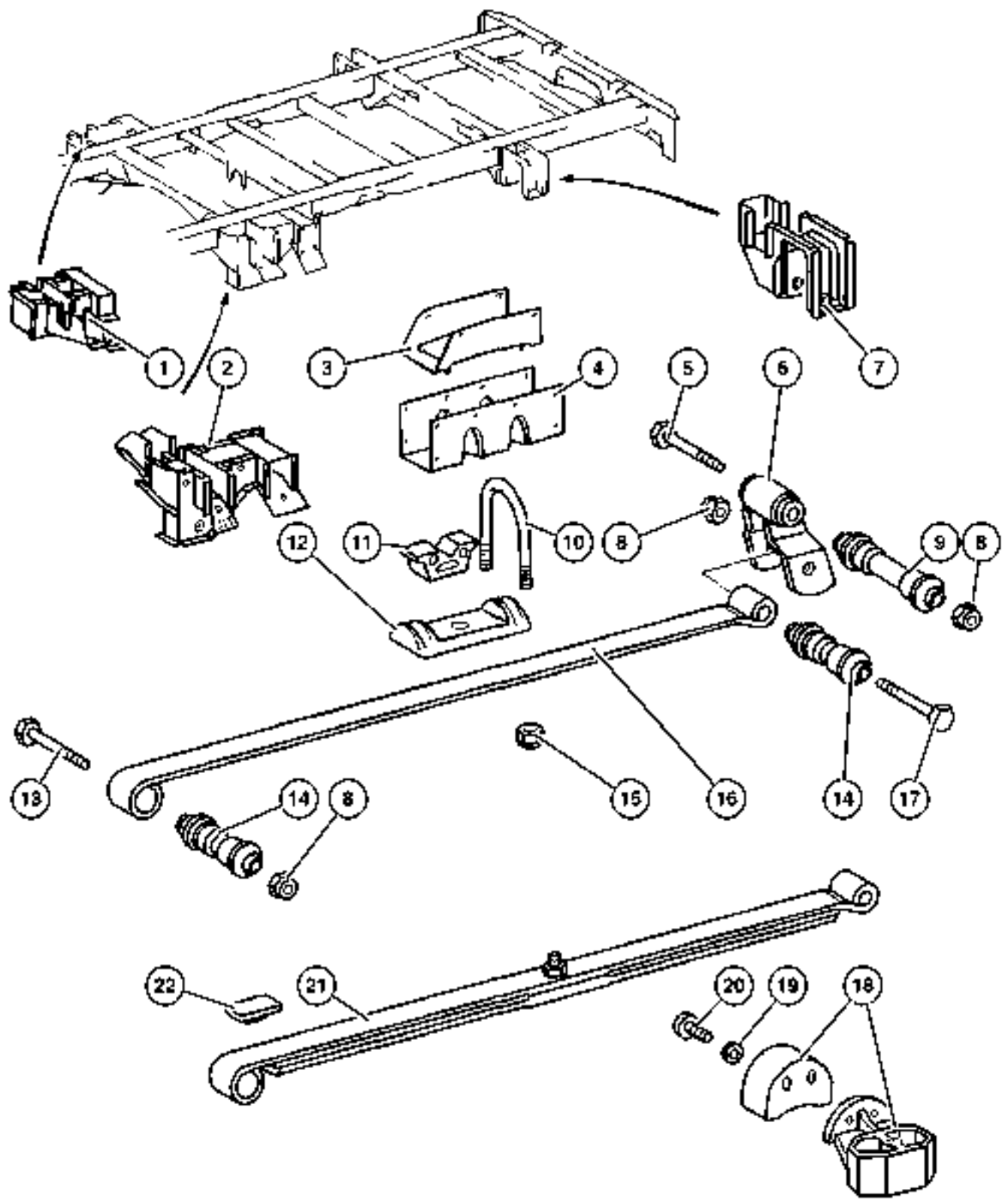
ITEM	PART NUMBER	QTY	LINE	SERIES	BODY	ENGINE	TRANS	TRIM	DESCRIPTION
		4	2, 6	L	11, 12, 14, 15, 16	EX8	DGZ		
		4	2, 6	L	51, 52, 54, 55, 56	EX8	DGZ		
15	5103 727AA	8	2, 6	L	01, 02, 06	EX8	DGZ		NUT U-Bolt, Mounting
		8	2, 6	L	11, 12, 14, 15, 16	EX8	DGZ		U-Bolt, Mounting
		8	2, 6	L	51, 52, 54, 55, 56	EX8	DGZ		U-Bolt, Mounting
16	5118 616AA	2	2, 6	L	01, 02, 06	EX8	DGZ		SPRING, Rear [4E9]
		2	2, 6	L	11, 12, 14, 15, 16	EX8	DGZ		[4E9]
	5128 482AA	2	2, 6	L	01, 02, 06	EX8	DGZ		[4E9+3AT]
		2	2, 6	L	11, 12, 14, 15, 16	EX8	DGZ		[4E9+3AT]
	5128 486AA	2	2, 6	L	01, 02, 06	EX8	DGZ		[4E9+SNB]
		2	2, 6	L	11, 12, 14, 15, 16	EX8	DGZ		[4E9+SNB]
	5128 488AA	2	2, 6	L	01, 02, 06	EX8	DGZ		[4E9+3AT+WDG]
		2	2, 6	L	11, 12, 14, 15, 16	EX8	DGZ		[4E9+3AT+WDG]
17	5125 718AA	2	2, 6	L	01, 02, 06	EX8	DGZ		BOLT Spring to Shackle, Mounting
		2	2, 6	L	11, 12, 14, 15, 16	EX8	DGZ		Spring to Shackle, Mounting
		2	2, 6	L	51, 52, 54, 55, 56	EX8	DGZ		Spring to Shackle, Mounting

Refer to Model Legend Information Bookmark

AR = Use as required - = Non illustrated part # = New this model year

March 3, 2006

Rear Springs, 2500 Series
Figure 017-120



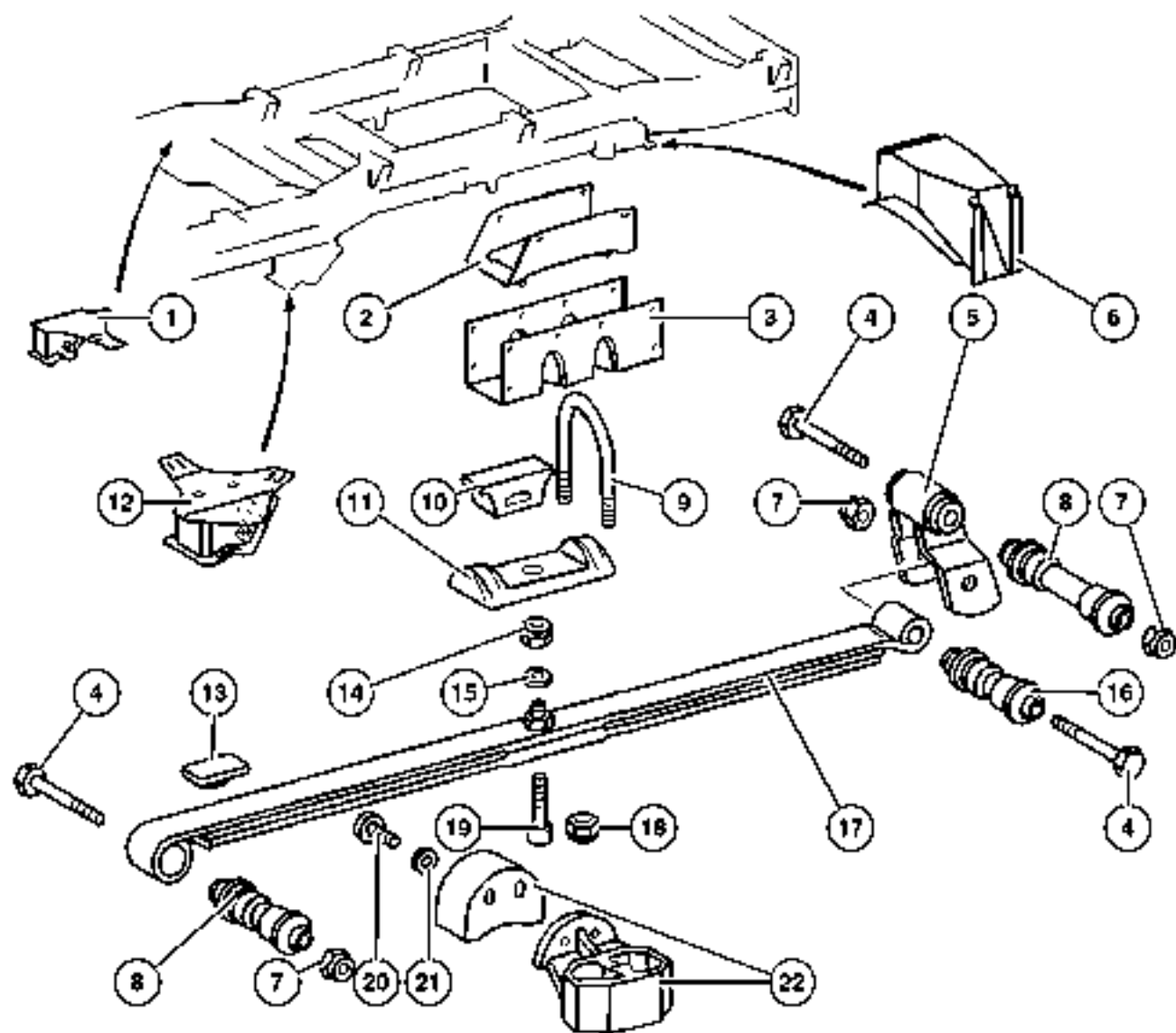
ITEM	PART NUMBER	QTY	LINE	SERIES	BODY	ENGINE	TRANS	TRIM	DESCRIPTION
18									SHIM, (NOT SERVICED) (Not Serviced)
19	5126 126AA	4	2, 6	L	11, 12, 14, 15, 16	EX8	DGZ		NUT
20	5097 678AA	4	2, 6	L	11, 12, 14, 15, 16				BOLT
		4	2, 6	L	51, 52, 54, 55, 56				
21									SPRING, Rear
	5118 619AA	2	2, 6	L	51, 52, 54, 55, 56	EX8	DGZ		[4E9]
	5128 484AA	2	2, 6	L	51, 52, 54, 55, 56	EX8	DGZ		[4E9+3B4]
	5128 490AA	2	2, 6	L	51, 52, 54, 55, 56	EX8	DGZ		[4E9+3B4+WDG]
22	5104 068AA	4	2, 6	L	51, 52, 54, 55, 56	EX8	DGZ		CUSHION

Refer to Model Legend Information Bookmark

AR = Use as required - = Non illustrated part # = New this model year

March 3, 2006

Rear Springs, 3500 Series
Figure 017-130



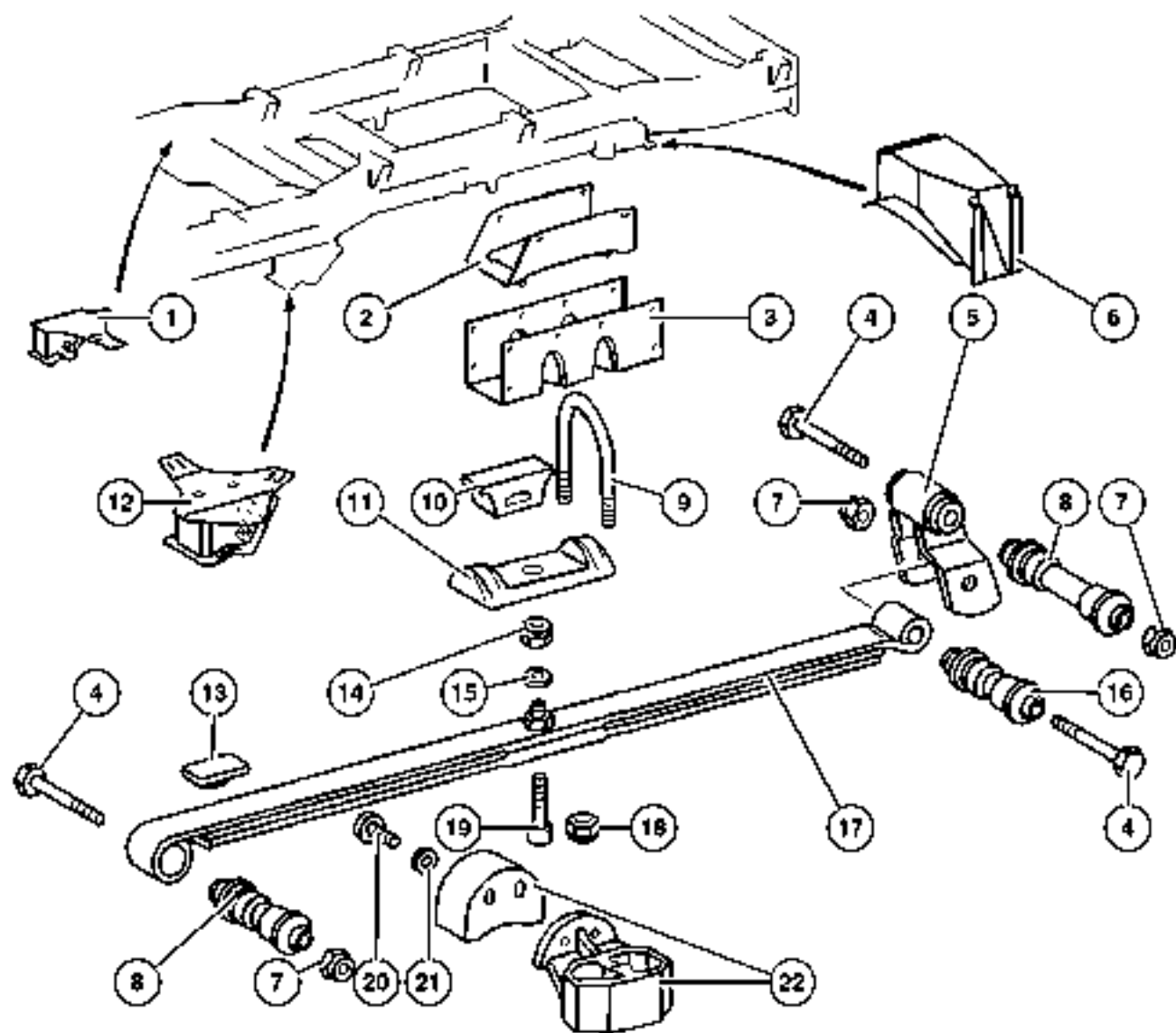
ITEM	PART NUMBER	QTY	LINE	SERIES	BODY	ENGINE	TRANS	TRIM	DESCRIPTION
1	5118 688AA	1	3, 7	L	12, 15, 16	EX8	DGZ		BRACKET, Spring, Right Front
2	5118 339AA	2	3, 7	L	02, 06	EX8	DGZ		BRACKET, Spring Right or Left
		2	3, 7	L	12, 15, 16	EX8	DGZ		Right or Left
3	5118 355AA	2	3, 7	L	02, 06	EX8	DGZ		TRUSS, leaf spring Right or Left
		2	3, 7	L	12, 15, 16	EX8	DGZ		Right or Left
4	6104 285AA	2	3, 7	L	02, 06	EX8	DGZ		SCREW
		2	3, 7	L	12, 15, 16	EX8	DGZ		
5	5118 655AA	2	3, 7	L	02, 06	EX8	DGZ		SHACKLE, Spring Right or Left
		2	3, 7	L	12, 15, 16	EX8	DGZ		Right or Left
6	5118 680AA	2	3, 7	L	12, 15, 16	EX8	DGZ		BRACKET, Spring, Right or Left
7	5125 760AA	2	3, 7	L	02, 06	EX8	DGZ		NUT, Hex Flange Lock
		2	3, 7	L	12, 15, 16	EX8	DGZ		
8	5118 729AA	2	3, 7	L	02, 06	EX8	DGZ		BUSHING, Spring Front
		2	3, 7	L	12, 15, 16	EX8	DGZ		Front
9	5118 765AA	4	3, 7	L	02, 06	EX8	DGZ		U-BOLT
		4	3, 7	L	12, 15, 16	EX8	DGZ		
10	5118 759AA	2	3, 7	L	02, 06	EX8	DGZ		BUMPER, Spring, Rear
		2	3, 7	L	12, 15, 16	EX8	DGZ		
11									PLATE, (NOT SERVICED) (Not Serviced)
12	5118 686AA	1	3, 7	L	12, 15, 16	EX8	DGZ		BRACKET, Spring, Left Front
13	5104 068AA	4	3, 7	L	02, 06	EX8	DGZ		CUSHION
		4	3, 7	L	12, 15, 16	EX8	DGZ		
14									NUT, Hex

Refer to Model Legend Information Bookmark

AR = Use as required - = Non illustrated part # = New this model year

March 3, 2006

Rear Springs, 3500 Series
Figure 017-130



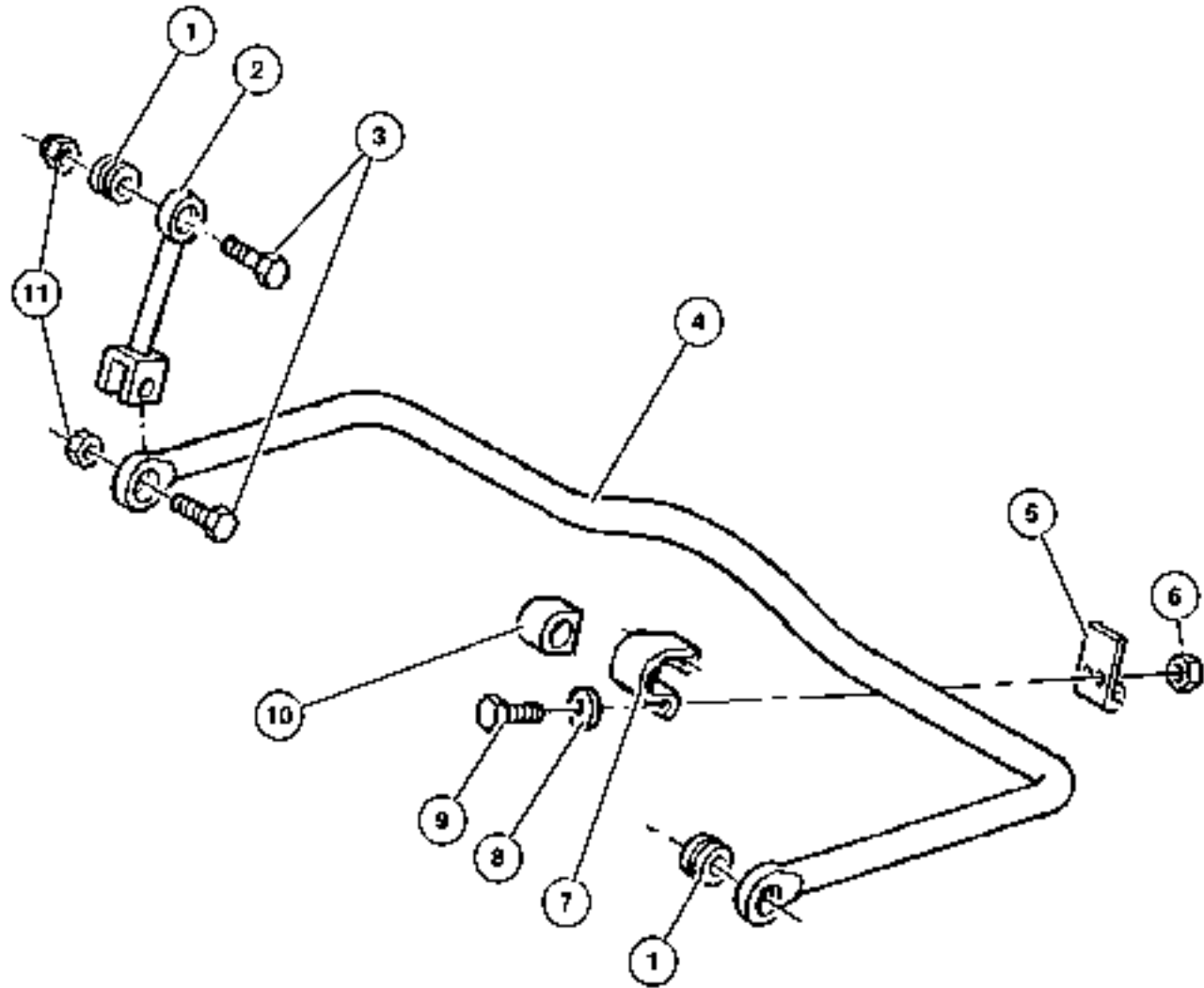
ITEM	PART NUMBER	QTY	LINE	SERIES	BODY	ENGINE	TRANS	TRIM	DESCRIPTION
	5133 872AA	2	3, 7	L	02, 06	EX8	DGZ		
		2	3, 7	L	12, 15, 16	EX8	DGZ		
15	5126 120AA	2	3, 7	L	02, 06	EX8	DGZ		WASHER, Spring
		2	3, 7	L	12, 15, 16	EX8	DGZ		
16	5118 703AA	2	3, 7	L	02, 06	EX8	DGZ		BUSHING, Spring Rear
		2	3, 7	L	12, 15, 16	EX8	DGZ		Rear
17	5118 621AA	2	3, 7	L	02, 06	EX8	DGZ		SPRING, Rear Right or Left
		2	3, 7	L	12, 15, 16	EX8	DGZ		Right or Left
18	5103 727AA	8	3, 7	L	02, 06	EX8	DGZ		NUT
		8	3, 7	L	12, 15, 16	EX8	DGZ		
19	5133 871AA	2	3, 7	L	02, 06	EX8	DGZ		BOLT
		2	3, 7	L	12, 15, 16	EX8	DGZ		
20	5097 678AA	4	3, 7	L	12, 15, 16				BOLT
21	5126 126AA	4	3, 7	L	12, 15, 16	EX8	DGZ		NUT
22									SHIM, (NOT SERVICED) (Not Serviced)

Refer to Model Legend Information Bookmark

AR = Use as required - = Non illustrated part # = New this model year

March 3, 2006

**Stabilizer Bar,Rear
Figure 017-210**



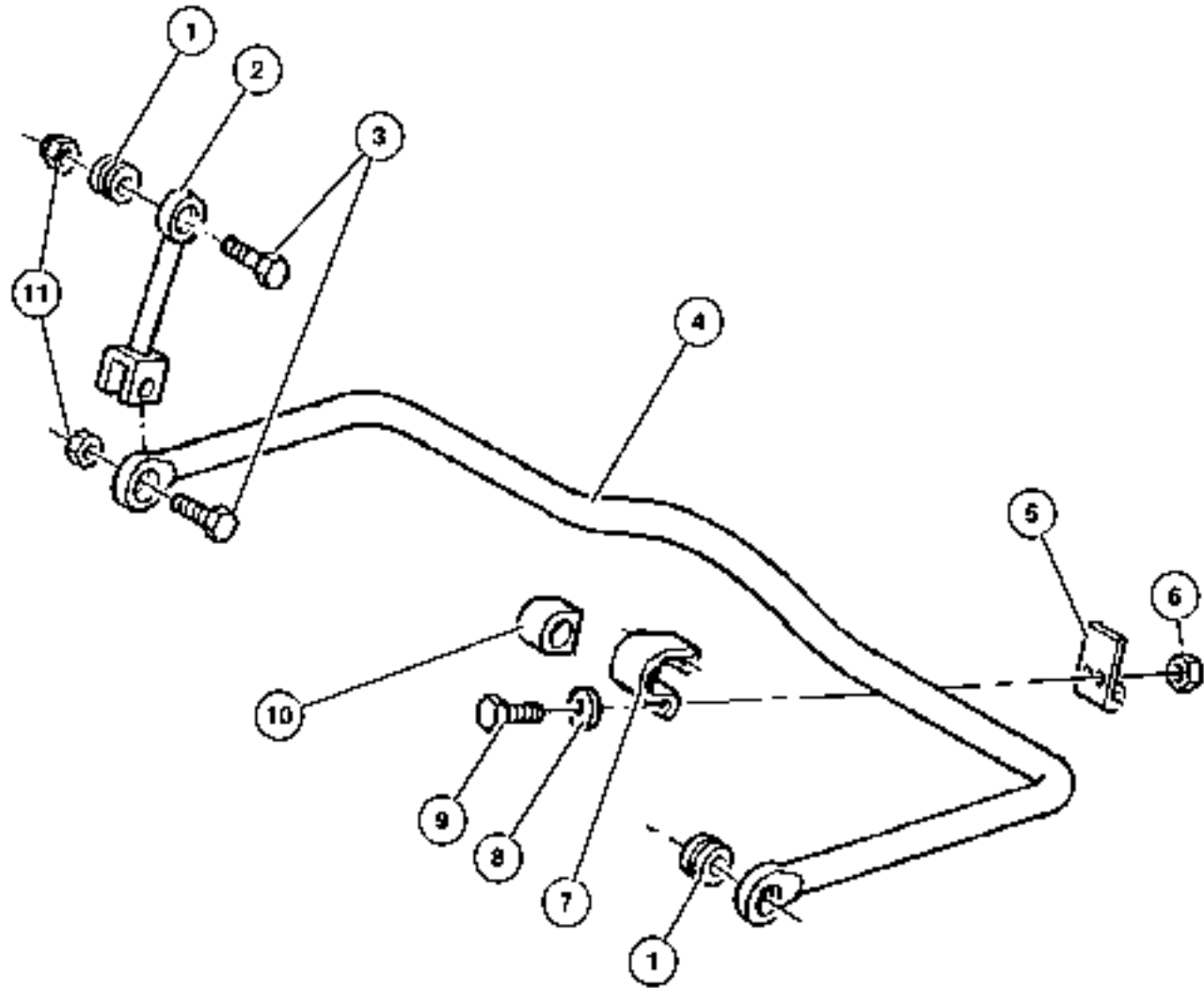
ITEM	PART NUMBER	QTY	LINE	SERIES	BODY	ENGINE	TRANS	TRIM	DESCRIPTION						
1	5103 955AA	2	2, 6	L	01, 02, 06	EX8	DGZ		BUSHING, Sway Bar						
									2	2, 6	L	11, 12, 14, 15, 16	EX8	DGZ	
									2	2, 6	L	51, 52, 54, 55, 56	EX8	DGZ	
									2	3, 7	L	02, 06	EX8	DGZ	
									2	3, 7	L	12, 15, 16	EX8	DGZ	
									2	3, 7	L	02, 06	EX8	DGZ	
2	5104 058AA	2	2, 6	L	01, 02, 06	EX8	DGZ		LINK, sway bar						
									2	2, 6	L	11, 12, 14, 15, 16	EX8	DGZ	Right or Left
									2	2, 6	L	51, 52, 54, 55, 56	EX8	DGZ	Right or Left
									2	3, 7	L	02, 06	EX8	DGZ	Right or Left
									2	3, 7	L	12, 15, 16	EX8	DGZ	Right or Left
									2	3, 7	L	02, 06	EX8	DGZ	Right or Left
3	6104 239AA	2	2, 6	L	01, 02, 06	EX8	DGZ		BOLT						
									2	2, 6	L	11, 12, 14, 15, 16	EX8	DGZ	
									2	2, 6	L	51, 52, 54, 55, 56	EX8	DGZ	
									2	3, 7	L	02, 06	EX8	DGZ	
									2	3, 7	L	12, 15, 16	EX8	DGZ	
									2	3, 7	L	02, 06	EX8	DGZ	
4	5128 494AA	1	2, 6	L	01, 02, 06	EX8	DGZ		SWAY BAR						
									1	2, 6	L	11, 12, 14, 15, 16	EX8	DGZ	
									1	2, 6	L	51, 52, 54, 55, 56	EX8	DGZ	

Refer to Model Legend Information Bookmark

AR = Use as required - = Non illustrated part # = New this model year

March 3, 2006

Stabilizer Bar,Rear Figure 017-210



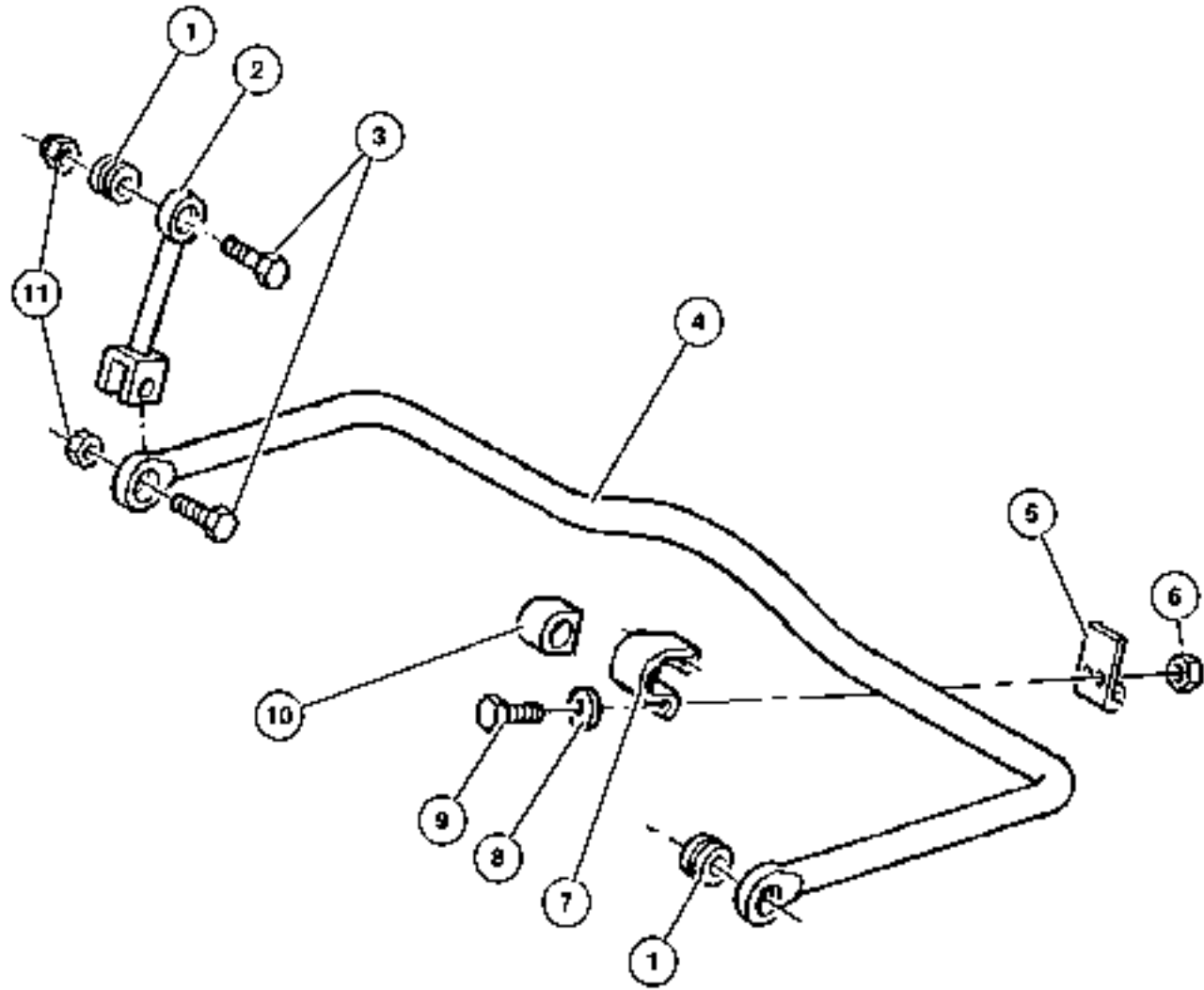
ITEM	PART NUMBER	QTY	LINE	SERIES	BODY	ENGINE	TRANS	TRIM	DESCRIPTION
	5118 632AA	1	3, 7	L	02, 06	EX8	DGZ		
		1	3, 7	L	12, 15, 16	EX8	DGZ		
5	5128 598AA	2	2, 6	L	01, 02, 06	EX8	DGZ		BRACKET, Stabilizer Bar
		2	2, 6	L	11, 12, 14, 15, 16	EX8	DGZ		
		2	2, 6	L	51, 52, 54, 55, 56	EX8	DGZ		
6	6104 716AA	4	2, 6	L	01, 02, 06	EX8	DGZ		NUT
		4	2, 6	L	11, 12, 14, 15, 16	EX8	DGZ		
		4	2, 6	L	51, 52, 54, 55, 56	EX8	DGZ		
		4	3, 7	L	02, 06	EX8	DGZ		
		4	3, 7	L	12, 15, 16	EX8	DGZ		
7	5132 783AA	2	2, 6	L	01, 02, 06	EX8	DGZ		RETAINER, Sway Bar
		2	2, 6	L	11, 12, 14, 15, 16	EX8	DGZ		
		2	2, 6	L	51, 52, 54, 55, 56	EX8	DGZ		
	5136 068AA	2	3, 7	L	02, 06	EX8	DGZ		
		2	3, 7	L	12, 15, 16	EX8	DGZ		
8	5104 615AA	4							WASHER
9	6104 031AA	2	2, 3, 6, 7	L		EX8	DGZ		SCREW
10	5104 073AA	2	2, 6	L	01, 02, 06	EX8	DGZ		BUSHING, Sway Bar
		2	2, 6	L	11, 12, 14, 15, 16	EX8	DGZ		

Refer to Model Legend Information Bookmark

AR = Use as required - = Non illustrated part # = New this model year

March 3, 2006

**Stabilizer Bar,Rear
Figure 017-210**



ITEM	PART NUMBER	QTY	LINE	SERIES	BODY	ENGINE	TRANS	TRIM	DESCRIPTION
		2	2, 6	L	51, 52, 54, 55, 56	EX8	DGZ		
	5118 800AA	2	3, 7	L	02, 06	EX8	DGZ		
		2	3, 7	L	12, 15, 16	EX8	DGZ		
11	6104 718AA	2	2, 6	L	01, 02, 06	EX8	DGZ		NUT
		2	2, 6	L	11, 12, 14, 15, 16	EX8	DGZ		
		2	2, 6	L	51, 52, 54, 55, 56	EX8	DGZ		
		2	3, 7	L	02, 06	EX8	DGZ		
		2	3, 7	L	12, 15, 16	EX8	DGZ		

Refer to Model Legend Information Bookmark

AR = Use as required - = Non illustrated part # = New this model year

March 3, 2006

Group – 019

Steering

GROUP 19 - Steering

Illustration Title

Group-Fig. No.

Steering Wheel

Steering Wheel and Related Fig. 019-110

Steering Column

Column Steering and Related Fig. 019-210

Steering Gear

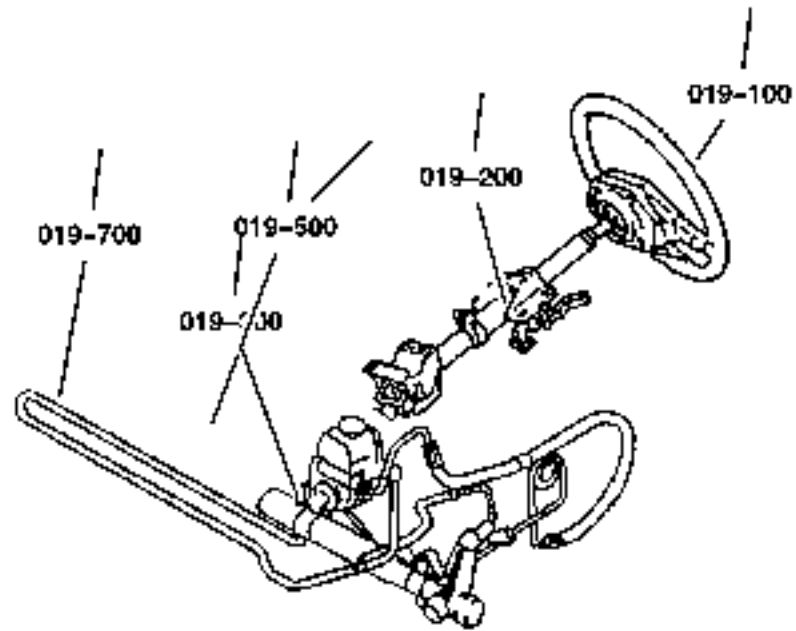
Gear - Steering Fig. 019-310




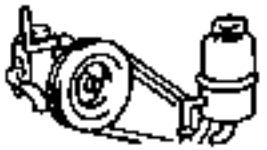

Power Steering Pump

Pump and Pulley, Steering Fig. 019-510

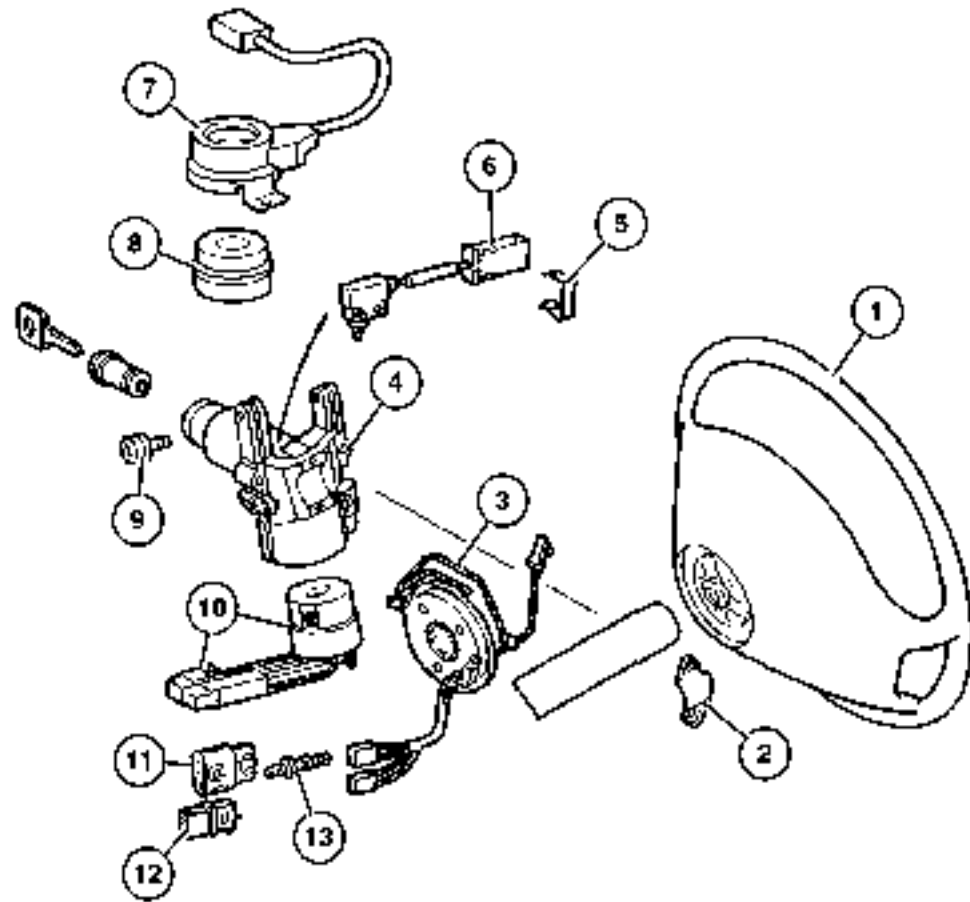
Power Steering Hoses

Hoses Steering and Related Fig. 019-710



<p>019-100 Steering Wheel</p> 	<p>019-200 Steering Column</p> 	<p>019-300 Steering Gear</p> 	<p>019-500 Power Steering Pump</p> 
<p>019-700 Power Steering Hoses</p> 			

Steering Wheel and Related Figure 019-110



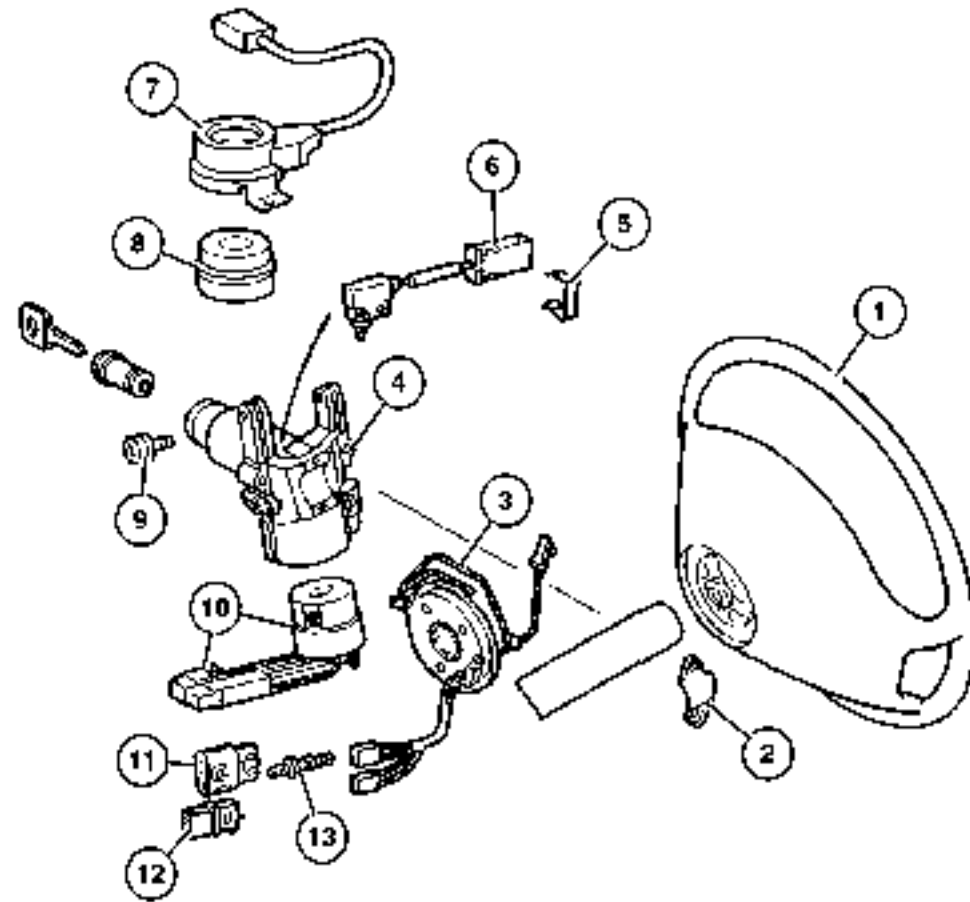
ITEM	PART NUMBER	QTY	LINE	SERIES	BODY	ENGINE	TRANS	TRIM	DESCRIPTION
Sale Code EX8=2.7L I5 MERCEDES-BENZ									
1	ZF45 BD1AA	1	2, 6	L	01, 02, 06	EX8	DGZ		WHEEL, Steering
		1	2, 6	L	11, 12, 14, 15, 16	EX8	DGZ		
		1	2, 6	L	51, 52, 54, 55, 56	EX8	DGZ		
		1	3, 7	L	02, 06	EX8	DGZ		
		1	3, 7	L	12, 15, 16	EX8	DGZ		
2	5104 096AA	1	2, 6	L	01, 02, 06	EX8	DGZ		BRACKET, Steering Column
		1	2, 6	L	11, 12, 14, 15, 16	EX8	DGZ		
		1	2, 6	L	51, 52, 54, 55, 56	EX8	DGZ		
		1	3, 7	L	02, 06	EX8	DGZ		
		1	3, 7	L	12, 15, 16	EX8	DGZ		
3	5104 089AA	1	2, 6	L	01, 02, 06	EX8	DGZ		CLOCKSPRING
		1	2, 6	L	11, 12, 14, 15, 16	EX8	DGZ		
		1	2, 6	L	51, 52, 54, 55, 56	EX8	DGZ		
		1	3, 7	L	02, 06	EX8	DGZ		
		1	3, 7	L	12, 15, 16	EX8	DGZ		
4	5104 092AA	1	2, 6	L	01, 02, 06	EX8	DGZ		HOUSING, Steering Column Lock
		1	2, 6	L	11, 12, 14, 15, 16	EX8	DGZ		

Refer to Model Legend Information Bookmark

AR = Use as required - = Non illustrated part # = New this model year

March 3, 2006

Steering Wheel and Related Figure 019-110



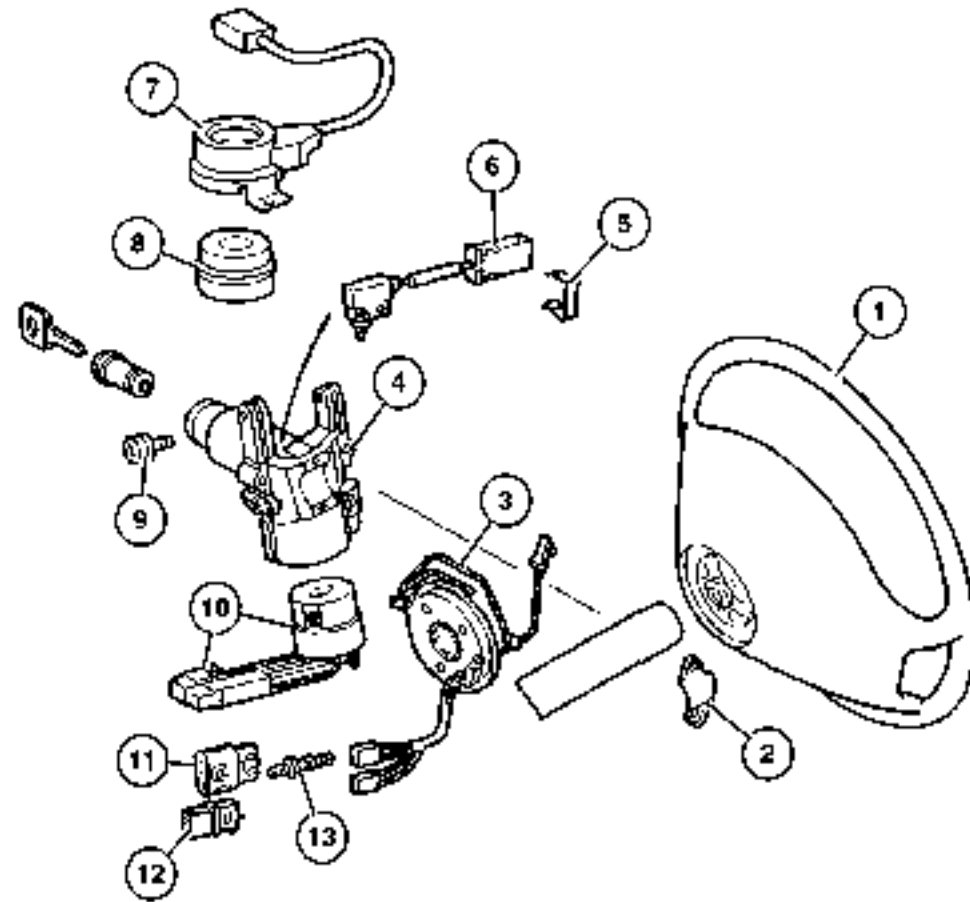
ITEM	PART NUMBER	QTY	LINE	SERIES	BODY	ENGINE	TRANS	TRIM	DESCRIPTION
		1	2, 6	L	51, 52, 54, 55, 56	EX8	DGZ		
		1	3, 7	L	02, 06	EX8	DGZ		
		1	3, 7	L	12, 15, 16	EX8	DGZ		
5	5103 660AA	1	2, 6	L	01, 02, 06	EX8	DGZ		SPRING
		1	2, 6	L	11, 12, 14, 15, 16	EX8	DGZ		
		1	2, 6	L	51, 52, 54, 55, 56	EX8	DGZ		
		1	3, 7	L	02, 06	EX8	DGZ		
		1	3, 7	L	12, 15, 16	EX8	DGZ		
6	5103 678AA	1	2, 6	L	11, 12, 14, 15, 16	EX8	DGZ		SWITCH
		1	2, 6	L	51, 52, 54, 55, 56	EX8	DGZ		
		1	3, 7	L	12, 15, 16	EX8	DGZ		
	5103 857AA	1	2, 6	L	01, 02, 06	EX8	DGZ		
		1	3, 7	L	02, 06	EX8	DGZ		
7	5120 812AA	1	2, 6	L	11, 12, 14, 15, 16	EX8	DGZ		TRANSPONDER, Steering Wheel
		1	2, 6	L	51, 52, 54, 55, 56	EX8	DGZ		
		1	2, 6	L	01, 02, 06	EX8	DGZ		
		1	3, 7	L	02, 06	EX8	DGZ		
		1	3, 7	L	12, 15, 16	EX8	DGZ		
8									RING

Refer to Model Legend Information Bookmark

AR = Use as required - = Non illustrated part # = New this model year

March 3, 2006

Steering Wheel and Related Figure 019-110



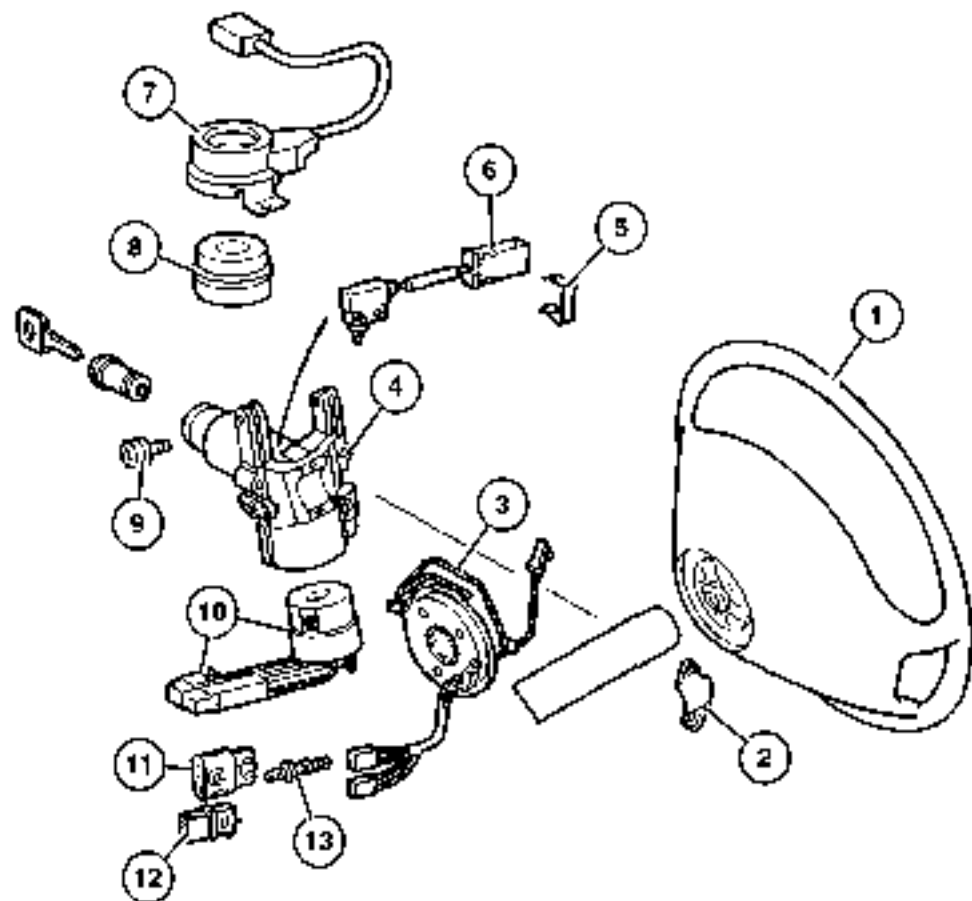
ITEM	PART NUMBER	QTY	LINE	SERIES	BODY	ENGINE	TRANS	TRIM	DESCRIPTION
	5104 593AA	1	2, 6	L	11, 12, 14, 15, 16	EX8	DGZ		
		1	2, 6	L	51, 52, 54, 55, 56	EX8	DGZ		
		1	2, 6	L	01, 02, 06	EX8	DGZ		
		1	3, 7	L	02, 06	EX8	DGZ		
		1	3, 7	L	12, 15, 16	EX8	DGZ		
9									SCREW
	5103 604AA	1	2, 6	L	01, 02, 06	EX8	DGZ		
		1	2, 6	L	11, 12, 14, 15, 16	EX8	DGZ		
		1	2, 6	L	51, 52, 54, 55, 56	EX8	DGZ		
		1	3, 7	L	02, 06	EX8	DGZ		
10									SWITCH, Ignition
	5103 664AA	1	2, 6	L	01, 02, 06	EX8	DGZ		
		1	2, 6	L	11, 12, 14, 15, 16	EX8	DGZ		
		1	2, 6	L	51, 52, 54, 55, 56	EX8	DGZ		
		1	3, 7	L	02, 06	EX8	DGZ		
		1	3, 7	L	12, 15, 16	EX8	DGZ		
11									CONNECTOR
	5103 904AA	1	2, 6	L	01, 02, 06	EX8	DGZ		
		1	2, 6	L	11, 12, 14, 15, 16	EX8	DGZ		
		1	2, 6	L	51, 52, 54, 55, 56	EX8	DGZ		
		1	3, 7	L	02, 06	EX8	DGZ		
		1	3, 7	L	12, 15, 16	EX8	DGZ		
12									CONNECTOR

Refer to Model Legend Information Bookmark

AR = Use as required - = Non illustrated part # = New this model year

March 3, 2006

Steering Wheel and Related Figure 019-110



ITEM	PART NUMBER	QTY	LINE	SERIES	BODY	ENGINE	TRANS	TRIM	DESCRIPTION
	5103 902AA	1	2, 6	L	01, 02, 06	EX8	DGZ		
		1	2, 6	L	11, 12, 14, 15, 16	EX8	DGZ		
		1	2, 6	L	51, 52, 54, 55, 56	EX8	DGZ		
		1	3, 7	L	02, 06	EX8	DGZ		
		1	3, 7	L	12, 15, 16	EX8	DGZ		
13	5103 828AA	99	2, 6	L	01, 02, 06	EX8	DGZ		TERMINAL
		99	2, 6	L	11, 12, 14, 15, 16	EX8	DGZ		
		99	2, 6	L	51, 52, 54, 55, 56	EX8	DGZ		
		99	3, 7	L	02, 06	EX8	DGZ		
		99	3, 7	L	12, 15, 16	EX8	DGZ		
-14	5119 542AA-	1	2, 6	L	01, 02, 06	EX8	DGZ		CONTACT, Horn
		1	2, 6	L	11, 12, 14, 15, 16	EX8	DGZ		
		1	2, 6	L	51, 52, 54, 55, 56	EX8	DGZ		
		1	3, 7	L	02, 06	EX8	DGZ		
		1	3, 7	L	12, 15, 16	EX8	DGZ		

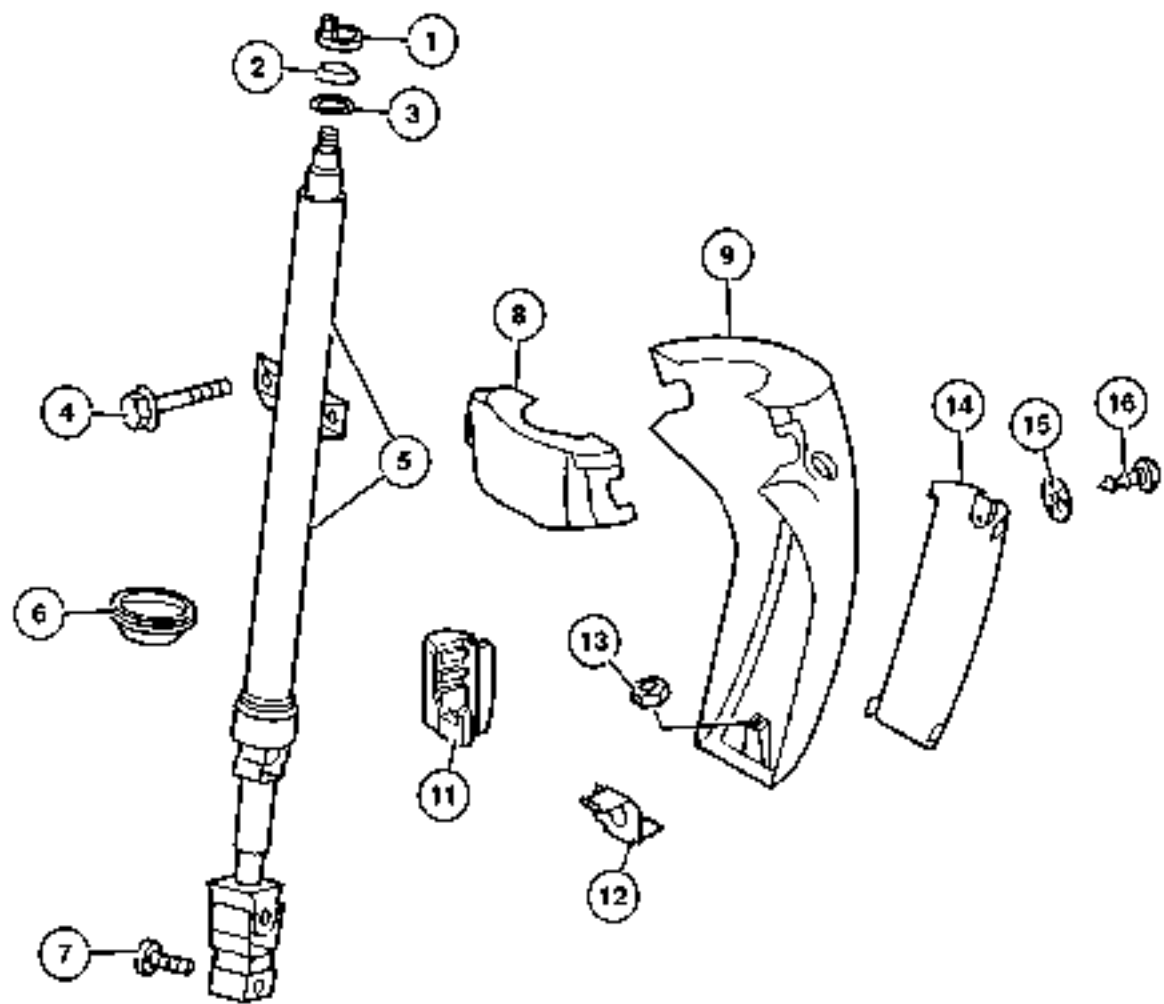
Refer to Model Legend Information Bookmark

AR = Use as required - = Non illustrated part # = New this model year

March 3, 2006

Column Steering and Related
Figure 019-210

ITEM	PART NUMBER	QTY	LINE	SERIES	BODY	ENGINE	TRANS	TRIM	DESCRIPTION
Note; Sales Codes;									
[WCL] = 15 Inch Steel Wheels									
[WDG] = 16 Inch Steel Wheels									
1	5103 651AA	1	2, 6	L	01, 02, 06	EX8	DGZ		RING
		1	2, 6	L	11, 12, 14, 15, 16	EX8	DGZ		
		1	2, 6	L	51, 52, 54, 55, 56	EX8	DGZ		
		1	3, 7	L	02, 06	EX8	DGZ		
		1	3, 7	L	12, 15, 16	EX8	DGZ		
2	5127 709AA	1	2, 6	L	01, 02, 06	EX8	DGZ		SPACER
		1	2, 6	L	11, 12, 14, 15, 16	EX8	DGZ		
		1	2, 6	L	51, 52, 54, 55, 56	EX8	DGZ		
		1	3, 7	L	02, 06	EX8	DGZ		
		1	3, 7	L	12, 15, 16	EX8	DGZ		
3	5127 708AA	1	2, 6	L	01, 02, 06	EX8	DGZ		WASHER, Thrust
		1	2, 6	L	11, 12, 14, 15, 16	EX8	DGZ		
		1	2, 6	L	51, 52, 54, 55, 56	EX8	DGZ		
		1	3, 7	L	02, 06	EX8	DGZ		
		1	3, 7	L	12, 15, 16	EX8	DGZ		
4	5126 227AA	2	2, 6	L	01, 02, 06	EX8	DGZ		BOLT, Hex Head
		2	2, 6	L	11, 12, 14, 15, 16	EX8	DGZ		



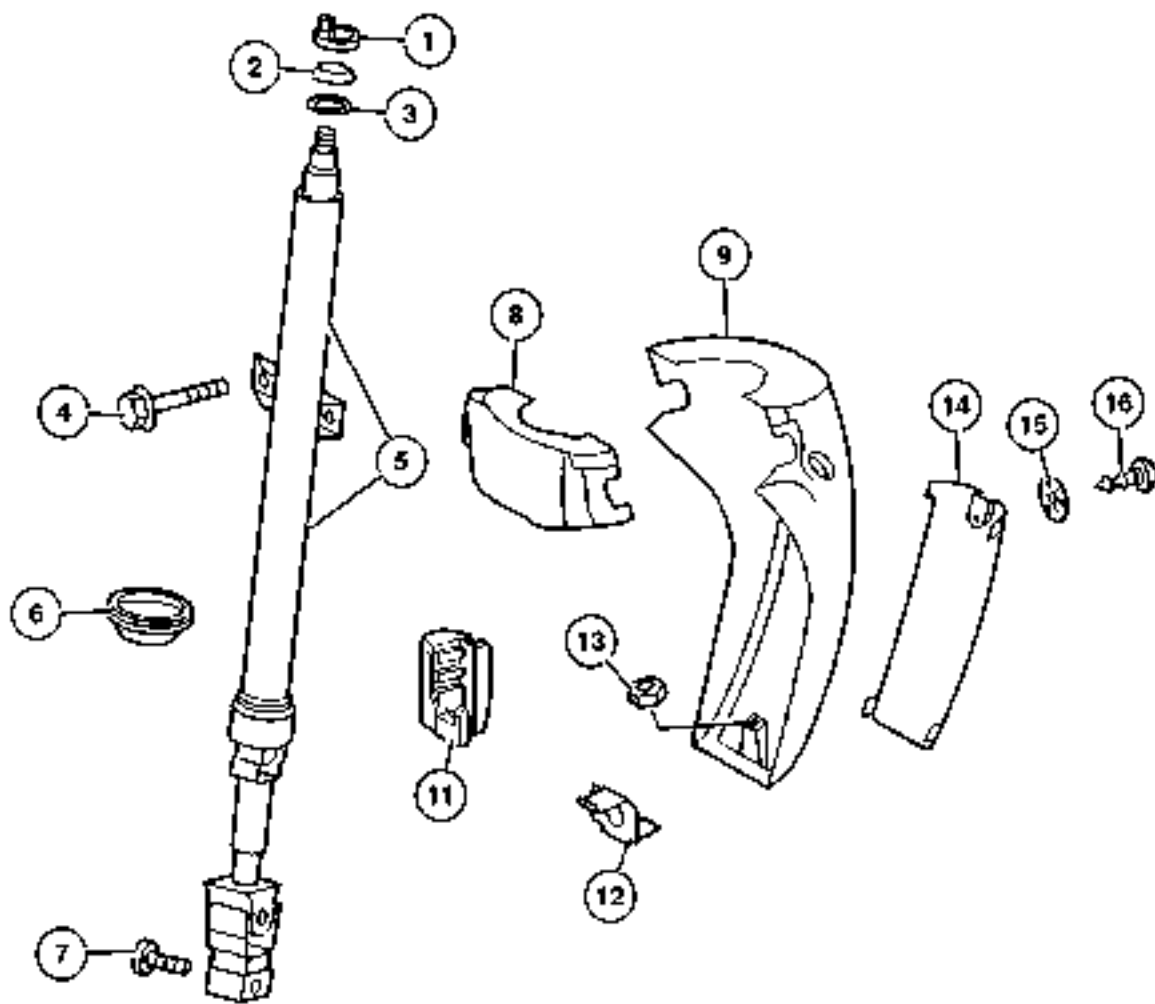
Refer to Model Legend Information Bookmark

AR = Use as required - = Non illustrated part # = New this model year

March 3, 2006

Column Steering and Related
Figure 019-210

ITEM	PART NUMBER	QTY	LINE	SERIES	BODY	ENGINE	TRANS	TRIM	DESCRIPTION
		2	2, 6	L	51, 52, 54, 55, 56	EX8	DGZ		
		2	3, 7	L	02, 06	EX8	DGZ		
		2	3, 7	L	12, 15, 16	EX8	DGZ		
5	5129 396AA	1	2, 6	L	01, 02, 06	EX8	DGZ		COLUMN, Steering With [BNB]
		1	2, 6	L	11, 12, 14, 15, 16	EX8	DGZ		With [BNB]
		1	2, 6	L	51, 52, 54, 55, 56	EX8	DGZ		With [BNB]
	5129 404AA	1	2, 6	L	01, 02, 06	EX8	DGZ		With [BNB+WDG]
		1	2, 6	L	11, 12, 14, 15, 16	EX8	DGZ		With [BNB+WDG]
		1	2, 6	L	51, 52, 54, 55, 56	EX8	DGZ		With [BNB+WDG]
6	5119 536AA	1	2, 6	L	01, 02, 06	EX8	DGZ		SEAL, Steering Gear
		1	2, 6	L	11, 12, 14, 15, 16	EX8	DGZ		
		1	2, 6	L	51, 52, 54, 55, 56	EX8	DGZ		
		1	3, 7	L	02, 06	EX8	DGZ		
		1	3, 7	L	12, 15, 16	EX8	DGZ		
7	5125 707AA	1	2, 6	L	01, 02, 06	EX8	DGZ		SCREW, Steering Column
		1	2, 6	L	11, 12, 14, 15, 16	EX8	DGZ		
		1	2, 6	L	51, 52, 54, 55, 56	EX8	DGZ		
		1	3, 7	L	02, 06	EX8	DGZ		



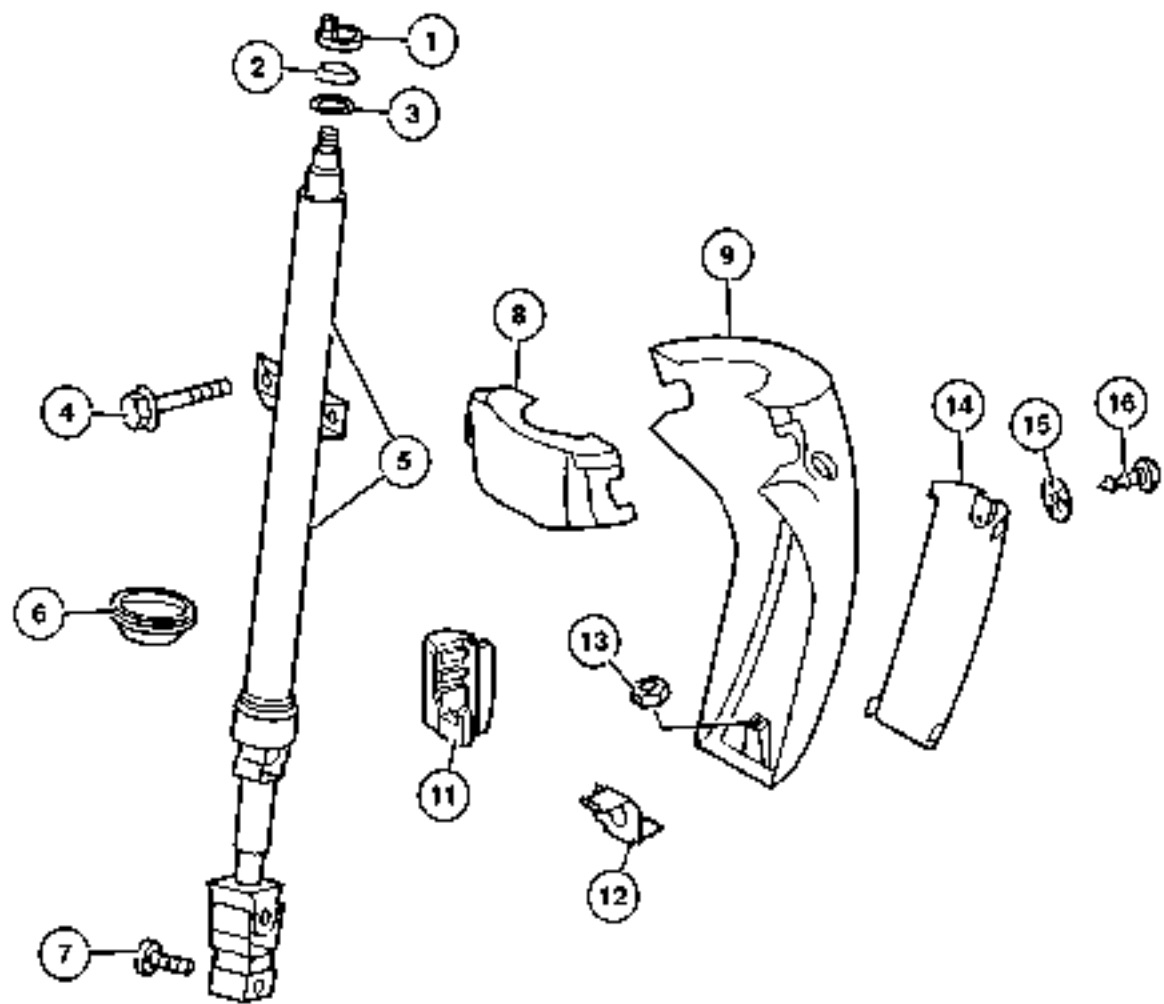
Refer to Model Legend Information Bookmark

AR = Use as required - = Non illustrated part # = New this model year

March 3, 2006

Column Steering and Related
Figure 019-210

ITEM	PART NUMBER	QTY	LINE	SERIES	BODY	ENGINE	TRANS	TRIM	DESCRIPTION
		1	3, 7	L	12, 15, 16	EX8	DGZ		
8	5119 534AA	1	2, 6	L	01, 02, 06	EX8	DGZ		SHROUD, Steering Column, Upper
		1	2, 6	L	11, 12, 14, 15, 16	EX8	DGZ		
		1	2, 6	L	51, 52, 54, 55, 56	EX8	DGZ		
		1	3, 7	L	02, 06	EX8	DGZ		
		1	3, 7	L	12, 15, 16	EX8	DGZ		
9	5119 524AA	1	2, 6	L	01, 02, 06	EX8	DGZ		SHROUD, Steering Column, Lower
		1	2, 6	L	11, 12, 14, 15, 16	EX8	DGZ		
		1	2, 6	L	51, 52, 54, 55, 56	EX8	DGZ		
		1	3, 7	L	02, 06	EX8	DGZ		
		1	3, 7	L	12, 15, 16	EX8	DGZ		
-10	5126 274AA-	2	2, 6	L	01, 02, 06	EX8	DGZ		SCREW, Steering Column
		2	2, 6	L	11, 12, 14, 15, 16	EX8	DGZ		
		2	2, 6	L	51, 52, 54, 55, 56	EX8	DGZ		
		2	3, 7	L	02, 06	EX8	DGZ		
		2	3, 7	L	12, 15, 16	EX8	DGZ		
11	5122 935AA	1	2, 6	L	01, 02, 06	EX8	DGZ		GROMMET, Steering Column Cover
		1	2, 6	L	11, 12, 14, 15, 16	EX8	DGZ		



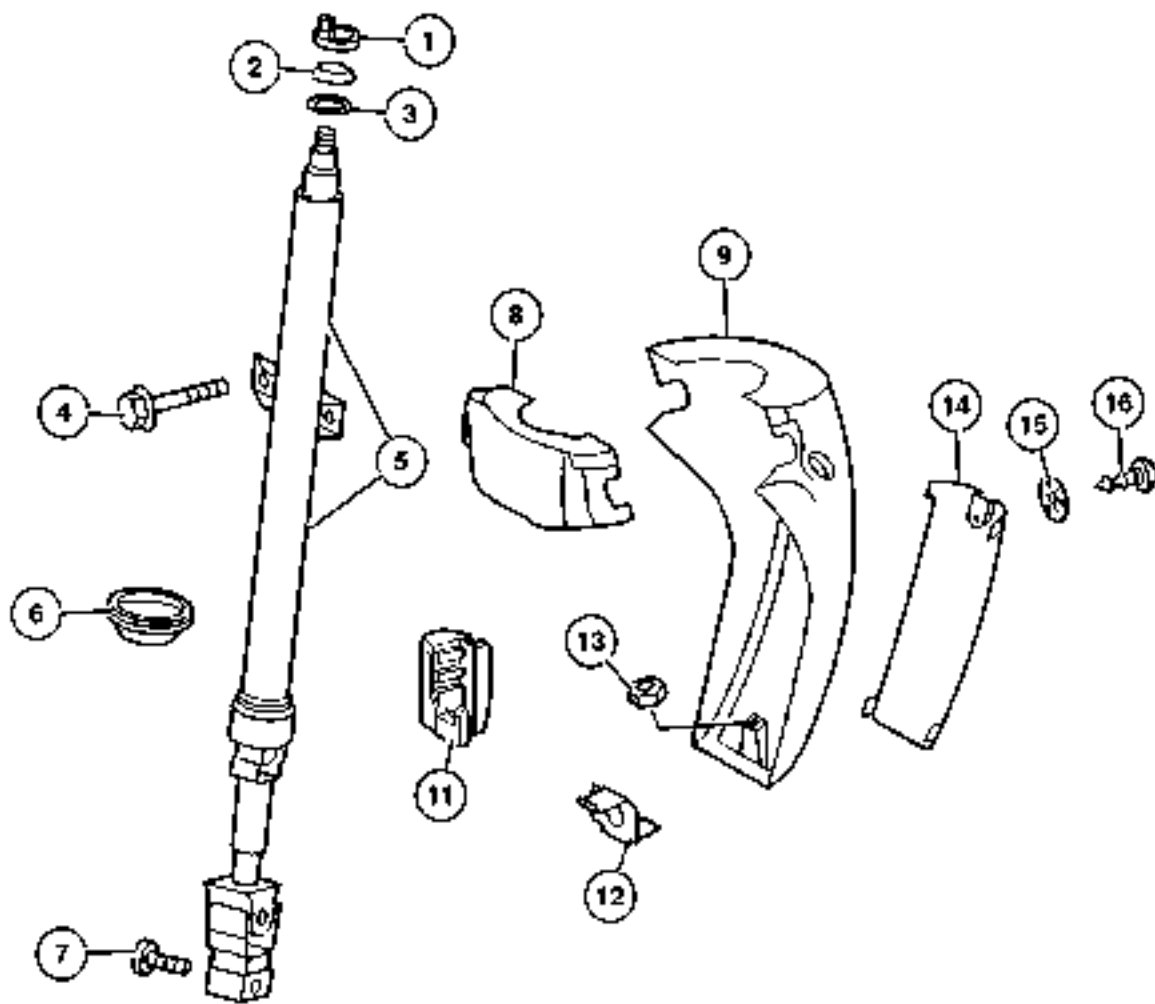
Refer to Model Legend Information Bookmark

AR = Use as required - = Non illustrated part # = New this model year

March 3, 2006

Column Steering and Related
Figure 019-210

ITEM	PART NUMBER	QTY	LINE	SERIES	BODY	ENGINE	TRANS	TRIM	DESCRIPTION
		1	2, 6	L	51, 52, 54, 55, 56	EX8	DGZ		
		1	3, 7	L	02, 06	EX8	DGZ		
		1	3, 7	L	12, 15, 16	EX8	DGZ		
12	5125 568AA	1	2, 6	L	01, 02, 06	EX8	DGZ		CLIP, Steering Column
		1	2, 6	L	11, 12, 14, 15, 16	EX8	DGZ		
		1	2, 6	L	51, 52, 54, 55, 56	EX8	DGZ		
		1	3, 7	L	02, 06	EX8	DGZ		
		1	3, 7	L	12, 15, 16	EX8	DGZ		
13	5127 449AA	2	2, 6	L	01, 02, 06	EX8	DGZ		NUT, M6x1.00
		2	2, 6	L	11, 12, 14, 15, 16	EX8	DGZ		
		2	2, 6	L	51, 52, 54, 55, 56	EX8	DGZ		
		2	3, 7	L	02, 06	EX8	DGZ		
		2	3, 7	L	12, 15, 16	EX8	DGZ		
14	5119 525AA	1	2, 6	L	01, 02, 06	EX8	DGZ		COVER, Steering Column Opening
		1	2, 6	L	11, 12, 14, 15, 16	EX8	DGZ		
		1	2, 6	L	51, 52, 54, 55, 56	EX8	DGZ		
		1	3, 7	L	02, 06	EX8	DGZ		
		1	3, 7	L	12, 15, 16	EX8	DGZ		
15	5125 751AA	1	2, 6	L	01, 02, 06	EX8	DGZ		WASHER, Steering Column



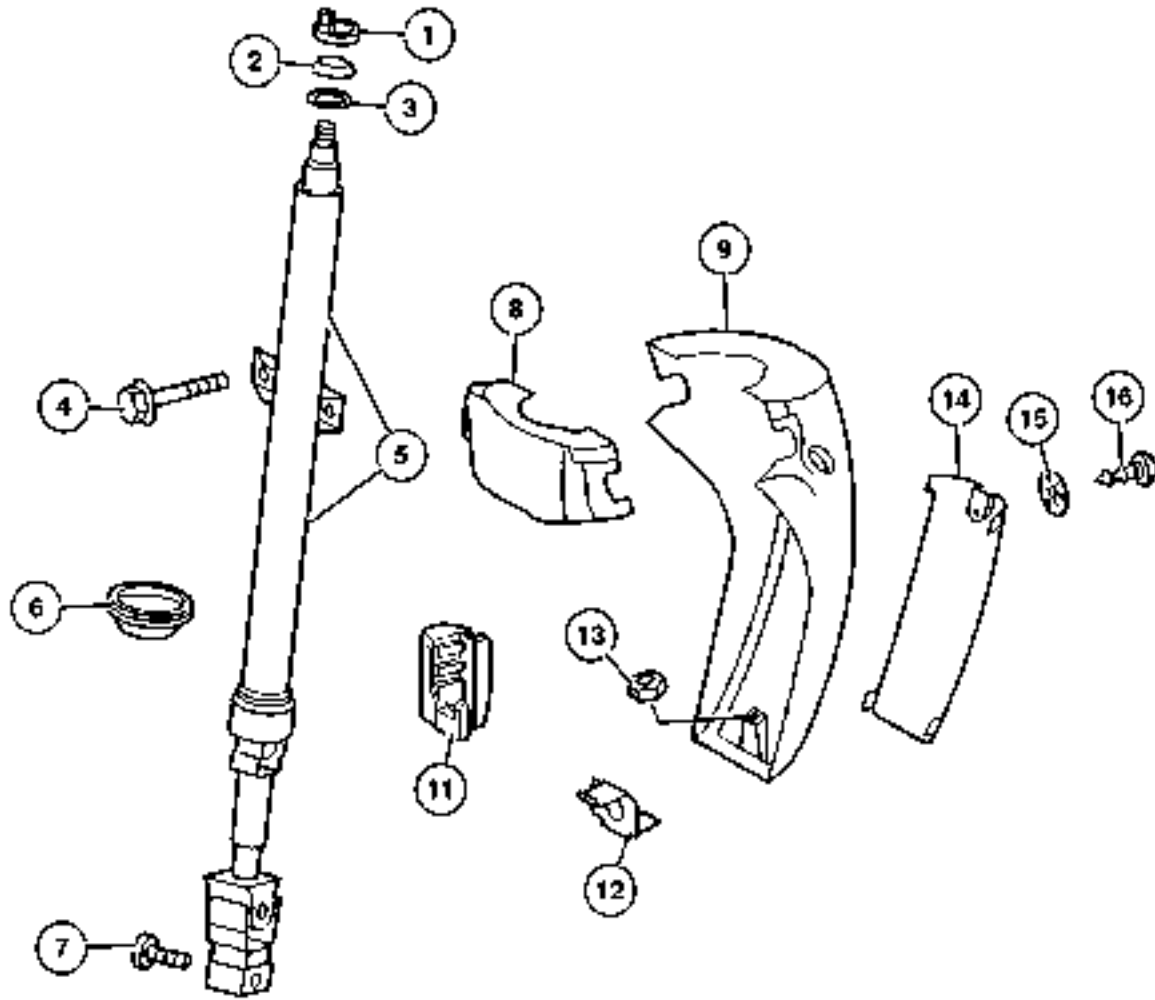
Refer to Model Legend Information Bookmark

AR = Use as required - = Non illustrated part # = New this model year

March 3, 2006

Column Steering and Related
Figure 019-210

ITEM	PART NUMBER	QTY	LINE	SERIES	BODY	ENGINE	TRANS	TRIM	DESCRIPTION
		1	2, 6	L	11, 12, 14, 15, 16	EX8	DGZ		
		1	2, 6	L	51, 52, 54, 55, 56	EX8	DGZ		
		1	3, 7	L	02, 06	EX8	DGZ		
		1	3, 7	L	12, 15, 16	EX8	DGZ		
16	5125 557AA	1	2, 6	L	01, 02, 06	EX8	DGZ		SCREW, Steering Column
		1	2, 6	L	11, 12, 14, 15, 16	EX8	DGZ		
		1	2, 6	L	51, 52, 54, 55, 56	EX8	DGZ		
		1	3, 7	L	02, 06	EX8	DGZ		
		1	3, 7	L	12, 15, 16	EX8	DGZ		



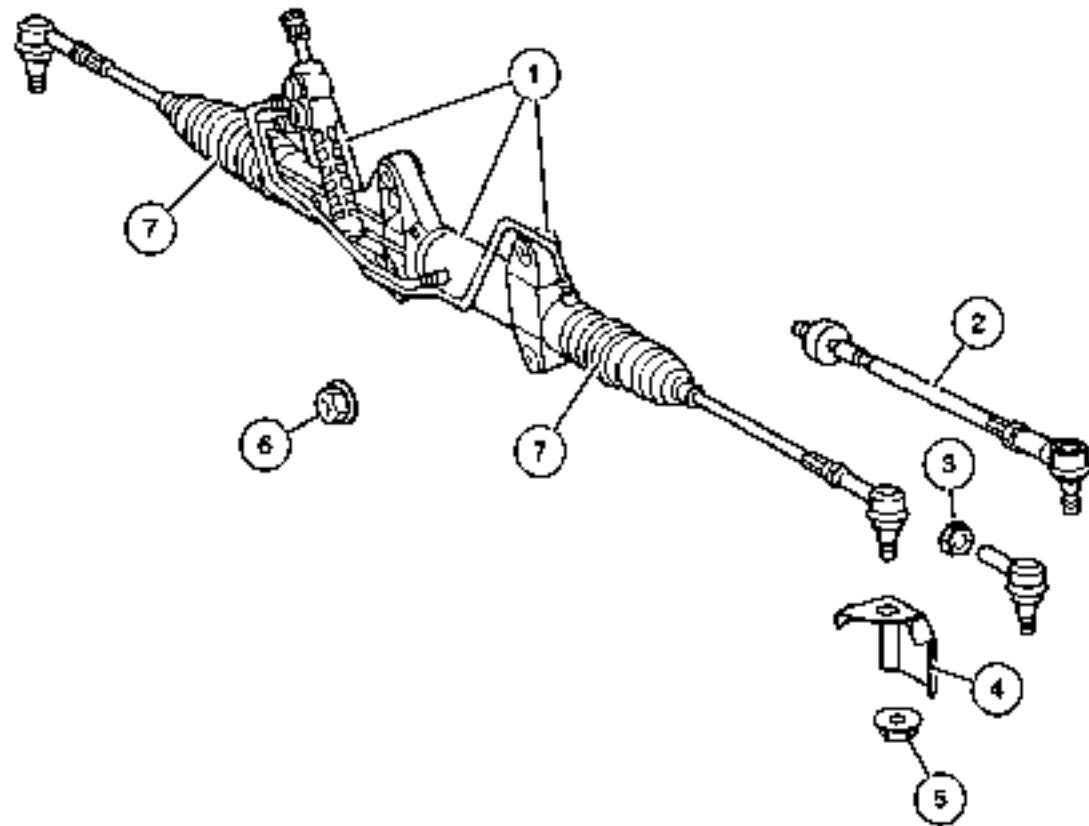
Refer to Model Legend Information Bookmark

AR = Use as required - = Non illustrated part # = New this model year

March 3, 2006

Gear - Steering
Figure 019-310

ITEM	PART NUMBER	QTY	LINE	SERIES	BODY	ENGINE	TRANS	TRIM	DESCRIPTION
Note; Sales Codes;									
[WCL] = 15 inch Steel Wheels									
[WDG] = 16 Inch Steel Wheels									
1	5104 094AA	1	2, 6	L	01, 02, 06	EX8	DGZ		GEAR, Power Steering 15 Wheels
		1	2, 6	L	11, 12, 14, 15, 16	EX8	DGZ		15 Wheels
		1	2, 6	L	51, 52, 54, 55, 56	EX8	DGZ		15 Wheels
	5104 585AA	1	2, 6	L	01, 02, 06	EX8	DGZ		16 Wheels
		1	2, 6	L	11, 12, 14, 15, 16	EX8	DGZ		16 Wheels
		1	2, 6	L	51, 52, 54, 55, 56	EX8	DGZ		16 Wheels
		1	3, 7	L	02, 06	EX8	DGZ		16 Wheels
		1	3, 7	L	12, 15, 16	EX8	DGZ		16 Wheels
2	5104 091AA	2	2, 6	L	01, 02, 06	EX8	DGZ		END, Tie Rod
		2	2, 6	L	11, 12, 14, 15, 16	EX8	DGZ		
		2	2, 6	L	51, 52, 54, 55, 56	EX8	DGZ		
		2	3, 7	L	02, 06	EX8	DGZ		
		2	3, 7	L	12, 15, 16	EX8	DGZ		
3	5133 906AA	2	2, 6	L	01, 02, 06	EX8	DGZ		JAM NUT, Outer Tie Rod
		2	2, 6	L	11, 12, 14, 15, 16	EX8	DGZ		
		2	2, 6	L	51, 52, 54, 55, 56	EX8	DGZ		
		2	3, 7	L	02, 06	EX8	DGZ		

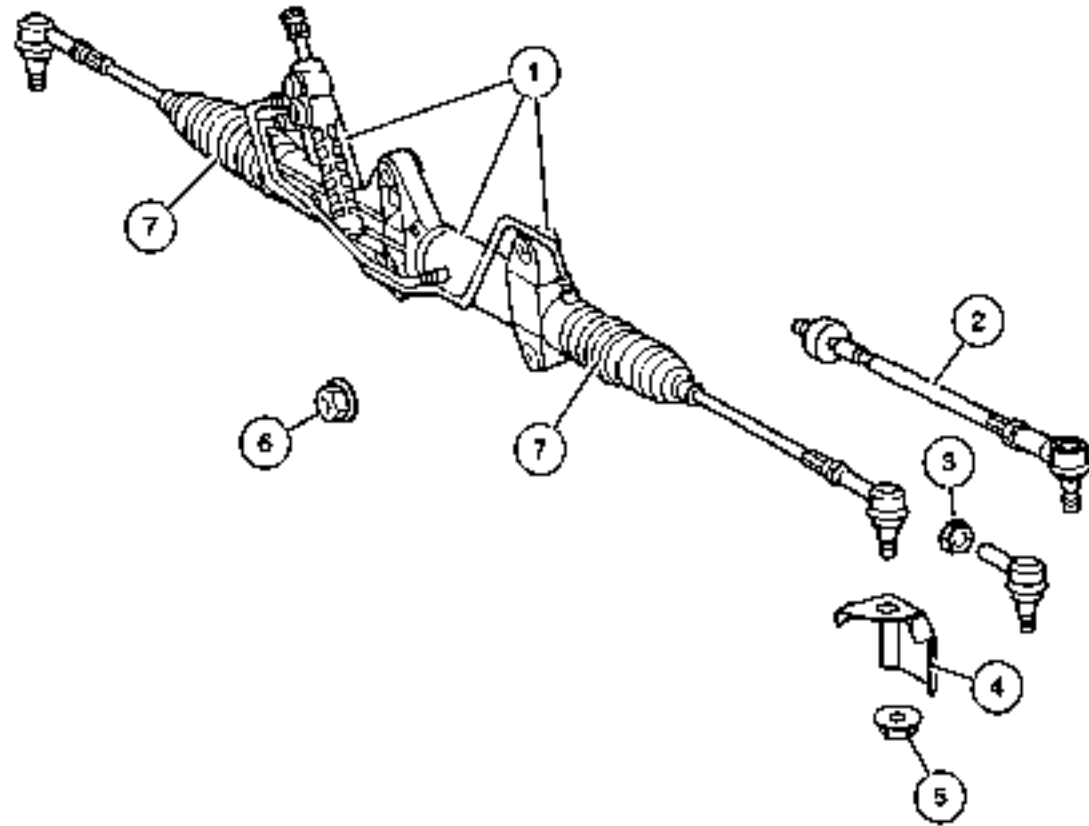


Refer to Model Legend Information Bookmark

AR = Use as required - = Non illustrated part # = New this model year

March 3, 2006

Gear - Steering
Figure 019-310



ITEM	PART NUMBER	QTY	LINE	SERIES	BODY	ENGINE	TRANS	TRIM	DESCRIPTION
		2	3, 7	L	12, 15, 16	EX8	DGZ		
4	5119 249AA	2	2, 6	L	01, 02, 06	EX8	DGZ		PLATE, Backing
		2	2, 6	L	11, 12, 14, 15, 16	EX8	DGZ		
		2	2, 6	L	51, 52, 54, 55, 56	EX8	DGZ		
		2	3, 7	L	02, 06	EX8	DGZ		
		2	3, 7	L	12, 15, 16	EX8	DGZ		
5	5125 761AA	2	2, 6	L	01, 02, 06	EX8	DGZ		NUT
		2	2, 6	L	11, 12, 14, 15, 16	EX8	DGZ		
		2	2, 6	L	51, 52, 54, 55, 56	EX8	DGZ		
		2	3, 7	L	02, 06	EX8	DGZ		
		2	3, 7	L	12, 15, 16	EX8	DGZ		
6	6104 717AA	2	2, 6	L	01, 02, 06	EX8	DGZ		NUT
		4	2, 6	L	11, 12, 14, 15, 16	EX8	DGZ		
		4	2, 6	L	51, 52, 54, 55, 56	EX8	DGZ		
		4	3, 7	L	02, 06	EX8	DGZ		
		4	3, 7	L	12, 15, 16	EX8	DGZ		
7	5133 904AA	2	2, 6	L	01, 02, 06	EX8	DGZ		BOOT, Steering Gear
		2	2, 6	L	11, 12, 14, 15, 16	EX8	DGZ		

Refer to Model Legend Information Bookmark

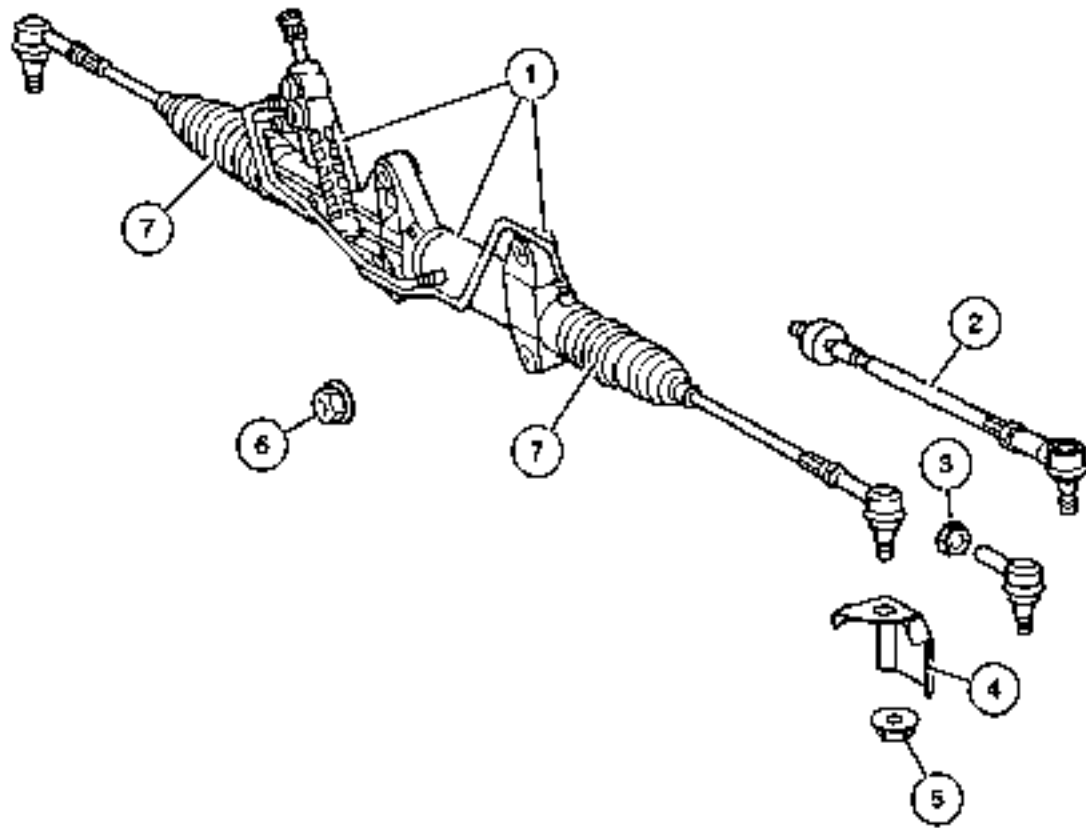
AR = Use as required - = Non illustrated part # = New this model year

March 3, 2006

Gear - Steering
Figure 019-310

ITEM	PART NUMBER	QTY	LINE	SERIES	BODY	ENGINE	TRANS	TRIM	DESCRIPTION
------	-------------	-----	------	--------	------	--------	-------	------	-------------

		2	2, 6	L	51, 52, 54, 55, 56	EX8	DGZ		
--	--	---	------	---	--------------------------	-----	-----	--	--



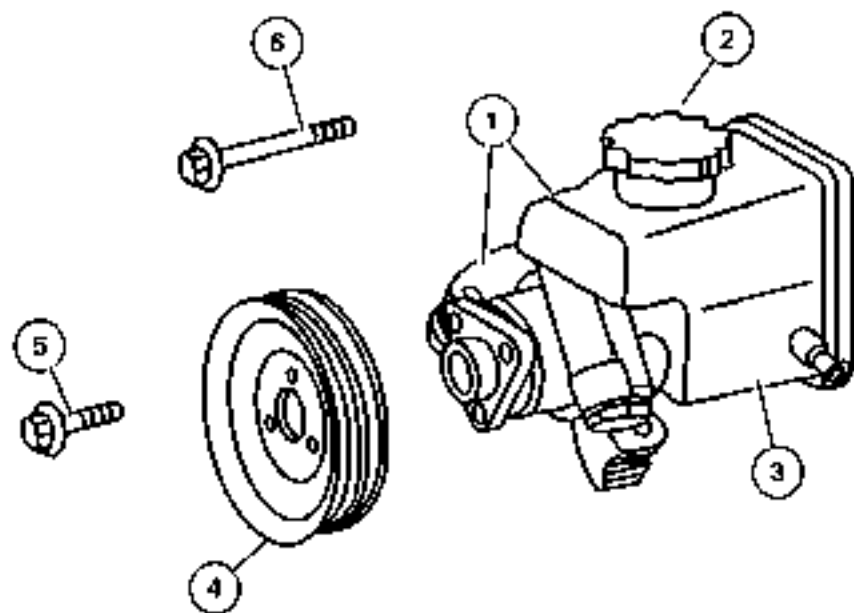
Refer to Model Legend Information Bookmark

AR = Use as required - = Non illustrated part # = New this model year

March 3, 2006

**Pump and Pulley, Steering
Figure 019-510**

ITEM	PART NUMBER	QTY	LINE	SERIES	BODY	ENGINE	TRANS	TRIM	DESCRIPTION
Note; Sales Codes; [EX8] = 2.7L I5 MERCEDES-BENZ									
1	5103 795AA	1	2, 6	L	01, 02, 06	EX8	DGZ		PUMP, Power Steering
		1	2, 6	L	11, 12, 14, 15, 16	EX8	DGZ		
		1	2, 6	L	51, 52, 54, 55, 56	EX8	DGZ		
		1	3, 7	L	02, 06	EX8	DGZ		
		1	3, 7	L	12, 15, 16	EX8	DGZ		
2	5139 279AA	1							CAP, Power Steering Reservoir
3									RESERVOIR, Power Steering Pump, Service with power steering pump, (NOT SERVICED) (Not Serviced)
4	5117 692AA	1	2, 6	L	01, 02, 06	EX8	DGZ		PULLEY, Power Steering Pump
		1	2, 6	L	11, 12, 14, 15, 16	EX8	DGZ		
		1	2, 6	L	51, 52, 54, 55, 56	EX8	DGZ		
		1	3, 7	L	02, 06	EX8	DGZ		
		1	3, 7	L	12, 15, 16	EX8	DGZ		
5	6507 218AA	3	2, 6	L	01, 02, 06	EX8	DGZ		SCREW Pulley mounting
		3	2, 6	L	11, 12, 14, 15, 16	EX8	DGZ		Pulley mounting
		3	2, 6	L	51, 52, 54, 55, 56	EX8	DGZ		Pulley mounting
		3	3, 7	L	02, 06	EX8	DGZ		Pulley mounting
		3	3, 7	L	12, 15, 16	EX8	DGZ		Pulley mounting
6	5133 207AA	1	2, 6	L	01, 02, 06	EX8	DGZ		BOLT, Hex Head Pump Mounting



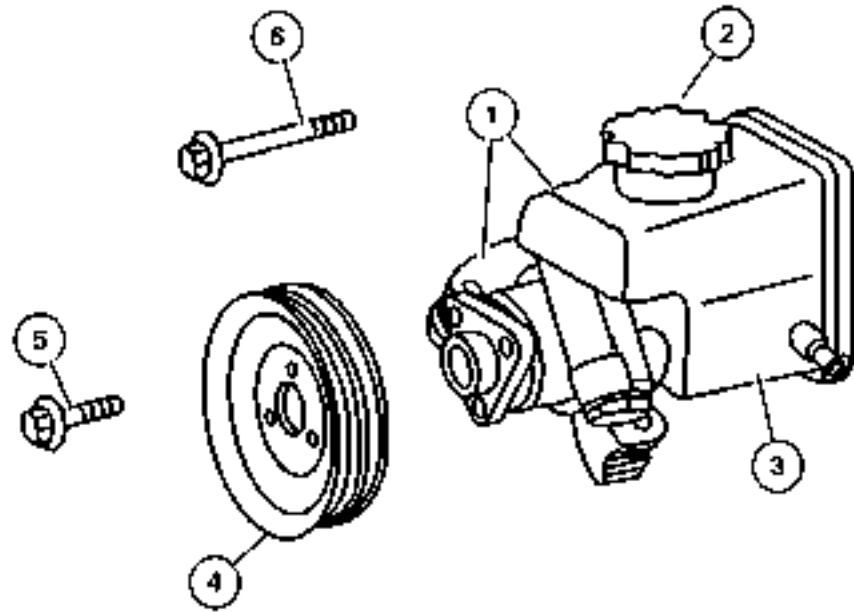
Refer to Model Legend Information Bookmark

AR = Use as required - = Non illustrated part # = New this model year

March 3, 2006

Pump and Pulley, Steering
Figure 019-510

ITEM	PART NUMBER	QTY	LINE	SERIES	BODY	ENGINE	TRANS	TRIM	DESCRIPTION
		1	2, 6	L	11, 12, 14, 15, 16	EX8	DGZ		Pump Mounting
		1	2, 6	L	51, 52, 54, 55, 56	EX8	DGZ		Pump Mounting
		1	3, 7	L	02, 06	EX8	DGZ		Pump Mounting
		1	3, 7	L	12, 15, 16	EX8	DGZ		Pump Mounting

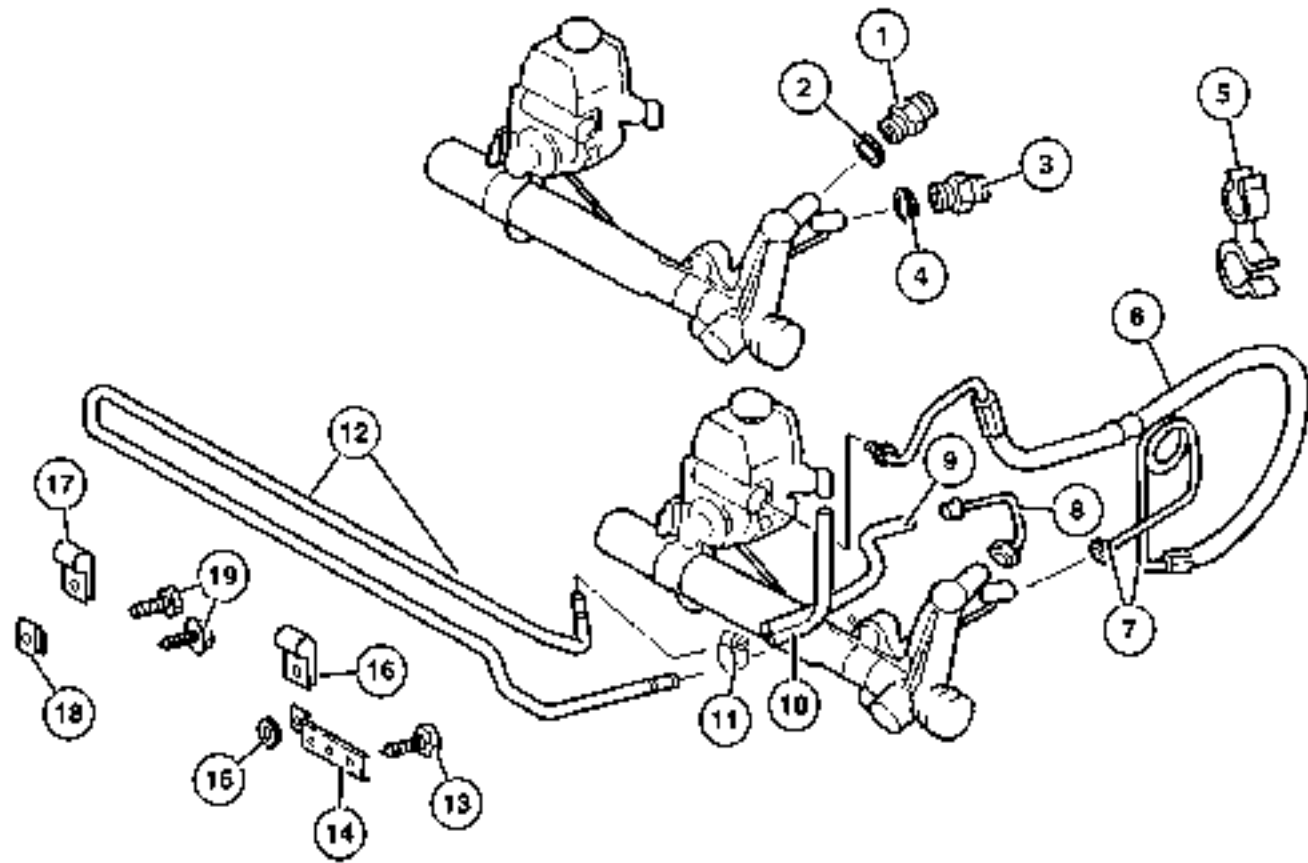


Refer to Model Legend Information Bookmark

AR = Use as required - = Non illustrated part # = New this model year

March 3, 2006

Hoses Steering and Related Figure 019-710



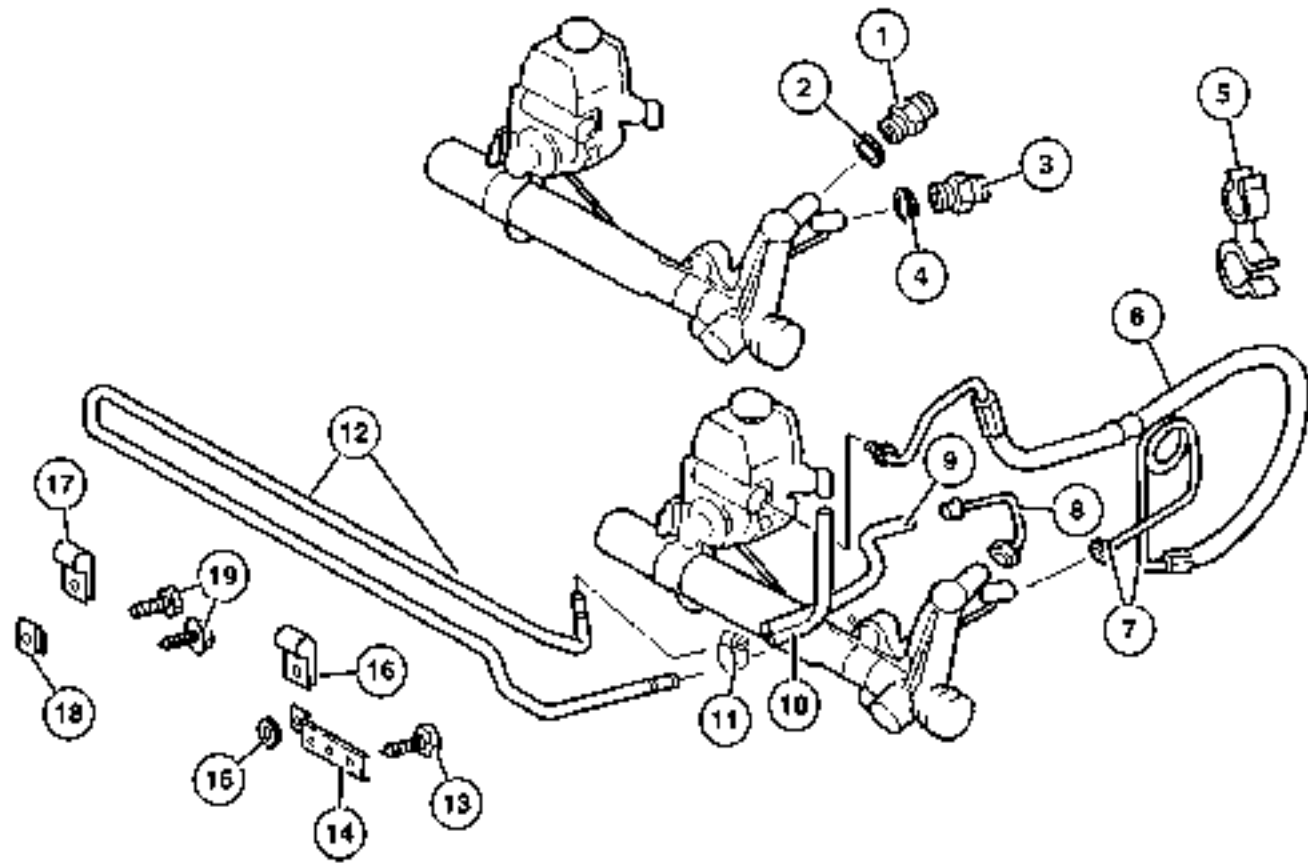
ITEM	PART NUMBER	QTY	LINE	SERIES	BODY	ENGINE	TRANS	TRIM	DESCRIPTION
Note; Sales Codes;									
[EX8] = 2.7L I5 MERCEDES-BENZ									
1	5104 540AA	1	2, 6	L	01, 02, 06	EX8	DGZ		FITTING, Power Steering Pump
		1	2, 6	L	11, 12, 14, 15, 16	EX8	DGZ		
		1	2, 6	L	51, 52, 54, 55, 56	EX8	DGZ		
		1	3, 7	L	02, 06	EX8	DGZ		
		1	3, 7	L	12, 15, 16	EX8	DGZ		
2	5102 646AA	1	2, 6	L	01, 02, 06	EX8	DGZ		SEAL
		1	2, 6	L	11, 12, 14, 15, 16	EX8	DGZ		
		1	2, 6	L	51, 52, 54, 55, 56	EX8	DGZ		
		1	3, 7	L	02, 06	EX8	DGZ		
		1	3, 7	L	12, 15, 16	EX8	DGZ		
3	5104 025AA	1	2, 6	L	01, 02, 06	EX8	DGZ		FITTING, Power Steering Pump
		1	2, 6	L	11, 12, 14, 15, 16	EX8	DGZ		
		1	2, 6	L	51, 52, 54, 55, 56	EX8	DGZ		
		1	3, 7	L	02, 06	EX8	DGZ		
		1	3, 7	L	12, 15, 16	EX8	DGZ		
4	5102 646AA	1	2, 6	L	01, 02, 06	EX8	DGZ		SEAL
		1	2, 6	L	11, 12, 14, 15, 16	EX8	DGZ		

Refer to Model Legend Information Bookmark

AR = Use as required - = Non illustrated part # = New this model year

March 3, 2006

Hoses Steering and Related Figure 019-710



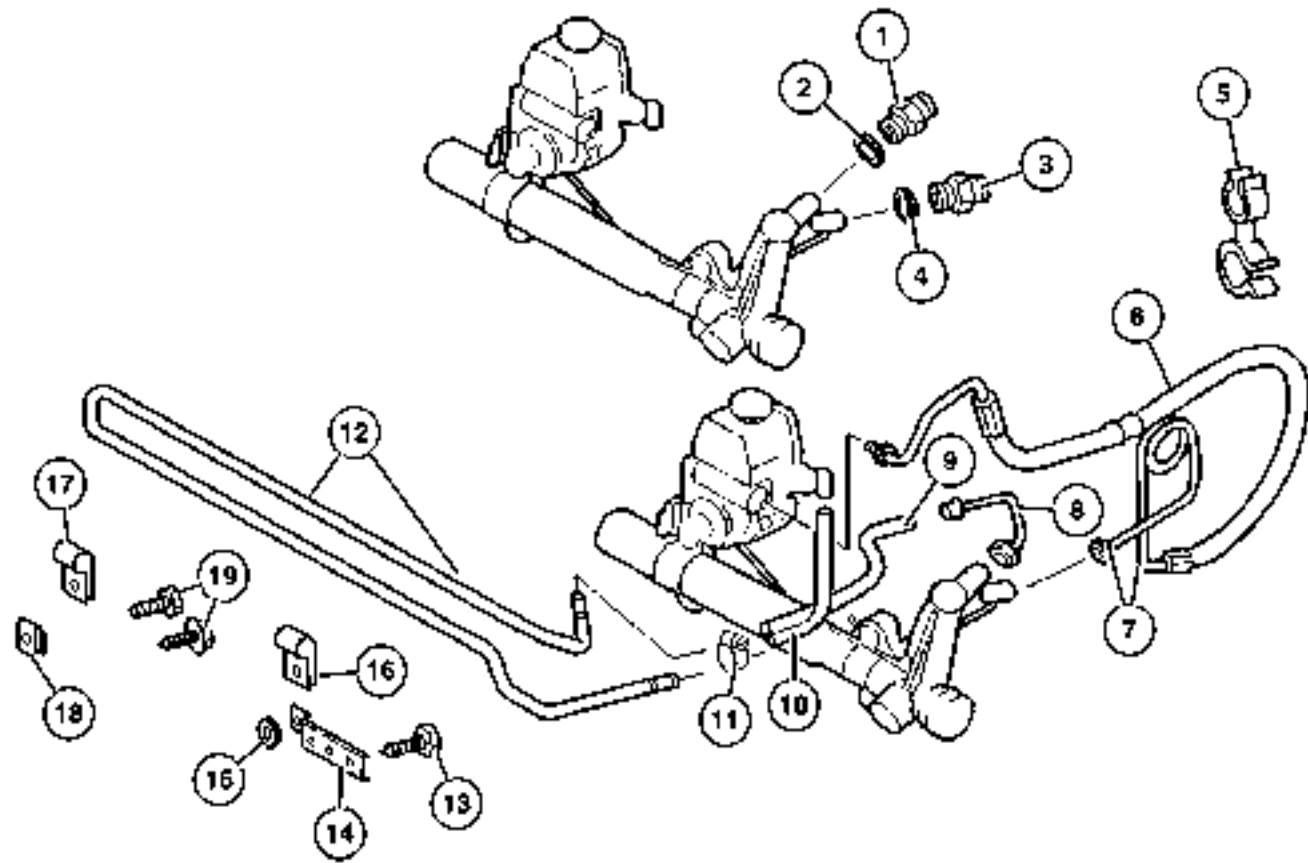
ITEM	PART NUMBER	QTY	LINE	SERIES	BODY	ENGINE	TRANS	TRIM	DESCRIPTION
		1	2, 6	L	51, 52, 54, 55, 56	EX8	DGZ		
		1	3, 7	L	02, 06	EX8	DGZ		
		1	3, 7	L	12, 15, 16	EX8	DGZ		
5	5125 887AA	1	2, 6	L	01, 02, 06	EX8	DGZ		CLAMP, Brake Hose
		1	2, 6	L	11, 12, 14, 15, 16	EX8	DGZ		
		1	2, 6	L	51, 52, 54, 55, 56	EX8	DGZ		
		1	3, 7	L	02, 06	EX8	DGZ		
		1	3, 7	L	12, 15, 16	EX8	DGZ		
6	5119 564AA	1	2, 6	L	01, 02, 06	EX8	DGZ		HOSE, Power Steering Pressure
		1	2, 6	L	11, 12, 14, 15, 16	EX8	DGZ		
		1	2, 6	L	51, 52, 54, 55, 56	EX8	DGZ		
		1	3, 7	L	02, 06	EX8	DGZ		
		1	3, 7	L	12, 15, 16	EX8	DGZ		
7	5119 563AA	1	2, 6	L	01, 02, 06	EX8	DGZ		HOSE, Power Steering Return
		1	2, 6	L	11, 12, 14, 15, 16	EX8	DGZ		
		1	2, 6	L	51, 52, 54, 55, 56	EX8	DGZ		
		1	3, 7	L	02, 06	EX8	DGZ		
		1	3, 7	L	12, 15, 16	EX8	DGZ		
8	5104 093AA	1	2, 6	L	01, 02, 06	EX8	DGZ		LINE, Power Steering Return

Refer to Model Legend Information Bookmark

AR = Use as required - = Non illustrated part # = New this model year

March 3, 2006

Hoses Steering and Related Figure 019-710



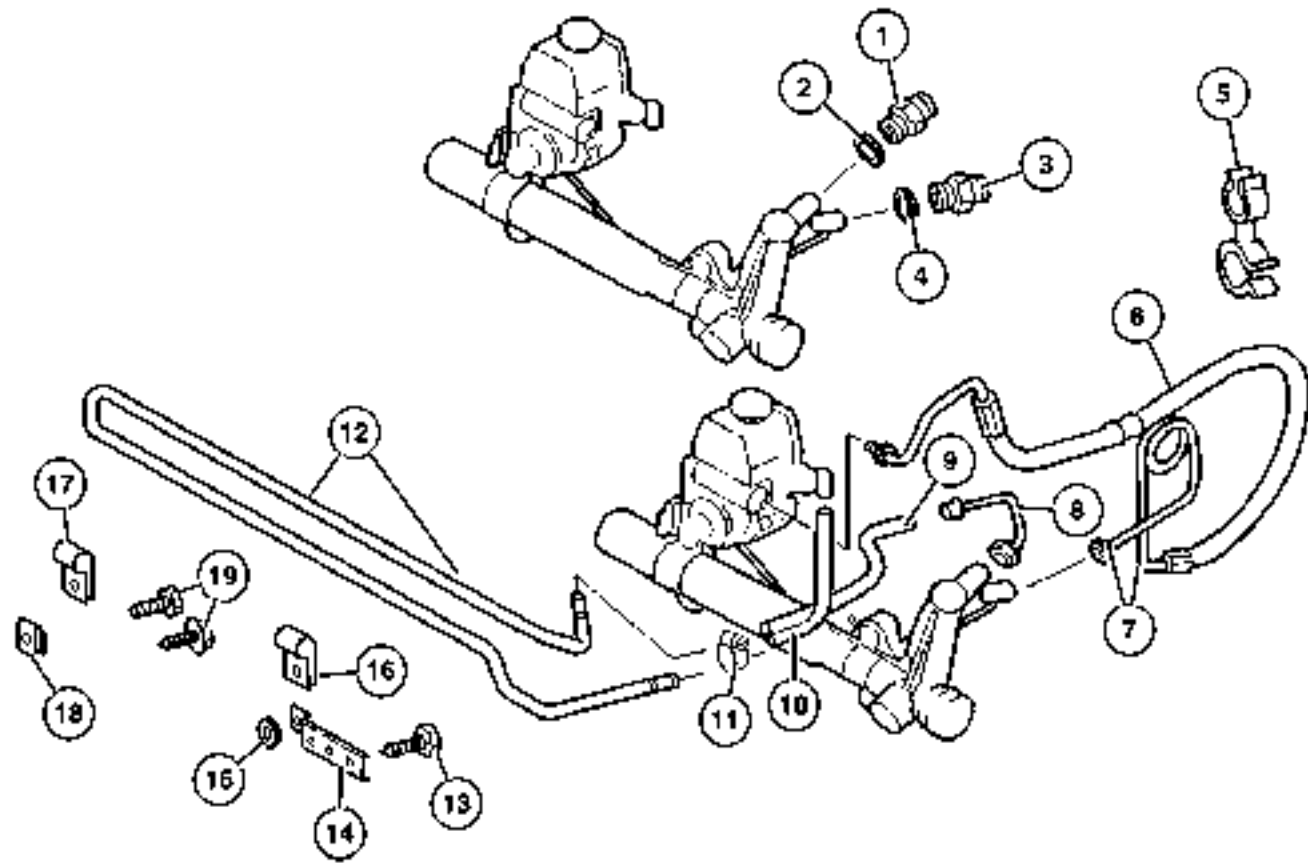
ITEM	PART NUMBER	QTY	LINE	SERIES	BODY	ENGINE	TRANS	TRIM	DESCRIPTION
		1	2, 6	L	11, 12, 14, 15, 16	EX8	DGZ		
		1	2, 6	L	51, 52, 54, 55, 56	EX8	DGZ		
		1	3, 7	L	02, 06	EX8	DGZ		
		1	3, 7	L	12, 15, 16	EX8	DGZ		
9	5133 784AA	100	2, 6	L	01, 02, 06	EX8	DGZ		HOSE
		100	2, 6	L	11, 12, 14, 15, 16	EX8	DGZ		
		100	2, 6	L	51, 52, 54, 55, 56	EX8	DGZ		
		100	3, 7	L	02, 06	EX8	DGZ		
		100	3, 7	L	12, 15, 16	EX8	DGZ		
10	5119 563AA	1	2, 6	L	01, 02, 06	EX8	DGZ		HOSE, Power Steering Return
		1	2, 6	L	11, 12, 14, 15, 16	EX8	DGZ		
		1	2, 6	L	51, 52, 54, 55, 56	EX8	DGZ		
		1	3, 7	L	02, 06	EX8	DGZ		
		1	3, 7	L	12, 15, 16	EX8	DGZ		
11	5096 431AA	2	2, 6	L	01, 02, 06	EX8	DGZ		CLAMP, Brake Hose
		2	2, 6	L	11, 12, 14, 15, 16	EX8	DGZ		
		2	2, 6	L	51, 52, 54, 55, 56	EX8	DGZ		
		2	3, 7	L	02, 06	EX8	DGZ		
		2	3, 7	L	12, 15, 16	EX8	DGZ		
12									TUBE

Refer to Model Legend Information Bookmark

AR = Use as required - = Non illustrated part # = New this model year

March 3, 2006

Hoses Steering and Related Figure 019-710



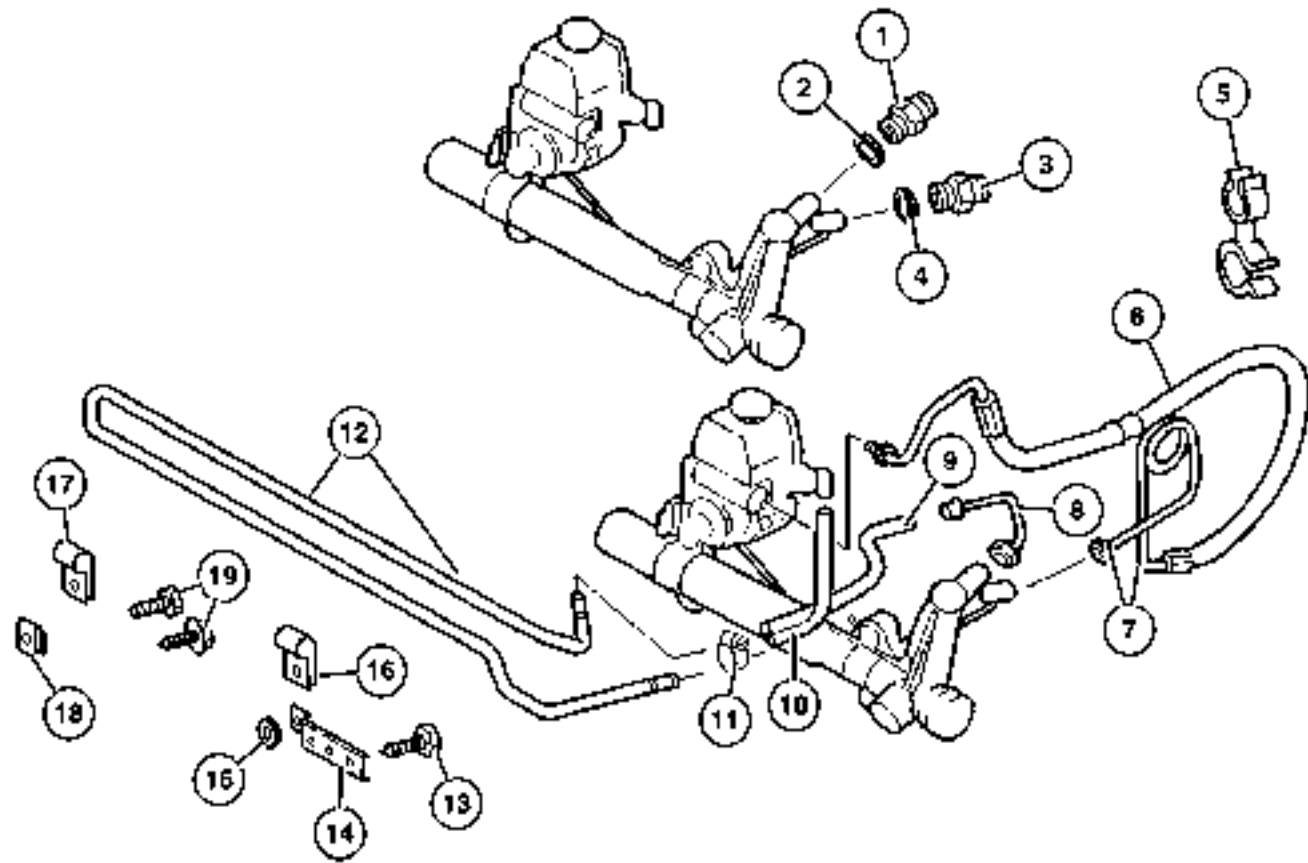
ITEM	PART NUMBER	QTY	LINE	SERIES	BODY	ENGINE	TRANS	TRIM	DESCRIPTION
	5104 098AA	1	2, 6	L	01, 02, 06	EX8	DGZ		
		1	2, 6	L	11, 12, 14, 15, 16	EX8	DGZ		
		1	2, 6	L	51, 52, 54, 55, 56	EX8	DGZ		
		1	3, 7	L	02, 06	EX8	DGZ		
		1	3, 7	L	12, 15, 16	EX8	DGZ		
13									SCREW, Tapping
	6104 574AA	3	2, 6	L	01, 02, 06	EX8	DGZ		
		3	2, 6	L	11, 12, 14, 15, 16	EX8	DGZ		
		3	2, 6	L	51, 52, 54, 55, 56	EX8	DGZ		
		3	3, 7	L	02, 06	EX8	DGZ		
		3	3, 7	L	12, 15, 16	EX8	DGZ		
14									BRACKET, Mounting
	5119 556AA	2	2, 6	L	01, 02, 06	EX8	DGZ		
		2	2, 6	L	11, 12, 14, 15, 16	EX8	DGZ		
		2	2, 6	L	51, 52, 54, 55, 56	EX8	DGZ		
		2	3, 7	L	02, 06	EX8	DGZ		
		2	3, 7	L	12, 15, 16	EX8	DGZ		
15									WASHER
	5104 639AA	99	2, 6	L	11, 12, 14, 15, 16	EX8	DGZ		
		99	2, 6	L	51, 52, 54, 55, 56	EX8	DGZ		
		16	3, 7	L	12, 15, 16	EX8	DGZ		
16									CLAMP

Refer to Model Legend Information Bookmark

AR = Use as required - = Non illustrated part # = New this model year

March 3, 2006

Hoses Steering and Related Figure 019-710



ITEM	PART NUMBER	QTY	LINE	SERIES	BODY	ENGINE	TRANS	TRIM	DESCRIPTION
	5126 283AA	4	2, 6	L	01, 02, 06	EX8	DGZ		
		4	2, 6	L	11, 12, 14, 15, 16	EX8	DGZ		
		4	2, 6	L	51, 52, 54, 55, 56	EX8	DGZ		
		4	3, 7	L	02, 06	EX8	DGZ		
		4	3, 7	L	12, 15, 16	EX8	DGZ		
17									CLAMP
	5132 910AA	2	2, 6	L	01, 02, 06	EX8	DGZ		
		2	2, 6	L	11, 12, 14, 15, 16	EX8	DGZ		
		2	2, 6	L	51, 52, 54, 55, 56	EX8	DGZ		
18									NUT
	5103 733AA	3	2, 6	L	01, 02, 06	EX8	DGZ		
		3	2, 6	L	11, 12, 14, 15, 16	EX8	DGZ		
		3	2, 6	L	51, 52, 54, 55, 56	EX8	DGZ		
		3	3, 7	L	02, 06	EX8	DGZ		
		3	3, 7	L	12, 15, 16	EX8	DGZ		
19									SCREW, (NOT SERVICED) (Not Serviced)

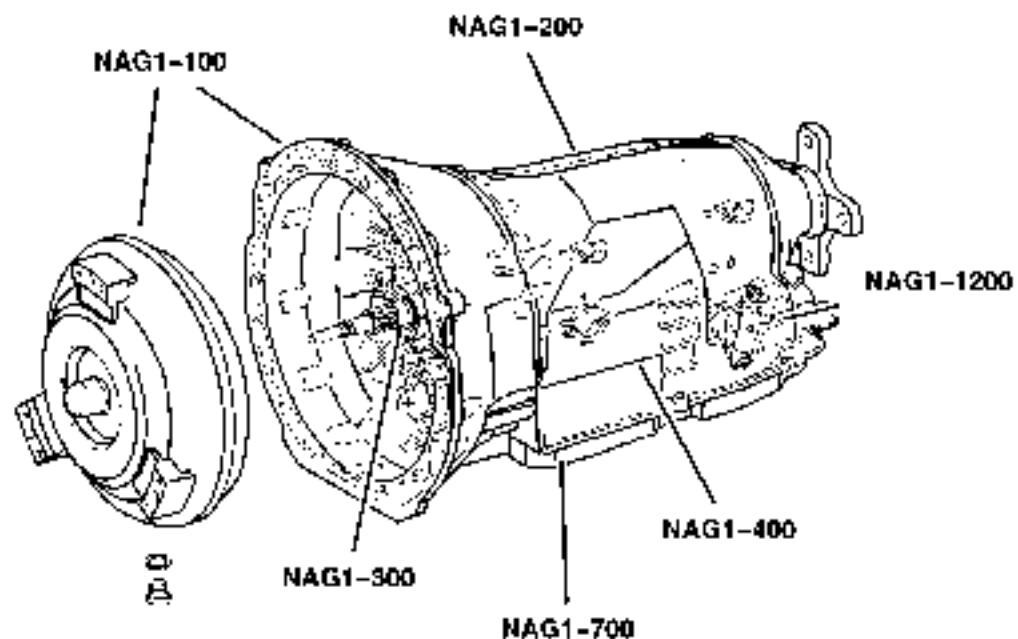
Refer to Model Legend Information Bookmark

AR = Use as required - = Non illustrated part # = New this model year

March 3, 2006







Group – NAG1

Automatic Transmission 5 Speed [DGZ]



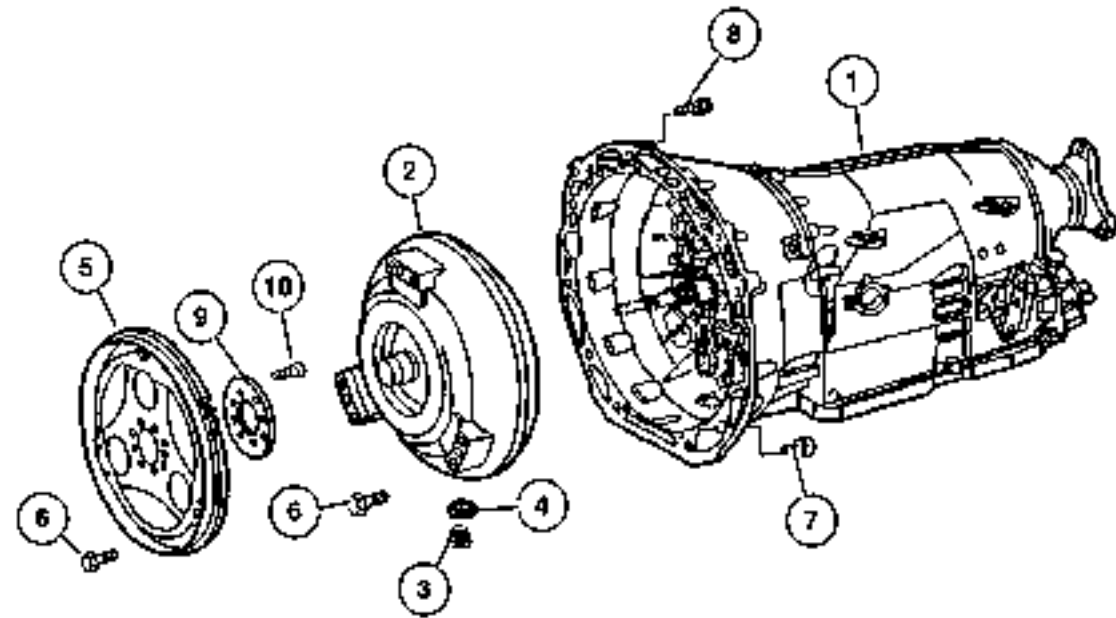
GROUP NAG1 - Automatic Transmission 5 Speed [DGZ]

Illustration Title	Group-Fig. No.
Transmission Assembly	
Automatic Transmission [DGZ]	Fig. NAG1-110
Case and Extension	
Case & Related Parts [DGZ]	Fig. NAG1-210
Oil Pump	
Housing, Converter & Pump, Oil [DGZ]	Fig. NAG1-310
Gear Train	
Laminated Brake & Front Support - [B1] [DGZ]	Fig. NAG1-410
Gear Train, Front Planetary Clutch - [K-1] [DGZ]	Fig. NAG1-420
Carrier, Planetary - [K1] - [VPLS] [DGZ]	Fig. NAG1-430
Clutch - Output Shaft - [K2] [DGZ]	Fig. NAG1-440
Center & Rear Planetary Set - Output Shaft - [MPLS/HPLS] [DGZ]	Fig. NAG1-450
Clutch - [K3] [DGZ]	Fig. NAG1-460
Multiple Disc Brake - [B2 & B3] [DGZ] - 1 Of 3	Fig. NAG1-470
Multiple Disc Brake - [B2 & B3] [DGZ] - 2 Of 3	Fig. NAG1-480
Multiple Disc Brake - [B2 & B3] [DGJ] - 3 Of 3	Fig. NAG1-490
Valve Body	
Electronic - Hydraulic Control [DGZ]	Fig. NAG1-710
Oil Pan & Gasket [DGZ]	Fig. NAG1-720
Gearshift Controls	
Gear Shift Control [DGZ]	Fig. NAG1-1210

NAG1-100 Transmission Assembly 	NAG1-200 Case and Extension 	NAG1-300 Oil Pump 	NAG1-400 Gear Train 
NAG1-700 Valve Body 	NAG1-1200 Gearshift Controls 		

**Automatic Transmission [DGZ]
Figure NAG1-110**

ITEM	PART NUMBER	QTY	LINE	SERIES	BODY	ENGINE	TRANS	TRIM	DESCRIPTION
NOTE: Transmission Assembly Does Not Include Torque Converter. Torque Converter Serviced Separately.									
Sales Codes:									
[DGZ]=5 Speed Automatic Transmission - [NAG1] - [W5A380]									
1									TRANSMISSION, Automatic
	5117 838AA	1	2, 6	L		EX8	DGZ		
		1	3, 7	L		EX8	DGZ		
2	5104 567AA	1	2, 3, 6, 7	L		EX8	DGZ		CONVERTER, Torque
3	5080 398AA	1	2, 3, 6, 7	L		EX8	DGZ		PLUG
4	5080 014AA	1	2, 3, 6, 7	L		EX8	DGZ		O RING
5	5137 274AA	1		L		EX8			FLEX PLATE
6									SCREW
	6507 095AA	6	2, 6	L		EX8	DGZ		
		6	3, 7	L		EX8	DGZ		
7									SCREW
	6104 047AA	2	2, 6	L		EX8	DGZ		
		2	3, 7	L		EX8	DGZ		
8									BOLT, Hex Flange Head, M10x40
	6104 218AA	6	2, 6	L		EX8	DGZ		
		6	3, 7	L		EX8	DGZ		
9	5080 066AA	1				EX8	DGZ		WASHER
10									BOLT, Hex Flange Head, M10x40
	6104 218AA	6	2, 6	L		EX8	DGZ		
		6	3, 7	L		EX8	DGZ		

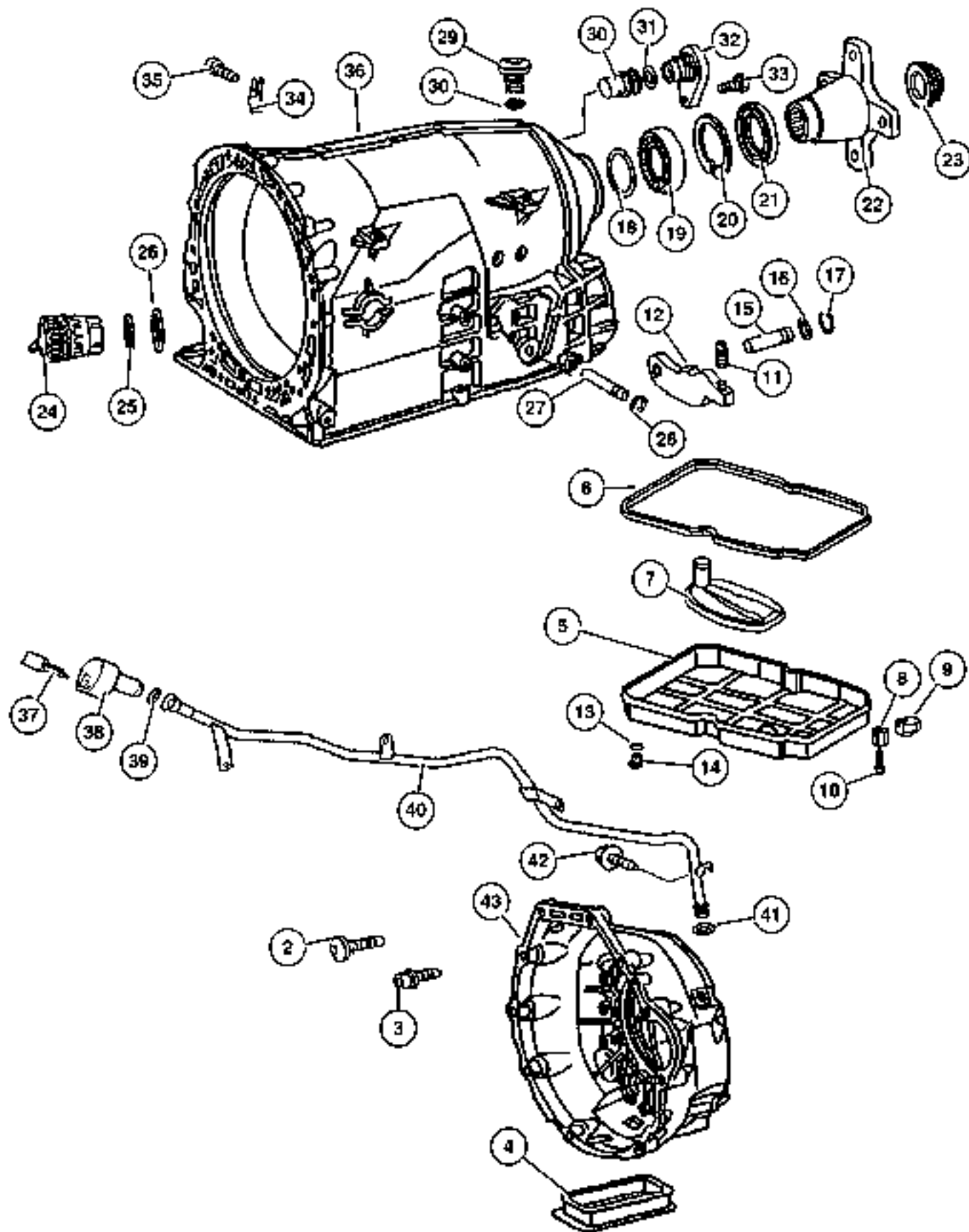


Refer to Model Legend Information Bookmark

AR = Use as required - = Non illustrated part # = New this model year

March 3, 2006

Case & Related Parts [DGZ]
Figure NAG1-210



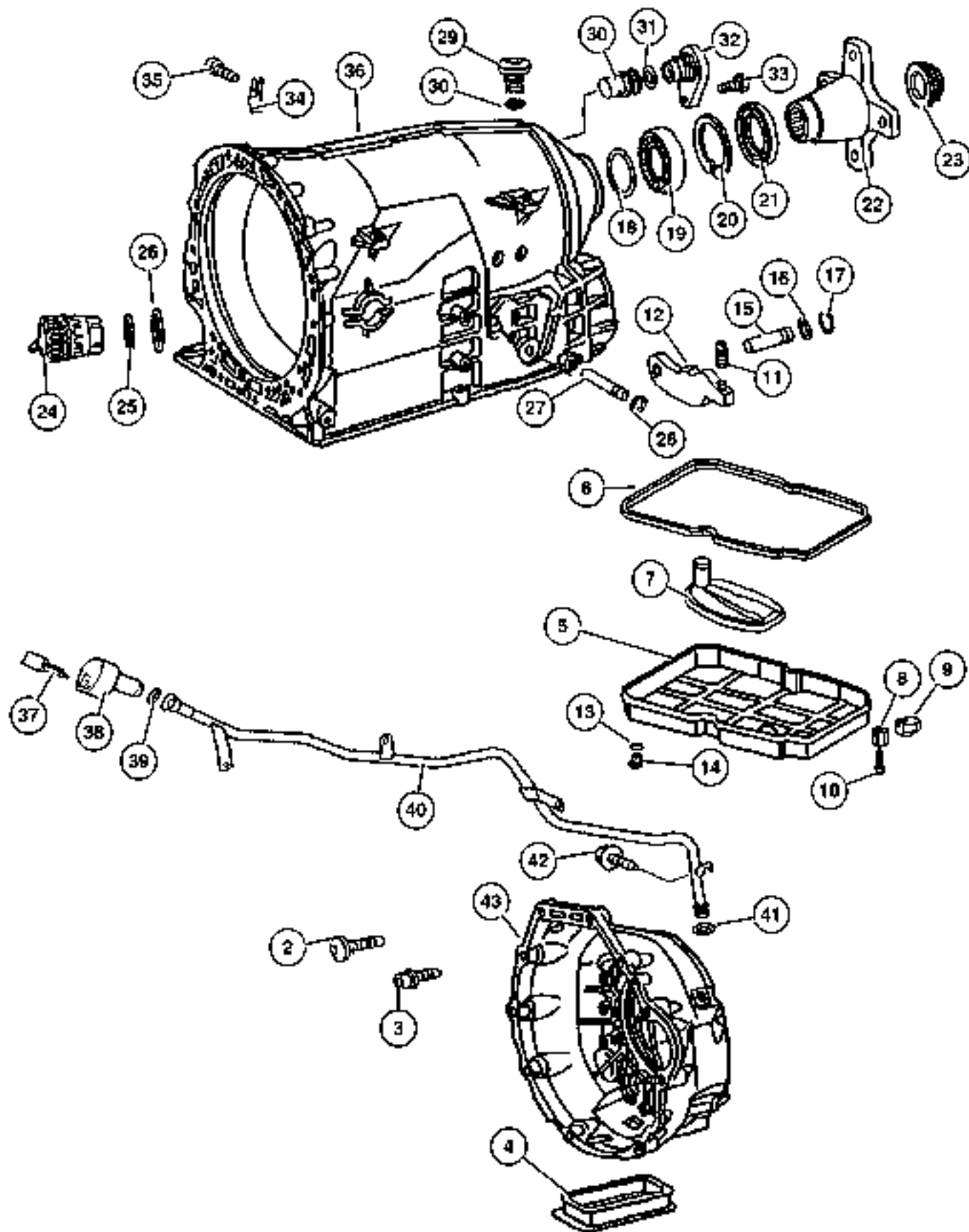
ITEM	PART NUMBER	QTY	LINE	SERIES	BODY	ENGINE	TRANS	TRIM	DESCRIPTION
NOTE:									
Sales Codes:									
[DGZ]=5 Speed Automatic Transmission - [NAG1] - [W5A380]									
-1									GASKET PACKAGE, Transmission
	5080 067AA-	1	2, 6	L		EX8	DGZ		
		1	3, 7	L		EX8	DGZ		
2	52108 396AA	1	2, 3, 6, 7	L		EX8	DGZ		SCREW
3	52107 934AA	1	2, 3, 6, 7	L		EX8	DGZ		SCREW
4	5073 886AA	2	2, 3, 6, 7	L		EX8	DGZ		GASKET
5	52108 326AA	1	2, 3, 6, 7	L		EX8	DGZ		PAN, Transmission Oil
6	52108 332AA	1	2, 3, 6, 7	L		EX8	DGZ		GASKET
7	52108 325AA	1	2, 3, 6, 7	L		EX8	DGZ		FILTER, Transmission Oil
8	52108 334AA	5	2, 3, 6, 7	L		EX8	DGZ		NUT
9	5080 289AA	1	2, 3, 6, 7	L		EX8	DGZ		NUT
10	52108 270AA	6	2, 3, 6, 7	L		EX8	DGZ		SCREW
11	52108 154AA	1	2, 3, 6, 7	L		EX8	DGZ		PAWL, Parking Sprag
12	52108 157AA	1	2, 3, 6, 7	L		EX8	DGZ		SPRING
13	52108 330AA	1	2, 3, 6, 7	L		EX8	DGZ		SEAL, Transmission
14	52108 331AB	1	2, 3, 6, 7	L		EX8	DGZ		MAGNET
15	52108 155AA	1	2, 3, 6, 7	L		EX8	DGZ		PIN
16	52108 160AA	1		L			DGZ		SEAL, Transmission
17	52107 975AA	1	2, 3, 6, 7	L		EX8	DGZ		SNAP RING
18									SPACER
	52108 220AA	1	2, 3, 6, 7	L		EX8	DGZ		[0.3 MM]
	52108 230AA	1	2, 3, 6, 7	L		EX8	DGZ		[0.2 MM]
	52108 231AA	1	2, 3, 6, 7	L		EX8	DGZ		[0.4 MM]
	52108 232AA	1	2, 3, 6, 7	L		EX8	DGZ		[0.5 MM]
19	52108 207AA	1	2, 3, 6, 7	L		EX8	DGZ		BEARING, Ball
20	52108 210AA	1	2, 3, 6, 7	L		EX8	DGZ		LOCK, Mounting
21	52108 428AA	1	2, 3, 6, 7	L		EX8	DGZ		SEAL, Transmission
22	5117 859AA	1	2, 3, 6, 7	L		EX8	DGZ		FLANGE, Drive Shaft
23	52108 334AA	5	2, 3, 6, 7	L		EX8	DGZ		NUT
24	5166 827AA	1	2, 3, 6, 7	L		EX8	DGZ		PLUG, Adapter
25	52108 324AA	1	2, 3, 6, 7	L		EX8	DGZ		O RING, Adapter Plug
26	52108 323AA	1	2, 3, 6, 7	L		EX8	DGZ		O RING, Adapter Plug
27	52108 159AA	1		L			DGZ		PIN
28	52108 323AA	1	2, 3, 6, 7	L		EX8	DGZ		O RING, Adapter Plug
29	52108 364AA	1	2, 3, 6, 7	L		EX8	DGZ		BREATHER, Transmission
30	52108 367AA	1	2, 3, 6, 7	L		EX8	DGZ		SEAL, Transmission
31									O RING, Sensor
	5125 908AA	2	2, 6	L		EX8	DGZ		
		2	3, 7	L		EX8	DGZ		
32	5117 839AA	1	2, 3, 6, 7	L		EX8	DGZ		CAP, Oil Filler
33									BOLT, (NOT SERVICED) (Not Serviced)

Refer to Model Legend Information Bookmark

AR = Use as required - = Non illustrated part # = New this model year

March 3, 2006

Case & Related Parts [DGZ]
Figure NAG1-210



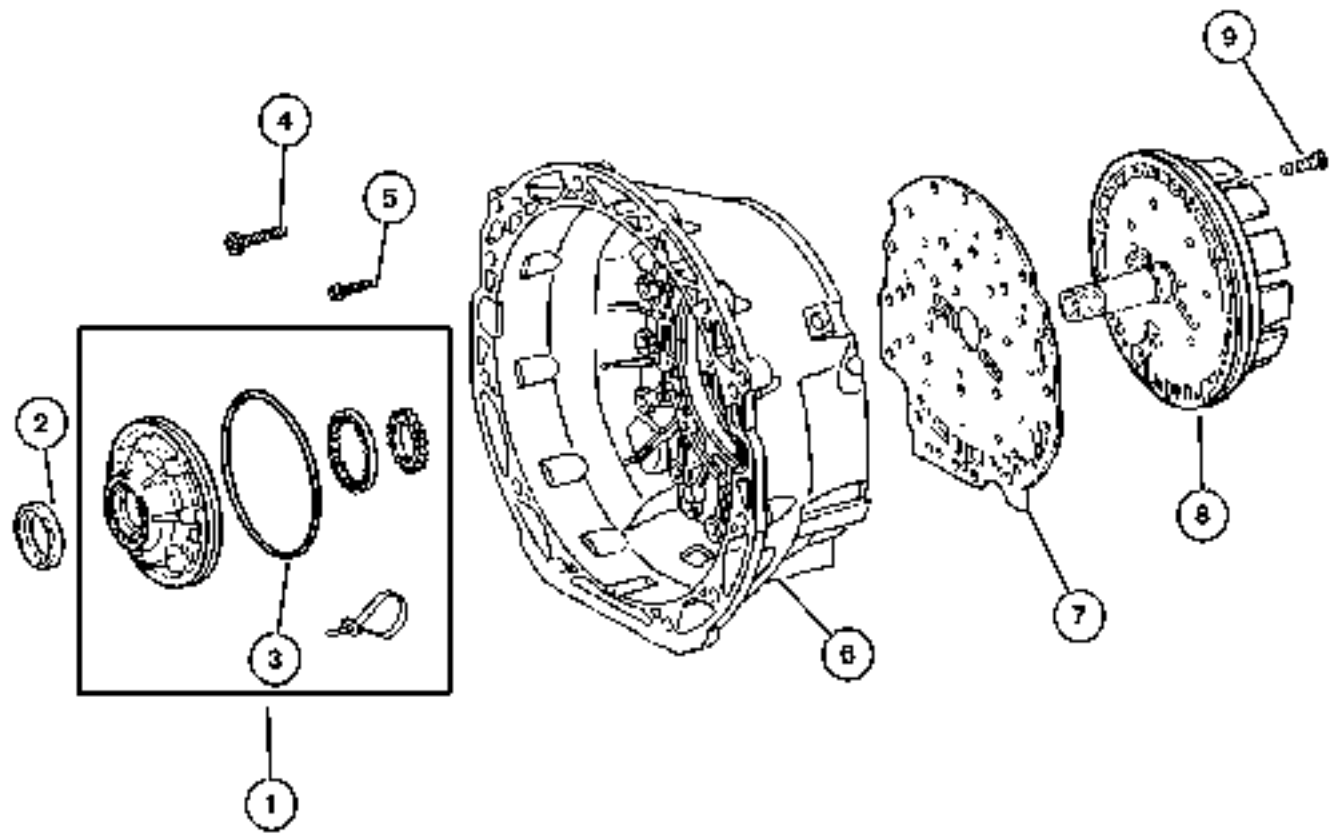
ITEM	PART NUMBER	QTY	LINE	SERIES	BODY	ENGINE	TRANS	TRIM	DESCRIPTION
34	52108 179AA	1	2, 3, 6, 7	L		EX8	DGZ		SPRING
35	52108 161AA	1	2, 3, 6, 7	L		EX8	DGZ		SCREW
36	5117 849AA	1	2, 3, 6, 7	L		EX8	DGZ		HOUSING, Transmission PIN
37	5093 746AA	1	2, 6	L		EX8	DGZ		
38	53013 549AA	1	3, 7	L		EX8	DGZ		CAP, Oil Filler
		1	2, 6	L		EX8	DGZ		
39	5101 154AA	1	2, 6	L		EX8	DGZ		SEAL, Oil Filler Tube
		1	3, 7	L		EX8	DGZ		
40	5117 847AA	1	2, 6	L		EX8	DGZ		TUBE, Transmission Oil Filler
		1	3, 7	L		EX8	DGZ		
41	5101 154AA	1	2, 6	L		EX8	DGZ		SEAL, Oil Filler Tube
		1	3, 7	L		EX8	DGZ		
42	5125 738AA	1	2, 6	L		EX8	DGZ		SCREW
		1	3, 7	L		EX8	DGZ		
43	5117 848AA	1	2, 3, 6, 7	L		EX8	DGZ		HOUSING, Torque Converter

Refer to Model Legend Information Bookmark

AR = Use as required - = Non illustrated part # = New this model year

March 3, 2006

Housing, Converter & Pump, Oil [DGZ] Figure NAG1-310



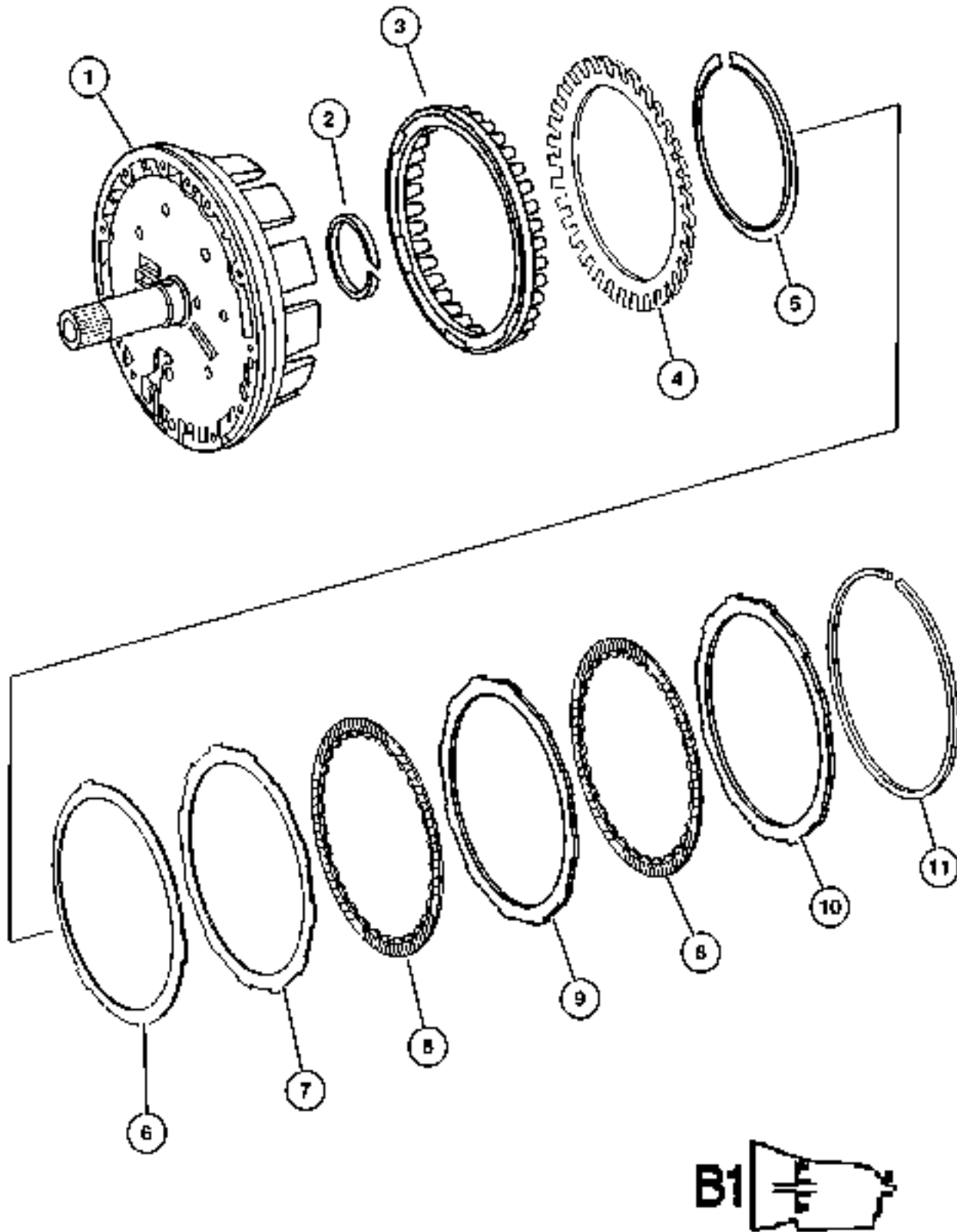
ITEM	PART NUMBER	QTY	LINE	SERIES	BODY	ENGINE	TRANS	TRIM	DESCRIPTION
NOTE:									
Sales Codes:									
[DGZ]=5 Speed Automatic Transmission - [NAG1] - [W5A380]									
1	5080 070AA	1	2, 3, 6, 7	L		EX8	DGZ		PUMP, Transmission Oil SEAL
2	52107 898AA	1	2, 3, 6, 7	L		EX8	DGZ		Optional With [52107896AA, 52107897AA, 52108424AA]
	52108 424AA	1	2, 3, 6, 7	L		EX8	DGZ		Optional With [52107896AA, 52107897AA, 52107898AA]
	52107 896AA	1	2, 3, 6, 7	L		EX8	DGZ		Optional With [52107897AA, 52107898AA, 52108424AA]
	52107 897AA	1	2, 3, 6, 7	L		EX8	DGZ		Optional With [52107896AA, 52107898AA, 52108424AA]
3	52107 900AA	1	2, 3, 6, 7	L		EX8	DGZ		O RING
4	52108 396AA	1	2, 3, 6, 7	L		EX8	DGZ		SCREW, Bell Housing To Transmission Case
5	52107 934AA	1	2, 3, 6, 7	L		EX8	DGZ		SCREW, Bell Housing To Disc Support
6	5117 848AA	1	2, 3, 6, 7	L		EX8	DGZ		HOUSING, Torque Converter
7	52108 147AA	1	2, 3, 6, 7	L		EX8	DGZ		PLATE, Intermediate
8	52108 539AC	1	2, 3, 6, 7	L		EX8	DGZ		RETAINER, Clutch
9	52107 933AA	1	2, 3, 6, 7	L		EX8	DGZ		SCREW, Oil Pump To Bell Housing - From Inside Transmission Case 2, 3,6,7, C,U L EX8 DGJ AA

Refer to Model Legend Information Bookmark

AR = Use as required - = Non illustrated part # = New this model year

March 3, 2006

Laminated Brake & Front Support - [B1] [DGZ]
Figure NAG1-410



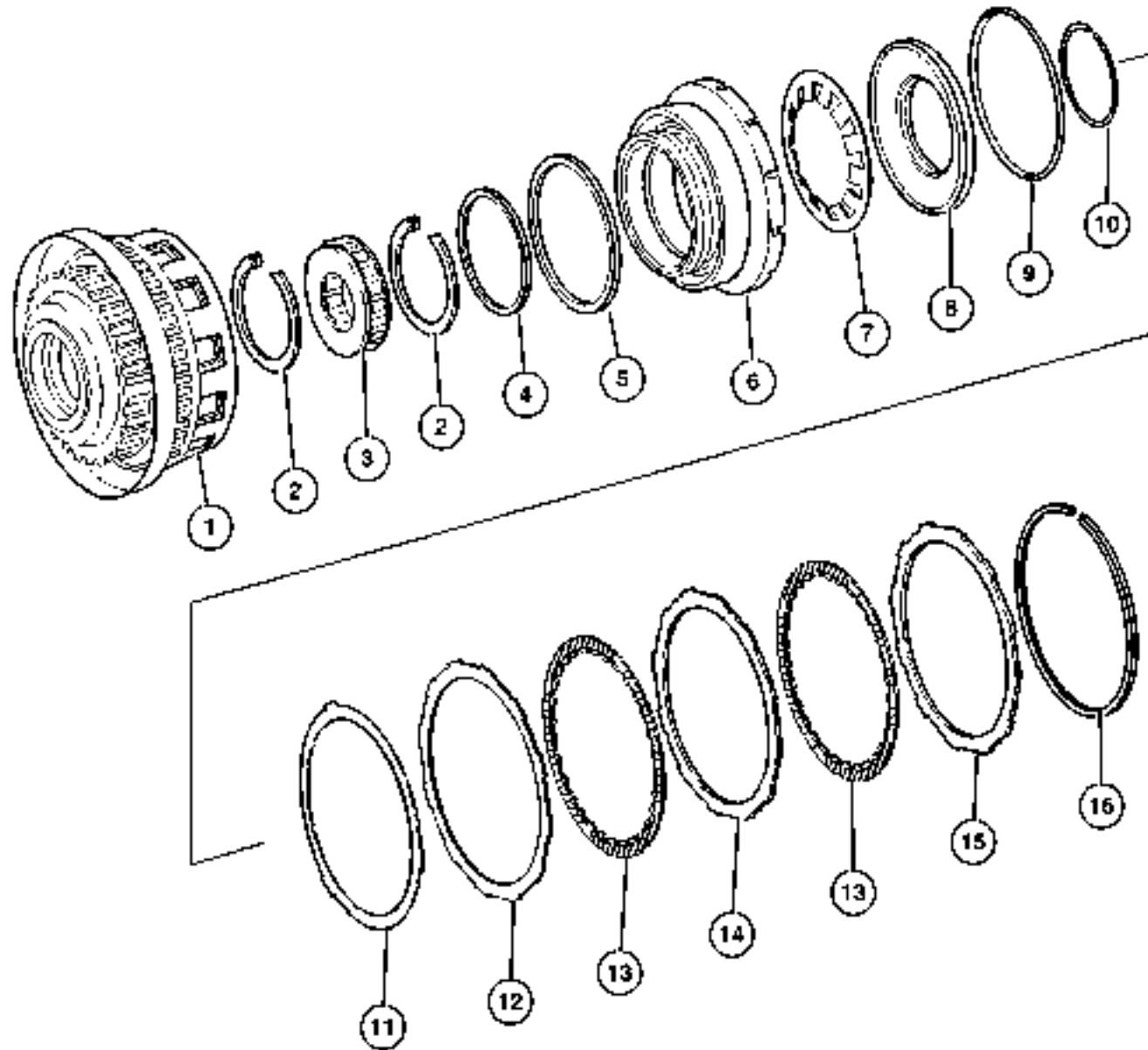
ITEM	PART NUMBER	QTY	LINE	SERIES	BODY	ENGINE	TRANS	TRIM	DESCRIPTION
NOTE:									
Sales Codes:									
[DGZ]=5 Speed Automatic Transmission - [NAG1] - [W5A380]									
1	52108 539AC	1	2, 3, 6, 7	L		EX8	DGZ		RETAINER, Clutch
2	52108 028AA	1	2, 3, 6, 7	L		EX8	DGZ		SEAL, Transmission
3	52108 506AA	1	2, 3, 6, 7	L		EX8	DGZ		PISTON
4	52108 023AA	1	2, 3, 6, 7	L		EX8	DGZ		DISC, Spring
5	52107 936AA	1	2, 3, 6, 7	L		EX8	DGZ		SNAP RING
6	52108 024AA	1	2, 3, 6, 7	L		EX8	DGZ		DISC, Spring
7	52107 992AA	1		L					DISC, Outer, [1.8 MM]
8	52108 507AA	4	2, 3, 6, 7	L		EX8	DGZ		DISC, Inner
9	52108 508AA	4	2, 3, 6, 7	L		EX8	DGZ		DISC, Outer
10	52107 994AA	1	2, 3, 6, 7	L		EX8	DGZ		DISC, Outer, [4.0 MM]
11									SNAP RING
	52107 949AA	1	2, 3, 6, 7	L		EX8	DGZ		[2.6 MM]
	52107 950AA	1	2, 3, 6, 7	L		EX8	DGZ		[2.9 MM]
	52107 951AA	1	2, 3, 6, 7	L		EX8	DGZ		[3.2 MM]
	52107 952AA	1	2, 3, 6, 7	L		EX8	DGZ		[3.5 MM]

Refer to Model Legend Information Bookmark

AR = Use as required - = Non illustrated part # = New this model year

March 3, 2006

**Gear Train, Front Planetary Clutch - [K-1] [DGZ]
Figure NAG1-420**



ITEM	PART NUMBER	QTY	LINE	SERIES	BODY	ENGINE	TRANS	TRIM	DESCRIPTION
NOTE:									
Sales Codes:									
[DGZ]=5 Speed Automatic Transmission - [NAG1] - [W5A380]									
1	52108 510AA	1	2, 3, 6, 7	L		EX8	DGZ		DISC, Support
2	52107 955AA	2	2, 3, 6, 7	L		EX8	DGZ		SNAP RING
3	52108 342AA	1	2, 3, 6, 7	L		EX8	DGZ		WHEEL
4	52107 938AA	1	2, 3, 6, 7	L		EX8	DGZ		SEAL, Transmission
5	52107 939AA	1	2, 3, 6, 7	L		EX8	DGZ		SEAL, Transmission
6									PISTON
	52108 059AA	1	2, 6	L		EX8	DGZ		
		1	3, 7	L		EX8	DGZ		
7	52108 057AA	1	2, 3, 6, 7	L		EX8	DGZ		DISC, Spring
8	52108 058AA	1	2, 3, 6, 7	L		EX8	DGZ		SPRING, Retainer
9	52107 941AA	1	2, 3, 6, 7	L		EX8	DGZ		SEAL, Transmission
10	52107 954AA	1	2, 3, 6, 7	L		EX8	DGZ		SNAP RING
11	52108 024AA	1	2, 3, 6, 7	L		EX8	DGZ		DISC, Spring
12	52107 992AA	1		L					DISC, Outer, [1.8 MM]
13	52108 507AA	4	2, 3, 6, 7	L		EX8	DGZ		DISC, Inner
14	52108 508AA	4	2, 3, 6, 7	L		EX8	DGZ		DISC, Outer, [2.07 MM]
15	52107 994AA	1	2, 3, 6, 7	L		EX8	DGZ		DISC, Outer, [4.0 MM]
16									SNAP RING
	52107 949AA	1	2, 3, 6, 7	L		EX8	DGZ		[2.6 MM]
	52107 950AA	1	2, 3, 6, 7	L		EX8	DGZ		[2.9 MM]
	52107 951AA	1	2, 3, 6, 7	L		EX8	DGZ		[3.2 MM]
	52107 952AA	1	2, 3, 6, 7	L		EX8	DGZ		[3.5 MM]
	52108 373AA	1	2, 3, 6, 7	L		EX8	DGZ		[3.8 MM]

Refer to Model Legend Information Bookmark

AR = Use as required - = Non illustrated part # = New this model year

March 3, 2006

**Carrier, Planetary - [K1] - [VPLS] [DGZ]
Figure NAG1-430**

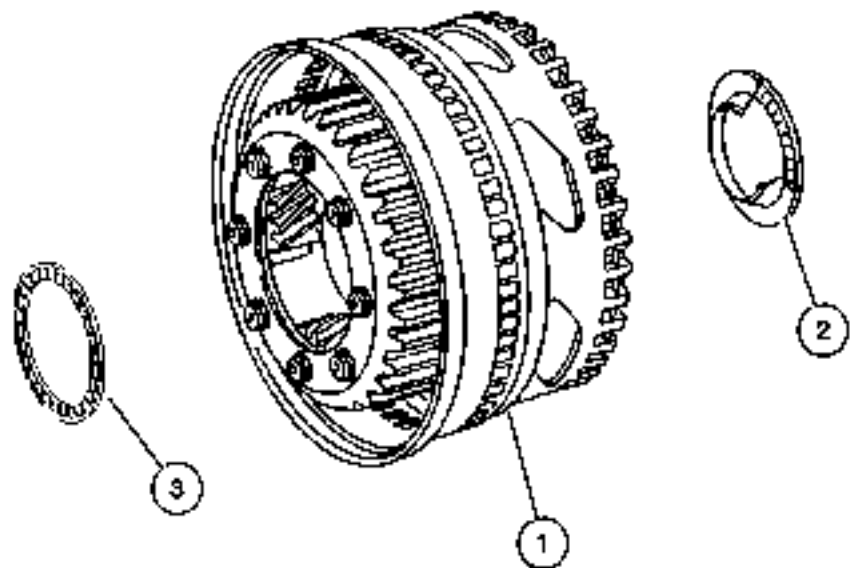
ITEM	PART NUMBER	QTY	LINE	SERIES	BODY	ENGINE	TRANS	TRIM	DESCRIPTION
------	-------------	-----	------	--------	------	--------	-------	------	-------------

NOTE:

Sales Codes:

[DGZ]=5 Speed Automatic Transmission -[NAG1] - [W5A380]

1	52108 513AA	1	2, 3, 6, 7	L		EX8	DGZ		CARRIER, Planetary
2	52108 123AA	1	2, 3, 6, 7	L		EX8	DGZ		NEEDLE BEARING
3	52108 122AA	1	2, 3, 6, 7	L		EX8	DGZ		NEEDLE BEARING

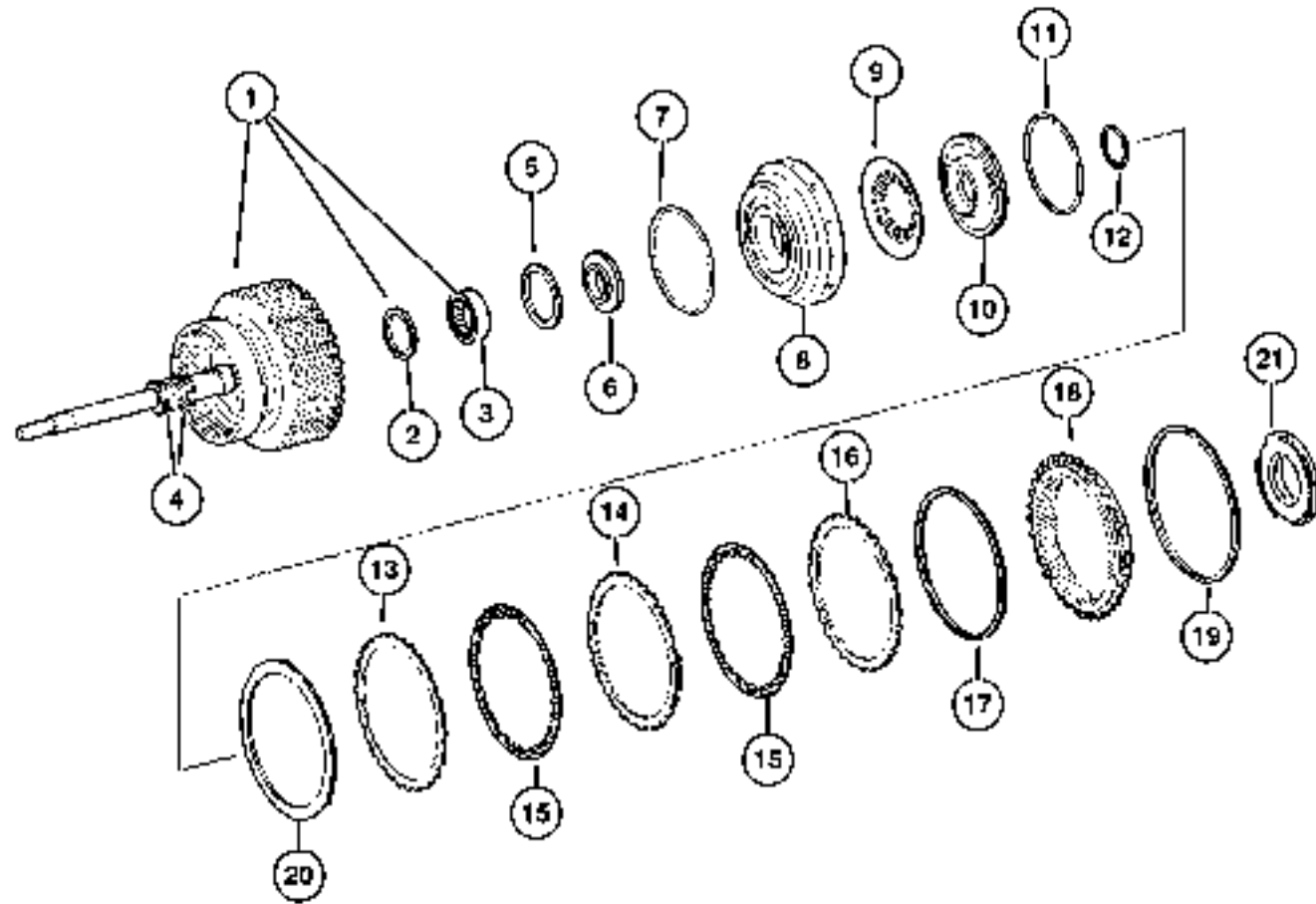


Refer to Model Legend Information Bookmark

AR = Use as required - = Non illustrated part # = New this model year

March 3, 2006

Clutch - Output Shaft - [K2] [DGZ]
Figure NAG1-440



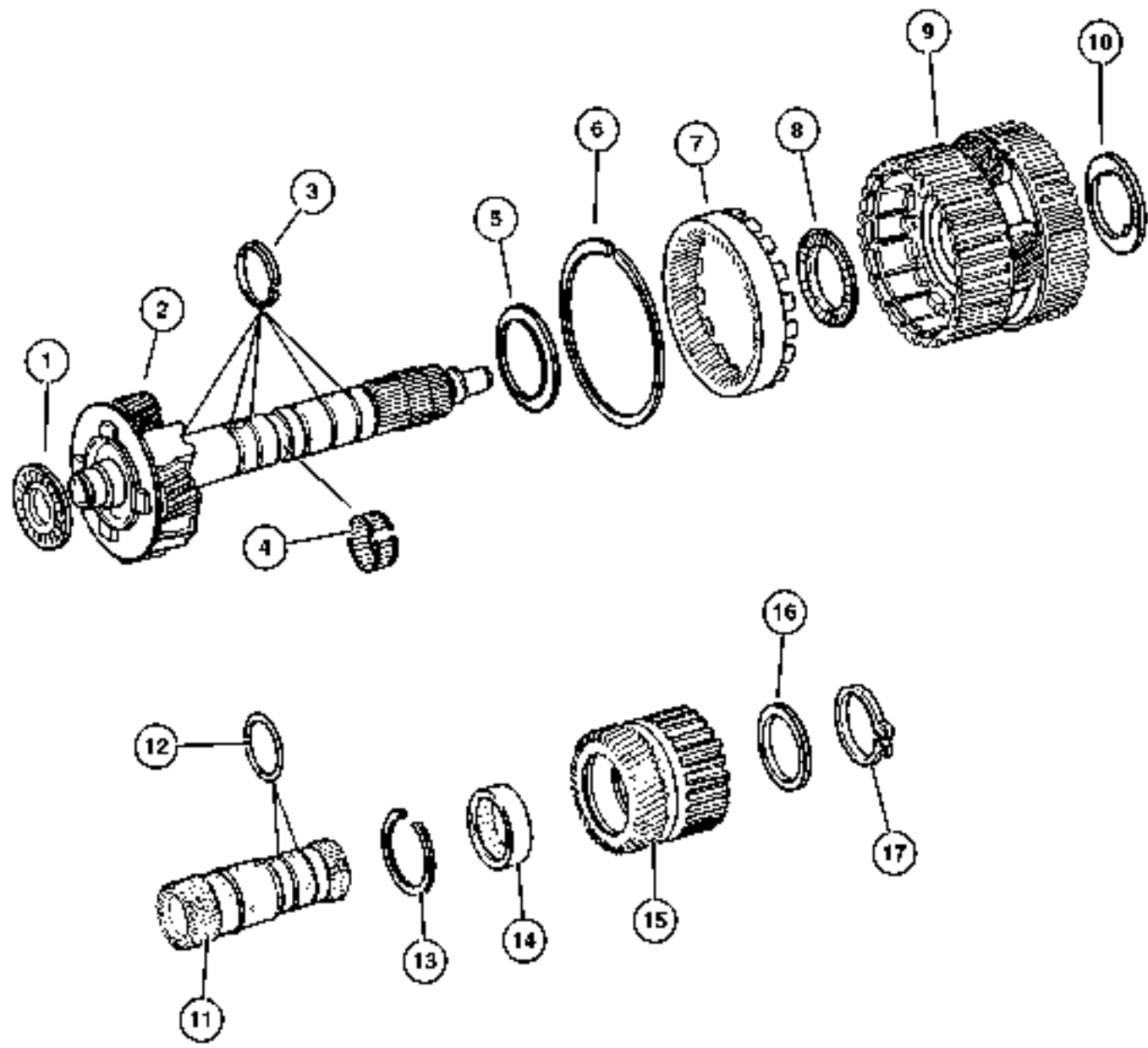
ITEM	PART NUMBER	QTY	LINE	SERIES	BODY	ENGINE	TRANS	TRIM	DESCRIPTION
NOTE:									
Sales Codes:									
[DGZ]=5 Speed Automatic Transmission - [NAG1] - [W5A380]									
1	52108 044AA	1	2, 3, 6, 7	L		EX8	DGZ		SHAFT, Input
2	52108 127AA	1	2, 3, 6, 7	L		EX8	DGZ		SEAL, Transmission
3	52108 126AA	1	2, 3, 6, 7	L		EX8	DGZ		NEEDLE BEARING
4	52108 534AA	1	2, 3, 6, 7	L		EX8	DGZ		SEAL, Transmission
5	52108 134AA	1	2, 3, 6, 7	L		EX8	DGZ		SEAL, Transmission
6	52108 070AA	1	2, 3, 6, 7	L		EX8	DGZ		PLATE
7	52108 135AA	1	2, 3, 6, 7	L		EX8	DGZ		SEAL, Input Shaft
8	52108 517AA	1	2, 3, 6, 7	L		EX8	DGZ		PISTON
9	52108 137AA	1	2, 3, 6, 7	L		EX8	DGZ		DISC, Spring
10	52108 138AB	1	2, 3, 6, 7	L		EX8	DGZ		SPRING, Retainer
11	52108 140AA	1	2, 3, 6, 7	L		EX8	DGZ		SEAL, Transmission
12	52107 970AA	1	2, 3, 6, 7	L		EX8	DGZ		SNAP RING
13	52107 996AA	1	2, 3, 6, 7	L		EX8	DGZ		DISC, Outer, [1.8 MM]
14	52107 997AA	4	2, 3, 6, 7	L		EX8	DGZ		DISC, Outer, [3.5 MM]
15	52108 141AB	5	2, 3, 6, 7	L		EX8	DGZ		DISC, Inner
16	52107 998AA	1	2, 3, 6, 7	L		EX8	DGZ		DISC, Outer
17	52107 958AA	1	2, 3, 6, 7	L		EX8	DGZ		SNAP RING [2.3 MM]
	52107 959AA	1	2, 3, 6, 7	L		EX8	DGZ		[2.6 MM]
	52107 960AA	1	2, 3, 6, 7	L		EX8	DGZ		[2.9 MM]
	52107 961AA	1	2, 3, 6, 7	L		EX8	DGZ		[3.2 MM]
18	52107 922AA	1	2, 3, 6, 7	L		EX8	DGZ		GEAR, Rear Annulus
19	52107 926AA	1	2, 3, 6, 7	L		EX8	DGZ		SNAP RING
20	52108 346AA	1	2, 3, 6, 7	L		EX8	DGZ		DISC, Spring
21	5138 437AA	1	2, 3, 6, 7	L		EX8	DGZ		BEARING, Thrust
	5138 438AA	1	2, 3, 6, 7	L		EX8	DGZ		Optional With [05138438AA]
									Optional With [05138437AA]

Refer to Model Legend Information Bookmark

AR = Use as required - = Non illustrated part # = New this model year

March 3, 2006

**Center & Rear Planetary Set - Output Shaft - [MPLS/HPLS] [DGZ]
Figure NAG1-450**



ITEM	PART NUMBER	QTY	LINE	SERIES	BODY	ENGINE	TRANS	TRIM	DESCRIPTION
NOTE:									
Sales Codes:									
[DGZ]=5 Speed Automatic Transmission - [NAG1] - [W5A380]									
1	5138 437AA	1	2, 3, 6, 7	L		EX8	DGZ		BEARING, Thrust Optional With [05138438AA]
	5138 438AA	1	2, 3, 6, 7	L		EX8	DGZ		Optional With [05138437AA]
2	52107 929AA	1	2, 3, 6, 7	L		EX8	DGZ		SHAFT, Output
3	52108 427AA	5	2, 3, 6, 7	L		EX8	DGZ		SEAL, Transmission
4	52108 069AA	1	2, 3, 6, 7	L		EX8	DGZ		NEEDLE BEARING
5	52108 070AA	1	2, 3, 6, 7	L		EX8	DGZ		PLATE
6	52108 374AA	1	2, 3, 6, 7	L		EX8	DGZ		SNAP RING
7	52108 376AA	1	2, 3, 6, 7	L		EX8	DGZ		GEAR, Annulus
8	52107 931AA	1	2, 3, 6, 7	L		EX8	DGZ		NEEDLE BEARING
9	52108 072AA	1	2, 3, 6, 7	L		EX8	DGZ		CARRIER, Planetary
10	52107 932AA	1	2, 3, 6, 7	L		EX8	DGZ		NEEDLE BEARING
11	52108 078AA	1	2, 3, 6, 7	L		EX8	DGZ		GEAR, Sun
12	52108 085AA	2	2, 3, 6, 7	L		EX8	DGZ		SEAL, Transmission
13	52107 966AA	1	2, 3, 6, 7	L		EX8	DGZ		SNAP RING
14	52108 522AA	1	2, 3, 6, 7	L		EX8	DGZ		BEARING, Output Shaft
15	52108 519AA	1	2, 3, 6, 7	L		EX8	DGZ		GEAR, Sun
16	52108 379AA	1	2, 3, 6, 7	L		EX8	DGZ		SPACER
17	52107 967AA	1	2, 3, 6, 7	L		EX8	DGZ		SNAP RING



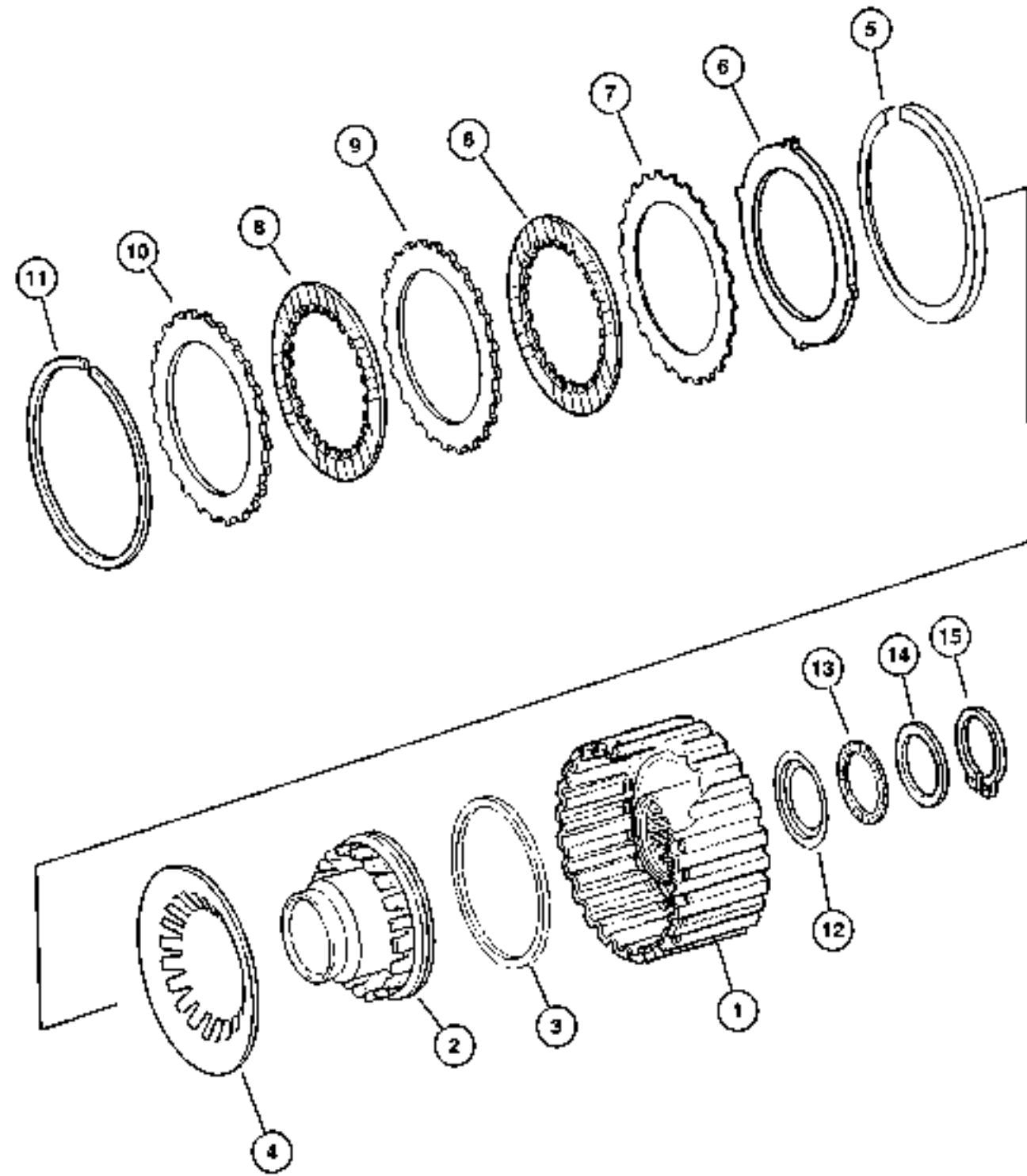
Refer to Model Legend Information Bookmark

AR = Use as required - = Non illustrated part # = New this model year

March 3, 2006

Clutch - [K3] [DGZ]
Figure NAG1-460

ITEM	PART NUMBER	QTY	LINE	SERIES	BODY	ENGINE	TRANS	TRIM	DESCRIPTION
NOTE:									
Sales Codes:									
[DGZ]=5 Speed Automatic Transmission - [NAG1] - [W5A380]									
1	52108 524AA	1	2, 3, 6, 7	L		EX8	DGZ		RETAINER, Clutch
2	52108 094AA	1	2, 3, 6, 7	L		EX8	DGZ		PISTON
3	52108 093AA	1	2, 3, 6, 7	L		EX8	DGZ		SEAL, Transmission
4	52108 095AA	1	2, 3, 6, 7	L		EX8	DGZ		DISC, Spring
5	52107 968AA	1	2, 3, 6, 7	L		EX8	DGZ		SNAP RING
6	52108 096AA	1	2, 3, 6, 7	L		EX8	DGZ		DISC, Spring
7	52108 004AA	4	2, 3, 6, 7	L		EX8	DGZ		DISC, Outer, [1.8 MM]
8	52108 528AA	4	2, 3, 6, 7	L		EX8	DGZ		DISC, Inner
9	52108 529AA	4	2, 3, 6, 7	L		EX8	DGZ		DISC, Outer, [2.07 MM]
10	52108 011AA	1	2, 3, 6, 7	L		EX8	DGZ		DISC, Outer, [4.0 MM]
11									SNAP RING
	52107 970AA	1	2, 3, 6, 7	L		EX8	DGZ		[2.3 MM]
	52107 971AA	1	2, 3, 6, 7	L		EX8	DGZ		[2.6 MM]
	52107 972AA	1	2, 3, 6, 7	L		EX8	DGZ		[2.9 MM]
	52107 973AA	1	2, 3, 6, 7	L		EX8	DGZ		[3.2 MM]
	52107 974AA	1	2, 3, 6, 7	L		EX8	DGZ		[2.0 MM]
12	52108 148AA	1	2, 3, 6, 7	L		EX8	DGZ		SPACER
13	52108 152AA	1	2, 3, 6, 7	L		EX8	DGZ		NEEDLE BEARING
14									PLATE
	52108 149AA	1	2, 3, 6, 7	L		EX8	DGZ		[3.7 MM]
	52108 150AA	1	2, 3, 6, 7	L		EX8	DGZ		[3.1 MM]
	52108 151AA	1	2, 3, 6, 7	L		EX8	DGZ		[3.4 MM]
15	6507 358AA	1	2, 3, 6, 7	L		EX8	DGZ		RING

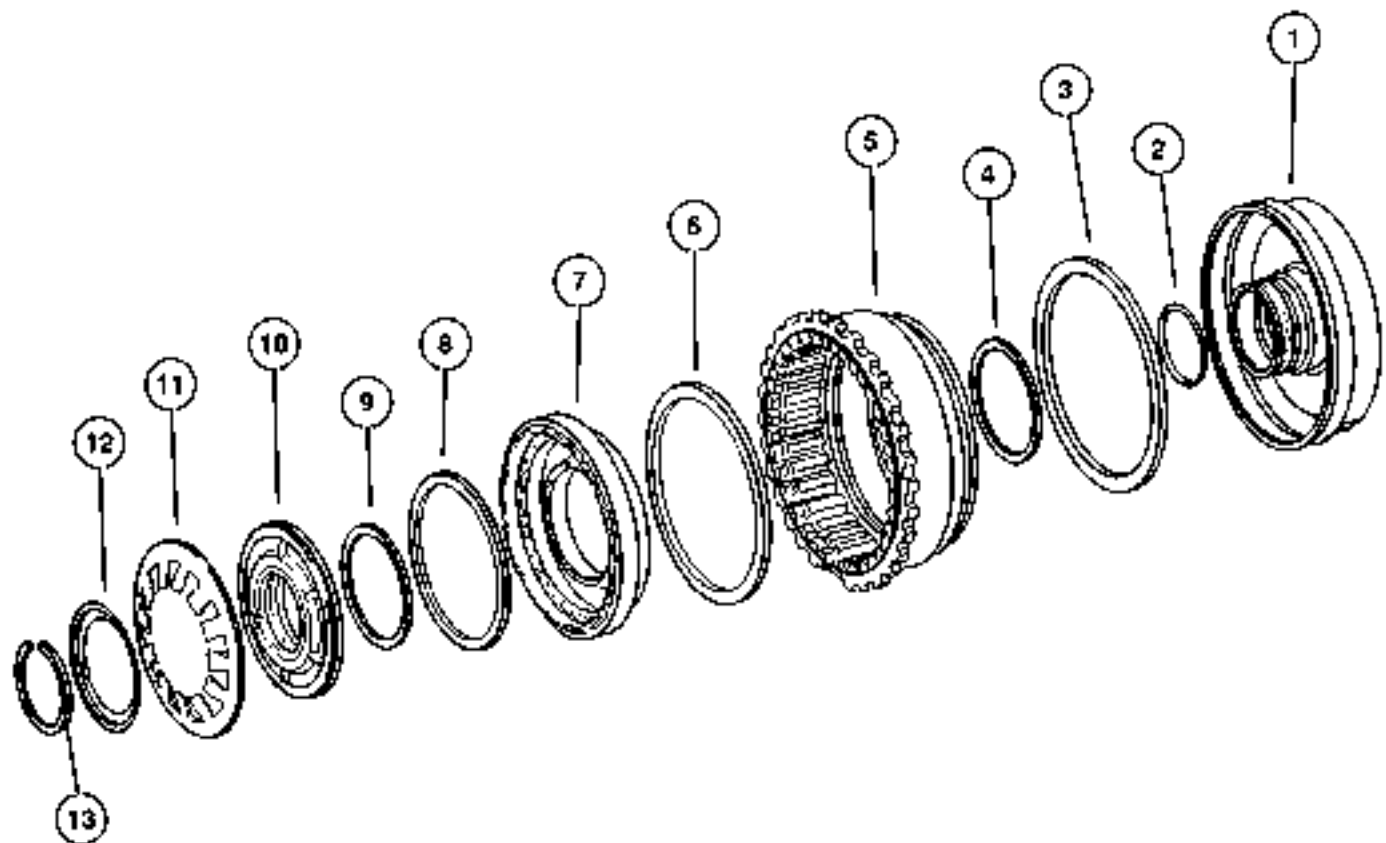


Refer to Model Legend Information Bookmark

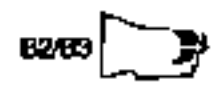
AR = Use as required - = Non illustrated part # = New this model year

March 3, 2006

Multiple Disc Brake - [B2 & B3] [DGZ] - 1 Of 3
Figure NAG1-470



ITEM	PART NUMBER	QTY	LINE	SERIES	BODY	ENGINE	TRANS	TRIM	DESCRIPTION
NOTE:									
Sales Codes:									
[DGZ]=5 Speed Automatic Transmission - [NAG1] - [W5A380]									
1	52108 182AA	1	2, 3, 6, 7	L		EX8	DGZ		PLUNGER
2	52108 185AA	1	2, 3, 6, 7	L		EX8	DGZ		SEAL, Transmission
3	52108 188AA	1	2, 3, 6, 7	L		EX8	DGZ		SEAL, Transmission
4	52108 189AA	1	2, 3, 6, 7	L		EX8	DGZ		SEAL, Transmission
5	52108 395AA	1	2, 3, 6, 7	L		EX8	DGZ		PISTON
6	52108 199AA	1	2, 3, 6, 7	L		EX8	DGZ		SEAL, Transmission
7	52108 191AA	1	2, 3, 6, 7	L		EX8	DGZ		PISTON
8	52108 200AA	1	2, 3, 6, 7	L		EX8	DGZ		SEAL, Transmission
9	52108 201AA	1	2, 3, 6, 7	L		EX8	DGZ		SEAL, Transmission
10	52108 351AA	1	2, 3, 6, 7	L		EX8	DGZ		RING, Piston
11	52108 202AA	1	2, 3, 6, 7	L		EX8	DGZ		DISC, Spring
12	52108 203AA	1	2, 3, 6, 7	L		EX8	DGZ		SPRING, Retainer
13	52107 977AA	1	2, 3, 6, 7	L		EX8	DGZ		SNAP RING

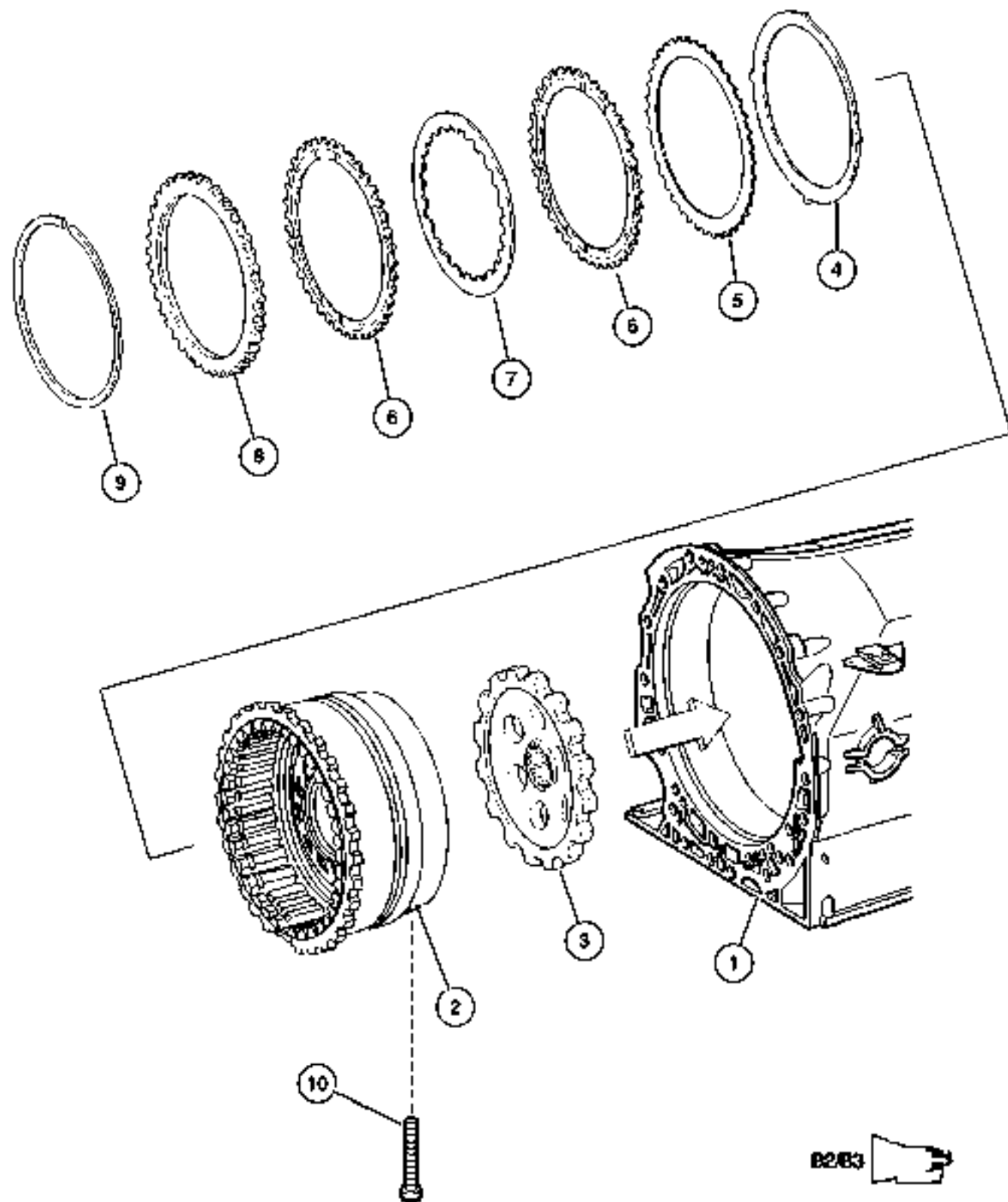


Refer to Model Legend Information Bookmark

AR = Use as required - = Non illustrated part # = New this model year

March 3, 2006

Multiple Disc Brake - [B2 & B3] [DGZ] - 2 Of 3
Figure NAG1-480



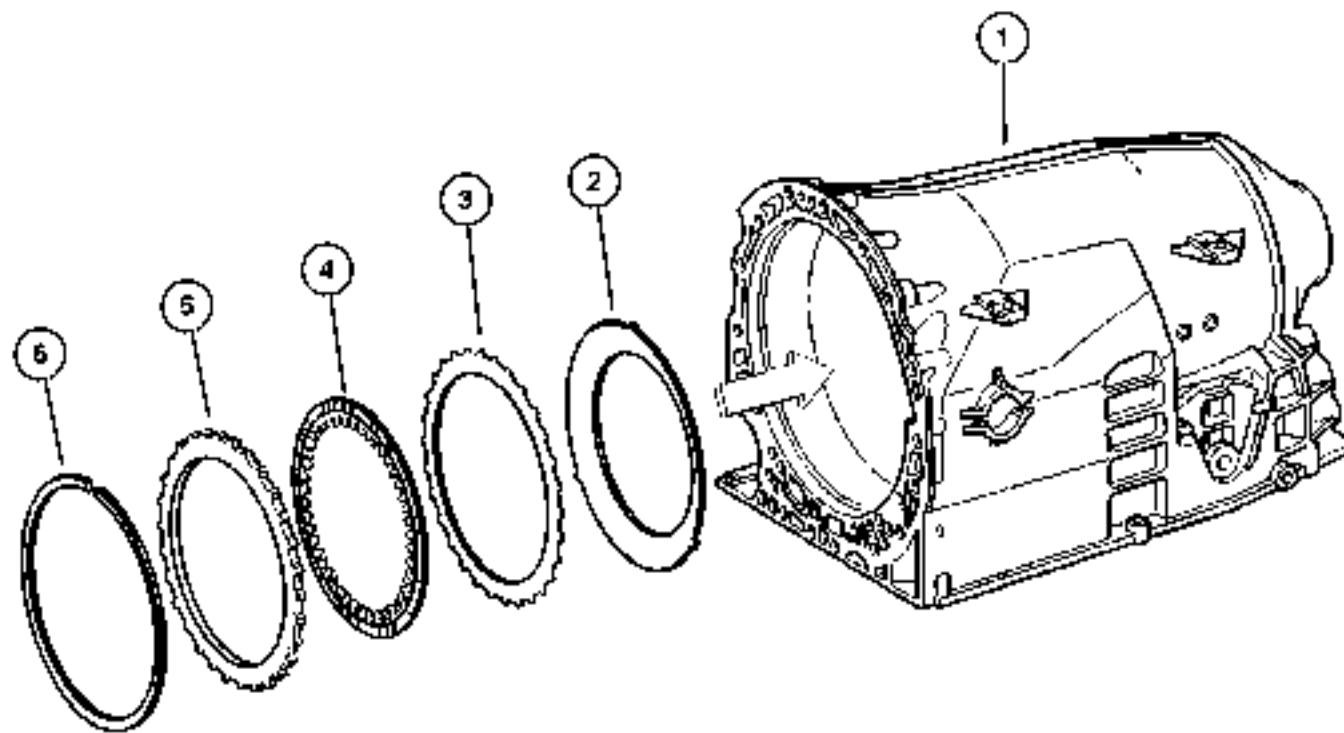
ITEM	PART NUMBER	QTY	LINE	SERIES	BODY	ENGINE	TRANS	TRIM	DESCRIPTION
NOTE: Drum Package Is Not Serviced In An Assembly. Please See Illustration [#470] Callouts [1,2,3,4 & 5] To Obtain Part Numbers									
Sales Codes: [DGZ]=5 Speed Automatic Transmission - [NAG1] - [W5A380]									
1									CASE, Transmission, See Illustration [#210], (NOT SERVICED) (Not Serviced)
2									DRUM PACKAGE, Transmission, See Illustration [#470] Callout [# 1, 2,3,4 & 5], (NOT SERVICED) (Not Serviced)
3	52108 180AA	1	2, 3, 6, 7	L		EX8	DGZ		LOCK, Parking Wheel
4	52108 354AA	1	2, 3, 6, 7	L		EX8	DGZ		DISC, Spring
5	52108 013AA	1	2, 3, 6, 7	L		EX8	DGZ		DISC, Outer, [1.8 MM]
6	52108 572AA	1	2, 3, 6, 7	L		EX8	DGZ		DISC, Outer
7	52108 015AA	1	2, 3, 6, 7	L		EX8	DGZ		DISC, Inner, [1.8 MM]
8	52108 014AA	1	2, 3, 6, 7	L		EX8	DGZ		DISC, Outer, [6.5 MM]
9									SNAP RING
	52107 979AA	1	2, 3, 6, 7	L		EX8	DGZ		[4.1 MM]
	52107 980AA	1	2, 3, 6, 7	L		EX8	DGZ		[3.8 MM]
	52107 981AA	1	2, 3, 6, 7	L		EX8	DGZ		[3.5 MM]
	52107 982AA	1	2, 3, 6, 7	L		EX8	DGZ		[3.2 MM]
	52107 983AA	1	2, 3, 6, 7	L		EX8	DGZ		[2.9 MM]
10	52108 205AA	1	2, 3, 6, 7	L		EX8	DGZ		SCREW

Refer to Model Legend Information Bookmark

AR = Use as required - = Non illustrated part # = New this model year

March 3, 2006

Multiple Disc Brake - [B2 & B3] [DGJ] - 3 Of 3
Figure NAG1-490



ITEM	PART NUMBER	QTY	LINE	SERIES	BODY	ENGINE	TRANS	TRIM	DESCRIPTION
NOTE:									
Sales Codes:									
[DGZ]=5 Speed Automatic Transmission - [NAG1] - [W5A380]									
1									HOUSING, Transmission Case, Serviced With Transmission Assembly, (NOT SERVICED) (Not Serviced)
2	52108 356AA	1	2, 3, 6, 7	L		EX8	DGZ		DISC, Spring
3	52108 017AA	5	2, 3, 6, 7	L		EX8	DGZ		DISC, Outer, [1.8 MM]
4	52108 573AA	1	2, 3, 6, 7	L		EX8	DGZ		DISC, Inner
5	52108 018AA	1	2, 3, 6, 7	L		EX8	DGZ		DISC, Outer, [6.5 MM]
6									SNAP RING
	52107 985AA	1	2, 3, 6, 7	L		EX8	DGZ		[3.2 MM]
	52107 986AA	1	2, 3, 6, 7	L		EX8	DGZ		[3.5 MM]
	52107 987AA	1	2, 3, 6, 7	L		EX8	DGZ		[3.8 MM]
	52107 988AA	1	2, 3, 6, 7	L		EX8	DGZ		[4.1 MM]
	52107 989AA	1	2, 3, 6, 7	L		EX8	DGZ		[4.4 MM]
	52107 990AA	1	2, 3, 6, 7	L		EX8	DGZ		[4.8 MM]

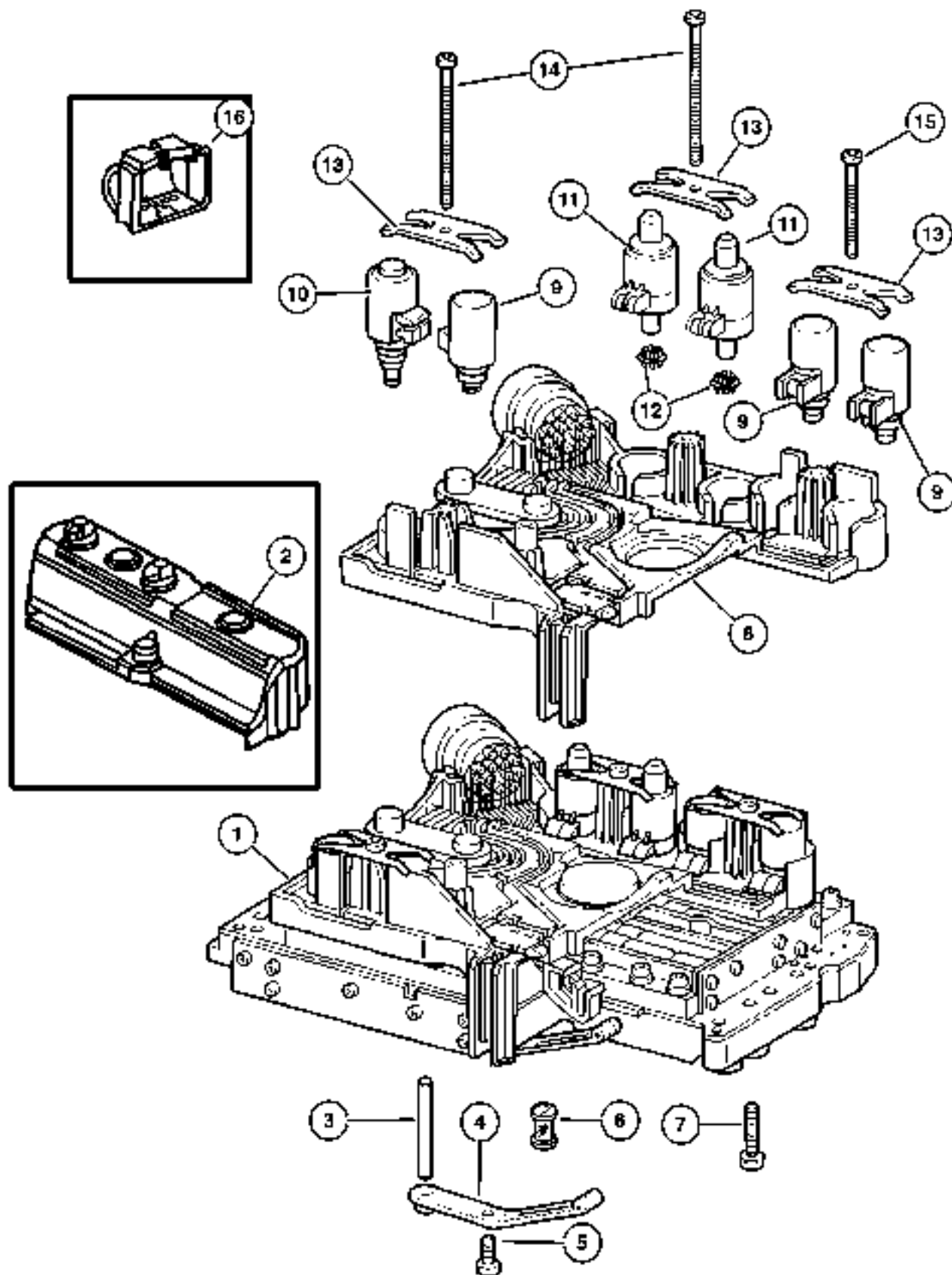


Refer to Model Legend Information Bookmark

AR = Use as required - = Non illustrated part # = New this model year

March 3, 2006

**Electronic - Hydraulic Control [DGZ]
Figure NAG1-710**



ITEM	PART NUMBER	QTY	LINE	SERIES	BODY	ENGINE	TRANS	TRIM	DESCRIPTION
NOTE: Valve Body Connector Includes Speed Sensor									
Sales Codes:									
[DGZ]=5 Speed Automatic Transmission - [NAG1] - [W5A380]									
1	5080 262AA	1	2, 3, 6, 7	L		EX8	DGZ		VALVE BODY, Complete
2	52108 320AA	1	2, 3, 6, 7	L		EX8	DGZ		SHIELD, Transmission Solenoid
3	5098 951AA	1	2, 3, 6, 7	L		EX8	DGZ		DOWEL
4	52108 258AA	1	2, 3, 6, 7	L		EX8	DGZ		SPRING
5	52108 266AB	1	2, 3, 6, 7	L		EX8	DGZ		SCREW
6	52108 304AA	1	2, 3, 6, 7	L		EX8	DGZ		FILTER, Transmission Oil
7	52108 267AA	10	2, 3, 6, 7	L		EX8	DGZ		SCREW
8	52108 308AB	1	2, 3, 6, 7	L		EX8	DGZ		CONNECTOR
9	5134 760AA	3	2, 3, 6, 7	L		EX8	DGZ		SOLENOID, Transmission
10	52108 314AA	1	2, 3, 6, 7	L		EX8	DGZ		SOLENOID, Transmission, PWM
11	5138 838AA	2	2, 3, 6, 7	L		EX8	DGZ		Valve / Selector Valve SOLENOID, Transmission, Lifting Magnet
12	52108 316AA	2	2, 3, 6, 7	L		EX8	DGZ		FILTER, Transmission Oil
13	52108 315AA	3	2, 3, 6, 7	L		EX8	DGZ		PLATE
14	52108 268AA	2	2, 3, 6, 7	L		EX8	DGZ		SCREW, [M6x80.0]
15	52108 269AA	1	2, 3, 6, 7	L		EX8	DGZ		SCREW, [M6.55]
16	5134 761AA	3	2, 3, 6, 7	L		EX8	DGZ		COVER, Valve Body

Refer to Model Legend Information Bookmark

AR = Use as required - = Non illustrated part # = New this model year

March 3, 2006

**Oil Pan & Gasket [DGZ]
Figure NAG1-720**

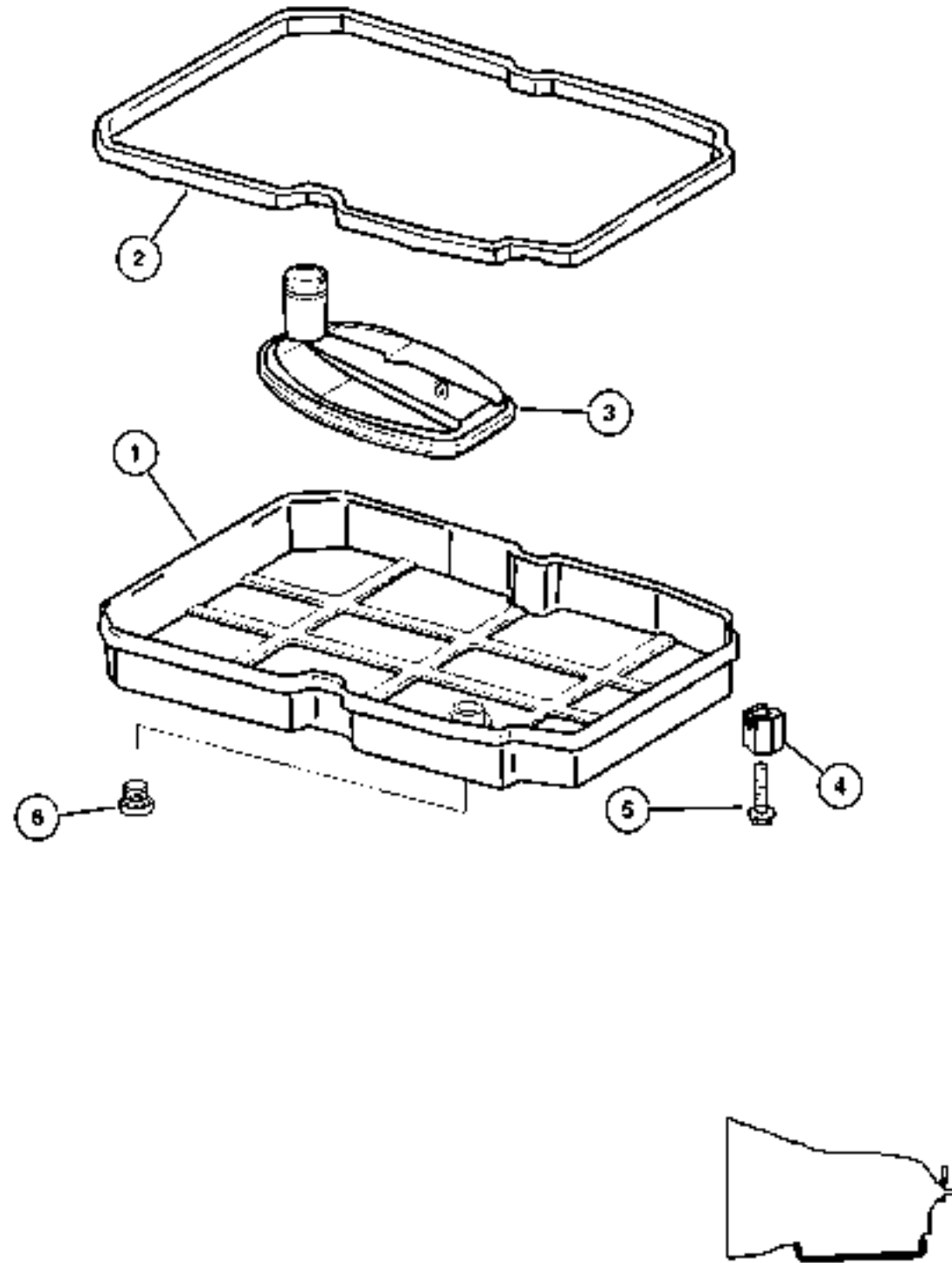
ITEM	PART NUMBER	QTY	LINE	SERIES	BODY	ENGINE	TRANS	TRIM	DESCRIPTION
------	-------------	-----	------	--------	------	--------	-------	------	-------------

NOTE:

Sales Codes:

[DGZ]=5 Speed Automatic Transmission - [NAG1] - [W5A380]

1	52108 326AA	1	2, 3, 6, 7	L		EX8	DGZ		PAN, Transmission Oil
2	52108 332AA	1	2, 3, 6, 7	L		EX8	DGZ		GASKET
3	52108 325AA	1	2, 3, 6, 7	L		EX8	DGZ		FILTER, Transmission Oil
4	52108 334AA	5	2, 3, 6, 7	L		EX8	DGZ		NUT
5	52108 270AA	6	2, 3, 6, 7	L		EX8	DGZ		SCREW
6	52108 331AA	1	2, 3, 6, 7	L		EX8	DGZ		MAGNET

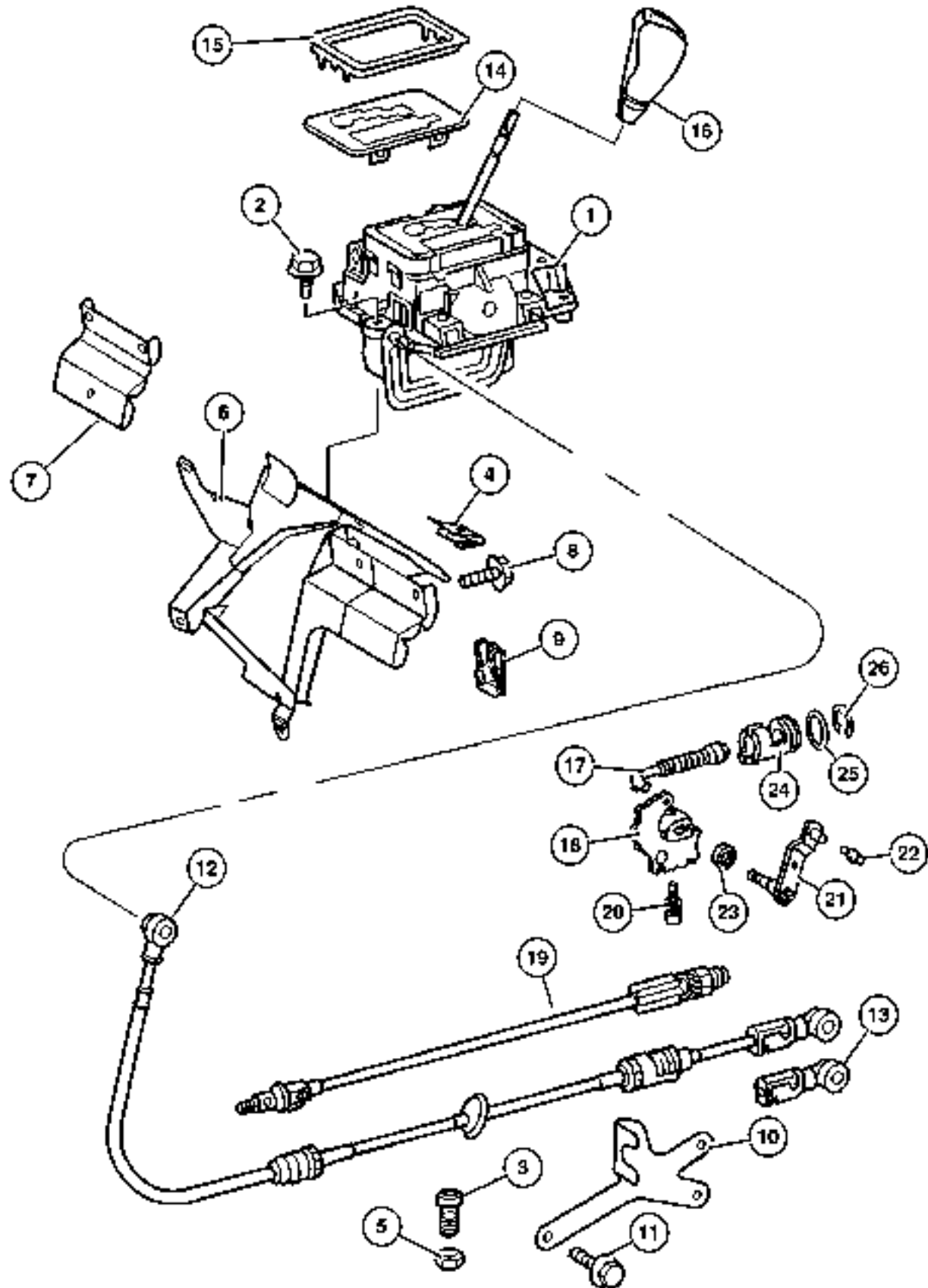


Refer to Model Legend Information Bookmark

AR = Use as required - = Non illustrated part # = New this model year

March 3, 2006

**Gear Shift Control [DGZ]
Figure NAG1-1210**



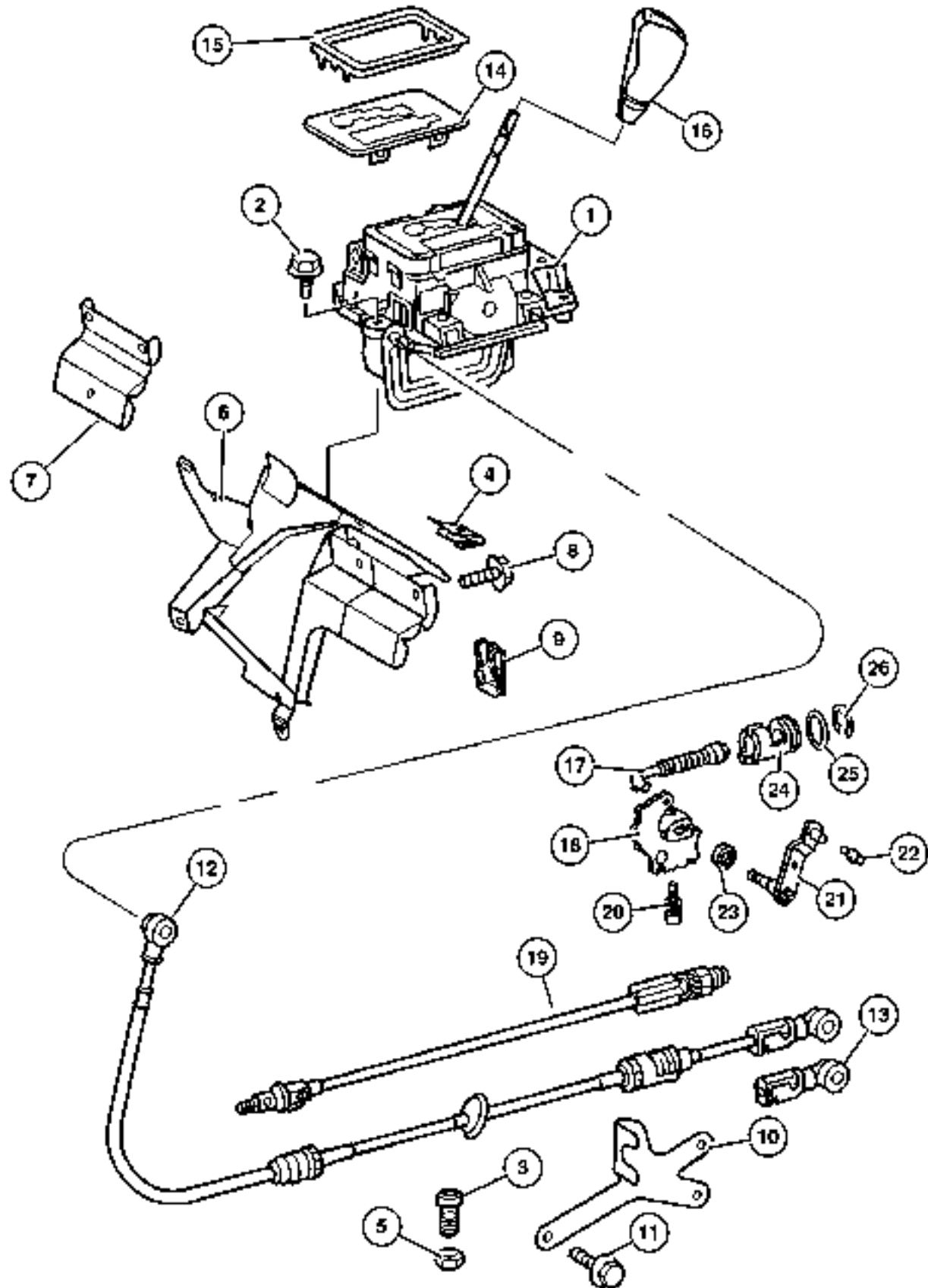
ITEM	PART NUMBER	QTY	LINE	SERIES	BODY	ENGINE	TRANS	TRIM	DESCRIPTION
NOTE: Sales Codes: [DGZ]=5 Speed Automatic Transmission - [NAG1] - [W5A380]									
1	5104 040AA	1	2, 6	L		EX8	DGZ		SHIFTER, Transmission
		1	3, 7	L		EX8	DGZ		
2	5133 476AB	2	2, 6	L		EX8	DGZ		SCREW
		2	3, 7	L		EX8	DGZ		
3	6104 142AA	2	2, 6	L		EX8	DGZ		SCREW
		2	3, 7	L		EX8	DGZ		
4	5103 733AA	3	2, 6	L		EX8	DGZ		NUT
		3	3, 7	L		EX8	DGZ		
5	5126 253AA	2	2, 6	L		EX8	DGZ		NUT
		2	3, 7	L		EX8	DGZ		
6	5117 814AA	1	2, 6	L		EX8	DGZ		SUPPORT
		1	3, 7	L		EX8	DGZ		
7	5122 893AA	1	2, 6	L		EX8	DGZ		BRACKET, Transmission Shifter
		1	3, 7	L		EX8	DGZ		
8	5126 227AA	2	2, 6	L		EX8	DGZ		BOLT, Hex Head
		2	3, 7	L		EX8	DGZ		
9	5125 859AA	10	2, 6	L		EX8	DGZ		U-NUT
		10	3, 7	L		EX8	DGZ		
10	5117 826AA	1	2, 6	L		EX8	DGZ		BRACKET, Gearshift
		1	3, 7	L		EX8	DGZ		
11	5126 101AA	3	2, 6	L		EX8	DGZ		BOLT, Hex Head
		3	3, 7	L		EX8	DGZ		
12	5104 039AA	1	2, 6	L		EX8	DGZ		CABLE, Gear Selector
		1	3, 7	L		EX8	DGZ		
13	5104 044AA	1	2, 6	L		EX8	DGZ		RETAINER, Transmission Control Shift
		1	3, 7	L		EX8	DGZ		
14	5104 041AA	1	2, 6	L		EX8	DGZ		COVER, Gearshift

Refer to Model Legend Information Bookmark

AR = Use as required - = Non illustrated part # = New this model year

March 3, 2006

**Gear Shift Control [DGZ]
Figure NAG1-1210**



ITEM	PART NUMBER	QTY	LINE	SERIES	BODY	ENGINE	TRANS	TRIM	DESCRIPTION
		1	3, 7	L		EX8	DGZ		
15									TRIM, See Center Console, (NOT SERVICED) (Not Serviced)
16	5117 825AA	1	2, 6	L		EX8	DGZ		KNOB, Gearshift
17	52108 166AA	1	2, 3, 6, 7	L		EX8	DGZ		LINKAGE, Transmission
18	5099 886AA	1	2, 3, 6, 7	L		EX8	DGZ		DETENT, Gearshift
19	5104 043AA	1	2, 6	L		EX8	DGZ		CABLE, Park Interlock
		1	3, 7	L		EX8	DGZ		
20	52108 178AA	1	2, 3, 6, 7	L		EX8	DGZ		SCREW
21	5117 845AA	1	2, 3, 6, 7	L		EX8	DGZ		LEVER, Gearshift
22	5096 975AA	1	2, 3, 6, 7	L		EX8	DGZ		PIVOT
23	52108 170AA	1	2, 3, 6, 7	L		EX8	DGZ		SEAL, Transmission
24	52108 176AA	1	2, 3, 6, 7	L		EX8	DGZ		GUIDE
25	52108 177AA	1	2, 3, 6, 7	L		EX8	DGZ		SEAL, Transmission
26	52107 976AA	1	2, 3, 6, 7	L		EX8	DGZ		SNAP RING

Refer to Model Legend Information Bookmark

AR = Use as required - = Non illustrated part # = New this model year

March 3, 2006

Group – 022

Wheels, Covers and Jacks

GROUP 22 - Wheels, Covers and Jacks

Illustration Title

Group-Fig. No.

Wheels and Hardware

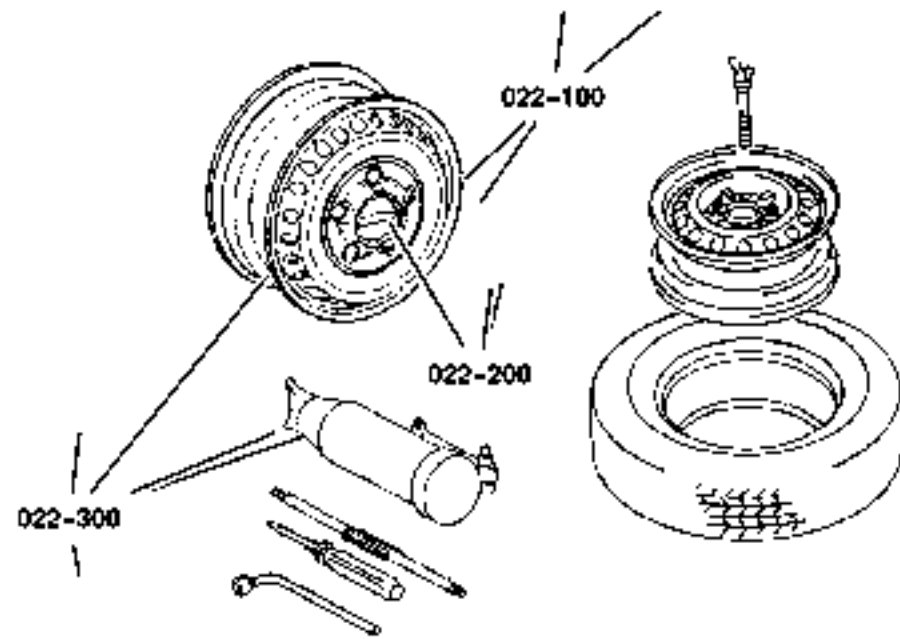
Wheels and Hardware Fig. 022-120




Jack Stowage

Jack and Stowage Fig. 022-340

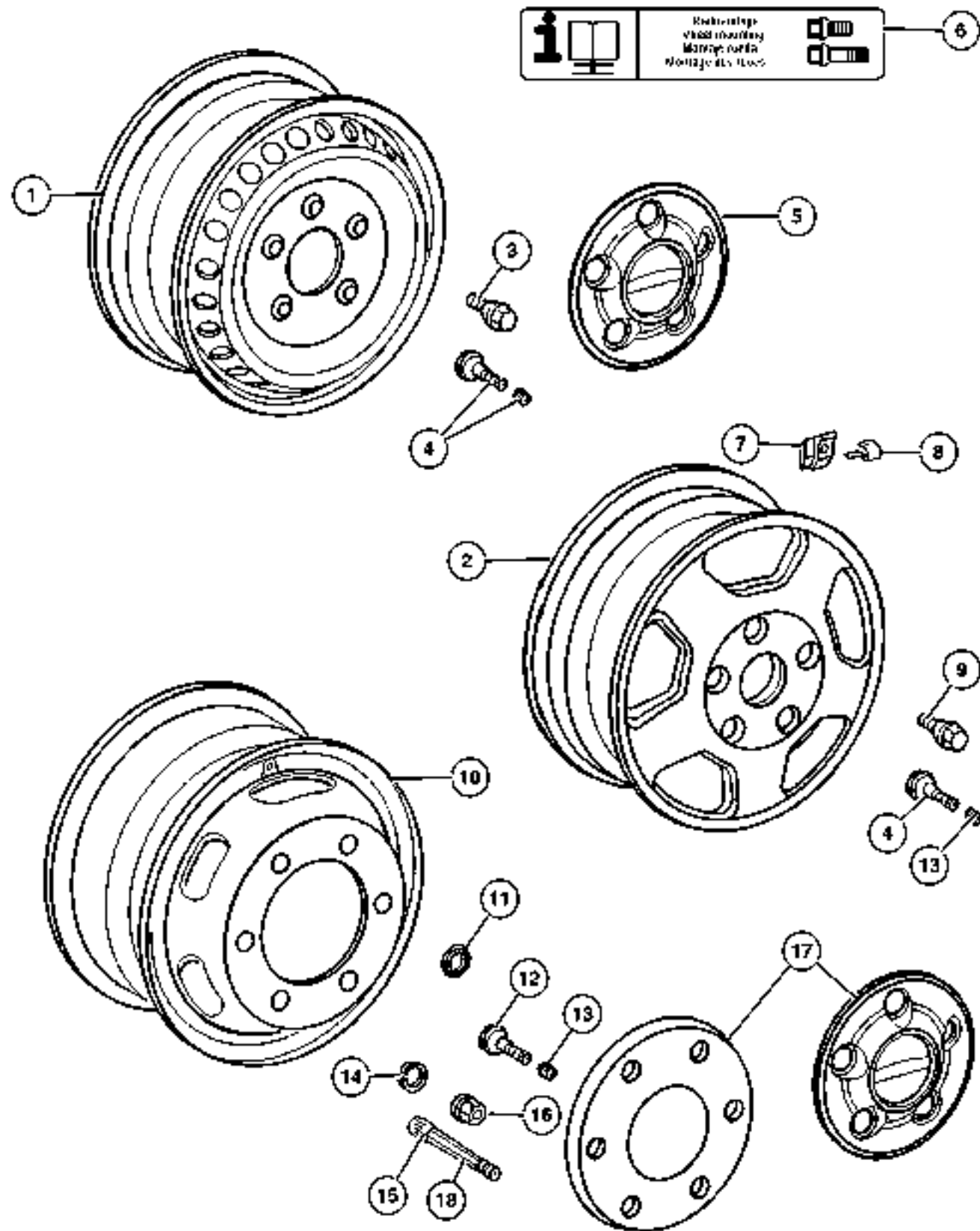
Spare Tire Stowage

Wheel, Spare Fig. 022-430



<p>022-100 Wheels and Hardware</p> 	<p>022-300 Jack Stowage</p> 	<p>022-400 Spare Tire Stowage</p> 	
---	--	---	--

Wheels and Hardware Figure 022-120



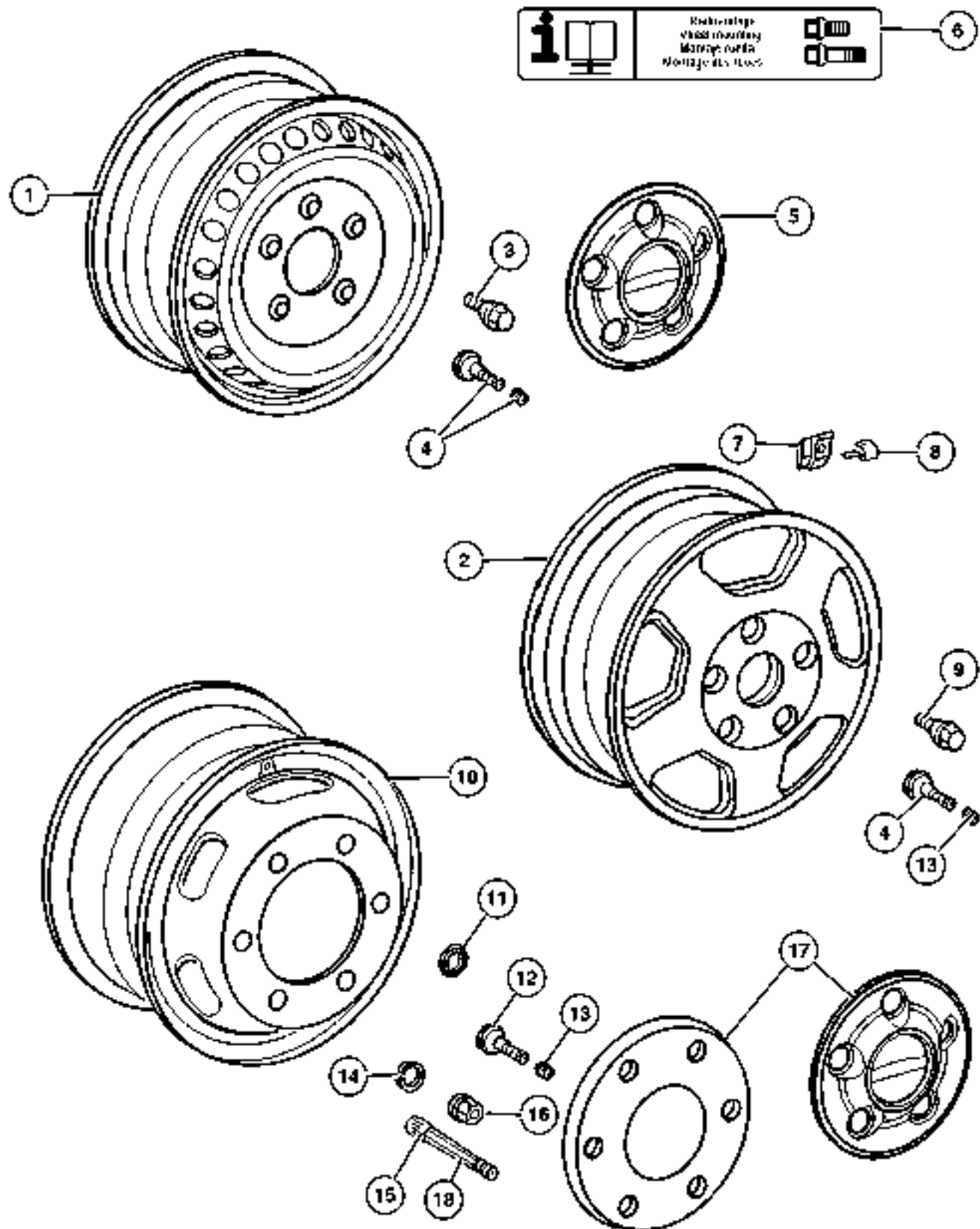
ITEM	PART NUMBER	QTY	LINE	SERIES	BODY	ENGINE	TRANS	TRIM	DESCRIPTION
NOTES: Sales Codes:									
[AMB] = United Parcel Service Group									
[AMC] = Federal Express Group									
[MGQ] = Freightliner Badge									
[MG4] = Dodge Badge									
[WCD] = 15x5.0 Steel Wheels									
[WCL] = 15x6.0 Steel Wheels									
[WDG] = 16x6.0 Steel Wheels									
[WLB] = Steel Spare Wheel									
[WWA] = Paintable Wheels									
[WWB] = 16x6x.0 Aluminum Wheels									
[WWW] = Steel Artic White Wheels									
[4DR] = Weight Variant 3.88T									
4JR] = Dual Rear Wheel Chassis with 16' Tire									
[4XS] = National Version for USA									
[4Z1] = National Version for Canada									
1									WHEEL
	5103 605AA	2	2, 6	L	01, 02, 06				[WCL+WWW+(4Z1=4XS)]
		2	2, 6	L	11, 12, 14, 15, 16				[WCL+WWW+(4Z1=4XS)]
	5104 581AA	2	3, 7	L	02, 06				[WCD]
		2	3, 7	L	12, 15, 16				[WCD]
	5128 908AA	2	2, 6	L	01, 02, 06				[WDG+WWA+(4Z1=4XS)]
		2	2, 6	L	11, 12, 14, 15, 16				[WDG+WWA+(4Z1=4XS)]
	5128 911AA	2	2, 6	L	01, 02, 06				[WDG+(4Z1=4XS)]
		2	2, 6	L	11, 12, 14, 15, 16				[WDG+(4Z1=4XS)]
	5142 364AA	7	3, 7	L	02, 06				[WDG+4JR]
	5166 588AA	7	3, 7	L	02, 06				[WDG+4JR+WWA]
	52108 342AA	1	2, 3, 6, 7	L					
2	5140 692AA	2	2, 6	L	11, 12, 14, 15, 16				WHEEL, Aluminum [WDG+WWB+(4Z1=4XS)]
		2	2, 6	L	11, 12, 14, 15, 16				[WWB+WDG+(4Z1=4XS)]

Refer to Model Legend Information Bookmark

AR = Use as required - = Non illustrated part # = New this model year

March 3, 2006

Wheels and Hardware
Figure 022-120



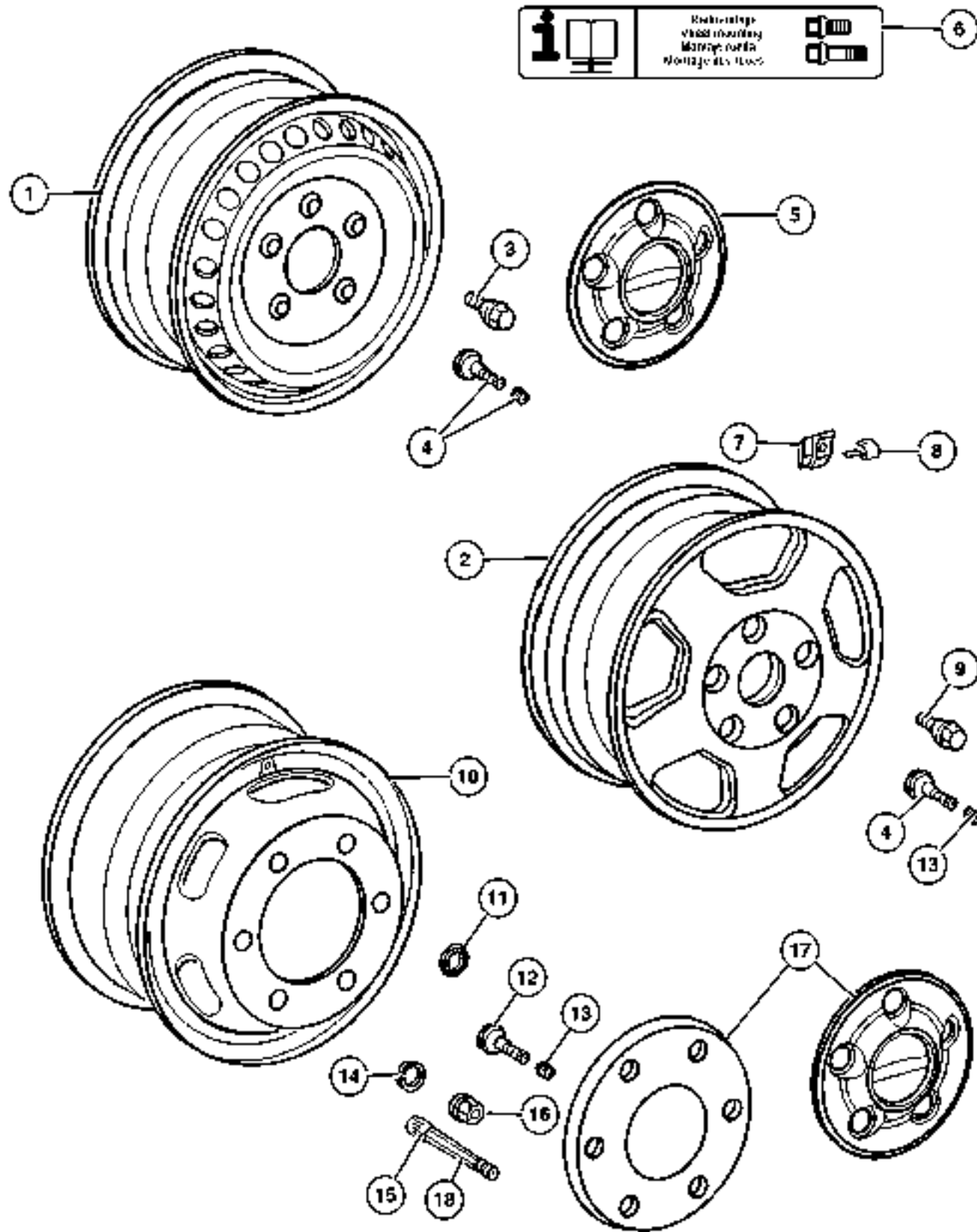
ITEM	PART NUMBER	QTY	LINE	SERIES	BODY	ENGINE	TRANS	TRIM	DESCRIPTION
3	5104 080AA	20	2, 6	L	01, 02, 06				BOLT, [WDG=WCL=WCL+WWW+AMC]
4	5175 254AA	99	2, 6	L	01, 02, 06				STEM, Wheel Valve
5									CAP, Wheel Center
	5104 571AA	4	6	L	01, 02, 06				[(WCL=WDG)+4XS+MGQ-(WWW=AMB)]
		4	6	L	11, 12, 14, 15, 16				[(WCL=WDG)+4XS+MGQ-(WWW=AMB)]
		4	6	L	51, 52, 54, 55, 56				[(WCL=WDG)+4XS+MGQ-(WWW=AMB)]
	5104 582AA	2	7	L	02, 06				[4XS+MGQ]
		2	7	L	12, 15, 16				[4XS+MGQ]
	5128 954AA	4	2	L	01, 02, 06				[(WCL=WDG)+4Z1=(4XS+MG4)-(WWW=AMB)]
		4	2	L	11, 12, 14, 15, 16				[(WCL=WDG)+4Z1=(4XS+MG4)-(WWW=AMB)]
		4	2	L	51, 52, 54, 55, 56				[(WCL=WDG)+4Z1=(4XS+MG4)-(WWW=AMB)]
6									LABEL
	5129 737AA	1	2, 6	L	01, 02, 06				[(WWB-4DR=WWB+4DR+WLB)-(WWA=4Z1)]
		1	2, 6	L	11, 12, 14, 15, 16				[(WWB-4DR=WWB+4DR+WLB)-(WWA=4Z1)]
		1	2, 6	L	51, 52, 54, 55, 56				[(WWB-4DR=WWB+4DR+WLB)-(WWA=4Z1)]
7									WEIGHT, Balance, Perf Part, (NOT SERVICED) (Not Serviced)
8									BRACKET, (NOT SERVICED) (Not Serviced)
9									BOLT
	5104 018AA	20	2, 6	L	01, 02, 06				[WWB=WWB+WDG]
		20	2, 6	L	11, 12, 14, 15, 16				[WWB=WWB+WDG]

Refer to Model Legend Information Bookmark

AR = Use as required - = Non illustrated part # = New this model year

March 3, 2006

Wheels and Hardware
Figure 022-120



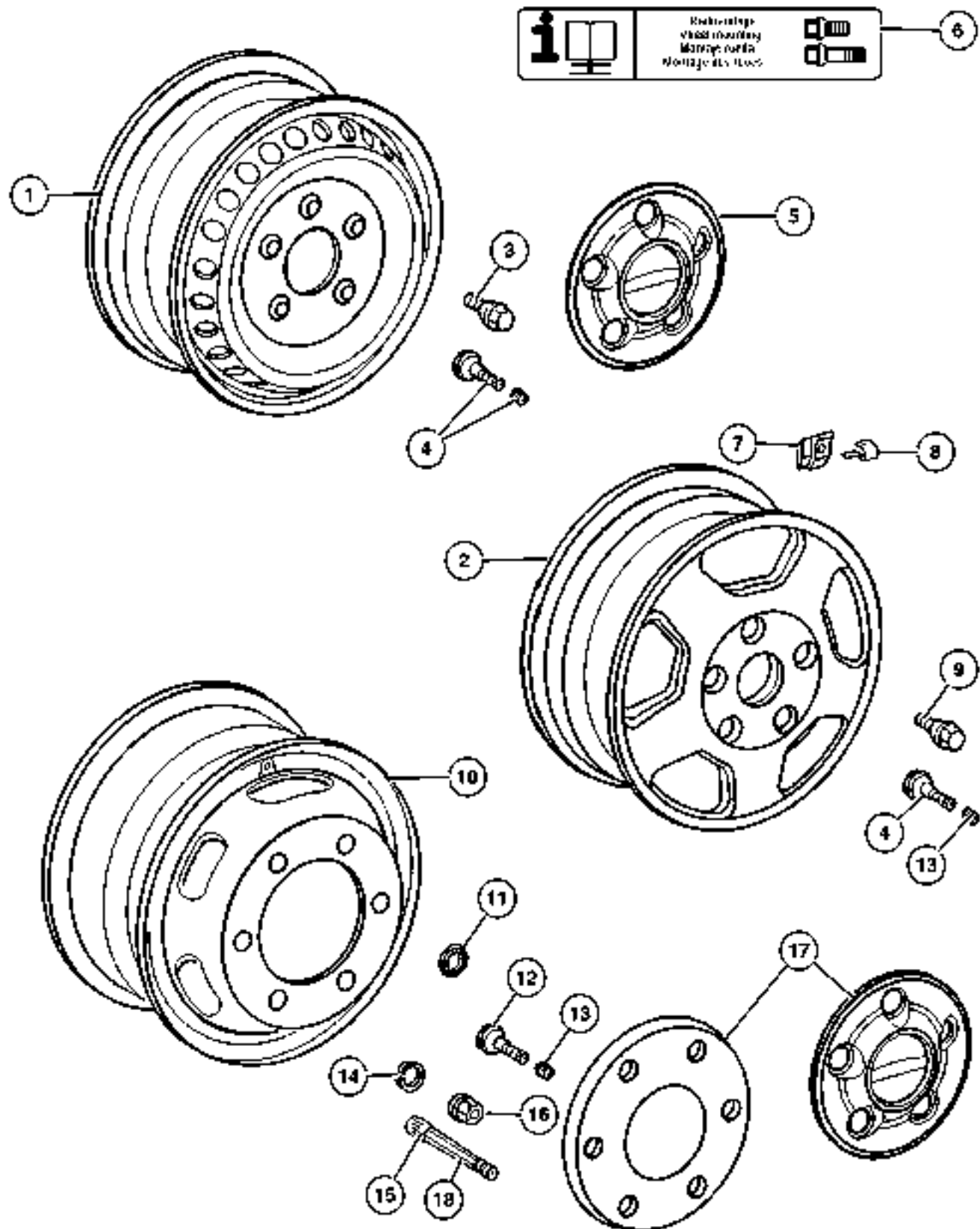
ITEM	PART NUMBER	QTY	LINE	SERIES	BODY	ENGINE	TRANS	TRIM	DESCRIPTION
		20	2, 6	L	51, 52, 54, 55, 56				[WWB=WWB+WDG]
10	5104 581AA	1	3, 7	L	02, 06				WHEEL [WCD+WLB], Spare
		1	3, 7	L	12, 15, 16				[WCD+WLB], Spare
11	5103 941AA	12	3, 7	L	02, 06				WASHER
		12	3, 7	L	12, 15, 16				
12	5103 628AA	99	3, 7	L	02, 06				STEM, Wheel Valve
		99	3, 7	L	12, 15, 16				
13	5104 630AA	99	2, 6	L	01, 02, 06				CAP, valve stem
		99	2, 6	L	11, 12, 14, 15, 16				
		99	3, 7	L	02, 06				
		99	3, 7	L	12, 15, 16				
14	5104 538AA	12	3, 7	L	02, 06				WASHER, Lock
		12	3, 7	L	12, 15, 16				
15	5118 963AA	2	3, 7	L	02, 06				STEM, Wheel Valve [-(4JR+WDG)]
		2	3, 7	L	12, 15, 16				
16	5104 651AA	12	3, 7	L	02, 06				NUT
		12	3, 7	L	12, 15, 16				
17	5104 570AA	4	2, 6	L	01, 02, 06				COVER, Wheel [(WDG+WWB)+(4ZI=4XS) +(MG4=MGQ)]
		4	2, 6	L	11, 12, 14, 15, 16				[(WDG+WWB)+(4ZI=4XS) +(MG4=MGQ)]
		4	2, 6	L	51, 52, 54, 55, 56				[(WDG+WWB)+(4ZI=4XS) +(MG4=MGQ)]

Refer to Model Legend Information Bookmark

AR = Use as required - = Non illustrated part # = New this model year

March 3, 2006

Wheels and Hardware
Figure 022-120



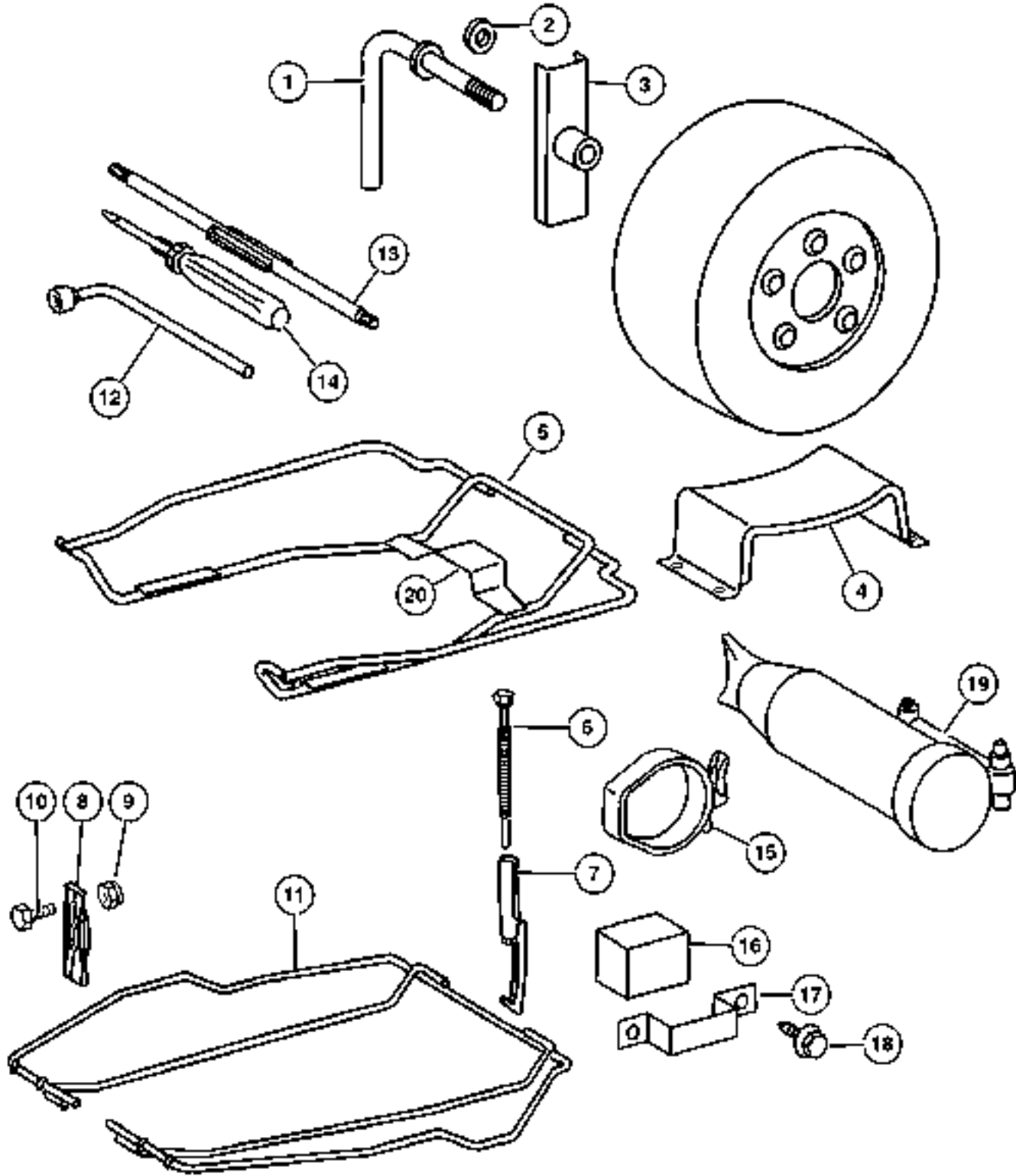
ITEM	PART NUMBER	QTY	LINE	SERIES	BODY	ENGINE	TRANS	TRIM	DESCRIPTION
	5114 454AA	2	3	L	02, 06				[(4Z1=4XS)+MG4-AMB]
		2	3	L	12, 15, 16				[(4Z1=4XS)+MG4-AMB]
18	5166 591AA	2	3, 7	L	02, 06				STEM, Wheel Valve, Extension, [4JR+WDG]

Refer to Model Legend Information Bookmark

AR = Use as required - = Non illustrated part # = New this model year

March 3, 2006

Jack and Stowage
Figure 022-340



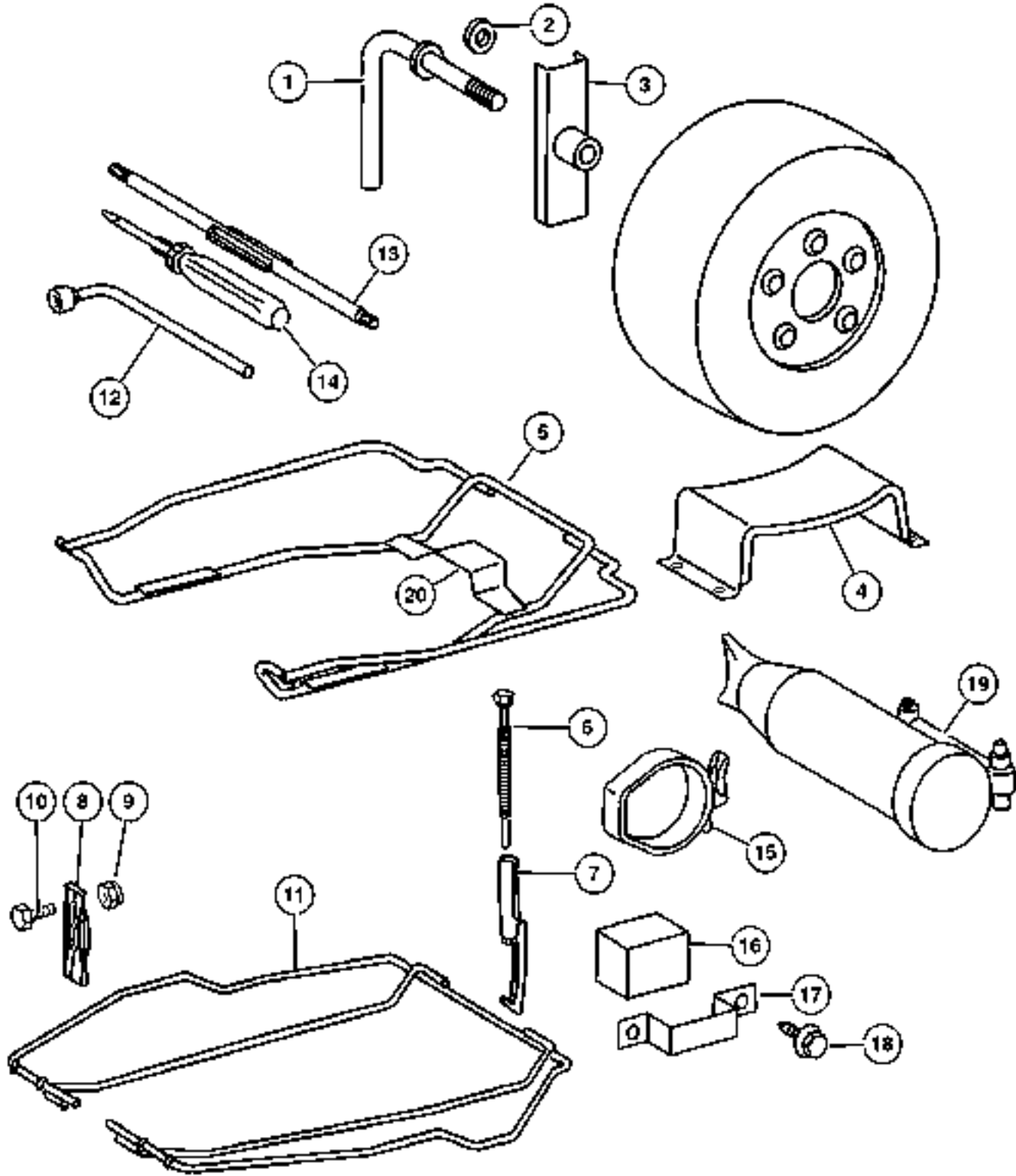
ITEM	PART NUMBER	QTY	LINE	SERIES	BODY	ENGINE	TRANS	TRIM	DESCRIPTION
NOTES: Sales Codes:									
[CFY] = 2 Rear Bench 2 Passenger Seat									
[TBN] = Underslung Tire Carrier									
[TNH] = P195/70R15 BSW All Season Tire									
[WDG] = 16x6 Steel Wheels									
[XEG] = Hydraulic Jack									
[XFQ] = Delete Hydraulic Jack									
[XL8] = Delete Tool Kit									
[4JR] = Dual Rear Wheel Chassic with 16' Tire									
[5AE] = 140' Wheelbase									
[5AF] = 158' Wheelbase									
1	5104 529AA	1	2, 6	L	11, 12, 14, 15, 16				SCREW
2	5126 189AA	4	2, 6	L	11, 12, 14, 15, 16				WASHER, Flat [CFY]
		4	2, 6	L	51, 52, 54, 55, 56				[CFY]
		4	3, 7	L	12, 15, 16				[CFY]
3	5104 528AA	1	2, 6	L	11, 12, 14, 15, 16				BRACKET, Spare Tire Winch
4	5121 441AA	1	2, 6	L	11, 12, 14, 15, 16				REST, Spare Tire
		1	3, 7	L	12, 15, 16				
5	5104 078AA	1	2, 6	L	11, 12, 14, 15, 16				SUPPORT, Spare Tire [TBN+WDG]
		1	2, 6	L	51, 52, 54, 55, 56				[TBN+WDG]
6	5104 082AA	2	2, 6	L	02, 06 11, 12, 14, 15, 16				[TBN+4JR] SCREW, Spare Tire [4E9+TUG+TBN]

Refer to Model Legend Information Bookmark

AR = Use as required - = Non illustrated part # = New this model year

March 3, 2006

Jack and Stowage
Figure 022-340



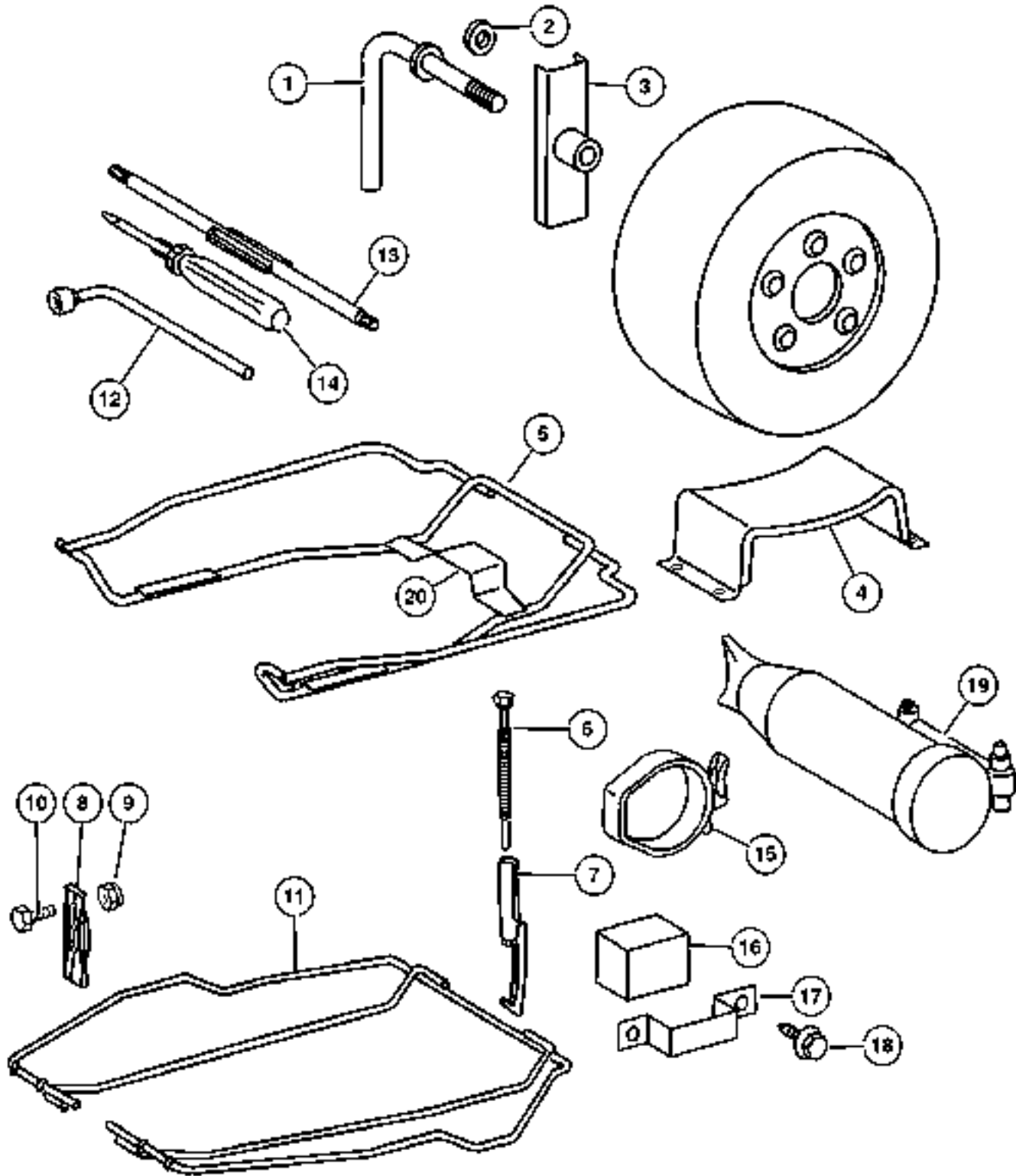
ITEM	PART NUMBER	QTY	LINE	SERIES	BODY	ENGINE	TRANS	TRIM	DESCRIPTION
		2	2, 6	L	51, 52, 54, 55, 56				[4E9+TUG+TBN]
7	5118 920AA	2	2, 6	L	11, 12, 14, 15, 16				HOOK, Spare Tire Attach [TNH+TBN]
		2	2, 6	L	51, 52, 54, 55, 56				[TNH+TBN]
8	5104 081AA	2	3, 7	L	16				[5AF+TBN] PLATE, Spare Tire
		2	2, 6	L	01, 02, 06				[TBN+WDG]
		2	2, 6	L	11, 12, 14, 15, 16				[TBN+WDG]
		2	2, 6	L	51, 52, 54, 55, 56				[TBN+WDG]
	5119 009AA	2	3, 7	L	02, 06				[TBN]
		2	3, 7	L	12, 15, 16				[TBN]
9	5126 237AA	4	2, 6	L	01, 02, 06				NUT, Hex [TBN+WDG]
		4	2, 6	L	11, 12, 14, 15, 16				[TBN+WDG]
		4	2, 6	L	51, 52, 54, 55, 56				[TBN+WDG]
		2	3, 7	L	02, 06				[TBN]
		2	3, 7	L	12, 15, 16				[TBN]
10	5104 655AA	4	2, 6	L	01, 02, 06				BOLT [TBN+WDG]
		4	2, 6	L	11, 12, 14, 15, 16				[TBN+WDG]
		4	2, 6	L	51, 52, 54, 55, 56				[TBN+WDG]
		2	3, 7	L	02, 06				[TBN]

Refer to Model Legend Information Bookmark

AR = Use as required - = Non illustrated part # = New this model year

March 3, 2006

Jack and Stowage
Figure 022-340



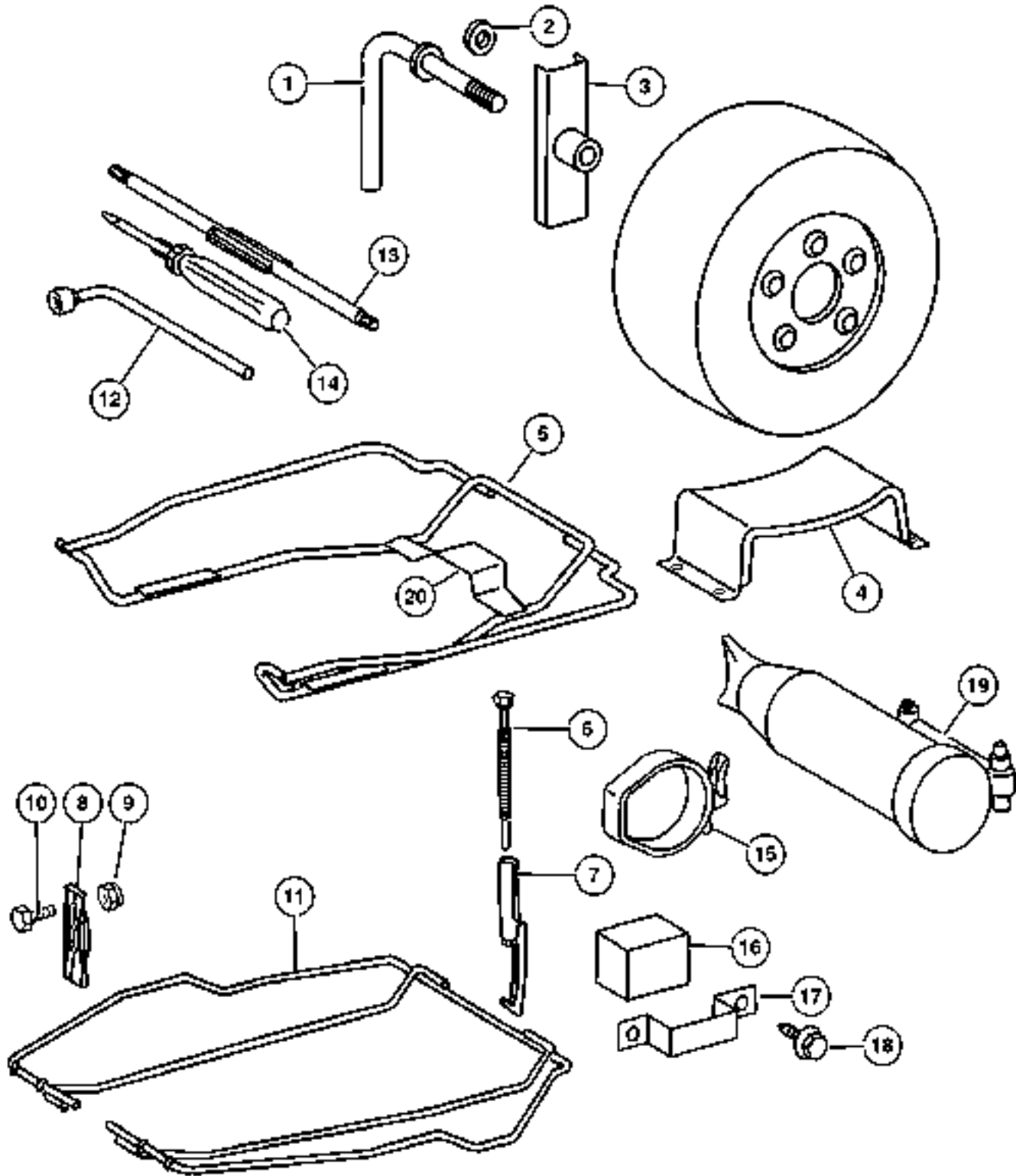
ITEM	PART NUMBER	QTY	LINE	SERIES	BODY	ENGINE	TRANS	TRIM	DESCRIPTION
		2	3, 7	L	12, 15, 16				[TBN]
11	5104 077AA	1	2, 6	L	01, 02, 06				SUPPORT, Spare Tire [TBN]
		1	2, 6	L	11, 12, 14, 15, 16				[TBN]
		1	2, 6	L	51, 52, 54, 55, 56				[TBN]
12	5104 078AA	1	3, 7	L	02, 06				[4E9+TUG+TBN] TOOL, Wrench
	5120 992AA	1	2, 6	L	01, 02, 06				[4E9=(XEG=XFQ)-XL8]
		1	2, 6	L	11, 12, 14, 15, 16				[4E9=(XEG=XFQ)-XL8]
		1	2, 6	L	51, 52, 54, 55, 56				[4E9=(XEG=XFQ)-XL8]
13	5120 994AA	1	2, 6	L	01, 02, 06				TUBE, Spare Tire Winch [-XL8]
		1	2, 6	L	11, 12, 14, 15, 16				[-XL8]
		1	2, 6	L	51, 52, 54, 55, 56				[-XL8]
		1	3, 7	L	02, 06				[XEG+XFQ]
		1	3, 7	L	12, 15, 16				[XEG+XFQ]
14									SCREWDRIVER, (NOT SERVICED) (Not Serviced)
15	5125 275AA	1	2, 6	L	01, 02, 06				BRACKET, Jack [4E9+XEG]
		1	2, 6	L	11, 12, 14, 15, 16				[4E9+XEG]
		1	2, 6	L	51, 52, 54, 55, 56				[4E9+XEG]
16									PAD, Jack

Refer to Model Legend Information Bookmark

AR = Use as required - = Non illustrated part # = New this model year

March 3, 2006

Jack and Stowage
Figure 022-340



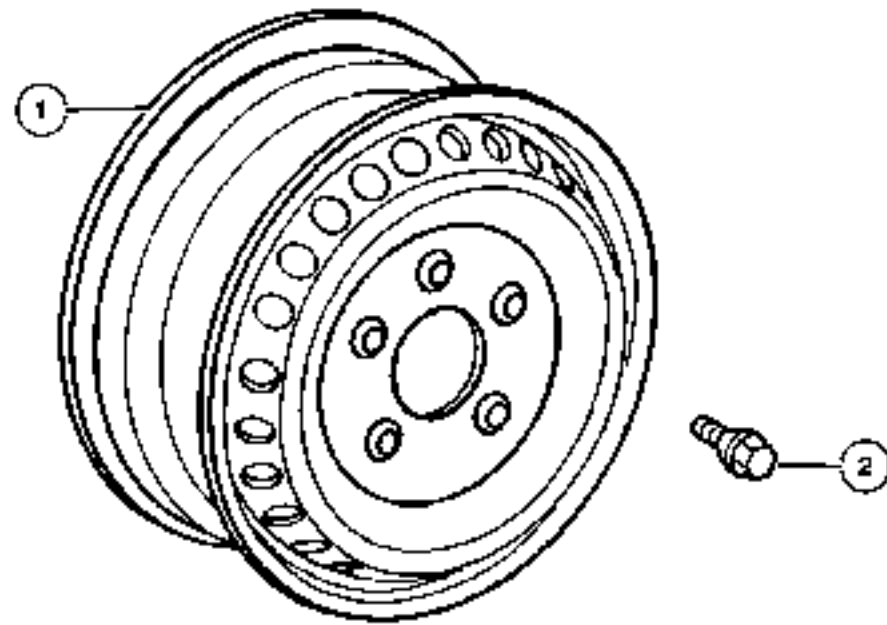
ITEM	PART NUMBER	QTY	LINE	SERIES	BODY	ENGINE	TRANS	TRIM	DESCRIPTION
	5133 292AA	1	2, 6	L	01, 02, 06				
		1	2, 6	L	11, 12, 14, 15, 16				
		1	2, 6	L	51, 52, 54, 55, 56				
		1	3, 7	L	02, 06				
		1	3, 7	L	12, 15, 16				
17									BRACKET, Jack
	5133 293AA	1	2, 6	L	01, 02, 06				
		1	2, 6	L	11, 12, 14, 15, 16				
		1	2, 6	L	51, 52, 54, 55, 56				
		1	3, 7	L	02, 06				
		1	3, 7	L	12, 15, 16				
18									SCREW, Self-Tapping
	5133 295AA	2	2, 6	L	11, 12, 14, 15, 16				
		2	2, 6	L	51, 52, 54, 55, 56				
		2	3, 7	L	12, 15, 16				
19									JACK
	5104 587AA	1	2, 6	L	01, 02, 06				[4E9+XEG]
		1	2, 6	L	11, 12, 14, 15, 16				[4E9+XEG]
		1	2, 6	L	51, 52, 54, 55, 56				[4E9+XEG-(XFQ=XL8)]
		1	3, 7	L	02, 06				[XEG]
		1	3, 7	L	12, 15, 16				[XEG]
20	5140 580AA	1	3, 7	L	06				BRACKET, Spare Tire, [5AF+TBN+4JR]

Refer to Model Legend Information Bookmark

AR = Use as required - = Non illustrated part # = New this model year

March 3, 2006

Wheel, Spare Figure 022-430



ITEM	PART NUMBER	QTY	LINE	SERIES	BODY	ENGINE	TRANS	TRIM	DESCRIPTION
NOTES: Sales Codes									
[AMC] = Federal Express Group									
[WCL] = 15X6 Steel Wheels									
[WDG] = 16X6 Steel Wheels									
[WLB] = Steel Spare Wheel									
[WWA] = Paintable Wheels									
[WWW] = Steel Arctic White Wheels									
[4JR] = Dual Rear Wheel Chassis with 16' Tire									
4XS] = National Version for USA									
[4Z1] = National Version for Canada									
1	5103 605AA	2	2, 6	L	01, 02, 06				WHEEL [WCL+WWW+(4Z1=4XS)]
	5104 581AA	1	3, 7	L	02, 06				[WCD+WLB]
		1	3, 7	L	12, 15, 16				[WCD+WLB]
	5128 908AA	2	2, 6	L	01, 02, 06				[WDG+WWA+(4Z1=4XS)]
		2	2, 6	L	11, 12, 14, 15, 16				[WDG+WWA+(4Z1=4XS)]
	5128 911AA	2	2, 6	L	01, 02, 06				[WDG+(4Z1=4XS)]
		2	2, 6	L	11, 12, 14, 15, 16				[WDG+(4Z1=4XS)]
	5142 364AA	7	3, 7	L	02, 06				[WDG+4JR]
	5166 588AA	2	3, 7	L	02, 06				[WDG+4JR+WWA]
2	5104 080AA	20	2, 6	L	01, 02, 06				BOLT [WDG=WCL=WCL+WWW+AMC]
		20	2, 6	L	11, 12, 14, 15, 16				[WDG=WCL=WCL+WWW+AMC]
		20	2, 6	L	51, 52, 54, 55, 56				[WDG=WCL=WCL+WWW+AMC]

Refer to Model Legend Information Bookmark

AR = Use as required - = Non illustrated part # = New this model year

March 3, 2006

Group – 23D

Wiper/Lock Cylinder and Keys

GROUP 23D - Wiper/Lock Cylinder and Keys

Illustration Title

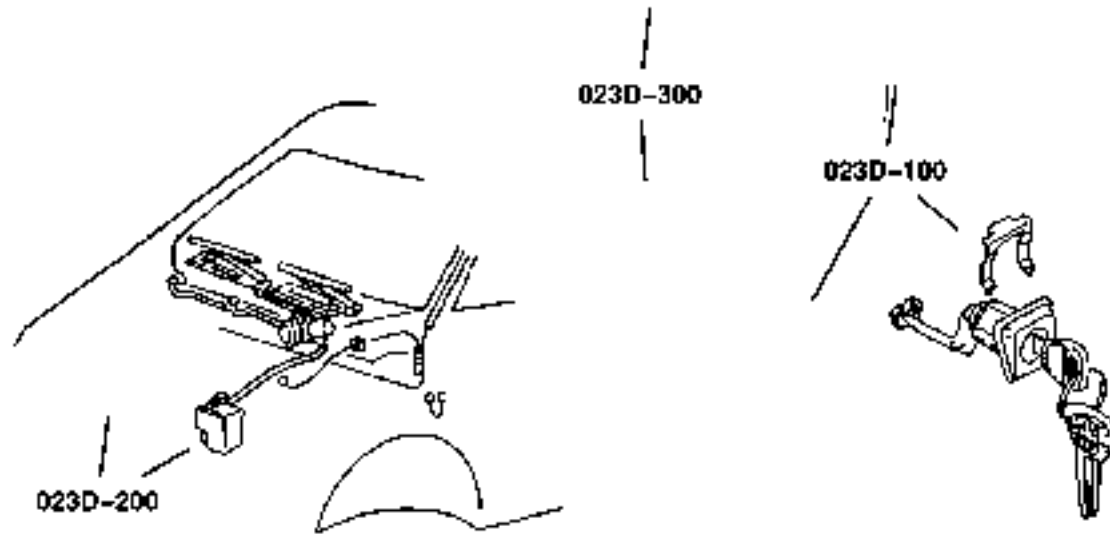
Group-Fig. No.

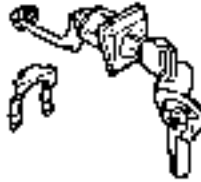

Lock Cylinders and Keys

Lock Cylinders & Components Fig. 23D-105

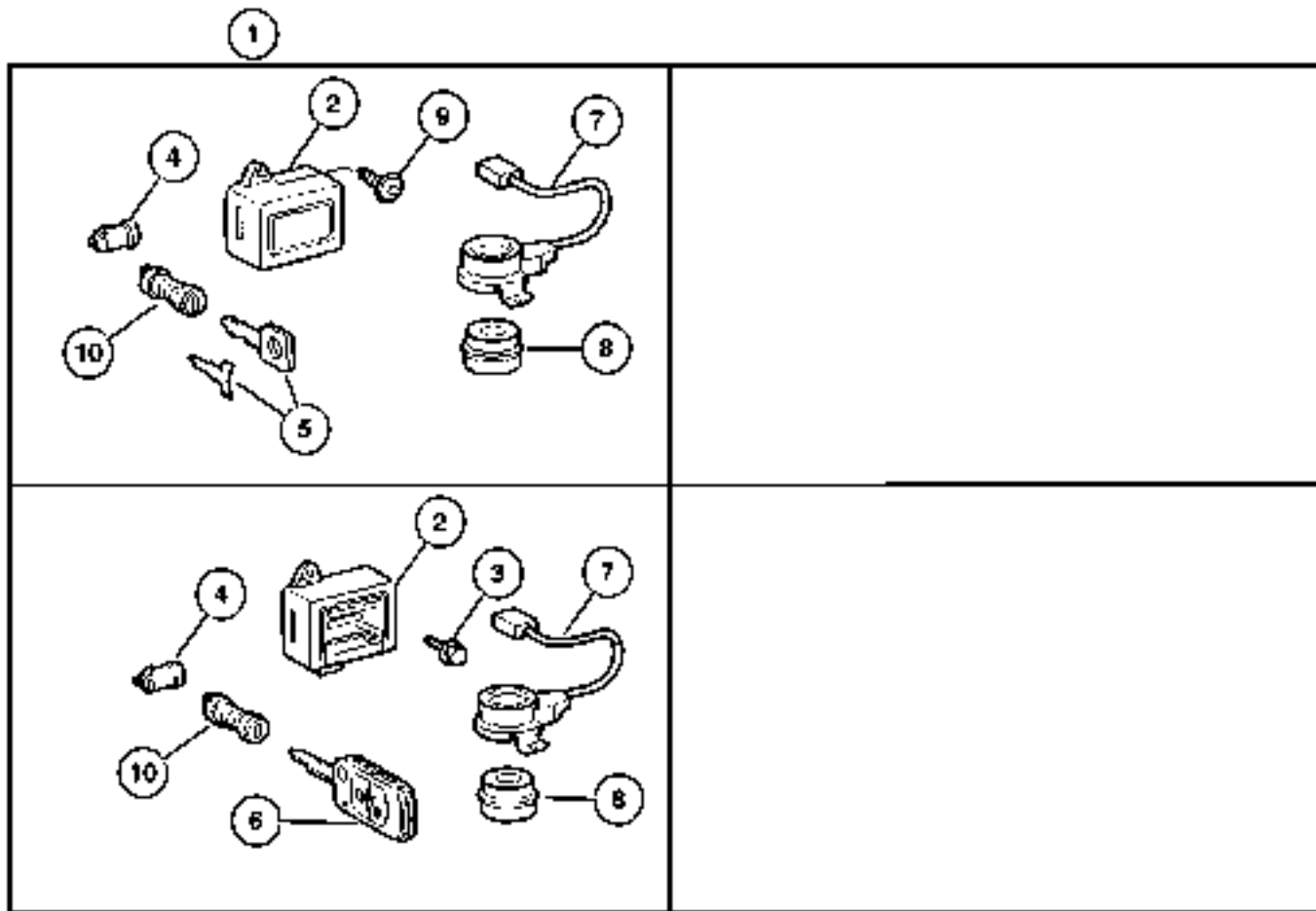
Windshield Wiper and Washer Systems

Windshield Wiper & Washer Fig. 23D-205



<p>23D-100 Lock Cylinders and Keys</p> 	<p>23D-200 Windshield Wiper and Washer Systems</p> 		
---	---	--	--

Lock Cylinders & Components Figure 23D-105



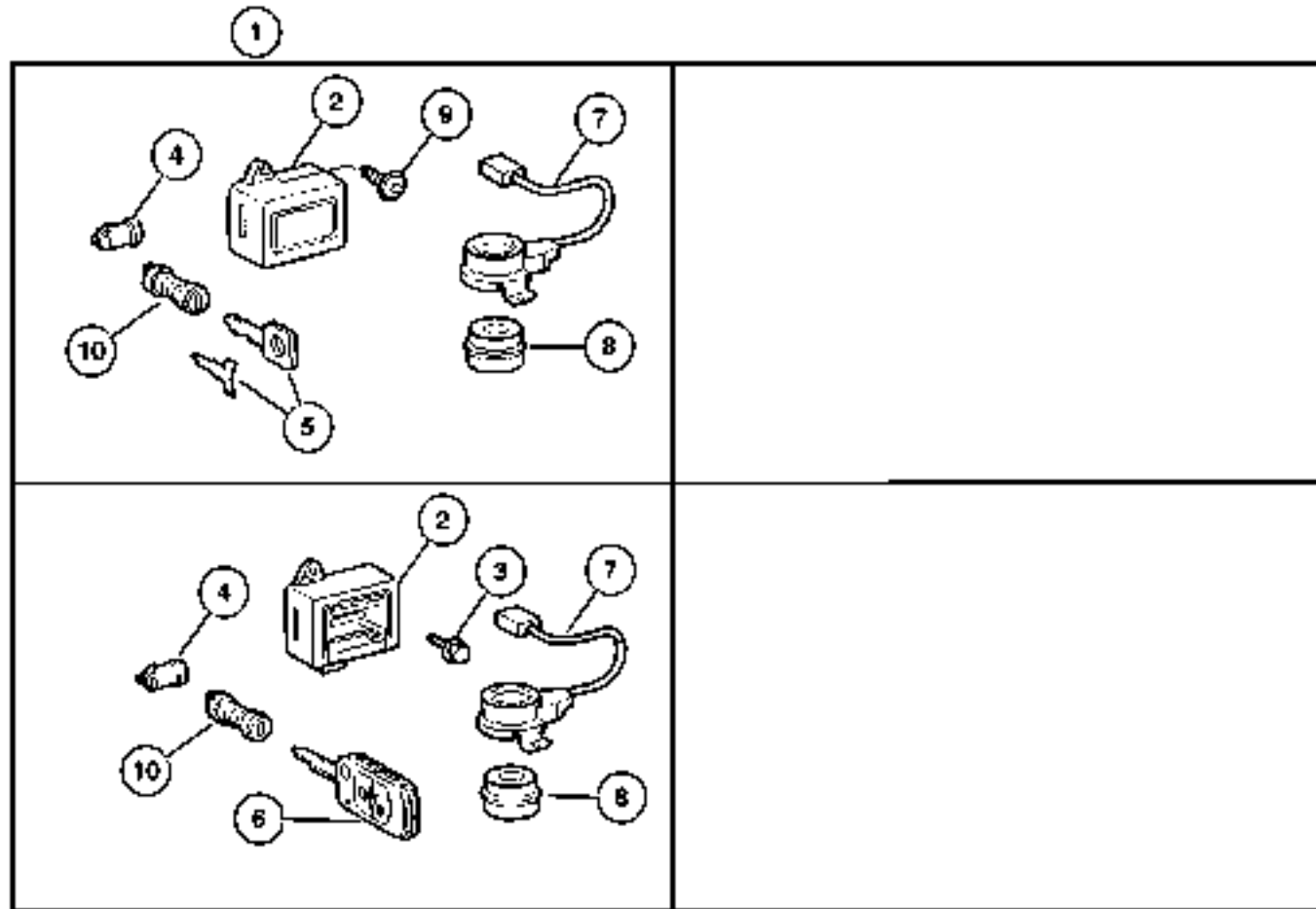
ITEM	PART NUMBER	QTY	LINE	SERIES	BODY	ENGINE	TRANS	TRIM	DESCRIPTION
1									LOCK, Door, For this package call 866 769 8092 or use STAR Parts Web Site order form
	5123 717AA	1	2, 6		11, 12, 14, 15, 16				
		1	2, 6		51, 52, 54, 55, 56				
2									WSP CONTROL UNIT, Remote Control Key UPS Sprinter w/o Transmitter
	5135 344AA	1	2, 6		11, 12, 14, 15, 16				
		1	2, 6		51, 52, 54, 55, 56				UPS Sprinter w/o Transmitter
	5135 345AA	1	2, 6		11, 12, 14, 15, 16				
		1	2, 6		51, 52, 54, 55, 56				
3									BOLT, Door
	5126 268AA	2	2, 6		11, 12, 14, 15, 16				
		2	2, 6		51, 52, 54, 55, 56				
		2	3, 7		02, 06				
		2	3, 7		12, 15, 16				
4									CYLINDER, Ignition Lock
	5114 365AA	1	2, 6		11, 12, 14, 15, 16				
		1	2, 6		51, 52, 54, 55, 56				
		1	2, 6		01, 02, 06				
5									KEY

Refer to Model Legend Information Bookmark

AR = Use as required - = Non illustrated part # = New this model year

March 3, 2006

Lock Cylinders & Components Figure 23D-105



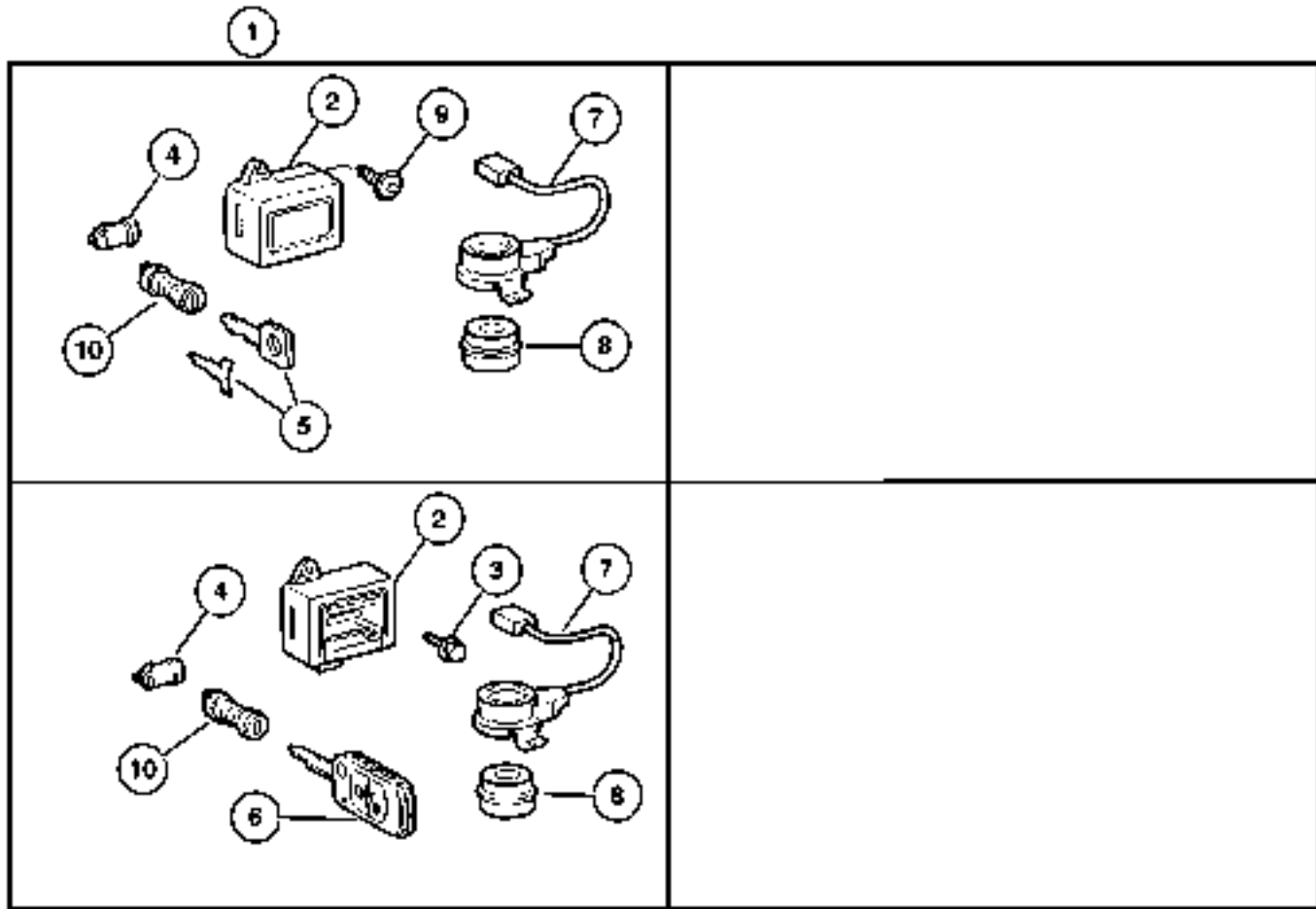
ITEM	PART NUMBER	QTY	LINE	SERIES	BODY	ENGINE	TRANS	TRIM	DESCRIPTION
	5114 363AA	1	2, 6		11, 12, 14, 15, 16				Key With No Remote WithOut Sales Code [GXY] Or [JPB]. Can Be Used As A Spare For Sales Code [JPB]
		1	2, 6		51, 52, 54, 55, 56				Key With No Remote WithOut Sales Code [GXY] Or [JPB]. Can Be Used As A Spare For Sales Code [JPB]
		1	3, 7		02, 06				Key With No Remote WithOut Sales Code [GXY] Or [JPB]. Can Be Used As A Spare For Sales Code [JPB]
		1	3, 7		12, 15, 16				Key With No Remote WithOut Sales Code [GXY] Or [JPB]. Can Be Used As A Spare For Sales Code [JPB]
	5114 362AA	2	3, 7		12, 15, 16				Remote Key With Blade For Sales Code [JPB] Only
		2	2, 6		01, 02, 06				Remote Key With Blade For Sales Code [JPB] Only
		2	3, 7		02, 06				Remote Key With Blade For Sales Code [JPB] Only
6	5114 361AA	4	2, 6		11, 12, 14, 15, 16				KEY, Remote Control Complete Remote Key With Blade For Sales Code [JPB] Only
		4	2, 6		51, 52, 54, 55, 56				Remote Key With Blade For Sales Code [JPB] Only
		2	3, 7		02, 06				Remote Key With Blade For Sales Code [JPB] Only
		2	3, 7		12, 15, 16				Remote Key With Blade For Sales Code [JPB] Only
7	5120 812AA	1	2, 6		11, 12, 14, 15, 16				TRANSPONDER, Steering Wheel
		1	2, 6		51, 52, 54, 55, 56				
		1	3, 7		02, 06				
8	5103 651AA	1	2, 6		11, 12, 14, 15, 16				RING

Refer to Model Legend Information Bookmark

AR = Use as required - = Non illustrated part # = New this model year

March 3, 2006

Lock Cylinders & Components
Figure 23D-105



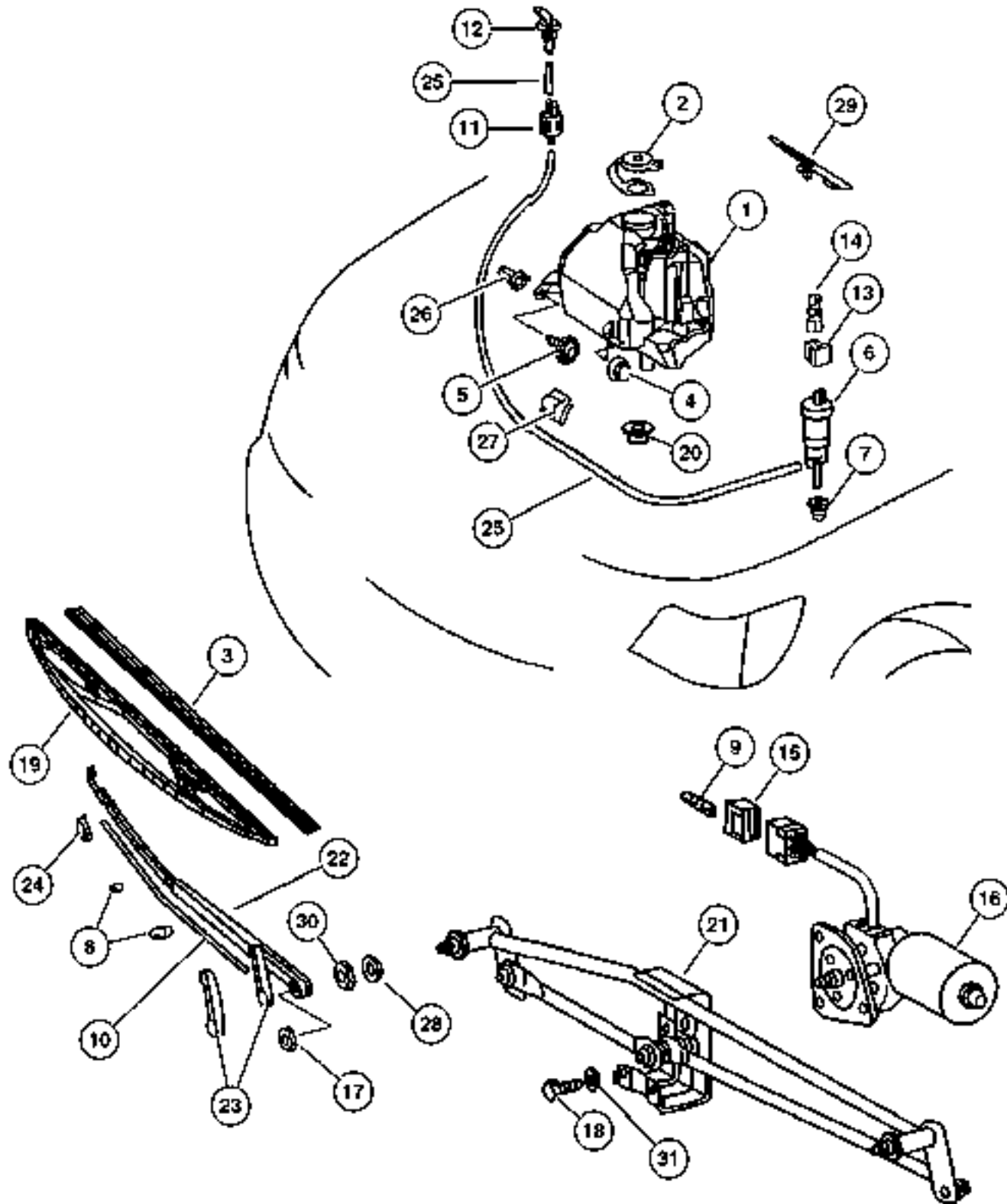
ITEM	PART NUMBER	QTY	LINE	SERIES	BODY	ENGINE	TRANS	TRIM	DESCRIPTION
		1	2, 6		51, 52, 54, 55, 56				
9	5126 095AA	1	3, 7		02, 06				SCREW, Tapping
		6	2, 6		11, 12, 14, 15, 16				
10	5114 364AA	1	3, 7		02, 06				CYLINDER, Door Lock
		1	2, 6		11, 12, 14, 15, 16				
-11	5127 746AA-	1	3, 7		02, 06				KEY, Blank, For Ups Vechiles Only

Refer to Model Legend Information Bookmark

AR = Use as required - = Non illustrated part # = New this model year

March 3, 2006

Windshield Wiper & Washer
Figure 23D-205



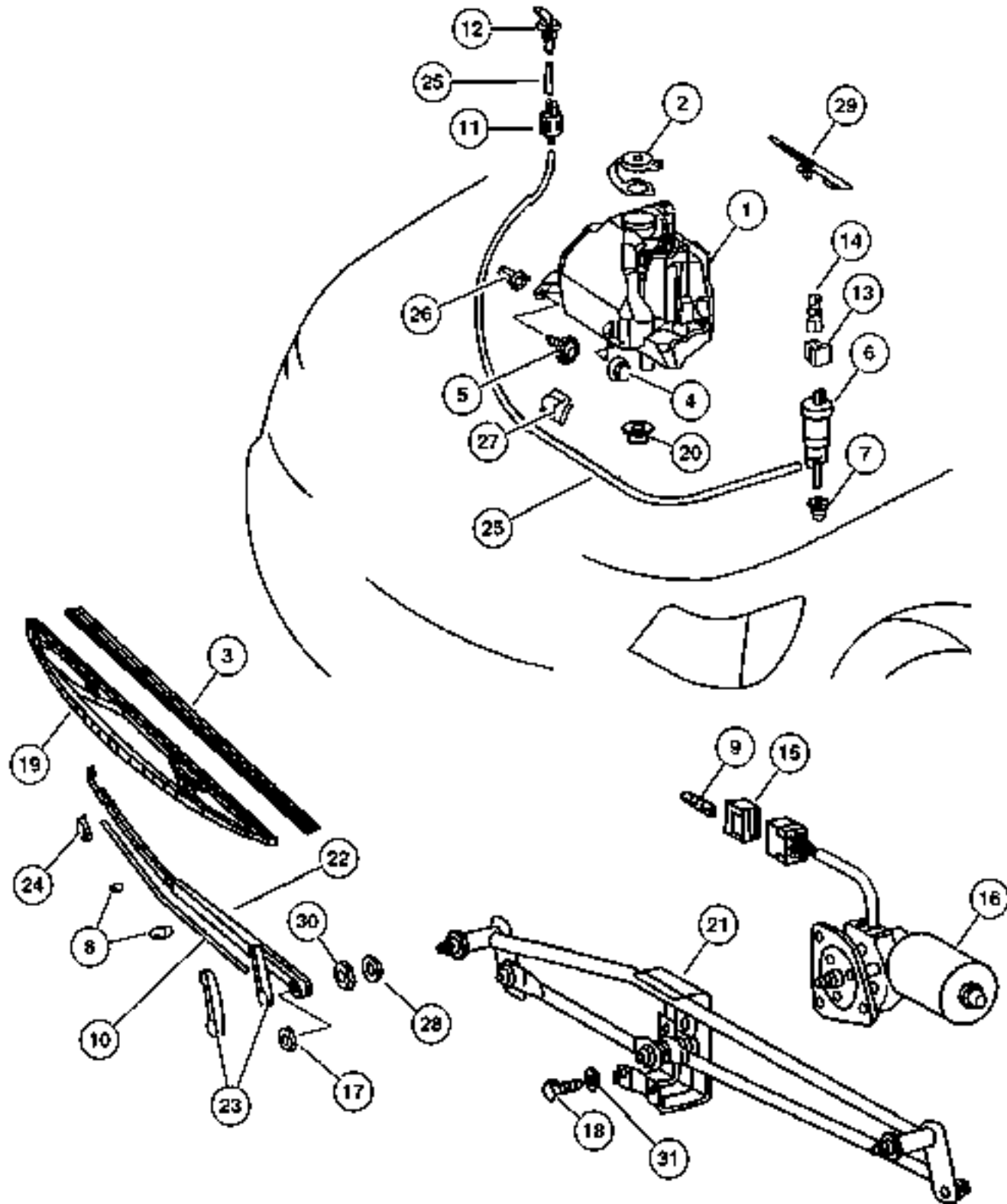
ITEM	PART NUMBER	QTY	LINE	SERIES	BODY	ENGINE	TRANS	TRIM	DESCRIPTION
1									RESERVOIR, Washer
	5104 503AA	1	2, 6		01, 02, 06				
		1	2, 6		11, 12, 14, 15, 16				
		1	2, 6		51, 52, 54, 55, 56				
		1	3, 7		02, 06				
		1	3, 7		12, 15, 16				
2									CAP, Washer Reservoir
	5125 059AA	1	2, 6		01, 02, 06				
		1	2, 6		11, 12, 14, 15, 16				
		1	2, 6		51, 52, 54, 55, 56				
		1	3, 7		02, 06				
		1	3, 7		12, 15, 16				
3									REFILL, Wiper Blade
	5133 992AA	2	2, 6		01, 02, 06				
		2	2, 6		11, 12, 14, 15, 16				
		2	2, 6		51, 52, 54, 55, 56				
		2	3, 7		02, 06				
		2	3, 7		12, 15, 16				
4									NUT, Hex, M6
	5096 978AA	1	2, 6		01, 02, 06				
		1	3, 7		02, 06				
5									SCREW
	5135 134AA	2	2, 6		11, 12, 14, 15, 16				

Refer to Model Legend Information Bookmark

AR = Use as required - = Non illustrated part # = New this model year

March 3, 2006

Windshield Wiper & Washer Figure 23D-205



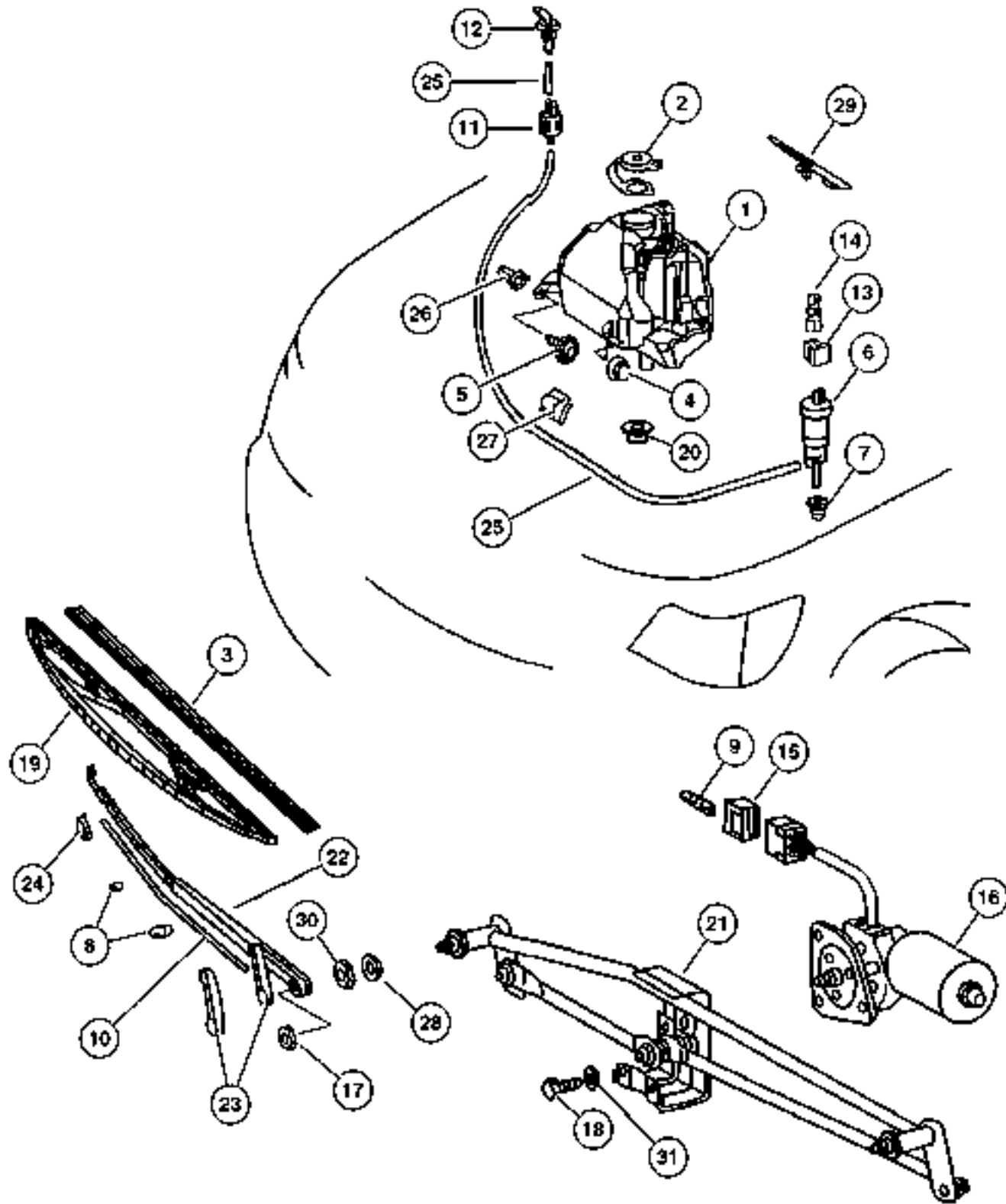
ITEM	PART NUMBER	QTY	LINE	SERIES	BODY	ENGINE	TRANS	TRIM	DESCRIPTION
		2	2, 6		51, 52,				
					54, 55,				
					56				
	6104 285AA	2	3, 7		02, 06				
		2	3, 7		12, 15,				
					16				
6	5103 700AA	1	2, 6		01, 02,				PUMP, Washer, Windshield Stamp nbr A0008604826
		1	2, 6		11, 12,				Stamp nbr A0008604826
					14, 15,				
					16				
		1	2, 6		51, 52,				Stamp nbr A0008604826
					54, 55,				
					56				
		1	3, 7		02, 06				Stamp nbr A0008604826
		1	3, 7		12, 15,				Stamp nbr A0008604826
					16				
	5124 954AA	1	2, 6		01, 02,				Stamp nbr A0008603326
					06				
		1	2, 6		11, 12,				Stamp nbr A0008603326
					14, 15,				
					16				
		1	2, 6		51, 52,				Stamp nbr A0008603326
					54, 55,				
					56				
		1	3, 7		02, 06				Stamp nbr A0008603326
		1	3, 7		12, 15,				Stamp nbr A0008603326
					16				
7									GROMMET, Windshield Washer Pump
	5125 077AA	1	3, 7		02, 06				With high pressure headlamp washer
		1	3, 7		12, 15,				With high pressure headlamp washer
					16				
	5125 939AA	1	2, 6		01, 02,				Without high pressure headlamp washer
					06				
		1	2, 6		11, 12,				Without high pressure headlamp washer
					14, 15,				
					16				
		1	2, 6		51, 52,				Without high pressure headlamp washer
					54, 55,				
					56				
		1	3, 7		02, 06				Without high pressure headlamp washer

Refer to Model Legend Information Bookmark

AR = Use as required - = Non illustrated part # = New this model year

March 3, 2006

Windshield Wiper & Washer Figure 23D-205



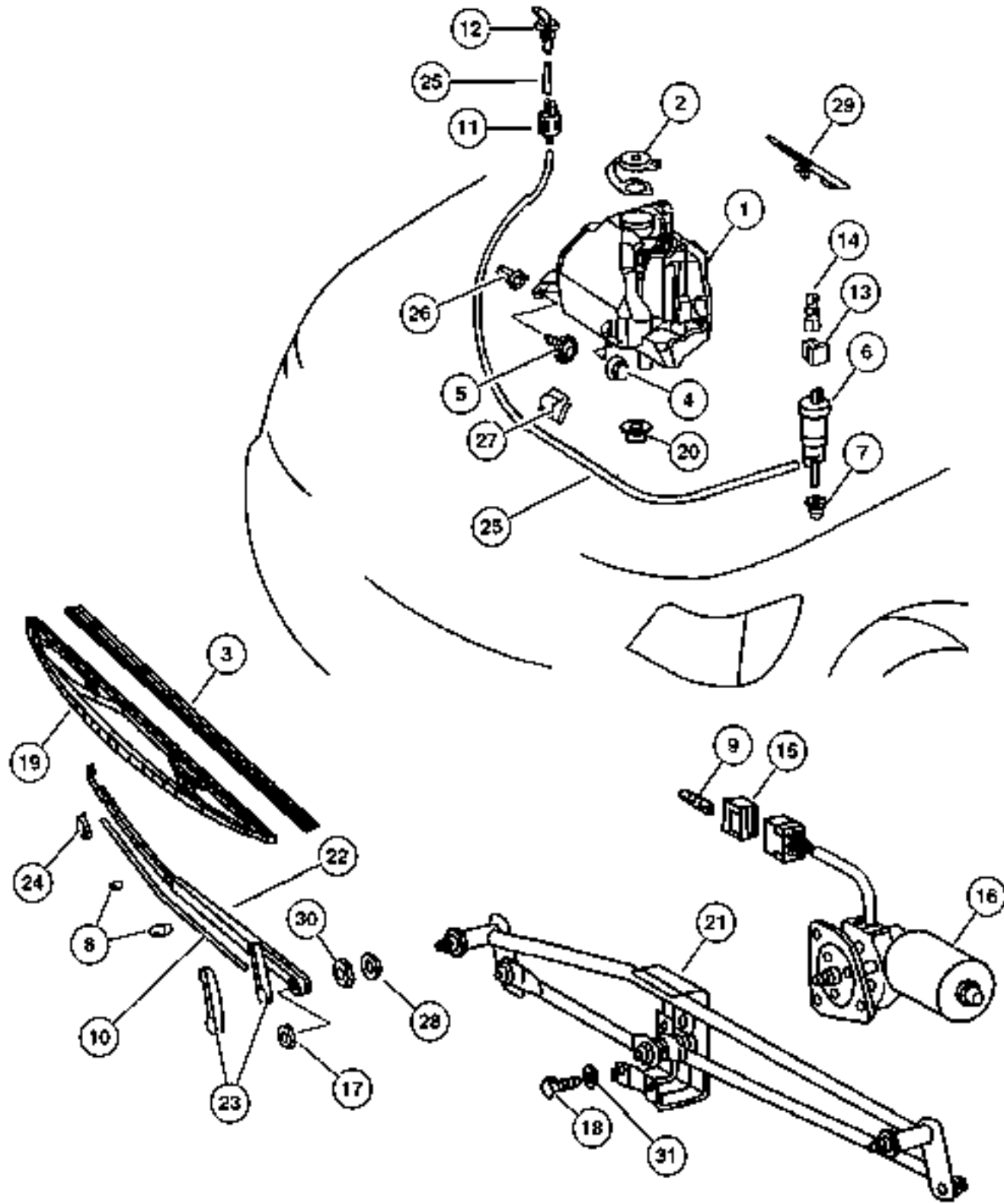
ITEM	PART NUMBER	QTY	LINE	SERIES	BODY	ENGINE	TRANS	TRIM	DESCRIPTION
		1	3, 7		12, 15,				Without high pressure headlamp
8	5133 994AA	1	2, 6		16	01, 02,			washer
9					01, 02,	06			CLIP, Washer Hose
									GROMMET, Windshield Washer
	5125 939AA	1	2, 6		11, 12,	14, 15,			Pump
		1	3, 7		02, 06				
		1	3, 7		12, 15,	16			
10									HOSE, Windshield Washer
	5125 066AA	1	2, 6		01, 02,	06			
		1	2, 6		11, 12,	14, 15,			
					16				
	5133 996AA	1	2, 6		51, 52,	54, 55,			
					56				
		1	3, 7		02, 06				
		1	3, 7		12, 15,	16			
11									CHECK VALVE, Washer
	5124 963AA	1	2, 6		01, 02,	06			
		1	3, 7		02, 06				
12	5125 061AA	2	2, 6		01, 02,				CONNECTOR, Washer Hose, Elbow
					06				Type, Elbow type connector
13									INSULATOR, 2 Way Female
	5103 754AA	1	2, 6		11, 12,	14, 15,			
					16				
		2	3, 7		02, 06				
14	5099 306AA	6	2, 6		01, 02,	06			TERMINAL, Female
15	5103 863AA	1	3, 7		12, 15,	16			CONNECTOR
16	5103 561AA	1	2, 6		01, 02,	06			MOTOR, Wiper
17	6104 709AA	4	2, 6		01, 02,	06			NUT, M8
18	5073 824AA	2	2, 6		01, 02,	06			SCREW
19									WIPER BLADE, (NOT REQUIRED)

Refer to Model Legend Information Bookmark

AR = Use as required - = Non illustrated part # = New this model year

March 3, 2006

Windshield Wiper & Washer
Figure 23D-205



ITEM	PART NUMBER	QTY	LINE	SERIES	BODY	ENGINE	TRANS	TRIM	DESCRIPTION
20	5125 941AA	2	2, 6		01, 02, 06				GROMMET, Washer Reservoir
		2	3, 7		02, 06				
21									LINKAGE, Wiper Arm, (NOT REQUIRED)
22	5103 544AA	1	2, 6		01, 02, 06				WIPER BLADE Drivers wiper 24
	5124 455AA	1	2, 6		01, 02, 06				Passenger wiper
		1	3, 7		12, 15, 16				
23									COVER, Wiper Arm, (NOT REQUIRED)
24									NOZZLE, Washer, Windshield, (NOT REQUIRED)
25	5125 066AA	1	2, 6		01, 02, 06				HOSE, Windshield Washer
		1	3, 7		02, 06				
26									PLUG, Push Lock, (NOT REQUIRED)
27	6507 148AA	8	2, 6		51, 52, 54, 55, 56				CLIP
		8	3, 7		12, 15, 16				
28									WASHER, (NOT REQUIRED)
29	5133 690AA	8	3, 7		02, 06				STRAP, Tie
		8	3, 7		12, 15, 16				
30									NUT, (NOT REQUIRED)
31									WASHER, (NOT REQUIRED)

Refer to Model Legend Information Bookmark

AR = Use as required - = Non illustrated part # = New this model year

March 3, 2006

Group – 024

Air Conditioning & Heater

GROUP 24 - Air Conditioning & Heater

Illustration Title

Group-Fig. No.

Air Conditioner and Heater Units

Hevac Unit, Front Fig. 024-130

Air Conditioner and Heater Plumbing

Heat Exchanger and Plumbing Fig. 024-250

Plumbing, Heater Fig. 024-260

Plumbing, Heater with Auxiliary warm water Heater Fig. 024-265

Plumbing, Air Conditioning Fig. 024-270

Condenser, Fan Front Fig. 024-280

Condenser, Fan Roof Fig. 024-285

Auxiliary Warm Water Heater Fig. 024-290

Air Conditioner and Heater Controls

Control Fig. 024-320

Air Conditioning Compressor

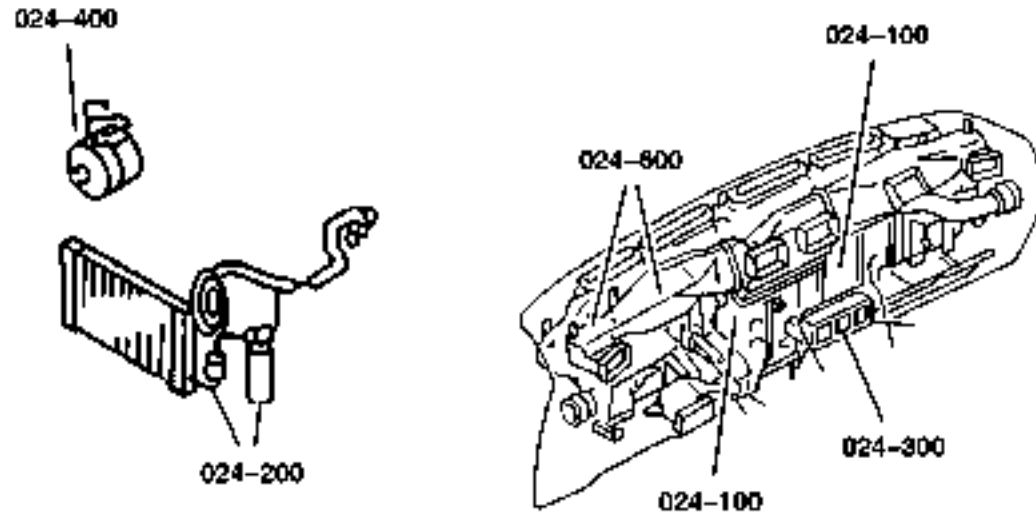
Compressor and Mounting Fig. 024-420

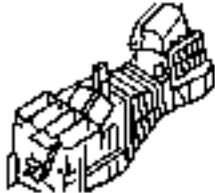

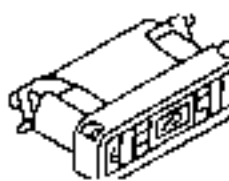
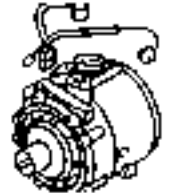

Air Ducts and Outlets

Air Ducts And Outlets, Front Fig. 024-630

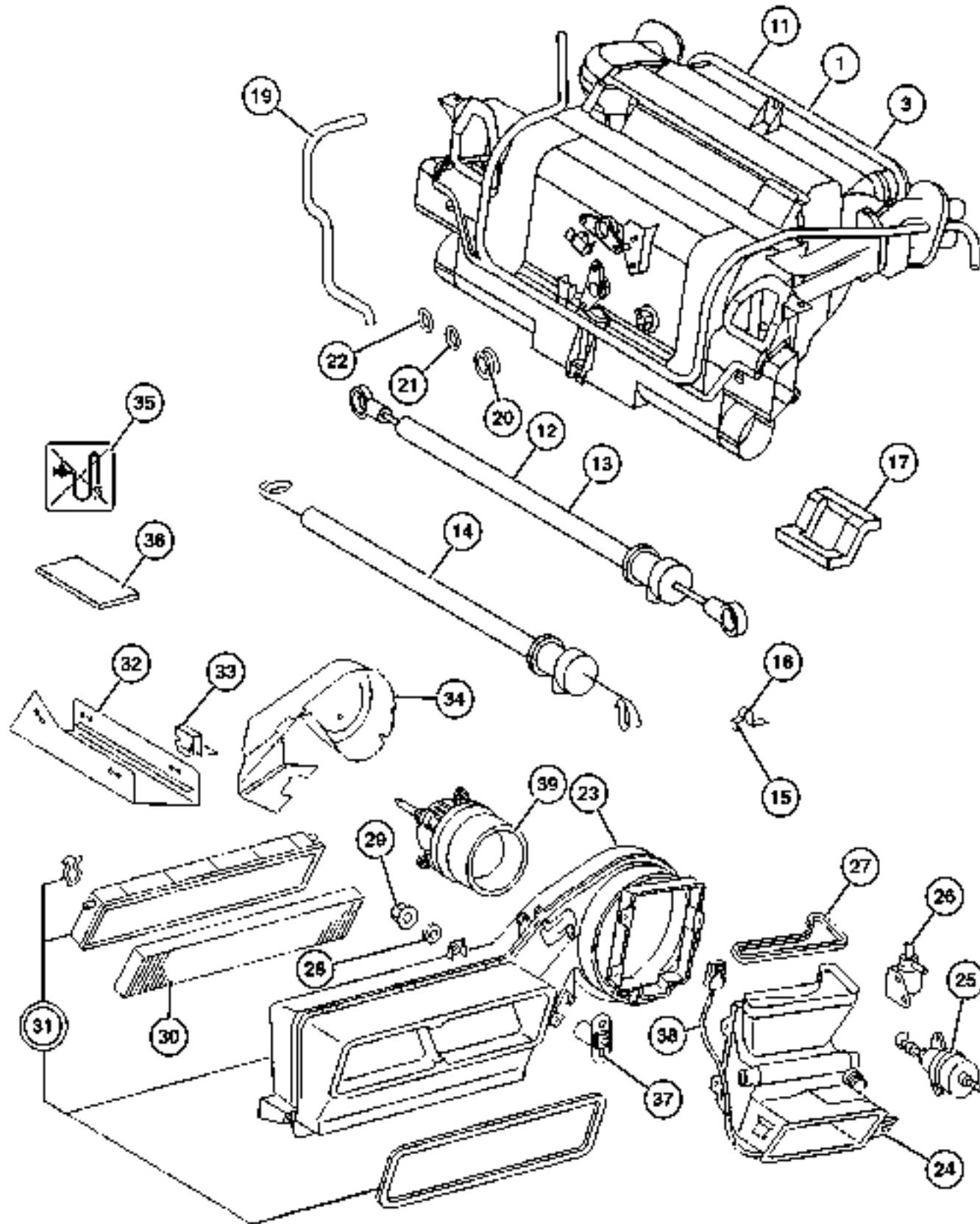
Air Ducts And Outlets, Rear Fig. 024-640

Ventilator, Roof Mounted Fig. 024-650



<p>024-100 Air Conditioner and Heater Units</p> 	<p>024-200 Air Conditioner and Heater Plumbing</p> 	<p>024-300 Air Conditioner and Heater Controls</p> 	<p>024-400 Air Conditioning Compressor</p> 
<p>024-600 Air Ducts and Outlets</p> 			

Hevac Unit, Front
Figure 024-130



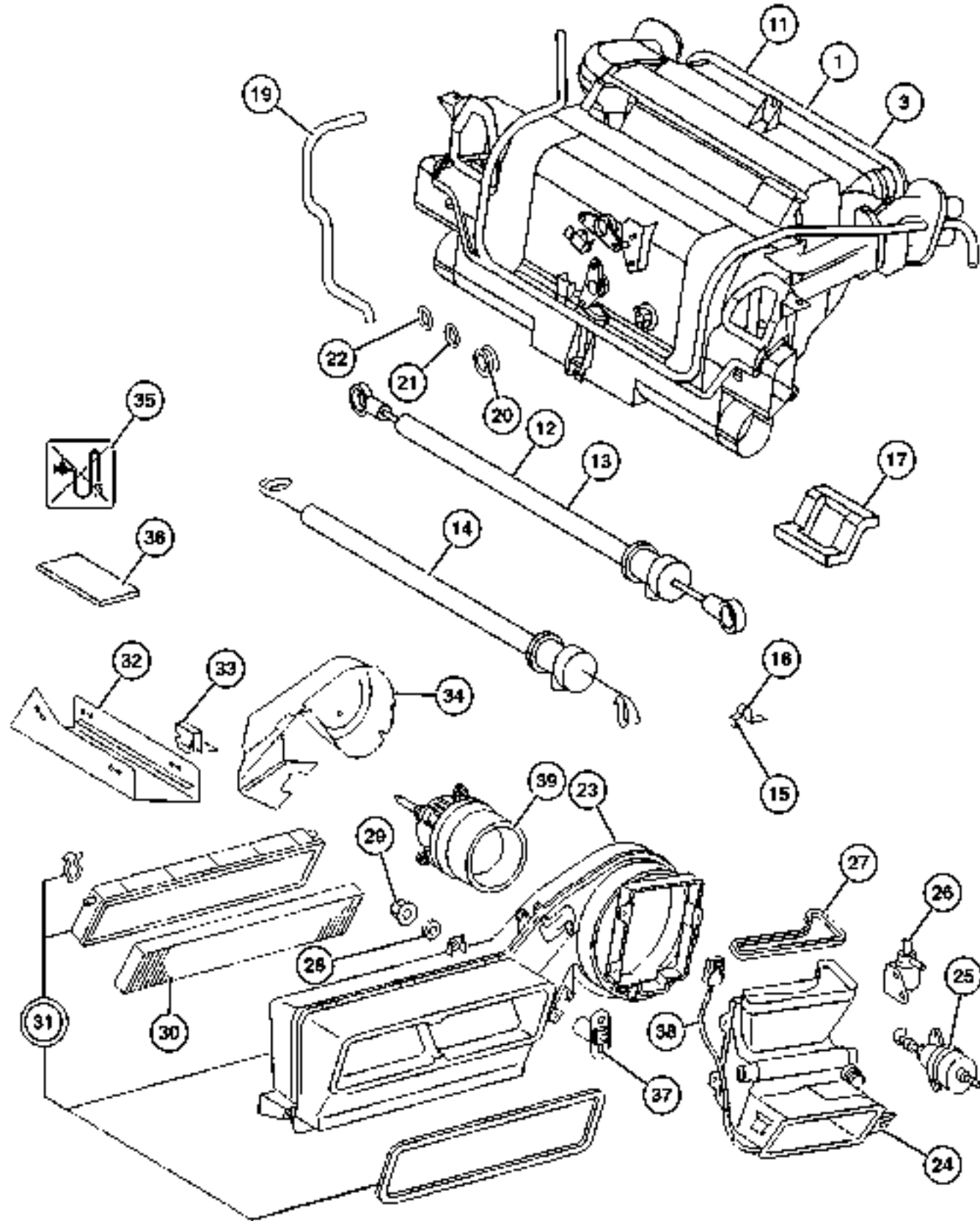
ITEM	PART NUMBER	QTY	LINE	SERIES	BODY	ENGINE	TRANS	TRIM	DESCRIPTION
1									HEATER
	5133 422AA	1	2, 6		01, 02, 06	EX8			
		1	2, 6		11, 12, 14, 15, 16	EX8			
		1	2, 6		51, 52, 54, 55, 56	EX8			
		1	3, 7		02, 06	EX8			
		1	3, 7		12, 15, 16	EX8			
-2									SCREW, Attaching
	6104 610AA-	4	2, 6		11, 12, 14, 15, 16	EX8			
		4	2, 6		51, 52, 54, 55, 56	EX8			
		4	3, 7		02, 06	EX8			
		4	3, 7		12, 15, 16	EX8			
3									HEATER AND A/C UNIT, Includes items 3 - 9
	5134 379AA	1	2, 6		01, 02, 06	EX8			
		1	2, 6		11, 12, 14, 15, 16	EX8			
		1	2, 6		51, 52, 54, 55, 56	EX8			
		1	3, 7		02, 06	EX8			
		1	3, 7		12, 15, 16	EX8			
-4									OUTLET, Air Conditioning & Heater
	5133 424AA-	1	2, 6		01, 02, 06	EX8			
		1	2, 6		11, 12, 14, 15, 16	EX8			
		1	2, 6		51, 52, 54, 55, 56	EX8			
		1	3, 7		02, 06	EX8			

Refer to Model Legend Information Bookmark

AR = Use as required - = Non illustrated part # = New this model year

March 3, 2006

Hevac Unit, Front
Figure 024-130



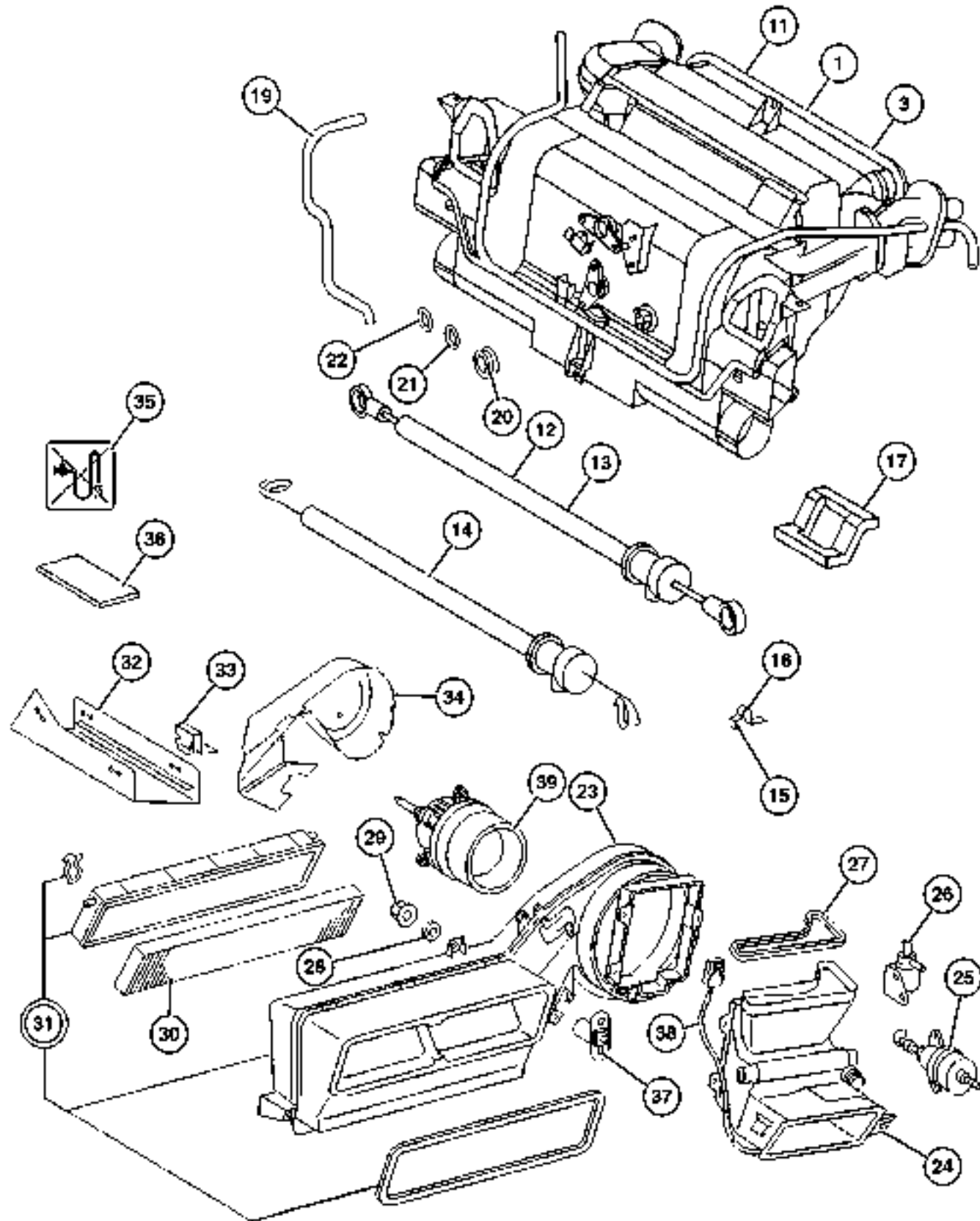
ITEM	PART NUMBER	QTY	LINE	SERIES	BODY	ENGINE	TRANS	TRIM	DESCRIPTION
		1	3, 7		12, 15, 16	EX8			
-5	5103 773AA-	1	2, 6		01, 02, 06	EX8			GASKET
		1	2, 6		11, 12, 14, 15, 16	EX8			
		1	2, 6		51, 52, 54, 55, 56	EX8			
		1	3, 7		02, 06	EX8			
		1	3, 7		12, 15, 16	EX8			
-6	5103 809AA-	1	2, 6		01, 02, 06	EX8			VALVE
		1	2, 6		11, 12, 14, 15, 16	EX8			
		1	2, 6		51, 52, 54, 55, 56	EX8			
		1	3, 7		02, 06	EX8			
		1	3, 7		12, 15, 16	EX8			
-7	5133 425AA-	1	2, 6		01, 02, 06	EX8			TUBE
		1	2, 6		11, 12, 14, 15, 16	EX8			
		1	2, 6		51, 52, 54, 55, 56	EX8			
		1	3, 7		02, 06	EX8			
		1	3, 7		12, 15, 16	EX8			
-8	5133 426AA-	1	2, 6		01, 02, 06	EX8			HEATER, Exchanger
		1	2, 6		11, 12, 14, 15, 16	EX8			

Refer to Model Legend Information Bookmark

AR = Use as required - = Non illustrated part # = New this model year

March 3, 2006

Hevac Unit, Front
Figure 024-130



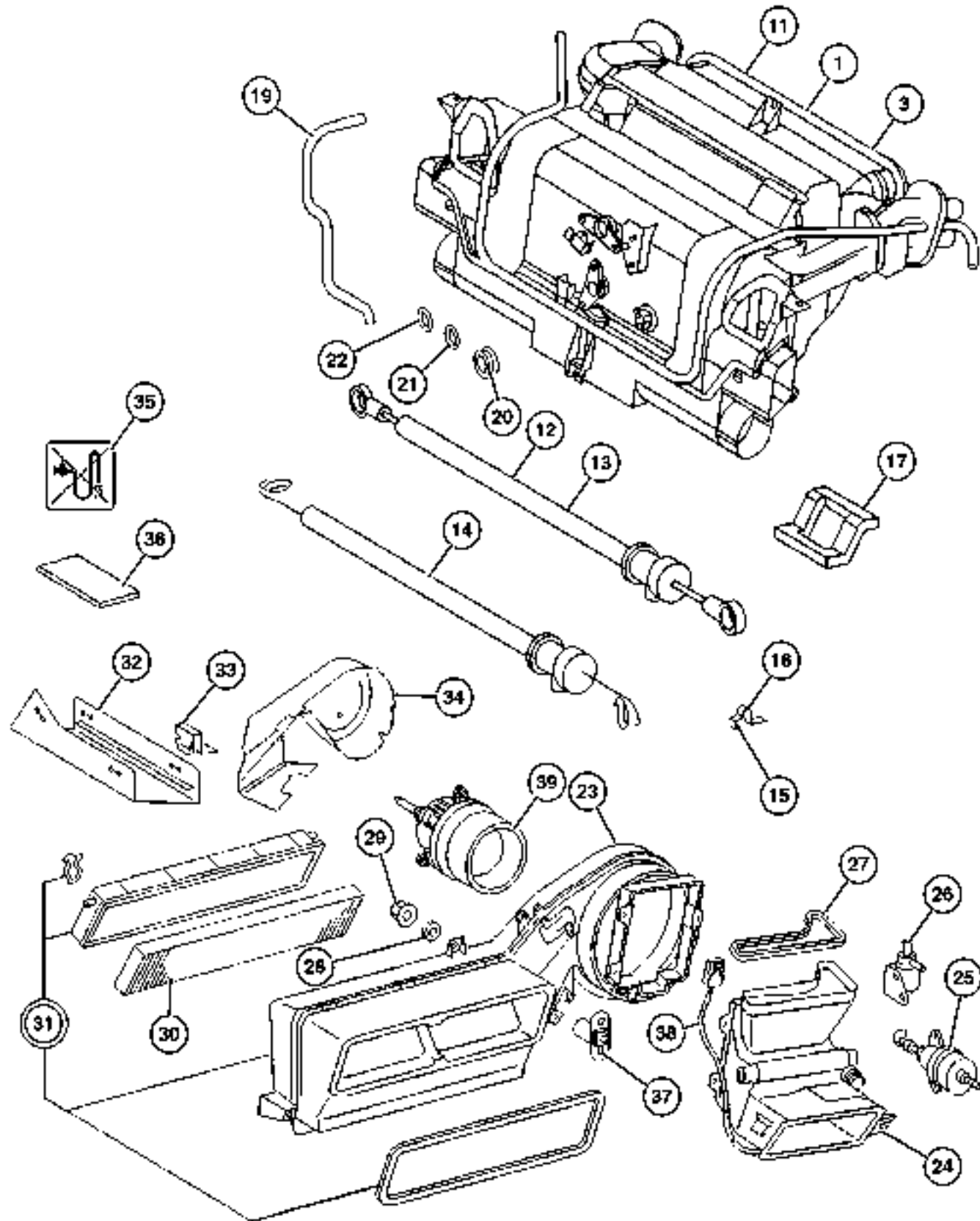
ITEM	PART NUMBER	QTY	LINE	SERIES	BODY	ENGINE	TRANS	TRIM	DESCRIPTION
		1	2, 6		51, 52, 54, 55, 56	EX8			
		1	3, 7		02, 06	EX8			
		1	3, 7		12, 15, 16	EX8			
-9	5103 694AA-	1	2, 6		01, 02, 06	EX8			EVAPORATOR, Air Conditioning
		1	2, 6		11, 12, 14, 15, 16	EX8			
		1	2, 6		51, 52, 54, 55, 56	EX8			
		1	3, 7		02, 06	EX8			
		1	3, 7		12, 15, 16	EX8			
-10	5103 937AA-	1	2, 6		01, 02, 06	EX8			SENSOR, Temperature Flat Plug Version
		1	2, 6		11, 12, 14, 15, 16	EX8			Flat Plug Version
		1	2, 6		51, 52, 54, 55, 56	EX8			Flat Plug Version
		1	3, 7		02, 06	EX8			Flat Plug Version
		1	3, 7		12, 15, 16	EX8			Flat Plug Version
	5133 427AA-	1	2, 6		01, 02, 06	EX8			
		1	2, 6		11, 12, 14, 15, 16	EX8			
		1	2, 6		51, 52, 54, 55, 56	EX8			
		1	3, 7		02, 06	EX8			
		1	3, 7		12, 15, 16	EX8			
11	5104 477AA	1	2, 6		01, 02, 06	EX8			CONTROL, Electronic

Refer to Model Legend Information Bookmark

AR = Use as required - = Non illustrated part # = New this model year

March 3, 2006

Hevac Unit, Front
Figure 024-130



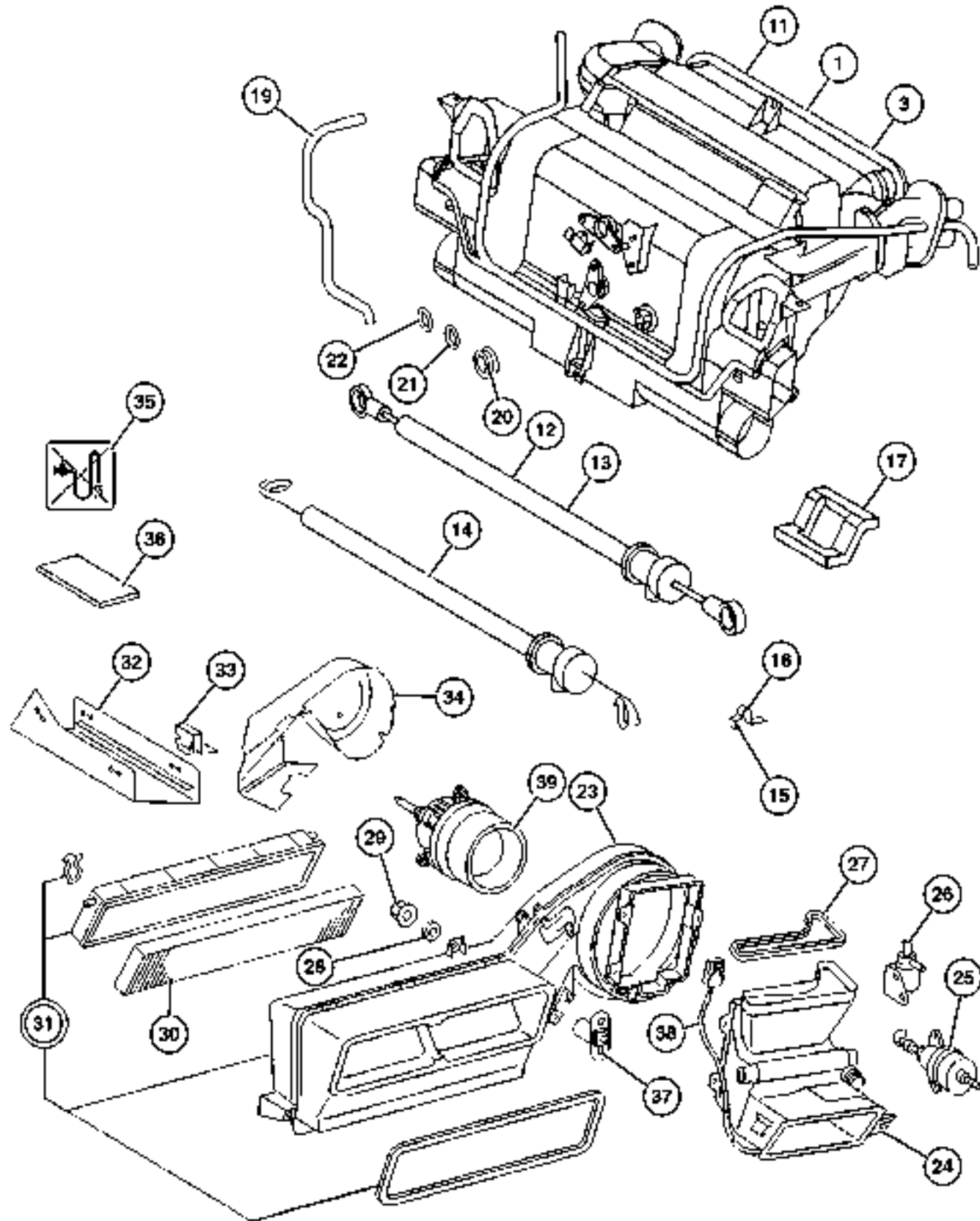
ITEM	PART NUMBER	QTY	LINE	SERIES	BODY	ENGINE	TRANS	TRIM	DESCRIPTION
		1	2, 6		11, 12,	EX8			
		1	2, 6		14, 15,	EX8			
		1	2, 6		16	EX8			
		1	2, 6		51, 52,	EX8			
		1	2, 6		54, 55,	EX8			
		1	2, 6		56	EX8			
		1	3, 7		02, 06	EX8			
		1	3, 7		12, 15,	EX8			
		1	3, 7		16	EX8			
12	5104 492AA	1	2, 6		01, 02,	EX8			CABLE, A/C And Heater Control
		1	2, 6		06	EX8			
		1	2, 6		11, 12,	EX8			
		1	2, 6		14, 15,	EX8			
		1	2, 6		16	EX8			
		1	2, 6		51, 52,	EX8			
		1	2, 6		54, 55,	EX8			
		1	2, 6		56	EX8			
		1	3, 7		02, 06	EX8			
		1	3, 7		12, 15,	EX8			
		1	3, 7		16	EX8			
13	5104 493AA	1	2, 6		01, 02,	EX8			CABLE, A/C And Heater Control, Defrost
		1	2, 6		06	EX8			
		1	2, 6		11, 12,	EX8			
		1	2, 6		14, 15,	EX8			
		1	2, 6		16	EX8			
		1	2, 6		51, 52,	EX8			
		1	2, 6		54, 55,	EX8			
		1	2, 6		56	EX8			
		1	3, 7		02, 06	EX8			
		1	3, 7		12, 15,	EX8			
		1	3, 7		16	EX8			
14	5104 492AA	1	2, 6		01, 02,	EX8			CABLE, A/C And Heater Control, Water Valve
		1	2, 6		06	EX8			
		1	2, 6		11, 12,	EX8			
		1	2, 6		14, 15,	EX8			
		1	2, 6		16	EX8			
		1	2, 6		51, 52,	EX8			
		1	2, 6		54, 55,	EX8			
		1	2, 6		56	EX8			
		1	3, 7		02, 06	EX8			

Refer to Model Legend Information Bookmark

AR = Use as required - = Non illustrated part # = New this model year

March 3, 2006

Hevac Unit, Front
Figure 024-130



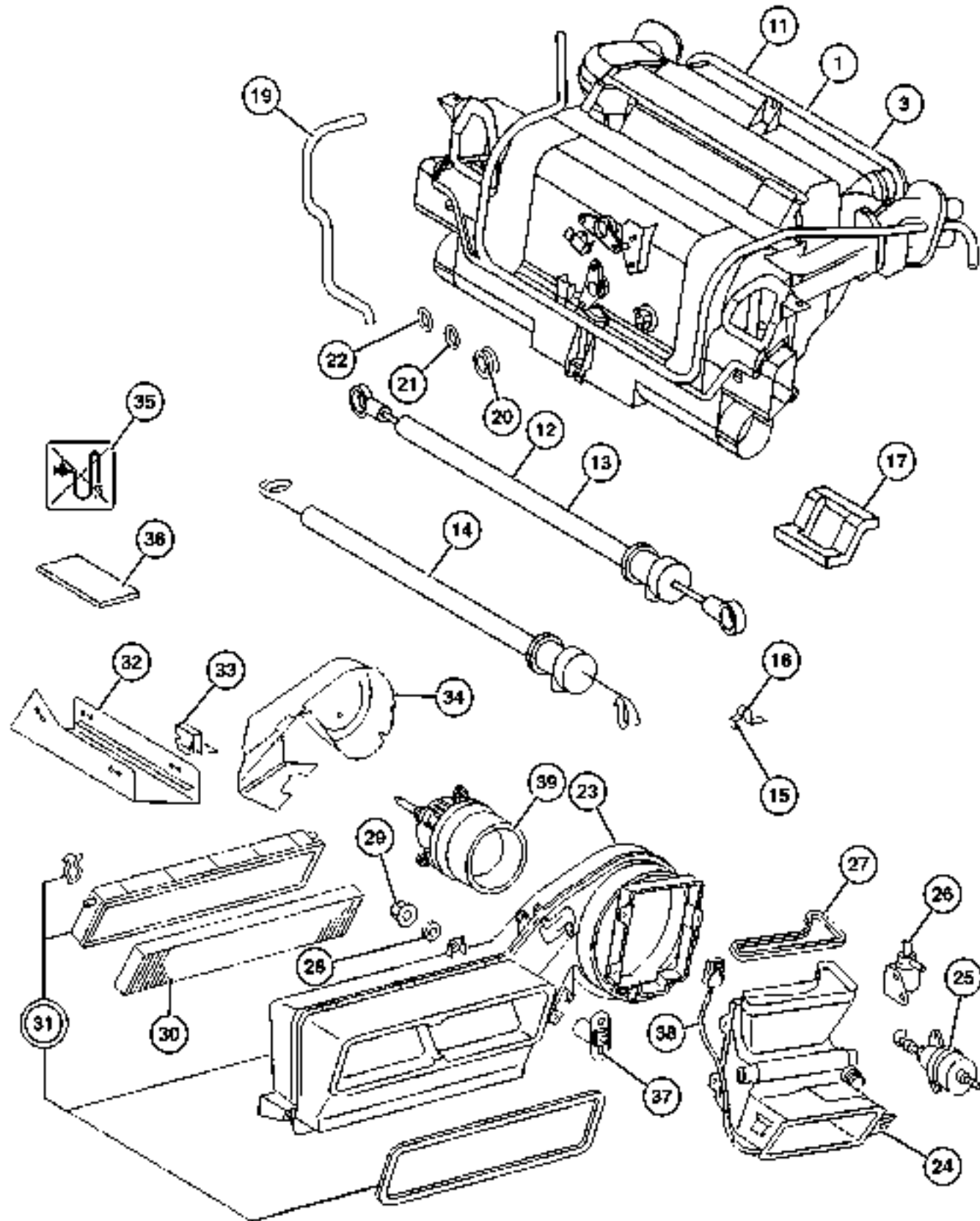
ITEM	PART NUMBER	QTY	LINE	SERIES	BODY	ENGINE	TRANS	TRIM	DESCRIPTION
		1	3, 7		12, 15, 16	EX8			
15	5125 562AA	1	2, 6		01, 02, 06	EX8			CLIP
		1	2, 6		11, 12, 14, 15, 16	EX8			
		1	2, 6		51, 52, 54, 55, 56	EX8			
		1	3, 7		02, 06	EX8			
		1	3, 7		12, 15, 16	EX8			
16	5103 693AA	1	2, 6		01, 02, 06	EX8			CLIP, Cable
		1	2, 6		11, 12, 14, 15, 16	EX8			
		1	2, 6		51, 52, 54, 55, 56	EX8			
		1	3, 7		02, 06	EX8			
		1	3, 7		12, 15, 16	EX8			
17	5124 786AA	2	2, 6		11, 12, 14, 15, 16	EX8			SEAL
		2	2, 6		51, 52, 54, 55, 56	EX8			
		2	3, 7		02, 06	EX8			
		2	3, 7		12, 15, 16	EX8			
-18	5119 332AA-	1	2, 6		01, 02, 06	EX8			CLIP, Hose
		1	2, 6		11, 12, 14, 15, 16	EX8			
		1	2, 6		51, 52, 54, 55, 56	EX8			

Refer to Model Legend Information Bookmark

AR = Use as required - = Non illustrated part # = New this model year

March 3, 2006

Hevac Unit, Front
Figure 024-130



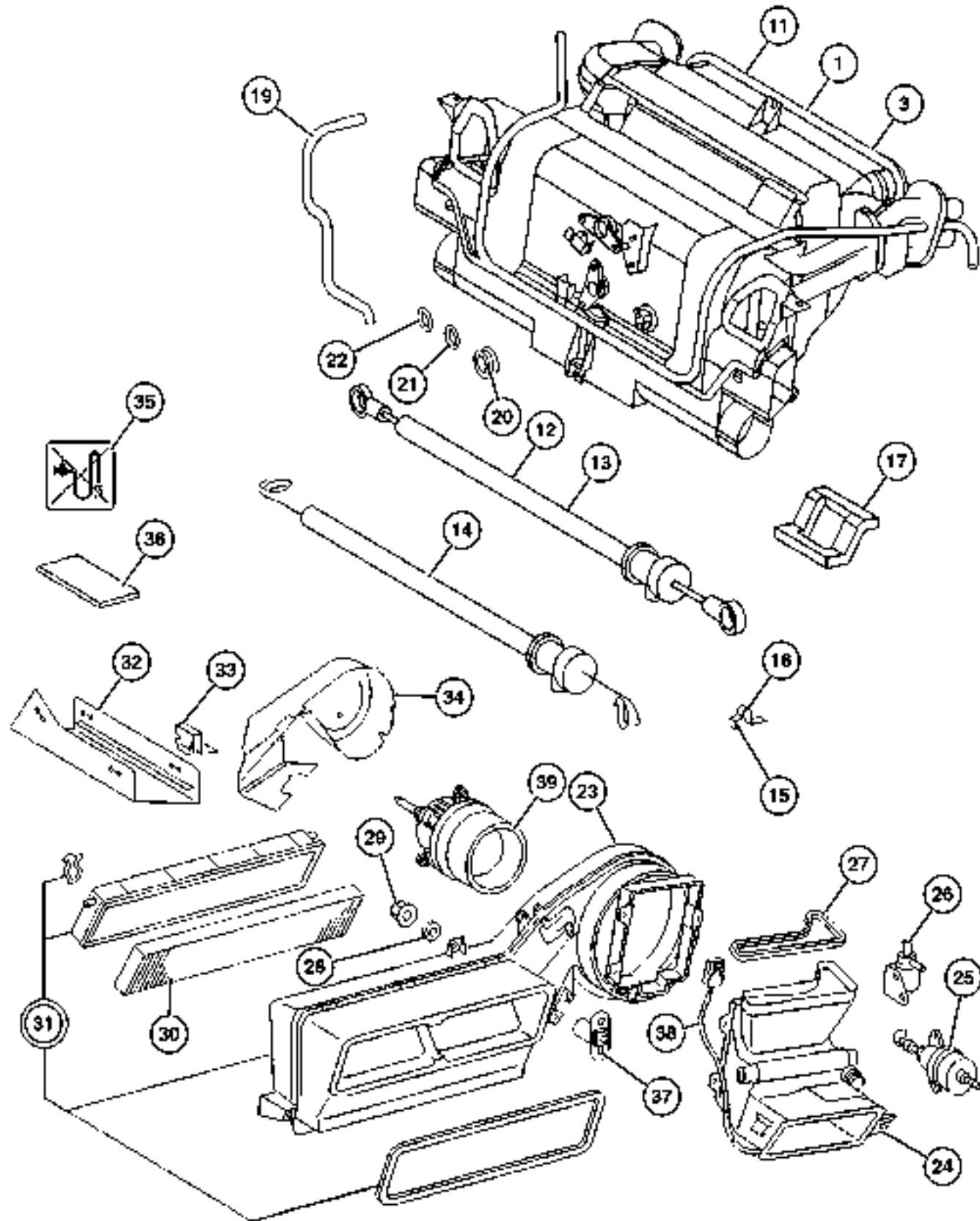
ITEM	PART NUMBER	QTY	LINE	SERIES	BODY	ENGINE	TRANS	TRIM	DESCRIPTION
		1	3, 7		02, 06	EX8			
		1	3, 7		12, 15, 16	EX8			
19	5124 827AA	1	2, 6		01, 02, 06	EX8			HOSE
		1	2, 6		11, 12, 14, 15, 16	EX8			
		1	2, 6		51, 52, 54, 55, 56	EX8			
		1	3, 7		02, 06	EX8			
		1	3, 7		12, 15, 16	EX8			
20	5125 938AA	1	2, 6		01, 02, 06	EX8			GROMMET
		1	2, 6		11, 12, 14, 15, 16	EX8			
		1	2, 6		51, 52, 54, 55, 56	EX8			
		1	3, 7		02, 06	EX8			
		1	3, 7		12, 15, 16	EX8			
21	5098 971AA	1	2, 6		01, 02, 06	EX8			O RING, A/C Line
		1	2, 6		11, 12, 14, 15, 16	EX8			
		1	2, 6		51, 52, 54, 55, 56	EX8			
		1	3, 7		02, 06	EX8			
		1	3, 7		12, 15, 16	EX8			
22	5098 972AA	1	2, 6		01, 02, 06	EX8			O RING, A/C Line
		1	2, 6		11, 12, 14, 15, 16	EX8			

Refer to Model Legend Information Bookmark

AR = Use as required - = Non illustrated part # = New this model year

March 3, 2006

Hevac Unit, Front
Figure 024-130



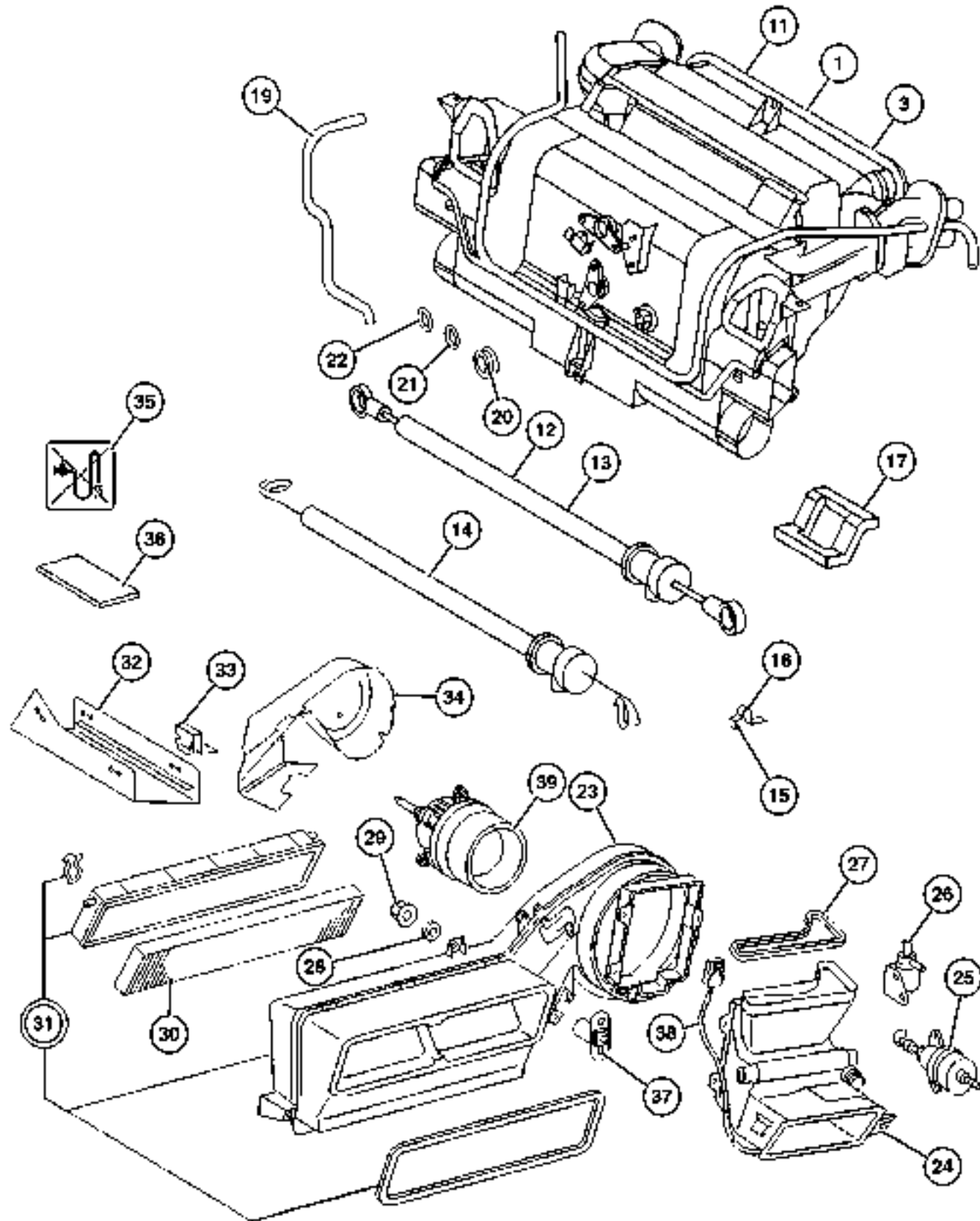
ITEM	PART NUMBER	QTY	LINE	SERIES	BODY	ENGINE	TRANS	TRIM	DESCRIPTION
		1	2, 6		51, 52, 54, 55, 56	EX8			
		1	3, 7		02, 06	EX8			
		1	3, 7		12, 15, 16	EX8			
23	5124 712AA	1	2, 6		01, 02, 06	EX8			HOUSING, Heater [-HAB]
		1	2, 6		11, 12, 14, 15, 16	EX8			[-HAB]
		1	2, 6		51, 52, 54, 55, 56	EX8			[-HAB]
		1	3, 7		02, 06	EX8			[-HAB]
		1	3, 7		12, 15, 16	EX8			[-HAB]
	5124 713AA	1	2, 6		01, 02, 06	EX8			[HAB]
		1	2, 6		11, 12, 14, 15, 16	EX8			[HAB]
		1	2, 6		51, 52, 54, 55, 56	EX8			[HAB]
		1	3, 7		02, 06	EX8			[HAB]
		1	3, 7		12, 15, 16	EX8			[HAB]
24	5133 430AA	1	2, 6		01, 02, 06	EX8			DUCT, Air Outlet
		1	2, 6		11, 12, 14, 15, 16	EX8			
		1	2, 6		51, 52, 54, 55, 56	EX8			
		1	3, 7		02, 06	EX8			
		1	3, 7		12, 15, 16	EX8			
25	5133 441AA	1	2, 6		01, 02, 06	EX8			ACTUATOR, A/C and Heater

Refer to Model Legend Information Bookmark

AR = Use as required - = Non illustrated part # = New this model year

March 3, 2006

Hevac Unit, Front
Figure 024-130



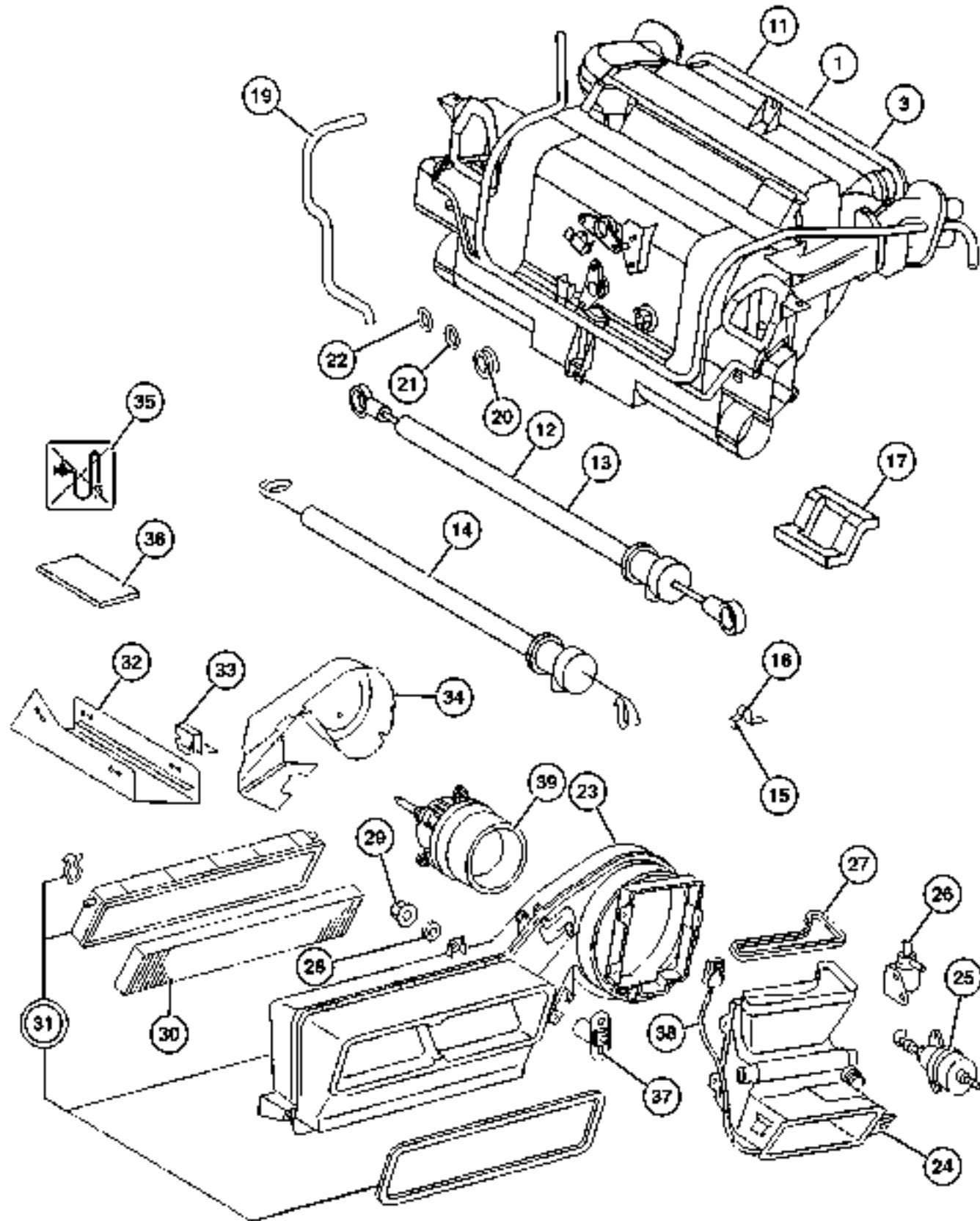
ITEM	PART NUMBER	QTY	LINE	SERIES	BODY	ENGINE	TRANS	TRIM	DESCRIPTION
		1	2, 6		11, 12,	EX8			
		1	2, 6		14, 15,	EX8			
		1	2, 6		51, 52,	EX8			
		1	3, 7		54, 55,				
		1	3, 7		56				
		1	3, 7		02, 06	EX8			
		1	3, 7		12, 15,	EX8			
		1	3, 7		16				
26	5133 433AA	1	2, 6		01, 02,	EX8			VALVE
		1	2, 6		06				
		1	2, 6		11, 12,	EX8			
		1	2, 6		14, 15,				
		1	2, 6		16				
		1	2, 6		51, 52,	EX8			
		1	2, 6		54, 55,				
		1	2, 6		56				
		1	3, 7		02, 06	EX8			
		1	3, 7		12, 15,	EX8			
		1	3, 7		16				
27	5124 770AA	1	2, 6		01, 02,	EX8			SEAL
		1	2, 6		06				
		1	2, 6		11, 12,	EX8			
		1	2, 6		14, 15,				
		1	2, 6		16				
		1	2, 6		51, 52,	EX8			
		1	2, 6		54, 55,				
		1	2, 6		56				
		1	3, 7		02, 06	EX8			
		1	3, 7		12, 15,	EX8			
		1	3, 7		16				
28									WASHER, 05133908aa, (NOT SERVICED) (Not Serviced)
29	5125 765AA	5	2, 6		01, 02,	EX8			NUT
		5	2, 6		06				
		5	2, 6		11, 12,	EX8			
		5	2, 6		14, 15,				
		5	2, 6		16				
		5	2, 6		51, 52,	EX8			
		5	2, 6		54, 55,				
		5	2, 6		56				
		5	3, 7		02, 06	EX8			

Refer to Model Legend Information Bookmark

AR = Use as required - = Non illustrated part # = New this model year

March 3, 2006

Hevac Unit, Front
Figure 024-130



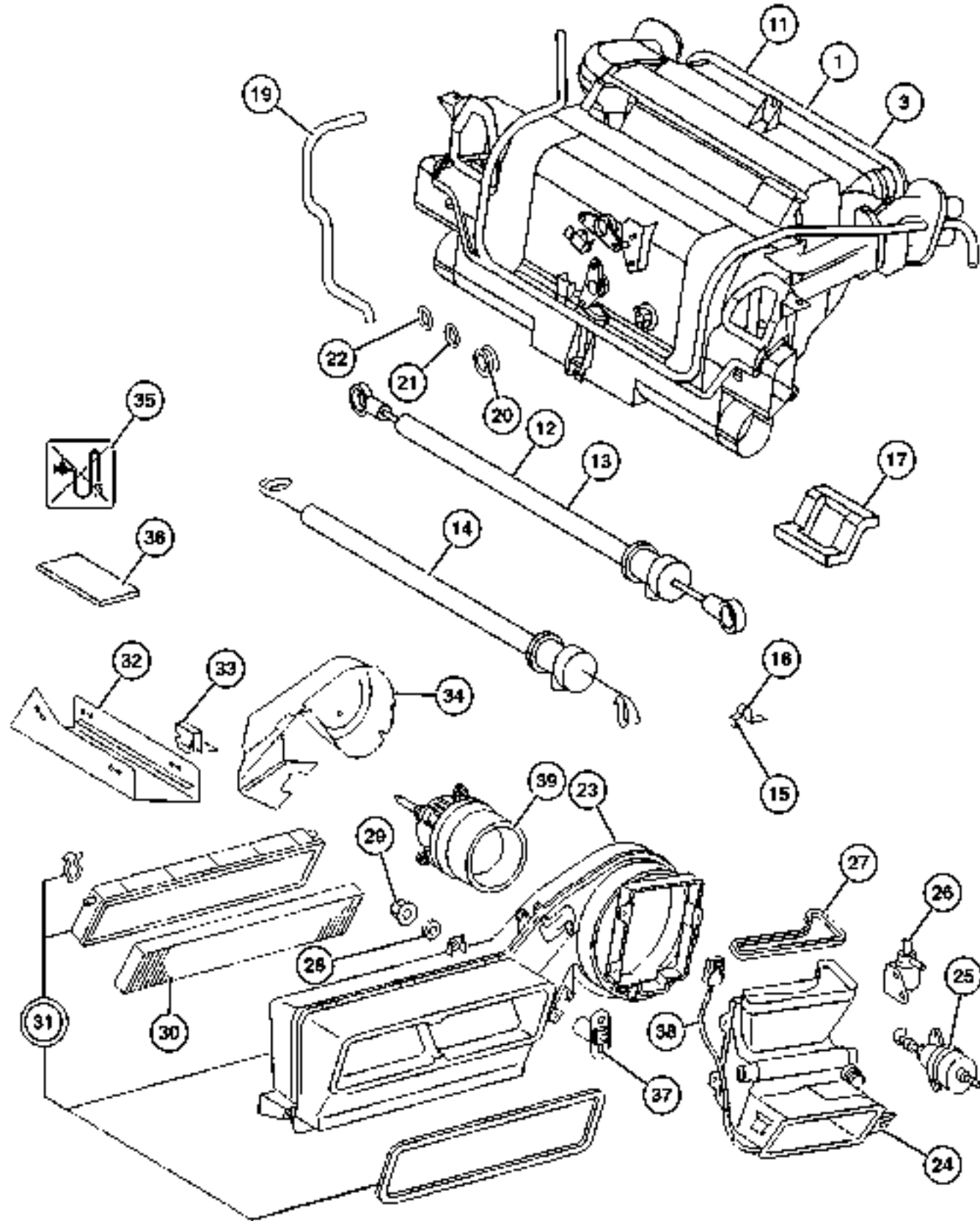
ITEM	PART NUMBER	QTY	LINE	SERIES	BODY	ENGINE	TRANS	TRIM	DESCRIPTION
		5	3, 7		12, 15, 16	EX8			
30	5103 600AA	1	2, 6		01, 02, 06	EX8			FILTER, A/C and Heater Unit
		1	2, 6		11, 12, 14, 15, 16	EX8			
		1	2, 6		51, 52, 54, 55, 56	EX8			
		1	3, 7		02, 06	EX8			
		1	3, 7		12, 15, 16	EX8			
31	5133 439AA	1	2, 6		01, 02, 06	EX8			COVER, A/C and Heater
		1	2, 6		11, 12, 14, 15, 16	EX8			
		1	2, 6		51, 52, 54, 55, 56	EX8			
		1	3, 7		02, 06	EX8			
		1	3, 7		12, 15, 16	EX8			
32	5124 759AA	1	2, 6		01, 02, 06	EX8			ISOLATOR
		1	2, 6		11, 12, 14, 15, 16	EX8			
		1	2, 6		51, 52, 54, 55, 56	EX8			
		1	3, 7		02, 06	EX8			
		1	3, 7		12, 15, 16	EX8			
33	5125 571AA	5	2, 6		01, 02, 06	EX8			CLIP
		5	2, 6		11, 12, 14, 15, 16	EX8			

Refer to Model Legend Information Bookmark

AR = Use as required - = Non illustrated part # = New this model year

March 3, 2006

Hevac Unit, Front Figure 024-130



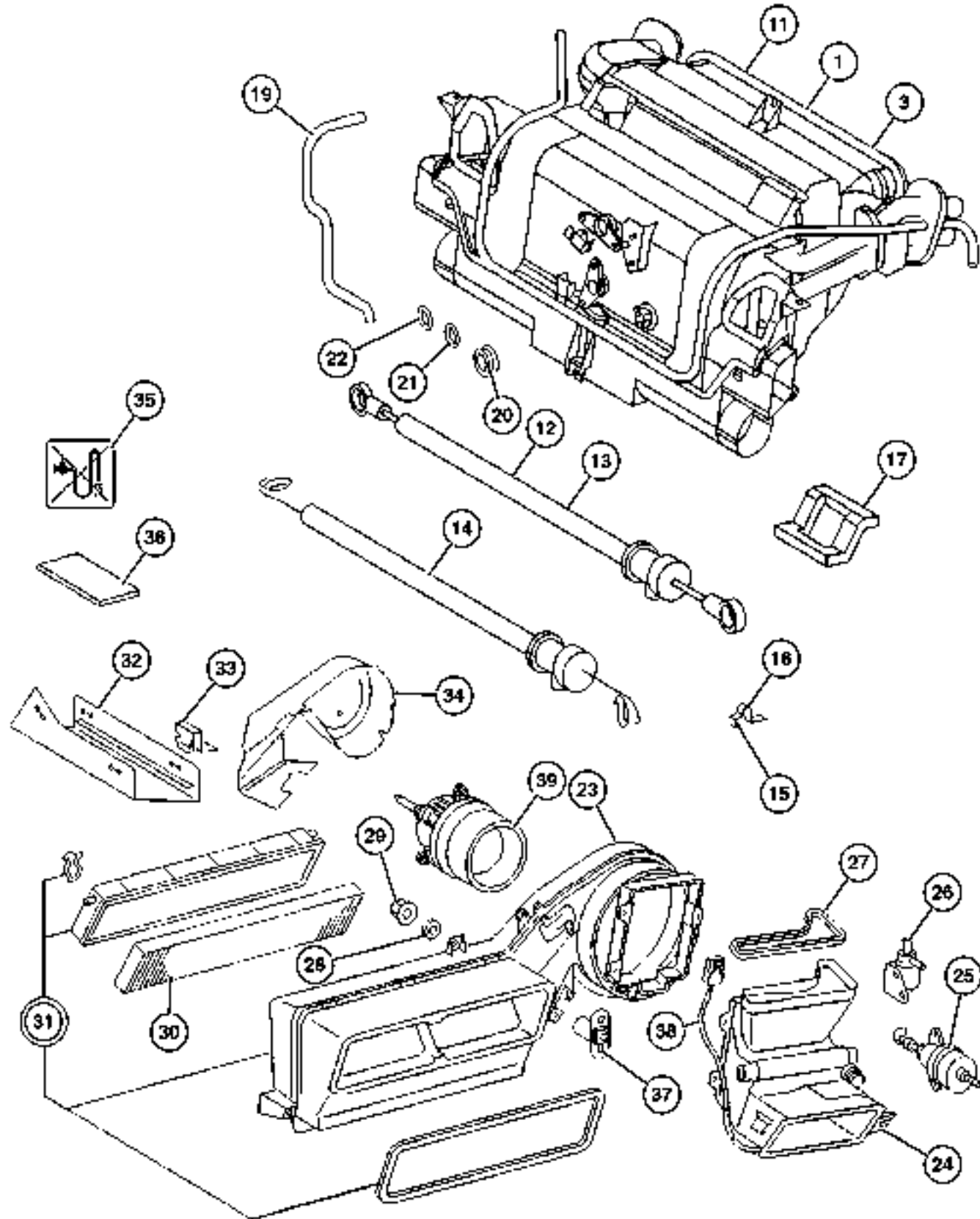
ITEM	PART NUMBER	QTY	LINE	SERIES	BODY	ENGINE	TRANS	TRIM	DESCRIPTION
		5	2, 6		51, 52, 54, 55, 56	EX8			
		5	3, 7		02, 06	EX8			
		5	3, 7		12, 15, 16	EX8			
34	5124 760AA	1	2, 6		01, 02, 06	EX8			INSULATION, Blower Motor
		1	2, 6		11, 12, 14, 15, 16	EX8			
		1	2, 6		51, 52, 54, 55, 56	EX8			
		1	3, 7		02, 06	EX8			
		1	3, 7		12, 15, 16	EX8			
35	5121 077AA	1	2, 6		01, 02, 06	EX8			LABEL
		1	2, 6		11, 12, 14, 15, 16	EX8			
		1	2, 6		51, 52, 54, 55, 56	EX8			
		1	3, 7		02, 06	EX8			
		1	3, 7		12, 15, 16	EX8			
36	5133 443AA	5	2, 6		01, 02, 06	EX8			PAD
		5	2, 6		11, 12, 14, 15, 16	EX8			
		5	2, 6		51, 52, 54, 55, 56	EX8			
		5	3, 7		12, 15, 16	EX8			
37	5133 432AA	1	2, 6		01, 02, 06	EX8			RESISTOR, Blower Motor

Refer to Model Legend Information Bookmark

AR = Use as required - = Non illustrated part # = New this model year

March 3, 2006

Hevac Unit, Front
Figure 024-130



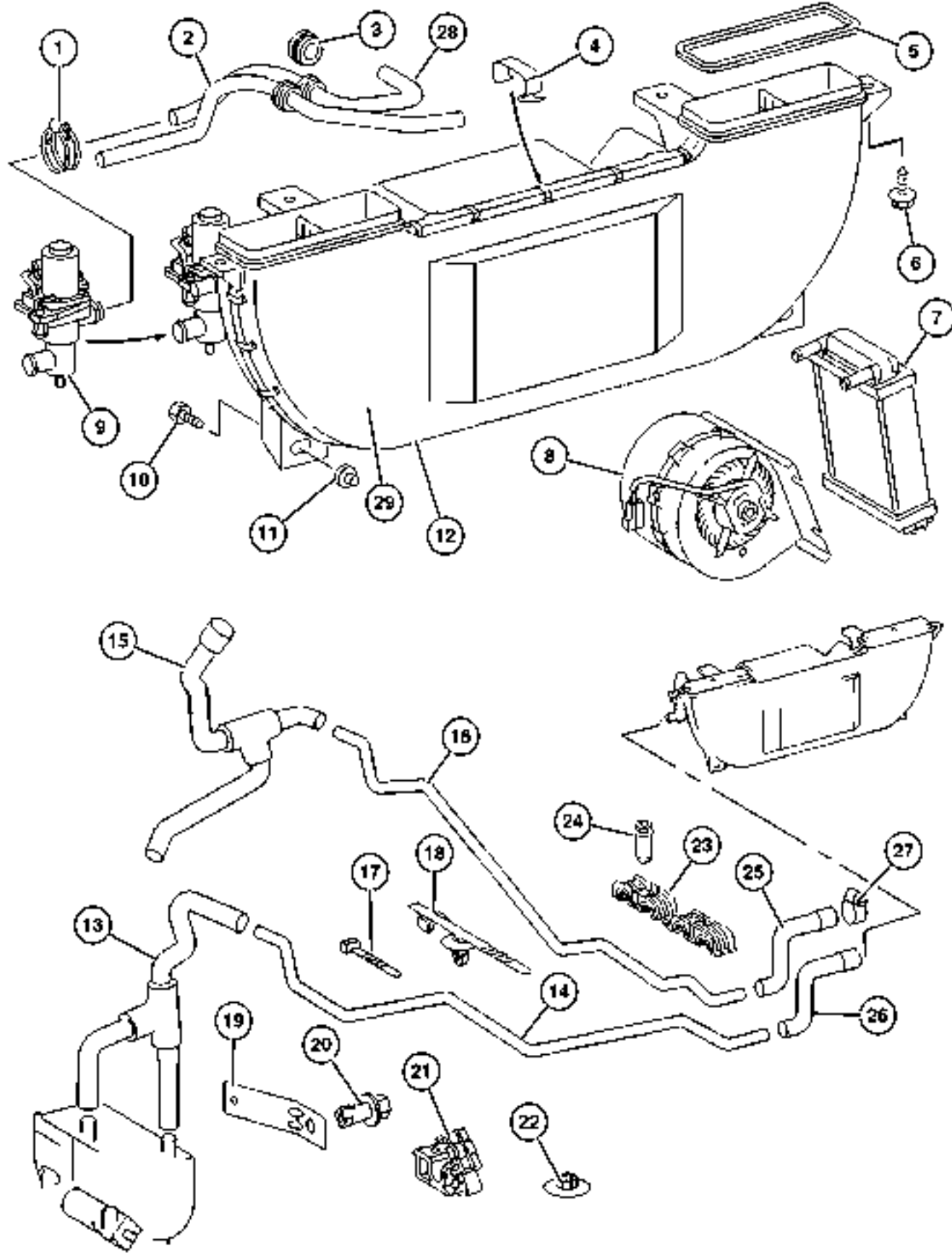
ITEM	PART NUMBER	QTY	LINE	SERIES	BODY	ENGINE	TRANS	TRIM	DESCRIPTION
		1	2, 6		11, 12,	EX8			
		1	2, 6		14, 15, 16	EX8			
		1	2, 6		51, 52, 54, 55, 56	EX8			
		1	3, 7		02, 06	EX8			
		1	3, 7		12, 15, 16	EX8			
38									CABLE
	5133 471AA	1	2, 6		01, 02, 06	EX8			
		1	2, 6		11, 12,	EX8			
		1	2, 6		14, 15, 16	EX8			
		1	2, 6		51, 52, 54, 55, 56	EX8			
		1	3, 7		02, 06	EX8			
		1	3, 7		12, 15, 16	EX8			
39									BLOWER
	5133 435AA	1	2, 6		01, 02, 06	EX8			
		1	2, 6		11, 12,	EX8			
		1	2, 6		14, 15, 16	EX8			
		1	2, 6		51, 52, 54, 55, 56	EX8			
		1	3, 7		02, 06	EX8			
		1	3, 7		12, 15, 16	EX8			

Refer to Model Legend Information Bookmark

AR = Use as required - = Non illustrated part # = New this model year

March 3, 2006

Heat Exchanger and Plumbing Figure 024-250



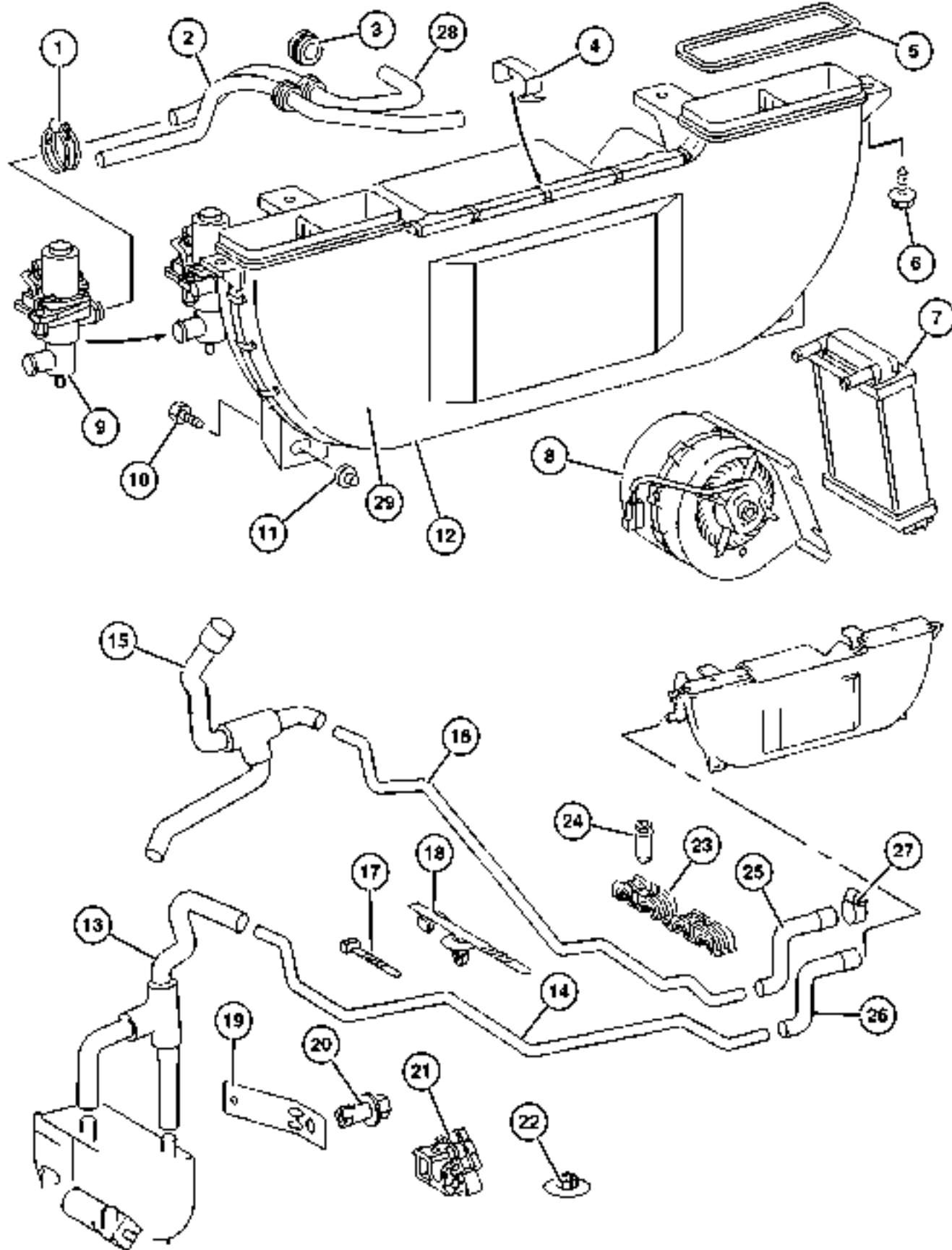
ITEM	PART NUMBER	QTY	LINE	SERIES	BODY	ENGINE	TRANS	TRIM	DESCRIPTION
1	6104 781AA	1	2, 6		11, 12, 14, 15, 16	EX8			CLAMP, Hose
		1	2, 6		51, 52, 54, 55, 56	EX8			
		6	3, 7		12, 15, 16	EX8			
2	5133 587AA	1	2, 6		11, 12, 14, 15, 16	EX8			LINE, Heater
		1	2, 6		51, 52, 54, 55, 56	EX8			
		1	3, 7		12, 15, 16	EX8			
3	5133 588AA	1	2, 6		11, 12, 14, 15, 16	EX8			GROMMET
		1	2, 6		51, 52, 54, 55, 56	EX8			
		2	3, 7		12, 15, 16	EX8			
4	5133 592AA	22	2, 6		11, 12, 14, 15, 16	EX8			CLIP, HEATER
		22	2, 6		51, 52, 54, 55, 56	EX8			
		22	3, 7		12, 15, 16	EX8			
5	5133 593AA	1	2, 6		11, 12, 14, 15, 16	EX8			GASKET, heater duct
		1	2, 6		51, 52, 54, 55, 56	EX8			
		1	3, 7		12, 15, 16	EX8			
6									SCREW, Tapping

Refer to Model Legend Information Bookmark

AR = Use as required - = Non illustrated part # = New this model year

March 3, 2006

Heat Exchanger and Plumbing Figure 024-250



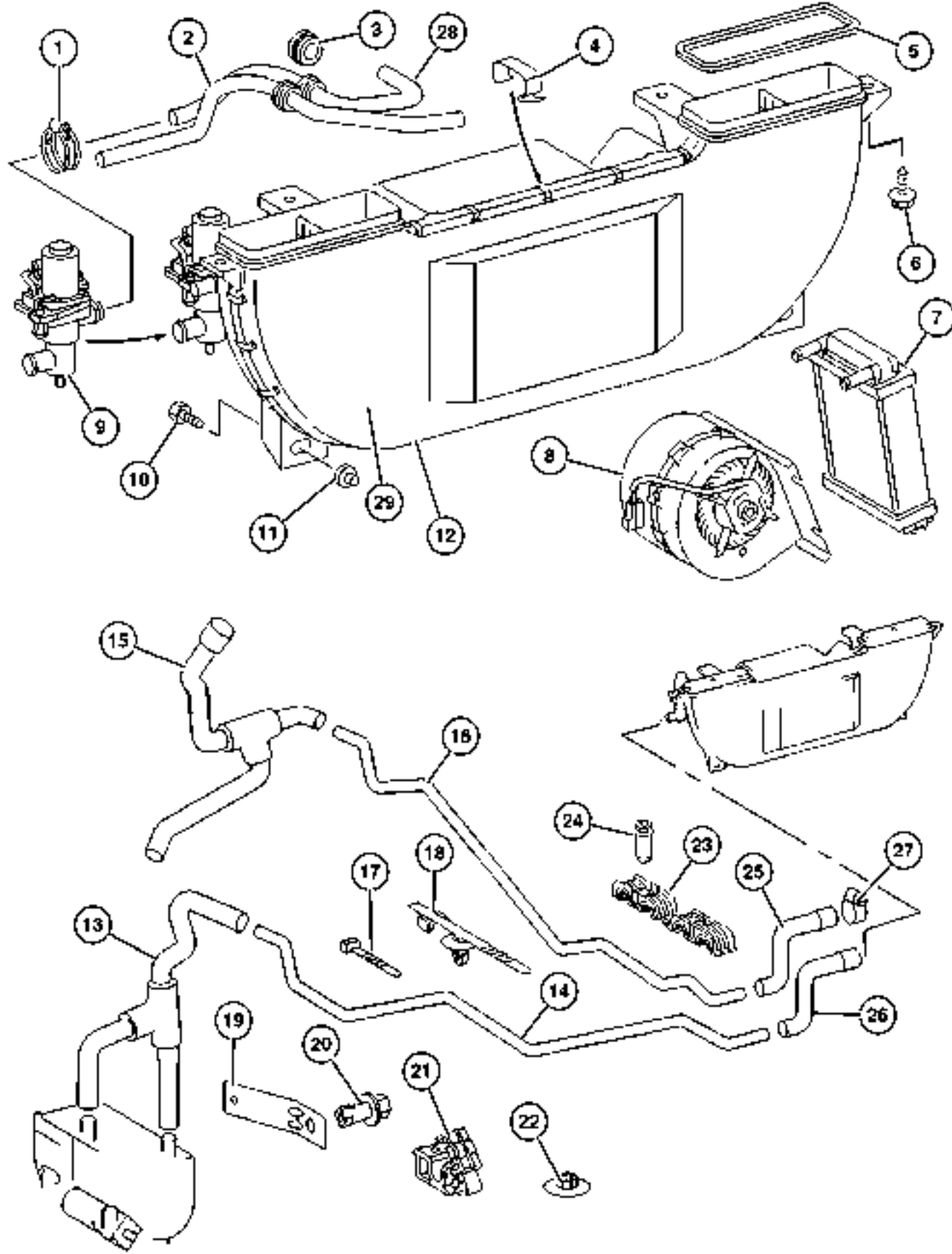
ITEM	PART NUMBER	QTY	LINE	SERIES	BODY	ENGINE	TRANS	TRIM	DESCRIPTION
	6104 580AA	1	2, 6		01, 02, 06	EX8			
		2	2, 6		11, 12, 14, 15, 16	EX8			
		2	2, 6		51, 52, 54, 55, 56	EX8			
		1	3, 7		02, 06	EX8			
		2	3, 7		12, 15, 16	EX8			
7	5133 586AA	1	2, 6		11, 12, 14, 15, 16	EX8			CORE, Heater
		1	2, 6		51, 52, 54, 55, 56	EX8			
		1	3, 7		12, 15, 16	EX8			
8	5103 806AA	1	2, 6		11, 12, 14, 15, 16	EX8			BLOWER
		1	2, 6		51, 52, 54, 55, 56	EX8			
		1	3, 7		12, 15, 16	EX8			
9	5103 807AA	1	2, 6		11, 12, 14, 15, 16	EX8			VALVE, Water
		1	2, 6		51, 52, 54, 55, 56	EX8			
		1	3, 7		12, 15, 16	EX8			
10	5126 227AA	2	2, 6		01, 02, 06	EX8			BOLT, Hex Head
		2	2, 6		11, 12, 14, 15, 16	EX8			

Refer to Model Legend Information Bookmark

AR = Use as required - = Non illustrated part # = New this model year

March 3, 2006

Heat Exchanger and Plumbing Figure 024-250



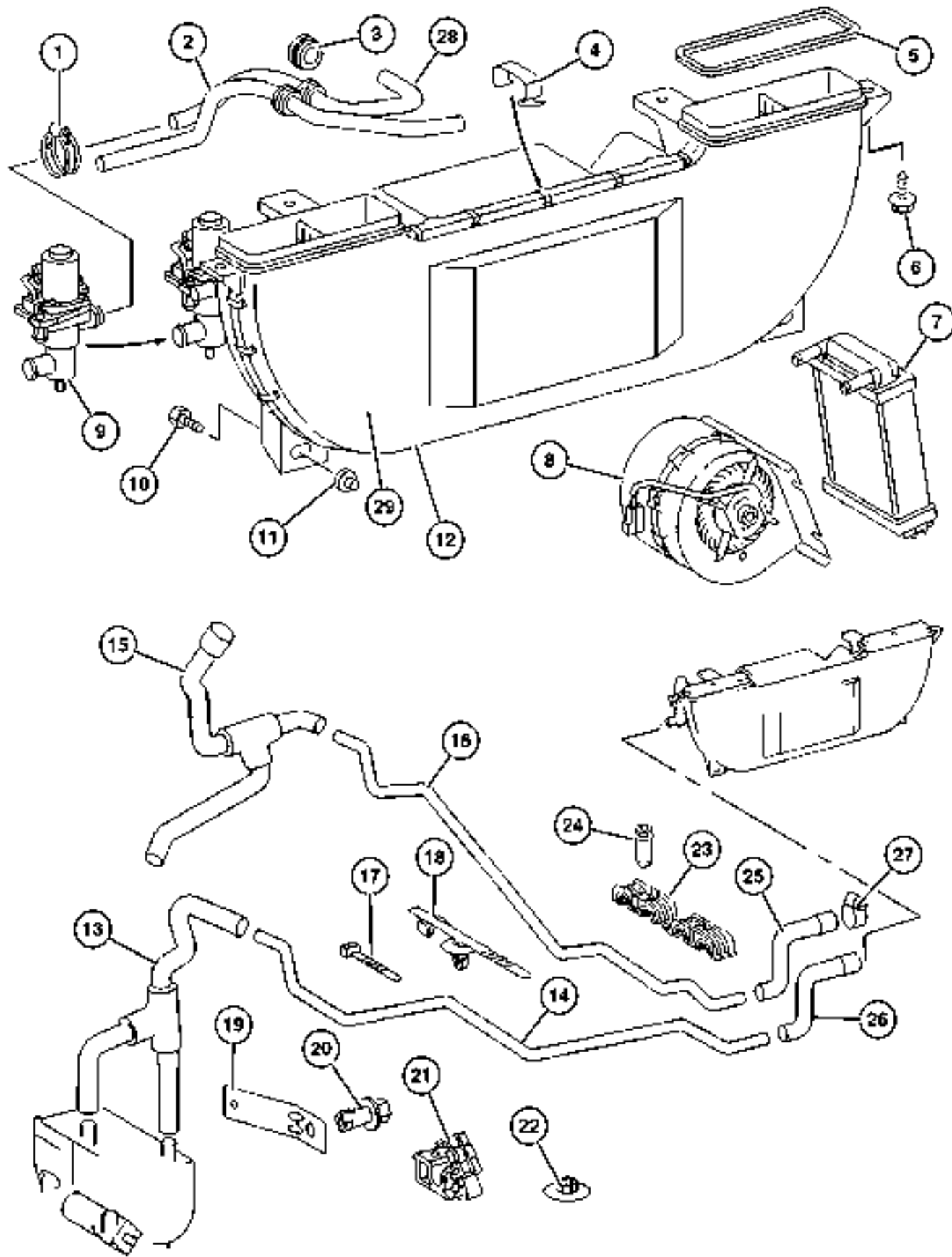
ITEM	PART NUMBER	QTY	LINE	SERIES	BODY	ENGINE	TRANS	TRIM	DESCRIPTION
		2	2, 6		51, 52, 54, 55, 56	EX8			
11		2	3, 7		02, 06	EX8			RIVET
	5133 486AA	2	2, 6		01, 02, 06	EX8			
		2	2, 6		11, 12, 14, 15, 16	EX8			
		2	2, 6		51, 52, 54, 55, 56	EX8			
		2	3, 7		02, 06	EX8			
		2	3, 7		12, 15, 16	EX8			
12									HEATER
	5124 700AA	1	2, 6		11, 12, 14, 15, 16	EX8			
		1	2, 6		51, 52, 54, 55, 56	EX8			
		1	3, 7		12, 15, 16	EX8			
13									HOSE, Auxiliary Heater
	5124 886AA	1	2, 6		11, 12, 14, 15, 16	EX8			
		1	2, 6		51, 52, 54, 55, 56	EX8			
		1	3, 7		12, 15, 16	EX8			
14									TUBE, Heater
	5124 826AA	1	2, 6		11, 12, 14, 15, 16	EX8			
		1	2, 6		51, 52, 54, 55, 56	EX8			
		1	3, 7		12, 15, 16	EX8			
15									HOSE

Refer to Model Legend Information Bookmark

AR = Use as required - = Non illustrated part # = New this model year

March 3, 2006

Heat Exchanger and Plumbing Figure 024-250



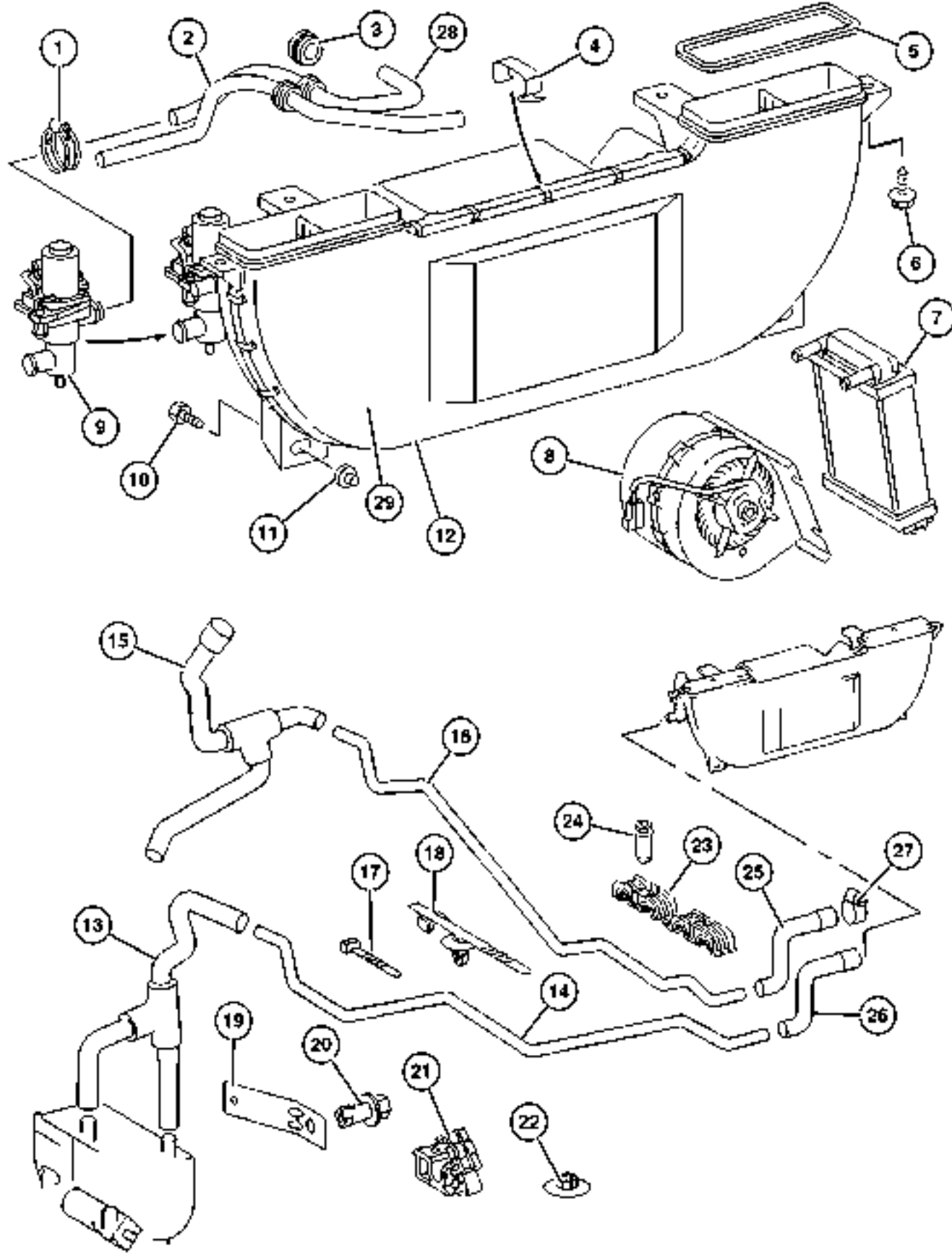
ITEM	PART NUMBER	QTY	LINE	SERIES	BODY	ENGINE	TRANS	TRIM	DESCRIPTION
	5124 837AA	1	2, 6		01, 02, 06	EX8			
		1	2, 6		11, 12, 14, 15, 16	EX8			
		1	2, 6		51, 52, 54, 55, 56	EX8			
		1	3, 7		02, 06	EX8			
		1	3, 7		12, 15, 16	EX8			
16									TUBE, Heater
	5124 820AA	1	2, 6		11, 12, 14, 15, 16	EX8			
		1	2, 6		51, 52, 54, 55, 56	EX8			
		1	3, 7		12, 15, 16	EX8			
17									STRAP, Tie
	5080 475AB	1	2, 6		01, 02, 06	EX8			
		1	2, 6		11, 12, 14, 15, 16	EX8			
		1	2, 6		51, 52, 54, 55, 56	EX8			
		1	3, 7		02, 06	EX8			
		1	3, 7		12, 15, 16	EX8			
18									STRAP, Tie
	5126 053AA	1	2, 6		01, 02, 06	EX8			
		1	2, 6		11, 12, 14, 15, 16	EX8			
		1	2, 6		51, 52, 54, 55, 56	EX8			
		1	3, 7		02, 06	EX8			
		1	3, 7		12, 15, 16	EX8			
19									BRACKET, Recirculating Pump

Refer to Model Legend Information Bookmark

AR = Use as required - = Non illustrated part # = New this model year

March 3, 2006

Heat Exchanger and Plumbing Figure 024-250



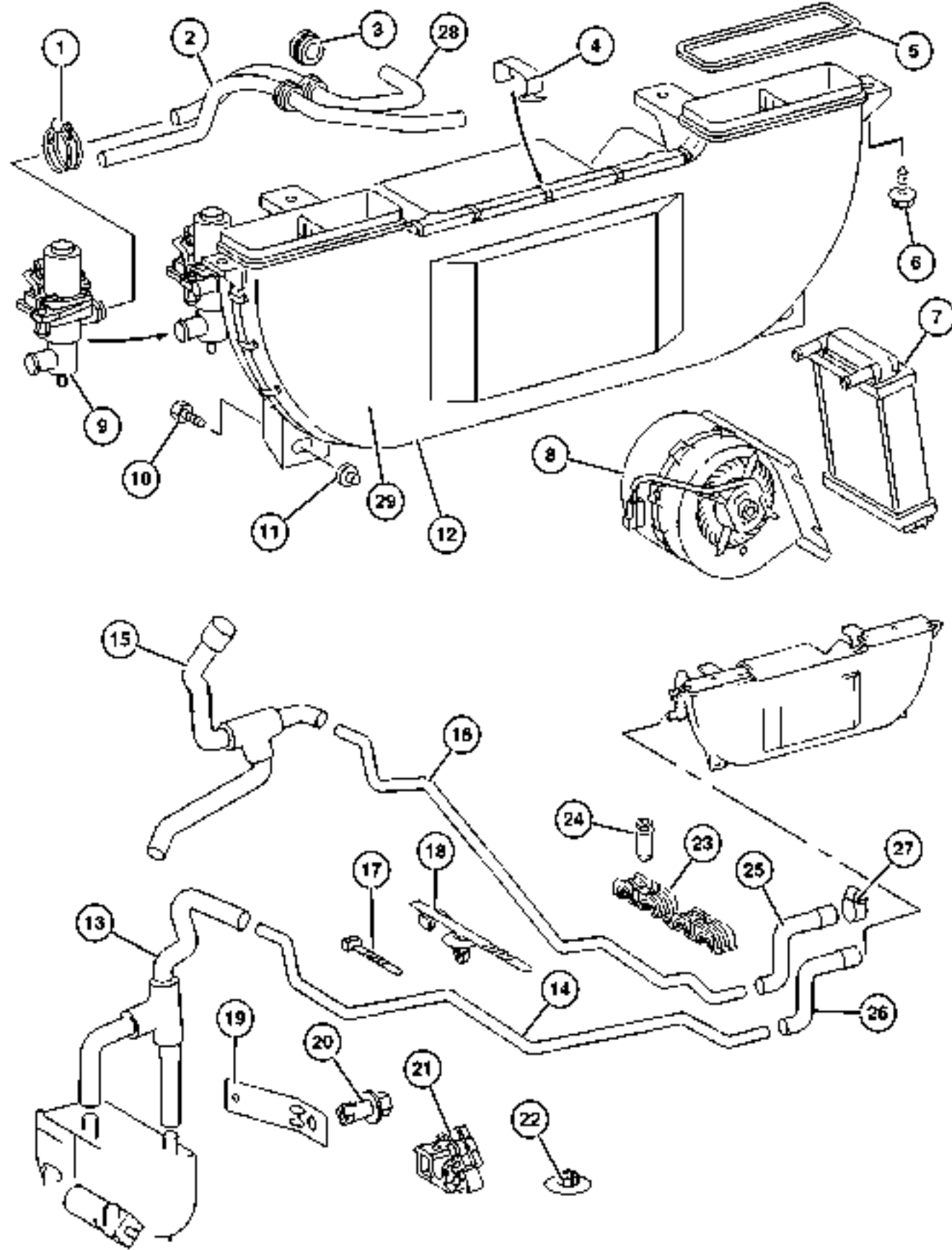
ITEM	PART NUMBER	QTY	LINE	SERIES	BODY	ENGINE	TRANS	TRIM	DESCRIPTION
	5124 814AA	1	2, 6		11, 12, 14, 15, 16	EX8			
		1	2, 6		51, 52, 54, 55, 56	EX8			
		1	3, 7		12, 15, 16	EX8			
20									NUT, Push In
	5125 594AA	1	2, 6		11, 12, 14, 15, 16	EX8			
		1	2, 6		51, 52, 54, 55, 56	EX8			
		1	3, 7		12, 15, 16	EX8			
21									CLAMP, Heater Hose
	5125 886AA	3	2, 6		11, 12, 14, 15, 16	EX8			
		3	2, 6		51, 52, 54, 55, 56	EX8			
		3	3, 7		12, 15, 16	EX8			
22									PLUG, Button
	5125 592AA	1	2, 6		01, 02, 06	EX8			
		1	2, 6		11, 12, 14, 15, 16	EX8			
		1	2, 6		51, 52, 54, 55, 56	EX8			
		1	3, 7		02, 06	EX8			
		1	3, 7		12, 15, 16	EX8			
23									CLAMP, Heater Hose
	5125 882AA	5	2, 6		11, 12, 14, 15, 16	EX8			
		5	2, 6		51, 52, 54, 55, 56	EX8			

Refer to Model Legend Information Bookmark

AR = Use as required - = Non illustrated part # = New this model year

March 3, 2006

Heat Exchanger and Plumbing
Figure 024-250



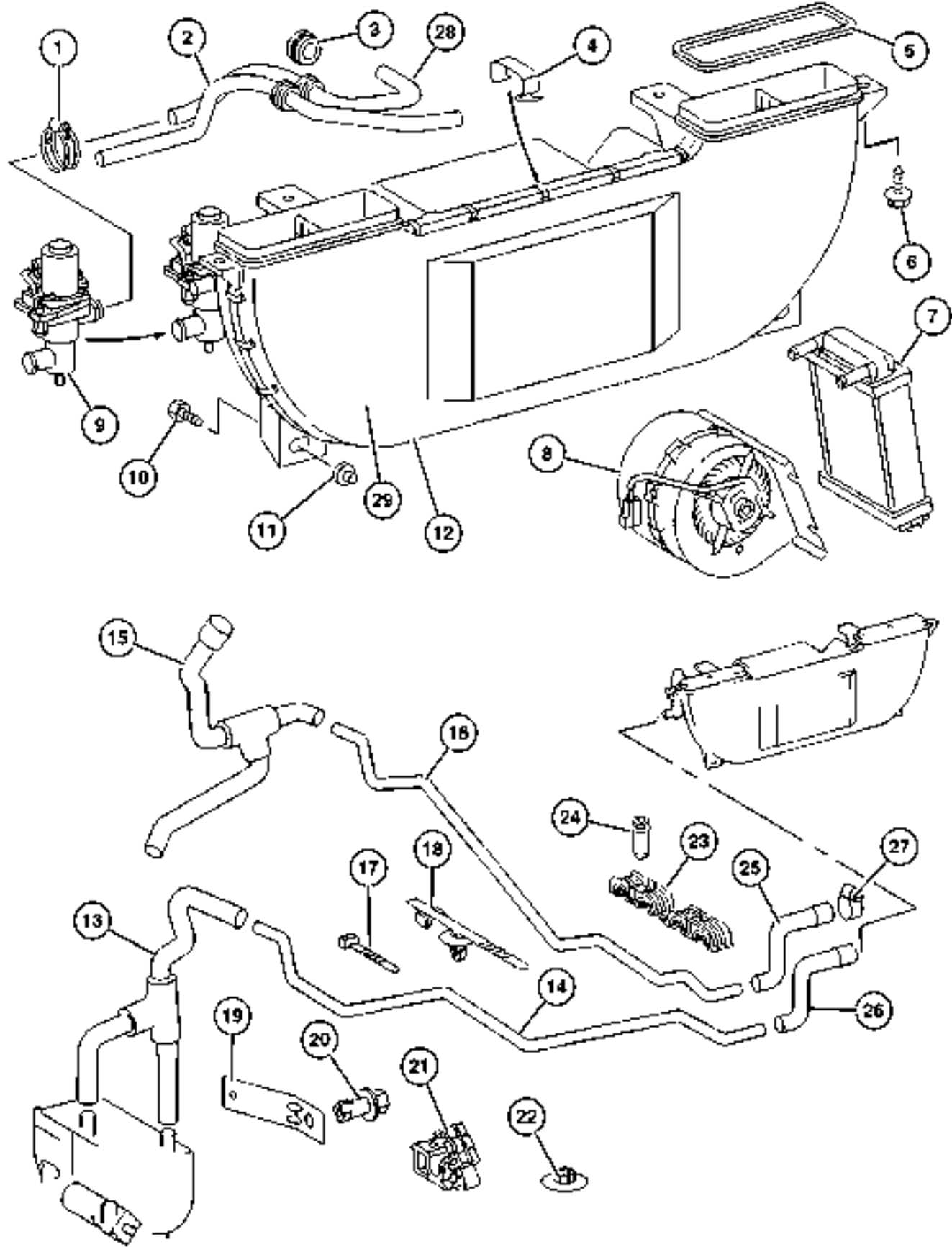
ITEM	PART NUMBER	QTY	LINE	SERIES	BODY	ENGINE	TRANS	TRIM	DESCRIPTION
		5	3, 7		12, 15, 16	EX8			
24	6104 910AA	5	2, 6		11, 12, 14, 15, 16	EX8			NUT, Heater
		5	2, 6		51, 52, 54, 55, 56	EX8			
		5	3, 7		12, 15, 16	EX8			
25	5124 841AA	1	2, 6		11, 12, 14, 15, 16	EX8			HOSE, Heater
		1	2, 6		51, 52, 54, 55, 56	EX8			
		1	3, 7		12, 15, 16	EX8			
26	5124 885AA	1	2, 6		11, 12, 14, 15, 16	EX8			HOSE, Heater
		1	2, 6		51, 52, 54, 55, 56	EX8			
		1	3, 7		12, 15, 16	EX8			
27	6104 780AA	1	2, 6		01, 02, 06	EX8			CLAMP
		1	2, 6		11, 12, 14, 15, 16	EX8			
		1	2, 6		51, 52, 54, 55, 56	EX8			
		1	3, 7		02, 06	EX8			
		1	3, 7		12, 15, 16	EX8			
28	5133 889AA	1	3, 7		12, 15, 16	EX8			HOSE, Heater
29									COVER

Refer to Model Legend Information Bookmark

AR = Use as required - = Non illustrated part # = New this model year

March 3, 2006

Heat Exchanger and Plumbing Figure 024-250



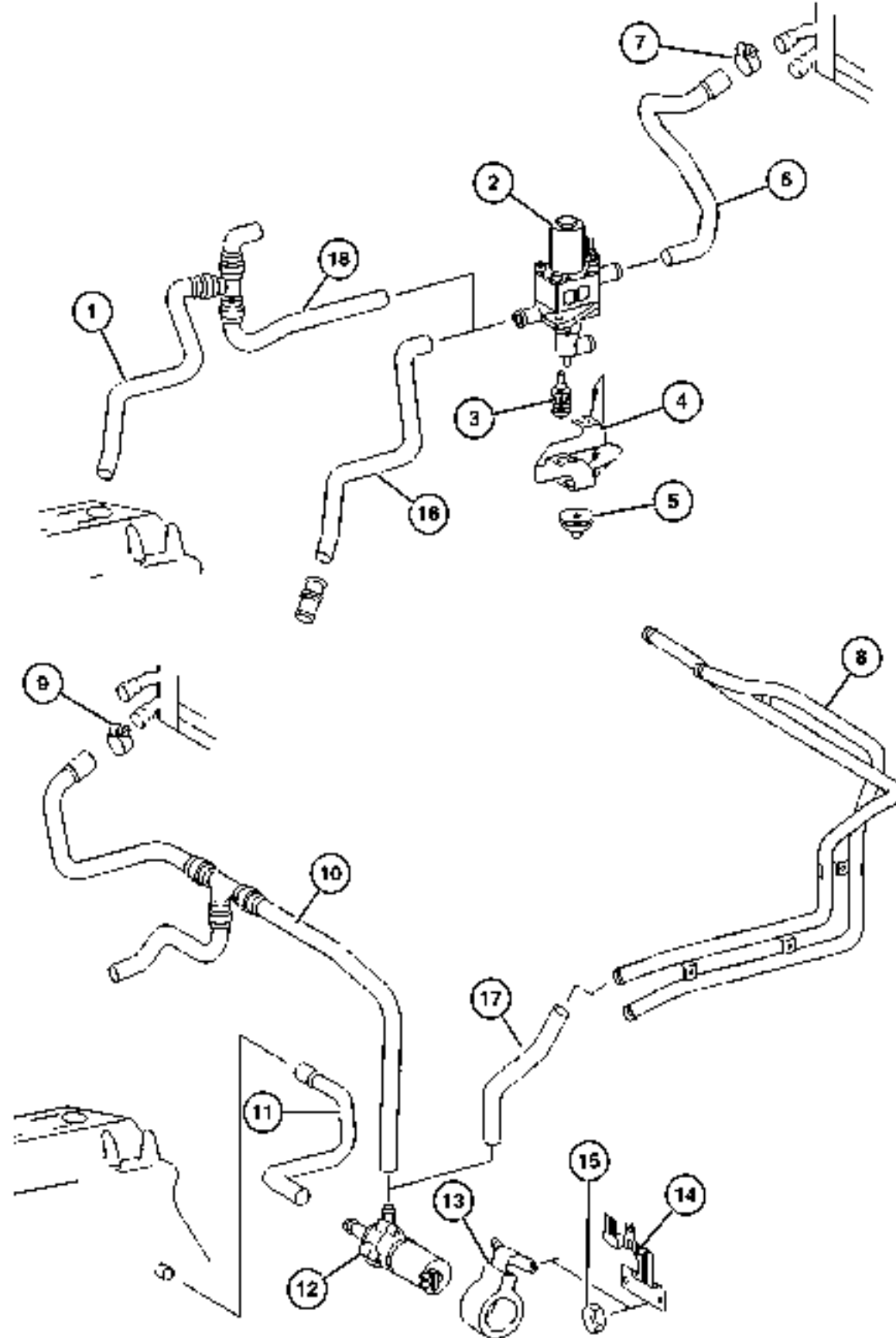
ITEM	PART NUMBER	QTY	LINE	SERIES	BODY	ENGINE	TRANS	TRIM	DESCRIPTION
------	-------------	-----	------	--------	------	--------	-------	------	-------------

	5133 591AA	1	2, 6		11, 12, 14, 15, 16	EX8			
		1	2, 6		51, 52, 54, 55, 56	EX8			
		1	3, 7		12, 15, 16	EX8			

Refer to Model Legend Information Bookmark

AR = Use as required - = Non illustrated part # = New this model year

Plumbing, Heater
Figure 024-260



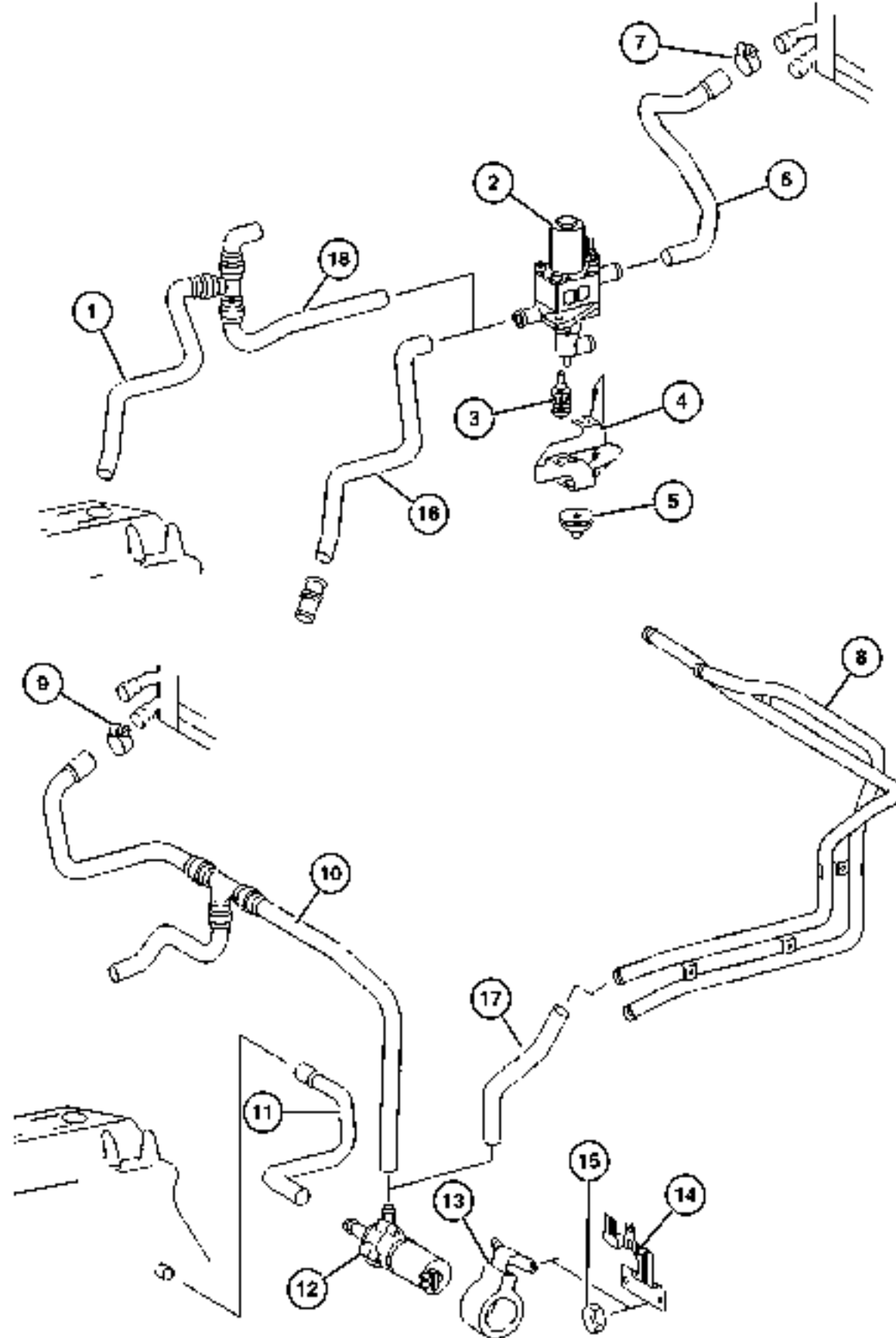
ITEM	PART NUMBER	QTY	LINE	SERIES	BODY	ENGINE	TRANS	TRIM	DESCRIPTION
1	5104 488AA	1	2, 6		01, 02, 06	EX8			HOSE
		1	2, 6		11, 12, 14, 15, 16	EX8			
		1	2, 6		51, 52, 54, 55, 56	EX8			
		1	3, 7		02, 06	EX8			
		1	3, 7		12, 15, 16	EX8			
2	5103 770AA	1	2, 6		01, 02, 06	EX8			VALVE, Water
		1	2, 6		11, 12, 14, 15, 16	EX8			
		1	2, 6		51, 52, 54, 55, 56	EX8			
		1	3, 7		02, 06	EX8			
		1	3, 7		12, 15, 16	EX8			
3	5096 558AA	2	2, 6		01, 02, 06	EX8			GROMMET
		2	2, 6		11, 12, 14, 15, 16	EX8			
		2	2, 6		51, 52, 54, 55, 56	EX8			
		2	3, 7		02, 06	EX8			
		2	3, 7		12, 15, 16	EX8			
4	5124 791AA	1	2, 6		01, 02, 06	EX8			BRACKET, Recirculating Pump
		1	2, 6		11, 12, 14, 15, 16	EX8			
		1	2, 6		51, 52, 54, 55, 56	EX8			

Refer to Model Legend Information Bookmark

AR = Use as required - = Non illustrated part # = New this model year

March 3, 2006

Plumbing, Heater
Figure 024-260



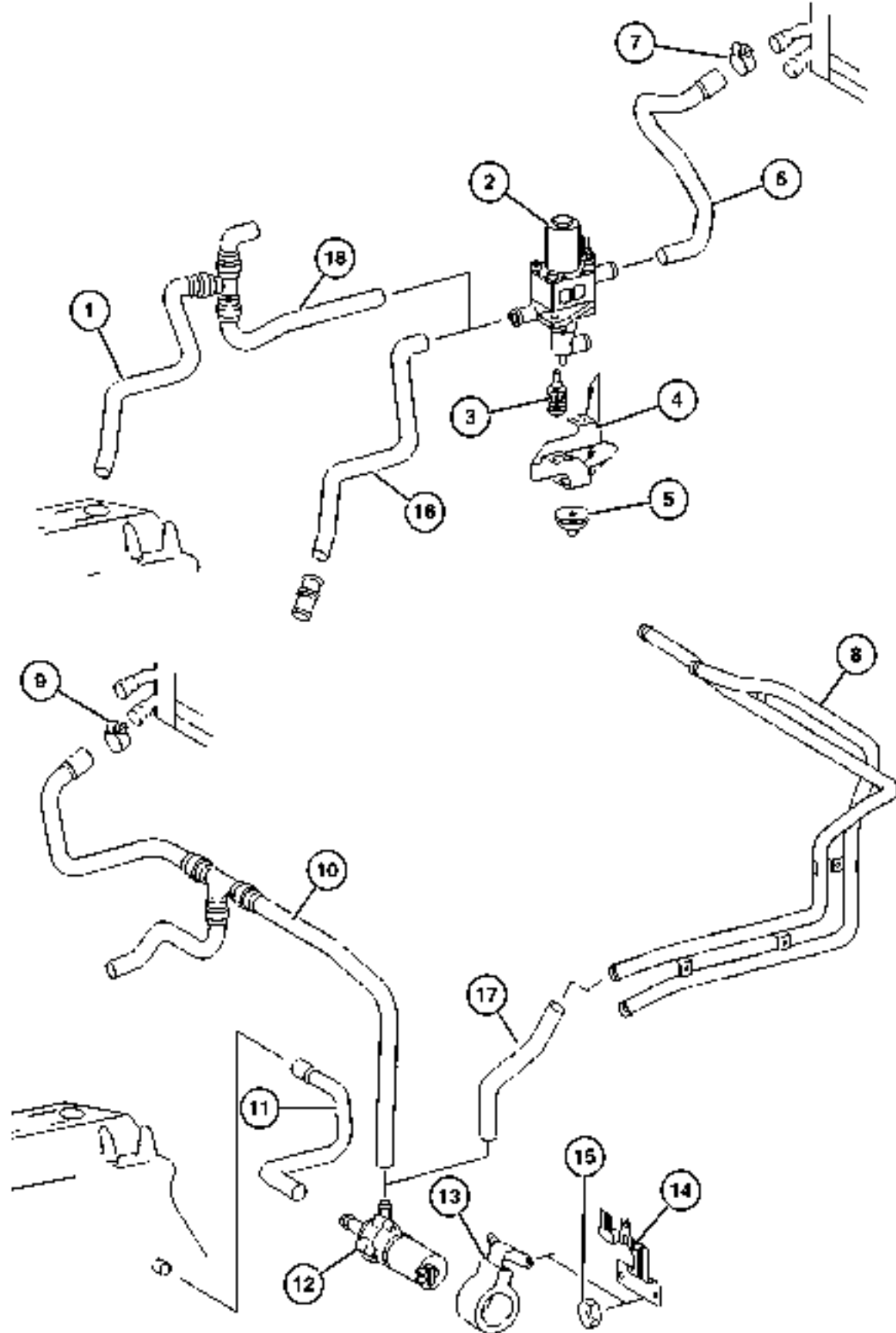
ITEM	PART NUMBER	QTY	LINE	SERIES	BODY	ENGINE	TRANS	TRIM	DESCRIPTION
		1	3, 7		02, 06	EX8			
		1	3, 7		12, 15, 16	EX8			
5	5125 504AA	1	2, 6		01, 02, 06	EX8			BUMPER, Rubber
		1	2, 6		11, 12, 14, 15, 16	EX8			
		1	2, 6		51, 52, 54, 55, 56	EX8			
		1	3, 7		02, 06	EX8			
		1	3, 7		12, 15, 16	EX8			
6	5124 846AA	1	2, 6		01, 02, 06	EX8			HOSE
		1	2, 6		11, 12, 14, 15, 16	EX8			
		1	2, 6		51, 52, 54, 55, 56	EX8			
		1	3, 7		02, 06	EX8			
		1	3, 7		12, 15, 16	EX8			
7	5126 287AA	11	2, 6		01, 02, 06	EX8			CLAMP, CLAMP
		11	2, 6		11, 12, 14, 15, 16	EX8			
		11	2, 6		51, 52, 54, 55, 56	EX8			
		11	3, 7		02, 06	EX8			
		11	3, 7		12, 15, 16	EX8			
8	5124 644AA	1	2, 6		01, 02, 06	EX8			TUBE, Heater
		1	2, 6		11, 12, 14, 15, 16	EX8			

Refer to Model Legend Information Bookmark

AR = Use as required - = Non illustrated part # = New this model year

March 3, 2006

Plumbing, Heater
Figure 024-260



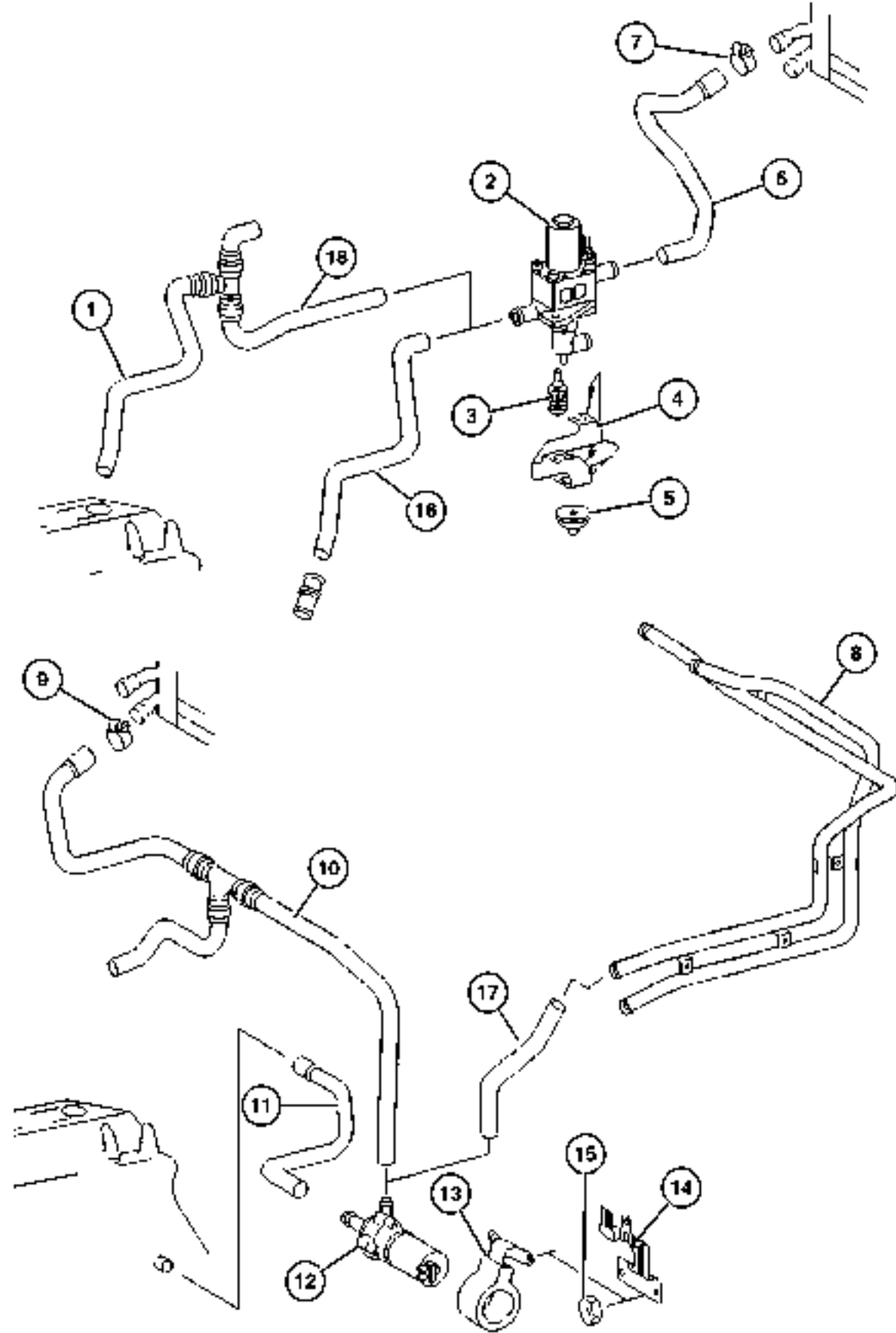
ITEM	PART NUMBER	QTY	LINE	SERIES	BODY	ENGINE	TRANS	TRIM	DESCRIPTION
		1	2, 6		51, 52, 54, 55, 56	EX8			
		1	3, 7		02, 06	EX8			
		1	3, 7		12, 15, 16	EX8			
9	5104 681AA	3	2, 6		01, 02, 06	EX8			CLAMP, Heater Hose
		3	2, 6		11, 12, 14, 15, 16	EX8			
		3	2, 6		51, 52, 54, 55, 56	EX8			
		3	3, 7		02, 06	EX8			
		3	3, 7		12, 15, 16	EX8			
10	5124 842AA	1	2, 6		01, 02, 06	EX8			HOSE
		1	2, 6		11, 12, 14, 15, 16	EX8			
		1	2, 6		51, 52, 54, 55, 56	EX8			
		1	3, 7		02, 06	EX8			
		1	3, 7		12, 15, 16	EX8			
11	5104 481AA	1	2, 6		01, 02, 06	EX8			HOSE
		1	2, 6		11, 12, 14, 15, 16	EX8			
		1	2, 6		51, 52, 54, 55, 56	EX8			
		1	3, 7		02, 06	EX8			
		1	3, 7		12, 15, 16	EX8			
12	5098 398AA	1	2, 6		01, 02, 06	EX8			PUMP, Recirculating

Refer to Model Legend Information Bookmark

AR = Use as required - = Non illustrated part # = New this model year

March 3, 2006

Plumbing, Heater
Figure 024-260



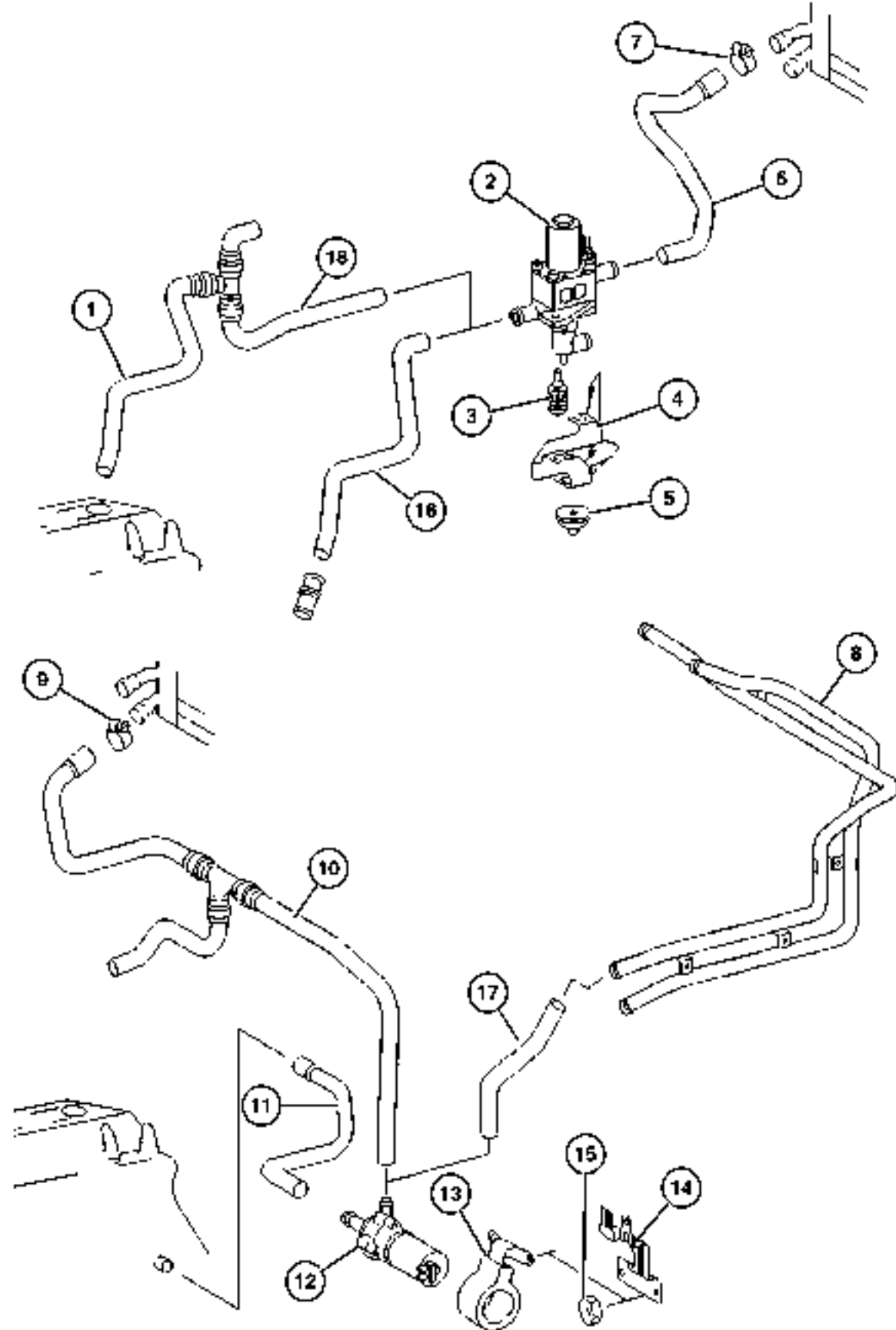
ITEM	PART NUMBER	QTY	LINE	SERIES	BODY	ENGINE	TRANS	TRIM	DESCRIPTION
		1	2, 6		11, 12,	EX8			
		1	2, 6		14, 15, 16	EX8			
		1	3, 7		02, 06	EX8			
		1	3, 7		12, 15, 16	EX8			
13	5124 629AA	1	2, 6		01, 02, 06	EX8			BRACKET
		1	2, 6		11, 12, 14, 15, 16	EX8			
		1	2, 6		51, 52, 54, 55, 56	EX8			
		1	3, 7		02, 06	EX8			
		1	3, 7		12, 15, 16	EX8			
14	5124 808AA	1	2, 6		01, 02, 06	EX8			BRACKET, Recirculating Pump
		1	2, 6		11, 12, 14, 15, 16	EX8			
		1	2, 6		51, 52, 54, 55, 56	EX8			
		1	3, 7		02, 06	EX8			
		1	3, 7		12, 15, 16	EX8			
15	5127 449AA	1	2, 6		01, 02, 06	EX8			NUT, M6x1.00
16	5124 844AA	1	2, 6		01, 02, 06	EX8			HOSE
		1	2, 6		11, 12, 14, 15, 16	EX8			
		1	2, 6		51, 52, 54, 55, 56	EX8			
		1	3, 7		02, 06	EX8			

Refer to Model Legend Information Bookmark

AR = Use as required - = Non illustrated part # = New this model year

March 3, 2006

Plumbing, Heater
Figure 024-260



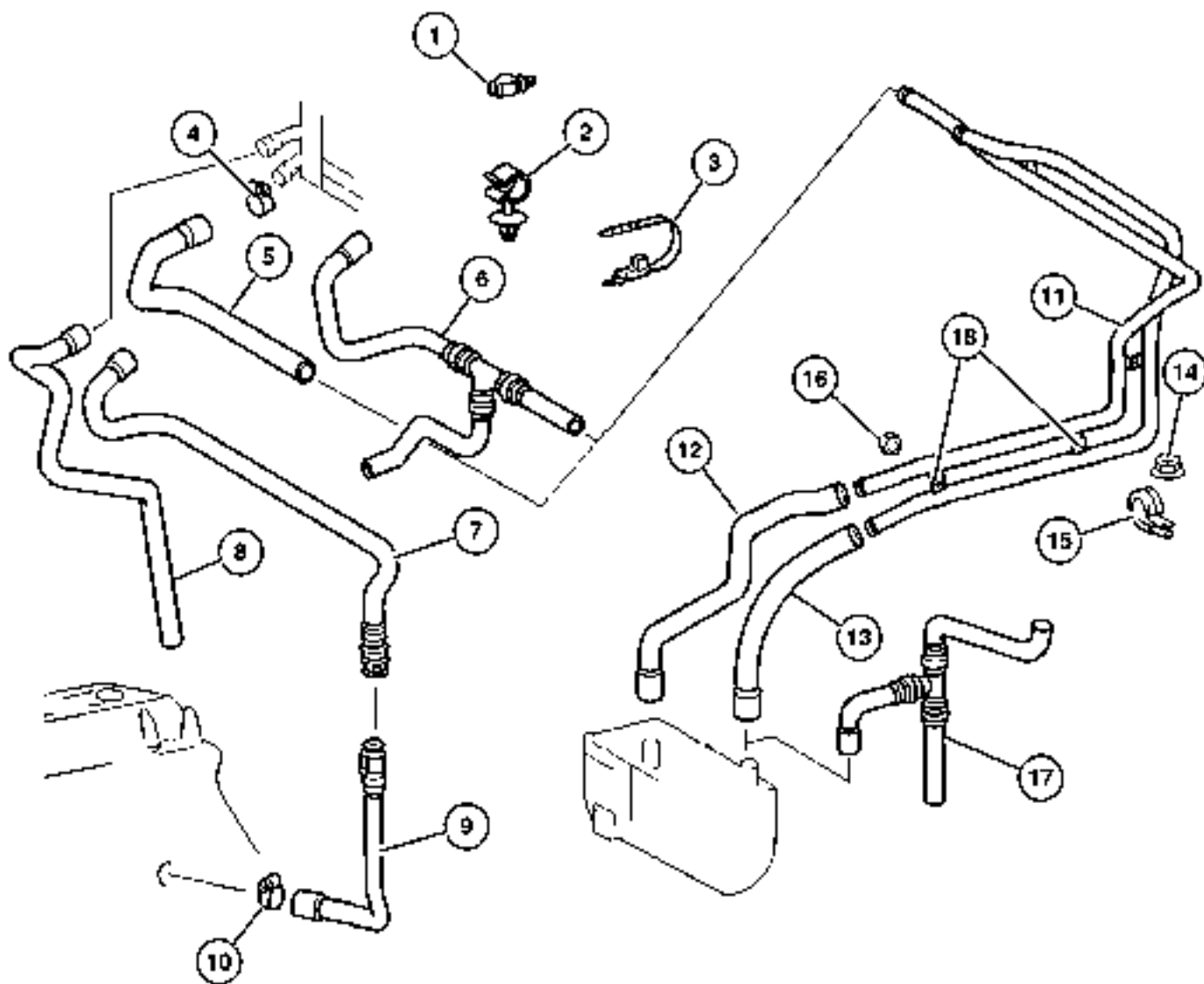
ITEM	PART NUMBER	QTY	LINE	SERIES	BODY	ENGINE	TRANS	TRIM	DESCRIPTION
		1	3, 7		12, 15, 16	EX8			
17	5124 848AA	1	2, 6		01, 02, 06	EX8			HOSE
		1	2, 6		11, 12, 14, 15, 16	EX8			
		1	2, 6		51, 52, 54, 55, 56	EX8			
		1	3, 7		02, 06	EX8			
		1	3, 7		12, 15, 16	EX8			
18	5125 981AA	1	2, 6		01, 02, 06	EX8			HOSE, Flexible Exhaust, Supplemental Heater
		1	2, 6		11, 12, 14, 15, 16	EX8			
		1	2, 6		51, 52, 54, 55, 56	EX8			
		1	3, 7		02, 06	EX8			
		1	3, 7		12, 15, 16	EX8			

Refer to Model Legend Information Bookmark

AR = Use as required - = Non illustrated part # = New this model year

March 3, 2006

Plumbing, Heater with Auxiliary warm water Heater
Figure 024-265



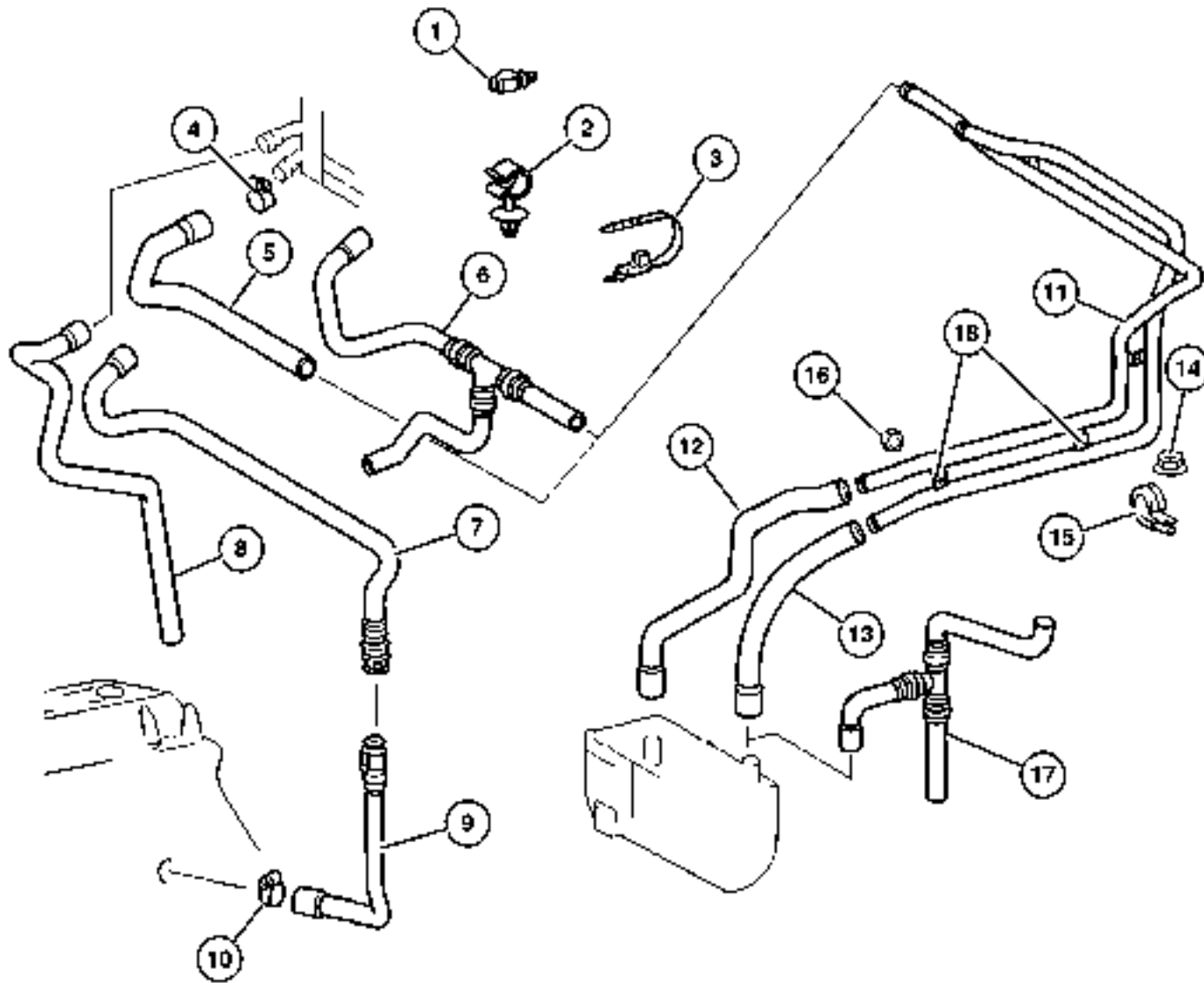
ITEM	PART NUMBER	QTY	LINE	SERIES	BODY	ENGINE	TRANS	TRIM	DESCRIPTION
1	5124 806AA	1	2, 6		01, 02, 06	EX8			CLIP, Hose
									11, 12, 14, 15, 16
									51, 52, 54, 55, 56
									02, 06
									12, 15, 16
2	5119 332AA	1	2, 6		01, 02, 06	EX8			CLIP, Hose
									11, 12, 14, 15, 16
									51, 52, 54, 55, 56
									02, 06
									12, 15, 16
3	5133 297AA	2	2, 6		01, 02, 06	EX8			STRAP AND CLIP
									11, 12, 14, 15, 16
									51, 52, 54, 55, 56
									02, 06
									12, 15, 16
4	5104 681AA	3	2, 6		01, 02, 06	EX8			CLAMP, Heater Hose
									11, 12, 14, 15, 16
									51, 52, 54, 55, 56
									02, 06
									12, 15, 16

Refer to Model Legend Information Bookmark

AR = Use as required - = Non illustrated part # = New this model year

March 3, 2006

Plumbing, Heater with Auxiliary warm water Heater
Figure 024-265



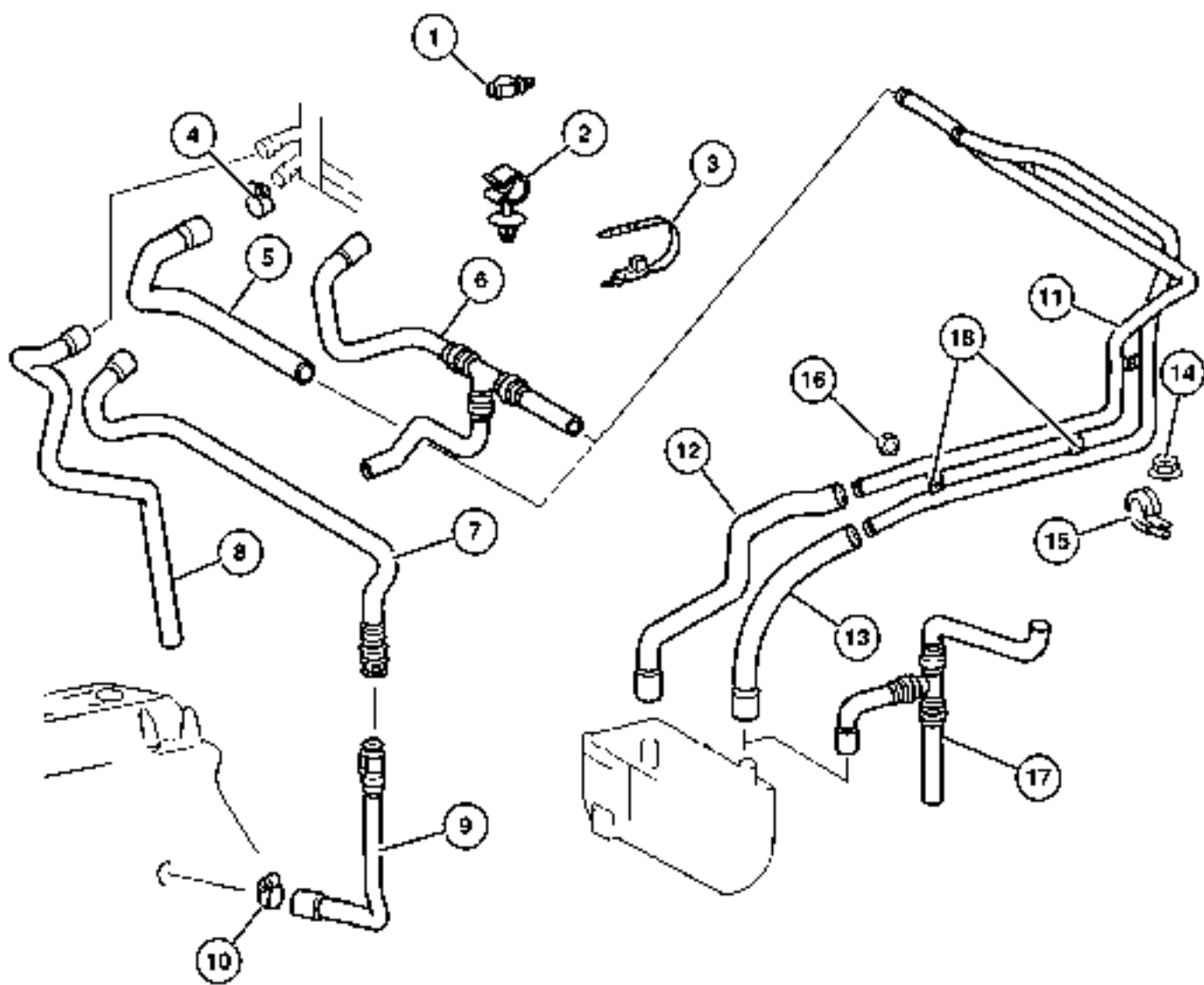
ITEM	PART NUMBER	QTY	LINE	SERIES	BODY	ENGINE	TRANS	TRIM	DESCRIPTION
		3	3, 7		02, 06	EX8			
		3	3, 7		12, 15, 16	EX8			
5	5124 854AA	1	2, 6		01, 02, 06	EX8			HOSE
		1	2, 6		11, 12, 14, 15, 16	EX8			
		1	2, 6		51, 52, 54, 55, 56	EX8			
		1	3, 7		02, 06	EX8			
		1	3, 7		12, 15, 16	EX8			
6	5124 837AA	1	2, 6		01, 02, 06	EX8			HOSE
		1	2, 6		11, 12, 14, 15, 16	EX8			
		1	2, 6		51, 52, 54, 55, 56	EX8			
		1	3, 7		02, 06	EX8			
		1	3, 7		12, 15, 16	EX8			
7	5104 481AA	1	2, 6		01, 02, 06	EX8			HOSE
		1	2, 6		11, 12, 14, 15, 16	EX8			
		1	2, 6		51, 52, 54, 55, 56	EX8			
		1	3, 7		02, 06	EX8			
		1	3, 7		12, 15, 16	EX8			
8	5104 489AA	1	2, 6		01, 02, 06	EX8			HOSE
		1	2, 6		11, 12, 14, 15, 16	EX8			

Refer to Model Legend Information Bookmark

AR = Use as required - = Non illustrated part # = New this model year

March 3, 2006

Plumbing, Heater with Auxiliary warm water Heater
Figure 024-265



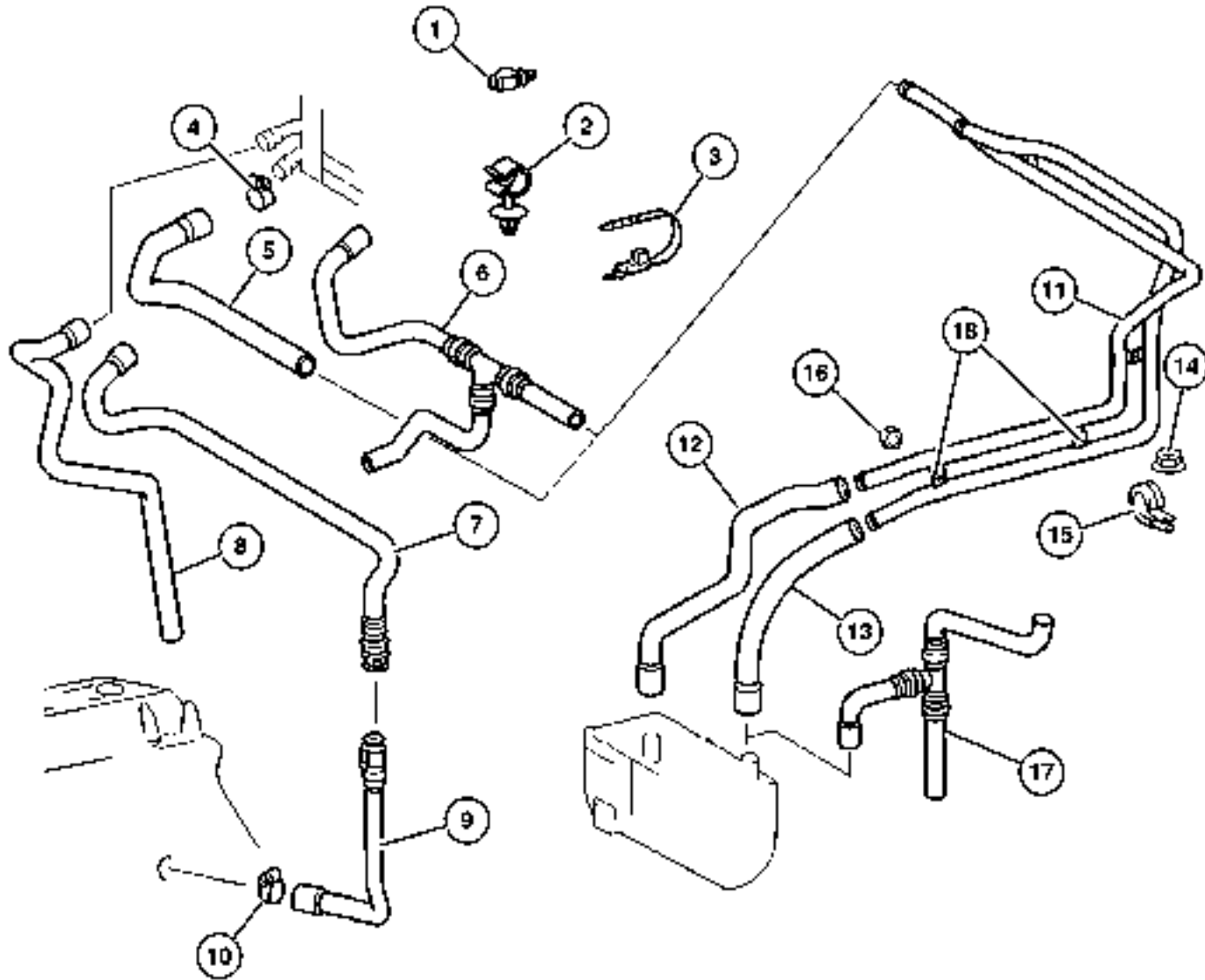
ITEM	PART NUMBER	QTY	LINE	SERIES	BODY	ENGINE	TRANS	TRIM	DESCRIPTION
		1	2, 6		51, 52, 54, 55, 56	EX8			
		1	3, 7		02, 06	EX8			
		1	3, 7		12, 15, 16	EX8			
9	5124 728AA	1	2, 6		01, 02, 06	EX8			HOSE, HOSE-WATER
		1	2, 6		11, 12, 14, 15, 16	EX8			
		1	3, 7		02, 06	EX8			
		1	3, 7		12, 15, 16	EX8			
10	5126 287AA	11	2, 6		01, 02, 06	EX8			CLAMP, CLAMP
		11	2, 6		11, 12, 14, 15, 16	EX8			
		11	2, 6		51, 52, 54, 55, 56	EX8			
		11	3, 7		02, 06	EX8			
		11	3, 7		12, 15, 16	EX8			
11	5124 644AA	1	2, 6		01, 02, 06	EX8			TUBE, Heater
		1	2, 6		11, 12, 14, 15, 16	EX8			
		1	2, 6		51, 52, 54, 55, 56	EX8			
		1	3, 7		02, 06	EX8			
		1	3, 7		12, 15, 16	EX8			
12	5124 850AA	1	2, 6		01, 02, 06	EX8			HOSE
		1	2, 6		11, 12, 14, 15, 16	EX8			

Refer to Model Legend Information Bookmark

AR = Use as required - = Non illustrated part # = New this model year

March 3, 2006

Plumbing, Heater with Auxiliary warm water Heater Figure 024-265



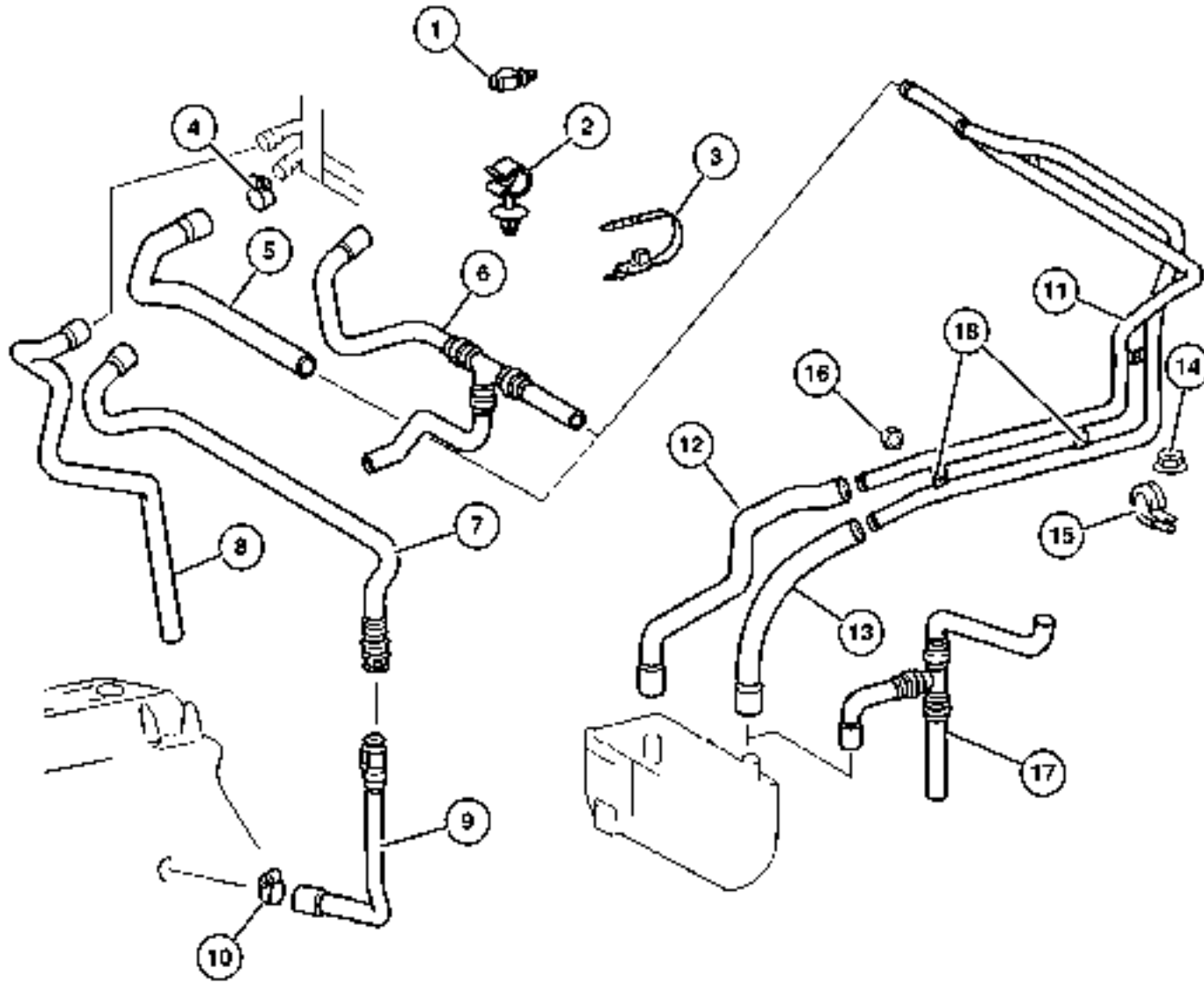
ITEM	PART NUMBER	QTY	LINE	SERIES	BODY	ENGINE	TRANS	TRIM	DESCRIPTION
		1	2, 6		51, 52, 54, 55, 56	EX8			
		1	3, 7		02, 06	EX8			
		1	3, 7		12, 15, 16	EX8			
13	5124 852AA	1	2, 6		11, 12, 14, 15, 16	EX8			HOSE
		1	2, 6		51, 52, 54, 55, 56	EX8			
		1	3, 7		02, 06	EX8			
		1	3, 7		12, 15, 16	EX8			
14	6104 911AA	1	2, 6		01, 02, 06	EX8			NUT, Hex
		1	2, 6		11, 12, 14, 15, 16	EX8			
		1	2, 6		51, 52, 54, 55, 56	EX8			
		1	3, 7		02, 06	EX8			
		1	3, 7		12, 15, 16	EX8			
15	5126 284AA	1	2, 6		01, 02, 06	EX8			CLAMP, Air Conditioning Piping
		1	2, 6		11, 12, 14, 15, 16	EX8			
		1	2, 6		51, 52, 54, 55, 56	EX8			
		1	3, 7		02, 06	EX8			
		1	3, 7		12, 15, 16	EX8			
16	5096 978AA	3	2, 6		01, 02, 06	EX8			NUT, Hex, M6

Refer to Model Legend Information Bookmark

AR = Use as required - = Non illustrated part # = New this model year

March 3, 2006

**Plumbing, Heater with Auxiliary warm water Heater
Figure 024-265**



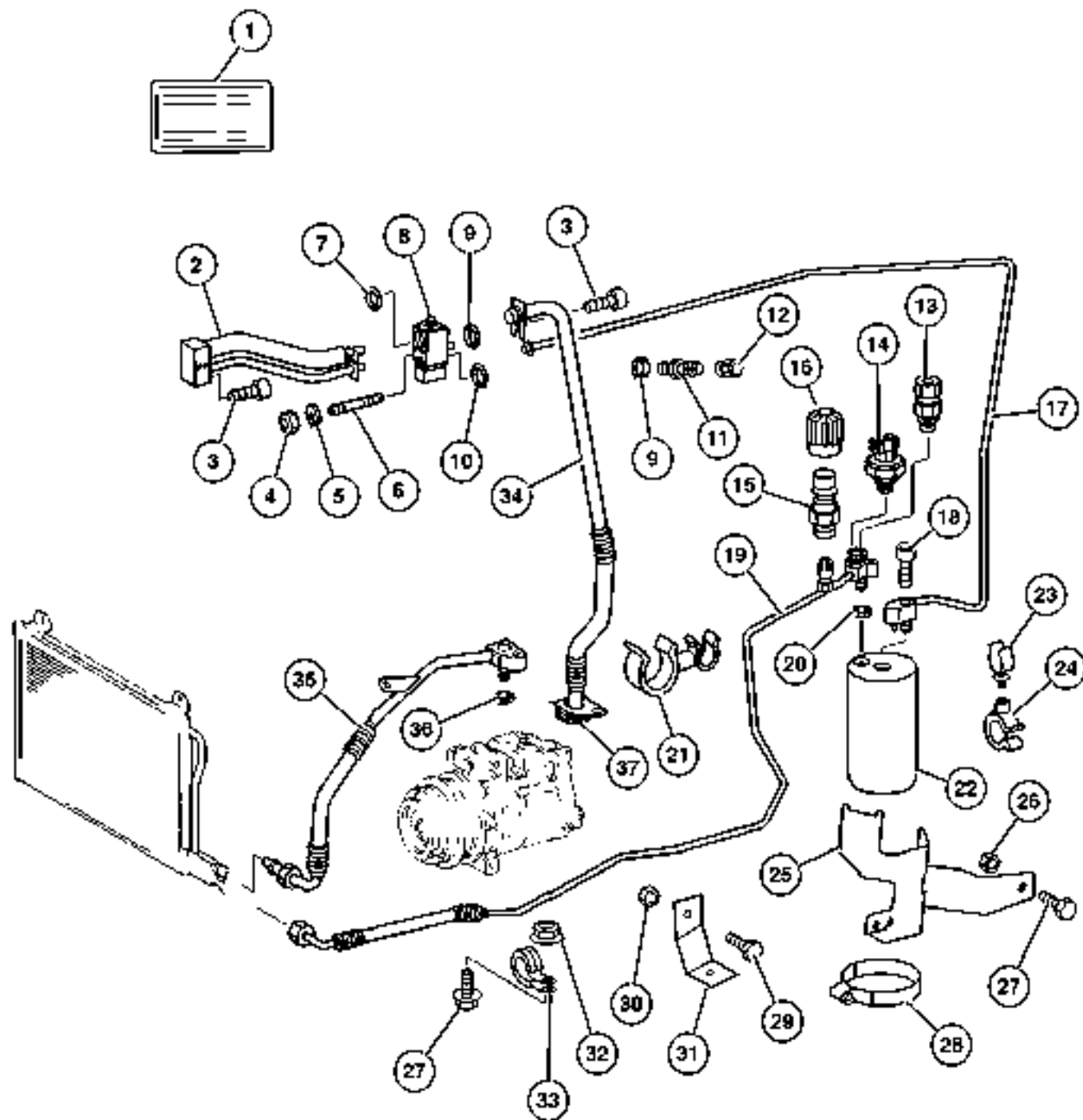
ITEM	PART NUMBER	QTY	LINE	SERIES	BODY	ENGINE	TRANS	TRIM	DESCRIPTION
		3	2, 6		11, 12, 14, 15, 16	EX8			
		3	2, 6		51, 52, 54, 55, 56	EX8			
		3	3, 7		02, 06	EX8			
		3	3, 7		12, 15, 16	EX8			
17	5124 886AA	1	2, 6		11, 12, 14, 15, 16	EX8			HOSE, Auxiliary Heater
		1	2, 6		51, 52, 54, 55, 56	EX8			
		1	3, 7		12, 15, 16	EX8			
18	5133 315AA	1	2, 6		01, 02, 06	EX8			BRACKET, Heater Core Tubes
		1	2, 6		11, 12, 14, 15, 16	EX8			
		1	2, 6		51, 52, 54, 55, 56	EX8			
		1	3, 7		02, 06	EX8			
		1	3, 7		12, 15, 16	EX8			

Refer to Model Legend Information Bookmark

AR = Use as required - = Non illustrated part # = New this model year

March 3, 2006

Plumbing, Air Conditioning Figure 024-270



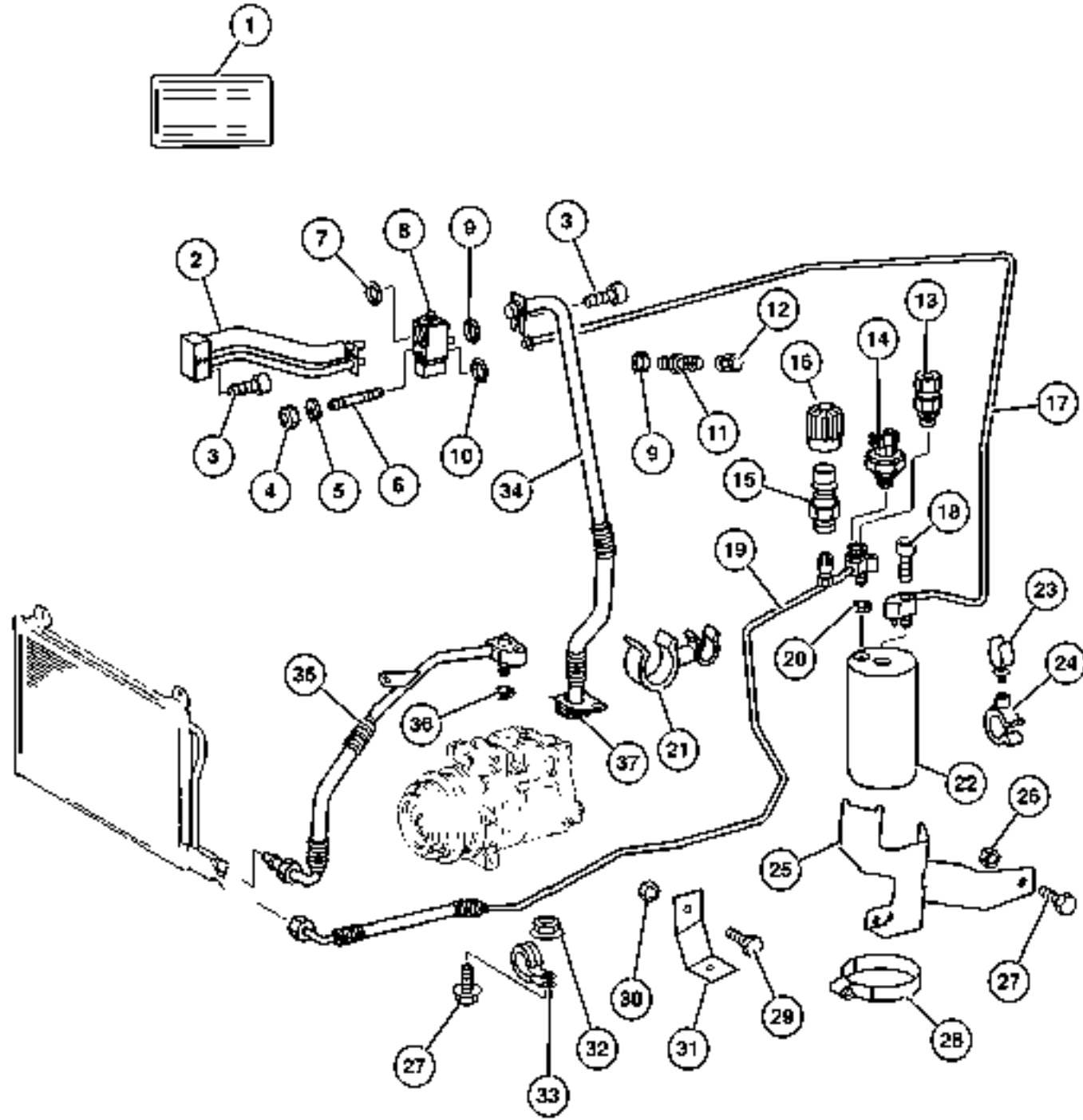
ITEM	PART NUMBER	QTY	LINE	SERIES	BODY	ENGINE	TRANS	TRIM	DESCRIPTION
1									LABEL, A/C Spec.
	5124 359AA	1	2, 6		01, 02, 06	EX8			
		1	2, 6		11, 12, 14, 15,	EX8			
		1	2, 6		16				
		1	2, 6		51, 52, 54, 55, 56	EX8			
		1	3, 7		02, 06	EX8			
2									LINE, A/C Suction And Liquid
	5104 479AA	1	2, 6		01, 02, 06	EX8			
		1	2, 6		11, 12, 14, 15,	EX8			
		1	2, 6		16				
		1	2, 6		51, 52, 54, 55, 56	EX8			
		1	3, 7		02, 06	EX8			
3									SCREW
	5126 135AA	2	2, 6		01, 02, 06	EX8			
		2	2, 6		11, 12, 14, 15,	EX8			
		2	2, 6		16				
		2	2, 6		51, 52, 54, 55, 56	EX8			
		2	3, 7		02, 06	EX8			
4									NUT, (NOT SERVICED) (Not Serviced)
									LOCK WASHER
5	5126 240AA	1	2, 6		01, 02, 06	EX8			
		1	2, 6		11, 12, 14, 15, 16	EX8			

Refer to Model Legend Information Bookmark

AR = Use as required - = Non illustrated part # = New this model year

March 3, 2006

Plumbing, Air Conditioning
Figure 024-270



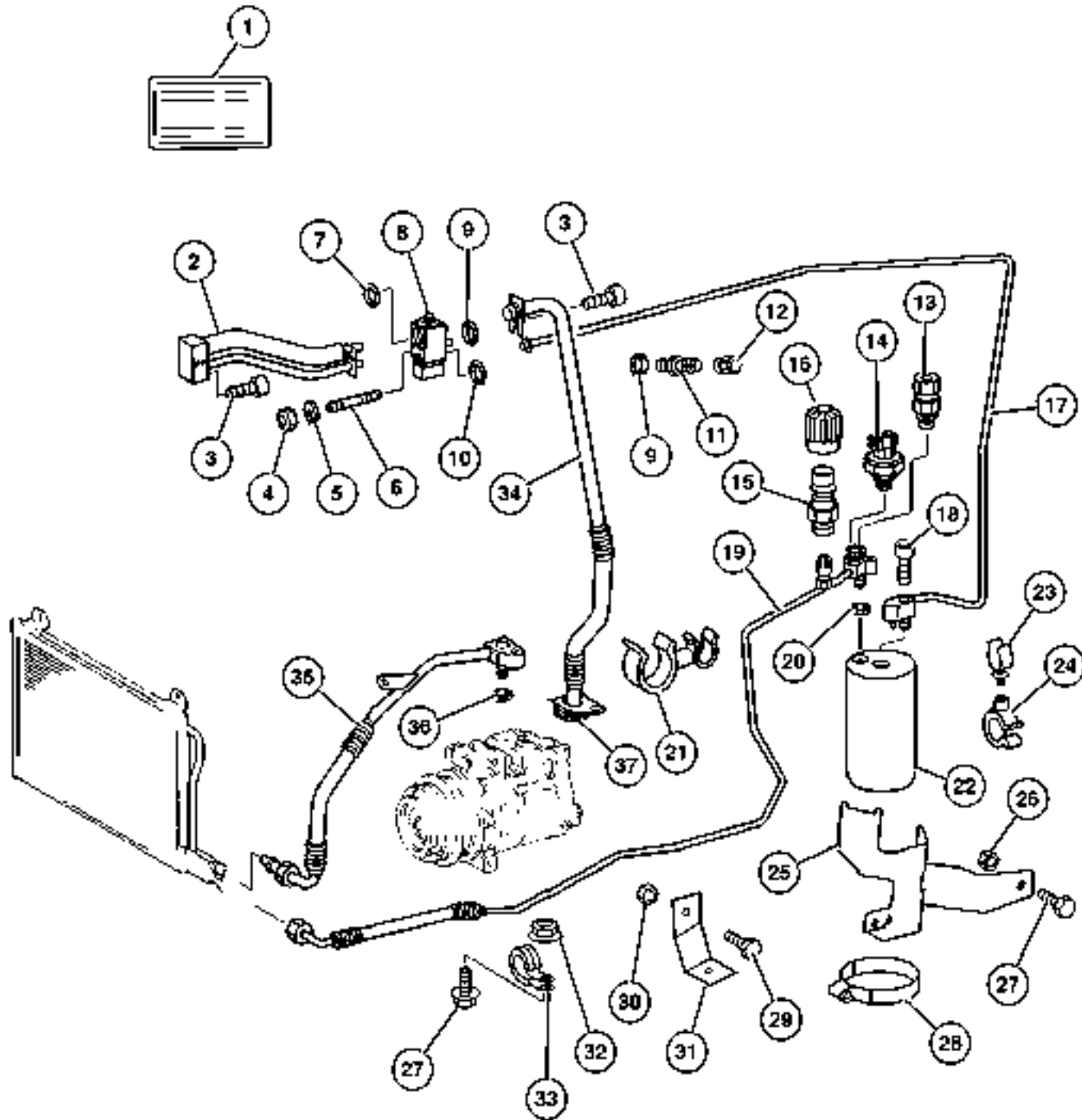
ITEM	PART NUMBER	QTY	LINE	SERIES	BODY	ENGINE	TRANS	TRIM	DESCRIPTION
		1	2, 6		51, 52, 54, 55, 56	EX8			
		1	3, 7		02, 06	EX8			
		1	3, 7		12, 15, 16	EX8			
6	5134 028AA	1	2, 6		01, 02, 06	EX8			STUD, Expansion Valve
		1	2, 6		11, 12, 14, 15, 16	EX8			
		1	2, 6		51, 52, 54, 55, 56	EX8			
		1	3, 7		02, 06	EX8			
		1	3, 7		12, 15, 16	EX8			
7	5098 971AA	1	2, 6		01, 02, 06	EX8			O RING, A/C Line
		1	2, 6		11, 12, 14, 15, 16	EX8			
		1	2, 6		51, 52, 54, 55, 56	EX8			
		1	3, 7		02, 06	EX8			
		1	3, 7		12, 15, 16	EX8			
8	5138 897AA	1	2, 6		11, 12, 14, 15, 16	EX8			VALVE, Expansion
		1	2, 6		51, 52, 54, 55, 56	EX8			
		1	3, 7		12, 15, 16	EX8			
9	5103 930AA	2	2, 6		01, 02, 06	EX8			O RING, A/C Line
		2	2, 6		11, 12, 14, 15, 16	EX8			

Refer to Model Legend Information Bookmark

AR = Use as required - = Non illustrated part # = New this model year

March 3, 2006

Plumbing, Air Conditioning
Figure 024-270



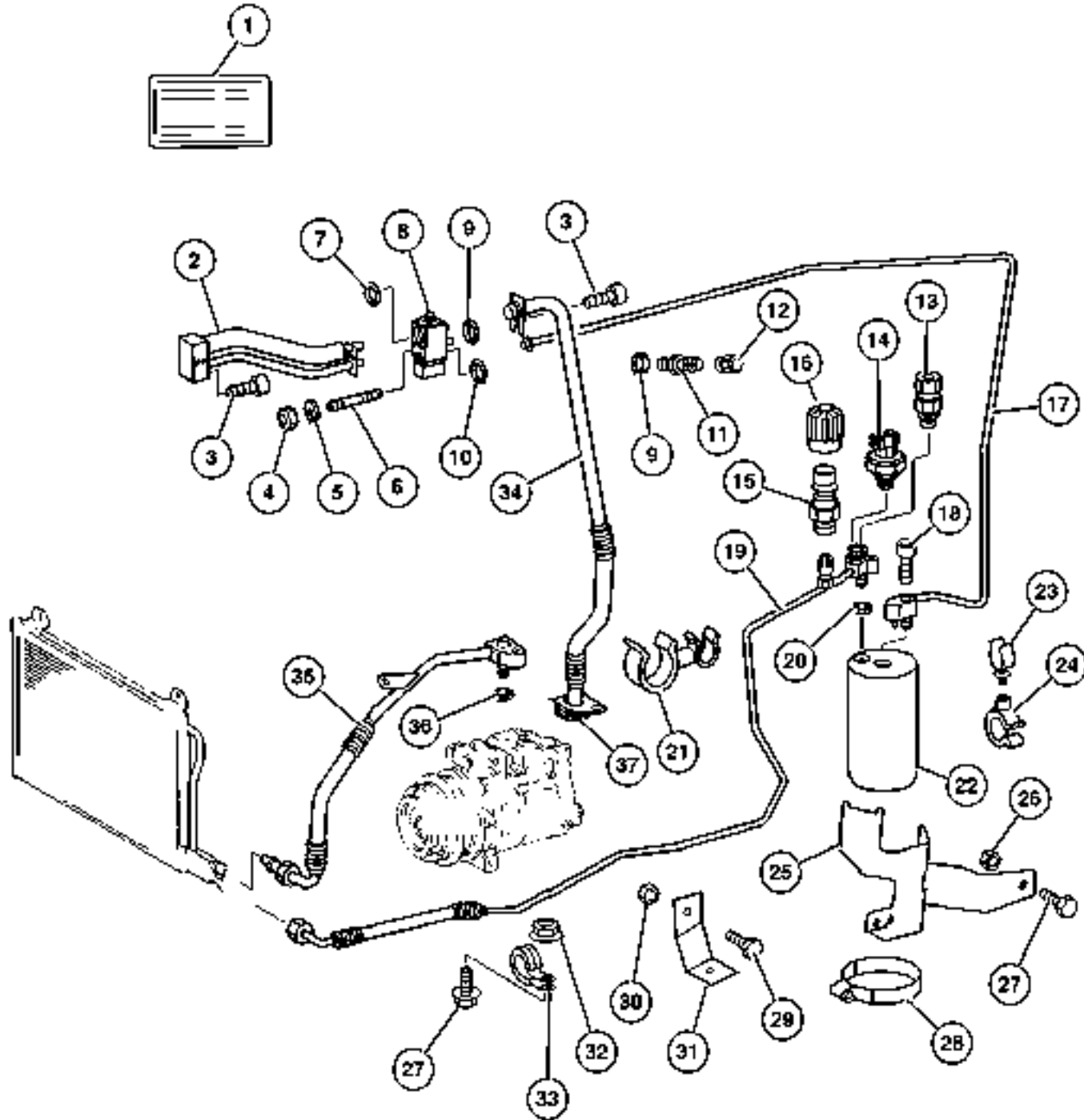
ITEM	PART NUMBER	QTY	LINE	SERIES	BODY	ENGINE	TRANS	TRIM	DESCRIPTION
		2	2, 6		51, 52, 54, 55, 56	EX8			
		2	3, 7		02, 06	EX8			
		2	3, 7		12, 15, 16	EX8			
10	5098 970AA	2	2, 6		01, 02, 06	EX8			O RING, A/C Line
		2	2, 6		11, 12, 14, 15, 16	EX8			
		2	2, 6		51, 52, 54, 55, 56	EX8			
		2	3, 7		02, 06	EX8			
		2	3, 7		12, 15, 16	EX8			
11	5103 771AA	1	2, 6		01, 02, 06	EX8			VALVE, Check
		1	2, 6		11, 12, 14, 15, 16	EX8			
		1	2, 6		51, 52, 54, 55, 56	EX8			
		1	3, 7		02, 06	EX8			
		1	3, 7		12, 15, 16	EX8			
12	5134 029AA	1	2, 6		01, 02, 06	EX8			CAP, Sealing
		1	2, 6		11, 12, 14, 15, 16	EX8			
		1	2, 6		51, 52, 54, 55, 56	EX8			
		1	3, 7		02, 06	EX8			
		1	3, 7		12, 15, 16	EX8			
13	5098 395AA	1	2, 6		01, 02, 06	EX8			VALVE, A/C Pressure Relief

Refer to Model Legend Information Bookmark

AR = Use as required - = Non illustrated part # = New this model year

March 3, 2006

Plumbing, Air Conditioning
Figure 024-270



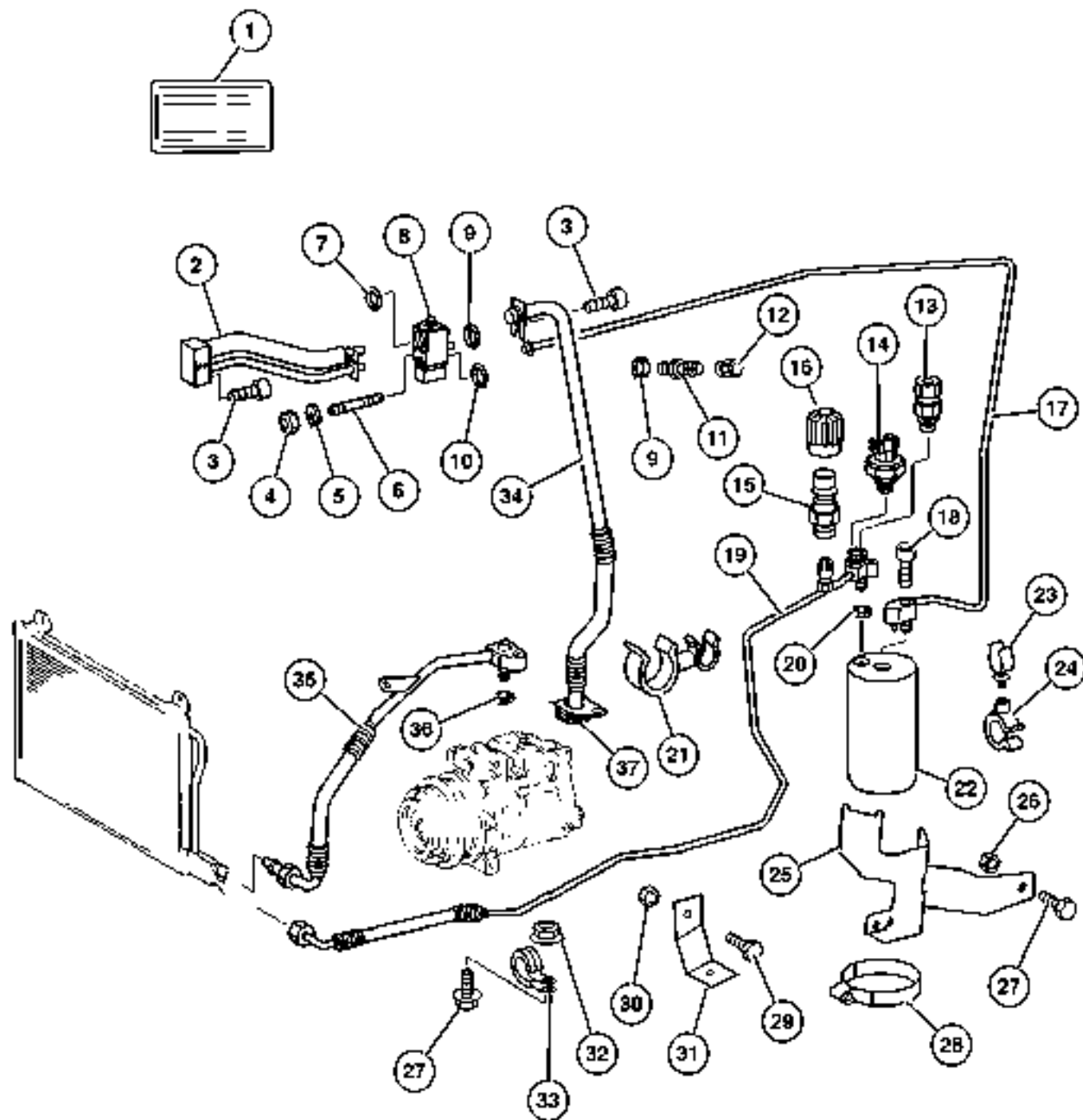
ITEM	PART NUMBER	QTY	LINE	SERIES	BODY	ENGINE	TRANS	TRIM	DESCRIPTION
		1	2, 6		11, 12,	EX8			
		1	2, 6		14, 15, 16	EX8			
		1	3, 7		02, 06	EX8			
		1	3, 7		12, 15, 16	EX8			
14									SWITCH, A/C Pressure
	5097 873AA	1	2, 6		01, 02, 06	EX8			
		1	2, 6		11, 12,	EX8			
		1	2, 6		14, 15, 16	EX8			
		1	2, 6		51, 52,	EX8			
		1	3, 7		54, 55, 56	EX8			
		1	3, 7		02, 06	EX8			
		1	3, 7		12, 15, 16	EX8			
15									VALVE, Charging
	5098 396AA	1	2, 6		01, 02, 06	EX8			
		1	2, 6		11, 12,	EX8			
		1	2, 6		14, 15, 16	EX8			
		1	2, 6		51, 52,	EX8			
		1	3, 7		54, 55, 56	EX8			
		1	3, 7		02, 06	EX8			
		1	3, 7		12, 15, 16	EX8			
16									CAP, A/C Charge Valve
	5098 958AA	1	2, 6		01, 02, 06	EX8			
		1	2, 6		11, 12,	EX8			
		1	2, 6		14, 15, 16	EX8			
		1	2, 6		51, 52,	EX8			
		1	3, 7		54, 55, 56	EX8			
		1	3, 7		02, 06	EX8			
		1	3, 7		12, 15, 16	EX8			

Refer to Model Legend Information Bookmark

AR = Use as required - = Non illustrated part # = New this model year

March 3, 2006

Plumbing, Air Conditioning
Figure 024-270



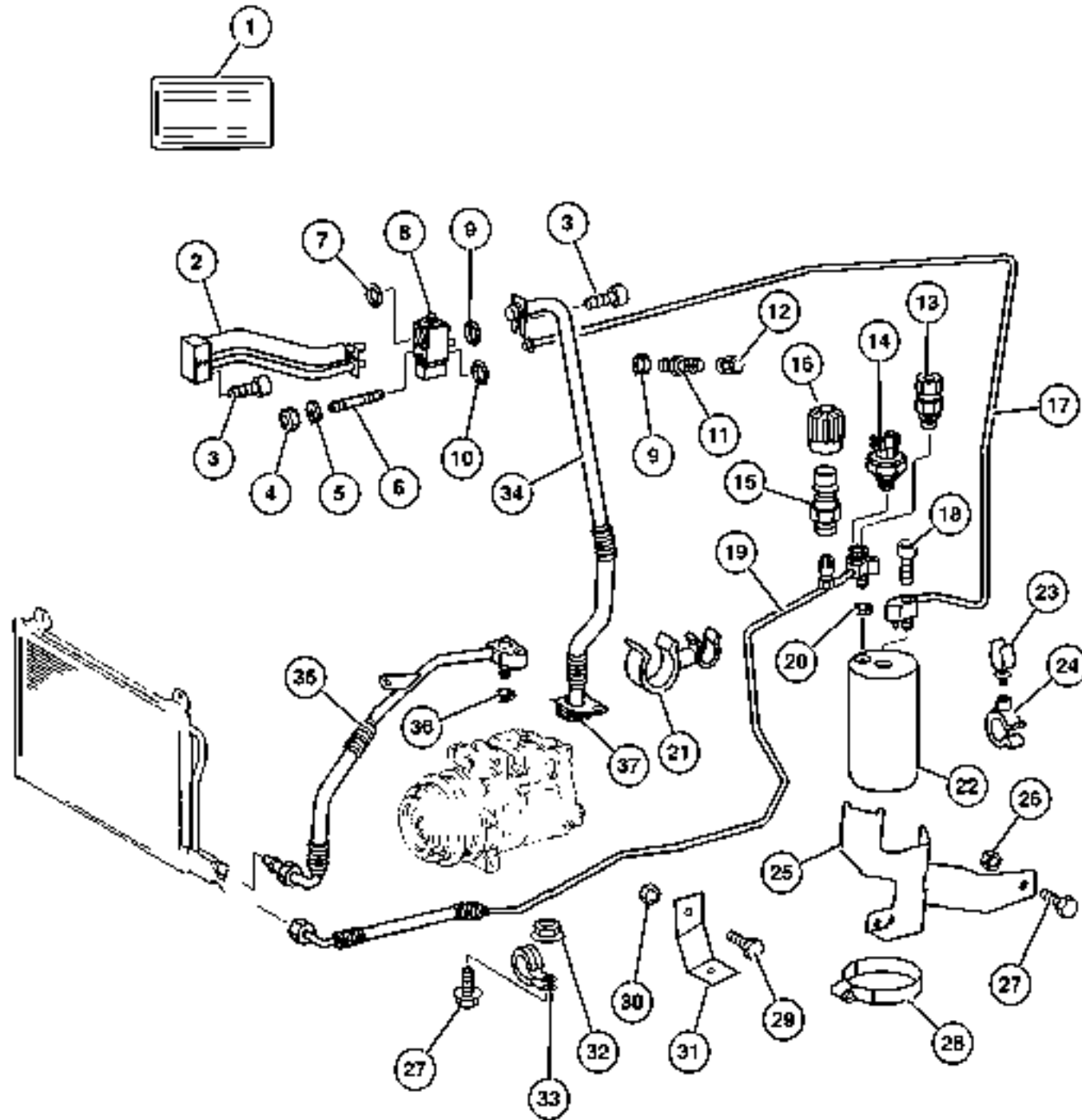
ITEM	PART NUMBER	QTY	LINE	SERIES	BODY	ENGINE	TRANS	TRIM	DESCRIPTION
17									LINE, Receiver/Drier to Expansion Valve
	5124 646AA	1	2, 6		01, 02, 06	EX8			
		1	2, 6		11, 12, 14, 15, 16	EX8			
		1	2, 6		51, 52, 54, 55, 56	EX8			
		1	3, 7		02, 06	EX8			
		1	3, 7		12, 15, 16	EX8			
18									SCREW
	5126 136AA	2	2, 6		01, 02, 06	EX8			
		2	2, 6		11, 12, 14, 15, 16	EX8			
		2	2, 6		51, 52, 54, 55, 56	EX8			
		2	3, 7		02, 06	EX8			
		2	3, 7		12, 15, 16	EX8			
19									LINE, Condenser to Receiver/Drier
	5104 484AA	1	2, 6		01, 02, 06	EX8			
		1	2, 6		11, 12, 14, 15, 16	EX8			
		1	2, 6		51, 52, 54, 55, 56	EX8			
		1	3, 7		02, 06	EX8			
		1	3, 7		12, 15, 16	EX8			
20									O RING, Air Conditioning Line
	5103 571AA	1	2, 6		01, 02, 06	EX8			
		1	2, 6		11, 12, 14, 15, 16	EX8			

Refer to Model Legend Information Bookmark

AR = Use as required - = Non illustrated part # = New this model year

March 3, 2006

Plumbing, Air Conditioning
Figure 024-270



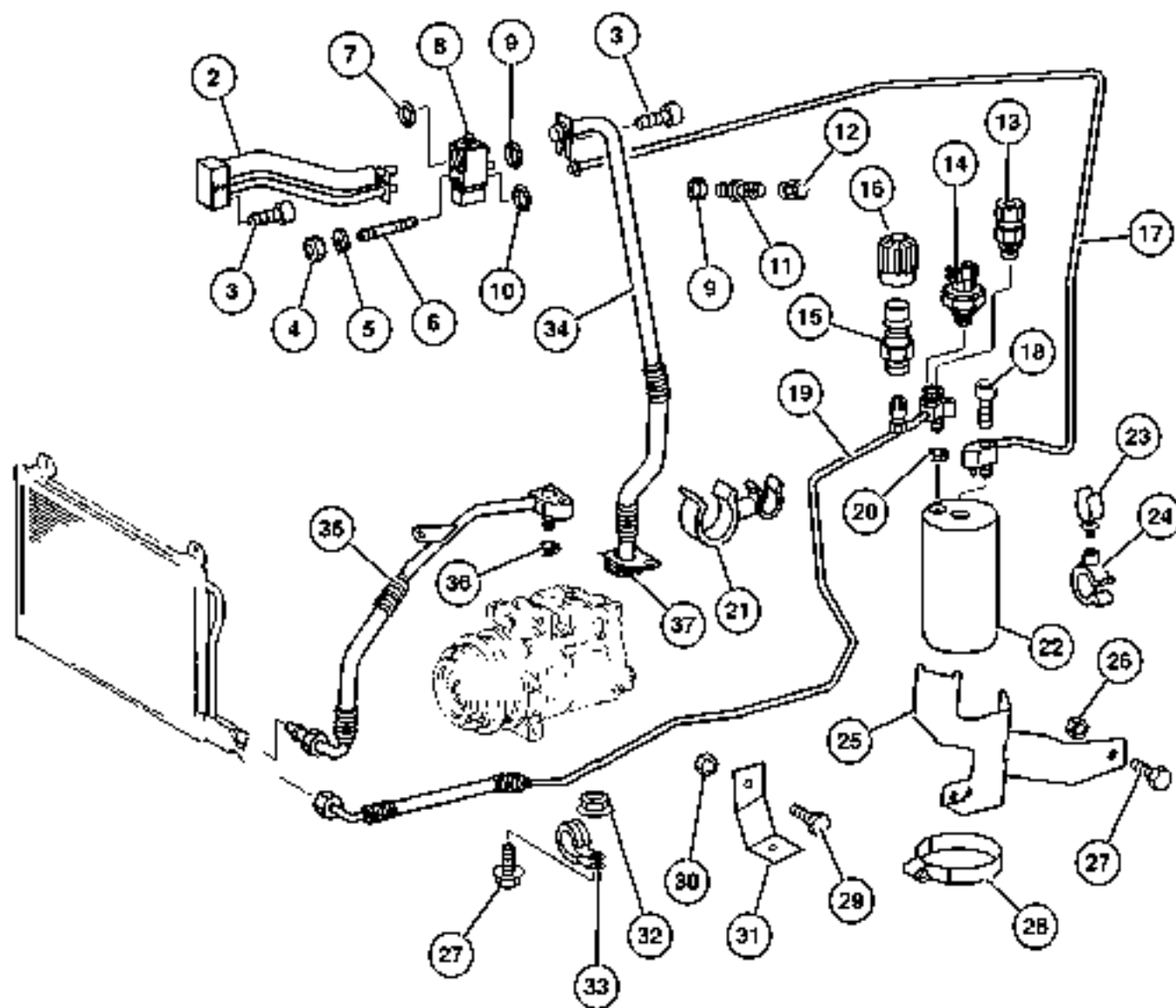
ITEM	PART NUMBER	QTY	LINE	SERIES	BODY	ENGINE	TRANS	TRIM	DESCRIPTION
		1	2, 6		51, 52, 54, 55, 56	EX8			
		1	3, 7		02, 06	EX8			
		1	3, 7		12, 15, 16	EX8			
21	5124 806AA	1	2, 6		01, 02, 06	EX8			CLIP, Hose
		1	2, 6		11, 12, 14, 15, 16	EX8			
		1	2, 6		51, 52, 54, 55, 56	EX8			
		1	3, 7		02, 06	EX8			
		1	3, 7		12, 15, 16	EX8			
22	5103 570AA	1	2, 6		01, 02, 06	EX8			RECEIVER DRIER
		1	2, 6		11, 12, 14, 15, 16	EX8			
		1	2, 6		51, 52, 54, 55, 56	EX8			
		1	3, 7		02, 06	EX8			
		1	3, 7		12, 15, 16	EX8			
23	6104 924AA	1	2, 6		01, 02, 06	EX8			CLIP, Retaining
		1	2, 6		11, 12, 14, 15, 16	EX8			
		1	2, 6		51, 52, 54, 55, 56	EX8			
		1	3, 7		02, 06	EX8			
		1	3, 7		12, 15, 16	EX8			
24	5133 495AA	1	2, 6		01, 02, 06	EX8			CLAMP, HOSE CLAMP

Refer to Model Legend Information Bookmark

AR = Use as required - = Non illustrated part # = New this model year

March 3, 2006

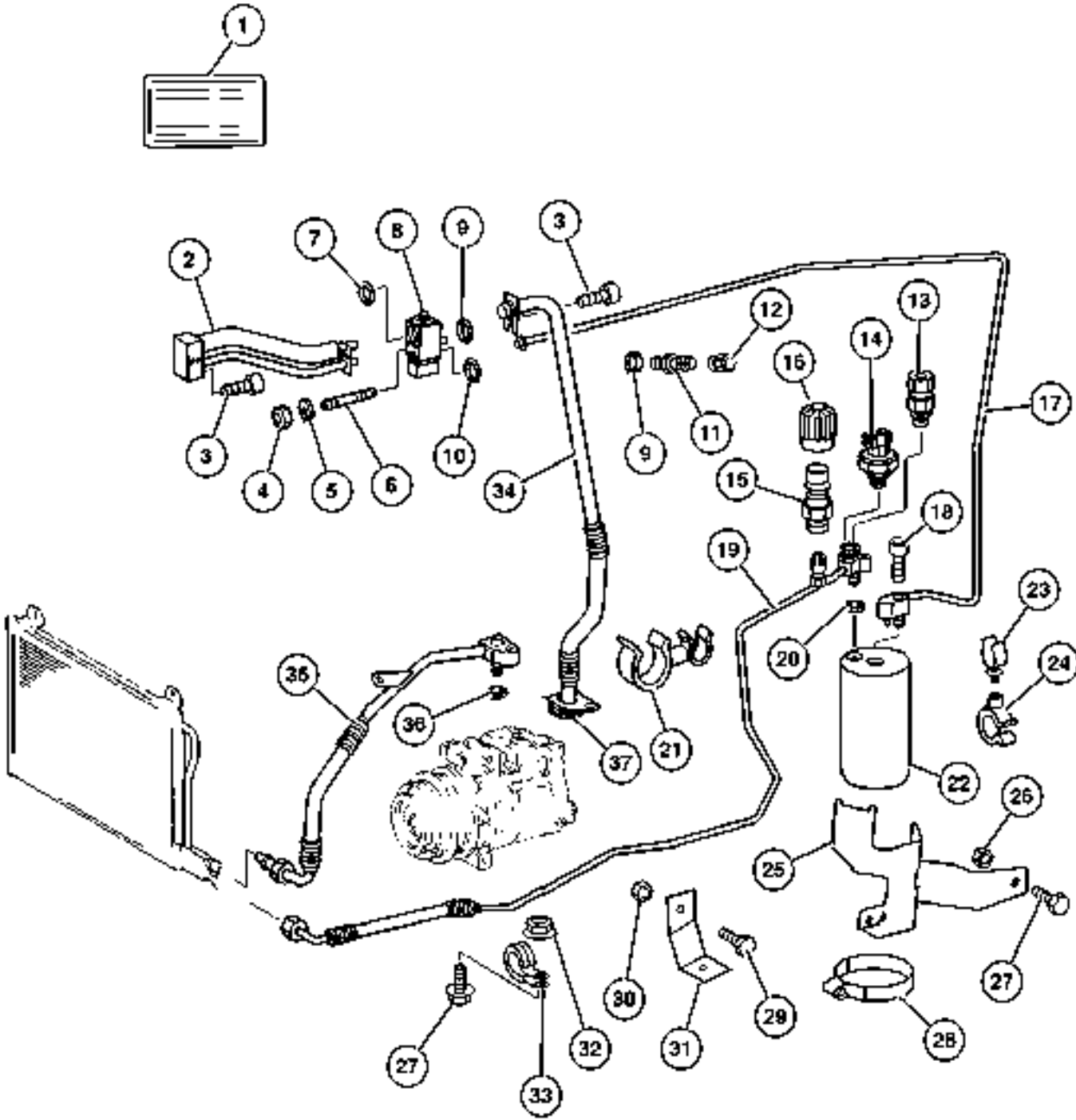
Plumbing, Air Conditioning
Figure 024-270



ITEM	PART NUMBER	QTY	LINE	SERIES	BODY	ENGINE	TRANS	TRIM	DESCRIPTION
		1	2, 6		11, 12, 14, 15, 16	EX8			
		1	2, 6		51, 52, 54, 55, 56	EX8			
		1	3, 7		02, 06	EX8			
		1	3, 7		12, 15, 16	EX8			
25									BRACKET, Recirculating Pump
	5124 791AA	1	2, 6		01, 02, 06	EX8			
		1	2, 6		11, 12, 14, 15, 16	EX8			
		1	2, 6		51, 52, 54, 55, 56	EX8			
		1	3, 7		02, 06	EX8			
		1	3, 7		12, 15, 16	EX8			
26									NUT, Hex, M6
	5096 978AA	2	2, 6		01, 02, 06	EX8			
		2	2, 6		11, 12, 14, 15, 16	EX8			
		2	2, 6		51, 52, 54, 55, 56	EX8			
		2	3, 7		02, 06	EX8			
		2	3, 7		12, 15, 16	EX8			
27									SCREW
	6104 005AA	2	2, 6		01, 02, 06	EX8			
		2	2, 6		11, 12, 14, 15, 16	EX8			
		2	2, 6		51, 52, 54, 55, 56	EX8			
		2	3, 7		02, 06	EX8			
		2	3, 7		12, 15, 16	EX8			
28									CLAMP

Refer to Model Legend Information Bookmark

**Plumbing, Air Conditioning
Figure 024-270**

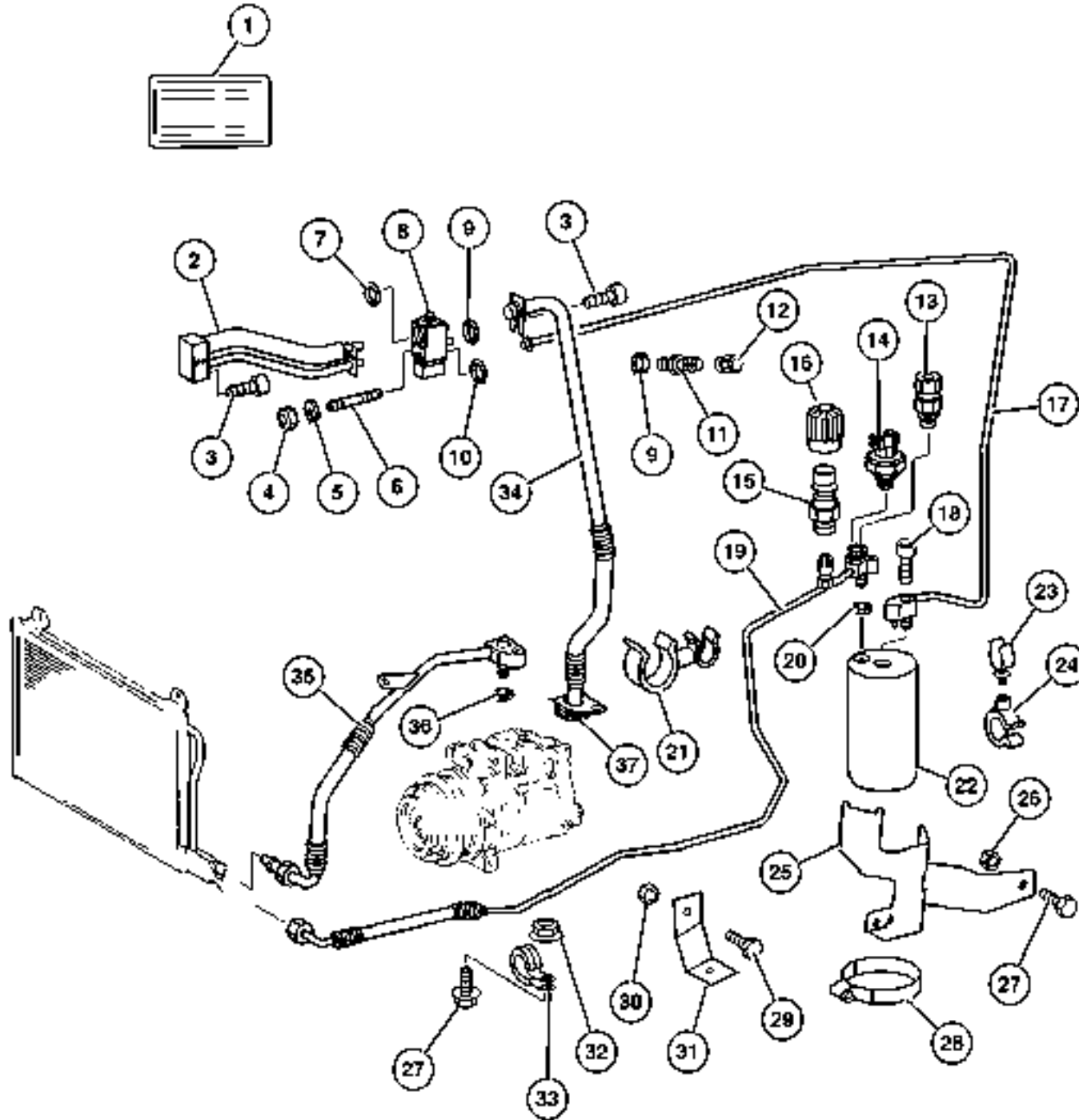


ITEM	PART NUMBER	QTY	LINE	SERIES	BODY	ENGINE	TRANS	TRIM	DESCRIPTION
	6104 787AA	1	2, 6		01, 02, 06	EX8			
		1	2, 6		11, 12, 14, 15, 16	EX8			
		1	2, 6		51, 52, 54, 55, 56	EX8			
	6104 791AA	1	3, 7		02, 06	EX8			
		1	3, 7		12, 15, 16	EX8			
29									NUT, M6x1.00
	5127 449AA	1	2, 6		01, 02, 06	EX8			
		1	2, 6		11, 12, 14, 15, 16	EX8			
		1	2, 6		51, 52, 54, 55, 56	EX8			
		2	3, 7		02, 06	EX8			
		2	3, 7		12, 15, 16	EX8			
30									NUT AND WASHER, M6x1
	6104 725AA	1	2, 6		01, 02, 06	EX8			
		1	2, 6		11, 12, 14, 15, 16	EX8			
		1	2, 6		51, 52, 54, 55, 56	EX8			
		1	3, 7		02, 06	EX8			
		1	3, 7		12, 15, 16	EX8			
31									BRACKET, (NOT SERVICED) (Not Serviced)
32									NUT, Hex, M6
	5096 978AA	2	2, 6		01, 02, 06	EX8			
		2	2, 6		11, 12, 14, 15, 16	EX8			

Refer to Model Legend Information Bookmark

AR = Use as required - = Non illustrated part # = New this model year

Plumbing, Air Conditioning
Figure 024-270



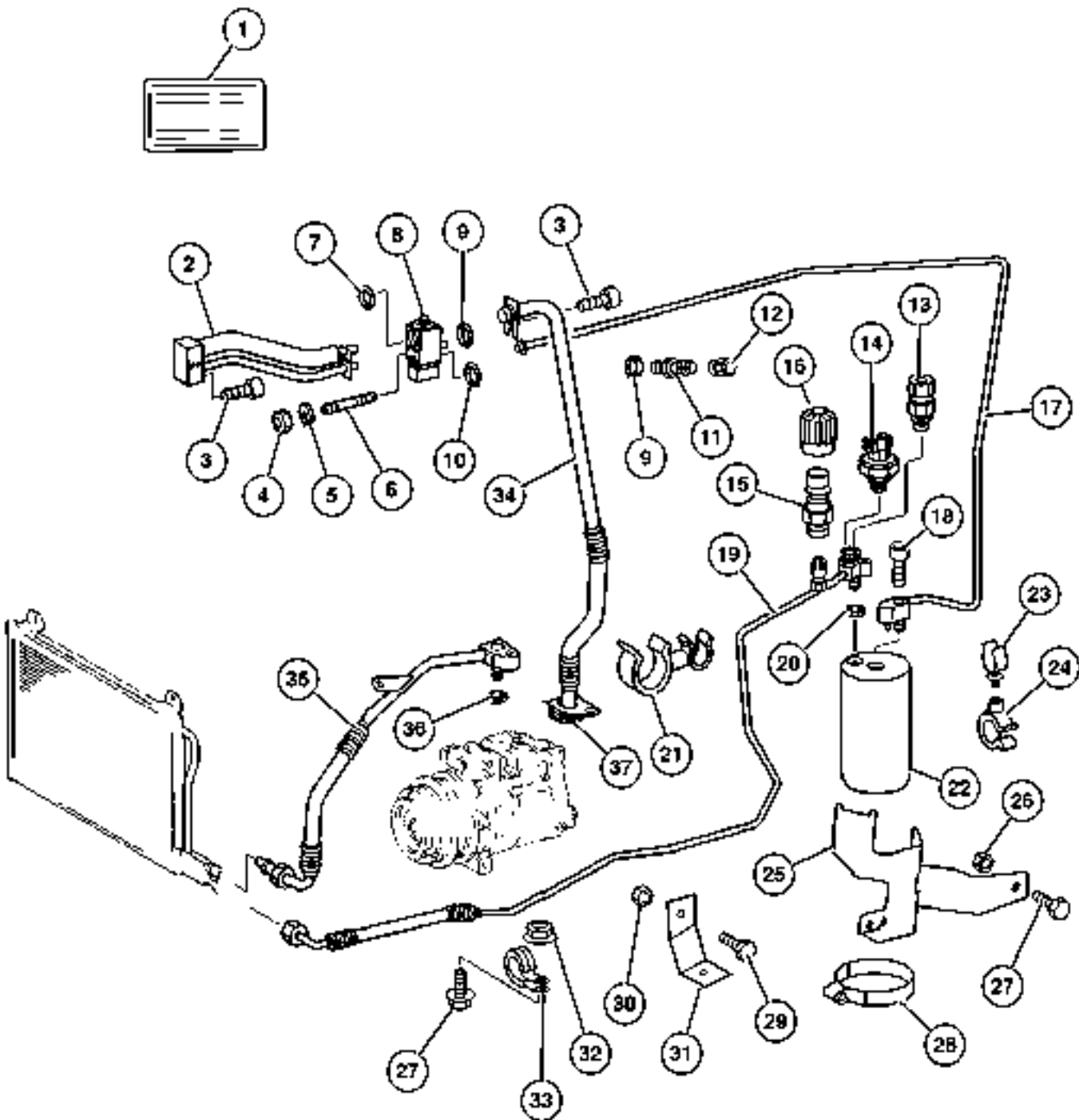
ITEM	PART NUMBER	QTY	LINE	SERIES	BODY	ENGINE	TRANS	TRIM	DESCRIPTION
		2	2, 6		51, 52, 54, 55, 56	EX8			
		2	3, 7		02, 06	EX8			
		2	3, 7		12, 15, 16	EX8			
33	5126 284AA	1	2, 6		01, 02, 06	EX8			CLAMP, Air Conditioning Piping
		1	2, 6		11, 12, 14, 15, 16	EX8			
		1	2, 6		51, 52, 54, 55, 56	EX8			
		1	3, 7		02, 06	EX8			
		1	3, 7		12, 15, 16	EX8			
34	5124 647AA	1	2, 6		01, 02, 06	EX8			LINE, Expansion Valve to Compressor
		1	2, 6		11, 12, 14, 15, 16	EX8			
		1	2, 6		51, 52, 54, 55, 56	EX8			
		1	3, 7		02, 06	EX8			
		1	3, 7		12, 15, 16	EX8			
35	5124 817AA	1	2, 6		01, 02, 06	EX8			LINE, A/C Compressor
		1	2, 6		11, 12, 14, 15, 16	EX8			
		1	2, 6		51, 52, 54, 55, 56	EX8			
		1	3, 7		02, 06	EX8			
		1	3, 7		12, 15, 16	EX8			
36									O RING, A/C Line

Refer to Model Legend Information Bookmark

AR = Use as required - = Non illustrated part # = New this model year

March 3, 2006

**Plumbing, Air Conditioning
Figure 024-270**



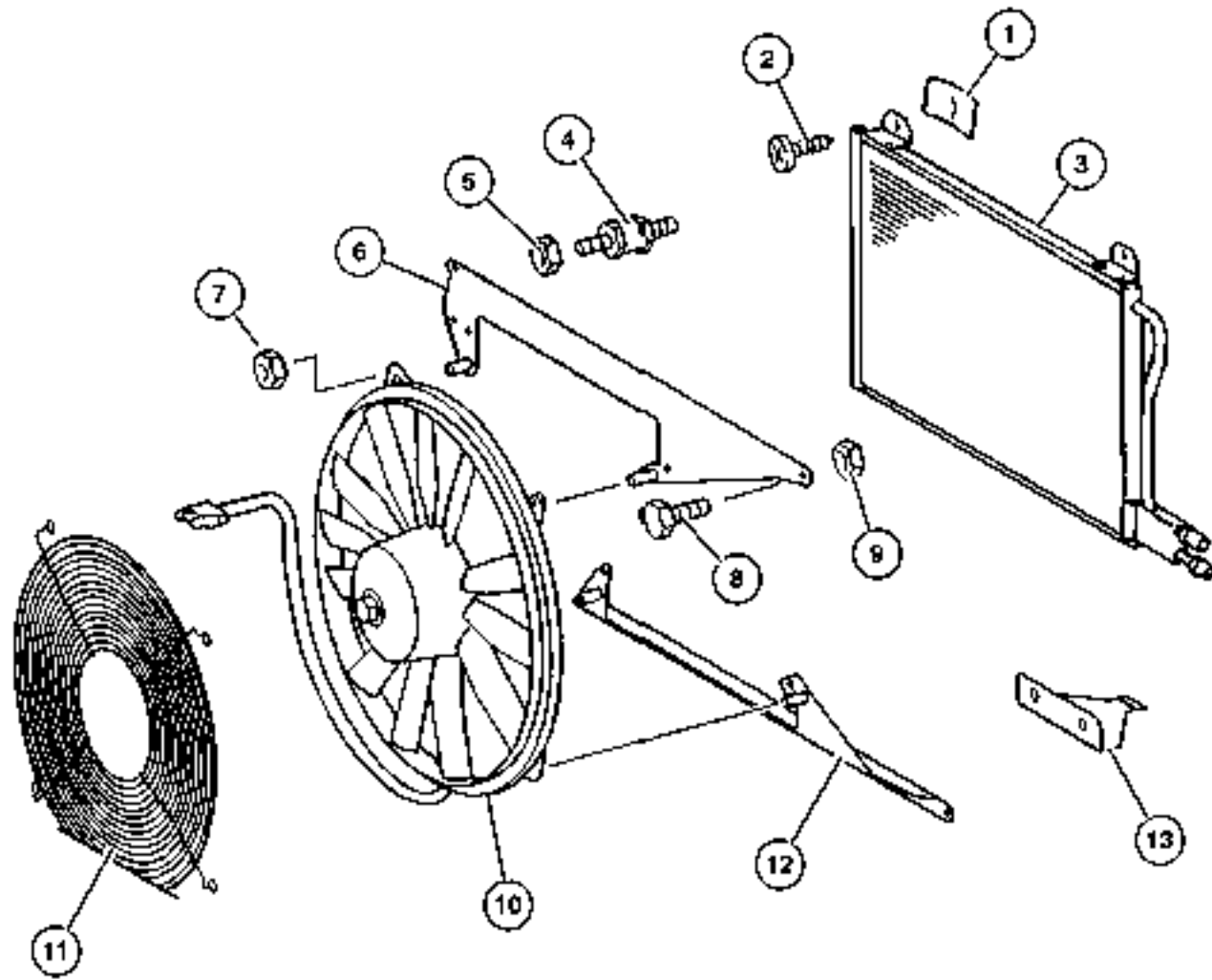
ITEM	PART NUMBER	QTY	LINE	SERIES	BODY	ENGINE	TRANS	TRIM	DESCRIPTION
	5098 972AA	1	2, 6		01, 02, 06	EX8			
		1	2, 6		11, 12, 14, 15, 16	EX8			
		1	2, 6		51, 52, 54, 55, 56	EX8			
		1	3, 7		02, 06	EX8			
		1	3, 7		12, 15, 16	EX8			
37									SEAL, O-Ring
	5134 027AA	1	2, 6		01, 02, 06	EX8			
		1	2, 6		11, 12, 14, 15, 16	EX8			
		1	2, 6		51, 52, 54, 55, 56	EX8			
		1	3, 7		02, 06	EX8			
		1	3, 7		12, 15, 16	EX8			

Refer to Model Legend Information Bookmark

AR = Use as required - = Non illustrated part # = New this model year

Condenser, Fan Front
Figure 024-280

ITEM	PART NUMBER	QTY	LINE	SERIES	BODY	ENGINE	TRANS	TRIM	DESCRIPTION
1									CLIP
	5103 735AA	4	2, 6		01, 02, 06	EX8			
		4	2, 6		11, 12, 14, 15, 16	EX8			
		4	2, 6		51, 52, 54, 55, 56	EX8			
		4	3, 7		02, 06	EX8			
		4	3, 7		12, 15, 16	EX8			
2									SCREW, Tapping
	6104 574AA	4	2, 6		01, 02, 06	EX8			
		4	2, 6		11, 12, 14, 15, 16	EX8			
		4	2, 6		51, 52, 54, 55, 56	EX8			
		4	3, 7		02, 06	EX8			
		4	3, 7		12, 15, 16	EX8			
3									CONDENSER, A/C
	5104 114AA	1	2, 6		01, 02, 06	EX8			[HAB]
		1	2, 6		11, 12, 14, 15, 16	EX8			[HAB]
		1	2, 6		51, 52, 54, 55, 56	EX8			[HAB]
		1	3, 7		02, 06	EX8			[HAB]
		1	3, 7		12, 15, 16	EX8			[HAB]
	5132 357AA	1	2, 6		11, 12, 14, 15, 16	EX8			[HAD]
		1	2, 6		51, 52, 54, 55, 56	EX8			[HAD]
		1	3, 7		12, 15, 16	EX8			[HAD]
4									STUD, Cooling Fan



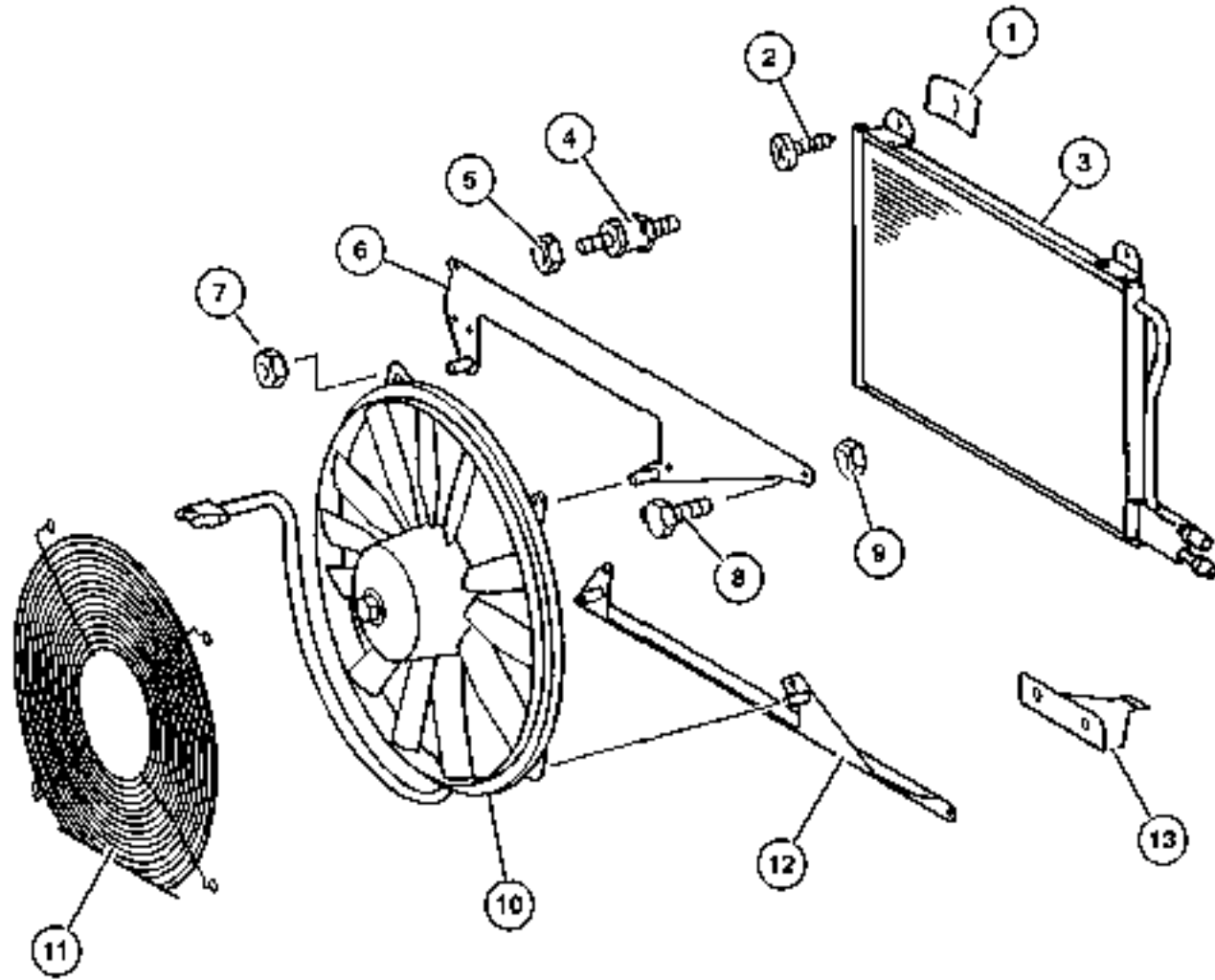
Refer to Model Legend Information Bookmark

AR = Use as required - = Non illustrated part # = New this model year

March 3, 2006

Condenser, Fan Front Figure 024-280

ITEM	PART NUMBER	QTY	LINE	SERIES	BODY	ENGINE	TRANS	TRIM	DESCRIPTION
	5104 031AA	2	2, 6		01, 02, 06	EX8			
		2	2, 6		11, 12, 14, 15, 16	EX8			
		2	2, 6		51, 52, 54, 55, 56	EX8			
		2	3, 7		02, 06	EX8			
		2	3, 7		12, 15, 16	EX8			
5	5104 675AA	2	2, 6		01, 02, 06	EX8			NUT
		2	2, 6		11, 12, 14, 15, 16	EX8			
		2	2, 6		51, 52, 54, 55, 56	EX8			
		2	3, 7		02, 06	EX8			
		2	3, 7		12, 15, 16	EX8			
6	5119 989AA	1	2, 6		01, 02, 06	EX8			BRACKET, Fan
		1	2, 6		11, 12, 14, 15, 16	EX8			
		1	2, 6		51, 52, 54, 55, 56	EX8			
		1	3, 7		02, 06	EX8			
		1	3, 7		12, 15, 16	EX8			
7	6104 715AA	4	2, 6		01, 02, 06	EX8			NUT
		4	2, 6		11, 12, 14, 15, 16	EX8			
		4	2, 6		51, 52, 54, 55, 56	EX8			
		4	3, 7		02, 06	EX8			

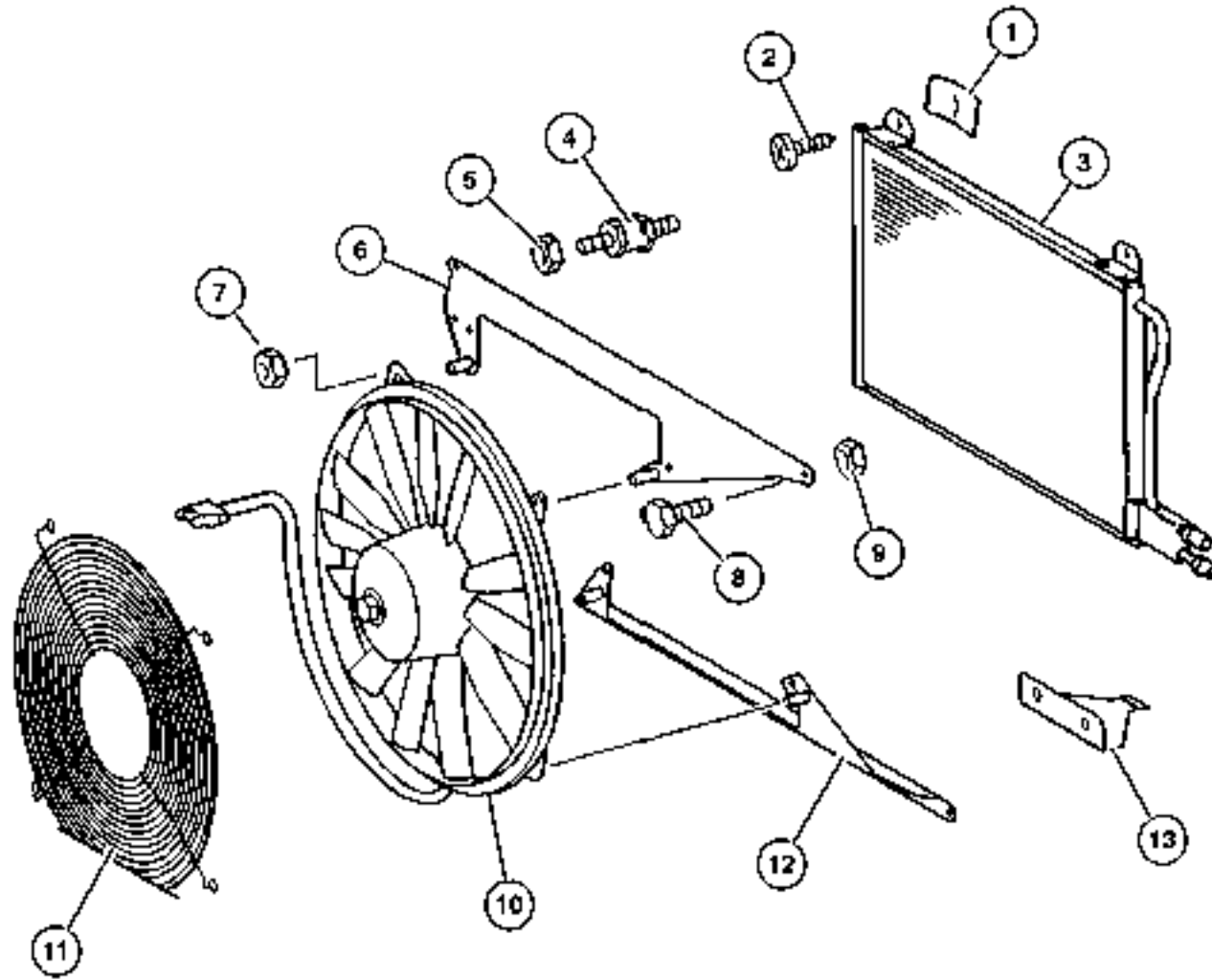


Refer to Model Legend Information Bookmark

AR = Use as required - = Non illustrated part # = New this model year

March 3, 2006

Condenser, Fan Front
Figure 024-280



ITEM	PART NUMBER	QTY	LINE	SERIES	BODY	ENGINE	TRANS	TRIM	DESCRIPTION
		4	3, 7		12, 15, 16	EX8			
8	6104 005AA	2	2, 6		01, 02, 06	EX8			SCREW
		2	2, 6		11, 12, 14, 15, 16	EX8			
		2	2, 6		51, 52, 54, 55, 56	EX8			
		2	3, 7		02, 06	EX8			
		2	3, 7		12, 15, 16	EX8			
9	6104 715AA	4	2, 6		01, 02, 06	EX8			NUT
		4	2, 6		11, 12, 14, 15, 16	EX8			
		4	2, 6		51, 52, 54, 55, 56	EX8			
		4	3, 7		02, 06	EX8			
		4	3, 7		12, 15, 16	EX8			
10	5103 653AA	1	2, 6		01, 02, 06	EX8			FAN, Condenser
		1	2, 6		11, 12, 14, 15, 16	EX8			
		1	2, 6		51, 52, 54, 55, 56	EX8			
		1	3, 7		02, 06	EX8			
		1	3, 7		12, 15, 16	EX8			
11	5104 121AA	1	2, 6		01, 02, 06	EX8			GRILLE, Air Inlet
		1	2, 6		11, 12, 14, 15, 16	EX8			

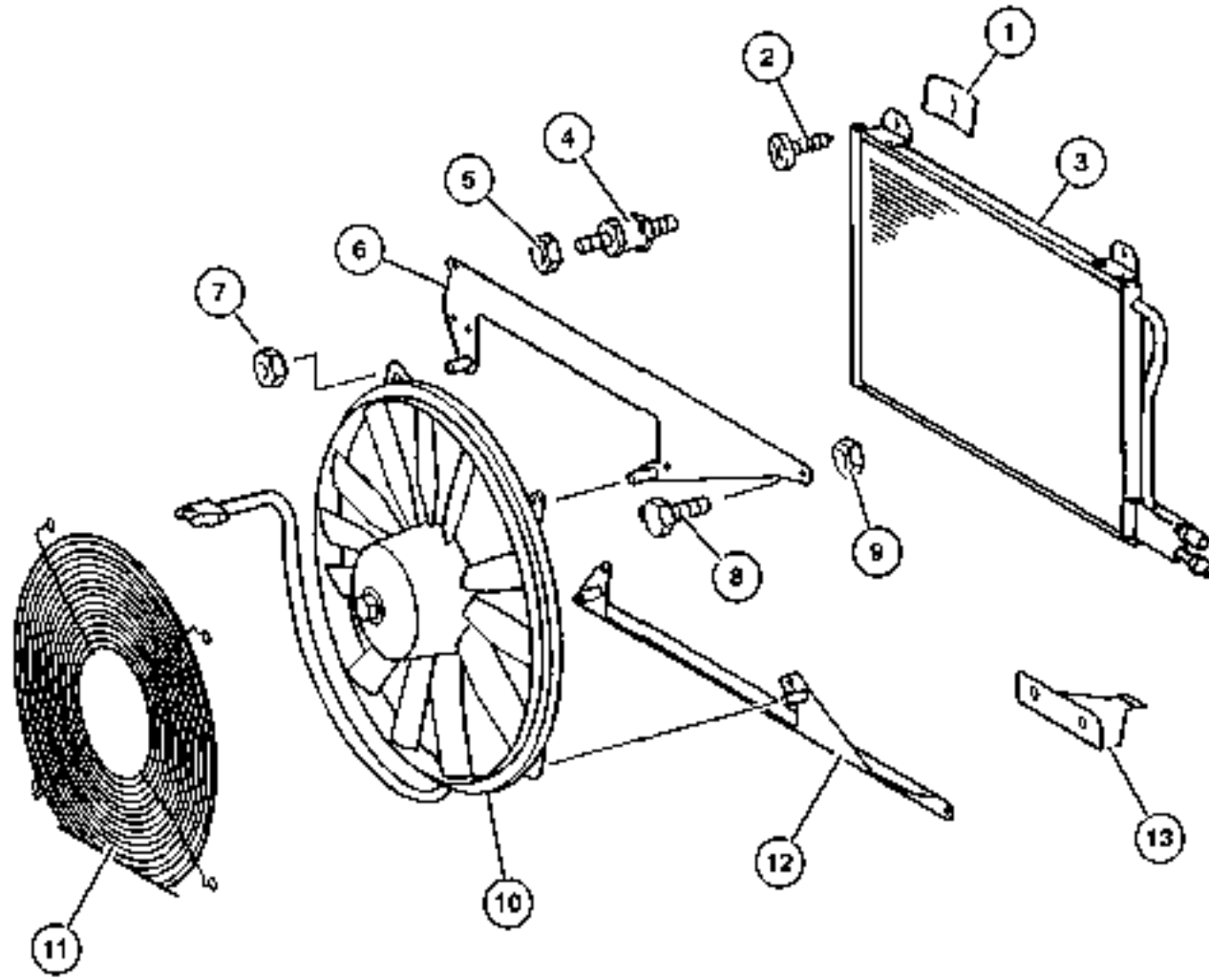
Refer to Model Legend Information Bookmark

AR = Use as required - = Non illustrated part # = New this model year

March 3, 2006

Condenser, Fan Front Figure 024-280

ITEM	PART NUMBER	QTY	LINE	SERIES	BODY	ENGINE	TRANS	TRIM	DESCRIPTION
		1	2, 6		51, 52, 54, 55, 56	EX8			
		1	3, 7		02, 06	EX8			
		1	3, 7		12, 15, 16	EX8			
12	5104 113AA	1	2, 6		01, 02, 06	EX8			BRACKET, Fan
		1	2, 6		11, 12, 14, 15, 16	EX8			
		1	2, 6		51, 52, 54, 55, 56	EX8			
		1	3, 7		02, 06	EX8			
		1	3, 7		12, 15, 16	EX8			
13	5120 001AA	1	2, 6		01, 02, 06	EX8			BRACKET
		1	2, 6		11, 12, 14, 15, 16	EX8			
		1	2, 6		51, 52, 54, 55, 56	EX8			
		1	3, 7		02, 06	EX8			
		1	3, 7		12, 15, 16	EX8			

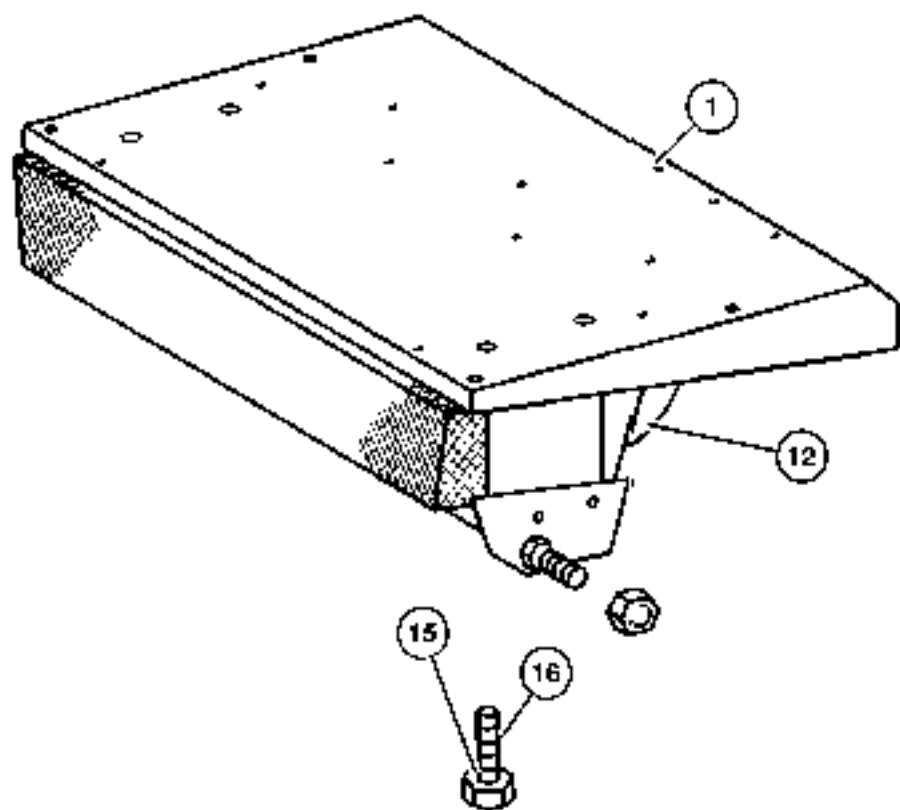


Refer to Model Legend Information Bookmark

AR = Use as required - = Non illustrated part # = New this model year

March 3, 2006

Condenser, Fan Roof Figure 024-285



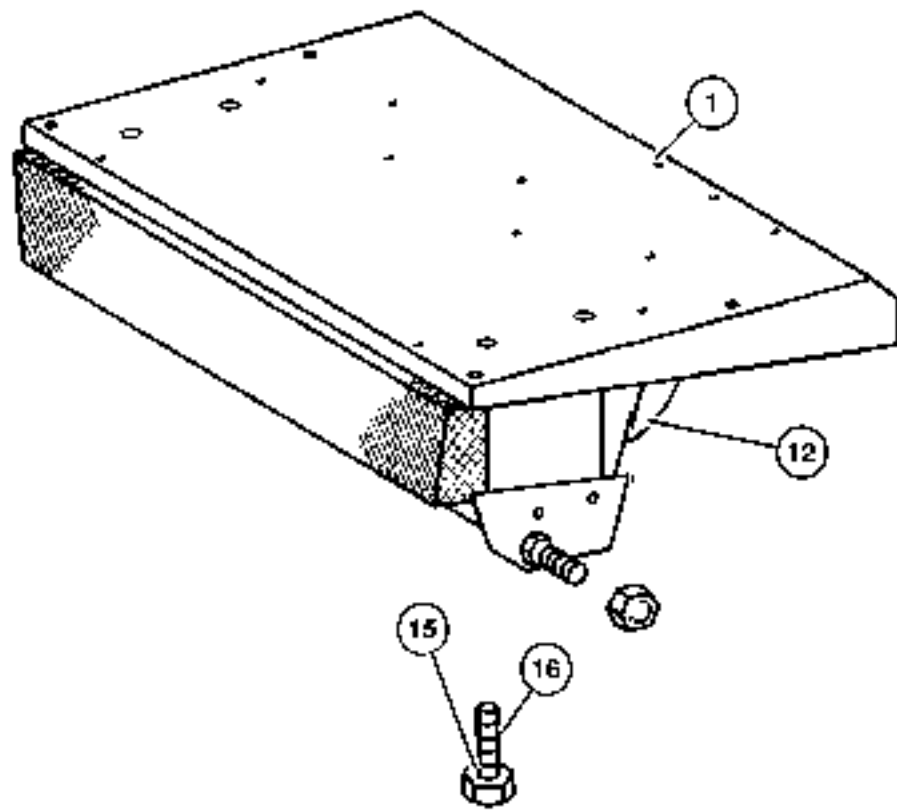
ITEM	PART NUMBER	QTY	LINE	SERIES	BODY	ENGINE	TRANS	TRIM	DESCRIPTION
1									EVAPORATOR UNIT, EVAPORATOR UNIT
	5132 322AA	1	2, 6		11, 12, 14, 15, 16	EX8			Includes item #2
		1	2, 6		51, 52, 54, 55, 56	EX8			Includes item #2
		1	3, 7		12, 15, 16	EX8			Includes item #2
-2									EVAPORATOR, Air Conditioning
	5138 885AA-	1	2, 6		11, 12, 14, 15, 16	EX8			
		1	2, 6		51, 52, 54, 55, 56	EX8			
		1	3, 7		12, 15, 16	EX8			
-3									TUBE, Auxiliary A/C and Heater
	5132 374AA-	2	2, 6		11, 12, 14, 15, 16	EX8			
		2	2, 6		51, 52, 54, 55, 56	EX8			
		2	3, 7		12, 15, 16	EX8			
-4									LINE, Auxiliary A/C Liquid
	5132 223AA-	1	2, 6		16	EX8			
		1	2, 6		56	EX8			
-5									LINE, Auxiliary A/C Liquid
	5132 225AA-	1	2, 6		12	EX8			
		1	2, 6		52	EX8			
-6									LINE, Auxiliary A/C Liquid
	5132 237AA-	1	2, 6		11, 12, 14, 15, 16	EX8			
		1	2, 6		51, 52, 54, 55, 56	EX8			
-7									LINE, Auxiliary A/C Suction
	5132 230AA-	1	2, 6		16	EX8			
		1	2, 6		56	EX8			
-8									LINE, Auxiliary A/C Suction

Refer to Model Legend Information Bookmark

AR = Use as required - = Non illustrated part # = New this model year

March 3, 2006

Condenser, Fan Roof Figure 024-285



ITEM	PART NUMBER	QTY	LINE	SERIES	BODY	ENGINE	TRANS	TRIM	DESCRIPTION
	5127 838AA-	1	2, 6		11, 12, 14, 15, 16	EX8			
		1	2, 6		51, 52, 54, 55, 56	EX8			
-9	5133 464AA-	1	2, 6		11, 12, 14, 15, 16	EX8			VALVE
		1	2, 6		51, 52, 54, 55, 56	EX8			
-10	5103 546AA-	1	2, 6		12, 15	EX8			FILTER, A/C and Heater Unit
		1	2, 6		14, 15, 16	EX8			
		1	2, 6		52, 55	EX8			
		1	2, 6		54, 55, 56	EX8			
		1	3, 7		15, 16	EX8			
-11	5124 903AA-	2	2, 6		01, 02, 06	EX8			GRILLE, A/C And Heater
		2	3, 7		02, 06	EX8			
12	5133 460AA	1	2, 6		11, 12, 14, 15, 16	EX8			MOTOR, Blower
		1	2, 6		51, 52, 54, 55, 56	EX8			
-13	5133 456AA-	8	2, 6		12, 15	EX8			RING
		8	2, 6		14, 15, 16	EX8			
-14	5133 465AA-	1	2, 6		11, 12, 14, 15, 16	EX8			MAGNET
		1	2, 6		51, 52, 54, 55, 56	EX8			
15									WASHER

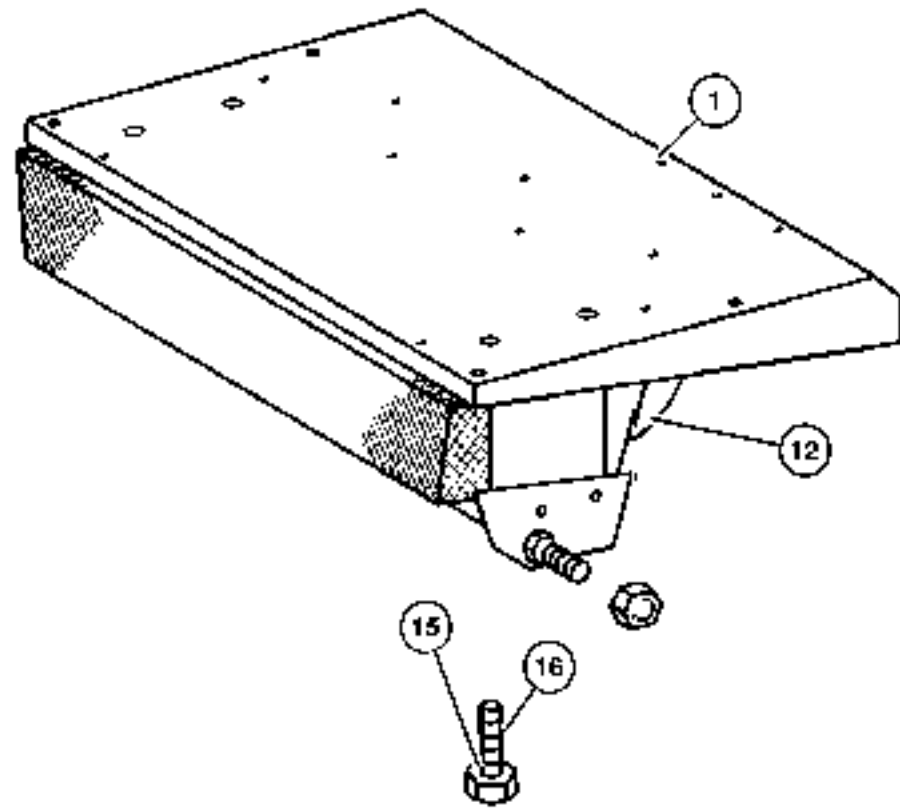
Refer to Model Legend Information Bookmark

AR = Use as required - = Non illustrated part # = New this model year

March 3, 2006

Condenser, Fan Roof
Figure 024-285

ITEM	PART NUMBER	QTY	LINE	SERIES	BODY	ENGINE	TRANS	TRIM	DESCRIPTION
	5133 455AA	8	2, 6		14, 15, 16	EX8			
		8	2, 6		52, 55	EX8			
		8	2, 6		54, 55, 56	EX8			
		8	2, 6		12, 15	EX8			
16		8	3, 7		15, 16	EX8			SCREW, (NOT SERVICED) (Not Serviced)
-17									CONDENSER, A/C
	5132 357AA-	1	2, 6		11, 12, 14, 15, 16	EX8			
		1	2, 6		51, 52, 54, 55, 56	EX8			
		1	3, 7		12, 15, 16	EX8			

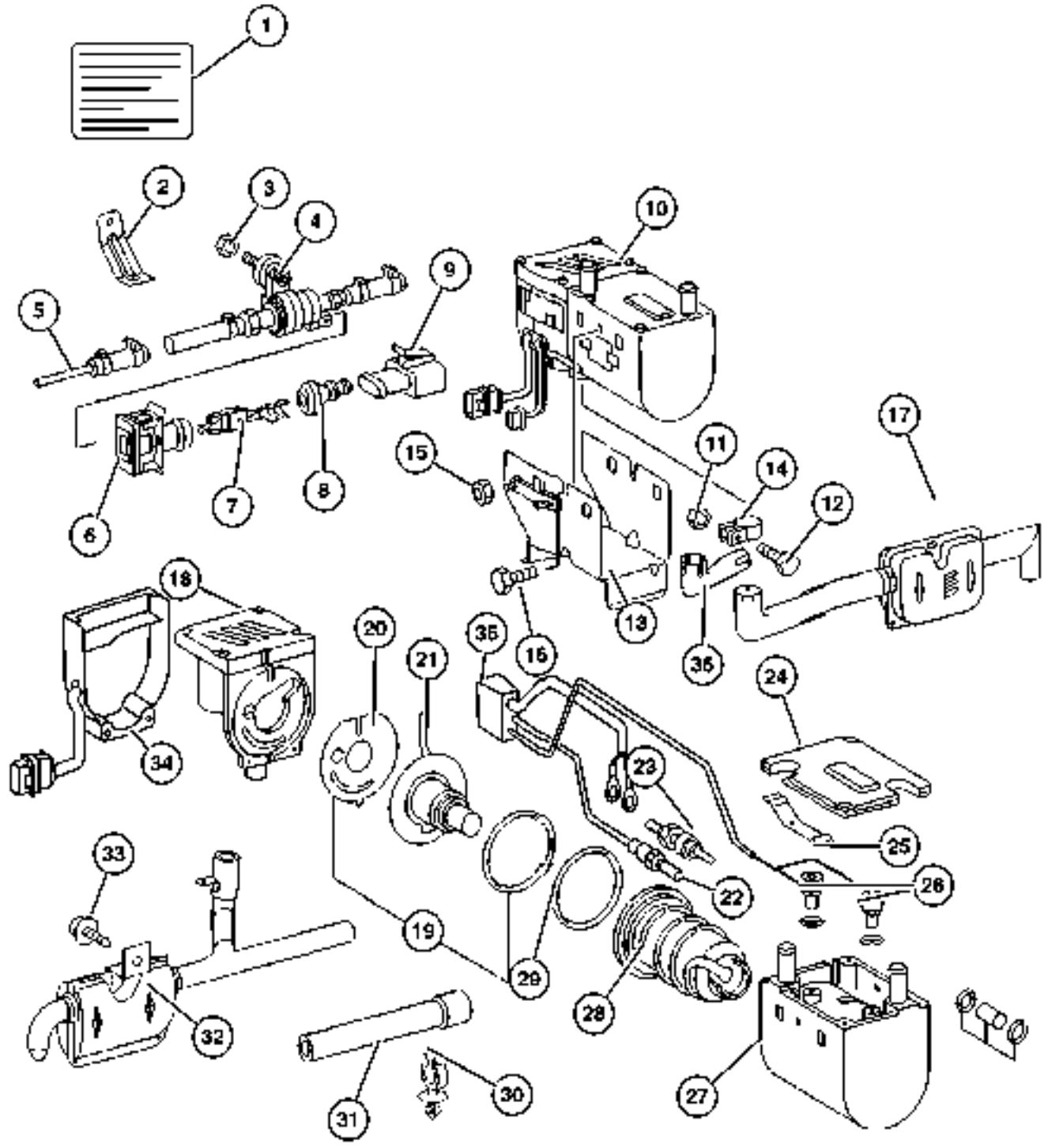


Refer to Model Legend Information Bookmark

AR = Use as required - = Non illustrated part # = New this model year

March 3, 2006

Auxiliary Warm Water Heater Figure 024-290



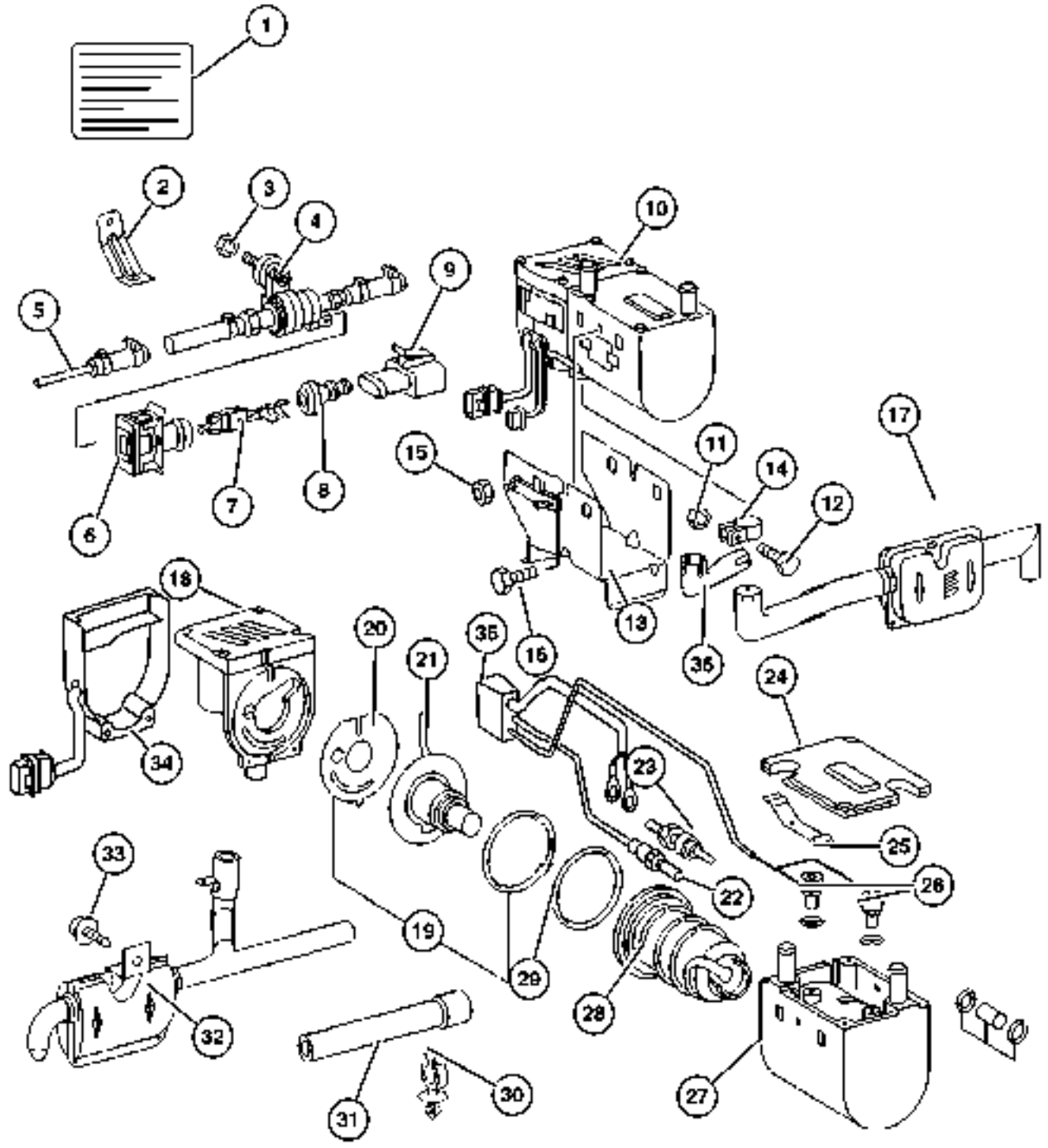
ITEM	PART NUMBER	QTY	LINE	SERIES	BODY	ENGINE	TRANS	TRIM	DESCRIPTION
1									LABEL, Fuel
	5104 152AA	1	2, 6		01, 02, 06	EX8			
		1	2, 6		11, 12, 14, 15, 16	EX8			
		1	2, 6		51, 52, 54, 55, 56	EX8			
		1	3, 7		02, 06	EX8			
		1	3, 7		12, 15, 16	EX8			
2									BRACKET
	5119 706AA	1	2, 6		01, 02, 06	EX8			
		1	2, 6		11, 12, 14, 15, 16	EX8			
		1	2, 6		51, 52, 54, 55, 56	EX8			
		1	3, 7		02, 06	EX8			
		1	3, 7		12, 15, 16	EX8			
3									NUT, Hex, M6
	5096 978AA	1	2, 6		01, 02, 06	EX8			
		1	2, 6		11, 12, 14, 15, 16	EX8			
		1	2, 6		51, 52, 54, 55, 56	EX8			
		1	3, 7		02, 06	EX8			
		1	3, 7		12, 15, 16	EX8			
4									PUMP, Water
	5124 900AA	1	2, 6		01, 02, 06	EX8			
		1	2, 6		11, 12, 14, 15, 16	EX8			
		1	2, 6		51, 52, 54, 55, 56	EX8			

Refer to Model Legend Information Bookmark

AR = Use as required - = Non illustrated part # = New this model year

March 3, 2006

**Auxiliary Warm Water Heater
Figure 024-290**



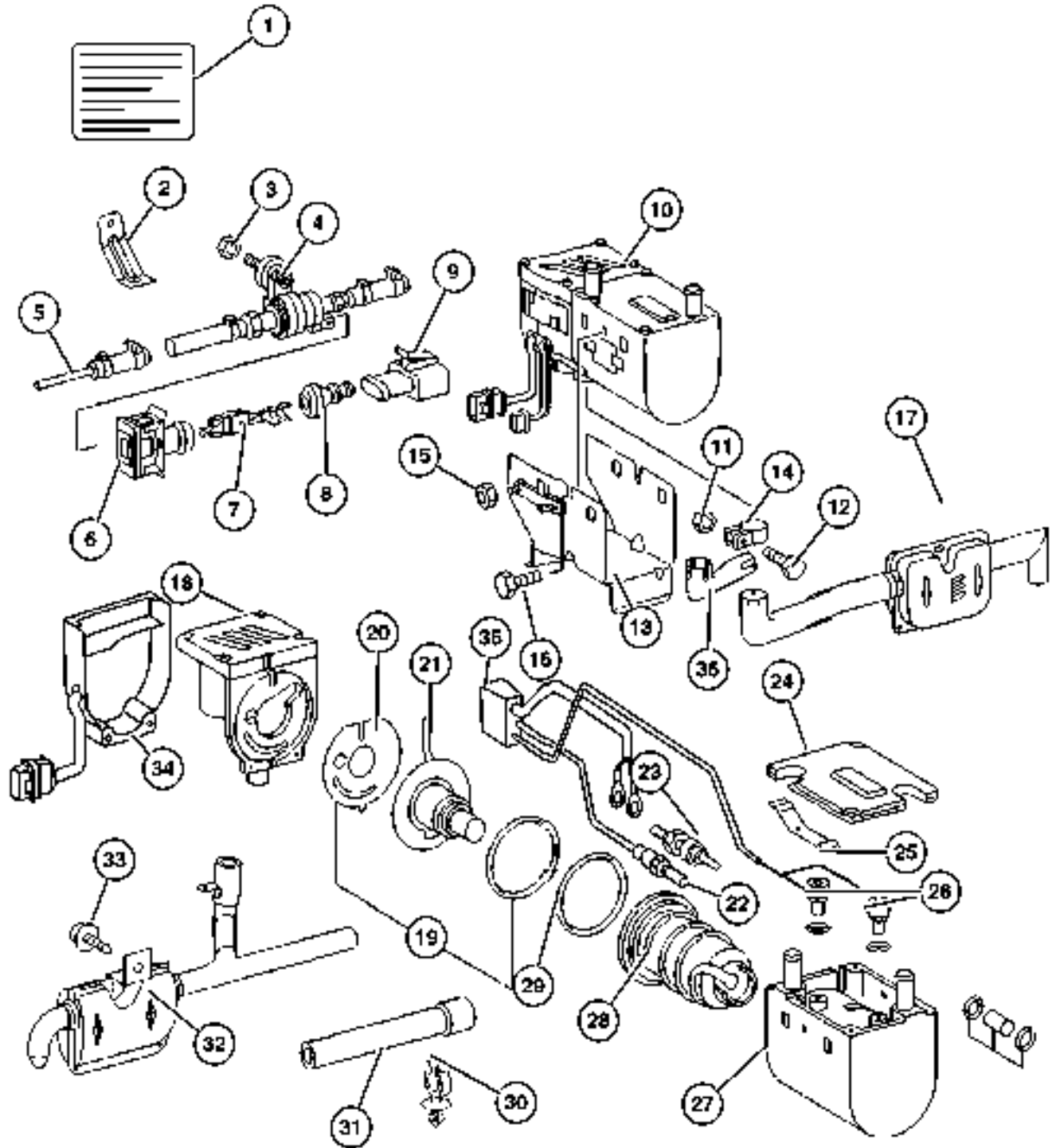
ITEM	PART NUMBER	QTY	LINE	SERIES	BODY	ENGINE	TRANS	TRIM	DESCRIPTION
		1	3, 7		02, 06	EX8			
		1	3, 7		12, 15, 16	EX8			
5	5124 631AA	1	2, 6		01, 02, 06	EX8			LINE, Heater
		1	2, 6		11, 12, 14, 15, 16	EX8			
		1	2, 6		51, 52, 54, 55, 56	EX8			
		1	3, 7		02, 06	EX8			
		1	3, 7		12, 15, 16	EX8			
6	5120 679AA	2	2, 6		01, 02, 06	EX8			CONNECTOR
		2	2, 6		11, 12, 14, 15, 16	EX8			
		2	2, 6		51, 52, 54, 55, 56	EX8			
		2	3, 7		02, 06	EX8			
		2	3, 7		12, 15, 16	EX8			
7	5103 880AA	99	2, 6		01, 02, 06	EX8			TERMINAL
		99	2, 6		11, 12, 14, 15, 16	EX8			
		99	2, 6		51, 52, 54, 55, 56	EX8			
		99	3, 7		02, 06	EX8			
		99	3, 7		12, 15, 16	EX8			
8	5120 881AA	1	2, 6		01, 02, 06	EX8			BOOT
		1	2, 6		11, 12, 14, 15, 16	EX8			

Refer to Model Legend Information Bookmark

AR = Use as required - = Non illustrated part # = New this model year

March 3, 2006

**Auxiliary Warm Water Heater
Figure 024-290**



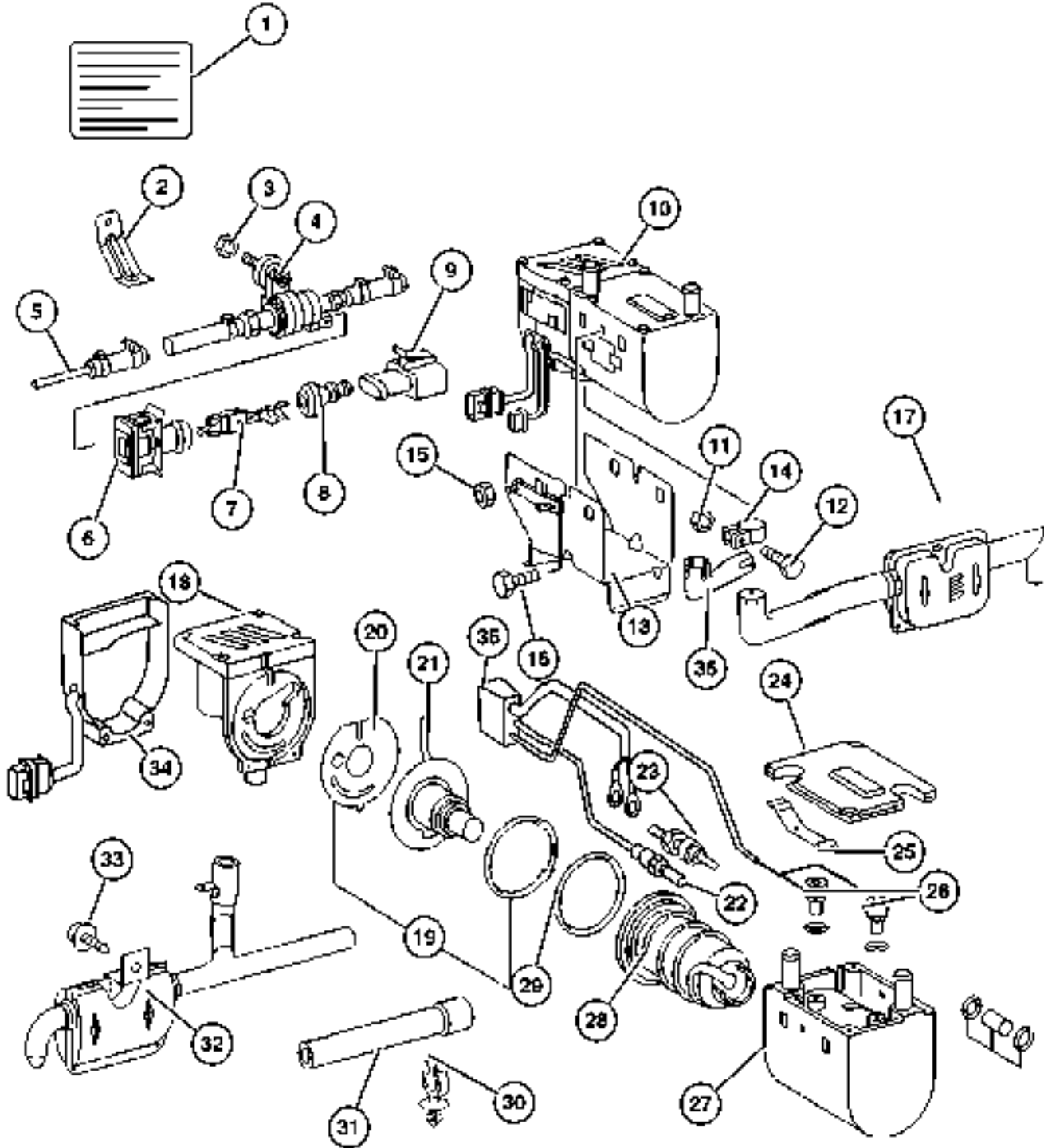
ITEM	PART NUMBER	QTY	LINE	SERIES	BODY	ENGINE	TRANS	TRIM	DESCRIPTION
		1	2, 6		51, 52,	EX8			
					54, 55,				
					56				
		1	3, 7		02, 06	EX8			
		1	3, 7		12, 15,	EX8			
					16				
9	5133 296AA	1	2, 6		01, 02,	EX8			CONNECTOR
					06				
		1	2, 6		11, 12,	EX8			
					14, 15,				
					16				
		1	2, 6		51, 52,	EX8			
					54, 55,				
					56				
		1	3, 7		02, 06	EX8			
		1	3, 7		12, 15,	EX8			
					16				
10	5124 687AA		2, 6		01, 02,	EX8			HEATER, Supplemental Diesel Fuel
					06				
			2, 6		11, 12,	EX8			
					14, 15,				
					16				
			2, 6		51, 52,	EX8			
					54, 55,				
					56				
			3, 7		02, 06	EX8			
			3, 7		12, 15,	EX8			
					16				
11	5133 317AA	1	2, 6		01, 02,	EX8			NUT
					06				
		1	2, 6		11, 12,	EX8			
					14, 15,				
					16				
		1	2, 6		51, 52,	EX8			
					54, 55,				
					56				
		1	3, 7		02, 06	EX8			
		1	3, 7		12, 15,	EX8			
					16				
12	5133 316AA	1	2, 6		01, 02,	EX8			BOLT
					06				

Refer to Model Legend Information Bookmark

AR = Use as required - = Non illustrated part # = New this model year

March 3, 2006

Auxiliary Warm Water Heater
Figure 024-290



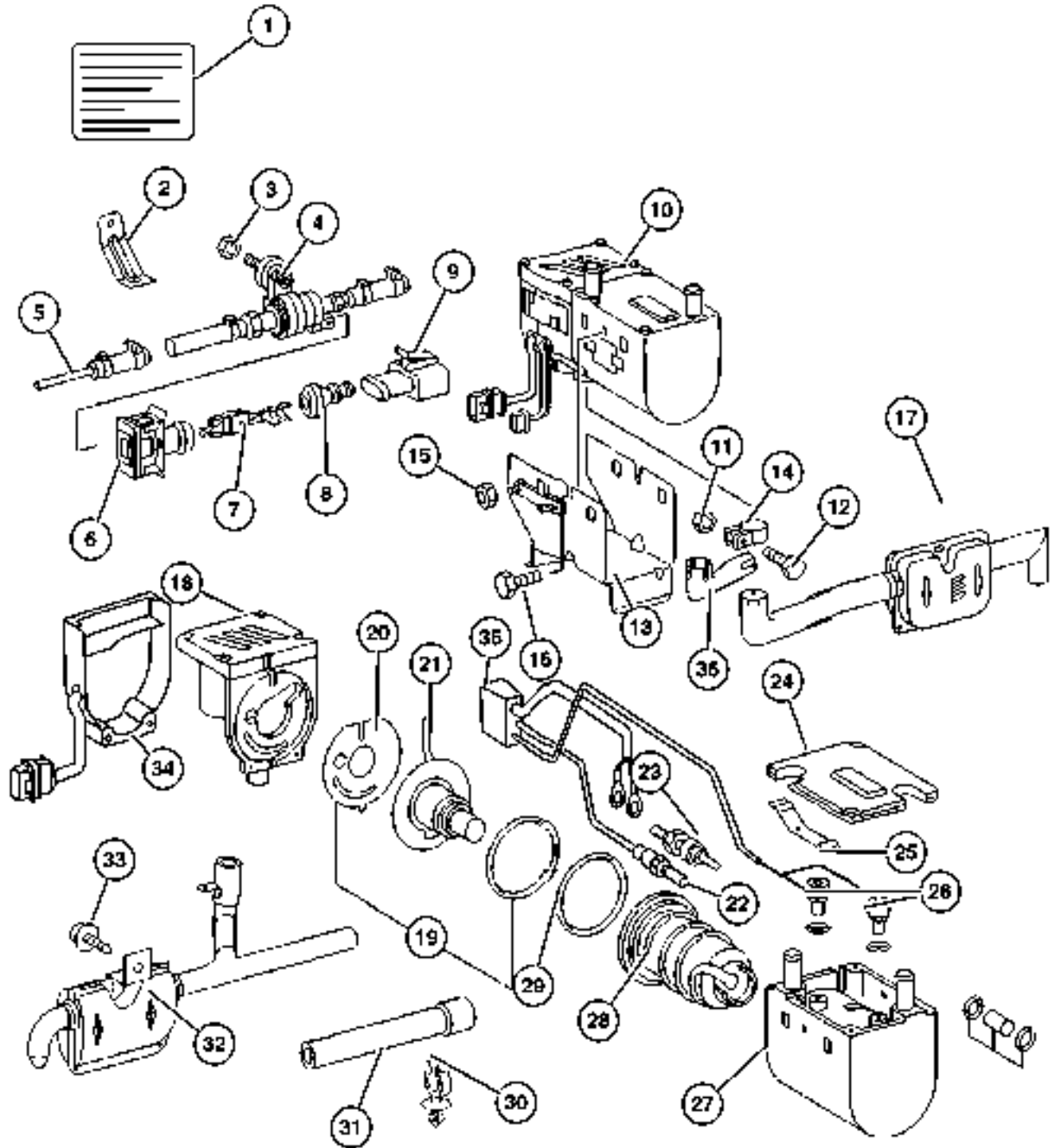
ITEM	PART NUMBER	QTY	LINE	SERIES	BODY	ENGINE	TRANS	TRIM	DESCRIPTION
		1	2, 6		11, 12,	EX8			
		1	2, 6		14, 15,	EX8			
		1	2, 6		51, 52,	EX8			
		1	3, 7		54, 55,				
		1	3, 7		56				
		1	3, 7		02, 06	EX8			
		1	3, 7		12, 15,	EX8			
					16				
13									BRACKET, Heater Core
	5124 626AA	1	2, 6		01, 02,	EX8			
		1	2, 6		06				
		1	2, 6		11, 12,	EX8			
		1	2, 6		14, 15,				
		1	2, 6		16	EX8			
		1	2, 6		51, 52,				
		1	2, 6		54, 55,				
					56				
		1	3, 7		02, 06	EX8			
		1	3, 7		12, 15,	EX8			
					16				
14									CLAMP, Exhaust
	5103 627AA	1	2, 6		01, 02,	EX8			
		1	2, 6		06				
		1	2, 6		11, 12,	EX8			
		1	2, 6		14, 15,				
		1	2, 6		16	EX8			
		1	2, 6		51, 52,				
		1	2, 6		54, 55,				
					56				
		1	3, 7		02, 06	EX8			
		1	3, 7		12, 15,	EX8			
					16				
15									NUT, Hex
	5097 674AA	1	2, 6		01, 02,	EX8			
		1	2, 6		06				
		1	2, 6		11, 12,	EX8			
		1	2, 6		14, 15,				
					16	EX8			
		1	2, 6		51, 52,				
		1	2, 6		54, 55,				
					56				
		1	3, 7		02, 06	EX8			
		1	3, 7		12, 15,	EX8			
					16				
16									SCREW

Refer to Model Legend Information Bookmark

AR = Use as required - = Non illustrated part # = New this model year

March 3, 2006

Auxiliary Warm Water Heater
Figure 024-290



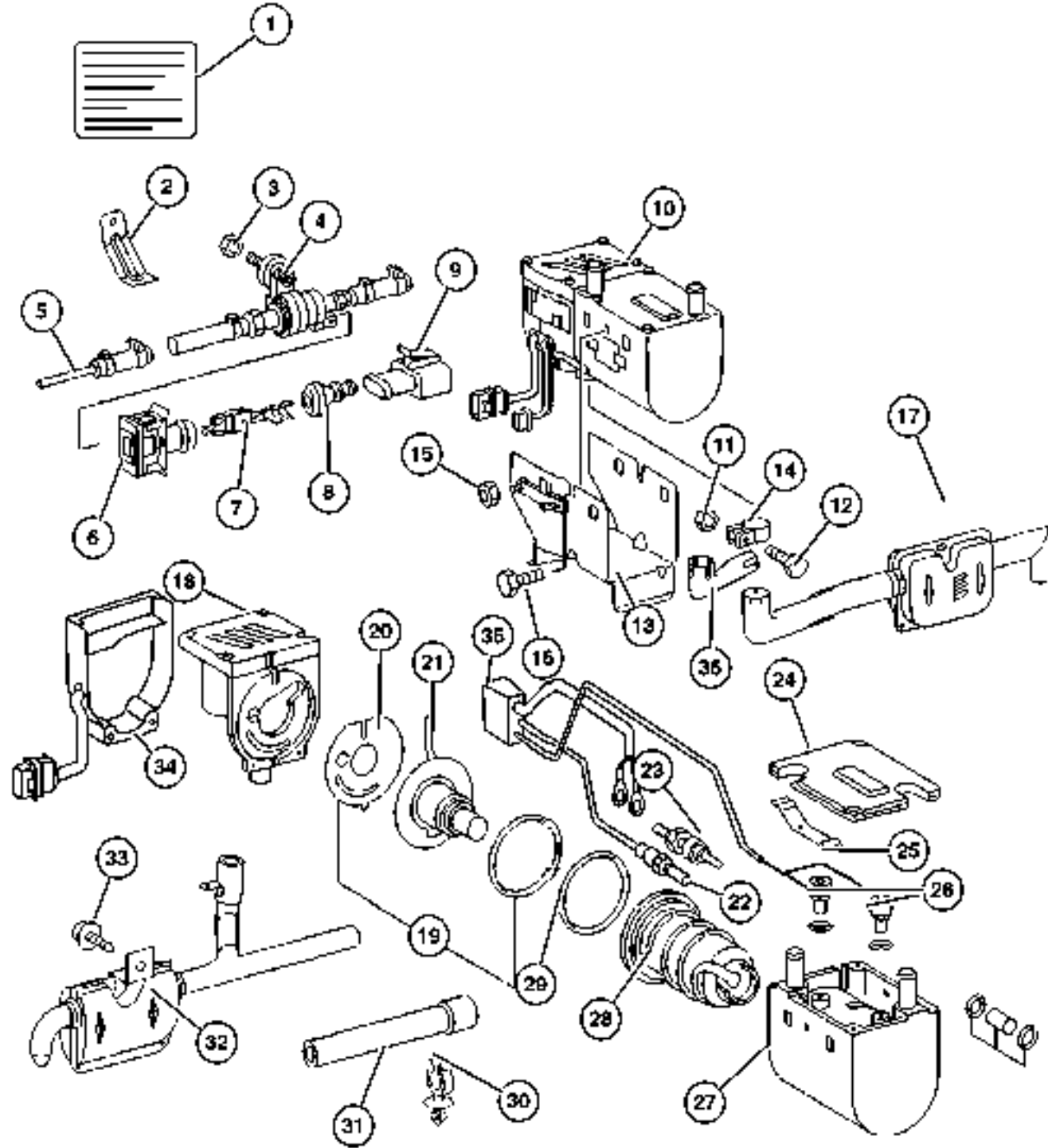
ITEM	PART NUMBER	QTY	LINE	SERIES	BODY	ENGINE	TRANS	TRIM	DESCRIPTION
	6104 003AA	2	2, 6		01, 02, 06	EX8			
		2	2, 6		11, 12, 14, 15, 16	EX8			
		2	2, 6		51, 52, 54, 55, 56	EX8			
		2	3, 7		02, 06	EX8			
		2	3, 7		12, 15, 16	EX8			
17	5143 178AA	1	2, 6		01, 02, 06	EX8			MUFFLER, Exhaust
		1	2, 6		11, 12, 14, 15, 16	EX8			
		1	2, 6		51, 52, 54, 55, 56	EX8			
		1	3, 7		02, 06	EX8			
		1	3, 7		12, 15, 16	EX8			
18	5133 435AA	1	2, 6		01, 02, 06	EX8			BLOWER
		1	2, 6		11, 12, 14, 15, 16	EX8			
		1	2, 6		51, 52, 54, 55, 56	EX8			
		1	3, 7		02, 06	EX8			
		1	3, 7		12, 15, 16	EX8			
19	5133 307AB	1	2, 6		01, 02, 06	EX8			SEAL
		1	2, 6		11, 12, 14, 15, 16	EX8			
		1	2, 6		51, 52, 54, 55, 56	EX8			
		1	3, 7		02, 06	EX8			

Refer to Model Legend Information Bookmark

AR = Use as required - = Non illustrated part # = New this model year

March 3, 2006

Auxiliary Warm Water Heater
Figure 024-290



ITEM	PART NUMBER	QTY	LINE	SERIES	BODY	ENGINE	TRANS	TRIM	DESCRIPTION
		1	3, 7		12, 15, 16	EX8			
20	5133 301AA	1	2, 6		01, 02, 06				PIPE, Heater Core
		1	2, 6		11, 12, 14, 15, 16				
		1	2, 6		51, 52, 54, 55, 56				
		1	3, 7		02, 06				
		1	3, 7		12, 15, 16				
21	5133 312AA	1	2, 6		01, 02, 06	EX8			SENSOR, Temperature
		1	2, 6		11, 12, 14, 15, 16	EX8			
		1	2, 6		51, 52, 54, 55, 56	EX8			
		1	3, 7		02, 06	EX8			
		1	3, 7		12, 15, 16	EX8			
22	5103 691AA	1	2, 6		01, 02, 06	EX8			SENSOR, Temperature
		1	2, 6		11, 12, 14, 15, 16	EX8			
		1	2, 6		51, 52, 54, 55, 56	EX8			
		1	3, 7		02, 06	EX8			
		1	3, 7		12, 15, 16	EX8			
23	5133 310AA	1	2, 6		01, 02, 06				PLUG, Water Heater
		1	2, 6		11, 12, 14, 15, 16				

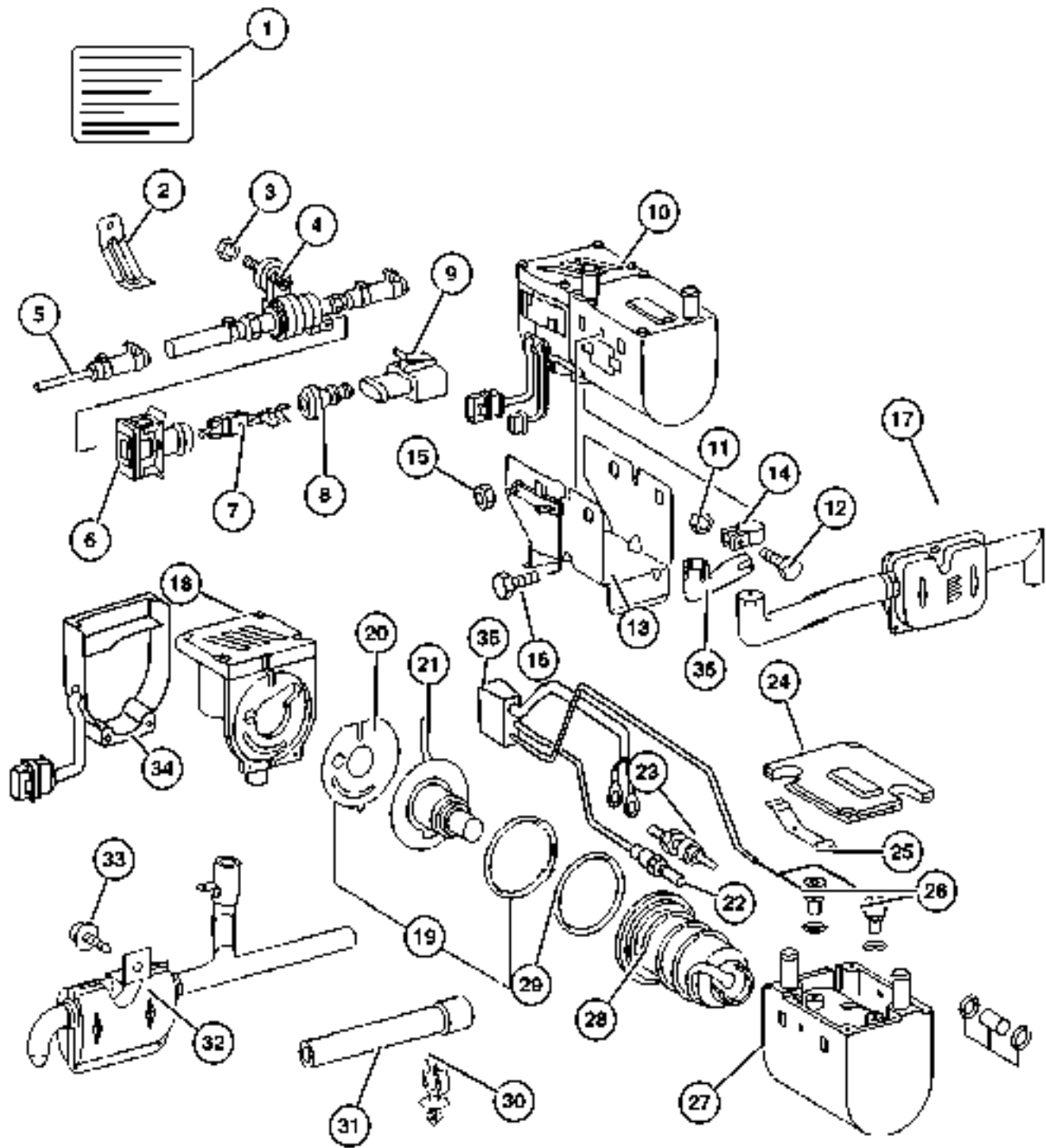
Refer to Model Legend Information Bookmark

AR = Use as required - = Non illustrated part # = New this model year

March 3, 2006

Auxiliary Warm Water Heater

Figure 024-290



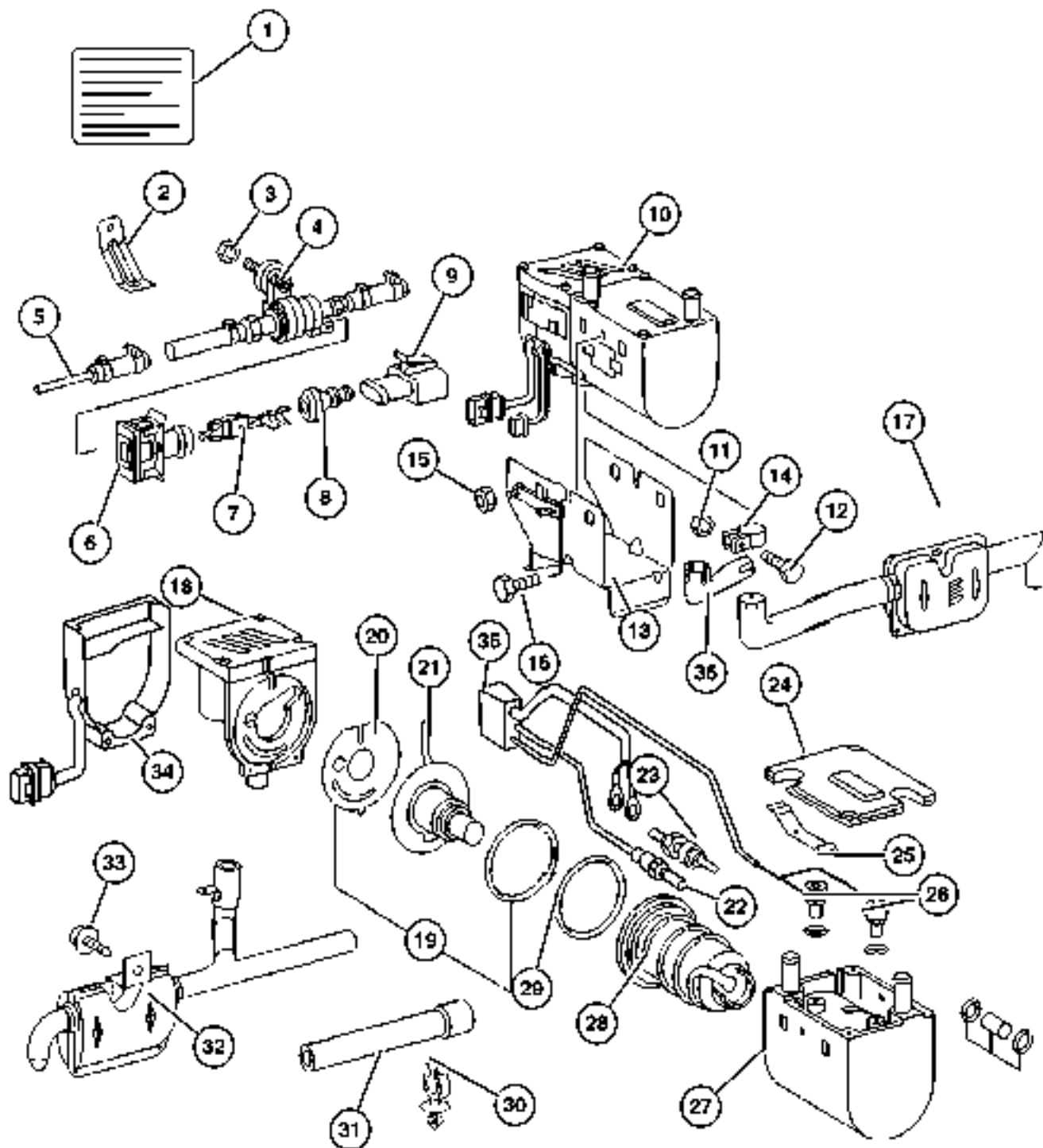
ITEM	PART NUMBER	QTY	LINE	SERIES	BODY	ENGINE	TRANS	TRIM	DESCRIPTION
		1	2, 6		51, 52,				
					54, 55,				
		1	3, 7		02, 06				
		1	3, 7		12, 15,				
					16				
24	5133 306AA	1	2, 6		01, 02,	EX8			COVER, Heater Housing
					06				
		1	2, 6		11, 12,	EX8			
					14, 15,				
					16				
		1	2, 6		51, 52,	EX8			
					54, 55,				
					56				
		1	3, 7		02, 06	EX8			
		1	3, 7		12, 15,	EX8			
					16				
25	5097 670AA	1	2, 6		01, 02,	EX8			CLIP, Spring
					06				
		1	2, 6		11, 12,	EX8			
					14, 15,				
					16				
		1	2, 6		51, 52,	EX8			
					54, 55,				
					56				
		1	3, 7		02, 06	EX8			
		1	3, 7		12, 15,	EX8			
					16				
26	5143 176AA	2	2, 6		01, 02,	EX8			O RING
					06				
		2	2, 6		11, 12,	EX8			
					14, 15,				
					16				
		2	2, 6		51, 52,	EX8			
					54, 55,				
					56				
		2	3, 7		02, 06	EX8			
		2	3, 7		12, 15,	EX8			
					16				
27	5133 298AA	1	2, 6		01, 02,	EX8			HOUSING, Heater
					06				

Refer to Model Legend Information Bookmark

AR = Use as required - = Non illustrated part # = New this model year

March 3, 2006

Auxiliary Warm Water Heater Figure 024-290



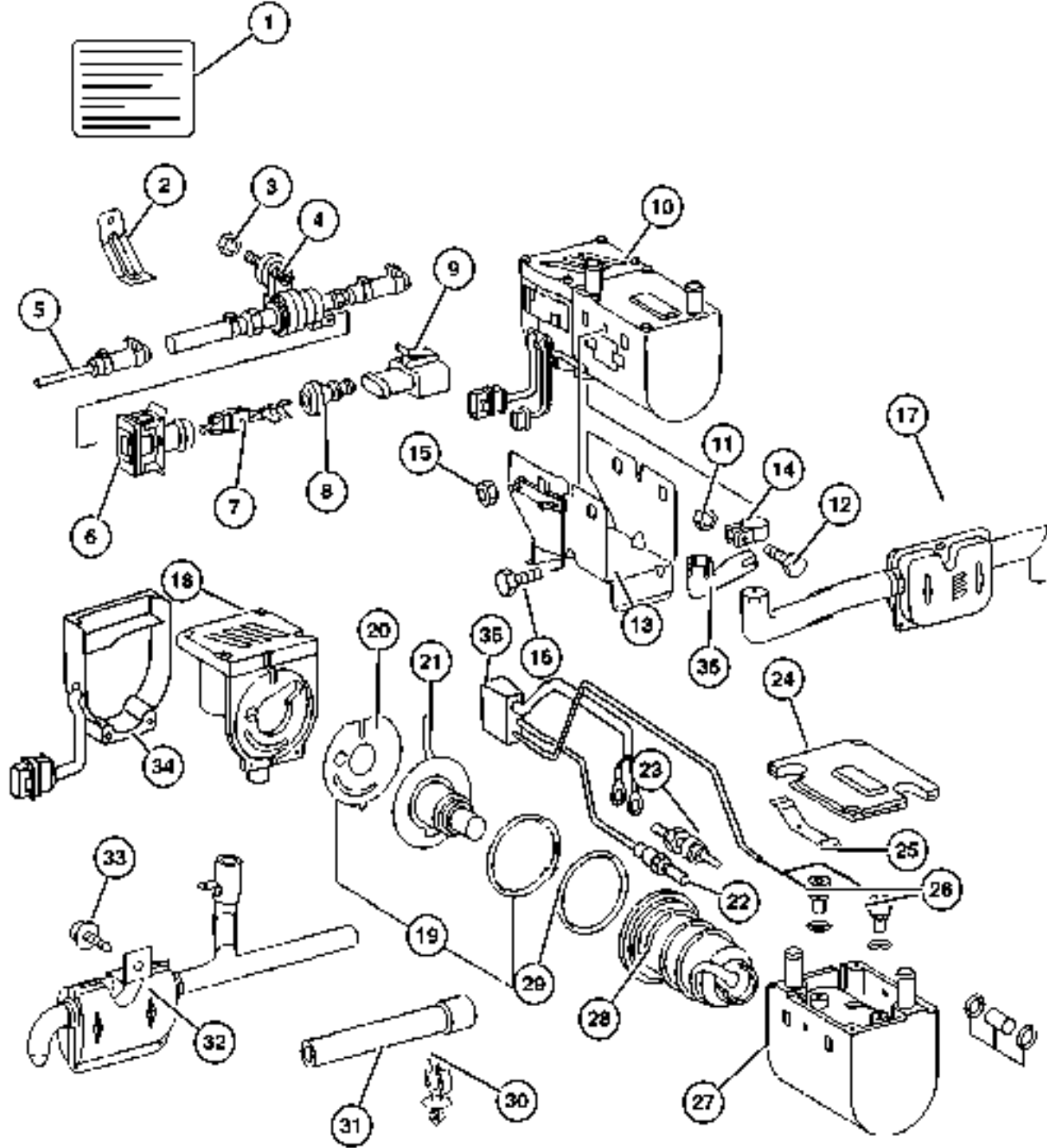
ITEM	PART NUMBER	QTY	LINE	SERIES	BODY	ENGINE	TRANS	TRIM	DESCRIPTION
		1	2, 6		11, 12, 14, 15, 16	EX8			
		1	2, 6		51, 52, 54, 55, 56	EX8			
		1	3, 7		02, 06	EX8			
		1	3, 7		12, 15, 16	EX8			
28	5133 303AA	1	2, 6		01, 02, 06				CORE, Water Heater
		1	2, 6		11, 12, 14, 15, 16				
		1	2, 6		51, 52, 54, 55, 56				
		1	3, 7		02, 06				
		1	3, 7		12, 15, 16				
29	5133 309AA	1	2, 6		01, 02, 06				O RING, Heater Core
		1	2, 6		11, 12, 14, 15, 16				
		1	2, 6		51, 52, 54, 55, 56				
		1	3, 7		02, 06				
		1	3, 7		12, 15, 16				
30	5119 332AA	3	2, 6		01, 02, 06	EX8			CLIP, Hose
		3	2, 6		11, 12, 14, 15, 16	EX8			
		3	2, 6		51, 52, 54, 55, 56	EX8			
		3	3, 7		02, 06	EX8			
		3	3, 7		12, 15, 16	EX8			
31									PIPE, Air Intake

Refer to Model Legend Information Bookmark

AR = Use as required - = Non illustrated part # = New this model year

March 3, 2006

Auxiliary Warm Water Heater Figure 024-290



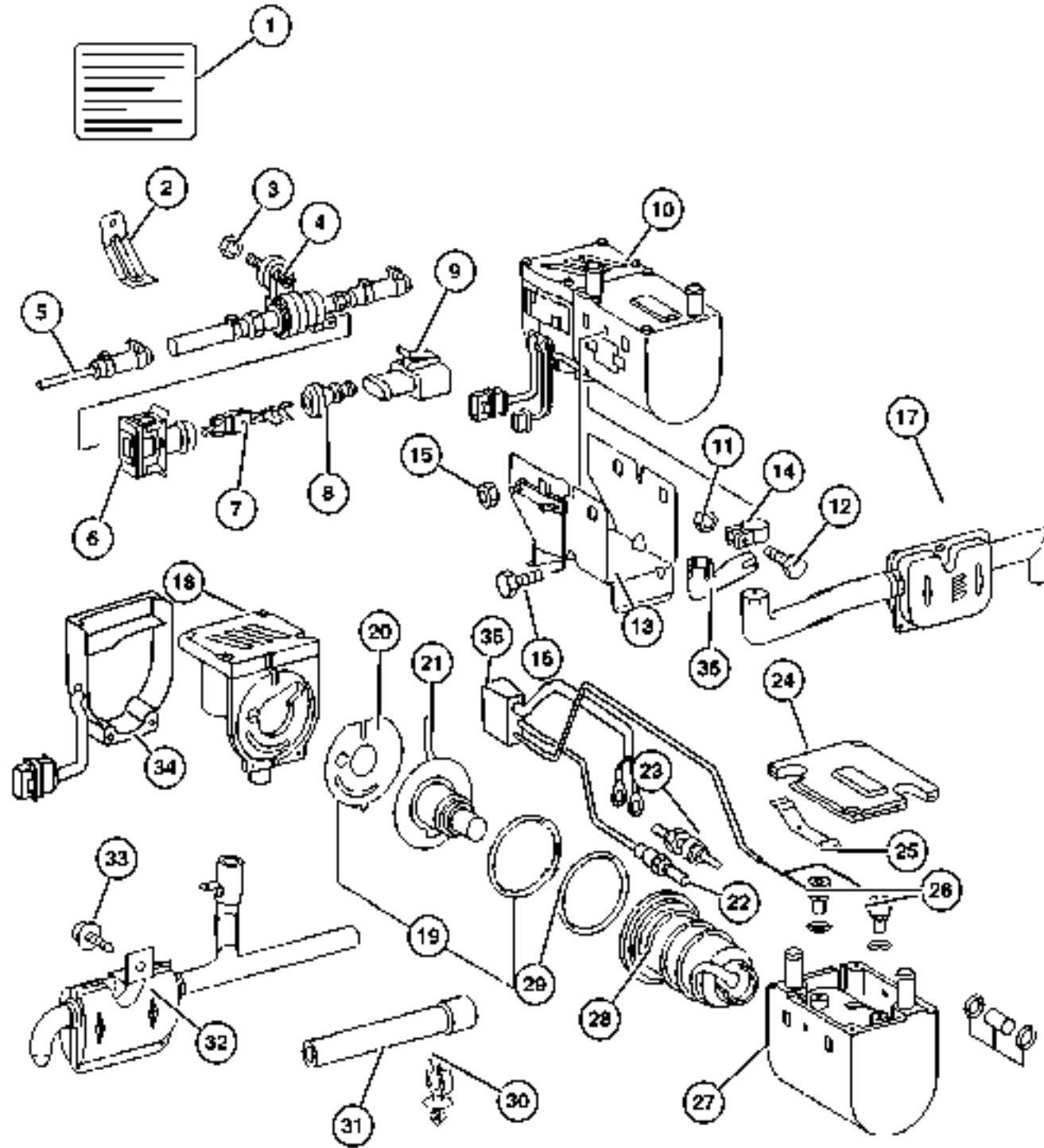
ITEM	PART NUMBER	QTY	LINE	SERIES	BODY	ENGINE	TRANS	TRIM	DESCRIPTION
	5124 674AA	1	2, 6		01, 02, 06	EX8			
		1	2, 6		11, 12, 14, 15, 16	EX8			
		1	2, 6		51, 52, 54, 55, 56	EX8			
		1	3, 7		02, 06	EX8			
		1	3, 7		12, 15, 16	EX8			
32	5103 848AA	1	2, 6		01, 02, 06	EX8			MUFFLER, Exhaust
		1	2, 6		11, 12, 14, 15, 16	EX8			
		1	2, 6		51, 52, 54, 55, 56	EX8			
		1	3, 7		02, 06	EX8			
		1	3, 7		12, 15, 16	EX8			
33	6104 580AA	1	2, 6		01, 02, 06	EX8			SCREW, Tapping
		1	2, 6		11, 12, 14, 15, 16	EX8			
		1	2, 6		51, 52, 54, 55, 56	EX8			
		1	3, 7		02, 06	EX8			
		1	3, 7		12, 15, 16	EX8			
34	5103 648AA	1	2, 6		01, 02, 06	EX8			CONTROL UNIT, Air Conditioning
		1	2, 6		11, 12, 14, 15, 16	EX8			
		1	2, 6		51, 52, 54, 55, 56	EX8			
		1	3, 7		02, 06	EX8			

Refer to Model Legend Information Bookmark

AR = Use as required - = Non illustrated part # = New this model year

March 3, 2006

**Auxiliary Warm Water Heater
Figure 024-290**



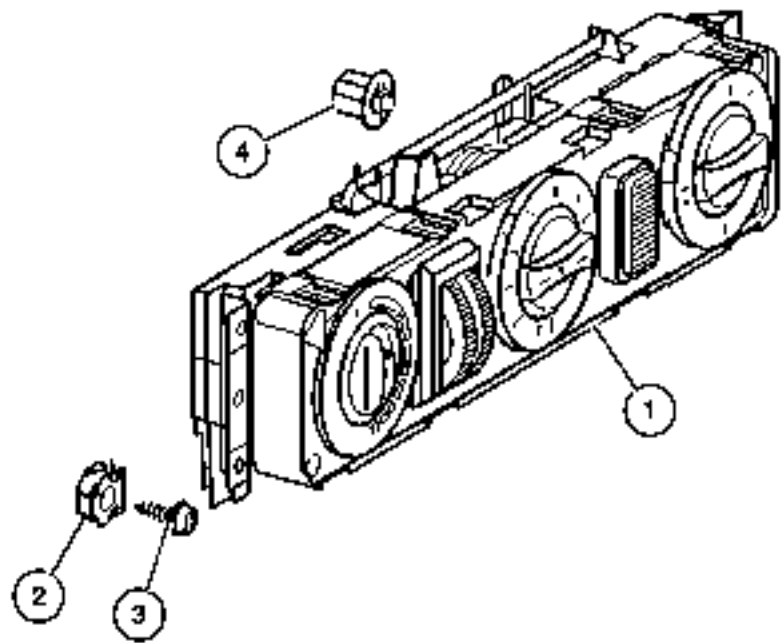
ITEM	PART NUMBER	QTY	LINE	SERIES	BODY	ENGINE	TRANS	TRIM	DESCRIPTION
		1	3, 7		12, 15, 16	EX8			
35	5133 305AA	1	2, 6		01, 02, 06	EX8			MODULE, Heater Control
		1	2, 6		11, 12, 14, 15, 16	EX8			
		1	2, 6		51, 52, 54, 55, 56	EX8			
		1	3, 7		02, 06	EX8			
		1	3, 7		12, 15, 16	EX8			
36	5133 318AA	1	2, 6		01, 02, 06	EX8			TUBE, Heater Core
		1	2, 6		11, 12, 14, 15, 16	EX8			
		1	2, 6		51, 52, 54, 55, 56	EX8			
		1	3, 7		02, 06	EX8			
		1	3, 7		12, 15, 16	EX8			

Refer to Model Legend Information Bookmark

AR = Use as required - = Non illustrated part # = New this model year

March 3, 2006

Control
Figure 024-320



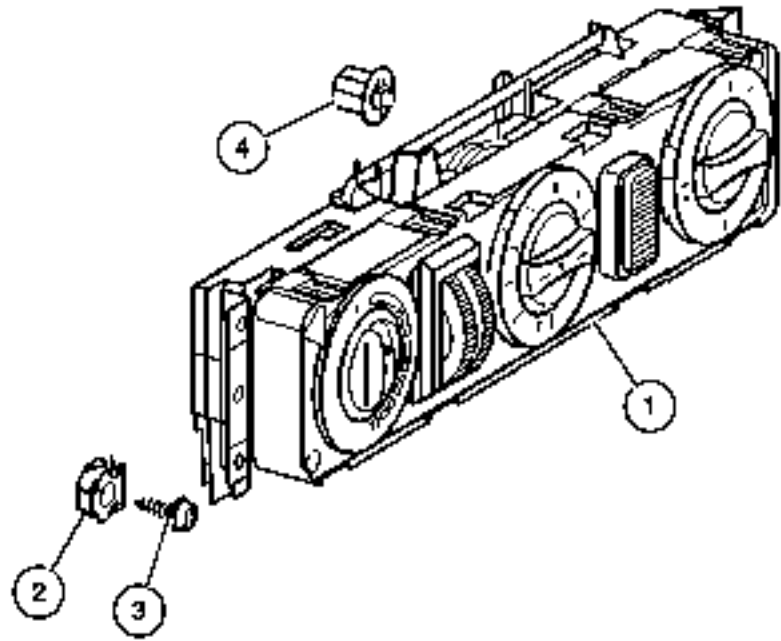
ITEM	PART NUMBER	QTY	LINE	SERIES	BODY	ENGINE	TRANS	TRIM	DESCRIPTION
1									CONTROL, A/C And Heater
	5103 643AA	1	2, 6		01, 02, 06	EX8			[HAB]
		1	2, 6		11, 12, 14, 15, 16	EX8			[HAB]
		1	2, 6		51, 52, 54, 55, 56	EX8			[HAB]
		1	3, 7		02, 06	EX8			[HAB]
		1	3, 7		12, 15, 16	EX8			[HAB]
	5103 644AA	1	2, 6		01, 02, 06	EX8			[HAB+3JV]
		1	2, 6		11, 12, 14, 15, 16	EX8			[HAB+3JV]
		1	2, 6		51, 52, 54, 55, 56	EX8			[HAB+3JV]
		1	3, 7		02, 06	EX8			[HAB+3JV]
		1	3, 7		12, 15, 16	EX8			[HAB+3JV]
	5103 690AA	1	2, 6		01, 02, 06	EX8			[-HAB+3JV]
		1	2, 6		11, 12, 14, 15, 16	EX8			[-HAB+3JV]
		1	2, 6		51, 52, 54, 55, 56	EX8			[-HAB+3JV]
		1	3, 7		02, 06	EX8			[-HAB+3JV]
		1	3, 7		12, 15, 16	EX8			[-HAB+3JV]
2									NUT, Spring
	5125 861AA	4	2, 6		01, 02, 06	EX8			
		4	2, 6		11, 12, 14, 15, 16	EX8			
		4	2, 6		51, 52, 54, 55, 56	EX8			
		4	3, 7		02, 06	EX8			

Refer to Model Legend Information Bookmark

AR = Use as required - = Non illustrated part # = New this model year

March 3, 2006

Control
Figure 024-320



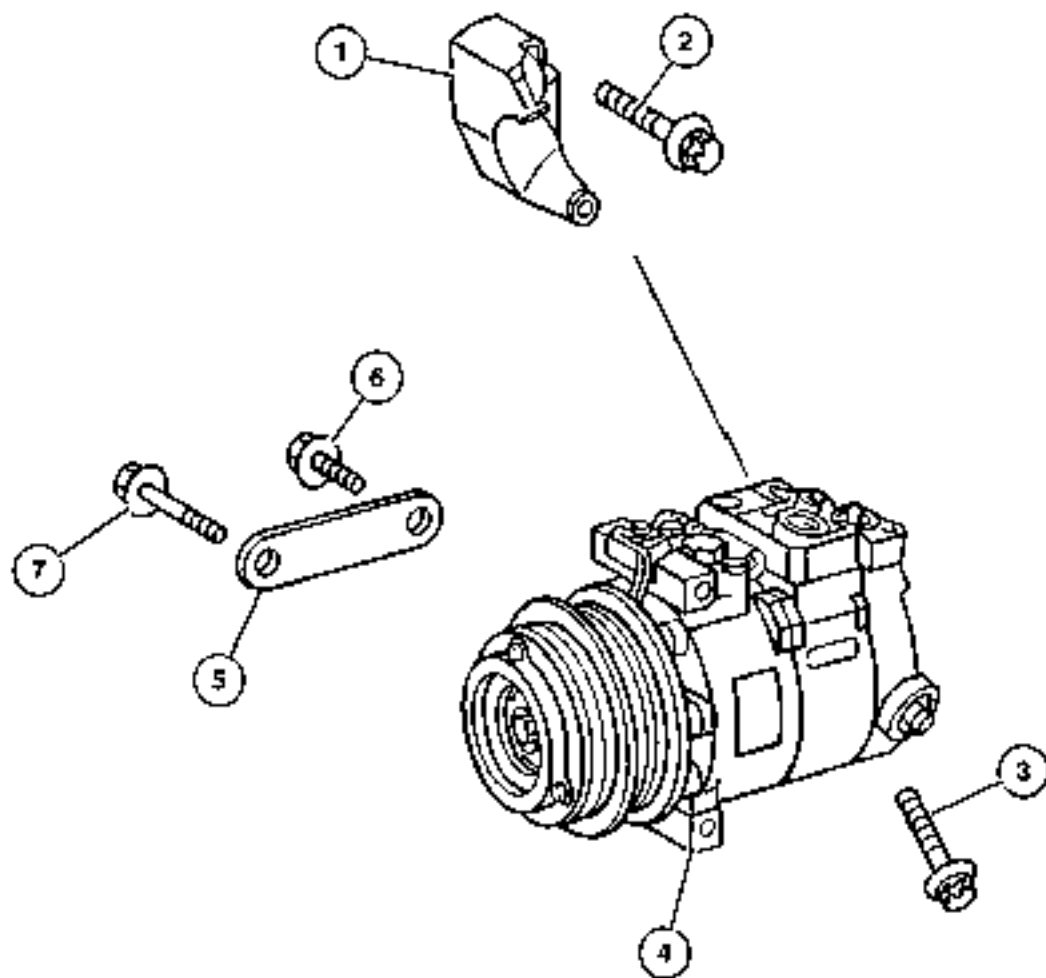
ITEM	PART NUMBER	QTY	LINE	SERIES	BODY	ENGINE	TRANS	TRIM	DESCRIPTION
		4	3, 7		12, 15, 16	EX8			
3	6104 010AA	2	2, 6		11, 12, 14, 15, 16	EX8			SCREW
		2	2, 6		51, 52, 54, 55, 56	EX8			
		2	3, 7		12, 15, 16	EX8			
4	5133 468AA	1	2, 6		01, 02, 06	EX8			BULB
		1	2, 6		11, 12, 14, 15, 16	EX8			
		1	2, 6		51, 52, 54, 55, 56	EX8			
		1	3, 7		02, 06	EX8			
		1	3, 7		12, 15, 16	EX8			

Refer to Model Legend Information Bookmark

AR = Use as required - = Non illustrated part # = New this model year

March 3, 2006

**Compressor and Mounting
Figure 024-420**



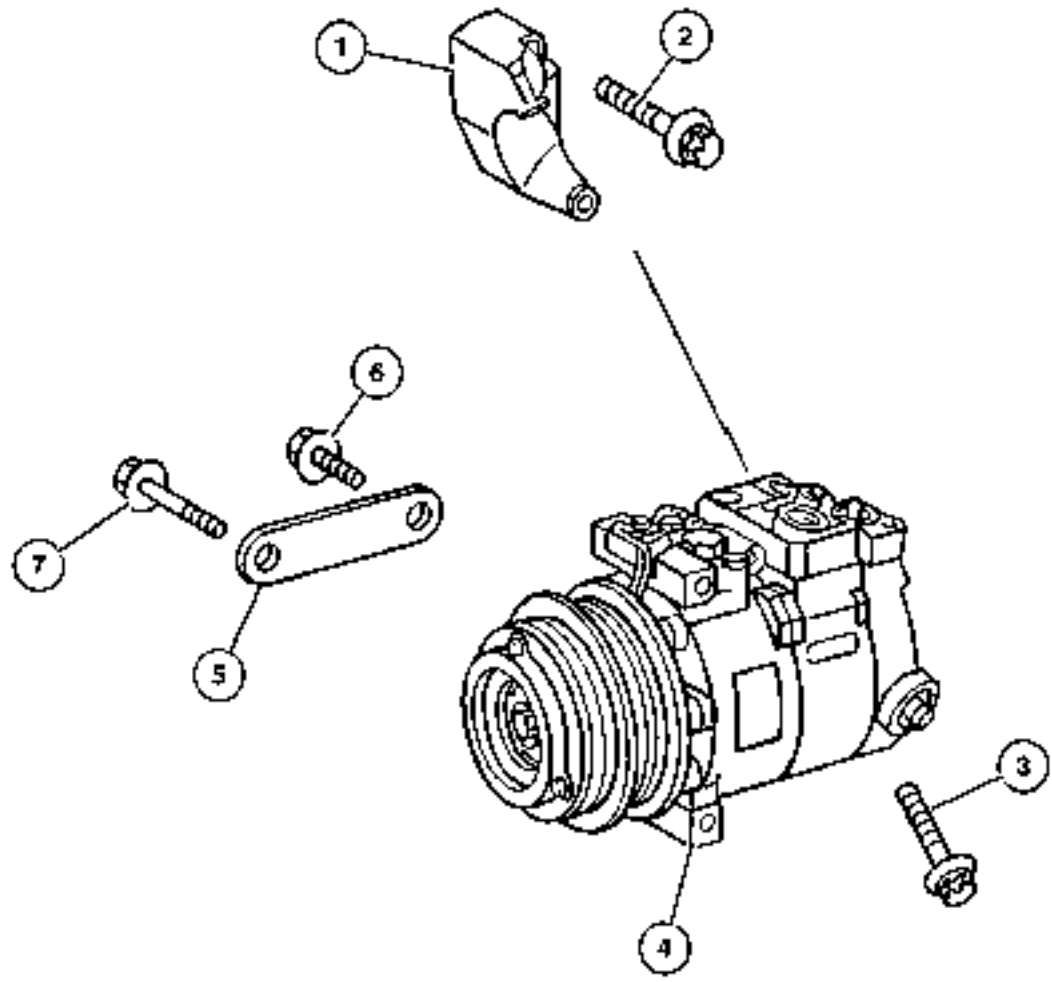
ITEM	PART NUMBER	QTY	LINE	SERIES	BODY	ENGINE	TRANS	TRIM	DESCRIPTION
1	5117 682AA	1	2, 3, 6, 7			EX8			SUPPORT
2	6104 031AA	1	2, 6		01, 02, 06	EX8			SCREW
		1	2, 6		11, 12, 14, 15, 16	EX8			
		1	2, 6		51, 52, 54, 55, 56	EX8			
		4	3, 7		02, 06	EX8			
		4	3, 7		12, 15, 16	EX8			
3	6104 035AA	2	2, 6		01, 02, 06	EX8			SCREW
		2	2, 6		11, 12, 14, 15, 16	EX8			
		2	2, 6		51, 52, 54, 55, 56	EX8			
		2	3, 7		02, 06	EX8			
		2	3, 7		12, 15, 16	EX8			
4	5117 666AA	1	2, 6		01, 02, 06	EX8			COMPRESSOR, Air Conditioning [HAB]
		1	2, 6		11, 12, 14, 15, 16	EX8			[HAB]
		1	2, 6		51, 52, 54, 55, 56	EX8			[HAB]
		1	3, 7		02, 06	EX8			[HAB]
		1	3, 7		12, 15, 16	EX8			[HAB]
		1	2, 6		11, 12, 14, 15, 16	EX8			[HAD]
		1	2, 6		51, 52, 54, 55, 56	EX8			[HAD]
		1	3, 7		12, 15, 16	EX8			[HAD]
5								BRACKET, A/C Compressor	

Refer to Model Legend Information Bookmark

AR = Use as required - = Non illustrated part # = New this model year

March 3, 2006

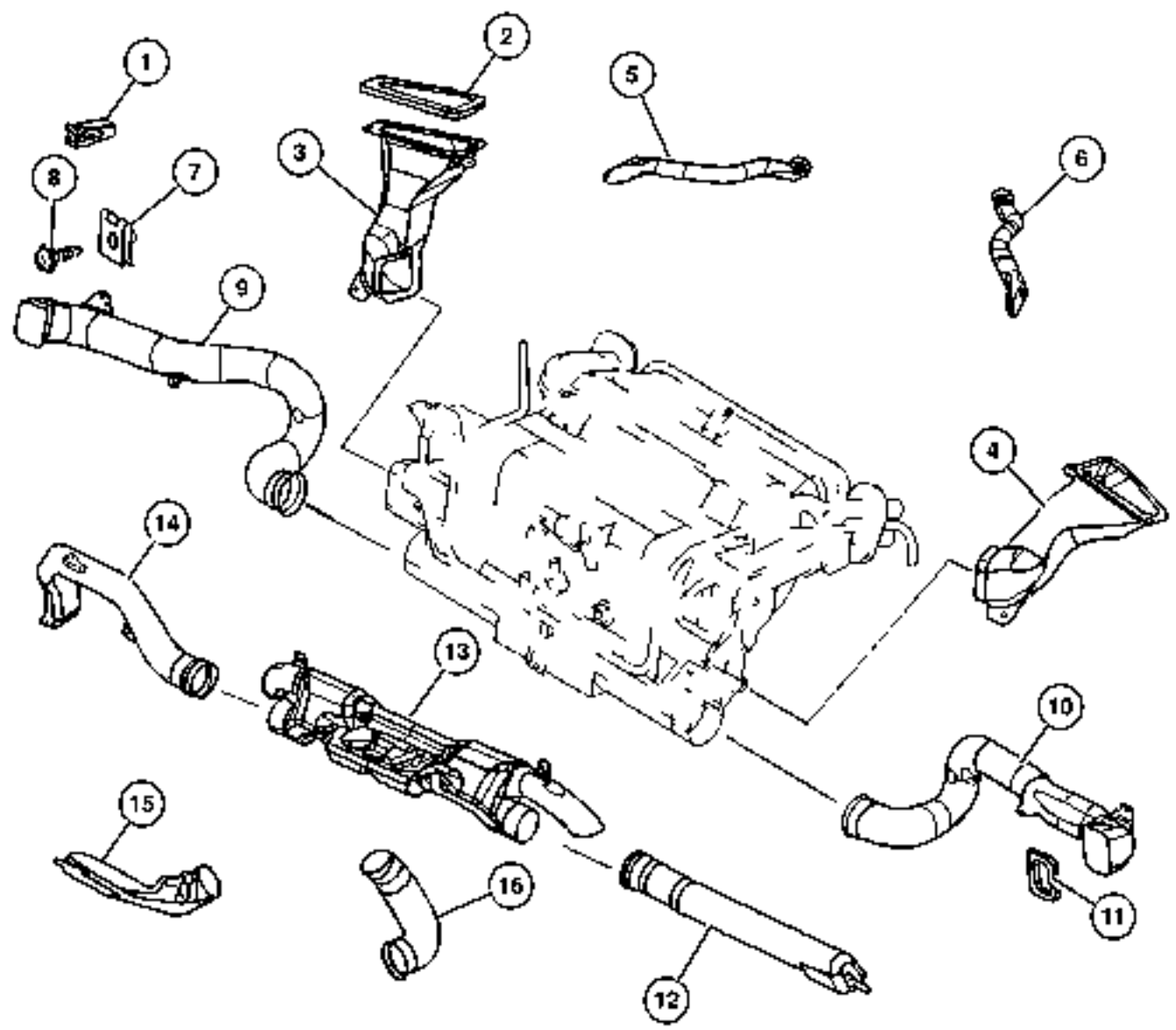
**Compressor and Mounting
Figure 024-420**



ITEM	PART NUMBER	QTY	LINE	SERIES	BODY	ENGINE	TRANS	TRIM	DESCRIPTION
	5117 686AA	1	2, 6		01, 02, 06	EX8			
		1	2, 6		11, 12, 14, 15, 16	EX8			
		1	2, 6		51, 52, 54, 55, 56	EX8			
		1	3, 7		02, 06	EX8			
		1	3, 7		12, 15, 16	EX8			
6 7	6104 022AA	3	2, 3, 6, 7			EX8			SCREW SCREW
	6104 036AA	1	2, 6		01, 02, 06	EX8			
		1	2, 6		11, 12, 14, 15, 16	EX8			
		1	2, 6		51, 52, 54, 55, 56	EX8			
		1	3, 7		02, 06	EX8			
		1	3, 7		12, 15, 16	EX8			

Refer to Model Legend Information Bookmark

Air Ducts And Outlets, Front
Figure 024-630



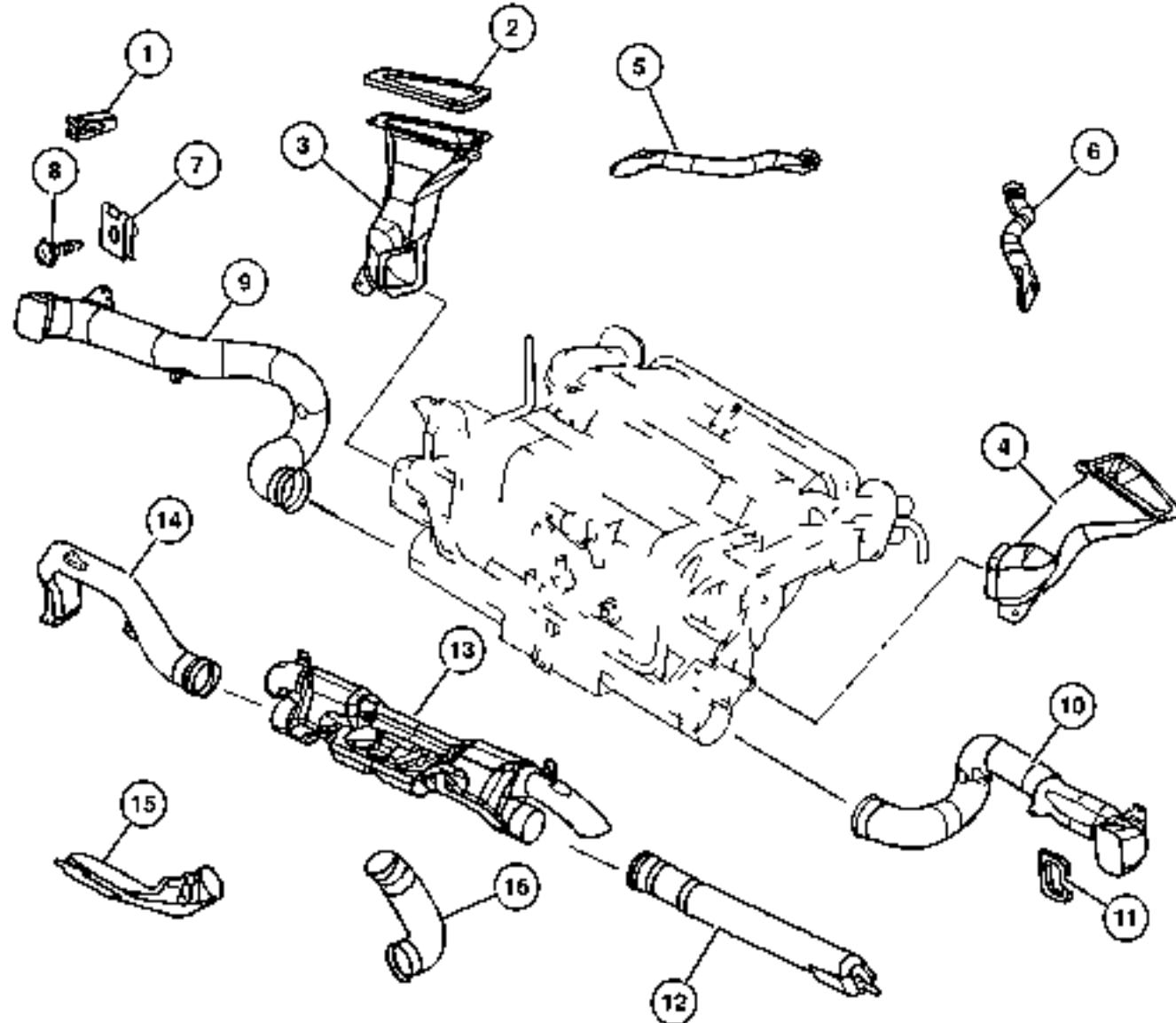
ITEM	PART NUMBER	QTY	LINE	SERIES	BODY	ENGINE	TRANS	TRIM	DESCRIPTION
1									NUT, Plastic Snap-in
	5125 576AA	2	2, 6		01, 02, 06	EX8			
		2	2, 6		11, 12, 14, 15, 16	EX8			
		2	3, 7		02, 06	EX8			
		2	3, 7		12, 15, 16	EX8			
2									SEAL
	5124 781AA	1	2, 6		01, 02, 06	EX8			Left
		1	2, 6		11, 12, 14, 15, 16	EX8			Left
		1	2, 6		51, 52, 54, 55, 56	EX8			Left
		1	3, 7		02, 06	EX8			Left
		1	3, 7		12, 15, 16	EX8			Left
	5124 782AA	1	2, 6		01, 02, 06	EX8			Right
		1	2, 6		11, 12, 14, 15, 16	EX8			Right
		1	2, 6		51, 52, 54, 55, 56	EX8			Right
		1	3, 7		02, 06	EX8			Right
		1	3, 7		12, 15, 16	EX8			Right
3									DUCT, Defroster
	5133 445AA	1	2, 6		01, 02, 06	EX8			
		1	2, 6		11, 12, 14, 15, 16	EX8			
		1	2, 6		51, 52, 54, 55, 56	EX8			
		1	3, 7		02, 06	EX8			
		1	3, 7		12, 15, 16	EX8			
4									DUCT, AIR

Refer to Model Legend Information Bookmark

AR = Use as required - = Non illustrated part # = New this model year

March 3, 2006

Air Ducts And Outlets, Front
Figure 024-630

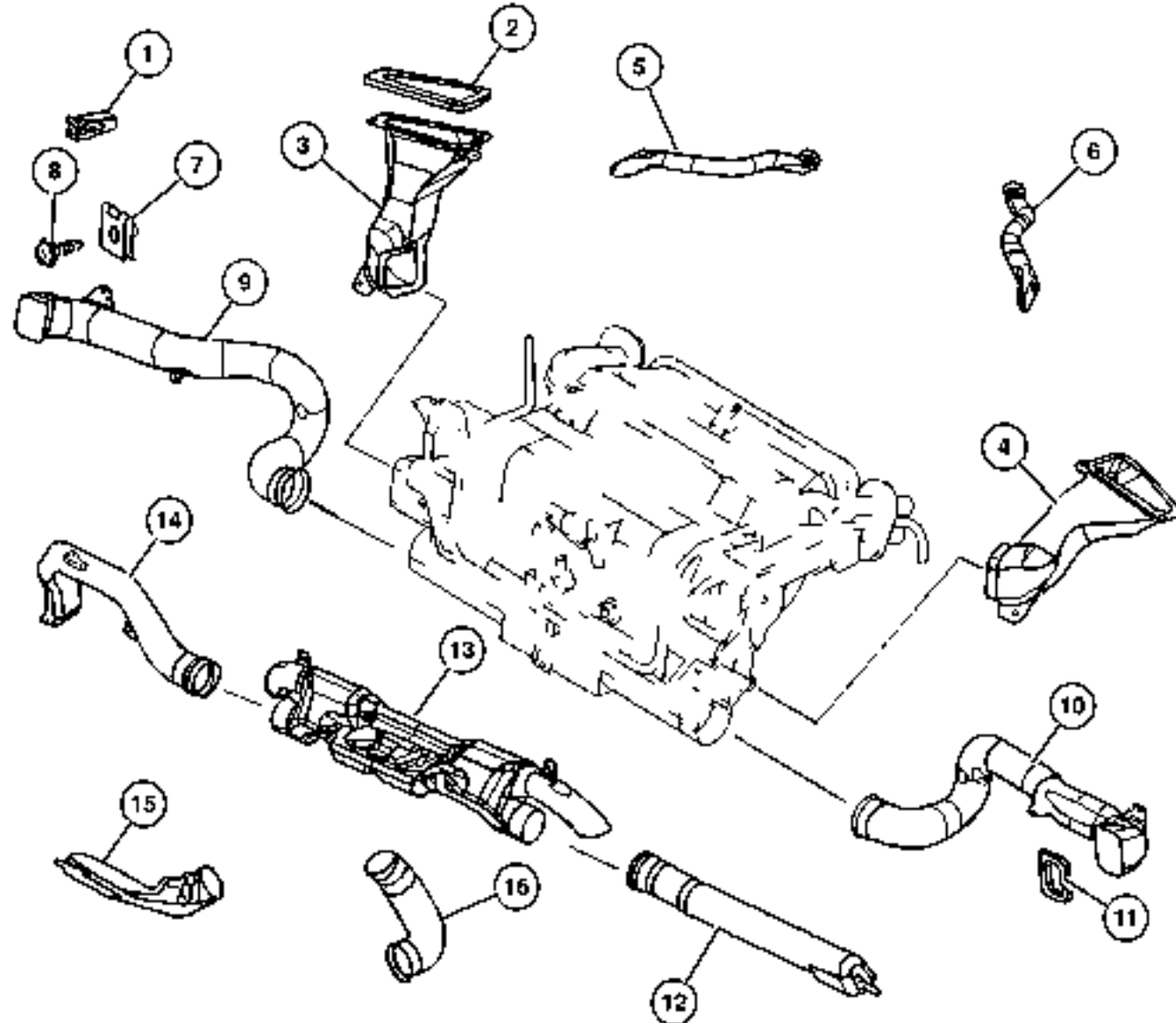


ITEM	PART NUMBER	QTY	LINE	SERIES	BODY	ENGINE	TRANS	TRIM	DESCRIPTION
	5124 749AA	1	2, 6		01, 02, 06	EX8			
		1	2, 6		11, 12, 14, 15, 16	EX8			
		1	2, 6		51, 52, 54, 55, 56	EX8			
		1	3, 7		02, 06	EX8			
		1	3, 7		12, 15, 16	EX8			
5	5124 745AA	1	2, 6		01, 02, 06	EX8			DUCT
		1	2, 6		11, 12, 14, 15, 16	EX8			
		1	2, 6		51, 52, 54, 55, 56	EX8			
		1	3, 7		02, 06	EX8			
		1	3, 7		12, 15, 16	EX8			
6	5124 746AA	1	2, 6		01, 02, 06	EX8			DUCT
		1	2, 6		11, 12, 14, 15, 16	EX8			
		1	2, 6		51, 52, 54, 55, 56	EX8			
		1	3, 7		02, 06	EX8			
		1	3, 7		12, 15, 16	EX8			
7	5125 857AA	2	2, 6		01, 02, 06	EX8			NUT, Clip-On
		2	2, 6		11, 12, 14, 15, 16	EX8			
		2	2, 6		51, 52, 54, 55, 56	EX8			
		2	3, 7		02, 06	EX8			

Refer to Model Legend Information Bookmark

AR = Use as required - = Non illustrated part # = New this model year

Air Ducts And Outlets, Front
Figure 024-630



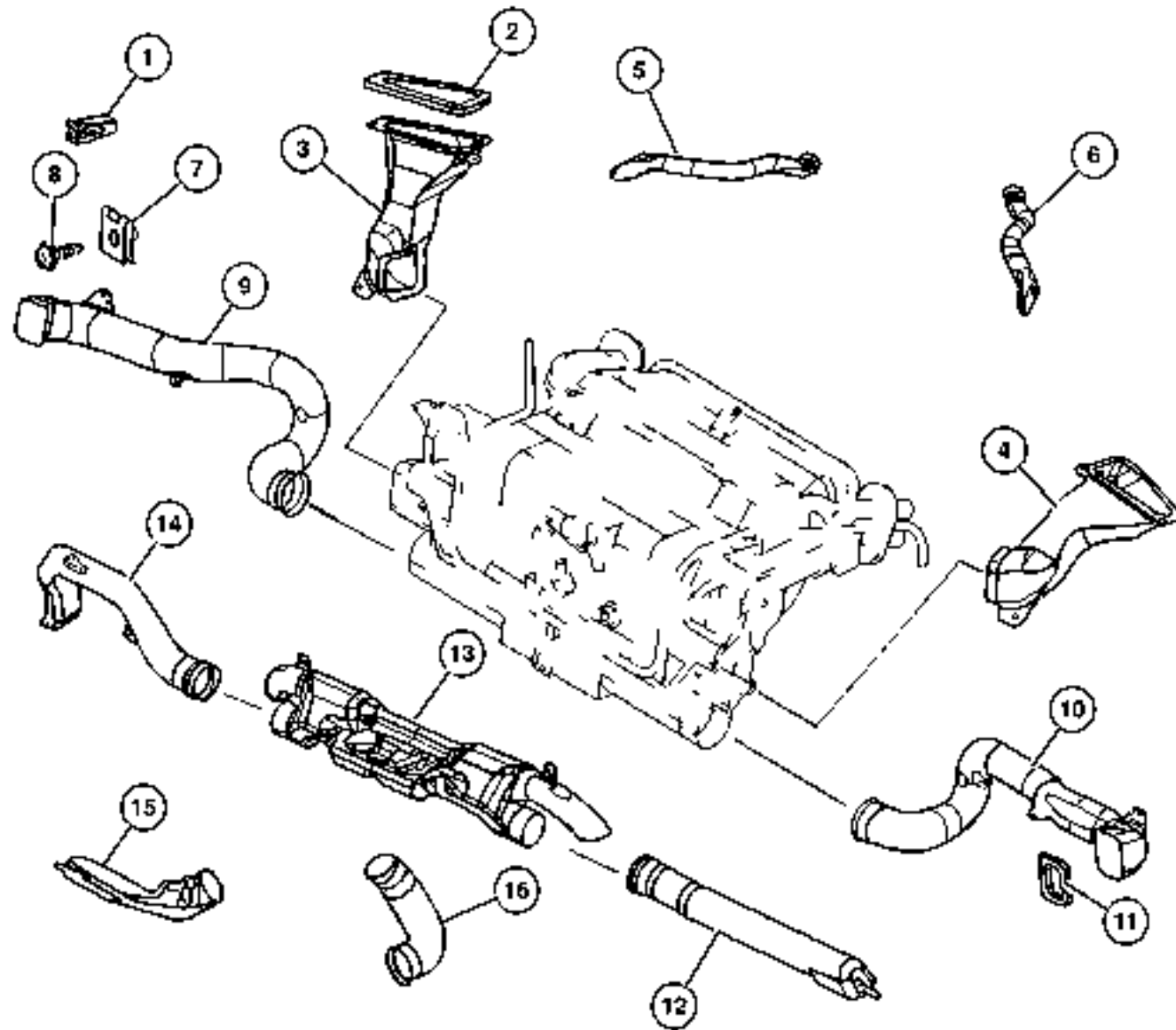
ITEM	PART NUMBER	QTY	LINE	SERIES	BODY	ENGINE	TRANS	TRIM	DESCRIPTION
		2	3, 7		12, 15, 16	EX8			
8	6104 610AA	2	2, 6		01, 02, 06	EX8			SCREW
		2	2, 6		11, 12, 14, 15, 16	EX8			
		2	2, 6		51, 52, 54, 55, 56	EX8			
		2	3, 7		02, 06	EX8			
		2	3, 7		12, 15, 16	EX8			
9	5124 749AA	1	2, 6		01, 02, 06	EX8			DUCT, AIR
		1	2, 6		11, 12, 14, 15, 16	EX8			
		1	2, 6		51, 52, 54, 55, 56	EX8			
		1	3, 7		02, 06	EX8			
		1	3, 7		12, 15, 16	EX8			
10	5189 027AA	1	2, 6		11, 12, 14, 15, 16	EX8			DUCT
		1	2, 6		51, 52, 54, 55, 56	EX8			
		1	3, 7		12, 15, 16	EX8			
11	5124 788AA	1	2, 6		01, 02, 06	EX8			SEAL Left
		1	2, 6		11, 12, 14, 15, 16	EX8			Left
		1	2, 6		51, 52, 54, 55, 56	EX8			Left
		1	3, 7		02, 06	EX8			Left

Refer to Model Legend Information Bookmark

AR = Use as required - = Non illustrated part # = New this model year

March 3, 2006

Air Ducts And Outlets, Front
Figure 024-630



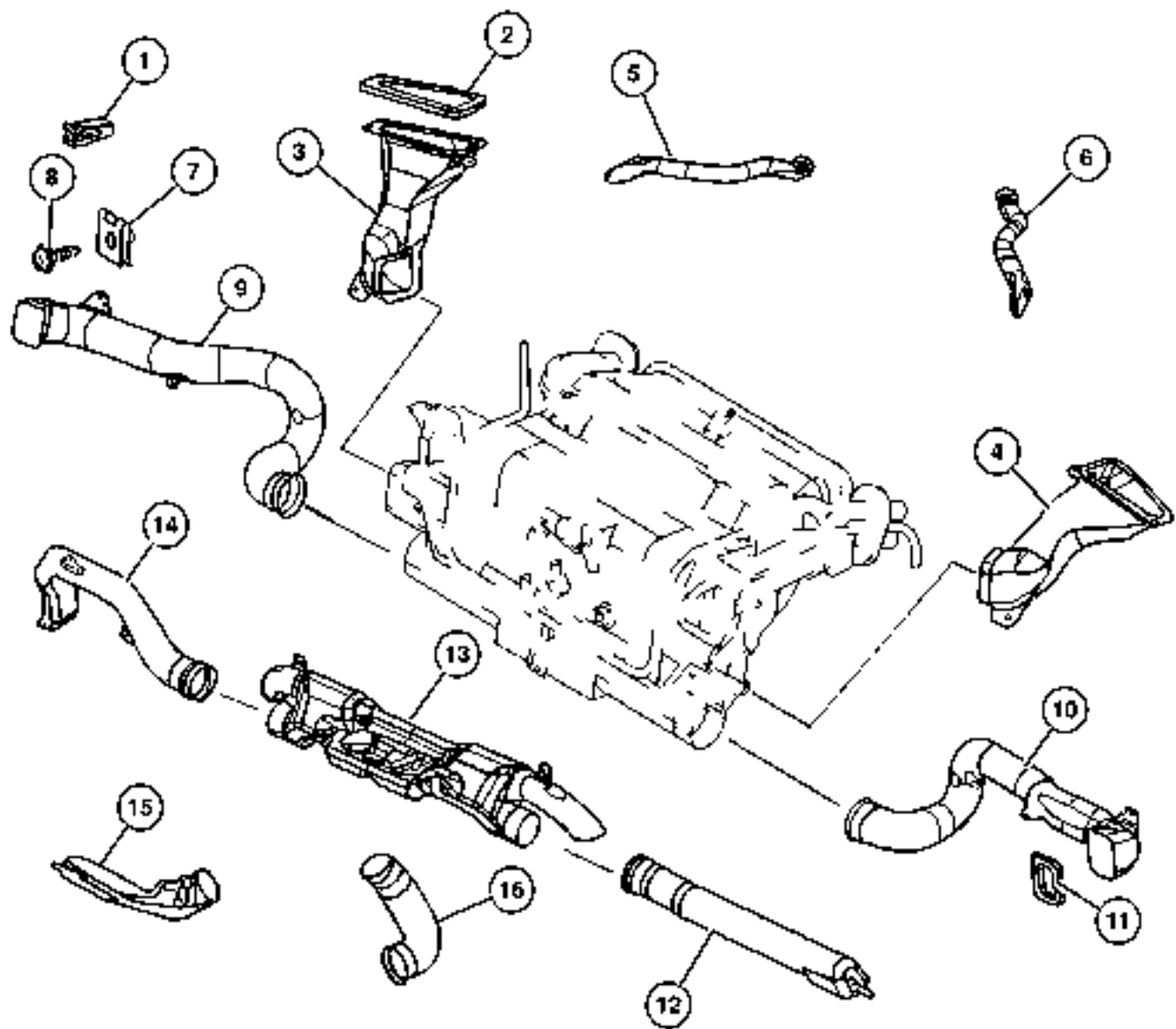
ITEM	PART NUMBER	QTY	LINE	SERIES	BODY	ENGINE	TRANS	TRIM	DESCRIPTION
		1	3, 7		12, 15, 16	EX8			Left
	5124 789AA	1	2, 6		01, 02, 06	EX8			Right
		1	2, 6		11, 12, 14, 15, 16	EX8			Right
		1	2, 6		51, 52, 54, 55, 56	EX8			Right
		1	3, 7		02, 06	EX8			Right
		1	3, 7		12, 15, 16	EX8			Right
12	5124 740AA	1	2, 6		01, 02, 06	EX8			DUCT
		1	2, 6		11, 12, 14, 15, 16	EX8			
		1	2, 6		51, 52, 54, 55, 56	EX8			
		1	3, 7		02, 06	EX8			
		1	3, 7		12, 15, 16	EX8			
13	5124 737AA	1	2, 6		01, 02, 06	EX8			DUCT
		1	2, 6		11, 12, 14, 15, 16	EX8			
		1	2, 6		51, 52, 54, 55, 56	EX8			
		1	3, 7		02, 06	EX8			
		1	3, 7		12, 15, 16	EX8			
14	5124 739AA	1	2, 6		01, 02, 06	EX8			DUCT
		1	2, 6		11, 12, 14, 15, 16	EX8			

Refer to Model Legend Information Bookmark

AR = Use as required - = Non illustrated part # = New this model year

March 3, 2006

Air Ducts And Outlets, Front Figure 024-630



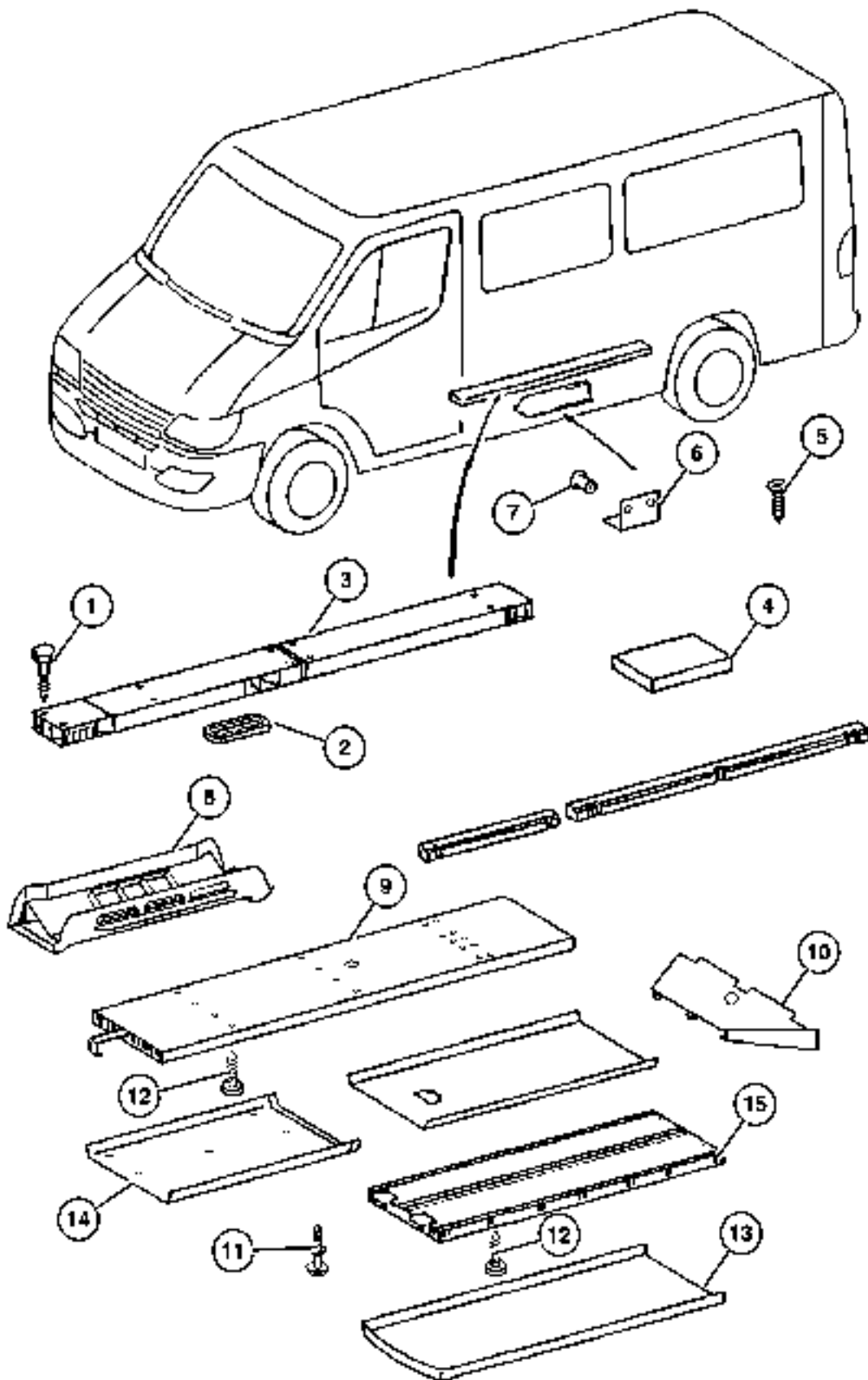
ITEM	PART NUMBER	QTY	LINE	SERIES	BODY	ENGINE	TRANS	TRIM	DESCRIPTION
		1	2, 6		51, 52, 54, 55, 56	EX8			
		1	3, 7		02, 06	EX8			
		1	3, 7		12, 15, 16	EX8			
15	5124 748AA	1	2, 6		01, 02, 06	EX8			DUCT
		1	2, 6		11, 12, 14, 15, 16	EX8			
		1	2, 6		51, 52, 54, 55, 56	EX8			
		1	3, 7		02, 06	EX8			
		1	3, 7		12, 15, 16	EX8			
16	5124 747AA	1	2, 6		01, 02, 06	EX8			DUCT
		1	2, 6		11, 12, 14, 15, 16	EX8			
		1	2, 6		51, 52, 54, 55, 56	EX8			
		1	3, 7		02, 06	EX8			
		1	3, 7		12, 15, 16	EX8			

Refer to Model Legend Information Bookmark

AR = Use as required - = Non illustrated part # = New this model year

March 3, 2006

Air Ducts And Outlets, Rear Figure 024-640



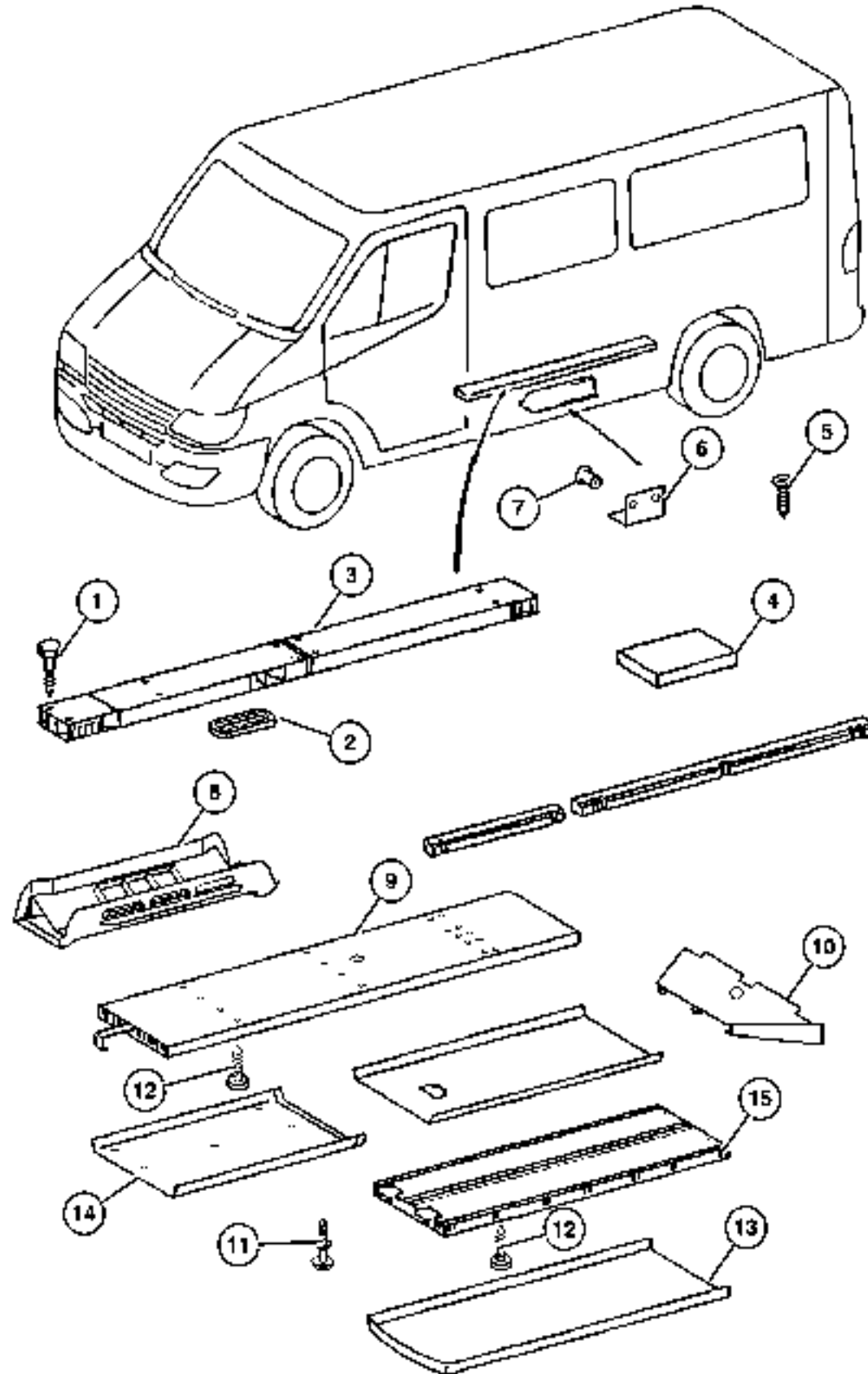
ITEM	PART NUMBER	QTY	LINE	SERIES	BODY	ENGINE	TRANS	TRIM	DESCRIPTION
1									SCREW
	5126 093AA	10	2, 6		12, 15	EX8			
		6	2, 6		11, 14	EX8			
		10	2, 6		52, 55	EX8			
		6	2, 6		51, 54	EX8			
		10	3, 7		12, 15, 16	EX8			
2									SEAL
	5102 646AA	1	2, 6		01, 02, 06	EX8			
	5124 763AA	1	2, 6		11, 12, 14, 15, 16	EX8			
		1	2, 6		51, 52, 54, 55, 56	EX8			
3									HOUSING, Air Duct
	5124 655AA	1	2, 6		12, 15	EX8			Front
		1	2, 6		52, 55	EX8			Front
		1	3, 7		12, 15, 16	EX8			Front
	5124 656AA	1	2, 6		12, 15	EX8			Rear
		1	2, 6		52, 55	EX8			Rear
		1	3, 7		12, 15, 16	EX8			Rear
4									SEAL
	5124 763AA	1	2, 6		11, 12, 14, 15, 16	EX8			
		1	2, 6		51, 52, 54, 55, 56	EX8			
		1	3, 7		12, 15, 16	EX8			
5									SCREW, (NOT SERVICED) (Not Serviced)
6									BRACKET, (NOT SERVICED) (Not Serviced)
7									RIVET, Blind Bulb
	5133 417AA	3	2, 6		01, 02, 06	EX8			
		3	2, 6		11, 12, 14, 15, 16	EX8			

Refer to Model Legend Information Bookmark

AR = Use as required - = Non illustrated part # = New this model year

March 3, 2006

Air Ducts And Outlets, Rear
Figure 024-640



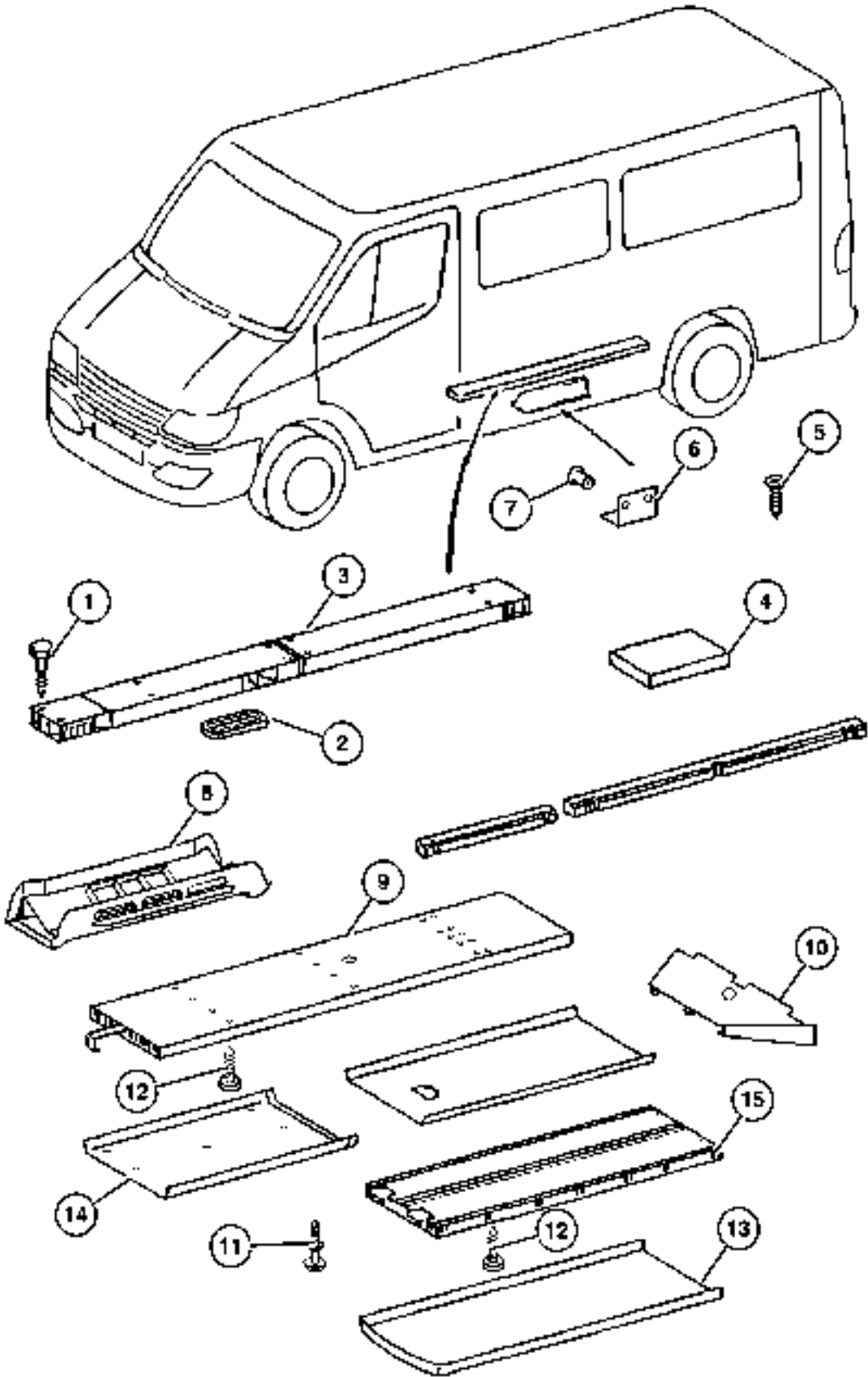
ITEM	PART NUMBER	QTY	LINE	SERIES	BODY	ENGINE	TRANS	TRIM	DESCRIPTION
		3	2, 6		51, 52, 54, 55, 56	EX8			
		3	3, 7		12, 15, 16	EX8			
8									INSULATOR, (NOT SERVICED) (Not Serviced)
9	5132 290AA	1	2, 6		11, 12, 14, 15, 16	EX8			AIR DUCT
		1	2, 6		51, 52, 54, 55, 56	EX8			
10	5132 312AA	1	2, 6		11, 12, 14, 15, 16	EX8			AIR DUCT
		1	2, 6		51, 52, 54, 55, 56	EX8			
		1	3, 7		12, 15, 16	EX8			
11	5104 541AA	2	2, 6		11, 12, 14, 15, 16	EX8			RIVET
		2	2, 6		51, 52, 54, 55, 56	EX8			
		2	3, 7		12, 15	EX8			
12	5133 449AA	20	2, 6		11, 12, 14, 15, 16	EX8			SCREW, Self-Tapping
		20	2, 6		51, 52, 54, 55, 56	EX8			
13	5104 482AA	1	2, 6		11, 12, 14, 15, 16	EX8			HOUSING, Air Duct
		1	2, 6		51, 52, 54, 55, 56	EX8			
14									AIR DUCT

Refer to Model Legend Information Bookmark

AR = Use as required - = Non illustrated part # = New this model year

March 3, 2006

Air Ducts And Outlets, Rear
Figure 024-640



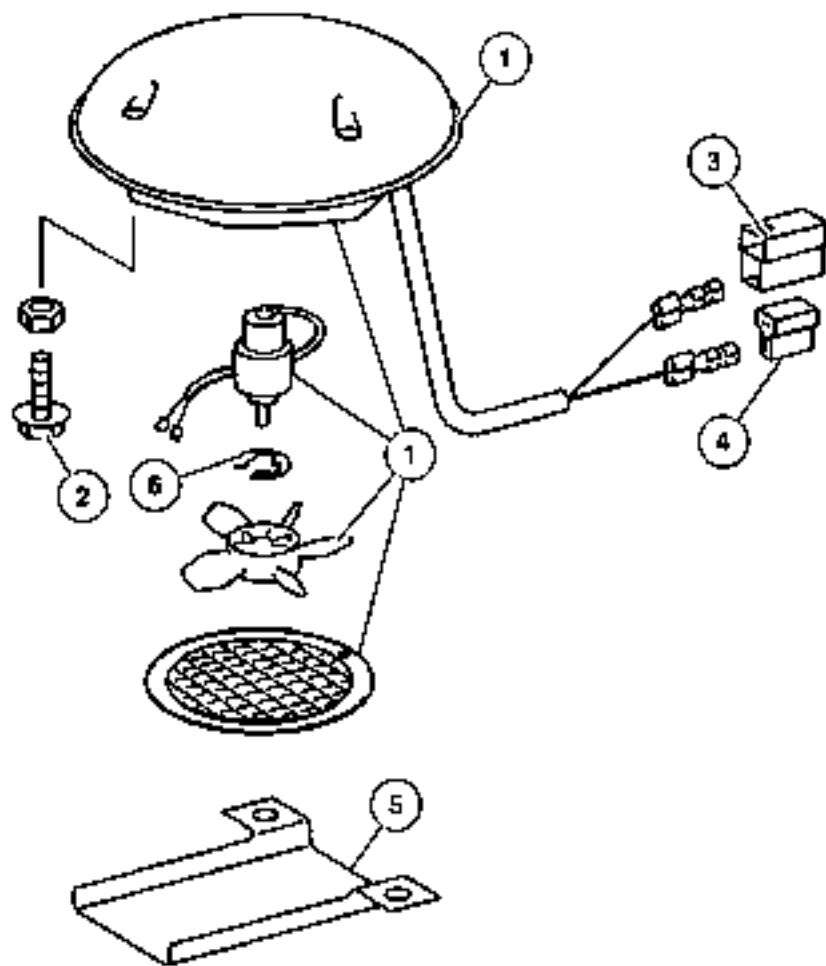
ITEM	PART NUMBER	QTY	LINE	SERIES	BODY	ENGINE	TRANS	TRIM	DESCRIPTION
	5132 291AA	1	2, 6		11, 12,	EX8			
		1	2, 6		14, 15,				
					16				
					51, 52,	EX8			
					54, 55,				
					56				
15	5132 292AA	1	2, 6		11, 12,	EX8			AIR DUCT
		1	2, 6		14, 15,				
					16				
					51, 52,	EX8			
					54, 55,				
					56				
-16	5133 453AA-	8	2, 6		14, 15,	EX8			SPRING, Filter
		8	2, 6		16				
		8	2, 6		52, 55	EX8			
		8	3, 7		15, 16	EX8			

Refer to Model Legend Information Bookmark

AR = Use as required - = Non illustrated part # = New this model year

March 3, 2006

Ventilator, Roof Mounted
Figure 024-650

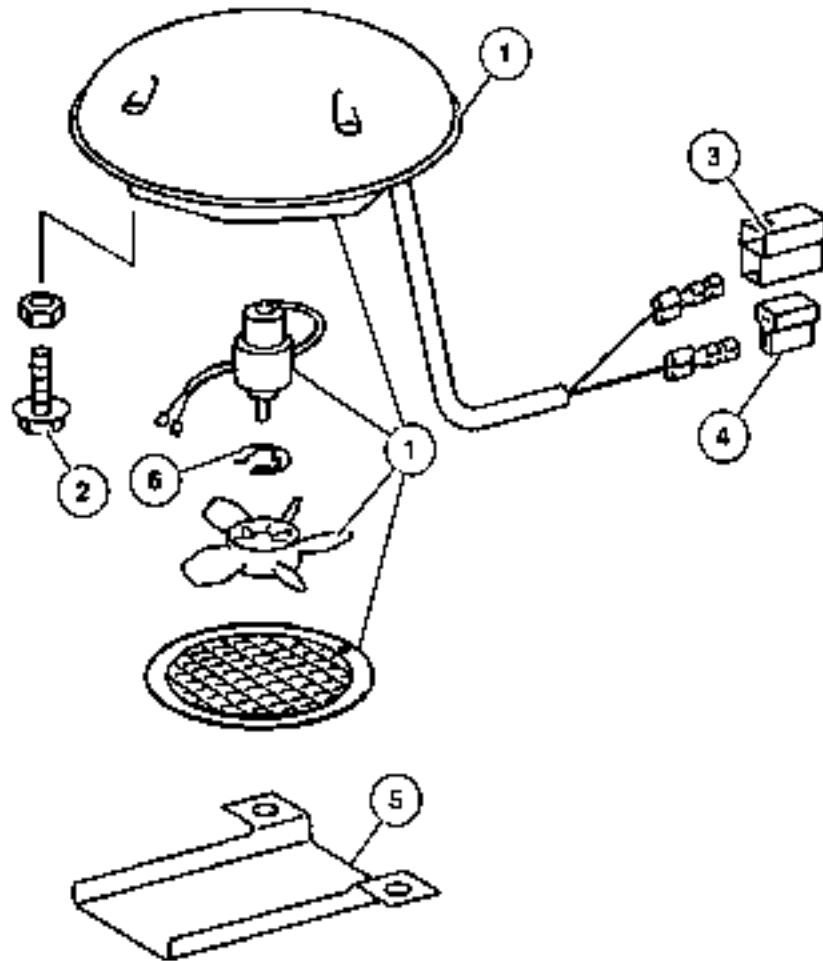


ITEM	PART NUMBER	QTY	LINE	SERIES	BODY	ENGINE	TRANS	TRIM	DESCRIPTION
1	5103 696AA	1	2, 6		11, 12, 14, 15, 16	EX8			HOUSING, Forced Vent Outlet
		1	3, 7		12, 15, 16	EX8			
2	5126 198AA	9	2, 6		11, 12, 14, 15, 16	EX8			BOLT, M6x20
		9	3, 7		12, 15, 16	EX8			
3	5103 754AA	1	2, 6		01, 02, 06	EX8			INSULATOR, 2 Way Female
		1	2, 6		11, 12, 14, 15, 16	EX8			
		1	2, 6		51, 52, 54, 55, 56	EX8			
		1	3, 7		02, 06	EX8			
		1	3, 7		12, 15, 16	EX8			
4	5103 751AA	1	2, 6		11, 12, 14, 15, 16	EX8			CONNECTOR
		1	2, 6		51, 52, 54, 55, 56	EX8			
		1	3, 7		12, 15, 16	EX8			
5	5124 790AA	1	2, 6		11, 12, 14, 15, 16	EX8			COVER, Bracket
		1	3, 7		12, 15, 16	EX8			
6	5133 639AA	1	2, 6		11, 12, 14, 15, 16	EX8			CLIP, Fan Shroud
		1	3, 7		12, 15, 16	EX8			
-7									GRILLE, Vent

Refer to Model Legend Information Bookmark

Ventilator, Roof Mounted
Figure 024-650

ITEM	PART NUMBER	QTY	LINE	SERIES	BODY	ENGINE	TRANS	TRIM	DESCRIPTION
	5133 638AA-	1	2, 6		11, 12,	EX8			
					14, 15,				
		1	3, 7		16	EX8			
					12, 15,				
					16				



Refer to Model Legend Information Bookmark

AR = Use as required - = Non illustrated part # = New this model year

March 3, 2006

Group - DVA

Doors and Related Parts

GROUP DVA - Doors and Related Parts

Illustration Title Group-Fig. No.

Front Door

- Door, Front Shell and Hinges Fig. DVA-110
- Door, Front Glass and Regulator Handle Fig. DVA-120
- Door, Front Exterior Handle and Links Fig. DVA-130

Door, Sliding Cargo

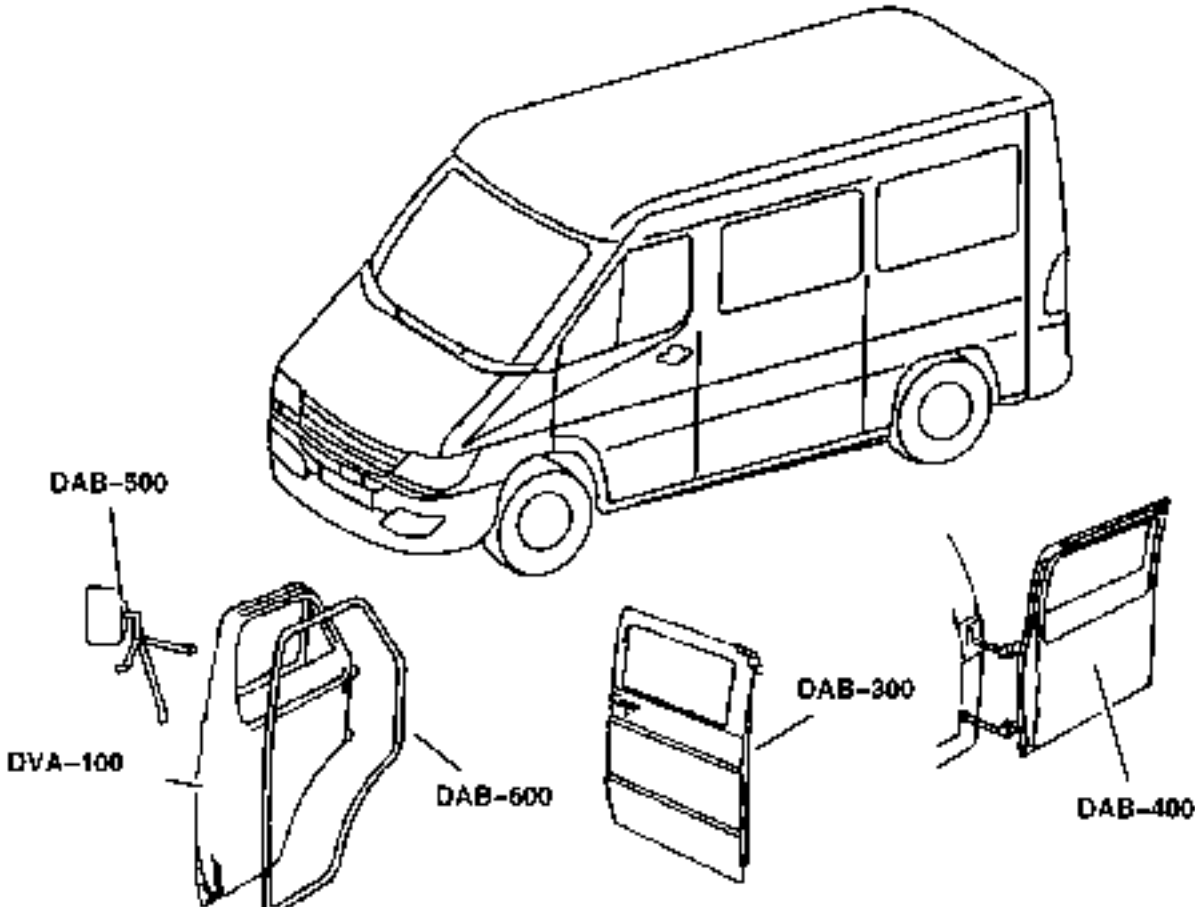
- Door, Sliding Cargo Shell and Hinges Fig. DVA-310
- Door, Sliding Cargo Glass Fig. DVA-320
- Door, Sliding Cargo Lock and Controls Fig. DVA-330





Door, Dual and Single Cargo

- Door, Cargo Shell and Hinges Fig. DVA-410
- Door, Cargo Glass and Hardware Fig. DVA-420
- Door, Cargo Lock and Control Fig. DVA-430

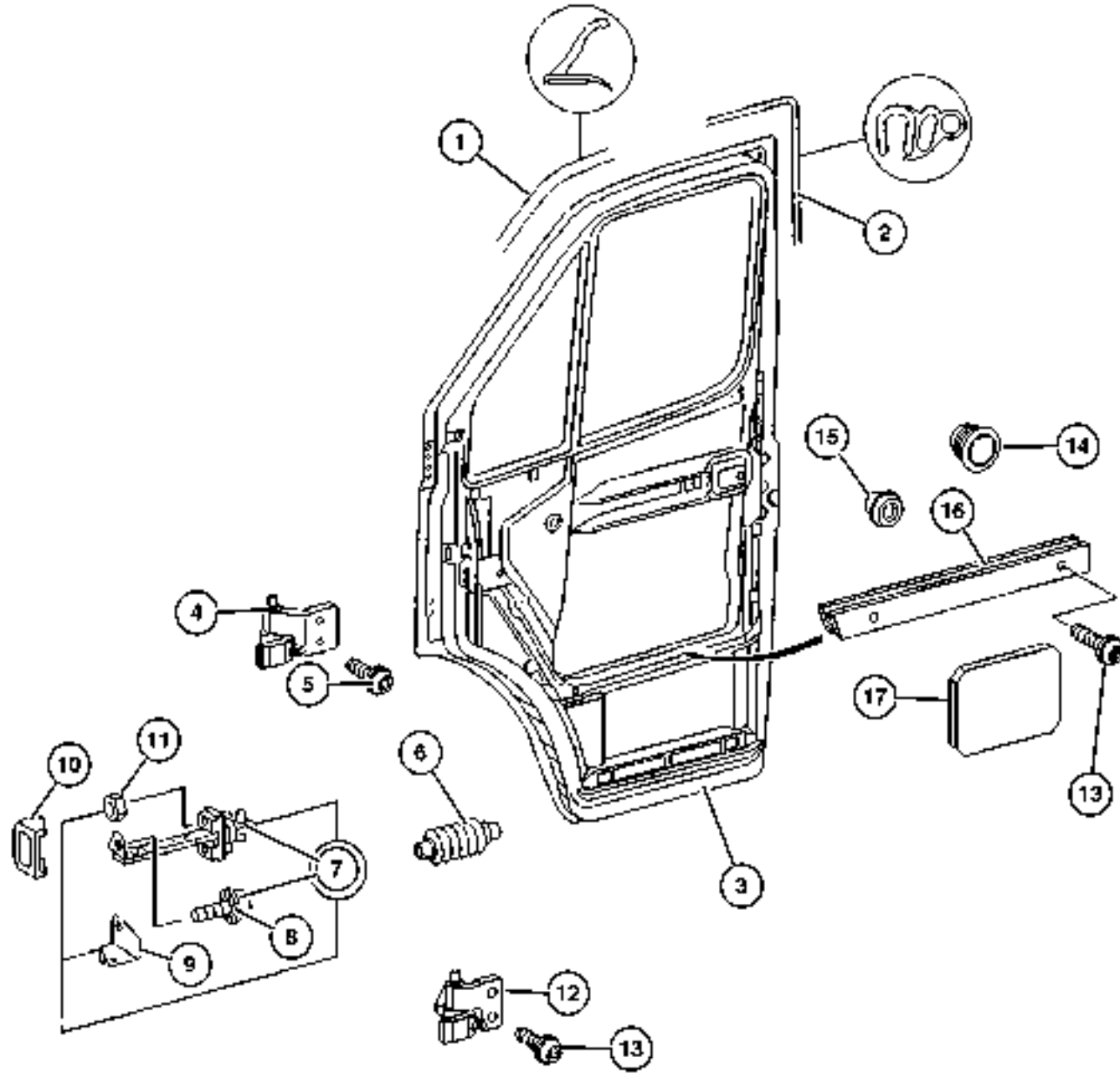
Exterior Mirror

- Mirrors, Exterior Fig. DVA-520



<p>DVA-100 Front Door</p> 	<p>DVA-300 Door, Sliding Cargo</p> 	<p>DVA-400 Door, Dual and Single Cargo</p> 	<p>DVA-500 Exterior Mirror</p> 
--	---	--	---

Door, Front Shell and Hinges
Figure DVA-110



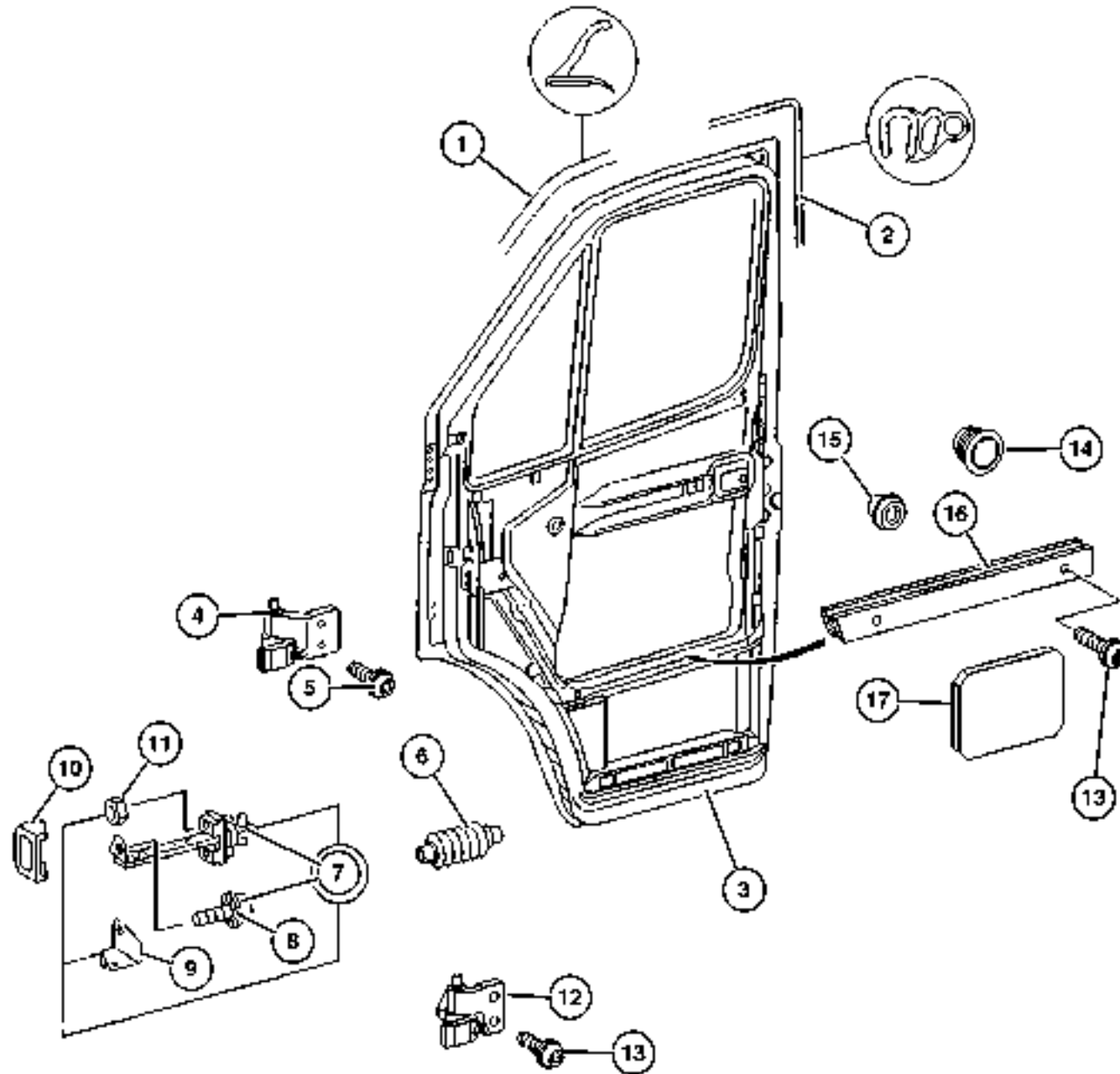
ITEM	PART NUMBER	QTY	LINE	SERIES	BODY	ENGINE	TRANS	TRIM	DESCRIPTION
1									SEAL, Door
	5133 518AA	1	2, 6	L	01, 02, 06				
		1	2, 6	L	11, 12, 14, 15, 16				
		1	2, 6	L	51, 52, 54, 55, 56				
		1	3, 7	L	02, 06				
		1	3, 7	L	12, 15, 16				
2									SEAL, Door
	5104 426AA	1	2, 6	L	11, 12, 14, 15, 16				[GKA]
		1	2, 6	L	51, 52, 54, 55, 56				[GKA]
		1	3, 7	L	16				[5AF+GKA]
3									PANEL, Front Door, Shell
	5135 988AA	1	2, 6	L	01, 02, 06				Right
		1	2, 6	L	11, 12, 14, 15, 16				Right
		1	2, 6	L	51, 52, 54, 55, 56				Right
		1	3, 7	L	02, 06				Right
		1	3, 7	L	12, 15, 16				Right
	5135 991AA	1	2, 6	L	01, 02, 06				Left
		1	2, 6	L	11, 12, 14, 15, 16				Left
		1	2, 6	L	51, 52, 54, 55, 56				Left
		1	3, 7	L	02, 06				Left
		1	3, 7	L	12, 15, 16				Left
4									HINGE, Door, Upper

Refer to Model Legend Information Bookmark

AR = Use as required - = Non illustrated part # = New this model year

March 3, 2006

Door, Front Shell and Hinges Figure DVA-110



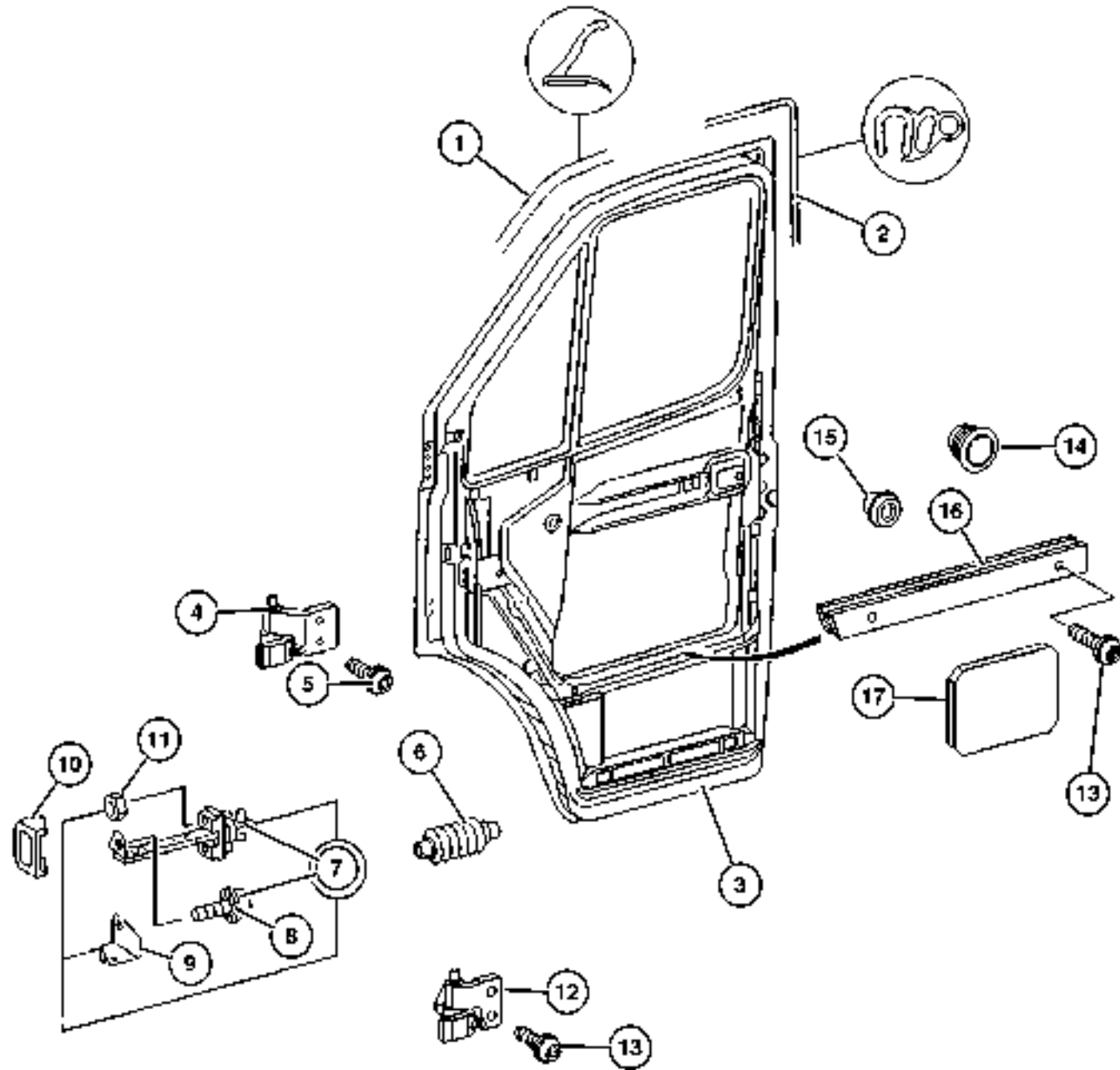
ITEM	PART NUMBER	QTY	LINE	SERIES	BODY	ENGINE	TRANS	TRIM	DESCRIPTION
	5104 321AA	1	2, 6	L	01, 02,				Left
		1	2, 6	L	06				
		1	2, 6	L	11, 12,				Left
					14, 15,				
					16				
		1	2, 6	L	51, 52,				Left
					54, 55,				
					56				
		1	3, 7	L	02, 06				Left
		1	3, 7	L	12, 15,				Left
					16				
	5104 324AA	1	2, 6	L	01, 02,				Right
		1	2, 6	L	06				
		1	2, 6	L	11, 12,				Right
					14, 15,				
					16				
		1	2, 6	L	51, 52,				Right
					54, 55,				
					56				
		1	3, 7	L	02, 06				Right
		1	3, 7	L	12, 15,				Right
					16				
5	5103 780AA	2	2, 6	L	01, 02,				SCREW
		2	2, 6	L	06				
		2	2, 6	L	11, 12,				
					14, 15,				
					16				
		2	2, 6	L	51, 52,				
					54, 55,				
					56				
		2	3, 7	L	02, 06				
		2	3, 7	L	12, 15,				
					16				
6	5125 915AA	2	2, 6	L	01, 02,				GROMMET, Door Wiring
		2	2, 6	L	06				
		2	2, 6	L	11, 12,				
					14, 15,				
					16				
		2	2, 6	L	51, 52,				
					54, 55,				
					56				
		2	3, 7	L	02, 06				

Refer to Model Legend Information Bookmark

AR = Use as required - = Non illustrated part # = New this model year

March 3, 2006

Door, Front Shell and Hinges
Figure DVA-110



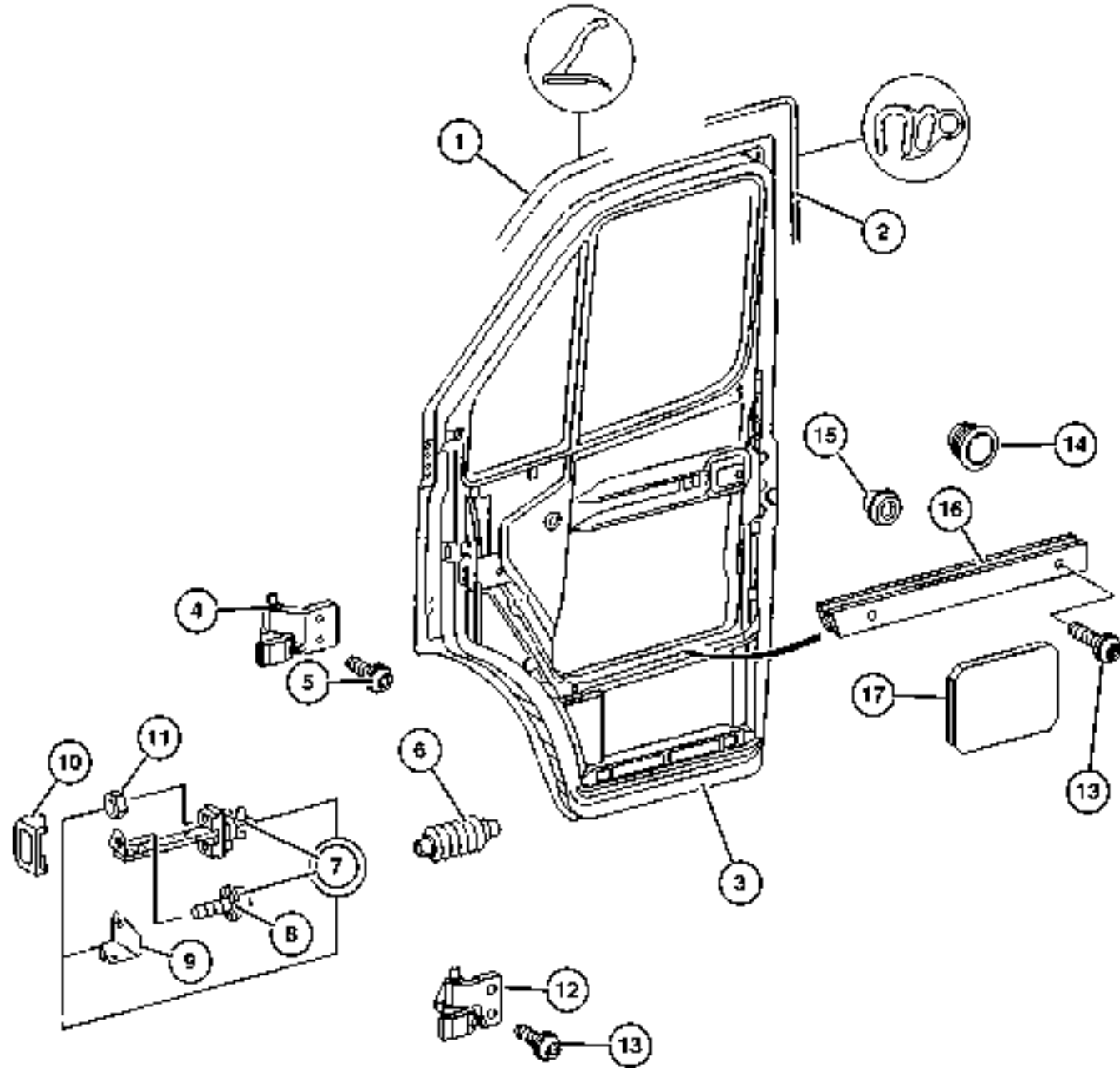
ITEM	PART NUMBER	QTY	LINE	SERIES	BODY	ENGINE	TRANS	TRIM	DESCRIPTION
		2	3, 7	L	12, 15,				
					16				
7	5104 338AA	1	2, 6	L	01, 02,				CHECK, Front Door Right
		1	2, 6	L	11, 12,				Right
		1	2, 6	L	14, 15,				
					16				
		1	2, 6	L	51, 52,				Right
					54, 55,				
					56				
		1	3, 7	L	02, 06				Right
		1	3, 7	L	12, 15,				Right
					16				
	5104 335AA	1	2, 6	L	01, 02,				Left
		1	2, 6	L	11, 12,				Left
					14, 15,				
					16				
		1	2, 6	L	51, 52,				Left
					54, 55,				
					56				
		1	3, 7	L	02, 06				Left
		1	3, 7	L	12, 15,				Left
					16				
8	5103 788AA	2	2, 6	L	01, 02,				SCREW
		2	2, 6	L	11, 12,				
					14, 15,				
					16				
		2	2, 6	L	51, 52,				
					54, 55,				
					56				
		2	3, 7	L	02, 06				
		2	3, 7	L	12, 15,				
					16				
9	5103 667AA	1	2, 6	L	01, 02,				BRACKET, Check Arm
		1	2, 6	L	11, 12,				
					14, 15,				
					16				

Refer to Model Legend Information Bookmark

AR = Use as required - = Non illustrated part # = New this model year

March 3, 2006

Door, Front Shell and Hinges
Figure DVA-110



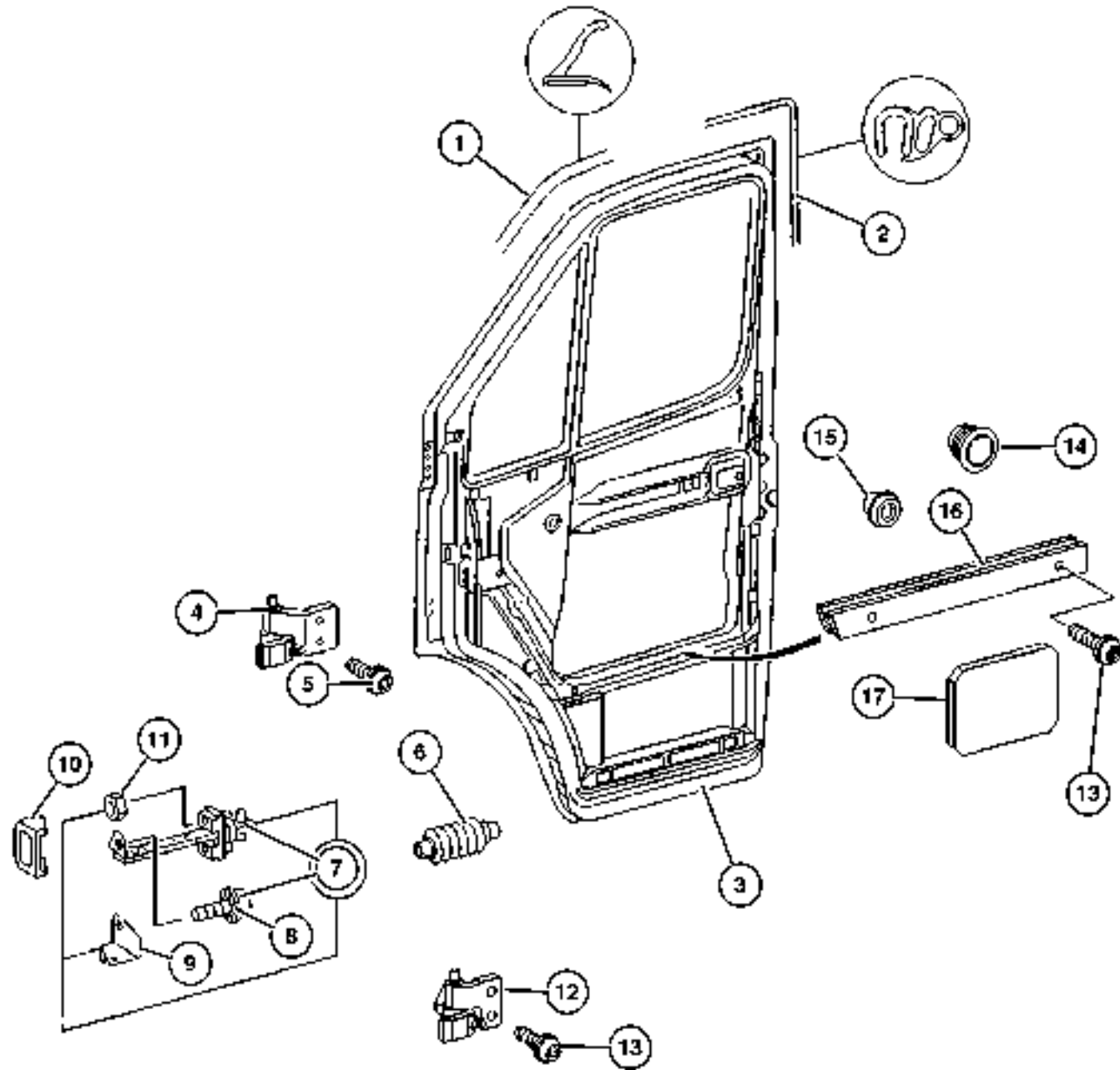
ITEM	PART NUMBER	QTY	LINE	SERIES	BODY	ENGINE	TRANS	TRIM	DESCRIPTION
		1	2, 6	L	51, 52,				
					54, 55,				
					56				
		1	3, 7	L	02, 06				
		1	3, 7	L	12, 15,				
					16				
10	5123 750AA	1	2, 6	L	01, 02,				SEAL, Front Door
					06				
		1	2, 6	L	11, 12,				
					14, 15,				
					16				
		1	2, 6	L	51, 52,				
					54, 55,				
					56				
		1	3, 7	L	02, 06				
		1	3, 7	L	12, 15,				
					16				
11	6104 708AA	4	2, 6	L	11, 12,				NUT, Hex, M6
					14, 15,				[GKE]
					16				
		4	2, 6	L	51, 52,				[GKE]
					54, 55,				
					56				
		1	2, 6	L	01, 02,				
					06				
		4	3, 7	L	12, 15,				[GKE]
					16				
		2	3, 7	L	02, 06				
12	5127 220AA	1	2, 6	L	01, 02,				HINGE, Door, Lower
					06				Right
		1	2, 6	L	11, 12,				Right
					14, 15,				
					16				
		1	2, 6	L	51, 52,				Right
					54, 55,				
					56				
		1	3, 7	L	02, 06				Right
		1	3, 7	L	12, 15,				Right
					16				
	5127 221AA	1	2, 6	L	01, 02,				Left
					06				

Refer to Model Legend Information Bookmark

AR = Use as required - = Non illustrated part # = New this model year

March 3, 2006

Door, Front Shell and Hinges
Figure DVA-110



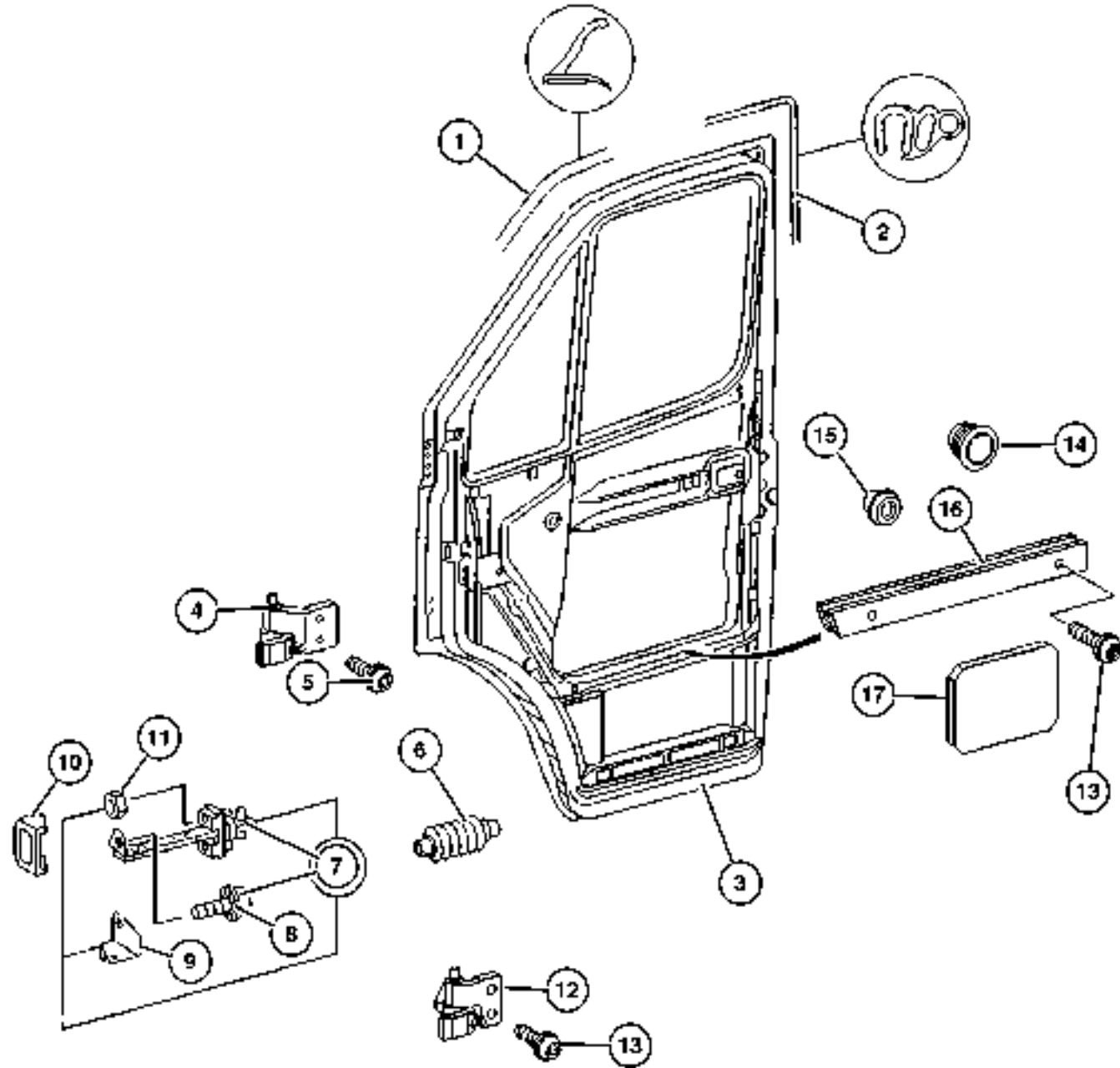
ITEM	PART NUMBER	QTY	LINE	SERIES	BODY	ENGINE	TRANS	TRIM	DESCRIPTION
		1	2, 6	L	11, 12,				Left
					14, 15,				
					16				
		1	2, 6	L	51, 52,				Left
					54, 55,				
					56				
		1	3, 7	L	02, 06				Left
		1	3, 7	L	12, 15,				Left
					16				
13									SCREW
	5103 781AA	2	2, 6	L	01, 02,				
					06				
		2	2, 6	L	11, 12,				
					14, 15,				
					16				
		2	2, 6	L	51, 52,				
					54, 55,				
					56				
		2	3, 7	L	02, 06				
		2	3, 7	L	12, 15,				
					16				
14									PLUG, Door
	5125 508AA	1	2, 6	L	11, 12,				[GKE]
					14, 15,				
					16				
		1	2, 6	L	51, 52,				[GKE]
					54, 55,				
					56				
		1	3, 7	L	12, 15,				[GKE]
					16				
15									PLUG, Expansion
	5133 514AA	1	2, 6	L	01, 02,				
					06				
		1	2, 6	L	11, 12,				
					14, 15,				
					16				
		1	2, 6	L	51, 52,				
					54, 55,				
					56				
		1	3, 7	L	02, 06				
		1	3, 7	L	12, 15,				
					16				
16									REINFORCEMENT, Door Inner

Refer to Model Legend Information Bookmark

AR = Use as required - = Non illustrated part # = New this model year

March 3, 2006

Door, Front Shell and Hinges
Figure DVA-110



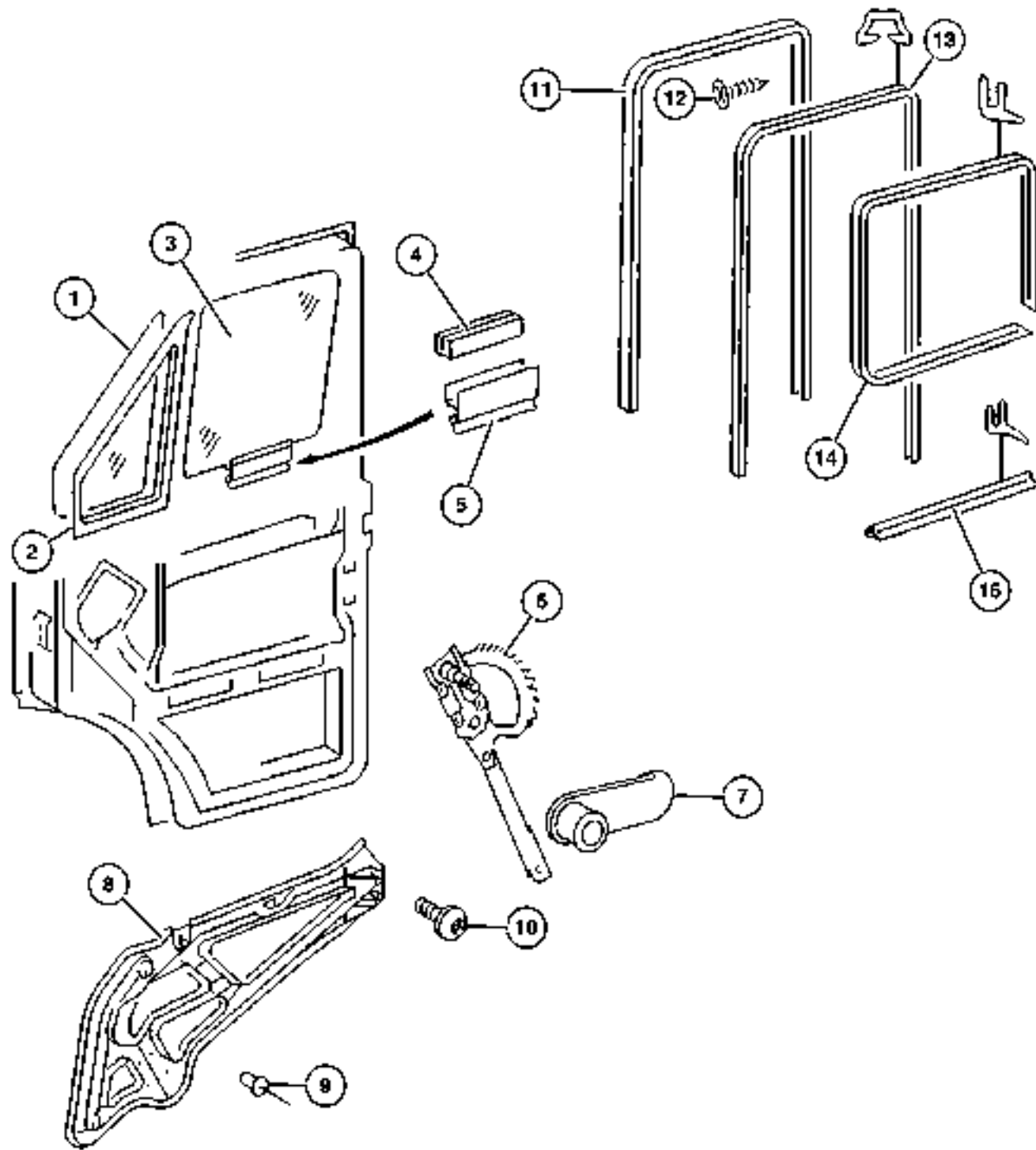
ITEM	PART NUMBER	QTY	LINE	SERIES	BODY	ENGINE	TRANS	TRIM	DESCRIPTION
	5123 683AA	1	2, 6	L	11, 12,				Left
		1	2, 6	L	14, 15,				Left
		1	2, 6	L	16				Left
		1	3, 7	L	51, 52,				Left
		1	3, 7	L	54, 55,				Left
		1	3, 7	L	56				Left
	5123 684AA	1	2, 6	L	12, 15,				Right
		1	2, 6	L	16				Right
		1	2, 6	L	11, 12,				Right
		1	2, 6	L	14, 15,				Right
		1	2, 6	L	16				Right
		1	3, 7	L	51, 52,				Right
		1	3, 7	L	54, 55,				Right
		1	3, 7	L	56				Right
17					12, 15,				Right
					16				Right
	5122 515AA	2	2, 6	L	01, 02,				SHIELD, Door
		2	2, 6	L	06				[HGM]
		2	2, 6	L	11, 12,				[HGM]
		2	2, 6	L	14, 15,				[HGM]
		2	2, 6	L	16				[HGM]
		2	2, 6	L	51, 52,				[HGM]
		2	2, 6	L	54, 55,				[HGM]
		2	2, 6	L	56				[HGM]
		2	3, 7	L	02, 06				[HGM]
		2	3, 7	L	12, 15,				[HGM]
					16				[HGM]

Refer to Model Legend Information Bookmark

AR = Use as required - = Non illustrated part # = New this model year

March 3, 2006

**Door, Front Glass and Regulator Handle
Figure DVA-120**



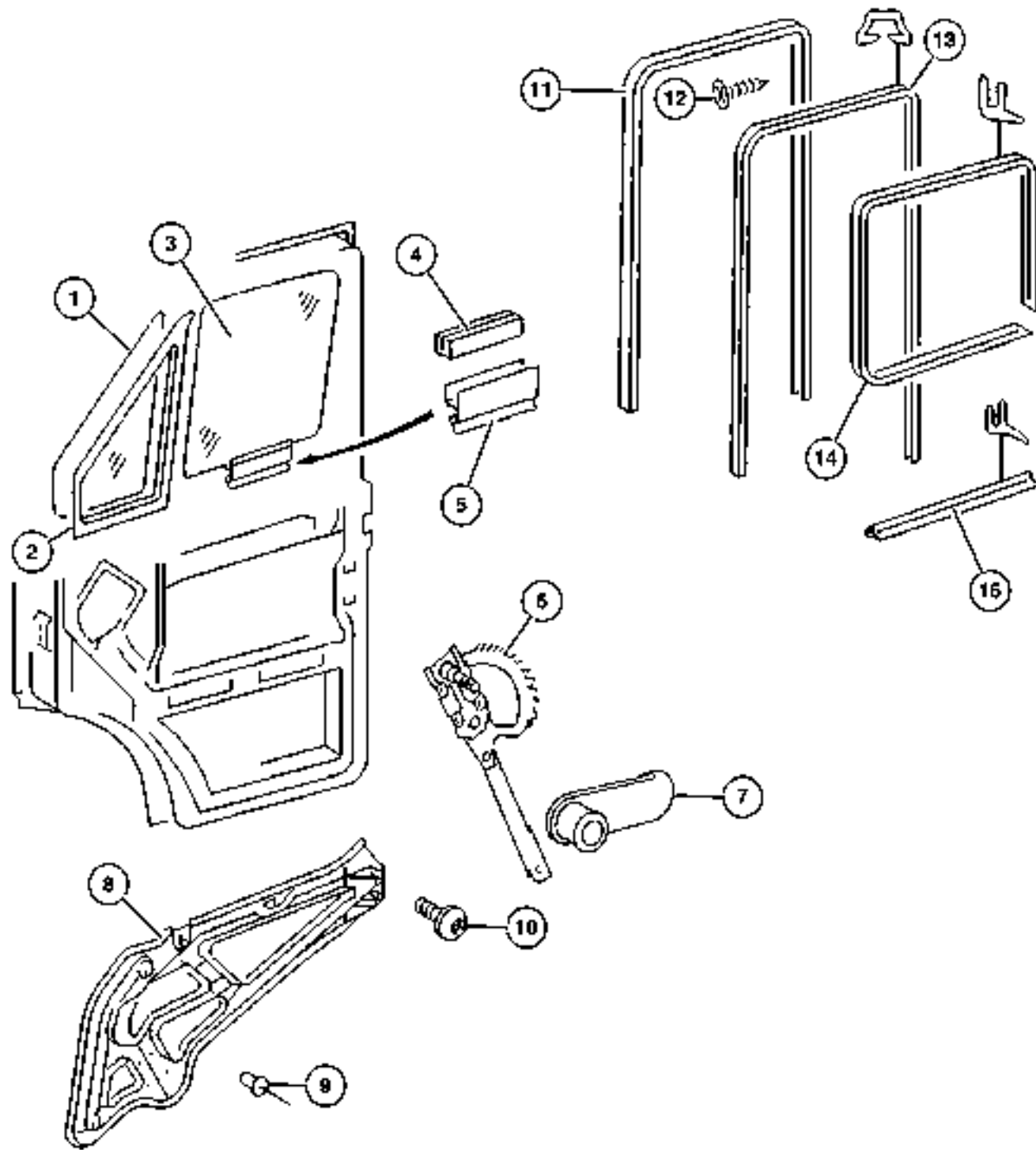
ITEM	PART NUMBER	QTY	LINE	SERIES	BODY	ENGINE	TRANS	TRIM	DESCRIPTION
1									GLASS, Front Door Vent
	5104 352AA	1	2, 6	L	01, 02, 06				Left
		1	2, 6	L	11, 12, 14, 15, 16				Left
		1	2, 6	L	51, 52, 54, 55, 56				Left
		1	3, 7	L	02, 06				Left
		1	3, 7	L	12, 15, 16				Left
	5104 353AA	1	2, 6	L	01, 02, 06				Right
		1	2, 6	L	11, 12, 14, 15, 16				Right
		1	2, 6	L	51, 52, 54, 55, 56				Right
		1	3, 7	L	02, 06				Right
		1	3, 7	L	12, 15, 16				Right
2									WEATHERSTRIP
	5104 348AA	1	2, 6	L	01, 02, 06				Left
		1	2, 6	L	11, 12, 14, 15, 16				Left
		1	2, 6	L	51, 52, 54, 55, 56				Left
		1	3, 7	L	02, 06				Left
		1	3, 7	L	12, 15, 16				Left
	5104 350AA	1	2, 6	L	01, 02, 06				Right
		1	2, 6	L	11, 12, 14, 15, 16				Right
		1	2, 6	L	51, 52, 54, 55, 56				Right
		1	3, 7	L	02, 06				Right

Refer to Model Legend Information Bookmark

AR = Use as required - = Non illustrated part # = New this model year

March 3, 2006

Door, Front Glass and Regulator Handle
Figure DVA-120



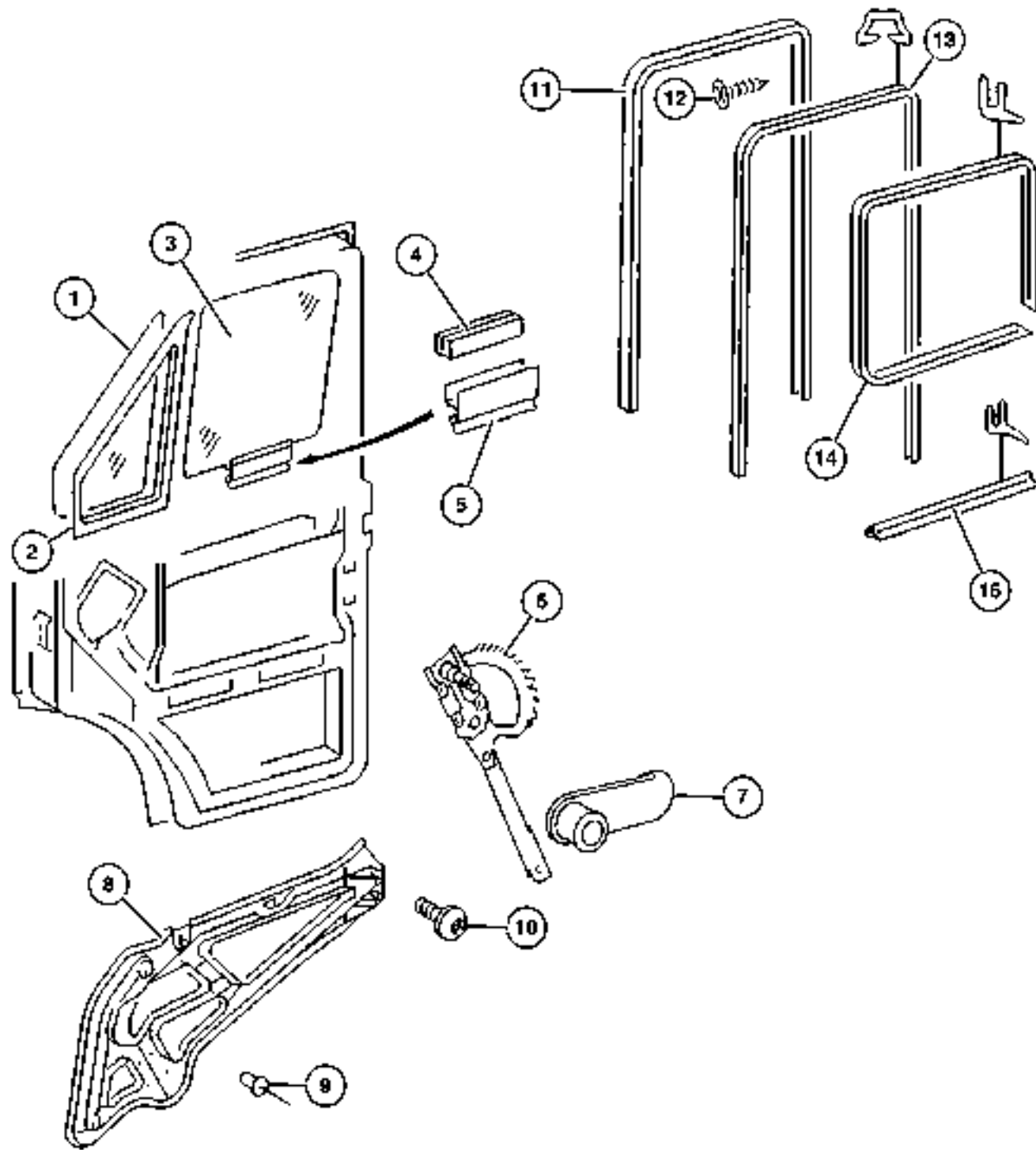
ITEM	PART NUMBER	QTY	LINE	SERIES	BODY	ENGINE	TRANS	TRIM	DESCRIPTION
		1	3, 7	L	12, 15, 16				Right
3	5104 334AA	1	2, 6	L	01, 02, 06				GLASS, Front Door Left
		1	2, 6	L	11, 12, 14, 15, 16				Left
		1	2, 6	L	51, 52, 54, 55, 56				Left
		1	3, 7	L	02, 06				Left
		1	3, 7	L	12, 15, 16				Left
	5104 336AA	1	2, 6	L	01, 02, 06				Right
		1	2, 6	L	11, 12, 14, 15, 16				Right
		1	2, 6	L	51, 52, 54, 55, 56				Right
		1	3, 7	L	02, 06				Right
		1	3, 7	L	12, 15, 16				Right
4									WEATHERSTRIP, Glass Channel Run
	5103 783AA	1	2, 6	L	01, 02, 06				
		1	2, 6	L	11, 12, 14, 15, 16				
		1	2, 6	L	51, 52, 54, 55, 56				
		1	3, 7	L	02, 06				
		1	3, 7	L	12, 15, 16				
5									CHANNEL, Glass Run Lower
	5104 029AA	1	2, 6	L	01, 02, 06				
		1	2, 6	L	11, 12, 14, 15, 16				

Refer to Model Legend Information Bookmark

AR = Use as required - = Non illustrated part # = New this model year

March 3, 2006

Door, Front Glass and Regulator Handle
Figure DVA-120



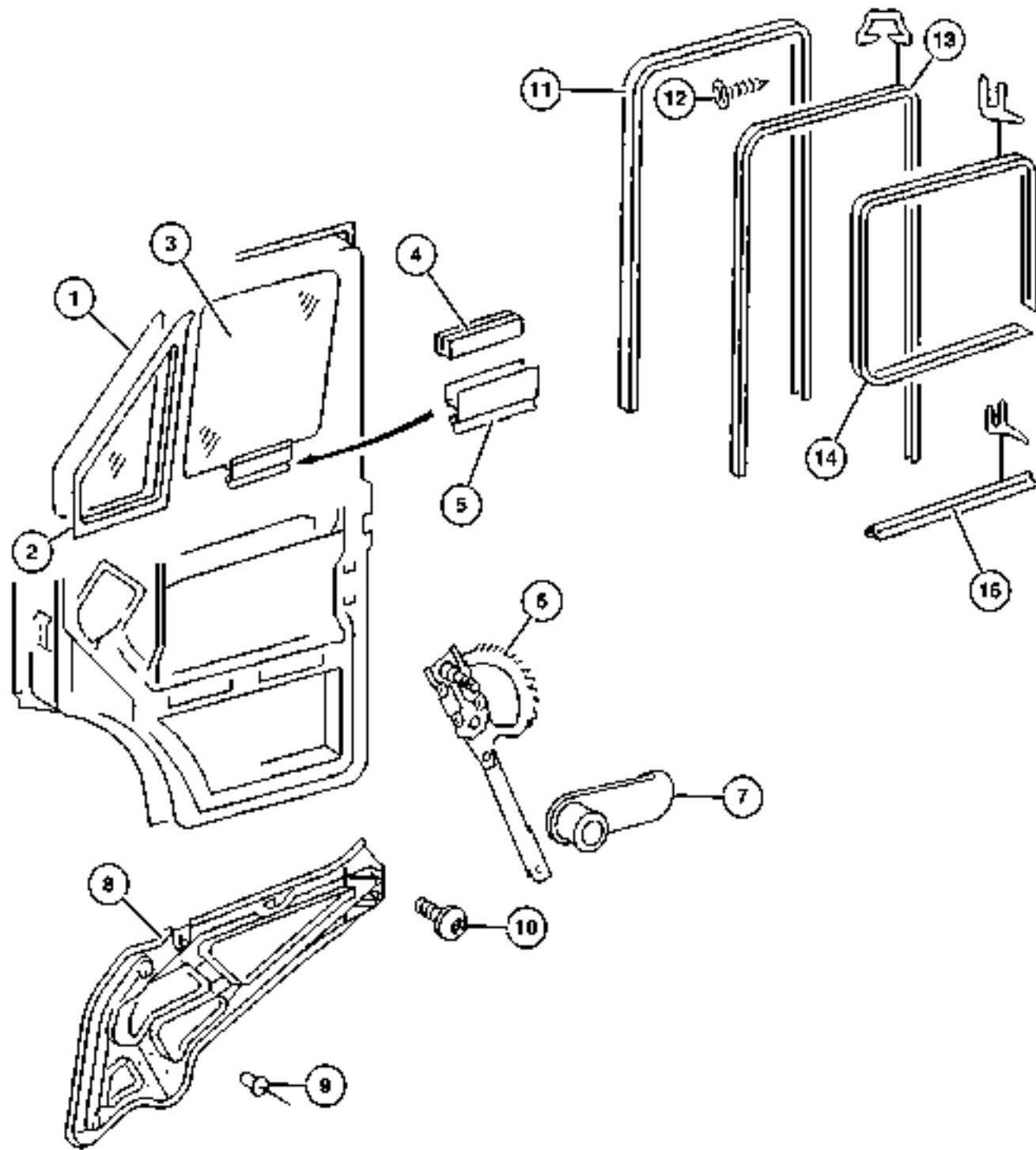
ITEM	PART NUMBER	QTY	LINE	SERIES	BODY	ENGINE	TRANS	TRIM	DESCRIPTION
		1	2, 6	L	51, 52, 54, 55, 56				
		1	3, 7	L	02, 06				
		1	3, 7	L	12, 15, 16				
6	5104 343AA	1	2, 6	L	01, 02, 06				REGULATOR, Front Door Window Left
		1	2, 6	L	11, 12, 14, 15, 16				Left
		1	2, 6	L	51, 52, 54, 55, 56				Left
		1	3, 7	L	02, 06				Left
		1	3, 7	L	12, 15, 16				Left
	5104 345AA	1	2, 6	L	01, 02, 06				[JPA], Left
		1	2, 6	L	11, 12, 14, 15, 16				[JPA], Left
		1	2, 6	L	51, 52, 54, 55, 56				[JPA], Left
		1	3, 7	L	02, 06				[JPA], Left
		1	3, 7	L	12, 15, 16				[JPA], Left
	5104 346AA	1	2, 6	L	01, 02, 06				[JPA], Right
		1	2, 6	L	11, 12, 14, 15, 16				[JPA], Right
		1	2, 6	L	51, 52, 54, 55, 56				[JPA], Right
		1	3, 7	L	02, 06				[JPA], Right
		1	3, 7	L	12, 15, 16				[JPA], Right
	5123 727AA	1	2, 6	L	01, 02, 06				Right
		1	2, 6	L	11, 12, 14, 15, 16				Right

Refer to Model Legend Information Bookmark

AR = Use as required - = Non illustrated part # = New this model year

March 3, 2006

Door, Front Glass and Regulator Handle
Figure DVA-120



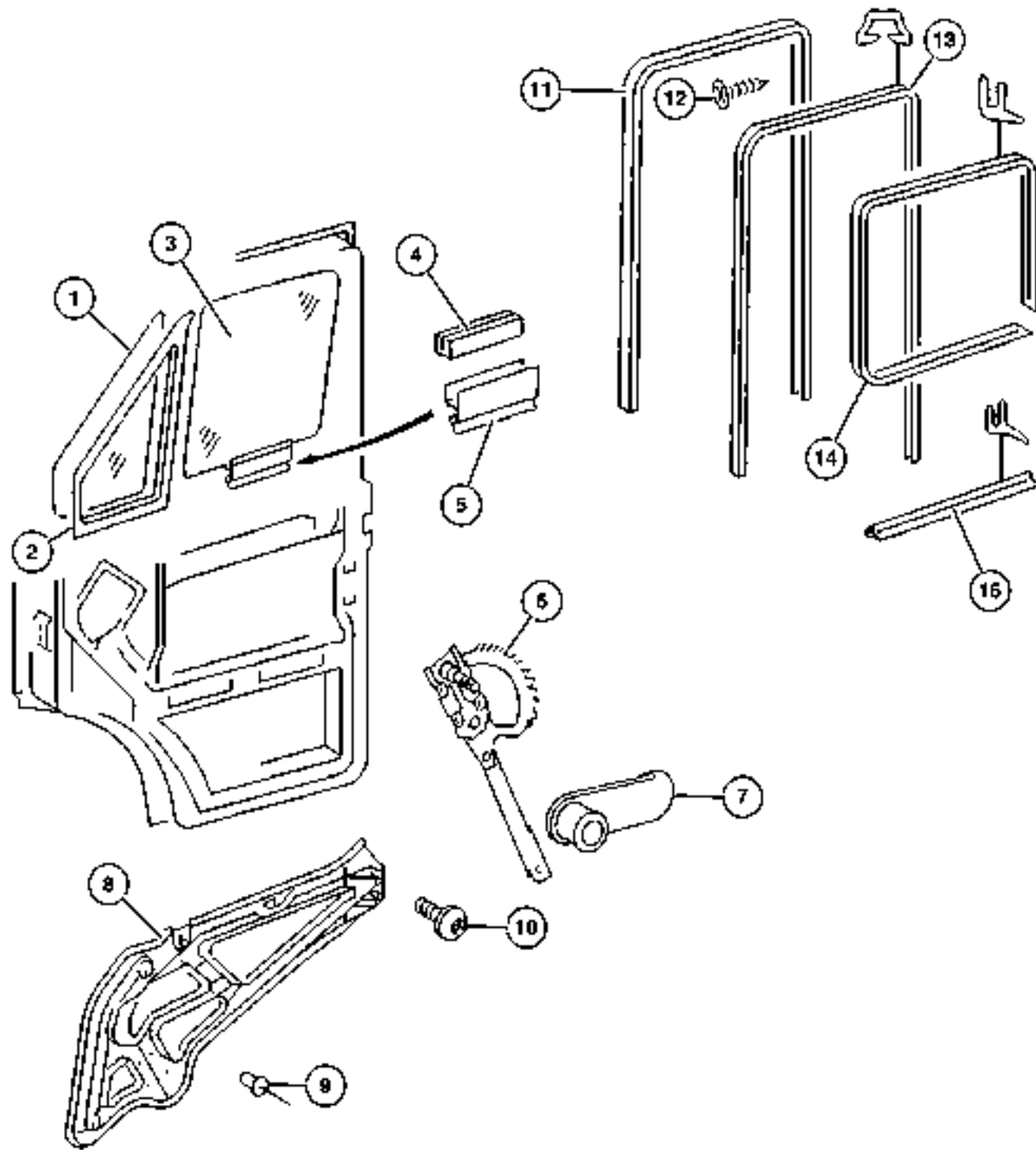
ITEM	PART NUMBER	QTY	LINE	SERIES	BODY	ENGINE	TRANS	TRIM	DESCRIPTION
		1	2, 6	L	51, 52, 54, 55, 56				Right
		1	3, 7	L	02, 06				Right
		1	3, 7	L	12, 15, 16				Right
7	1AR23 CSSAA	1	2, 6	L	01, 02, 06				HANDLE, Window Regulator
		1	2, 6	L	11, 12, 14, 15, 16				
		1	2, 6	L	51, 52, 54, 55, 56				
		1	3, 7	L	02, 06				
		1	3, 7	L	12, 15, 16				
8	5123 685AA	1	2, 6	L	01, 02, 06				BRACKET, Door Inside Left
		1	2, 6	L	11, 12, 14, 15, 16				Left
		1	2, 6	L	51, 52, 54, 55, 56				Left
		1	3, 7	L	02, 06				Left
		1	3, 7	L	12, 15, 16				Left
	5123 686AA	1	2, 6	L	01, 02, 06				Right
		1	2, 6	L	11, 12, 14, 15, 16				Right
		1	2, 6	L	51, 52, 54, 55, 56				Right
		1	3, 7	L	02, 06				Right
		1	3, 7	L	12, 15, 16				Right
9	5103 838AA	4	2, 6	L	01, 02, 06				RIVET

Refer to Model Legend Information Bookmark

AR = Use as required - = Non illustrated part # = New this model year

March 3, 2006

Door, Front Glass and Regulator Handle
Figure DVA-120



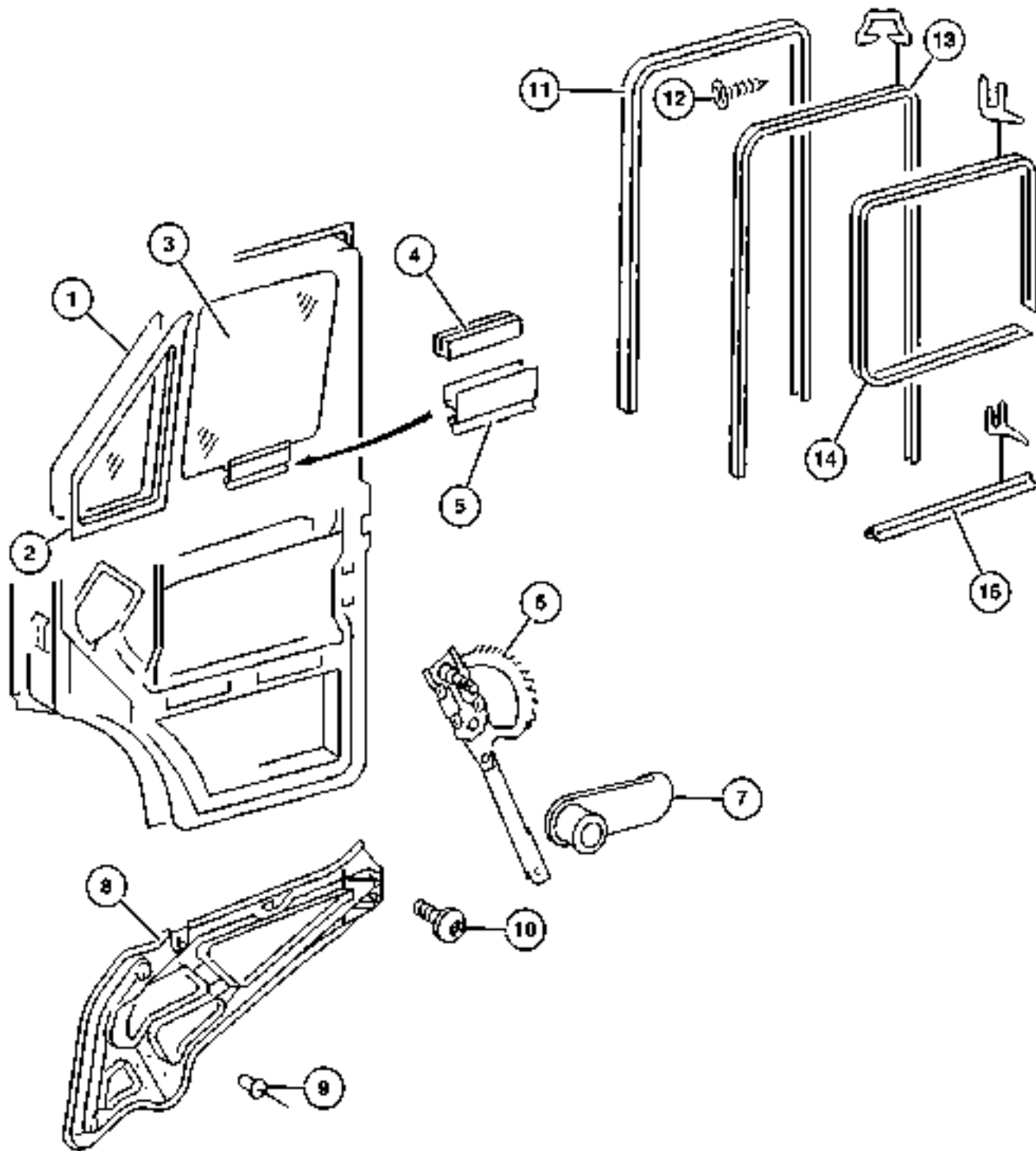
ITEM	PART NUMBER	QTY	LINE	SERIES	BODY	ENGINE	TRANS	TRIM	DESCRIPTION
		4	2, 6	L	11, 12,				
					14, 15,				
					16				
		4	2, 6	L	51, 52,				
					54, 55,				
					56				
		4	3, 7	L	02, 06				
		4	3, 7	L	12, 15,				
					16				
10	5125 421AA	4	2, 6	L	01, 02,				SCREW
					06				
		4	2, 6	L	11, 12,				
					14, 15,				
					16				
		4	2, 6	L	51, 52,				
					54, 55,				
					56				
		4	3, 7	L	02, 06				
		4	3, 7	L	12, 15,				
					16				
11	5104 351AA	1	2, 6	L	01, 02,				FRAME, Door Glass
					06				Right
		1	2, 6	L	11, 12,				
					14, 15,				
					16				
		1	2, 6	L	51, 52,				Right
					54, 55,				
					56				
		1	3, 7	L	02, 06				Right
		1	3, 7	L	12, 15,				Right
					16				
	5123 785AA	1	2, 6	L	01, 02,				Left
					06				
		1	2, 6	L	11, 12,				Left
					14, 15,				
					16				
		1	2, 6	L	51, 52,				Left
					54, 55,				
					56				
		1	3, 7	L	02, 06				Left
		1	3, 7	L	12, 15,				Left
					16				
12									SCREW, Tapping

Refer to Model Legend Information Bookmark

AR = Use as required - = Non illustrated part # = New this model year

March 3, 2006

Door, Front Glass and Regulator Handle
Figure DVA-120



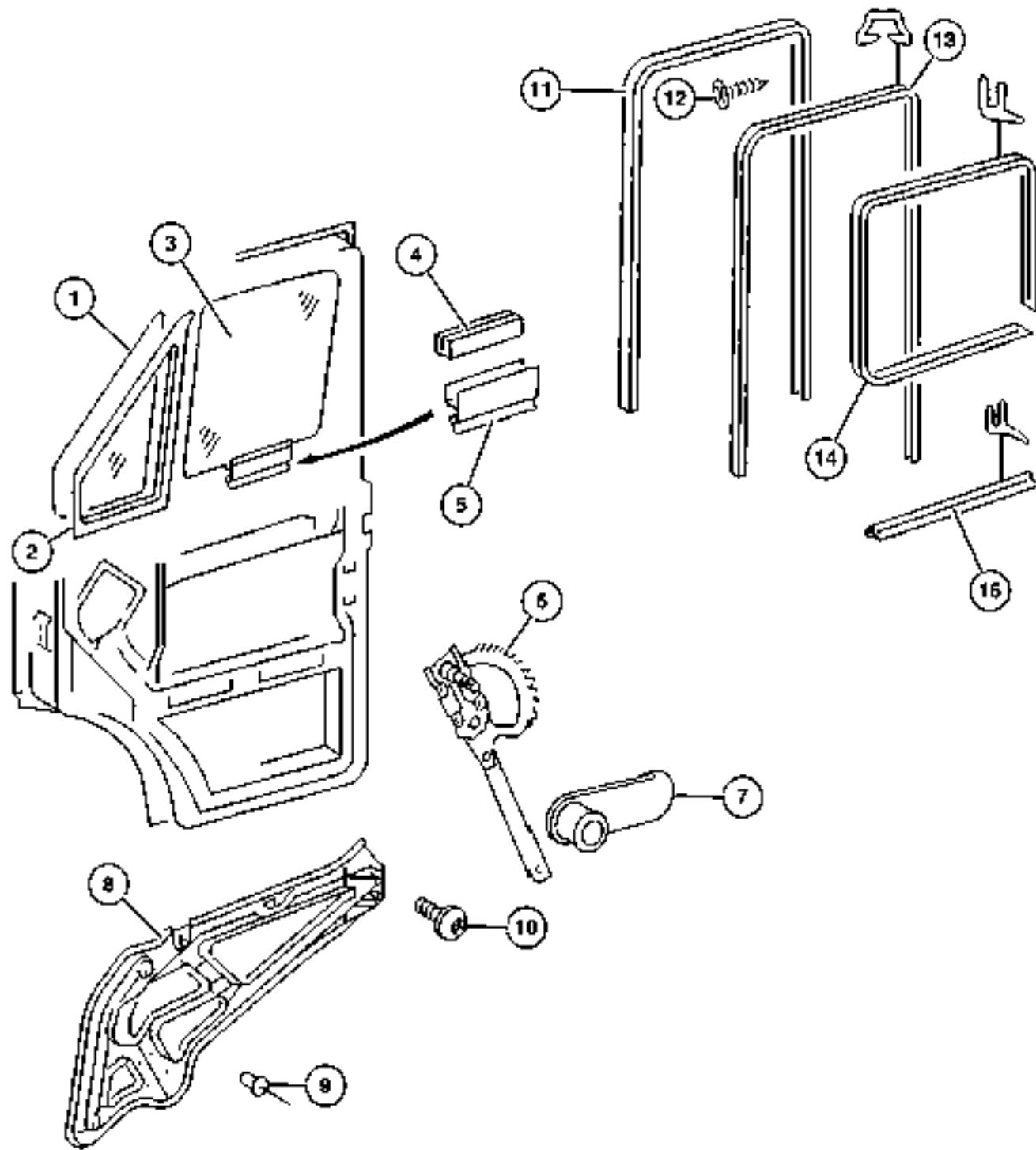
ITEM	PART NUMBER	QTY	LINE	SERIES	BODY	ENGINE	TRANS	TRIM	DESCRIPTION
	5133 513AA	8	2, 6	L	01, 02,				
		8	2, 6	L	06				
		8	2, 6	L	11, 12,				
		8	2, 6	L	14, 15,				
		8	2, 6	L	16				
		8	3, 7	L	51, 52,				
		8	3, 7	L	54, 55,				
		8	3, 7	L	56				
13					02, 06				
					12, 15,				
					16				WEATHERSTRIP, Glass Channel Run
	5123 782AA	1	2, 6	L	01, 02,				
		1	2, 6	L	06				
		1	2, 6	L	11, 12,				
		1	2, 6	L	14, 15,				
		1	2, 6	L	16				
		1	3, 7	L	51, 52,				
		1	3, 7	L	54, 55,				
		1	3, 7	L	56				
		1	3, 7	L	02, 06				
		1	3, 7	L	12, 15,				
		1	3, 7	L	16				
14									
	5123 780AA	1	2, 6	L	01, 02,				
		1	2, 6	L	06				
		1	2, 6	L	11, 12,				
		1	2, 6	L	14, 15,				
		1	2, 6	L	16				
		1	2, 6	L	51, 52,				
		1	2, 6	L	54, 55,				
		1	2, 6	L	56				
		1	3, 7	L	02, 06				
		1	3, 7	L	12, 15,				
		1	3, 7	L	16				
15									
									WEATHERSTRIP, Sill Front
									Secondary
	5123 775AA	1	2, 6	L	01, 02,				
		1	2, 6	L	06				
		1	2, 6	L	11, 12,				
		1	2, 6	L	14, 15,				
		1	2, 6	L	16				

Refer to Model Legend Information Bookmark

AR = Use as required - = Non illustrated part # = New this model year

March 3, 2006

Door, Front Glass and Regulator Handle
Figure DVA-120



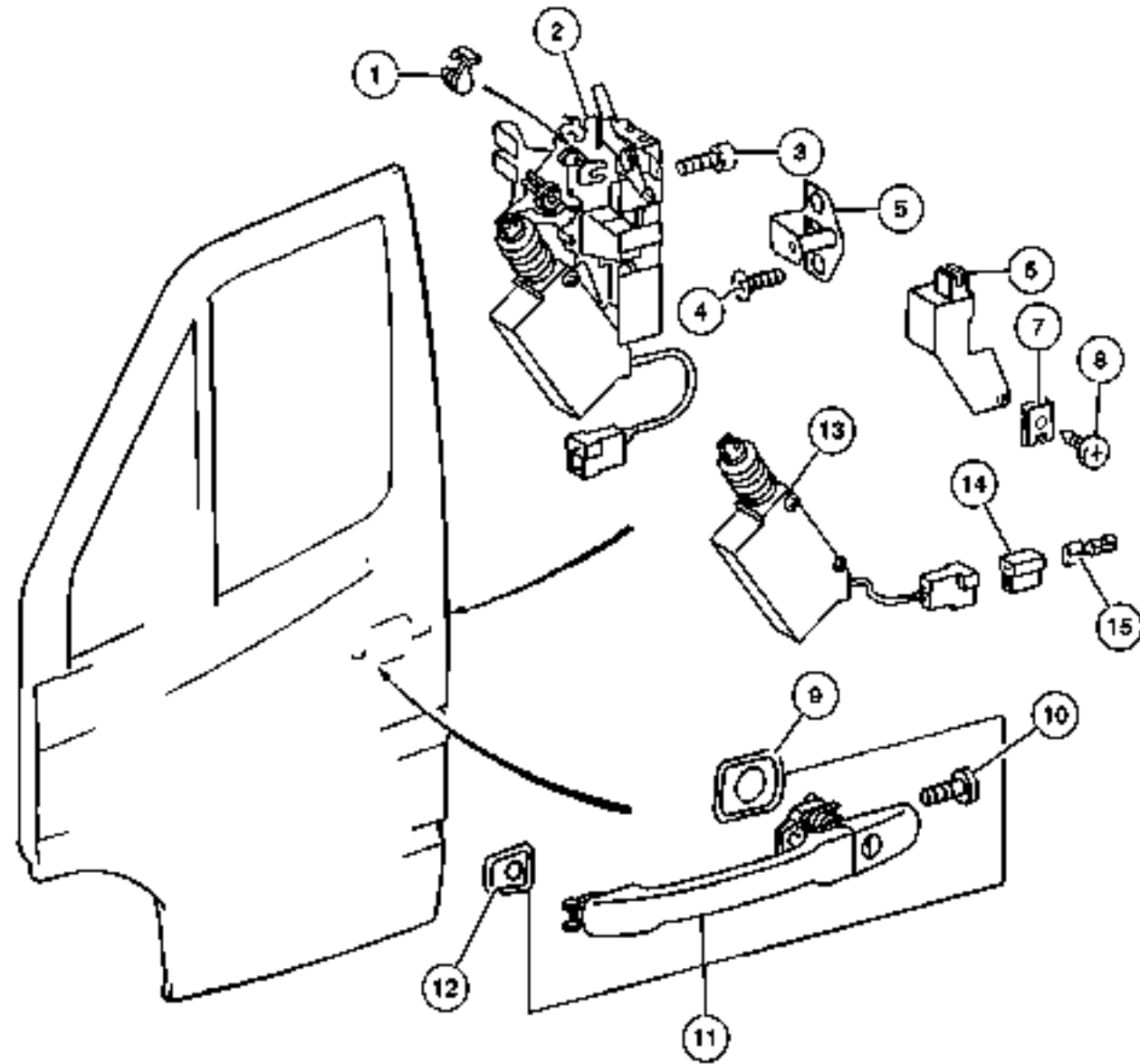
ITEM	PART NUMBER	QTY	LINE	SERIES	BODY	ENGINE	TRANS	TRIM	DESCRIPTION
		1	2, 6	L	51, 52, 54, 55, 56				
		1	3, 7	L	02, 06				
		1	3, 7	L	12, 15, 16				

Refer to Model Legend Information Bookmark

AR = Use as required - = Non illustrated part # = New this model year

March 3, 2006

Door, Front Exterior Handle and Links Figure DVA-130



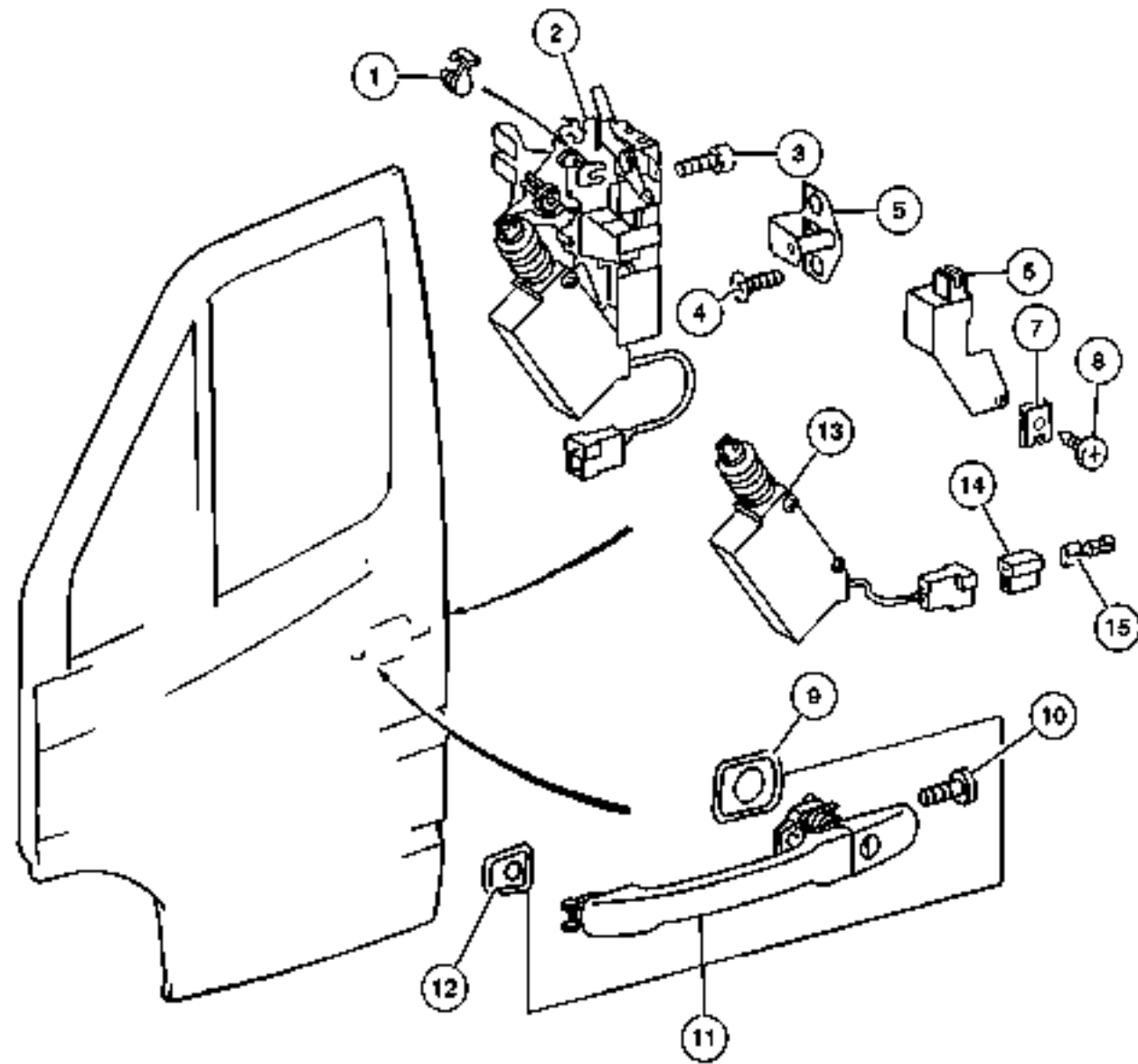
ITEM	PART NUMBER	QTY	LINE	SERIES	BODY	ENGINE	TRANS	TRIM	DESCRIPTION
1	CONNECTOR, Solenoid								
	5103 674AA	1	2, 6	L	01, 02, 06				
		1	2, 6	L	11, 12, 14, 15, 16				
		1	2, 6	L	51, 52, 54, 55, 56				
		1	3, 7	L	02, 06				
		1	3, 7	L	12, 15, 16				
2	LATCH, Front Door								
	5123 700AA	1	2, 6	L	01, 02, 06				
		1	2, 6	L	11, 12, 14, 15, 16				
		1	2, 6	L	51, 52, 54, 55, 56				
		1	3, 7	L	02, 06				
		1	3, 7	L	12, 15, 16				
3	SCREW								
	5103 723AA	3	2, 6	L	01, 02, 06				
		3	2, 6	L	11, 12, 14, 15, 16				
		3	2, 6	L	51, 52, 54, 55, 56				
		3	3, 7	L	02, 06				
		3	3, 7	L	12, 15, 16				
4	SCREW								
	5103 715AA	2	2, 6	L	01, 02, 06				
		2	2, 6	L	11, 12, 14, 15, 16				
		2	2, 6	L	51, 52, 54, 55, 56				

Refer to Model Legend Information Bookmark

AR = Use as required - = Non illustrated part # = New this model year

March 3, 2006

Door, Front Exterior Handle and Links
Figure DVA-130



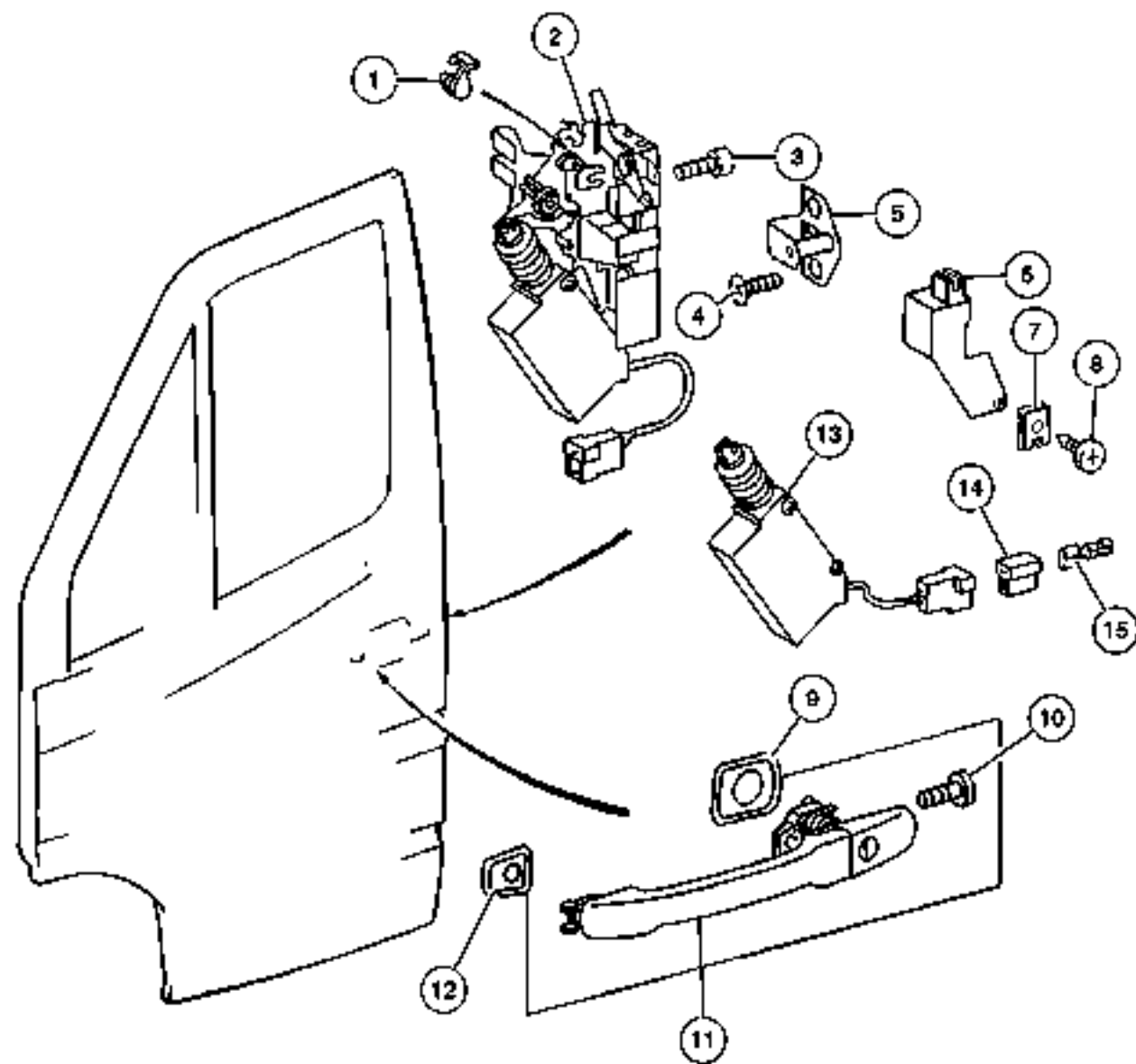
ITEM	PART NUMBER	QTY	LINE	SERIES	BODY	ENGINE	TRANS	TRIM	DESCRIPTION
		2	3, 7	L	02, 06				
		2	3, 7	L	12, 15, 16				
5	5104 330AA	1	2, 6	L	01, 02, 06				STRIKER
		1	2, 6	L	11, 12, 14, 15, 16				
		1	2, 6	L	51, 52, 54, 55, 56				
		1	3, 7	L	02, 06				
6	5123 764AA	1	3, 7	L	12, 15, 16				COVER, Lock Housing
		1	2, 6	L	01, 02, 06				
		1	2, 6	L	11, 12, 14, 15, 16				
		1	2, 6	L	51, 52, 54, 55, 56				
		1	3, 7	L	02, 06				
7	5125 858AA	1	3, 7	L	12, 15, 16				CLIP, U Type
		1	2, 6	L	01, 02, 06				
		1	2, 6	L	11, 12, 14, 15, 16				
		1	2, 6	L	51, 52, 54, 55, 56				
		1	3, 7	L	02, 06				
8	5126 095AA	1	3, 7	L	12, 15, 16				SCREW, Tapping
		1	2, 6	L	01, 02, 06				
		1	2, 6	L	11, 12, 14, 15, 16				

Refer to Model Legend Information Bookmark

AR = Use as required - = Non illustrated part # = New this model year

March 3, 2006

Door, Front Exterior Handle and Links
Figure DVA-130



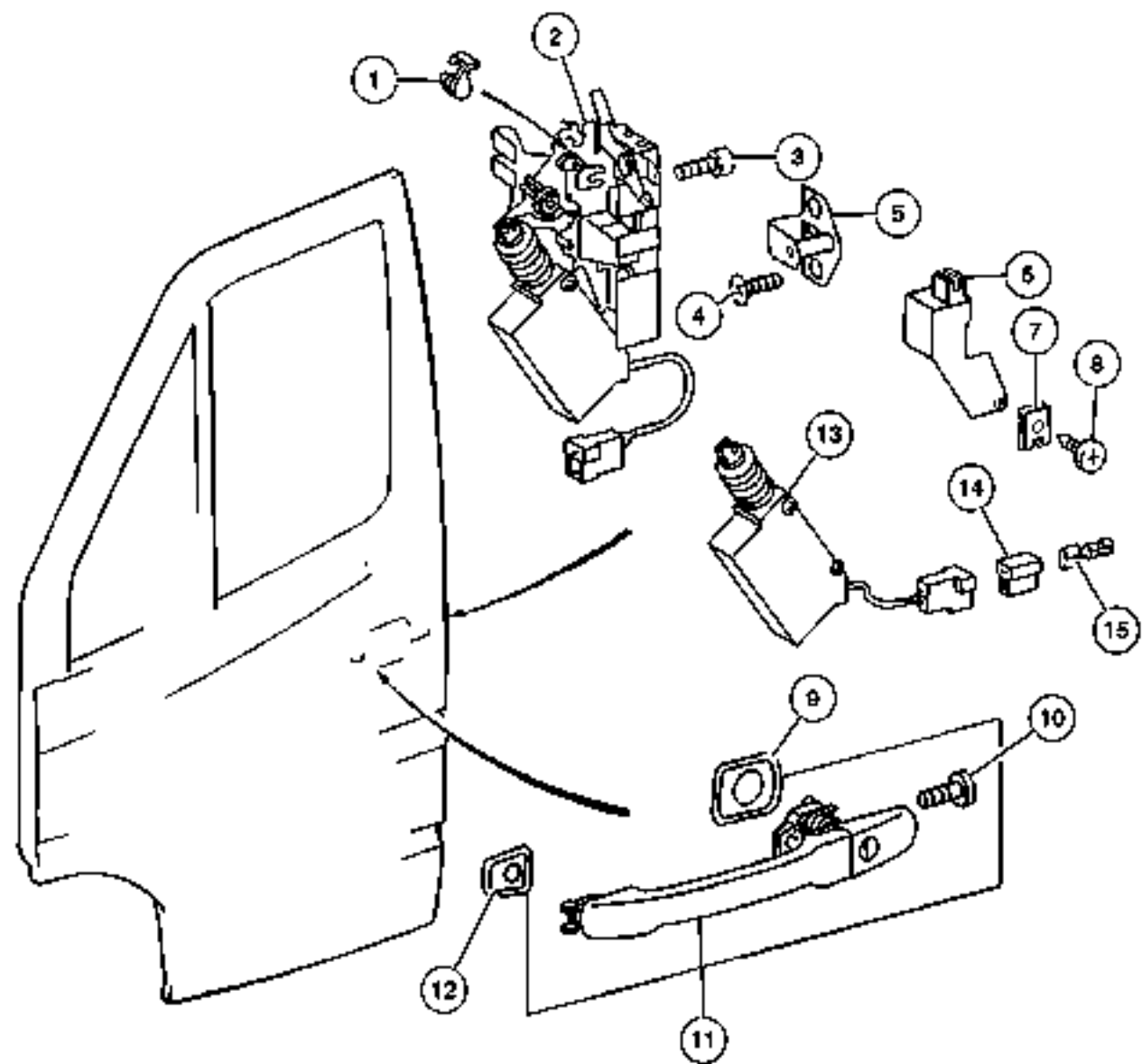
ITEM	PART NUMBER	QTY	LINE	SERIES	BODY	ENGINE	TRANS	TRIM	DESCRIPTION
		1	2, 6	L	51, 52, 54, 55, 56				
		1	3, 7	L	02, 06				
		1	3, 7	L	12, 15, 16				
9	5103 673AA	1	2, 6	L	01, 02, 06				PAD
		1	2, 6	L	11, 12, 14, 15, 16				
		1	2, 6	L	51, 52, 54, 55, 56				
		1	3, 7	L	02, 06				
		1	3, 7	L	12, 15, 16				
10	5125 414AA	1	2, 6	L	01, 02, 06				SCREW, Front Door Handle
		1	2, 6	L	11, 12, 14, 15, 16				
		1	2, 6	L	51, 52, 54, 55, 56				
		1	3, 7	L	02, 06				
		1	3, 7	L	12, 15, 16				
11	5124 094AA	1	2, 6	L	01, 02, 06				HANDLE, Front Door Right & Left
		1	2, 6	L	11, 12, 14, 15, 16				Right & Left
		1	2, 6	L	51, 52, 54, 55, 56				Right & Left
		1	3, 7	L	02, 06				Right & Left
		1	3, 7	L	12, 15, 16				Right & Left
12	5103 672AA	1	2, 6	L	01, 02, 06				PAD

Refer to Model Legend Information Bookmark

AR = Use as required - = Non illustrated part # = New this model year

March 3, 2006

Door, Front Exterior Handle and Links
Figure DVA-130



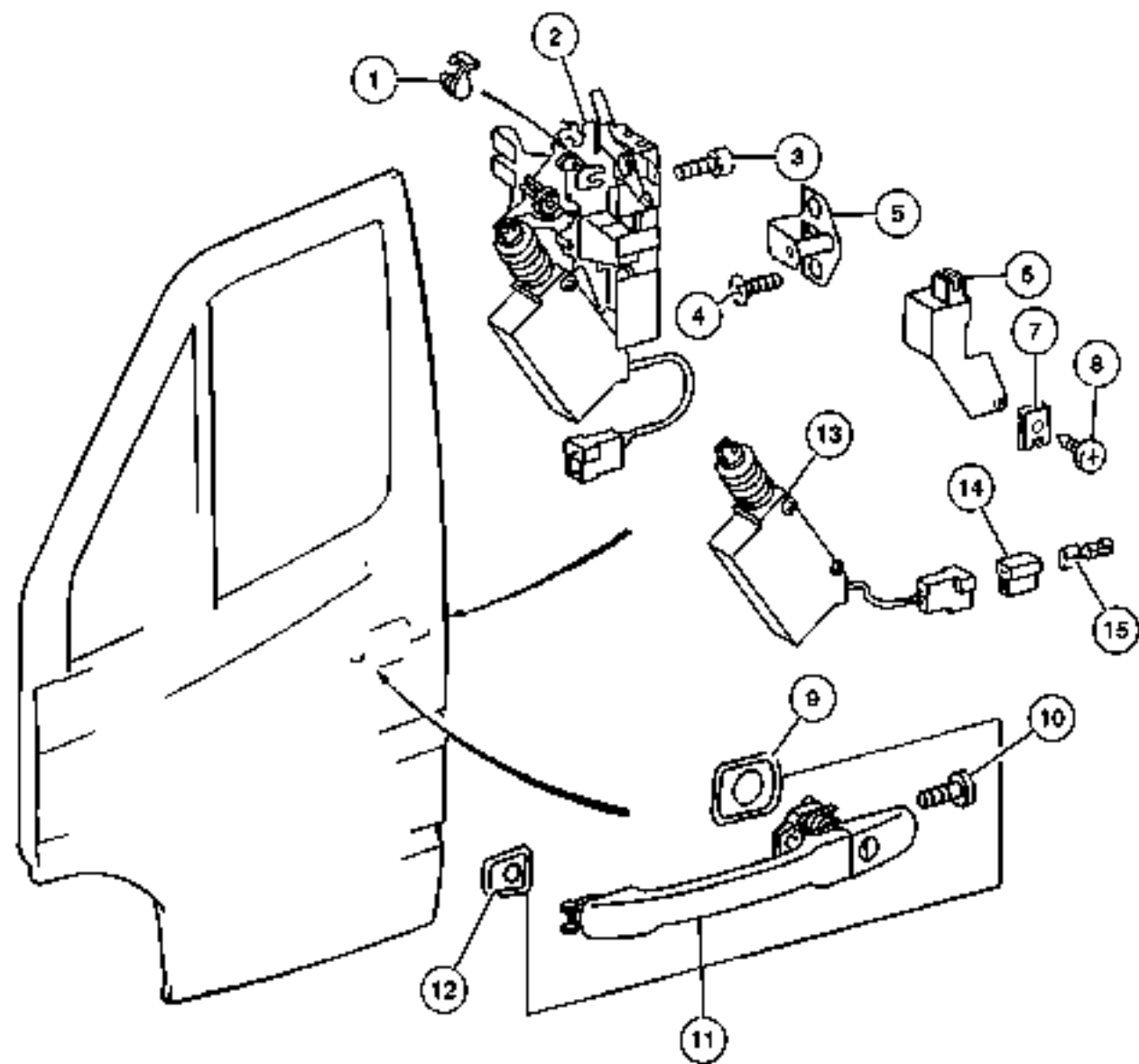
ITEM	PART NUMBER	QTY	LINE	SERIES	BODY	ENGINE	TRANS	TRIM	DESCRIPTION
		1	2, 6	L	11, 12,				
					14, 15,				
		1	2, 6	L	51, 52,				
					54, 55,				
		1	3, 7	L	02, 06				
		1	3, 7	L	12, 15,				
					16				
13	5133 510AA	1	2, 6	L	01, 02,				ACTUATOR, Power Door Lock
					06				Without Convenience Locking
		1	2, 6	L	11, 12,				System, Right
					14, 15,				Without Convenience Locking
					16				System, Right
		1	2, 6	L	51, 52,				Without Convenience Locking
					54, 55,				System, Right
					56				
		1	3, 7	L	02, 06				Without Convenience Locking
									System, Right
		1	3, 7	L	12, 15,				Without Convenience Locking
					16				System, Right
	5133 511AA	1	2, 6	L	51, 52,				Without Convenience Locking
					54, 55,				System, Left
					56				
		1	3, 7	L	02, 06				Without Convenience Locking
									System, Left
		1	3, 7	L	12, 15,				Without Convenience Locking
					16				System, Left
		1	2, 6	L	01, 02,				Without Convenience Locking
					06				System, Left
		1	2, 6	L	11, 12,				Without Convenience Locking
					14, 15,				System, Left
					16				
	5133 512AA	1	2, 6	L	01, 02,				With Convenience Locking System,
					06				Right
		1	2, 6	L	11, 12,				With Convenience Locking System,
					14, 15,				Right
					16				
		1	2, 6	L	51, 52,				With Convenience Locking System,
					54, 55,				Right
					56				
		1	3, 7	L	02, 06				With Convenience Locking System,
									Right

Refer to Model Legend Information Bookmark

AR = Use as required - = Non illustrated part # = New this model year

March 3, 2006

Door, Front Exterior Handle and Links Figure DVA-130



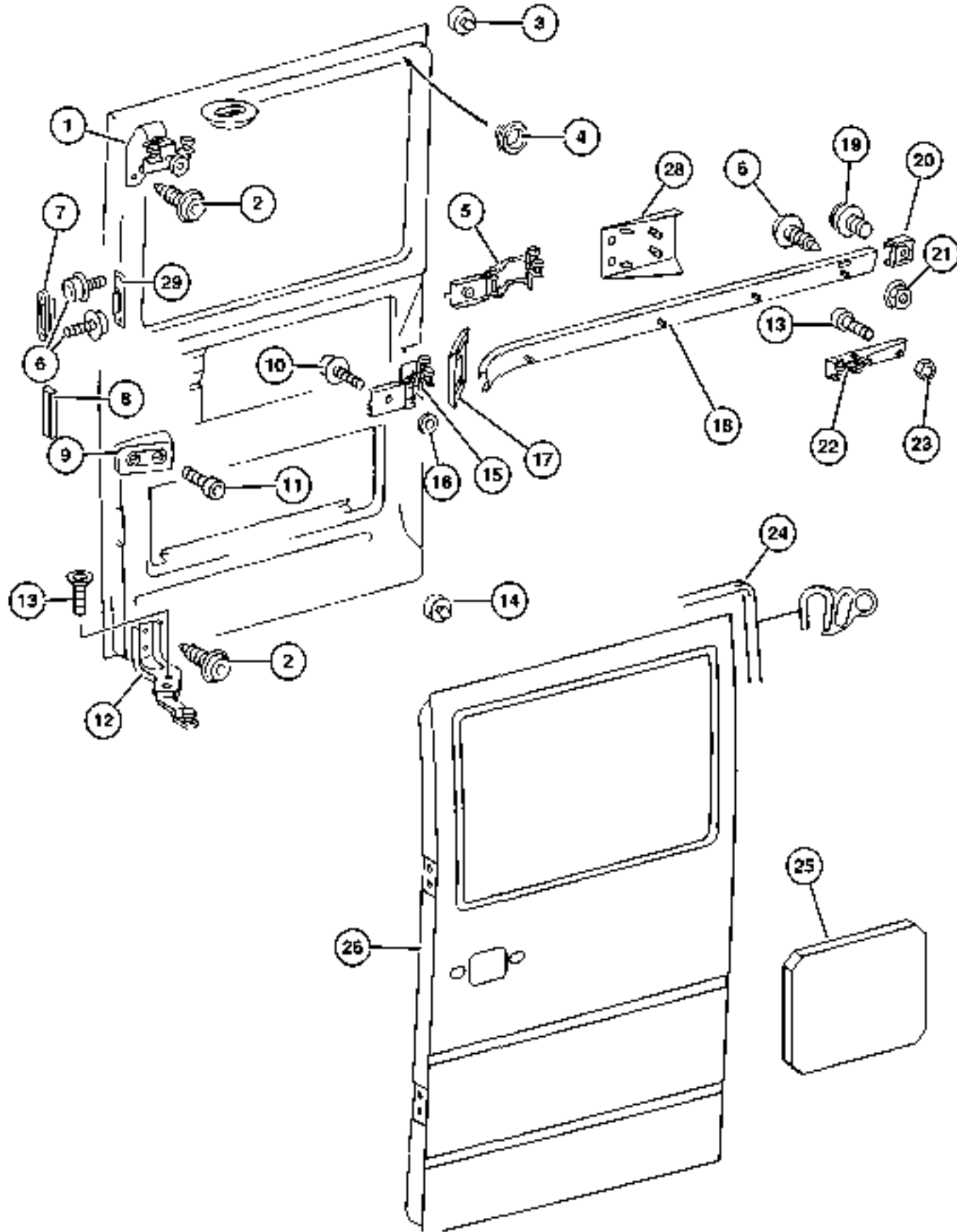
ITEM	PART NUMBER	QTY	LINE	SERIES	BODY	ENGINE	TRANS	TRIM	DESCRIPTION
		1	3, 7	L	12, 15,				With Convenience Locking System
	5133 986AA	1	2, 6	L	01, 02,				With Convenience Locking System, Left
		1	2, 6	L	11, 12,				With Convenience Locking System, Left
		1	2, 6	L	51, 52,				With Convenience Locking System, Left
		1	3, 7	L	02, 06				With Convenience Locking System, Left
		1	3, 7	L	12, 15,				With Convenience Locking System, Left
14	5103 754AA	1	2, 6	L	01, 02,				INSULATOR, 2 Way Female
		1	2, 6	L	11, 12,				
		1	2, 6	L	51, 52,				
		2	3, 7	L	02, 06				
		2	3, 7	L	12, 15,				
15	5114 451AA	99	2, 6	L	01, 02,				TERMINAL, Female
		99	2, 6	L	11, 12,				
		99	2, 6	L	51, 52,				
		99	3, 7	L	02, 06				
		99	3, 7	L	12, 15,				

Refer to Model Legend Information Bookmark

AR = Use as required - = Non illustrated part # = New this model year

March 3, 2006

Door, Sliding Cargo Shell and Hinges
Figure DVA-310



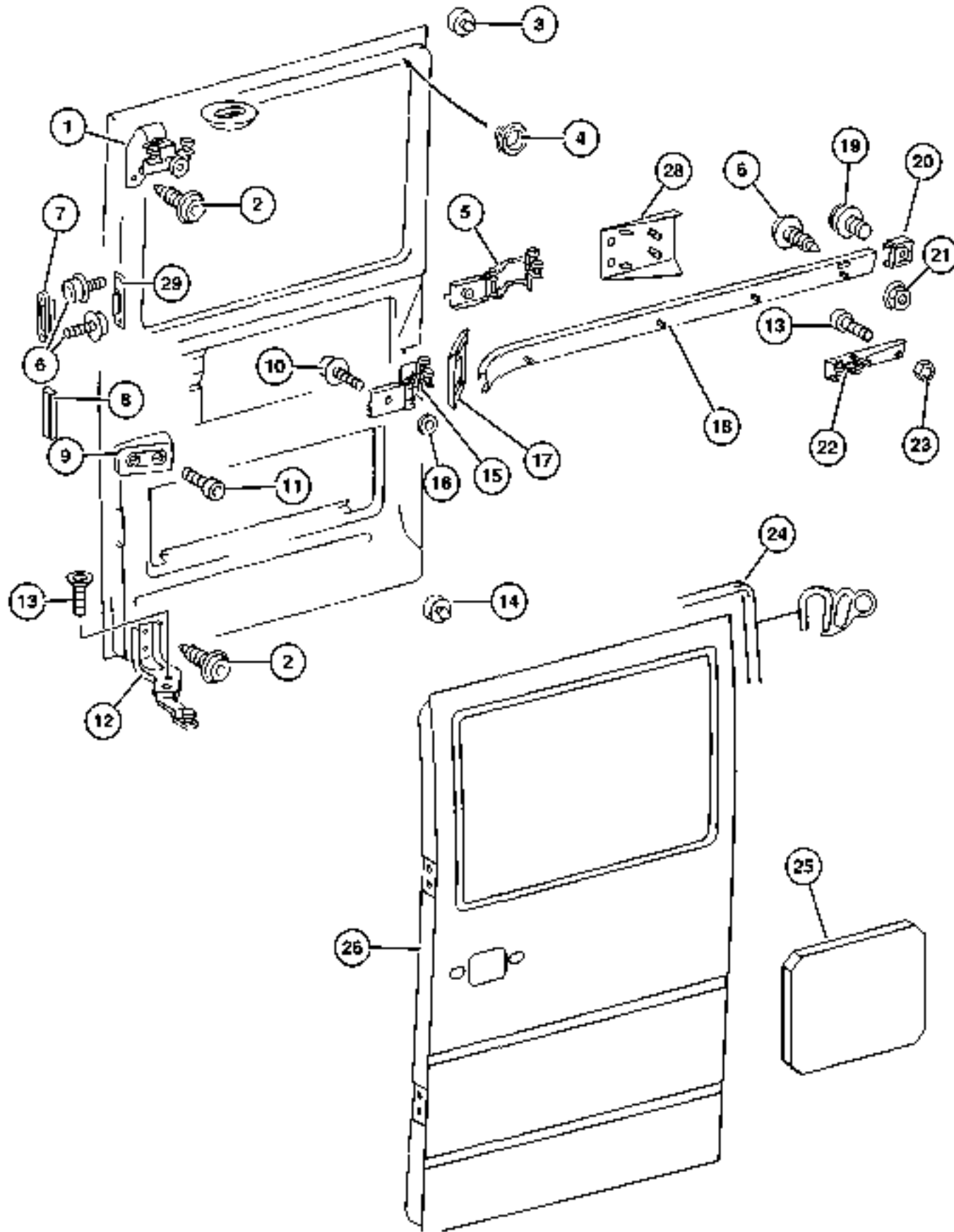
ITEM	PART NUMBER	QTY	LINE	SERIES	BODY	ENGINE	TRANS	TRIM	DESCRIPTION
1	5103 589AA	1	2, 6	L	11, 12,				SLIDER, Body Hardware
					14, 15,				[GKA], Right
		1	2, 6	L	51, 52,				[GKA], Right
					54, 55,				[GKA], Right
		1	3, 7	L	12, 15,				[GKA], Right
					16				[GKE], Left
	5124 089AA	1	2, 6	L	11, 12,				[GKE], Left
					14, 15,				[GKE], Left
					16				[GKE], Left
		1	2, 6	L	51, 52,				[GKE], Left
					54, 55,				[GKE], Left
					56				[GKE], Left
		1	3, 7	L	12, 15,				[GKE], Left
					16				
2	5104 610AA	2	2, 6	L	01, 02,				SCREW
					06				
		2	2, 6	L	11, 12,				
					14, 15,				
					16				
		2	2, 6	L	51, 52,				
					54, 55,				
					56				
		2	3, 7	L	02, 06				
		2	3, 7	L	12, 15,				
					16				
3	5103 918AA	1	2, 6	L	11, 12,				BUMPER, Sliding Door Center Track,
					14, 15,				Upper
					16				[GKE]
		1	2, 6	L	51, 52,				[GKE]
					54, 55,				[GKE]
					56				[GKE]
		1	3, 7	L	12, 15,				[GKE]
					16				
4	5125 514AA	2	2, 6	L	11, 12,				PLUG, Expansion
					14, 15,				
					16				

Refer to Model Legend Information Bookmark

AR = Use as required - = Non illustrated part # = New this model year

March 3, 2006

Door, Sliding Cargo Shell and Hinges
Figure DVA-310



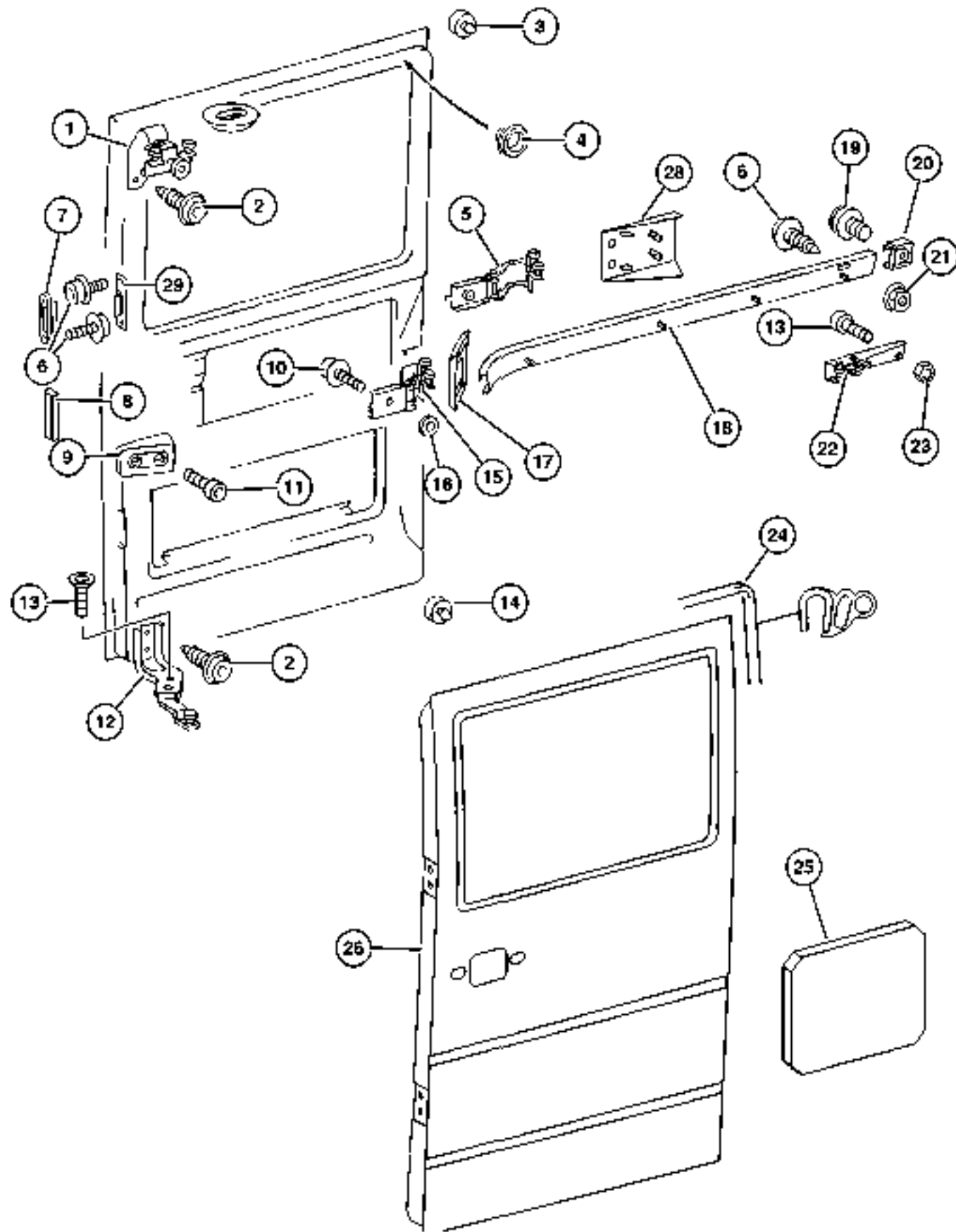
ITEM	PART NUMBER	QTY	LINE	SERIES	BODY	ENGINE	TRANS	TRIM	DESCRIPTION
		4	2, 6	L	51, 52,				
					54, 55,				
					56				
		2	3, 7	L	12, 15,				
					16				
	5133 514AA	1	2, 6	L	01, 02,				
					06				
5		1	3, 7	L	02, 06				SLIDER, Body Hardware, Body Side
	5103 607AA	1	2, 6	L	11, 12,				
					14, 15,				
					16				
		1	3, 7	L	12, 15				
6		4	2, 6	L	01, 02,				SCREW
	5103 713AA	4	2, 6	L	06				
		4	2, 6	L	11, 12,				
					14, 15,				
					16				
		4	2, 6	L	51, 52,				
					54, 55,				
					56				
		4	3, 7	L	02, 06				
		4	3, 7	L	12, 15,				
					16				
7		2	2, 6	L	11, 12,				STABILIZER, Sliding Door
	5104 429AA	2	2, 6	L	14, 15,				
					16				
		2	3, 7	L	12, 15,				
					16				
8		2	2, 6	L	11, 12,				BUMPER, Rubber
	5104 427AA	2	2, 6	L	[GKE]				
					14, 15,				
					16				
		2	2, 6	L	51, 52,				[GKE]
					54, 55,				
					56				
		2	3, 7	L	12, 15,				[GKE]
					16				
9		1	2, 6	L	11, 12,				BUMPER, Rubber
	5104 411AA	1	2, 6	L	[GKE]				
					14, 15,				
					16				

Refer to Model Legend Information Bookmark

AR = Use as required - = Non illustrated part # = New this model year

March 3, 2006

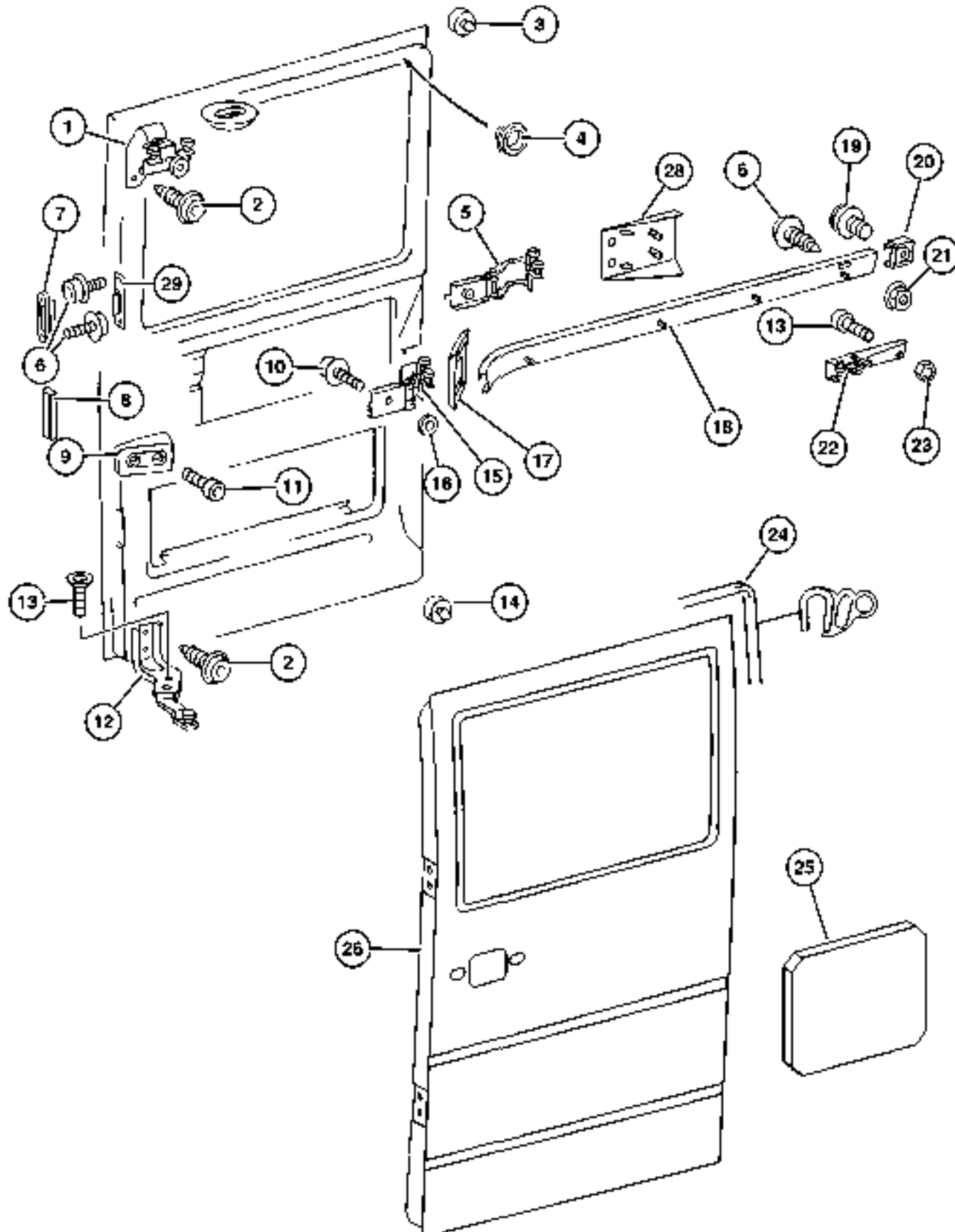
Door, Sliding Cargo Shell and Hinges Figure DVA-310



ITEM	PART NUMBER	QTY	LINE	SERIES	BODY	ENGINE	TRANS	TRIM	DESCRIPTION
		1	2, 6	L	51, 52,				[GKE]
		1	3, 7	L	54, 55,				[GKE]
		1			56				
10	5103 713AA	4	2, 6	L	12, 15,				[GKE]
		4	2, 6	L	16				
		4	2, 6	L	01, 02,				SCREW
		4	2, 6	L	06				
		4	2, 6	L	11, 12,				
		4	2, 6	L	14, 15,				
		4	2, 6	L	16				
		4	2, 6	L	51, 52,				
		4	2, 6	L	54, 55,				
		4	2, 6	L	56				
		4	3, 7	L	02, 06				
		4	3, 7	L	12, 15,				
		4	3, 7	L	16				
11	5114 443AA	2	2, 6	L					SCREW
		2	2, 6	L	11, 12,				[GKE]
		2	2, 6	L	14, 15,				
		2	2, 6	L	16				
		2	2, 6	L	51, 52,				[GKE]
		2	2, 6	L	54, 55,				
		2	2, 6	L	56				
		2	3, 7	L	12, 15,				[GKE]
		2	3, 7	L	16				
12	5103 588AA	1	2, 6	L					SLIDER, Body Hardware
		1	2, 6	L	11, 12,				[GKA], Right
		1	2, 6	L	14, 15,				
		1	2, 6	L	16				
		1	2, 6	L	51, 52,				[GKA], Right
		1	2, 6	L	54, 55,				
		1	2, 6	L	56				
		1	3, 7	L	12, 15,				[GKA], Right
		1	3, 7	L	16				
	5124 080AA	1	2, 6	L					[GKE], Left
		1	2, 6	L	11, 12,				
		1	2, 6	L	14, 15,				
		1	2, 6	L	16				
		1	2, 6	L	51, 52,				[GKE], Left
		1	2, 6	L	54, 55,				
		1	2, 6	L	56				
		1	3, 7	L	12, 15,				[GKE], Left
		1	3, 7	L	16				
13									SCREW

Refer to Model Legend Information Bookmark

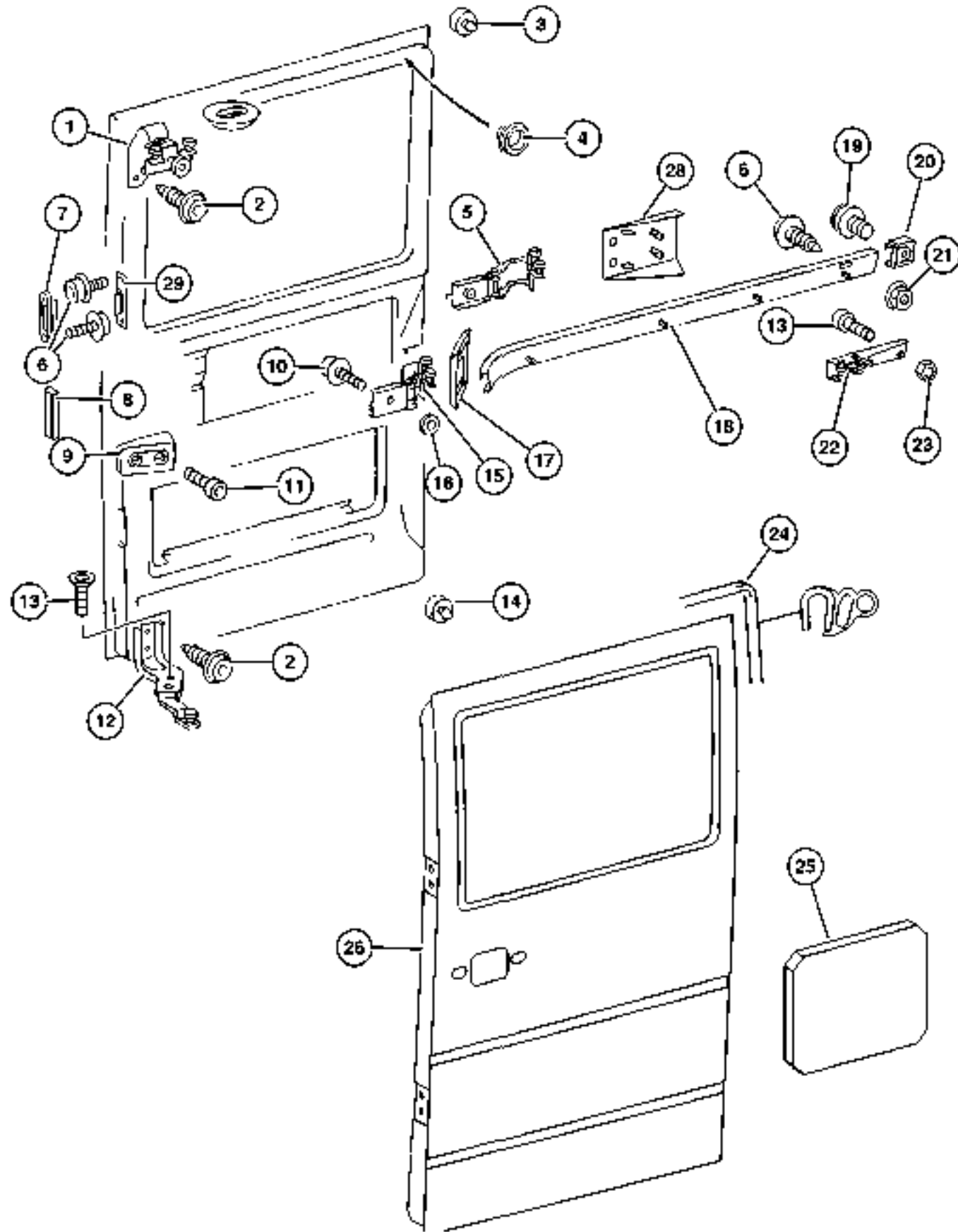
Door, Sliding Cargo Shell and Hinges Figure DVA-310



ITEM	PART NUMBER	QTY	LINE	SERIES	BODY	ENGINE	TRANS	TRIM	DESCRIPTION
	5133 540AA	2	2, 6	L	11, 12, 14, 15, 16				[GKE]
		2	2, 6	L	51, 52, 54, 55, 56				[GKE]
		2	3, 7	L	12, 15, 16				[GKE]
14									BUMPER, Sliding Door Center Track, Lower
	5103 813AA	1	2, 6	L	11, 12, 14, 15, 16				[GKE]
		1	2, 6	L	51, 52, 54, 55, 56				[GKE]
		1	3, 7	L	12, 15, 16				[GKE]
15									SLIDER, Body Hardware, Door Side
	5103 590AA	1	2, 6	L	11, 12, 14, 15, 16				[GKA], Right
		1	2, 6	L	51, 52, 54, 55, 56				[GKA], Right
		1	3, 7	L	16				Right
	5124 080AA	1	2, 6	L	11, 12, 14, 15, 16				[GKE], Left
		1	2, 6	L	51, 52, 54, 55, 56				[GKE], Left
		1	3, 7	L	12, 15, 16				[GKE], Left
16									WASHER
	5133 526AA	1	2, 6	L	11, 12, 14, 15, 16				[GKE]
		1	2, 6	L	51, 52, 54, 55, 56				[GKE]
		1	3, 7	L	16				SEAL, Door

Refer to Model Legend Information Bookmark

**Door, Sliding Cargo Shell and Hinges
Figure DVA-310**



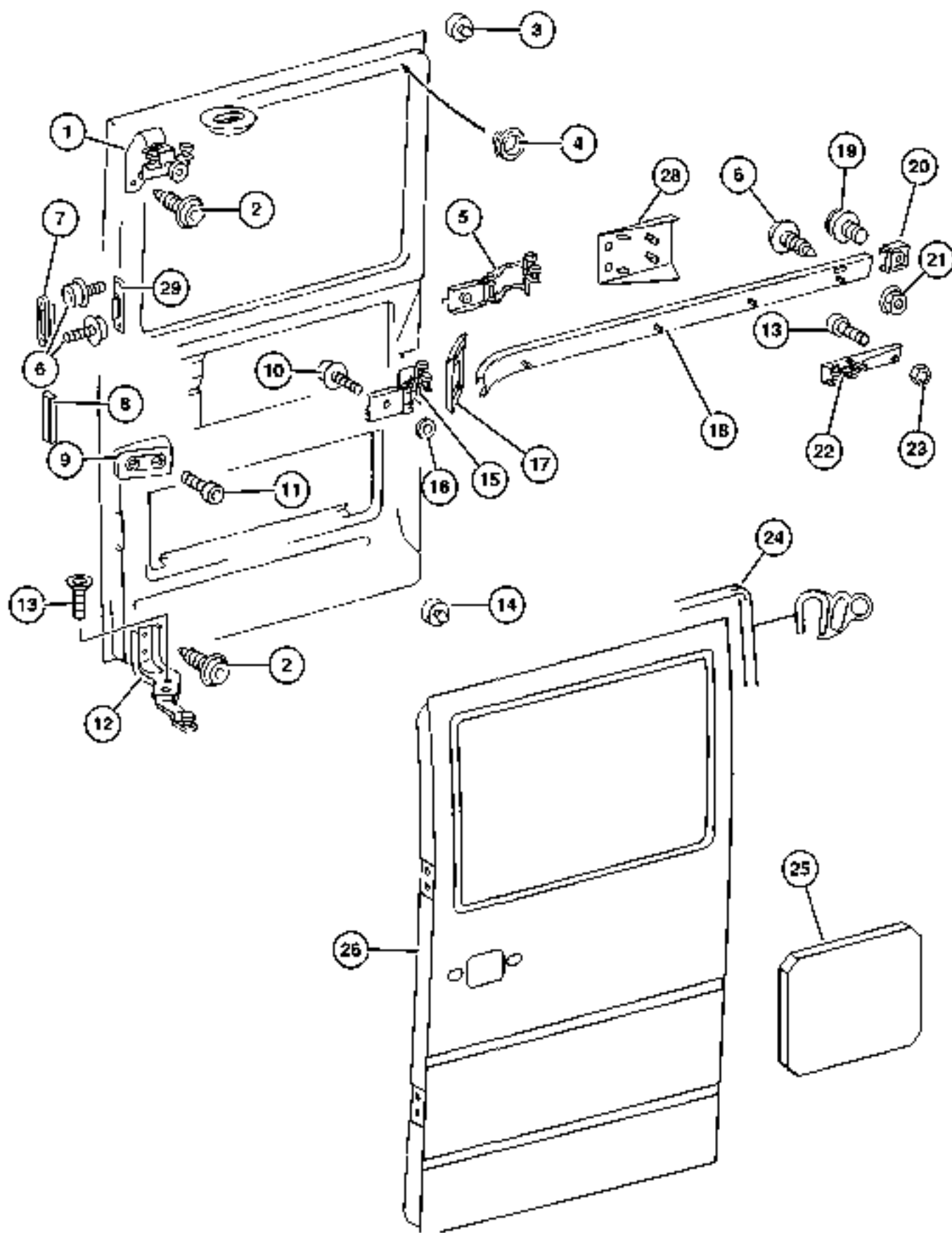
ITEM	PART NUMBER	QTY	LINE	SERIES	BODY	ENGINE	TRANS	TRIM	DESCRIPTION
	5104 426AA	1	2, 6	L	11, 12, 14, 15, 16				[GKE]
		1	2, 6	L	51, 52, 54, 55, 56				[GKE]
18		1	3, 7	L	16				RAIL, Slider Door
	5104 418AA	1	2, 6	L	11, 12, 14, 15, 16				[GKA], Right
		1	2, 6	L	51, 52, 54, 55, 56				[GKA], Right
		1	3, 7	L	12, 15, 16				[GKA], Right
	5124 076AA	1	2, 6	L	11, 12, 14, 15, 16				[GKE], Left
		1	2, 6	L	51, 52, 54, 55, 56				[GKE], Left
		1	3, 7	L	12, 15, 16				[GKE], Left
19									SCREW
	5126 103AA	1	2, 6	L	11, 12, 14, 15, 16				[GKE]
		1	2, 6	L	51, 52, 54, 55, 56				[GKE]
		1	3, 7	L	12, 15, 16				[GKE]
20									CAP, Rail
	5104 431AA	1	2, 6	L	11, 12, 14, 15, 16				[GKA], Right
		1	2, 6	L	51, 52, 54, 55, 56				[GKA], Right
		1	3, 7	L	12, 15, 16				[GKA], Right
	5124 105AA	1	2, 6	L	11, 12, 14, 15, 16				[GKE], Left

Refer to Model Legend Information Bookmark

AR = Use as required - = Non illustrated part # = New this model year

March 3, 2006

Door, Sliding Cargo Shell and Hinges
Figure DVA-310



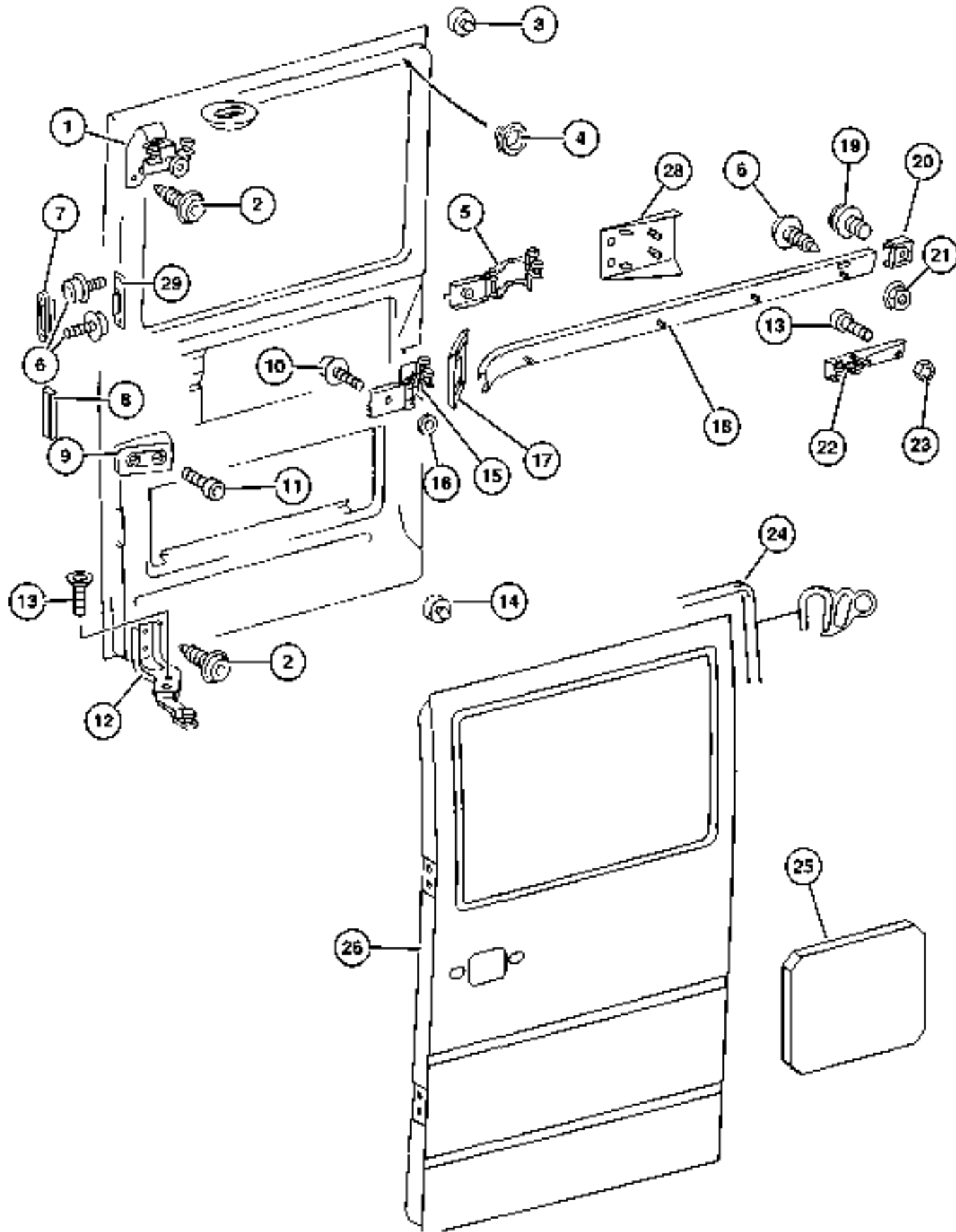
ITEM	PART NUMBER	QTY	LINE	SERIES	BODY	ENGINE	TRANS	TRIM	DESCRIPTION
		1	2, 6	L	51, 52,				[GKE], Left
		1	3, 7	L	54, 55,				[GKE], Left
21	6104 708AA	1	2, 6	L	56				[GKE], Left
		1	2, 6	L	12, 15,				NUT, Hex, M6
		1	2, 6	L	16				[GKE], Left
22	5104 412AA	1	2, 6	L	01, 02,				ADJUSTER, Cargo Door
		1	2, 6	L	11, 12,				[GKA], Left
		1	2, 6	L	14, 15,				[GKA], Left
		1	2, 6	L	16				[GKA], Left
		1	2, 6	L	51, 52,				[GKE], Right
		1	2, 6	L	54, 55,				[GKE], Right
		1	3, 7	L	56				[GKE], Right
		1	3, 7	L	12, 15,				[GKE], Right
23	5124 099AA	1	2, 6	L	16				NUT
		2	2, 6	L	11, 12,				[GKE]
		2	2, 6	L	14, 15,				[GKE]
		2	2, 6	L	16				[GKE]
		2	3, 7	L	51, 52,				[GKE]
		2	3, 7	L	54, 55,				[GKE]
		2	3, 7	L	56				[GKE]
24	5104 302AA	1	2, 6	L	12, 15,				WEATHERSTRIP, Cargo Door
		1	2, 6	L	11, 12,				[GKE]
		1	2, 6	L	14, 15,				[GKE]
		1	2, 6	L	16				[GKE]
		1	3, 7	L	51, 52,				[GKE]
		1	3, 7	L	54, 55,				[GKE]
		1	3, 7	L	56				[GKE]
25					12, 15,				SILENCER, Door
					16				

Refer to Model Legend Information Bookmark

AR = Use as required - = Non illustrated part # = New this model year

March 3, 2006

Door, Sliding Cargo Shell and Hinges
Figure DVA-310



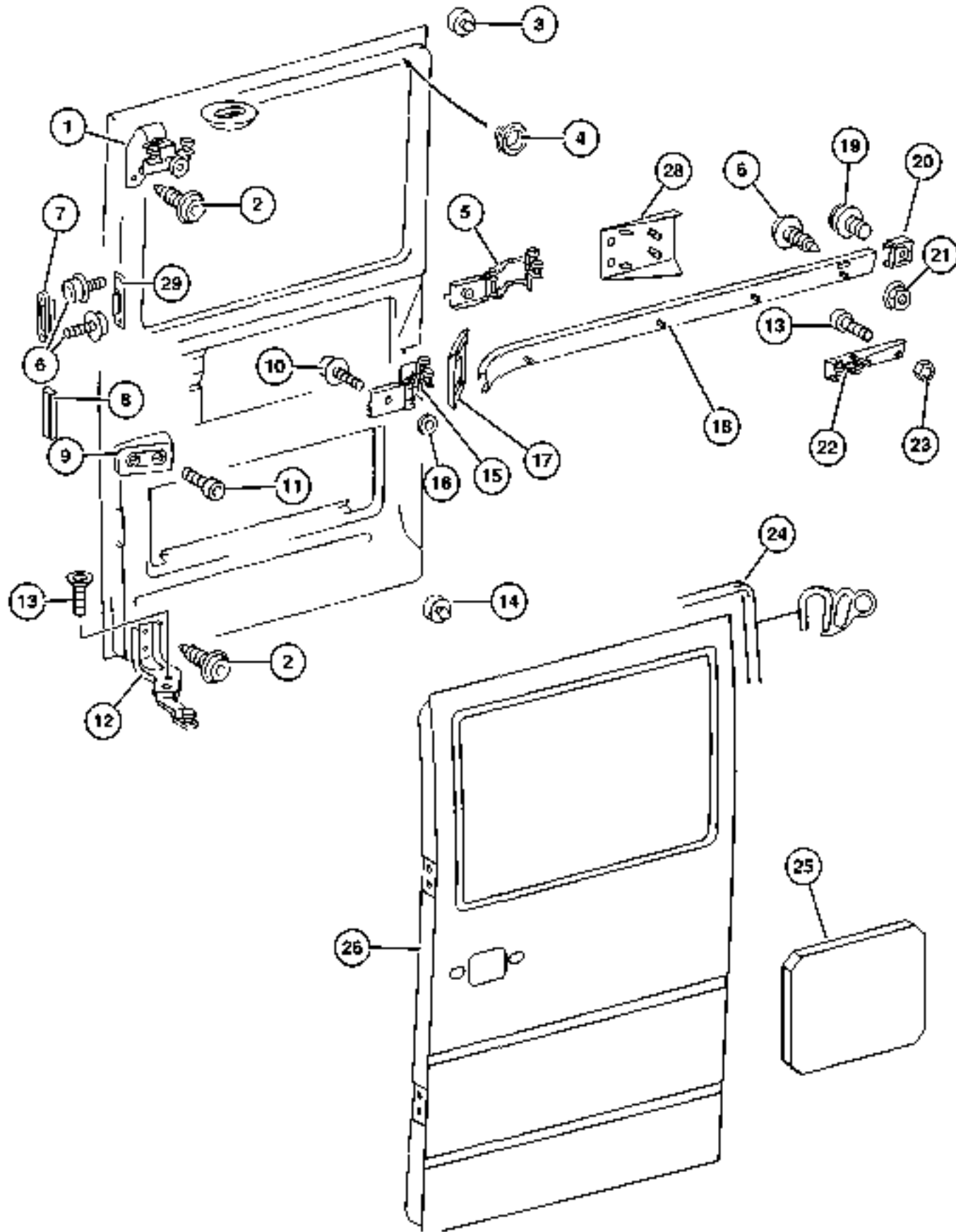
ITEM	PART NUMBER	QTY	LINE	SERIES	BODY	ENGINE	TRANS	TRIM	DESCRIPTION
	5122 517AA	1	2, 6	L	11, 12, 14, 15, 16				
		1	2, 6	L	51, 52, 54, 55, 56				
		1	3, 7	L	12, 15, 16				
26									DOOR, Side Cargo
	5104 355AA	1	2, 6	L	11, 12, 14, 15, 16				[GKE], Left
		1	3, 7	L	16				[5AF+GKE], Left
	5104 356AA	1	2, 6	L	11, 12, 14, 15, 16				[GKA], Right
		1	3, 7	L	16				[5AF+GKA], Right
	5123 795AA	1	2, 6	L	11, 12, 14, 15, 16				[GKE+(GEA=GEC)], Left
		1	2, 6	L	51, 52, 54, 55, 56				[GKE], Left
		1	3, 7	L	16				[5AF+GKE+(GEA=GEC)], Left
	5123 797AA	1	2, 6	L	11, 12, 14, 15, 16				[GKA+(GEN=GEW)], Right
		1	2, 6	L	51, 52, 54, 55, 56				[GKA], Right
		1	3, 7	L	16				[5AF+GKA+(GEN=GEW)], Right
	5123 799AA	1	2, 6	L	11, 12, 14, 15, 16				[GKE+GKG], Left
		1	3, 7	L	12, 15				[5AE+GKE], Left
	5123 801AA	1	2, 6	L	11, 12, 14, 15, 16				[GKG+GKA], Right
		1	3, 7	L	12, 15				[5AE+GKA], Right
	5123 803AA	1	2, 6	L	11, 12, 14, 15, 16				[GKE+GKG+(GEA=GEC)], Left
		1	3, 7	L	12, 15				[5AE+GKE+(GEA=GEC)], Left

Refer to Model Legend Information Bookmark

AR = Use as required - = Non illustrated part # = New this model year

March 3, 2006

Door, Sliding Cargo Shell and Hinges
Figure DVA-310



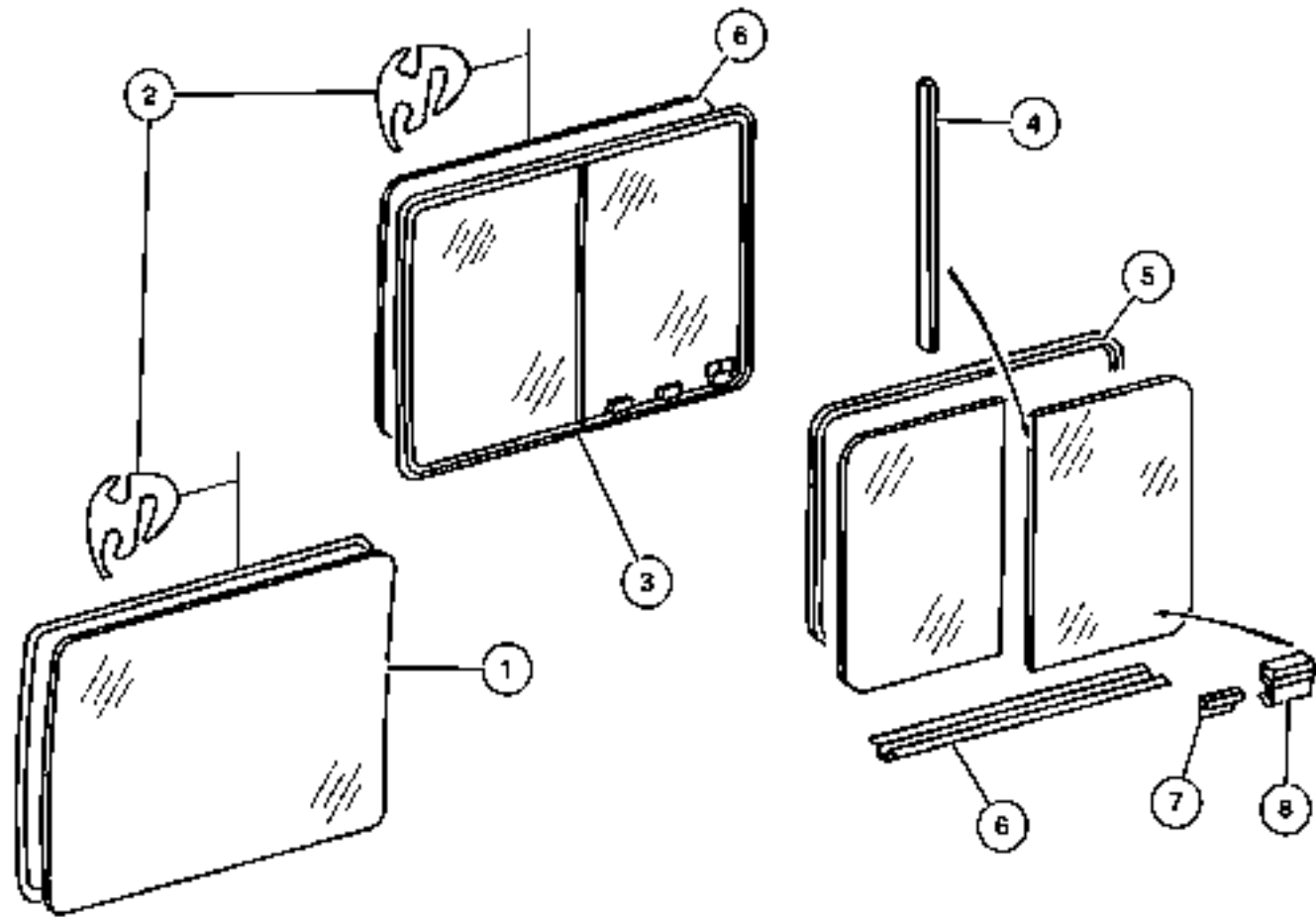
ITEM	PART NUMBER	QTY	LINE	SERIES	BODY	ENGINE	TRANS	TRIM	DESCRIPTION
	5123 805AA	1	2, 6	L	11, 12,				[GKG+GKA+(GEN=GEW)], Right
					14, 15,				
					16				
		1	3, 7	L	12, 15				[5AE+GKE+(GEA=GEC)], Right
-27									PANEL, Side Cargo Door
	5104 360AA-	2	2, 6	L	11, 12,				
					14, 15,				
					16				
		2	2, 6	L	51, 52,				
					54, 55,				
					56				
		2	3, 7	L	12, 15,				
					16				
28	5104 589AA	1	2, 6	L	11, 12,				COVER, Sliding Door Check
					14, 15,				[GKE+GKG]
					16				
		1	3, 7	L	12, 15				[5AE+GKE]
29									TAPPING PLATE, Side Door Lock
									Striker
	5124 110AA	2	2, 6	L	11, 12,				
					14, 15,				
					16				
		2	2, 6	L	51, 52,				
					54, 55,				
					56				
		2	3, 7	L	12, 15,				
					16				

Refer to Model Legend Information Bookmark

AR = Use as required - = Non illustrated part # = New this model year

March 3, 2006

Door, Sliding Cargo Glass
Figure DVA-320



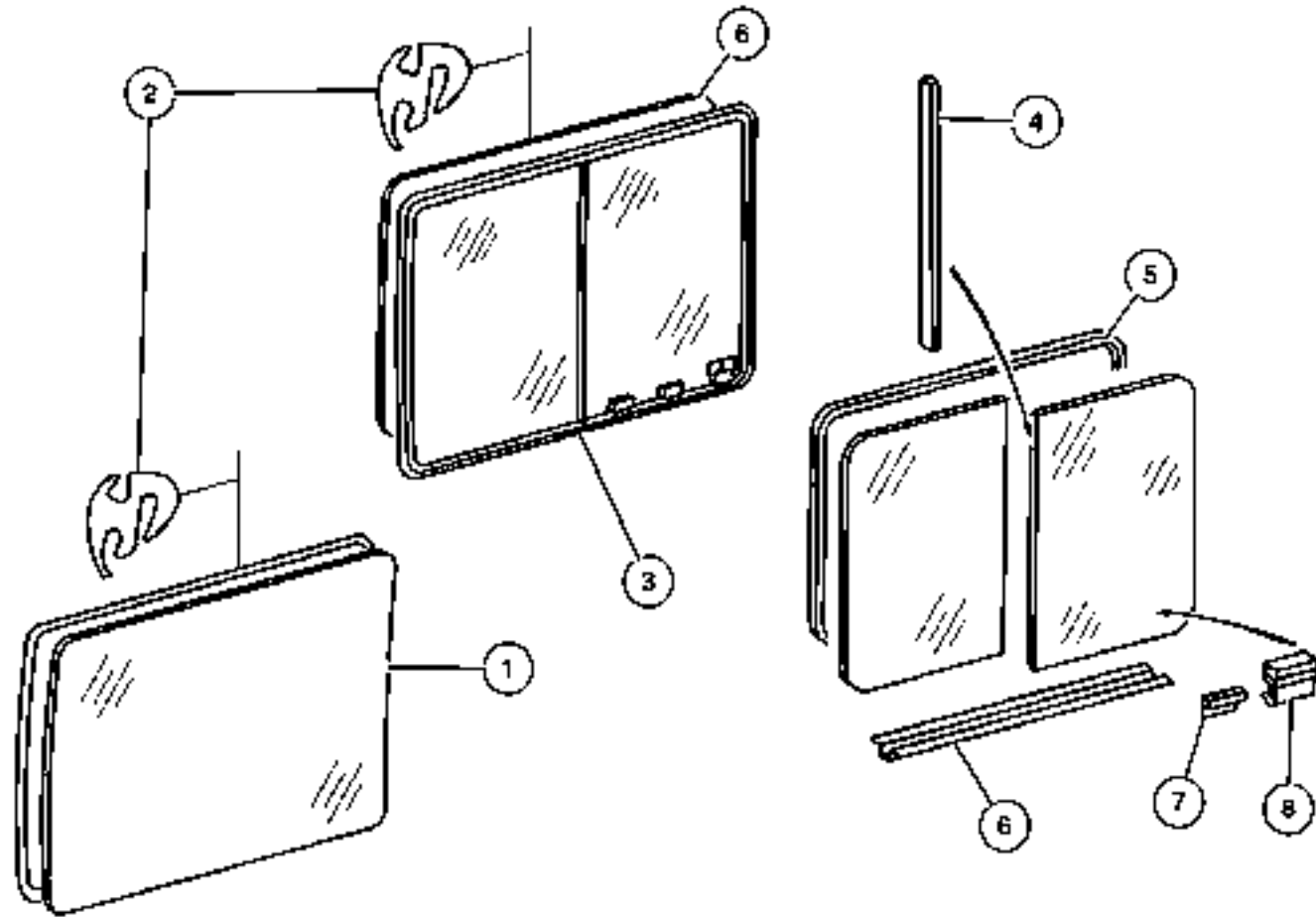
ITEM	PART NUMBER	QTY	LINE	SERIES	BODY	ENGINE	TRANS	TRIM	DESCRIPTION				
1	5104 363AA	1	2, 6	L	11, 12, 14, 15, 16				GLASS, Side Cargo Door, Fixed				
													51, 52, 54, 55, 56
													12, 15, 16
2	5104 364AA	1	2, 6	L	11, 12, 14, 15, 16				WEATHERSTRIP, Sliding Door Glass				
													51, 52, 54, 55, 56
													12, 15, 16
3	5123 832AA	1	2, 6	L	11, 12, 14, 15, 16				GLASS, Sliding Door, Vented [3FQ], Left				
													[3FQ], Left
													[3FQ], Left
													[3FQ], Right
													[3FQ], Right
													[3FQ], Right
4	5133 536AA	1	2, 6	L	11, 12, 14, 15, 16				WEATHERSTRIP, Side Panel Vent				
													51, 52, 54, 55, 56
													12, 15, 16
5									WEATHERSTRIP, Side Panel Vent				

Refer to Model Legend Information Bookmark

AR = Use as required - = Non illustrated part # = New this model year

March 3, 2006

Door, Sliding Cargo Glass
Figure DVA-320



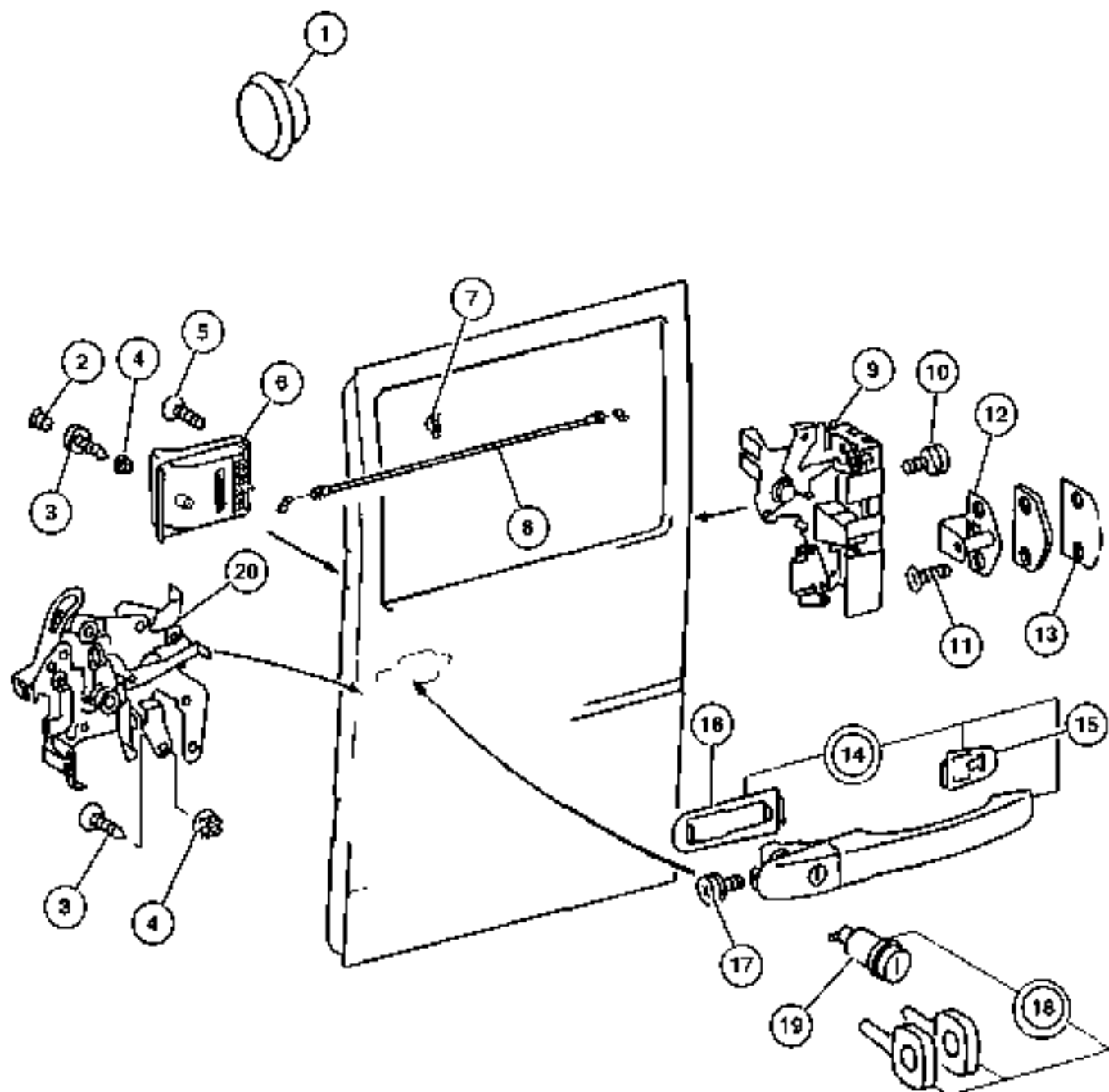
ITEM	PART NUMBER	QTY	LINE	SERIES	BODY	ENGINE	TRANS	TRIM	DESCRIPTION
	5133 533AA	1	2, 6	L	11, 12, 14, 15, 16				
		1	2, 6	L	51, 52, 54, 55, 56				
		1	3, 7	L	12, 15, 16				
6									WEATHERSTRIP, Glass Channel Run
	5133 537AA	1	2, 6	L	11, 12, 14, 15, 16				
		1	2, 6	L	51, 52, 54, 55, 56				
		1	3, 7	L	12, 15, 16				
7	5133 535AA	1	2, 6	L	11, 12, 14, 15, 16				RETAINER, Side Panel Vent Window
		1	2, 6	L	51, 52, 54, 55, 56				
		1	3, 7	L	12, 15, 16				
8	5133 536AA	1	2, 6	L	11, 12, 14, 15, 16				WEATHERSTRIP, Side Panel Vent
		1	2, 6	L	51, 52, 54, 55, 56				
		1	3, 7	L	12, 15, 16				

Refer to Model Legend Information Bookmark

AR = Use as required - = Non illustrated part # = New this model year

March 3, 2006

Door, Sliding Cargo Lock and Controls
Figure DVA-330



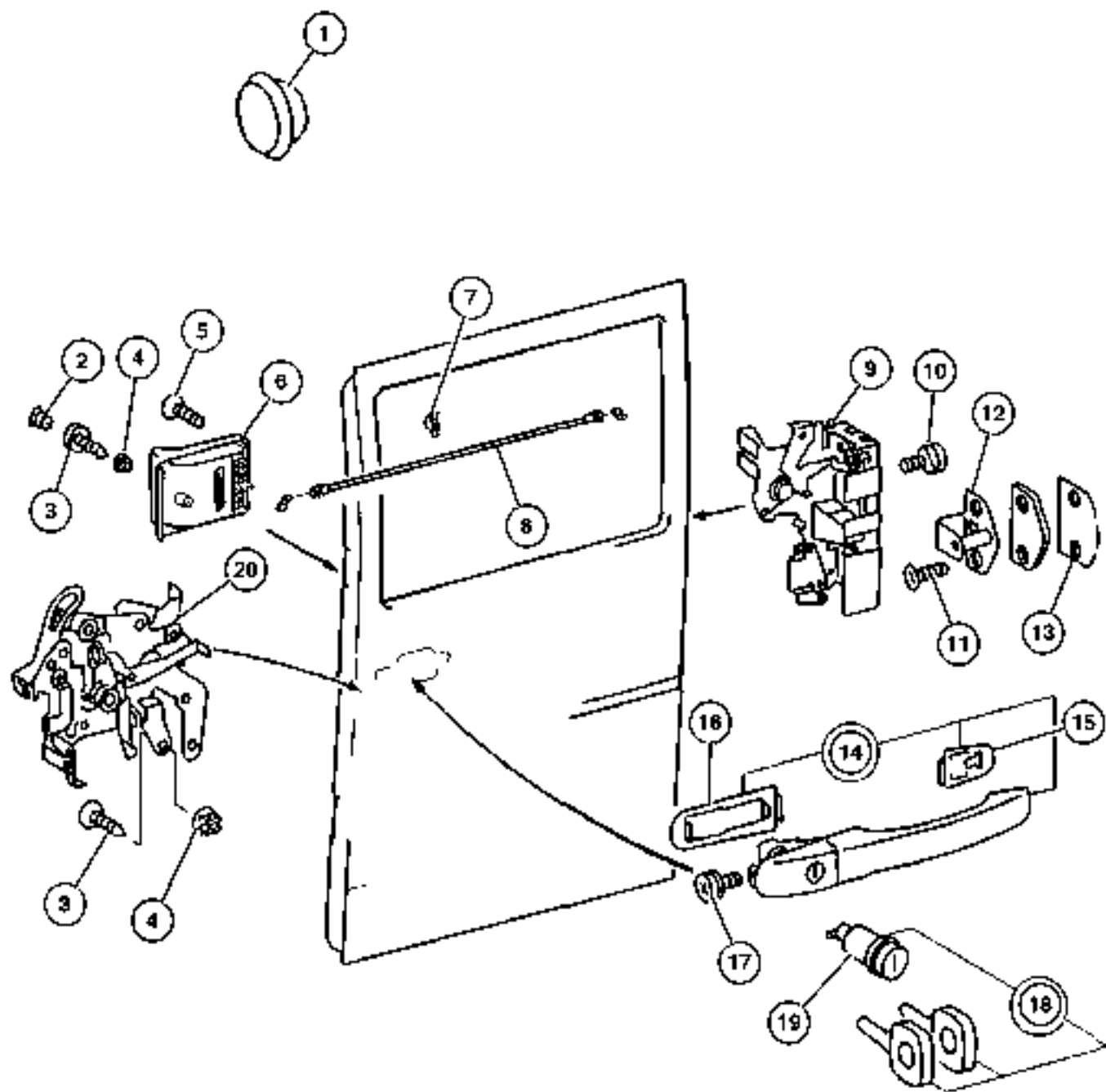
ITEM	PART NUMBER	QTY	LINE	SERIES	BODY	ENGINE	TRANS	TRIM	DESCRIPTION
1									PLUG, Door
	5125 508AA	1	2, 6	L	11, 12, 14, 15, 16				
		1	2, 6	L	51, 52, 54, 55, 56				
		1	3, 7	L	12, 15, 16				
2									CAP, Door Handle Screw Cover
	ZF54 DX9AA	1	2, 6	L	11, 12, 14, 15, 16				
		1	2, 6	L	51, 52, 54, 55, 56				
		1	3, 7	L	12, 15, 16				
3									SCREW
	5104 632AA	2	2, 6	L	11, 12, 14, 15, 16				
		2	2, 6	L	51, 52, 54, 55, 56				
		2	3, 7	L	12, 15, 16				
4									NUT
	5125 862AA	1	2, 6	L	11, 12, 14, 15, 16				
		1	2, 6	L	51, 52, 54, 55, 56				
		1	3, 7	L	12, 15, 16				
5									SCREW
	5104 679AA	1	2, 6	L	11, 12, 14, 15, 16				
		1	2, 6	L	51, 52, 54, 55, 56				
		4	3, 7	L	12, 15, 16				
6									HANDLE, Sliding Door Interior

Refer to Model Legend Information Bookmark

AR = Use as required - = Non illustrated part # = New this model year

March 3, 2006

Door, Sliding Cargo Lock and Controls
Figure DVA-330



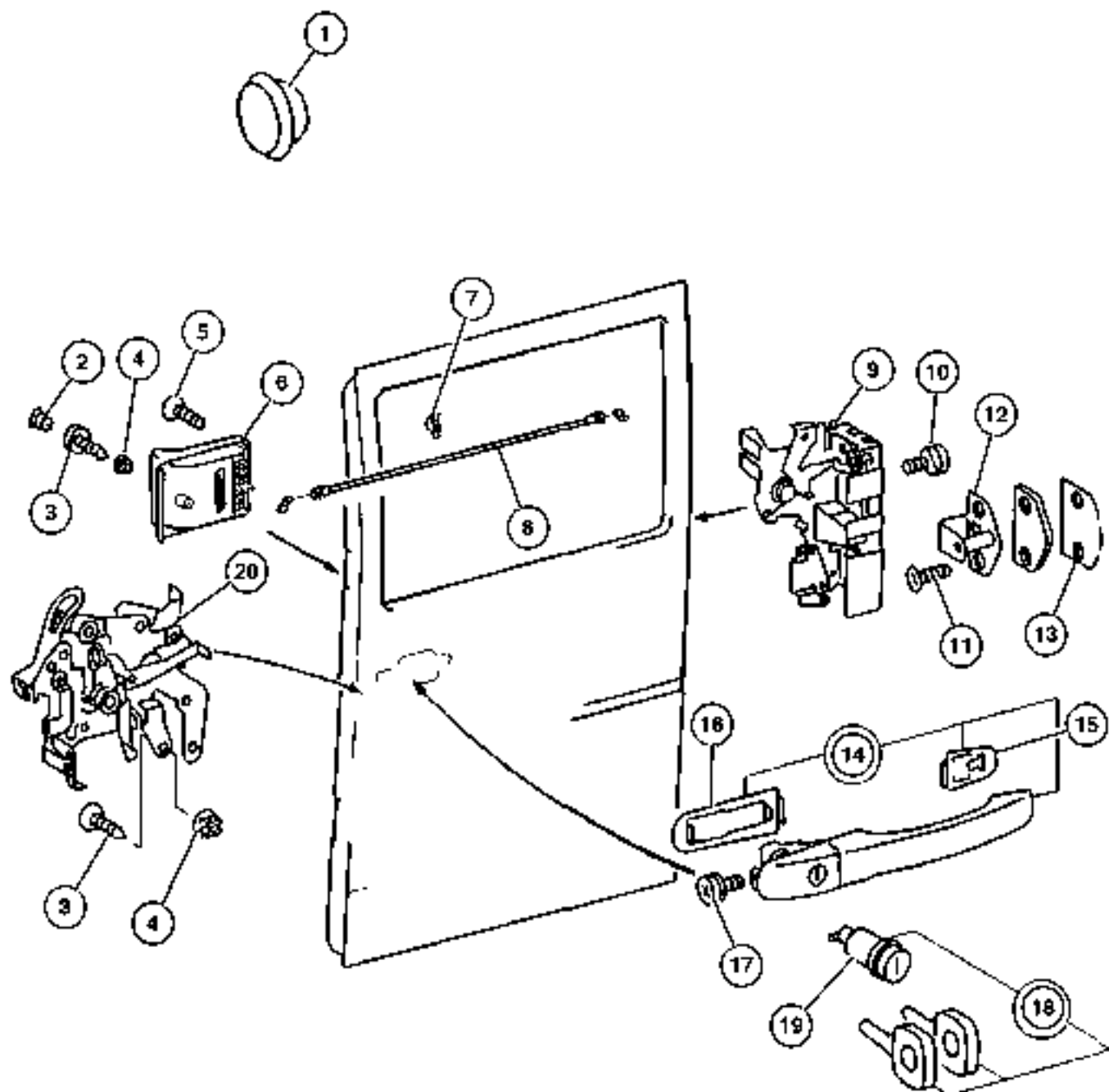
ITEM	PART NUMBER	QTY	LINE	SERIES	BODY	ENGINE	TRANS	TRIM	DESCRIPTION
	5132 049AA	1	2, 6	L	11, 12, 14, 15, 16				
		1	2, 6	L	51, 52, 54, 55, 56				
7	5103 736AA	1	2, 6	L	11, 12, 14, 15, 16				CLAMP
		1	2, 6	L	51, 52, 54, 55, 56				
		1	3, 7	L	12, 15, 16				
8	5103 587AA	1	2, 6	L	11, 12, 14, 15, 16				ROD, Inside Handle to Latch
		1	2, 6	L	51, 52, 54, 55, 56				
		1	3, 7	L	12, 15, 16				
9	5104 357AA	1	2, 6	L	11, 12, 14, 15, 16				LATCH, Cargo Door
		1	2, 6	L	51, 52, 54, 55, 56				
		1	3, 7	L	12, 15, 16				
10	5103 723AA	3	2, 6	L	01, 02, 06				SCREW
		3	2, 6	L	11, 12, 14, 15, 16				
		3	2, 6	L	51, 52, 54, 55, 56				
		3	3, 7	L	02, 06				
		3	3, 7	L	12, 15, 16				
11									SCREW

Refer to Model Legend Information Bookmark

AR = Use as required - = Non illustrated part # = New this model year

March 3, 2006

Door, Sliding Cargo Lock and Controls
Figure DVA-330



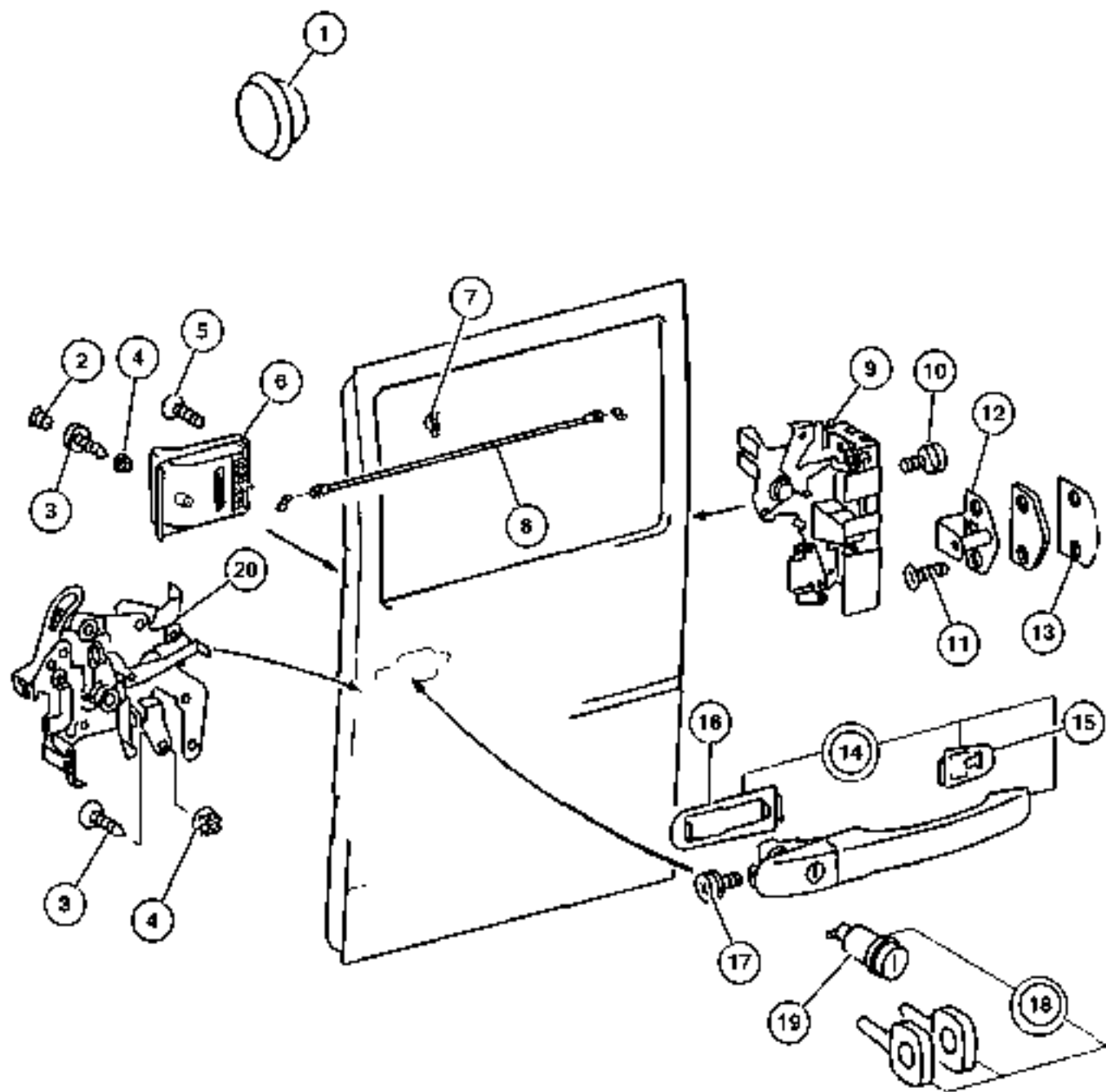
ITEM	PART NUMBER	QTY	LINE	SERIES	BODY	ENGINE	TRANS	TRIM	DESCRIPTION
	5103 715AA	2	2, 6	L	01, 02, 06				
		2	2, 6	L	11, 12, 14, 15, 16				
		2	2, 6	L	51, 52, 54, 55, 56				
		2	3, 7	L	02, 06				
		2	3, 7	L	12, 15, 16				
12									LATCH, Front Door
	5123 700AA	1	2, 6	L	01, 02, 06				
		1	2, 6	L	11, 12, 14, 15, 16				
		1	2, 6	L	51, 52, 54, 55, 56				
		1	3, 7	L	02, 06				
		1	3, 7	L	12, 15, 16				
13									PLATE, Striker
	5103 591AA	1	2, 6	L	11, 12, 14, 15, 16				
		1	2, 6	L	51, 52, 54, 55, 56				
		1	3, 7	L	12, 15, 16				
14									HANDLE, Cargo Door
	5104 415AA	1	2, 6	L	11, 12, 14, 15, 16				
		1	2, 6	L	51, 52, 54, 55, 56				
		1	3, 7	L	12, 15, 16				
15									PAD
	5103 672AA	1	2, 6	L	01, 02, 06				

Refer to Model Legend Information Bookmark

AR = Use as required - = Non illustrated part # = New this model year

March 3, 2006

Door, Sliding Cargo Lock and Controls
Figure DVA-330



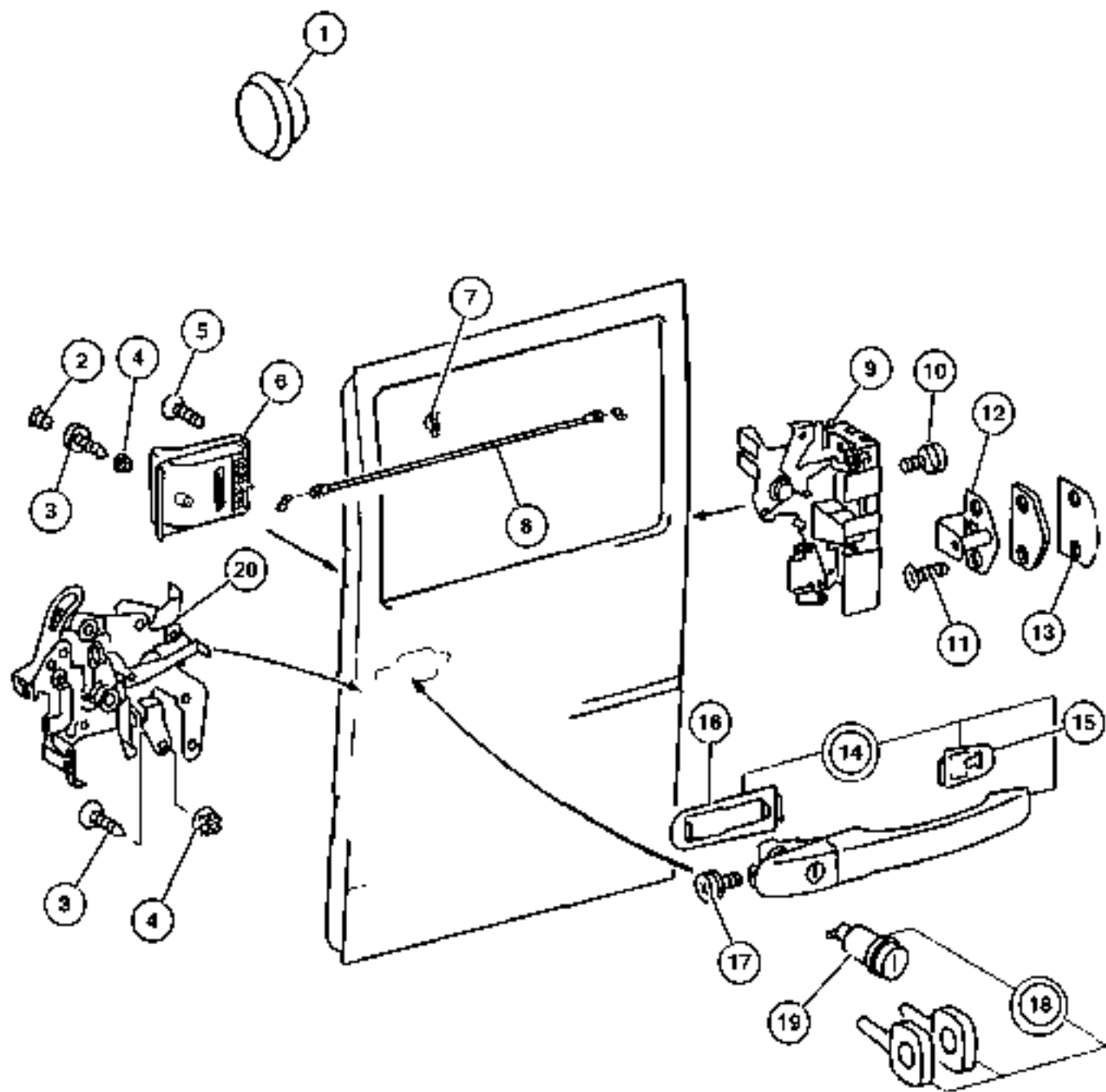
ITEM	PART NUMBER	QTY	LINE	SERIES	BODY	ENGINE	TRANS	TRIM	DESCRIPTION
		1	2, 6	L	11, 12, 14, 15, 16				
		1	2, 6	L	51, 52, 54, 55, 56				
		1	3, 7	L	02, 06				
		1	3, 7	L	12, 15, 16				
16	5103 673AA	1	2, 6	L	01, 02, 06				PAD
		1	2, 6	L	11, 12, 14, 15, 16				
		1	2, 6	L	51, 52, 54, 55, 56				
		1	3, 7	L	02, 06				
		1	3, 7	L	12, 15, 16				
17	5125 414AA	1	2, 6	L	01, 02, 06				SCREW, Front Door Handle
		1	2, 6	L	11, 12, 14, 15, 16				
		1	2, 6	L	51, 52, 54, 55, 56				
		1	3, 7	L	02, 06				
		1	3, 7	L	12, 15, 16				
18	5114 364AA	1	2, 6	L	11, 12, 14, 15, 16				CYLINDER, Door Lock
		1	2, 6	L	51, 52, 54, 55, 56				
		1	2, 6	L	01, 02, 06				
		1	3, 7	L	02, 06				
		1	3, 7	L	12, 15, 16				
19									CYLINDER, Door Lock

Refer to Model Legend Information Bookmark

AR = Use as required - = Non illustrated part # = New this model year

March 3, 2006

Door, Sliding Cargo Lock and Controls
Figure DVA-330



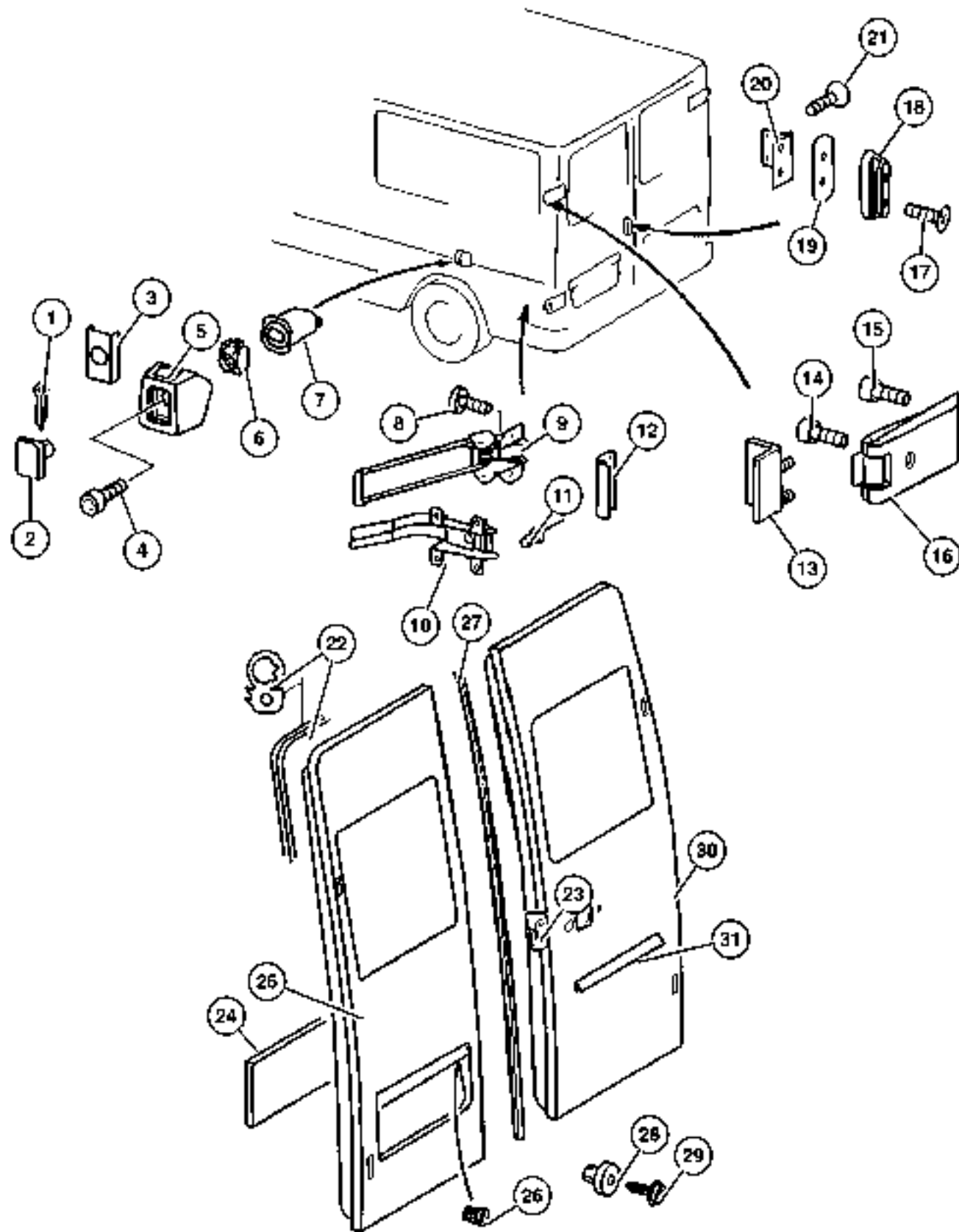
ITEM	PART NUMBER	QTY	LINE	SERIES	BODY	ENGINE	TRANS	TRIM	DESCRIPTION
	5114 364AA	1	2, 6	L	11, 12,				
					14, 15,				
		1	2, 6	L	51, 52,				
					54, 55,				
		1	2, 6	L	56				
		1	3, 7	L	01, 02,				
					06				
		1	3, 7	L	02, 06				
		1	3, 7	L	12, 15,				
					16				
20									LOCK, Side Cargo Door
	5104 359AA	1	2, 6	L	11, 12,				Right
					14, 15,				
		1	3, 7	L	12, 15,				Right
					16				
	5123 814AA	1	2, 6	L	11, 12,				Left
					14, 15,				
		1	3, 7	L	12, 15,				Left
					16				

Refer to Model Legend Information Bookmark

AR = Use as required - = Non illustrated part # = New this model year

March 3, 2006

Door, Cargo Shell and Hinges
Figure DVA-410



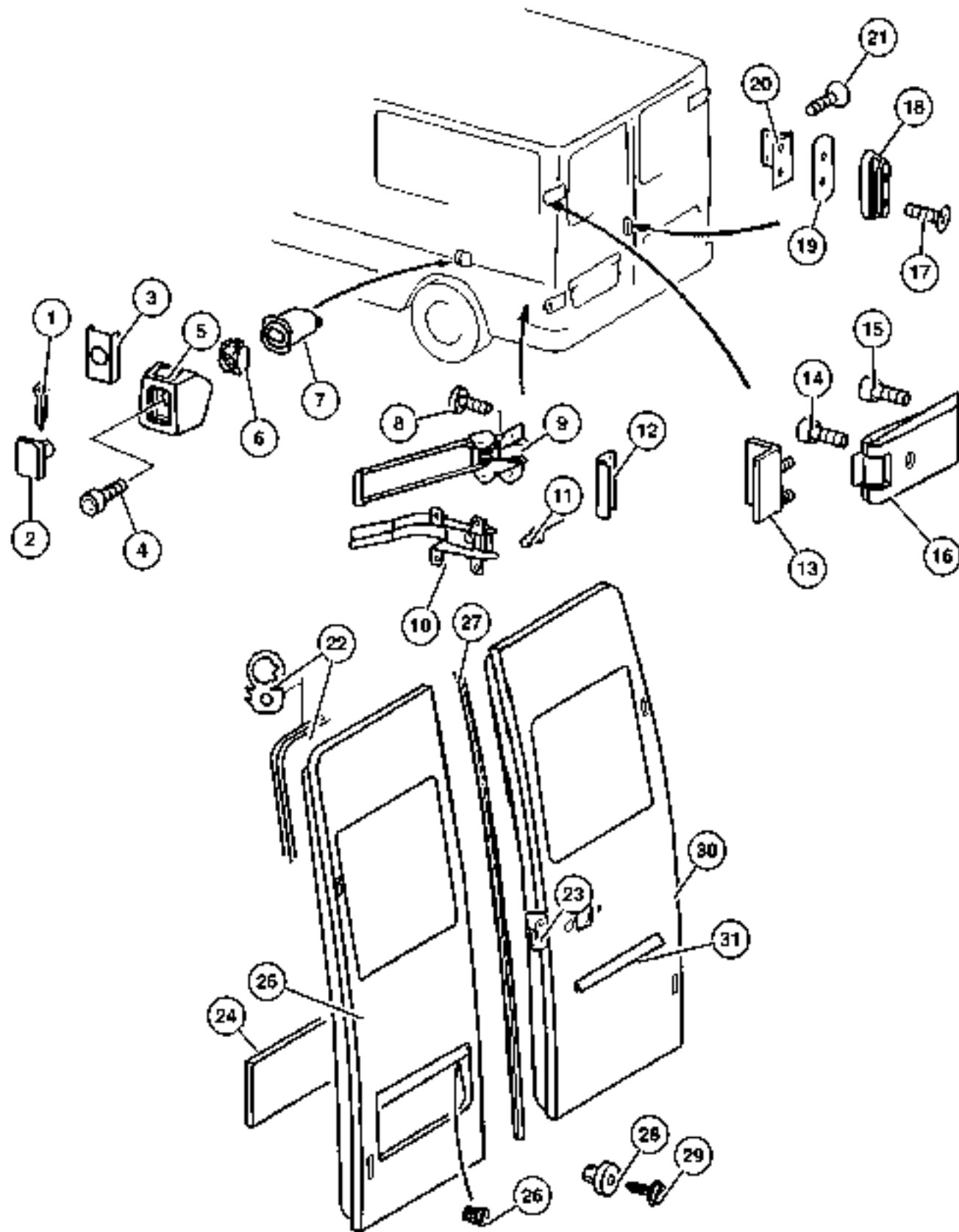
ITEM	PART NUMBER	QTY	LINE	SERIES	BODY	ENGINE	TRANS	TRIM	DESCRIPTION
1	5104 611AA	2	2, 6	L	11, 12, 14, 15, 16				PIN, Cotter
		2	2, 6	L	51, 52, 54, 55, 56				
		2	3, 7	L	12, 15, 16				
2	5104 423AA	1	2, 6	L	11, 12, 14, 15, 16				MAGNET
		1	2, 6	L	51, 52, 54, 55, 56				
		1	3, 7	L	12, 15, 16				
3	5104 433AA	1	2, 6	L	11, 12, 14, 15, 16				PLATE, Support
		1	2, 6	L	51, 52, 54, 55, 56				
		1	3, 7	L	12, 15, 16				
4	5103 719AA	1	2, 6	L	11, 12, 14, 15, 16				SCREW
		1	2, 6	L	51, 52, 54, 55, 56				
		1	3, 7	L	12, 15, 16				
5	5104 369AA	1	2, 6	L	11, 12, 14, 15, 16				BUMPER, Door
		1	2, 6	L	51, 52, 54, 55, 56				
		1	3, 7	L	12, 15, 16				
6									NUT, Snap In

Refer to Model Legend Information Bookmark

AR = Use as required - = Non illustrated part # = New this model year

March 3, 2006

Door, Cargo Shell and Hinges
Figure DVA-410



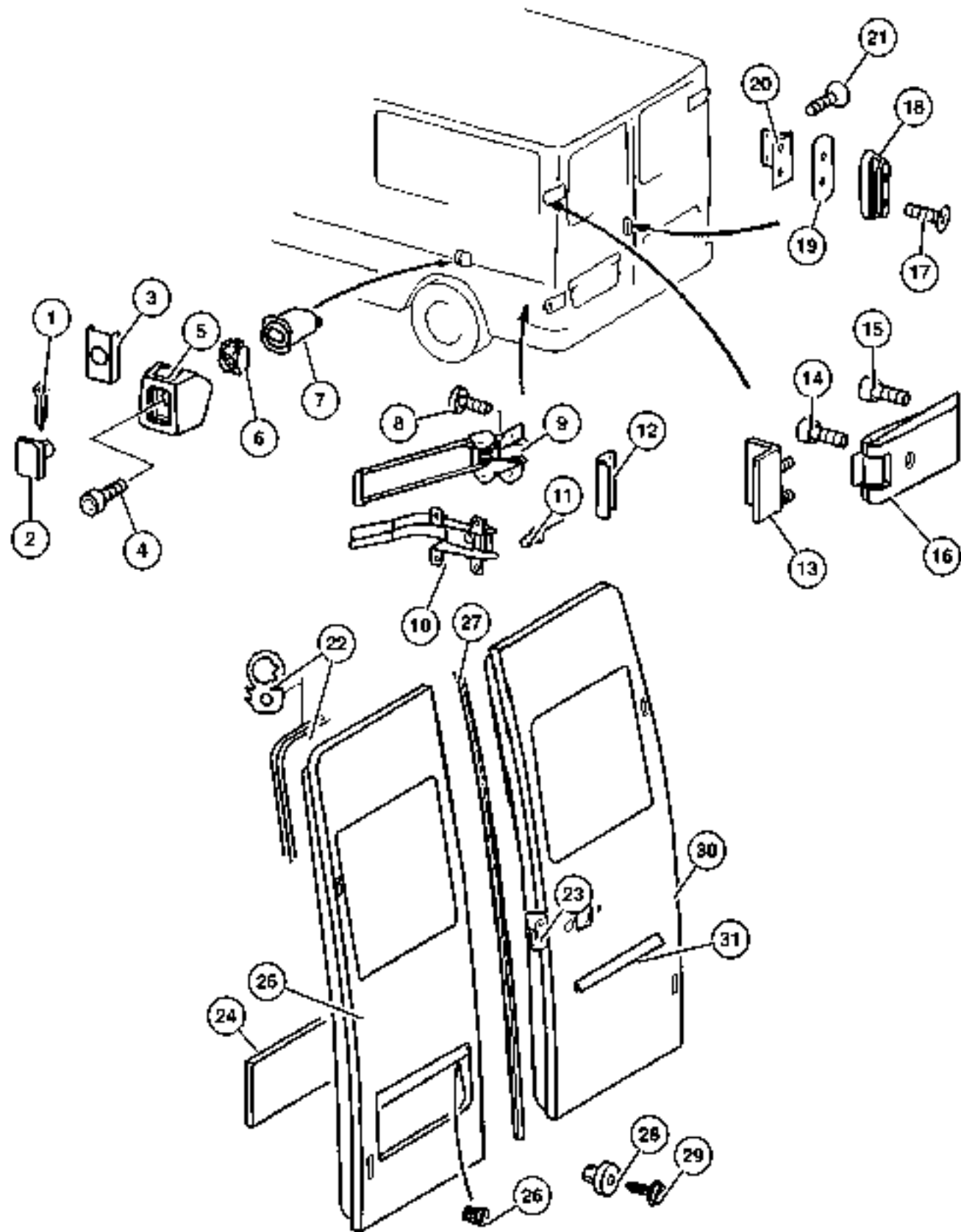
ITEM	PART NUMBER	QTY	LINE	SERIES	BODY	ENGINE	TRANS	TRIM	DESCRIPTION
	5103 840AA	1	2, 6	L	11, 12,				
					14, 15,				
		1	2, 6	L	51, 52,				
					54, 55,				
		1	3, 7	L	56				
7					12, 15,				REINFORCEMENT
					16				
	5104 173AA	1	2, 6	L	11, 12,				
		1	2, 6	L	14, 15,				
					51, 52,				
					54, 55				
		1	3, 7	L	12, 15				
8									SCREW, (NOT SERVICED) (Not Serviced)
9									CHECK, Rear Door
	5104 414AA	1	2, 6	L	11, 12,				
		1	2, 6	L	14, 15,				
					16				
		1	2, 6	L	51, 52,				
					54, 55,				
		1	3, 7	L	56				
					12, 15,				
					16				
10									BRACKET, Door Inside
	5104 413AA	1	2, 6	L	11, 12,				
		1	2, 6	L	14, 15,				
					16				
		1	2, 6	L	51, 52,				
					54, 55,				
		1	3, 7	L	56				
					12, 15,				
					16				
11									RIVET
	5103 838AA	4	2, 6	L	01, 02,				
					06				
		4	2, 6	L	11, 12,				
					14, 15,				
					16				
		4	2, 6	L	51, 52,				
					54, 55,				
					56				
		4	3, 7	L	02, 06				

Refer to Model Legend Information Bookmark

AR = Use as required - = Non illustrated part # = New this model year

March 3, 2006

Door, Cargo Shell and Hinges
Figure DVA-410



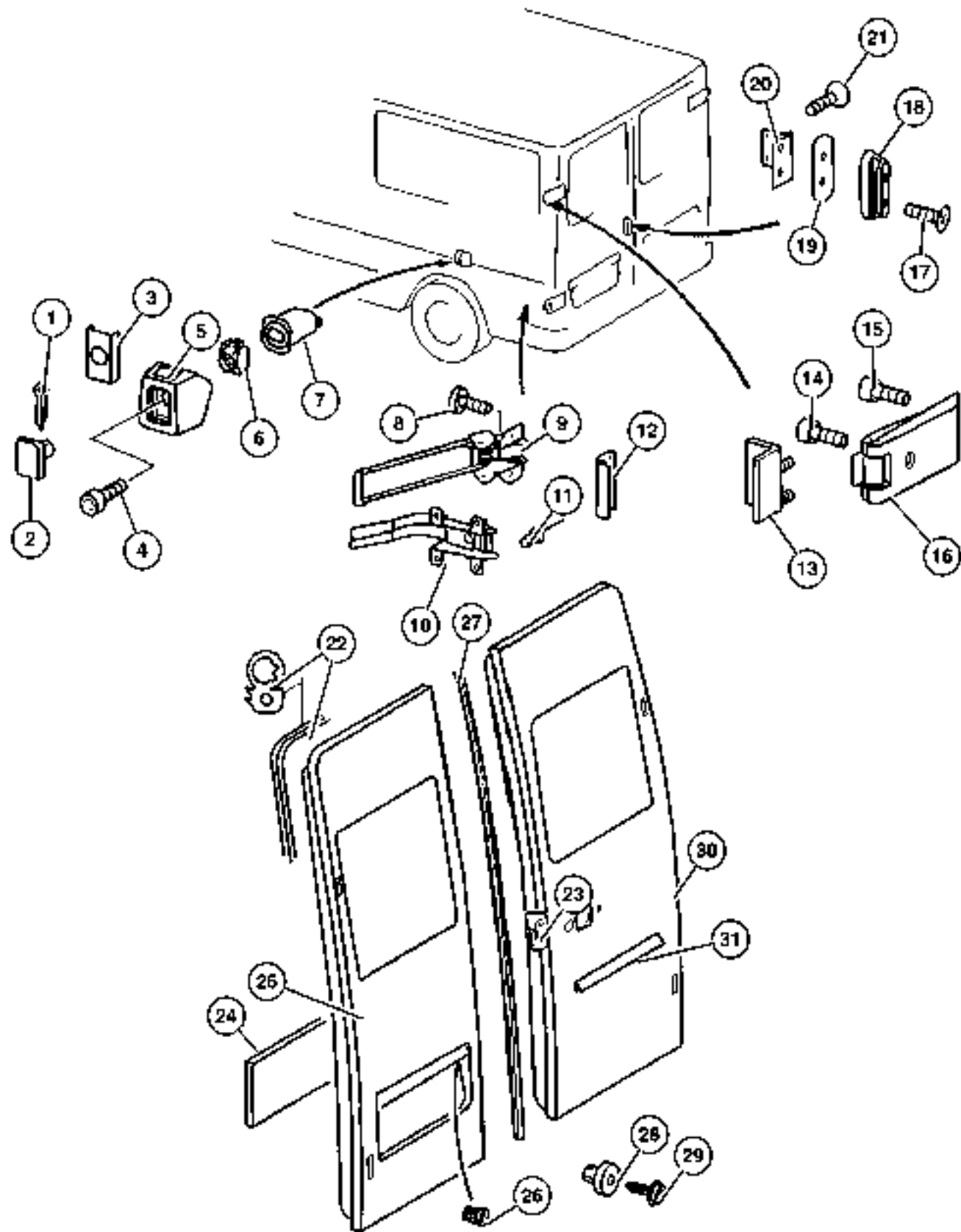
ITEM	PART NUMBER	QTY	LINE	SERIES	BODY	ENGINE	TRANS	TRIM	DESCRIPTION
		4	3, 7	L	12, 15, 16				
12	5104 430AA	1	2, 6	L	11, 12, 14, 15, 16				BRACKET, Cargo Door Hinge
		1	2, 6	L	51, 52, 54, 55, 56				
13	5104 385AA	2	2, 6	L	11, 12, 14, 15, 16				STOPPER, Cargo Door
		2	2, 6	L	51, 52, 54, 55, 56				
14	5125 420AA	1	2, 6	L	01, 02, 06				BOLT, Torx
		1	2, 6	L	11, 12, 14, 15, 16				
		1	2, 6	L	51, 52, 54, 55, 56				
		1	3, 7	L	02, 06				
15	5073 721AA	1	2, 3, 6, 7	L	12, 15, 16				SCREW
16	5104 378AA	2	2, 6	L	11, 12, 14, 15, 16				HINGE, Rear Door
		2	2, 6	L	51, 52, 54, 55, 56				
		2	3, 7	L	12, 15, 16				
17									SCREW

Refer to Model Legend Information Bookmark

AR = Use as required - = Non illustrated part # = New this model year

March 3, 2006

Door, Cargo Shell and Hinges
Figure DVA-410



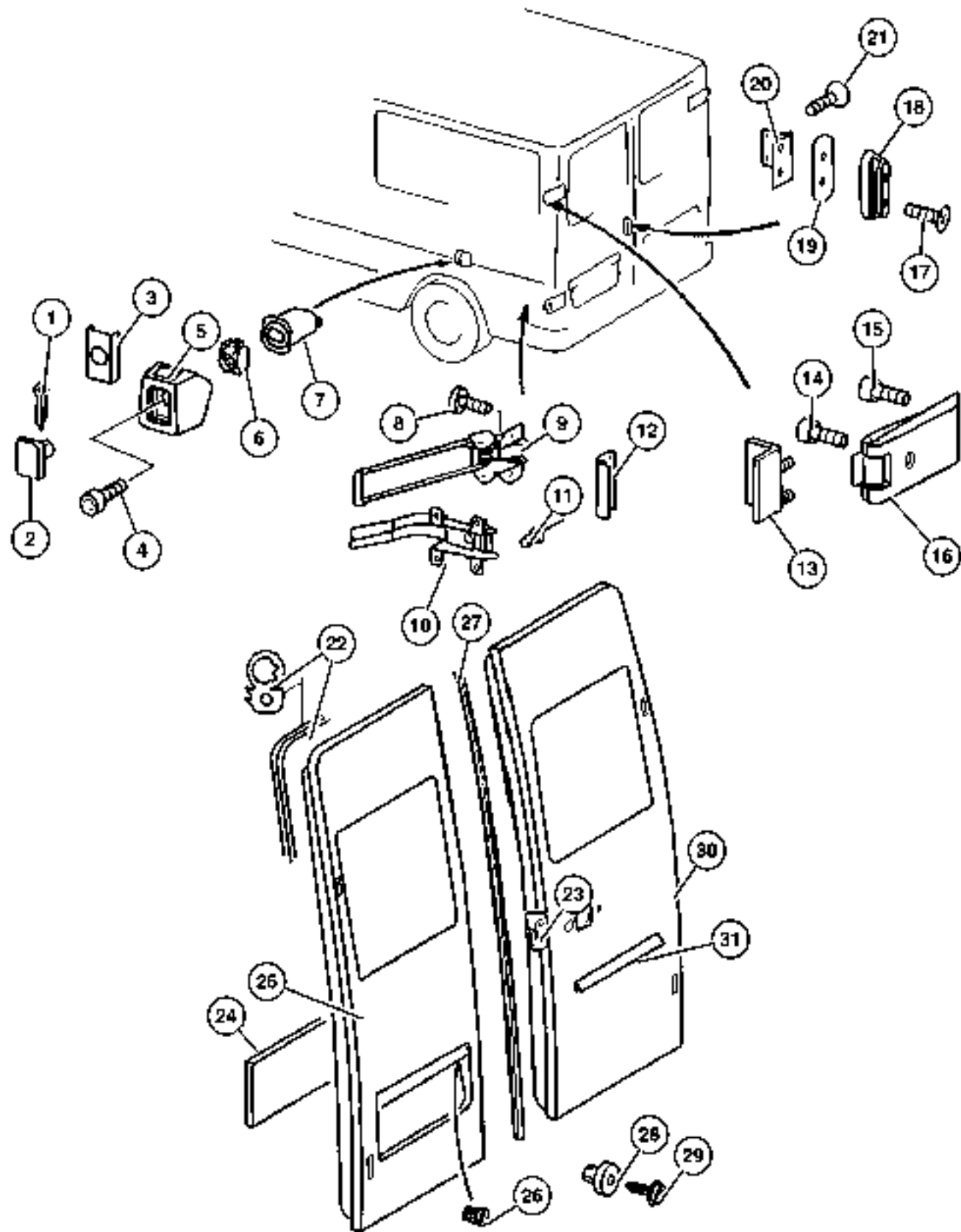
ITEM	PART NUMBER	QTY	LINE	SERIES	BODY	ENGINE	TRANS	TRIM	DESCRIPTION
	5104 635AA	2	2, 6	L	11, 12, 14, 15, 16				
		2	2, 6	L	51, 52, 54, 55, 56				
		2	3, 7	L	12, 15, 16				
	5104 636AA	2	2, 6	L	01, 02, 06				
18		2	3, 7	L	02, 06				BUMPER, Door
	5104 370AA	1	2, 6	L	11, 12, 14, 15, 16				
		1	2, 6	L	51, 52, 54, 55, 56				
		1	3, 7	L	12, 15, 16				
19									GASKET, Bumper Bracket
	5104 432AA	1	2, 6	L	11, 12, 14, 15, 16				
		1	2, 6	L	51, 52, 54, 55, 56				
		1	3, 7	L	12, 15, 16				
20									BRACKET, Hinge Reinforcement
	5123 934AA	1	2, 6	L	11, 12, 14, 15, 16				
		1	2, 6	L	51, 52, 54, 55, 56				
		1	3, 7	L	12, 15, 16				
21									SCREW
	5133 932AA	4	2, 6	L	11, 12, 14, 15, 16				
		4	2, 6	L	51, 52, 54, 55, 56				

Refer to Model Legend Information Bookmark

AR = Use as required - = Non illustrated part # = New this model year

March 3, 2006

Door, Cargo Shell and Hinges Figure DVA-410



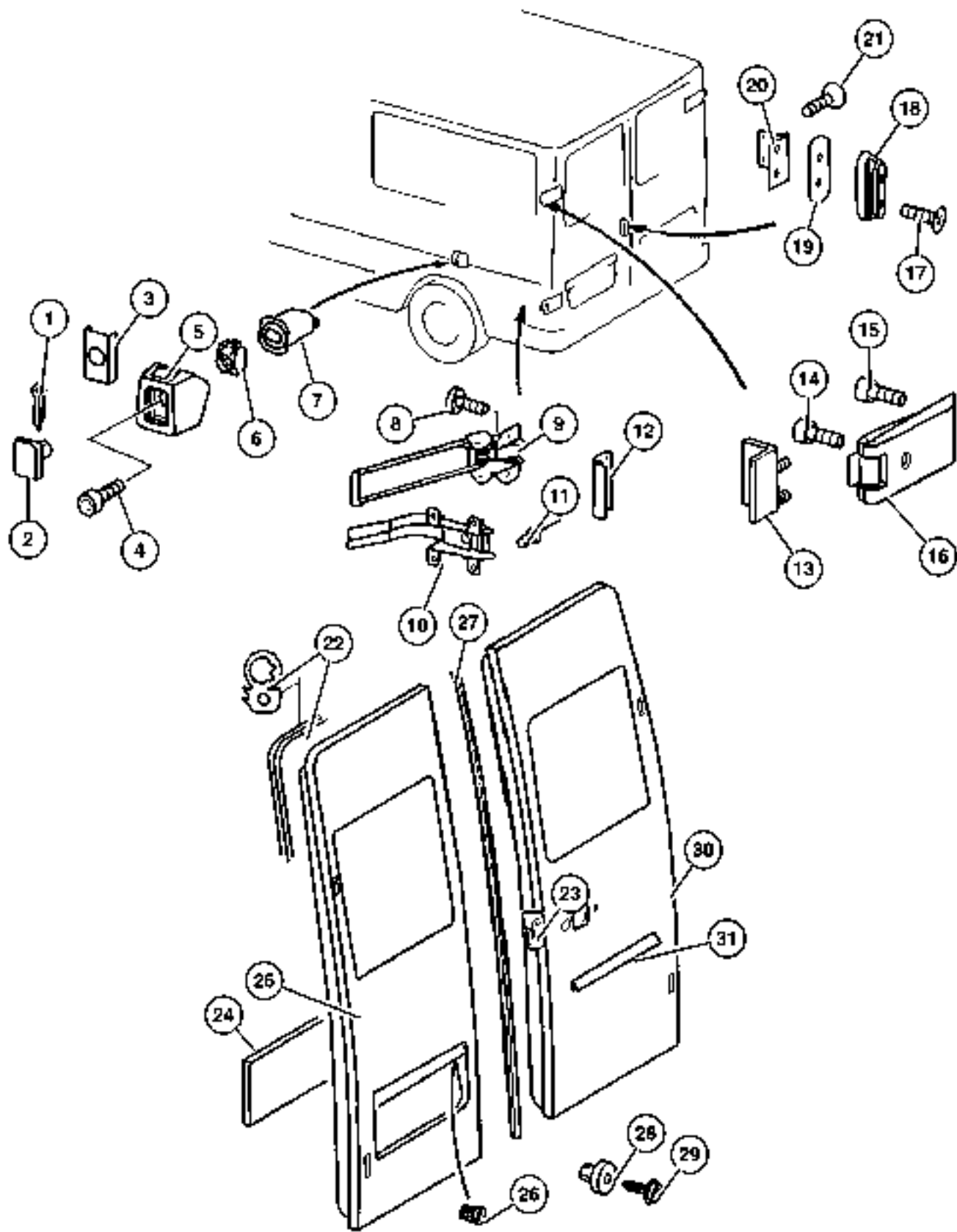
ITEM	PART NUMBER	QTY	LINE	SERIES	BODY	ENGINE	TRANS	TRIM	DESCRIPTION
		4	3, 7	L	12, 15, 16				
22	5104 274AA	1	2, 6	L	14, 15, 16				WEATHERSTRIP, Cargo Door
		1	2, 6	L	54, 55, 56				
		1	3, 7	L	15, 16				FILM, (NOT SERVICED) (Not Serviced)
23									
24	5122 518AA	2	2, 6	L	11, 12, 14, 15, 16				SILENCER, Door
		2	2, 6	L	51, 52, 54, 55, 56				
		2	3, 7	L	12, 15, 16				
25	5123 905AA	1	2, 6	L	11, 12				DOOR, Rear Cargo Left Hand
	5123 907AA	1	3, 7	L	12				Left Hand
		1	2, 6	L	11, 12				Right Hand
		1	3, 7	L	12				Right Hand
	5123 909AA	1	2, 6	L	14, 15, 16				[MWJ-GL8], Left Hand
		1	3, 7	L	15, 16				[MWJ-GL8], Left Hand
	5123 913AA	1	2, 6	L	11, 12				[GEM], Left Hand
		1	3, 7	L	12				[GEM], Left Hand
	5123 917AA	1	2, 6	L	14, 15, 16				[MWJ+GEM], Left Hand
		1	2, 6	L	54, 55, 56				[MWJ-GL8], Left Hand
		1	3, 7	L	15, 16				[MWJ+GEM], Left Hand
26									NUT, Push In, (NOT SERVICED) (Not Serviced)
27									WEATHERSTRIP, Cargo Door
	5104 375AA	1	2, 6	L	14, 15, 16				
		1	2, 6	L	54, 55, 56				
		1	3, 7	L	15, 16				
28									NUTSERT, Rivet, (NOT SERVICED) (Not Serviced)
29									SCREW

Refer to Model Legend Information Bookmark

AR = Use as required - = Non illustrated part # = New this model year

March 3, 2006

Door, Cargo Shell and Hinges
Figure DVA-410



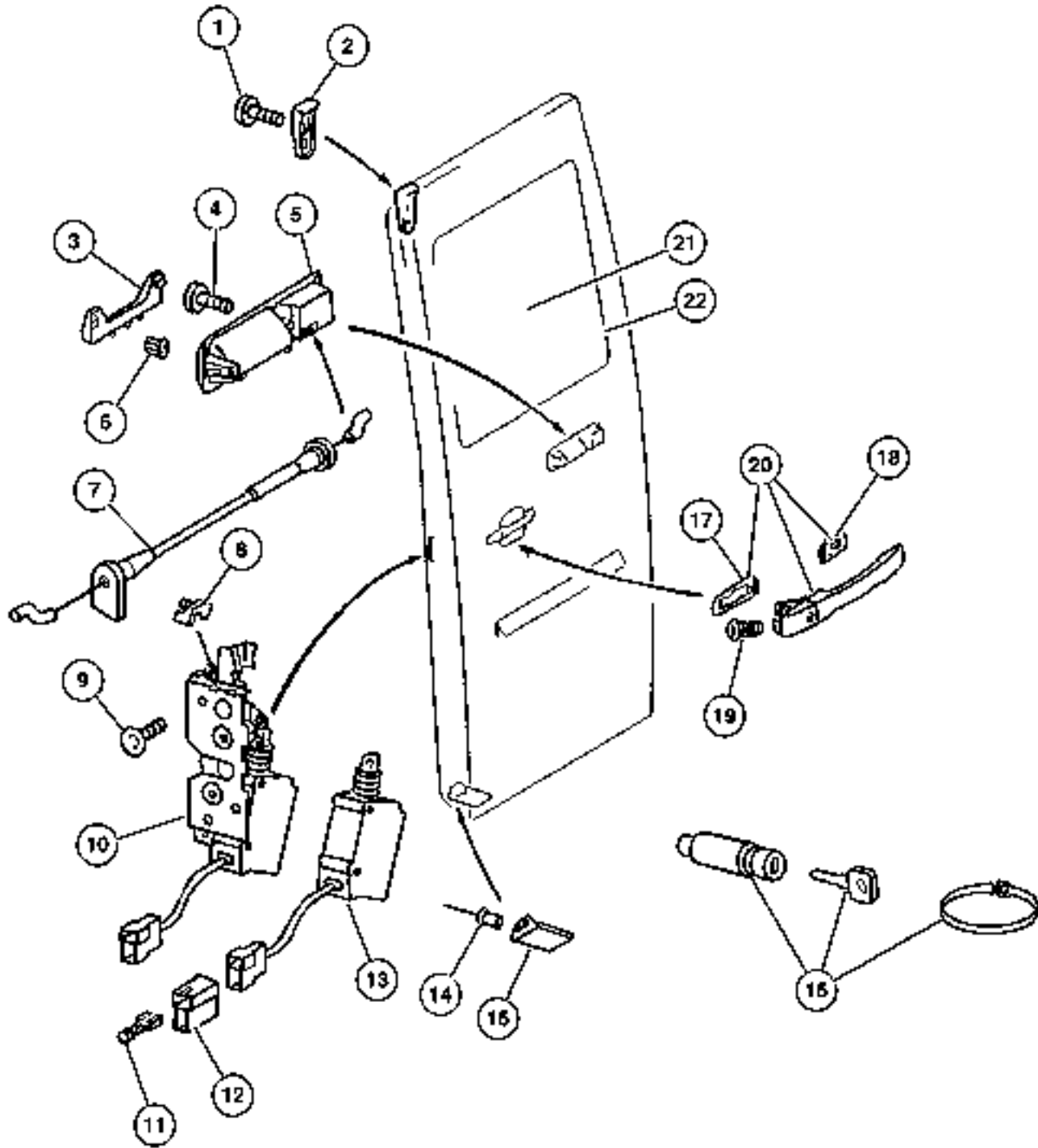
ITEM	PART NUMBER	QTY	LINE	SERIES	BODY	ENGINE	TRANS	TRIM	DESCRIPTION
	5133 931AA	4	2, 6	L	11, 12,				
					14, 15,				
					16				
		4	2, 6	L	51, 52,				
					54, 55,				
					56				
		4	3, 7	L	12, 15,				
					16				
30									DOOR, Rear Cargo
	5123 907AA	1	2, 6	L	11, 12				Right Hand
		1	3, 7	L	12				Right Hand
	5123 911AA	1	2, 6	L	14, 15,				[MWJ-GL8], Right Hand
					16				
		1	3, 7	L	15, 16				[MWJ-GL8], Right Hand
	5123 915AA	1	2, 6	L	11, 12				[GEM], Right Hand
		1	3, 7	L	12				[GEM], Right Hand
	5123 919AA	1	2, 6	L	14, 15,				[MWJ+GEM], Right Hand
					16				
		1	2, 6	L	54, 55,				[MWJ-GL8], Right Hand
					56				
		1	3, 7	L	15, 16				[MWJ+GEM], Right Hand
31									NAMEPLATE, Rear Door
	5104 454AA	1	2, 6	L	01, 02,				
					06				
		1	2, 6	L	11, 12,				
					14, 15,				
					16				
		1	2, 6	L	51, 52,				
					54, 55,				
					56				
		1	3, 7	L	02, 06				
		1	3, 7	L	12, 15,				
					16				

Refer to Model Legend Information Bookmark

AR = Use as required - = Non illustrated part # = New this model year

March 3, 2006

Door, Cargo Glass and Hardware Figure DVA-420



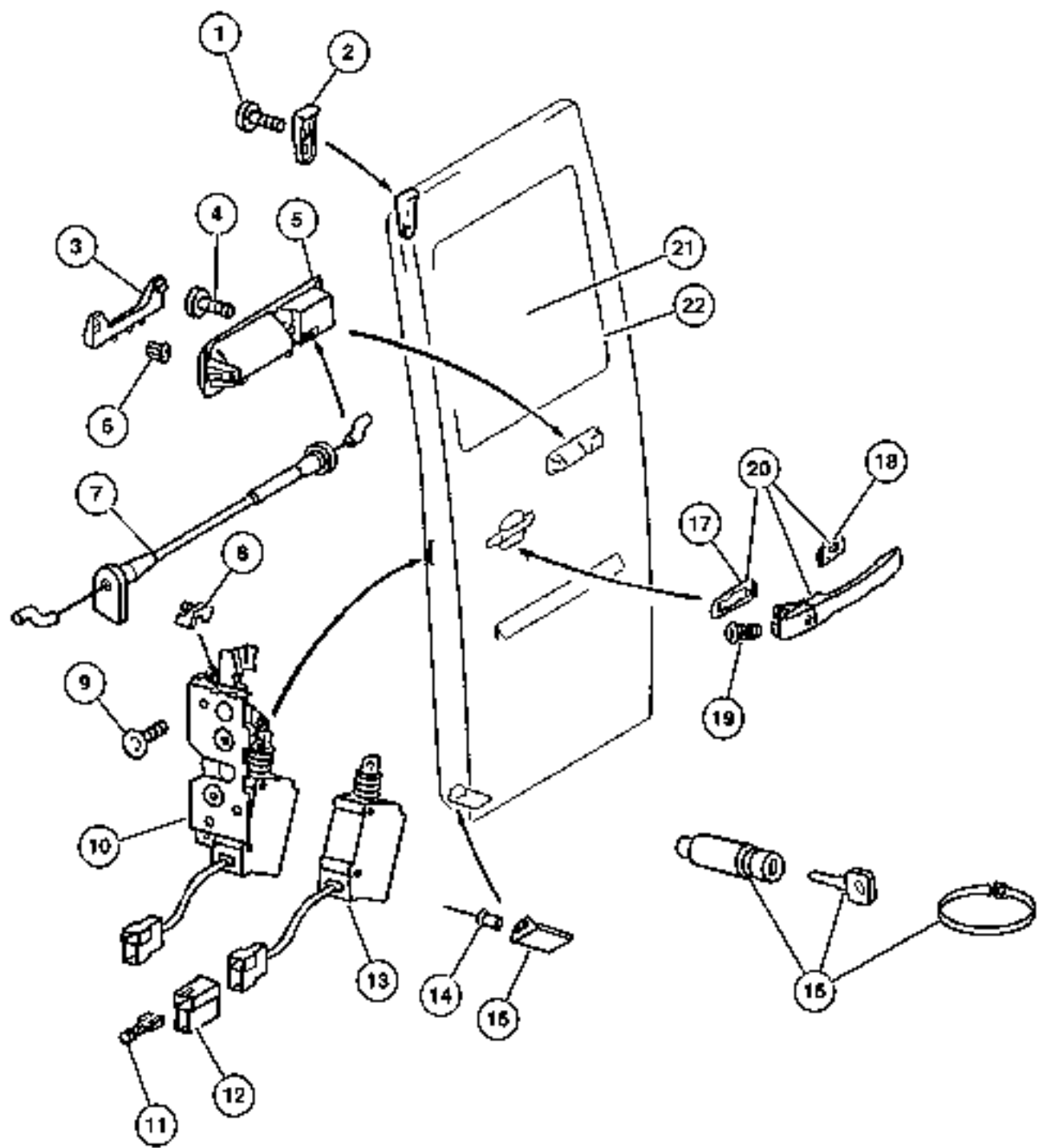
ITEM	PART NUMBER	QTY	LINE	SERIES	BODY	ENGINE	TRANS	TRIM	DESCRIPTION													
1	6104 142AA	2	2, 6	L	01, 02, 06				SCREW													
									2	2, 6	L	11, 12, 14, 15, 16										
																2	2, 6	L	51, 52, 54, 55, 56			
																2	3, 7	L	12, 15, 16			
									2	5123 997AA	1	2, 6	L	11, 12, 14, 15, 16								
1	2, 6	L	51, 52, 54, 55, 56																			
							1	3, 7								L	12, 15, 16					
3	1AT60 BD1AA	1	2, 6	L	11, 12, 14, 15, 16						COVER, Handle											
							1	2, 6			L	51, 52, 54, 55, 56										
																1	3, 7	L	12, 15, 16			
4	6104 142AA	2	2, 6	L	01, 02, 06				SCREW													
									2	2, 6	L	11, 12, 14, 15, 16										
																2	2, 6	L	51, 52, 54, 55, 56			
									2	3, 7	L	02, 06										
																2	3, 7	L	12, 15, 16			
									5													

Refer to Model Legend Information Bookmark

AR = Use as required - = Non illustrated part # = New this model year

March 3, 2006

Door, Cargo Glass and Hardware Figure DVA-420



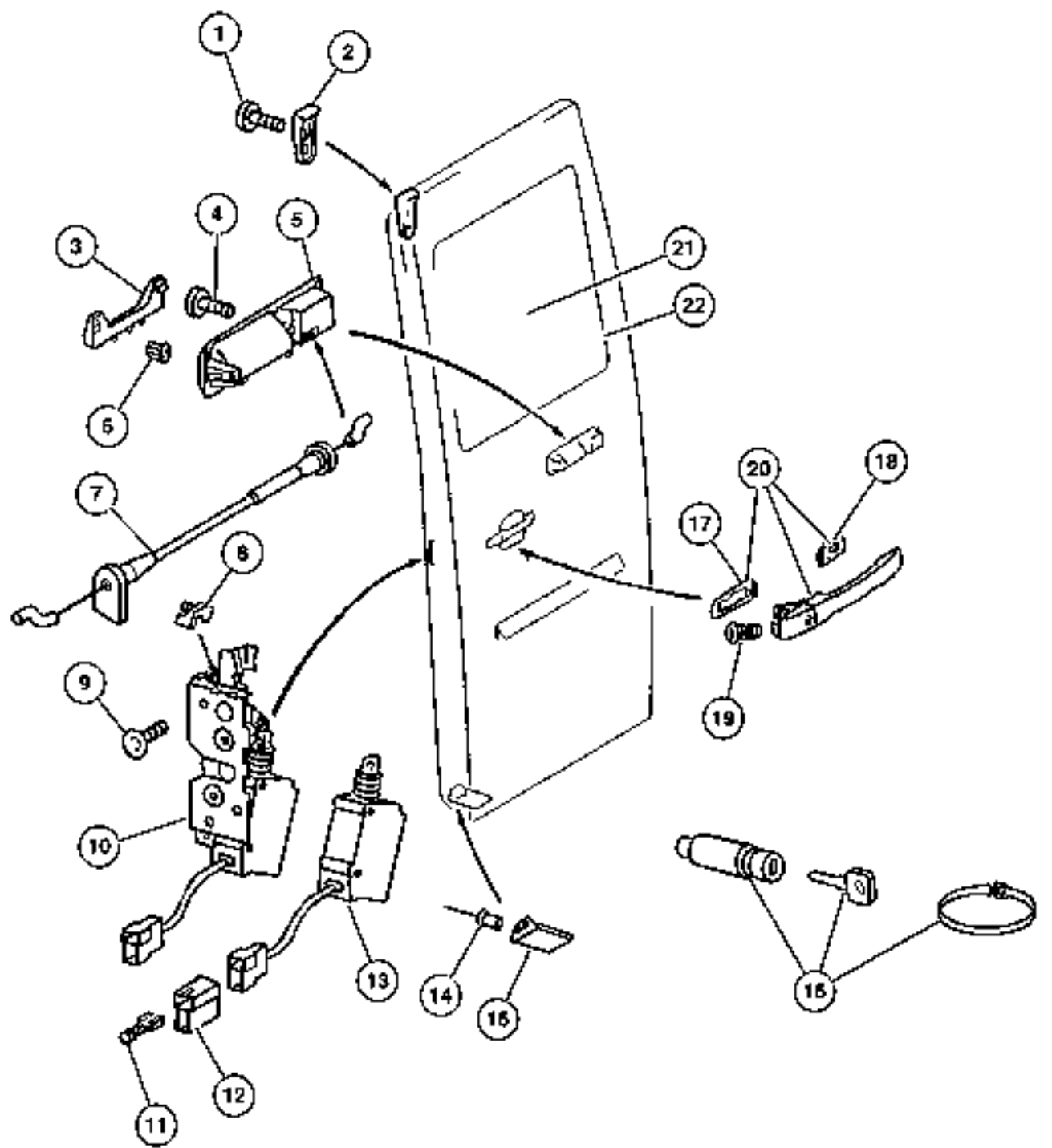
ITEM	PART NUMBER	QTY	LINE	SERIES	BODY	ENGINE	TRANS	TRIM	DESCRIPTION
	5132 053AA	1	2, 6	L	11, 12, 14, 15, 16				
		1	2, 6	L	51, 52, 54, 55, 56				
6	6104 884AA	2	2, 6	L	11, 12, 14, 15, 16				NUT
		2	2, 6	L	51, 52, 54, 55, 56				
		2	2, 6	L	01, 02, 06				
		2	3, 7	L	02, 06				
		2	3, 7	L	12, 15, 16				
7	5104 416AA	1	2, 6	L	11, 12, 14, 15, 16				CABLE
		1	2, 6	L	51, 52, 54, 55, 56				
		1	3, 7	L	12, 15, 16				
8	5103 674AA	1	2, 6	L	01, 02, 06				CONNECTOR, Solenoid
		1	2, 6	L	11, 12, 14, 15, 16				
		1	2, 6	L	51, 52, 54, 55, 56				
		1	3, 7	L	02, 06				
		1	3, 7	L	12, 15, 16				
9	5103 723AA	3	2, 6	L	01, 02, 06				SCREW
		3	2, 6	L	11, 12, 14, 15, 16				

Refer to Model Legend Information Bookmark

AR = Use as required - = Non illustrated part # = New this model year

March 3, 2006

**Door, Cargo Glass and Hardware
Figure DVA-420**



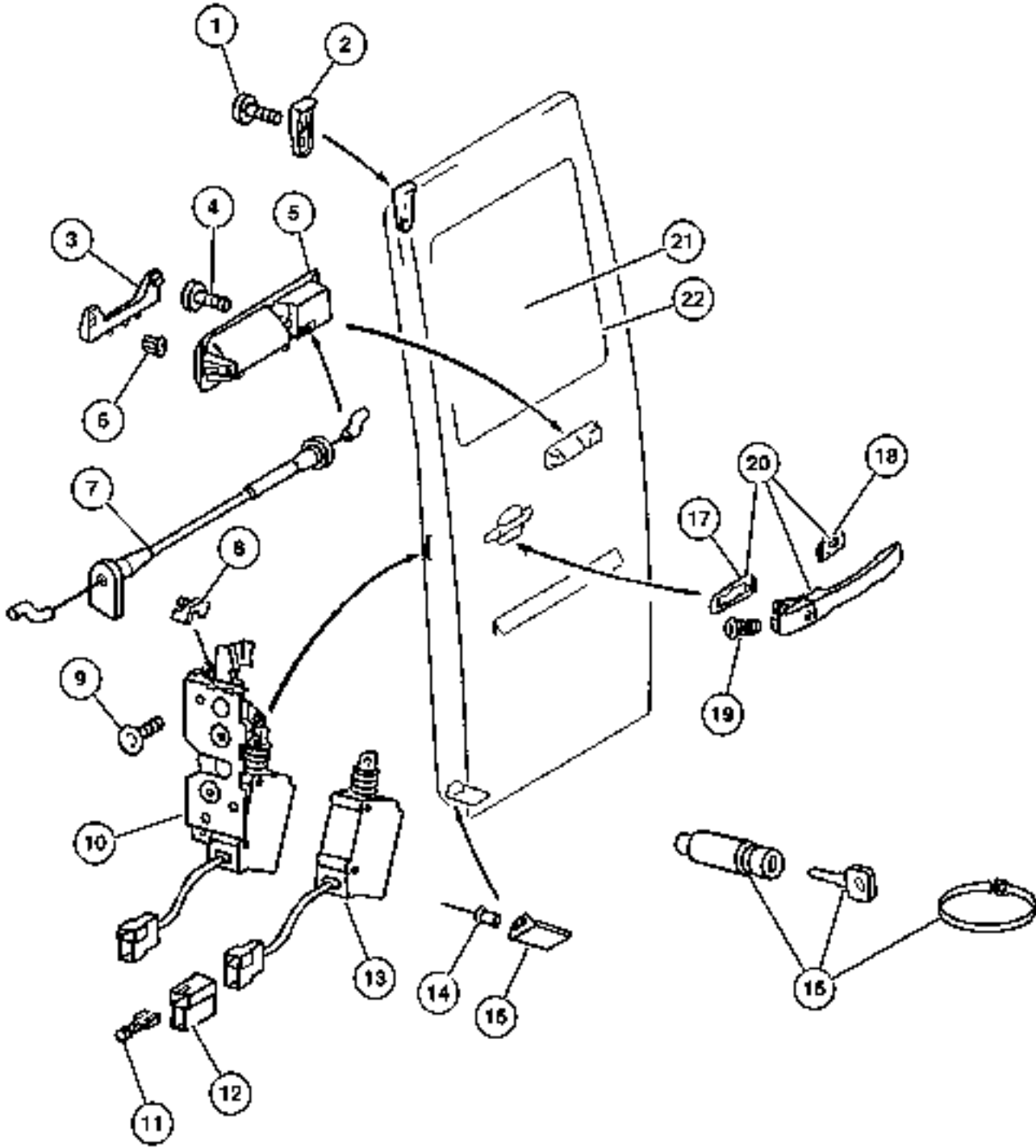
ITEM	PART NUMBER	QTY	LINE	SERIES	BODY	ENGINE	TRANS	TRIM	DESCRIPTION
		3	2, 6	L	51, 52, 54, 55, 56				
		3	3, 7	L	02, 06				
		3	3, 7	L	12, 15, 16				
10	5131 997AA	1	2, 6	L	11, 12, 14, 15, 16				LATCH, Rear Door
		1	2, 6	L	51, 52, 54, 55, 56				
11	5114 451AA	99	2, 6	L	01, 02, 06				TERMINAL, Female
		99	2, 6	L	11, 12, 14, 15, 16				
		99	2, 6	L	51, 52, 54, 55, 56				
		99	3, 7	L	02, 06				
		99	3, 7	L	12, 15, 16				
12	5103 754AA	1	2, 6	L	01, 02, 06				INSULATOR, 2 Way Female
		1	2, 6	L	11, 12, 14, 15, 16				
		1	2, 6	L	51, 52, 54, 55, 56				
		2	3, 7	L	02, 06				
		2	3, 7	L	12, 15, 16				
13	5133 998AA	1	2, 6	L	11, 12, 14, 15, 16				ACTUATOR, Power Door Lock
		1	2, 6	L	51, 52, 54, 55, 56				

Refer to Model Legend Information Bookmark

AR = Use as required - = Non illustrated part # = New this model year

March 3, 2006

Door, Cargo Glass and Hardware Figure DVA-420



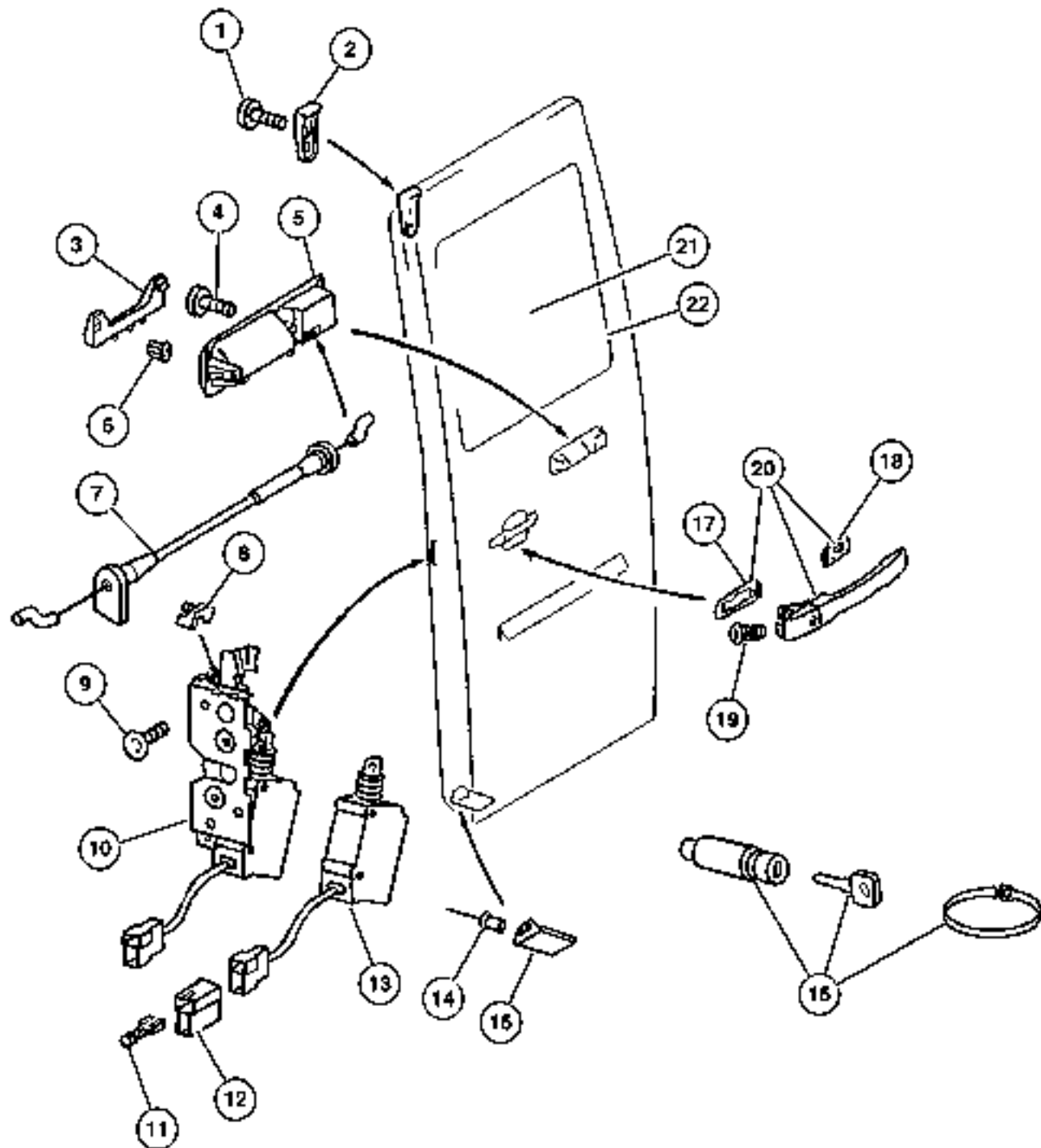
ITEM	PART NUMBER	QTY	LINE	SERIES	BODY	ENGINE	TRANS	TRIM	DESCRIPTION
		1	3, 7	L	12, 15, 16				
14	5125 819AA	2	2, 6	L	11, 12, 14, 15, 16				RIVET
		2	2, 6	L	51, 52, 54, 55, 56				
		2	3, 7	L	12, 15, 16				
15	5123 999AA	1	2, 6	L	11, 12, 14, 15, 16				SPACER, Door Lock Striker
		1	2, 6	L	51, 52, 54, 55, 56				
		1	3, 7	L	12, 15, 16				
16	5114 364AA	1	2, 6	L	11, 12, 14, 15, 16				CYLINDER, Door Lock
		1	2, 6	L	51, 52, 54, 55, 56				
		1	2, 6	L	01, 02, 06				
		1	3, 7	L	02, 06				
		1	3, 7	L	12, 15, 16				
17	5103 673AA	1	2, 6	L	01, 02, 06				PAD
		1	2, 6	L	11, 12, 14, 15, 16				
		1	2, 6	L	51, 52, 54, 55, 56				
		1	3, 7	L	02, 06				
		1	3, 7	L	12, 15, 16				
18									PAD

Refer to Model Legend Information Bookmark

AR = Use as required - = Non illustrated part # = New this model year

March 3, 2006

**Door, Cargo Glass and Hardware
Figure DVA-420**



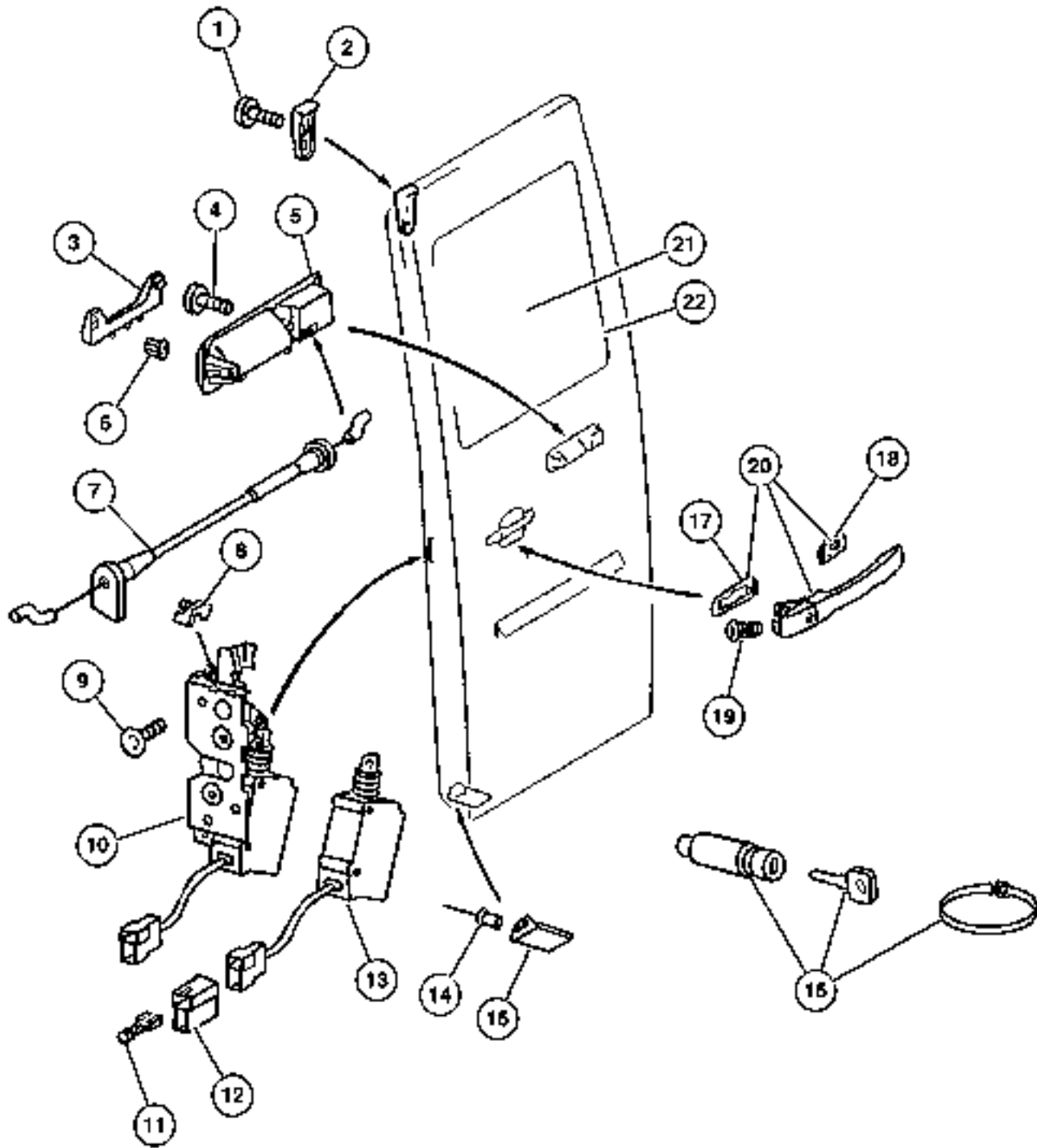
ITEM	PART NUMBER	QTY	LINE	SERIES	BODY	ENGINE	TRANS	TRIM	DESCRIPTION
	5103 672AA	1	2, 6	L	01, 02,				
		1	2, 6	L	06				
		1	2, 6	L	11, 12,				
		1	2, 6	L	14, 15,				
		1	2, 6	L	16				
		1	2, 6	L	51, 52,				
		1	2, 6	L	54, 55,				
		1	2, 6	L	56				
		1	3, 7	L	02, 06				
		1	3, 7	L	12, 15,				
		1	3, 7	L	16				
19									SCREW, Front Door Handle
	5125 414AA	1	2, 6	L	01, 02,				
		1	2, 6	L	06				
		1	2, 6	L	11, 12,				
		1	2, 6	L	14, 15,				
		1	2, 6	L	16				
		1	2, 6	L	51, 52,				
		1	2, 6	L	54, 55,				
		1	2, 6	L	56				
		1	3, 7	L	02, 06				
		1	3, 7	L	12, 15,				
		1	3, 7	L	16				
20									HANDLE, Front Door
	5124 094AA	1	2, 6	L	01, 02,				
		1	2, 6	L	06				
		1	2, 6	L	11, 12,				
		1	2, 6	L	14, 15,				
		1	2, 6	L	16				
		1	2, 6	L	51, 52,				
		1	2, 6	L	54, 55,				
		1	2, 6	L	56				
		1	3, 7	L	02, 06				
		1	3, 7	L	12, 15,				
		1	3, 7	L	16				
21									GLASS, Cargo Door Solar, Left
	5124 006AA	1	2, 6	L	11, 12,				
		1	2, 6	L	14, 15,				
		1	2, 6	L	16				
		1	2, 6	L	51, 52,				Solar, Left
		1	2, 6	L	54, 55,				
		1	2, 6	L	56				
		1	3, 7	L	12, 15,				Solar, Left
		1	3, 7	L	16				

Refer to Model Legend Information Bookmark

AR = Use as required - = Non illustrated part # = New this model year

March 3, 2006

**Door, Cargo Glass and Hardware
Figure DVA-420**



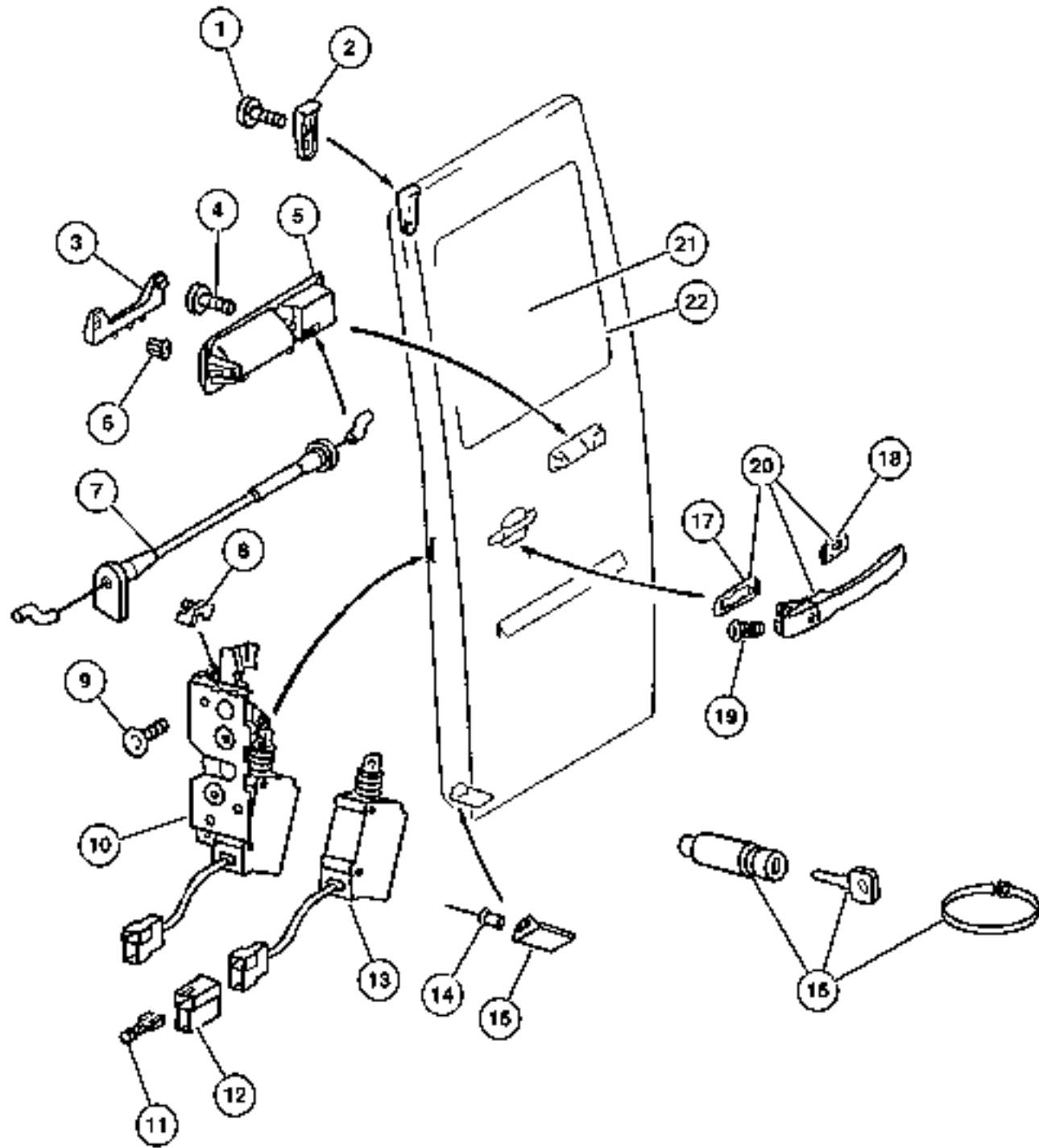
ITEM	PART NUMBER	QTY	LINE	SERIES	BODY	ENGINE	TRANS	TRIM	DESCRIPTION
	5124 008AA	1	2, 6	L	11, 12,				Solar, Right
					14, 15,				
		1	2, 6	L	51, 52,				Solar, Right
					54, 55,				
		1	3, 7	L	12, 15,				Solar, Right
					16				
	5124 014AA	1	2, 6	L	11, 12,				Solar, Left Hand
					14, 15,				
		1	2, 6	L	51, 52,				Solar, Left Hand
					54, 55,				
		1	3, 7	L	12, 15,				Solar, Left Hand
					16				
	5124 016AA	1	2, 6	L	11, 12,				Solar, Right Hand
					14, 15,				
		1	2, 6	L	51, 52,				Solar, Right Hand
					54, 55,				
		1	3, 7	L	12, 15,				Solar, Right Hand
					16				
	5134 318AA	1	2, 6	L	11, 12,				Privacy,Heated, Left Hand
					14, 15,				
		1	2, 6	L	51, 52,				Privacy,Heated, Left Hand
					54, 55,				
		1	3, 7	L	12, 15,				Privacy,Heated, Left Hand
					16				
	5134 319AA	1	2, 6	L	11, 12,				Privacy,Non-Heated, Left Hand
					14, 15,				
		1	2, 6	L	51, 52,				Privacy,Non-Heated, Left Hand
					54, 55,				
		1	3, 7	L	12, 15,				Privacy,Non-Heated, Left Hand
					16				
	5134 324AA	1	2, 6	L	11, 12,				Privacy,Heated, Right Hand
					14, 15,				
					16				

Refer to Model Legend Information Bookmark

AR = Use as required - = Non illustrated part # = New this model year

March 3, 2006

Door, Cargo Glass and Hardware Figure DVA-420



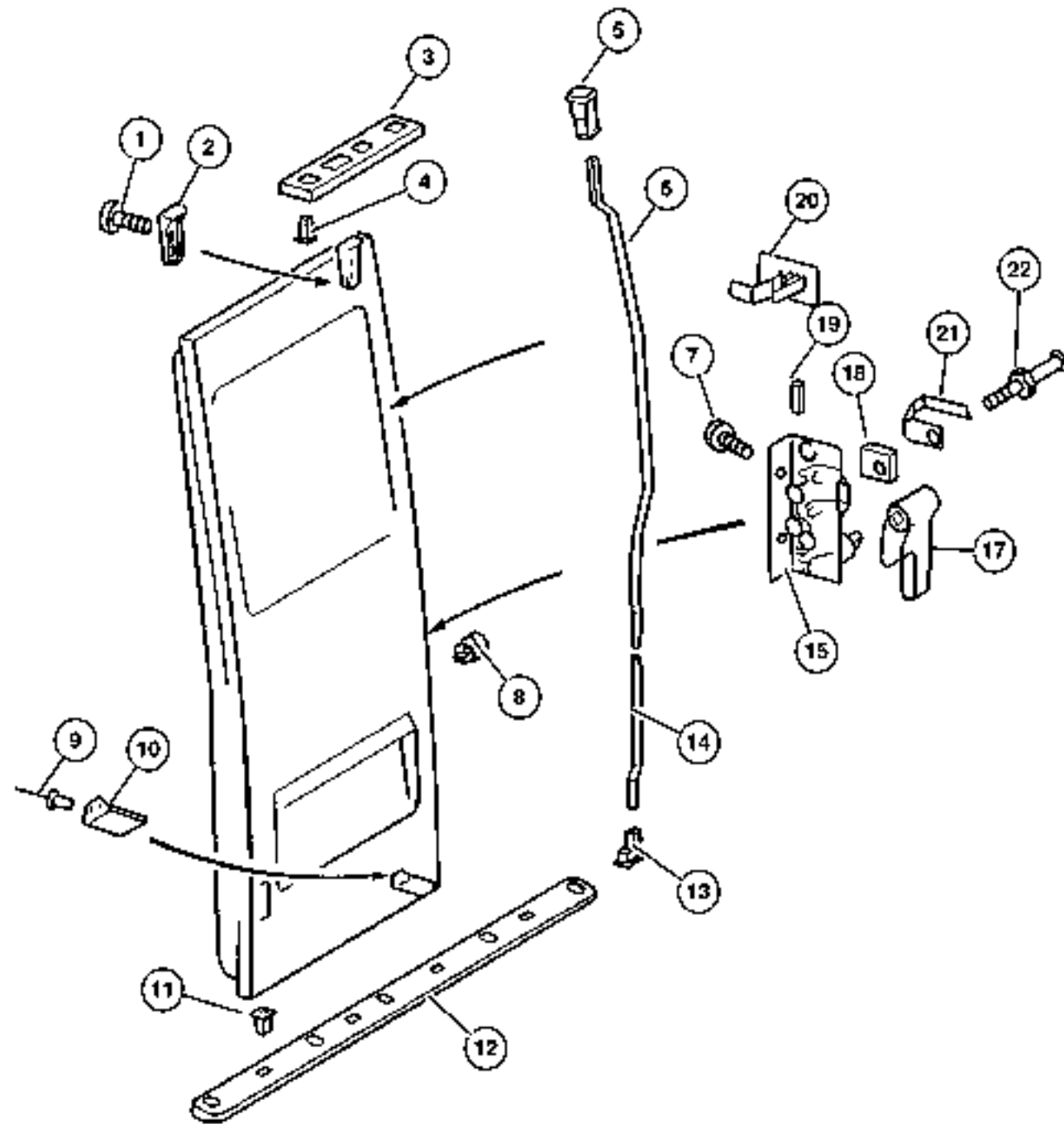
ITEM	PART NUMBER	QTY	LINE	SERIES	BODY	ENGINE	TRANS	TRIM	DESCRIPTION
		1	2, 6	L	51, 52, 54, 55, 56				Privacy,Heated, Right Hand
		1	3, 7	L	12, 15, 16				Privacy,Heated, Right Hand
	5134 325AA	1	2, 6	L	11, 12, 14, 15, 16				Privacy,Non-Heated, Right Hand
		1	2, 6	L	51, 52, 54, 55, 56				Privacy,Non-Heated, Right Hand
		1	3, 7	L	12, 15, 16				Privacy,Non-Heated, Right Hand
22									WEATHERSTRIP, Sliding Door Glass
	5104 364AA	1	2, 6	L	11, 12, 14, 15, 16				
		1	2, 6	L	51, 52, 54, 55, 56				
		1	3, 7	L	12, 15, 16				

Refer to Model Legend Information Bookmark

AR = Use as required - = Non illustrated part # = New this model year

March 3, 2006

Door, Cargo Lock and Control
Figure DVA-430



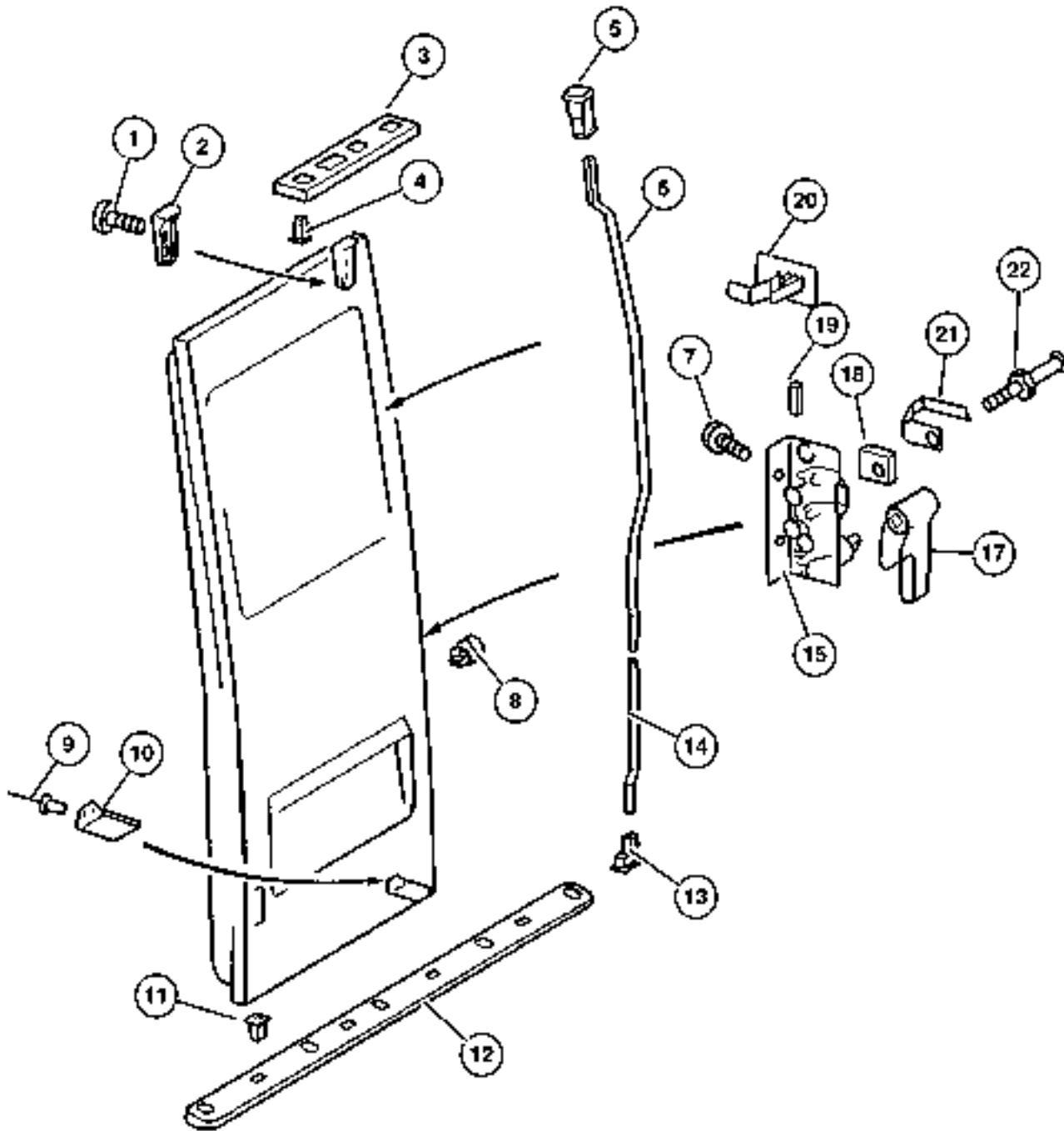
ITEM	PART NUMBER	QTY	LINE	SERIES	BODY	ENGINE	TRANS	TRIM	DESCRIPTION
1									SCREW
	6104 142AA	2	2, 6	L	01, 02, 06				
		2	2, 6	L	11, 12, 14, 15, 16				
		2	2, 6	L	51, 52, 54, 55, 56				
		2	3, 7	L	02, 06				
		2	3, 7	L	12, 15, 16				
2									SPACER, Door Lock Striker
	5123 997AA	1	2, 6	L	11, 12, 14, 15, 16				
		1	2, 6	L	51, 52, 54, 55, 56				
		1	3, 7	L	12, 15, 16				
3									PLATE, Door Latch Striker
	5104 428AA	1	2, 6	L	11, 12, 14, 15, 16				
		1	2, 6	L	51, 52, 54, 55, 56				
		1	3, 7	L	12, 15, 16				
4									RETAINER
	5104 536AA	10	2, 6	L	11, 12, 14, 15, 16				
		10	2, 6	L	51, 52, 54, 55, 56				
		10	3, 7	L	12, 15, 16				
5									GUIDE
	5104 384AA	1	2, 6	L	11, 12, 14, 15, 16				

Refer to Model Legend Information Bookmark

AR = Use as required - = Non illustrated part # = New this model year

March 3, 2006

Door, Cargo Lock and Control
Figure DVA-430



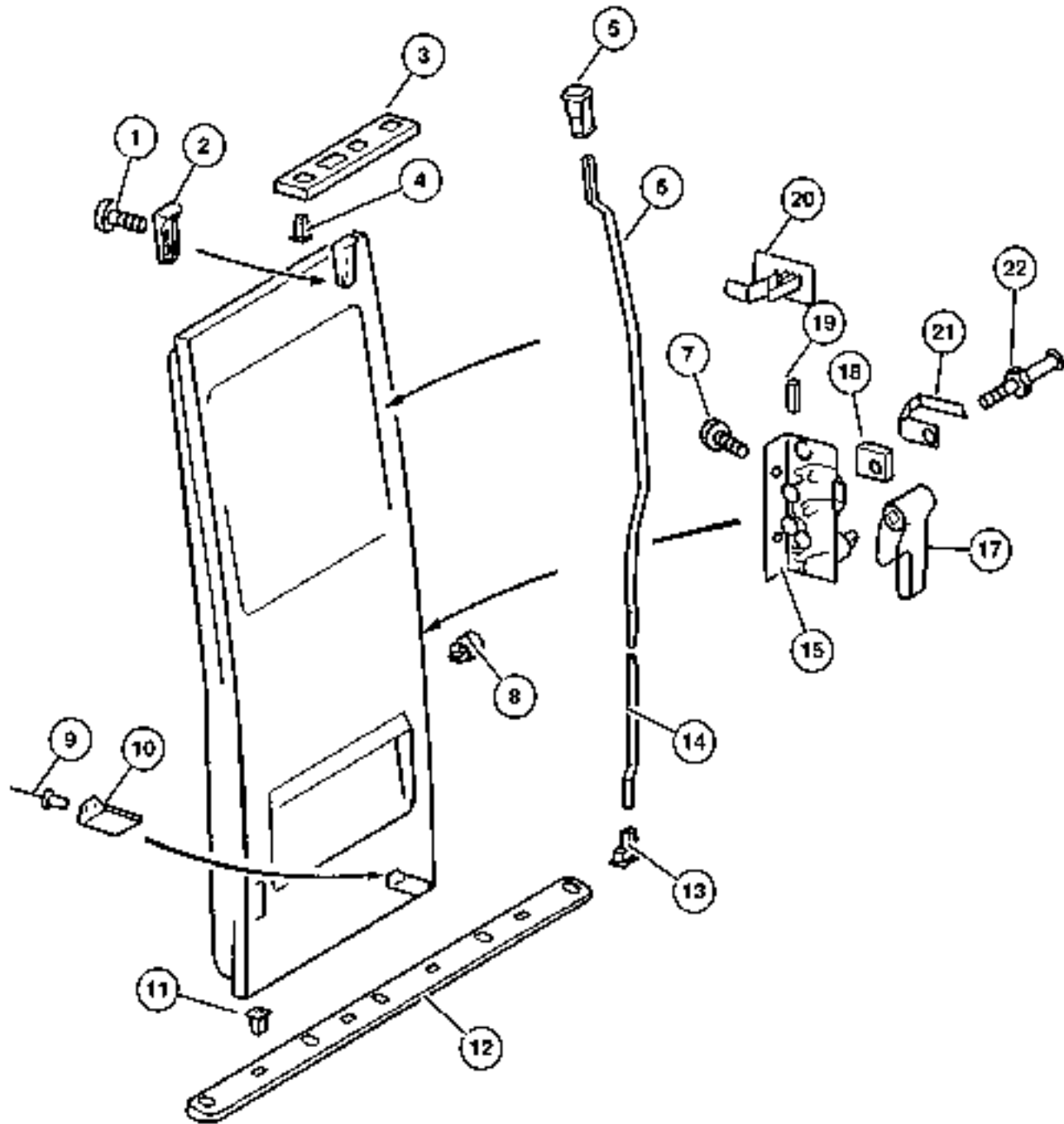
ITEM	PART NUMBER	QTY	LINE	SERIES	BODY	ENGINE	TRANS	TRIM	DESCRIPTION
		1	2, 6	L	51, 52, 54, 55, 56				
		1	3, 7	L	12, 15, 16				
6	5133 928AA	1	2, 6	L	11, 12				ROD, Inside Handle to Latch With Standard Roof
		1	2, 6	L	51, 52				With Standard Roof
		1	3, 7	L	12				With Standard Roof
	5133 929AA	1	2, 6	L	14, 15, 16				With High Roof
		1	2, 6	L	54, 55, 56				With High Roof
7		1	3, 7	L	15, 16				With High Roof SCREW, "ELECTRIC CHANGE- OVER VALVE TO BRACKET, M 6X12", SPRINTER, (NOT SERVICED) (Not Serviced)
8	5125 577AA	2	2, 6	L	11, 12, 14, 15, 16				CLIP
		2	2, 6	L	51, 52, 54, 55, 56				
		2	3, 7	L	12, 15, 16				
9	5125 819AA	2	2, 6	L	11, 12, 14, 15, 16				RIVET
		2	2, 6	L	51, 52, 54, 55, 56				
		2	3, 7	L	12, 15, 16				
10	5123 997AA	1	2, 6	L	11, 12, 14, 15, 16				SPACER, Door Lock Striker
		1	2, 6	L	51, 52, 54, 55, 56				
		1	3, 7	L	12, 15, 16				
11									RETAINER

Refer to Model Legend Information Bookmark

AR = Use as required - = Non illustrated part # = New this model year

March 3, 2006

**Door, Cargo Lock and Control
Figure DVA-430**



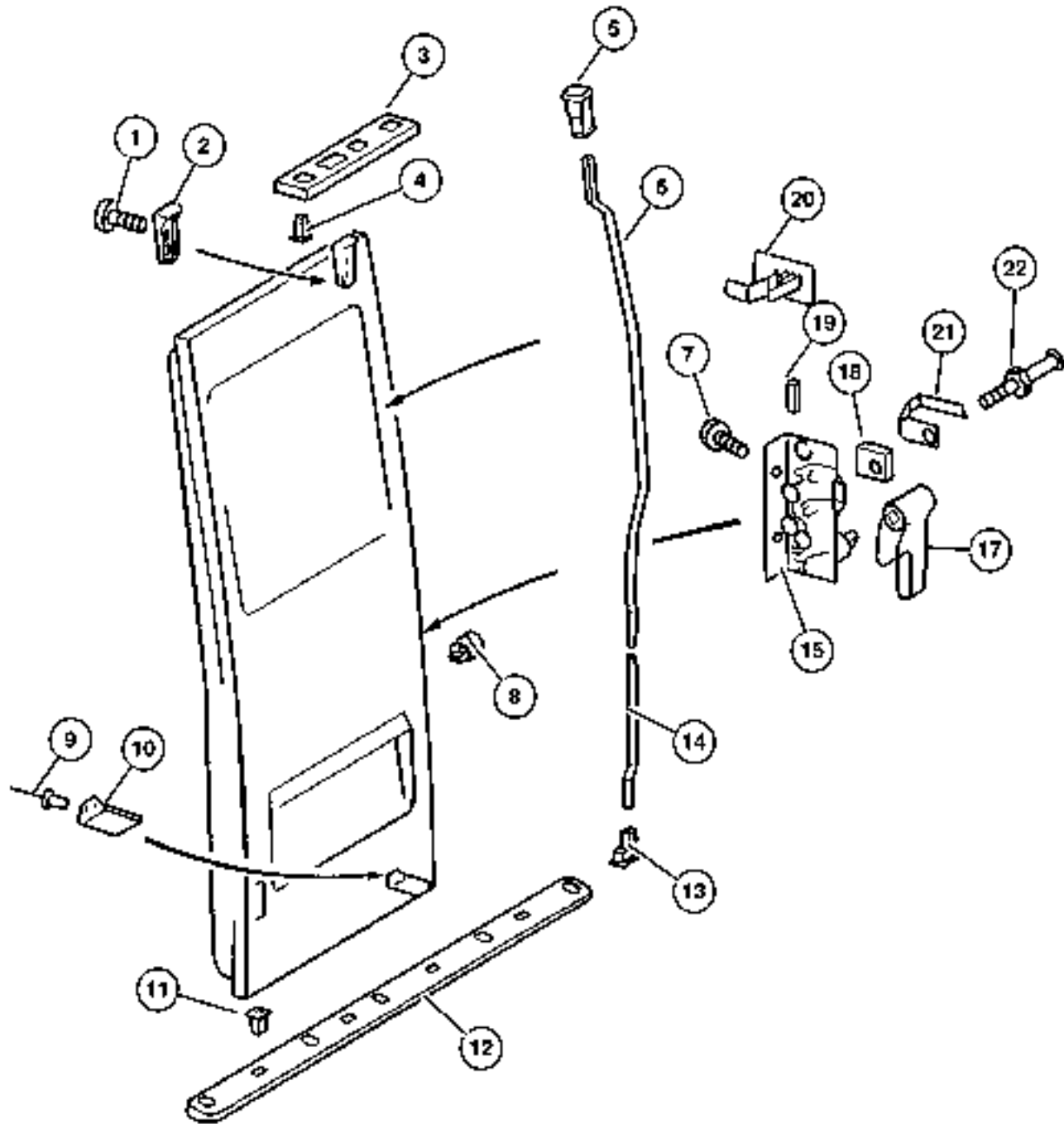
ITEM	PART NUMBER	QTY	LINE	SERIES	BODY	ENGINE	TRANS	TRIM	DESCRIPTION
	5104 536AA	10	2, 6	L	11, 12,				
					14, 15,				
		10	2, 6	L	51, 52,				
					54, 55,				
		10	3, 7	L	56				
12					12, 15,				
					16				PLATE, Rear Door Scuff
	5104 425AA	1	2, 6	L	11, 12,				
					14, 15,				
		1	2, 6	L	51, 52,				
					54, 55,				
		1	3, 7	L	56				
					12, 15,				
					16				GUIDE
13	5103 959AA	1	2, 6	L	11, 12,				
					14, 15,				
		1	2, 6	L	51, 52,				
					54, 55,				
		1	3, 7	L	56				
					12, 15,				
					16				ROD, Inside Handle to Latch
14	5124 000AA	1	2, 6	L	11, 12,				
					14, 15,				
		1	2, 6	L	51, 52,				
					54, 55,				
		1	3, 7	L	56				
					12, 15,				
					16				LOCK, Rear Cargo Door
15	5104 368AA	1	2, 6	L	11, 12,				
					14, 15,				
		1	3, 7	L	16				
					12, 15,				
					16				LATCH, Rear Door
-16	5104 371AA-	1	3, 7	L	12, 15,				
					16				
17									HANDLE, Inside Release

Refer to Model Legend Information Bookmark

AR = Use as required - = Non illustrated part # = New this model year

March 3, 2006

Door, Cargo Lock and Control
Figure DVA-430



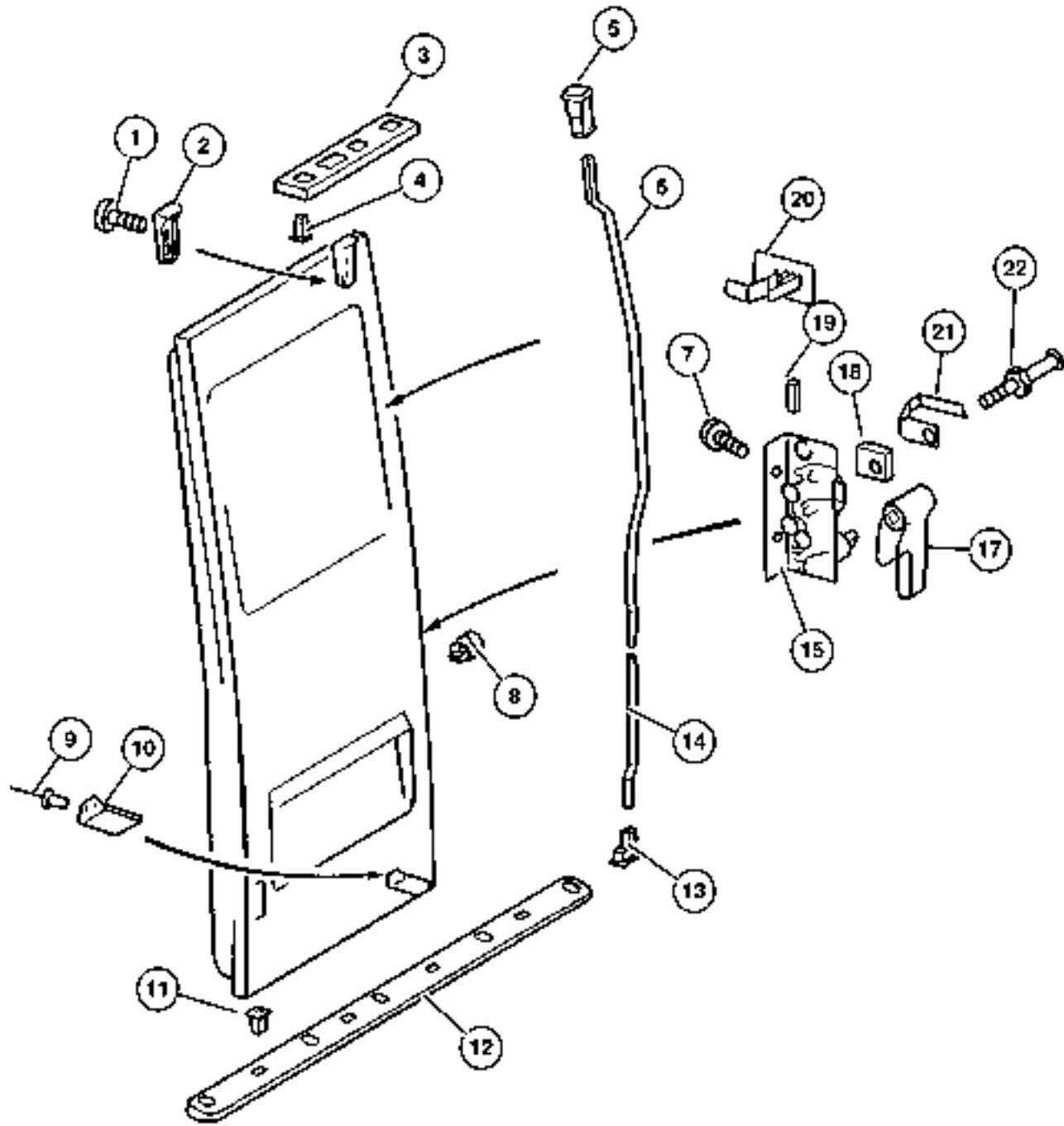
ITEM	PART NUMBER	QTY	LINE	SERIES	BODY	ENGINE	TRANS	TRIM	DESCRIPTION
	5104 383AA	1	2, 6	L	11, 12, 14, 15, 16				
		1	2, 6	L	51, 52, 54, 55, 56				
		1	3, 7	L	12, 15, 16				
18									NUT
	5103 668AA	1	2, 6	L	11, 12, 14, 15, 16				
		1	2, 6	L	51, 52, 54, 55, 56				
		1	3, 7	L	12, 15, 16				
19									BUSHING
	5133 930AA	1	2, 6	L	11, 12, 14, 15, 16				
		1	2, 6	L	51, 52, 54, 55, 56				
		1	3, 7	L	12, 15, 16				
20									GUIDE
	5104 382AA	1	2, 6	L	11, 12, 14, 15, 16				
		1	2, 6	L	51, 52, 54, 55, 56				
		1	3, 7	L	12, 15, 16				
21									CLAMP
	5103 670AA	1	2, 6	L	11, 12, 14, 15, 16				
		1	2, 6	L	51, 52, 54, 55, 56				
		1	3, 7	L	12, 15, 16				
22									PIN, Latch Striker

Refer to Model Legend Information Bookmark

AR = Use as required - = Non illustrated part # = New this model year

March 3, 2006

Door, Cargo Lock and Control
Figure DVA-430



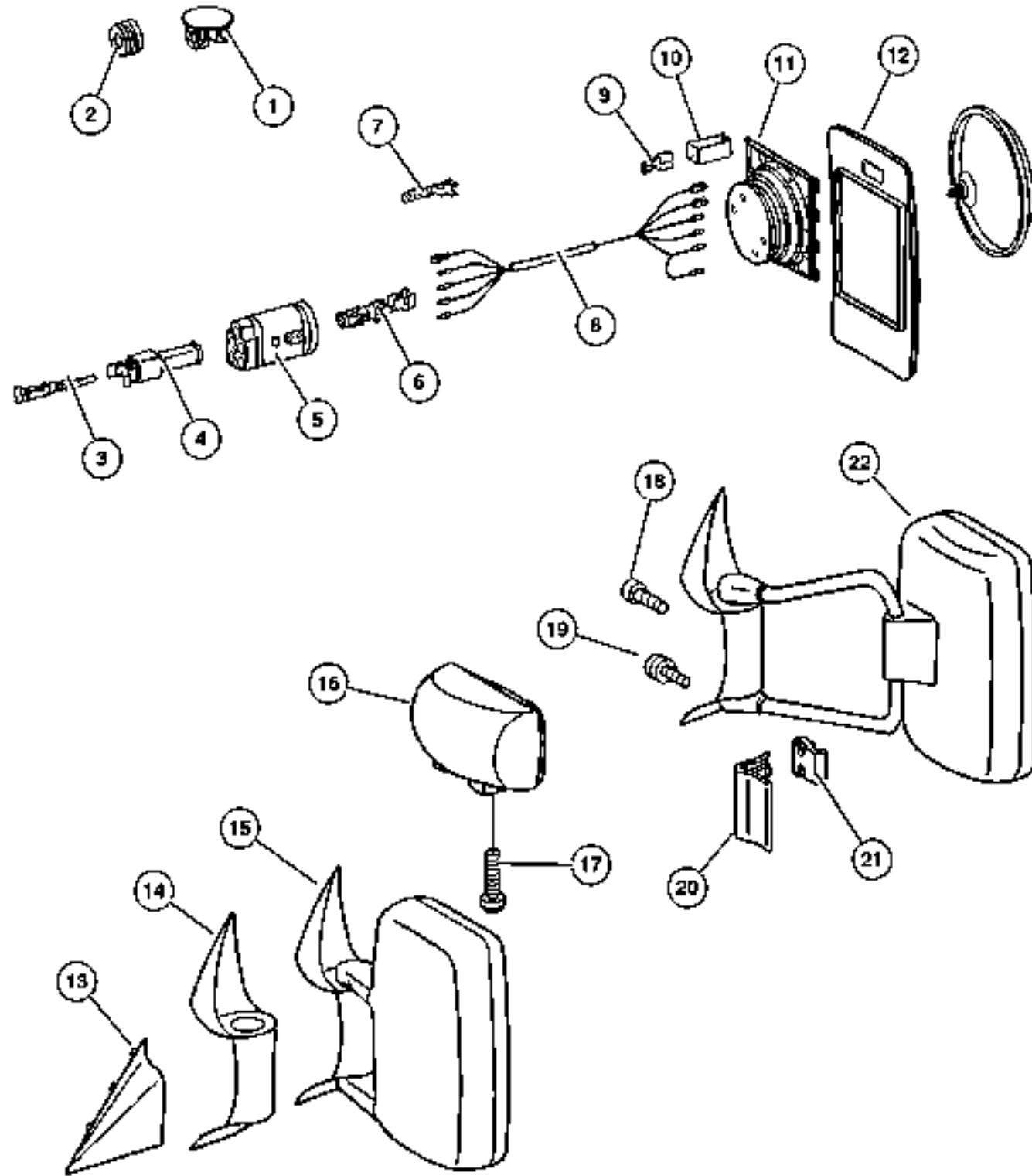
ITEM	PART NUMBER	QTY	LINE	SERIES	BODY	ENGINE	TRANS	TRIM	DESCRIPTION
	5103 669AA	1	2, 6	L	11, 12,				
					14, 15,				
		1	2, 6	L	51, 52,				
					54, 55,				
		1	3, 7	L	56				
					12, 15,				
					16				

Refer to Model Legend Information Bookmark

AR = Use as required - = Non illustrated part # = New this model year

March 3, 2006

Mirrors, Exterior
Figure DVA-520



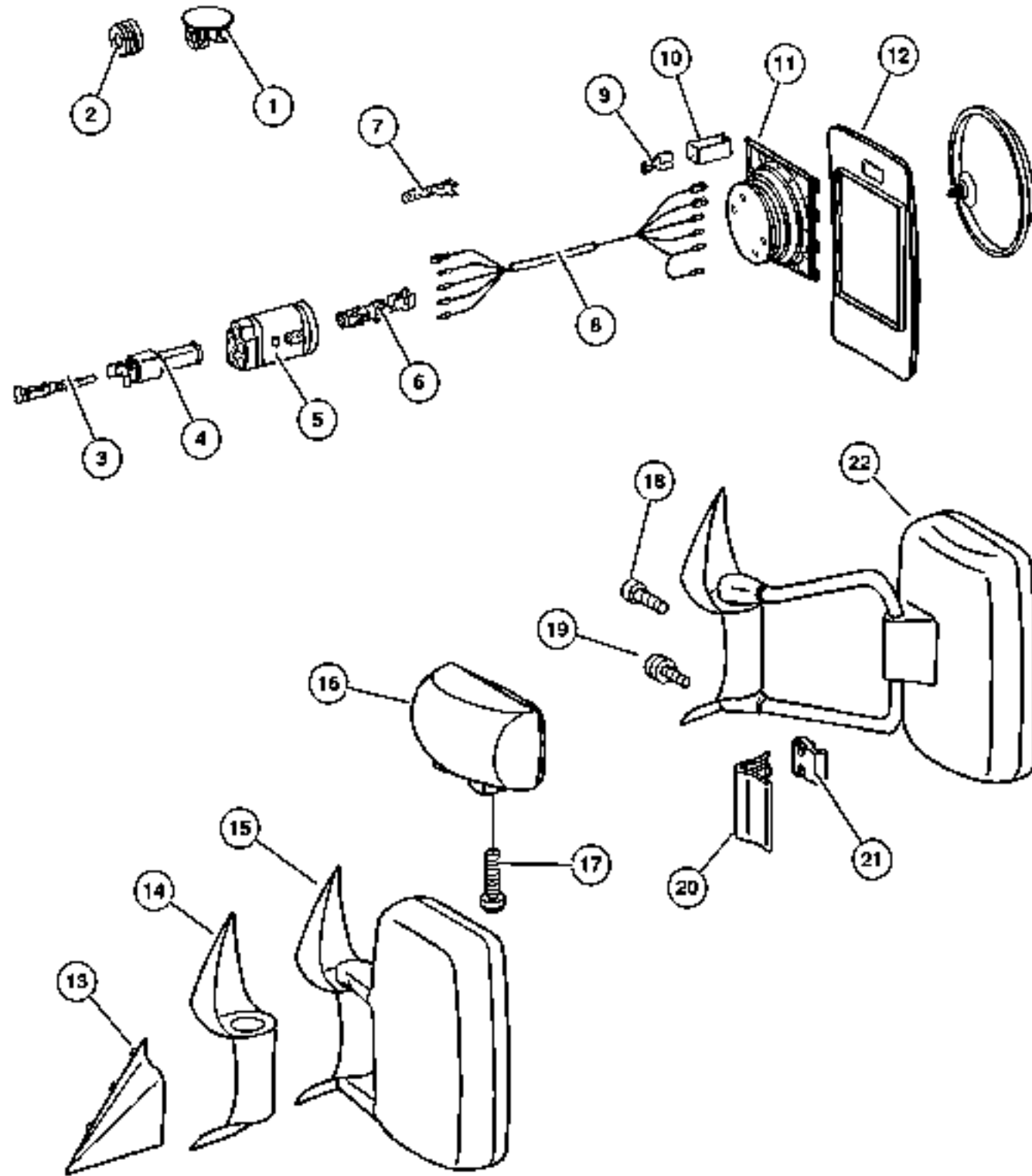
ITEM	PART NUMBER	QTY	LINE	SERIES	BODY	ENGINE	TRANS	TRIM	DESCRIPTION
Sales Code:									
[XZD]= Mirrors Width up to 90.5									
1									PLUG
	5104 032AA	1	2, 6	L	01, 02, 06				
		1	2, 6	L	11, 12, 14, 15, 16				
		1	2, 6	L	51, 52, 54, 55, 56				
		1	3, 7	L	02, 06				
2									GROMMET
	5125 929AA	1	2, 6	L	01, 02, 06				
		1	2, 6	L	11, 12, 14, 15, 16				
		1	3, 7	L	02, 06				
		1	3, 7	L	12, 15, 16				
3									PLUG
	5104 032AA	1	2, 6	L	01, 02, 06				
		1	2, 6	L	11, 12, 14, 15, 16				
		1	2, 6	L	51, 52, 54, 55, 56				
		1	3, 7	L	02, 06				
		1	3, 7	L	12, 15, 16				
4									CONNECTOR
	5120 744AA	1	2, 6	L	01, 02, 06				
		1	2, 6	L	11, 12, 14, 15, 16				
		1	2, 6	L	51, 52, 54, 55, 56				
		1	3, 7	L	02, 06				
		1	3, 7	L	12, 15, 16				
5									PLUG

Refer to Model Legend Information Bookmark

AR = Use as required - = Non illustrated part # = New this model year

March 3, 2006

Mirrors, Exterior
Figure DVA-520



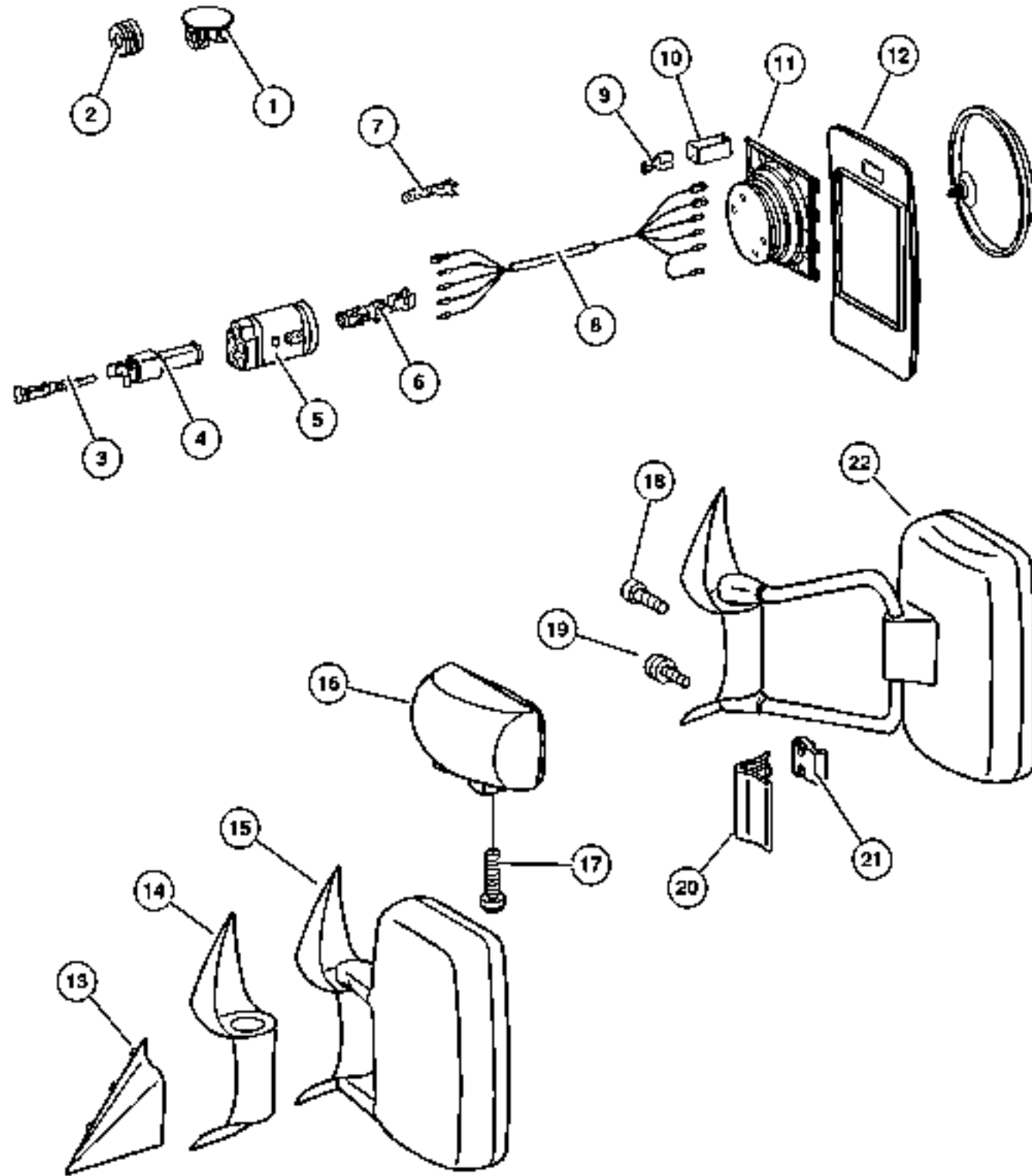
ITEM	PART NUMBER	QTY	LINE	SERIES	BODY	ENGINE	TRANS	TRIM	DESCRIPTION
	5133 508AA	1	2, 6	L	01, 02, 06				
		1	2, 6	L	11, 12, 14, 15, 16				
		1	2, 6	L	51, 52, 54, 55, 56				
		1	3, 7	L	02, 06				
		1	3, 7	L	12, 15, 16				
6									TERMINAL
	5133 509AA	5	2, 6	L	01, 02, 06				
		5	2, 6	L	11, 12, 14, 15, 16				
		5	2, 6	L	51, 52, 54, 55, 56				
		5	3, 7	L	02, 06				
		5	3, 7	L	12, 15, 16				
7									TERMINAL, Male
	5133 377AA	1	2, 6	L	01, 02, 06				
		1	2, 6	L	11, 12, 14, 15, 16				
		1	2, 6	L	51, 52, 54, 55, 56				
		1	3, 7	L	02, 06				
		1	3, 7	L	12, 15, 16				
8									WIRING, Mirror Jumper
	5133 503AA	1	2, 6	L	01, 02, 06				
		1	2, 6	L	11, 12, 14, 15, 16				
		1	2, 6	L	51, 52, 54, 55, 56				
9									PLUG

Refer to Model Legend Information Bookmark

AR = Use as required - = Non illustrated part # = New this model year

March 3, 2006

Mirrors, Exterior
Figure DVA-520



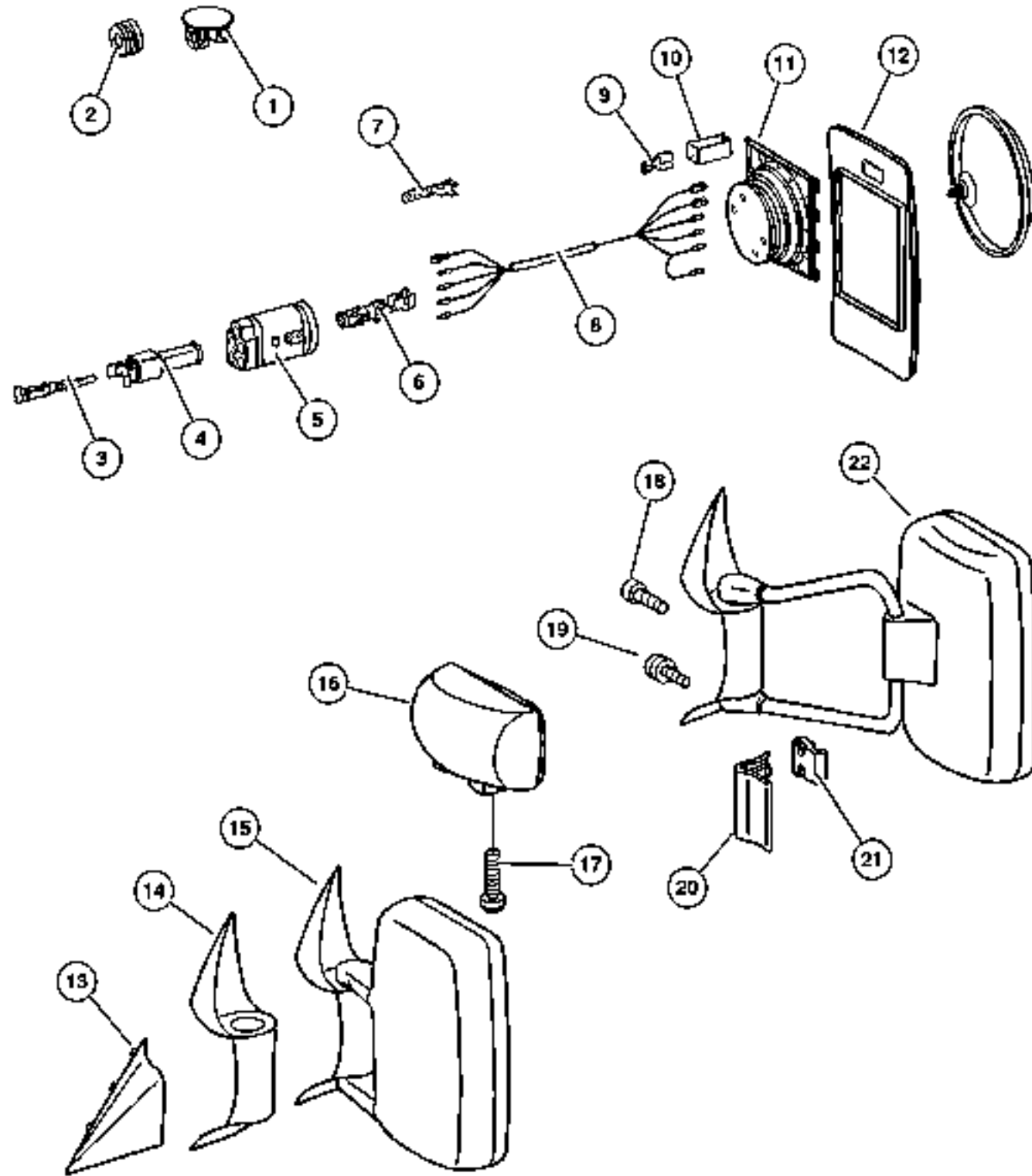
ITEM	PART NUMBER	QTY	LINE	SERIES	BODY	ENGINE	TRANS	TRIM	DESCRIPTION
	5133 367AA	1	2, 6	L	01, 02, 06				
		1	2, 6	L	11, 12, 14, 15, 16				
		1	2, 6	L	51, 52, 54, 55, 56				
		1	3, 7	L	02, 06				
		1	3, 7	L	12, 15, 16				
10									TERMINAL
	5133 504AA	1	2, 6	L	01, 02, 06				
		1	2, 6	L	11, 12, 14, 15, 16				
		1	2, 6	L	51, 52, 54, 55, 56				
		1	3, 7	L	02, 06				
		1	3, 7	L	12, 15, 16				
11									MOTOR, Electric
	5133 505AA	1	2, 6	L	01, 02, 06				
		1	2, 6	L	11, 12, 14, 15, 16				
		1	2, 6	L	51, 52, 54, 55, 56				
		1	3, 7	L	02, 06				
		1	3, 7	L	12, 15, 16				
12									GLASS, Mirror Replacement
	5103 757AA	1	3, 7	L	02, 06				Right
	5103 758AA	1	2, 6	L	01, 02, 06				Left
		1	2, 6	L	11, 12, 14, 15, 16				Left
		1	2, 6	L	51, 52, 54, 55, 56				Left

Refer to Model Legend Information Bookmark

AR = Use as required - = Non illustrated part # = New this model year

March 3, 2006

Mirrors, Exterior
Figure DVA-520



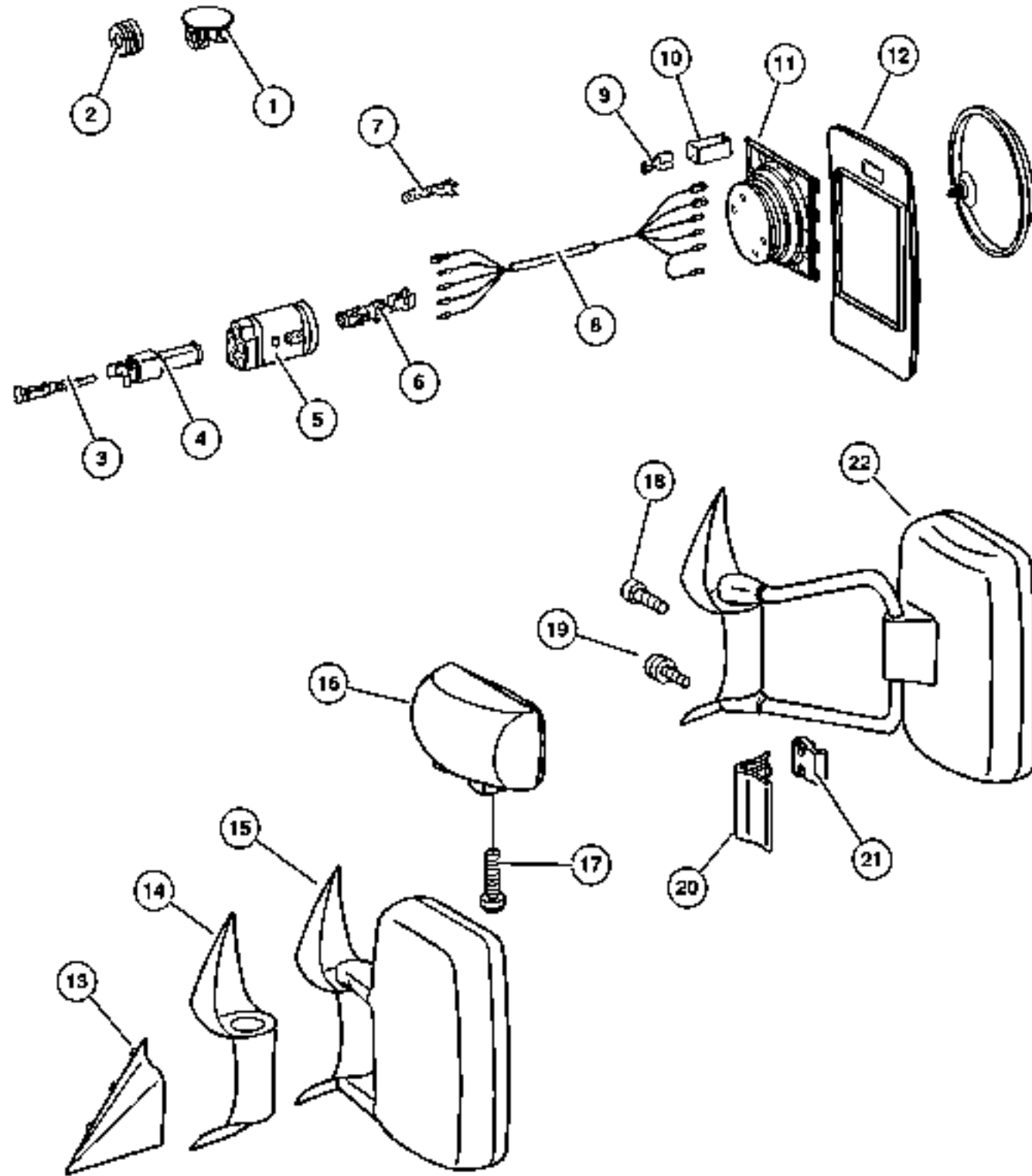
ITEM	PART NUMBER	QTY	LINE	SERIES	BODY	ENGINE	TRANS	TRIM	DESCRIPTION
		1	3, 7	L	02, 06				Left
		1	3, 7	L	12, 15, 16				Left
13	5104 444AA	1	2, 6	L	01, 02, 06				COVER, Mirror Flag Right
		1	2, 6	L	11, 12, 14, 15, 16				Right
		1	2, 6	L	51, 52, 54, 55, 56				Right
		1	3, 7	L	02, 06				Right
		1	3, 7	L	12, 15, 16				Right
	5104 445AA	1	2, 6	L	01, 02, 06				Left
		1	2, 6	L	11, 12, 14, 15, 16				Left
		1	2, 6	L	51, 52, 54, 55, 56				Left
		1	3, 7	L	02, 06				Left
		1	3, 7	L	12, 15, 16				Left
14	5104 446AA	1	2, 6	L	01, 02, 06				COVER, Mirror Flag Left
		1	2, 6	L	11, 12, 14, 15, 16				Left
		1	2, 6	L	51, 52, 54, 55, 56				Left
		1	3, 7	L	02, 06				Left
		1	3, 7	L	12, 15, 16				Left
	5133 499AA	1	2, 6	L	01, 02, 06				Right
		1	2, 6	L	11, 12, 14, 15, 16				Right

Refer to Model Legend Information Bookmark

AR = Use as required - = Non illustrated part # = New this model year

March 3, 2006

Mirrors, Exterior
Figure DVA-520



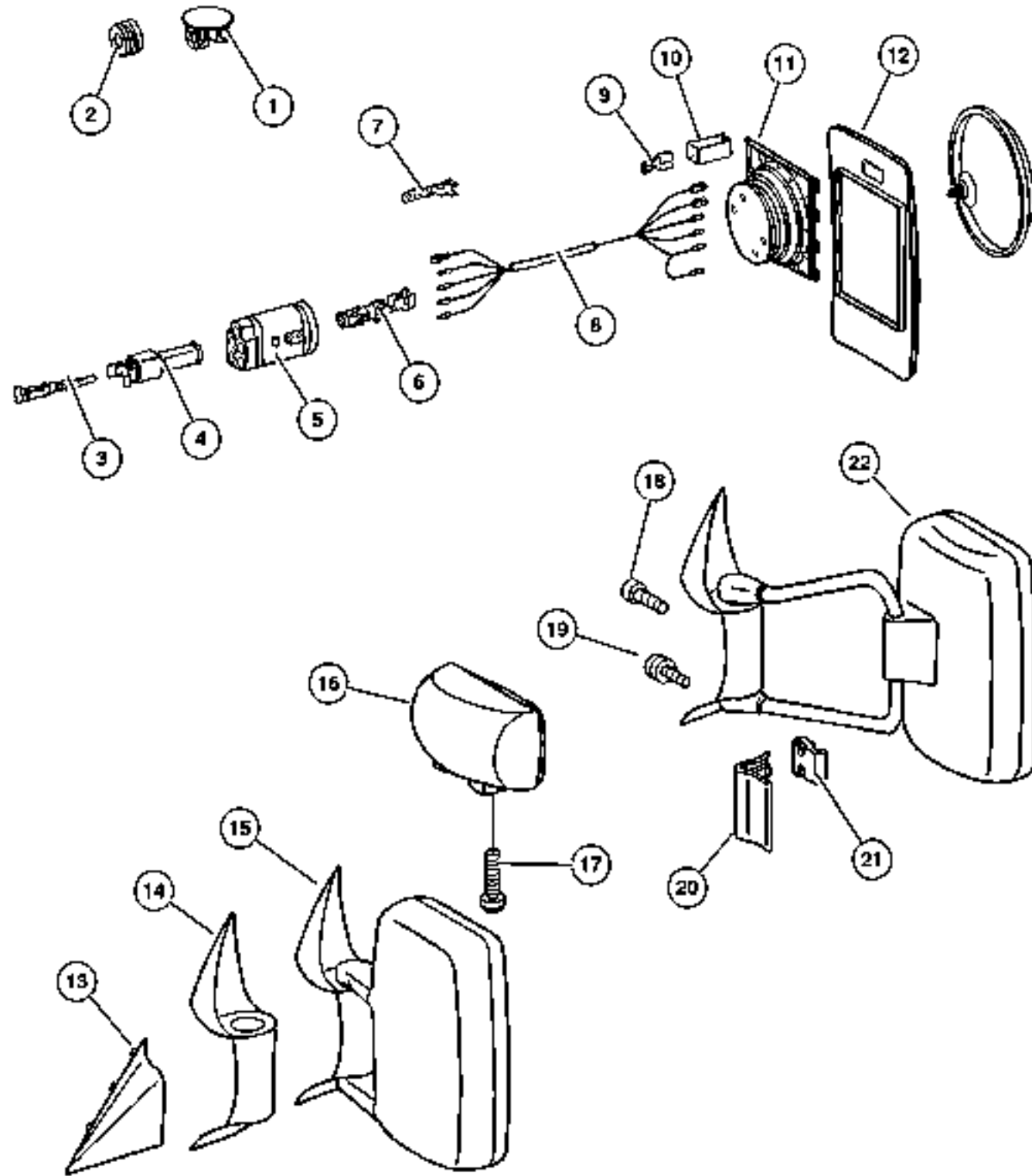
ITEM	PART NUMBER	QTY	LINE	SERIES	BODY	ENGINE	TRANS	TRIM	DESCRIPTION
		1	2, 6	L	51, 52, 54, 55, 56				Right
		1	3, 7	L	02, 06				Right
		1	3, 7	L	12, 15, 16				Right
15	5104 440AA	1	2, 6	L	01, 02, 06				MIRROR, Outside Rearview Left
		1	2, 6	L	11, 12, 14, 15, 16				Left
		1	2, 6	L	51, 52, 54, 55, 56				Left
		1	3, 7	L	02, 06				Left
		1	3, 7	L	12, 15, 16				Left
	5104 441AA	1	2, 6	L	01, 02, 06				Right
		1	2, 6	L	11, 12, 14, 15, 16				Right
		1	2, 6	L	51, 52, 54, 55, 56				Right
		1	3, 7	L	02, 06				Right
		1	3, 7	L	12, 15, 16				Right
	5124 233AA	1	2, 6	L	01, 02, 06				With [XZD], Left
		1	3, 7	L	02, 06				With [XZD], Left
	5124 235AA	1	2, 6	L	01, 02, 06				With [XZD], Right
		1	3, 7	L	02, 06				With [XZD], Right
16	5103 593AA	1	2, 6	L	01, 02, 06				MIRROR, Outside Rearview Right
		1	2, 6	L	11, 12, 14, 15, 16				Right
		1	2, 6	L	51, 52, 54, 55, 56				Right
		1	3, 7	L	02, 06				Right

Refer to Model Legend Information Bookmark

AR = Use as required - = Non illustrated part # = New this model year

March 3, 2006

Mirrors, Exterior
Figure DVA-520



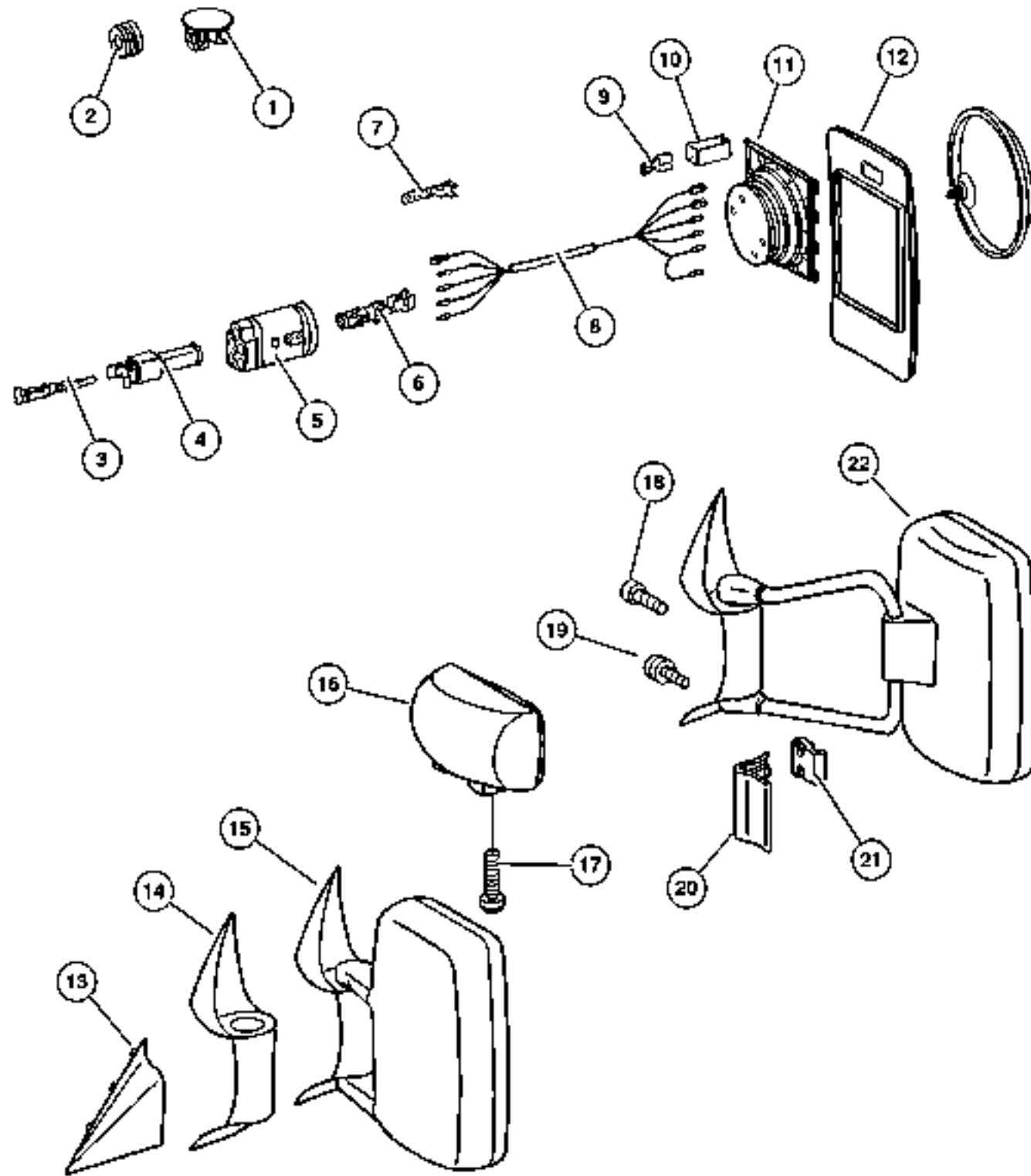
ITEM	PART NUMBER	QTY	LINE	SERIES	BODY	ENGINE	TRANS	TRIM	DESCRIPTION
		1	3, 7	L	12, 15, 16				Right
	5103 592AA	1	2, 6	L	01, 02, 06				Left
		1	2, 6	L	11, 12, 14, 15, 16				Left
		1	2, 6	L	51, 52, 54, 55, 56				Left
		1	3, 7	L	02, 06				Left
		1	3, 7	L	12, 15, 16				Left
17	5133 507AA	2	2, 6	L	01, 02, 06				SCREW
		2	2, 6	L	11, 12, 14, 15, 16				
		2	2, 6	L	51, 52, 54, 55, 56				
		1	3, 7	L	02, 06				
		1	3, 7	L	12, 15, 16				
18	5125 420AA	1	2, 6	L	01, 02, 06				BOLT, Torx
		1	2, 6	L	11, 12, 14, 15, 16				
		1	2, 6	L	51, 52, 54, 55, 56				
		1	3, 7	L	02, 06				
		1	3, 7	L	12, 15, 16				
19	5104 610AA	2	2, 6	L	01, 02, 06				SCREW
		2	2, 6	L	11, 12, 14, 15, 16				

Refer to Model Legend Information Bookmark

AR = Use as required - = Non illustrated part # = New this model year

March 3, 2006

Mirrors, Exterior
Figure DVA-520



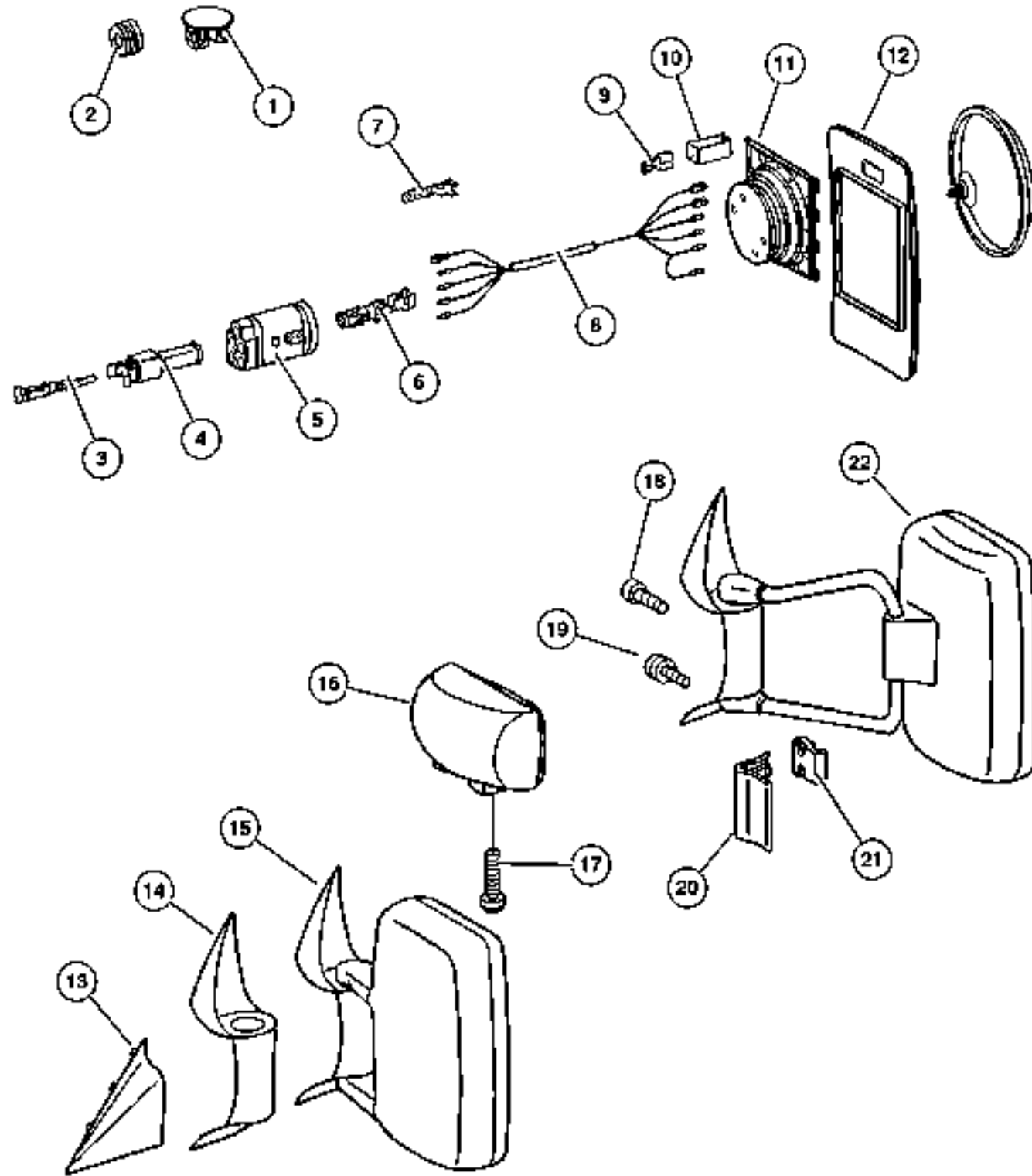
ITEM	PART NUMBER	QTY	LINE	SERIES	BODY	ENGINE	TRANS	TRIM	DESCRIPTION
		2	2, 6	L	51, 52, 54, 55, 56				
		2	3, 7	L	02, 06				
		2	3, 7	L	12, 15, 16				
20	5103 675AA	1	2, 6	L	01, 02, 06				COVER, Mirror Flag
		1	2, 6	L	11, 12, 14, 15, 16				
		1	2, 6	L	51, 52, 54, 55, 56				
		1	3, 7	L	02, 06				
		1	3, 7	L	12, 15, 16				
21	5133 500AA	2	2, 6	L	01, 02, 06				CLAMP
		2	2, 6	L	11, 12, 14, 15, 16				
		2	2, 6	L	51, 52, 54, 55, 56				
		2	3, 7	L	02, 06				
		2	3, 7	L	12, 15, 16				
22	5124 251AA	1	2, 6	L	01, 02, 06				MIRROR, Outside Rearview [LEG+GTB], Left
		1	2, 6	L	11, 12, 14, 15, 16				[LEG+GTB], Left
		1	2, 6	L	51, 52, 54, 55, 56				[LEG+GTB], Left
		1	3, 7	L	02, 06				[LEG+GTB], Left
		1	3, 7	L	12, 15, 16				[LEG+GTB], Left
	5124 255AA	1	2, 6	L	01, 02, 06				[LEG+GTB], Right

Refer to Model Legend Information Bookmark

AR = Use as required - = Non illustrated part # = New this model year

March 3, 2006

Mirrors, Exterior
Figure DVA-520



ITEM	PART NUMBER	QTY	LINE	SERIES	BODY	ENGINE	TRANS	TRIM	DESCRIPTION
		1	2, 6	L	11, 12, 14, 15, 16				[LEG+GTB], Right
		1	2, 6	L	51, 52, 54, 55, 56				[LEG+GTB], Right
		1	3, 7	L	02, 06				[LEG+GTB], Right
		1	3, 7	L	12, 15, 16				[LEG+GTB], Right
5103	594AA	1	2, 6	L	01, 02, 06				[XZD+4XS] Or [XZD+4XS], Left
5103	595AA	1	3, 7	L	02, 06				[XZD+4XS] Or [XZD+4XS], Left
		1	2, 6	L	01, 02, 06				[XZD+4XS] Or [XZD+4XS], Right
5124	233AA	1	3, 7	L	02, 06				[XZD+4XS] Or [XZD+4XS], Right
		1	2, 6	L	01, 02, 06				[GTB+XZD+4XS] Or [GTB+XZD+4XS], Left
5124	235AA	1	3, 7	L	02, 06				[GTB+XZD+4XS] Or [GTB+XZD+4XS], Left
		1	2, 6	L	01, 02, 06				[GTB+XZD+4XS] Or [GTB+XZD+4XS], Right
5124	237AA	1	3, 7	L	02, 06				[GTB+XZD+4XS] Or [GTB+XZD+4XS], Right
		1	2, 6	L	01, 02, 06				[XZE+4XS] Or [XZE+4XS], Left
5124	239AA	1	3, 7	L	02, 06				[XZE+4XS] Or [XZE+4XS], Left
		1	2, 6	L	01, 02, 06				[XZE+4XS] Or [XZE+4XS], Right
5124	241AA	1	3, 7	L	02, 06				[XZE+4XS] Or [XZE+4XS], Right
		1	2, 6	L	01, 02, 06				[GTB+XZE+4XS] Or [GTB+XZE+4XS], Left
		1	3, 7	L	02, 06				[GTB+XZE+4XS] Or [GTB+XZE+4XS], Left
5124	243AA	1	2, 6	L	01, 02, 06				[GTB+XZE+4XS] Or [GTB+XZE+4XS], Right
		1	3, 7	L	02, 06				[GTB+XZE+4XS] Or [GTB+XZE+4XS], Right

Refer to Model Legend Information Bookmark

Group – EVA

Exterior Ornamentation

GROUP EVA - Exterior Ornamentation

Illustration Title

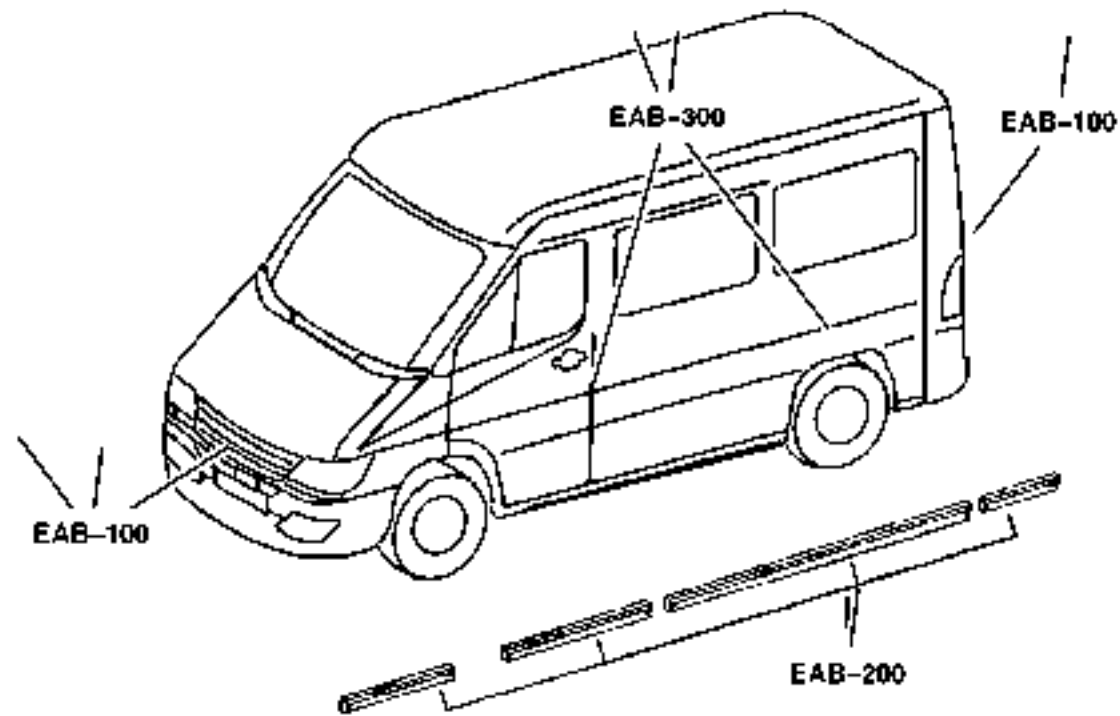
Group-Fig. No.


Nameplates

Nameplates and Decals Fig. EVA-120

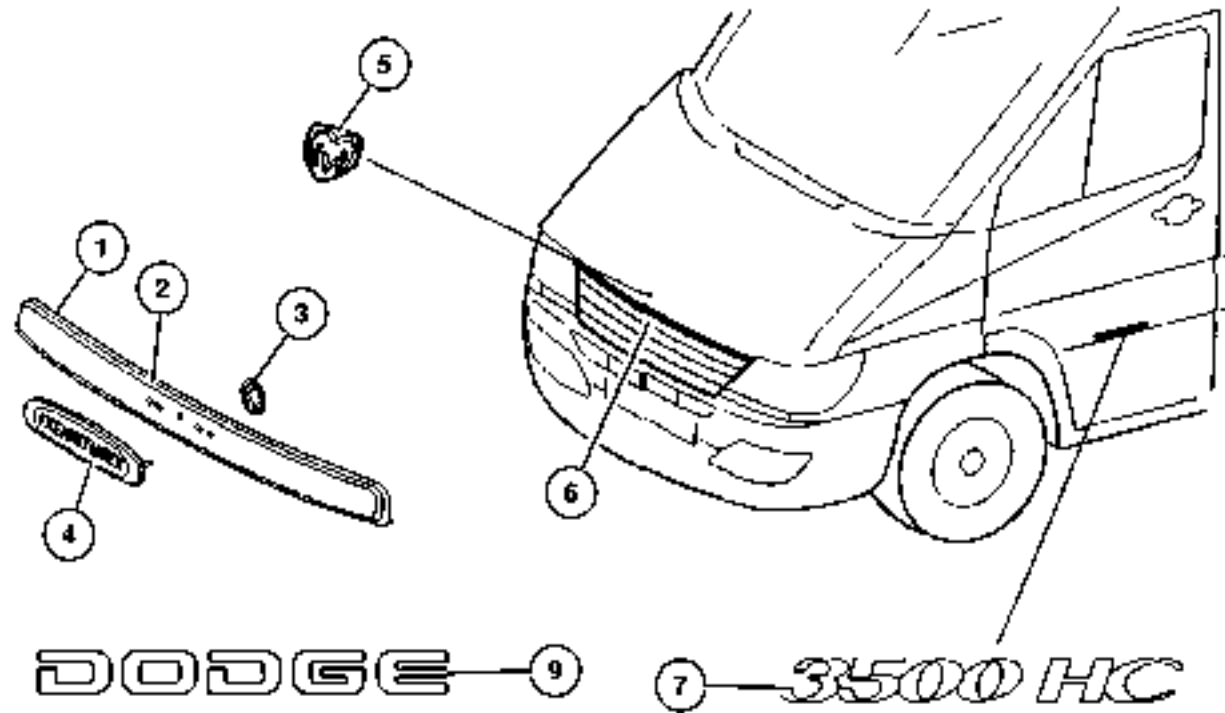
Moldings and Ornamentation

Exterior Moldings Fig. EVA-210



<p>EVA-100 Nameplates</p> <p><i>3500 HC</i></p>	<p>EVA-200 Moldings and Ornamentation</p> 		
--	--	--	--

Nameplates and Decals Figure EVA-120



ITEM	PART NUMBER	QTY	LINE	SERIES	BODY	ENGINE	TRANS	TRIM	DESCRIPTION
NOTE: For [Dodge Sprinter] Applications Dealer Must Remove The ['Ram'] Portion Of The Name Plate Prior To Installation On The Vehicle. [Sprinter] Is Identified As A [2500, 3500] Not [Ram 2500, Ram 3500]. Line Code [2 & 3] Are For [Dodge Sprinter] Only									
1									MOLDING, Hood
	5114 372AA	1	2	L	01, 02, 06				[MG4-58N]
		1	2	L	11, 12, 14, 15, 16				[MG4-58N]
		1	2	L	51, 52, 54, 55, 56				[MG4-58N]
		1	3	L	02, 06				[MG4-58N]
		1	3	L	12, 15, 16				[MG4-58N]
2									MOLDING, Hood
	5104 400AA	1	6	L	01, 02, 06				[MGQ]
		1	6	L	11, 12, 14, 15, 16				[MGQ]
		1	6	L	51, 52, 54, 55, 56				[MGQ]
		1	7	L	02, 06				[MGQ]
		1	7	L	12, 15, 16				[MGQ]
3									RETAINER, Hood Ornament
	5096 429AA	2	2, 6	L	01, 02, 06				[MG4-58N=MGQ]
		2	2, 6	L	11, 12, 14, 15, 16				[MG4-58N=MGQ]
		2	2, 6	L	51, 52, 54, 55, 56				[MG4-58N=MGQ]
		2	3, 7	L	02, 06				[MG4-58N=MGQ]
		2	3, 7	L	12, 15, 16				[MG4-58N=MGQ]
4									NAMEPLATE, Hood
	5104 449AA	1	6	L	01, 02, 06				[MGQ]

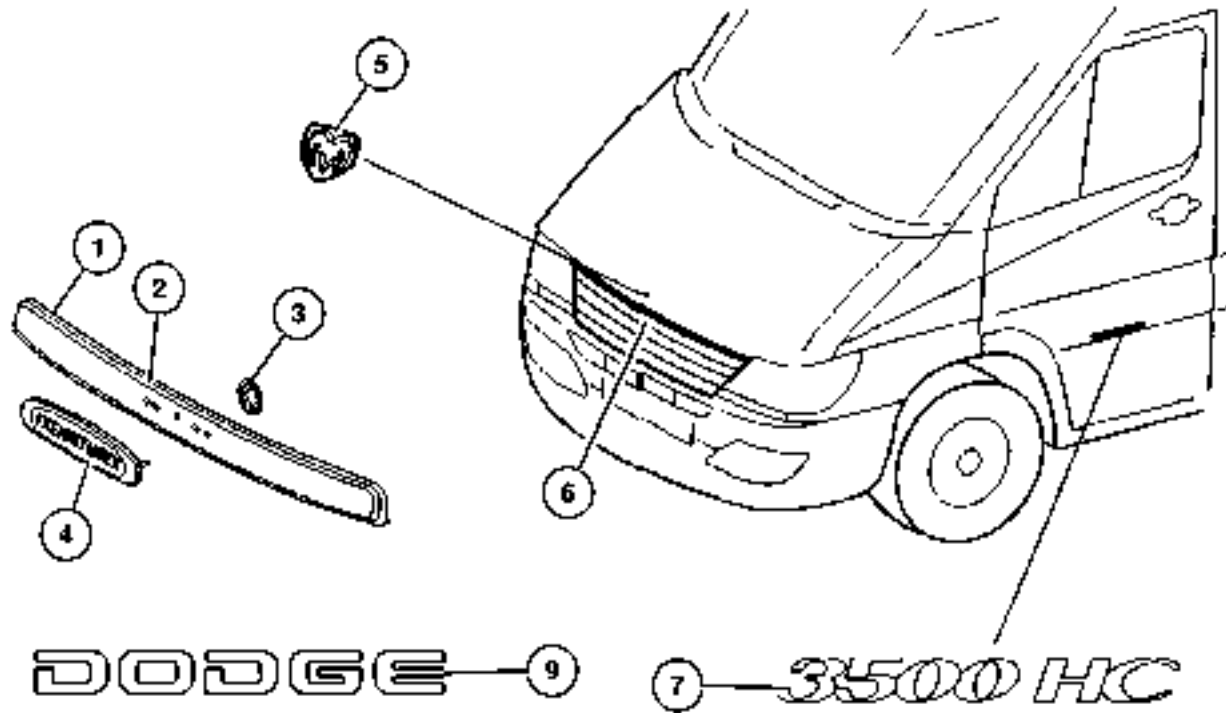
Refer to Model Legend Information Bookmark

AR = Use as required - = Non illustrated part # = New this model year

March 3, 2006

**Nameplates and Decals
Figure EVA-120**

ITEM	PART NUMBER	QTY	LINE	SERIES	BODY	ENGINE	TRANS	TRIM	DESCRIPTION
		1	6	L	11, 12, 14, 15, 16				[MGQ]
		1	6	L	51, 52, 54, 55, 56				[MGQ]
		1	7	L	02, 06				[MGQ]
		1	7	L	12, 15, 16				[MGQ]
5	52851 538AA	1	2	L	01, 02, 06				MEDALLION, Ram Head [MG4-58N]
		1	2	L	11, 12, 14, 15, 16				[MG4-58N]
		1	2	L	51, 52, 54, 55, 56				[MG4-58N]
		1	3	L	02, 06				[MG4-58N]
		1	3	L	12, 15, 16				[MG4-58N]
6									GRILLE, Radiator, See Group 7, (NOT SERVICED) (Not Serviced)
7									NAMEPLATE
	5124 314AA	2	7	L	15, 16				[3500 SHC]
	5124 315AA	2	7	L	12				[3500HC]
	5124 316AA	2	7	L	02, 06				[3500C]
	5132 136AA	2	6	L	14, 15, 16				[2500 SHC]
		2	6	L	54, 55, 56				[2500 SHC]
-8	5104 451AA-	1	6	L	01, 02, 06				NAMEPLATE, Rear Door [MGQ]
		1	6	L	11, 12, 14, 15, 16				[MGQ]
		1	6	L	51, 52, 54, 55, 56				[MGQ]
		1	7	L	02, 06				[MGQ]
		1	7	L	12, 15, 16				[MGQ]
9									NAMEPLATE, Dodge



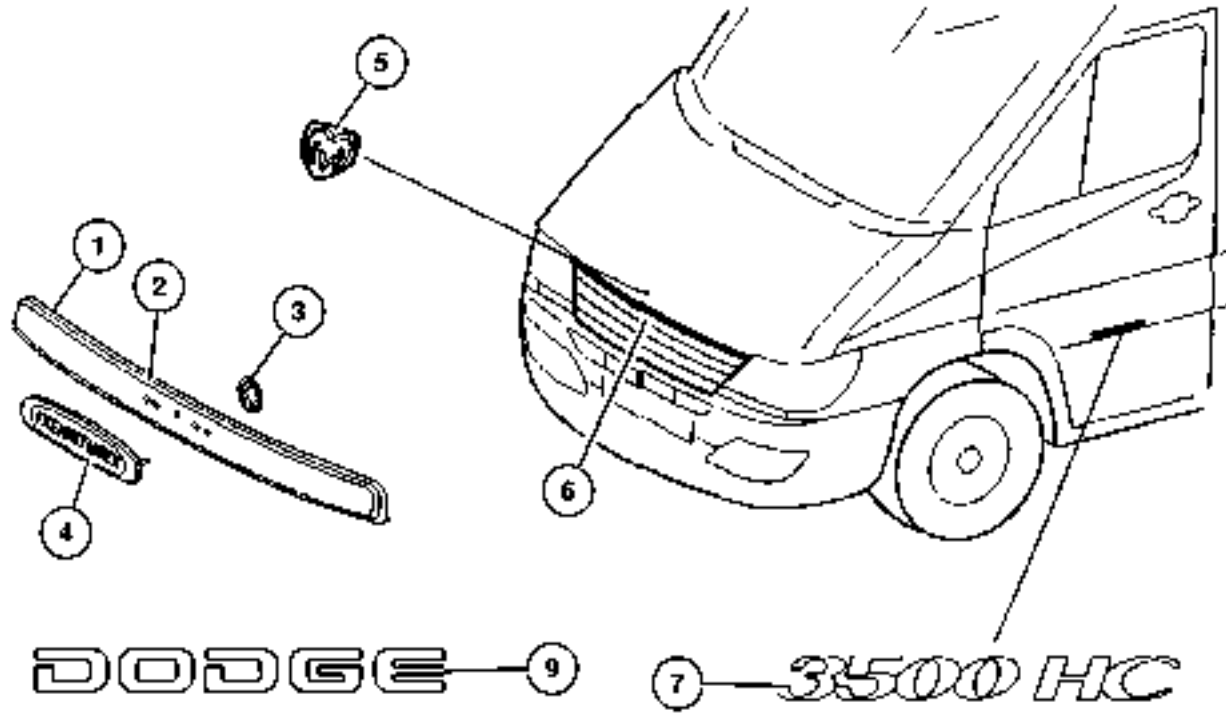
Refer to Model Legend Information Bookmark

AR = Use as required - = Non illustrated part # = New this model year

March 3, 2006

**Nameplates and Decals
Figure EVA-120**

ITEM	PART NUMBER	QTY	LINE	SERIES	BODY	ENGINE	TRANS	TRIM	DESCRIPTION
	55077 300AA	1	2	L	01, 02, 06				[MG4-58N]
		1	2	L	11, 12, 14, 15, 16				[MG4-58N]
		1	2	L	51, 52, 54, 55, 56				[MG4-58N]
		1	3	L	02, 06				[MG4-58N]
		1	3	L	12, 15, 16				[MG4-58N]
-10									NAMEPLATE, Powered By Mercedes
	5132 137AA-	2	6	L	11, 12				
		2	6	L	51, 52				



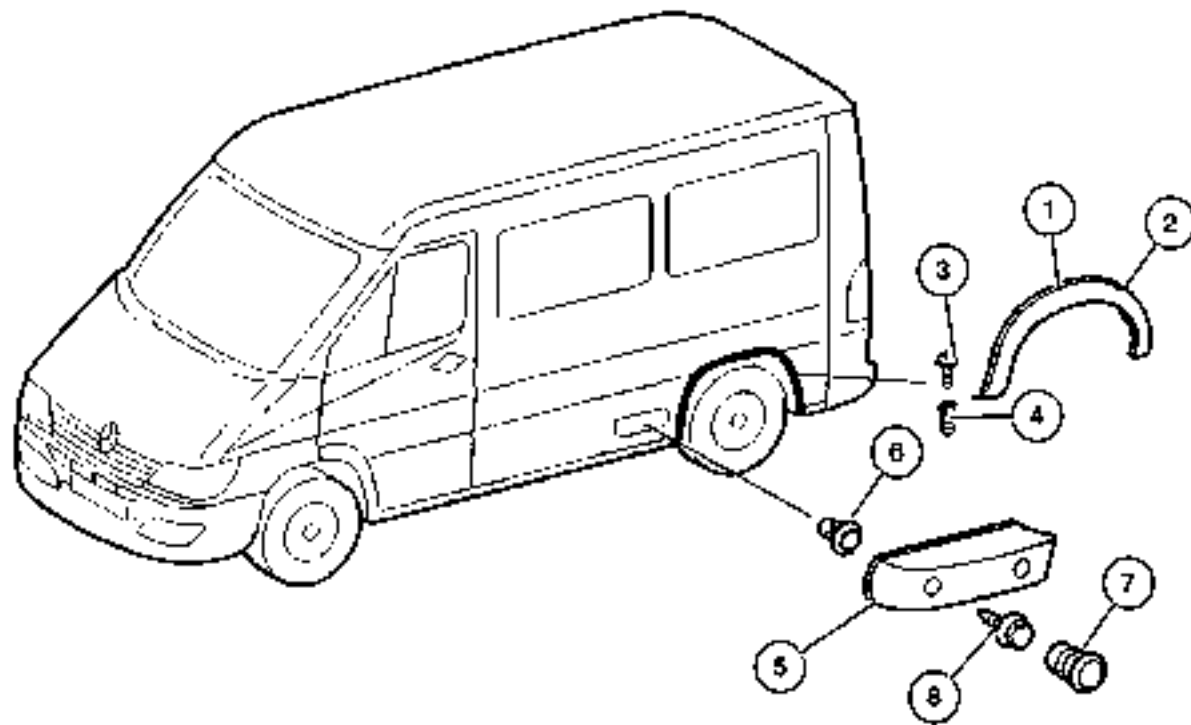
Refer to Model Legend Information Bookmark

AR = Use as required - = Non illustrated part # = New this model year

March 3, 2006

Exterior Moldings Figure EVA-210

ITEM	PART NUMBER	QTY	LINE	SERIES	BODY	ENGINE	TRANS	TRIM	DESCRIPTION
NOTE: Line Code [2 & 3] Are For [Dodge Sprinter] Only Line Code [6 & 7] Are For [Freightliner] Only Sales Codes: [WDG] = 16x6 Steel Wheels									
1	5132 499AA	2	2, 6	L	11, 12, 14, 15, 16				MOLDING, Wheel Opening Flare [WDG]
		2	2, 6	L	51, 52, 54, 55, 56				[WDG]
2	5125 142AA	2	3, 7	L	12, 15, 16				MOLDING, Wheel Opening Flare
3	6104 614AA	16	2, 6	L	11, 12, 14, 15, 16				SCREW
		16	2, 6	L	51, 52, 54, 55, 56				
		16	3, 7	L	12, 15, 16				
4	5098 837AB	2	2, 6	L	01, 02, 06				NUT, Plastic Snap-in
		2	2, 6	L	11, 12, 14, 15, 16				
		2	2, 6	L	51, 52, 54, 55, 56				
		2	3, 7	L	02, 06				
		16	3, 7	L	12, 15, 16				
5	5123 564AA	1	3, 7	L	12, 15, 16				MOLDING, Quarter Trim Right
	5123 563AA	1	3, 7	L	12, 15, 16				Left
6	5125 550AA	4	3, 7	L	12, 15, 16				RETAINER
7	5126 001AA	4	3, 7	L	12, 15, 16				PLUG, Cover
8									SCREW



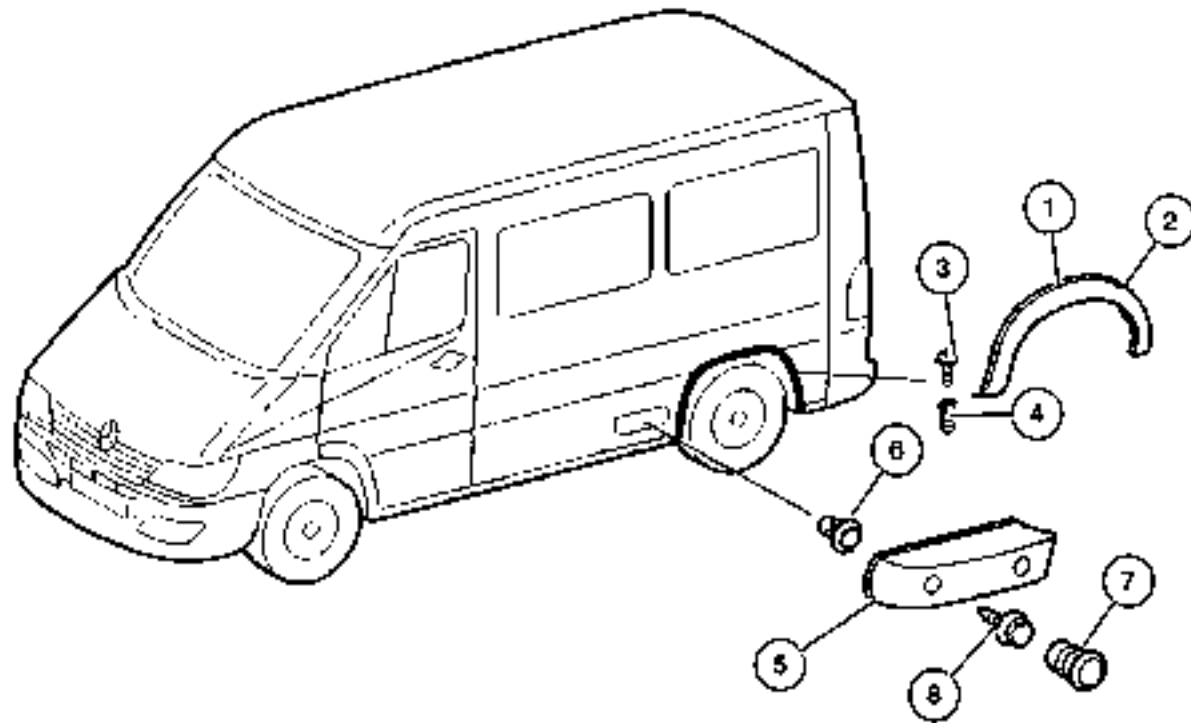
Refer to Model Legend Information Bookmark

AR = Use as required - = Non illustrated part # = New this model year

March 3, 2006

Exterior Moldings
Figure EVA-210

ITEM	PART NUMBER	QTY	LINE	SERIES	BODY	ENGINE	TRANS	TRIM	DESCRIPTION
	6104 614AA	16	2, 6	L	11, 12, 14, 15, 16				
		16	2, 6	L	51, 52, 54, 55, 56				
		16	3, 7	L	12, 15, 16				
-9									WASHER
	5104 639AA-	99	2, 6	L	11, 12, 14, 15, 16				
		99	2, 6	L	51, 52, 54, 55, 56				
		16	3, 7	L	12, 15, 16				



Refer to Model Legend Information Bookmark

AR = Use as required - = Non illustrated part # = New this model year

March 3, 2006

Group – IVA

Interior Trim

GROUP IVA - Interior Trim

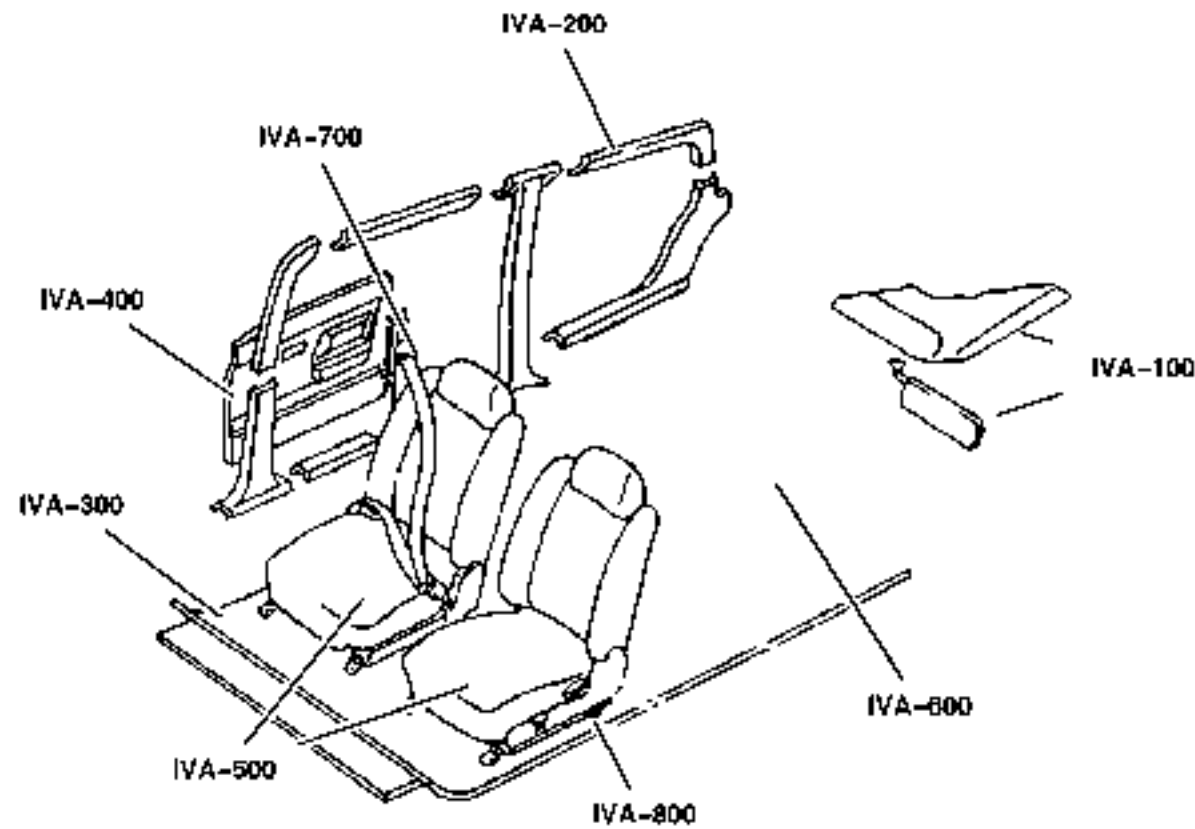


Illustration Title

Group-Fig. No.

Headliner and Visor

Headliner, Low Roof	Fig. IVA-110
Headliner, High Roof	Fig. IVA-115
Sunvisors, Grabhandles, Shelf and Attaching Parts	Fig. IVA-120

Moldings, Scuff Plates

Inner Panels - Fabric	Fig. IVA-210
Inner Panels - Cab	Fig. IVA-215
Inner Panels - Plywood	Fig. IVA-220
Inner Panel, Hard Fiber	Fig. IVA-221
Inner Panels	Fig. IVA-225
Inner Paneling Window - Pillar In Cab	Fig. IVA-230
Cargo Retainers - Without Windows	Fig. IVA-235
Cargo Retainers - With Windows	Fig. IVA-240
Rear Pillar Inner Panel	Fig. IVA-245
Cowl Panel - Silencer	Fig. IVA-250
Partition Panel	Fig. IVA-255
Partition Wall and Sliding Door	Fig. IVA-260

Carpet

Carpet - Floor	Fig. IVA-310
Floor Lining, Entry Paneling & Footrest	Fig. IVA-315
Floor - Rubber	Fig. IVA-320
Floor - Wooden	Fig. IVA-330
Insulation - Carpet	Fig. IVA-340
Insulation Floor	Fig. IVA-350

Door Trim Panels-Front and Sliding

Front Door Trim	Fig. IVA-410
Sliding Door Trim	Fig. IVA-420
Rear Dual Door Trim	Fig. IVA-430

Front Seats and Attaching Parts








Front Seat - Venice	Fig. IVA-510
Front Seat, Trim Code [B7], Santos	Fig. IVA-515
Front Seat - Catano	Fig. IVA-520
Front Seat - Attaching Parts	Fig. IVA-525
Front Seat - Attaching Parts - Riser	Fig. IVA-530
Front Seat - Attaching Parts	Fig. IVA-535

Rear Seats

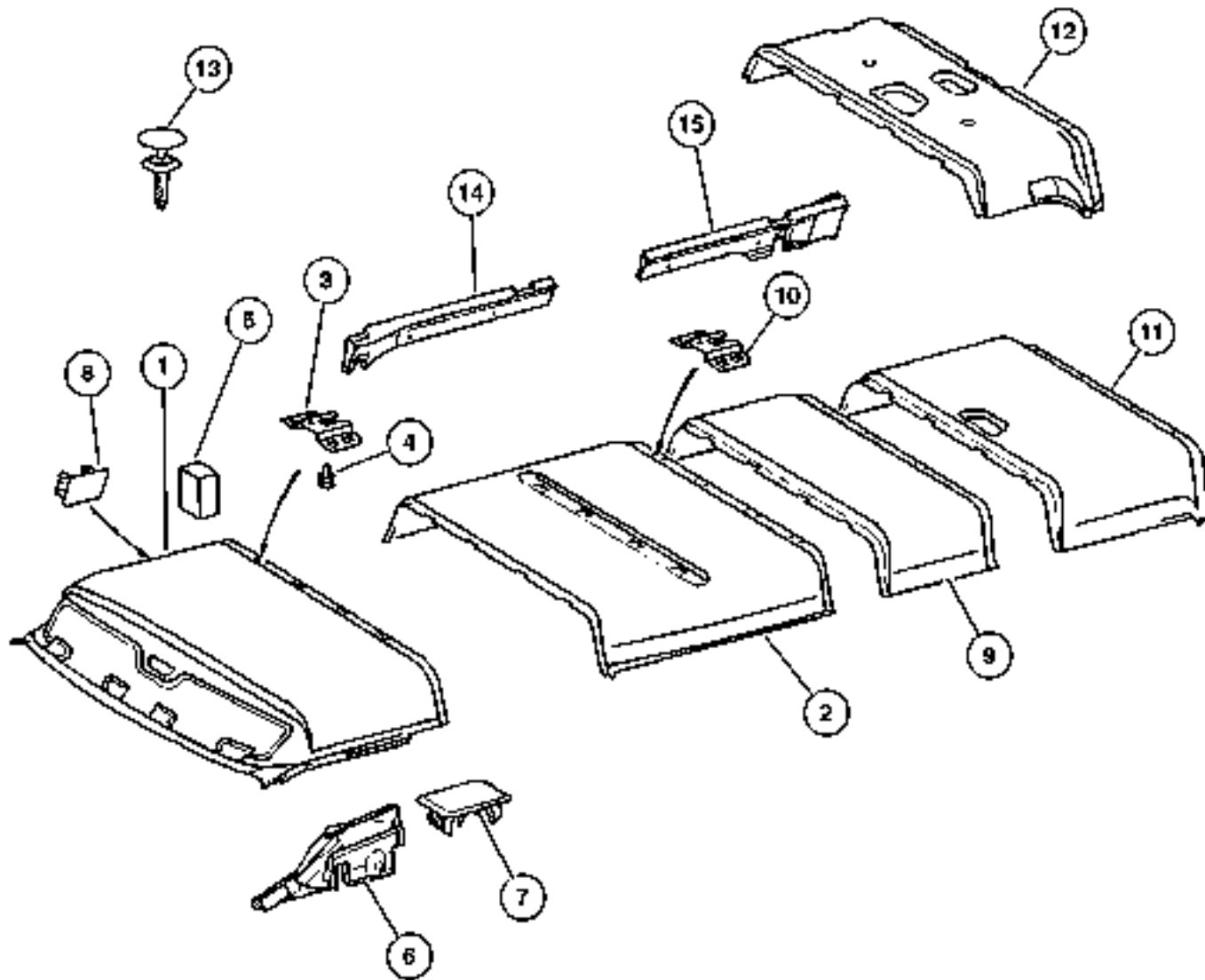
Rear Seat - 2 Passenger	Fig. IVA-610
Rear Seat - 3 Passenger	Fig. IVA-615
Attaching Parts - 3rd Passenger Seat	Fig. IVA-620

Seat Belts-Front and Rear

Seat Belt - Front	Fig. IVA-710
Seat Belt - Second Row	Fig. IVA-720

<p>IVA-100 Headliner and Visor</p> 	<p>IVA-200 Moldings, Scuff Plates</p> 	<p>IVA-300 Carpet</p> 	<p>IVA-400 Door Trim Panels-Front and Sliding</p> 
<p>IVA-500 Front Seats and Attaching Parts</p> 	<p>IVA-600 Rear Seats</p> 	<p>IVA-700 Seat Belts-Front and Rear</p> 	

Headliner, Low Roof Figure IVA-110



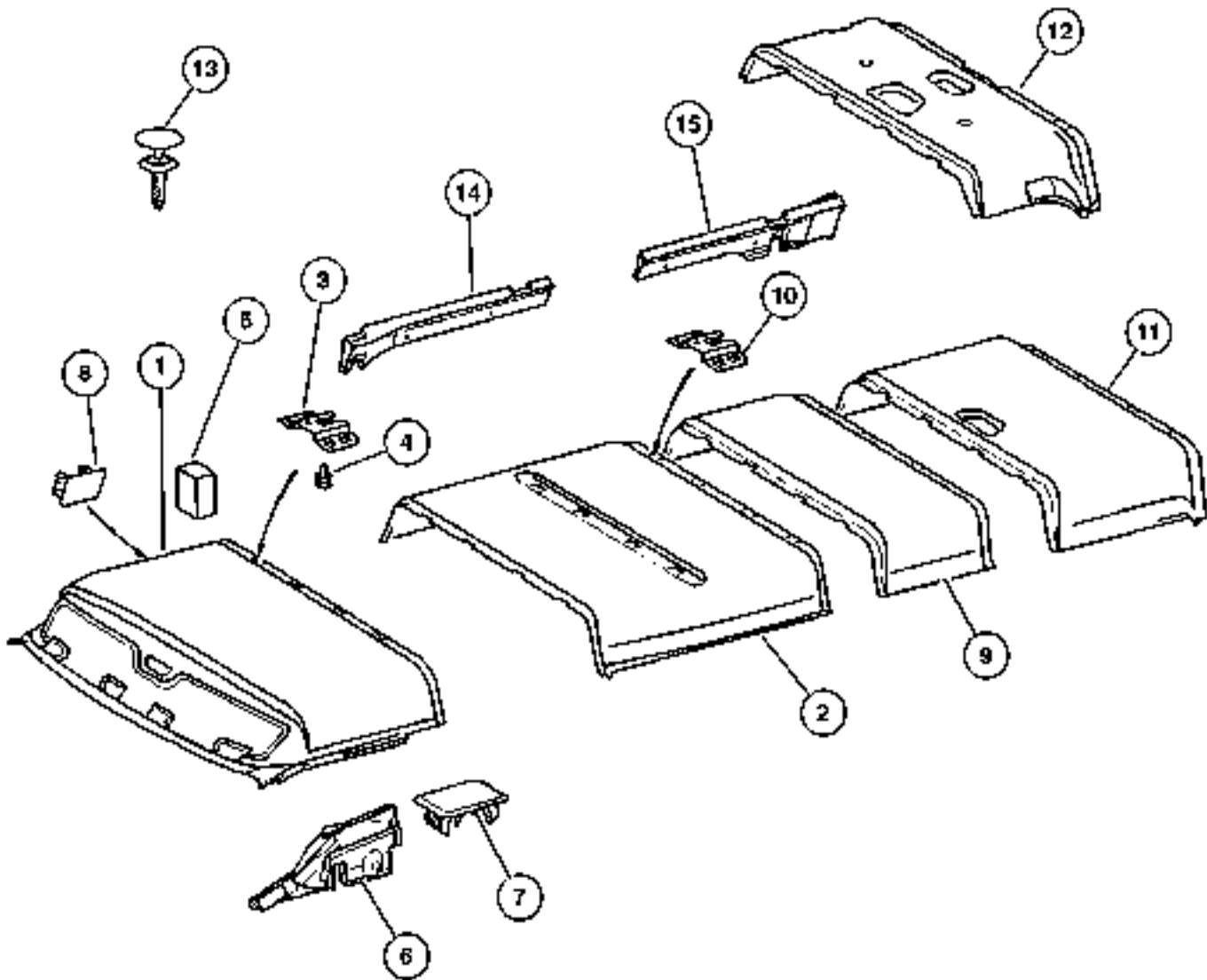
ITEM	PART NUMBER	QTY	LINE	SERIES	BODY	ENGINE	TRANS	TRIM	DESCRIPTION
1	HEADLINER, Front								
	5123 465AA	1	2, 6	L	16				Without Sunroof,With Cargo Partition
		1	2, 6	L	56				Without Sunroof,With Cargo Partition
		1	3, 7	L	16				Without Sunroof,With Cargo Partition
	5123 470AA	1	2, 6	L	16				With Sunroof and Cargo Partition
		1	2, 6	L	56				With Sunroof and Cargo Partition
2	HEADLINER, Center								
	5123 093AA	1	2, 6	L	11, 12				With Right Sliding Door
		1	2, 6	L	51, 52				With Right Sliding Door
		1	3, 7	L	15				With Right Sliding Door
	5123 095AA	1	2, 6	L	11, 12				With Left Sliding Door
		1	2, 6	L	51, 52				With Left Sliding Door
5123 097AA	1	3, 7	L	15					With Left Sliding Door
	1	2, 6	L	11, 12					With Right & Left Sliding Door
	1	2, 6	L	51, 52					With Right & Left Sliding Door
3	BRACKET, Headliner to Roof Rail								
	5123 436AA	4	2, 6	L	11, 12, 14, 15, 16				
		4	2, 6	L	51, 52, 54, 55, 56				
4	CLIP, Headlining								
	5125 569AA	4	2, 6	L	11, 12, 14, 15, 16				
		4	2, 6	L	51, 52, 54, 55, 56				
5	PAD, headlining								
	5123 547AA	2	2, 6	L	11, 12, 14, 15, 16				
		2	2, 6	L	51, 52, 54, 55, 56				

Refer to Model Legend Information Bookmark

AR = Use as required - = Non illustrated part # = New this model year

March 3, 2006

**Headliner, Low Roof
Figure IVA-110**



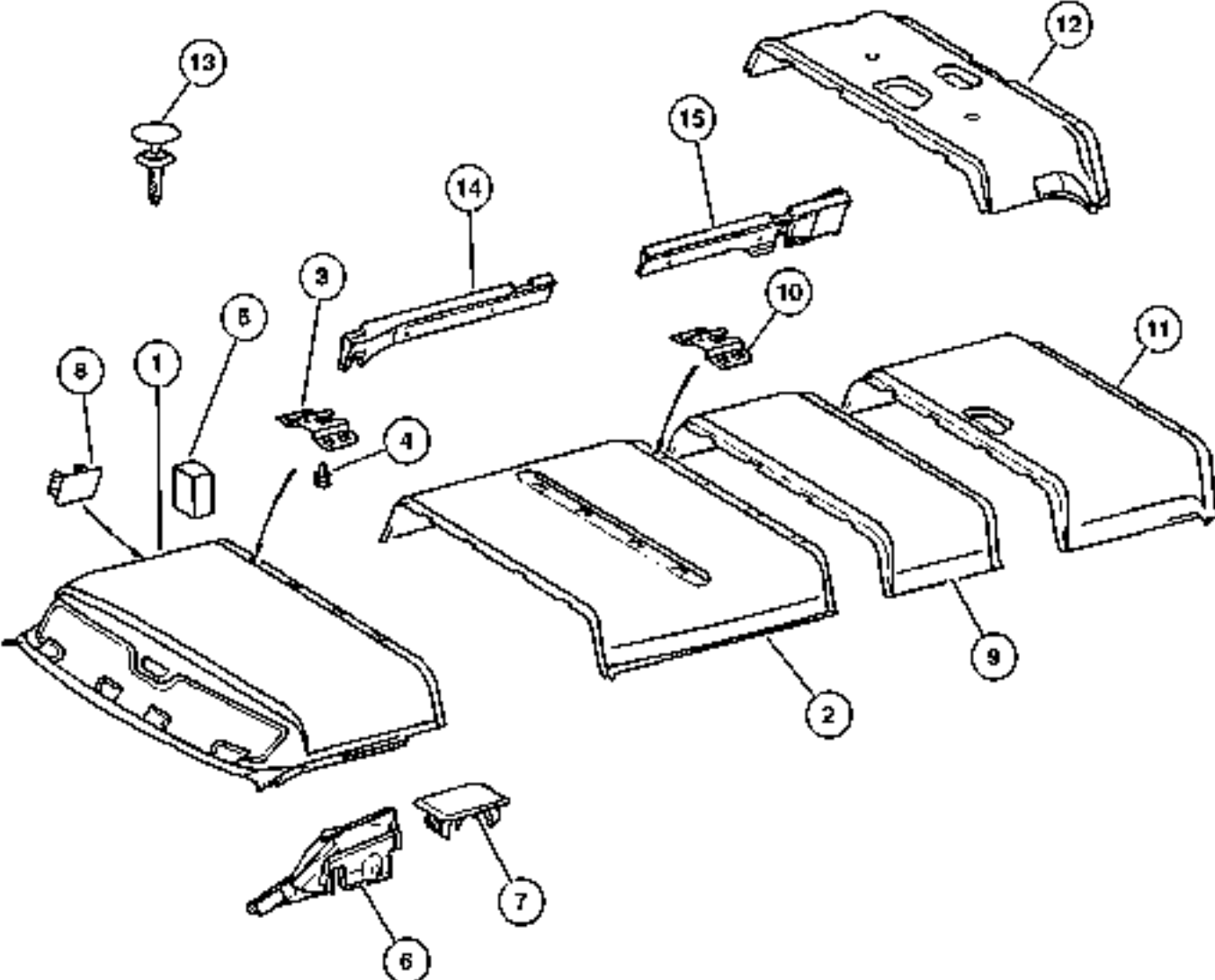
ITEM	PART NUMBER	QTY	LINE	SERIES	BODY	ENGINE	TRANS	TRIM	DESCRIPTION
		1	3, 7	L	12, 15, 16				
6	5123 496AA	1	2, 6	L	11, 12, 14, 15, 16				FLOCK, Nylon Left
		1	2, 6	L	51, 52, 54, 55, 56				Left
	5123 497AA	1	2, 6	L	11, 12, 14, 15, 16				Right
		1	2, 6	L	51, 52, 54, 55, 56				Right
		1	3, 7	L	15				Right
		1	3, 7	L	16				Right
7	5125 569AA	8	2, 6	L	11, 12, 14, 15, 16				CLIP, Headlining
		8	2, 6	L	51, 52, 54, 55, 56				
		4	3, 7	L	12, 15, 16				
8	1BH88 CSTAA	2	2, 6	L	14, 15, 16				PLUG, Headliner
		2	2, 6	L	11, 12				
		2	2, 6	L	54, 55, 56				
		2	2, 6	L	51, 52				
		2	3, 7	L	15, 16				
		2	3, 7	L	12				
9	5123 107AA	1	2, 6	L	11, 12				HEADLINER, Center With Interior Lamp
		1	2, 6	L	51, 52				With Interior Lamp
		1	3, 7	L	15				With Interior Lamp
	5123 140AA	1	2, 6	L	12				With Sunroof
		1	2, 6	L	52				With Sunroof
		1	3, 7	L	15				With Sunroof
10									BRACKET

Refer to Model Legend Information Bookmark

AR = Use as required - = Non illustrated part # = New this model year

March 3, 2006

**Headliner, Low Roof
Figure IVA-110**



ITEM	PART NUMBER	QTY	LINE	SERIES	BODY	ENGINE	TRANS	TRIM	DESCRIPTION
	5123 436AA	4	2, 6	L	11, 12, 14, 15, 16				
		4	2, 6	L	51, 52, 54, 55, 56				
		4	3, 7	L	12, 15, 16				
11									HEADLINER, Rear
	5123 108AA	1	2, 6	L	11, 12				
		1	2, 6	L	51, 52				
		1	3, 7	L	15				
12									PANEL, Quarter
	5123 155AA	1	2, 6	L	12				
		1	2, 6	L	52				
		1	3, 7	L	15				
13									RIVET
	5104 541AA	2	2, 6	L	11, 12, 14, 15, 16				Headliner to Rear Roof Rail
		2	2, 6	L	51, 52, 54, 55, 56				Headliner to Rear Roof Rail
	1BH98 CSTAA	2	3, 7	L	12, 15				Headliner to Rear Roof Rail
		2	2, 6	L	11, 12, 14, 15, 16				Paneling to Roof Rear Rail
		2	2, 6	L	51, 52, 54, 55, 56				
14	5104 297AA	1	3, 7	L	12, 15				FLOCK, Nylon
15		1	2, 6	L	51, 52				FLOCK, Nylon
	5104 298AA	1	2, 6	L	51, 52				
		1	3, 7	L	12, 15, 16				
-16									FLOCK, Nylon, Spacer
	5123 510AA-	1	2, 6	L	14, 15, 16				
		1	3, 7	L	15, 16				
-17									FLOCK, Nylon, Spacer
	5123 512AA-	1	2, 6	L	14, 15, 16				
		1	3, 7	L	15, 16				
-18									SPACER, Foam Headliner

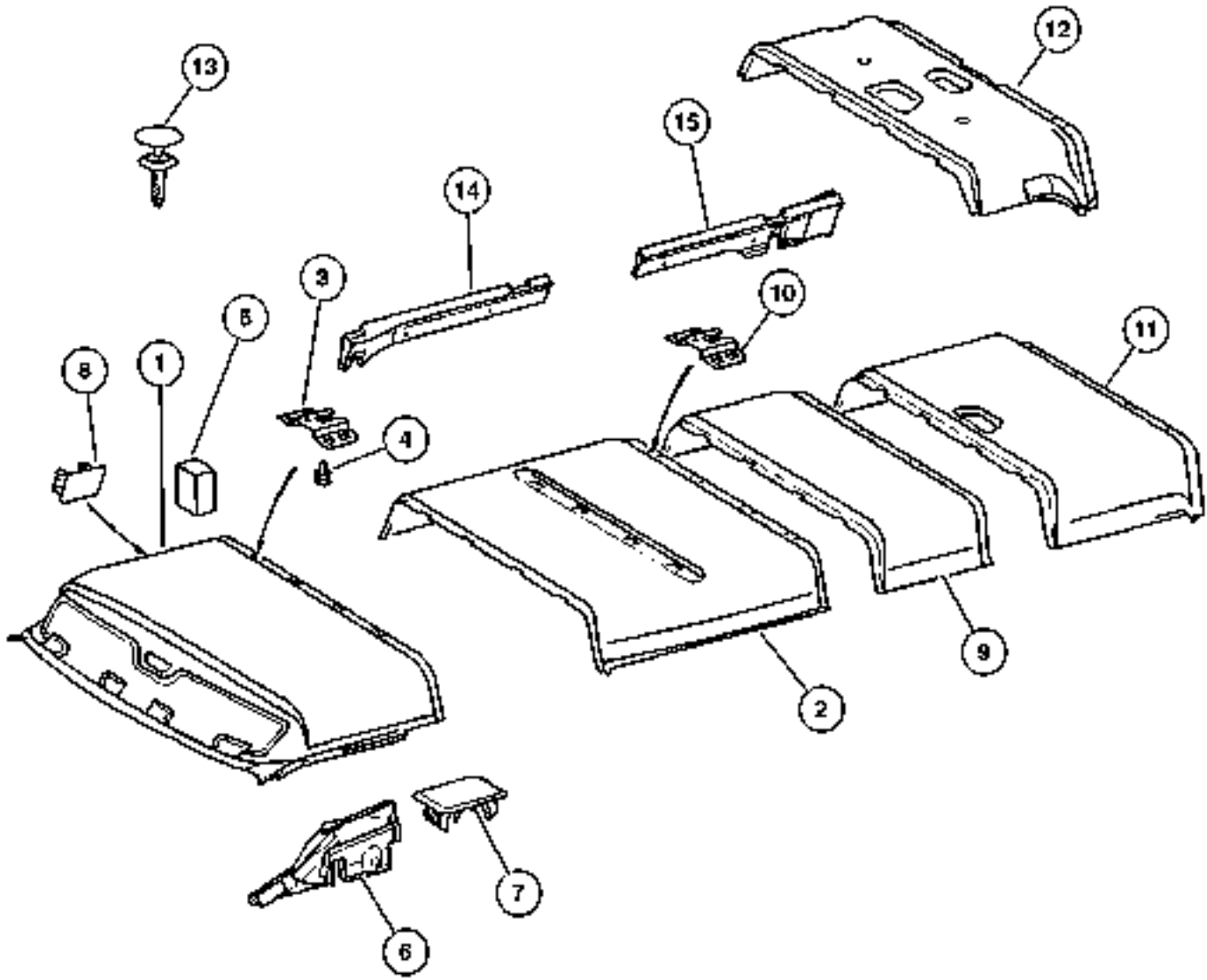
Refer to Model Legend Information Bookmark

AR = Use as required - = Non illustrated part # = New this model year

March 3, 2006

Headliner, Low Roof
Figure IVA-110

ITEM	PART NUMBER	QTY	LINE	SERIES	BODY	ENGINE	TRANS	TRIM	DESCRIPTION
	5123 514AA-	1	2, 6	L	14, 15,				
		1	3, 7	L	16				
-19	5123 516AA-	1	2, 6	L	14, 15,				SPACER, Foam Headliner
		1	3, 7	L	16				

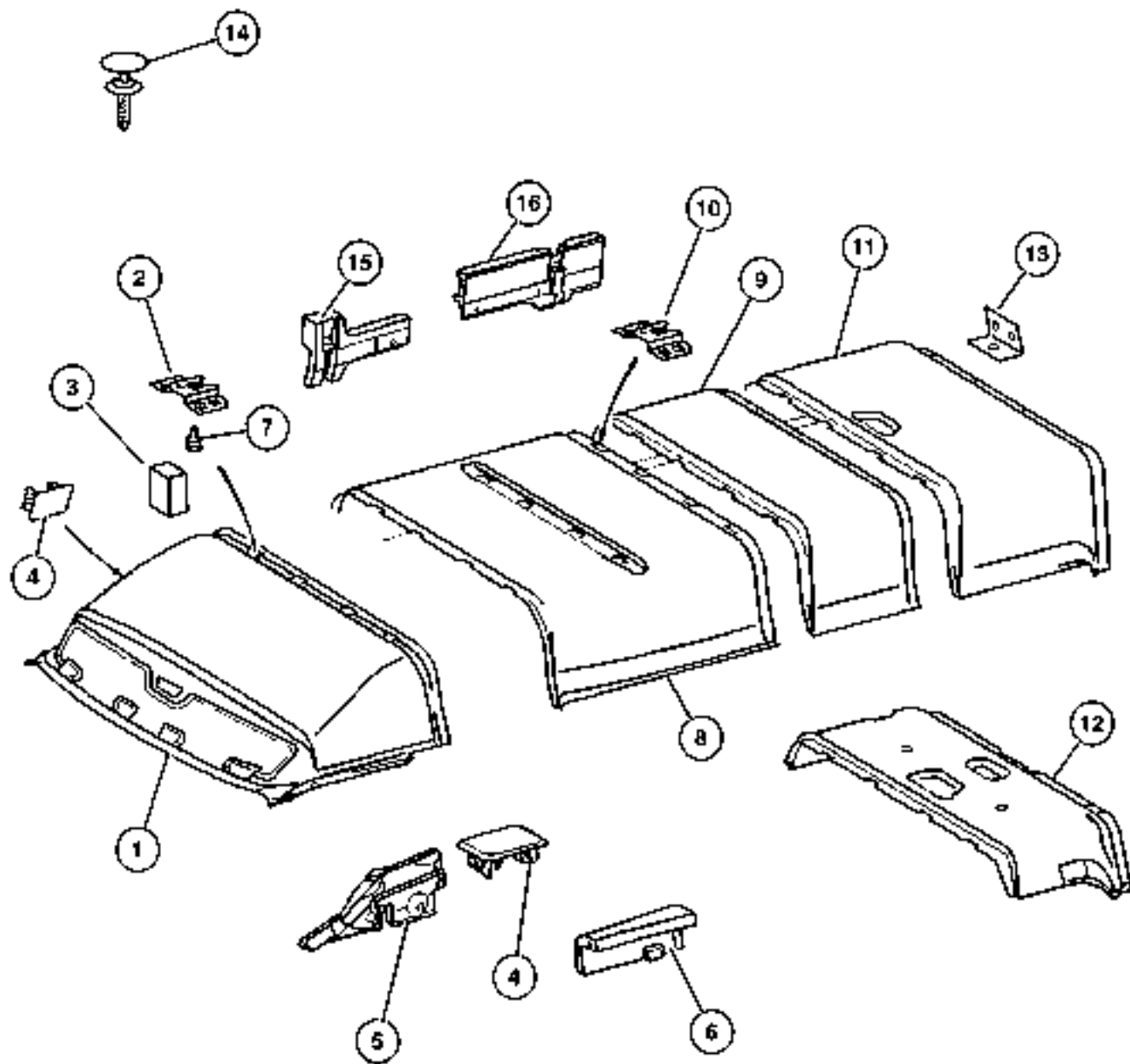


Refer to Model Legend Information Bookmark

AR = Use as required - = Non illustrated part # = New this model year

March 3, 2006

Headliner, High Roof Figure IVA-115



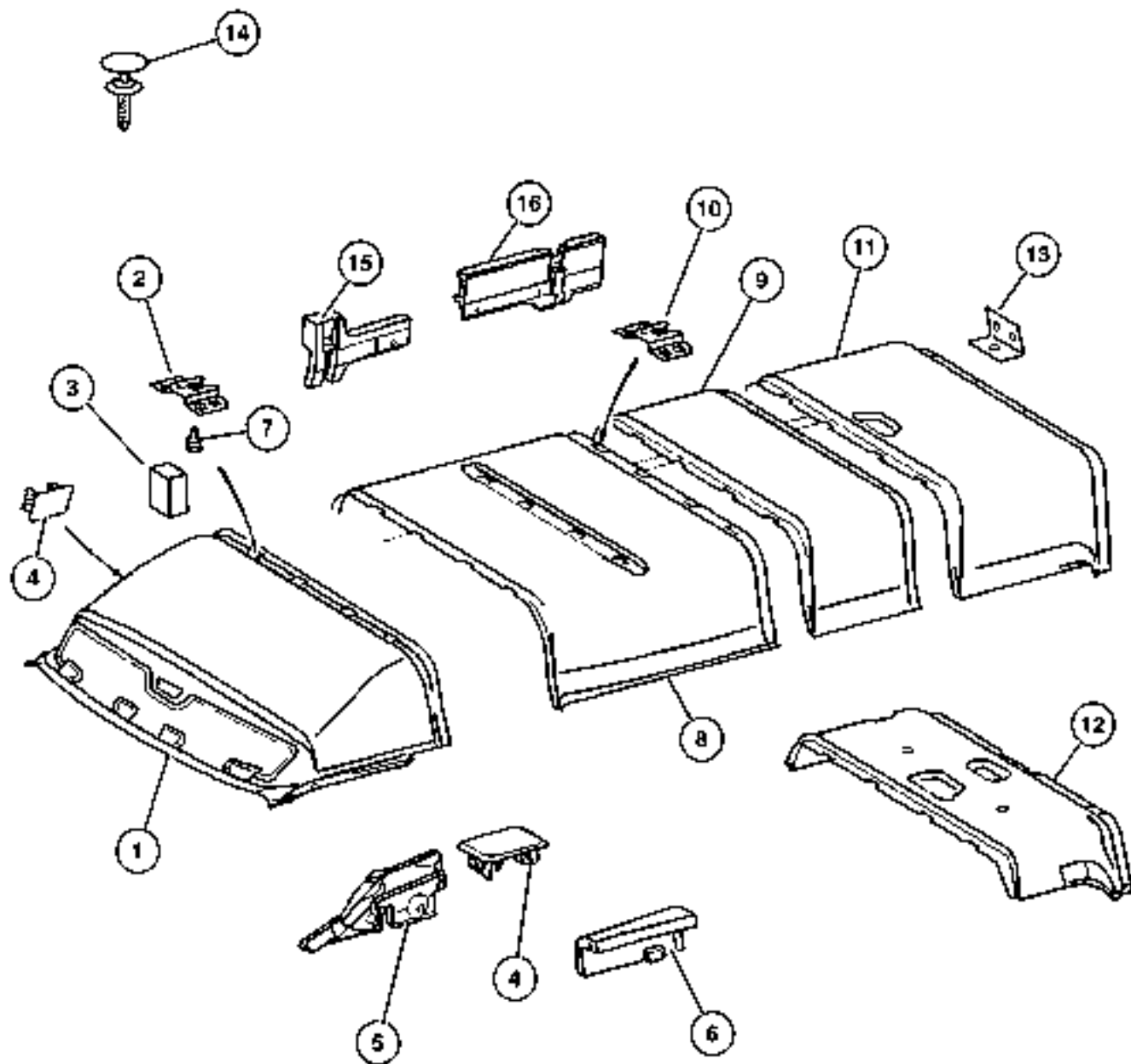
ITEM	PART NUMBER	QTY	LINE	SERIES	BODY	ENGINE	TRANS	TRIM	DESCRIPTION
Sales Code:									
[XJY] = Cargo Partition with Sliding Door									
1									HEADLINER, Front
	5104 300AA	1	2, 6	L	16				With Sliding Door [XJY]
		1	2, 6	L	56				With Sliding Door [XJY]
		1	3, 7	L	16				With Sliding Door [XJY]
	5123 473AA	1	2, 6	L	16				Without Sliding Door [XJY]
		1	3, 7	L	16				Without Sliding Door [XJY]
2									BRACKET
	5123 436AA	4	2, 6	L	11, 12, 14, 15, 16				
		4	2, 6	L	51, 52, 54, 55, 56				
		4	3, 7	L	12, 15, 16				
3									PAD, headlining
	5123 547AA	2	2, 6	L	11, 12, 14, 15, 16				
		2	2, 6	L	51, 52, 54, 55, 56				
		1	3, 7	L	12, 15, 16				
4									PLUG, Headliner
	1BH88 CSTAA	2	2, 6	L	14, 15, 16				
		2	2, 6	L	11, 12				
		2	2, 6	L	54, 55, 56				
		2	2, 6	L	51, 52				
		2	3, 7	L	15, 16				
		2	3, 7	L	12				
5									FLOCK, Nylon
	5123 496AA	1	2, 6	L	11, 12, 14, 15, 16				Left
		1	2, 6	L	51, 52, 54, 55, 56				Left
		1	3, 7	L	12, 15, 16				Left

Refer to Model Legend Information Bookmark

AR = Use as required - = Non illustrated part # = New this model year

March 3, 2006

Headliner, High Roof Figure IVA-115



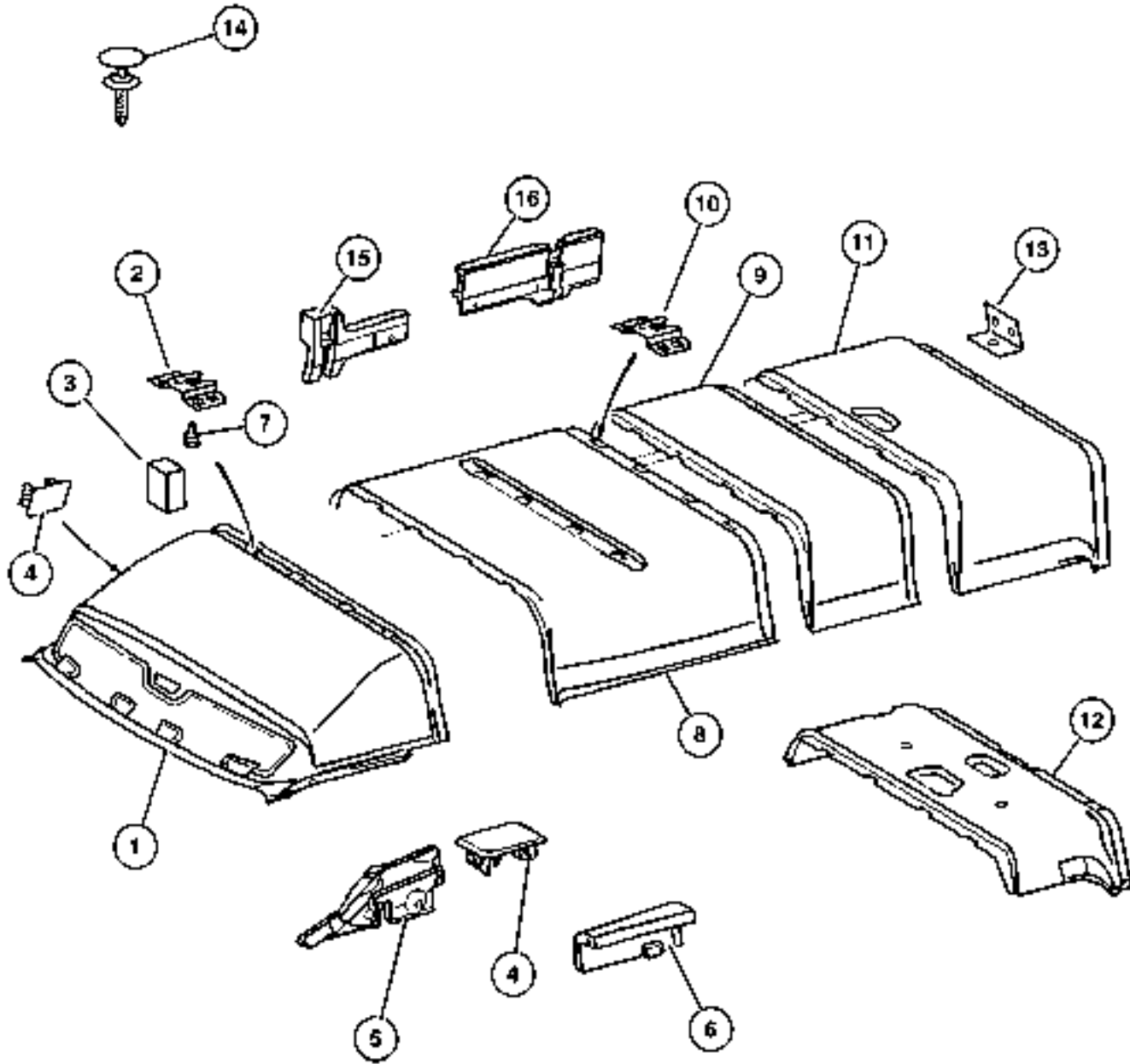
ITEM	PART NUMBER	QTY	LINE	SERIES	BODY	ENGINE	TRANS	TRIM	DESCRIPTION
	5123 497AA	1	2, 6	L	11, 12,				Right
					14, 15,				
		1	2, 6	L	51, 52,				Right
					54, 55,				
		1	3, 7	L	56				Right
		1	3, 7	L	15				Right
6					16				FLOCK, Nylon
	5123 498AA	1	2, 6	L	14, 15,				Left
					16				
		1	2, 6	L	54, 55,				Left
					56				
		1	3, 7	L	15, 16				Left
	5123 499AA	1	2, 6	L	14, 15,				Right
					16				
		1	2, 6	L	54, 55,				Right
					56				
		1	3, 7	L	15, 16				Right
7									CLIP, Headlining
	5125 569AA	4	2, 6	L	11, 12,				Paneling to Roof Rail
					14, 15,				
		4	2, 6	L	51, 52,				Paneling to Roof Rail
					54, 55,				
		4	3, 7	L	56				Paneling to Roof Rail
		8	2, 6	L	12, 15,				Paneling to Roof Rail
					16				
		8	2, 6	L	11, 12,				Headliner to Roof Bow
					14, 15,				
		8	2, 6	L	16				Headliner to Roof Bow
					51, 52,				
		8	2, 6	L	54, 55,				Headliner to Roof Bow
					56				
		8	3, 7	L	12, 15				Headliner to Roof Bow
		4	2, 6	L	11				Headliner to Rear Roof Rail
		8	2, 6	L	12				Headliner to Rear Roof Rail
		12	2, 6	L	16				Headliner to Rear Roof Rail
		4	2, 6	L	51				Headliner to Rear Roof Rail
		8	2, 6	L	52				Headliner to Rear Roof Rail
		12	2, 6	L	56				Headliner to Rear Roof Rail
		8	3, 7	L	12, 15				Headliner to Rear Roof Rail
		12	3, 7	L	16				Headliner to Rear Roof Rail
8									HEADLINER, Center

Refer to Model Legend Information Bookmark

AR = Use as required - = Non illustrated part # = New this model year

March 3, 2006

Headliner, High Roof
Figure IVA-115



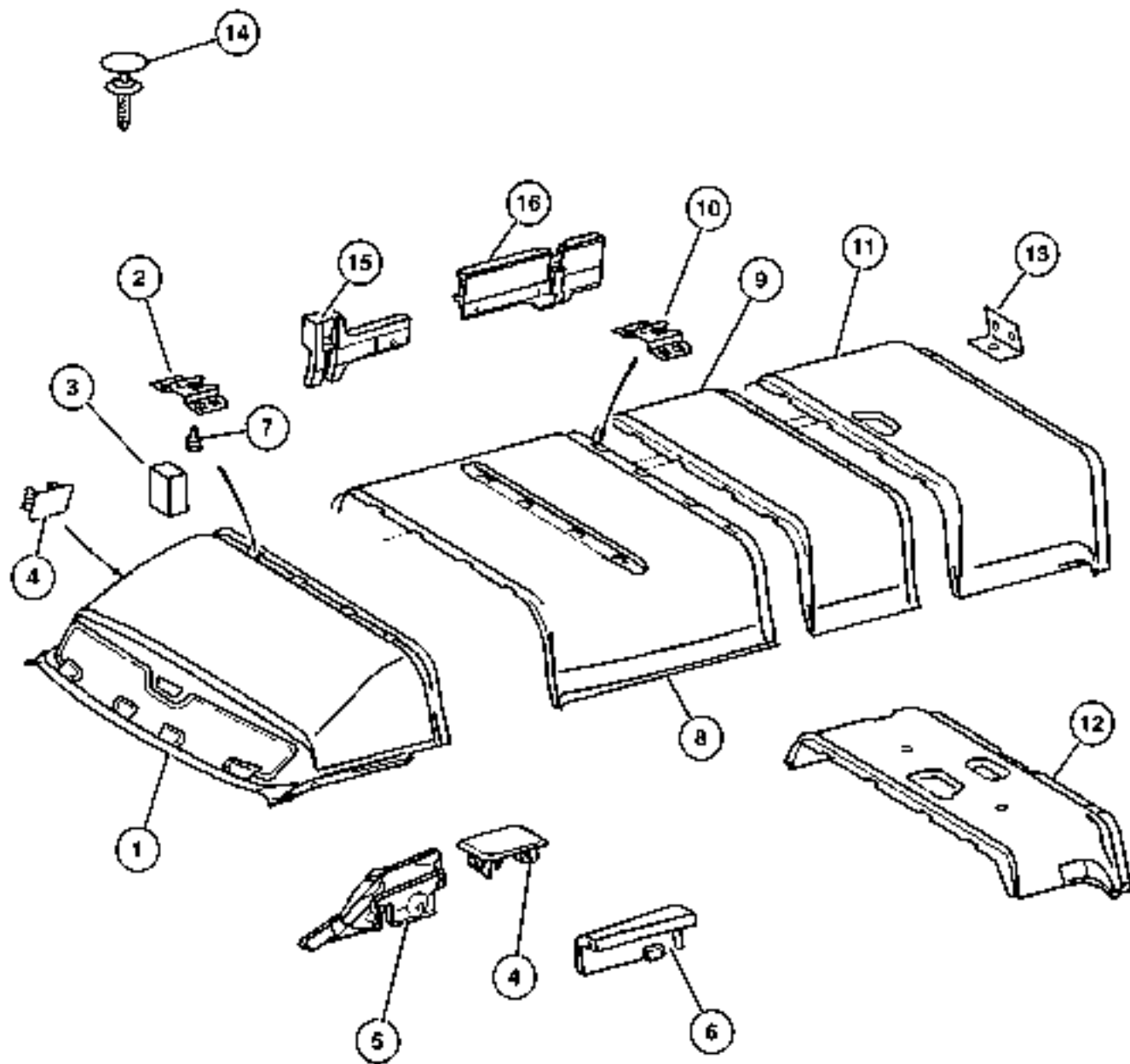
ITEM	PART NUMBER	QTY	LINE	SERIES	BODY	ENGINE	TRANS	TRIM	DESCRIPTION
	5104 278AA	1	2, 6	L	11, 12,				With Right Sliding Door
		1	2, 6	L	16				With Right Sliding Door
		1	3, 7	L	51, 52,				With Right Sliding Door
		1	3, 7	L	56				With Right Sliding Door
	5123 112AA	1	2, 6	L	11, 12,				With Left Sliding Door
		1	2, 6	L	16				With Left Sliding Door
		1	2, 6	L	51, 52,				With Left Sliding Door
		1	2, 6	L	56				With Left Sliding Door
	5123 114AA	1	3, 7	L	15, 16				With Left Sliding Door
		1	2, 6	L	11, 12,				With Right & Left Sliding Door
		1	2, 6	L	16				With Right & Left Sliding Door
		1	2, 6	L	51, 52,				With Right & Left Sliding Door
		1	3, 7	L	56				With Right & Left Sliding Door
9	5104 279AA	1	3, 7	L	15, 16				With Right & Left Sliding Door
		1	2, 6	L	12, 16				HEADLINER, Center
		1	2, 6	L	52, 56				With Sunroof
		1	3, 7	L	15				With Sunroof
		2	3, 7	L	16				With Sunroof
	5123 141AA	1	2, 6	L	12, 16				With Interior Lamp
		1	2, 6	L	52, 56				With Interior Lamp
		1	3, 7	L	15, 16				With Interior Lamp
10	5123 436AA	4	2, 6	L	11, 12,				BRACKET
		4	2, 6	L	14, 15,				Paneling to Roof Rail
		4	2, 6	L	16				
		4	2, 6	L	51, 52,				
		4	3, 7	L	54, 55,				
		4	3, 7	L	56				
		4	3, 7	L	12, 15,				
		4	3, 7	L	16				
11									HEADLINER, Rear
	5123 144AA	1	2, 6	L	16				
		1	2, 6	L	56				
		1	3, 7	L	16				
12									HEADLINER, Rear
	5104 277AA	1	2, 6	L	12				
		1	2, 6	L	52				
		1	3, 7	L	15				
13									BRACKET
	5123 437AA	1	2, 6	L	11, 12,				
		1	2, 6	L	14, 15,				
		1	2, 6	L	16				

Refer to Model Legend Information Bookmark

AR = Use as required - = Non illustrated part # = New this model year

March 3, 2006

Headliner, High Roof
Figure IVA-115



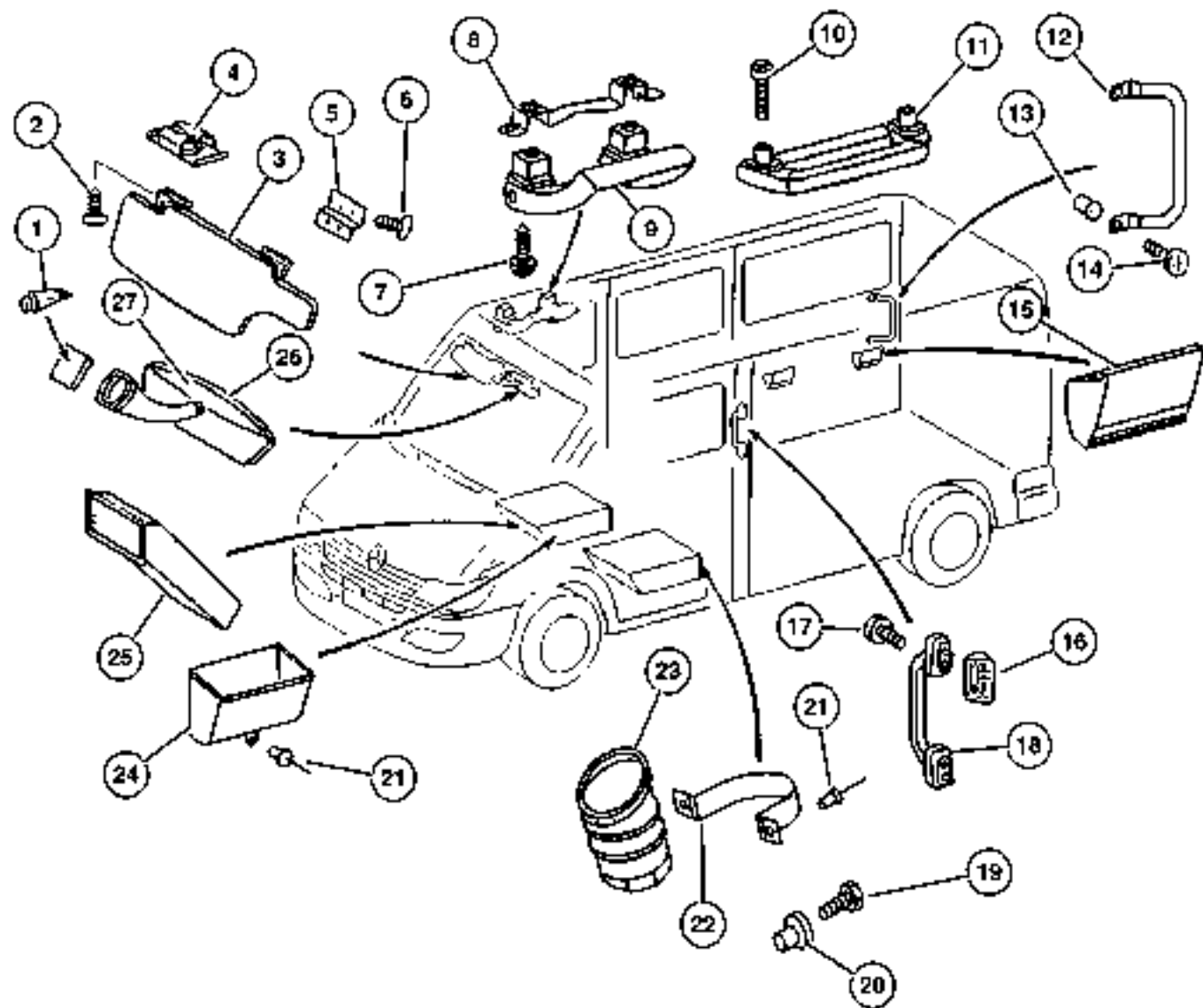
ITEM	PART NUMBER	QTY	LINE	SERIES	BODY	ENGINE	TRANS	TRIM	DESCRIPTION
		1	2, 6	L	51, 52, 54, 55, 56				
		1	3, 7	L	12, 15, 16				
14	1BH98 CSTAA	2	2, 6	L	11, 12, 14, 15, 16				RIVET
		2	2, 6	L	51, 52, 54, 55, 56				
		2	3, 7	L	12, 15				
15	5131 910AA	1	2, 6	L	54, 55, 56				FLOCK, Nylon
16	5104 299AA	1	2, 6	L	54, 55, 56				SPACER
		1	3, 7	L	12, 15, 16				
-17									SPACER, Foam Headliner
	5123 502AA-	1	2, 6	L	14, 15, 16				
		1	3, 7	L	15, 16				
-18									SPACER, Foam Headliner
	5123 504AA-	1	2, 6	L	14, 15, 16				
		1	3, 7	L	15, 16				
-19									SPACER, Foam Headliner
	5123 506AA-	1	2, 6	L	14, 15, 16				
		1	3, 7	L	15, 16				
-20									SPACER, Foam Headliner
	5123 508AA-	1	2, 6	L	14, 15, 16				
		1	3, 7	L	15, 16				

Refer to Model Legend Information Bookmark

AR = Use as required - = Non illustrated part # = New this model year

March 3, 2006

Sunvisors, Grabhandles, Shelf and Attaching Parts
Figure IVA-120



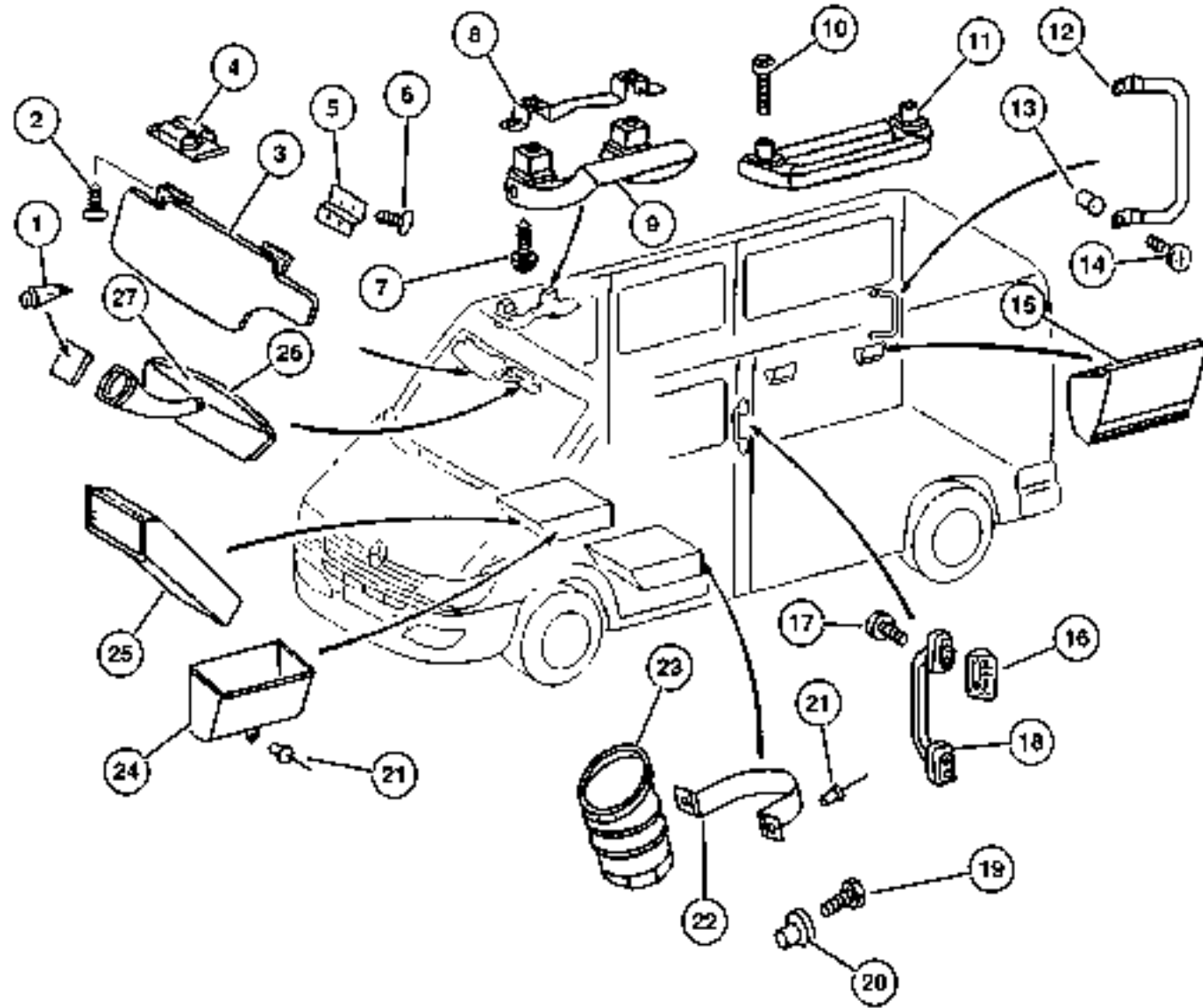
ITEM	PART NUMBER	QTY	LINE	SERIES	BODY	ENGINE	TRANS	TRIM	DESCRIPTION
1									ADHESIVE, (NOT SERVICED) (Not Serviced)
2	6104 005AA	2	2, 3, 6, 7	L					SCREW
3	5104 438AA	1	2, 6	L	01, 02, 06				VISOR Left
		1	2, 6	L	11, 12, 14, 15, 16				Left
		1	2, 6	L	51, 52, 54, 55, 56				Left
		1	3, 7	L	02, 06				Left
		1	3, 7	L	12, 15, 16				Left
	5104 439AA	1	2, 6	L	01, 02, 06				Right
		1	2, 6	L	11, 12, 14, 15, 16				Right
		1	2, 6	L	51, 52, 54, 55, 56				Right
		1	3, 7	L	02, 06				Right
		1	3, 7	L	12, 15, 16				Right
4	5125 854AA	8	2, 6	L	01, 02, 06				CLIP, Visor
		8	2, 6	L	11, 12, 14, 15, 16				
		8	2, 6	L	51, 52, 54, 55, 56				
		2	3, 7	L	02, 06				
		2	3, 7	L	12, 15, 16				
5	5124 268AA	4	2, 6	L	11, 12, 14, 15, 16				BRACKET, Trim
		4	2, 6	L	51, 52, 54, 55, 56				

Refer to Model Legend Information Bookmark

AR = Use as required - = Non illustrated part # = New this model year

March 3, 2006

Sunvisors, Grabhandles, Shelf and Attaching Parts
Figure IVA-120



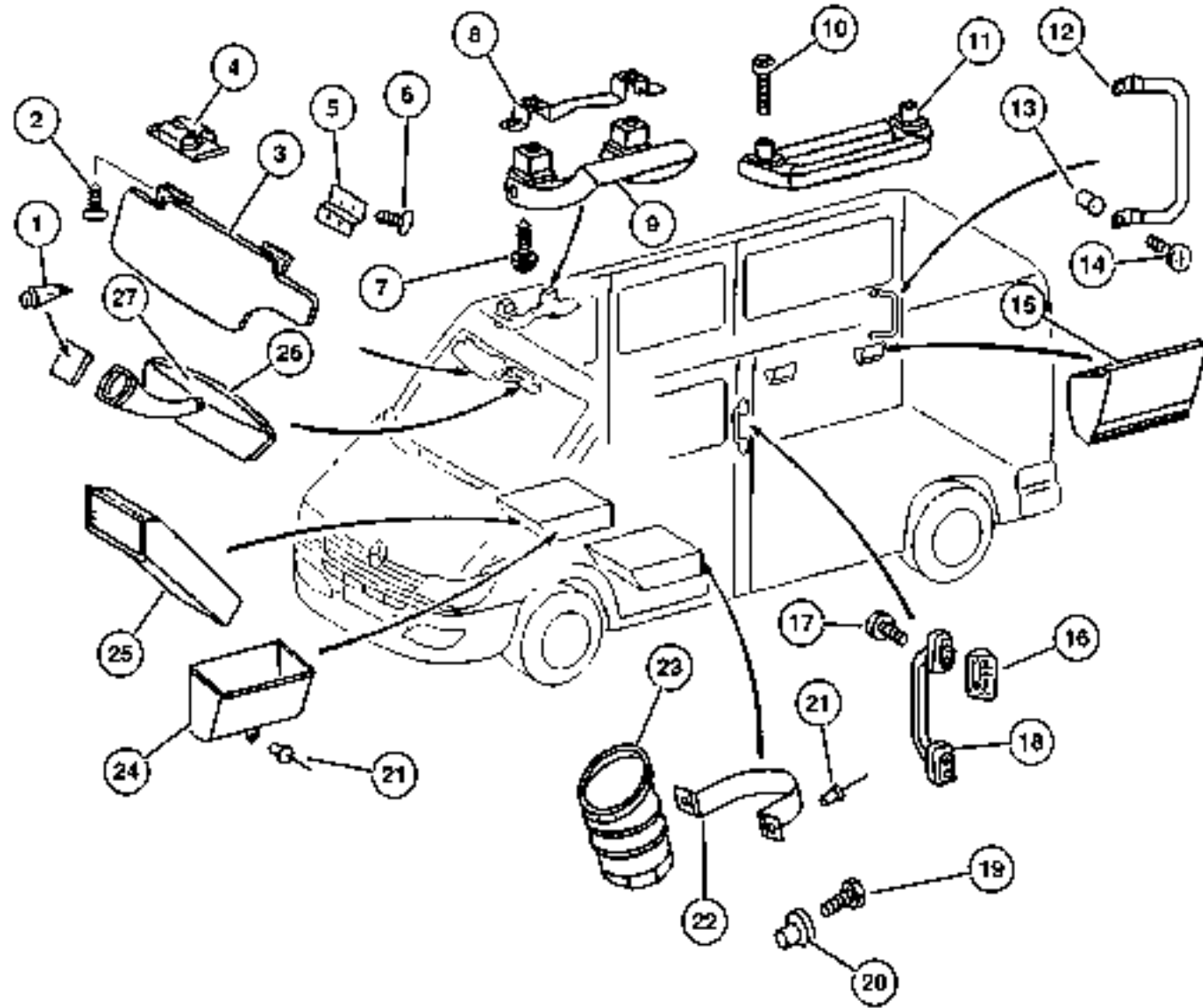
ITEM	PART NUMBER	QTY	LINE	SERIES	BODY	ENGINE	TRANS	TRIM	DESCRIPTION
		3	3, 7	L	12, 15, 16				
6	6104 505AA	8	2, 6	L	01, 02, 06				SCREW
		6	2, 6	L	11, 12, 14, 15, 16				
		8	2, 6	L	51, 52, 54, 55, 56				
		8	3, 7	L	02, 06				
		8	3, 7	L	12, 15, 16				
7	6104 574AA	2	2, 6	L	01, 02, 06				SCREW, Tapping
		2	2, 6	L	11, 12, 14, 15, 16				
		2	2, 6	L	51, 52, 54, 55, 56				
		3	3, 7	L	02, 06				
		3	3, 7	L	12, 15, 16				
8	5121 721AA	1	2, 6	L	11, 12, 14, 15, 16				BRACKET, Grab Handle
		1	2, 6	L	51, 52, 54, 55, 56				
9	5104 437AA	1	3, 7	L	12, 15, 16				HANDLE, Grab
		1	2, 6	L	11, 12, 14, 15, 16				
		1	2, 6	L	51, 52, 54, 55, 56				
		1	3, 7	L	12, 15, 16				
10									SCREW, (NOT SERVICED) (Not Serviced)

Refer to Model Legend Information Bookmark

AR = Use as required - = Non illustrated part # = New this model year

March 3, 2006

Sunvisors, Grabhandles, Shelf and Attaching Parts
Figure IVA-120



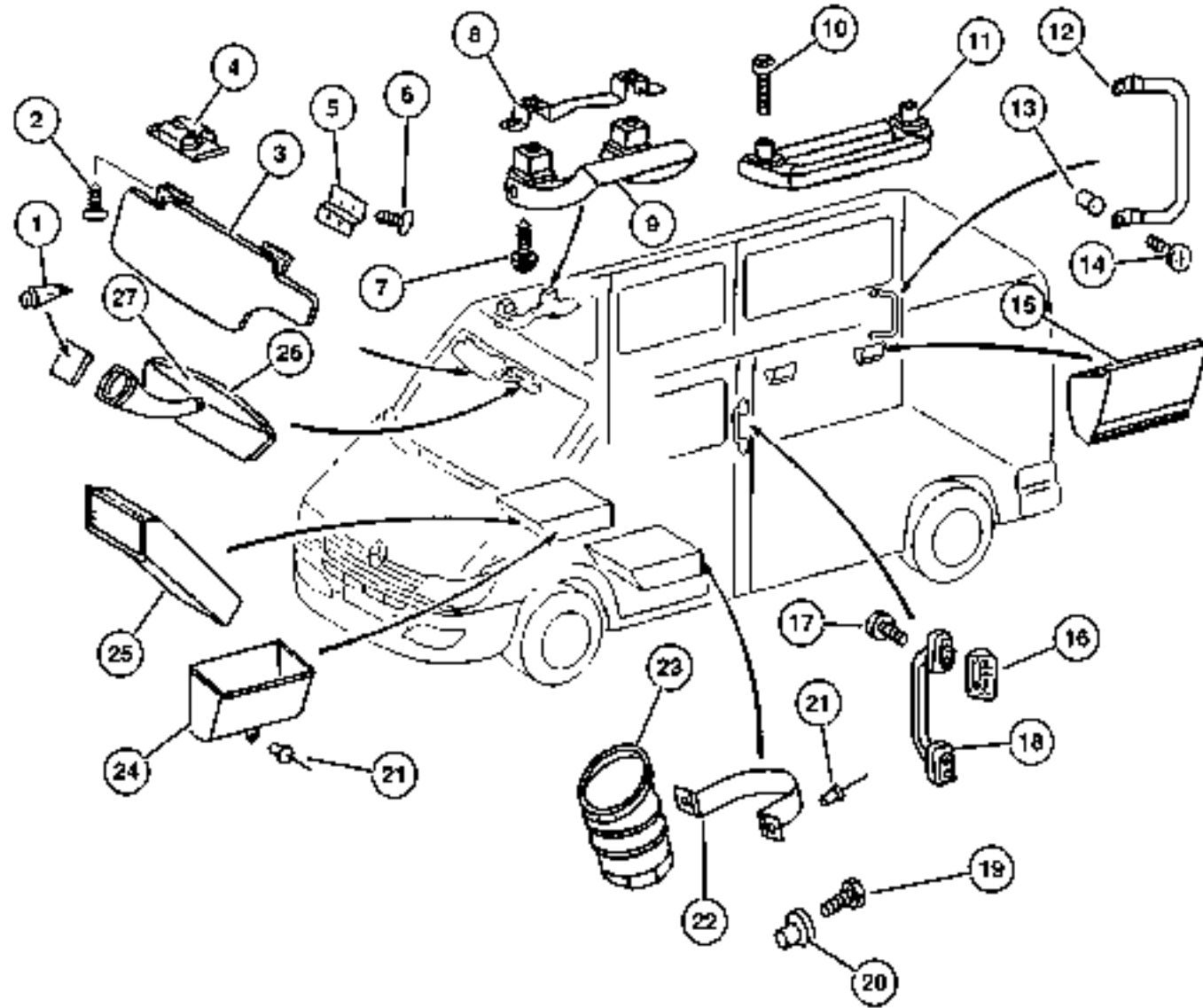
ITEM	PART NUMBER	QTY	LINE	SERIES	BODY	ENGINE	TRANS	TRIM	DESCRIPTION
11	ZF48 CS8AA	1	2, 6	L	01, 02, 06			B7	HANDLE, Grab
		1	3, 7	L	02, 06			B7	
12	5104 448AA	2	2, 6	L	11, 12, 14, 15, 16				HANDLE, Grab
		2	2, 6	L	51, 52, 54, 55, 56				
		2	3, 7	L	12, 15, 16				
13	5104 678AA	2	2, 6	L	01, 02, 06				NUTSERT, Rivet
		2	2, 6	L	11, 12, 14, 15, 16				
		2	2, 6	L	51, 52, 54, 55, 56				
		2	3, 7	L	12, 15, 16				
14	6104 153AA	2	2, 6	L	11, 12, 14, 15, 16				SCREW
		2	2, 6	L	51, 52, 54, 55, 56				
		2	3, 7	L	12, 15, 16				
15	5124 222AA	2	2, 6	L	12, 15				ASHTRAY
		2	2, 6	L	11, 14				
		2	2, 6	L	52, 55				
		2	2, 6	L	51, 54				
		4	3, 7	L	12, 15				
16	5124 285AA	2	2, 6	L	11, 12, 14, 15, 16				COVER, Assist Handle

Refer to Model Legend Information Bookmark

AR = Use as required - = Non illustrated part # = New this model year

March 3, 2006

Sunvisors, Grabhandles, Shelf and Attaching Parts
Figure IVA-120



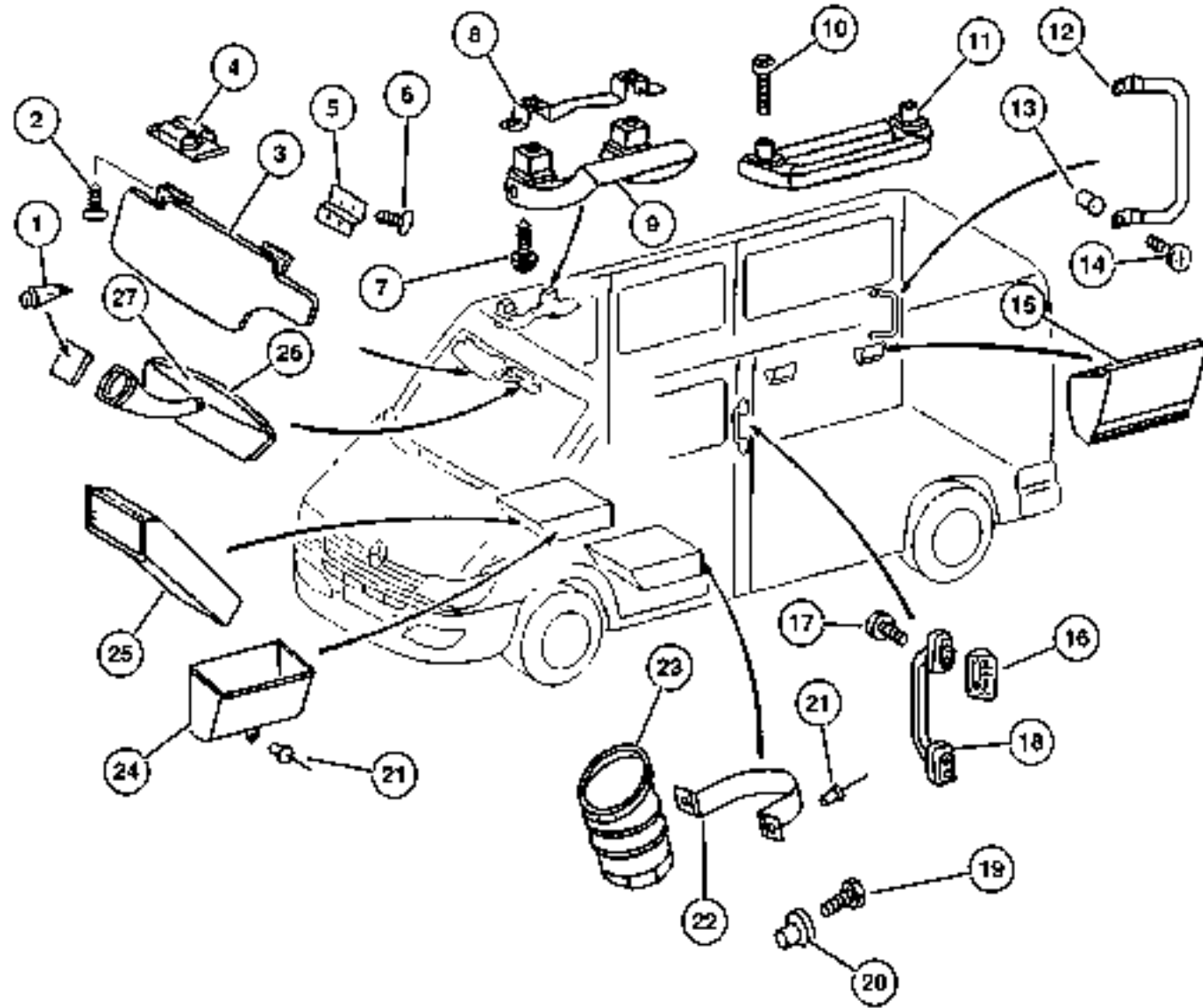
ITEM	PART NUMBER	QTY	LINE	SERIES	BODY	ENGINE	TRANS	TRIM	DESCRIPTION
		2	2, 6	L	51, 52, 54, 55, 56				
		2	3, 7	L	12, 15, 16				
17	6104 142AA	2	2, 6	L	01, 02, 06				SCREW
		2	2, 6	L	11, 12, 14, 15, 16				
		2	2, 6	L	51, 52, 54, 55, 56				
		2	3, 7	L	02, 06				
		2	3, 7	L	12, 15, 16				
18	5103 676AA	2	2, 6	L	11, 12, 14, 15, 16				HANDLE, Grab
		2	2, 6	L	51, 52, 54, 55, 56				
		1	3, 7	L	12, 15, 16				
19	5134 034AA	2	2, 6	L	01, 02, 06				SCREW
		2	2, 6	L	11, 12, 14, 15, 16				
		2	2, 6	L	51, 52, 54, 55, 56				
20	5133 943AA	2	2, 6	L	01, 02, 06				NUT
		2	2, 6	L	11, 12, 14, 15, 16				
		2	2, 6	L	51, 52, 54, 55, 56				
		99	3, 7	L	02, 06				

Refer to Model Legend Information Bookmark

AR = Use as required - = Non illustrated part # = New this model year

March 3, 2006

Sunvisors, Grabhandles, Shelf and Attaching Parts
Figure IVA-120



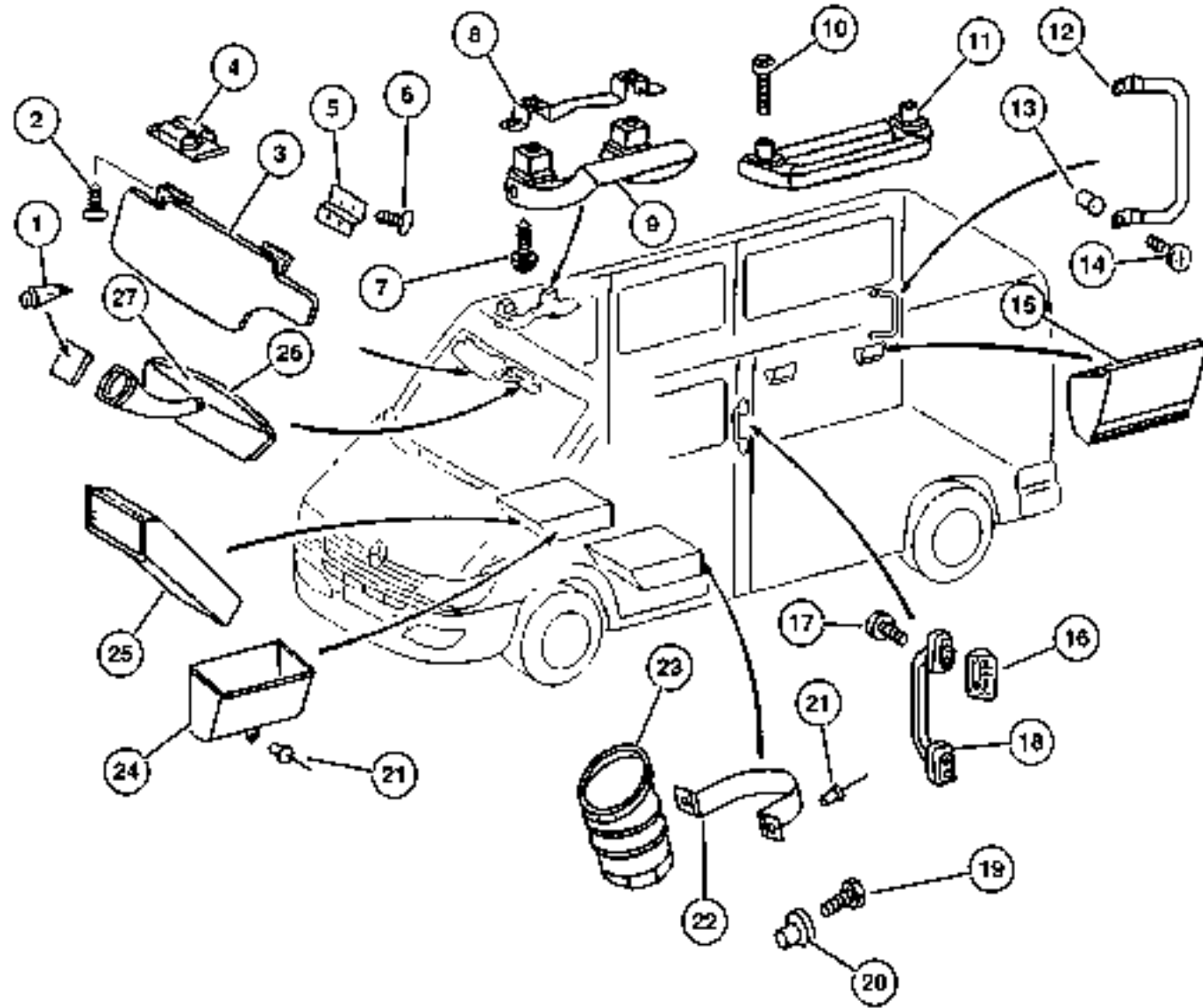
ITEM	PART NUMBER	QTY	LINE	SERIES	BODY	ENGINE	TRANS	TRIM	DESCRIPTION
		99	3, 7	L	12, 15, 16				
21	5133 934AA	1	2, 6	L	01, 02, 06				RIVET, M4.8
		1	2, 6	L	11, 12, 14, 15, 16				
		1	2, 6	L	51, 52, 54, 55, 56				
		1	3, 7	L	02, 06				
		1	3, 7	L	12, 15, 16				
22	5125 038AA	1	2, 6	L	11, 12, 14, 15, 16				BRACKET, Cup Holder
		1	2, 6	L	51, 52, 54, 55, 56				
23	1AQ31 CSSAA	1	3, 7	L	12, 15, 16				HOLDER, Cup
		1	2, 6	L	11, 12, 14, 15, 16				
		1	2, 6	L	51, 52, 54, 55, 56				
24	5104 496AA	1	3, 7	L	12, 15, 16				BIN, Storage
		1	2, 6	L	01, 02, 06				
		1	2, 6	L	11, 12, 14, 15, 16				
		1	2, 6	L	51, 52, 54, 55, 56				
		1	3, 7	L	02, 06				
		1	3, 7	L	12, 15, 16				
25									BIN, Storage, (NOT SERVICED) (Not Serviced)

Refer to Model Legend Information Bookmark

AR = Use as required - = Non illustrated part # = New this model year

March 3, 2006

Sunvisors, Grabhandles, Shelf and Attaching Parts
Figure IVA-120



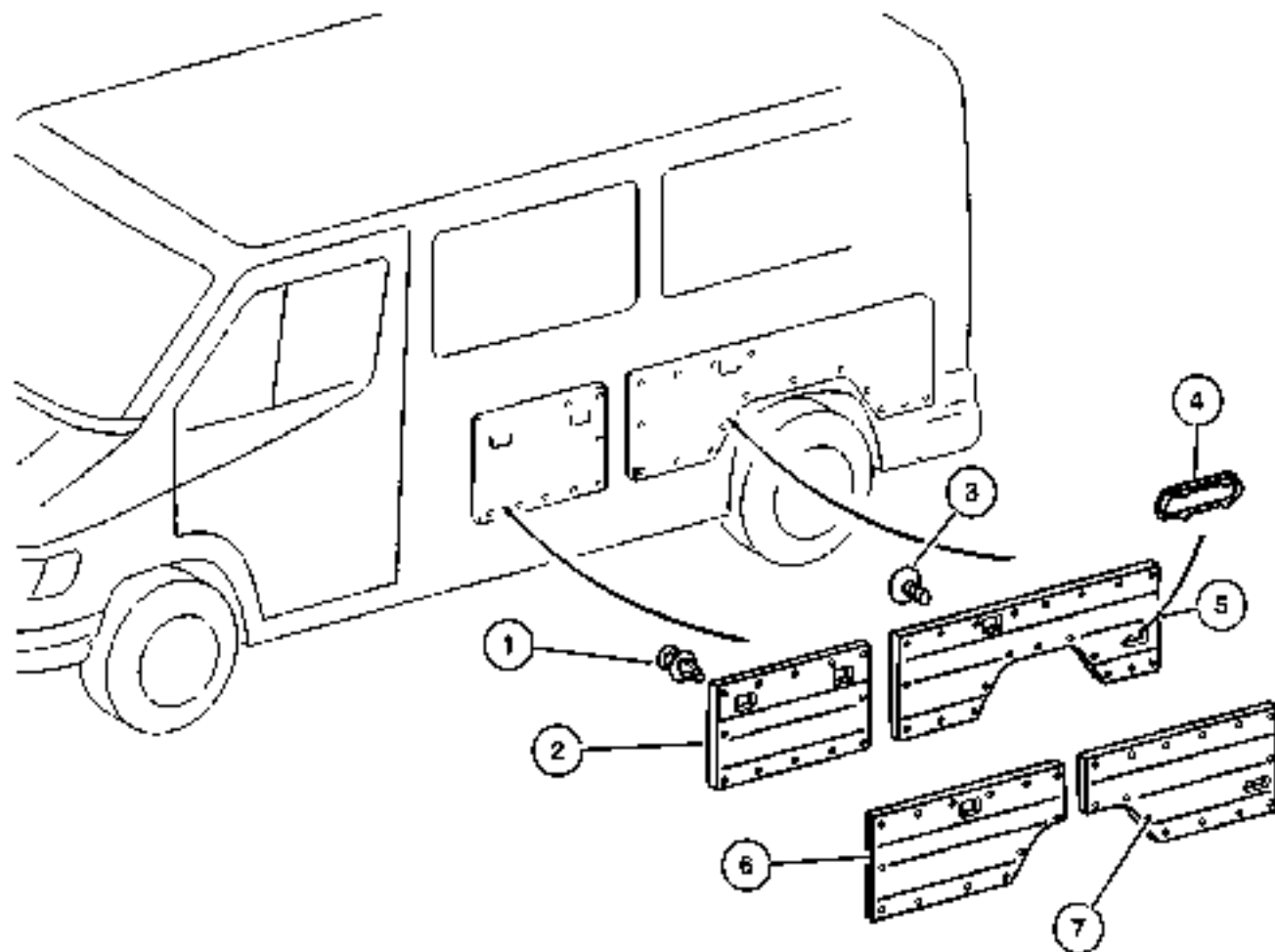
ITEM	PART NUMBER	QTY	LINE	SERIES	BODY	ENGINE	TRANS	TRIM	DESCRIPTION
26									MIRROR, Inside Rear View
	5104 435AA	1	2, 6	L	01, 02, 06				
		1	2, 6	L	11, 12, 14, 15, 16				
		1	2, 6	L	51, 52, 54, 55, 56				
		1	3, 7	L	02, 06				
		1	3, 7	L	12, 15, 16				
27									BUTTON, Rear View Mirror
	5104 241AA	1	2, 6	L	11, 12, 14, 15, 16				
		1	2, 6	L	51, 52, 54, 55, 56				
		1	3, 7	L	02, 06				
		1	3, 7	L	12, 15, 16				

Refer to Model Legend Information Bookmark

AR = Use as required - = Non illustrated part # = New this model year

March 3, 2006

Inner Panels - Fabric
Figure IVA-210



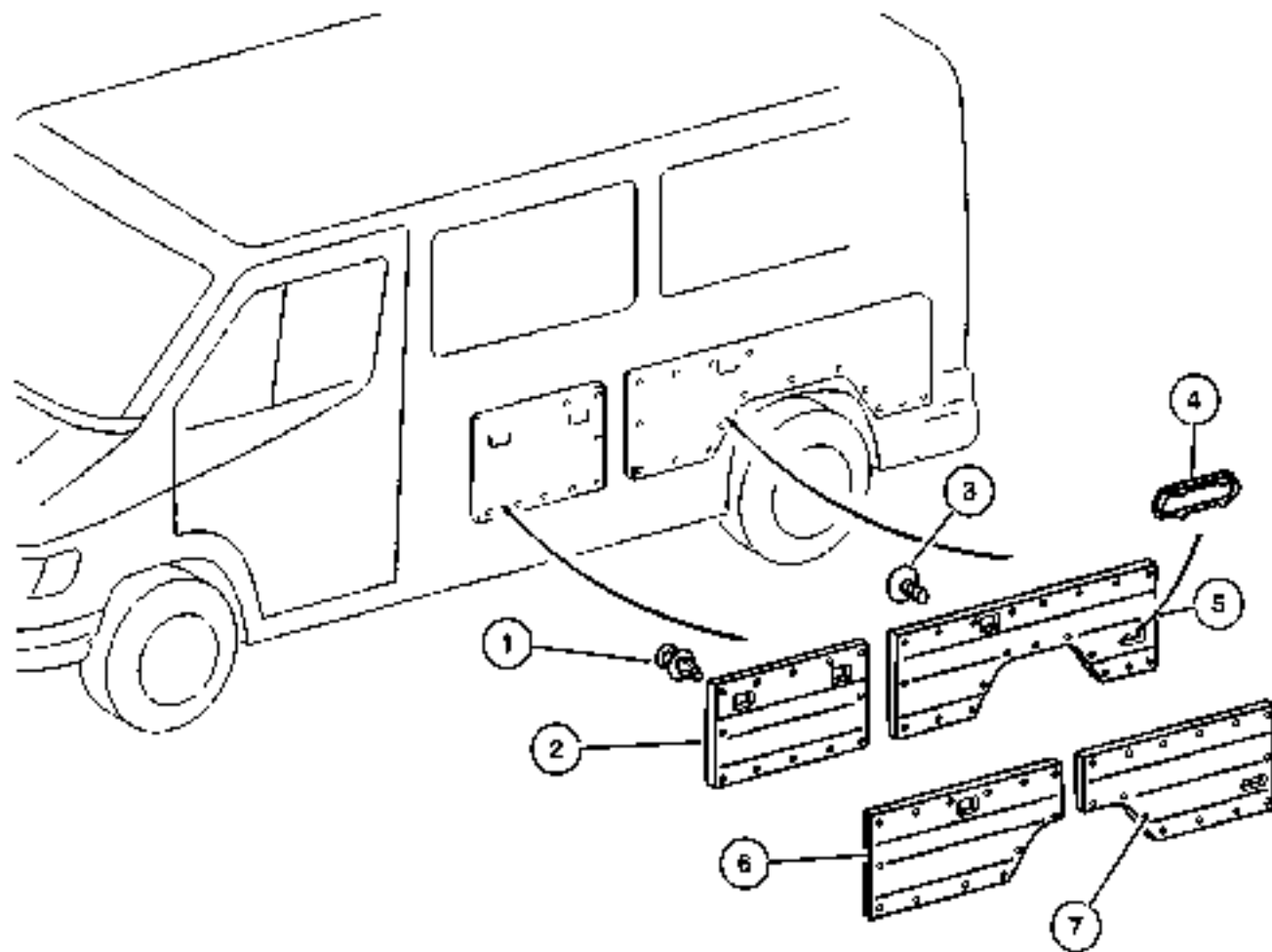
ITEM	PART NUMBER	QTY	LINE	SERIES	BODY	ENGINE	TRANS	TRIM	DESCRIPTION
1									PIN, Push
	6104 895AA	10	2, 6	L	11, 12, 14, 15, 16				
		10	2, 6	L	51, 52, 54, 55, 56				
		10	3, 7	L	12, 15, 16				
2									PANEL, Inner Left
	5123 006AA	1	2, 6	L	11, 12, 14, 15, 16				
		1	2, 6	L	51, 52, 54, 55, 56				Left
		1	3, 7	L	12, 15, 16				Left
	5123 007AA	1	2, 6	L	11, 12, 14, 15, 16				Right
		1	2, 6	L	51, 52, 54, 55, 56				Right
		1	3, 7	L	12, 15, 16				Right
3									PLUG, Rear Seatbelt Hole
	5125 988AA	4	2, 6	L	51, 54				
		4	2, 6	L	52, 55				
		6	2, 6	L	56				
4									EXHAUSTER, Quarter Panel
	5123 426AA	2	2, 6	L	01, 02, 06				
		2	2, 6	L	11, 12, 14, 15, 16				
		2	2, 6	L	51, 52, 54, 55, 56				
		2	3, 7	L	02, 06				
		2	3, 7	L	12, 15, 16				
5									PANEL, Quarter Trim Used With Four Fold Loudspeakers
	5123 014AA	1	2, 6	L	12, 15				
		1	2, 6	L	52, 55				Used With Four Fold Loudspeakers

Refer to Model Legend Information Bookmark

AR = Use as required - = Non illustrated part # = New this model year

March 3, 2006

**Inner Panels - Fabric
Figure IVA-210**



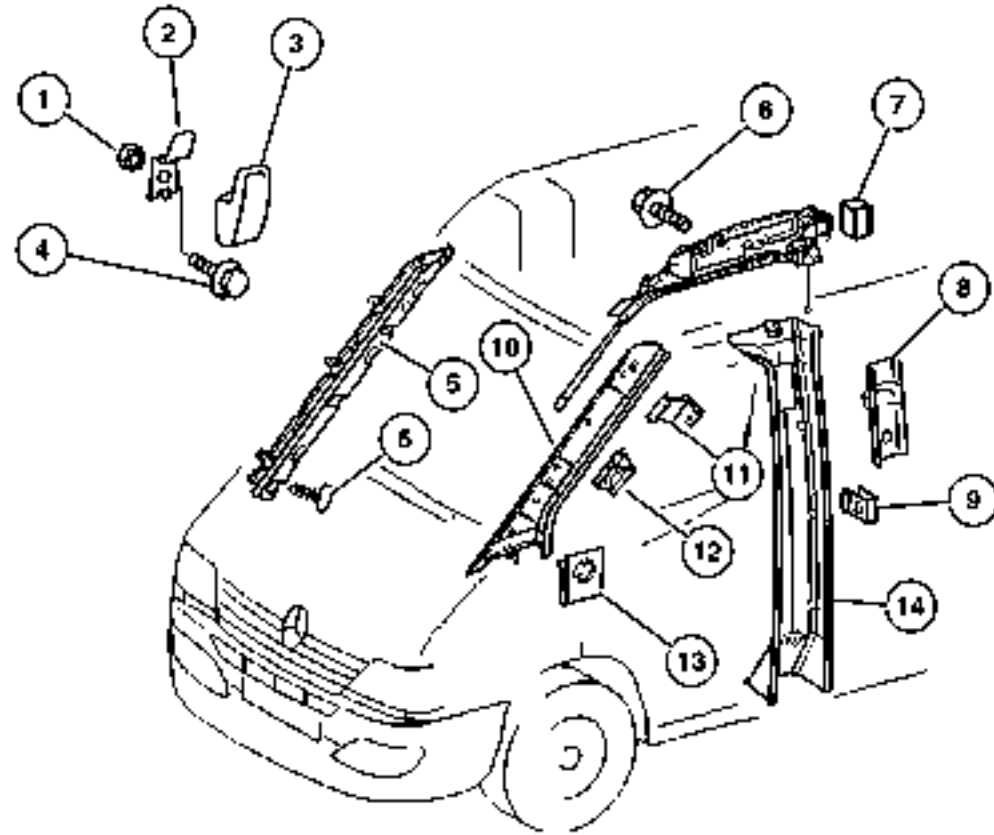
ITEM	PART NUMBER	QTY	LINE	SERIES	BODY	ENGINE	TRANS	TRIM	DESCRIPTION
		1	3, 7	L	12, 15				Used With Four Fold Loudspeakers
6									PANEL, Quarter Trim
	5123 020AA	1	2, 6	L	16				In Front Of Wheelhouse,Without Loudspeaker, Left
		1	2, 6	L	56				In Front Of Wheelhouse,Without Loudspeaker, Left
		1	3, 7	L	16				In Front Of Wheelhouse,Without Loudspeaker, Left
	5123 023AA	1	2, 6	L	16				In Front Of Wheelhouse,Without Loudspeaker, Right
		1	2, 6	L	56				In Front Of Wheelhouse,Without Loudspeaker, Right
		1	3, 7	L	16				In Front Of Wheelhouse,Without Loudspeaker, Right
	5123 029AA	1	2, 6	L	16				In Front Of Wheelhouse,With Loudspeaker, Left
		1	2, 6	L	56				In Front Of Wheelhouse,With Loudspeaker, Left
		1	3, 7	L	16				In Front Of Wheelhouse,With Loudspeaker, Left
	5123 032AA	1	2, 6	L	16				In Front Of Wheelhouse,With Loudspeaker, Right
		1	2, 6	L	56				In Front Of Wheelhouse,With Loudspeaker, Right
		1	3, 7	L	16				In Front Of Wheelhouse,With Loudspeaker, Right
7									PANEL, Quarter Trim
	5123 025AA	1	2, 6	L	11, 12, 14, 15, 16				Behind the Wheel Arch, Left
		1	2, 6	L	51, 52, 54, 55, 56				Behind the Wheel Arch, Left
		1	3, 7	L	12, 15, 16				Behind the Wheel Arch, Left
	5123 027AA	1	2, 6	L	11, 12, 14, 15, 16				Behind the Wheel Arch, Right
		1	2, 6	L	51, 52, 54, 55, 56				Behind the Wheel Arch, Right
		1	3, 7	L	12, 15, 16				Behind the Wheel Arch, Right

Refer to Model Legend Information Bookmark

AR = Use as required - = Non illustrated part # = New this model year

March 3, 2006

Inner Panels - Cab
Figure IVA-215



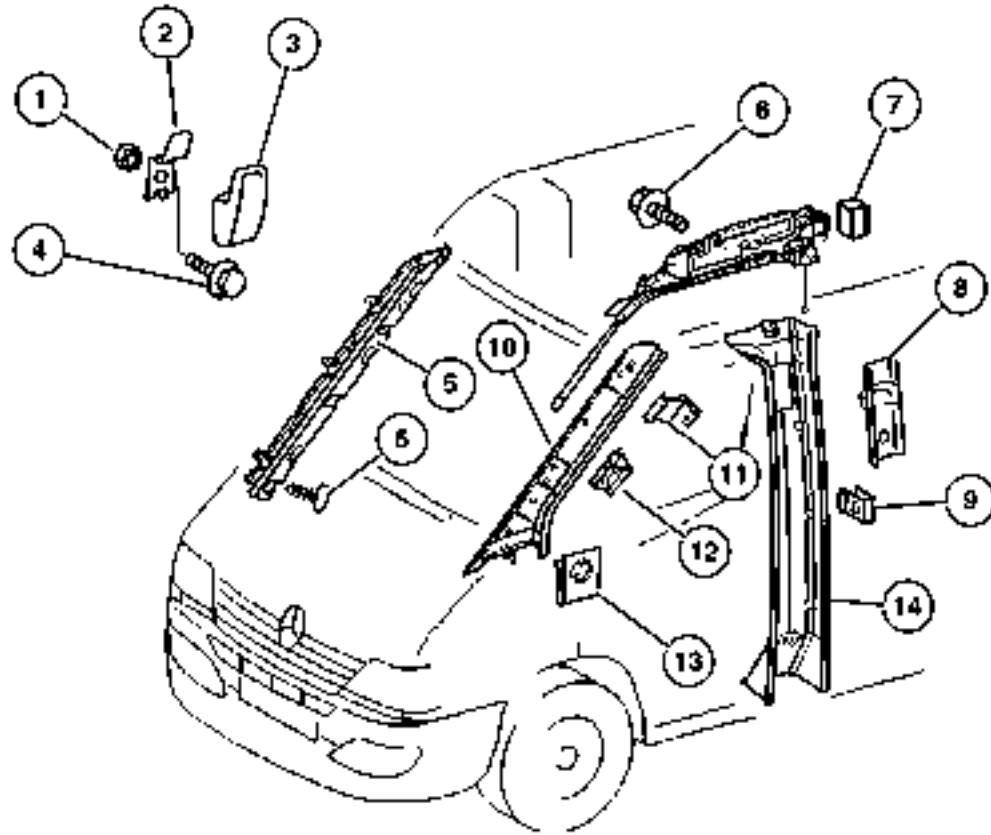
ITEM	PART NUMBER	QTY	LINE	SERIES	BODY	ENGINE	TRANS	TRIM	DESCRIPTION
1	6104 724AA	1	2, 6	L	01, 02, 06				NUT, Hex
		1	3, 7	L	02, 06				
2	5124 273AA	1	2, 6	L	01, 02, 06				HOOK, Coat
		1	3, 7	L	02, 06				
3	ZF49 CS8AA	1	2, 6	L	01, 02, 06			B7	HANGER, coat
		1	3, 7	L	02, 06			B7	
4	6104 172AA	1	2, 6	L	01, 02, 06				SCREW
		2	2, 6	L	11, 12, 14, 15, 16				
		2	2, 6	L	51, 52, 54, 55, 56				
5	5104 273AA	1	3, 7	L	02, 06				FILLER Right
		1	2, 6	L	11, 12, 14, 15, 16				Right
		1	2, 6	L	51, 52, 54, 55, 56				Right
		1	3, 7	L	12, 15, 16				Right
	5123 185AA	1	2, 6	L	11, 12, 14, 15, 16				Left
		1	2, 6	L	51, 52, 54, 55, 56				Left
		1	3, 7	L	12, 15, 16				Left
6	6104 610AA	5	2, 6	L	01, 02, 06				SCREW
		5	2, 6	L	11, 12, 14, 15, 16				

Refer to Model Legend Information Bookmark

AR = Use as required - = Non illustrated part # = New this model year

March 3, 2006

Inner Panels - Cab
Figure IVA-215



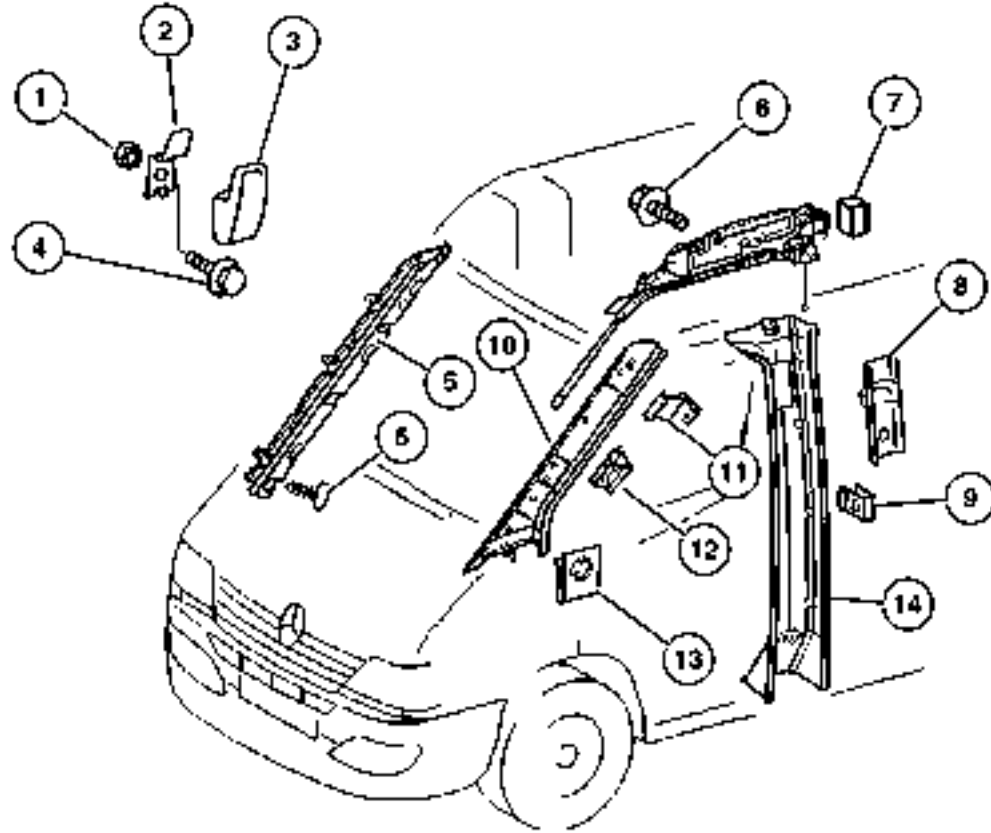
ITEM	PART NUMBER	QTY	LINE	SERIES	BODY	ENGINE	TRANS	TRIM	DESCRIPTION
		5	2, 6	L	51, 52, 54, 55, 56				
		5	3, 7	L	02, 06				
		5	3, 7	L	12, 15, 16				
7									SPACER, (NOT SERVICED) (Not Serviced)
8									COVER, Seat Belt Guide
	5104 275AA	1	2, 6	L	01, 02, 06				
		1	2, 6	L	11, 12, 14, 15, 16				
		1	2, 6	L	51, 52, 54, 55, 56				
9									CLIP, U Type
	5125 582AA	6	2, 6	L	11, 12, 14, 15, 16				
		6	2, 6	L	51, 52, 54, 55, 56				
		6	3, 7	L	02, 06				
10									PANEL, A Pillar Trim Left
	5104 276AA	1	2, 6	L	11, 12, 14, 15, 16				
		1	2, 6	L	51, 52, 54, 55, 56				Left
		1	3, 7	L	12, 15, 16				Left
	5123 043AA	1	2, 6	L	11, 12, 14, 15, 16				With Cell Phone Prep Package, Left
		1	2, 6	L	51, 52, 54, 55, 56				With Cell Phone Prep Package, Left
		1	3, 7	L	12, 15, 16				With Cell Phone Prep Package, Left
	5123 046AA	1	2, 6	L	11, 12, 14, 15, 16				Right

Refer to Model Legend Information Bookmark

AR = Use as required - = Non illustrated part # = New this model year

March 3, 2006

Inner Panels - Cab
Figure IVA-215



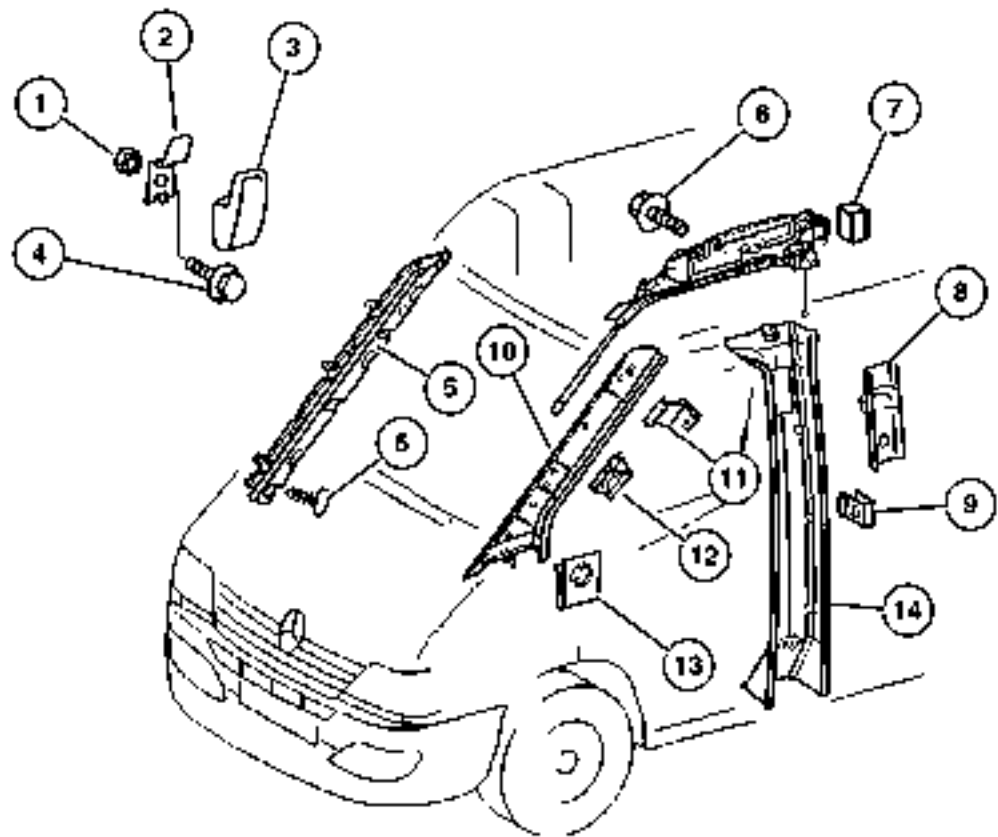
ITEM	PART NUMBER	QTY	LINE	SERIES	BODY	ENGINE	TRANS	TRIM	DESCRIPTION
		1	2, 6	L	51, 52, 54, 55, 56				Right
		1	3, 7	L	12, 15, 16				Right
11									CLIP, (NOT SERVICED) (Not Serviced)
12	6104 897AA	6	2, 6	L	11, 12, 14, 15, 16				CLIP, Trim
		6	2, 6	L	51, 52, 54, 55, 56				
		6	3, 7	L	12, 15, 16				
13									CLIP, (NOT SERVICED) (Not Serviced)
14	5104 288AA	1	2, 6	L	11, 12, 14, 15, 16				PANEL, B Pillar Trim With Partition, Left
		1	3, 7	L	12, 15, 16				With Partition, Left
	5104 289AA	1	2, 6	L	11, 12, 14, 15, 16				With Partition, With Non Passable Partition, Right
		1	3, 7	L	12, 15, 16				With Partition, With Non Passable Partition, Right
	5104 290AA	1	2, 6	L	11, 12, 14, 15, 16				With Partition, With Passable Partition, Right
		1	3, 7	L	12, 15, 16				With Partition, With Passable Partition, Right
	5123 267AA	1	2, 6	L	11, 12, 14, 15, 16				Without Left Sliding Door, Left
		1	2, 6	L	51, 52, 54, 55, 56				Without Left Sliding Door, Left
		1	3, 7	L	12, 15, 16				Without Left Sliding Door, Left
	5123 275AA	1	2, 6	L	11, 12, 14, 15, 16				With Left Sliding Door, Without Grab Handle, Load Ring, Left

Refer to Model Legend Information Bookmark

AR = Use as required - = Non illustrated part # = New this model year

March 3, 2006

Inner Panels - Cab
Figure IVA-215



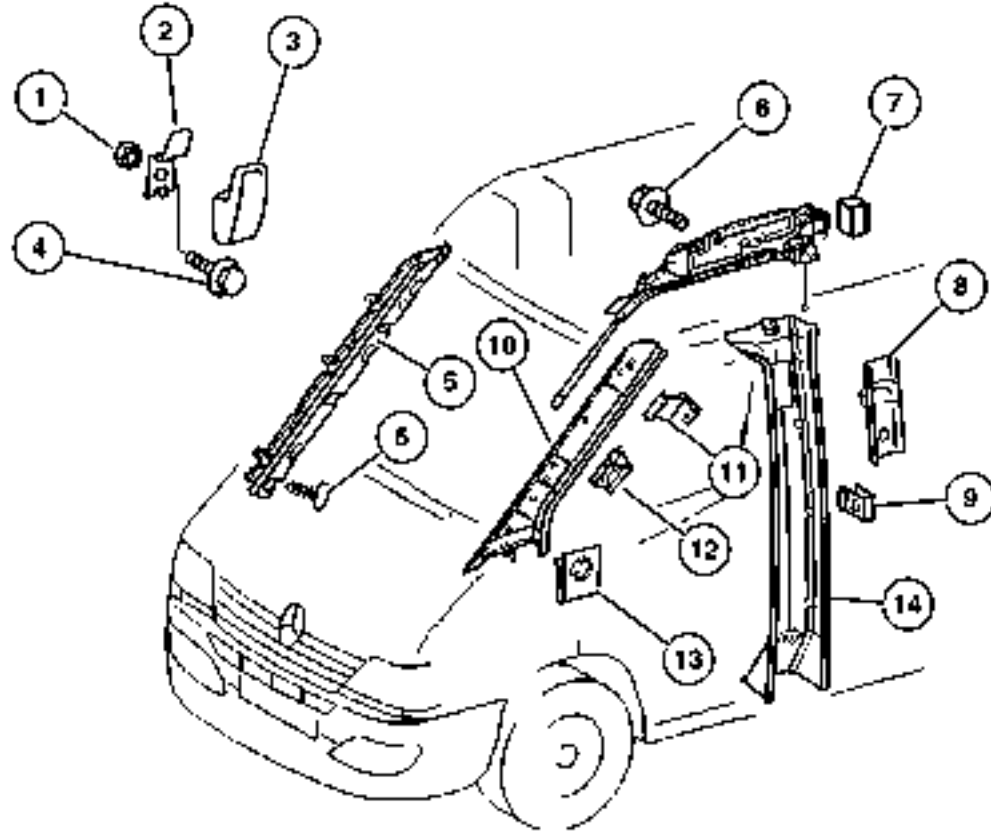
ITEM	PART NUMBER	QTY	LINE	SERIES	BODY	ENGINE	TRANS	TRIM	DESCRIPTION
		1	2, 6	L	51, 52, 54, 55, 56				With Left Sliding Door, Without Grab Handle, Load Ring, Left
		1	3, 7	L	12, 15, 16				With Left Sliding Door, Without Grab Handle, Load Ring, Left
	5123 285AA	1	2, 6	L	11, 12, 14, 15, 16				With Left Sliding Door and Load Ring, Without Grab Handle, Left
		1	2, 6	L	51, 52, 54, 55, 56				With Left Sliding Door and Load Ring, Without Grab Handle, Left
		1	3, 7	L	12, 15, 16				With Left Sliding Door and Load Ring, Without Grab Handle, Left
	5123 287AA	1	2, 6	L	11, 12, 14, 15, 16				With Right Sliding Door and Load Ring, Without Grab Handle, Right
		1	2, 6	L	51, 52, 54, 55, 56				With Right Sliding Door and Load Ring, Without Grab Handle, Right
		1	3, 7	L	12, 15, 16				With Right Sliding Door and Load Ring, Without Grab Handle, Right
	5123 304AA	1	2, 6	L	11, 12, 14, 15, 16				With Left Sliding Door and Grab handle Without Load Ring, Left
		1	2, 6	L	51, 52, 54, 55, 56				With Left Sliding Door and Grab handle Without Load Ring, Left
		1	3, 7	L	12, 15, 16				With Left Sliding Door and Grab handle Without Load Ring, Left
	5123 306AA	1	2, 6	L	11, 12, 14, 15, 16				With Right Sliding Door and Grab Handle Without Load Ring, Right
		1	2, 6	L	51, 52, 54, 55, 56				With Right Sliding Door and Grab Handle Without Load Ring, Right
		1	3, 7	L	12, 15, 16				With Right Sliding Door and Grab Handle Without Load Ring, Right
	5123 308AA	1	2, 6	L	11, 12, 14, 15, 16				With Left Sliding Door, Grab Handle and Load Ring, Left
		1	2, 6	L	51, 52, 54, 55, 56				With Left Sliding Door, Grab Handle and Load Ring, Left
		1	3, 7	L	12, 15, 16				With Left Sliding Door, Grab Handle and Load Ring, Left

Refer to Model Legend Information Bookmark

AR = Use as required - = Non illustrated part # = New this model year

March 3, 2006

Inner Panels - Cab
Figure IVA-215



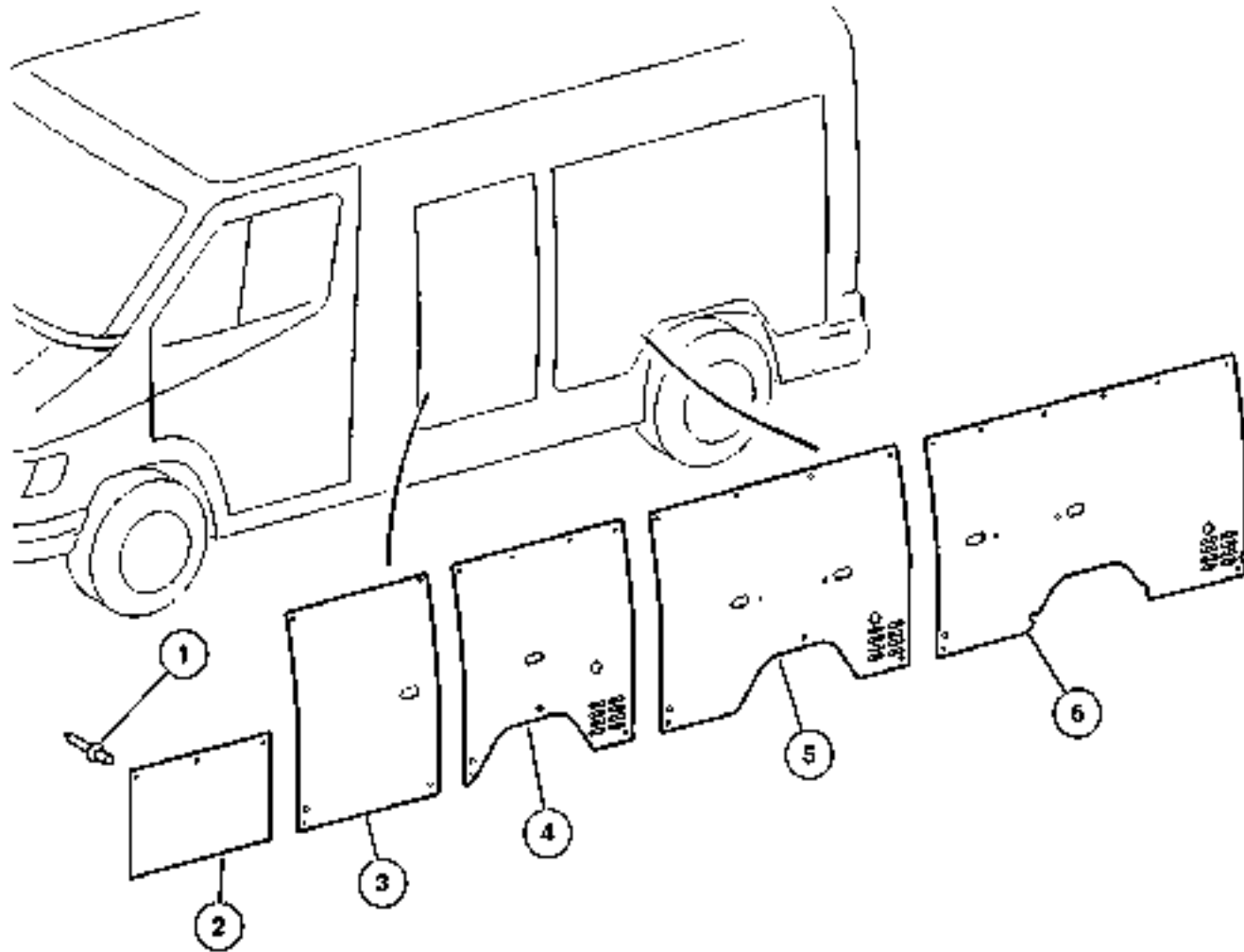
ITEM	PART NUMBER	QTY	LINE	SERIES	BODY	ENGINE	TRANS	TRIM	DESCRIPTION
	5123 310AA	1	2, 6	L	11, 12, 14, 15, 16				With Right Sliding Door, Grab Handle and Load Ring, Right
		1	2, 6	L	51, 52, 54, 55, 56				With Right Sliding Door, Grab Handle and Load Ring, Right
		1	3, 7	L	12, 15, 16				With Right Sliding Door, Grab Handle and Load Ring, Right
-15									CLIP, U Type
	5125 582AA-	4	2, 6	L	01, 02, 06				
		6	2, 6	L	11, 12, 14, 15, 16				
		6	2, 6	L	51, 52, 54, 55, 56				

Refer to Model Legend Information Bookmark

AR = Use as required - = Non illustrated part # = New this model year

March 3, 2006

Inner Panels - Plywood Figure IVA-220



ITEM	PART NUMBER	QTY	LINE	SERIES	BODY	ENGINE	TRANS	TRIM	DESCRIPTION
1									RIVET
	6104 865AA	10	2, 6	L	11, 12, 14, 15, 16				
		10	2, 6	L	51, 52, 54, 55, 56				
		10	3, 7	L	12, 15, 16				
2									PANEL, Inner
	5104 295AA	1	2, 6	L	11, 12, 14, 15, 16				
		1	3, 7	L	12, 15, 16				
3									PANEL, Inner
	5104 296AA	1	2, 6	L	11, 12, 14, 15, 16				
		1	3, 7	L	12, 15, 16				
4	5131 868AA	2	2, 6	L	11, 14				PANEL, Side Trim
5	5123 247AA	2	2, 6	L	12, 15				PANEL, Side Trim
		2	3, 7	L	12, 15				
6									PANEL, Quarter Trim
	5104 294AA	2	2, 6	L	16				
		2	3, 7	L	16				

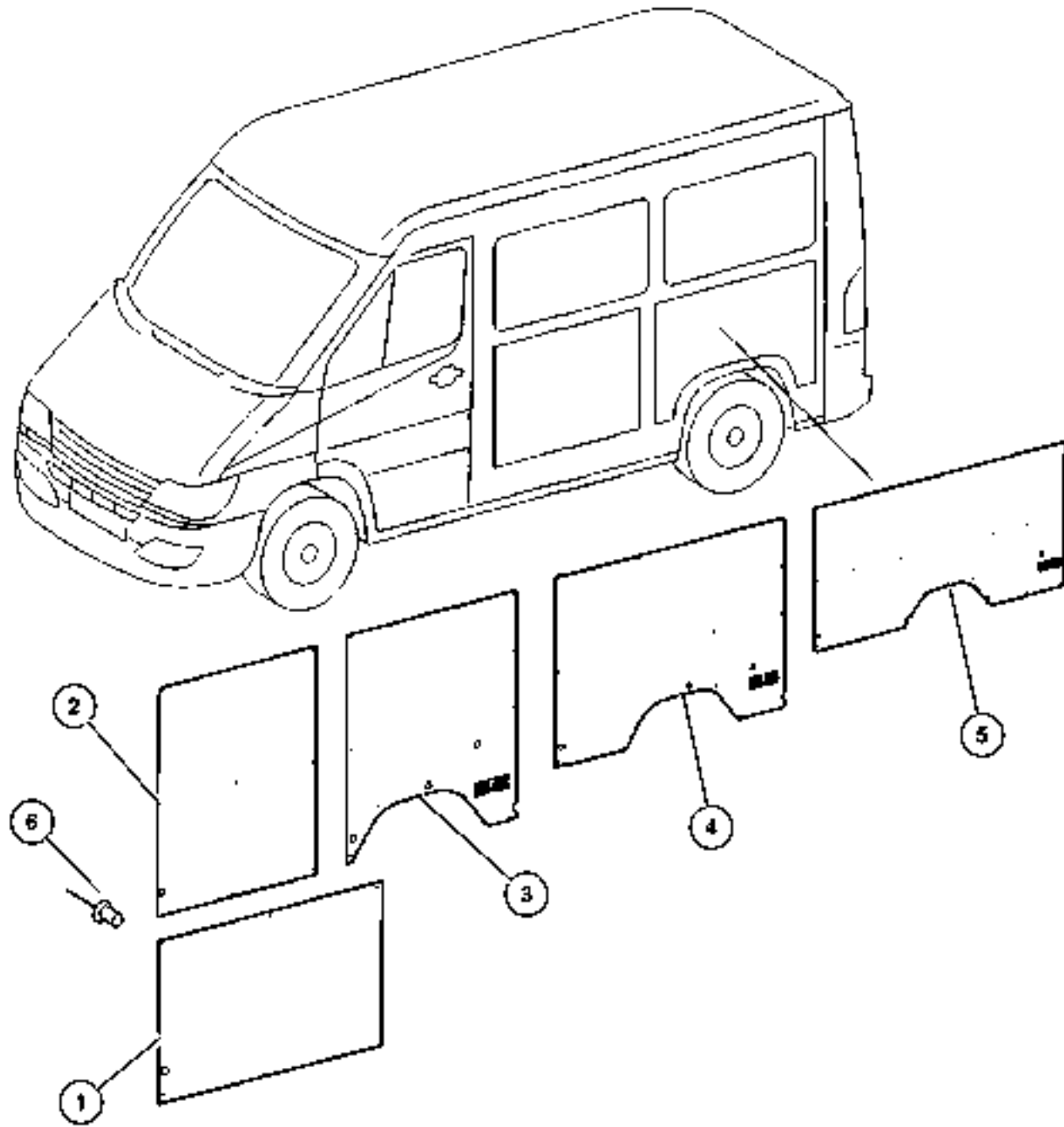
Refer to Model Legend Information Bookmark

AR = Use as required - = Non illustrated part # = New this model year

March 3, 2006

Inner Panel, Hard Fiber
Figure IVA-221

ITEM	PART NUMBER	QTY	LINE	SERIES	BODY	ENGINE	TRANS	TRIM	DESCRIPTION
1									PANEL, Cargo Compartment, Without Windows
	5123 222AA	1	2, 6	L	11, 12, 14, 15, 16				
		1	3, 7	L	12, 15, 16				
2									PANEL, Cargo Compartment, Without Windows
	5123 223AA	1	2, 6	L	11, 12, 14, 15, 16				
		1	3, 7	L	12, 15, 16				
3	5131 857AA	2	2, 6	L	11, 14				PANEL, Quarter Trim, Right & Left
4	5123 224AA	2	2, 6	L	12, 15				PANEL, Quarter Trim Right & Left
		2	3, 7	L	12, 15				Right & Left
5	5123 225AA	2	2, 6	L	16				PANEL, Quarter Trim Right & Left
		2	3, 7	L	16				Right & Left
6	6104 865AA	10	2, 6	L	11, 12, 14, 15, 16				RIVET
		10	2, 6	L	51, 52, 54, 55, 56				

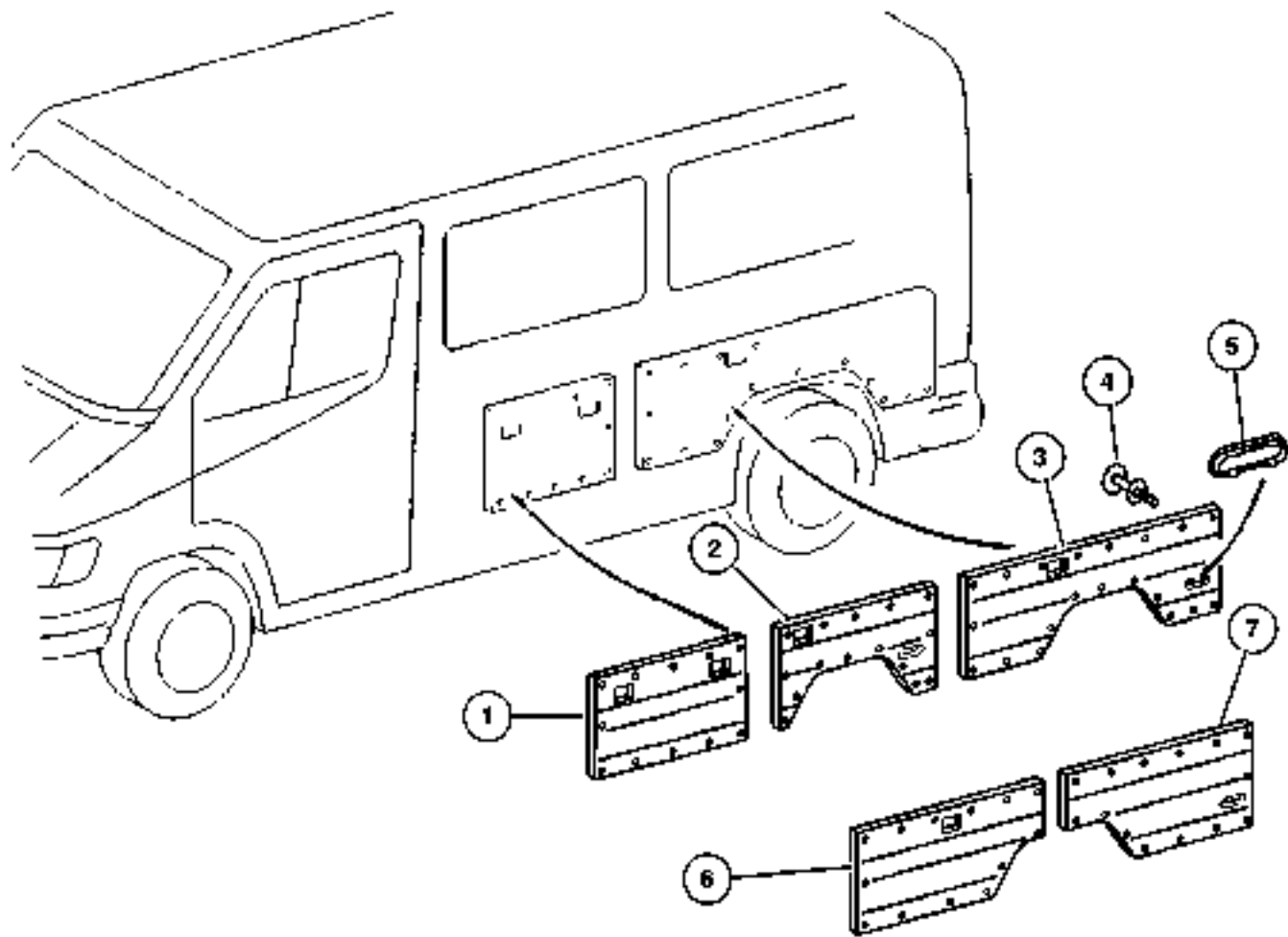


Refer to Model Legend Information Bookmark

AR = Use as required - = Non illustrated part # = New this model year

March 3, 2006

Inner Panels
Figure IVA-225



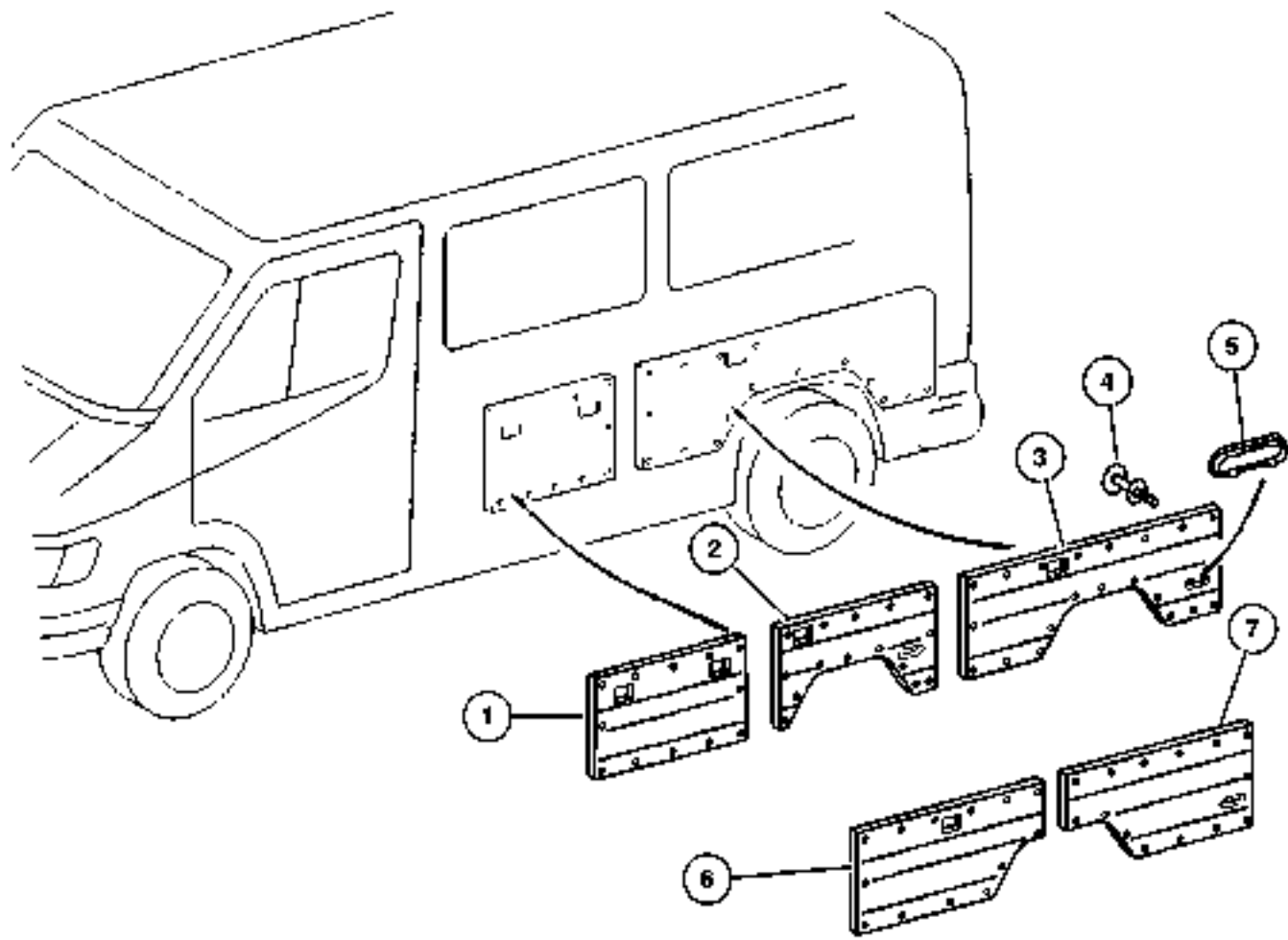
ITEM	PART NUMBER	QTY	LINE	SERIES	BODY	ENGINE	TRANS	TRIM	DESCRIPTION
1	PANEL, Cargo compartment								
	5123 228AA	1	2, 6	L	11, 12, 14, 15, 16				
		1	2, 6	L	51, 52, 54, 55, 56				
		1	3, 7	L	12, 15, 16				
2	PANEL, Cargo compartment								
	5123 231AA	1	2, 6	L	11, 14				Left
		1	2, 6	L	51, 54				Left
	5123 233AA	1	2, 6	L	11, 14				Right
		1	2, 6	L	51, 54				Right
3	PANEL, Cargo compartment								
	5123 234AA	1	2, 6	L	12, 15				140 Inch Wheelbase, Left
		1	2, 6	L	52, 55				140 Inch Wheelbase, Left
		1	3, 7	L	12, 15				140 Inch Wheelbase, Left
	5123 236AA	1	2, 6	L	12, 15				140 Inch Wheelbase, Right
		1	2, 6	L	52, 55				140 Inch Wheelbase, Right
		1	3, 7	L	12, 15				Right
4	PIN, Push								
	5103 553AA	9	2, 6	L	11, 12, 14, 15, 16				
		9	2, 6	L	51, 52, 54, 55, 56				
		9	3, 7	L	12, 15, 16				
5	EXHAUSTER, Quarter Panel								
	1AS83 RC3AA	2	2, 6	L	11, 12, 14, 15, 16				
		2	2, 6	L	51, 52, 54, 55, 56				
		2	3, 7	L	12, 15, 16				
6	PANEL, Cargo compartment								
	5123 238AA	1	2, 6	L	16				158 Inch Wheelbase, Left Front
		1	2, 6	L	56				158 Inch Wheelbase, Left Front
		1	3, 7	L	16				158 Inch Wheelbase, Left Front
	5123 240AA	1	2, 6	L	16				158 Inch Wheelbase, Right Front
		1	2, 6	L	56				158 Inch Wheelbase, Right Front

Refer to Model Legend Information Bookmark

AR = Use as required - = Non illustrated part # = New this model year

March 3, 2006

Inner Panels
Figure IVA-225



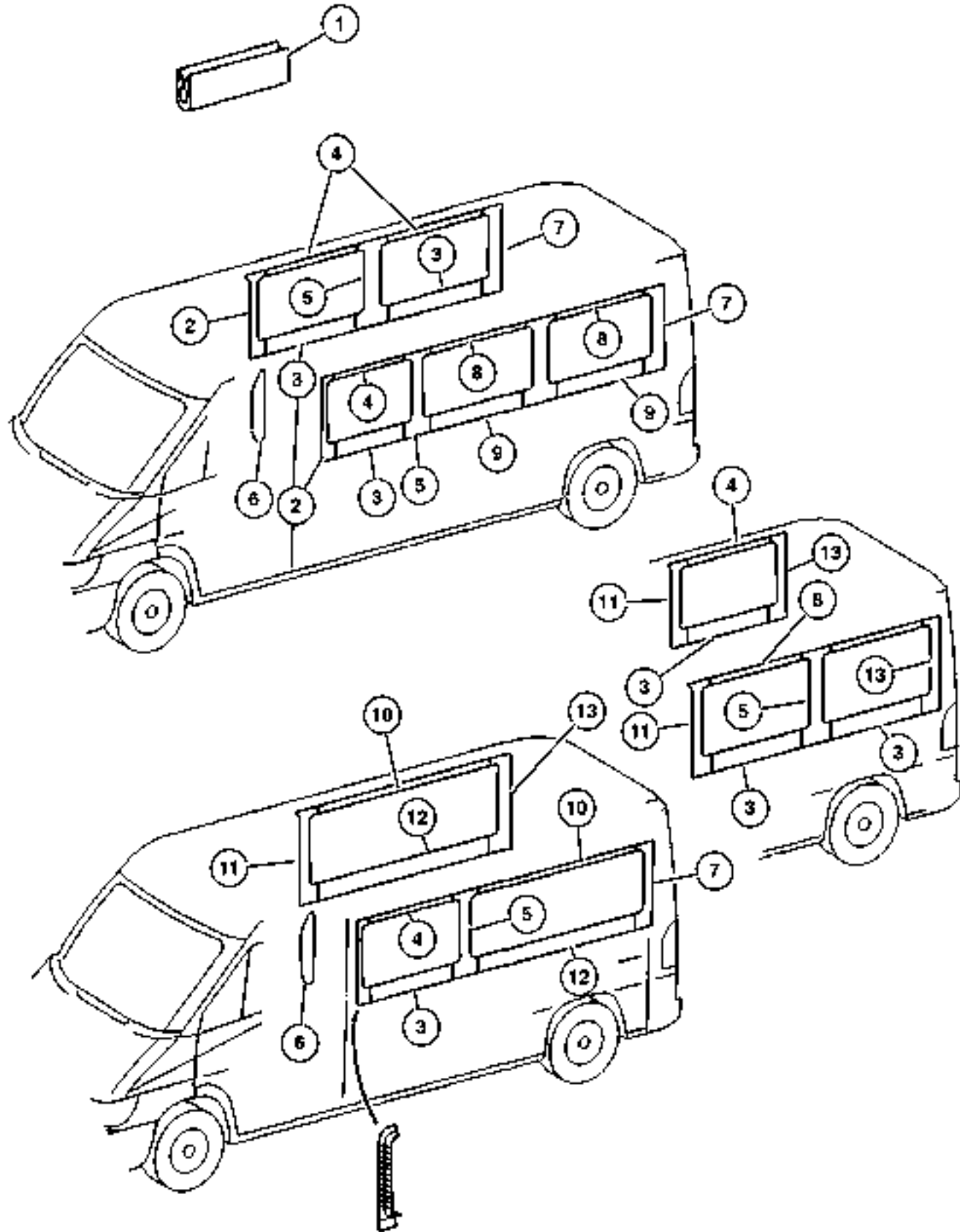
ITEM	PART NUMBER	QTY	LINE	SERIES	BODY	ENGINE	TRANS	TRIM	DESCRIPTION
		1	3, 7	L	16				158 Inch Wheelbase, Right Front
7	5123 242AA	1	2, 6	L	11, 12, 14, 15, 16				PANEL, Cargo compartment 158 Inch Wheelbase, Left Front
		1	2, 6	L	51, 52, 54, 55, 56				158 Inch Wheelbase, Left Front
		1	3, 7	L	12, 15, 16				158 Inch Wheelbase, Left Front
	5123 243AA	1	2, 6	L	11, 12, 14, 15, 16				158 Inch Wheelbase, Right Front
		1	2, 6	L	51, 52, 54, 55, 56				158 Inch Wheelbase, Right Front
		1	3, 7	L	12, 15, 16				158 Inch Wheelbase, Right Front

Refer to Model Legend Information Bookmark

AR = Use as required - = Non illustrated part # = New this model year

March 3, 2006

Inner Paneling Window - Pillar In Cab
Figure IVA-230



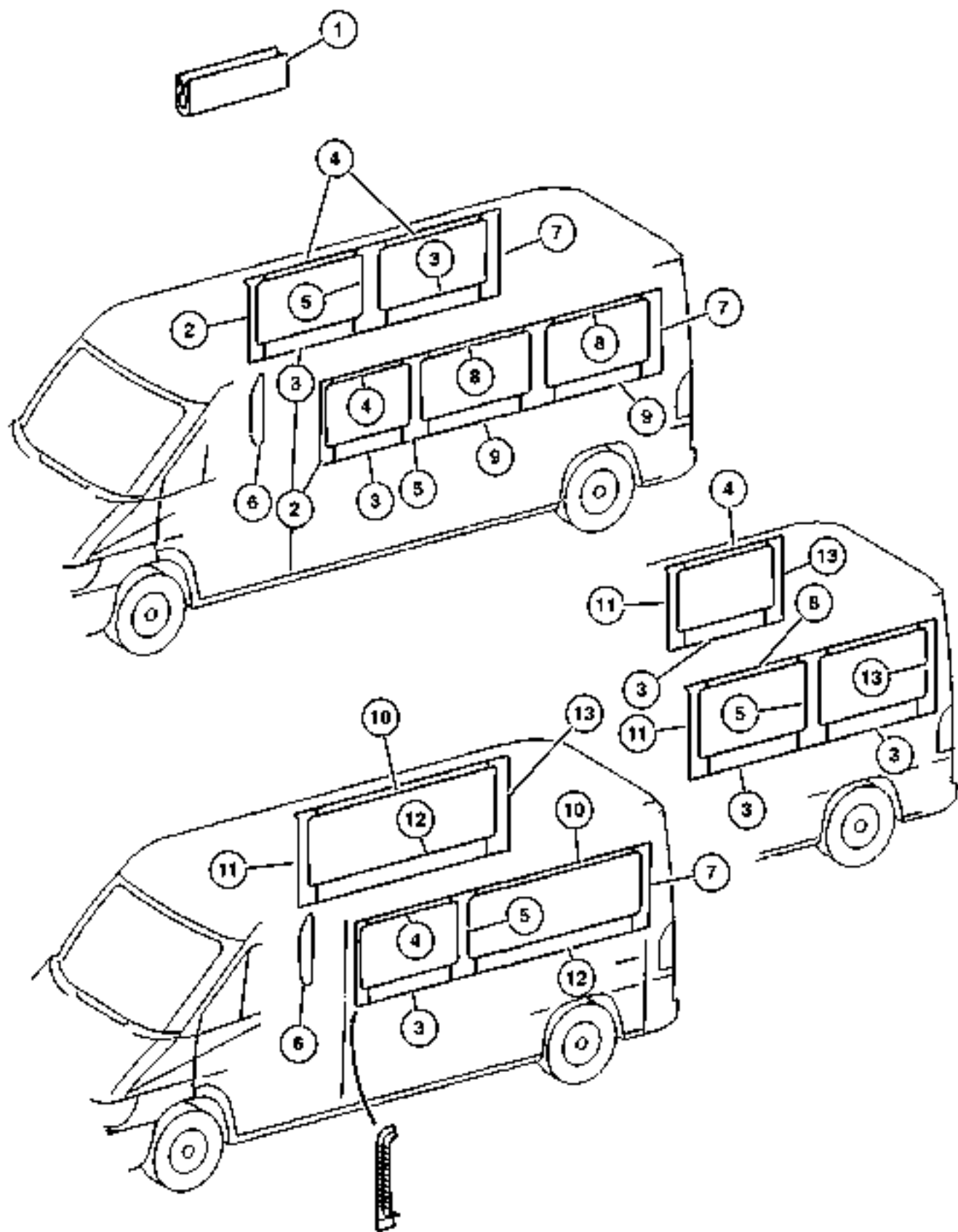
ITEM	PART NUMBER	QTY	LINE	SERIES	BODY	ENGINE	TRANS	TRIM	DESCRIPTION
1	5134 108AA	200	2, 6	L	16				WEATHERSTRIP, Glass
2	5123 334AA	1	2, 6	L	11, 12, 14, 15, 16				COVER, Rear Window Moulding
3	5123 366AA	1	2, 6	L	12, 15				PANEL, Lower Rear
4	5104 293AA	2	2, 6	L	11, 12, 14, 15				PANEL, Header Upper Window
		2	2, 6	L	51, 52, 54, 55				Upper Window
		1	3, 7	L	12, 15, 16				Upper Window
5									COVER, Rear Window Moulding
	5123 335AA	3	2, 6	L	56				
		3	3, 7	L	16				
6	5123 367AA	1	2, 6	L	11, 12, 14, 15, 16				PANEL, B Pillar Upper Trim Right
		1	2, 6	L	51, 52, 54, 55, 56				Right
		1	3, 7	L	12, 15, 16				Right
	5123 368AA	1	2, 6	L	11, 12, 14, 15, 16				Left
		1	2, 6	L	51, 52, 54, 55, 56				Left
		1	3, 7	L	12, 15, 16				Left
7									COVER, Rear Window Moulding
	5123 337AA	1	2, 6	L	15				
		1	2, 6	L	55				
		1	3, 7	L	15				
8									PANEL, Header
	5123 332AA	4	2, 6	L	11, 12, 14, 15, 16				Garnish [Medium], Upper
		4	2, 6	L	51, 52, 54, 55, 56				Garnish [Medium], Upper
		4	3, 7	L	12, 15, 16				Garnish [Medium], Upper
9									PANEL, Lower Rear

Refer to Model Legend Information Bookmark

AR = Use as required - = Non illustrated part # = New this model year

March 3, 2006

Inner Paneling Window - Pillar In Cab
Figure IVA-230



ITEM	PART NUMBER	QTY	LINE	SERIES	BODY	ENGINE	TRANS	TRIM	DESCRIPTION
	5123 363AA	4	2, 6	L	11, 12,				Garnish [Medium], Lower
		4	2, 6	L	14, 15,				Garnish [Medium], Lower
		4	2, 6	L	16				
		4	2, 6	L	51, 52,				Garnish [Medium], Lower
					54, 55,				
					56				
		4	3, 7	L	12, 15,				Garnish [Medium], Lower
					16				
10									PANEL, Header
	5123 333AA	2	2, 6	L	12, 15				Garnish [Long], Upper
		2	2, 6	L	52, 55				Garnish [Long], Upper
		2	3, 7	L	12, 15				Garnish [Long], Upper
11									COVER, Rear Window Moulding
	5123 362AA	1	2, 6	L	11, 12,				Vertical Molding, Right
					14, 15,				
					16				
		1	2, 6	L	51, 52,				Vertical Molding, Right
					54, 55,				
					56				
		1	3, 7	L	12, 15,				Vertical Molding, Right
					16				
	5123 364AA	1	2, 6	L	11, 12,				Vertical Molding, Left
					14, 15,				
					16				
		1	2, 6	L	51, 52,				Vertical Molding, Left
					54, 55,				
					56				
		1	3, 7	L	12, 15,				Vertical Molding, Left
					16				
12									PANEL, Lower Rear
	5123 369AA	2	2, 6	L	12, 15				Garnish [Long], Lower
		2	2, 6	L	52, 55				Garnish [Long], Lower
		2	3, 7	L	12, 15				Garnish [Long], Lower
13									COVER, Rear Window Moulding
	5123 361AA	1	2, 6	L	15				
		1	2, 6	L	55				
		1	3, 7	L	15				

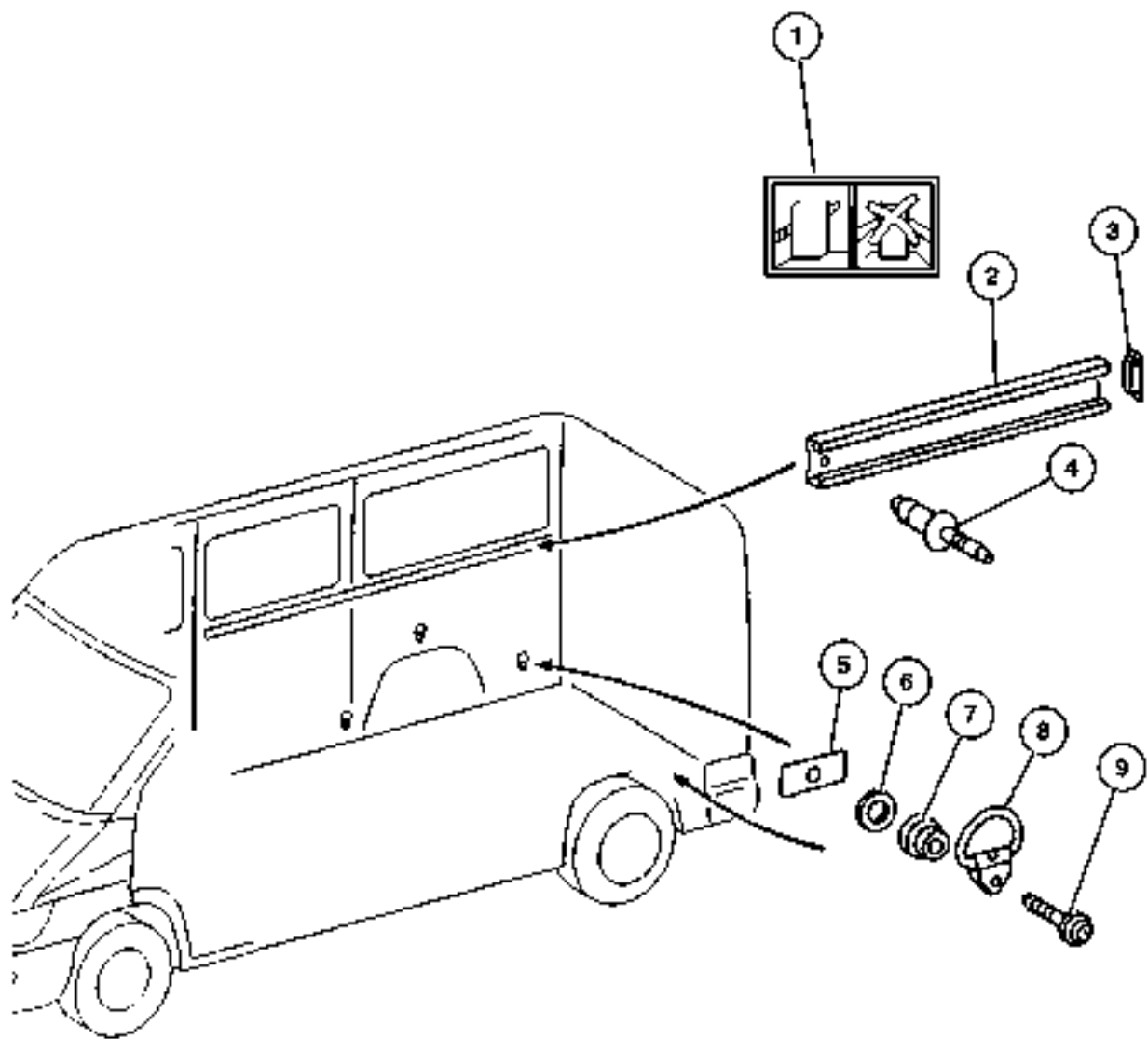
Refer to Model Legend Information Bookmark

AR = Use as required - = Non illustrated part # = New this model year

March 3, 2006

Cargo Retainers - Without Windows
Figure IVA-235

ITEM	PART NUMBER	QTY	LINE	SERIES	BODY	ENGINE	TRANS	TRIM	DESCRIPTION
1	5124 356AA	1	2, 6	L	12, 15				LABEL
		1	3, 7	L	12, 15, 16				Cargo Tie Down Cargo Tie Down
2	5121 437AA	1	2, 6	L	11, 12, 14, 15				RAIL
		2	2, 6	L	16				Right And Left
		1	3, 7	L	12, 15				Right And Left
		1	3, 7	L	16				Right And Left
3	5121 423AA	4	2, 6	L	11, 12, 14, 15, 16				END CAP, Side Rail
		4	3, 7	L	12, 15, 16				Right & Left
		4	2, 6	L	12, 15				RIVET
		4	3, 7	L	12, 15				RIVET
4	5125 821AA	16	2, 6	L	12, 15				RIVET
		16	3, 7	L	12, 15				RIVET
		4	2, 6	L	11, 12, 14, 15				NUT
		4	2, 6	L	51, 52, 54, 55				NUT
5	5103 926AA	4	2, 6	L	11, 12, 14, 15				NUT
		4	2, 6	L	51, 52, 54, 55				NUT
		4	3, 7	L	12, 15				NUT
		4	2, 6	L	51, 52, 54, 55, 56				NUT
6	5103 726AA	7	2, 6	L	11, 12, 14, 15				WASHER
		8	2, 6	L	16				WASHER
		10	2, 6	L	51, 52, 54, 55, 56				WASHER
		7	3, 7	L	12, 15				WASHER
7	5104 544AA	7	2, 6	L	11, 12, 14, 15				BUSHING
		9	2, 6	L	16				BUSHING
		8	2, 6	L	51, 52, 54, 55, 56				BUSHING
		8	3, 7	L	12, 15				BUSHING
8	5104 500AA	7	2, 6	L	11, 12, 14, 15				RING, RING-RETAINER
		9	2, 6	L	16				RING, RING-RETAINER



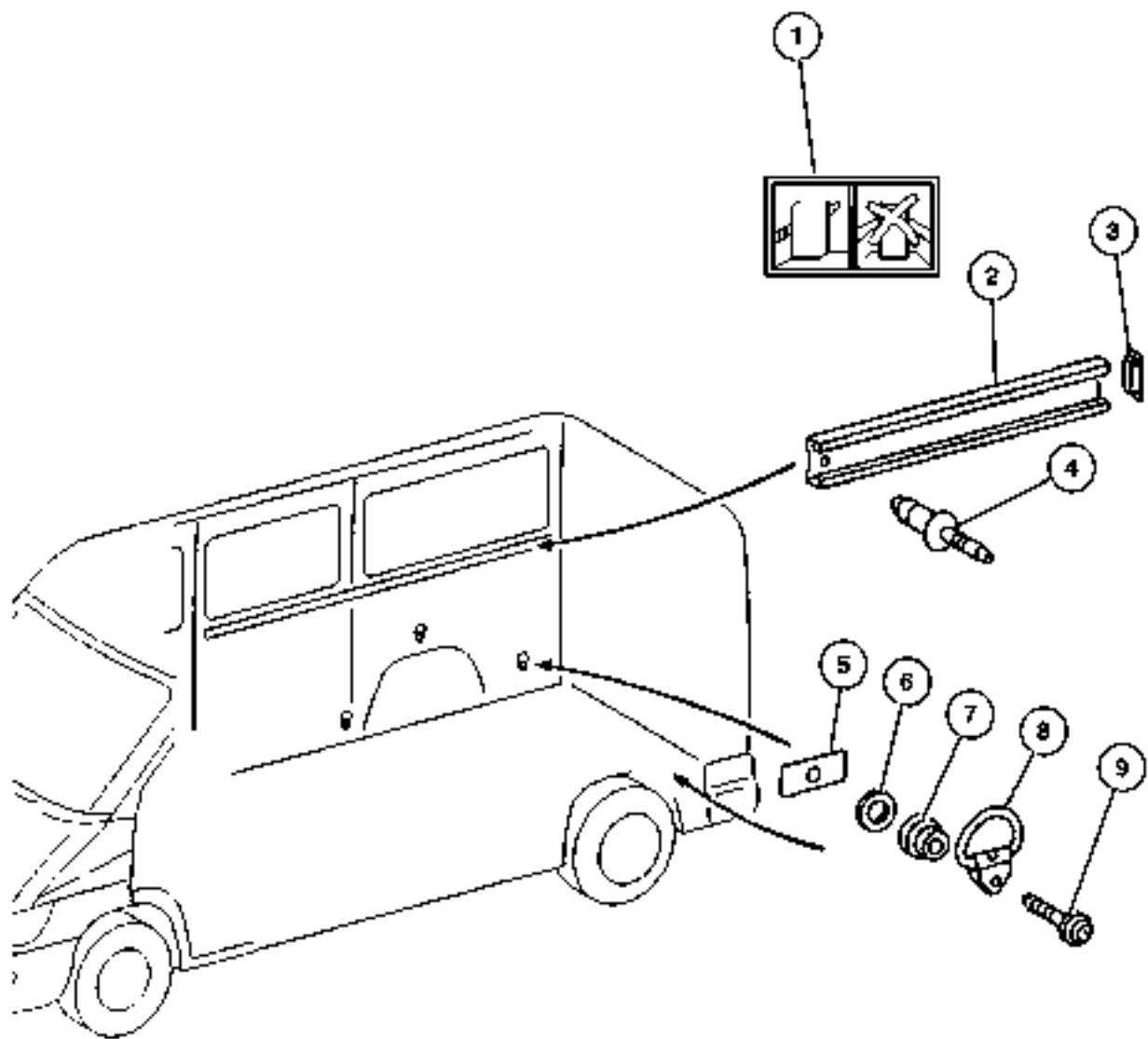
Refer to Model Legend Information Bookmark

AR = Use as required - = Non illustrated part # = New this model year

March 3, 2006

Cargo Retainers - Without Windows
Figure IVA-235

ITEM	PART NUMBER	QTY	LINE	SERIES	BODY	ENGINE	TRANS	TRIM	DESCRIPTION
		8	2, 6	L	51, 52, 54, 55, 56				
		8	3, 7	L	12, 15				
9									BOLT, Hex Head
	5103 816AA	7	2, 6	L	11, 12, 14, 15				
		8	2, 6	L	51, 52, 54, 55, 56				
		8	3, 7	L	12, 15				



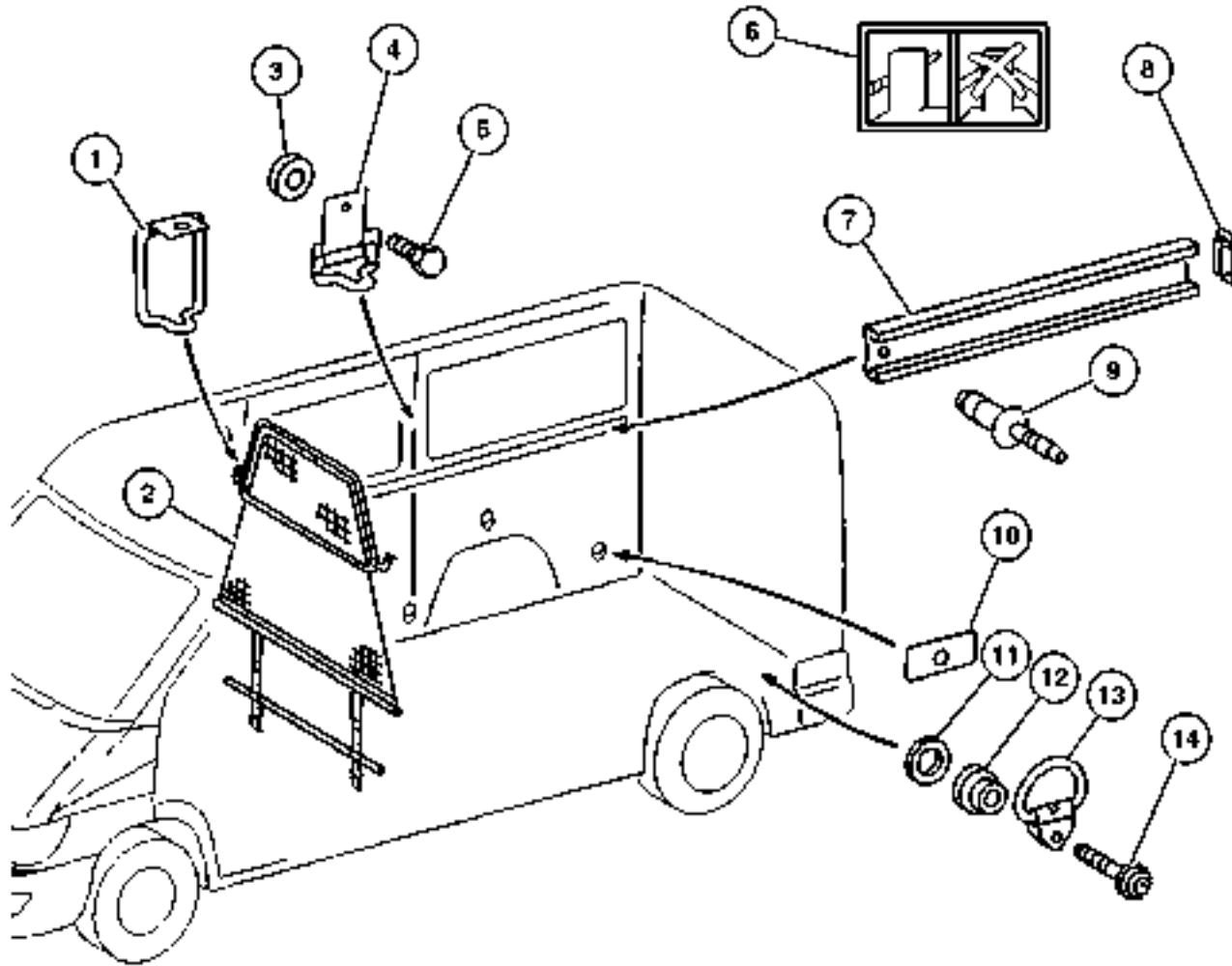
Refer to Model Legend Information Bookmark

AR = Use as required - = Non illustrated part # = New this model year

March 3, 2006

Cargo Retainers - With Windows
Figure IVA-240

ITEM	PART NUMBER	QTY	LINE	SERIES	BODY	ENGINE	TRANS	TRIM	DESCRIPTION
1									BRACKET, (NOT SERVICED) (Not Serviced)
2									GRILLE, Texture, (NOT SERVICED) (Not Serviced)
3									WASHER, Flat, M8
	5133 977AA	1	2, 6	L	01, 02, 06				
		1	2, 6	L	11, 12, 14, 15, 16				
		1	2, 6	L	51, 52, 54, 55, 56				
4									BRACKET, (NOT SERVICED) (Not Serviced)
5									BOLT, Hex Head
	5126 227AA	2	2, 6	L	01, 02, 06				
		2	2, 6	L	11, 12, 14, 15, 16				
		2	2, 6	L	51, 52, 54, 55, 56				
6	5124 356AA	1	2, 6	L	12, 15				LABEL, Cargo Tie Down
7									RAIL
	5121 437AA	1	2, 6	L	12, 15				Cargo Retaining
		1	2, 6	L	11, 14, 16				Cargo Retaining
		1	3, 7	L	12, 15				Cargo Retaining
		1	3, 7	L	16				Cargo Retaining
8									END CAP, Side Rail
	5121 423AA	4	2, 6	L	11, 12, 14, 15, 16				Right & Left
		4	3, 7	L	12, 15, 16				Right & Left
9									RIVET
	5125 821AA	13	2, 6	L	11, 14				
		16	2, 6	L	12, 15				
		22	2, 6	L	16				
		16	3, 7	L	12, 15				
		22	3, 7	L	16				
10									NUT



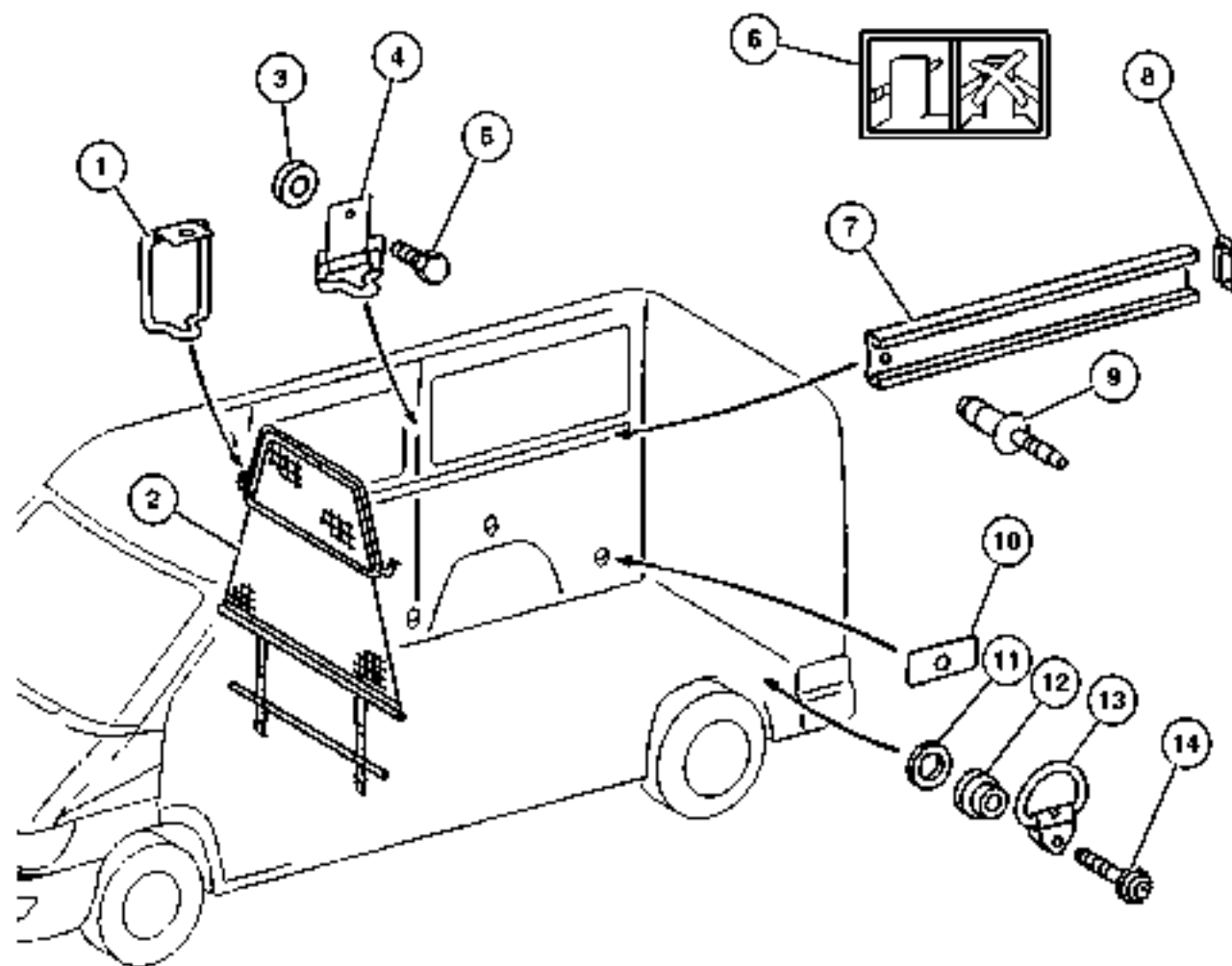
Refer to Model Legend Information Bookmark

AR = Use as required - = Non illustrated part # = New this model year

March 3, 2006

Cargo Retainers - With Windows
Figure IVA-240

ITEM	PART NUMBER	QTY	LINE	SERIES	BODY	ENGINE	TRANS	TRIM	DESCRIPTION
	5103 926AA	4	2, 6	L	11, 12,				
					14, 15				
		3	2, 6	L	16				
		4	2, 6	L	51, 52,				
					54, 55				
		3	2, 6	L	56				
		2	3, 7	L	12, 15,				
					16				
11									WASHER
	5103 726AA	7	2, 6	L	11, 12,				
					14, 15				
		8	2, 6	L	51, 52,				
					54, 55,				
					56				
		7	3, 7	L	12, 15				
		10	3, 7	L	16				
12									BUSHING
	5104 544AA	7	2, 6	L	11, 12,				
					14, 15				
		8	2, 6	L	51, 52,				
					54, 55,				
					56				
		7	3, 7	L	12, 15				
13									RING, RING-RETAINER
	5104 500AA	7	2, 6	L	11, 12,				
					14, 15				
		8	2, 6	L	51, 52,				
					54, 55,				
					56				
		7	3, 7	L	12, 15				
		9	3, 7	L	16				
14									BOLT, Hex Head
	5103 816AA	7	2, 6	L	11, 12,				
					14, 15				
		8	2, 6	L	16				
		8	2, 6	L	51, 52,				
					54, 55,				
					56				
		7	3, 7	L	12, 15				
		9	3, 7	L	16				
-15									PARTITION, Cargo
	5104 317AA-	1	2, 6	L	14, 15,				Left
					16				
		1	3, 7	L	15, 16				Left



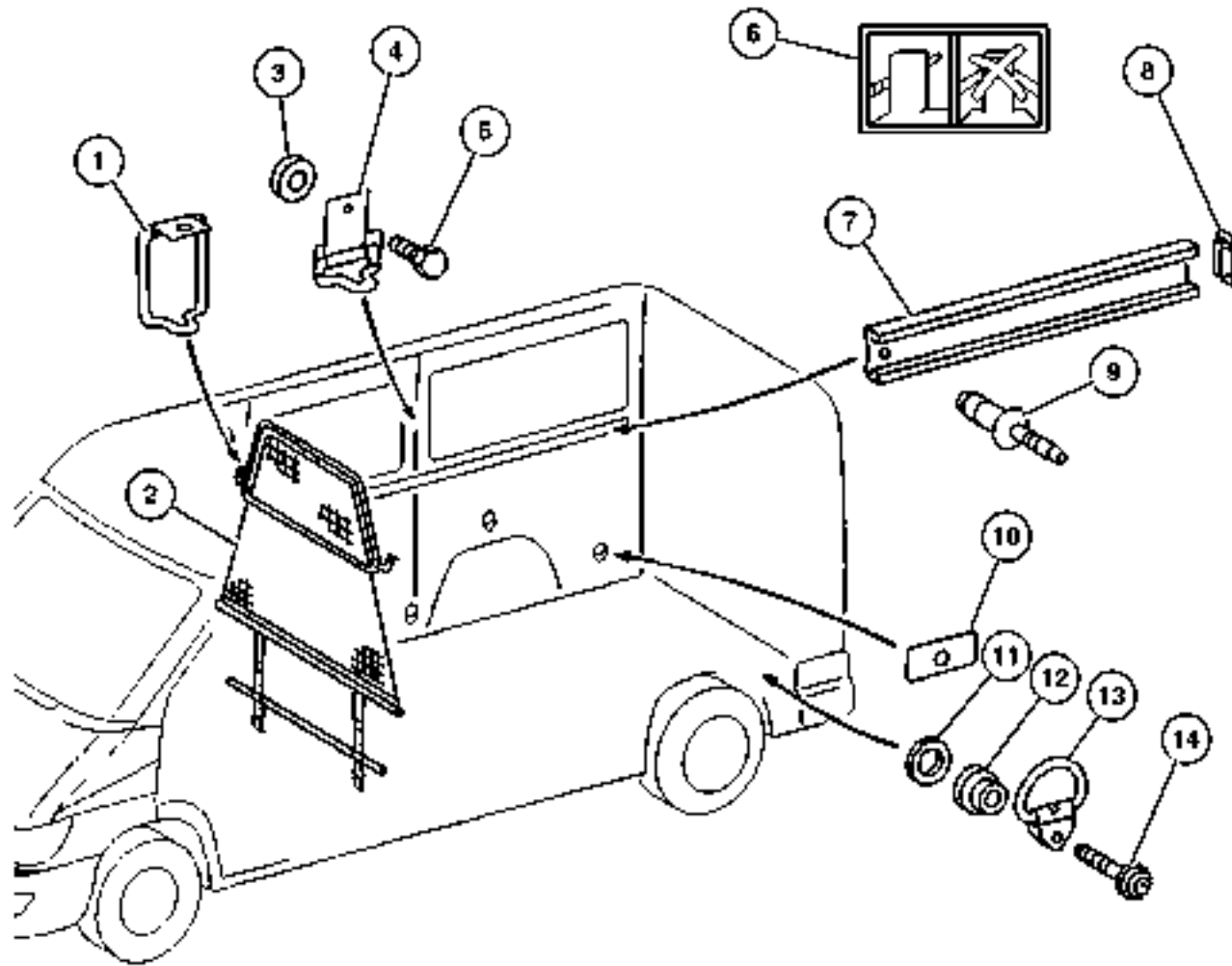
Refer to Model Legend Information Bookmark

AR = Use as required - = Non illustrated part # = New this model year

March 3, 2006

Cargo Retainers - With Windows
Figure IVA-240

ITEM	PART NUMBER	QTY	LINE	SERIES	BODY	ENGINE	TRANS	TRIM	DESCRIPTION
	5104 318AA-	1	2, 6	L	14, 15,				Right
		1	3, 7	L	15, 16				Right

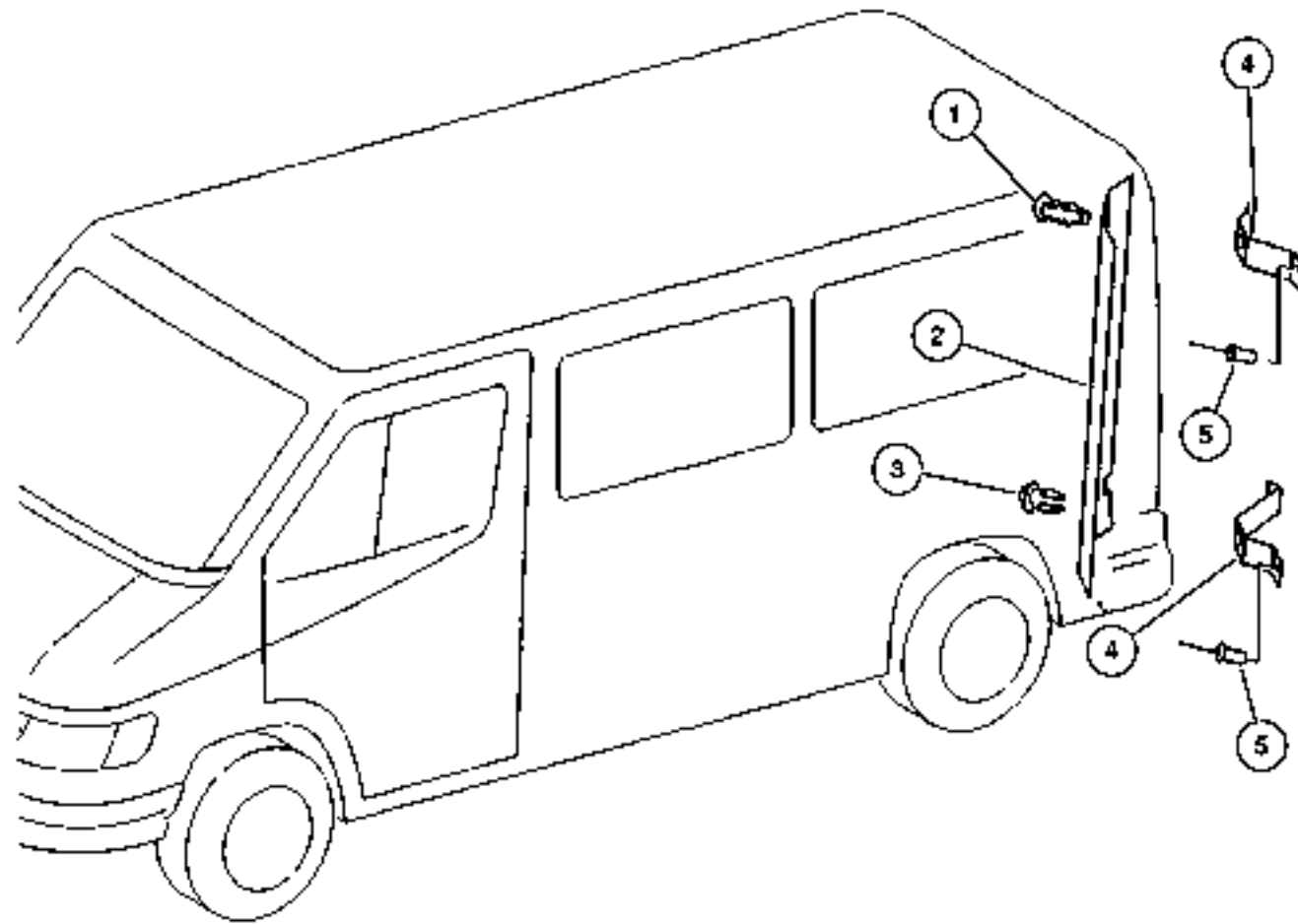


Refer to Model Legend Information Bookmark

AR = Use as required - = Non illustrated part # = New this model year

March 3, 2006

Rear Pillar Inner Panel
Figure IVA-245



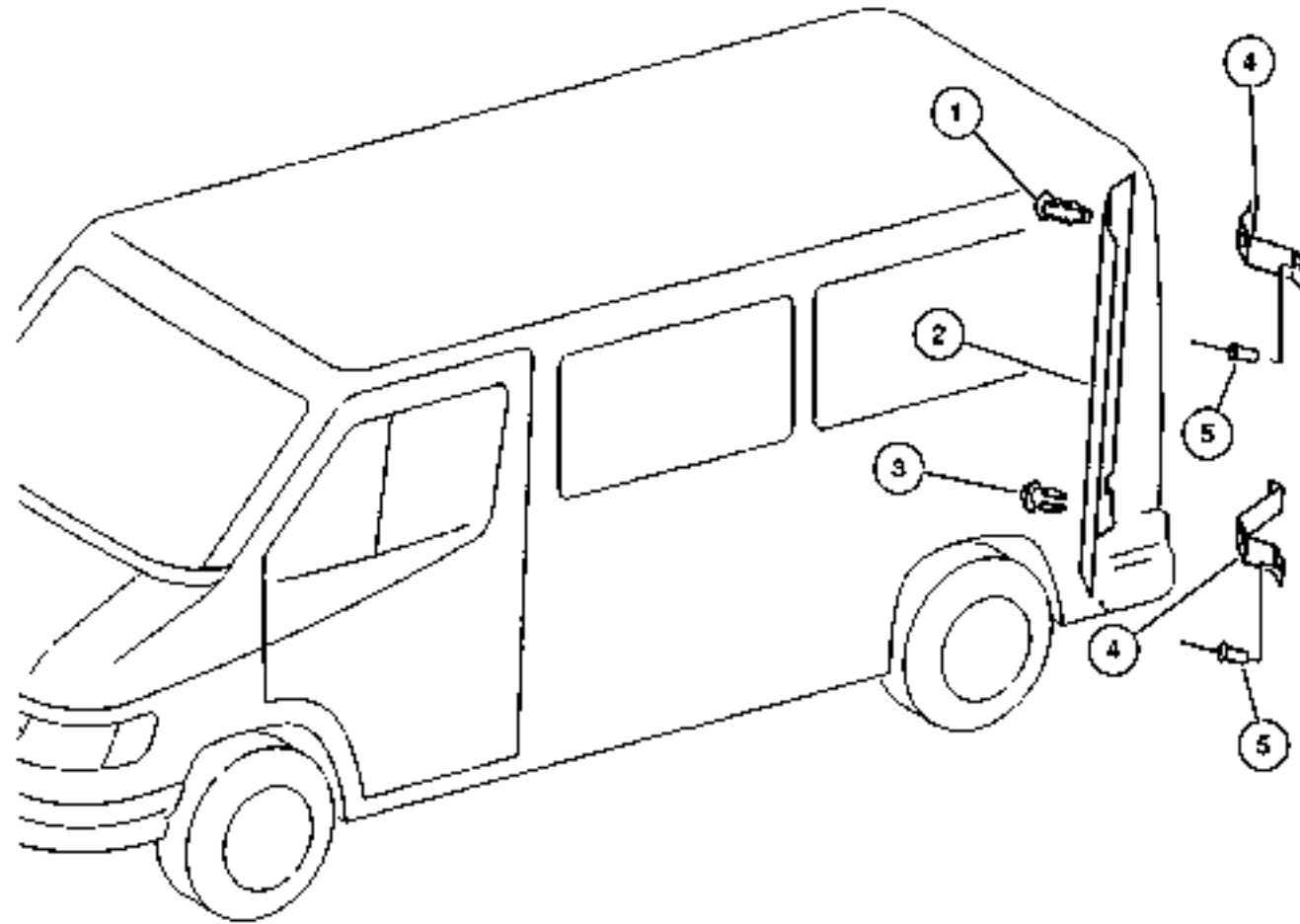
ITEM	PART NUMBER	QTY	LINE	SERIES	BODY	ENGINE	TRANS	TRIM	DESCRIPTION
1									PIN, Push
	5103 814AA	3	2, 6	L	11, 12, 14, 15, 16				
		3	2, 6	L	51, 52, 54, 55, 56				
		3	3, 7	L	12, 15, 16				
2									PANEL, D Pillar Trim
	5104 291AA	1	2, 6	L	11, 12, 14, 15, 16				With Grab Handles and Without Load Rings, Left
		1	2, 6	L	51, 52, 54, 55, 56				With Grab Handles and Without Load Rings, Left
		1	3, 7	L	12, 15, 16				With Grab Handles and Without Load Rings, Left
	5104 292AA	1	2, 6	L	11, 12, 14, 15, 16				With Grab Handles and Without Load Rings, Right
		1	2, 6	L	51, 52, 54, 55, 56				With Grab Handles and Without Load Rings, Right
		1	3, 7	L	12, 15, 16				With Grab Handles and Without Load Rings, Right
	5123 318AA	1	2, 6	L	11, 12, 14, 15, 16				Without Grab Handles and Load Rings, Left Rear
		1	2, 6	L	51, 52, 54, 55, 56				Without Grab Handles and Load Rings, Left Rear
		1	3, 7	L	12, 15, 16				Without Grab Handles and Load Rings, Left Rear
	5123 320AA	1	2, 6	L	11, 12, 14, 15, 16				Without Grab Handles and Load Rings, Right Rear
		1	2, 6	L	51, 52, 54, 55, 56				Without Grab Handles and Load Rings, Right Rear
		1	3, 7	L	12, 15, 16				Without Grab Handles and Load Rings, Right Rear
	5123 324AA	1	2, 6	L	11, 12, 14, 15, 16				With Load Rings Without Grab Handles, Left

Refer to Model Legend Information Bookmark

AR = Use as required - = Non illustrated part # = New this model year

March 3, 2006

Rear Pillar Inner Panel
Figure IVA-245



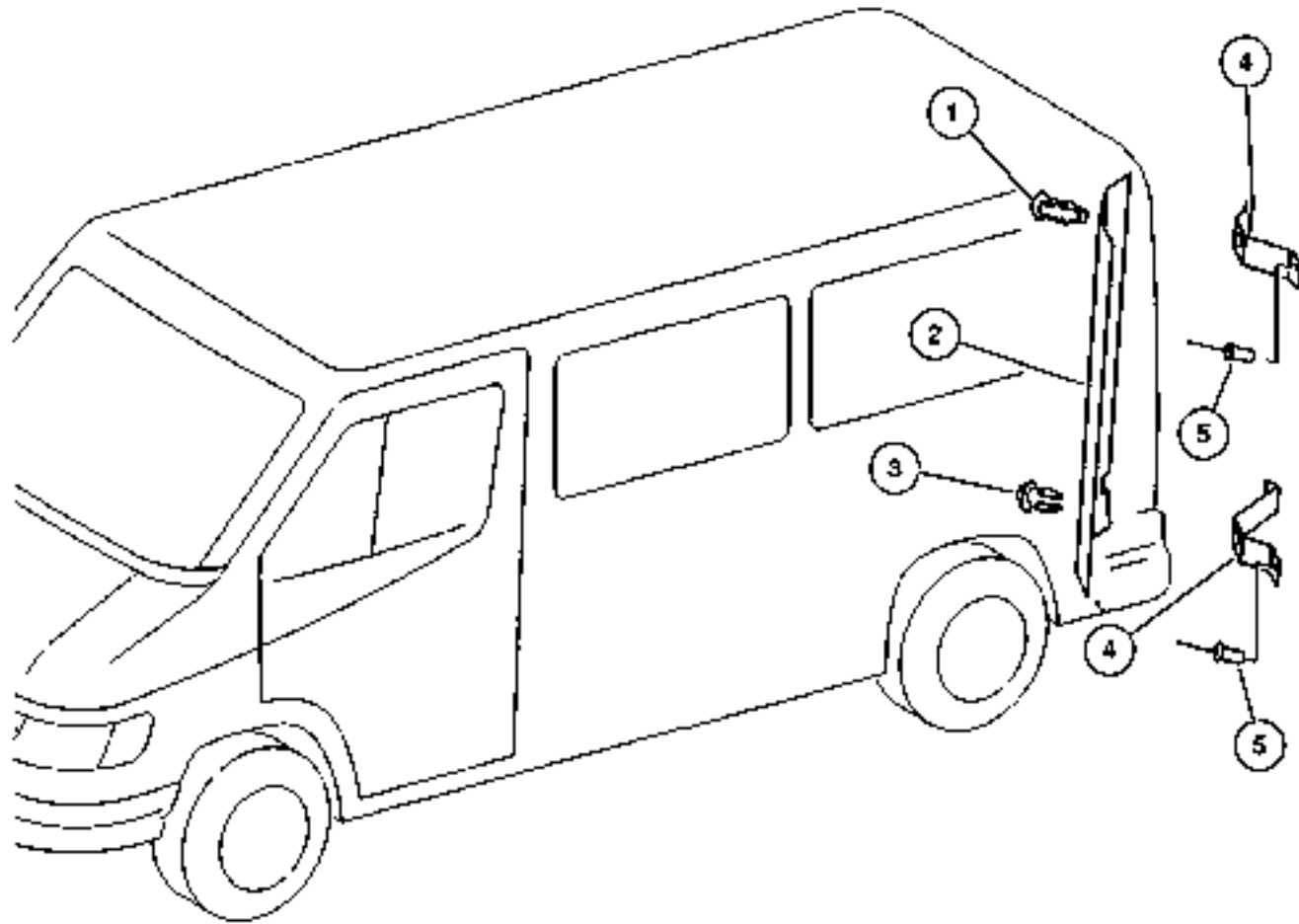
ITEM	PART NUMBER	QTY	LINE	SERIES	BODY	ENGINE	TRANS	TRIM	DESCRIPTION
		1	2, 6	L	51, 52, 54, 55, 56				With Load Rings Without Grab Handles, Left
		1	3, 7	L	12, 15, 16				With Load Rings Without Grab Handles, Left
	5123 326AA	1	2, 6	L	11, 12, 14, 15, 16				With Load Rings Without Grab Handles, Right
		1	2, 6	L	51, 52, 54, 55, 56				With Load Rings Without Grab Handles, Right
		1	3, 7	L	12, 15, 16				With Load Rings Without Grab Handles, Right
	5123 328AA	1	2, 6	L	11, 12, 14, 15, 16				With Grab Handles and Load Rings, Left
		1	2, 6	L	51, 52, 54, 55, 56				With Grab Handles and Load Rings, Left
		1	3, 7	L	12, 15, 16				With Grab Handles and Load Rings, Left
	5123 330AA	1	2, 6	L	11, 12, 14, 15, 16				With Grab Handles and Load Rings, Right
		1	2, 6	L	51, 52, 54, 55, 56				With Grab Handles and Load Rings, Right
		1	3, 7	L	12, 15, 16				With Grab Handles and Load Rings, Right
3	5103 785AA	3	2, 6	L	11, 12, 14, 15, 16				PIN, Push
		3	2, 6	L	51, 52, 54, 55, 56				
		3	3, 7	L	12, 15, 16				
4	5104 280AA	2	2, 6	L	11, 12, 14, 15, 16				BRACKET, Trim Panel D-Pillar, Left
		2	2, 6	L	51, 52, 54, 55, 56				D-Pillar, Left

Refer to Model Legend Information Bookmark

AR = Use as required - = Non illustrated part # = New this model year

March 3, 2006

Rear Pillar Inner Panel
Figure IVA-245



ITEM	PART NUMBER	QTY	LINE	SERIES	BODY	ENGINE	TRANS	TRIM	DESCRIPTION
		2	3, 7	L	12, 15, 16				D-Pillar, Left
	5104 281AA	1	2, 6	L	11, 12, 14, 15, 16				D-Pillar, Right
		1	2, 6	L	51, 52, 54, 55, 56				D-Pillar, Right
		1	3, 7	L	12, 15, 16				D-Pillar, Right
5	5104 624AA	6	2, 6	L	11, 12, 14, 15, 16				RIVET
		6	2, 6	L	51, 52, 54, 55, 56				
		6	3, 7	L	12, 15, 16				

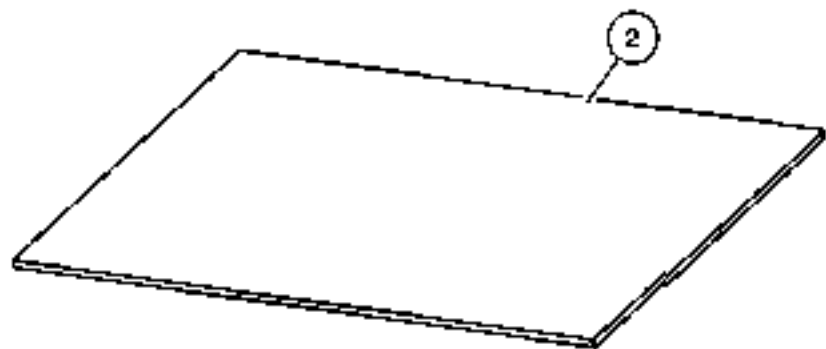
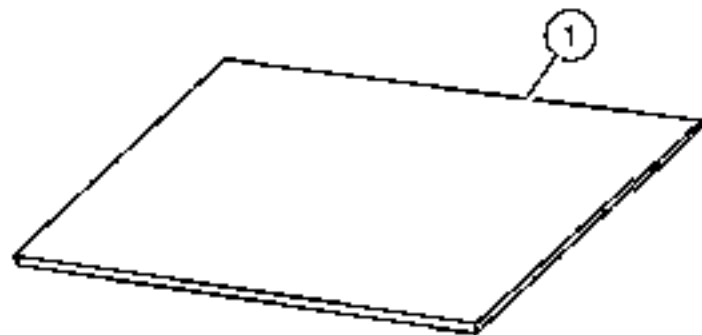
Refer to Model Legend Information Bookmark

AR = Use as required - = Non illustrated part # = New this model year

March 3, 2006

**Cowl Panel - Silencer
Figure IVA-250**

ITEM	PART NUMBER	QTY	LINE	SERIES	BODY	ENGINE	TRANS	TRIM	DESCRIPTION
1									SILENCER, Cowl Side
	5133 640AA	1	3, 7	L	02, 06				Left Front
		1	3, 7	L	12, 15, 16				Left Front
	5133 641AA	1	3, 7	L	02, 06				Right Front
		1	3, 7	L	12, 15, 16				Right Front
2									SILENCER, Cowl Side
	5133 642AA	1	3, 7	L	02, 06				Left Rear
		1	3, 7	L	12, 15, 16				Left Rear
	5133 643AA	1	3, 7	L	02, 06				Right Rear
		1	3, 7	L	12, 15, 16				Right Rear



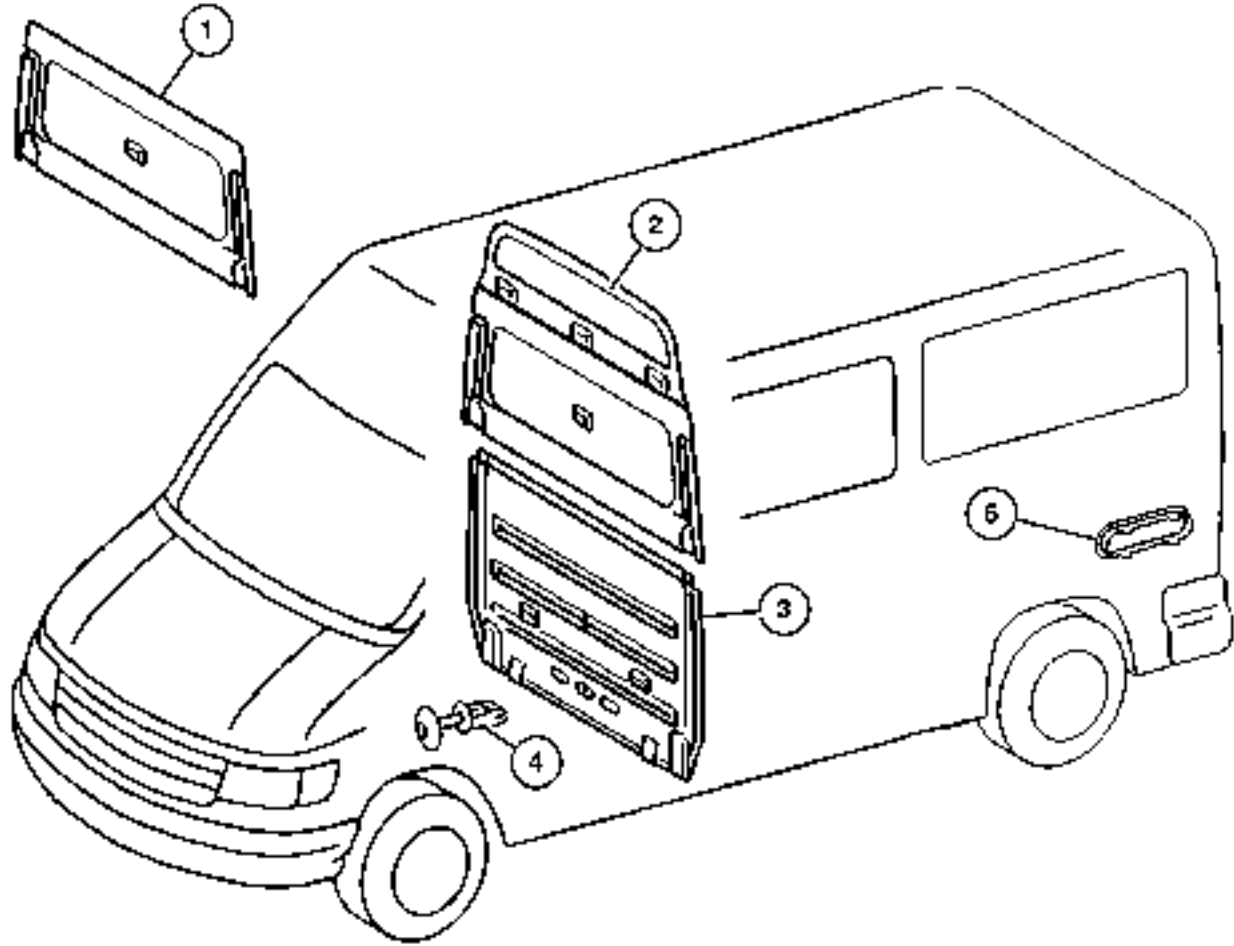
Refer to Model Legend Information Bookmark

AR = Use as required - = Non illustrated part # = New this model year

March 3, 2006

**Partition Panel
Figure IVA-255**

ITEM	PART NUMBER	QTY	LINE	SERIES	BODY	ENGINE	TRANS	TRIM	DESCRIPTION
1									PANEL, Quarter
	5122 967AA	1	2, 6	L	11				Without Window
		1	3, 7	L	12				Without Window
	5122 969AA	1	2, 6	L	11				With Window
		1	3, 7	L	12				With Window
2									PANEL, Quarter
	5122 971AA	1	2, 6	L	14, 15, 16				
		1	3, 7	L	15, 16				
3									PANEL, Quarter
	5122 962AA	1	2, 6	L	11, 12, 14, 15, 16				
		1	3, 7	L	12, 15, 16				
4									RIVET
	5125 808AA	7	2, 6	L	11, 12, 14, 15, 16				
		7	3, 7	L	12, 15, 16				
5									EXHAUSTER, Quarter Panel
	5123 426AA	2	2, 6	L	01, 02, 06				
		2	2, 6	L	11, 12, 14, 15, 16				
		2	2, 6	L	51, 52, 54, 55, 56				
		2	3, 7	L	02, 06				
		2	3, 7	L	12, 15, 16				

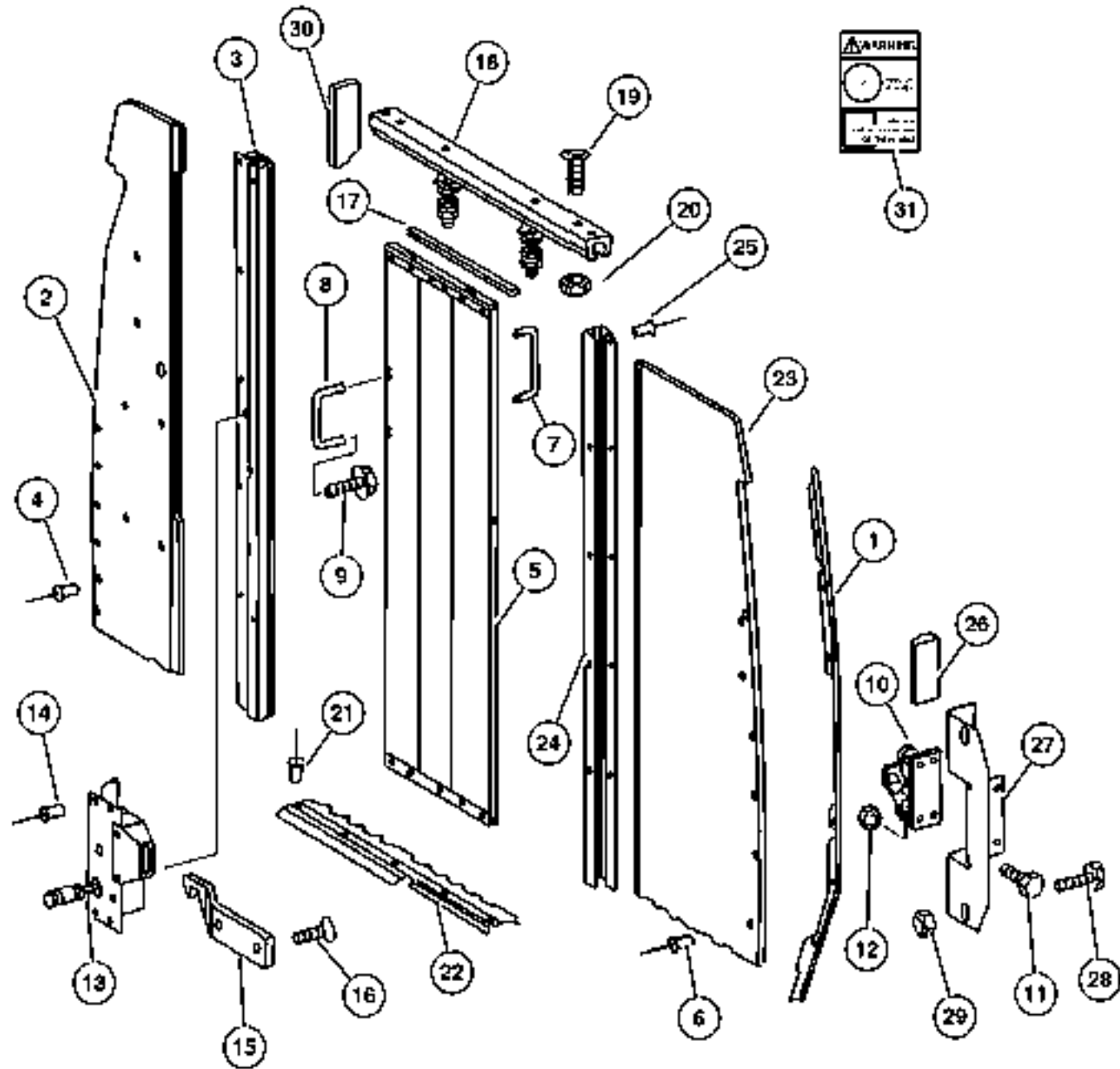


Refer to Model Legend Information Bookmark

AR = Use as required - = Non illustrated part # = New this model year

March 3, 2006

**Partition Wall and Sliding Door
Figure IVA-260**



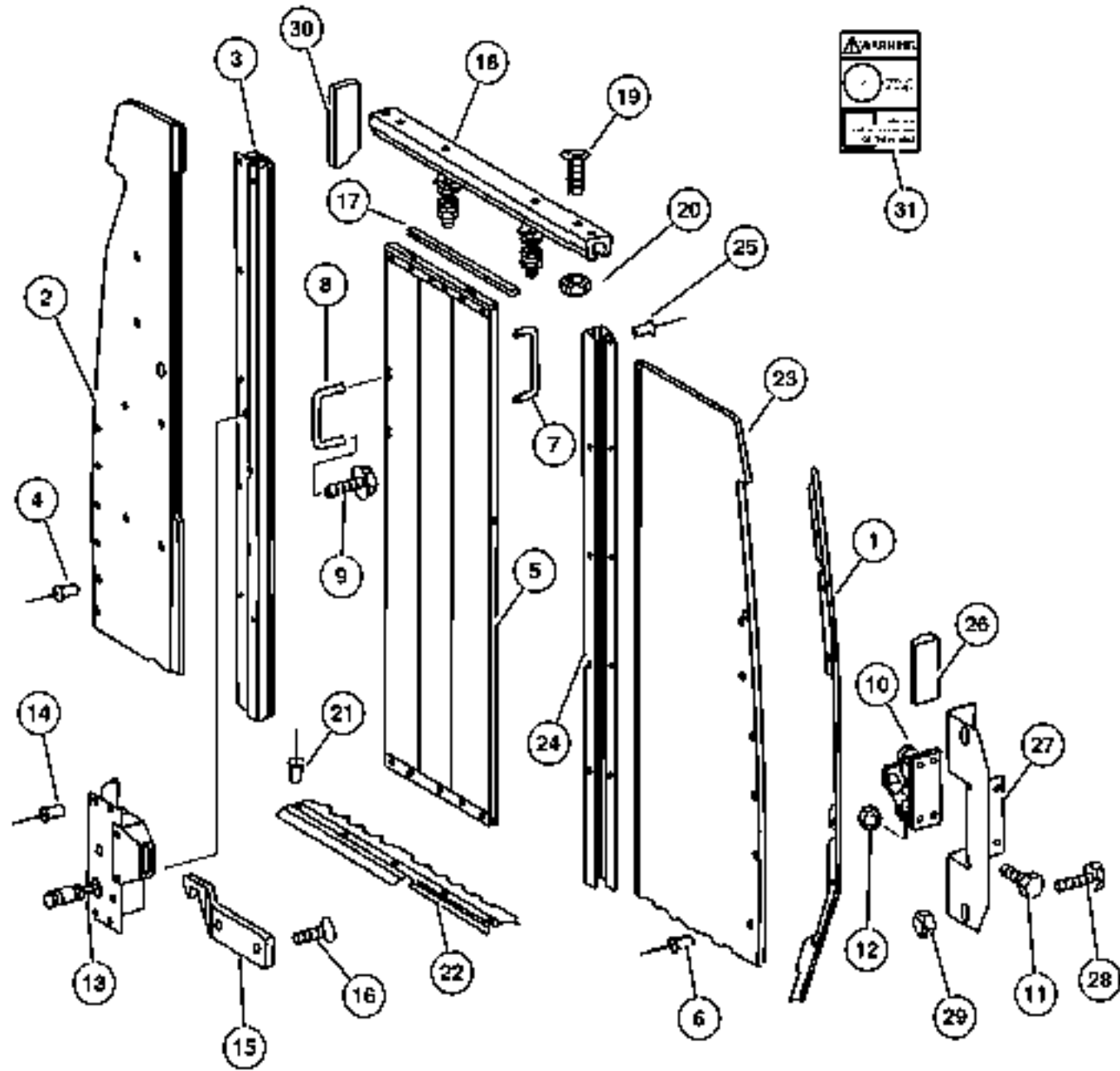
ITEM	PART NUMBER	QTY	LINE	SERIES	BODY	ENGINE	TRANS	TRIM	DESCRIPTION
1									PANEL EXTENSION, Extension, W/O Slide
	5104 315AA	1	2, 6	L	11, 12, 14, 15, 16				
		1	3, 7	L	12, 15, 16				
2									PARTITION, Cargo
	5104 318AA	1	2, 6	L	14, 15, 16				
		1	3, 7	L	15, 16				
3									RAIL, Cargo Partition, Sliding Door
	5104 306AA	1	2, 6	L	14, 15, 16				
		1	2, 6	L	11, 12				
		1	3, 7	L	15, 16				
		1	3, 7	L	12				
4									RIVET, Blind Bulb
	5125 811AA	7	2, 6	L	11, 12, 14, 15, 16				
		7	3, 7	L	12, 15, 16				
5									PANEL, Cargo Compartment, Without Windows
	5123 575AA	1	2, 6	L	14, 15, 16				
		1	3, 7	L	15, 16				
6									RIVET, Blind
	5126 108AA	5	2, 6	L	11, 12, 14, 15, 16				
		5	3, 7	L	12, 15, 16				
	5126 109AA	25	2, 6	L	11, 12, 14, 15, 16				
		25	3, 7	L	12, 15, 16				
7									HANDLE, Cargo Door Interior
	5123 662AA	1	2, 6	L	11, 12, 14, 15, 16				
		1	3, 7	L	12, 15, 16				
8									HANDLE, Cargo Door Interior

Refer to Model Legend Information Bookmark

AR = Use as required - = Non illustrated part # = New this model year

March 3, 2006

Partition Wall and Sliding Door
Figure IVA-260



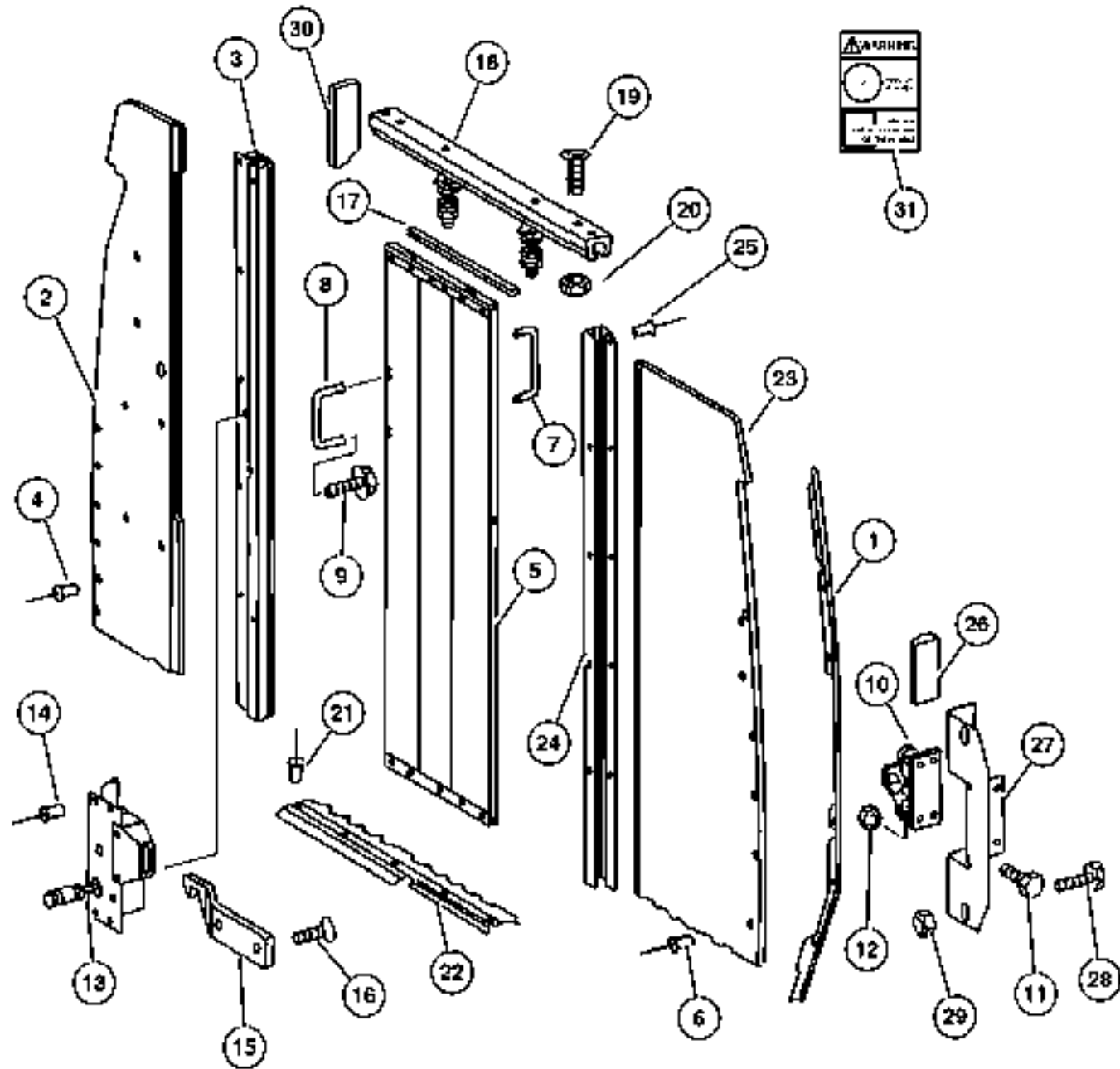
ITEM	PART NUMBER	QTY	LINE	SERIES	BODY	ENGINE	TRANS	TRIM	DESCRIPTION
	5123 663AA	1	2, 6	L	11, 12, 14, 15, 16				
		1	3, 7	L	12, 15, 16				
9	6104 119AA	4	2, 6	L	11, 12, 14, 15, 16				SCREW
		4	3, 7	L	12, 15, 16				
10	5104 419AA	1	2, 6	L	11, 12, 14, 15, 16				ADJUSTER, Cargo Door
		1	3, 7	L	12, 15, 16				
11	5104 652AB	4	2, 6	L	11, 12, 14, 15, 16				SCREW
		4	3, 7	L	12, 15, 16				
12	5104 660AA	4	2, 6	L	11, 12, 14, 15, 16				NUT
		2	3, 7	L	02, 06				
		2	3, 7	L	12, 15, 16				
13	5104 303AA	1	2, 6	L	11, 12, 14, 15, 16				LATCH
		1	3, 7	L	12, 15, 16				
14	5104 623AA	4	2, 6	L	11, 12, 14, 15, 16				RIVET
		4	3, 7	L	12, 15, 16				
15									CATCH, Sliding Partition Door

Refer to Model Legend Information Bookmark

AR = Use as required - = Non illustrated part # = New this model year

March 3, 2006

**Partition Wall and Sliding Door
Figure IVA-260**



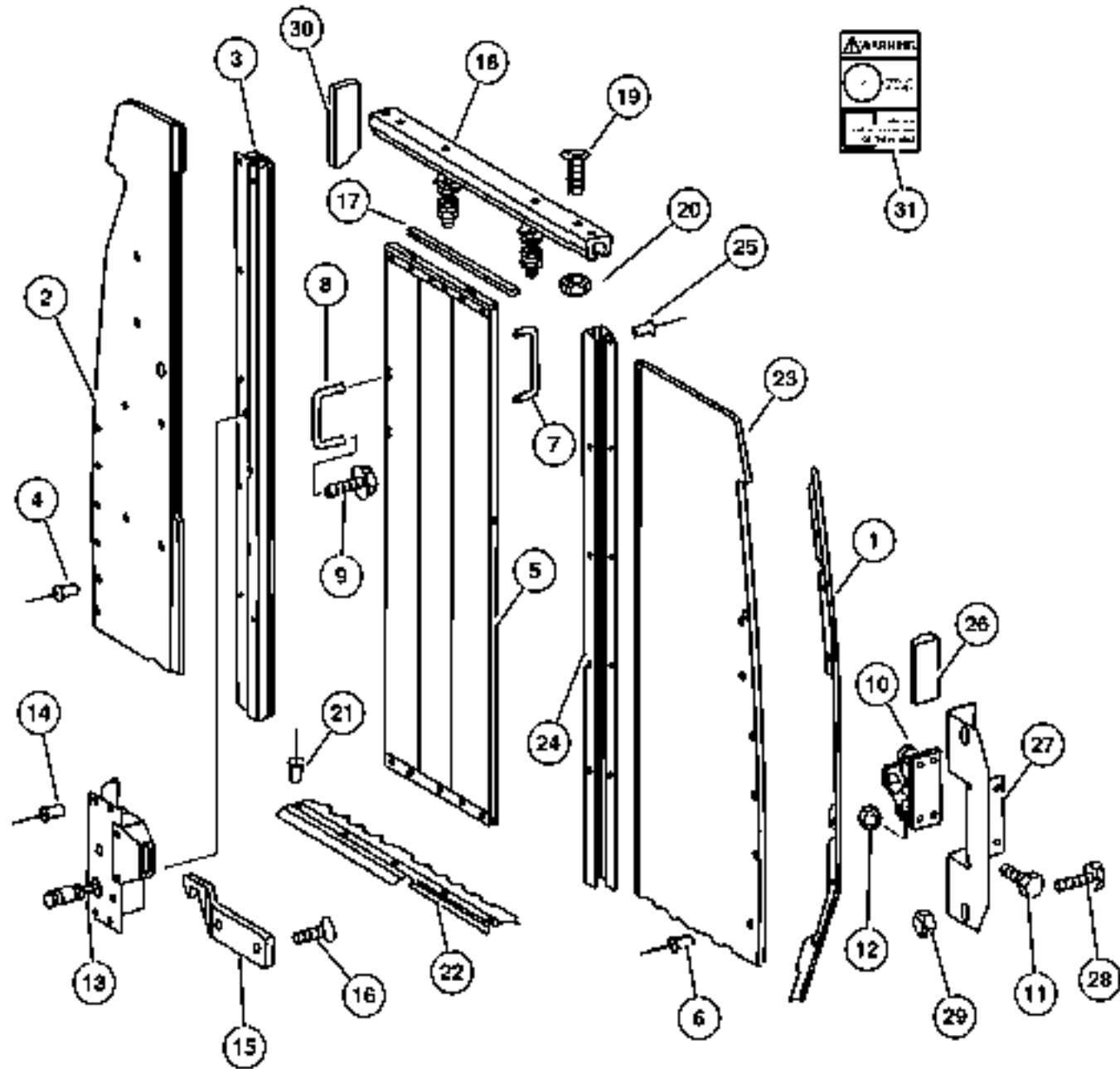
ITEM	PART NUMBER	QTY	LINE	SERIES	BODY	ENGINE	TRANS	TRIM	DESCRIPTION
	5104 424AA	1	2, 6	L	11, 12, 14, 15, 16				
		1	3, 7	L	12, 15, 16				
16	6104 121AA	4	2, 6	L	01, 02, 06				SCREW, Hex Flange Head
		4	2, 6	L	11, 12, 14, 15, 16				
		4	3, 7	L	02, 06				
17	5103 782AA	60	2, 6	L	11, 12, 14, 15, 16				GUARD, Door Edge
		100	3, 7	L	02, 06				
		100	3, 7	L	12, 15, 16				
18	5123 585AA	1	2, 6	L	11, 12, 14, 15, 16				RAIL, Cargo Partition, Sliding Door
		1	3, 7	L	12, 15, 16				
19	5126 110AA	1	2, 6	L	11, 12, 14, 15, 16				SCREW, Hex Head
		1	3, 7	L	12, 15, 16				
20	6104 714AA	5	2, 6	L	11, 12, 14, 15, 16				NUT
		3	3, 7	L	12, 15, 16				
21	5104 623AA	5	2, 6	L	11, 12, 14, 15, 16				RIVET
		4	3, 7	L	12, 15, 16				
22									MOLDING, Cargo Area Carpet

Refer to Model Legend Information Bookmark

AR = Use as required - = Non illustrated part # = New this model year

March 3, 2006

**Partition Wall and Sliding Door
Figure IVA-260**



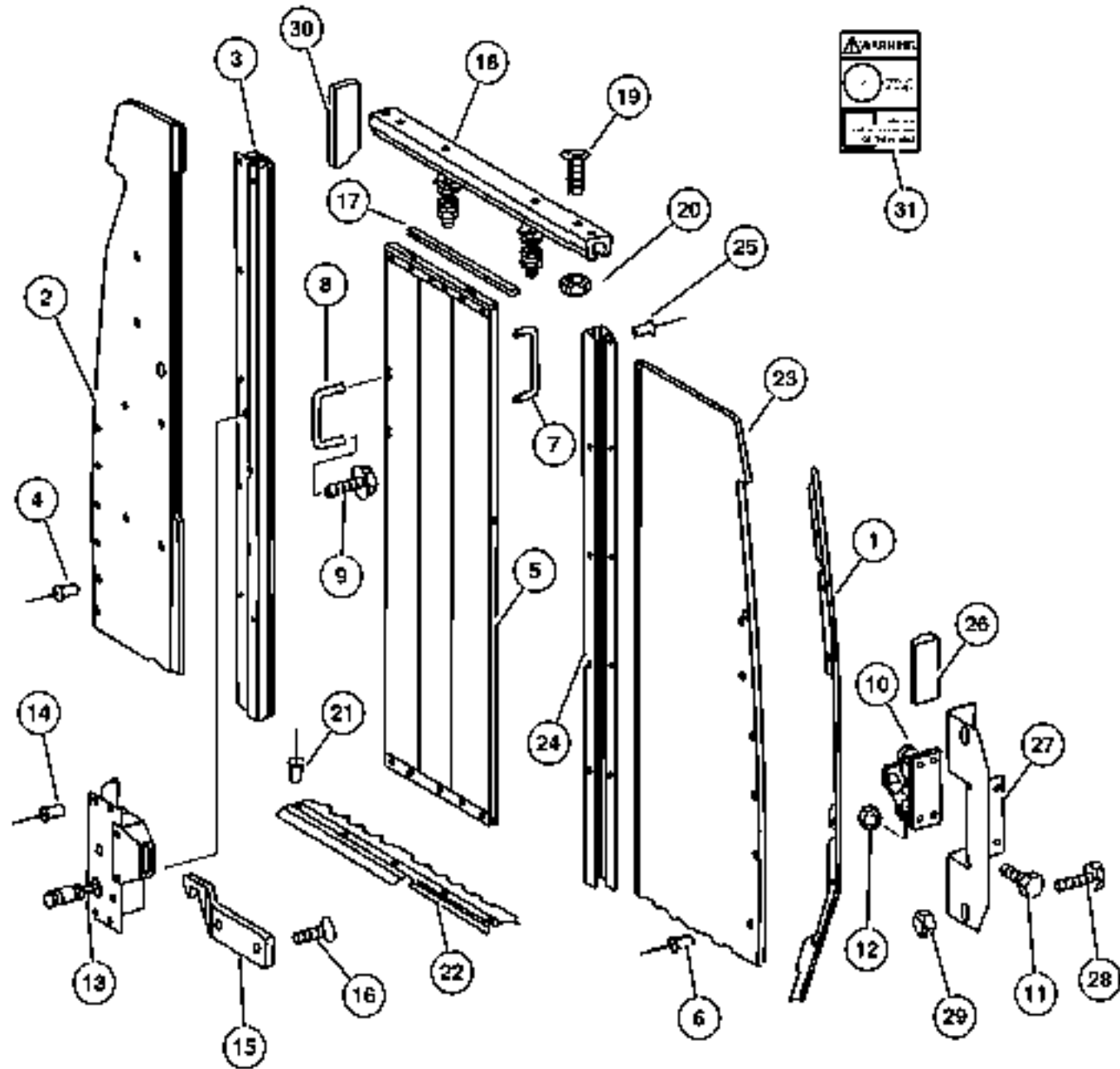
ITEM	PART NUMBER	QTY	LINE	SERIES	BODY	ENGINE	TRANS	TRIM	DESCRIPTION
	5104 156AA	1	2, 6	L	11, 12, 14, 15, 16				
		1	3, 7	L	12, 15, 16				
23	5104 317AA	1	2, 6	L	14, 15, 16				PARTITION, Cargo
		1	3, 7	L	15, 16				
24	5104 309AA	1	2, 6	L	14, 15, 16				RAIL, Cargo Partition, Sliding Door
		1	2, 6	L	11, 12				
		1	3, 7	L	15, 16				
		1	3, 7	L	12				
25	5125 812AA	9	2, 6	L	11, 12, 14, 15, 16				RIVET
		9	3, 7	L	12, 15, 16				
26	5104 427AA	2	2, 6	L	11, 12, 14, 15, 16				BUMPER, Rubber
		2	2, 6	L	51, 52, 54, 55, 56				
		2	3, 7	L	12, 15, 16				
27	5104 305AA	1	2, 6	L	11, 12, 14, 15, 16				HOUSING
	5120 273AA	1	2, 6	L	01, 02, 06				
28	5126 132AA	2	2, 6	L	11, 12, 14, 15, 16				BOLT, Hex Head
		2	3, 7	L	12, 15, 16				
29									NUT

Refer to Model Legend Information Bookmark

AR = Use as required - = Non illustrated part # = New this model year

March 3, 2006

Partition Wall and Sliding Door
Figure IVA-260



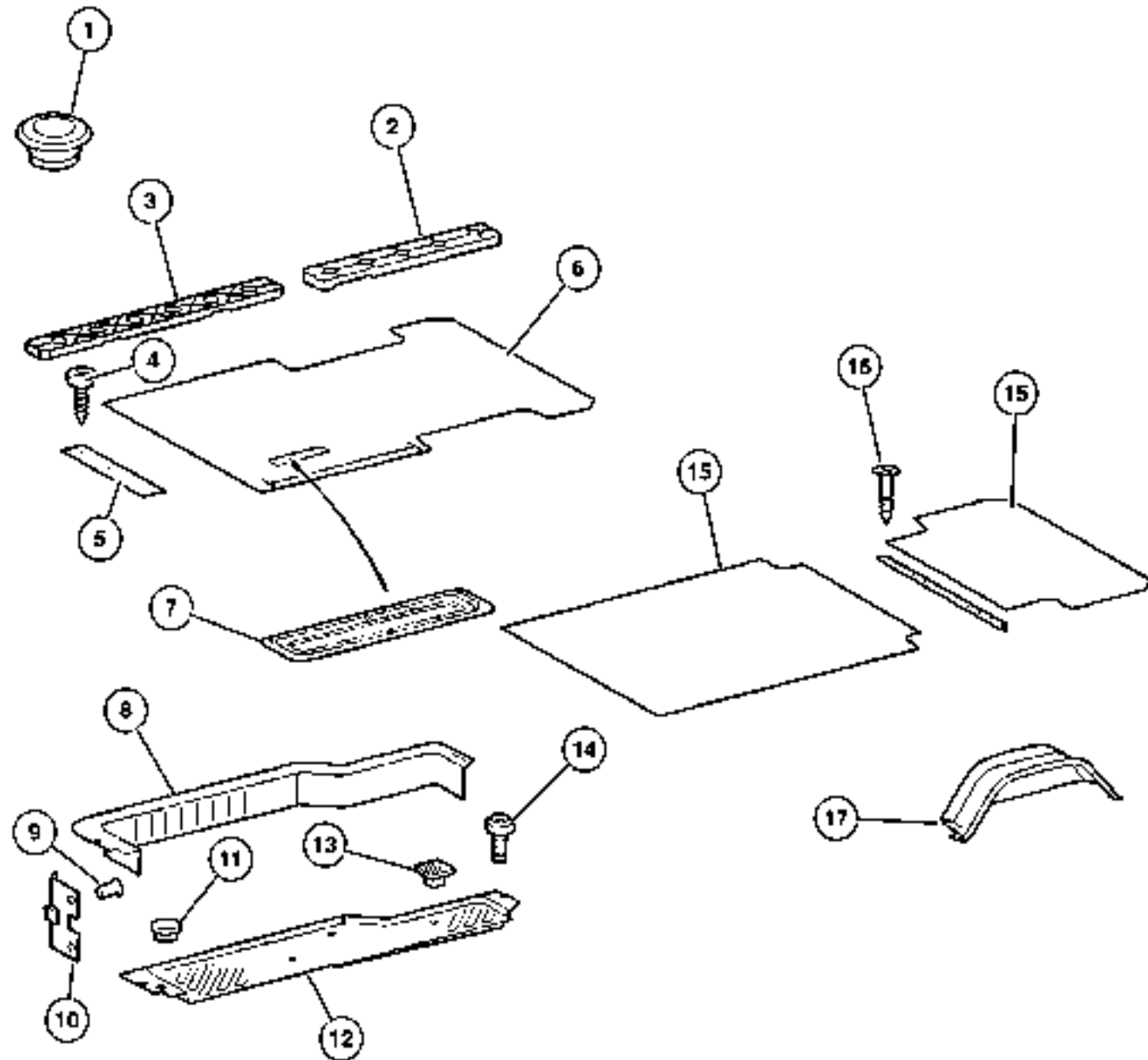
ITEM	PART NUMBER	QTY	LINE	SERIES	BODY	ENGINE	TRANS	TRIM	DESCRIPTION
	6104 716AA	2	2, 6	L	11, 12, 14, 15, 16				
		8	2, 6	L	51, 52, 54, 55, 56				
30		4	3, 7	L	02, 06				SEAL
	5123 661AA	1	2, 6	L	14, 15, 16				
31		1	3, 7	L	15, 16				LABEL, Warning
	5121 162AA	1	2, 6	L	11, 12, 14, 15, 16				
		1	3, 7	L	12, 15, 16				
-32									LABEL, Gummed Label on Door
	5121 146AA-	1	2, 6	L	11, 12, 14, 15, 16				
		1	3, 7	L	12, 15, 16				
-33									BOLT, Door to Guide
	5125 721AA-	2	2, 6	L	11, 12, 14, 15, 16				
		2	3, 7	L	12, 15, 16				
-34									NUT, Door to Guide
	5126 126AA-	4	2, 6	L	11, 12, 14, 15, 16				
		4	3, 7	L	12, 15, 16				
-35									NUT, Hex, Door to Guide
	5126 208AA-	4	2, 6	L	11, 12, 14, 15, 16				
		4	3, 7	L	12, 15, 16				

Refer to Model Legend Information Bookmark

AR = Use as required - = Non illustrated part # = New this model year

March 3, 2006

Carpet - Floor Figure IVA-310



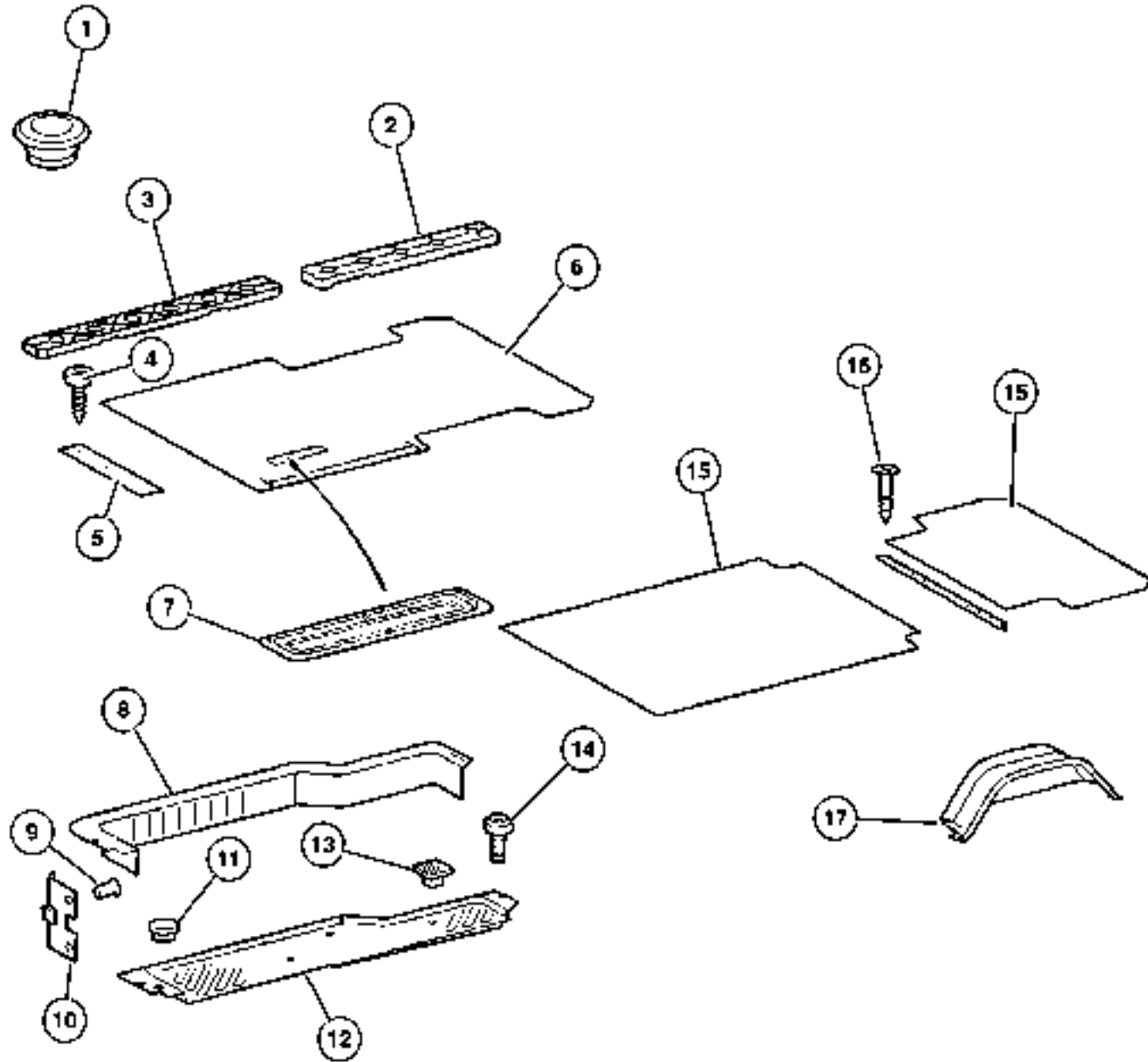
ITEM	PART NUMBER	QTY	LINE	SERIES	BODY	ENGINE	TRANS	TRIM	DESCRIPTION
1									PLUG
	5125 991AA	2	2, 6	L	11, 12, 14, 15, 16				
		99	2, 6	L	51, 52, 54, 55, 56				
		2	3, 7	L	12, 15, 16				
2									COVER, Seat Track
	5122 642AA	1	2, 6	L	12, 15				Rear
		1	2, 6	L	11, 14				Rear
		1	2, 6	L	51, 52, 54, 55, 56				Rear
		1	3, 7	L	12, 15, 16				Rear
3									COVER, Seat Track
	5122 650AA	2	2, 6	L	11, 12, 14, 15, 16				Front
		2	2, 6	L	51, 52, 54, 55, 56				Front
		2	3, 7	L	12, 15, 16				Front
4									SCREW, (NOT SERVICED) (Not Serviced)
5									PLATE
	5122 835AA	1	2, 6	L	11, 12, 14, 15, 16				Carpet Ledge, Sliding Door
		1	2, 6	L	51, 52, 54, 55, 56				Carpet Ledge, Sliding Door
		1	3, 7	L	12, 15, 16				Carpet Ledge, Sliding Door
6									LINING, NONE, SPRINTER, (NOT SERVICED) (Not Serviced)
7									COVERING, NONE, SPRINTER, (NOT SERVICED) (Not Serviced)
8									PANEL, Sliding Door Trim
	5122 827AA	1	2, 6	L	11, 12, 14, 15, 16				

Refer to Model Legend Information Bookmark

AR = Use as required - = Non illustrated part # = New this model year

March 3, 2006

Carpet - Floor
Figure IVA-310



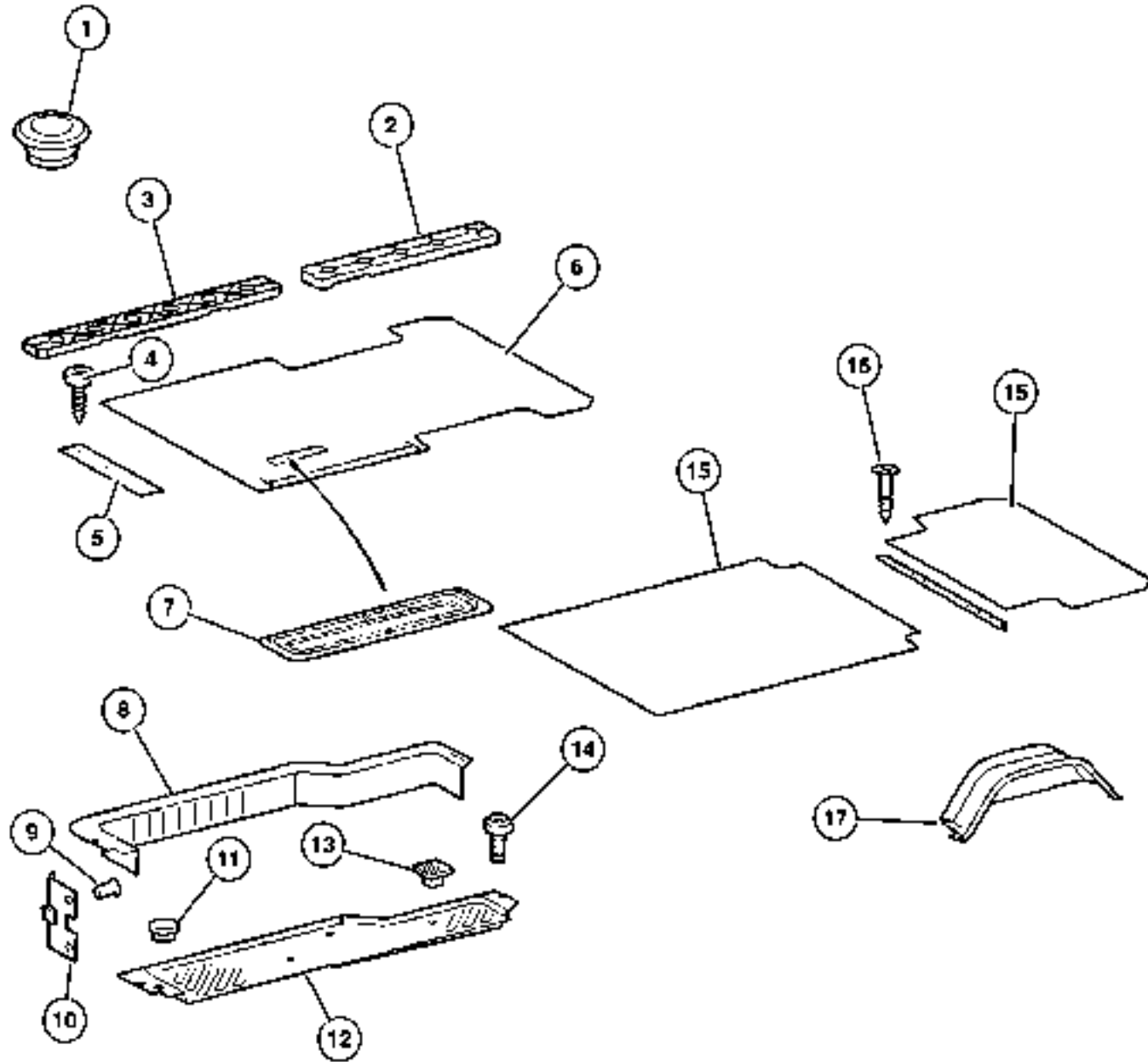
ITEM	PART NUMBER	QTY	LINE	SERIES	BODY	ENGINE	TRANS	TRIM	DESCRIPTION
		1	2, 6	L	51, 52, 54, 55, 56				
		1	3, 7	L	12, 15, 16				
9	5134 061AA	8	2, 6	L	11, 12, 14, 15, 16				RIVET
		8	2, 6	L	51, 52, 54, 55, 56				
		8	3, 7	L	12, 15, 16				
10	5125 584AA	8	2, 6	L	11, 12, 14, 15, 16				CLIP, Floor Trim
		4	2, 6	L	51, 52, 54, 55, 56				
		4	3, 7	L	12, 15, 16				
11	5122 808AA	1	2, 6	L	11, 12, 14, 15, 16				PLUG
		1	2, 6	L	51, 52, 54, 55, 56				
		1	3, 7	L	12, 15, 16				
12	5122 815AA	1	2, 6	L	11, 12, 14, 15, 16				PAD, Side Cargo Door Sill Entrance, Sliding Door,Left
		1	2, 6	L	51, 52, 54, 55, 56				Entrance, Sliding Door,Left
		1	3, 7	L	12, 15, 16				Entrance, Sliding Door,Left
	5122 816AA	1	2, 6	L	11, 12, 14, 15, 16				Entrance, Sliding Door,Right

Refer to Model Legend Information Bookmark

AR = Use as required - = Non illustrated part # = New this model year

March 3, 2006

Carpet - Floor
Figure IVA-310



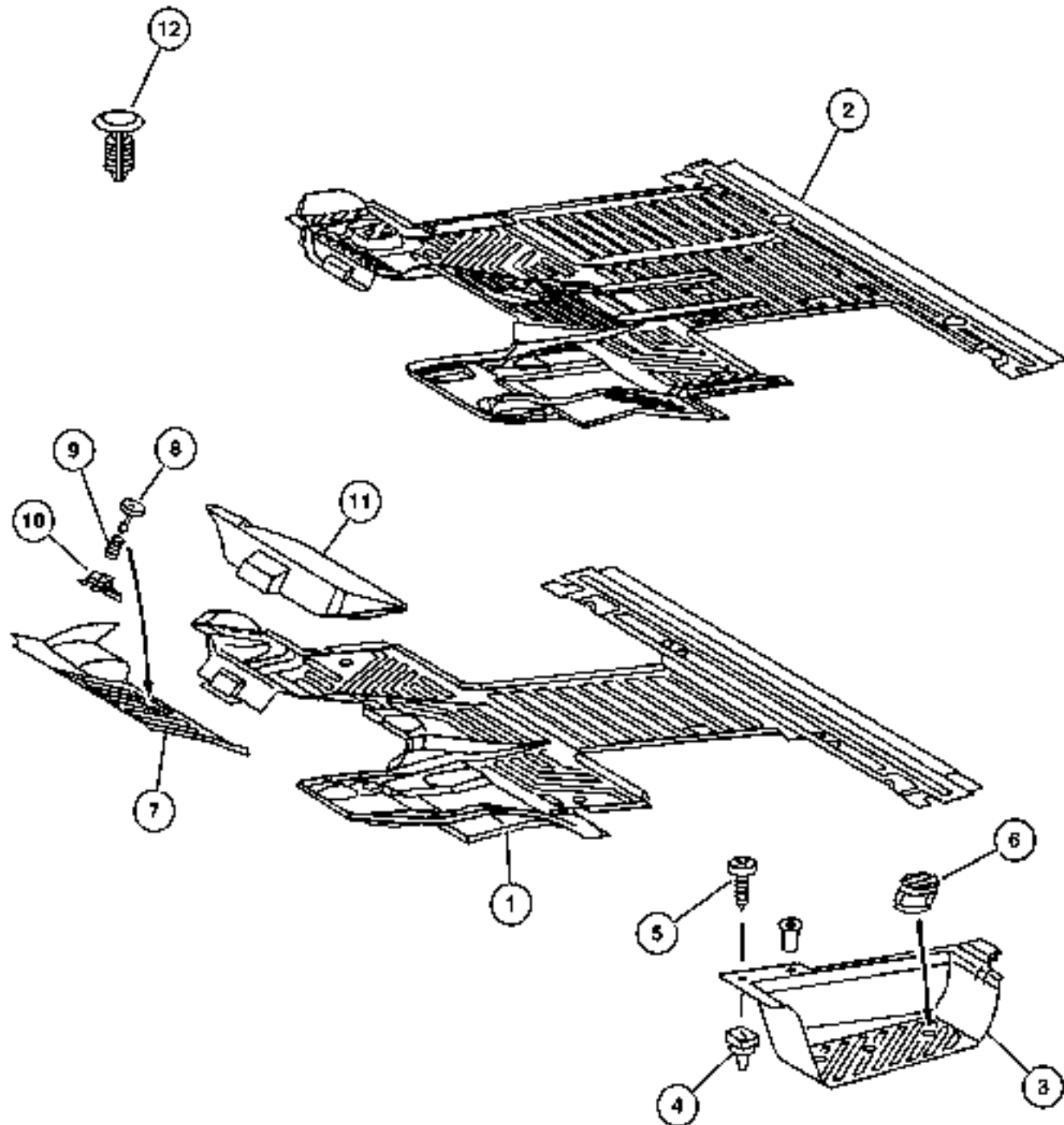
ITEM	PART NUMBER	QTY	LINE	SERIES	BODY	ENGINE	TRANS	TRIM	DESCRIPTION
		1	2, 6	L	51, 52, 54, 55, 56				Entrance, Sliding Door,Right
		1	3, 7	L	12, 15, 16				Entrance, Sliding Door,Right
13	5122 811AA	4	2, 6	L	11, 12, 14, 15, 16				PLUG
		4	2, 6	L	51, 52, 54, 55, 56				
		4	3, 7	L	12, 15, 16				
14	6104 142AA	2	2, 6	L	11, 12, 14, 15, 16				SCREW
		2	2, 6	L	51, 52, 54, 55, 56				
		2	3, 7	L	02, 06				
		2	3, 7	L	12, 15, 16				
15									LINING, NONE, SPRINTER, (NOT SERVICED) (Not Serviced)
16	5134 062AA	9	3, 7	L	12, 15, 16				SCREW
17									MAT, Wheelhouse
	5122 563AA	2	3, 7	L	12, 15, 16				
	5131 453AA	2	2, 6	L	11, 12, 14, 15, 16				
		2	2, 6	L	51, 52, 54, 55, 56				
-18	5104 156AA-	1	2, 6	L	11, 12, 14, 15, 16				MOLDING, Cargo Area Carpet Threshold for Partition Door
		1	3, 7	L	12, 15, 16				

Refer to Model Legend Information Bookmark

AR = Use as required - = Non illustrated part # = New this model year

March 3, 2006

**Floor Lining, Entry Paneling & Footrest
Figure IVA-315**



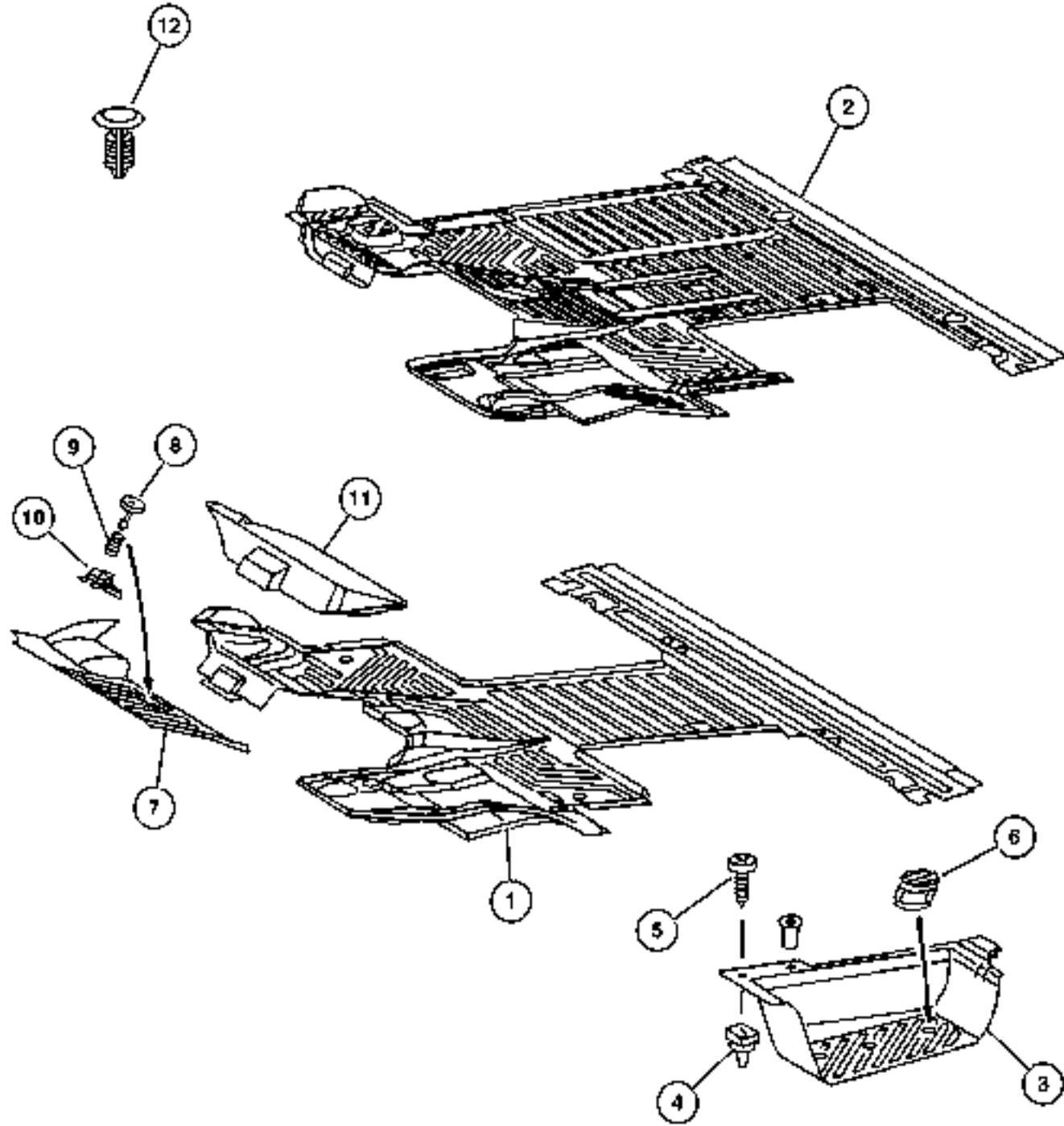
ITEM	PART NUMBER	QTY	LINE	SERIES	BODY	ENGINE	TRANS	TRIM	DESCRIPTION
1									MAT, Front Floor, Rubber
	5122 614AA	1	2, 6	L	11, 12, 14, 15, 16				Lining
		1	2, 6	L	51, 52, 54, 55, 56				Lining
	5122 633AA	1	2, 6	L	11, 12, 14, 15, 16				Rubber
		1	2, 6	L	51, 52, 54, 55, 56				Rubber
		1	3, 7	L	12, 15, 16				Rubber
	5122 640AA	1	2, 6	L	11, 12, 14, 15, 16				Rubber, With Floor Console
		1	2, 6	L	51, 52, 54, 55, 56				Rubber, With Floor Console
		1	3, 7	L	12, 15, 16				Rubber, With Floor Console
	2								
5104 264AA		1	2, 6	L	11, 12, 14, 15, 16				With Partition Wall
		1	3, 7	L	12, 15, 16				With Partition Wall
5122 635AA		1	2, 6	L	11, 12, 14, 15, 16				With Center Console
		1	2, 6	L	51, 52, 54, 55, 56				With Center Console
		1	3, 7	L	12, 15, 16				With Center Console
3									PLATE, Scuff Left
	5104 265AA	1	2, 6	L	01, 02, 06				Left
		1	2, 6	L	11, 12, 14, 15, 16				Left

Refer to Model Legend Information Bookmark

AR = Use as required - = Non illustrated part # = New this model year

March 3, 2006

**Floor Lining, Entry Paneling & Footrest
Figure IVA-315**



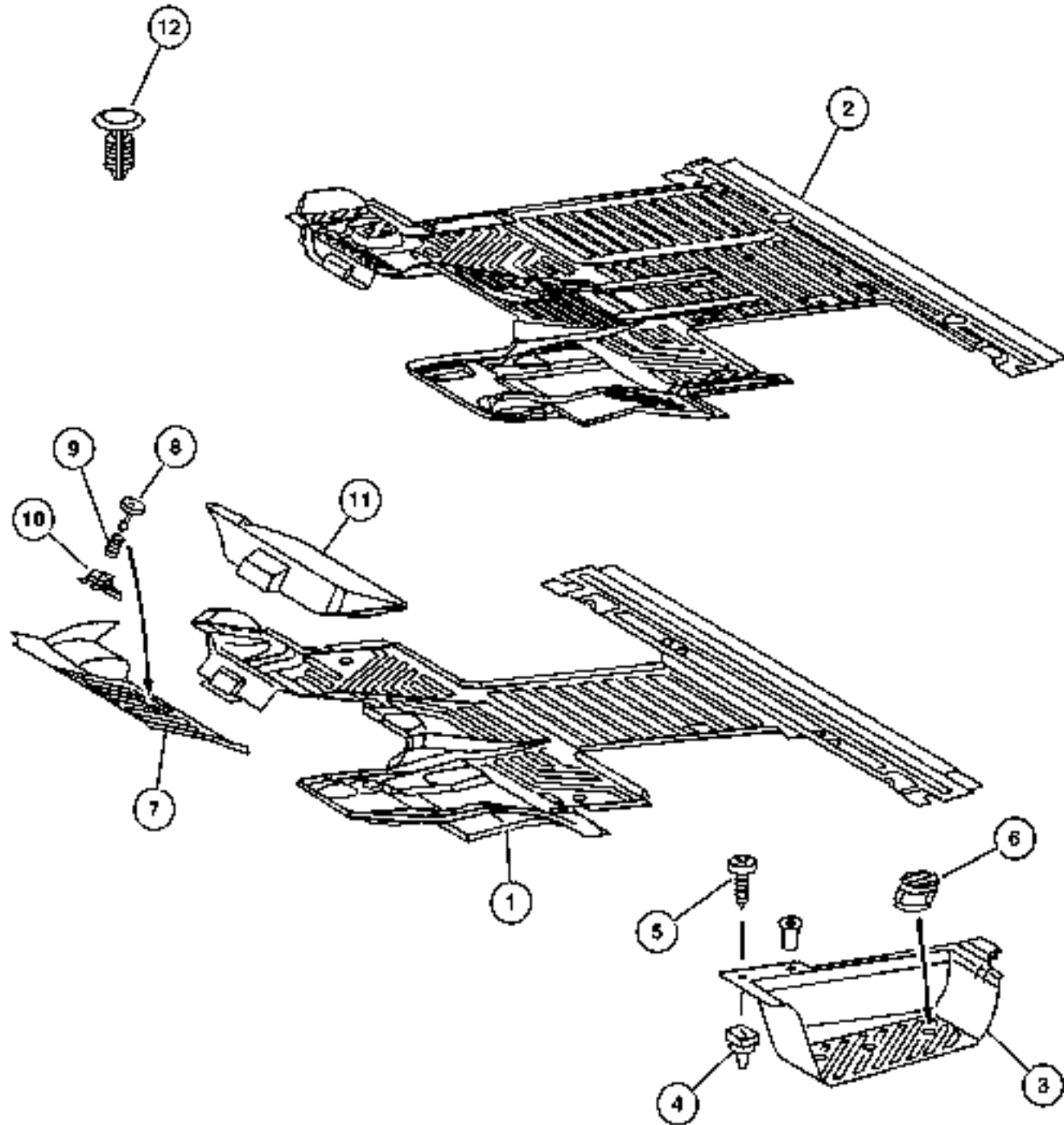
ITEM	PART NUMBER	QTY	LINE	SERIES	BODY	ENGINE	TRANS	TRIM	DESCRIPTION
		1	2, 6	L	51, 52, 54, 55, 56				Left
		1	3, 7	L	02, 06				Left
		1	3, 7	L	12, 15, 16				Left
	5122 821AA	1	2, 6	L	01, 02, 06				Right
		1	2, 6	L	11, 12, 14, 15, 16				Right
		1	2, 6	L	51, 52, 54, 55, 56				Right
	5122 822AA	1	2, 6	L	01, 02, 06				Illuminated Exit, Left
		1	2, 6	L	11, 12, 14, 15, 16				Illuminated Exit, Left
		1	2, 6	L	51, 52, 54, 55, 56				Illuminated Exit, Left
		1	3, 7	L	02, 06				Illuminated Exit, Left
		1	3, 7	L	12, 15, 16				Illuminated Exit, Left
	5122 824AA	1	2, 6	L	01, 02, 06				Illuminated Exit, Right
		1	2, 6	L	11, 12, 14, 15, 16				Illuminated Exit, Right
		1	2, 6	L	51, 52, 54, 55, 56				Illuminated Exit, Right
		1	3, 7	L	02, 06				Illuminated Exit, Right
		1	3, 7	L	12, 15, 16				Illuminated Exit, Right
4									NUT, Plastic Snap-in
	5098 837AB	6	2, 6	L	01, 02, 06				
		6	2, 6	L	11, 12, 14, 15, 16				
		6	2, 6	L	51, 52, 54, 55, 56				

Refer to Model Legend Information Bookmark

AR = Use as required - = Non illustrated part # = New this model year

March 3, 2006

Floor Lining, Entry Paneling & Footrest Figure IVA-315



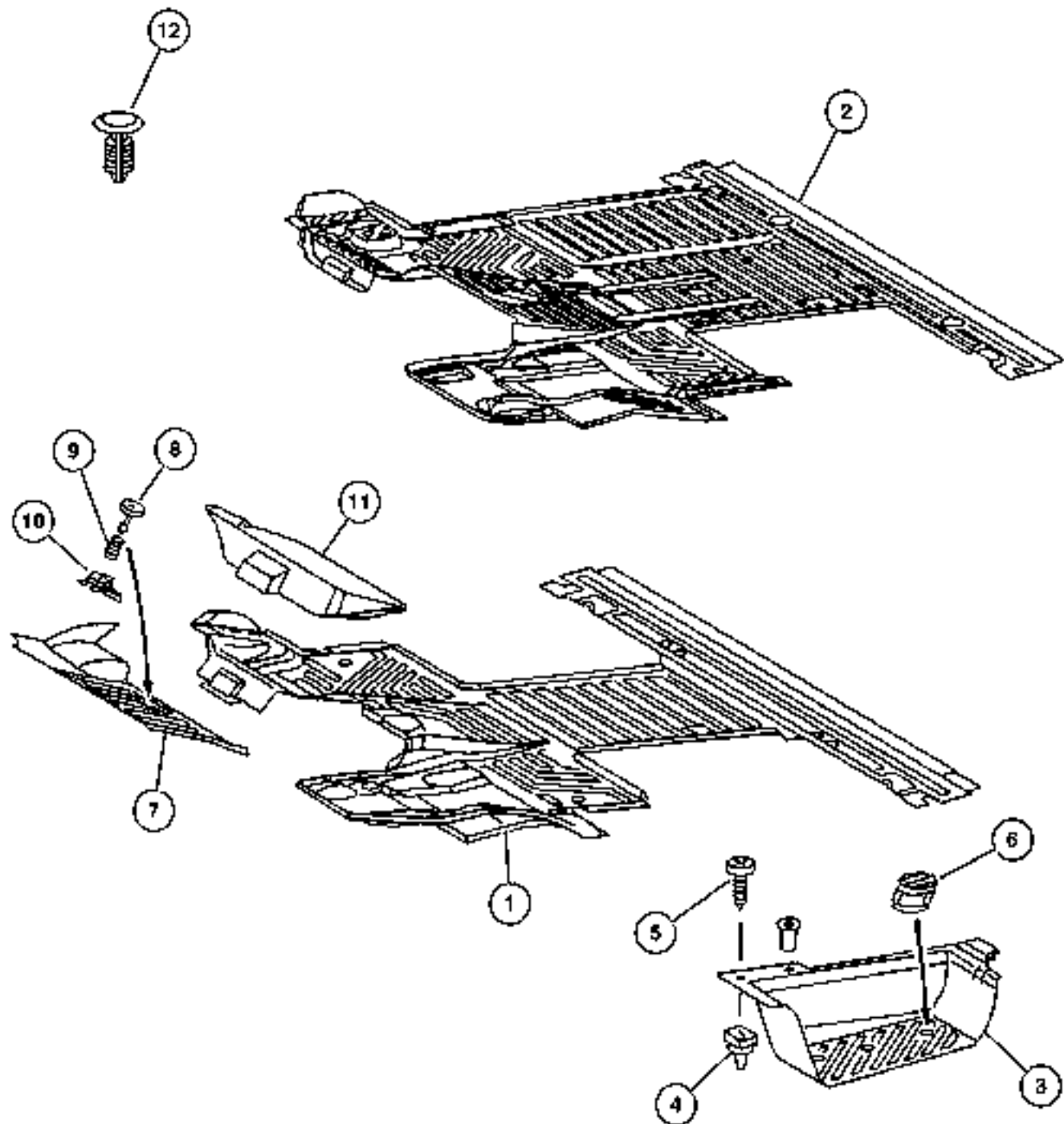
ITEM	PART NUMBER	QTY	LINE	SERIES	BODY	ENGINE	TRANS	TRIM	DESCRIPTION
		2	3, 7	L	02, 06				
		16	3, 7	L	12, 15, 16				
5	6104 575AA	6	2, 6	L	01, 02, 06				SCREW
		6	2, 6	L	11, 12, 14, 15, 16				
		6	2, 6	L	51, 52, 54, 55, 56				
		6	3, 7	L	02, 06				
		6	3, 7	L	12, 15, 16				
6	5104 549AA	3	2, 6	L	01, 02, 06				PLUG
		3	2, 6	L	11, 12, 14, 15, 16				
		3	2, 6	L	51, 52, 54, 55, 56				
		3	3, 7	L	02, 06				
		3	3, 7	L	12, 15, 16				
7	5122 408AA	1	2, 6	L	01, 02, 06				COVER, Jack
		1	2, 6	L	11, 12, 14, 15, 16				
		1	2, 6	L	51, 52, 54, 55, 56				
		1	3, 7	L	02, 06				
		1	3, 7	L	12, 15, 16				
8	5122 665AA	1	2, 6	L	01, 02, 06				FASTENER, Footrest
		1	2, 6	L	11, 12, 14, 15, 16				

Refer to Model Legend Information Bookmark

AR = Use as required - = Non illustrated part # = New this model year

March 3, 2006

Floor Lining, Entry Paneling & Footrest
Figure IVA-315



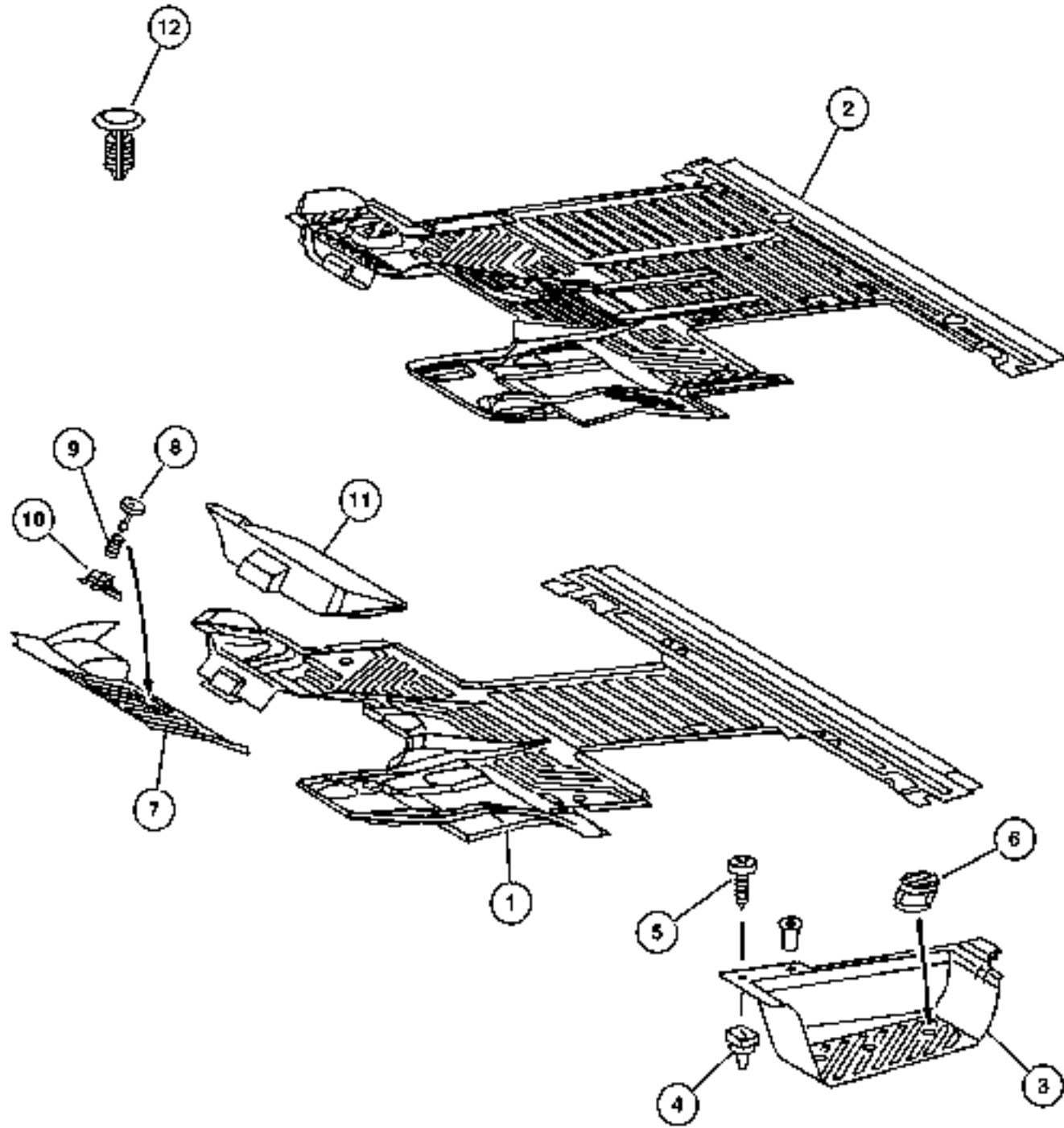
ITEM	PART NUMBER	QTY	LINE	SERIES	BODY	ENGINE	TRANS	TRIM	DESCRIPTION
		1	2, 6	L	51, 52, 54, 55, 56				
		1	3, 7	L	02, 06				
		1	3, 7	L	12, 15, 16				
9	5125 845AA	1	2, 6	L	01, 02, 06				SPRING
		1	2, 6	L	11, 12, 14, 15, 16				
		1	2, 6	L	51, 52, 54, 55, 56				
		1	3, 7	L	02, 06				
		1	3, 7	L	12, 15, 16				
10	5125 587AA	1	2, 6	L	01, 02, 06				CLIP, Footrest
		1	2, 6	L	11, 12, 14, 15, 16				
		1	2, 6	L	51, 52, 54, 55, 56				
		1	3, 7	L	02, 06				
		1	3, 7	L	12, 15, 16				
11	5122 662AA	1	2, 6	L	01, 02, 06				SUPPORT, Jack
		1	2, 6	L	11, 12, 14, 15, 16				
		1	2, 6	L	51, 52, 54, 55, 56				
		1	3, 7	L	02, 06				
		1	3, 7	L	12, 15, 16				
12	5103 817AA	2	2, 6	L	01, 02, 06				PLUG, Seat Mounting

Refer to Model Legend Information Bookmark

AR = Use as required - = Non illustrated part # = New this model year

March 3, 2006

**Floor Lining, Entry Paneling & Footrest
Figure IVA-315**



ITEM	PART NUMBER	QTY	LINE	SERIES	BODY	ENGINE	TRANS	TRIM	DESCRIPTION
		2	2, 6	L	11, 12,				
					14, 15,				
					16				
		2	2, 6	L	51, 52,				
					54, 55,				
					56				
		2	3, 7	L	02, 06				
		2	3, 7	L	12, 15,				
					16				
-13									SEAL, Paneling to Entry Front
	5125 906AA-	4	2, 6	L	01, 02,				
					06				
		4	2, 6	L	11, 12,				
					14, 15,				
					16				
		4	2, 6	L	51, 52,				
					54, 55,				
					56				
		4	3, 7	L	02, 06				
		4	3, 7	L	12, 15,				
					16				

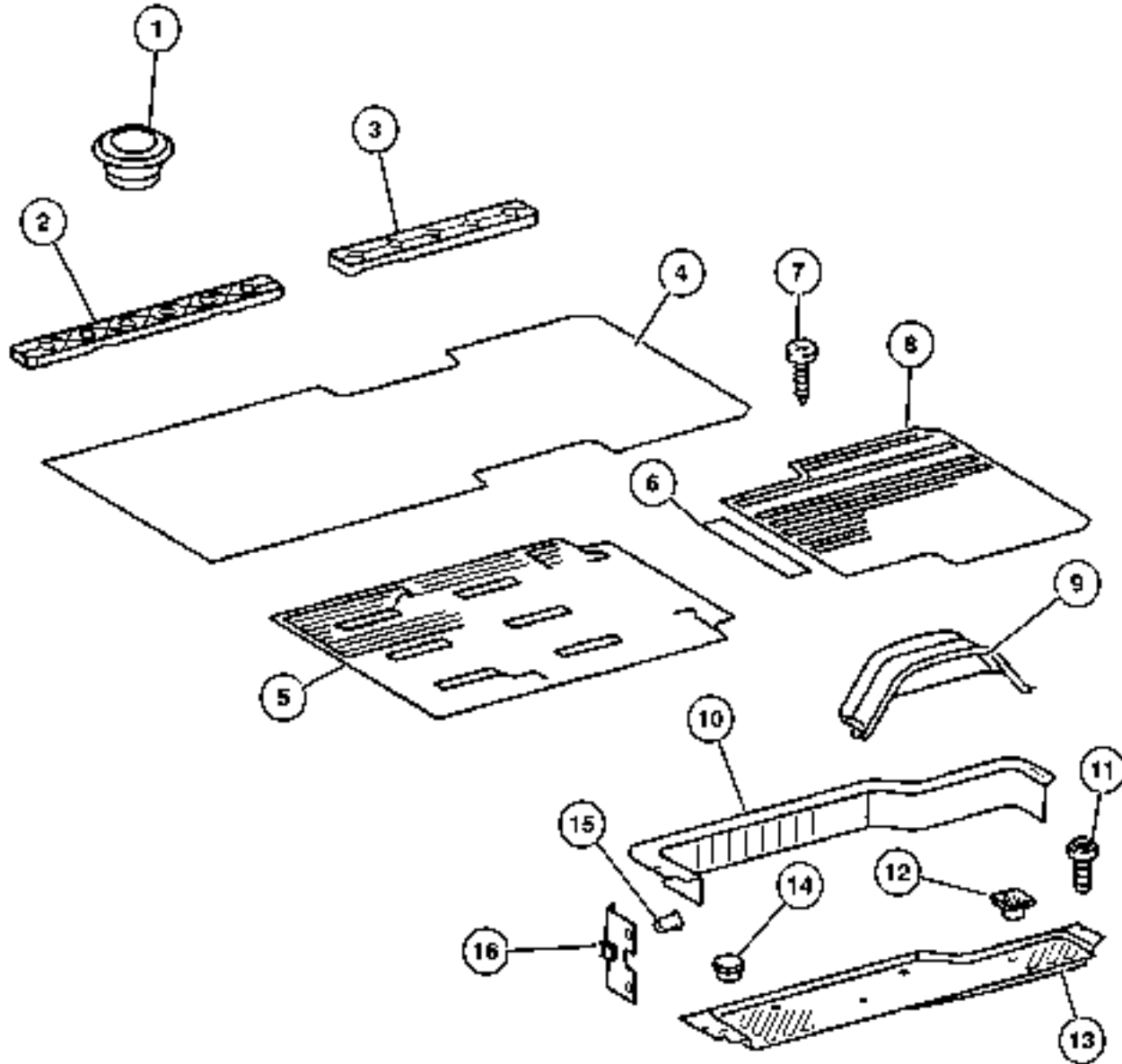
Refer to Model Legend Information Bookmark

AR = Use as required - = Non illustrated part # = New this model year

March 3, 2006

Floor - Rubber
Figure IVA-320

ITEM	PART NUMBER	QTY	LINE	SERIES	BODY	ENGINE	TRANS	TRIM	DESCRIPTION
1									PLUG
	5125 991AA	2	2, 6	L	11, 12, 14, 15, 16				
		99	2, 6	L	51, 52, 54, 55, 56				
		2	3, 7	L	12, 15, 16				
2									COVER, Seat Track Front
	5122 650AA	2	2, 6	L	11, 12, 14, 15, 16				
		1	2, 6	L	51, 52, 54, 55, 56				Front
		3	3, 7	L	12, 15, 16				Front
3									COVER, Seat Track Rear
	5122 642AA	99	2, 6	L	11, 12, 14, 15, 16				
		1	2, 6	L	51, 52, 54, 55, 56				Rear
		1	3, 7	L	12, 15, 16				Rear
4									MAT, Floor
	5131 455AA	1	2, 6	L	11, 14				
		1	2, 6	L	51, 54				
5									MAT, Front Floor, Rubber
	5122 564AA	1	3, 7	L	12, 15				140 Inch Wheelbase
	5122 572AA	1	3, 7	L	16				158 Inch Wheelbase
	5131 462AA	1	2, 6	L	12, 15				140 Inch Wheelbase
		1	2, 6	L	52, 55				140 Inch Wheelbase
	5131 469AA	1	2, 6	L	11, 14, 16				158 Inch Wheelbase
		1	2, 6	L	51, 54, 56				158 Inch Wheelbase
6									PLATE
	5122 835AA	1	2, 6	L	11, 12, 14, 15, 16				With Load Compartment Sliding Door, Right



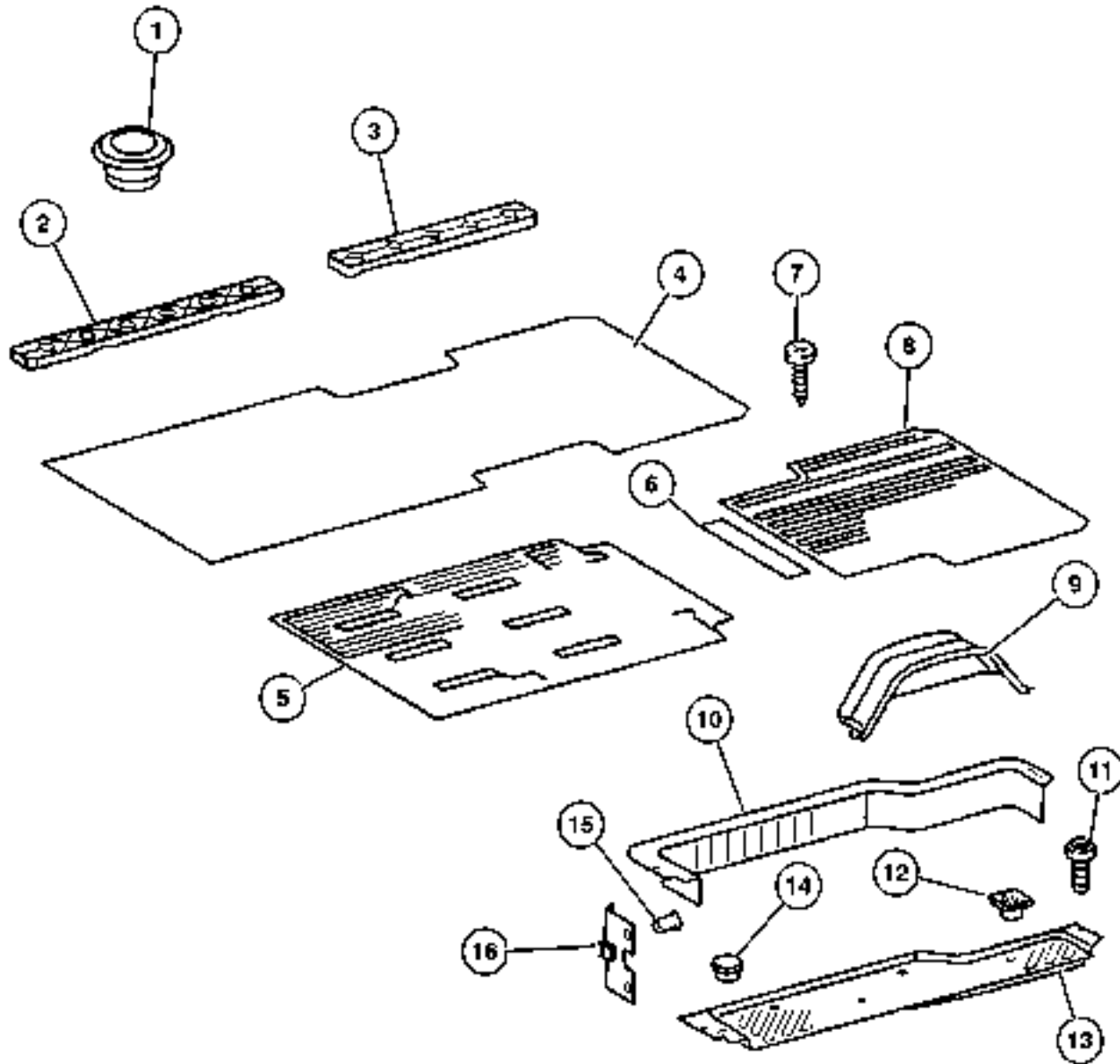
Refer to Model Legend Information Bookmark

AR = Use as required - = Non illustrated part # = New this model year

March 3, 2006

Floor - Rubber
Figure IVA-320

ITEM	PART NUMBER	QTY	LINE	SERIES	BODY	ENGINE	TRANS	TRIM	DESCRIPTION
		1	2, 6	L	51, 52, 54, 55, 56				With Load Compartment Sliding Door, Right
		1	3, 7	L	12, 15, 16				With Load Compartment Sliding Door, Right
	5122 837AA	1	2, 6	L	11, 12, 14, 15, 16				With Load Compartment Sliding Door, Left
		1	2, 6	L	51, 52, 54, 55, 56				With Load Compartment Sliding Door, Left
		1	3, 7	L	12, 15, 16				With Load Compartment Sliding Door, Left
	5122 840AA	1	2, 6	L	11, 12, 14, 15, 16				With Load Compartment Sliding Door, Left and Right
		1	2, 6	L	51, 52, 54, 55, 56				With Load Compartment Sliding Door, Left and Right
		1	3, 7	L	12, 15, 16				With Load Compartment Sliding Door, Left and Right
	5122 842AA	1	2, 6	L	11, 12, 14, 15, 16				Without Load Compartment Sliding Door
		1	2, 6	L	51, 52, 54, 55, 56				Without Load Compartment Sliding Door
		1	3, 7	L	12, 15, 16				Without Load Compartment Sliding Door
7	5133 555AA	7	2, 6	L	11, 12, 14, 15, 16				RIVET, RIVET
		7	2, 6	L	51, 52, 54, 55, 56				
		6	3, 7	L	12, 15, 16				
8	5122 580AA	1	3, 7	L	12, 15				MAT, Floor 140 Inch Wheelhouse, Rear
	5122 581AA	1	3, 7	L	16				158 Inch Wheelhouse, Rear
	5131 477AA	1	2, 6	L	16				158 Inch Wheelhouse, Rear
		1	2, 6	L	56				158 Inch Wheelhouse, Rear
	5131 478AA	1	2, 6	L	12, 15				140 Inch Wheelhouse, Rear
		1	2, 6	L	52, 55				140 Inch Wheelhouse, Rear
9									MAT, Wheelhouse



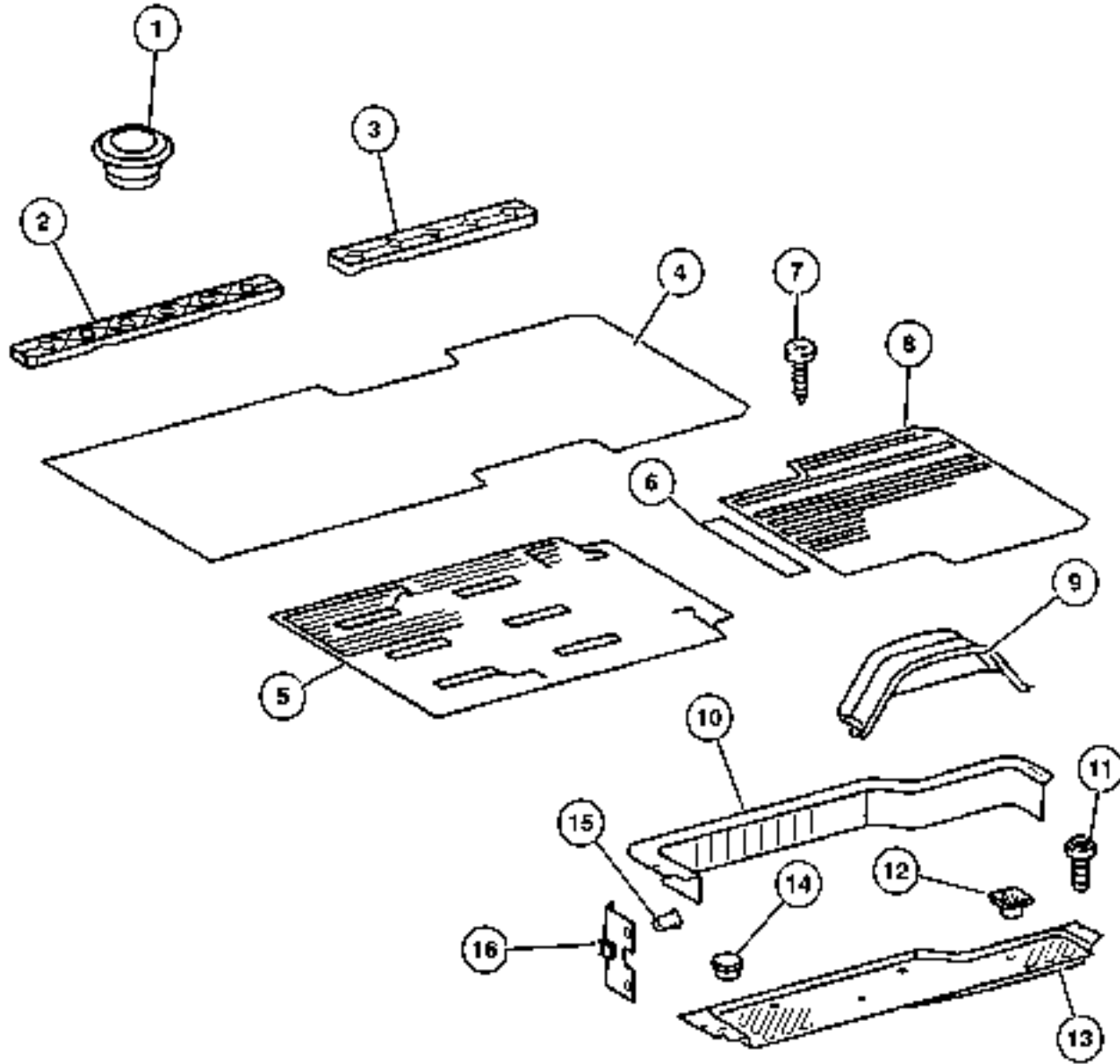
Refer to Model Legend Information Bookmark

AR = Use as required - = Non illustrated part # = New this model year

March 3, 2006

Floor - Rubber
Figure IVA-320

ITEM	PART NUMBER	QTY	LINE	SERIES	BODY	ENGINE	TRANS	TRIM	DESCRIPTION
	5122 563AA	2	3, 7	L	12, 15,				3500 GVW
					16				
	5131 453AA	2	2, 6	L	11, 12,				2500 GVW
					14, 15,				
		2	2, 6	L	51, 52,				2500 GVW
					54, 55,				
					56				
10									PANEL, Sliding Door Trim
	5122 825AA	1	2, 6	L	11, 12,				Sliding Door Left
		1	2, 6	L	14, 15,				Sliding Door Left
					16				
		1	2, 6	L	51, 52,				Sliding Door Left
					54, 55,				
					56				
		1	3, 7	L	12, 15,				Sliding Door Left
					16				
	5122 827AA	1	2, 6	L	11, 12,				Sliding Door Right
		1	2, 6	L	14, 15,				Sliding Door Right
					16				
		1	2, 6	L	51, 52,				Sliding Door Right
					54, 55,				
					56				
		1	3, 7	L	12, 15,				Sliding Door Right
					16				
	5122 830AA	1	2, 6	L	11, 12,				Sliding Door Left With Entrance Light
		1	2, 6	L	14, 15,				Sliding Door Left With Entrance Light
					16				
		1	2, 6	L	51, 52,				Sliding Door Left With Entrance Light
					54, 55,				
					56				
		1	3, 7	L	12, 15,				Sliding Door Left With Entrance Light
					16				
	5122 832AA	1	2, 6	L	11, 12,				Sliding Door Right With Entrance Light
		1	2, 6	L	14, 15,				Sliding Door Right With Entrance Light
					16				
		1	2, 6	L	51, 52,				Sliding Door Right With Entrance Light
					54, 55,				
					56				
		1	3, 7	L	12, 15,				Sliding Door Right With Entrance Light
					16				
11									SCREW
	6104 142AA	2	2, 6	L	01, 02,				
					06				



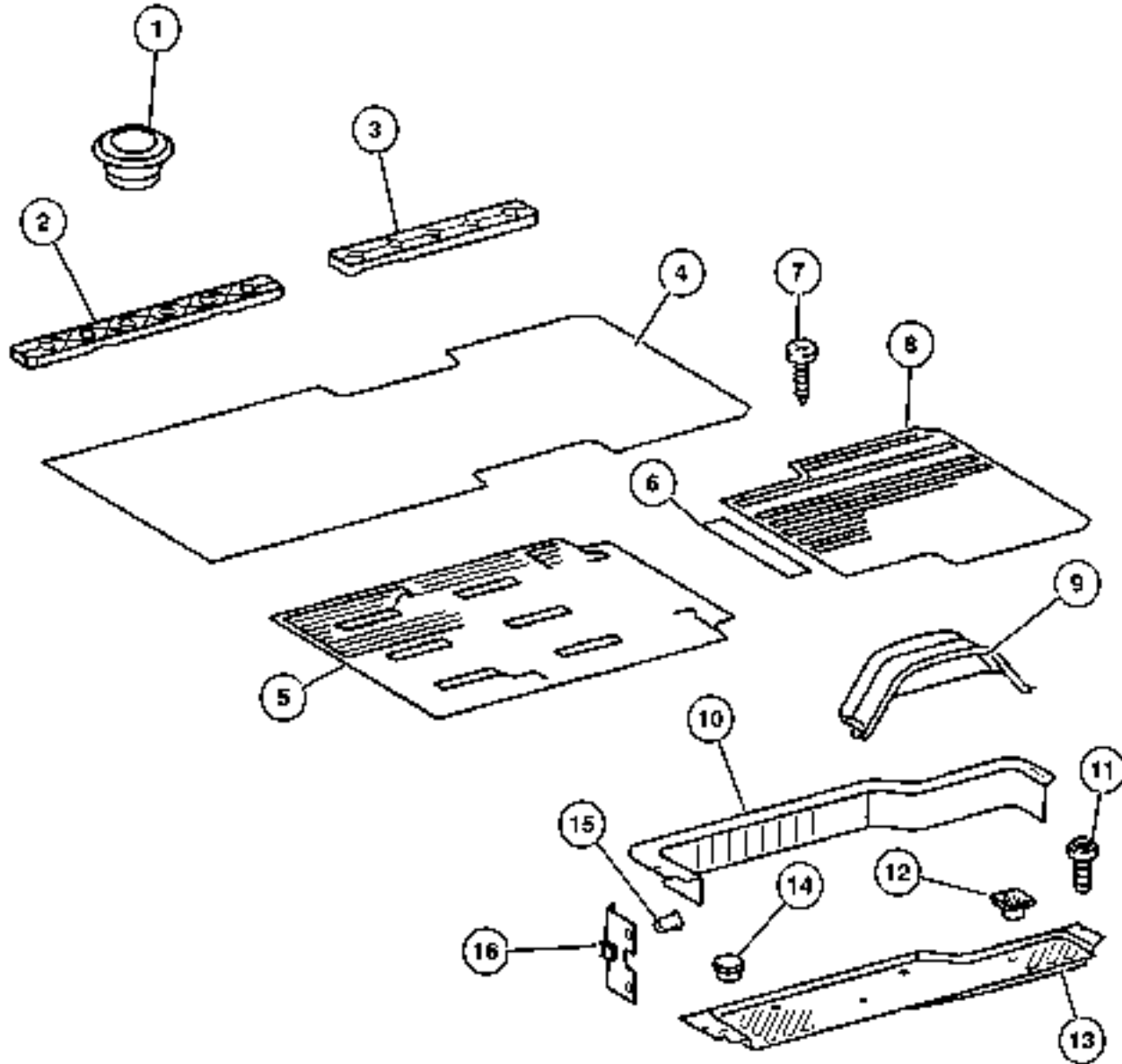
Refer to Model Legend Information Bookmark

AR = Use as required - = Non illustrated part # = New this model year

March 3, 2006

Floor - Rubber
Figure IVA-320

ITEM	PART NUMBER	QTY	LINE	SERIES	BODY	ENGINE	TRANS	TRIM	DESCRIPTION
		2	2, 6	L	11, 12, 14, 15, 16				
		2	2, 6	L	51, 52, 54, 55, 56				
		2	3, 7	L	02, 06				
		2	3, 7	L	12, 15, 16				
12	5122 811AA	4	2, 6	L	11, 12, 14, 15, 16				PLUG
		4	2, 6	L	51, 52, 54, 55, 56				
		4	3, 7	L	12, 15, 16				
13	5122 815AA	1	2, 6	L	11, 12, 14, 15, 16				PAD, Side Cargo Door Sill Entrance Sliding Door, Left
		1	2, 6	L	51, 52, 54, 55, 56				Entrance Sliding Door, Left
		1	3, 7	L	12, 15, 16				Entrance Sliding Door, Left
	5122 816AA	1	2, 6	L	11, 12, 14, 15, 16				Entrance Sliding Door, Right
		1	2, 6	L	51, 52, 54, 55, 56				Entrance Sliding Door, Right
		1	3, 7	L	12, 15, 16				Entrance Sliding Door, Right
14	5122 808AA	1	2, 6	L	11, 12, 14, 15, 16				PLUG
		1	2, 6	L	51, 52, 54, 55, 56				
		1	3, 7	L	12, 15, 16				
15									RIVET



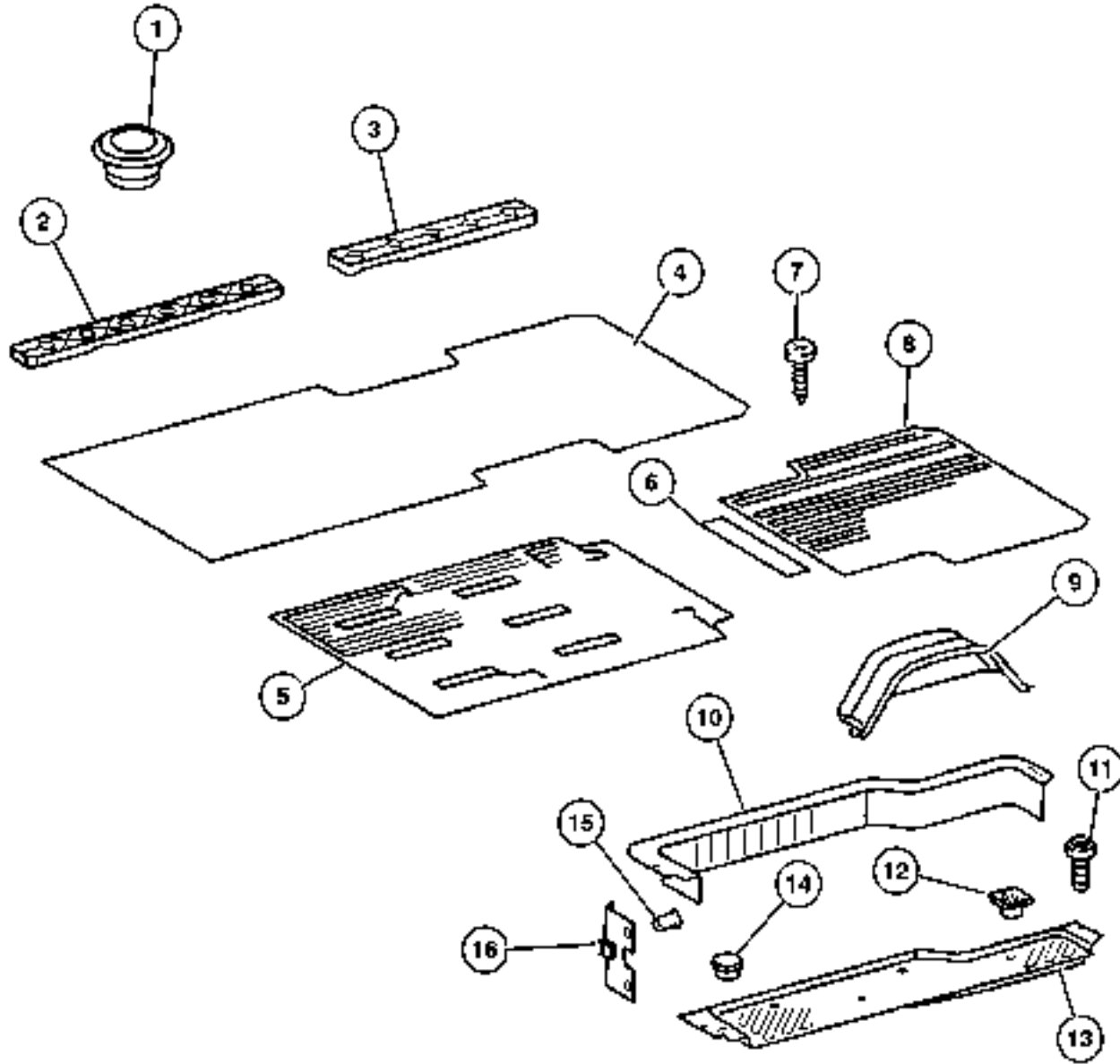
Refer to Model Legend Information Bookmark

AR = Use as required - = Non illustrated part # = New this model year

March 3, 2006

Floor - Rubber
Figure IVA-320

ITEM	PART NUMBER	QTY	LINE	SERIES	BODY	ENGINE	TRANS	TRIM	DESCRIPTION
	5134 061AA	8	2, 6	L	11, 12, 14, 15, 16				
		8	2, 6	L	51, 52, 54, 55, 56				
		8	3, 7	L	12, 15, 16				
16									CLIP, Floor Trim
	5125 584AA	4	2, 6	L	11, 12, 14, 15, 16				
		4	2, 6	L	51, 52, 54, 55, 56				
		4	3, 7	L	12, 15, 16				



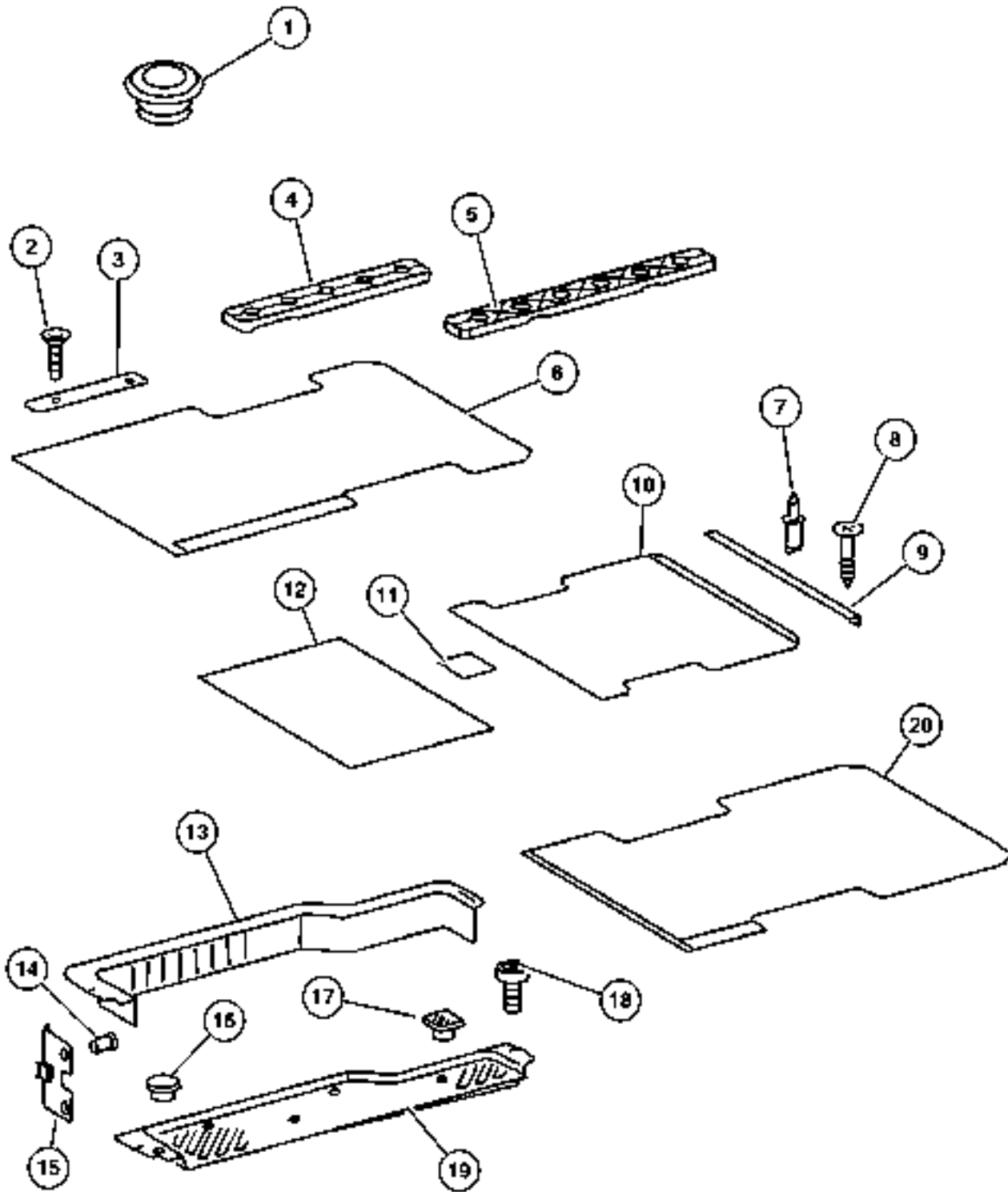
Refer to Model Legend Information Bookmark

AR = Use as required - = Non illustrated part # = New this model year

March 3, 2006

Floor - Wooden
Figure IVA-330

ITEM	PART NUMBER	QTY	LINE	SERIES	BODY	ENGINE	TRANS	TRIM	DESCRIPTION
1									PLUG
	5125 991AA	2	2, 6	L	11, 12, 14, 15, 16				
		99	2, 6	L	51, 52, 54, 55, 56				
		2	3, 7	L	12, 15, 16				
2									SCREW, (NOT SERVICED) (Not Serviced)
3									PLATE, (NOT SERVICED) (Not Serviced)
4									COVER, Seat Track Rear
	5122 642AA	99	2, 6	L	11, 12, 14, 15, 16				
		1	2, 6	L	51, 52, 54, 55, 56				Rear
		1	3, 7	L	12, 15, 16				Rear
5									COVER, Seat Track Front
	5122 650AA	2	2, 6	L	11, 12, 14, 15, 16				
		1	2, 6	L	51, 52, 54, 55, 56				Front
		3	3, 7	L	12, 15, 16				Front
6									FLOOR, Wooden
	5122 778AA	1	2, 6	L	12, 15				With Front Seats, 140 & 158 Inch Wheelbase
		1	2, 6	L	52, 55				With Front Seats, 140 & 158 Inch Wheelbase
		1	3, 7	L	16				With Front Seats, 140 & 158 Inch Wheelbase
	5131 631AA	1	2, 6	L	11, 14				With 118 Inch Wheelbase, Cargo, No Seats
	5131 663AA	1	2, 6	L	11, 14				With 118 Inch Wheelbase, Passenger Van With Seats
		1	2, 6	L	51, 54				Passenger Van With Seats
7									RIVET



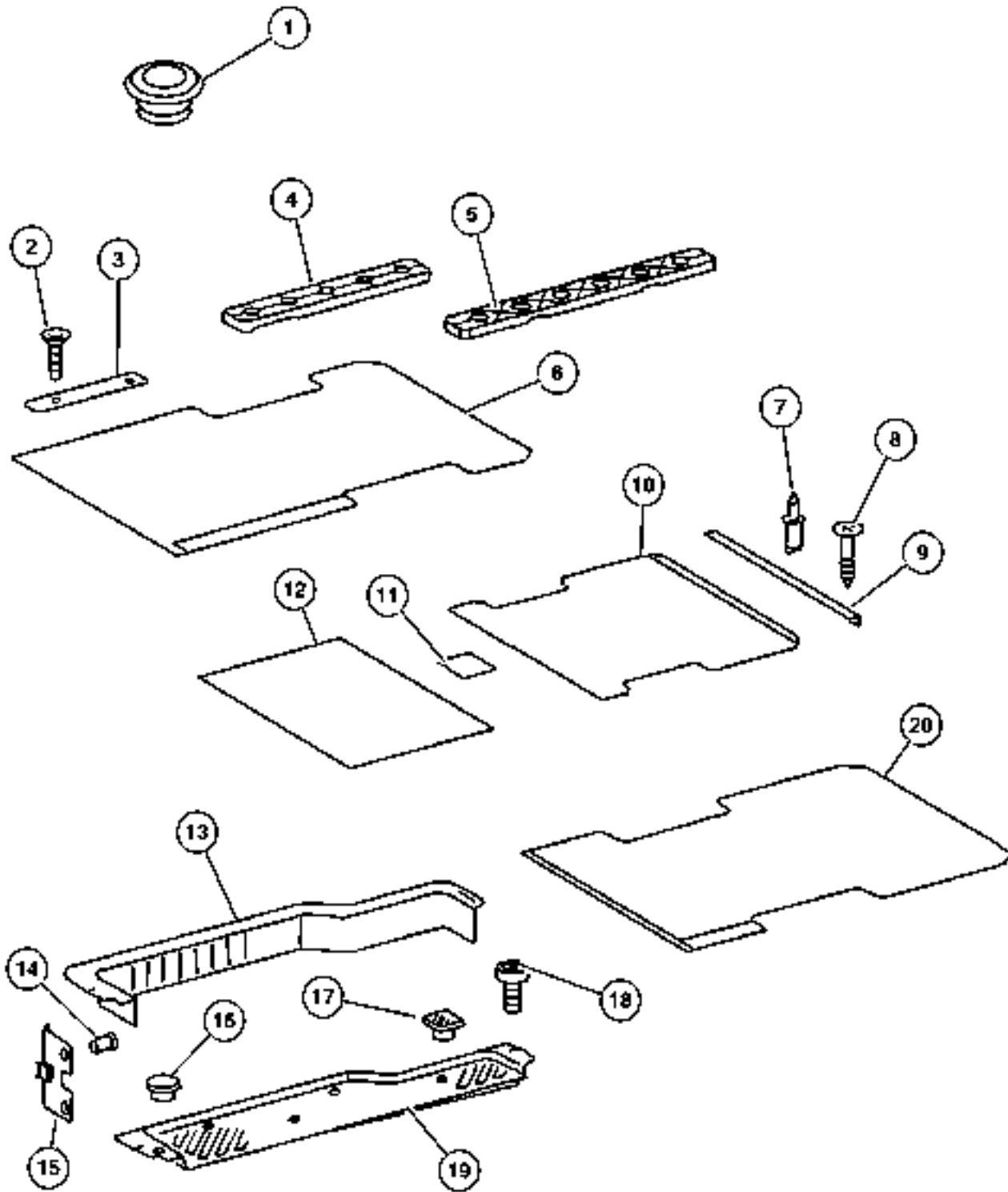
Refer to Model Legend Information Bookmark

AR = Use as required - = Non illustrated part # = New this model year

March 3, 2006

Floor - Wooden
Figure IVA-330

ITEM	PART NUMBER	QTY	LINE	SERIES	BODY	ENGINE	TRANS	TRIM	DESCRIPTION
	6104 871AA	14	2, 6	L	16				
		16	2, 6	L	12, 15				
		14	2, 6	L	52, 55				
		4	3, 7	L	12, 15, 16				
8	5134 062AA	9	3, 7	L	12, 15, 16				SCREW
9	5122 669AA	1	2, 6	L	11, 12, 14, 15, 16				MOLDING, Cargo Area Carpet
		1	2, 6	L	51, 52, 54, 55, 56				
		1	3, 7	L	12, 15, 16				
10	5122 802AA	1	2, 6	L	12, 15				FLOOR, Wooden With Seats, 140 Inch Wheelbase, Rear
		1	2, 6	L	52, 55				With Seats, 140 Inch Wheelbase, Rear
	5122 804AA	1	2, 6	L	11, 14, 16				With Seats, 158 Inch Wheelbase, Rear
		1	2, 6	L	51, 54, 56				With Seats, 158 Inch Wheelbase, Rear
	5127 784AA	1	2, 6	L	11, 14, 16				Without Seats, 158 Inch Wheelbase, Rear
		1	3, 7	L	16				Without Seats, 158 Inch Wheelbase, Rear
	5127 806AA	1	2, 6	L	12, 15				Without Seats, 140 Inch Wheelbase, Rear
		1	3, 7	L	12, 15				Without Seats, 140 Inch Wheelbase, Rear
11	5122 671AA	5	2, 6	L	12, 15				MOLDING, Cargo Area Carpet
		5	2, 6	L	52, 55				
		5	3, 7	L	12, 15				
12	5122 730AA	1	2, 6	L	12, 15				FLOOR, Wooden Without Seats 8mm Thick, 140 & 158 Inch Wheelbase
		1	3, 7	L	16				Without Seats 8mm Thick, 140 & 158 Inch Wheelbase
	5122 778AA	1	2, 6	L	12, 15				With Seats 140 & 158 Inch Wheelbase
		1	2, 6	L	52, 55				With Seats 140 & 158 Inch Wheelbase



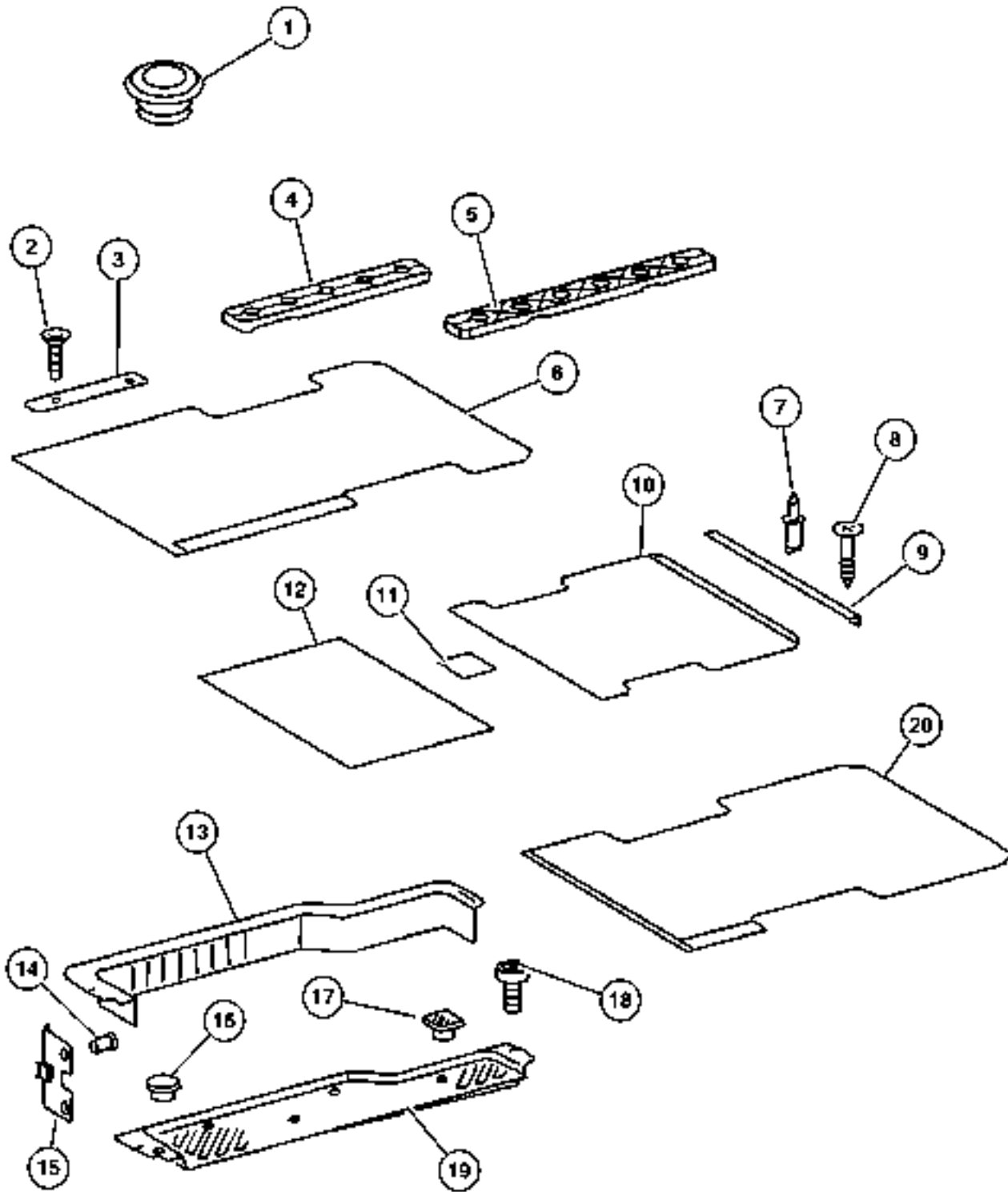
Refer to Model Legend Information Bookmark

AR = Use as required - = Non illustrated part # = New this model year

March 3, 2006

Floor - Wooden
Figure IVA-330

ITEM	PART NUMBER	QTY	LINE	SERIES	BODY	ENGINE	TRANS	TRIM	DESCRIPTION
		1	3, 7	L	16				With Seats 140 & 158 Inch
	5131 631AA	1	2, 6	L	11, 14				Wheelbase No seat-Cargo-118 Inch Wheelbase
13	5122 827AA	1	2, 6	L	11, 12, 14, 15, 16				PANEL, Sliding Door Trim
		1	2, 6	L	51, 52, 54, 55, 56				
		1	3, 7	L	12, 15, 16				
14	5134 061AA	8	2, 6	L	11, 12, 14, 15, 16				RIVET
		8	2, 6	L	51, 52, 54, 55, 56				
		8	3, 7	L	12, 15, 16				
15	5125 584AA	4	2, 6	L	11, 12, 14, 15, 16				CLIP, Floor Trim
		4	2, 6	L	51, 52, 54, 55, 56				
		4	3, 7	L	12, 15, 16				
16	5122 808AA	1	2, 6	L	11, 12, 14, 15, 16				PLUG
		1	2, 6	L	51, 52, 54, 55, 56				
		1	3, 7	L	12, 15, 16				
17	5122 811AA	4	2, 6	L	11, 12, 14, 15, 16				PLUG



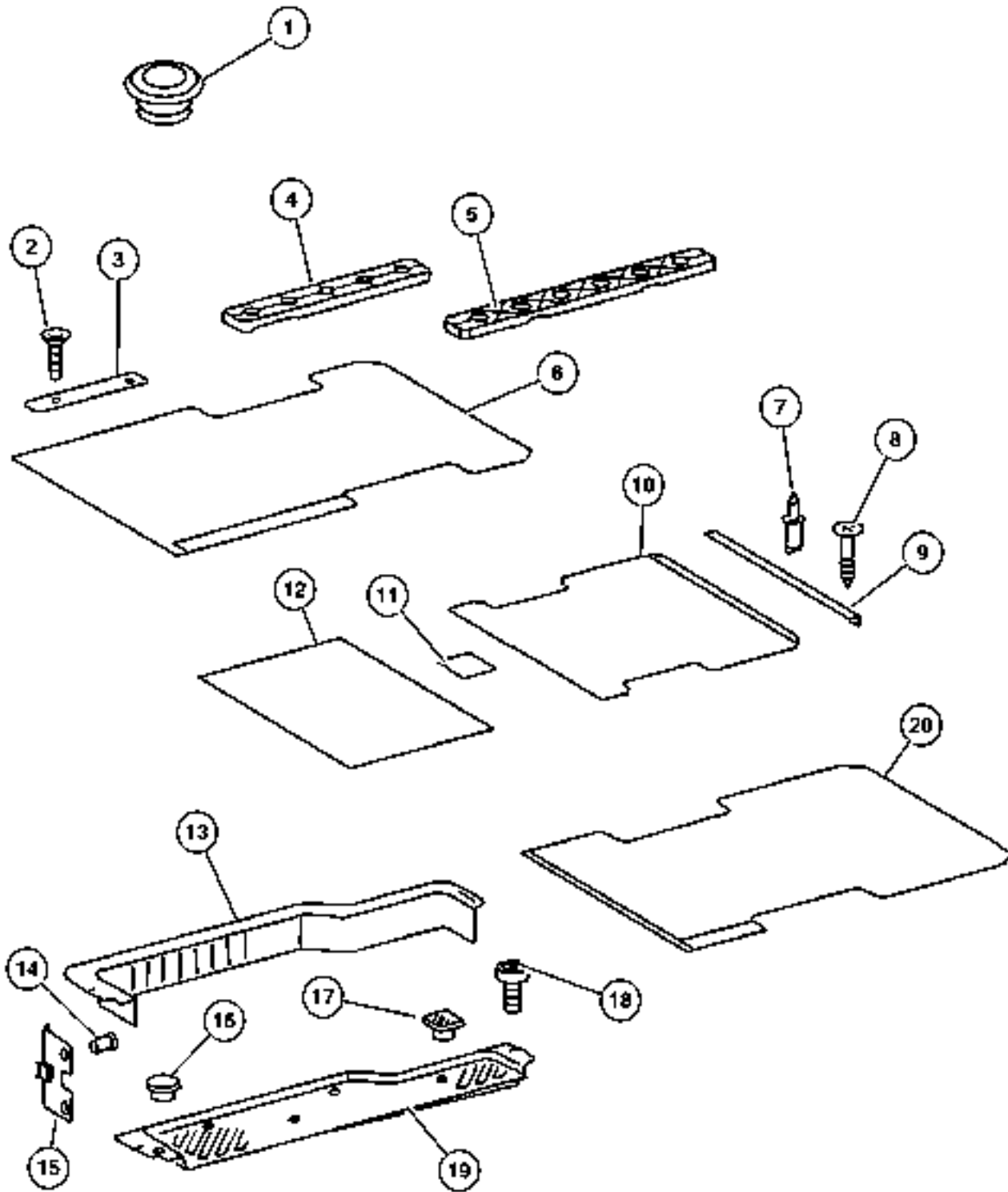
Refer to Model Legend Information Bookmark

AR = Use as required - = Non illustrated part # = New this model year

March 3, 2006

Floor - Wooden
Figure IVA-330

ITEM	PART NUMBER	QTY	LINE	SERIES	BODY	ENGINE	TRANS	TRIM	DESCRIPTION
		4	2, 6	L	51, 52, 54, 55, 56				
		4	3, 7	L	12, 15, 16				
18	6104 142AA	2	2, 6	L	01, 02, 06				SCREW
		2	2, 6	L	11, 12, 14, 15, 16				
		2	2, 6	L	51, 52, 54, 55, 56				
		2	3, 7	L	02, 06				
		2	3, 7	L	12, 15, 16				
19	5122 815AA	1	2, 6	L	11, 12, 14, 15, 16				PAD, Side Cargo Door Sill Entrance Sliding Door, Left
		1	2, 6	L	51, 52, 54, 55, 56				Entrance Sliding Door, Left
		1	3, 7	L	12, 15, 16				Entrance Sliding Door, Left
	5122 816AA	1	2, 6	L	11, 12, 14, 15, 16				Entrance Sliding Door, Right
		1	2, 6	L	51, 52, 54, 55, 56				Entrance Sliding Door, Right
		1	3, 7	L	12, 15, 16				Entrance Sliding Door, Right
20	5122 804AA	1	2, 6	L	11, 14, 16				FLOOR, Wooden With seats- 158 Inch Wheelbase
		1	2, 6	L	51, 54, 56				With seats- 158 Inch Wheelbase
	5127 784AA	1	2, 6	L	11, 14, 16				Without seats- 158 Inch Wheelbase
		1	3, 7	L	16				Without seats- 158 Inch Wheelbase MOLDING, Cargo Area Carpet
-21									



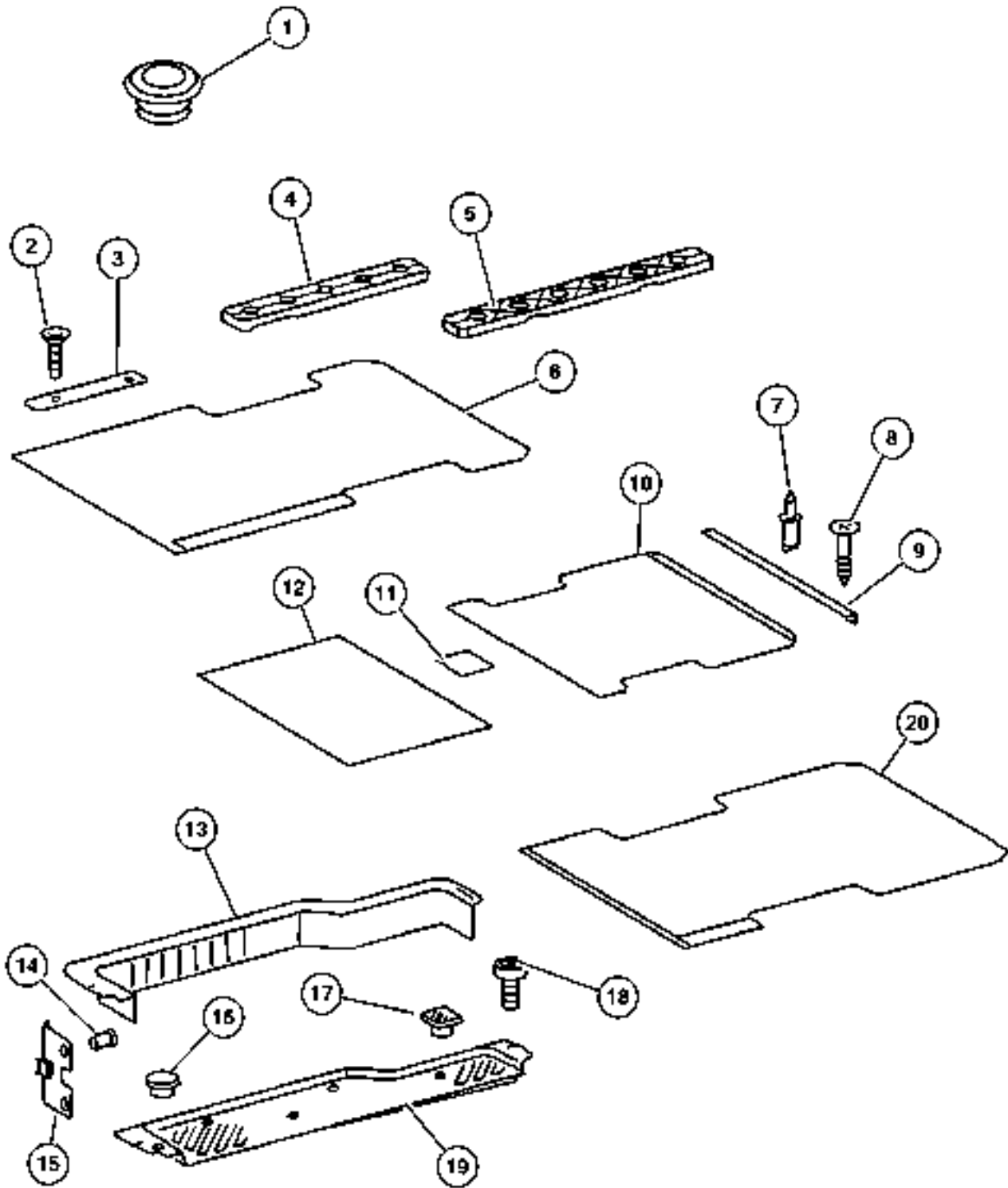
Refer to Model Legend Information Bookmark

AR = Use as required - = Non illustrated part # = New this model year

March 3, 2006

Floor - Wooden
Figure IVA-330

ITEM	PART NUMBER	QTY	LINE	SERIES	BODY	ENGINE	TRANS	TRIM	DESCRIPTION
	5121 438AA-	1	2, 6	L	11, 12, 14, 15, 16				Threshold For Partition Door
		1	3, 7	L	12, 15, 16				Threshold For Partition Door
-22	5122 670AA-	2	2, 6	L	11, 12, 14, 15, 16				MOLDING, Cargo Area Carpet With Sliding Doors, Right & Left
		2	2, 6	L	51, 52, 54, 55, 56				With Sliding Doors, Right & Left
		2	3, 7	L	12, 15, 16				With Sliding Doors, Right & Left
	5131 522AA-	1	2, 6	L	11, 12, 14, 15, 16				For [UPS]

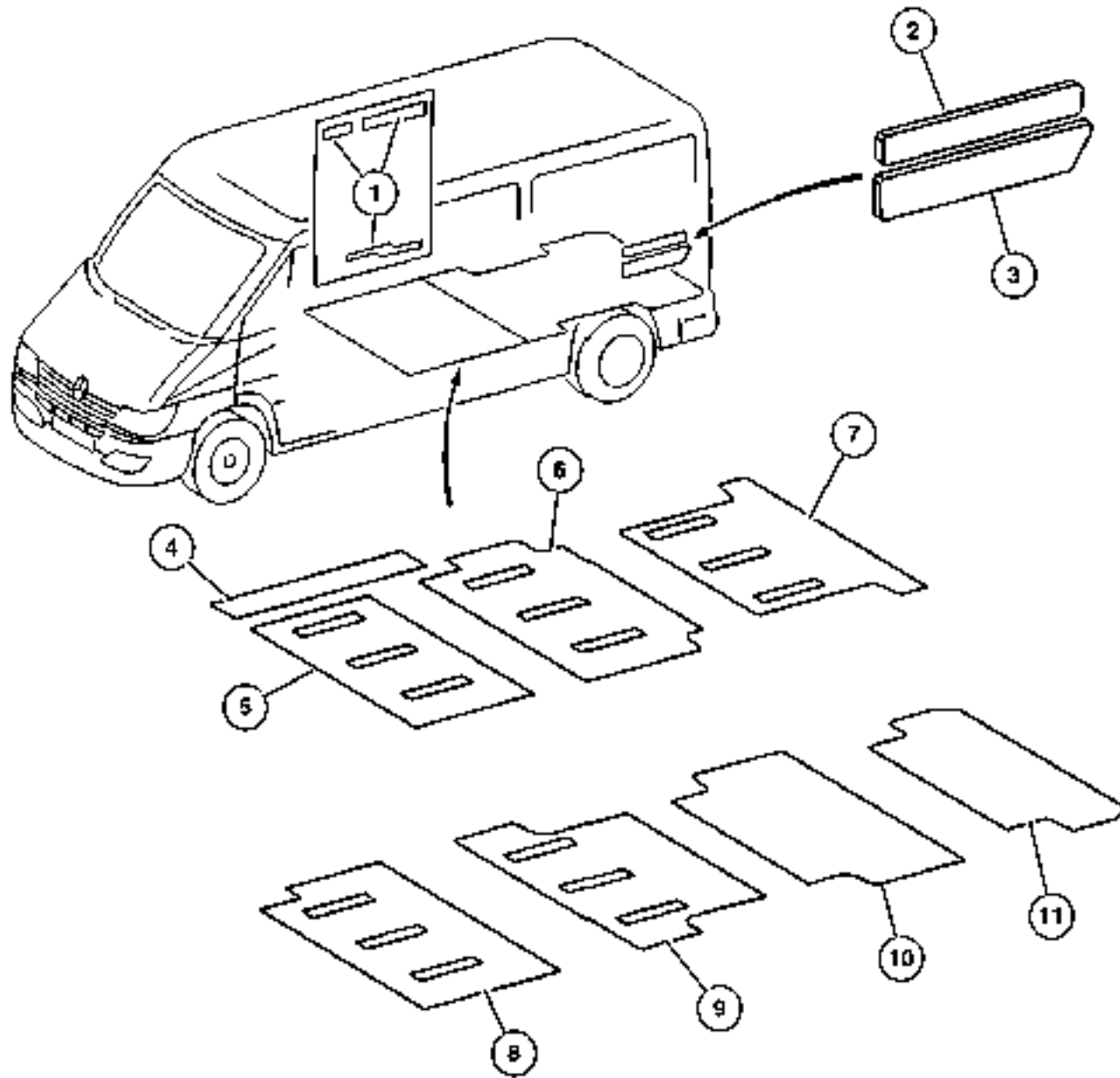


Refer to Model Legend Information Bookmark

AR = Use as required - = Non illustrated part # = New this model year

March 3, 2006

Insulation - Carpet
Figure IVA-340



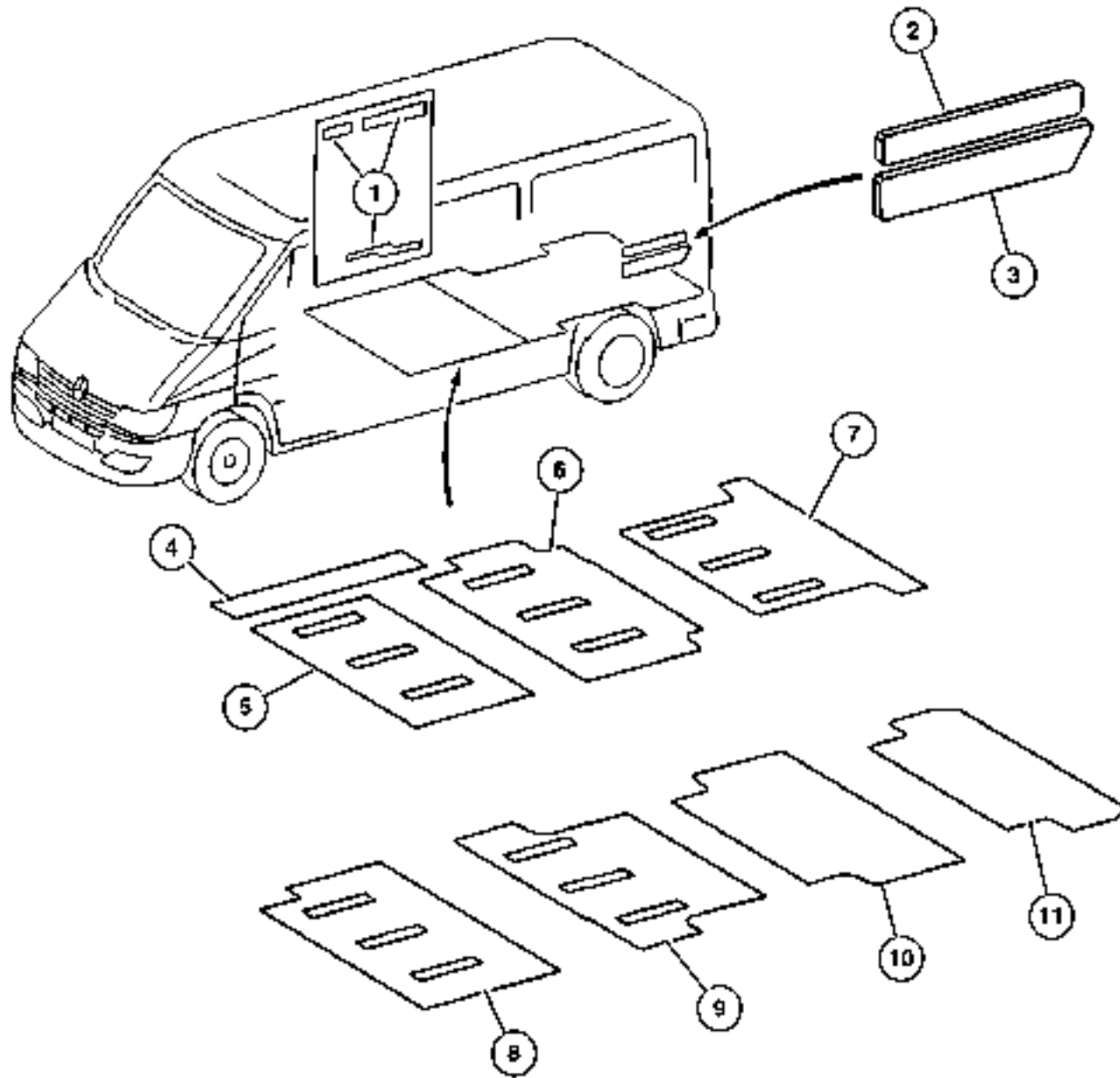
ITEM	PART NUMBER	QTY	LINE	SERIES	BODY	ENGINE	TRANS	TRIM	DESCRIPTION
1									INSULATION, NONE, SPRINTER, (NOT SERVICED) (Not Serviced)
2	5131 360AA	99	2, 6	L	11, 12, 14, 15, 16				INSULATION, Side Panel
		99	2, 6	L	51, 52, 54, 55, 56				
3	5122 497AA	1	2, 6	L	11, 12, 14, 15, 16				INSULATION, Side Panel [910x265x20mm]
		1	2, 6	L	51, 52, 54, 55, 56				[910x265x20mm]
		99	3, 7	L	12, 15, 16				[910x265x20mm]
	5122 504AA	1	2, 6	L	11, 14, 16				[910x265x20mm],Left
		1	2, 6	L	12, 15				[910x265x20mm],Left
		1	2, 6	L	51, 54, 56				[910x265x20mm],Left
		1	2, 6	L	52, 55				[910x265x20mm],Left
		1	2, 6	L	56				[910x265x20mm],Left
		1	3, 7	L	16				[910x265x20mm],Left
	5122 507AA	1	3, 7	L	12, 15				[910x265x20mm],Left
		1	2, 6	L	11, 14, 16				[910x265x20mm],Right
		1	2, 6	L	12, 15				[910x265x20mm],Right
		1	2, 6	L	16				[910x265x20mm],Right
		1	2, 6	L	52, 55				[910x265x20mm],Right
		1	2, 6	L	51, 54, 56				[910x265x20mm],Right
		1	3, 7	L	16				[910x265x20mm],Right
		1	3, 7	L	12, 15				[910x265x20mm],Right
4	5133 560AA	1	2, 6	L	11, 12, 14, 15, 16				INSULATION, Floor
		1	2, 6	L	51, 52, 54, 55, 56				

Refer to Model Legend Information Bookmark

AR = Use as required - = Non illustrated part # = New this model year

March 3, 2006

Insulation - Carpet
Figure IVA-340



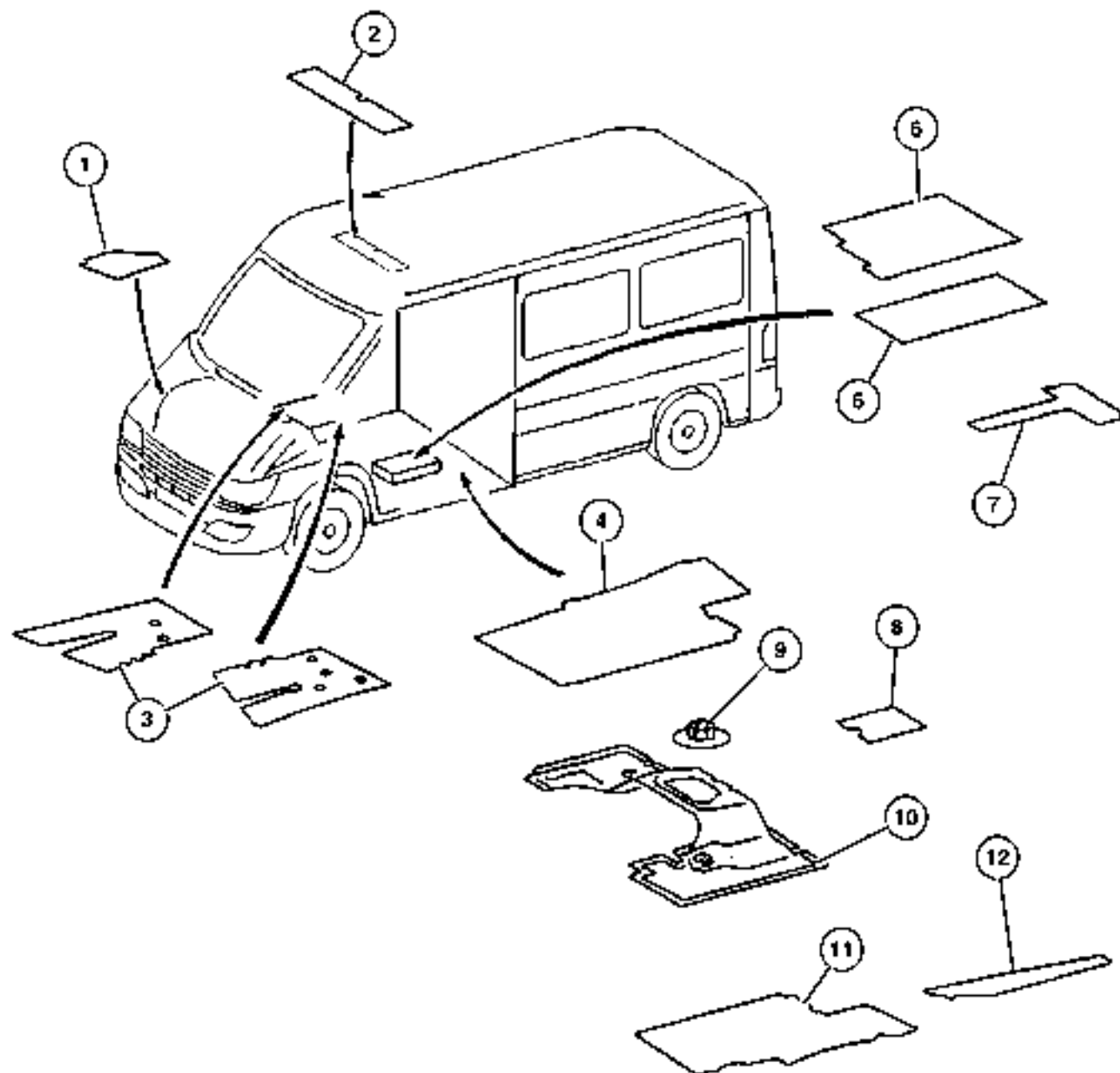
ITEM	PART NUMBER	QTY	LINE	SERIES	BODY	ENGINE	TRANS	TRIM	DESCRIPTION
		1	3, 7	L	12, 15, 16				
5	5122 432AA	1	2, 6	L	11, 12, 14, 15, 16				INSULATION, Floor
		1	2, 6	L	51, 52, 54, 55, 56				
		1	3, 7	L	12, 15, 16				
6	5122 435AA	1	2, 6	L	12, 15				INSULATION, Floor
		1	2, 6	L	52, 55				
		1	3, 7	L	12, 15				
7	5122 454AA	1	2, 6	L	12, 15				INSULATION, Floor
		1	2, 6	L	52, 55				
		1	3, 7	L	12, 15				
8	5122 436AA	1	2, 6	L	16				INSULATION, Floor
		1	2, 6	L	56				
		1	3, 7	L	16				
9	5122 455AA	1	2, 6	L	16				INSULATION, Floor
		1	2, 6	L	56				
		1	3, 7	L	16				
10	5122 453AA	1	2, 6	L	11, 14				INSULATION, Floor
		1	2, 6	L	51, 54				
11	5122 453AA	1	2, 6	L	11, 14				INSULATION, Floor
		1	2, 6	L	51, 54				

Refer to Model Legend Information Bookmark

AR = Use as required - = Non illustrated part # = New this model year

March 3, 2006

Insulation Floor Figure IVA-350



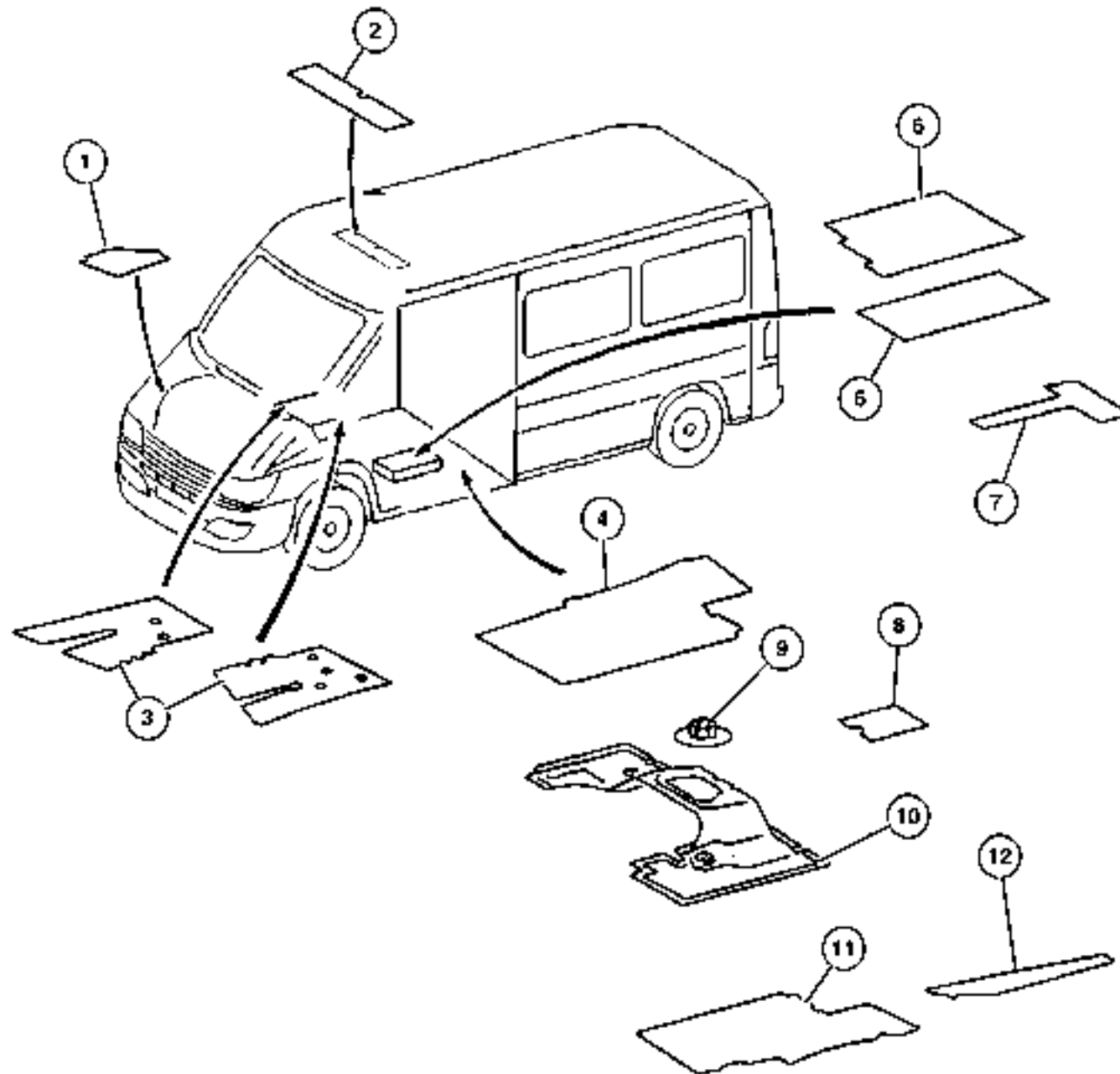
ITEM	PART NUMBER	QTY	LINE	SERIES	BODY	ENGINE	TRANS	TRIM	DESCRIPTION
1									SILENCER, Wheelhouse
	5122 468AA	1	2, 6	L	01, 02, 06				Inside Left
		1	2, 6	L	11, 12, 14, 15, 16				Inside Left
		1	2, 6	L	51, 52, 54, 55, 56				Inside Left
		1	3, 7	L	02, 06				Inside Left
		1	3, 7	L	12, 15, 16				Inside Left
	5122 469AA	1	2, 6	L	01, 02, 06				Inside Right
		1	2, 6	L	11, 12, 14, 15, 16				Inside Right
		1	2, 6	L	51, 52, 54, 55, 56				Inside Right
		1	3, 7	L	02, 06				Inside Right
		1	3, 7	L	12, 15, 16				Inside Right
2									INSULATION, Roof Headliner
	5122 541AA	1	2, 6	L	01, 02, 06				
		1	2, 6	L	11, 12, 14, 15, 16				
		1	2, 6	L	51, 52, 54, 55, 56				
		1	3, 7	L	02, 06				
		1	3, 7	L	12, 15, 16				
3									INSULATION, NONE, SPRINTER, Engine Room, (NOT SERVICED) (Not Serviced)
4									INSULATION, Floor
	5122 482AA	1	2, 6	L	01, 02, 06				
		1	2, 6	L	11, 12, 14, 15, 16				

Refer to Model Legend Information Bookmark

AR = Use as required - = Non illustrated part # = New this model year

March 3, 2006

Insulation Floor Figure IVA-350



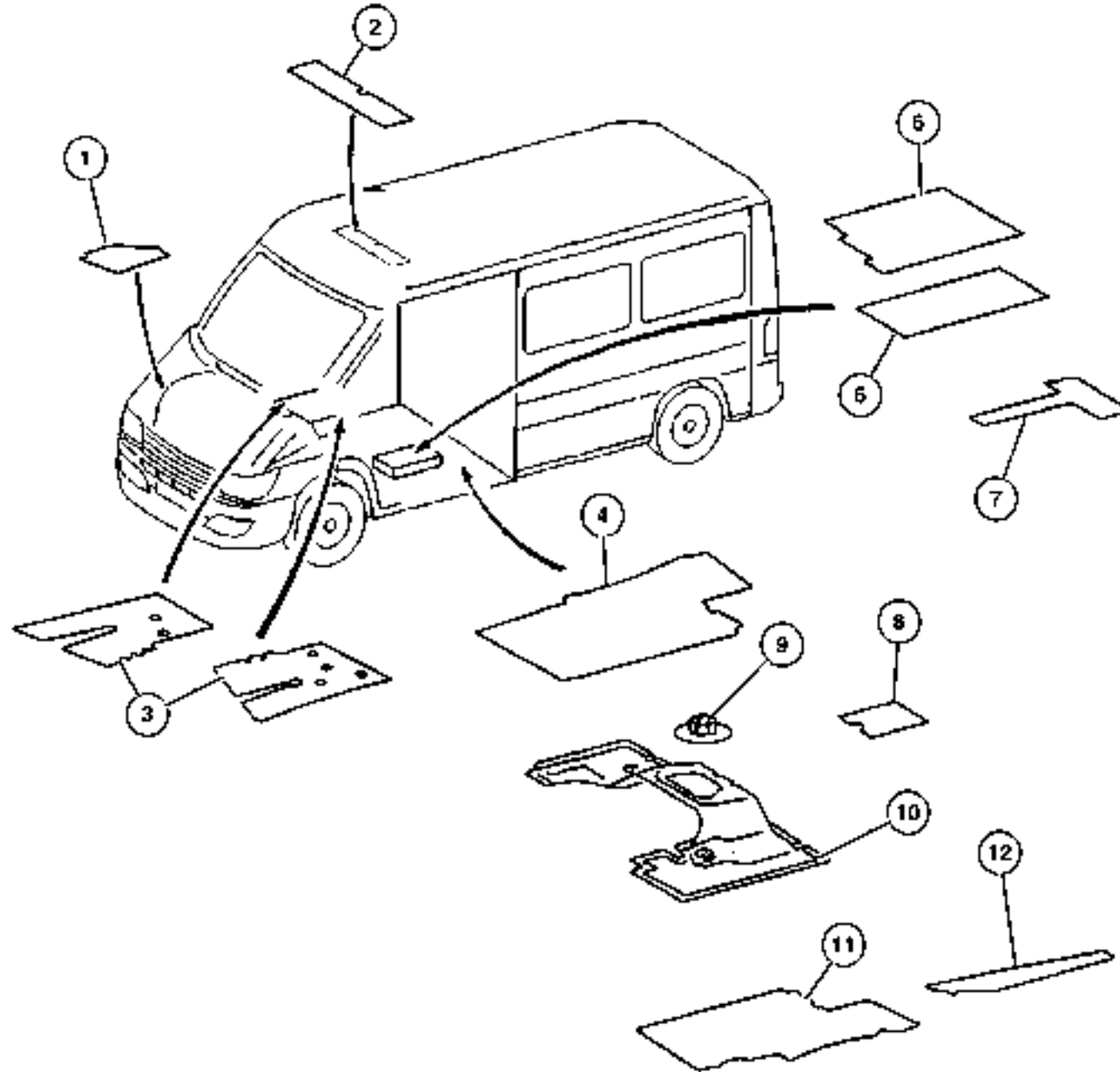
ITEM	PART NUMBER	QTY	LINE	SERIES	BODY	ENGINE	TRANS	TRIM	DESCRIPTION
		1	2, 6	L	51, 52, 54, 55, 56				
		1	3, 7	L	02, 06				
		1	3, 7	L	12, 15, 16				
5									INSULATION, NONE, SPRINTER, (NOT SERVICED) (Not Serviced)
6									INSULATION, Floor
	5122 535AA	1	2, 6	L	01, 02, 06				
		1	2, 6	L	11, 12, 14, 15, 16				
		1	2, 6	L	51, 52, 54, 55, 56				
		1	3, 7	L	02, 06				
		1	3, 7	L	12, 15, 16				
7									INSULATION, Floor
	5122 471AA	1	2, 6	L	01, 02, 06				
		1	2, 6	L	11, 12, 14, 15, 16				
		1	2, 6	L	51, 52, 54, 55, 56				
		1	3, 7	L	02, 06				
		1	3, 7	L	12, 15, 16				
8									INSULATION, Floor
	5122 473AA	2	2, 6	L	01, 02, 06				
		2	2, 6	L	11, 12, 14, 15, 16				
		2	2, 6	L	51, 52, 54, 55, 56				
		2	3, 7	L	02, 06				
		2	3, 7	L	12, 15, 16				
9									FASTENER, Buttonhead

Refer to Model Legend Information Bookmark

AR = Use as required - = Non illustrated part # = New this model year

March 3, 2006

Insulation Floor Figure IVA-350



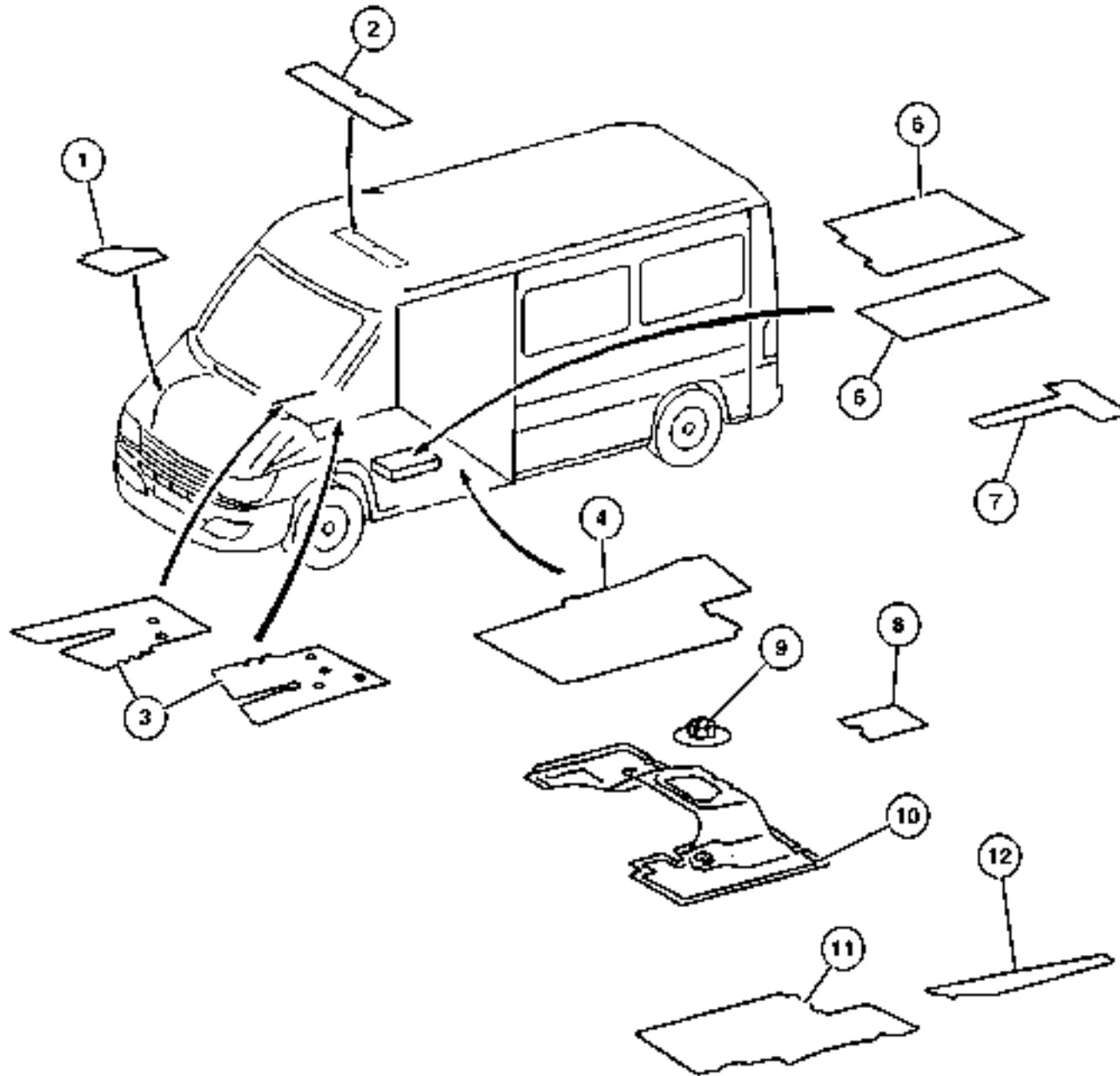
ITEM	PART NUMBER	QTY	LINE	SERIES	BODY	ENGINE	TRANS	TRIM	DESCRIPTION
	5125 593AA	1	2, 6	L	01, 02, 06				
		1	2, 6	L	11, 12, 14, 15, 16				
		1	2, 6	L	51, 52, 54, 55, 56				
		1	3, 7	L	02, 06				
		1	3, 7	L	12, 15, 16				
10	5122 476AA	1	2, 6	L	01, 02, 06				INSULATION, Floor
		1	2, 6	L	11, 12, 14, 15, 16				
		1	2, 6	L	51, 52, 54, 55, 56				
		1	3, 7	L	02, 06				
		1	3, 7	L	12, 15, 16				
11	5122 478AA	1	2, 6	L	01, 02, 06				INSULATION, Floor
		1	2, 6	L	11, 12, 14, 15, 16				
		1	2, 6	L	51, 52, 54, 55, 56				
		1	3, 7	L	02, 06				
		1	3, 7	L	12, 15, 16				
12	5122 466AA	1	2, 6	L	01, 02, 06				INSULATION, Floor
		1	2, 6	L	11, 12, 14, 15, 16				
		1	2, 6	L	51, 52, 54, 55, 56				
		1	3, 7	L	02, 06				

Refer to Model Legend Information Bookmark

AR = Use as required - = Non illustrated part # = New this model year

March 3, 2006

Insulation Floor
Figure IVA-350



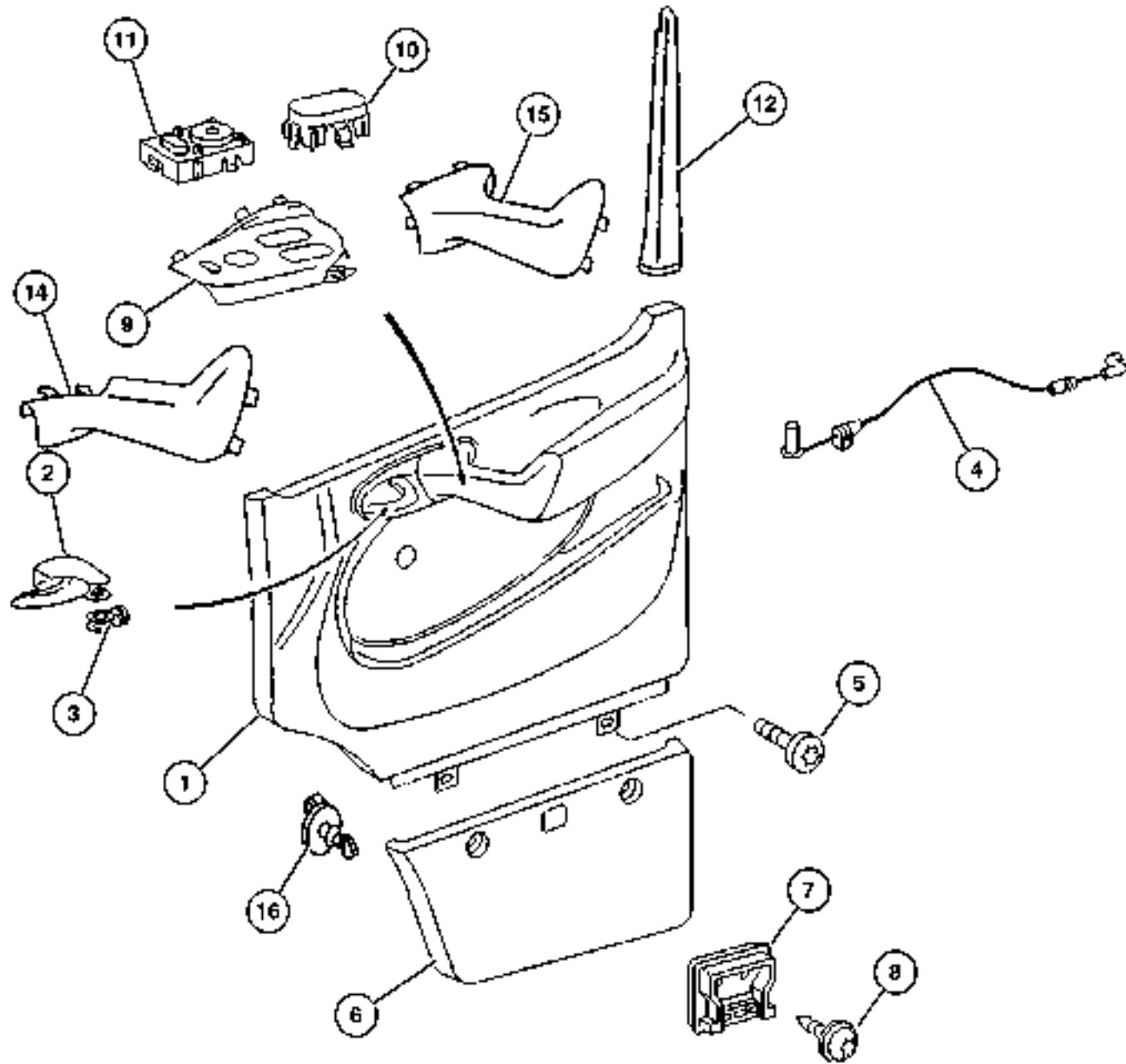
ITEM	PART NUMBER	QTY	LINE	SERIES	BODY	ENGINE	TRANS	TRIM	DESCRIPTION
		1	3, 7	L	12, 15, 16				
-13	5122 467AA-	1	2, 6	L	01, 02, 06				INSULATION, Floor Inside Right Entrance
		1	2, 6	L	11, 12, 14, 15, 16				Inside Right Entrance
		1	2, 6	L	51, 52, 54, 55, 56				Inside Right Entrance
		1	3, 7	L	02, 06				Inside Right Entrance
		1	3, 7	L	12, 15, 16				Inside Right Entrance
-14	5122 470AA-	1	2, 6	L	01, 02, 06				INSULATION, Floor Seat Box, Right
		1	2, 6	L	11, 12, 14, 15, 16				Seat Box, Right
		1	2, 6	L	51, 52, 54, 55, 56				Seat Box, Right
		1	3, 7	L	02, 06				Seat Box, Right
		1	3, 7	L	12, 15, 16				Seat Box, Right

Refer to Model Legend Information Bookmark

AR = Use as required - = Non illustrated part # = New this model year

March 3, 2006

Front Door Trim Figure IVA-410



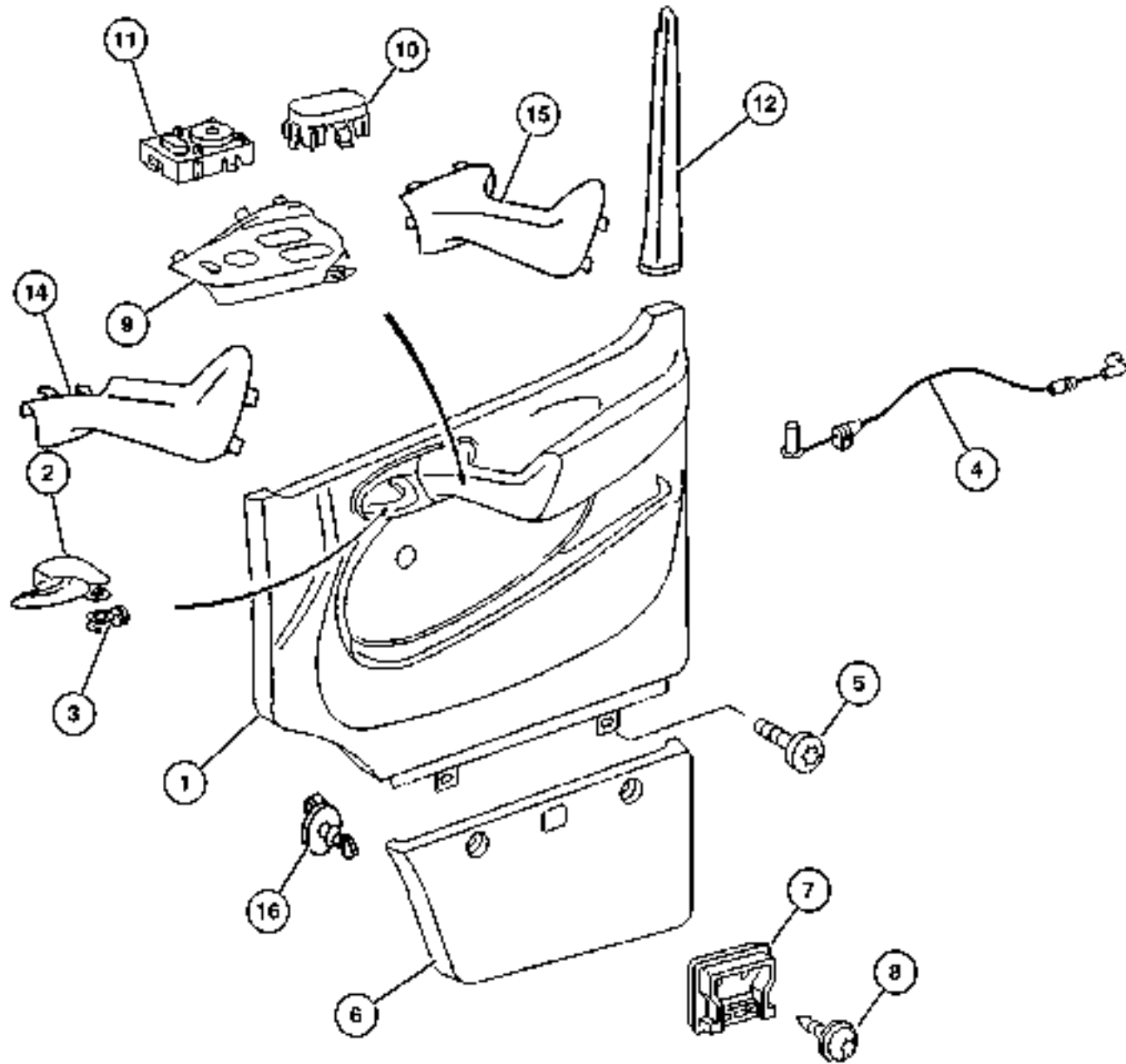
ITEM	PART NUMBER	QTY	LINE	SERIES	BODY	ENGINE	TRANS	TRIM	DESCRIPTION
1									PANEL, Front Door Trim
	5123 742AA	1	2, 6	L	01, 02, 06				With [JPA] Power Windows, Left
		1	2, 6	L	11, 12, 14, 15, 16				With [JPA] Power Windows, Left
		1	2, 6	L	51, 52, 54, 55, 56				With [JPA] Power Windows, Left
		1	3, 7	L	02, 06				With [JPA] Power Windows, Left
		1	3, 7	L	12, 15, 16				With [JPA] Power Windows, Left
	5123 747AA	1	2, 6	L	01, 02, 06				With [JPA] Power Windows, Right
		1	2, 6	L	11, 12, 14, 15, 16				With [JPA] Power Windows, Right
		1	2, 6	L	51, 52, 54, 55, 56				With [JPA] Power Windows, Right
		1	3, 7	L	02, 06				With [JPA] Power Windows, Right
		1	3, 7	L	12, 15, 16				With [JPA] Power Windows, Right
	5104 340AA	1	2, 6	L	01, 02, 06				Without [JPA] Power Windows, Left
		1	2, 6	L	11, 12, 14, 15, 16				Without [JPA] Power Windows, Left
		1	2, 6	L	51, 52, 54, 55, 56				Without [JPA] Power Windows, Left
		1	3, 7	L	02, 06				Without [JPA] Power Windows, Left
		1	3, 7	L	12, 15, 16				Without [JPA] Power Windows, Left
	5104 344AA	1	2, 6	L	01, 02, 06				Without [JPA] Power Windows, Right
		1	2, 6	L	11, 12, 14, 15, 16				Without [JPA] Power Windows, Right
		1	2, 6	L	51, 52, 54, 55, 56				Without [JPA] Power Windows, Right
		1	3, 7	L	02, 06				Without [JPA] Power Windows, Right

Refer to Model Legend Information Bookmark

AR = Use as required - = Non illustrated part # = New this model year

March 3, 2006

Front Door Trim
Figure IVA-410



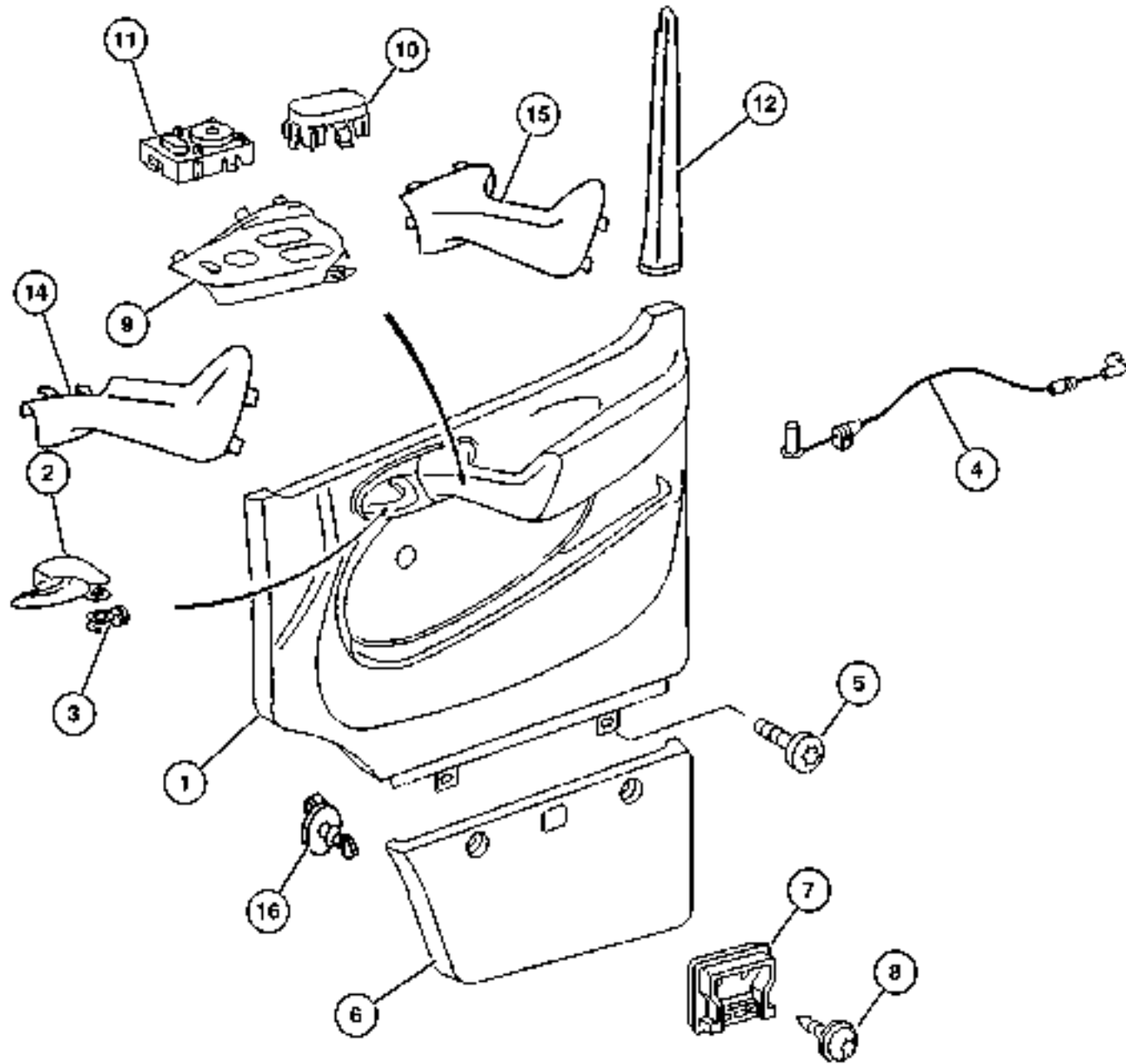
ITEM	PART NUMBER	QTY	LINE	SERIES	BODY	ENGINE	TRANS	TRIM	DESCRIPTION
		1	3, 7	L	12, 15, 16				Without [JPA] Power Windows, Right
2	5133 515AA	1	2, 6	L	01, 02, 06				HANDLE, Door Interior Right
		1	2, 6	L	11, 12, 14, 15, 16				Right
		1	2, 6	L	51, 52, 54, 55, 56				Right
		1	3, 7	L	02, 06				Right
		1	3, 7	L	12, 15, 16				Right
	5133 988AA	1	2, 6	L	01, 02, 06				Left
		1	2, 6	L	11, 12, 14, 15, 16				Left
		1	2, 6	L	51, 52, 54, 55, 56				Left
		1	3, 7	L	02, 06				Left
		1	3, 7	L	12, 15, 16				Left
	5123 788AA	1	2, 6	L	01, 02, 06				Pull Handle, Right
		1	2, 6	L	11, 12, 14, 15, 16				Pull Handle, Right
		1	2, 6	L	51, 52, 54, 55, 56				Pull Handle, Right
		1	3, 7	L	02, 06				Pull Handle, Right
		1	3, 7	L	12, 15, 16				Pull Handle, Right
	5123 789AA	1	2, 6	L	01, 02, 06				Pull Handle, Left
		1	2, 6	L	11, 12, 14, 15, 16				Pull Handle, Left
		1	2, 6	L	51, 52, 54, 55, 56				Pull Handle, Left
		1	3, 7	L	02, 06				Pull Handle, Left

Refer to Model Legend Information Bookmark

AR = Use as required - = Non illustrated part # = New this model year

March 3, 2006

Front Door Trim
Figure IVA-410



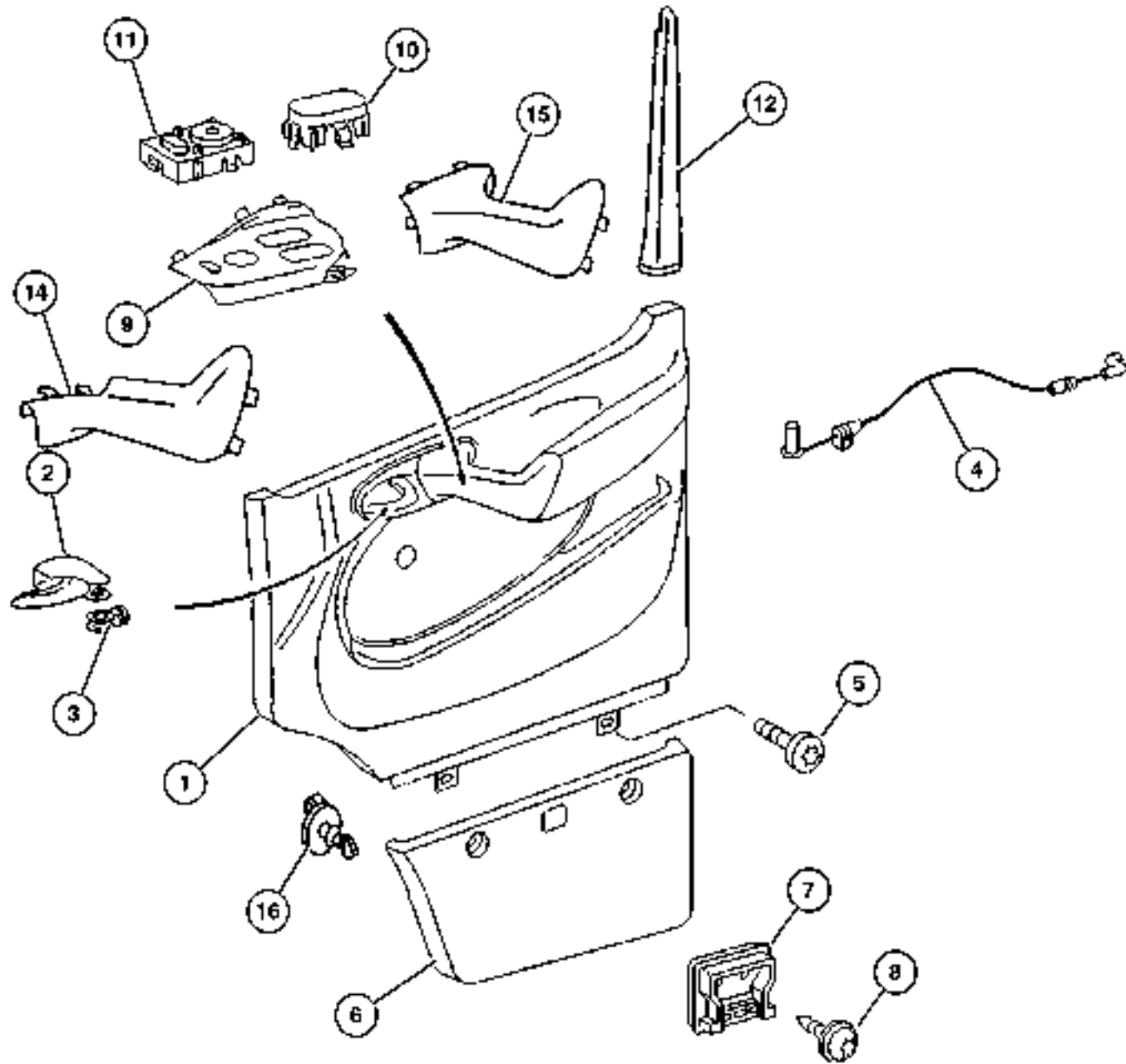
ITEM	PART NUMBER	QTY	LINE	SERIES	BODY	ENGINE	TRANS	TRIM	DESCRIPTION
		1	3, 7	L	12, 15, 16				Pull Handle, Left
3	5133 516AA	1	2, 6	L	01, 02, 06				CLIP, Door Trim Right
		1	2, 6	L	11, 12, 14, 15, 16				Right
		1	2, 6	L	51, 52, 54, 55, 56				Right
		1	3, 7	L	02, 06				Right
		1	3, 7	L	12, 15, 16				Right
	5133 989AA	1	2, 6	L	01, 02, 06				Left
		1	2, 6	L	11, 12, 14, 15, 16				Left
		1	2, 6	L	51, 52, 54, 55, 56				Left
		1	3, 7	L	02, 06				Left
		1	3, 7	L	12, 15, 16				Left
4	5124 068AA	1	2, 6	L	01, 02, 06				LINK, Door Latch Left
		1	2, 6	L	11, 12, 14, 15, 16				Left
		1	2, 6	L	51, 52, 54, 55, 56				Left
		1	3, 7	L	12, 15, 16				Left
	5124 069AA	1	2, 6	L	01, 02, 06				Right
		1	2, 6	L	11, 12, 14, 15, 16				Right
		1	2, 6	L	51, 52, 54, 55, 56				Right

Refer to Model Legend Information Bookmark

AR = Use as required - = Non illustrated part # = New this model year

March 3, 2006

Front Door Trim
Figure IVA-410



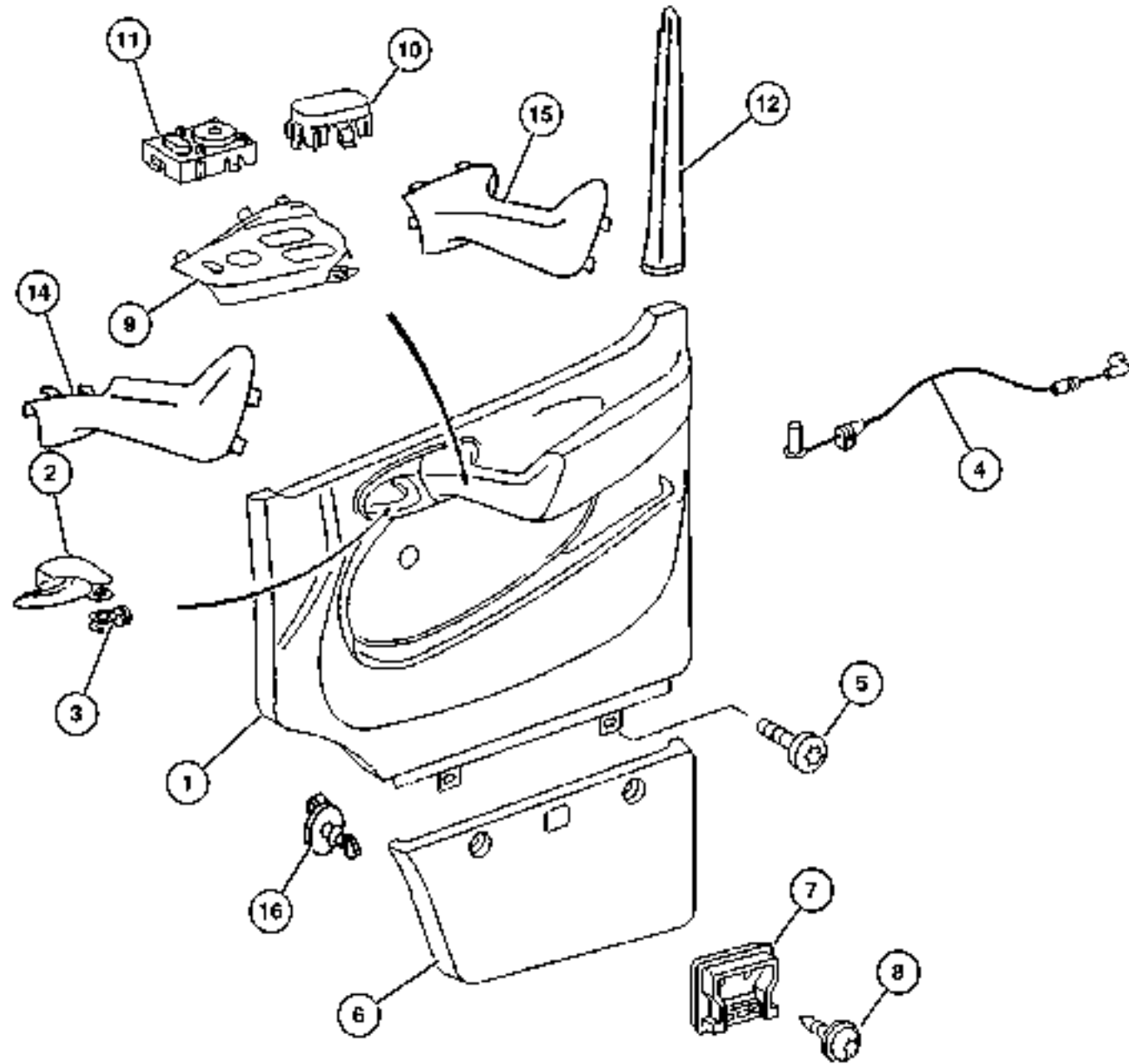
ITEM	PART NUMBER	QTY	LINE	SERIES	BODY	ENGINE	TRANS	TRIM	DESCRIPTION
		1	3, 7	L	12, 15, 16				Right
5	6104 142AA	2	2, 6	L	01, 02, 06				SCREW
		2	2, 6	L	11, 12, 14, 15, 16				
		2	2, 6	L	51, 52, 54, 55, 56				
		2	3, 7	L	12, 15, 16				
6	5104 325AA	1	2, 6	L	02, 06				COVER, Door Panel Left
		1	2, 6	L	11, 12, 14, 15, 16				
		1	2, 6	L	51, 52, 54, 55, 56				Left
		1	3, 7	L	12, 15, 16				Left
	5114 499AA	1	2, 6	L	01, 02, 06				Right
		1	2, 6	L	11, 12, 14, 15, 16				Right
		1	2, 6	L	51, 52, 54, 55, 56				Right
		1	3, 7	L	02, 06				Right
		1	3, 7	L	12, 15, 16				Right
7	5123 763AA	2	2, 6	L	11, 12, 14, 15, 16				BEZEL, Door Trim Panel
		2	2, 6	L	51, 52, 54, 55, 56				
		2	3, 7	L	12, 15, 16				
8									SCREW

Refer to Model Legend Information Bookmark

AR = Use as required - = Non illustrated part # = New this model year

March 3, 2006

Front Door Trim
Figure IVA-410



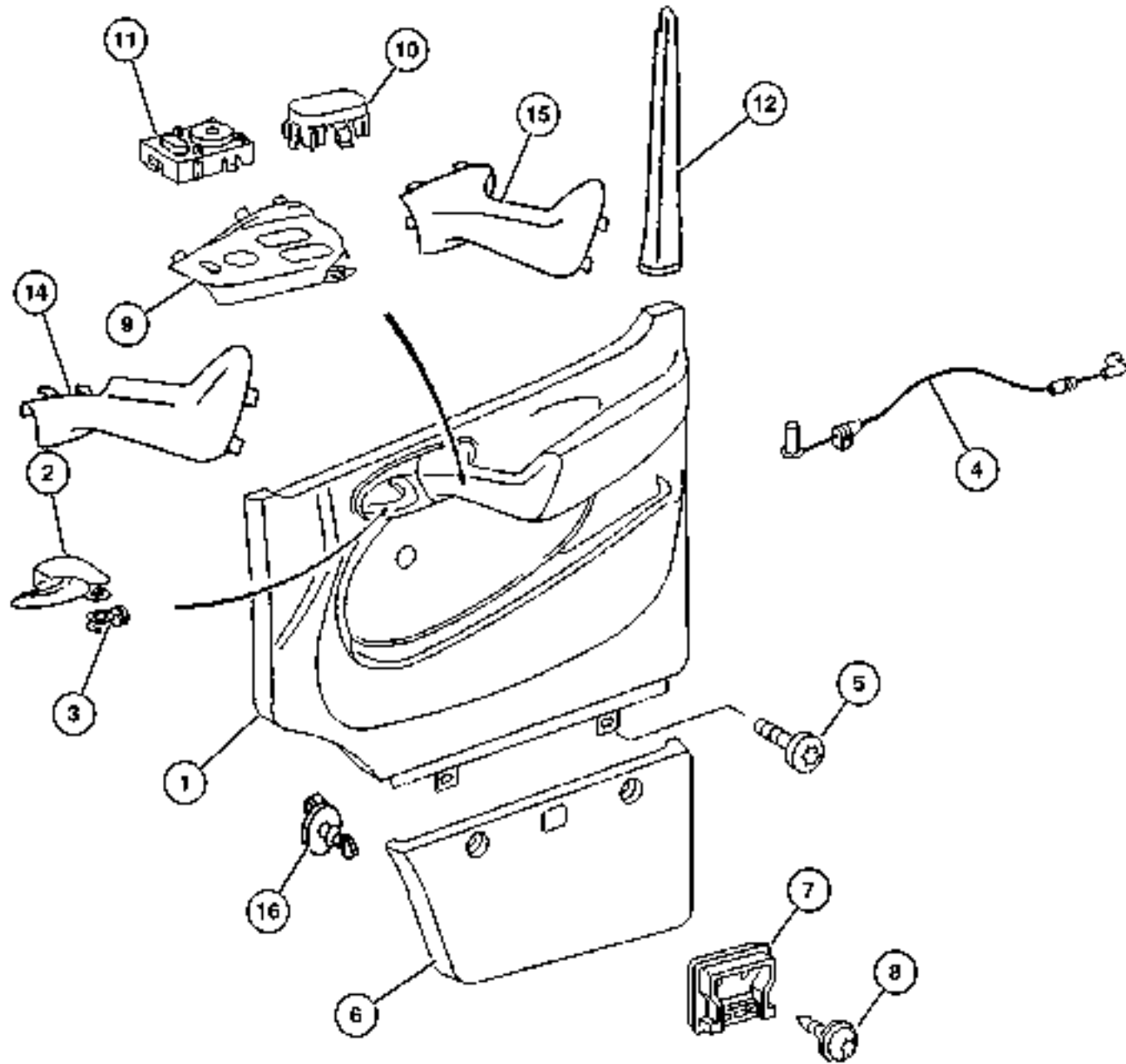
ITEM	PART NUMBER	QTY	LINE	SERIES	BODY	ENGINE	TRANS	TRIM	DESCRIPTION
	6104 567AA	4	2, 6	L	01, 02, 06				
		4	2, 6	L	11, 12, 14, 15, 16				
		4	2, 6	L	51, 52, 54, 55, 56				
		4	3, 7	L	02, 06				
		4	3, 7	L	12, 15, 16				
9									BEZEL, Power Window/Door Lock Switch
	5123 790AA	1	2, 6	L	01, 02, 06				Left
		1	2, 6	L	11, 12, 14, 15, 16				Left
		1	2, 6	L	51, 52, 54, 55, 56				Left
		1	3, 7	L	02, 06				Left
		1	3, 7	L	12, 15, 16				Left
	5123 791AA	1	2, 6	L	01, 02, 06				Right
		1	2, 6	L	11, 12, 14, 15, 16				Right
		1	2, 6	L	51, 52, 54, 55, 56				Right
		1	3, 7	L	02, 06				Right
		1	3, 7	L	12, 15, 16				Right
10									COVER, Switch
	5104 354AA	2	2, 6	L	01, 02, 06				
		2	2, 6	L	11, 12, 14, 15, 16				
		2	2, 6	L	51, 52, 54, 55, 56				
		2	3, 7	L	02, 06				

Refer to Model Legend Information Bookmark

AR = Use as required - = Non illustrated part # = New this model year

March 3, 2006

Front Door Trim
Figure IVA-410



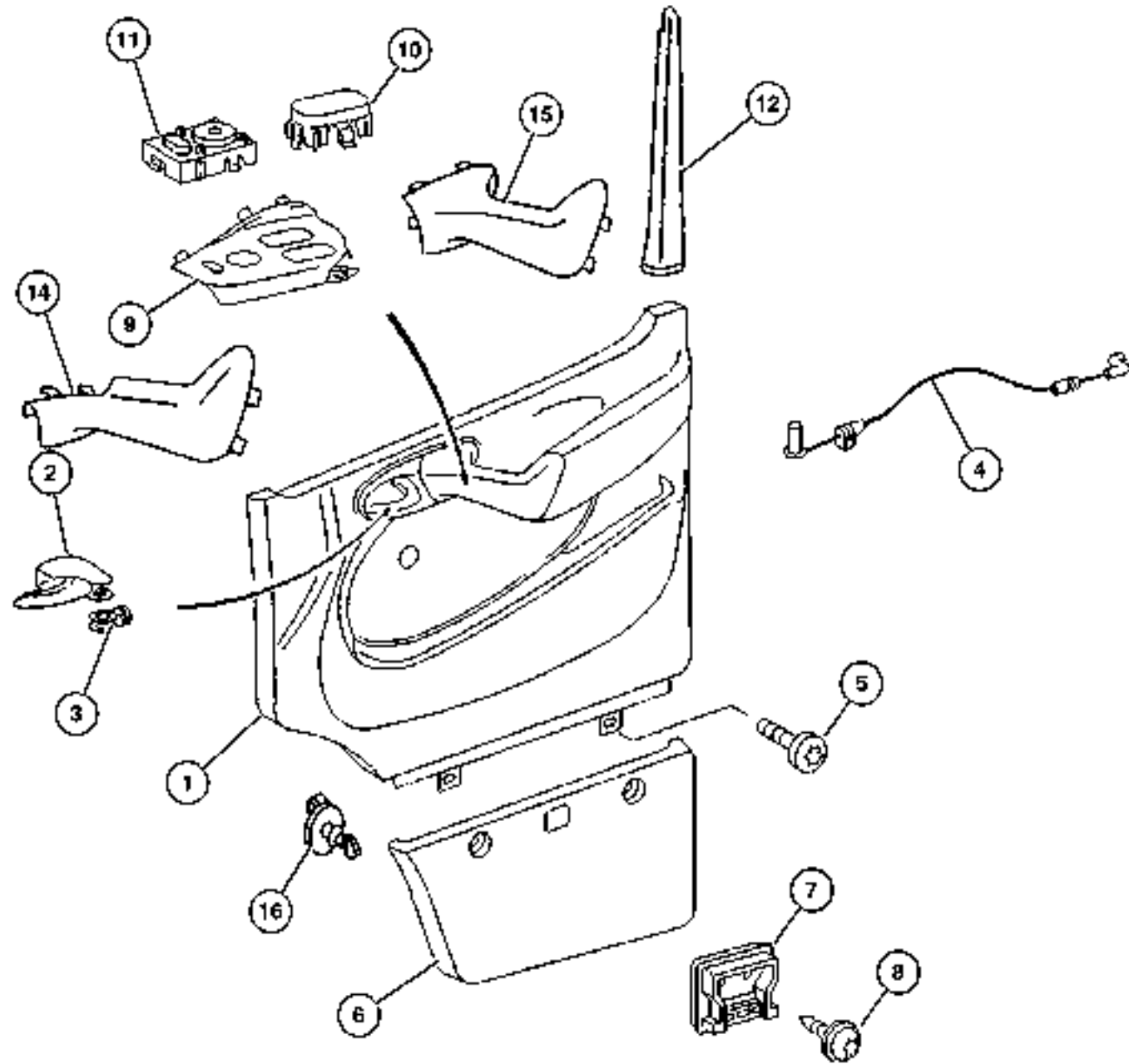
ITEM	PART NUMBER	QTY	LINE	SERIES	BODY	ENGINE	TRANS	TRIM	DESCRIPTION
		2	3, 7	L	12, 15,				
					16				
11	5123 792AA	1	2, 6	L	01, 02,				SWITCH, Mirror
		1	2, 6	L	11, 12,				
		1	2, 6	L	14, 15,				
		1	2, 6	L	16				
		1	2, 6	L	51, 52,				
		1	3, 7	L	54, 55,				
		1	3, 7	L	56				
		1	3, 7	L	02, 06				
		1	3, 7	L	12, 15,				
					16				
12	5104 322AA	1	2, 6	L	01, 02,				MOLDING, Front Door Closeout
		1	2, 6	L	06				Left
		1	2, 6	L	11, 12,				Left
		1	2, 6	L	14, 15,				Left
		1	2, 6	L	16				Left
		1	2, 6	L	51, 52,				Left
		1	3, 7	L	54, 55,				Left
		1	3, 7	L	56				Left
		1	3, 7	L	02, 06				Left
		1	3, 7	L	12, 15,				Left
					16				
	5123 738AA	1	2, 6	L	01, 02,				Right
		1	2, 6	L	06				Right
		1	2, 6	L	11, 12,				Right
		1	2, 6	L	14, 15,				Right
		1	2, 6	L	16				Right
		1	2, 6	L	51, 52,				Right
		1	3, 7	L	54, 55,				Right
		1	3, 7	L	56				Right
		1	3, 7	L	02, 06				Right
		1	3, 7	L	12, 15,				Right
					16				
-13	6104 897AA-	6	2, 6	L	01, 02,				CLIP, Trim
		6	2, 6	L	06				
		6	2, 6	L	11, 12,				
					14, 15,				
					16				

Refer to Model Legend Information Bookmark

AR = Use as required - = Non illustrated part # = New this model year

March 3, 2006

Front Door Trim
Figure IVA-410



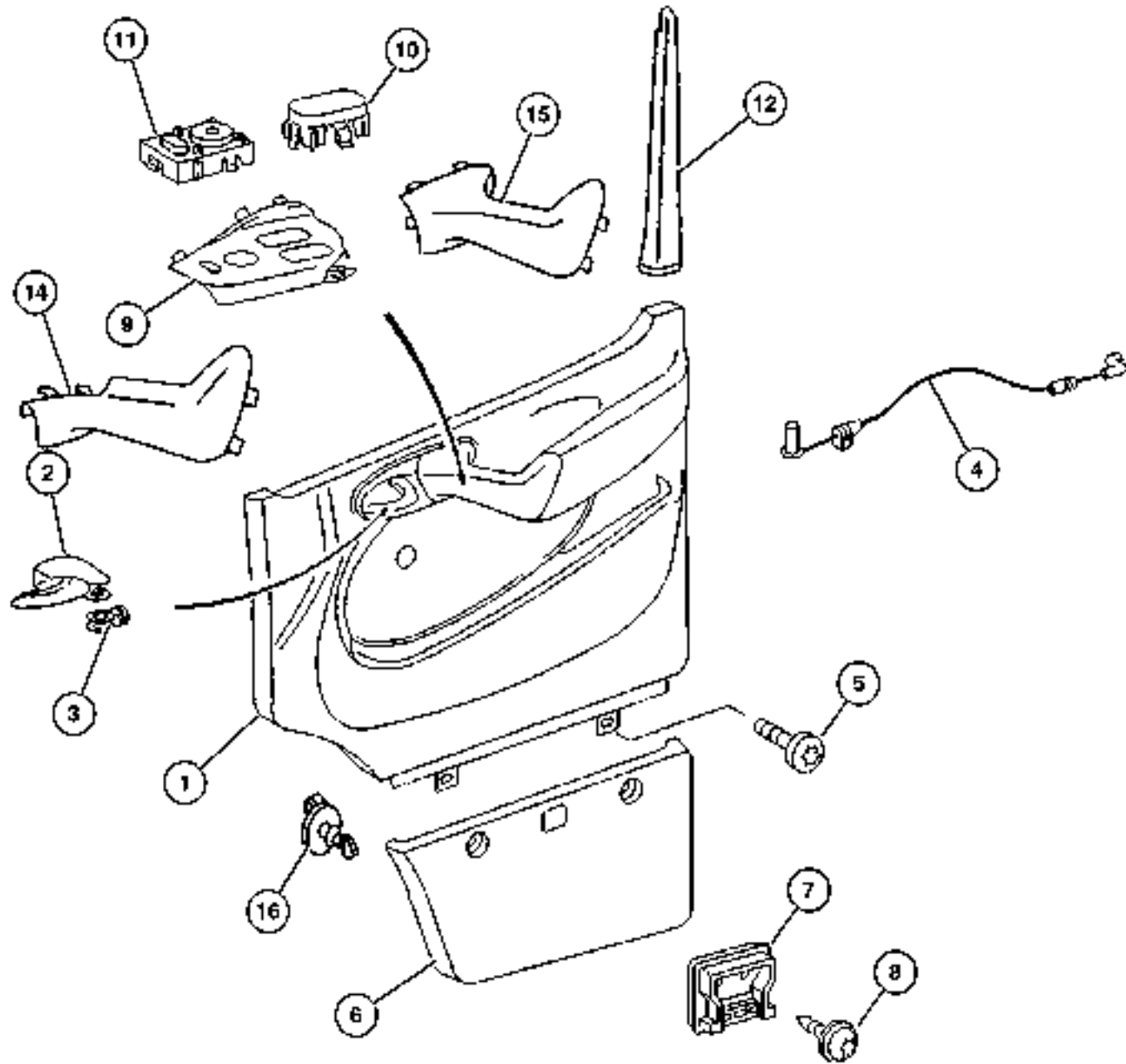
ITEM	PART NUMBER	QTY	LINE	SERIES	BODY	ENGINE	TRANS	TRIM	DESCRIPTION
		6	2, 6	L	51, 52, 54, 55, 56				
		6	3, 7	L	02, 06				
		6	3, 7	L	12, 15, 16				
14	5123 788AA	1	2, 6	L	01, 02, 06				HANDLE, Door Interior With [JPA] Power Heated Mirrors, Left
		1	2, 6	L	11, 12, 14, 15, 16				With [JPA] Power Heated Mirrors, Left
		1	2, 6	L	51, 52, 54, 55, 56				With [JPA] Power Heated Mirrors, Left
		1	3, 7	L	02, 06				With [JPA] Power Heated Mirrors, Left
		1	3, 7	L	12, 15, 16				With [JPA] Power Heated Mirrors, Left
	5123 789AA	1	2, 6	L	01, 02, 06				With [JPA] Power Heated Mirrors, Right
		1	2, 6	L	11, 12, 14, 15, 16				With [JPA] Power Heated Mirrors, Right
		1	2, 6	L	51, 52, 54, 55, 56				With [JPA] Power Heated Mirrors, Right
		1	3, 7	L	02, 06				With [JPA] Power Heated Mirrors, Right
		1	3, 7	L	12, 15, 16				With [JPA] Power Heated Mirrors, Right
15	5123 786AA	1	2, 6	L	01, 02, 06				HANDLE, Door Interior Without [JPA] Power Mirrors, Left
		1	2, 6	L	11, 12, 14, 15, 16				Without [JPA] Power Mirrors, Left
		1	2, 6	L	51, 52, 54, 55, 56				Without [JPA] Power Mirrors, Left
		1	3, 7	L	02, 06				Without [JPA] Power Mirrors, Left
		1	3, 7	L	12, 15, 16				Without [JPA] Power Mirrors, Left
	5123 787AA	1	2, 6	L	01, 02, 06				Without [JPA] Power Mirrors, Right

Refer to Model Legend Information Bookmark

AR = Use as required - = Non illustrated part # = New this model year

March 3, 2006

Front Door Trim
Figure IVA-410



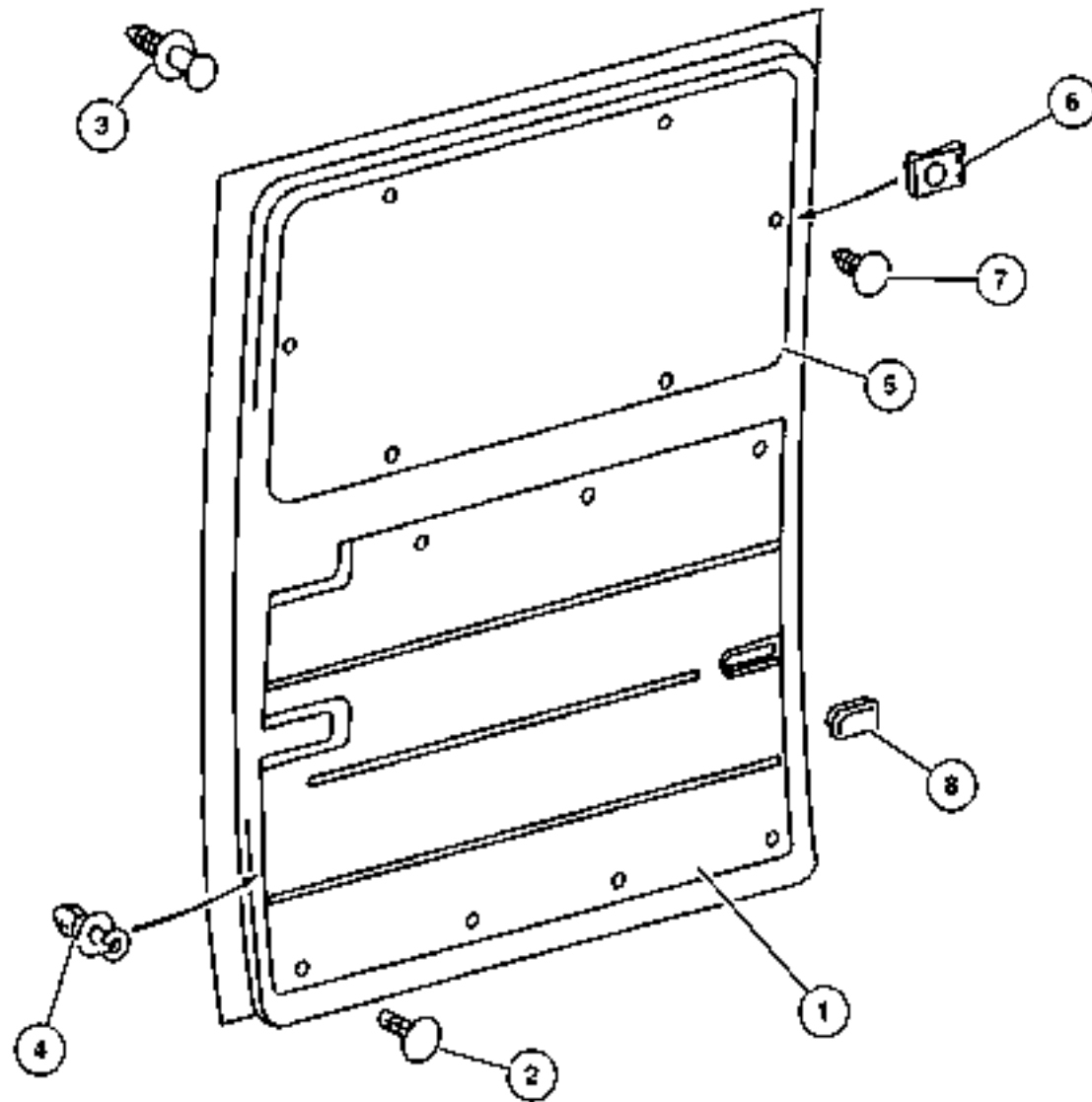
ITEM	PART NUMBER	QTY	LINE	SERIES	BODY	ENGINE	TRANS	TRIM	DESCRIPTION
		1	2, 6	L	11, 12,				Without [JPA] Power Mirrors, Right
		1	2, 6	L	14, 15,				Without [JPA] Power Mirrors, Right
		1	2, 6	L	16				
		1	2, 6	L	51, 52,				Without [JPA] Power Mirrors, Right
		1	2, 6	L	54, 55,				
		1	2, 6	L	56				
		1	3, 7	L	02, 06				Without [JPA] Power Mirrors, Right
		1	3, 7	L	12, 15,				Without [JPA] Power Mirrors, Right
		1	3, 7	L	16				
16	5133 517AA	2	2, 6	L	01, 02,				RETAINER, Trim Panel
		2	2, 6	L	06				
		2	2, 6	L	11, 12,				
		2	2, 6	L	14, 15,				
		2	2, 6	L	16				
		2	2, 6	L	51, 52,				
		2	2, 6	L	54, 55,				
		2	2, 6	L	56				
		2	3, 7	L	02, 06				
		2	3, 7	L	12, 15,				
		2	3, 7	L	16				

Refer to Model Legend Information Bookmark

AR = Use as required - = Non illustrated part # = New this model year

March 3, 2006

Sliding Door Trim Figure IVA-420



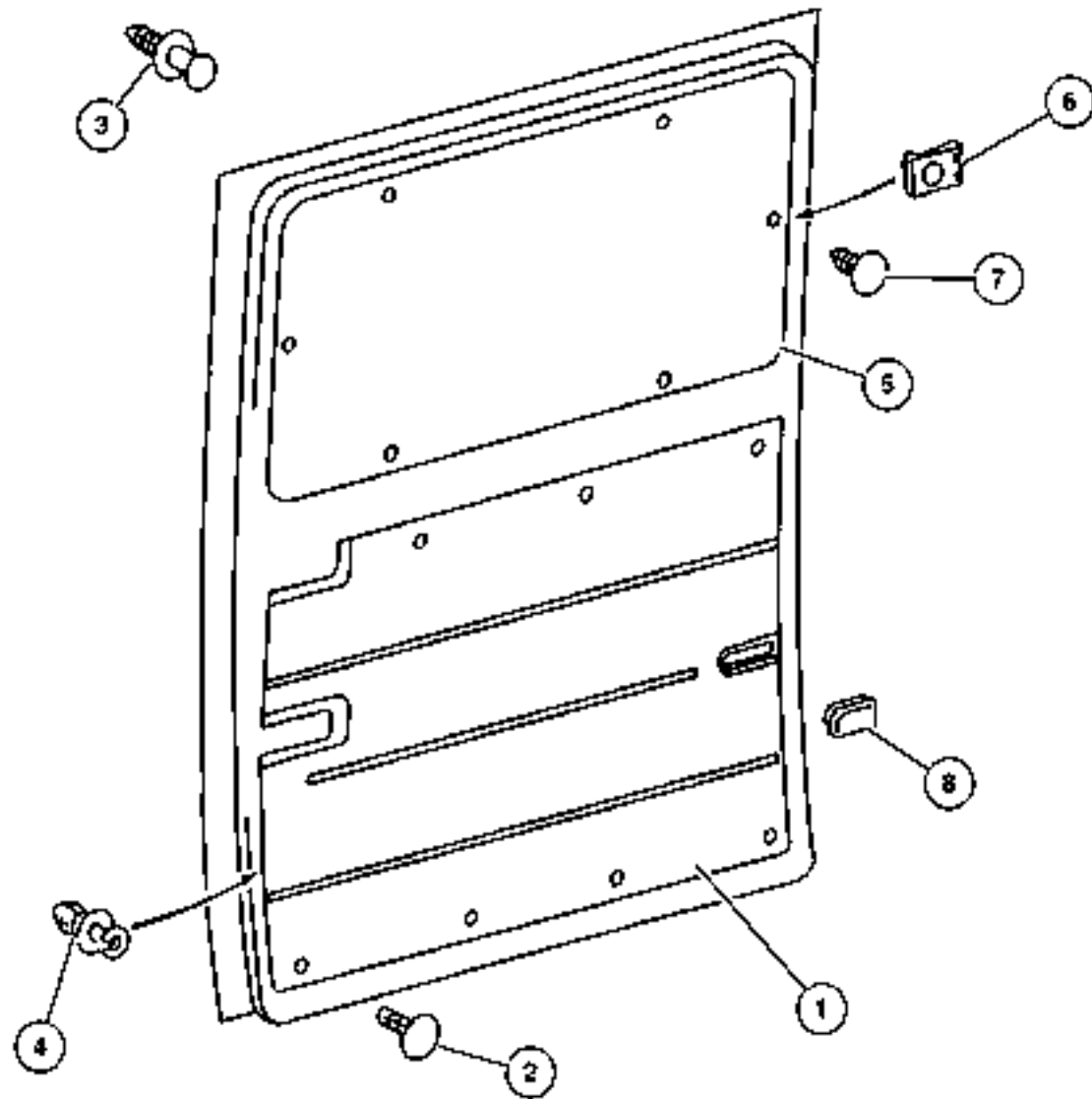
ITEM	PART NUMBER	QTY	LINE	SERIES	BODY	ENGINE	TRANS	TRIM	DESCRIPTION
Sales Codes:									
[4UW] = Interior Paneling Luxury									
[CMF] = Cargo Panels									
[GKA] = Right Sliding Door									
[GKE] = Left Sliding Door									
[GKG] = High Clearance									
1	5104 366AA	1	2, 6	L	11, 12, 14, 15, 16				PANEL, Sliding Door Trim With [GKA] Sliding Right Door
		1	2, 6	L	51, 52, 54, 55, 56				With [GKA] Sliding Right Door
		1	3, 7	L	12, 15, 16				With [GKA] Sliding Right Door
	5104 367AA	1	2, 6	L	11, 12, 14, 15, 16				With [GKA] Sliding Right Door and [CMF] Cargo Panels
		1	3, 7	L	12, 15, 16				With [GKA] Sliding Right Door and [CMF] Cargo Panels
	5123 841AA	1	2, 6	L	11, 12, 14, 15, 16				With [GKE] Sliding Left Door and [4UW] Interior Paneling Luxury
		1	2, 6	L	51, 52, 54, 55, 56				With [GKE] Sliding Left Door and [4UW] Interior Paneling Luxury
		1	3, 7	L	12, 15, 16				With [GKE] Sliding Left Door and [4UW] Interior Paneling Luxury
	5123 845AA	1	2, 6	L	11, 12, 14, 15, 16				With [GKA] Sliding Right Door and [4UW] Interior Paneling
		1	2, 6	L	51, 52, 54, 55, 56				With [GKA] Sliding Right Door and [4UW] Interior Paneling
		1	3, 7	L	12, 15, 16				With [GKA] Sliding Right Door and [4UW] Interior Paneling
	5123 875AA	1	2, 6	L	11, 12, 14, 15, 16				With [GKE] Sliding Left Door and [CMF] Full Laminated Wood
		1	3, 7	L	12, 15, 16				With [GKE] Sliding Left Door and [CMF] Full Laminated Wood
	5123 877AA	1	2, 6	L	11, 12, 14, 15, 16				With [GKE] Sliding Left Door

Refer to Model Legend Information Bookmark

AR = Use as required - = Non illustrated part # = New this model year

March 3, 2006

Sliding Door Trim
Figure IVA-420



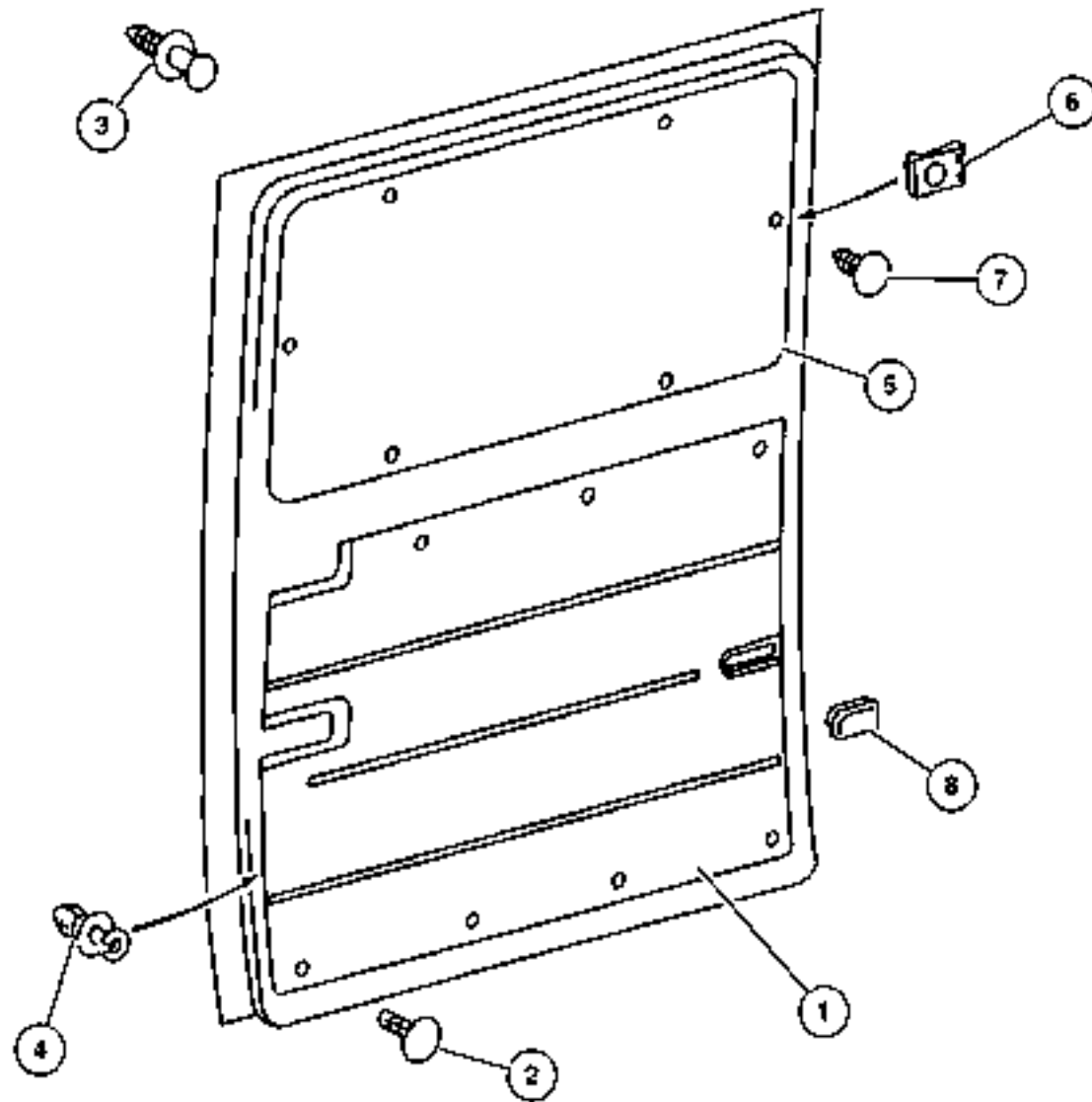
ITEM	PART NUMBER	QTY	LINE	SERIES	BODY	ENGINE	TRANS	TRIM	DESCRIPTION
		1	2, 6	L	51, 52, 54, 55, 56				With [GKE] Sliding Left Door
		1	3, 7	L	12, 15, 16				With [GKE] Sliding Left Door
	5123 881AA	1	2, 6	L	11, 12, 14, 15, 16				With [GKE] Sliding Left Door and [CTE] Washable Wall
		1	3, 7	L	12, 15, 16				With [GKE] Sliding Left Door and [CTE] Washable Wall
	5123 882AA	1	2, 6	L	11, 12, 14, 15, 16				With [GKA] Sliding Right Door and [CTE] Washable Wall
		1	3, 7	L	12, 15, 16				With [GKA] Sliding Right Door and [CTE] Washable Wall
2	5103 553AA	9	2, 6	L	11, 12, 14, 15, 16				PIN, Push
		9	2, 6	L	51, 52, 54, 55, 56				
		9	3, 7	L	12, 15, 16				
3	5103 925AA	8	2, 6	L	11, 12, 14, 15, 16				PIN, Push
		1	2, 6	L	51, 52, 54, 55, 56				
		8	3, 7	L	12, 15, 16				
4	6104 895AA	10	2, 6	L	11, 12, 14, 15, 16				PIN, Push
		10	2, 6	L	51, 52, 54, 55, 56				
		10	3, 7	L	12, 15, 16				
5									PANEL, Cargo Door, Upper Right & Left

Refer to Model Legend Information Bookmark

AR = Use as required - = Non illustrated part # = New this model year

March 3, 2006

Sliding Door Trim Figure IVA-420



ITEM	PART NUMBER	QTY	LINE	SERIES	BODY	ENGINE	TRANS	TRIM	DESCRIPTION
	5123 883AA	1	2, 6	L	11, 12, 14, 15, 16				
		1	3, 7	L	12, 15, 16				
6	5125 859AA	10	2, 6	L	11, 12, 14, 15, 16				U-NUT
		10	3, 7	L	12, 15, 16				
7	5103 818AA	10	2, 6	L	11, 12, 14, 15, 16				PIN, Push
		10	3, 7	L	12, 15, 16				
8	5104 365AA	1	2, 6	L	11, 12, 14, 15, 16				PLUG, Access Hole Without [GKG], High Clearance
		1	2, 6	L	51, 52, 54, 55, 56				Without [GKG], High Clearance
		1	3, 7	L	16				Without [GKG], High Clearance
	5104 588AA	1	2, 6	L	11, 12, 14, 15, 16				With [GKG], High Clearance
		1	3, 7	L	12, 15				With [GKG], High Clearance
-9	5104 424AA-	1	2, 6	L	11, 12, 14, 15, 16				CATCH, Sliding Partition Door Cargo Partition
		1	3, 7	L	12, 15, 16				Cargo Partition
-10	5124 110AA-	2	2, 6	L	11, 12, 14, 15, 16				TAPPING PLATE, Side Door Lock Striker
		2	2, 6	L	51, 52, 54, 55, 56				
		2	3, 7	L	12, 15, 16				

Refer to Model Legend Information Bookmark

AR = Use as required - = Non illustrated part # = New this model year

March 3, 2006

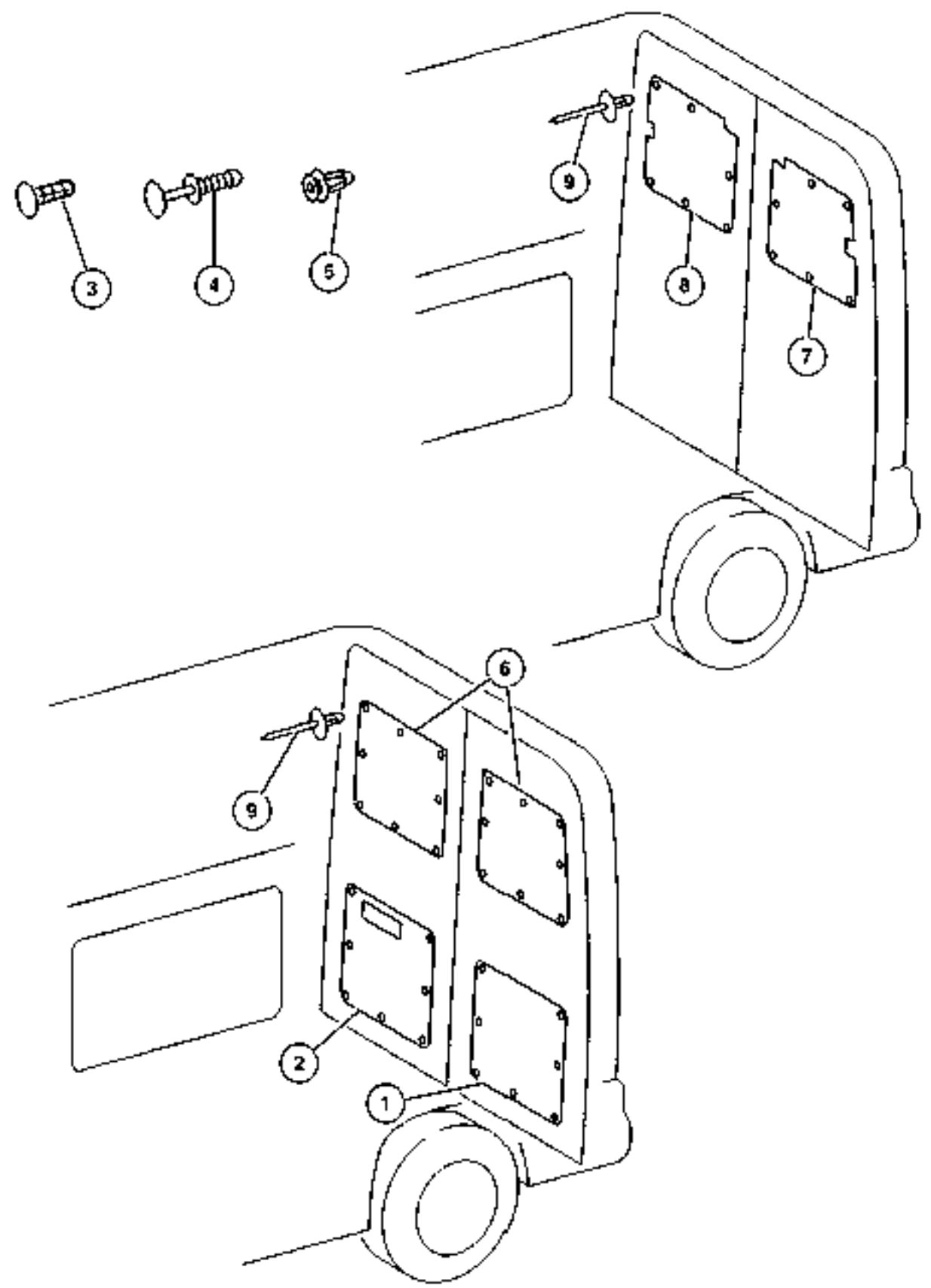
Rear Dual Door Trim Figure IVA-430

ITEM	PART NUMBER	QTY	LINE	SERIES	BODY	ENGINE	TRANS	TRIM	DESCRIPTION
1									PANEL, Cargo Door, Left
	5104 395AA	1	2, 6	L	11, 12, 14, 15, 16				Hard Fiber
		1	2, 6	L	51, 52, 54, 55, 56				Hard Fiber
		1	3, 7	L	12, 15, 16				Hard Fiber
	5123 950AA	1	2, 6	L	11, 12, 14, 15, 16				Fabric
		1	2, 6	L	51, 52, 54, 55, 56				Fabric
		1	3, 7	L	12, 15, 16				Fabric
	5124 024AA	1	2, 6	L	11, 12, 14, 15, 16				Plywood
		1	3, 7	L	12, 15, 16				Plywood
2									PANEL, Cargo Door, Right
	5104 396AA	1	2, 6	L	11, 12, 14, 15, 16				Hard Fiber
		1	2, 6	L	51, 52, 54, 55, 56				Hard Fiber
		1	3, 7	L	12, 15, 16				Hard Fiber
	5123 953AA	1	2, 6	L	11, 12, 14, 15, 16				Fabric
		1	2, 6	L	51, 52, 54, 55, 56				Fabric
		1	3, 7	L	12, 15, 16				Fabric
	5124 026AA	1	2, 6	L	11, 12, 14, 15, 16				Plymouth
		1	3, 7	L	12, 15, 16				Plymouth
3									PIN, Push, White

Refer to Model Legend Information Bookmark

AR = Use as required - = Non illustrated part # = New this model year

March 3, 2006



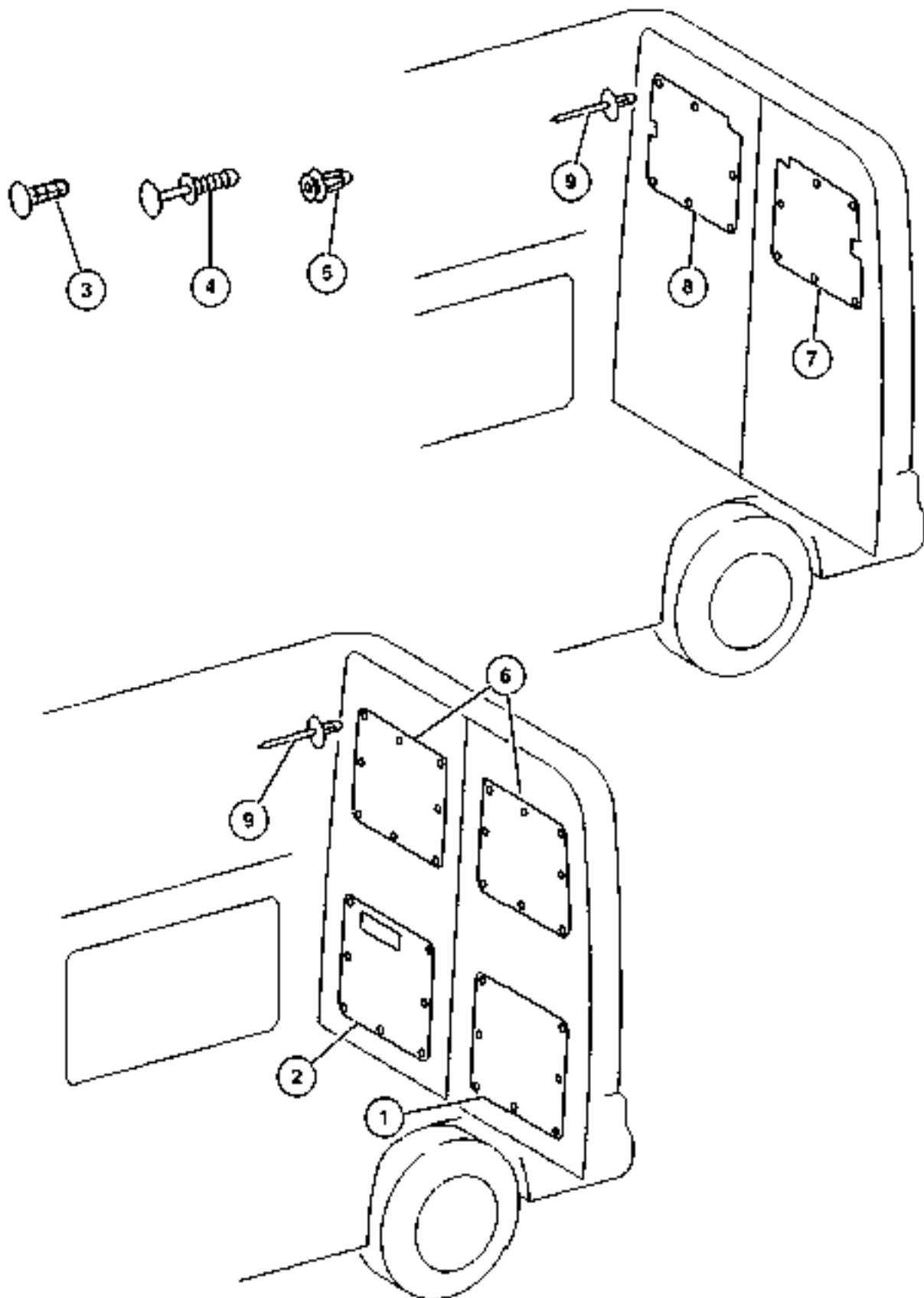
Rear Dual Door Trim Figure IVA-430

ITEM	PART NUMBER	QTY	LINE	SERIES	BODY	ENGINE	TRANS	TRIM	DESCRIPTION
	5103 553AA	7	2, 6	L	11, 12, 14, 15, 16				
		7	2, 6	L	51, 52, 54, 55, 56				
		7	3, 7	L	12, 15, 16				
4									PIN, Push
	5103 925AA	1	2, 6	L	11, 12, 14, 15, 16				
		1	2, 6	L	51, 52, 54, 55, 56				
		8	3, 7	L	12, 15, 16				
5									PIN, Push
	6104 895AA	15	2, 6	L	11, 12, 14, 15, 16				
		15	2, 6	L	51, 52, 54, 55, 56				
		15	3, 7	L	12, 15, 16				
6									PANEL, Cargo Door, Right & Left
	5124 035AA	1	2, 6	L	11, 12, 14, 15, 16				
		1	3, 7	L	12, 15, 16				
7									PANEL, Cargo Door, Left
	5124 036AA	1	2, 6	L	11, 12, 14, 15, 16				
		1	3, 7	L	12, 15, 16				
8									PANEL, Cargo Door, Right
	5124 036AA	1	2, 6	L	11, 12, 14, 15, 16				
		1	3, 7	L	12, 15, 16				
9									RIVET

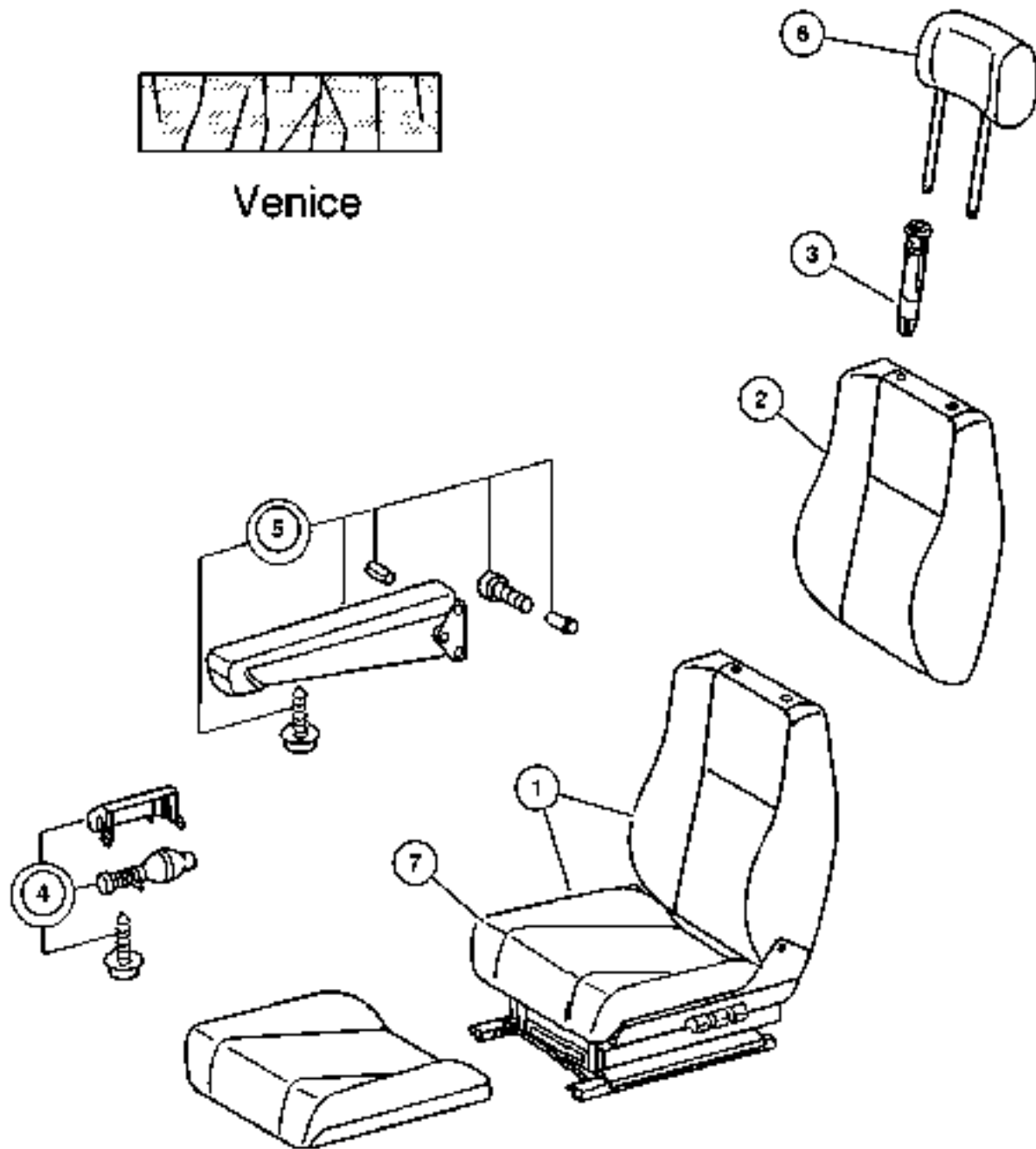
Refer to Model Legend Information Bookmark

AR = Use as required - = Non illustrated part # = New this model year

March 3, 2006



Front Seat - Venice
Figure IVA-510



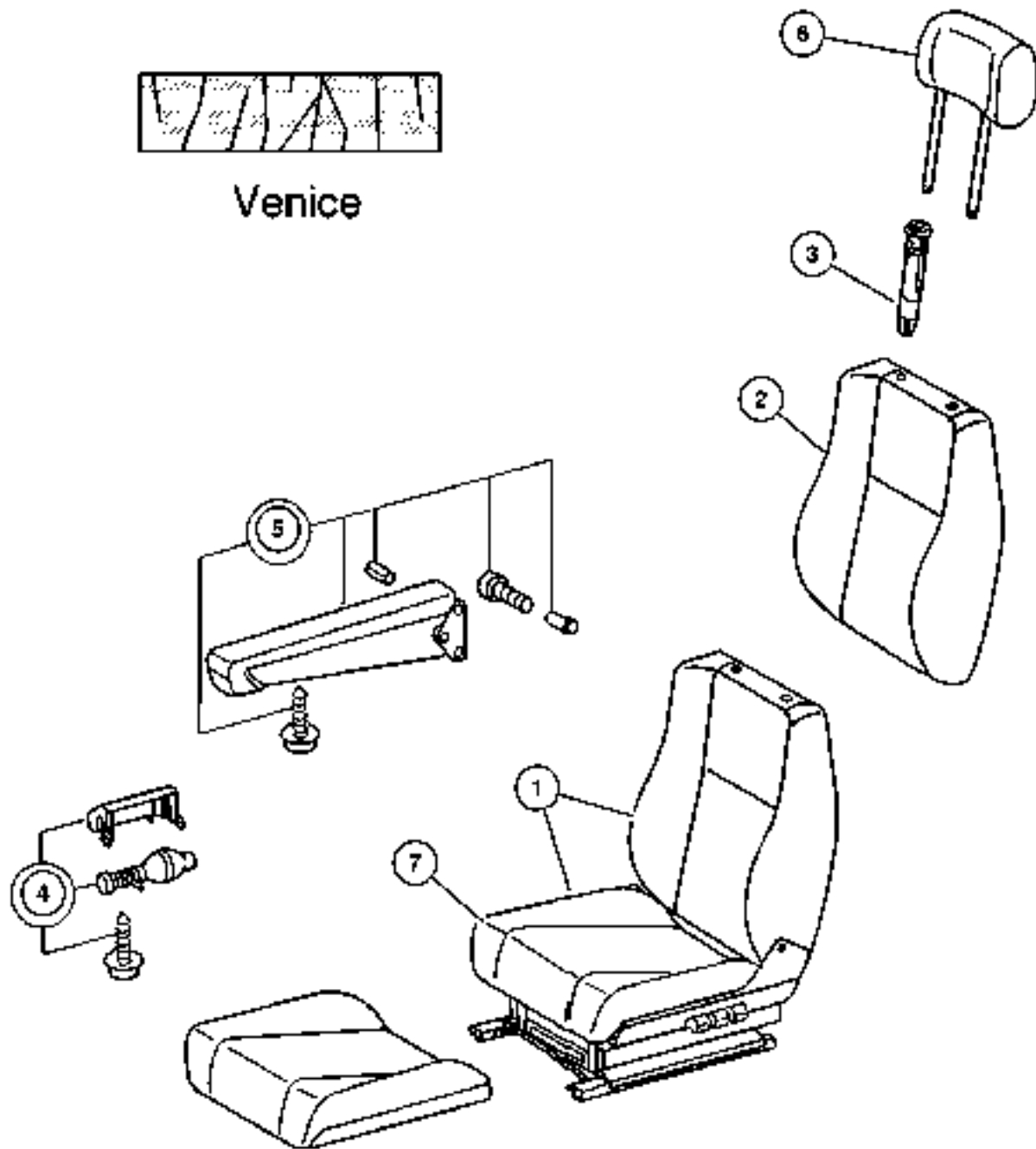
ITEM	PART NUMBER	QTY	LINE	SERIES	BODY	ENGINE	TRANS	TRIM	DESCRIPTION
1									SEAT COMPLETE, Front
	5127 100AA	1	2, 6	L	01, 02, 06				Right
		1	2, 6	L	11, 12, 14, 15, 16				Right
		1	2, 6	L	51, 52, 54, 55, 56				Right
		1	3, 7	L	02, 06				Right
		1	3, 7	L	12, 15, 16				Right
	5127 102AA	1	2, 6	L	01, 02, 06				Left
		1	2, 6	L	11, 12, 14, 15, 16				Left
		1	2, 6	L	51, 52, 54, 55, 56				Left
		1	3, 7	L	02, 06				Left
		1	3, 7	L	12, 15, 16				Left
	5127 105AA	1	2, 6	L	01, 02, 06				Heated, Left
		1	2, 6	L	11, 12, 14, 15, 16				Heated, Left
		1	2, 6	L	51, 52, 54, 55, 56				Heated, Left
		1	3, 7	L	02, 06				Heated, Left
		1	3, 7	L	12, 15, 16				Heated, Left
	5127 110AA	1	2, 6	L	01, 02, 06				Comfort seat, Left
		1	2, 6	L	11, 12, 14, 15, 16				Comfort seat, Left
		1	2, 6	L	51, 52, 54, 55, 56				Comfort seat, Left
		1	3, 7	L	02, 06				Comfort seat, Left
		1	3, 7	L	12, 15, 16				Comfort seat, Left

Refer to Model Legend Information Bookmark

AR = Use as required - = Non illustrated part # = New this model year

March 3, 2006

Front Seat - Venice
Figure IVA-510



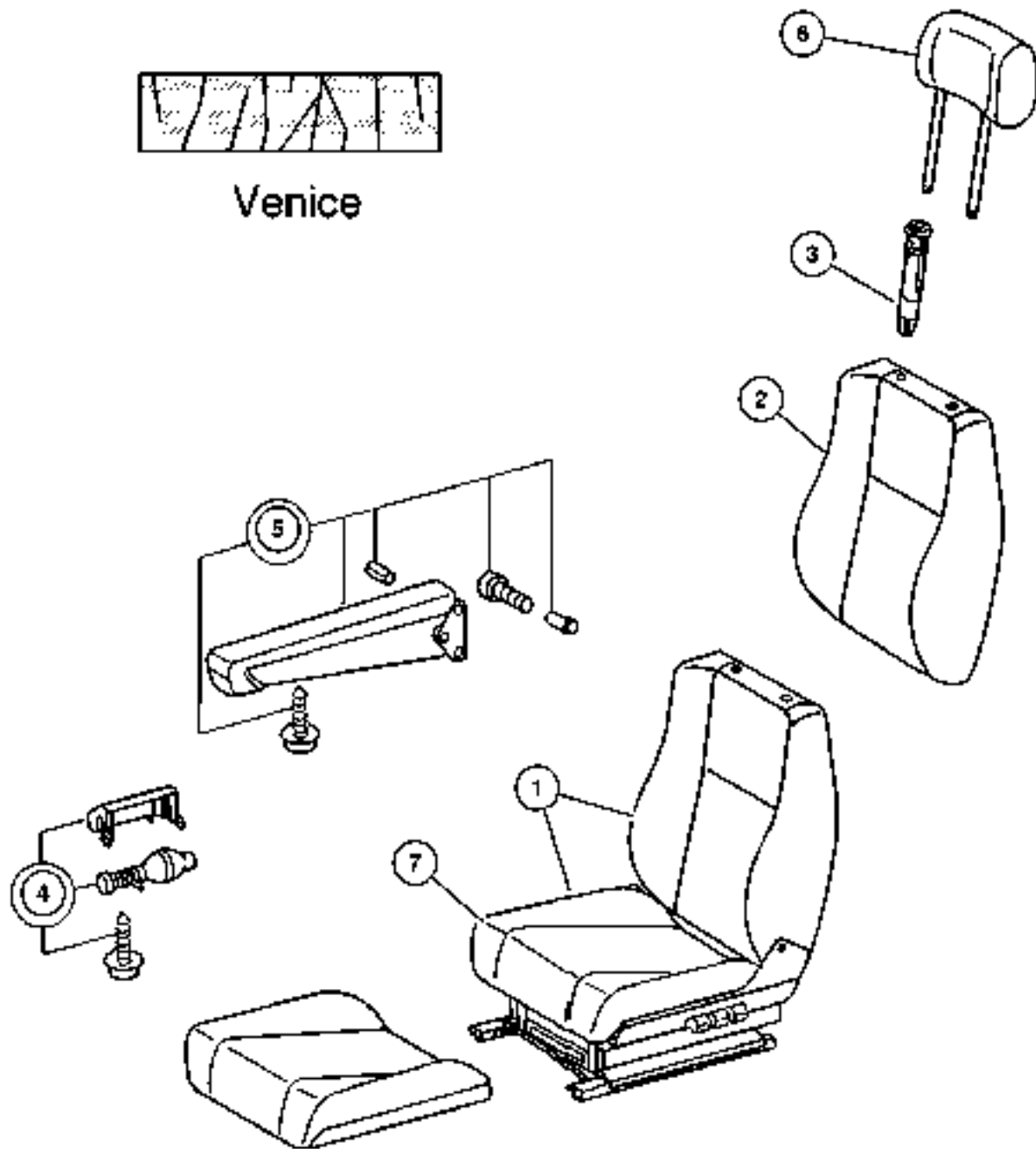
ITEM	PART NUMBER	QTY	LINE	SERIES	BODY	ENGINE	TRANS	TRIM	DESCRIPTION
	5127 114AA	1	2, 6	L	01, 02, 06				Comfort seat, Right
		1	2, 6	L	11, 12, 14, 15, 16				Comfort seat, Right
		1	2, 6	L	51, 52, 54, 55, 56				Comfort seat, Right
		1	3, 7	L	02, 06				Comfort seat, Right
		1	3, 7	L	12, 15, 16				Comfort seat, Right
	5127 113AA	1	2, 6	L	01, 02, 06				Heated Comfort Seat, Left
		1	2, 6	L	11, 12, 14, 15, 16				Heated Comfort Seat, Left
		1	2, 6	L	51, 52, 54, 55, 56				Heated Comfort Seat, Left
		1	3, 7	L	02, 06				Heated Comfort Seat, Left
		1	3, 7	L	12, 15, 16				Heated Comfort Seat, Left
	5127 117AA	1	2, 6	L	01, 02, 06				Heated Comfort Seat, Right
		1	2, 6	L	11, 12, 14, 15, 16				Heated Comfort Seat, Right
		1	2, 6	L	51, 52, 54, 55, 56				Heated Comfort Seat, Right
		1	3, 7	L	02, 06				Heated Comfort Seat, Right
		1	3, 7	L	12, 15, 16				Heated Comfort Seat, Right
2	5170 318AA	1	2, 3, 6, 7					A7	SEAT BACK, Front
3	1AV08 AA7AA	2	2, 6	L	01, 02, 06			B7	SLEEVE, Headrest
		2	2, 6	L	11, 12, 14, 15, 16			B7	
		2	2, 6	L	51, 52, 54, 55, 56			B7	
		2	3, 7	L	02, 06			B7	

Refer to Model Legend Information Bookmark

AR = Use as required - = Non illustrated part # = New this model year

March 3, 2006

Front Seat - Venice
Figure IVA-510



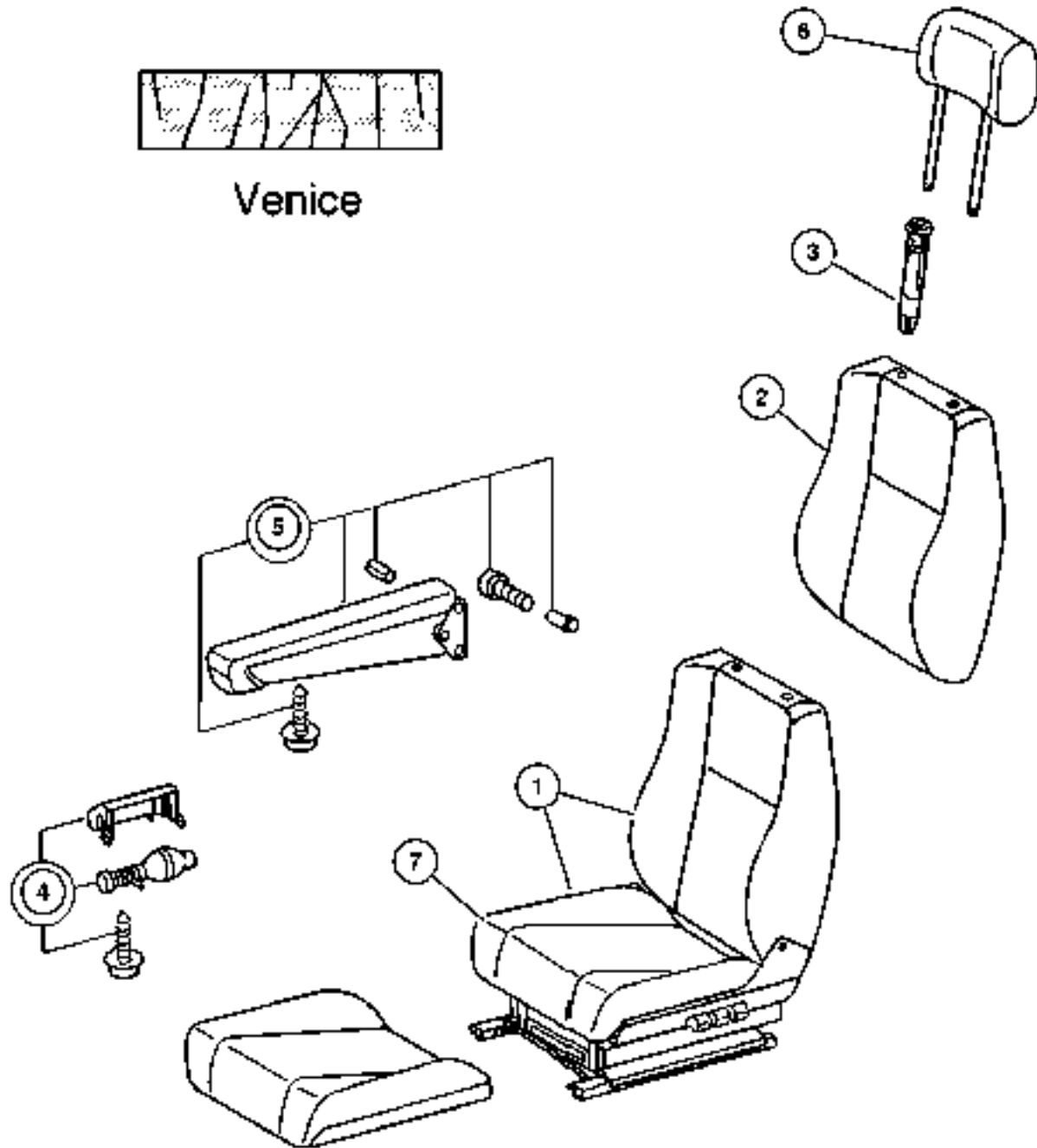
ITEM	PART NUMBER	QTY	LINE	SERIES	BODY	ENGINE	TRANS	TRIM	DESCRIPTION
		2	3, 7	L	12, 15, 16			B7	
4	5127 631AA	1	2, 6	L	01, 02, 06				PUMP, Lumbar Support
		1	2, 6	L	11, 12, 14, 15, 16				
		1	2, 6	L	51, 52, 54, 55, 56				
		1	3, 7	L	02, 06				
		1	3, 7	L	12, 15, 16				
5	5103 710AA	1	2, 6	L	01, 02, 06				ARMREST, Seat With Mounting Hardware, Left
		1	2, 6	L	11, 12, 14, 15, 16				With Mounting Hardware, Left
		1	2, 6	L	51, 52, 54, 55, 56				With Mounting Hardware, Left
	5103 711AA	1	2, 6	L	01, 02, 06				With Mounting Hardware, Right
		1	2, 6	L	11, 12, 14, 15, 16				With Mounting Hardware, Right
		1	2, 6	L	51, 52, 54, 55, 56				With Mounting Hardware, Right
6	5125 368AA	3	2, 6	L	11, 12, 14, 15, 16				HEADREST
		3	3, 7	L	12, 15, 16				
7	5133 015AA	1	2, 6	L	11, 12, 14, 15, 16				SEAT Single Seat, Left
		1	2, 6	L	51, 52, 54, 55, 56				Single Seat, Left

Refer to Model Legend Information Bookmark

AR = Use as required - = Non illustrated part # = New this model year

March 3, 2006

Front Seat - Venice
Figure IVA-510



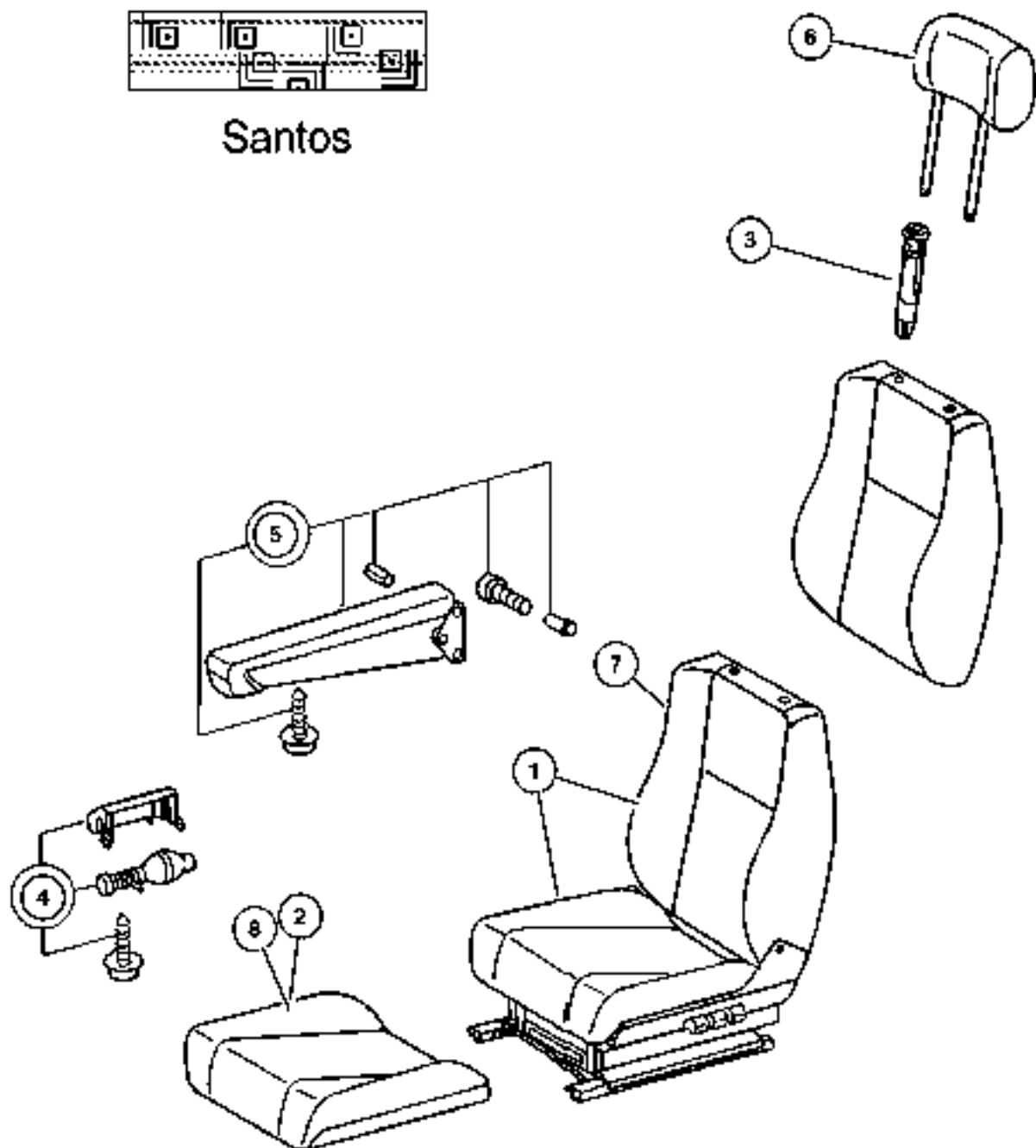
ITEM	PART NUMBER	QTY	LINE	SERIES	BODY	ENGINE	TRANS	TRIM	DESCRIPTION
		1	3, 7	L	12, 15, 16				Single Seat, Left
	5133 020AA	1	2, 6	L	11, 12, 14, 15, 16				Standard Seat Heated, Left
		1	2, 6	L	51, 52, 54, 55, 56				Standard Seat Heated, Left
		1	3, 7	L	12, 15, 16				Standard Seat Heated, Left
	5133 025AA	1	2, 6	L	11, 12, 14, 15, 16				Comfort Seat, Left
		1	2, 6	L	51, 52, 54, 55, 56				Comfort Seat, Left
		1	3, 7	L	12, 15, 16				Comfort Seat, Left
	5133 028AA	1	2, 6	L	11, 12, 14, 15, 16				Comfort Seat-Heated, Left
		1	2, 6	L	51, 52, 54, 55, 56				Comfort Seat-Heated, Left
		1	3, 7	L	12, 15, 16				Comfort Seat-Heated, Left
	5133 029AA	1	2, 6	L	11, 12, 14, 15, 16				Comfort Seat, Right
		1	2, 6	L	51, 52, 54, 55, 56				Comfort Seat, Right
		1	3, 7	L	12, 15, 16				Comfort Seat, Right
	5133 032AA	1	2, 6	L	11, 12, 14, 15, 16				Comfort Seat-Heated, Right
		1	2, 6	L	51, 52, 54, 55, 56				Comfort Seat-Heated, Right
		1	3, 7	L	12, 15, 16				Comfort Seat-Heated, Right

Refer to Model Legend Information Bookmark

AR = Use as required - = Non illustrated part # = New this model year

March 3, 2006

Front Seat, Trim Code [B7], Santos
Figure IVA-515



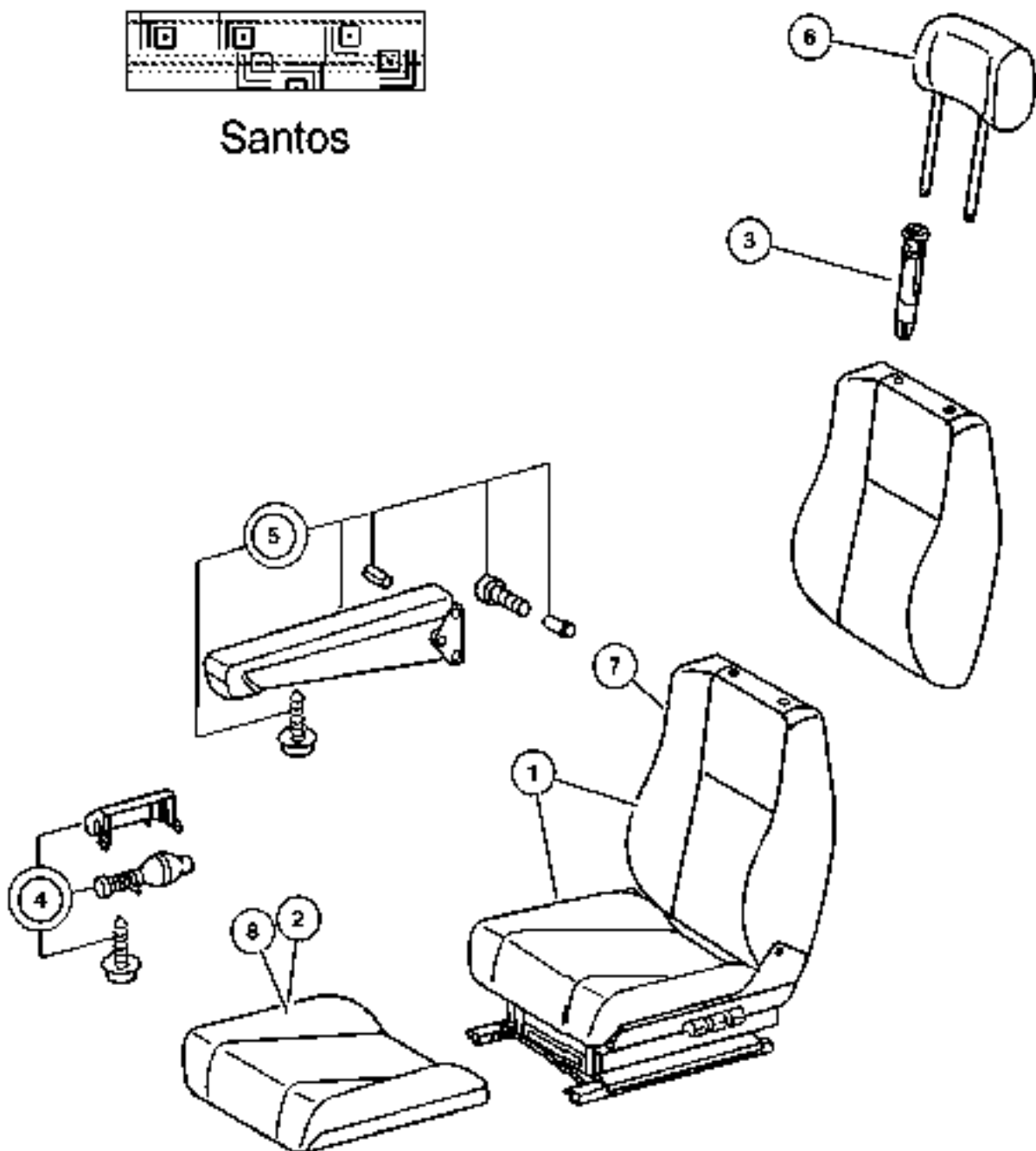
ITEM	PART NUMBER	QTY	LINE	SERIES	BODY	ENGINE	TRANS	TRIM	DESCRIPTION
1									SEAT COMPLETE, Front
	5127 100AA	1	2, 6	L	01, 02, 06				Right
		1	2, 6	L	11, 12, 14, 15, 16				Right
		1	2, 6	L	51, 52, 54, 55, 56				Right
		1	3, 7	L	02, 06				Right
		1	3, 7	L	12, 15, 16				Right
	5127 102AA	1	2, 6	L	01, 02, 06				Left
		1	2, 6	L	11, 12, 14, 15, 16				Left
		1	2, 6	L	51, 52, 54, 55, 56				Left
		1	3, 7	L	02, 06				Left
		1	3, 7	L	12, 15, 16				Left
	5127 105AA	1	2, 6	L	01, 02, 06				Heated, Left
		1	2, 6	L	11, 12, 14, 15, 16				Heated, Left
		1	2, 6	L	51, 52, 54, 55, 56				Heated, Left
		1	3, 7	L	02, 06				Heated, Left
		1	3, 7	L	12, 15, 16				Heated, Left
	5127 110AA	1	2, 6	L	01, 02, 06				Comfort Seat, Left
		1	2, 6	L	11, 12, 14, 15, 16				Comfort Seat, Left
		1	2, 6	L	51, 52, 54, 55, 56				Comfort Seat, Left
		1	3, 7	L	02, 06				Comfort Seat, Left
		1	3, 7	L	12, 15, 16				Comfort Seat, Left

Refer to Model Legend Information Bookmark

AR = Use as required - = Non illustrated part # = New this model year

March 3, 2006

Front Seat, Trim Code [B7], Santos
Figure IVA-515



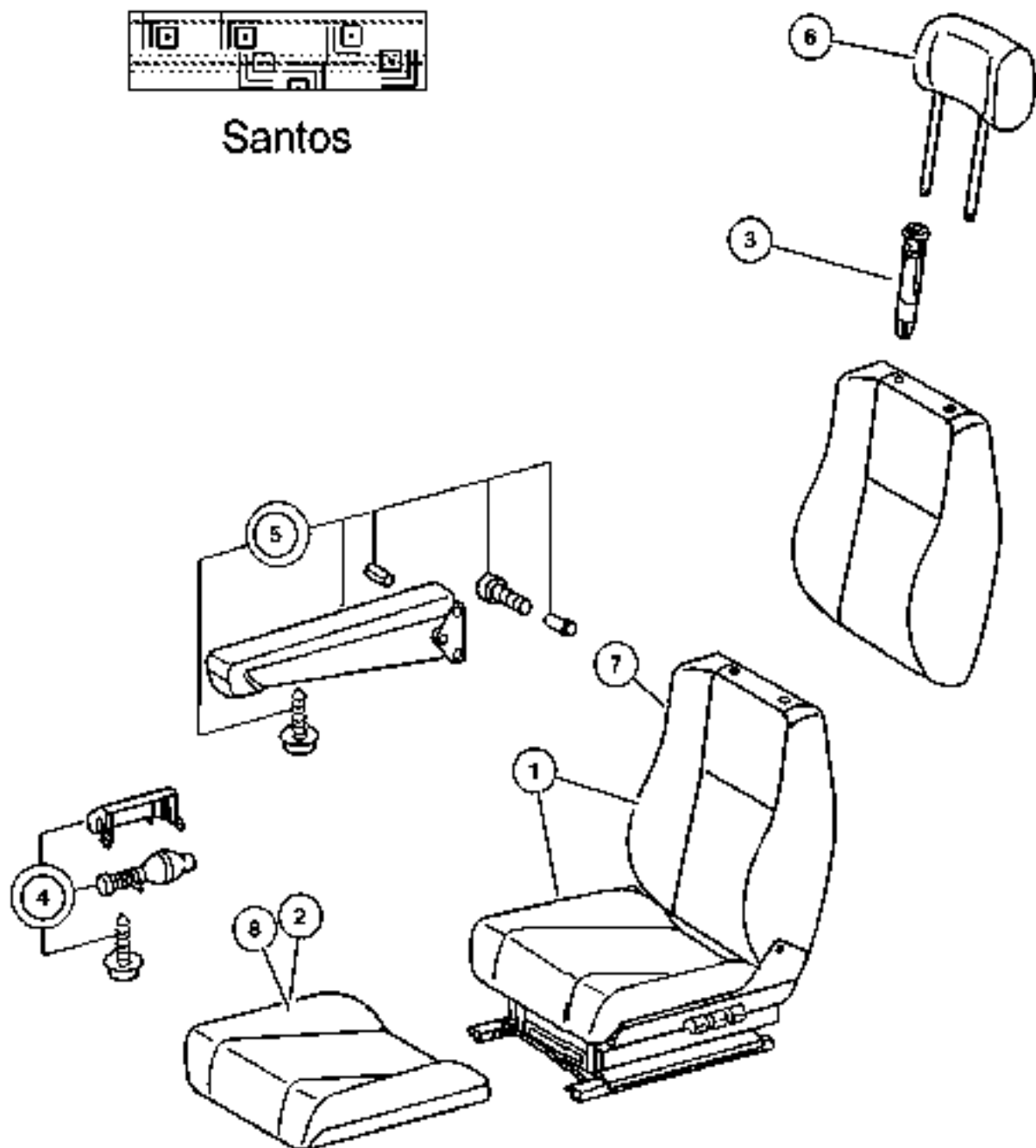
ITEM	PART NUMBER	QTY	LINE	SERIES	BODY	ENGINE	TRANS	TRIM	DESCRIPTION
	5127 114AA	1	2, 6	L	01, 02, 06				Comfort Seat, Right
		1	2, 6	L	11, 12, 14, 15, 16				Comfort Seat, Right
		1	2, 6	L	51, 52, 54, 55, 56				Comfort Seat, Right
		1	3, 7	L	02, 06				Comfort Seat, Right
		1	3, 7	L	12, 15, 16				Comfort Seat, Right
2	5133 233AA	1	2, 6	L	01, 02, 06				CUSHION, Front Seat
		1	2, 6	L	11, 12, 14, 15, 16				
		1	2, 6	L	51, 52, 54, 55, 56				
		1	3, 7	L	02, 06				
		1	3, 7	L	12, 15, 16				
	5133 235AA	1	2, 6	L	01, 02, 06				Canada
		1	2, 6	L	11, 12, 14, 15, 16				Canada
		1	2, 6	L	51, 52, 54, 55, 56				Canada
		1	3, 7	L	02, 06				Canada
		1	3, 7	L	12, 15, 16				Canada
3	1AV08 AA7AA	2	2, 6	L	01, 02, 06			B7	SLEEVE, Headrest
		2	2, 6	L	11, 12, 14, 15, 16			B7	
		2	2, 6	L	51, 52, 54, 55, 56			B7	
		2	3, 7	L	02, 06			B7	

Refer to Model Legend Information Bookmark

AR = Use as required - = Non illustrated part # = New this model year

March 3, 2006

Front Seat, Trim Code [B7], Santos
Figure IVA-515



Santos

ITEM	PART NUMBER	QTY	LINE	SERIES	BODY	ENGINE	TRANS	TRIM	DESCRIPTION
		2	3, 7	L	12, 15, 16			B7	
4	5127 631AA	1	2, 6	L	01, 02, 06				PUMP, Lumbar Support
		1	2, 6	L	11, 12, 14, 15, 16				
		1	2, 6	L	51, 52, 54, 55, 56				
		1	3, 7	L	02, 06				
		1	3, 7	L	12, 15, 16				
5	5103 710AA	1	2, 6	L	01, 02, 06				ARMREST, Seat With Mounting Hardware, Left
		1	2, 6	L	11, 12, 14, 15, 16				With Mounting Hardware, Left
		1	2, 6	L	51, 52, 54, 55, 56				With Mounting Hardware, Left
	5103 711AA	1	2, 6	L	01, 02, 06				With Mounting Hardware, Right
		1	2, 6	L	11, 12, 14, 15, 16				With Mounting Hardware, Right
		1	2, 6	L	51, 52, 54, 55, 56				With Mounting Hardware, Right
6	5125 377AA	1	2, 6	L	01, 02, 06				HEADREST
		1	2, 6	L	11, 12, 14, 15, 16				
		1	2, 6	L	51, 52, 54, 55, 56				
		1	3, 7	L	02, 06				
		1	3, 7	L	12, 15, 16				
7									BACK, Front Seat

Refer to Model Legend Information Bookmark

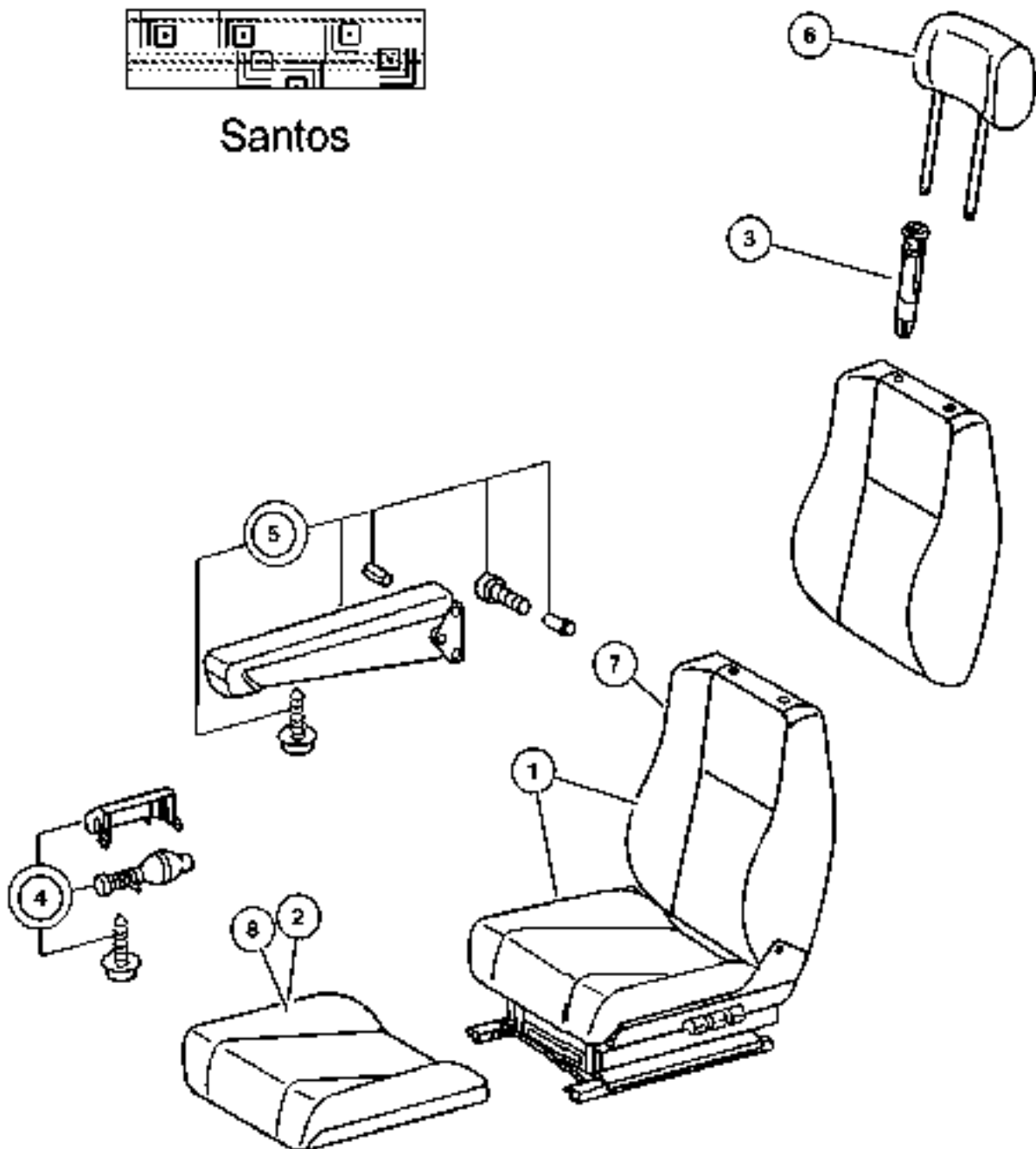
AR = Use as required - = Non illustrated part # = New this model year

March 3, 2006

Front Seat, Trim Code [B7], Santos
Figure IVA-515



Santos



ITEM	PART NUMBER	QTY	LINE	SERIES	BODY	ENGINE	TRANS	TRIM	DESCRIPTION
	5133 276AA	1	2, 6	L	01, 02, 06				Right
		1	2, 6	L	11, 12, 14, 15, 16				Right
		1	2, 6	L	51, 52, 54, 55, 56				Right
		1	3, 7	L	02, 06				Right
		1	3, 7	L	12, 15, 16				Right
8	5133 244AA	1	2, 6	L	01, 02, 06				CUSHION, Front Seat, Passenger
		1	2, 6	L	11, 12, 14, 15, 16				
		1	2, 6	L	51, 52, 54, 55, 56				
		1	3, 7	L	02, 06				
		1	3, 7	L	12, 15, 16				

Refer to Model Legend Information Bookmark

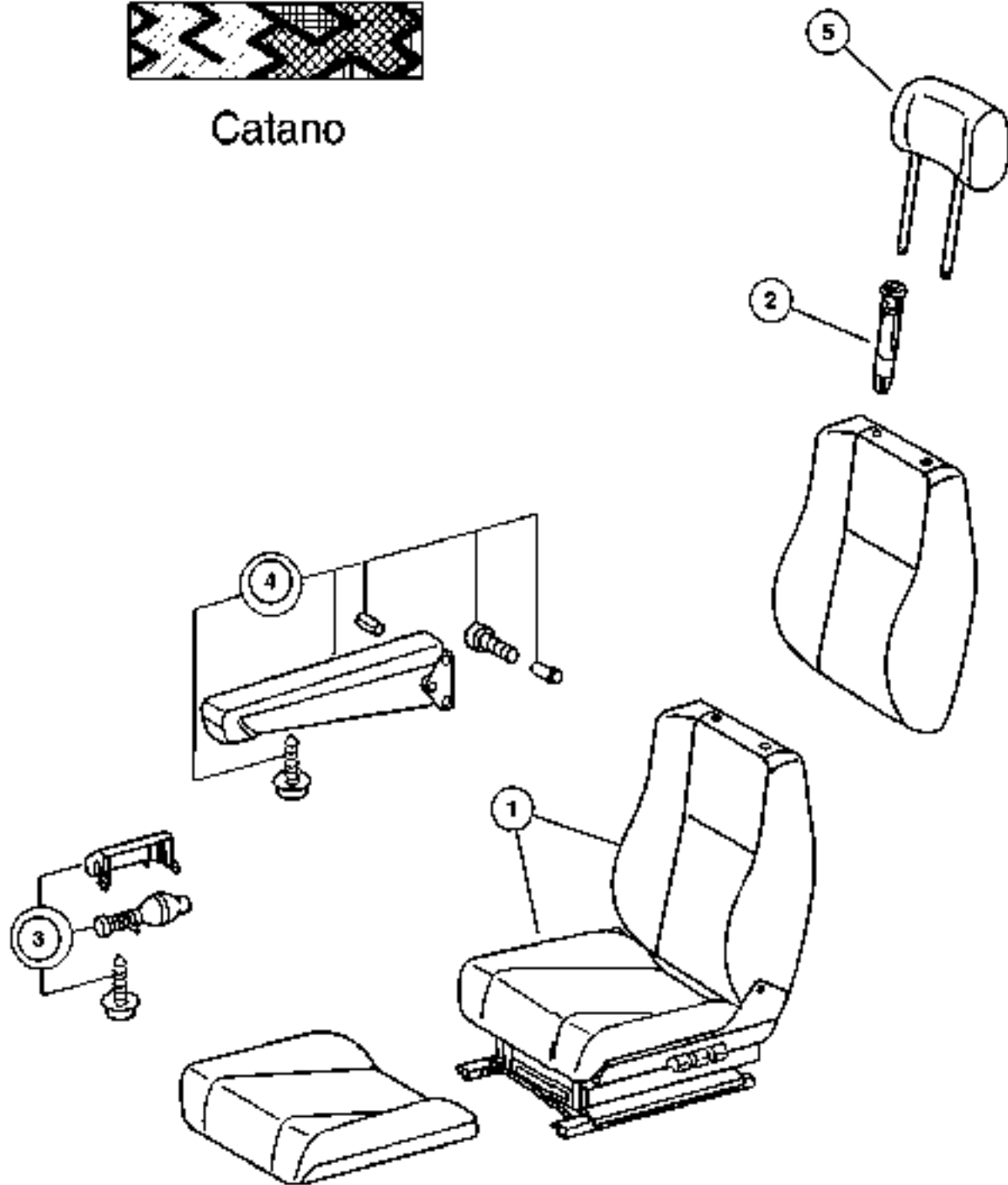
AR = Use as required - = Non illustrated part # = New this model year

March 3, 2006

Front Seat - Catano
Figure IVA-520



Catano



ITEM	PART NUMBER	QTY	LINE	SERIES	BODY	ENGINE	TRANS	TRIM	DESCRIPTION
1									SEAT COMPLETE, Front
	5126 994AA	1	2, 6	L	01, 02, 06			C7	
		1	2, 6	L	11, 12, 14, 15, 16			C7	
		1	2, 6	L	51, 52, 54, 55, 56			C7	
		1	3, 7	L	02, 06			C7	
		1	3, 7	L	12, 15, 16			C7	
2									SLEEVE, Headrest
	1AV08 AA7AA	2	2, 6	L	01, 02, 06			B7	
		2	2, 6	L	11, 12, 14, 15, 16			B7	
		2	2, 6	L	51, 52, 54, 55, 56			C7	
		2	3, 7	L	02, 06			B7	
		2	3, 7	L	12, 15, 16			B7	
3									PUMP, Lumbar Support
	5127 631AA	1	2, 6	L	01, 02, 06				
		1	2, 6	L	11, 12, 14, 15, 16				
		1	2, 6	L	51, 52, 54, 55, 56				
		1	3, 7	L	02, 06				
		1	3, 7	L	12, 15, 16				
4									ARMREST, Seat
	5103 710AA	1	2, 6	L	01, 02, 06				Left
		1	2, 6	L	11, 12, 14, 15, 16				Left
		1	2, 6	L	51, 52, 54, 55, 56				Left

Refer to Model Legend Information Bookmark

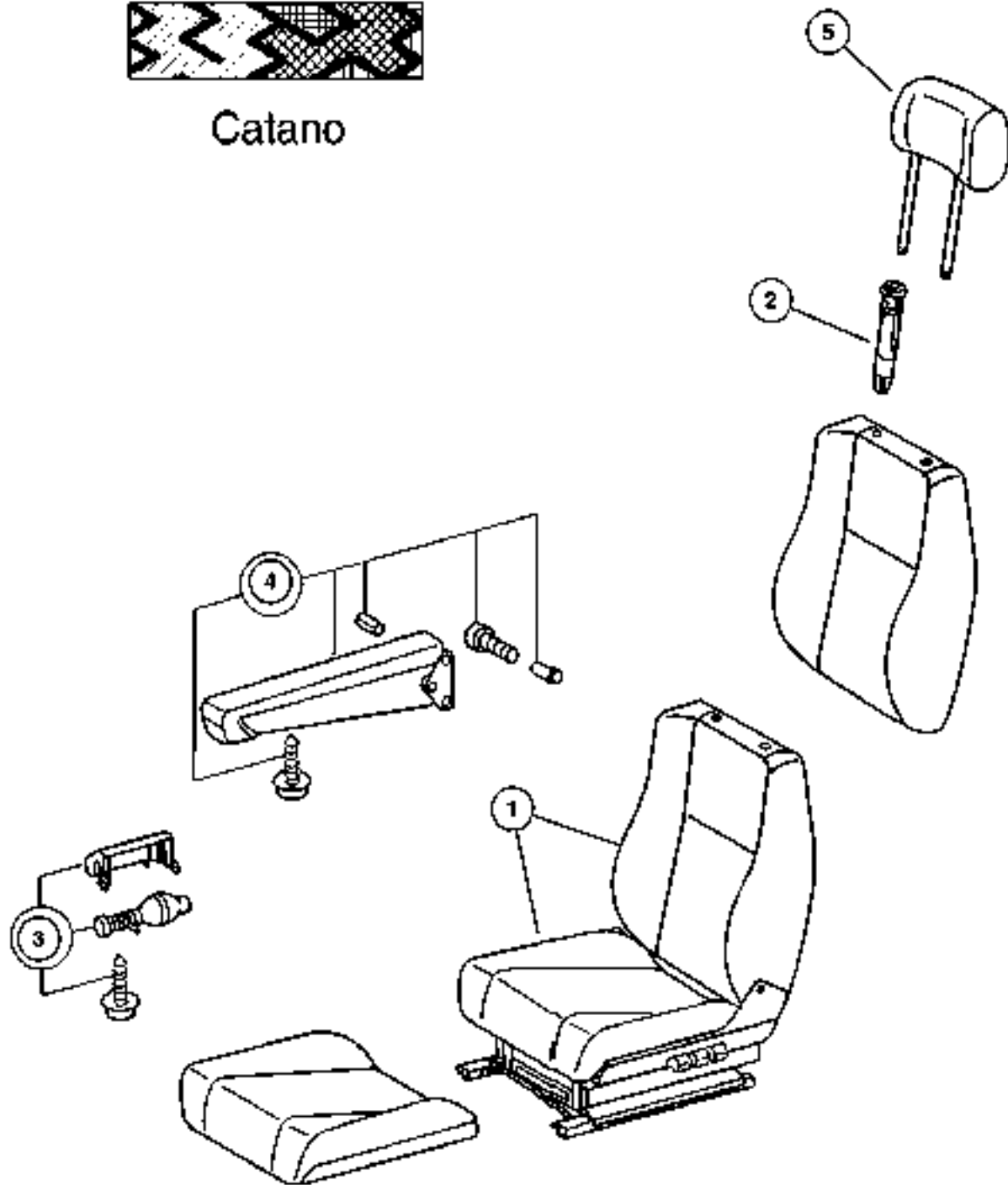
AR = Use as required - = Non illustrated part # = New this model year

March 3, 2006

Front Seat - Catano
Figure IVA-520



Catano



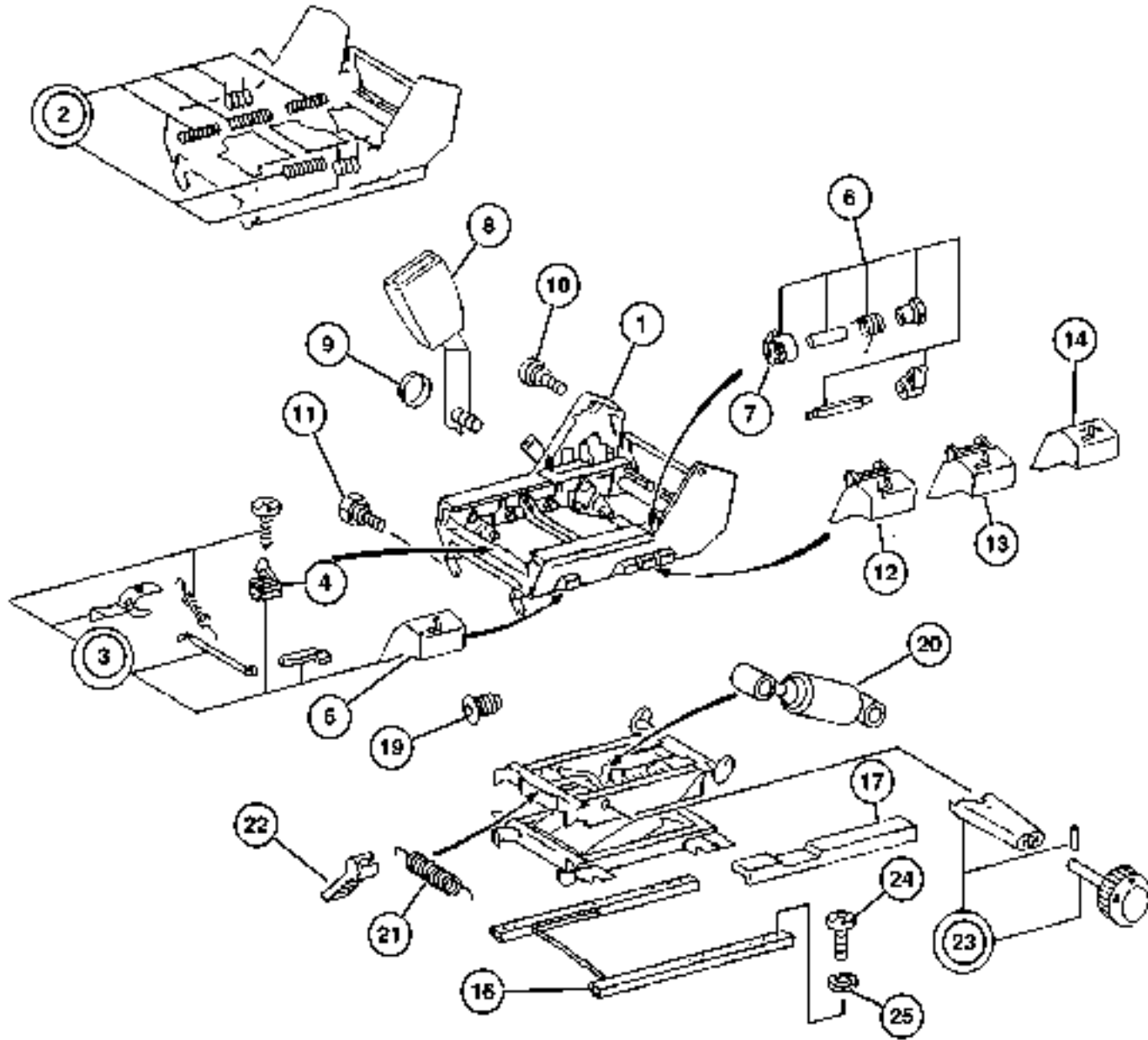
ITEM	PART NUMBER	QTY	LINE	SERIES	BODY	ENGINE	TRANS	TRIM	DESCRIPTION
	5103 711AA	1	2, 6	L	01, 02, 06				Right
		1	2, 6	L	11, 12, 14, 15, 16				Right
		1	2, 6	L	51, 52, 54, 55, 56				Right
5									HEADREST
	5104 534AA	3	2, 6	L	11, 12, 14, 15, 16				Catano
		3	3, 7	L	12, 15, 16				Catano

Refer to Model Legend Information Bookmark

AR = Use as required - = Non illustrated part # = New this model year

March 3, 2006

Front Seat - Attaching Parts
Figure IVA-525



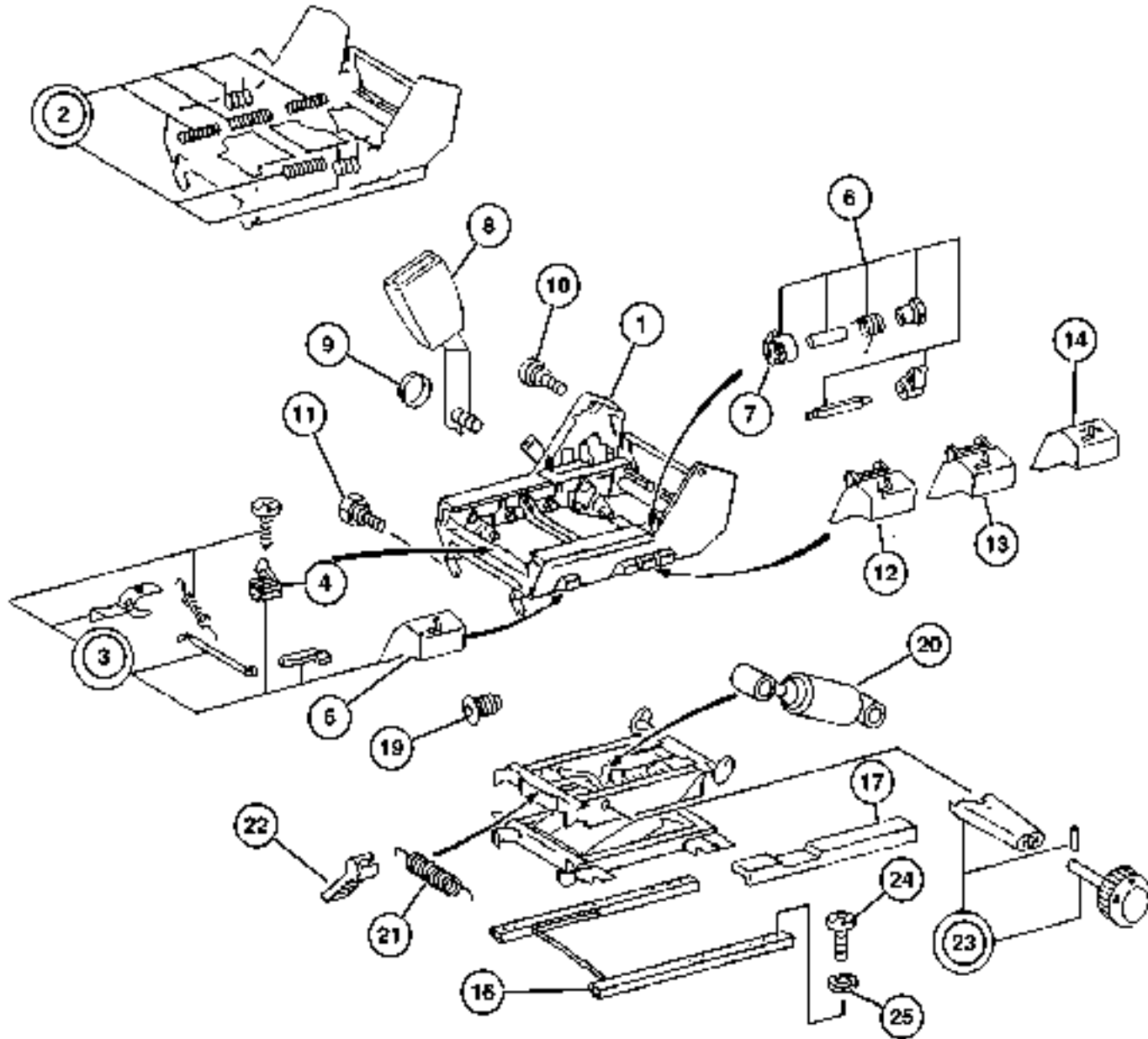
ITEM	PART NUMBER	QTY	LINE	SERIES	BODY	ENGINE	TRANS	TRIM	DESCRIPTION
1									ADJUSTER, seat
	5103 703AA	1	2, 6	L	01, 02, 06				Driver
		1	2, 6	L	11, 12, 14, 15, 16				Driver
		1	2, 6	L	51, 52, 54, 55, 56				Driver
		1	3, 7	L	02, 06				Driver
		1	3, 7	L	12, 15, 16				Driver
	5133 211AA	1	2, 6	L	01, 02, 06				[CDD], Luxury Bucket, Driver
		1	2, 6	L	11, 12, 14, 15, 16				[CDD], Luxury Bucket, Driver
		1	2, 6	L	51, 52, 54, 55, 56				[CDD], Luxury Bucket, Driver
		1	3, 7	L	02, 06				[CDD], Luxury Bucket, Driver
		1	3, 7	L	12, 15, 16				[CDD], Luxury Bucket, Driver
	5133 264AA	1	2, 6	L	01, 02, 06				[CDY], Luxury Bucket, Passenger
		1	2, 6	L	11, 12, 14, 15, 16				[CDY], Luxury Bucket, Passenger
		1	2, 6	L	51, 52, 54, 55, 56				[CDY], Luxury Bucket, Passenger
		1	3, 7	L	02, 06				[CDY], Luxury Bucket, Passenger
		1	3, 7	L	12, 15, 16				[CDY], Luxury Bucket, Passenger
	5133 266AA	1	2, 6	L	01, 02, 06				
		1	2, 6	L	11, 12, 14, 15, 16				
		1	2, 6	L	51, 52, 54, 55, 56				
		1	3, 7	L	02, 06				
		1	3, 7	L	12, 15, 16				
2									SPRING, Seat Track Adjuster

Refer to Model Legend Information Bookmark

AR = Use as required - = Non illustrated part # = New this model year

March 3, 2006

Front Seat - Attaching Parts
Figure IVA-525



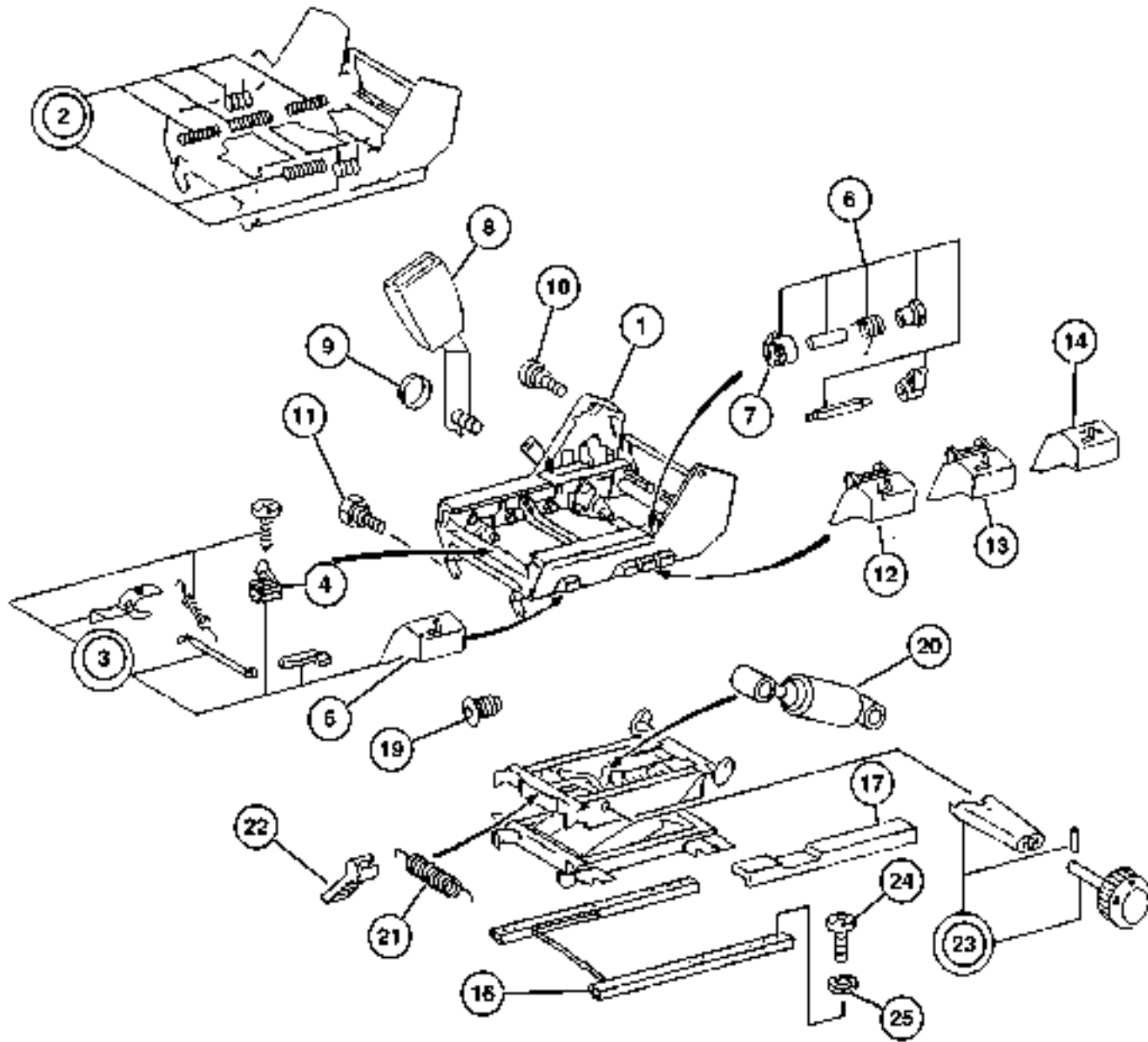
ITEM	PART NUMBER	QTY	LINE	SERIES	BODY	ENGINE	TRANS	TRIM	DESCRIPTION
	5133 214AA	1	2, 6	L	01, 02,				
		1	2, 6	L	06				
		1	2, 6	L	11, 12,				
		1	2, 6	L	14, 15,				
		1	2, 6	L	16				
		1	2, 6	L	51, 52,				
		1	3, 7	L	54, 55,				
		1	3, 7	L	56				
		1	3, 7	L	02, 06				
		1	3, 7	L	12, 15,				
		1	3, 7	L	16				
3									HANDLE, Seat Adjuster
	5133 216AA	1	2, 6	L	01, 02,				Seat Cushion Depth, Driver Side
		1	2, 6	L	06				
		1	2, 6	L	11, 12,				Seat Cushion Depth, Driver Side
		1	2, 6	L	14, 15,				
		1	2, 6	L	16				
		1	2, 6	L	51, 52,				Seat Cushion Depth, Driver Side
		1	3, 7	L	54, 55,				
		1	3, 7	L	56				
		1	3, 7	L	02, 06				Seat Cushion Depth, Driver Side
		1	3, 7	L	12, 15,				Seat Cushion Depth, Driver Side
		1	3, 7	L	16				
4									LOCK, Adjuster
	5133 215AA	1	2, 6	L	01, 02,				
		1	2, 6	L	06				
		1	2, 6	L	11, 12,				
		1	2, 6	L	14, 15,				
		1	2, 6	L	16				
		1	2, 6	L	51, 52,				
		1	2, 6	L	54, 55,				
		1	2, 6	L	56				
		1	3, 7	L	02, 06				
		1	3, 7	L	12, 15,				
		1	3, 7	L	16				
5									HANDLE, Seat Adjuster
	5133 216AA	1	2, 6	L	01, 02,				Driver Side
		1	2, 6	L	06				
		1	2, 6	L	11, 12,				
		1	2, 6	L	14, 15,				
		1	2, 6	L	16				
		1	2, 6	L	51, 52,				
		1	2, 6	L	54, 55,				
		1	2, 6	L	56				

Refer to Model Legend Information Bookmark

AR = Use as required - = Non illustrated part # = New this model year

March 3, 2006

Front Seat - Attaching Parts
Figure IVA-525



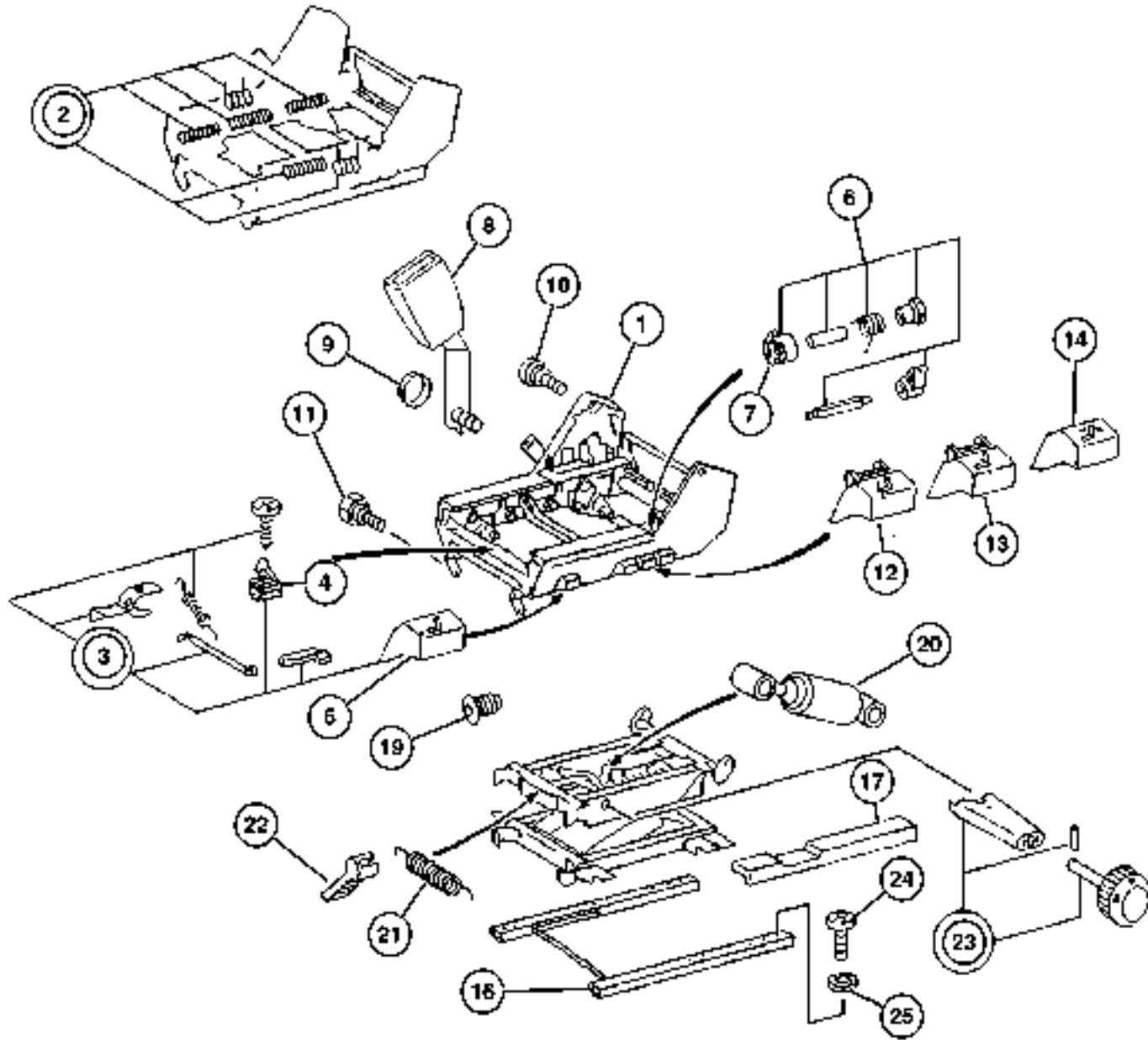
ITEM	PART NUMBER	QTY	LINE	SERIES	BODY	ENGINE	TRANS	TRIM	DESCRIPTION
	5133 267AA	1	2, 6	L	01, 02, 06				Passenger Side
		1	2, 6	L	11, 12, 14, 15, 16				Passenger Side
		1	2, 6	L	51, 52, 54, 55, 56				Passenger Side
6									HARDWARE KIT
	5133 217AA	1	2, 6	L	01, 02, 06				
		1	2, 6	L	11, 12, 14, 15, 16				
		1	2, 6	L	51, 52, 54, 55, 56				
		1	3, 7	L	02, 06				
		1	3, 7	L	12, 15, 16				
7									LOCK, Adjuster
	5133 269AA	1	2, 6	L	01, 02, 06				
		1	2, 6	L	11, 12, 14, 15, 16				
		1	2, 6	L	51, 52, 54, 55, 56				
		1	3, 7	L	02, 06				
		1	3, 7	L	12, 15, 16				
8									SEAT BELT, Front, For Part Numbers See III 710, (NOT REQUIRED)
9									CAP, Screw Cover
	5125 999AA	2	2, 6	L	01, 02, 06				
		2	2, 6	L	11, 12, 14, 15, 16				
		2	2, 6	L	51, 52, 54, 55, 56				

Refer to Model Legend Information Bookmark

AR = Use as required - = Non illustrated part # = New this model year

March 3, 2006

Front Seat - Attaching Parts
Figure IVA-525



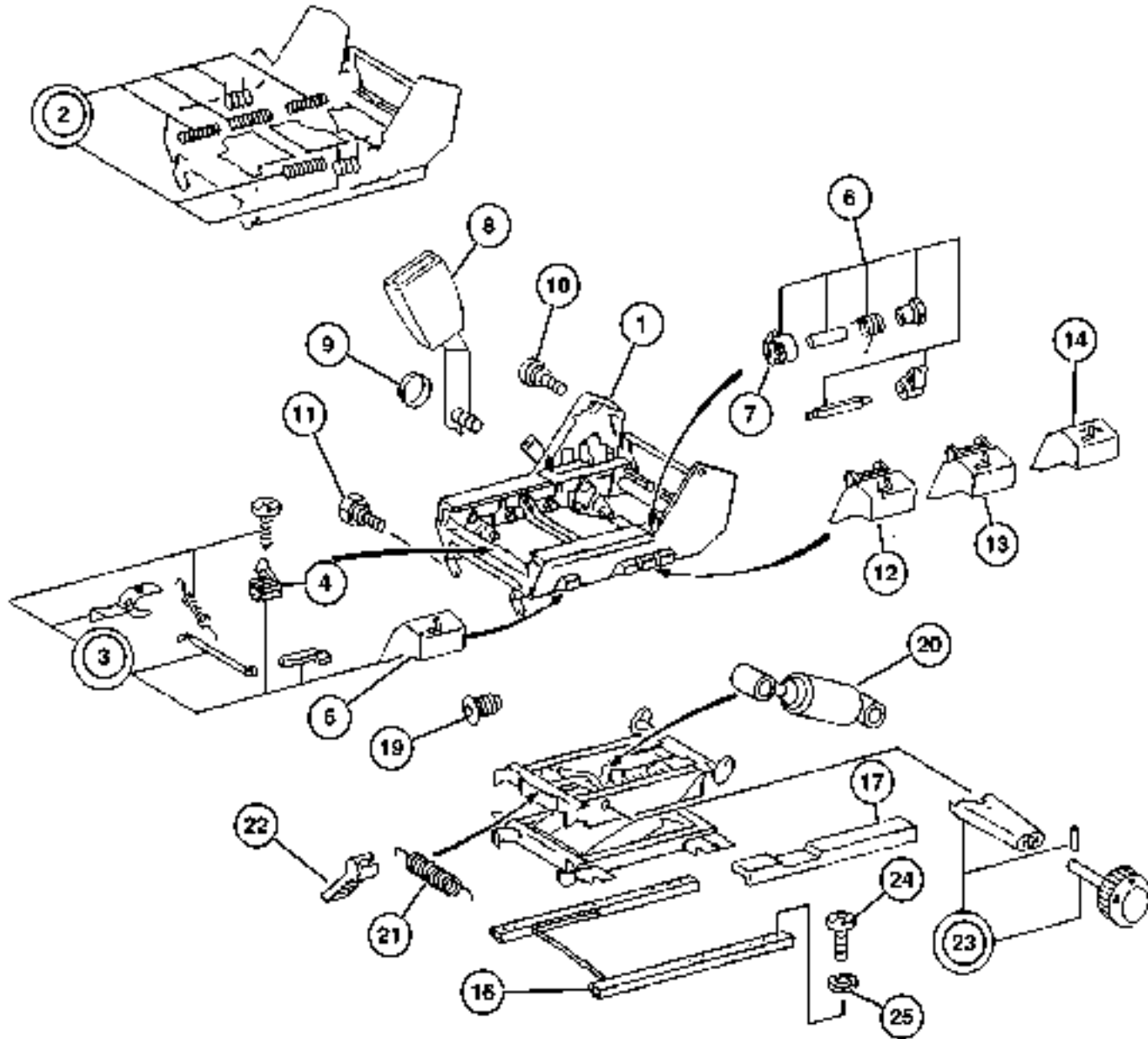
ITEM	PART NUMBER	QTY	LINE	SERIES	BODY	ENGINE	TRANS	TRIM	DESCRIPTION
		2	3, 7	L	12, 15, 16				
10	5133 219AA	2	2, 6	L	01, 02, 06				BOLT, Pivot
		2	2, 6	L	11, 12, 14, 15, 16				
		2	2, 6	L	51, 52, 54, 55, 56				
		2	3, 7	L	02, 06				
		2	3, 7	L	12, 15, 16				
11	5133 220AA	2	2, 6	L	01, 02, 06				BOLT, Seat
		2	2, 6	L	11, 12, 14, 15, 16				
		2	2, 6	L	51, 52, 54, 55, 56				
		2	3, 7	L	02, 06				
		2	3, 7	L	12, 15, 16				
12	ZN45 TE4AA	1	2, 6	L	01, 02, 06			B7	HANDLE, Seat Adjuster Raises Front of Cushion, Driver Side
		1	2, 6	L	11, 12, 14, 15, 16			B7	Raises Front of Cushion, Driver Side
		1	2, 6	L	51, 52, 54, 55, 56			B7	Raises Front of Cushion, Driver Side
		1	3, 7	L	02, 06			B7	Raises Front of Cushion, Driver Side
		1	3, 7	L	12, 15, 16			B7	Raises Front of Cushion, Driver Side
	ZN49 TE4AA	1	2, 6	L	01, 02, 06			B7	Raises Front of Cushion, Passenger
		1	2, 6	L	11, 12, 14, 15, 16			B7	Raises Front of Cushion, Passenger
		1	3, 7	L	02, 06			B7	Raises Front of Cushion, Passenger

Refer to Model Legend Information Bookmark

AR = Use as required - = Non illustrated part # = New this model year

March 3, 2006

Front Seat - Attaching Parts
Figure IVA-525



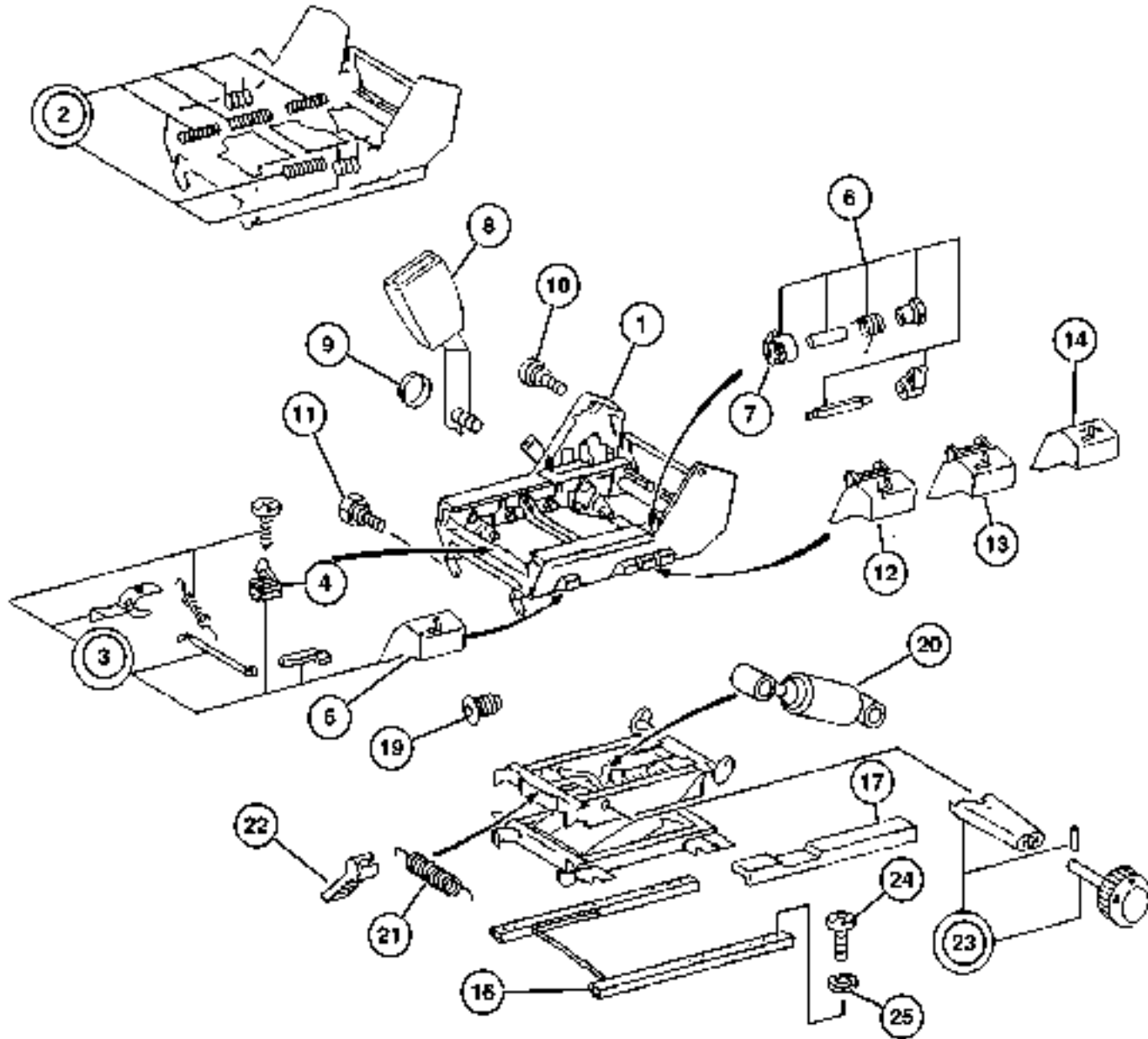
ITEM	PART NUMBER	QTY	LINE	SERIES	BODY	ENGINE	TRANS	TRIM	DESCRIPTION
		1	3, 7	L	12, 15, 16			B7	Raises Front of Cushion, Passenger
		1	2, 6	L	51, 52, 54, 55, 56			B7	Raises Front of Cushion, Passenger
	5133 216AA	1	2, 6	L	01, 02, 06				Seat Cushion Depth, Driver Side
		1	2, 6	L	11, 12, 14, 15, 16				Seat Cushion Depth, Driver Side
		1	3, 7	L	02, 06				Seat Cushion Depth, Driver Side
		1	3, 7	L	12, 15, 16				Seat Cushion Depth, Driver Side
		1	2, 6	L	51, 52, 54, 55, 56				Seat Cushion Depth, Driver Side
	ZN50 TE4AA	1	2, 6	L	01, 02, 06			B7	Raises Rear of Cushion, Passenger Side
		1	2, 6	L	11, 12, 14, 15, 16			B7	Raises Rear of Cushion, Passenger Side
		1	2, 6	L	51, 52, 54, 55, 56			B7	Raises Rear of Cushion, Passenger Side
		1	3, 7	L	02, 06			B7	Raises Rear of Cushion, Passenger Side
		1	3, 7	L	12, 15, 16			B7	Raises Rear of Cushion, Passenger Side
13	5133 283AA	1	3, 7	L	12, 15, 16				HANDLE, Seat Adjuster Adjuster, Front Cushion
	ZN46 TE4AA	1	2, 6	L	01, 02, 06			B7	Raises Rear of Cushion
		1	2, 6	L	11, 12, 14, 15, 16			B7	Raises Rear of Cushion
		1	2, 6	L	51, 52, 54, 55, 56			B7	Raises Rear of Cushion
		1	3, 7	L	02, 06			B7	Raises Rear of Cushion
		1	3, 7	L	12, 15, 16			B7	Raises Rear of Cushion, Drivers Side
	ZN50 TE4AA	1	2, 6	L	01, 02, 06			B7	Raises Rear of Cushion, Passenger Side

Refer to Model Legend Information Bookmark

AR = Use as required - = Non illustrated part # = New this model year

March 3, 2006

Front Seat - Attaching Parts
Figure IVA-525



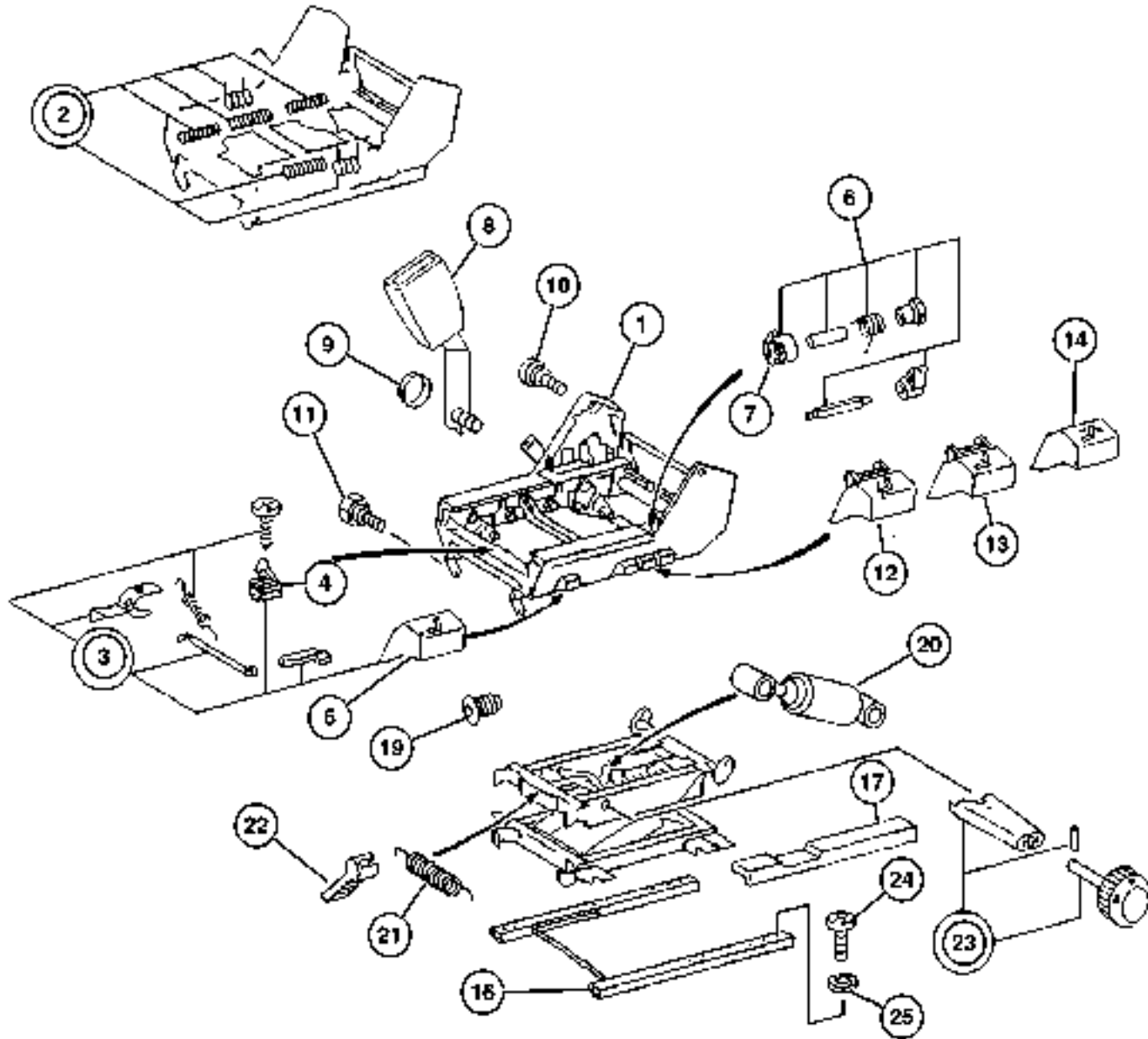
ITEM	PART NUMBER	QTY	LINE	SERIES	BODY	ENGINE	TRANS	TRIM	DESCRIPTION
		1	2, 6	L	11, 12, 14, 15, 16			B7	Raises Rear of Cushion, Passenger Side
		1	2, 6	L	51, 52, 54, 55, 56			B7	Raises Rear of Cushion, Passenger Side
		1	3, 7	L	02, 06			B7	Raises Rear of Cushion, Passenger Side
		1	3, 7	L	12, 15, 16			B7	Raises Rear of Cushion, Passenger Side
14	ZN51 TE4AA	1	2, 6	L	01, 02, 06			B7	HANDLE, Seat Recliner Passenger Side
		1	2, 6	L	11, 12, 14, 15, 16			B7	Passenger Side
		1	2, 6	L	51, 52, 54, 55, 56			B7	Passenger Side
		1	3, 7	L	02, 06			B7	Passenger Side
		1	3, 7	L	12, 15, 16			B7	Passenger Side
-15	5103 778AA-	1	2, 6	L	01, 02, 06				HANDLE, Recliner
		1	2, 6	L	11, 12, 14, 15, 16				
		1	2, 6	L	51, 52, 54, 55, 56				
		1	3, 7	L	02, 06				
		1	3, 7	L	12, 15, 16				
16	5103 702AA	1	2, 6	L	01, 02, 06				TRACK, Seat Adjuster
		1	2, 6	L	11, 12, 14, 15, 16				
		1	2, 6	L	51, 52, 54, 55, 56				
		1	3, 7	L	02, 06				

Refer to Model Legend Information Bookmark

AR = Use as required - = Non illustrated part # = New this model year

March 3, 2006

Front Seat - Attaching Parts
Figure IVA-525



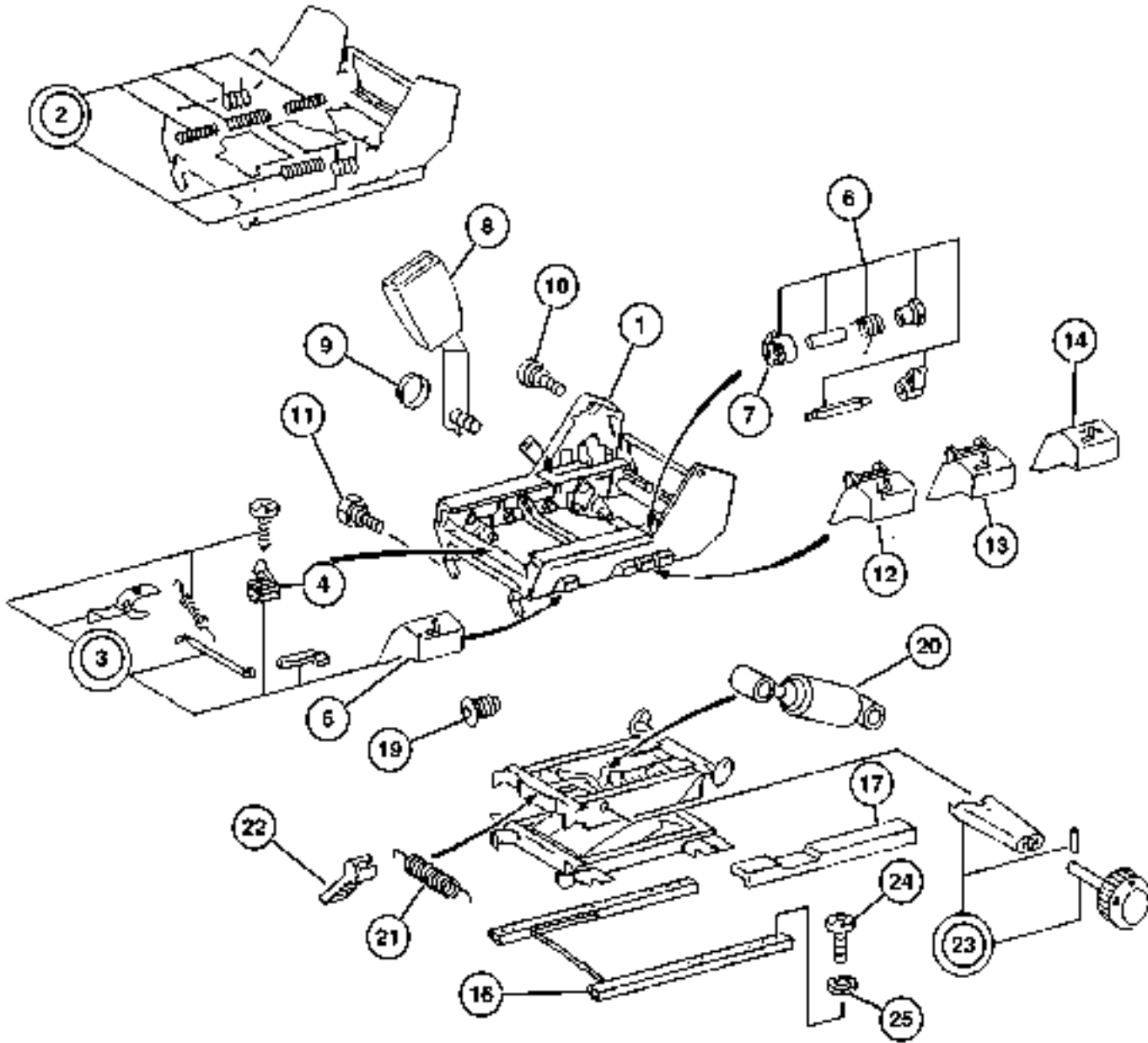
ITEM	PART NUMBER	QTY	LINE	SERIES	BODY	ENGINE	TRANS	TRIM	DESCRIPTION
		1	3, 7	L	12, 15,				
					16				
17	5133 224AA	1	2, 6	L	01, 02,				COVER, Seat Adjuster
		1	2, 6	L	11, 12,				
		1	2, 6	L	14, 15,				
		1	2, 6	L	16				
		1	2, 6	L	51, 52,				
					54, 55,				
					56				
		1	3, 7	L	02, 06				
		1	3, 7	L	12, 15,				
					16				
-18	5133 222AA-	1	2, 6	L	01, 02,				SHIELD, Seat Adjuster
		1	2, 6	L	06				
		1	2, 6	L	11, 12,				
		1	2, 6	L	14, 15,				
		1	2, 6	L	16				
		1	2, 6	L	51, 52,				
					54, 55,				
					56				
		1	3, 7	L	02, 06				
		1	3, 7	L	12, 15,				
					16				
19									PLUG, (NOT SERVICED) (Not Serviced)
20	5133 483AA	1	2, 6	L	01, 02,				ABSORBER Seat Suspension
		1	2, 6	L	06				
		1	2, 6	L	11, 12,				Seat Suspension
					14, 15,				
		1	2, 6	L	16				Seat Suspension
					51, 52,				
					54, 55,				
					56				
		1	3, 7	L	02, 06				Seat Suspension
		1	3, 7	L	12, 15,				Seat Suspension
					16				
21									SPRING, (NOT SERVICED) (Not Serviced)
22									LEVER, (NOT SERVICED) (Not Serviced)
23									WHEEL, Hand, (NOT SERVICED) (Not Serviced)

Refer to Model Legend Information Bookmark

AR = Use as required - = Non illustrated part # = New this model year

March 3, 2006

Front Seat - Attaching Parts
Figure IVA-525



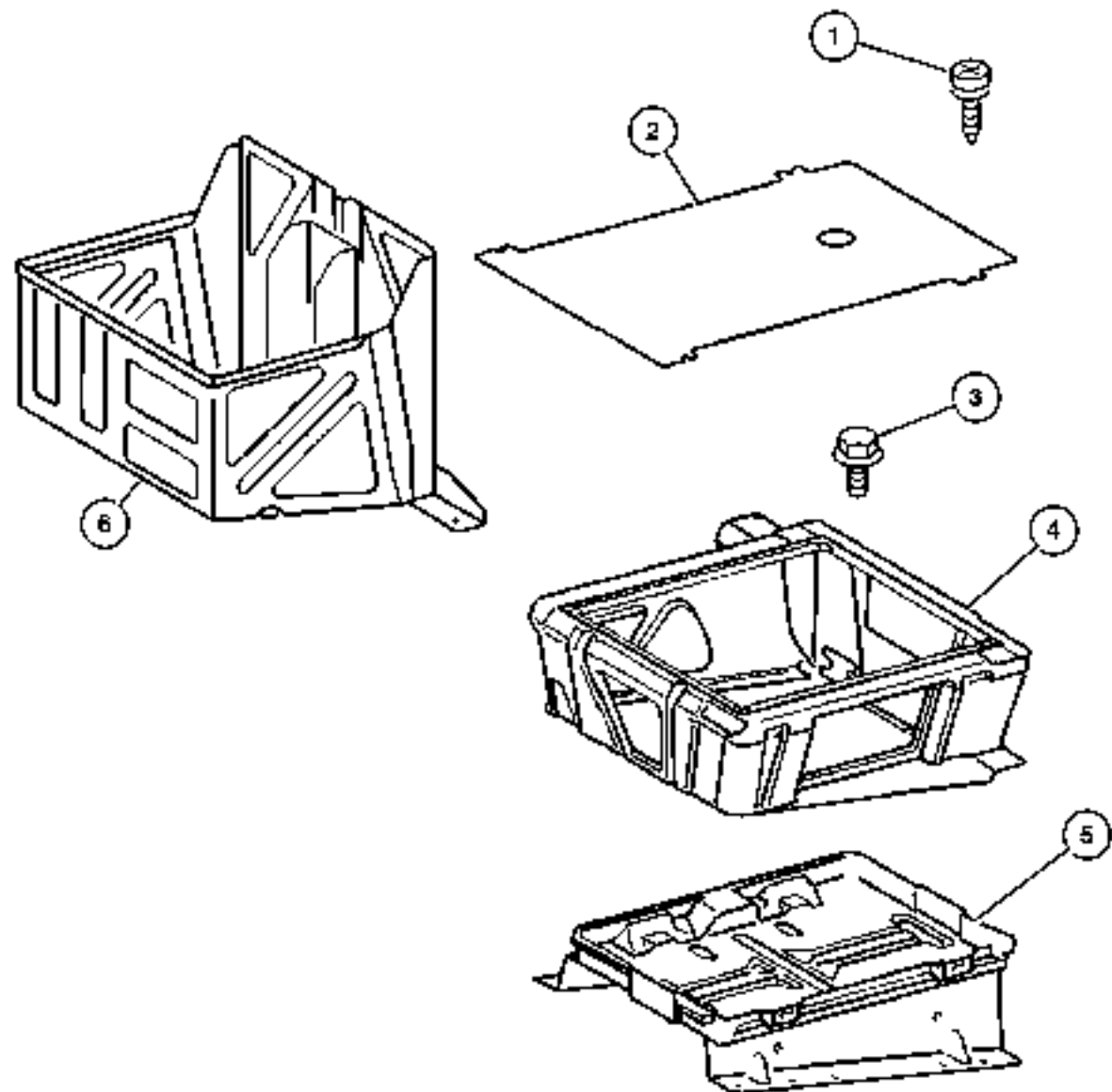
ITEM	PART NUMBER	QTY	LINE	SERIES	BODY	ENGINE	TRANS	TRIM	DESCRIPTION
24									SCREW, Seat
	5126 139AA	6	2, 6	L	01, 02, 06				
		6	2, 6	L	11, 12, 14, 15, 16				
		6	2, 6	L	51, 52, 54, 55, 56				
		6	3, 7	L	02, 06				
		6	3, 7	L	12, 15, 16				
25									WASHER, Locking
	5125 426AA	4	2, 6	L	01, 02, 06				
		4	2, 6	L	11, 12, 14, 15, 16				
		4	2, 6	L	51, 52, 54, 55, 56				
		4	3, 7	L	02, 06				
		4	3, 7	L	12, 15, 16				

Refer to Model Legend Information Bookmark

AR = Use as required - = Non illustrated part # = New this model year

March 3, 2006

Front Seat - Attaching Parts - Riser
Figure IVA-530



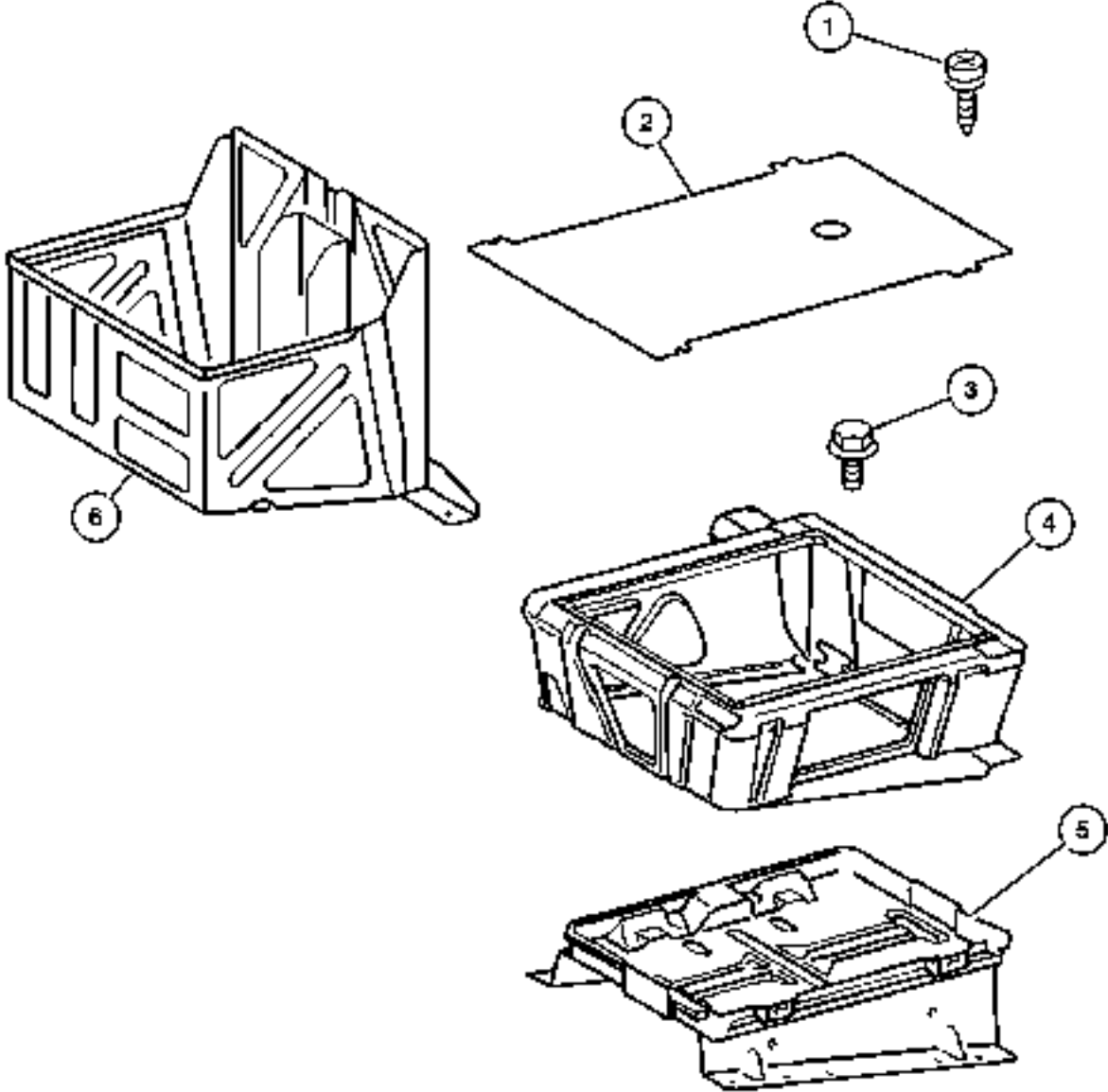
ITEM	PART NUMBER	QTY	LINE	SERIES	BODY	ENGINE	TRANS	TRIM	DESCRIPTION
1									SCREW, Tapping
	6104 574AA	3	2, 6	L	01, 02, 06				
		3	2, 6	L	11, 12, 14, 15, 16				
		3	2, 6	L	51, 52, 54, 55, 56				
		4	3, 7	L	12, 15, 16				
2									COVER Seat Box
	5104 234AA	1	2, 6	L	01, 02, 06				
		1	2, 6	L	11, 12, 14, 15, 16				Seat Box
		1	2, 6	L	51, 52, 54, 55, 56				Seat Box
		1	3, 7	L	02, 06				Seat Box
		1	3, 7	L	12, 15, 16				Seat Box
3									BOLT, Hex Head
	5126 227AA	2	2, 6	L	01, 02, 06				
		2	2, 6	L	11, 12, 14, 15, 16				
		2	2, 6	L	51, 52, 54, 55, 56				
		2	3, 7	L	02, 06				
		2	3, 7	L	12, 15, 16				
4									RISER, Seat Driver
	5122 187AA	1	2, 6	L	11, 12, 14, 15, 16				
		1	2, 6	L	51, 52, 54, 55, 56				Driver
		1	3, 7	L	12, 15, 16				Driver

Refer to Model Legend Information Bookmark

AR = Use as required - = Non illustrated part # = New this model year

March 3, 2006

**Front Seat - Attaching Parts - Riser
Figure IVA-530**



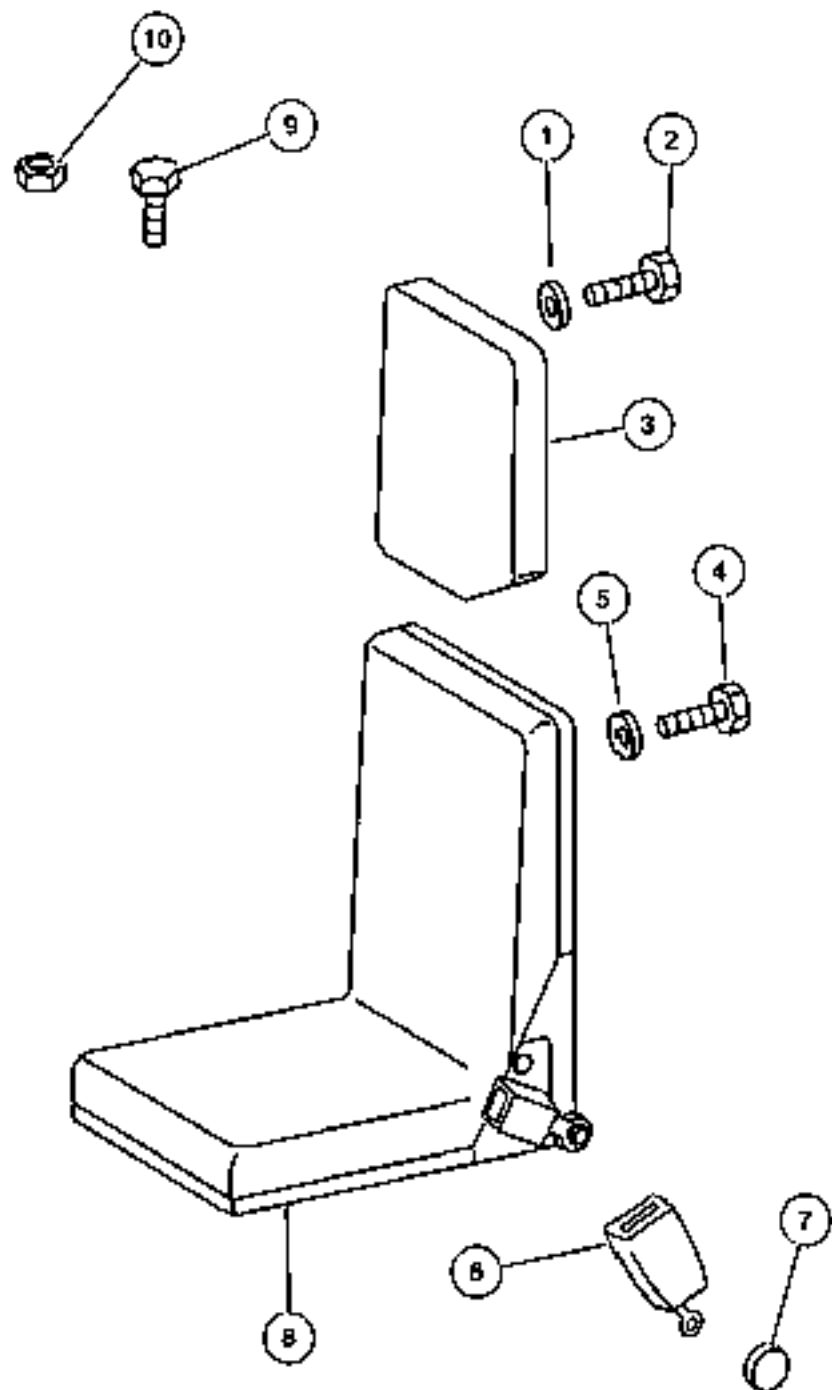
ITEM	PART NUMBER	QTY	LINE	SERIES	BODY	ENGINE	TRANS	TRIM	DESCRIPTION
	5122 192AA	1	2, 6	L	11, 12, 14, 15, 16				Passenger
		1	2, 6	L	51, 52, 54, 55, 56				Passenger
		1	3, 7	L	12, 15, 16				Passenger
5									TRAY, Battery
	5122 170AA	1	2, 6	L	01, 02, 06				With Aux Battery [2500GVW]
		1	2, 6	L	11, 12, 14, 15, 16				With Aux Battery [2500GVW]
		1	2, 6	L	51, 52, 54, 55, 56				With Aux Battery [2500GVW]
		1	3, 7	L	02, 06				With Aux Battery [2500GVW]
		1	3, 7	L	12, 15, 16				With Aux Battery [2500GVW]
6									BOX, Riser, (NOT SERVICED) (Not Serviced)

Refer to Model Legend Information Bookmark

AR = Use as required - = Non illustrated part # = New this model year

March 3, 2006

Front Seat - Attaching Parts
Figure IVA-535



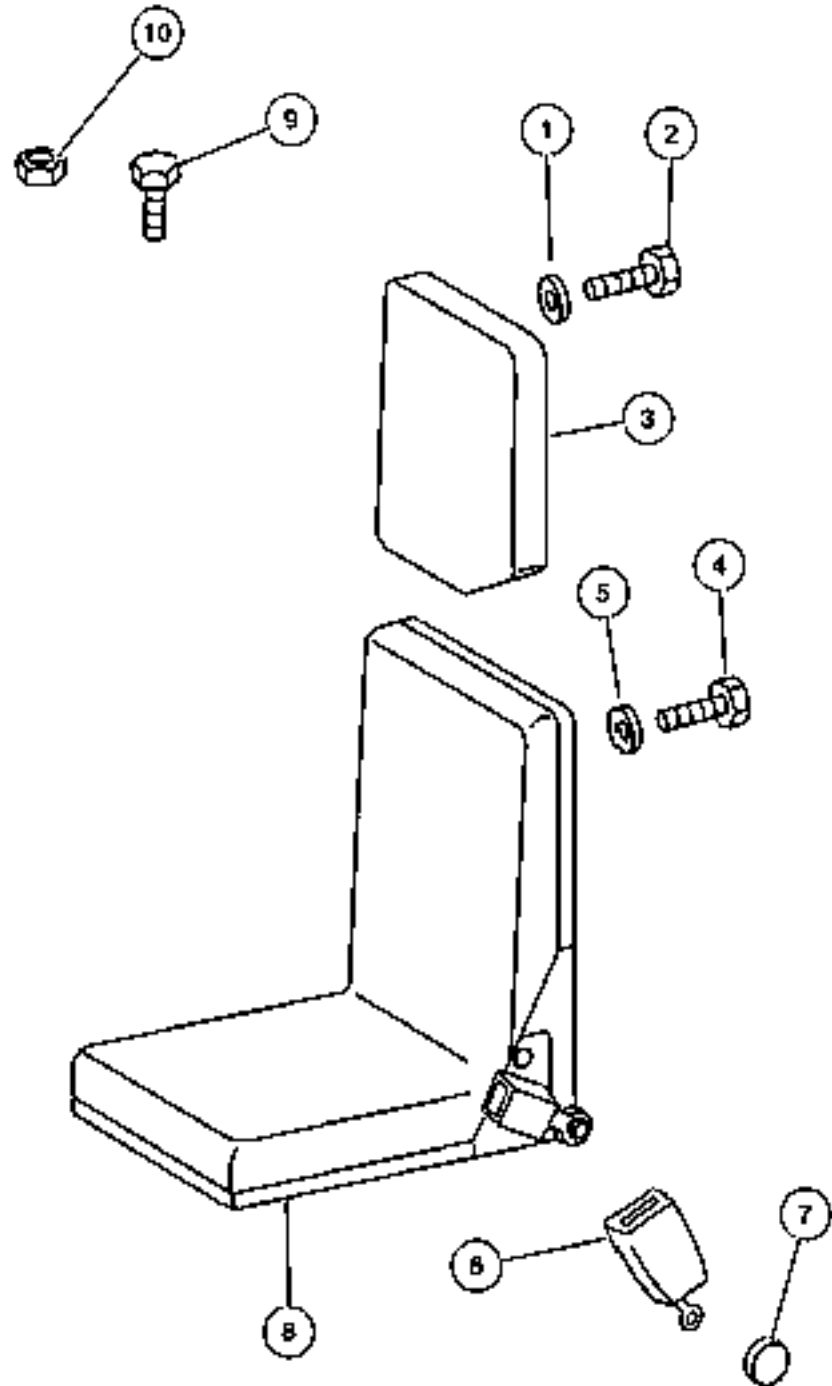
ITEM	PART NUMBER	QTY	LINE	SERIES	BODY	ENGINE	TRANS	TRIM	DESCRIPTION
1									WASHER, Flat
	5098 108AA	1	2, 6	L	01, 02, 06				
		1	2, 6	L	11, 12, 14, 15, 16				
		1	2, 6	L	51, 52, 54, 55, 56				
		1	3, 7	L	02, 06				
		1	3, 7	L	12, 15, 16				
2									SCREW
	6104 025AA	4	2, 6	L	11, 12, 14, 15, 16				
		4	2, 6	L	51, 52, 54, 55, 56				
		1	3, 7	L	12, 15, 16				
3	5104 535AA	1	3, 7	L	12, 15, 16				HEADREST, Front
4									BOLT
	6104 049AA	6	2, 6	L	11, 12, 14, 15, 16				
		6	2, 6	L	51, 52, 54, 55, 56				
		2	3, 7	L	12, 15, 16				
5									WASHER, Flat
	5104 641AA	4	2, 6	L	11, 12, 14, 15, 16				
		4	2, 6	L	51, 52, 54, 55, 56				
		2	3, 7	L	02, 06				
		2	3, 7	L	12, 15, 16				
6									SEAT BELT, See Ill 710 For Part Numbers, (NOT REQUIRED)
7									CAP, Screw Cover

Refer to Model Legend Information Bookmark

AR = Use as required - = Non illustrated part # = New this model year

March 3, 2006

Front Seat - Attaching Parts
Figure IVA-535



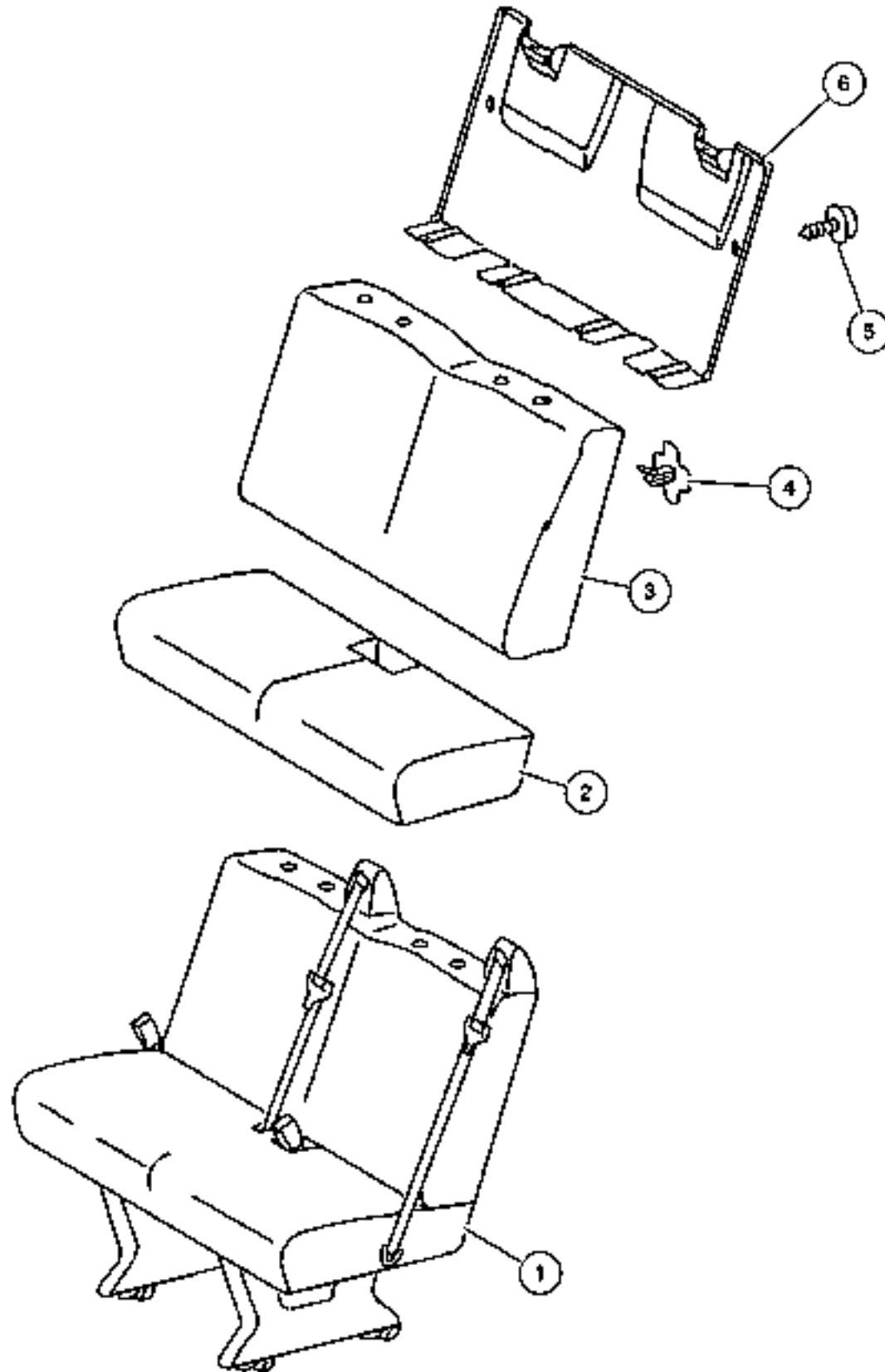
ITEM	PART NUMBER	QTY	LINE	SERIES	BODY	ENGINE	TRANS	TRIM	DESCRIPTION
	5125 999AA	2	2, 6	L	01, 02, 06				
		2	2, 6	L	11, 12, 14, 15, 16				
		2	2, 6	L	51, 52, 54, 55, 56				
		1	3, 7	L	12, 15, 16				
8	5125 327AA	1	2, 6	L	11, 12, 14, 15, 16				SEAT COMPLETE, Front
9	5103 816AA	7	2, 6	L	11, 12, 14, 15				BOLT, Hex Head
		9	2, 6	L	16				
		8	2, 6	L	16				
		7	3, 7	L	12, 15				
		9	3, 7	L	16				
10	6104 716AA	4	2, 6	L	01, 02, 06				NUT
		4	2, 6	L	11, 12, 14, 15, 16				
		4	2, 6	L	51, 52, 54, 55, 56				
		4	3, 7	L	12, 15, 16				

Refer to Model Legend Information Bookmark

AR = Use as required - = Non illustrated part # = New this model year

March 3, 2006

Rear Seat - 2 Passenger
Figure IVA-610



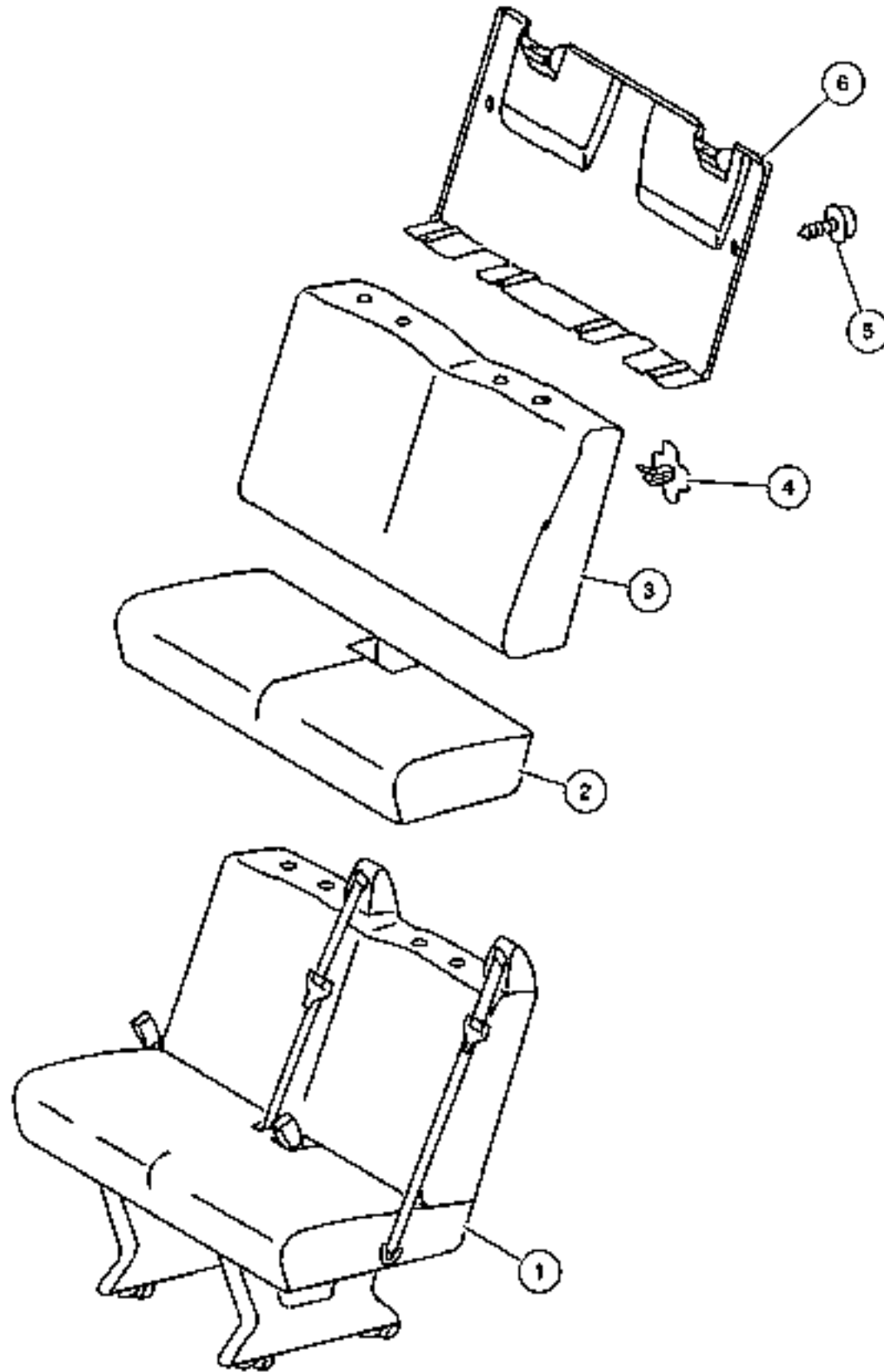
ITEM	PART NUMBER	QTY	LINE	SERIES	BODY	ENGINE	TRANS	TRIM	DESCRIPTION
1									SEAT COMPLETE, Rear, Two Passenger Santos
	5133 134AA	1	2, 6	L	51, 52, 54, 55, 56				
	5133 138AA	1	2, 6	L	51, 52, 54, 55, 56				
2									CUSHION, Rear Seat, Two Passenger Santos
	5134 085AA	1	2, 6	L	11, 12, 14, 15, 16				
		1	2, 6	L	51, 52, 54, 55, 56				Santos
		1	3, 7	L	12, 15, 16				Santos
	5134 610AA	1	2, 6	L	11, 12, 14, 15, 16				
		1	2, 6	L	51, 52, 54, 55, 56				Santos
		1	3, 7	L	12, 15, 16				Santos
3									SEAT BACK, Rear, 2 Passenger Santos
	5134 088AA	1	2, 6	L	11, 12, 14, 15, 16				
		1	2, 6	L	51, 52, 54, 55, 56				Santos
		1	3, 7	L	12, 15, 16				Santos
	5134 611AA	1	2, 6	L	11, 12, 14, 15, 16				
		1	2, 6	L	51, 52, 54, 55, 56				Santos
		1	3, 7	L	12, 15, 16				Santos
4									BRACKET, Rear Seatback

Refer to Model Legend Information Bookmark

AR = Use as required - = Non illustrated part # = New this model year

March 3, 2006

Rear Seat - 2 Passenger
Figure IVA-610



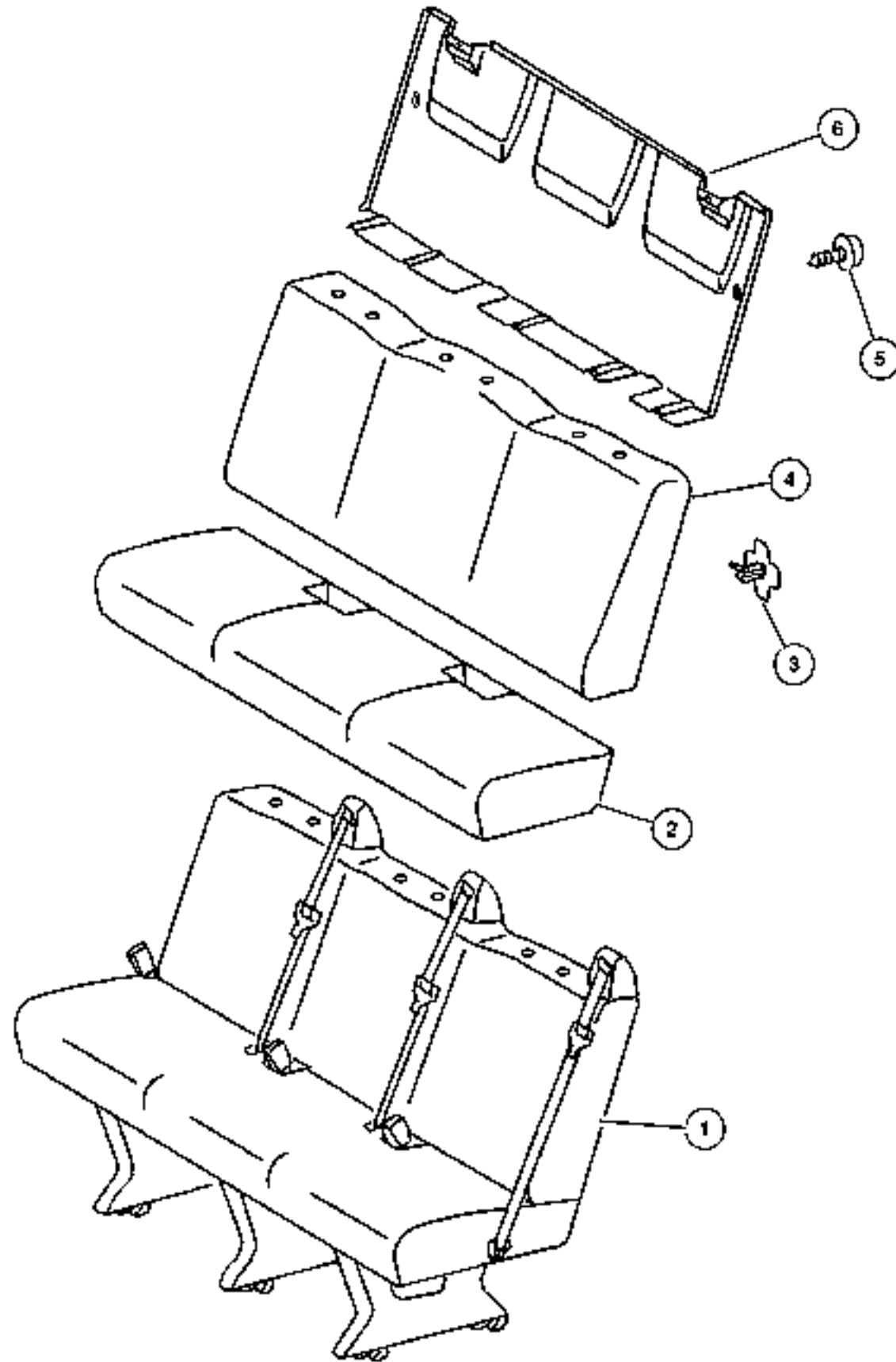
ITEM	PART NUMBER	QTY	LINE	SERIES	BODY	ENGINE	TRANS	TRIM	DESCRIPTION
	5103 706AA	1	2, 6	L	11, 12, 14, 15, 16				Right
		1	2, 6	L	51, 52, 54, 55, 56				Right
		1	3, 7	L	12, 15, 16				Right
	5103 707AA	1	2, 6	L	11, 12, 14, 15, 16				Left
		1	2, 6	L	51, 52, 54, 55, 56				Left
		1	3, 7	L	12, 15, 16				Left
5	5134 089AA	1	2, 6	L	11, 12, 14, 15, 16				PANEL, Rear Seat Back Two Passenger
		1	2, 6	L	51, 52, 54, 55, 56				Two Passenger
		1	3, 7	L	12, 15, 16				Two Passenger
6	5133 295AA	2	2, 6	L	11, 12, 14, 15, 16				SCREW, Self-Tapping
		2	2, 6	L	51, 52, 54, 55, 56				
		2	3, 7	L	12, 15, 16				

Refer to Model Legend Information Bookmark

AR = Use as required - = Non illustrated part # = New this model year

March 3, 2006

Rear Seat - 3 Passenger
Figure IVA-615



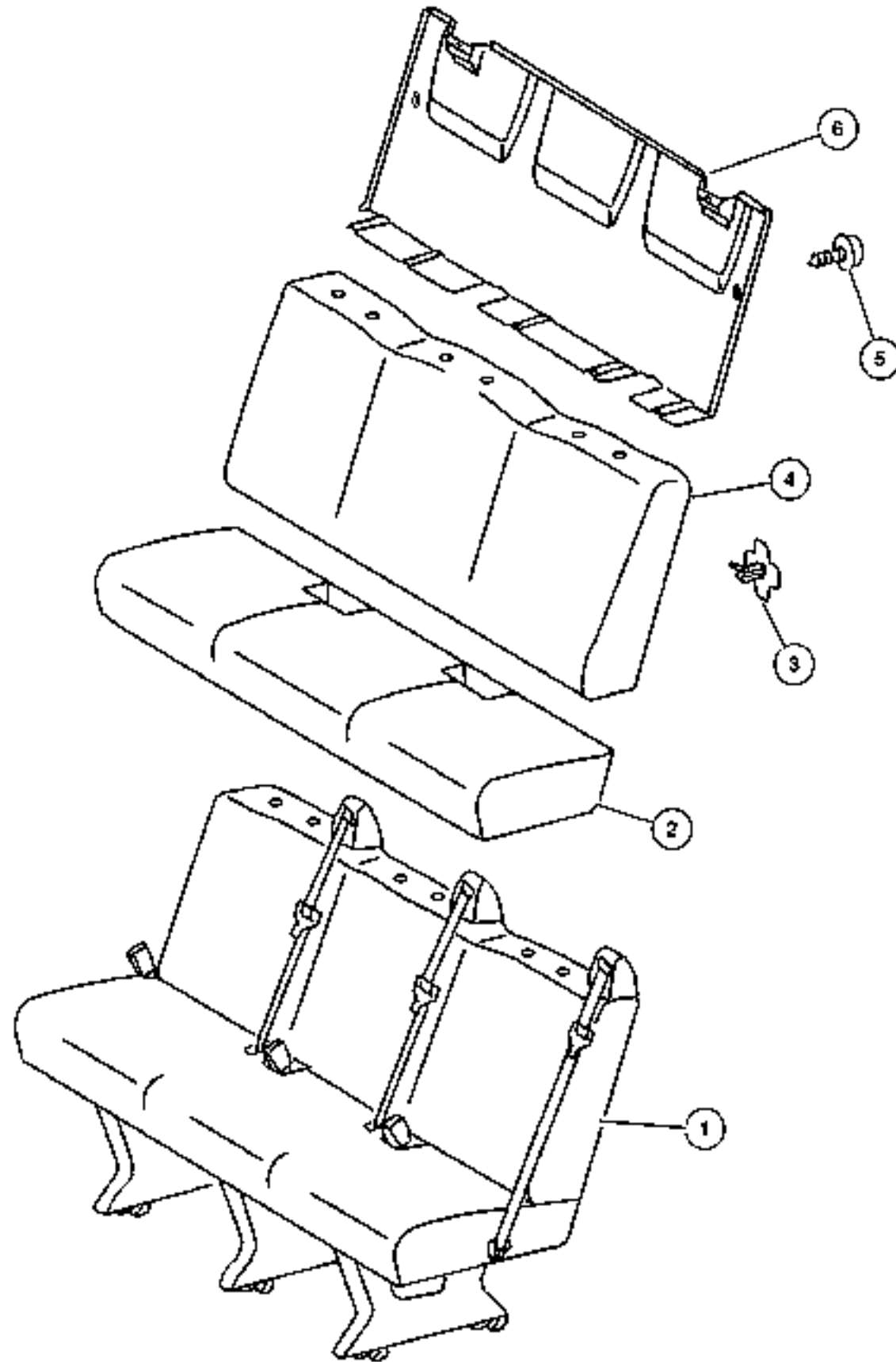
ITEM	PART NUMBER	QTY	LINE	SERIES	BODY	ENGINE	TRANS	TRIM	DESCRIPTION
1									SEAT COMPLETE, Rear, Three Passenger
	5133 118AA	1	2, 6	L	11, 12, 14, 15, 16				Santos,First Rear Bench
		1	2, 6	L	51, 52, 54, 55, 56				Santos,First Rear Bench
	5133 126AA	1	2, 6	L	51, 52, 54, 55, 56				Santos,Second Rear Bench
		1	2, 6	L	51, 52, 54, 55, 56				Santos,Third Rear Bench
	5133 122AA	1	2, 6	L	11, 12, 14, 15, 16				First Rear Bench
		1	2, 6	L	51, 52, 54, 55, 56				First Rear Bench
	5133 130AA	1	2, 6	L	51, 52, 54, 55, 56				Second Rear Bench
		1	2, 6	L	51, 52, 54, 55, 56				Third Rear Bench
2									CUSHION, Rear Seat, Three Passenger
	5134 103AA	1	2, 6	L	11, 12, 14, 15, 16				Santos,Second & Third Row Rear Bench
		1	2, 6	L	51, 52, 54, 55, 56				Santos,Second & Third Row Rear Bench
		1	3, 7	L	12, 15, 16				Santos,Second & Third Row Rear Bench
	5134 612AA	1	2, 6	L	11, 12, 14, 15, 16				First Rear Bench
		1	2, 6	L	51, 52, 54, 55, 56				First Rear Bench
		1	3, 7	L	12, 15, 16				First Rear Bench

Refer to Model Legend Information Bookmark

AR = Use as required - = Non illustrated part # = New this model year

March 3, 2006

Rear Seat - 3 Passenger
Figure IVA-615



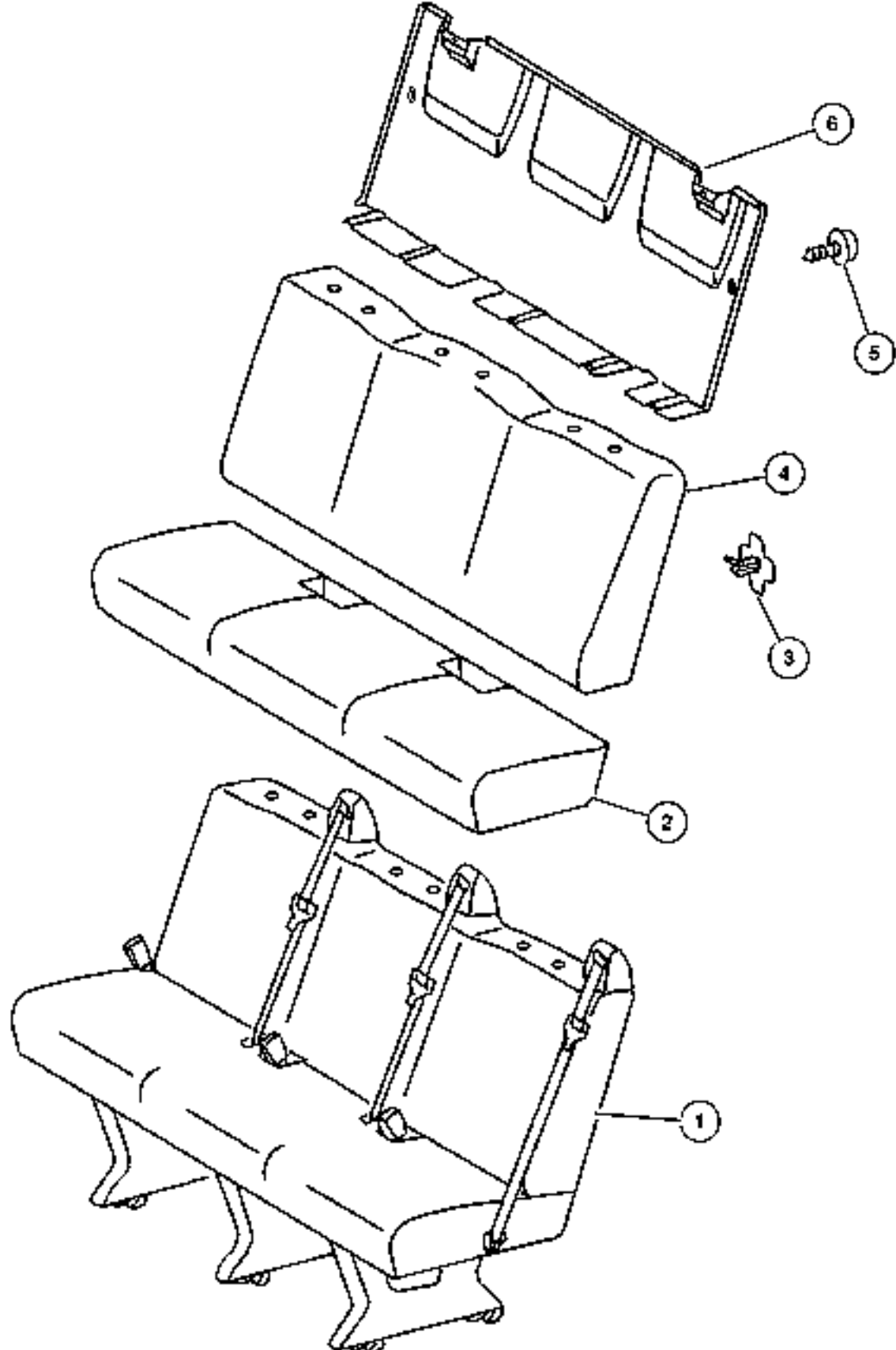
ITEM	PART NUMBER	QTY	LINE	SERIES	BODY	ENGINE	TRANS	TRIM	DESCRIPTION
	5134 614AA	1	2, 6	L	11, 12, 14, 15, 16				Second & Third Row Rear Bench
		1	2, 6	L	51, 52, 54, 55, 56				Second & Third Row Rear Bench
		1	3, 7	L	12, 15, 16				Second & Third Row Rear Bench
3									BRACKET, Rear Seatback
	5103 706AA	1	2, 6	L	11, 12, 14, 15, 16				Right
		1	2, 6	L	51, 52, 54, 55, 56				Right
		1	3, 7	L	12, 15, 16				Right
	5103 707AA	1	2, 6	L	11, 12, 14, 15, 16				Left
		1	2, 6	L	51, 52, 54, 55, 56				Left
		1	3, 7	L	12, 15, 16				Left
4	5134 106AA	1	2, 6	L	11, 12, 14, 15, 16				SEAT BACK, Rear, 3 Passenger Santos,Second & Third Row Rear Bench
		1	2, 6	L	51, 52, 54, 55, 56				Santos,Second & Third Row Rear Bench
		1	3, 7	L	12, 15, 16				Santos,Second & Third Row Rear Bench
	5134 613AA	1	2, 6	L	11, 12, 14, 15, 16				First Rear Bench
		1	2, 6	L	51, 52, 54, 55, 56				First Rear Bench
		1	3, 7	L	12, 15, 16				First Rear Bench
	5134 615AA	1	2, 6	L	11, 12, 14, 15, 16				Second & Third Row Rear Bench

Refer to Model Legend Information Bookmark

AR = Use as required - = Non illustrated part # = New this model year

March 3, 2006

Rear Seat - 3 Passenger
Figure IVA-615



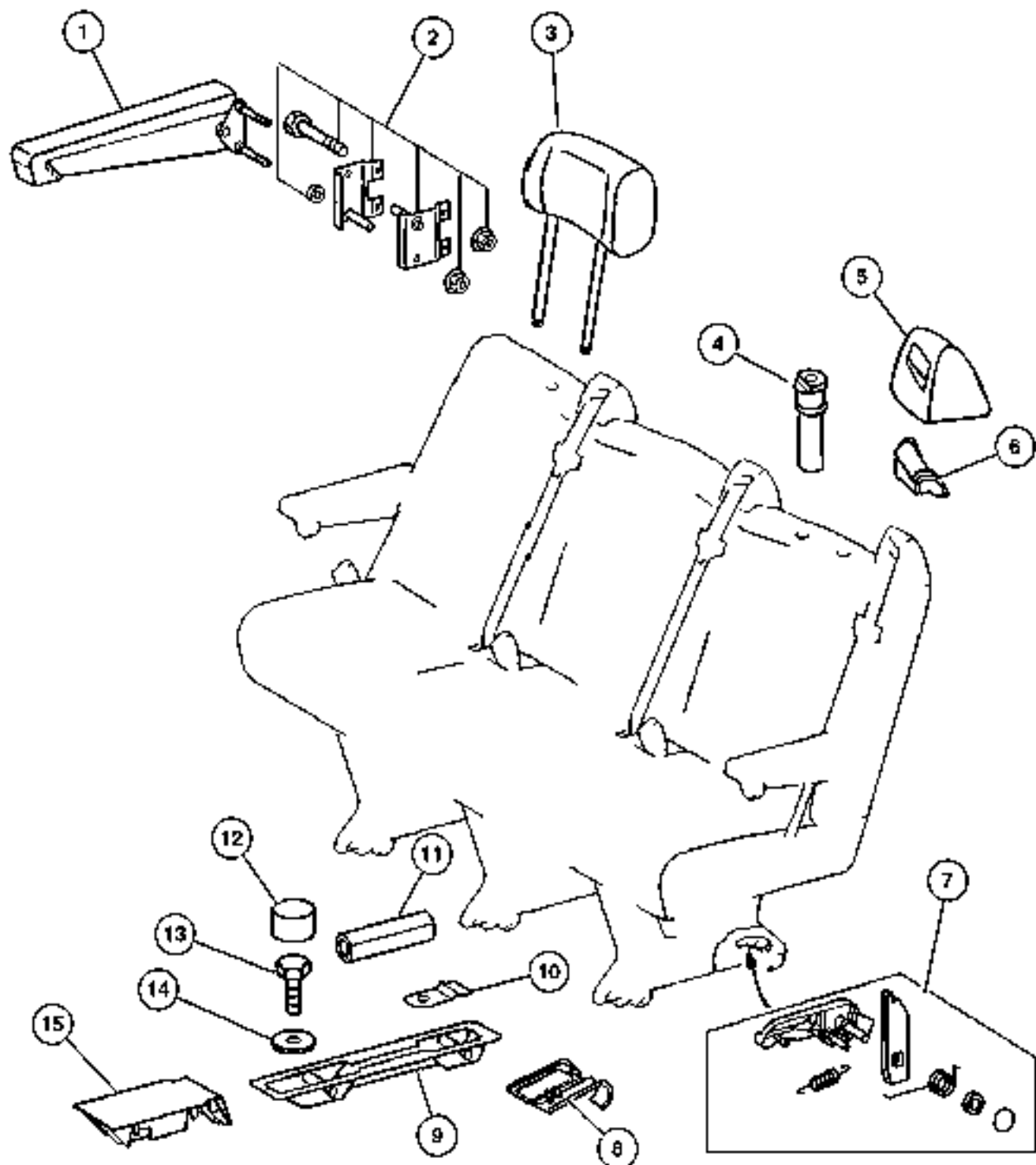
ITEM	PART NUMBER	QTY	LINE	SERIES	BODY	ENGINE	TRANS	TRIM	DESCRIPTION
		1	2, 6	L	51, 52, 54, 55, 56				Second & Third Row Rear Bench
		1	3, 7	L	12, 15, 16				Second & Third Row Rear Bench
5	5133 295AA	2	2, 6	L	11, 12, 14, 15, 16				SCREW, Self-Tapping
		2	2, 6	L	51, 52, 54, 55, 56				
6	5134 096AA	1	2, 6	L	11, 12, 14, 15, 16				PANEL, Seat Back, Two Passenger
		1	2, 6	L	51, 52, 54, 55, 56				
		1	3, 7	L	12, 15, 16				

Refer to Model Legend Information Bookmark

AR = Use as required - = Non illustrated part # = New this model year

March 3, 2006

**Attaching Parts - 3rd Passenger Seat
Figure IVA-620**



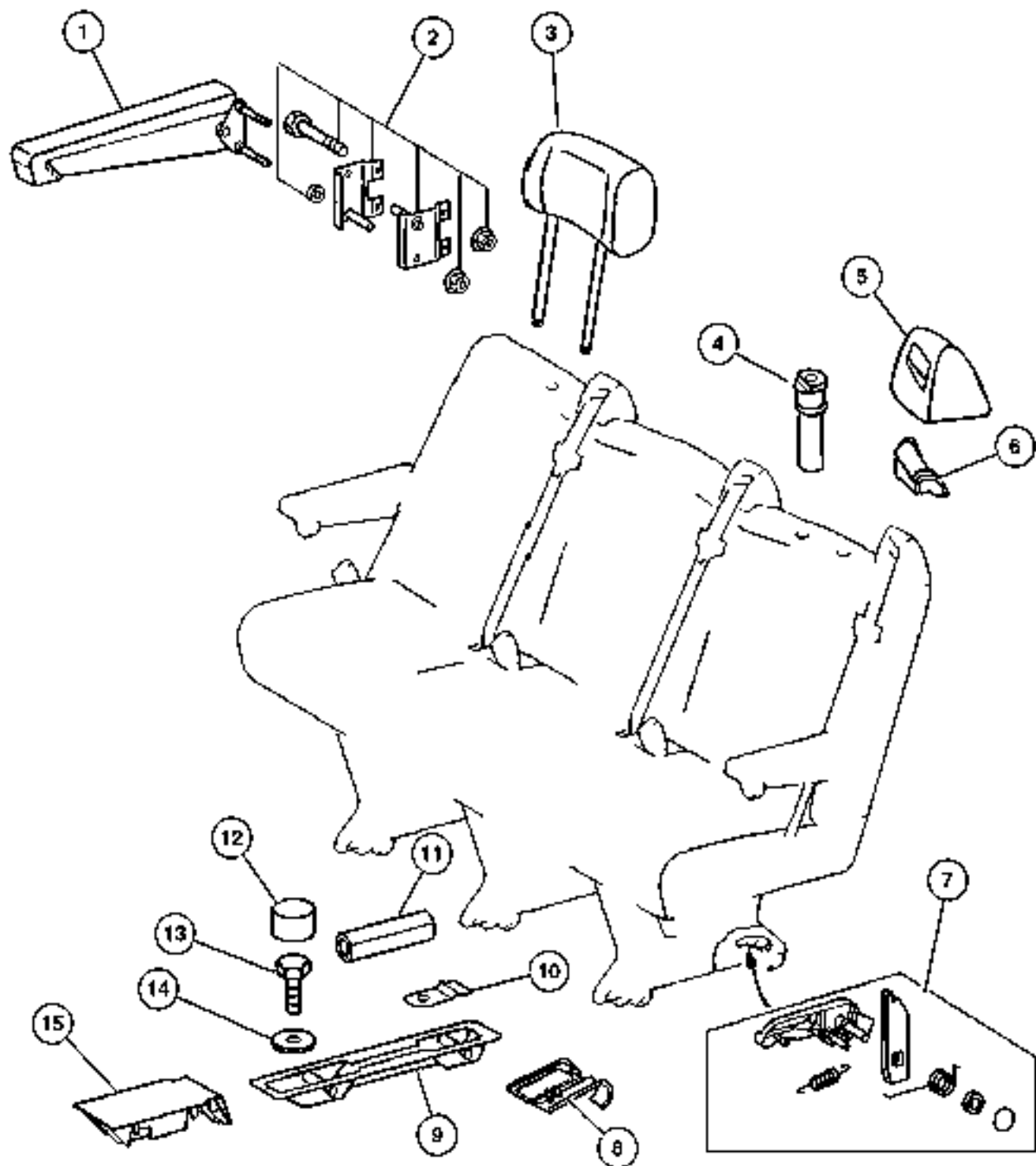
ITEM	PART NUMBER	QTY	LINE	SERIES	BODY	ENGINE	TRANS	TRIM	DESCRIPTION		
1	ARMREST, REAR SEAT										
		ZN57 CSSAA	1	2, 6	L	11, 12, 14, 15, 16			B7	Left	
			1	2, 6	L	51, 52, 54, 55, 56			B7	Left	
			1	3, 7	L	12, 15, 16			B7	Left	
		ZN58 CSSAA	1	2, 6	L	11, 12, 14, 15, 16			B7	Right	
			1	2, 6	L	51, 52, 54, 55, 56			B7	Right	
			1	3, 7	L	12, 15, 16			B7	Right	
	2	BRACKET, Arm Rest									
			5134 098AA	1	2, 6	L	11, 12, 14, 15, 16				
				1	2, 6	L	51, 52, 54, 55, 56				
				1	3, 7	L	12, 15, 16				
		3	HEADREST								
			5104 534AA	3	2, 6	L	11, 12, 14, 15, 16				Catano
			3	3, 7	L	12, 15, 16				Catano	
	5125 368AA		3	2, 6	L	11, 12, 14, 15, 16				Venice	
			3	3, 7	L	12, 15, 16				Venice	
	5125 377AA		1	2, 6	L	51, 52, 54, 55, 56				Santos	
		1	3, 7	L	02, 06				Santos		
		1	3, 7	L	12, 15, 16				Santos		
4	SLEEVE, Headrest										

Refer to Model Legend Information Bookmark

AR = Use as required - = Non illustrated part # = New this model year

March 3, 2006

**Attaching Parts - 3rd Passenger Seat
Figure IVA-620**



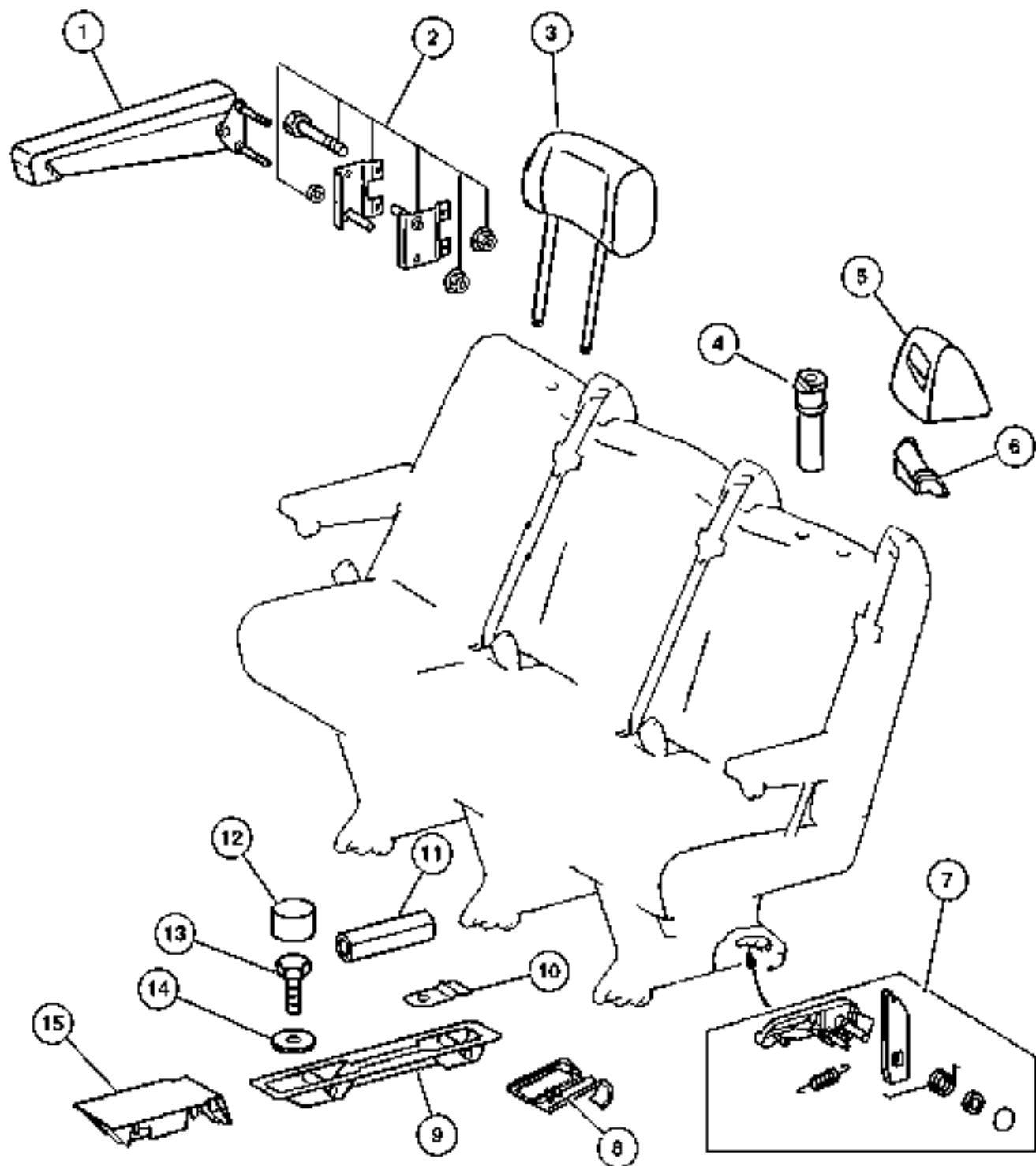
ITEM	PART NUMBER	QTY	LINE	SERIES	BODY	ENGINE	TRANS	TRIM	DESCRIPTION
	1AV08 AA7AA	2	2, 6	L	01, 02, 06			B7	
		2	2, 6	L	11, 12, 14, 15, 16			B7	
		2	2, 6	L	51, 52, 54, 55, 56			B7	
		2	3, 7	L	02, 06			B7	
		2	3, 7	L	12, 15, 16			B7	
5	5103 708AA	1	2, 6	L	11, 12, 14, 15, 16				COVER, Seat Belt Opening
		1	2, 6	L	51, 52, 54, 55, 56				
		1	3, 7	L	12, 15, 16				
6	5103 709AA	1	2, 6	L	11, 12, 14, 15, 16				GUIDE, Seat Belt
		1	2, 6	L	51, 52, 54, 55, 56				
		1	3, 7	L	12, 15, 16				
7	5103 704AA	2	2, 6	L	11, 12, 14, 15, 16				LATCH, Seat
		2	2, 6	L	51, 52, 54, 55, 56				
		2	3, 7	L	12, 15, 16				
8	5134 099AA	4	2, 6	L	11, 12, 14, 15, 16				ESCUTCHEON, Seat Anchor
		4	2, 6	L	51, 52, 54, 55, 56				

Refer to Model Legend Information Bookmark

AR = Use as required - = Non illustrated part # = New this model year

March 3, 2006

**Attaching Parts - 3rd Passenger Seat
Figure IVA-620**



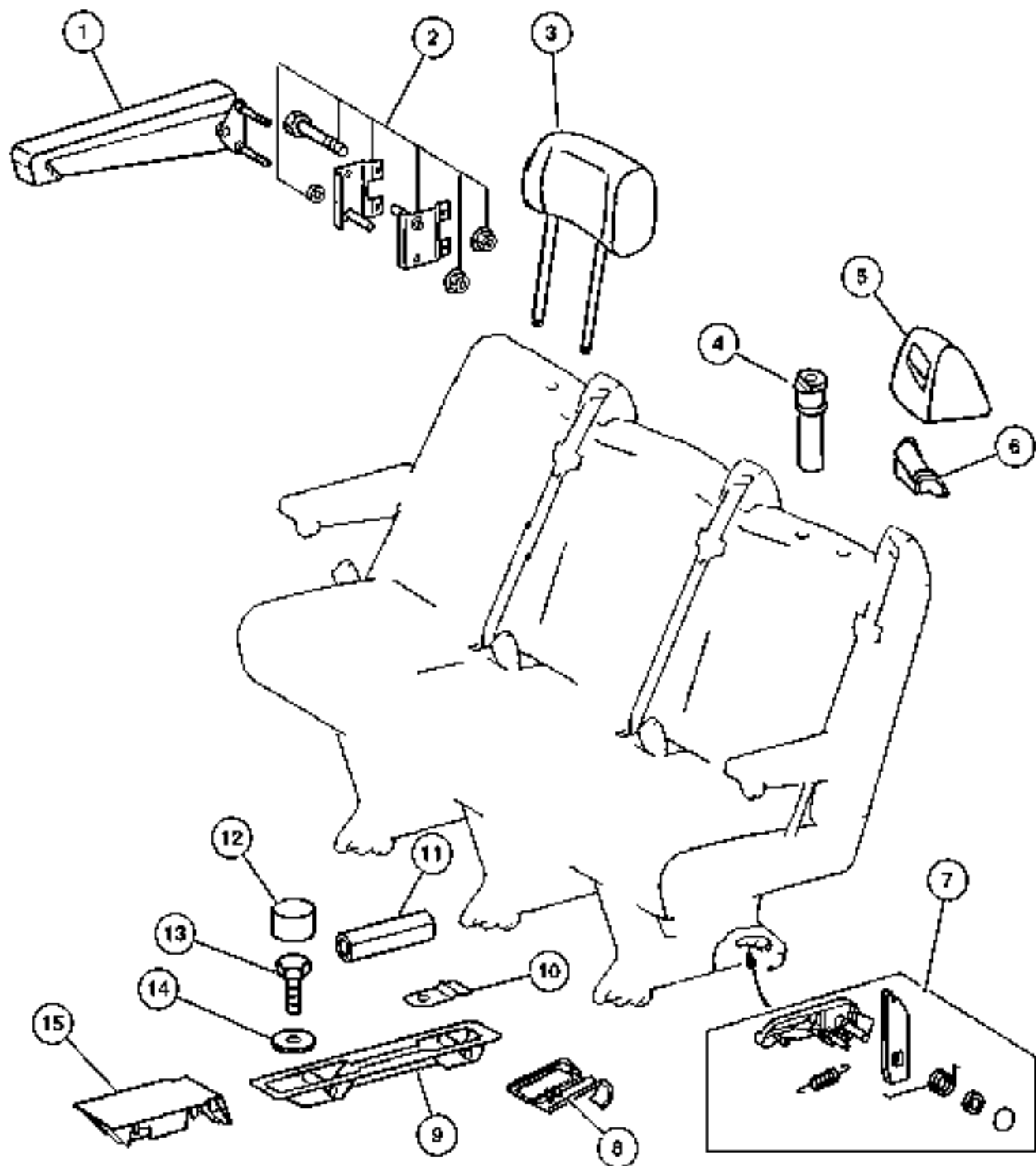
ITEM	PART NUMBER	QTY	LINE	SERIES	BODY	ENGINE	TRANS	TRIM	DESCRIPTION
		4	3, 7	L	12, 15, 16				
9	5104 531AA	1	2, 6	L	11, 12, 14, 15, 16				ESCUTCHEON, Seat Anchor Second Rear Bench, 2 Passenger
		1	2, 6	L	51, 52, 54, 55, 56				Second Rear Bench, 2 Passenger
		1	3, 7	L	12, 15, 16				Second Rear Bench, 2 Passenger
	5104 532AA	1	2, 6	L	11, 12, 14, 15, 16				First Rear Bench, 3 Passenger
		1	2, 6	L	51, 52, 54, 55, 56				First Rear Bench, 3 Passenger
		1	3, 7	L	12, 15, 16				First Rear Bench, 3 Passenger
10	5134 097AA	2	2, 6	L	11, 12, 14, 15, 16				SPRING, Seat Latch Return
		2	2, 6	L	51, 52, 54, 55, 56				
		2	3, 7	L	12, 15, 16				
11	5104 550AA	2	2, 6	L	11, 12, 14, 15, 16				PIN, Roll
		2	2, 6	L	51, 52, 54, 55, 56				
		2	3, 7	L	12, 15, 16				
12	5133 484AA	6	2, 6	L	11, 12, 14, 15, 16				COVER, Seat Belt
		6	2, 6	L	51, 52, 54, 55, 56				

Refer to Model Legend Information Bookmark

AR = Use as required - = Non illustrated part # = New this model year

March 3, 2006

**Attaching Parts - 3rd Passenger Seat
Figure IVA-620**



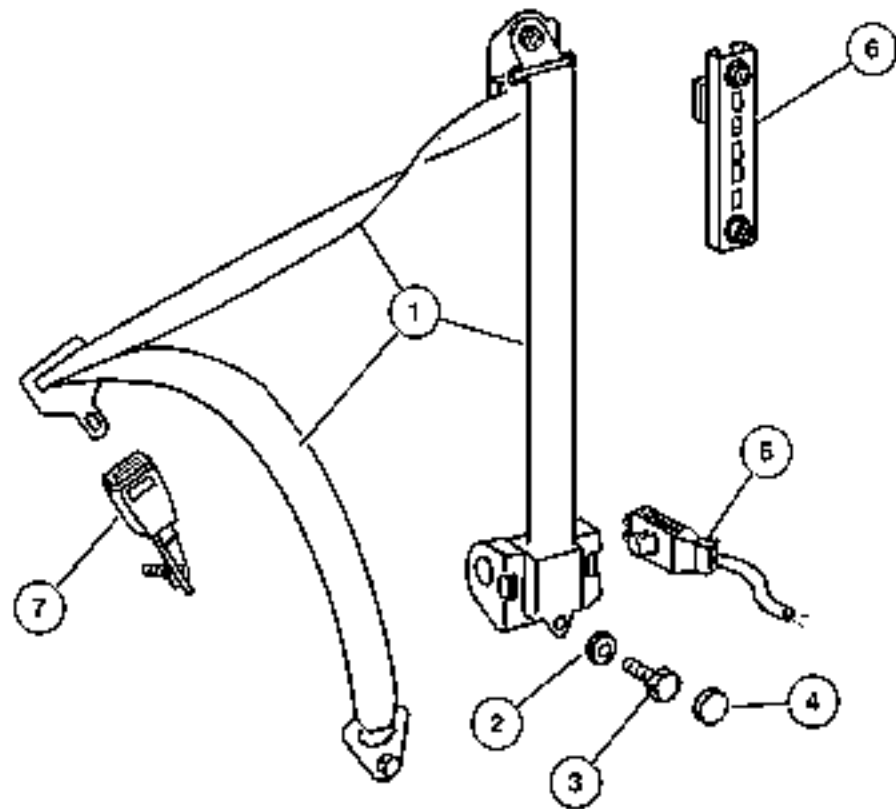
ITEM	PART NUMBER	QTY	LINE	SERIES	BODY	ENGINE	TRANS	TRIM	DESCRIPTION
		6	3, 7	L	12, 15, 16				
13	6104 216AA	4	2, 6	L	11, 12, 14, 15, 16				BOLT, Hex Head
		4	2, 6	L	51, 52, 54, 55, 56				
		4	3, 7	L	12, 15, 16				
14	5126 189AA	4	3, 7	L	02, 06				WASHER, Flat
		4	2, 6	L	11, 12, 14, 15, 16				
		4	2, 6	L	51, 52, 54, 55, 56				
		4	3, 7	L	12, 15, 16				
15	5104 533AA	1	2, 6	L	11, 12, 14, 15, 16				COVER, Seat Anchor
		1	2, 6	L	51, 52, 54, 55, 56				
		1	3, 7	L	12, 15, 16				
-16	5133 285AA-	1	3, 7	L	12, 15, 16				HANDLE, Seat Adjuster

Refer to Model Legend Information Bookmark

AR = Use as required - = Non illustrated part # = New this model year

March 3, 2006

Seat Belt - Front Figure IVA-710



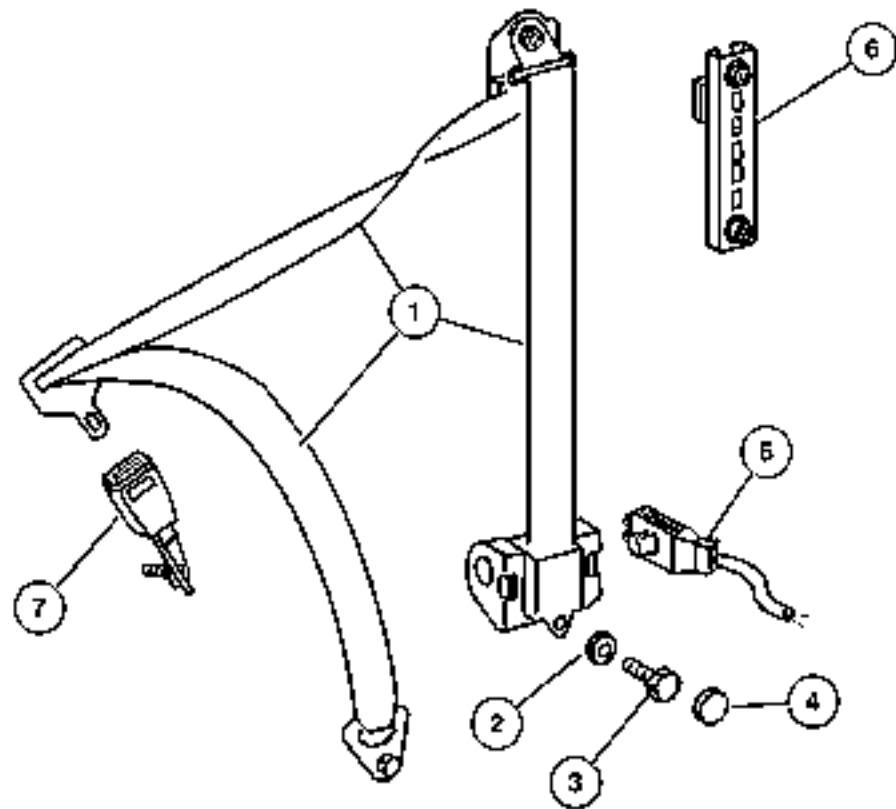
ITEM	PART NUMBER	QTY	LINE	SERIES	BODY	ENGINE	TRANS	TRIM	DESCRIPTION
1	SEAT BELT, Front Outer								
	5103 812AA	1	2, 6	L	01, 02, 06				Left
		1	2, 6	L	11, 12, 14, 15, 16				Left
		1	2, 6	L	51, 52, 54, 55, 56				Left
		1	3, 7	L	02, 06				Left
		1	3, 7	L	12, 15, 16				Left
	5103 835AA	1	2, 6	L	01, 02, 06				Used without Jump Seat, Right
		1	2, 6	L	11, 12, 14, 15, 16				Used without Jump Seat, Right
		1	2, 6	L	51, 52, 54, 55, 56				Used without Jump Seat, Right
		1	3, 7	L	02, 06				Used without Jump Seat, Right
		1	3, 7	L	12, 15, 16				Used without Jump Seat, Right
	5103 836AA	1	2, 6	L	11, 12, 14, 15, 16				Orange, Right & Left
		1	3, 7	L	12, 15, 16				Orange, Right & Left
	5125 023AA	1	2, 6	L	11, 12, 14, 15, 16				Right
	1	3, 7	L	12, 15, 16				Right	
5125 026AA	1	2, 6	L	01, 02, 06				Used with Jump Seat, Right	
	1	2, 6	L	11, 12, 14, 15, 16				Used with Jump Seat, Right	
	1	3, 7	L	02, 06				Used with Jump Seat, Right	
	1	3, 7	L	12, 15, 16				Used with Jump Seat, Right	
2	WASHER, Seat Belt Attaching								
	5125 755AA	1	2, 6	L	01, 02, 06				

Refer to Model Legend Information Bookmark

AR = Use as required - = Non illustrated part # = New this model year

March 3, 2006

Seat Belt - Front
Figure IVA-710



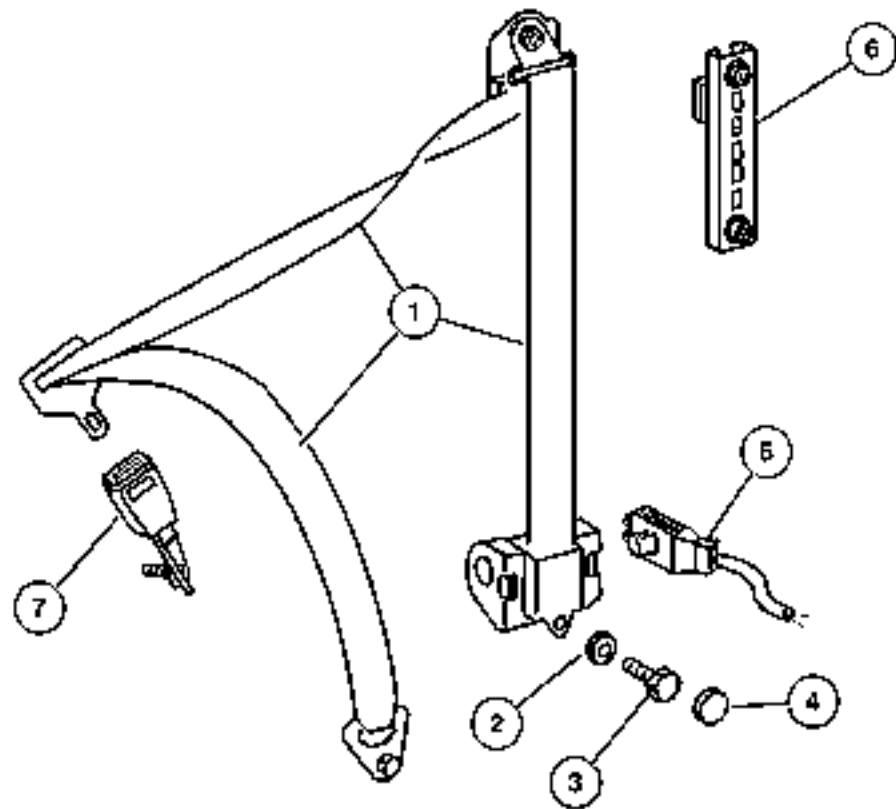
ITEM	PART NUMBER	QTY	LINE	SERIES	BODY	ENGINE	TRANS	TRIM	DESCRIPTION
		1	2, 6	L	11, 12, 14, 15, 16				
		1	2, 6	L	51, 52, 54, 55, 56				
3	5125 705AA	1	2, 6	L	01, 02, 06				BOLT, Seat Belt
		1	2, 6	L	11, 12, 14, 15, 16				
		1	2, 6	L	51, 52, 54, 55, 56				
4	5125 999AA	2	2, 6	L	01, 02, 06				CAP, Screw Cover
		1	2, 6	L	11, 12, 14, 15, 16				
		1	2, 6	L	51, 52, 54, 55, 56				
		2	3, 7	L	02, 06				
		2	3, 7	L	12, 15, 16				
5	5133 485AA	2	2, 6	L	01, 02, 06				HARNESS, Wiring
		2	2, 6	L	11, 12, 14, 15, 16				
		2	2, 6	L	51, 52, 54, 55, 56				
		2	3, 7	L	02, 06				
		2	3, 7	L	12, 15, 16				
6	5104 498AA	1	2, 6	L	01, 02, 06				ADJUSTER, Seat Belt Turning Loop
		1	2, 6	L	11, 12, 14, 15, 16				

Refer to Model Legend Information Bookmark

AR = Use as required - = Non illustrated part # = New this model year

March 3, 2006

Seat Belt - Front
Figure IVA-710



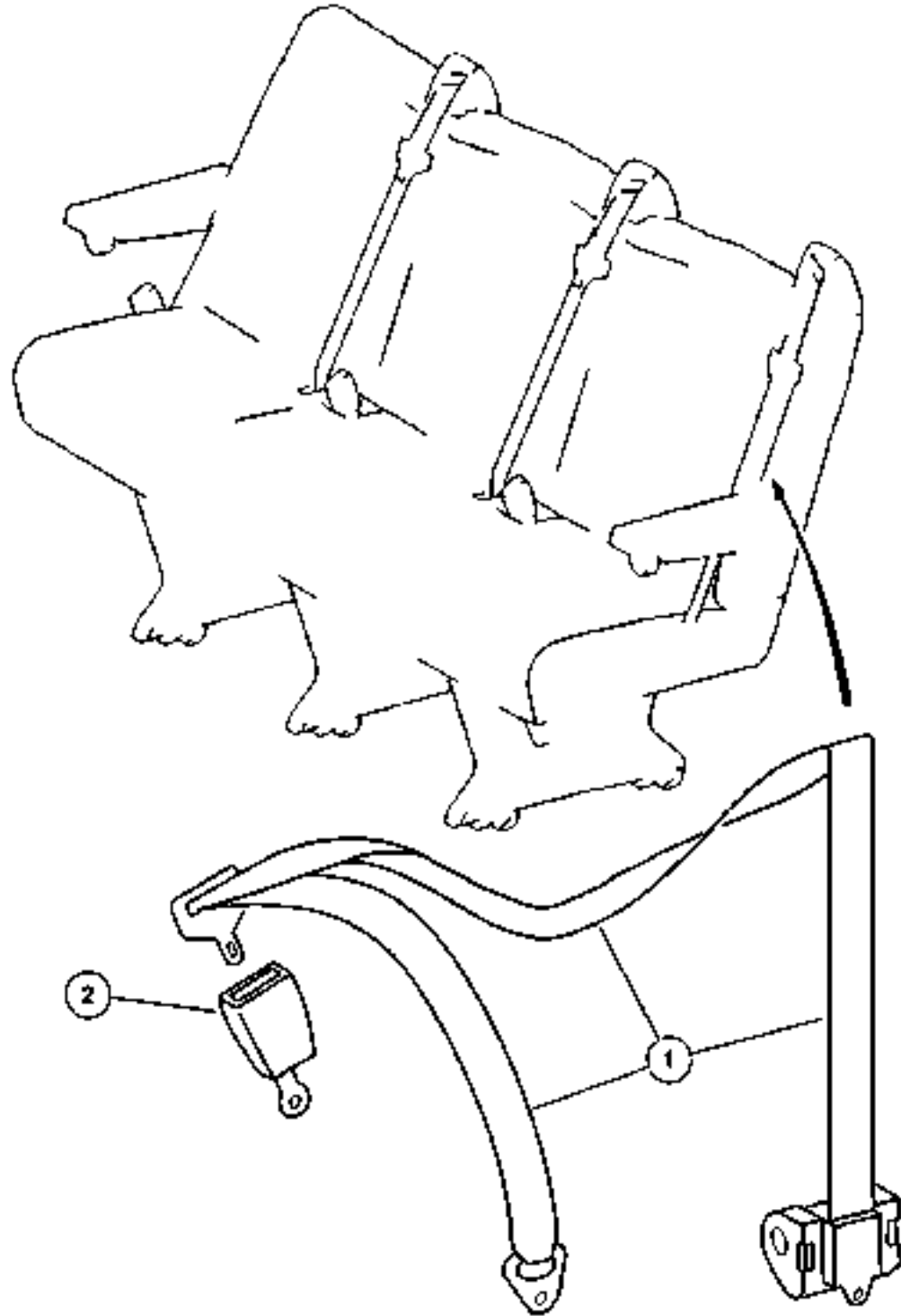
ITEM	PART NUMBER	QTY	LINE	SERIES	BODY	ENGINE	TRANS	TRIM	DESCRIPTION
		1	2, 6	L	51, 52, 54, 55, 56				
7	5103 810AA	1	2, 6	L	01, 02, 06				SEAT BELT, Buckle Half Passenger Side
		1	2, 6	L	11, 12, 14, 15, 16				Passenger Side
		1	2, 6	L	51, 52, 54, 55, 56				Passenger Side
		1	3, 7	L	02, 06				Passenger Side
		1	3, 7	L	12, 15, 16				Passenger Side
	5103 811AA	1	2, 6	L	11, 12, 14, 15, 16				Driver Side
		1	2, 6	L	51, 52, 54, 55, 56				Driver Side
		1	3, 7	L	12, 15, 16				Driver Side
	5124 982AA	1	2, 6	L	11, 12, 14, 15, 16				With Luxury Bucket, Passenger Side
		1	2, 6	L	51, 52, 54, 55, 56				With Luxury Bucket, Passenger Side
		1	3, 7	L	12, 15, 16				With Luxury Bucket, Passenger Side
-8	5103 834AA-	2	2, 6	L	51, 52, 54, 55, 56				SEAT BELT, Retractor
	5125 014AA-	2	2, 6	L	11, 12, 14, 15, 16				

Refer to Model Legend Information Bookmark

AR = Use as required - = Non illustrated part # = New this model year

March 3, 2006

Seat Belt - Second Row
Figure IVA-720



ITEM	PART NUMBER	QTY	LINE	SERIES	BODY	ENGINE	TRANS	TRIM	DESCRIPTION
1									SEAT BELT, Retractor
	5103 834AA	3	2, 6	L	51, 52, 54, 55, 56				
	5125 014AA	2	2, 6	L	11, 12, 14, 15, 16				
		2	3, 7	L	12, 15, 16				
2									SEAT BELT, Buckle Half
	5104 502AA	2	2, 6	L	11, 12, 14, 15, 16				
		2	2, 6	L	51, 52, 54, 55, 56				
		2	3, 7	L	12, 15, 16				

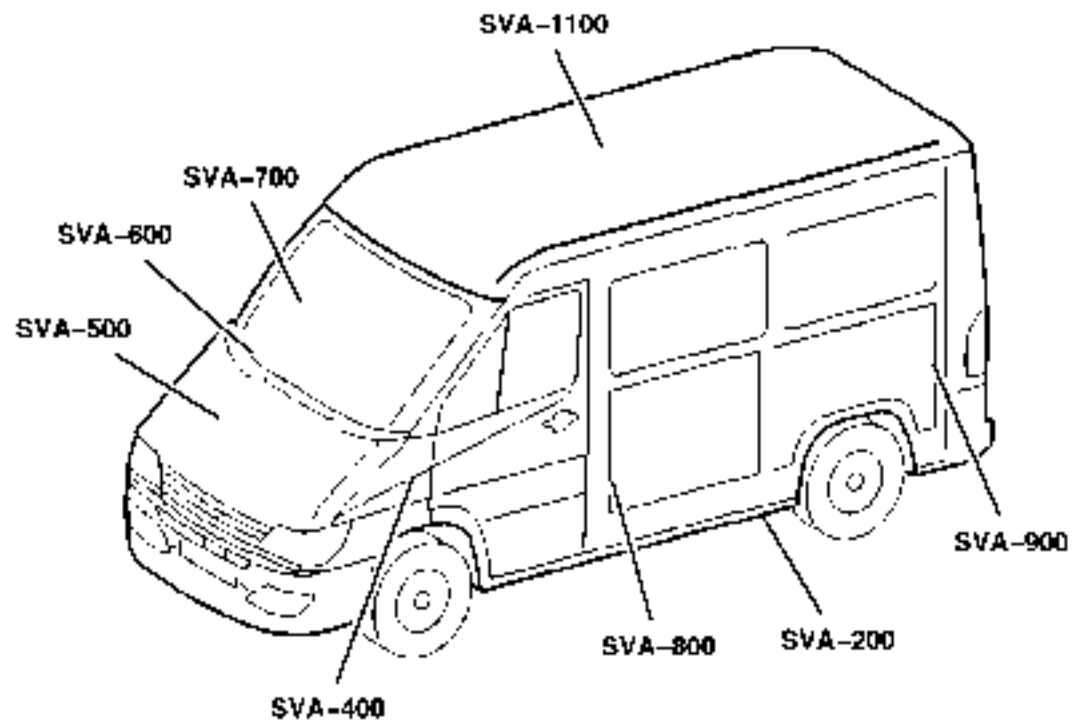
Refer to Model Legend Information Bookmark

AR = Use as required - = Non illustrated part # = New this model year

March 3, 2006



Group – SVA








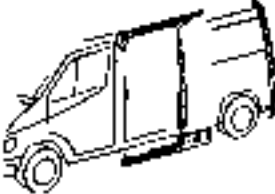
Body Sheet Metal Except Doors



Group – SVA

Body Sheet Metal Except Doors

<p>SVA-1100 Roof Panels</p> 	<p>SVA-1200 Sunroof</p> 		
---	---	--	--

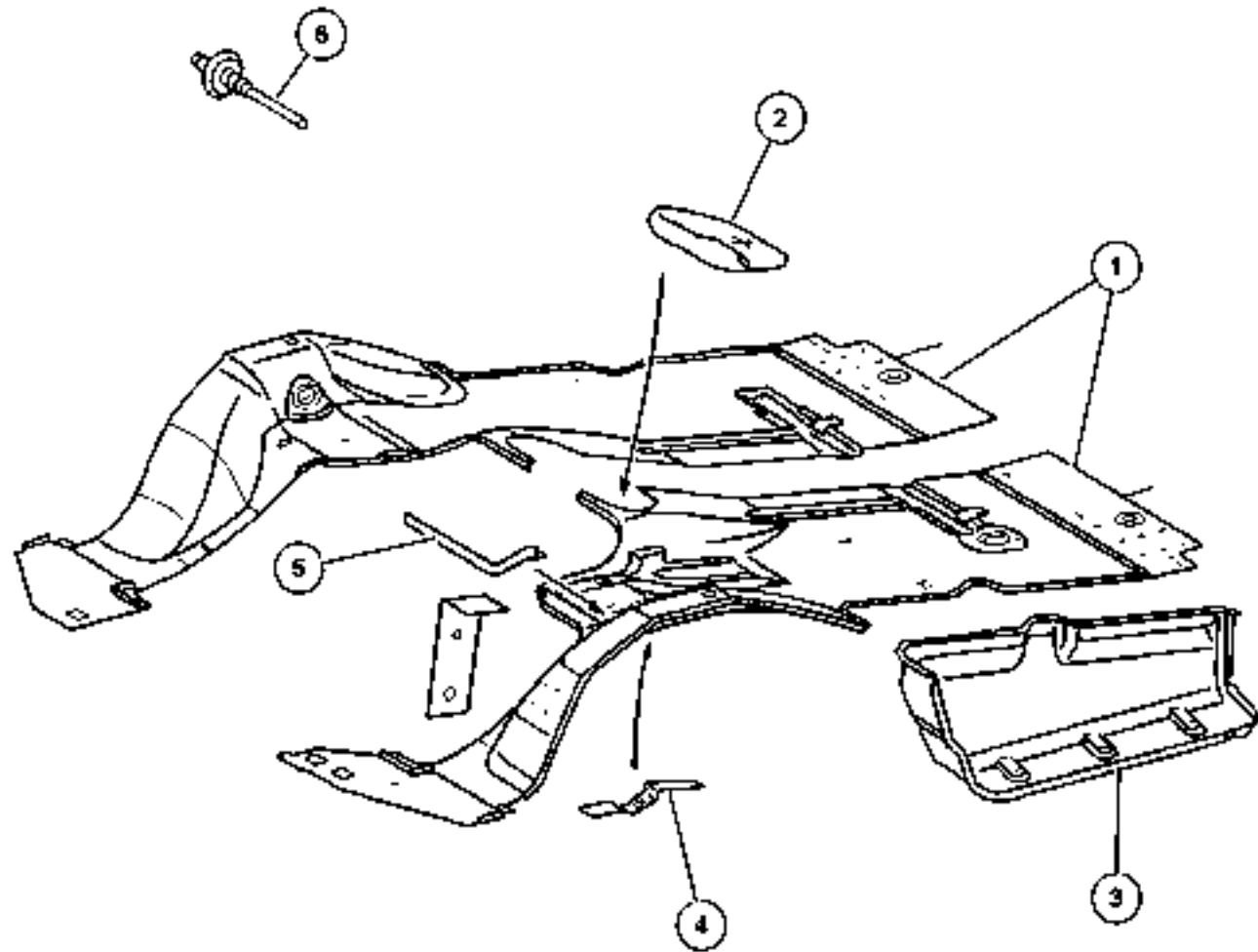
<p>SVA-200 Floor Pans</p> 	<p>SVA-300 Plugs</p> 	<p>SVA-400 Front Fenders</p> 	<p>SVA-500 Hood and Hood Release</p> 
<p>SVA-600 Cowl and Dash Panel</p> 	<p>SVA-700 Glass and Rear View Mirror</p> 	<p>SVA-800 Aperture Panel</p> 	<p>SVA-900 Quarter Panel and Pillars</p> 



GROUP SVA - Body Sheet Metal Except Doors

Illustration Title	Group-Fig. No.
Floor Pans	
Front Floor Pan	Fig. SVA-210
Rear Floor Pan	Fig. SVA-220
Plugs	
Plugs	Fig. SVA-310
Front Fenders	
Front Fender	Fig. SVA-410
Fender Splash Guards	Fig. SVA-420
Hood and Hood Release	
Hood and Hood Release	Fig. SVA-510
Cowl and Dash Panel	
Cowl and Dash	Fig. SVA-610
Inner Paneling in Cab, Cowl	Fig. SVA-620
Glass and Rear View Mirror	
Windshield, Backlite and Rear View Mirror	Fig. SVA-710
Front Right Side Sliding Glass	Fig. SVA-720
Side Glass, Fixed	Fig. SVA-730
Aperture Panel	
Front Aperture, Inner, Left	Fig. SVA-810
Front Aperture, Outer, Left	Fig. SVA-820
Front Aperture, Inner, Right	Fig. SVA-830
Front Aperture, Outer, Right	Fig. SVA-840
Quarter Panel and Pillars	
Right Side Cargo Door Pillars & Wheelhouse	Fig. SVA-910
Right Side Panels, Cargo	Fig. SVA-920
Right Side Panels, Wagon	Fig. SVA-930
Left Side Cargo Door Pillars & Wheelhouse	Fig. SVA-940
Left Side Panels, Cargo	Fig. SVA-950
Left Side Panels, Wagon	Fig. SVA-960
Rear Splash Shield	Fig. SVA-970
Rear Step Panel	Fig. SVA-980
Partition Wall & Load Protection Grill	Fig. SVA-990
Roof Panels	
Low Roof Panel	Fig. SVA-1110
High Roof Panel	Fig. SVA-1120
Sunroof	
Manual Sunroof	Fig. SVA-1210
Fixed Sunroof	Fig. SVA-1220

Front Floor Pan
Figure SVA-210



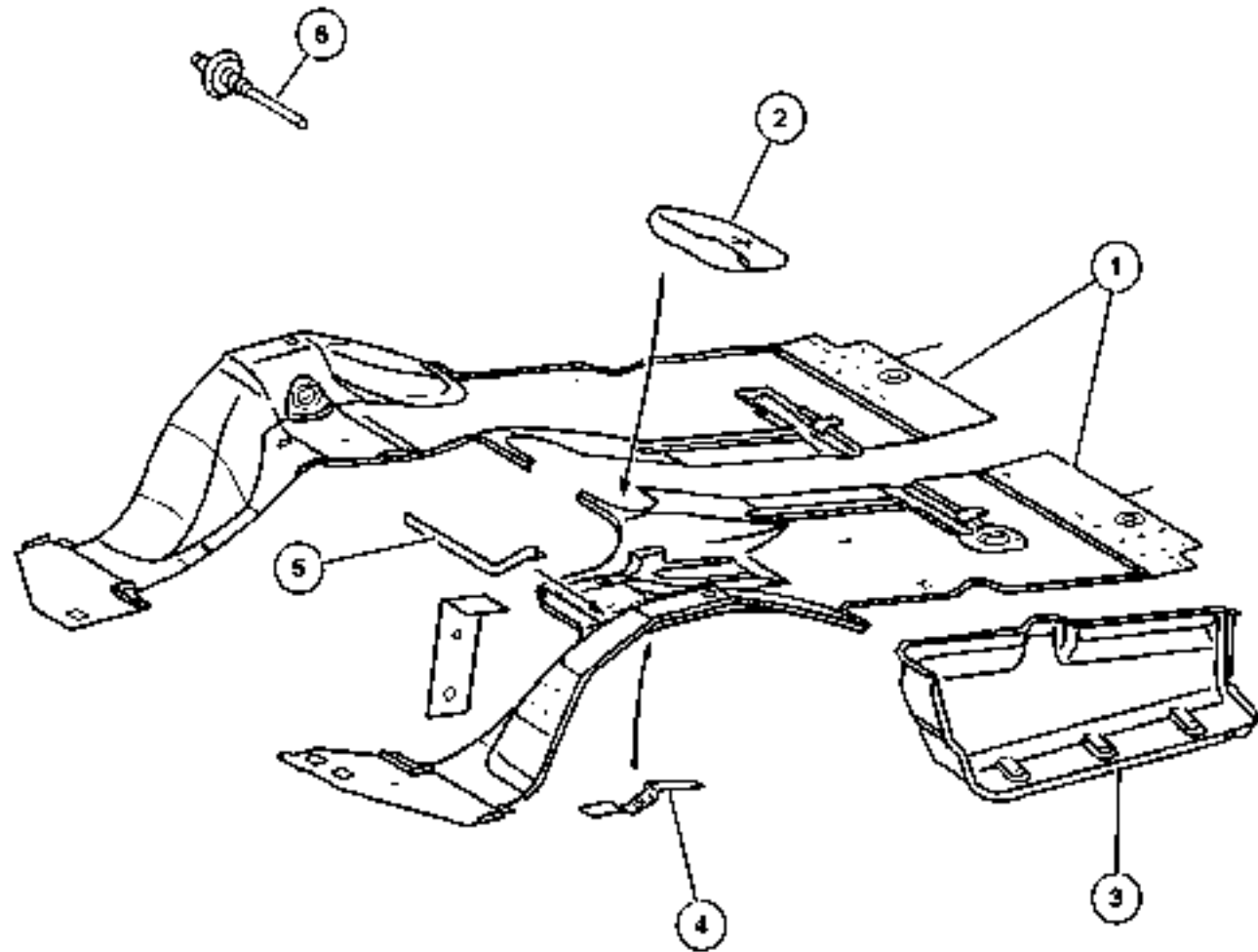
ITEM	PART NUMBER	QTY	LINE	SERIES	BODY	ENGINE	TRANS	TRIM	DESCRIPTION
1									PAD, Floor Pan
	5121 511AA	1	2, 6		01, 02, 06				
		1	2, 6		11, 12, 14, 15, 16				
		1	2, 6		51, 52, 54, 55, 56				
		1	3, 7		02, 06				
		1	3, 7		12, 15, 16				
2									ESCUTCHEON, Floor
	5121 510AA	1	2, 6		01, 02, 06				
		1	2, 6		11, 12, 14, 15, 16				
		1	2, 6		51, 52, 54, 55, 56				
		1	3, 7		02, 06				
		1	3, 7		12, 15, 16				
3									STEP PAD, Side Step
	5104 161AA	1	2, 6		01, 02, 06				Left
		1	2, 6		11, 12, 14, 15, 16				Left
		1	2, 6		51, 52, 54, 55, 56				Left
		1	3, 7		02, 06				Left
		1	3, 7		12, 15, 16				Left
	5121 571AA	1	2, 6		01, 02, 06				Right
		1	2, 6		11, 12, 14, 15, 16				Right
		1	2, 6		51, 52, 54, 55, 56				Right
		1	3, 7		02, 06				Right

Refer to Model Legend Information Bookmark

AR = Use as required - = Non illustrated part # = New this model year

March 3, 2006

Front Floor Pan
Figure SVA-210



ITEM	PART NUMBER	QTY	LINE	SERIES	BODY	ENGINE	TRANS	TRIM	DESCRIPTION
		1	3, 7		12, 15, 16				Right
4	5119 269AA	1	2, 6		01, 02, 06				BRACKET, Floor Pan, Brake Cable
		1	2, 6		11, 12, 14, 15, 16				
		1	2, 6		51, 52, 54, 55, 56				
		1	3, 7		02, 06				
		1	3, 7		12, 15, 16				
5	5121 494AA	1	2, 6		01, 02, 06				PAD, Floor Pan Left
		1	2, 6		11, 12, 14, 15, 16				Left
		1	2, 6		51, 52, 54, 55, 56				Left
		1	3, 7		02, 06				Left
		1	3, 7		12, 15, 16				Left
	5121 495AA	1	2, 6		01, 02, 06				Right
		1	2, 6		11, 12, 14, 15, 16				Right
		1	2, 6		51, 52, 54, 55, 56				Right
		1	3, 7		02, 06				Right
		1	3, 7		12, 15, 16				Right
6	5133 847AA	99	2, 6		01, 02, 06				RIVET
		99	2, 6		11, 12, 14, 15, 16				

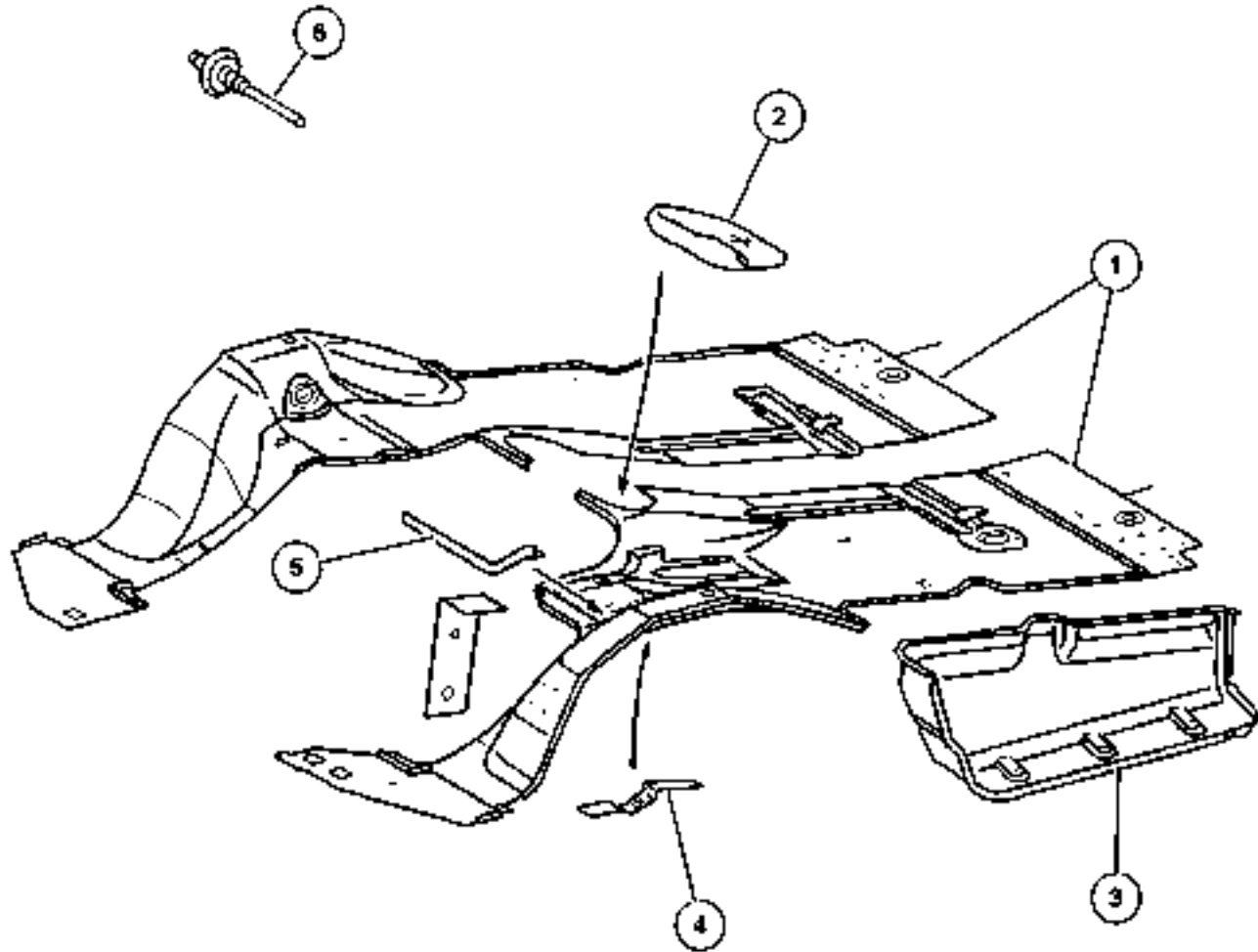
Refer to Model Legend Information Bookmark

AR = Use as required - = Non illustrated part # = New this model year

March 3, 2006

Front Floor Pan
Figure SVA-210

ITEM	PART NUMBER	QTY	LINE	SERIES	BODY	ENGINE	TRANS	TRIM	DESCRIPTION
		99	2, 6		51, 52, 54, 55, 56				
		99	3, 7		02, 06				
		99	3, 7		12, 15, 16				

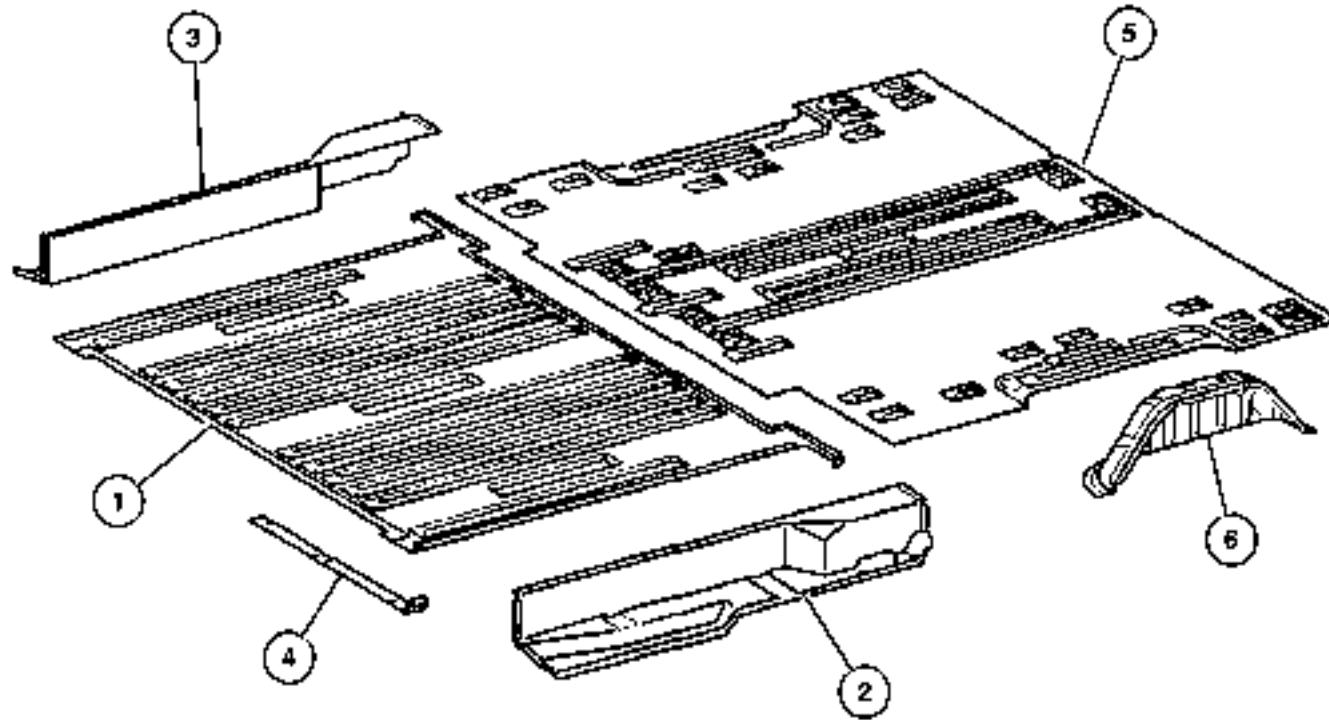


Refer to Model Legend Information Bookmark

AR = Use as required - = Non illustrated part # = New this model year

March 3, 2006

Rear Floor Pan Figure SVA-220



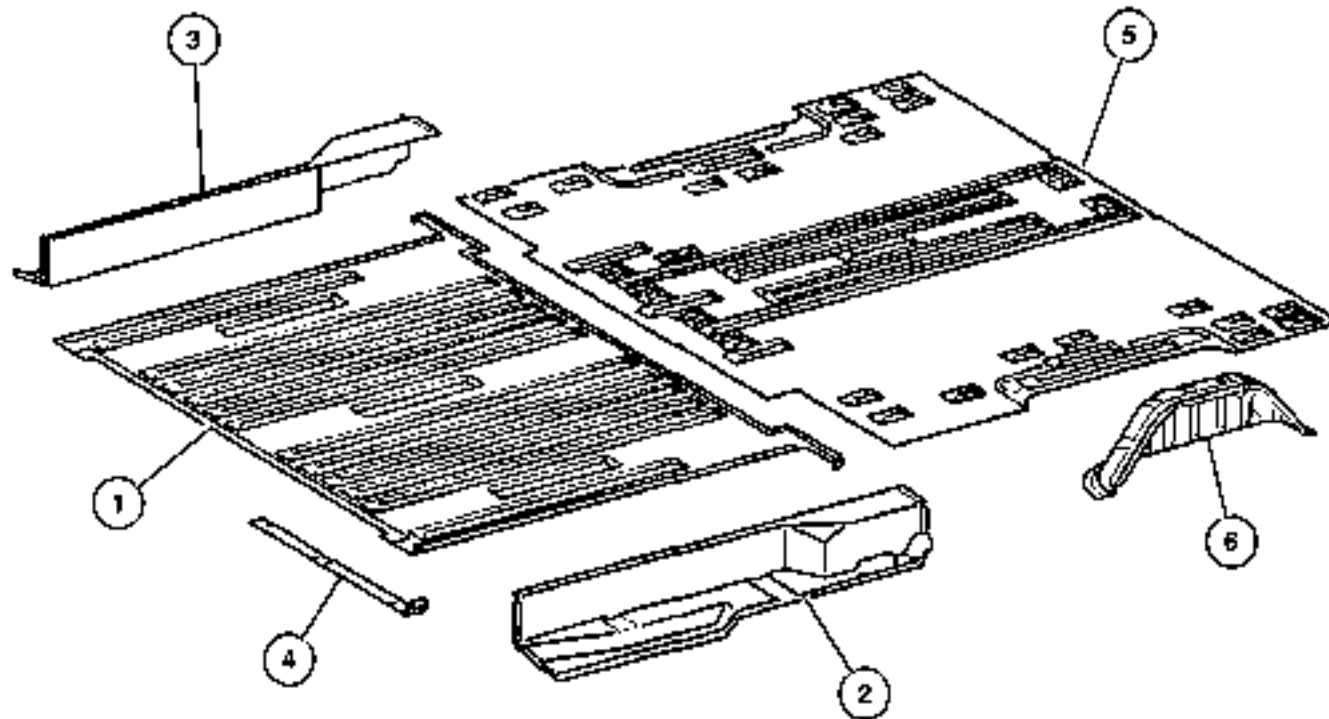
ITEM	PART NUMBER	QTY	LINE	SERIES	BODY	ENGINE	TRANS	TRIM	DESCRIPTION
Sales Codes:									
[CKZ] = Floor Covering, Rubber									
[CWC] = Cargo Partition									
[GKA] = Right Sliding Door									
[GKE] = Left Sliding Door									
1	5121 536AA	1	2, 6		11, 12, 14, 15, 16				PAN, Center Floor [GKE], Left Door Sliding
		1	2, 6		51, 52, 54, 55, 56				[GKE], Left Door Sliding
		1	3, 7		12, 15, 16				[GKE], Left Door Sliding
	5121 540AA	1	2, 6		11, 12, 14, 15, 16				[GKE], Left Door Sliding & [GKA], Right Door Sliding
		1	2, 6		51, 52, 54, 55, 56				[GKE], Left Door Sliding & [GKA], Right Door Sliding
		1	3, 7		12, 15, 16				[GKE], Left Door Sliding & [GKA], Right Door Sliding
	5121 544AA	1	2, 6		11, 12, 14, 15, 16				[GKA], Right Door Sliding
		1	2, 6		51, 52, 54, 55, 56				[GKA], Right Door Sliding
		1	3, 7		12, 15, 16				[GKA], Right Door Sliding
	5121 546AA	1	2, 6		11, 12, 14, 15, 16				[CWC], With Cargo Partition
		1	3, 7		12, 15, 16				[CWC], With Cargo Partition
2	5121 457AA	1	2, 6		11, 12, 14, 15, 16				PANEL, Side Step Well, Left [GKE], Left Door Sliding
		1	2, 6		51, 52, 54, 55, 56				[GKE], Left Door Sliding
		1	3, 7		12, 15, 16				[GKE], Left Door Sliding

Refer to Model Legend Information Bookmark

AR = Use as required - = Non illustrated part # = New this model year

March 3, 2006

Rear Floor Pan Figure SVA-220



ITEM	PART NUMBER	QTY	LINE	SERIES	BODY	ENGINE	TRANS	TRIM	DESCRIPTION
	5121 461AA	1	2, 6		11, 12, 14, 15, 16				[GKE], Left Door Sliding & [CKZ], Floor Covering, Rubber
		1	2, 6		51, 52, 54, 55, 56				[GKE], Left Door Sliding & [CKZ], Floor Covering, Rubber
3		1	3, 7		12, 15, 16				[GKE], Left Door Sliding & [CKZ], Floor Covering, Rubber PANEL, Side Step Well, Right
	5104 158AA	1	2, 6		11, 12, 14, 15, 16				[GKA], Right Door Sliding
		1	2, 6		51, 52, 54, 55, 56				[GKA], Right Door Sliding
		1	3, 7		12, 15, 16				[GKA], Right Door Sliding
	5121 464AA	1	2, 6		11, 12, 14, 15, 16				[GKA], Right Door Sliding & [CKZ], Floor Covering, Rubber
		1	2, 6		51, 52, 54, 55, 56				[GKA], Right Door Sliding & [CKZ], Floor Covering, Rubber
		1	3, 7		12, 15, 16				[GKA], Right Door Sliding & [CKZ], Floor Covering, Rubber
4									BRACKET, Floor Pan, In Front of Central Entrance
	5121 501AA	2	2, 6		11, 12, 14, 15, 16				
		2	2, 6		51, 52, 54, 55, 56				
		2	3, 7		12, 15, 16				
5									PAN, Rear Floor
	5104 565AA	1	2, 6		56				158 Inch Wheelbase
	5121 474AA	1	3, 7		12, 15				140 Inch Wheelbase
	5121 476AA	1	3, 7		16				158 Inch Wheelbase
	5121 561AA	1	2, 6		12, 15				140 Inch Wheelbase
		1	2, 6		52, 55				140 Inch Wheelbase
	5121 563AA	1	2, 6		11, 14				118 Inch Wheelbase
		1	2, 6		51, 54				118 Inch Wheelbase
6									PANEL, Wheelhouse

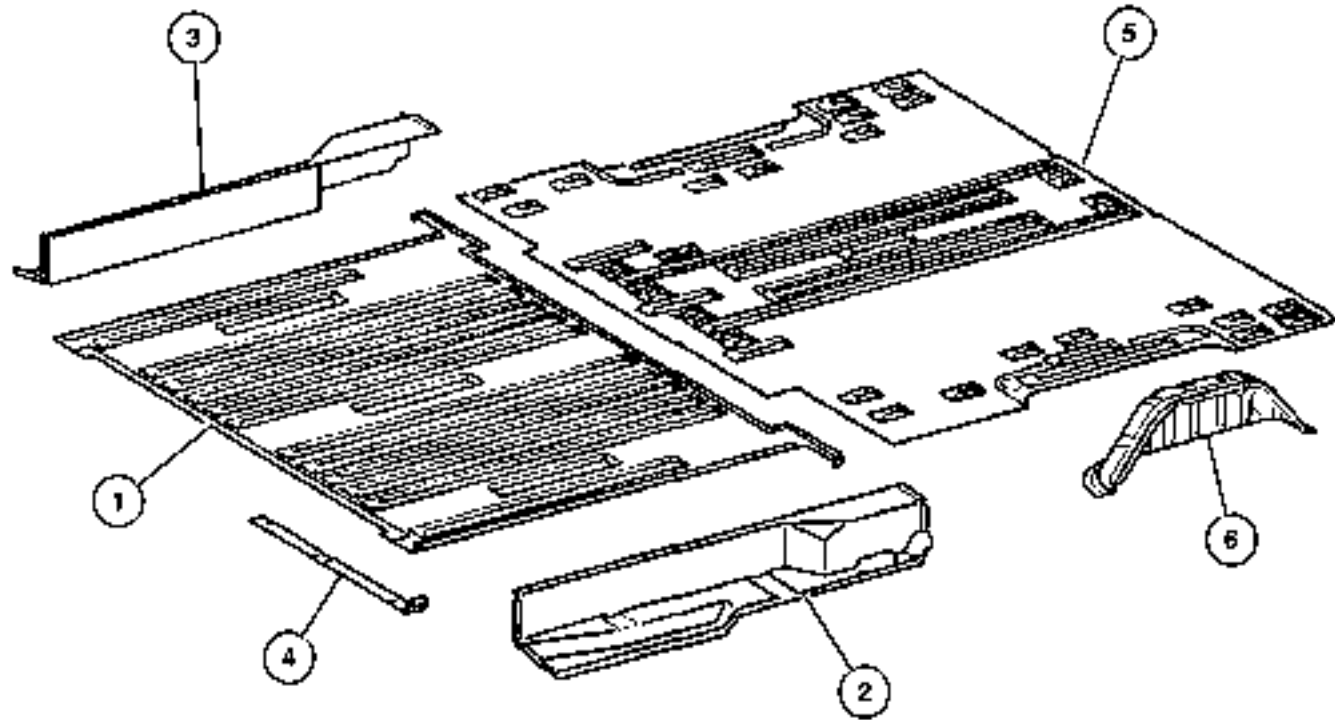
Refer to Model Legend Information Bookmark

AR = Use as required - = Non illustrated part # = New this model year

March 3, 2006

Rear Floor Pan
Figure SVA-220

ITEM	PART NUMBER	QTY	LINE	SERIES	BODY	ENGINE	TRANS	TRIM	DESCRIPTION
	5104 162AA	2	2, 6		11, 12,				
					14, 15,				
		2	2, 6		16				
					51, 52,				
					54, 55,				
		2	3, 7		56				
					12, 15,				
					16				

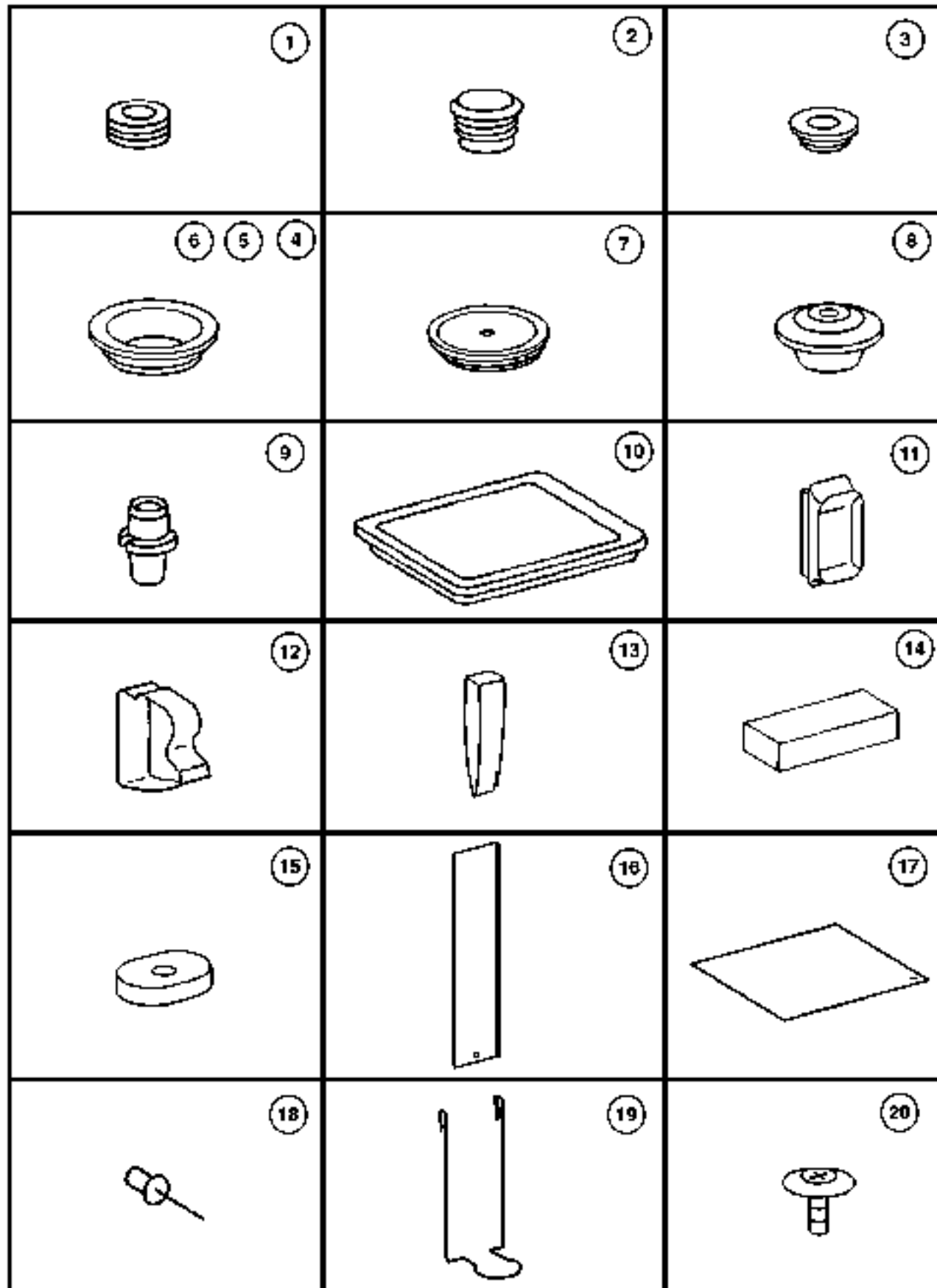


Refer to Model Legend Information Bookmark

AR = Use as required - = Non illustrated part # = New this model year

March 3, 2006

Plugs
Figure SVA-310



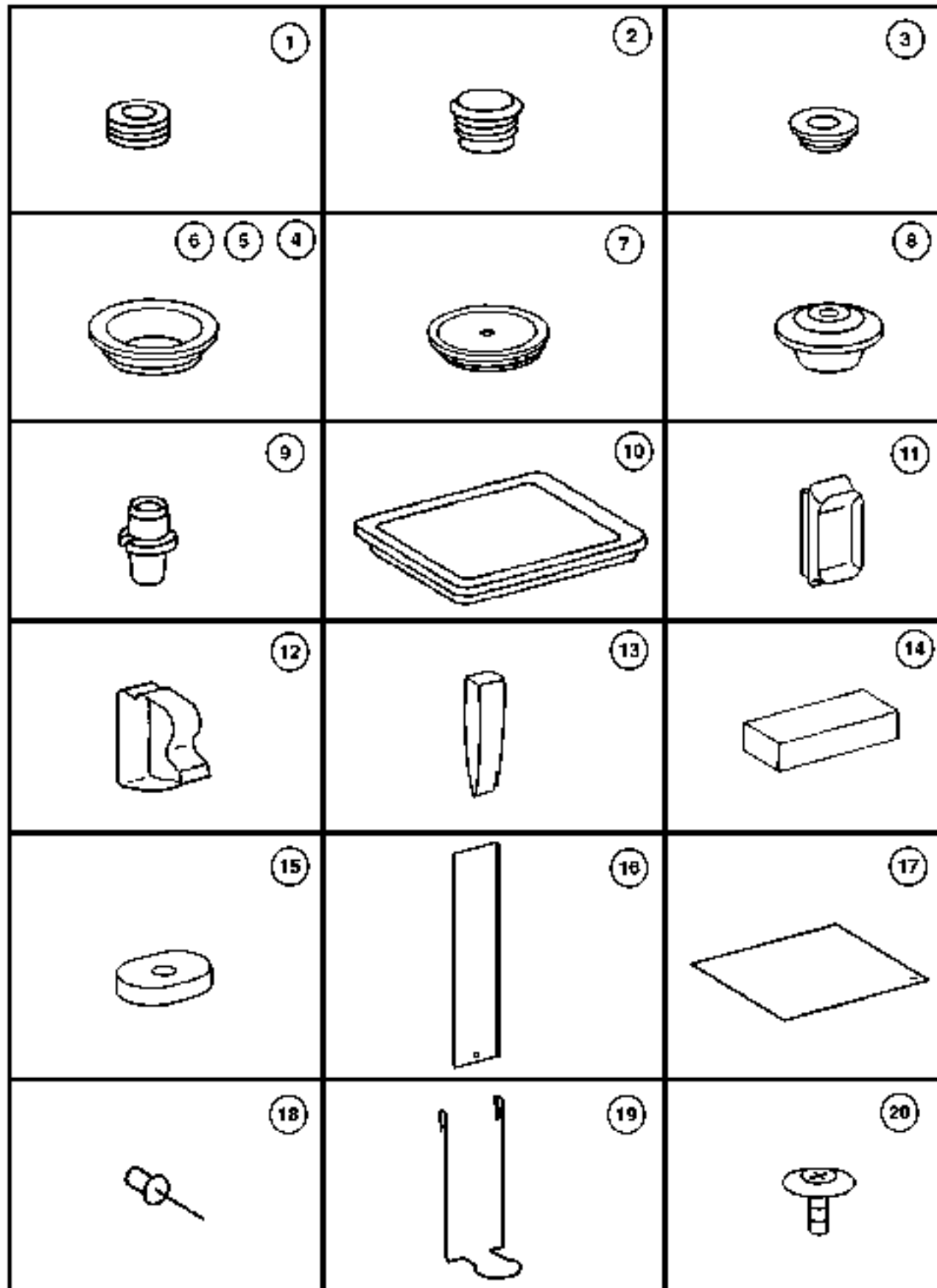
ITEM	PART NUMBER	QTY	LINE	SERIES	BODY	ENGINE	TRANS	TRIM	DESCRIPTION
1									PLUG, Expansion, Fire Wall, Engine Compartment
	5133 557AA	1	2, 6		01, 02, 06				
		1	2, 6		11, 12, 14, 15, 16				
		1	2, 6		51, 52, 54, 55, 56				
	5133 657AA	1	3, 7		12, 15, 16				
2									PLUG, Body, Water Drain, 22mm
	5125 994AA	2	2, 6		01, 02, 06				
		2	2, 6		11, 12, 14, 15, 16				
		2	2, 6		51, 52, 54, 55, 56				
		2	3, 7		02, 06				
		2	3, 7		12, 15, 16				
3									PLUG, Door Contact Switch
	5098 417AA	1	2, 6		11, 12, 14, 15, 16				
		2	2, 6		51, 52, 54, 55, 56				
		2	3, 7		12, 15, 16				
4									PLUG, W/S Washer Reservoir Hole
	5098 441AA	2	3, 7		12, 15, 16				
		2	2, 6		11, 12, 14, 15, 16				
5									GROMMET, Body
	5125 511AA	2	2, 6		11, 12, 14, 15, 16				
		2	3, 7		12, 15, 16				
6									PLUG, Body

Refer to Model Legend Information Bookmark

AR = Use as required - = Non illustrated part # = New this model year

March 3, 2006

Plugs
Figure SVA-310



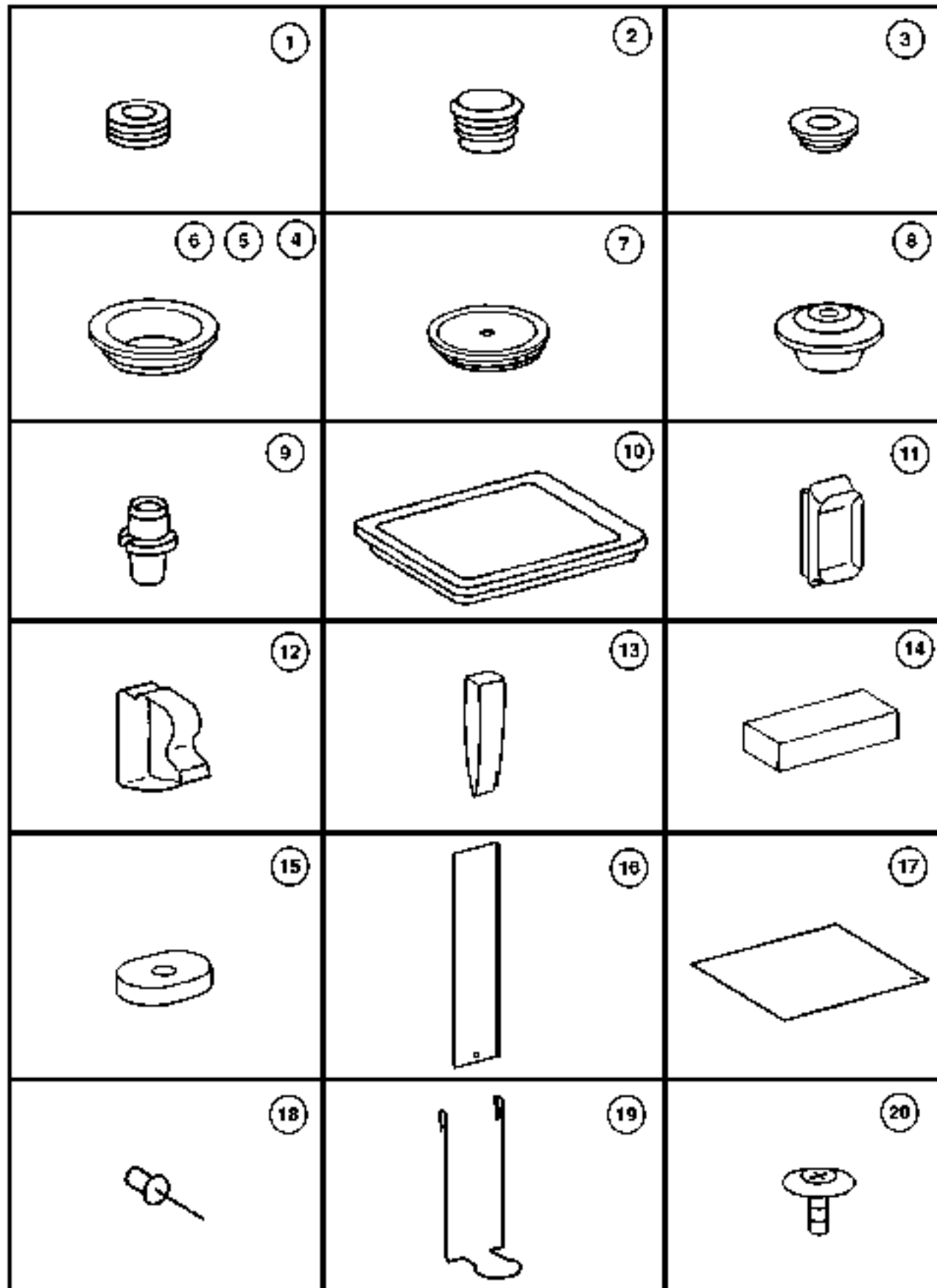
ITEM	PART NUMBER	QTY	LINE	SERIES	BODY	ENGINE	TRANS	TRIM	DESCRIPTION
	5098 415AA	4	2, 6		01, 02, 06				
		8	2, 6		12, 15				
		6	2, 6		11, 14				
		8	2, 6		52, 55				
		6	2, 6		51, 54				
		4	3, 7		02, 06				
		8	3, 7		12, 15				
		6	3, 7		16				
7									PLUG, Body, [89mm]
	5125 518AA	4	2, 6		11, 14				
		6	2, 6		12, 15				
		12	2, 6		16				
		6	2, 6		51, 54				
		6	2, 6		52, 55				
		12	2, 6		56				
		6	3, 7		12, 15				
		12	3, 7		16				
8									PLUG
	5103 947AA	2	2, 6		11, 12, 14, 15, 16				
		2	2, 6		51, 52, 54, 55, 56				
		2	3, 7		12, 15, 16				
9									DRAIN SPOUT, Drain Tube, [13mm]
	5133 556AA	2	2, 6		01, 02, 06				
		2	2, 6		11, 12, 14, 15, 16				
		2	2, 6		51, 52, 54, 55, 56				
		2	3, 7		02, 06				
		2	3, 7		12, 15, 16				
10									PLUG, Body, Water Drain
	5126 003AA	2	2, 6		11, 12, 14, 15, 16				

Refer to Model Legend Information Bookmark

AR = Use as required - = Non illustrated part # = New this model year

March 3, 2006

Plugs
Figure SVA-310



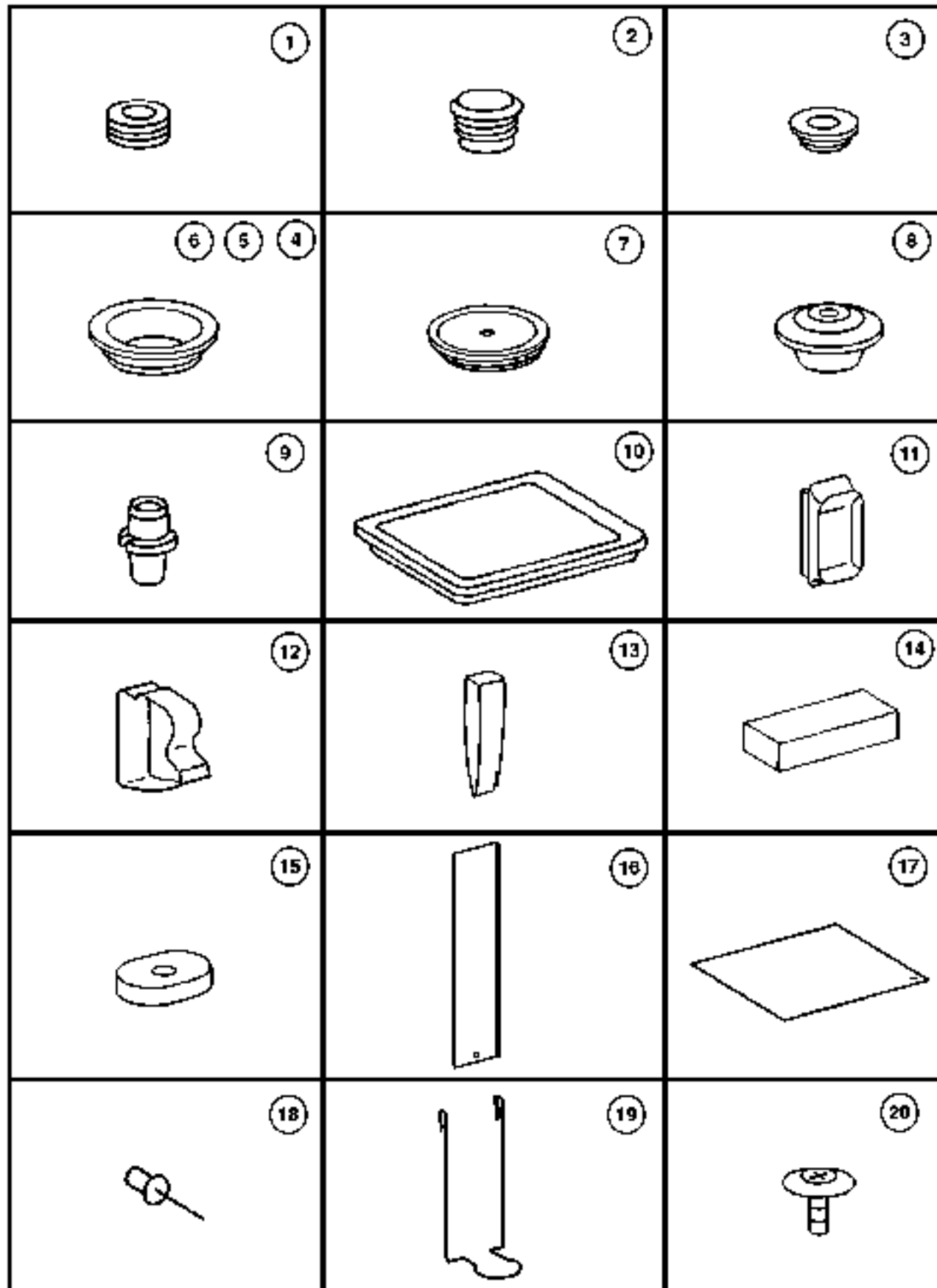
ITEM	PART NUMBER	QTY	LINE	SERIES	BODY	ENGINE	TRANS	TRIM	DESCRIPTION
		2	2, 6		51, 52,				
		1	3, 7		54, 55,				
					56				
11	5125 514AA	4	2, 6		12, 15,				PLUG, Expansion
					16				
		4	2, 6		11, 12,				
					14, 15,				
					16				
12	5124 765AA	2	2, 6		51, 52,				SEAL
					54, 55,				
					56				
		4	2, 6		12, 15,				
					16				
		4	2, 6		01, 02,				
					06				
		4	2, 6		11, 12,				
					14, 15,				
					16				
		2	3, 7		51, 52,				
					54, 55,				
					56				
		4	3, 7		02, 06				
					12, 15,				
					16				
13	5124 768AA	2	2, 6		11, 12,				SEAL
					14, 15,				
					16				
		2	2, 6		51, 52,				
					54, 55,				
					56				
		2	3, 7		12, 15,				
					16				
14	5124 771AA	1	2, 6		01, 02,				SEAL, B-Pillar, Right
					06				
		1	2, 6		11, 12,				
					14, 15,				
					16				
		1	2, 6		51, 52,				
					54, 55,				
					56				
		1	3, 7		02, 06				

Refer to Model Legend Information Bookmark

AR = Use as required - = Non illustrated part # = New this model year

March 3, 2006

Plugs
Figure SVA-310



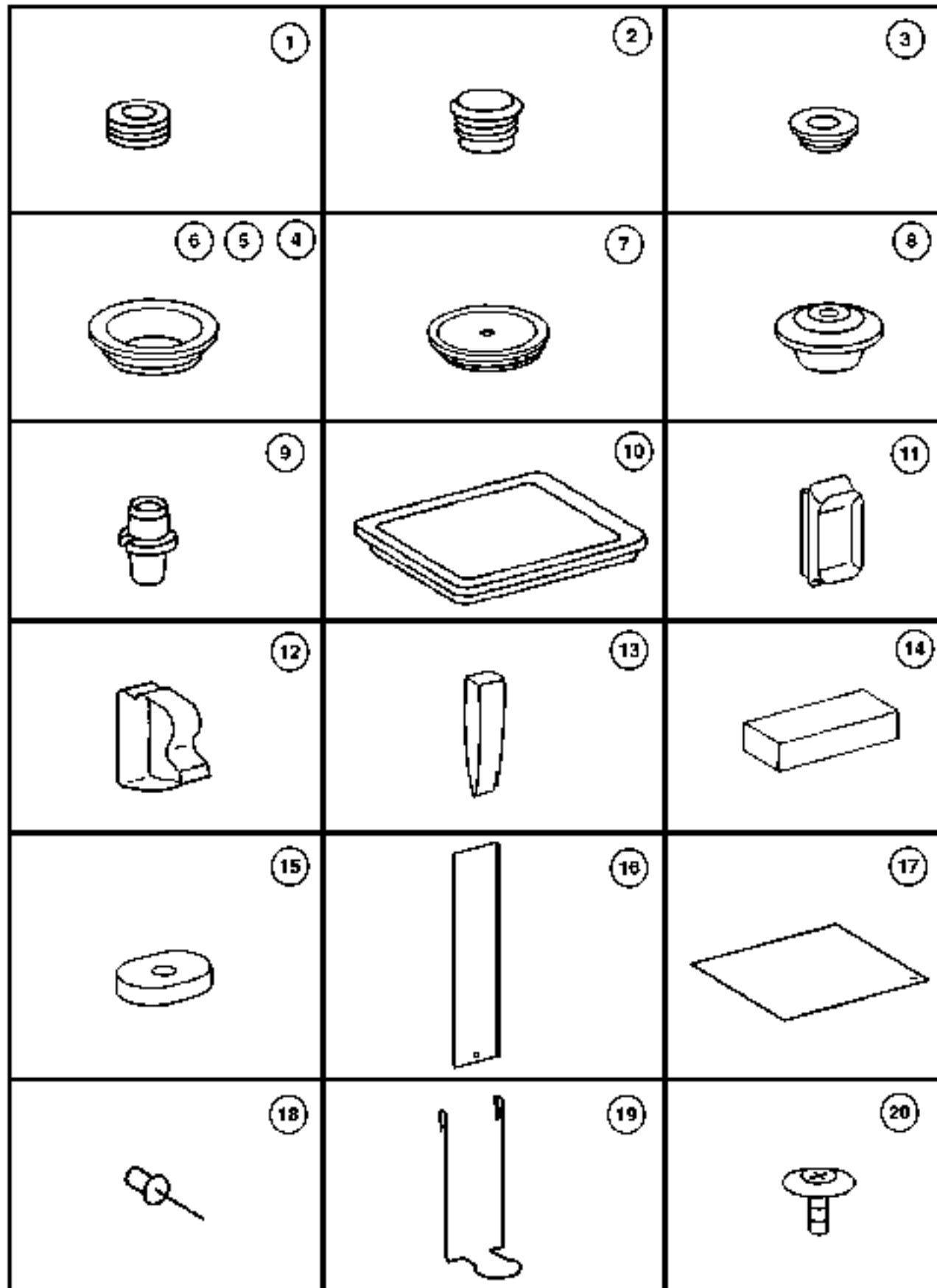
ITEM	PART NUMBER	QTY	LINE	SERIES	BODY	ENGINE	TRANS	TRIM	DESCRIPTION
		1	3, 7		12, 15, 16				
15	5124 774AA	1	2, 6		01, 02, 06				GROMMET Oval Shape
		1	2, 6		11, 12, 14, 15, 16				Oval Shape
		1	2, 6		51, 52, 54, 55, 56				Oval Shape
		1	3, 7		02, 06				Oval Shape
		1	3, 7		12, 15, 16				Oval Shape
	5124 775AA	1	2, 6		01, 02, 06				Circular Solid
		1	2, 6		11, 12, 14, 15, 16				Circular Solid
		1	2, 6		51, 52, 54, 55, 56				Circular Solid
		1	3, 7		02, 06				Circular Solid
		1	3, 7		12, 15, 16				Circular Solid
	5124 777AA	1	2, 6		01, 02, 06				Circular With Hole
		1	2, 6		11, 12, 14, 15, 16				Circular With Hole
		1	2, 6		51, 52, 54, 55, 56				Circular With Hole
		1	3, 7		02, 06				Circular With Hole
		1	3, 7		12, 15, 16				Circular With Hole
16	5122 651AA	1	2, 6		01, 02, 06				COVER, Cable Guide Duct
		1	2, 6		11, 12, 14, 15, 16				
		1	2, 6		51, 52, 54, 55, 56				

Refer to Model Legend Information Bookmark

AR = Use as required - = Non illustrated part # = New this model year

March 3, 2006

Plugs
Figure SVA-310



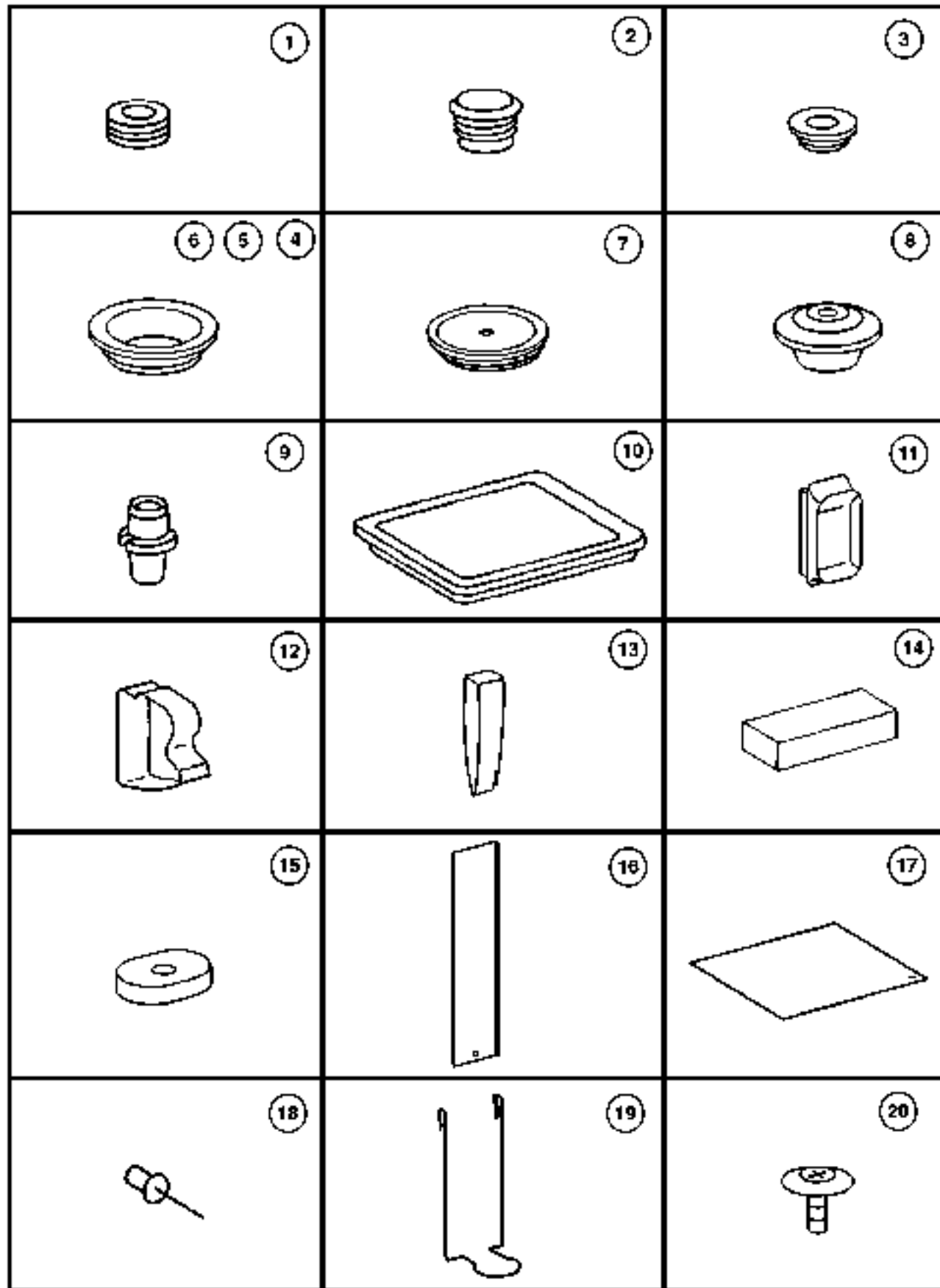
ITEM	PART NUMBER	QTY	LINE	SERIES	BODY	ENGINE	TRANS	TRIM	DESCRIPTION
		1	3, 7		02, 06				
		1	3, 7		12, 15, 16				
17	5122 648AA	1	2, 6		01, 02, 06				COVER, Cable Guide Duct
		1	2, 6		11, 12, 14, 15, 16				
		1	2, 6		51, 52, 54, 55, 56				
		1	3, 7		02, 06				
		1	3, 7		12, 15, 16				
18									RIVET, Blind Bulb, Cable Guide Duct [4.0x8]
	5133 417AA	3	2, 6		01, 02, 06				
		3	2, 6		11, 12, 14, 15, 16				
		3	2, 6		51, 52, 54, 55, 56				
		3	3, 7		02, 06				
		3	3, 7		12, 15, 16				
19									CLIP, Instrument Panel
	5133 558AA	2	2, 6		11, 12, 14, 15, 16				
		2	2, 6		51, 52, 54, 55, 56				
		1	3, 7		02, 06				
		1	3, 7		12, 15, 16				
20									PLUG, Body
	5125 982AA	1	2, 6		11, 12, 14, 15, 16				
		1	2, 6		51, 52, 54, 55, 56				

Refer to Model Legend Information Bookmark

AR = Use as required - = Non illustrated part # = New this model year

March 3, 2006

Plugs
Figure SVA-310

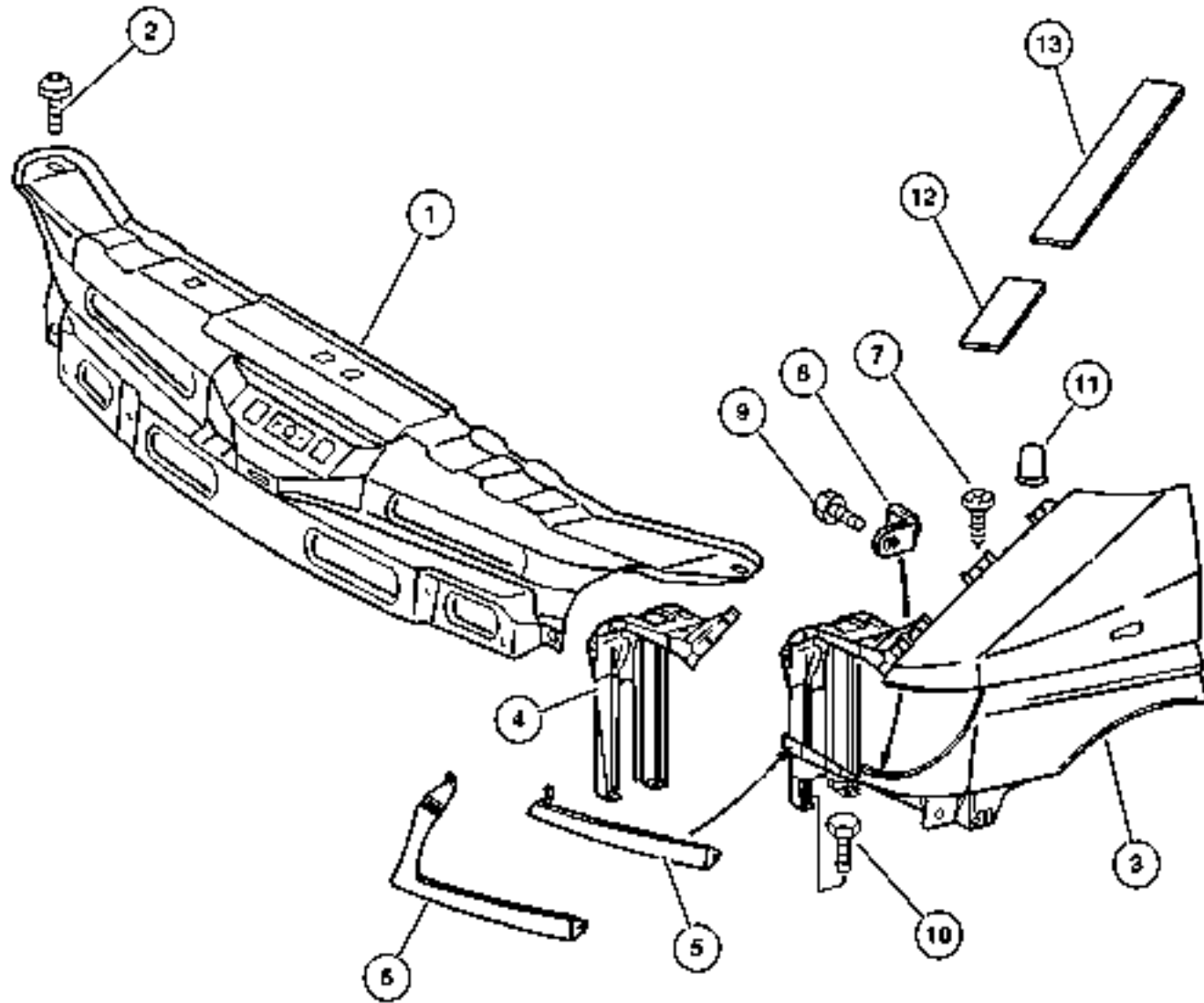


ITEM	PART NUMBER	QTY	LINE	SERIES	BODY	ENGINE	TRANS	TRIM	DESCRIPTION
------	-------------	-----	------	--------	------	--------	-------	------	-------------

		1	3, 7		12, 15,				
					16				

Refer to Model Legend Information Bookmark _____

Front Fender
Figure SVA-410



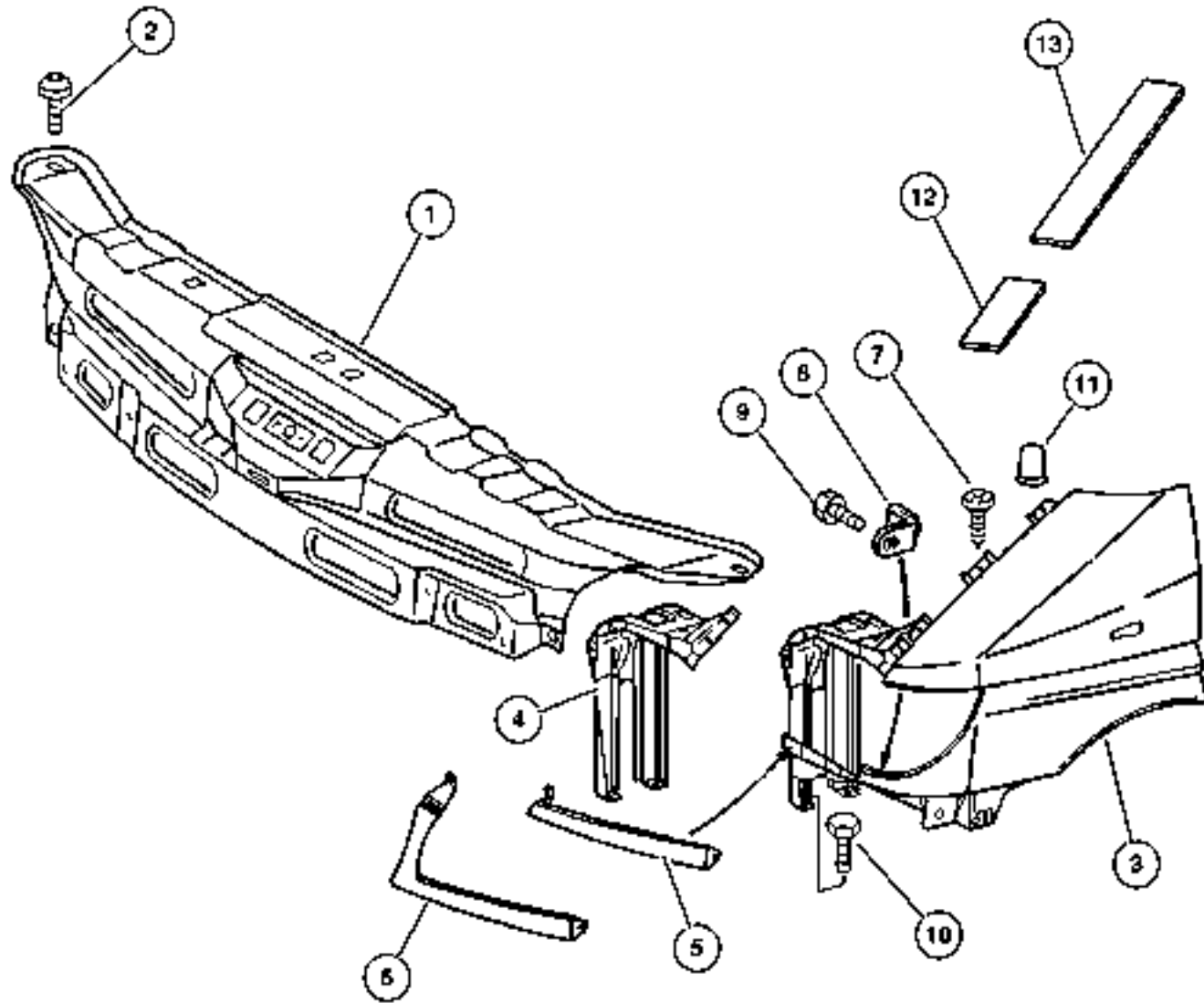
ITEM	PART NUMBER	QTY	LINE	SERIES	BODY	ENGINE	TRANS	TRIM	DESCRIPTION
1									CROSSMEMBER, Radiator
	5104 504AA	1	2, 6		01, 02, 06				
		1	2, 6		11, 12, 14, 15, 16				
		1	2, 6		51, 52, 54, 55, 56				
		1	3, 7		02, 06				
		1	3, 7		12, 15, 16				
2									SCREW
	5103 713AA	4	2, 6		01, 02, 06				
		4	2, 6		11, 12, 14, 15, 16				
		4	2, 6		51, 52, 54, 55, 56				
		4	3, 7		02, 06				
		4	3, 7		12, 15, 16				
3									FENDER, Front
	5104 180AA	1	2, 6		01, 02, 06				Left
		1	2, 6		11, 12, 14, 15, 16				Left
		1	2, 6		51, 52, 54, 55, 56				Left
		1	3, 7		02, 06				Left
		1	3, 7		12, 15, 16				Left
	5104 181AA	1	2, 6		01, 02, 06				Right
		1	2, 6		11, 12, 14, 15, 16				Right
		1	2, 6		51, 52, 54, 55, 56				Right
		1	3, 7		02, 06				Right

Refer to Model Legend Information Bookmark

AR = Use as required - = Non illustrated part # = New this model year

March 3, 2006

Front Fender
Figure SVA-410



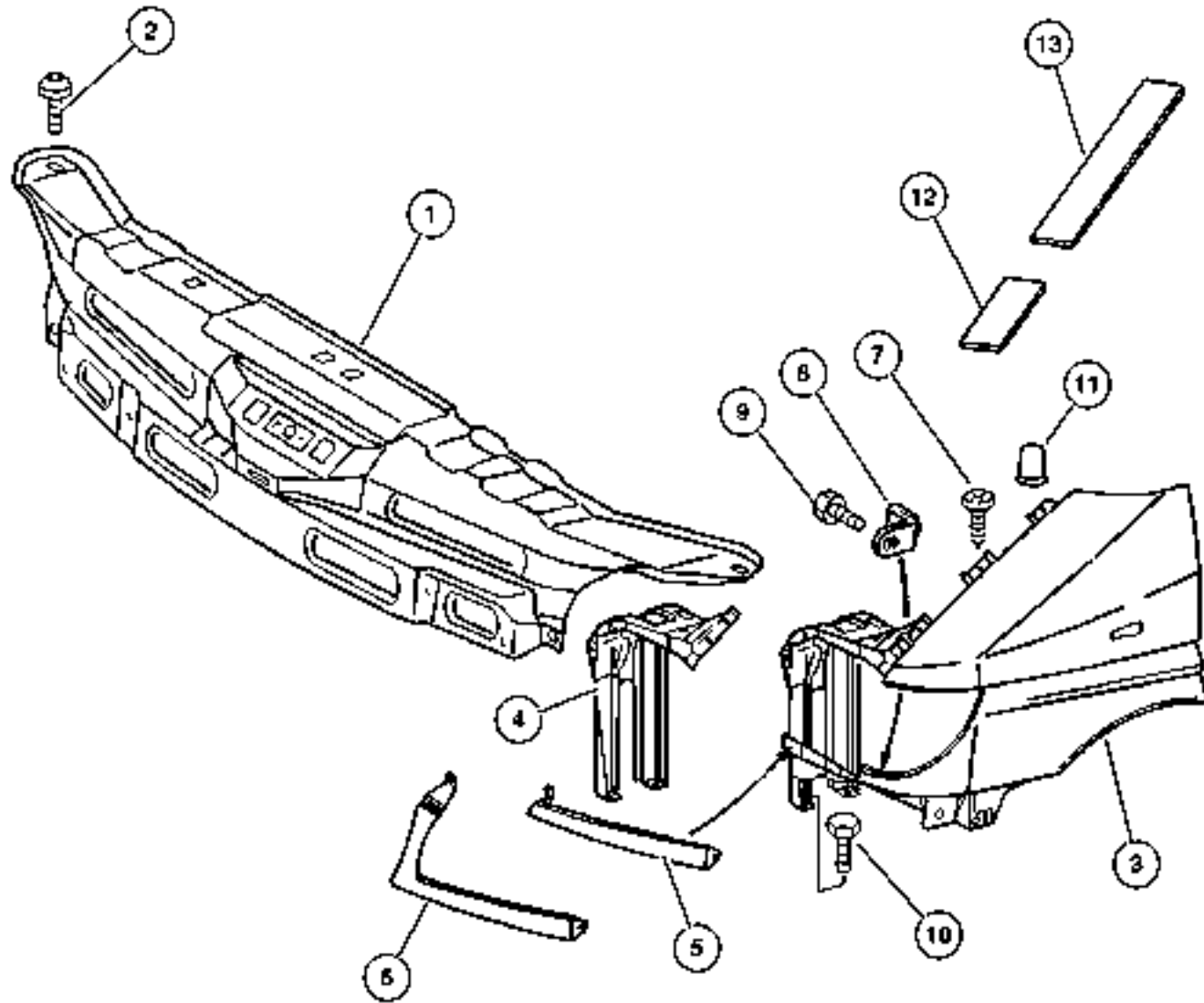
ITEM	PART NUMBER	QTY	LINE	SERIES	BODY	ENGINE	TRANS	TRIM	DESCRIPTION
		1	3, 7		12, 15, 16				Right
4	5104 165AA	1	2, 6		01, 02, 06				SUPPORT, Radiator Closure Panel Left
		1	2, 6		11, 12, 14, 15, 16				Left
		1	2, 6		51, 52, 54, 55, 56				Left
		1	3, 7		02, 06				Left
		1	3, 7		12, 15, 16				Left
	5104 169AA	1	2, 6		01, 02, 06				Right
		1	2, 6		11, 12, 14, 15, 16				Right
		1	2, 6		51, 52, 54, 55, 56				Right
		1	3, 7		02, 06				Right
		1	3, 7		12, 15, 16				Right
5	5104 210AA	1	2		01, 02, 06				BEZEL, Headlamp, Dodge Left
		1	2		11, 12, 14, 15, 16				Left
		1	2		51, 52, 54, 55, 56				Left
		1	3		02, 06				
		1	3		12, 15, 16				
	5104 213AA	1	2		01, 02, 06				Right
		1	2		11, 12, 14, 15, 16				Right
		1	2		51, 52, 54, 55, 56				Right

Refer to Model Legend Information Bookmark

AR = Use as required - = Non illustrated part # = New this model year

March 3, 2006

Front Fender
Figure SVA-410



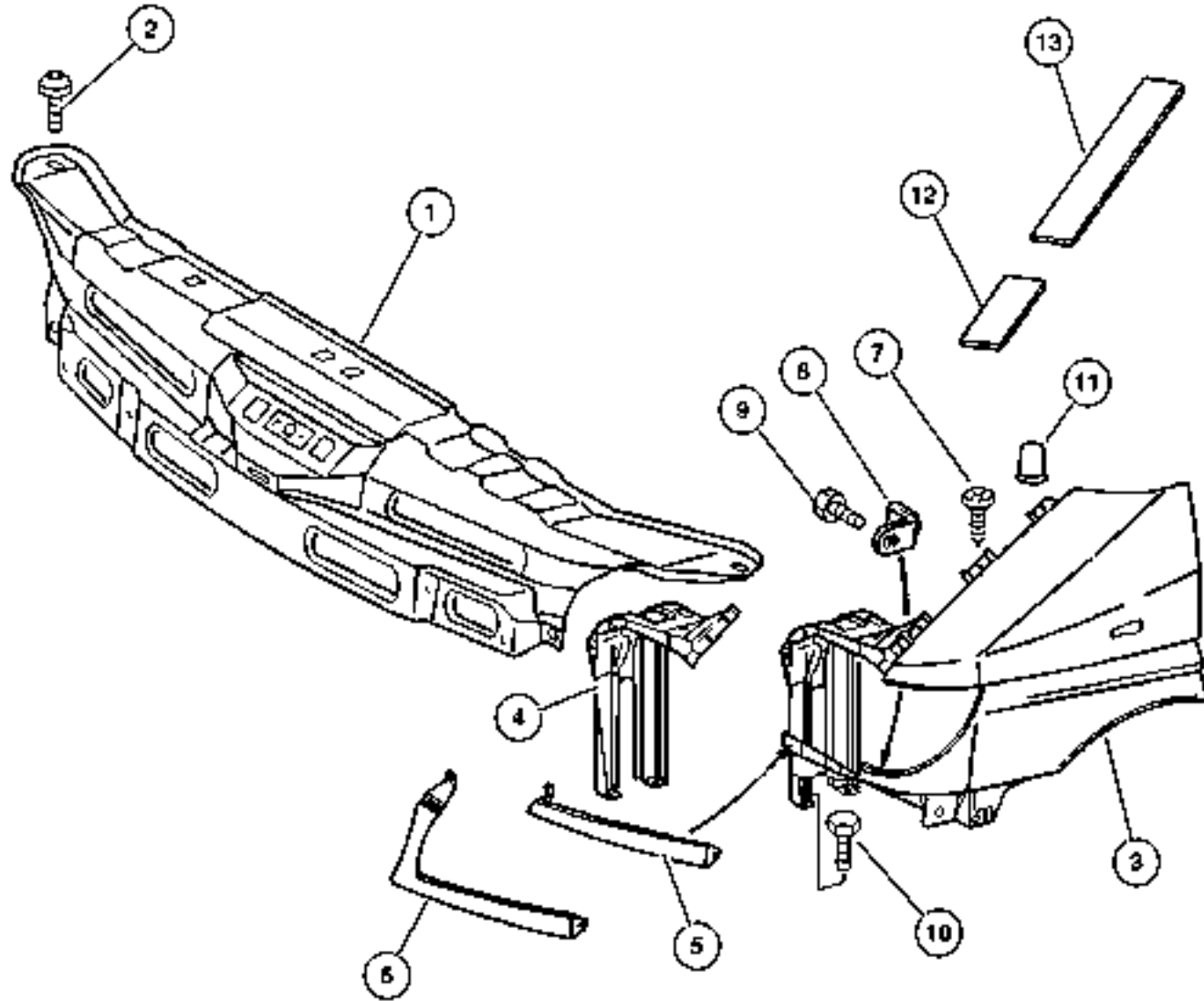
ITEM	PART NUMBER	QTY	LINE	SERIES	BODY	ENGINE	TRANS	TRIM	DESCRIPTION
		1	3		02, 06				Right
		1	3		12, 15, 16				Right
6	5104 216AA	1	6		01, 02, 06				BEZEL, Headlamp, Freightliner Left
		1	6		11, 12, 14, 15, 16				Left
		1	6		51, 52, 54, 55, 56				Right
		1	7		02, 06				Right
		1	7		12, 15, 16				Right
	5104 217AA	1	6		01, 02, 06				Right
		1	6		11, 12, 14, 15, 16				Right
		1	6		51, 52, 54, 55, 56				Right
		1	7		02, 06				Right
		1	7		12, 15, 16				Right
7	6104 581AA	7	2, 6		01, 02, 06				SCREW
		7	2, 6		11, 12, 14, 15, 16				
		7	2, 6		51, 52, 54, 55, 56				
		7	3, 7		02, 06				
		7	3, 7		12, 15, 16				
8	5104 527AA	1	2, 6		01, 02, 06				RETAINER
		1	2, 6		11, 12, 14, 15, 16				

Refer to Model Legend Information Bookmark

AR = Use as required - = Non illustrated part # = New this model year

March 3, 2006

Front Fender
Figure SVA-410



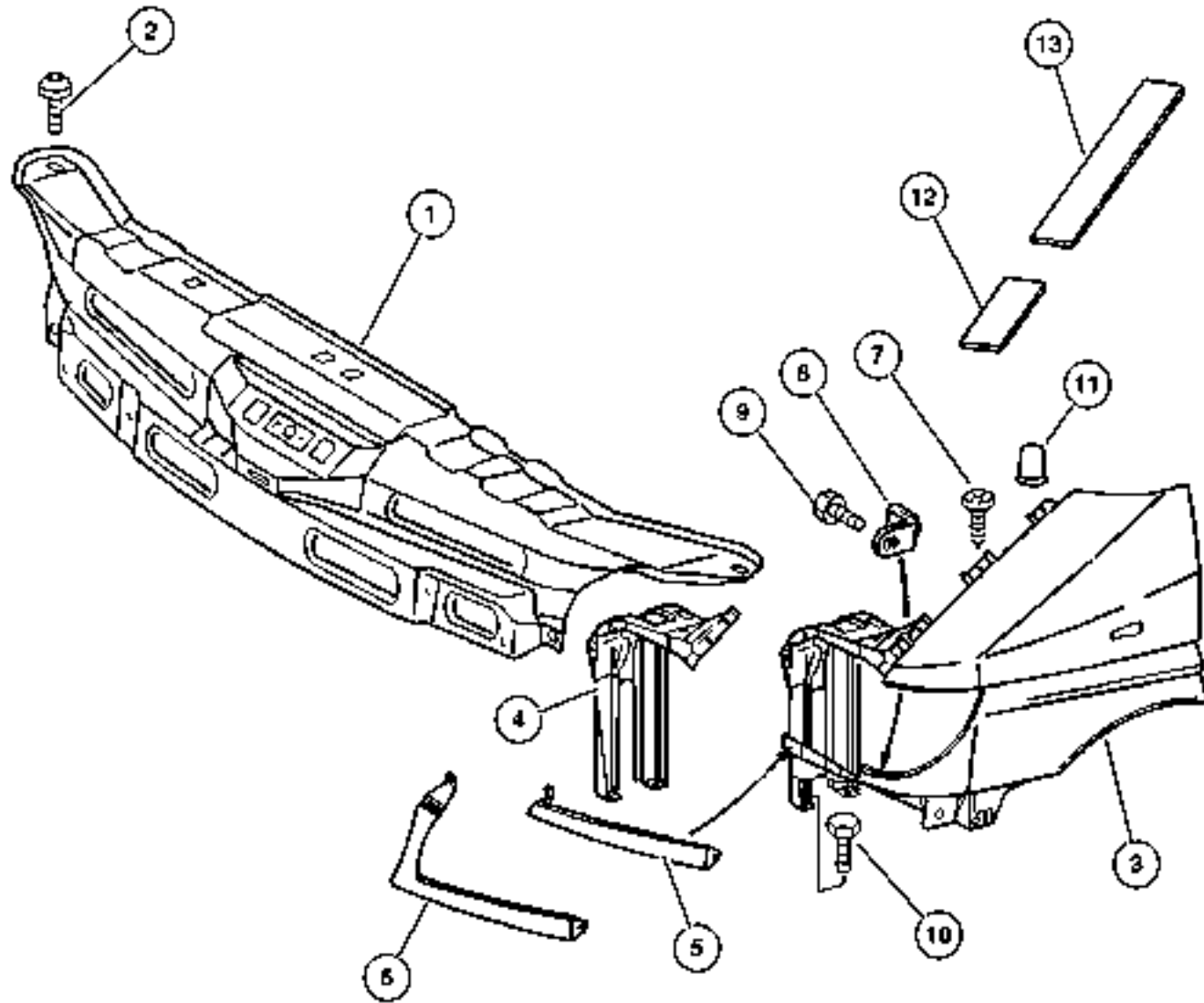
ITEM	PART NUMBER	QTY	LINE	SERIES	BODY	ENGINE	TRANS	TRIM	DESCRIPTION
		1	2, 6		51, 52,				
					54, 55,				
					56				
		1	3, 7		02, 06				
		1	3, 7		12, 15,				
					16				
9	6104 574AA	3	2, 6		01, 02,				SCREW, Tapping
					06				
		3	2, 6		11, 12,				
					14, 15,				
					16				
		3	2, 6		51, 52,				
					54, 55,				
					56				
		2	3, 7		12, 15,				
					16				
10	6104 022AA	2	3, 7		02, 06				SCREW
		1	2, 6		01, 02,				
					06				
		1	2, 6		11, 12,				
					14, 15,				
					16				
		1	2, 6		51, 52,				
					54, 55,				
					56				
		1	3, 7		02, 06				
		1	3, 7		12, 15,				
					16				
11	5104 537AA	1	2, 6		01, 02,				CAP, Protective
					06				
		1	2, 6		11, 12,				
					14, 15,				
					16				
		1	2, 6		51, 52,				
					54, 55,				
					56				
		1	3, 7		02, 06				
		1	3, 7		12, 15,				
					16				
12	5121 446AA	1	2, 6		01, 02,				SEAL, Fender To Cowl
					06				

Refer to Model Legend Information Bookmark

AR = Use as required - = Non illustrated part # = New this model year

March 3, 2006

Front Fender
Figure SVA-410



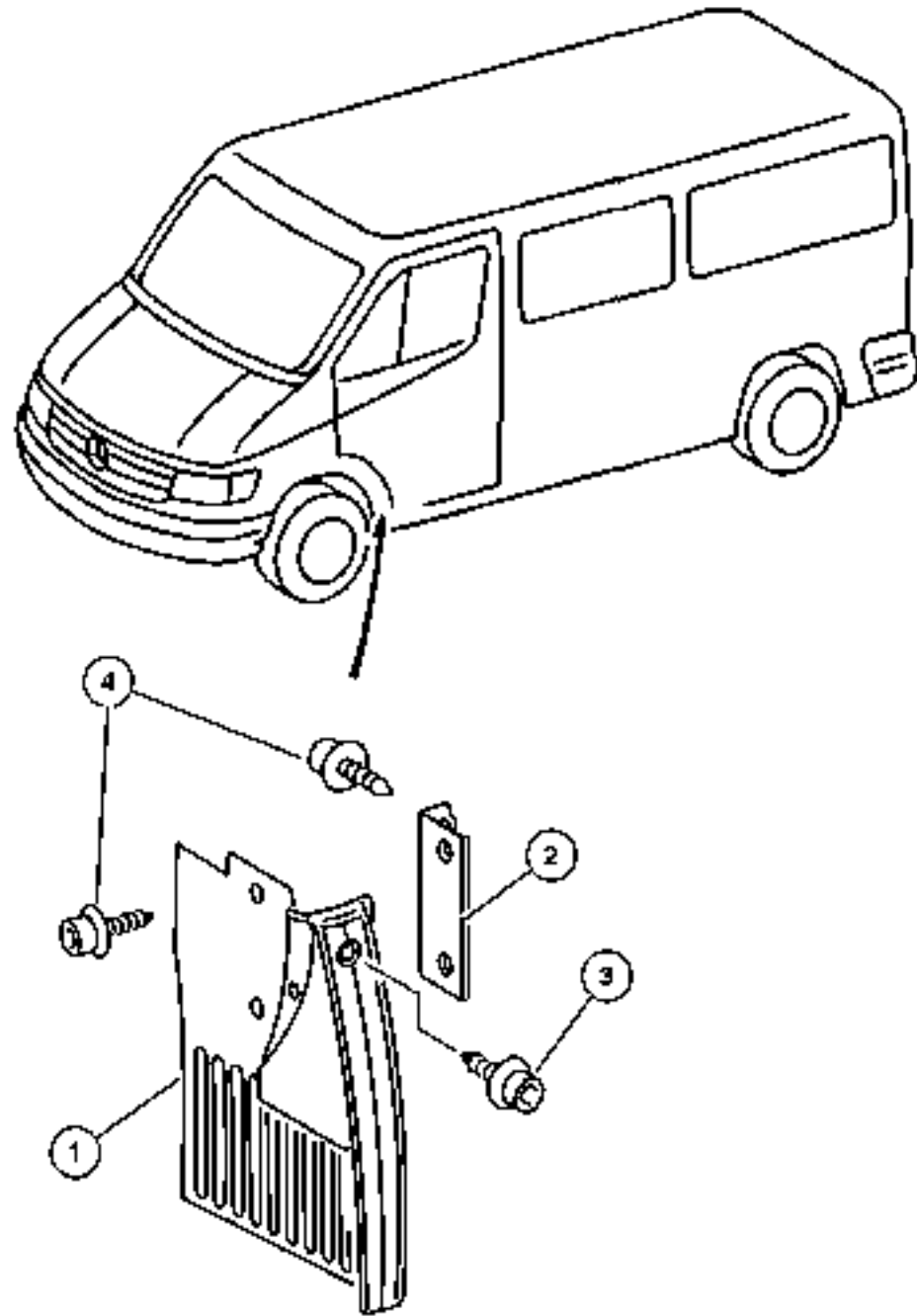
ITEM	PART NUMBER	QTY	LINE	SERIES	BODY	ENGINE	TRANS	TRIM	DESCRIPTION
		1	2, 6		11, 12,				
					14, 15,				
					16				
		1	2, 6		51, 52,				
					54, 55,				
					56				
		1	3, 7		02, 06				
		1	3, 7		12, 15,				
					16				
13									SEAL, Fender To Cowl
	5121 446AA	1	2, 6		01, 02,				
					06				
		1	2, 6		11, 12,				
					14, 15,				
					16				
		1	2, 6		51, 52,				
					54, 55,				
					56				
		1	3, 7		02, 06				
		1	3, 7		12, 15,				
					16				

Refer to Model Legend Information Bookmark

AR = Use as required - = Non illustrated part # = New this model year

March 3, 2006

Fender Splash Guards
Figure SVA-420



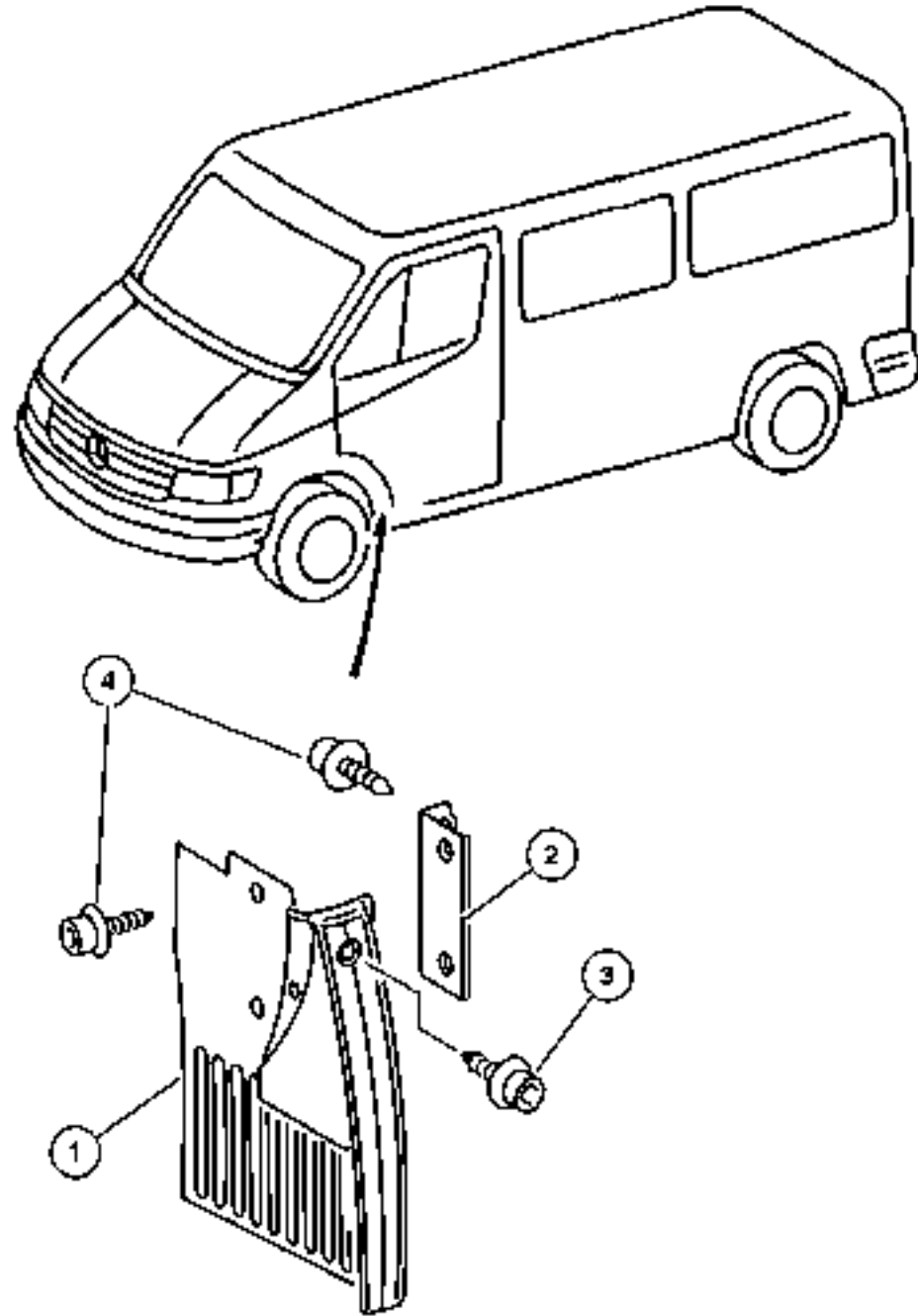
ITEM	PART NUMBER	QTY	LINE	SERIES	BODY	ENGINE	TRANS	TRIM	DESCRIPTION
1									GUARD, Splash
	5104 518AA	1	2, 6		01, 02, 06				Left
		1	2, 6		11, 12, 14, 15, 16				Left
		1	2, 6		51, 52, 54, 55, 56				Left
		1	3, 7		02, 06				Left
		1	3, 7		12, 15, 16				Left
	5104 521AA	1	2, 6		01, 02, 06				Right
		1	2, 6		11, 12, 14, 15, 16				Right
		1	2, 6		51, 52, 54, 55, 56				Right
		1	3, 7		02, 06				Right
		1	3, 7		12, 15, 16				Right
	5132 502AA	1	2, 6		01, 02, 06				With 16 Inch Wheels, Left
		1	2, 6		11, 12, 14, 15, 16				With 16 Inch Wheels, Left
		1	2, 6		51, 52, 54, 55, 56				With 16 Inch Wheels, Left
	5132 504AA	1	2, 6		01, 02, 06				With 16 Inch Wheels, Right
		1	2, 6		11, 12, 14, 15, 16				With 16 Inch Wheels, Right
		1	2, 6		51, 52, 54, 55, 56				With 16 Inch Wheels, Right
2									BRACKET
	5104 519AA	1	2, 6		01, 02, 06				
		1	2, 6		11, 12, 14, 15, 16				

Refer to Model Legend Information Bookmark

AR = Use as required - = Non illustrated part # = New this model year

March 3, 2006

Fender Splash Guards
Figure SVA-420



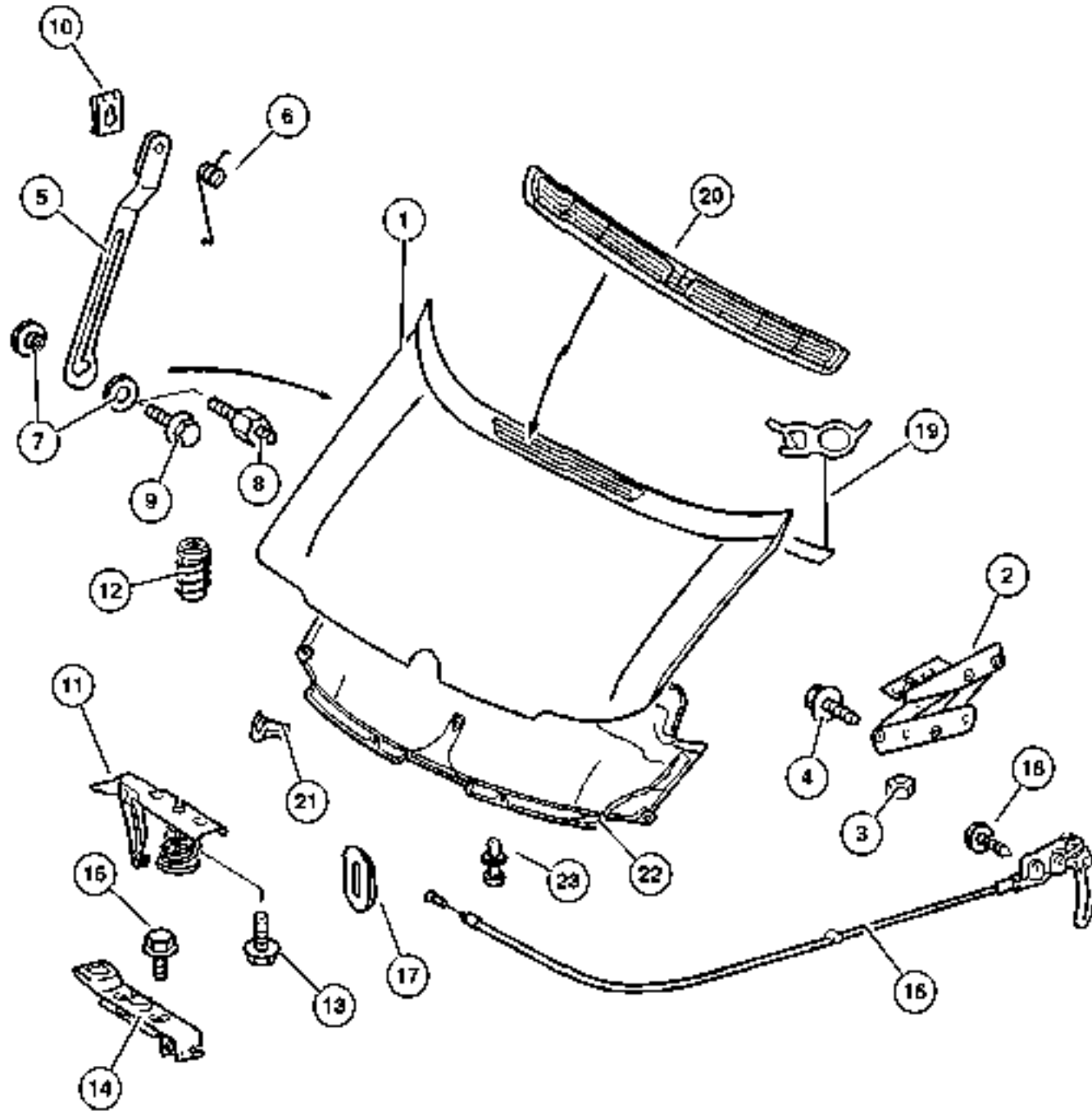
ITEM	PART NUMBER	QTY	LINE	SERIES	BODY	ENGINE	TRANS	TRIM	DESCRIPTION
		1	2, 6		51, 52, 54, 55, 56				
		1	3, 7		02, 06				
		1	3, 7		12, 15, 16				
3	6104 582AA	2	2, 6		01, 02, 06				SCREW
		2	2, 6		11, 12, 14, 15, 16				
		2	2, 6		51, 52, 54, 55, 56				
		2	3, 7		02, 06				
		2	3, 7		12, 15, 16				
4	6104 581AA	7	2, 6		01, 02, 06				SCREW
		1	2, 6		11, 12, 14, 15, 16				
		1	2, 6		51, 52, 54, 55, 56				
		1	3, 7		02, 06				
		1	3, 7		12, 15, 16				

Refer to Model Legend Information Bookmark

AR = Use as required - = Non illustrated part # = New this model year

March 3, 2006

Hood and Hood Release Figure SVA-510



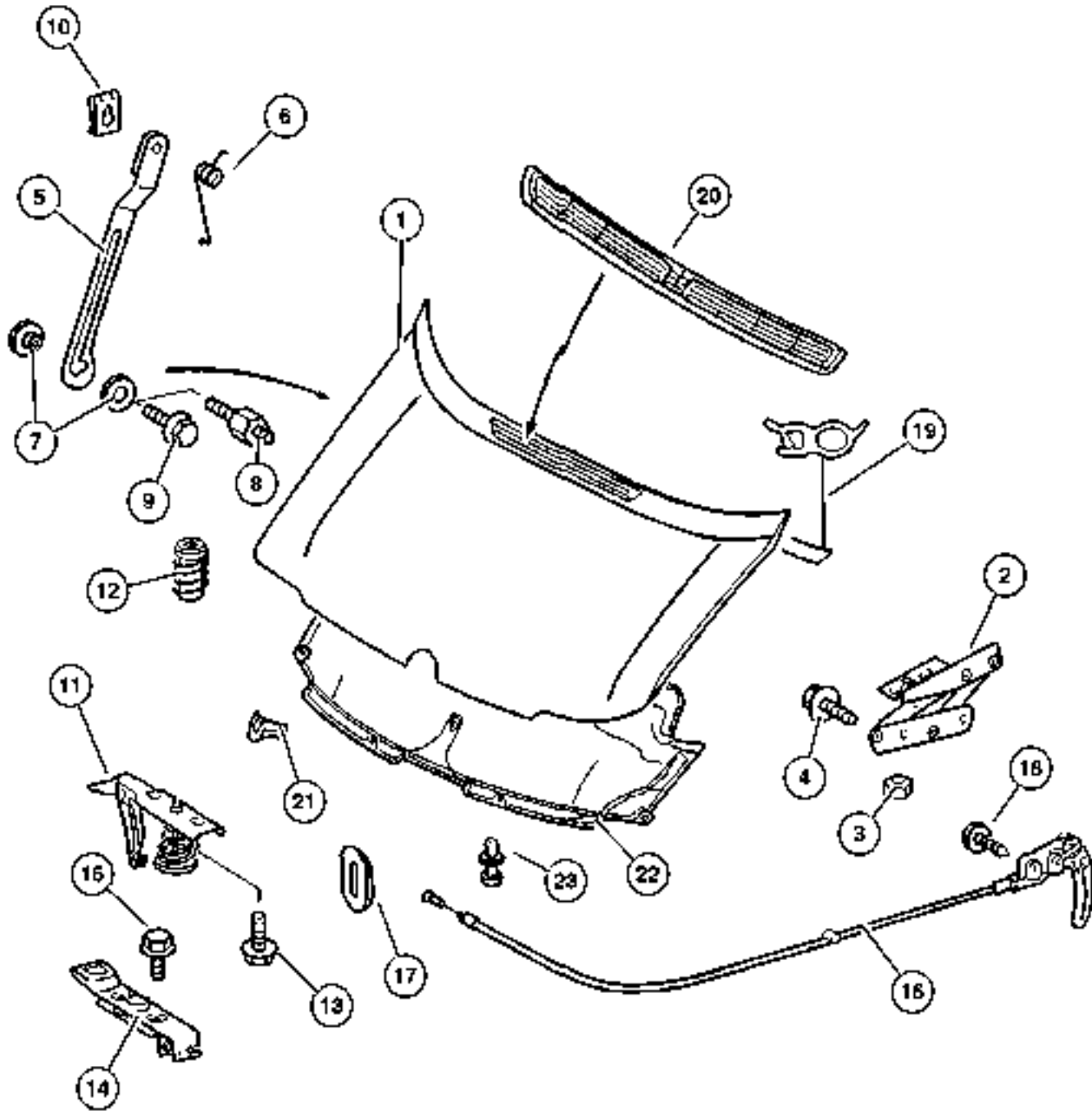
ITEM	PART NUMBER	QTY	LINE	SERIES	BODY	ENGINE	TRANS	TRIM	DESCRIPTION
1									HOOD
	5104 402AB	1	2, 6		01, 02, 06				
		1	2, 6		11, 12, 14, 15, 16				
		1	2, 6		51, 52, 54, 55, 56				
		1	3, 7		02, 06				
		1	3, 7		12, 15, 16				
2									HINGE, Hood
	5104 404AA	1	2, 6		01, 02, 06				Left
		1	2, 6		11, 12, 14, 15, 16				Left
		1	2, 6		51, 52, 54, 55, 56				Left
		1	3, 7		02, 06				Left
		1	3, 7		12, 15, 16				Left
	5104 406AA	1	2, 6		01, 02, 06				Right
		1	2, 6		11, 12, 14, 15, 16				Right
		1	2, 6		51, 52, 54, 55, 56				Right
		1	3, 7		02, 06				Right
		1	3, 7		12, 15, 16				Right
3									NUT
	5103 731AA	4	2, 6		01, 02, 06				
		4	2, 6		11, 12, 14, 15, 16				
		4	2, 6		51, 52, 54, 55, 56				
		4	3, 7		02, 06				

Refer to Model Legend Information Bookmark

AR = Use as required - = Non illustrated part # = New this model year

March 3, 2006

Hood and Hood Release Figure SVA-510



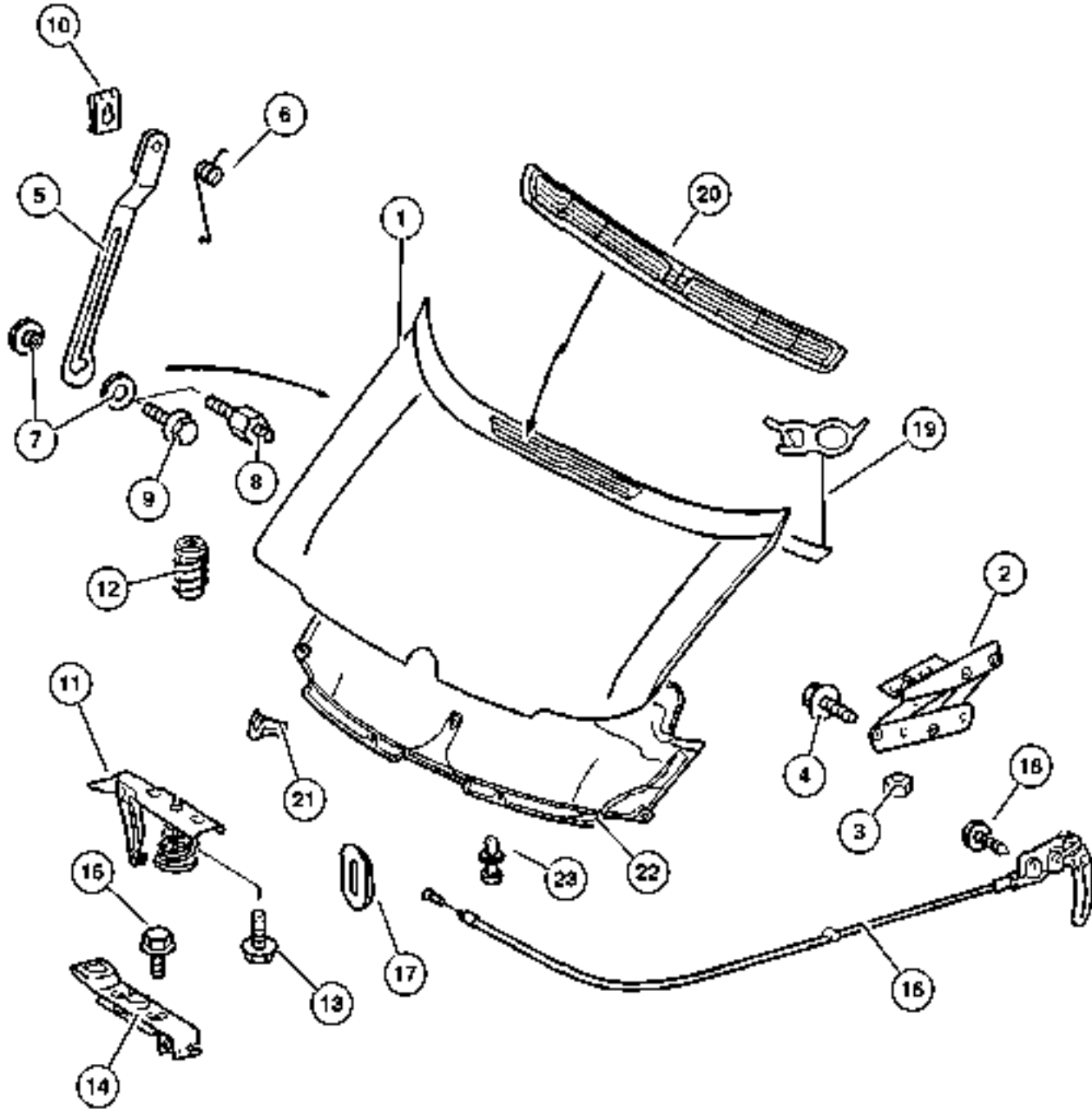
ITEM	PART NUMBER	QTY	LINE	SERIES	BODY	ENGINE	TRANS	TRIM	DESCRIPTION
		4	3, 7		12, 15, 16				
4	6104 022AA	1	2, 6		01, 02, 06				SCREW
		1	2, 6		11, 12, 14, 15, 16				
		1	2, 6		51, 52, 54, 55, 56				
		1	3, 7		02, 06				
		1	3, 7		12, 15, 16				
5		3	2, 3, 6, 7						PROP, Hood
	5104 407AA	1	2, 6		01, 02, 06				
		1	2, 6		11, 12, 14, 15, 16				
		1	2, 6		51, 52, 54, 55, 56				
		1	3, 7		02, 06				
		1	3, 7		12, 15, 16				
6									SPRING
	5104 546AA	1	2, 6		01, 02, 06				
		1	2, 6		11, 12, 14, 15, 16				
		1	2, 6		51, 52, 54, 55, 56				
		1	3, 7		02, 06				
		1	3, 7		12, 15, 16				
7									BUSHING, Hood Prop Rod Pivot
	5104 545AA	2	2, 6		01, 02, 06				
		2	2, 6		11, 12, 14, 15, 16				

Refer to Model Legend Information Bookmark

AR = Use as required - = Non illustrated part # = New this model year

March 3, 2006

Hood and Hood Release Figure SVA-510



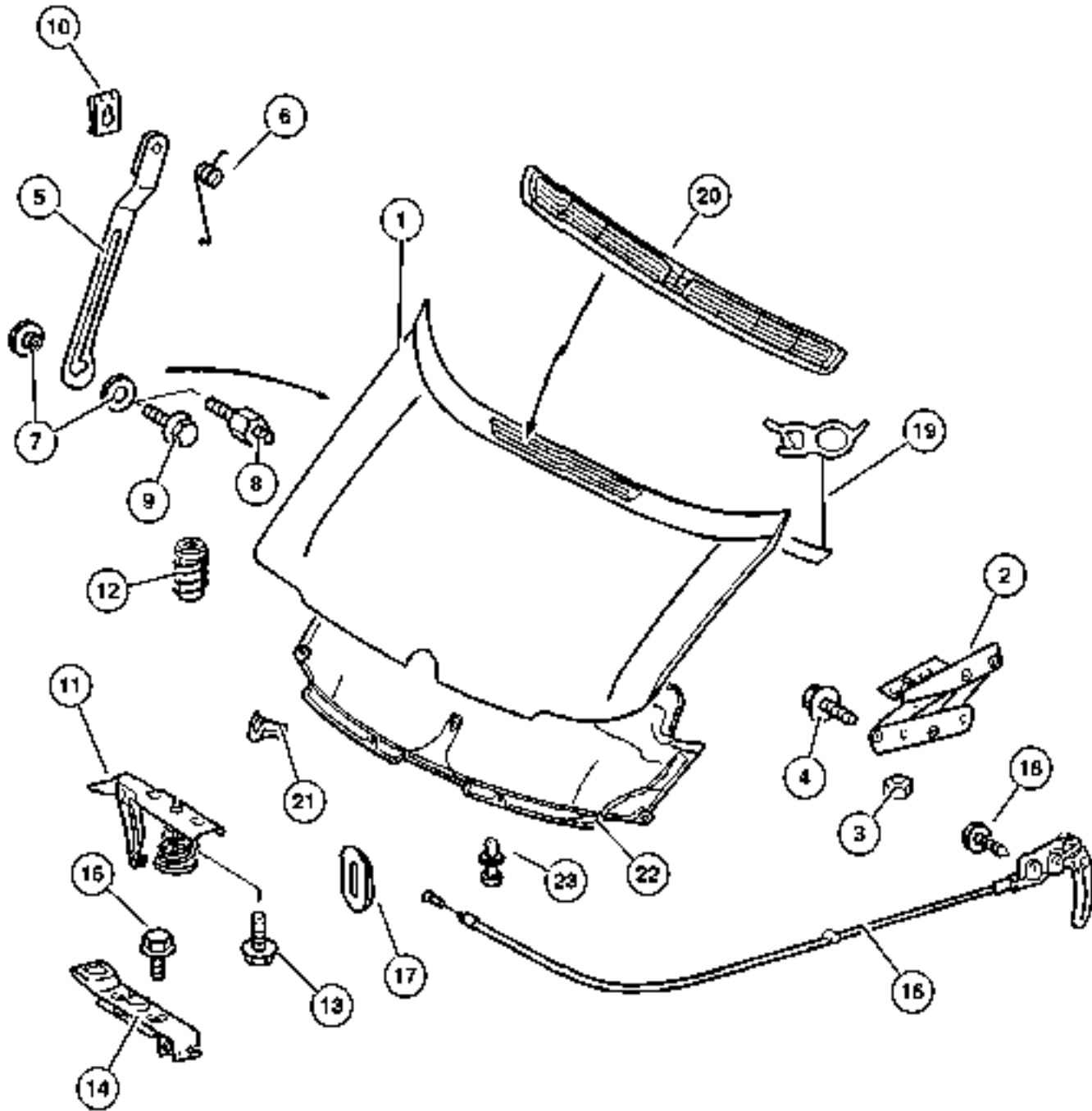
ITEM	PART NUMBER	QTY	LINE	SERIES	BODY	ENGINE	TRANS	TRIM	DESCRIPTION
		2	2, 6		51, 52,				
					54, 55,				
					56				
		2	3, 7		02, 06				
		2	3, 7		12, 15,				
					16				
8	5104 542AA	1	2, 6		01, 02,				SCREW
					06				
		1	2, 6		11, 12,				
					14, 15,				
					16				
		1	2, 6		51, 52,				
					54, 55,				
					56				
		1	3, 7		02, 06				
		1	3, 7		12, 15,				
					16				
9	6104 024AA	1	2, 6		01, 02,				SCREW
					06				
		1	2, 6		11, 12,				
					14, 15,				
					16				
		1	2, 6		51, 52,				
					54, 55,				
					56				
10	5126 111AA	1	2, 6		01, 02,				CLIP, Hood
					06				
		1	2, 6		11, 12,				
					14, 15,				
					16				
		1	2, 6		51, 52,				
					54, 55,				
					56				
		1	3, 7		02, 06				
		1	3, 7		12, 15,				
					16				
11	5104 401AA	1	2, 6		01, 02,				STRIKER, Hood Latch
					06				
		1	2, 6		11, 12,				
					14, 15,				
					16				

Refer to Model Legend Information Bookmark

AR = Use as required - = Non illustrated part # = New this model year

March 3, 2006

Hood and Hood Release Figure SVA-510



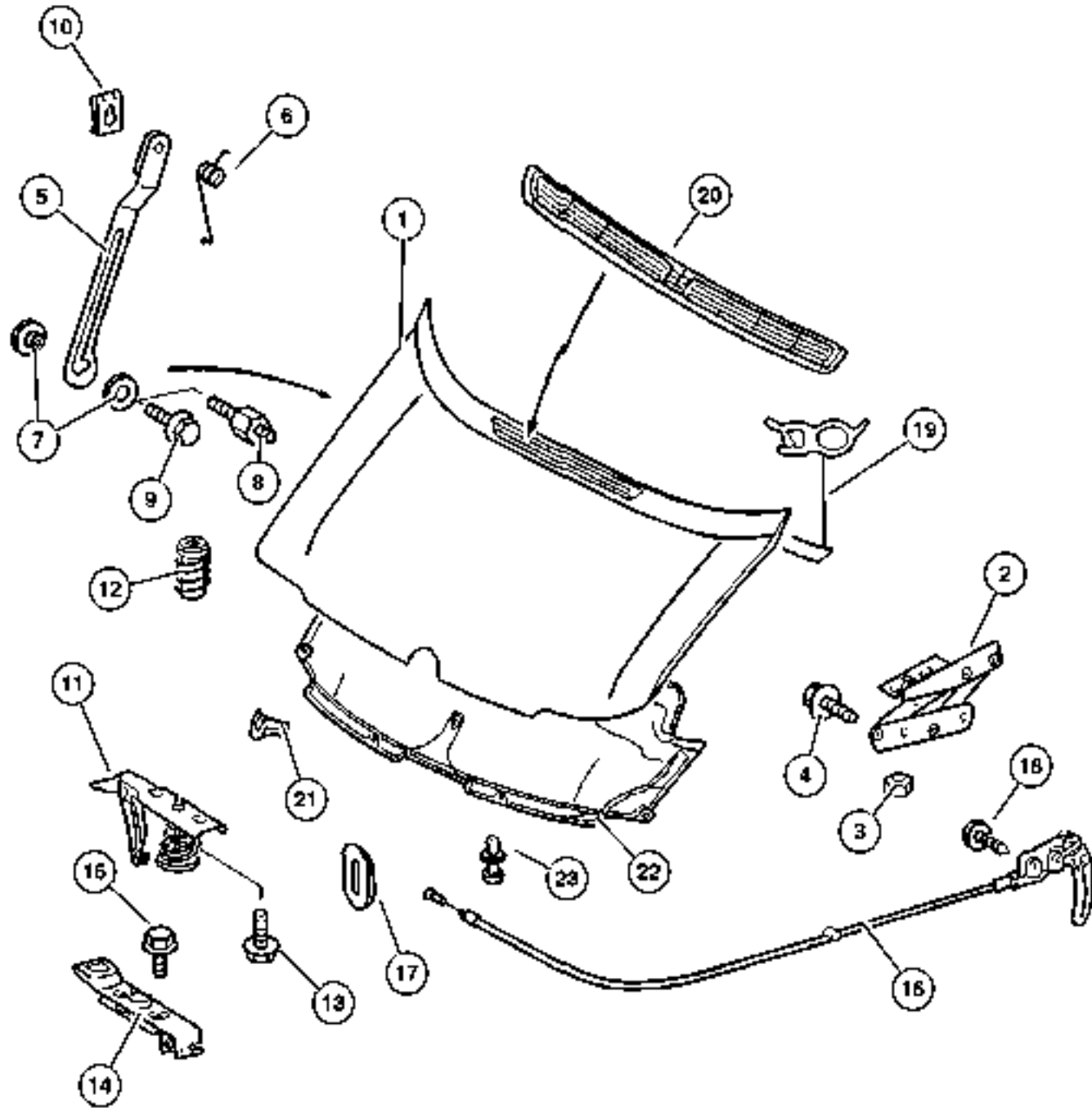
ITEM	PART NUMBER	QTY	LINE	SERIES	BODY	ENGINE	TRANS	TRIM	DESCRIPTION
		1	2, 6		51, 52, 54, 55, 56				
12	5134 041AA	2	2, 6		01, 02, 06				BUMPER, Rubber
		2	2, 6		11, 12, 14, 15, 16				
		2	2, 6		51, 52, 54, 55, 56				
		2	3, 7		02, 06				
		2	3, 7		12, 15, 16				
13	5073 824AA	2	2, 6		01, 02, 06				SCREW
		2	2, 6		11, 12, 14, 15, 16				
		2	2, 6		51, 52, 54, 55, 56				
		2	3, 7		02, 06				
		2	3, 7		12, 15, 16				
14	5104 028AA	1	2, 6		01, 02, 06				LATCH, Hood
		1	2, 6		11, 12, 14, 15, 16				
		1	2, 6		51, 52, 54, 55, 56				
		1	3, 7		02, 06				
		1	3, 7		12, 15, 16				
15	5133 476AB	2	2, 6		01, 02, 06				SCREW
		2	2, 6		11, 12, 14, 15, 16				

Refer to Model Legend Information Bookmark

AR = Use as required - = Non illustrated part # = New this model year

March 3, 2006

Hood and Hood Release Figure SVA-510



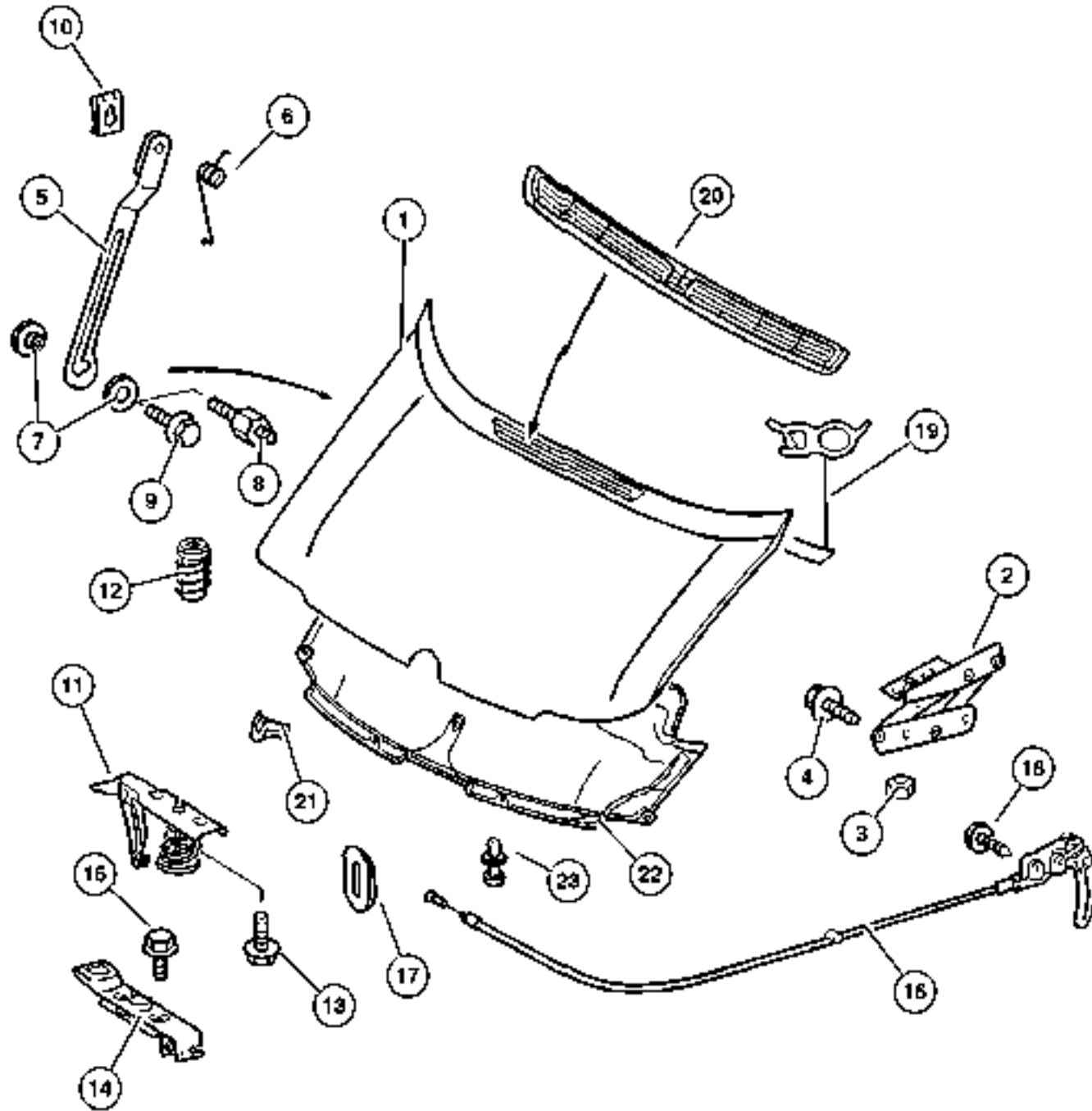
ITEM	PART NUMBER	QTY	LINE	SERIES	BODY	ENGINE	TRANS	TRIM	DESCRIPTION
		2	2, 6		51, 52, 54, 55, 56				
		2	3, 7		02, 06				
		2	3, 7		12, 15, 16				
16	5104 405AA	1	2, 6		01, 02, 06				CABLE, Hood Release
		1	2, 6		11, 12, 14, 15, 16				
		1	2, 6		51, 52, 54, 55, 56				
17	5133 935AA	1	2, 6		01, 02, 06				GROMMET, Door Wiring
		1	2, 6		11, 12, 14, 15, 16				
		1	2, 6		51, 52, 54, 55, 56				
		2	3, 7		12, 15, 16				
18	6104 507AA	2	2, 6		01, 02, 06				SCREW
		2	2, 6		11, 12, 14, 15, 16				
		2	2, 6		51, 52, 54, 55, 56				
19	5134 040AA	1	2, 6		01, 02, 06				SEAL, Hood
		1	2, 6		11, 12, 14, 15, 16				
		1	2, 6		51, 52, 54, 55, 56				

Refer to Model Legend Information Bookmark

AR = Use as required - = Non illustrated part # = New this model year

March 3, 2006

Hood and Hood Release Figure SVA-510



ITEM	PART NUMBER	QTY	LINE	SERIES	BODY	ENGINE	TRANS	TRIM	DESCRIPTION
		1	3, 7		02, 06				
		1	3, 7		12, 15, 16				
20	5124 653AA	1	2, 6		01, 02, 06				GRILLE, Hood
		1	2, 6		11, 12, 14, 15, 16				
		1	2, 6		51, 52, 54, 55, 56				
		1	3, 7		02, 06				
		1	3, 7		12, 15, 16				
21	5103 932AA	1	2, 6		11, 12, 14, 15, 16				GROMMET
		1	3, 7		12, 15, 16				
		1	2, 6		51, 52, 54, 55, 56				
22	5104 486AA	1	2, 6		01, 02, 06				INSULATION, Hood
		1	2, 6		11, 12, 14, 15, 16				
		1	2, 6		51, 52, 54, 55, 56				
		1	3, 7		02, 06				
		1	3, 7		12, 15, 16				
23	5103 921AA	12	2, 6		01, 02, 06				RIVET
		12	2, 6		11, 12, 14, 15, 16				
		12	2, 6		51, 52, 54, 55, 56				

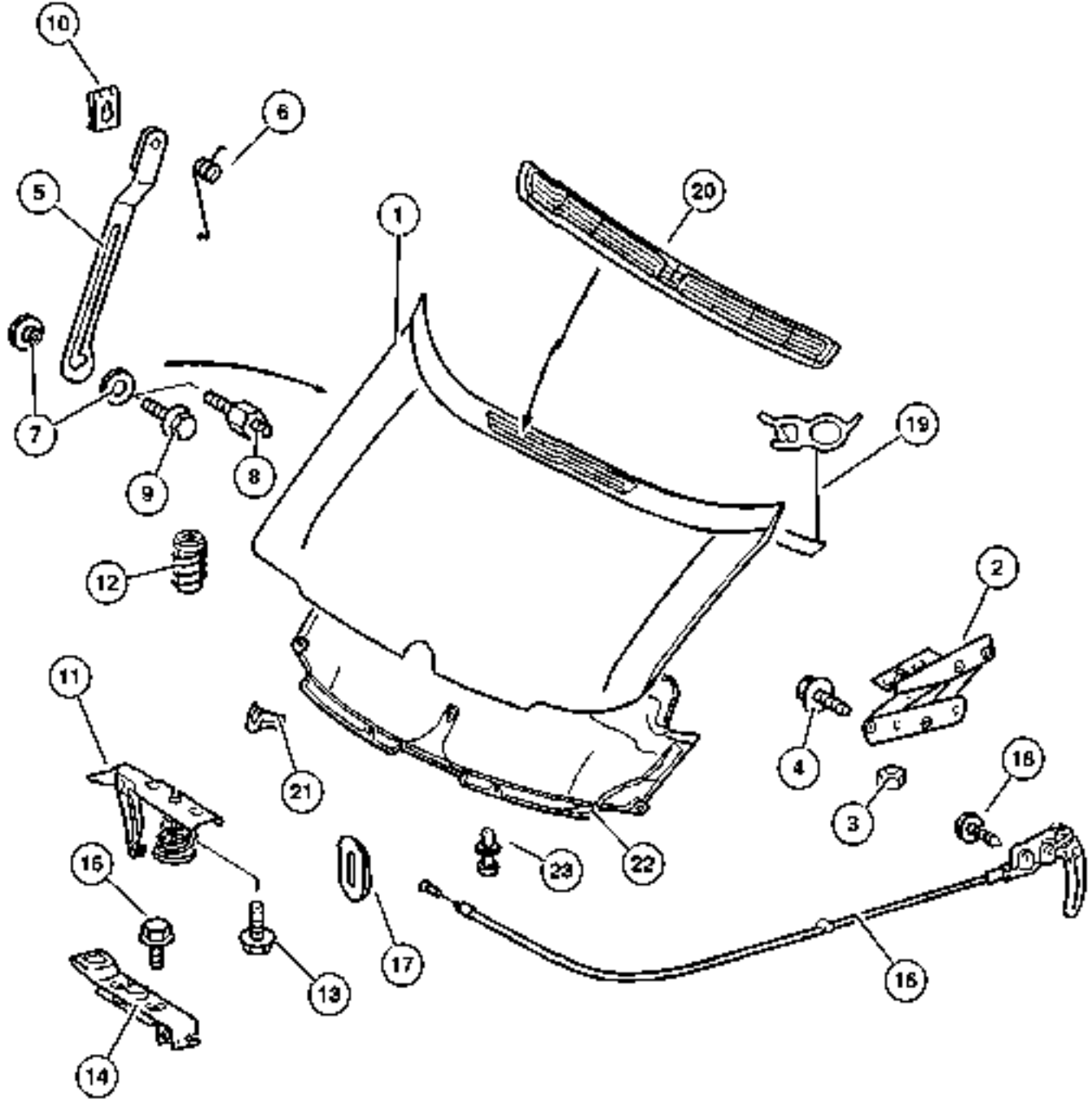
Refer to Model Legend Information Bookmark

AR = Use as required - = Non illustrated part # = New this model year

March 3, 2006

Hood and Hood Release Figure SVA-510

ITEM	PART NUMBER	QTY	LINE	SERIES	BODY	ENGINE	TRANS	TRIM	DESCRIPTION
		12	3, 7		02, 06				
		12	3, 7		12, 15, 16				

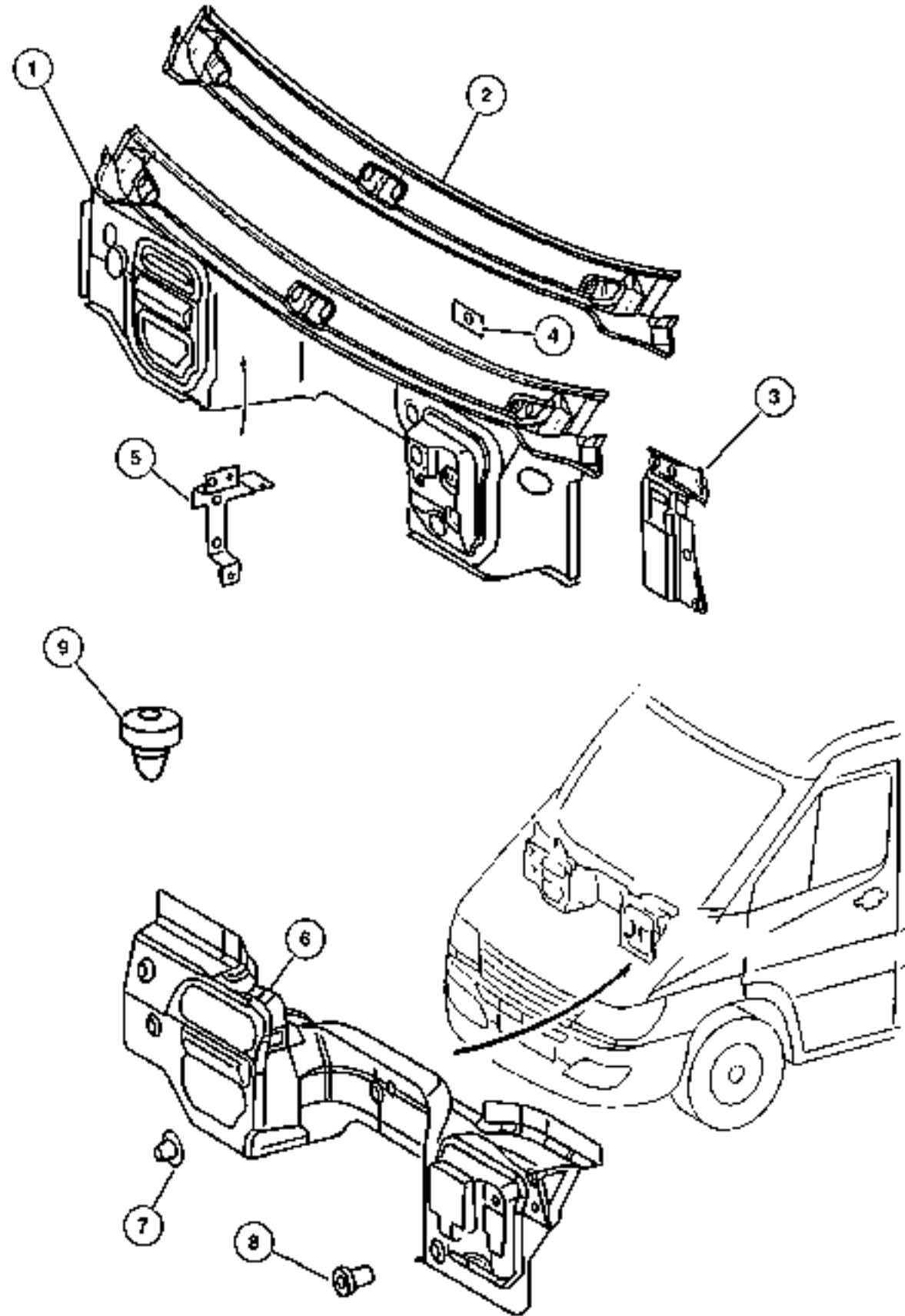


Refer to Model Legend Information Bookmark

AR = Use as required - = Non illustrated part # = New this model year

March 3, 2006

Cowl and Dash
Figure SVA-610



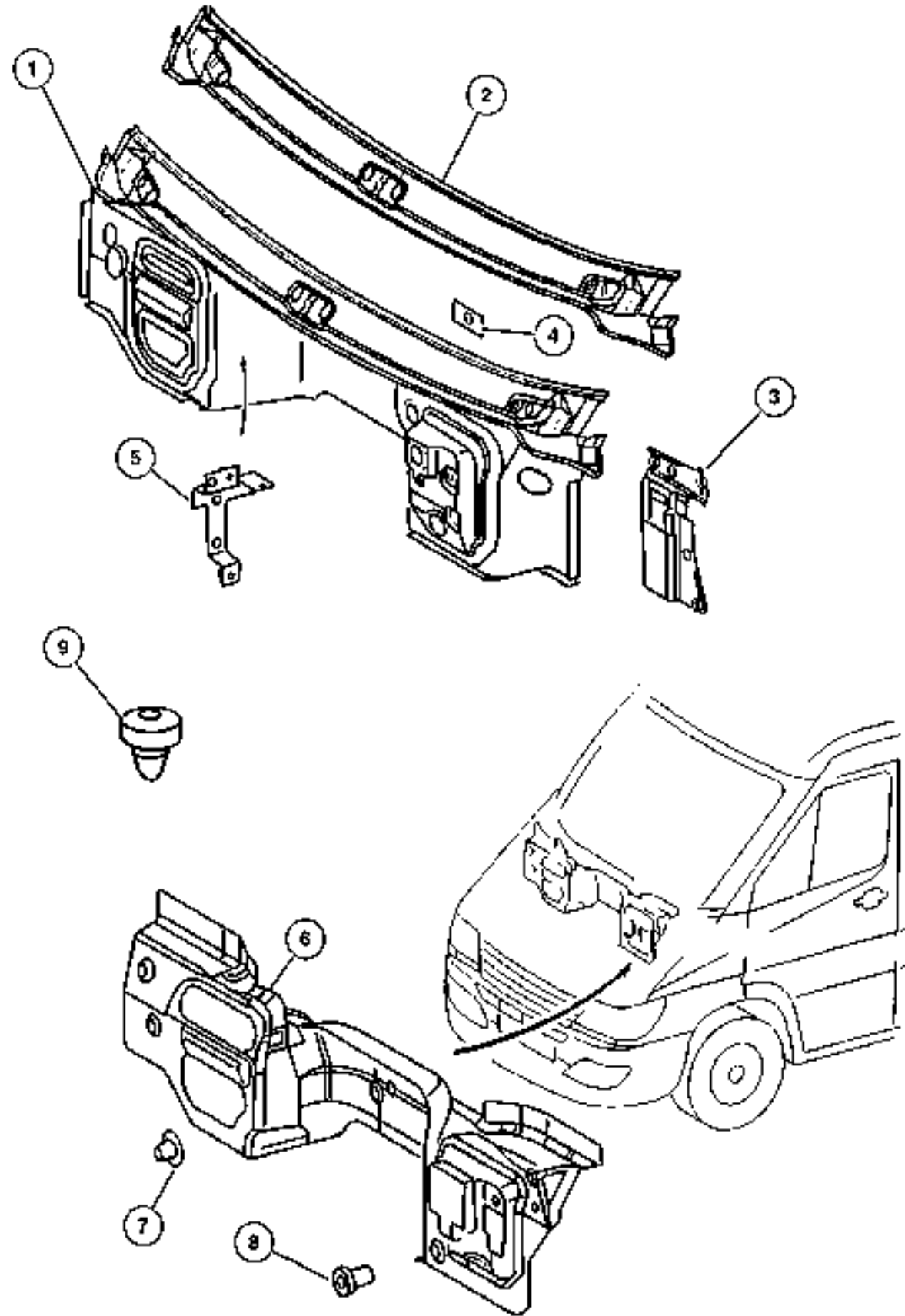
ITEM	PART NUMBER	QTY	LINE	SERIES	BODY	ENGINE	TRANS	TRIM	DESCRIPTION
1									PANEL, Dash Upper
	5121 578AA	1	2, 6		01, 02, 06				
		1	2, 6		11, 12, 14, 15, 16				
		1	2, 6		51, 52, 54, 55, 56				
		1	3, 7		02, 06				
		1	3, 7		12, 15, 16				
2									PANEL, Cowl Top
	5104 164AA	1	2, 6		01, 02, 06				
		1	2, 6		11, 12, 14, 15, 16				
		1	2, 6		51, 52, 54, 55, 56				
		1	3, 7		02, 06				
		1	3, 7		12, 15, 16				
3									BRACKET, Dash
	5121 583AA	1	2, 6		01, 02, 06				
		1	2, 6		11, 12, 14, 15, 16				
		1	2, 6		51, 52, 54, 55, 56				
		1	3, 7		02, 06				
		1	3, 7		12, 15, 16				
4									PLATE
	5121 447AA	1	2, 6		01, 02, 06				
		1	2, 6		11, 12, 14, 15, 16				
		1	2, 6		51, 52, 54, 55, 56				

Refer to Model Legend Information Bookmark

AR = Use as required - = Non illustrated part # = New this model year

March 3, 2006

Cowl and Dash
Figure SVA-610



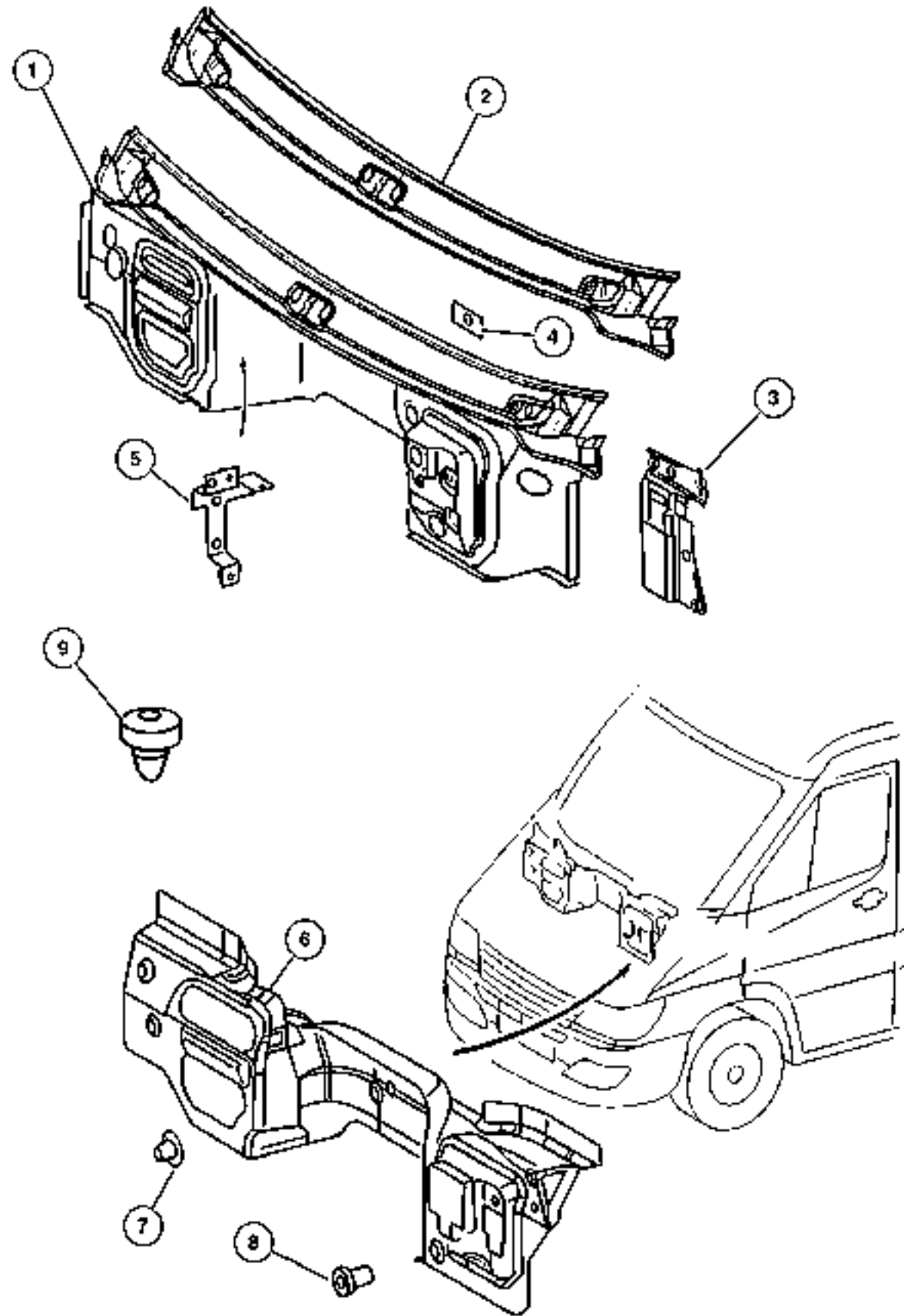
ITEM	PART NUMBER	QTY	LINE	SERIES	BODY	ENGINE	TRANS	TRIM	DESCRIPTION
		1	3, 7		02, 06				
		1	3, 7		12, 15, 16				
5	5124 627AA	1	2, 6		01, 02, 06				BRACKET
		1	2, 6		11, 12, 14, 15, 16				
		1	2, 6		51, 52, 54, 55, 56				
		1	3, 7		02, 06				
		1	3, 7		12, 15, 16				
6	5122 526AA	1	2, 6		01, 02, 06				SILENCER, Dash Panel-Engine Compartment
		1	2, 6		11, 12, 14, 15, 16				
		1	2, 6		51, 52, 54, 55, 56				
		1	3, 7		02, 06				
		1	3, 7		12, 15, 16				
7	5097 041AA	4	2, 6		01, 02, 06				PLUG, Button
		4	2, 6		11, 12, 14, 15, 16				
		4	2, 6		51, 52, 54, 55, 56				
		4	3, 7		02, 06				
		4	3, 7		12, 15, 16				
8	5125 592AA	2	2, 6		01, 02, 06				PLUG, Button

Refer to Model Legend Information Bookmark

AR = Use as required - = Non illustrated part # = New this model year

March 3, 2006

Cowl and Dash
Figure SVA-610



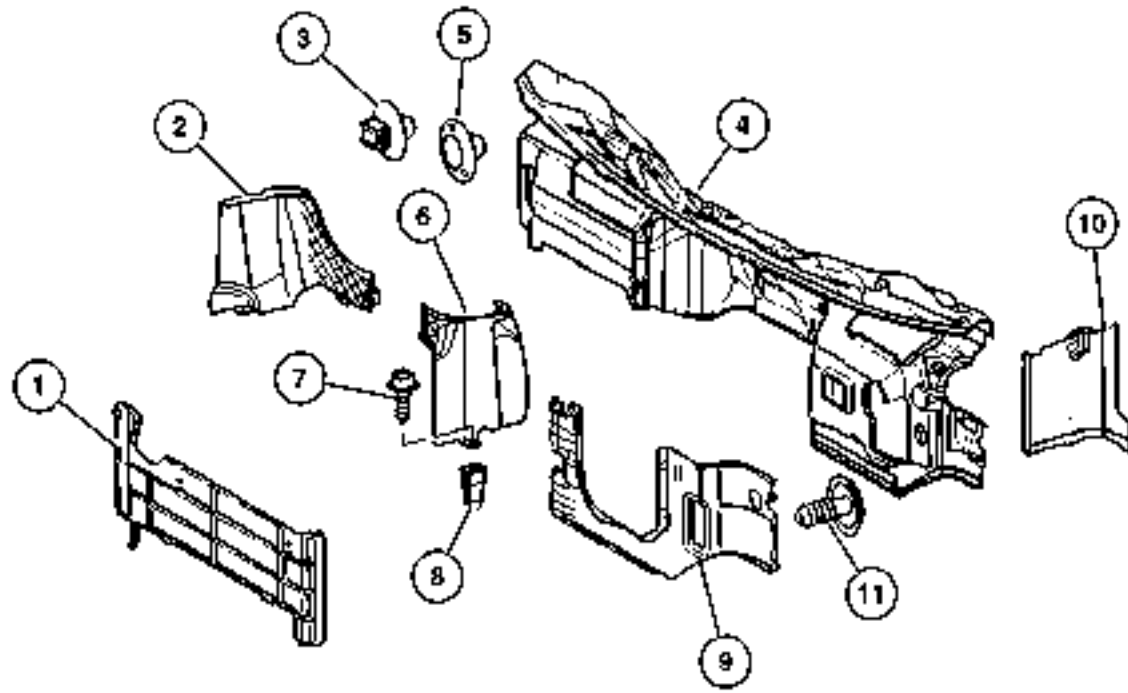
ITEM	PART NUMBER	QTY	LINE	SERIES	BODY	ENGINE	TRANS	TRIM	DESCRIPTION
		2	2, 6		11, 12, 14, 15, 16				
		2	2, 6		51, 52, 54, 55, 56				
		2	3, 7		02, 06				
		2	3, 7		12, 15, 16				
9	5103 724AA	2	2, 6		01, 02, 06				BUMPER, Rubber
		2	2, 6		11, 12, 14, 15, 16				
		2	2, 6		51, 52, 54, 55, 56				
		2	3, 7		02, 06				
		2	3, 7		12, 15, 16				

Refer to Model Legend Information Bookmark

AR = Use as required - = Non illustrated part # = New this model year

March 3, 2006

Inner Paneling in Cab, Cowl
Figure SVA-620



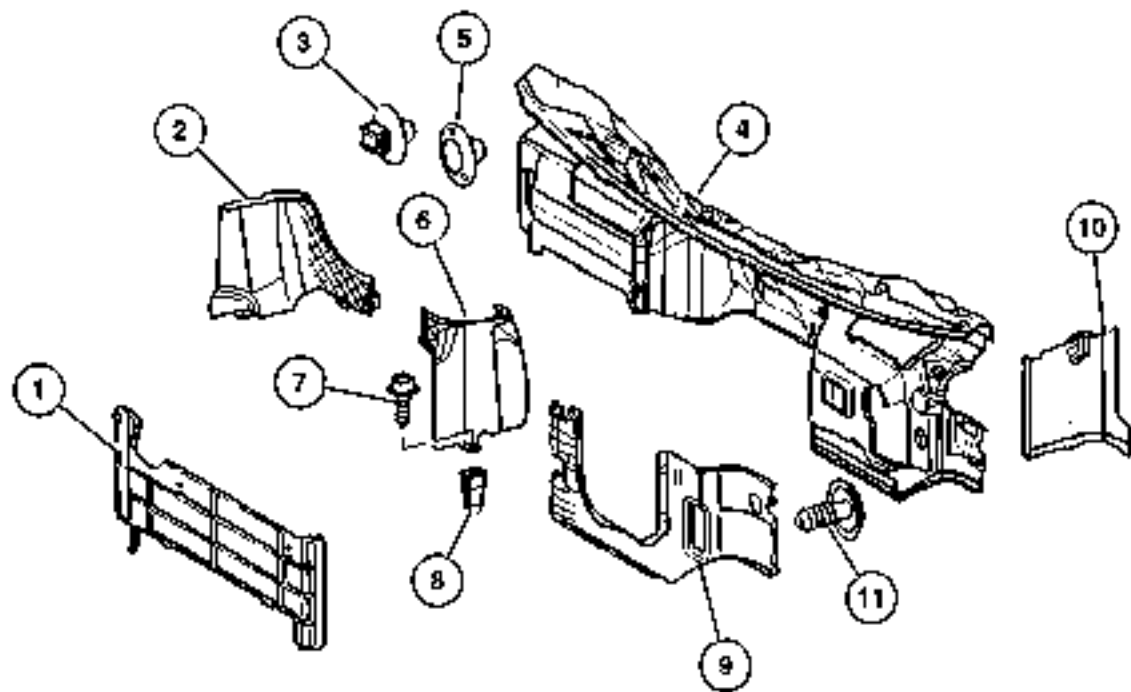
ITEM	PART NUMBER	QTY	LINE	SERIES	BODY	ENGINE	TRANS	TRIM	DESCRIPTION
1									SILENCER, Dash And Cowl Sides
	5131 688AA	1	2, 6		11, 12, 14, 15, 16				
		1	2, 6		51, 52, 54, 55, 56				
		1	3, 7		12, 15, 16				
2									PANEL, Bulkhead Support
	5122 864AA	1	2, 6		01, 02, 06				
		1	2, 6		11, 12, 14, 15, 16				
		1	2, 6		51, 52, 54, 55, 56				
		1	3, 7		02, 06				
		1	3, 7		12, 15, 16				
3									PLUG, Button
	5125 592AA	1	2, 6		01, 02, 06				
		1	2, 6		11, 12, 14, 15, 16				
		1	2, 6		51, 52, 54, 55, 56				
		1	3, 7		02, 06				
		1	3, 7		12, 15, 16				
4									PANEL, Cowl
	5122 857AA	1	2, 6		01, 02, 06				
		1	2, 6		11, 12, 14, 15, 16				
		1	2, 6		51, 52, 54, 55, 56				
		1	3, 7		02, 06				
		1	3, 7		12, 15, 16				
5									PLUG, Button

Refer to Model Legend Information Bookmark

AR = Use as required - = Non illustrated part # = New this model year

March 3, 2006

Inner Paneling in Cab, Cowl
Figure SVA-620



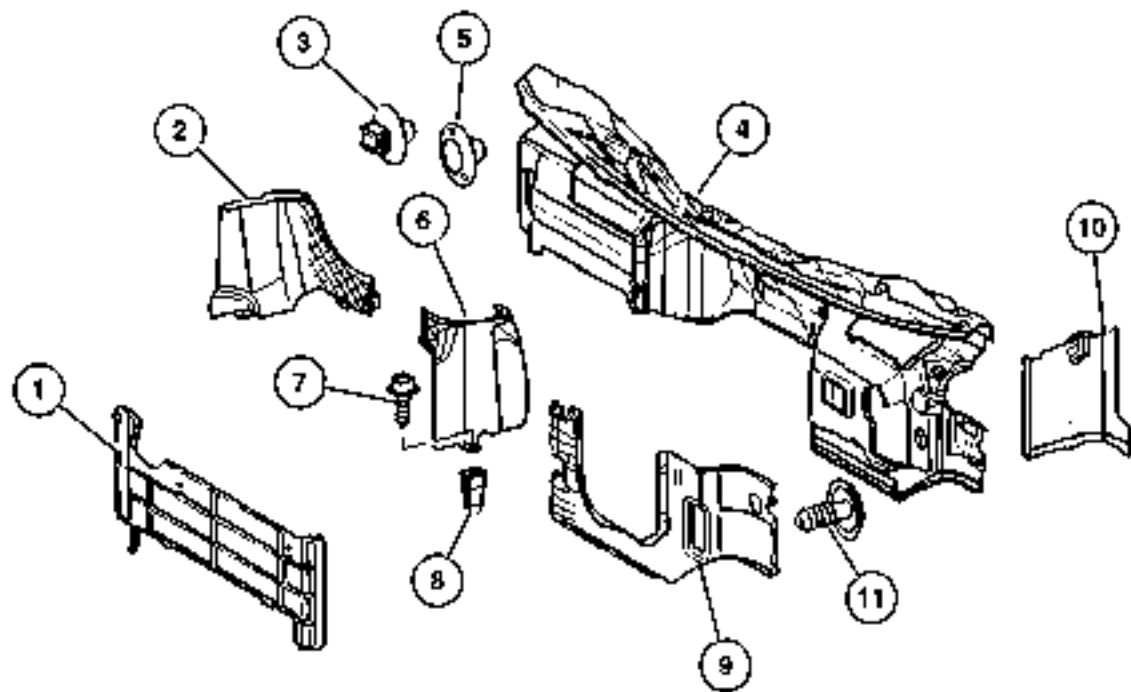
ITEM	PART NUMBER	QTY	LINE	SERIES	BODY	ENGINE	TRANS	TRIM	DESCRIPTION
	5097 041AA	3	2, 6		01, 02, 06				
		3	2, 6		11, 12, 14, 15, 16				
		3	2, 6		51, 52, 54, 55, 56				
		3	3, 7		02, 06				
		3	3, 7		12, 15, 16				
6	5122 862AA	1	2, 6		01, 02, 06				PANEL, Bulkhead Support
		1	2, 6		11, 12, 14, 15, 16				
		1	2, 6		51, 52, 54, 55, 56				
		1	3, 7		02, 06				
		1	3, 7		12, 15, 16				
7	6104 574AA	2	2, 6		11, 12, 14, 15, 16				SCREW, Tapping
		2	2, 6		51, 52, 54, 55, 56				
		2	2, 6		01, 02, 06				
		2	3, 7		12, 15, 16				
		2	3, 7		02, 06				
8	5098 837AB	8	2, 6		01, 02, 06				NUT, Plastic Snap-in
		8	2, 6		11, 12, 14, 15, 16				
		8	2, 6		51, 52, 54, 55, 56				
		8	3, 7		02, 06				

Refer to Model Legend Information Bookmark

AR = Use as required - = Non illustrated part # = New this model year

March 3, 2006

Inner Paneling in Cab, Cowl
Figure SVA-620



ITEM	PART NUMBER	QTY	LINE	SERIES	BODY	ENGINE	TRANS	TRIM	DESCRIPTION
		8	3, 7		12, 15, 16				
9	5131 685AA	1	2, 6		11, 12, 14, 15, 16				PANEL, Dash
		1	2, 6		51, 52, 54, 55, 56				
10	5104 266AA	1	2, 6		01, 02, 06				PANEL, Cowl Side Right
		1	2, 6		11, 12, 14, 15, 16				Right
		1	2, 6		51, 52, 54, 55, 56				Right
		1	3, 7		02, 06				Right
		1	3, 7		12, 15, 16				Right
	5122 865AA	1	2, 6		01, 02, 06				Left
		1	2, 6		11, 12, 14, 15, 16				Left
		1	2, 6		51, 52, 54, 55, 56				Left
		1	3, 7		02, 06				Left
		1	3, 7		12, 15, 16				Left
11	1AS62 DX9AA	2	2, 6		01, 02, 06				PLUG, Body
		2	2, 6		11, 12, 14, 15, 16				
		2	2, 6		51, 52, 54, 55, 56				
		2	3, 7		02, 06				

Refer to Model Legend Information Bookmark

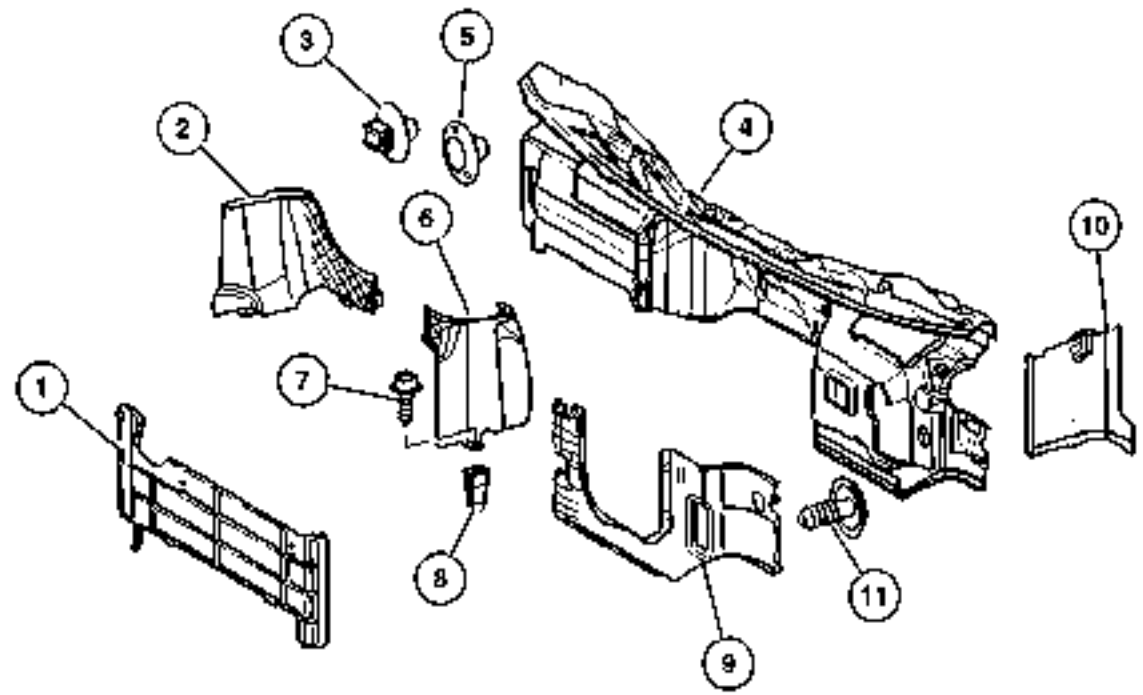
AR = Use as required - = Non illustrated part # = New this model year

March 3, 2006

Inner Paneling in Cab, Cowl
Figure SVA-620

ITEM	PART NUMBER	QTY	LINE	SERIES	BODY	ENGINE	TRANS	TRIM	DESCRIPTION
------	-------------	-----	------	--------	------	--------	-------	------	-------------

		2	3, 7		12, 15,				
					16				

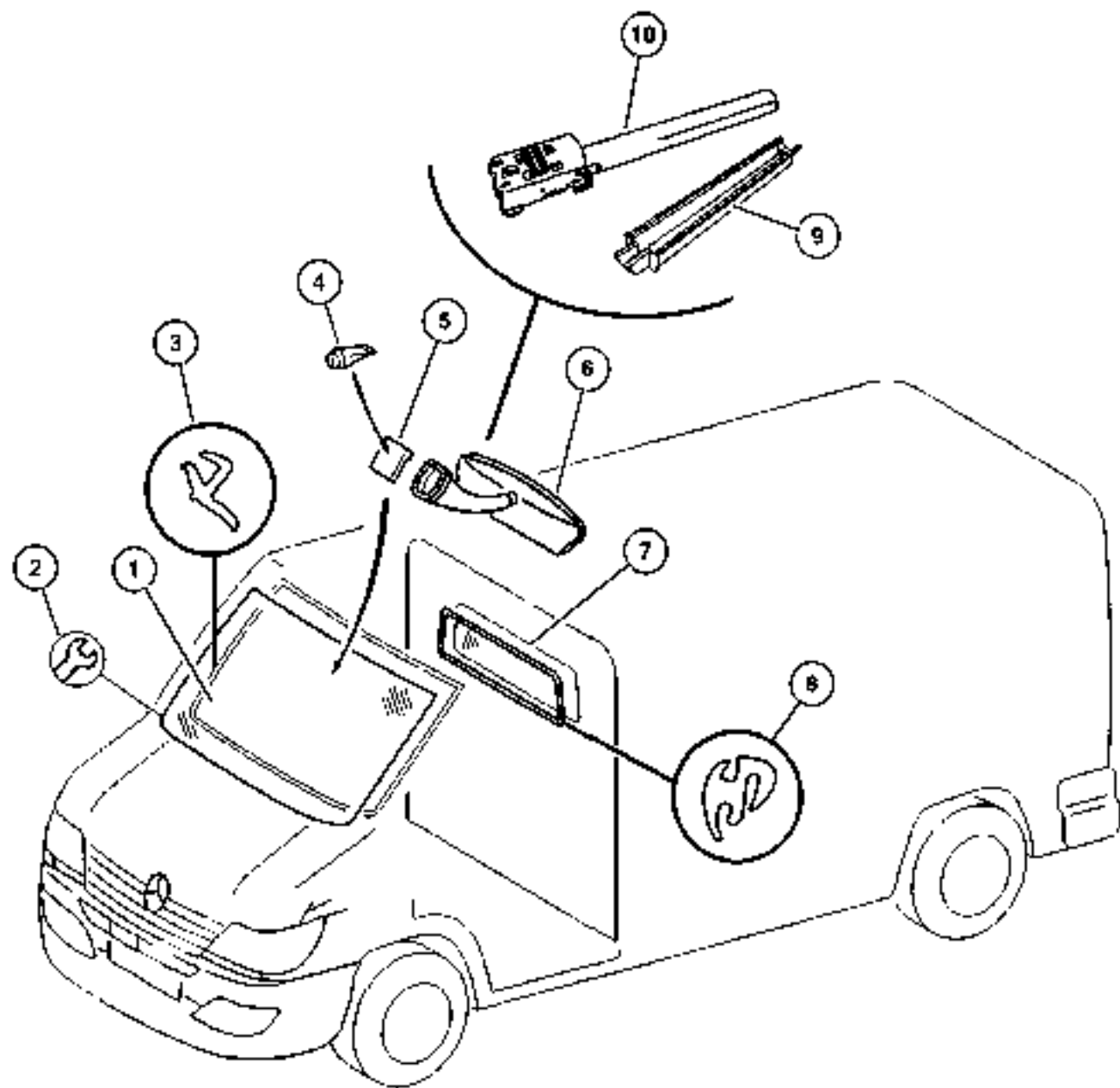


Refer to Model Legend Information Bookmark

AR = Use as required - = Non illustrated part # = New this model year

March 3, 2006

**Windshield, Backlite and Rear View Mirror
Figure SVA-710**



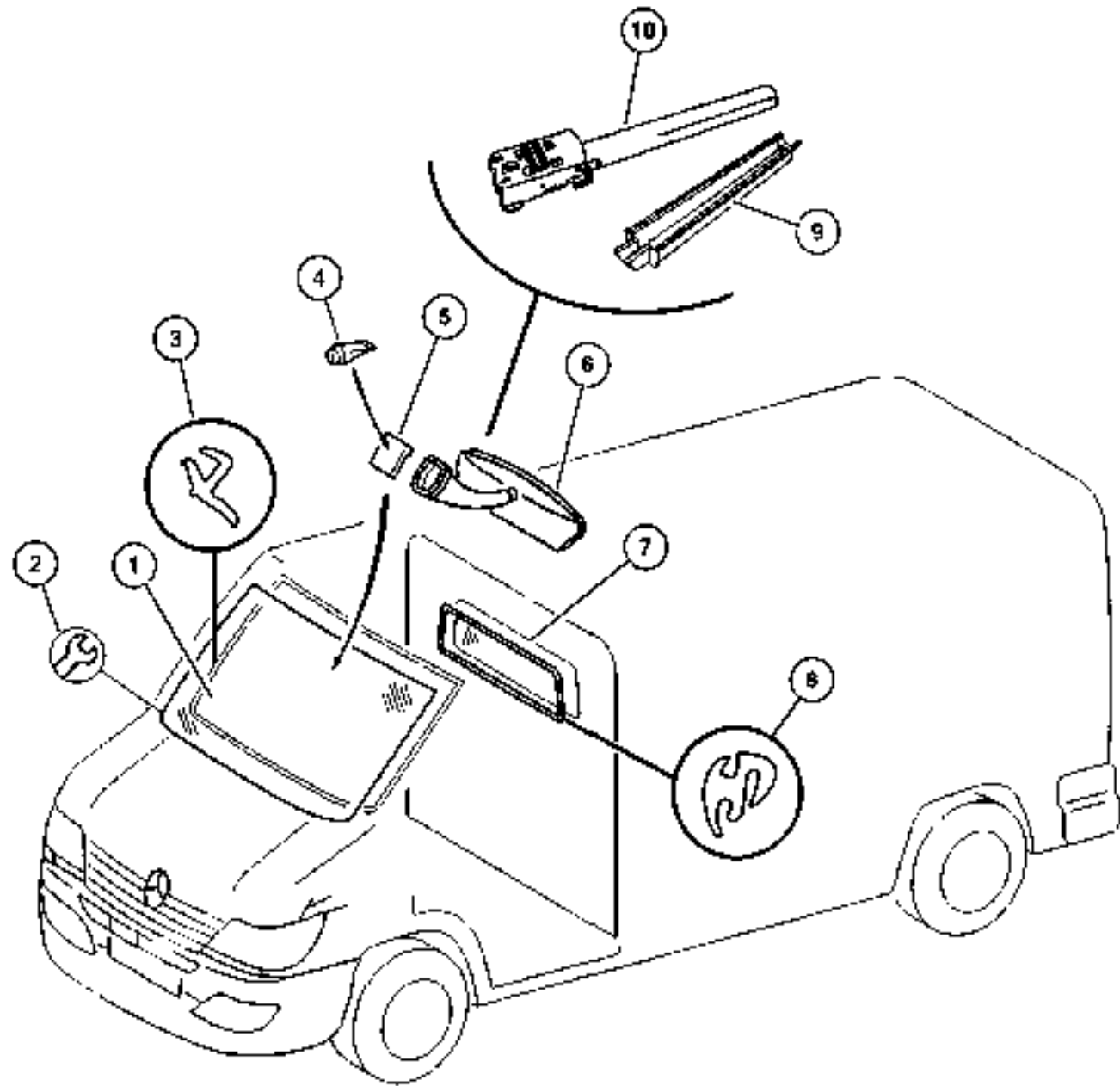
ITEM	PART NUMBER	QTY	LINE	SERIES	BODY	ENGINE	TRANS	TRIM	DESCRIPTION
1									WINDSHIELD
	5103 585AA	1	2, 6		11, 12, 14, 15, 16				Solar, Without Shade Band
		1	2, 6		51, 52, 54, 55, 56				Solar, Without Shade Band
		1	3, 7		12, 15, 16				Solar, Without Shade Band
	5103 586AA	1	2, 6		11, 12, 14, 15, 16				Solar, With Shade Band
		1	2, 6		51, 52, 54, 55, 56				Solar, With Shade Band
	5122 272AA	1	2, 6		11, 12, 14, 15, 16				Heated, With Rain Sensor
		1	2, 6		51, 52, 54, 55, 56				Heated, With Rain Sensor
		1	3, 7		12, 15, 16				Heated, With Rain Sensor
	5122 274AA	1	2, 6		01, 02, 06				Heated, With Rain Sensor
		1	3, 7		02, 06				Heated, With Rain Sensor
	5122 335AA	1	2, 6		01, 02, 06				Solar, With Shade Band
		1	3, 7		02, 06				Solar, With Shade Band
	5136 429AA	1	2, 6		01, 02, 06				Solar, Without Shade Band
		1	3, 7		02, 06				Solar, Without Shade Band
2									REPAIR KIT, Windshield
	5104 594AA	1	2, 6		11, 12, 14, 15, 16				
		1	2, 6		51, 52, 54, 55, 56				
		1	2, 6		01, 02, 06				
		1	3, 7		12, 15, 16				
		1	3, 7		02, 06				
3									WEATHERSTRIP

Refer to Model Legend Information Bookmark

AR = Use as required - = Non illustrated part # = New this model year

March 3, 2006

**Windshield, Backlite and Rear View Mirror
Figure SVA-710**



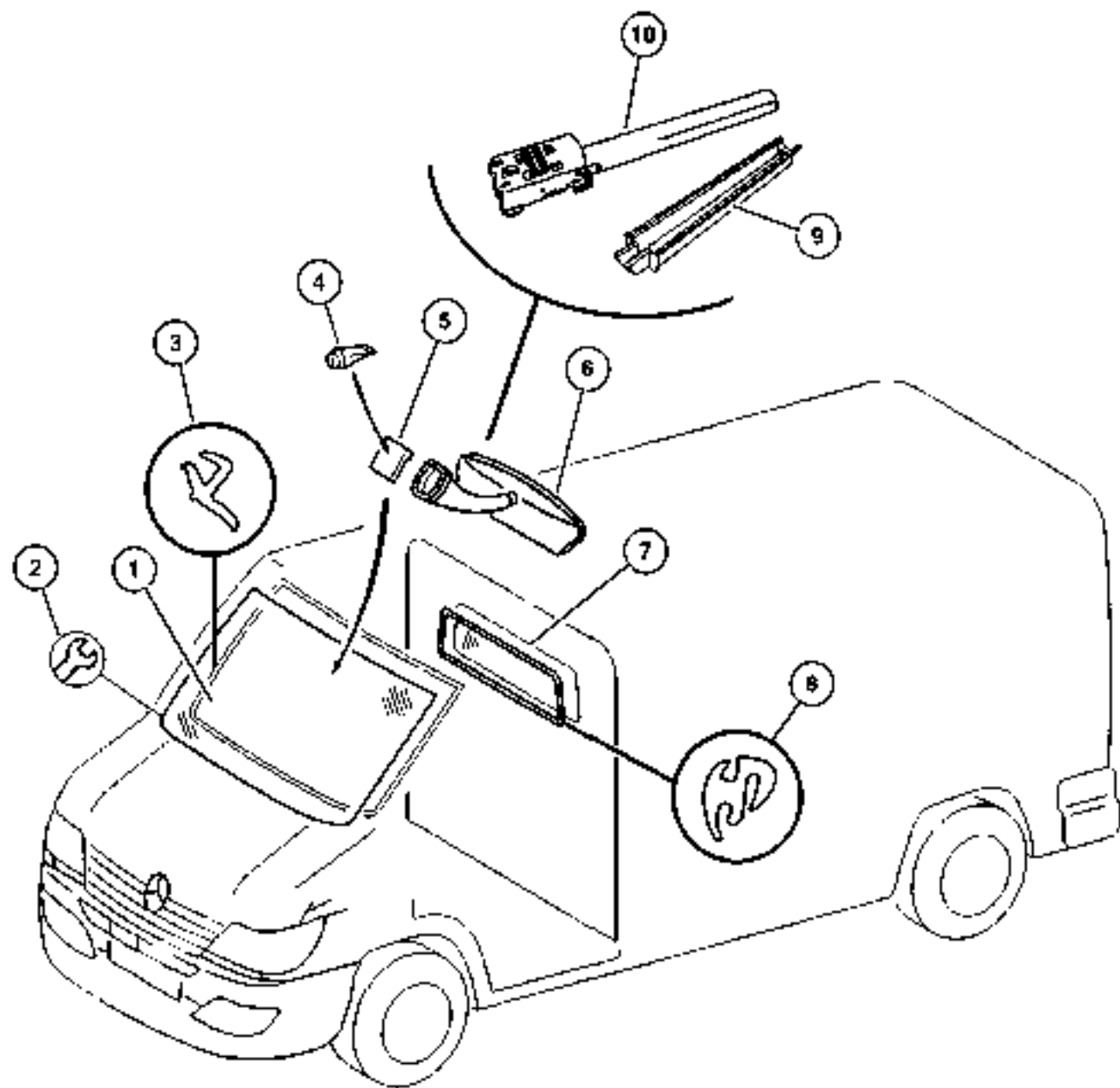
ITEM	PART NUMBER	QTY	LINE	SERIES	BODY	ENGINE	TRANS	TRIM	DESCRIPTION
	5103 584AA	1	2, 6		01, 02, 06				
		1	2, 6		11, 12, 14, 15, 16				
		1	2, 6		51, 52, 54, 55, 56				
		1	3, 7		02, 06				
		1	3, 7		12, 15, 16				
4 5	5073 862AA	2	2, 3, 6, 7						ADHESIVE BUTTON, Rear View Mirror
	5104 241AA	1	2, 6		01, 02, 06				
		1	2, 6		11, 12, 14, 15, 16				
		1	2, 6		51, 52, 54, 55, 56				
		1	3, 7		02, 06				
		1	3, 7		12, 15, 16				
6									MIRROR, Inside Rear View
	5104 435AA	1	2, 6		01, 02, 06				
		1	2, 6		11, 12, 14, 15, 16				
		1	2, 6		51, 52, 54, 55, 56				
		1	3, 7		02, 06				
		1	3, 7		12, 15, 16				
	5127 266AA	1	2, 6		01, 02, 06				With Rain Sensor [GBF]
		1	2, 6		11, 12, 14, 15, 16				With Rain Sensor [GBF]
		1	2, 6		51, 52, 54, 55, 56				With Rain Sensor [GBF]
		1	3, 7		02, 06				With Rain Sensor [GBF]

Refer to Model Legend Information Bookmark

AR = Use as required - = Non illustrated part # = New this model year

March 3, 2006

**Windshield, Backlite and Rear View Mirror
Figure SVA-710**



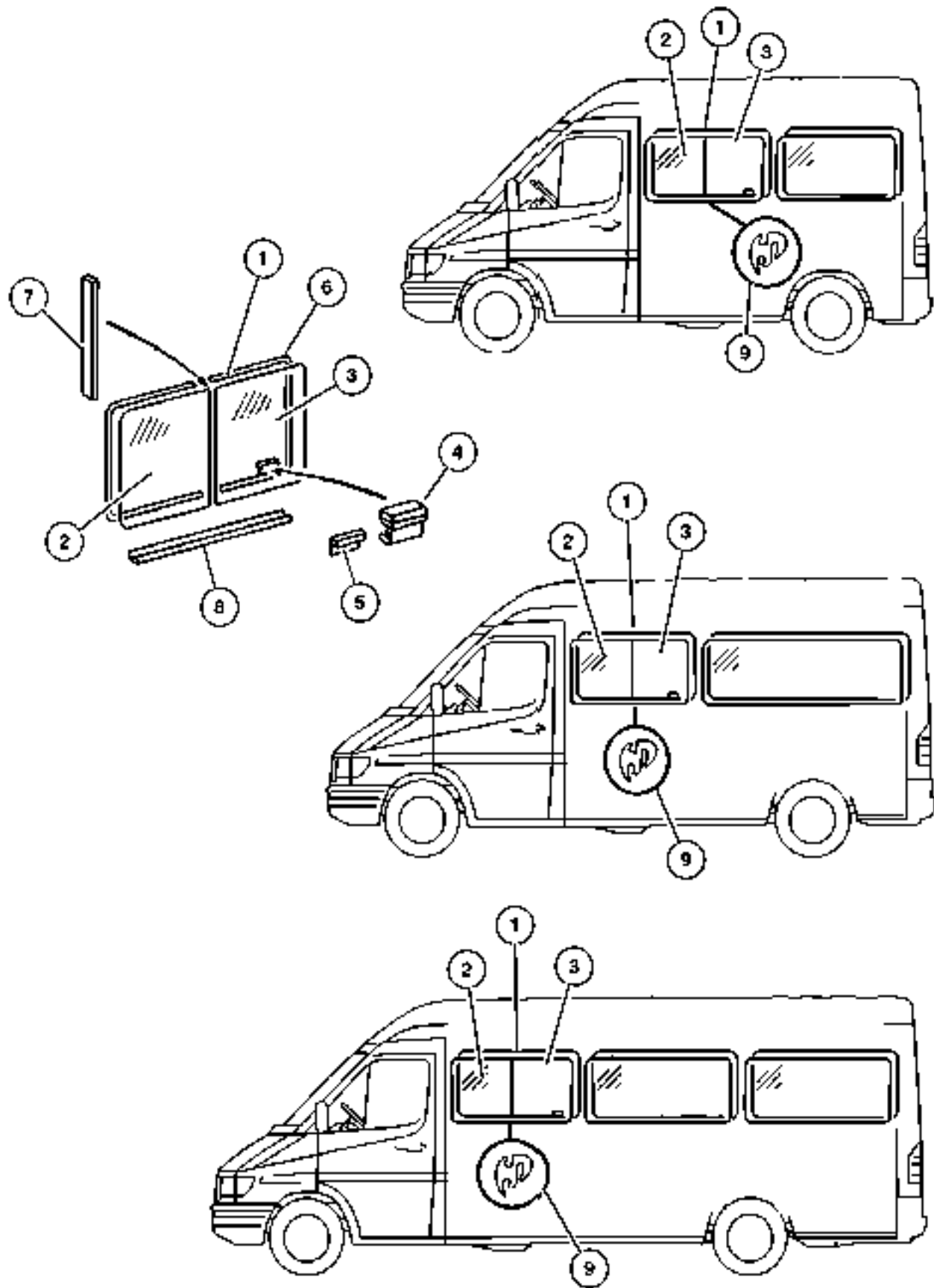
ITEM	PART NUMBER	QTY	LINE	SERIES	BODY	ENGINE	TRANS	TRIM	DESCRIPTION
		1	3, 7		12, 15, 16				With Rain Sensor [GBF]
7	5104 249AA	1	2, 6		01, 02, 06				GLASS, Backlite, Fixed
		1	2, 6		11, 12, 14, 15, 16				
		1	3, 7		02, 06				
8	5104 250AA	1	2, 6		01, 02, 06				WEATHERSTRIP, Fixed
		1	2, 6		11, 12, 14, 15, 16				
		1	3, 7		02, 06				
		1	3, 7		12, 15, 16				
9	5127 268AA	1	2, 6		01, 02, 06				COVER, Rear View Mirror Wire, Outer
		1	2, 6		11, 12, 14, 15, 16				
		1	2, 6		51, 52, 54, 55, 56				
		1	3, 7		02, 06				
		1	3, 7		12, 15, 16				
10	5127 267AA	1	2, 6		01, 02, 06				COVER, Rear View Mirror Wire, Inner
		1	2, 6		11, 12, 14, 15, 16				
		1	2, 6		51, 52, 54, 55, 56				
		1	3, 7		02, 06				

Refer to Model Legend Information Bookmark

AR = Use as required - = Non illustrated part # = New this model year

March 3, 2006

**Front Right Side Sliding Glass
Figure SVA-720**



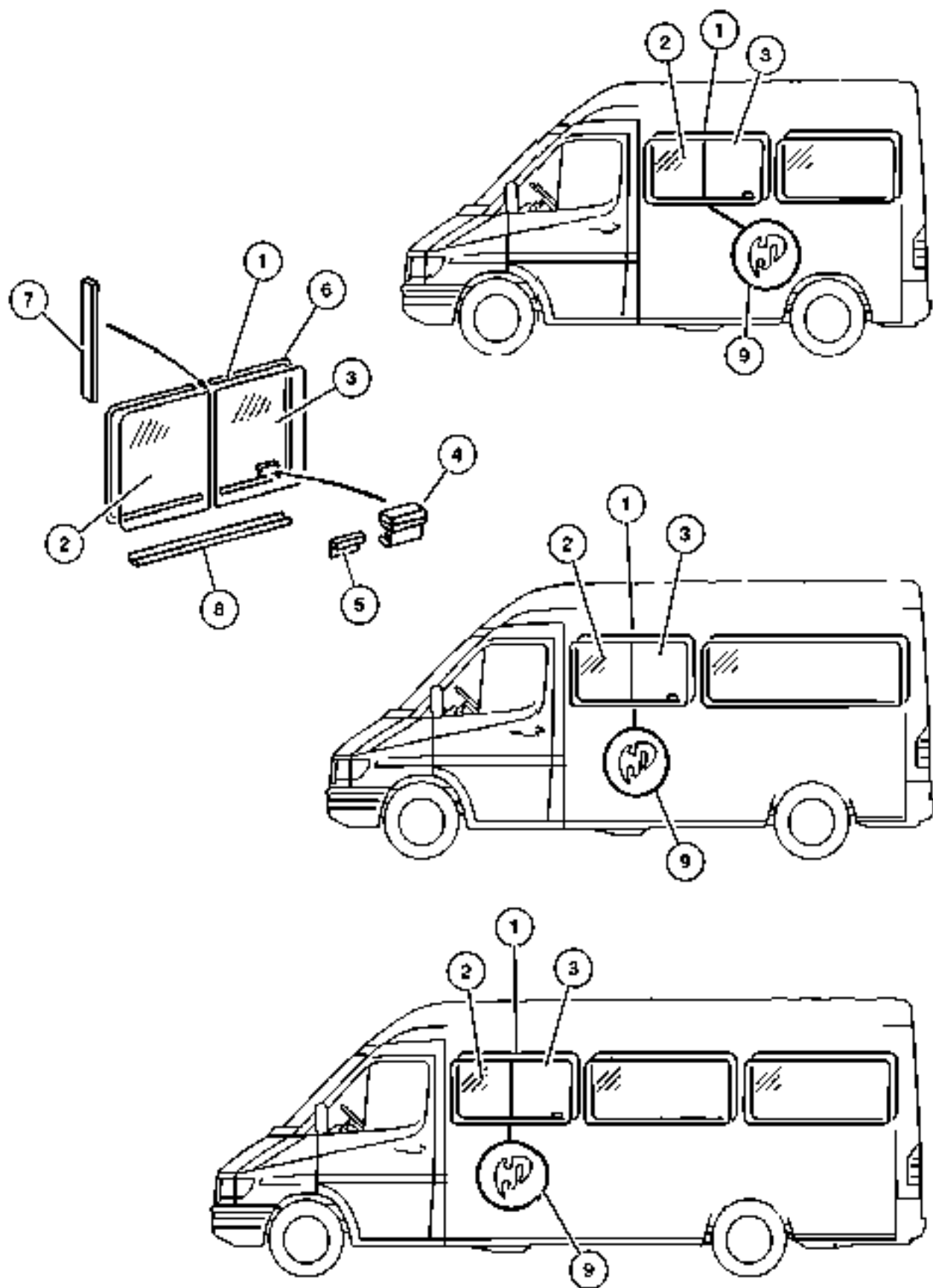
ITEM	PART NUMBER	QTY	LINE	SERIES	BODY	ENGINE	TRANS	TRIM	DESCRIPTION
1	5122 302AA	1	2, 6		11, 12, 14, 15, 16				GLASS, Bodyside Window Privacy
		1	2, 6		51, 52, 54, 55, 56				Privacy
		1	3, 7		12, 15, 16				Privacy
2	5134 043AA	1	2, 6		11, 12, 14, 15, 16				GLASS, Bodyside Window, Fixed Privacy
		1	2, 6		51, 52, 54, 55, 56				Privacy
		1	3, 7		12, 15, 16				Privacy
3	5134 003AA	1	2, 6		11, 12, 14, 15, 16				GLASS, Sliding Door, Vented Privacy
		1	2, 6		51, 52, 54, 55, 56				Privacy
		1	3, 7		12, 15, 16				Privacy
4	5134 004AA	1	2, 6		11, 12, 14, 15, 16				HANDLE, Vent Window
		1	2, 6		51, 52, 54, 55, 56				
		1	3, 7		12, 15, 16				
5	5133 535AA	1	2, 6		11, 12, 14, 15, 16				RETAINER, Side Panel Vent Window
		1	2, 6		51, 52, 54, 55, 56				
		1	3, 7		12, 15, 16				
6									WEATHERSTRIP, Side Panel Vent

Refer to Model Legend Information Bookmark

AR = Use as required - = Non illustrated part # = New this model year

March 3, 2006

Front Right Side Sliding Glass
Figure SVA-720



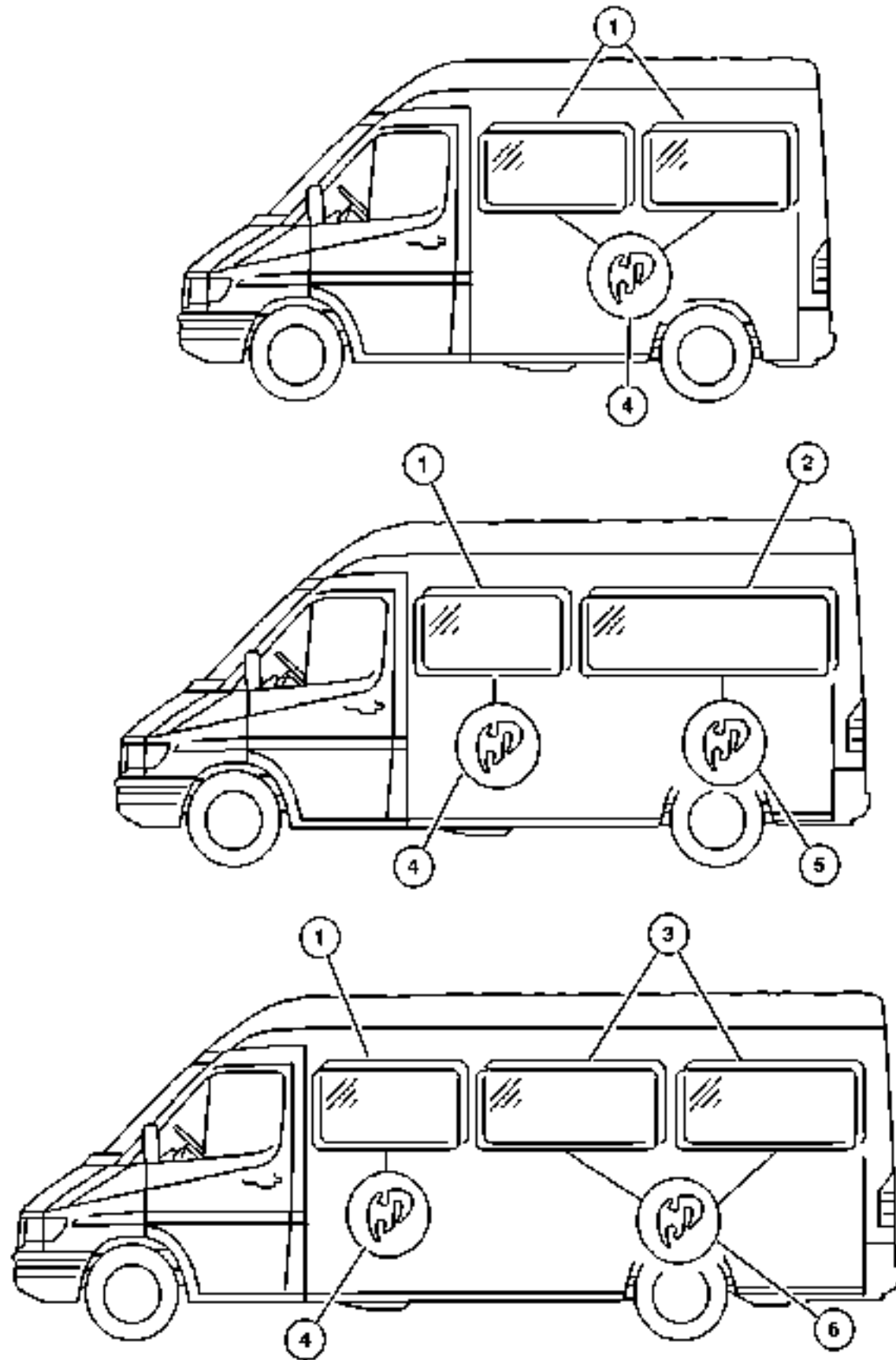
ITEM	PART NUMBER	QTY	LINE	SERIES	BODY	ENGINE	TRANS	TRIM	DESCRIPTION
	5134 055AA	2	2, 6		11, 12,				
					14, 15,				
		2	2, 6		51, 52,				
					54, 55,				
		2	3, 7		56				
7					12, 15,				WEATHERSTRIP, Side Panel Vent
	5133 536AA	1	2, 6		11, 12,				
					14, 15,				
		1	2, 6		16				
					51, 52,				
					54, 55,				
		1	3, 7		56				
					12, 15,				
					16				
8									WEATHERSTRIP, Glass
	5134 059AA	2	2, 6		11, 12,				
					14, 15,				
		2	2, 6		16				
					51, 52,				
		2	3, 7		54, 55,				
					56				
					12, 15,				
					16				
9									SEAL, Window Opening
	5104 246AA	1	2, 6		11, 12,				
					14, 15,				
		1	2, 6		16				
					51, 52,				
					54, 55,				
					56				
		1	3, 7		12, 15,				
					16				

Refer to Model Legend Information Bookmark

AR = Use as required - = Non illustrated part # = New this model year

March 3, 2006

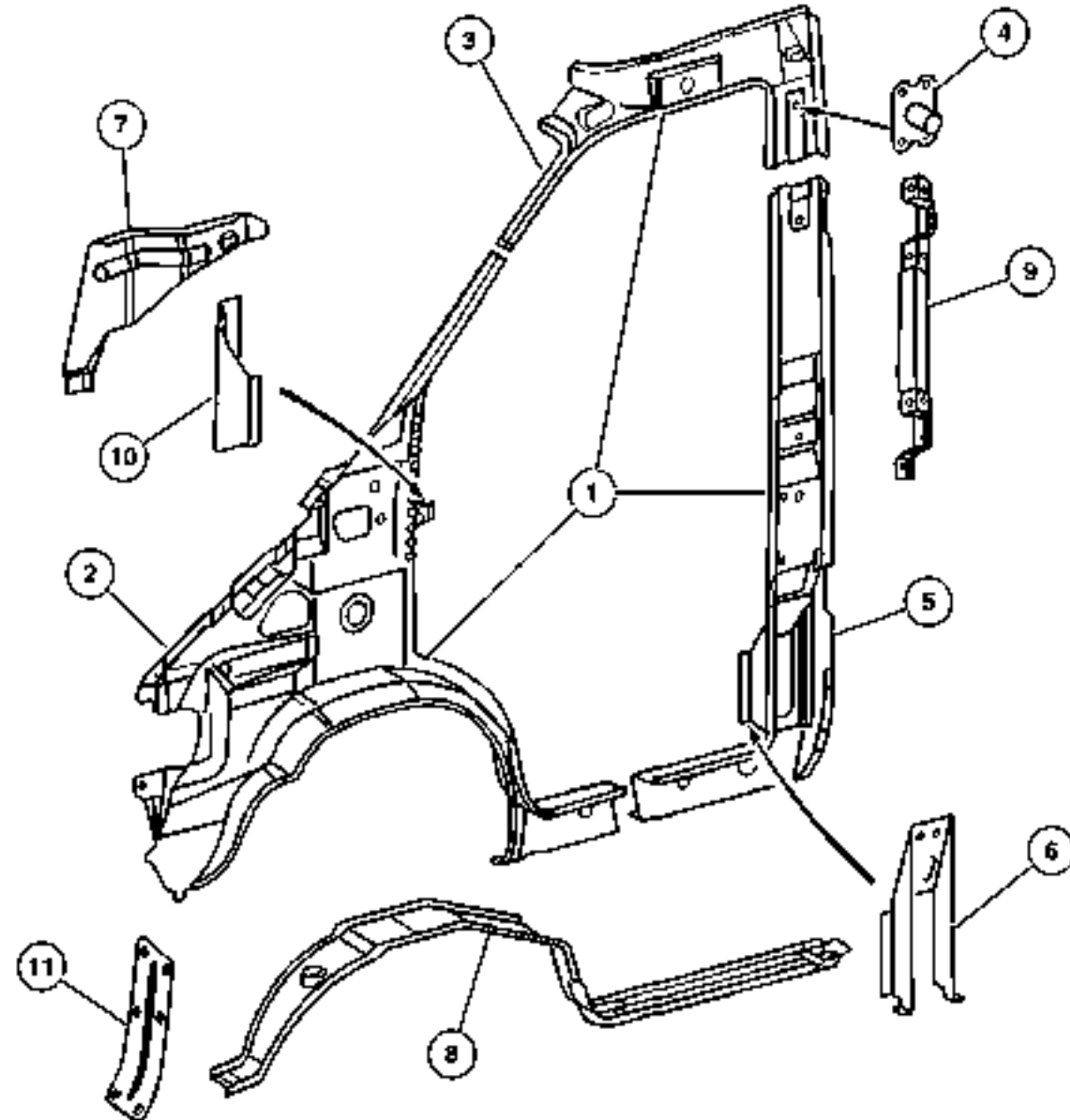
Side Glass, Fixed
Figure SVA-730



ITEM	PART NUMBER	QTY	LINE	SERIES	BODY	ENGINE	TRANS	TRIM	DESCRIPTION
1	5104 245AA	1	2, 6		11, 12, 14, 15, 16				GLASS, Bodyside Window Privacy
		1	2, 6		51, 52, 54, 55, 56				Privacy
		1	3, 7		12, 15, 16				Privacy
2	5122 350AA	1	2, 6		12, 15				GLASS, Bodyside Window Tint
		1	2, 6		52, 55				Tint
		1	3, 7		12, 15				Tint
5134 334AA	1	2, 6		12, 15					Privacy
	1	2, 6		52, 55					Privacy
	1	3, 7		12, 15					Privacy
3	5104 247AA	1	2, 6		11, 12, 14, 15, 16				GLASS, Bodyside Window Tint
		1	2, 6		51, 52, 54, 55, 56				Tint
		1	3, 7		12, 15, 16				Tint
5134 335AA	1	2, 6		11, 12, 14, 15, 16					Privacy
	1	2, 6		51, 52, 54, 55, 56					Privacy
	1	3, 7		12, 15, 16					Privacy
4	5104 246AA	1	2, 6		11, 12, 14, 15, 16				SEAL, Window Opening
		1	2, 6		51, 52, 54, 55, 56				
		1	3, 7		12, 15, 16				
5	5104 248AA	1	2, 6		12, 15				SEAL, Window Opening
		1	2, 6		52, 55				

Refer to Model Legend Information Bookmark

Front Aperture, Inner, Left
Figure SVA-810



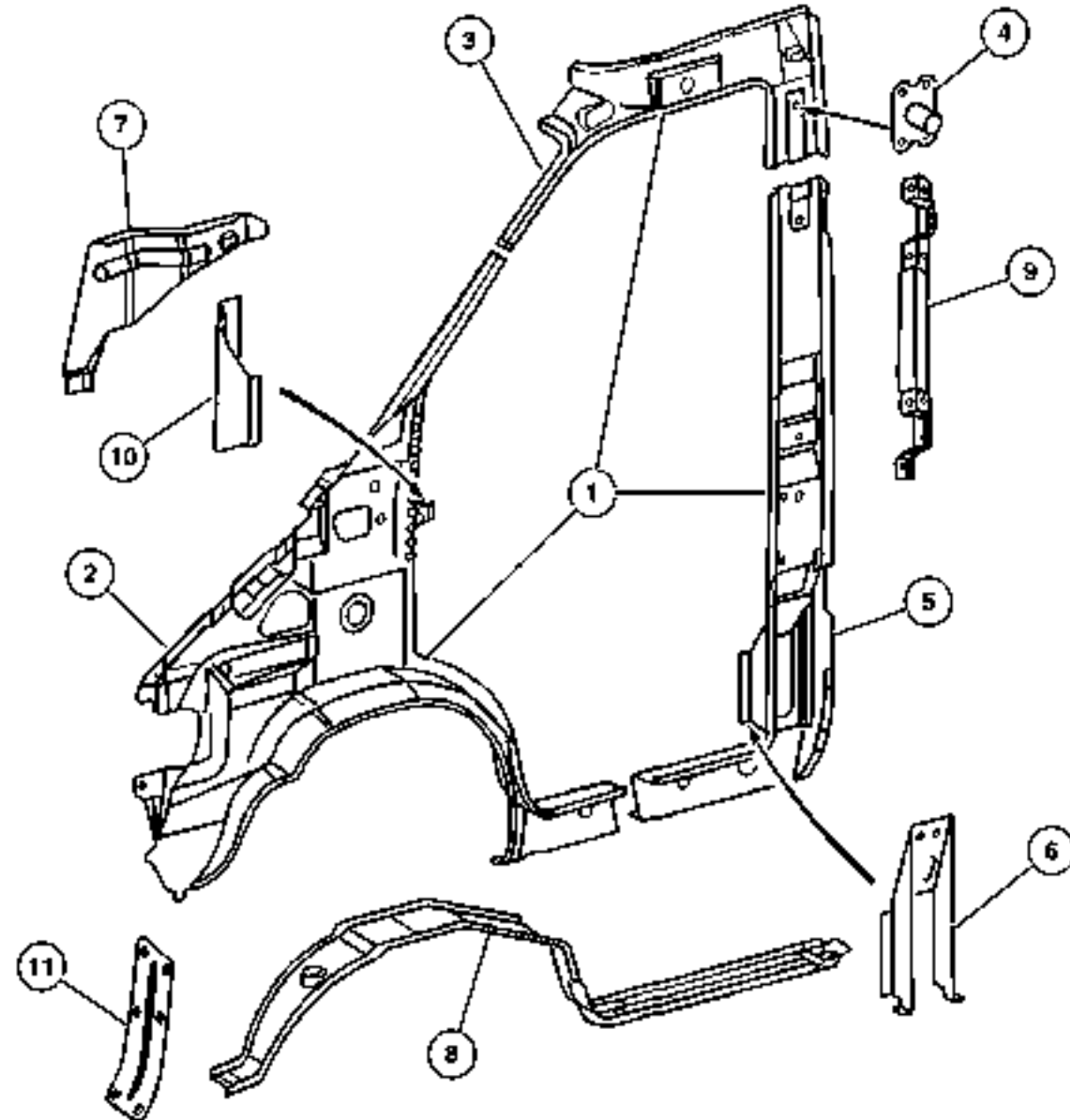
ITEM	PART NUMBER	QTY	LINE	SERIES	BODY	ENGINE	TRANS	TRIM	DESCRIPTION	
1	5121 784AA	1	2, 6		11, 12, 14, 15, 16				APERTURE, Body Side Door Without Left Sliding Door	
									51, 52, 54, 55, 56	Without Left Sliding Door
									12, 15, 16	Without Left Sliding Door
									11, 12, 14, 15, 16	With Left Sliding Door
									51, 52, 54, 55, 56	With Left Sliding Door
									12, 15, 16	With Left Sliding Door
2	5104 184AA	1	2, 6		01, 02, 06				PANEL, Body Side Aperture	
									11, 12, 14, 15, 16	
									51, 52, 54, 55, 56	
									02, 06	
									12, 15, 16	
3	5121 647AA	1	2, 6		11, 12, 14, 15, 16				PANEL, Body Side Aperture Without Left Sliding Door	
									51, 52, 54, 55, 56	Without Left Sliding Door
									12, 15, 16	Without Left Sliding Door
									01, 02, 06	With Left Sliding Door
									11, 12, 14, 15, 16	With Left Sliding Door

Refer to Model Legend Information Bookmark

AR = Use as required - = Non illustrated part # = New this model year

March 3, 2006

Front Aperture, Inner, Left
Figure SVA-810



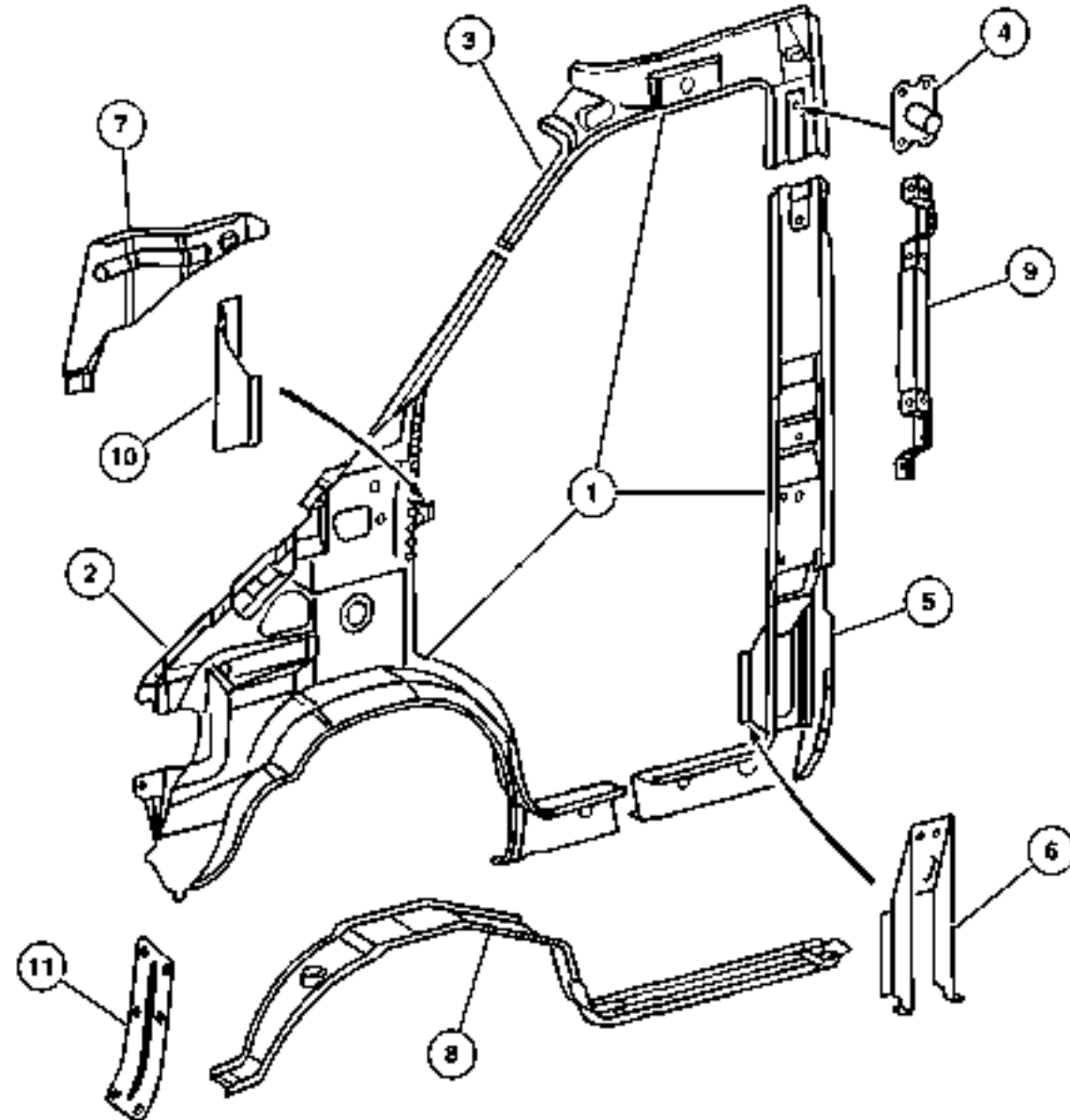
ITEM	PART NUMBER	QTY	LINE	SERIES	BODY	ENGINE	TRANS	TRIM	DESCRIPTION
		1	2, 6		51, 52,				With Left Sliding Door
		1	3, 7		54, 55,				With Left Sliding Door
					56				
					12, 15,				With Left Sliding Door
					16				
4	5125 412AA	1	2, 6		01, 02,				TAPPING PLATE, Side Panel
		1	2, 6		06				
					11, 12,				
					14, 15,				
					16				
		1	2, 6		51, 52,				
					54, 55,				
					56				
		1	3, 7		02, 06				
		1	3, 7		12, 15,				
					16				
5	5104 186AA	1	2, 6		11, 12,				PILLAR, Front Door Lock
					14, 15,				Without Left Sliding Door
					16				
		1	2, 6		51, 52,				Without Left Sliding Door
					54, 55,				
					56				
		1	3, 7		12, 15,				Without Left Sliding Door
					16				
	5121 668AA	1	2, 6		01, 02,				With Left Sliding Door
					06				
		1	2, 6		11, 12,				With Left Sliding Door
					14, 15,				
					16				
		1	2, 6		51, 52,				With Left Sliding Door
					54, 55,				
					56				
		1	3, 7		02, 06				With Left Sliding Door
6	5104 189AA	1	2, 6		01, 02,				REINFORCEMENT, Center Pillar
					06				
		1	2, 6		11, 12,				
					14, 15,				
					16				
		1	2, 6		51, 52,				
					54, 55,				
					56				
7									BRACKET, Body Side Aperture

Refer to Model Legend Information Bookmark

AR = Use as required - = Non illustrated part # = New this model year

March 3, 2006

Front Aperture, Inner, Left
Figure SVA-810



ITEM	PART NUMBER	QTY	LINE	SERIES	BODY	ENGINE	TRANS	TRIM	DESCRIPTION
	5104 193AA	1	2, 6		01, 02, 06				
		1	2, 6		11, 12, 14, 15, 16				
		1	2, 6		51, 52, 54, 55, 56				
		1	3, 7		02, 06				
		1	3, 7		12, 15, 16				
8									WHEELHOUSE, Front Inner
	5104 199AA	1	2, 6		01, 02, 06				
		1	2, 6		11, 12, 14, 15, 16				
		1	2, 6		51, 52, 54, 55, 56				
		1	3, 7		02, 06				
		1	3, 7		12, 15, 16				
9									BRACKET, Grab Handle
	5121 721AA	1	2, 6		11, 12, 14, 15, 16				
		1	2, 6		51, 52, 54, 55, 56				
		1	3, 7		12, 15, 16				
10									REINFORCEMENT, Pillar And Cowl
	5133 552AA	1	2, 6		01, 02, 06				
		1	2, 6		11, 12, 14, 15, 16				
		1	2, 6		51, 52, 54, 55, 56				
		1	3, 7		02, 06				
11									PANEL, Access
	5129 943AA	1	2, 6		01, 02, 06				

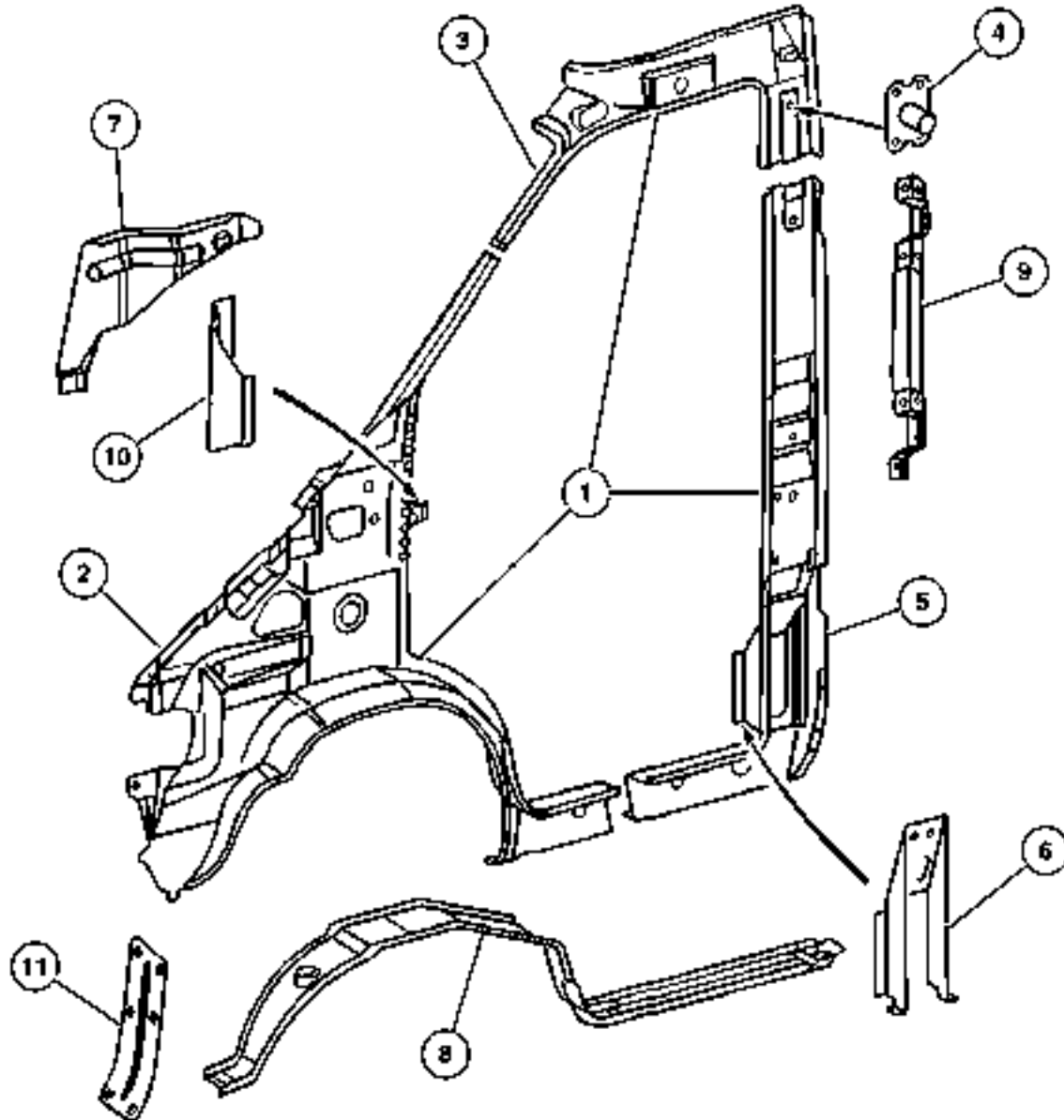
Refer to Model Legend Information Bookmark

AR = Use as required - = Non illustrated part # = New this model year

March 3, 2006

Front Aperture, Inner, Left
Figure SVA-810

ITEM	PART NUMBER	QTY	LINE	SERIES	BODY	ENGINE	TRANS	TRIM	DESCRIPTION
		1	2, 6		11, 12,				
					14, 15,				
					16				
		1	2, 6		51, 52,				
					54, 55,				
					56				
		1	3, 7		02, 06				

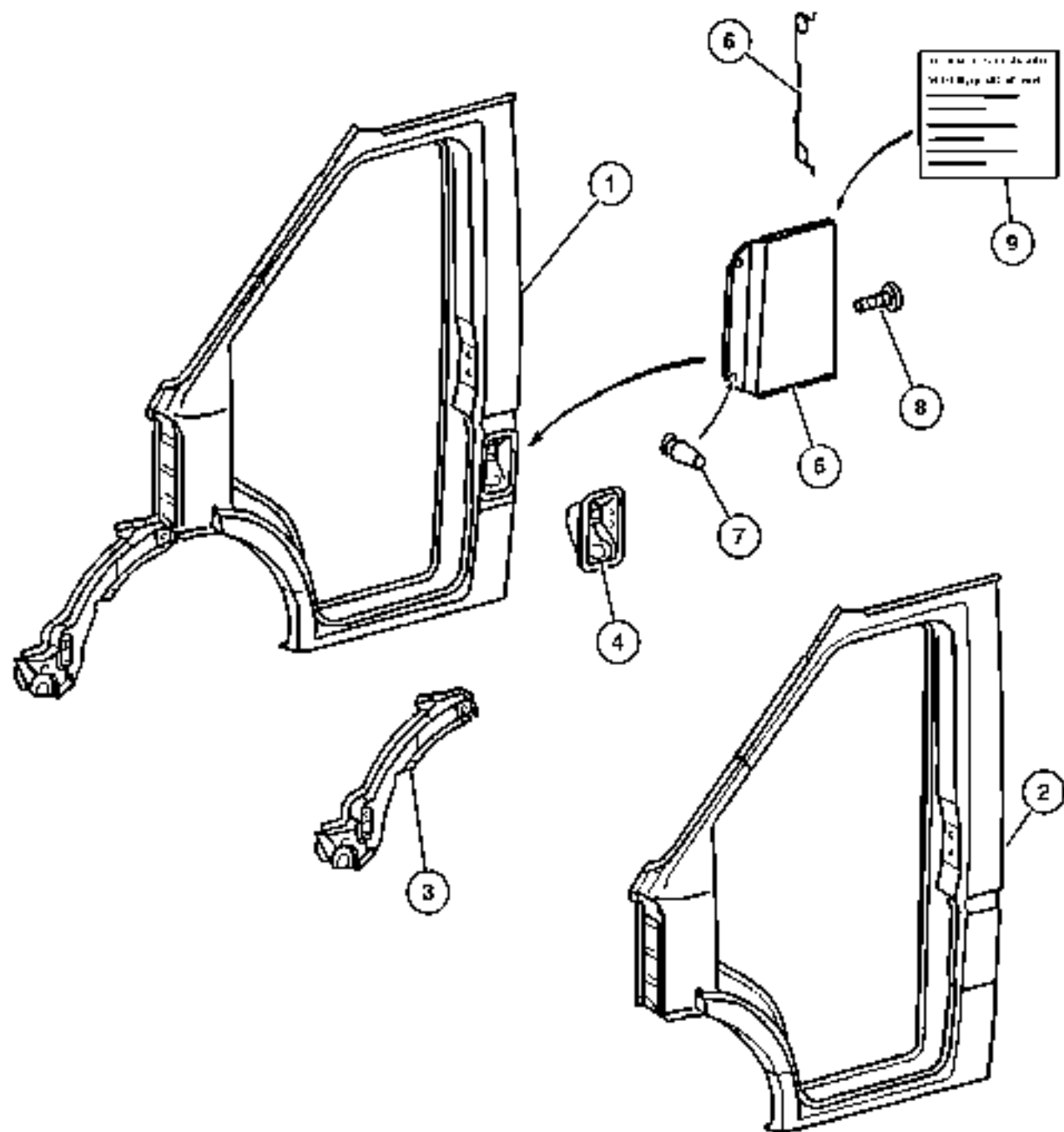


Refer to Model Legend Information Bookmark

AR = Use as required - = Non illustrated part # = New this model year

March 3, 2006

Front Aperture, Outer, Left
Figure SVA-820



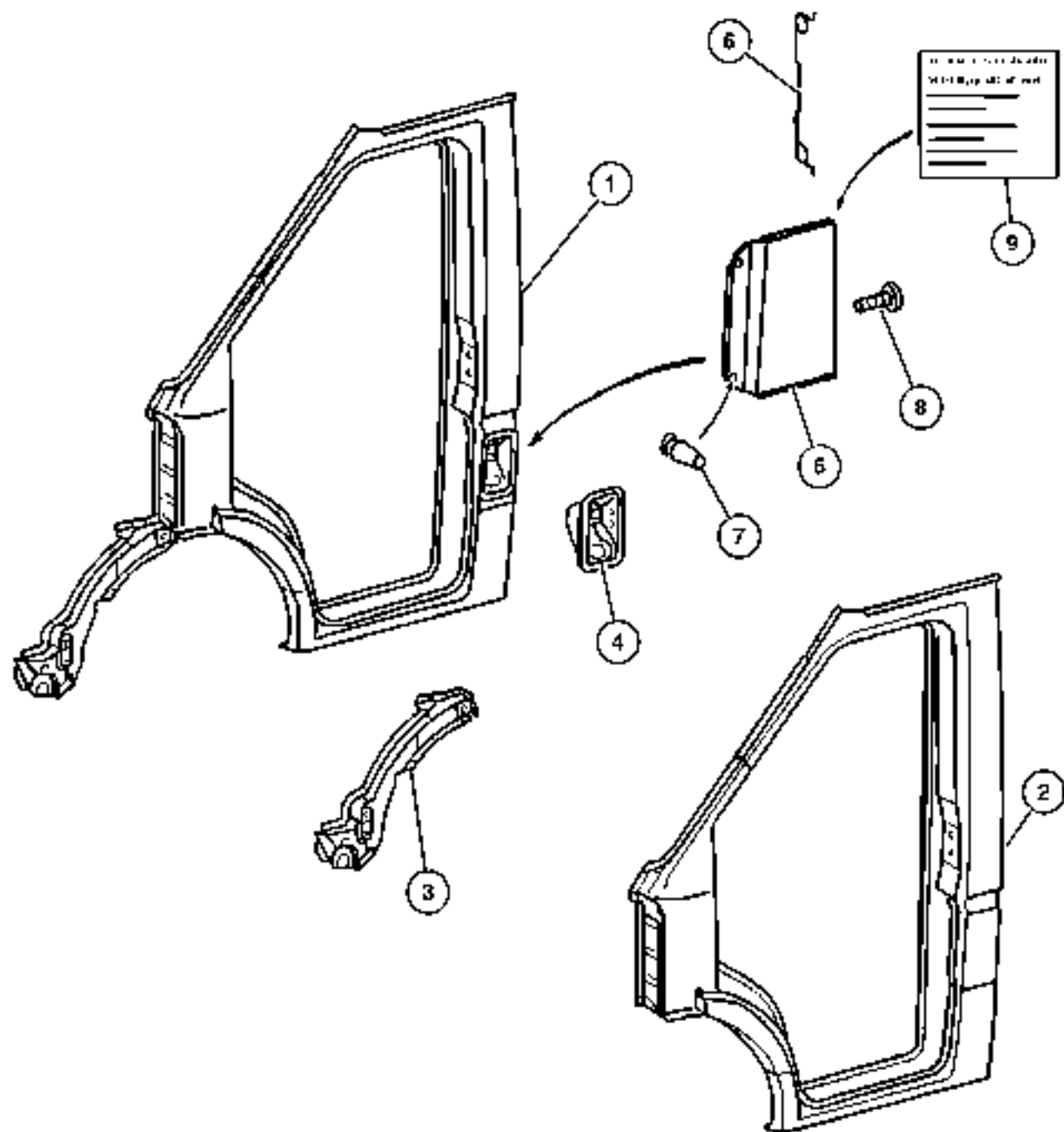
ITEM	PART NUMBER	QTY	LINE	SERIES	BODY	ENGINE	TRANS	TRIM	DESCRIPTION
1									APERTURE, Body Side Door, Complete
	5104 182AA	1	2, 6		01, 02, 06				
		1	2, 6		11, 12, 14, 15, 16				
		1	2, 6		51, 52, 54, 55, 56				
		1	3, 7		02, 06				
		1	3, 7		12, 15, 16				
2									APERTURE, Body Side Door, Skin Only, With No Full Door Cutout
	5104 220AA	1	2, 6		01, 02, 06				
		1	2, 6		11, 12, 14, 15, 16				
		1	2, 6		51, 52, 54, 55, 56				
		1	3, 7		02, 06				
		1	3, 7		12, 15, 16				
3									PANEL, Fender Extentsion
	5104 192AA	1	2, 6		01, 02, 06				
		1	2, 6		11, 12, 14, 15, 16				
		1	2, 6		51, 52, 54, 55, 56				
		1	3, 7		02, 06				
		1	3, 7		12, 15, 16				
4									HOUSING, Fuel Filler
	5104 167AA	1	2, 6		11, 12, 14, 15, 16				
		1	2, 6		51, 52, 54, 55, 56				

Refer to Model Legend Information Bookmark

AR = Use as required - = Non illustrated part # = New this model year

March 3, 2006

Front Aperture, Outer, Left
Figure SVA-820



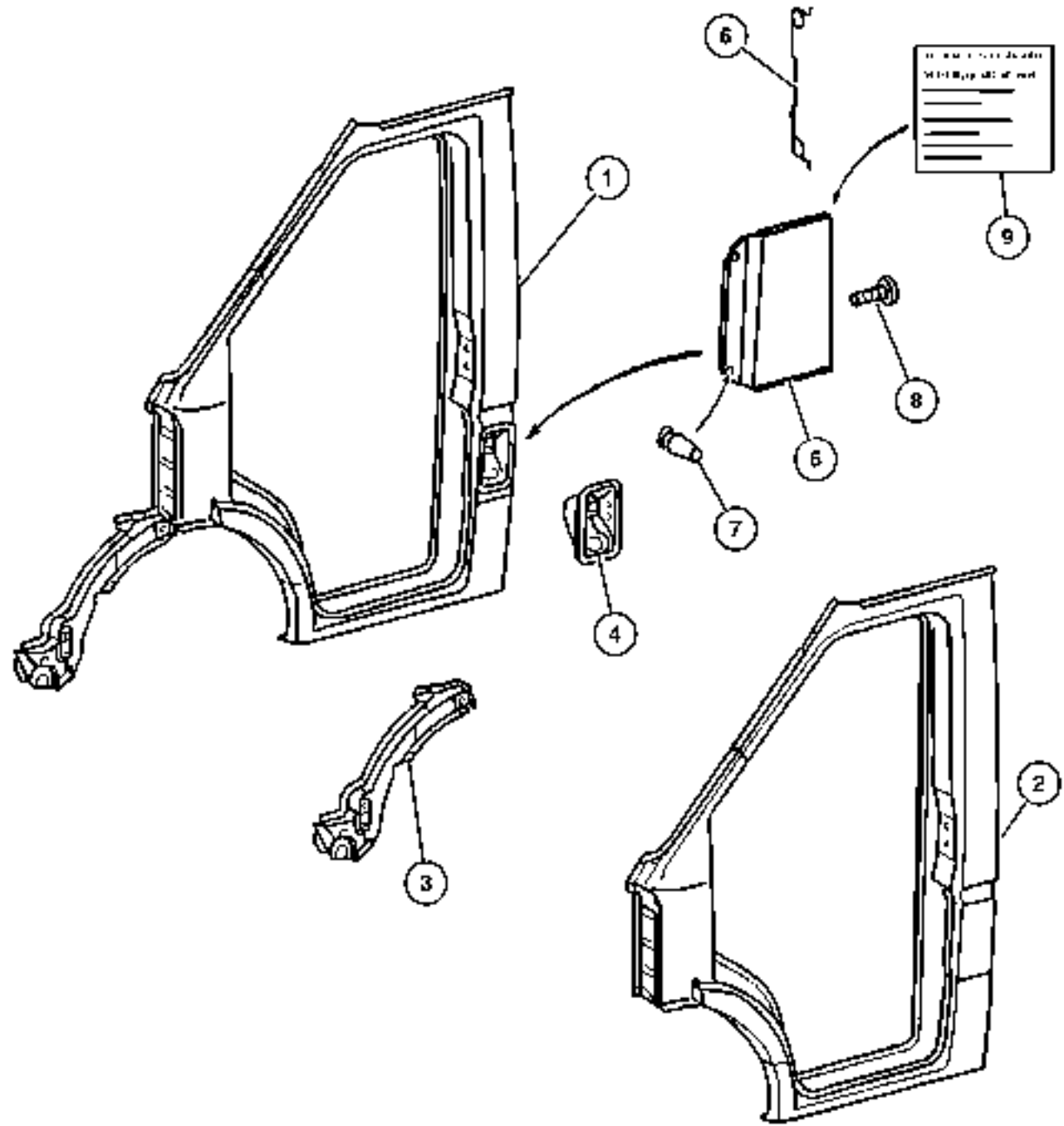
ITEM	PART NUMBER	QTY	LINE	SERIES	BODY	ENGINE	TRANS	TRIM	DESCRIPTION
		1	3, 7		12, 15, 16				
5	5104 399AA	1	2, 6		01, 02, 06				DOOR, Fuel Fill
		1	2, 6		11, 12, 14, 15, 16				
		1	2, 6		51, 52, 54, 55, 56				
6	5104 408AA	1	2, 6		01, 02, 06				SPRING, Fuel Filler Door
		1	2, 6		11, 12, 14, 15, 16				
		1	2, 6		51, 52, 54, 55, 56				
7	5103 917AA	2	2, 6		01, 02, 06				BUMPER, Fuel Door
		2	2, 6		11, 12, 14, 15, 16				
		2	2, 6		51, 52, 54, 55, 56				
8	5073 685AA	2	2, 6		01, 02, 06				SCREW
		2	2, 6		11, 12, 14, 15, 16				
		2	2, 6		51, 52, 54, 55, 56				
9	5104 152AA	1	2, 6		01, 02, 06				LABEL, Fuel
		1	2, 6		11, 12, 14, 15, 16				

Refer to Model Legend Information Bookmark

AR = Use as required - = Non illustrated part # = New this model year

March 3, 2006

Front Aperture, Outer, Left
Figure SVA-820



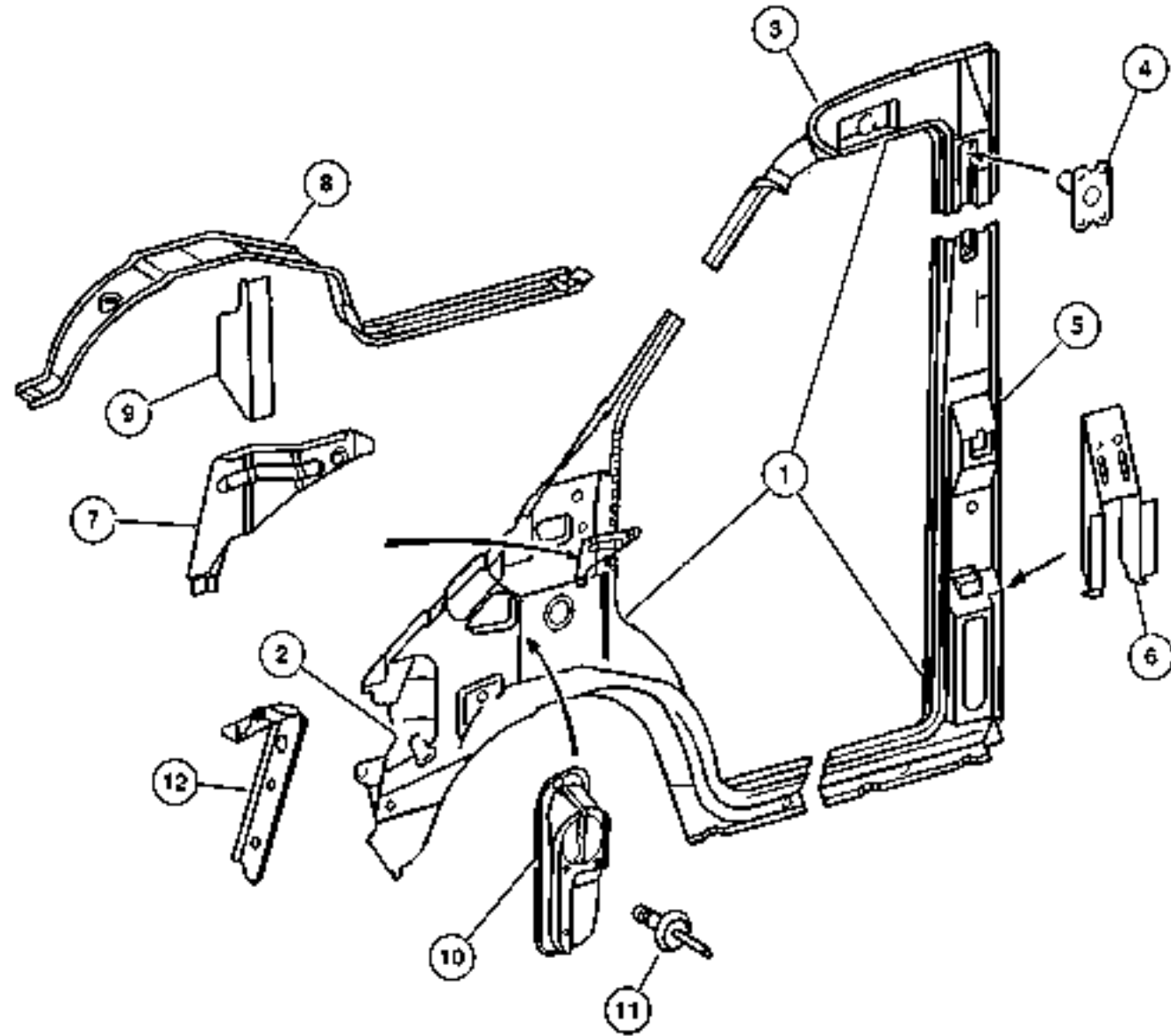
ITEM	PART NUMBER	QTY	LINE	SERIES	BODY	ENGINE	TRANS	TRIM	DESCRIPTION
		1	2, 6		51, 52,				
					54, 55,				
					56				
		1	3, 7		02, 06				
		1	3, 7		12, 15,				
					16				

Refer to Model Legend Information Bookmark

AR = Use as required - = Non illustrated part # = New this model year

March 3, 2006

Front Aperture, Inner, Right
Figure SVA-830



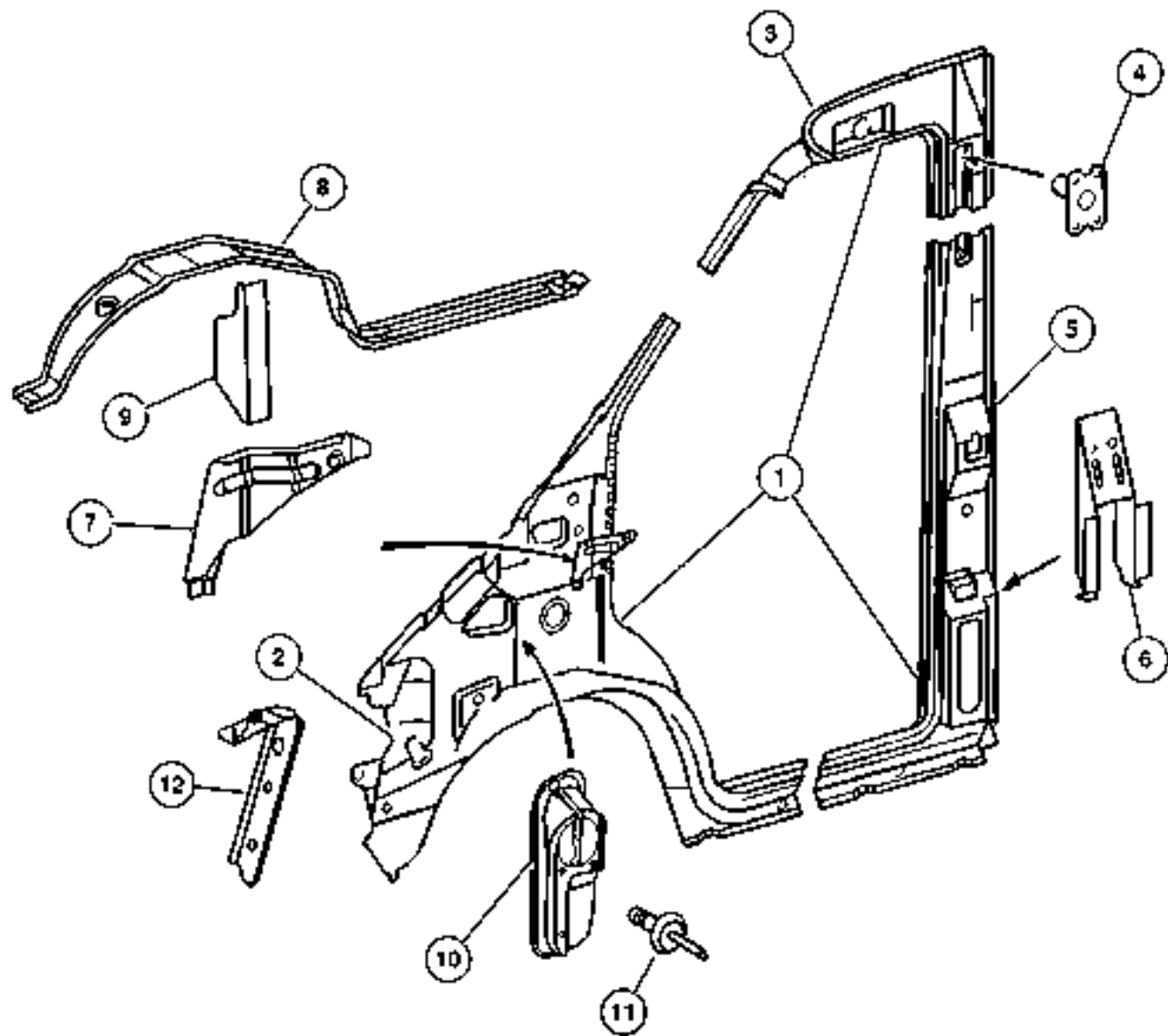
ITEM	PART NUMBER	QTY	LINE	SERIES	BODY	ENGINE	TRANS	TRIM	DESCRIPTION
1									APERTURE, Body Side Door
	5104 183AA	1	2, 6		11, 12, 14, 15, 16				With Sliding Door
		1	2, 6		51, 52, 54, 55, 56				With Sliding Door
		1	3, 7		12, 15, 16				With Sliding Door
	5121 659AA	1	2, 6		11, 12, 14, 15, 16				Without Sliding Door
		1	2, 6		51, 52, 54, 55, 56				Without Sliding Door
		1	3, 7		12, 15, 16				Without Sliding Door
2									PANEL, Body Side Aperture
	5104 185AA	1	2, 6		01, 02, 06				
		1	2, 6		11, 12, 14, 15, 16				
		1	2, 6		51, 52, 54, 55, 56				
		1	3, 7		02, 06				
		1	3, 7		12, 15, 16				
3									PANEL, Body Side Aperture
	5121 648AA	1	2, 6		11, 12, 14, 15, 16				Without Sliding Door
		1	2, 6		51, 52, 54, 55, 56				Without Sliding Door
		1	3, 7		12, 15, 16				Without Sliding Door
	5121 650AA	1	2, 6		01, 02, 06				With Sliding Door
		1	2, 6		11, 12, 14, 15, 16				With Sliding Door

Refer to Model Legend Information Bookmark

AR = Use as required - = Non illustrated part # = New this model year

March 3, 2006

Front Aperture, Inner, Right
Figure SVA-830



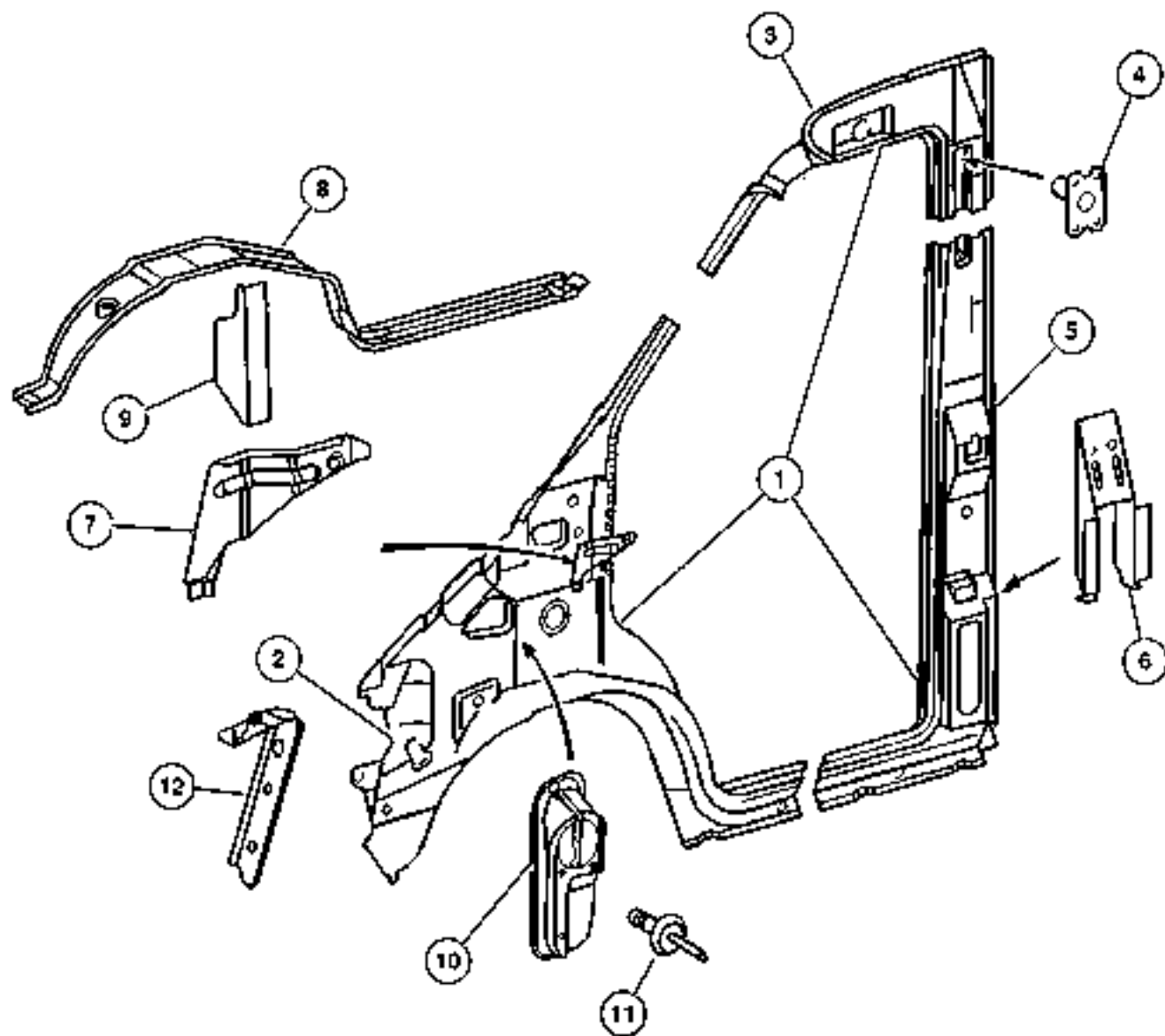
ITEM	PART NUMBER	QTY	LINE	SERIES	BODY	ENGINE	TRANS	TRIM	DESCRIPTION
		1	2, 6		51, 52, 54, 55, 56				With Sliding Door
		1	3, 7		12, 15, 16				With Sliding Door
4	5125 412AA	1	2, 6		01, 02, 06				TAPPING PLATE, Side Panel
		1	2, 6		11, 12, 14, 15, 16				
		1	2, 6		51, 52, 54, 55, 56				
		1	3, 7		02, 06				
		1	3, 7		12, 15, 16				
5	5121 644AA	1	2, 6		11, 12, 14, 15, 16				PANEL, Body Side Aperture Without Sliding Door
		1	2, 6		51, 52, 54, 55, 56				Without Sliding Door
		1	3, 7		12, 15, 16				Without Sliding Door
	5121 645AA	1	2, 6		01, 02, 06				With Sliding Door
		1	2, 6		11, 12, 14, 15, 16				With Sliding Door
		1	2, 6		51, 52, 54, 55, 56				With Sliding Door
6	5104 189AA	1	3, 7		02, 06				With Sliding Door REINFORCEMENT, Center Pillar
		1	2, 6		01, 02, 06				
		1	2, 6		11, 12, 14, 15, 16				
		1	2, 6		51, 52, 54, 55, 56				
7									BRACKET, Instrument Panel

Refer to Model Legend Information Bookmark

AR = Use as required - = Non illustrated part # = New this model year

March 3, 2006

Front Aperture, Inner, Right
Figure SVA-830



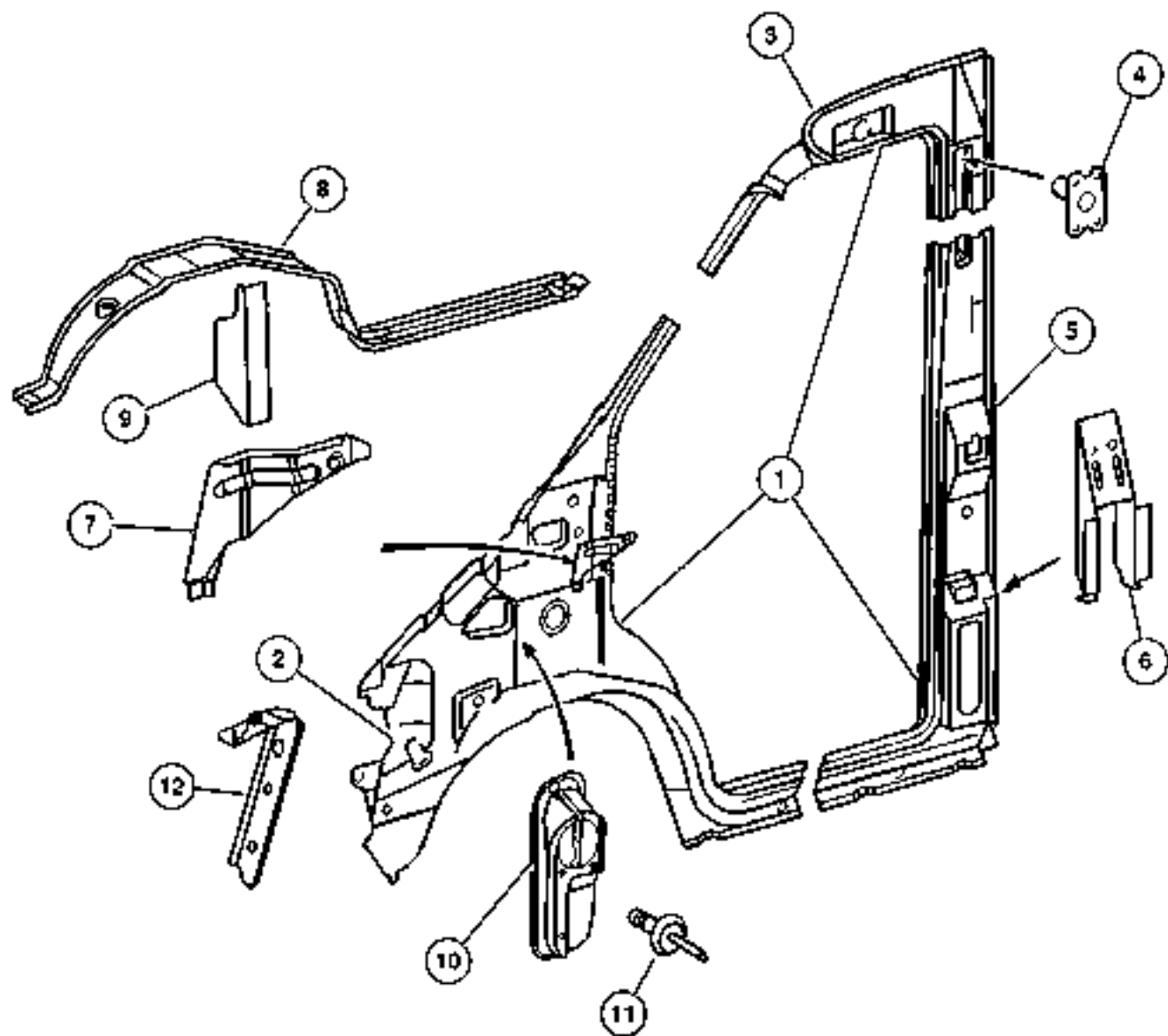
ITEM	PART NUMBER	QTY	LINE	SERIES	BODY	ENGINE	TRANS	TRIM	DESCRIPTION
	5104 195AA	1	2, 6		01, 02,				
		1	2, 6		06				
		1	2, 6		11, 12,				
		1	2, 6		14, 15,				
		1	2, 6		16				
		1	2, 6		51, 52,				
		1	3, 7		54, 55,				
		1	3, 7		56				
		1	3, 7		02, 06				
8		1	3, 7		12, 15,				
		1	3, 7		16				WHEELHOUSE, Front Inner
	5104 200AA	1	2, 6		01, 02,				
		1	2, 6		06				
		1	2, 6		11, 12,				
		1	2, 6		14, 15,				
		1	2, 6		16				
		1	2, 6		51, 52,				
		1	3, 7		54, 55,				
		1	3, 7		56				
		1	3, 7		02, 06				
		1	3, 7		12, 15,				
		1	3, 7		16				REINFORCEMENT, Pillar And Cowl
9		1	2, 6		01, 02,				
	5133 552AA	1	2, 6		06				
		1	2, 6		11, 12,				
		1	2, 6		14, 15,				
		1	2, 6		16				
		1	2, 6		51, 52,				
		1	3, 7		54, 55,				
		1	3, 7		56				
		1	3, 7		02, 06				
		1	3, 7		12, 15,				
		1	3, 7		16				BUSHING, Door Aperture
10		1	2, 6		01, 02,				
	5104 187AA	1	2, 6		06				
		1	2, 6		11, 12,				
		1	2, 6		14, 15,				
		1	2, 6		16				
		1	2, 6		51, 52,				
		1	3, 7		54, 55,				
		1	3, 7		56				
		1	3, 7		02, 06				

Refer to Model Legend Information Bookmark

AR = Use as required - = Non illustrated part # = New this model year

March 3, 2006

Front Aperture, Inner, Right
Figure SVA-830



ITEM	PART NUMBER	QTY	LINE	SERIES	BODY	ENGINE	TRANS	TRIM	DESCRIPTION
		1	3, 7		12, 15, 16				
11	5133 554AA	3	2, 6		01, 02, 06				RIVET
		3	2, 6		11, 12, 14, 15, 16				
		3	2, 6		51, 52, 54, 55, 56				
		3	3, 7		02, 06				
		3	3, 7		12, 15, 16				
12	5122 859AA	1	2, 6		01, 02, 06				COVER
		1	2, 6		11, 12, 14, 15, 16				
		1	2, 6		51, 52, 54, 55, 56				
		1	3, 7		02, 06				
		1	3, 7		12, 15, 16				

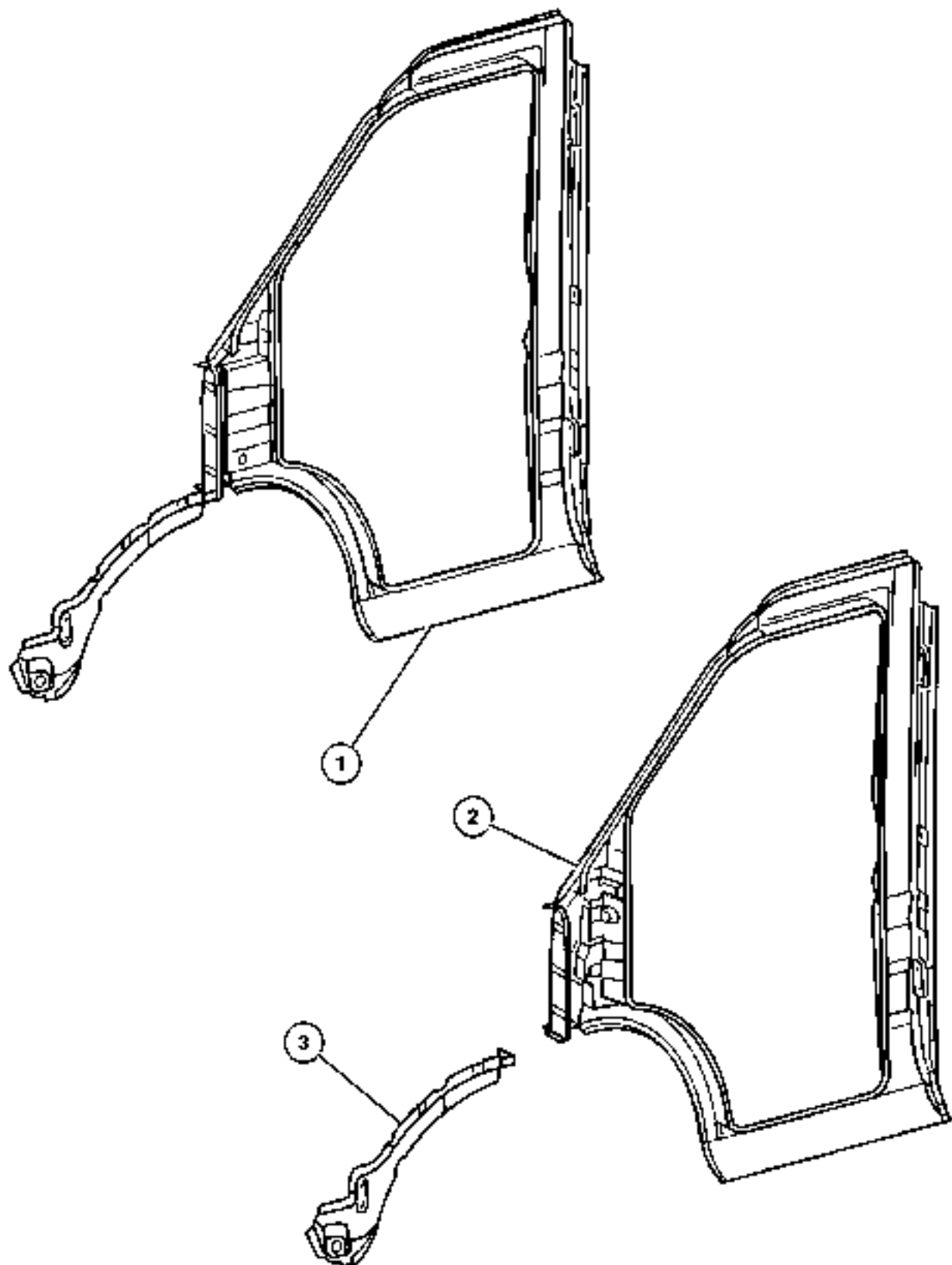
Refer to Model Legend Information Bookmark

AR = Use as required - = Non illustrated part # = New this model year

March 3, 2006

Front Aperture, Outer, Right
Figure SVA-840

ITEM	PART NUMBER	QTY	LINE	SERIES	BODY	ENGINE	TRANS	TRIM	DESCRIPTION
1									APERTURE, Body Side Door
	5121 683AA	1	2, 6		01, 02, 06				
		1	2, 6		11, 12, 14, 15, 16				
		1	2, 6		51, 52, 54, 55, 56				
		1	3, 7		02, 06				
		1	3, 7		12, 15, 16				
2									APERTURE, Body Side Door
	5104 221AA	1	2, 6		01, 02, 06				
		1	2, 6		11, 12, 14, 15, 16				
		1	2, 6		51, 52, 54, 55, 56				
		1	3, 7		02, 06				
		1	3, 7		12, 15, 16				
3									PANEL, Fender Extention
	5104 190AA	1	2, 6		01, 02, 06				
		1	2, 6		11, 12, 14, 15, 16				
		1	2, 6		51, 52, 54, 55, 56				
		1	3, 7		02, 06				
		1	3, 7		12, 15, 16				

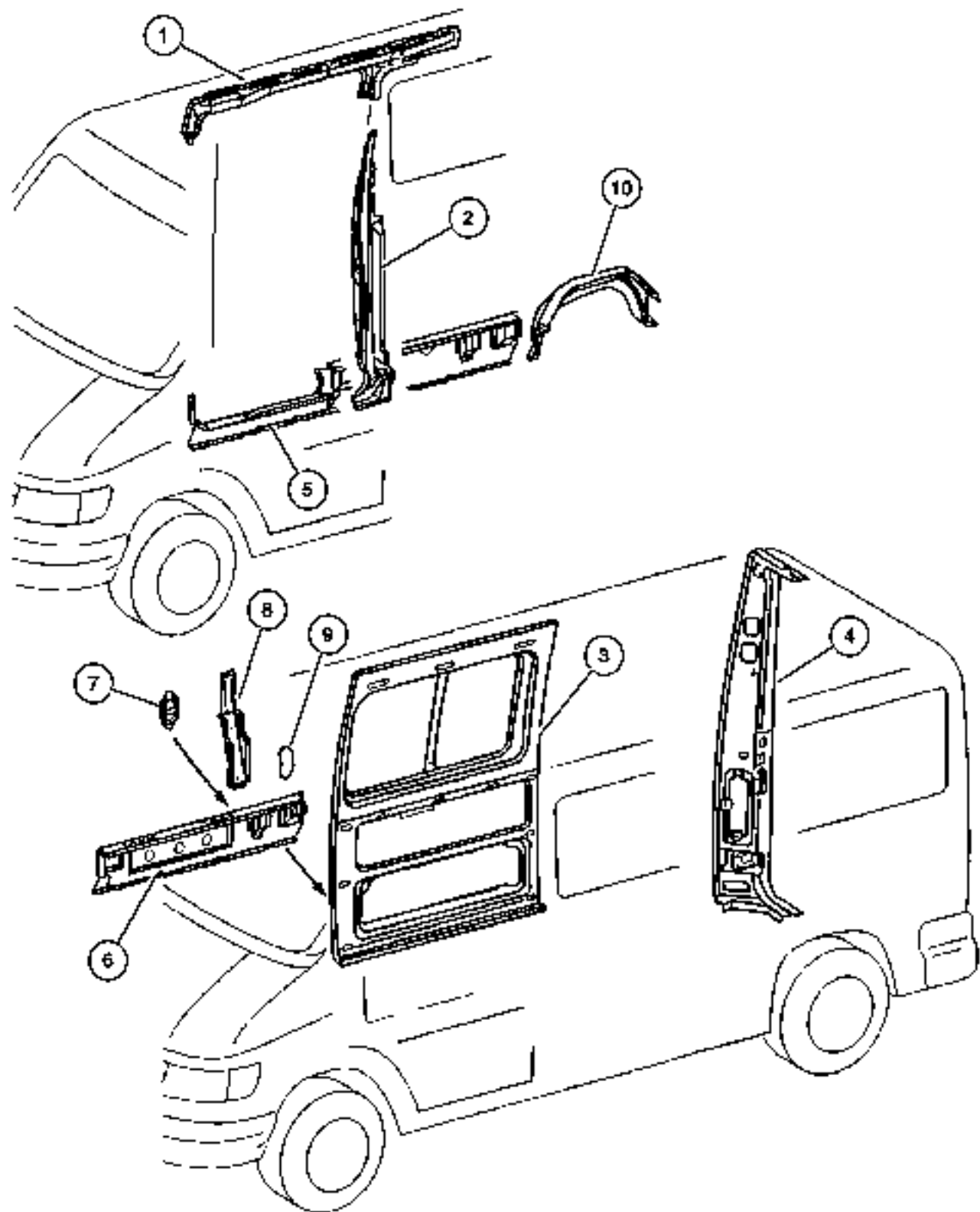


Refer to Model Legend Information Bookmark

AR = Use as required - = Non illustrated part # = New this model year

March 3, 2006

**Right Side Cargo Door Pillars & Wheelhouse
Figure SVA-910**



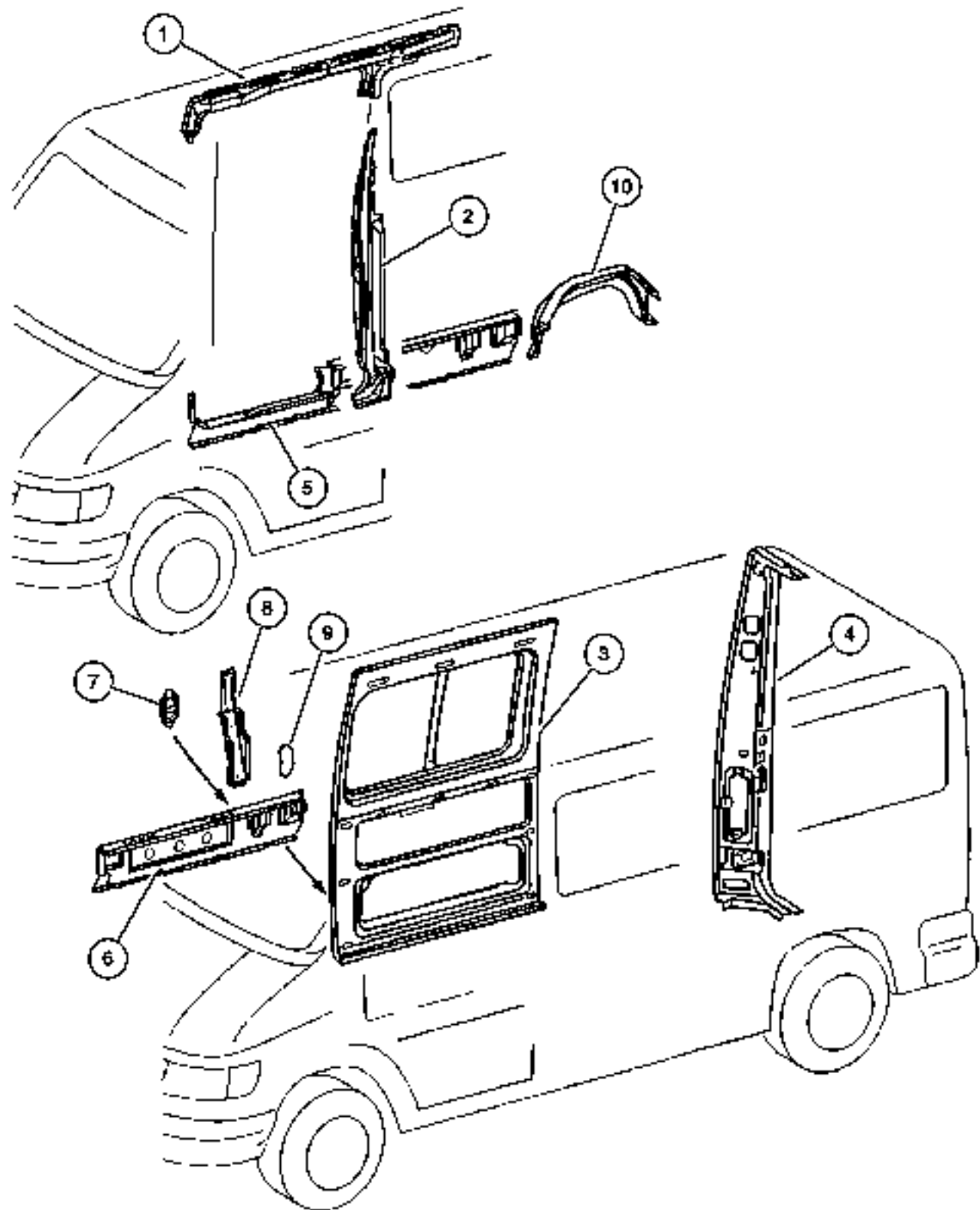
ITEM	PART NUMBER	QTY	LINE	SERIES	BODY	ENGINE	TRANS	TRIM	DESCRIPTION
1									REINFORCEMENT, Body Side Aperture
	5104 204AA	1	2, 6		11, 12, 14, 15, 16				
		1	2, 6		51, 52, 54, 55, 56				
		1	3, 7		12, 15, 16				
2									PILLAR, Side Cargo Door [140 & 158 Inch Wheelbase]
	5104 166AA	1	2, 6		12, 15				
		1	2, 6		12, 15, 16				
		1	2, 6		52, 55				[140 & 158 Inch Wheelbase]
		1	2, 6		52, 55, 56				[140 & 158 Inch Wheelbase]
		1	3, 7		12, 15				[140 & 158 Inch Wheelbase]
	5121 699AA	1	2, 6		11, 14				[118] Inch Wheelbase
		1	2, 6		51, 54				[118] Inch Wheelbase
3									PANEL, Body Side Front
	5104 197AA	1	2, 6		11, 12, 14, 15, 16				
		1	2, 6		51, 52, 54, 55, 56				
		1	3, 7		12, 15, 16				
4									PILLAR, Rear Cargo Door Hinge High Roof
	5104 178AA	1	2, 6		14, 15, 16				
		1	2, 6		54, 55, 56				High Roof
		1	3, 7		15, 16				High Roof
	5121 908AA	1	2, 6		11, 12				Low Roof
		1	2, 6		51, 52				Low Roof
		1	3, 7		12				Low Roof
5									SUPPORT, Sill Reinforcement [118] Inch Wheelbase
	5104 171AA	1	2, 6		11, 14				
		1	2, 6		51, 54				[118] Inch Wheelbase
	5121 747AA	1	2, 6		16				[158] Inch Wheelbase, Without Right Sliding Door
		1	2, 6		56				[158] Inch Wheelbase, Without Right Sliding Door

Refer to Model Legend Information Bookmark

AR = Use as required - = Non illustrated part # = New this model year

March 3, 2006

**Right Side Cargo Door Pillars & Wheelhouse
Figure SVA-910**



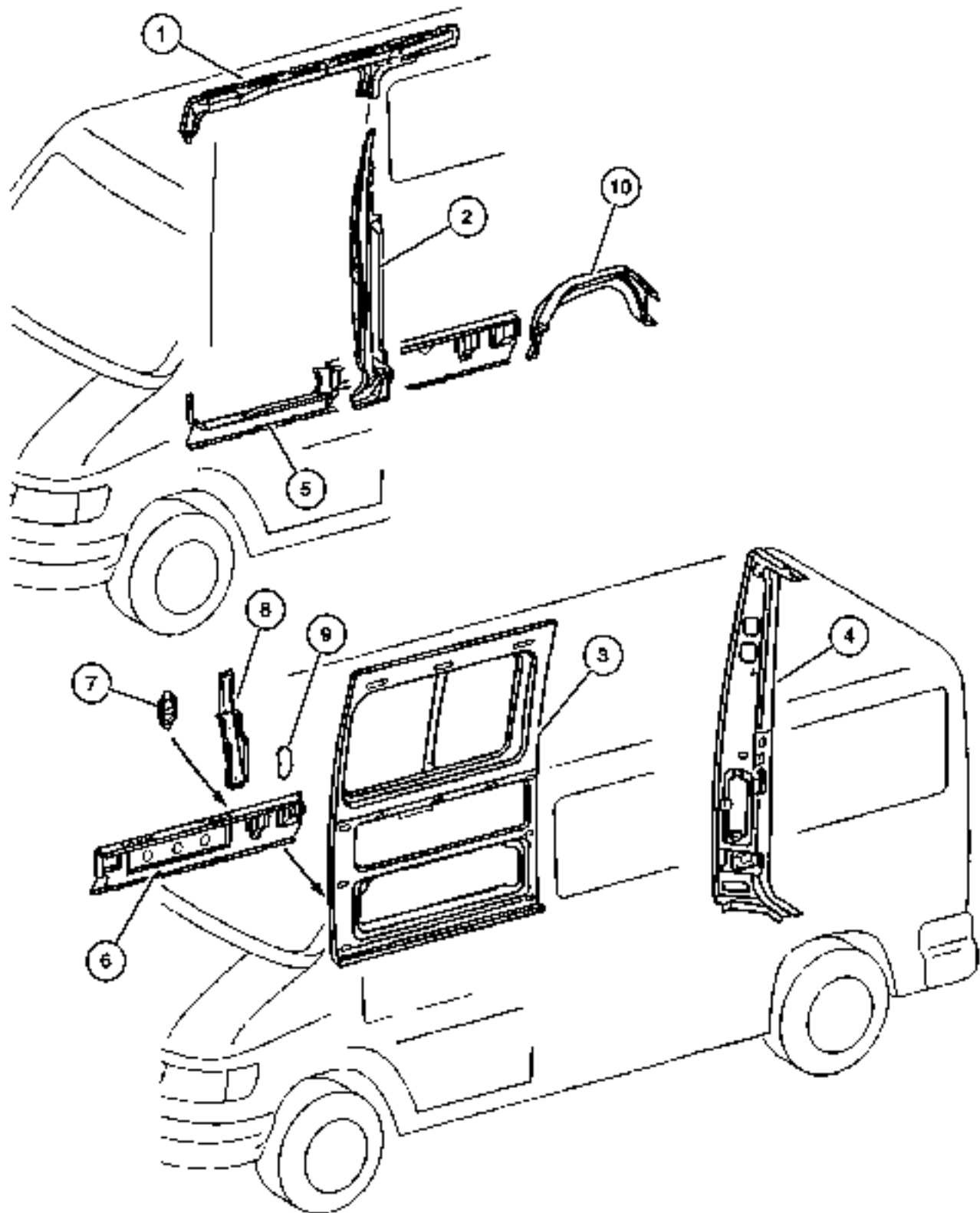
ITEM	PART NUMBER	QTY	LINE	SERIES	BODY	ENGINE	TRANS	TRIM	DESCRIPTION
		1	3, 7		16				[158] Inch Wheelbase, Without Right Sliding Door
	5121 752AA	1	2, 6		12, 15				[140] Inch Wheelbase
		1	2, 6		52, 55				[140] Inch Wheelbase
	5121 755AA	1	2, 6		16				[158] Inch Wheelbase, With Right Sliding Door
		1	2, 6		56				[158] Inch Wheelbase, With Right Sliding Door
	5121 776AA	1	3, 7		12, 15				[140] Inch Wheelbase
	5121 780AA	1	3, 7		16				[158] Inch Wheelbase, With Right Sliding Door
6									SUPPORT, Sill Reinforcement
	5121 743AA	1	2, 6		12, 15				[140] Inch Wheelbase, With Right Sliding Door
		1	2, 6		52, 55				[140] Inch Wheelbase, With Right Sliding Door
		1	3, 7		12, 15				[140] Inch Wheelbase, With Right Sliding Door
	5121 766AA	1	3, 7		12, 15				[140] Inch Wheelbase, Without Right Sliding Door
	5131 075AA	1	2, 6		11, 14				[118] Inch Wheelbase, Without Right Sliding Door
		1	2, 6		51, 54				[118] Inch Wheelbase, Without Right Sliding Door
	5131 079AA	1	2, 6		12, 15				[140] Inch Wheelbase, Without Right Sliding Door
		1	2, 6		52, 55				[140] Inch Wheelbase, Without Right Sliding Door
	5131 083AA	1	2, 6		16				[158] Inch Wheelbase, Without Right Sliding Door
7									PLUG, Body
	5125 519AA	2	2, 6		12, 15				
		1	2, 6		11, 14				
		2	2, 6		52, 55				
		1	2, 6		51, 54				
		1	3, 7		12, 15, 16				
8									REINFORCEMENT, Side Panel
	5104 198AA	1	2, 6		12, 15				
		1	2, 6		52, 55				
		1	3, 7		12, 15, 16				
9									COVER, Sill

Refer to Model Legend Information Bookmark

AR = Use as required - = Non illustrated part # = New this model year

March 3, 2006

**Right Side Cargo Door Pillars & Wheelhouse
Figure SVA-910**



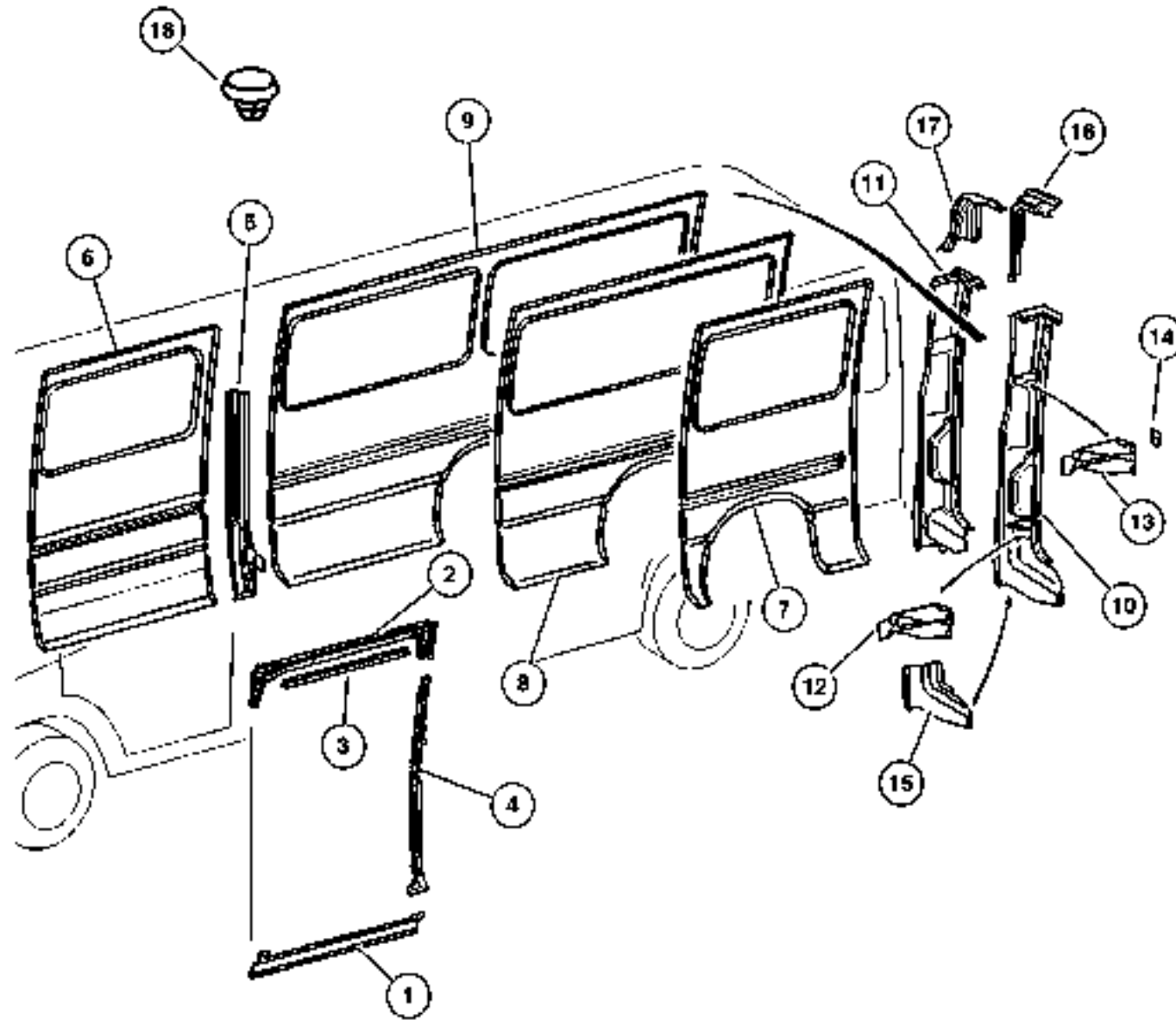
ITEM	PART NUMBER	QTY	LINE	SERIES	BODY	ENGINE	TRANS	TRIM	DESCRIPTION
	5121 838AA	1	2, 6		11, 12,				
		1	2, 6		14, 15,				
		1	2, 6		16				
		1	2, 6		51, 52,				
		1	2, 6		54, 55,				
		1	3, 7		56				
10					12, 15,				WHEELHOUSE
		1	3, 7		16				
	5121 862AA	1	2, 6		11, 12,				
		1	2, 6		14, 15,				
		1	2, 6		16				
		1	2, 6		51, 52,				
		1	2, 6		54, 55,				
		1	2, 6		56				
	5121 865AA	1	2, 6		11, 12,				With [WDG], 16x6 Steel Wheels
		1	2, 6		14, 15,				
		1	2, 6		16				
		1	2, 6		51, 52,				With [WDG], 16x6 Steel Wheels
		1	2, 6		54, 55,				
		1	2, 6		56				
		1	3, 7		12, 15,				With [WDG], 16x6 Steel Wheels
					16				

Refer to Model Legend Information Bookmark

AR = Use as required - = Non illustrated part # = New this model year

March 3, 2006

Right Side Panels, Cargo
Figure SVA-920



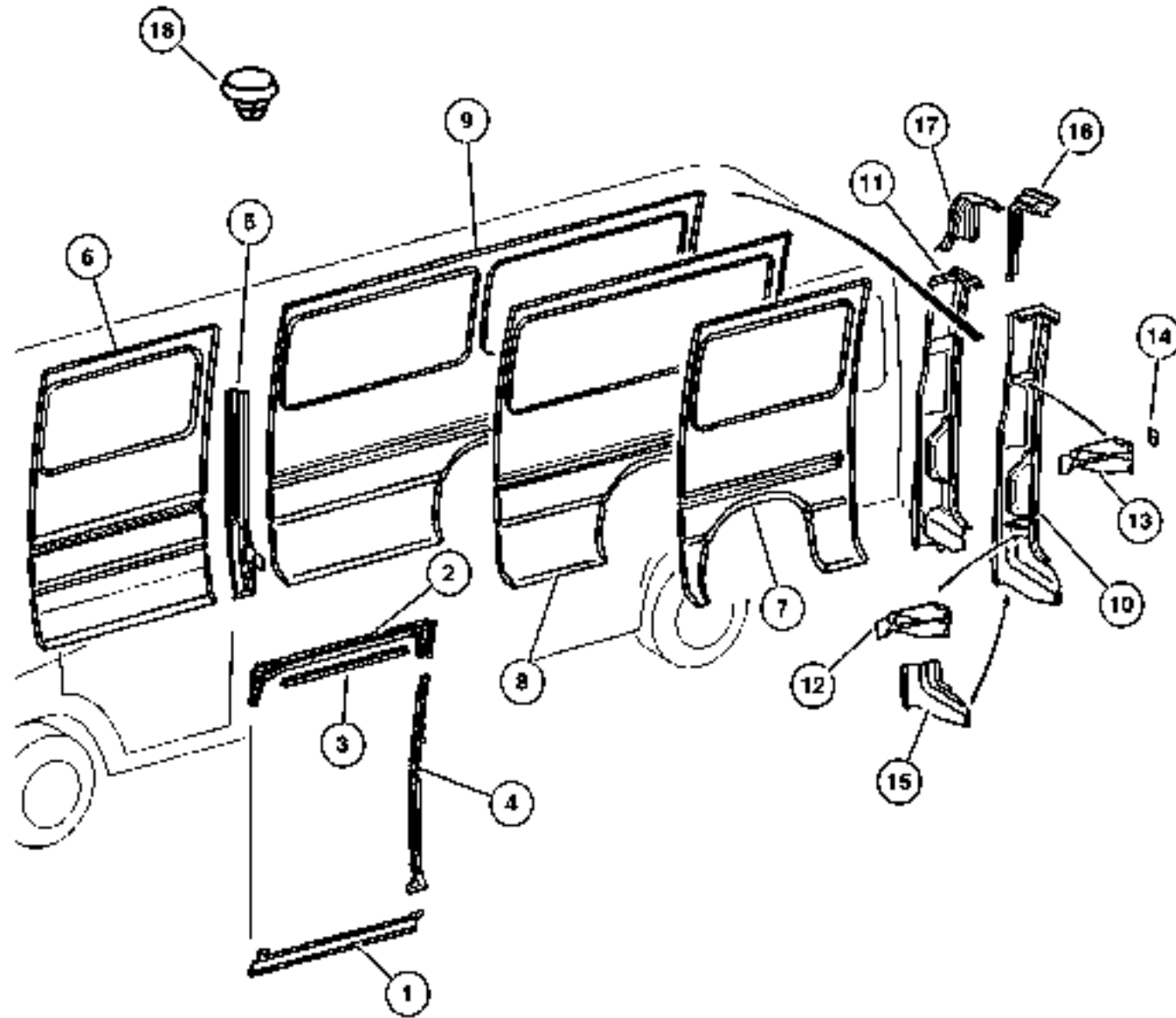
ITEM	PART NUMBER	QTY	LINE	SERIES	BODY	ENGINE	TRANS	TRIM	DESCRIPTION
1									PANEL, Sill
	5104 214AA	1	2, 6		11, 12, 14, 15, 16				
		1	2, 6		51, 52, 54, 55, 56				
		1	3, 7		12, 15, 16				
2									PANEL, Cargo Compartment, Upper
	5104 179AA	1	2, 6		11, 12, 14, 15, 16				
		1	2, 6		51, 52, 54, 55, 56				
		1	3, 7		12, 15, 16				
3									TRACK, Sliding Door
	5122 036AA	1	2, 6		11, 12, 14, 15, 16				
		1	2, 6		51, 52, 54, 55, 56				
		1	3, 7		12, 15, 16				
4									PILLAR, Side Cargo Door
	5104 166AA	1	2, 6		12, 15				[140 & 158] Inch Wheelbase
		1	2, 6		52, 55				[140 & 158] Inch Wheelbase
		1	3, 7		12, 15				[140 & 158] Inch Wheelbase
	5121 699AA	1	2, 6		11, 14				[118] Inch Wheelbase
		1	2, 6		51, 54				[118] Inch Wheelbase
5									PILLAR, Side Cargo Door
	5121 704AA	1	2, 6		12, 15				[140 & 158] Inch Wheelbase
		1	2, 6		52, 55				[140 & 158] Inch Wheelbase
		1	3, 7		12, 15				[140 & 158] Inch Wheelbase
	5131 053AA	1	2, 6		11, 14				[118] Inch wheelbase
		1	2, 6		51, 54				[118] Inch wheelbase
6									PANEL, Body Side Front
	5104 205AA	1	2, 6		11, 12, 14, 15, 16				

Refer to Model Legend Information Bookmark

AR = Use as required - = Non illustrated part # = New this model year

March 3, 2006

Right Side Panels, Cargo
Figure SVA-920



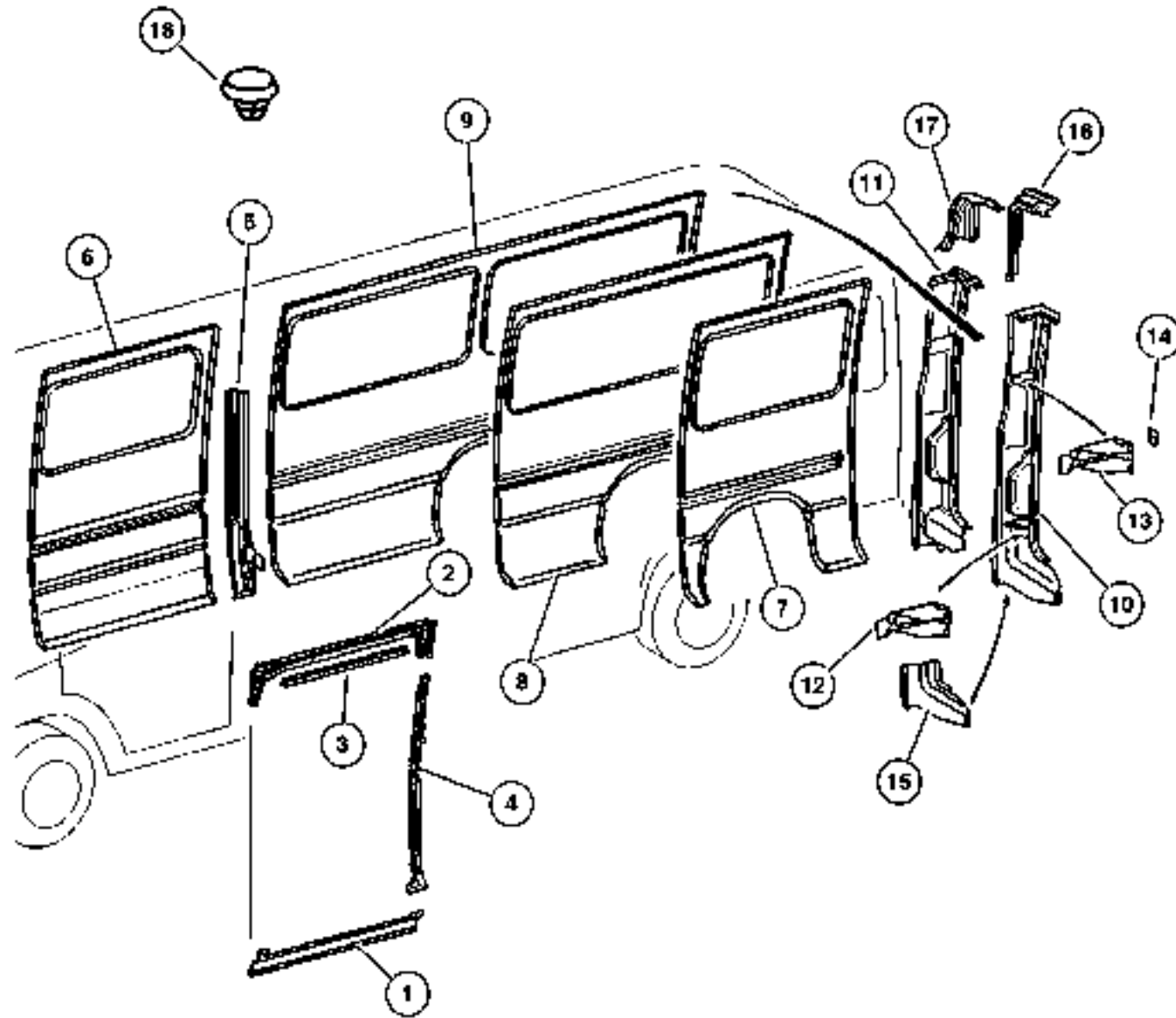
ITEM	PART NUMBER	QTY	LINE	SERIES	BODY	ENGINE	TRANS	TRIM	DESCRIPTION
		1	2, 6		51, 52, 54, 55, 56				
		1	3, 7		12, 15, 16				
7	5131 138AA	1	2, 6		11, 14				PANEL, Body Side Rear
		1	2, 6		51, 54				
8	5121 965AA	1	2, 6		12, 15				PANEL, Body Side Rear Without Windows
	5121 967AA	1	2, 6		12, 15				With Windows
	5121 993AA	1	2, 6		52, 55				With Windows
	5121 993AA	1	3, 7		12, 15				
9	5104 225AA	1	2, 6		16				PANEL, Body Side Rear Without windows,without [R16] Wheels
	5121 970AA	1	2, 6		16				With Windows,Without [R16] Wheels
		1	2, 6		56				With Windows,Without [R16] Wheels
	5121 998AA	1	3, 7		16				
	5131 173AA	1	2, 6		16				Without Windows,With [R16], Wheels
	5131 178AA	1	2, 6		16				With Windows & [R16] Wheels
		1	2, 6		56				With Windows & [R16] Wheels
10	5104 176AA	1	2, 6		14, 15, 16				PANEL, D Pillar With High Roof
		1	2, 6		54, 55, 56				With High Roof
	5121 679AA	1	3, 7		15, 16				With High Roof
		1	2, 6		11, 12				With Low Roof
		1	2, 6		51, 52				With Low Roof
		1	3, 7		12				With Low Roof
11	5104 208AA	1	2, 6		11, 12				PANEL, D Pillar
		1	2, 6		51, 52				
		1	3, 7		12				
12	5104 209AA	1	2, 6		11, 12, 14, 15, 16				REINFORCEMENT, rear door hinge
		1	2, 6		51, 52, 54, 55, 56				

Refer to Model Legend Information Bookmark

AR = Use as required - = Non illustrated part # = New this model year

March 3, 2006

Right Side Panels, Cargo
Figure SVA-920



ITEM	PART NUMBER	QTY	LINE	SERIES	BODY	ENGINE	TRANS	TRIM	DESCRIPTION
		1	3, 7		12, 15, 16				
13	5104 215AA	1	2, 6		11, 12, 14, 15, 16				REINFORCEMENT, rear door hinge
		1	2, 6		51, 52, 54, 55, 56				
14	5104 188AA	2	2, 6		11, 12, 14, 15, 16				PLATE, Rear Door Hinge
		2	2, 6		51, 52, 54, 55, 56				
		2	3, 7		12, 15, 16				
15	5104 211AA	1	2, 6		11, 12, 14, 15, 16				EXTENSION, D Pillar Lower
		1	2, 6		51, 52, 54, 55, 56				
		1	3, 7		12, 15, 16				
16	5104 224AA	1	2, 6		14, 15, 16				EXTENSION, D Pillar Upper
		1	2, 6		54, 55, 56				
		1	3, 7		15, 16				
17	5104 218AA	1	2, 6		14, 15, 16				PANEL, D Pillar Trim
		1	2, 6		54, 55, 56				
		1	3, 7		15, 16				
18	5133 657AA	1	2, 6		11, 12, 14, 15, 16				PLUG, Expansion

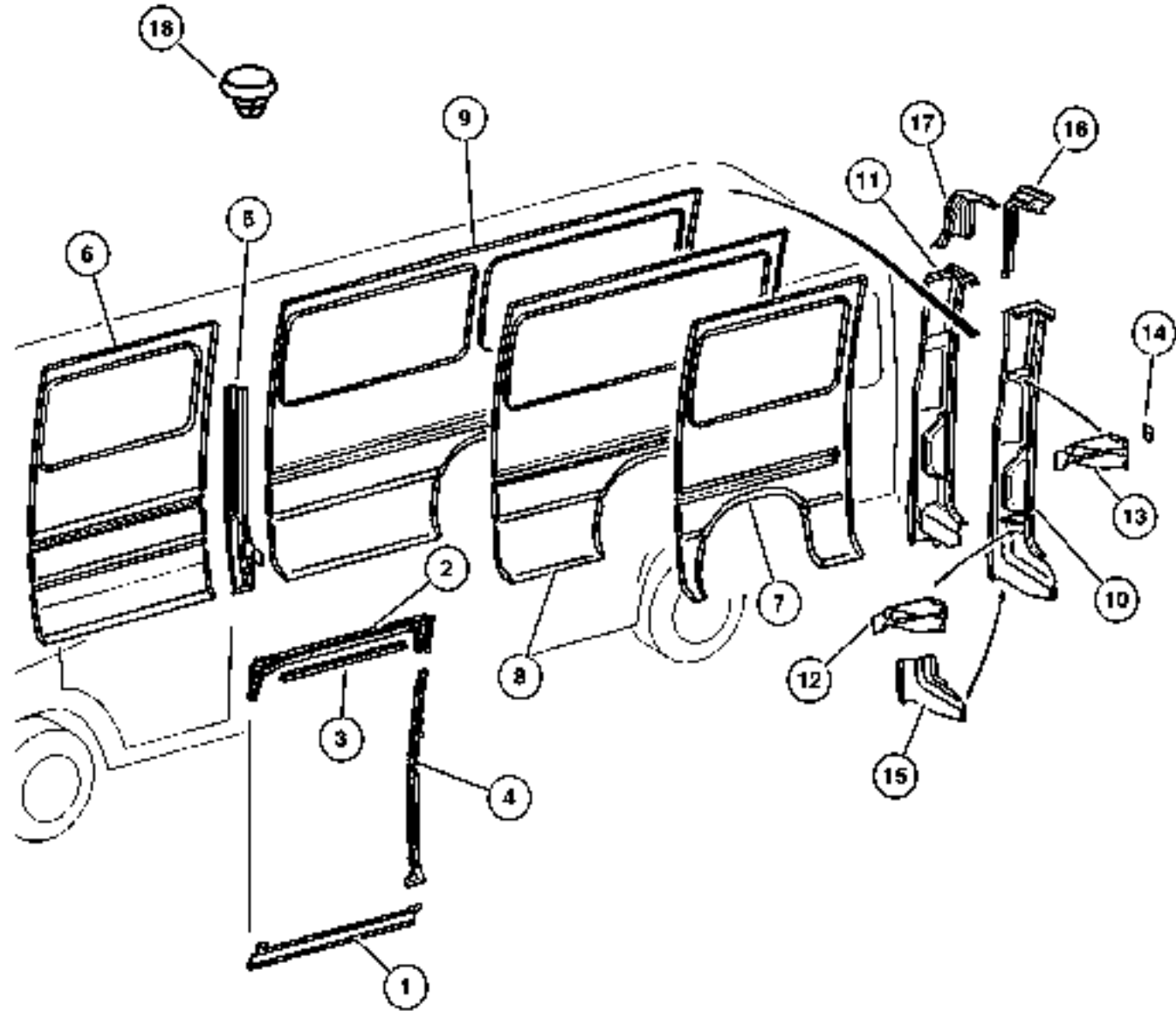
Refer to Model Legend Information Bookmark

AR = Use as required - = Non illustrated part # = New this model year

March 3, 2006

Right Side Panels, Cargo
Figure SVA-920

ITEM	PART NUMBER	QTY	LINE	SERIES	BODY	ENGINE	TRANS	TRIM	DESCRIPTION
		1	2, 6		51, 52, 54, 55, 56				
		1	3, 7		12, 15, 16				



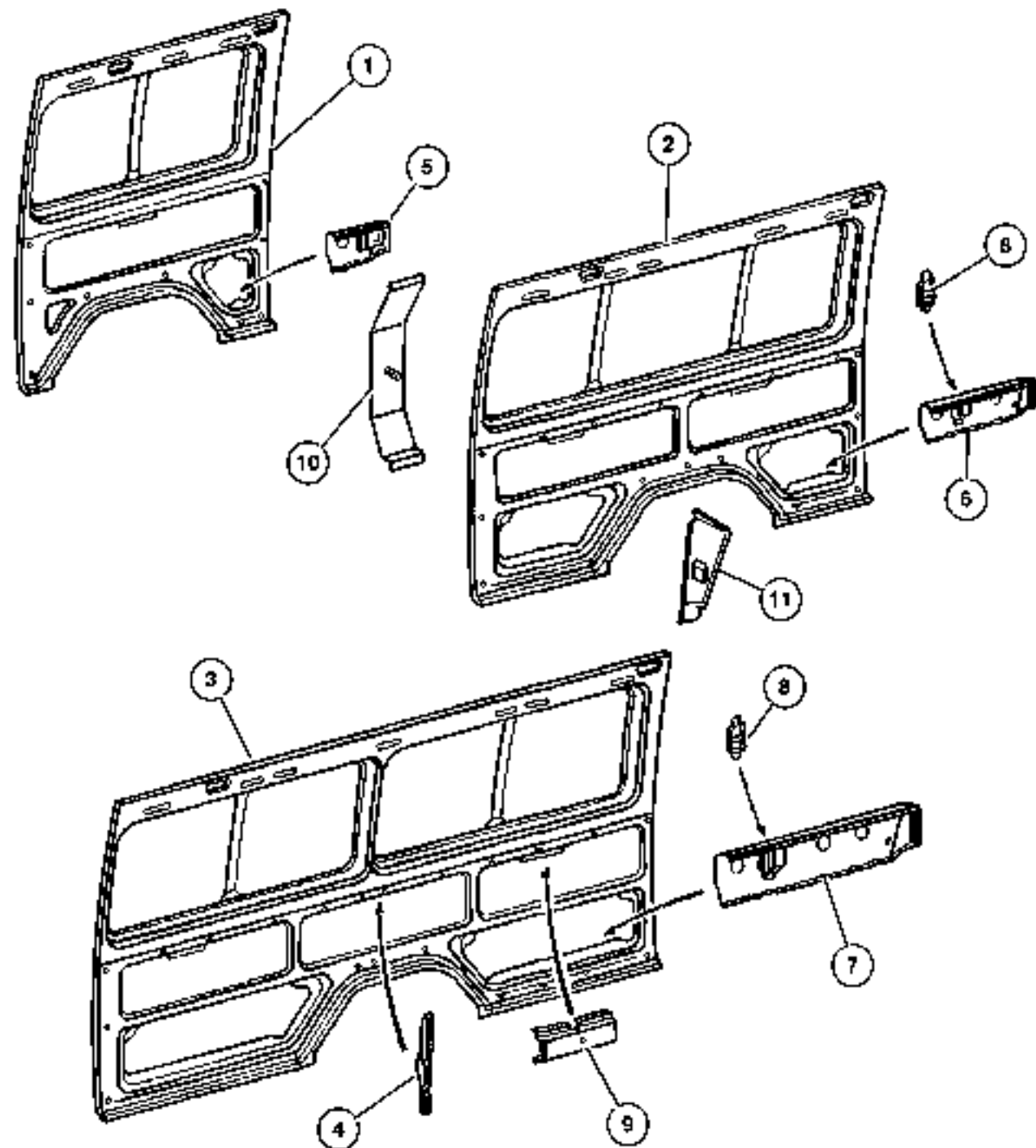
Refer to Model Legend Information Bookmark

AR = Use as required - = Non illustrated part # = New this model year

March 3, 2006

Right Side Panels, Wagon
Figure SVA-930

ITEM	PART NUMBER	QTY	LINE	SERIES	BODY	ENGINE	TRANS	TRIM	DESCRIPTION
1									PANEL, Body Side Rear, [118] Inch Wheelbase
	5121 897AA	1	2, 6		11, 14				With Sliding Door
		1	2, 6		51, 54				With Sliding Door
	5131 122AA	1	2, 6		11, 14				Without Sliding Door
		1	2, 6		51, 54				Without Sliding Door
2									PANEL, Body Side Rear, [140] Inch Wheelbase
	5121 892AA	1	2, 6		12, 15				Without Sliding Door
		1	2, 6		52, 55				Without Sliding Door
	5121 899AA	1	3, 7		12, 15				Without Sliding Door
		1	2, 6		12, 15				With Sliding Door
		1	2, 6		52, 55				With Sliding Door
		1	3, 7		12, 15				With Sliding Door
3									PANEL, Body Side Rear, [158] Inch Wheelbase
	5104 203AA	1	2, 6		16				With Sliding Door
		1	2, 6		56				With Sliding Door
		1	3, 7		16				With Sliding Door
	5121 895AA	1	2, 6		16				Without sliding Door
		1	2, 6		56				Without sliding Door
		1	3, 7		16				Without sliding Door
4									REINFORCEMENT, Quarter Inner With 16x6 Steel Wheels
	5121 707AA	1	2, 6		11, 12, 14, 15, 16				With 16x6 Steel Wheels
		1	2, 6		51, 52, 54, 55, 56				With 16x6 Steel Wheels
		1	3, 7		12, 15, 16				With 16x6 Steel Wheels
	5131 056AA	1	2, 6		11, 12, 14, 15, 16				With 16x6 Steel Wheels
		1	2, 6		51, 52, 54, 55, 56				With 16x6 Steel Wheels
5									SUPPORT
	5121 739AA	1	2, 6		11, 14				
		1	2, 6		51, 54				
6									SUPPORT, Sill Reinforcement
	5121 743AA	1	2, 6		12, 15				
		1	2, 6		52, 55				
		1	3, 7		12, 15				
7									SUPPORT, Sill Reinforcement



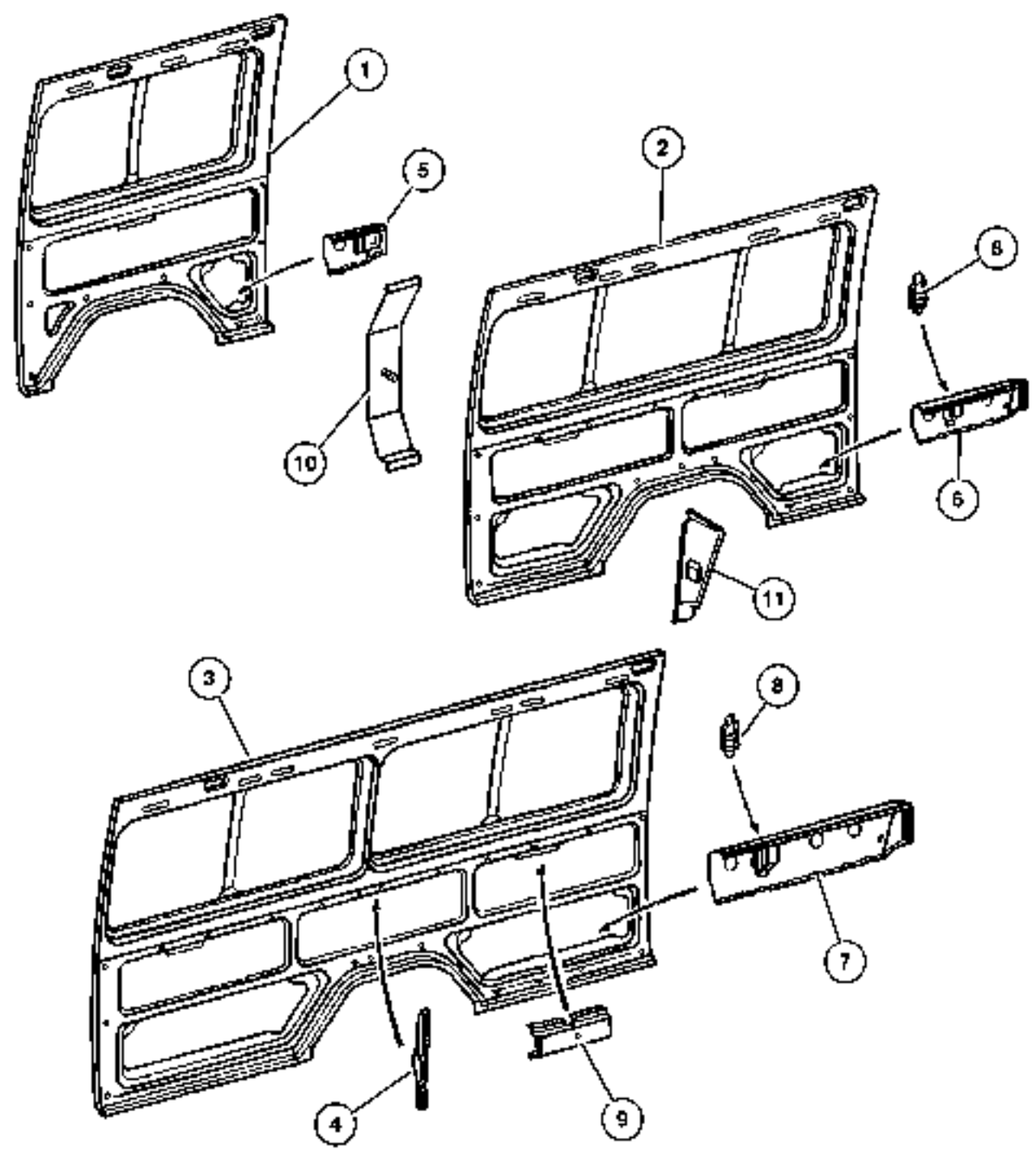
Refer to Model Legend Information Bookmark

AR = Use as required - = Non illustrated part # = New this model year

March 3, 2006

Right Side Panels, Wagon
Figure SVA-930

ITEM	PART NUMBER	QTY	LINE	SERIES	BODY	ENGINE	TRANS	TRIM	DESCRIPTION
	5121 747AA	1	2, 6		16				
		1	2, 6		56				
		1	3, 7		16				
8	5125 519AA	2	2, 6		12, 15				PLUG, Body
		1	2, 6		11, 14				
		1	2, 6		51, 54				
		3	2, 6		52, 55				
		1	3, 7		12, 15,				
					16				
9	5131 057AA	2	2, 6		11, 12,				REINFORCEMENT, Side Panel
					14, 15,				
					16				
		1	2, 6		51, 52,				
					54, 55,				
					56				
10	5127 239AA	3	2, 6		11, 14,				BRACKET
					16				
		3	2, 6		51, 54,				
					56				
		5	3, 7		12, 15				
		7	3, 7		16				
11	5129 938AA	2	2, 6		11, 12,				PANEL, Rear Side
					14, 15,				
					16				
		2	2, 6		51, 52,				
					54, 55,				
					56				

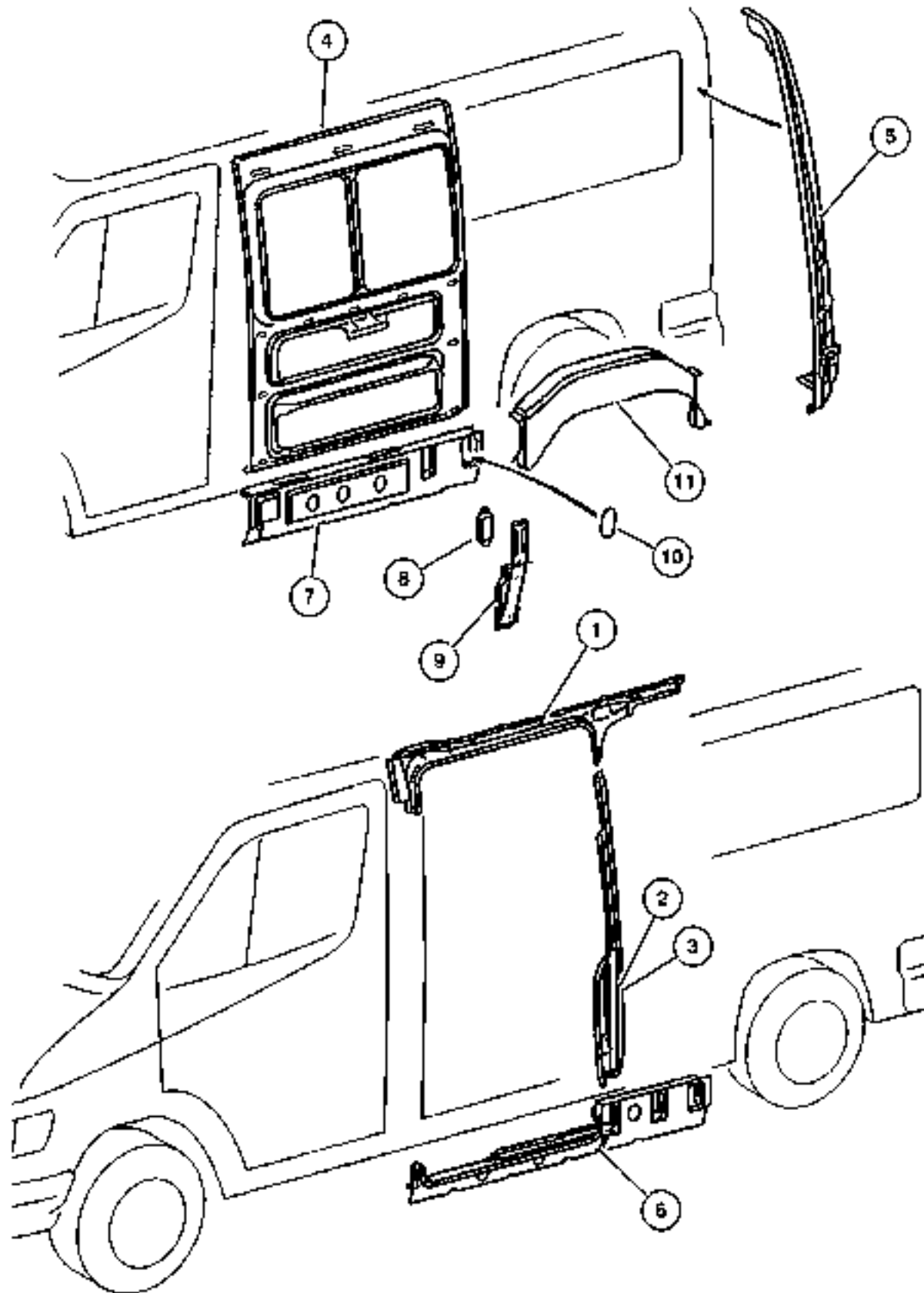


Refer to Model Legend Information Bookmark

AR = Use as required - = Non illustrated part # = New this model year

March 3, 2006

Left Side Cargo Door Pillars & Wheelhouse
Figure SVA-940



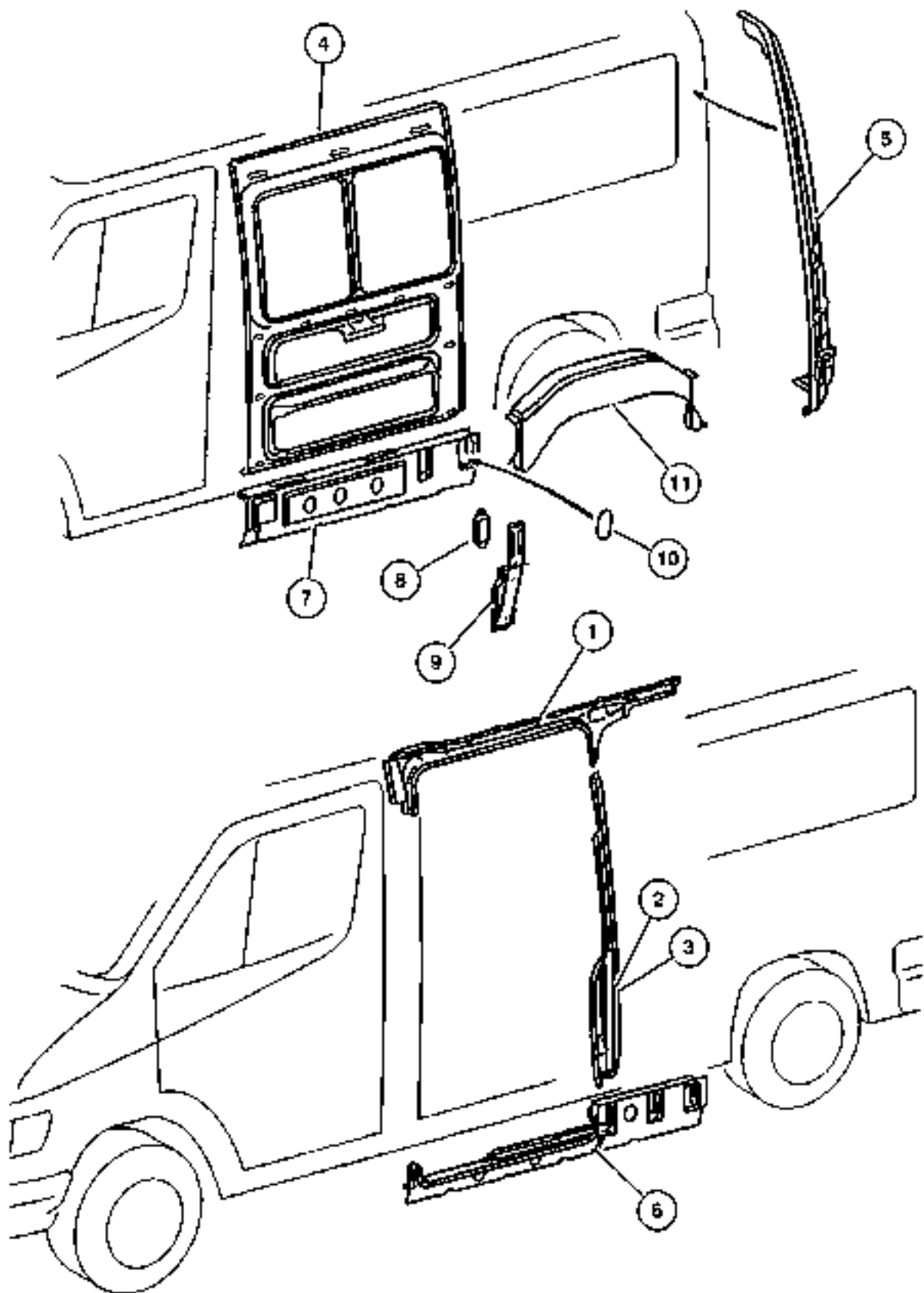
ITEM	PART NUMBER	QTY	LINE	SERIES	BODY	ENGINE	TRANS	TRIM	DESCRIPTION
1									REINFORCEMENT, Body Side Aperture
	5121 903AA	1	2, 6		11, 12, 14, 15, 16				
		1	2, 6		51, 52, 54, 55, 56				
		1	3, 7		12, 15, 16				
2									PILLAR, Side Cargo Door
	5121 914AA	1	2, 6		11, 12, 14, 15, 16				
		1	2, 6		51, 52, 54, 55, 56				
		1	3, 7		12, 15, 16				
3									REINFORCEMENT, Quarter Inner
	5121 706AA	1	2, 6		11, 12, 14, 15, 16				
		1	2, 6		51, 52, 54, 55, 56				
		1	3, 7		12, 15, 16				
4									PANEL, Body Side Front
	5104 197AA	1	2, 6		11, 12, 14, 15, 16				
		1	2, 6		51, 52, 54, 55, 56				
		1	3, 7		12, 15, 16				
5									PILLAR, Rear Cargo Door Hinge With High Roof
	5104 177AA	1	2, 6		14, 15, 16				
		1	2, 6		54, 55, 56				With High Roof
		1	3, 7		15, 16				With High Roof
	5121 906AA	1	2, 6		11, 12				With Low Roof
		1	2, 6		51, 52				With Low Roof

Refer to Model Legend Information Bookmark

AR = Use as required - = Non illustrated part # = New this model year

March 3, 2006

Left Side Cargo Door Pillars & Wheelhouse
Figure SVA-940



ITEM	PART NUMBER	QTY	LINE	SERIES	BODY	ENGINE	TRANS	TRIM	DESCRIPTION
		1	3, 7		12				With Low Roof
6	5121 749AA	1	2, 6		11, 14				SUPPORT, Sill Reinforcement
	5121 751AA	1	2, 6		51, 54				With 118 Inch Wheelbase
	5121 754AA	1	2, 6		12, 15				With 118 Inch Wheelbase
	5121 754AA	1	2, 6		52, 55				With 140 Inch Wheelbase
	5121 774AA	1	2, 6		16				With 140 Inch Wheelbase
	5121 774AA	1	2, 6		56				With 158 Inch Wheelbase
	5121 778AA	1	3, 7		12, 15				With 158 Inch Wheelbase
	5121 778AA	1	3, 7		16				With 140 Inch Wheelbase
7	5104 175AA	1	2, 6		16				SUPPORT, Sill Reinforcement
	5121 759AA	1	2, 6		16				With 158 Inch Wheelbase
	5121 761AA	1	2, 6		56				With 158 Inch Wheelbase
	5121 761AA	1	2, 6		11, 14				With 118 Inch Wheelbase
	5121 764AA	1	2, 6		51, 54				With 118 Inch Wheelbase
	5121 769AA	1	2, 6		12, 15				With 140 Inch Wheelbase
	5121 769AA	1	2, 6		52, 55				With 140 Inch Wheelbase
	5121 764AA	1	3, 7		12, 15				With 140 Inch Wheelbase
	5121 769AA	1	3, 7		16				With 158 Inch Wheelbase
8	5125 519AA	2	2, 6		12, 15				PLUG, Body
		1	2, 6		11, 14				
		1	2, 6		51, 54				
		3	2, 6		52, 55				
		1	3, 7		12, 15,				
					16				
9	5104 198AA	1	2, 6		12, 15				REINFORCEMENT, Side Panel
		1	2, 6		52, 55				
		1	3, 7		12, 15,				
					16				
10	5121 838AA	1	2, 6		11, 12,				COVER, Sill
					14, 15,				
					16				
		1	2, 6		51, 52,				
					54, 55,				
					56				
		1	3, 7		12, 15,				
					16				
11	5121 862AA	1	2, 6		11, 12,				WHEELHOUSE
					14, 15,				
					16				

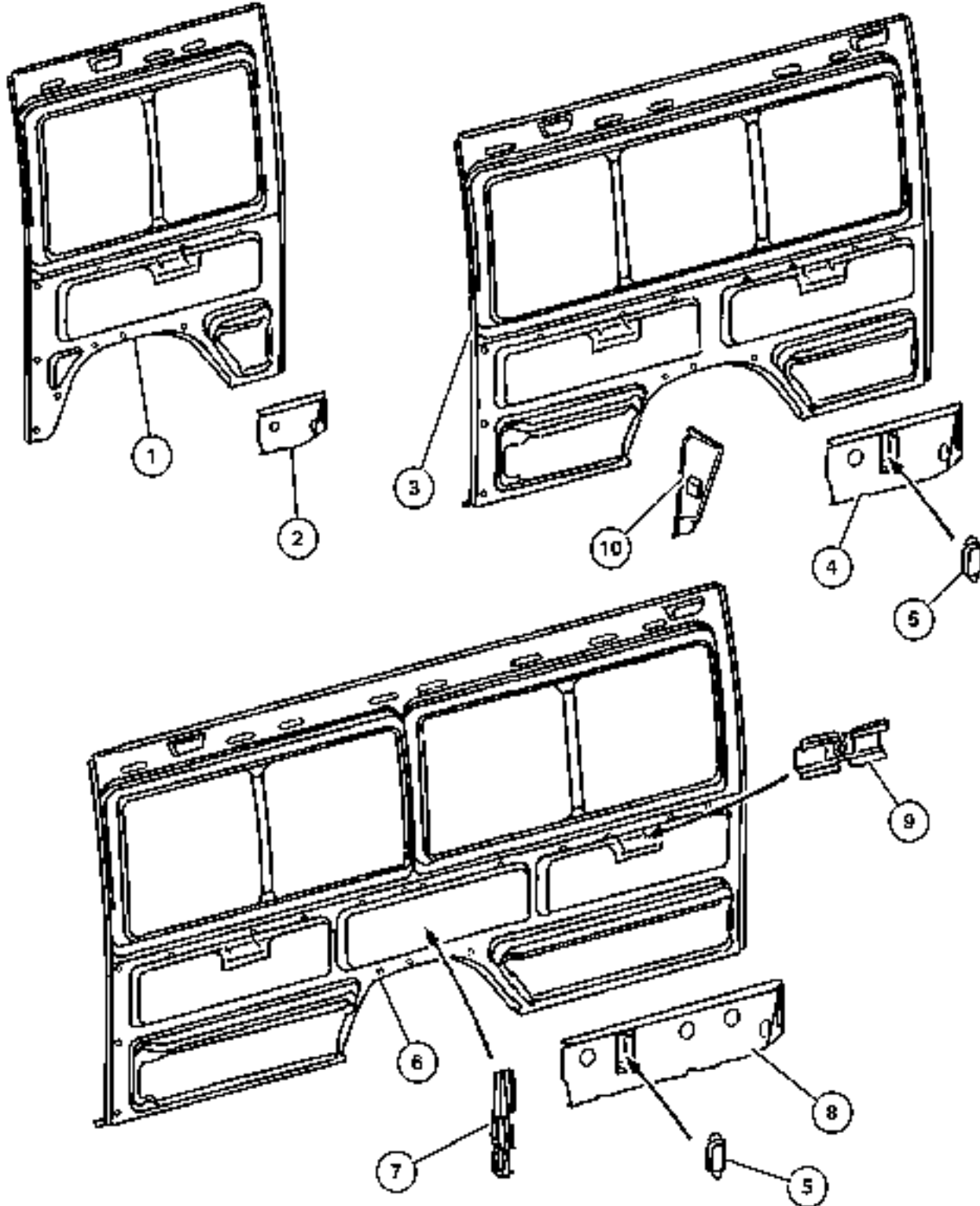
Refer to Model Legend Information Bookmark

AR = Use as required - = Non illustrated part # = New this model year

March 3, 2006

Left Side Panels, Cargo
Figure SVA-950

ITEM	PART NUMBER	QTY	LINE	SERIES	BODY	ENGINE	TRANS	TRIM	DESCRIPTION
1									PANEL, Body Side Rear, With 118 Inch Wheelbase
	5121 888AA	1	2, 6		11, 14				
		1	2, 6		51, 54				
2									SUPPORT, With 118 Inch Wheelbase
	5121 737AA	1	2, 6		11, 14				
		1	2, 6		51, 54				
3									PANEL, Body Side Rear, With 140 Inch Wheelbase
	5121 890AA	1	2, 6		12, 15				
		1	2, 6		52, 55				
		1	3, 7		12, 15				
4									SUPPORT, With 140 & 158 Inch Wheelbase
	5121 741AA	1	2, 6		12, 15				
		1	2, 6		52, 55				
		1	3, 7		12, 15				
5									PLUG, Body, With 140 Inch Wheelbase
	5125 519AA	1	2, 6		11, 14				
		3	2, 6		12, 15				
		1	2, 6		51, 54				
		3	2, 6		52, 55				
		1	3, 7		12, 15,				
					16				
6									PANEL, Body Side Rear, With 158 Inch Wheelbase
	5104 202AA	1	2, 6		16				
		1	2, 6		56				
		1	3, 7		16				
7									REINFORCEMENT, Quarter Inner, With 158 Inch Wheelbase
	5121 799AA	1	2, 6		11, 12,				
					14, 15,				
					16				
		1	2, 6		51, 52,				
					54, 55,				
					56				
		1	3, 7		12, 15,				
					16				
8									SUPPORT, With 158 Inch Wheelbase
	5121 745AA	1	2, 6		16				
		1	2, 6		56				



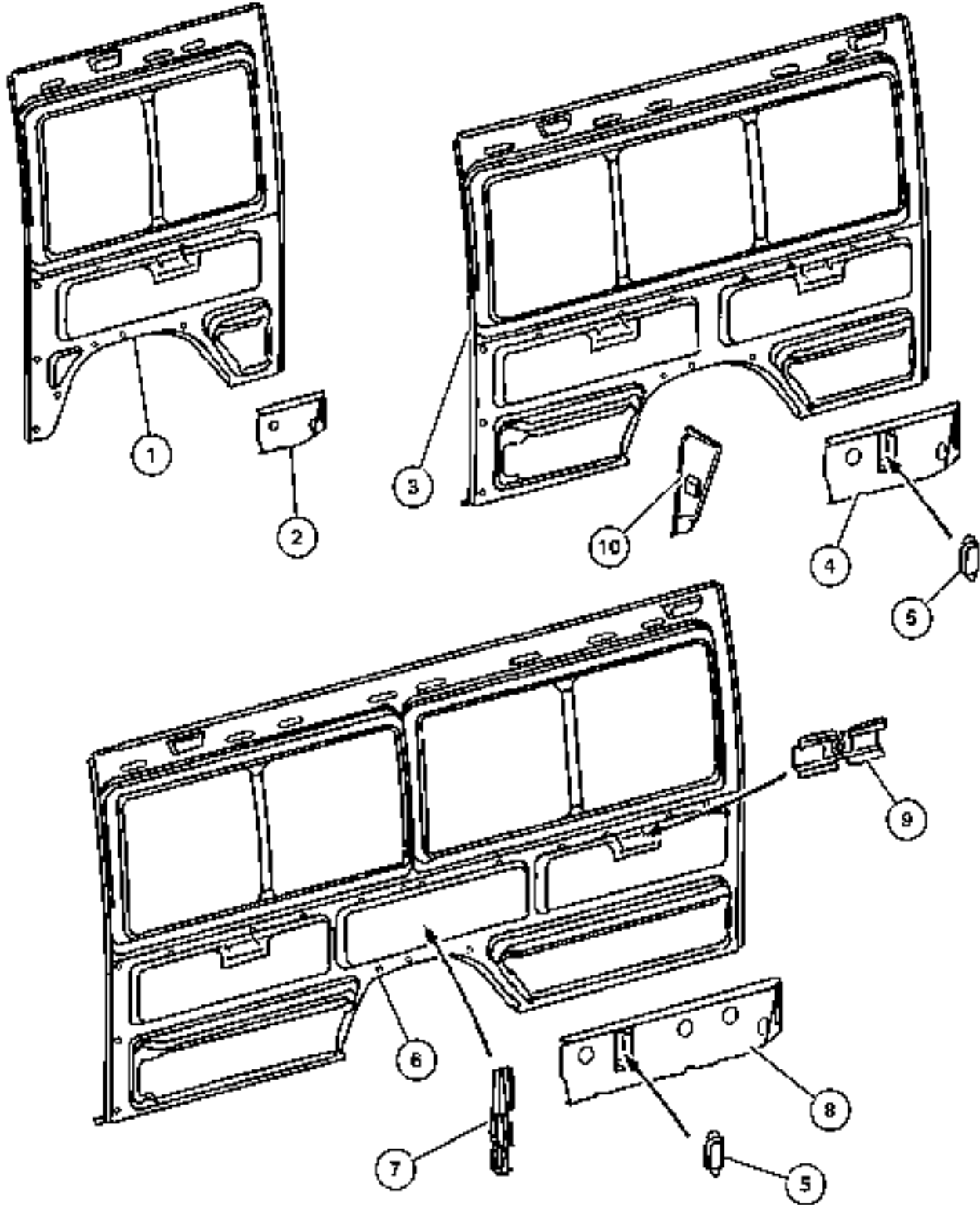
Refer to Model Legend Information Bookmark

AR = Use as required - = Non illustrated part # = New this model year

March 3, 2006

Left Side Panels, Cargo
Figure SVA-950

ITEM	PART NUMBER	QTY	LINE	SERIES	BODY	ENGINE	TRANS	TRIM	DESCRIPTION
		1	3, 7		16				
9									REINFORCEMENT, Side Panel, With 158 Inch Wheelbase
	5131 057AA	2	2, 6		11, 12, 14, 15, 16				
		1	2, 6		51, 52, 54, 55, 56				
10									PANEL, Rear Side
	5129 937AA	2	2, 6		11, 12, 14, 15, 16				
		2	2, 6		51, 52, 54, 55, 56				

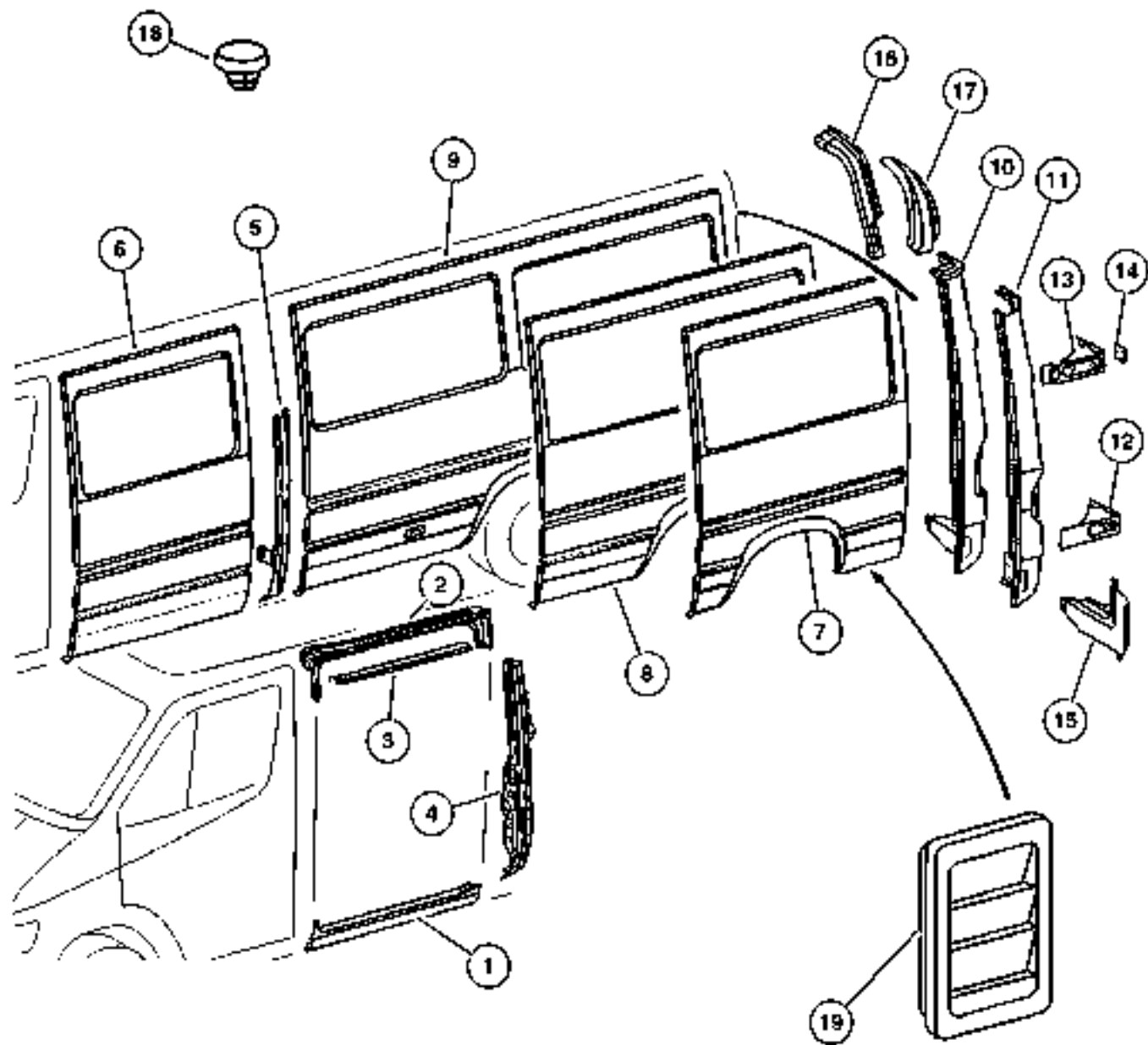


Refer to Model Legend Information Bookmark

AR = Use as required - = Non illustrated part # = New this model year

March 3, 2006

Left Side Panels, Wagon
Figure SVA-960



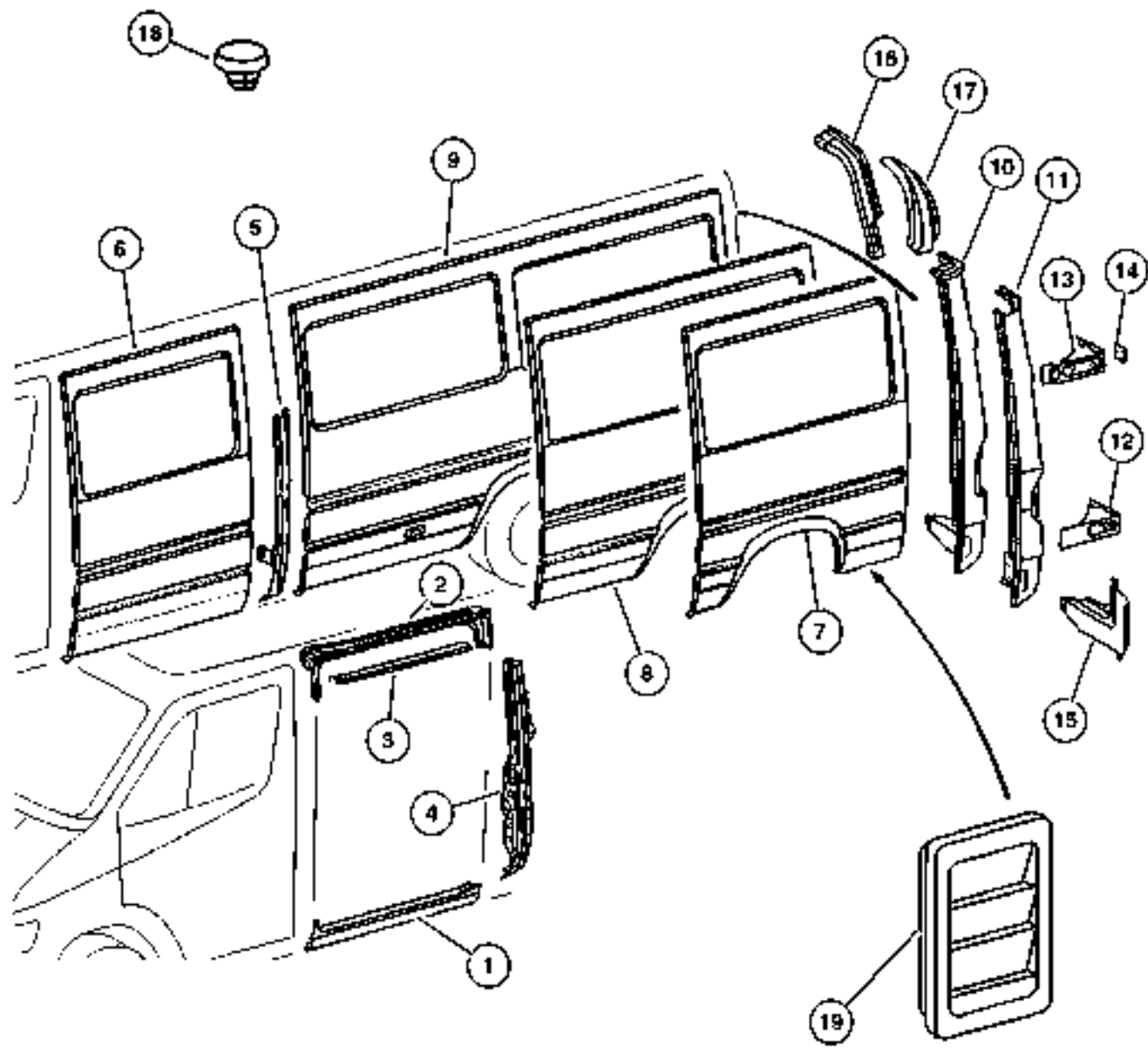
ITEM	PART NUMBER	QTY	LINE	SERIES	BODY	ENGINE	TRANS	TRIM	DESCRIPTION
1									PANEL, Sill
	5121 937AA	1	2, 6		11, 12, 14, 15, 16				
		1	2, 6		51, 52, 54, 55, 56				
		1	3, 7		12, 15, 16				
2									PANEL, Cargo Compartment, Upper
	5121 682AA	1	2, 6		11, 12, 14, 15, 16				
		1	2, 6		51, 52, 54, 55, 56				
		1	3, 7		12, 15, 16				
3									TRACK, Sliding Door
	5122 035AA	1	2, 6		11, 12, 14, 15, 16				
		1	2, 6		51, 52, 54, 55, 56				
		1	3, 7		12, 15, 16				
4									PILLAR, Side Cargo Door With 140 & 150 Inch Wheelbase
	5121 696AA	1	2, 6		12, 15				
		1	2, 6		52, 55				With 140 & 150 Inch Wheelbase
		1	3, 7		12, 15				With 140 & 150 Inch Wheelbase
	5131 051AA	1	2, 6		51, 54				With 118 Inch Wheelbase
	5131 053AA	1	2, 6		11, 14				With 118 Inch Wheelbase
5									PILLAR, Side Cargo Door With 118 Inch Wheelbase
	5104 168AA	1	2, 6		11, 14				
		1	2, 6		51, 54				With 118 Inch Wheelbase
	5104 170AA	1	2, 6		12, 15				With 140 & 158 Inch Wheelbase
		1	2, 6		52, 55				With 140 & 158 Inch Wheelbase
		1	3, 7		12, 15				With 140 & 158 Inch Wheelbase
6									PANEL, Body Side Front
	5104 205AA	1	2, 6		11, 12, 14, 15, 16				

Refer to Model Legend Information Bookmark

AR = Use as required - = Non illustrated part # = New this model year

March 3, 2006

Left Side Panels, Wagon
Figure SVA-960



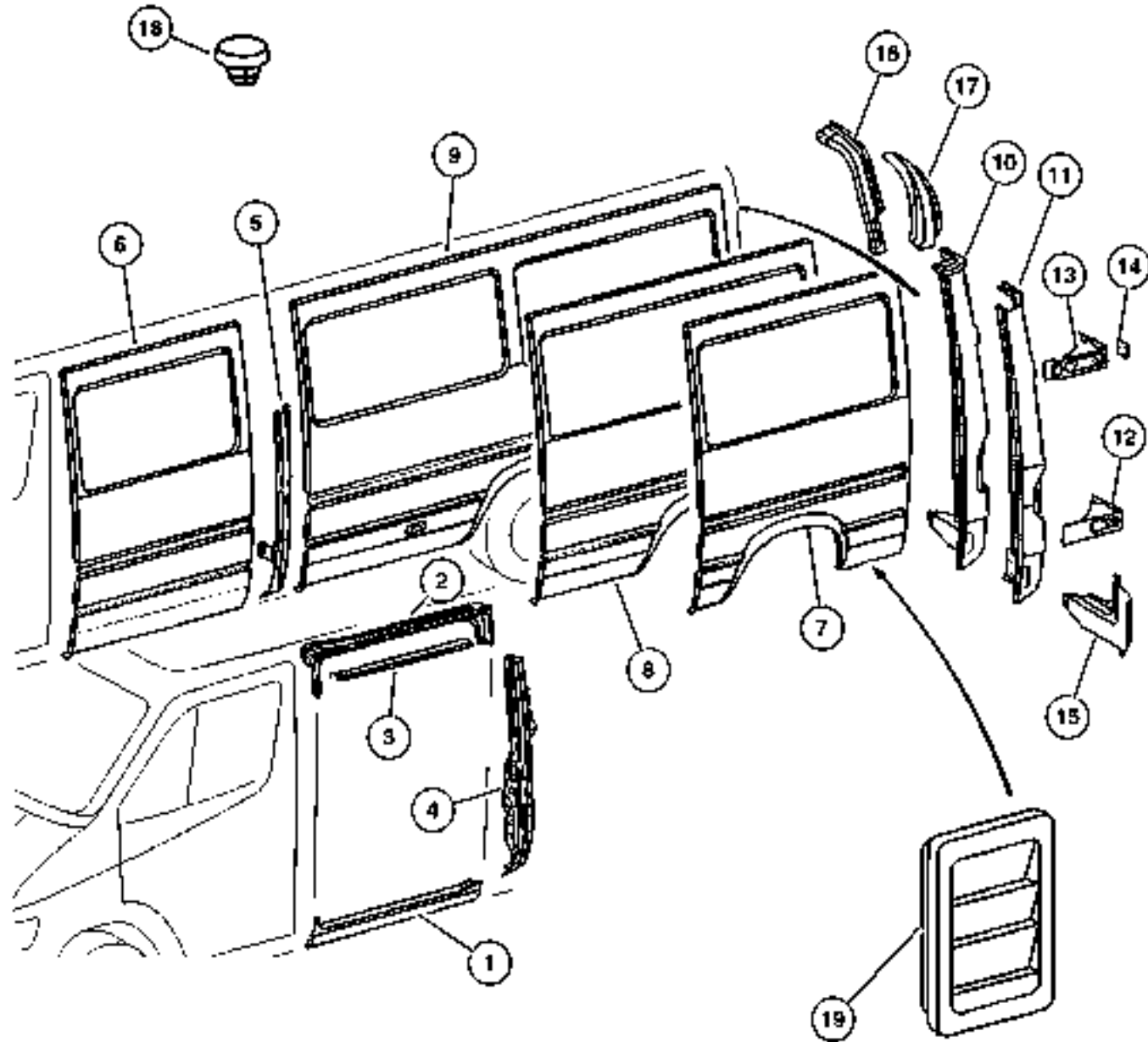
ITEM	PART NUMBER	QTY	LINE	SERIES	BODY	ENGINE	TRANS	TRIM	DESCRIPTION
		1	2, 6		51, 52, 54, 55, 56				
		1	3, 7		12, 15, 16				
7									PANEL, Body Side Rear, With 118 Inch Wheelbase
	5104 212AA	1	2, 6		11, 14				
		1	2, 6		51, 54				
8									PANEL, Body Side Rear, With 140 Inch Wheelbase
	5121 941AA	1	2, 6		12, 15				
	5121 948AA	1	2, 6		52, 55				
	5121 990AA	1	3, 7		12, 15				
	5131 158AA	1	2, 6		12, 15				With 16x6 steel Wheels
	5131 164AA	1	2, 6		52, 55				With 16x6 steel Wheels
9									PANEL, Body Side Rear, With 158 Inch Wheelbase
	5104 219AA	1	2, 6		16				
		1	2, 6		56				
	5121 995AA	1	3, 7		16				
	5131 170AA	1	2, 6		16				With 16x6 Steel Wheels
	5131 176AA	1	2, 6		56				With 16x6 Steel Wheels
10									PANEL, D Pillar
	5104 172AA	1	2, 6		11, 12				Low Roof
		1	2, 6		51, 52				Low Roof
		1	3, 7		12				Low Roof
	5104 174AA	1	2, 6		14, 15, 16				High Roof
		1	2, 6		54, 55, 56				High Roof
		1	3, 7		15, 16				High Roof
11									PANEL, D Pillar
	5104 206AA	1	2, 6		11, 12				
		1	2, 6		51, 52				
		1	3, 7		12				
12									REINFORCEMENT, rear door hinge
	5122 031AA	1	2, 6		11, 12, 14, 15, 16				
		1	2, 6		51, 52, 54, 55, 56				
		1	3, 7		12, 15, 16				
13									REINFORCEMENT, rear door hinge

Refer to Model Legend Information Bookmark

AR = Use as required - = Non illustrated part # = New this model year

March 3, 2006

Left Side Panels, Wagon
Figure SVA-960



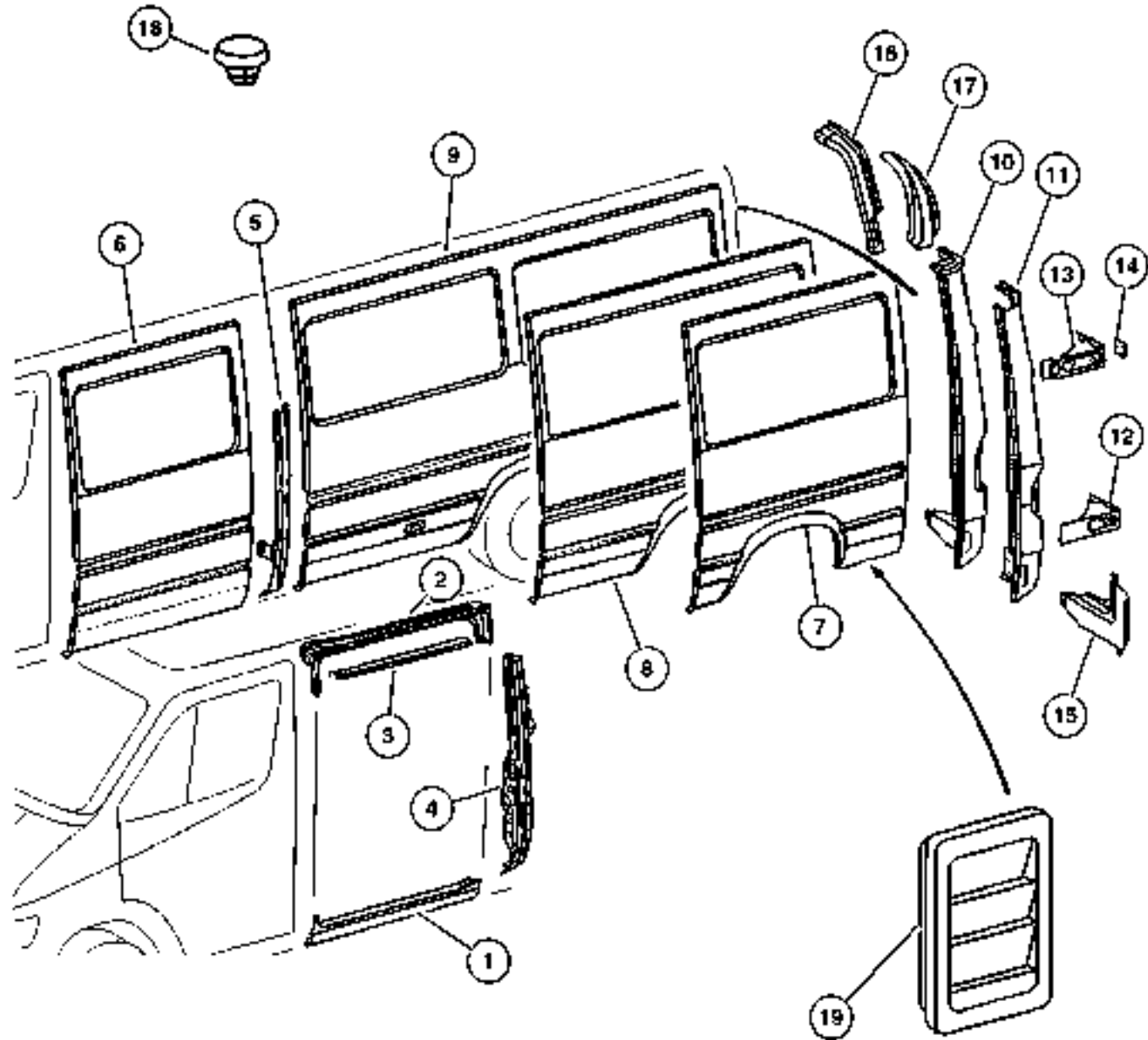
ITEM	PART NUMBER	QTY	LINE	SERIES	BODY	ENGINE	TRANS	TRIM	DESCRIPTION
	5122 032AA	1	2, 6		11, 12, 14, 15, 16				
		1	2, 6		51, 52, 54, 55, 56				
		1	3, 7		12, 15, 16				
14									PLATE, Rear Door Hinge
	5104 188AA	2	2, 6		11, 12, 14, 15, 16				
		2	2, 6		51, 52, 54, 55, 56				
		2	3, 7		12, 15, 16				
15									EXTENSION, D Pillar Lower
	5104 207AA	1	2, 6		11, 12, 14, 15, 16				
		1	2, 6		51, 52, 54, 55, 56				
		1	3, 7		12, 15, 16				
16									EXTENSION, D Pillar Upper
	5121 988AA	1	2, 6		14, 15, 16				
		1	2, 6		54, 55, 56				
		1	3, 7		15, 16				
17									PANEL, D Pillar Trim
	5122 050AA	1	2, 6		14, 15, 16				
		1	2, 6		54, 55, 56				
		1	3, 7		15, 16				
18									PLUG, Expansion
	5133 657AA	1	2, 6		11, 12, 14, 15, 16				
		1	2, 6		51, 52, 54, 55, 56				

Refer to Model Legend Information Bookmark

AR = Use as required - = Non illustrated part # = New this model year

March 3, 2006

Left Side Panels, Wagon
Figure SVA-960



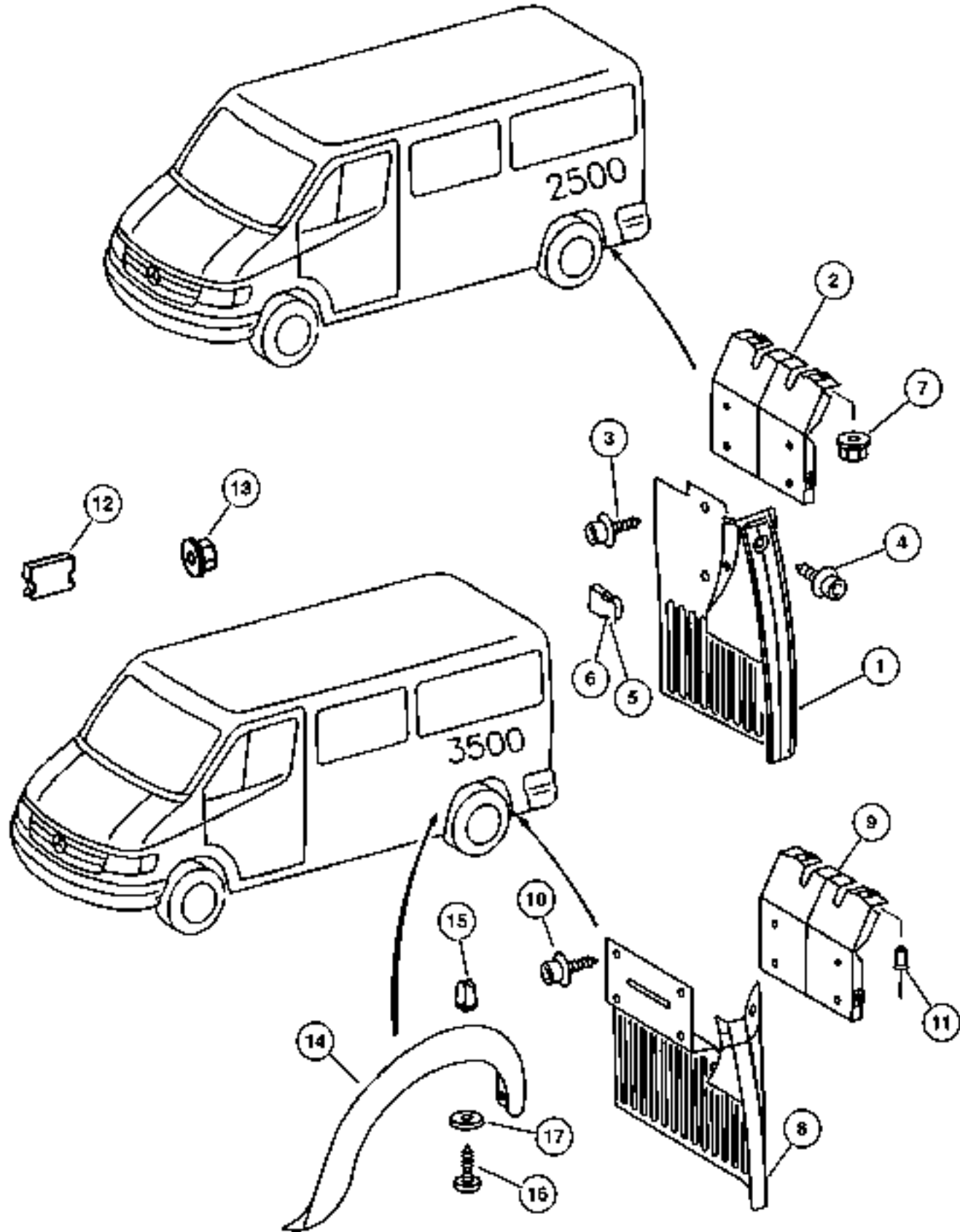
ITEM	PART NUMBER	QTY	LINE	SERIES	BODY	ENGINE	TRANS	TRIM	DESCRIPTION
		1	3, 7		12, 15, 16				
19	5104 472AA	2	2, 6		01, 02, 06				EXHAUSTER, Quarter Panel
		2	2, 6		11, 12, 14, 15, 16				
		2	2, 6		51, 52, 54, 55, 56				
		2	3, 7		02, 06				
		2	3, 7		12, 15, 16				

Refer to Model Legend Information Bookmark

AR = Use as required - = Non illustrated part # = New this model year

March 3, 2006

**Rear Splash Shield
Figure SVA-970**



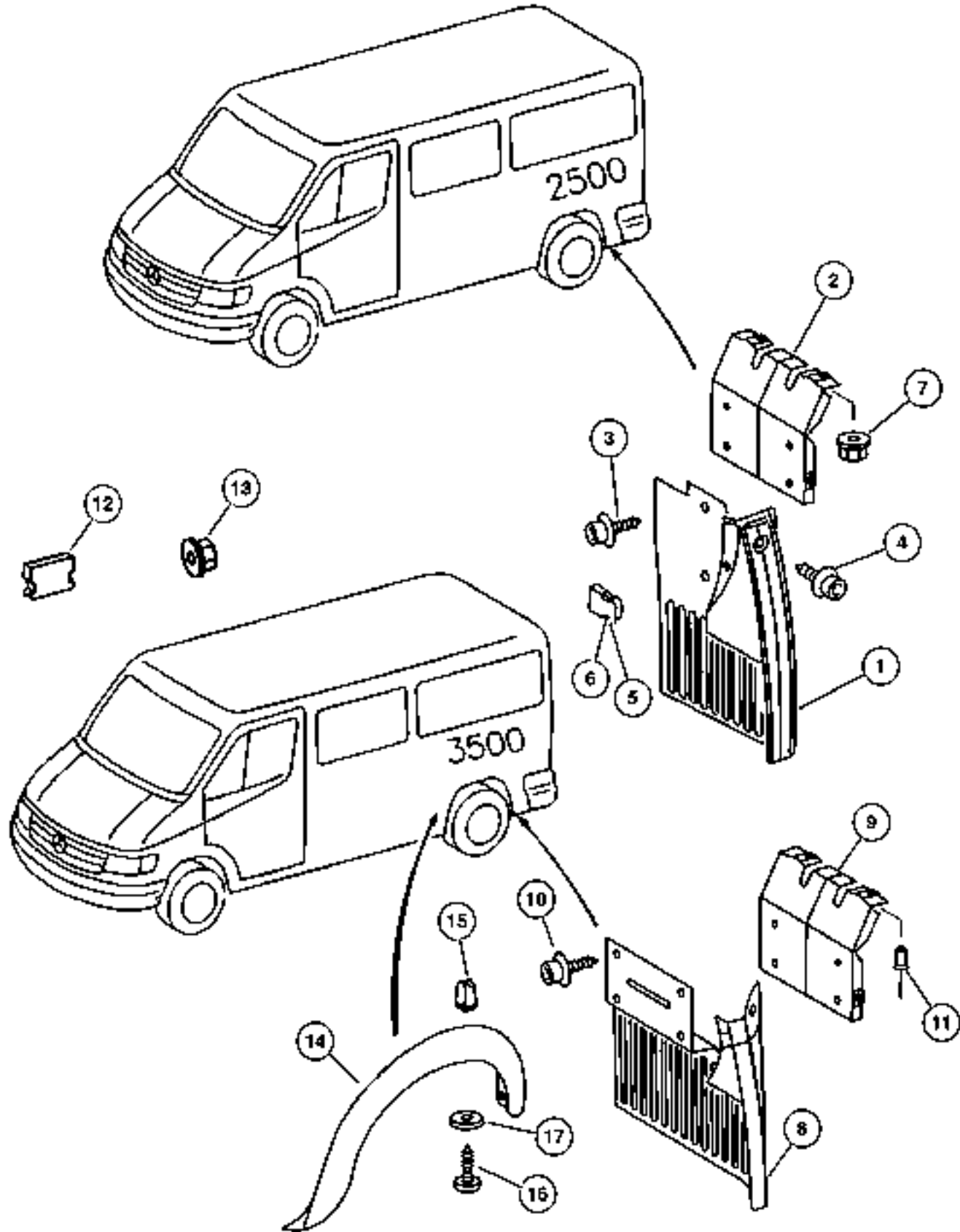
ITEM	PART NUMBER	QTY	LINE	SERIES	BODY	ENGINE	TRANS	TRIM	DESCRIPTION
1									GUARD, Splash
	5104 518AA	1	2, 6		01, 02, 06				With 15 Inch Wheels, Left
		1	2, 6		11, 12, 14, 15, 16				With 15 Inch Wheels, Left
		1	2, 6		51, 52, 54, 55, 56				With 15 Inch Wheels, Left
		1	3, 7		02, 06				With 15 Inch Wheels, Left
		1	3, 7		12, 15, 16				With 15 Inch Wheels, Left
	5104 521AA	1	2, 6		01, 02, 06				With 15 Inch Wheels, Right
		1	2, 6		11, 12, 14, 15, 16				With 15 Inch Wheels, Right
		1	2, 6		51, 52, 54, 55, 56				With 15 Inch Wheels, Right
		1	3, 7		02, 06				With 15 Inch Wheels, Right
		1	3, 7		12, 15, 16				With 15 Inch Wheels, Right
	5125 152AA	1	3, 7		12, 15, 16				Right
	5125 153AA	1	3, 7		12, 15, 16				Left
	5132 502AA	1	2, 6		01, 02, 06				With 16x6 Steel Wheels, Left
		1	2, 6		51, 52, 54, 55, 56				With 16x6 Steel Wheels, Left
	5132 507AA	1	2, 6		11, 12, 14, 15, 16				With 16x6 Steel Wheels, Right
		1	2, 6		51, 52, 54, 55, 56				With 16x6 Steel Wheels, Right
2									BRACKET
	5104 520AA	1	2, 6		11, 12, 14, 15, 16				Left
		1	2, 6		51, 52, 54, 55, 56				Left

Refer to Model Legend Information Bookmark

AR = Use as required - = Non illustrated part # = New this model year

March 3, 2006

Rear Splash Shield
Figure SVA-970



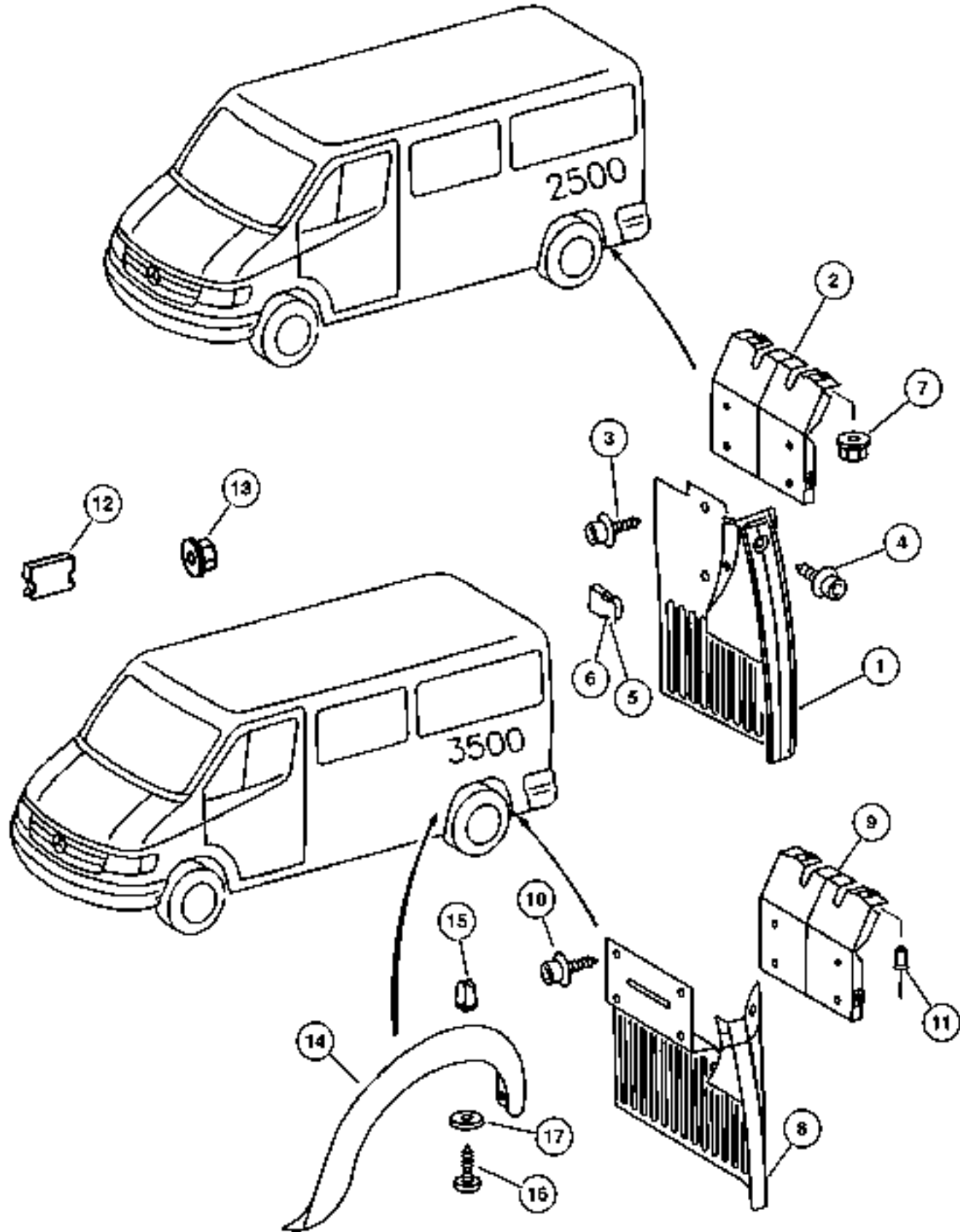
ITEM	PART NUMBER	QTY	LINE	SERIES	BODY	ENGINE	TRANS	TRIM	DESCRIPTION
	5104 522AA	1	2, 6		11, 12,				Right
					14, 15,				
		1	2, 6		51, 52,				Right
					54, 55,				
3	6104 581AA	7	2, 6		56				SCREW
		7	2, 6		01, 02,				
					06				
		7	2, 6		11, 12,				
					14, 15,				
					16				
		7	2, 6		51, 52,				
					54, 55,				
					56				
		7	3, 7		02, 06				
		7	3, 7		12, 15,				
					16				
4	6104 581AA	2	2, 6		01, 02,				SCREW
					06				
		2	2, 6		11, 12,				
					14, 15,				
					16				
		2	2, 6		51, 52,				
					54, 55,				
					56				
		2	3, 7		02, 06				
		2	3, 7		12, 15,				
					16				
5	5103 875AA	2	2, 6						CLIP
					11, 12,				
					14, 15,				
					16				
		2	2, 6		51, 52,				
					54, 55,				
					56				
6	5132 726AA	2	2, 6						CLIP
					11, 12,				
					14, 15,				
					16				
		2	2, 6		51, 52,				
					54, 55,				
					56				
7									NUT, Hex

Refer to Model Legend Information Bookmark

AR = Use as required - = Non illustrated part # = New this model year

March 3, 2006

Rear Splash Shield Figure SVA-970



ITEM	PART NUMBER	QTY	LINE	SERIES	BODY	ENGINE	TRANS	TRIM	DESCRIPTION
	6104 911AA	2	2, 6		11, 12,				
					14, 15,				
		2	2, 6		51, 52,				
					54, 55,				
		1	3, 7		56				
		1	3, 7		02, 06				
					12, 15,				
					16				
8	5125 152AA	1	3, 7		12, 15,				GUARD, Splash Left
					16				
	5125 153AA	1	3, 7		12, 15,				Right
					16				
9	5125 158AA	2	3, 7		12, 15,				BRACKET, Right & Left
					16				
10	6104 581AA	8	3, 7		12, 15,				SCREW
					16				
11	6104 871AA	4	3, 7		12, 15,				RIVET
					16				
12	5125 567AA	4	3, 7		12, 15,				CLIP
					16				
13	6104 911AA	2	3, 7		12, 15,				NUT, Hex
					16				
14	5125 142AA	2	3, 7		12, 15,				MOLDING, Wheel Opening Flare
					16				
15	5098 837AB	16	3, 7		12, 15,				NUT, Plastic Snap-in
					16				
16	6104 614AA	16	2, 6		11, 12,				SCREW
					14, 15,				
					16				
17	5104 639AA	16	3, 7		12, 15,				WASHER
					16				

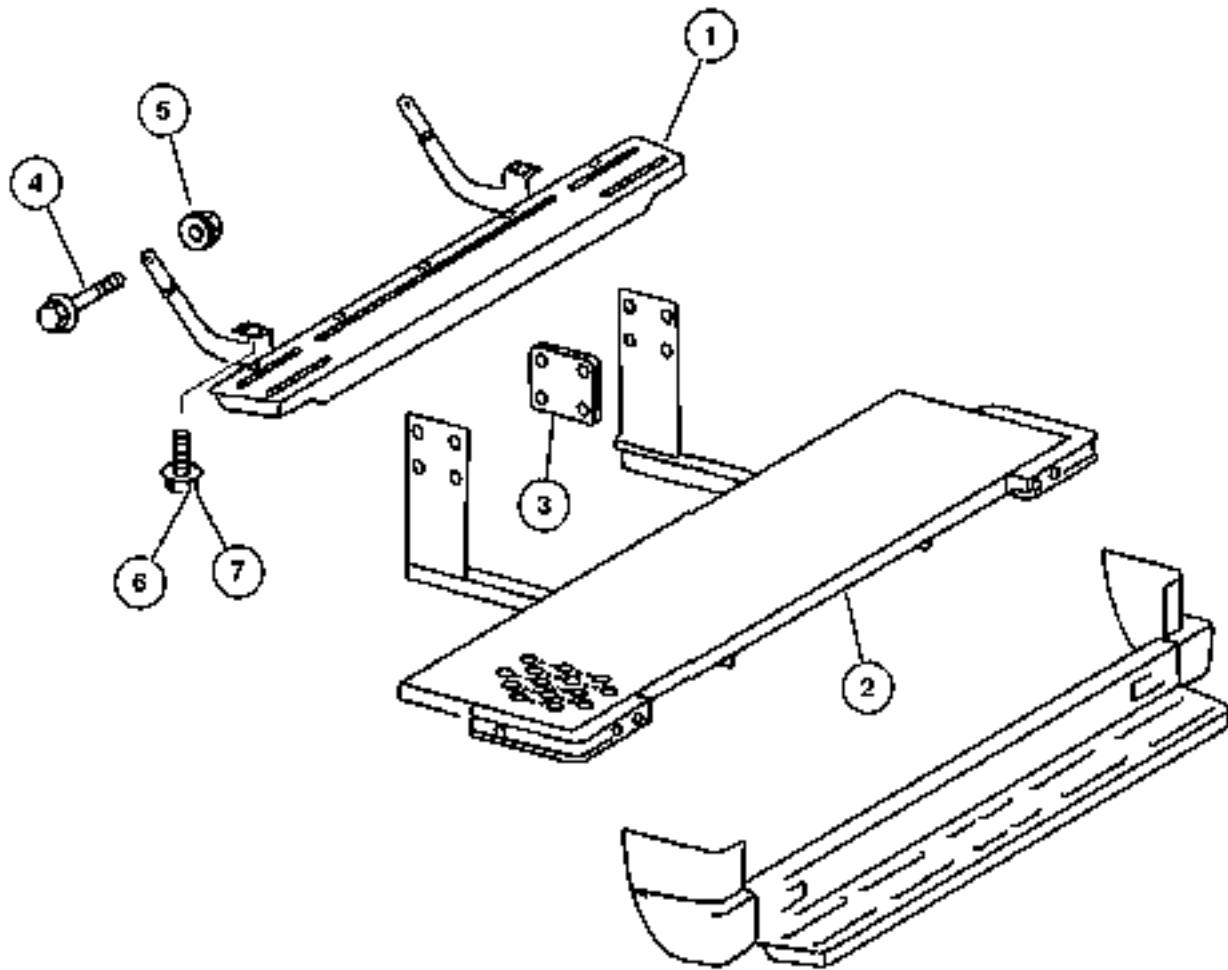
Refer to Model Legend Information Bookmark

AR = Use as required - = Non illustrated part # = New this model year

March 3, 2006

Rear Step Panel
Figure SVA-980

ITEM	PART NUMBER	QTY	LINE	SERIES	BODY	ENGINE	TRANS	TRIM	DESCRIPTION
1									BUMPER, Step
	5104 132AA	1	2, 6		12, 15				With 140 & 158 Inch Wheelbase
		1	2, 6		52, 55				With 140 & 158 Inch Wheelbase
	5104 133AA	1	2, 6		11, 14				With 118 Inch Wheelbase
		1	2, 6		51, 54				With 118 Inch Wheelbase
	5120 038AA	1	3, 7		12, 15				With 140 Inch Wheelbase
	5120 040AA	1	3, 7		16				With 158 Inch Wheelbase
2									BUMPER, Step
	5104 135AA	1	2, 6		16				
		1	2, 6		56				
3									PLATE, Towing Mounting
	5104 056AA	2	2, 6		01, 02, 06				
		2	2, 6		11, 12, 14, 15, 16				
		2	2, 6		51, 52, 54, 55, 56				
		2	3, 7		02, 06				
		2	3, 7		12, 15, 16				
4									SCREW
	5104 664AA	8	2, 6		11, 12, 14, 15, 16				
		8	2, 6		51, 52, 54, 55, 56				
		8	3, 7		12, 15, 16				
5									NUT
	6104 718AA	8	2, 6		01, 02, 06				
		8	2, 6		11, 12, 14, 15, 16				
		8	2, 6		51, 52, 54, 55, 56				
		8	3, 7		02, 06				
		8	3, 7		12, 15, 16				
6									BOLT, Hex Flange Head, M10x1.50x25



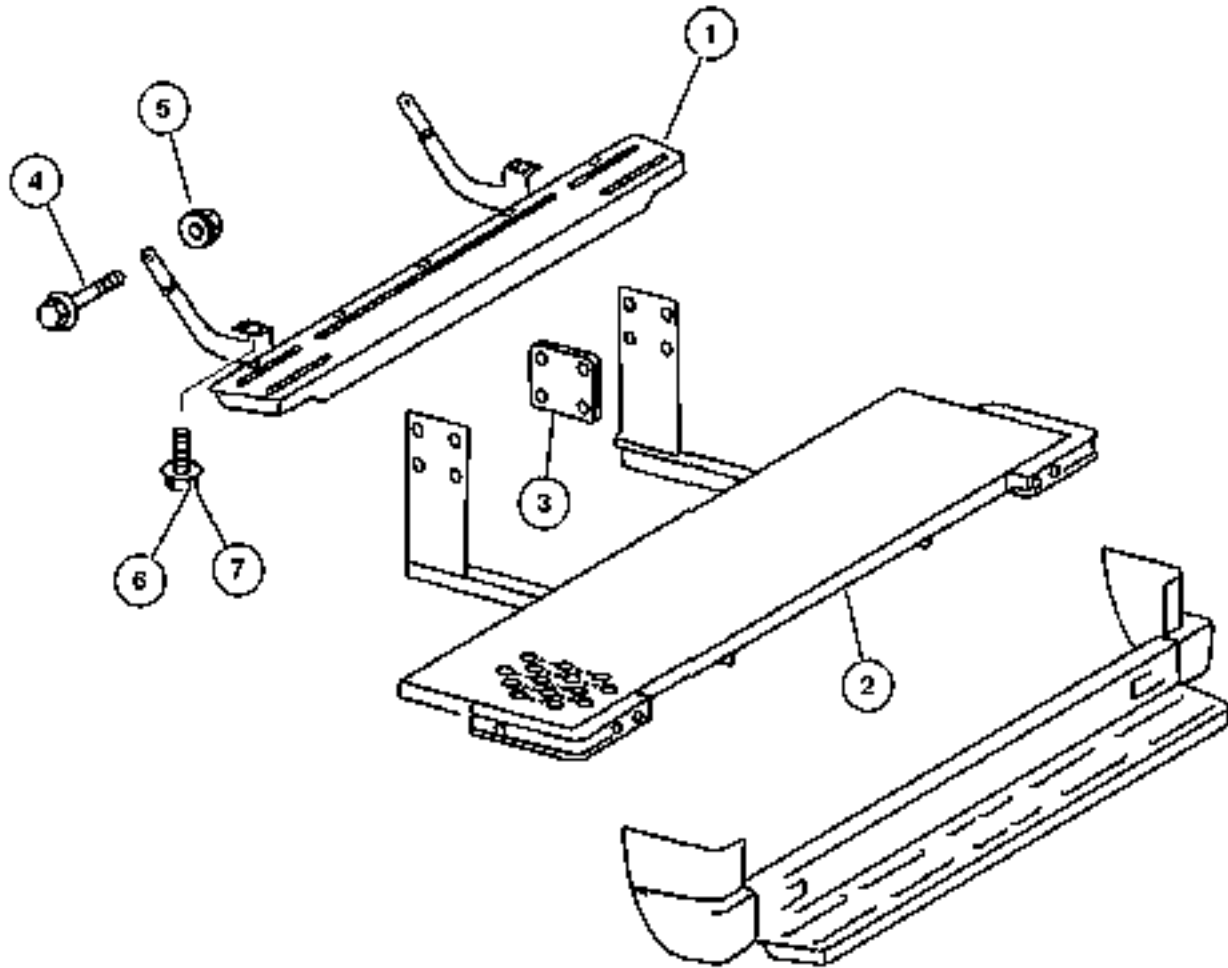
Refer to Model Legend Information Bookmark

AR = Use as required - = Non illustrated part # = New this model year

March 3, 2006

Rear Step Panel
Figure SVA-980

ITEM	PART NUMBER	QTY	LINE	SERIES	BODY	ENGINE	TRANS	TRIM	DESCRIPTION
	6104 215AA	2	2, 6		11, 12, 14, 15, 16				Rocker Panel to Frame
		2	2, 6		51, 52, 54, 55, 56				Rocker Panel to Frame
		4	3, 7		12, 15, 16				Rocker Panel to Frame
7									SCREW
	5104 666AA	4	2, 6		11, 12, 14, 15, 16				
		4	2, 6		51, 52, 54, 55, 56				
		4	3, 7		12, 15, 16				

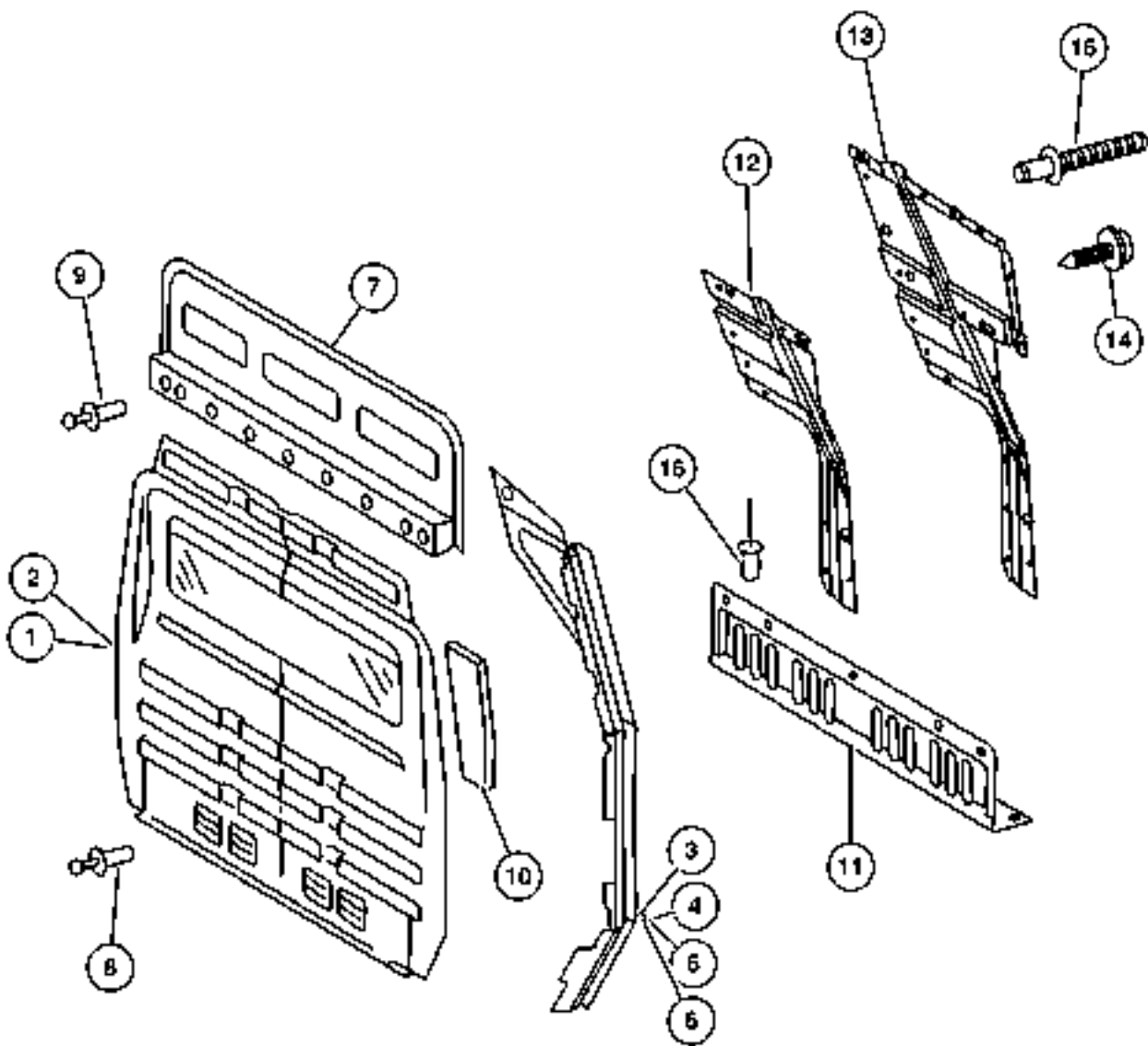


Refer to Model Legend Information Bookmark

AR = Use as required - = Non illustrated part # = New this model year

March 3, 2006

**Partition Wall & Load Protection Grill
Figure SVA-990**



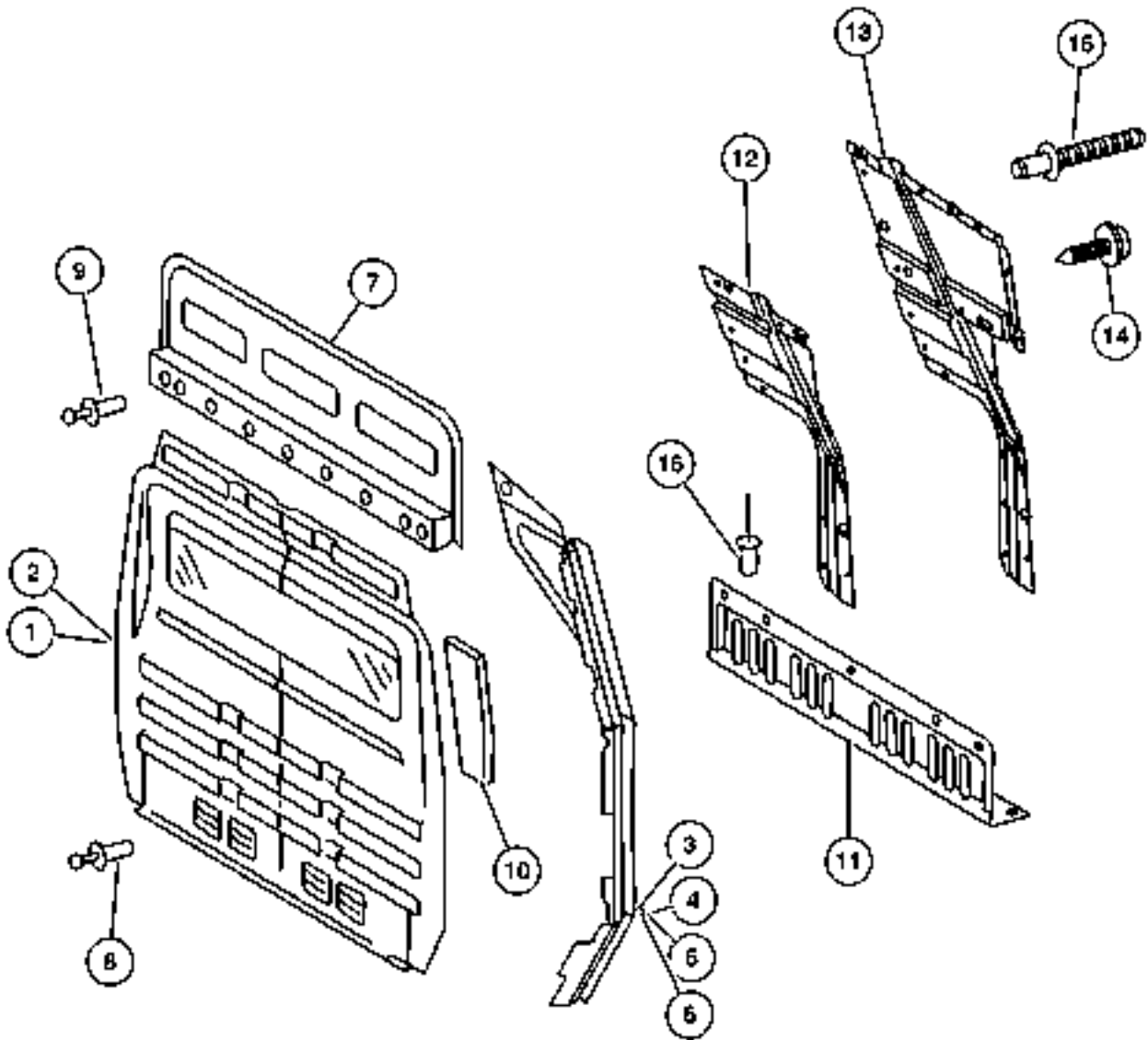
ITEM	PART NUMBER	QTY	LINE	SERIES	BODY	ENGINE	TRANS	TRIM	DESCRIPTION
1									PANEL, Cargo Compartment, Without Windows
	5104 304AA	1	2, 6		11, 12, 14, 15, 16				
		1	3, 7		12, 15, 16				
2									PANEL, Cargo Compartment, With Windows
	5104 307AA	1	2, 6		11, 12, 14, 15, 16				
		1	3, 7		12, 15, 16				
3									PANEL EXTENSION, Extension, W/O Slide Left
	5104 310AA	1	2, 6		11, 12, 14, 15, 16				
		1	3, 7		12, 15, 16				Left
4									PANEL EXTENSION, Extension, W/ Slide Left
	5104 311AA	1	2, 6		11, 12, 14, 15, 16				
		1	3, 7		12, 15, 16				Left
5									PANEL EXTENSION, Extension, W/O Slide Right
	5123 641AA	1	2, 6		11, 12, 14, 15, 16				
		1	3, 7		12, 15, 16				Right
6									PANEL EXTENSION, Extension, W/ Slide Right
	5104 312AA	1	2, 6		11, 12, 14, 15, 16				
		1	3, 7		12, 15, 16				Right
7									PANEL, Cargo Compartment, Upper
	5104 308AA	1	2, 6		14, 15, 16				

Refer to Model Legend Information Bookmark

AR = Use as required - = Non illustrated part # = New this model year

March 3, 2006

Partition Wall & Load Protection Grill
Figure SVA-990



ITEM	PART NUMBER	QTY	LINE	SERIES	BODY	ENGINE	TRANS	TRIM	DESCRIPTION
		1	3, 7		15, 16				
8	5103 839AA	16	2, 6		11, 12, 14, 15, 16				RIVET
		16	3, 7		12, 15, 16				
9	5103 838AA	4	2, 6		01, 02, 06				RIVET
		4	2, 6		11, 12, 14, 15, 16				
		4	2, 6		51, 52, 54, 55, 56				
		4	3, 7		12, 15, 16				
10	5103 712AA	1	2, 6		11, 12, 14, 15, 16				PAD, Isolator
		1	2, 6		51, 52, 54, 55, 56				
		1	3, 7		02, 06				
		1	3, 7		12, 15, 16				
11	5123 631AA	1	3, 7		12, 15, 16				REINFORCEMENT, Cab Back
12	5104 313AA	1							REINFORCEMENT, Side Panel
13	5104 314AA	1							REINFORCEMENT, Side Panel
14									SCREW, Tapping
	6104 580AA	2	2, 6		11, 12, 14, 15, 16				
		2	2, 6		51, 52, 54, 55, 56				
		2	3, 7		12, 15, 16				
15	5103 838AA	4	2, 6		01, 02, 06				RIVET

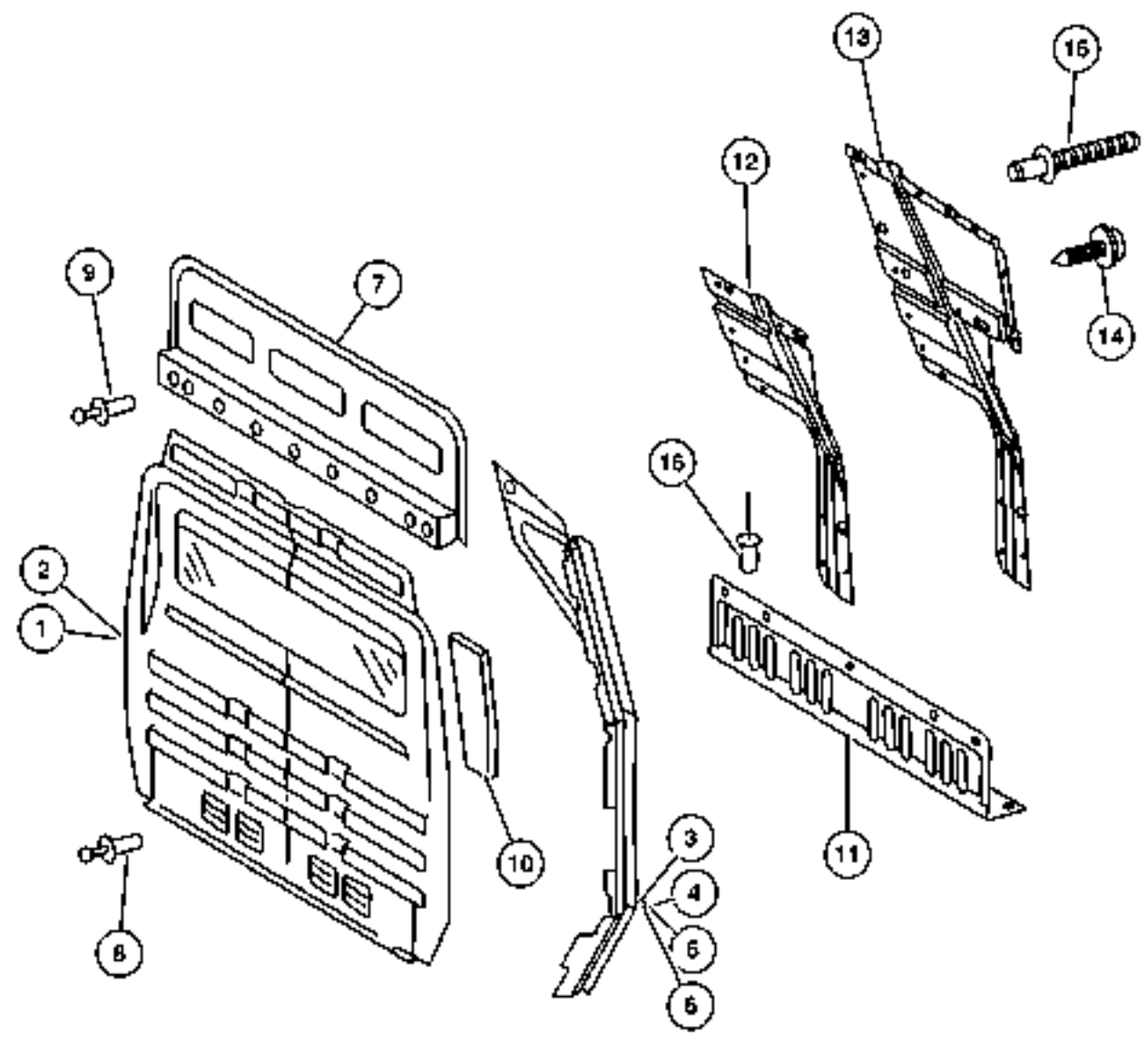
Refer to Model Legend Information Bookmark

AR = Use as required - = Non illustrated part # = New this model year

March 3, 2006

**Partition Wall & Load Protection Grill
Figure SVA-990**

ITEM	PART NUMBER	QTY	LINE	SERIES	BODY	ENGINE	TRANS	TRIM	DESCRIPTION
		4	2, 6		11, 12, 14, 15, 16				
		4	2, 6		51, 52, 54, 55, 56				
16	5125 822AA	10	3, 7		12, 15, 16				RIVET, Blind Bulb

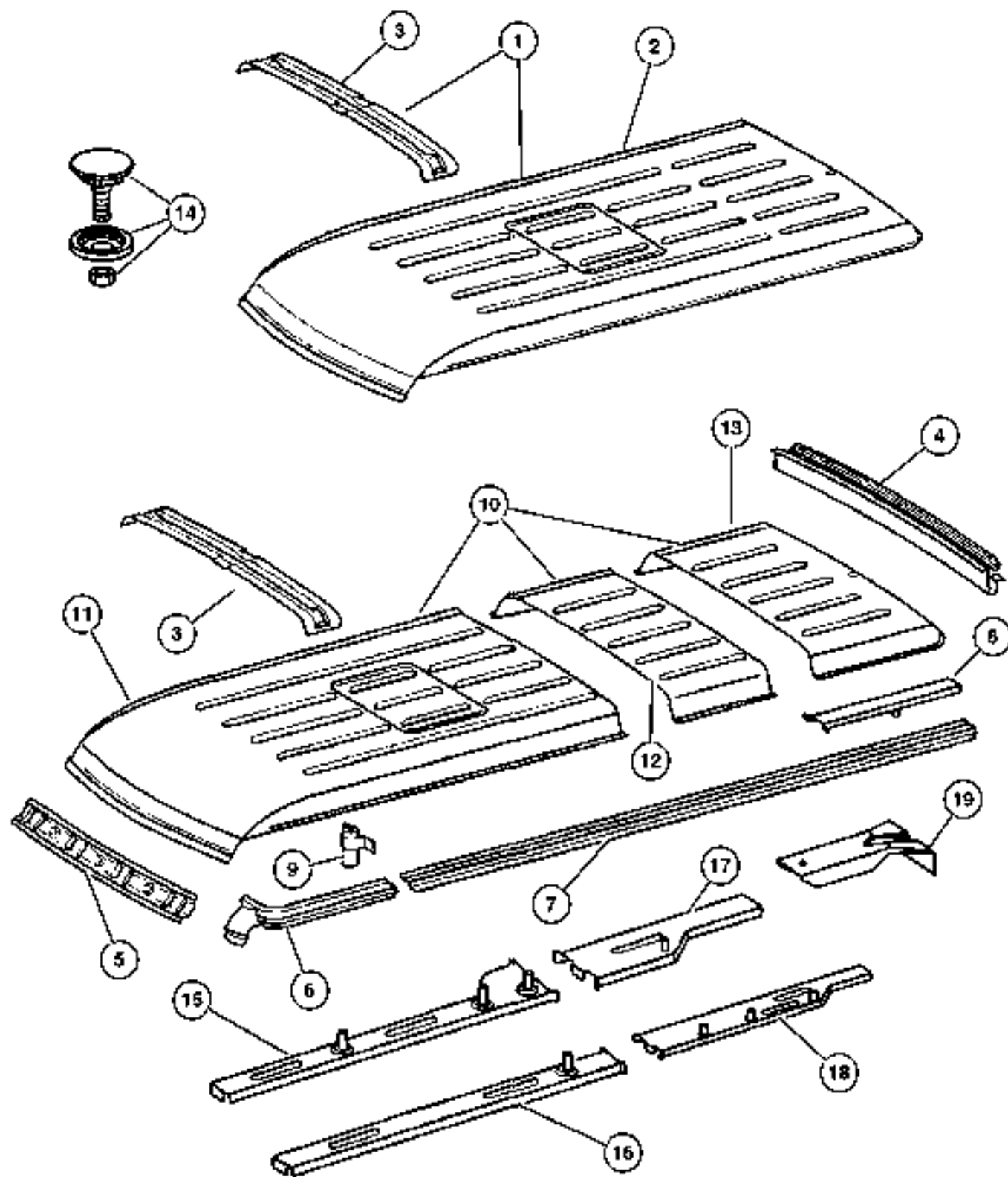


Refer to Model Legend Information Bookmark

AR = Use as required - = Non illustrated part # = New this model year

March 3, 2006

Low Roof Panel
Figure SVA-1110



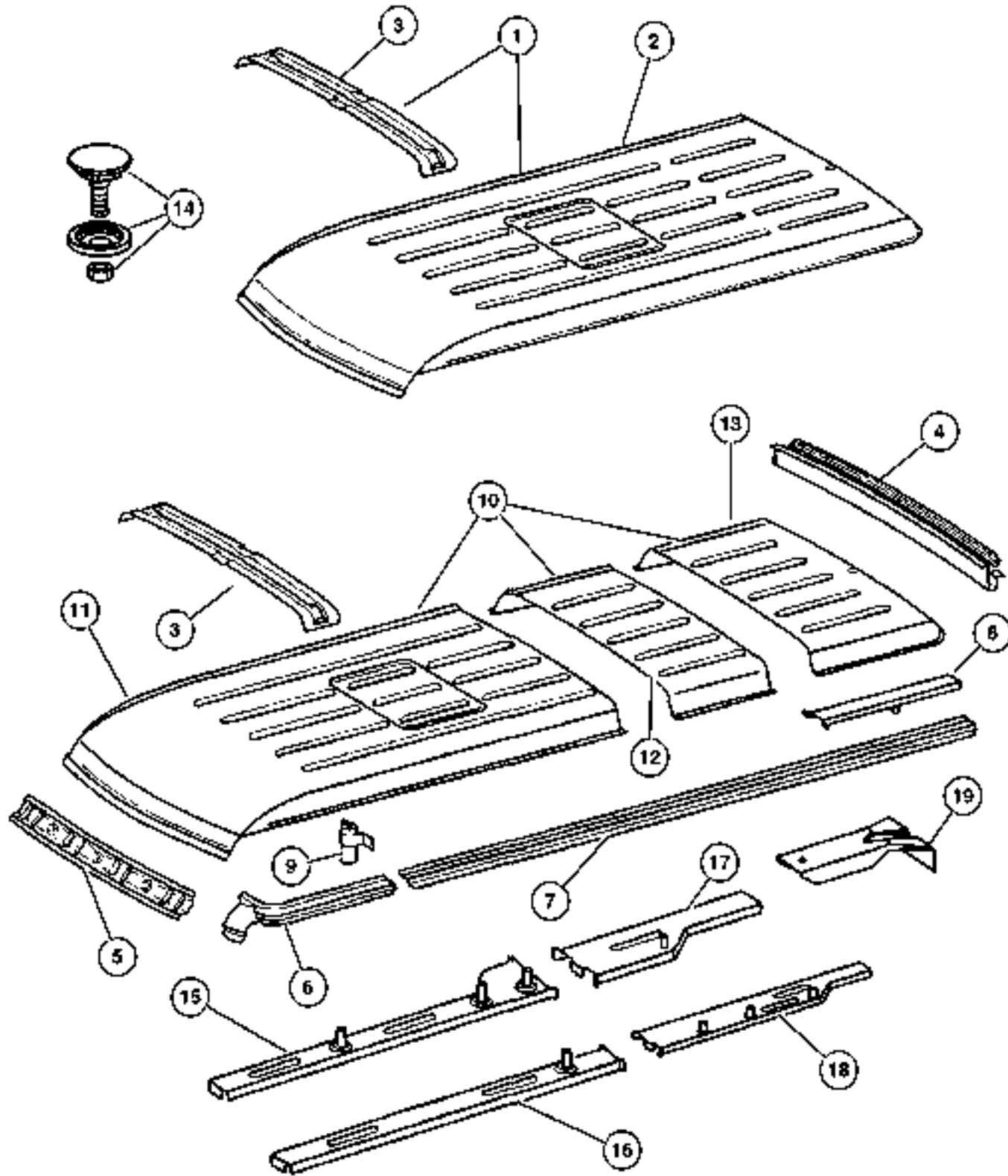
ITEM	PART NUMBER	QTY	LINE	SERIES	BODY	ENGINE	TRANS	TRIM	DESCRIPTION
1									ROOF
	5134 039AA	1	2, 6		11				[118] Inch Wheel Base
		1	2, 6		51				[118] Inch Wheel Base
2									PANEL, Roof
	5122 155AA	1	2, 6		11, 14				
		1	2, 6		51, 54				
3									BOW, Roof
	5122 107AA	3	2, 6		11				
		4	2, 6		12				
		3	2, 6		51				
		4	2, 6		52				
		4	3, 7		15				
4									RAIL, Roof
	5122 058AA	1	2, 6		11, 12				
		1	2, 6		51, 52				
		1	3, 7		12				
5									SUPPORT, Roof
	5104 163AA	1	2, 6		01, 02, 06				
		1	2, 6		11, 12, 14, 15, 16				
		1	2, 6		51, 52, 54, 55, 56				
		1	3, 7		02, 06				
		1	3, 7		12, 15, 16				
6									RAIL, Roof Side
	5104 194AA	1	2, 6		11, 12, 14, 15, 16				Left
		1	2, 6		51, 52, 54, 55, 56				Left
		1	3, 7		12, 15, 16				Left
	5104 196AA	1	2, 6		11, 12, 14, 15, 16				Right
		1	2, 6		51, 52, 54, 55, 56				Right
		1	3, 7		12, 15, 16				Right
7									RAIL, Roof Side

Refer to Model Legend Information Bookmark

AR = Use as required - = Non illustrated part # = New this model year

March 3, 2006

Low Roof Panel
Figure SVA-1110



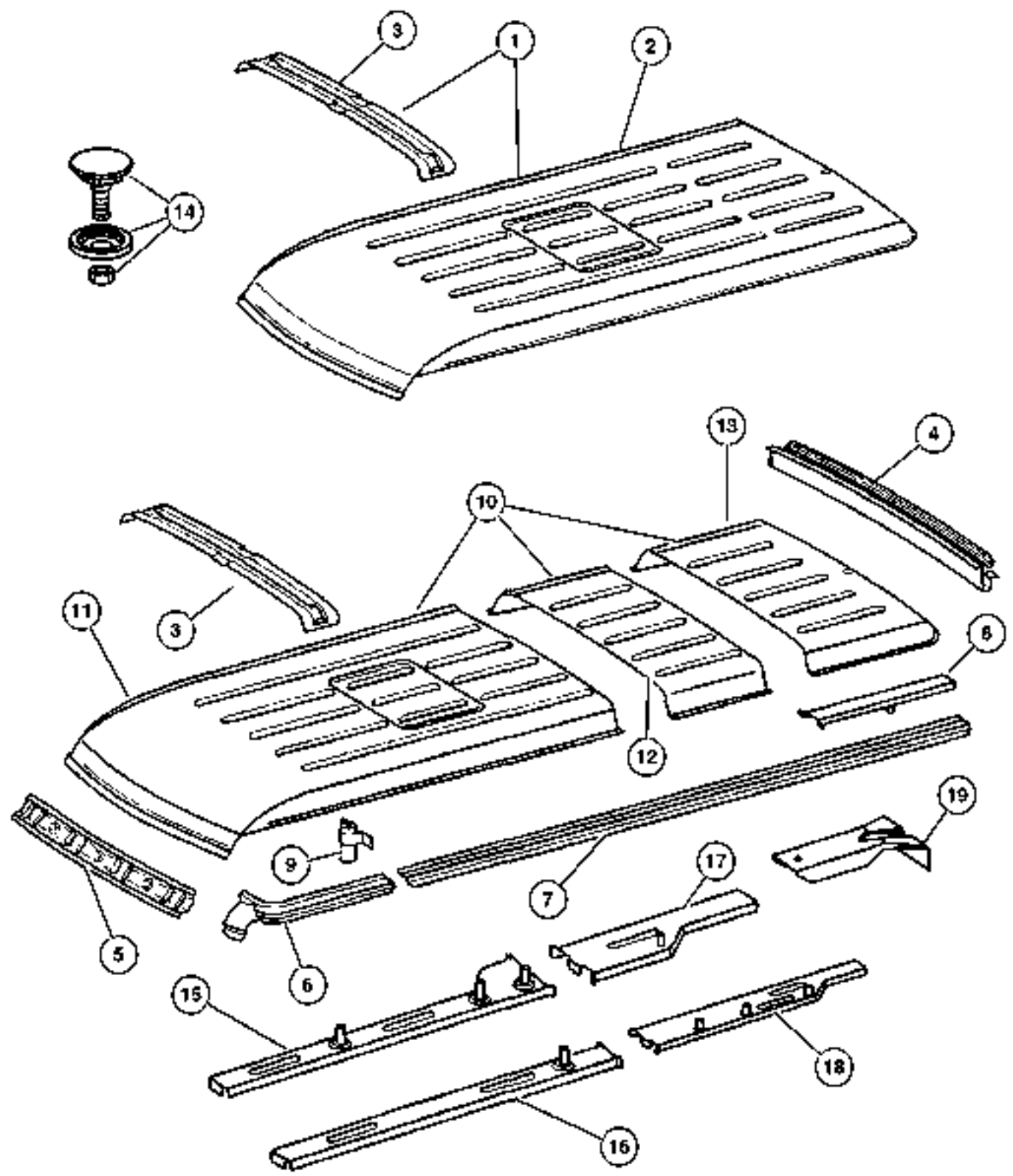
ITEM	PART NUMBER	QTY	LINE	SERIES	BODY	ENGINE	TRANS	TRIM	DESCRIPTION
	5104 191AA	1	2, 6		16				[158] Inch Wheel Base, Right & Left
		1	2, 6		56				[158] Inch Wheel Base, Right & Left
		1	3, 7		16				[158] Inch Wheel Base, Right & Left
	5121 826AA	1	2, 6		11, 14				[118] Inch Wheel Base, Right & Left
		1	2, 6		51, 54				[118] Inch Wheel Base, Right & Left
	5121 827AA	1	2, 6		12, 15				[140] Inch Wheel Base, Right & Left
		1	2, 6		52, 55				[140] Inch Wheel Base, Right & Left
8	5131 214AA	2	2, 6		12				REINFORCEMENT, Roof Panel [140] Inch Wheel Base
		2	2, 6		52				[140] Inch Wheel Base
9	5131 213AA	2	2, 6		12				REINFORCEMENT, Roof Panel [140] Inch Wheel Base
		2	2, 6		52				[140] Inch Wheel Base
10	5134 036AA	1	2, 6		12				ROOF [140] Inch Wheel Base
		1	2, 6		52				[140] Inch Wheel Base
		1	3, 7		15				[140] Inch Wheel Base
11	5122 156AA	1	2, 6		12				PANEL, Roof [140] Inch Wheel Base
		1	2, 6		52				[140] Inch Wheel Base
		1	3, 7		15				[140] Inch Wheel Base
12	5122 133AA	1	2, 6		12				PANEL, Roof [140] Inch Wheel Base
		1	2, 6		52				[140] Inch Wheel Base
		1	3, 7		15				[140] Inch Wheel Base
13	5122 134AA	1	2, 6		12				PANEL, Roof [140] Inch Wheel Base
		1	2, 6		52				[140] Inch Wheel Base
		1	3, 7		15				[140] Inch Wheel Base
14	5124 422AA	1	2, 6		01, 02, 06				PANEL, For Sealing Antenna
		1	2, 6		11, 12, 14, 15,				
		1	2, 6		16				
		1	2, 6		51, 52, 54, 55, 56				

Refer to Model Legend Information Bookmark

AR = Use as required - = Non illustrated part # = New this model year

March 3, 2006

Low Roof Panel
Figure SVA-1110



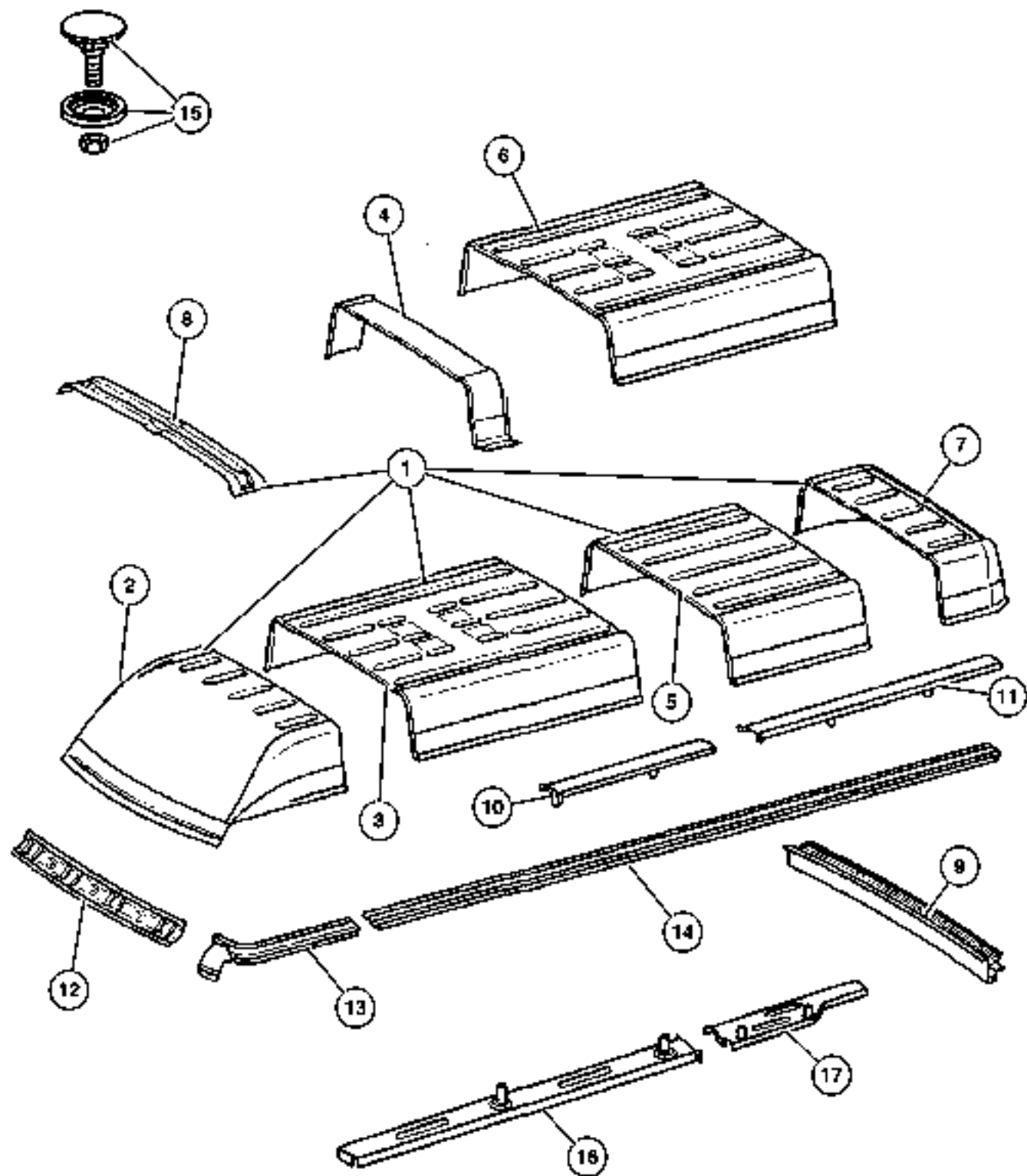
ITEM	PART NUMBER	QTY	LINE	SERIES	BODY	ENGINE	TRANS	TRIM	DESCRIPTION
		1	3, 7		02, 06				
		1	3, 7		12, 15, 16				
15	5122 081AA	1	2, 6		12				BRACKET, Roof Left
		1	2, 6		52				Left
		1	3, 7		15				Left
	5122 083AA	1	2, 6		12				Right
		1	2, 6		52				Right
16		1	3, 7		15				Right
	5122 090AA	1	2, 6		11				BRACKET, Roof, Front Right
		1	2, 6		51				
17									BRACKET, Roof Left
	5122 084AA	1	2, 6		12				Left
		1	2, 6		52				Left
		1	3, 7		15				Left
	5122 085AA	1	2, 6		12				Right
		1	2, 6		52				Right
		1	3, 7		15				Right
18									BRACKET, Roof Right
	5122 092AA	1	2, 6		11				Right
		1	2, 6		51				Right
	5122 093AA	1	2, 6		11				Left
		1	2, 6		51				Left
19									REINFORCEMENT, Roof Panel
	5122 125AA	2	2, 6		11, 12, 14, 15, 16				
		2	2, 6		51, 52, 54, 55, 56				
		2	3, 7		12, 15, 16				

Refer to Model Legend Information Bookmark

AR = Use as required - = Non illustrated part # = New this model year

March 3, 2006

High Roof Panel Figure SVA-1120



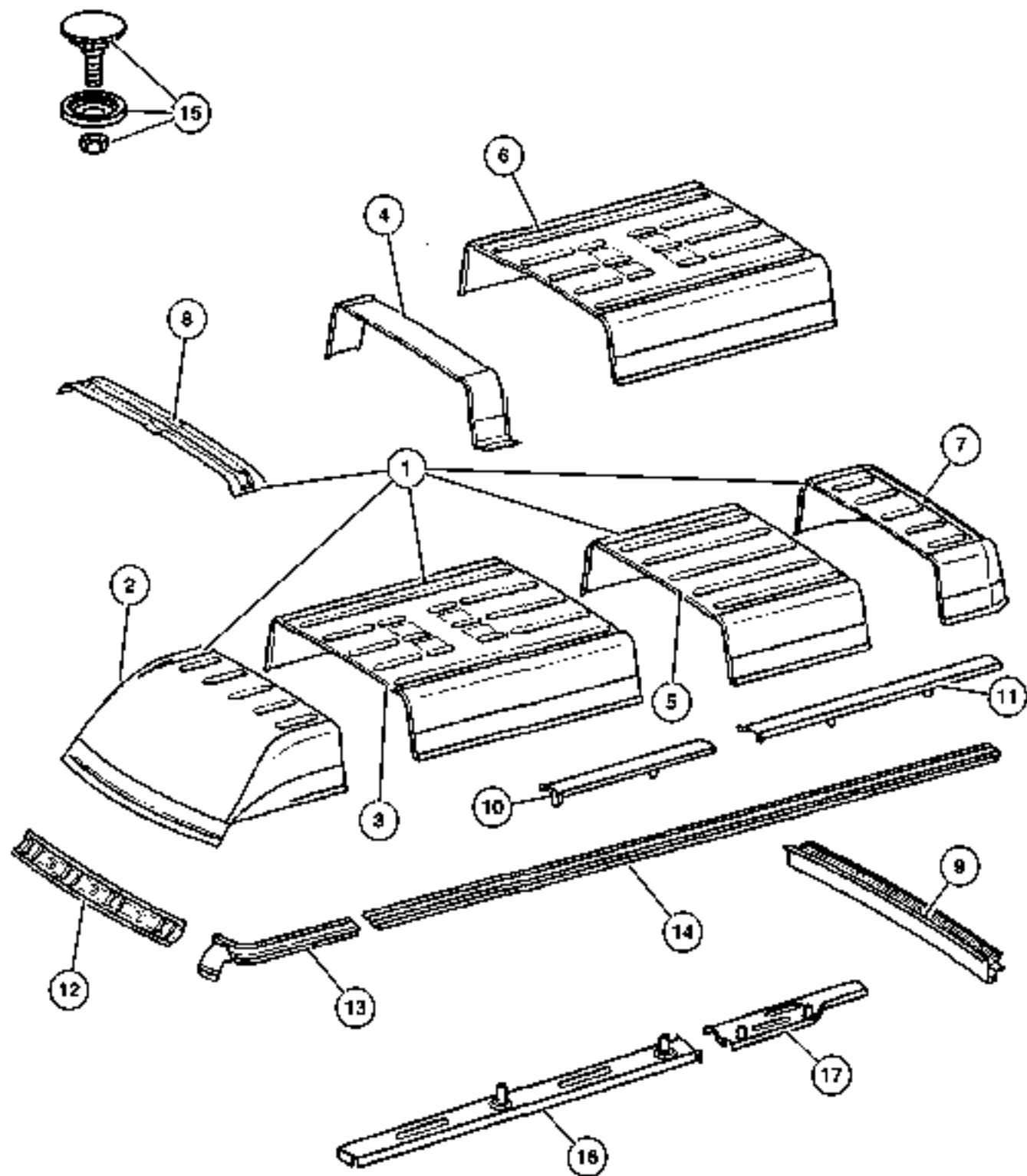
ITEM	PART NUMBER	QTY	LINE	SERIES	BODY	ENGINE	TRANS	TRIM	DESCRIPTION
1									ROOF
	5104 228AA	1	2, 6		12				[140] Inch Wheel Base
		1	2, 6		52				[140] Inch Wheel Base
		1	3, 7		15				[140] Inch Wheel Base
	5134 037AA	1	2, 6		16				[158] Inch Wheel Base
		1	2, 6		56				[158] Inch Wheel Base
		1	3, 7		16				[158] Inch Wheel Base
	5134 038AA	1	2, 6		11				[118] Inch Wheel Base
		1	2, 6		51				[118] Inch Wheel Base
2									PANEL, Roof
	5104 233AA	1	2, 6		14, 15, 16				
		1	2, 6		11, 12, 16				
		1	2, 6		54, 55, 56				
		1	2, 6		51, 52, 56				
3									PANEL, Roof
	5122 143AA	1	2, 6		11, 12, 16				
		1	2, 6		16				
		1	2, 6		54, 55, 56				
		1	2, 6		56				
		1	3, 7		15, 16				
		1	3, 7		16				
4									EXTENSION, Roof Bow
	5131 242AA	1	2, 6		14				
		1	2, 6		54				
5									PANEL, Roof
	5122 144AA	1	2, 6		12				[140] Inch Wheel Base
		1	2, 6		52				[140] Inch Wheel Base
		1	3, 7		15				[140] Inch Wheel Base
6									PANEL, Roof
	5104 232AA	1	2, 6		11, 12, 16				[158] Inch Wheel Base, With Electric Fan
		1	3, 7		15, 16				[158] Inch Wheel Base, With Electric Fan
	5122 143AA	1	2, 6		11, 12, 16				[140 & 158] Inch Wheel Base
		1	2, 6		54, 55, 56				[140 & 158] Inch Wheel Base
		1	3, 7		15, 16				[140 & 158] Inch Wheel Base
7									PANEL, Roof

Refer to Model Legend Information Bookmark

AR = Use as required - = Non illustrated part # = New this model year

March 3, 2006

High Roof Panel Figure SVA-1120



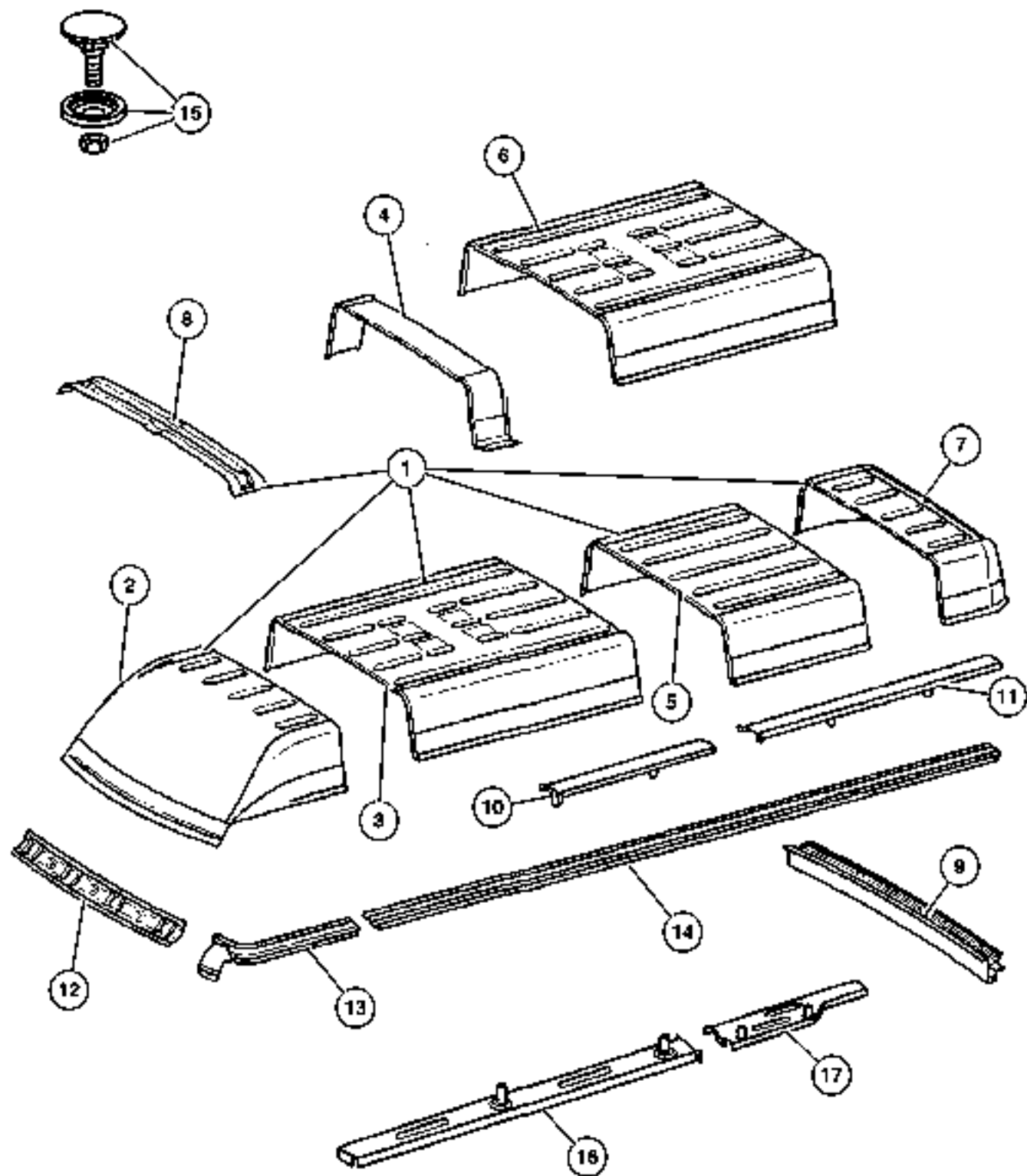
ITEM	PART NUMBER	QTY	LINE	SERIES	BODY	ENGINE	TRANS	TRIM	DESCRIPTION
	5104 231AA	1	2, 6		12, 16				
		1	2, 6		52, 56				
		1	3, 7		15, 16				
8	5104 227AA	1	2, 6		14, 15, 16				BOW, Roof [140 & 158] Inch Wheel Base
		1	2, 6		54, 55, 56				[140 & 158] Inch Wheel Base
		1	3, 7		15, 16				[140 & 158] Inch Wheel Base
	5104 229AA	2	2, 6		11				With Electric Fan
		3	2, 6		12				With Electric Fan
		4	2, 6		16				With Electric Fan
		2	2, 6		51				With Electric Fan
		3	2, 6		52				With Electric Fan
		4	2, 6		56				With Electric Fan
		3	3, 7		15				With Electric Fan
		4	3, 7		16				With Electric Fan
	5122 107AA	3	2, 6		11				[118] Inch Wheel Base
		4	2, 6		12				[118] Inch Wheel Base
		3	2, 6		51				[118] Inch Wheel Base
		4	2, 6		52				[118] Inch Wheel Base
		4	3, 7		15				[118] Inch Wheel Base
9	5104 226AA	1	2, 6		14, 15, 16				BOW, Roof
		1	2, 6		54, 55, 56				
10	5131 215AA	2	2, 6		15				REINFORCEMENT, Roof Panel
		2	2, 6		55				
11	5131 216AA	2	2, 6		11				REINFORCEMENT, Roof Panel
		2	2, 6		51				
12	5104 163AA	1	2, 6		01, 02, 06				SUPPORT, Roof
		1	2, 6		11, 12, 14, 15, 16				
		1	2, 6		51, 52, 54, 55, 56				
		1	3, 7		02, 06				
		1	3, 7		12, 15, 16				
13									RAIL, Roof Side

Refer to Model Legend Information Bookmark

AR = Use as required - = Non illustrated part # = New this model year

March 3, 2006

High Roof Panel Figure SVA-1120



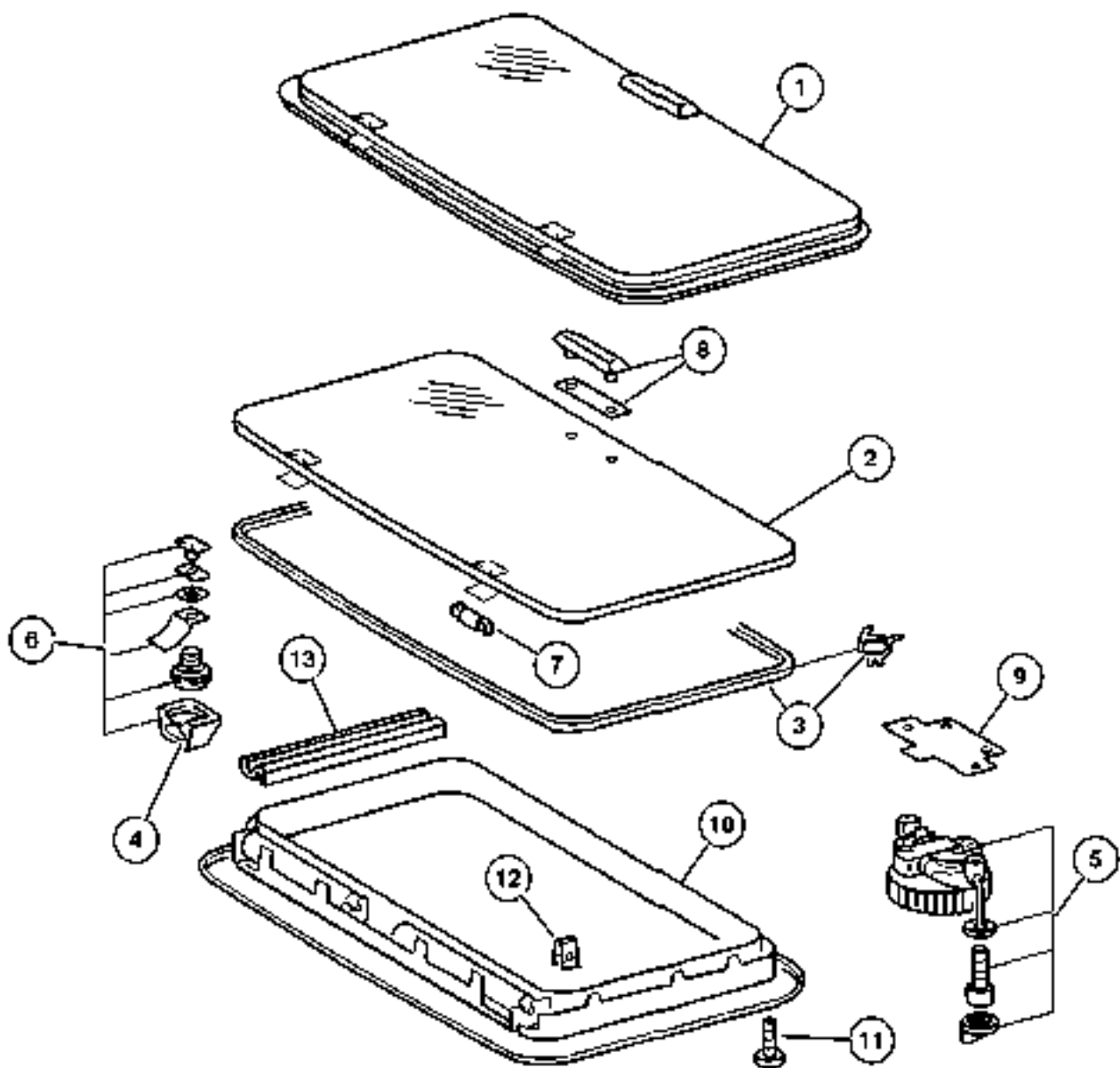
ITEM	PART NUMBER	QTY	LINE	SERIES	BODY	ENGINE	TRANS	TRIM	DESCRIPTION
	5104 194AA	1	2, 6		11, 12,				Left
					14, 15,				
		1	2, 6		51, 52,				Left
					54, 55,				
		1	3, 7		56				Left
	5104 196AA	1	2, 6		12, 15,				Right
					16				
		1	2, 6		11, 12,				Right
					14, 15,				
		1	2, 6		51, 52,				Right
					54, 55,				
		1	3, 7		56				Right
					12, 15,				
					16				
14									RAIL, Roof Side
	5104 191AA	1	2, 6		16				[158] Inch wheel Base
		1	2, 6		56				[158] Inch wheel Base
		1	3, 7		16				[158] Inch wheel Base
	5121 827AA	1	2, 6		12, 15				[140] Inch Wheel Base
		1	2, 6		52, 55				[140] Inch Wheel Base
		1	3, 7		12, 15				[140] Inch Wheel Base
15									PANEL, For Sealing Antenna
	5124 422AA	1	2, 6		01, 02,				
					06				
		1	2, 6		11, 12,				
					14, 15,				
					16				
		1	2, 6		51, 52,				
					54, 55,				
					56				
		1	3, 7		02, 06				
		1	3, 7		12, 15,				
					16				
16									BRACKET, Roof
	5122 086AA	1	2, 6		15				
		1	2, 6		55				
		1	3, 7		15				
17									BRACKET, Roof
	5122 088AA	1	2, 6		15				Left Rear
		1	2, 6		55				Left Rear
		1	3, 7		15				Left Rear
	5122 089AA	1	2, 6		15				Right Rear
		1	2, 6		55				Right Rear

Refer to Model Legend Information Bookmark

AR = Use as required - = Non illustrated part # = New this model year

March 3, 2006

Manual Sunroof
Figure SVA-1210



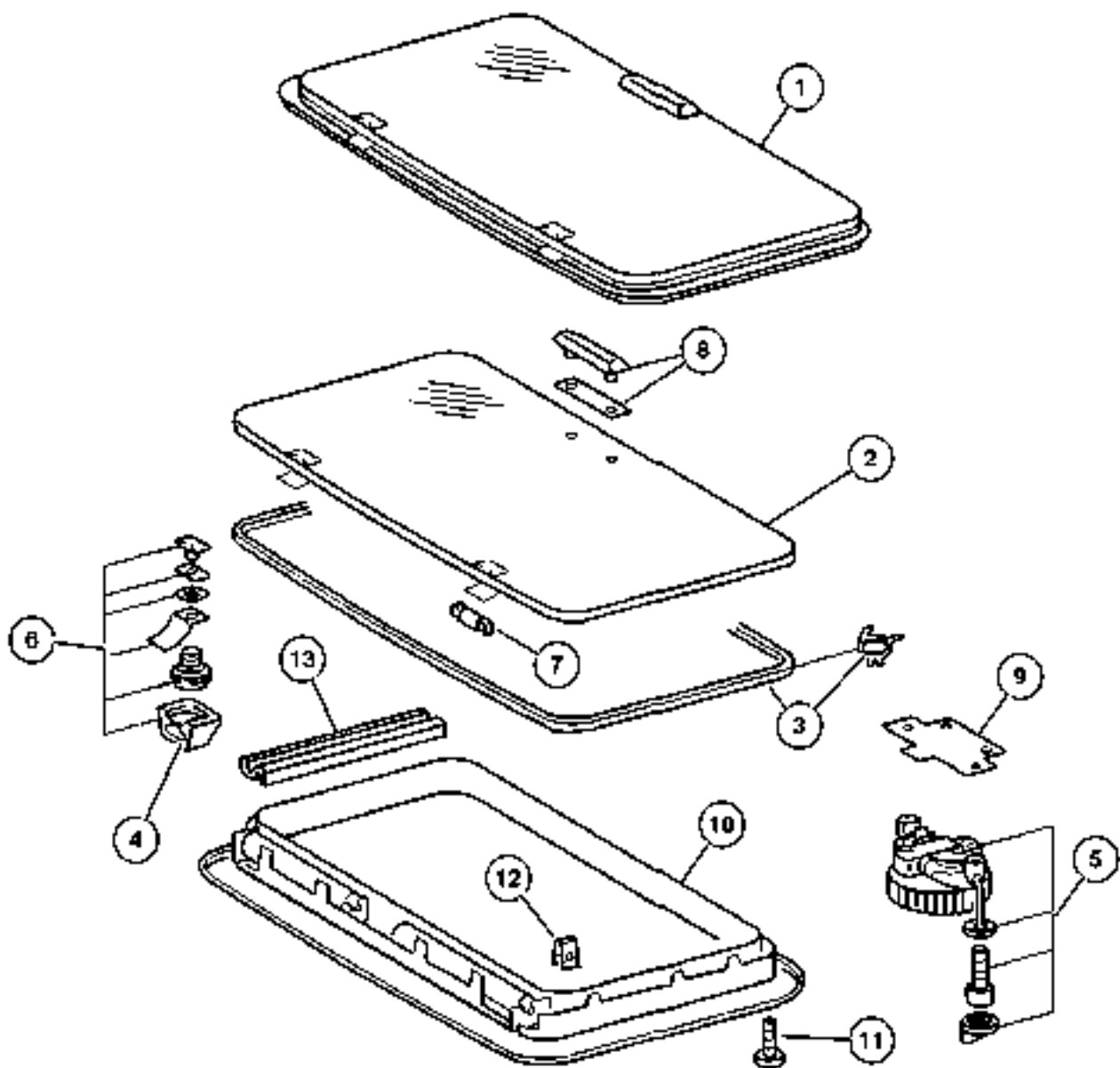
ITEM	PART NUMBER	QTY	LINE	SERIES	BODY	ENGINE	TRANS	TRIM	DESCRIPTION
1									SUNROOF, Complete
	5104 476AA	1	2, 6		01, 02, 06				
		1	2, 6		11, 12, 14, 15, 16				
		1	2, 6		51, 52, 54, 55, 56				
		1	3, 7		02, 06				
		1	3, 7		12, 15, 16				
2									GLASS, Sunroof
	5134 005AA	1	2, 6		01, 02, 06				
		1	2, 6		11, 12, 14, 15, 16				
		1	2, 6		51, 52, 54, 55, 56				
		1	3, 7		02, 06				
		1	3, 7		12, 15, 16				
3									SEAL, Sunroof
	5134 006AA	1	2, 6		01, 02, 06				
		1	2, 6		11, 12, 14, 15, 16				
		1	2, 6		51, 52, 54, 55, 56				
		1	3, 7		02, 06				
		1	3, 7		12, 15, 16				
4									COVER, Hinge
	5134 007AA	1	2, 6		01, 02, 06				
		1	2, 6		11, 12, 14, 15, 16				
		1	2, 6		51, 52, 54, 55, 56				

Refer to Model Legend Information Bookmark

AR = Use as required - = Non illustrated part # = New this model year

March 3, 2006

Manual Sunroof
Figure SVA-1210



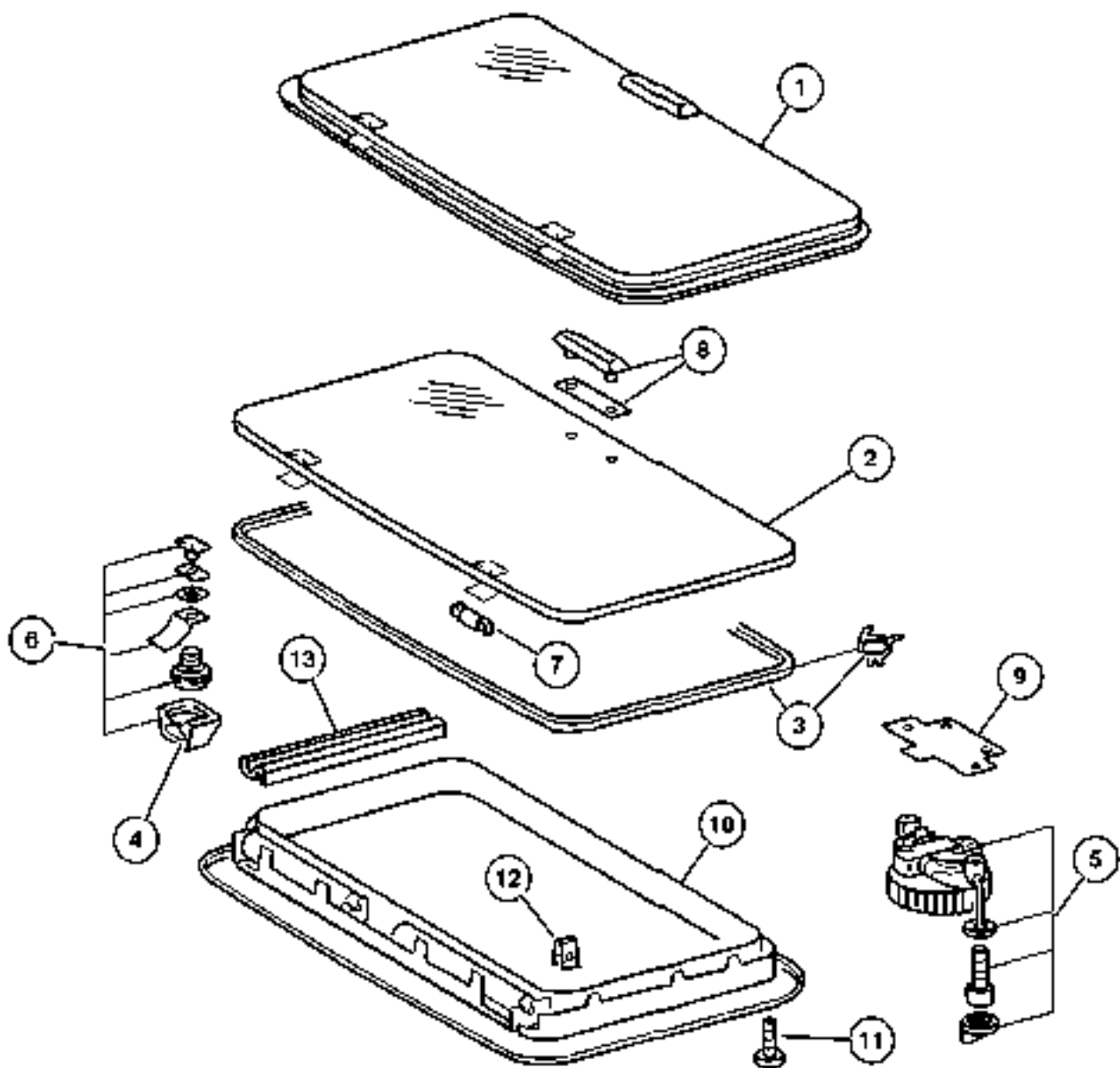
ITEM	PART NUMBER	QTY	LINE	SERIES	BODY	ENGINE	TRANS	TRIM	DESCRIPTION
		1	3, 7		02, 06				
		1	3, 7		12, 15, 16				
5	5134 008AA	1	2, 6		01, 02, 06				HANDLE, Sunroof
		1	2, 6		11, 12, 14, 15, 16				
		1	2, 6		51, 52, 54, 55, 56				
		1	3, 7		02, 06				
		1	3, 7		12, 15, 16				
6	5134 009AA	1	2, 6		01, 02, 06				HINGE, Sunroof
		1	2, 6		11, 12, 14, 15, 16				
		1	2, 6		51, 52, 54, 55, 56				
		1	3, 7		02, 06				
		1	3, 7		12, 15, 16				
7	5134 010AA	1	2, 6		01, 02, 06				HINGE, Sunroof
		1	2, 6		11, 12, 14, 15, 16				
		1	2, 6		51, 52, 54, 55, 56				
		1	3, 7		02, 06				
		1	3, 7		12, 15, 16				
8	5134 012AA	1	2, 6		01, 02, 06				PLATE, Sunroof
		1	2, 6		11, 12, 14, 15, 16				

Refer to Model Legend Information Bookmark

AR = Use as required - = Non illustrated part # = New this model year

March 3, 2006

Manual Sunroof
Figure SVA-1210



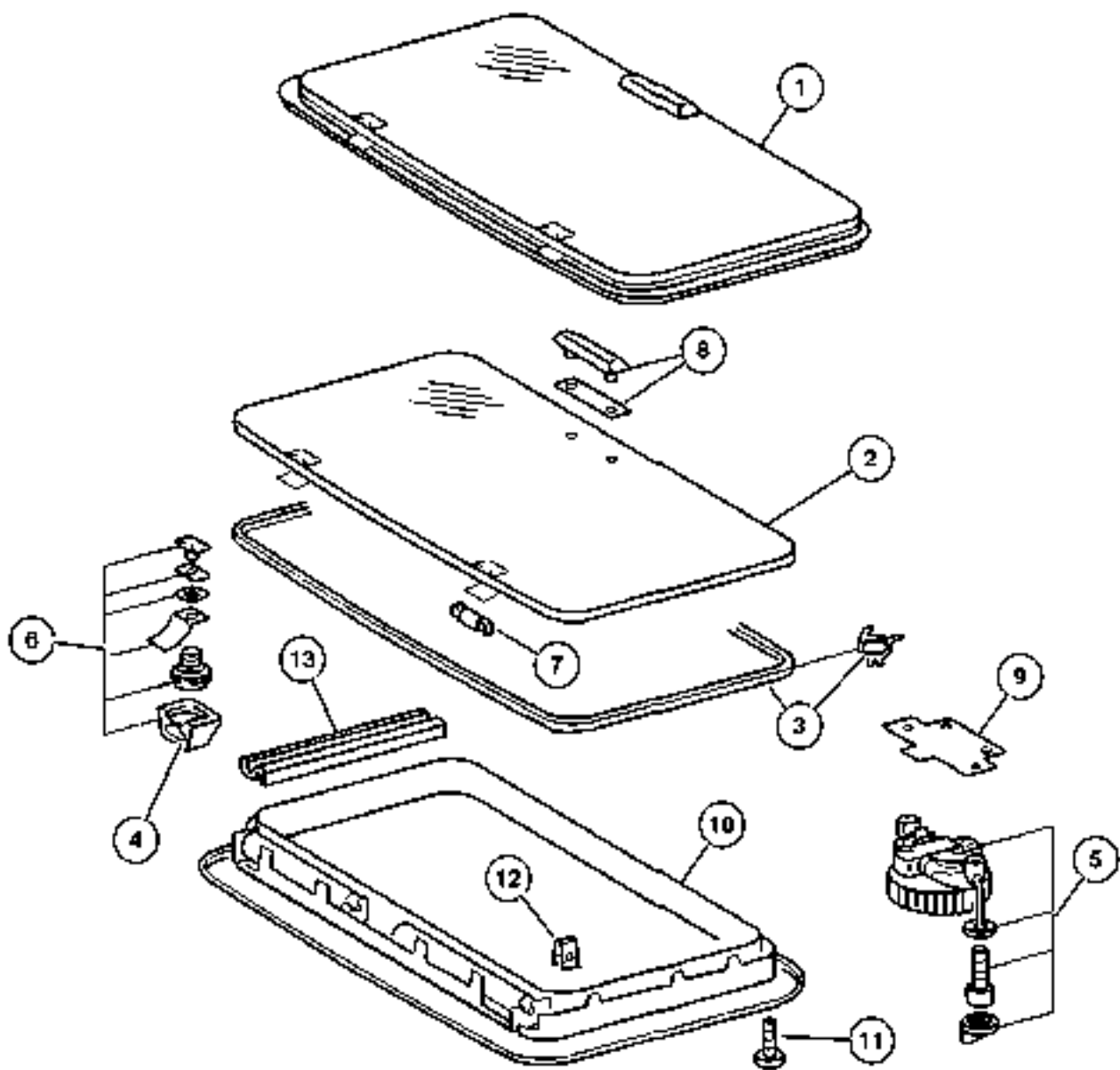
ITEM	PART NUMBER	QTY	LINE	SERIES	BODY	ENGINE	TRANS	TRIM	DESCRIPTION
		1	2, 6		51, 52, 54, 55, 56				
		1	3, 7		02, 06				
		1	3, 7		12, 15, 16				
9	5134 011AA	1	2, 6		01, 02, 06				PLATE, Sunroof
		1	2, 6		11, 12, 14, 15, 16				
		1	2, 6		51, 52, 54, 55, 56				
		1	3, 7		02, 06				
		1	3, 7		12, 15, 16				
10	5124 714AA	1	2, 6		01, 02, 06				FRAME, Sunroof
		1	2, 6		11, 12, 14, 15, 16				
		1	2, 6		51, 52, 54, 55, 56				
		1	3, 7		02, 06				
		1	3, 7		12, 15, 16				
	5124 715AA	1	2, 6		01, 02, 06				Without Double Shade
		1	2, 6		11, 12, 14, 15, 16				Without Double Shade
		1	2, 6		51, 52, 54, 55, 56				Without Double Shade
		1	3, 7		02, 06				Without Double Shade
		1	3, 7		12, 15, 16				Without Double Shade
11	5126 276AA	24	2, 6		01, 02, 06				SCREW

Refer to Model Legend Information Bookmark

AR = Use as required - = Non illustrated part # = New this model year

March 3, 2006

Manual Sunroof
Figure SVA-1210



ITEM	PART NUMBER	QTY	LINE	SERIES	BODY	ENGINE	TRANS	TRIM	DESCRIPTION
		24	2, 6		11, 12,				
					14, 15				
		24	2, 6		16				
		24	2, 6		51, 52,				
					54, 55				
		24	2, 6		56				
		24	3, 7		02, 06				
		24	3, 7		16				
		24	3, 7		12, 15				
12	5125 572AA	14	2, 6		01, 02,				CLIP, Sunroof
					06				
		14	2, 6		11, 12,				
					14, 15,				
					16				
		14	2, 6		51, 52,				
					54, 55,				
					56				
		14	3, 7		02, 06				
		14	3, 7		12, 15,				
					16				
13	5104 495AA	2	2, 6		01, 02,				SUPPORT
					06				
		2	2, 6		11, 12,				
					14, 15,				
					16				
		2	2, 6		51, 52,				
					54, 55,				
					56				
		2	3, 7		02, 06				
		2	3, 7		12, 15,				
					16				

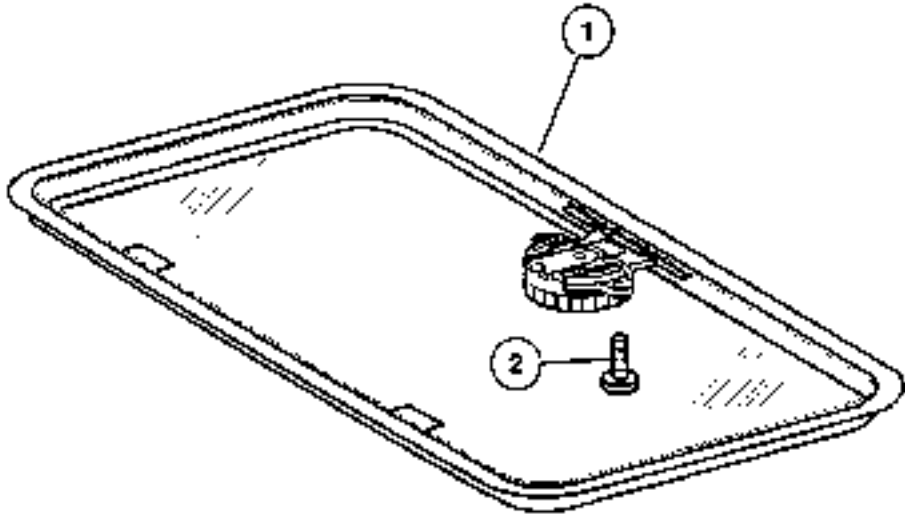
Refer to Model Legend Information Bookmark

AR = Use as required - = Non illustrated part # = New this model year

March 3, 2006

Fixed Sunroof
Figure SVA-1220

ITEM	PART NUMBER	QTY	LINE	SERIES	BODY	ENGINE	TRANS	TRIM	DESCRIPTION
1									GLASS, Sunroof
	5104 480AA	1	2, 6		11, 12, 14, 15				
		2	2, 6		16				
		1	2, 6		51, 52, 54, 55				
		2	2, 6		56				
		1	3, 7		12, 15				
		2	3, 7		16				
2									SCREW
	5126 276AA	24	2, 6		11, 12, 14, 15				
		48	2, 6		16				
		24	2, 6		51, 52, 54, 55				
		48	2, 6		56				
		24	3, 7		12, 15				
		48	3, 7		16				



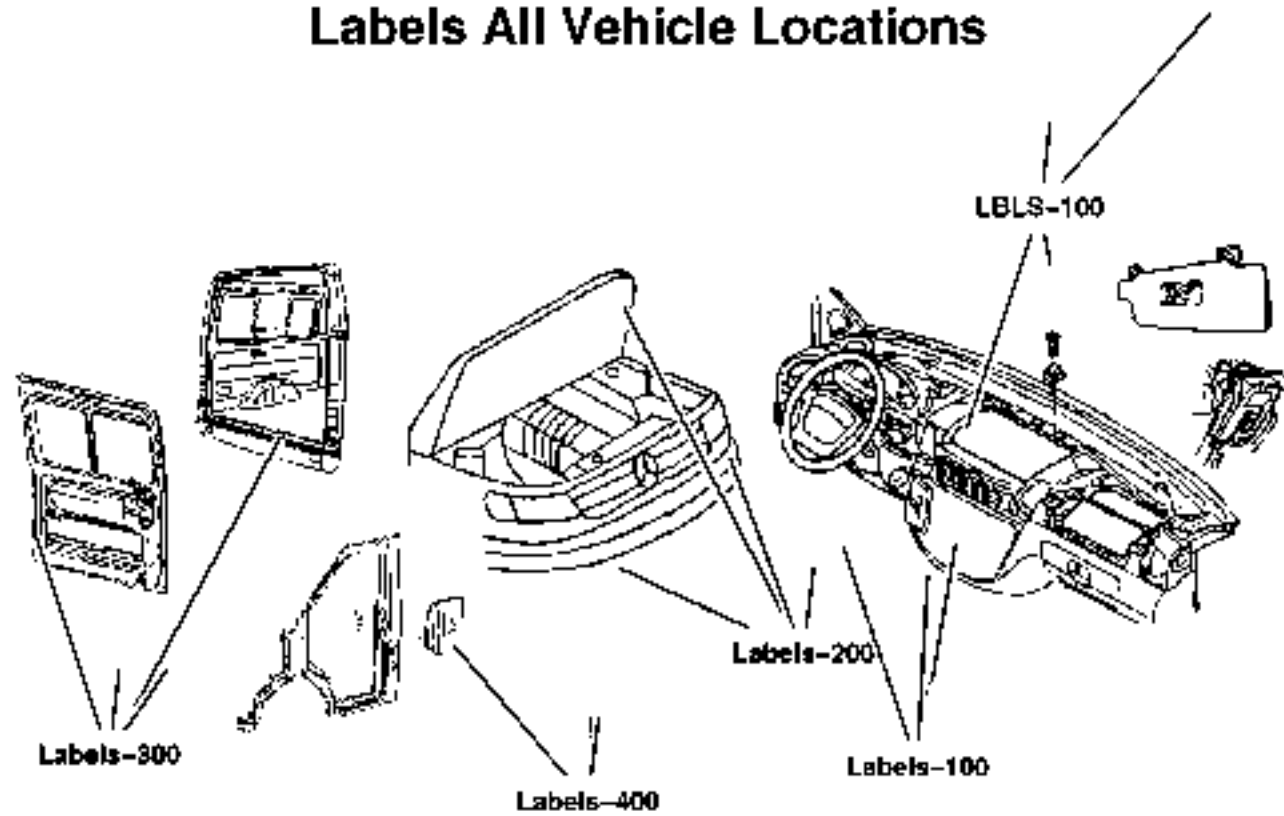
Refer to Model Legend Information Bookmark

AR = Use as required - = Non illustrated part # = New this model year

March 3, 2006

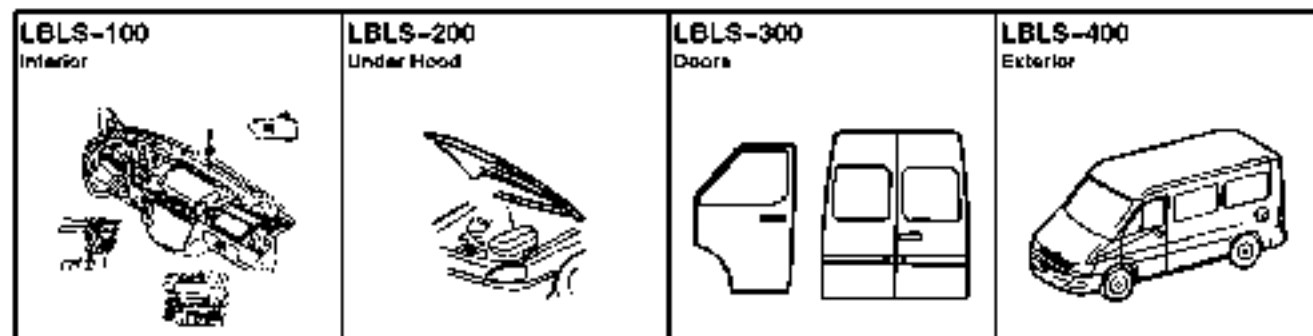
Group – LBLS

Labels All Vehicle Locations

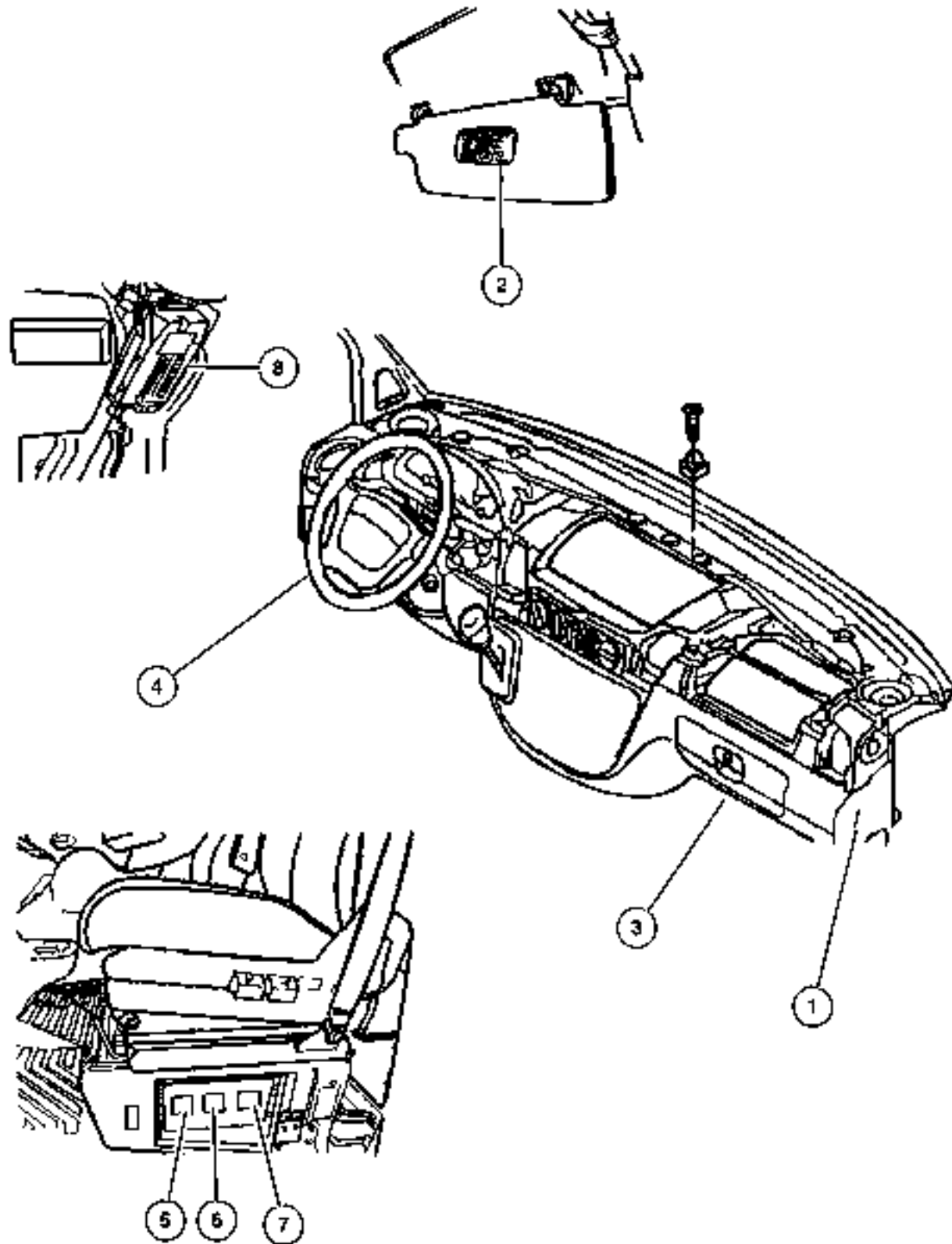


GROUP LBLS - Labels All Vehicle Locations

Illustration Title	Group-Fig. No.
Interior	
Instrument Panel / Visors & Interior	Fig. LBLS-105
Under Hood	
Engine Compartment	Fig. LBLS-205
Doors	
Front / Side & Cargo	Fig. LBLS-305
Exterior	
Fuel Door & Filler	Fig. LBLS-410



Instrument Panel / Visors & Interior
Figure LBL5-105



ITEM	PART NUMBER	QTY	LINE	SERIES	BODY	ENGINE	TRANS	TRIM	DESCRIPTION
1	5096 894AA	1		L	01, 02, 06	EX8			LABEL, Airbag
		1		L	11, 12, 14, 15, 16	EX8			
		1		L	51, 52, 54, 55, 56	EX8			
		1		L	02, 06	EX8			
		1		L	12, 15, 16	EX8			
2	5161 821AA	1		L	01, 02, 06	EX8			LABEL, Airbag
		1		L	11, 12, 14, 15, 16	EX8			
		1		L	51, 52, 54, 55, 56	EX8			
		1		L	02, 06	EX8			
		1		L	12, 15, 16	EX8			
3	5140 792AA	2		L	01, 02, 06	EX8			LABEL, Airbag Sunvisor
		4		L	01, 02, 06	EX8			
		2		L	11, 12, 14, 15, 16	EX8			
		4		L	11, 12, 14, 15, 16	EX8			
		2		L	51, 52, 54, 55, 56	EX8			
4	5121 112AA	1		L	01, 02, 06	EX8			LABEL, Warning Electrical
		1		L	11, 12, 14, 15, 16	EX8			

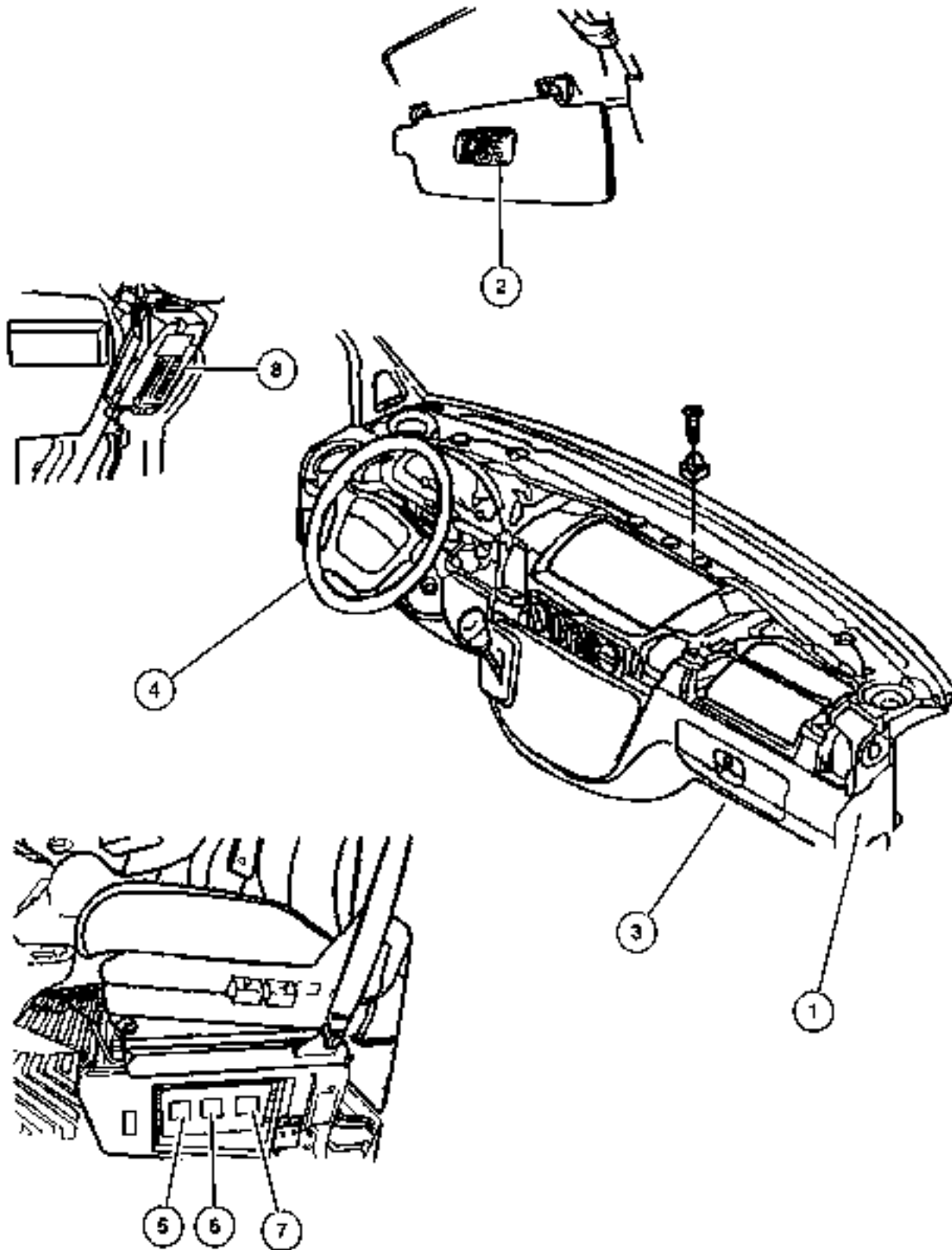
Refer to Model Legend Information Bookmark

AR = Use as required - = Non illustrated part # = New this model year

March 3, 2006

Instrument Panel / Visors & Interior
Figure LBL5-105

ITEM	PART NUMBER	QTY	LINE	SERIES	BODY	ENGINE	TRANS	TRIM	DESCRIPTION
		1		L	51, 52, 54, 55, 56	EX8			
5	5121 129AA	1		L	01, 02, 06	EX8			LABEL, Fuse Block
		1		L	11, 12, 14, 15, 16	EX8			
		1		L	51, 52, 54, 55, 56	EX8			
6	5121 077AA	1		L	01, 02, 06	EX8			LABEL
		1		L	11, 12, 14, 15, 16	EX8			
		1		L	51, 52, 54, 55, 56	EX8			
7									LABEL, Tire, PRECISION PRINTERS --P.O. BOX 26 --CEDAR RIDGE, CA 95924 --FAX: 530-273-2878 --CONTACT: LISA --800-252- 8660 --FREIGHTLINER P, (NOT SERVICED) (Not Serviced)
8	5161 821AA	1		L	11, 12, 14, 15, 16	EX8			LABEL, Airbag
		1		L	51, 52, 54, 55, 56	EX8			
		1		L	02, 06	EX8			
		1		L	12, 15, 16	EX8			

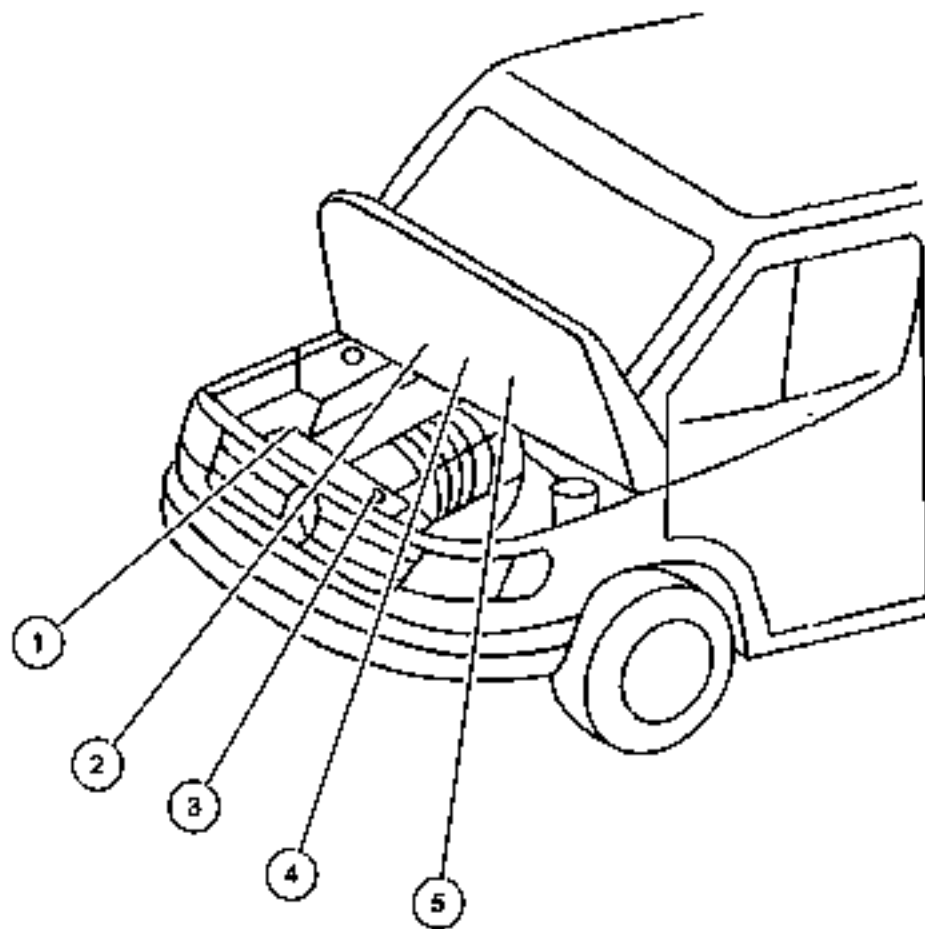


Refer to Model Legend Information Bookmark

AR = Use as required - = Non illustrated part # = New this model year

March 3, 2006

**Engine Compartment
Figure LBL5-205**



ITEM	PART NUMBER	QTY	LINE	SERIES	BODY	ENGINE	TRANS	TRIM	DESCRIPTION
1									LABEL, Fan Caution
	5104 155AA	1		L	01, 02, 06	EX8			
		1		L	11, 12, 14, 15, 16	EX8			
		1		L	51, 52, 54, 55, 56	EX8			
		1		L	02, 06	EX8			
		1		L	12, 15, 16	EX8			
2									LABEL, A/C Spec.
	5124 359AA	1		L	01, 02, 06	EX8			
		1		L	11, 12, 14, 15, 16	EX8			
		1		L	51, 52, 54, 55, 56	EX8			
		1		L	02, 06	EX8			
		1		L	12, 15, 16	EX8			
3									LABEL, Coolant Warning
	5104 154AA	1		L	01, 02, 06	EX8			
		1		L	11, 12, 14, 15, 16	EX8			
		1		L	51, 52, 54, 55, 56	EX8			
		1		L	12, 15, 16	EX8			
		1		L	02, 06	EX8			
4									LABEL, Adhesive Foil
	5121 165AA	1		L	01, 02, 06	EX8			
		1		L	11, 12, 14, 15, 16	EX8			
		1		L	51, 52, 54, 55, 56	EX8			

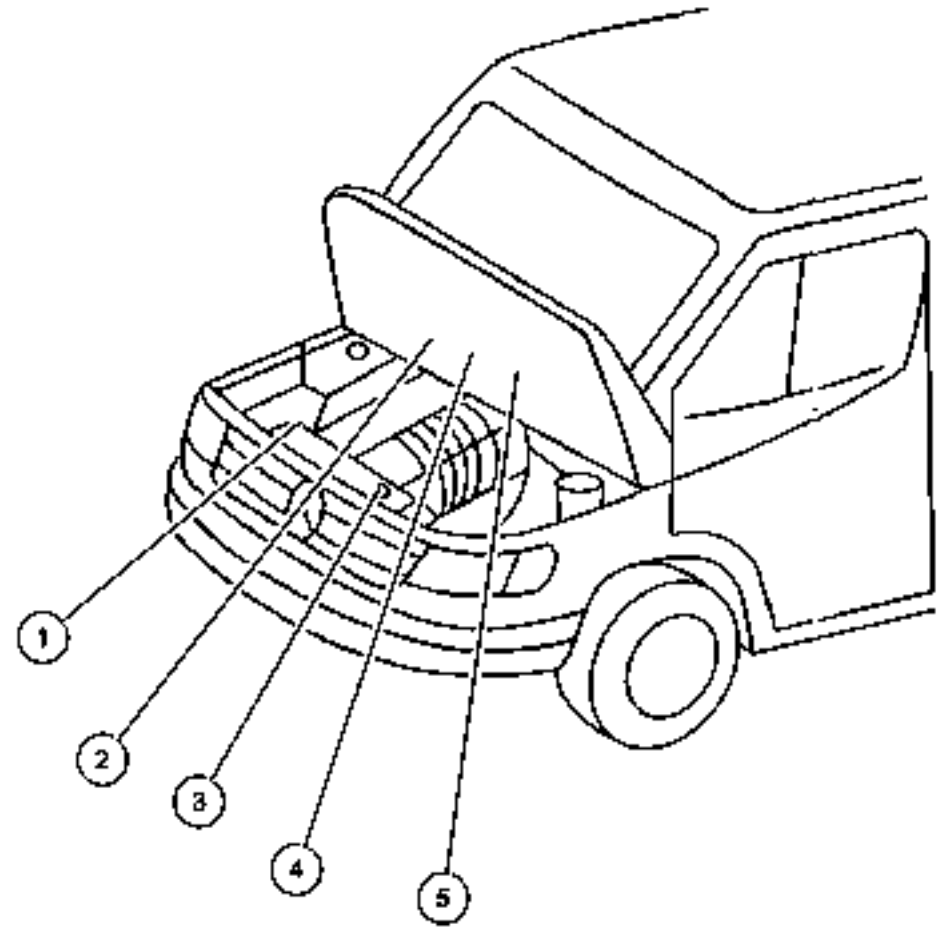
Refer to Model Legend Information Bookmark

AR = Use as required - = Non illustrated part # = New this model year

March 3, 2006

Engine Compartment
Figure LBL5-205

ITEM	PART NUMBER	QTY	LINE	SERIES	BODY	ENGINE	TRANS	TRIM	DESCRIPTION
		1		L	12, 15, 16	EX8			
5		1		L	02, 06	EX8			LABEL, Tire Pressure
	5121 159AA	1		L	01, 02, 06	EX8			
		1		L	11, 12, 14, 15, 16	EX8			
		1		L	51, 52, 54, 55, 56	EX8			
		1		L	12, 15, 16	EX8			
		1		L	02, 06	EX8			

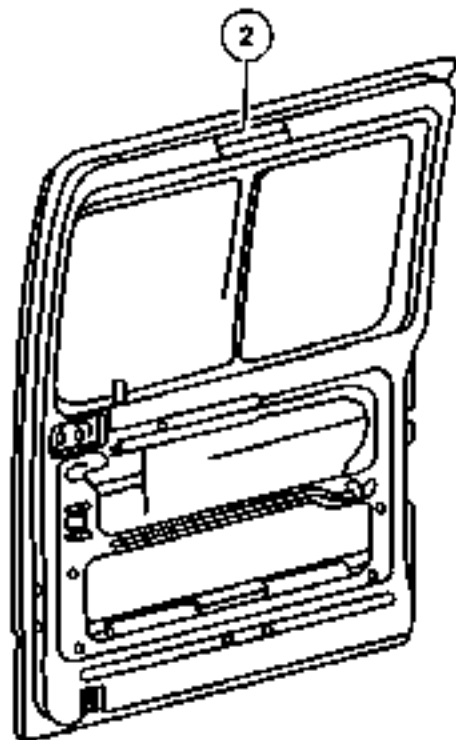
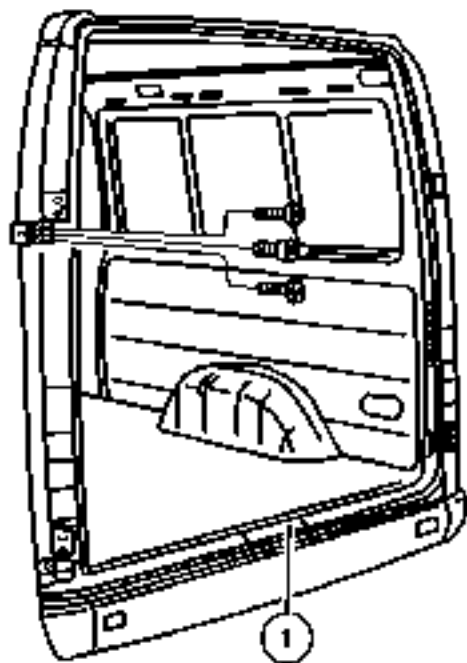


Refer to Model Legend Information Bookmark

AR = Use as required - = Non illustrated part # = New this model year

March 3, 2006

Front / Side & Cargo
Figure LBL5-305



ITEM	PART NUMBER	QTY	LINE	SERIES	BODY	ENGINE	TRANS	TRIM	DESCRIPTION
1									LABEL
	5124 356AA	1		L	12, 15	EX8			
		1		L	12, 15, 16	EX8			
2									LABEL, Warning
	5121 112AA	1		L	01, 02, 06	EX8			Electrical
		1		L	11, 12, 14, 15, 16	EX8			Electrical
		1		L	51, 52, 54, 55, 56	EX8			Electrical
	5121 162AA	1		L	11, 12, 14, 15, 16	EX8			Sliding Pattitioms Door
		1		L	12, 15, 16	EX8			Sliding Pattitioms Door

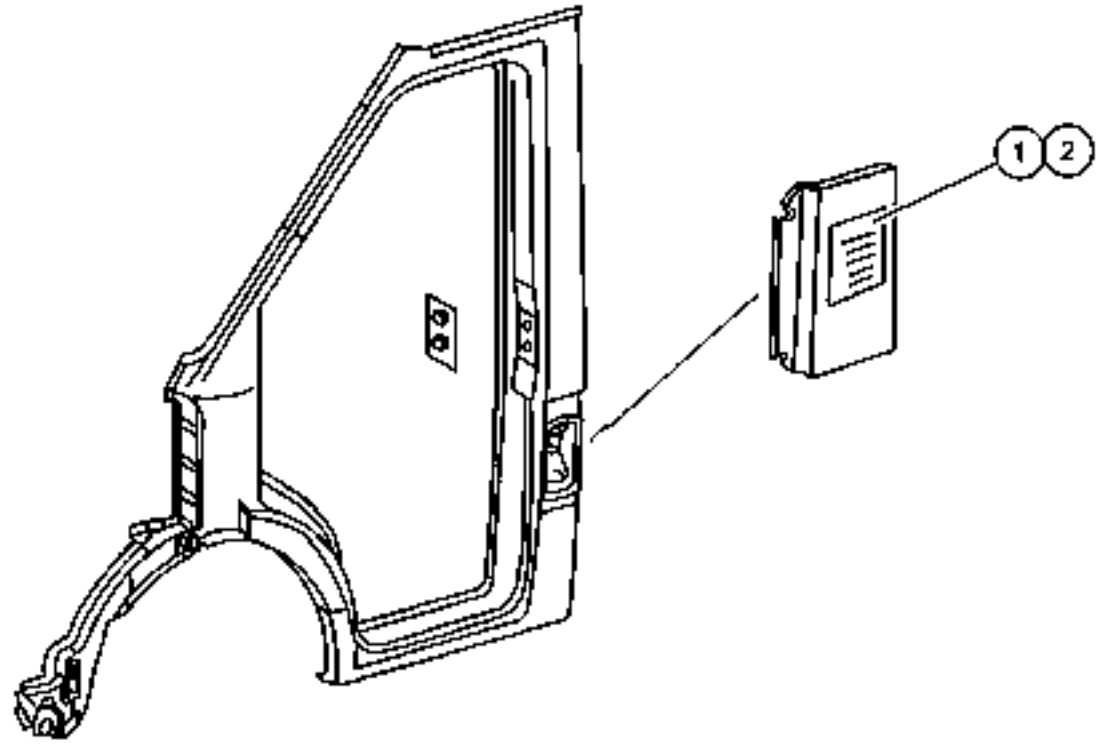
Refer to Model Legend Information Bookmark

AR = Use as required - = Non illustrated part # = New this model year

March 3, 2006

Fuel Door & Filler
Figure LBL5-410

ITEM	PART NUMBER	QTY	LINE	SERIES	BODY	ENGINE	TRANS	TRIM	DESCRIPTION
1									LABEL, Fuel
	5104 152AA	1		L	11, 12, 14, 15, 16	EX8			
		1		L	51, 52, 54, 55, 56	EX8			
2									LABEL, Diesel Fuel
	5104 153AA	1		L	11, 12, 14, 15, 16	EX8			
		1		L	51, 52, 54, 55, 56	EX8			



Refer to Model Legend Information Bookmark

AR = Use as required - = Non illustrated part # = New this model year

March 3, 2006