

---

**ELECTRICAL CIRCUIT DIAGRAM MANUAL**

**Electrical Circuit Diagrams**

**CV Series**

**Navistar, Inc.**

2701 Navistar Drive, Lisle, IL 60532 USA



# TABLE OF CONTENTS

<b>1. TABLE OF CONTENTS.....</b>	<b>1</b>
<b>2. HOW TO USE THIS MANUAL .....</b>	<b>2</b>
2.1. ELECTRICAL SCHEMATIC SYMBOLS.....	2
2.2. VEHICLE ZONING STRATEGY.....	21
<b>3. POWER DISTRIBUTION.....</b>	<b>23</b>
3.1. UNDER HOOD PDM – BATTERY POWER.....	23
3.2. UNDER HOOD PDM – BATTERY POWER.....	24
3.3. UNDER HOOD PDM – BATTERY POWER.....	25
3.4. UNDER HOOD PDM – BATTERY POWER.....	26
3.5. UNDER HOOD PDM – BATTERY POWER.....	27
3.6. UNDER HOOD PDM – BATTERY POWER.....	28
3.7. UNDER HOOD PDM – IGNITION POWER.....	29
3.8. UNDER HOOD PDM – IGNITION POWER.....	30
3.9. UNDER HOOD PDM – IGNITION POWER.....	31
3.10. UNDER HOOD PDM – BATTERY POWER.....	32
3.11. UNDER HOOD PDM/ INSTRUMENT PANEL LEFT PDM – IGNITION POWER.....	33
3.12. INSTRUMENT PANEL LEFT PDM – BATTERY POWER.....	34
3.13. INSTRUMENT PANEL LEFT PDM – BATTERY POWER.....	35
3.14. INSTRUMENT PANEL LEFT PDM – IGNITION POWER.....	36
3.15. INSTRUMENT PANEL LEFT PDM – ACCESSORY POWER.....	37
3.16. INSTRUMENT PANEL RIGHT PDM – BATTERY POWER.....	38
3.17. INSTRUMENT PANEL RIGHT PDM – BATTERY POWER.....	39
3.18. INSTRUMENT PANEL RIGHT PDM – BATTERY POWER/RETAINED ACCESSORY POWER.....	40
3.19. INSTRUMENT PANEL RIGHT PDM – BATTERY POWER.....	41
3.20. INSTRUMENT PANEL LEFT PDM/ INSTRUMENT PANEL RIGHT PDM – RETAINED ACCESSORY POWER.....	42
3.21. INSTRUMENT PANEL LEFT PDM/INSTRUMENT PANEL RIGHT PDM – IGNITION POWER.....	43
3.22. IGNITION SWITCH.....	44
3.23. 12 VOLT SYSTEM .....	45
<b>4. GROUND DISTRIBUTION .....</b>	<b>46</b>
4.1. CAB – GROUND DISTRIBUTION .....	46
4.2. CENTER CHASSIS – GROUND DISTRIBUTION .....	47
4.3. DRIVER SIDE DOOR – GROUND DISTRIBUTION.....	48
4.4. PASSENGER SIDE DOOR – GROUND DISTRIBUTION .....	49
4.5. GROUND DISTRIBUTION .....	50
4.6. INSTRUMENT PANEL – GROUND DISTRIBUTION .....	51
4.7. MODULE SPLICE PACK – GROUND DISTRIBUTION.....	52
4.8. SPLICE PACK – GROUND DISTRIBUTION .....	53
4.9. SPLICE PACK – GROUND DISTRIBUTION .....	54
4.10. SPLICE PACK – GROUND DISTRIBUTION .....	55
4.11. SPLICE PACK – GROUND DISTRIBUTION .....	56
4.12. REAR CHASSIS – GROUND DISTRIBUTION .....	57
4.13. UNDER HOOD PDM – GROUND DISTRIBUTION .....	58

**TABLE OF CONTENTS (CONT.)**

<b>5. DATA COMMUNICATION .....</b>	<b>59</b>
5.1. DATA COMMUNICATION – DATA LINK POWER AND GROUND AND LOW SPEED GMLAN.....	59
5.2. DATA COMMUNICATION – GATEWAY ISOLATED LOW SPEED GMLAN.....	60
5.3. DATA COMMUNICATION – HIGH SPEED GMLAN .....	61
5.4. DATA COMMUNICATION – GATEWAY ISOLATED HIGH SPEED GMLAN .....	62
5.5. DATA COMMUNICATION – CHASSIS EXPANSION HIGH SPEED GMLAN .....	63
5.6. DATA COMMUNICATION – POWERTRAIN EXPANSION BUS HIGH SPEED GMLAN .....	64
5.7. DATA COMMUNICATION – MOST .....	65
5.8. DATA COMMUNICATION – MOST COMMUNICATION ENABLE .....	66
5.9. ACCESSORY WAKEUP AND COMMUNICATIONS ENABLE.....	67
5.10. DATA COMMUNICATION – LINEAR INTERCONNECT NETWORK .....	68
<b>6. BODY BUILDER PROVISION.....</b>	<b>69</b>
6.1. EMERGENCY VEHICLE PREWIRE.....	69
6.2. BODY BUILDER PROVISION (FEATURE CODE 0008JXP).....	70
6.3. BODY BUILDER PROVISION.....	71
6.4. MASTER DISCONNECT SWITCH.....	72
6.5. ROOF BEACON (FEATURE CODE 0008XKS).....	73
6.6. CARGO LIGHT.....	74
6.7. STOP/TURN//BACKUP LIGHTS (FEATURE CODE 0008HXV).....	75
6.8. STOP/TURN//BACKUP LIGHTS (FEATURE CODE 0508032).....	76
<b>7. CAB ACCESSORIES .....</b>	<b>77</b>
7.1. AUXILIARY POWER – REGULAR CAB.....	77
7.2. AUXILIARY POWER – CREW CAB (FEATURE CODE 0016XCN).....	78
7.3. AUXILIARY POWER – 110 VOLT (FEATURE CODE 0008XJX).....	79
7.4. AUXILIARY POWER – WIRELESS CHARGING.....	80
7.5. RADIO AND NAVIGATION – ANTENNA.....	81
7.6. RADIO AND NAVIGATION (FEATURE CODE 0008RNM, 0008RNV).....	82
7.7. RADIO AND NAVIGATION (FEATURE CODE 0008RNM, 0008RNV).....	83
7.8. RADIO AND NAVIGATION (FEATURE CODE 0008RNV).....	84
7.9. RADIO AND NAVIGATION (FEATURE CODE 0008RNX,0008RNP).....	85
7.10. RADIO AND NAVIGATION (FEATURE CODE 0008RNN).....	86
7.11. RADIO AND NAVIGATION (IO3/IO5/IO6) WITH FEATURE CODE (00016XCN).....	87
7.12. RADIO AND NAVIGATION (IO3/IO5/IO6) WITHOUT FEATURE CODE (00016XCN).....	88
7.13. SPEAKERS.....	89
7.14. RADIO – AUXILIARY INPUT (IOB).....	90
7.15. RADIO – COMMUNICATION.....	91
7.16. RADIO – CD PLAYER.....	92
7.17. WINDOW SWITCH –CREW CAB .....	93
7.18. POWER WINDOWS AND LOCKS – DRIVER SIDE CONTROL (CREW CAB).....	94
7.19. POWER DOOR LOCKS – REGULAR CAB.....	95
7.20. POWER DOOR LOCKS – REGULAR CAB.....	96
7.21. POWER DOOR LOCKS – CREW CAB.....	97
7.22. POWER WINDOWS – DRIVER.....	98
7.23. POWER WINDOWS SWITCH – FRONT.....	99
7.24. POWER WINDOWS – REAR.....	100
7.25. SAFETY RESTRAINT SYSTEM INDICATORS.....	101
7.26. AIR BAG AND SEAT BELT PRETENSIONER WIRING.....	102
7.27. THEFT DETERRENT SYSTEM .....	103

## TABLE OF CONTENTS (CONT.)

7.28.	AIR BAG SYSTEM .....	104
7.29.	WINDSHIELD WIPER SYSTEM (MULTIFUNCTION SWITCH WIRING).....	105
7.30.	WINDSHIELD WIPER SYSTEM.....	106
7.31.	HEATED SEAT SWITCH.....	107
7.32.	HEATED SEAT GRID .....	108
7.33.	KEY FOB – LOCKS.....	109
7.34.	EXTERIOR REARVIEW MIRROR (FEATURE 0016SPS, 0016SPT).....	110
7.35.	EXTERIOR REARVIEW MIRROR (FEATURE 0016SPS, 0016SPT).....	111
7.36.	DRIVER SEAT ADJUSTMENT.....	112
7.37.	PASSENGER SEAT ADJUSTMENT.....	113
7.38.	STEERING WHEEL CONTROLS .....	114
<b>8.</b>	<b>CHARGING AND CRANKING .....</b>	<b>115</b>
8.1.	STARTING.....	115
8.2.	CHARGING .....	116
<b>9.</b>	<b>CHASSIS ACCESSORIES .....</b>	<b>117</b>
9.1.	ANTILOCK BRAKES .....	117
9.2.	ANTILOCK BRAKES .....	118
9.3.	LOW AIR PRESSURE INDICATOR (FEATURE CODE 0014TBL, 0014TBM, 0014TDG).....	119
9.4.	AIR SUSPENSION DUMP VALVE.....	120
9.5.	TRAILER POWER (0008TRA).....	121
9.6.	TRAILER LIGHTING (0008TRA).....	122
9.7.	TRAILER BRAKE CONTROLS (0008HBW).....	123
9.8.	REARVIEW CAMERA (0008RNN, 0008RNM, 0008RNV).....	124
9.9.	REARVIEW CAMERA (0008RNW, 0008RNR, 0008RNX, 0008RNP).....	125
9.10.	AIR DRYER VALVE HEATER.....	126
9.11.	HOOD SWITCH .....	127
9.12.	CITY HORN.....	128
9.13.	WINDOW DEFROST / EXTERIOR HEATED MIRRORS (FEATURE CODE 0008AAB).....	129
9.14.	HYDRAULIC BRAKE .....	130
9.15.	IMMOBILIZER .....	131
9.16.	BODY CONTROL MODULE .....	132
9.17.	BODY CONTROL MODULE.....	133
9.18.	BODY CONTROL MODULE.....	134
9.19.	BODY CONTROL MODULE.....	135
<b>10.</b>	<b>ENGINE SYSTEMS .....</b>	<b>136</b>
10.1.	AFTERTREATMENT.....	136
10.2.	AFTERTREATMENT.....	137
10.3.	AFTERTREATMENT .....	138
10.4.	GLOW PLUGS .....	139
10.5.	FUEL PUMP .....	140
10.6.	FUEL SYSTEM.....	141
10.7.	FUEL SYSTEM.....	142
10.8.	FUEL SYSTEM.....	143
10.9.	ENGINE CONTROL MODULE.....	144
10.10.	ENGINE CONTROL MODULE.....	145
10.11.	ENGINE CONTROLS .....	146
10.12.	ENGINE CONTROLS.....	147
10.13.	ENGINE CONTROLS.....	148

## TABLE OF CONTENTS (CONT.)

10.14. ENGINE CONTROLS.....	149
10.15. ENGINE CONTROLS.....	150
10.16. ENGINE CONTROLS.....	151
10.17. CRUISE CONTROL.....	152
10.18. EXHAUST BRAKE (0592K40).....	153
10.19. COOLING FAN.....	154
<b>11. GAUGES AND WARNINGS.....</b>	<b>155</b>
11.1. GAUGE CLUSTER – STEERING WHEEL SWITCHES.....	155
11.2. GAUGE CLUSTER .....	156
11.3. GAUGE CLUSTER – WARNING LIGHTS.....	157
11.4. GAUGE CLUSTER – BCM INTERFACE .....	158
11.5. BACK UP ALARM (FEATURE CODE 0008THB).....	159
<b>12. HVAC .....</b>	<b>160</b>
12.1. HVAC UNIT ACTUATORS.....	160
12.2. HVAC AUXILIARY HEATER.....	161
12.3. HVAC SYSTEM – COMPRESSOR AND REFRIGERANT SENSORS.....	162
12.4. HVAC CONTROLS .....	163
<b>13. LIGHTING SYSTEM .....</b>	<b>164</b>
13.1. DRIVER SIDE PARK AND MARKER LIGHTS.....	164
13.2. PASSENGER SIDE PARK AND MARKER LIGHTS.....	165
13.3. PARK/MARKER LIGHTING.....	166
13.4. CARGO LIGHTS .....	167
13.5. TAIL LIGHTS .....	168
13.6. TAIL LIGHTS (FEATURE CODE 0008TUL).....	169
13.7. TAIL LIGHTS (FEATURE CODE 0008TUK).....	170
13.8. CENTER HIGH MOUNTED STOP LIGHT.....	171
13.9. EXTERIOR REARVIEW MIRRORS .....	172
13.10. CLEARANCE LIGHTS .....	173
13.11. INTERIOR LIGHTING .....	174
13.12. INTERIOR LIGHTING .....	175
13.13. INTERIOR LIGHTING .....	176
13.14. INTERIOR LIGHTING .....	177
13.15. INTERIOR LIGHTING .....	178
13.16. INTERIOR LIGHTING .....	179
13.17. INTERIOR LIGHTING DIMMING .....	180
13.18. EXTERIOR LIGHTING SWITCHES.....	181
13.19. EXTERIOR LIGHTING SWITCHES.....	182
13.20. HEAD LIGHT ASSEMBLY .....	183
13.21. FOG LIGHTS .....	184
<b>14. TRANSFER CASE .....</b>	<b>185</b>
14.1. TRANSFER CASE CONTROL .....	185
14.2. TRANSFER CASE CONTROL .....	186
<b>15. TRANSMISSION .....</b>	<b>187</b>
15.1. TRANSMISSION CONTROL MODULE (TCM) .....	187
15.2. TRANSMISSION CONTROL MODULE (TCM) .....	188
15.3. TRANSMISSION CONTROL MODULE (TCM) .....	189

**TABLE OF CONTENTS (CONT.)**

15.4. POWER TAKE-OFF (PTO).....	190
15.5. POWER TAKE-OFF (PTO) .....	191
15.6. SHIFT LOCK CONTROL .....	192
<b>16. HARNESS ROUTING AND COMPONENT LOCATIONS .....</b>	<b>193</b>
16.1. HARNESS ROUTING VIEWS.....	193
16.2. COMPONENT LOCATOR.....	219
Master Electrical Component List.....	219
Front of Vehicle / Engine Compartment Component Views.....	268
Powertrain Component Views.....	272
Instrument Panel / Center Console Component Views.....	277
Passenger Compartment / Roof Component Views.....	286
Door Component Views.....	295
Luggage Compartment / Rear of Vehicle Component Views.....	299
Wheels / Vehicle Underbody Component Views.....	300
Ground Views.....	301
Electrical Center Identification Views.....	308
<b>17. CONNECTOR END VIEWS .....</b>	<b>385</b>
17.1. IN-LINE HARNESS CONNECTOR END VIEWS.....	385
17.2. SPLICE PACK CONNECTOR END VIEWS.....	651
17.3. COMPONENT CONNECTOR END VIEWS.....	659
<b>18. APPENDICES.....</b>	<b>1003</b>
18.1. APPENDIX A: FEATURE CODE TABLE.....	1003
18.2. APPENDIX B: NAMING CONVENTION AND ACRONYMS TABLE.....	1023

## TABLE OF CONTENTS

---



## TABLE OF CONTENTS

## HOW TO USE THIS MANUAL

### 2.1. ELECTRICAL SCHEMATIC SYMBOLS

**Table 1 Voltage Indicators**

Symbol	Description		Symbol	Description
	Battery Voltage			Ignition Switch– Run Position
	Ignition Switch– Off Position			Ignition Switch– Start Position
	Ignition Switch– Accessory Position			

**Table 2 General Icons**

Symbol	Description		Symbol	Description
	Master Component List Icon  This icon is used on the schematic to link to the Master Electrical Component List.			Previous Schematic Page Icon  This icon is used on the schematic to navigate to the previous schematic in the subsystem.

Table 2 General Icons (cont.)

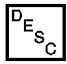





Symbol	Description		Symbol	Description
	<p>Description and Operation Icon</p> <p>This icon is used on the schematic to link to the Description and Operation of that particular system.</p>			<p>Supplemental Inflatable Restraint (SIR) or Supplemental Restraint System (SRS) Icon</p> <p>This icon is used to alert the technician that the system contains SIR/SRS components that require certain precautions before servicing.</p>
	<p>Computer Programming Icon</p> <p>This icon is used on the schematic to link to Control Module References, which identifies which components need programming upon replacement.</p>			<p>Information Icon</p> <p>This icon is used to alert the technician that there is additional information that will aid in servicing a system.</p>
	<p>Next Schematic Page Icon</p> <p>This icon is used on the schematic to navigate to the next schematic in the subsystem.</p>			<p>Danger Icon</p> <p>This icon is intended to alert the technician that a component within the system contains labeling with the same icon.</p> <p>This icon is used when a source component has potential for 60 volts DC or greater or has potential for 42 volts AC or greater.</p>

Table 2 General Icons (cont.)




Symbol	Description		Symbol	Description
	<p>High Voltage Icon</p> <p>This icon is intended to alert the technician that a component within the system contains labeling with the same icon.</p> <p>This icon is used when a component/circuit has potential for 60 volts DC or greater or has potential for 42 volts AC or greater.</p>			<p>Functional Serial Data Communication</p> <p>This icon is used to show the technician that the serial data circuit detail is shown incomplete. It also provides an active link to the Data Communication Schematics where the circuit is shown complete.</p>
	<p>Caution Icon</p> <p>This icon is used to advise the technician to use caution when servicing this component.</p> <p>This icon may be used when a component/circuit has a voltage range potential between 30-60 volts DC or 15-42 volts AC.</p>			

Table 3 Switch Position Icons









Symbol	Description	Symbol	Description
	Generic Up Arrows		On/Off Icon
	Generic Down Arrows		Generic Lock Icon
	Generic Left Arrows		Generic Unlock Icon
	Generic Right Arrows		Generic Window Switch Positions- 4 Door

Table 3 Switch Position Icons (cont.)



Symbol	Description		Symbol	Description
	Generic Express Down Arrows			Generic Window Switch Positions- 2 Door

Table 4 Module Circuit Function Icons

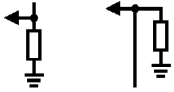
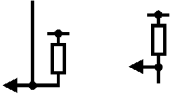




Symbol	Description	Symbol	Description
	I/O Pull-Down Resistors (-)	5V	Voltage Reference
	I/O Pull-Up Resistors (+)	5V AC	A/C Voltage
	I/O High-Side Drive Switch (+)		Low Reference
	I/O Low-Side Drive Switch (+)		Ground

Table 4 Module Circuit Function Icons (cont.)







Symbol	Description	Symbol	Description
	I/O Bidirectional Switch (+/-)		Serial Data
	Pulse-Width Modulation Symbol		Antenna Signal- In
B+	Battery Voltage		Antenna Signal- Out
IGN	Ignition Voltage		Brake Apply



Table 5 Harness Components


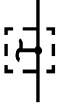



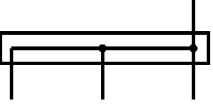

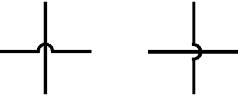
Symbol	Description	Symbol	Description
	Fuse		Incomplete Physical Splice
	Fuse Supplied by a Relay		Complete Physical Splice- 2 Wires
	Circuit Breaker		Complete Physical Splice- 3 or more wires
	Fusible Link		Wire Crosses

Table 5 Harness Components (cont.)


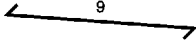

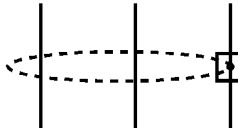
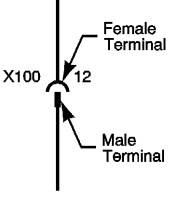
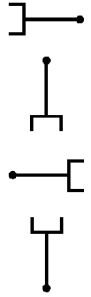
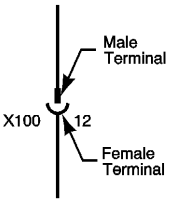

Symbol	Description	Symbol	Description
	Ground		Twisted Wires
	Case Ground		Shield
	Inline Harness Connector		Circuit References
	Inline Harness Connector		Circuit Continuation Arrowheads

Table 5 Harness Components (cont.)

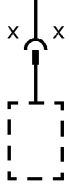
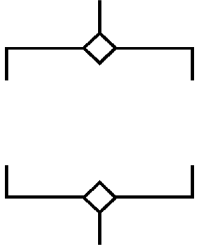
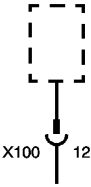
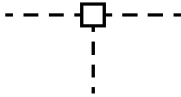

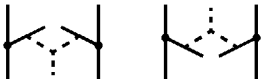

Symbol	Description	Symbol	Description
	Pigtail Connection		Option Breakpoint
	Pigtail Connection		Ground Circuit Connection
	Provisional or Diagnostic Connector		Connector Shorting Clip
	Blunt Cut Wire		

Table 6 Component Parts




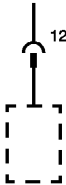
Symbol	Description	Symbol	Description
	<p>Partial Component</p> <p>When a component is represented in a dashed box, the component or its wiring is not shown in its entirety.</p>		<p>Connector Directly Attached to Component</p>
	<p>Entire Component</p> <p>When a component is represented in a solid box the component or its wiring is shown in its entirety.</p>		<p>Pigtail Connector</p>

Table 7 Switches and Relays

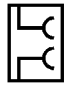
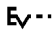
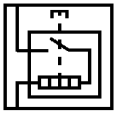
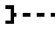



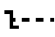
Symbol	Description	Symbol	Description
	Accessory Power Outlet		Switch Actuator– Push (Latching)
	Cigar Lighter		Switch Actuator– Pull (Momentary)
	Switch– 2 Position Normally Open		Switch Actuator– Pull (Latching)
	Switch– 2 Position Normally Closed		Switch Actuator– Rotate (Momentary)

Table 7 Switches and Relays (cont.)

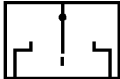


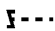
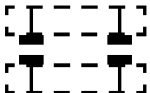

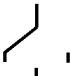
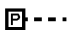
Symbol	Description	Symbol	Description
	Switch- Rocker		Switch Actuator- Rotate (Latching)
	Switch- Contact Plate (1 Wire)		Switch Actuator- Slide (Momentary)
	Switch- Contact Plate (2 Wire)		Switch Actuator- Slide (Latching)
	Switch- 3 Position		Switch Actuator- Pressure (Momentary)

Table 7 Switches and Relays (cont.)

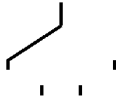
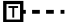
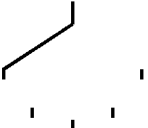

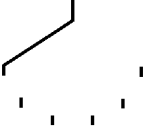
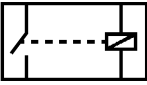
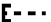

Symbol	Description	Symbol	Description
	Switch- 4 Position		Switch Actuator- Temperature (Momentary)
	Switch- 5 Position		Switch Actuator- Volume (Latching)
	Switch- 6 Position		4-Pin Single Pole/Throw Relay- Normally Open
	Switch Actuator- Push (Momentary)		5-Pin Relay- Normally Closed

Table 8 Devices and Sensors


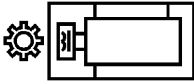



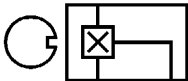
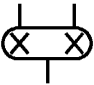

Symbol	Description	Symbol	Description
	Battery		Inductive Type Sensor-3-Wire
	Battery Assembly-Hybrid		Hall Effect Sensor-2-Wire
	Single Filament Light Bulb		Hall Effect Sensor-3-Wire
	Double Filament Light Bulb		Oxygen Sensor-2-Wire



Table 8 Devices and Sensors (cont.)






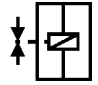

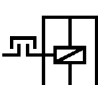
Symbol	Description	Symbol	Description
	Light Emitting Diode (LED)		Heated Oxygen Sensor- 4-Wire
	Photo Sensor		Solenoid- Actuator
	Gauge		Solenoid- Valve
	Diode		Clutch

Table 8 Devices and Sensors (cont.)

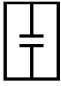
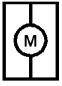
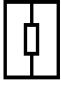



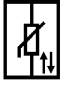

Symbol	Description	Symbol	Description
	Capacitor		Motor
	Resistor		Motor with PTC
	Variable Resistor		Antenna
	Variable Resistor- NTC		Speaker

Table 8 Devices and Sensors (cont.)



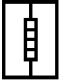
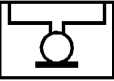
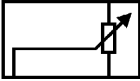
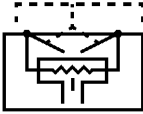
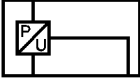

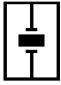
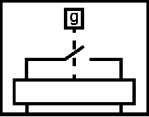
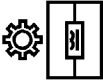
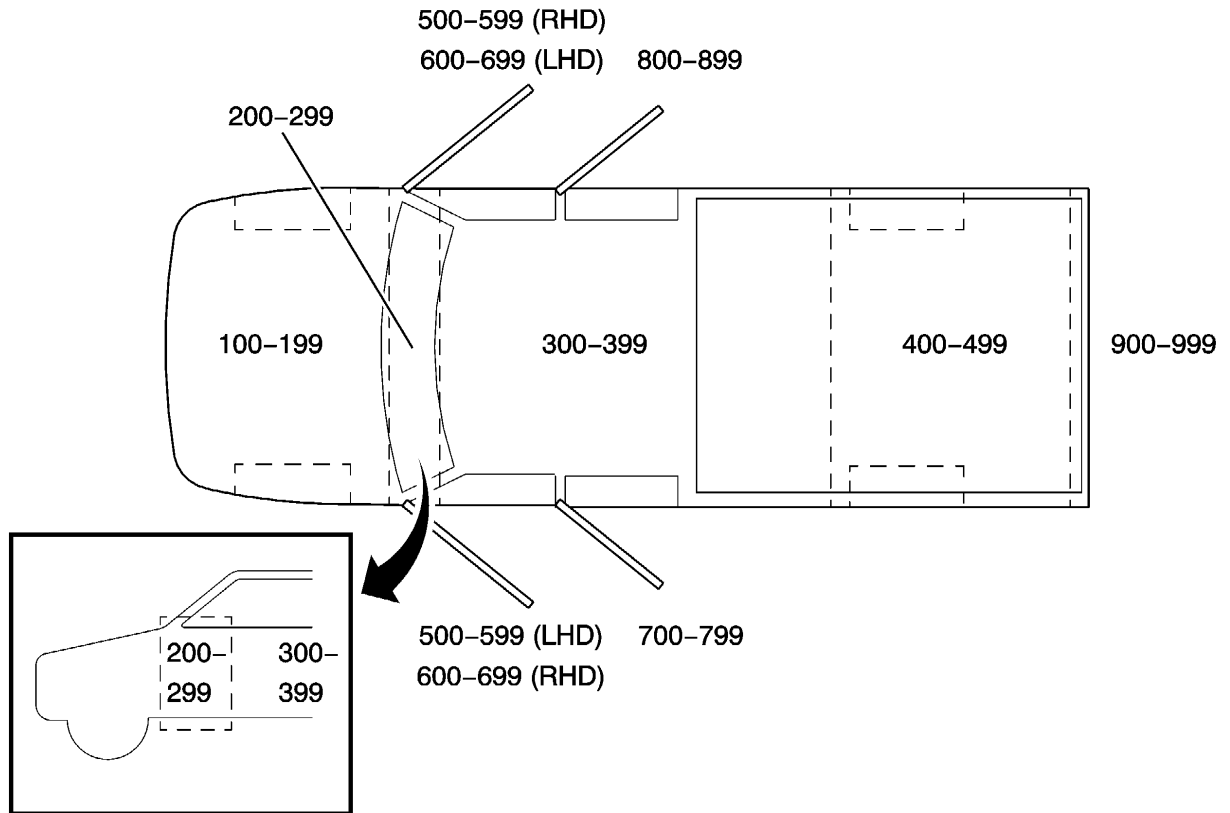
Symbol	Description	Symbol	Description
	Breakable Wire		Horn
	Heating Element		Microphone
	Position Sensor		Airbag
	Pressure Sensor		SIR Coil

Table 8 Devices and Sensors (cont.)

Symbol	Description		Symbol	Description
	Knock Sensor			SIR Impact Sensor
	Inductive Type Sensor- 2-Wire			

## 2.2. VEHICLE ZONING STRATEGY

All grounds, in-line connectors, and splices have identifying numbers that correspond to where they are located in the vehicle. The following table explains the numbering system.

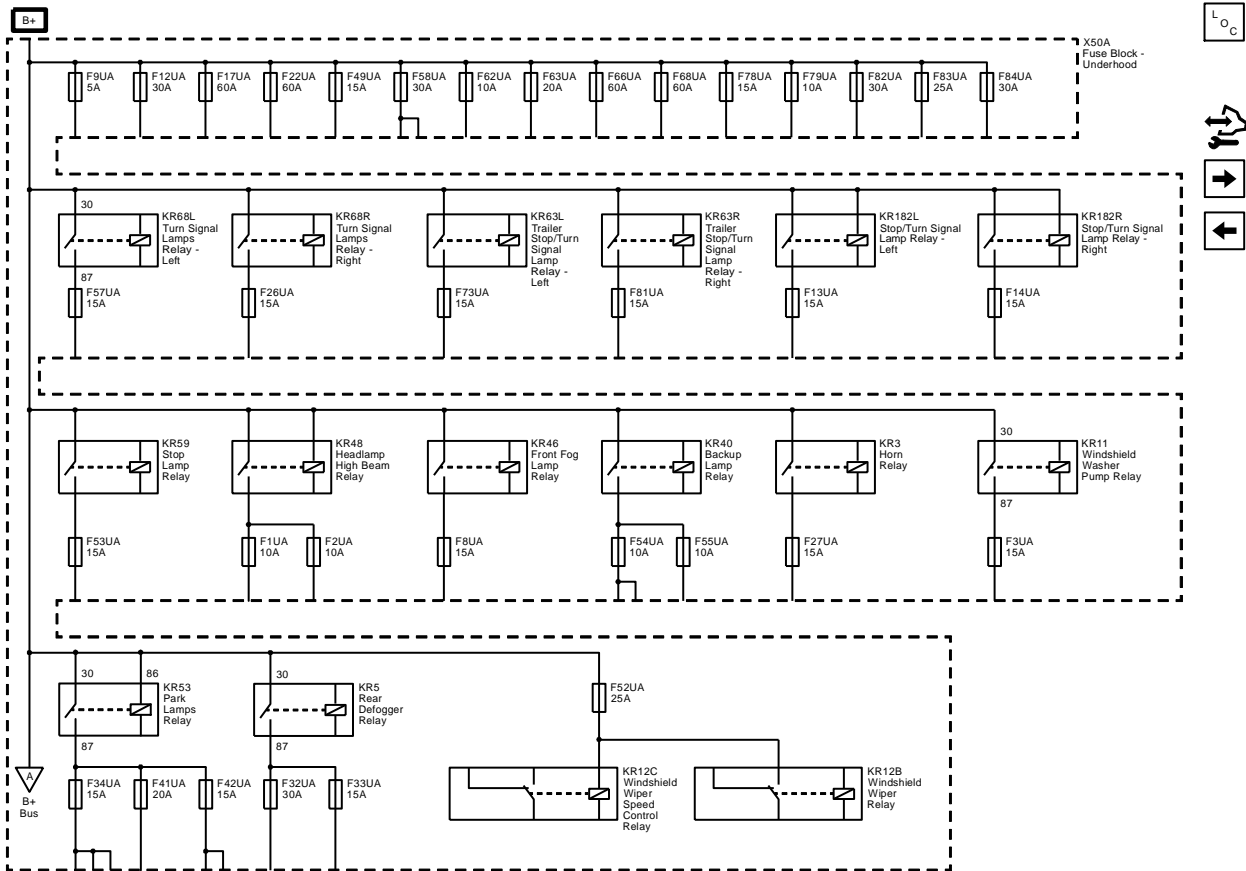


**Table 9 Vehicle Zoning Strategy**

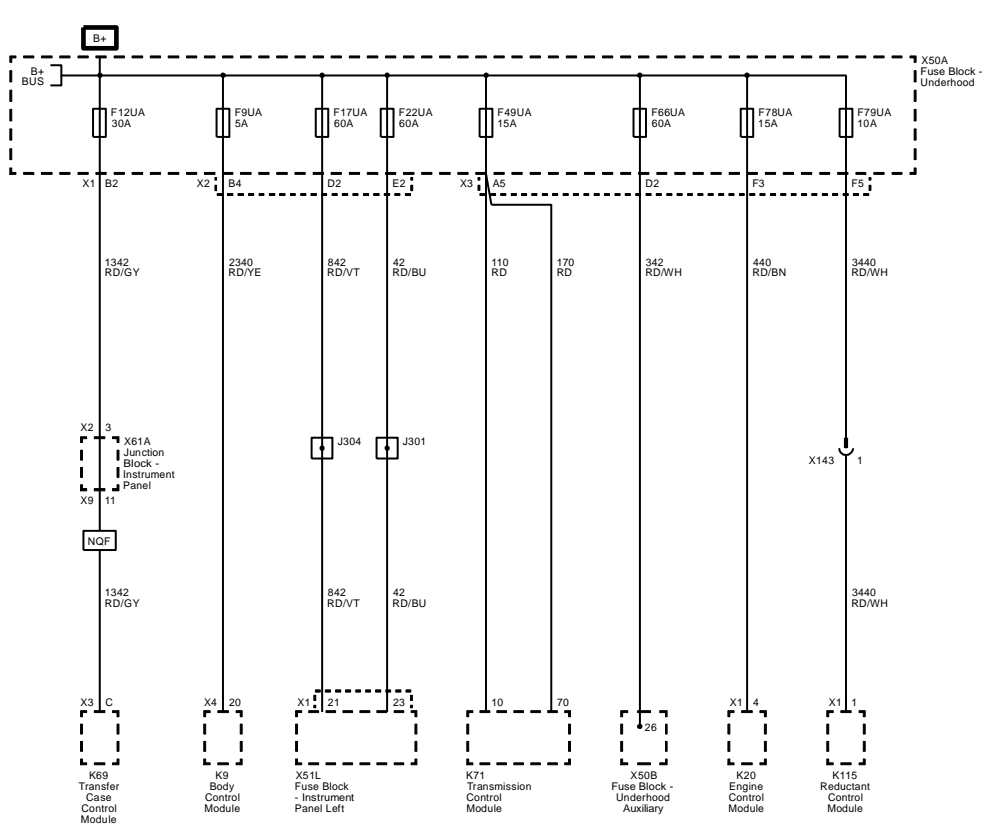
<b>Callout Numbers</b>	<b>Zone Description</b>
100-199	Engine compartment (all forward of the instrument panel)
200-299	Within the instrument panel area (between the bulkhead and the front plane of the instrument panel)
300-399	Passenger compartment (from the instrument panel to the rear of the cab)
400-499	Truck bed/chassis (from the rear of the cab to the rear of the vehicle)
500-599	Inline harness connectors to or within the driver door
600-699	Inline harness connectors to or within the front passenger door
700-799	Inline harness connectors to or within the left rear door
800-899	Inline harness connectors to or within the right rear door
900-999	Inline harness connectors to end of frame.

# POWER DISTRIBUTION

## 3.1. UNDER HOOD PDM – BATTERY POWER

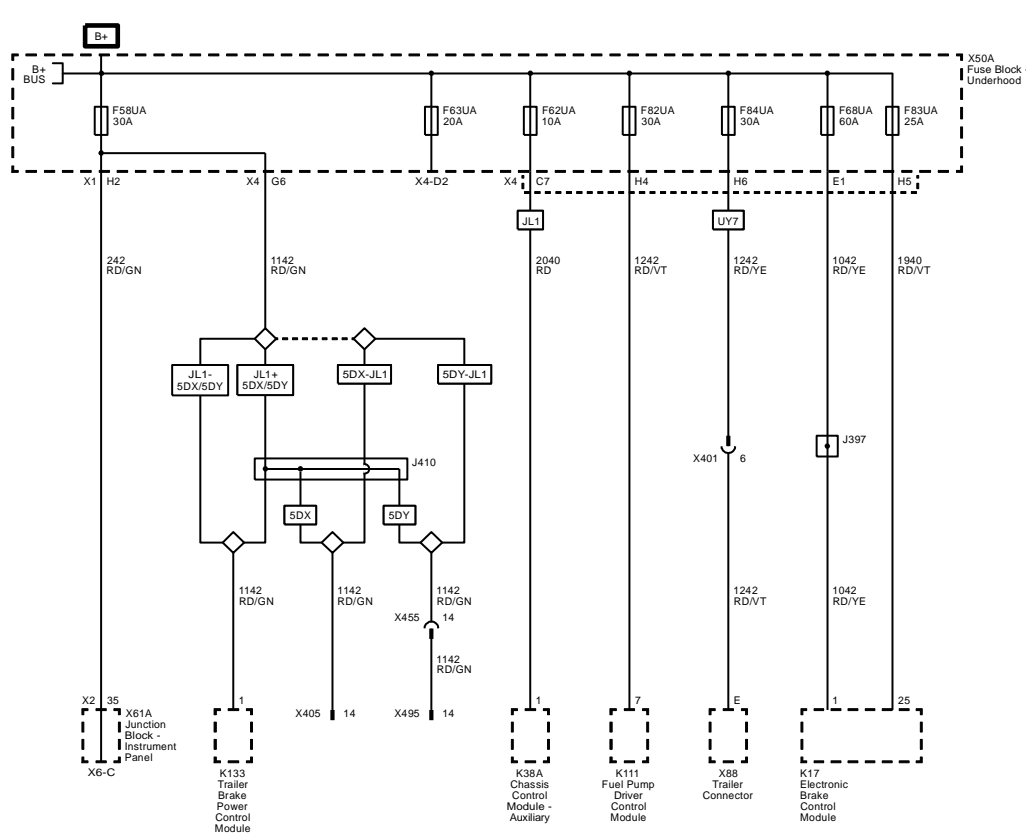


3.2. UNDER HOOD PDM – BATTERY POWER

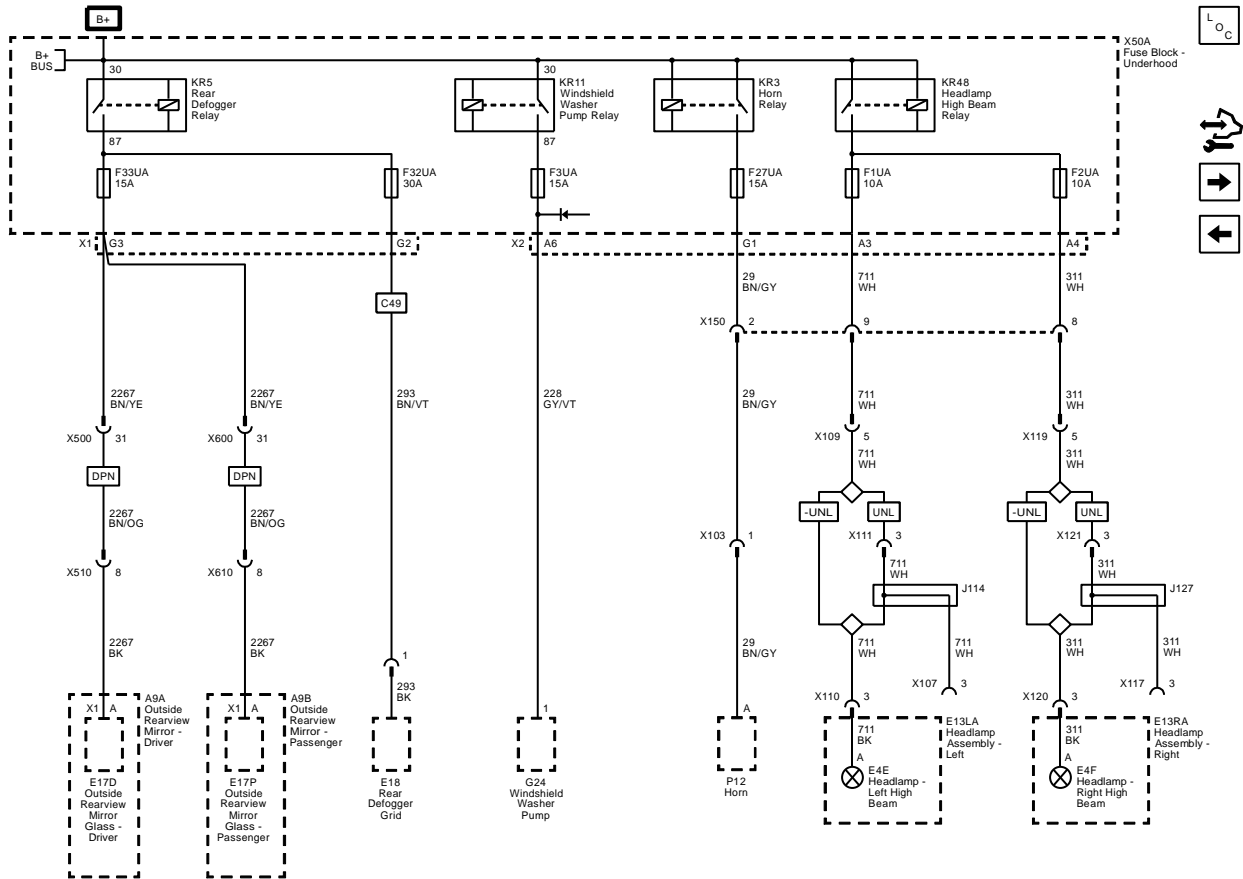




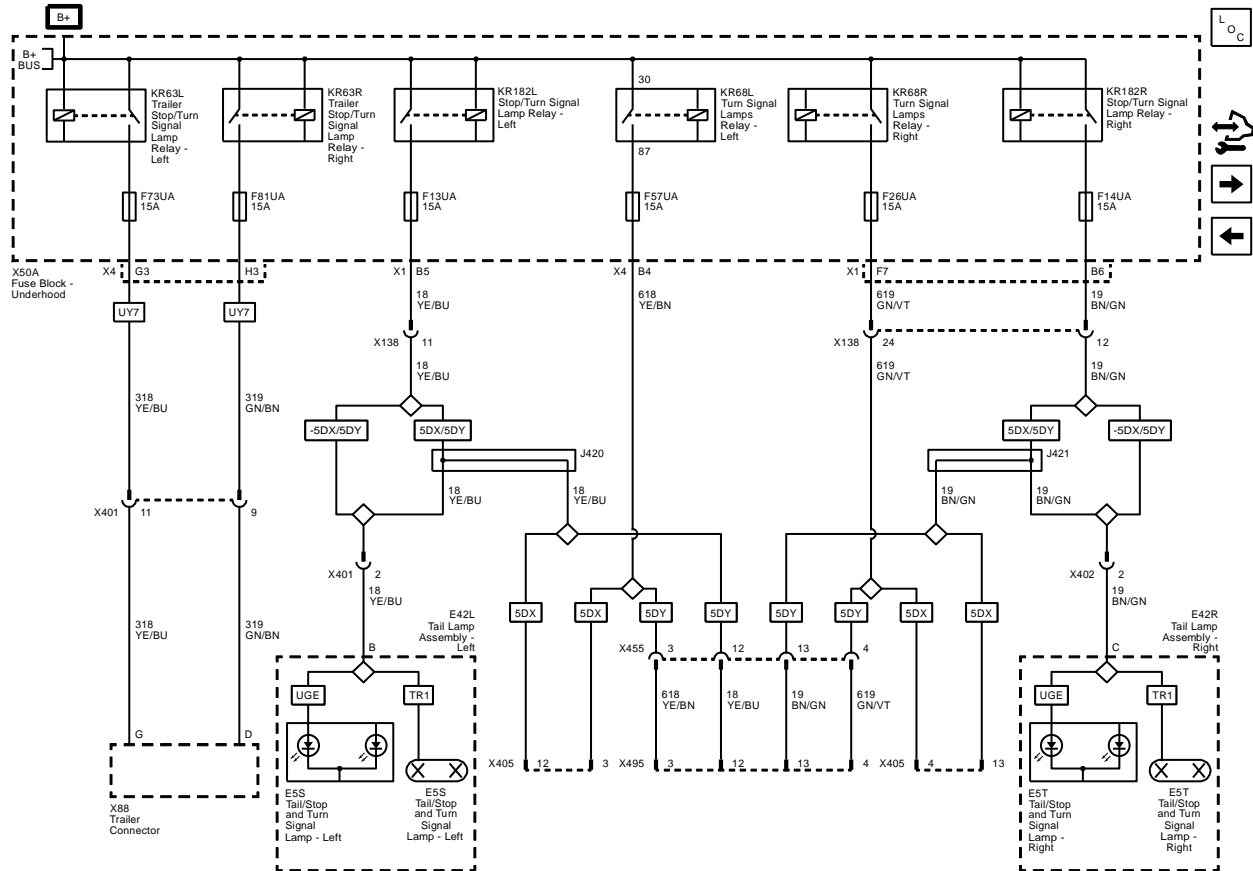
3.3. UNDER HOOD PDM – BATTERY POWER



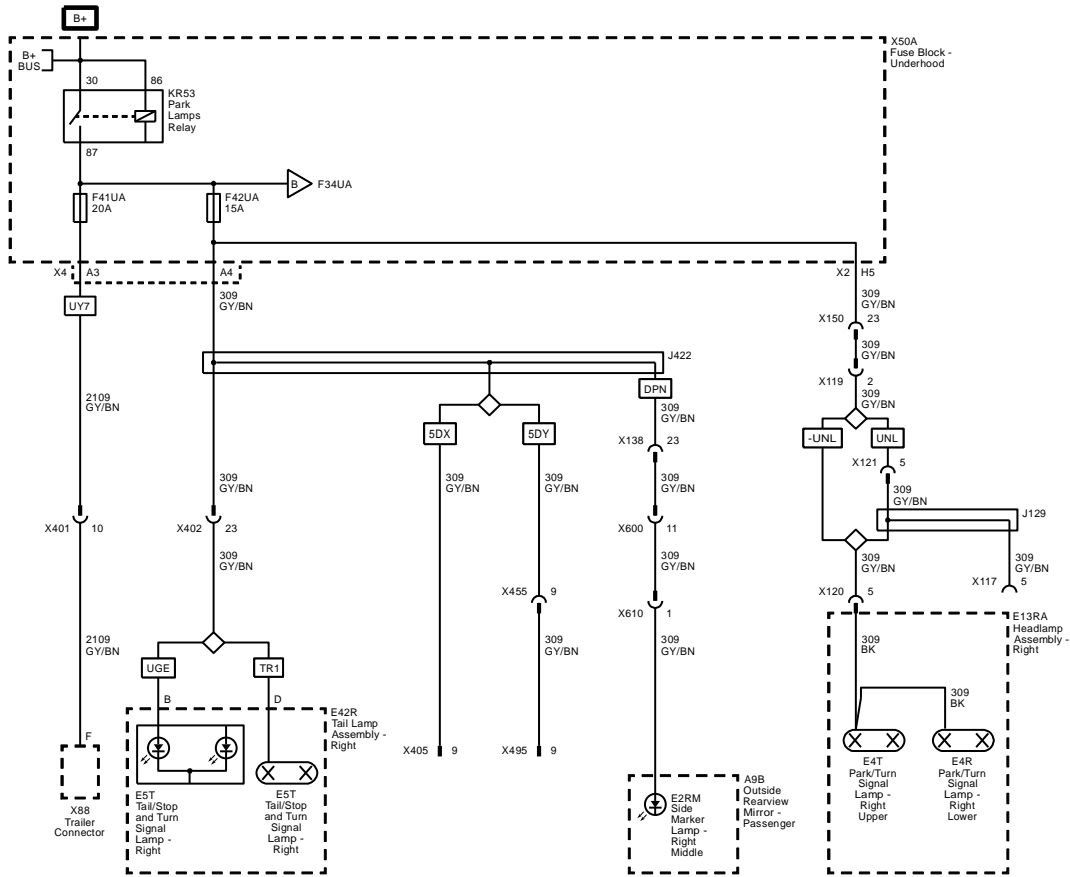
3.4. UNDER HOOD PDM – BATTERY POWER



3.5. UNDER HOOD PDM – BATTERY POWER

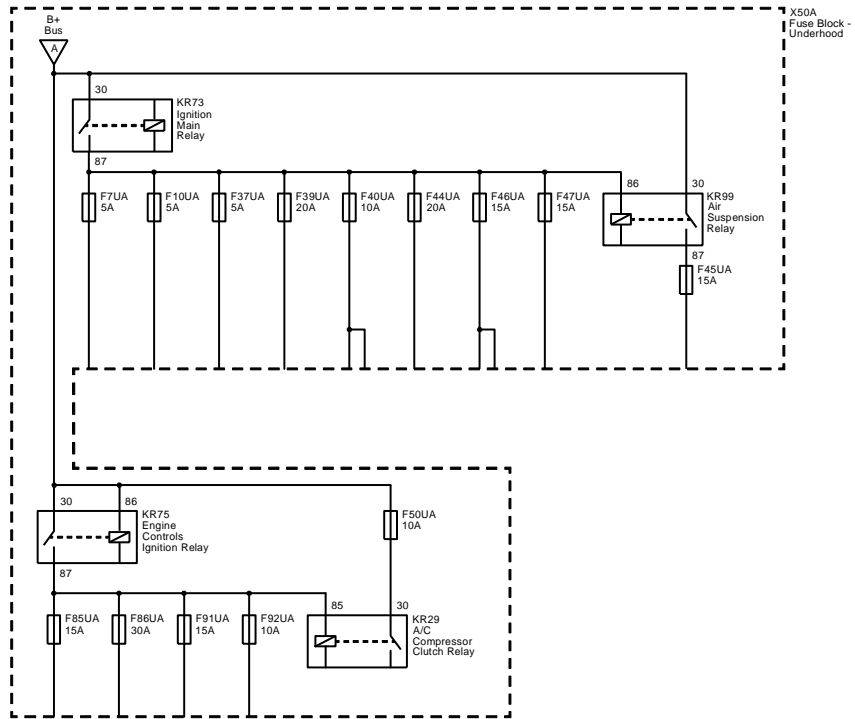


3.6. UNDER HOOD PDM – BATTERY POWER

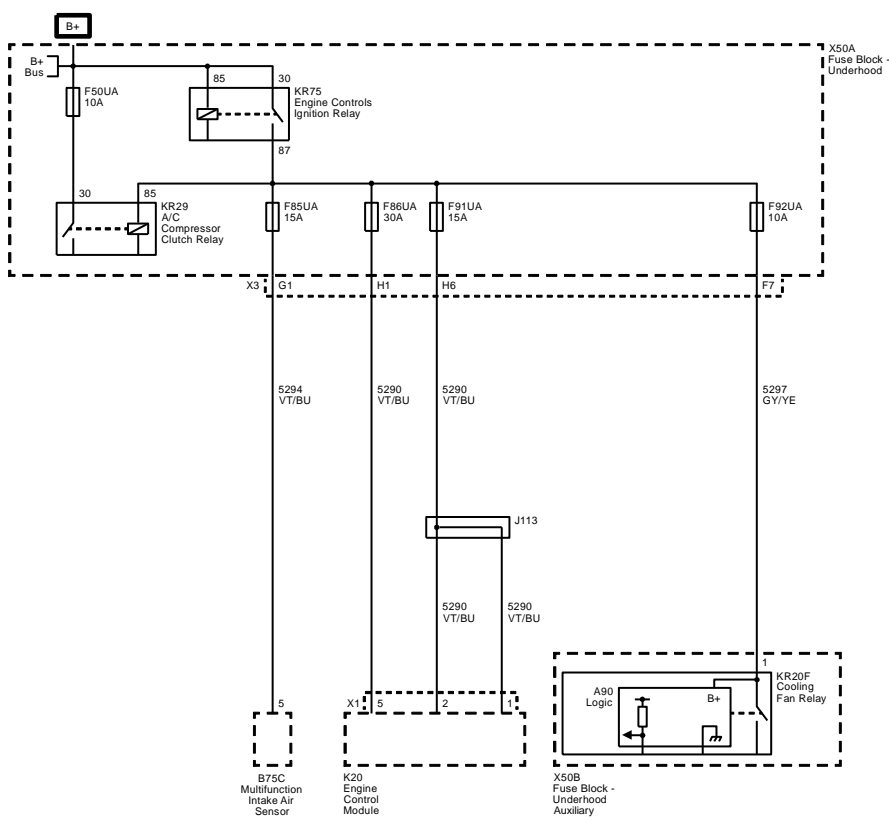


3.7. UNDER HOOD PDM – IGNITION POWER

L  
o  
c



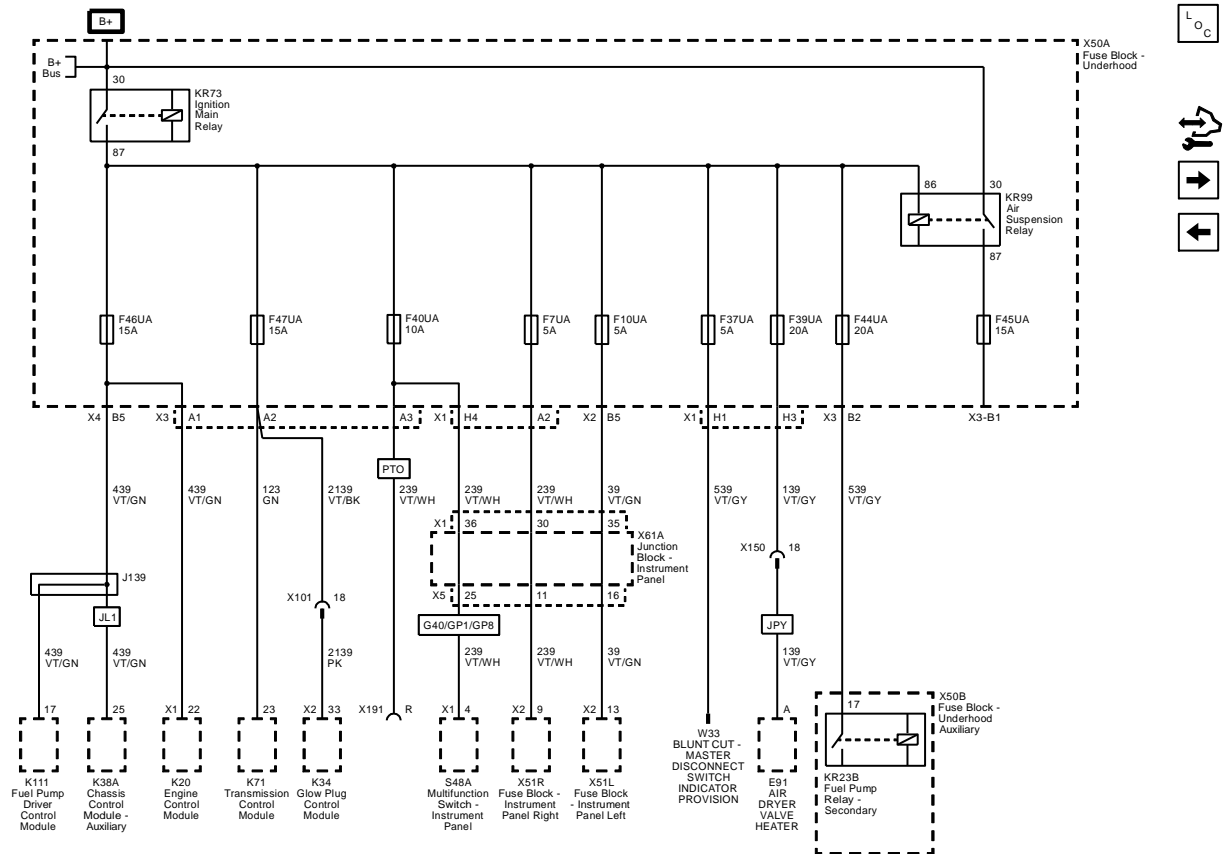
3.8. UNDER HOOD PDM – IGNITION POWER



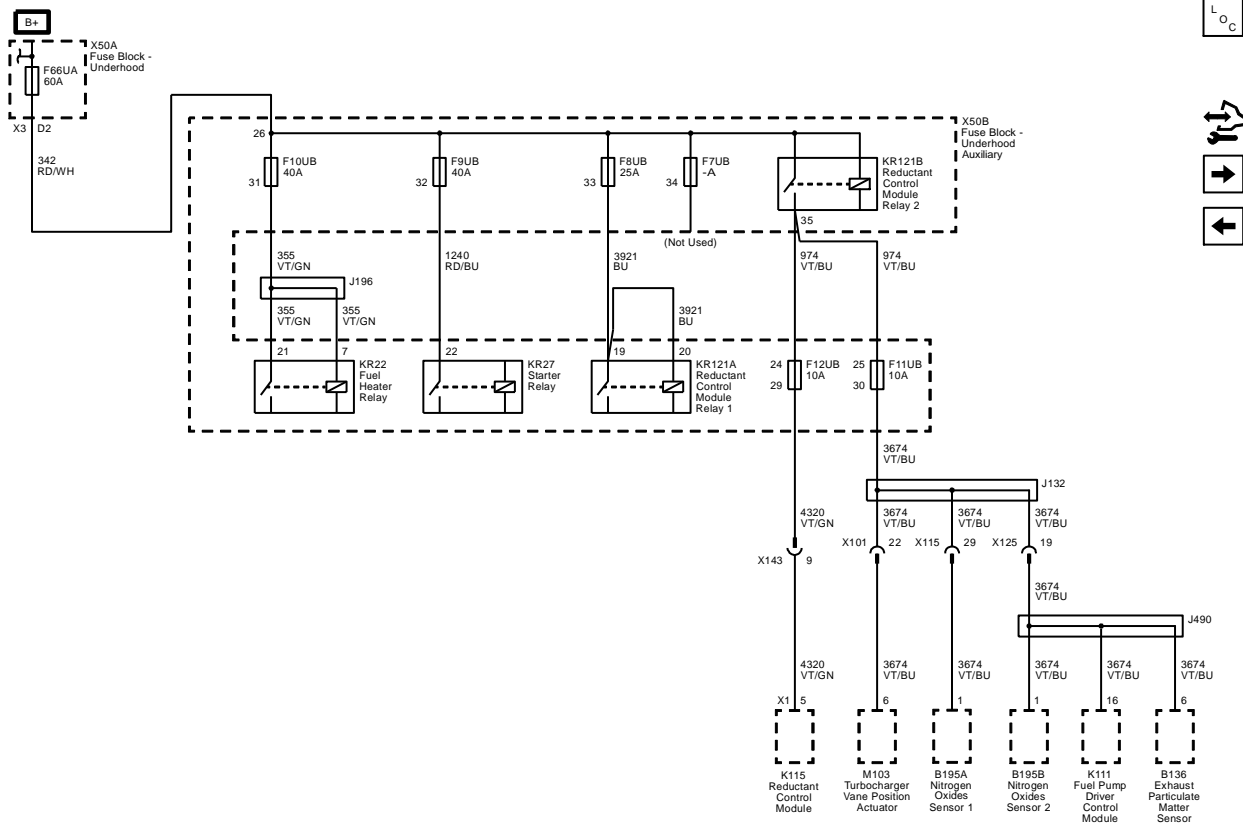
L  
O  
C



3.9. UNDER HOOD PDM – IGNITION POWER

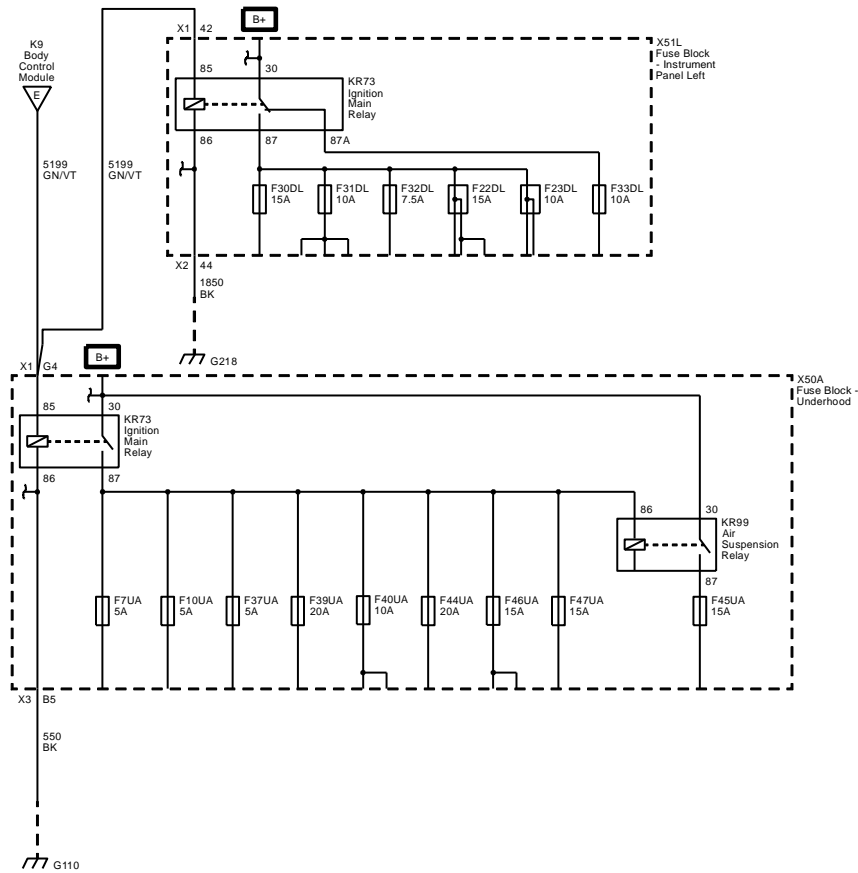


3.10. UNDER HOOD PDM – BATTERY POWER

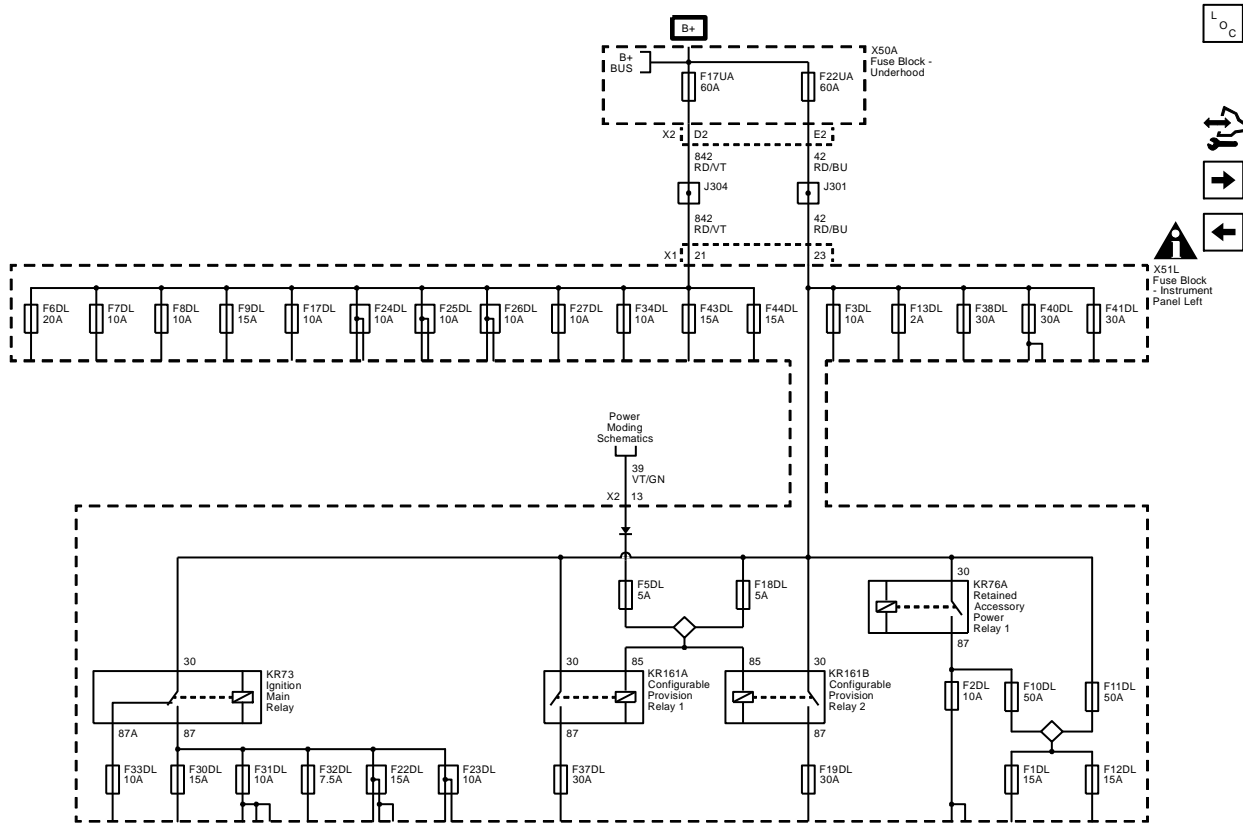




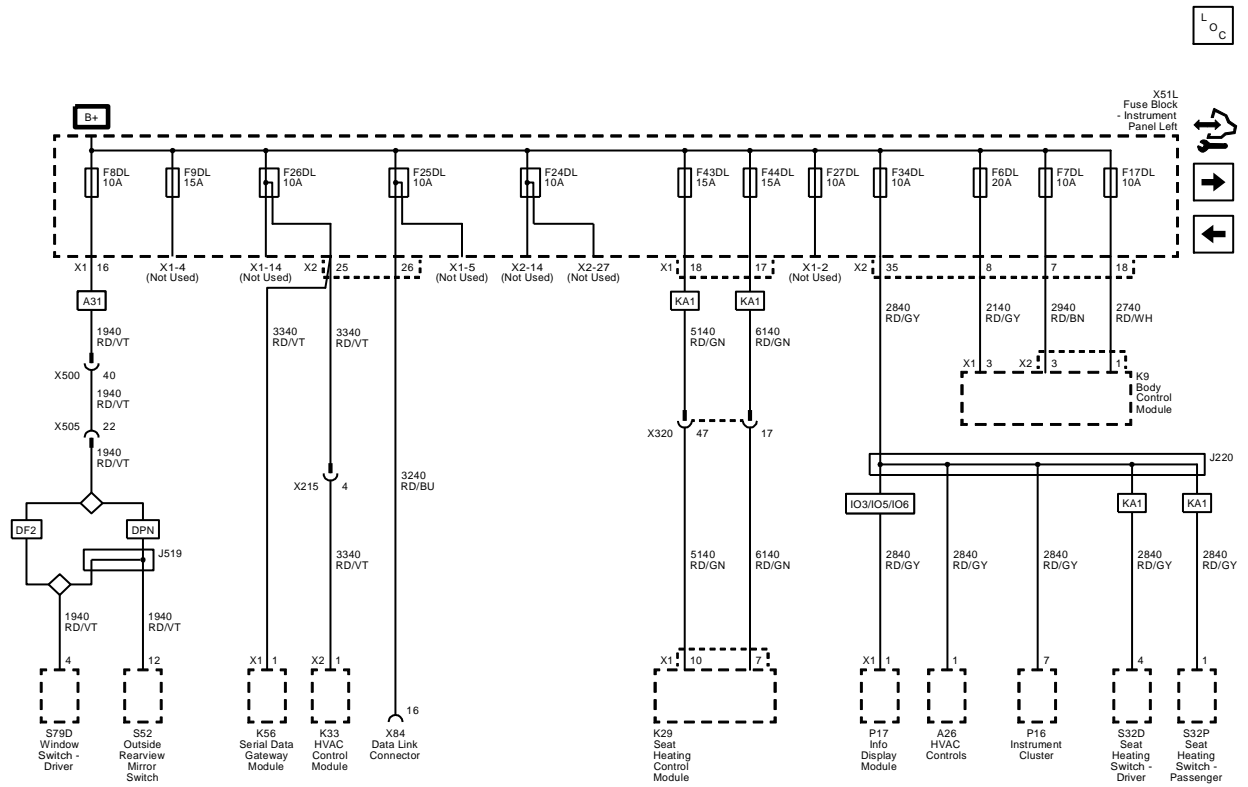
3.11. UNDER HOOD PDM/ INSTRUMENT PANEL LEFT PDM – IGNITION POWER



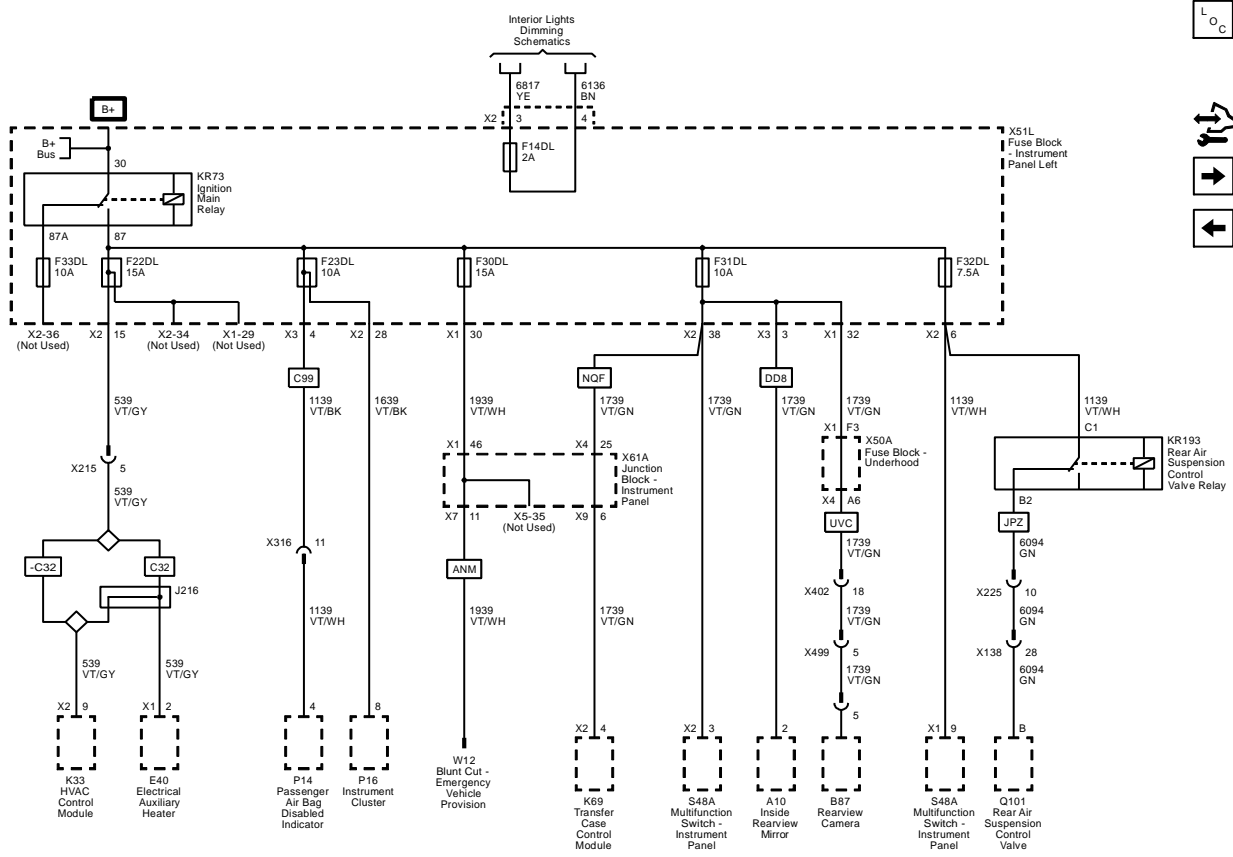
3.12. INSTRUMENT PANEL LEFT PDM – BATTERY POWER



3.13. INSTRUMENT PANEL LEFT PDM – BATTERY POWER



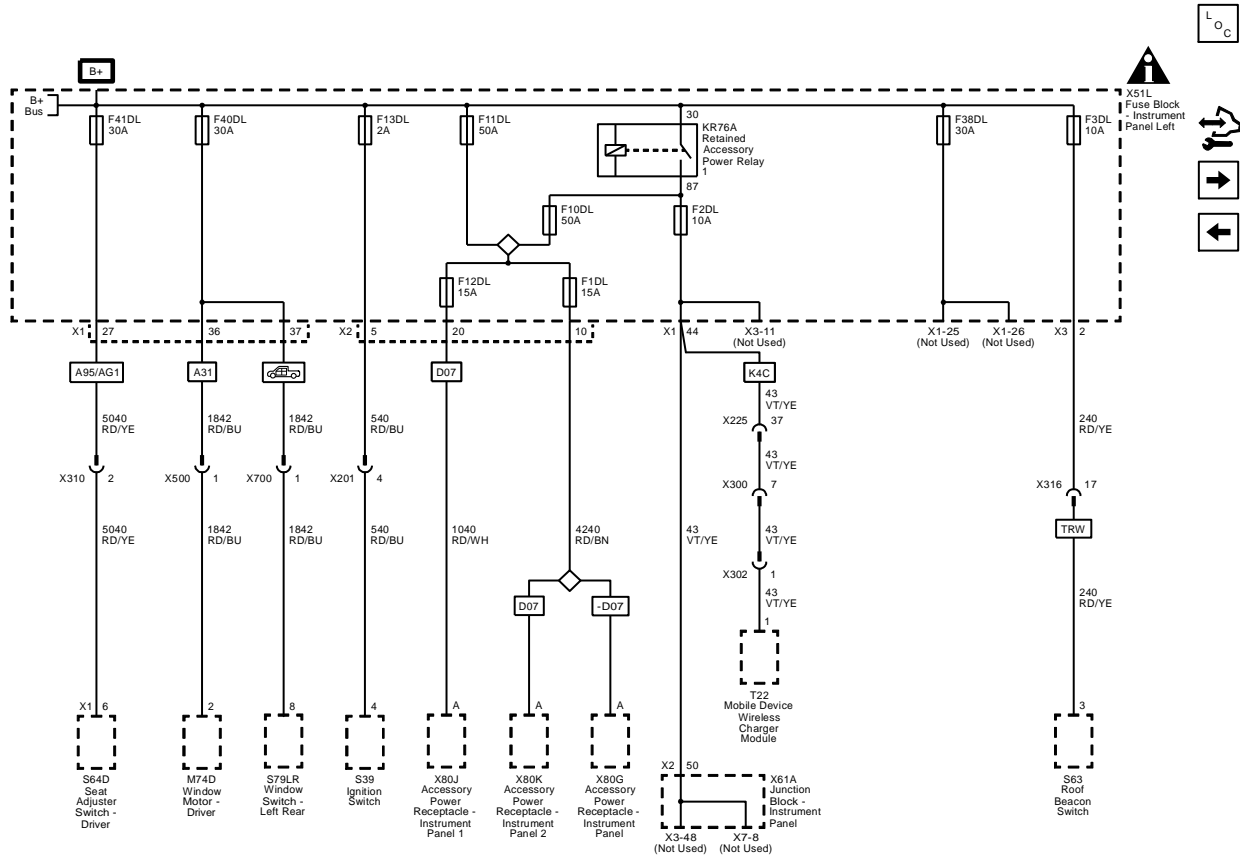
3.14. INSTRUMENT PANEL LEFT PDM – IGNITION POWER



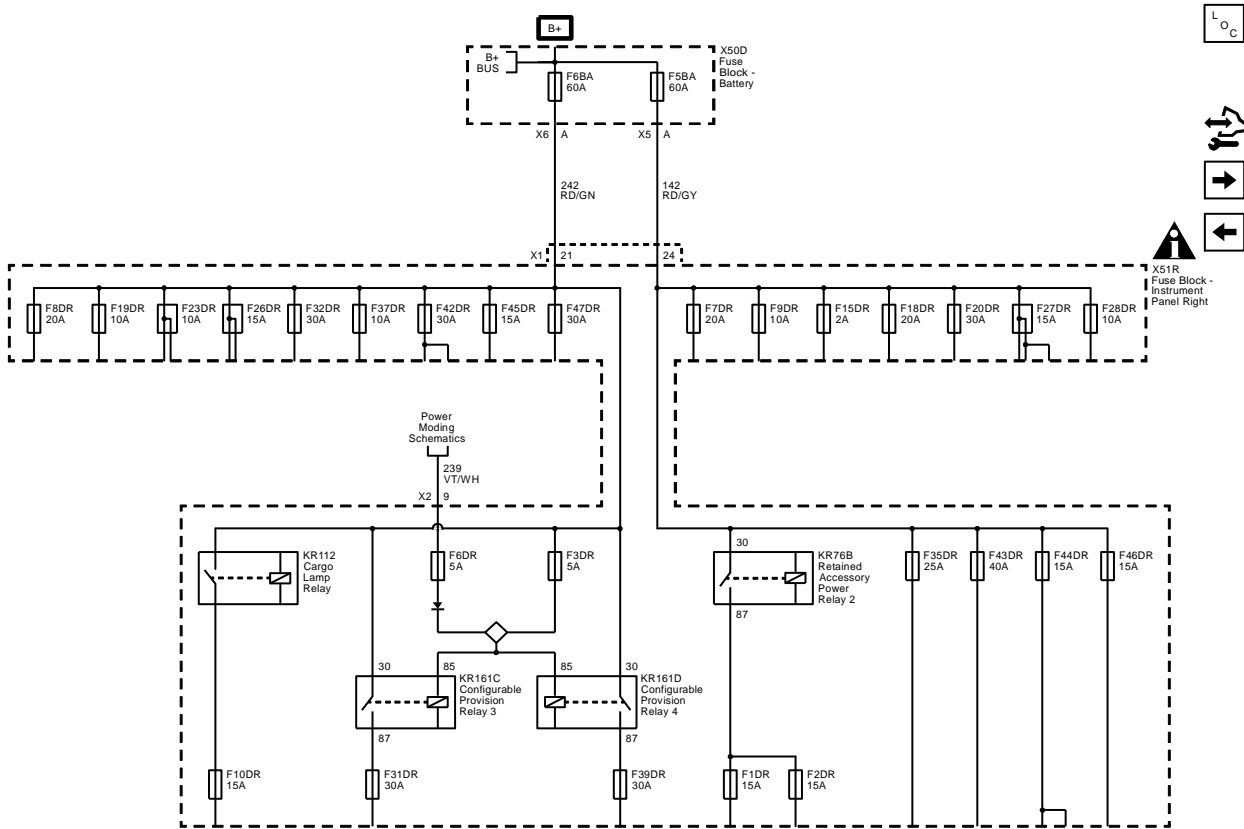
L  
O  
C



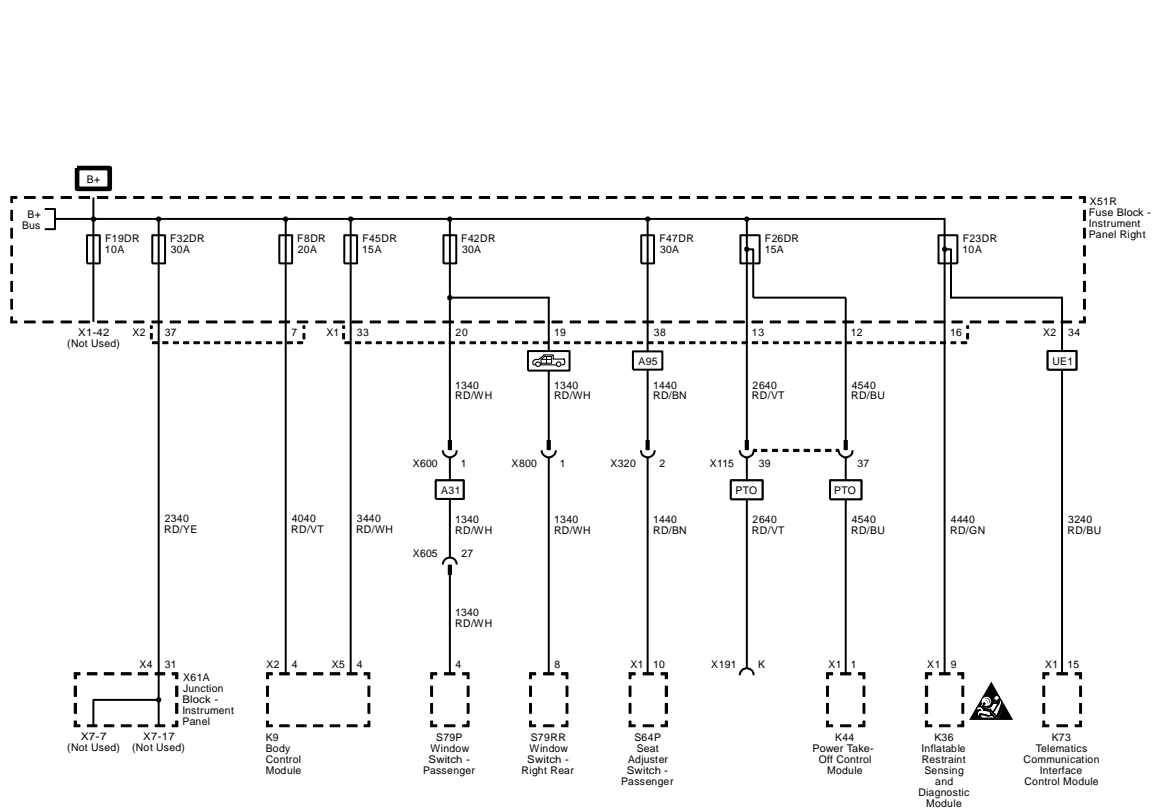
3.15. INSTRUMENT PANEL LEFT PDM – ACCESSORY POWER



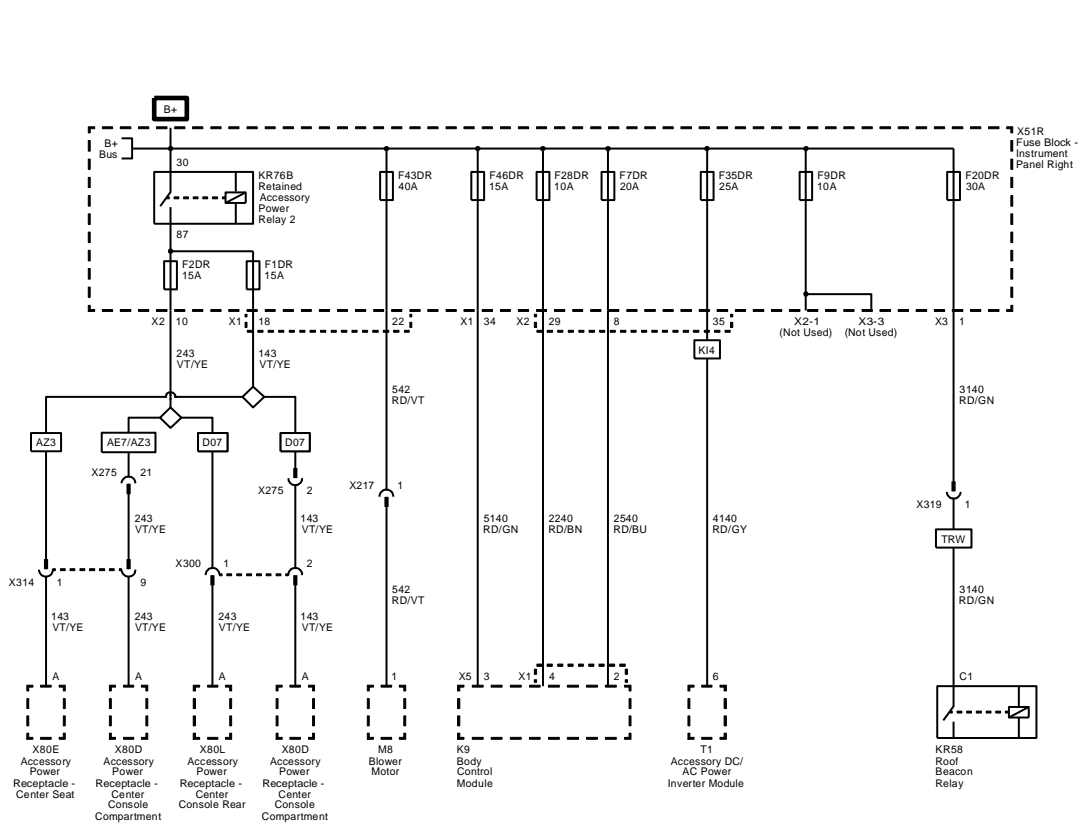
3.16. INSTRUMENT PANEL RIGHT PDM – BATTERY POWER



3.17. INSTRUMENT PANEL RIGHT PDM – BATTERY POWER



3.18. INSTRUMENT PANEL RIGHT PDM – BATTERY POWER/RETAINED ACCESSORY POWER

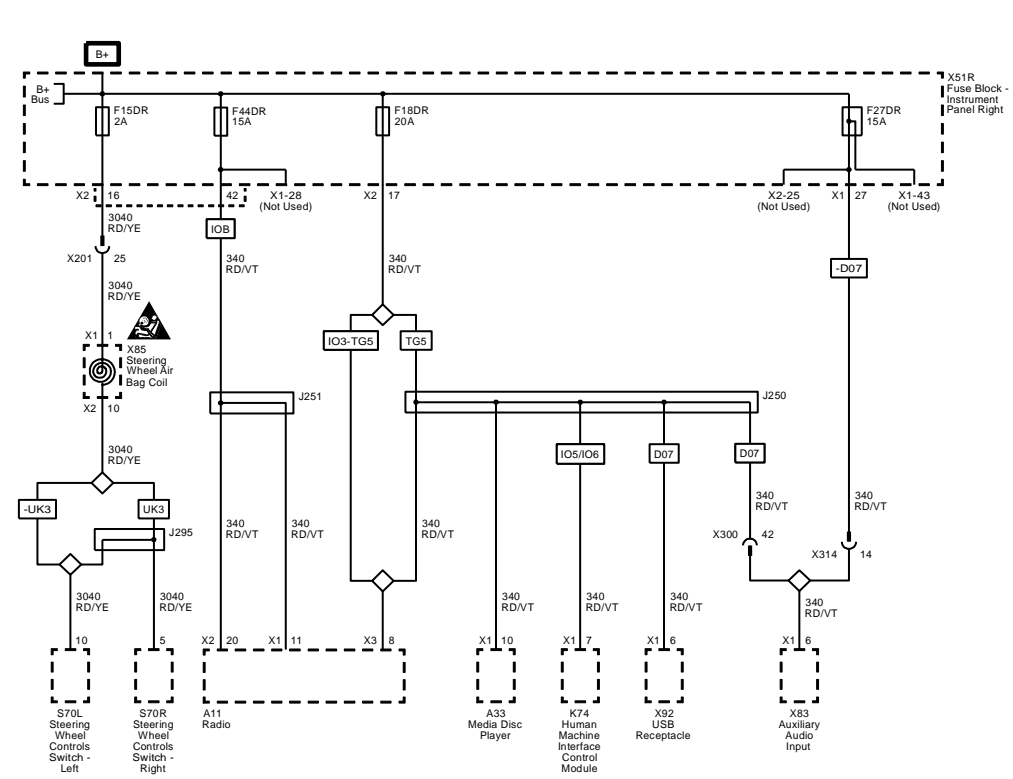


L  
O  
C

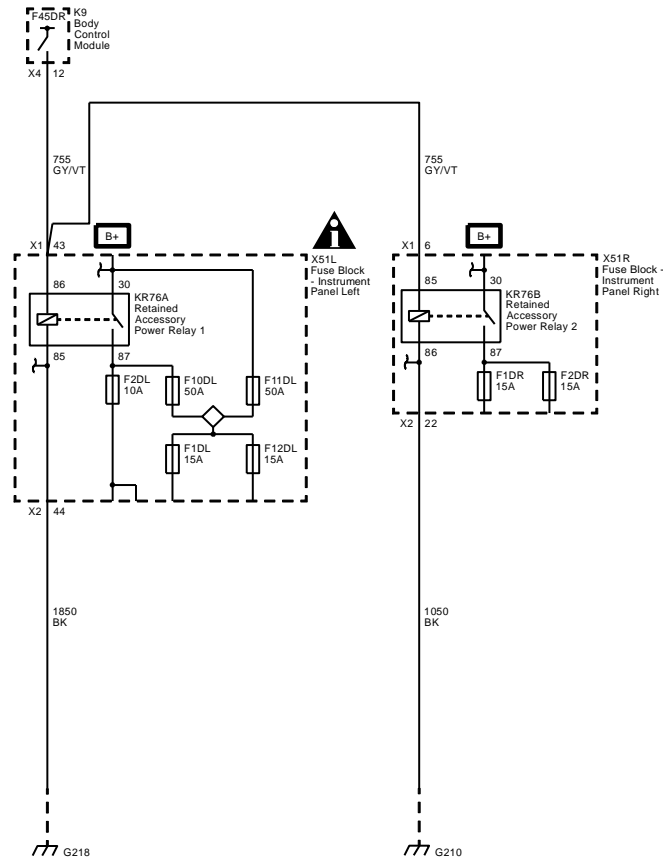




3.19. INSTRUMENT PANEL RIGHT PDM – BATTERY POWER



3.20. INSTRUMENT PANEL LEFT PDM/ INSTRUMENT PANEL RIGHT PDM – RETAINED ACCESSORY POWER

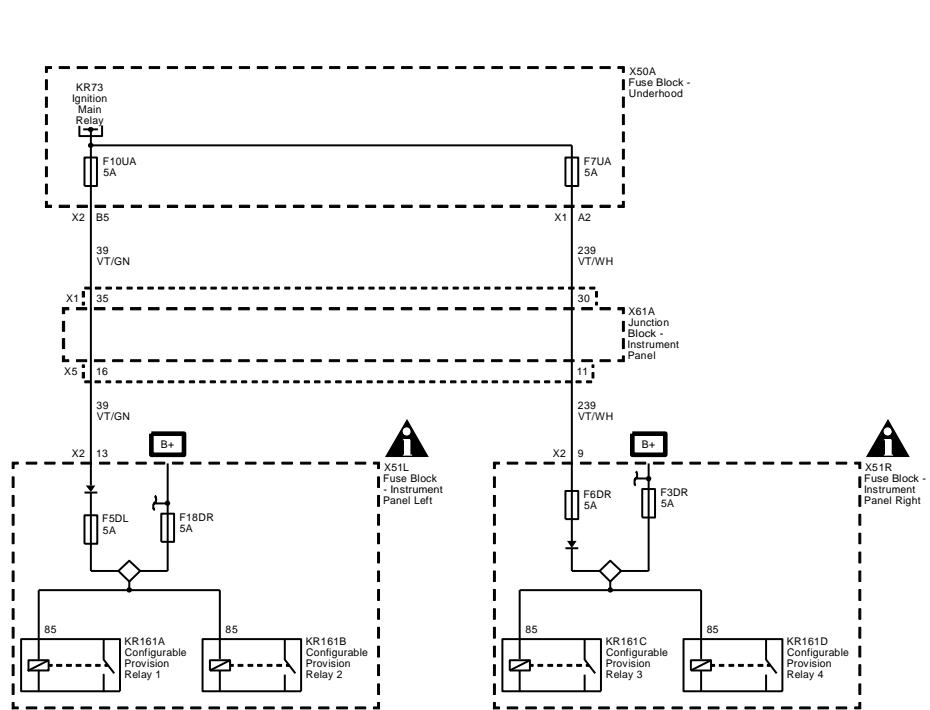


L  
O  
C

D  
E  
S  
C



### 3.21. INSTRUMENT PANEL LEFT PDM/INSTRUMENT PANEL RIGHT PDM – IGNITION POWER

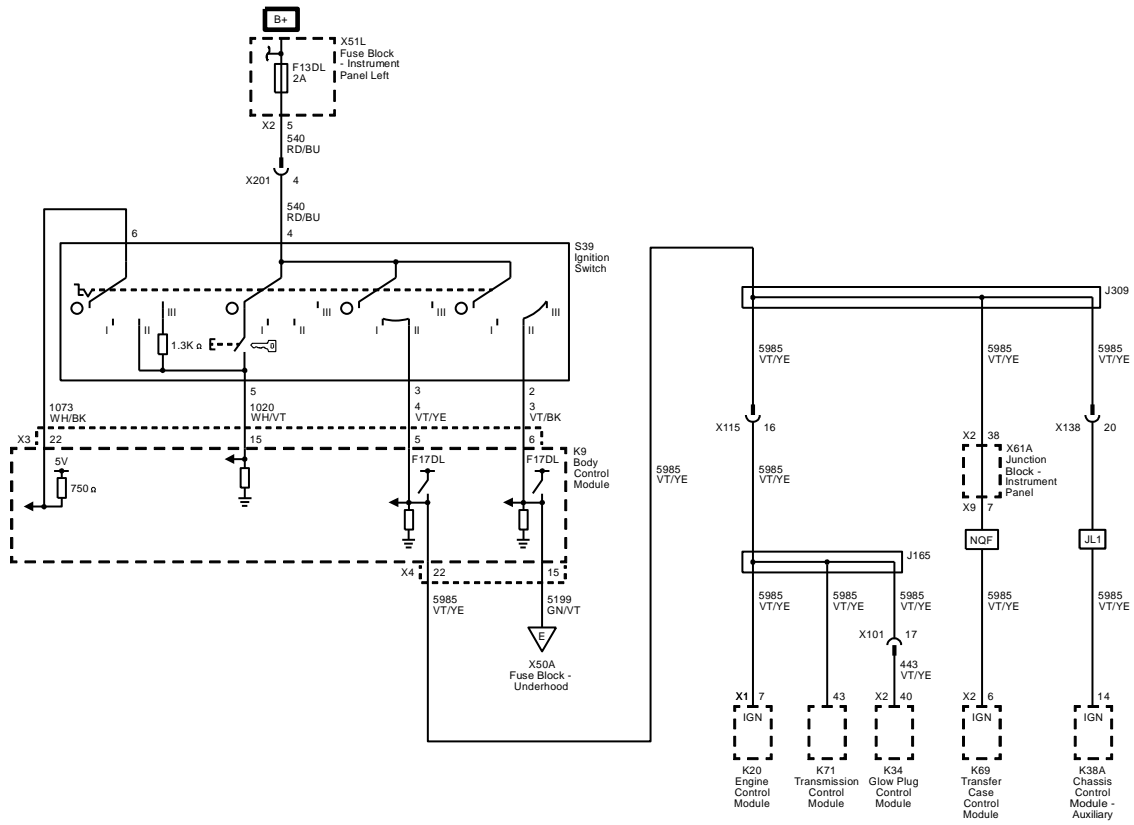


L  
O  
C

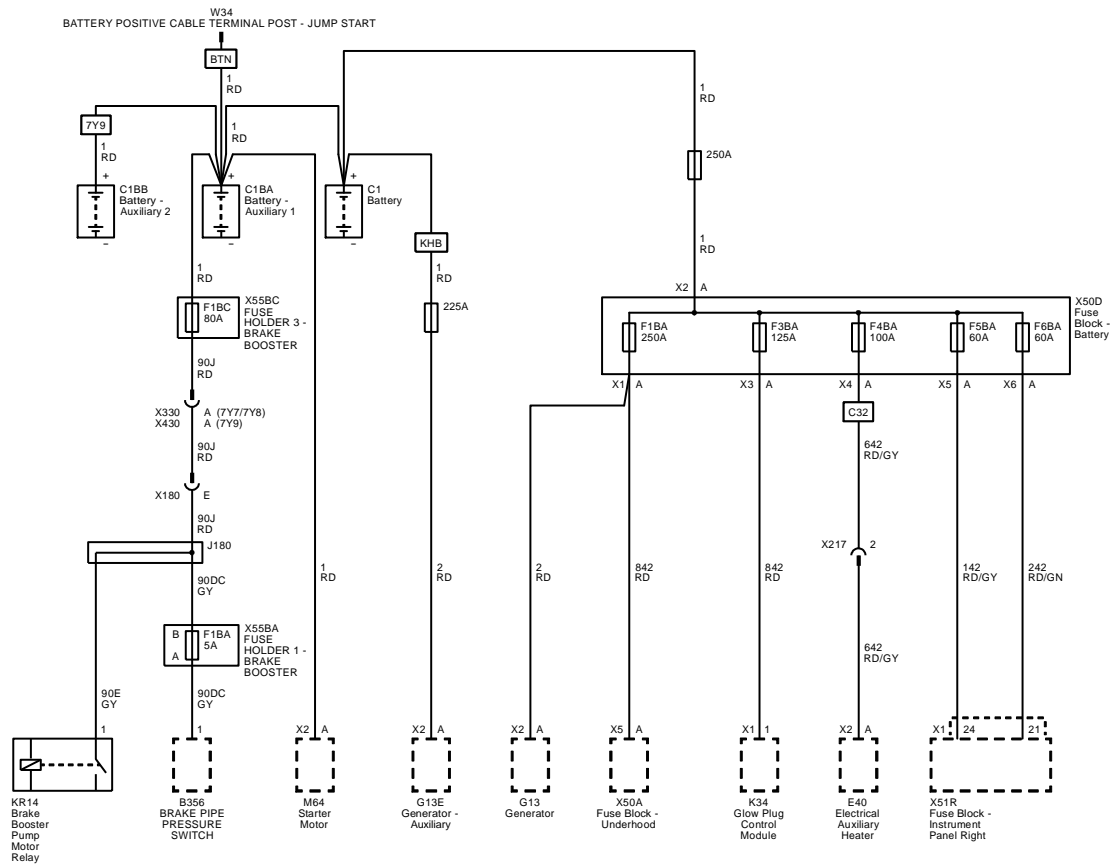
D  
E  
S  
C



3.22. IGNITION SWITCH

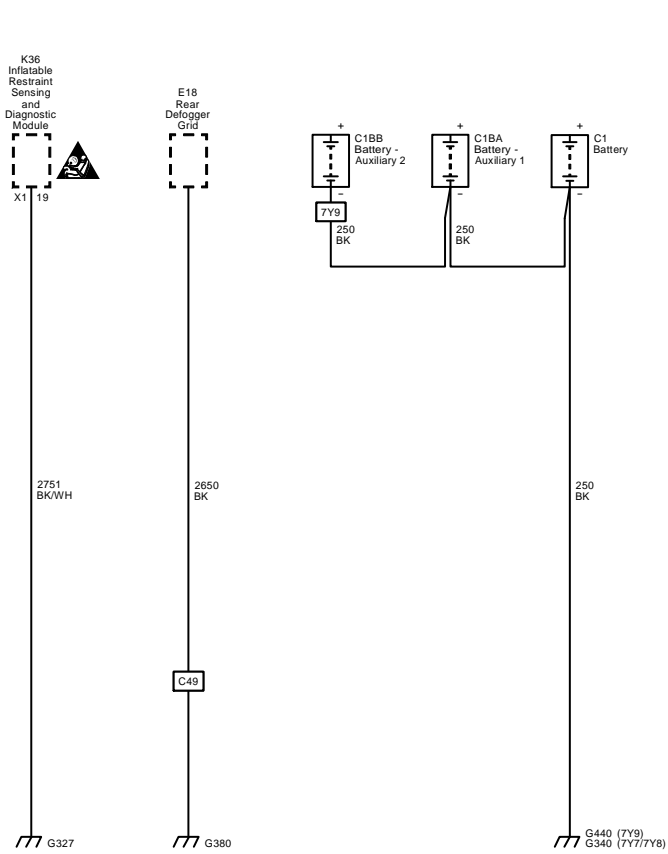


3.23. 12 VOLT SYSTEM

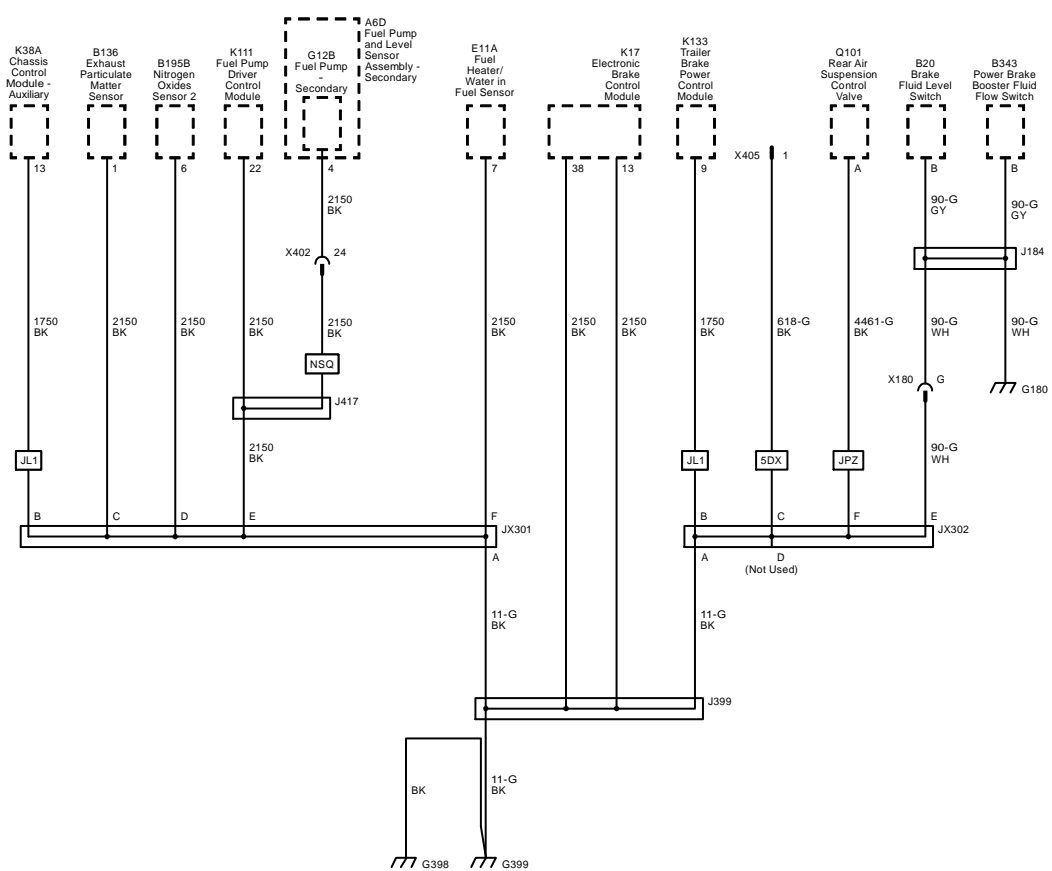


# GROUND DISTRIBUTION

## 4.1. CAB – GROUND DISTRIBUTION



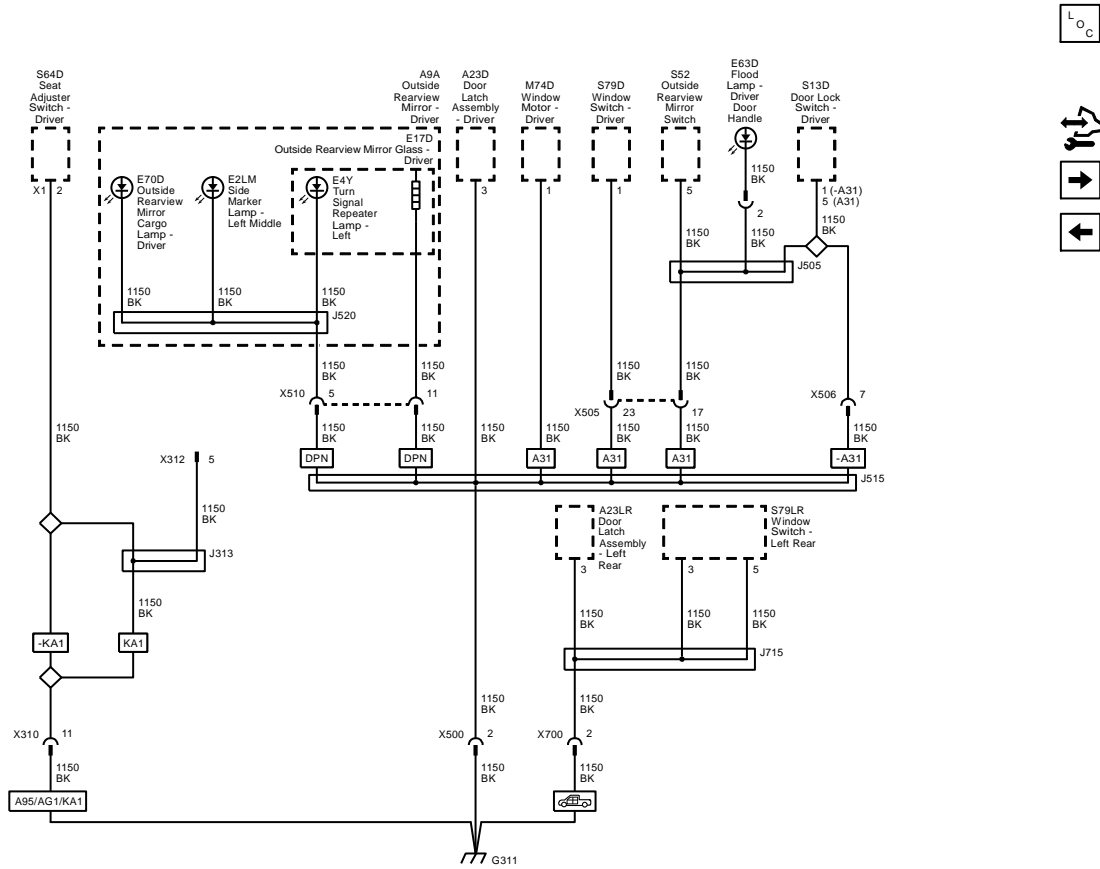
4.2. CENTER CHASSIS – GROUND DISTRIBUTION



L  
O  
C

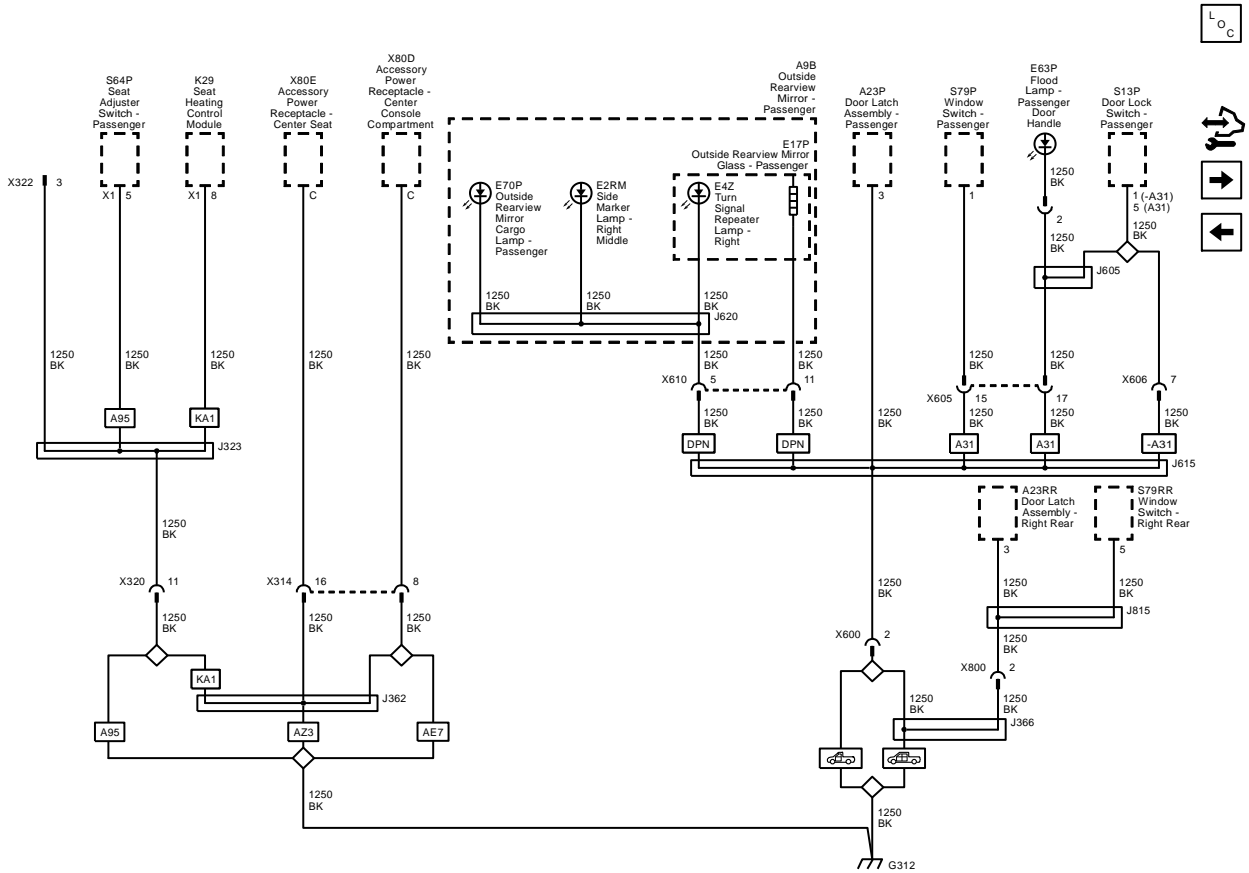


4.3. DRIVER SIDE DOOR – GROUND DISTRIBUTION

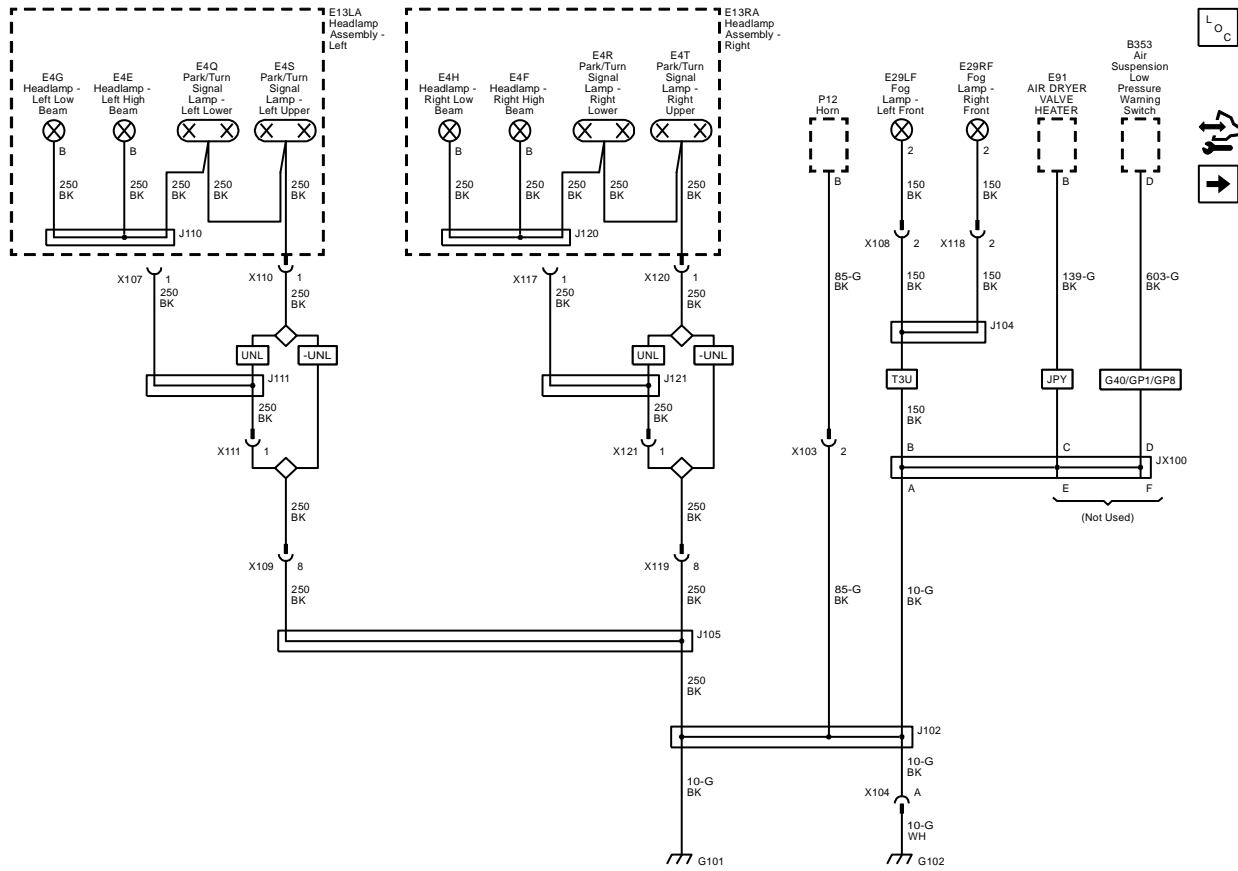




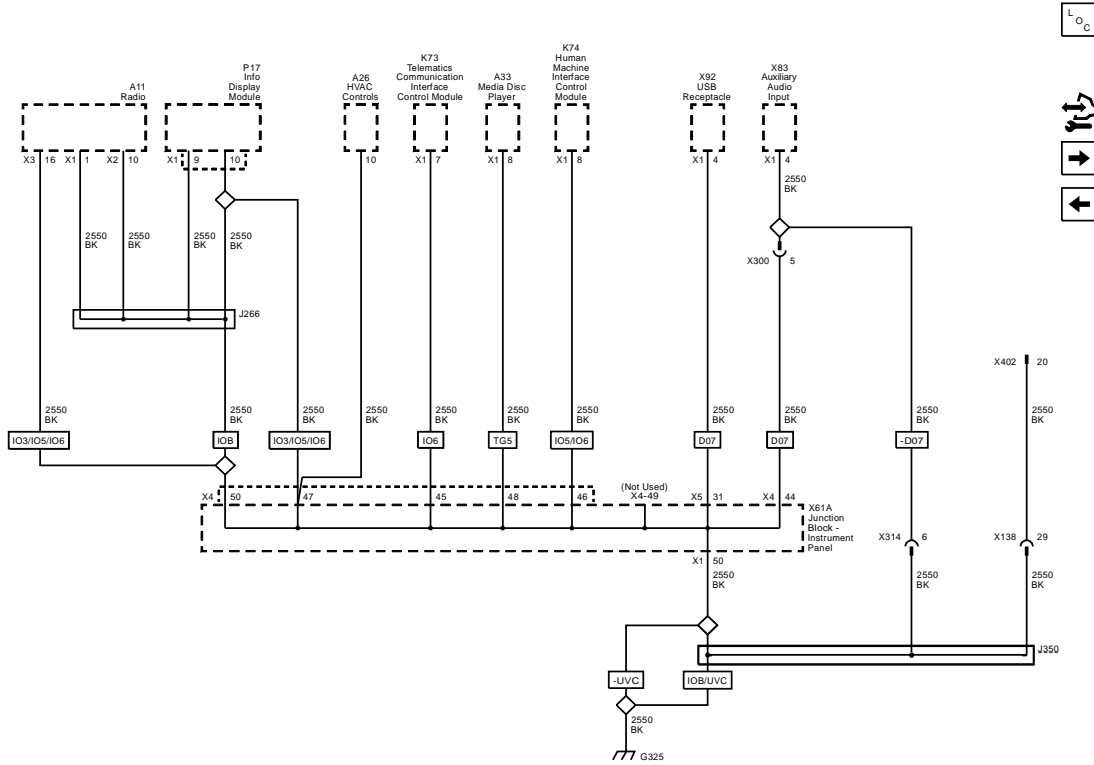
4.4. PASSENGER SIDE DOOR – GROUND DISTRIBUTION



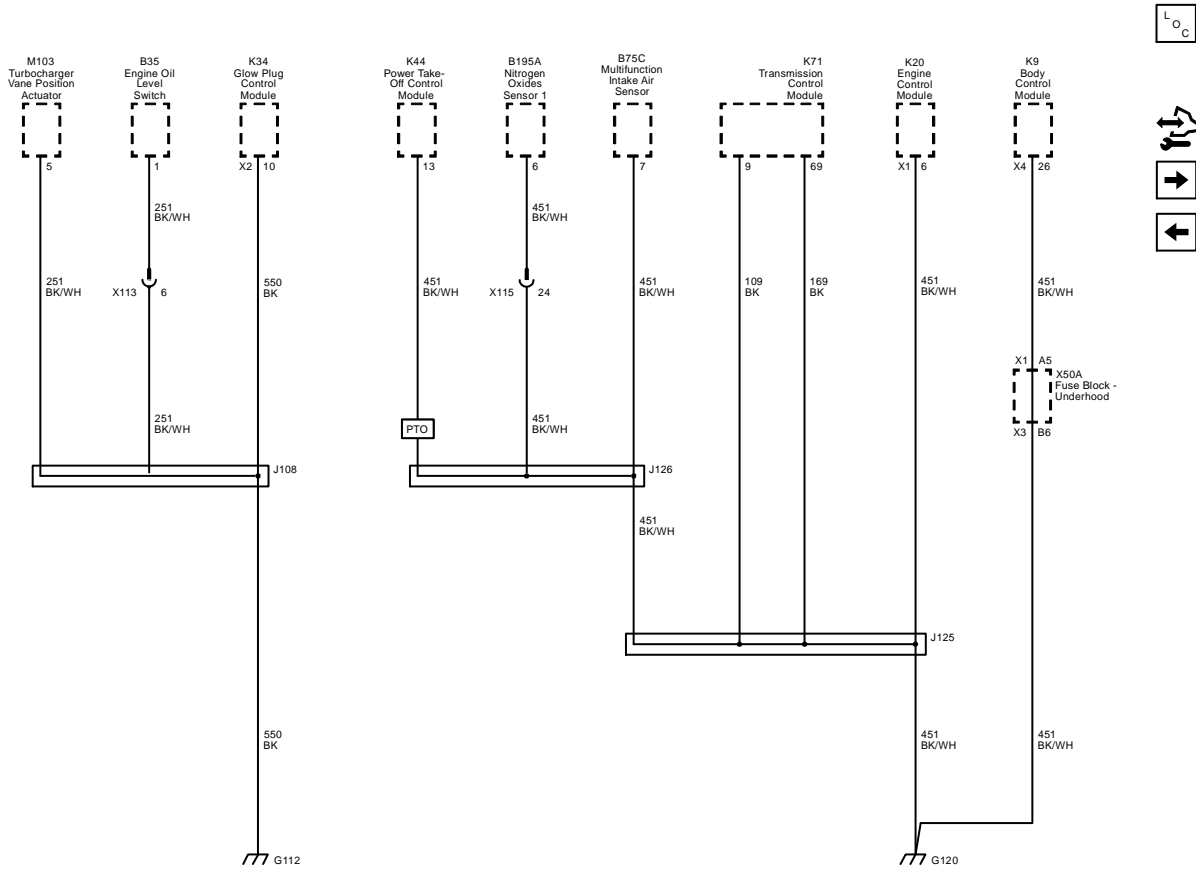
4.5. GROUND DISTRIBUTION



4.6. INSTRUMENT PANEL – GROUND DISTRIBUTION



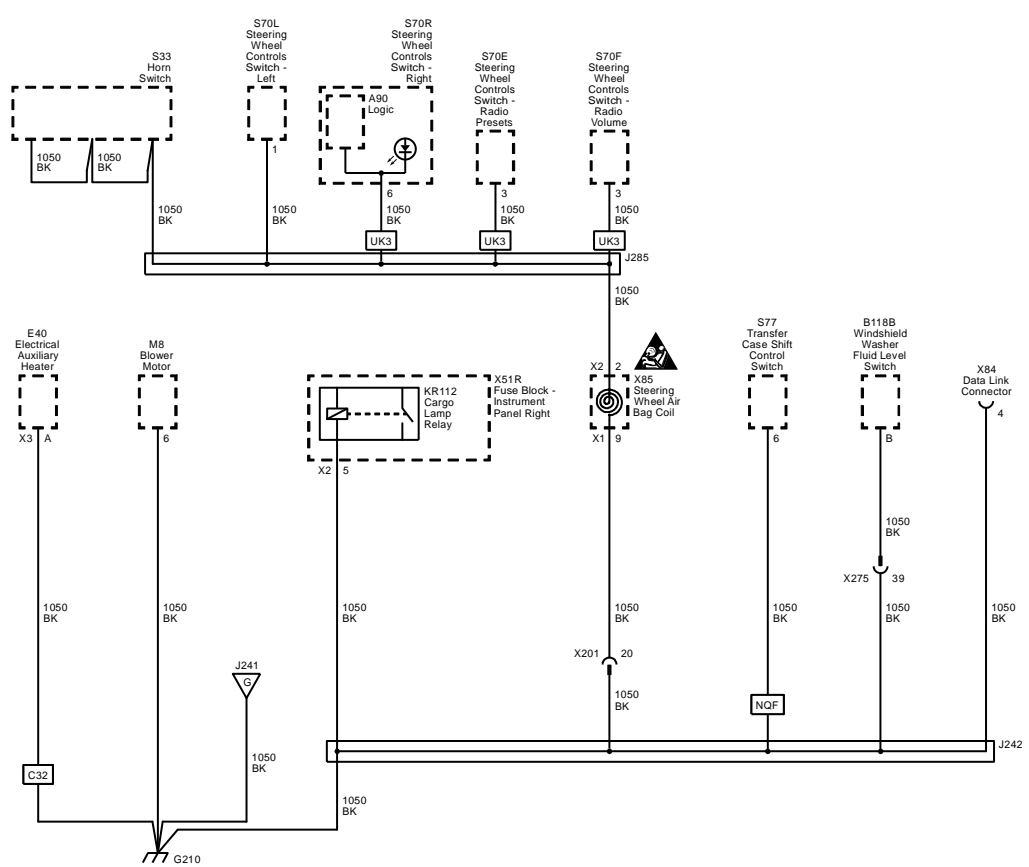
4.7. MODULE SPLICE PACK – GROUND DISTRIBUTION



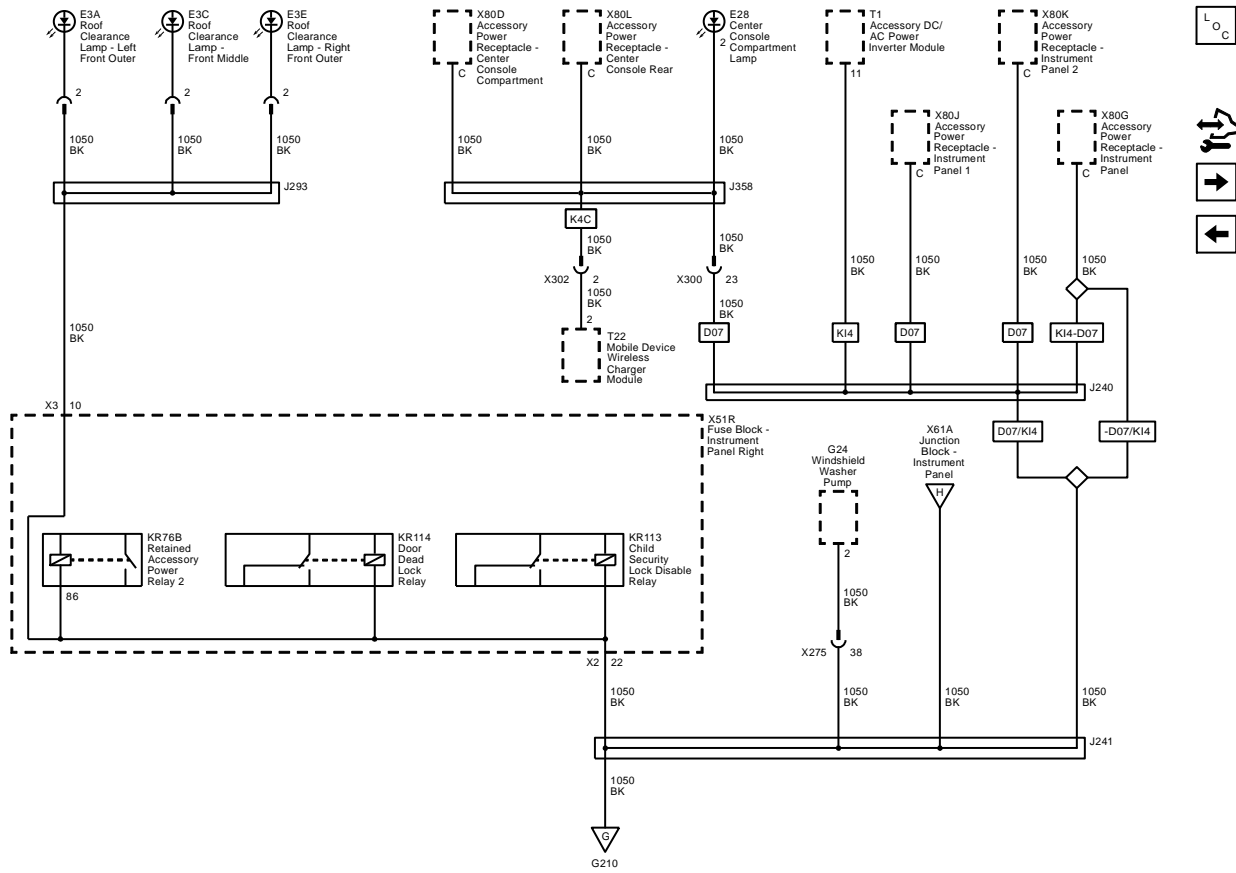
L  
O  
C



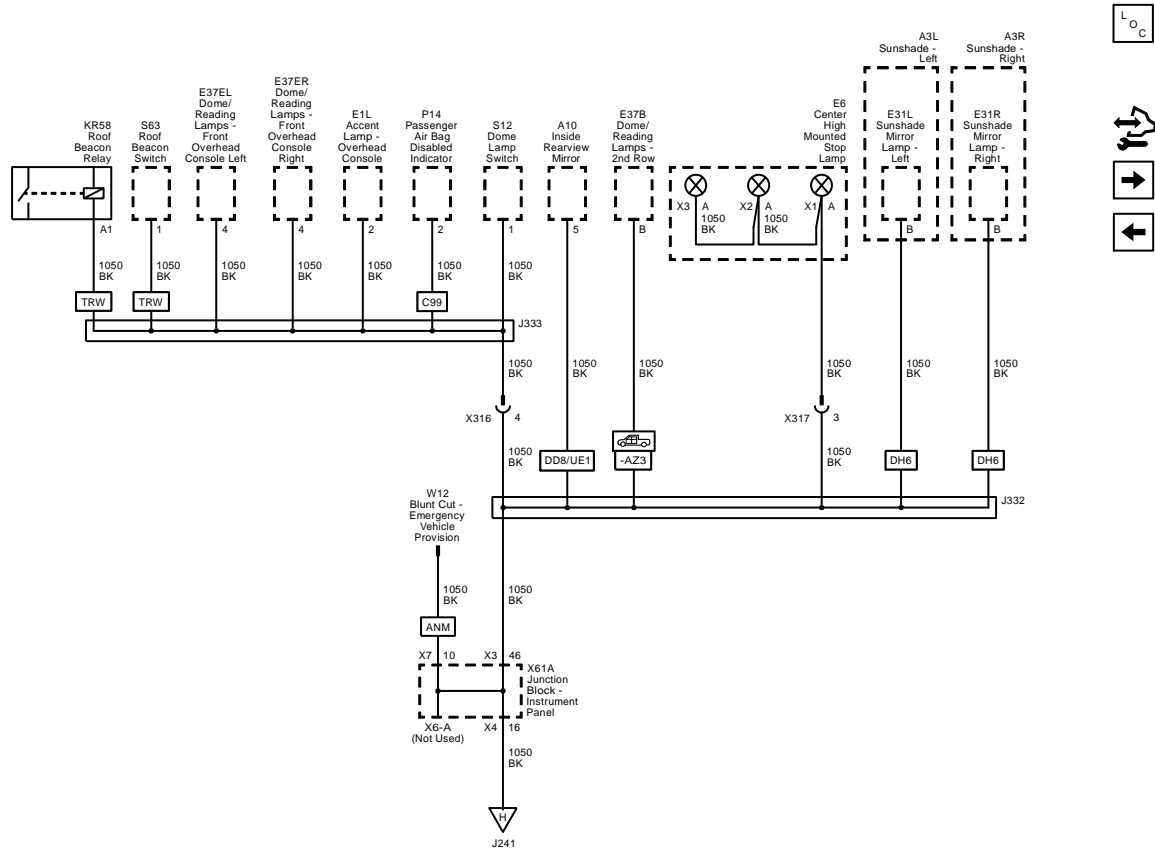
4.8. SPLICE PACK – GROUND DISTRIBUTION



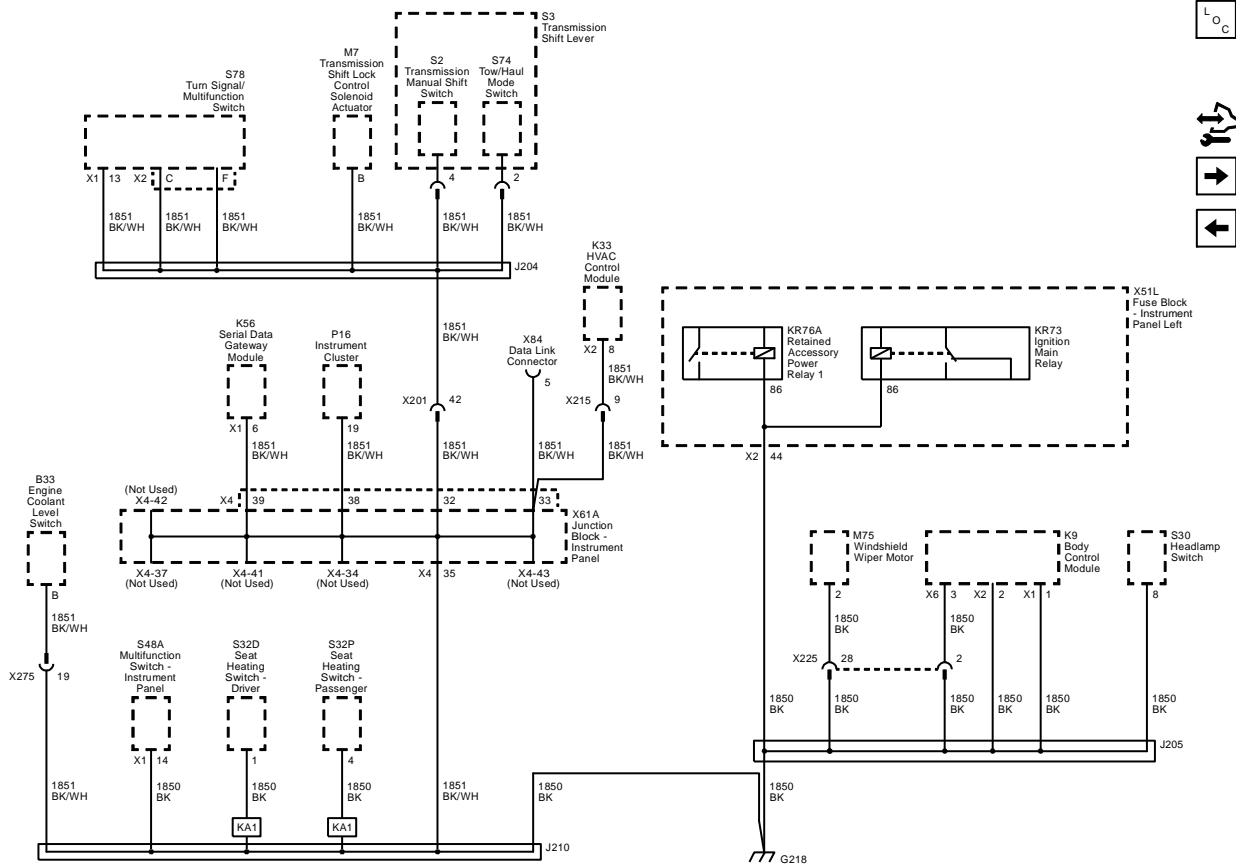
4.9. SPLICE PACK – GROUND DISTRIBUTION



4.10. SPLICE PACK – GROUND DISTRIBUTION

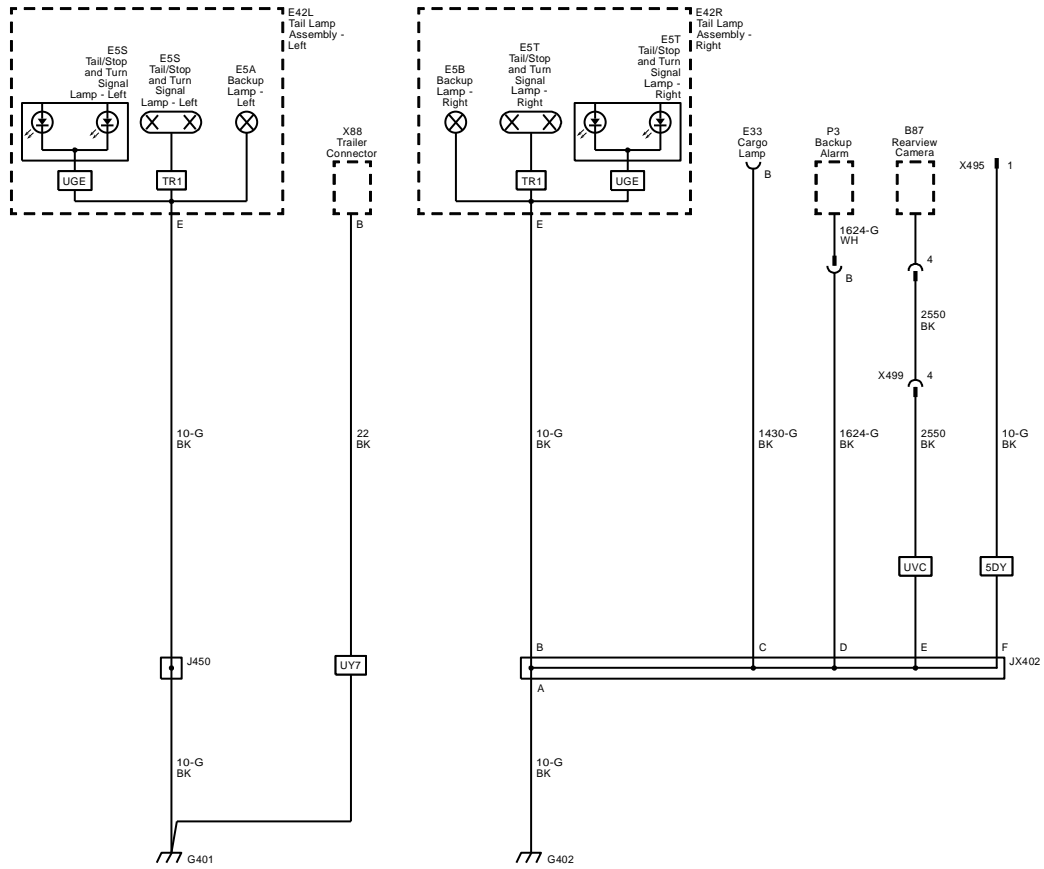


4.11. SPLICE PACK – GROUND DISTRIBUTION

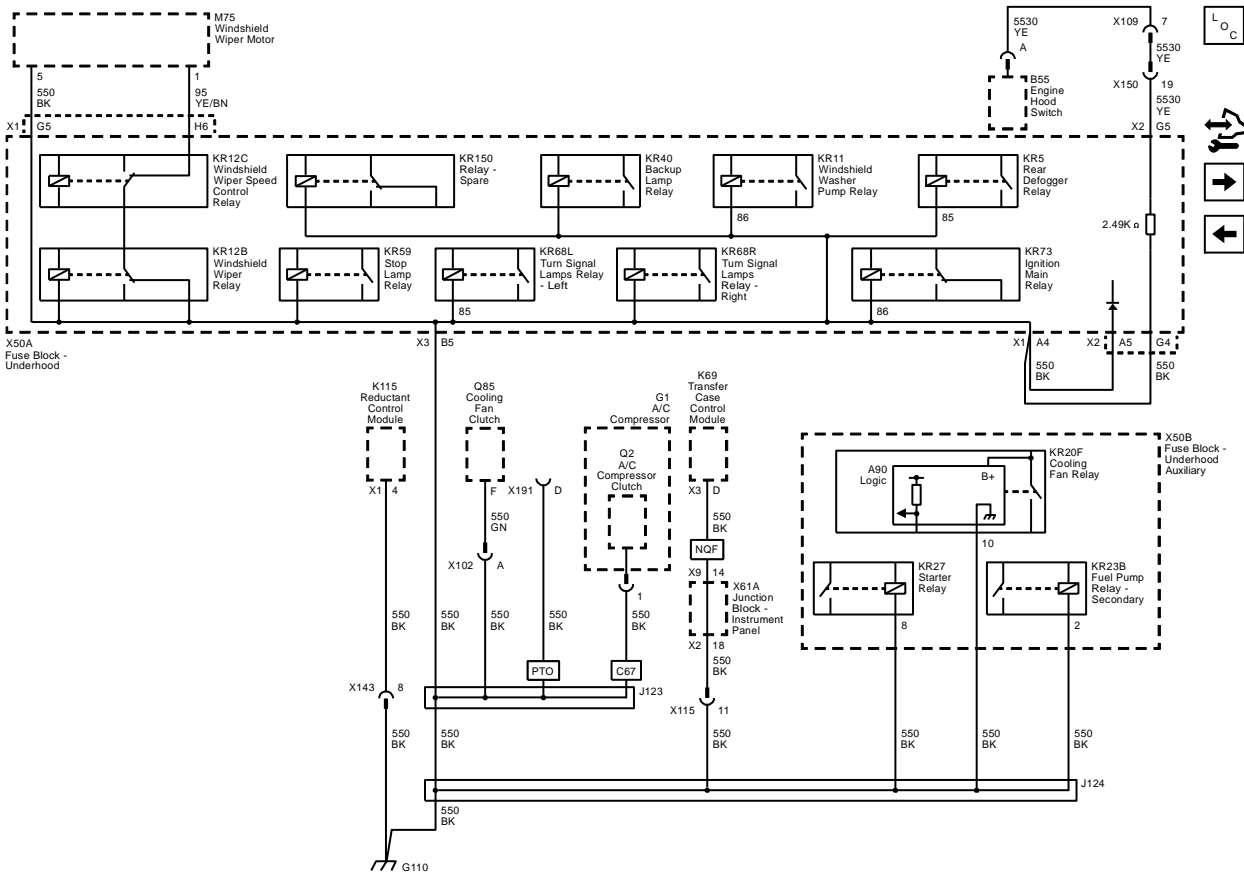




4.12. REAR CHASSIS – GROUND DISTRIBUTION

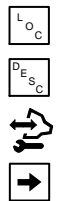
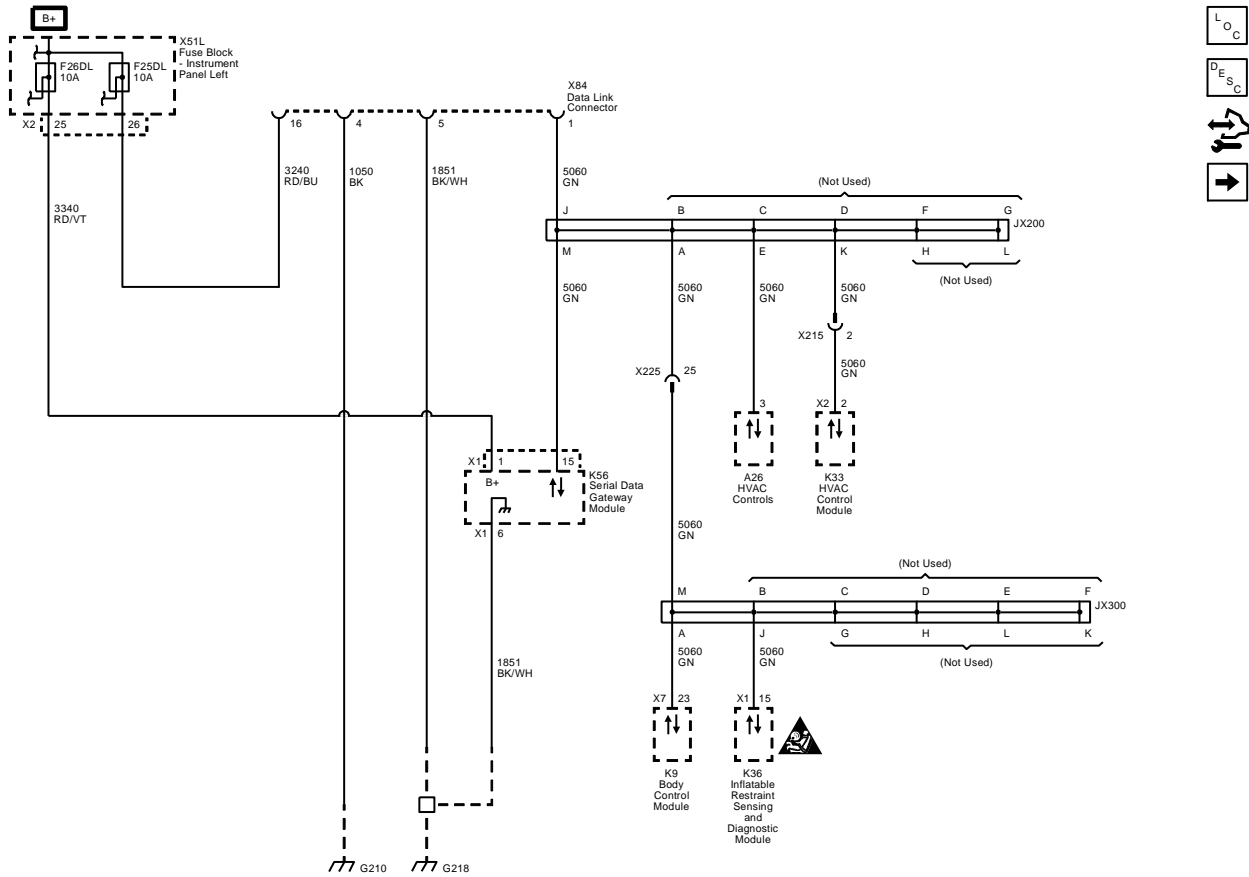


4.13. UNDER HOOD PDM – GROUND DISTRIBUTION

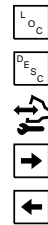
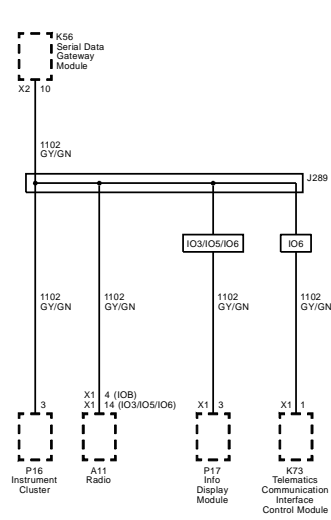


## DATA COMMUNICATION

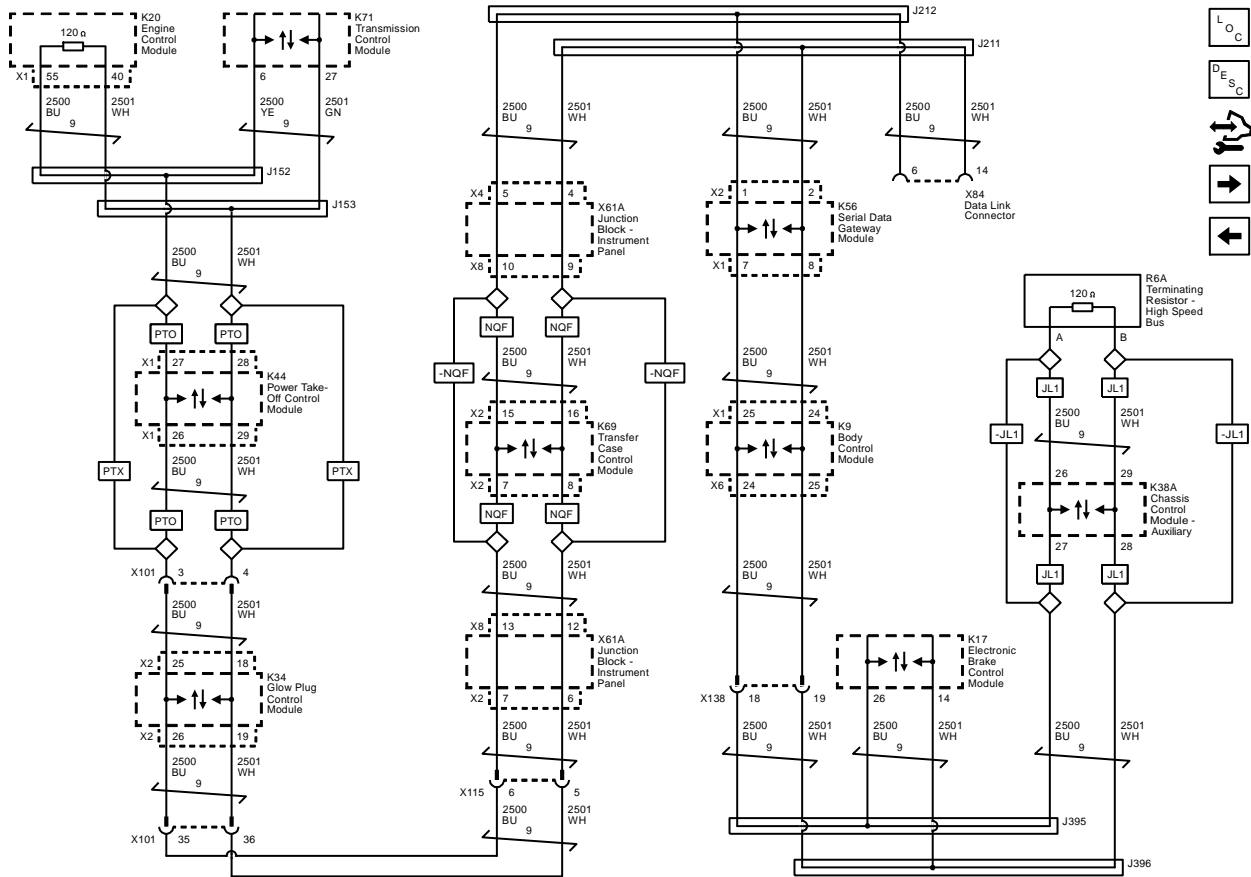
### 5.1. DATA COMMUNICATION – DATA LINK POWER AND GROUND AND LOW SPEED GMLAN



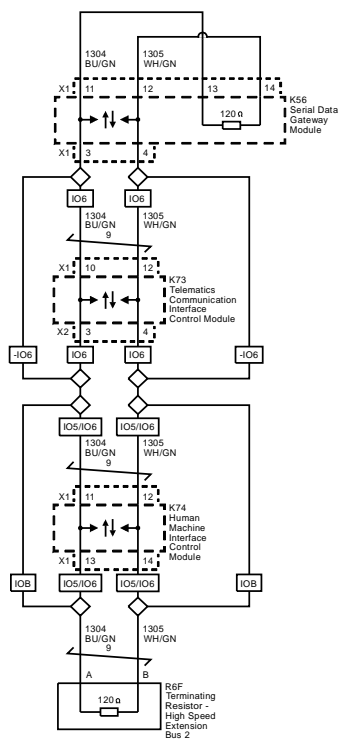
5.2. DATA COMMUNICATION – GATEWAY ISOLATED LOW SPEED GMLAN



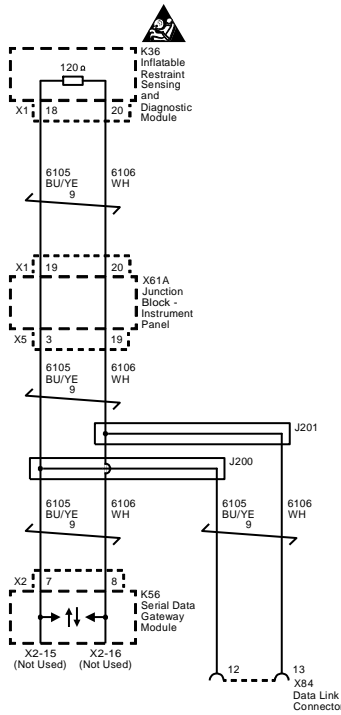
5.3. DATA COMMUNICATION – HIGH SPEED GMLAN



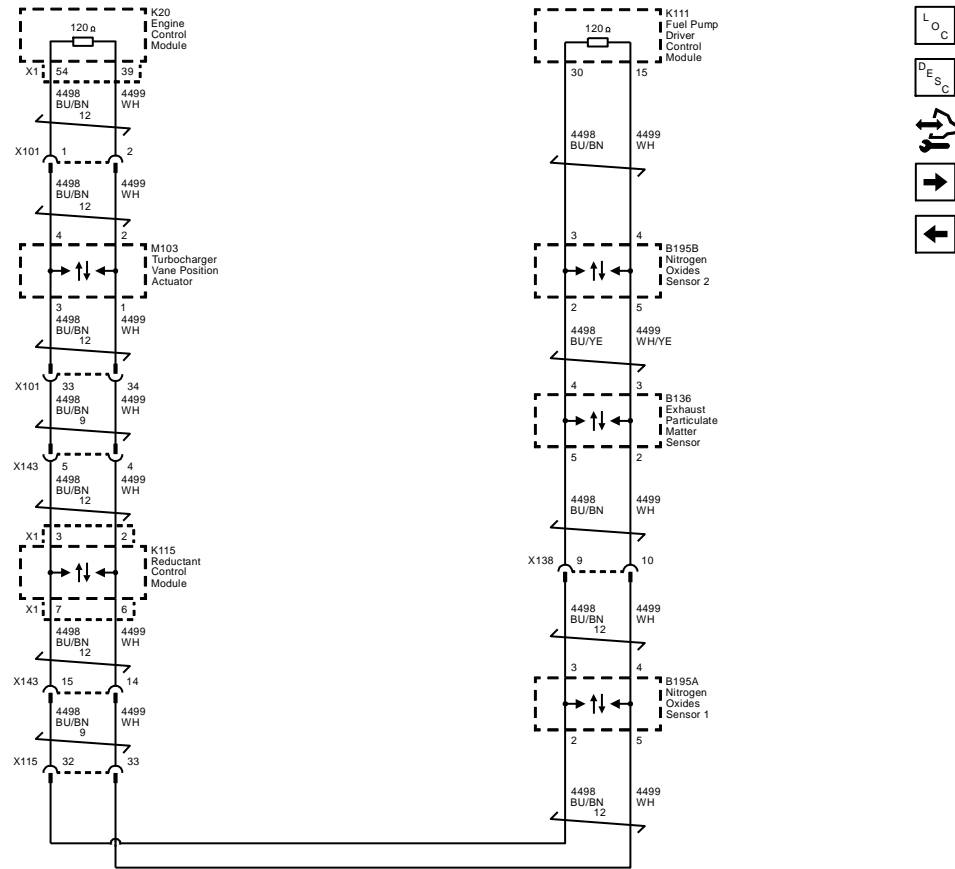
5.4. DATA COMMUNICATION – GATEWAY ISOLATED HIGH SPEED GMLAN



5.5. DATA COMMUNICATION – CHASSIS EXPANSION HIGH SPEED GMLAN

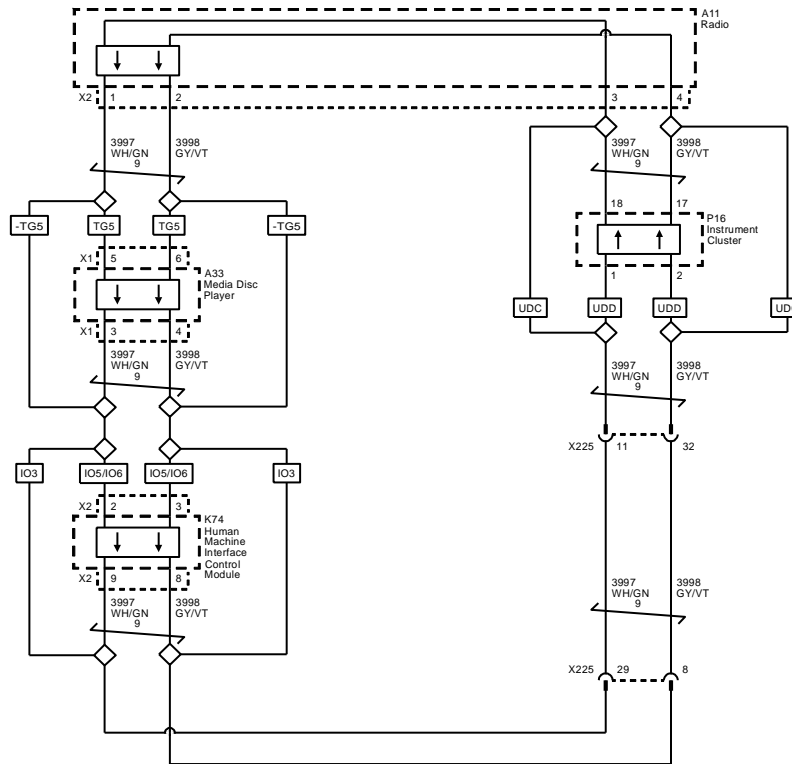


5.6. DATA COMMUNICATION – POWERTRAIN EXPANSION BUS HIGH SPEED GMLAN

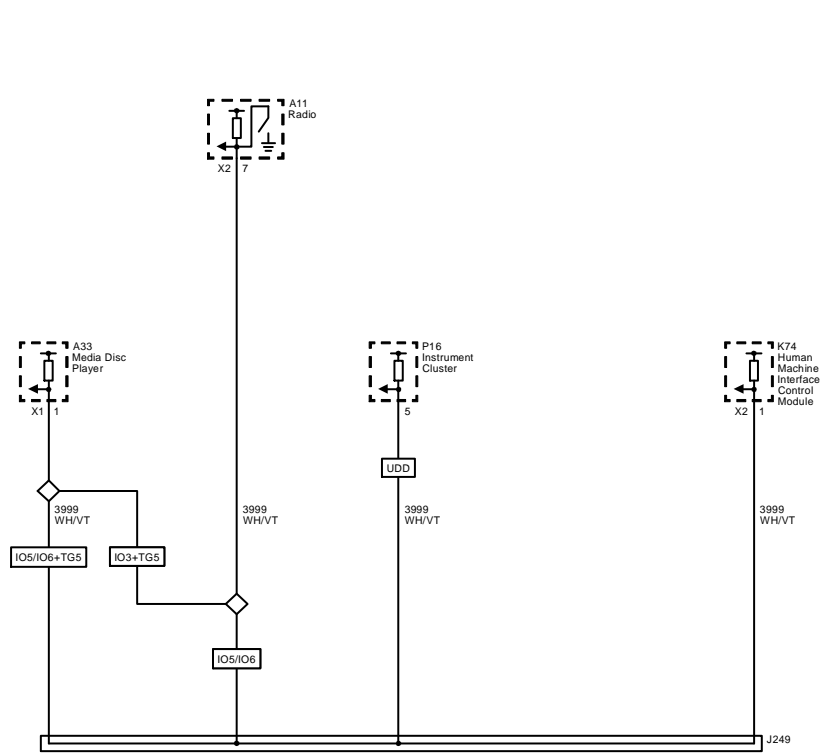




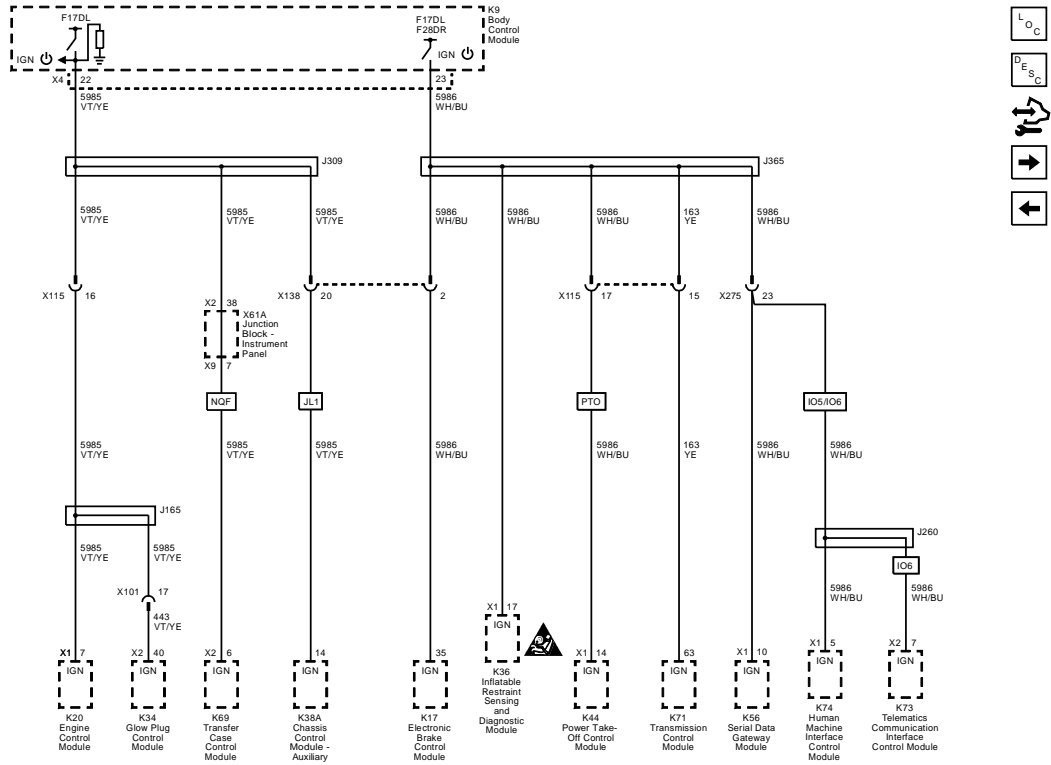
5.7. DATA COMMUNICATION – MOST



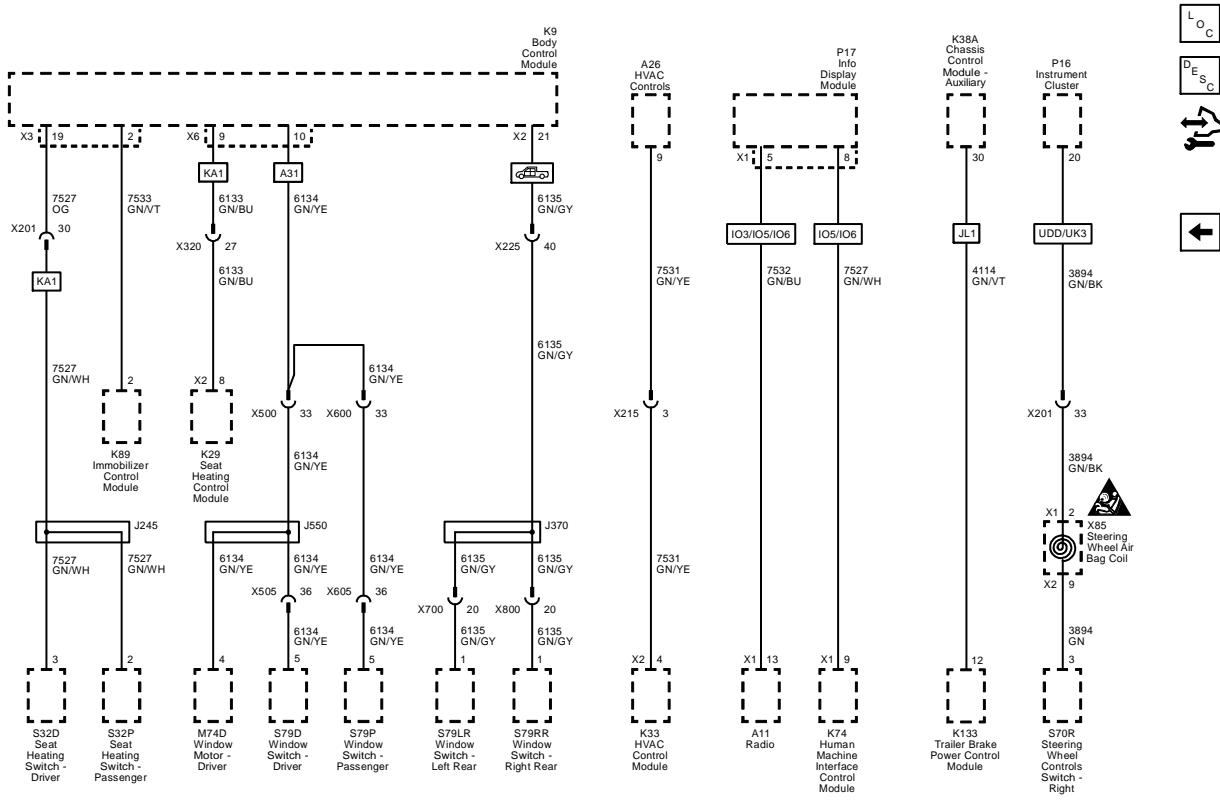
5.8. DATA COMMUNICATION – MOST COMMUNICATION ENABLE



5.9. ACCESSORY WAKEUP AND COMMUNICATIONS ENABLE

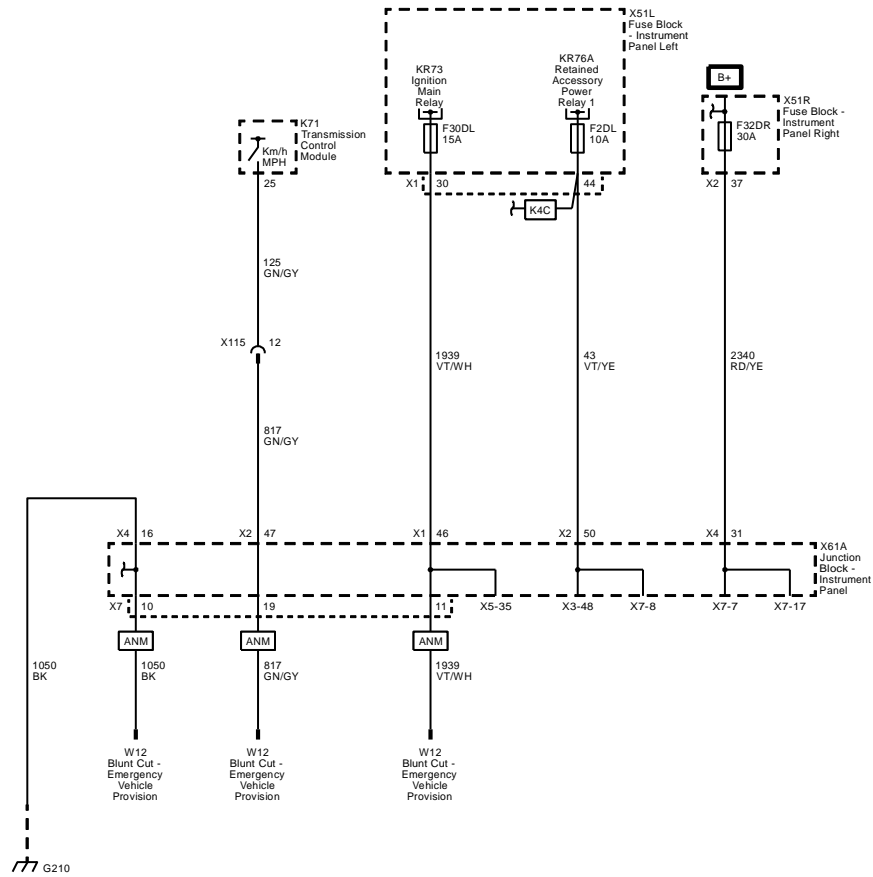


5.10. DATA COMMUNICATION – LINEAR INTERCONNECT NETWORK



# BODY BUILDER PROVISION

## 6.1. EMERGENCY VEHICLE PREWIRE

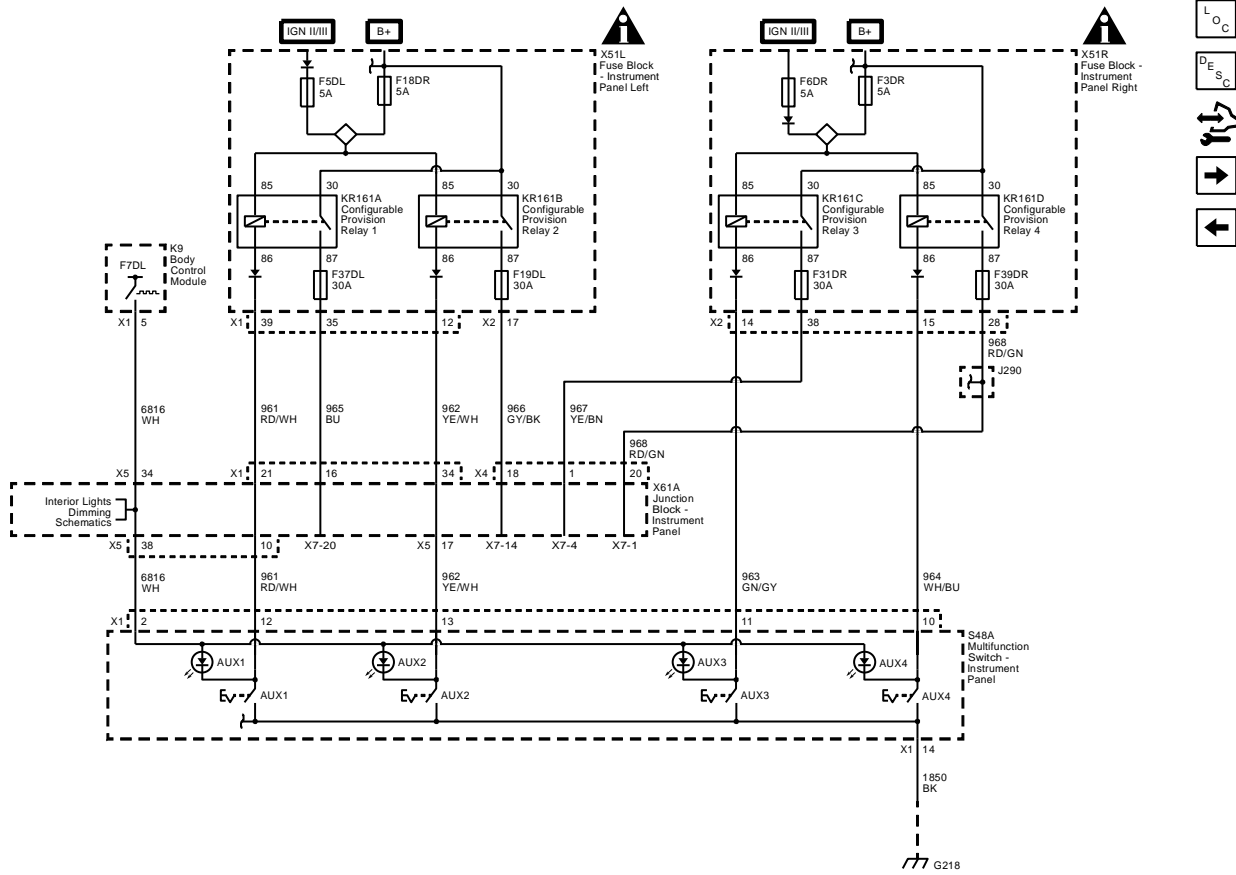


L  
O  
C

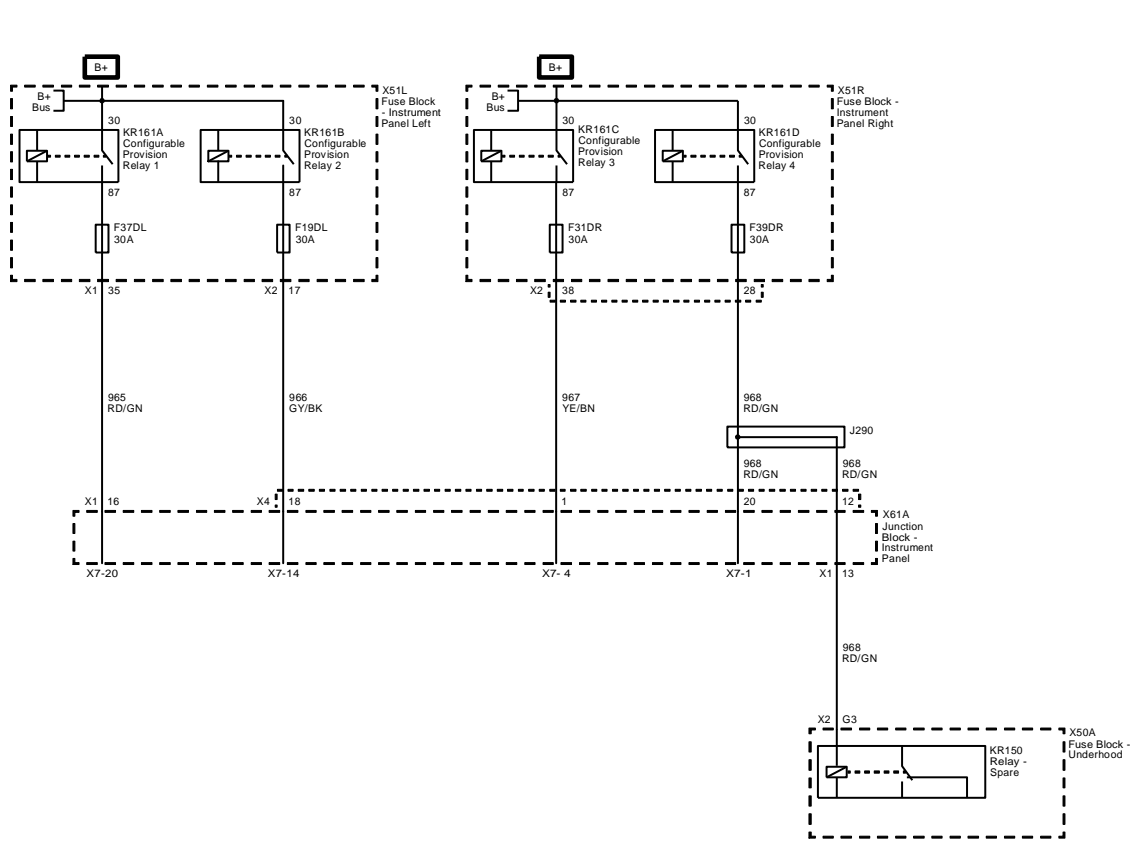
D  
E  
S  
C



6.2. BODY BUILDER PROVISION (FEATURE CODE 0008JXP)



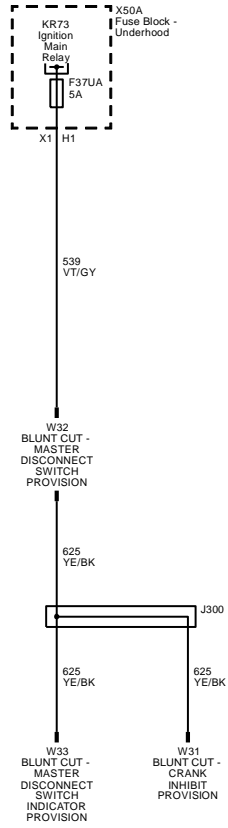
6.3. BODY BUILDER PROVISION



L  
C

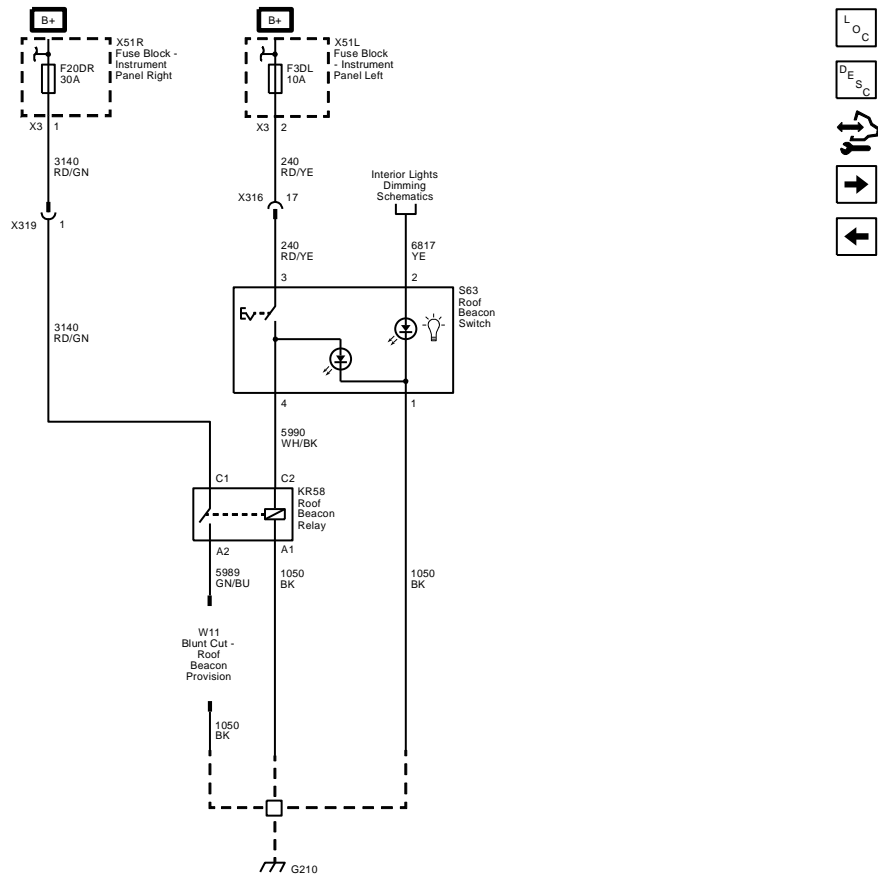


6.4. MASTER DISCONNECT SWITCH

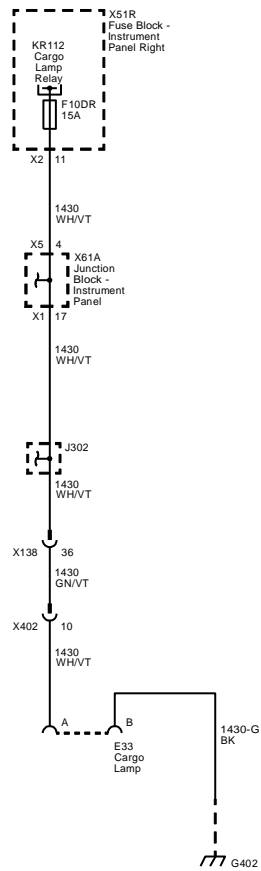




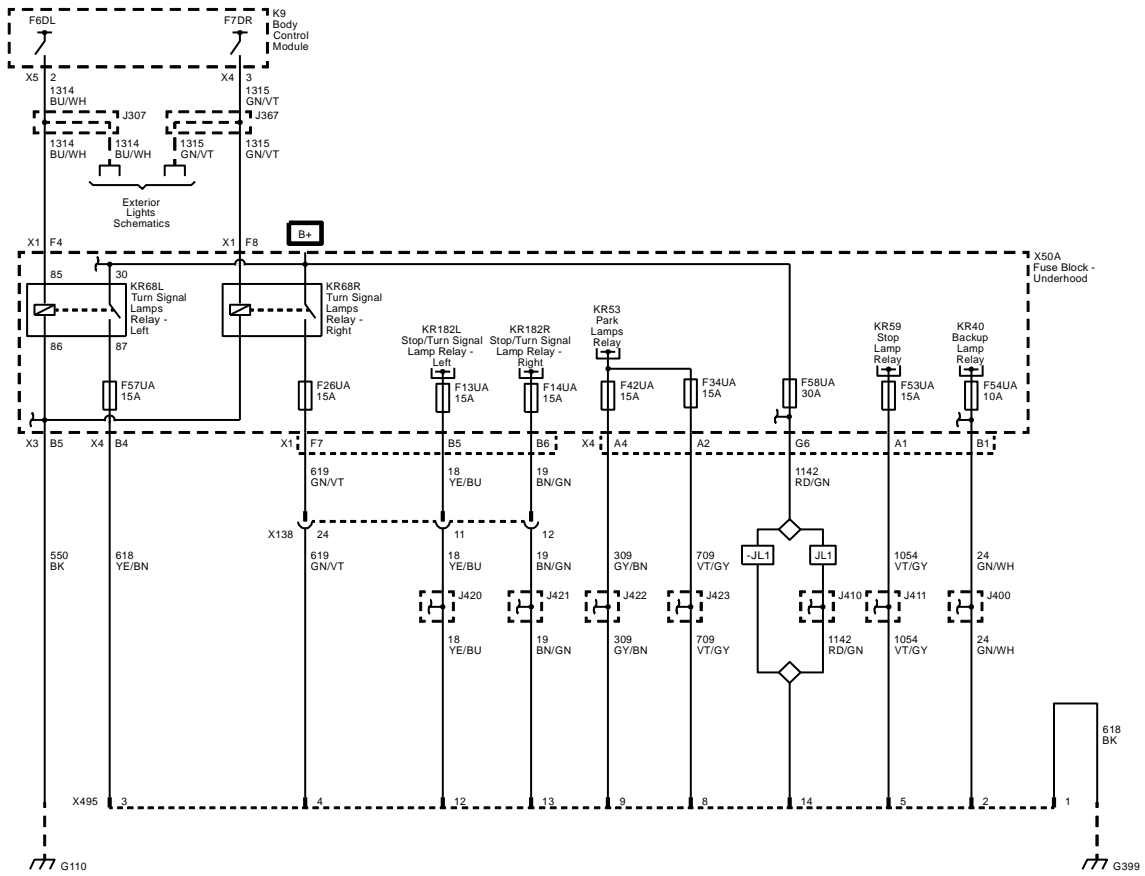
6.5. ROOF BEACON (FEATURE CODE 0008XKS)



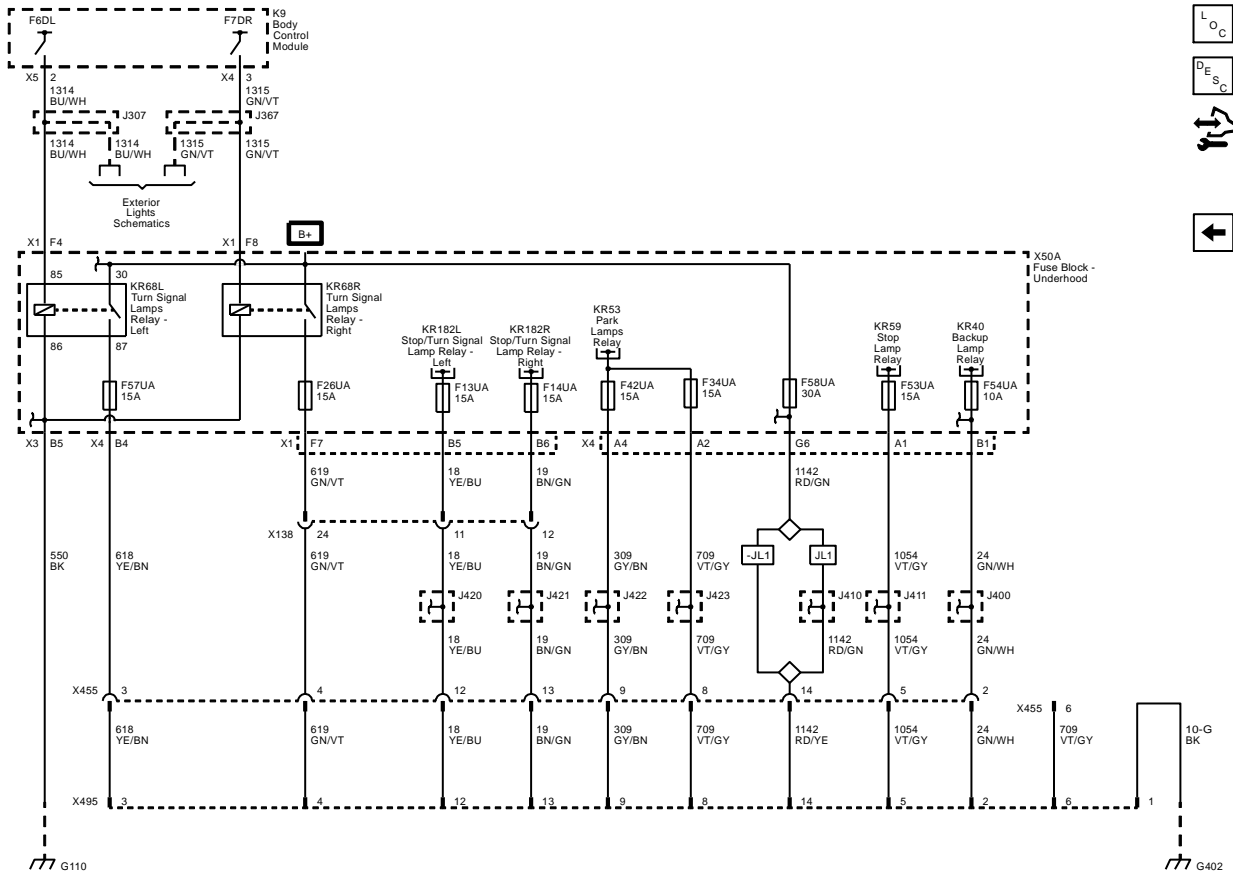
6.6. CARGO LIGHT



6.7. STOP/TURN/BACKUP LIGHTS (FEATURE CODE 0008HXV)

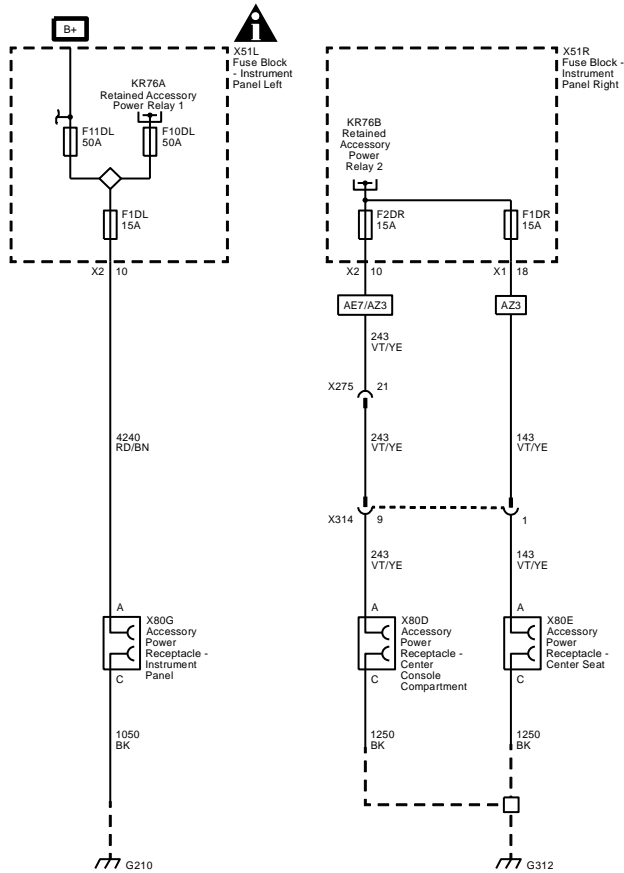


6.8. STOP/TURN//BACKUP LIGHTS (FEATURE CODE 0508032)



# CAB ACCESSORIES

## 7.1. AUXILIARY POWER – REGULAR CAB

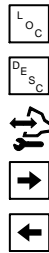
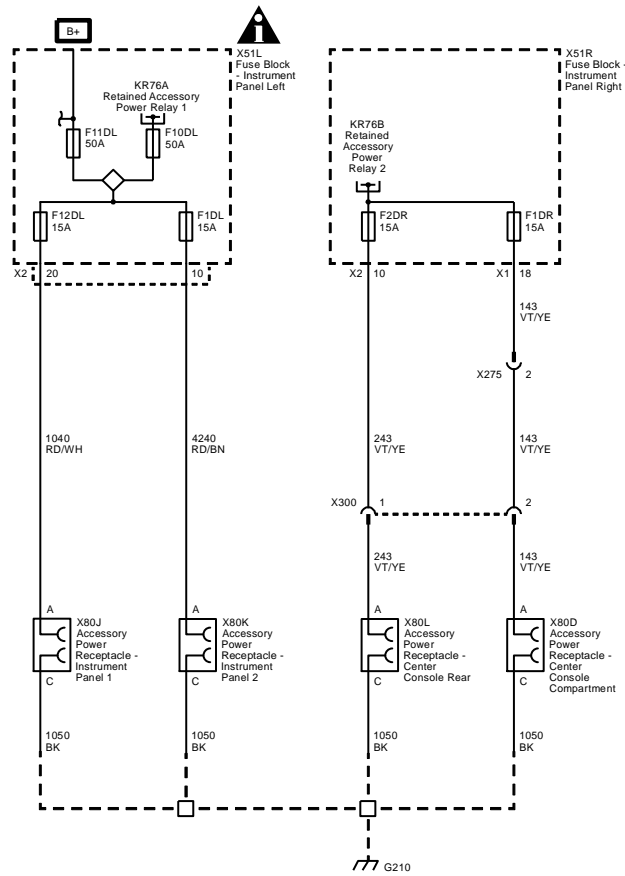


L  
O  
C

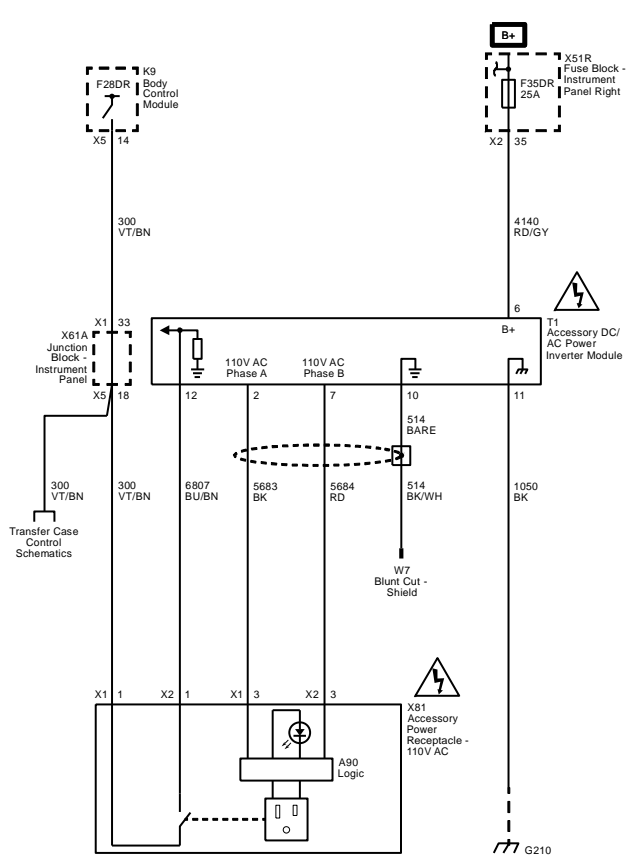
D  
E  
S  
C



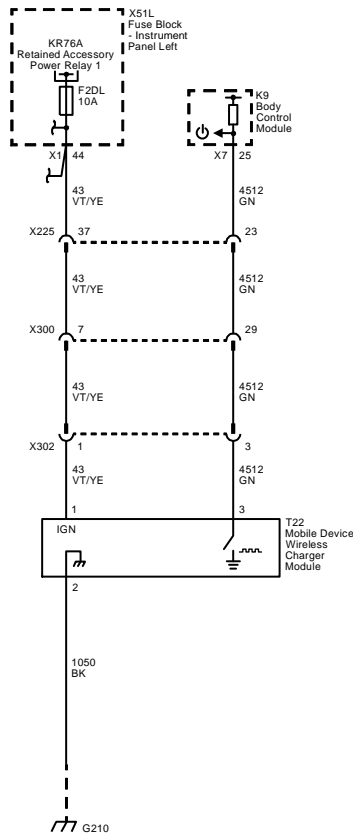
7.2. AUXILIARY POWER – CREW CAB (FEATURE CODE 0016XCN)



7.3. AUXILIARY POWER – 110 VOLT (FEATURE CODE 0008XJX)

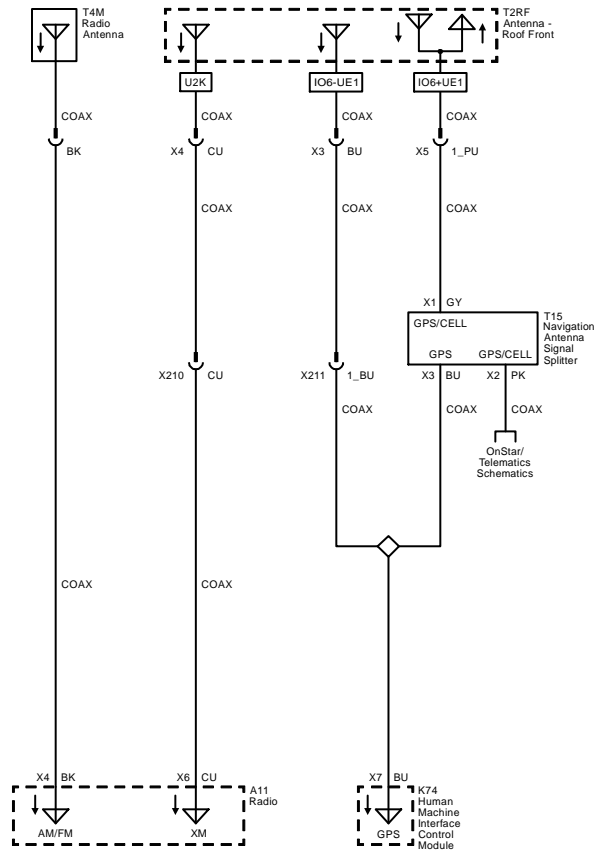


7.4. AUXILIARY POWER – WIRELESS CHARGING

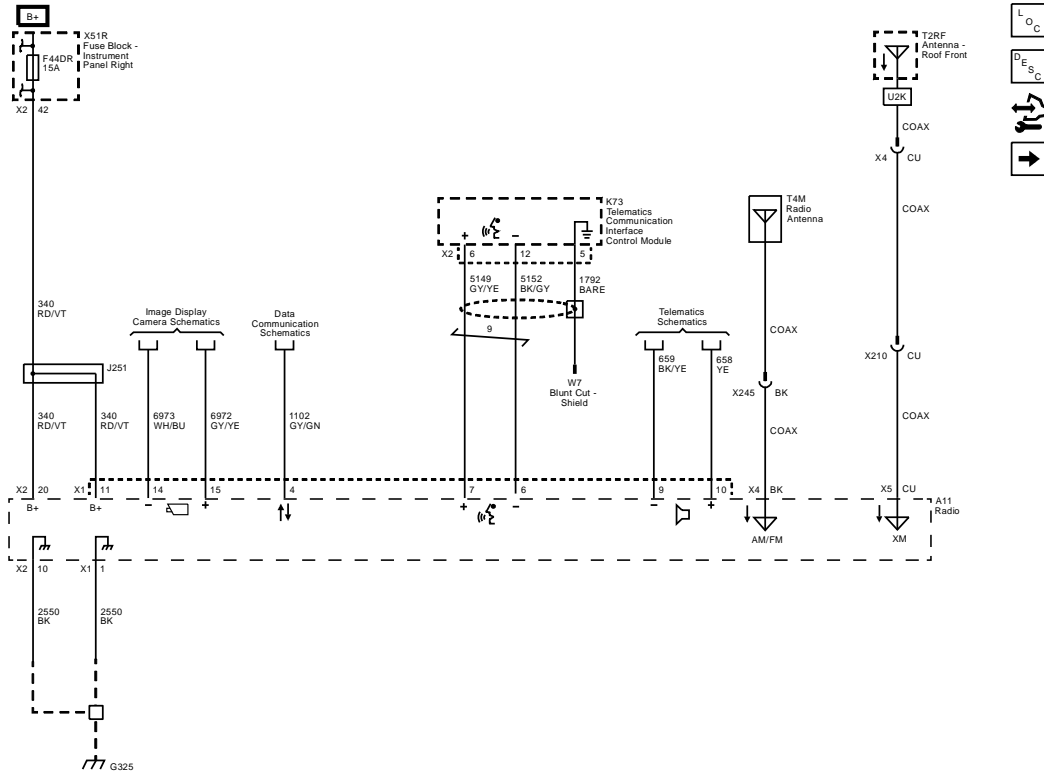




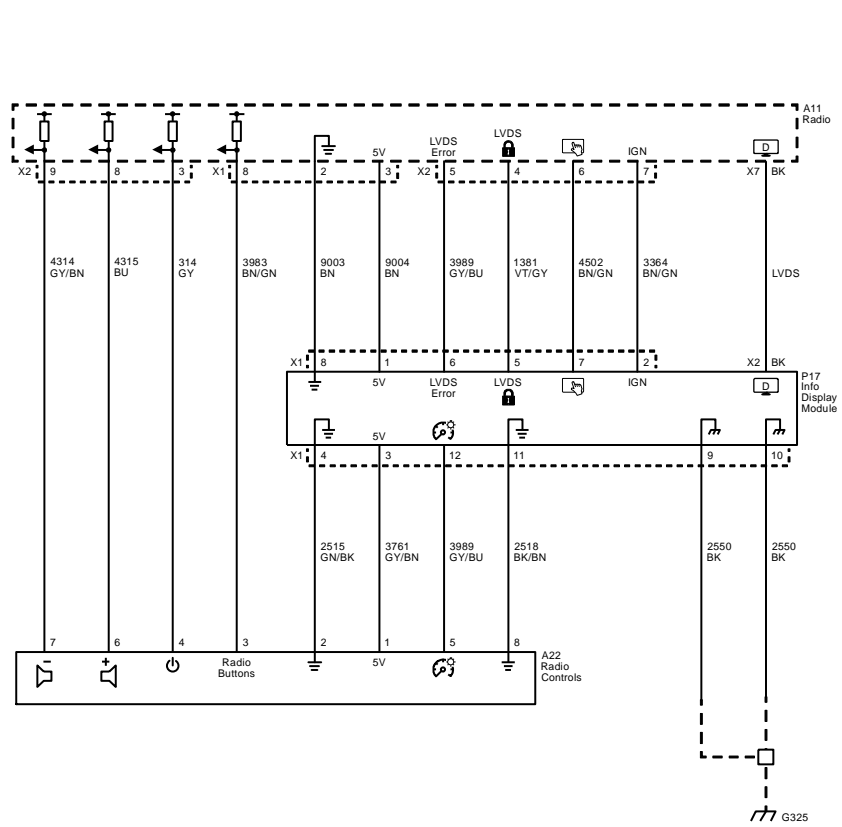
7.5. RADIO AND NAVIGATION – ANTENNA



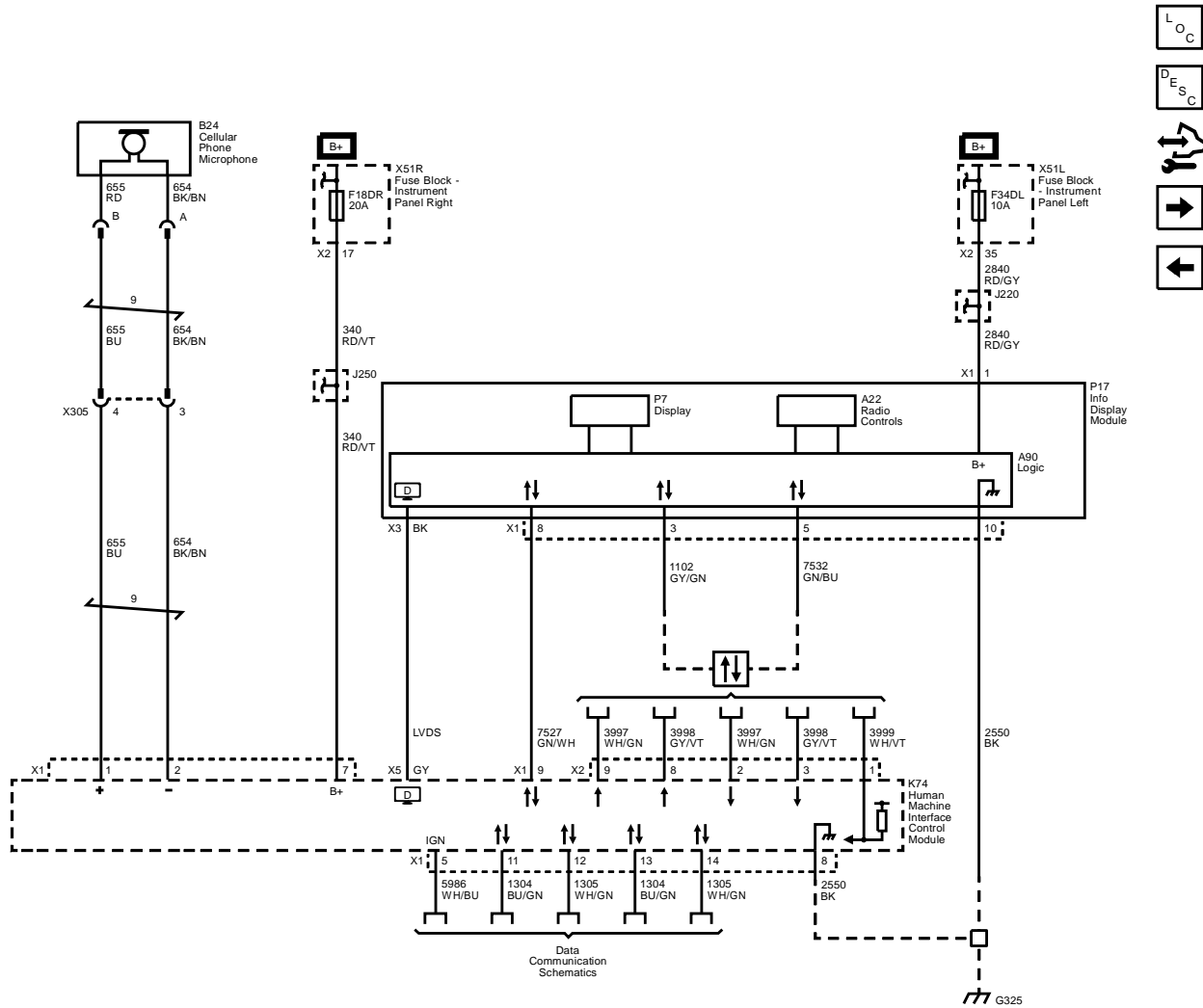
7.6. RADIO AND NAVIGATION (FEATURE CODE 0008RNM, 0008RNV)



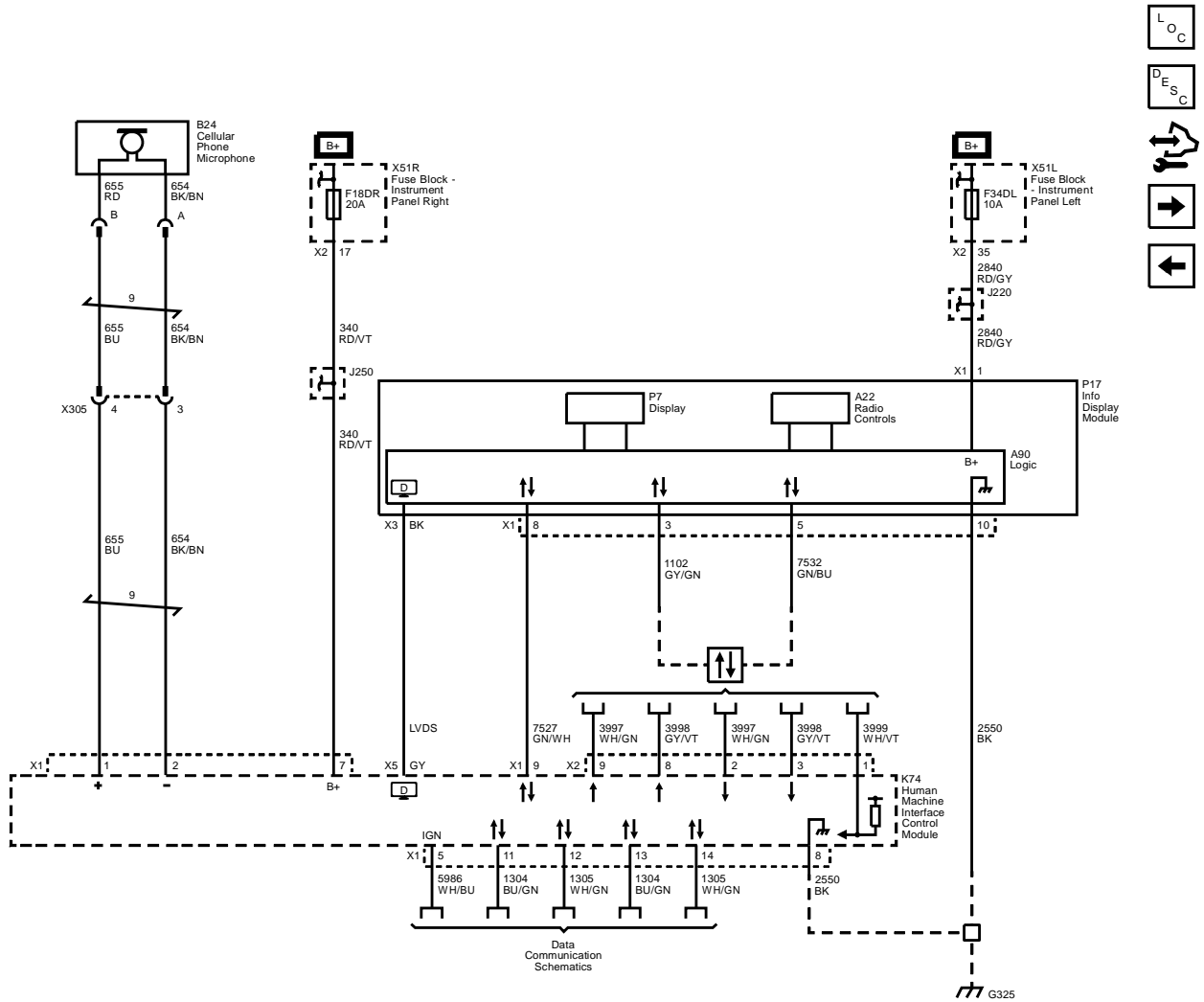
7.7. RADIO AND NAVIGATION (FEATURE CODE 0008RNM, 0008RNV)



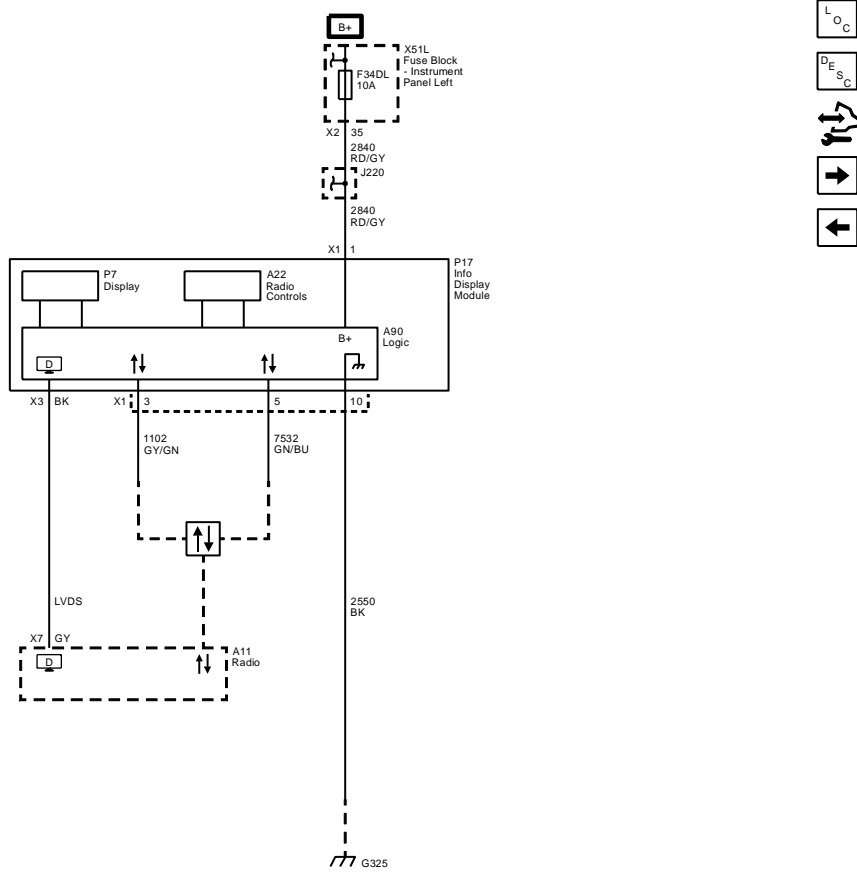
7.8. RADIO AND NAVIGATION (FEATURE CODE 0008RNW)



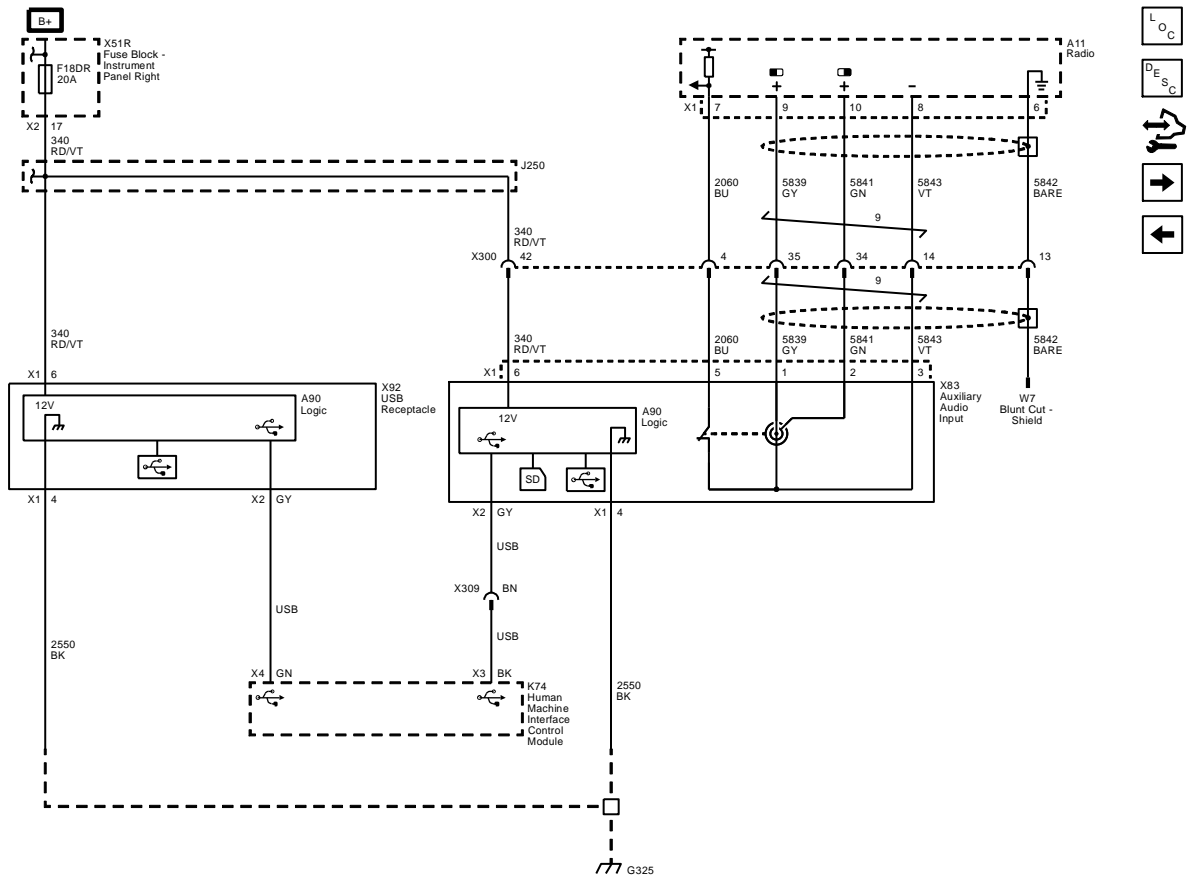
7.9. RADIO AND NAVIGATION (FEATURE CODE 0008RNX,0008RNP)



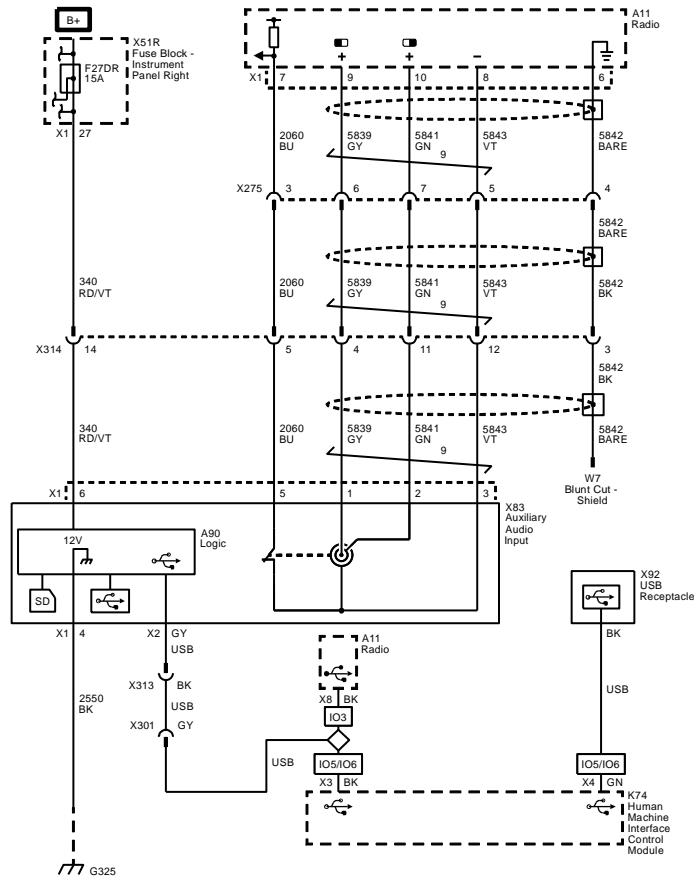
7.10. RADIO AND NAVIGATION (FEATURE CODE 0008RNN)



7.11. RADIO AND NAVIGATION (IO3/IO5/IO6) WITH FEATURE CODE (00016XCN)



7.12. RADIO AND NAVIGATION (IO3/IO5/IO6) WITHOUT FEATURE CODE (00016XCN)



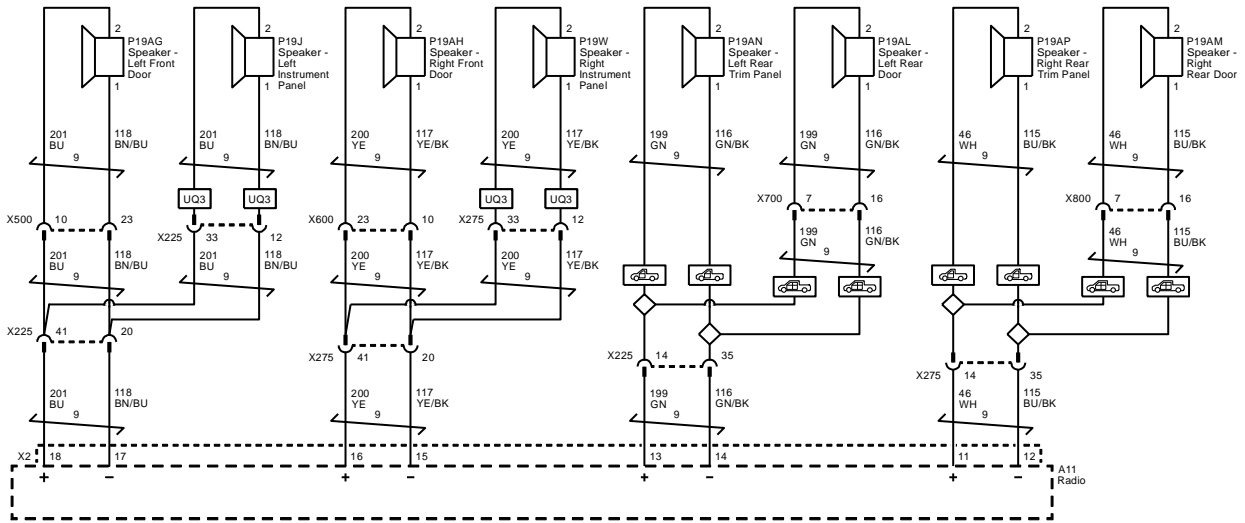
L  
O  
C

D  
E  
S  
C

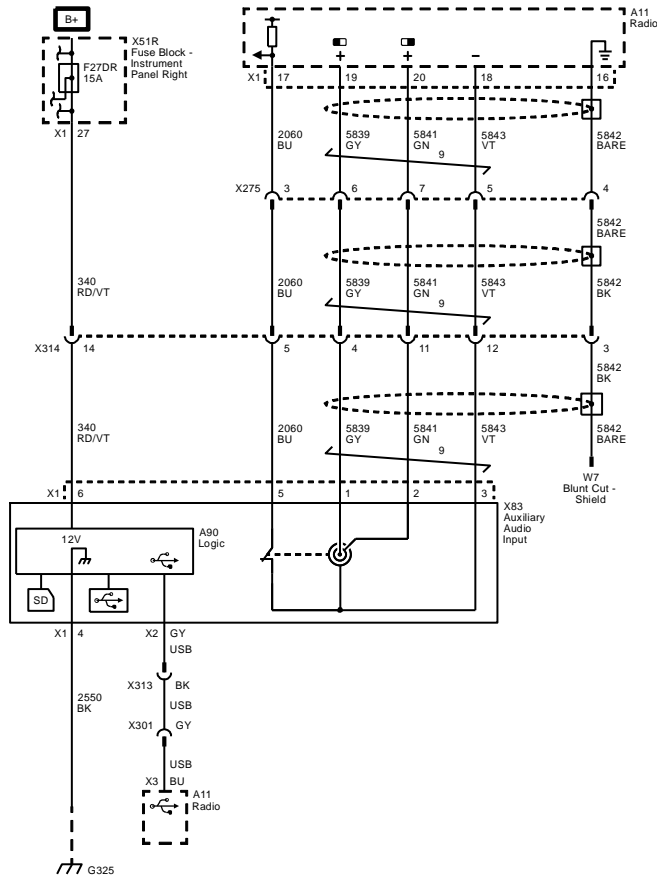




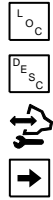
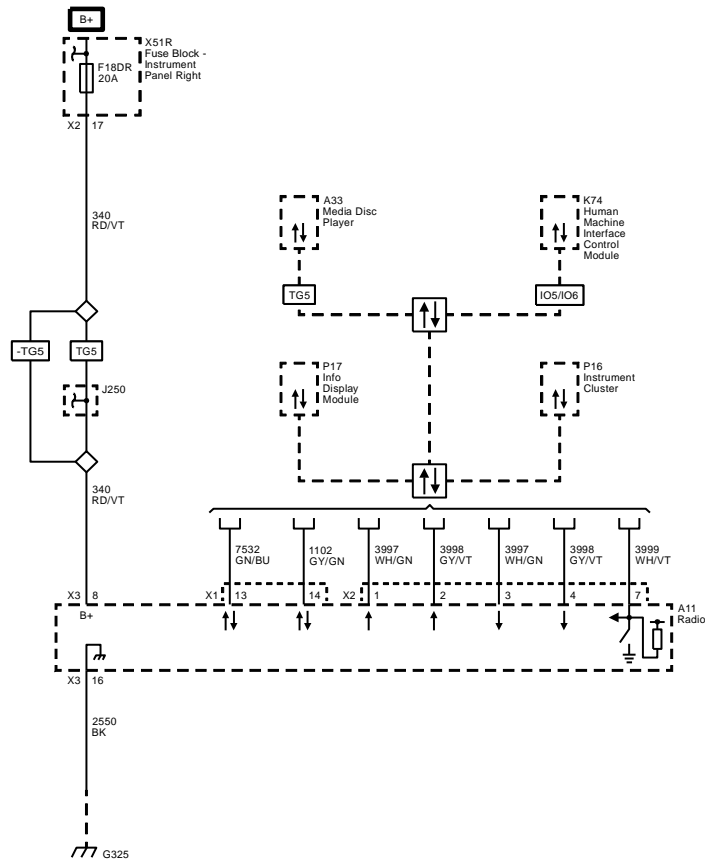
7.13. SPEAKERS



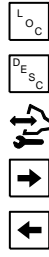
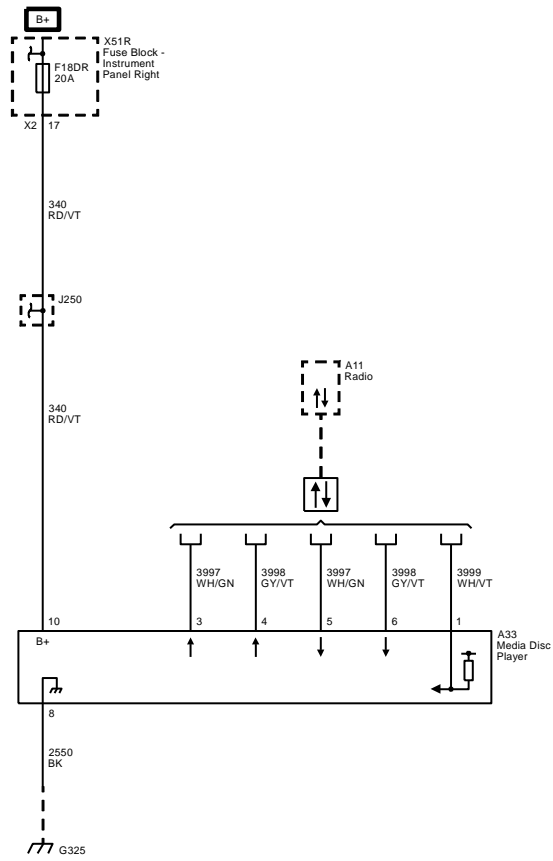
7.14. RADIO – AUXILIARY INPUT (IOB)



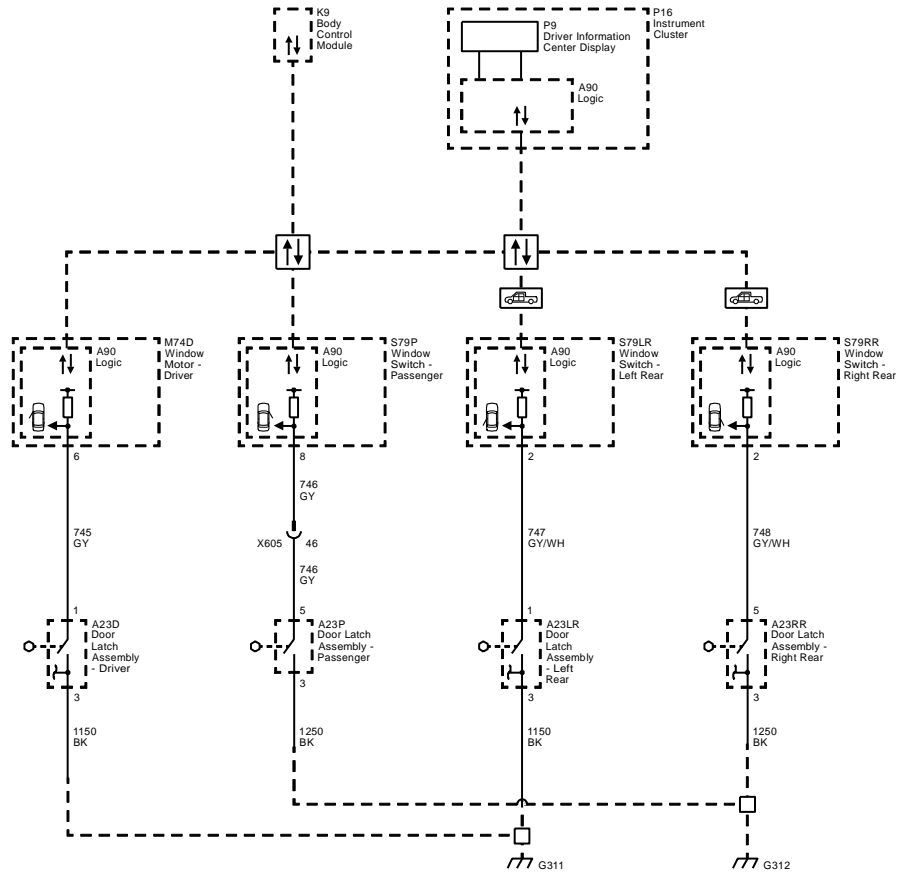
7.15. RADIO – COMMUNICATION



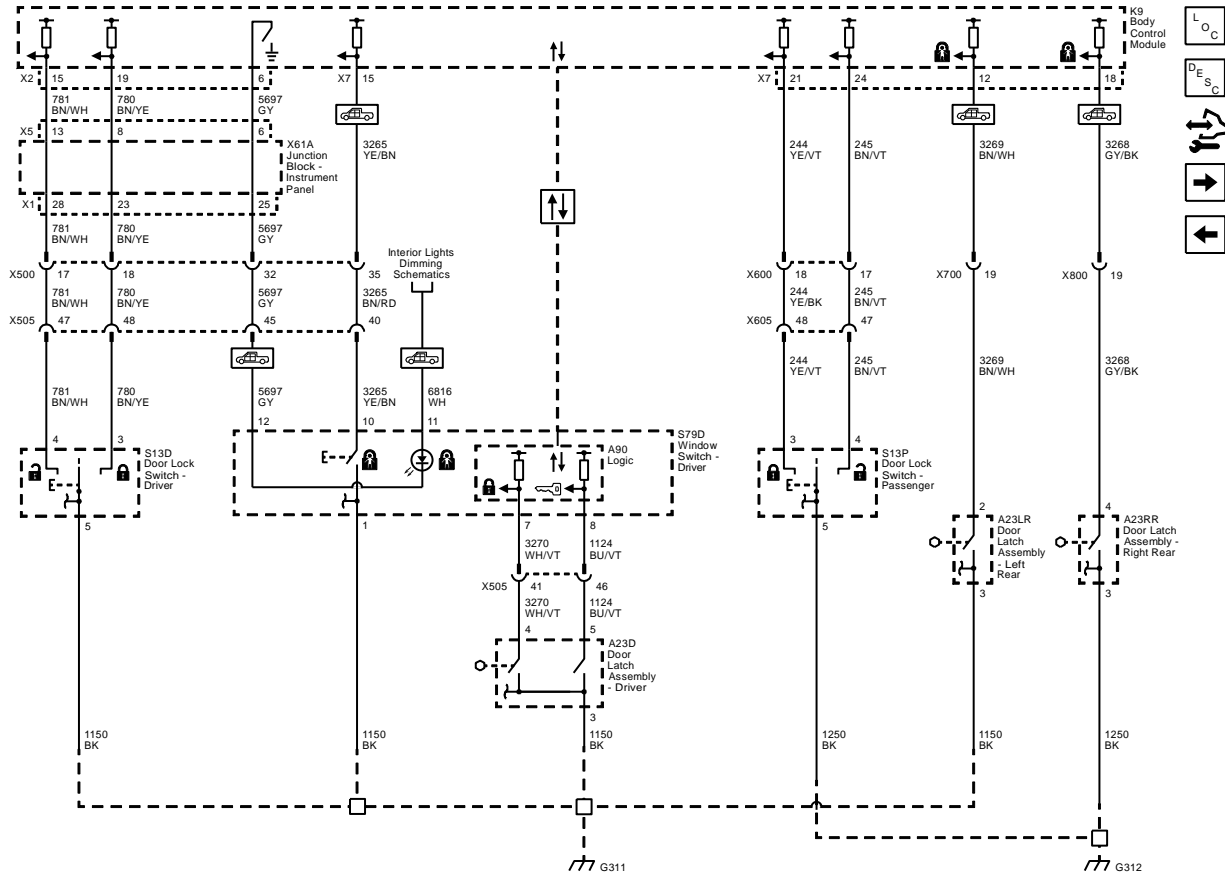
7.16. RADIO – CD PLAYER



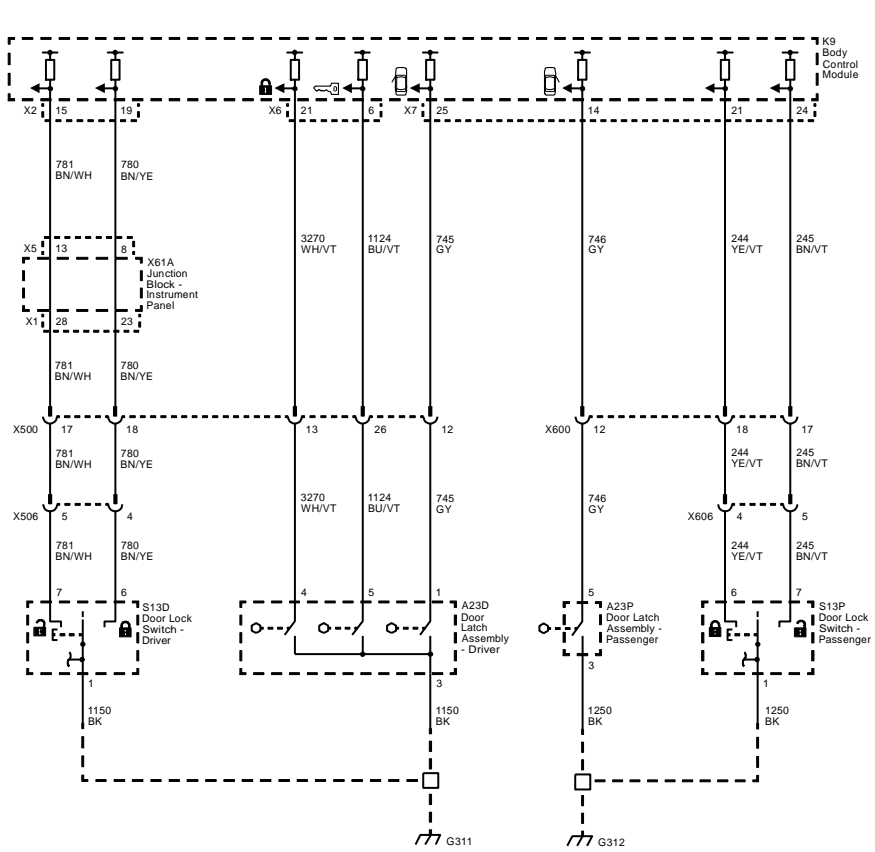
7.17. WINDOW SWITCH –CREW CAB



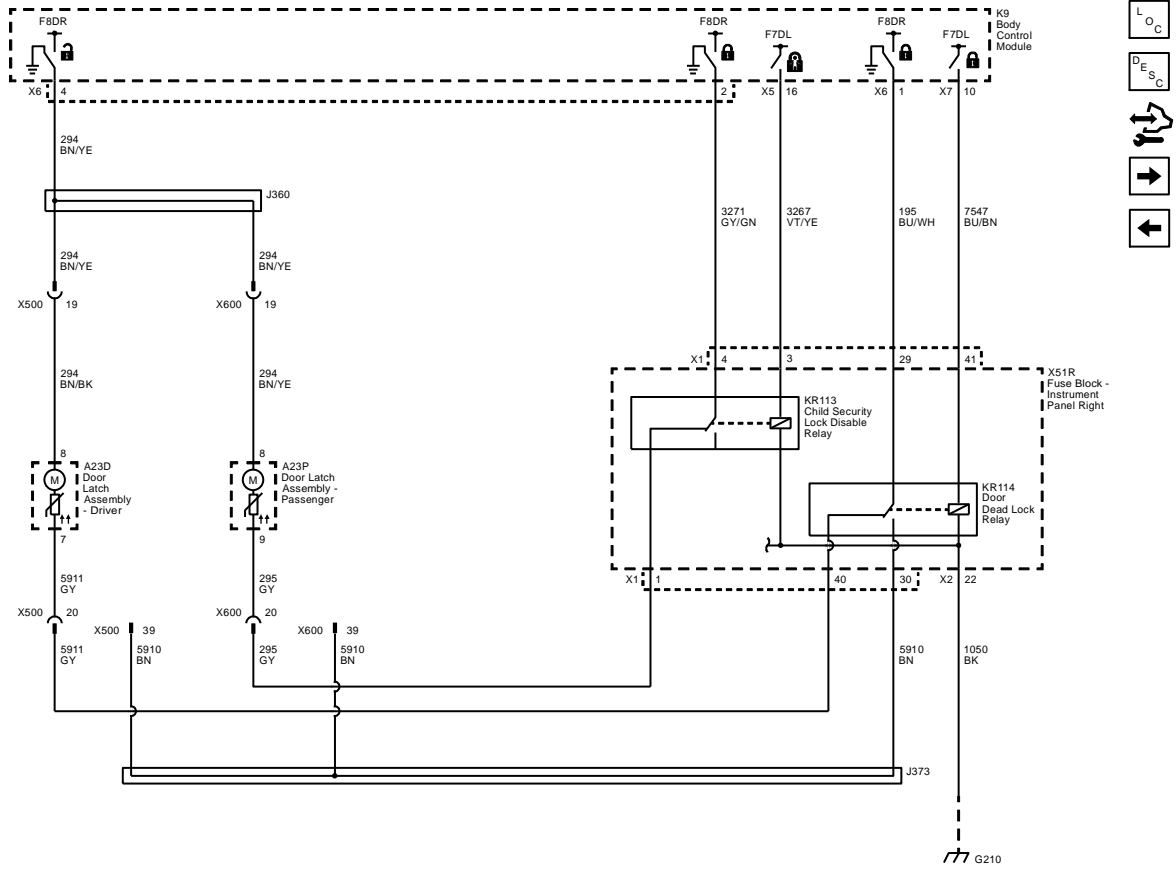
7.18. POWER WINDOWS AND LOCKS – DRIVER SIDE CONTROL (CREW CAB)



7.19. POWER DOOR LOCKS – REGULAR CAB

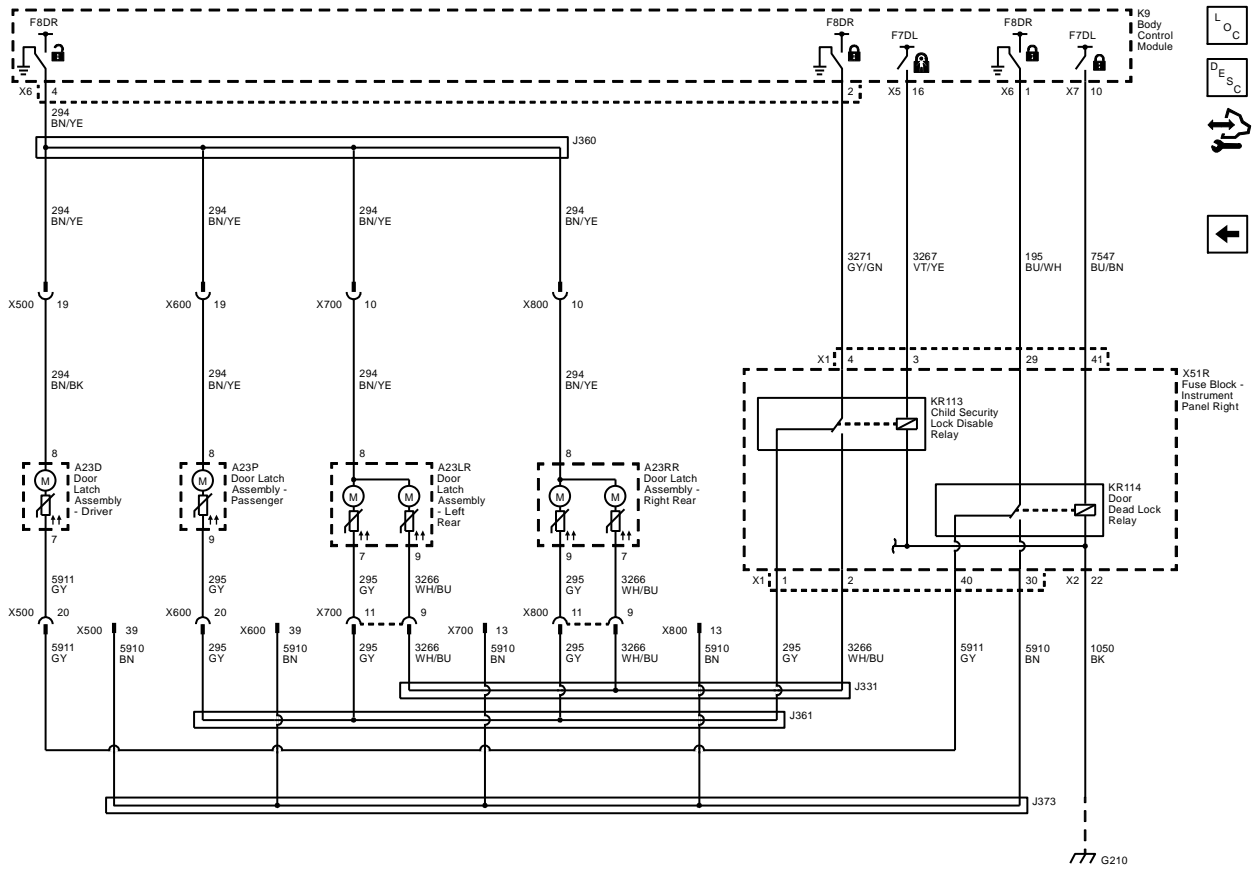


7.20. POWER DOOR LOCKS – REGULAR CAB

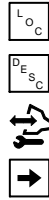
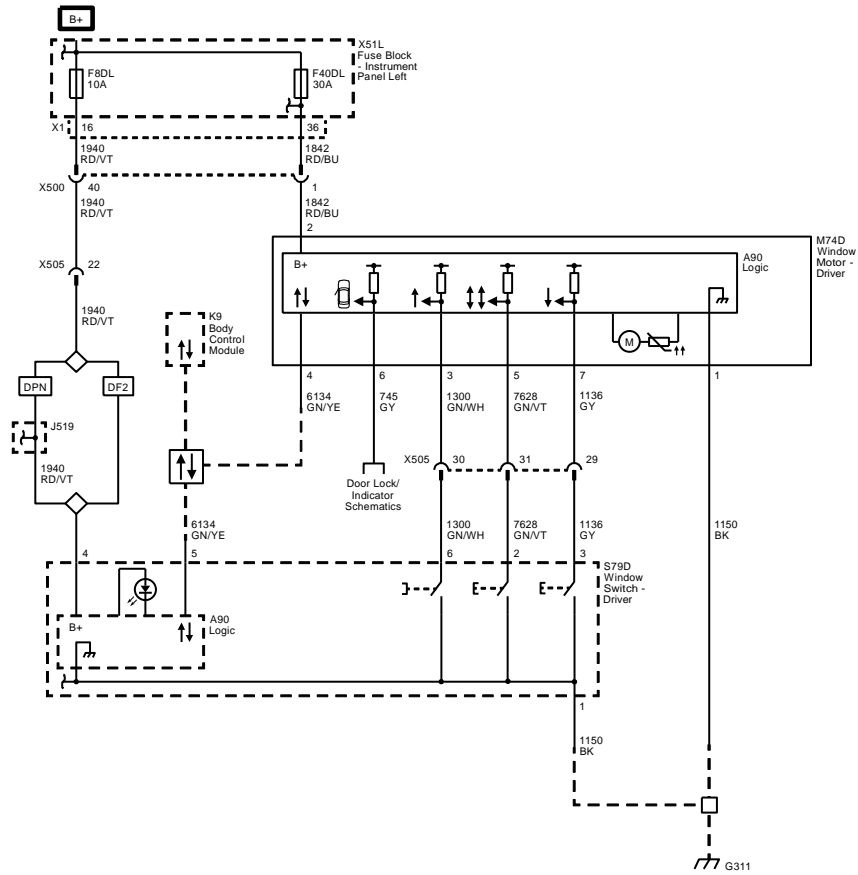




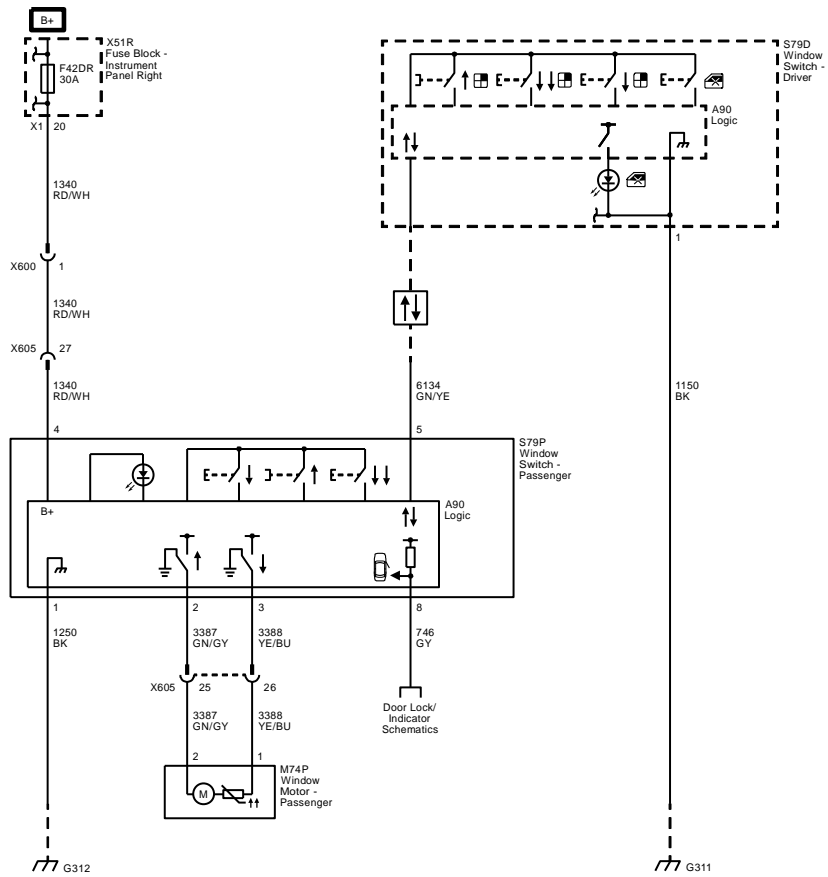
7.21. POWER DOOR LOCKS – CREW CAB



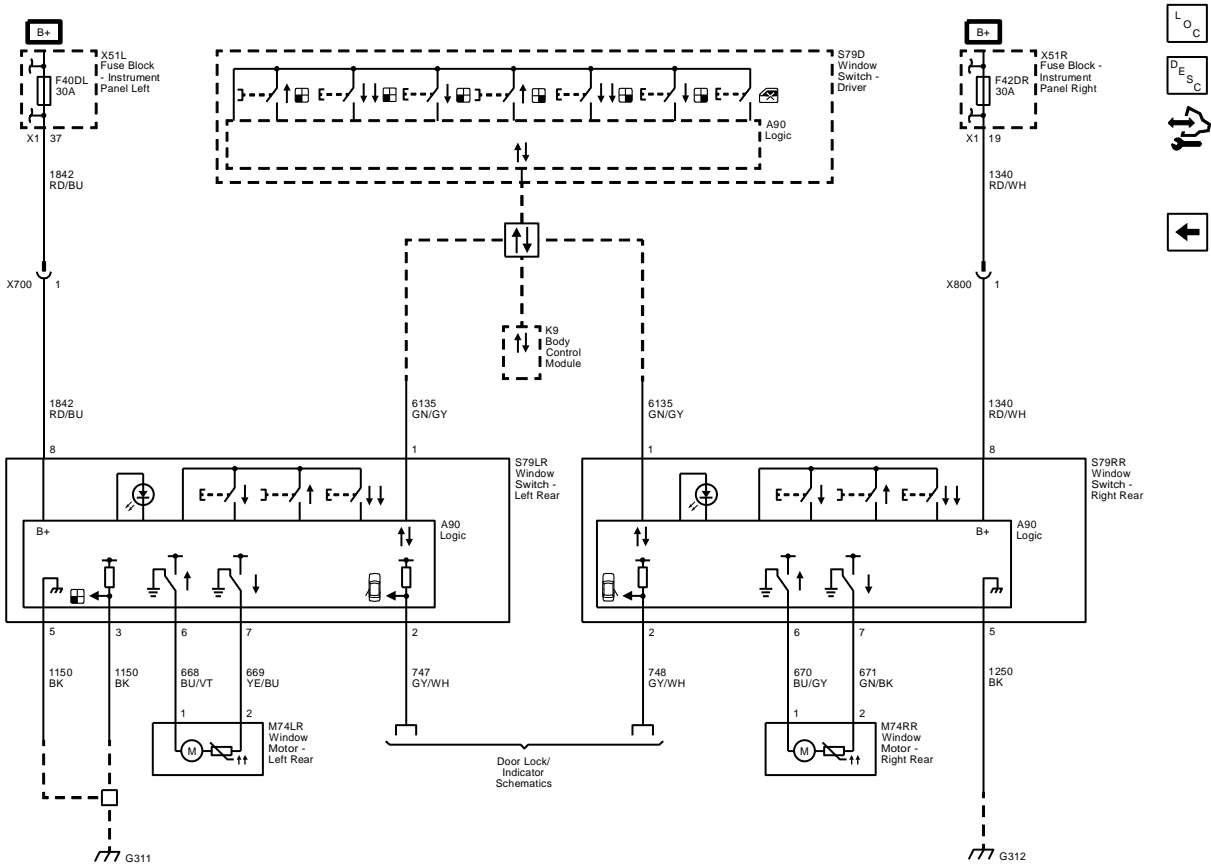
7.22. POWER WINDOWS – DRIVER



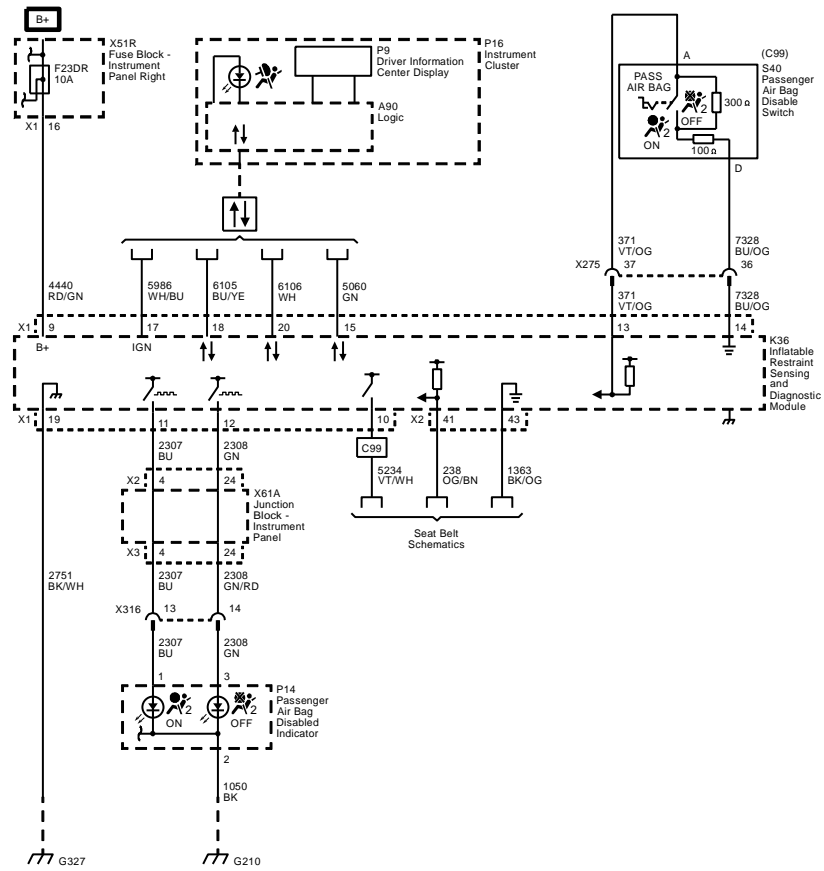
7.23. POWER WINDOWS SWITCH – FRONT



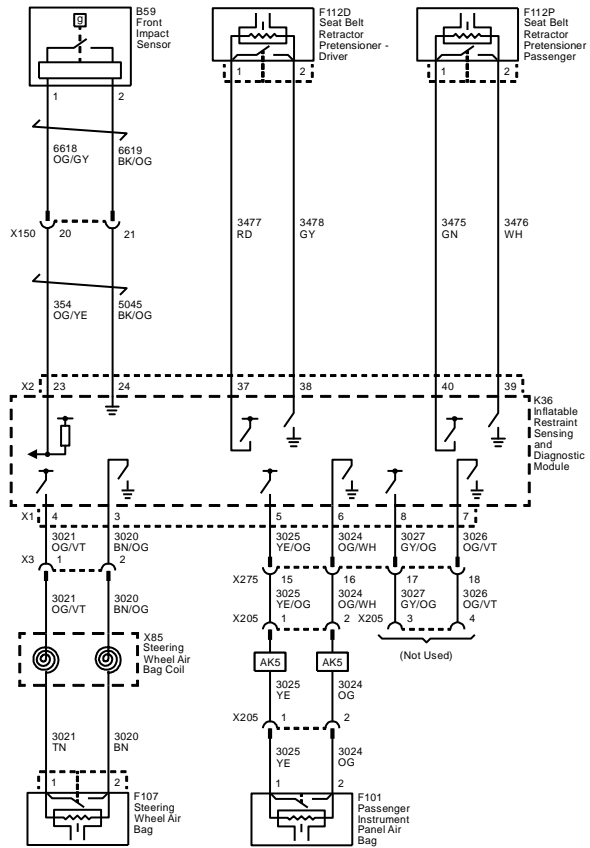
7.24. POWER WINDOWS – REAR



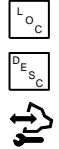
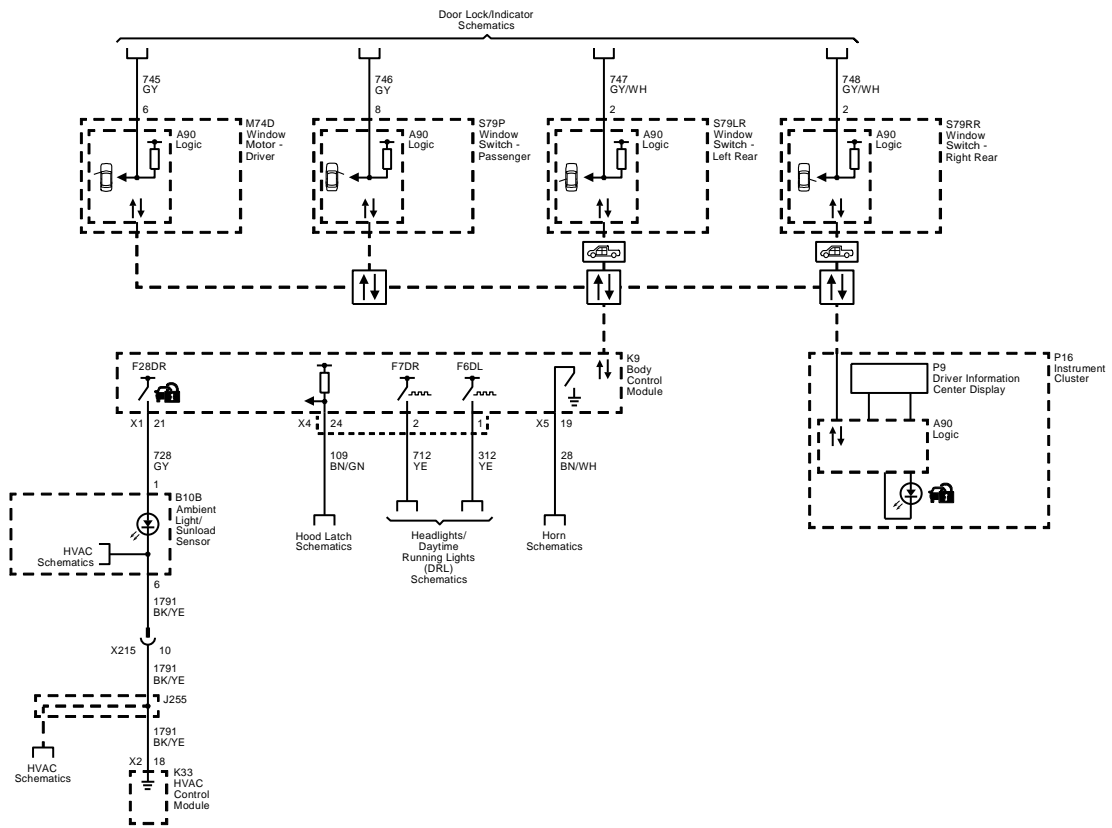
7.25. SAFETY RESTRAINT SYSTEM INDICATORS



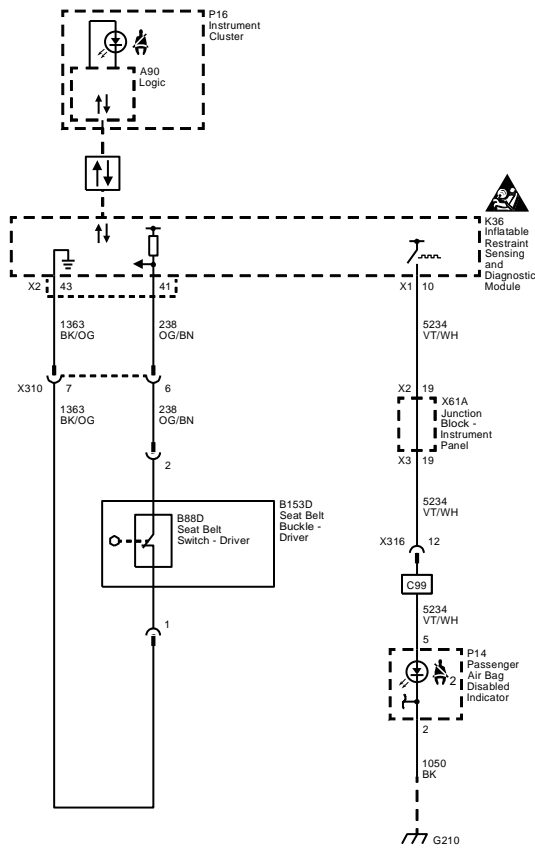
7.26. AIR BAG AND SEAT BELT PRETENSIONER WIRING



7.27. THEFT DETERRENT SYSTEM



7.28. AIR BAG SYSTEM



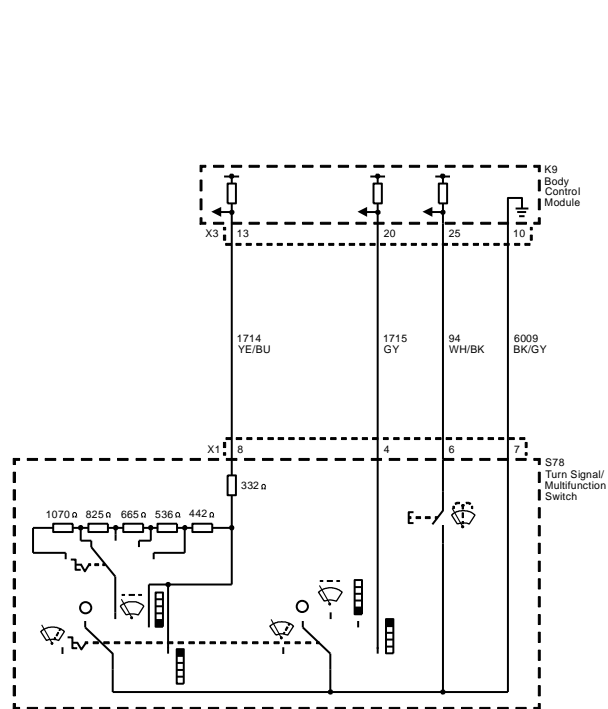
L  
O  
C

D  
E  
S  
C

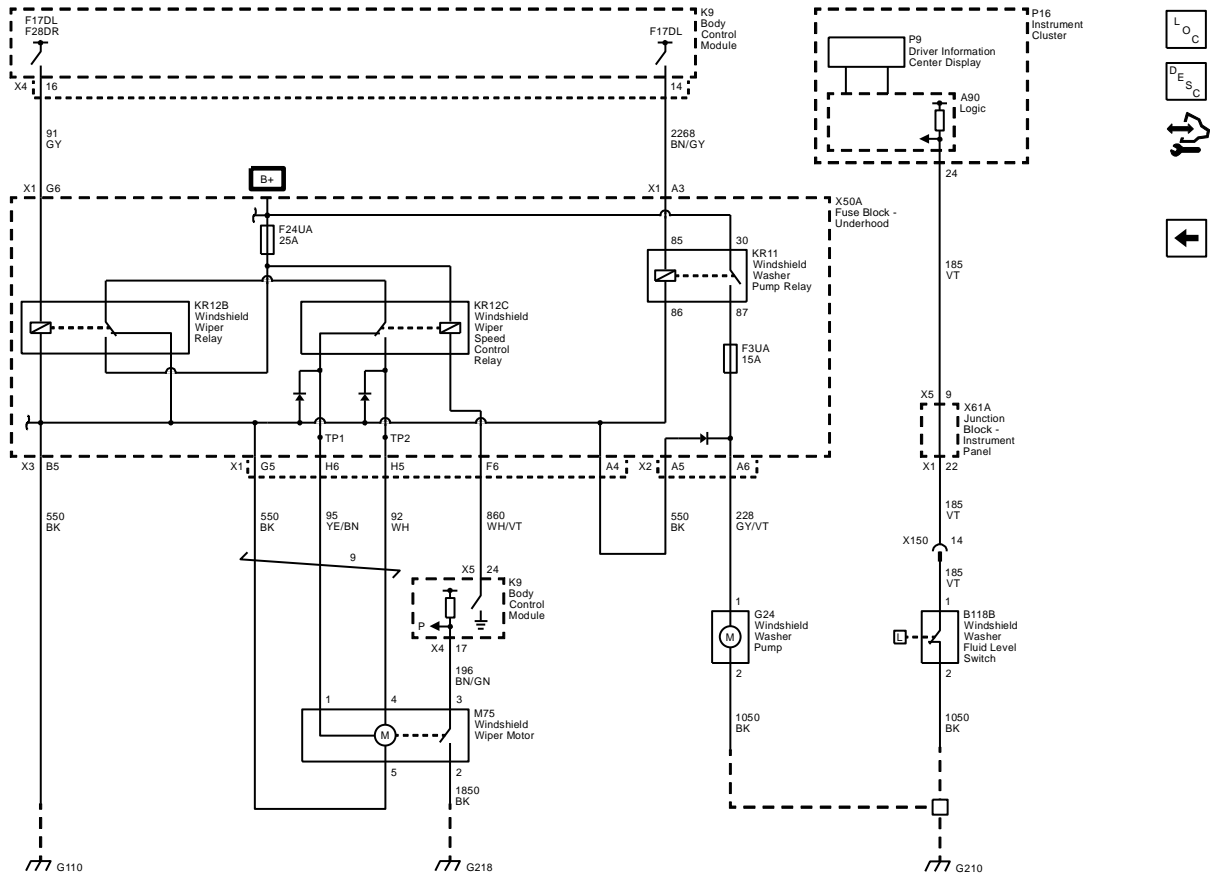




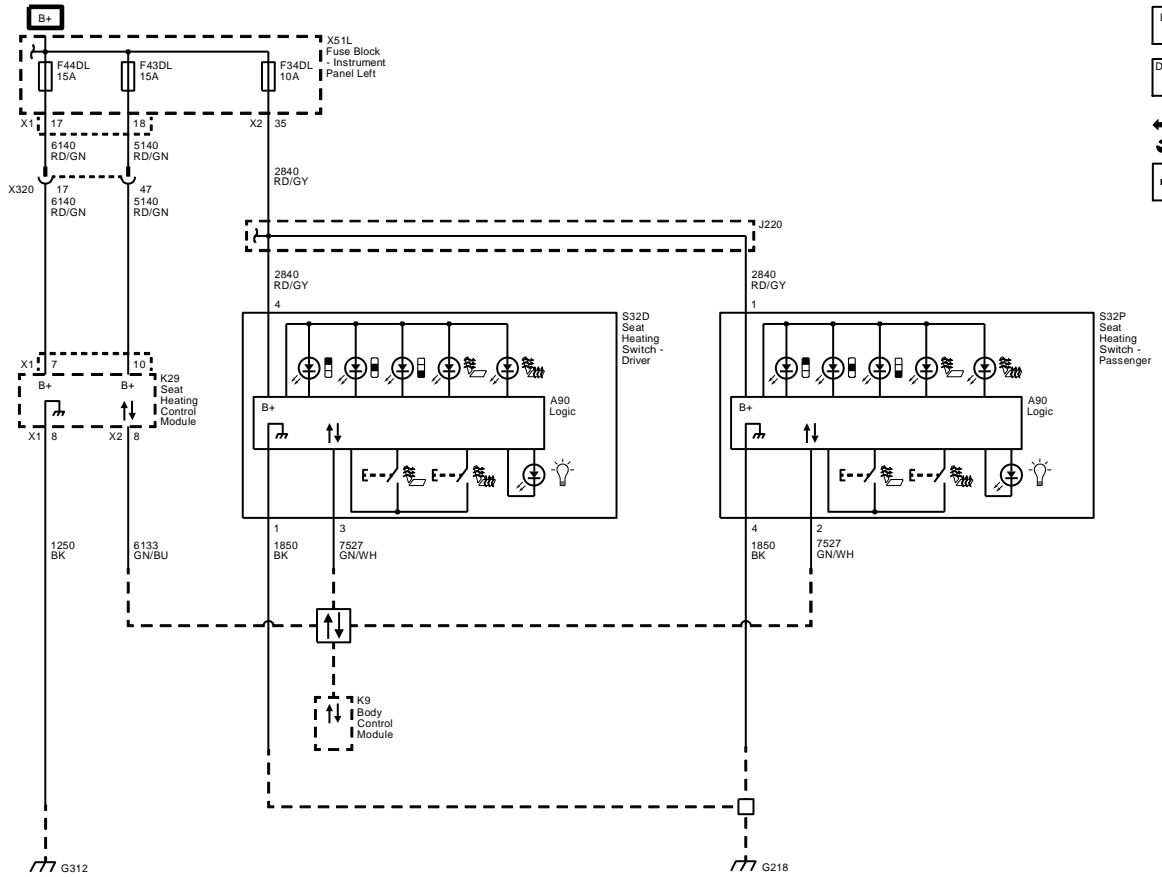
7.29. WINDSHIELD WIPER SYSTEM (MULTIFUNCTION SWITCH WIRING)



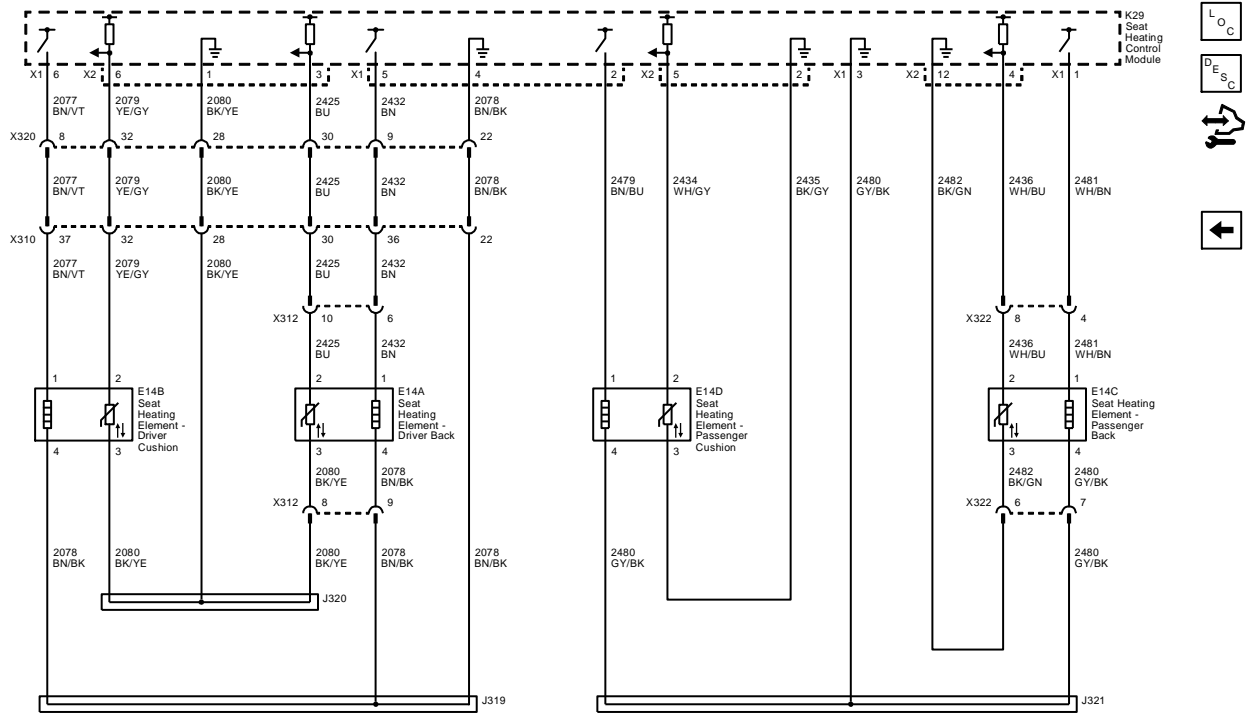
7.30. WINDSHIELD WIPER SYSTEM



7.31. HEATED SEAT SWITCH



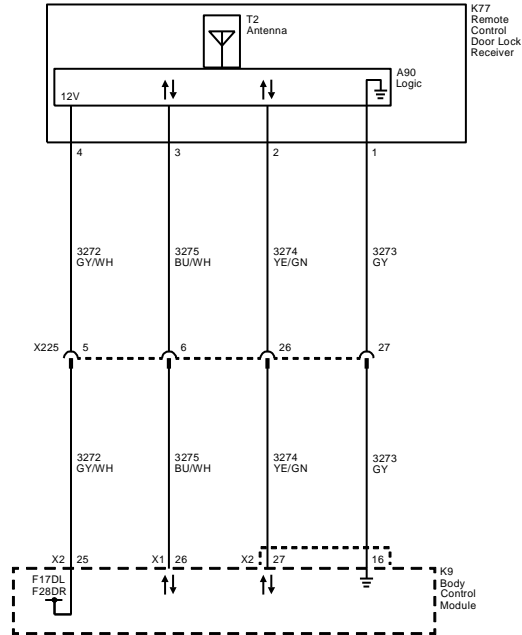
7.32. HEATED SEAT GRID



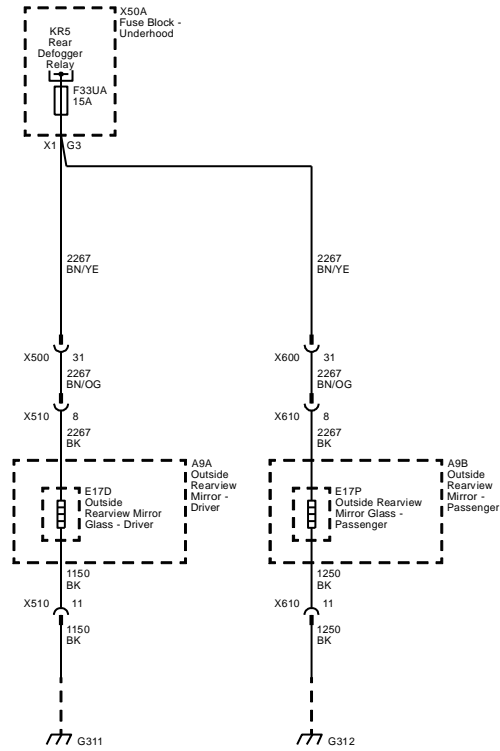
7.33. KEY FOB – LOCKS

L<sub>O</sub>C

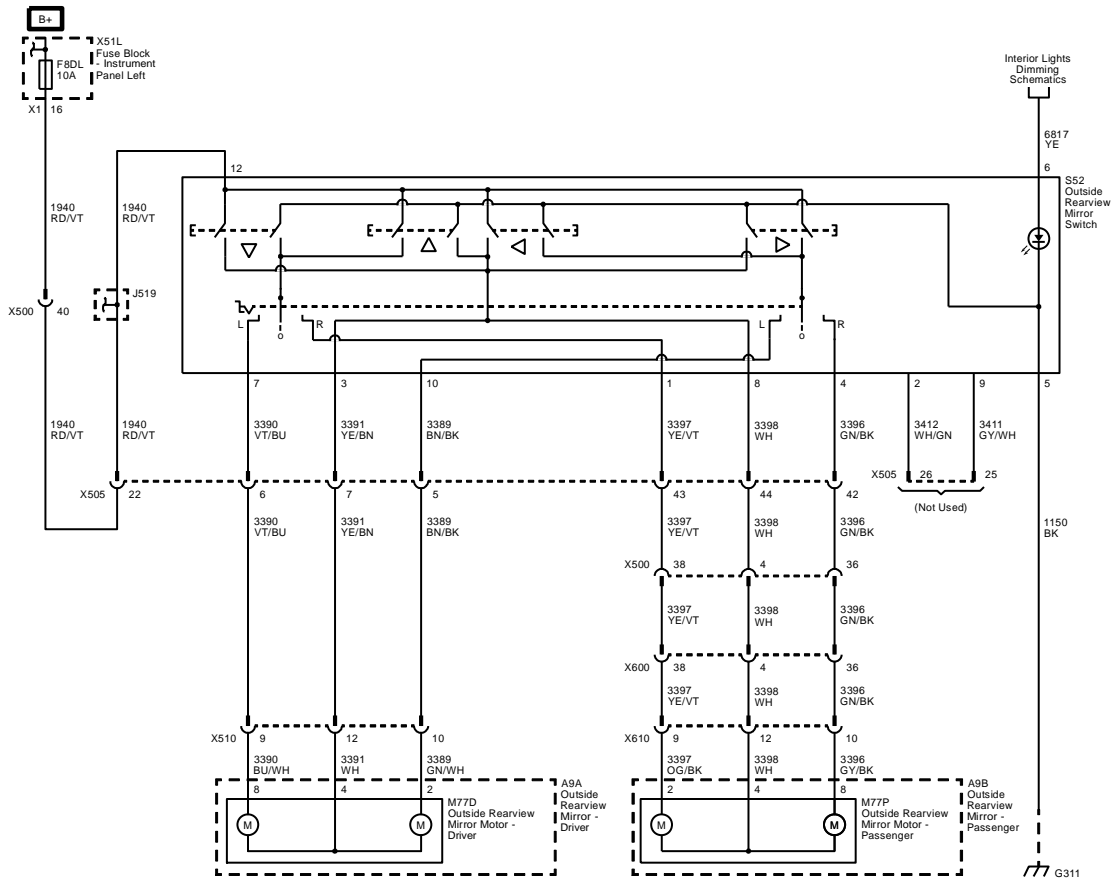
D<sub>E</sub>S<sub>C</sub>



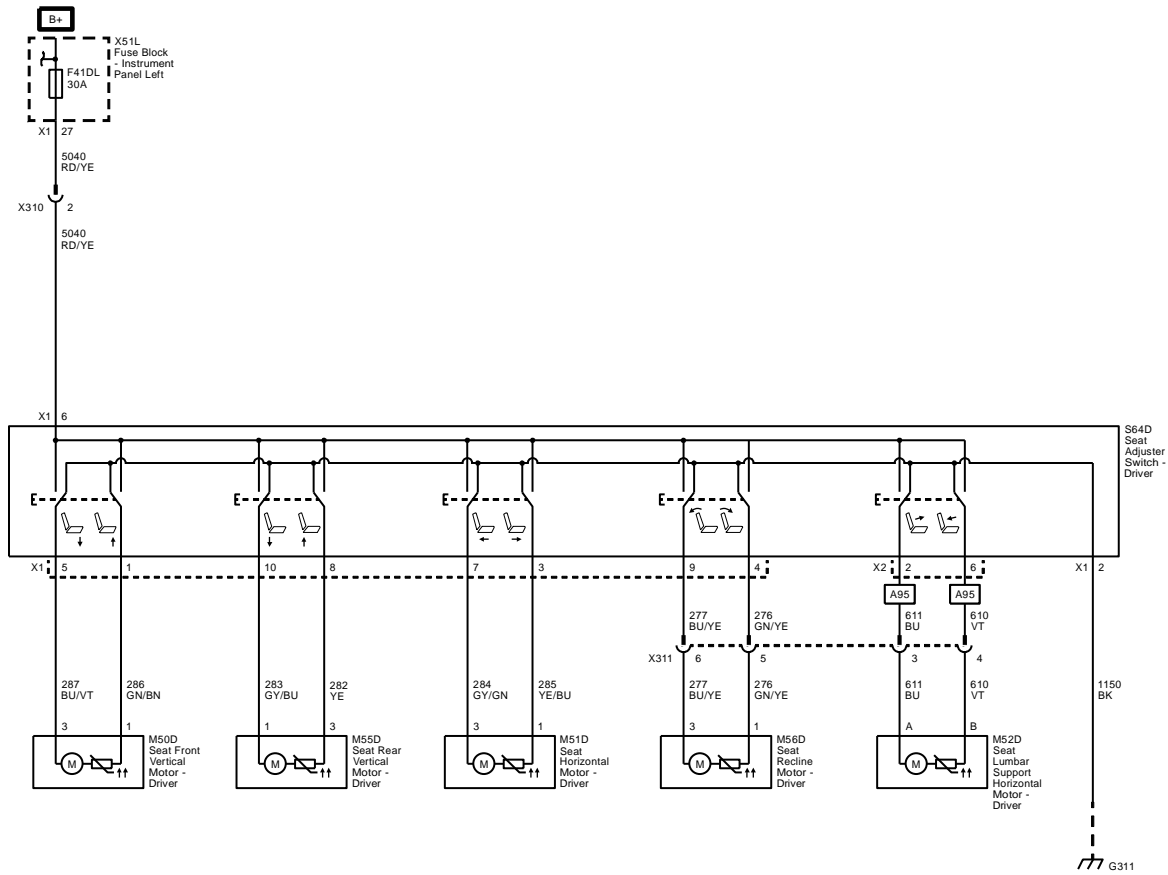
7.34. EXTERIOR REARVIEW MIRROR (FEATURE 0016SPS, 0016SPT)



7.35. EXTERIOR REARVIEW MIRROR (FEATURE 0016SPS, 0016SPT)

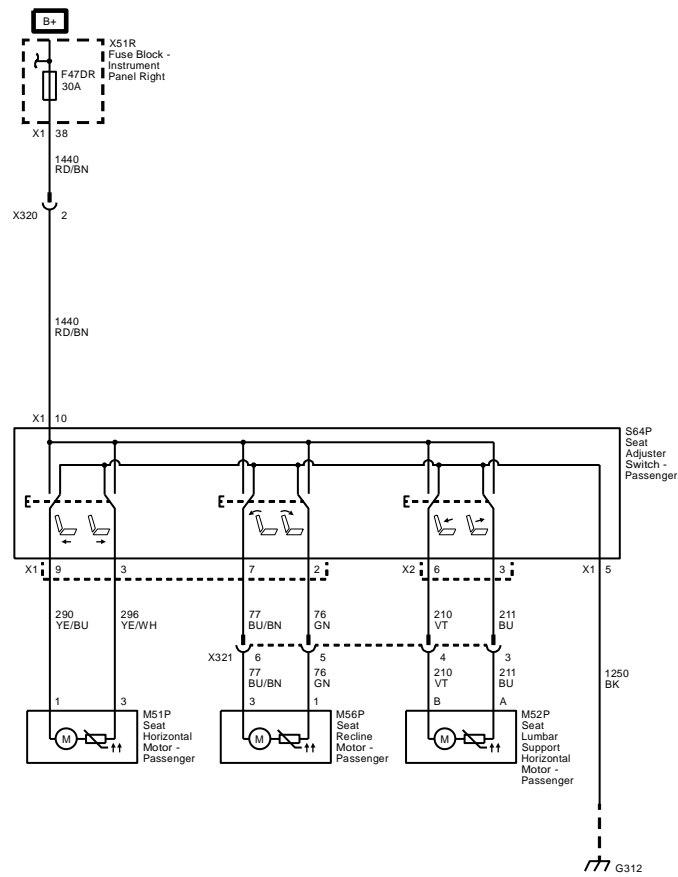


7.36. DRIVER SEAT ADJUSTMENT

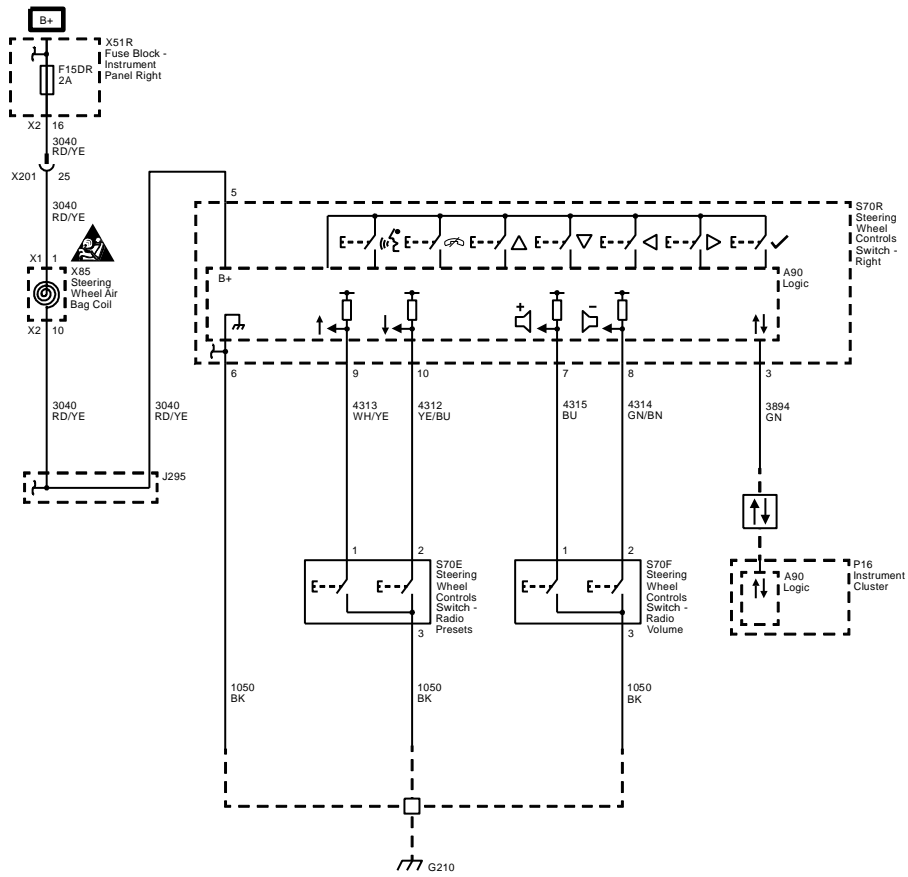




7.37. PASSENGER SEAT ADJUSTMENT

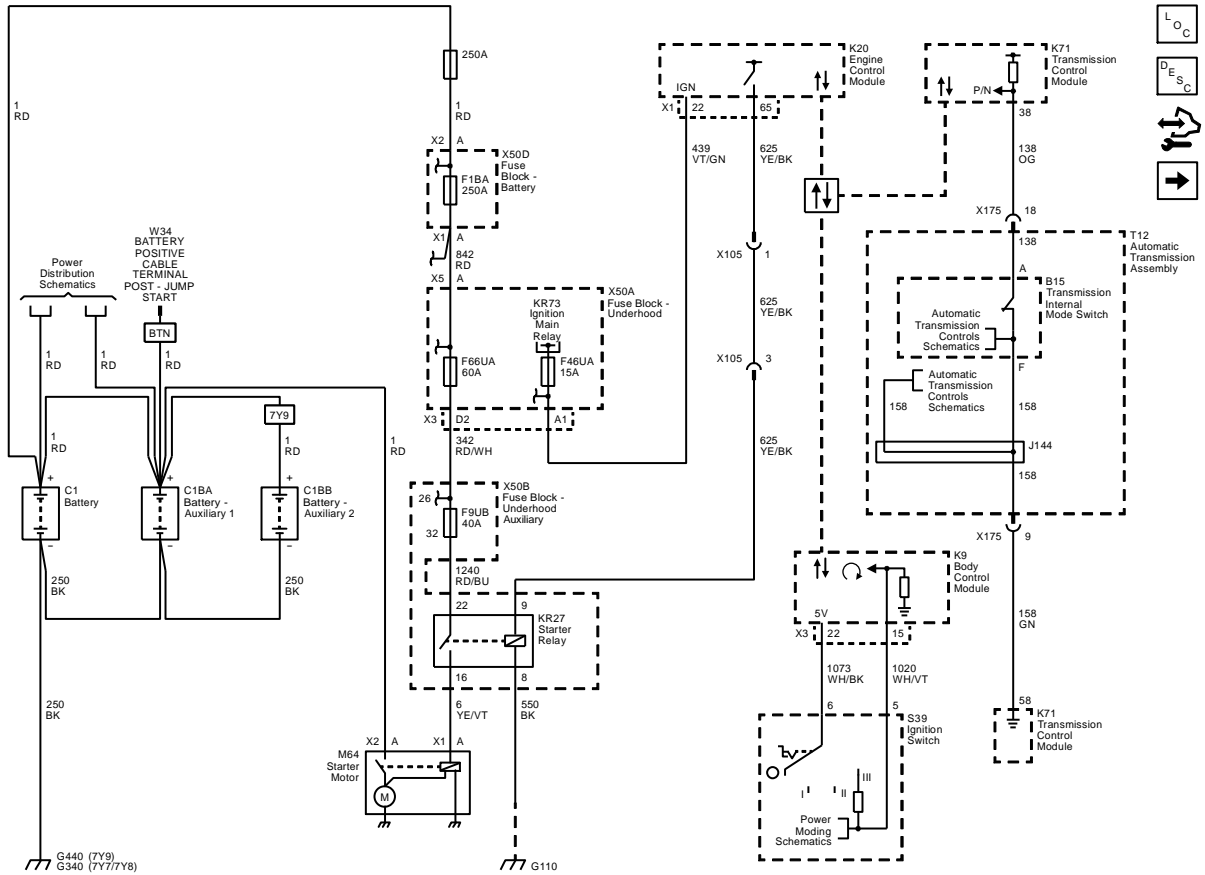


7.38. STEERING WHEEL CONTROLS

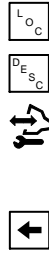
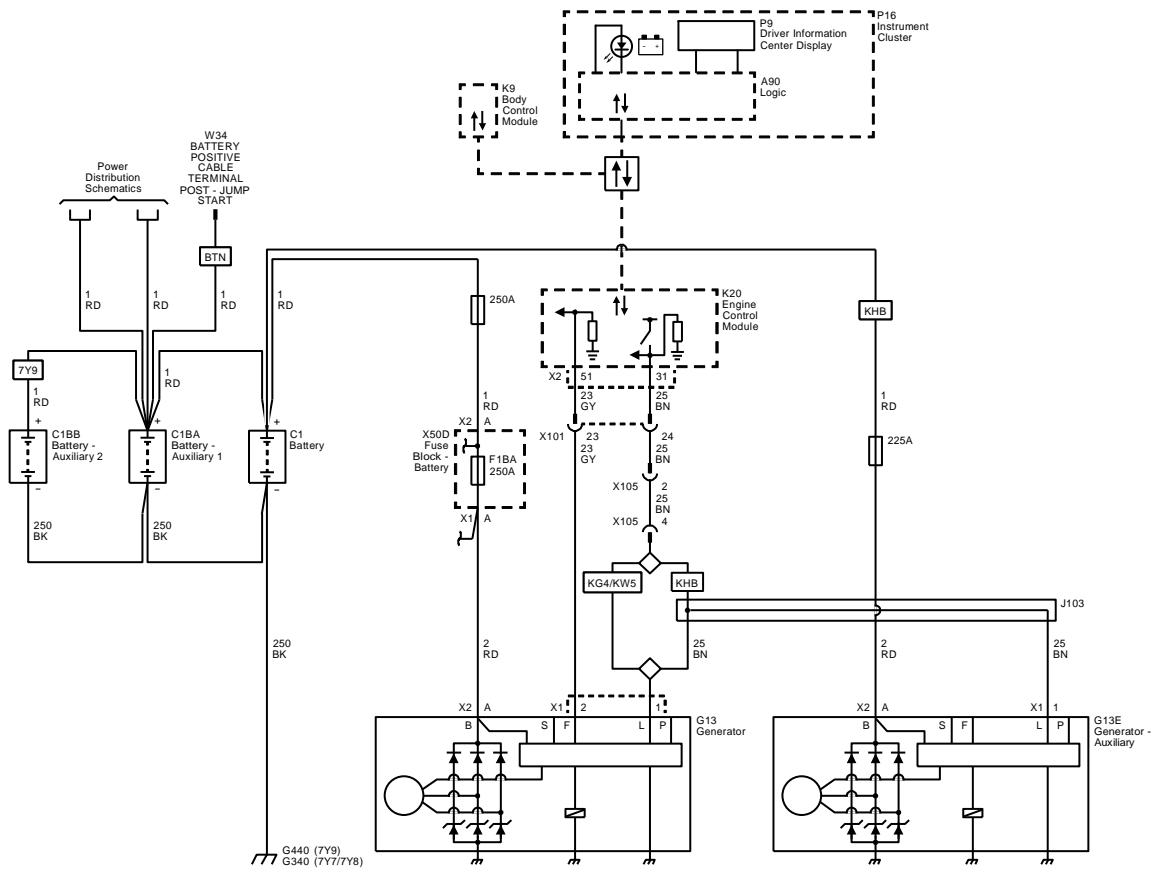


# CHARGING AND CRANKING

## 8.1. STARTING

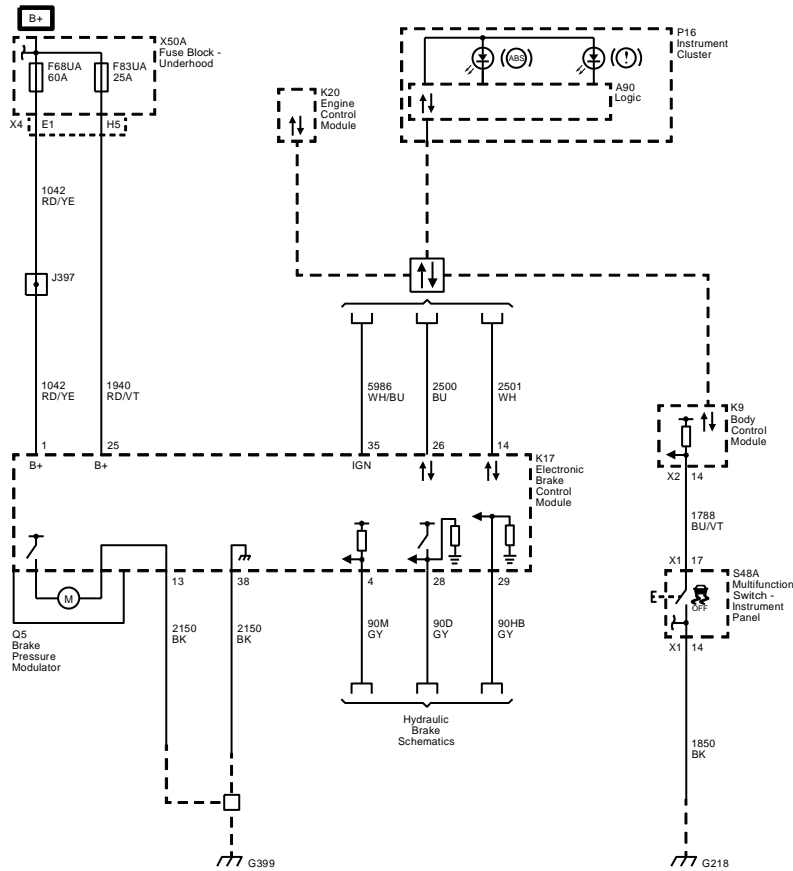


8.2. CHARGING

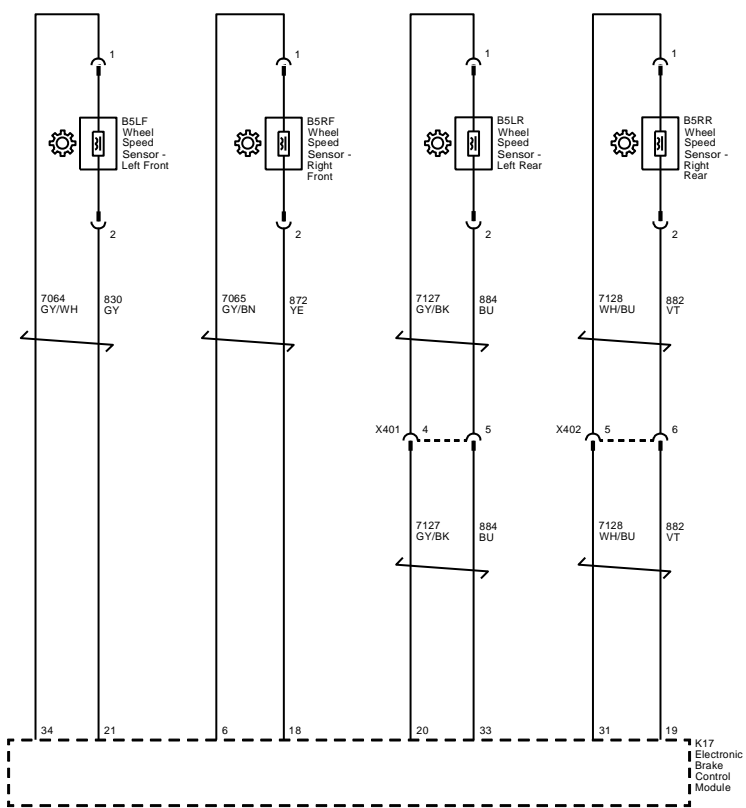


# CHASSIS ACCESSORIES

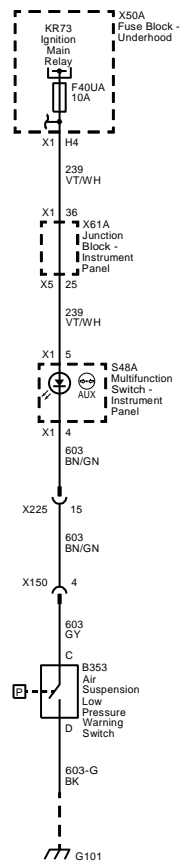
## 9.1. ANTILOCK BRAKES



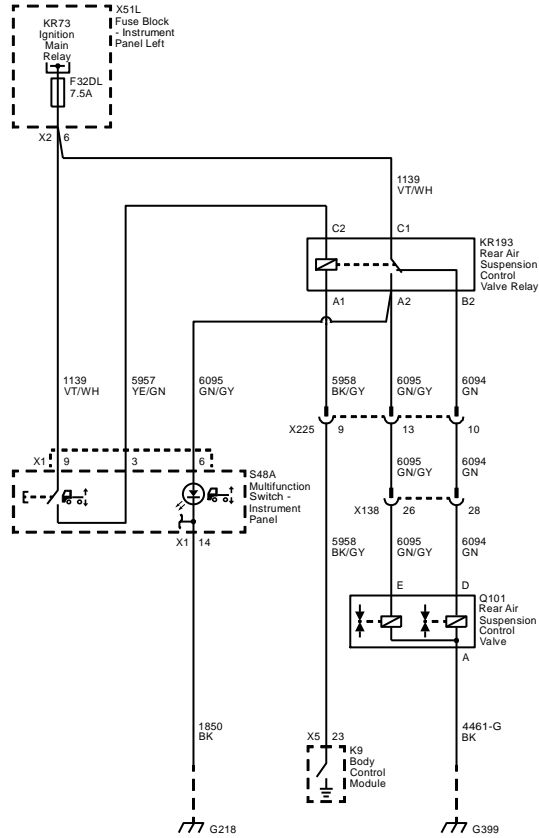
9.2. ANTILOCK BRAKES



9.3. LOW AIR PRESSURE INDICATOR (FEATURE CODE 0014TBL, 0014TBM, 0014TDG)

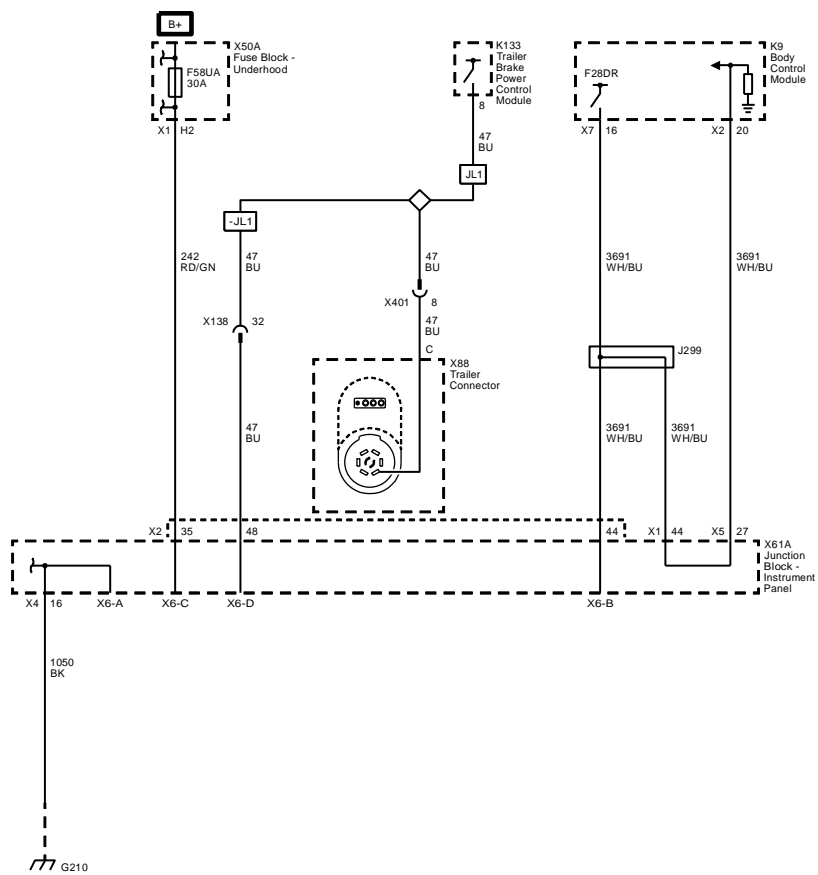


9.4. AIR SUSPENSION DUMP VALVE

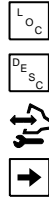
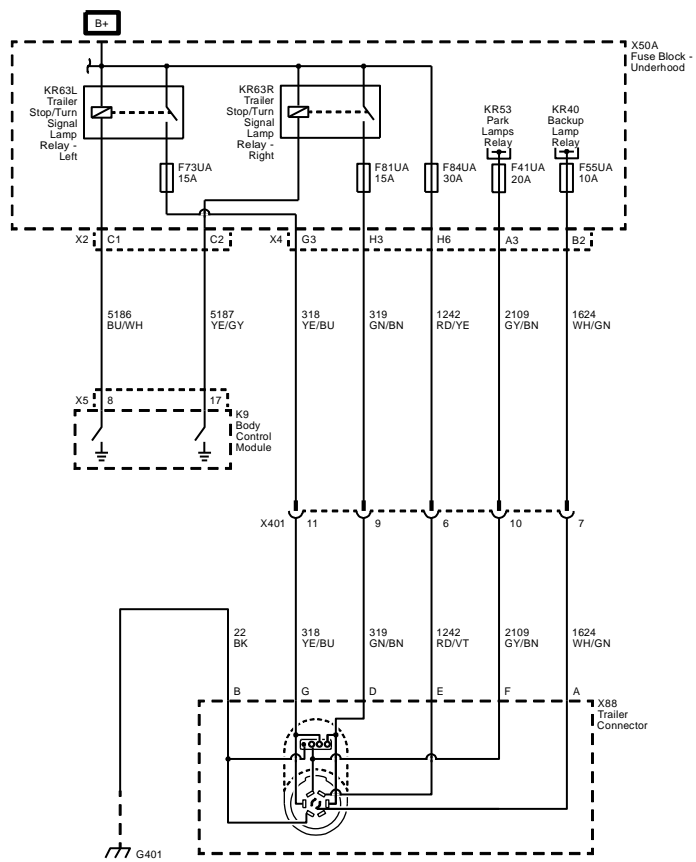




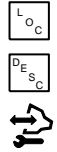
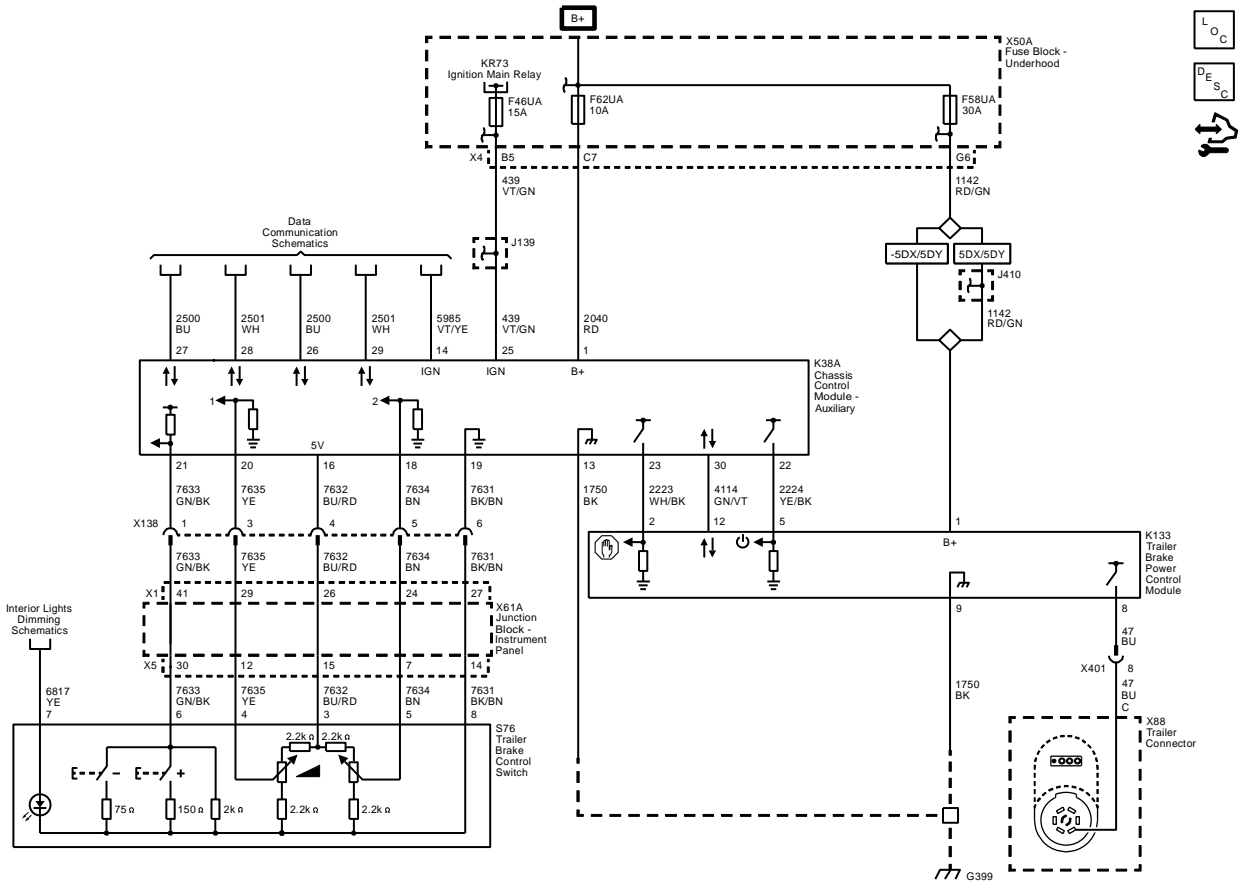
9.5. TRAILER POWER (0008TRA)



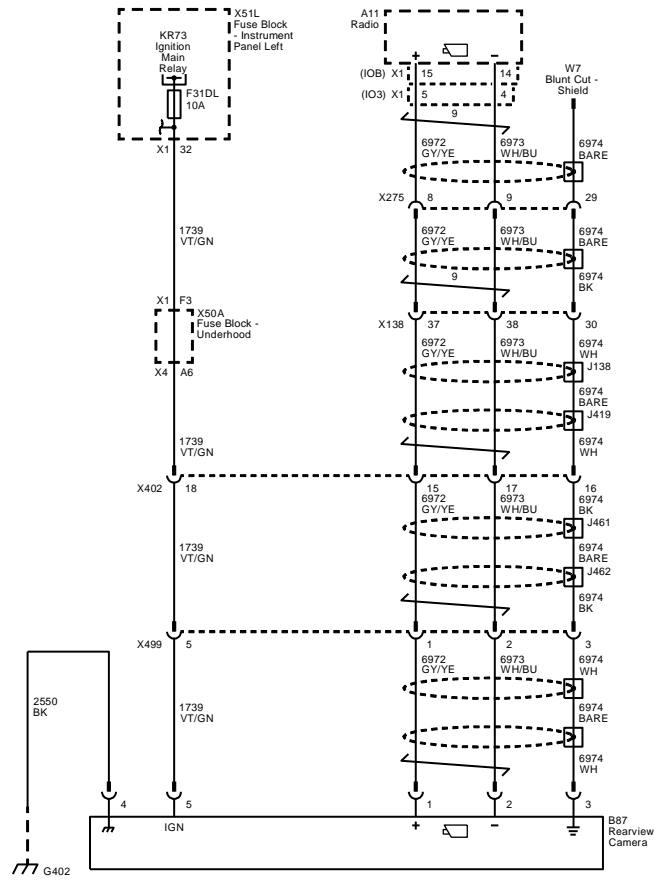
9.6. TRAILER LIGHTING (0008TRA)



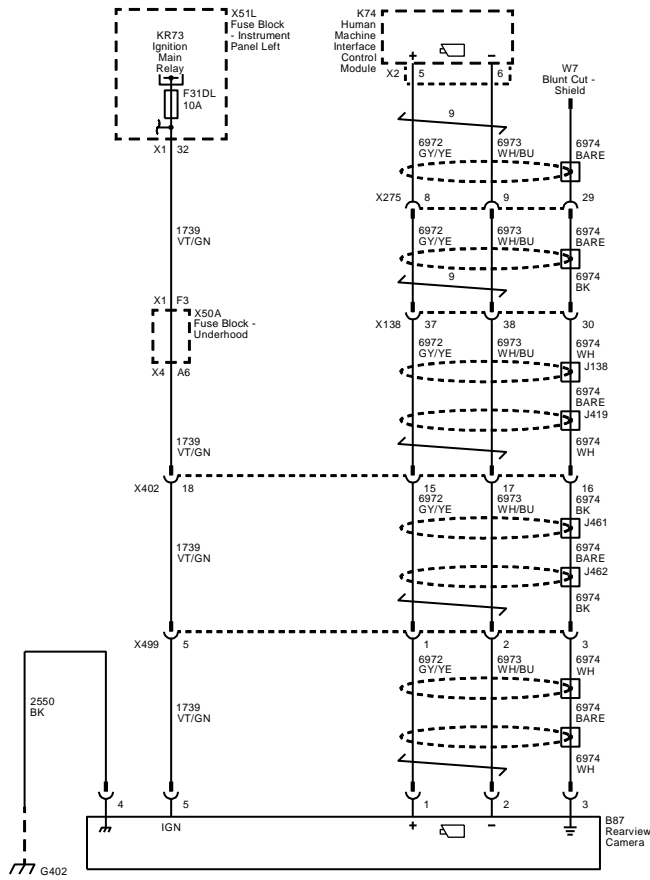
9.7. TRAILER BRAKE CONTROLS (0008HBW)



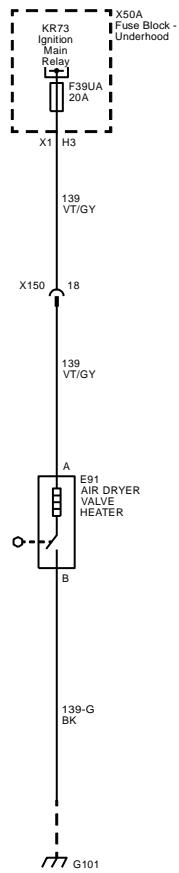
9.8. REARVIEW CAMERA (0008RNN, 0008RNM, 0008RNV)



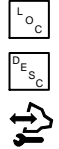
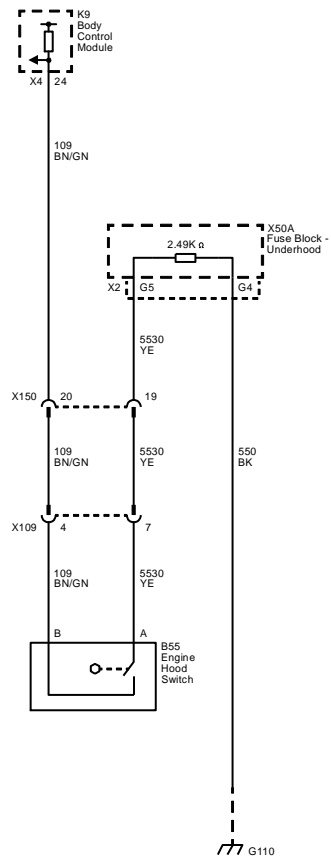
9.9. REARVIEW CAMERA (0008RNW, 0008RNR, 0008RNX, 0008RNP)



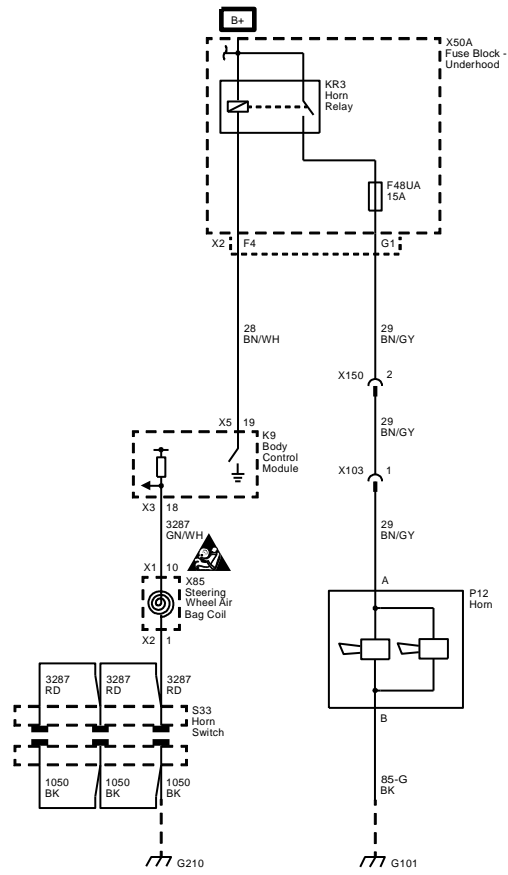
9.10. AIR DRYER VALVE HEATER



9.11. HOOD SWITCH

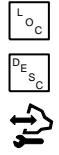
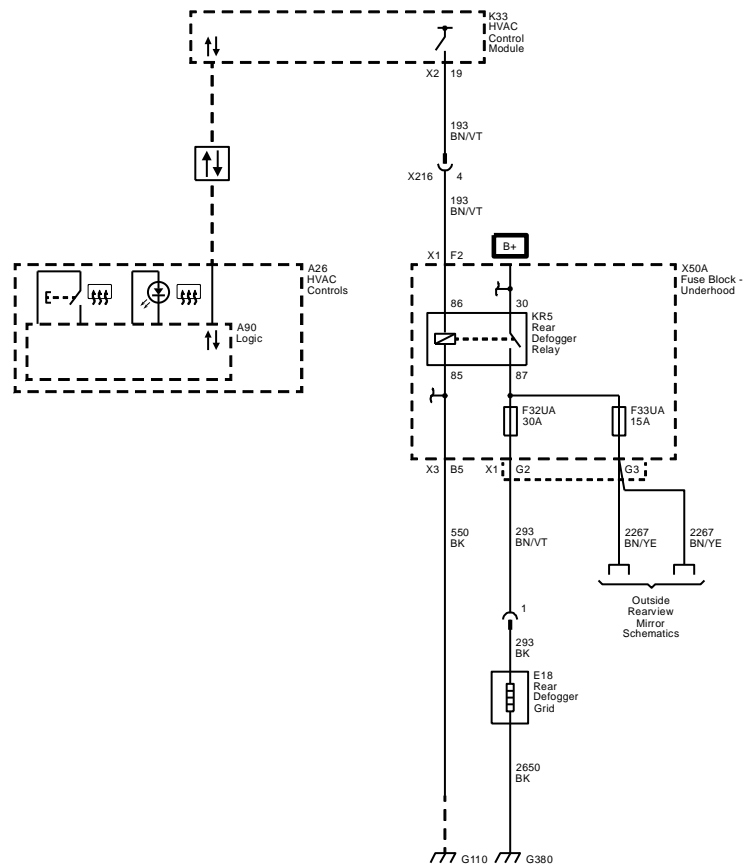


9.12. CITY HORN

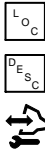
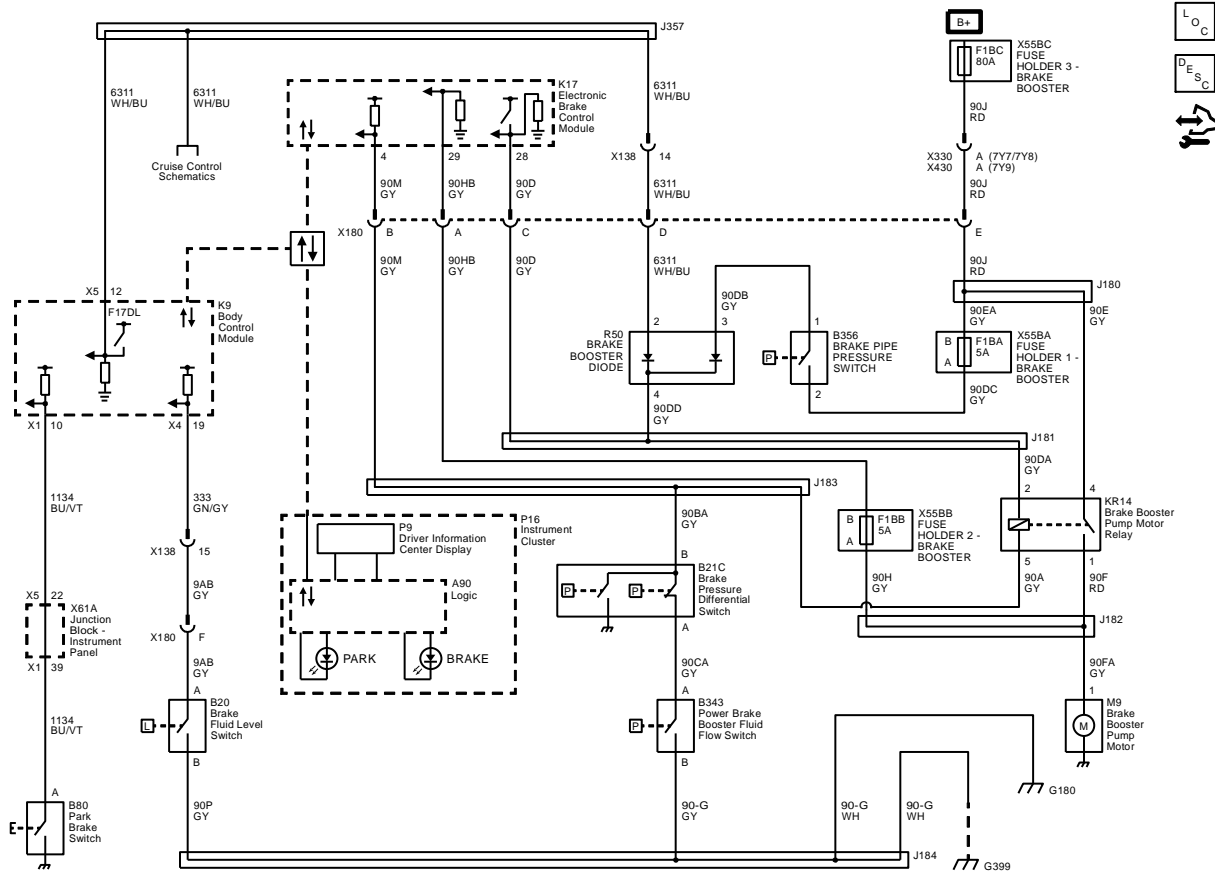




9.13. WINDOW DEFROST / EXTERIOR HEATED MIRRORS (FEATURE CODE 0008AAB)



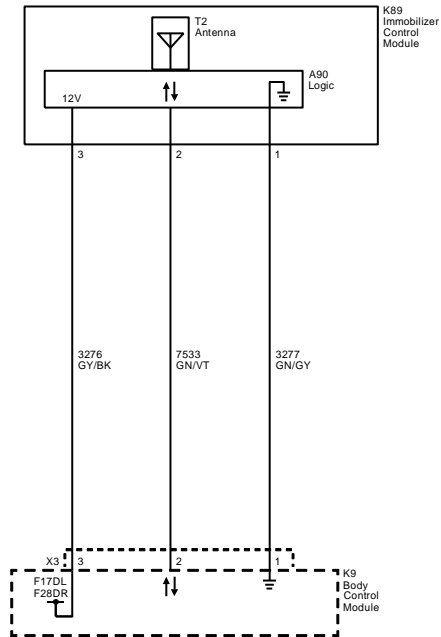
9.14. HYDRAULIC BRAKE



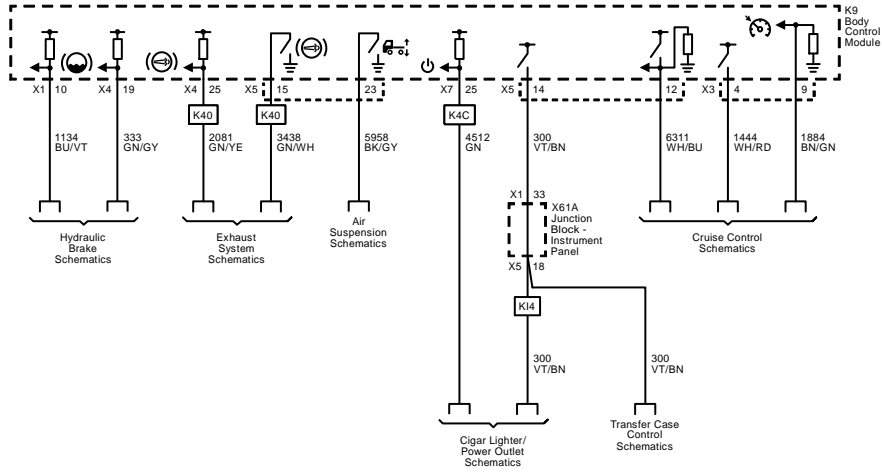
9.15. IMMOBILIZER

L<sub>O</sub>C

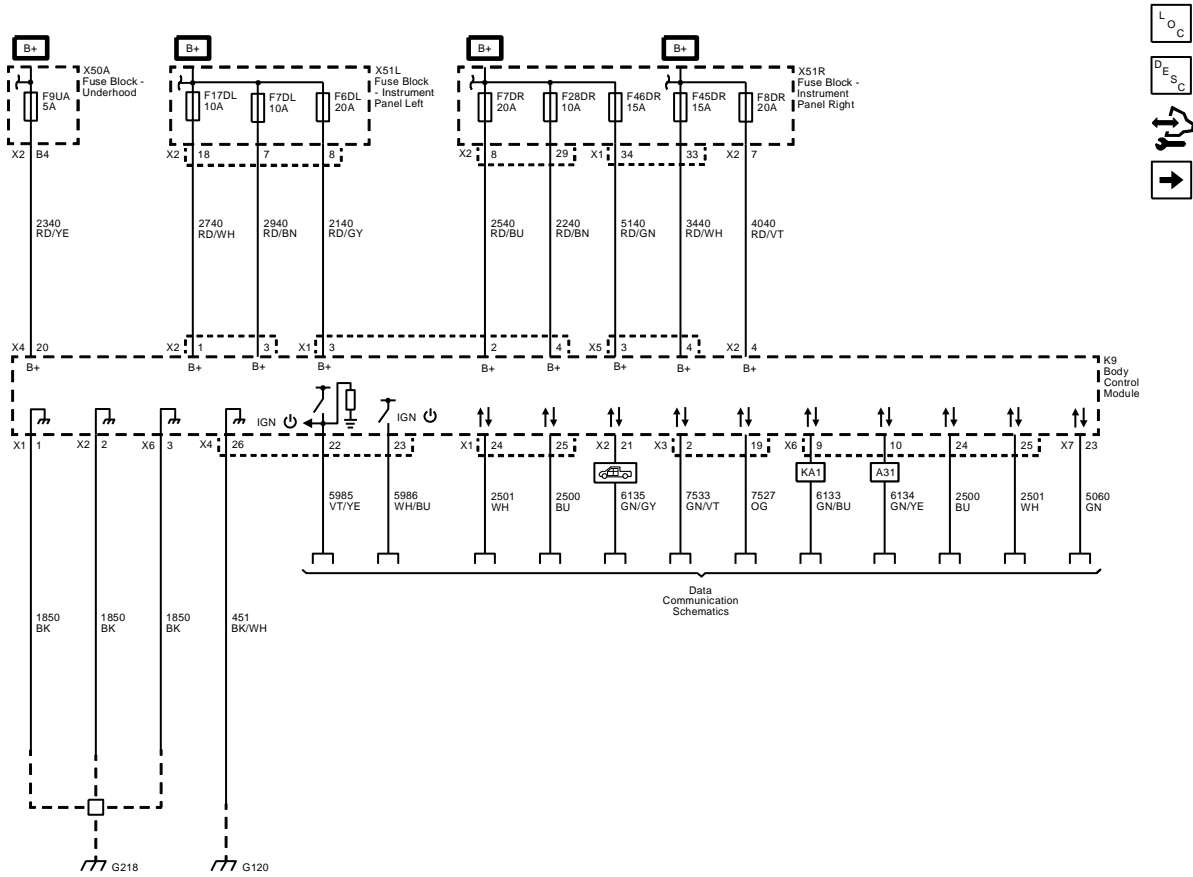
D<sub>E</sub>S<sub>C</sub>



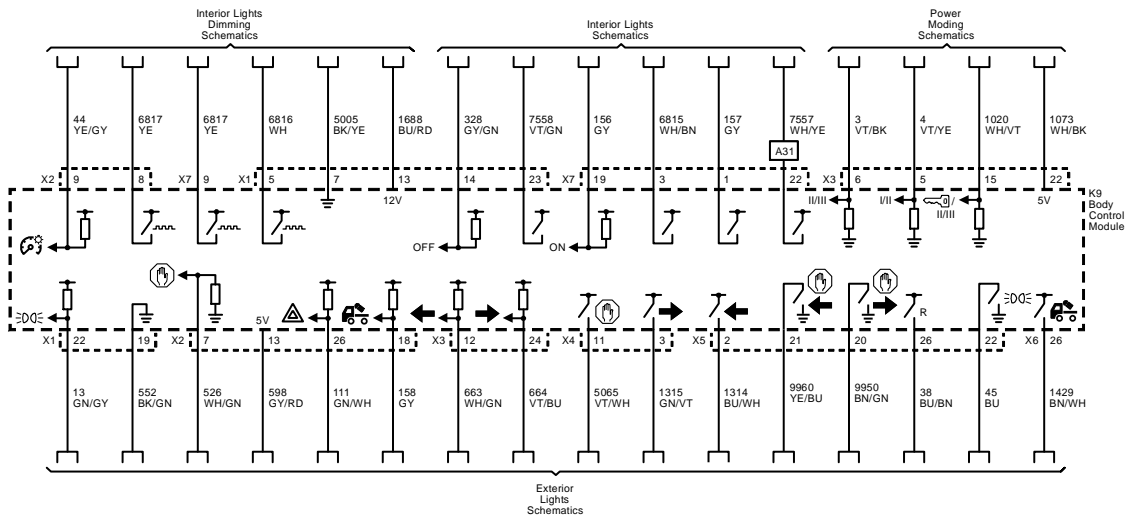
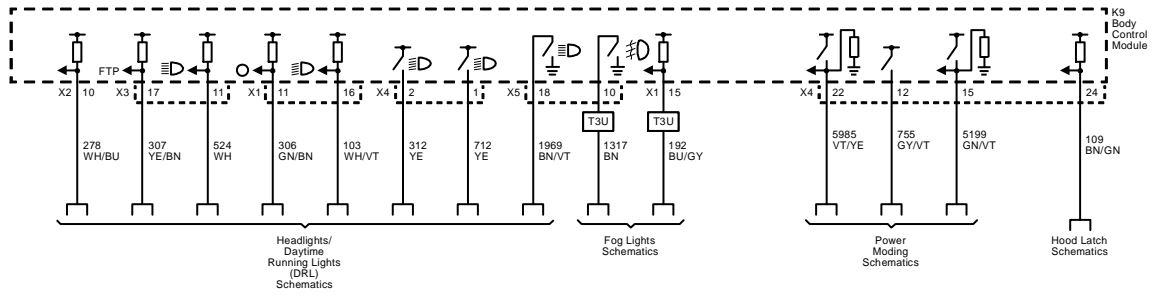
9.16. BODY CONTROL MODULE



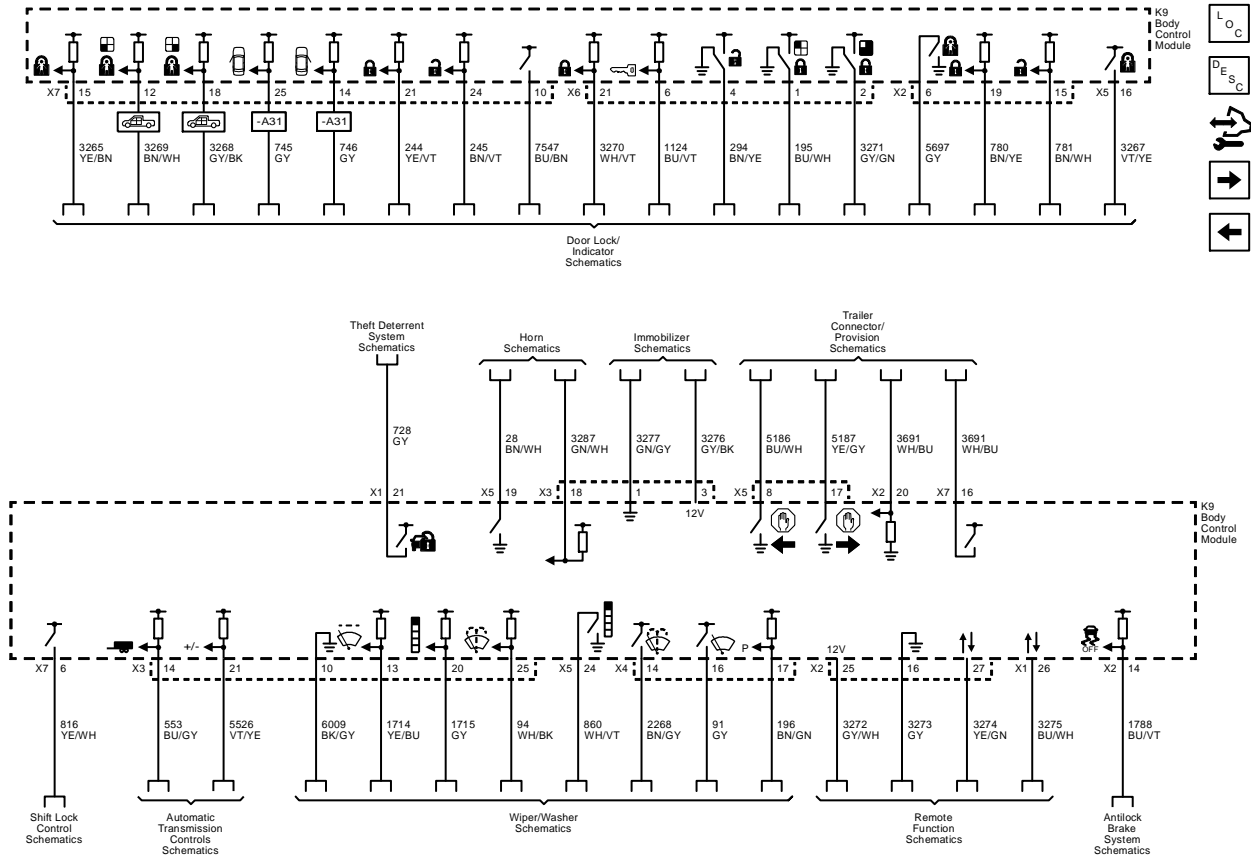
9.17. BODY CONTROL MODULE



9.18. BODY CONTROL MODULE

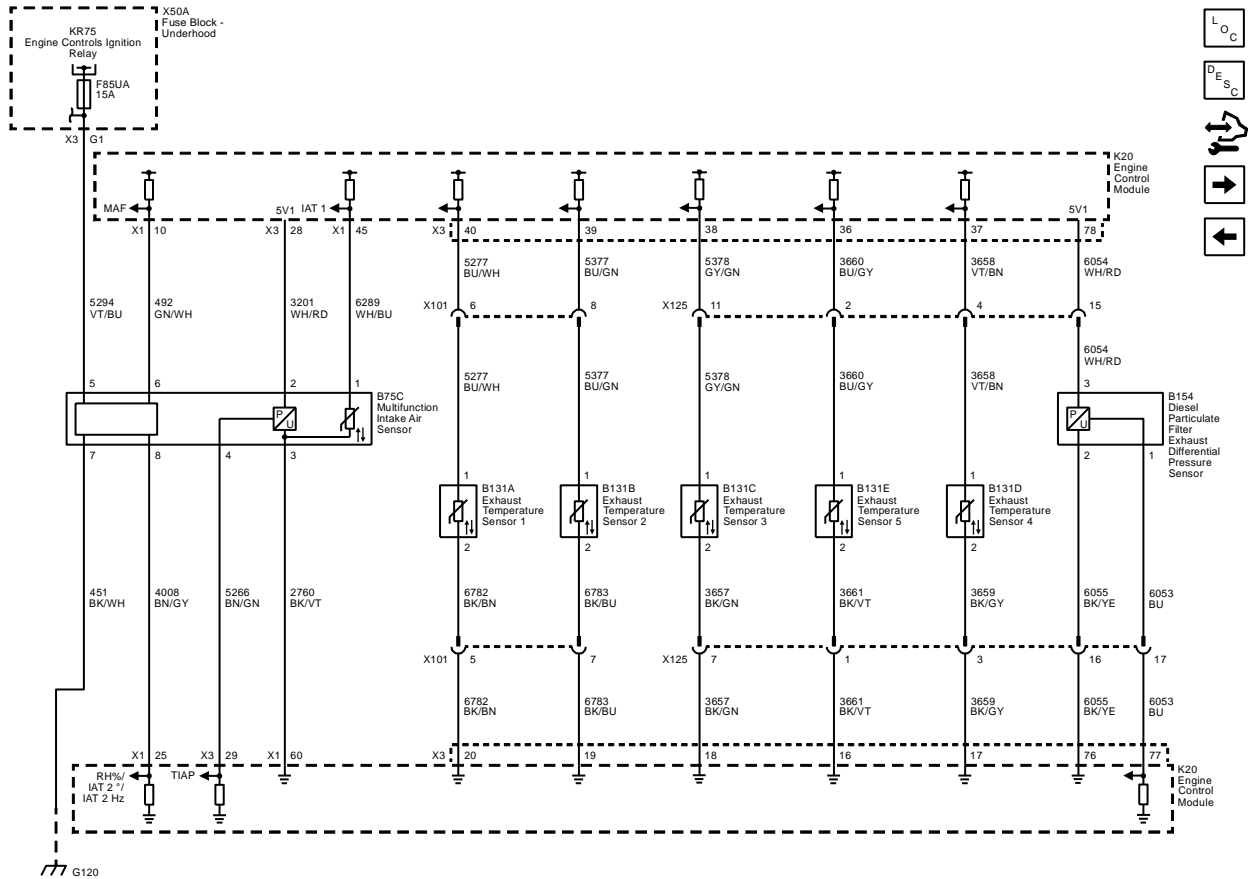


9.19. BODY CONTROL MODULE



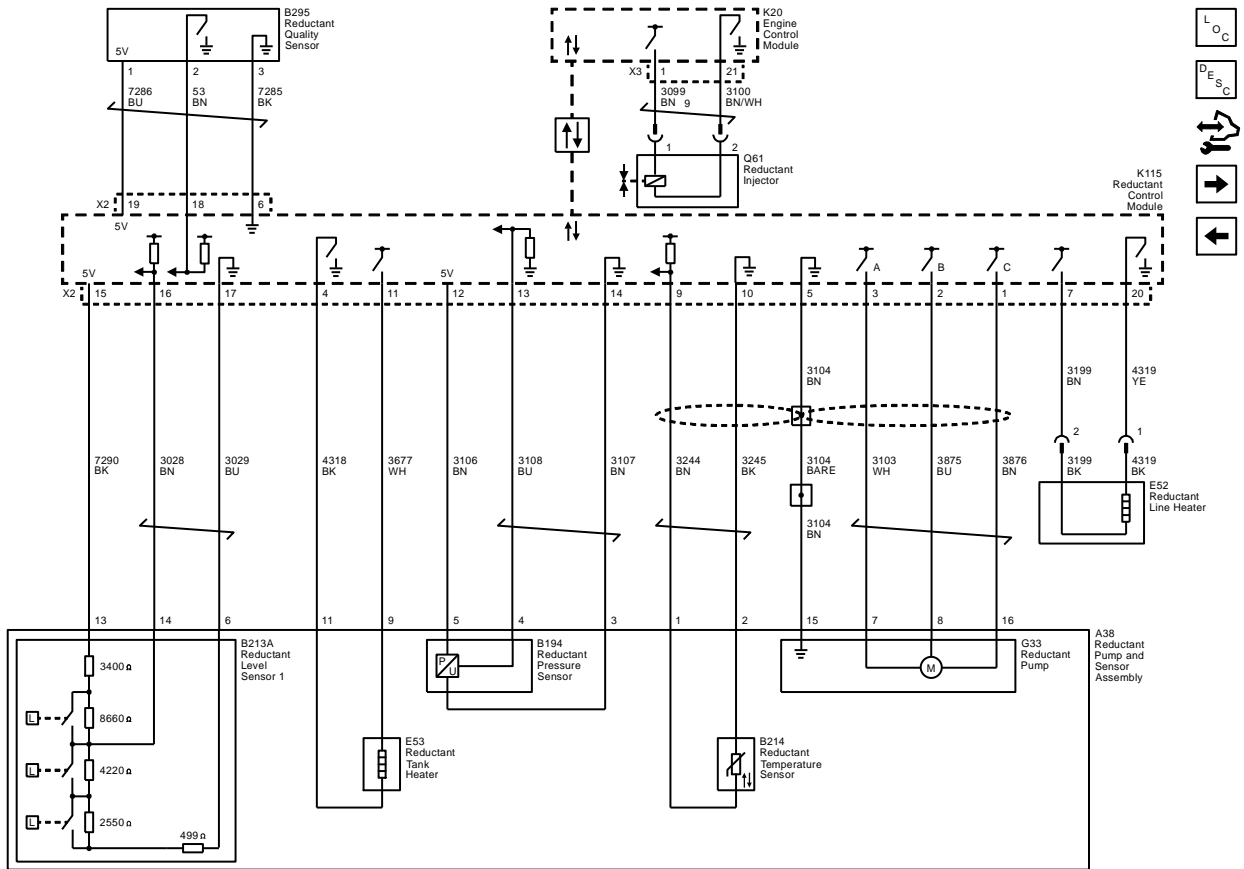
# ENGINE SYSTEMS

## 10.1. AFTERTREATMENT

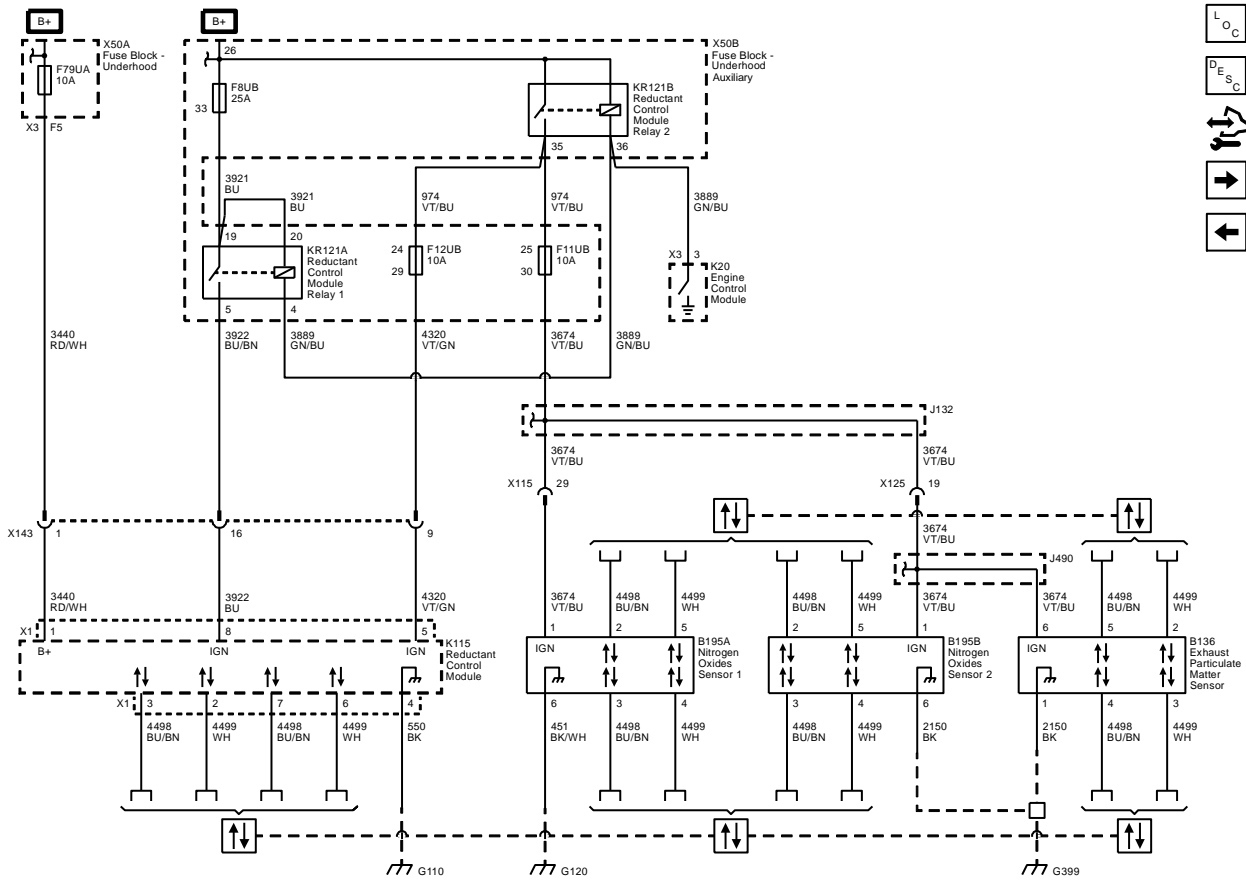




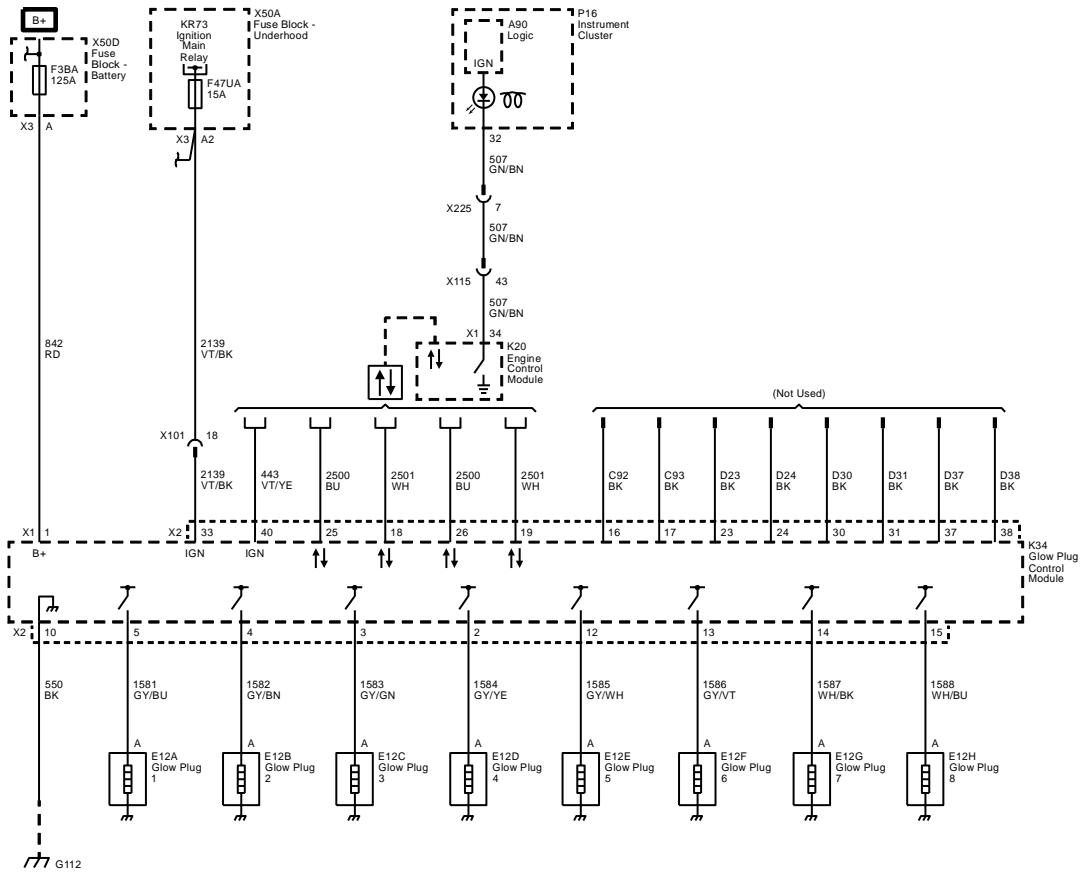
10.2. AFTERTREATMENT



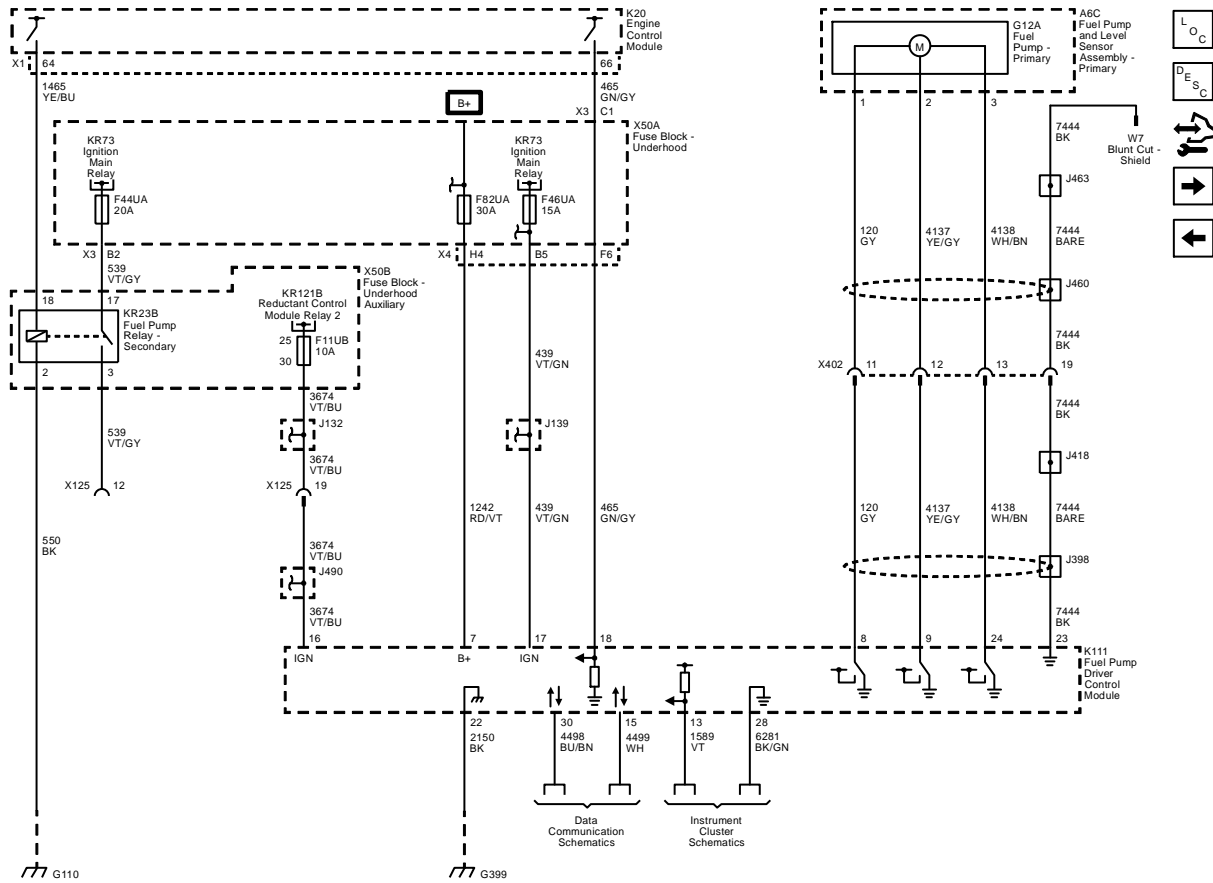
10.3. AFTERTREATMENT



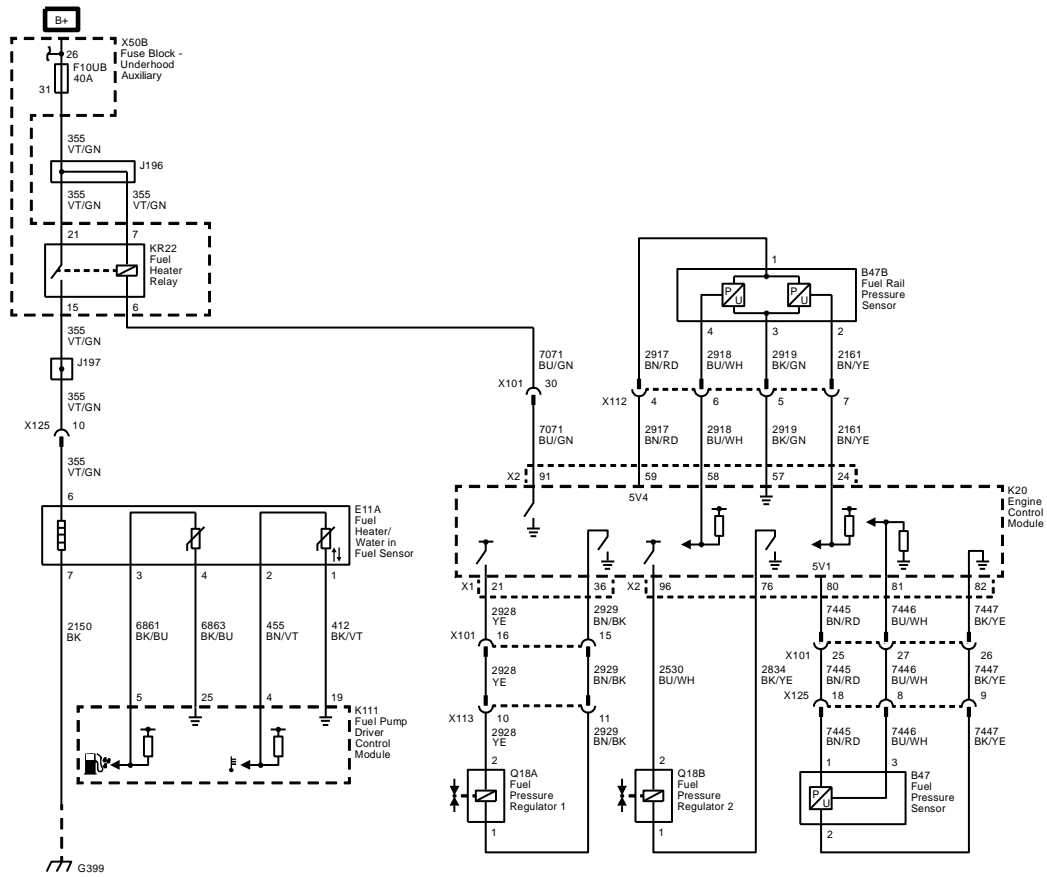
### 10.4. GLOW PLUGS



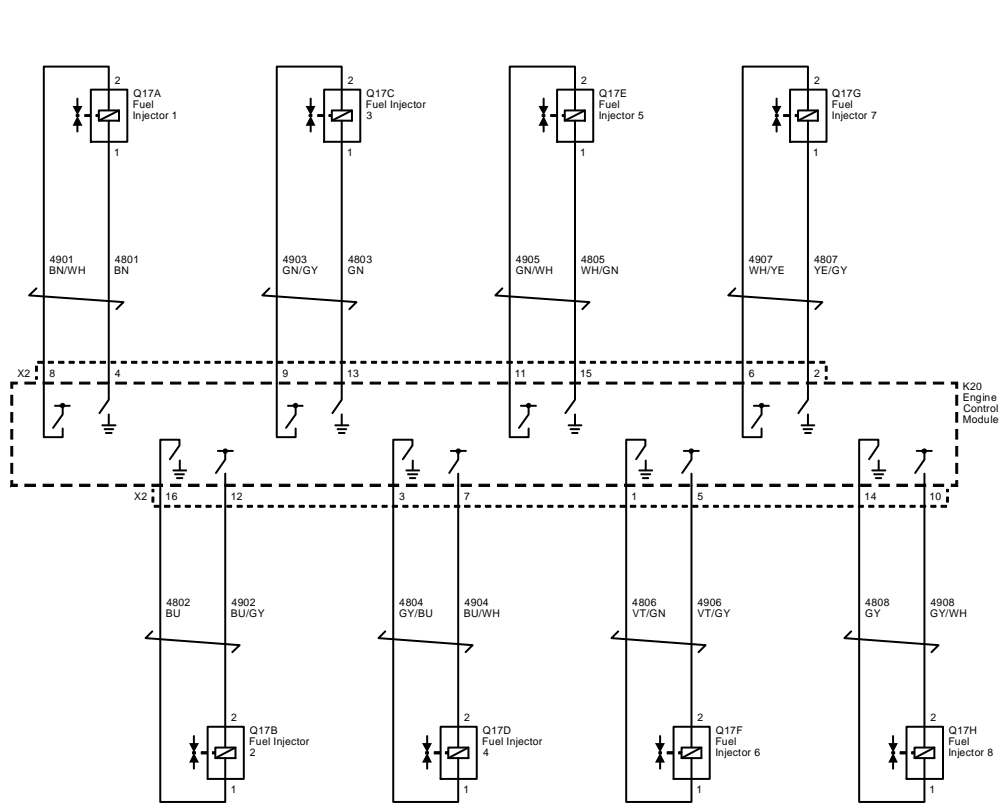
10.5. FUEL PUMP



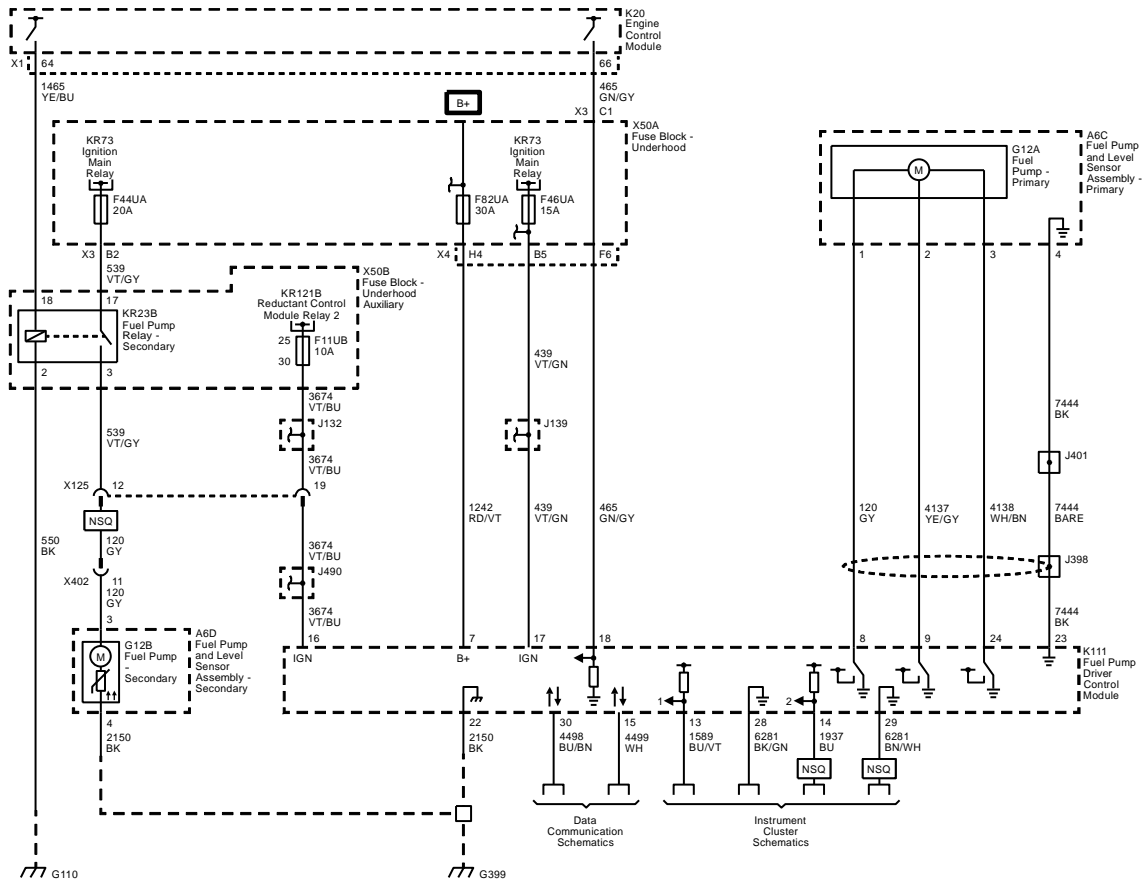
10.6. FUEL SYSTEM



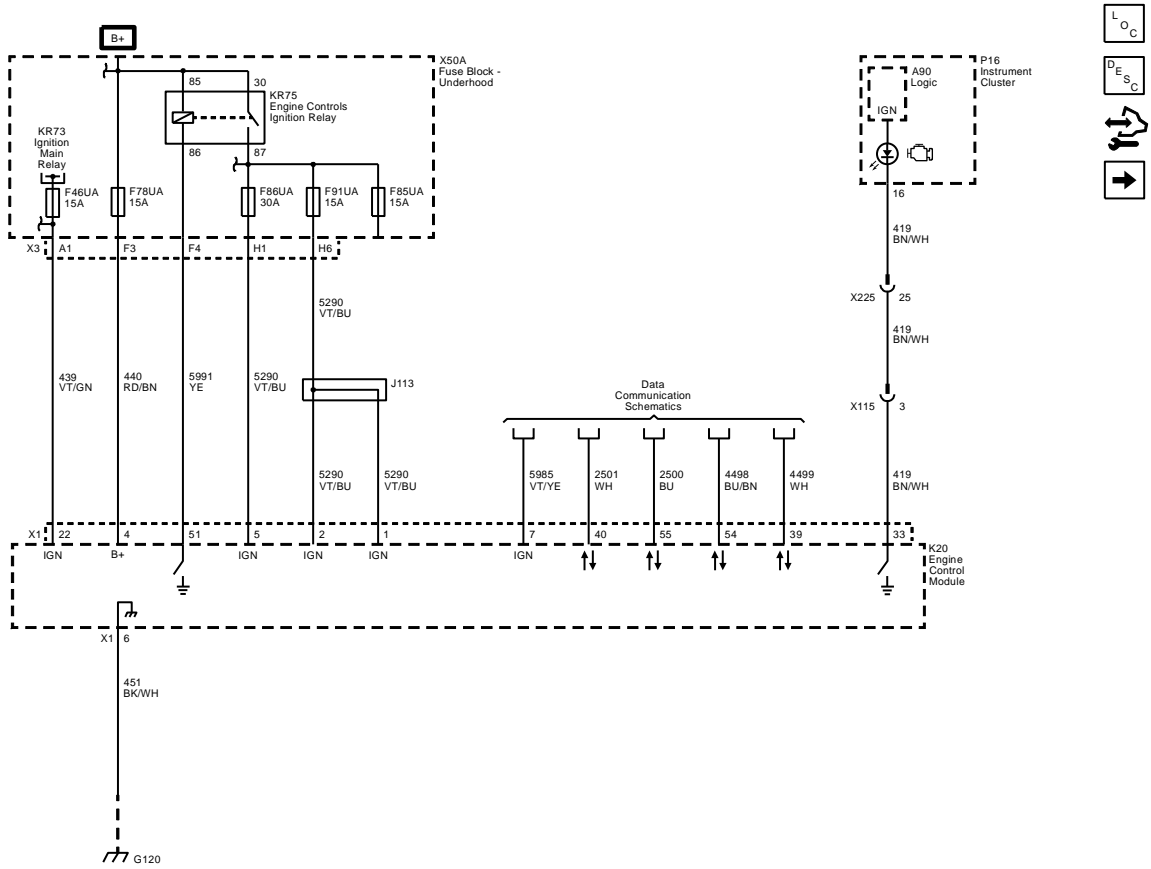
10.7. FUEL SYSTEM



10.8. FUEL SYSTEM

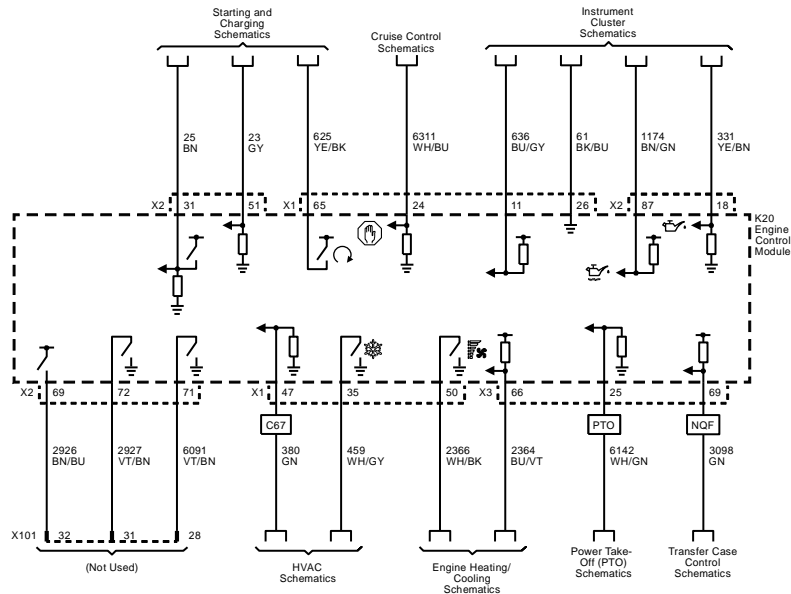


10.9. ENGINE CONTROL MODULE

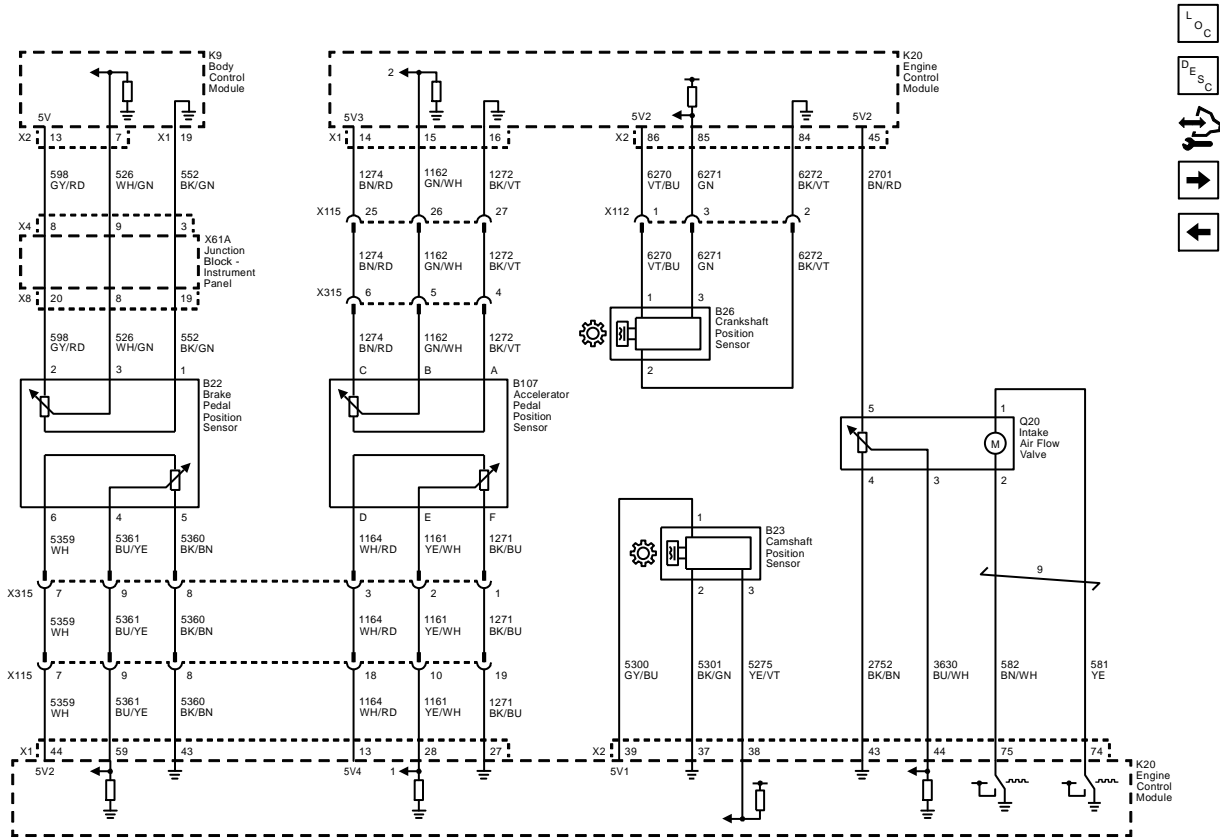




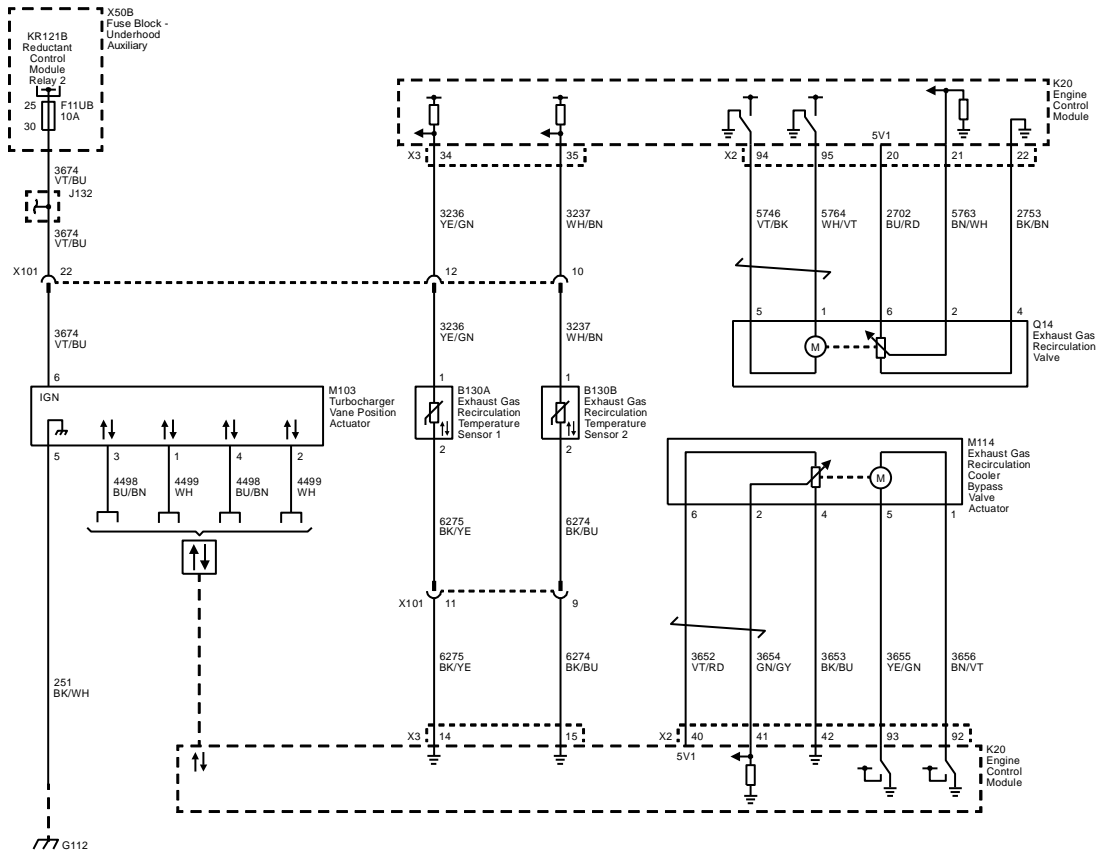
10.10. ENGINE CONTROL MODULE



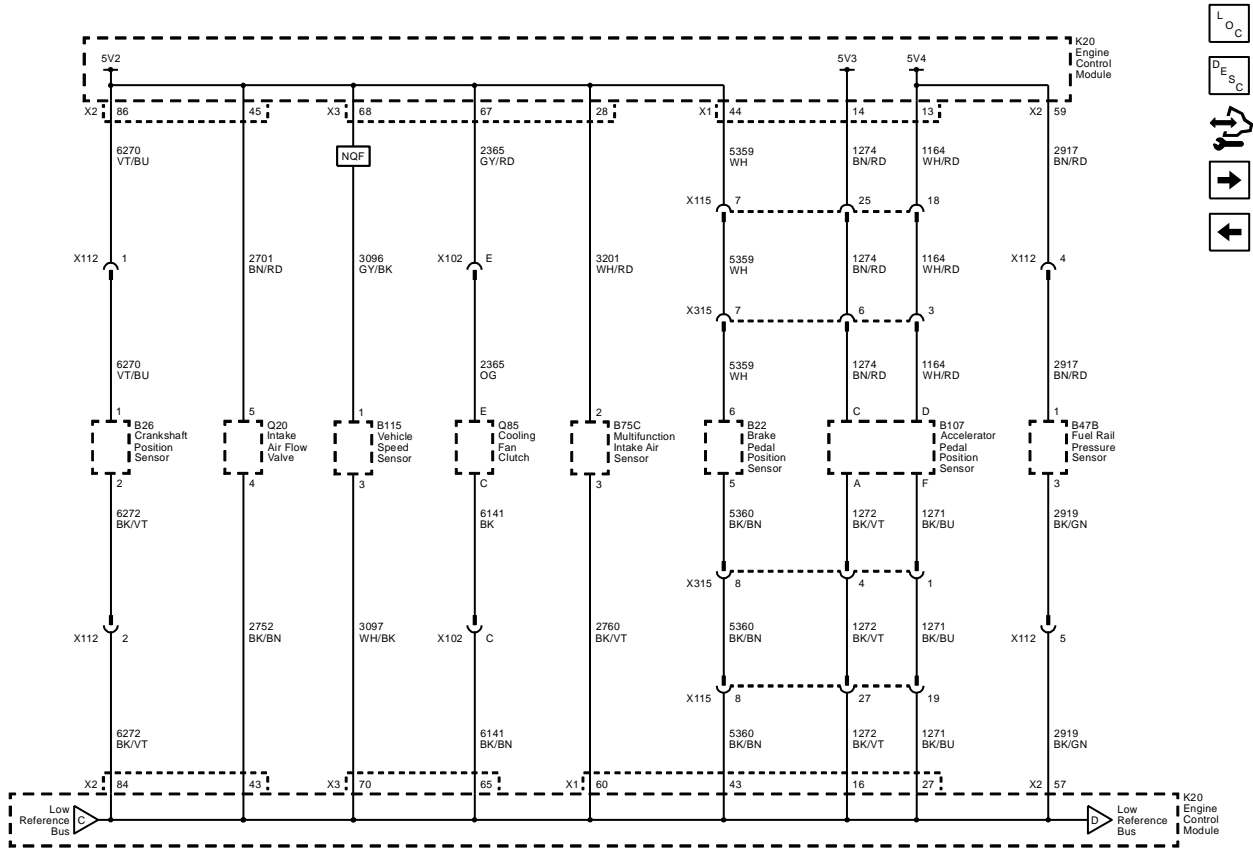
10.11. ENGINE CONTROLS



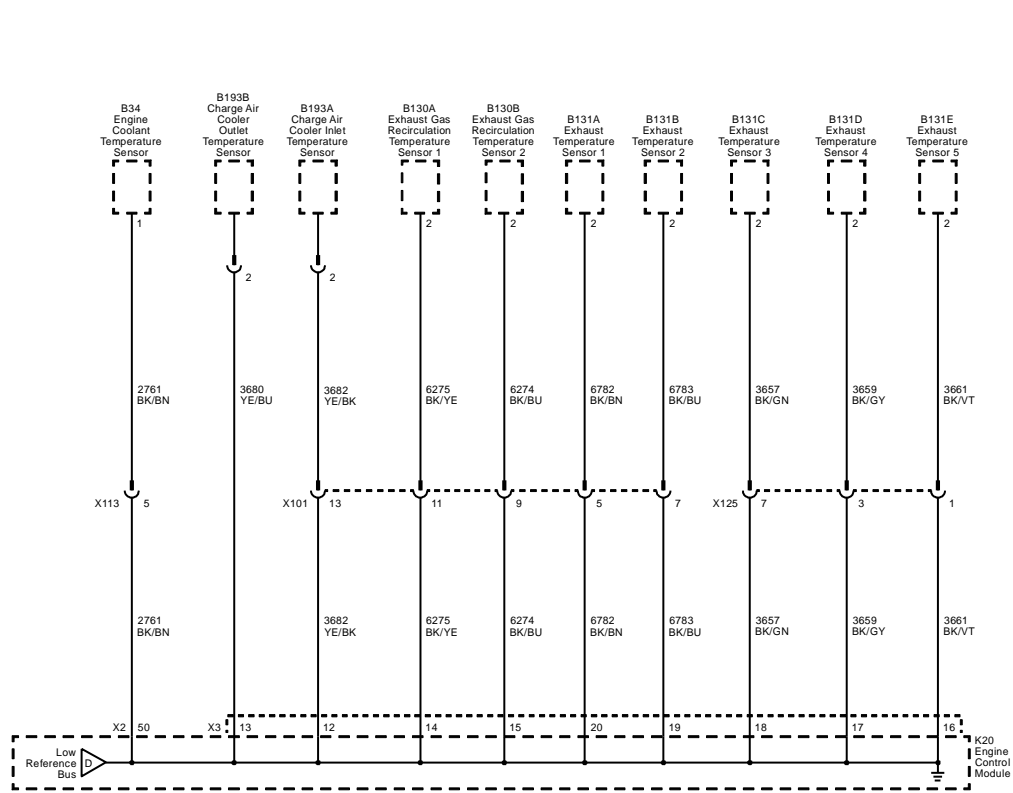
10.12. ENGINE CONTROLS



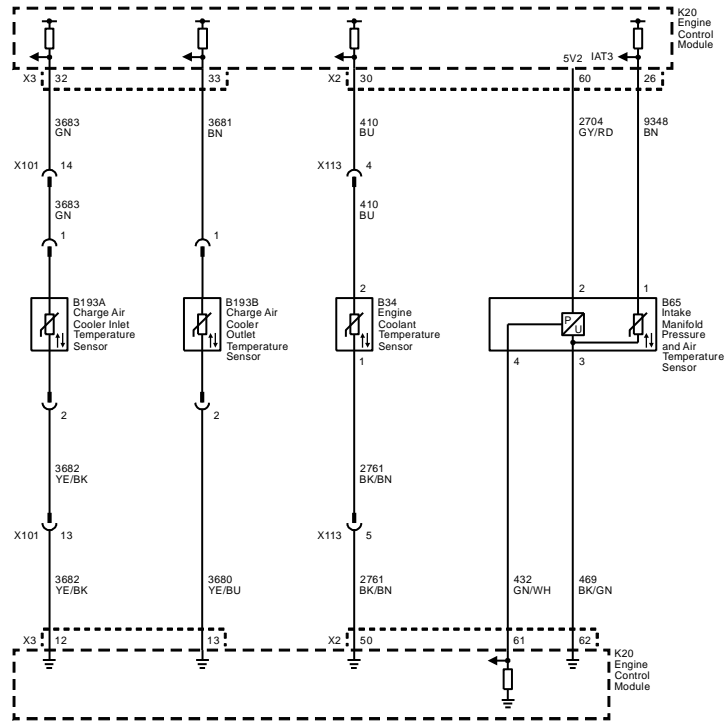
10.13. ENGINE CONTROLS



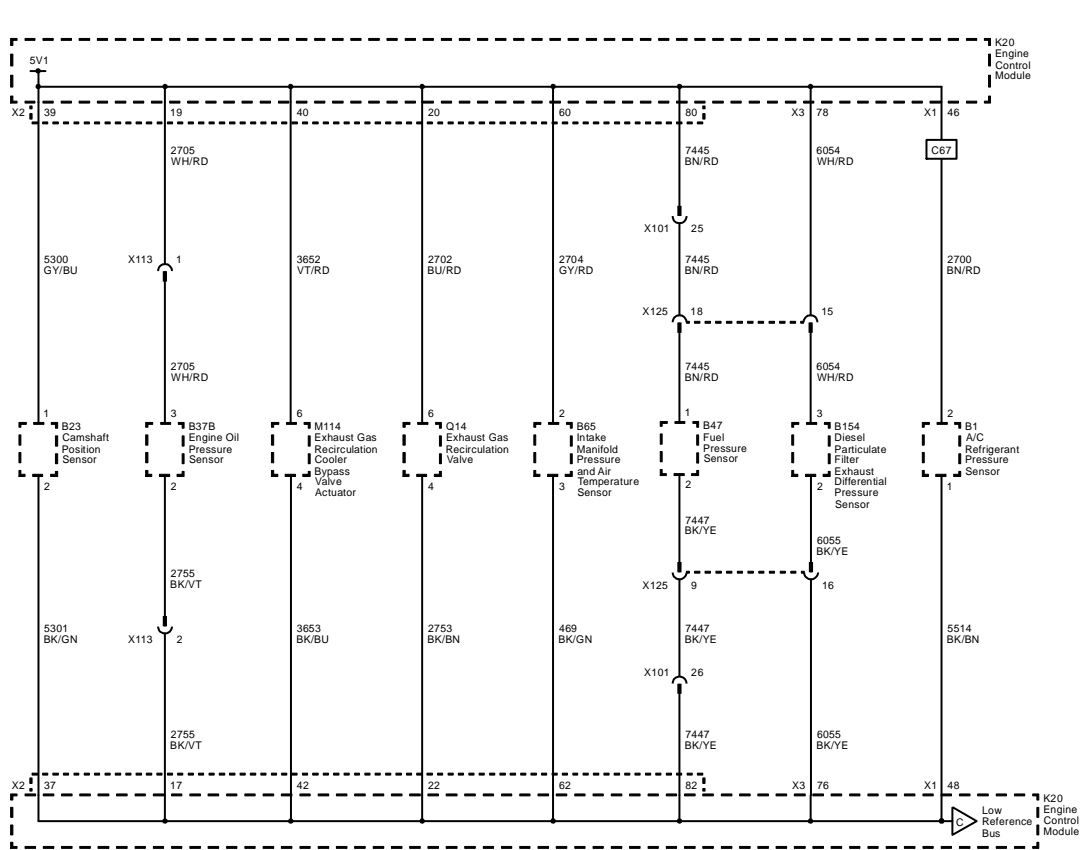
10.14. ENGINE CONTROLS



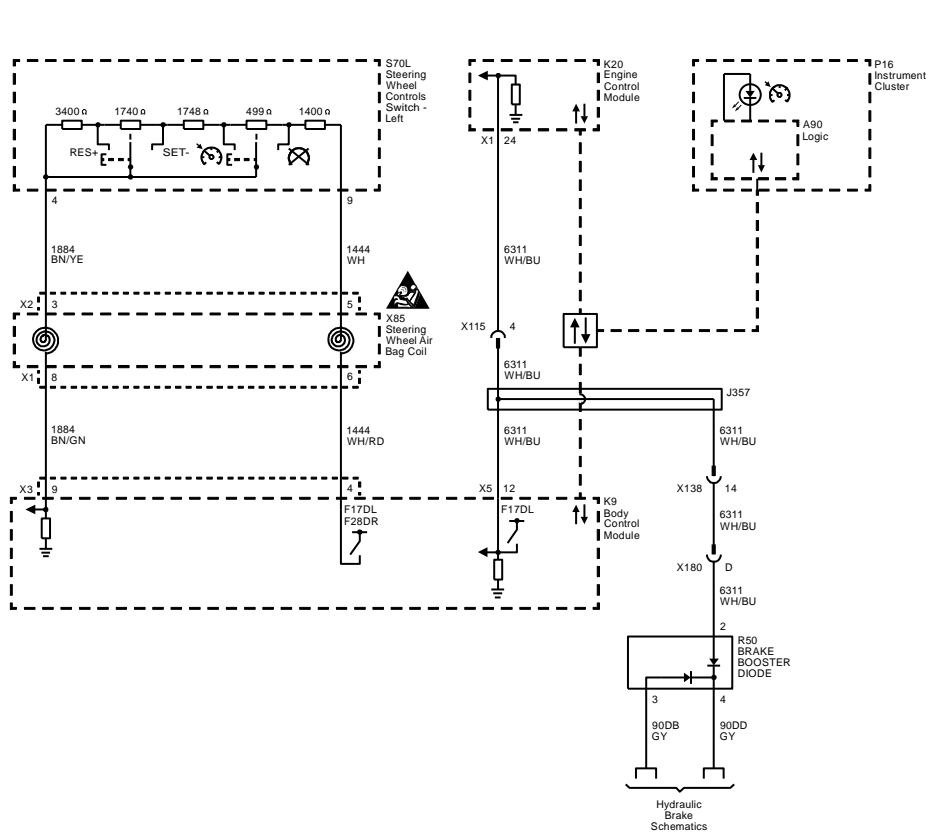
10.15. ENGINE CONTROLS



10.16. ENGINE CONTROLS

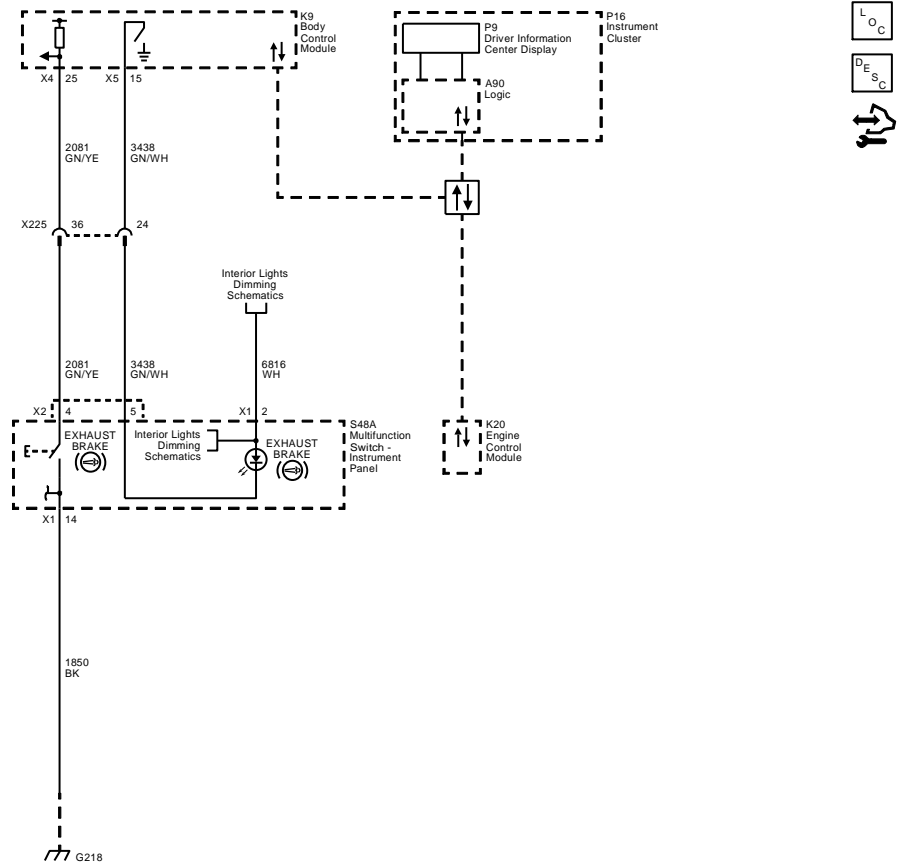


10.17. CRUISE CONTROL

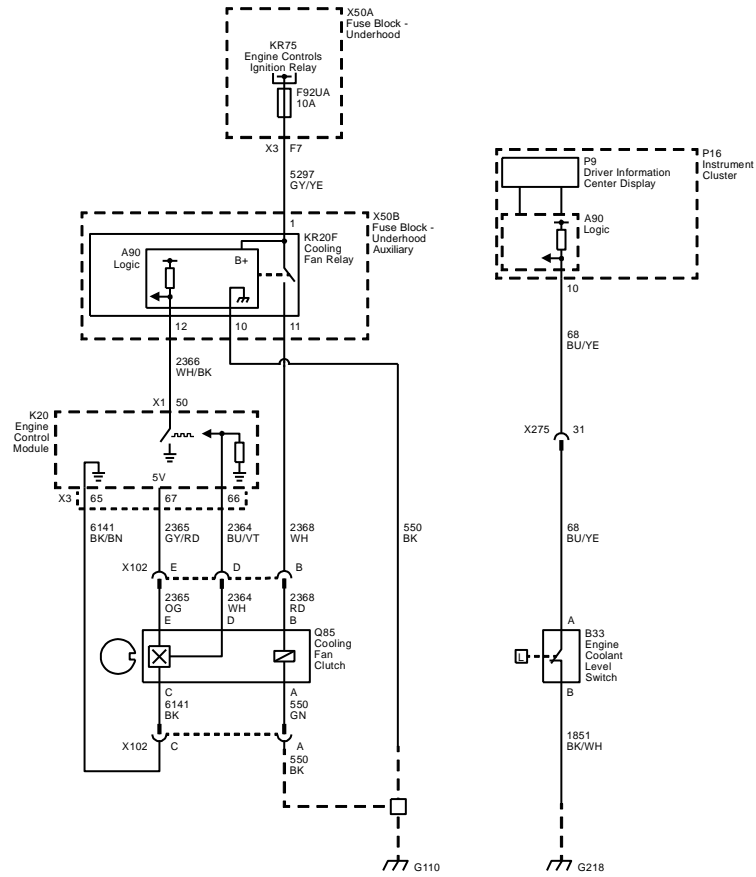




10.18. EXHAUST BRAKE (0592K40)

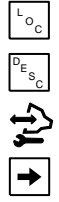
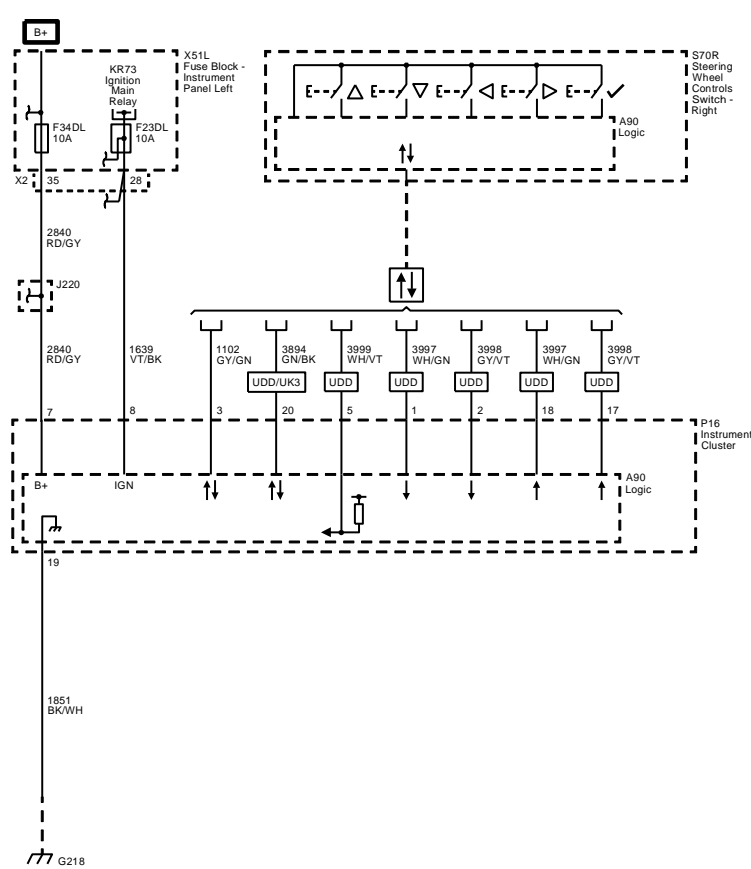


10.19. COOLING FAN

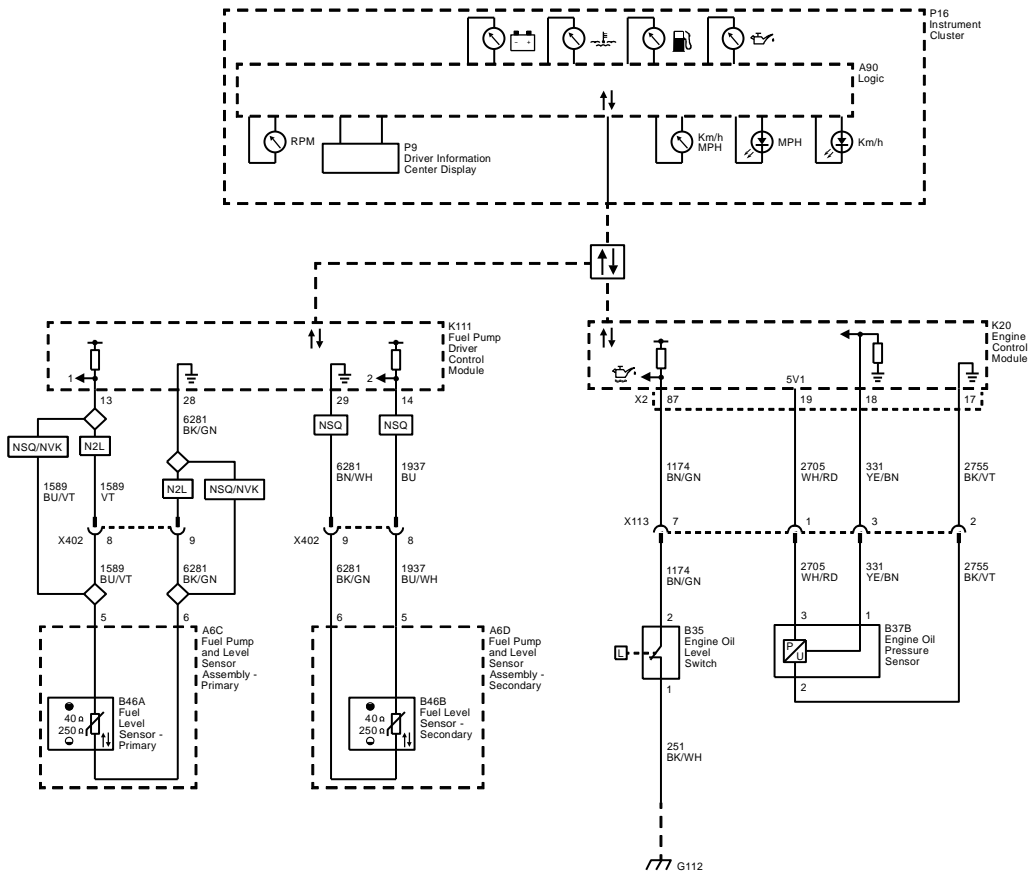


# GAUGES AND WARNINGS

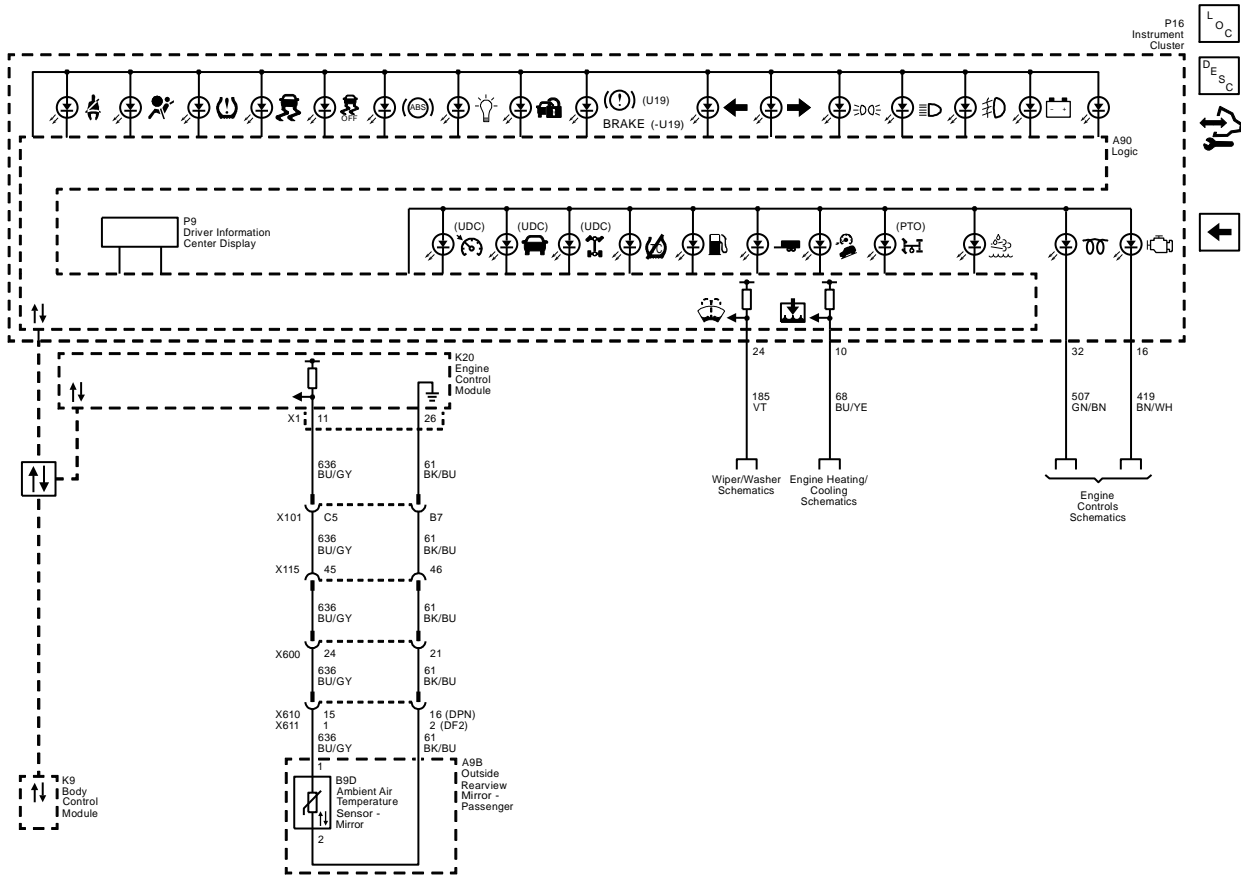
## 11.1. GAUGE CLUSTER – STEERING WHEEL SWITCHES.



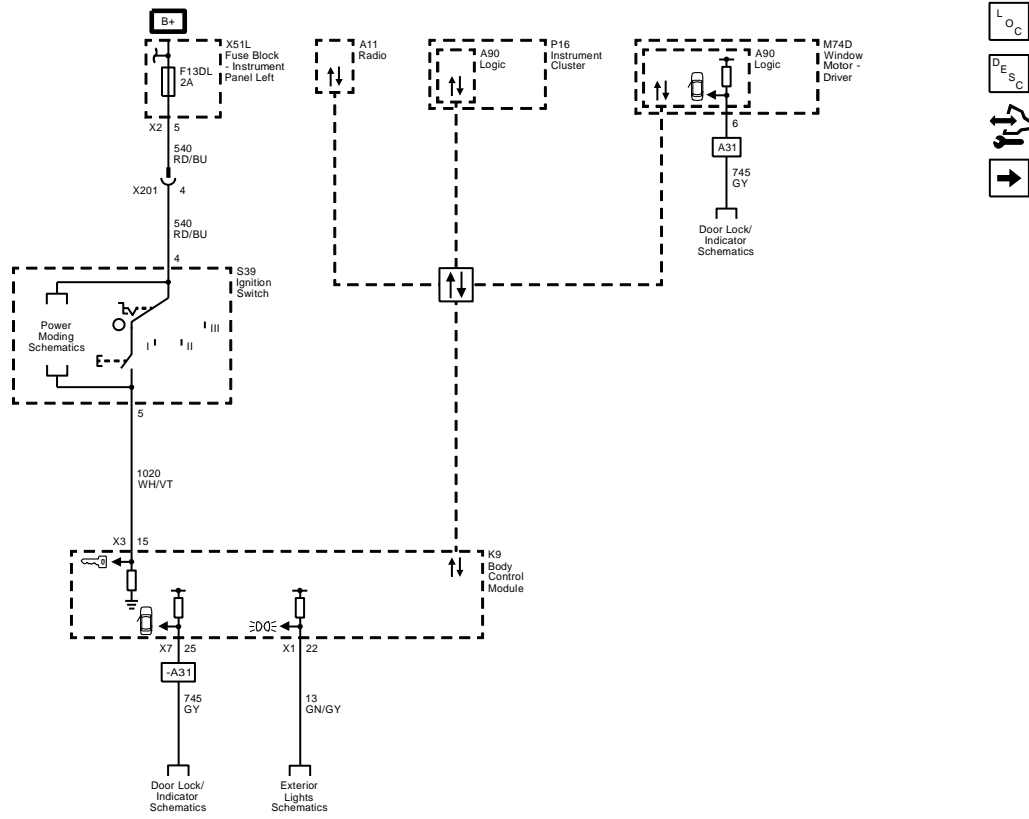
11.2. GAUGE CLUSTER



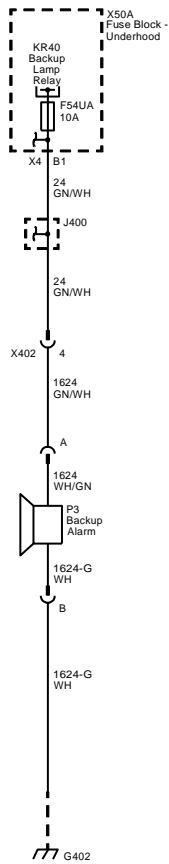
11.3. GAUGE CLUSTER – WARNING LIGHTS



11.4. GAUGE CLUSTER – BCM INTERFACE

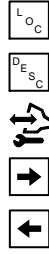
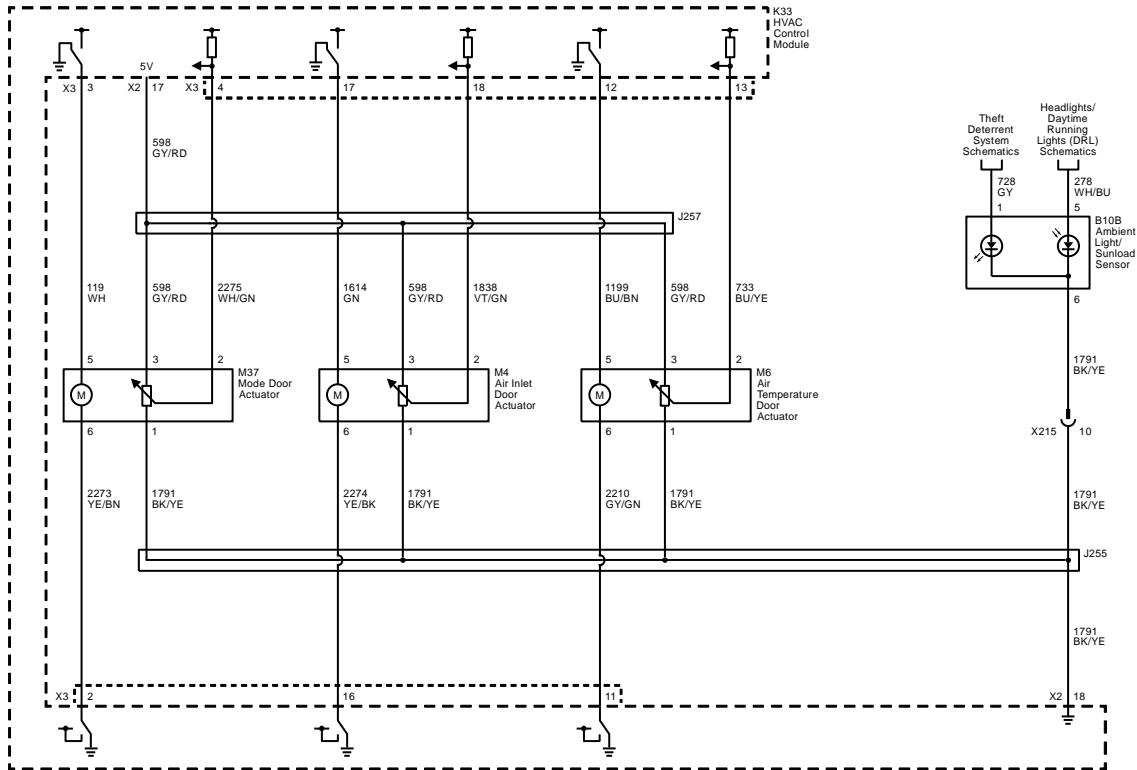


11.5. BACK UP ALARM (FEATURE CODE 0008THB)



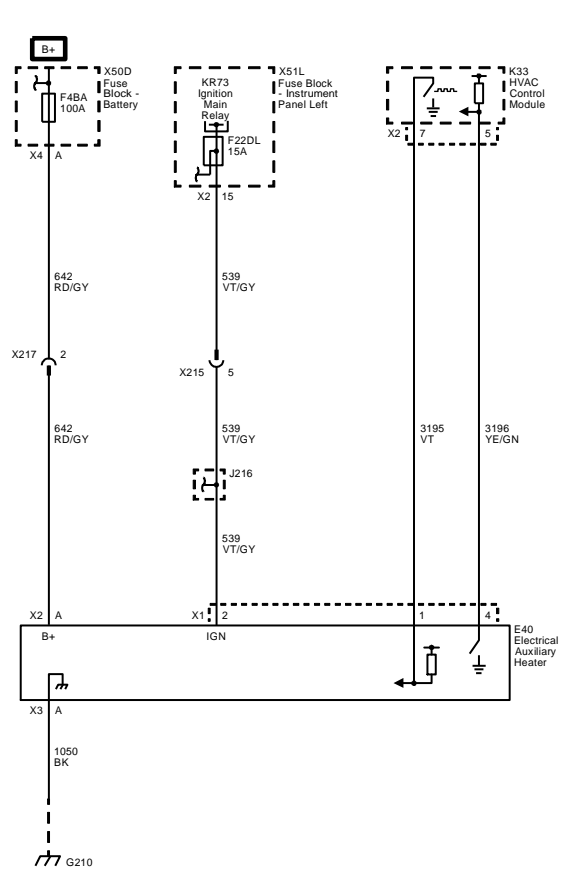
# HVAC

## 12.1. HVAC UNIT ACTUATORS

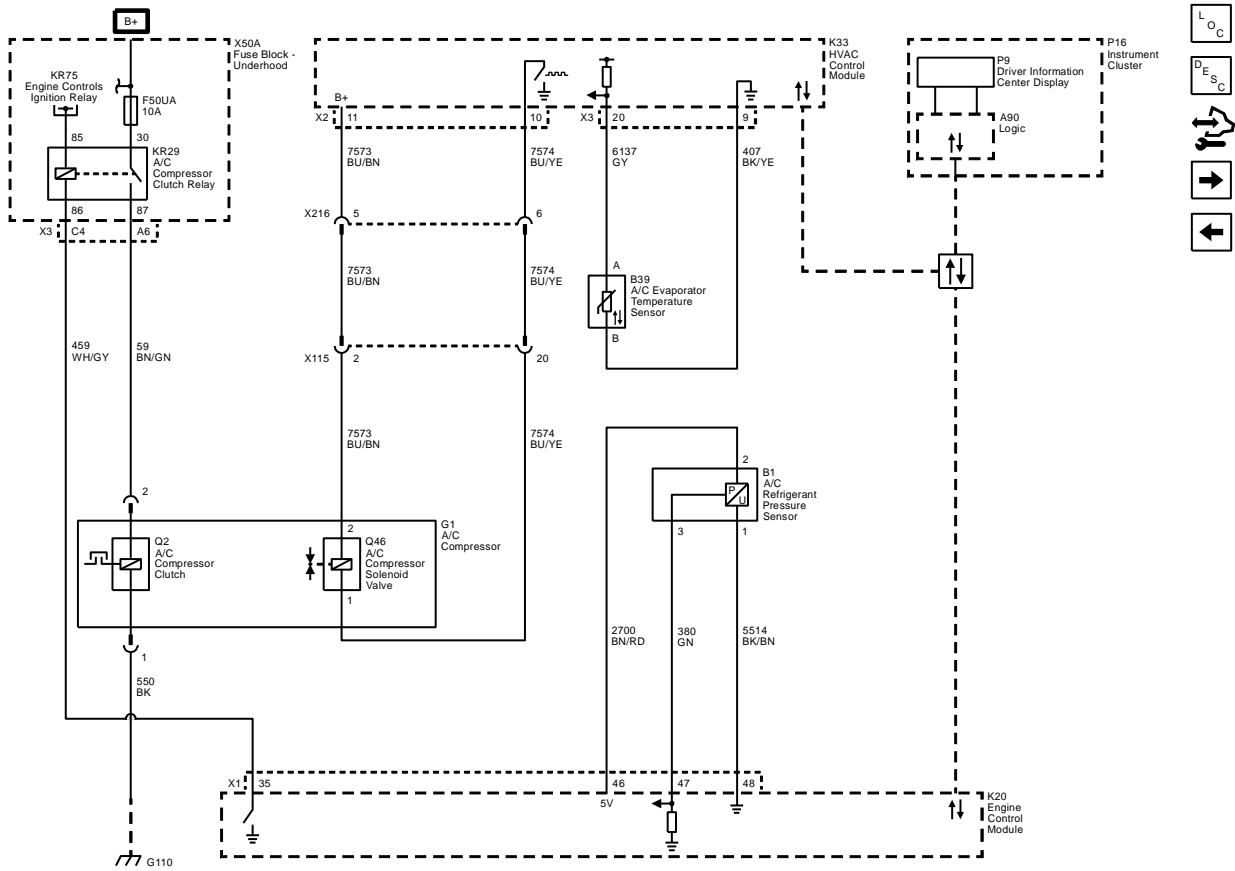




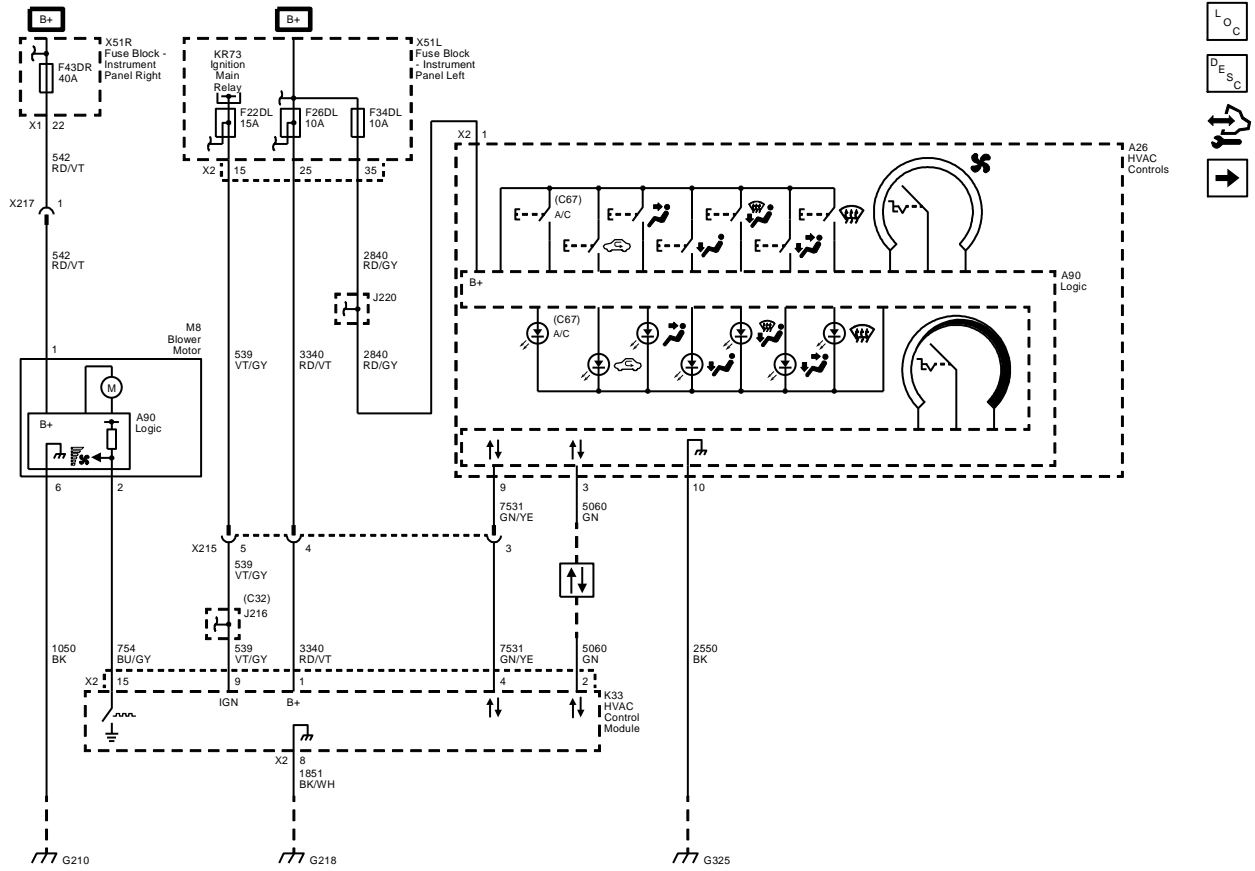
12.2. HVAC AUXILIARY HEATER



12.3. HVAC SYSTEM – COMPRESSOR AND REFRIGERANT SENSORS

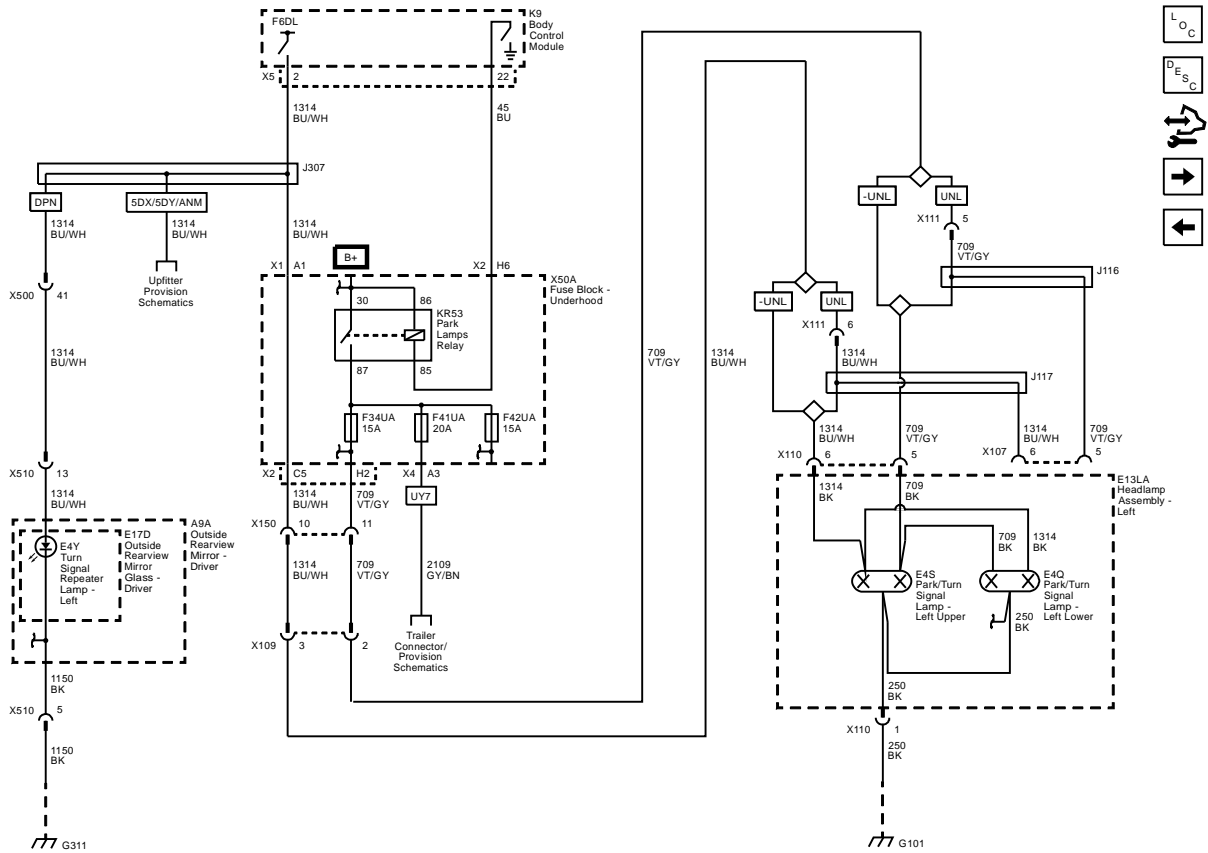


12.4. HVAC CONTROLS

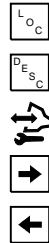
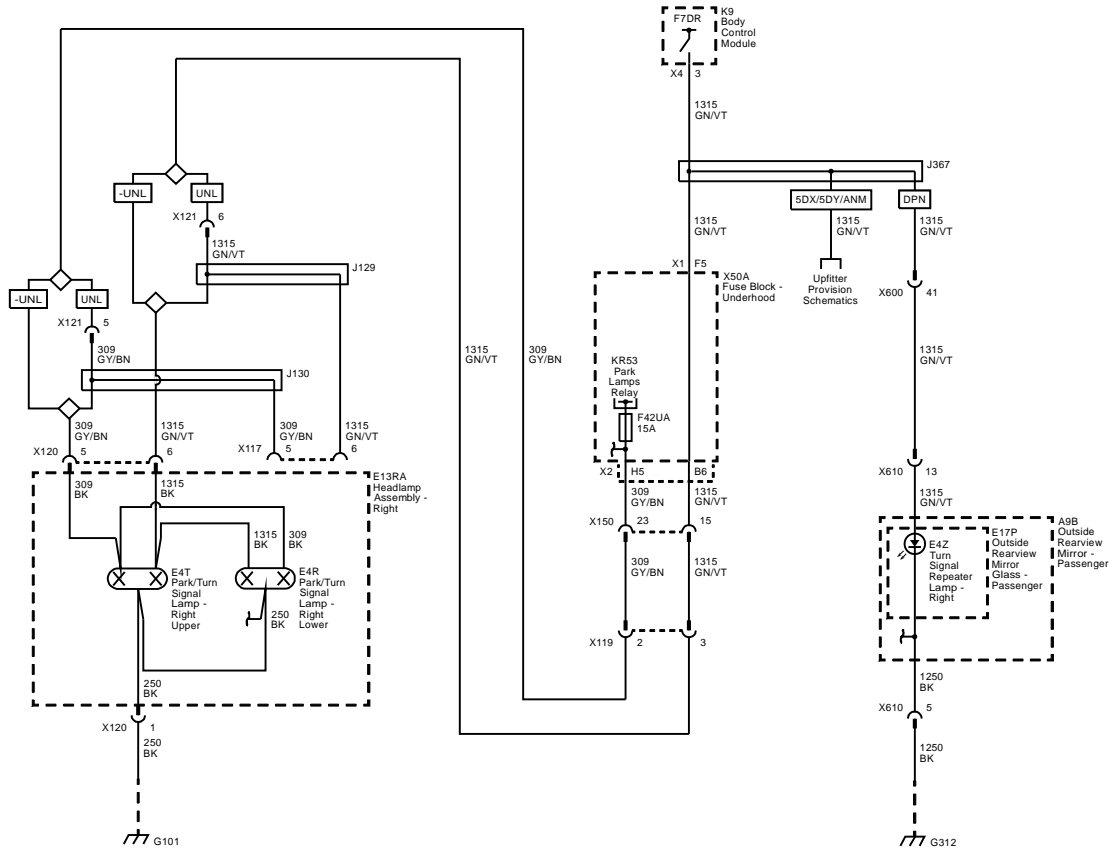


# LIGHTING SYSTEM

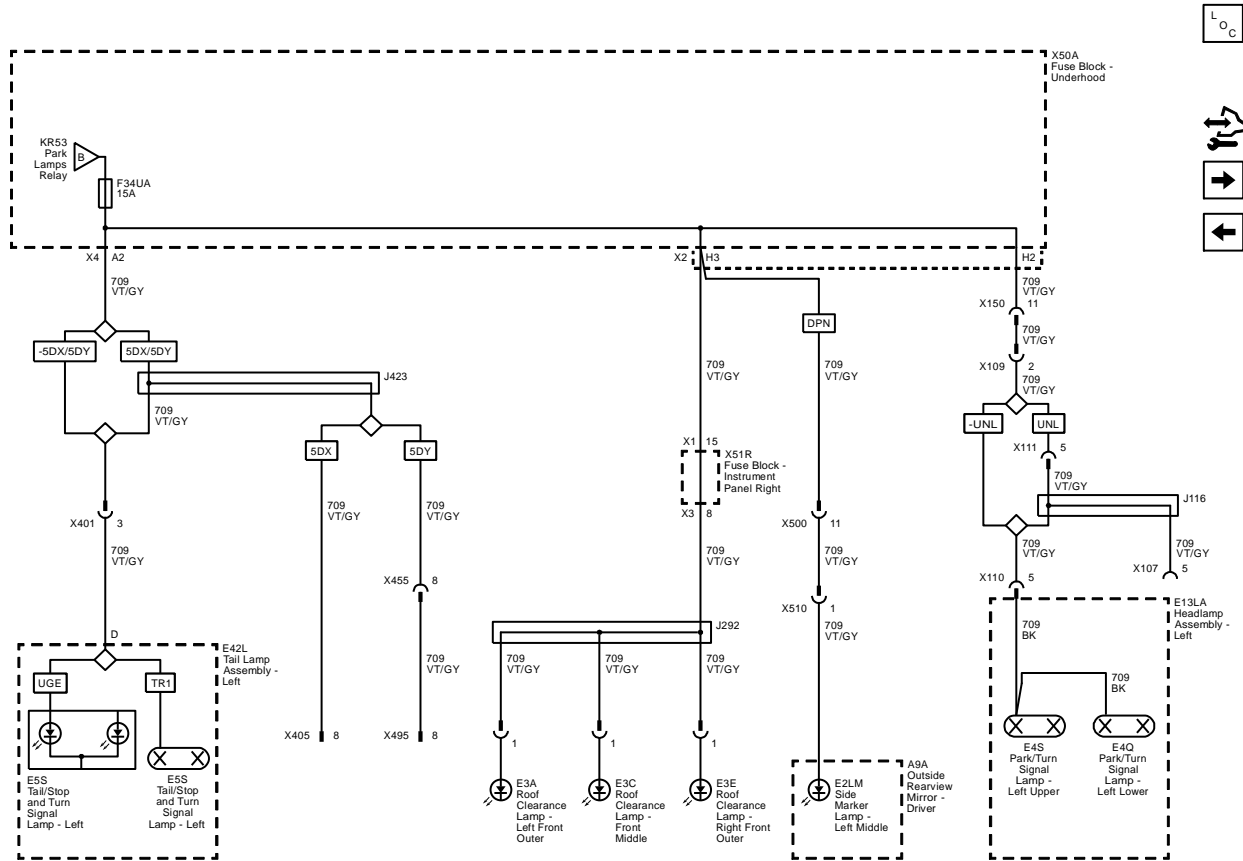
## 13.1. DRIVER SIDE PARK AND MARKER LIGHTS



13.2. PASSENGER SIDE PARK AND MARKER LIGHTS



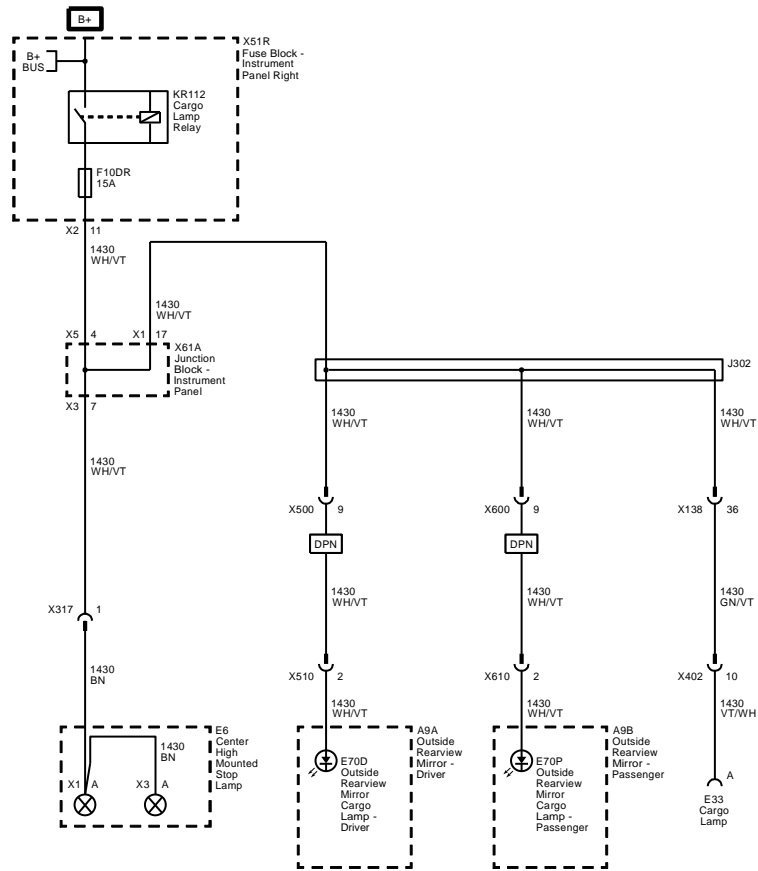
13.3. PARK/MARKER LIGHTING



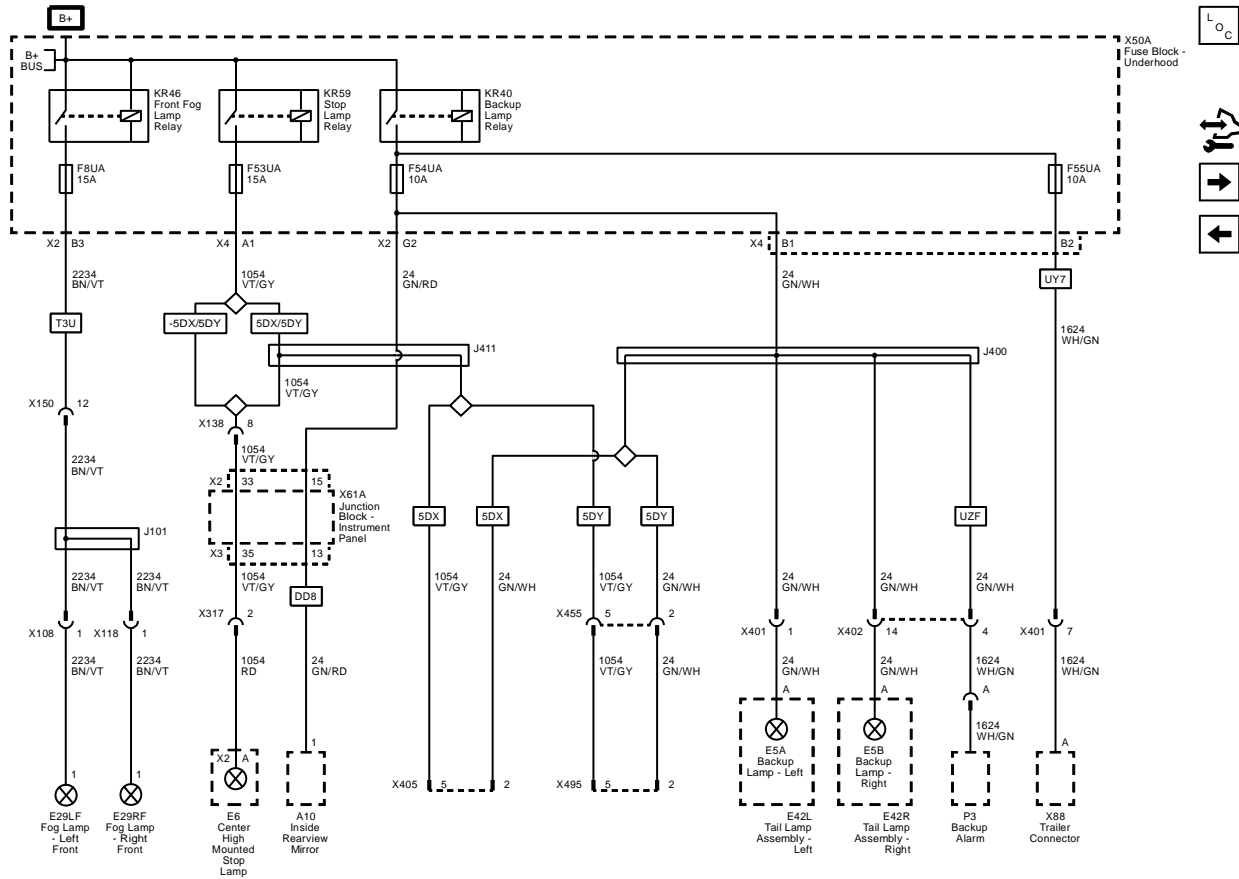
L O C



### 13.4. CARGO LIGHTS

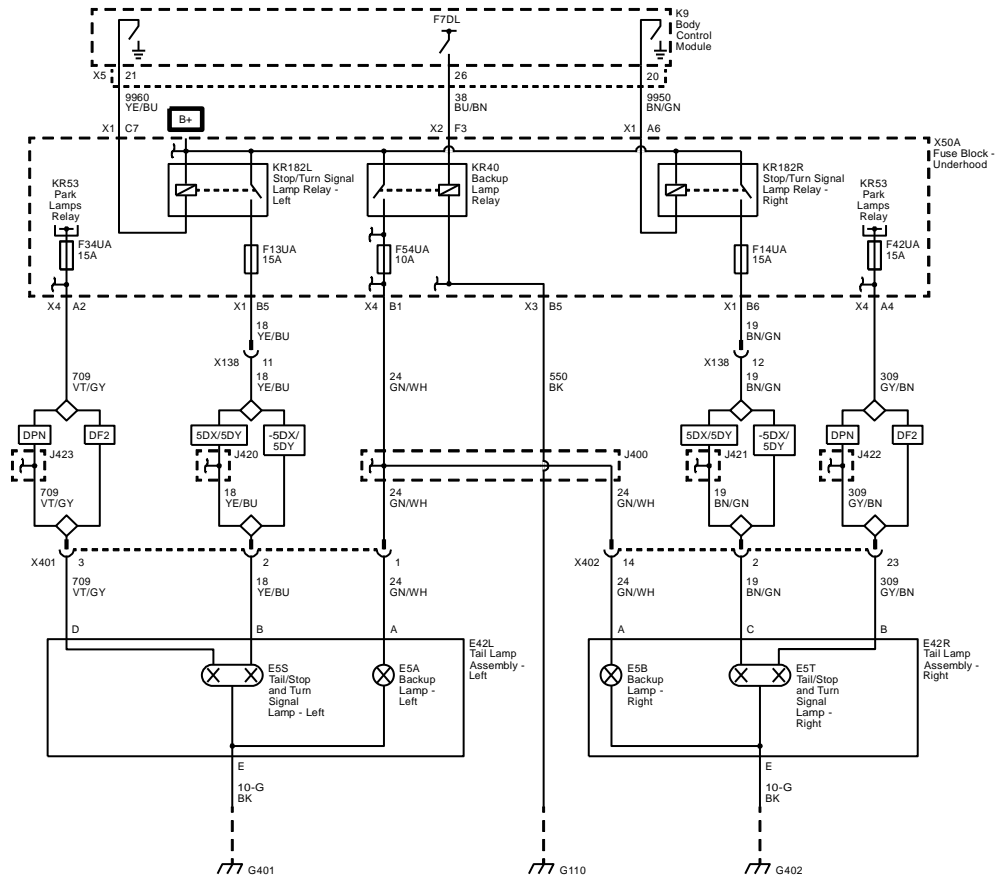


13.5. TAIL LIGHTS

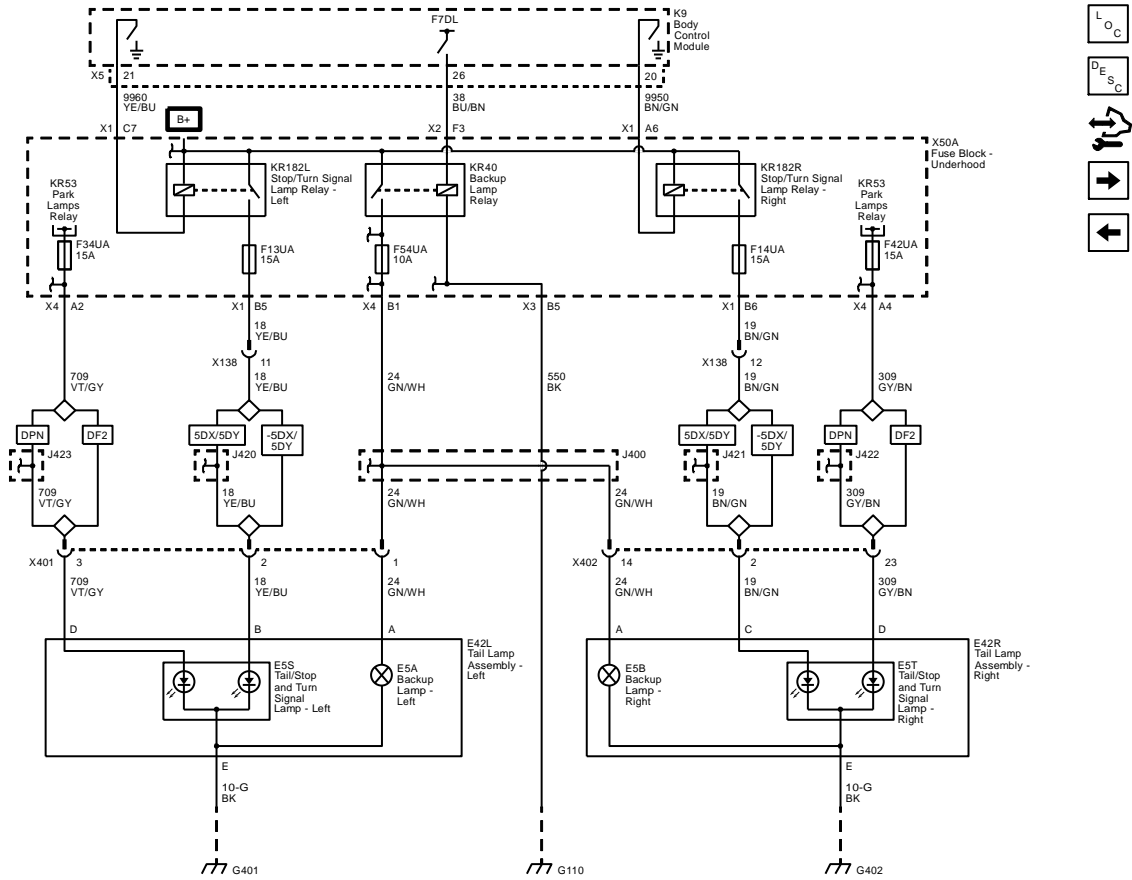




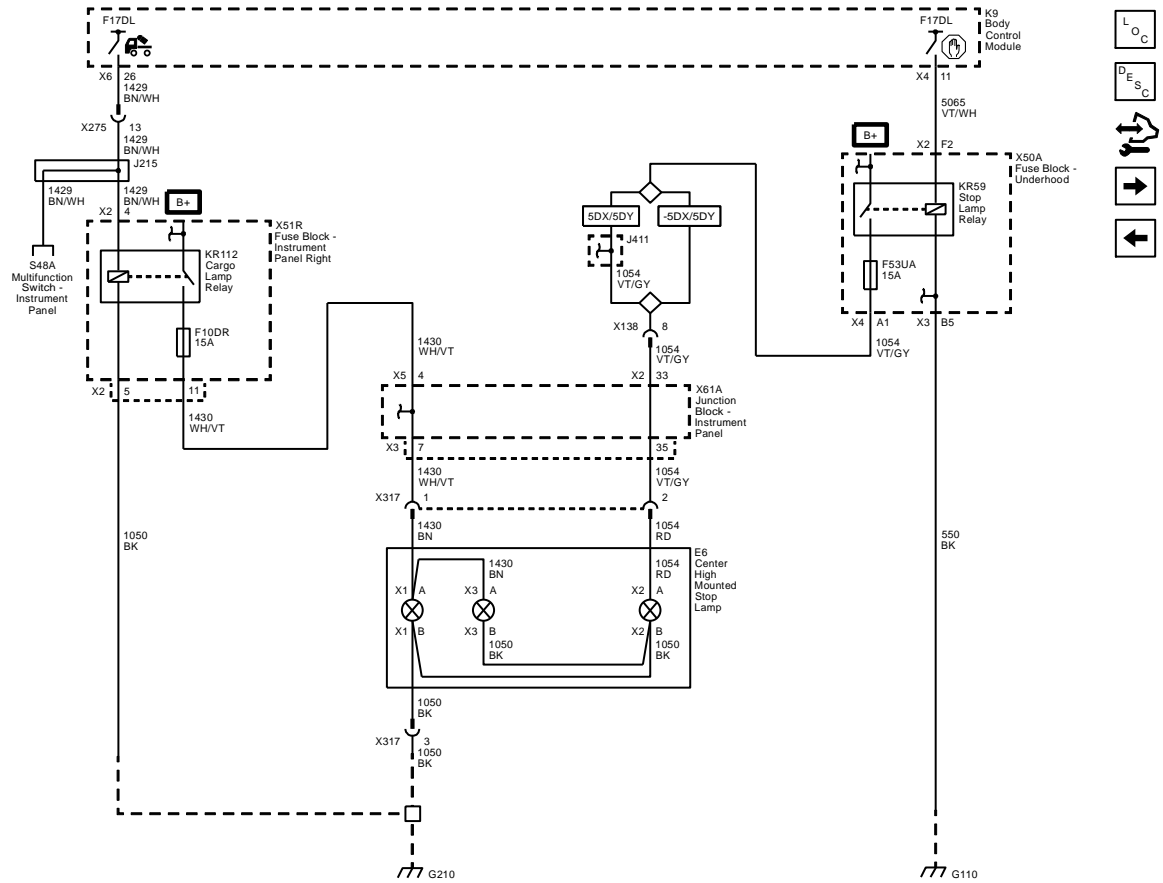
13.6. TAIL LIGHTS (FEATURE CODE 0008TUL)



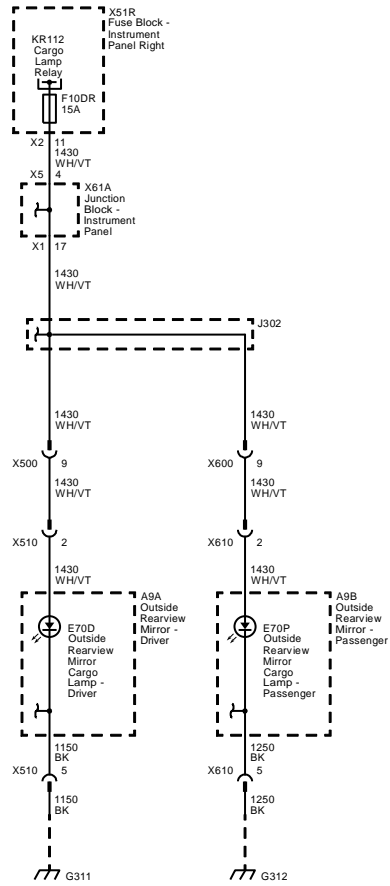
13.7. TAIL LIGHTS (FEATURE CODE 0008TUK)



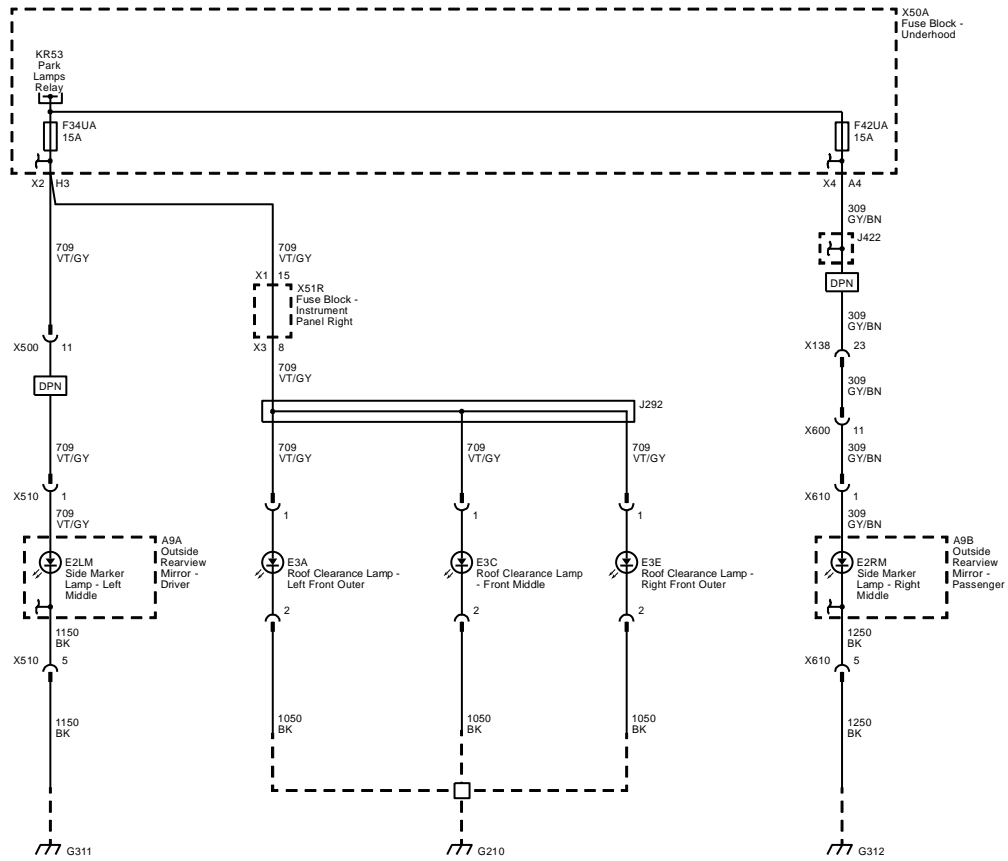
13.8. CENTER HIGH MOUNTED STOP LIGHT



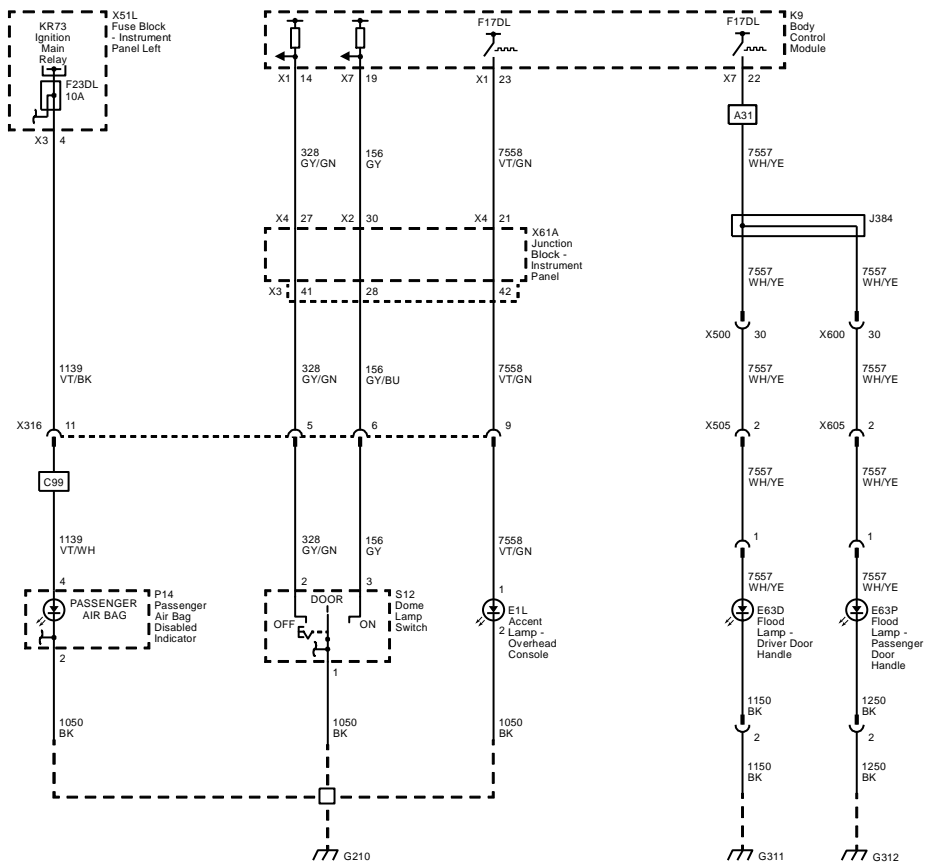
13.9. EXTERIOR REARVIEW MIRRORS



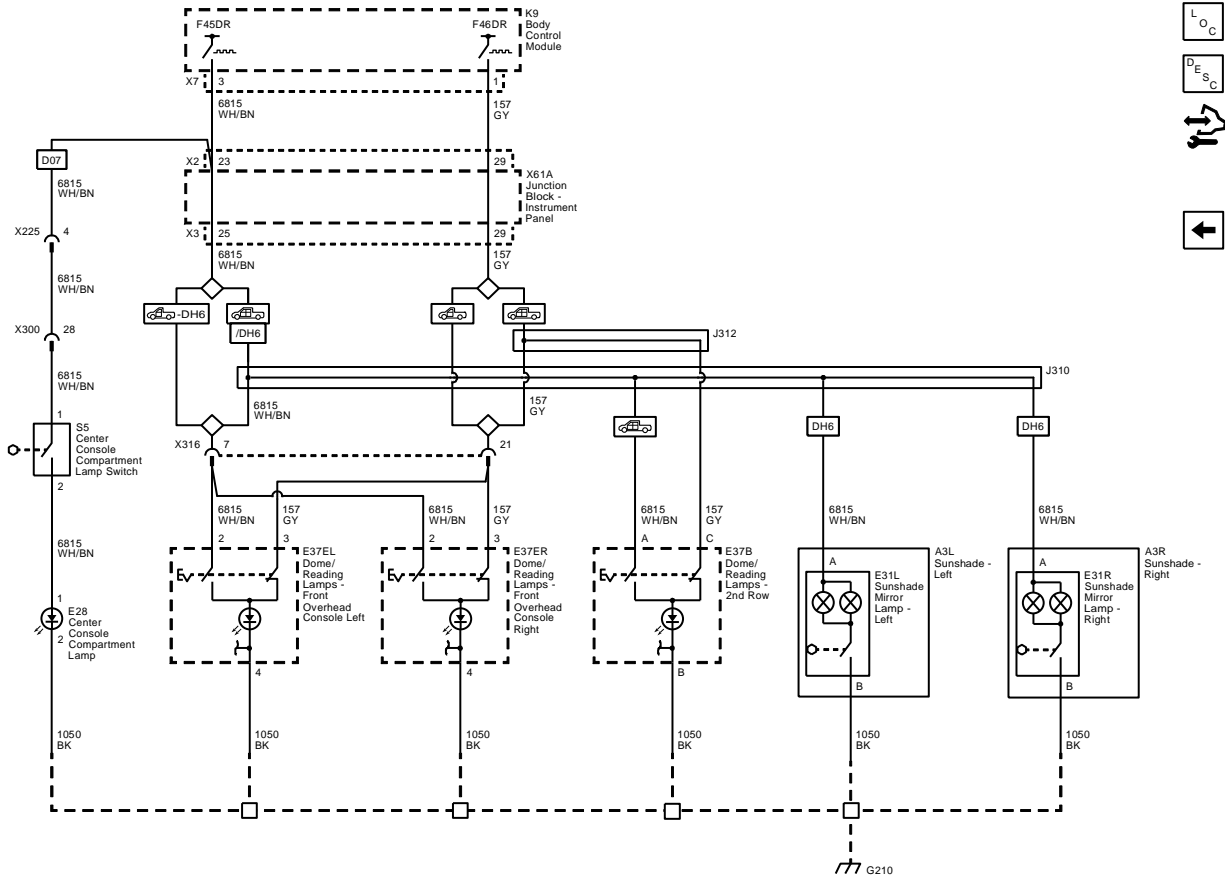
13.10. CLEARANCE LIGHTS



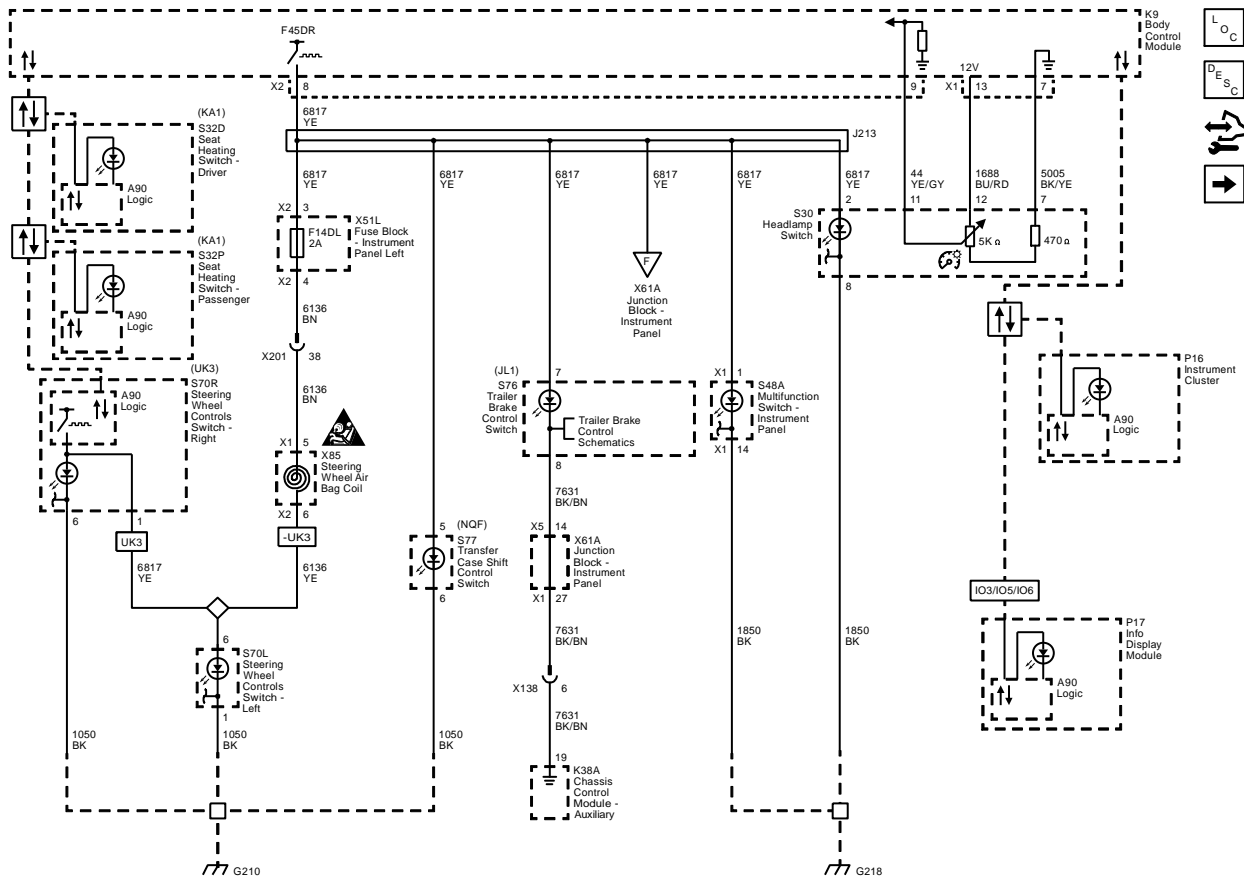
13.11. INTERIOR LIGHTING



13.12. INTERIOR LIGHTING

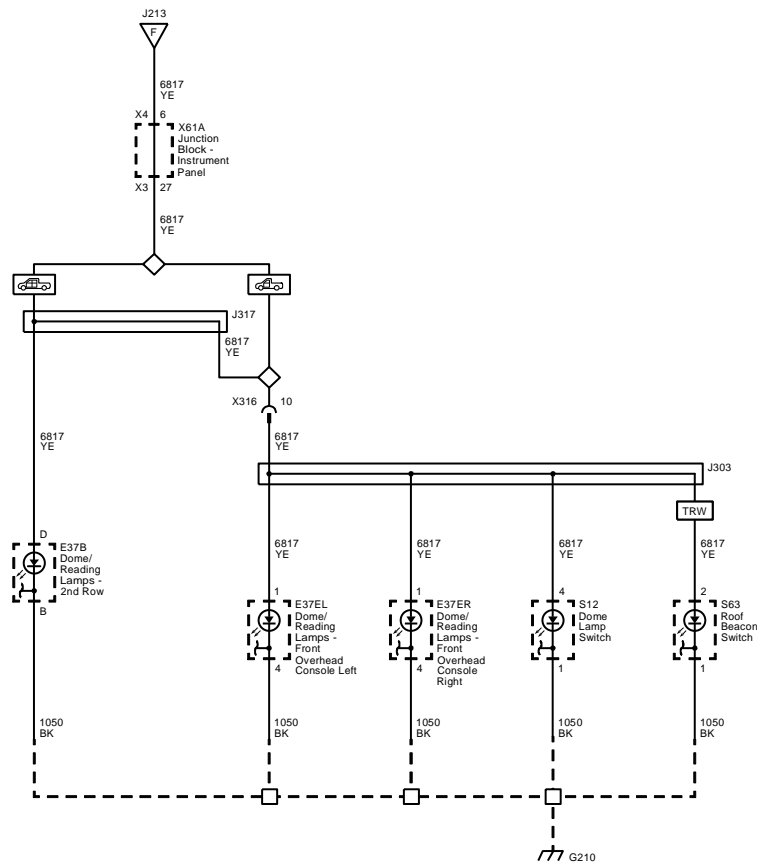


13.13. INTERIOR LIGHTING

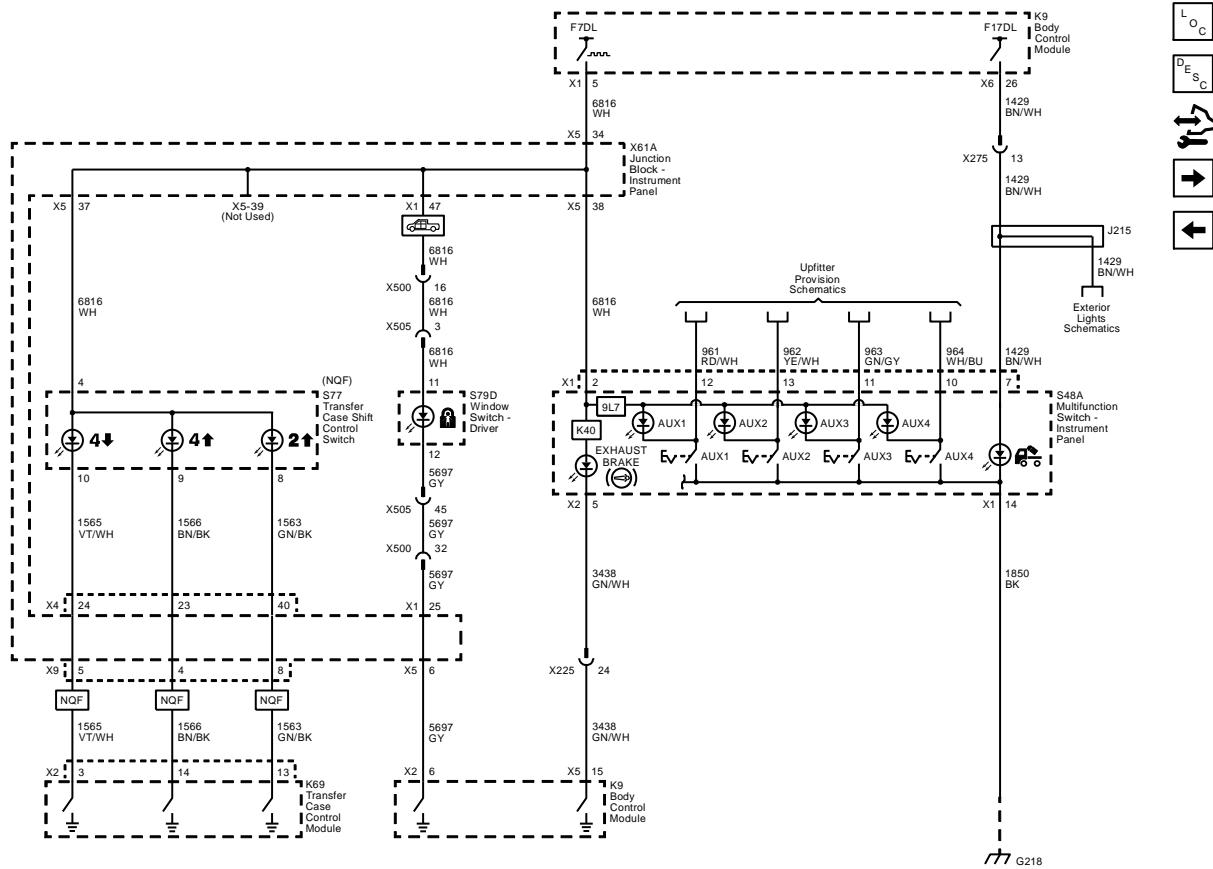




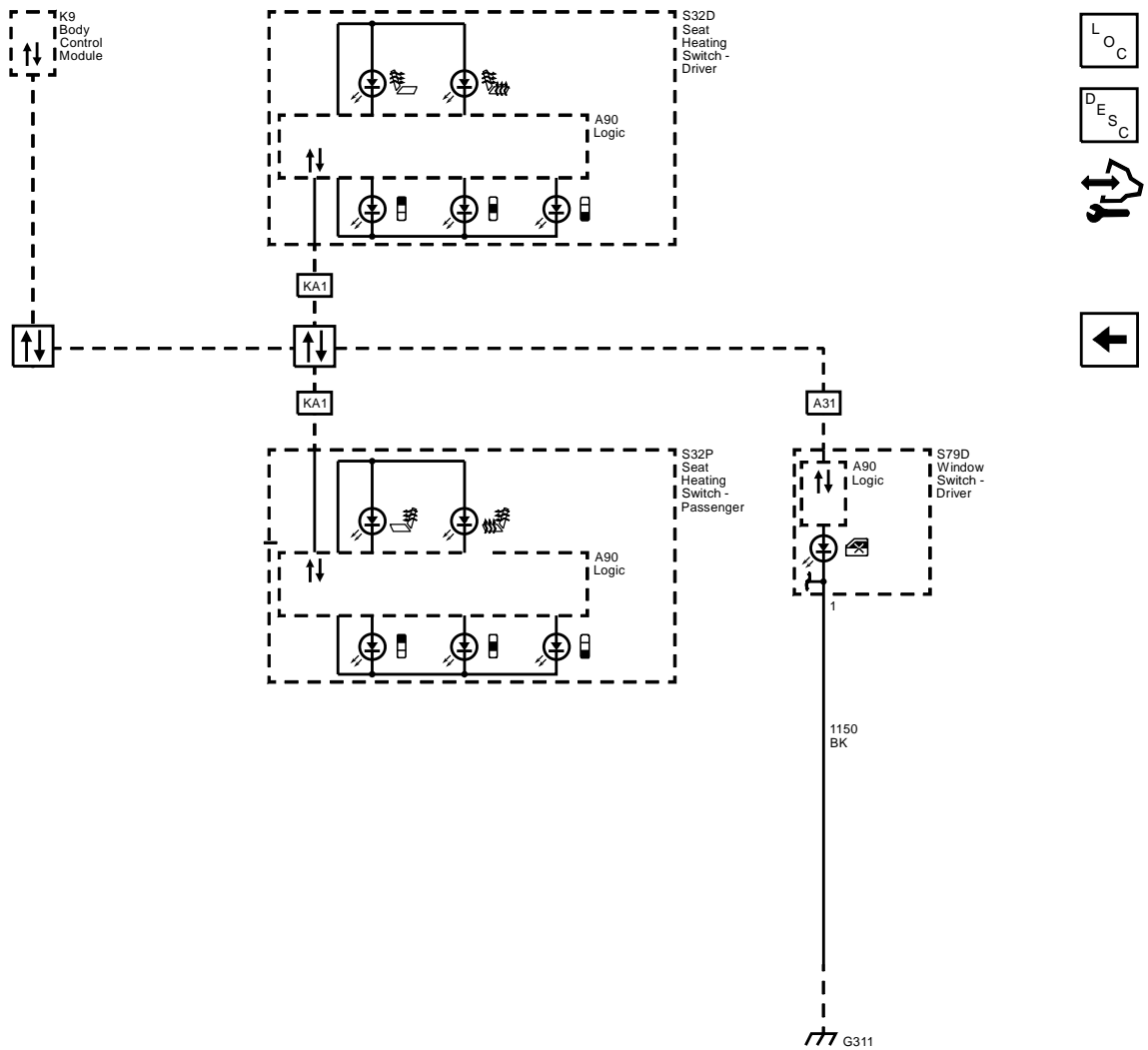
13.14. INTERIOR LIGHTING



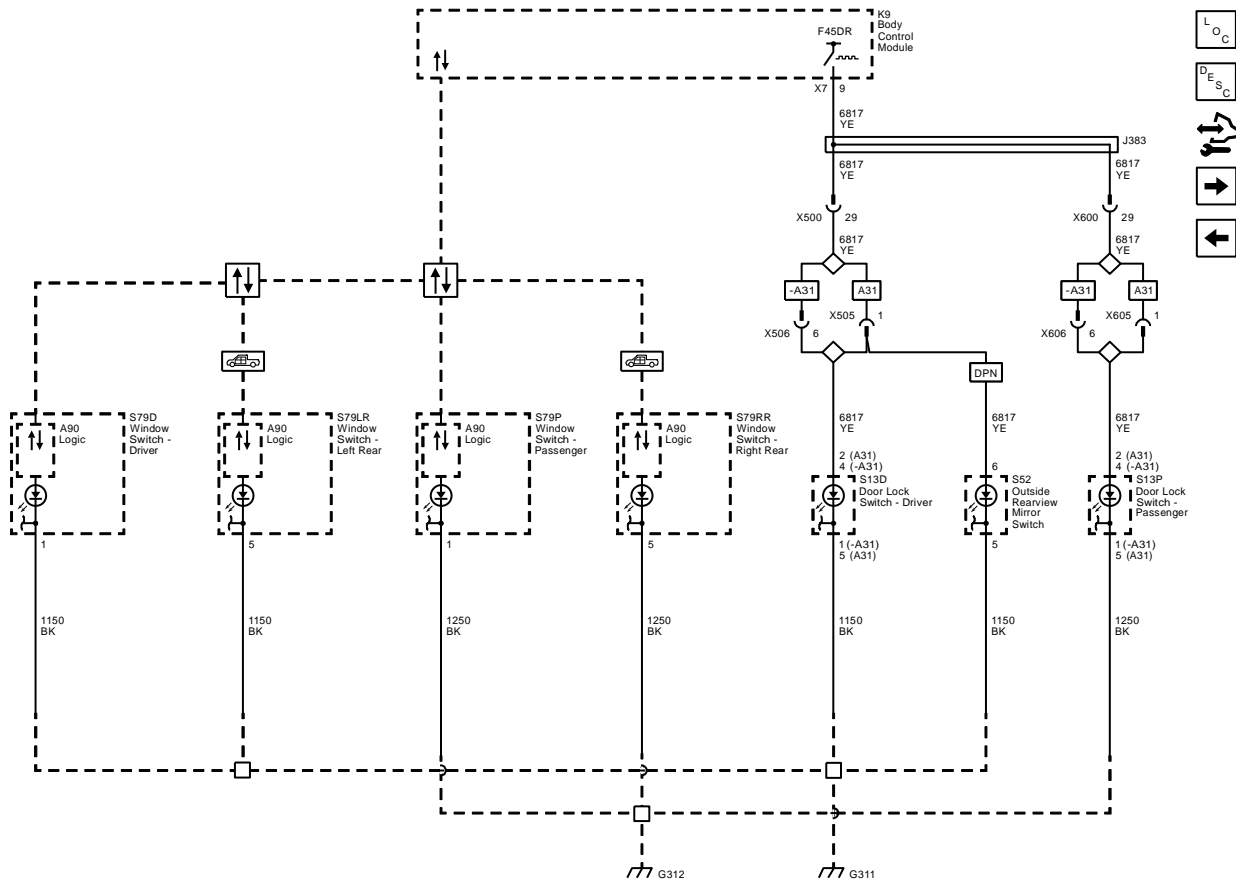
13.15. INTERIOR LIGHTING



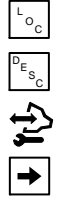
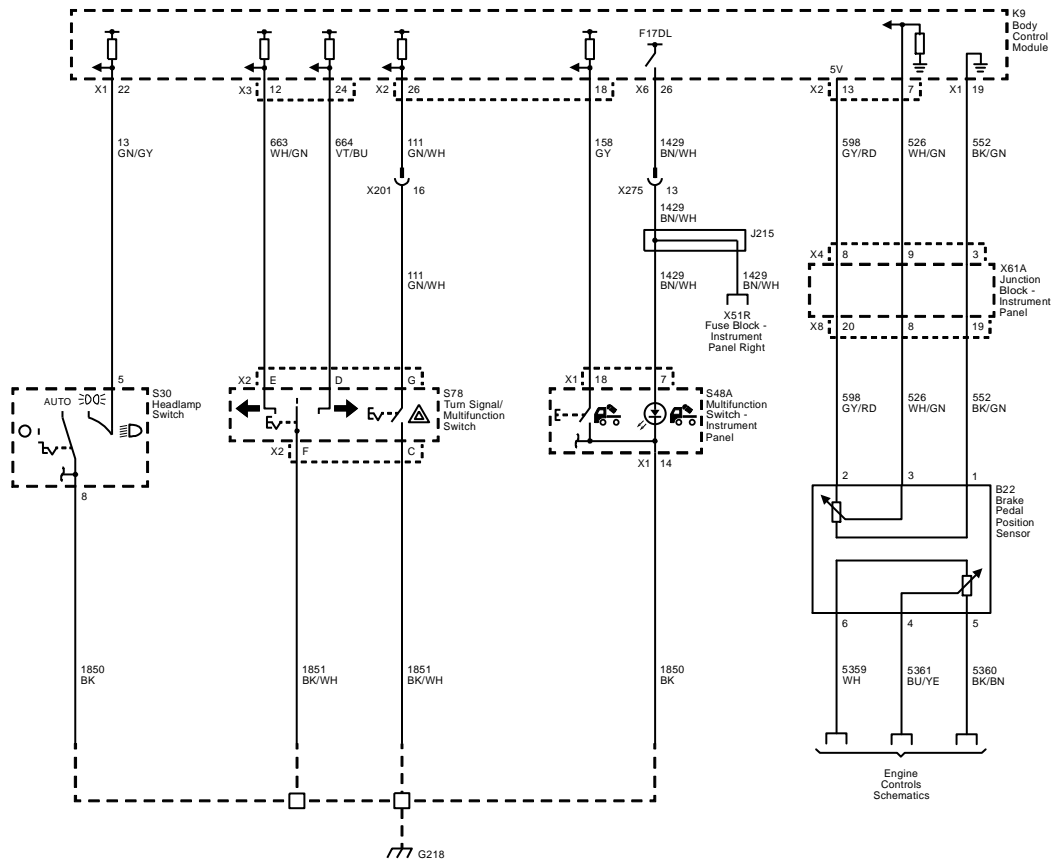
13.16. INTERIOR LIGHTING



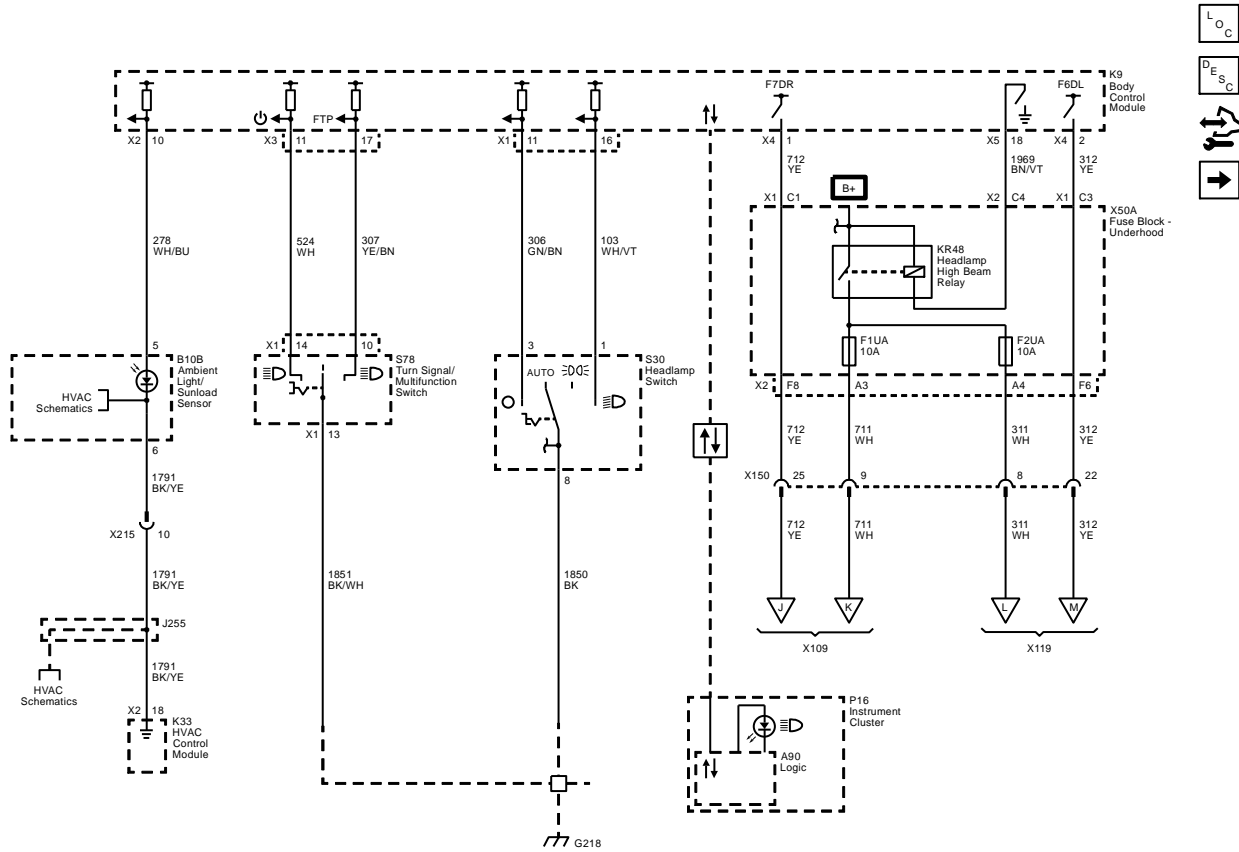
13.17. INTERIOR LIGHTING DIMMING



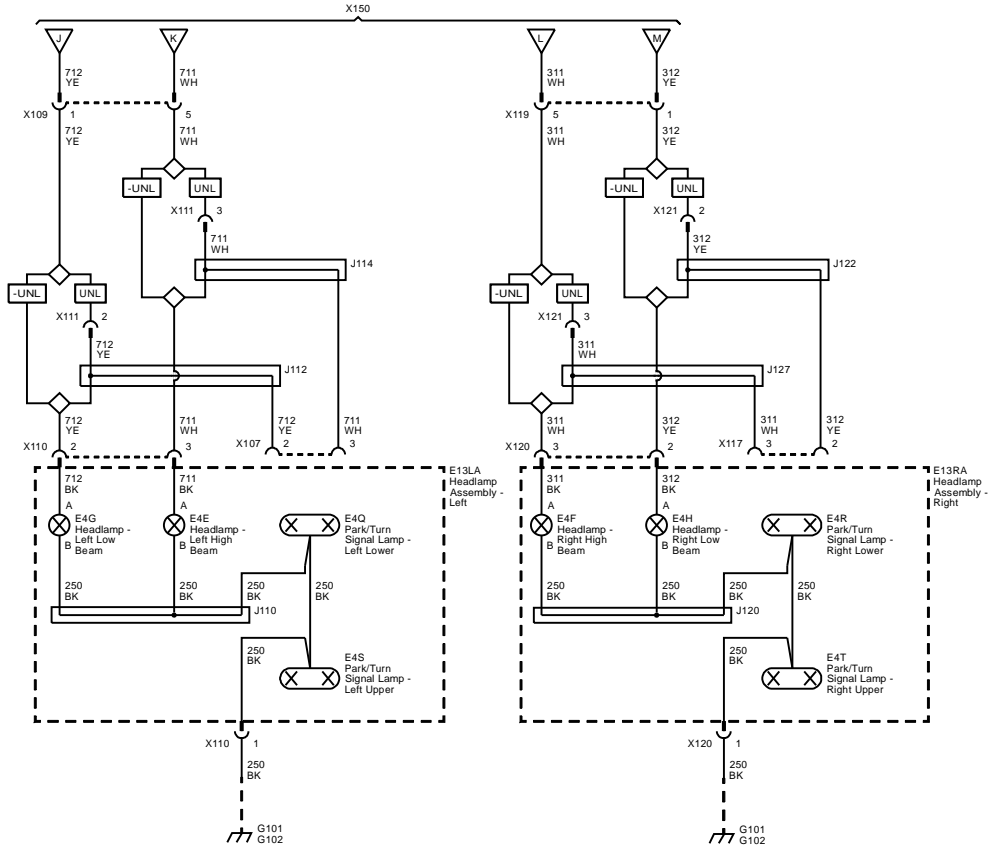
13.18. EXTERIOR LIGHTING SWITCHES



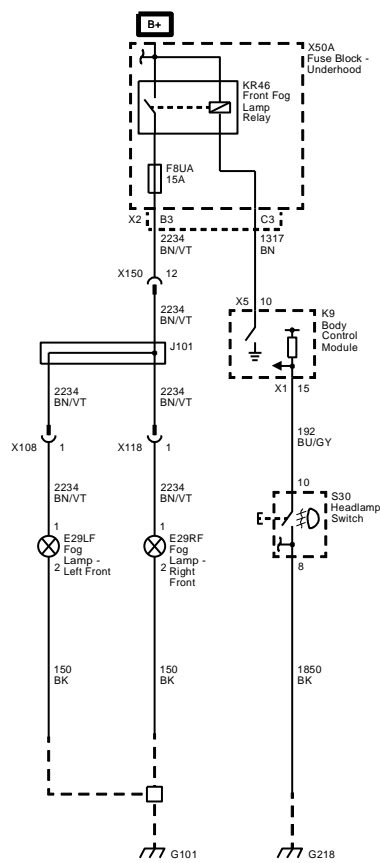
13.19. EXTERIOR LIGHTING SWITCHES



13.20. HEAD LIGHT ASSEMBLY



13.21. FOG LIGHTS



L  
O  
C

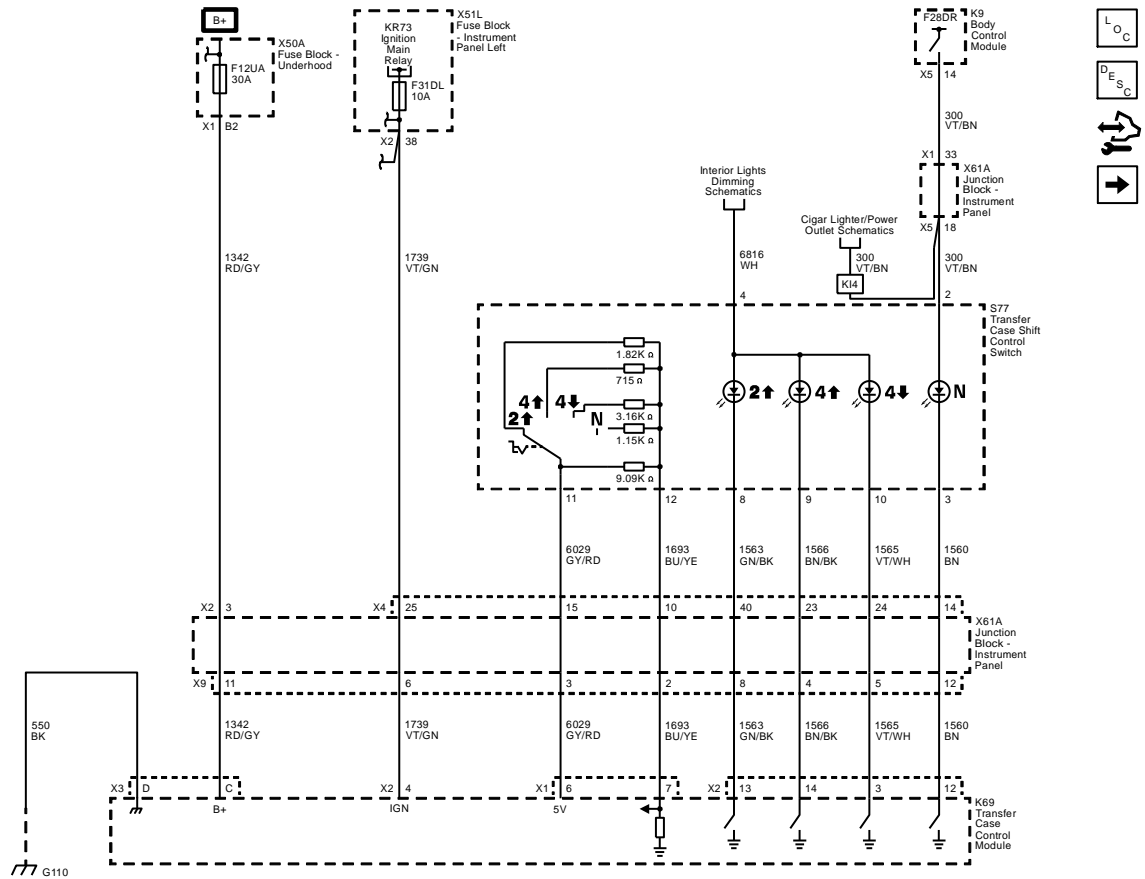
D  
E  
S  
C



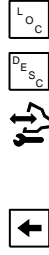
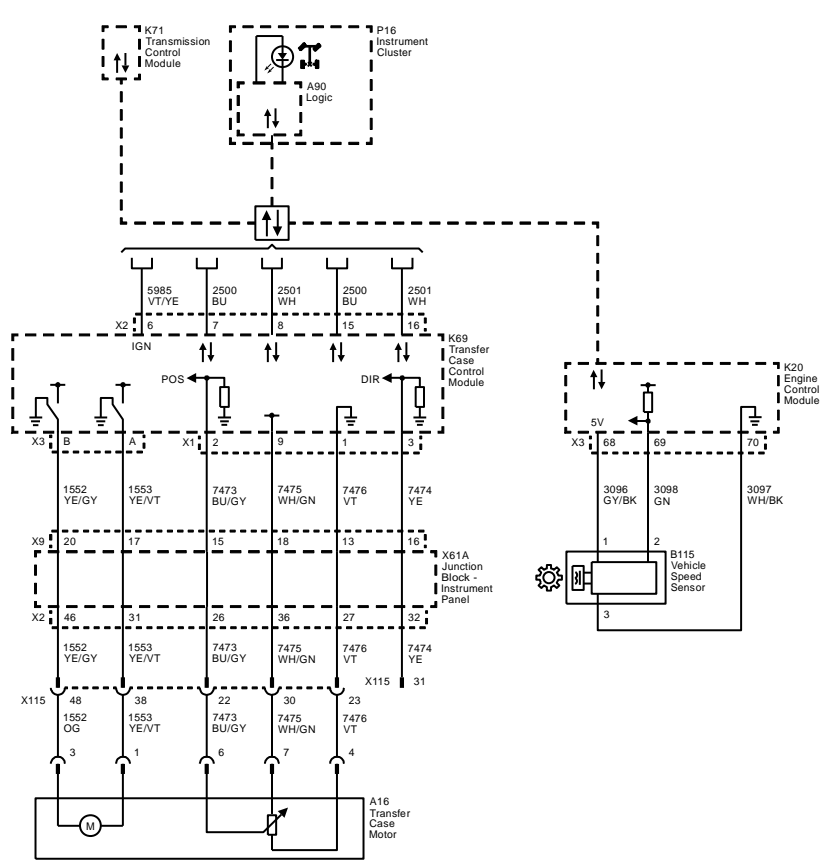


# TRANSFER CASE

## 14.1. TRANSFER CASE CONTROL

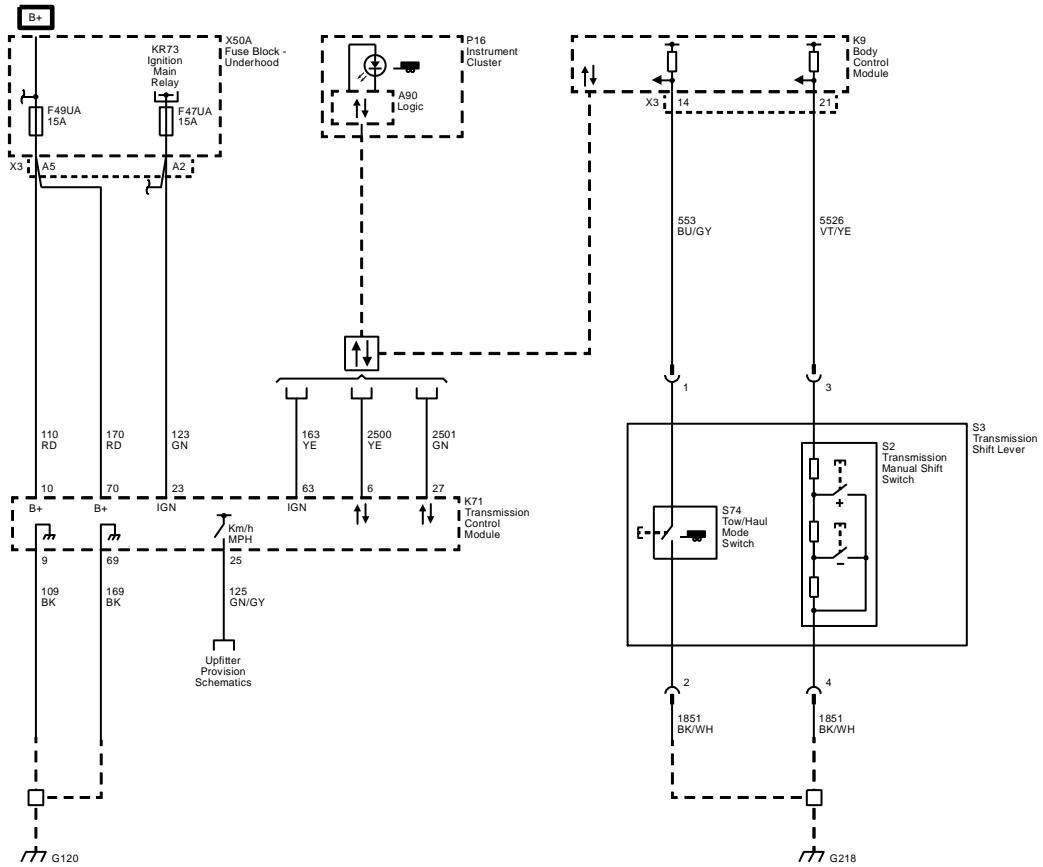


14.2. TRANSFER CASE CONTROL

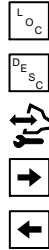
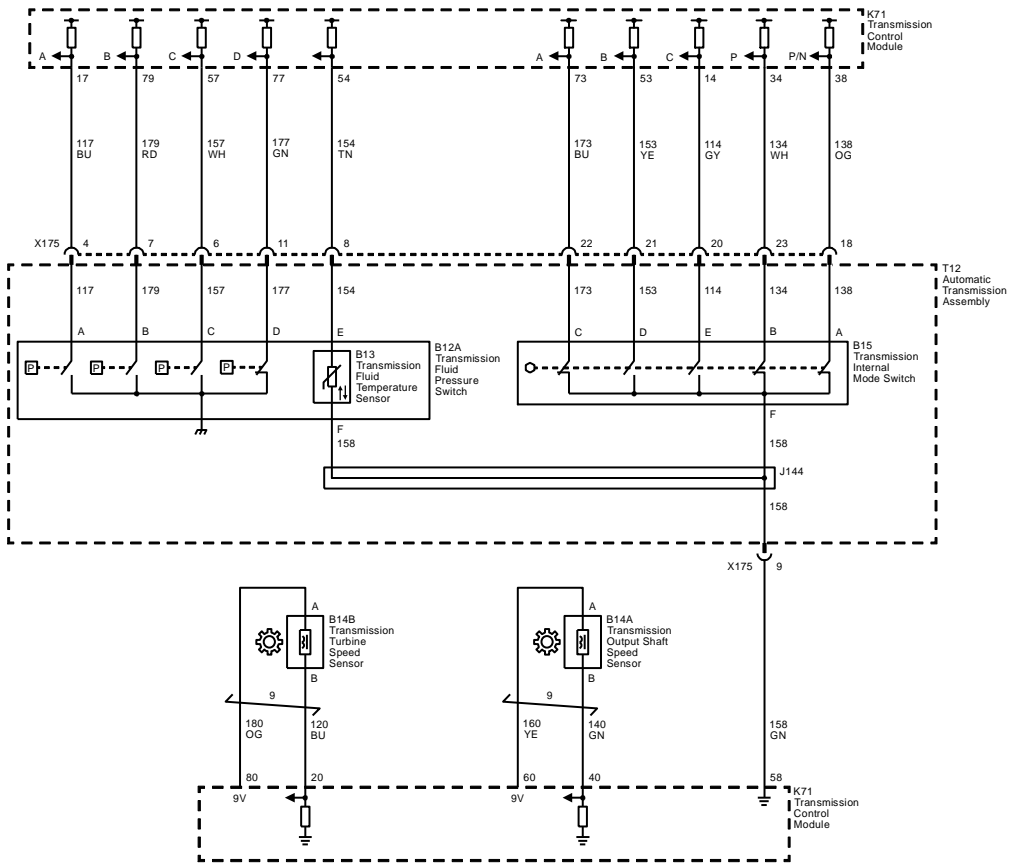


# TRANSMISSION

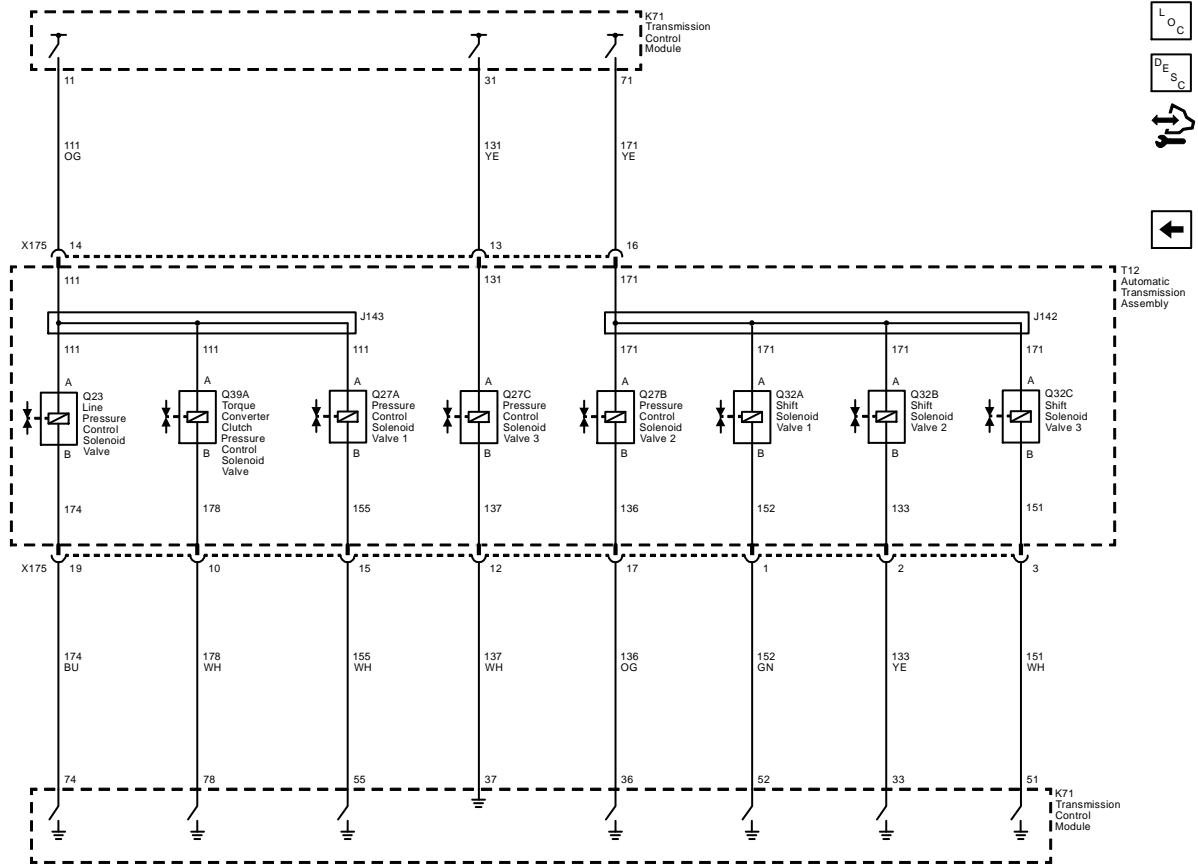
## 15.1. TRANSMISSION CONTROL MODULE (TCM)



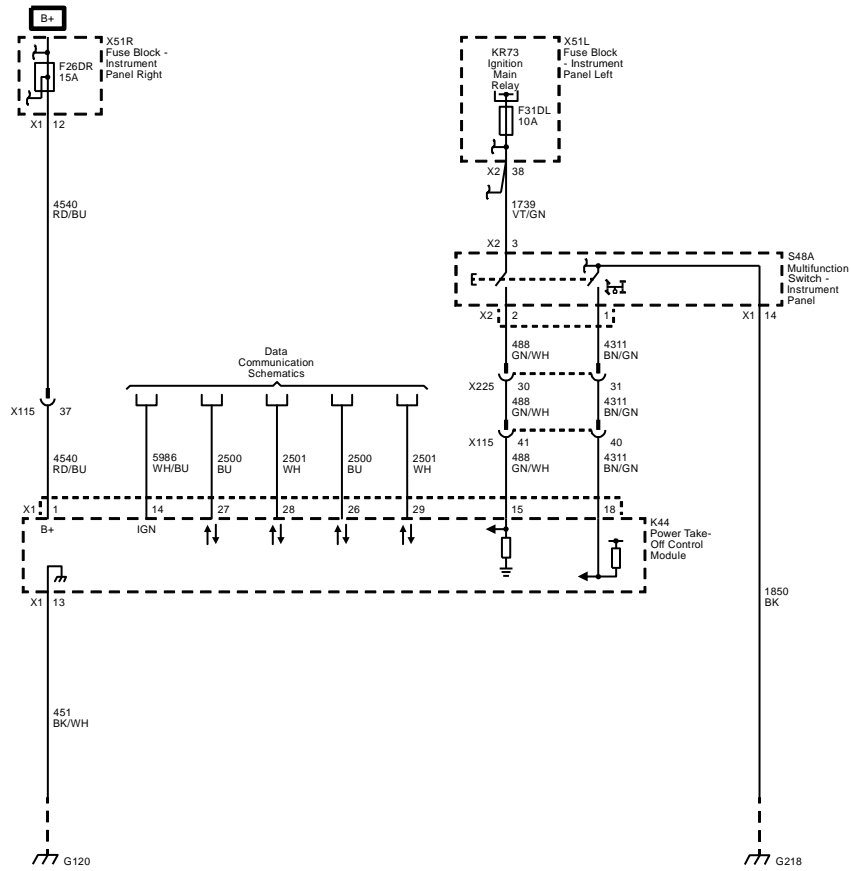
15.2. TRANSMISSION CONTROL MODULE (TCM)



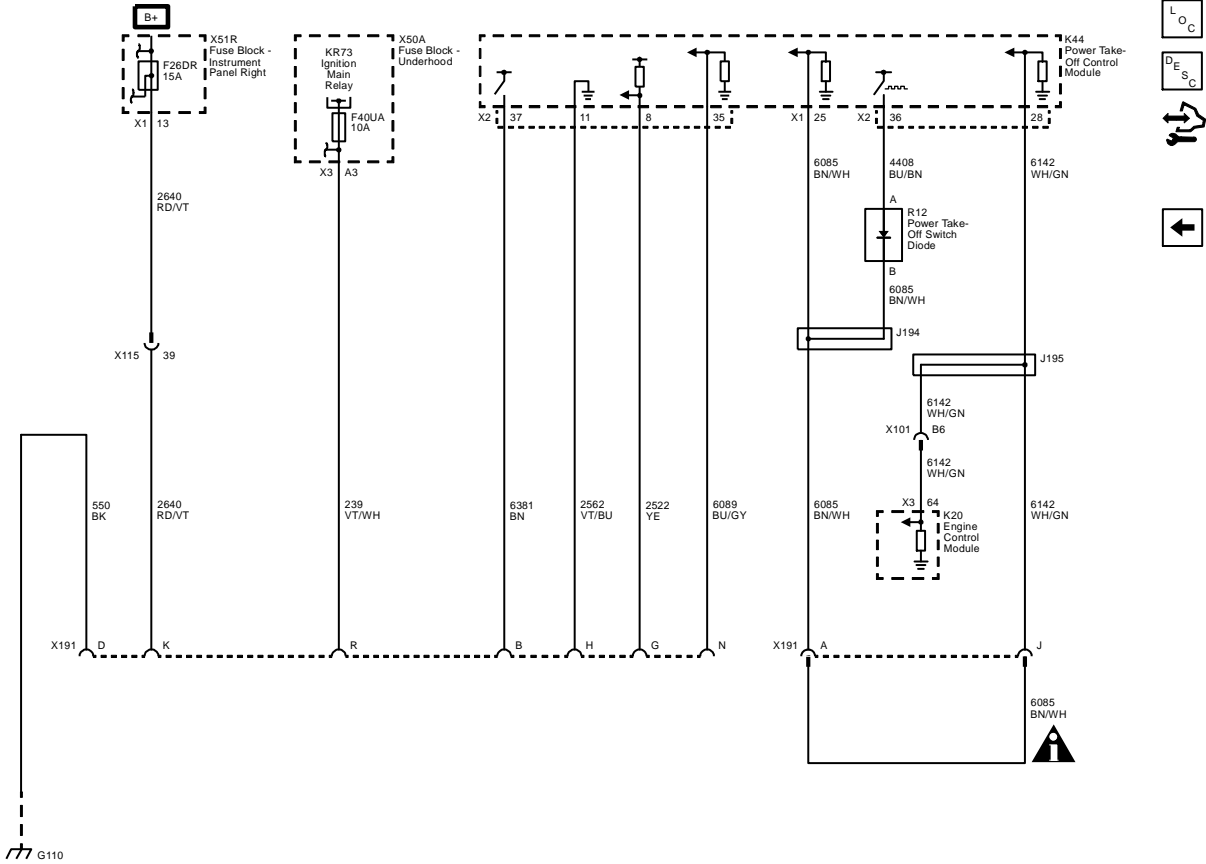
15.3. TRANSMISSION CONTROL MODULE (TCM)



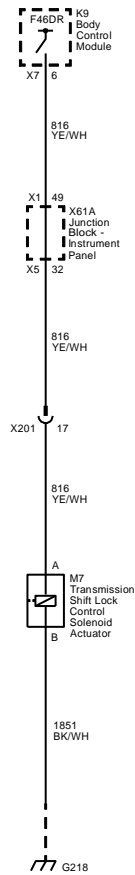
15.4. POWER TAKE-OFF (PTO)



15.5. POWER TAKE-OFF (PTO)



15.6. SHIFT LOCK CONTROL



L  
O  
C

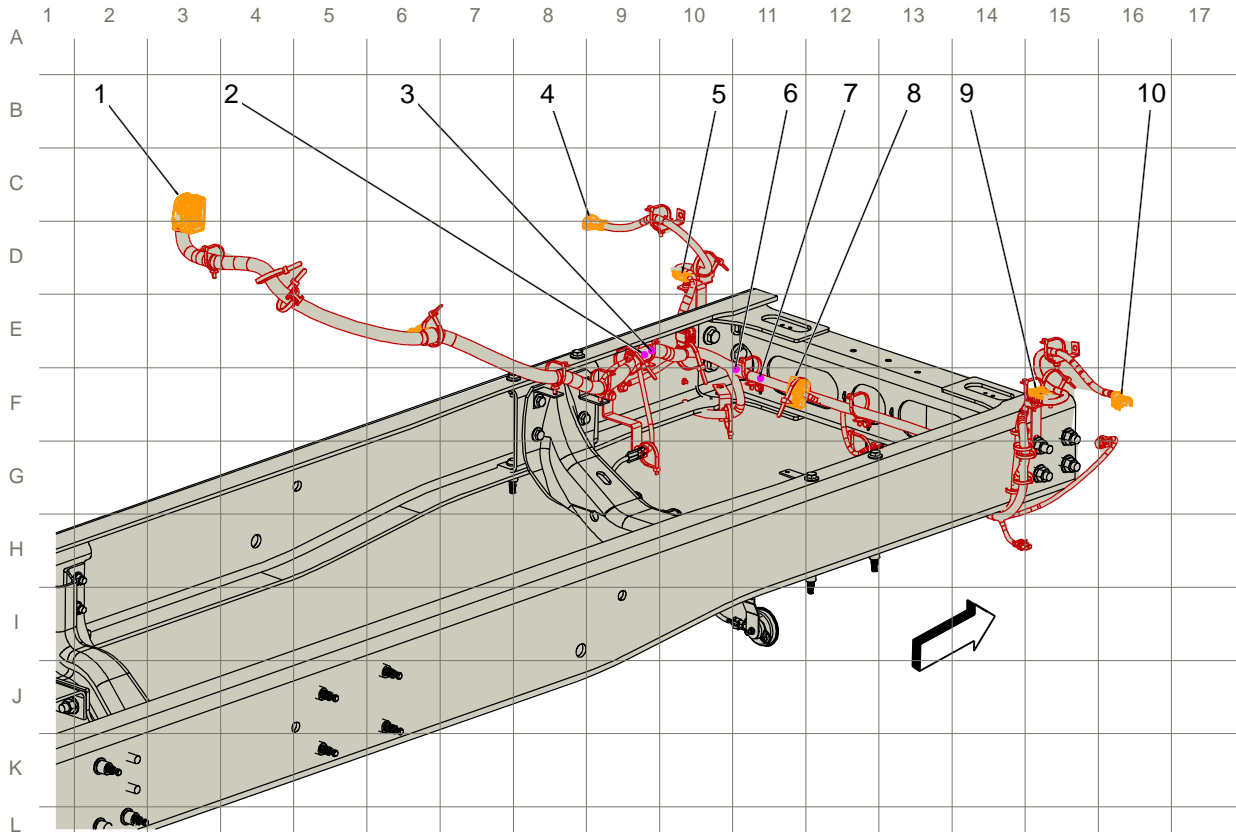
D  
E  
S  
C





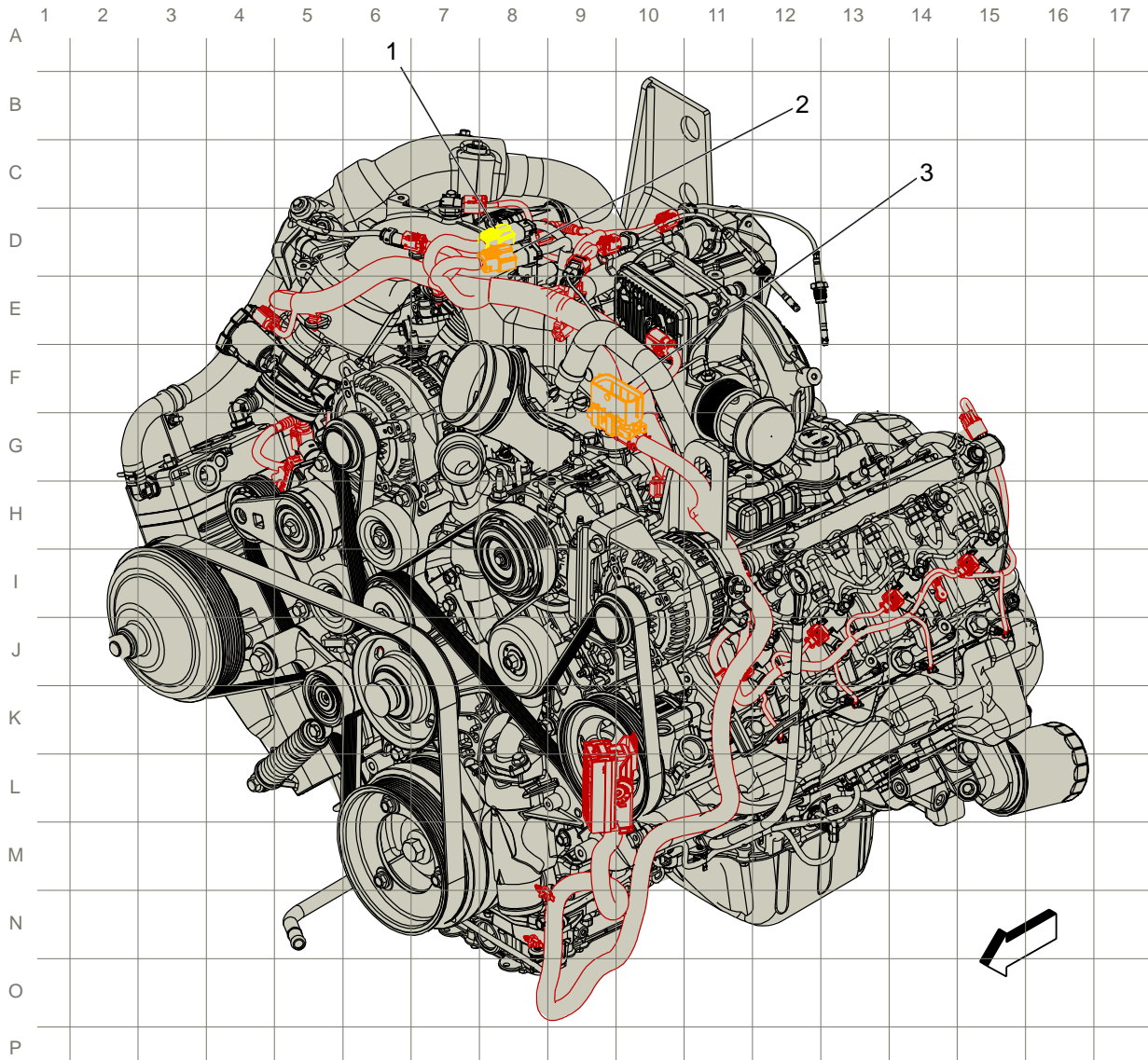
## HARNESS ROUTING AND COMPONENT LOCATIONS

### 16.1. HARNESS ROUTING VIEWS



- |   |   |
|---|---|
| 1. X150 Forward Lamp Harness to Body Harness                        | 7. J104 Forward Lamp Harness (Feature Code: 0008XJG)  |
| 2. J102 Forward Lamp Harness  | 8. X100   |
| 3. J101 Forward Lamp Harness (Feature Code: 0008XJG)                | 9. X118 Forward Lamp Harness to Right Fog Lamp Interconnect Harness (Feature Code: 0008XJG) |
| 4. X109 Left Headlight Interconnect Harness to Forward Lamp Harness | 10. X109 Left Headlight Interconnect Harness to Forward Lamp Harness                        |
| 5. X103   |   |
| 6. J105 Forward Lamp Harness  |   |

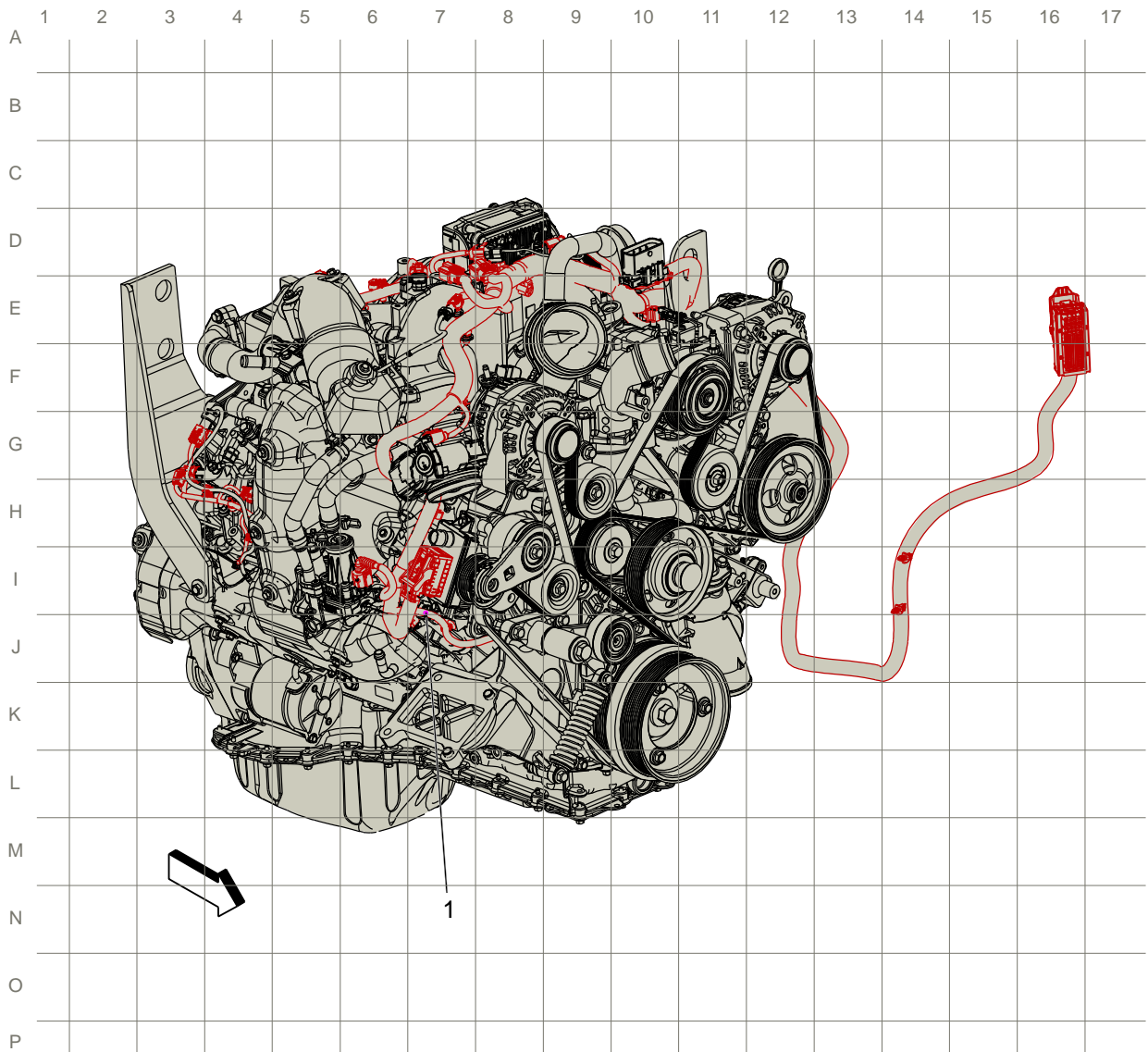
**Figure 172 Forward Light Harness Routing**



- 1. X112 Engine Harness to Engine Jumper Harness
- 2. X113 Engine Harness to Engine Jumper Harness

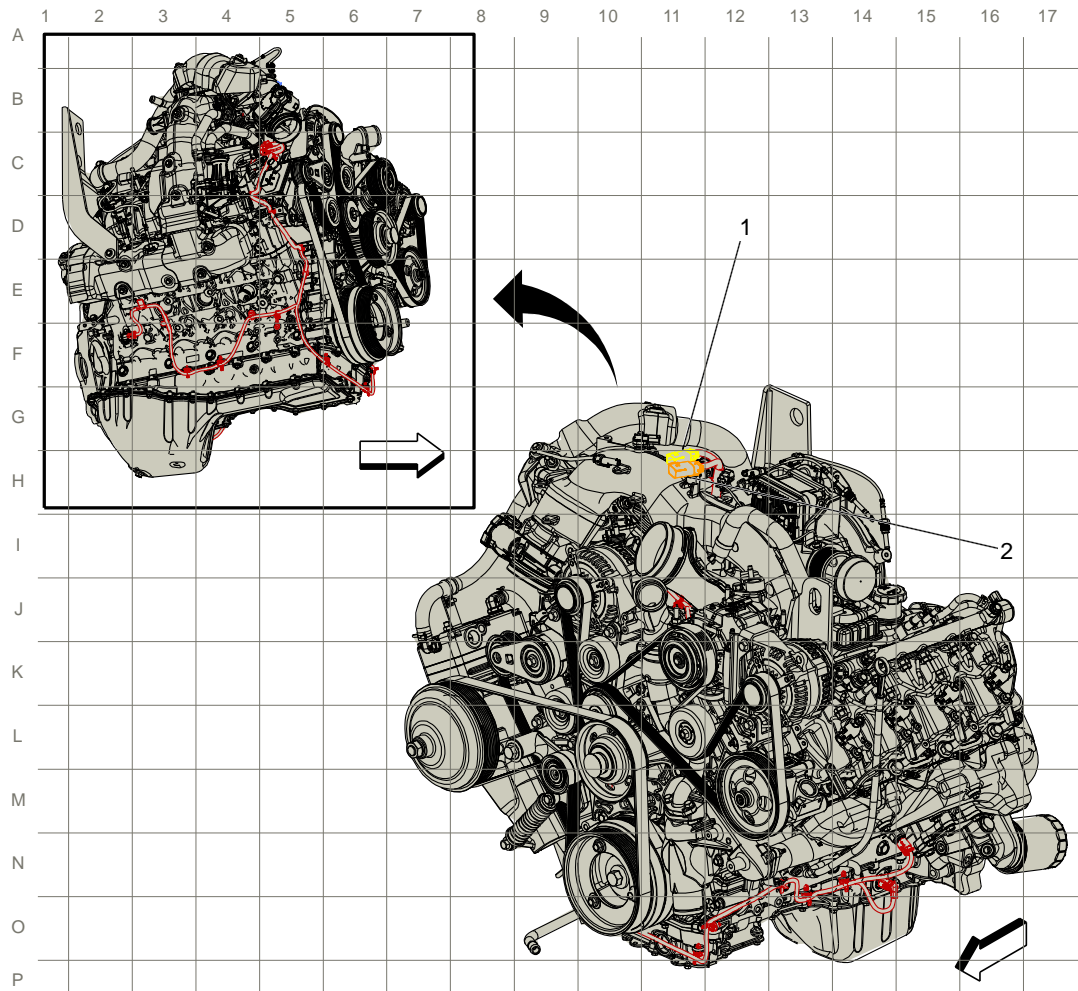
- 3. X101 Engine Chassis Harness to Engine Harness

**Figure 173 Engine Harness Routing - Left Front**



1. J124 Engine Chassis Harness

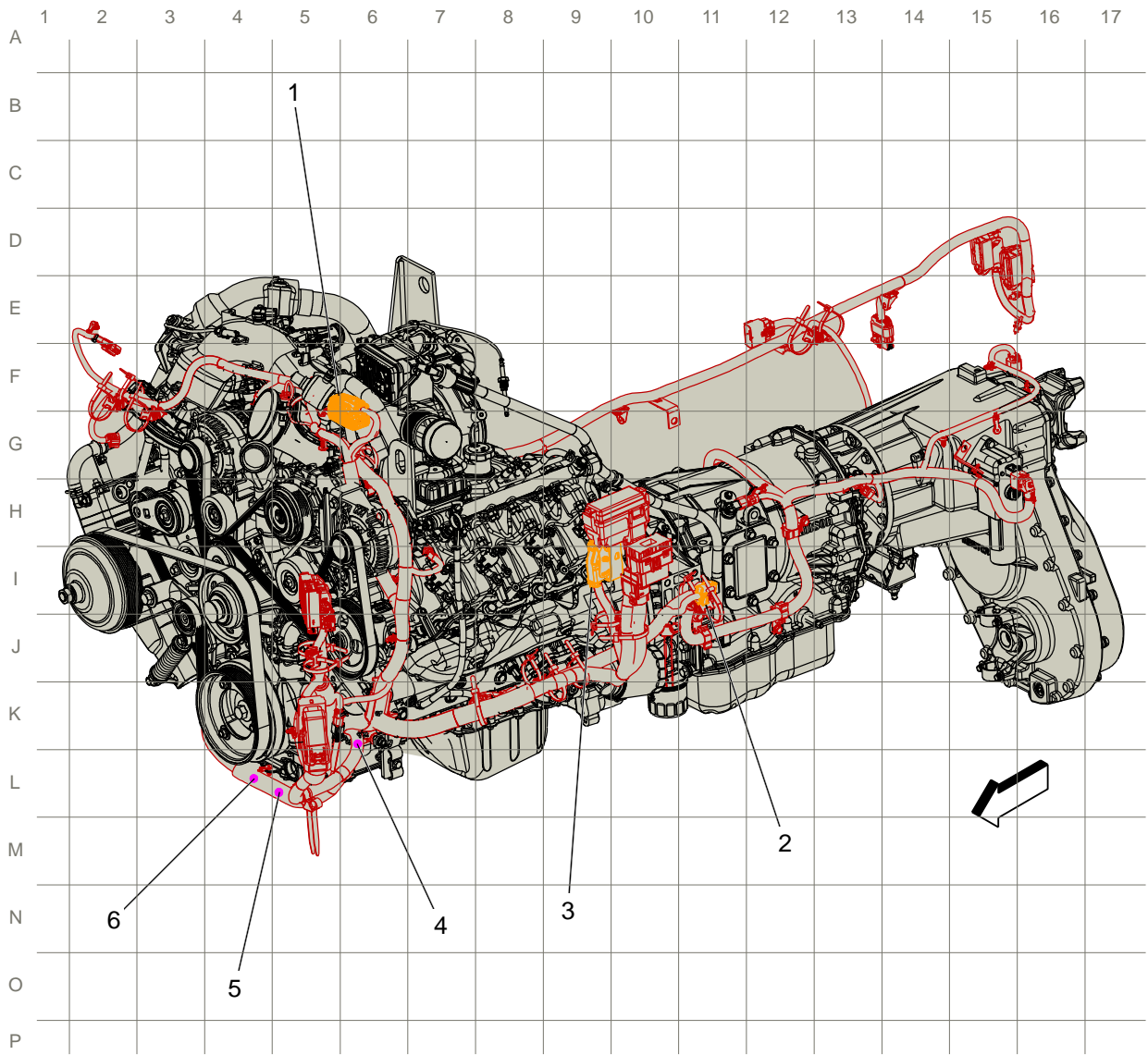
**Figure 174 Engine Harness Routing - Right Front**



1. X112 Engine Harness to Engine Jumper Harness

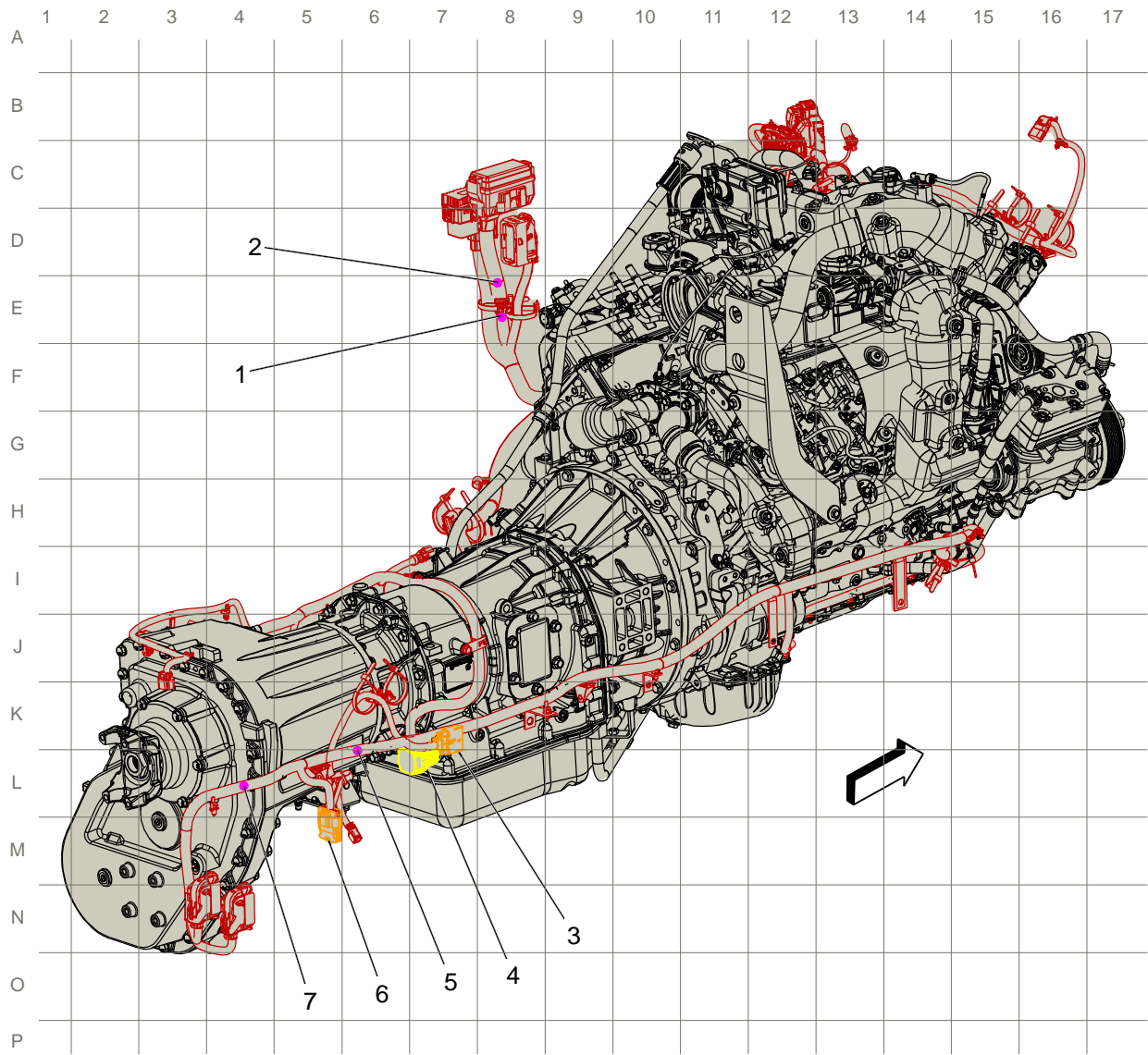
2. X113 Engine Harness to Engine Jumper Harness

**Figure 175 Engine Jumper Harness Routing**



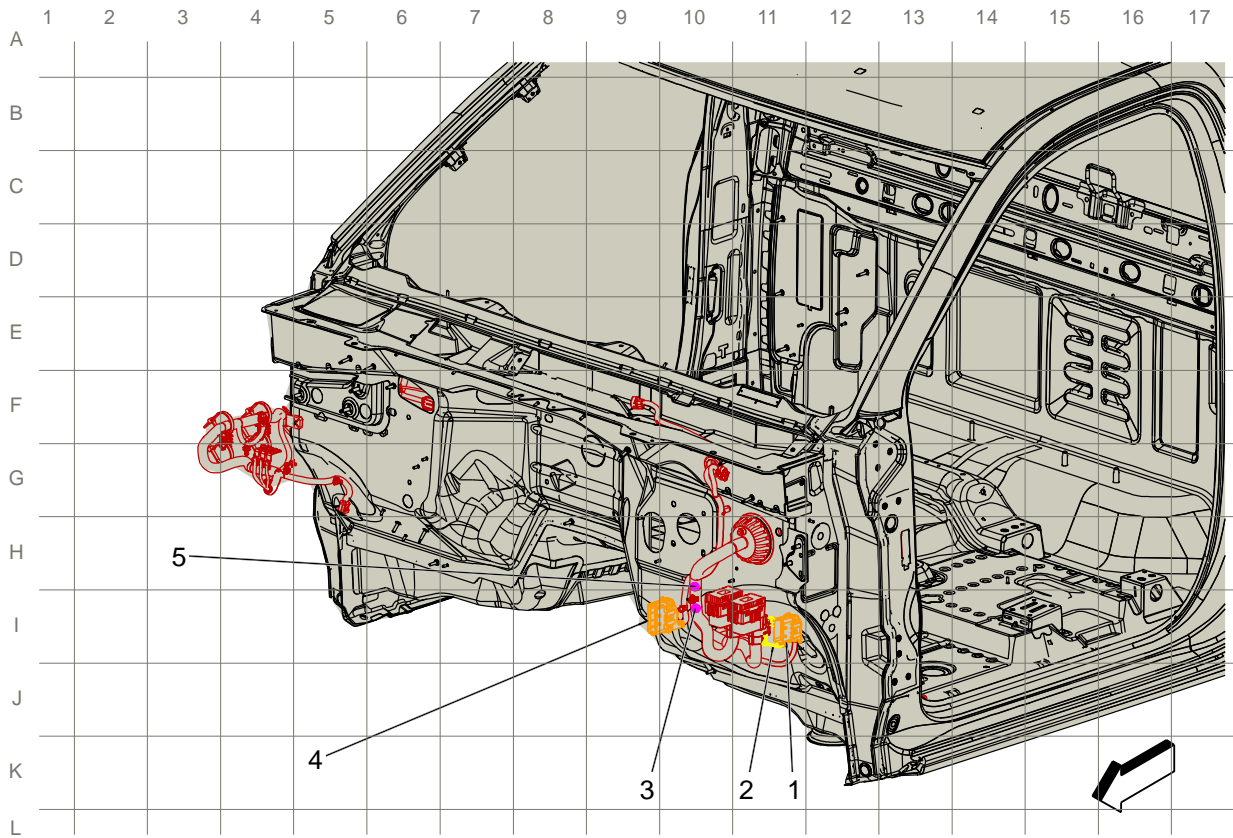
- |   |                                |
|---|--------------------------------|
| 1. X101 Engine Chassis Harness to Engine Harness  | 4. J123 Engine Chassis Harness |
| 2. X125 Engine Chassis Harness to Chassis Harness | 5. J124 Engine Chassis Harness |
| 3. X115 Engine Harness to Body Harness            | 6. J126 Engine Chassis Harness |

**Figure 176 Engine Chassis Harness Routing - Left**



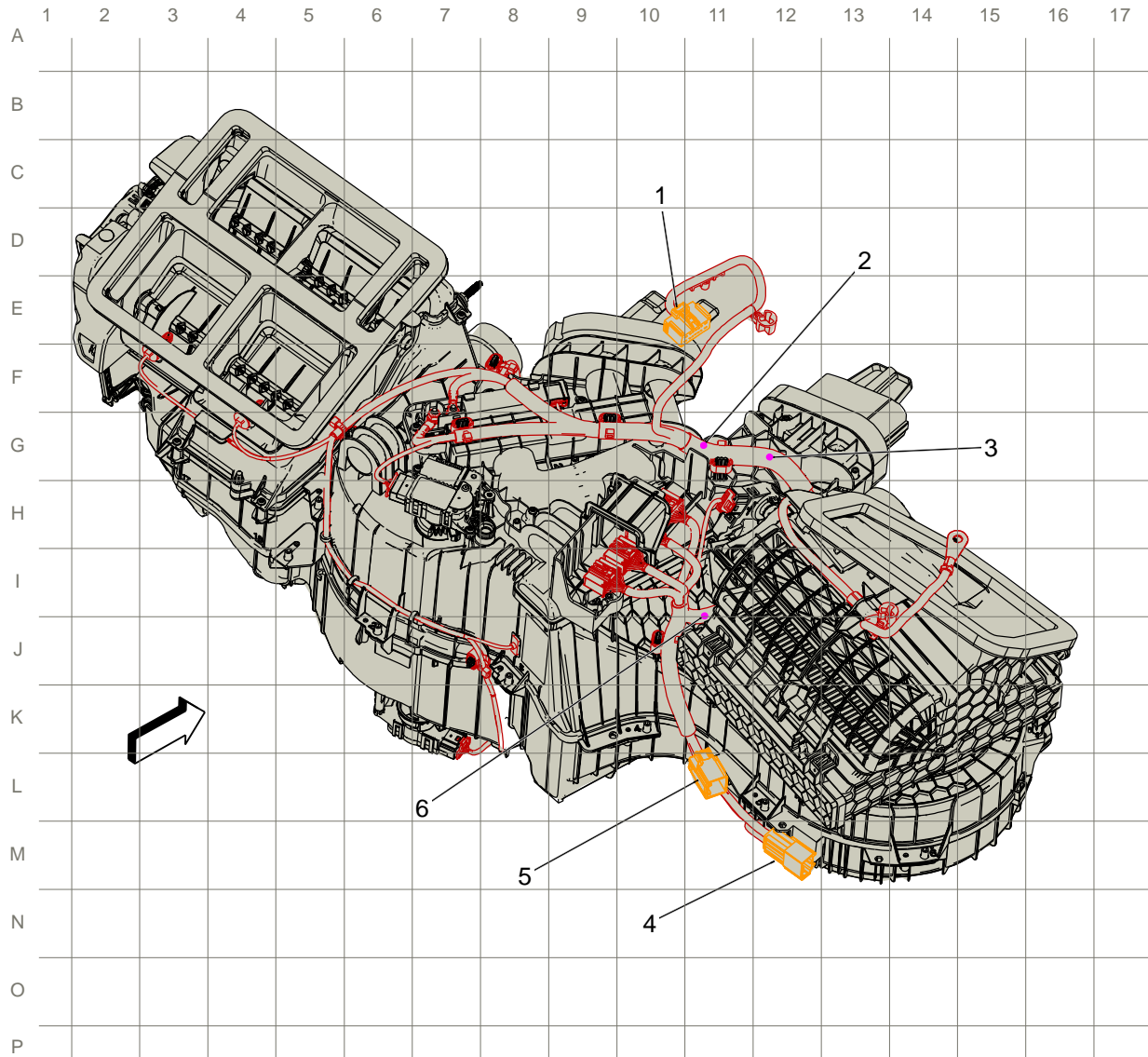
- |   |  |
|---|--|
| <ul style="list-style-type: none"> <li>1. J196 Engine Chassis Harness</li> <li>2. J197 Engine Chassis Harness</li> <li>3. X143 Reductant Control Module Jumper Harness to Engine Chassis Harness</li> <li>4. X175 Engine Chassis Harness to Transmission Harness</li> </ul> | <ul style="list-style-type: none"> <li>5. J195 Engine Chassis Harness (Feature Code: 0012WGG)</li> <li>6. X191 Engine Chassis Harness to Engine Chassis Harness (Feature Code: 0012WGG)</li> <li>7. J194 Engine Chassis Harness (Feature Code: 0012WGG)</li> </ul> |
|---|--|

**Figure 177 Engine Chassis Harness Routing - Right**



- |   |  |
|---|--|
| <ul style="list-style-type: none"> <li>1. X150 Forward Lamp Harness to Body Harness</li> <li>2. X138 Chassis Harness To Body Harness</li> </ul> | <ul style="list-style-type: none"> <li>3. J307 Body Harness</li> <li>4. X115 Engine Harness to Body Harness</li> <li>5. J367 Body Harness</li> </ul> |
|---|--|

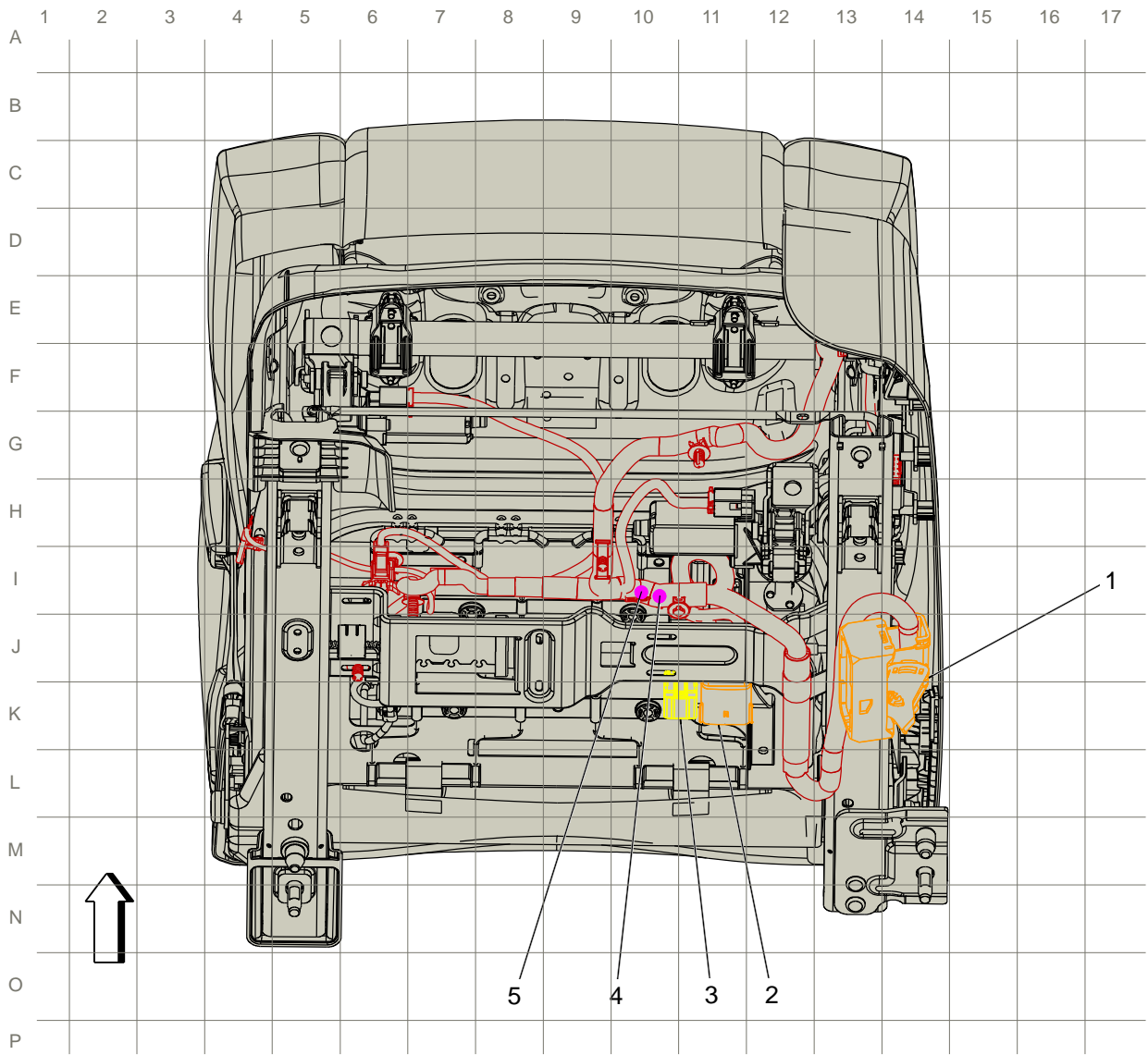
**Figure 178 Body Harness Routing - Engine Compartment**



- |   |  |
|---|--|
| <ul style="list-style-type: none"> <li>1. X215 HVAC Harness to Instrument Panel Harness</li> <li>2. J255 HVAC Harness</li> <li>3. J216 HVAC Harness (Feature Code: ) (C32)</li> </ul> | <ul style="list-style-type: none"> <li>4. X217 Body Harness To HVAC Harness</li> <li>5. X216 Body Harness To HVAC Harness</li> <li>6. J257 HVAC Harness</li> </ul> |
|---|--|

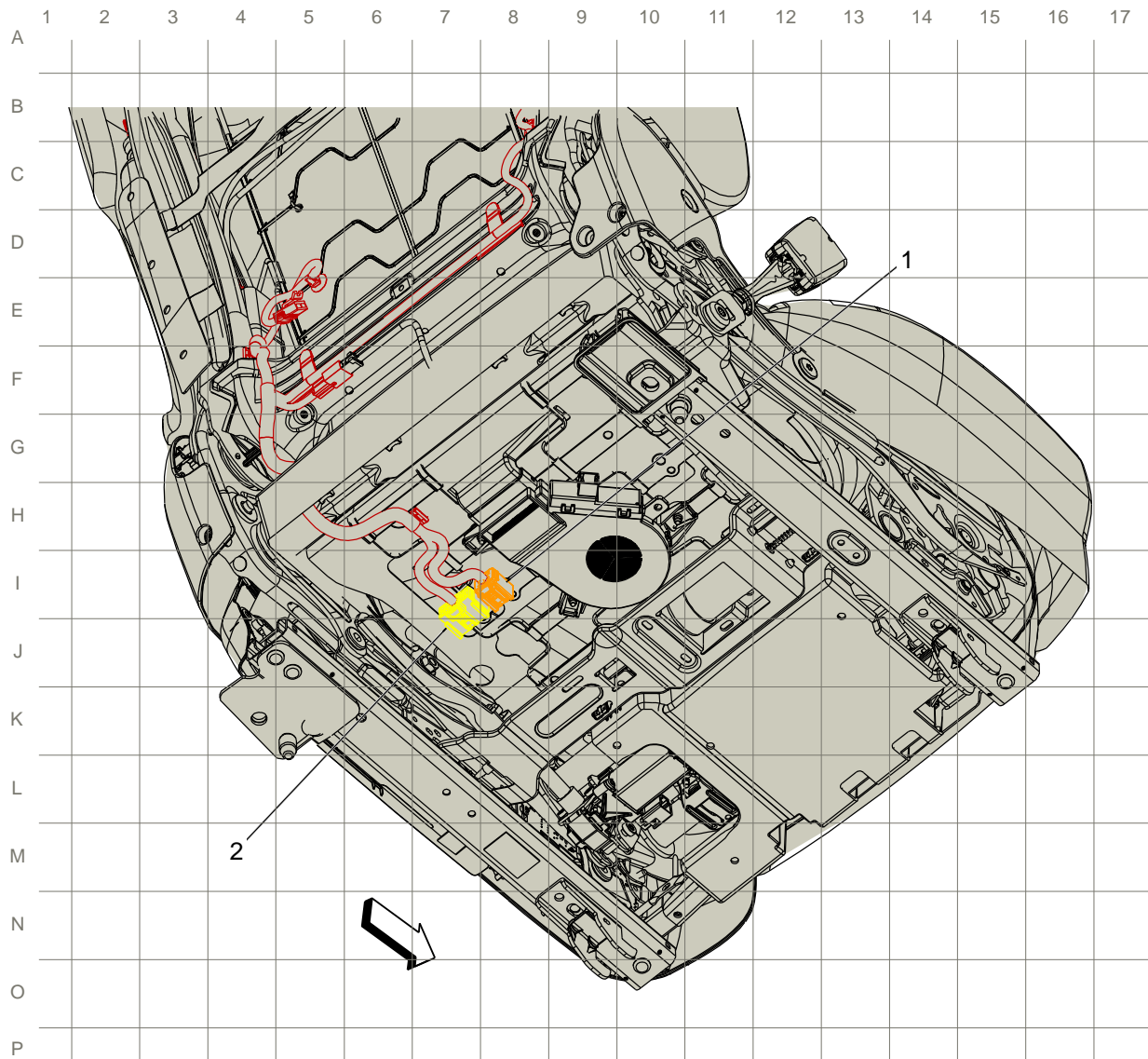
**Figure 179 HVAC Assembly Harness Routing**





- |   |  |
|---|--|
| <ul style="list-style-type: none"> <li>1. X310 Driver Seat Cushion Harness to Body Harness</li> <li>2. X312 Driver Seat Back Harness to Driver Seat Cushion Harness (Feature Code: 0016XJR)</li> <li>3. X311 Driver Seat Back Harness to Driver Seat Cushion Harness (Feature Code: 0016KVV / 0016KVU)</li> </ul> | <ul style="list-style-type: none"> <li>4. J320 Driver Seat Cushion Harness (Feature Code: 0016XJR)</li> <li>5. J319 Driver Seat Cushion Harness (Feature Code: 0016XJR)</li> </ul> |
|---|--|

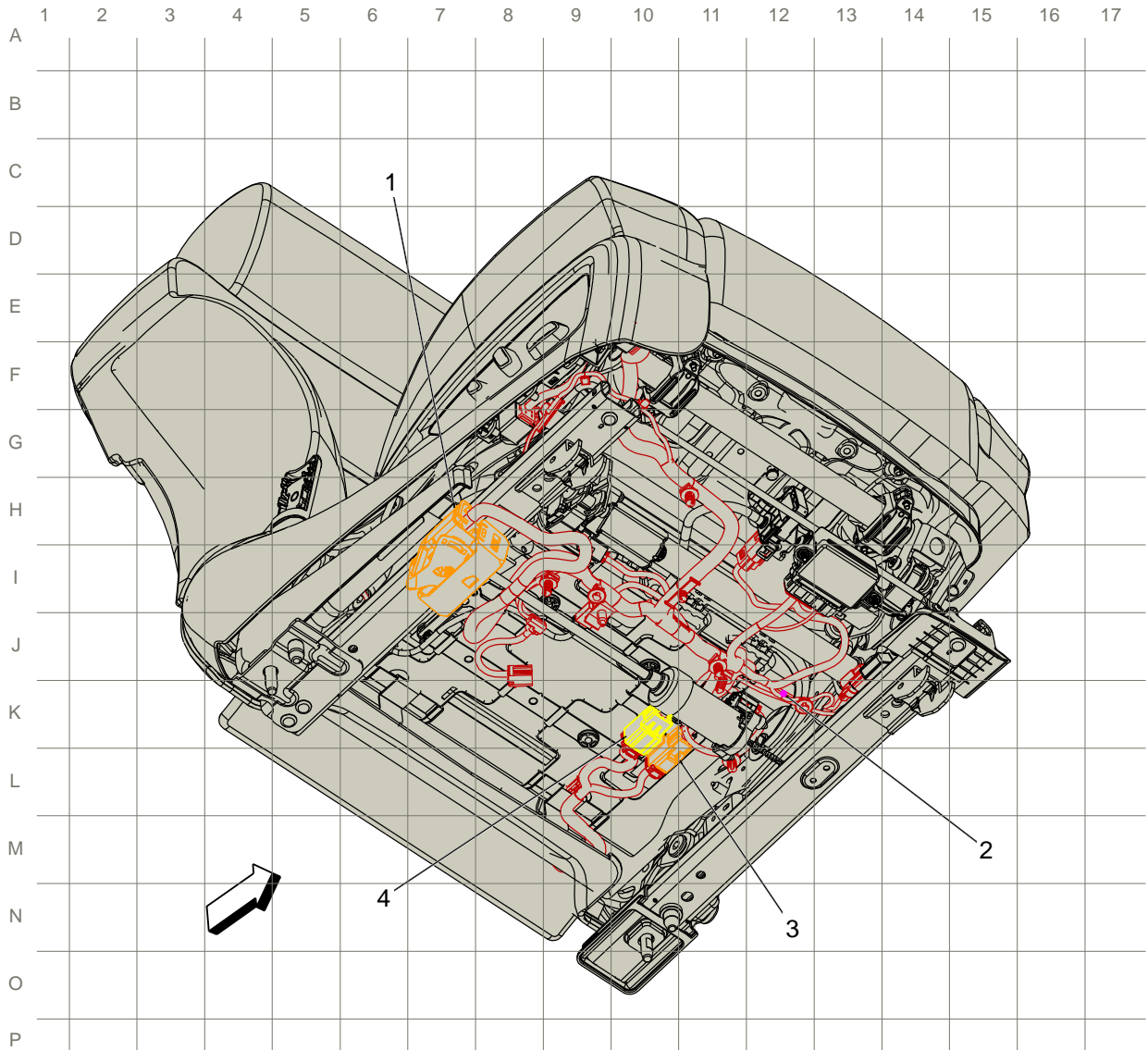
**Figure 180 Driver Seat Cushion Harness Routing**



1. X311 Driver Seat Back Harness to Driver Seat Cushion Harness ((Feature Code: 0016KVV / 0016KVU)

2. X312 Driver Seat Back Harness to Driver Seat Cushion Harness (Feature Code: 0016XJR)

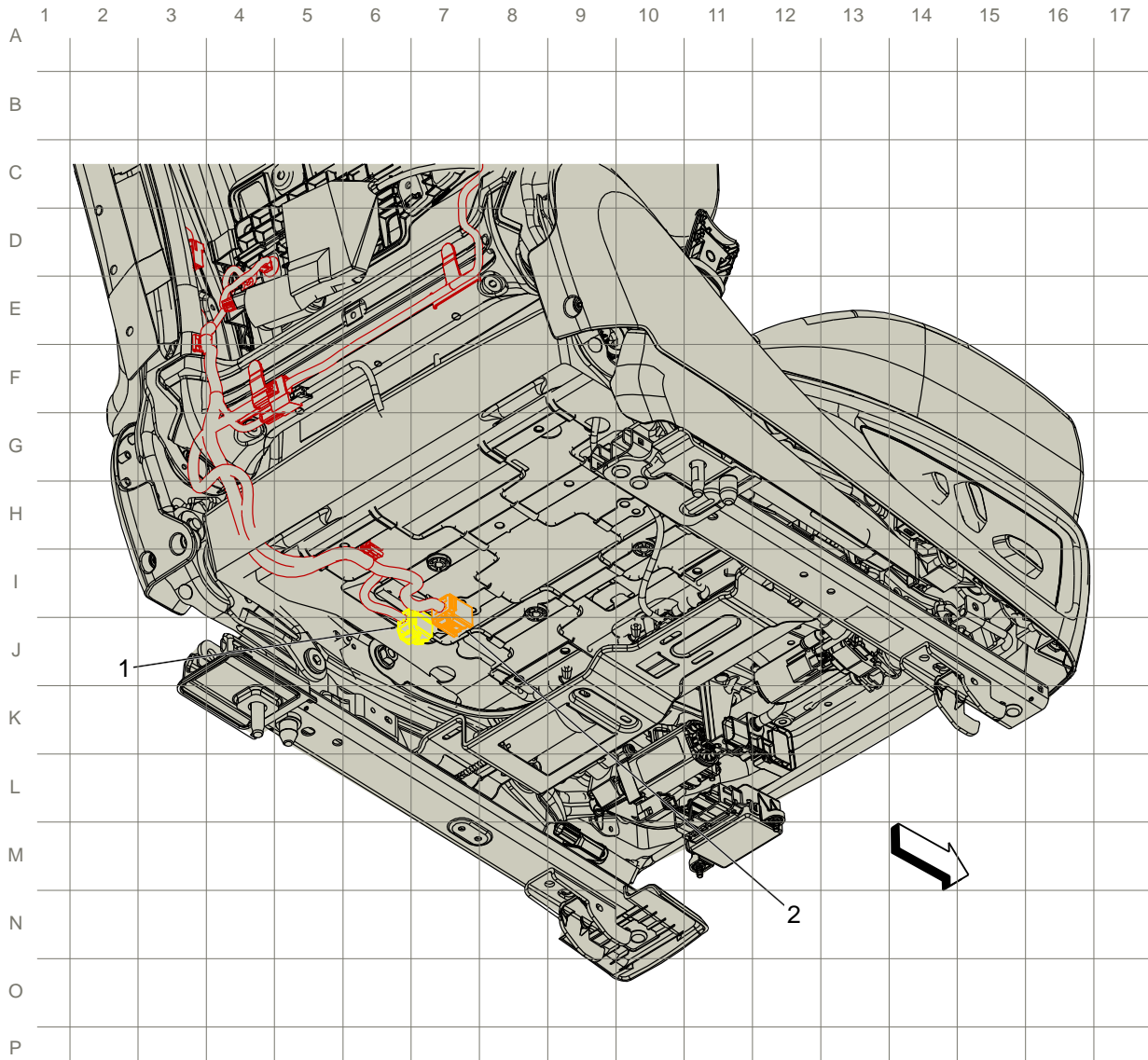
**Figure 181 Driver Seat Back Harness Routing**



- 1. X320 Passenger Seat Cushion  
Harness to Body Harness (Feature  
Code: 0016KVV / AG2 / 0016XJR)
- 2. J321 Passenger Seat Cushion  
Harness (Feature Code:  
0016XJR)
- 3. X322 Passenger Seat Back  
Harness to Passenger Seat

- Cushion Harness (Feature Code:  
0016XJR)
- 4. X321 Passenger Seat Back  
Harness to Passenger Seat  
Cushion Harness (Feature Code:  
0016KVV / AG2)

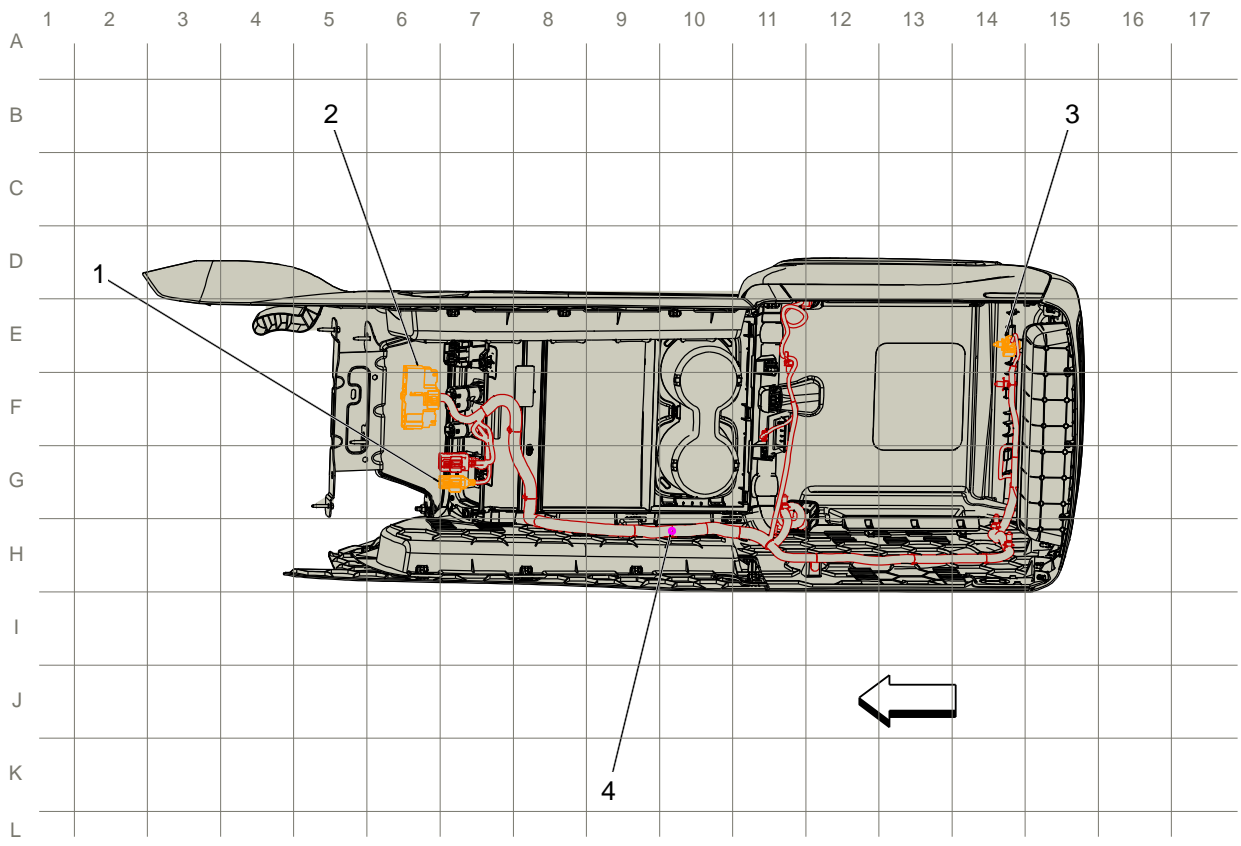
**Figure 182 Passenger Seat Cushion Harness Routing**



1. X322 Passenger Seat Back  
 Harness to Passenger Seat  
 Cushion Harness (Feature Code:  
 0016XJR)

2. X321 Passenger Seat Back  
 Harness to Passenger Seat  
 Cushion Harness (Feature Code:  
 0016KVV / AG2)

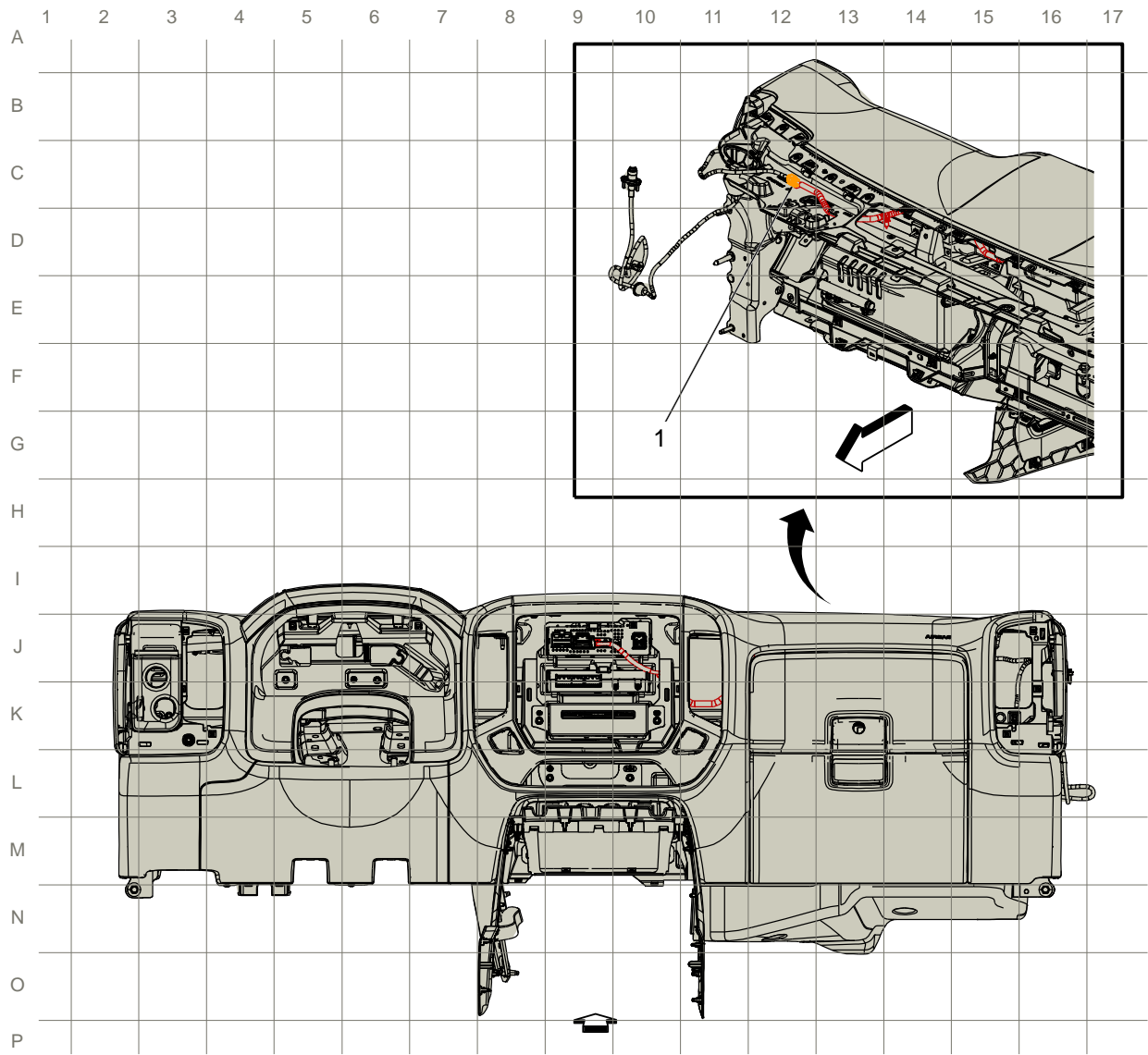
**Figure 183 Passenger Seat Back Harness Routing**



- 1. X309 Center Console Harness  
USB to Instrument Panel Harness  
USB (Feature Code: 0016XCN)
- 2. X300 Instrument Panel Harness  
to Floor Console Harness (Feature  
Code: 0016XCN)

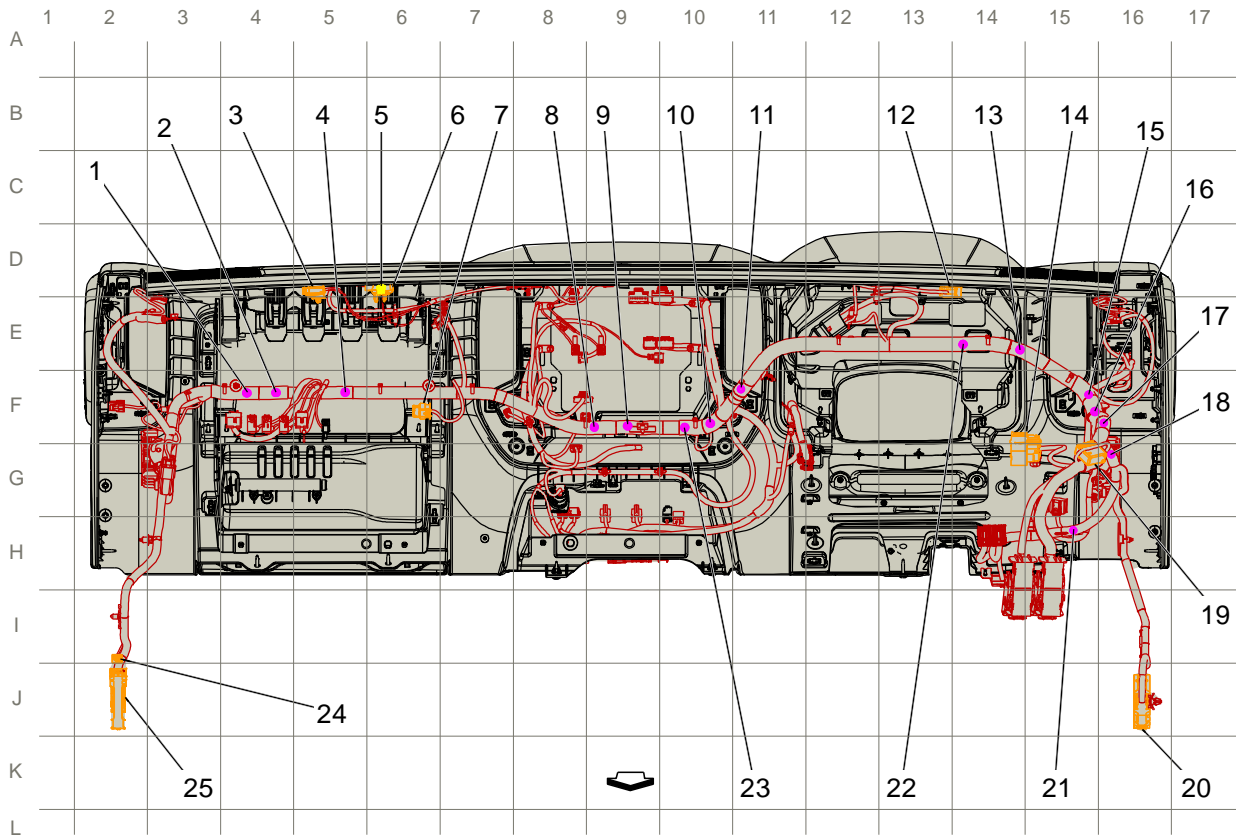
- 3. J358 Floor Console (Feature  
Code: 0016XCN)

**Figure 184 Floor Console Harness Routing (Feature Code: 0016XCN)**



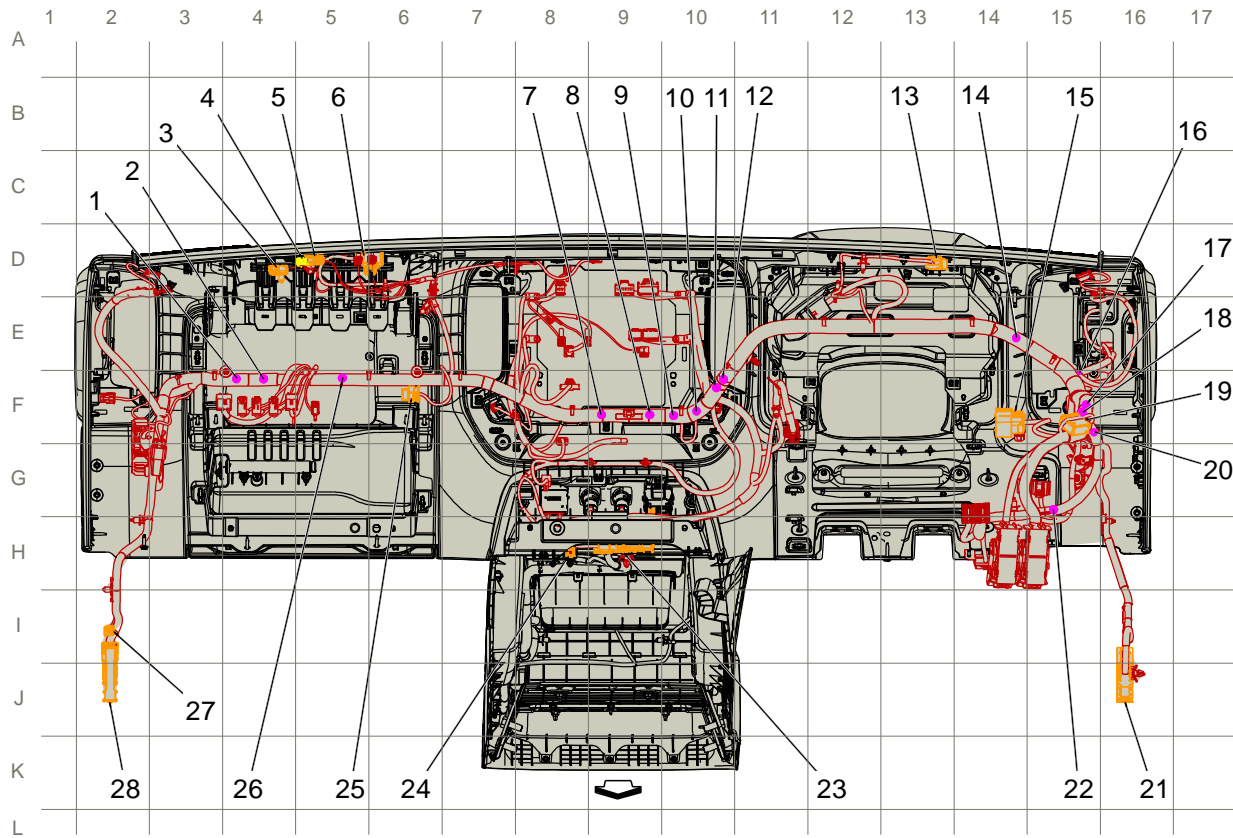
- 1. X245 Antenna Jumper Harness  
COAX to Antenna Jumper Harness  
COAX

Figure 185 Radio COAX Routing



- |  |   |
|--|---|
| <ol style="list-style-type: none"> <li>1. J241 Instrument Panel Harness</li> <li>2. J242 Instrument Panel Harness</li> <li>3. X222 Instrument Panel Harness<br/>COAX to Antenna Jumper Harness<br/>COAX (Feature Code: 0008AAE)</li> <li>4. J215 Instrument Panel Harness</li> <li>5. X210 Instrument Panel Harness<br/>COAX to Antenna Jumper Harness<br/>COAX (Feature Code: 0008RNV)</li> <li>6. X215 HVAC Harness to<br/>Instrument Panel Harness</li> <li>7. X205 Instrument Panel Harness<br/>to Passenger Instrument Panel Air<br/>Bag Harness</li> <li>8. J251 Instrument Panel Harness<br/>(Feature Code: 0008RNM)</li> <li>9. J266 Instrument Panel Harness<br/>(Feature Code: 0008RNM)</li> <li>10. J240 Instrument Panel Harness<br/>(Feature Code: 0016XCN /<br/>0008XJX)</li> <li>11. J289 Instrument Panel Harness</li> </ol> | <ol style="list-style-type: none"> <li>12. X305 Instrument Panel Harness<br/>to Headliner Harness</li> <li>13. J205 Instrument Panel Harness</li> <li>14. X201 Steering Column Harness<br/>to Instrument Panel Harness</li> <li>15. J210 Instrument Panel Harness</li> <li>16. J200 Instrument Panel Harness</li> <li>17. J201 Instrument Panel Harness</li> <li>18. J212 Instrument Panel Harness</li> <li>19. JX200 Instrument Panel Harness</li> <li>20. X225 Body Harness To<br/>Instrument Panel Harness</li> <li>21. J211 Instrument Panel Harness</li> <li>22. J213 Instrument Panel Harness</li> <li>23. J290 Instrument Panel Harness<br/>(Feature Code: 0008XJP / 14899)</li> <li>24. X301 Body Harness USB to<br/>Instrumental Panel Harness USB<br/>(Without Feature Code: 0016XCN)</li> <li>25. X275 Instrument Panel Harness<br/>to Body Harness</li> </ol> |
|--|---|

**Figure 186 Instrument Panel Harness Routing (Feature Code: 0008RNN or 0008RNM)**



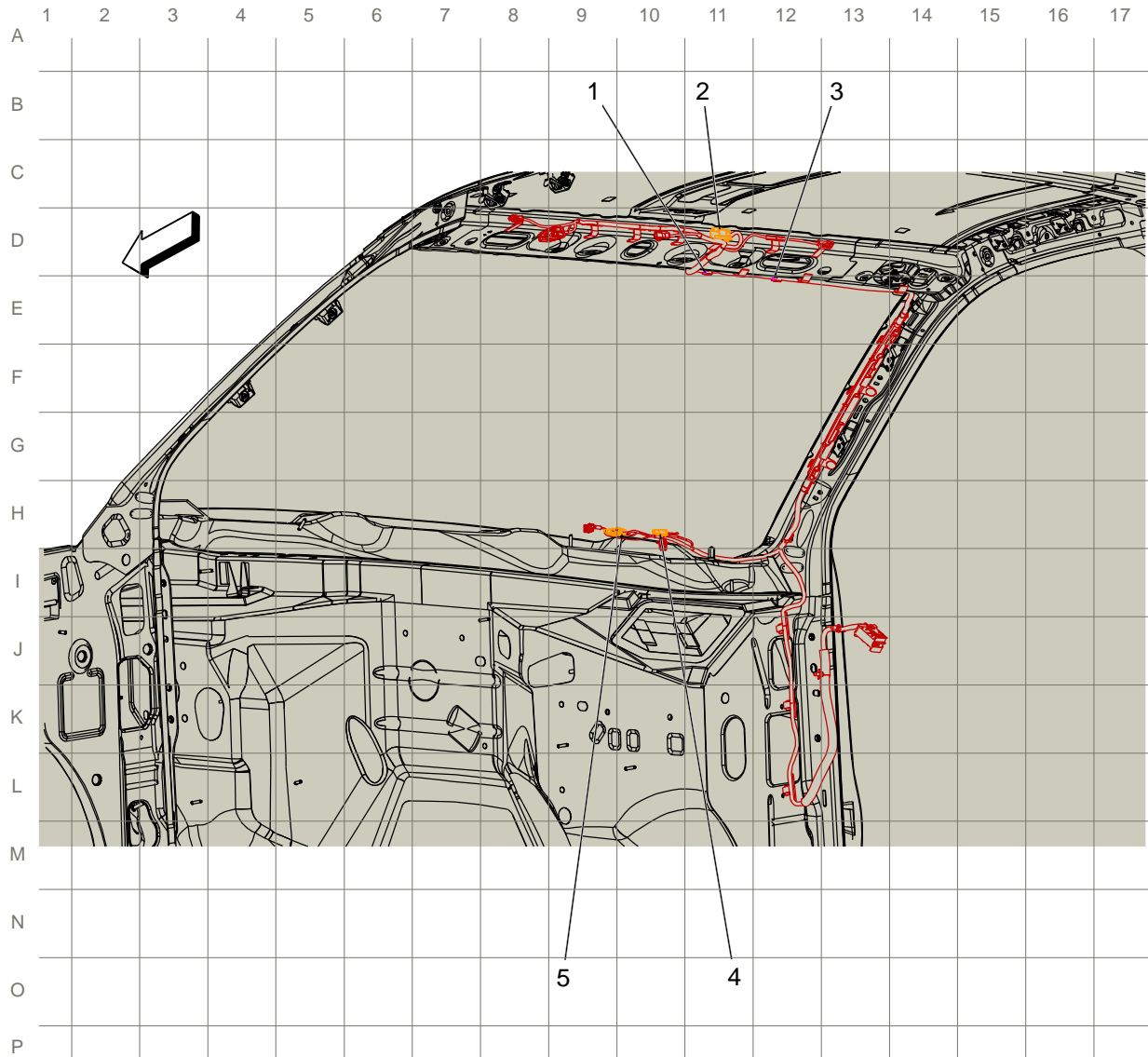
- |  |   |
|--|---|
| <ol style="list-style-type: none"> <li>1. J241 Instrument Panel Harness</li> <li>2. J242 Instrument Panel Harness</li> <li>3. X210 Instrument Panel Harness<br/>COAX to Antenna Jumper Harness<br/>COAX (Feature Code: 0008RNV)</li> <li>4. X222 Instrument Panel Harness<br/>COAX to Antenna Jumper Harness<br/>COAX (Feature Code: 0008AAE)</li> <li>5. X211 Instrument Panel Harness<br/>COAX to Antenna Jumper Harness<br/>COAX (Feature Code: 0008RNX<br/>without 0008AAE)</li> <li>6. X215 HVAC Harness to<br/>Instrument Panel Harness</li> <li>7. J249 Instrument Panel Harness<br/>(Feature Code: 0008RNW /<br/>0008RNX)</li> <li>8. J220 Instrument Panel Harness</li> <li>9. J290 Instrument Panel Harness<br/>(Feature Code: 0008XJP / 14899)</li> <li>10. J240 Instrument Panel Harness<br/>(Feature Code: 0016XCN /<br/>0008XJX)</li> <li>11. J245 Instrument Panel Harness<br/>(Feature Code: 0016XJR)</li> </ol> | <ol style="list-style-type: none"> <li>12. J289 Instrument Panel Harness</li> <li>13. X305 Instrument Panel Harness<br/>to Headliner Harness</li> <li>14. J205 Instrument Panel Harness</li> <li>15. X201 Steering Column Harness<br/>to Instrument Panel Harness</li> <li>16. J213 Instrument Panel Harness</li> <li>17. J200 Instrument Panel Harness</li> <li>18. J201 Instrument Panel Harness</li> <li>19. JX200 Instrument Panel Harness</li> <li>20. J212 Instrument Panel Harness</li> <li>21. X225 Body Harness To<br/>Instrument Panel Harness</li> <li>22. J211 Instrument Panel Harness</li> <li>23. X300 Instrument Panel Harness<br/>to Floor Console Harness (Feature<br/>Code: 0016XCN)</li> <li>24. X309 Center Console Harness<br/>USB to Instrument Panel Harness<br/>USB (Feature Code: 0016XCN)</li> <li>25. X205 Instrument Panel Harness<br/>to Passenger Instrument Panel Air<br/>Bag Harness</li> <li>26. J215 Instrument Panel Harness</li> </ol> |
|--|---|



27. X301 Body Harness USB to  
Instrumental Panel Harness USB  
(Without Feature Code: 0016XCN)

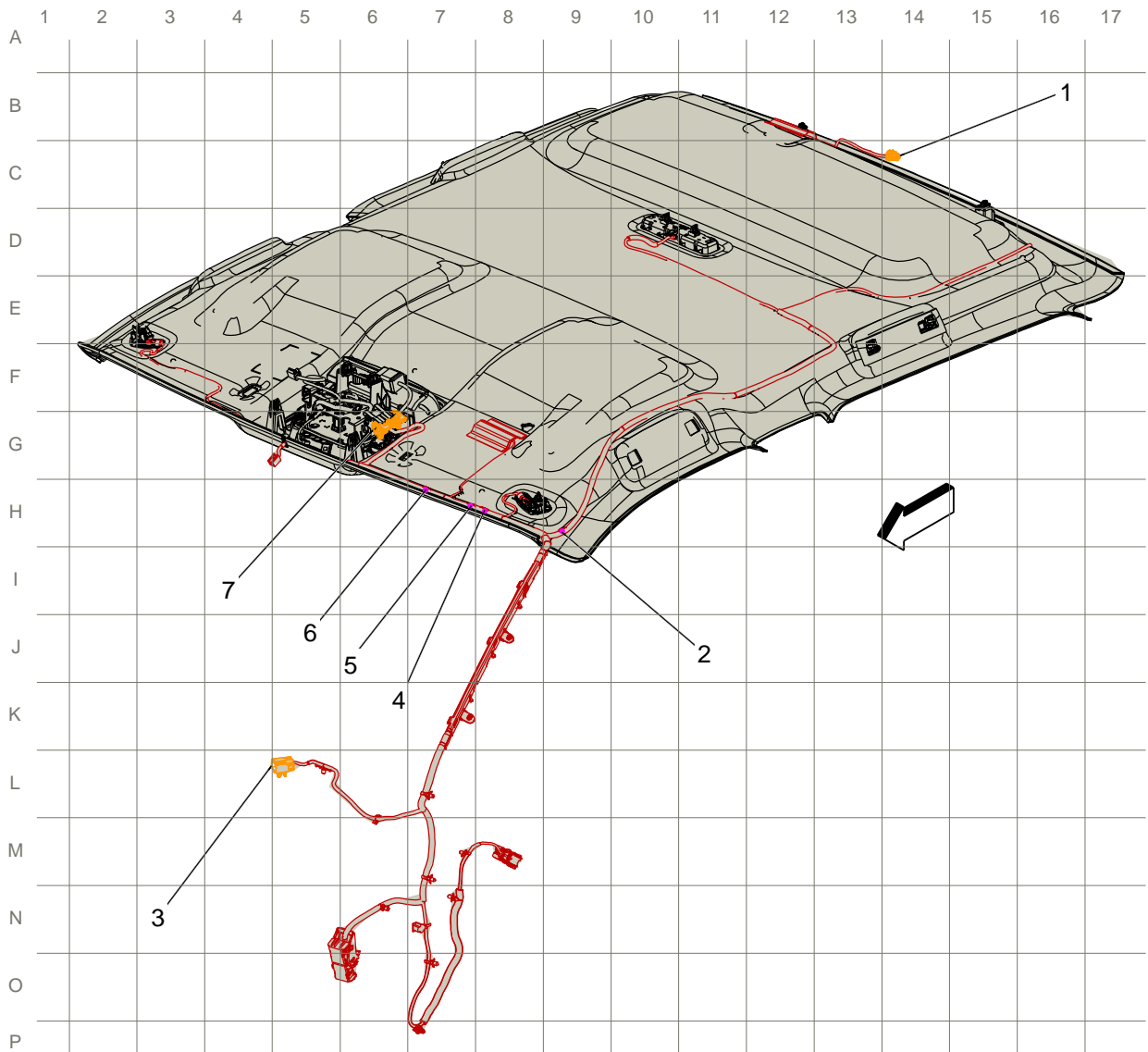
28. X275 Instrument Panel Harness  
to Body Harness

**Figure 187 Instrument Panel Harness Routing (Feature Code: 0008RNW or 0008RNX)**



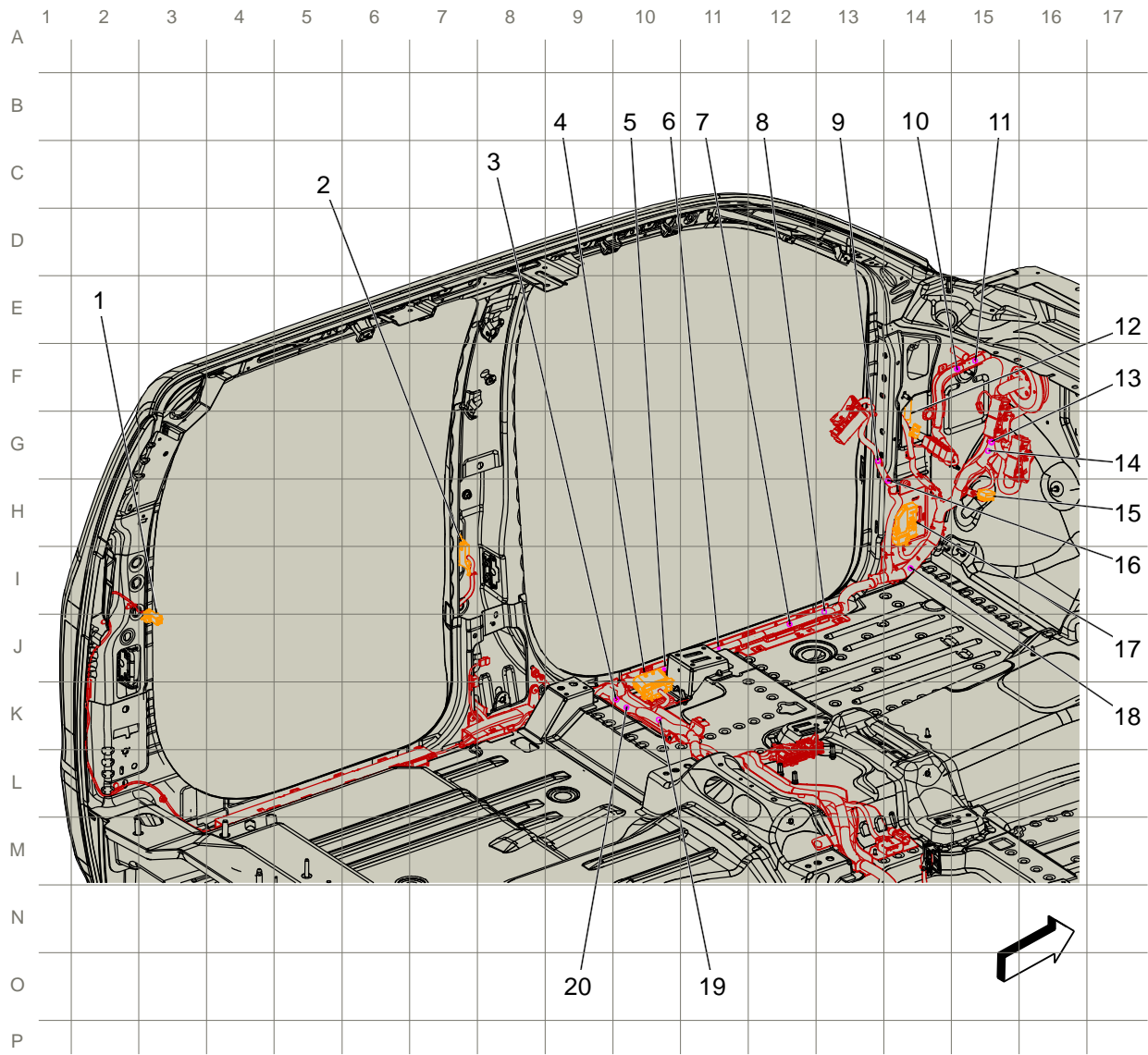
- |  |  |
|--|--|
| <ul style="list-style-type: none"> <li>1. J292 Right A-Pillar Harness</li> <li>2. X319 Overhead Console Harness to Right A-Pillar Harness (Feature Code: 0008XKS)</li> <li>3. J293 Right A-Pillar Harness</li> <li>4. X210 Instrument Panel Harness COAX to Antenna Jumper Harness COAX (Feature Code: 0008RNV)</li> </ul> | <ul style="list-style-type: none"> <li>5. X222 Instrument Panel Harness COAX to Antenna Jumper Harness COAX (Feature Code: 0008AAE)</li> </ul> |
|--|--|

**Figure 188 Right A-Pillar Harness Routing**



- |   |  |
|---|--|
| <ul style="list-style-type: none"> <li>1. X317 Headliner Harness to Center High Mounted Stop Lamp Harness</li> <li>2. J317 Headliner Harness (Crew Cab)</li> <li>3. X305 Instrument Panel Harness to Headliner Harness</li> </ul> | <ul style="list-style-type: none"> <li>4. J310 Headliner Harness (Crew Cab / 0016XCS)</li> <li>5. J312 Headliner Harness (Crew Cab)</li> <li>6. J332 Headliner Harness</li> <li>7. X316 Headliner Harness to Overhead Console Harness</li> </ul> |
|---|--|

**Figure 189 Headliner Harness Routing**

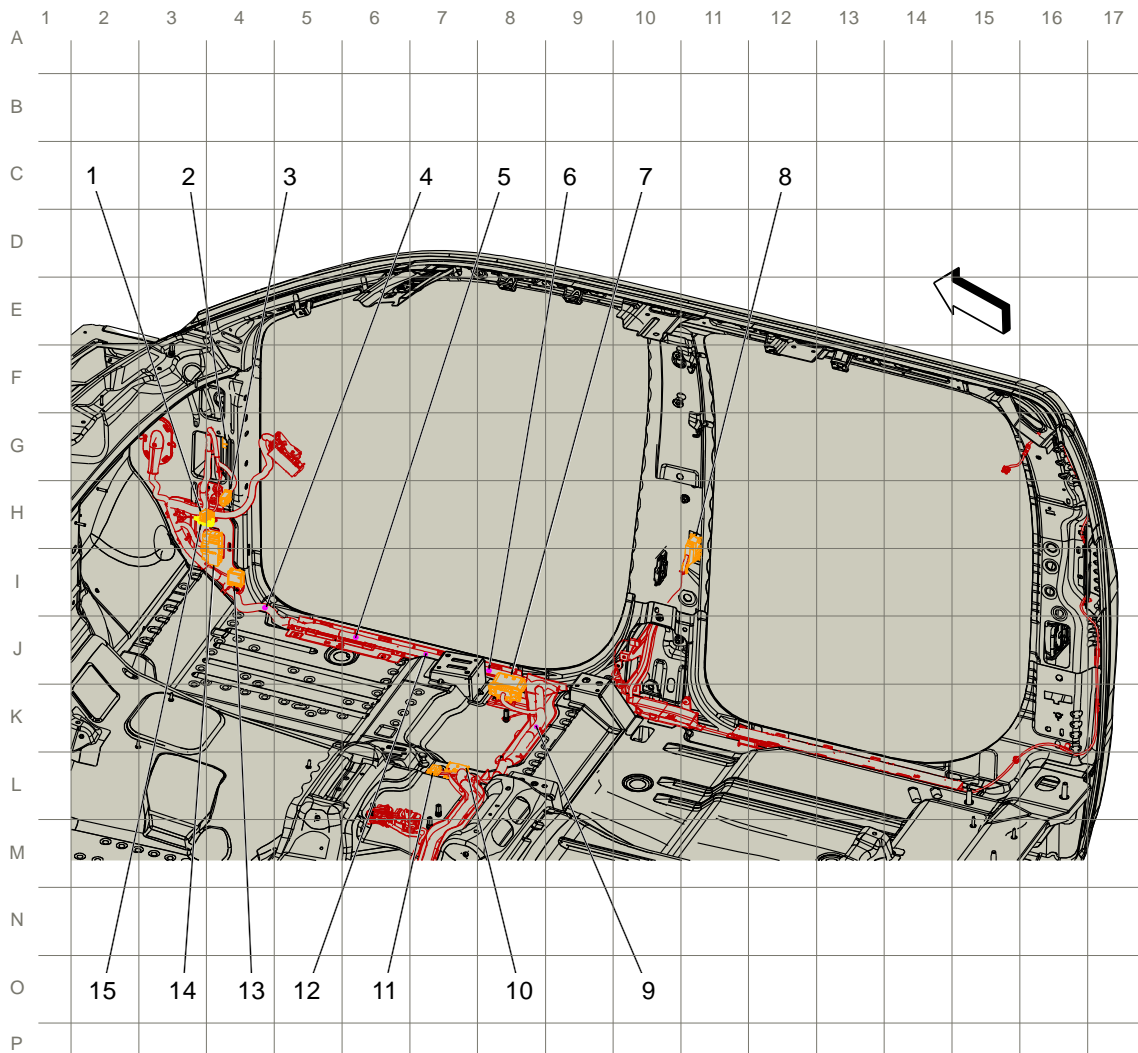


- |  |  |
|--|--|
| <ol style="list-style-type: none"> <li>1. X307 Rear Window Defogger - Positive Harness to Body Harness (Feature Code: 0008AAB)</li> <li>2. X700 Left Rear Door Harness to Body Harness (Crew Cab)</li> <li>3. J350 Body Harness (Feature Code: 0008RNM / 0008RNY)</li> <li>4. X310 Driver Seat Cushion Harness to Body Harness</li> <li>5. J365 Body Harness</li> <li>6. J309 Body Harness ((Feature Code: 0008HBW / 0013TLP (0013WDB))</li> <li>7. J383 Body Harness</li> </ol> | <ol style="list-style-type: none"> <li>8. J384 Body Harness (Feature Code: 0016WAK)</li> <li>9. J301 Body Harness</li> <li>10. J299 Body Harness (Feature Code: 0008TRA)</li> <li>11. J357 Body Harness</li> <li>12. X500 Driver Door Harness to Body Harness</li> <li>13. J300 Body Harness</li> <li>14. J302 Body Harness (Feature Code: 0016SPS)</li> <li>15. X315 Body Harness to Brake Clutch Harness</li> <li>16. J304 Body Harness</li> </ol> |
|--|--|

- 17. X225 Body Harness To  
Instrument Panel Harness
- 18. J367 Body Harness

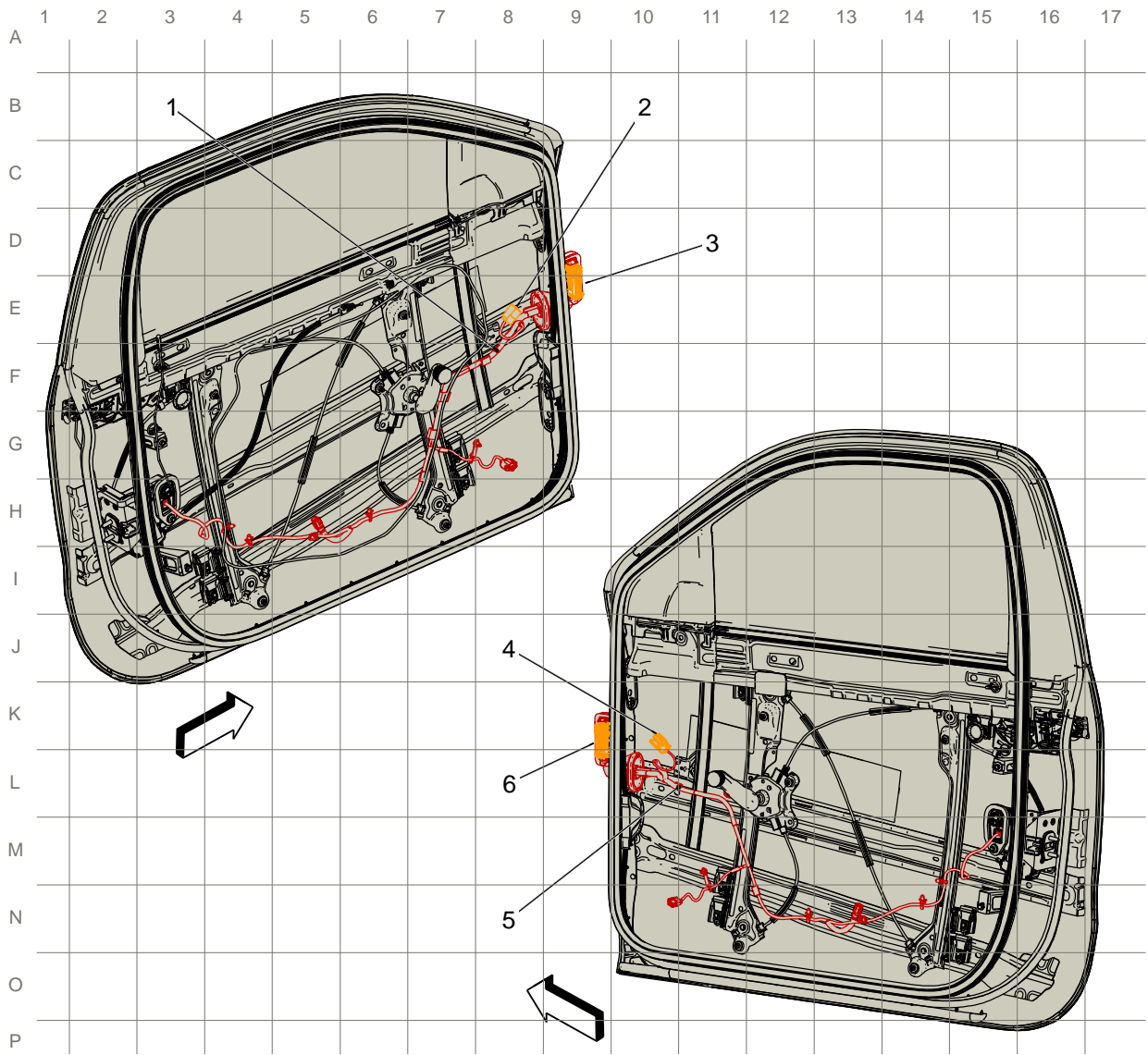
- 19. J360 Body Harness
- 20. J370 Body Harness (Crew Cab)

**Figure 190 Body Harness Routing - Passenger Compartment Left**



- |  |  |
|--|--|
| <ol style="list-style-type: none"> <li>1. X216 Body Harness To HVAC Harness</li> <li>2. X600 Passenger Door Harness to Body Harness</li> <li>3. X217 Body Harness To HVAC Harness</li> <li>4. J373 Body Harness</li> <li>5. J361 Body Harness (Crew Cab)</li> <li>6. J331 Body Harness (Crew Cab)</li> <li>7. X320 Passenger Seat Cushion Harness to Body Harness (Feature Code: 0016KVV / AG2 / 0016XJR)</li> <li>8. X800 Right Rear Door Harness to Body Harness (Crew Cab)</li> <li>9. J362 Body Harness (Feature Code: 0016LVT)</li> </ol> | <ol style="list-style-type: none"> <li>10. X314 Center Seat Harness to Body Harness (Without Feature Code: 0016XCN)</li> <li>11. X313 Body Harness USB to Center Seat Harness USB (Without Feature Code: 0016XCN)</li> <li>12. J366 Body Harness (Crew Cab)</li> <li>13. JX200 Instrument Panel Harness</li> <li>14. X275 Instrument Panel Harness to Body Harness</li> <li>15. X301 Body Harness USB to Instrumental Panel Harness USB (Without Feature Code: 0016XCN)</li> </ol> |
|--|--|

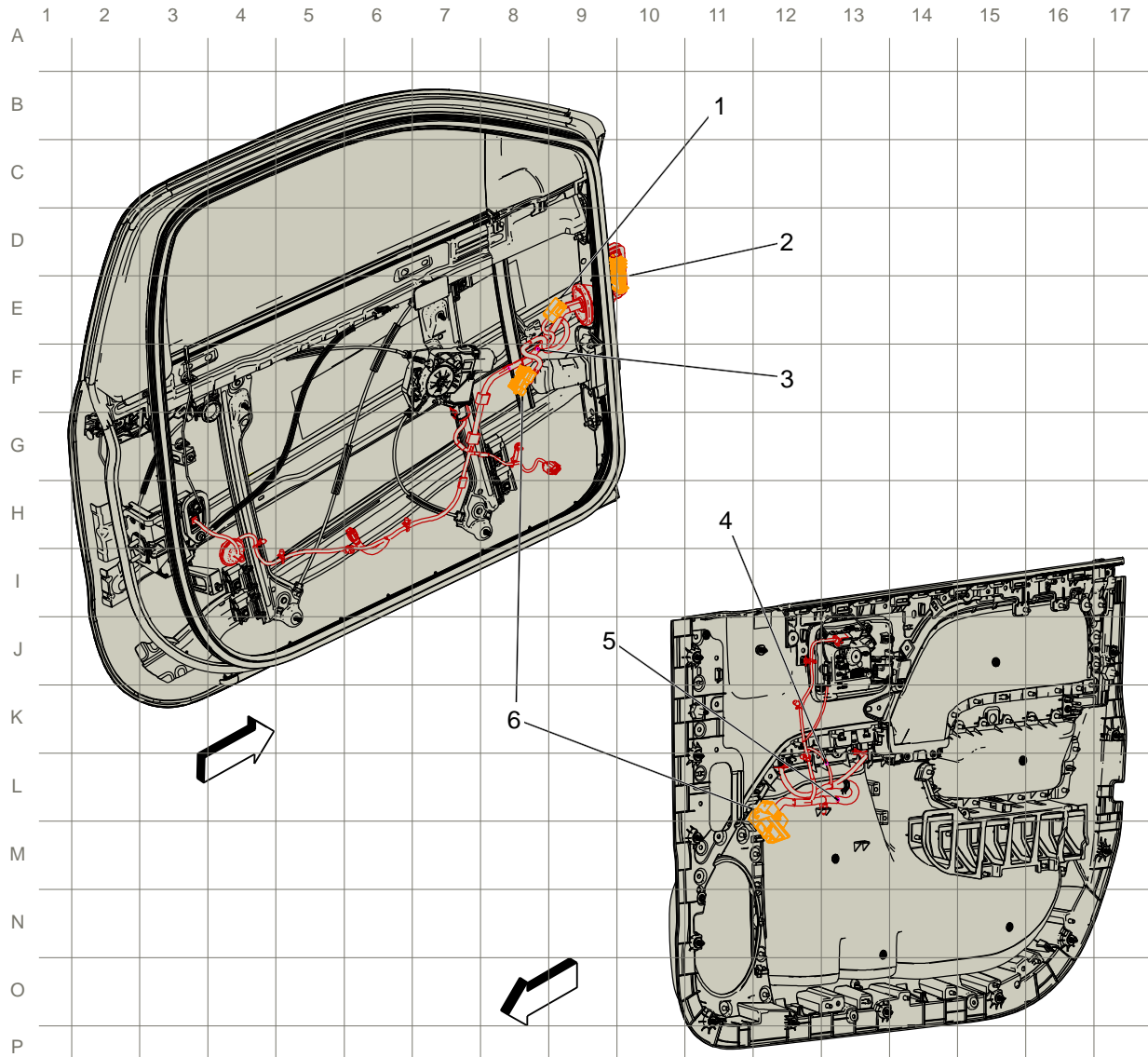
**Figure 191 Body Harness Routing - Passenger Compartment Right**



- 1. J515 Driver Door Harness
- 2. X506 Driver Door Trim Harness to Driver Door Harness (Without Feature Code: 0016WAK)
- 3. X500 Driver Door Harness to Body Harness
- 4. X606 Passenger Door Trim Harness to Passenger Door

- Harness (Without Feature Code: 0016WAK)
- 5. J615 Passenger Door Harness
- 6. X600 Passenger Door Harness to Body Harness

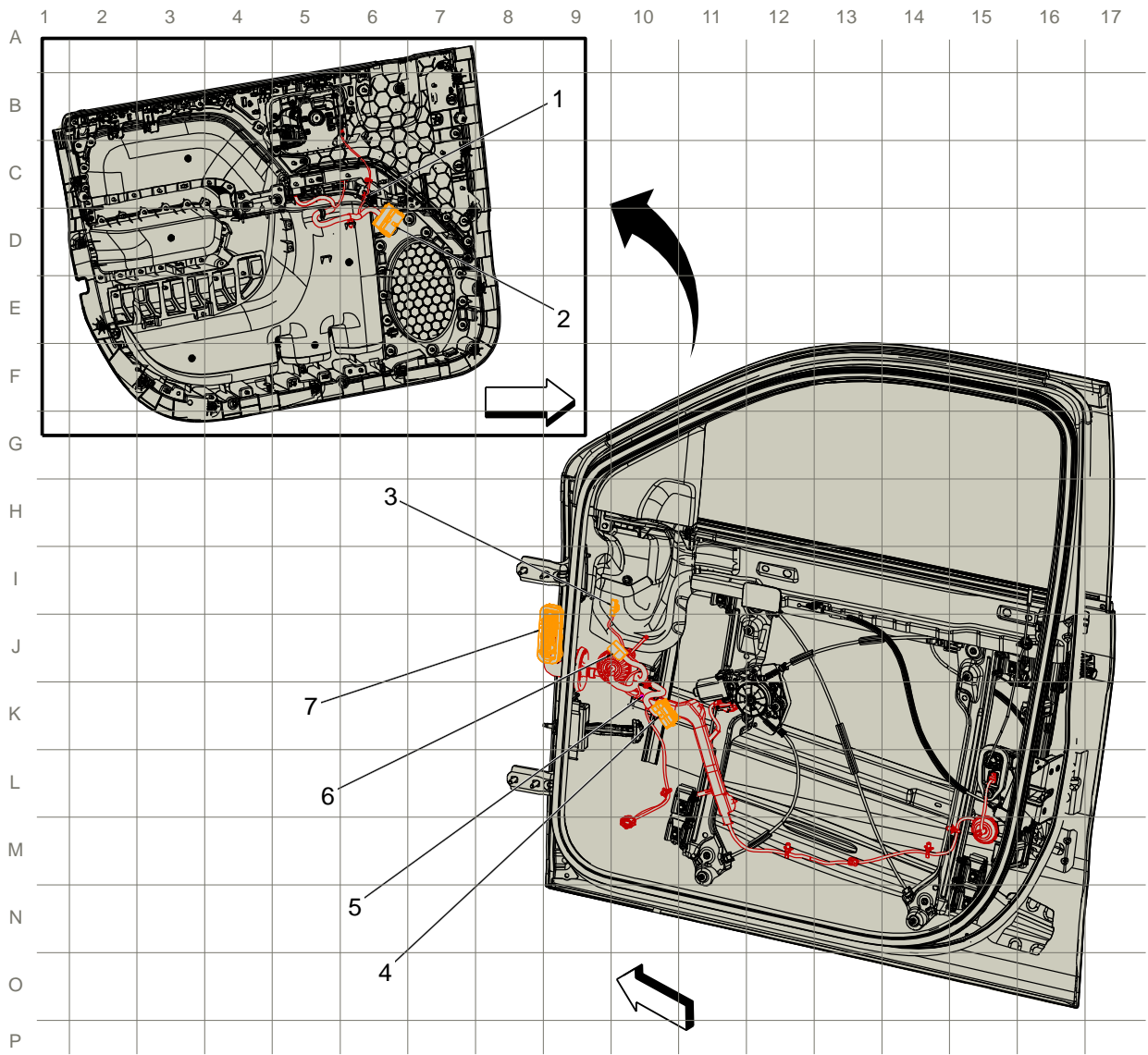
**Figure 192 Driver Door and Passenger Door Harness Routing (Without Feature Code: 0016WAK)**



- |   |  |
|---|--|
| <ul style="list-style-type: none"> <li>1. X510 Outside Rearview Mirror<br/>- Driver Harness to Driver<br/>Door Harness (Feature Code:<br/>0016SPS)</li> <li>2. X500 Driver Door Harness to<br/>Body Harness</li> <li>3. J550 Driver Door Harness<br/>(Feature Code: 0016WAK)</li> </ul> | <ul style="list-style-type: none"> <li>4. J515 Driver Door Harness</li> <li>5. J519 Driver Door Trim Harness<br/>(Feature Code: 0016SPS)</li> <li>6. X505 Driver Door Harness To<br/>Driver Door Trim Harness (Feature<br/>Code: 0016WAK)</li> </ul> |
|---|--|

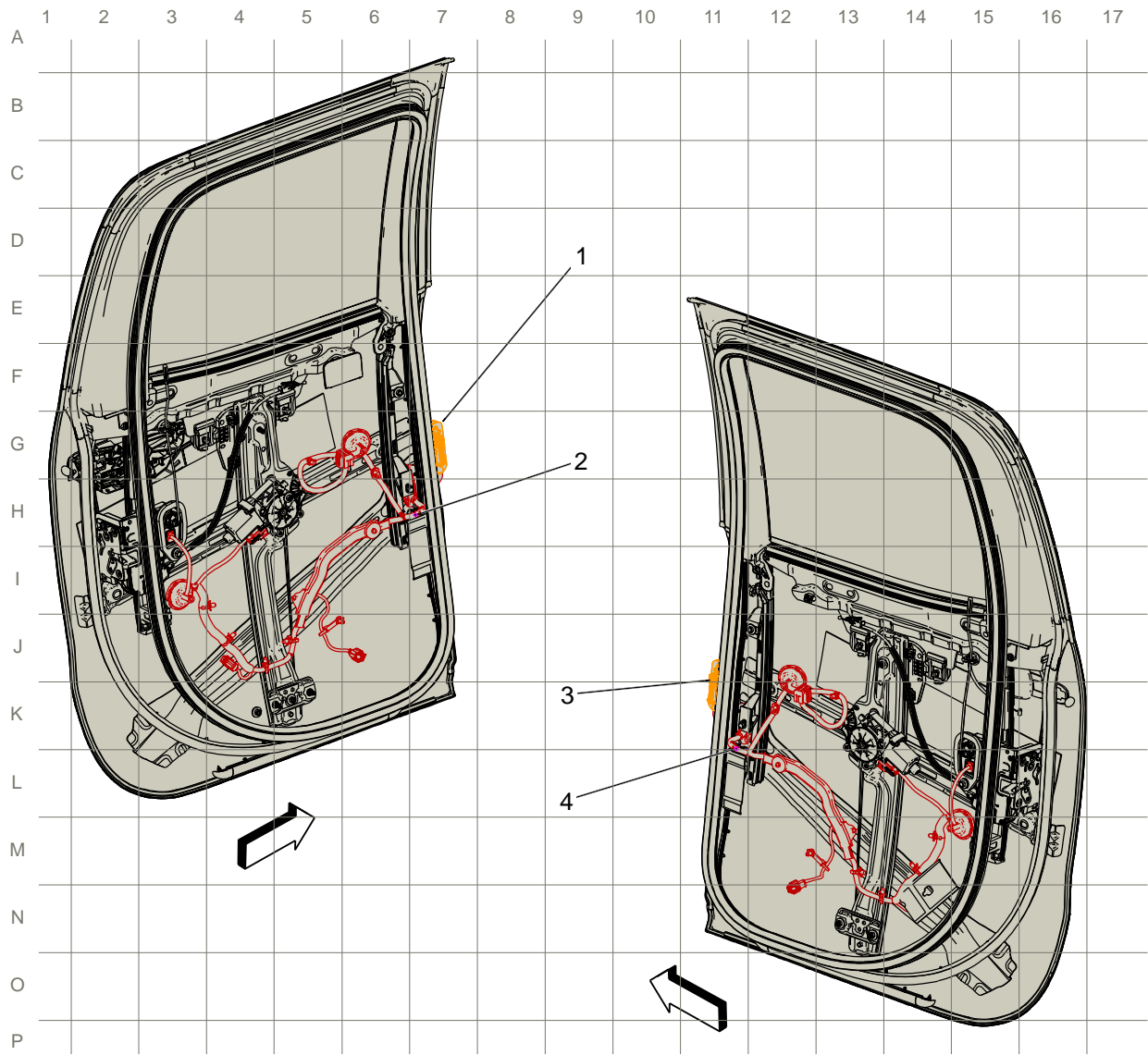
**Figure 193 Driver Door and Driver Door Trim Harness Routing (Feature Code: 0016WAK)**





- |   |   |
|---|---|
| <ul style="list-style-type: none"> <li>1. J615 Passenger Door Harness</li> <li>2. X605 Passenger Door Harness to Passenger Door Trim Harness (Feature Code: 0016WAK)</li> <li>3. X611</li> <li>4. X605 Passenger Door Harness to Passenger Door Trim Harness (Feature Code: 0016WAK)</li> </ul> | <ul style="list-style-type: none"> <li>5. J615 Passenger Door Harness</li> <li>6. X610 Outside Rearview Mirror - Passenger Harness to Passenger Door Harness (Feature Code: 0016SPS)</li> <li>7. X600 Passenger Door Harness to Body Harness</li> </ul> |
|---|---|

**Figure 194 Passenger Door and Passenger Door Trim Harness Routing (Feature Code: 0016WAK)**



- 1. X700 Left Rear Door Harness to Body Harness (Crew Cab)
- 2. J715 Left Rear Door Harness (Crew Cab)

- 3. X800 Right Rear Door Harness to Body Harness (Crew Cab)
- 4. J815 Right Rear Door Harness (Crew Cab)

**Figure 195 Left Rear Door and Right Rear Door Harness Routing (Crew Cab)**

## 16.2. COMPONENT LOCATOR

### Master Electrical Component List

Table 10 Master Electrical Component List

Code	Name	Option	Location	Locator View
A3L	Sunshade - Left	Feature Code: 0016XCS	In the passenger compartment, at the front of the headliner	—
A3R	Sunshade - Right	Feature Code: 0016XCS	In the passenger compartment, at the front of the headliner	—
A6C	Fuel Pump and Level Sensor Assembly - Primary	<ul style="list-style-type: none"> <li>• Feature Code: 0015DSZ / 0015SZP</li> <li>• Feature Code: 0015SZN</li> </ul>	<ul style="list-style-type: none"> <li>• Under the vehicle, mounted in the front fuel tank</li> <li>• Under the vehicle, mounted in the rear fuel tank</li> </ul>	—
A6D	Fuel Pump and Level Sensor Assembly - Secondary	Feature Code: 0015DSZ	Under the vehicle, mounted in the rear fuel tank	—
A9A	Outside Rearview Mirror - Driver	Feature Code: 0016SPS	Outside the vehicle, at the front of the driver door	—
A9B	Outside Rearview Mirror - Passenger	—	Outside the vehicle, at the front of the passenger door	—
A10	Inside Rearview Mirror	Feature Code: 0016ACB / 0008AAE	In the passenger compartment, at the top center of the windshield	Headliner Componentspage 288
A11	Radio	—	In the passenger compartment, in the center of the Instrument Panel behind Info Display Module, P17	Inside Center of Instrument Panel Componentspage 282
A16	Transfer Case Motor	Feature Code: 0013TLP	Under the vehicle, mounted to the transfer case	Transmission and Transfer Case Componentspage 276
A22	Radio Controls	<ul style="list-style-type: none"> <li>• Feature Code: 0008RNN / 0008RNM / 0008RNX</li> <li>• Feature Code: 0008RNV</li> </ul>	<ul style="list-style-type: none"> <li>• In the passenger compartment, at the center of the Instrument Panel, part of Info Display Module, P17</li> <li>• In the passenger compartment, at the center of the Instrument Panel, below Info Display Module, P17</li> </ul>	Front of Instrument Panel Componentspage 280

**Table 10 Master Electrical Component List (cont.)**

<b>Code</b>	<b>Name</b>	<b>Option</b>	<b>Location</b>	<b>Locator View</b>
A23D	Door Latch Assembly - Driver	—	At the rear of the driver door	Driver Door Componentspage 295
A23LR	Door Latch Assembly - Left Rear	Crew Cab	At the rear of the left rear door	Left Rear Door Componentspage 297
A23P	Door Latch Assembly - Passenger	—	At the rear of the passenger door	Passenger Door Componentspage 296
A23RR	Door Latch Assembly - Right Rear	Crew Cab	At the rear of the right rear door	Right Rear Door Componentspage 298
A26	HVAC Controls	—	In the passenger compartment, at the center of the instrument panel	Front of Instrument Panel Componentspage 280
A33	Media Disc Player	Feature Code: 0008RNS	In the passenger compartment, at the center of the Instrument Panel, behind Info Display Module, P17	Inside Center of Instrument Panel Componentspage 282
A38	Reductant Pump and Sensor Assembly	—	Under the vehicle, mounted to the outboard side of the frame, below the passenger side of the cab	—
B1	A/C Refrigerant Pressure Sensor	Feature Code: 0016XZA	In the engine compartment, at front of the engine, mounted to A/C pipe	Left Front of Engine Components.page 272
B5LF	Wheel Speed Sensor - Left Front	—	Under the vehicle, mounted the left front knuckle	—
B5LR	Wheel Speed Sensor - Left Rear	—	Under the vehicle, mounted to the outboard end of the left axle tube	—
B5RF	Wheel Speed Sensor - Right Front	—	Under the vehicle, mounted the right front knuckle	—
B5RR	Wheel Speed Sensor - Right Rear	—	Under the vehicle, mounted to the outboard end of the right axle tube	—
B9D	Ambient Air Temperature Sensor - Mirror	—	Outside the vehicle, at the front of the passenger door, within Passenger Outside Rearview Mirror, A9B	—
B10B	Ambient Light / Sunload Sensor	—	In the passenger compartment, at the top middle of the instrument panel	Front of Instrument Panel Componentspage 280

Table 10 Master Electrical Component List (cont.)

Code	Name	Option	Location	Locator View
B12A	Transmission Fluid Pressure Switch	—	Under the vehicle, inside of assembly, Automatic Transmission Assembly, T12	—
B13	Transmission Fluid Temperature Sensor	—	Under the vehicle, inside of assembly, Automatic Transmission Assembly, T12, part of the Transmission Fluid Pressure Switch, B12A	—
B14A	Transmission Output Shaft Speed Sensor	—	Under the vehicle, mounted to Automatic Transmission Assembly, T12, near rear	Transmission and Transfer Case Componentspage 276
B14B	Transmission Turbine Speed Sensor	—	Under the vehicle, mounted to Automatic Transmission Assembly, T12, near front	Transmission and Transfer Case Componentspage 276
B15	Transmission Internal Mode Switch	—	Under the vehicle, inside of assembly, Automatic Transmission Assembly, T12	—
B20	Brake Fluid Level Switch	—	In the engine compartment, mounted to the brake fluid reservoir	—
B21C	Brake Pressure Differential Switch	—	In the engine compartment, mounted to the brake master cylinder	—
B22	Brake Pedal Position Sensor	—	In the passenger compartment, in the driver side foot-well, under the instrument panel	Bulkhead Components Interiorpage 277
B23	Camshaft Position Sensor	—	In the engine compartment, at the front of the engine, mounted the timing chain cover, above crankshaft pulley	Front of Engine Componentspage 274
B24	Mobile Telephone Microphone	Feature Code: 0008RNW / 0008RNX / 0008RNM / 0008AAE	In the passenger compartment, in the left side of the overhead console	Headliner Componentspage 288
B26	Crankshaft Position Sensor	—	In the engine compartment, mounted to the right side of the engine block, at rear	Right Side of Engine Componentspage 273
B33	Engine Coolant Level Switch	—	In the engine compartment, right rear, in the engine coolant reservoir	—Bulkhead Components – Engine Compartmentpage 271

**Table 10 Master Electrical Component List (cont.)**

<b>Code</b>	<b>Name</b>	<b>Option</b>	<b>Location</b>	<b>Locator View</b>
B34	Engine Coolant Temperature Sensor	—	In the engine compartment, top front of the engine, next to the thermostat housing	Top of Engine Componentspage 275
B35	Engine Oil Level Switch	—	In the engine compartment, bottom left of the engine oil pan	Left Front of Engine Components.page 272
B37B	Engine Oil Pressure Sensor	—	In the engine compartment, mounted to the right side of engine block at rear	Left Front of Engine Components.page 272
B39	A/CEvaporator Temperature Sensor	Feature Code: 0016XZA	In the passenger compartment, behind the instrument panel, mounted in the rear of the HVAC housing	Back of HVAC Assembly Componentspage 279
B46A	Fuel Level Sensor - Primary	<ul style="list-style-type: none"> <li>• Feature Code: 0015DSZ / 0015SZP</li> <li>• Feature Code: 0015SZN</li> </ul>	<ul style="list-style-type: none"> <li>• Under the vehicle, inside the front fuel tank, part of the Primary Fuel Pump and Level Sensor Assembly, A6C</li> <li>• Under the vehicle, inside the rear fuel tank, part of the Primary Fuel Pump and Level Sensor Assembly, A6C</li> </ul>	—
B46B	Fuel Level Sensor - Secondary	Feature Code: 0015DSZ	Under the vehicle, inside the rear fuel tank, part of the Secondary Fuel Pump and Level Sensor Assembly, A6D	—
B47	Fuel Pressure Sensor	—	Under the vehicle, mounted fuel pipe, along the left frame rail, under left side of cab	—
B47B	Fuel Rail Pressure Sensor	—	In the engine compartment, at the top of the engine, mounted to the fuel rail at front	Top of Engine Componentspage 275
B55	Engine Hood Switch	Feature Code: 0012VEG	At the front vehicle, mounted to the hood, near the left Headlight	—
B59	Front Impact Sensor	—	In the engine compartment, at the center of front frame cross-member	Front of Frame Componentspage 270
B65	Intake Manifold Pressure and Air Temperature Sensor	—	In the engine compartment, at front of engine, mounted to the upper intake manifold	Top of Engine Componentspage 275

Table 10 Master Electrical Component List (cont.)

Code	Name	Option	Location	Locator View
B75C	Multifunction Intake Air Sensor	—	In the engine compartment, front, right of center, in air intake tube, near the air filter housing	Left Front of Engine Components,page 272
B80	Park Brake Switch	—	In the passenger compartment, at the left side of the driver foot-well	Bulkhead Components Interiorpage 277
B87	Rearview Camera	Feature Code: 0008RNY	At the rear of vehicle, on right frame rail	—
B88D	Seat Belt Switch - Driver	—	In the passenger compartment, at the inboard side of the driver seat, part of Driver Seat Belt Buckle, B153D	Front of Driver Seat Componentspage 289
B107	Accelerator Pedal Position Sensor	—	In the passenger compartment, in the driver side foot-well, under the instrument panel	Bulkhead Components Interiorpage 277
B115	Vehicle Speed Sensor	<ul style="list-style-type: none"> <li>• Without Feature Code: 0013TLP</li> <li>• 0013TLP</li> </ul>	<ul style="list-style-type: none"> <li>• Under the vehicle, at the rear of Automatic Transmission Assembly, T12</li> <li>• Under the vehicle, at the rear of the transfer case</li> </ul>	—
B118B	Windshield Washer Fluid Level Switch	—	The the engine compartment, right rear, in the washer fluid reservoir	—
B130A	EGRIT (Exhaust Gas Recirculation Temperature Sensor 1)	—	In the engine compartment, on right side of the engine, mounted to the exhaust manifold	Right Side of Engine Componentspage 273
B130B	EGROT (Exhaust Gas Recirculation Temperature Sensor 2)	—	In the engine compartment, at right front of the engine, in the exhaust gas recirculation pipe, near intake manifold	Top of Engine Componentspage 275
B131A	DOCIT (Exhaust Temperature Sensor 1)	—	In the engine compartment, at the center rear of the engine, mounted on right front of Oxidation Catalytic Converter	Top of Engine Componentspage 275

Table 10 Master Electrical Component List (cont.)

Code	Name	Option	Location	Locator View
B131B	DOCOT (Exhaust Temperature Sensor 2)	—	In the engine compartment, at the rear of the engine right of center, mounted to the exhaust pipe after the Oxidation Catalytic Converter	Top of Engine Componentspage 275
B131C	DPFIT (Exhaust Temperature Sensor 3)	—	Under the vehicle, attached to the exhaust pipe, forward of the diesel particulate filter	—
B131D	DPFOT (Exhaust Temperature Sensor 4)	—	Under the vehicle, attached to the middle of the diesel particulate filter	—
B131E	Exhaust Temperature Sensor 5	—	Under the vehicle, attached to the exhaust pipe, rearward of the diesel particulate filter	—
B136	Exhaust Particulate Matter Sensor	—	Under the vehicle, attached to the exhaust pipe, rearward of the diesel particulate filter	—
B153D	Seat Belt Buckle - Driver	—	In the passenger compartment, at the inboard side of the driver seat	—
B154	Diesel Particulate Filter Exhaust Differential Pressure Sensor	—	Under the vehicle, mounted to the right frame rail, near the diesel particulate filter	—
B193A	Charge Air Cooler Inlet Temperature Sensor	—	In the engine compartment, mounted in the air inlet tube, below Turbocharger Vane Position Actuator, M103	Top of Engine Componentspage 275
B193B	Charge Air Cooler Outlet Temperature Sensor	—	In the engine compartment, mounted in the air inlet tube, near Intake Air Flow Valve, Q20	Left Front of Engine Components.page 272
B194	Reductant Pressure Sensor	—	Inside of Assembly, Reductant Pump and Sensor Assembly, A38	—
B195A	Nitrogen Oxides Sensor 1	—	In the engine compartment, at the center rear of the engine, mounted on left front of Oxidation Catalytic Converter	—Bulkhead Components – Engine Compartmentpage 271
B195B	Nitrogen Oxides Sensor 2	—	Under the vehicle, attached to the exhaust pipe	—



Table 10 Master Electrical Component List (cont.)

Code	Name	Option	Location	Locator View
B213A	Reductant Level Sensor 1	—	Inside of Assembly, Reductant Pump and Sensor Assembly, A38	—
B214	Reductant Temperature Sensor	—	Inside of Assembly, Reductant Pump and Sensor Assembly, A38	—
B295	Reductant Quality Sensor	—	Under the vehicle, mounted to reductant reservoir, below the passenger side of the cab	—
C1	Battery	<ul style="list-style-type: none"> <li>• Feature Code: 0008MVZ / 0008MWA</li> <li>• Feature Code: 0008MSD</li> </ul>	<ul style="list-style-type: none"> <li>• Outside the vehicle, under the driver door, in battery box</li> <li>• Outside the vehicle, rear of cab, on temporary frame mount</li> </ul>	—
C1B	Battery - Auxiliary	<ul style="list-style-type: none"> <li>• Feature Code: 0008MVZ / 0008MWA</li> <li>• Feature Code: 0008MSD</li> </ul>	<ul style="list-style-type: none"> <li>• Outside the vehicle, under the driver door, in battery box</li> <li>• Outside the vehicle, rear of cab, on temporary frame mount</li> </ul>	Rear of Vehicle Componentspage 299
E1L	Accent Lamp - Overhead Console	—	In the passenger compartment, at the front of the headliner, in the overhead console	—
E2LM	Side Marker Lamp - Left Middle	Feature Code: 0016SPS	Outside the vehicle, at the front of the driver door, within Driver Outside Rearview Mirror, A9A	Front of Vehicle Componentspage 268
E2RM	Side Marker Lamp - Right Middle	Feature Code: 0016SPS	Outside the vehicle, at the front of the passenger door, within Passenger Outside Rearview Mirror, A9B	Front of Vehicle Componentspage 268
E3A	Roof Clearance Lamp - Left Front Outer	—	Outside the vehicle, at the front of the roof	Front of Vehicle Componentspage 268
E3C	Roof Clearance Lamp - Front Middle	—	Outside the vehicle, at the front of the roof	Front of Vehicle Componentspage 268

**Table 10 Master Electrical Component List (cont.)**

<b>Code</b>	<b>Name</b>	<b>Option</b>	<b>Location</b>	<b>Locator View</b>
E3E	Roof Clearance Lamp - Right Front Outer	—	Outside the vehicle, at the front of the roof	Front of Vehicle Componentspage 268
E4E	Headlight - Left High Beam	—	Outside the vehicle, at the left front corner, within Left Headlight Assembly, E13LA	Front of Vehicle Componentspage 268
E4F	Headlight - Right High Beam	—	Outside the vehicle, at the left front corner, within Right Headlight Assembly, E13RA	Front of Vehicle Componentspage 268
E4G	Headlight - Left Low Beam	—	Outside the vehicle, at the left front corner, within Left Headlight Assembly, E13LA	Front of Vehicle Componentspage 268
E4H	Headlight - Right Low Beam	—	Outside the vehicle, at the left front corner, within Right Headlight Assembly, E13RA	Front of Vehicle Componentspage 268
E4Q	Park / Turn Signal Lamp - Left Lower	—	Outside the vehicle, at the left front corner, within Left Headlight Assembly, E13LA	Front of Vehicle Componentspage 268
E4R	Park / Turn Signal Lamp - Right Lower	—	Outside the vehicle, at the left front corner, within Right Headlight Assembly, E13RA	Front of Vehicle Componentspage 268
E4S	Park / Turn Signal Lamp - Left Upper	—	Outside the vehicle, at the left front corner, within Left Headlight Assembly, E13LA	Front of Vehicle Componentspage 268
E4T	Park / Turn Signal Lamp - Right Upper	—	Outside the vehicle, at the left front corner, within Right Headlight Assembly, E13RA	Front of Vehicle Componentspage 268
E4Y	Turn Signal Repeater Lamp - Left	Feature Code: 0016SPS	Outside the vehicle, at the front of the driver door, within Driver Outside Rearview Mirror, A9A	Rear of Vehicle Componentspage 299
E4Z	Turn Signal Repeater Lamp - Right	Feature Code: 0016SPS	Outside the vehicle, at the front of the passenger door, within Passenger Outside Rearview Mirror, A9B	Rear of Vehicle Componentspage 299
E5A	Backup Lamp - Left	Without Feature Code: 0008TKD	Outside the vehicle, at the left rear of the vehicle, within Left Tail Lamp Assembly, E42L	—
E5B	Backup Lamp - Right	Without Feature Code: 0008TKD	Outside the vehicle, at the left rear of the vehicle, within Right Tail Lamp Assembly, E42R	—

Table 10 Master Electrical Component List (cont.)

Code	Name	Option	Location	Locator View
E5S	Tail / Stop and Turn Signal Lamp - Left	Without Feature Code: 0008TKD	Outside the vehicle, at the left rear of the vehicle, within Left Tail Lamp Assembly, E42L	—
E5T	Tail / Stop and Turn Signal Lamp - Right	Without Feature Code: 0008TKD	Outside the vehicle, at the left rear of the vehicle, within Right Tail Lamp Assembly, E42R	—
E6	Center High Mounted Stop Lamp	—	Outside the vehicle, at the rear center of the roof	Rear of Vehicle Componentspage 299
E11A	Fuel Heater / Water in Fuel Sensor	—	Under the vehicle, mounted to the left frame rail, under left side of cab	—
E12A	Glow Plug 1	—	In the engine compartment, In the bank 1 cylinder head at cylinder 1	—
E12B	Glow Plug 2	—	In the engine compartment, In the bank 2 cylinder head at cylinder 2	Left Front of Engine Components.page 272
E12C	Glow Plug 3	—	In the engine compartment, In the bank 1 cylinder head at cylinder 3	Right Side of Engine Componentspage 273
E12D	Glow Plug 4	—	In the engine compartment, In the bank 2 cylinder head at cylinder 4	Left Front of Engine Components.page 272
E12E	Glow Plug 5	—	In the engine compartment, In the bank 1 cylinder head at cylinder 5	Right Side of Engine Componentspage 273
E12F	Glow Plug 6	—	In the engine compartment, In the bank 2 cylinder head at cylinder 6	Left Front of Engine Components.page 272
E12G	Glow Plug 7	—	In the engine compartment, In the bank 1 cylinder head at cylinder 7	Right Side of Engine Componentspage 273
E12H	Glow Plug 8	—	In the engine compartment, In the bank 2 cylinder head at cylinder 8	Left Front of Engine Components.page 272
E13LA	Headlight Assembly - Left	—	Outside the vehicle, at the left front corner	—
E13RA	Headlight Assembly - Right	—	Outside the vehicle, at the right front corner	—

**Table 10 Master Electrical Component List (cont.)**

<b>Code</b>	<b>Name</b>	<b>Option</b>	<b>Location</b>	<b>Locator View</b>
E14A	Seat Heating Element - Driver Back	Feature Code: 0016XJR (KA1)	In the passenger compartment, in the driver seat back	Front of Driver Seat Componentspage 289
E14B	Seat Heating Element - Driver Cushion	Feature Code: 0016XJR (KA1)	In the passenger compartment, in the driver seat cushion	Front of Driver Seat Componentspage 289
E14C	Seat Heating Element - Passenger Back	Feature Code: 0016XJR (KA1)	In the passenger compartment, in the passenger seat back	Back of Passenger Seat Componentspage 293
E14D	Seat Heating Element - Passenger Cushion	Feature Code: 0016XJR (KA1)	In the passenger compartment, in the passenger seat cushion	Front of Passenger Seat Componentspage 292
E17D	Outside Rearview Mirror Glass - Driver	Feature Code: 0016SPS	Outside the vehicle, at the front of the driver door, within Driver Outside Rearview Mirror, A9A	Rear of Vehicle Componentspage 299
E17P	Outside Rearview Mirror Glass - Passenger	Feature Code: 0016SPS	Outside the vehicle, at the front of the passenger door, within Passenger Outside Rearview Mirror, A9B	Rear of Vehicle Componentspage 299
E18	Rear Defogger Grid	Feature Code: 0008AAB	At the rear of the passenger compartment, part of the rear window glass	Rear of Vehicle Componentspage 299
E28	Center Console Compartment Lamp	Feature Code: 0016XCN	In the passenger compartment, inside the center console storage bin	Floor Console Componentspage 285
E29LF	Fog Lamp - Left Front	Feature Code: 0008XJG	Outside the vehicle, at the left front corner, in the front bumper, below the headlight assembly	Front of Vehicle Componentspage 268
E29RF	Fog Lamp - Right Front	Feature Code: 0008XJG	Outside the vehicle, at the right front corner, in the front bumper, below the headlight assembly	Front of Vehicle Componentspage 268
E31L	Sunshade Mirror Lamp - Left	Feature Code: 0016XCS	In the passenger compartment, at the front of the headliner, part of assembly, Left Sunshade, A3L	Headliner Componentspage 288
E31R	Sunshade Mirror Lamp - Right	Feature Code: 0016XCS	In the passenger compartment, at the front of the headliner, part of assembly, Right Sunshade, A3R	Headliner Componentspage 288

Table 10 Master Electrical Component List (cont.)

Code	Name	Option	Location	Locator View
E33	Cargo Lamp	—	At the rear of vehicle, on right frame rail	—
E37B	Dome / Reading Lamps - 2nd Row	Crew Cab-Feature Code: 0016LVT	In the passenger compartment, near the center of the headliner	Headliner Componentspage 288
E37EL	Dome / Reading Lamps - Front Overhead Console Left	—	In the passenger compartment, at the left side of the overhead console	—
E37ER	Dome / Reading Lamps - Front Overhead Console Right	—	In the passenger compartment, at the right side of the overhead console	—
E40	Electrical Auxiliary Heater	Feature Code: C32	In the passenger compartment, at the top of the HVAC box	Front of HVAC Assembly Componentspage 278
E42L	Tail Lamp Assembly - Left	Without Feature Code: 0008TKD	Outside the vehicle, at the left rear of the vehicle	—
E42R	Tail Lamp Assembly - Right	Without Feature Code: 0008TKD	Outside the vehicle, at the right rear of the vehicle	—
E52A	Reductant Line Heater 1	—	Under the vehicle, attached to Reductant Injector, Q61	—
E52B	Reductant Line Heater 2	—	Under the vehicle, attached to reductant reservoir	—
E53	Reductant Tank Heater	—	Inside of Assembly, Reductant Pump and Sensor Assembly, A38	—
E63D	Flood Lamp - Driver Door Handle	Feature Code: 0016WAK	In the driver door, door handle trim	—
E63P	Flood Lamp - Passenger Door Handle	Feature Code: 0016WAK	In the passenger door, door handle trim	—
E70D	Outside Rearview Mirror Cargo Lamp - Driver	Feature Code: 0016SPS	Outside the vehicle, at the front of the driver door, within A9A Outside Rearview Mirror - Driver	Rear of Vehicle Componentspage 299
E70P	Outside Rearview Mirror Cargo Lamp - Passenger	Feature Code: 0016SPS	Outside the vehicle, at the front of the passenger door, within A9B Outside Rearview Mirror - Passenger	Rear of Vehicle Componentspage 299

Table 10 Master Electrical Component List (cont.)

Code	Name	Option	Location	Locator View
F101	Passenger Instrument Panel Air Bag	—	In the passenger compartment, behind the instrument panel upper glove box	—
F107	Steering Wheel Air Bag	—	In the passenger compartment, mounted to the middle of the steering wheel	—
F112D	Seat Belt Retractor Pretensioner - Driver	—	In the passenger compartment, at the base of the driver side B-pillar	Passenger Compartment Components – Leftpage 286
F112P	Seat Belt Retractor Pretensioner - Passenger	—	In the passenger compartment, at the base of the passenger side B-pillar	Passenger Compartment Components – Rightpage 287
G1	A/CCompressor	Feature Code: 0016XZA	In the engine compartment, mounted to the front of the engine	—
G12A	Fuel Pump - Primary	<ul style="list-style-type: none"> <li>• Feature Code: 0015DSZ / 0015SZP</li> <li>• Feature Code: 0015SZN</li> </ul>	<ul style="list-style-type: none"> <li>• Under the vehicle, inside the front fuel tank, part of Primary Fuel Pump and Level Sensor Assembly, A6C</li> <li>• Under the vehicle, inside the rear fuel tank, part of Primary Fuel Pump and Level Sensor Assembly, A6C</li> </ul>	—
G12B	Fuel Pump - Secondary	Feature Code: 0015DSZ	Under the vehicle, inside the rear fuel tank, part of Secondary Fuel Pump and Level Sensor Assembly, A6D	—
G13	Alternator (Generator)	—	In the engine compartment, at the top left front of the engine	Left Front of Engine Components.page 272
G13E	Alternator (Generator) - Auxiliary	Feature Code: 0008GJC	In the engine compartment, at the top right front of the engine	Left Front of Engine Components.page 272
G24	Windshield Washer Pump	—	The the engine compartment, right rear, in the washer fluid reservoir	—Bulkhead Components – Engine Compartmentpage 271
G33	Reductant Pump	—	Inside of Reductant Pump and Sensor Assembly, K38	—

Table 10 Master Electrical Component List (cont.)

Code	Name	Option	Location	Locator View
K9	Body Control Module	—	In the passenger compartment, behind the driver side of the instrument panel, outboard of the steering column	Back of Instrument Panel Componentspage 281
K17	Electronic Brake Control Module	—	Under the vehicle, mounted to the left frame rail, under left side of cab	—
K20	Engine Control Module	—	In the engine compartment, left front, mounted to the radiator support near top	Radiator Support Componentspage 269
K29	Seat Heating Control Module	Feature Code: 0016XJR	In the passenger compartment, under the passenger seat cushion	Bottom of Passenger Seat Componentspage 294
K33	HVAC Control Module	—	In the passenger compartment, behind the instrument panel, right of center, at the top of the HVAC box	Front of HVAC Assembly Componentspage 278
K34	Glow Plug Control Module	—	In the engine compartment, mounted to the top of the engine at right	Front of Engine Componentspage 274
K36	Inflatable Restraint Sensing and Diagnostic Module	—	In the passenger compartment, bolted to the floor between the front seats	Passenger Compartment Components – Leftpage 286
K38A	Chassis Control Module - Auxiliary	Feature Code: 0008HBW	Under the vehicle, mounted to the left frame rail, under left side of cab	—
K44	Power Take-Off Control Module	Feature Code: 0012WGG	Under the vehicle, mounted to the right frame rail, near rear of cab	Below Right Rear of Cab Componentspage 300
K56	Serial Data Gateway Module	—	In the passenger compartment, under the instrument panel, left of the steering column	Back of Instrument Panel Componentspage 281
K69	Transfer Case Control Module	Feature Code: 0013TLP	In the passenger compartment, behind the instrument panel, mounted to the bulkhead above accelerator pedal	Bulkhead Components Interiorpage 277
K71	Transmission Control Module	—	In the engine compartment, left front, mounted to the radiator support, below K20 Engine Control Module	Radiator Support Componentspage 269

**Table 10 Master Electrical Component List (cont.)**

<b>Code</b>	<b>Name</b>	<b>Option</b>	<b>Location</b>	<b>Locator View</b>
K73	Telematics Communication Interface Control Module	Feature Code: 0008AAE	In the passenger compartment, in the middle of the instrument panel, behind the info display module	Inside Center of Instrument Panel Componentspage 282
K74	Human Machine Interface Control Module	Feature Code: 0008RNW / 0008RNX	In the passenger compartment, behind the passenger side of the instrument panel, behind lower instrument panel compartment	Back of Instrument Panel Componentspage 281
K77	Remote Control Door Lock Receiver	—	In the passenger compartment, right rear, above headliner	Passenger Compartment Components – Rightpage 287
K89	Immobilizer Control Module	—	In the passenger compartment, on the steering column side, near the ignition cylinder	—
K111	Fuel Pump Driver Control Module	—	Under the vehicle, mounted to the left frame rail, under left side of cab	—
K115	Reductant Control Module	—	Under the vehicle, mounted to reductant reservoir, below the passenger side of the cab	—
K133	Trailer Brake Power Control Module	Feature Code: 0008HBW	Under the vehicle, mounted to the left frame rail, near rear of cab	—
M4	Air Inlet Door Actuator	—	In the passenger compartment, behind the instrument panel glove box, mounted to the HVAC housing	Front of HVAC Assembly Componentspage 278
M6	Air Temperature Door Actuator	—	In the passenger compartment, center, mounted to the top of the HVAC housing	Front of HVAC Assembly Componentspage 278
M7	Transmission Shift Lock Control Solenoid Actuator	—	In the passenger compartment, right side of the steering wheel, attached to transmission shift lever	—
M8	Blower Motor	—	In the passenger compartment, under the right side of the instrument panel, above the hush panel	Back of HVAC Assembly Componentspage 279



Table 10 Master Electrical Component List (cont.)

Code	Name	Option	Location	Locator View
M9	Brake Booster Pump Motor	—	In the engine compartment, left rear, mounted to bottom of brake booster	—
M37	Mode Door Actuator	—	In the passenger compartment, left of center, mounted to the left side of the HVAC housing	Front of HVAC Assembly Componentspage 278
M50D	Seat Front Vertical Motor - Driver	Feature Code: 0016KVV / 0016KVU	In the passenger compartment, under the driver seat cushion	Bottom of Driver Seat Componentspage 291
M50P	Seat Front Vertical Motor - Passenger	Feature Code: 0016KVV / AG2	In the passenger compartment, under the passenger seat cushion	—
M51D	Seat Horizontal Motor - Driver	Feature Code: 0016KVV / 0016KVU	In the passenger compartment, under the driver seat cushion	Bottom of Driver Seat Componentspage 291
M51P	Seat Horizontal Motor - Passenger	Feature Code: 0016KVV / AG2	In the passenger compartment, under the passenger seat cushion	Bottom of Passenger Seat Componentspage 294
M52D	Seat Lumbar Support Horizontal Motor - Driver	Feature Code: 0016KVV	In the passenger compartment, in the driver seat back	Back of Driver Seat Componentspage 290
M52P	Seat Lumbar Support Horizontal Motor - Passenger	Feature Code: 0016KVV	In the passenger compartment, in the passenger seat back	Back of Passenger Seat Componentspage 293
M55D	Seat Rear Vertical Motor - Driver	Feature Code: 0016KVV / 0016KVU	In the passenger compartment, under the driver seat cushion	v4978137
M55P	Seat Rear Vertical Motor - Passenger	Feature Code: 0016KVV / AG2	In the passenger compartment, under the passenger seat cushion	—
M56D	Seat Recline Motor - Driver	Feature Code: 0016KVV / 0016KVU	In the passenger compartment, in the driver seat back	Back of Driver Seat Componentspage 290
M56P	Seat Recline Motor - Passenger	Feature Code: 0016KVV / AG2	In the passenger compartment, in the passenger seat back	Back of Passenger Seat Componentspage 293
M64	Starter Motor	—	In the engine compartment, mounted to the right side of the engine block, at rear	Right Side of Engine Componentspage 273
M74D	Window Motor - Driver	—	In the driver door, near middle	Driver Door Componentspage 295
M74LR	Window Motor - Left Rear	Crew Cab	In the left rear door, near middle	Left Rear Door Componentspage 297

**Table 10 Master Electrical Component List (cont.)**

Code	Name	Option	Location	Locator View
M74P	Window Motor - Passenger	—	In the passenger door, near middle	Passenger Door Componentspage 296
M74RR	Window Motor - Right Rear	Crew Cab	In the right rear door, near middle	Right Rear Door Componentspage 298
M75	Windshield Wiper Motor	—	In the engine compartment, below the left lower corner of the windshield	Bulkhead Components– Engine Compartmentpage 271
M77D	Outside Rearview Mirror Motor - Driver	Feature Code: 0016SPS	Outside the vehicle, at the front of the driver door, within A9A Outside Rearview Mirror - Driver	—
M77P	Outside Rearview Mirror Motor - Passenger	Feature Code: 0016SPS	Outside the vehicle, at the front of the passenger door, within A9B Outside Rearview Mirror - Passenger	—
M103	Turbocharger Vane Position Actuator	—	In the engine compartment, at the top of the engine, above the turbocharger	Top of Engine Componentspage 275
M114	Exhaust Gas Recirculation Cooler Bypass Valve Actuator	—	In the engine compartment, at top of engine, near turbocharger	Top of Engine Componentspage 275
P3	Backup Alarm	Feature Code: 0008THB	At the rear of vehicle, on right frame rail	—
P12	Horn	—	In the engine compartment, center of the second frame cross-member	Front of Frame Componentspage 270
P14	Passenger Air Bag Disabled Indicator	—	In the passenger compartment, at the front of the roof, in the overhead console	—
P16	Instrument Cluster	—	In the passenger compartment, in the driver side of the instrument panel	Front of Instrument Panel Componentspage 280
P17	Info Display Module	—	In the passenger compartment, at the center of the instrument panel	Front of Instrument Panel Componentspage 280
P19AG	Speaker - Left Front Door	—	In the driver door, at front bottom	Driver Door Componentspage 295
P19AH	Speaker - Right Front Door	—	In the passenger door, at front bottom	Passenger Door Componentspage 296
P19AL	Speaker - Left Rear Door	Crew Cab	In the left rear door, at front bottom	Left Rear Door Componentspage 297

Table 10 Master Electrical Component List (cont.)

Code	Name	Option	Location	Locator View
P19AM	Speaker - Right Rear Door	Crew Cab	In the right rear door, at front bottom	Right Rear Door Componentspage 298
P19AN	Speaker - Left Rear Trim Panel	Standard Cab	In the passenger compartment, at the left rear corner of the cab, near the driver seat headrest	Passenger Compartment Components – Leftpage 286
P19AP	Speaker - Right Rear Trim Panel	Standard Cab	In the passenger compartment, at the right rear corner of the cab, near the passenger seat headrest	Passenger Compartment Components – Rightpage 287
P19J	Speaker - Left Instrument Panel	—	In the passenger compartment, in the top of the left side of the instrument panel	Back of Instrument Panel Componentspage 281
P19W	Speaker - Right Instrument Panel	—	In the passenger compartment, in the top of the right side of the instrument panel	Back of Instrument Panel Componentspage 281
Q2	A/C Compressor Clutch	Feature Code: 0016XZA	In the engine compartment, at the front of A/C compressor, G1	Left Front of Engine Components.page 272
Q5	Brake Pressure Modulator	—	Under the vehicle, along the left frame rail, under left side of cab, mounted to Electronic Brake Control Module, K17	—
Q14	Exhaust Gas Recirculation Valve	—	In the engine compartment, at right front of engine	Front of Engine Componentspage 274
Q17A	Fuel Injector 1	—	In the engine compartment, In the bank 1 cylinder head at cylinder 1	Right Side of Engine Componentspage 273
Q17B	Fuel Injector 2	—	In the engine compartment, In the bank 2 cylinder head at cylinder 2	Left Front of Engine Components.page 272
Q17C	Fuel Injector 3	—	In the engine compartment, In the bank 1 cylinder head at cylinder 3	Right Side of Engine Componentspage 273
Q17D	Fuel Injector 4	—	In the engine compartment, In the bank 2 cylinder head at cylinder 4	Left Front of Engine Components.page 272
Q17E	Fuel Injector 5	—	In the engine compartment, In the bank 1 cylinder head at cylinder 5	Right Side of Engine Componentspage 273

**Table 10 Master Electrical Component List (cont.)**

<b>Code</b>	<b>Name</b>	<b>Option</b>	<b>Location</b>	<b>Locator View</b>
Q17F	Fuel Injector 6	—	In the engine compartment, In the bank 2 cylinder head at cylinder 6	Left Front of Engine Components.page 272
Q17G	Fuel Injector 7	—	In the engine compartment, In the bank 1 cylinder head at cylinder 7	Right Side of Engine Componentspage 273
Q17H	Fuel Injector 8	—	In the engine compartment, In the bank 2 cylinder head at cylinder 8	Left Front of Engine Components.page 272
Q18A	Fuel Pressure Regulator 1	—	In the engine compartment, mounted on top of the fuel injection pump, near thermostat housing	Top of Engine Componentspage 275
Q18B	Fuel Pressure Regulator 2	—	In the engine compartment, rear left of center, at rear of fuel rail	—
Q20	Intake Air Flow Valve	—	In the engine compartment, at the top front of the engine, mounted to the intake manifold inlet	Top of Engine Componentspage 275
Q23	Line Pressure Control Solenoid Valve	—	Under the vehicle, inside of Automatic Transmission Assembly, T12	—
Q27A	Pressure Control Solenoid Valve 1	—	Under the vehicle, inside of Automatic Transmission Assembly, T12	—
Q27B	Pressure Control Solenoid Valve 2	—	Under the vehicle, inside of Automatic Transmission Assembly, T12	—
Q27C	Pressure Control Solenoid Valve 3	—	Under the vehicle, inside of Automatic Transmission Assembly, T12	—
Q32A	Shift Solenoid Valve 1	—	Under the vehicle, inside of Automatic Transmission Assembly, T12	—
Q32B	Shift Solenoid Valve 2	—	Under the vehicle, inside of Automatic Transmission Assembly, T12	—
Q32C	Shift Solenoid Valve 3	—	Under the vehicle, inside of Automatic Transmission Assembly, T12	—

Table 10 Master Electrical Component List (cont.)

Code	Name	Option	Location	Locator View
Q39A	Torque Converter Clutch Pressure Control Solenoid Valve	—	Under the vehicle, inside of Automatic Transmission Assembly, T12	—
Q46	A/C Compressor Solenoid Valve	Feature Code: 0016XZA	In the engine compartment, within A/C compressor, G1	Left Front of Engine Components,page 272
Q61	Reductant Injector	—	Under the vehicle, attached to the exhaust pipe, downstream of the warm up nitrogen oxide catalytic converter	Below Right Rear of Cab Componentspage 300
Q85	Cooling Fan Clutch	—	In the engine compartment, front center, at cooling fan	—
R6A	Terminating Resistor - High Speed Bus	—	Under the vehicle, mounted to the left frame rail, under left side of cab	—
R6F	Terminating Resistor - High Speed Extension Bus 2	Feature Code: 0008RNW / 0008RNX / 0008AAE	In the passenger compartment, behind the instrument panel, at right side	Back of Instrument Panel Componentspage 281
R12	Power Take-Off Switch Diode	Feature Code: 0012WGG	Under the vehicle, under cab, along right frame rail, in the main bundle, between X191 and K44 Power Take-Off Control Module	—
S2	Transmission Manual Shift Switch	—	In the passenger compartment, within S3 Transmission Shift Lever	—
S3	Transmission Shift Lever	—	In the passenger compartment, mounted to the steering column	—
S5	Center Console Compartment Lamp Switch	Feature Code: 0016XCN	In the passenger compartment, under the center console compartment lid	Floor Console Componentspage 285
S12	Dome Lamp Switch	—	In the passenger compartment, near the center of the headliner, in the overhead console	—
S13D	Door Lock Switch - Driver	—	In the passenger compartment, in the driver door handle trim panel	Driver Door Componentspage 295

**Table 10 Master Electrical Component List (cont.)**

Code	Name	Option	Location	Locator View
S13P	Door Lock Switch - Passenger	—	In the passenger compartment, in the passenger door handle trim panel	Passenger Door Componentspage 296
S30	Headlight Switch	—	In the passenger compartment, left of the steering column	Front of Instrument Panel Componentspage 280
S32D	Seat Heating Switch - Driver	Feature Code: 0016XJR	In the passenger compartment, on driver side of HVAC controls, A26	Front of Instrument Panel Componentspage 280
S32P	Seat Heating Switch - Passenger	Feature Code: 0016XJR	In the passenger compartment, on passenger side of HVAC controls, A26	Front of Instrument Panel Componentspage 280
S33	Horn Switch	—	In the passenger compartment, in the center of the steering wheel, behind the driver side air bag	—
S39	Ignition Switch	—	In the passenger compartment, behind the steering wheel, on the right side of the steering column	—
S40	Passenger Air Bag Disable Switch	Feature Code: 0016XCR	In the passenger compartment, in the right instrument panel closeout	Front of Instrument Panel Componentspage 280
S48A	Multifunction Switch - Instrument Panel	—	In the passenger compartment, near the center of the instrument panel	Front of Instrument Panel Componentspage 280
S51	Telematics Button Assembly	Feature Code: 0008AAE	In the passenger compartment, within Inside Rearview Mirror, A11	—
S52	Outside Rearview Mirror Switch	Feature Code: 0016SPS	In the passenger compartment, on the driver door trim panel	Driver Door Componentspage 295
S63	Roof Beacon Switch	Feature Code: 0008XKS	In the passenger compartment, behind the overhead console, near the top	—
S64D	Seat Adjuster Switch - Driver	Feature Code: 0016KVV / 0016KVU	In the passenger compartment, mounted to the outboard side of the driver seat cushion	Front of Driver Seat Componentspage 289

Table 10 Master Electrical Component List (cont.)

Code	Name	Option	Location	Locator View
S64P	Seat Adjuster Switch - Passenger	Feature Code: 0016KVV / AG2	In the passenger compartment, mounted to the outboard side of the passenger seat cushion	Front of Passenger Seat Componentspage 292
S70E	Steering Wheel Controls Switch - Radio Presets	Feature Code: UK3	In the passenger compartment, on the left rear side of the steering wheel	—
S70F	Steering Wheel Controls Switch - Radio Volume	Feature Code: UK3	In the passenger compartment, on the right rear side of the steering wheel	—
S70L	Steering Wheel Controls Switch - Left	—	In the passenger compartment, on the left side of the steering wheel	—
S70R	Steering Wheel Controls Switch - Right	Feature Code: UK3	In the passenger compartment, on the right side of the steering wheel	—
S74	Tow / Haul Mode Switch	—	In the passenger compartment, within Transmission Shift Lever, S3	—
S76	Trailer Brake Control Switch	Feature Code: 0008HBW	In the passenger compartment, lower left side of the instrument panel	Front of Instrument Panel Componentspage 280
S77	Transfer Case Shift Control Switch	Feature Code: 0013TLP	In the passenger compartment, left side of the instrument panel	Front of Instrument Panel Componentspage 280
S78	Turn Signal / Multifunction Switch	—	In the passenger compartment, on the left side of the steering column	—
S79D	Window Switch - Driver	—	In the driver door, at the center of the driver door, on the door trim panel	Driver Door Componentspage 295
S79LR	Window Switch - Left Rear	Crew Cab	In the left rear door, at the center of the left rear door, on the door trim panel	Left Rear Door Componentspage 297
S79P	Window Switch - Passenger	—	In the passenger door, at the center of the passenger door, on the door trim panel	Passenger Door Componentspage 296
S79RR	Window Switch - Right Rear	Crew Cab	In the right rear door, at the center of the right rear door, on the door trim panel	Right Rear Door Componentspage 298

Table 10 Master Electrical Component List (cont.)

Code	Name	Option	Location	Locator View
T1	Accessory DC / AC Power Inverter Module	Feature Code: 0008XJX	In the instrument panel, right side of the steering column	—
T2	Antenna	—	In the passenger compartment, on the steering column side, inside of assembly, Immobilizer Control Module, K89	—
T2RF	Antenna - Roof Front	Feature Code: 0008RNX / 0008RNR / 0008AAE	Outside the vehicle, on the roof	Front of Vehicle Componentspage 268
T4M	Radio Antenna	—	Outside the vehicle, at the right rear of the hood	Front of Vehicle Componentspage 268
T12	Automatic Transmission Assembly	—	Under the vehicle, mounted to the rear of the engine	—
T15	Navigation Antenna Signal Splitter	Feature Code: 0008RNX and 0008AAE	In the passenger compartment, on passenger side, below defroster grille	Back of Instrument Panel Componentspage 281
TBD1	AIR DRYER	Feature Code: 0004SBX	In the engine compartment, right front, at front of right frame rail	—
TBD2	LOW AIR PRESSURE WARNING SWITCH	Feature Code: 0014TCH / 0014TDG / 0014TDH	In the engine compartment, right front, at front of right frame rail	—
TBD3	AIR SYSTEM CONTROL SOLENOID VALVE ASSEMBLY	Feature Code: 14899	Under the vehicle, near the left frame rail, forward of X401	—
TBD4	FUSE HOLDER 1 - BRAKE BOOSTER	—	In the engine compartment, left rear, near the brake master cylinder	—
TBD5	FUSE HOLDER 2 - BRAKE BOOSTER	—	In the engine compartment, left rear, near the brake master cylinder	—
TBD6	SECONDARY PRESSURE SWITCH	—	In the engine compartment, left rear, mounted to brake pipe, below the brake master cylinder	—
TBD7	BRAKE BOOSTER DIODE	—	In the engine compartment, left rear, near the brake master cylinder	—



Table 10 Master Electrical Component List (cont.)

Code	Name	Option	Location	Locator View
TBD8	FLOW SWITCH	—	In the engine compartment, left rear, mounted to top of brake booster	—
TBD9	BLUNT CUT	—	In the passenger compartment, below Instrument Panel, near Park Brake Switch, B80	—
TBD10	BLUNT CUT	—	In the passenger compartment, below Instrument Panel, breakouts to Instrument Panel Junction Block, X61A	—
TBD11	BLUNT CUT	—	In the passenger compartment, below Instrument Panel, breakouts to Instrument Panel Junction Block, X61A	—
W11	Blunt Cut - Roof Beacon Provision	Feature Code: 0008XKS	In the passenger compartment, above the headliner	—
W12	Blunt Cut - Emergency Vehicle Provision	(Feature Code: ) (ANM)	In the passenger compartment, X61A, Junction Block - Instrument Panel, X7	—
X50A	Fuse Block - Underhood	—	In the engine compartment, left rear	—Bulkhead Components – Engine Compartmentpage 271
X50B	Fuse Block - Underhood Auxiliary	—	In the engine compartment, left rear	—
X50D	Fuse Block - Battery	—	In the engine compartment, right rear, forward of the engine coolant reservoir	—Bulkhead Components – Engine Compartmentpage 271
X51L	Fuse Block - Instrument Panel Left	—	In the passenger compartment, left side of the instrument panel, behind end trim panel	—
X51R	Fuse Block - Instrument Panel Right	—	In the passenger compartment, right side of the instrument panel, behind end trim panel	—

**Table 10 Master Electrical Component List (cont.)**

Code	Name	Option	Location	Locator View
X61A	Junction Block - Instrument Panel	—	In the passenger compartment, behind the instrument panel, mounted to the bulkhead, left of the brake pedal	Bulkhead Components Interiorpage 277
X80D	Accessory Power Receptacle - Center Console Compartment	<ul style="list-style-type: none"> <li>• Feature Code: 0016XCN</li> <li>• Without Feature Code: 0016XCN</li> </ul>	<ul style="list-style-type: none"> <li>• In the passenger compartment, in the center console compartment</li> <li>• In the passenger compartment, in the center seat</li> </ul>	Floor Console Componentspage 285
X80E	Accessory Power Receptacle - Center Seat	Feature Code: 0016KVU	In the passenger compartment, at the rear of the center seat	—
X80G	Accessory Power Receptacle - Instrument Panel	Except Feature Code: 0016XCN	In the passenger compartment, in the instrument panel, below Instrument Panel Multifunction Switch, S48A	Front of Instrument Panel Componentspage 280
X80J	Accessory Power Receptacle - Instrument Panel 1	Feature Code: 0016XCN	In the passenger compartment, at the left center of the center console	Floor Console Componentspage 285
X80K	Accessory Power Receptacle - Instrument Panel 2	Feature Code: 0016XCN	In the passenger compartment, at the right center of the center console	Floor Console Componentspage 285
X80L	Accessory Power Receptacle - Center Console Rear	Feature Code: 0016XCN	In the passenger compartment, at the rear of the center console	—
X81	Accessory Power Receptacle - 110 volt AC	<ul style="list-style-type: none"> <li>• Feature Code: 0008XJX</li> <li>• Without Feature Code: 0016XCN</li> </ul>	<ul style="list-style-type: none"> <li>• In the passenger compartment, right front of the center console</li> <li>• In the passenger compartment, in the instrument panel, below Instrument Panel Multifunction Switch, S48A</li> </ul>	<p>Front of Instrument Panel Componentspage 280</p> <p>Floor Console Componentspage 285</p>
X83	Auxiliary Audio Input	—	In the passenger compartment, in the center console storage compartment	Floor Console Componentspage 285

Table 10 Master Electrical Component List (cont.)

Code	Name	Option	Location	Locator View
X84	Data Link Connector	—	In the passenger compartment, at the bottom of the instrument panel, at driver side	Front of Instrument Panel Componentspage 280
X85	Steering Wheel Air Bag Coil	—	In the passenger compartment, mounted to the steering column, behind the steering wheel	—
X88	Trailer Connector	Feature Code: 0008TRA	At the rear of the vehicle, near left frame rail	—
X92	USB Receptacle	Feature Code: 0008RNW / 0008RNX	<ul style="list-style-type: none"> <li>(Feature Code: 0016XCN) In the passenger compartment, at left front of the center console</li> <li>(Without Feature Code: 0016XCN) In the passenger compartment, in the instrument panel compartment</li> </ul>	Floor Console Componentspage 285
X101	Engine Chassis Harness to Engine Harness	—	In the engine compartment, at the top of the engine, near A/C compressor, G1	<ul style="list-style-type: none"> <li>Engine Harness Routing – Left Frontpage 194</li> <li>Engine Chassis Harness Routing – Leftpage 197</li> </ul>
X102	Engine Chassis Harness To Engine Cooling Fan Harness	—	In the engine compartment, front center, near cooling fan	—
X105	Engine Chassis Harness to Engine Chassis Harness	—	In the engine compartment, at left front of engine	—
X108	Forward Lamp Harness to Left Fog Lamp Interconnect Harness	Feature Code: 0008XJG	In the engine compartment, left front, attached to hood	—
X109	Left Headlight Interconnect Harness to Forward Lamp Harness	—	In the engine compartment, left front, near front of left frame rail	<ul style="list-style-type: none"> <li>Forward Lamp Harness Routingpage 193</li> </ul>

**Table 10 Master Electrical Component List (cont.)**

Code	Name	Option	Location	Locator View
X110	Left Headlight Interconnect Harness to Left Headlight Harness	—	In the engine compartment, at the rear of the Left Headlight Assembly, E13LA	—
X112	Engine Harness to Engine Jumper Harness	—	In the engine compartment, at the top of the engine, attached to intake manifold, right of X113	<ul style="list-style-type: none"> <li>• Engine Harness Routing – Left Frontpage 194</li> <li>• Engine Jumper Harness Routingpage 196</li> </ul>
X113	Engine Harness to Engine Jumper Harness	—	In the engine compartment, at the top of the engine, attached to intake manifold, left of X112	<ul style="list-style-type: none"> <li>• Engine Harness Routing – Left Frontpage 194</li> <li>• Engine Jumper Harness Routingpage 196</li> </ul>
X115	Engine Harness to Body Harness	—	In the engine compartment, left rear, near Underhood Auxiliary Fuse Block, X50B	<ul style="list-style-type: none"> <li>• Engine Chassis Harness Routing – Leftpage 197</li> <li>• Body Harness Routing – Engine Compartmentpage 199</li> </ul>
X118	Forward Lamp Harness to Right Fog Lamp Interconnect Harness	Feature Code: 0008XJG	In the engine compartment, right front, attached to hood	Forward Lamp Harness Routingpage 193
X119	Right Headlight Interconnect Harness to Forward Lamp Harness	—	In the engine compartment, right front, near front of right frame rail	—
X120	Right Headlight Interconnect Harness to Right Headlight Harness	—	In the engine compartment, at the rear of the Right Headlight Assembly, E13RA	—
X125	Engine Chassis Harness to Chassis Harness	—	Under the vehicle, at left side of transmission bell-housing	Engine Chassis Harness Routing – Leftpage 197
X138	Chassis Harness To Body Harness	—	In the engine compartment, left rear, near the rear of the Underhood Fuse Block, X50A	Body Harness Routing – Engine Compartmentpage 199

Table 10 Master Electrical Component List (cont.)

Code	Name	Option	Location	Locator View
X143	Reductant Control Module Jumper Harness to Engine Chassis Harness	—	Under the vehicle, along right frame rail, near reductant reservoir	Engine Chassis Harness Routing – Rightpage 198
X150	Forward Lamp Harness to Body Harness	—	In the engine compartment, left rear, near the rear of the Underhood Fuse Block, X50A	<ul style="list-style-type: none"> <li>• Forward Lamp Harness Routingpage 193</li> <li>• Body Harness Routing – Engine Compartmentpage 199</li> </ul>
X175	Engine Chassis Harness to Transmission Harness	—	Under the vehicle, at the rear of the Automatic Transmission Assembly, T12	Engine Chassis Harness Routing – Rightpage 198
X180	Hydromax Interconnect Harness to Chassis Harness	—	In the engine compartment, left rear, near brake master cylinder	—
X191	Engine Chassis Harness to Engine Chassis Harness	Feature Code: 0012WGG	Under the vehicle, along right frame rail, forward of the Power Take-Off Control Module, K44	Engine Chassis Harness Routing – Rightpage 198
X201	Steering Column Harness to Instrument Panel Harness	—	In the passenger compartment, behind the left side of the instrument panel, near the steering column	<ul style="list-style-type: none"> <li>• Instrument Panel Harness Routingpage 208</li> </ul>
X205	Instrument Panel Harness to Passenger Instrument Panel Air Bag Harness	—	In the passenger compartment, behind the right side of the instrument panel near the center	<ul style="list-style-type: none"> <li>• Instrument Panel Harness Routingpage 207</li> <li>• Instrument Panel Harness Routingpage 208</li> </ul>
X210	Instrument Panel Harness COAX to Antenna Jumper Harness COAX	Feature Code: 0008RNV	In the passenger compartment, between the instrument panel harness and the A-pillar	<ul style="list-style-type: none"> <li>• Instrument Panel Harness Routingpage 207</li> <li>• Instrument Panel Harness Routingpage 208</li> <li>• Right A-Pillar Harness Routingpage 210</li> </ul>

**Table 10 Master Electrical Component List (cont.)**

Code	Name	Option	Location	Locator View
X211	Instrument Panel Harness COAX to Antenna Jumper Harness COAX	Feature Code: 0008RNX without 0008AAE	In the passenger compartment, at the top right of the instrument panel, under the defroster duct trim	Instrument Panel Harness Routingpage 208
X212	Antenna Jumper Harness COAX to Instrument Panel Harness COAX	Feature Code: 0008AAE and 0592CV3	In the passenger compartment, at the top right of the instrument panel, under the defroster duct trim	—
X215	HVAC Harness to Instrument Panel Harness	—	In the passenger compartment, behind the upper right side of the instrument panel	<ul style="list-style-type: none"> <li>• HVAC Assembly Harness Routingpage 200</li> <li>• Instrument Panel Harness Routingpage 207</li> <li>• Instrument Panel Harness Routingpage 208</li> </ul>
X216	Body Harness To HVAC Harness	—	In the passenger compartment, behind the lower right side of the instrument panel	<ul style="list-style-type: none"> <li>• HVAC Assembly Harness Routingpage 200</li> <li>• Body Harness Routing – Passenger Compartment Right.page 214</li> </ul>
X217	Body Harness To HVAC Harness	—	In the passenger compartment, behind the lower right side of the instrument panel	<ul style="list-style-type: none"> <li>• HVAC Assembly Harness Routingpage 200</li> <li>• Body Harness Routing – Passenger Compartment Right.page 214</li> </ul>
X222	Instrument Panel Harness COAX to Antenna Jumper Harness COAX	Feature Code: 0008AAE	<ul style="list-style-type: none"> <li>• ((Feature Codes: 0008RNX) with (0008AAG) or (0008AAE with 0592CV3)) In the passenger compartment, between the instrument panel harness and the A-pillar</li> </ul>	<ul style="list-style-type: none"> <li>• Instrument Panel Harness Routingpage 207</li> <li>• Instrument Panel Harness Routingpage 208</li> </ul>

Table 10 Master Electrical Component List (cont.)

Code	Name	Option	Location	Locator View
			<ul style="list-style-type: none"> <li>((Feature Codes: 0008RNN or 0008RNW) with (0008AAG) or (0008AAE with 0592CV3)) In the passenger compartment, between the instrument panel harness and the A-pillar</li> </ul>	<ul style="list-style-type: none"> <li>Right A-Pillar Harness Routingpage 210</li> </ul>
X225	Body Harness To Instrument Panel Harness	—	In the passenger compartment, behind the lower left side of the instrument panel	<ul style="list-style-type: none"> <li>Instrument Panel Harness Routingpage 207</li> <li>Body Harness Routing – Passenger Compartment Leftpage 212</li> </ul>
X245	Antenna Jumper Harness COAX to Antenna Jumper Harness COAX	—	In the passenger compartment, at the top right of the instrument panel, under the defroster duct trim	Radio Coax Routingpage 206
X275	Instrument Panel Harness to Body Harness	—	In the passenger compartment, behind the lower right side of the instrument panel	<ul style="list-style-type: none"> <li>Instrument Panel Harness Routingpage 207</li> <li>Body Harness Routing – Passenger Compartment Right.page 214</li> </ul>
X300	Instrument Panel Harness to Floor Console Harness	Feature Code: 0016XCN	In the passenger compartment, behind the lower center of the instrument panel	<ul style="list-style-type: none"> <li>Floor Console Harness Routingpage 205</li> </ul>
X301	Body Harness USB to Instrumental Panel Harness USB	Without Feature Code: 0016XCN	In the passenger compartment, at the base of the right A-pillar behind the trim panel	<ul style="list-style-type: none"> <li>Instrument Panel Harness Routingpage 208</li> <li>Body Harness Routing – Passenger Compartment Right.page 214</li> </ul>

**Table 10 Master Electrical Component List (cont.)**

Code	Name	Option	Location	Locator View
X305	Instrument Panel Harness to Headliner Harness	—	In the passenger compartment, behind the upper left side of the instrument panel, near the instrument cluster	<ul style="list-style-type: none"> <li>Instrument Panel Harness Routingpage 207</li> <li>Instrument Panel Harness Routingpage 208</li> <li>Headliner Harness Routingpage 211</li> </ul>
X307	Rear Window Defogger - Positive Harness to Body Harness	Feature Code: 0008AAB	At the rear of the passenger compartment, part of the rear window glass	Body Harness Routing – Passenger Compartment Leftpage 212
X309	Center Console Harness USB to Instrument Panel Harness USB	Feature Code: 0016XCN	Between the instrument panel harness and the front console	<ul style="list-style-type: none"> <li>Floor Console Harness Routingpage 205</li> <li>Instrument Panel Harness Routingpage 208</li> </ul>
X310	Driver Seat Cushion Harness to Body Harness	—	In the passenger compartment, under the driver seat cushion	<ul style="list-style-type: none"> <li>Driver Seat Cushion Harness Routingpage 201</li> <li>Body Harness Routing – Passenger Compartment Leftpage 212</li> </ul>
X311	Driver Seat Back Harness to Driver Seat Cushion Harness	Feature Code: 0016KVV / 0016KVU	In the passenger compartment, under the driver seat cushion	<ul style="list-style-type: none"> <li>Driver Seat Cushion Harness Routingpage 201</li> <li>Driver Seat Back Harness Routingpage 202</li> </ul>
X312	Driver Seat Back Harness to Driver Seat Cushion Harness	Feature Code: 0016XJR	In the passenger compartment, under the driver seat cushion	<ul style="list-style-type: none"> <li>Driver Seat Cushion Harness Routingpage 201</li> <li>Driver Seat Back Harness Routingpage 202</li> </ul>
X313	Body Harness USB to Center Seat Harness USB	Without Feature Code: 0016XCN	In the passenger compartment, under the inboard side of the passenger seat, USB cable	Body Harness Routing – Passenger Compartment Right.page 214



Table 10 Master Electrical Component List (cont.)

Code	Name	Option	Location	Locator View
X314	Center Seat Harness to Body Harness	Without Feature Code: 0016XCN	In the passenger compartment, under the driver seat	Body Harness Routing – Passenger Compartment Right.page 214
X315	Body Harness to Brake Clutch Harness	—	In the passenger compartment, near the middle of the left A-pillar	Body Harness Routing – Passenger Compartment Leftpage 212
X316	Headliner Harness to Overhead Console Harness	—	In the passenger compartment, above roof console	Headliner Harness Routingpage 211
X317	Headliner Harness to Center High Mounted Stop Lamp Harness	—	In the passenger compartment, rear center, forward of the Center High Mounted Stop Lamp, E6	Headliner Harness Routingpage 211
X319	Overhead Console Harness to Right A-Pillar Harness	Feature Code: 0008XKS	In the passenger compartment, in the headliner, between near the A-pillar	Right A-Pillar Harness Routingpage 210
X320	Passenger Seat Cushion Harness to Body Harness	Feature Code: 0016KVV / AG2 / 0016XJR	In the passenger compartment, under the passenger seat cushion	<ul style="list-style-type: none"> <li>• Passenger Seat Cushion Harness Routingpage 203</li> <li>• Body Harness Routing – Passenger Compartment Right.page 214</li> </ul>
X321	Passenger Seat Back Harness to Passenger Seat Cushion Harness	Feature Code: 0016KVV / AG2	In the passenger compartment, under the passenger seat cushion	<ul style="list-style-type: none"> <li>• Passenger Seat Cushion Harness Routingpage 203</li> <li>• Passenger Seat Back Harness Routingpage 204</li> </ul>
X322	Passenger Seat Back Harness to Passenger Seat Cushion Harness	Feature Code: 0016XJR	In the passenger compartment, under the passenger seat cushion	<ul style="list-style-type: none"> <li>• Passenger Seat Cushion Harness Routingpage 203</li> <li>• Passenger Seat Back Harness Routingpage 204</li> </ul>
X401	Chassis Rear Left Harness to Chassis Harness	—	Under the vehicle, along the left frame rail	—

**Table 10 Master Electrical Component List (cont.)**

Code	Name	Option	Location	Locator View
X402	Chassis Rear Right Harness to Chassis Harness	—	Under the vehicle, near the left frame rail	—
X410	Chassis Rear Left Harness to Tail Lamp Assembly - Left Harness	Without Feature Code: 0008TKD	At the rear of the vehicle, along left frame rail, at Left Tail Lamp Assembly, E42L	—
X420	Chassis Rear Right Harness to Tail Lamp Assembly - Right Harness	Without Feature Code: 0008TKD	At the rear of the vehicle, along right frame rail, at Right Tail Lamp Assembly, E42R	—
X455	Chassis Harness to Chassis Rear Right Harness	Feature Code: 0008HXU	Under the vehicle, near the left frame rail	—
X499	Rearview Camera Jumper Harness to Chassis Rear Right Harness	Feature Code: 0008RNY	At the rear of vehicle, on right frame rail	—
X500	Driver Door Harness to Body Harness	—	In the passenger compartment, behind the left side of the instrument panel	<ul style="list-style-type: none"> <li>• Body Harness Routing – Passenger Compartment Leftpage 212</li> <li>• Driver Door and Passenger Door harness Routing (without Feature Code: 0016WAK)page 215</li> <li>• Driver Door and Driver Door Trim Harness Routing (Feature Code: 0016WAK)page 216</li> </ul>
X505	Driver Door Harness To Driver Door Trim Harness	Feature Code: 0016WAK	In the driver door, behind the driver door panel	Driver Door and Driver Door Trim Harness Routing (Feature Code: 0016WAK)page 216
X506	Driver Door Trim Harness to Driver Door Harness	Without Feature Code: 0016WAK	In the driver door, behind the driver door panel	Driver Door and Passenger Door harness Routing (without Feature Code: 0016WAK)page 215

Table 10 Master Electrical Component List (cont.)

Code	Name	Option	Location	Locator View
X510	Outside Rearview Mirror - Driver Harness to Driver Door Harness	Feature Code: 0016SPS	In the driver door, behind the driver door panel, near Driver Outside Rearview Mirror, A9A	Driver Door and Driver Door Trim Harness Routing (Feature Code: 0016WAK)page 216
X600	Passenger Door Harness to Body Harness	—	In the passenger compartment, behind the right side of the instrument panel	<ul style="list-style-type: none"> <li>• Body Harness Routing – Passenger Compartment Right.page 214</li> <li>• Driver Door and Passenger Door harness Routing (without Feature Code: 0016WAK)page 215</li> <li>• Passenger Door and Passenger Door Trim Harness Routing (Feature Code: 0016WAK)page 217</li> </ul>
X605	Passenger Door Harness to Passenger Door Trim Harness	Feature Code: 0016WAK	In the passenger door, behind the passenger door panel	<ul style="list-style-type: none"> <li>• Passenger Door and Passenger Door Trim Harness Routing (Feature Code: 0016WAK)page 217</li> </ul>
X606	Passenger Door Trim Harness to Passenger Door Harness	Without Feature Code: 0016WAK	In the passenger door, behind the passenger door panel	Driver Door and Passenger Door harness Routing (without Feature Code: 0016WAK)page 215
X610	Outside Rearview Mirror - Passenger Harness to Passenger Door Harness	Feature Code: 0016SPS	In the passenger door, behind the passenger door panel, near Passenger Outside Rearview Mirror, A9B	Passenger Door and Passenger Door Trim Harness Routing (Feature Code: 0016WAK)page 217
X611	Outside Rearview Mirror - Passenger Harness to Passenger Door Harness	Feature Code: 0016SPR	In the passenger door, behind the passenger door panel, near Passenger Outside Rearview Mirror, A9B	Passenger Door and Passenger Door Trim Harness Routing (Feature Code: 0016WAK)page 217

**Table 10 Master Electrical Component List (cont.)**

Code	Name	Option	Location	Locator View
X700	Left Rear Door Harness to Body Harness	Crew Cab	In the passenger compartment, at the left B-pillar, near the middle	<ul style="list-style-type: none"> <li>Body Harness Routing – Passenger Compartment Leftpage 212</li> <li>Left Rear Door and Right Rear Door Harness Routing (Crew Cab)page 218</li> </ul>
X800	Right Rear Door Harness to Body Harness	Crew Cab	In the passenger compartment, at the right B-pillar, near the middle	<ul style="list-style-type: none"> <li>Body Harness Routing – Passenger Compartment Right.page 214</li> <li>Left Rear Door and Right Rear Door Harness Routing (Crew Cab)page 218</li> </ul>
G101	Forward Lamp Harness	—	In the engine compartment, on left frame rail, near second cross-member	G101page 301
G102	Forward Lamp Harness	—	In the engine compartment, on left frame rail, rear of front cross-member	—
G110	Engine Chassis Harness	—	In the engine compartment, at left front of engine	G110 and G112page 302
G112	Engine Harness	—	In the engine compartment, on right front of engine, near camshaft position sensor	G110 and G112page 302
G120	Engine Chassis Harness	—	In the engine compartment, on right front of engine, near oil pan, below G112	G120page 303
G141	Battery Cable	—	Under the vehicle, at right front cab mounting rear of the frame	—
G210	Instrument Panel Harness	—	In the passenger compartment, under the instrument panel defroster grille, near the right A-pillar	G210 and G218page 304
G218	Instrument Panel Harness	—	In the passenger compartment, under the instrument panel defroster grille, near the left A-pillar	G210 and G218page 304

Table 10 Master Electrical Component List (cont.)

Code	Name	Option	Location	Locator View
G311	Body Harness	—	In the passenger compartment, on the left side B-pillar, near floor, behind the trim panel	G311 and G325page 305
G312	Body Harness	—	In the passenger compartment, on the right side B-pillar, near floor, behind the trim panel	G312 and G327page 306
G325	Body Harness	—	In the passenger compartment, under the left side of the driver seat	G311 and G325page 305
G327	Body Harness	—	In the passenger compartment, under the right side of the passenger seat	G312 and G327page 306
G380	Rear Defogger Grid	Feature Code: 0008AAB	In the passenger compartment, below the passenger side of the rear window, mounted to the rear wall of the cab, behind the trim	—
G399	Chassis Harness	—	Under the vehicle, on the left frame rail, between Electronic Brake Control Module, K17, and Fuel Pressure Sensor, B47	—
G401	Chassis Rear Left Harness	—	Under the vehicle, on left frame rail	—
G402	Chassis Rear Right Harness	—	Under the vehicle, on right frame rail	Chassis Rear Right Harnesspage 307 G402page 307
G415	Chassis Rear Left Harness	Feature Code: 0008TRA	Under the vehicle, on left frame rail	—
J101	Forward Lamp Harness	Feature Code: 0008XJG	In the engine compartment, along left frame rail, in the main bundle between G102 and cross-frame branch	Forward Lamp Harness Routingpage 193
J102	Forward Lamp Harness	—	In the engine compartment, along left frame rail, in the main bundle between G102 and cross-frame branch	Forward Lamp Harness Routingpage 193

Table 10 Master Electrical Component List (cont.)

Code	Name	Option	Location	Locator View
J103	Engine Chassis Harness	Feature Code: 0008GJC	In the engine compartment, at front of engine, approximately 16 cm from Auxiliary Alternator (Generator), G13E, breakout	—
J104	Forward Lamp Harness	Feature Code: 0008XJG	In the engine compartment, along front cross-member, between main bundle and JX100	Forward Lamp Harness Routingpage 193
J105	Forward Lamp Harness	—	In the engine compartment, along front cross-member, between main bundle and JX100	Forward Lamp Harness Routingpage 193
J108	Engine Harness	—	In the engine compartment, between Camshaft Position Sensor, B23, and Glow Plug 1, E12A, breakouts	Right Side of Engine Componentspage 273
J110	Left Headlight Harness	—	At the front of the vehicle, inside of assembly, Left Headlight Assembly, E13LA	—
J113	Engine Chassis Harness	—	In the engine compartment, left front, between Engine Control Module, K20, breakouts and X105 breakout	—
J120	Right Headlight Harness	—	At the front of the vehicle, inside of assembly, Right Headlight Assembly, E13RA	—
J123	Engine Chassis Harness	—	In the engine compartment, left side, between G120 and branch to radiator support	Engine Chassis Harness Routing – Leftpage 197
J124	Engine Chassis Harness	—	In the engine compartment, in front of oil pan, between G110 and G120	<ul style="list-style-type: none"> <li>• Engine Harness Routing – Right Front page 195</li> <li>• Engine Chassis Harness Routing – Leftpage 197</li> </ul>
J125	Engine Chassis Harness	—	In the engine compartment, left front, approximately 84 cm from X105 breakout toward engine	—
J126	Engine Chassis Harness	—	In the engine compartment, in front of oil pan, between G110 and G120	Engine Chassis Harness Routing – Leftpage 197

Table 10 Master Electrical Component List (cont.)

Code	Name	Option	Location	Locator View
J132	Engine Chassis Harness	—	In the engine compartment, left rear, in the main bundle, approximately 16 cm from branch to Underhood Fuse Block, X50A, X3, Underhood Auxiliary Fuse Block, X50B, and X115	—
J138	Chassis Harness	Feature Code: 0008RNY	In the engine compartment, approximately 8 cm from X138	—
J139	Chassis Harness	—	In the engine compartment, approximately 35 cm from Underhood Fuse Block, X50A, X4	—
J142	Transmission Harness	—	Under the vehicle, inside the transmission assembly	—
J143	Transmission Harness	—	Under the vehicle, inside the transmission assembly	—
J144	Transmission Harness	—	Under the vehicle, inside the transmission assembly	—
J152	Engine Chassis Harness	—	In the engine compartment, left front, approximately 50 cm from Transmission Control Module, K71	—
J153	Engine Chassis Harness	—	In the engine compartment, left front, approximately 31 cm from Transmission Control Module, K71	—
J165	Engine Chassis Harness	—	In the engine compartment, left front, approximately 10 cm from X105 breakout toward engine	—
J180	Hydromax Interconnect Harness	—	In the engine compartment, left rear	—
J181	Hydromax Interconnect Harness	—	In the engine compartment, left rear	—
J182	Hydromax Interconnect Harness	—	In the engine compartment, left rear	—
J183	Hydromax Interconnect Harness	—	In the engine compartment, left rear	—

**Table 10 Master Electrical Component List (cont.)**

Code	Name	Option	Location	Locator View
J184	Hydromax Interconnect Harness	—	In the engine compartment, left rear	—
J194	Engine Chassis Harness	Feature Code: 0012WGG	Under the vehicle, along right frame rail, approximately 10 cm rear of X191	Engine Chassis Harness Routing – Rightpage 198
J195	Engine Chassis Harness	Feature Code: 0012WGG	Under the vehicle, along right frame rail, between X143 and Reductant Injector, Q61	Engine Chassis Harness Routing – Rightpage 198
J196	Engine Chassis Harness	—	In the engine compartment, left rear, approximately 22 cm from Underhood Auxiliary Fuse Block, X50B	Engine Chassis Harness Routing – Rightpage 198
J197	Engine Chassis Harness	—	In the engine compartment, left rear, approximately 17 cm from Underhood Auxiliary Fuse Block, X50B	Engine Chassis Harness Routing – Rightpage 198
J200	Instrument Panel Harness	—	In the passenger compartment, behind the left side of the instrument panel, in the main bundle, between X225 and JX200	<ul style="list-style-type: none"> <li>• Instrument Panel Harness Routingpage 207</li> <li>• Instrument Panel Harness Routingpage 208</li> </ul>
J201	Instrument Panel Harness	—	In the passenger compartment, behind the left side of the instrument panel, in the main bundle, between X225 and JX200	<ul style="list-style-type: none"> <li>• Instrument Panel Harness Routingpage 207</li> <li>• Instrument Panel Harness Routingpage 208</li> </ul>
J204	Steering Column Harness	—	In the passenger compartment, on the steering column assembly	—
J205	Instrument Panel Harness	—	In the passenger compartment, behind the left side of the instrument panel, between G218 and Instrument Cluster, P16	<ul style="list-style-type: none"> <li>• Instrument Panel Harness Routingpage 207</li> <li>• Instrument Panel Harness Routingpage 208</li> </ul>
J210	Instrument Panel Harness	—	In the passenger compartment, behind the left side of the instrument panel, between G218 and branch to Serial Data Gateway Module, K56	Instrument Panel Harness Routingpage 207



Table 10 Master Electrical Component List (cont.)

Code	Name	Option	Location	Locator View
J211	Instrument Panel Harness	—	In the passenger compartment, behind the left side of the instrument panel, between X225 and X84 Data Link Connector	<ul style="list-style-type: none"> <li>Instrument Panel Harness Routingpage 207</li> <li>Instrument Panel Harness Routingpage 208</li> </ul>
J212	Instrument Panel Harness	—	In the passenger compartment, behind the left side of the instrument panel, approximately 4 cm from breakout to X225	<ul style="list-style-type: none"> <li>Instrument Panel Harness Routingpage 207</li> <li>Instrument Panel Harness Routingpage 208</li> </ul>
J213	Instrument Panel Harness	<ul style="list-style-type: none"> <li>Feature Code: 0008RNN / 0008RNM</li> <li>Feature Code: 0008RNW / 0008RNX</li> </ul>	<ul style="list-style-type: none"> <li>In the passenger compartment, behind the left side of the instrument panel, between G218 and P16 Instrument Cluster</li> <li>In the passenger compartment, behind the left side of the instrument panel, approximately 40 cm from X51L Fuse Block - Instrument Panel Left X2</li> </ul>	<ul style="list-style-type: none"> <li>Instrument Panel Harness Routingpage 207</li> <li>Instrument Panel Harness Routingpage 208</li> </ul>
J215	Instrument Panel Harness	—	In the passenger compartment, behind the right side of the instrument panel, in the main bundle, between branch to X51R Fuse Block - Instrument Panel Right X2 and X205	<ul style="list-style-type: none"> <li>Instrument Panel Harness Routingpage 207</li> <li>Instrument Panel Harness Routingpage 208</li> </ul>
J216	HVAC Harness	Feature Code: C32	In the passenger compartment, behind the glove box, in the HVAC harness	HVAC Assembly Harness Routingpage 200
J220	Instrument Panel Harness	—	In the passenger compartment, behind the center of the instrument panel, in the main bundle, between P17 Info Display Module and A11 Radio X1	Instrument Panel Harness Routingpage 208

**Table 10 Master Electrical Component List (cont.)**

Code	Name	Option	Location	Locator View
J240	Instrument Panel Harness	Feature Code: 0016XCN / 0008XJX	In the passenger compartment, behind the center of the instrument panel, in the main bundle, between P17 Info Display Module and A11 Radio X1	<ul style="list-style-type: none"> <li>Instrument Panel Harness Routingpage 207</li> <li>Instrument Panel Harness Routingpage 208</li> </ul>
J241	Instrument Panel Harness	—	In the passenger compartment, behind the right side of the instrument panel, in the main bundle, between branch to X51R Fuse Block - Instrument Panel Right X2 and X205	<ul style="list-style-type: none"> <li>Instrument Panel Harness Routingpage 207</li> <li>Instrument Panel Harness Routingpage 208</li> </ul>
J242	Instrument Panel Harness	—	In the passenger compartment, behind the right side of the instrument panel, in the main bundle, between branch to X51R Fuse Block - Instrument Panel Right X2 and X205	<ul style="list-style-type: none"> <li>Instrument Panel Harness Routingpage 207</li> <li>Instrument Panel Harness Routingpage 208</li> </ul>
J245	Instrument Panel Harness	Feature Code: 0016XJR	In the passenger compartment, behind the center of the instrument panel, in the main bundle, between P16 Instrument Cluster and A11 Radio	Instrument Panel Harness Routingpage 208
J249	Instrument Panel Harness	Feature Code: 0008RNW / 0008RNX	In the passenger compartment, behind the center of the instrument panel, in the main bundle, between P17 Info Display Module and A11 Radio X1	Instrument Panel Harness Routingpage 208
J250	Instrument Panel Harness	Feature Code: 0008RNS	In the passenger compartment, behind the center of the instrument panel, in the main bundle, between P17 Info Display Module and X205	—
J251	Instrument Panel Harness	Feature Code: 0008RNM	In the passenger compartment, behind the center of the instrument panel, in the main bundle, between P17 Info Display Module and A11 Radio X1	Instrument Panel Harness Routingpage 207

Table 10 Master Electrical Component List (cont.)

Code	Name	Option	Location	Locator View
J255	HVAC Harness	—	In the passenger compartment, behind the glove box, in the HVAC harness	HVAC Assembly Harness Routingpage 200
J257	HVAC Harness	—	In the passenger compartment, behind the glove box, in the HVAC harness	HVAC Assembly Harness Routingpage 200
J260	Instrument Panel Harness	Feature Code: 0008RNW / 0008RNX + 0008AAE	In the passenger compartment, behind the center of the instrument panel, in the main bundle, between P17 Info Display Module and X205	—
J266	Instrument Panel Harness	Feature Code: 0008RNM	In the passenger compartment, behind the center of the instrument panel, in the main bundle, between P17 Info Display Module and A11 Radio X1	Instrument Panel Harness Routingpage 207
J285	Steering Wheel Harness	—	In the passenger compartment, behind the driver air bag	—
J289	Instrument Panel Harness	—	In the passenger compartment, behind the center of the instrument panel, in the main bundle, between P16 Instrument Cluster and A11 Radio	<ul style="list-style-type: none"> <li>• Instrument Panel Harness Routingpage 207</li> <li>• Instrument Panel Harness Routingpage 208</li> </ul>
J290	Instrument Panel Harness	Feature Code: 0008XJP / 14899	In the passenger compartment, behind the center of the instrument panel, in the main bundle, between P17 Info Display Module and A11 Radio X1	<ul style="list-style-type: none"> <li>• Instrument Panel Harness Routingpage 207</li> <li>• Instrument Panel Harness Routingpage 208</li> </ul>
J292	Right A-Pillar Harness	—	In the passenger compartment, above the headliner, approximately 42 cm from E3E Roof Clearance Lamp - Right Front Outer	Right A-Pillar Harness Routingpage 210
J293	Right A-Pillar Harness	—	In the passenger compartment, above the headliner, approximately 57 cm from E3E Roof Clearance Lamp - Right Front Outer	Right A-Pillar Harness Routingpage 210

**Table 10 Master Electrical Component List (cont.)**

<b>Code</b>	<b>Name</b>	<b>Option</b>	<b>Location</b>	<b>Locator View</b>
J295	Steering Wheel Harness	Feature Code: UK3	In the passenger compartment, behind the driver air bag	—
J299	Body Harness	Feature Code: 0008TRA	In the passenger compartment, behind the instrument panel, approximately 34 cm from K9 Body Control Module X7, in the formed conduit	Body Harness Routing – Passenger Compartment Leftpage 212
J300	Body Harness	—	In the passenger compartment, behind the instrument panel, between B80 Park Brake Switch breakout and X315 breakout	Body Harness Routing – Passenger Compartment Leftpage 212
J301	Body Harness	—	In the passenger compartment, behind the instrument panel, approximately 30 cm from X51L Fuse Block - Instrument Panel Left X1	Body Harness Routing – Passenger Compartment Leftpage 212
J302	Body Harness	Feature Code: 0016SPS	In the passenger compartment, behind the instrument panel, between B80 Park Brake Switch breakout and X315 breakout	Body Harness Routing – Passenger Compartment Leftpage 212
J303	Roof Console Harness	—	In the passenger compartment, above the roof console, approximately 16 cm from E37ER Dome / Reading Lamps - Front Overhead Console Right	—
J304	Body Harness	—	In the passenger compartment, behind the instrument panel, approximately 34 cm from X51L Fuse Block - Instrument Panel Left X1	Body Harness Routing – Passenger Compartment Leftpage 212
J307	Body Harness	—	In the engine compartment, in the main bundle, between X115 and X50A Fuse Block - Underhood X1	Body Harness Routing – Engine Compartmentpage 199
J309	Body Harness	Feature Code: 0008HBW / 0013TLP (0013WDB)	In the passenger compartment, in the formed conduit at the driver door opening	Body Harness Routing – Passenger Compartment Leftpage 212

Table 10 Master Electrical Component List (cont.)

Code	Name	Option	Location	Locator View
J310	Headliner Harness	Crew Cab / Feature Code: 0016XCS	In the passenger compartment, above the headliner, near the left B-pillar, approximately 63 cm from X316	Headliner Harness Routingpage 211
J312	Headliner Harness	Crew Cab	In the passenger compartment, above the headliner, near the left B-pillar, approximately 60 cm from X316	Headliner Harness Routingpage 211
J313	Driver Seat Cushion Harness	Feature Code: 0016XJR	In the driver seat cushion	—
J317	Headliner Harness	Crew Cab	In the passenger compartment, above the headliner, left of center, approximately 49 cm from X316	Headliner Harness Routingpage 211
J319	Driver Seat Cushion Harness	Feature Code: 0016XJR	In the driver seat cushion, approximately 52 cm from X310	Driver Seat Cushion Harness Routingpage 201
J320	Driver Seat Cushion Harness	Feature Code: 0016XJR	In the driver seat cushion, approximately 51 cm from X310	Driver Seat Cushion Harness Routingpage 201
J321	Passenger Seat Cushion Harness	Feature Code: 0016XJR	In the passenger seat cushion, approximately 22 cm from X322	Passenger Seat Cushion Harness Routingpage 203
J323	Passenger Seat Cushion Harness	Feature Code: 0016XJR	In the passenger seat cushion	—
J331	Body Harness	Crew Cab	In the passenger compartment, in the formed conduit at the passenger door opening	Body Harness Routing – Passenger Compartment Right.page 214
J332	Headliner Harness	—	In the passenger compartment, above the headliner, near the left B-pillar, approximately 83 cm from X316	Headliner Harness Routingpage 211
J333	Roof Console Harness	—	In the passenger compartment, above the roof console, approximately 30 cm from E37EL Dome / Reading Lamps - Front Overhead Console Left	—

**Table 10 Master Electrical Component List (cont.)**

Code	Name	Option	Location	Locator View
J350	Body Harness	Feature Code: 0008RNM / 0008RNY	<ul style="list-style-type: none"> <li>(Crew Cab) In the passenger compartment, left side, near driver seat, in the cross-vehicle bundle, between the main bundle and G325</li> <li>(Standard Cab) In the passenger compartment, center, in the cross-vehicle bundle, approximately 13 cm from branch to K36 Inflatable Restraint Sensing and Diagnostic Module</li> </ul>	Body Harness Routing – Passenger Compartment Leftpage 212
J357	Body Harness	—	In the passenger compartment, behind the instrument panel, approximately 40 cm from K9 Body Control Module X5, in the formed conduit	Body Harness Routing – Passenger Compartment Leftpage 212
J358	Floor Console	Feature Code: 0016XCN	In the center console, approximately 58 cm rear of X300	Floor Console Harness Routingpage 205
J360	Body Harness	—	In the passenger compartment, left side, near driver seat, in the cross-vehicle bundle, between the branch to K36 Inflatable Restraint Sensing and Diagnostic Module and G325	Body Harness Routing – Passenger Compartment Leftpage 212
J361	Body Harness	Crew Cab	In the passenger compartment, in the formed conduit at the passenger door opening	Body Harness Routing – Passenger Compartment Right.page 214
J362	Body Harness	Feature Code: 0016LVT	In the passenger compartment, left side, near passenger seat, in the cross-vehicle bundle, approximately 11 cm from G327, toward center	Body Harness Routing – Passenger Compartment Right.page 214
J365	Body Harness	—	In the passenger compartment, in the formed conduit at the driver door opening	Body Harness Routing – Passenger Compartment Leftpage 212

Table 10 Master Electrical Component List (cont.)

Code	Name	Option	Location	Locator View
J366	Body Harness	Crew Cab	In the passenger compartment, in the formed conduit at the passenger door opening	Body Harness Routing – Passenger Compartment Right.page 214
J367	Body Harness	<ul style="list-style-type: none"> <li>• Crew Cab</li> <li>• Standard Cab</li> </ul>	<ul style="list-style-type: none"> <li>• In the passenger compartment, behind the instrument panel, in the main bundle, between X225 and X51L Fuse Block - Instrument Panel Left X1</li> <li>• In the engine compartment, in the main bundle, between X115 and X50A Fuse Block - Underhood X1</li> </ul>	<ul style="list-style-type: none"> <li>• Body Harness Routing – Engine Compartmentpage 199</li> <li>• Body Harness Routing – Passenger Compartment Leftpage 212</li> </ul>
J370	Body Harness	Crew Cab	In the passenger compartment, left side, near driver seat, in the cross-vehicle bundle, between the main bundle and G325	Body Harness Routing – Passenger Compartment Leftpage 212
J373	Body Harness	—	In the passenger compartment, right front, approximately 4 cm rearward of JX200	Instrument Panel Harness Routingpage 207  Body Harness Routing – Passenger Compartment Right.page 214
J383	Body Harness	—	In the passenger compartment, in the formed conduit at the driver door opening	Body Harness Routing – Passenger Compartment Leftpage 212
J384	Body Harness	Feature Code: 0016WAK	In the passenger compartment, in the formed conduit at the driver door opening	Body Harness Routing – Passenger Compartment Leftpage 212
J395	Chassis Harness	—	Under the vehicle, approximately 27 cm from K17 Electronic Brake Control Module	—
J396	Chassis Harness	—	Under the vehicle, approximately 21 cm from K17 Electronic Brake Control Module	—

**Table 10 Master Electrical Component List (cont.)**

<b>Code</b>	<b>Name</b>	<b>Option</b>	<b>Location</b>	<b>Locator View</b>
J397	Chassis Harness	—	Under the vehicle, approximately 5 cm from K17 Electronic Brake Control Module	—
J398	Chassis Harness	—	Under the vehicle, in the breakout to K111 Fuel Pump Driver Control Module	—
J399	Chassis Harness	—	Under the vehicle, in the cross-over to right frame rail	—
J400	Chassis Harness	—	Under the vehicle, approximately 48 cm from X401	—
J401	Chassis Harness	Feature Code: 0015DSZ / 0015SZP	Under the vehicle in the breakout to A6C Fuel Pump and Level Sensor Assembly - Primary	—
J410	Chassis Harness	Feature Code: 0008HBW plus 0008HXV / 0008HXU)	Under the vehicle, in the main bundle, approximately 8 cm behind breakout to E11A Fuel Heater / Water in Fuel Sensor	—
J411	Chassis Harness	Feature Code: 0008HXV / 0008HXU	Under the vehicle, in the main bundle, approximately 22 cm behind breakout to E11A Fuel Heater / Water in Fuel Sensor	—
J417	Chassis Harness	Feature Code: 0015DSZ	Under the vehicle, approximately 13 cm from X401	—
J418	Chassis Harness	Feature Code: 0015SZN	Under the vehicle, approximately 15 cm from X401	—
J419	Chassis Harness	Feature Code: 0008RNY	Under the vehicle, approximately 18 cm from X402	—
J420	Chassis Harness	Feature Code: 0008HXV / 0008HXU	Under the vehicle, approximately 23 cm from X401	—
J421	Chassis Harness	Feature Code: 0008HXV / 0008HXU	Under the vehicle, approximately 25 cm from X401	—
J422	Chassis Harness	Feature Code: 0008HXV / 0008HXU / 0016SPS	Under the vehicle, approximately 30 cm from X401	—



Table 10 Master Electrical Component List (cont.)

Code	Name	Option	Location	Locator View
J423	Chassis Harness	Feature Code: 0008HXV / 0008HXU	Under the vehicle, approximately 34 cm from X401	—
J450	Chassis Rear Left Harness	—	Under the vehicle, on left frame rail, rear of G401	—
J460	Chassis Rear Right Harness	Feature Code: 0015SZN	Under the vehicle, rear of X402	—
J461	Chassis Rear Right Harness	Feature Code: 0008RNY	Under the vehicle, approximately 19 cm rear of X402	—
J462	Chassis Rear Right Harness	Feature Code: 0008RNY	Under the vehicle, approximately 21 cm forward of B87 Rearview Camera	—
J463	Chassis Rear Right Harness	Feature Code: 0015SZN	Under the vehicle, approximately 15 cm from A6C Fuel Pump and Level Sensor Assembly - Primary	—
J490	Chassis Harness	—	Under the vehicle, in the branch to B136 Exhaust Particulate Matter Sensor	—
J505	Driver Door Trim Harness	Feature Code: 0016WAK	In the driver door trim, approximately 20 cm from E63D Flood Lamp - Driver Door Handle	—
J515	Driver Door Harness	—	In the driver door, in main bundle, approximately 4 cm rear of branch to X505 / X506	<ul style="list-style-type: none"> <li>• Driver Door and Passenger Door harness Routing (without Feature Code: 0016WAK)page 215</li> <li>• Driver Door and Driver Door Trim Harness Routing (Feature Code: 0016WAK)page 216</li> </ul>
J519	Driver Door Trim Harness	Feature Code: 0016SPS	In the driver door trim, approximately 5 cm from E63D Flood Lamp - Driver Door Handle breakout	Driver Door and Driver Door Trim Harness Routing (Feature Code: 0016WAK)page 216
J520	Outside Rearview Mirror - Driver Harness	Feature Code: 0016SPS	Outside the vehicle, inside of assembly, A9A Outside Rearview Mirror - Driver	—

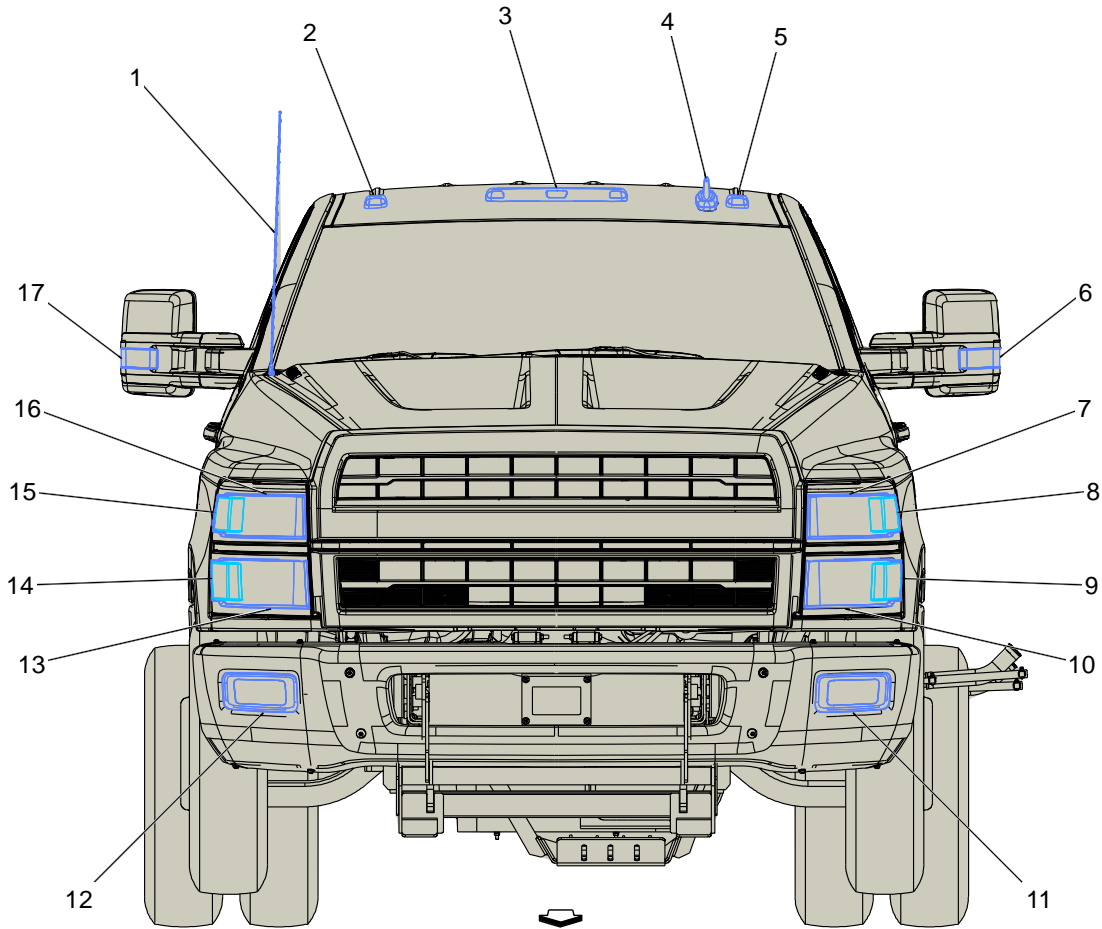
**Table 10 Master Electrical Component List (cont.)**

Code	Name	Option	Location	Locator View
J550	Driver Door Harness	Feature Code: 0016WAK	In the driver door, between P19AG Speaker - Left Front Door and M74D Window Motor - Driver	Driver Door and Driver Door Trim Harness Routing (Feature Code: 0016WAK)page 216
J605	Passenger Door Trim Harness	Feature Code: 0016WAK	In the passenger door, approximately 19 cm from E63P Flood Lamp - Passenger Door Handle	—
J615	Passenger Door Harness	—	In the passenger door, in the main bundle, between X605 / X606 and P19AH Speaker - Right Front Door	<ul style="list-style-type: none"> <li>• Driver Door and Passenger Door Harness Routing (without Feature Code: 0016WAK)page 215</li> <li>• Passenger Door and Passenger Door Trim Harness Routing (Feature Code: 0016WAK)page 217</li> </ul>
J620	Outside Rearview Mirror - Passenger Harness	Feature Code: 0016SPS	Outside the vehicle, inside of assembly, A9B Outside Rearview Mirror - Passenger	—
J715	Left Rear Door Harness	Crew Cab	In the left rear door, near the front window track, approximately 5 cm away from the breakout to S79LR Window Switch - Left Rear	Left Rear Door and Right Rear Door Harness Routing (Crew Cab)page 218
J815	Right Rear Door Harness	Crew Cab	In the right rear door, near the front window track, approximately 5 cm away from the breakout to S79RR Window Switch - Right Rear	Left Rear Door and Right Rear Door Harness Routing (Crew Cab)page 218
JX100	Forward Lamp Harness	—	Under the vehicle, along front frame cross member, left of center	Forward Lamp Harness Routingpage 193
JX200	Instrument Panel Harness	—	In the passenger compartment, at the base of the left A-pillar behind the trim panel, near X201	<ul style="list-style-type: none"> <li>• Instrument Panel Harness Routingpage 208</li> </ul>
JX300	Body Harness	—	In the passenger compartment, at the base of the right A-pillar behind the trim panel	Instrument Panel Harness Routingpage 208

Table 10 Master Electrical Component List (cont.)

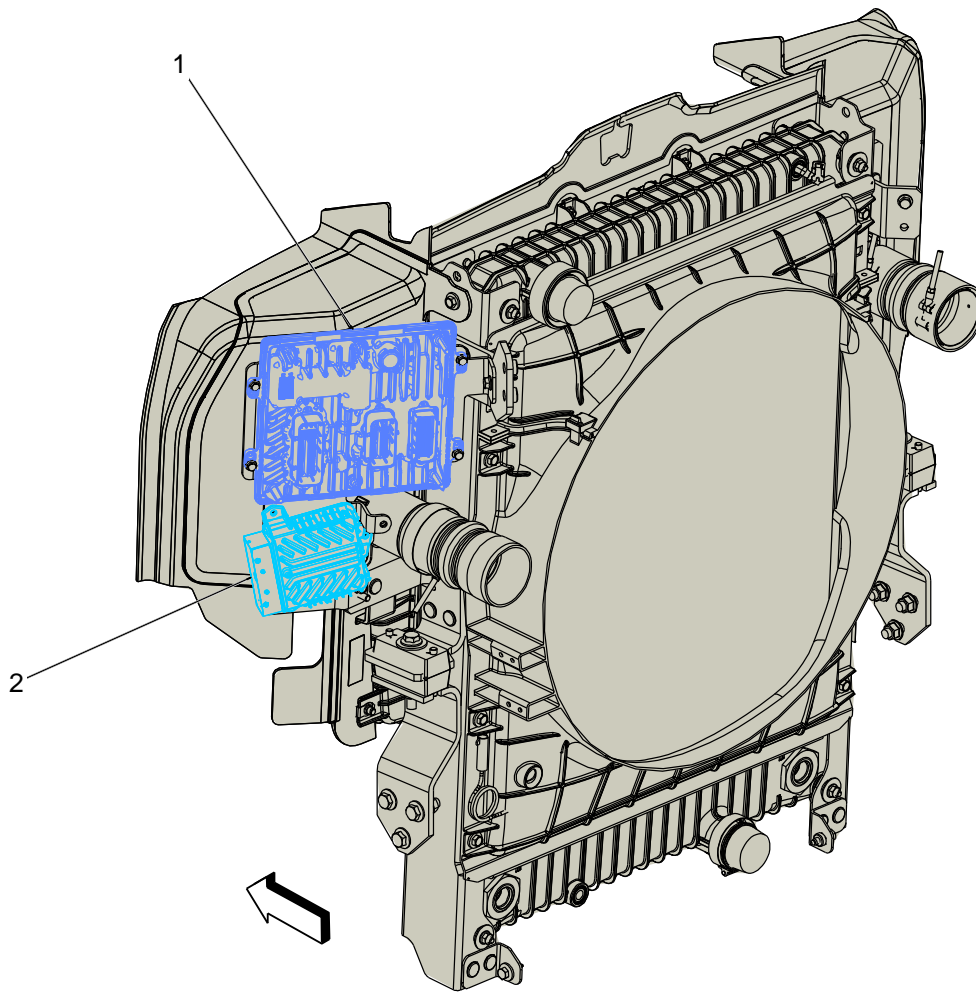
Code	Name	Option	Location	Locator View
JX301	Chassis Harness	—	Under the vehicle, in the cross-over to right frame rail	Instrument Panel Harness Routingpage 207
JX302	Chassis Harness	—	Under the vehicle, in the cross-over to right frame rail	—
JX402	Chassis Rear Right Harness	—	Under the vehicle, on right frame rail, rear of G402	—

Front of Vehicle / Engine Compartment Component Views



- |  |  |
|--|--|
| 1. T4M Radio Antenna   | 9. E4Q Park / Turn Signal Lamp - Left Lower                      |
| 2. E3E Roof Clearance Lamp - Right Front Outer                           | 10. E4E Headlight - Left High Beam                               |
| 3. E3C Roof Clearance Lamp - Front Middle                                | 11. E29LF Fog Lamp - Left Front (Feature Code: 0008XJG)          |
| 4. T2RF Antenna - Roof Front (Feature Code: 0008RNX / 0008RNV / 0008AAE) | 12. E29RF Fog Lamp - Right Front (Feature Code: 0008XJG)         |
| 5. E3A Roof Clearance Lamp - Left Front Outer                            | 13. E4F Headlight - Right High Beam                              |
| 6. E2LM Side Marker Lamp - Left Middle (Feature Code: 0016SPS)           | 14. E4R Park / Turn Signal Lamp - Right Lower                    |
| 7. E4G Headlight - Left Low Beam   | 15. E4T Park / Turn Signal Lamp - Right Upper                    |
| 8. E4S Park / Turn Signal Lamp - Left Upper                              | 16. E4H Headlight - Right Low Beam                               |
|  | 17. E2RM Side Marker Lamp - Right Middle (Feature Code: 0016SPS) |

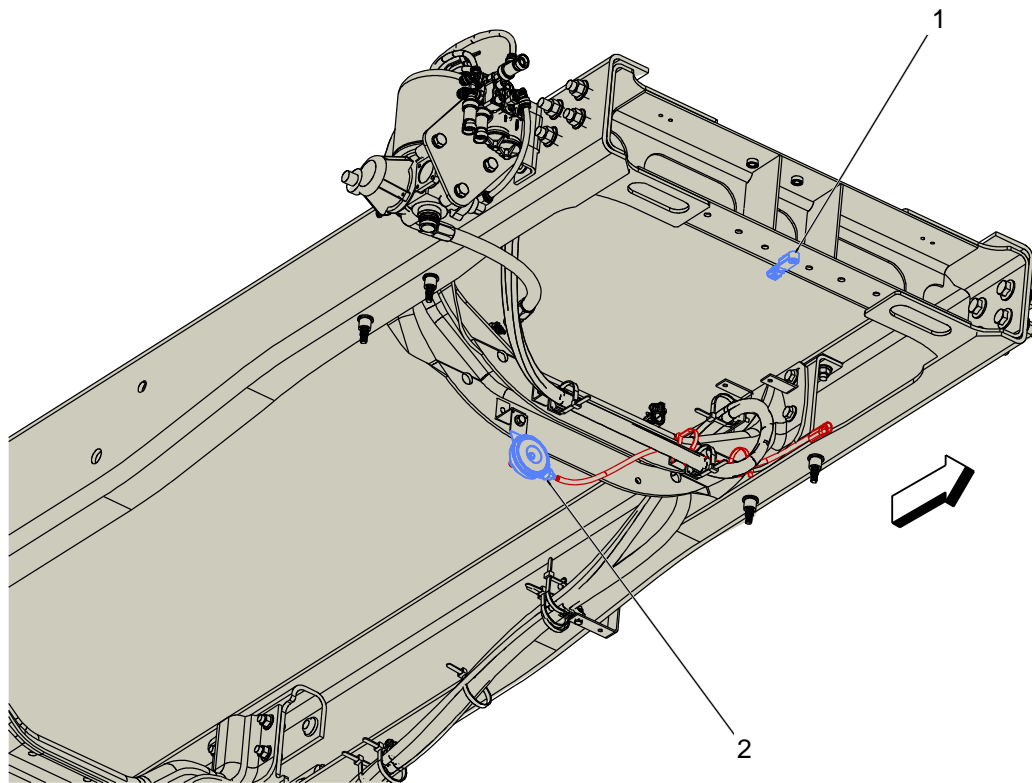
Figure 196 Front of Vehicle Components



1. K20 Engine Control Module

2. K71 Transmission Control Module

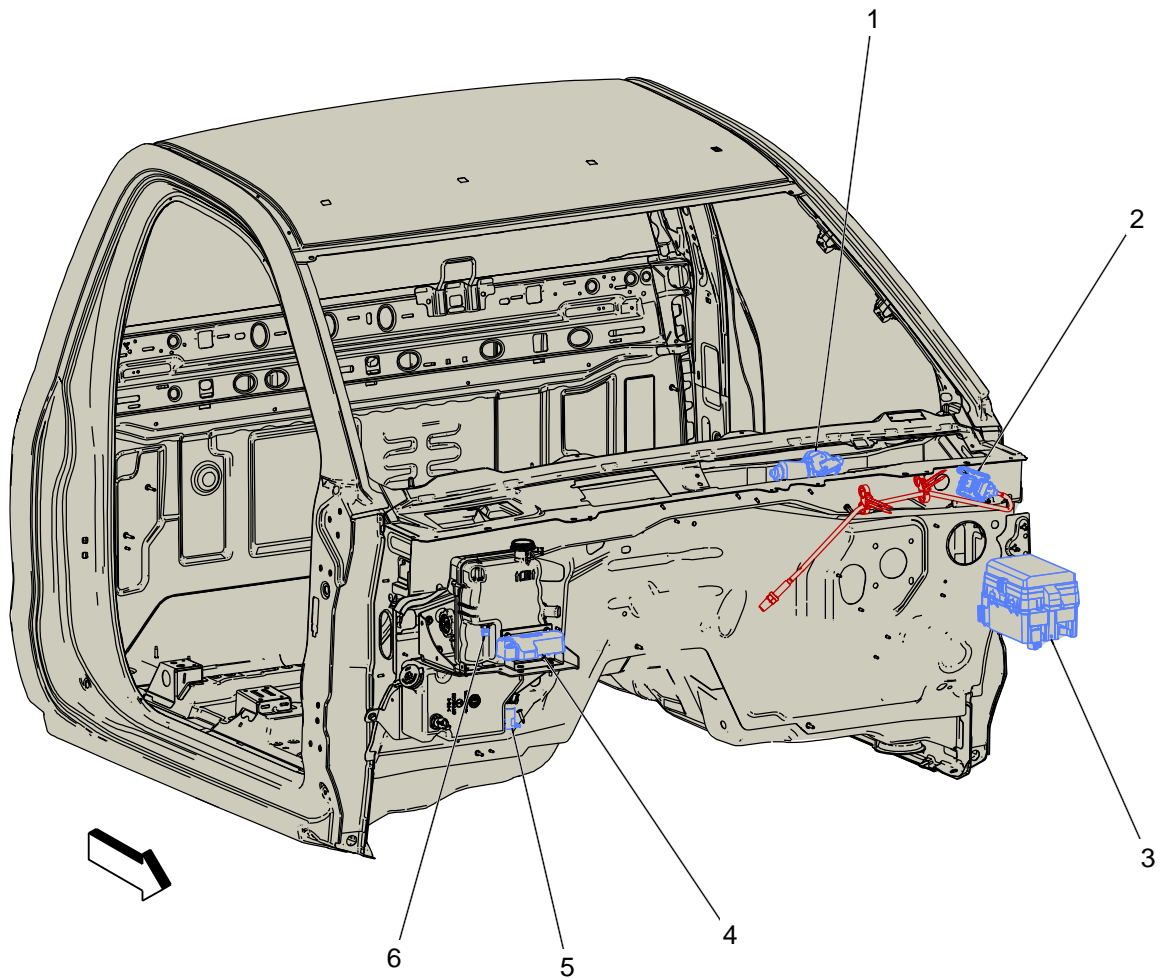
**Figure 197 Radiator Support Components**



1. B59 Front Impact Sensor

2. P12 Horn

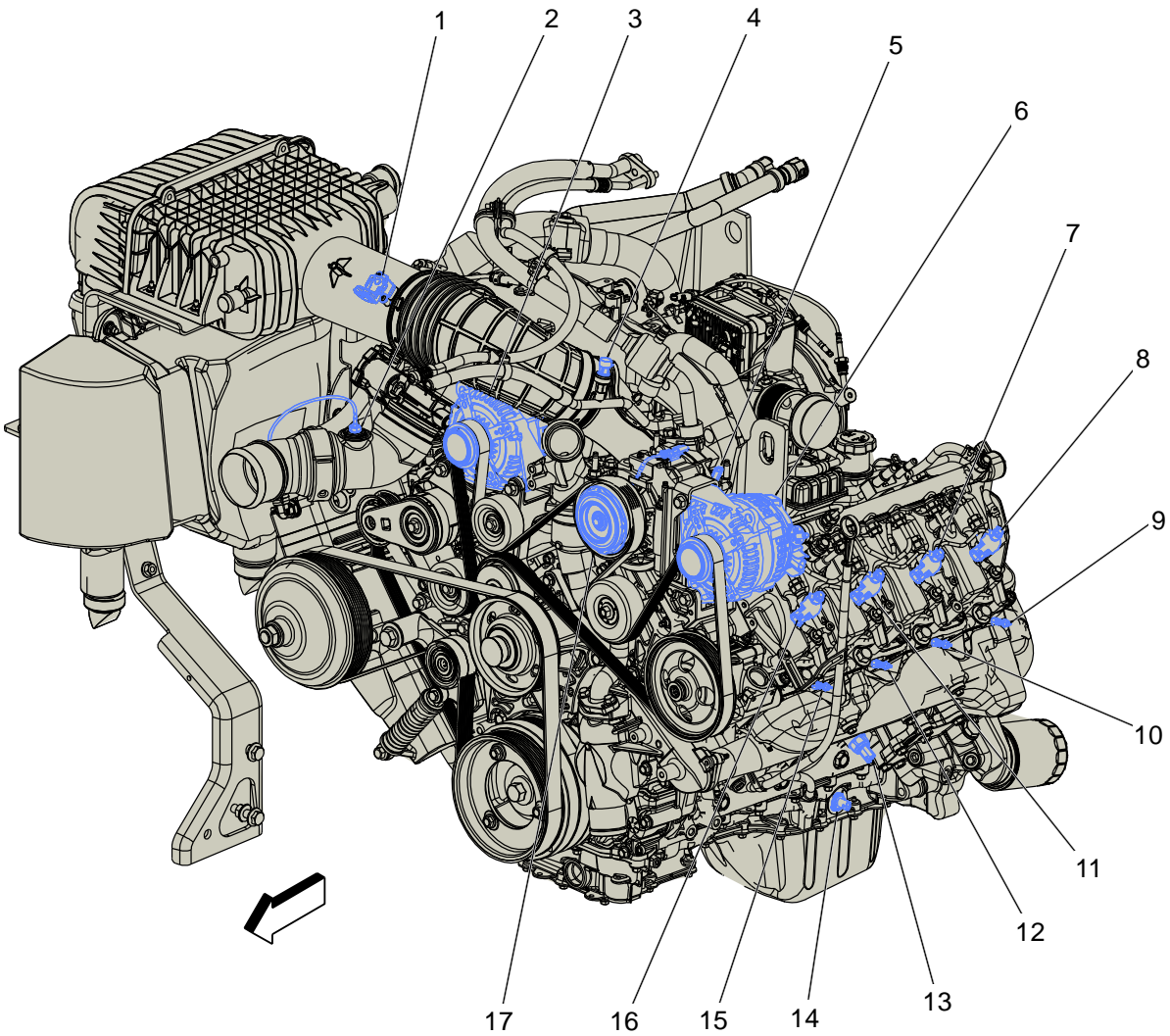
**Figure 198 Front of Frame Components**



- |                                   |                                    |
|-----------------------------------|------------------------------------|
| 1. M75 Windshield Wiper Motor     | 4. X50D Fuse Block - Battery       |
| 2. B195A Nitrogen Oxides Sensor 1 | 5. G24 Windshield Washer Pump      |
| 3. X50A Fuse Block - Underhood    | 6. B33 Engine Coolant Level Switch |

**Figure 199 Bulkhead Components - Engine Compartment**

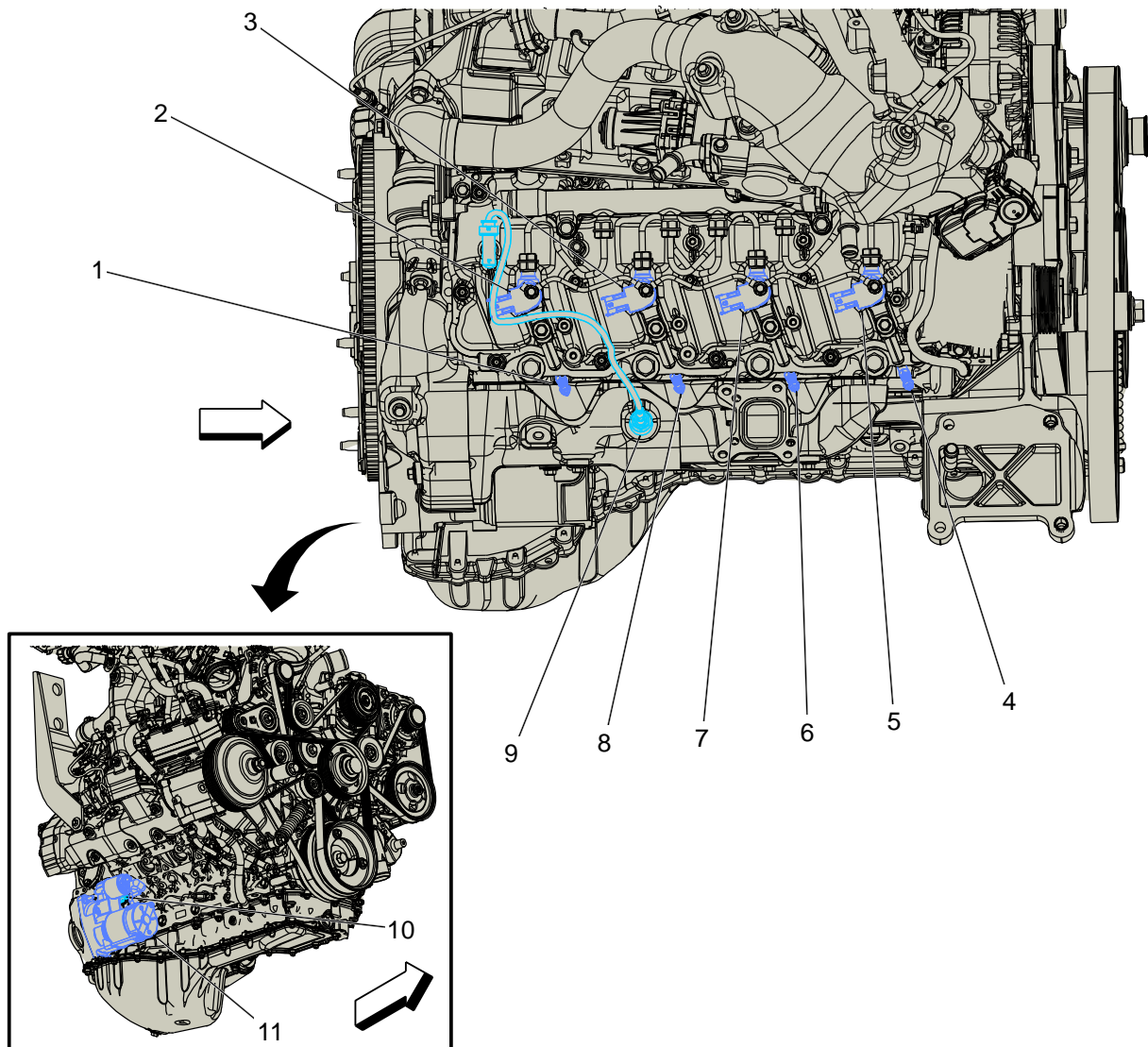
Powertrain Component Views



- |   |   |
|---|---|
| <ol style="list-style-type: none"> <li>1. B75C Multifunction Intake Air Sensor</li> <li>2. B193B Charge Air Cooler Outlet Temperature Sensor</li> <li>3. G13 Alternator (Generator)</li> <li>4. B1 A/C Refrigerant Pressure Sensor (Feature Code: 0016XZA)</li> <li>5. Q46 A/C Compressor Solenoid Valve (Feature Code: 0016XZA)</li> <li>6. G13E Alternator (Generator) - Auxiliary (Feature Code: 0008GJC)</li> </ol> | <ol style="list-style-type: none"> <li>7. Q17F Fuel Injector 6</li> <li>8. Q17H Fuel Injector 8</li> <li>9. E12H Glow Plug 8</li> <li>10. E12F Glow Plug 6</li> <li>11. Q17D Fuel Injector 4</li> <li>12. E12D Glow Plug 4</li> <li>13. B37B Engine Oil Pressure Sensor</li> <li>14. B35 Engine Oil Level Switch</li> <li>15. E12B Glow Plug 2</li> <li>16. Q17B Fuel Injector 2</li> <li>17. Q2 A/C Compressor Clutch (Feature Code: 0016XZA)</li> </ol> |
|---|---|

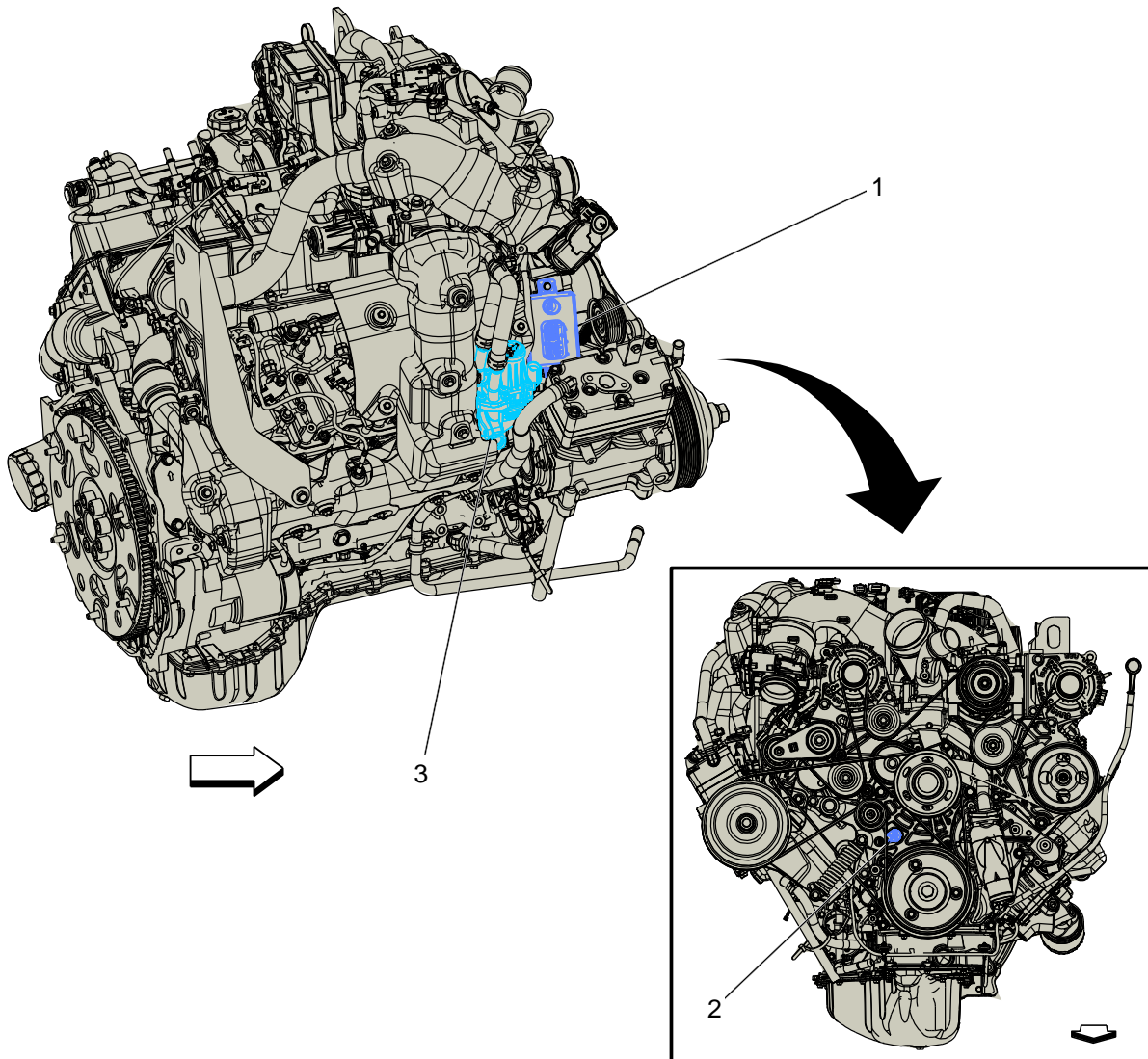
Figure 200 Left Front of Engine Components





- |                         |  |
|-------------------------|--|
| 1. E12G Glow Plug 7     | 7. Q17C Fuel Injector 3                                    |
| 2. Q17G Fuel Injector 7 | 8. E12E Glow Plug 5  |
| 3. Q17E Fuel Injector 5 | 9. B130A Exhaust Gas Recirculation<br>Temperature Sensor 1 |
| 4. E12A Glow Plug 1     | 10. B26 Crankshaft Position Sensor                         |
| 5. Q17A Fuel Injector 1 | 11. M64 Starter Motor                                      |
| 6. E12C Glow Plug 3     |  |

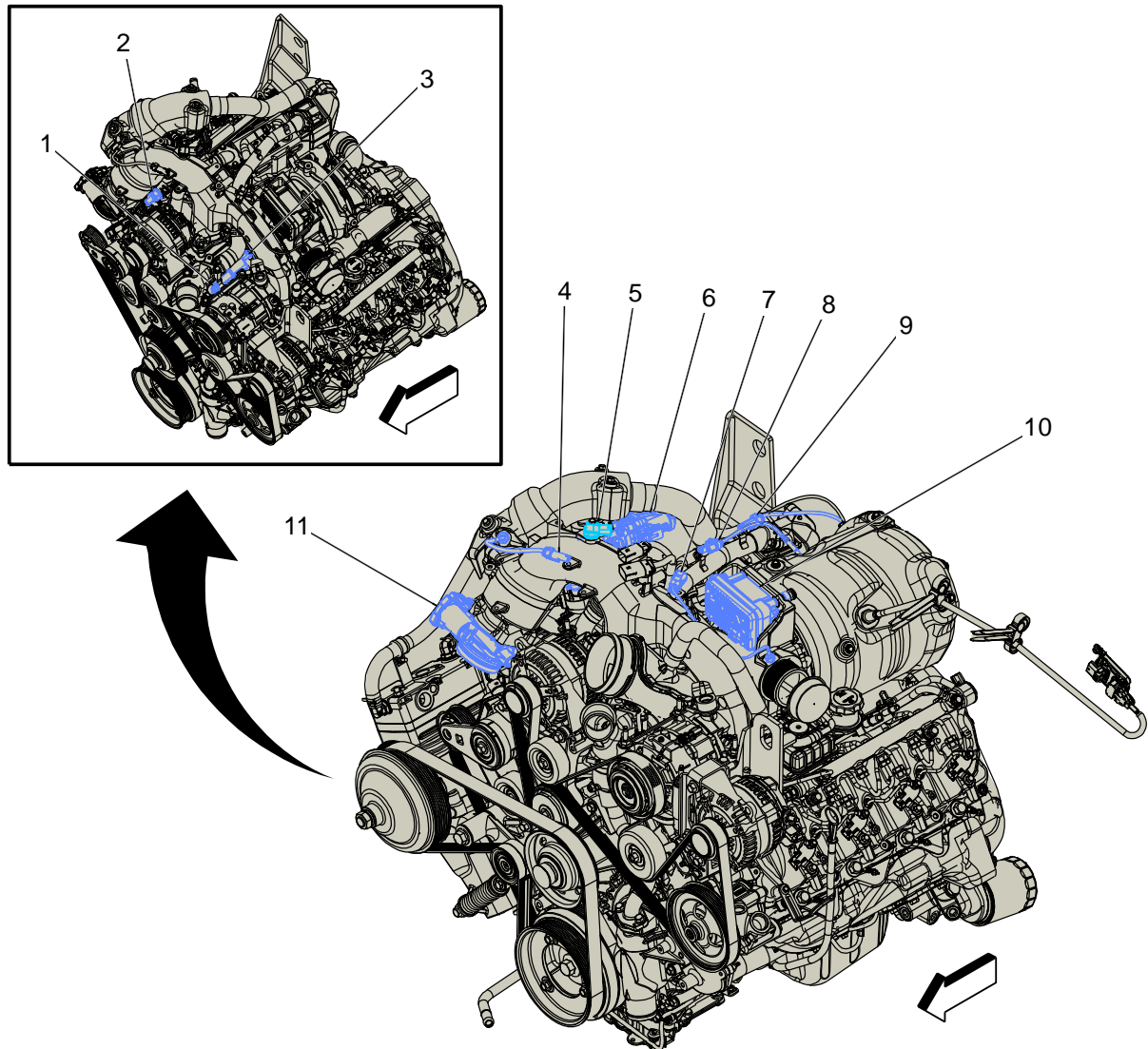
**Figure 201 Right Side of Engine Components**



- 1. K34 Glow Plug Control Module
- 2. B23 Camshaft Position Sensor

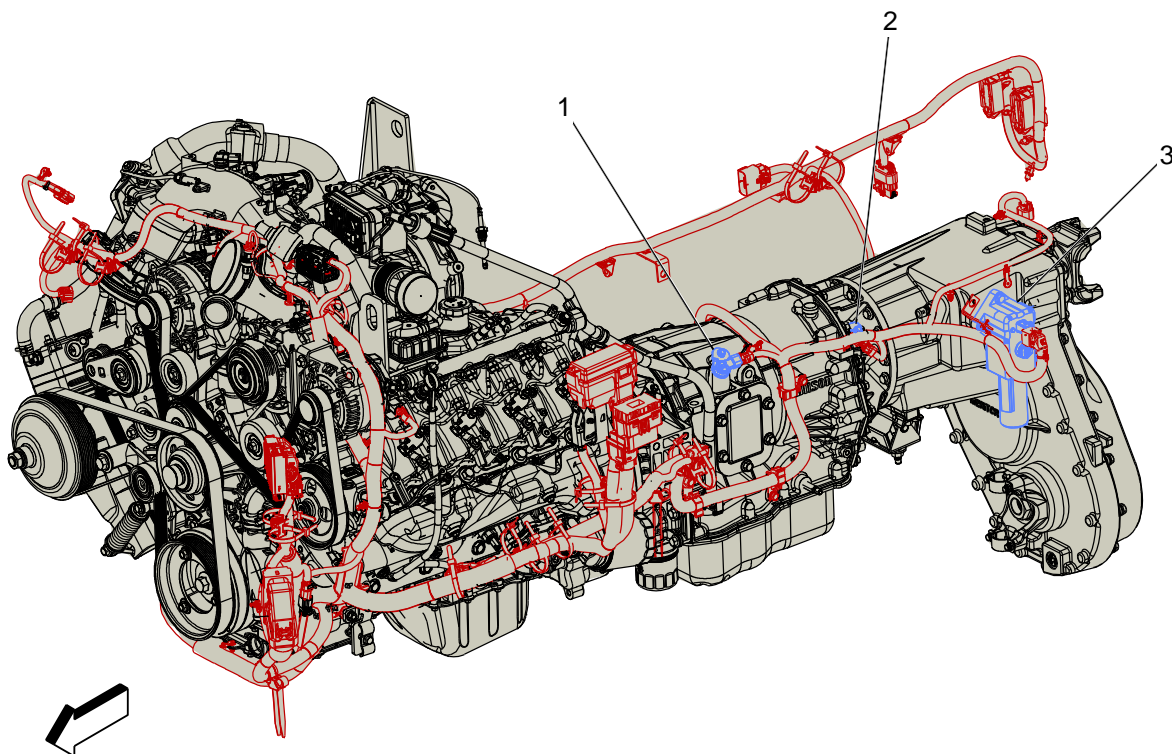
- 3. Q14 Exhaust Gas Recirculation Valve

**Figure 202 Front of Engine Components**



- |  |   |
|--|---|
| 1. B34 Engine Coolant Temperature Sensor                       | 7. B193A Charge Air Cooler Inlet Temperature Sensor |
| 2. B47B Fuel Rail Pressure Sensor                              | 8. B131A Exhaust Temperature Sensor 1               |
| 3. Q18A Fuel Pressure Regulator 1                              | 9. B131B Exhaust Temperature Sensor 2               |
| 4. B130B Exhaust Gas Recirculation Temperature Sensor 2        | 10. M103 Turbocharger Vane Position Actuator        |
| 5. B65 Intake Manifold Pressure and Air Temperature Sensor     | 11. Q20 Intake Air Flow Valve                       |
| 6. M114 Exhaust Gas Recirculation Cooler Bypass Valve Actuator |   |

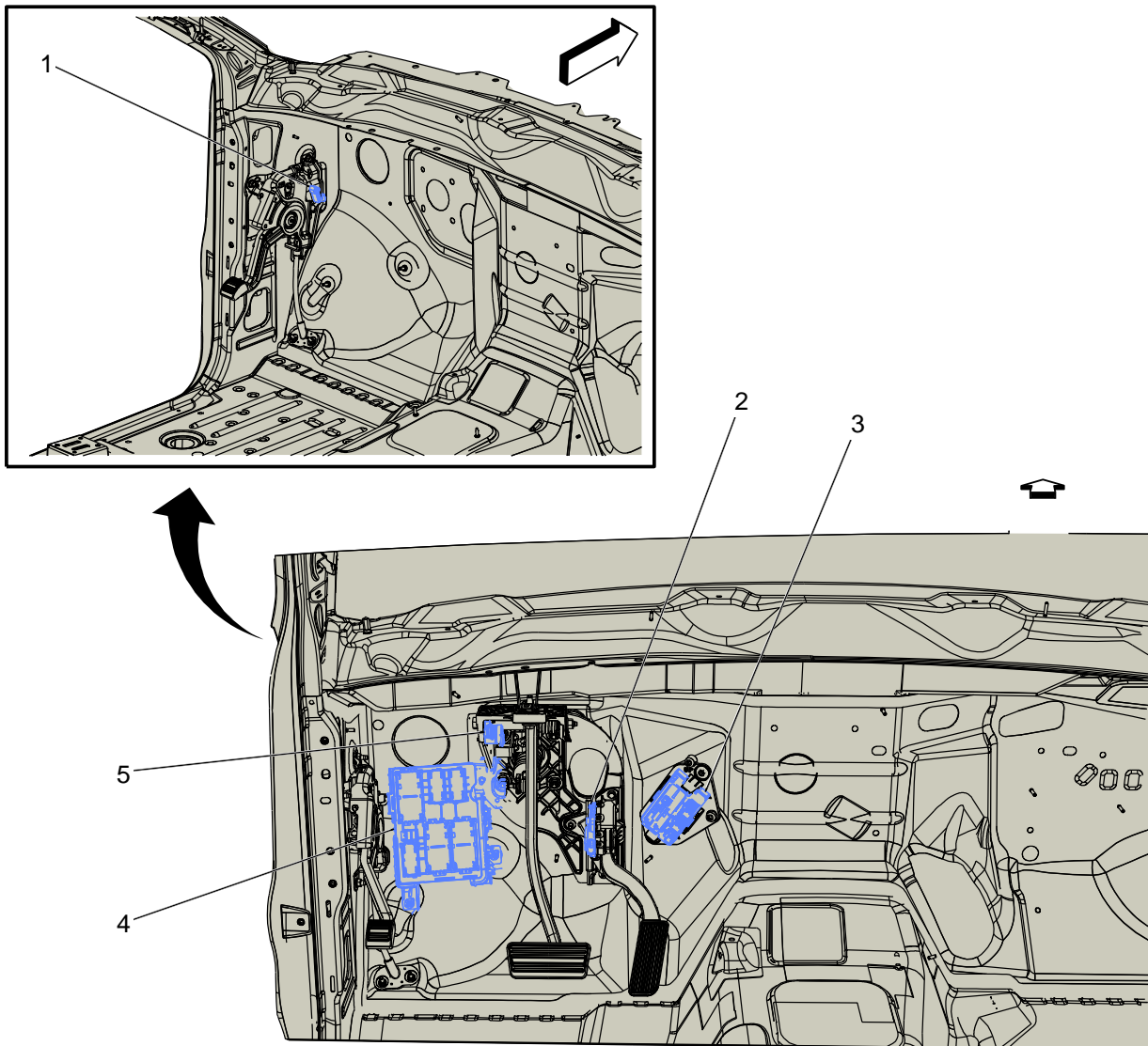
**Figure 203 Top of Engine Components**



- 1. B14B Transmission Turbine  
Speed Sensor
- 2. B14A Transmission Output Shaft  
Speed Sensor
- 3. A16 Transfer Case Motor  
(Feature Code: 0013TLP  
(0013WDB))

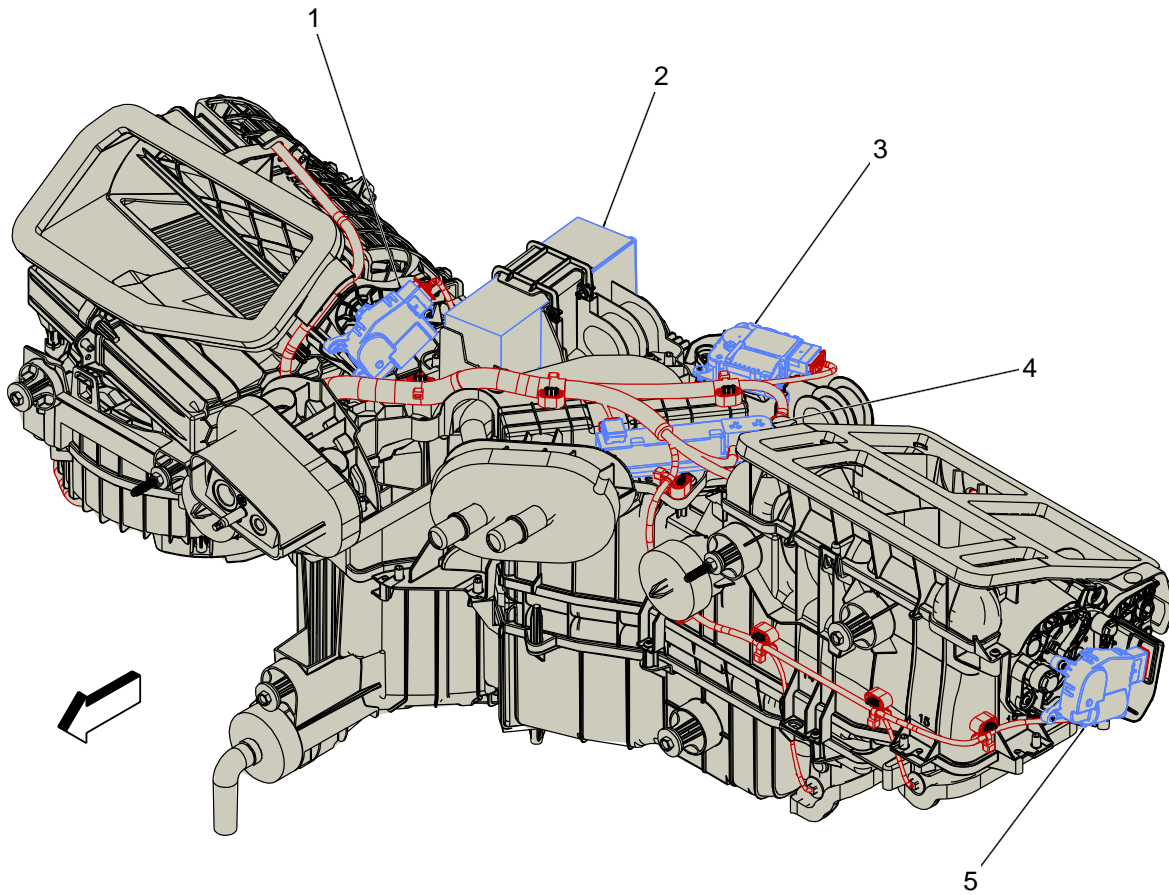
**Figure 204 Transmission and Transfer Case Components**

## Instrument Panel / Center Console Component Views



- |   |   |
|---|---|
| 1. B80 Park Brake Switch  | 4. X61A Junction Block - Instrument Panel |
| 2. B107 Accelerator Pedal Position Sensor                             | 5. B22 Brake Pedal Position Sensor        |
| 3. K69 Transfer Case Control Module (Feature Code: 0013TLP (0013WDB)) |   |

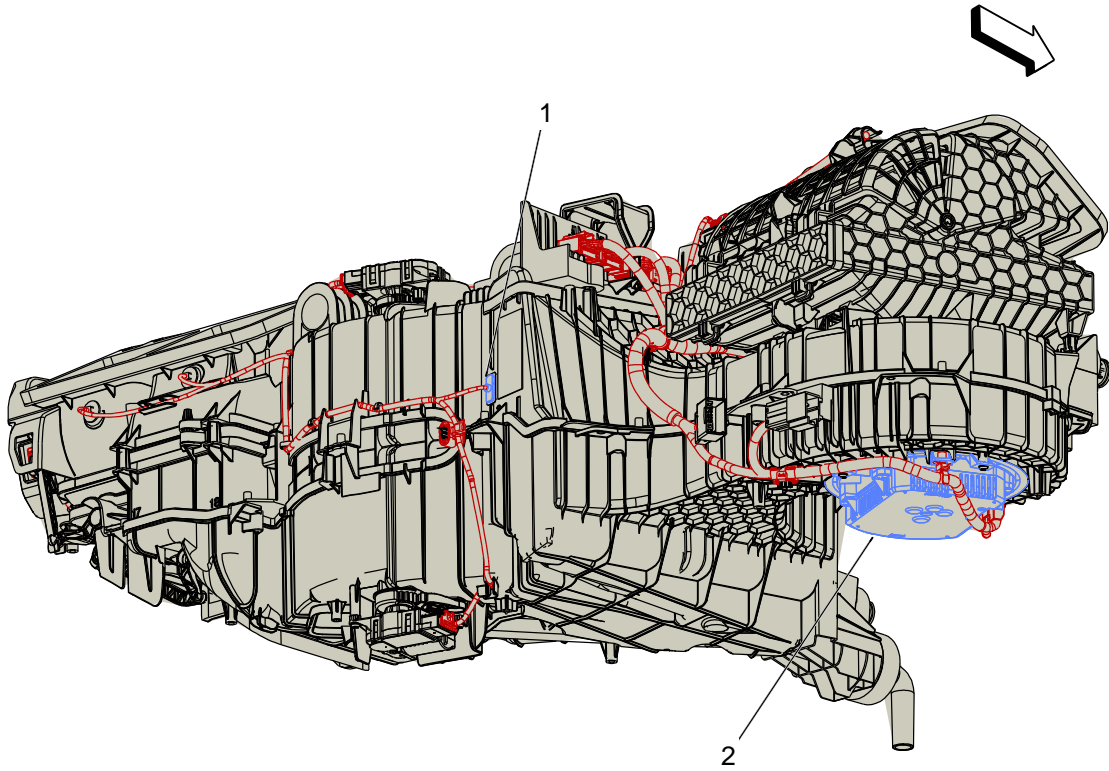
Figure 205 Bulkhead Components - Interior



- 1. M4 Air Inlet Door Actuator
- 2. K33 HVAC Control Module
- 3. M6 Air Temperature Door Actuator

- 4. E40 Electrical Auxiliary Heater (Feature Code: C32)
- 5. M37 Mode Door Actuator

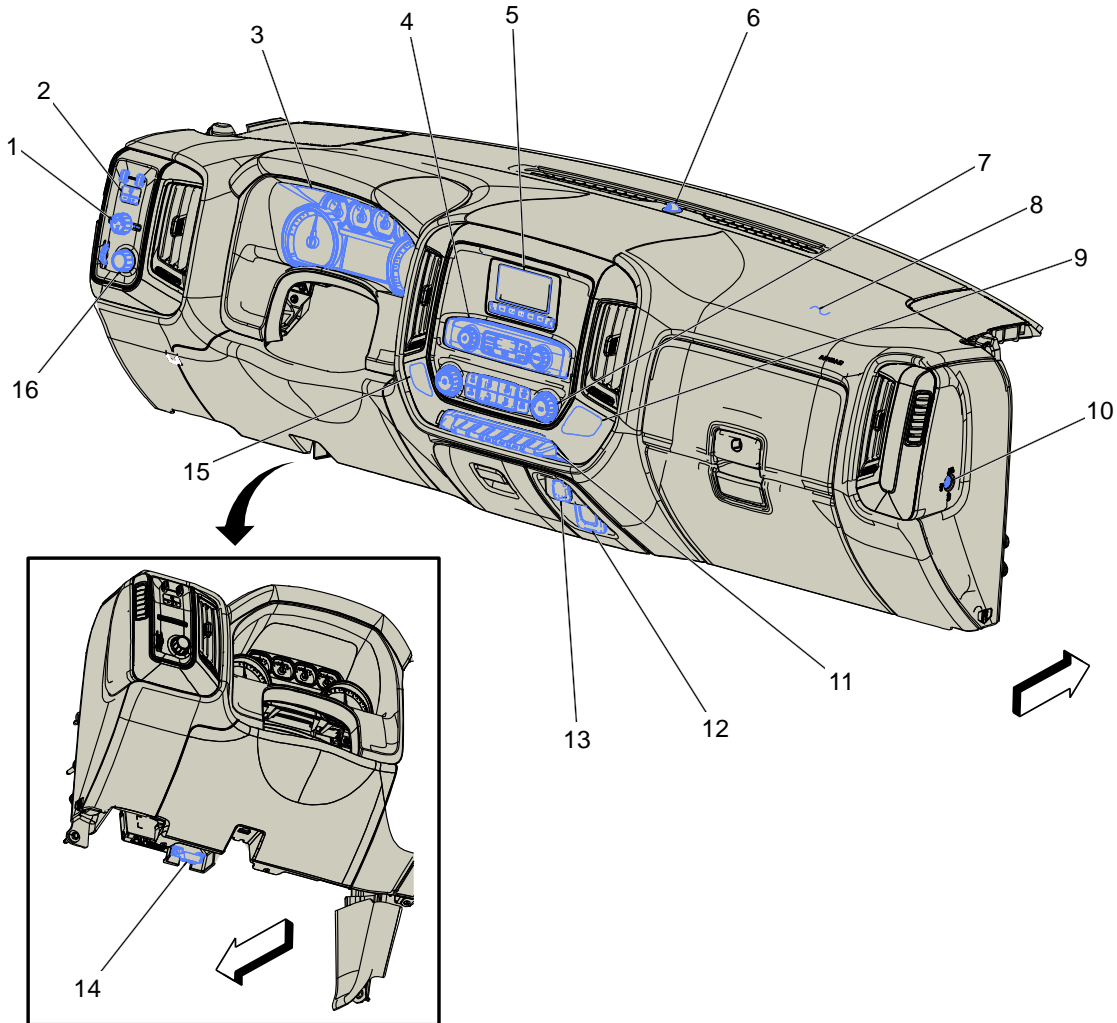
**Figure 206 Front of HVAC Assembly Components**



1. B39 A/C Evaporator Temperature  
Sensor (Feature Code: 0016XZA)

2. M8 Blower Motor

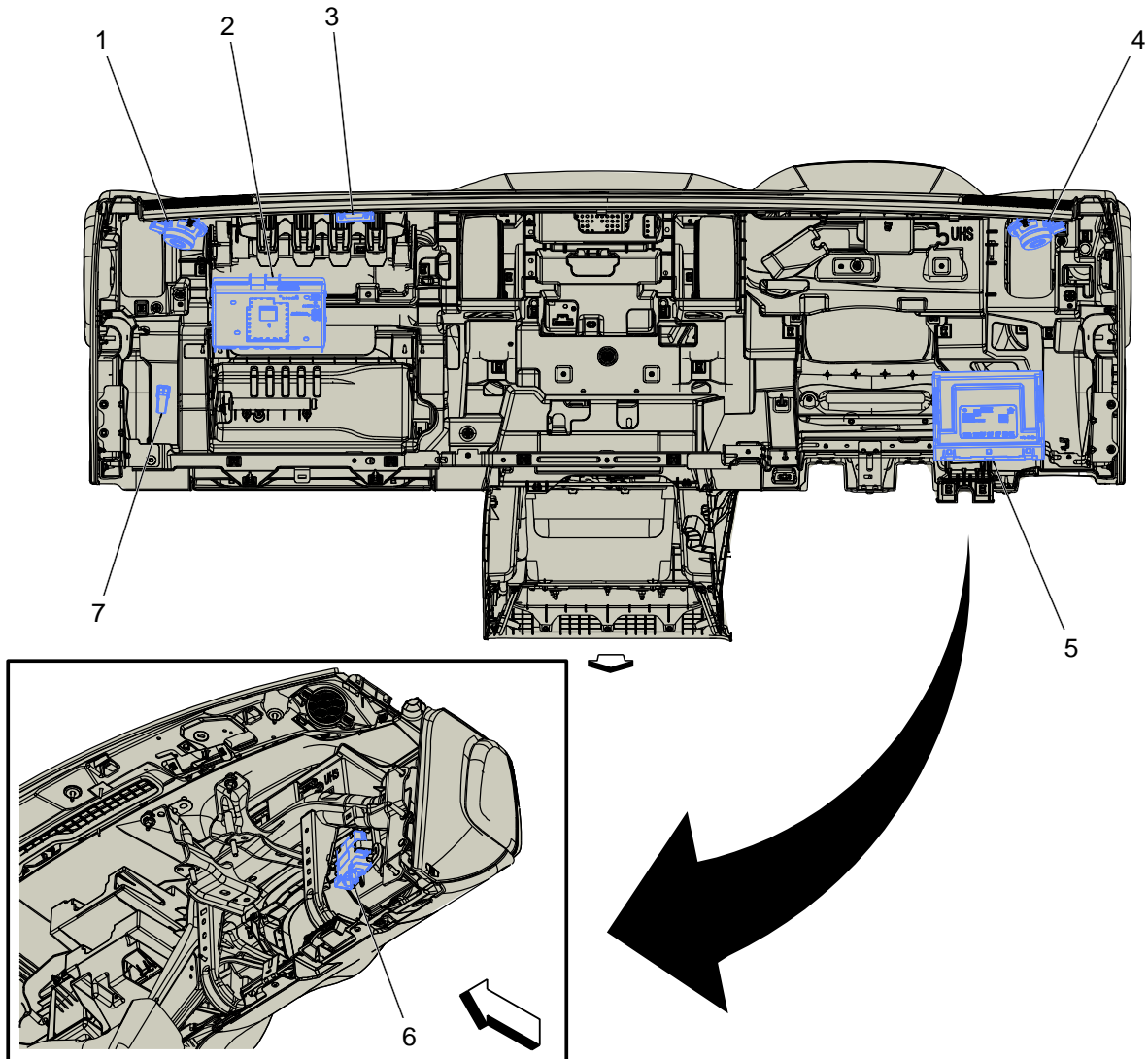
**Figure 207 Back of HVAC Assembly Components**



- |   |  |
|---|--|
| <ol style="list-style-type: none"> <li>1. S77 Transfer Case Shift Control Switch (Feature Code: 0013TLP (0013WDB))</li> <li>2. S76 Trailer Brake Control Switch (Feature Code: 0008HBW)</li> <li>3. P16 Instrument Cluster</li> <li>4. A22 Radio Controls</li> <li>5. P17 Info Display Module</li> <li>6. B10B Ambient Light / Sunload Sensor</li> <li>7. A26 HVAC Controls</li> <li>8. F101 Passenger Instrument Panel Air Bag</li> <li>9. S32P Seat Heating Switch - Passenger (Feature Code: 0016XJR)</li> </ol> | <ol style="list-style-type: none"> <li>10. S40 Passenger Air Bag Disable Switch (Feature Code: 0016XCR)</li> <li>11. S48A Multifunction Switch - Instrument Panel</li> <li>12. X81 Accessory Power Receptacle - 110 volt AC (Feature Code: 0008XJX)</li> <li>13. X80G Accessory Power Receptacle - Instrument Panel (Without Feature Code: 0016XCN)</li> <li>14. X84 Data Link Connector</li> <li>15. S32D Seat Heating Switch - Driver (Feature Code: 0016XJR)</li> <li>16. S30 Headlight Switch</li> </ol> |
|---|--|

**Figure 208 Front of Instrument Panel Components**

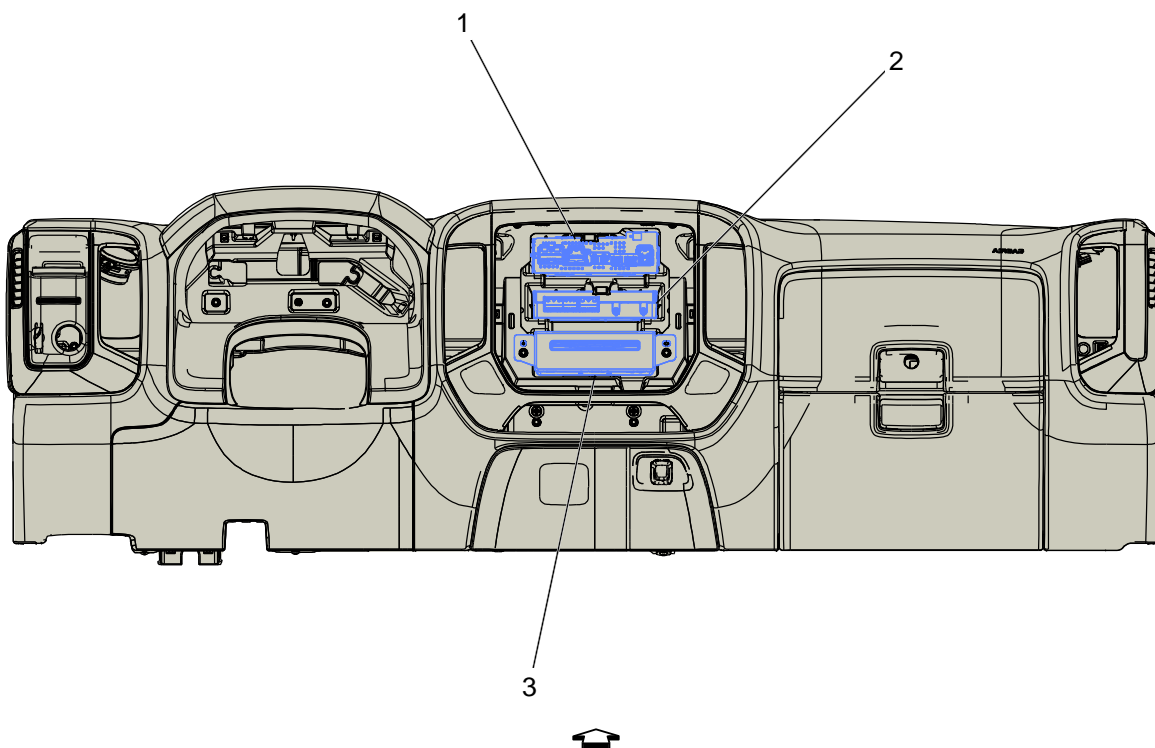




1. P19W Speaker - Right Instrument Panel
2. K74 Human Machine Interface Control Module (Feature Code: 0008RNW / 0008RNX)
3. T15 Navigation Antenna Signal Splitter (Feature Code: 0008RNX plus 0008AAE)

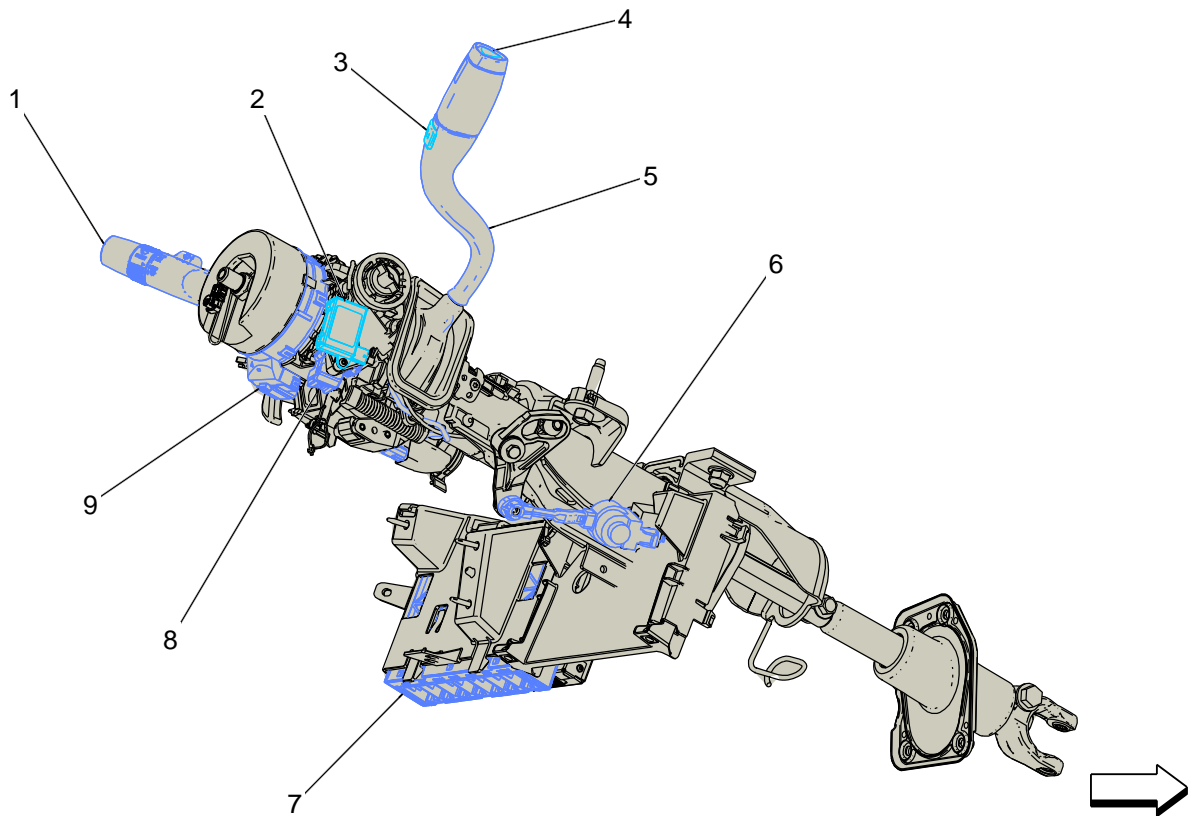
4. P19J Speaker - Left Instrument Panel
5. K9 Body Control Module
6. K56 Serial Data Gateway Module
7. R6F Terminating Resistor - High Speed Extension Bus 2 (Feature Code: 0008RNW / 0008RNX / 0008AAE)

**Figure 209 Back of Instrument Panel Components**



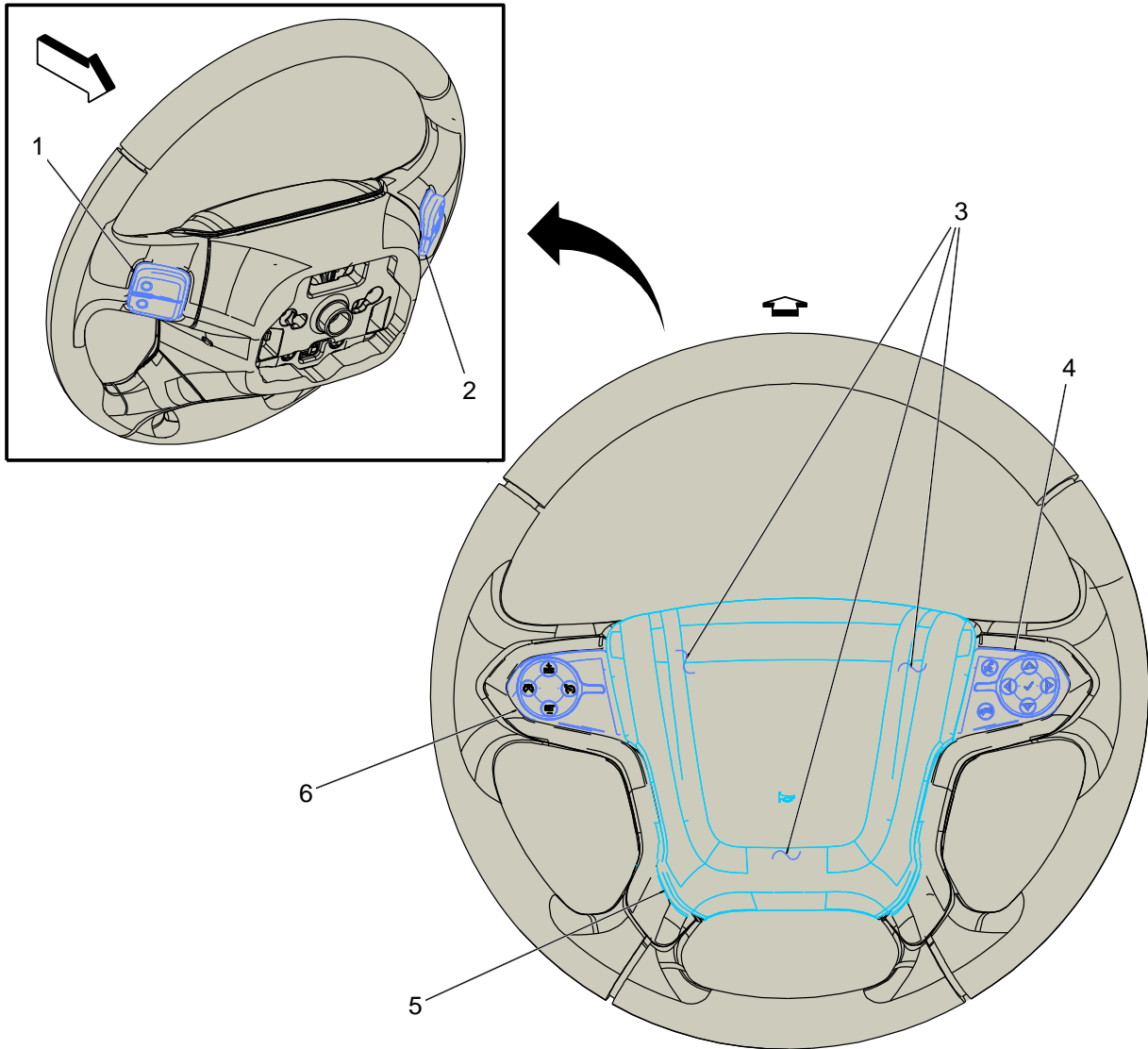
- 1. A11 Radio
- 2. K73 Telematics Communication Interface Control Module (Feature Code: 0008AAE)
- 3. A33 Media Disc Player (Feature Code: 0008RNS)

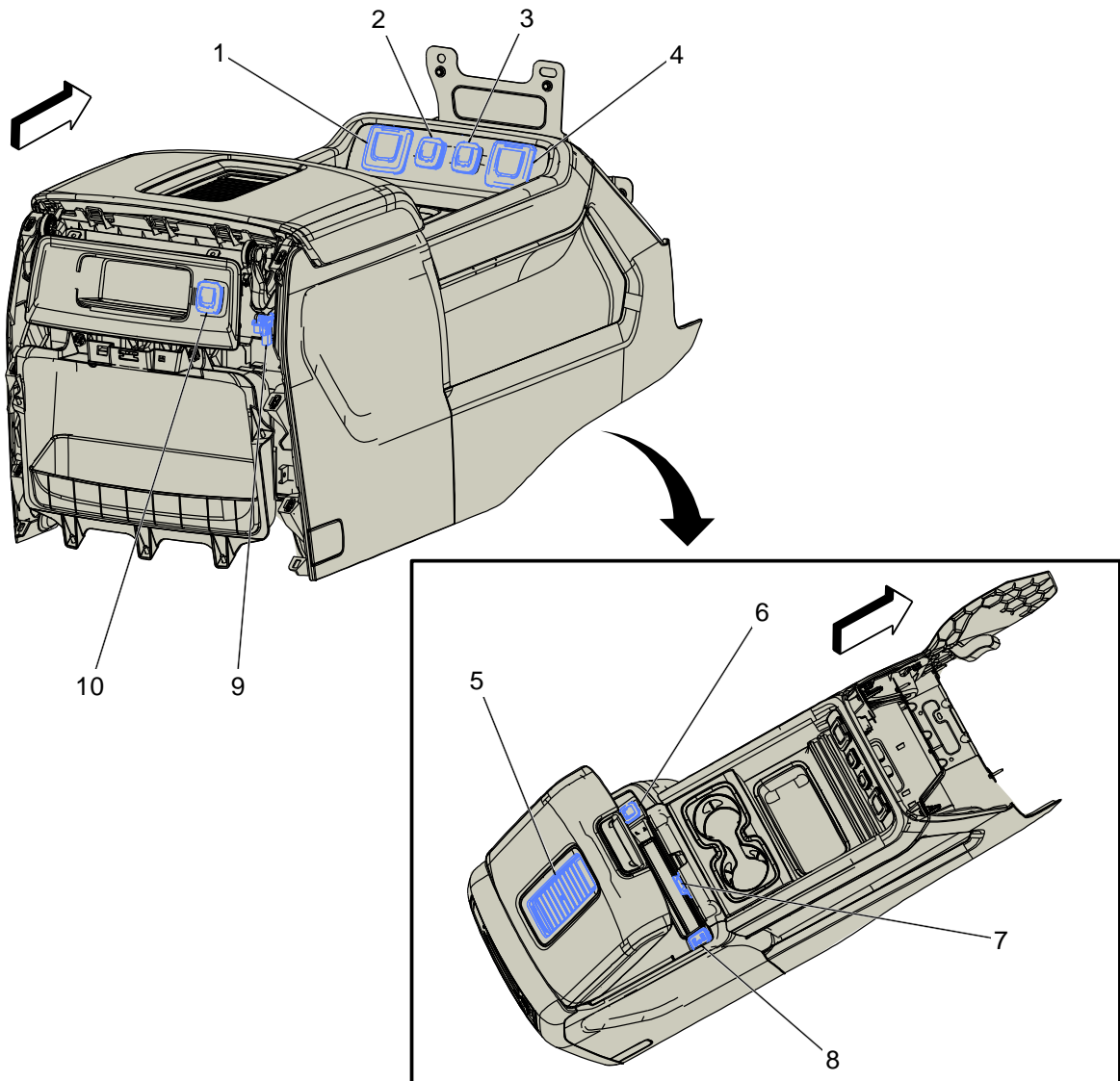
**Figure 210 Inside Center of Instrument Panel Components**



- |   |   |
|---|---|
| 1. S78 Turn Signal/Multifunction Switch | 5. S3 Transmission Shift Lever                          |
| 2. K89 Immobilizer Control Module       | 6. M7 Transmission Shift Lock Control Solenoid Actuator |
| 3. S2 Transmission Manual Shift Switch  | 7. K9 Body Control Module                               |
| 4. S74 Tow/Haul Mode Switch             | 8. S39 Ignition Switch                                  |
|   | 9. X85 Steering Wheel Air Bag Coil                      |

**Figure 211 Steering Column Components**

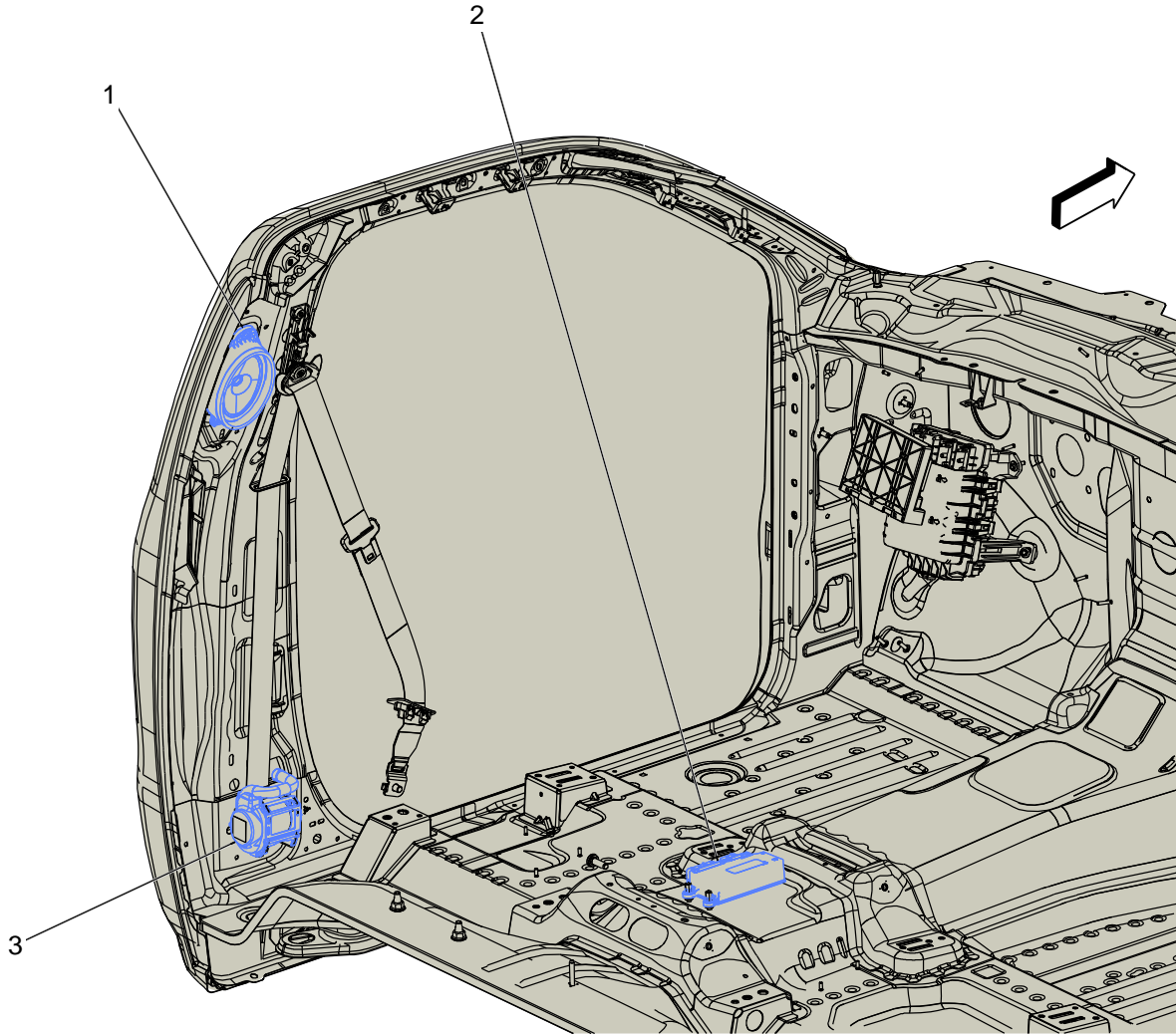




- |  |  |
|--|--|
| <ol style="list-style-type: none"> <li>1. X92 USB Receptacle (Feature Code: 0008RNW / 0008RNX)</li> <li>2. X80J Accessory Power Receptacle - Instrument Panel 1 (Feature Code: 0016XCN)</li> <li>3. X80K Accessory Power Receptacle - Instrument Panel 2 (Feature Code: 0016XCN)</li> <li>4. X81 Accessory Power Receptacle - 110V AC (Feature Code: 0008XJX)</li> <li>5. T22 Mobile Device Wireless Charger Module (Feature Code: 0016XCN)</li> </ol> | <ol style="list-style-type: none"> <li>6. X80D Accessory Power Receptacle - Center Console Compartment</li> <li>7. E28 Center Console Compartment Lamp (Feature Code: 0016XCN)</li> <li>8. X83 Auxiliary Audio Input</li> <li>9. S5 Center Console Compartment Lamp Switch (Feature Code: 0016XCN)</li> <li>10. X80L Accessory Power Receptacle - Center Console Rear (Feature Code: 0016XCN)</li> </ol> |
|--|--|

**Figure 213 Floor Console Components (Feature Code: 0016XCN)**

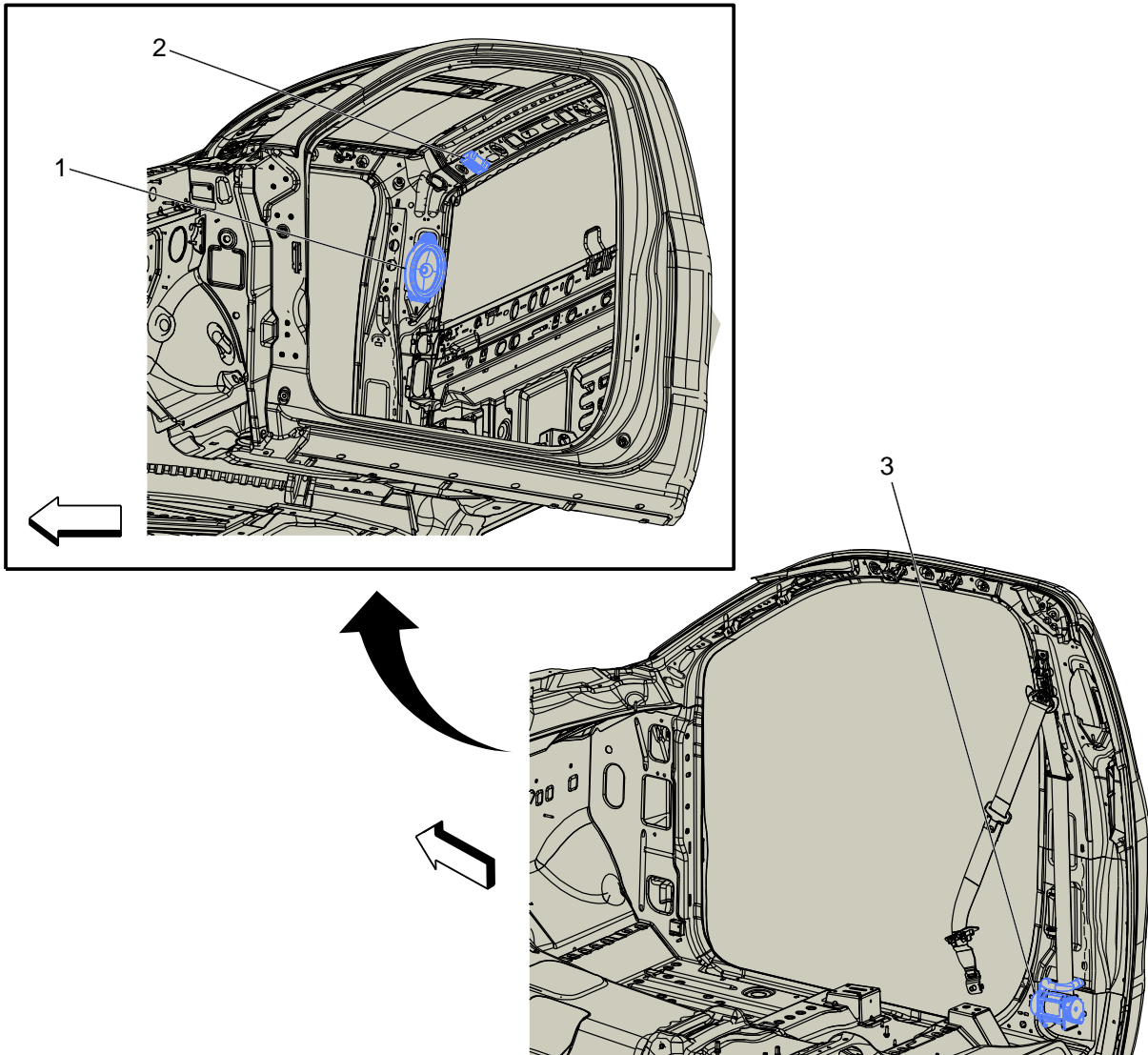
Passenger Compartment / Roof Component Views



- 1. P19AN Speaker - Left Rear Trim Panel (Standard Cab)
- 2. K36 Inflatable Restraint Sensing and Diagnostic Module

- 3. F112D Seat Belt Retractor Pretensioner - Driver

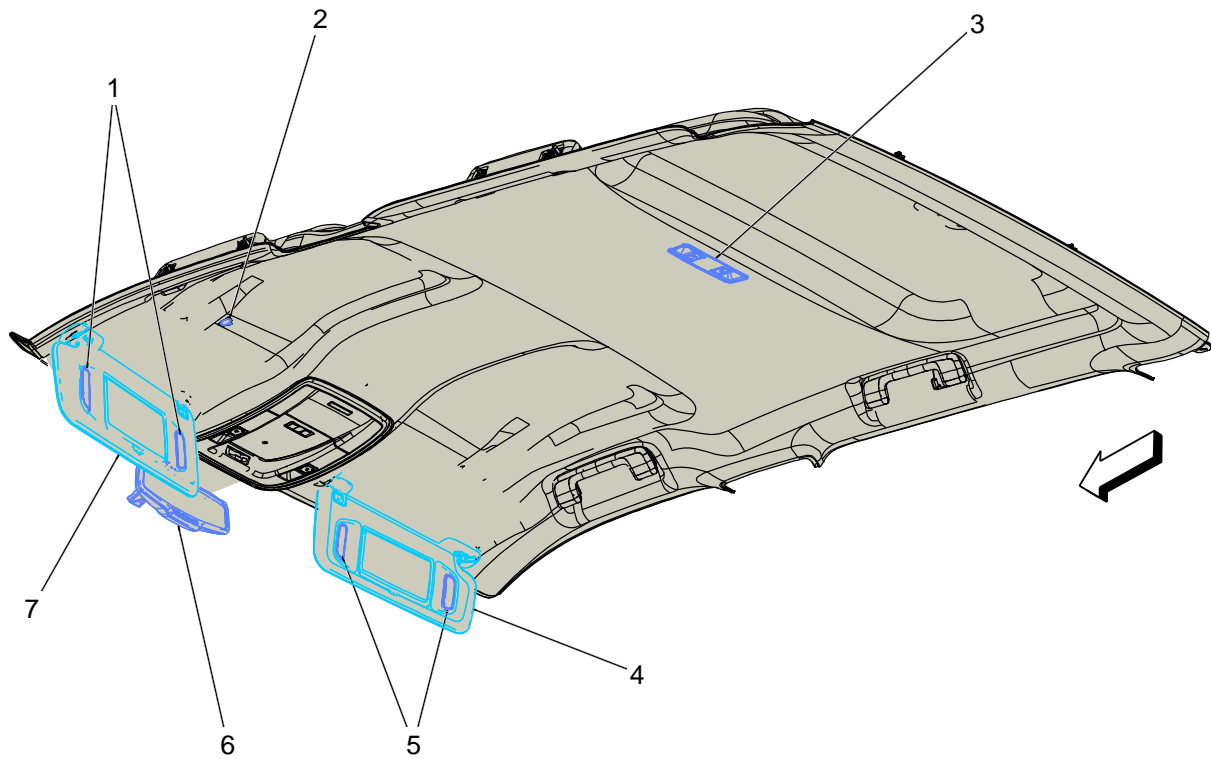
**Figure 214 Passenger Compartment Components - Left**



- 1. P19AP Speaker - Right Rear Trim Panel (Standard Cab)
- 2. K77 Remote Control Door Lock Receiver

- 3. F112P Seat Belt Retractor Pretensioner - Passenger

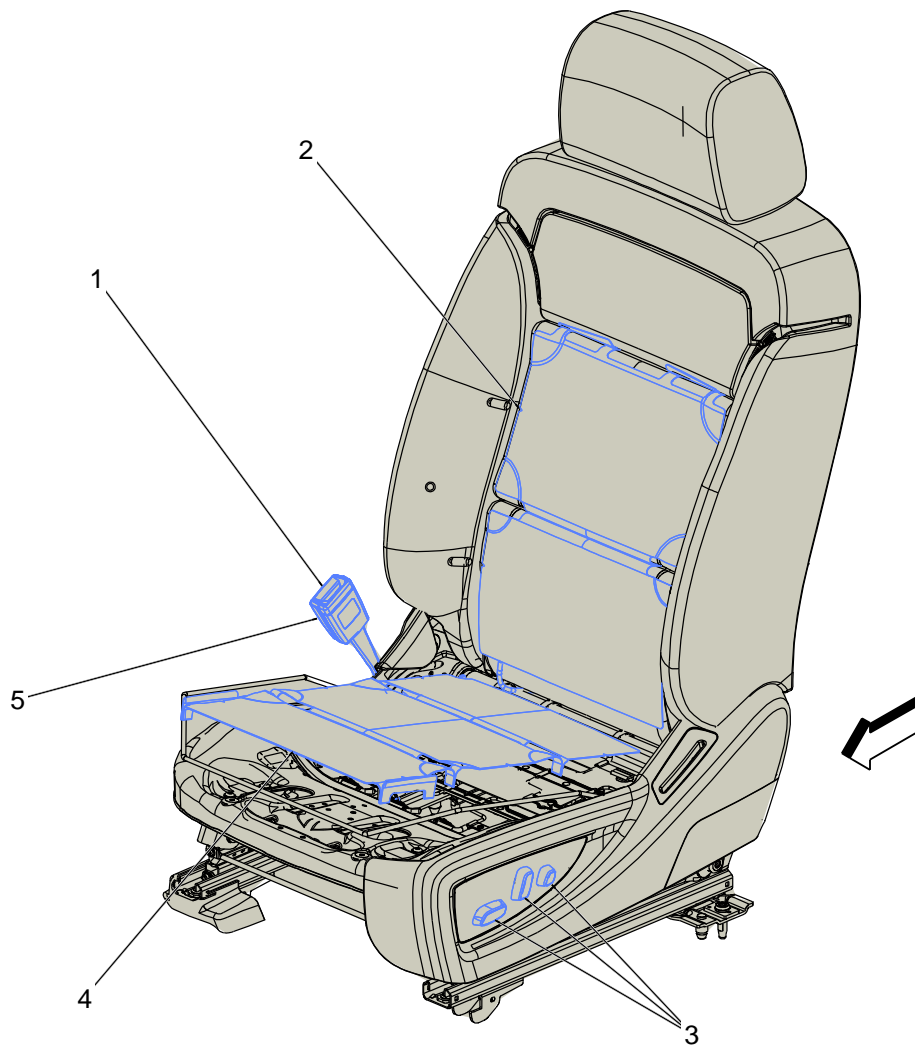
**Figure 215 Passenger Compartment Components - Right**



- |   |   |
|---|---|
| 1. E31L Sunshade Mirror Lamp -<br>Left (Feature Code: 0016XCS)                                    | 4. Sunshade   |
| 2. B24 Mobile Telephone<br>Microphone (Feature Code:<br>0008RNW / 0008RNX / 0008RNM<br>/ 0008AAE) | 5. E31R Sunshade Mirror Lamp -<br>Right (Feature Code: 0016XCS)       |
| 3. E37B Dome / Reading Lamps<br>- 2nd Row (Crew Cab-Feature<br>Code: 0016LVT)                     | 6. A10 Inside Rearview Mirror<br>(Feature Code: 0016ACC /<br>0008AAE) |
|   | 7. Sunshade   |

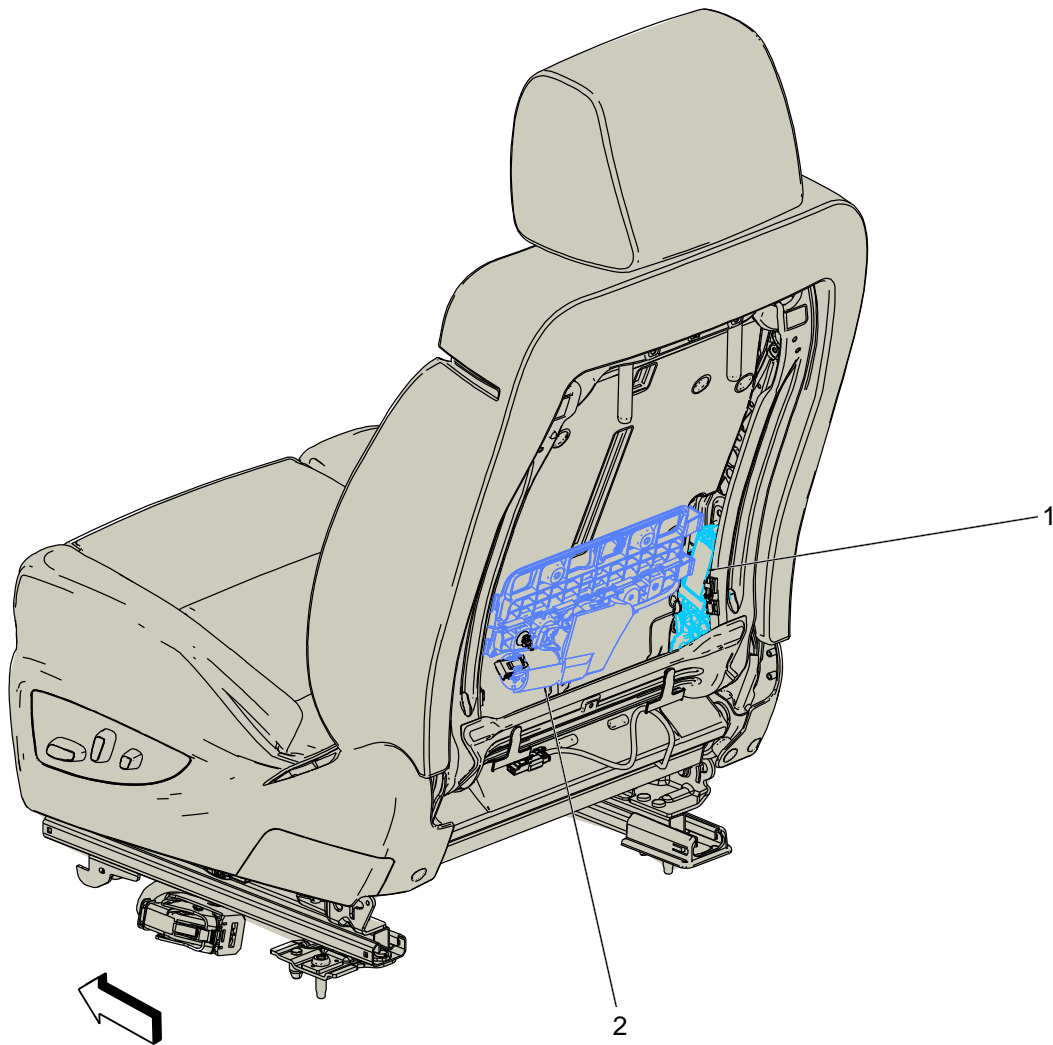
**Figure 216 Headliner Components**





- |  |  |
|--|--|
| <ul style="list-style-type: none"> <li>1. B88D Seat Belt Switch - Driver</li> <li>2. E14A Seat Heating Element<br/>- Driver Back (Feature Code:<br/>0016XJR)</li> <li>3. S64D Seat Adjuster Switch -<br/>Driver (Feature Code: 0016KVV /<br/>0016KVU)</li> </ul> | <ul style="list-style-type: none"> <li>4. E14B Seat Heating Element -<br/>Driver Cushion (Feature Code:<br/>0016XJR)</li> <li>5. B153D Seat Belt Buckle</li> </ul> |
|--|--|

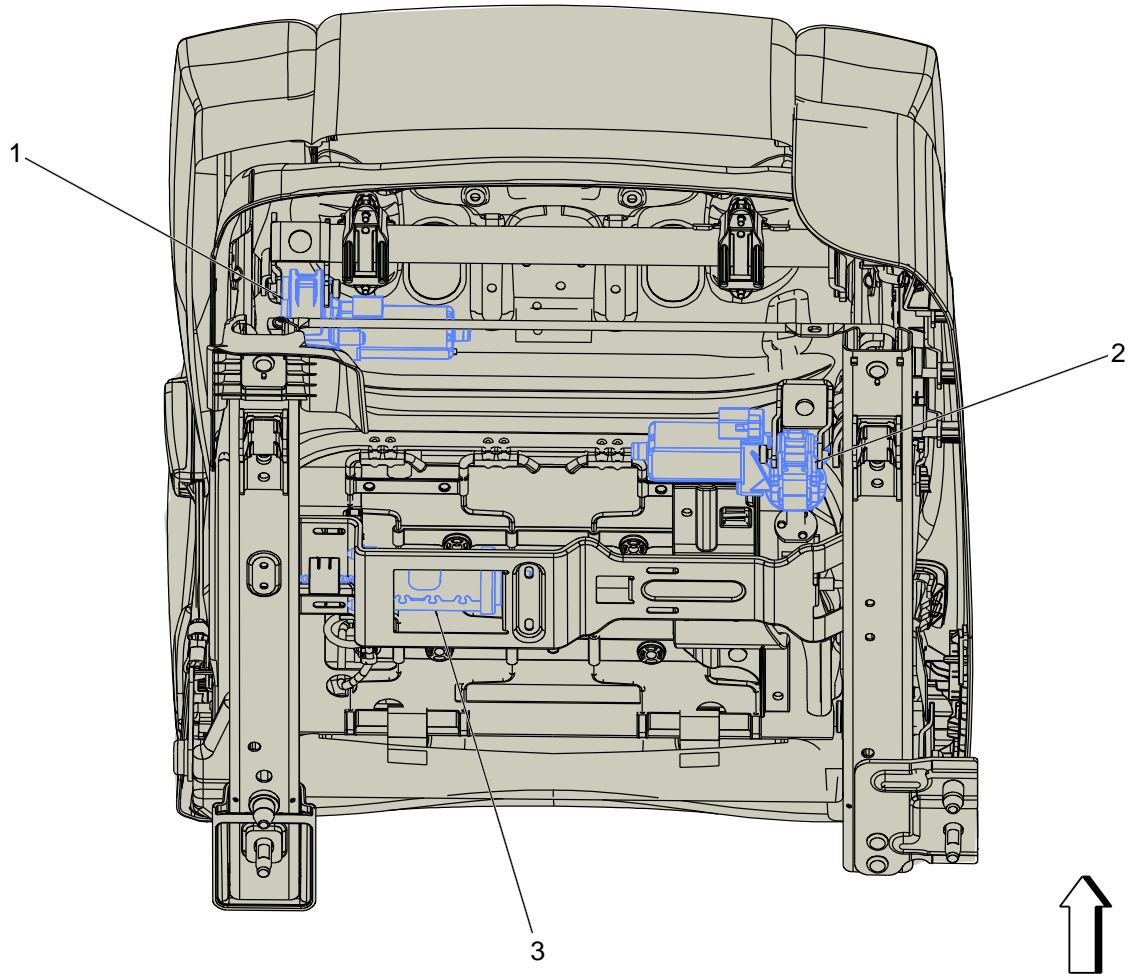
**Figure 217 Front of Driver Seat Components**



1. M56D Seat Recline Motor -  
Driver (Feature Code: 0016KVV /  
0016KVU)

2. M52D Seat Lumbar Support  
Horizontal Motor - Driver (Feature  
Code: 0016KVV)

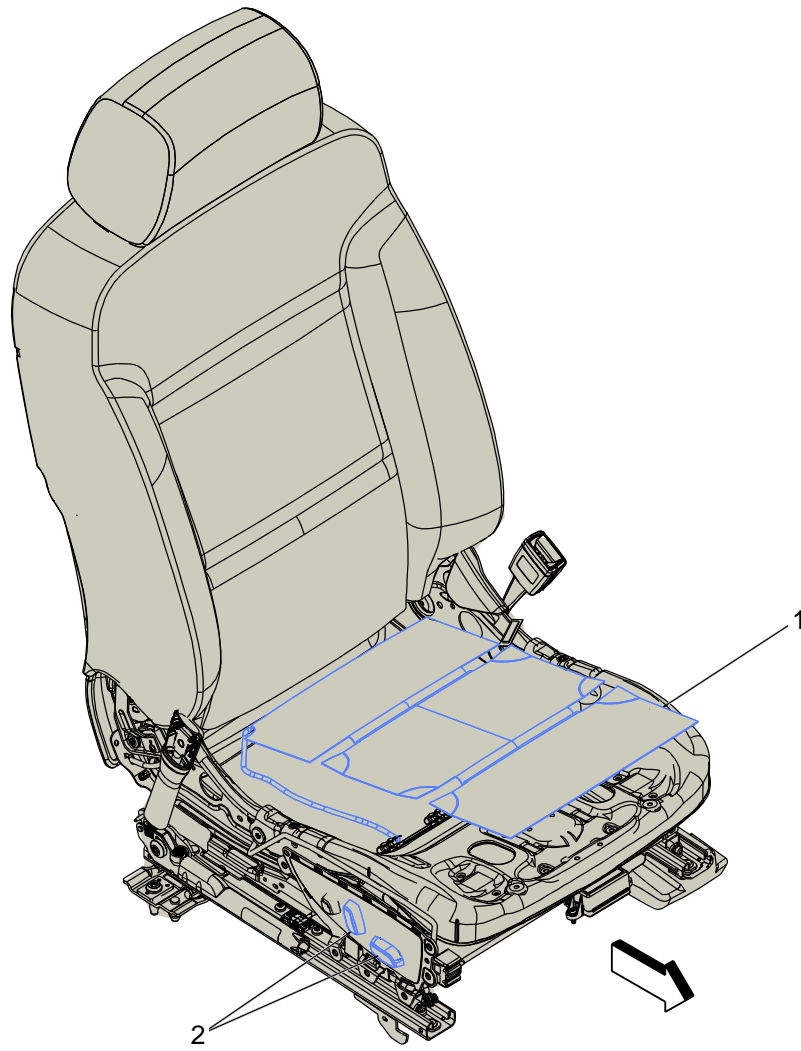
**Figure 218 Back of Driver Seat Components**



1. M50D Seat Front Vertical Motor - Driver (Feature Code: 0016KVV / 0016KVU)
2. M55D Seat Rear Vertical Motor - Driver (Feature Code: 0016KVV / 0016KVU)

3. M51D Seat Horizontal Motor - Driver (Feature Code: 0016KVV / 0016KVU)

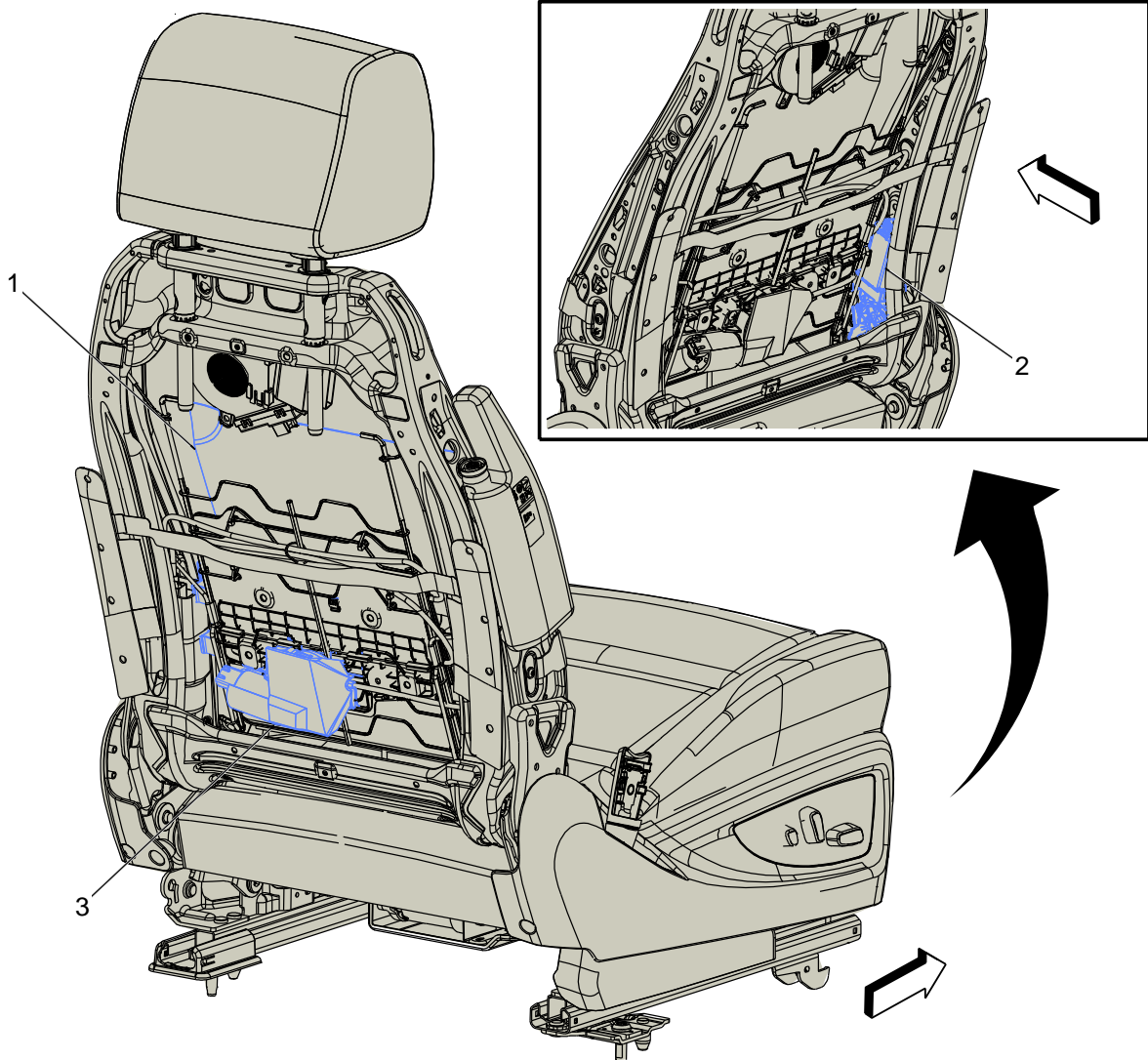
**Figure 219 Bottom of Driver Seat Components**



1. E14D Seat Heating Element  
- Passenger Cushion (Feature  
Code: 0016XJR)

2. S64P Seat Adjuster Switch  
- Passenger ((Feature Code:  
0016KVV / AG2)

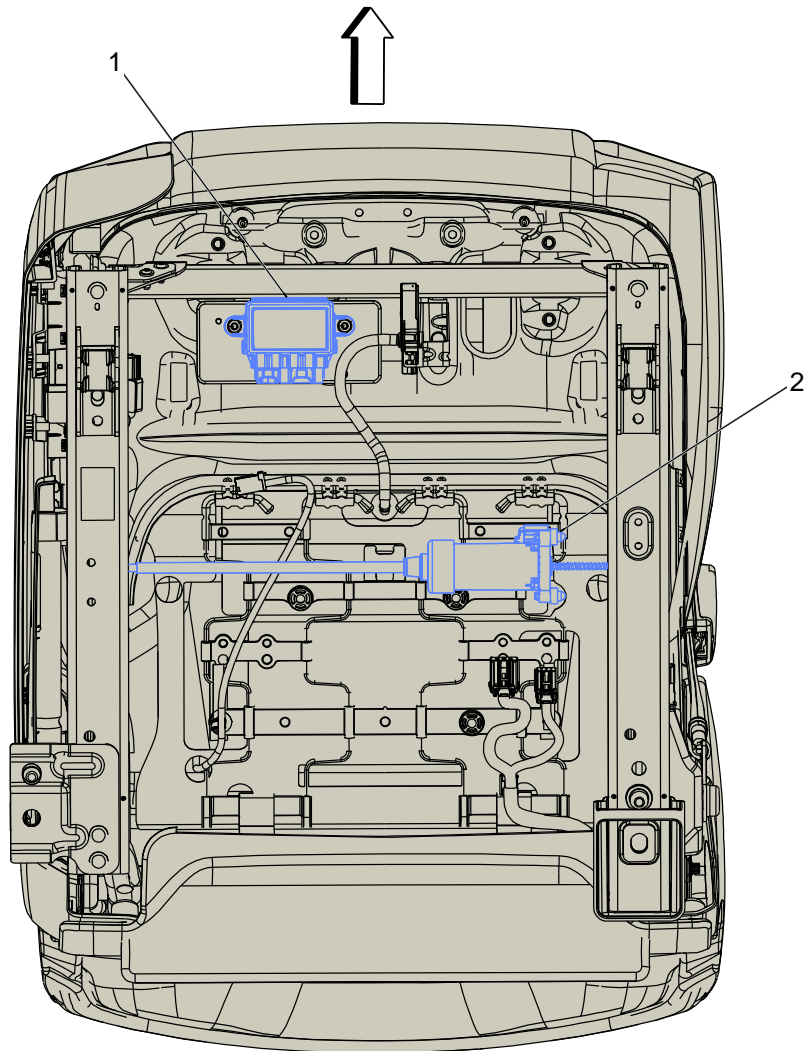
**Figure 220 Front of Passenger Seat Components**



- 1. E14C Seat Heating Element - Passenger Back (Feature Code: 0016XJR)
- 2. M56P Seat Recline Motor - Passenger (Feature Code: 0016KVV / AG2)

- 3. M52P Seat Lumbar Support Horizontal Motor - Passenger (Feature Code: 0016KVV)

**Figure 221 Back of Passenger Seat Components**

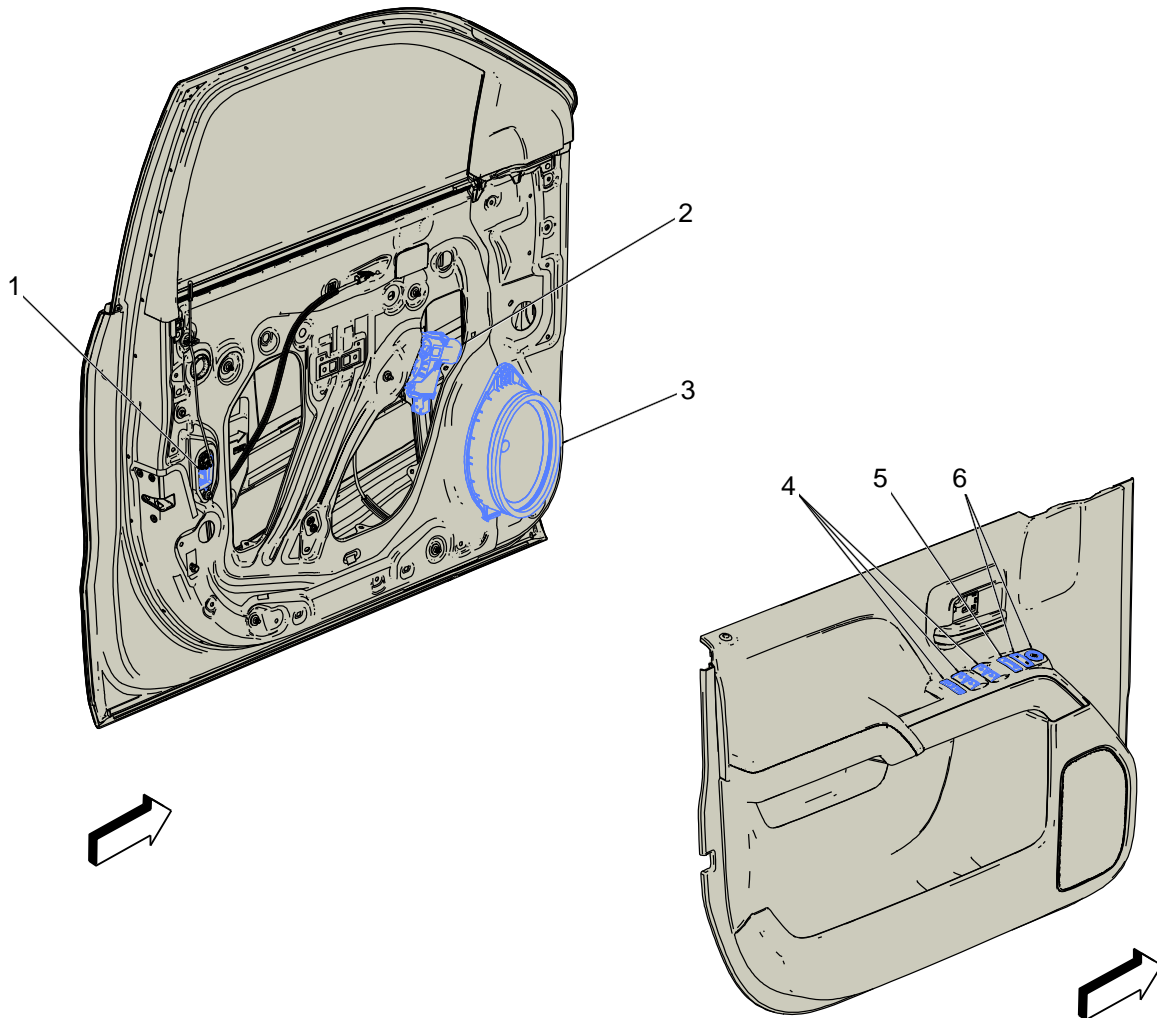


1. K29 Seat Heating Control Module  
(Feature Code: 0016XJR)

2. M51P Seat Horizontal Motor  
- Passenger (Feature Code:  
0016KVV / AG2)

**Figure 222 Bottom of Passenger Seat Components**

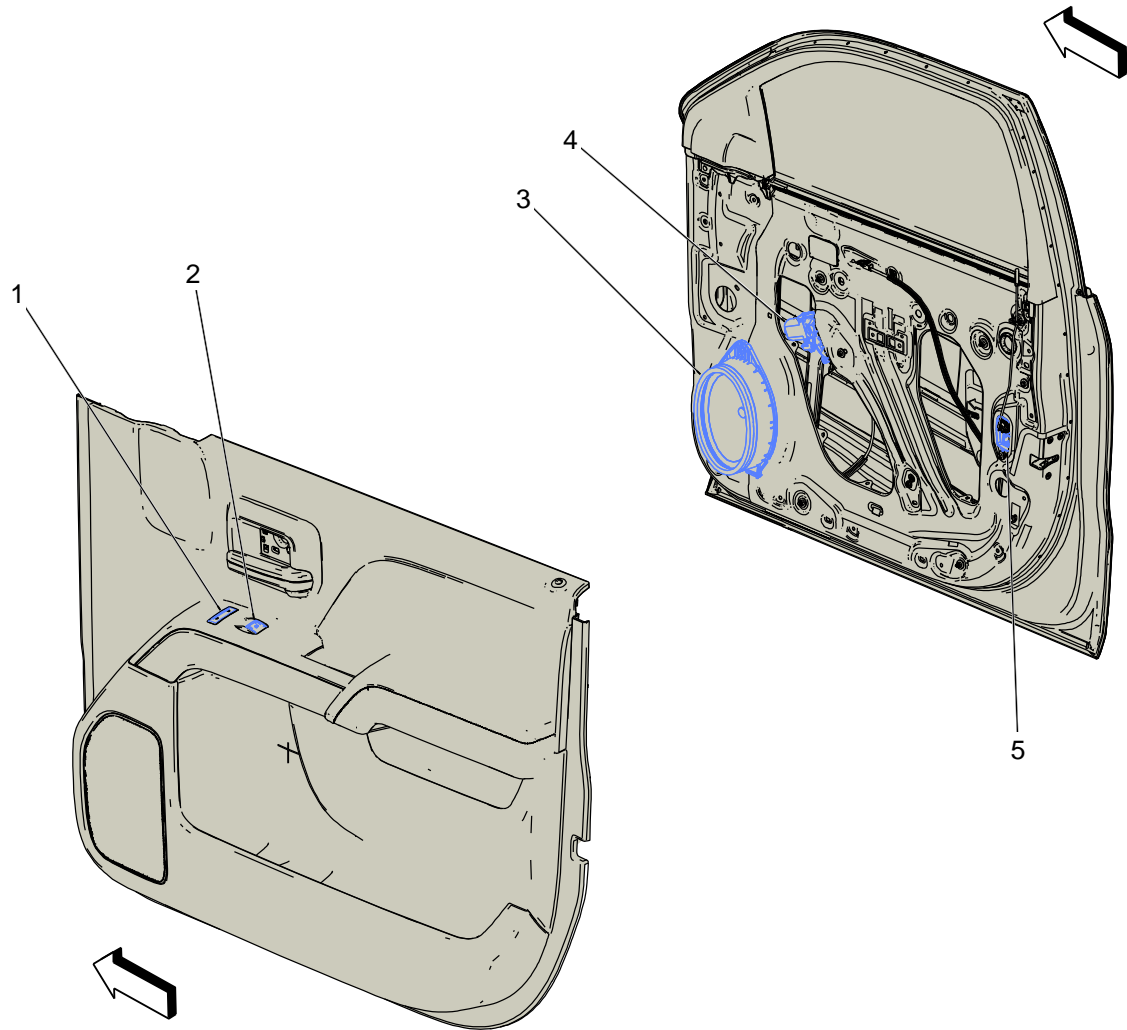
Door Component Views



- 1. A23D Door Latch Assembly - Driver
- 2. M74D Window Motor - Driver
- 3. P19AG Speaker - Left Front Door

- 4. S79D Window Switch - Driver
- 5. S13D Door Lock Switch - Driver
- 6. S52 Outside Rearview Mirror Switch (Feature Code: 0016SPS)

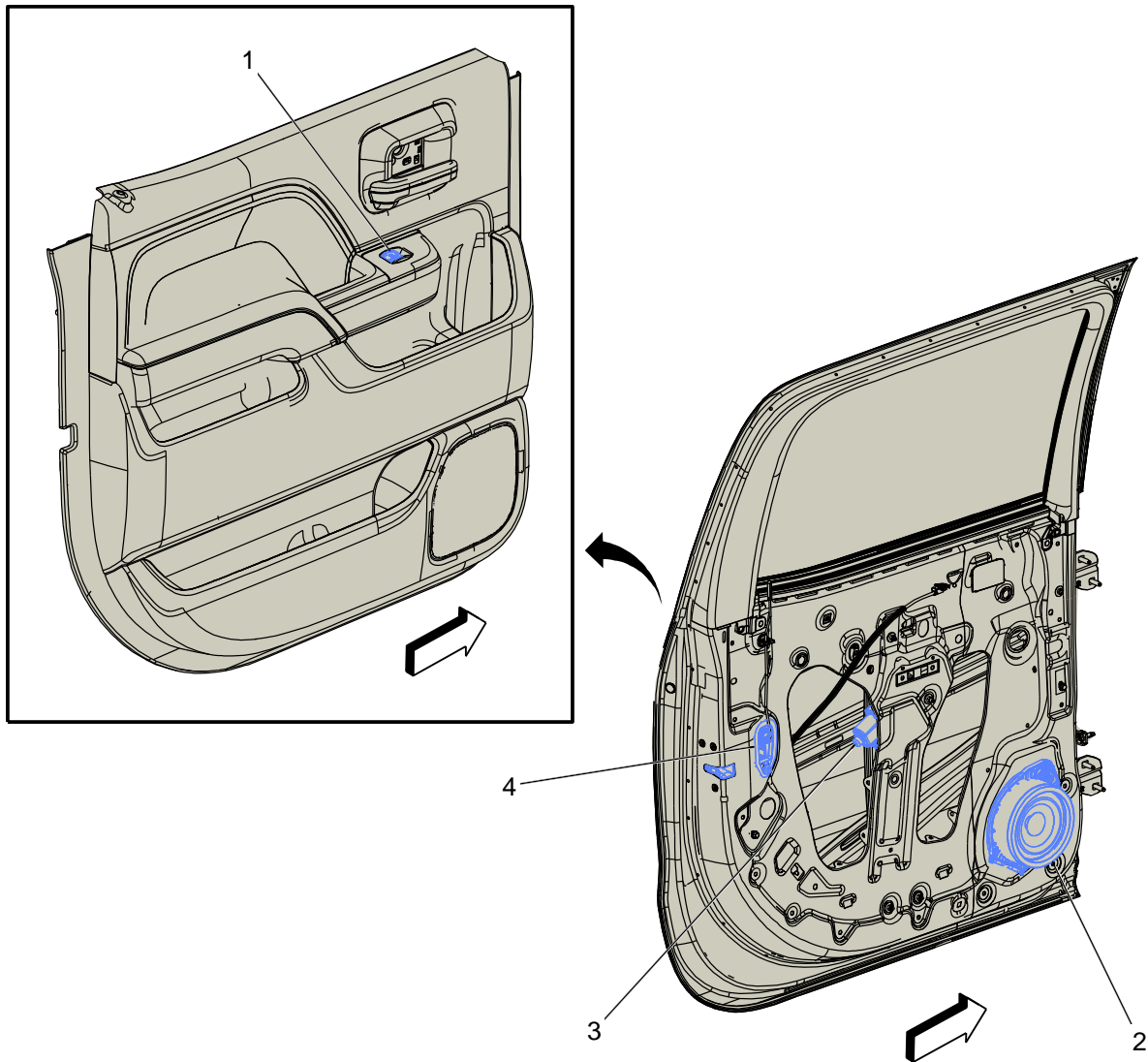
Figure 223 Driver Door Components



- 1. S13P Door Lock Switch - Passenger
- 2. S79P Window Switch - Passenger
- 3. P19AH Speaker - Right Front Door
- 4. M74P Window Motor - Passenger
- 5. A23P Door Latch Assembly - Passenger

**Figure 224 Passenger Door Components**

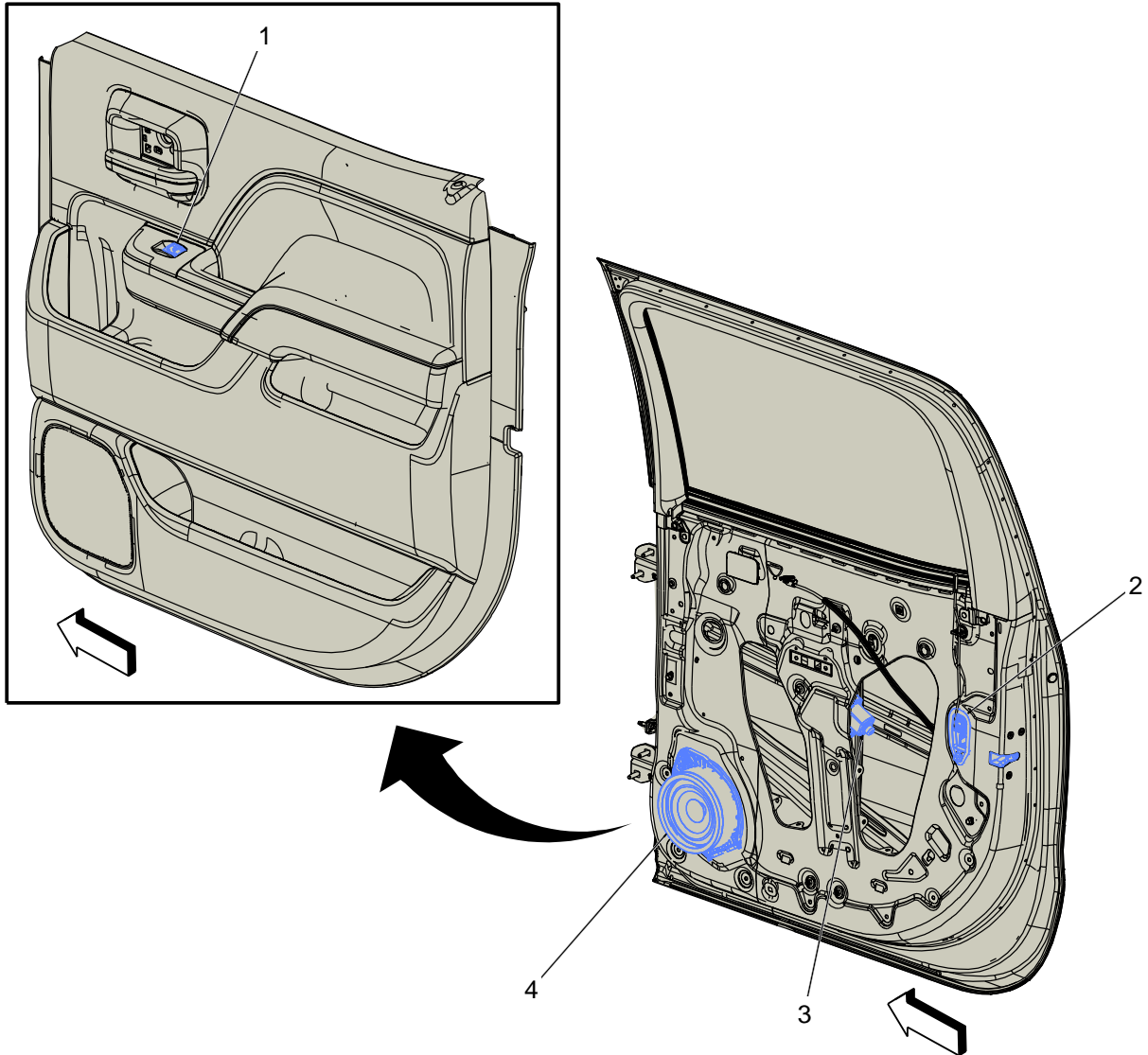




- 1. S79LR Window Switch - Left Rear (Crew Cab)
- 2. P19AL Speaker - Left Rear Door (Crew Cab)

- 3. M74LR Window Motor - Left Rear (Crew Cab)
- 4. A23LR Door Latch Assembly - Left Rear (Crew Cab)

**Figure 225 Left Rear Door Components**

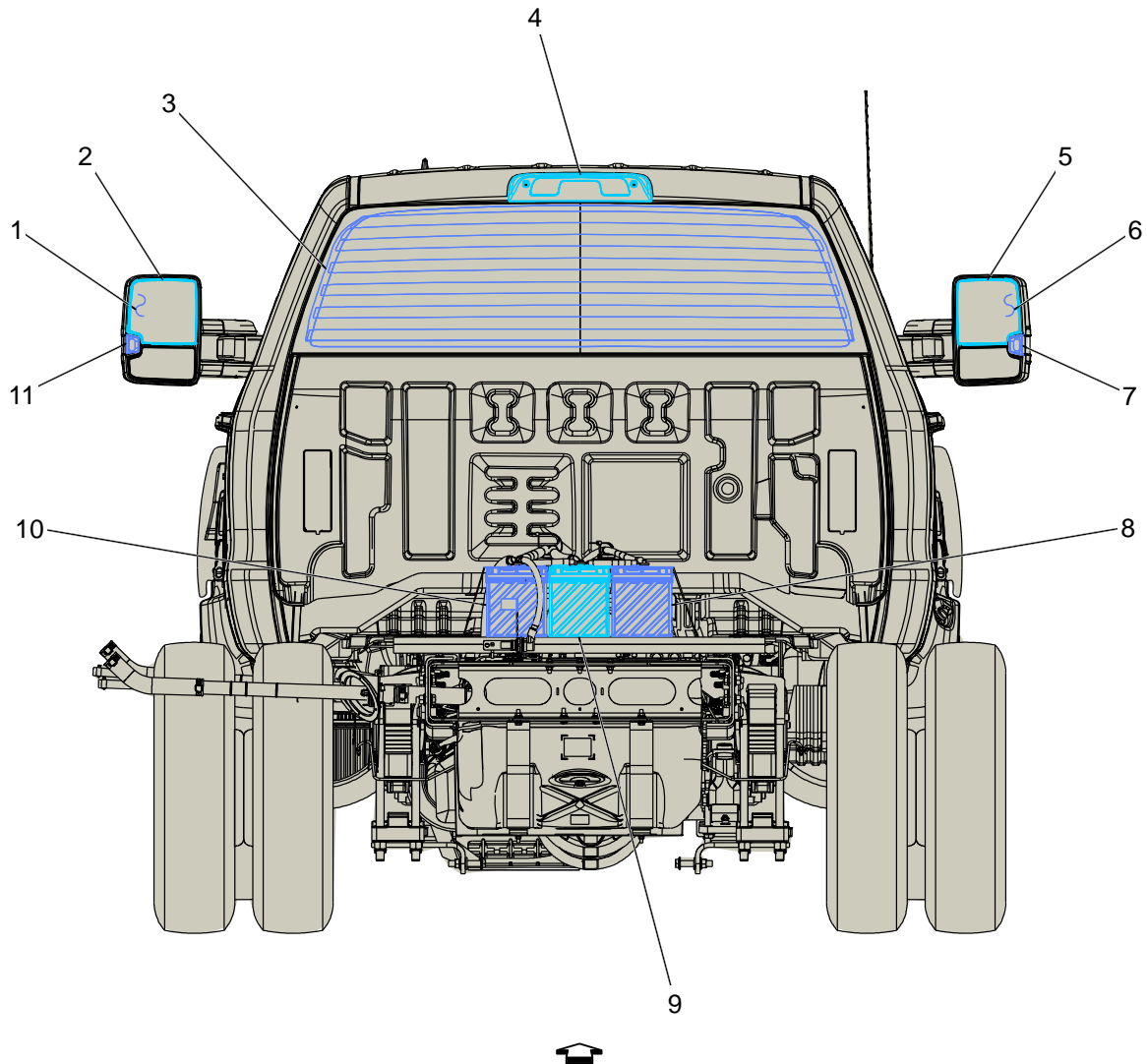


- 1. S79RR Window Switch - Right Rear (Crew Cab)
- 2. A23RR Door Latch Assembly - Right Rear (Crew Cab)

- 3. M74RR Window Motor - Right Rear (Crew Cab)
- 4. P19AM Speaker - Right Rear Door (Crew Cab)

**Figure 226 Right Rear Door Components**

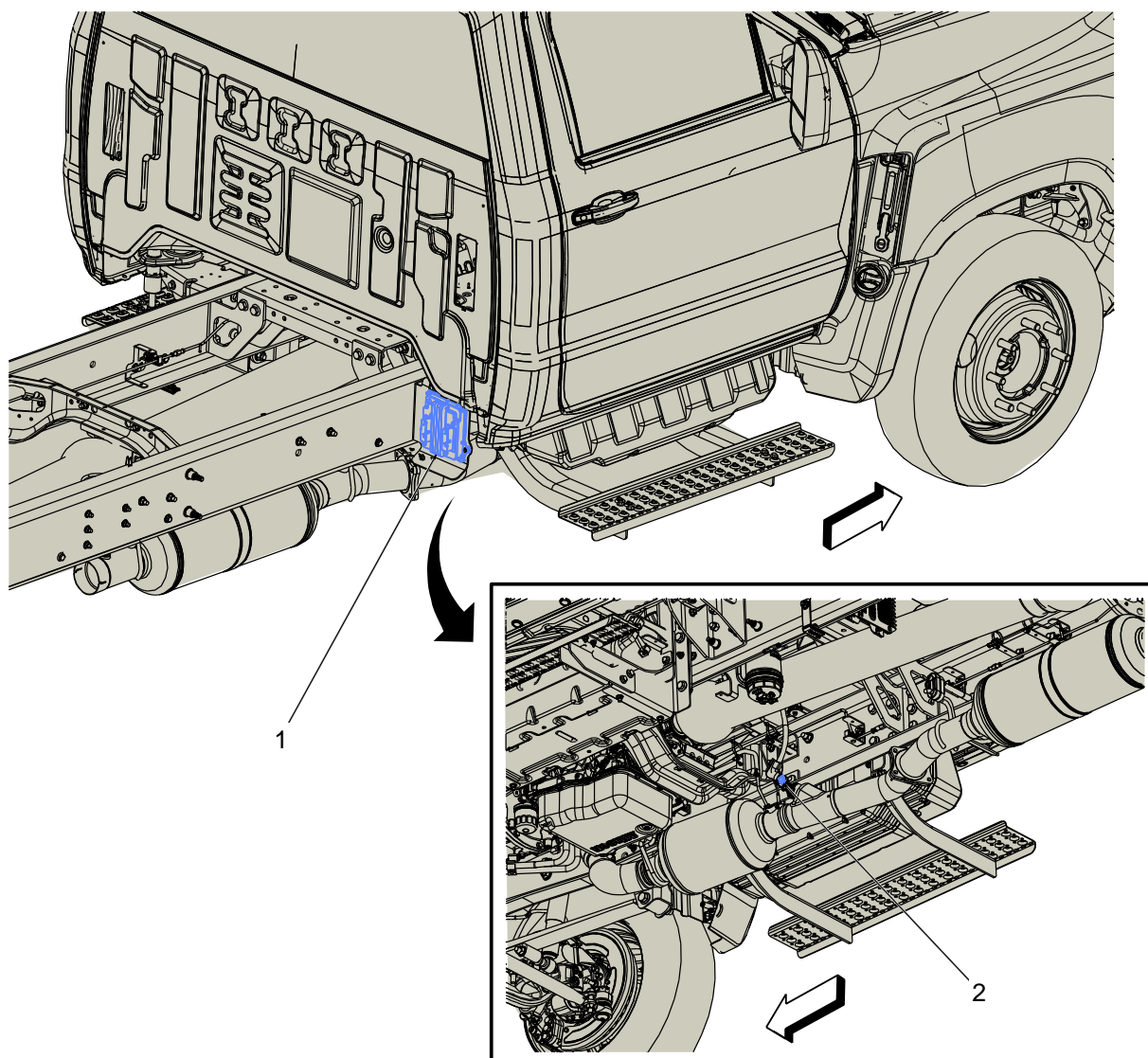
## Luggage Compartment / Rear of Vehicle Component Views



- |   |  |
|---|--|
| 1. E4Y Turn Signal Repeater Lamp<br>- Left (Feature Code: 0016SPS)              | 6. E4Z Turn Signal Repeater Lamp<br>- Right (Feature Code: 0016SPS)                  |
| 2. E17D Outside Rearview Mirror<br>Glass - Driver (Feature Code:<br>0016SPS)    | 7. E70P Outside Rearview Mirror<br>Cargo Lamp - Passenger (Feature<br>Code: 0016SPS) |
| 3. E18 Rear Defogger Grid (Feature<br>Code: 0008AAB)                            | 8. C1C   |
| 4. E6 Center High Mounted Stop<br>Lamp  | 9. C1B Battery - Auxiliary   |
| 5. E17P Outside Rearview Mirror<br>Glass - Passenger (Feature Code:<br>0016SPS) | 10. C1A  |
|   | 11. E70D Outside Rearview Mirror<br>Cargo Lamp - Driver (Feature<br>Code: 0016SPS)   |

Figure 227 Rear of Vehicle Components

Wheels / Vehicle Underbody Component Views

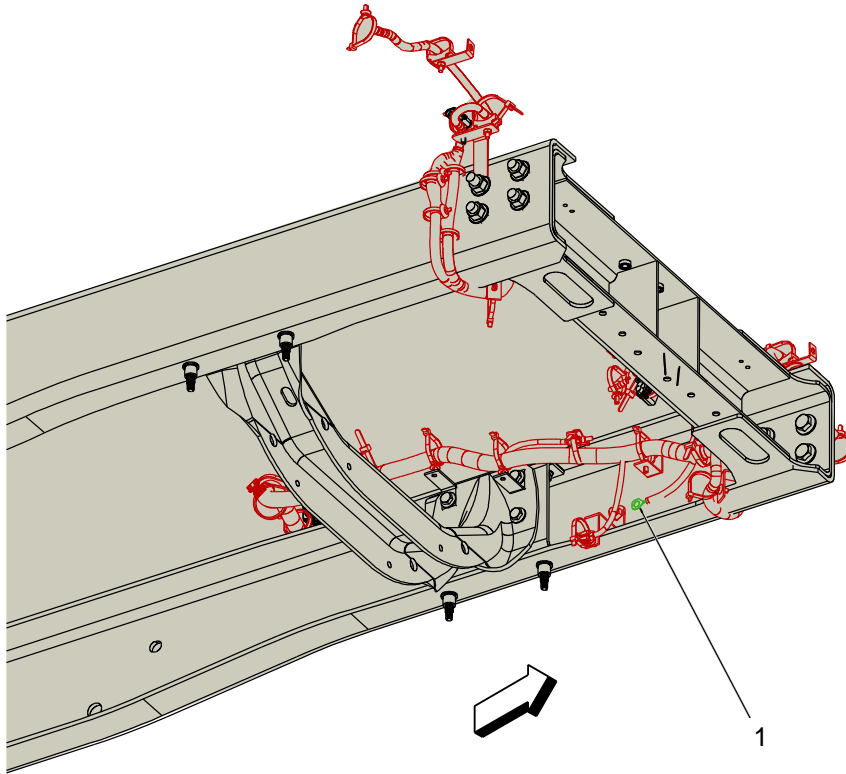


1. K44 Power Take-Off Control  
Module (Feature Code:  
0012WGG)

2. Q61 Reductant Injector

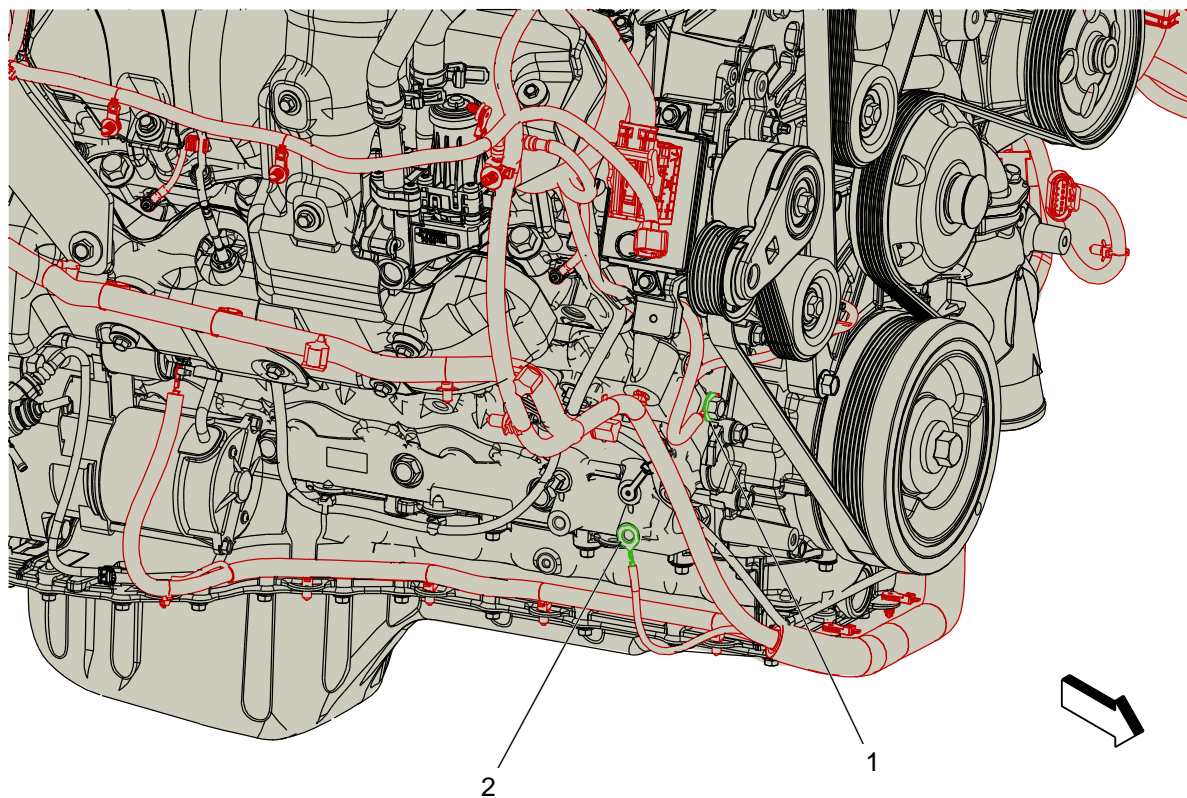
Figure 228 Below Right Rear of Cab Components

Ground Views



- 1. G101 Forward Lamp Harness

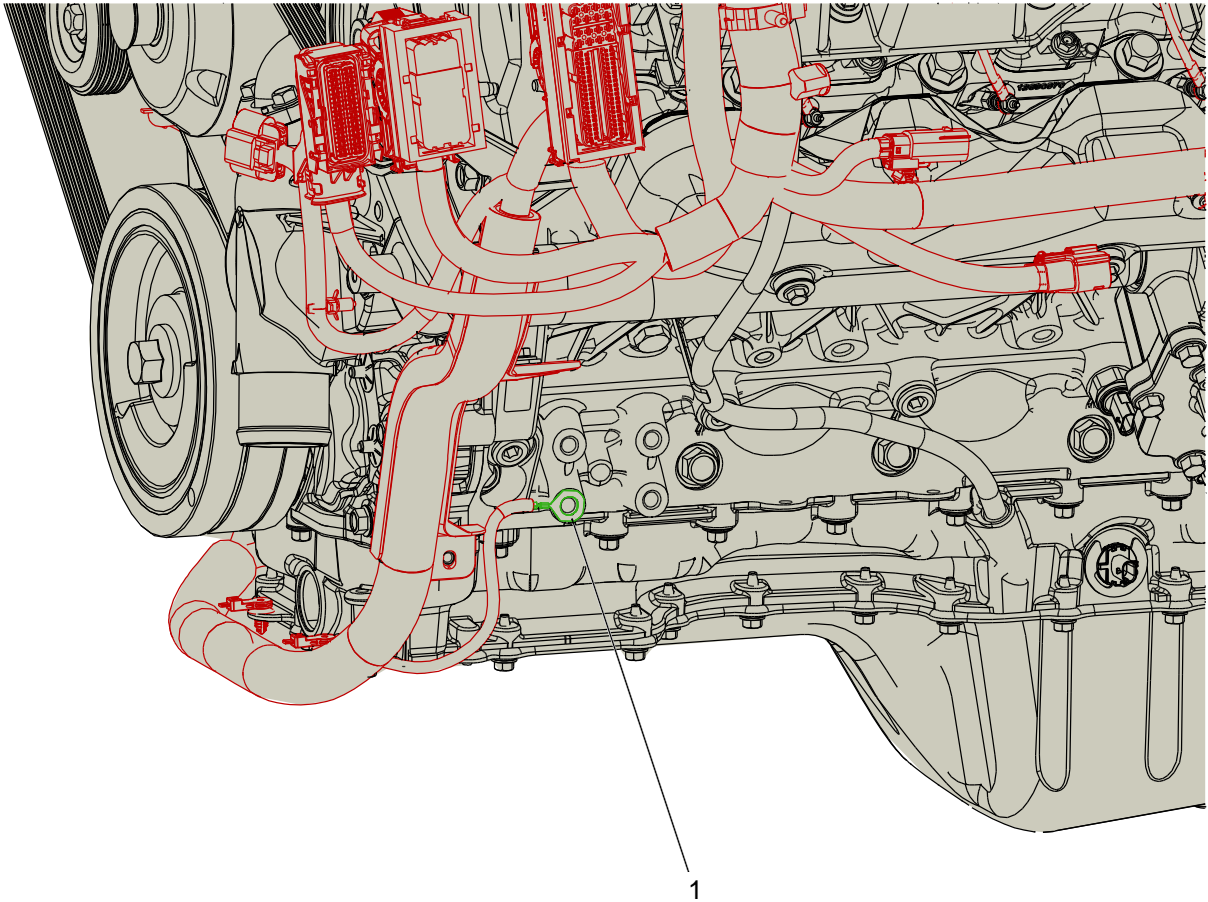
Figure 229 G101



1. G112 Engine Harness

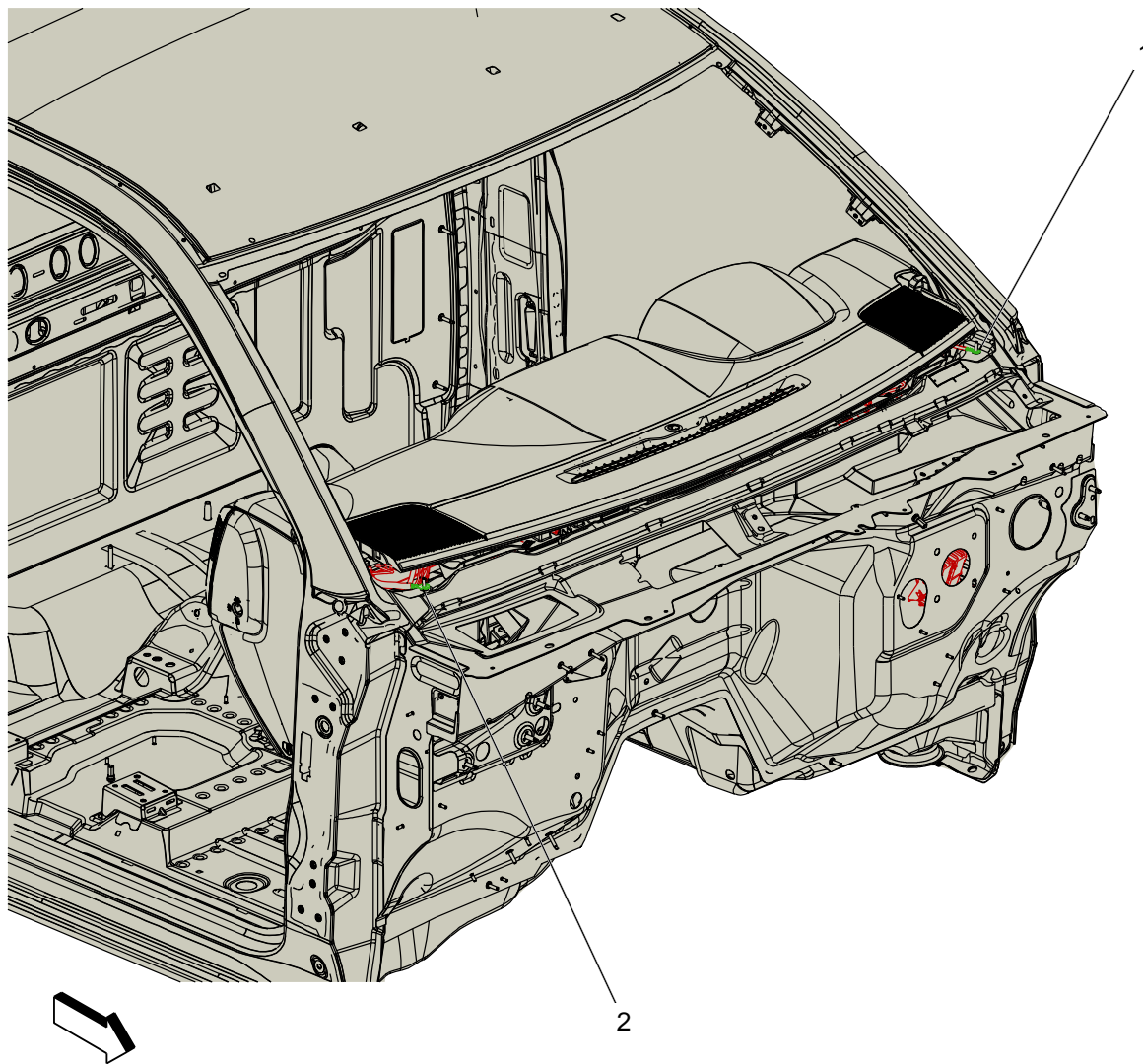
2. G110 Engine Chassis Harness

**Figure 230 G110 and G112**



1. G120 Engine Chassis Harness

Figure 231 G120

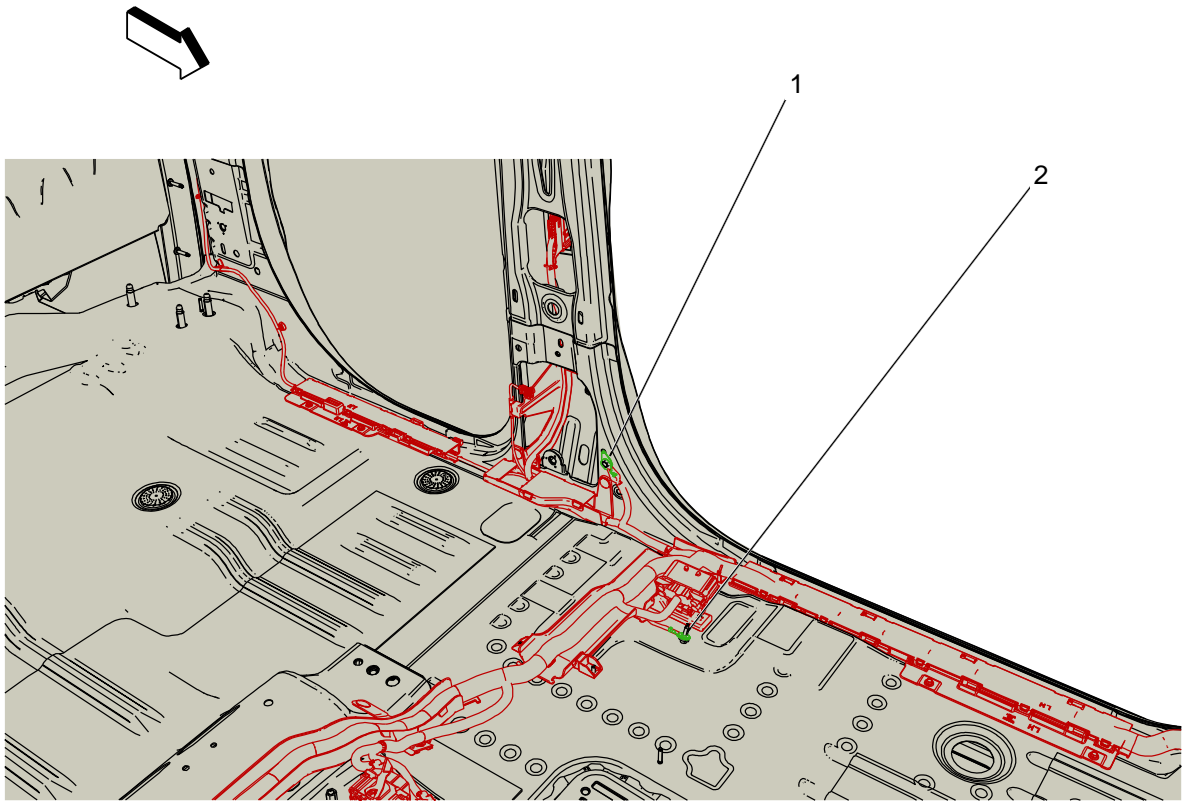


1. G218 Instrument Panel Harness

2. G210 Instrument Panel Harness

**Figure 232 G210 and G218**

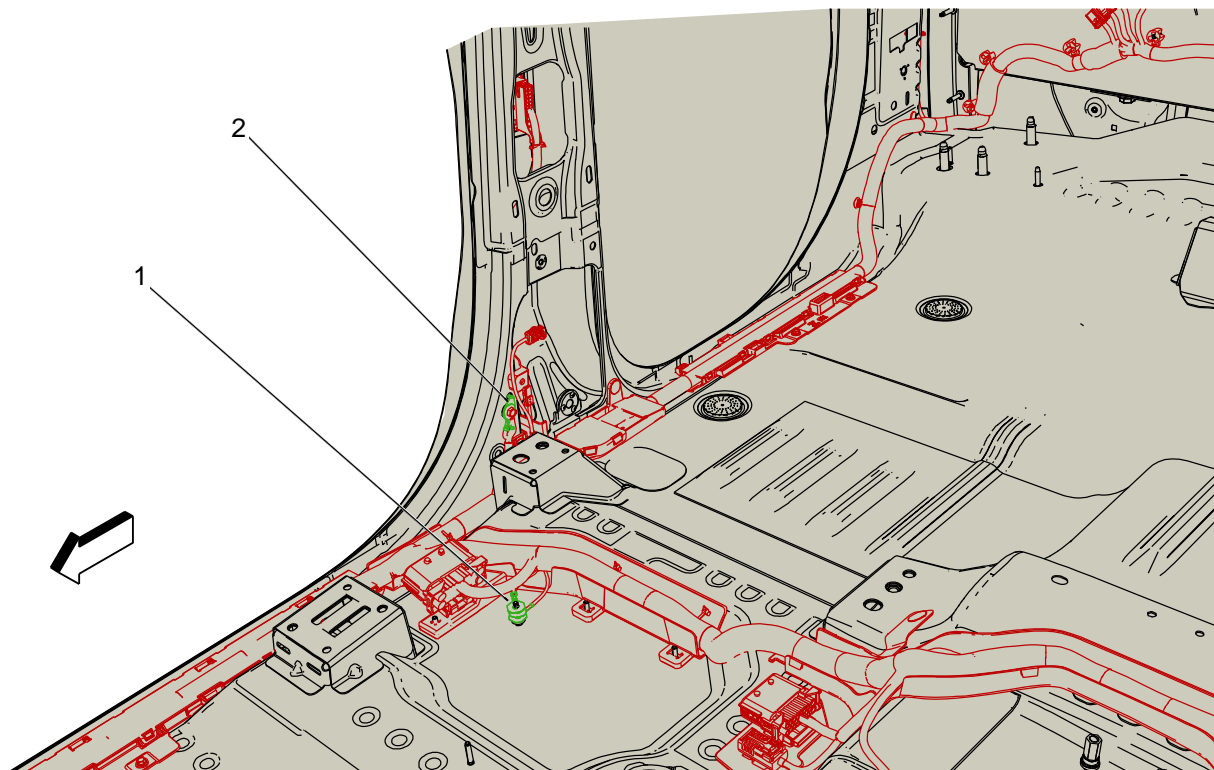




1. G311 Body Harness

2. G325 Body Harness

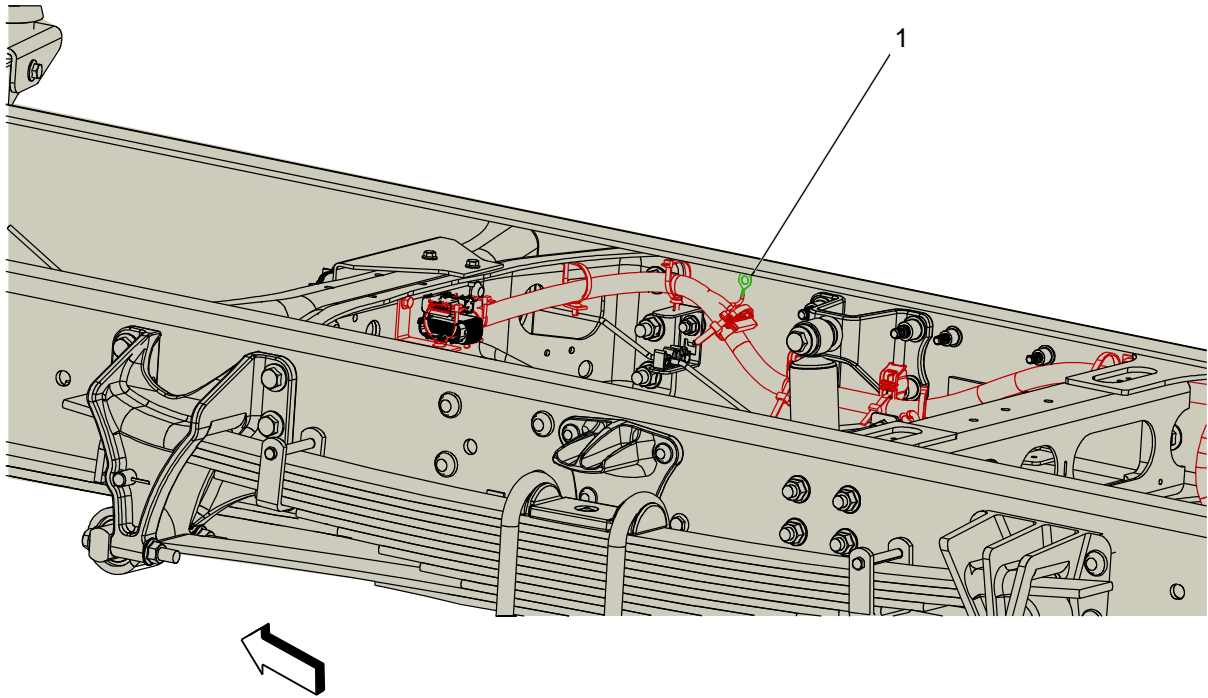
**Figure 233 G311 and G325**



1. G327 Body Harness

2. G312 Body Harness

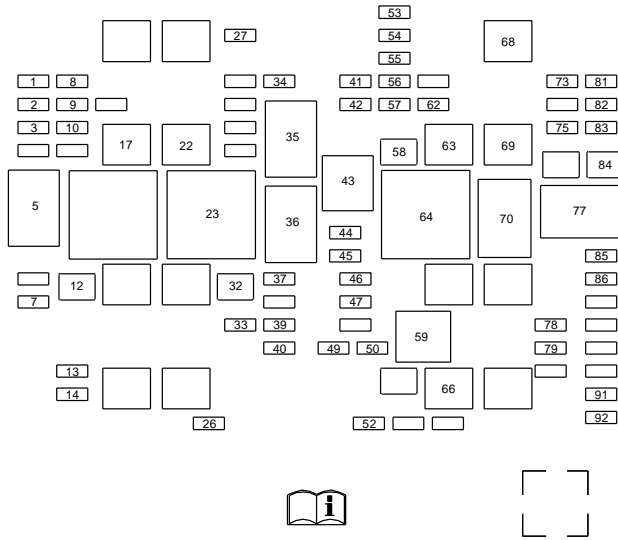
**Figure 234 G312 and G327**



1. G402 Chassis Rear Right  
Harness

Figure 235 G402

## Electrical Center Identification Views



### FUSES

- 1 HI BEAM LT (10A)
- 2 HI BEAM RT (10A)
- 3 WASH PUMP (15A)
- 7 UPPFILTERS 3&4 (5A)
- 8 FOG LAMP (15A)
- 9 RVC (5A)
- 10 UPPFILTERS 1&2 (5A)
- 12 4WD TREC (30A)
- 13 LR\_STP\_TRN\_LAMP (15A)
- 14 RR\_STP\_TRN\_LAMP (15A)
- 17 IECL 1 (60A)
- 22 IECL 2 (60A)
- 26 RR AMBER (15A)
- 27 HORN (15A)
- 32 REAR DEFOG (30A)
- 33 HTD MIR (15A)
- 34 PRK LAMP LT (15A)
- 37 MSTRIDS LAIR (5A)
- 39 AIR DRYER (20A)
- 40 MISC IGN (10A)
- 41 TRLR PRK LAMP (20A)
- 42 PRK LAMP RT (15A)
- 44 FUEL PUMP (20A)
- 45 LOW AIR PRESS (15A)
- 46 ECM IGN (15A)
- 47 TRANS IGN (15A)
- 49 TCM\_BATT (15A)
- 50 A/C CLTCH (10A)
- 52 FRT WPR (25A)
- 53 STOP LAMP (15A)
- 54 TRLR REV LAMP (10A)
- 55 TRLR BCK/UP LAMP (10A)
- 56 AIR DUMP (10A)
- 57 LR AMBER (15A)
- 58 TRLR\_BRK (30A)

- 62 ICCM (10A)
- 63 ACC PWR (20A)
- 66 AUX UEC (60A)
- 68 ABS PUMP (60A)
- 69 SPARE (60A)
- 73 LFT\_TRLR\_STOP\_TURN (15A)
- 75 SPARE (30A)
- 78 ECM\_BATT (15A)
- 79 CAB\_HTR\_AUX\_BATT (10A)
- 81 RGT\_TRLR\_STOP\_TRN (15A)
- 82 FTZM (30A)
- 83 ABS VALVE (25A)
- 84 TRLR\_BATT (30A)
- 85 ENG (15A)
- 86 ECM (30A)
- 91 ECM\_THROT\_CONT (15A)
- 92 COOL\_FAN\_CLUTCH (10A)

### RELAYS

- 5 WASH PUMP
- 23 DEFOG REAR
- 35 PRK LAMP
- 36 RUN/CRNK
- 43 LOW AIR PRESS
- 59 A/C CONTROL
- 64 LR AMBER
- 70 SPARE
- 77 ECM



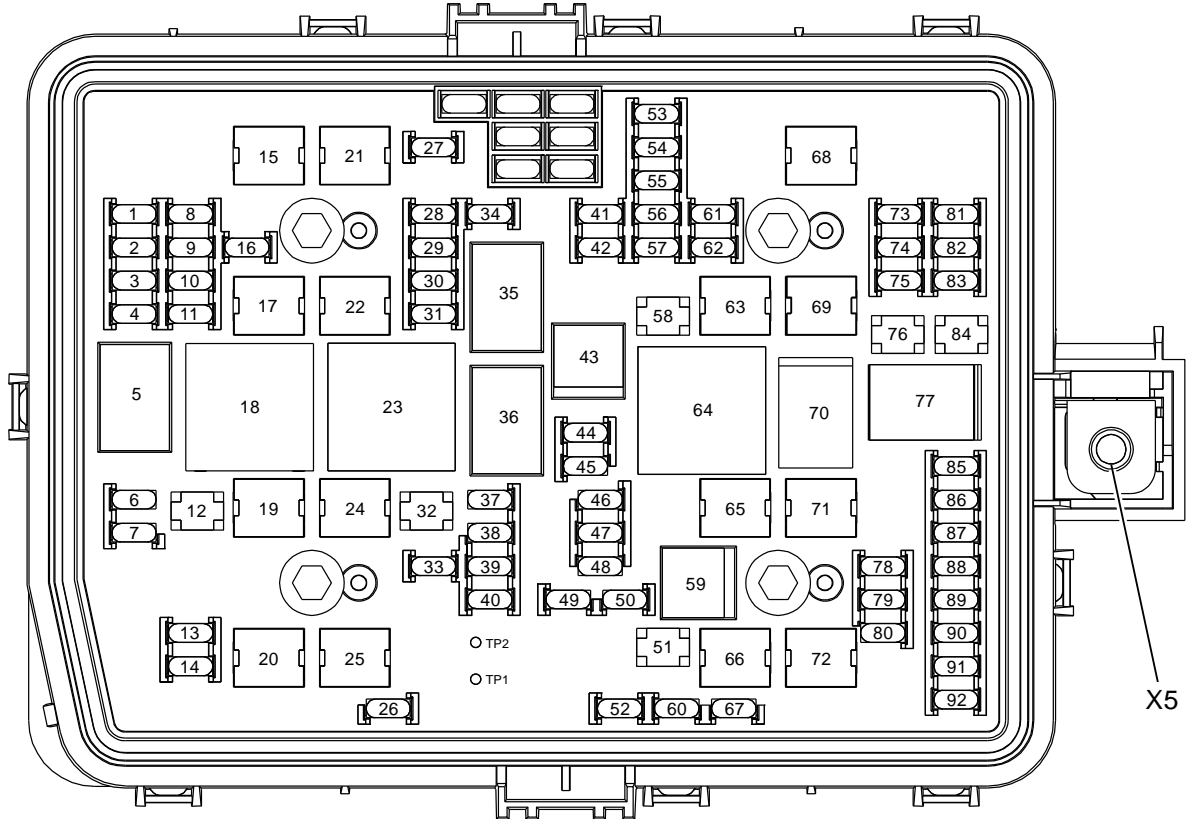


Table 11 Usage Table

No.	Device Label Name	Device Assigned Name	Rating	Description
<b>Fuses</b>				
1	HI BEAM LT	F1UA	10 amps	• E4E Headlight - Left High Beam
2	HI BEAM RT	F2UA	10 amps	• E4F Headlight - Right High Beam
3	WASH PUMP	F3UA	15 amps	• G24 Windshield Washer Pump
7	UPPFITERS 3 and 4	F7UA	5 amps	• F6DR

Table 11 Usage Table (cont.)

No.	Device Label Name	Device Assigned Name	Rating	Description
8	FOG LAMP	F8UA	15 amps	<ul style="list-style-type: none"> <li>E29LF Fog Lamp - Left Front (Feature Code: 0008XJG)</li> <li>E29RF Fog Lamp - Right Front (Feature Code: 0008XJG)</li> </ul>
9	RVC	F9UA	5 amps	<ul style="list-style-type: none"> <li>K9</li> </ul>
10	UPPFITERS 1 and 2	F10UA	5 amps	<ul style="list-style-type: none"> <li>F5DL</li> </ul>
12	4WD TREC	F12UA	30 amps	<ul style="list-style-type: none"> <li>K69 Transfer Case Control Module (Feature Code: 0013TLP (0013WDB))</li> </ul>
13	LR_STP_TRN_LAMP	F13UA	15 amps	<ul style="list-style-type: none"> <li>E42L Tail Lamp Assembly - Left</li> <li>X405 (Feature Code: 0008HXV)</li> <li>X495 (Feature Code: 0008HXU)</li> </ul>
14	RR_STP_TRN_LAMP	F14UA	15 amps	<ul style="list-style-type: none"> <li>E42R Tail Lamp Assembly - Right</li> <li>X405 (Feature Code: 0008HXV)</li> <li>X495 (Feature Code: 0008HXU)</li> </ul>
17	IECL 1	F17UA	60 amps	<ul style="list-style-type: none"> <li>X51L Fuse Block - Instrument Panel Left</li> </ul>
22	IECL 2	F22UA	60 amps	<ul style="list-style-type: none"> <li>X51L Fuse Block - Instrument Panel Left</li> </ul>
26	RR AMBER	F26UA	15 amps	<ul style="list-style-type: none"> <li>X405 (Feature Code: 0008HXV)</li> <li>X495 (Feature Code: 0008HXU)</li> </ul>
27	HORN	F27UA	15 amps	<ul style="list-style-type: none"> <li>P12 Horn</li> </ul>
32	REAR DEFOG	F32UA	30 amps	<ul style="list-style-type: none"> <li>E18 Rear Defogger Grid (Feature Code: 0008AAB)</li> </ul>
33	HTD MIR	F33UA	15 amps	<ul style="list-style-type: none"> <li>E17D Outside Rearview Mirror Glass - Driver (Feature Code: 0016SPS)</li> <li>E17P Outside Rearview Mirror Glass - Passenger (Feature Code: 0016SPS)</li> </ul>
34	PRK LAMP LT	F34UA	15 amps	<ul style="list-style-type: none"> <li>E2LM Side Marker Lamp - Left Middle (Feature Code: 0016SPS)</li> <li>E3A Roof Clearance Lamp - Left Front Outer</li> <li>E3C Roof Clearance Lamp - Front Middle</li> <li>E3E Roof Clearance Lamp - Right Front Outer</li> <li>E4S Park / Turn Signal Lamp - Left Upper</li> <li>E4Q Park / Turn Signal Lamp - Left Lower</li> <li>E42L Tail Lamp Assembly - Left</li> </ul>

Table 11 Usage Table (cont.)

No.	Device Label Name	Device Assigned Name	Rating	Description
				<ul style="list-style-type: none"> <li>X405 (Feature Code: 0008HXV)</li> <li>X495 (Feature Code: 0008HXU)</li> </ul>
37	MSTRAIDS LAIR	F37UA	5 amps	<ul style="list-style-type: none"> <li>Blunt cut - starter interrupt</li> </ul>
39	AIR DRYER	F39UA	20 amps	<ul style="list-style-type: none"> <li>Air dryer (Feature Code: 0004SBX)</li> </ul>
40	MISC IGN	F40UA	10 amps	<ul style="list-style-type: none"> <li>S48A Multifunction Switch - Instrument Panel (Feature Code: 0014TCH / 0014TDG / 0014TDH)</li> <li>X191 (Feature Code: 0012WGG)</li> </ul>
41	TRLR PRK LAMP	F41UA	20 amps	<ul style="list-style-type: none"> <li>X88 Trailer Connector (Feature Code: 0008TRA)</li> </ul>
42	PRK LAMP RT	F42UA	15 amps	<ul style="list-style-type: none"> <li>E2RM Side Marker Lamp - Right Middle (Feature Code: 0016SPS)</li> <li>E4TPark / Turn Signal Lamp - Right Upper</li> <li>E4R Park / Turn Signal Lamp - Right Lower</li> <li>E42R Tail Lamp Assembly - Right</li> <li>X405 (Feature Code: 0008HXV)</li> <li>X495 (Feature Code: 0008HXU)</li> </ul>
44	FUEL PUMP	F44UA	20 amps	<ul style="list-style-type: none"> <li>KR23B Fuel Pump Relay - Secondary (Feature Code: 0015DSZ)</li> </ul>
45	LOW AIR PRESS	F45UA	15 amps	<ul style="list-style-type: none"> <li>Not Used</li> </ul>
46	ECM IGN	F46UA	15 amps	<ul style="list-style-type: none"> <li>K20 Engine Control Module</li> <li>K38A Chassis Control Module - Auxiliary (Feature Code: 0008HBW)</li> <li>K111 Fuel Pump Control Module</li> </ul>
47	TRANS IGN	F47UA	15 amps	<ul style="list-style-type: none"> <li>K34 Glow Plug Control Module</li> <li>K71 Transmission Control Module</li> </ul>
49	TCM_BATT	F49UA	15 amps	<ul style="list-style-type: none"> <li>K71 Transmission Control Module</li> </ul>
50	A/C CLTCH	F50UA	10 amps	<ul style="list-style-type: none"> <li>KR29 A/C Compressor Clutch Relay</li> </ul>
52	FRT WPR	F52UA	25 amps	<ul style="list-style-type: none"> <li>KR12B Windshield Wiper Relay</li> <li>KR12C Windshield Wiper Speed Control Relay</li> </ul>

Table 11 Usage Table (cont.)

No.	Device Label Name	Device Assigned Name	Rating	Description
53	STOP LAMP	F53UA	15 amps	<ul style="list-style-type: none"> <li>E6 Center High Mounted Stop Lamp</li> <li>X405 (Feature Code: 0008HXV)</li> <li>X495 (Feature Code: 0008HXU)</li> </ul>
54	TRLR REV LAMP	F54UA	10 amps	<ul style="list-style-type: none"> <li>E42L Tail Lamp Assembly - Left</li> <li>E42R Tail Lamp Assembly - Right</li> <li>P3 Backup Alarm (Feature Code: 0008THB)</li> <li>X405 (Feature Code: 0008HXV)</li> <li>X495 (Feature Code: 0008HXU)</li> </ul>
55	TRLR BCK / UP LAMP	F55UA	10 amps	<ul style="list-style-type: none"> <li>X88 Trailer Connector (Feature Code: 0008TRA)</li> </ul>
56	AIR DUMP	F56UA	10 amps	<ul style="list-style-type: none"> <li>Air pressure release relay</li> </ul>
57	LR AMBER	F57UA	15 amps	<ul style="list-style-type: none"> <li>X405 (Feature Code: 0008HXV)</li> <li>X495 (Feature Code: 0008HXU)</li> </ul>
58	TRLR_BRK	F58UA	30 amps	<ul style="list-style-type: none"> <li>K133 Trailer Brake Power Control Module (Feature Code: 0008HBW)</li> <li>X61A Junction Block - Instrument Panel</li> <li>X405 (Feature Code: 0008HXV)</li> <li>X495 (Feature Code: 0008HXU)</li> </ul>
62	ICCM	F62UA	10 amps	<ul style="list-style-type: none"> <li>K38A Chassis Control Module - Auxiliary (Feature Code: 0008HBW)</li> </ul>
63	ACCY PWR	F63UA	20 amps	<ul style="list-style-type: none"> <li>Not Used</li> </ul>
66	AUX UEC	F66UA	60 amps	<ul style="list-style-type: none"> <li>X50B Fuse Block - Underhood Auxiliary</li> </ul>
68	ABS PUMP	F68UA	60 amps	<ul style="list-style-type: none"> <li>K17 Electronic Brake Control Module</li> </ul>
69	SPARE	F69UA	30 amps	<ul style="list-style-type: none"> <li>Not Used</li> </ul>
73	LFT_TRLR_STOP_TURN	F73UA	15 amps	<ul style="list-style-type: none"> <li>X88 Trailer Connector (Feature Code: 0008TRA)</li> </ul>
75	SPARE	F75UA	30 amps	<ul style="list-style-type: none"> <li>Not Used</li> </ul>
78	ECM_BATT	F78UA	15 amps	<ul style="list-style-type: none"> <li>K20 Engine Control Module</li> </ul>
79	CAB_HTR_AUX BATT	F79UA	10 amps	<ul style="list-style-type: none"> <li>K115 Reductant Control Module</li> </ul>
81	RGT_TRLR_STOP_TURN	F81UA	15 amps	<ul style="list-style-type: none"> <li>X88 Trailer Connector (Feature Code: 0008TRA)</li> </ul>
82	FTZM	F82UA	30 amps	<ul style="list-style-type: none"> <li>K111 Fuel Pump Control Module</li> </ul>
83	ABS VALVE	F83UA	25 amps	<ul style="list-style-type: none"> <li>K17 Electronic Brake Control Module</li> </ul>



Table 11 Usage Table (cont.)

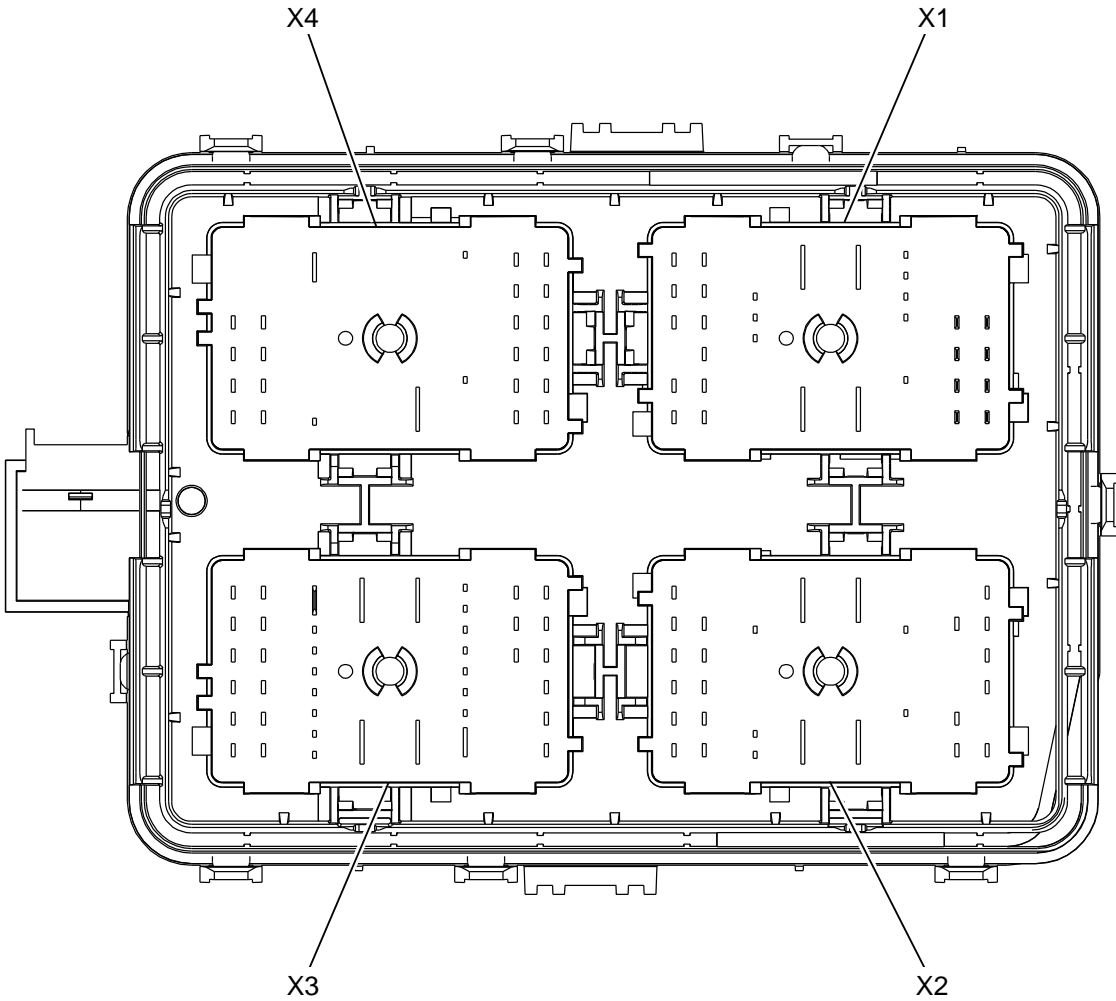
No.	Device Label Name	Device Assigned Name	Rating	Description
84	TRLR_BATT	F84UA	30A	• X88 Trailer Connector (Feature Code: 0008TRA)
85	ENG	F85UA	15 amps	• B75C Multifunction Intake Air Sensor
86	ECM	F86UA	30 amps	• K20 Engine Control Module
91	ECM THROT CONT	F91UA	15 amps	• K20 Engine Control Module
92	COOL FAN CLUTCH	F92UA	10 amps	• KR20F Cooling Fan Relay
<b>Relays</b>				
5	WASH PUMP	KR11 Windshield Washer Pump Relay	—	• F3UA
23	DEFOG REAR	KR5 Rear Defogger Relay	—	• F32UA • F33UA
35	PRK LAMP	KR53 Park Lamps Relay	—	• F34UA • F41UA • F42UA
36	RUN / CRNK	KR73 Ignition Main Relay	—	• F7UA • F10UA • F37UA • F39UA • F40UA • F44UA • F46UA • F47UA • F56UA • KR99 Air Suspension Relay
43	LOW AIR PRESS	KR99 Air Suspension Relay	—	• F45UA
59	A/C CONTROL	KR29 A/C Compressor Clutch Relay	—	• Q2 A/C Compressor Clutch (Feature Code: 0016XZA)
64	LR AMBER	KR68L Turn Signal Lamps Relay - Left	—	• F57UA

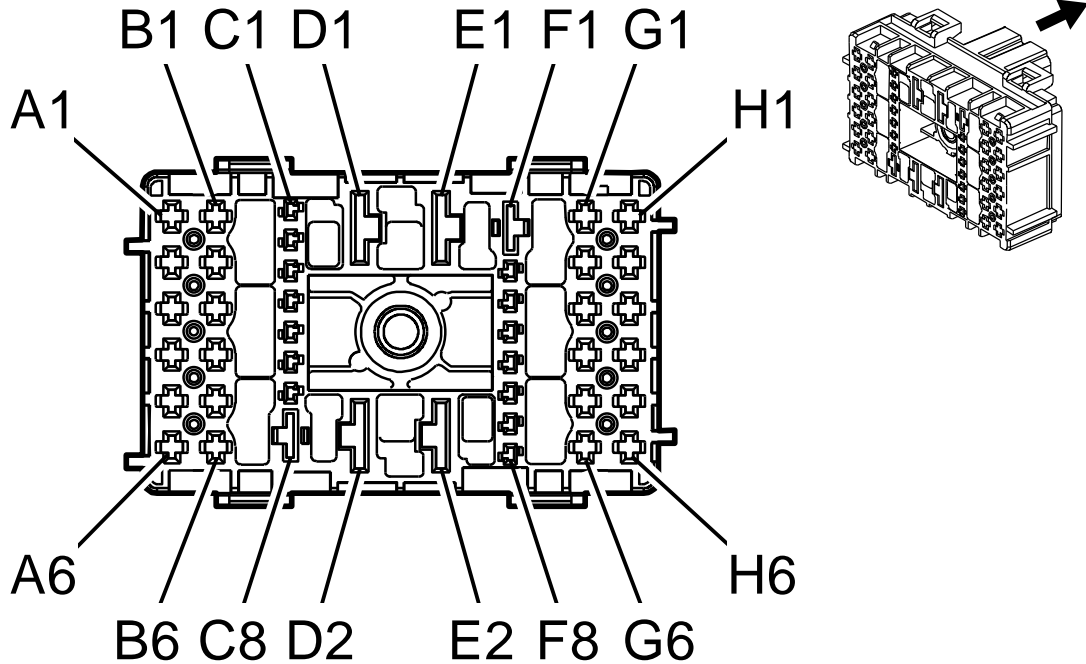
Table 11 Usage Table (cont.)

No.	Device Label Name	Device Assigned Name	Rating	Description
70	SPARE	—	—	• Not Used
77	ECM	KR75 Engine Controls Ignition Relay	—	<ul style="list-style-type: none"> <li>• F85UA</li> <li>• F86UA</li> <li>• F91UA</li> <li>• F92UA</li> <li>• KR29 A/C Compressor Clutch Relay</li> </ul>
<p><b>Note:</b> Relays listed below are non-serviceable Printed Circuit Board (PCB) relays and are internal to the block.</p>				
—	—	KR12B Windshield Wiper Relay	—	• KR12C Windshield Wiper Speed Control Relay
—	—	KR12C Windshield Wiper Speed Control Relay	—	• M75 Windshield Wiper Motor
—	—	KR3 Horn Relay	—	• F27UA
—	—	KR40 Backup Lamp Relay	—	<ul style="list-style-type: none"> <li>• F54UA</li> <li>• F55UA</li> </ul>
—	—	KR46 Front Fog Lamp Relay	—	• F8UA
—	—	KR48 Headlight High Beam Relay	—	<ul style="list-style-type: none"> <li>• F1UA</li> <li>• F2UA</li> </ul>
—	—	KR59 Stop Lamp Relay	—	• F53UA

Table 11 Usage Table (cont.)

No.	Device Label Name	Device Assigned Name	Rating	Description
—	—	KR63L Trailer Stop / Turn Signal Lamp Relay - Left	—	• F73UA
—	—	KR63R Trailer Stop / Turn Signal Lamp Relay - Right	—	• F81UA
—	—	KR68R Turn Signal Lamps Relay - Right	—	• F26UA
—	—	air pressure release relay	—	• Solenoid 4 pack
—	—	stop / turn signal lamps relay - left	—	• F13UA
—	—	stop / turn signal lamps relay - right	—	• F14UA
<b>Test Points</b>				
TP1	CKT 95	TP1	—	• KR12C Windshield Wiper Speed Control Relay
TP2	CKT 92	TP2	—	• KR12C Windshield Wiper Speed Control Relay





**Connector Part Information**

- Harness Type: Body
- Service Connector: 6041827C1
- Description: 44-pin F 1.5, 2.8, 6.3 CTS, 9.5 MCON-LL Series (BU)

**Table 13 Terminal Part Information**

Terminal Type ID	Service Terminal
I	6042033C1
II	6042038C1

**Table 14 X50A Fuse Block - Underhood X1**

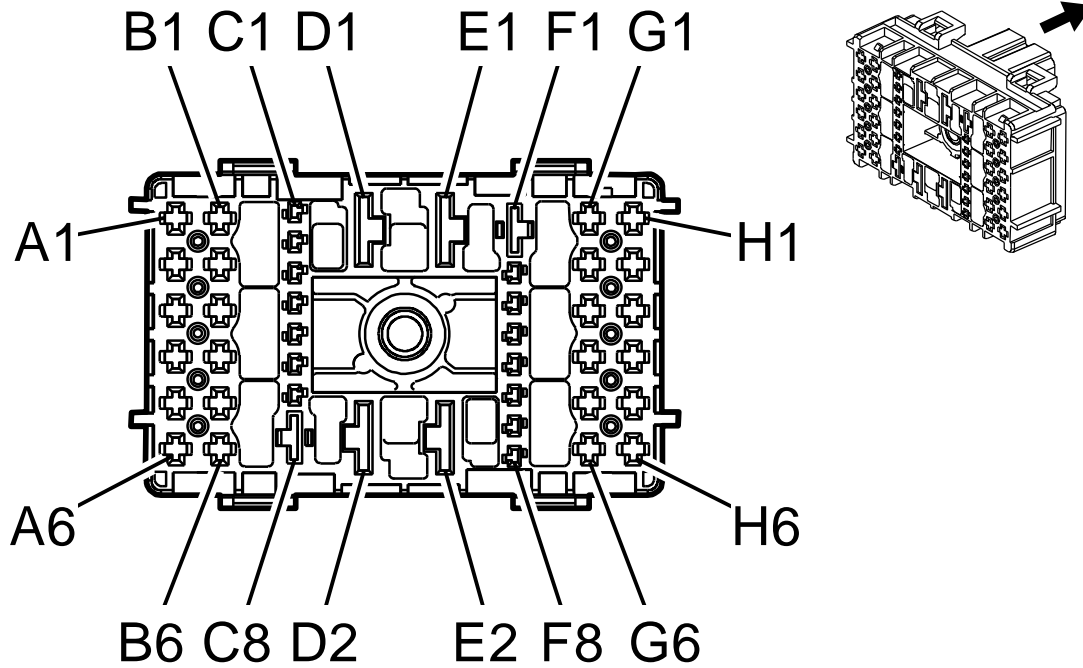
Pin	Size	Color	Circuit	Function	Terminal Type ID	Option
A1	0.75	D-BU / WH	1314	Left Front Turn Signal Lamp Control	II	—
A2	0.5	VT / WH	239	Run / Crank Ignition 1 Voltage	II	—
A3	0.35	BN / GY	2268	Windshield Washer Relay Control	II	—
A4	0.5	BK	550	Ground	II	—

Table 14 X50A Fuse Block - Underhood X1 (cont.)

Pin	Size	Color	Circuit	Function	Terminal Type ID	Option
A5	0.75	BK / WH	451	Signal Ground	II	—
A6	0.75	BN / L-GN	9950	—	II	—
B1	—	—	—	Not Occupied	—	—
B2	2	RD / GY	1342	Battery Positive Voltage	II	—
B3-B4	—	—	—	Not Occupied	—	—
B5	0.75	YE / D-BU	18	Left Rear Stop / Turn Lamp Control	II	—
B6	0.75	BN / L-GN	19	Right Rear Stop / Turn Lamp Control	II	—
C1	0.75	YE	712	Left Headlight Low Beam Control	I	—
C2	—	—	—	Not Occupied	—	—
C3	0.75	YE	312	Right Headlight Low Beam Control	I	—
C4	—	—	—	Not Occupied	—	—
C5	0.75	L-GN / VT	1315	Right Front Turn Signal Lamp Control	I	—
C6	—	—	—	Not Occupied	—	—
C7	0.75	YE / D-BU	9960	—	I	—
C8-F1	—	—	—	Not Occupied	—	—
F2	0.35	BN / VT	193	Rear Defog Relay Control	I	—
F3	0.35	VT / L-GN	1739	Run / Crank Ignition 1 Voltage	I	—
F4	0.5	D-BU / WH	1314	Left Front Turn Signal Lamp Control	I	—
F5	—	—	—	Not Occupied	—	—
F6	0.35	WH / VT	860	Front Windshield Wiper Switch High Signal	I	—
F7	0.75	L-GN / VT	619	Right Rear Turn Signal Lamp Control	I	—
F8	0.5	L-GN / VT	1315	Right Front Turn Signal Lamp Control	I	—
G1	—	—	—	Not Occupied	—	—
G2	2.5	BN / VT	293	Rear Defog Element Control	II	—
G3	0.5	BN / YE	2267	Mirror Heating Element Control	II	—
G4	0.35	L-GN / VT	5199	Run / Crank Relay Coil Control	II	—

Table 14 X50A Fuse Block - Underhood X1 (cont.)

Pin	Size	Color	Circuit	Function	Terminal Type ID	Option
G5	1	BK	550	Ground	II	—
G6	0.35	GY	91	Windshield Wiper Motor Relay Coil Control	II	—
H1	0.5	VT / GY	539	Run / Crank Ignition 1 Voltage	II	—
H2	2.5	RD / L-GN	242	Battery Positive Voltage	II	—
H3	1.5	VT / GY	139	Run / Crank Ignition 1 Voltage	II	—
H4	0.5	VT / WH	239	Run / Crank Ignition 1 Voltage	II	—
H5	1	WH	92	Windshield Wiper Motor High Speed Control	II	—
H6	1	YE / BN	95	Windshield Wiper Motor Low Speed Control	II	—



**Connector Part Information**

- Harness Type: Body
- Service Connector: Service by Component Assembly
- Description: 44-pin F 1.5, 2.8, 6.3 CTS, 9.5 MCON-LL Series (GN)

**Table 16 Terminal Part Information**

Terminal Type ID	Service Terminal
I	6042033C1
II	6042038C1
III	Not Available

**Table 17 X50A Fuse Block - Underhood X2**

Pin	Size	Color	Circuit	Function	Terminal Type ID	Option
A1-A2	—	—	—	Not Occupied	—	—
A3	0.5	WH	711	Left Headlight High Beam Control	II	—
A4	0.5	WH	311	Right Headlight High Beam Control	II	—
A5	0.5	BK	550	Ground	II	—

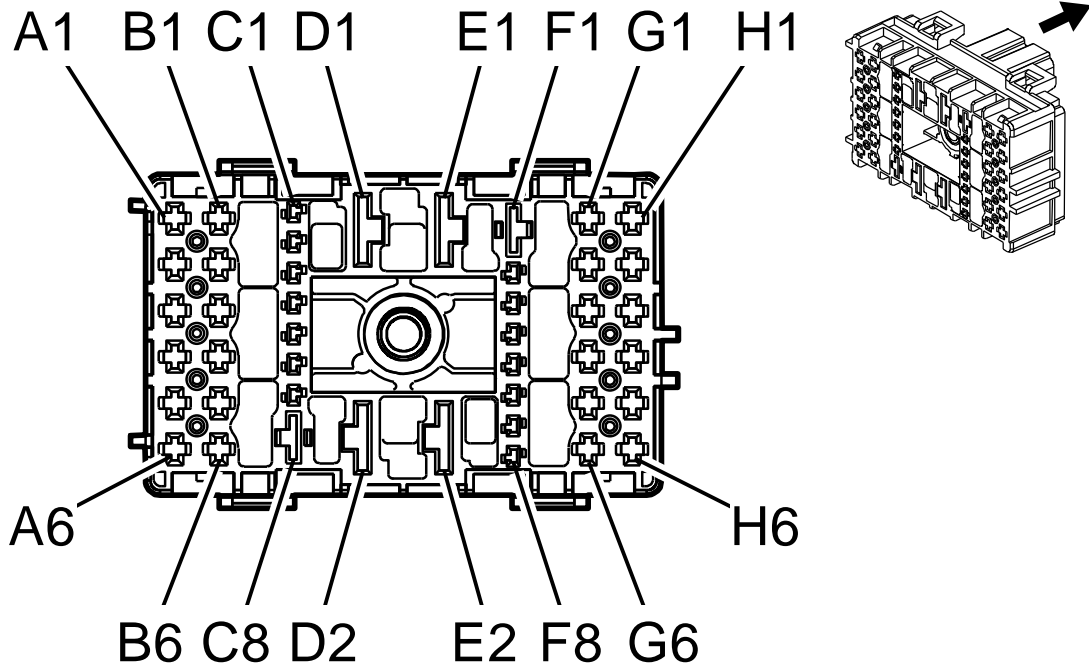


Table 17 X50A Fuse Block - Underhood X2 (cont.)

Pin	Size	Color	Circuit	Function	Terminal Type ID	Option
A6	0.75	GY / VT	228	Windshield Washer Pump Control	II	—
B1-B2	—	—	—	Not Occupied	—	—
B3	0.5	BN / VT	2234	Front Fog Lamp Control	II	—
B4	0.5	RD / YE	2340	Battery Positive Voltage	II	—
B5	0.5	VT / L-GN	39	Run / Crank Ignition 1 Voltage	II	—
B6	0.75	L-GN / VT	1315	Right Front Turn Signal Lamp Control	II	—
C1	0.35	D-BU / WH	5186	Left Trailer Turn Signal Lamp Control	I	—
C2	0.35	YE / GY	5187	Right Trailer Turn Signal Lamp Control	I	—
C3	0.5	BN	1317	Fog Lamp Relay Control	I	—
C4	0.35	BN / VT	1969	Headlight High Beam Relay Control	I	—
C5	0.75	D-BU / WH	1314	Left Front Turn Signal Lamp Control	I	—
C6-D1	—	—	—	Not Occupied	—	—
D2	10	RD / VT	842	Battery Positive Voltage	III	—
E1	—	—	—	Not Occupied	—	—
E2	10	RD / D-BU	42	Battery Positive Voltage	III	—
F1	—	—	—	Not Occupied	—	—
F2	0.5	VT / WH	5065	Stop Lamp Relay Coil Control	I	—
F3	0.35	D-BU / BN	38	Backup Lamp Relay Control	I	—
F4	0.35	BN / WH	28	Horn Relay Control	I	—
F5	—	—	—	Not Occupied	—	—
F6	0.75	YE	312	Right Headlight Low Beam Control	I	—
F7	—	—	—	Not Occupied	—	—
F8	0.75	YE	712	Left Headlight Low Beam Control	I	—
G1	0.75	BN / GY	29	Horn Control	II	—
G2	—	—	—	Not Occupied	—	—
G3	2	RD / L-GN	968	—	II	—
G4	0.5	YE	5530	Hood Open Switch Signal	II	—
G5	0.5	YE	5530	Hood Open Switch Signal	II	—
G6-H1	—	—	—	Not Occupied	—	—

**Table 17 X50A Fuse Block - Underhood X2 (cont.)**

Pin	Size	Color	Circuit	Function	Terminal Type ID	Option
H2	0.5	VT / GY	709	Left Park Lamp Control	II	—
H3	0.5	VT / GY	709	Left Park Lamp Control	II	—
H4	—	—	—	Not Occupied	—	—
H5	0.5	GY / BN	309	Right Park Lamp Control	II	—
H6	0.35	D-BU	45	Park Lamp Relay Control	II	—



**Connector Part Information**

- Harness Type: Engine Chassis
- Service Connector: Service by Component Assembly
- Description: 44-pin F 1.5, 2.8, 6.3 CTS, 9.5 MCON-LL Series (GY)

**Table 19 Terminal Part Information**

Terminal Type ID	Service Terminal
I	6042033C1
II	6042038C1
III	Not Available

Table 20 X50A Fuse Block - Underhood X3

Pin	Size	Color	Circuit	Function	Terminal Type ID	Option
A1	0.5	VT / L-GN	439	Run / Crank Ignition 1 Voltage	II	—
A2	0.5	VT / BK	2139	Run / Crank Ignition 1 Voltage	II	Feature Code: 0012TTM
	0.75	L-GN	123	Folding Top Relay Up Control	II	Without Feature Code: 0012TTM
A3	0.5	VT / WH	239	Run / Crank Ignition 1 Voltage	II	—
A4	—	—	—	Not Occupied	—	—
A5	0.75	RD	110	Sunroof Switch Close Signal	II	—
A6	0.75	BN / L-GN	59	A/C Compressor Clutch Control	II	—
B1	—	—	—	Not Occupied	—	—
B2	1	VT / GY	539	Run / Crank Ignition 1 Voltage	II	—
B3-B4	—	—	—	Not Occupied	—	—
B5	2.5	BK	550	Ground	II	—
B6	0.75	BK / WH	451	Signal Ground	II	—
C1	0.5	L-GN / GY	465	Fuel Pump Primary Relay Control	I	—
C2-C3	—	—	—	Not Occupied	—	—
C4	0.5	WH / GY	459	A/C Compressor Clutch Relay Control	I	—
C5-D1	—	—	—	Not Occupied	—	—
D2	10	RD / WH	342	Battery Positive Voltage	III	—
E1-F2	—	—	—	Not Occupied	—	—
F3	0.5	RD / BN	440	Battery Positive Voltage	I	—
F4	0.5	YE	5991	Powertrain Relay Coil Control	I	—
F5	0.75	RD / WH	3440	Battery Positive Voltage	I	—
F6	—	—	—	Not Occupied	—	—
F7	0.5	GY / YE	5297	Camshaft Position Exhaust Sensor Control 1	I	—
F8	—	—	—	Not Occupied	—	—
G1	0.5	VT / D-BU	5294	Powertrain Main Relay Fused Supply 5	II	—
G2-G6	—	—	—	Not Occupied	—	—

Table 20 X50A Fuse Block - Underhood X3 (cont.)

Pin	Size	Color	Circuit	Function	Terminal Type ID	Option
H1	2.5	VT / D-BU	5290	Powertrain Main Relay Fused Supply 1	II	—
H2-H5	—	—	—	Not Occupied	—	—
H6	0.75	VT / D-BU	5290	Powertrain Main Relay Fused Supply 1	II	—

**ELECTRICAL CIRCUIT DIAGRAM MANUAL**

**Connector Part Information**

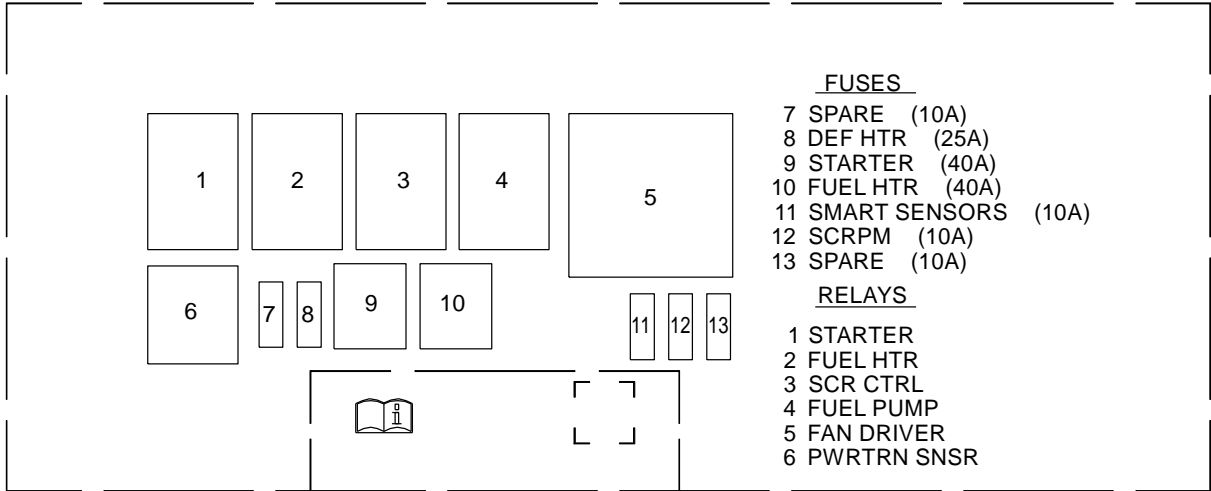
- Harness Type: Chassis
- Service Connector: 4100427C1
- Description: Wire Entry Fuse Block

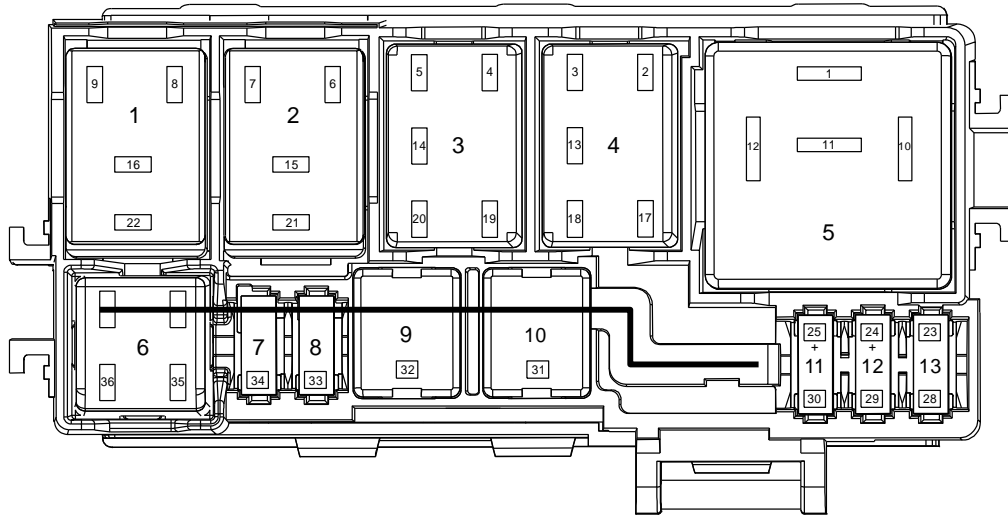
**Table 22 Terminal Part Information**

Terminal Type ID	Service Terminal
I	Not Available

**Table 23 X50A Fuse Block - Underhood X4**

Pin	Size	Color	Circuit	Function	Terminal Type ID	Option
A1	0.75	VT / GY	1054	Stop Lamp Control	I	—
A2	2	VT / GY	709	Left Park Lamp Control	I	—
A3	5	GY / BN	2109	Trailer Park Lamp Control	I	—
A4	2	GY / BN	309	Right Park Lamp Control	I	—
A6	0.5	PK	1739	Run / Crank Ignition 1 Voltage	I	—
B1	2	GN / WH	24	Backup Lamp Control	I	—
B2	2	WH / GN	1624	Trailer Backup Lamp Control	I	—
B4	2	YE / BN	618	Left Rear Turn Signal Lamp Control	I	—
B5	1.5	VT / GN	439	Run / Crank Ignition 1 Voltage	I	—
C1	0.75	GY	4461	Soft Top Boot-well Sensor Signal Right	I	—
C2	0.75	GY	4462	Soft Top Boot-well Sensor Signal Left	I	—
C7	1	RD	2040	Battery Positive Voltage	I	—
E1	10	RD / YE	1042	Battery Positive Voltage	I	—
F6	0.5	GN / GY	465	Fuel Pump Primary Relay Control	I	—
G3	1.5	YE / BU	318	Left Rear Trailer Stop / Turn Lamp Control	I	—
G6	2	RD / GN	1142	Battery Positive Voltage	I	—
H3	2	GN / BN	319	Right Rear Trailer Stop / Turn Lamp Control	I	—
H4	1.5	RD / VT	1242	Battery Positive Voltage	I	—
H5	2	RD / VT	1940	Battery Positive Voltage	I	—
H6	2	RD / YE	1242	Battery Positive Voltage	I	—





**Table 24 Usage Table**

No.	Device Label Name	Device Assigned Name	Rating	Description
7	SPARE	F7UB	—	• Not Used
8	DEF HTR	F8UB	25 amp	• KR121A Reductant Control Module Relay 1
9	STARTER	F9UB	40 amp	• KR27 Starter Relay
10	FUEL HTR	F10UB	40 amp	• KR22 Fuel Heater Relay
11	SMART SENSORS	F11UB	10 amp	<ul style="list-style-type: none"> <li>• B136 Exhaust Particulate Sensor</li> <li>• B195A Nitrogen Oxides Sensor 1</li> <li>• B195B Nitrogen Oxides Sensor 2</li> <li>• K111 Fuel Pump Driver Control Module</li> <li>• M103 Turbocharger Vane Position Actuator</li> </ul>
12	SCRPM	F12UB	10 amp	• K115 Reductant Control Module
13	SPARE	F13UB	—	• Not Used
<b>Relays</b>				



Table 24 Usage Table (cont.)

No.	Device Label Name	Device Assigned Name	Rating	Description
1	STARTER	KR27 Starter Relay	—	• M64 Starter Motor
2	FUEL HTR	KR22 Fuel Heater Relay	—	• E11A Fuel Heater / Water in Fuel Sensor
3	SCR CTRL	KR121A Reductant Control Module Relay 1	—	• K115 Reductant Control Module
4	FUEL PUMP	KR23B Fuel Pump Relay - Secondary	—	• G12B Fuel Pump – Secondary (Feature Code: 0015DSZ) (NSQ)
5	FAN DRIVER	KR20F Cooling Fan Relay	—	• Q85 Cooling Fan Clutch
6	PWRTRN SNSR	KR121B Reductant Control Module Relay 2	—	• F11UB • F12UB

**Connector Part Information**

- Harness Type: Engine Chassis
- Service Connector: Service by Component Assembly
- Description: Wire Entry Fuse Block

Table 26 Terminal Part Information

Terminal Type ID	Service Terminal
I	6041984C1
II	6042038C1
III	6041936C1
IV	Not Available

Table 27 X50B Fuse Block – Underhood Auxiliary Bottom View

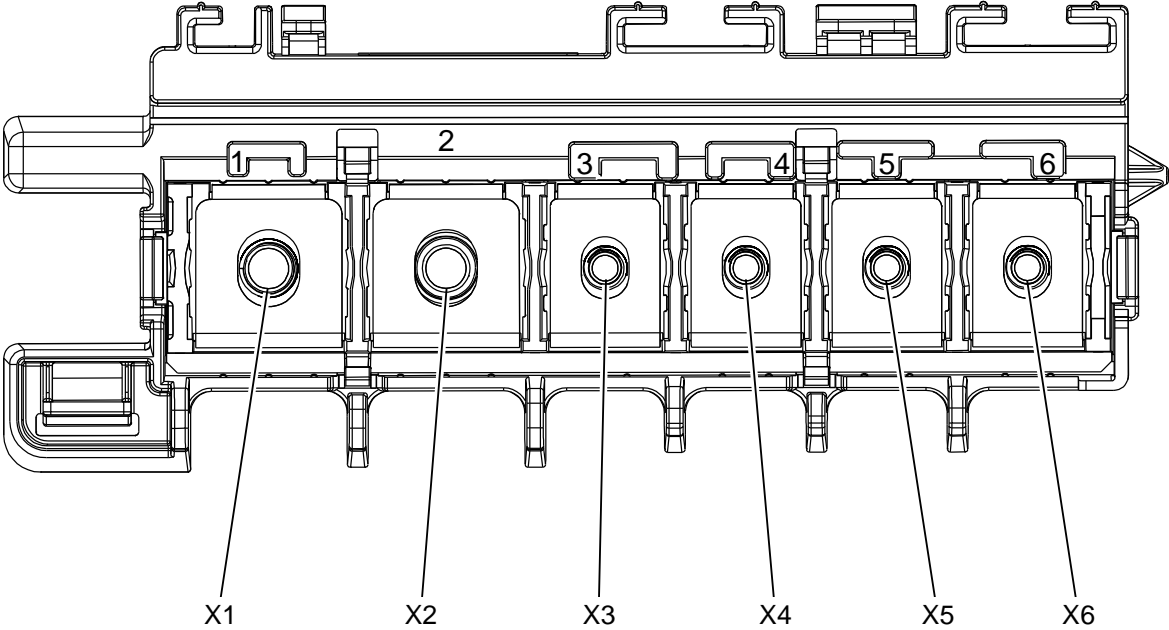
Pin	Size	Color	Circuit	Function	Terminal Type ID	Option
1	0.5	GY / YE	5297	Camshaft Position Exhaust Sensor Control 1	III	—
2	1	BK	550	Ground	II	—
3	1.5	VT / GY	539	Run / Crank Ignition 1 Voltage	II	—

Table 27 X50B Fuse Block – Underhood Auxiliary Bottom View (cont.)

Pin	Size	Color	Circuit	Function	Terminal Type ID	Option
4	0.5	L-GN / D-BU	3889	DEF Power Module Relay Control	II	—
5	2.5	D-BU / BN	3922	DEF Heater Supply 2	II	—
6	0.5	D-BU / L-GN	7071	Heater Fuel Control	II	—
7	0.5	VT / L-GN	355	Fuel Filter Heater Voltage	II	—
8	1	BK	550	Ground	II	—
9	0.5	YE / BK	625	Starter Enable Relay Control	II	—
10	1	BK	550	Ground	III	—
11	0.5	WH	2368	Cooling Fan Control Signal	III	—
12	0.5	WH / BK	2366	Cooling Fan Control Relay Speed Signal	III	—
15	2.5	VT / L-GN	355	Fuel Filter Heater Voltage	II	—
16	3	YE / VT	6	Starter Solenoid Crank Ignition Voltage	II	—
17	17.1	VT / GY	539	Run / Crank Ignition 1 Voltage	II	—
18	0.5	YE / D-BU	1465	Secondary Fuel Pump Relay Control	II	—
19	0.5	D-BU	3921	DEF Heater Supply 1	II	—
	2.5	D-BU	3921	DEF Heater Supply 1	II	—
	0.5	D-BU	3921	DEF Heater Supply 1	II	—
21	2.5	VT / L-GN	355	Fuel Filter Heater Voltage	II	—
22	2.5	RD / D-BU	1240	Battery Positive Voltage	II	—
24	0.5	VT / D-BU	974	—	II	—
25	2.5	VT / D-BU	974	—	II	—
26	10	RD / WH	342	Battery Positive Voltage	IV	—
29	0.5	VT / L-GN	4320	Selective Catalytic Reduction Power Module Wake-Up Signal	II	—
30	2.5	VT / D-BU	3674	NOx Sensor 1 Control	II	—

Table 27 X50B Fuse Block – Underhood Auxiliary Bottom View (cont.)

Pin	Size	Color	Circuit	Function	Terminal Type ID	Option
31	2.5	VT / L-GN	355	Fuel Filter Heater Voltage	II	—
32	2.5	RD / D-BU	1240	Battery Positive Voltage	I	—
33	2.5	D-BU	3921	DEF Heater Supply 1	I	—
35	0.5	VT / D-BU	974	—	II	—
	2.5	VT / D-BU	974	—	II	—
36	0.5	L-GN / D-BU	3889	DEF Power Module Relay Control	II	—



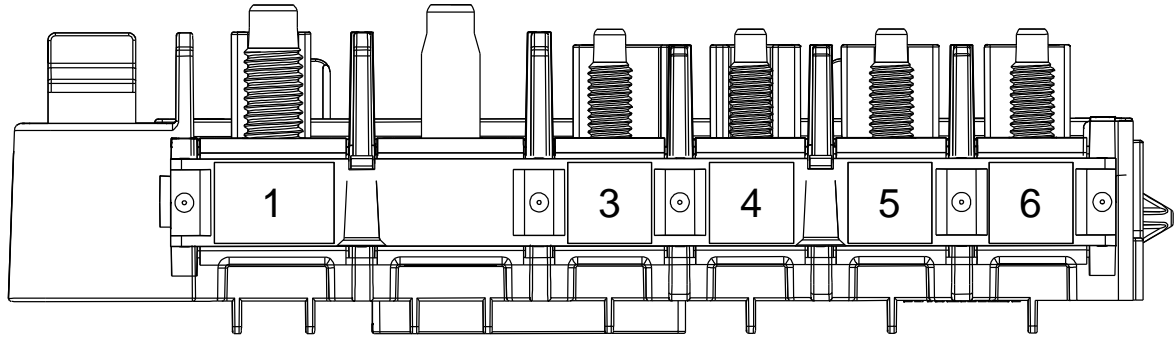
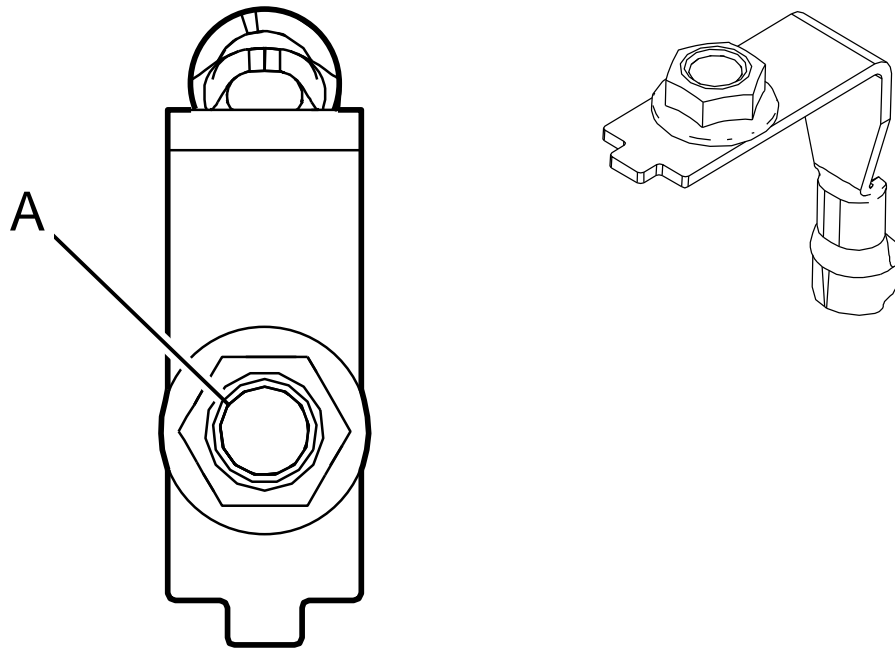


Table 28 Usage Table

No.	Device Label Name	Device Assigned Name	Rating	Description
1	—	F1BA	250 amp	<ul style="list-style-type: none"> <li>G13 Alternator (Generator)</li> <li>X50A Fuse Block Underhood</li> </ul>
2	—	—	—	<ul style="list-style-type: none"> <li>C1 Battery</li> </ul>
3	—	F3BA	125 amp	<ul style="list-style-type: none"> <li>K34 Glow Plug Control Module</li> </ul>
4	—	F4BA	100 amp	<ul style="list-style-type: none"> <li>E40 Electrical Auxiliary Heater (Feature Code: C32)</li> </ul>
5	—	F5BA	60 amp	<ul style="list-style-type: none"> <li>X51R Fuse Block – Instrument Panel Right</li> </ul>
6	—	F6BA	60 amp	<ul style="list-style-type: none"> <li>X51R Fuse Block – Instrument Panel Right</li> </ul>



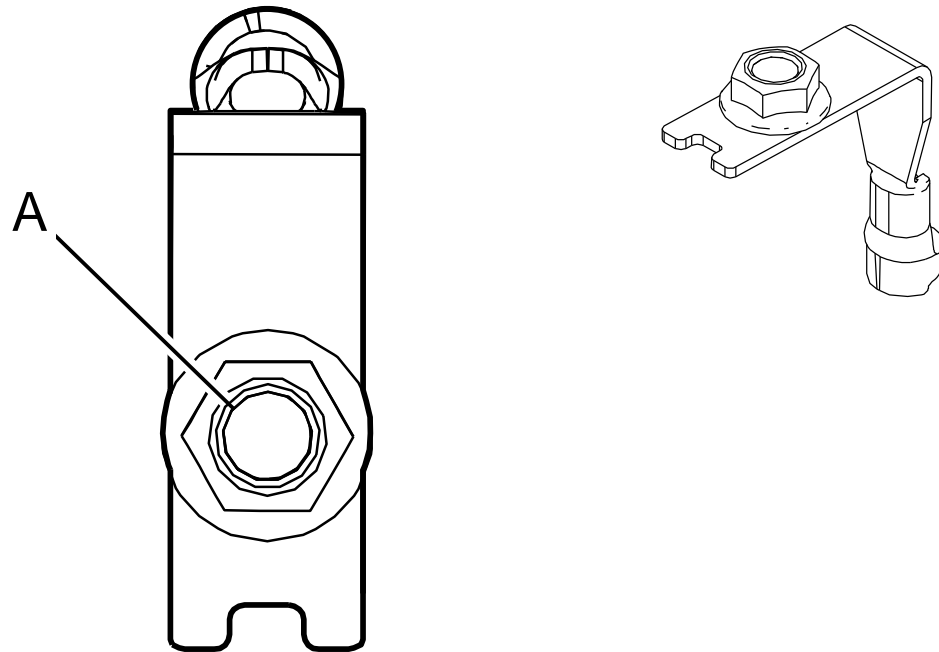
Connector Part Information	
•	Harness Type: Body
•	Service Connector: Service by Cable Assembly
•	Description: 1-pin Ring Terminal

**Table 30 Terminal Part Information**

Terminal Type ID	Service Terminal
I	Not Available

**Table 31 X50D Fuse Block - Battery X4 (Feature Code: C32)**

Pin	Size	Color	Circuit	Function	Terminal Type ID	Option
A	10	RD / GY	642	Battery Positive Voltage	I	—



**Connector Part Information**

- Harness Type: Body
- Service Connector: Service by Cable Assembly
- Description: 1-pin Ring Terminal

**Table 33 Terminal Part Information**

Terminal Type ID	Service Terminal
I	Not Available

**Table 34 X50D Fuse Block - Battery X5**

Pin	Size	Color	Circuit	Function	Terminal Type ID	Option
A	6	RD / GY	142	Battery Positive Voltage	I	—

**Connector Part Information**

- Harness Type: Body
- Service Connector: Service by Cable Assembly
- Description: 1-pin Ring Terminal

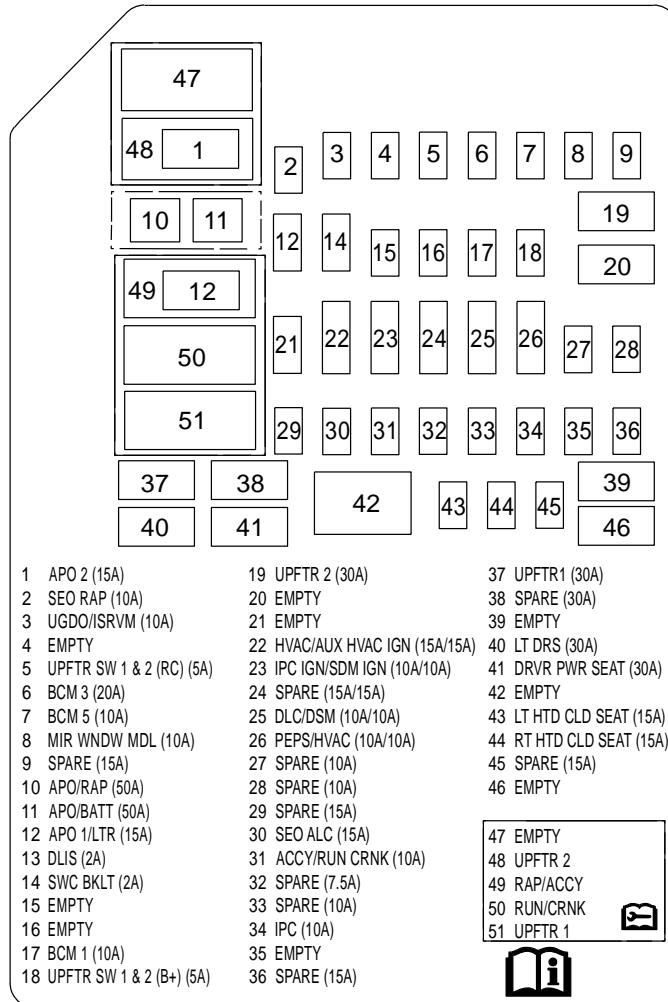
**Table 36 Terminal Part Information**

Terminal Type ID	Service Terminal
I	Not Available

**Table 37 X50D Fuse Block - Battery X6**

Pin	Size	Color	Circuit	Function	Terminal Type ID	Option
1	6	RD / L-GN	242	Battery Positive Voltage	I	—





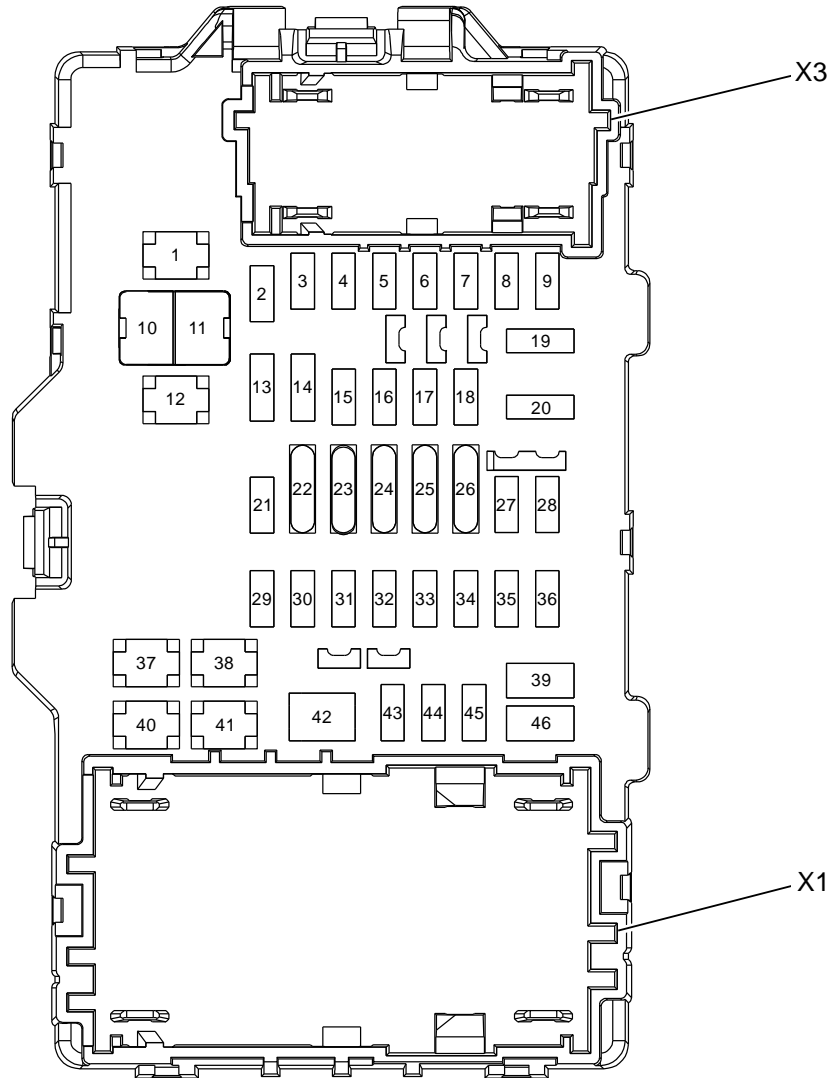


Table 38 Usage Table

No.	Device Label Name	Device Assigned Name	Rating	Description
<b>Fuses</b>				
1	APO 2	F1DL	15 amps	<ul style="list-style-type: none"> <li>X80G Accessory Power Receptacle – Instrument Panel (Without Feature Code: 0016XCN)</li> <li>X80K Accessory Power Receptacle – Instrument Panel 2 (Feature Code: 0016XCN)</li> </ul>
2				

Table 38 Usage Table (cont.)

No.	Device Label Name	Device Assigned Name	Rating	Description
3	UGDO / ISRVM	F3DL	10 amps	• S63 Roof Beacon Switch (Feature Code: 0008XKS)
4	EMPTY	F4DL	—	• Not Used
5	UPFTR SW 1 and 2 (RC)	F5DL	5 amps	• KR161A Configurable Provision Relay 1 (Feature Code: 0008XJP) • KR161B Configurable Provision Relay 2 (Feature Code: 0008XJP)
6	BCM 3	F6DL	20 amps	• K9 Body Control Module
7	BCM 5	F7DL	10 amps	• K9 Body Control Module
8	MIR WNDW MDL	F8DL	10 amps	• S52 Outside Rearview Mirror Switch (Feature Code: 0016SPS) • S79D Window Switch – Driver (Feature Code: 0016WAK)
9	SPARE	F9DL	15 amps	• Not Used
10	APO / RAP	F10DL	50 amps	• F1DL • F12DL
11	APO / BATT	F11DL	50 amps	• F1DL • F12DL
12	APO 1 / LTR	F12DL	15 amps	• X80J Accessory Power Receptacle – Instrument Panel 1 (Feature Code: 0016XCN)
13	DLIS	F13DL	2 amps	• S39 Ignition Switch
14	SWC BKLT	F14DL	2 amps	• S70L Steering Wheel Controls Switch – Left (Without Feature Code: -UK3)
15	EMPTY	F15DL	—	• Not Used
16	EMPTY	F16DL	—	• Not Used
17	BCM 1	F17DL	10 amps	• K9 Body Control Module
18	UPFTR SW 1 and 2 (B+)	F18DL	5 amps	• KR161A Configurable Provision Relay 1 (Feature Code: 0008XJP) • KR161B Configurable Provision Relay 2 (Feature Code: 0008XJP)
19	UPFTR 2	F19DL	30 amps	• X61A Junction Block – Instrument Panel (Feature Code: 0008XJP)
20	EMPTY	F20DL	—	• Not Used
21	EMPTY	F21DL	—	• Not Used

Table 38 Usage Table (cont.)

No.	Device Label Name	Device Assigned Name	Rating	Description
22	HVAC / AUX HVAC IGN	F22DL	15 amps / 15 amps	<ul style="list-style-type: none"> <li>K33 HVAC Control Module</li> <li>E40 Electrical Auxiliary Heater (Feature Code: C32)</li> </ul>
23	IPC IGN / SDM IGN	F23DL	10 amps / 10 amps	<ul style="list-style-type: none"> <li>P14 Passenger Air Bag Disable Indicator (Feature Code: 0016XCR)</li> <li>P16 Instrument Cluster</li> </ul>
24	SPARE	F24DL	15 amps / 15 amps	<ul style="list-style-type: none"> <li>Not Used</li> </ul>
25	DLC / DSM	F25DL	10 amps / 10 amps	<ul style="list-style-type: none"> <li>X84 Data Link Connector</li> </ul>
26	PEPS / HVAC	F26DL	10 amps / 10 amps	<ul style="list-style-type: none"> <li>K33 HVAC Control Module</li> <li>K56 Serial Data Gateway Module</li> </ul>
27	SPARE	F27DL	10 amps	<ul style="list-style-type: none"> <li>Not Used</li> </ul>
28	SPARE	F28DL	10 amps	<ul style="list-style-type: none"> <li>Not Used</li> </ul>
29	SPARE	F29DL	15 amps	<ul style="list-style-type: none"> <li>Not Used</li> </ul>
30	SEO ALC	F30DL	15 amps	<ul style="list-style-type: none"> <li>W12 Blunt Cut – Emergency Vehicle Provision (Feature Code: ANM)</li> <li>X61A Junction Block – Instrument Panel (Without Feature Code: -ANM)</li> </ul>
31	ACCY / RUN CRNK	F31DL	10 amps	<ul style="list-style-type: none"> <li>A10 Inside Rearview Mirror (Feature Code: 0016ACC) (DD8)</li> <li>K69 Transfer Case Control Module (Feature Code: 0013TLP (0013WDB))</li> <li>B87 Rearview Camera (Feature Code: 0008RNY)</li> <li>S48A Multifunction Switch – Instrument Panel (Feature Code: 0012WGG)</li> </ul>
32	SPARE	F32DL	7.5 amps	<ul style="list-style-type: none"> <li>Not Used</li> </ul>
33	SPARE	F33DL	10 amps	<ul style="list-style-type: none"> <li>Not Used</li> </ul>
34	IPC	F34DL	10 amps	<ul style="list-style-type: none"> <li>A26 HVAC Controls</li> <li>P16 Instrument Cluster</li> <li>P17 Info Display Module (Feature Code: 0008RNN / 0008RNW / 0008RNX)</li> <li>S32D Seat Heating Switch – Driver (Feature Code: 0016XJR)</li> <li>S32P Seat Heating Switch – Passenger (Feature Code: 0016XJR)</li> </ul>

Table 38 Usage Table (cont.)

No.	Device Label Name	Device Assigned Name	Rating	Description
35	EMPTY	F35DL	—	• Not Used
36	SPARE	F36DL	15 amps	• Not Used
37	UPFTR 1	F37DL	30 amps	• X61A Junction Block – Instrument Panel (Feature Code: 0008XJP)
38	SPARE	F38DL	30 amps	• Not Used
39	EMPTY	F39DL	—	• Not Used
40	LT DRS	F40DL	30 amps	• M74D Window Motor – Driver (Feature Code: 0016WAK) • S79LR Window Switch – Left Rear (Crew Cab)
41	DRVR PWR SEAT	F41DL	30 amps	• S64D Seat Adjuster Switch-Driver ((Feature Code: 0016KVV / AZF)
42	EMPTY	F42DL	—	• Not Used
43	LT HTD CLD SEAT	F43DL	15 amps	• K29 Seat Heating Control Module (Feature Code: 0016XJR)
44	RH HTD CLD SEAT	F44DL	15 amps	• K29 Seat Heating Control Module (Feature Code: 0016XJR)
45	SPARE	F45DL	15 amps	• Not Used
46	EMPTY	F46DL	—	• Not Used

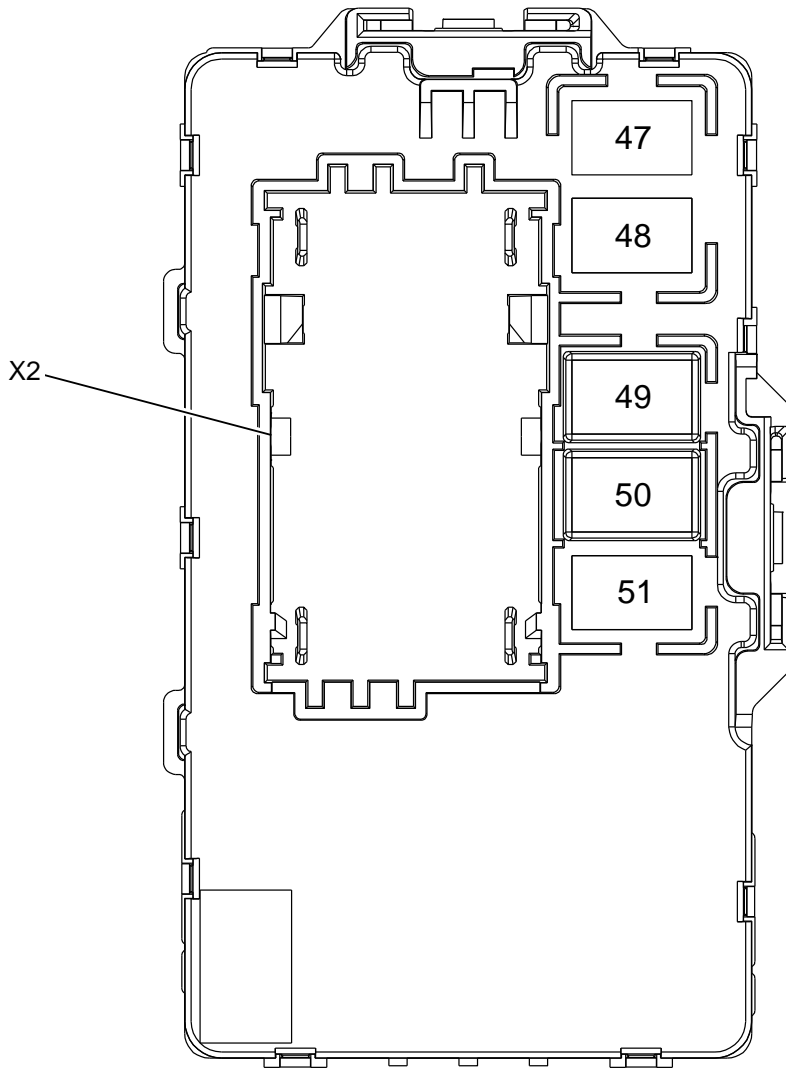
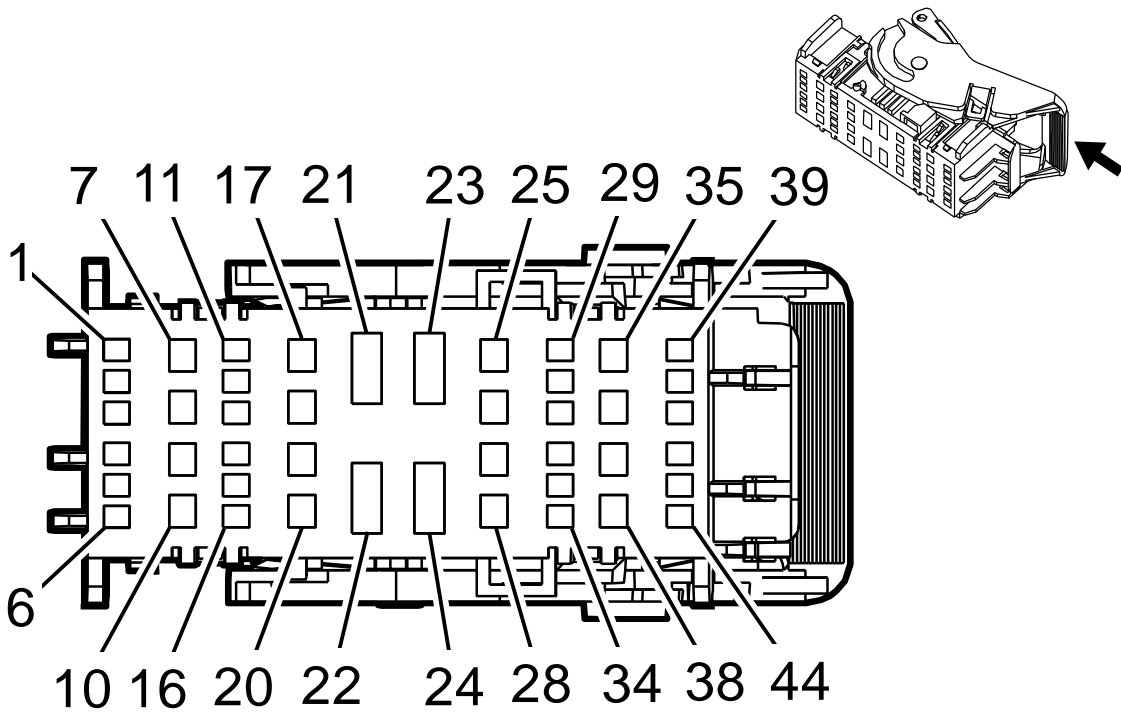


Table 39 Usage Table

No.	Device Label Name	Device Assigned Name	Rating	Description
<b>Relays</b>				
47	EMPTY	—	—	• Not Used
48	UPFTR 2	KR161B Configurable Provision Relay 2	—	• F19DL

Table 39 Usage Table (cont.)

No.	Device Label Name	Device Assigned Name	Rating	Description
49	RAP / ACCY	KR76A Retained Accessory Power Relay 1	—	<ul style="list-style-type: none"><li>• F2DL</li><li>• F10DL</li></ul>
50	RUN / CRNK	KR73 Ignition Main Relay	—	<ul style="list-style-type: none"><li>• F22DL</li><li>• F23DL</li><li>• F30DL</li><li>• F31DL</li><li>• F32DL</li><li>• F33DL</li></ul>
51	UPFTR 1	KR161A Configurable Provision Relay 1	—	<ul style="list-style-type: none"><li>• F37DL</li></ul>



**Connector Part Information**

- Harness Type: Body
- Service Connector: 6040246C1
- Description: 44-pin F 1.5, 2.8, 800 Metri-Pack Series (BK)

**Table 41 Terminal Part Information**

Terminal Type ID	Service Terminal
I	6042054C1
II	6042055C1
III	6041915C1
IV	3515522C1

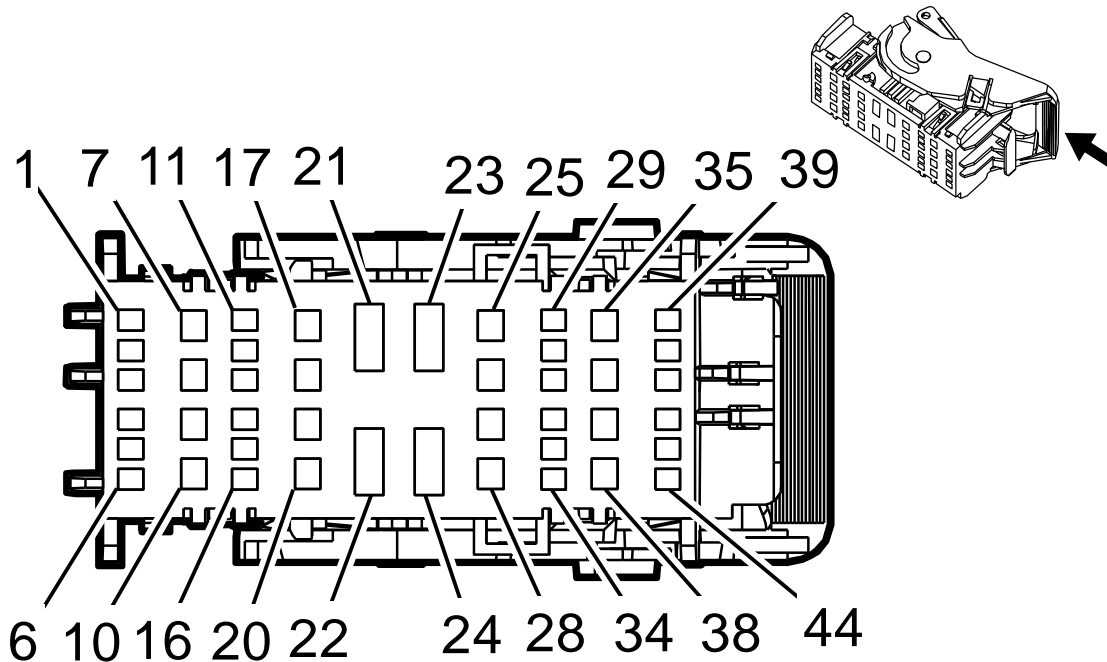
**Table 42 X51L Fuse Block – Instrument Panel Left X1**

Pin	Size	Color	Circuit	Function	Terminal Type ID	Option
1-11	—	—	—	Not Occupied	—	—
12	0.5	YE / WH	962	—	III	—
13-15	—	—	—	Not Occupied	—	—



Table 42 X51L Fuse Block – Instrument Panel Left X1 (cont.)

Pin	Size	Color	Circuit	Function	Terminal Type ID	Option
16	0.5	RD / VT	1940	Battery Positive Voltage	III	—
17	0.75	RD / L-GN	6140	Battery Positive Voltage	II	—
18	0.75	RD / L-GN	5140	Battery Positive Voltage	II	—
19-20	—	—	—	Not Occupied	—	—
21	6	RD / VT	842	Battery Positive Voltage	IV	—
22	—	—	—	Not Occupied	—	—
23	6	RD / D-BU	42	Battery Positive Voltage	IV	—
24-26	—	—	—	Not Occupied	—	—
27	2.5	RD / YE	5040	Battery Positive Voltage	I	—
28-29	—	—	—	Not Occupied	—	—
30	0.5	VT / WH	1939	Run / Crank Ignition 1 Voltage	III	—
31	—	—	—	Not Occupied	—	—
32	0.35	VT / L-GN	1739	Run / Crank Ignition 1 Voltage	III	—
33-34	—	—	—	Not Occupied	—	—
35	2.5	D-BU	965	—	I	—
36	2.5	RD / D-BU	1842	Battery Positive Voltage	I	—
37	2.5	RD / D-BU	1842	Battery Positive Voltage	I	—
38	—	—	—	Not Occupied	—	—
39	0.5	RD / WH	961	—	III	—
40-41	—	—	—	Not Occupied	—	—
42	0.35	L-GN / VT	5199	Run / Crank Relay Coil Control	III	—
43	0.35	GY / VT	755	RAP Relay Coil Control	III	—
44	0.35	VT / YE	43	Accessory Ignition Voltage	III	—



**Connector Part Information**

- Harness Type: Instrument Panel
- Service Connector: 6040247C1
- Description: 44-pin F 1.5, 2.8, 800 Metri-Pack Series (GY)

**Table 44 Terminal Part Information**

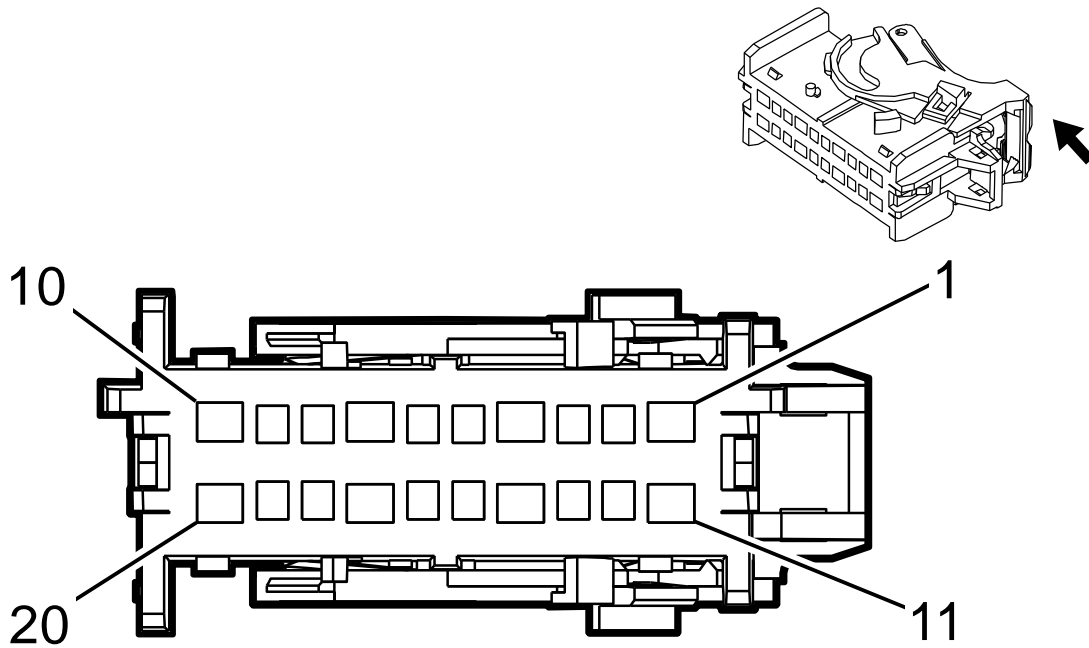
Terminal Type ID	Service Terminal
I	6041918C1
II	6042054C1
III	6042055C1
IV	6041915C1

**Table 45 X51L Fuse Block – Instrument Panel Left X2**

Pin	Size	Color	Circuit	Function	Terminal Type ID	Option
1-2	—	—	—	Not Occupied	—	—
3	0.5	YE	6817	LED Backlight Dimming Control	IV	—
4	0.35	BN	6136	Control	IV	—

Table 45 X51L Fuse Block – Instrument Panel Left X2 (cont.)

Pin	Size	Color	Circuit	Function	Terminal Type ID	Option
5	0.35	RD / D-BU	540	Battery Positive Voltage	IV	—
6	—	—	—	Not Occupied	—	—
7	0.75	RD / BN	2940	Battery Positive Voltage	III	—
8	1	RD / GY	2140	Battery Positive Voltage	III	—
9	—	—	—	Not Occupied	—	—
10	1.5	RD / BN	4240	Battery Positive Voltage	II	—
11-12	—	—	—	Not Occupied	—	—
13	0.5	VT / L-GN	39	Run / Crank Ignition 1 Voltage	IV	—
14	—	—	—	Not Occupied	—	—
15	0.5	VT / GY	539	Run / Crank Ignition 1 Voltage	IV	—
16	—	—	—	Not Occupied	—	—
17	2.5	GY / BK	966	—	II	—
18	0.75	RD / WH	2740	Battery Positive Voltage	III	—
19	—	—	—	Not Occupied	—	—
20	1.5	RD / WH	1040	Battery Positive Voltage	II	—
21-24	—	—	—	Not Occupied	—	—
25	0.35	RD / VT	3340	Battery Positive Voltage	III	—
	0.5	RD / VT	3340	Battery Positive Voltage	III	—
26	0.35	RD / D-BU	6. 3240	Battery Positive Voltage	I	—
27	—	—	—	Not Occupied	—	—
28	0.5	VT / BK	1639	Run / Crank Ignition 1 Voltage	I	—
29-34	—	—	—	Not Occupied	—	—
35	0.5	RD / GY	2840	Battery Positive Voltage	I	—
36 - 37	—	—	—	Not Occupied	—	—
38	0.35	VT / L-GN	1739	Run / Crank Ignition 1 Voltage	III	—
39-43	—	—	—	Not Occupied	—	—
44	0.75	BK	1850	Ground	IV	—



Connector Part Information	
•	Harness Type: Headliner
•	Service Connector: 6040226C1
•	Description: 20-pin F 1.5, 2.8 OCS Series (BK)

**Table 47 Terminal Part Information**

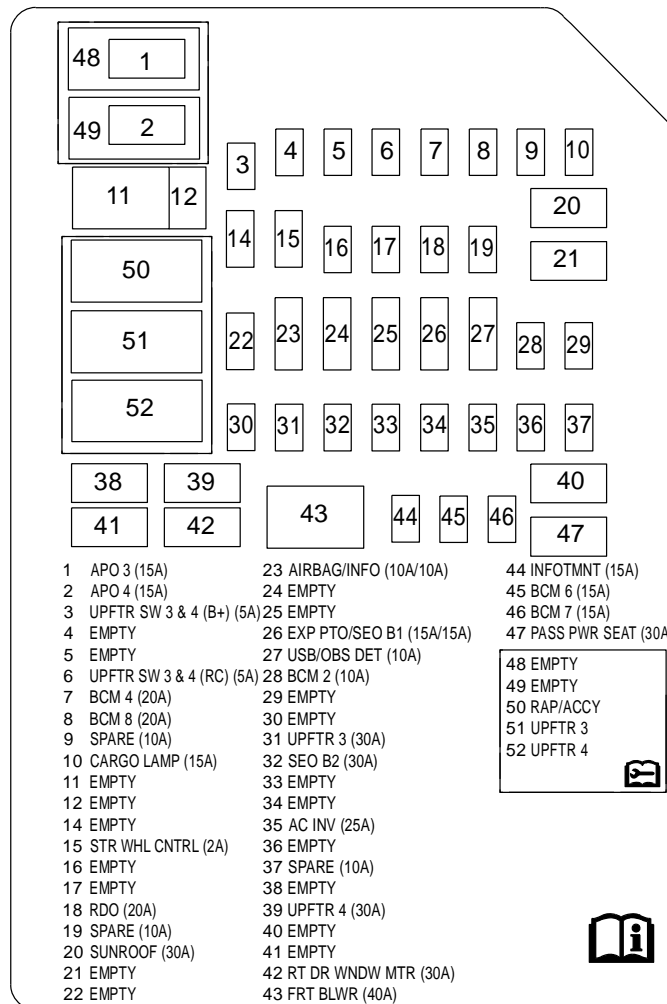
Terminal Type ID	Service Terminal
I	6041939C1
II	6041915C1

**Table 48 X51L Fuse Block – Instrument Panel Left X3**

Pin	Size	Color	Circuit	Function	Terminal Type ID	Option
1-10	—	—	—	Not Occupied	—	—
11	0.35	VT / YE	43	Accessory Ignition Voltage	I	—
12	0.5	RD / YE	240	Battery Positive Voltage	II	—
13	0.35	VT / L-GN	1739	Run / Crank Ignition 1 Voltage	II	—

Table 48 X51L Fuse Block – Instrument Panel Left X3 (cont.)

Pin	Size	Color	Circuit	Function	Terminal Type ID	Option
14	0.35	VT / BK	1139	Run / Crank Ignition 1 Voltage	I	—
15-20	—	—	—	Not Occupied	—	—



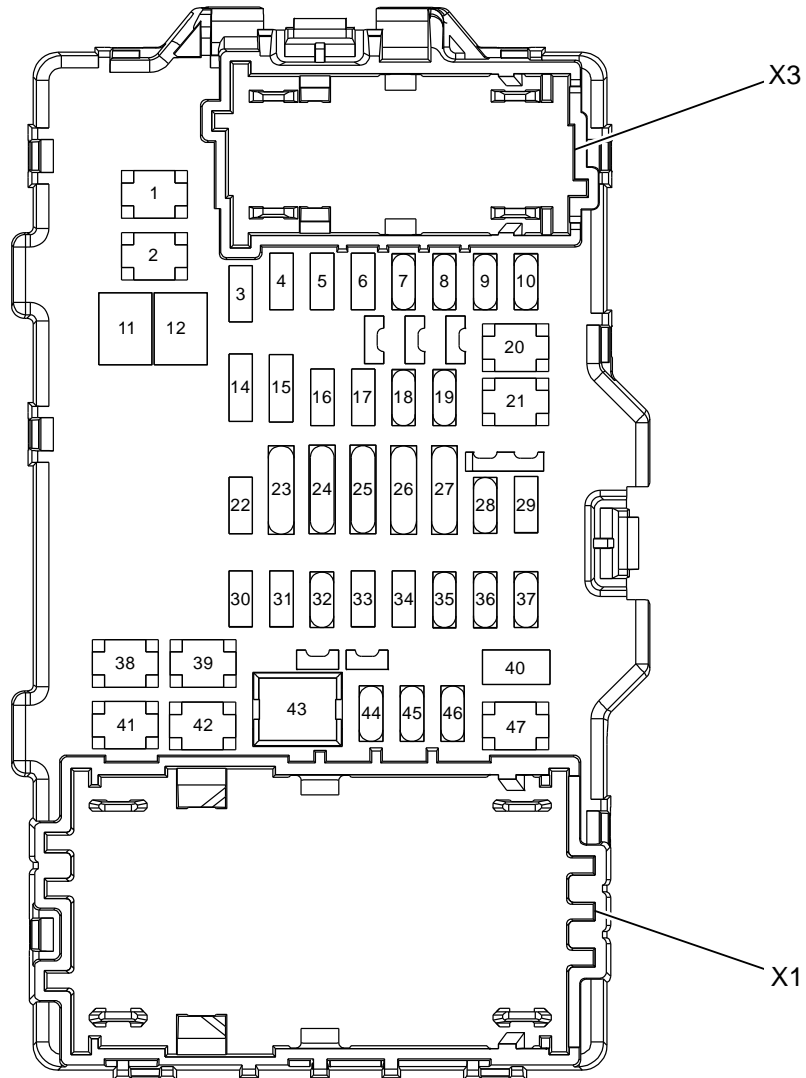


Table 49 Usage Table

No.	Device Label Name	Device Assigned Name	Rating	Description
<b>Fuses</b>				
1	APO 3	F1DR	15 amps	<ul style="list-style-type: none"> <li>X80D Accessory Power Receptacle – Center Console Compartment (Feature Code: 0016XCN)</li> <li>X80E Accessory Power Receptacle – Center Seat (Without Feature Code: 0016XCN)</li> </ul>

Table 49 Usage Table (cont.)

No.	Device Label Name	Device Assigned Name	Rating	Description
2	APO 4	F2DR	15 amps	<ul style="list-style-type: none"> <li>X80D Accessory Power Receptacle – Center Console Compartment (Without Feature Code: 0016XCN)</li> <li>X80L Accessory Power Receptacle – Center Console Rear (Feature Code: 0016XCN)</li> </ul>
3	UPFTR SW 3 and 4 (B+)	F3DR	5 amps	<ul style="list-style-type: none"> <li>KR161C Configurable Provision Relay 3 (Feature Code: 0008XJP)</li> <li>KR161D Configurable Provision Relay 4 (Feature Code: 0008XJP)</li> </ul>
4	EMPTY	F4DR	—	<ul style="list-style-type: none"> <li>Not Used</li> </ul>
5	EMPTY	F5DR	—	<ul style="list-style-type: none"> <li>Not Used</li> </ul>
6	UPFTR SW 3 and 4 (RC)	F6DR	5 amps	<ul style="list-style-type: none"> <li>KR161C Configurable Provision Relay 3 (Feature Code: 0008XJP)</li> <li>KR161D Configurable Provision Relay 4 (Feature Code: 0008XJP)</li> </ul>
7	BCM 4	F7DR	20 amps	<ul style="list-style-type: none"> <li>K9 Body Control Module</li> </ul>
8	BCM 8	F8DR	20 amps	<ul style="list-style-type: none"> <li>K9 Body Control Module</li> </ul>
9	SPARE	F9DR	10 amps	<ul style="list-style-type: none"> <li>Not Used</li> </ul>
10	CARGO LAMP	F10DR	15 amps	<ul style="list-style-type: none"> <li>E6 Center High Mounted Stop Lamp</li> <li>E33 Cargo Lamp</li> <li>E70D Outside Rearview Mirror Cargo Lamp – Driver (Feature Code: 0016SPS)</li> <li>E70P Outside Rearview Mirror Cargo Lamp – Passenger (Feature Code: 0016SPS)</li> </ul>
11	EMPTY	F11DR	—	<ul style="list-style-type: none"> <li>Not Used</li> </ul>
12	EMPTY	F12DR	—	<ul style="list-style-type: none"> <li>Not Used</li> </ul>
14	EMPTY	F14DR	—	<ul style="list-style-type: none"> <li>Not Used</li> </ul>
15	STR WHL CNTRL	F15DR	2 amps	<ul style="list-style-type: none"> <li>S70L Steering Wheel Controls – Left</li> <li>S70R Steering Wheel Controls Switch – Right (Feature Code: UK3)</li> </ul>
16	EMPTY	F16DR	—	<ul style="list-style-type: none"> <li>Not Used</li> </ul>
17	EMPTY	F17DR	—	<ul style="list-style-type: none"> <li>Not Used</li> </ul>



Table 49 Usage Table (cont.)

No.	Device Label Name	Device Assigned Name	Rating	Description
18	RDO	F18DR	20 amps	<ul style="list-style-type: none"> <li>A11 Radio (Feature Code: 0008RNN / 0008RNW / 0008RNX)</li> <li>A33 Media Disc Player (Feature Code: 0008RNS)</li> <li>K74 Human Machine Interface Control (Feature Code: 0008RNW / 0008RNX)</li> <li>X83 Auxiliary Audio Input (Feature Code: 0016XCN)</li> <li>X92 USB Receptacle (Feature Code: 0016XCN)</li> </ul>
19	SPARE	F19DR	10 amps	<ul style="list-style-type: none"> <li>Not Used</li> </ul>
20	SUNROOF	F20DR	30 amps	<ul style="list-style-type: none"> <li>KR58 Roof Beacon Relay (Feature Code: 0008XKS)</li> </ul>
21	EMPTY	F21DR	—	<ul style="list-style-type: none"> <li>Not Used</li> </ul>
22	EMPTY	F22DR	—	<ul style="list-style-type: none"> <li>Not Used</li> </ul>
23	AIRBAG / INFO	F23DR	10 amps / 10 amps	<ul style="list-style-type: none"> <li>K36 Inflatable Restraint Sensing and Diagnostic Module</li> <li>K73 Telematics Communication Interface Control Module (Feature Code: 0008AAE)</li> </ul>
24	EMPTY	F24DR	—	<ul style="list-style-type: none"> <li>Not Used</li> </ul>
25	EMPTY	F25DR	—	<ul style="list-style-type: none"> <li>Not Used</li> </ul>
26	EXP PTO / SEO B1	F26DR	15 amps / 15 amps	<ul style="list-style-type: none"> <li>K44 Power Take- Off Control Module (Feature Code: 0012WGG)</li> <li>X191 (Feature Code: 0012WGG)</li> </ul>
27	USB / OBS DET	F27DR	10 amps	<ul style="list-style-type: none"> <li>X83 Auxiliary Audio Input (Without Feature Code: 0016XCN)</li> </ul>
28	BCM 2	F28DR	10 amps	<ul style="list-style-type: none"> <li>K9 Body Control Module</li> </ul>
29	EMPTY	F29DR	—	<ul style="list-style-type: none"> <li>Not Used</li> </ul>
30	EMPTY	F30DR	—	<ul style="list-style-type: none"> <li>Not Used</li> </ul>
31	UPFTR 3	F31DR	30 amps	<ul style="list-style-type: none"> <li>X61A Junction Block – Instrument Panel (Feature Code: 0008XJP)</li> </ul>
32	SEO B2	F32DR	30 amps	<ul style="list-style-type: none"> <li>X61A Junction Block – Instrument Panel</li> </ul>
33	EMPTY	F33DR	—	<ul style="list-style-type: none"> <li>Not Used</li> </ul>
34	EMPTY	F34DR	—	<ul style="list-style-type: none"> <li>Not Used</li> </ul>
35	AC INV	F35DR	25 amps	<ul style="list-style-type: none"> <li>T1 Accessory DC / AC Power Inverter Module (Feature Code: 0008XJX)</li> </ul>
36	EMPTY	F36DR	—	<ul style="list-style-type: none"> <li>Not Used</li> </ul>

Table 49 Usage Table (cont.)

No.	Device Label Name	Device Assigned Name	Rating	Description
37	SPARE	F37DR	10 amps	• Not Used
38	EMPTY	F38DR	—	• Not Used
39	UPFTR 4	F39DR	30 amps	<ul style="list-style-type: none"> <li>• X61A Junction Block – Instrument Panel (Feature Code: 0008XJP / 14899)</li> <li>• Air pressure release relay (Feature Code: 14899)</li> </ul>
40	EMPTY	F40DR	—	• Not Used
41	EMPTY	F41DR	—	• Not Used
42	RT DR WNDW MTR	F42DR	30 amps	<ul style="list-style-type: none"> <li>• S79P Window Switch – Passenger (Feature Code: 0016WAK)</li> <li>• S79RR window Switch – Right Rear (Crew Cab)</li> </ul>
43	FRT BLWR	F43DR	40 amps	• M8 Blower Motor
44	INFOTMNT	F44DR	15 amps	• A11 Radio (Feature Code: 0008RNM)
45	BCM 6	F45DR	15 amps	• K9 Body Control Module
46	BCM 7	F46DR	15 amps	• K9 Body Control Module
47	PASS PWR SEAT	F47DR	30 amps	• S64P Seat Adjuster Switch – Passenger (Feature Code: 0016KVV / AZF)

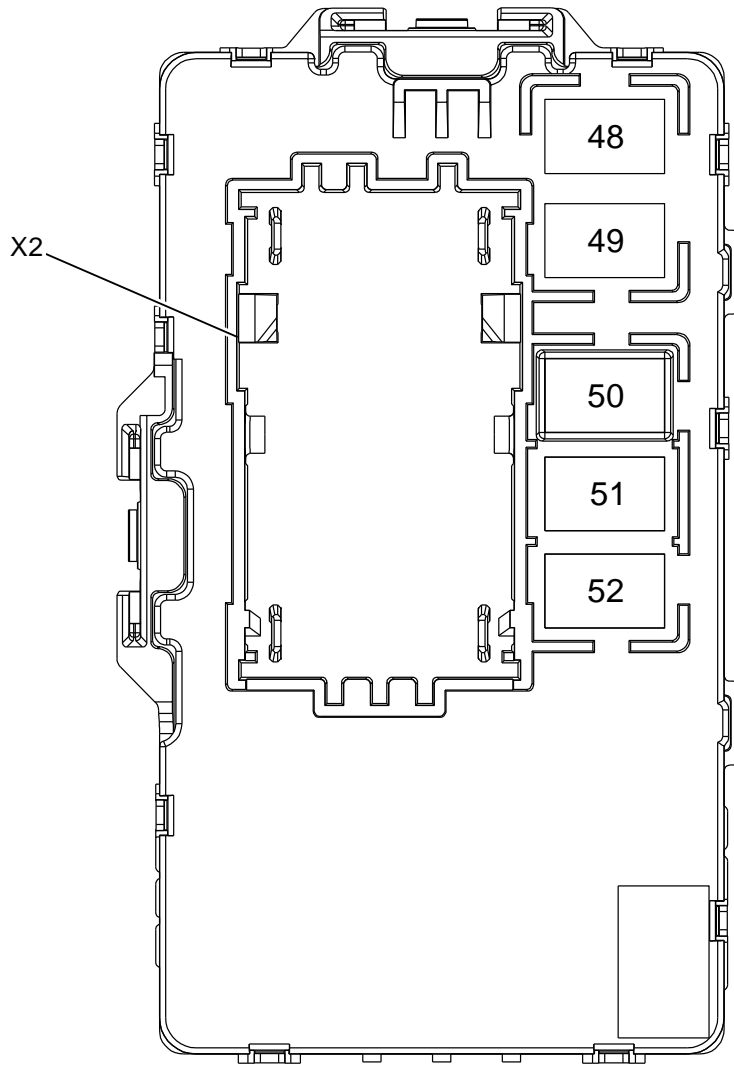
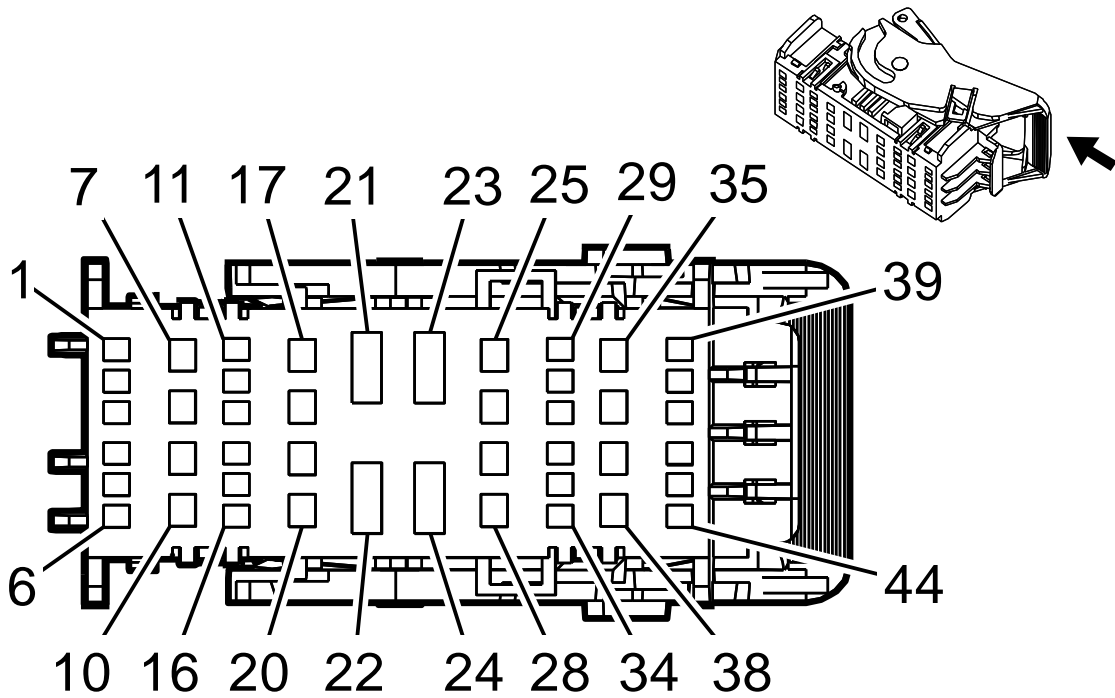


Table 50 Usage Table

No.	Device Label Name	Device Assigned Name	Rating	Description
<b>Relays</b>				
48	EMPTY	—	—	• Not Used
49	EMPTY	—	—	• Not Used
50	RAP / ACCY	KR76B Retained Accessory Power Relay 2	—	• F1DR • F2DR

Table 50 Usage Table (cont.)

No.	Device Label Name	Device Assigned Name	Rating	Description
51	UPFTR 3	KR161C Configurable Provision Relay 3	—	<ul style="list-style-type: none"> <li>• F31DR</li> </ul>
52	UPFTR 4	KR161D Configurable Provision Relay 4	—	<ul style="list-style-type: none"> <li>• F39DR</li> </ul>
<p><b>Note:</b> Relays listed below are non-serviceable Printed Circuit Board (PCB) relays and are internal to the block.</p>				
—	—	KR112 Cargo Lamp Relay	—	<ul style="list-style-type: none"> <li>• F10DR</li> </ul>
—	—	KR113 Child Security Lock Disable Relay	—	<ul style="list-style-type: none"> <li>• A23LR Door Latch Assembly – Left Rear (Crew Cab)</li> <li>• A23RR Door Latch Assembly – Right Rear (Crew Cab)</li> </ul>
—	—	KR114 Door Dead Lock Relay	—	<ul style="list-style-type: none"> <li>• A23D Door Latch Assembly – Driver</li> <li>• A23LR Door Latch Assembly – Left Rear (Crew Cab)</li> <li>• A23P Door Latch Assembly – Passenger</li> <li>• A23RR Door Latch Assembly – Right Rear (Crew Cab)</li> </ul>



**Connector Part Information**

- Harness Type: Body
- Service Connector: 6040248C1
- Description: 44-pin F 1.5, 2.8, 800 Metri-Pack Series (NA)

**Table 52 Terminal Part Information**

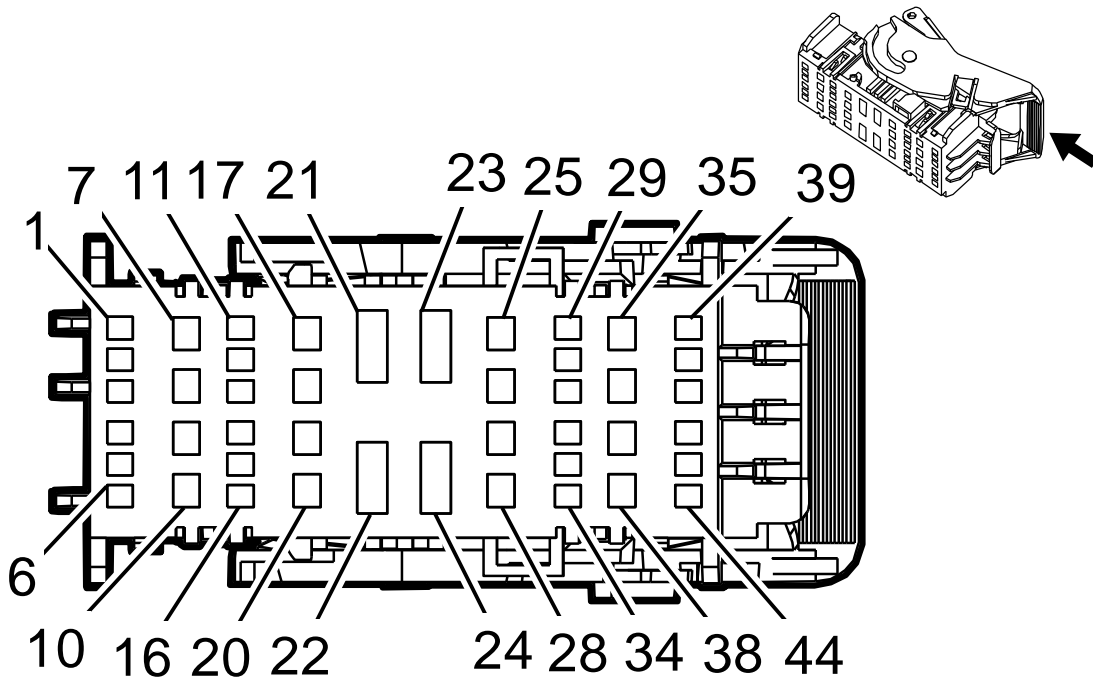
Terminal Type ID	Service Terminal
I	6042054C1
II	6042055C1
III	6041915C1
IV	6041926C1
V	3515522C1
VI	6042050C1

**Table 53 X51R Fuse Block – Instrument Panel Right X1**

Pin	Size	Color	Circuit	Function	Terminal Type ID	Option
1	0.75	GY	295	Door Lock Actuator Lock Control	III	CREW CAB 43
	1.5	GY	295	Door Lock Actuator Lock Control	VI	STANDARD CAB 03
2	1.5	WH / D-BU	3266	Child Security Lock Motor Lock Control	VI	—
3	0.35	VT / YE	3267	Child Security Lock Relay Control	III	—
4	1.5	GY / L-GN	3271	Door Lock Control 2	VI	—
5	—	—	—	Not Occupied	—	—
6	0.35	GY / VT	755	RAP Relay Coil Control	III	—
7-11	—	—	—	Not Occupied	—	—
12	0.75	RD / D-BU	4540	Battery Positive Voltage	III	—
13	0.75	RD / VT	2640	Battery Positive Voltage	III	—
14	—	—	—	Not Occupied	—	—
15	0.5	VT / GY	709	Left Park Lamp Control	III	—
16	0.5	RD / L-GN	4440	Battery Positive Voltage	III	—
17	—	—	—	Not Occupied	—	—
18	1.5	VT / YE	143	Accessory Ignition Voltage	I	—
19	2.5	RD / WH	1340	Battery Positive Voltage	I	—
20	2.5	RD / WH	1340	Battery Positive Voltage	I	—
21	6	RD / L-GN	242	Battery Positive Voltage	IV	—
22	4	RD / VT	542	Battery Positive Voltage	V	—
23	—	—	—	Not Occupied	—	—
24	6	RD / GY	142	Battery Positive Voltage	IV	—
25-26	—	—	—	Not Occupied	—	—
27	0.75	RD / VT	340	Battery Positive Voltage	II	—
28	—	—	—	Not Occupied	—	—
29	1.5	D-BU / WH	195	Door Lock Control	VI	—
30	1.5	BN	5910	Door Double Lock Actuator Lock Control	VI	—
31-32	—	—	—	Not Occupied	—	—
33	0.75	RD / WH	3440	Battery Positive Voltage	III	—

Table 53 X51R Fuse Block – Instrument Panel Right X1 (cont.)

Pin	Size	Color	Circuit	Function	Terminal Type ID	Option
34	0.75	RD / L-GN	5140	Battery Positive Voltage	III	—
35-37	—	—	—	Not Occupied	—	—
38	2.5	RD / YE	1440	Battery Positive Voltage	I	—
39	—	—	—	Not Occupied	—	—
40	0.75	GY	5911	Door Lock Actuator Lock Control 2	III	—
41	0.35	D-BU / BN	7547	Security Lock Relay Control	III	—
42-44	—	—	—	Not Occupied	—	—



**Connector Part Information**

- Harness Type: Instrument Panel
- Service Connector: 6040249C1
- Description: 44-pin F 1.5, 2.8, 800 Metri-Pack Series (GN)

**Table 55 Terminal Part Information**

Terminal Type ID	Service Terminal
I	6041916C1
II	6041921C1
III	6042050C1

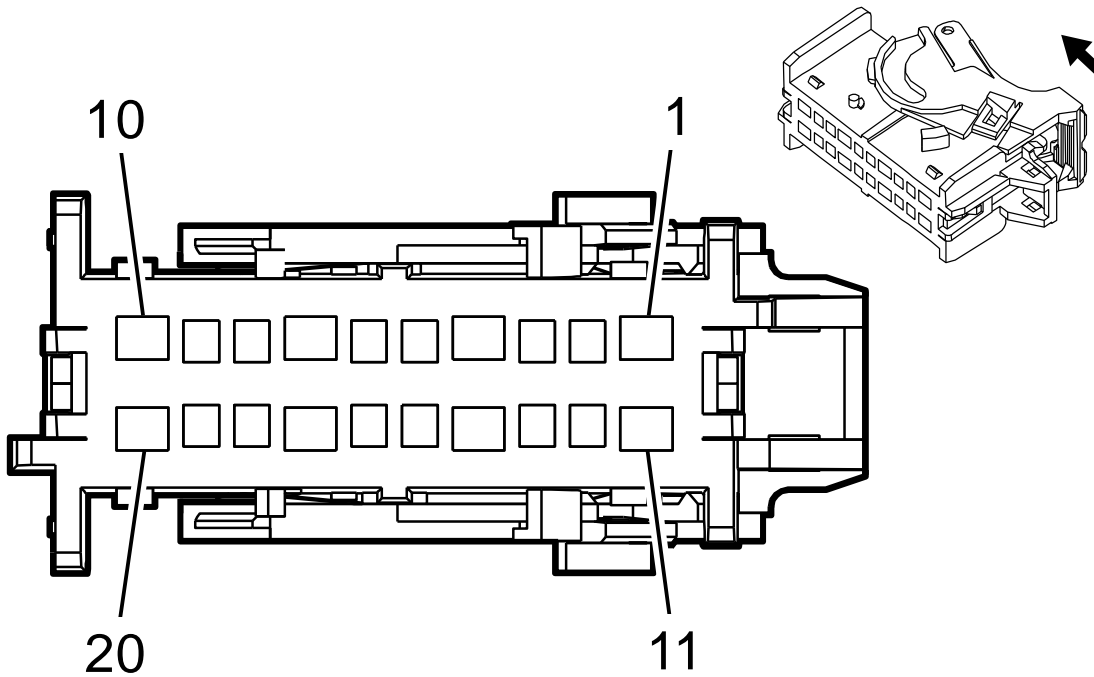
**Table 56 X51R Fuse Block – Instrument Panel Right X2**

Pin	Size	Color	Circuit	Function	Terminal Type ID	Option
1-3	—	—	—	Not Occupied	—	—
4	0.5	BN / WH	1429	Standing Lamp Relay Control	I	—
5	0.5	BK	1050	Ground	I	—
6	—	—	—	Not Occupied	—	—



Table 56 X51R Fuse Block – Instrument Panel Right X2 (cont.)

Pin	Size	Color	Circuit	Function	Terminal Type ID	Option
7	0.75	RD / VT	4040	Battery Positive Voltage	III	—
8	0.75	RD / D-BU	2540	Battery Positive Voltage	III	—
9	0.5	VT / WH	239	Run / Crank Ignition 1 Voltage	III	—
10	1.5	VT / YE	243	Accessory Ignition Voltage	III	—
11	0.75	WH / VT	1430	Exterior Courtesy Lamp Control	I	—
12 - 13	—	—	—	Not Occupied	—	—
14	0.5	L-GN / GY	963	—	I	—
15	0.5	WH / D-BU	964	—	I	—
16	0.35	RD / YE	3040	Battery Positive Voltage	I	—
17	0.75	RD / VT	340	Battery Positive Voltage	III	Feature Code: 0008RNM
	1	RD / VT	340	Battery Positive Voltage	III	Feature Code: 0008RNS
18-21	—	—	—	Not Occupied	—	—
22	2.5	BK	1050	Ground	II	—
23-27	—	—	—	Not Occupied	—	—
28	2.5	RD / L-GN	968	—	III	—
29	0.75	RD / BN	2240	Battery Positive Voltage	I	—
30-33	—	—	—	Not Occupied	—	—
34	0.35	RD / D-BU	3240	Battery Positive Voltage	I	—
35	2.5	RD / GY	4140	Battery Positive Voltage	III	—
36	—	—	—	Not Occupied	—	—
37	1.5	RD / YE	2340	Battery Positive Voltage	III	—
38	2.5	YE / BN	967	—	III	—
39-41	—	—	—	Not Occupied	—	—
42	0.75	RD / VT	340	Battery Positive Voltage	I	—
43-44	—	—	—	Not Occupied	—	—



**Connector Part Information**

- Harness Type: Right A-pillar
- Service Connector: Service by Harness
- Description: 20-pin F 1.5, 2.8 OCS Series (GY)

**Table 58 Terminal Part Information**

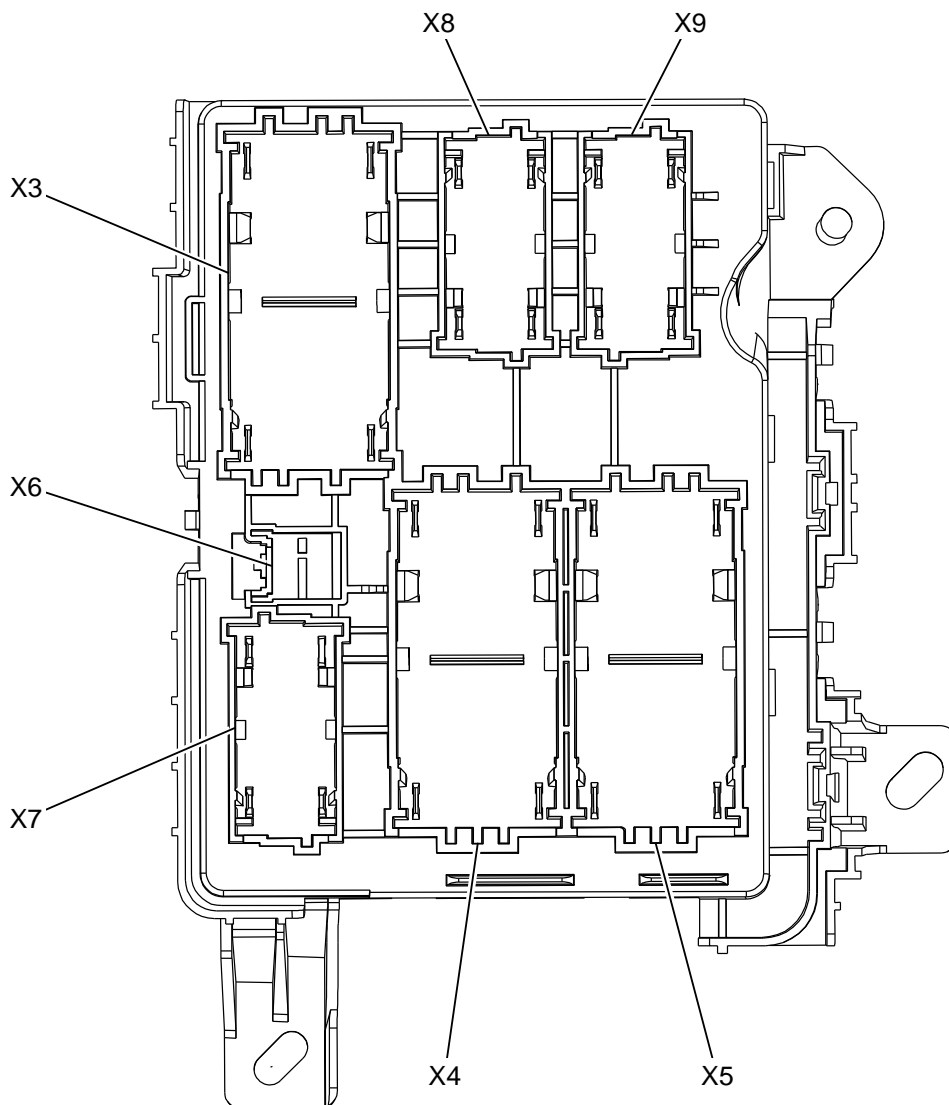
Terminal Type ID	Service Terminal
I	Not Available
II	Not Available

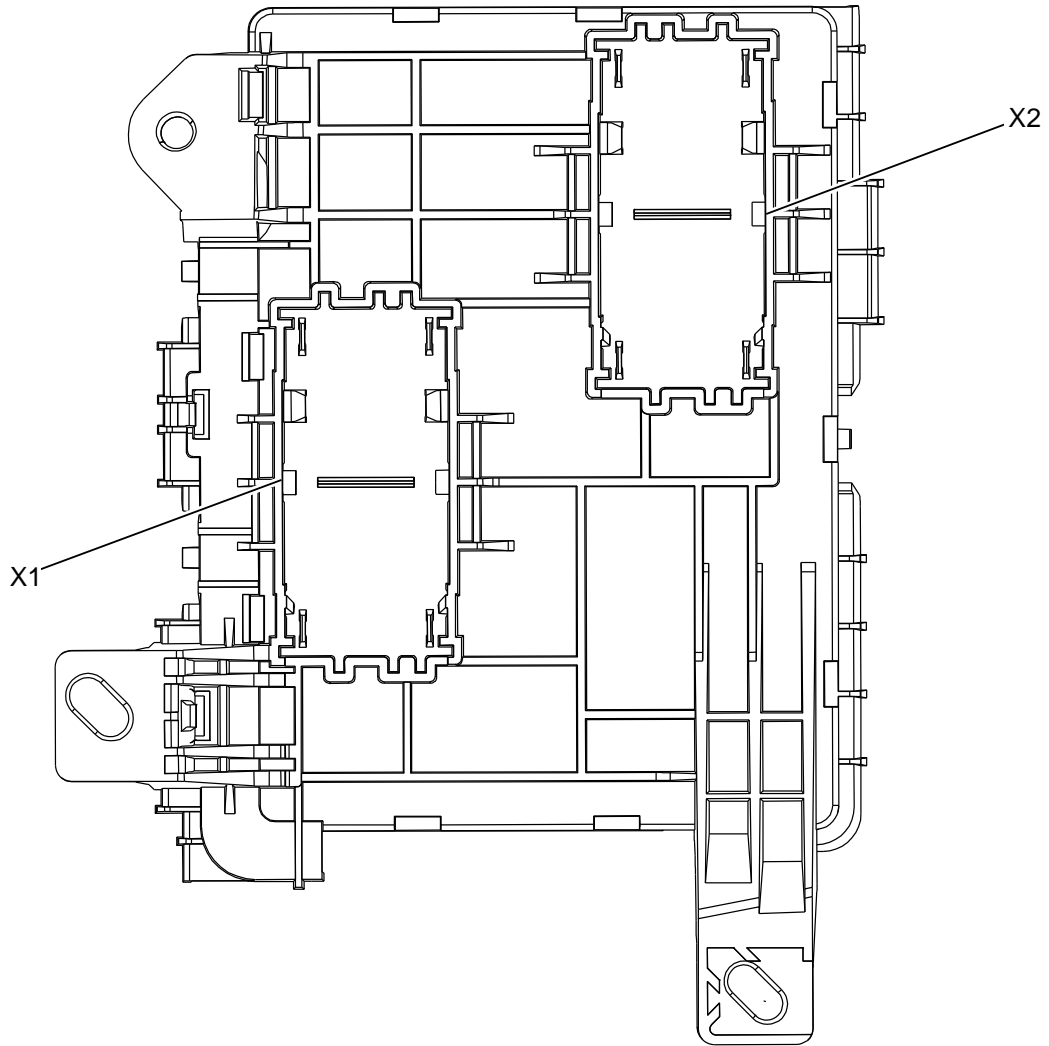
**Table 59 X51R Fuse Block – Instrument Panel Right X3**

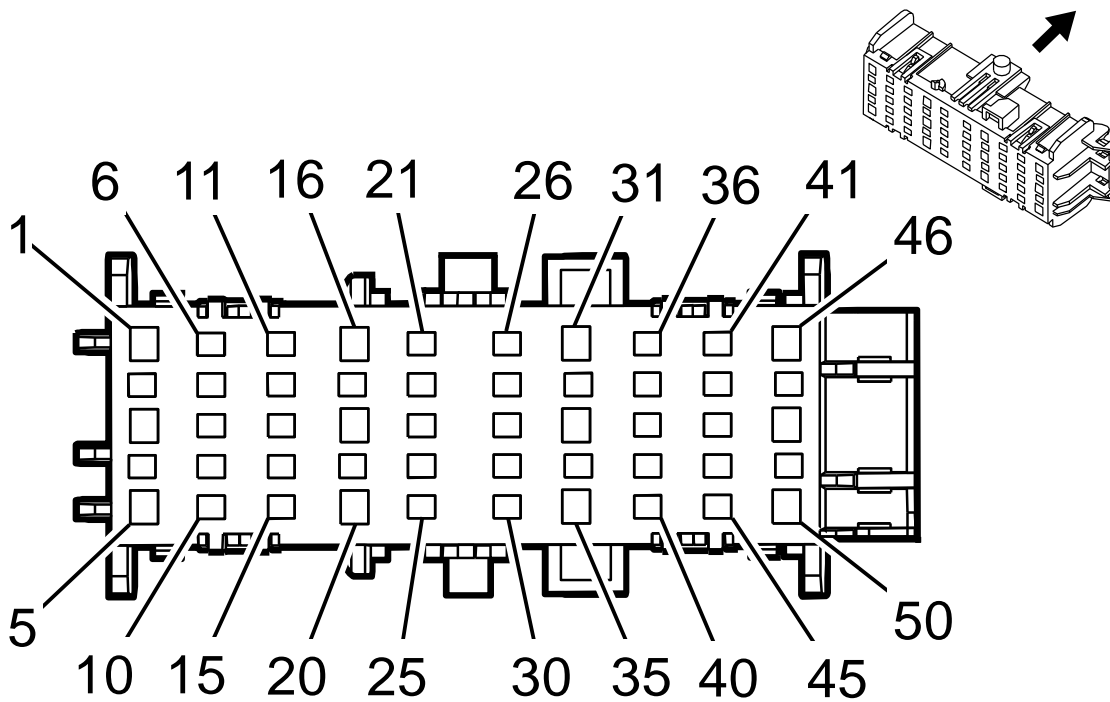
Pin	Size	Color	Circuit	Function	Terminal Type ID	Option
1	2.5	RD / L-GN	3140	Battery Positive Voltage	II	—
2-7	—	—	—	Not Occupied	—	—
8	0.5	VT / GY	709	Left Park Lamp Control	I	—
9	—	—	—	Not Occupied	—	—

Table 59 X51R Fuse Block – Instrument Panel Right X3 (cont.)

Pin	Size	Color	Circuit	Function	Terminal Type ID	Option
10	0.5	BK	1050	Ground	II	Feature Code: 0008XJV
	2.5	BK	1050	Ground	II	Without Feature Code: 0008XJV
11-20	—	—	—	Not Occupied	—	—







**Connector Part Information**

- Harness Type: Body
- Service Connector: 6040239C1
- Description: 50-pin F 1.5, 2.8 OCS Series (BK)

**Table 61 Terminal Part Information**

Terminal Type ID	Service Terminal
I	6041916C1
II	6041978C1

**Table 62 X61A Junction Block – Instrument Panel X1**

Pin	Size	Color	Circuit	Function	Terminal Type ID	Option
1-12	—	—	—	Not Occupied	—	—
13	2	RD / L-GN	13. 968	—	I	—
14-15	—	—	—	Not Occupied	—	—
16	2.5	D-BU	965	—	II	—

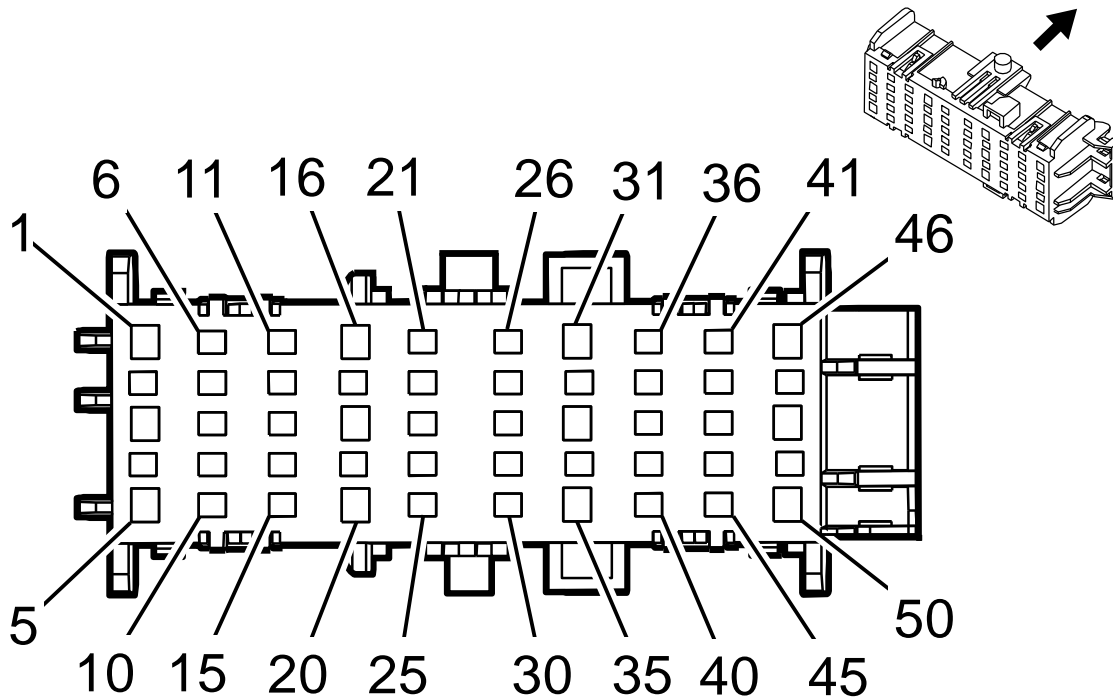
Table 62 X61A Junction Block – Instrument Panel X1 (cont.)

Pin	Size	Color	Circuit	Function	Terminal Type ID	Option
17	0.75	WH / VT	1430	Exterior Courtesy Lamp Control	I	—
18	—	—	—	Not Occupied	—	—
19	0.5	D-BU / YE	19. 6105	High Speed GMLAN Serial Data (+) 2	I	—
20	0.5	WH	6106	High Speed GMLAN Serial Data (-) 2	II	—
21	0.5	RD / WH	961	—	I	—
22	0.35	VT	185	Low Washer Fluid Indicator Control	I	—
23	0.35	BN / YE	780	Driver Door Lock Switch Lock Signal	I	—
24	0.5	BN	7634	Integrated Trailer Brake Controller Redundant Manual Apply Signal	I	—
25	0.35	GY	5697	Child Lockout Indicator Control	I	—
26	0.5	D-BU / RD	7632	Integrated Trailer Brake Controller Switch 5 volt Reference	I	—
27	0.5	BK / BN	7631	Integrated Trailer Brake Controller Switch Low Reference	I	—
28	0.35	BN / WH	781	Driver Door Lock Switch Unlock Signal	I	—
29	0.5	YE	7635	Integrated Trailer Brake Controller Manual Apply Signal	I	—
30	0.5	VT / WH	239	Run / Crank Ignition 1 Voltage	I	—
31-32	—	—	—	Not Occupied	—	—
33	0.35	VT / BN	300	Run Ignition 3 Voltage	II	—
34	0.5	YE / WH	962	—	I	—
35	0.5	VT / L-GN	39	Run / Crank Ignition 1 Voltage	II	—
36	0.5	VT / WH	239	Run / Crank Ignition 1 Voltage	I	—
37-38	—	—	—	Not Occupied	—	—
39	1	D-BU / VT	1134	Park Brake Switch Signal	I	—
40	—	—	—	Not Occupied	—	—
41	0.5	L-GN / BK	7633	Integrated Trailer Brake Controller User Gain Signal	I	—
42-43	—	—	—	Not Occupied	—	—
44	0.5	WH / D-BU	3691	Trailer Brake Apply Signal	I	—
45	—	—	—	Not Occupied	—	—
46	0.5	VT / WH	1939	Run / Crank Ignition 1 Voltage	II	—
47	0.5	WH	6816	Indicator Dimming Control	I	—

**Table 62 X61A Junction Block – Instrument Panel X1 (cont.)**

<b>Pin</b>	<b>Size</b>	<b>Color</b>	<b>Circuit</b>	<b>Function</b>	<b>Terminal Type ID</b>	<b>Option</b>
48	—	—	—	Not Occupied	—	—
49	0.35	YE / WH	816	Brake Transmission Shift Interlock Solenoid Control	I	—
50	2.5	BK	2550	Ground	II	—





**Connector Part Information**

- Harness Type: Body
- Service Connector: 6040250C1
- Description: 50-pin F 1.5, 2.8 OCS Series (GY)

**Table 64 Terminal Part Information**

Terminal Type ID	Service Terminal
I	6041943C1
II	6041848C1
III	6041978C1

**Table 65 X61A Junction Block – Instrument Panel X2**

Pin	Size	Color	Circuit	Function	Terminal Type ID	Option
1-2	—	—	—	Not Occupied	—	—
3	2	RD / GY	1342	Battery Positive Voltage	III	—
4	0.35	D-BU	2307	Passenger Air Bag On Indicator Control	I	—
5	—	—	—	Not Occupied	—	—

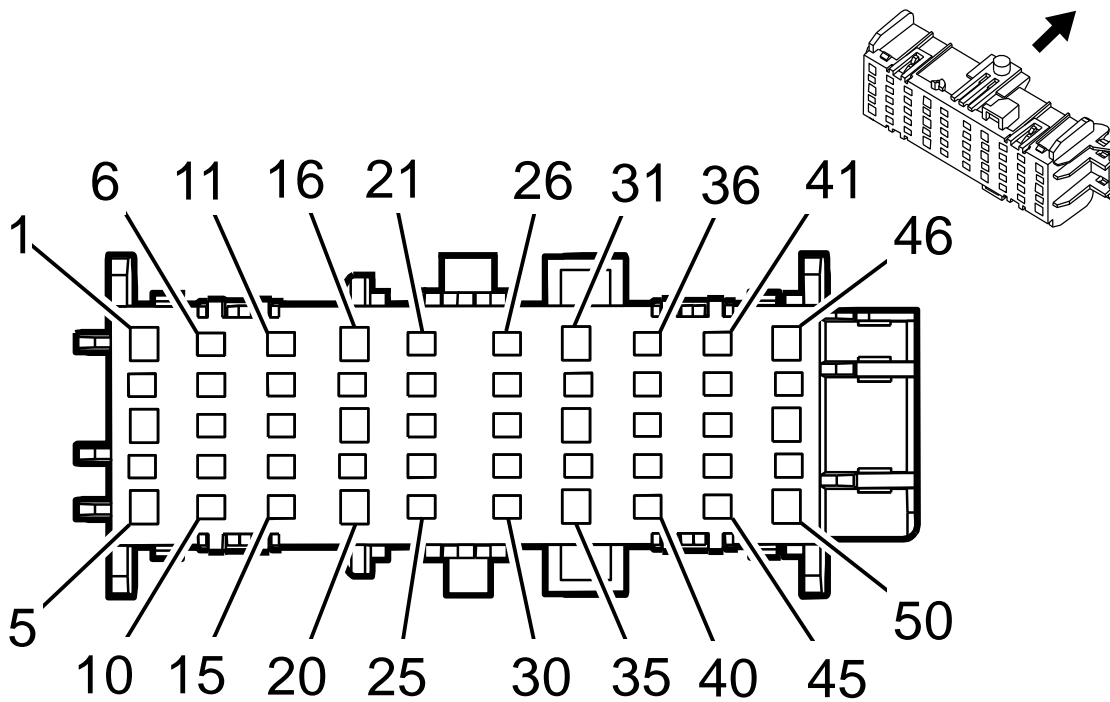
**ELECTRICAL CIRCUIT DIAGRAM MANUAL**

**Table 65 X61A Junction Block – Instrument Panel X2 (cont.)**

Pin	Size	Color	Circuit	Function	Terminal Type ID	Option
6	0.5	WH	2501	High Speed GMLAN Serial Data (-) 1	I	—
7	0.5	D-BU	2500	High Speed GMLAN Serial Data (+) 1	I	—
8-17	—	—	—	Not Occupied	—	—
18	4	BK	550	Ground	II	—
19	0.35	VT / WH	5234	Passenger Seat Belt Indicator Control	I	—
20-22	—	—	—	Not Occupied	—	—
23	0.5	WH / BN	6815	Inadvertent Power Control	I	Feature Code: 0016XCS
	0.75	WH / BN	6815	Inadvertent Power Control	I	Without Feature Code: 0016XCS
24	0.35	L-GN	2308	Passenger Air Bag Off Indicator Control	I	—
25	—	—	—	Not Occupied	—	—
26	0.35	D-BU / GY	7473	Incremental Encoder Impulse Signal	I	—
27	0.35	VT	7476	Incremental Encoder Sensor Low Reference	I	—
28	—	—	—	Not Occupied	—	—
29	0.75	GY	157	Interior Lamp Control	I	—
30	0.35	GY	156	Courtesy Lamp Switch Signal	I	—
31	1	YE / VT	1553	Transfer Case Motor Counter Clockwise Control	III	—
32	0.35	YE	7474	Incremental Encoder Direction Signal	I	—
33	0.75	VT / GY	1054	Stop Lamp Control	III	—
34	—	—	—	Not Occupied	—	—
35	2.5	RD / L-GN	242	Battery Positive Voltage	III	—
36	0.35	WH / L-GN	7475	Incremental Encoder Sensor 8 volt Reference	I	—
37	—	—	—	Not Occupied	—	—
38	0.35	VT / YE	5985	Accessory Wakeup Serial Data	I	—
39-43	—	—	—	Not Occupied	—	—
44	0.5	WH / D-BU	3691	Trailer Brake Apply Signal	I	—
45	—	—	—	Not Occupied	—	—
46	1	YE / GY	1552	Transfer Case Motor Clockwise Control	III	—

Table 65 X61A Junction Block – Instrument Panel X2 (cont.)

Pin	Size	Color	Circuit	Function	Terminal Type ID	Option
47	0.5	L-GN / GY	817	Vehicle Speed Signal	I	—
48	2.5	D-BU	47	Trailer Auxiliary Control	III	—
49	—	—	—	Not Occupied	—	—
50	0.35	VT / YE	43	Accessory Ignition Voltage	III	—



**Connector Part Information**

- Harness Type: Headliner
- Service Connector: 6040253C1
- Description: 50-pin F 1.5, 2.8 OCS Series (BU)

**Table 67 Terminal Part Information**

Terminal Type ID	Service Terminal
I	6041916C1
II	6041943C1
III	6041921C1

**Table 68 X61A Junction Block – Instrument Panel X3**

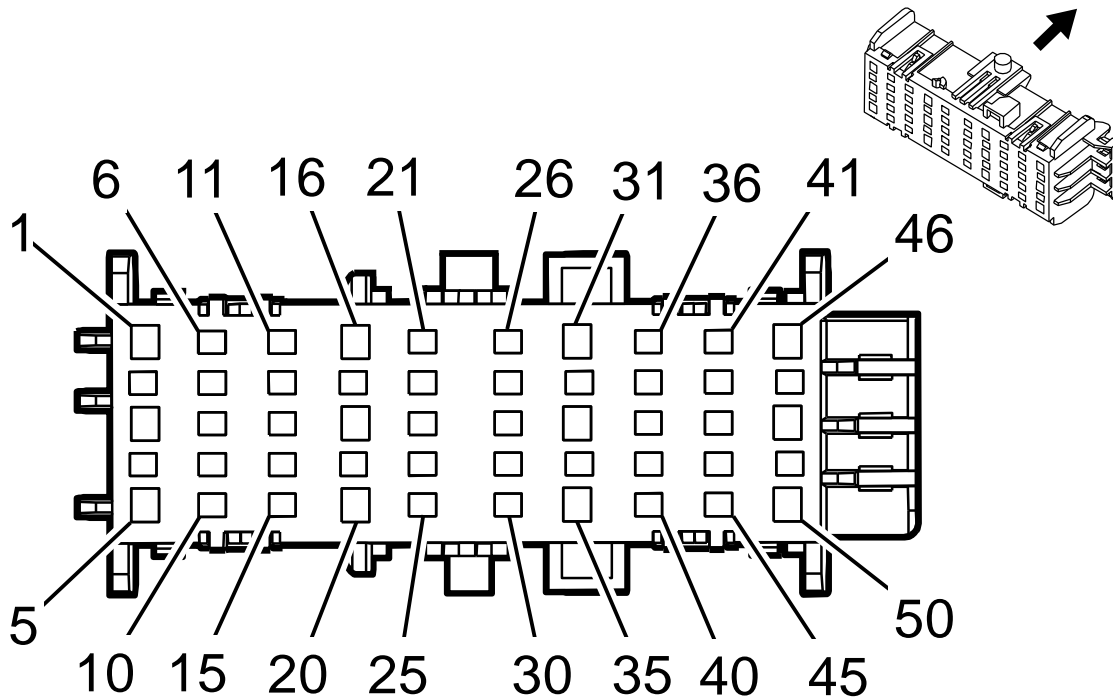
Pin	Size	Color	Circuit	Function	Terminal Type ID	Option
1-2	—	—	—	Not Occupied	—	—
3	0.5	RD / L-GN	3140	Battery Positive Voltage	III	—
4	0.35	D-BU	2307	Passenger Air Bag On Indicator Control	II	—

Table 68 X61A Junction Block – Instrument Panel X3 (cont.)

Pin	Size	Color	Circuit	Function	Terminal Type ID	Option
5-6	—	—	—	Not Occupied	—	—
7	0.75	WH / VT	1430	Exterior Courtesy Lamp Control	I	—
8	0.35	YE / WH	1690	Automatic Day / Night Mirror Signal	I	—
9	0.35	BK / YE	1691	Automatic Day / Night Mirror Low Reference	I	—
10-12	—	—	—	Not Occupied	—	—
13	0.35	L-GN / RD	24	Backup Lamp Control	I	—
14-16	—	—	—	Not Occupied	—	—
17	0.35	L-GN / BK	2515	Keypad Control	I	—
18	—	—	—	Not Occupied	—	—
19	0.35	VT / WH	5234	Passenger Seat Belt Indicator Control	II	—
20	—	—	—	Not Occupied	—	—
21	0.35	L-GN / D-BU	2514	Keypad Signal	I	—
22	0.35	YE / BN	2516	Keypad Green LED Control	I	—
23	—	—	—	Not Occupied	—	—
24	0.35	L-GN / RD	2308	Passenger Air Bag Off Indicator Control	II	—
25	0.5	WH / BN	6815	Inadvertent Power Control	II	Feature Code: 0016XCS
	0.5	WH / BN	6815	Inadvertent Power Control	I	Without Feature Code: 0016XCS
26	0.35	WH	6192	Power Sliding Window Switch Close Signal	II	—
27	0.5	YE	6817	LED Backlight Dimming Control	I	Feature Code: 0016LVT
	0.5	YE	6817	LED Backlight Dimming Control	II	Without Feature Code: 0016LVT
28	0.35	GY / D-BU	156	Courtesy Lamp Switch Signal	II	—

Table 68 X61A Junction Block – Instrument Panel X3 (cont.)

Pin	Size	Color	Circuit	Function	Terminal Type ID	Option
29	0.5	GY	157	Interior Lamp Control	II	Feature Code: 0016LVT
	0.5	GY	157	Interior Lamp Control	I	Without Feature Code: 0016LVT
30-31	—	—	—	Not Occupied	—	—
32	0.35	YE / VT	6191	Power Sliding Window Switch Open Signal	II	—
33-34	—	—	—	Not Occupied	—	—
35	0.5	VT / GY	1054	Stop Lamp Control	III	—
36	0.35	BN / WH	2517	Keypad Red LED Control	I	—
37-40	—	—	—	Not Occupied	—	—
41	0.35	GY / L-GN	328	Interior Lamp Defeat Switch Signal	II	—
42	0.35	VT / L-GN	7558	LED Ambient Lighting Control 2	II	—
	0.35	VT / L-GN	7558	LED Ambient Lighting Control 2	I	—
43-44	—	—	—	Not Occupied	—	—
45	0.35	GY / WH	3153	Lane Departure Warning Disable Switch Signal	I	—
46	2.5	BK	1050	Ground	III	—
47	0.35	L-GN	5060	Low Speed GMLAN Serial Data	I	—
48	—	—	—	Not Occupied	—	—
49	0.35	WH	3152	Lane Departure Warning Indicator Control	I	—
50	—	—	—	Not Occupied	—	—



**Connector Part Information**

- Harness Type: Instrument Panel
- Service Connector: 6040252C1
- Description: 50-pin F 1.5, 2.8 OCS Series (GN)

**Table 70 Terminal Part Information**

Terminal Type ID	Service Terminal
I	6041916C1
II	6041921C1

**Table 71 X61A Junction Block – Instrument Panel X4**

Pin	Size	Color	Circuit	Function	Terminal Type ID
1	2.5	YE / BN	967	—	II
2	0.35	YE / VT	2516	Keypad Green LED Control	I
3	0.35	BK / L-GN	552	Sensor Low Reference	II
4	0.5	WH	2501	High Speed GMLAN Serial Data (-) 1	I
5	0.5	D-BU	2500	High Speed GMLAN Serial Data (+) 1	II

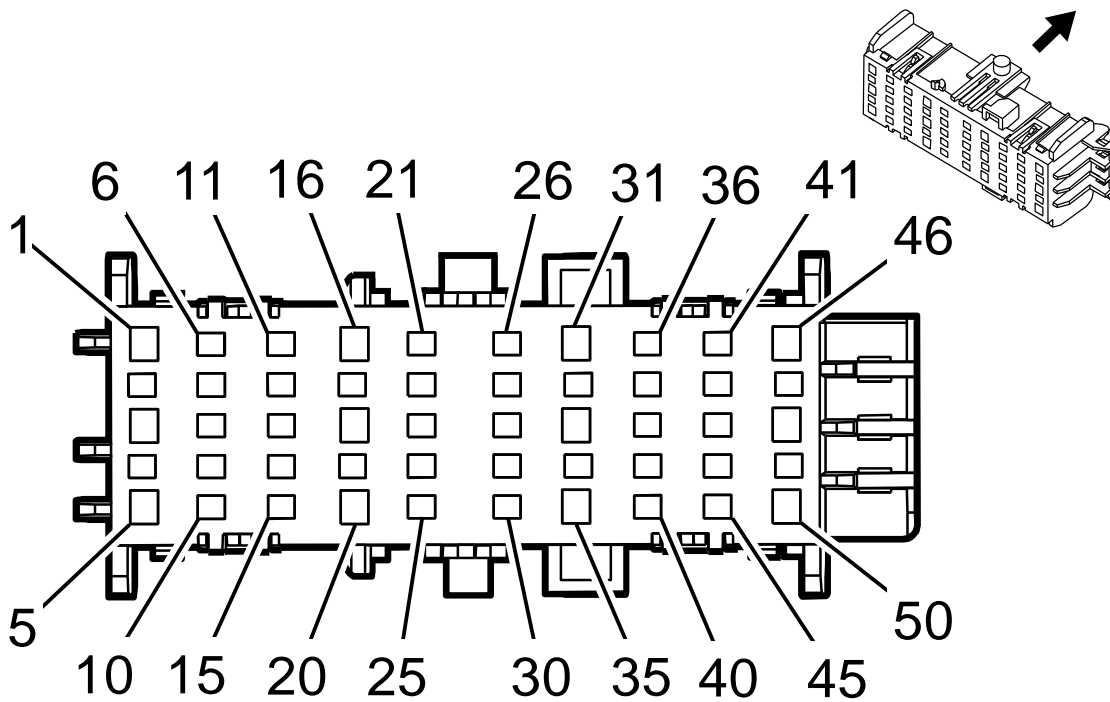
Table 71 X61A Junction Block – Instrument Panel X4 (cont.)

Pin	Size	Color	Circuit	Function	Terminal Type ID
6	0.5	YE	6817	LED Backlight Dimming Control	I
7	0.35	L-GN / WH	2514	Keypad Signal	I
8	0.35	GY / RD	598	5 volt Reference	I
9	0.35	WH / L-GN	526	Stop Lamp Switch Signal	I
10	0.35	D-BU / YE	1693	Four Wheel Drive Switch Signal	I
11	—	—	—	Not Occupied	—
12	2	RD / L-GN	968	—	I
13	—	—	—	Not Occupied	—
14	0.35	BN	1560	Neutral Indicator Control	I
15	0.35	GY / RD	6029	Four Wheel Drive Mode Switch 5 volt Reference	I
16	2.5	BK	1050	Ground	II
17	—	—	—	Not Occupied	—
18	2.5	GY / BK	966	—	II
19	0.35	L-GN / BK	2515	Keypad Control	I
20	2.5	RD / L-GN	968	—	II
21	0.5	VT / L-GN	7558	LED Ambient Lighting Control 2	I
22	0.35	BN / WH	2517	Keypad Red LED Control	I
23	0.35	BN / BK	1566	4 HI Indicator Control	I
24	0.35	VT / WH	1565	4 LO Indicator Control	I
25	0.35	VT / L-GN	1739	Run / Crank Ignition 1 Voltage	I
26	—	—	—	Not Occupied	—
27	0.35	GY / L-GN	328	Interior Lamp Defeat Switch Signal	I
28-30	—	—	—	Not Occupied	—
31	1.5	RD / YE	2340	Battery Positive Voltage	II
32	0.5	BK / WH	1851	Signal Ground	I
33	0.35	BK / WH	1851	Signal Ground	II
	0.5	BK / WH	1851	Signal Ground	II
34	—	—	—	Not Occupied	—
35	2.5	BK / WH	1851	Signal Ground	II
36-37	—	—	—	Not Occupied	—
38	0.5	BK / WH	1851	Signal Ground	I
39	0.35	BK / WH	1851	Signal Ground	I
40	0.35	L-GN / BK	1563	2 HI Indicator Control	I
41-43	—	—	—	Not Occupied	—



Table 71 X61A Junction Block – Instrument Panel X4 (cont.)

Pin	Size	Color	Circuit	Function	Terminal Type ID
44	0.75	BK	2550	Ground	I
45	0.35	BK	2550	Ground	I
46	0.75	BK	2550	Ground	II
47	0.35	BK	2550	Ground	I
48	0.75	BK	2550	Ground	II
49	—	—	—	Not Occupied	—
50	0.75	BK	2550	Ground	II



**Connector Part Information**

- Harness Type: Instrument Panel
- Service Connector: 6040251C1
- Description: 50-pin F 1.5, 2.8 OCS Series (NA)

**Table 73 Terminal Part Information**

Terminal Type ID	Service Terminal
I	6041918C1
II	6041939C1
III	6041915C1

**Table 74 X61A Junction Block – Instrument Panel X5**

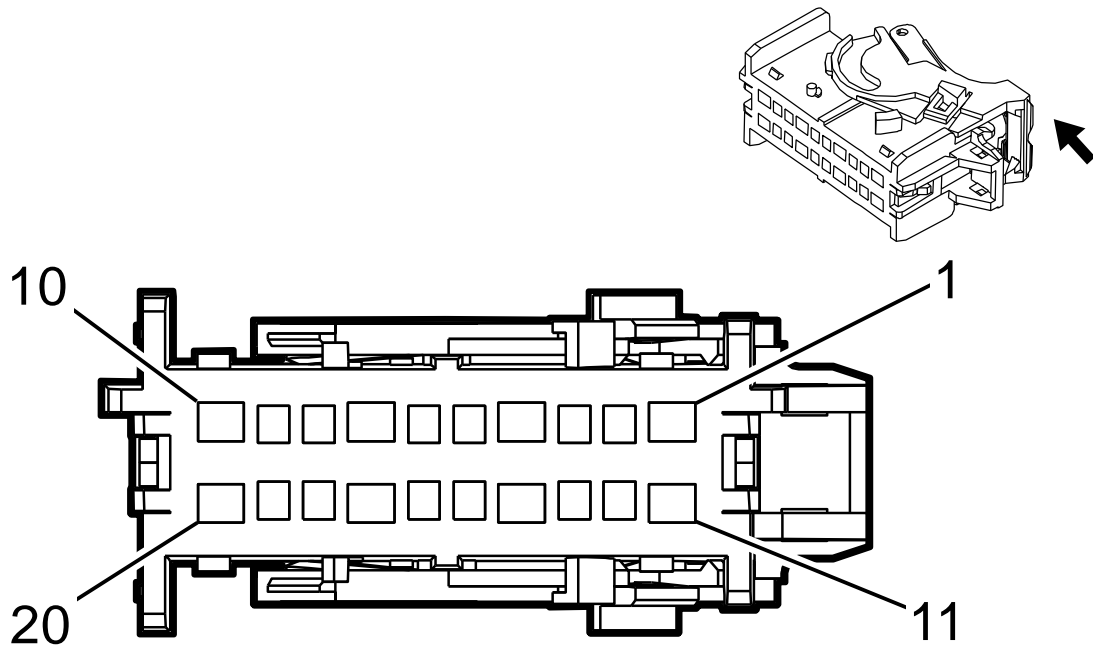
Pin	Size	Color	Circuit	Function	Terminal Type ID
1-2	—	—	—	Not Occupied	—
3	0.5	D-BU / YE	6105	High Speed GMLAN Serial Data (+) 2	I
4	0.75	WH / VT	1430	Exterior Courtesy Lamp Control	III
5	—	—	—	Not Occupied	—

Table 74 X61A Junction Block – Instrument Panel X5 (cont.)

Pin	Size	Color	Circuit	Function	Terminal Type ID
6	0.35	GY	5697	Child Lockout Indicator Control	III
7	0.5	BN	7634	Integrated Trailer Brake Controller Redundant Manual Apply Signal	III
8	0.35	BN / YE	780	Driver Door Lock Switch Lock Signal	III
9	0.35	VT	185	Low Washer Fluid Indicator Control	III
10	0.5	RD / WH	961	—	III
11	0.5	VT / WH	239	Run / Crank Ignition 1 Voltage	III
12	0.5	YE	7635	Integrated Trailer Brake Controller Manual Apply Signal	III
13	0.35	BN / WH	781	Driver Door Lock Switch Unlock Signal	III
14	0.5	BK / BN	7631	Integrated Trailer Brake Controller Switch Low Reference	III
15	0.5	D-BU / RD	7632	Integrated Trailer Brake Controller Switch 5 volt Reference	III
16	0.5	VT / L-GN	39	Run / Crank Ignition 1 Voltage	I
17	0.5	YE / WH	962	—	III
18	0.35	VT / BN	300	Run Ignition 3 Voltage	I
	0.35	VT / BN	300	Run Ignition 3 Voltage	II
19	0.5	WH	6106	High Speed GMLAN Serial Data (-) 2	III
20-21	—	—	—	Not Occupied	—
22	0.5	D-BU / VT	1134	Park Brake Switch Signal	III
23-24	—	—	—	Not Occupied	—
25	0.5	VT / WH	239	Run / Crank Ignition 1 Voltage	III
26	—	—	—	Not Occupied	—
27	0.5	WH / D-BU	3691	Trailer Brake Apply Signal	III
28-29	—	—	—	Not Occupied	—
30	0.5	L-GN / BK	7633	Integrated Trailer Brake Controller User Gain Signal	III
31	0.35	BK	2550	Ground	I
32	0.35	YE / WH	816	Brake Transmission Shift Interlock Solenoid Control	III
33	—	—	—	Not Occupied	—
34	0.5	WH	6816	Indicator Dimming Control	III
35-36	—	—	—	Not Occupied	—
37	0.35	WH	6816	Indicator Dimming Control	III

Table 74 X61A Junction Block – Instrument Panel X5 (cont.)

Pin	Size	Color	Circuit	Function	Terminal Type ID
38	0.35	WH	6816	Indicator Dimming Control	III
39-50	—	—	—	Not Occupied	—



**Connector Part Information**

- Harness Type: Brake Clutch
- Service Connector: Service by Harness
- Description: 20-pin F 1.5, 2.8 OCS Series (BK)

**Table 76 Terminal Part Information**

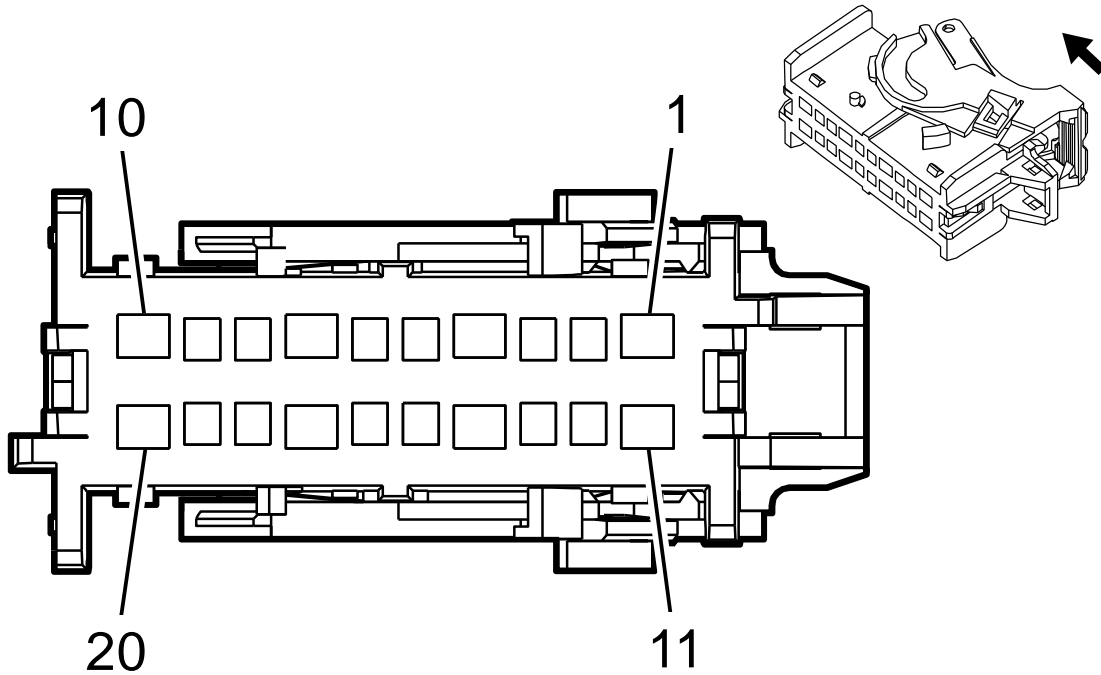
Terminal Type ID	Service Terminal
I	Not Available
II	Not Available

**Table 77 X61A Junction Block – Instrument Panel X8**

Pin	Size	Color	Circuit	Function	Terminal Type ID
1-7	—	—	—	Not Occupied	—
8	0.5	WH/L-GN	526	Stop Lamp Switch Signal	I
9	0.5	WH	2501	High Speed GMLAN Serial Data (-) 1	I
10	0.5	D-BU	2500	High Speed GMLAN Serial Data (+) 1	II
11	—	—	—	Not Occupied	—

Table 77 X61A Junction Block – Instrument Panel X8 (cont.)

Pin	Size	Color	Circuit	Function	Terminal Type ID
12	0.5	WH	2501	High Speed GMLAN Serial Data (-) 1	I
13	0.5	D-BU	2500	High Speed GMLAN Serial Data (+) 1	I
14	0.5	WH / RD	6207	Memory Sensor High Reference	II
15	0.5	D-BU	5952	Adjustable Pedal Position Sensor Brake Signal	I
16	1.5	YE	5129	Adjustable Pedal Actuator Rearward Control	I
17	0.5	BK / GY	6206	Memory Sensor Low Reference	II
18	1.5	L-GN / VT	5130	Adjustable Pedal Actuator Forward Control	I
19	0.5	BK / L-GN	552	Sensor Low Reference	I
20	0.5	GY / RD	598	5 volt Reference	II



**Connector Part Information**

- Harness Type: Brake Clutch
- Service Connector: Service by Harness
- Description: 20-pin F 1.5, 2.8 OCS Series (GY)

**Table 79 Terminal Part Information**

Terminal Type ID	Service Terminal
I	Not Available
II	Not Available

**Table 80 X61A Junction Block – Instrument Panel X9**

Pin	Size	Color	Circuit	Function	Terminal Type ID
1	2.5	YE / BN	1569	Transfer Case Lock Solenoid Control	II
2	0.35	D-BU / YE	1693	Four Wheel Drive Switch Signal	I
3	0.35	GY / RD	6029	Four Wheel Drive Mode Switch 5 volt Reference	I
4	0.35	BN / BK	1566	4 HI Indicator Control	II
5	0.35	VT / WH	1565	4 LO Indicator Control	I

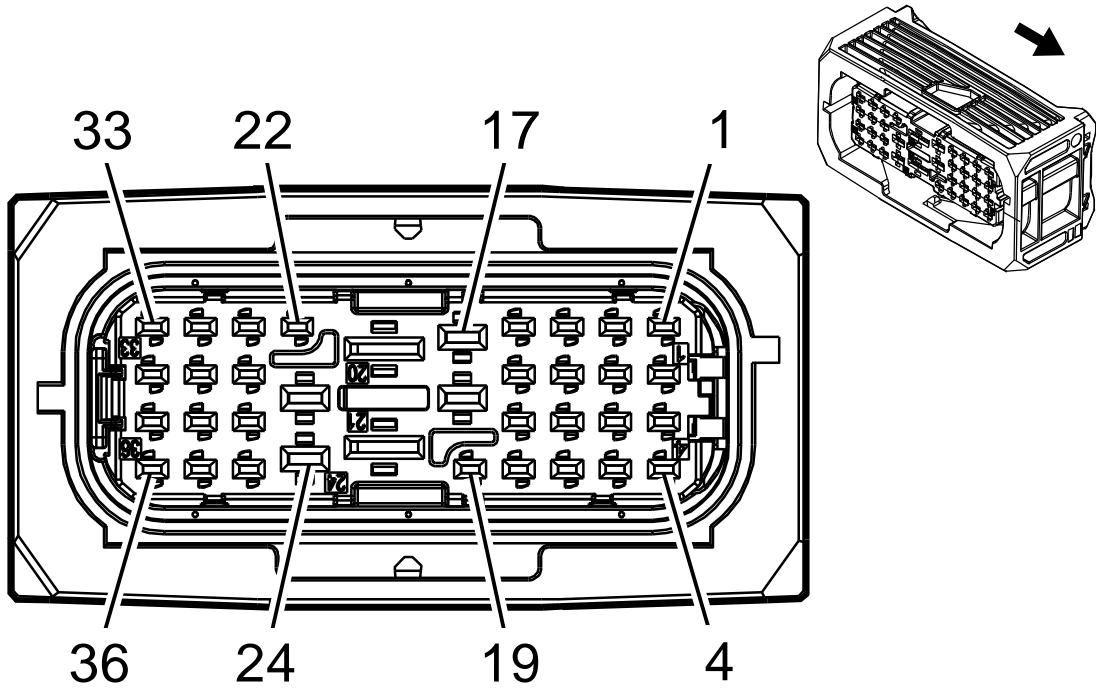
**Table 80 X61A Junction Block – Instrument Panel X9 (cont.)**

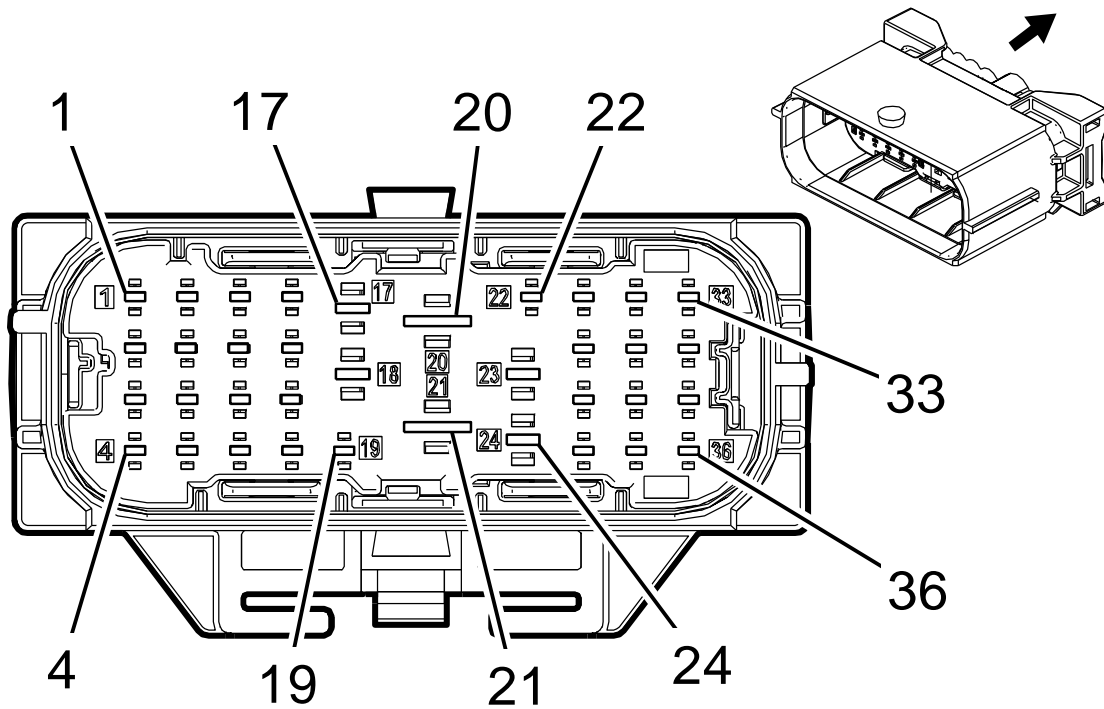
<b>Pin</b>	<b>Size</b>	<b>Color</b>	<b>Circuit</b>	<b>Function</b>	<b>Terminal Type ID</b>
6	0.35	VT / L-GN	1739	Run / Crank Ignition 1 Voltage	I
7	0.35	VT / YE	5985	Accessory Wake-up Serial Data	II
8	0.35	L-GN / BK	1563	2 HI Indicator Control	I
9	0.35	GY / L-GN	1561	AWD Indicator Control	I
10	0.5	GY / BK	1570	Front Axle Actuator Control	II
11	3	RD / GY	1342	Battery Positive Voltage	II
12	0.35	BN	1560	Neutral Indicator Control	I
13	0.35	VT	7476	Incremental Encoder Sensor Low Reference	I
14	3	BK	550	Ground	II
15	0.35	D-BU / GY	7473	Incremental Encoder Impulse Signal	I
16	0.35	YE	7474	Incremental Encoder Direction Signal	I
17	4	YE / VT	1553	Transfer Case Motor Counter Clockwise Control	II
18	0.35	WH / L-GN	7475	Incremental Encoder Sensor 8 volt Reference	I
19	0.5	YE / WH	1695	Four Wheel Drive Wheel Lock Indicator Control	I
20	4	YE / GY	1552	Transfer Case Motor Clockwise Control	II



## CONNECTOR END VIEWS

### 17.1. IN-LINE HARNESS CONNECTOR END VIEWS





Connector Part Information	Connector Part Information
<ul style="list-style-type: none"> <li>• Harness Type: Engine Chassis</li> <li>• Service Connector: 6040261C1</li> <li>• Description: 36-pin F 1.5, 2.8 CTS, 6.3 MCP Series (BK)</li> </ul>	<ul style="list-style-type: none"> <li>• Harness Type: Engine</li> <li>• Service Connector: 6040256C1</li> <li>• Description: 36-pin M 1.5, 2.8, 5.8 Series, Sealed (BK)</li> </ul>

**Table 82 Terminal Part Information**

Terminal Type ID	Service Terminal
I	6042031C1
II	6041998C1
III	6042036C1
IV	6041910C1
V	6041886C1
VI	6042040C1
VII	6041908C1

Table 83 X101 Engine Chassis Harness to Engine Harness

Male					Function	Female				
Pin	Size	Color	Circuit	Terminal Type ID		Pin	Size	Color	Circuit	Terminal Type ID
1	0.5	D-BU / BN	4498	II	High Speed GMLAN Serial Data (+) 7	1	0.5	BU / BN	4498	VII
2	0.5	WH	4499	II	High Speed GMLAN Serial Data (-) 7	2	0.5	WH	4499	VII
3	0.5	D-BU	2500	I	High Speed GMLAN Serial Data (+) 1	3	0.5	BU	2500	VII
4	0.5	WH	2501	I	High Speed GMLAN Serial Data (-) 1	4	0.5	WH	2501	VII
5	0.5	BK / BN	6782	II	DOCIT (Exhaust Gas Temperature Sensor 1) Low Reference	5	0.5	BK / BN	6782	VII
6	0.5	D-BU / WH	5277	II	DOCIT (Exhaust Gas Temperature Sensor 1) Signal	6	0.5	BU / WH	5277	VII
7	0.5	BK / D-BU	6783	II	DOCOT (Exhaust Gas Temperature Sensor 2) Low Reference	7	0.5	BK / BU	6783	VII
8	0.5	D-BU / L-GN	5377	II	DOCOT (Exhaust Gas Temperature Sensor 2) Signal	8	0.5	BU / GN	5377	VII
9	0.5	BK / D-BU	6274	II	EGRIT (Exhaust Gas Recirculation Temperature Sensor 1) Low Reference	9	0.5	BK / BU	6274	VII

Table 83 X101 Engine Chassis Harness to Engine Harness (cont.)

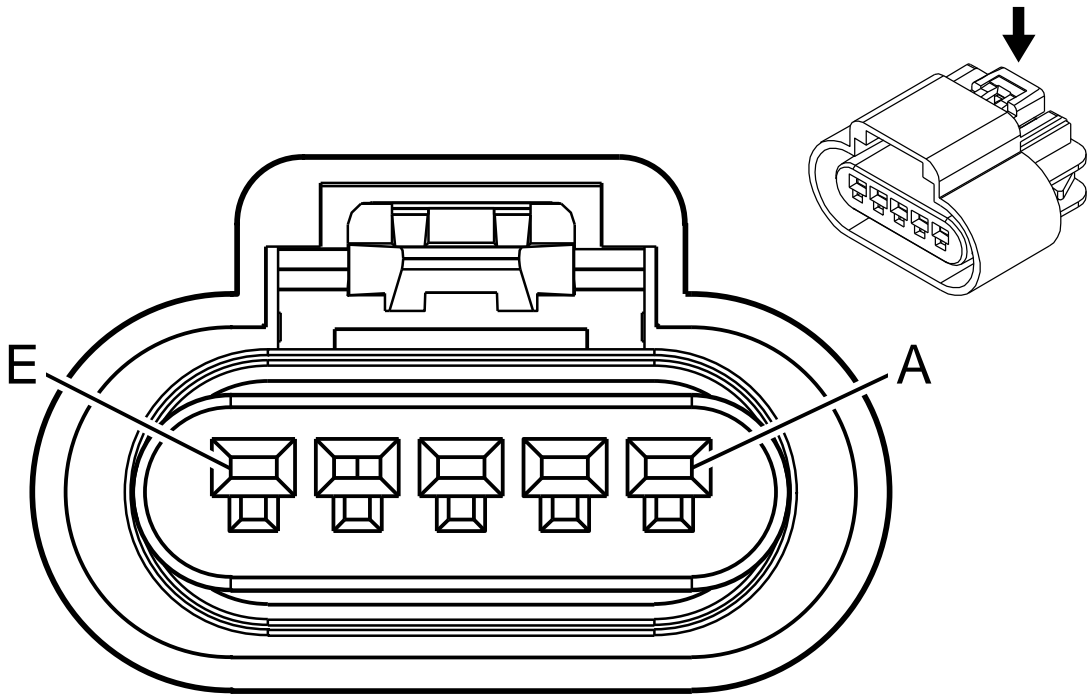
Male					Function	Female				
Pin	Size	Color	Circuit	Terminal Type ID		Pin	Size	Color	Circuit	Terminal Type ID
10	0.5	WH / BN	3237	II	EGRIT (Exhaust Gas Recirculation Temperature Sensor 1) Signal	10	0.5	WH / BN	3237	VII
11	0.5	BK / YE	6275	II	EGROT (Exhaust Gas Recirculation Temperature Sensor 2) Low Reference	11	0.5	BK / YE	6275	VII
12	0.5	YE / L-GN	3236	II	EGROT (Exhaust Gas Recirculation Temperature Sensor 2) Signal	12	0.5	YE / GN	3236	VII
13	0.5	YE / BK	3682	II	Charge Air Cooler Inlet Temperature Sensor Low Reference	13	0.5	YE / BK	3682	VII
14	0.5	L-GN	3683	II	Charge Air Cooler Inlet Temperature Sensor Signal	14	0.5	GN	3683	VII
15	0.5	BN / BK	2929	II	Fuel Metering Valve Low Control	15	0.5	BN / BK	2929	VII
16	0.5	YE	2928	II	Fuel Metering Valve High Control	16	0.5	YE	2928	VII
17	0.5	VT / YE	5985	IV	Accessory Wake-up Serial Data	17	0.5	VT / YE	443	VI
18	0.5	VT / BK	2139	IV	Run / Crank Ignition 1 Voltage	18	0.5	VT / BK	2139	VI
19-21	—	—	—	—	Not Occupied	19-21	—	—	—	—
22	0.5	VT / D-BU	3674	I	NOx Sensor 1 Control	22	0.5	VT / BU	3674	V

Table 83 X101 Engine Chassis Harness to Engine Harness (cont.)

Male						Female				
Pin	Size	Color	Circuit	Terminal Type ID	Function	Pin	Size	Color	Circuit	Terminal Type ID
23	0.5	GY	23	III	Alternator (Generator) Field Duty Cycle Signal	23	0.5	GY	23	VI
24	0.75	BN	25	III	Charge Indicator Control	24	0.5	BN	25	VI
25	0.5	BN / RD	7445	II	Fuel Line Pressure Sensor 5 volt Reference	25	0.5	BN / RD	7445	VII
26	0.5	BK / YE	7447	II	Fuel Line Pressure Sensor Low Reference	26	0.5	BK / YE	7447	VII
27	0.5	D-BU / WH	7446	II	Fuel Line Pressure Sensor Signal	27	0.5	BU / WH	7446	VII
28	—	—	—	—	Crankshaft Position Sensor Replicated Signal	28	0.5	VT / BU	6091	VII
29	—	—	—	—	Not Occupied	29	—	—	—	—
30	0.5	D-BU / L-GN	7071	II	Heater Fuel Control	30	0.5	BU / GN	7071	VII
31	—	—	—	—	Hydrocarbon Injector Low Control	31	0.5	VT / BN	2927	VII
32	—	—	—	—	Hydrocarbon Injector High Control	32	0.5	BN / BU	2926	VII
33	0.5	D-BU / BN	4498	II	High Speed GMLAN Serial Data (+) 7	33	0.5	BU / BN	4498	VII
34	0.5	WH	4499	II	High Speed GMLAN Serial Data (-) 7	34	0.5	WH	4499	VII

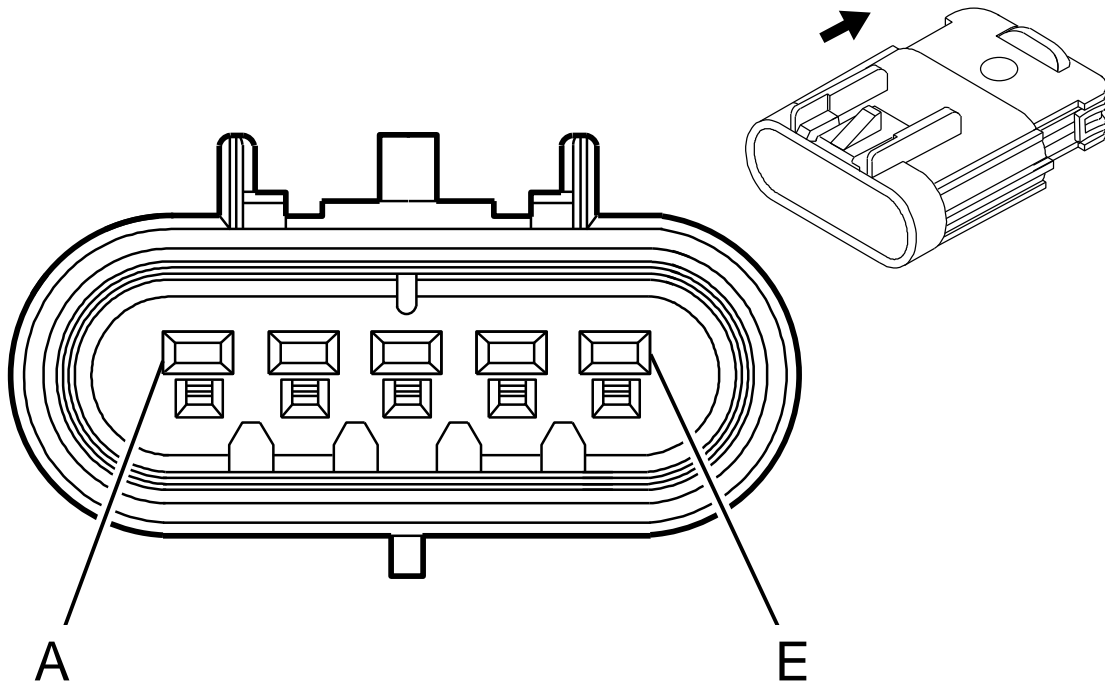
**Table 83 X101 Engine Chassis Harness to Engine Harness (cont.)**

Male					Function	Female				
Pin	Size	Color	Circuit	Terminal Type ID		Pin	Size	Color	Circuit	Terminal Type ID
35	0.5	D-BU	2500	35. I	High Speed GMLAN Serial Data (+) 1	35	0.5	BU	2500	VII
36	0.5	WH	2501	I	High Speed GMLAN Serial Data (-) 1	36	0.5	WH	2501	VII



**Connector Part Information**

- Harness Type: Engine Chassis
- Service Connector: 6040211C1
- Description: 5-pin F 150 GT Series, Sealed (BK)



Connector Part Information	
•	Harness Type: Engine Cooling Fan
•	Service Connector: Service by Harness
•	Description: 5-pin M

Table 86 Terminal Part Information

Terminal Type ID	Service Terminal
I	6041932C1
II	Not Available

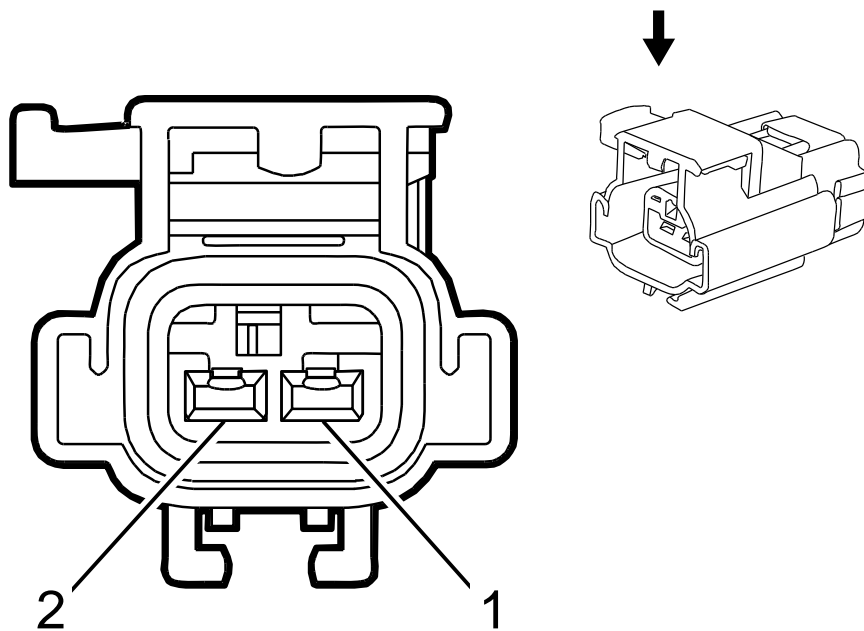
Table 87 X102 Engine Chassis Harness to Engine Cooling Fan Harness

Male					Function	Female				
Pin	Size	Color	Circuit	Terminal Type ID		Pin	Size	Color	Circuit	Terminal Type ID
A	0.75	BK	550	I	Ground	A	0.75	BK	550	II
B	0.5	WH	2368	I	Cooling Fan Control Signal	B	0.5	WH	2368	II



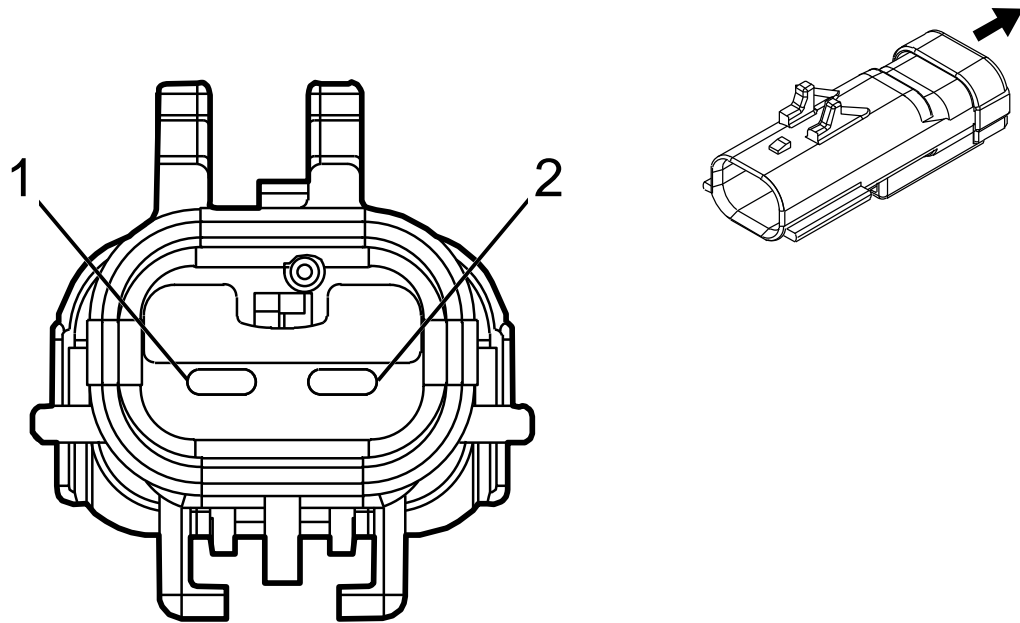
Table 87 X102 Engine Chassis Harness to Engine Cooling Fan Harness (cont.)

Male					Function	Female				
Pin	Size	Color	Circuit	Terminal Type ID		Pin	Size	Color	Circuit	Terminal Type ID
C	0.5	BK / BN	6141	I	Cooling Fan Speed Low Reference	C	0.5	BK / BN	6141	II
D	0.5	D-BU / VT	2364	I	Cooling Fan Speed Signal	D	0.5	D-BU / VT	2364	II
E	0.5	GY / RD	2365	I	Cooling Fan Speed 5 volt Reference	E	0.5	GY / RD	2365	II



**Connector Part Information**

- Harness Type: Forward Lamp
- Service Connector: 3626435C1
- Description: 2-Way F 2.8 Series, Sealed (BK)



**Connector Part Information**

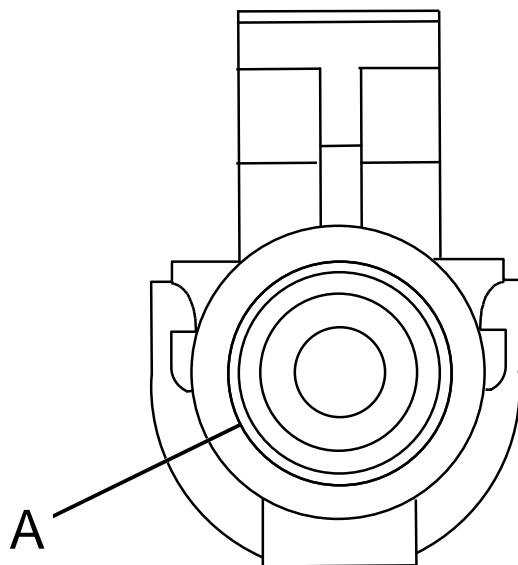
- Harness Type: Horn Jumper
- Service Connector: 3924162C1
- Description: 2-Way M 2.8 APEX Series, Sealed (BK)

**Table 90 Terminal Part Information**

Terminal Type ID	Service Terminal
I	None
II	4088339C92

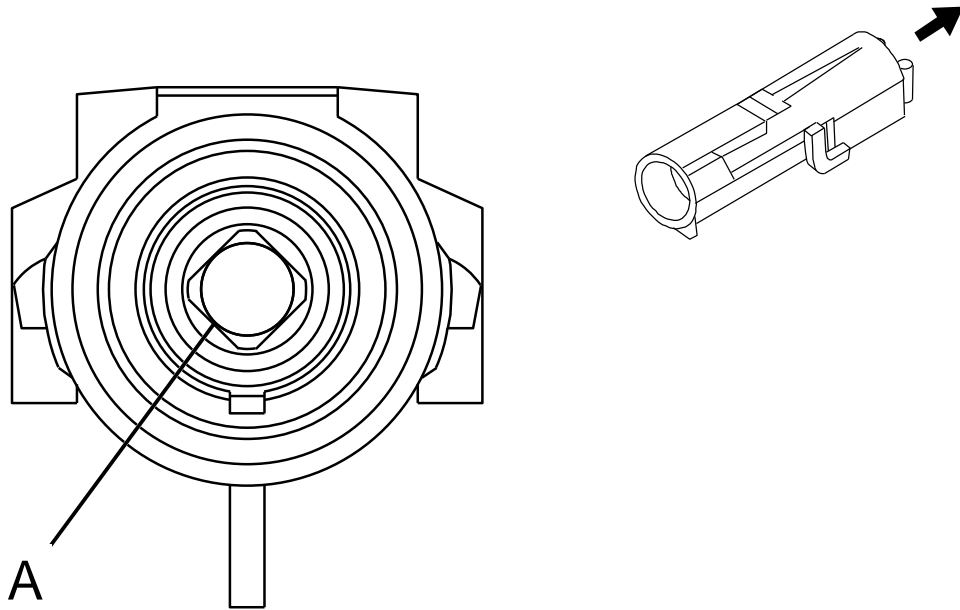
**Table 91 X103 Forward Lamp Harness to Horn Jumper Harness**

Male					Function	Female				
Pin	Size	Color	Circuit	Terminal Type ID		Pin	Size	Color	Circuit	Terminal Type ID
1	1	BN/GY	29	I	Horn Control	1	1	BK	29	II
2	1	BK	85-G	I	Ground	2	1	WH	85-G	II



**Connector Part Information**

- Harness Type: Forward Lamp
- Service Connector: Service by Harness
- Description: 1-Way F Weather Pack Series (BK)



**Connector Part Information**

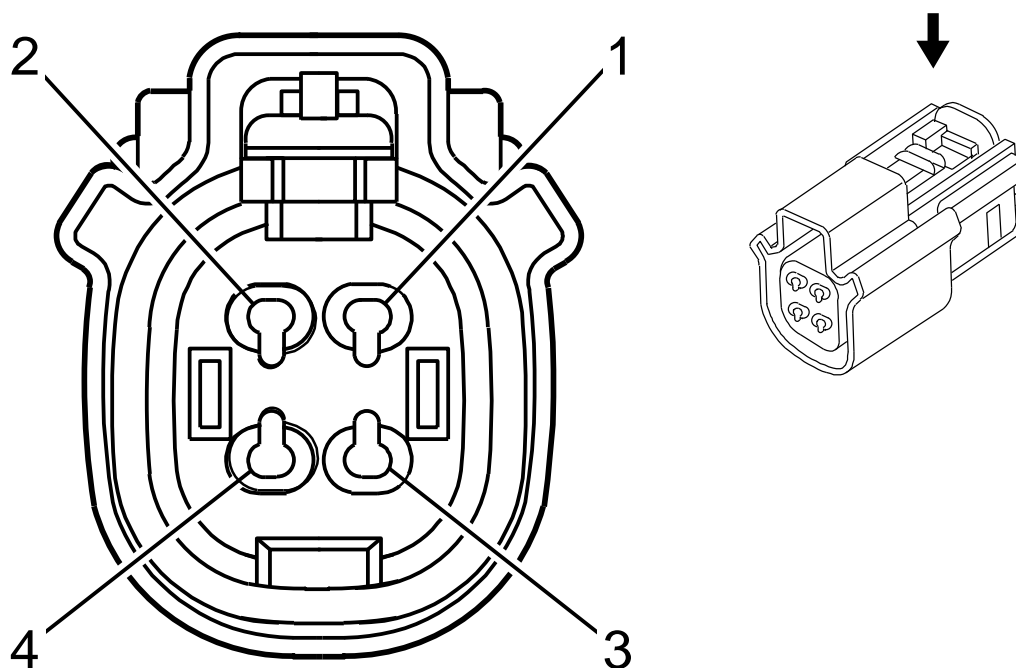
- Harness Type: Radiator Ground
- Service Connector: Service by Harness
- Description: 1-Way M

**Table 94 Terminal Part Information**

Terminal Type ID	Service Terminal
I	Not Available
II	Not Available

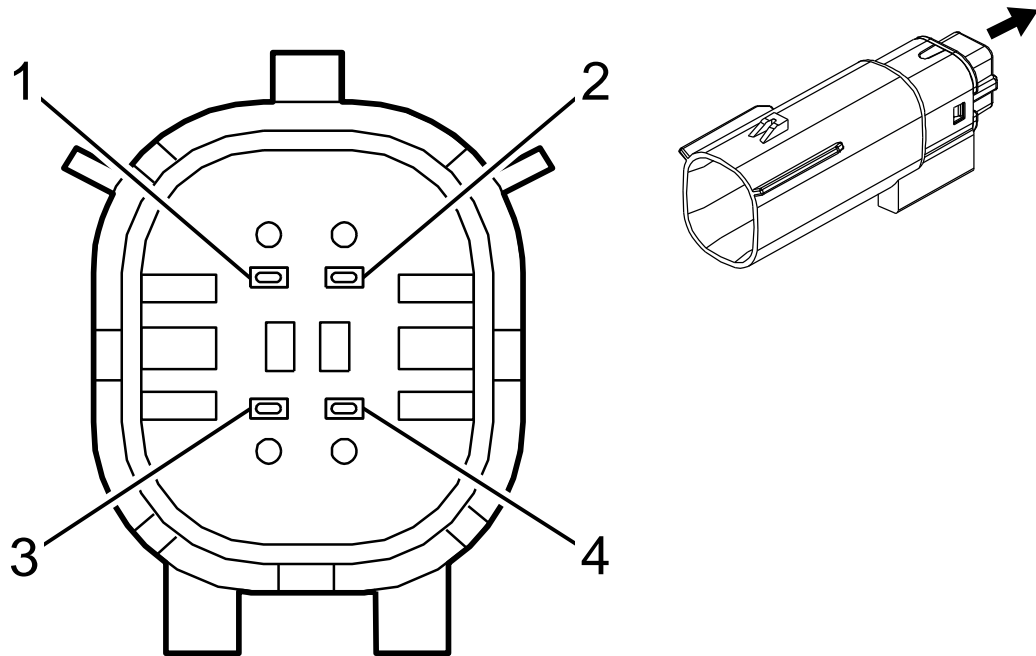
**Table 95 X104 Forward Lamp Harness to Radiator Ground Harness**

Male					Function	Female				
Pin	Size	Color	Circuit	Terminal Type ID		Pin	Size	Color	Circuit	Terminal Type ID
A	3	BK	10-G	I	Horn Control	A	—	WH	10-G	II



**Connector Part Information**

- Harness Type: Engine Chassis
- Service Connector: 6040304C1
- Description: 4-Way F 150 MX Series, Sealed (BK)



**Connector Part Information**

- Harness Type: Engine Chassis
- Service Connector: 6040255C1
- Description: 4-Way M 150 MX Series, Sealed (BK)

**Table 98 Terminal Part Information**

Terminal Type ID	Service Terminal
I	6041961C1
II	6041883C1

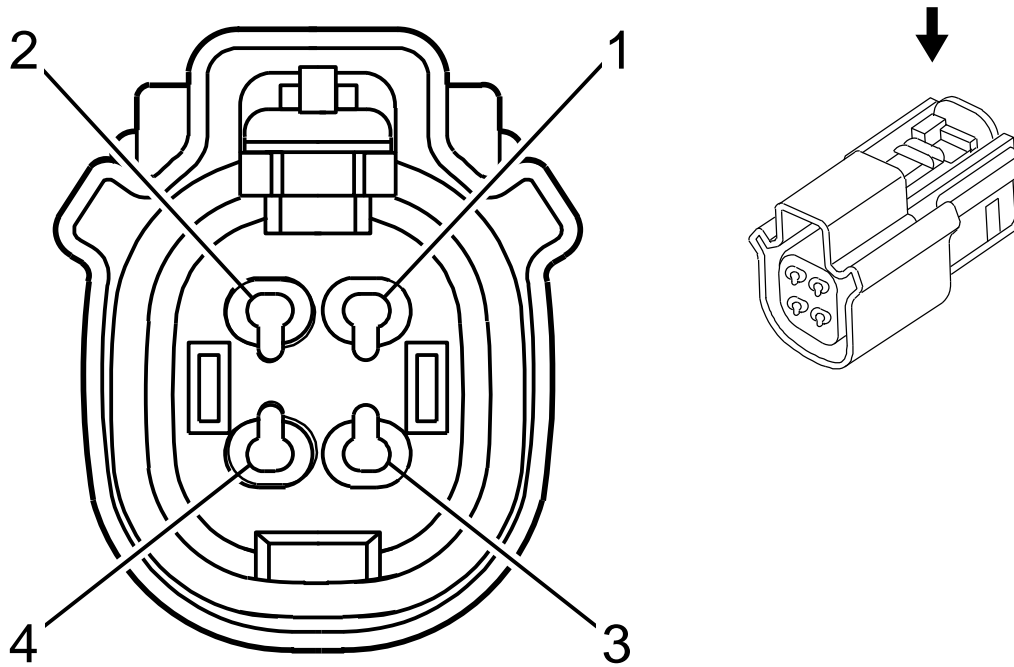
**Table 99 X105 Engine Chassis Harness to Engine Chassis Harness**

Male					Function	Female				
Pin	Size	Color	Circuit	Terminal Type ID		Pin	Size	Color	Circuit	Terminal Type ID
1	0.5	YE/BK	625	I	Starter Enable Relay Control	1	0.5	YE/BK	625	II
2	0.75	BN	25	I	Charge Indicator Control	2	0.75	BN	25	II

Table 99 X105 Engine Chassis Harness to Engine Chassis Harness (cont.)

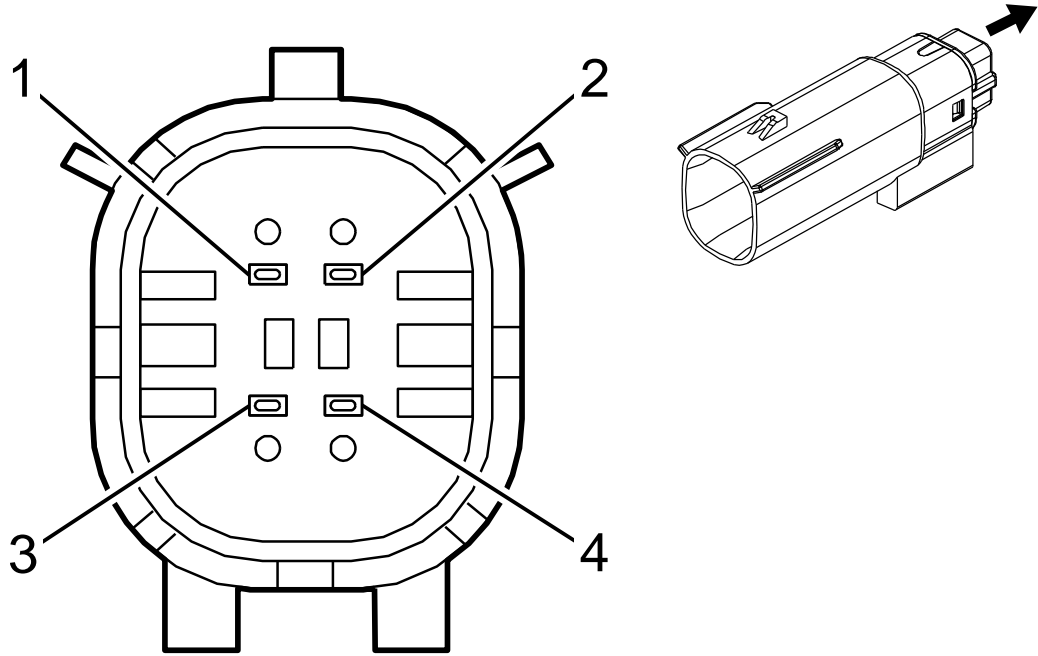
Male					Function	Female				
Pin	Size	Color	Circuit	Terminal Type ID		Pin	Size	Color	Circuit	Terminal Type ID
3	0.5	YE/BK	625	I	Starter Enable Relay Control	3	0.5	YE/BK	625	II
4	0.75	BN	25	I	Charge Indicator Control	4	0.75	BN	25	II





**Connector Part Information**

- Left Snow Plow Tee
- Service Connector: 3612305C1
- Description: 6-Way F 2.8 APEX Series, Sealed (BK)



Connector Part Information
• Harness Type: Left Snow Plow Headlight
• Service Connector: Service by Harness - See Part Catalog
• Description: 6-Way M

Table 102 Terminal Part Information

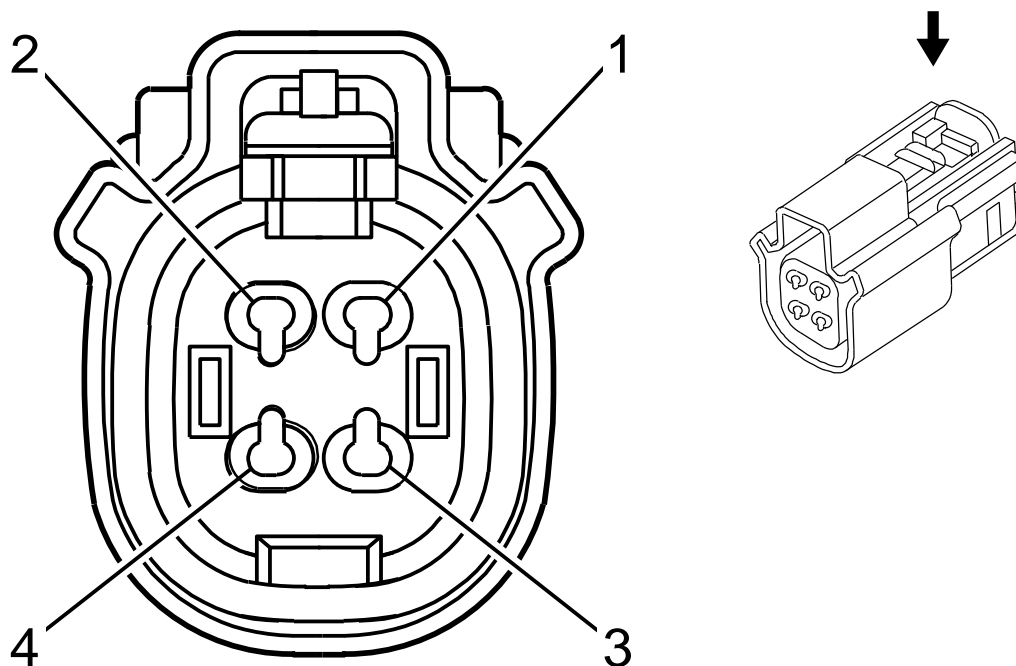
Terminal Type ID	Service Terminal
I	Not Available
II	Not Available

Table 103 X107 Left Snow Plow Tee Harness to Left Snow Plow Headlight Harness (UNL)

Male					Function	Female				
Pin	Size	Color	Circuit	Terminal Type ID		Pin	Size	Color	Circuit	Terminal Type ID
1	1.5	BK	250	I	Ground	1	—	—	250	II
2	1.5	YE	712	I	Left Headlamp Low Beam Control	2	—	—	712	II

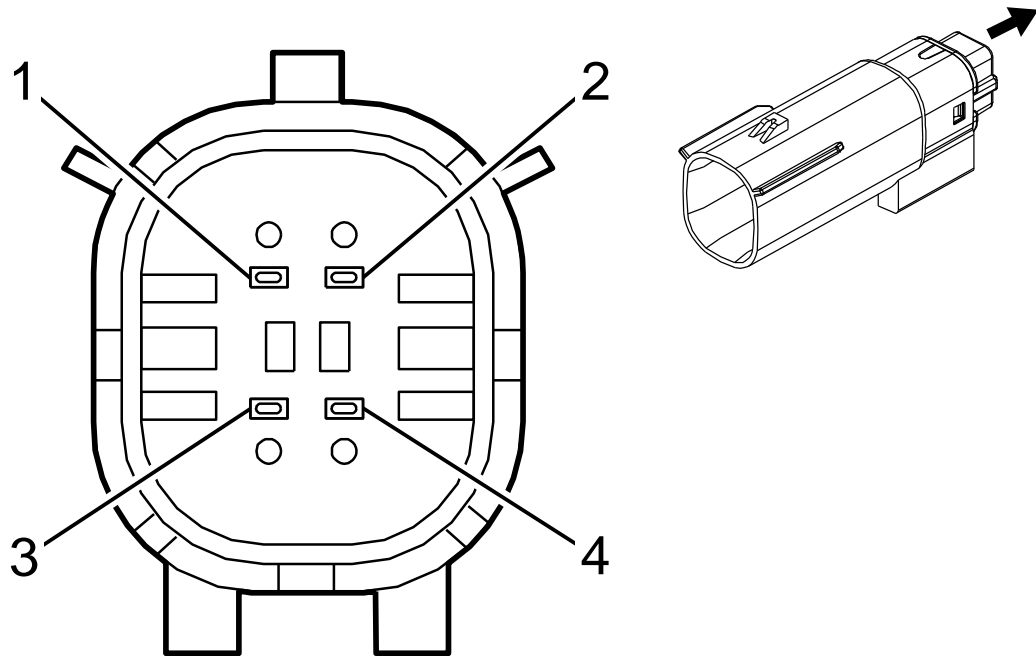
Table 103 X107 Left Snow Plow Tee Harness to Left Snow Plow Headlight Harness (UNL) (cont.)

Male					Function	Female				
Pin	Size	Color	Circuit	Terminal Type ID		Pin	Size	Color	Circuit	Terminal Type ID
3	1.5	WH	711	I	Left Headlamp High Beam Control	3	—	—	711	II
4	1.5	GY/BU	7538	I	Left Front DRL Control	4	—	—	7538	II
5	1.5	VT/GY	709	I	Left Park Lamp Control	5	—	—	709	II
6	1.5	BU/WH	1314	I	Left Front Turn Signal Lamp Control	6	—	—	1314	II



**Connector Part Information**

- Harness Type: Engine Chassis
- Service Connector: 6040304C1
- Description: 4-pin F 150 MX Series, Sealed (BK)



**Connector Part Information**

- Harness Type: Engine Chassis
- Service Connector: 6040255C1
- Description: 4-pin M 150 MX Series, Sealed (BK)

**Table 106 Terminal Part Information**

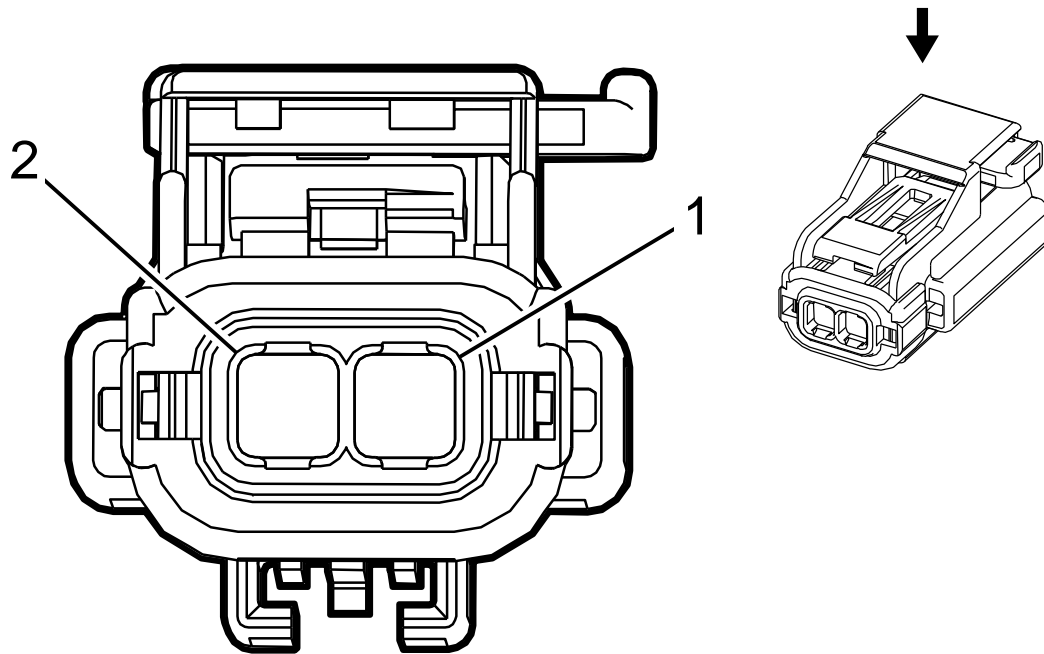
Terminal Type ID	Service Terminal
I	6042041C1
II	Not Available

**Table 107 X107 Engine Chassis Harness to Engine Chassis Harness**

Male					Function	Female				
Pin	Size	Color	Circuit	Terminal Type ID		Pin	Size	Color	Circuit	Terminal Type ID
1	0.5	YE / BK	625	I	Starter Enable Relay Control	1	0.5	YE / BK	625	II
2	0.75	BN	25	I	Charge Indicator Control	2	0.75	BN	25	II

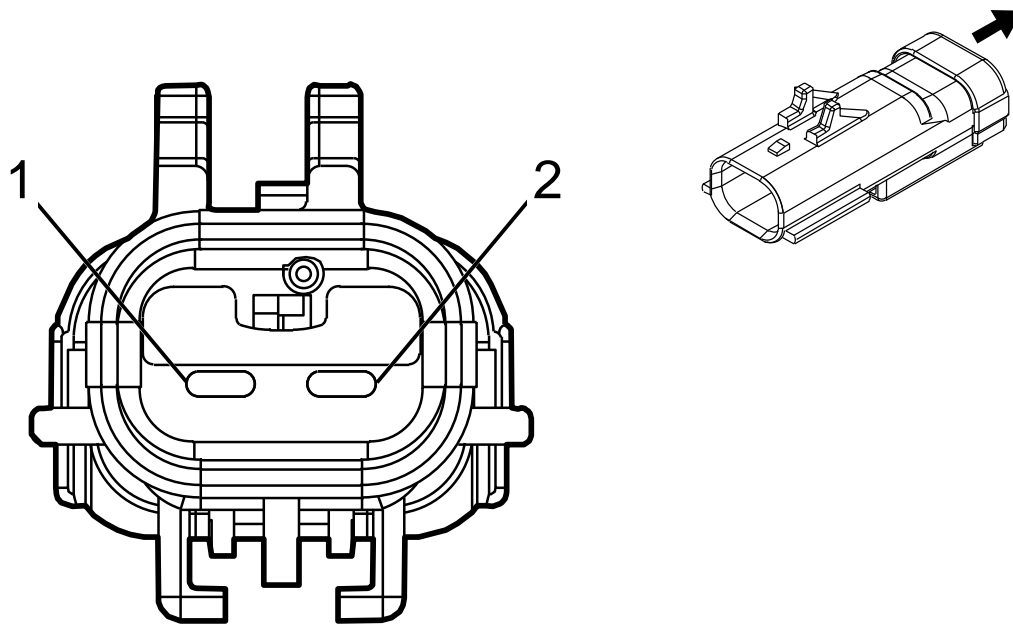
**Table 107 X107 Engine Chassis Harness to Engine Chassis Harness (cont.)**

Male					Function	Female				
Pin	Size	Color	Circuit	Terminal Type ID		Pin	Size	Color	Circuit	Terminal Type ID
3	0.5	YE / BK	625	I	Starter Enable Relay Control	3	0.5	YE / BK	625	II
4	0.75	BN	25	I	Charge Indicator Control	4	0.75	BN	25	II



**Connector Part Information**

- Harness Type: Forward Lamp
- Service Connector: 6105358C1
- Description: 2-Way F 2.8 APEX Series, Sealed (BK)



**Connector Part Information**

- Harness Type: Left Fog Lamp Interconnect
- OEM Connector: 3924162C1
- Service Connector: Service by Harness
- Description: 2-Way M 2.8 APEX Series, Sealed (BK)

**Table 110 Terminal Part Information**

Terminal Type ID	Service Terminal
I	Not Available
II	4088339C92

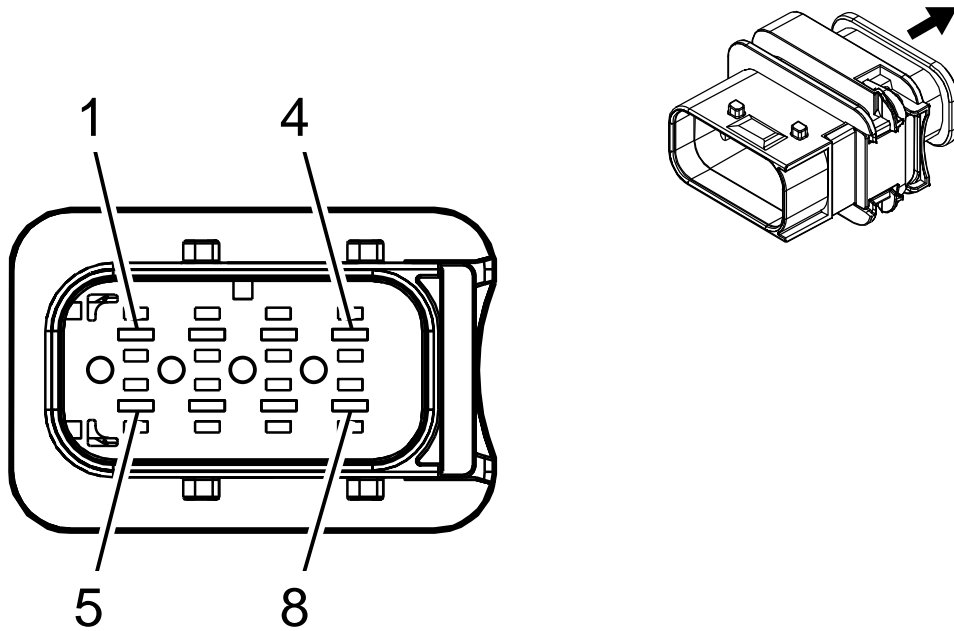
**Table 111 X108 Forward Lamp Harness to Left Fog Lamp Jumper Harness (Feature Code: 0008XJG)**

Male						Female				
Pin	Size	Color	Circuit	Terminal Type ID	Function	Pin	Size	Color	Circuit	Terminal Type ID
1	1.5	BN / VT	2234	I	Front Fog Lamp Control	1	1.5	BN / VT	2234	II
2	1.5	BK	150	I	Ground	2	1.5	BK	150	II



**Connector Part Information**

- Harness Type: Left Headlight Interconnect
- Service Connector: 4100562C1
- Description: 8-Way F 2.8 MCP Series, Sealed (BK)



**Connector Part Information**

- Harness Type: Forward Lamp
- Service Connector: 4100563C1
- Description: 8-Way M 2.8 Series, Sealed (BK)

**Table 114 Terminal Part Information**

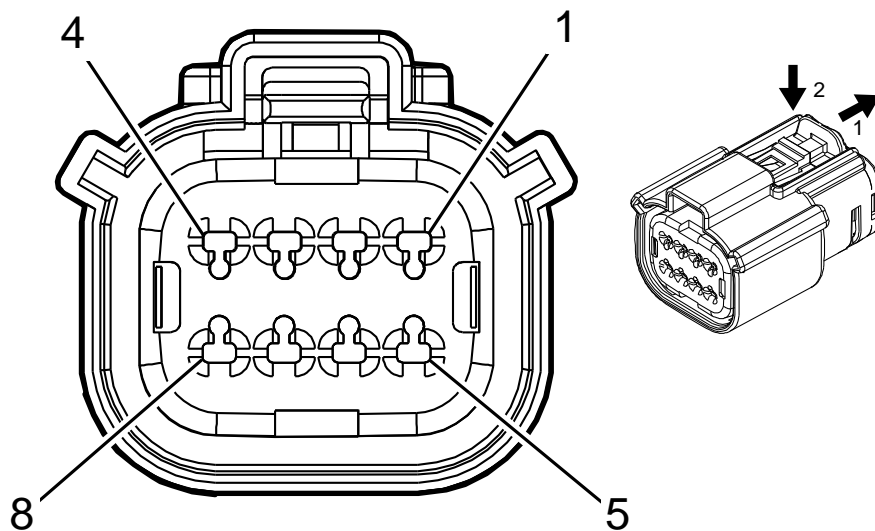
Terminal Type ID	Service Terminal
I	4088385C91
II	4086477C1

**Table 115 X109 Left Headlight Jumper Harness to Forward Lamp Harness**

Male					Function	Female				
Pin	Size	Color	Circuit	Terminal Type ID		Pin	Size	Color	Circuit	Terminal Type ID
1	1	YE	712	I	Left Headlight Low Beam Control	1	1	YE	712	II
2	1	VT/GY	709	I	Left Park Lamp Control	2	1	VT/GY	709	II

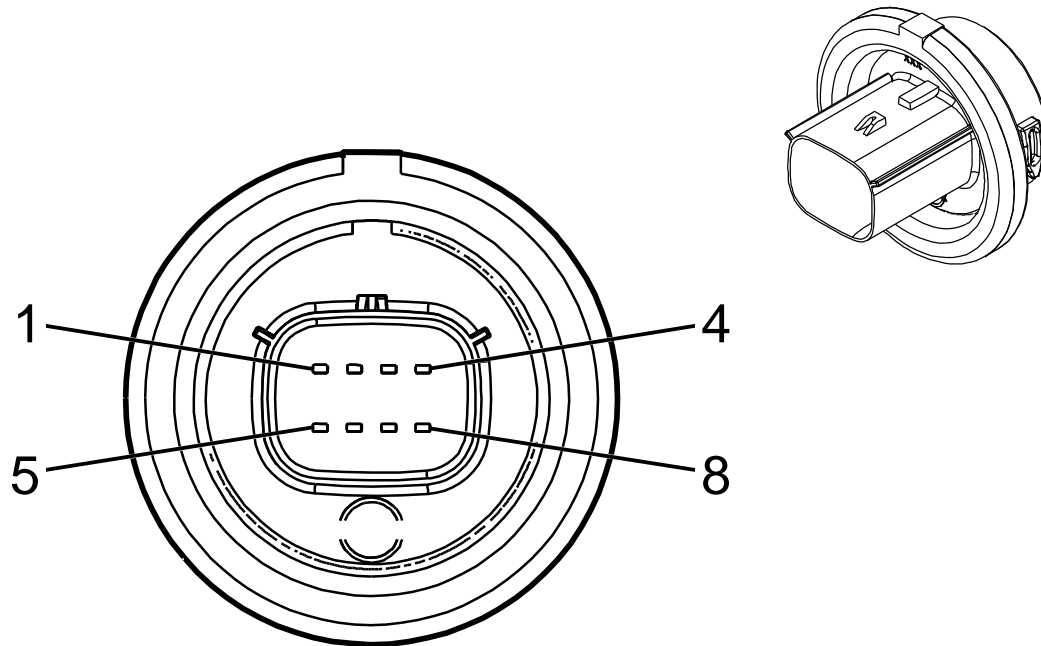
Table 115 X109 Left Headlight Jumper Harness to Forward Lamp Harness (cont.)

Male					Function	Female				
Pin	Size	Color	Circuit	Terminal Type ID		Pin	Size	Color	Circuit	Terminal Type ID
3	1	BU/WH	1314	I	Left Front Turn Signal Lamp Control	3	1	BU/WH	1314	II
4	1	BN/GN	109	I	Hood Ajar Switch Signal	4	1	BN/GN	109	II
5	1	WH	711	I	Left Headlight High Beam Control	5	1	WH	711	II
6	1	GY/BU	7538	I	Left Front DRL Control	6	1	GY/BU	7538	II
7	1	YE	5530	I	Hood Open Switch Signal	7	1	YE	5530	II
8	1.5	BK	250	I	Ground	8	1.5	BK	250	II



**Connector Part Information**

- Harness Type: Left Snow Plow Tee
- Service Connector: 3709924C1
- Description: 8-Way F 150 MX Series, Sealed (BK)



Connector Part Information	
•	Harness Type: Left Headlight
•	Service Connector: Service by Harness - See Part Catalog
•	Description: 8-Way M

Table 118 Terminal Part Information

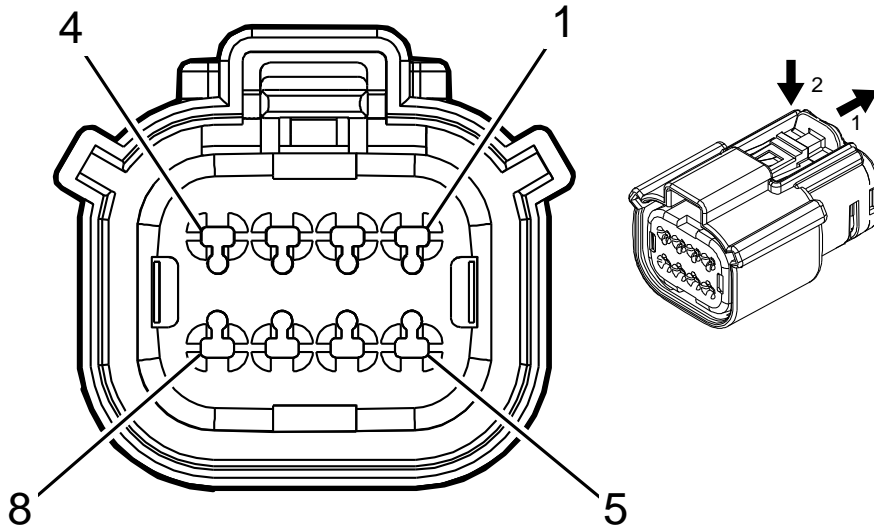
Terminal Type ID	Service Terminal
I	4088383C91
II	Not Available

Table 119 X110 Left Snow Plow Tee Harness to Left Headlight Harness (UNL)

Male					Function	Female				
Pin	Size	Color	Circuit	Terminal Type ID		Pin	Size	Color	Circuit	Terminal Type ID
1	1.5	BK	250	I	Ground	1	1.5	BK	250	II
2	0.75	YE	712	I	Left Headlight Low Beam Control	2	0.75	YE	712	II

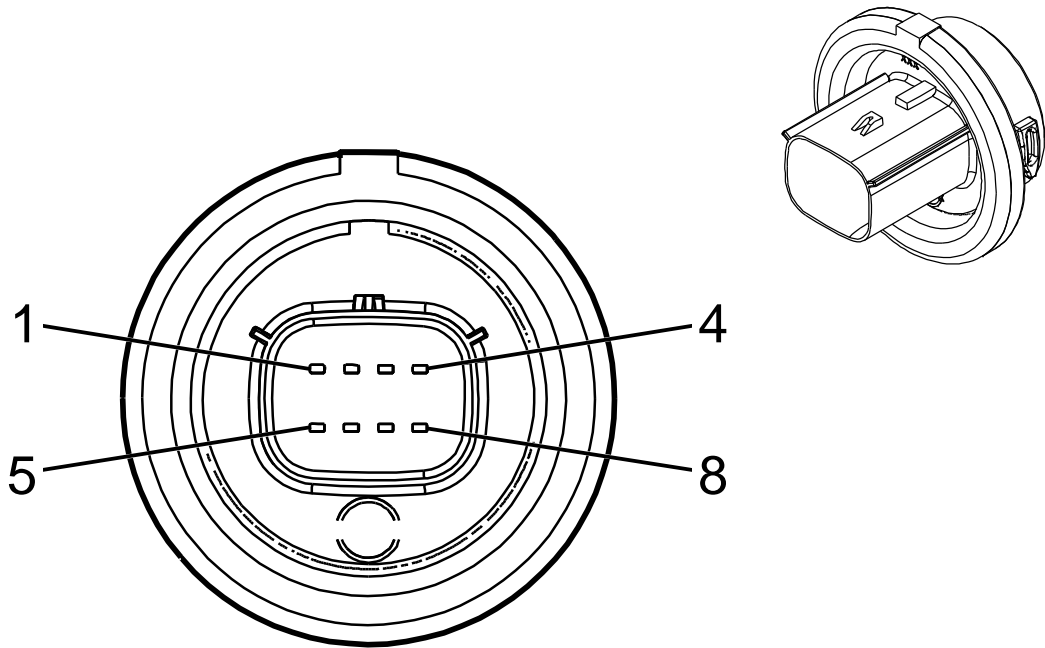
Table 119 X110 Left Snow Plow Tee Harness to Left Headlight Harness (UNL) (cont.)

Male					Function	Female				
Pin	Size	Color	Circuit	Terminal Type ID		Pin	Size	Color	Circuit	Terminal Type ID
3	0.75	WH	711	I	Left Headlight High Beam Control	3	0.75	WH	711	II
4	0.75	GY/BU	7539	I	Left Front DRL, Control	4	0.75	GY/BU	739	II
5	0.75	VT/GY	709	I	Left Park Lamp Control	5	0.75	VT/GY	709	II
6	0.75	BU/WH	1314	I	Left Front Turn Signal Lamp Control	6	0.75	BU/WH	1314	II
7-8	—	—	—	I	Unoccupied	7	—	—	—	—



**Connector Part Information**

- Harness Type: Left Snow Plow Tee
- Service Connector: 3709924C1
- Description: 8-Way F 150 MX Series, Sealed (BK)



**Connector Part Information**

- Harness Type: Left Headlight
- Service Connector: Service by Harness - See Part Catalog
- Description: 8-Way M

**Table 122 Terminal Part Information**

Terminal Type ID	Service Terminal
I	4088383C91
II	Not Available

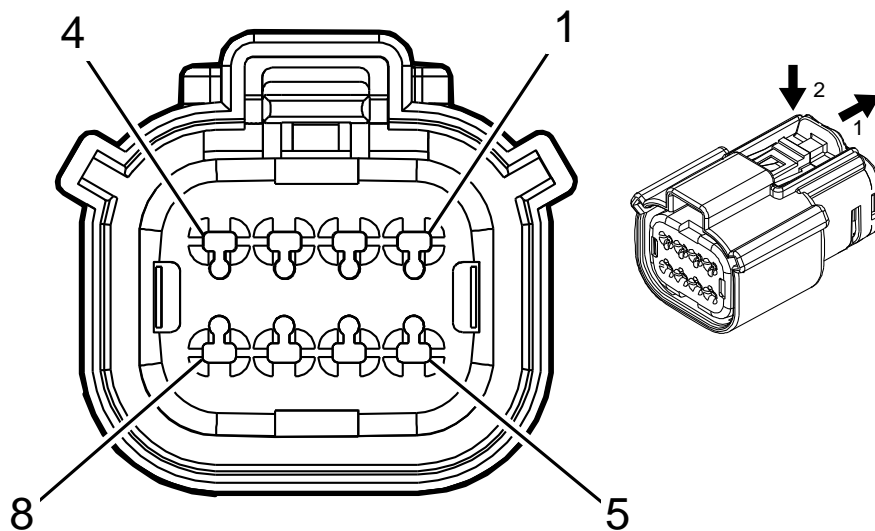
**Table 123 X110 Left Headlight Jumper Harness to Left Headlight Harness (-UNL)**

Male					Function	Female				
Pin	Size	Color	Circuit	Terminal Type ID		Pin	Size	Color	Circuit	Terminal Type ID
1	0.75	BK	250	I	Ground	1	0.75	BK	250	II
2	0.75	YE	712	I	Left Headlight Low Beam Control	2	0.75	YE	712	II



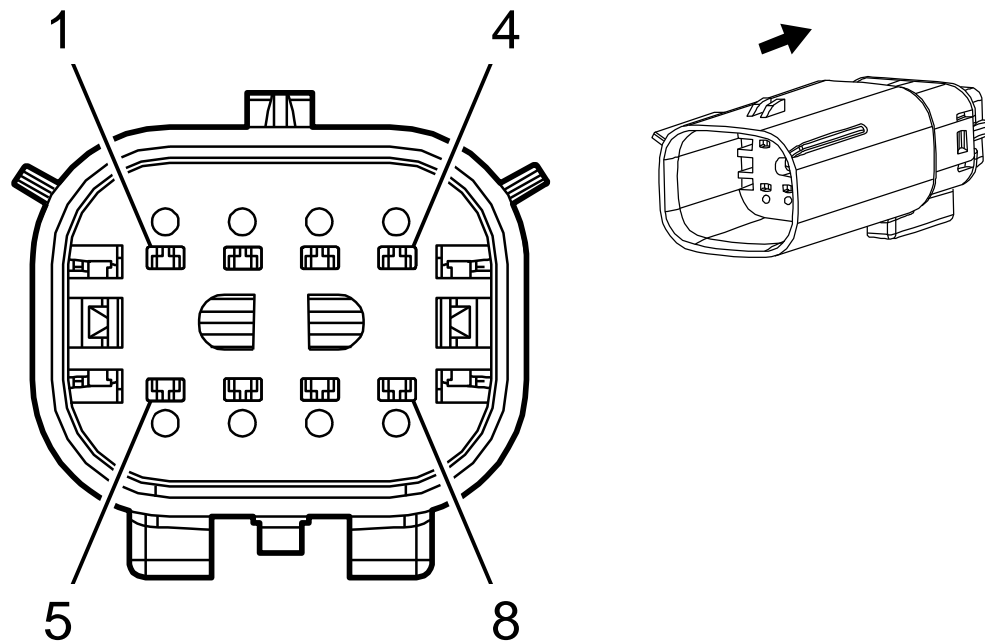
Table 123 X110 Left Headlight Jumper Harness to Left Headlight Harness (-UNL) (cont.)

Male					Function	Female				
Pin	Size	Color	Circuit	Terminal Type ID		Pin	Size	Color	Circuit	Terminal Type ID
3	0.75	WH	711	I	Left Headlight High Beam Control	3	0.75	WH	711	II
4	0.75	GY/BU	7538	I	Left Front DRL, Control	4	0.75	GY/BU	7538	II
5	0.75	VT/GY	709	I	Left Park Lamp Control	5	0.75	VT/GY	709	II
6	0.75	BU/WH	1314	I	Left Front Turn Signal Lamp Control	6	0.75	BU/WH	1314	II
7-8	—	—	—	I	Unoccupied	7	—	—	—	—



**Connector Part Information**

- Harness Type: Left Headlight Jumper
- Service Connector: 3709924C1
- Description: 8-Way F 150 MX Series, Sealed (BK)



**Connector Part Information**

- Harness Type: Left Snow Plow Tee
- Service Connector: 3709925C1
- Description: 8-Way M 150 MX Series, Sealed (BK)

**Table 126 Terminal Part Information**

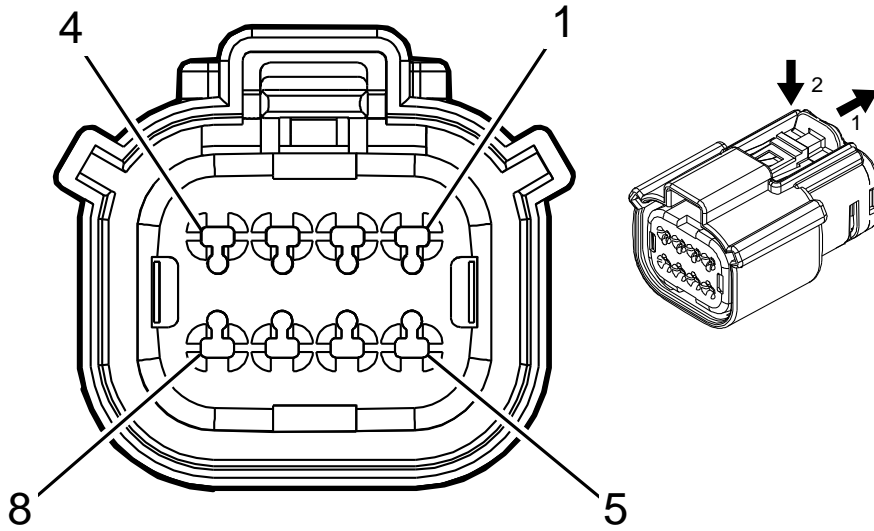
Terminal Type ID	Service Terminal
I	4088383C91
II	4089337C91

**Table 127 X111 Left Headlight Jumper Harness to Left Snowplow Tee Harness (UNL)**

Male					Function	Female				
Pin	Size	Color	Circuit	Terminal Type ID		Pin	Size	Color	Circuit	Terminal Type ID
1	1.5	YE	712	I	Left Headlight Low Beam Control	1	1.5	YE	712	II
2	1.5	VT/GY	709	I	Left Park Lamp Control	2	1.5	VT/GY	709	II

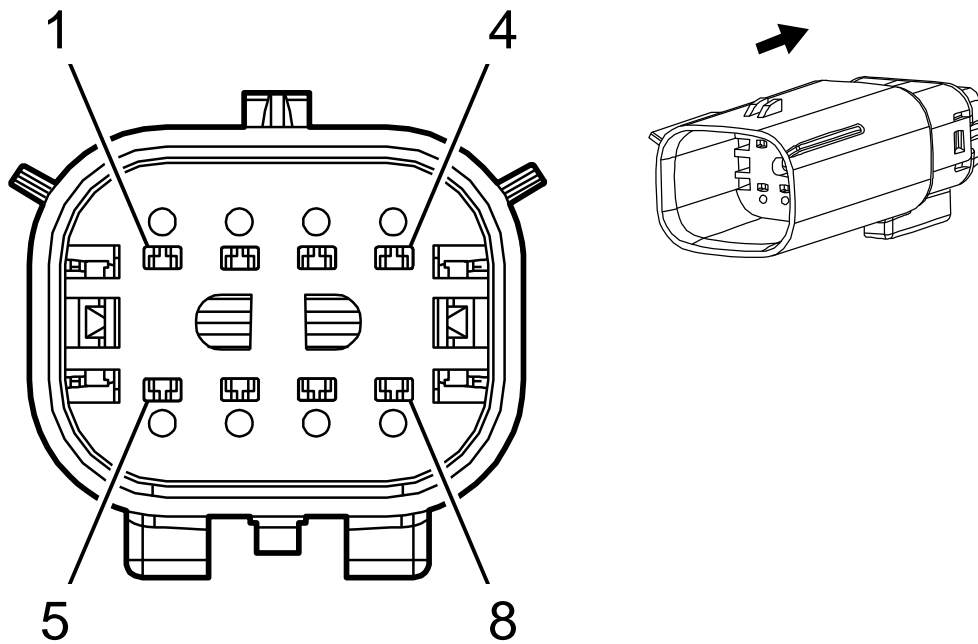
Table 127 X111 Left Headlight Jumper Harness to Left Snowplow Tee Harness (UNL) (cont.)

Male					Function	Female				
Pin	Size	Color	Circuit	Terminal Type ID		Pin	Size	Color	Circuit	Terminal Type ID
3	1.5	BU/WH	1314	I	Left Front Turn Signal Lamp Control	3	1.5	BU/WH	1314	II
4	—	—	—	—	Not Occupied	4	—	—	—	—
5	1.5	WH	711	I	Left Headlight High Beam Control	5	1.5	WH	711	II
6	1.5	GY/BU	7538	I	Left Front DRL Control	6	1.5	GY/BU	7538	II
7	—	—	—	—	Not Occupied	7	—	—	—	—
8	1.5	BK	250	I	Ground	8	1.5	BK	250	II



**Connector Part Information**

- Harness Type: Engine
- Service Connector: 6041821C1
- Description: 8-pin F 150 MX Series, Sealed (BK)



**Connector Part Information**

- Harness Type: Engine Left
- Service Connector: Service by Harness
- Description: 8-pin M 150 MX Series, Sealed (BK)

**Table 130 Terminal Part Information**

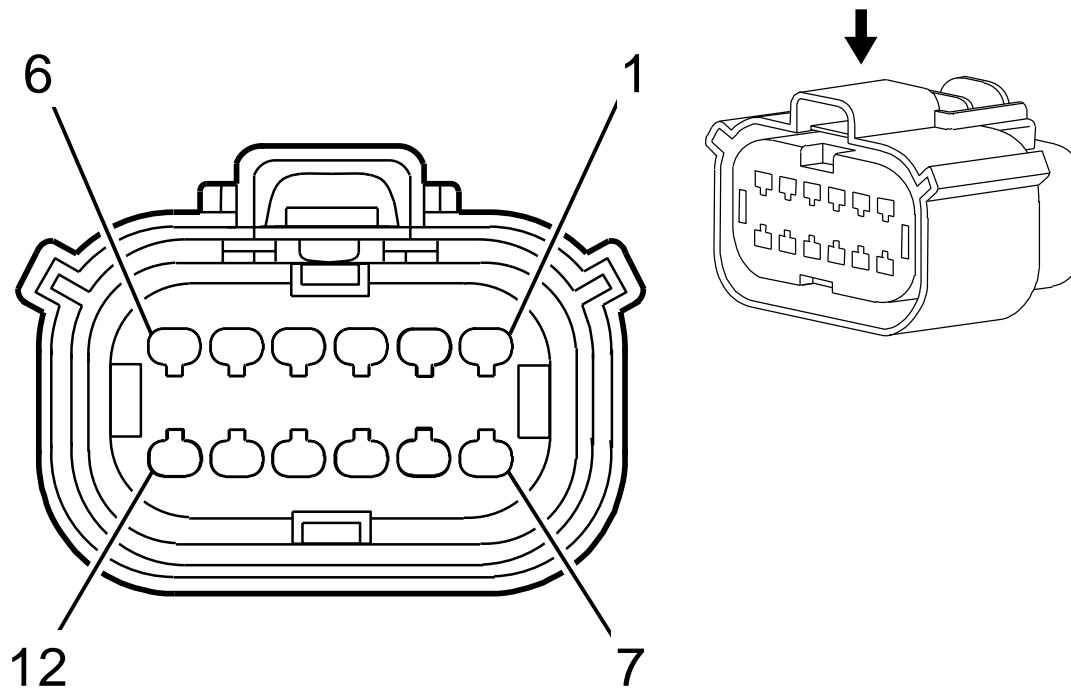
Terminal Type ID	Service Terminal
I	6042061C1
II	6042063C1

**Table 131 X112 Engine Harness to Engine Left Harness**

Male					Function	Female				
Pin	Size	Color	Circuit	Terminal Type ID		Pin	Size	Color	Circuit	Terminal Type ID
1	0.5	VT/BU	6270	I	Crankshaft 60X Sensor 5 volt Reference	1	0.5	VT/BU	6270	II
2	0.5	BK/VT	6272	I		Crankshaft 60X Sensor	2	0.5	BK/VT	6272

Table 131 X112 Engine Harness to Engine Left Harness (cont.)

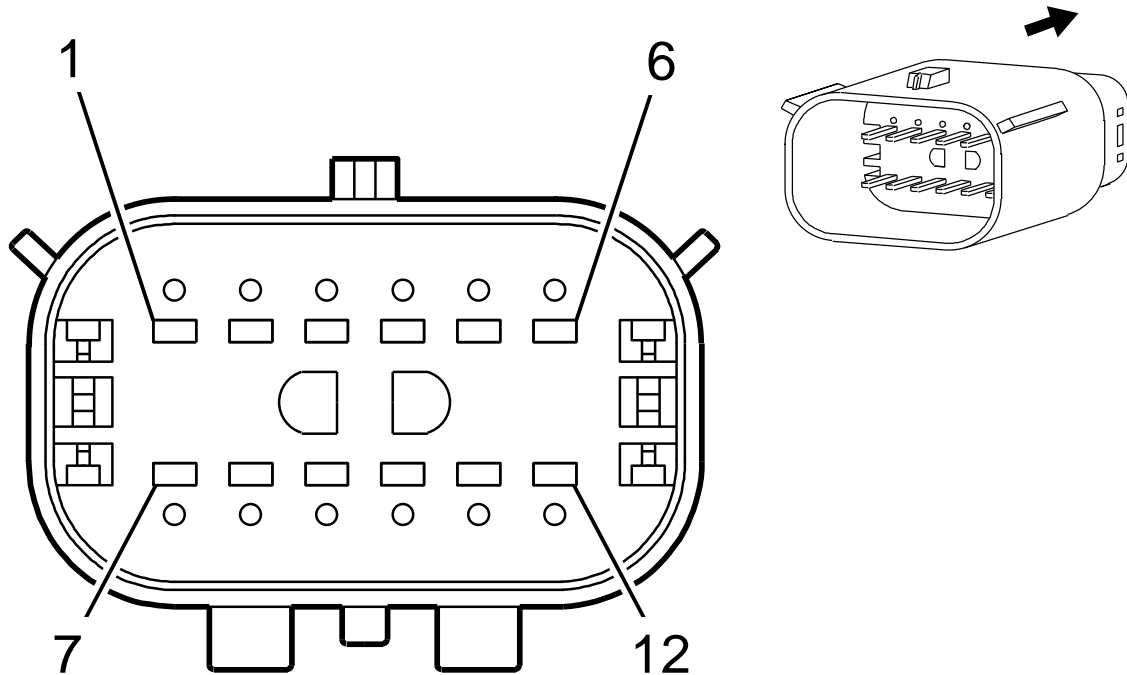
Male					Function	Female				
Pin	Size	Color	Circuit	Terminal Type ID		Pin	Size	Color	Circuit	Terminal Type ID
					Low Reference					
3	0.5	GN	6271	I	Crankshaft 60X Sensor Signal	3	0.5	GN	6271	II
4	0.5	BN/RD	2917	I	Fuel Rail Pressure Sensor 5 volt Reference	4	0.5	BN/RD	2917	II
5	0.5	BK/GN	2919	I	Fuel Rail Pressure Sensor Low Reference	5	0.5	BK/GN	2919	II
6	0.5	BU/WH	2918	I	Fuel Rail Pressure Sensor Signal	6	0.5	BU/WH	2918	II
7	0.5	BN/YE	2161	I	Fuel Rail Pressure Sensor 2 Signal	7	0.5	BN/YE	2161	II
8	—	—	—	—	Not Occupied	8	—	—	—	—



**Connector Part Information**

- Harness Type: Engine
- Service Connector: 6040288C1
- Description: 12-pin 1.5 Series, Sealed (BK)





**Connector Part Information**

- Harness Type: Engine Left
- Service Connector: Service by Harness
- Description: 12-pin M 150 MX Series, Sealed (BK)

**Table 134 Terminal Part Information**

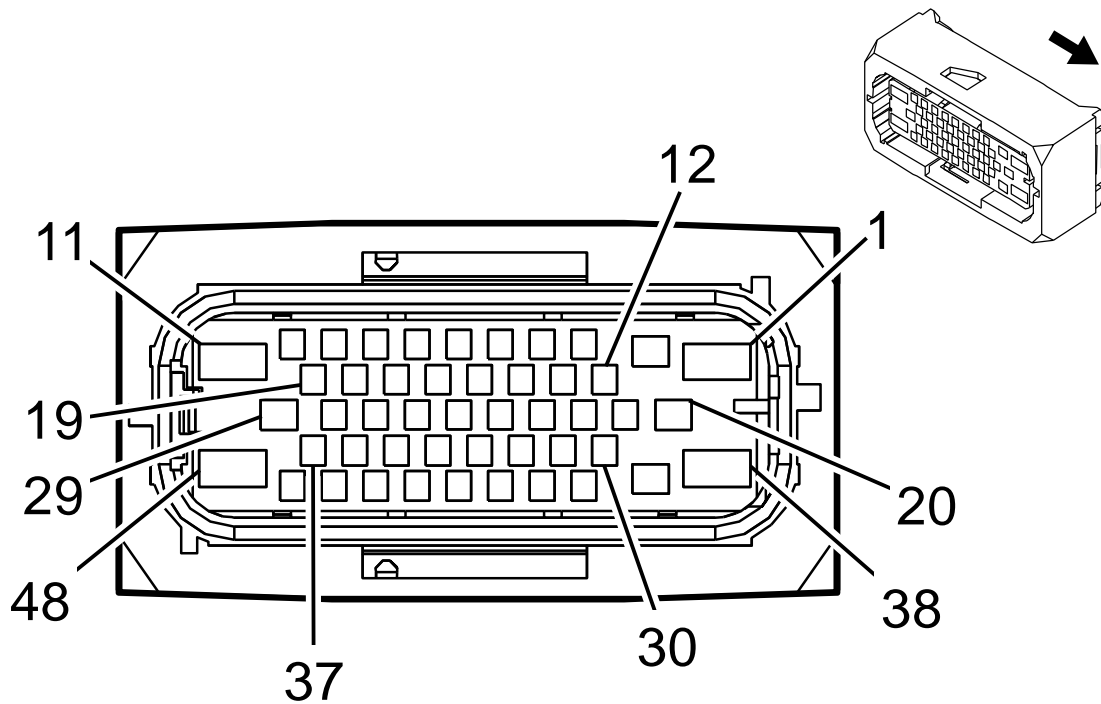
Terminal Type ID	Service Terminal
I	6042061C1
II	6042063C1

**Table 135 X113 Engine Harness to Engine Left Harness**

Male					Function	Female				
Pin	Size	Color	Circuit	Terminal Type ID		Pin	Size	Color	Circuit	Terminal Type ID
1	0.5	WH / RD	2705	I	Oil Pressure Sensor 5 volt Reference	1	0.5	WH / RD	2705	II
2	0.5	BK / VT	2755	I	Oil Pressure Sensor Low Reference	2	0.5	BK / VT	2755	II

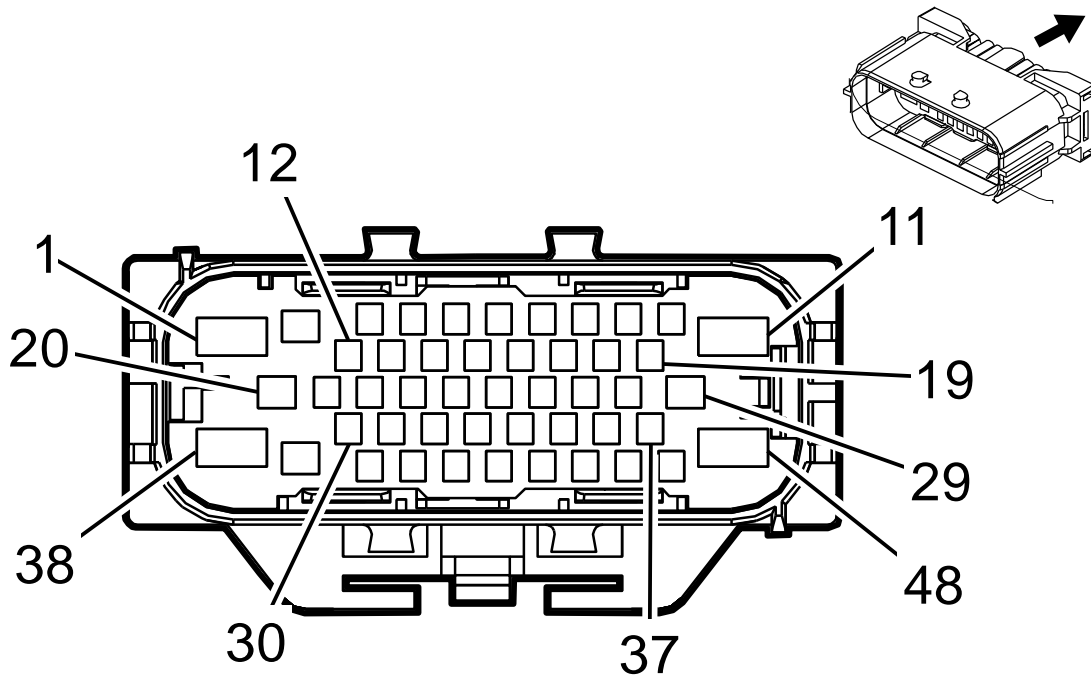
Table 135 X113 Engine Harness to Engine Left Harness (cont.)

Male					Function	Female				
Pin	Size	Color	Circuit	Terminal Type ID		Pin	Size	Color	Circuit	Terminal Type ID
3	0.5	YE / BN	331	I	Oil Pressure Sensor Signal	3	0.5	YE / BN	331	II
4	0.5	BU	410	I	Engine Coolant Temperature Sensor Signal	4	0.5	BU	410	II
5	0.5	BK / BN	2761	I	Coolant Temperature Sensor Low Reference	5	0.5	BK / BN	2761	II
6	0.5	BK / WH	251	I	Signal Ground	6	0.5	BK / WH	251	II
7	0.5	BN / GN	1174	I	7. Oil Level Switch Signal	7	0.5	BN / GN	1174	II
8-9	—	—	—	—	Not Occupied	8-9	—	—	—	—
10	0.5	YE	2928	I	Fuel Metering Valve High Control	10	0.5	YE	2928	II
11	0.5	BN / BK	2929	I	Fuel Metering Valve Low Control	11	0.5	BN / BK	2929	II
12	—	—	—	—	Not Occupied	12	—	—	—	—



**Connector Part Information**

- Harness Type: Engine Chassis
- Service Connector: 6040233C1
- Description: 48-pin F 1.5 MCP, 2.8 JPT, 6.3 MCP Series, Sealed (GY)



**Connector Part Information**

- Harness Type: Body
- Service Connector: 6040214C1
- Description: 48-pin M 1.6, 2.8, 5.8 Series, Sealed (GY)

**Table 138 Terminal Part Information**

Terminal Type ID	Service Terminal
I	6042010C1
II	6042012C1
III	6041986C1
IV	6041986C1
V	6042031C1
VI	6041998C1
VII	6041927C1
VIII	6041957C1
IX	6041850C1
X	6041951C1

Table 138 Terminal Part Information (cont.)

Terminal Type ID	Service Terminal
XI	6041987C1 1mm
	6042013C1 4mm
XII	6041958C1

Table 139 X115 Engine Harness to Body Harness

Male						Female				
Pin	Size	Color	Circuit	Terminal Type ID	Function	Pin	Size	Color	Circuit	Terminal Type ID
1	—	—	—	—	Not Occupied	1	—	—	—	—
2	0.75	D-BU / BN	7573	II	Electric Variable Displacement Supply	2	0.5	D-BU / BN	7573	X
3	0.5	BN / WH	419	V	Check Engine Indicator Control	3	0.35	BN / WH	419	XII
4	0.5	WH / D-BU	6311	V	Cruise / ETC / TCC Brake Signal	4	0.5	WH / D-BU	6311	VII
5	0.5	WH	2501	V	High Speed GMLAN Serial Data (-) 1	5	0.5	WH	2501	VII
6	0.5	D-BU	2500	V	High Speed GMLAN Serial Data (+) 1	6	0.5	D-BU	2500	VII
7	0.5	WH	5359	V	Brake Apply Sensor Control	7	0.35	WH	5359	XII
8	0.5	BK / BN	5360	V	Brake Apply Sensor Low Reference	8	0.35	BK / BN	5360	XII
9	0.5	D-BU / YE	5361	V	Brake Apply Sensor Signal	9	0.35	D-BU / YE	5361	XII
10	0.5	YE / WH	1161	VI	Accelerator Pedal Position Signal 1	10	0.35	YE / WH	1161	VIII
11	3	BK	550	III	Ground	11	4	BK	550	XI
12-14	—	—	—	—	Not Occupied	12-14	—	—	—	—
15	0.75	YE	163	V	Folding Top Motor Down Control	15	0.75	YE	163	VII

Table 139 X115 Engine Harness to Body Harness (cont.)

Male					Function	Female				
Pin	Size	Color	Circuit	Terminal Type ID		Pin	Size	Color	Circuit	Terminal Type ID
16	0.5	VT / YE	5985	V	Accessory Wake-up Serial Data	16	0.35	VT / YE	5985	XII
17	0.5	WH / D-BU	5986	V	Serial Data Communication Enable	17	0.5	WH / D-BU	5986	VII
18	0.5	WH / RD	1164	VI	Accelerator Pedal Position 5 volt Reference 1	18	0.35	WH / RD	1164	VIII
19	0.5	BK / D-BU	1271	VI	Accelerator Pedal Position Low Reference 1	19	0.35	BK / D-BU	1271	VIII
20	0.75	D-BU / YE	7574	II	Electric Variable Displacement Control	20	0.5	D-BU / YE	7574	X
21	—	—	—	—	Not Occupied	21	—	—	—	—
22	0.5	D-BU / GY	7473	V	Incremental Encoder Impulse Signal	22	0.35	D-BU / GY	7473	XII
23	0.5	VT	7476	V	Incremental Encoder Sensor Low Reference	23	0.35	VT	7476	XII
24	0.5	BK / WH	451	V	Signal Ground	24	0.5	BK / WH	451	VII
25	0.5	BN / RD	1274	VI	Accelerator Pedal Position 5 volt Reference 2	25	0.35	BN / RD	1274	VIII
26	0.5	L-GN / WH	1162	VI	Accelerator Pedal Position Signal 2	26	0.35	L-GN / WH	1162	VIII
27	0.5	BK / VT	1272	VI	Accelerator Pedal Position Low Reference 2	27	0.35	BK / VT	1272	VIII
28	—	—	—	—	Not Occupied	28	—	—	—	—

Table 139 X115 Engine Harness to Body Harness (cont.)

Male						Female				
Pin	Size	Color	Circuit	Terminal Type ID	Function	Pin	Size	Color	Circuit	Terminal Type ID
29	0.5	VT / D-BU	3674	I	NOx Sensor 1 Control	29	0.5	VT / D-BU	3674	X
30	0.5	WH / L-GN	7475	V	Incremental Encoder Sensor 8V Reference	30	0.35	WH / L-GN	7475	XII
31	—	—	—	—	Incremental Encoder Direction Signal	31	0.35	YE	7474	XII
32	0.5	D-BU / BN	4498	V	High Speed GMLAN Serial Data (+) 7	32	0.5	D-BU / BN	4498	VII
33	0.5	WH	4499	V	High Speed GMLAN Serial Data (-) 7	33	0.5	WH	4499	VII
34-36	—	—	—	—	Not Occupied	34-36	—	—	—	—
37	0.75	RD / D-BU	4540	V	Battery Positive Voltage	37	0.75	RD / D-BU	4540	VII
38	1	YE / VT	1553	IV	Transfer Case Motor Counter Clockwise Control	38	1	YE / VT	1553	XI
39	0.75	RD / VT	2640	39. II	39. Battery Positive Voltage	39	0.75	RD / VT	2640	IX
40	0.5	BN / L-GN	4311	V	Power Take-off Enable In Cab Switch Normally Closed Signal	40	0.35	BN / L-GN	4311	XII
41	0.5	L-GN / WH	488	V	Power Take Off Control Switch	41	0.35	L-GN / WH	488	XII
42	—	—	—	—	Not Occupied	42	—	—	—	—
43	0.5	L-GN / BN	507	V	Wait To Start Indicator Control	43	0.35	L-GN / BN	507	XII
44	—	—	—	—	Not Occupied	44	—	—	—	—

Table 139 X115 Engine Harness to Body Harness (cont.)

Male					Function	Female				
Pin	Size	Color	Circuit	Terminal Type ID		Pin	Size	Color	Circuit	Terminal Type ID
45	0.5	D-BU / GY	636	V	Outside Ambient Air Temperature Sensor Signal	45	0.35	D-BU / GY	636	XII
46	0.5	BK / D-BU	61	V	Outside Ambient Temperature Sensor Low Reference	46	0.35	BK / D-BU	61	XII
47	—	—	—	—	Not Occupied	47	—	—	—	—
48	1	OG	1552	IV	Transfer Case Motor Clockwise Control	48	1	YE / GY	1552	XI



**Connector Part Information**

- Harness Type: Right Snow Plow Tee
- Service Connector: 3612305C1
- Description: 6-Way F 2.8 APEX Series, Sealed (BK)

**Connector Part Information**

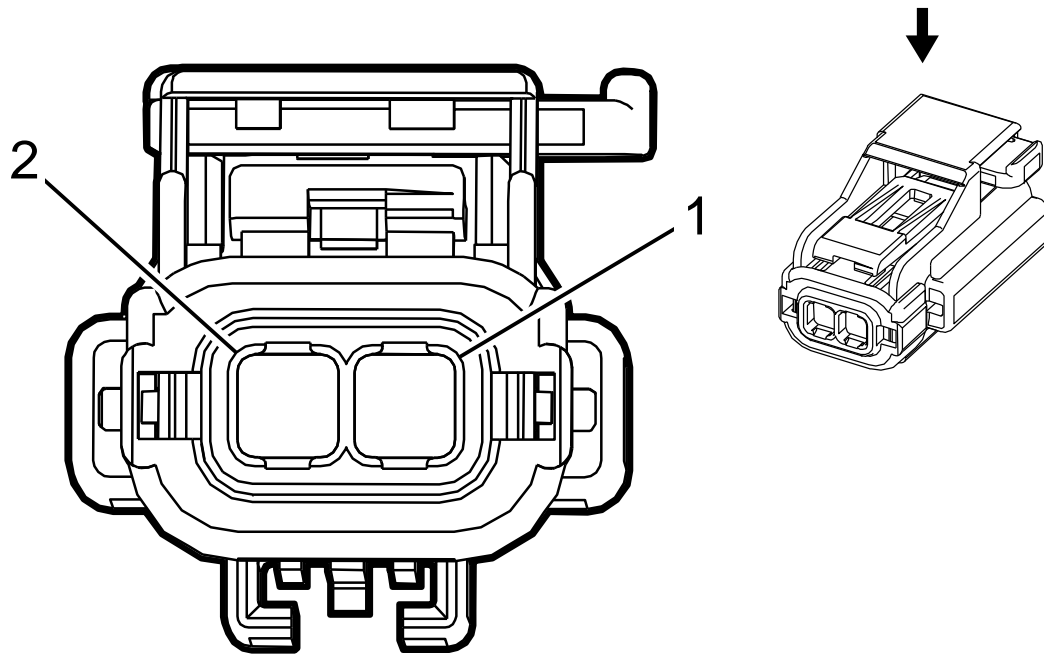
- Harness Type: Right Snow Plow Headlight
- Service Connector: Service by Harness
- Description: 6-Way M

**Table 142 Terminal Part Information**

Terminal Type ID	Service Terminal
I	Not Available
II	Not Available

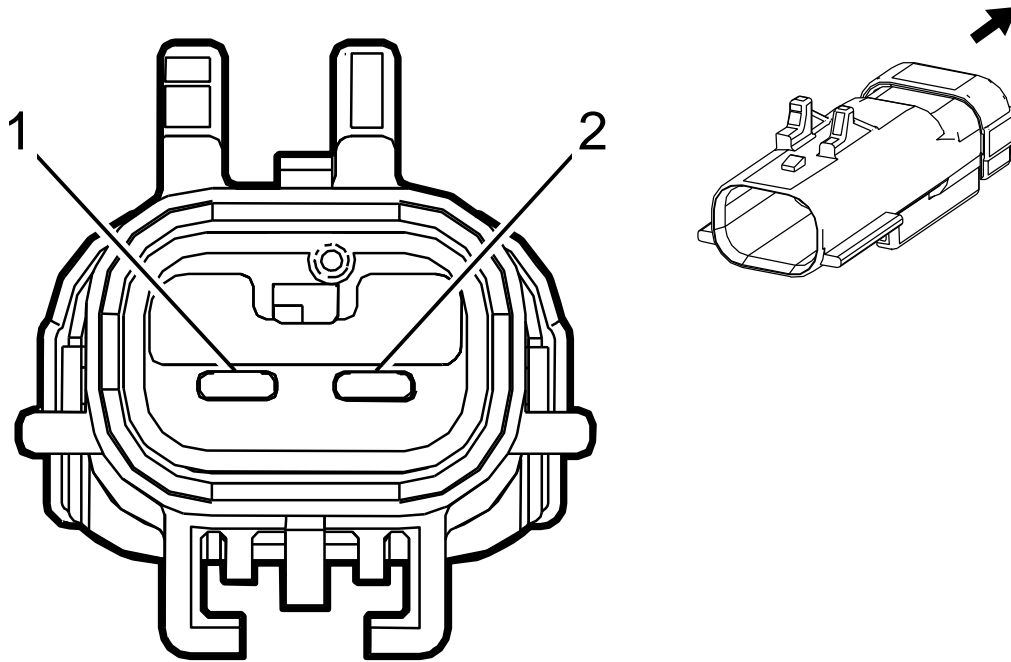
**Table 143 X117 Right Snow Plow Tee Harness to Right Snow Plow Headlight Harness (UNL)**

Male						Female				
Pin	Size	Color	Circuit	Terminal Type ID	Function	Pin	Size	Color	Circuit	Terminal Type ID
1	1.5	BK	250	I	Ground	1	—	—	250	II
2	1.5	YE	712	I	Left Headlamp Low Beam Control	2	—	—	712	II
3	1.5	WH	711	I	Left Headlamp High Beam Control	3	—	—	711	II
4	1.5	GY/BU	7538	I	Left Front DRL Control	4	—	—	7538	II
5	1.5	VT/GY	709	I	Left Park Lamp Control	5	—	—	709	II
6	1.5	BU/WH	1314	I	Left Front Turn Signal Lamp Control	6	—	—	1314	II



**Connector Part Information**

- Harness Type: Forward Lamp
- Service Connector: 6105358C1
- Description: 2-Way F 2.8 APEX Series, Sealed (BK)



**Connector Part Information**

- Harness Type: Right Fog Lamp Interconnect
- Service Connector: 3924162C1
- Description: 2-Way M 2.8 APEX Series, Sealed (BK)

**Table 146 Terminal Part Information**

Terminal Type ID	Service Terminal
I	Not Available
II	4088339C92

**Table 147 X118 Forward Lamp Harness to Right Fog Lamp Jumper Harness (Feature Code: 0008XJG)**

Male					Function	Female				
Pin	Size	Color	Circuit	Terminal Type ID		Pin	Size	Color	Circuit	Terminal Type ID
1	1.5	BN / VT	2234	I	Front Fog Lamp Control	1	1.5	BN / VT	2234	II
2	1.5	BK	150	I	Ground	2	1.5	BK	150	II

**Connector Part Information**

- Harness Type: Right Headlight Interconnect
- Service Connector: 4100562C1
- Description: 8-Way F 2.8 MCP Series, Sealed (BK)

**Connector Part Information**

- Harness Type: Forward Lamp
- Service Connector: 4100563C1
- Description: 8-Way M 2.8 Series, Sealed (BK)

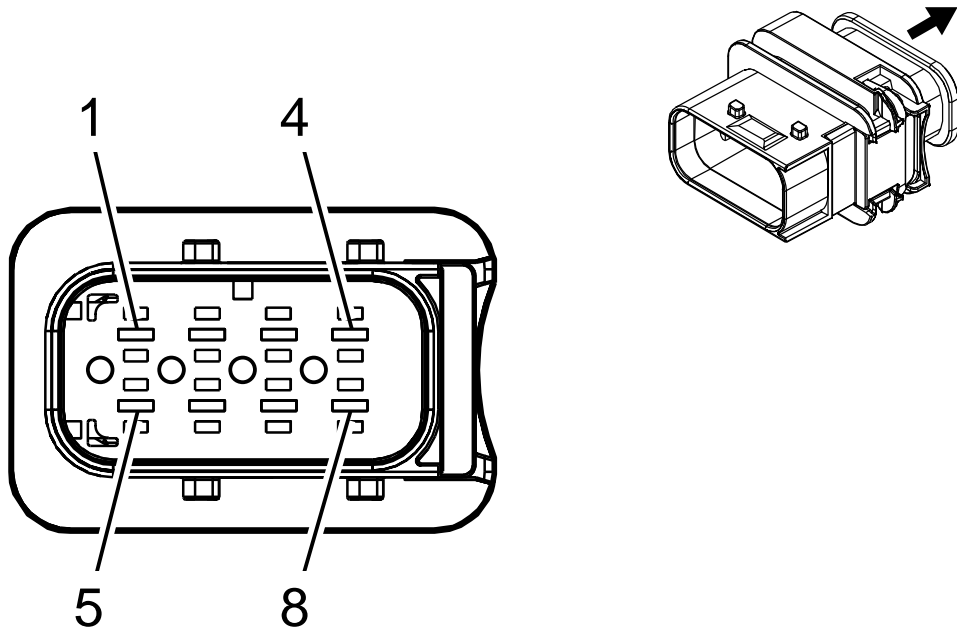


Table 150 Terminal Part Information

Terminal Type ID	Service Terminal
I	4088385C91
II	'3830798C1

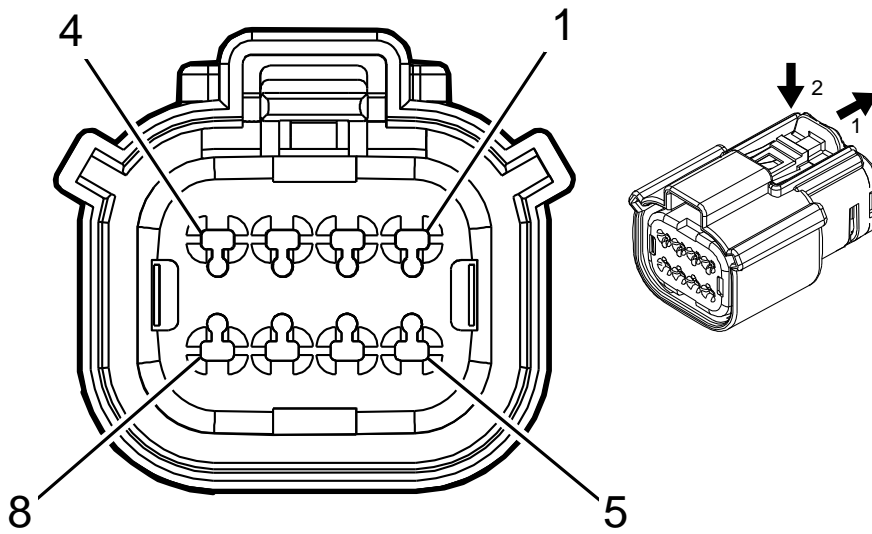
Table 151 X119 Right Headlight Jumper Harness to Forward Lamp Harness

Male					Function	Female				
Pin	Size	Color	Circuit	Terminal Type ID		Pin	Size	Color	Circuit	Terminal Type ID
1	1	YE	312	I	Right Headlight Low Beam Control	1	1	YE	312	II
2	1	GY / BN	309	I	Right Park Lamp Control	2	1	GY / BN	309	II
3	1	GN / VT	1315	I	Right Front Turn Signal Lamp Control	3	1	GN / VT	1315	II
4	—	—	—	—	Not Occupied	—	—	—	—	—

Table 151 X119 Right Headlight Jumper Harness to Forward Lamp Harness (cont.)

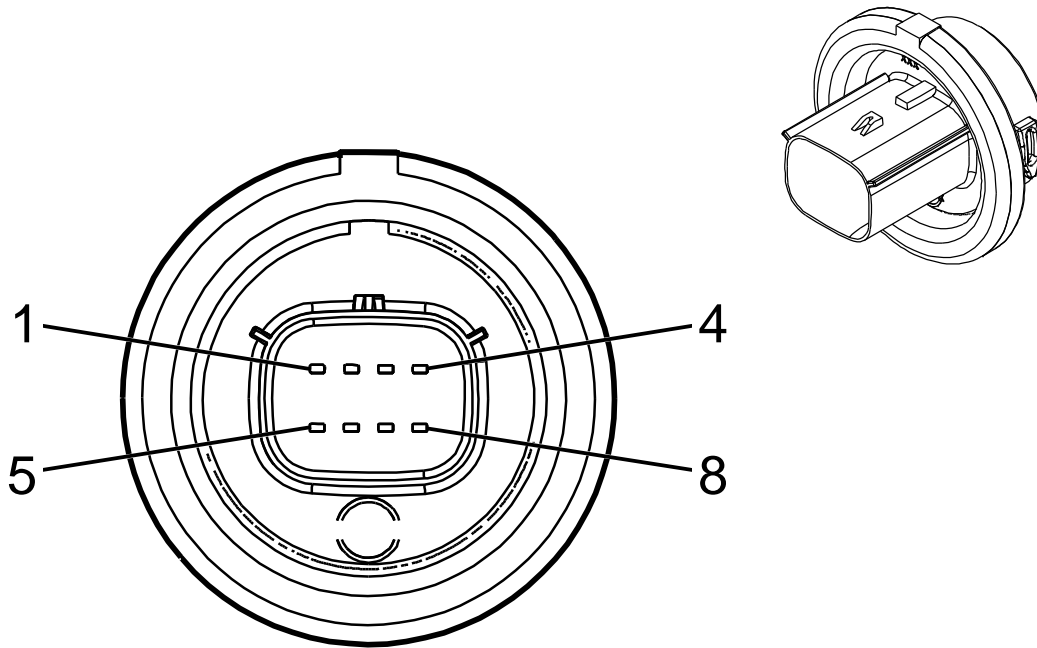
Male					Function	Female				
Pin	Size	Color	Circuit	Terminal Type ID		Pin	Size	Color	Circuit	Terminal Type ID
5	1	WH	311	I	Right Headlight High Beam Control	5	1	WH	311	II
6	1	BU / BN	7539	I	Right Front DRL Control	6	1	BU / BN	7539	II
7	—	—	—	—	Not Occupied	—	—	—	—	—
8	1.5	BK	250	I	Ground	8	1.5	BK	250	II





**Connector Part Information**

- Harness Type: Engine
- Service Connector: 3709924C1
- Description: 8-pin F 150 MX Series, Sealed (BK)



Connector Part Information	
•	Harness Type: Engine Left
•	Service Connector: Service by Harness
•	8-Way M

Table 154 Terminal Part Information

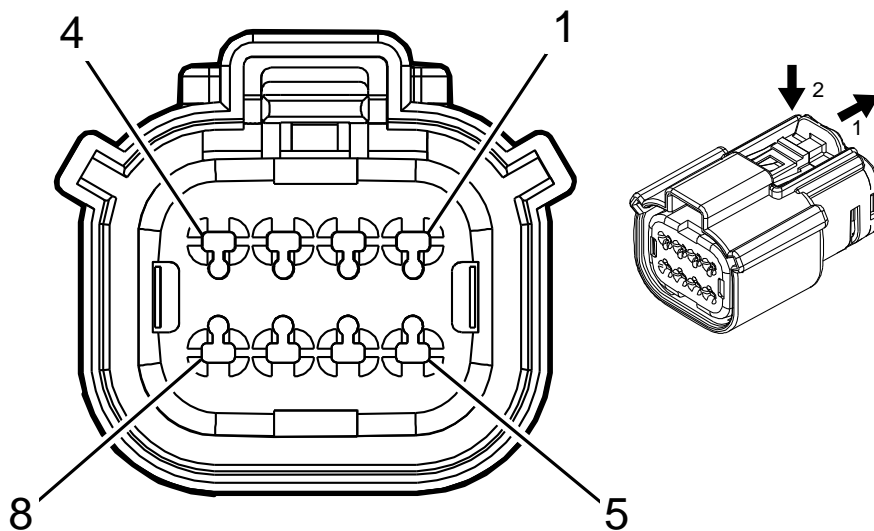
Terminal Type ID	Service Terminal
I	3686943C1
II	Not Required

Table 155 X120 Right Snow Plow Tee Harness to Right Headlight Harness (UNL)

Male					Function	Female				
Pin	Size	Color	Circuit	Terminal Type ID		Pin	Size	Color	Circuit	Terminal Type ID
1	1.5	BK	250	I	Ground	1	1.5	BK	250	II
2	1	GY / BN	712	I	Right Headlight Low Beam Control	2	1	GY / BN	712	II

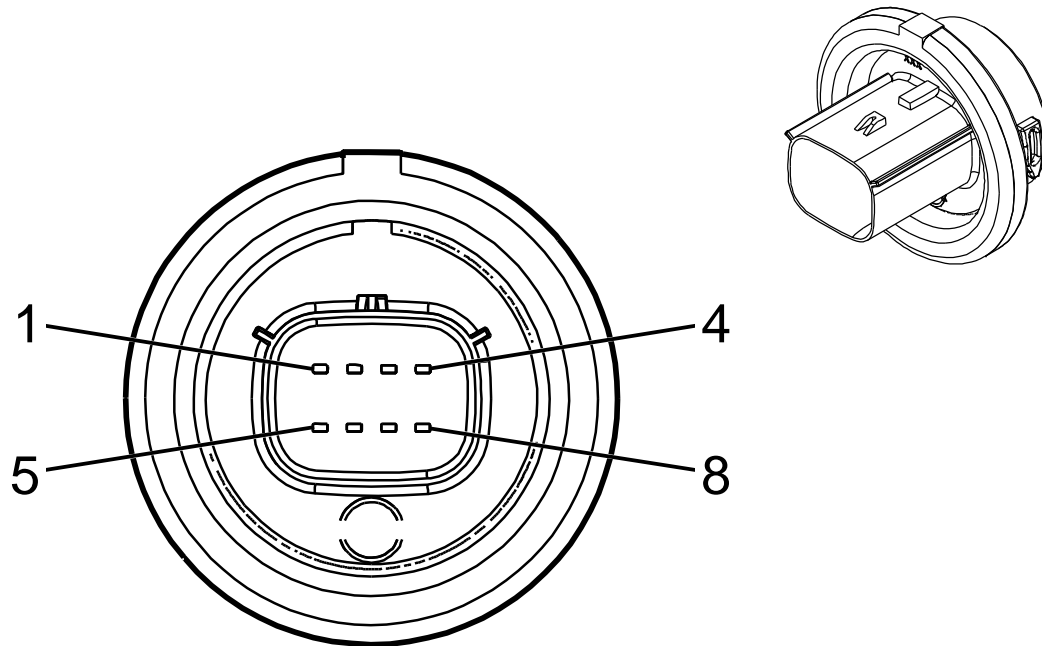
Table 155 X120 Right Snow Plow Tee Harness to Right Headlight Harness (UNL) (cont.)

Male					Function	Female				
Pin	Size	Color	Circuit	Terminal Type ID		Pin	Size	Color	Circuit	Terminal Type ID
3	1	WH	711	I	Right Headlight High Beam Control	3	1	WH	711	II
4	0.75	GY/BU	7539	I	Right Front DRL Control	4	0.75	GY/BU	7539	II
5	0.75	VT/GY	709	I	Right Park Lamp Control	5	0.75	VT/GY	709	II
6	0.75	BU / WH	1314	I	Right Front Turn Signal Lamp Control	6	0.75	BU / WH	1314	II
7-8	—	—	—	—	Not Occupied	—	—	—	—	—



**Connector Part Information**

- Harness Type: Engine
- Service Connector: 3709924C1
- Description: 8-pin F 150 MX Series, Sealed (BK)



Connector Part Information	
•	Harness Type: Engine Left
•	Service Connector: Service by Harness
•	Description: 8-Way M

Table 158 Terminal Part Information

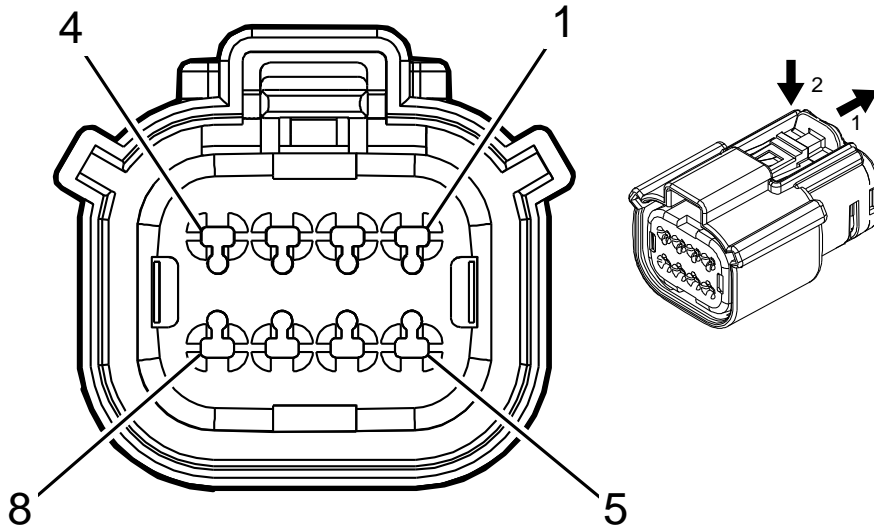
Terminal Type ID	Service Terminal
I	3686943C1
II	Not Required

Table 159 X120 Right Headlight Jumper Harness to Right Headlight Harness (-UNL)

Male					Function	Female				
Pin	Size	Color	Circuit	Terminal Type ID		Pin	Size	Color	Circuit	Terminal Type ID
1	1.5	BK	250	I	Ground	1	1.5	BK	250	II
2	0.75	YE	712	I	Right Headlight Low Beam Control	2	0.75	YE	712	II

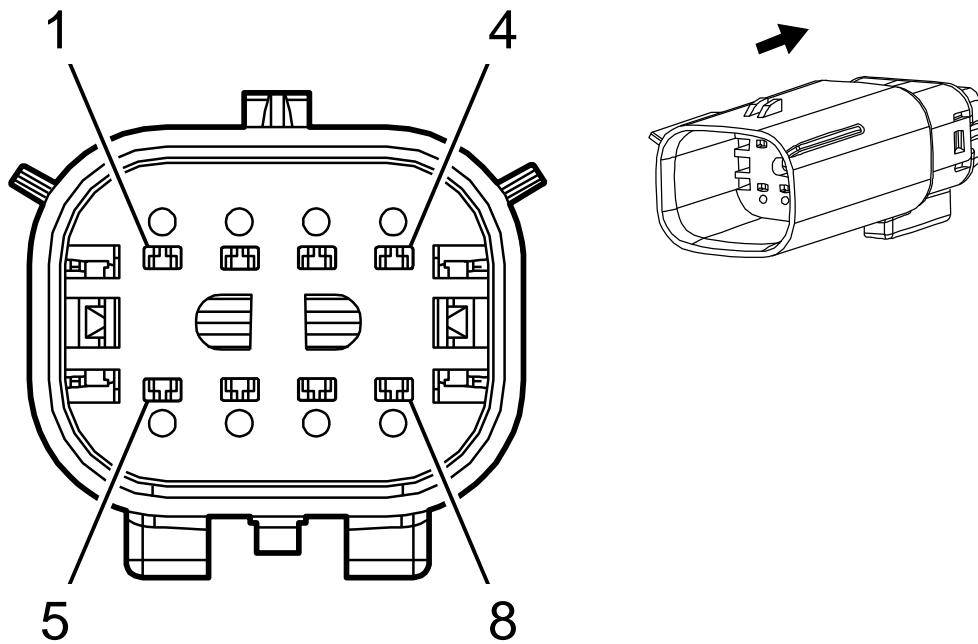
Table 159 X120 Right Headlight Jumper Harness to Right Headlight Harness (-UNL) (cont.)

Male					Function	Female				
Pin	Size	Color	Circuit	Terminal Type ID		Pin	Size	Color	Circuit	Terminal Type ID
3	0.75	WH	711	I	Right Headlight High Beam Control	3	0.75	WH	711	II
4	0.75	GY/BU	7539	I	Right Front DRL Control	4	0.75	GY/BU	7539	II
5	0.75	VT/GY	709	I	Right Park Lamp Control	5	0.75	VT/GY	709	II
6	0.75	BU / WH	1314	I	Right Front Turn Signal Lamp Control	6	0.75	BU / WH	1314	II
7-8	—	—	—	—	Not Occupied	—	—	—	—	—



**Connector Part Information**

- Harness Type: Engine
- Service Connector: 3709924C1
- Description: 8-pin F 150 MX Series, Sealed (BK)



Connector Part Information	
•	Harness Type: Engine Left
•	Service Connector: 3709925C1
•	Description: 8-pin M 150 MX Series, Sealed (BK)

Table 162 Terminal Part Information

Terminal Type ID	Service Terminal
I	3686943C1
II	4089337C91

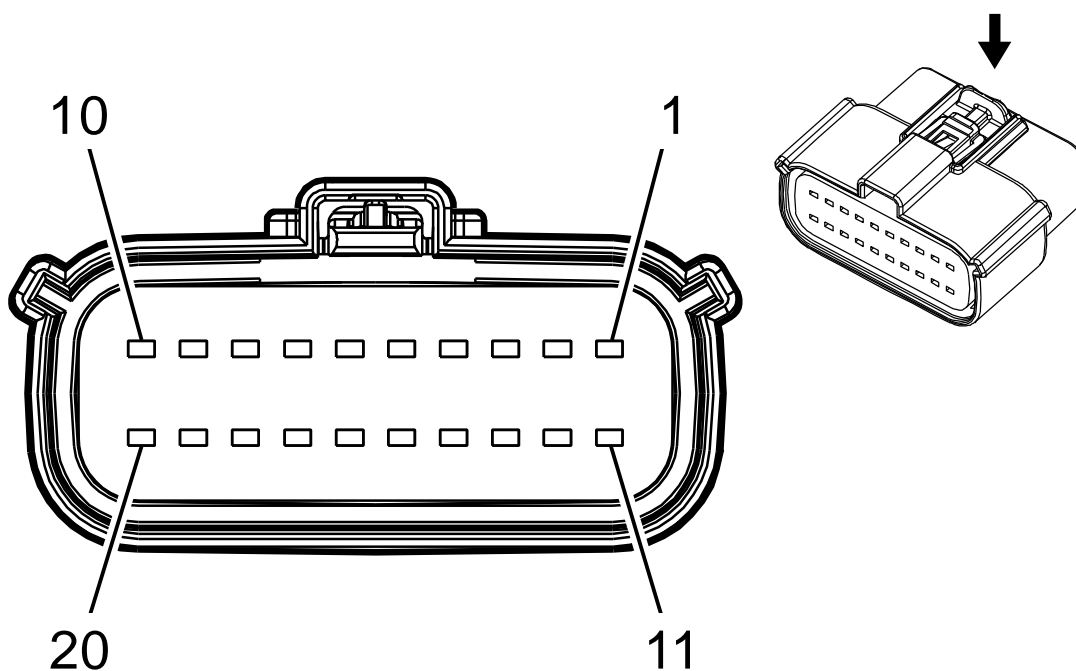
Table 163 X121 Right Headlight Jumper Harness to Right Snow Plow Tee Harness (UNL)

Male					Function	Female				
Pin	Size	Color	Circuit	Terminal Type ID		Pin	Size	Color	Circuit	Terminal Type ID
1	1.5	YE	712	I	Right Headlight Low Beam Control	1	1.5	YE	712	II
2	1.5	VT/GY	709	I	Right Park Lamp Control	2	1.5	VT/GY	709	II



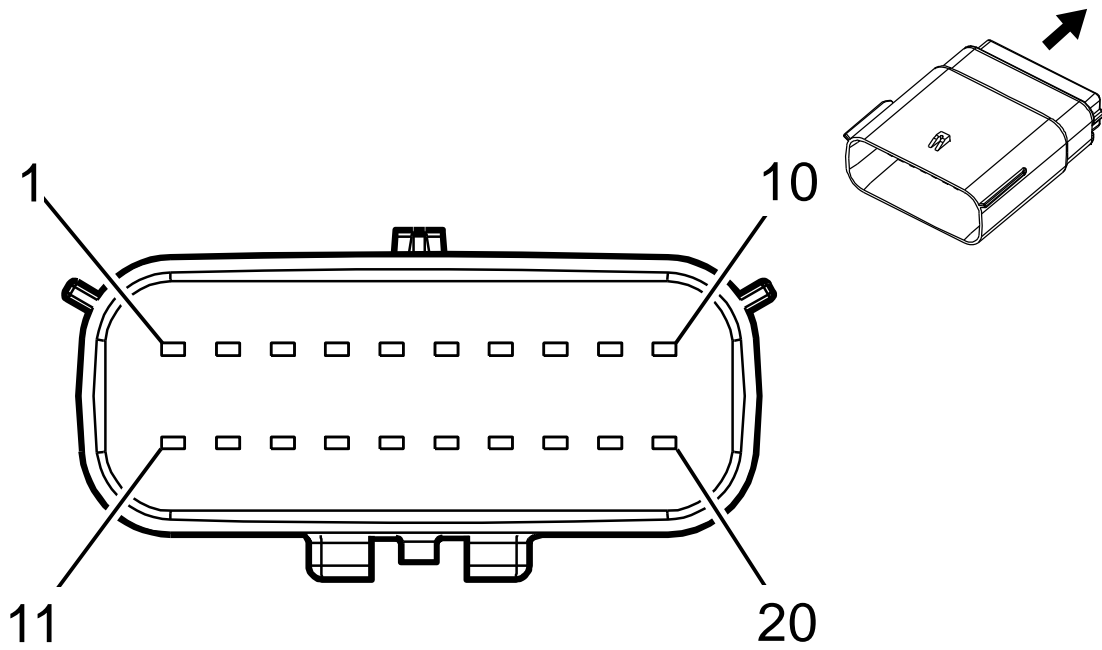
Table 163 X121 Right Headlight Jumper Harness to Right Snow Plow Tee Harness (UNL) (cont.)

Male					Function	Female				
Pin	Size	Color	Circuit	Terminal Type ID		Pin	Size	Color	Circuit	Terminal Type ID
3	1.5	BU/WH	1314	I	Right Front Turn Signal Lamp Control	3	1.5	BU/WH	1314	II
4	—	—	—	—	Not Occupied	4	—	—	—	—
5	1.5	WH	711	I	Right Headlight High Beam Control	5	1.5	WH	711	II
6	1.5	GY/BU	7538	I	Right Front DRL Control	6	1.5	GY/BU	7538	II
7	—	—	—	—	Not Occupied	7	—	—	—	—
8	2	BK	250	I	Ground	8	2	BK	250	II



**Connector Part Information**

- Harness Type: Engine Chassis
- Service Connector: 6040237C1
- Description: 20-pin F 1.5 Series, Sealed (BK)



**Connector Part Information**

- Harness Type: Chassis
- Service Connector: 3990222C1
- Description: 20-pin M 1.5 Series, Sealed (BK)

**Table 166 Terminal Part Information**

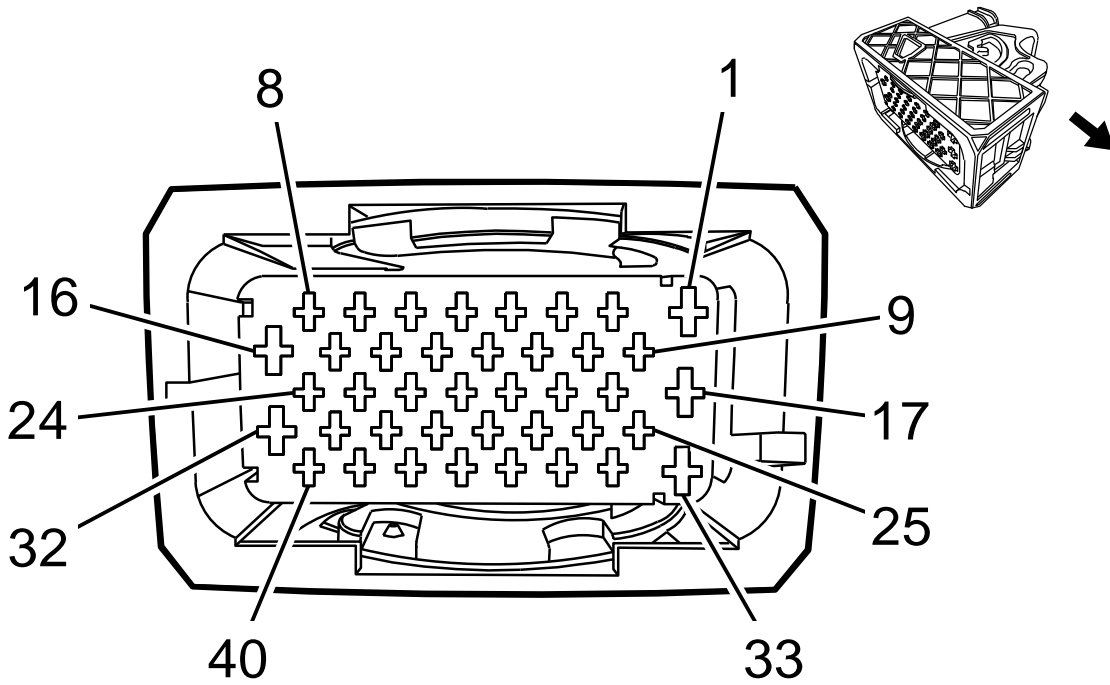
Terminal Type ID	Service Terminal
I	6041962C1
II	6041949C1
III	Not Available

Table 167 X125 Engine Chassis Harness to Chassis Harness

Male						Female				
Pin	Size	Color	Circuit	Terminal Type ID	Function	Pin	Size	Color	Circuit	Terminal Type ID
1	0.5	BK / VT	3661	II	Exhaust Gas Temperature Sensor 5 Low Reference	1	0.5	BK / VT	3661	III
2	0.5	D-BU / GY	3660	II	Exhaust Gas Temperature Sensor 5 Signal	2	0.5	BU / GY	3660	III
3	0.5	BK / GY	3659	II	DPF Outlet Temperature (Exhaust Gas Temperature Sensor 4) Low Reference	3	0.5	BK / GY	3659	III
4	0.5	VT / BN	3658	II	DPFOT (Exhaust Gas Temperature Sensor 4) Signal	4	0.5	VT / BN	3658	III
5-6	—	—	—	—	Not Occupied	5-6	—	—	—	—
7	0.5	BK / L-GN	3657	II	DPF Intake Temperature (Exhaust Gas Temperature Sensor 3) Low Reference	7	0.5	BK / GN	3657	III
8	0.5	D-BU / WH	7446	II	Fuel Line Pressure Sensor Signal	8	0.5	BU	7446	III
9	0.5	BK / YE	7447	II	Fuel Line Pressure Sensor Low Reference	9	0.5	BK / YE	7447	III
10	1.5	VT / L-GN	355	I	Fuel Filter Heater Voltage	10	1.5	VT / GN	355	III
11	0.5	GY / L-GN	5378	II	DPF Intake Temperature (Exhaust Gas Temperature Sensor 3) Signal	11	0.5	GY / GN	5378	III

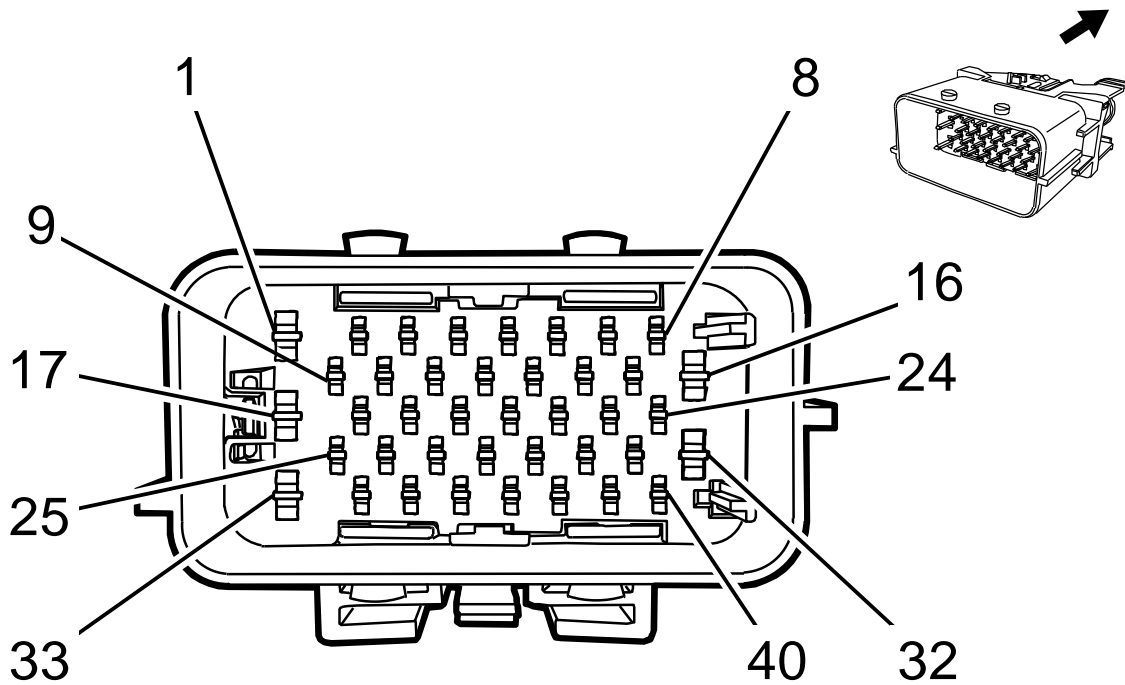
Table 167 X125 Engine Chassis Harness to Chassis Harness (cont.)

Male					Function	Female				
Pin	Size	Color	Circuit	Terminal Type ID		Pin	Size	Color	Circuit	Terminal Type ID
12	1.5	VT / GY	539	I	Run / Crank Ignition 1 Voltage	12	1.5	GY	539	III
13-14	—	—	—	—	Not Occupied	13-14	—	—	—	—
15	0.5	WH / RD	6054	II	DPF Differential Pressure (Exhaust Pressure Sensor) 5 volt Reference	15	0.5	WH / RD	6054	III
16	0.5	BK / YE	6055	II	DPF Differential Pressure (Exhaust Pressure Sensor) Low Reference	16	0.5	BK / YE	6055	III
17	0.5	D-BU	6053	II	DPF Differential Pressure (Exhaust Pressure Sensor) Signal	17	0.5	BU	6053	III
18	0.5	BN / RD	7445	II	Fuel Line Pressure Sensor 5 volt Reference	18	0.5	BN / RD	7445	III
19	1.5	VT / D-BU	3674	I	NOx Sensor 1 Control	19	1.5	VT / BU	3674	III
20	—	—	—	—	Not Occupied	20	—	—	—	—



**Connector Part Information**

- Harness Type: Chassis
- Service Connector: 4086709C1
- Description: 40-pin F 1.5, 2.8 Series, Sealed (BK)



**Connector Part Information**

- Harness Type: Body
- Service Connector: 6040199C1
- Description: 40-pin M 1.5 DSQ, 2.8 ATS Series, Sealed (BK)

**Table 170 Terminal Part Information**

Terminal Type ID	Service Terminal
I	6042061C1
II	6041927C1
III	6042001C1
IV	6041951C1
V	6041958C1

Table 171 X138 Chassis Harness to Body Harness

Male						Female				
Pin	Size	Color	Circuit	Terminal Type ID	Function	Pin	Size	Color	Circuit	Terminal Type ID
1	0.5	GN/BK	7633	I	Integrated Trailer Brake Controller User Gain Signal	1	0.5	L-GN / BK	7633	IV
2	0.75	WH/BU	5986	I	Serial Data Communication Enable	2	0.5	WH / D-BU	5986	II
3	0.5	YE	7635	I	Integrated Trailer Brake Controller Manual Apply Signal	3	0.5	YE	7635	II
4	0.5	BU/RD	7632	I	Integrated Trailer Brake Controller Switch 5 volt Reference	4	0.5	D-BU / RD	7632	II
5	0.5	BN	7634	I	Integrated Trailer Brake Controller Redundant Manual Apply Signal	5	0.5	BN	7634	II
6	0.5	BK/BN	7631	I	Integrated Trailer Brake Controller Switch Low Reference	6	0.5	BK / BN	7631	II
7	—	—	—	—	Not Occupied	7	—	—	—	—
8	0.75	VT/GY	1054	I	Stop Lamp Control	8	0.75	VT / GY	1054	II
9	0.5	BU/BN	4498	I	High Speed GMLAN Serial Data (+) 7	9	0.5	D-BU / BN	4498	II
10	0.5	WH	4499	I	High Speed GMLAN Serial Data (-) 7	10	0.5	WH	4499	II
11	1	YE/BU	18	I	Left Rear Stop / Turn Lamp Control	11	0.75	YE / D-BU	18	II



Table 171 X138 Chassis Harness to Body Harness (cont.)

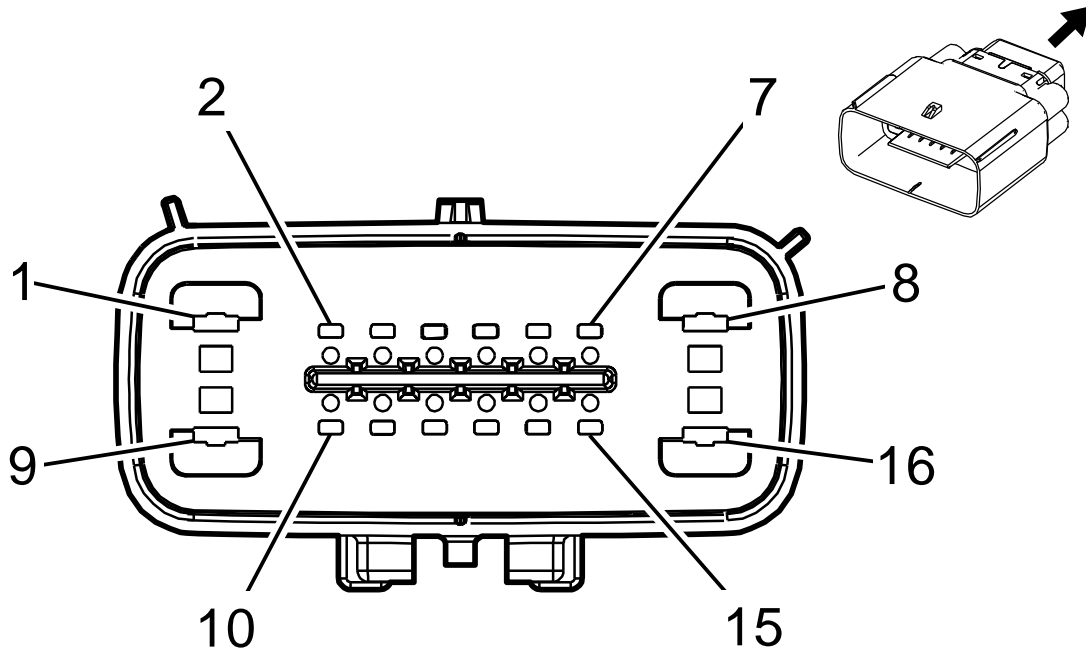
Male					Function	Female				
Pin	Size	Color	Circuit	Terminal Type ID		Pin	Size	Color	Circuit	Terminal Type ID
12	1	BN/GN	19	I	Right Rear Stop / Turn Lamp Control	12	0.75	BN / L-GN	19	II
13	—	—	—	—	Not Occupied	13	—	—	—	—
14	0.75	WH/BU	6311	I	Cruise / ETC / TCC Brake Signal	14	0.35	WH / D-BU	6311	V
15-17	—	—	—	—	Not Occupied	15-17	—	—	—	—
18	0.5	BU	BU	I	High Speed GMLAN Serial Data (+) 1	18	0.5	D-BU	BU	II
19	0.5	WH	2501	I	High Speed GMLAN Serial Data (-) 1	19	0.5	WH	2501	II
20	0.5	VT/YE	5985	I	Accessory Wake-up Serial Data	20	0.5	VT / YE	5985	II
21-22	—	—	—	—	Not Occupied	21-22	—	—	—	—
23	1.5	GY/BN	309	I	Right Park Lamp Control	23	0.5	GY / BN	309	II
24	1	GN/VT	619	I	Right Rear Turn Signal Lamp Control	24	0.75	L-GN / VT	619	II
25-28	—	—	—	—	Not Occupied	25-28	—	—	—	—
29	0.5	BK	2550	I	Ground	29	0.75	BK	2550	II
30	0.5	WH	6974	I	Camera Low Reference	30	0.5	BK	6974	II
31	—	—	—	—	Not Occupied	31	—	—	—	—
32	1.5	BU	47	I	Trailer Auxiliary Control	32	2.5	D-BU	47	III
33-35	—	—	—	—	Not Occupied	33-35	—	—	—	—
36	0.75	GN/VT	1430	I	Exterior Courtesy Lamp Control	36	0.75	WH / VT	1430	II
37	0.75	GY/YE	6972	I	Camera Signal 2 (+)	37	0.35	GY / YE	6972	V
38	0.75	WH/BU	6973	I	Camera Signal 2	38	0.35	WH / D-BU	6973	V

Table 171 X138 Chassis Harness to Body Harness (cont.)

Male					Function	Female				
Pin	Size	Color	Circuit	Terminal Type ID		Pin	Size	Color	Circuit	Terminal Type ID
39	—	—	—	—	Not Occupied	39	—	—	—	—
40	—	—	—	—	Vehicle Speed Signal	40	0.5	L-GN / GY	817	II

**Connector Part Information**

- Harness Type: Reductant Control Module Jumper
- Service Connector: Service by Harness
- Description: 16-pin F



**Connector Part Information**

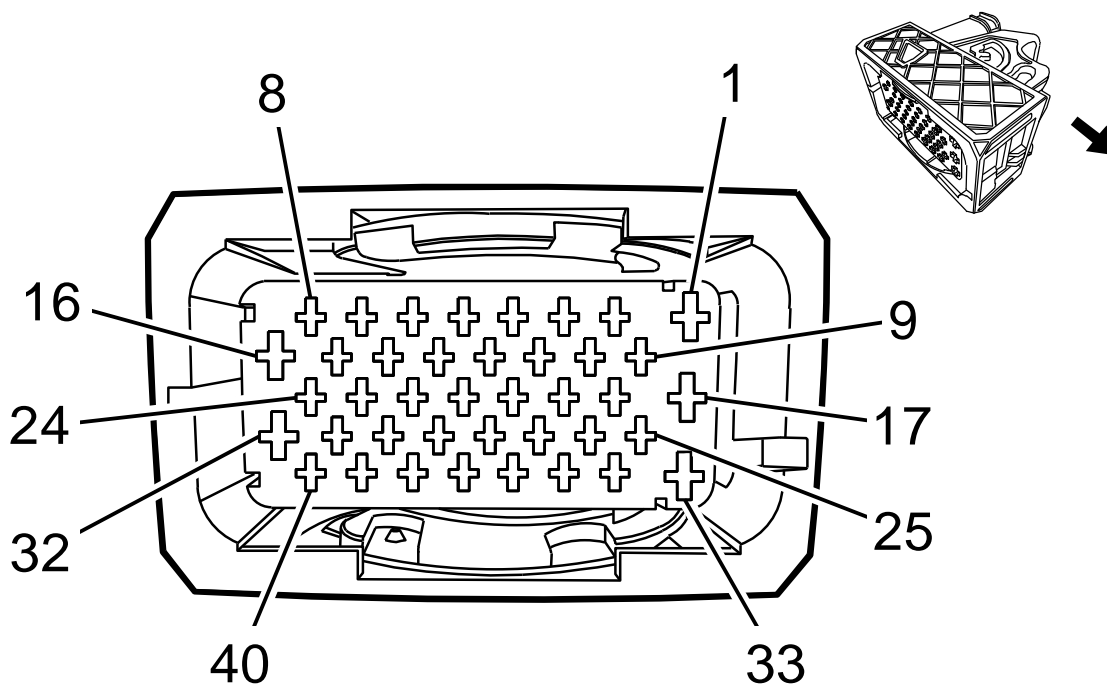
- Harness Type: Engine Chassis
- Service Connector: 6040264C1
- Description: 16-pin M 150 MX Series, Sealed (L-GY)

**Table 174 Terminal Part Information**

Terminal Type ID	Service Terminal
I	Not Available
II	6041883C1
III	6041847C1
IV	6041847C1
V	6041879C1

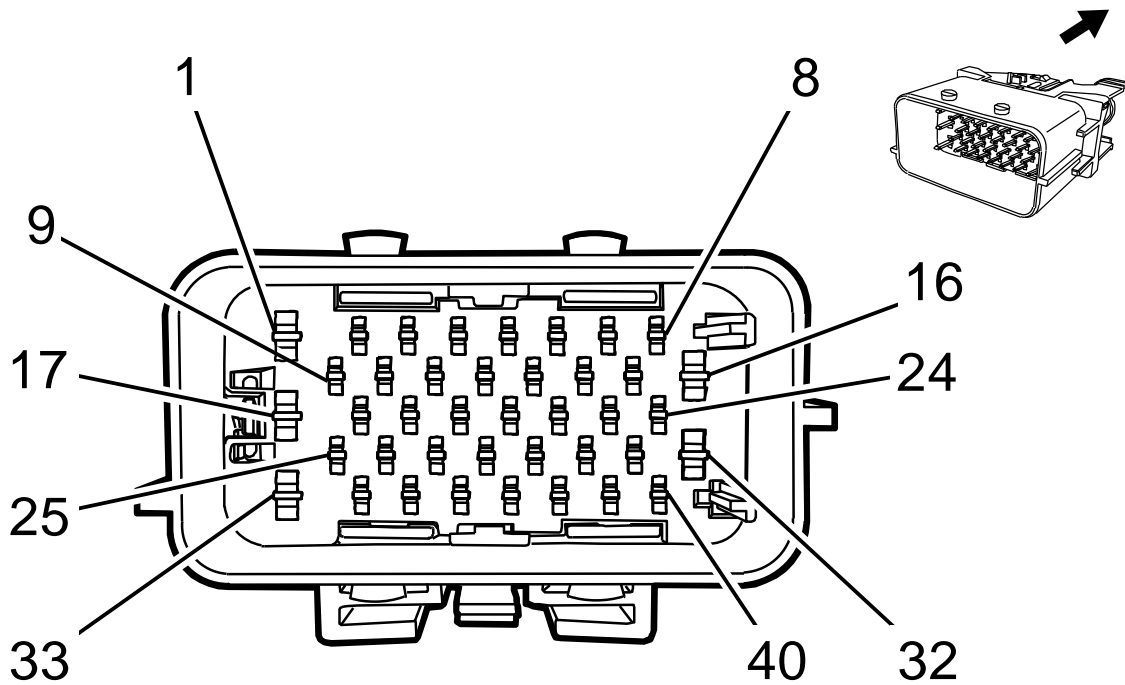
Table 175 X143 Reductant Control Module Jumper Harness to Engine Chassis Harness

Male					Function	Female				
Pin	Size	Color	Circuit	Terminal Type ID		Pin	Size	Color	Circuit	Terminal Type ID
1	0.75	RD / WH	3440	I	Battery Positive Voltage	1	0.75	RD / WH	3440	IV
2-3	—	—	—	—	Not Occupied	—	—	—	—	—
4	0.5	WH	4499	I	High Speed GMLAN Serial Data (-) 7	4	0.5	WH	4499	II
5	0.5	D-BU / BN	4498	I	High Speed GMLAN Serial Data (+) 7	5	0.5	D-BU / BN	4498	II
6-7	—	—	—	—	Not Occupied	—	—	—	—	—
8	2.5	BK	550	I	Ground	8	2.5	BK	550	V
9	0.5	VT / L-GN	4320	I	Selective Catalytic Reduction Power Module Wake-up Signal	9	0.5	VT / L-GN	4320	III
10-13	—	—	—	—	Not Occupied	—	—	—	—	—
14	0.5	WH	4499	I	High Speed GMLAN Serial Data (-) 7	14	0.5	WH	4499	II
15	0.5	D-BU / BN	4498	I	High Speed GMLAN Serial Data (+) 7	15	0.5	D-BU / BN	4498	II
16	2.5	D-BU / BN	3922	I	DEF Heater Supply 2	16	2.5	D-BU / BN	3922	V



**Connector Part Information**

- Harness Type: Forward Lamp
- Service Connector: 4086709C1
- Description: 40-pin F 1.5, 2.8 Series, Sealed (BK)



**Connector Part Information**

- Harness Type: Body
- Service Connector: 6040199C1
- Description: 40-pin M 1.5 DSQ, 2.8 ATS Series, Sealed (BK)

**Table 178 Terminal Part Information**

Terminal Type ID	Service Terminal
I	4089916C1 1.0 mm
	4089917C1 1.5 mm
II	Not Available
III	Not Available

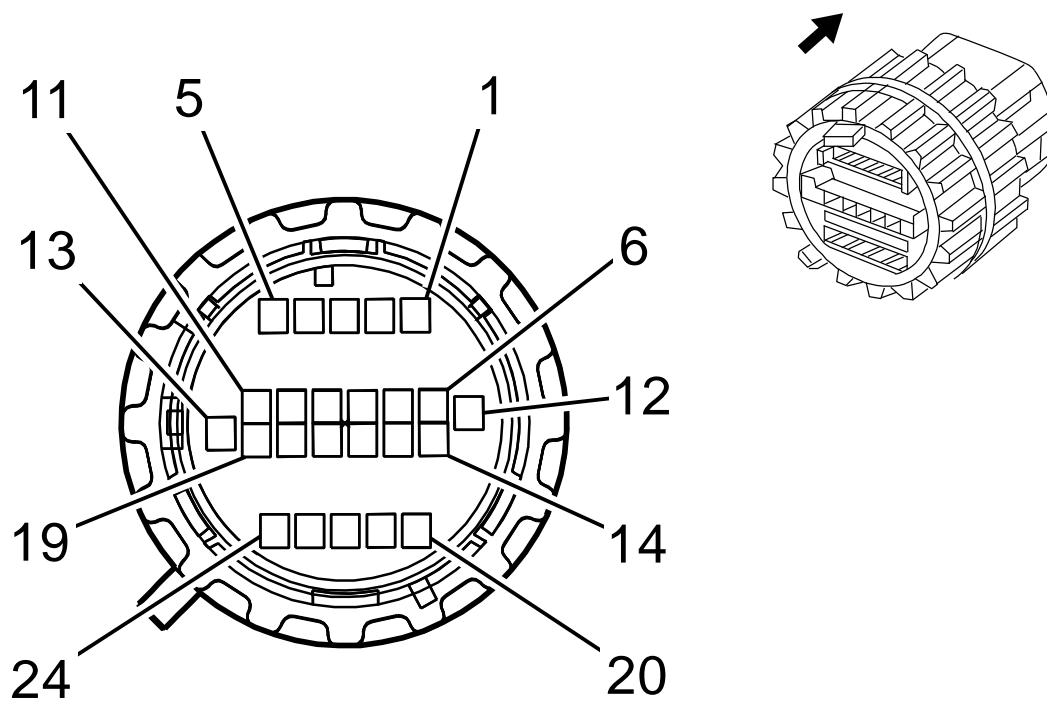
Table 179 X150 Forward Lamp Harness to Body Harness

Male					Function	Female				
Pin	Size	Color	Circuit	Terminal Type ID		Pin	Size	Color	Circuit	Terminal Type ID
1	—	—	—	—	Not Occupied	1	—	—	—	—
2	1	BN / GY	29	I	Horn Control	2	0.75	BN / GY	29	II
3	1	GY / BU	7538	I	Left Front DRL Control	3	—	—	—	—
4	1	GY	603	I	A/C Low Pressure Switch Signal	4	0.5	BN / L-GN	603	II
5-6	—	—	—	—	Not Occupied	5-6	—	—	—	—
7	1	BU / BN	7539	I	Right Front DRL Control	7	—	—	—	—
8	1	WH	311	I	Right Headlight High Beam Control	8	0.5	WH	311	II
9	1	WH	711	I	Left Headlight High Beam Control	9	0.5	WH	711	II
10	1	BU / WH	1314	I	Left Front Turn Signal Lamp Control	10	0.75	D-BU / WH	1314	II
11	1	VT / GY	709	I	Left Park Lamp Control	11	0.5	VT / GY	709	II
12	1	BN / VT	2234	I	Front Fog Lamp Control	12	0.5	BN / VT	2234	II
13-14	—	—	—	—	Not Occupied	13-14	—	—	—	—
15	1	GN / VT	1315	I	Right Front Turn Signal Lamp Control	15	0.75	L-GN / VT	1315	II
16-17	—	—	—	—	Not Occupied	16-17	—	—	—	—
18	1	VT / GY	139	I	Run / Crank Ignition 1 Voltage	18	1.5	VT / GY	139	III
19	1	YE	5530	I	Hood Open Switch Signal	19	0.5	YE	5530	II
20	1	BN / GN	109	I	Hood Ajar Switch Signal	20	0.5	BN / L-GN	109	II
21	—	—	—	—	Not Occupied	21	—	—	—	—
22	1	YE	312	I	Right Headlight Low Beam Control	22	0.75	YE	312	II
23	1	GY / BN	309	I	Right Park Lamp Control	23	0.5	GY / BN	309	II
24	—	—	—	—	Not Occupied	24	—	—	—	—



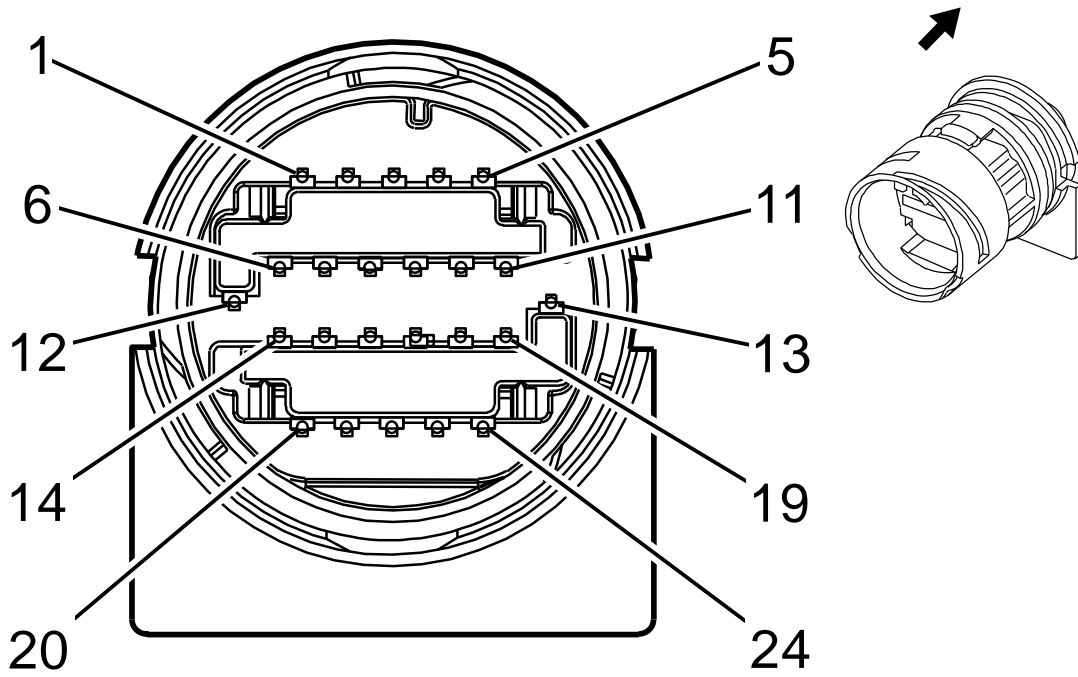
Table 179 X150 Forward Lamp Harness to Body Harness (cont.)

Male					Function	Female				
Pin	Size	Color	Circuit	Terminal Type ID		Pin	Size	Color	Circuit	Terminal Type ID
25	1	YE	712	I	Left Headlight Low Beam Control	25	0.75	YE	712	II
26	—	—	—	—	Not Occupied	26	—	—	—	—
27	1.5	OG / GY	6618	I	Middle Front Discriminating Sensor Signal	27	0.5	OG / GY	6618	II
28	1.5	BK / OG	6619	I	Middle Front Discriminating Sensor Low Reference	28	0.5	BK / OG	6619	II
29-40	—	—	—	—	Not Occupied	29-40	—	—	—	—



**Connector Part Information**

- Harness Type: Engine Chassis
- Service Connector: 6040283C1
- Description: 24-Way F 1.5 Series, Sealed (BK)



Connector Part Information	
•	Harness Type: Transmission
•	Service Connector: Service by Harness
•	Description: 24-pin M

Table 182 Terminal Part Information

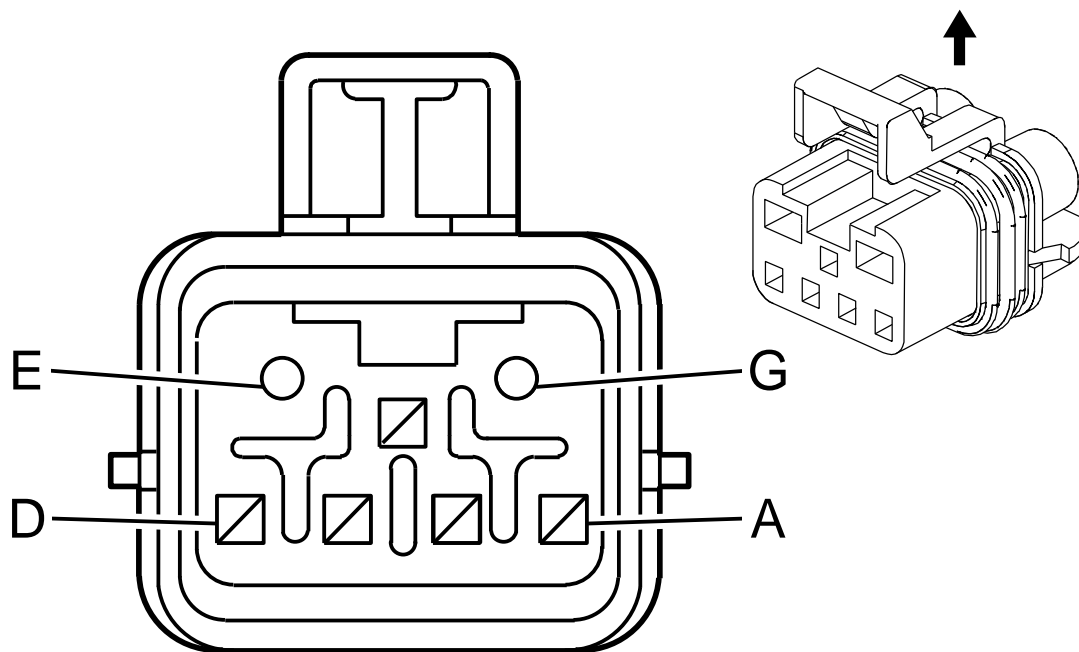
Terminal Type ID	Service Terminal
I	6041961C1
II	Not Available

Table 183 X175 Engine Chassis Harness to Transmission Harness

Male					Function	Female				
Pin	Size	Color	Circuit	Terminal Type ID		Pin	Size	Color	Circuit	Terminal Type ID
1	0.75	GN	152	I	Shift Solenoid Valve Control	1	—	—	152	II
2	0.75	YE	133	I	Shift Solenoid Valve Control	2	0.75	YE	133	II
3	0.75	WH	151	I	Shift Solenoid Valve Control	3	0.75	WH	151	II
4	0.75	BU	117	I	Transmission Fluid Pressure Switch Signal Bit 1	4	0.75	D-BU	117	II
5	—	—	—	—	Not Occupied	5	—	—	—	—
6	0.75	WH	157	I	Transmission Fluid Pressure Switch Signal Bit 3	6	0.75	WH	157	II
7	0.75	RD	179	I	Transmission Fluid Pressure Switch Signal Bit 2	7	0.75	RD	179	II
8	0.75	TN	154	I	Transmission Temperature Sensor Signal	8	0.75	TN	154	II
9	0.75	GN	158	I	Transmission Fluid Temperature Sensor Low Reference	9	0.75	L-GN	158	II
10	0.75	WH	178	I	Torque Converter Clutch PWM Solenoid Control	10	0.75	WH	178	II
11	0.75	GN	177	I	Transmission Fluid Pressure Switch Signal Bit 4	11	0.75	L-GN	177	II
12	0.75	WH	137	I	Low Reference	12	0.75	WH	137	II
13	0.75	YE	131	I	Transmission Solenoid Supply	13	0.75	YE	131	II

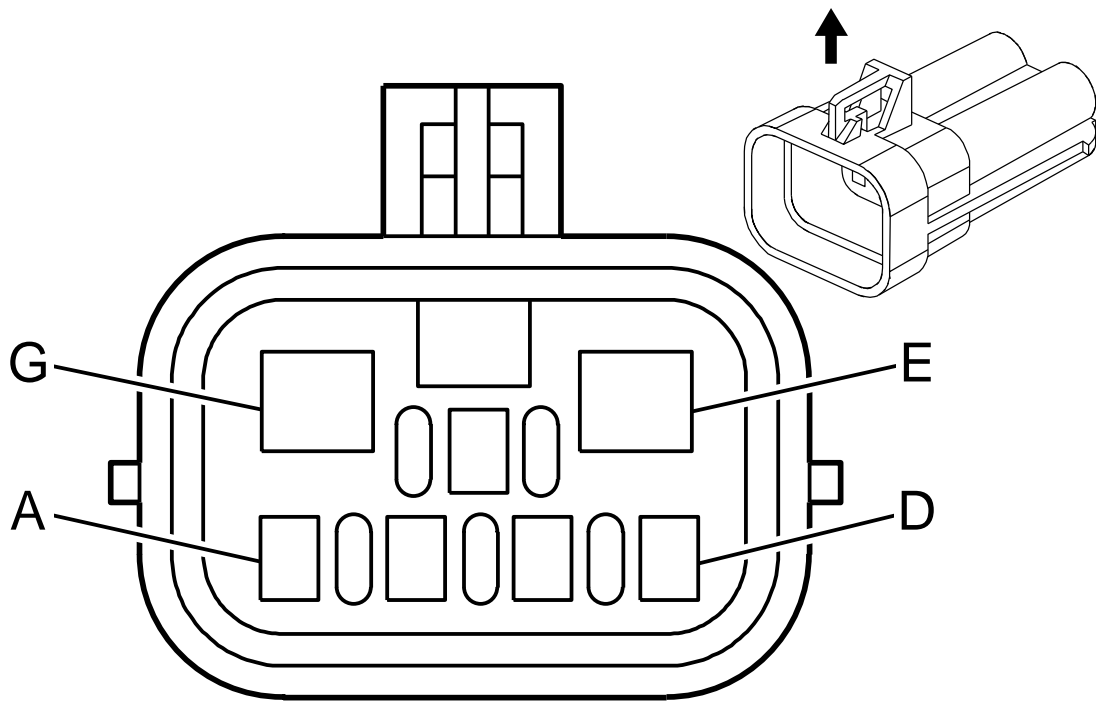
Table 183 X175 Engine Chassis Harness to Transmission Harness (cont.)

Male					Function	Female				
Pin	Size	Color	Circuit	Terminal Type ID		Pin	Size	Color	Circuit	Terminal Type ID
14	0.75	OG	111	I	Transmission Solenoid Supply	14	0.75	OG	111	II
15	0.75	WH	155	I	Pressure Control Solenoid Valve 1 Low Control	15	0.75	WH	155	II
16	0.75	YE	171	I	Transmission Solenoid Supply	16	0.75	YE	171	II
17	0.75	OG	136	I	Pressure Control Solenoid Valve 2 Low Control	17	0.75	OG	136	II
18	0.75	OG	138	I	Transmission Park/Neutral Signal 1	18	0.75	OG	138	II
19	0.75	BU	174	I	Transmission Mainline Pressure Solenoid Control	19	0.75	D-BU	174	II
20	0.75	GY	114	I	Transmission Position Switch Bit 3 Signal	20	0.75	GY	114	II
21	0.75	YE	153	I	Transmission Position Switch Bit 2 Signal	21	0.75	YE	153	II
22	0.75	BU	173	I	Transmission Position Switch Bit 1 Signal	22	0.75	D-BU	173	II
23	0.75	WH	134	I	Transmission Position Switch Parity Bit Signal	23	0.75	WH	134	II
24	—	—	—	—	Not Occupied	24	—	—	—	—



**Connector Part Information**

- Harness Type: Hydromax Interconnect
- Service Connector: 3540565C1
- Description: 7-Way F 150 Metri-Pack, 480 Series, Sealed (BK)



**Connector Part Information**

- Harness Type: Chassis
- Service Connector: 3540569C1
- Description: 7-pin M 150, 480 Metri-Pack Series, Sealed (BK)

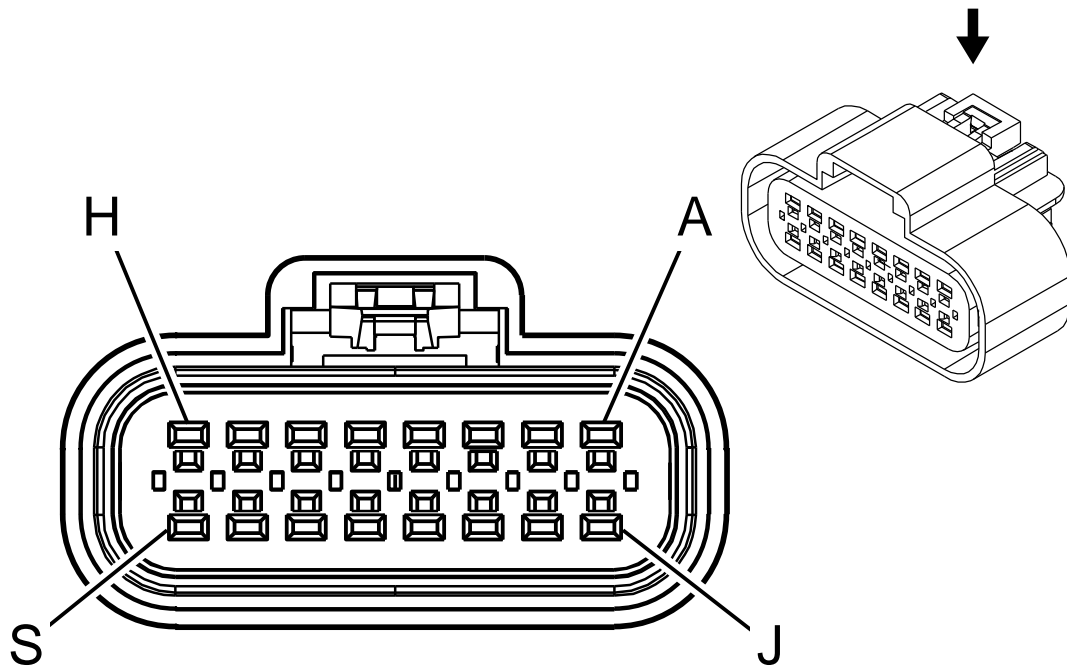
**Table 186 Terminal Part Information**

Terminal Type ID	Service Terminal
I	1667742C1
II	2025422C1
III	'1661875C1
IV	2031531C1

Table 187 X180 Brake Booster Harness to Chassis Harness

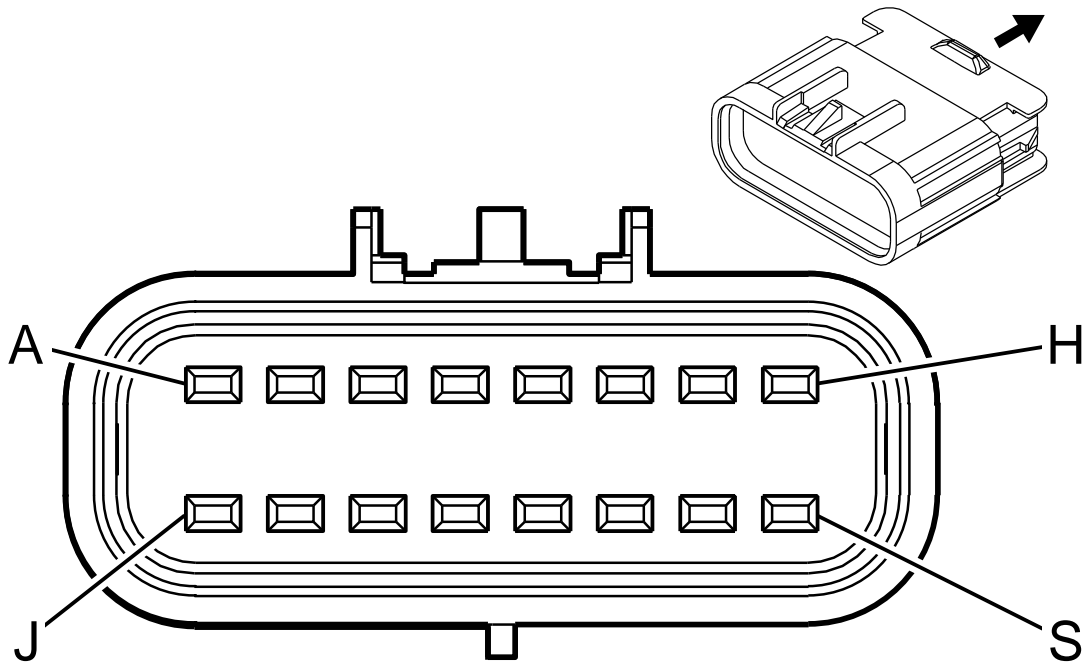
Male							Female					
Pin	Size	Color	Circuit	Terminal Type ID	Option	Function	Pin	Size	Color	Circuit	Terminal Type ID	Option
A	0.75	GY	90HB	II	—	Brake Booster Pump Motor Active Signal	A	0.75	GY	90HB	III	—
B	0.75	GY	90M	II	—	Brake Hydraulic Fault	B	0.75	GY	90M	III	—
C	0.75	GY	90D	II	—	Brake Booster Pump Motor Relay High Control/Signal	C	0.75	GY	90D	III	—
D	0.75	WH / BU	6311	II	—	Cruise / ETC / TCC Brake Signal	D	0.75	WH / BU	6311	III	—
E	6	RD	90J	I	—	Battery Positive Voltage	E	6	RD	90J	IV	—
F	0.75	GY	9AB	I	—	Brake Fluid Level Sensor Signal	F	0.75	GY	9AB	III	—
G	3	WH	90G	I	—	Ground	G	3	WH	90-G	IV	—





**Connector Part Information**

- Harness Type: Engine Chassis
- Service Connector: 6040235C1
- Description: 16-pin F 150 GT Series, Sealed (BK)



**Connector Part Information**

- Harness Type: Engine Chassis
- Service Connector: 6040230C1
- Description: 16-pin M 150 Series, Sealed (BK)

**Table 190 Terminal Part Information**

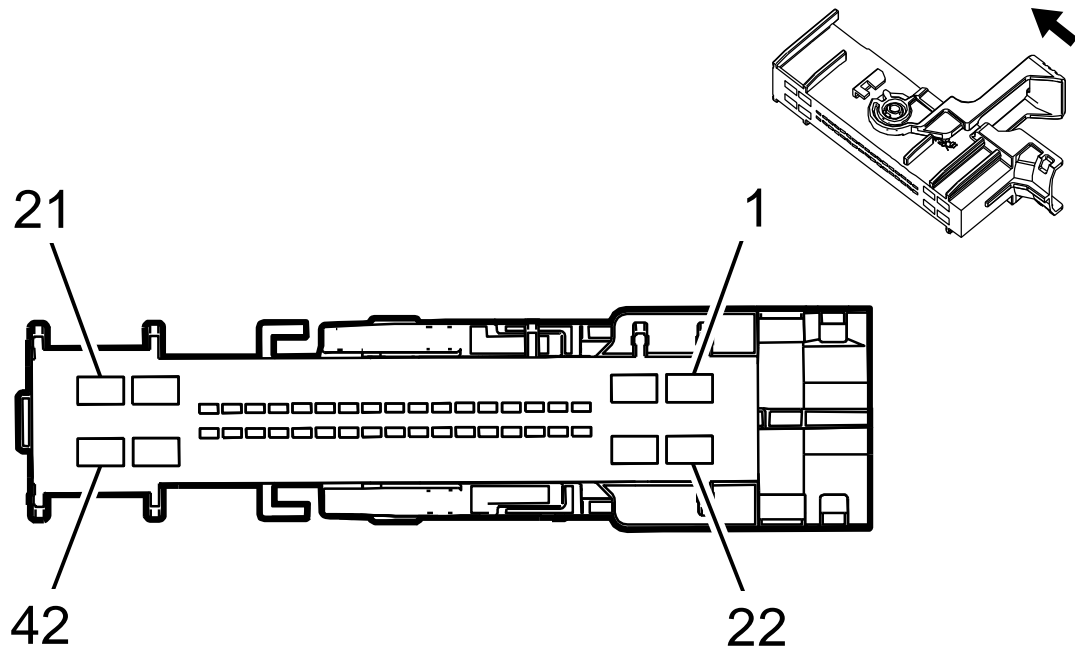
Terminal Type ID	Service Terminal
I	3535303C1
II	3535303C1
III	3535305C1

Table 191 X191 Engine Chassis Harness to Engine Chassis Harness (PTO)

Male						Function	Female					
Pin	Size	Color	Circuit	Terminal Type ID	Option		Pin	Size	Color	Circuit	Terminal Type ID	Option
A	0.75	BN / WH	6085	I	—	Power Take-off Remote Engine Start Switch Signal	A	0.5	BN / WH	6085	III	—
B	0.75	BN	6381	I	—	Power Take-off Relay Engage Signal	B	—	—	—	—	—
C	—	—	—	—	—	Not Occupied	C	—	—	—	—	—
D	0.75	BK	550	I	—	Ground	D	—	—	—	—	—
E-F	—	—	—	—	—	Not Occupied	E-F	—	—	—	—	—
G	0.75	YE	2522	I	—	Power Take-off Status Signal	G	—	—	—	—	—
H	0.5	VT / D-BU	2562	II	—	Power Take-off Relay Coil Control	H	—	—	—	—	—
J	0.5	WH / L-GN	6142	II	—	Power Take-off Engine Shutdown Signal	J	0.5	BN / WH	6085	III	—
K	0.75	RD / VT	2640	I	—	Battery Positive Voltage	K	—	—	—	—	—
L-M	—	—	—	—	—	Not Occupied	L-M	—	—	—	—	—
N	0.5	D-BU / GY	6089	II	—	Power Take-off Remote Switch Set Signal 1	N	—	—	—	—	—
P	—	—	—	—	—	Not Occupied	P	—	—	—	—	—

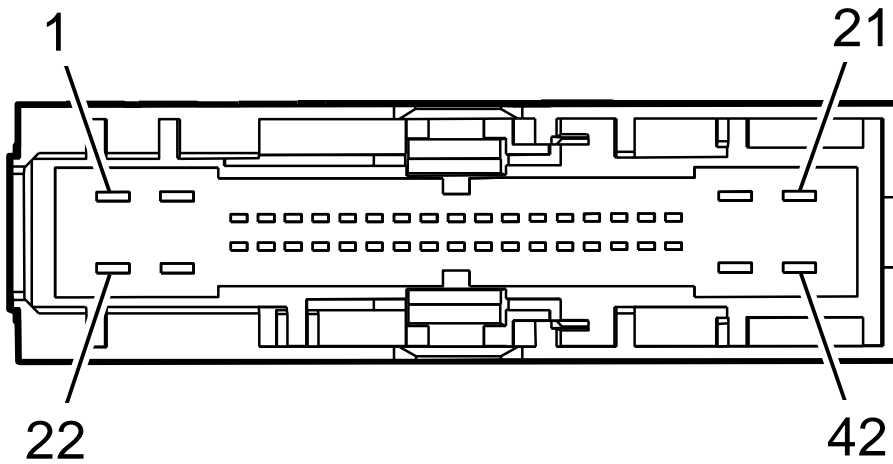
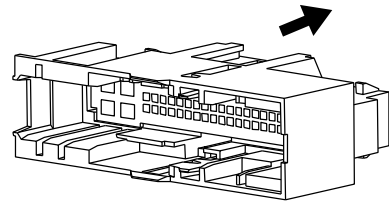
Table 191 X191 Engine Chassis Harness to Engine Chassis Harness (PTO) (cont.)

Male						Function	Female					
Pin	Size	Color	Circuit	Terminal Type ID	Option		Pin	Size	Color	Circuit	Terminal Type ID	Option
R	0.5	VT / WH	239	II	—	Run / Crank Ignition 1 Voltage	R	—	—	—	—	—
S	—	—	—	—	—	Not Occupied	S	—	—	—	—	—



**Connector Part Information**

- Harness Type: Steering Column
- Service Connector: Service by Harness
- Description: 42-pin F



**Connector Part Information**

- Harness Type: Instrument Panel
- Service Connector: 6040225C1
- Description: 42-pin M 0.64, 2.8 Series (GY)

**Table 194 Terminal Part Information**

Terminal Type ID	Service Terminal
I	Not Available
II	3709872C1
III	6041934C1
IV	6041970C1

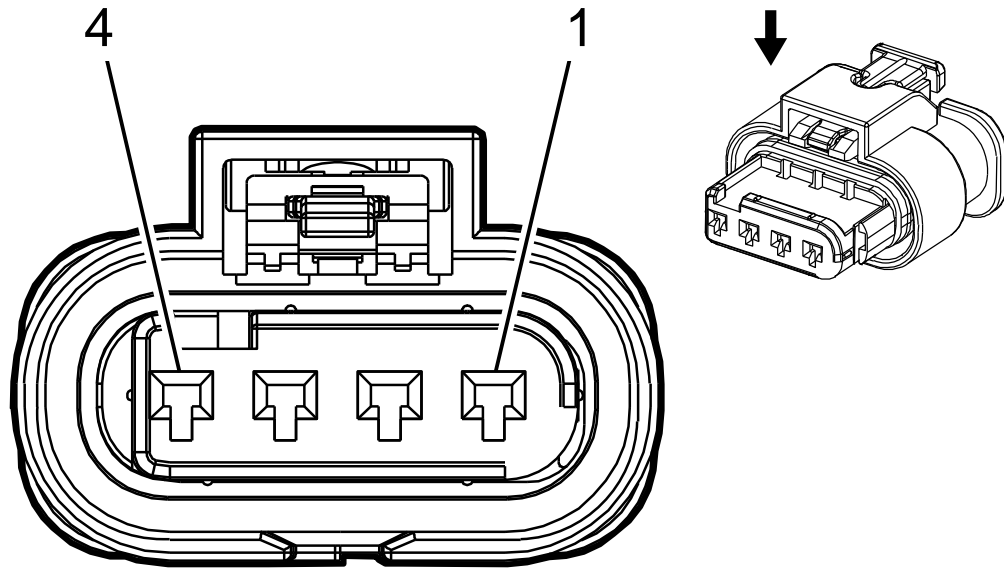
Table 195 X201 Steering Column Harness to Instrument Panel Harness

Male							Female					
Pin	Size	Color	Circuit	Terminal Type ID	Option	Function	Pin	Size	Color	Circuit	Terminal Type ID	Option
1-3	—	—	—	—	—	Not Occupied	1-3	—	—	—	—	—
4	0.35	RD / D-BU	540	I	—	Battery Positive Voltage	4	0.35	RD / D-BU	540	III	—
5-15	—	—	—	—	—	Not Occupied	5-15	—	—	—	—	—
16	0.35	L-GN / WH	111	I	—	Hazard Switch Signal	16	0.35	L-GN / WH	111	III	—
17	0.35	YE / WH	816	I	—	Brake Transmission Shift Interlock Solenoid Control	17	0.35	YE / WH	816	III	—
18-19	—	—	—	—	—	Not Occupied	18-19	—	—	—	—	—
20	0.5	BK	1050	I	—	Ground	20	0.5	BK	1050	II	—
21-24	—	—	—	—	—	Not Occupied	21-24	—	—	—	—	—
25	0.35	RD / YE	3040	I	—	Battery Positive Voltage	25	0.35	RD / YE	3040	III	—
26-29	—	—	—	—	—	Not Occupied	26-29	—	—	—	—	—
30	0.5	L-GN / WH	7527	I	—	Local Interconnect Network Serial Data Bus 5	30	0.5	L-GN / WH	7527	IV	—
31-32	—	—	—	—	—	Not Occupied	31-32	—	—	—	—	—
33	0.5	L-GN / BK	3894	I	—	Local Interconnect Network Serial Data Bus 12	33	0.5	L-GN / BK	3894	IV	—
34-37	—	—	—	—	—	Not Occupied	34-37	—	—	—	—	—

Table 195 X201 Steering Column Harness to Instrument Panel Harness (cont.)

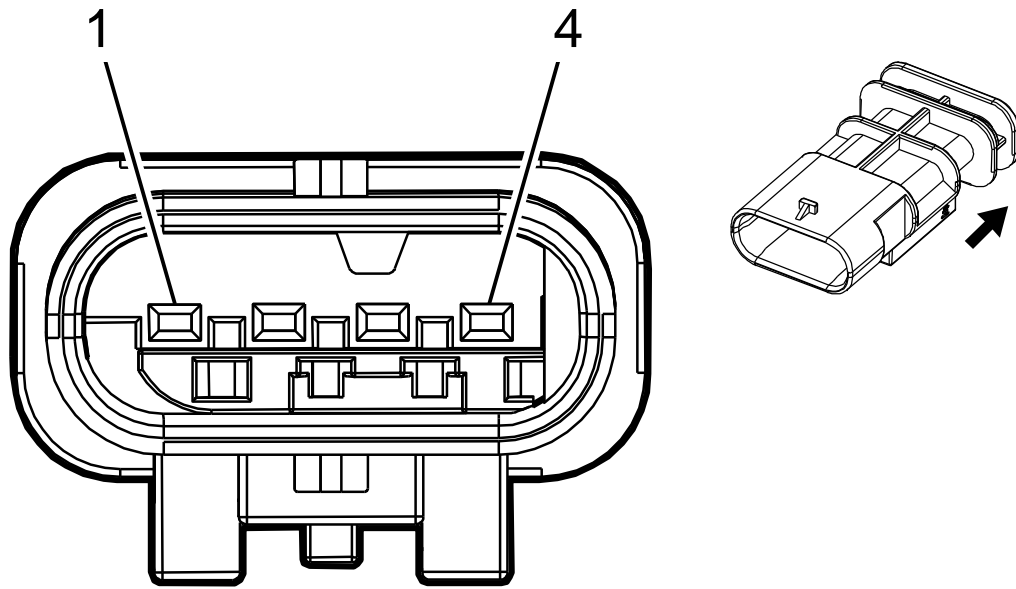
Male						Function	Female					
Pin	Size	Color	Circuit	Terminal Type ID	Option		Pin	Size	Color	Circuit	Terminal Type ID	Option
38	0.35	BN	6136	I	—	Control	38	0.35	BN	6136	III	—
39-41	—	—	—	—	—	Not Occupied	39-41	—	—	—	—	—
42	0.5	BK / WH	1851	I	—	Signal Ground	42	0.5	BK / WH	1851	II	—





**Connector Part Information**

- Harness Type: Instrument Panel
- Service Connector: 6040212C1
- Description: 4-pin F 1.2 Series, Sealed (YE)



**Connector Part Information**

- Harness Type: Passenger Instrument Panel Air Bag
- Service Connector: Service by Harness
- Description: 4-pin M

**Table 198 Terminal Part Information**

Terminal Type ID	Service Terminal
I	6041956C1
II	Not Available

**Table 199 X205 Instrument Panel Harness to Passenger Instrument Panel Air Bag Harness**

Male							Female					
Pin	Size	Color	Circuit	Terminal Type ID	Option	Function	Pin	Size	Color	Circuit	Terminal Type ID	Option
1	0.35	YE / OG	3025	I	—	Passenger IP Module Stage	1	0.35	YE / OG	3025	II	—

Table 199 X205 Instrument Panel Harness to Passenger Instrument Panel Air Bag Harness (cont.)

Male							Female					
Pin	Size	Color	Circuit	Terminal Type ID	Option	Function	Pin	Size	Color	Circuit	Terminal Type ID	Option
						1 High Control						
2	0.35	OG / WH	3024	I	—	Passenger IP Module Stage 1 Low Control	2	0.35	OG / WH	3024	II	—
3	0.35	GY / OG	3027	I	—	Passenger IP Module Stage 2 High Control	3	0.35	GY / OG	3027	II	—
4	0.35	OG / VT	3026	I	—	Passenger IP Module Stage 2 Low Control	4	0.35	OG / VT	3026	II	—

**Connector Part Information**

- Harness Type: Instrument Panel
- Service Connector: Service by Harness - See Part Catalog
- Description: 2-Way F 1.2 MCP Series, Sealed (YE)

**Connector Part Information**

- Harness Type: Passenger Instrument Panel Air Bag
- Service Connector: Service by Harness
- Description: 2-Way M (YE)

**Table 202 Terminal Part Information**

Terminal Type ID	Service Terminal
I	Not Available
II	Not Available

**Table 203 X206 Passenger Instrument Panel Air Bag Jumper Harness to Passenger Instrument Panel Air Bag Harness**

Male							Female					
Pin	Size	Color	Circuit	Terminal Type ID	Option	Function	Pin	Size	Color	Circuit	Terminal Type ID	Option
1	0.35	YE / OG	3025	I	—	Passenger IP Module Stage 1 High Control	1	—	YE / OG	3025	II	—
2	0.35	OG / WH	3024	I	—	Passenger IP Module Stage 1 Low Control	2	—	OG / WH	3024	II	—

<p><b>Connector Part Information</b></p> <ul style="list-style-type: none"> <li>• Harness Type: Instrument Panel</li> <li>• Service Connector: Service by Harness</li> <li>• Description: 1-Way F Coax Type (CU)</li> </ul>
---

<p><b>Connector Part Information</b></p> <ul style="list-style-type: none"> <li>• Harness Type: Passenger Instrument Panel Air Bag</li> <li>• Service Connector: Service by Harness</li> <li>• Description: 1-Way M Coax Type</li> </ul>
--

**Table 206 Terminal Part Information**

Terminal Type ID	Service Terminal
I	None
II	None

**Table 207 X210 Passenger Instrument Panel Air Bag Jumper Harness to Passenger Instrument Panel Air Bag Harness**

Male						Function	Female					
Pin	Size	Color	Circuit	Terminal Type ID	Option		Pin	Size	Color	Circuit	Terminal Type ID	Option
Coax	Coax	Coax	Coax	Coax	—	(XM +/-HD) Coaxial Antenna XM Signal	Coax	Coax	Coax	Coax	Coax	—

<p><b>Connector Part Information</b></p> <ul style="list-style-type: none"> <li>• Harness Type: Instrument Panel</li> <li>• Service Connector: Service by Harness</li> <li>• Description: 2-Way F Coax Type</li> </ul>
--

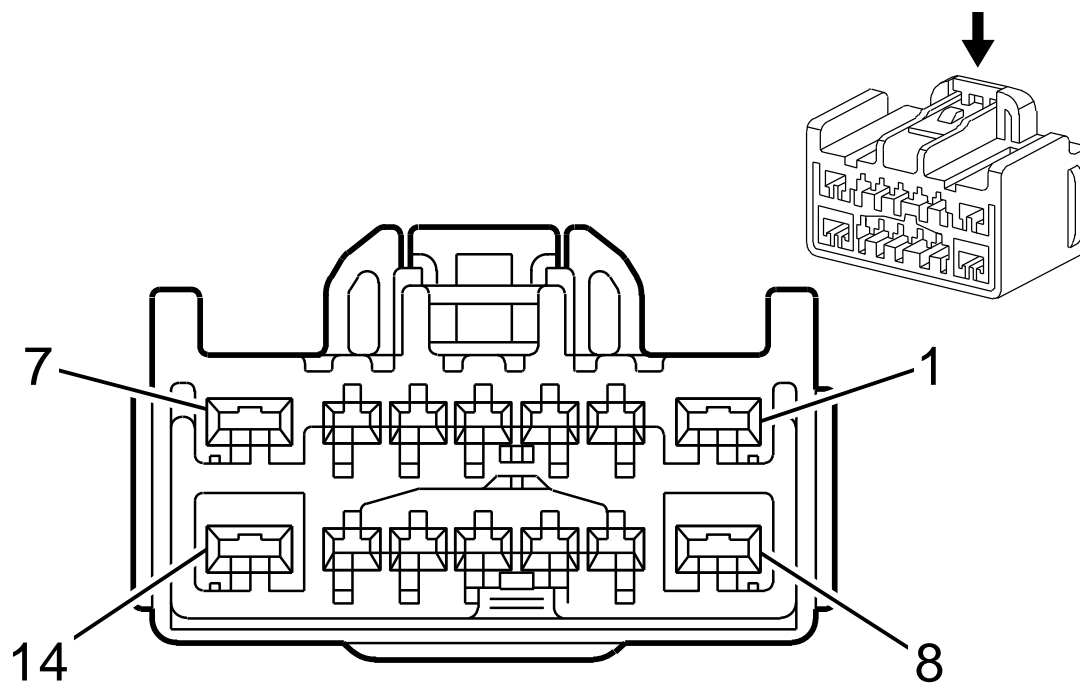
<p><b>Connector Part Information</b></p> <ul style="list-style-type: none"> <li>• Harness Type: Passenger Instrument Panel Air Bag</li> <li>• Service Connector: Service by Harness</li> <li>• Description: 2-Way M Coax Type</li> </ul>
--

**Table 210 Terminal Part Information**

Terminal Type ID	Service Terminal
I	None
II	None

**Table 211 X211 Passenger Instrument Panel Air Bag Jumper Harness to Passenger Instrument Panel Air Bag Harness**

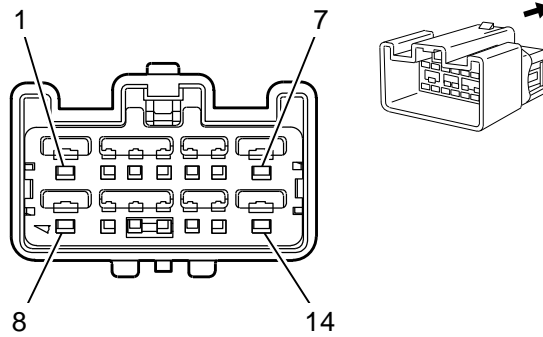
Male							Female					
Pin	Size	Color	Circuit	Terminal Type ID	Option	Function	Pin	Size	Color	Circuit	Terminal Type ID	Option
1	Coax	Coax	Coax	I	—	(GPS only) Coaxial Antenna GPS Signal	1	Coax	Coax	Coax	II	—



**Connector Part Information**

- Harness Type: HVAC
- Service Connector: Service by Harness
- Description: 14-pin F





**Connector Part Information**

- Harness Type: Instrument Panel
- Service Connector: 6040279C1
- Description: 14-pin M 1.5, 2.8 Series (L-GY)

**Table 214 Terminal Part Information**

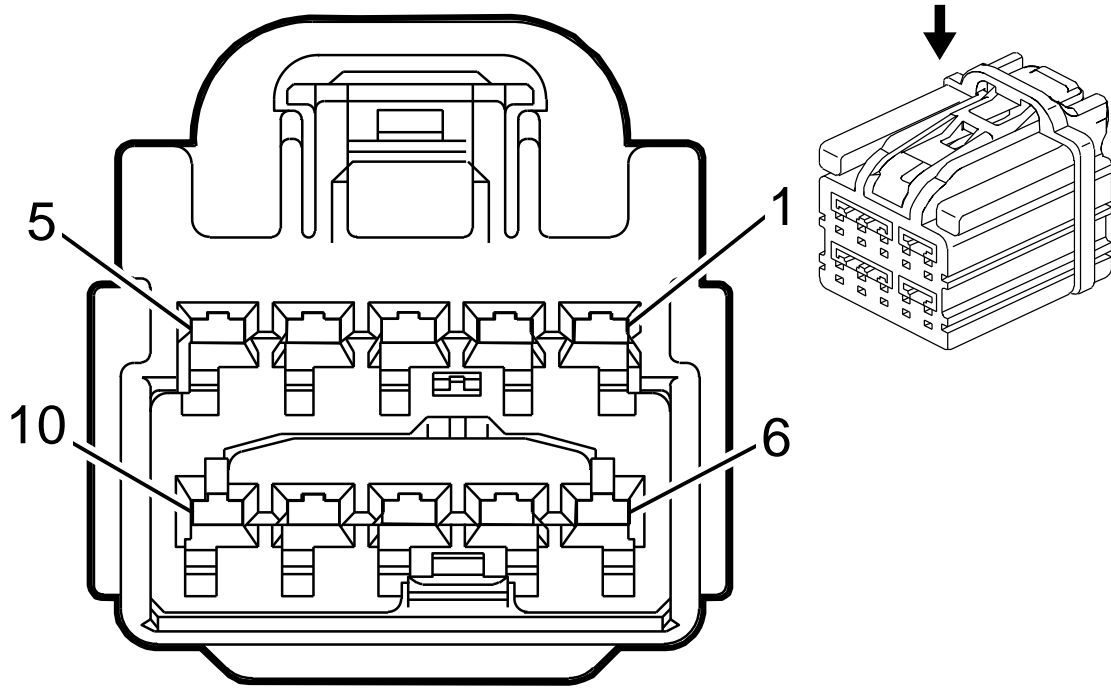
Terminal Type ID	Service Terminal
I	Not Available
II	6041999C1

**Table 215 X215 HVAC Harness to Instrument Panel Harness**

Male						Function	Female					
Pin	Size	Color	Circuit	Terminal Type ID	Option		Pin	Size	Color	Circuit	Terminal Type ID	Option
1	—	—	—	—	—	Not Occupied	1	—	—	—	—	—
2	0.35	L-GN	5060	I	—	Low Speed GMLAN Serial Data	2	0.35	L-GN	5060	II	—
3	0.35	L-GN / YE	7531	I	—	Local Interconnect Network Serial Data Bus 9	3	0.35	L-GN / YE	7531	II	—
4	0.5	RD / VT	3340	I	—	Battery Positive Voltage	4	0.5	RD / VT	3340	II	—

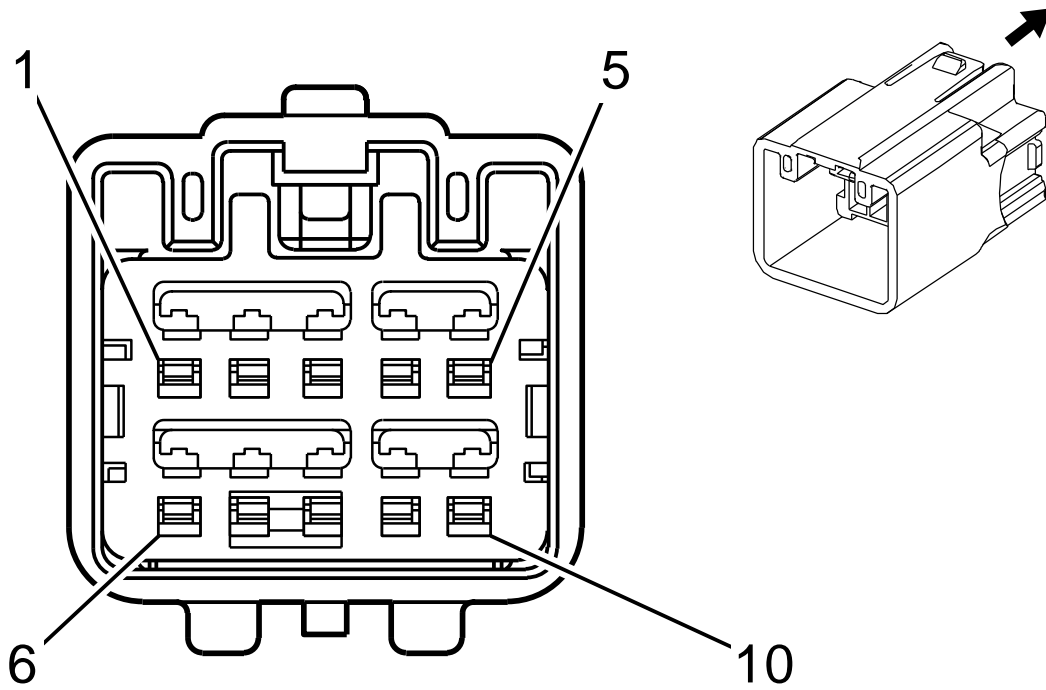
Table 215 X215 HVAC Harness to Instrument Panel Harness (cont.)

Male						Function	Female					
Pin	Size	Color	Circuit	Terminal Type ID	Option		Pin	Size	Color	Circuit	Terminal Type ID	Option
5	0.5	VT / GY	539	I	—	Run / Crank Ignition 1 Voltage	5	0.5	VT / GY	539	II	—
6-8	—	—	—	—	—	Not Occupied	6-8	—	—	—	—	—
9	0.35	BK / WH	BK / WH	I	—	Signal Ground	9	0.35	BK / WH	BK / WH	II	—
10	0.35	BK / YE	1791	I	—	Air Temperature Door Control Low Reference	10	0.35	BK / YE	1791	II	—
11-14	—	—	—	—	—	Not Occupied	11-14	—	—	—	—	—



**Connector Part Information**

- Harness Type: Body
- Service Connector: 6040277C1
- Description: 10-pin F YESC Kaizen Series (L-GY)



**Connector Part Information**

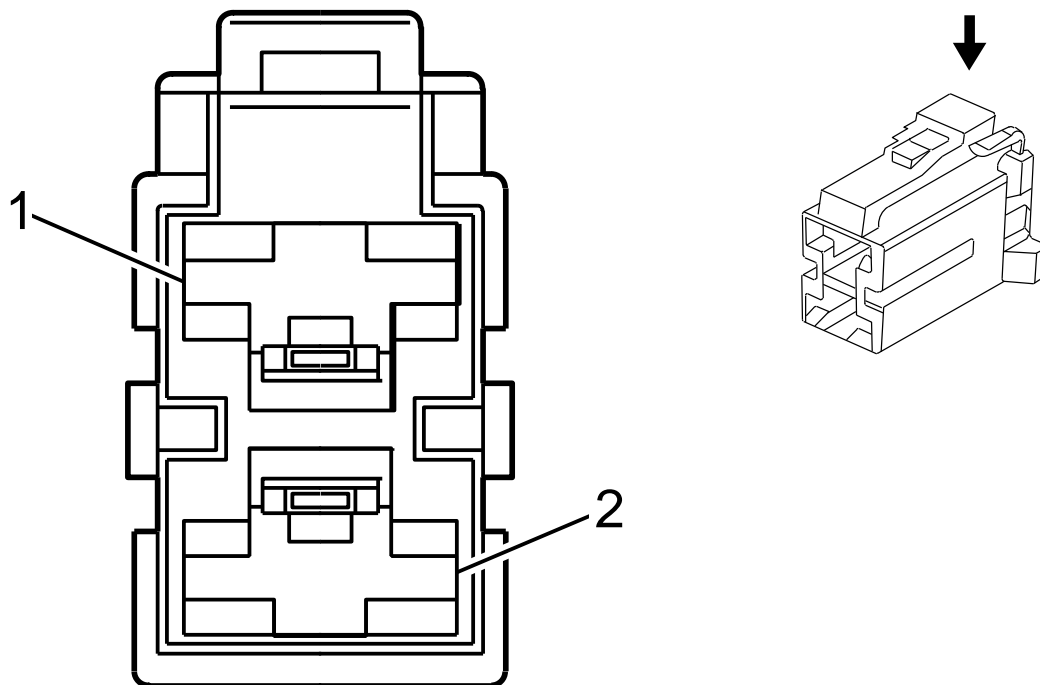
- Harness Type: HVAC
- Service Connector: Service by Harness
- Description: 10-pin M

**Table 218 Terminal Part Information**

Terminal Type ID	Service Terminal
I	6041943C1
II	6041943C1
III	Not Available

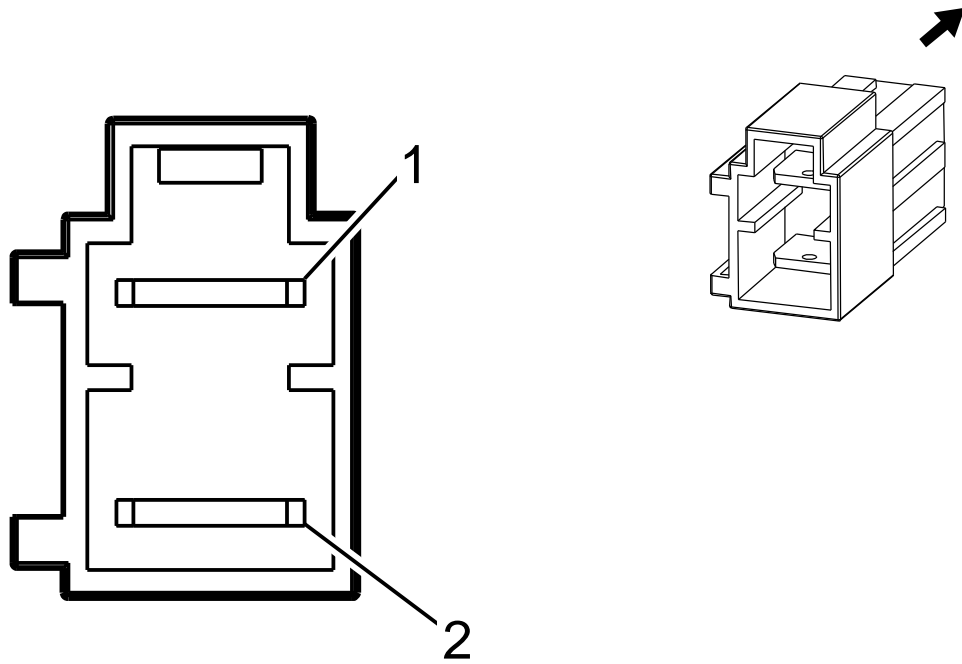
Table 219 X216 Body Harness to HVAC Harness

Male						Function	Female					
Pin	Size	Color	Circuit	Terminal Type ID	Option		Pin	Size	Color	Circuit	Terminal Type ID	Option
1-3	—	—	—	—	—	Not Occupied	1-3	—	—	—	—	—
4	0.35	BN / VT	193	II	—	Rear Defog Relay Control	4	0.35	BN / VT	193	III	—
5	0.5	D-BU / BN	7573	I	—	Electric Variable Displacement Supply	5	0.5	D-BU / BN	7573	III	—
6	0.5	D-BU / YE	7574	I	—	Electric Variable Displacement Control	6	0.5	D-BU / YE	7574	III	—
7-10	—	—	—	—	—	Not Occupied	7-10	—	—	—	—	—



**Connector Part Information**

- Harness Type: Body
- Service Connector: 6040273C1
- Description: 2-pin F 56 Series (BK)



<b>Connector Part Information</b>	
•	Harness Type: HVAC
•	Service Connector: Service by Harness
•	Description: 2-pin M

**Table 222 Terminal Part Information**

<b>Terminal Type ID</b>	<b>Service Terminal</b>
I	6041948C1 4mm 6041947C1 10mm
II	Not Available

Table 223 X217 Body Harness to HVAC Harness

Male						Function	Female					
Pin	Size	Color	Circuit	Terminal Type ID	Option		Pin	Size	Color	Circuit	Terminal Type ID	Option
1	4	RD / VT	542	I	—	Battery Positive Voltage	1	4	RD / VT	542	II	—
2	10	RD / GY	642	I	—	Battery Positive Voltage	2	10	RD / GY	642	II	—



**Connector Part Information**

- Harness Type: Instrument Panel Coax
- Service Connector: Service by Harness
- Description: 1-Way F Coax Type (PU)

**Connector Part Information**

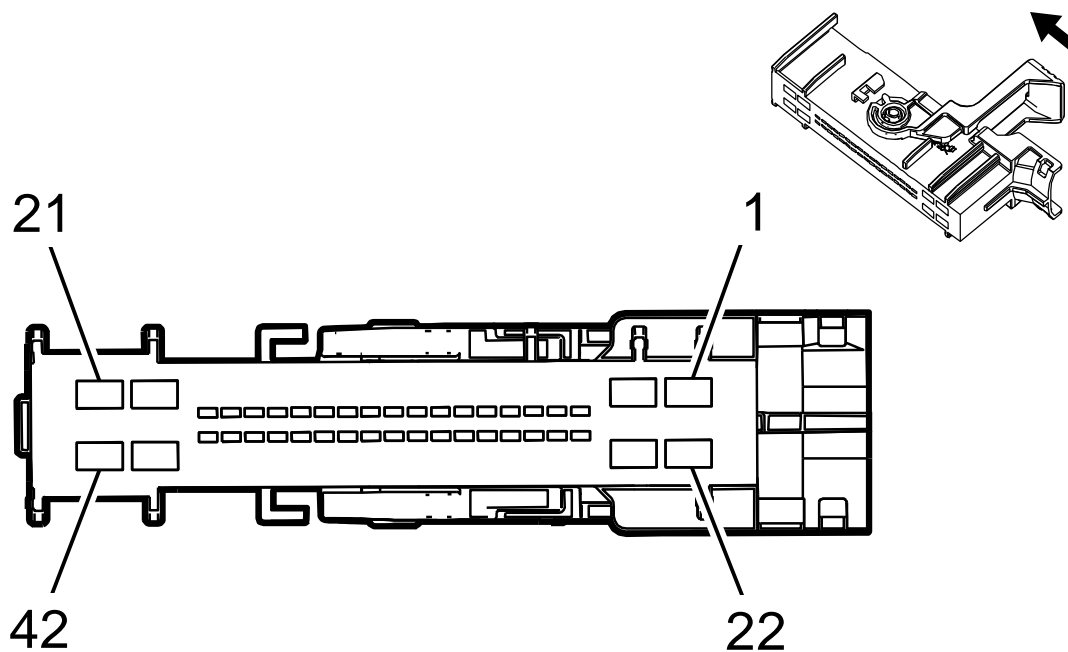
- Harness Type: HVAC
- Service Connector: Service by Harness
- Description: 1-Way M Coax Type

**Table 226 Terminal Part Information**

Terminal Type ID	Service Terminal
I	Not Available

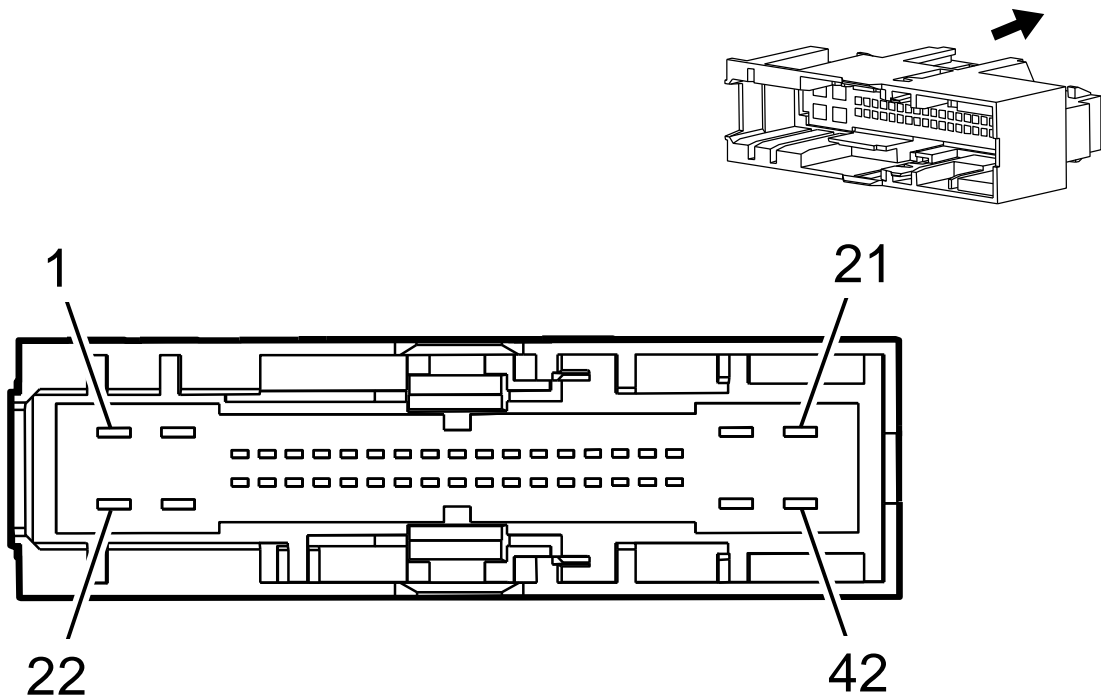
**Table 227 X222 Instrument Panel Coax Harness to Right A-Pillar Coax Harness (IO6)**

Male							Female					
Pin	Size	Color	Circuit	Terminal Type ID	Option	Function	Pin	Size	Color	Circuit	Terminal Type ID	Option
Coax	Coax	Coax	Coax	Coax	—	(Cell only) Coaxial Antenna Cell Phone Signal	Coax	Coax	Coax	Coax	Coax	—



**Connector Part Information**

- Harness Type: Body
- Service Connector: 6040240C1
- Description: 42-pin F 1.2, 2.8 Series (GY)



**Connector Part Information**

- Harness Type: Instrument Panel
- Service Connector: 6040213C1
- Description: 42-pin M 0.64, 2.8 Series (GY)

**Table 230 Terminal Part Information**

Terminal Type ID	Service Terminal
I	6041918C1
II	6041918C1
III	6042054C1
IV	6042055C1
V	3709872C1
VI	3709872C1
VII	6041934C1
VIII	6041970C1

Table 231 X225 Body Harness to Instrument Panel Harness

Male							Female					
Pin	Size	Color	Circuit	Terminal Type ID	Option	Function	Pin	Size	Color	Circuit	Terminal Type ID	Option
1	—	—	—	—	—	Not Occupied	1	—	—	—	—	—
2	1.5	BK	1850	III	—	Ground	2	0.75	BK	1850	VI	—
3	—	—	—	—	—	Not Occupied	3	—	—	—	—	—
4	0.5	WH / BN	6815	I	—	Inadvertent Power Control	4	0.5	WH / BN	6815	VIII	—
5	0.35	GY / WH	3272	I	—	Remote Function Actuator Control	5	0.35	GY / WH	3272	VII	—
6	0.35	D-BU / WH	3275	I	—	Remote Function Actuator Receive Signal	6	0.35	D-BU / WH	3275	VII	—
7	0.35	L-GN / BN	507	I	—	Wait To Start Indicator Control	7	0.35	L-GN / BN	507	VII	—
8	0.5	GY / VT	3998	I	—	MOST Serial Data (+)	8	0.5	GY / VT	3998	VIII	—
9-10	—	—	—	—	—	Not Occupied	9-10	—	—	—	—	—
11	0.5	WH / L-GN	3997	I	—	MOST Serial Data (-)	11	0.5	WH / L-GN	3997	VIII	—
12	0.5	BN / D-BU	118	I	—	Left Front Speaker Signal (-) 1	12	0.5	BN / D-BU	118	VIII	—
13	—	—	—	—	—	Not Occupied	13	—	—	—	—	—
14	0.5	L-GN	199	I	—	Left Rear Speaker Control (+)	14	0.5	L-GN	199	VIII	—
15	0.5	BN / L-GN	603	I	—	A/C Low Pressure Switch Signal	15	0.5	BN / L-GN	603	VIII	—

Table 231 X225 Body Harness to Instrument Panel Harness (cont.)

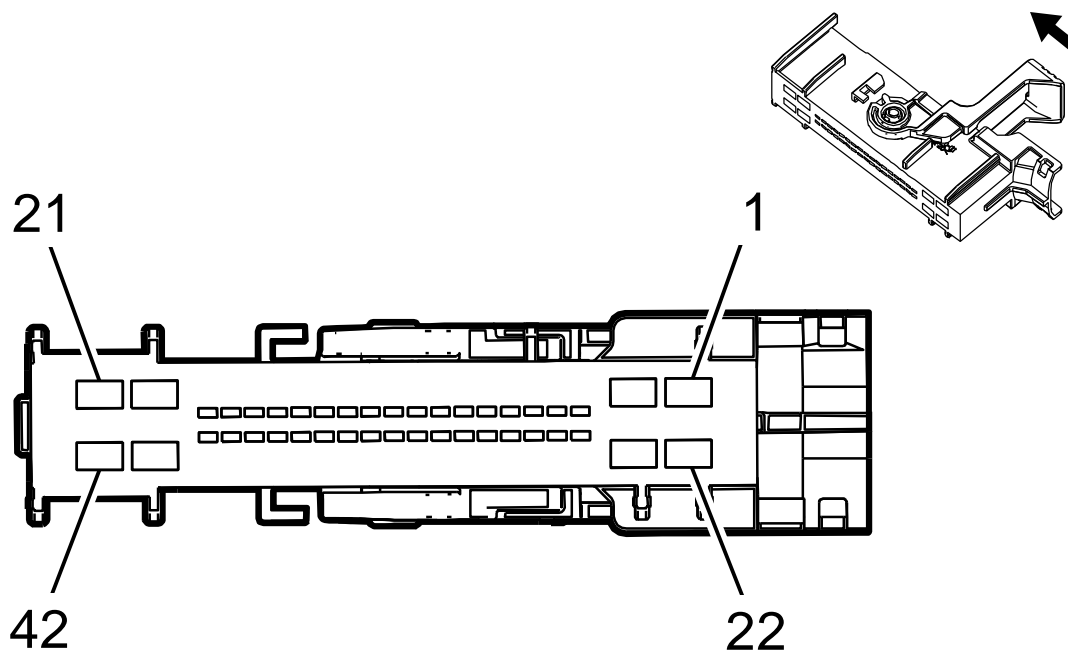
Male						Function	Female					
Pin	Size	Color	Circuit	Terminal Type ID	Option		Pin	Size	Color	Circuit	Terminal Type ID	Option
16-19	—	—	—	—	—	Not Occupied	16-19	—	—	—	—	—
20	0.5	BN / D-BU	118	IV	Feature Code: 0008RNU	Left Front Speaker Signal (-) 1	20	0.75	BN / D-BU	118	VI	—
	0.5	BN / D-BU	118	IV	Feature Code: 0008RNU / 0008RNT							
21-22	—	—	—	—	—	Not Occupied	21-22	—	—	—	—	—
23	0.35	L-GN	4512	II	—	Wireless Charging System Charge Indicator Control	23	0.35	L-GN	4512	V	—
24	0.35	L-GN / WH	3438	I	—	Exhaust Brake Switch Signal	24	0.35	L-GN / WH	3438	VII	—
25	0.35	BN / WH	419	I	—	Check Engine Indicator Control	25	0.35	BN / WH	419	VII	—
26	0.35	YE / L-GN	3274	I	—	Remote Function Actuator Transmit Signal	26	0.35	YE / L-GN	3274	VII	—
27	0.35	GY	3273	I	—	Remote Function Actuator Low Reference	27	0.35	GY	3273	VII	—
28	0.5	BK	1850	I	—	Ground	28	0.5	BK	1850	VIII	—
29	0.5	WH / L-GN	3997	I	—	MOST Serial Data (-)	29	0.5	WH / L-GN	3997	VIII	—

Table 231 X225 Body Harness to Instrument Panel Harness (cont.)

Male							Female					
Pin	Size	Color	Circuit	Terminal Type ID	Option	Function	Pin	Size	Color	Circuit	Terminal Type ID	Option
30	0.35	L-GN / WH	488	I	—	Power Take-off Control Switch	30	0.35	L-GN / WH	488	VII	—
31	0.35	BN / L-GN	4311	I	—	Power Take-off Enable In Cab Switch Normally Closed Signal	31	0.35	BN / L-GN	4311	VII	—
32	0.5	GY / VT	3998	I	—	MOST Serial Data (+)	32	0.5	GY / VT	3998	VIII	—
33	0.5	D-BU	201	I	—	Left Front Speaker Control (+) 1	33	0.5	D-BU	201	VIII	—
34	—	—	—	—	—	Not Occupied	34	—	—	—	—	—
35	0.5	L-GN / BK	116	I	—	Left Rear Speaker Signal (-)	35	0.5	L-GN / BK	116	VIII	—
36	0.5	L-GN / YE	2081	I	—	Exhaust Brake Switch Control	36	0.5	L-GN / YE	2081	VIII	—
37	0.35	VT / YE	43	I	—	Accessory Ignition Voltage	37	0.35	VT / YE	43	VII	—
38-39	—	—	—	—	—	Not Occupied	38-39	—	—	—	—	—
40	0.5	L-GN / GY	6135	I	—	Local Interconnect Network Serial Data Bus 4	40	0.5	L-GN / GY	6135	VIII	—

Table 231 X225 Body Harness to Instrument Panel Harness (cont.)

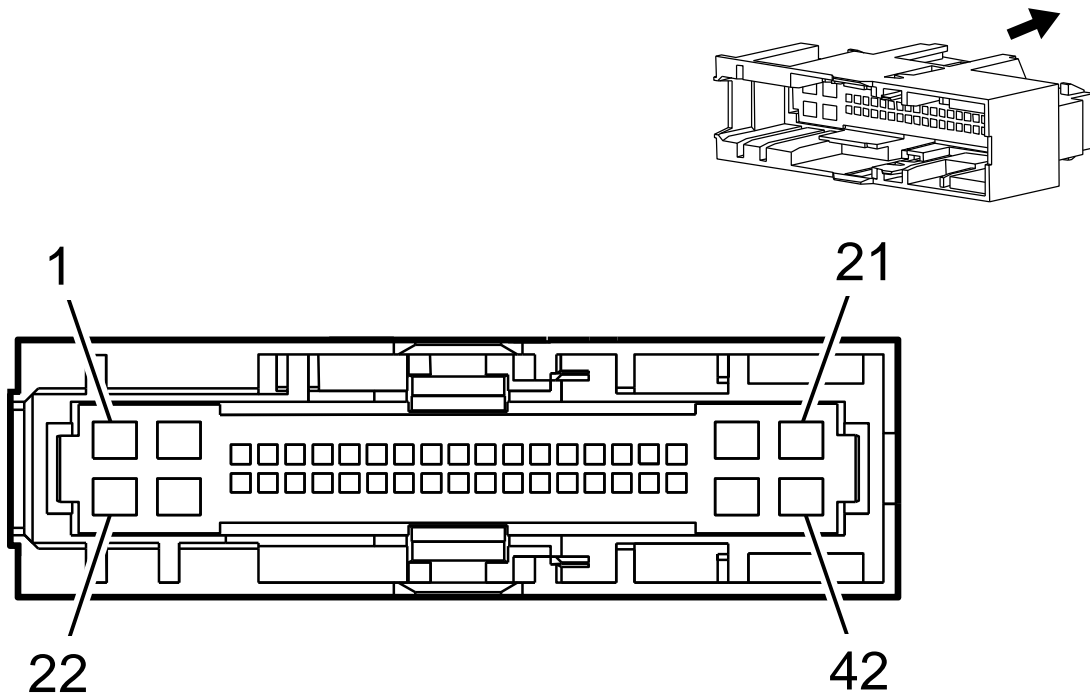
Male							Female					
Pin	Size	Color	Circuit	Terminal Type ID	Option	Function	Pin	Size	Color	Circuit	Terminal Type ID	Option
41	0.5	D-BU	201	IV	Feature Code: 0008RNU	Left Front Speaker Control (+) 1	41	0.75	D-BU	201	VI	—
	0.5	D-BU	201	IV	Feature Code: 0008RNU / 0008RNT	Left Front Speaker Control (+) 1						
42	—	—	—	—	—	Not Occupied	42	—	—	—	—	—



**Connector Part Information**

- Harness Type: Instrument Panel
- Service Connector: 6040213C1
- Description: 42-pin F 1.2, 2.8 Series (YE)





**Connector Part Information**

- Harness Type: Body
- Service Connector: 6040213C1
- Description: 42-pin M 0.64, 2.8 Series (YE)

**Table 234 Terminal Part Information**

Terminal Type ID	Service Terminal
I	6041935C1
II	6041918C1
III	6041918C1
IV	6042054C1
V	6042055C1
VI	6041893C1
VII	3709872C1
VIII	3709872C1
IX	6041953C1
X	6041934C1

Table 234 Terminal Part Information (cont.)

Terminal Type ID	Service Terminal
XI	6041970C1
XII	6041891C1

Table 235 X275 Instrument Panel Harness to Body Harness

Male						Function	Female					
Pin	Size	Color	Circuit	Terminal Type ID	Option		Pin	Size	Color	Circuit	Terminal Type ID	Option
1	—	—	—	—	—	Not Occupied	1	—	—	—	—	—
2	1.5	VT / YE	143	IV	—	Accessory Ignition Voltage	2	1.5	VT / YE	143	IX	—
3	0.35	D-BU	2060	II	—	Auxiliary Detection Signal	3	0.5	D-BU	2060	XI	—
4	0.5	BARE	5842	II	—	Auxiliary Audio Screen 2	4	0.5	BARE	5842	XI	—
5	0.35	VT	5843	II	—	Auxiliary Audio Common Signal	5	0.5	VT	5843	XI	—
6	0.35	GY	5839	II	—	Left Auxiliary Audio Signal 2	6	0.5	GY	5839	XI	—
7	0.35	L-GN	5841	II	—	Right Auxiliary Audio Signal 2	7	0.5	L-GN	5841	XI	—
8	0.35	GY / YE	6972	II	—	Camera Signal 2 (+)	8	0.35	GY / YE	6972	X	—
9	0.35	WH / D-BU	6973	II	—	Camera Signal 2	9	0.35	WH / D-BU	6973	X	—
10-11	—	—	—	—	—	Not Occupied	10-11	—	—	—	—	—
12	0.5	YE / BK	117	II	—	Right Front Speaker Signal (-) 1	12	0.5	YE / BK	117	XI	—

Table 235 X275 Instrument Panel Harness to Body Harness (cont.)

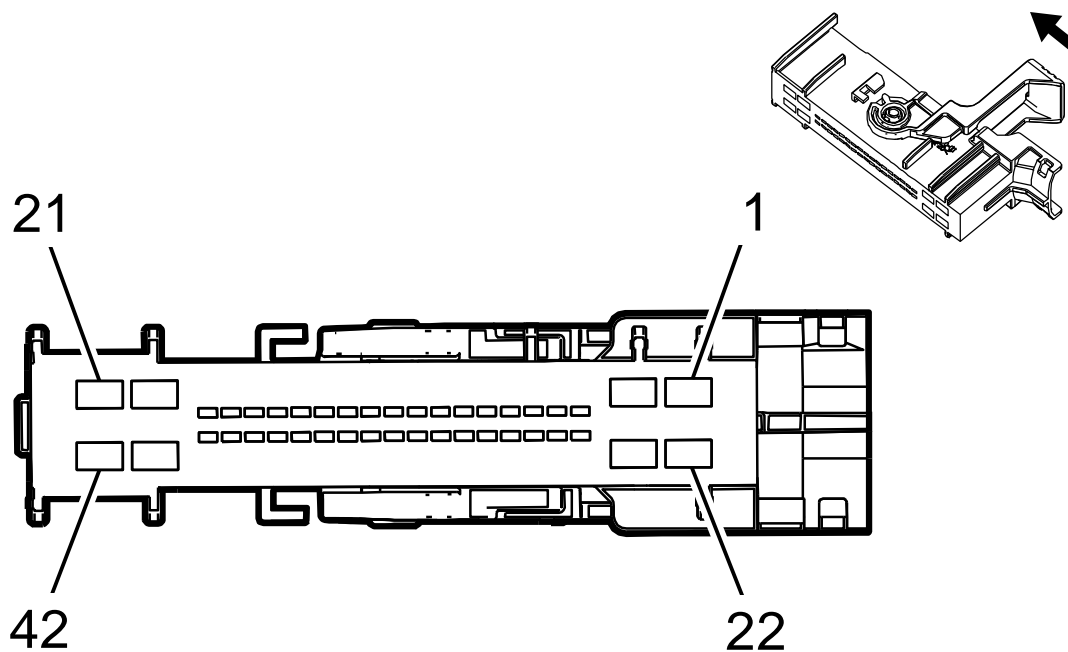
Male							Female					
Pin	Size	Color	Circuit	Terminal Type ID	Option	Function	Pin	Size	Color	Circuit	Terminal Type ID	Option
13	0.5	BN / WH	1429	II	—	Standing Lamp Relay Control	13	0.5	BN / WH	1429	XI	—
14	0.5	WH	46	II	—	Right Rear Speaker Control (+)	14	0.5	WH	46	XI	—
15	0.35	YE / OG	3025	I	—	Passenger IP Module Stage 1 High Control	15	0.35	YE / OG	3025	XII	—
16	0.35	OG / WH	3024	I	—	Passenger IP Module Stage 1 Low Control	16	0.35	OG / WH	3024	XII	—
17	0.35	GY / OG	3027	I	—	Passenger IP Module Stage 2 High Control	17	0.35	GY / OG	3027	XII	—
18	0.35	OG / VT	3026	I	—	Passenger IP Module Stage 2 Low Control	18	0.35	OG / VT	3026	XII	—
19	0.75	BK / WH	1851	II	—	Signal Ground	19	0.75	BK / WH	1851	XI	—
20	0.75	YE / BK	117	V	—	Right Front Speaker Signal (-) 1	20	0.5	YE / BK	117	VIII	Feature Code: 0008RNM
						Right Front Speaker Signal (-) 1		0.75	YE / BK	117	VIII	Feature Code: 0008RNU / 0008RNT
21	1.5	VT / YE	243	IV	—	Accessory Ignition Voltage	21	1.5	VT / YE	243	IX	—
22	—	—	—	—	—	Not Occupied	22	—	—	—	—	—

Table 235 X275 Instrument Panel Harness to Body Harness (cont.)

Male						Female						
Pin	Size	Color	Circuit	Terminal Type ID	Option	Function	Pin	Size	Color	Circuit	Terminal Type ID	Option
23	0.35	WH / D-BU	5986	V	Feature Code: 0008RNV / 0008RNX	Serial Data Communication Enable	23	0.5	WH / D-BU	5986	VII	—
	0.5	WH / D-BU	5986	V	Feature Code: 0008AAE	Serial Data Communication Enable						
	0.35	WH / D-BU	5986	III	Without Feature Code: 0008AAE	Serial Data Communication Enable						
	—	—	—	—	—	Not Occupied						
24	—	—	—	—	—	Not Occupied	24	—	—	—	—	—
25	0.5	L-GN	5060	II	—	Low Speed GMLAN Serial Data	25	0.5	L-GN	5060	XI	—
26-28	—	—	—	—	—	Not Occupied	26-28	—	—	—	—	—
29	0.35	BARE	6974	II	—	Camera Low Reference	29	0.35	BARE	6974	X	—
30	—	—	—	—	—	Not Occupied	30	—	—	—	—	—
31	0.5	D-BU / YE	68	II	—	Low Coolant Level Indicator Control	31	0.5	D-BU / YE	68	XI	—
32	—	—	—	—	—	Not Occupied	32	—	—	—	—	—
33	0.5	YE	200	II	—	Right Front Speaker Control (+) 1	33	0.5	YE	200	XI	—
34	—	—	—	—	—	Not Occupied	34	—	—	—	—	—

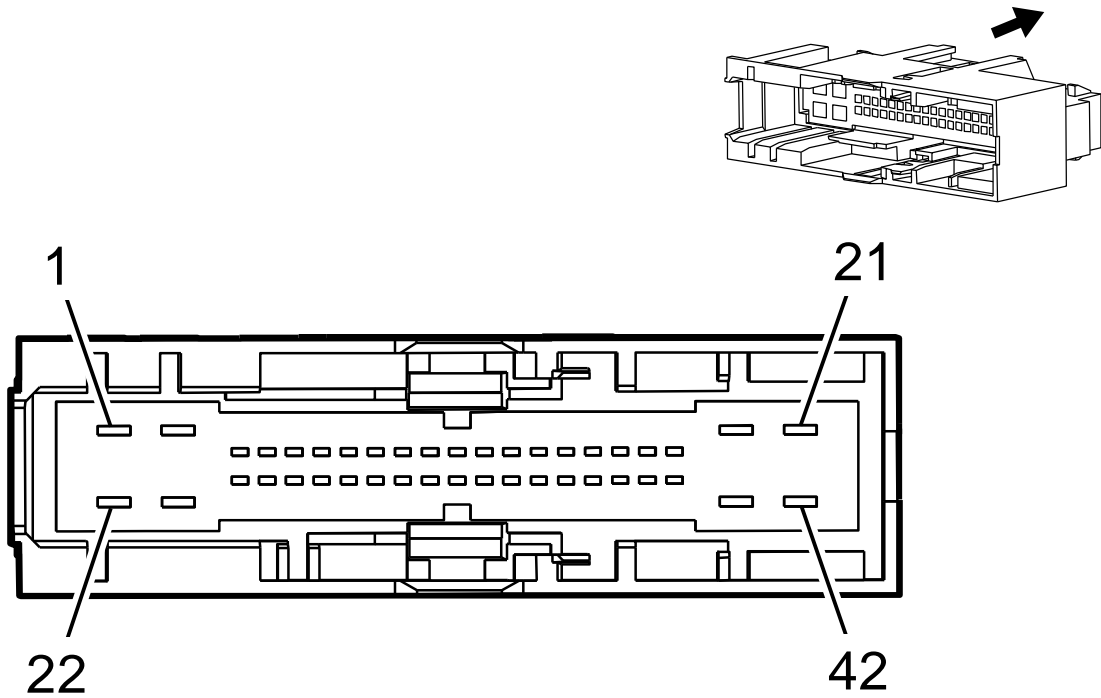
Table 235 X275 Instrument Panel Harness to Body Harness (cont.)

Male						Function	Female					
Pin	Size	Color	Circuit	Terminal Type ID	Option		Pin	Size	Color	Circuit	Terminal Type ID	Option
35	0.5	D-BU / BK	115	II	—	Right Rear Speaker Signal (-)	35	0.5	D-BU / BK	115	XI	—
36	0.35	D-BU / OG	7328	II	—	Passenger IP Module Disable Switch Low Reference	36	0.35	D-BU / OG	7328	X	—
37	0.35	VT / OG	371	II	—	Passenger IP Module Disable Switch Signal	37	0.35	VT / OG	371	X	—
38	1	BK	1050	VI	—	Ground	38	0.75	BK	1050	XI	—
39	0.75	BK	1050	II	—	Ground	39	0.75	BK	1050	XI	—
40	—	—	—	—	—	Not Occupied	40	—	—	—	—	—
41	0.75	YE	200	V	—	Right Front Speaker Control (+) 1	41	0.5	YE	200	VIII	Feature Code: 0008RNU
						Right Front Speaker Control (+) 1		0.75	YE	200		
42	—	—	—	—	—	Not Occupied	42	—	—	—	—	—



**Connector Part Information**

- Harness Type: Instrument Panel
- Service Connector: 6040240C1
- Description: 42-pin F 1.2, 2.8 Series (GY)



**Connector Part Information**

- Harness Type: Floor Console
- Service Connector: Service by Harness
- Description: 42-pin M 0.64, 2.8 Series (GY)

**Table 238 Terminal Part Information**

Terminal Type ID	Service Terminal
I	6041918C1
II	6042054C1
III	6042055C1
IV	Not Available
V	Not Available

Table 239 X300 Instrument Panel Harness to Floor Console Harness (D07)

Male							Female					
Pin	Size	Color	Circuit	Terminal Type ID	Option	Function	Pin	Size	Color	Circuit	Terminal Type ID	Option
1	1.5	VT / YE	243	II	—	Accessory Ignition Voltage	1	1.5	VT / YE	243	IV	—
2	1.5	VT / YE	143	II	—	Accessory Ignition Voltage	2	1.5	VT / YE	143	IV	—
3	—	—	—	—	—	Not Occupied	3	—	—	—	—	—
4	0.35	D-BU	2060	I	—	Auxiliary Detection Signal	4	0.35	D-BU	2060	V	—
5	0.75	BK	2550	I	—	5. Ground	5	0.75	BK	2550	V	—
6	—	—	—	—	—	Not Occupied	6	—	—	—	—	—
7	0.35	VT / YE	43	I	—	Accessory Ignition Voltage	7	0.35	VT / YE	43	V	—
8-12	—	—	—	—	—	Not Occupied	8-12	—	—	—	—	—
13	0.5	BARE	5842	I	—	Auxiliary Audio Screen 2	13	0.5	BARE	5842	V	—
14	0.35	VT	5843	I	—	Auxiliary Audio Common Signal	14	0.35	VT	5843	V	—
15	—	—	—	—	—	Not Occupied	15	—	—	—	—	—
16	—	—	—	—	—	Left Rear Seat Audio Headphone Signal	16	0.35	L-GN / WH	3355	V	—
17	—	—	—	—	—	Rear Seat Audio Headphone Low Reference	17	0.5	BARE	3354	V	—
18-22	—	—	—	—	—	Not Occupied	18-22	—	—	—	—	—
23	2.5	BK	1050	II	—	Ground	23	2.5	BK	1050	IV	—



Table 239 X300 Instrument Panel Harness to Floor Console Harness (D07) (cont.)

Male						Function	Female					
Pin	Size	Color	Circuit	Terminal Type ID	Option		Pin	Size	Color	Circuit	Terminal Type ID	Option
24	—	—	—	—	—	Battery Positive Voltage	24	0.75	RD / VT	340	V	—
25-27	—	—	—	—	—	Not Occupied	25-27	—	—	—	—	—
28	0.5	WH / BN	6815	I	—	Inadvertent Power Control	28	0.5	WH / BN	6815	V	—
29	0.35	L-GN	4512	I	—	Wireless Charging System Charge Indicator Control	29	0.35	L-GN	4512	V	—
30-33	—	—	—	—	—	Not Occupied	30-33	—	—	—	—	—
34	0.35	L-GN	5841	I	—	Right Auxiliary Audio Signal 2	34	0.35	L-GN	5841	V	—
35	0.35	GY	5839	I	—	Left Auxiliary Audio Signal 2	35	0.35	GY	5839	V	—
36	—	—	—	—	—	Not Occupied	36	—	—	—	—	—
37	—	—	—	—	—	Right Rear Seat Audio Headphone Signal	37	0.35	BN / GY	3357	V	—
38	—	—	—	—	—	Rear Seat Audio Headphone Common Signal	38	0.35	D-BU / VT	3356	V	—
39-41	—	—	—	—	—	Not Occupied	39-41	—	—	—	—	—
42	0.75	RD / VT	340	III	—	Battery Positive Voltage	42	0.75	RD / VT	340	IV	—

**Connector Part Information**

- Harness Type: Instrument Panel Coax
- Service Connector: Service by Harness
- Description: 5-Way F 2.0 Mini-B USB Type (GY)

**Connector Part Information**

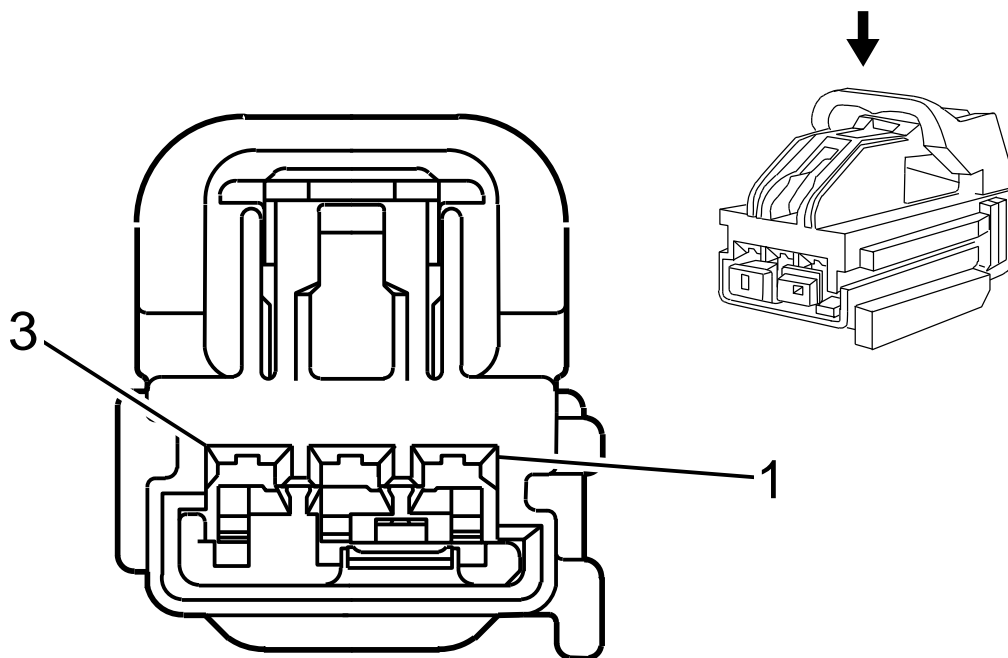
- Harness Type: HVAC
- Service Connector: Service by Harness
- Description: 5-Way M 2.0 Mini-B USB Type (GY)

**Table 242 Terminal Part Information**

Terminal Type ID	Service Terminal
I	Not Available

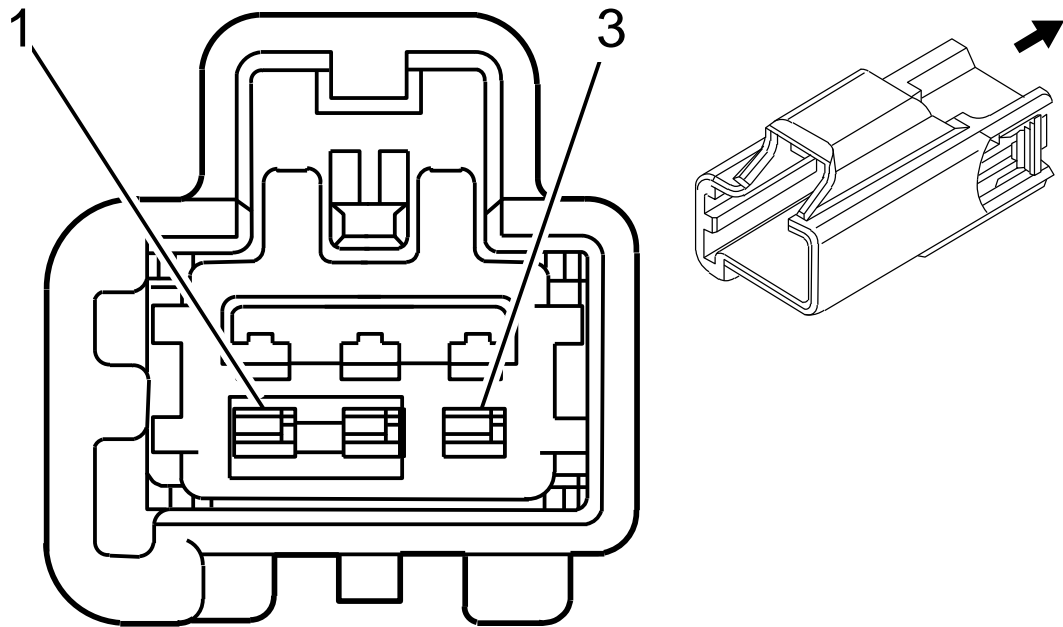
**Table 243 X301 Body USB Harness to Instrumental Panel USB Harness (-D07)**

Male							Female					
Pin	Size	Color	Circuit	Terminal Type ID	Option	Function	Pin	Size	Color	Circuit	Terminal Type ID	Option
Coax	Coax	Coax	Coax	Coax	—	(Cell only) Coaxial Antenna Cell Phone Signal	Coax	Coax	Coax	Coax	Coax	—



**Connector Part Information**

- Harness Type: Wireless Charger
- Service Connector: Service by Harness
- Description: 3-pin F 1.5 Kaizen Series (L-GY)



**Connector Part Information**

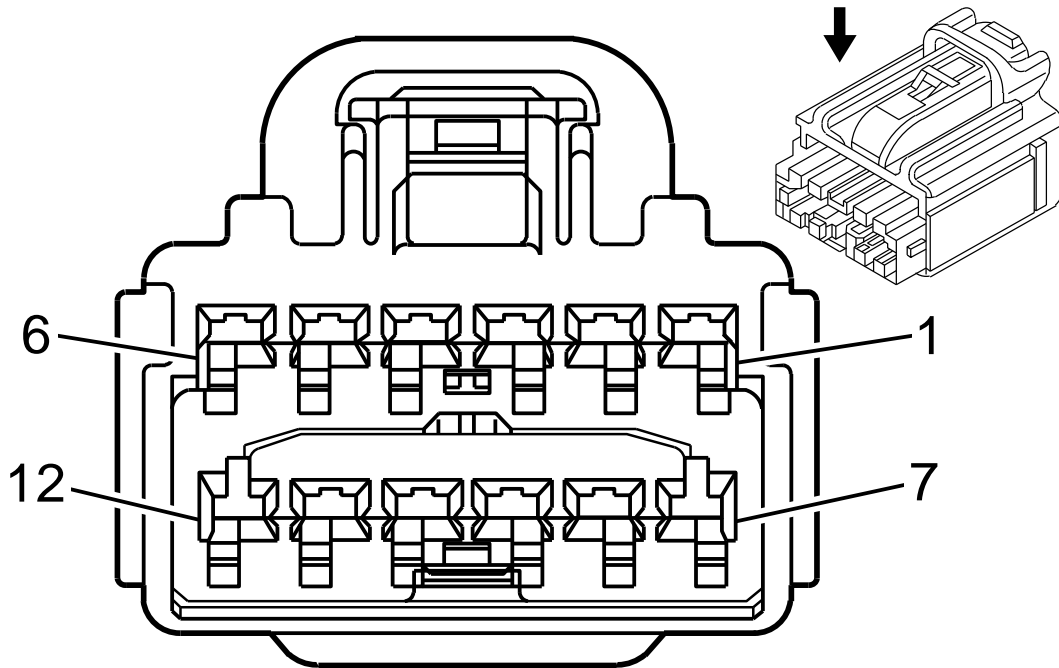
- Harness Type: Floor Console
- Service Connector: Service by Harness
- Description: 3-pin M 1.5 YESC Kaizen Series (L-GY)

**Table 246 Terminal Part Information**

Terminal Type ID	Service Terminal
I	Not Available
II	Not Available

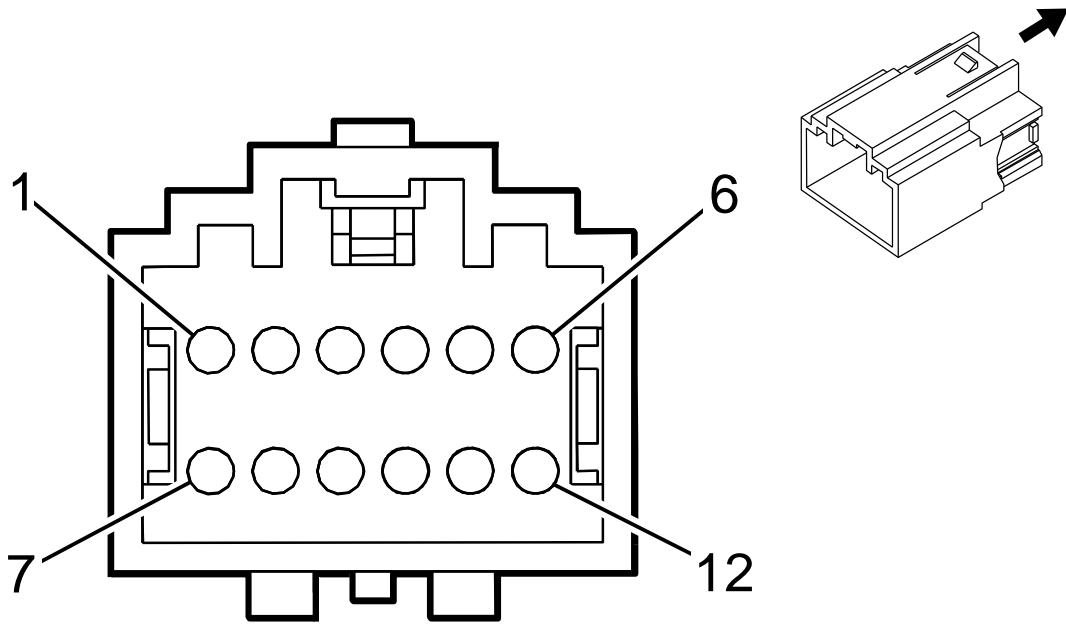
Table 247 X302 Wireless Charger Harness to Floor Console Harness (Feature Code: 0016XCN)

Male						Function	Female					
Pin	Size	Color	Circuit	Terminal Type ID	Option		Pin	Size	Color	Circuit	Terminal Type ID	Option
1	0.35	VT / YE	43	I	—	Accessory Ignition Voltage	1	0.35	VT / YE	43	II	—
2	0.75	BK	1050	I	—	Ground	2	0.75	BK	1050	II	—
3	0.35	L-GN	4512	I	—	Wireless Charging System Charge Indicator Control	3	0.35	L-GN	4512	II	—



**Connector Part Information**

- Harness Type: Instrument Panel
- Service Connector: 6040285C1
- Description: 12-pin F YESC Kaizen Series (L-GY)



**Connector Part Information**

- Harness Type: Headliner
- Service Connector: 6040281C1
- Description: 12-pin M 1.5 Series (L-GY)

**Table 250 Terminal Part Information**

Terminal Type ID	Service Terminal
I	6041990C1
II	6041999C1

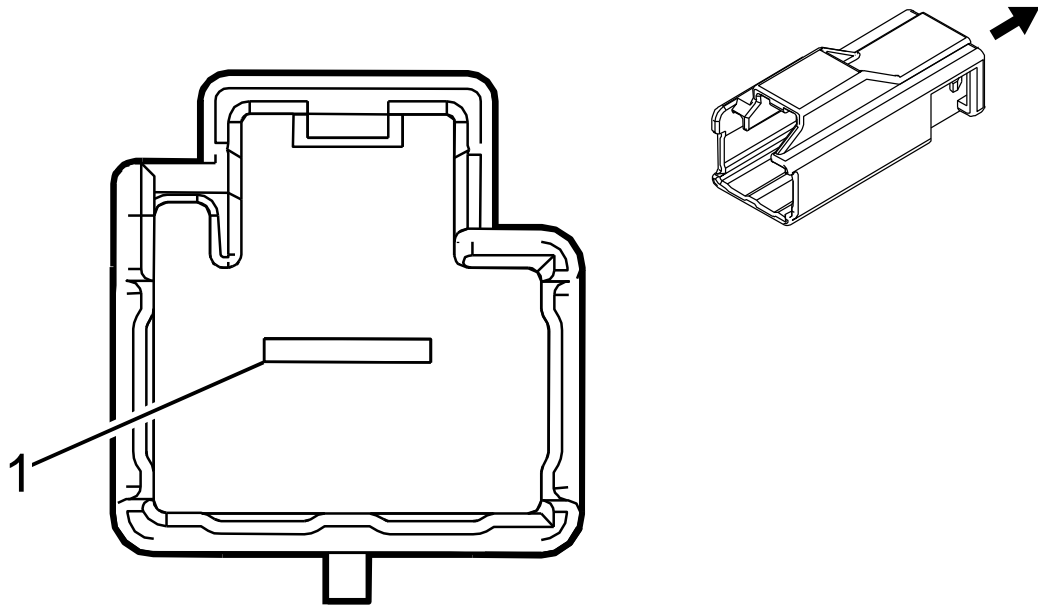


Table 251 X305 Instrument Panel Harness to Headliner Harness

Male						Function	Female					
Pin	Size	Color	Circuit	Terminal Type ID	Option		Pin	Size	Color	Circuit	Terminal Type ID	Option
1	—	—	—	—	—	Ground	1	0.5	BK / WH	2550	II	—
								0.75	BK	1050	II	—
2	—	—	—	—	—	Exterior Courtesy Lamp Control	2	0.75	WH / VT	1430	II	—
3	0.35	BK / BN	654	I	—	Interior Lamp Defeat Switch Signal Cellular Telephone Microphone Low Reference	3	0.35	GY / L-GN	328	II	— (Feature Code: 0008RNW / 0008RNX / 0008RNM) (Without Feature Code: 0008AAE)
								0.35	BK / BN	654	II	
4	0.35	D-BU	655	I	—	Cellular Telephone Microphone Signal	4	0.35	D-BU	655	II	—
5	—	—	—	—	—	Battery Positive Voltage	5	0.5	RD / L-GN	1540	II	—
6-8	—	—	—	—	—	Not Occupied	6-8	—	—	—	—	—
9	—	—	—	—	—	LED Ambient Lighting Control 2	9	0.35	VT / L-GN	7558	II	—
10	—	—	—	—	—	Entertainment Remote Enable Signal	10	0.35	L-GN / YE	7066	II	—
								0.5	YE	6817	II	—
11-12	—	—	—	—	—	Not Occupied	11-12	—	—	—	—	—

**Connector Part Information**

- Harness Type: Rear Window Defog – Positive
- Service Connector: Service by Harness
- Description: 1-pin F



Connector Part Information	
•	Harness Type: Body
•	Service Connector: 6040262C1
•	Description: 1-pin M 6.3 Series (BK)

Table 254 Terminal Part Information

Terminal Type ID	Service Terminal
I	Not Available
II	Not Available

Table 255 X307 Rear Window Defogger – Positive Harness to Body Harness (Feature Code: 0008AAB)

Male						Function	Female					
Pin	Size	Color	Circuit	Terminal Type ID	Option		Pin	Size	Color	Circuit	Terminal Type ID	Option
1	2.5	BN / VT	293	I	—	Rear Defog Element Control	1	2.5	BN / VT	293	II	—

**Connector Part Information**

- Harness Type: Floor Console USB
- Service Connector: 6041821C1
- Description: 5-Way F 2.0 Mini-B USB Type (BN)

**Connector Part Information**

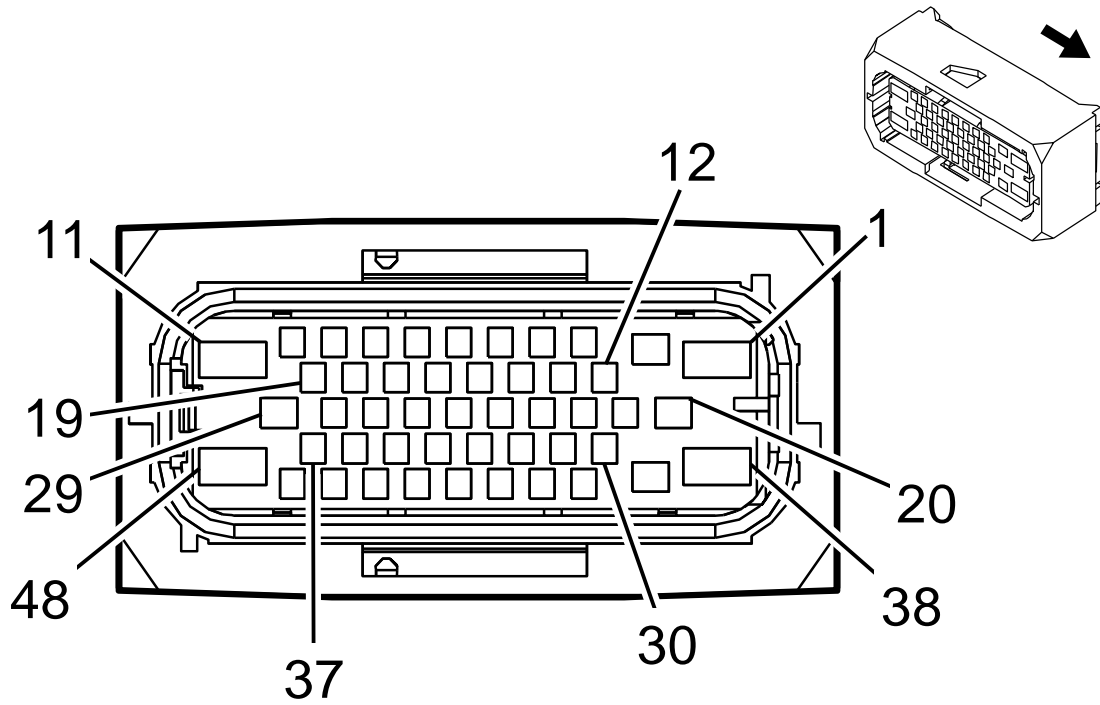
- Harness Type: Instrumental Panel USB
- Service Connector: 6040262C1
- Description: 5-Way M 2.0 Mini-B USB Type (BN)

**Table 258 Terminal Part Information**

Terminal Type ID	Service Terminal
I	Not Available

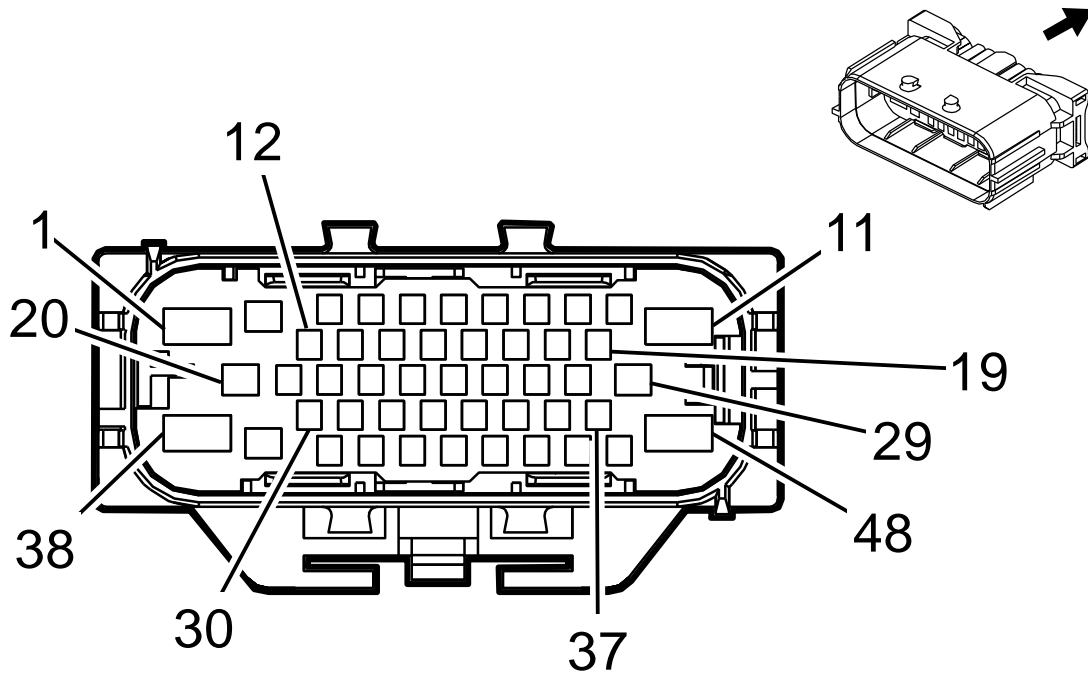
**Table 259 X309 Floor Console USB Harness to Instrumental Panel USB Harness (D07)**

Male							Female					
Pin	Size	Color	Circuit	Terminal Type ID	Option	Function	Pin	Size	Color	Circuit	Terminal Type ID	Option
USB	USB	USB	USB	USB	—	USB	USB	USB	USB	USB	USB	—



**Connector Part Information**

- Harness Type: Driver Seat Cushion
- Service Connector: Service by Harness
- Description: 48-pin F 1.5 MCP, 2.8 JPT, 6.3 MCP Series, Sealed (YE)



**Connector Part Information**

- Harness Type: Body
- Service Connector: 6040238C1
- Description: 48-pin M 1.6, 2.8, 5.8 Series, Sealed (BK)

**Table 262 Terminal Part Information**

Terminal Type ID	Service Terminal
I	6041958C1
II	6041927C1
III	6042001C1
IV	6042013C1
V	6041958C1

**ELECTRICAL CIRCUIT DIAGRAM MANUAL**

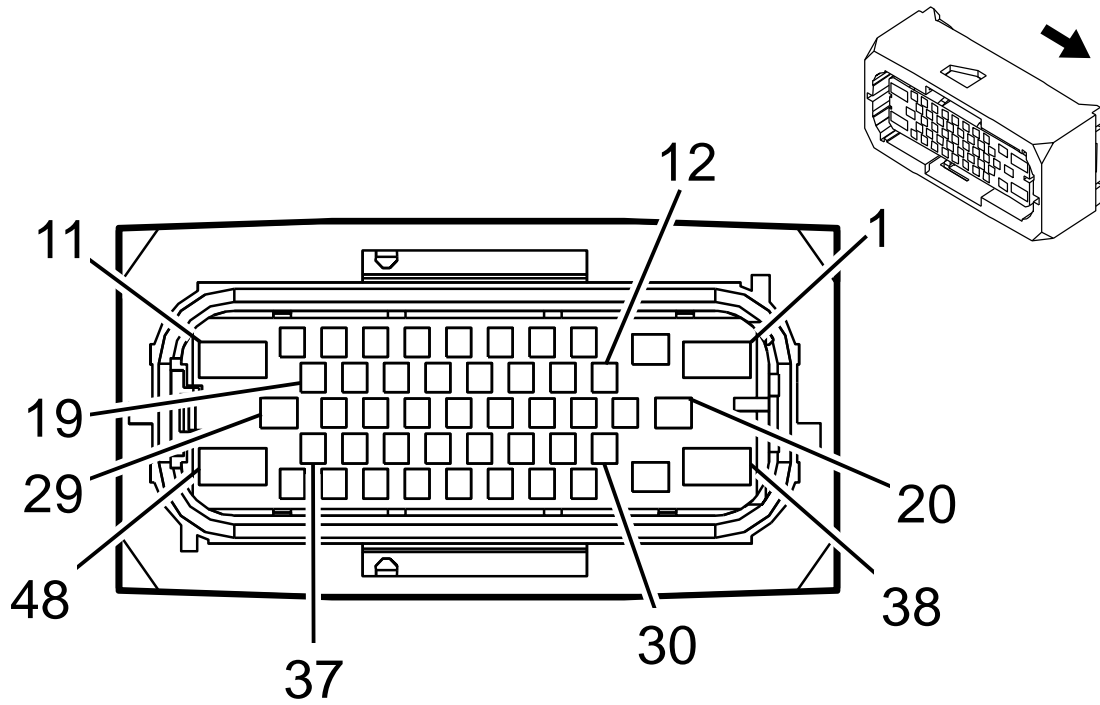
**Table 263 X310 Driver Seat Cushion Harness to Body Harness (Without Feature Code: 0016KVV / 0016KVU)**

Male						Function	Female					
Pin	Size	Color	Circuit	Terminal Type ID	Option		Pin	Size	Color	Circuit	Terminal Type ID	Option
1	—	—	—	—	—	Not Occupied	1	—	—	—	—	—
2	—	—	—	—	—	Battery Positive Voltage	2	2.5	RD / YE	5040	III	—
3-5	—	—	—	—	—	Not Occupied	3-5	—	—	—	—	—
6	0.35	OG / BN	238	I	—	Driver Seat Belt Switch Signal	6	0.35	OG / BN	238	V	—
7	0.35	BK / OG	1363	I	—	Driver Seat Belt Switch Low Reference	7	0.35	BK / OG	1363	V	—
8-10	—	—	—	—	—	Not Occupied	8-10	—	—	—	—	—
11	—	—	—	—	—	Ground	11	4	BK	1150	IV	—
12-21	—	—	—	—	—	Not Occupied	12-21	—	—	—	—	—
22	—	—	—	—	—	Driver Heated Seat Element Low Reference	22	0.75	BN / BK	2078	II	—
23-27	—	—	—	—	—	Not Occupied	23-27	—	—	—	—	—
28	—	—	—	—	—	Driver Heated Seat NTC Low Reference	28	0.5	BK / YE	2080	II	—
29	—	—	—	—	—	Not Occupied	29	—	—	—	—	—
30	—	—	—	—	—	Driver Heated Back NTC Signal	30	0.5	D-BU	2425	II	—



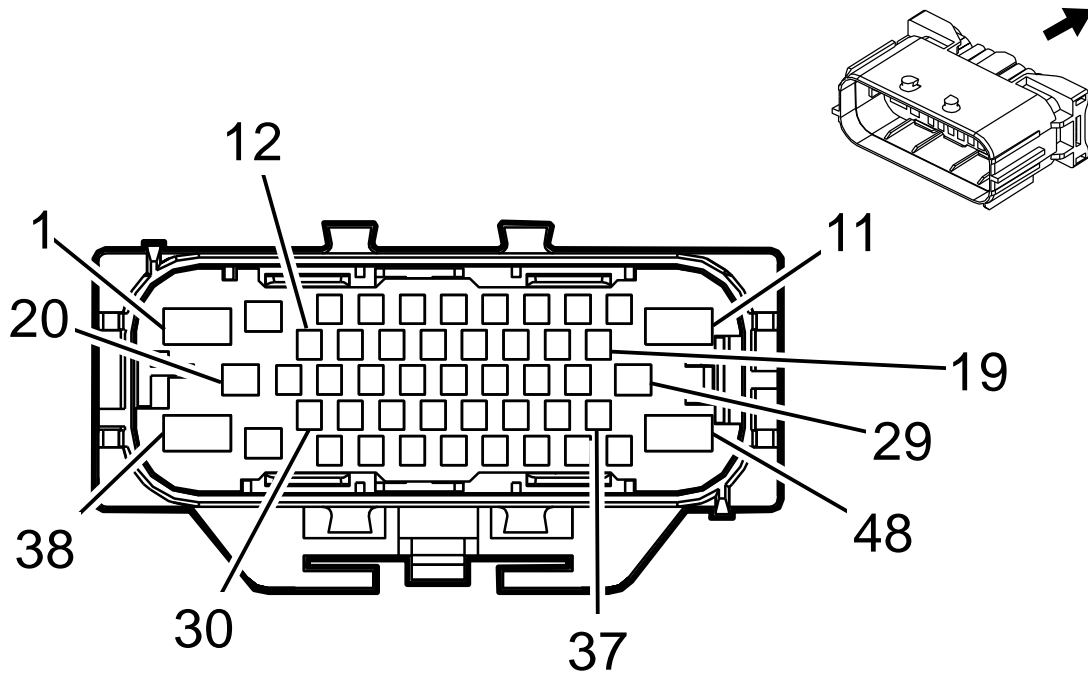
Table 263 X310 Driver Seat Cushion Harness to Body Harness (Without Feature Code: 0016KVV / 0016KVU) (cont.)

Male						Function	Female					
Pin	Size	Color	Circuit	Terminal Type ID	Option		Pin	Size	Color	Circuit	Terminal Type ID	Option
31	—	—	—	—	—	Not Occupied	31	—	—	—	—	—
32	—	—	—	—	—	Driver Heated Seat NTC Signal	32	0.5	YE / GY	2079	II	—
33-35	—	—	—	—	—	Not Occupied	33-35	—	—	—	—	—
36	—	—	—	—	—	Driver Heated Back Element Control	36	0.75	BN	2432	II	—
37	—	—	—	—	—	Driver Heated Seat Element Control	37	0.75	BN / VT	2077	II	—
38-48	—	—	—	—	—	Not Occupied	38-48	—	—	—	—	—



**Connector Part Information**

- Harness Type: Driver Seat Cushion
- Service Connector: Service by Harness
- Description: 48-pin F 1.5 MCP, 2.8 JPT, 6.3 MCP Series, Sealed (YE)



**Connector Part Information**

- Harness Type: Body
- Service Connector: 6040238C1
- Description: 48-pin M 1.6, 2.8, 5.8 Series, Sealed (BK)

**Table 266 Terminal Part Information**

Terminal Type ID	Service Terminal
I	Not Available
II	Not Available
III	Not Available
IV	6041927C1
V	6042001C1
VI	6041987C1
VII	6041958C1

**Table 267 X310 Driver Seat Cushion Harness to Body Harness ((Feature Code: 0016KVV / 0016KVU) and 0016XJR)**

Male						Function	Female					
Pin	Size	Color	Circuit	Terminal Type ID	Option		Pin	Size	Color	Circuit	Terminal Type ID	Option
1	—	—	—	—	—	Not Occupied	1	—	—	—	—	—
2	2.5	RD / YE	5040	III	—	Battery Positive Voltage	2	2.5	RD / YE	5040	V	—
3	1.5	YE	5129	I	—	Adjustable Pedal Actuator Rearward Control	3	—	—	—	—	—
4	1.5	L-GN / VT	5130	I	—	Adjustable Pedal Actuator Forward Control	4	—	—	—	—	—
5	0.35	OG / L-GN	5055	I	—	Driver Seat Position Switch Signal	5	—	—	—	—	—
6	0.35	OG / BN	238	I	—	Driver Seat Belt Switch Signal	6	0.35	OG / BN	238	VII	—
7	0.35	BK / OG	1363	I	—	Driver Seat Belt Switch Low Reference	7	0.35	BK / OG	1363	VII	—
8	—	—	—	—	—	Not Occupied	8	—	—	—	—	—
9	0.35	L-GN / GY	5286	I	—	Adjustable Pedal Switch Forward Signal	9	—	—	—	—	—
10	0.35	WH / GY	5285	I	—	Adjustable Pedal Switch Rearward Signal	10	—	—	—	—	—

Table 267 X310 Driver Seat Cushion Harness to Body Harness ((Feature Code: 0016KVV / 0016KVU) and 0016XJR) (cont.)

Male						Function	Female					
Pin	Size	Color	Circuit	Terminal Type ID	Option		Pin	Size	Color	Circuit	Terminal Type ID	Option
11	4	BK	1150	II	—	Ground	11	4	BK	1150	VI	—
12	—	—	—	—	—	Not Occupied	12	—	—	—	—	—
13	0.5	WH / RD	6207	I	—	Memory Sensor High Reference	13	—	—	—	—	—
14	0.35	L-BU	5952	I	—	Adjustable Pedal Position Sensor Brake Signal	14	—	—	—	—	—
15	0.5	BK / GY	6206	I	—	Memory Sensor Low Reference.	15	—	—	—	—	—
16	—	—	—	—	—	Not Occupied	16	—	—	—	—	—
17	0.5	L-GN / WH	7530	I	—	Local Interconnect Network Serial Data Bus 8	17	—	—	—	—	—
18	—	—	—	—	—	Not Occupied	18	—	—	—	—	—
19	0.35	L-GN / VT	5906	I	—	Driver Seat Vent Motor Control 1	19	—	—	—	—	—
20-21	—	—	—	—	—	Not Occupied	20-21	—	—	—	—	—
22	0.75	BN / BK	2078	I	—	Driver Heated Seat Element Low Reference	22	0.75	BN / BK	2078	IV	—
23	0.75	RD / BN	1140	I	—	Battery Positive Voltage	23	—	—	—	—	—

**ELECTRICAL CIRCUIT DIAGRAM MANUAL**

**Table 267 X310 Driver Seat Cushion Harness to Body Harness ((Feature Code: 0016KVV / 0016KVU) and 0016XJR) (cont.)**

Male							Female					
Pin	Size	Color	Circuit	Terminal Type ID	Option	Function	Pin	Size	Color	Circuit	Terminal Type ID	Option
24	0.5	L-GN / OG	3069	I	—	Driver Side Impact Module Low Control	24	—	—	—	—	—
25	0.5	YE / OG	3482	I	—	Driver Seat Belt Anchor Pretensioner Low Control	25	—	—	—	—	—
26	0.5	L-GN	5060	I	—	Low Speed GMLAN Serial Data	26	—	—	—	—	—
27	—	—	—	—	—	Not Occupied	27	—	—	—	—	—
28	0.5	BN / YE	2080	I	—	Driver Heated Seat NTC Low Reference	28	0.5	BK / YE	2080	IV	—
29	—	—	—	—	—	Not Occupied	29	—	—	—	—	—
30	0.5	L-BU	2425	I	—	Driver Heated Back NTC Signal	30	0.5	D-BU	2425	IV	—
31	—	—	—	—	—	Not Occupied	31	—	—	—	—	—
32	0.5	YE / GY	2079	I	—	Driver Heated Seat NTC Signal	32	0.5	YE / GY	2079	IV	—
33	0.5	OG / L-BU	3068	I	—	Driver Side Impact Module High Control	33	—	—	—	—	—

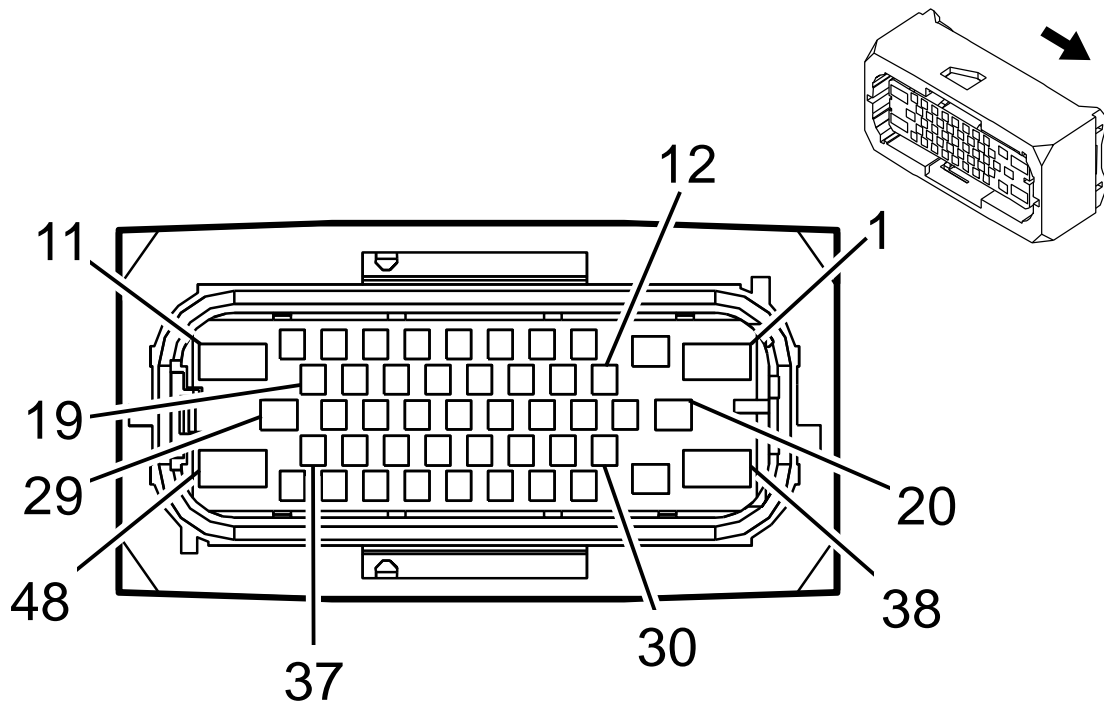
Table 267 X310 Driver Seat Cushion Harness to Body Harness ((Feature Code: 0016KVV / 0016KVU) and 0016XJR) (cont.)

Male						Function	Female					
Pin	Size	Color	Circuit	Terminal Type ID	Option		Pin	Size	Color	Circuit	Terminal Type ID	Option
34	0.5	OG / YE	3481	I	—	Driver Seat Belt Anchor Pretensioner High Control	34	—	—	—	—	—
35	0.35	L-GN / L-BU	614	I	—	Memory Seat Switch Set Signal	35	—	—	—	—	—
36	0.75	BN	2432	I	—	Driver Heated Back Element Control	36	0.75	BN	2432	IV	—
37	0.75	BN / VT	2077	I	—	Driver Heated Seat Element Control	37	0.75	BN / VT	2077	IV	—
38-39	—	—	—	—	—	Not Occupied	38-39	—	—	—	—	—
40	0.35	BK / L-BU	5978	I	—	Memory Switch Low Reference	40	—	—	—	—	—
41	0.35	WH	615	I	—	Memory Seat Switch Signal 1	41	—	—	—	—	—
42	—	—	—	—	—	Not Occupied	42	—	—	—	—	—
43	0.5	VT	4106	I	—	Center Side Impact Module Low Control	43	—	—	—	—	—

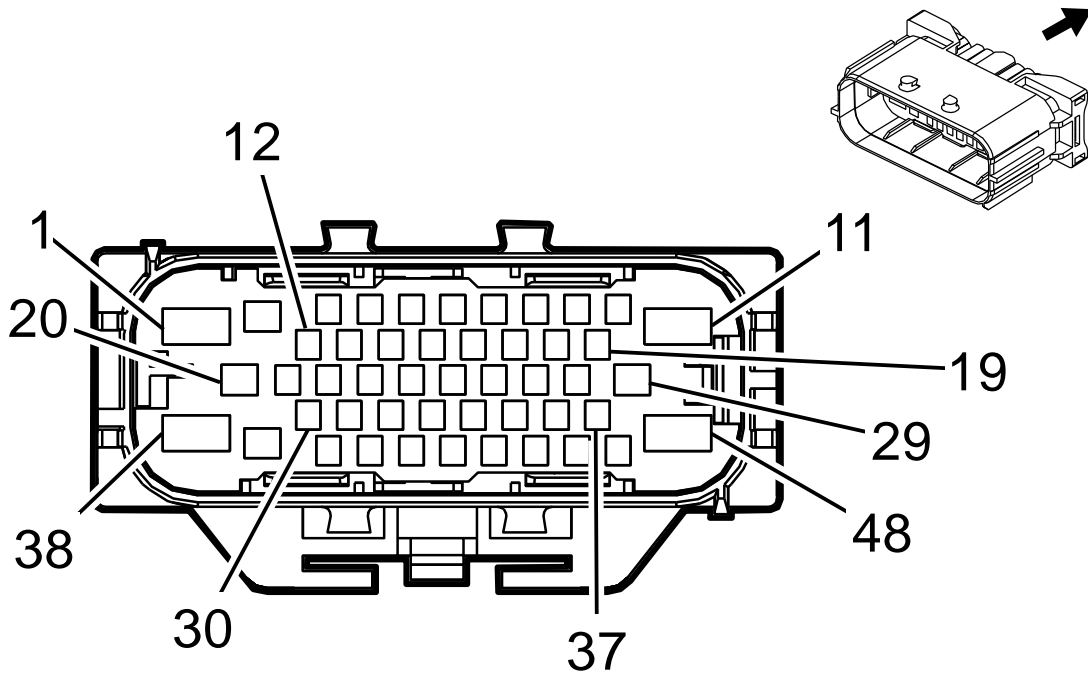
Table 267 X310 Driver Seat Cushion Harness to Body Harness ((Feature Code: 0016KVV / 0016KVU) and 0016XJR) (cont.)

Male						Function	Female					
Pin	Size	Color	Circuit	Terminal Type ID	Option		Pin	Size	Color	Circuit	Terminal Type ID	Option
44	0.5	BN / WH	4107	I	—	Center Side Impact Module High Control	44	—	—	—	—	—
45	—	—	—	—	—	Not Occupied	45	—	—	—	—	—
46	0.35	GY	157	I	—	Interior Lamp Control	46	—	—	—	—	—
47-48	—	—	—	—	—	Not Occupied	47-48	—	—	—	—	—



**Connector Part Information**

- Harness Type: Driver Seat Cushion
- Service Connector: Service by Harness
- Description: 48-pin F 1.5 MCP, 2.8 JPT, 6.3 MCP Series, Sealed (YE)



**Connector Part Information**

- Harness Type: Body
- Service Connector: 6040238C1
- Description: 48-pin M 1.6, 2.8, 5.8 Series, Sealed (BK)

**Table 270 Terminal Part Information**

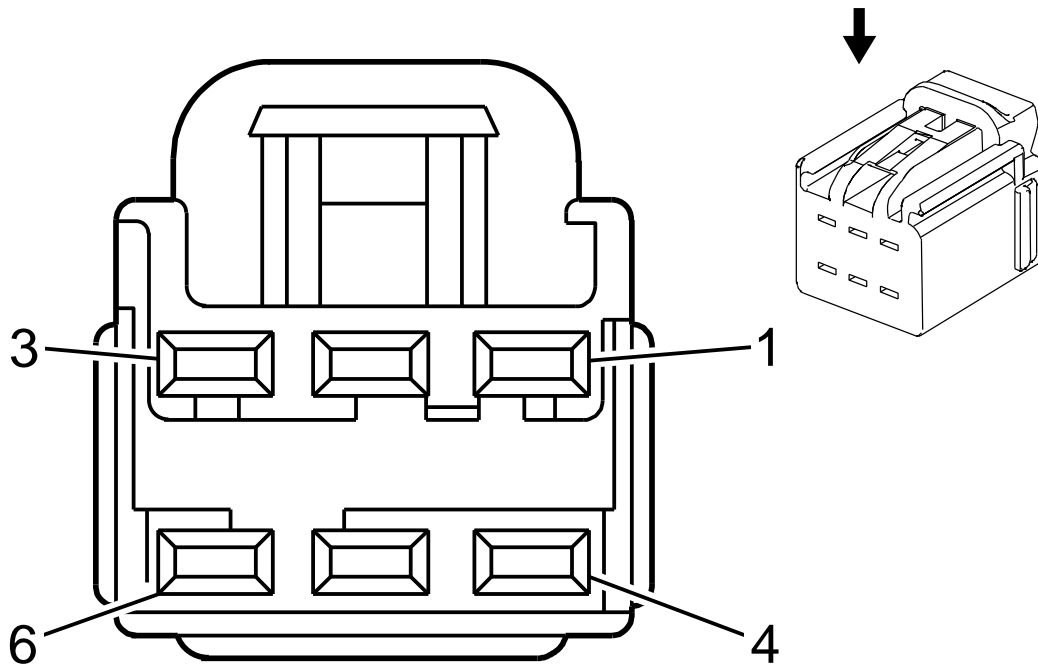
Terminal Type ID	Service Terminal
I	Not Available
II	Not Available
III	Not Available
IV	Not Available
V	6041927C1
VI	6042001C1
VII	6042013C1
VIII	6041958C1

**Table 271 X310 Driver Seat Cushion Harness to Body Harness ((Feature Code: 0016KVV / 0016KVU) without 0016XJR)**

Male							Female					
Pin	Size	Color	Circuit	Terminal Type ID	Option	Function	Pin	Size	Color	Circuit	Terminal Type ID	Option
1	—	—	—	—	—	Not Occupied	1	—	—	—	—	—
2	2.5	RD / YE	5040	III	—	Battery Positive Voltage	2	2.5	RD / YE	5040	VI	2. —
3-5	—	—	—	—	—	Not Occupied	3-5	—	—	—	—	—
6	0.35	OG / BN	238	I	—	Driver Seat Belt Switch Signal	6	0.35	OG / BN	238	VIII	—
7	0.35	BK / OG	1363	—	—	Driver Seat Belt Switch Low Reference	7	0.35	BK / OG	1363	VIII	—
8-10	—	—	—	—	—	Not Occupied	8-10	—	—	—	—	—
11	4	BK	1150	IV	0016KVU / 0016XJR	Ground	11	4	BK	1150	VII	—
	2.5	BK	1150	II	0016KVU without 0016XJR	Ground						
12-21	—	—	—	—	—	Not Occupied	12-21	—	—	—	—	—
22	—	—	—	—	—	Driver Heated Seat Element Low Reference	22	0.75	BN / BK	2078	V	—
23-27	—	—	—	—	—	Not Occupied	23-27	—	—	—	—	—
28	—	—	—	—	—	Driver Heated Seat NTC Low Reference	28	0.5	BK / YE	2080	V	—
29	—	—	—	—	—	Not Occupied	29	—	—	—	—	—

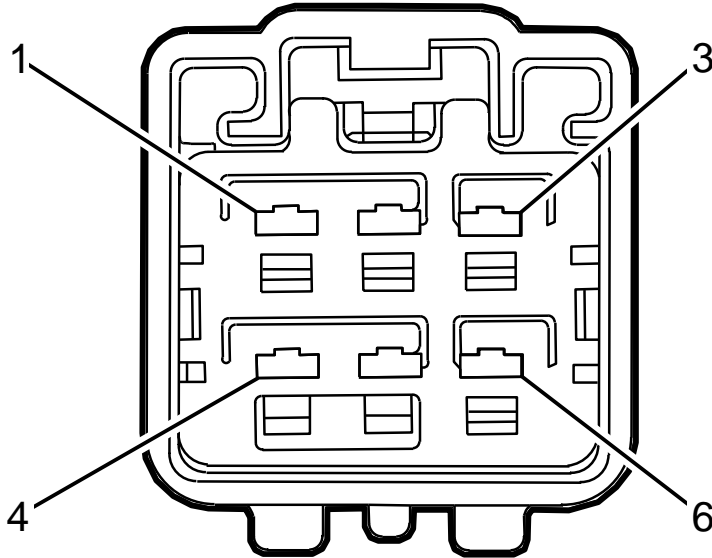
Table 271 X310 Driver Seat Cushion Harness to Body Harness ((Feature Code: 0016KVV / 0016KVU) without 0016XJR) (cont.)

Male						Function	Female					
Pin	Size	Color	Circuit	Terminal Type ID	Option		Pin	Size	Color	Circuit	Terminal Type ID	Option
30	—	—	—	—	—	Driver Heated Back NTC Signal	30	0.5	D-BU	2425	V	—
31	—	—	—	—	—	Not Occupied	31	—	—	—	—	—
32	—	—	—	—	—	Driver Heated Seat NTC Signal	32	0.5	YE / GY	2079	V	—
33-35	—	—	—	—	—	Not Occupied	33-35	—	—	—	—	—
36	—	—	—	—	—	Driver Heated Back Element Control	36	0.75	BN	2432	V	—
37	—	—	—	—	—	Driver Heated Seat Element Control	37	0.75	BN / VT	2077	V	—
38-48	—	—	—	—	—	Not Occupied	38-48	—	—	—	—	—



**Connector Part Information**

- Harness Type: Driver Seat Back
- Service Connector: Service by Harness
- Description: 6-pin F YESC Kaizen Series (L-GY)



**Connector Part Information**

- Harness Type: Driver Seat Cushion
- Service Connector: Service by Harness
- Description: 6-pin M YESC Kaizen Series (L-GY)

**Table 274 Terminal Part Information**

Terminal Type ID	Service Terminal
I	Not Available
II	Not Available

**Table 275 X311 Driver Seat Back Harness to Driver Seat Cushion Harness (Feature Code: 0016KVV / 0016KVU)**

Male							Female						
Pin	Size	Color	Circuit	Terminal Type ID	Option	Function	Pin	Size	Color	Circuit	Terminal Type ID	Option	
1	0.35	WH / BK	570	I	—	Driver Memory Seat Recline Motor	1	1.5	YE / L-BU	767	II	—	
	0.75	YE / L-BU	767	I	—								

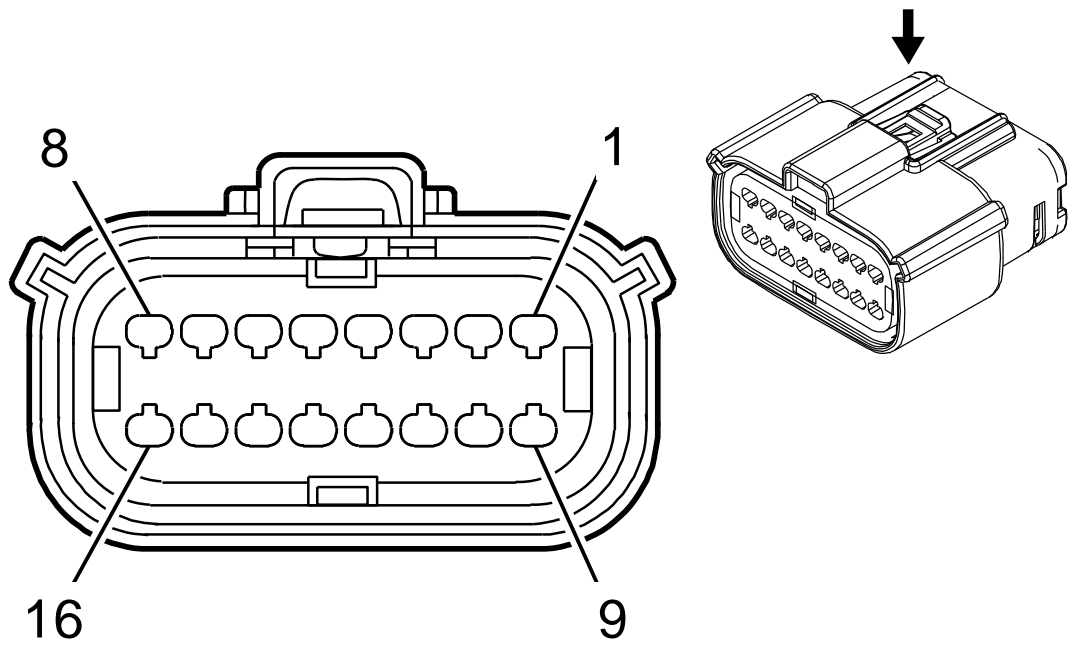
Table 275 X311 Driver Seat Back Harness to Driver Seat Cushion Harness (Feature Code: 0016KVV / 0016KVU) (cont.)

Male							Female					
Pin	Size	Color	Circuit	Terminal Type ID	Option	Function	Pin	Size	Color	Circuit	Terminal Type ID	Option
						Position Sensor Signal						
						Driver Power Seat Lumbar Motor Down Control						
2	0.35	WH / RD	3298	I	—	Memory Sensor High Reference 2	2	1.5	YE / BN	768	II	—
	0.75	YE / BN	768	I	—	Driver Power Seat Lumbar Motor Up Control						
3	0.75	L-BU	611	I	—	Driver Power Seat Lumbar Motor Forward Control	3	1.5	L-BU	611	II	—
	1.5	L-BU	611	I	—	Driver Power Seat Lumbar Motor Forward Control						

Table 275 X311 Driver Seat Back Harness to Driver Seat Cushion Harness (Feature Code: 0016KVV / 0016KVU) (cont.)

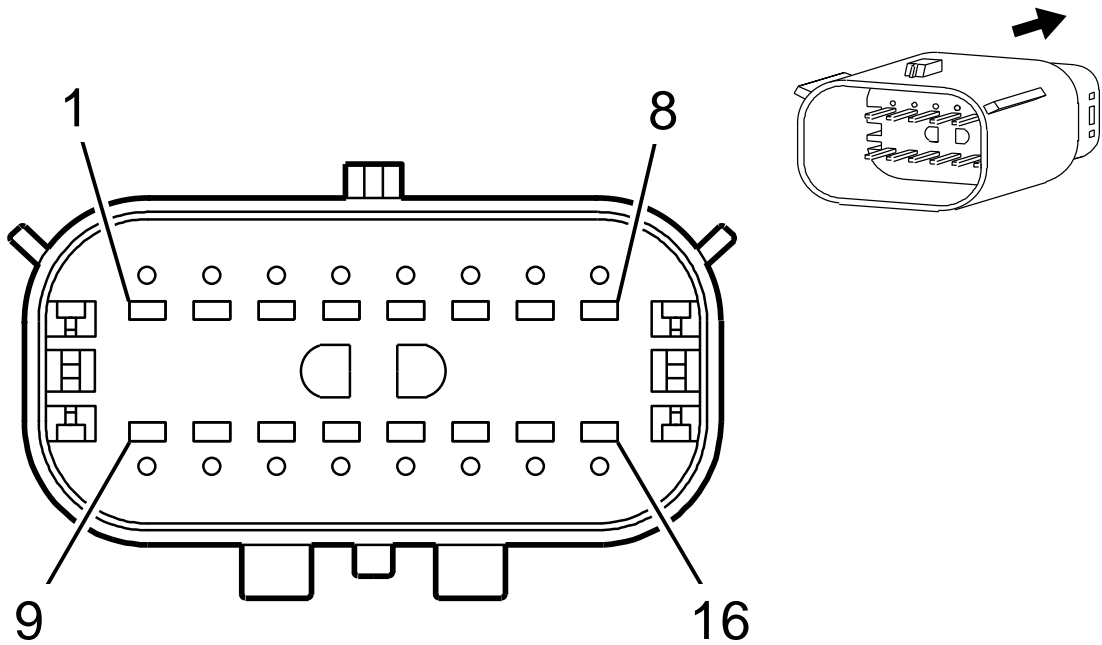
Male						Function	Female					
Pin	Size	Color	Circuit	Terminal Type ID	Option		Pin	Size	Color	Circuit	Terminal Type ID	Option
4	0.75	VT	610	I	—	Driver Power Seat Lumbar Motor Rearward Control	4	1.5	VT	610	II	—
	1.5	VT	610	I	—							
5	1.5	L-GN / YE	276	I	—	Driver Power Seat Recline Motor Forward Control	5	1.5	L-GN / YE	276	I	—
6	1.5	L-BU / YE	277	I	—	Driver Power Seat Recline Motor Rearward Control	6	1.5	L-BU / YE	277	II	—





**Connector Part Information**

- Harness Type: Driver Seat Back
- Service Connector: Service by Harness
- Description: 16-pin F 150 MX Series, Sealed (YE)



**Connector Part Information**

- Harness Type: Driver Seat Cushion
- Service Connector: Service by Harness
- Description: 16-pin M 150 MX Series, Sealed (YE)

**Table 278 Terminal Part Information**

Terminal Type ID	Service Terminal
I	Not Available
II	Not Available
III	Not Available

Table 279 X312 Driver Seat Back Harness to Driver Seat Cushion Harness (0016XJR)

Male							Female					
Pin	Size	Color	Circuit	Terminal Type ID	Option	Function	Pin	Size	Color	Circuit	Terminal Type ID	Option
1	0.5	OG / L-BU	3068	I	—	Driver Side Impact Module High Control	1	0.5	OG / L-BU	3068	III	—
2	0.5	L-GN / OG	3069	I	—	Driver Side Impact Module Low Control	2	0.5	L-GN / OG	3069	III	—
3	0.5	VT	4106	I	—	Center Side Impact Module Low Control	3	0.5	VT	4106	III	—
4	0.5	BN / WH	4107	I	—	Center Side Impact Module High Control	4	0.5	BN / WH	4107	III	—
5	0.75	BK	1150	II	—	Ground	5	0.75	BK	1150	III	—
6	0.75	BN	2432	II	—	Driver Heated Back Element Control	6	0.75	BN	2432	III	—
7	0.35	L-GN / VT	5906	II	—	Driver Seat Vent Motor Control 1	7	0.35	L-GN / VT	5906	III	—
8	0.5	BK / YE	2080	II	—	Driver Heated Seat NTC Low Reference	8	0.5	BK / YE	2080	III	—
9	0.75	BN / BK	2078	II	—	Driver Heated Seat Element Low Reference	9	0.75	BN / BK	2078	III	—

Table 279 X312 Driver Seat Back Harness to Driver Seat Cushion Harness (0016XJR) (cont.)

Male							Female					
Pin	Size	Color	Circuit	Terminal Type ID	Option	Function	Pin	Size	Color	Circuit	Terminal Type ID	Option
10	0.5	L-BU	2425	II	— —	Driver Heated Back NTC Signal	10	0.5	L-BU	2425	III	—
11	0.75	RD / L-GN	5140	II	—	Battery Positive Voltage	11	0.75	RD / L-GN	5140	III	—
12	0.35	WH / BK	570	II	—	Driver Memory Seat Recline Motor Position Sensor Signal	12	0.5	WH / BK	570	III	—
13	0.35	WH / RD	3298	II	—	Memory Sensor High Reference 2	13	0.35	WH / RD	3298	III	—
14-16	—	—	—	—	—	Not Occupied	14-16	—	—	—	—	—

**Connector Part Information**

- Harness Type: Floor Console USB
- Service Connector: Service by Harness
- Description: F

**Connector Part Information**

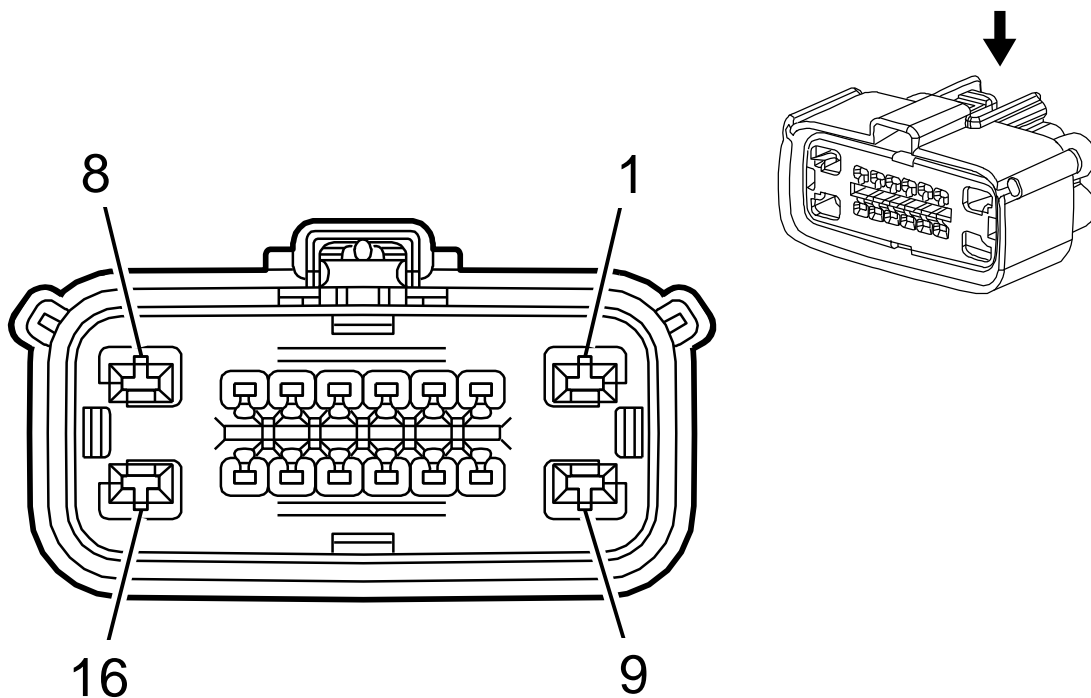
- Harness Type: Instrumental Panel USB
- OEM Connector: Not Available
- Service Connector: Service by Harness
- Description: M

**Table 282 Terminal Part Information**

Terminal Type ID	Service Terminal
I	Not Available

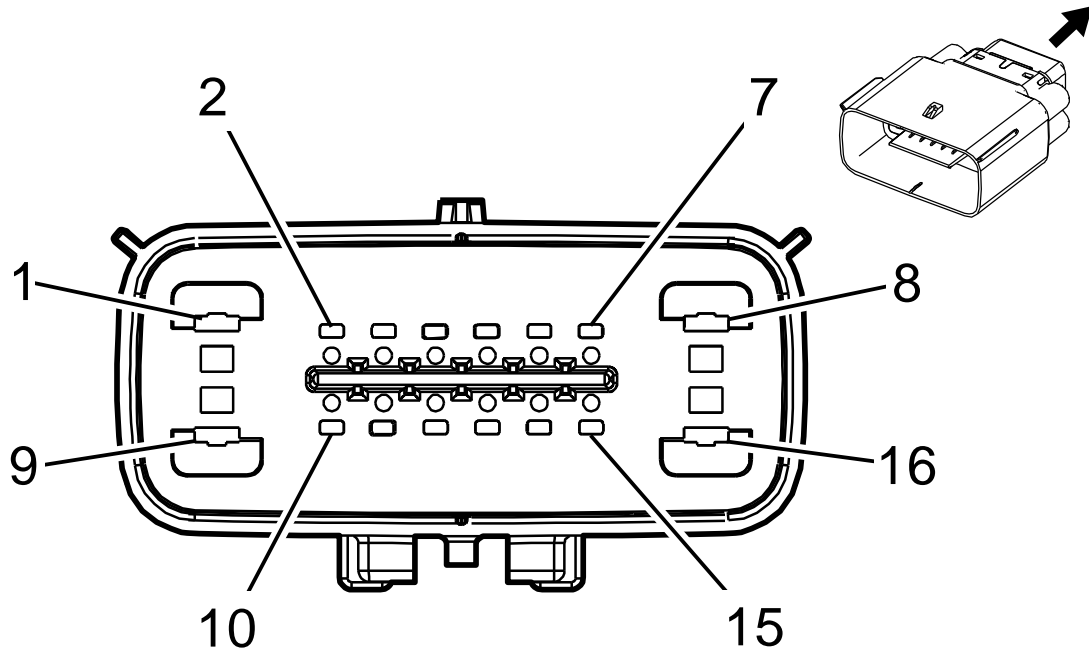
**Table 283 X313 Body USB Harness to Center Seat USB Harness (-D07)**

Male							Female					
Pin	Size	Color	Circuit	Terminal Type ID	Option	Function	Pin	Size	Color	Circuit	Terminal Type ID	Option
USB	USB	USB	USB	USB	—	USB	USB	USB	USB	USB	USB	—



**Connector Part Information**

- Harness Type: Center Seat
- Service Connector: Service by Harness
- Description: 16-pin F 1.5, 2.8 Series, Sealed (BK)



**Connector Part Information**

- Harness Type: Body
- Service Connector: 6040257C1
- Description: 16-pin M 1.5, 2.8 Series, Sealed (BK)

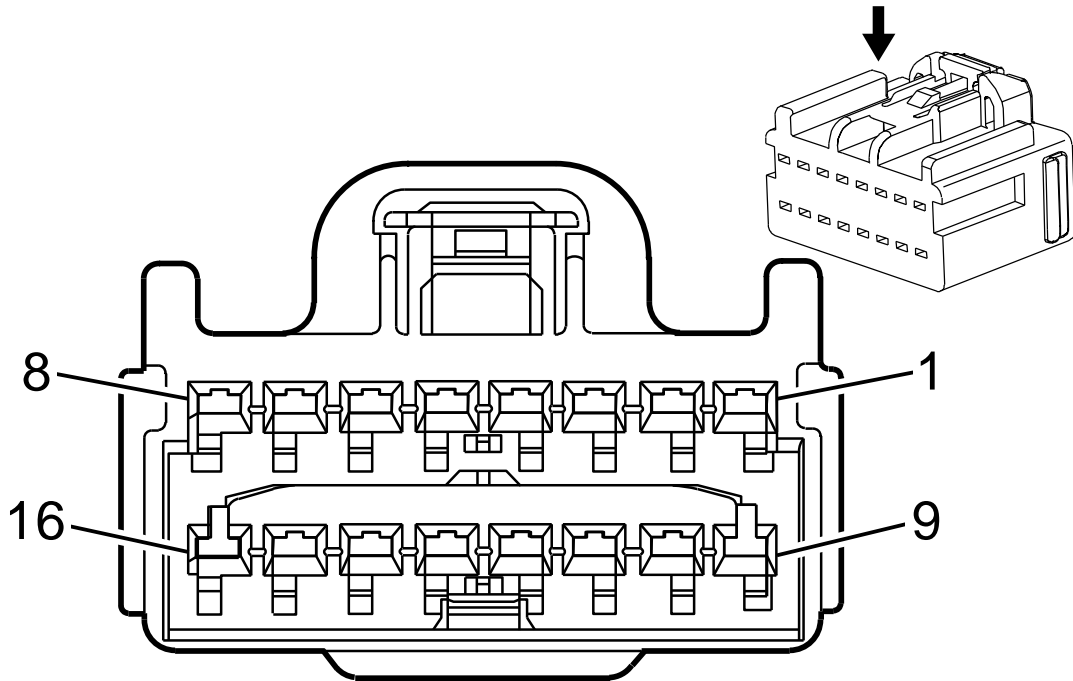
**Table 286 Terminal Part Information**

Terminal Type ID	Service Terminal
I	Not Available
II	Not Available
III	6041911C1
IV	6041884C1
V	6041883C1

Table 287 X314 Center Seat Harness to Body Harness (Without Feature Code: 0016XCN)

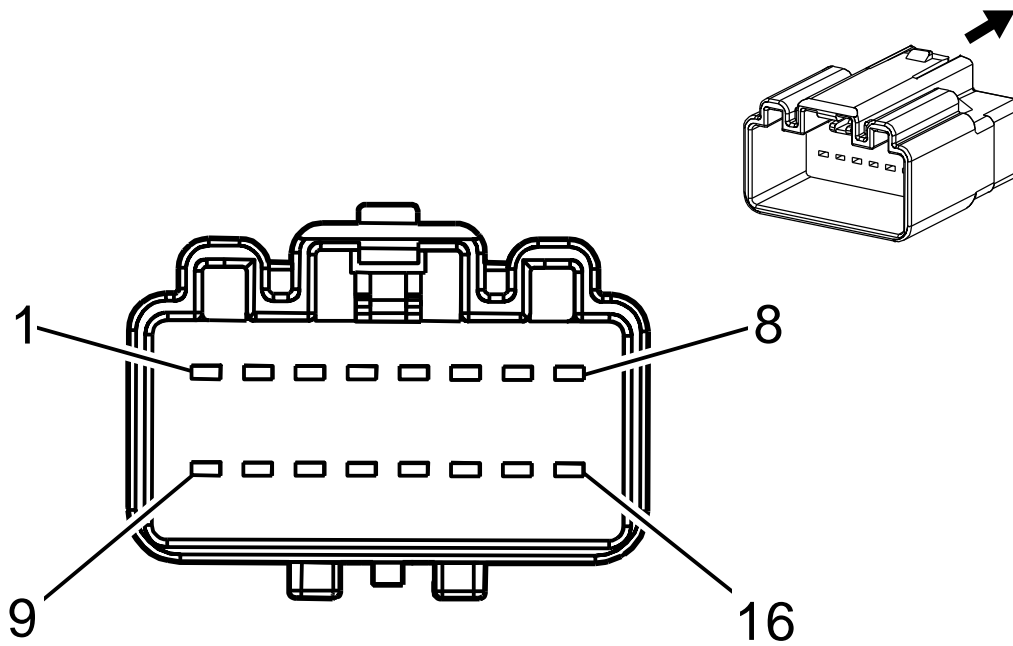
Male						Function	Female					
Pin	Size	Color	Circuit	Terminal Type ID	Option		Pin	Size	Color	Circuit	Terminal Type ID	Option
1	1.5	VT / YE	143	II	—	Accessory Ignition Voltage	1	1.5	VT / YE	143	III	—
2	—	—	—	—	—	Not Occupied	2	—	—	—	—	—
3	0.35	BK	5842	I	—	Auxiliary Audio Screen 2	3	0.5	BK	5842	IV	—
4	0.35	GY	5839	I	—	Left Auxiliary Audio Signal 2	4	0.5	GY	5839	IV	—
5	0.35	L-BU	2060	I	—	Auxiliary Detection Signal	5	0.5	D-BU	2060	IV	—
6	0.35	BK	2550	I	—	Ground	6	0.75	BK	2550	V	—
7	—	—	—	—	—	Not Occupied	7	—	—	—	—	—
8	1.5	BK	1250	II	—	Ground	8	1.5	BK	1250	III	—
9	1.5	VT / YE	243	II	—	Accessory Ignition Voltage	9	1.5	VT / YE	243	III	—
10	—	—	—	—	—	Not Occupied	10	—	—	—	—	—
11	0.35	L-GN	5841	I	—	Right Auxiliary Audio Signal 2	11	0.5	L-GN	5841	IV	—
12	0.35	VT	5843	I	—	Auxiliary Audio Common Signal	12	0.5	VT	5843	IV	—
13	—	—	—	—	—	Not Occupied	13	—	—	—	—	—
14	0.75	RD / VT	340	I	—	Battery Positive Voltage	14	0.75	RD / VT	340	V	—
15	—	—	—	—	—	Not Occupied	15	—	—	—	—	—
16	1.5	BK	1250	II	—	Ground	16	1.5	BK	1250	III	—





**Connector Part Information**

- Harness Type: Body
- Service Connector: 6040286C1
- Description: 16-pin F 1.5 Kaizen Series (GN)



**Connector Part Information**

- Harness Type: Brake Clutch
- Service Connector: Service by Harness
- Description: 16-pin M 1.5 Kaizen Series (GN)

**Table 290 Terminal Part Information**

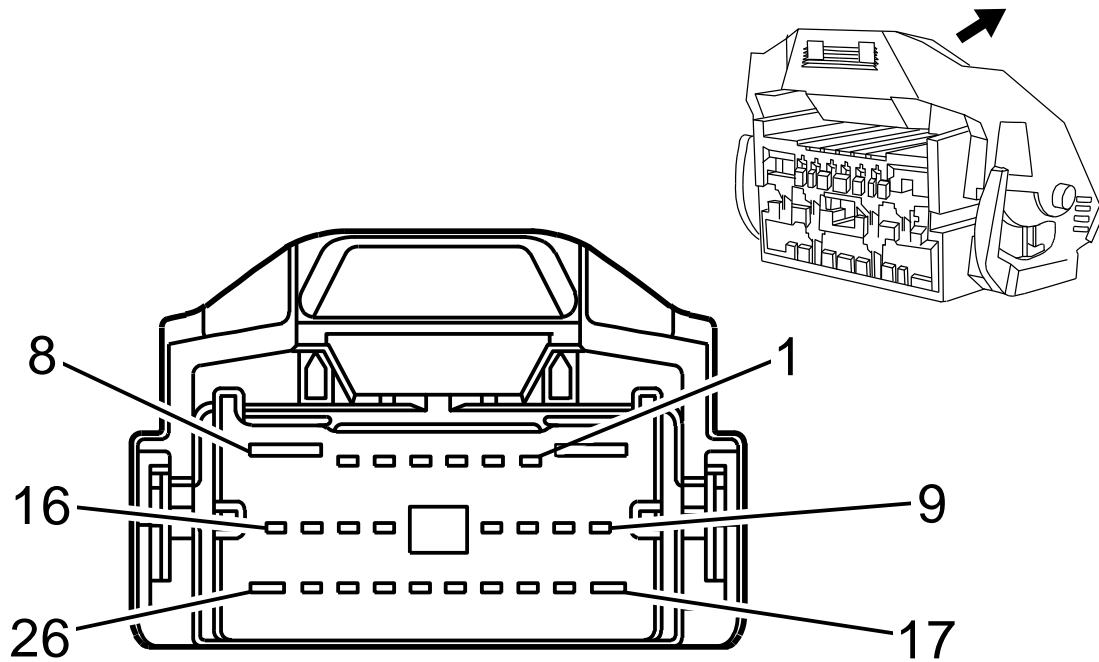
Terminal Type ID	Service Terminal
I	6041963C1
II	6041943C1
III	Not Available

Table 291 X315 Body Harness to Brake Clutch Harness

Male							Female					
Pin	Size	Color	Circuit	Terminal Type ID	Option	Function	Pin	Size	Color	Circuit	Terminal Type ID	Option
1	0.35	BK / D-BU	1271	I	—	Accelerator Pedal Position Low Reference 1	1	0.35	BK / D-BU	1271	III	—
2	0.35	YE / WH	1161	I	—	Accelerator Pedal Position Signal 1	2	0.35	YE / WH	1161	III	—
3	0.35	WH / RD	1164	I	—	Accelerator Pedal Position 5 volt Reference 1	3	0.35	WH / RD	1164	III	—
4	0.35	BK / VT	1272	I	—	Accelerator Pedal Position Low Reference 2	4	0.35	BK / VT	1272	III	—
5	0.35	L-GN / WH	1162	I	—	Accelerator Pedal Position Signal 2	5	0.35	L-GN / WH	1162	III	—
6	0.35	BN / RD	1274	I	—	Accelerator Pedal Position 5 volt Reference 2	6	0.35	BN / RD	1274	III	—
7	0.35	WH	5359	II	—	Brake Apply Sensor Control	7	0.5	WH	5359	III	—
8	0.35	BK / BN	5360	II	—	Brake Apply Sensor Low Reference	8	0.5	BK / BN	5360	III	—

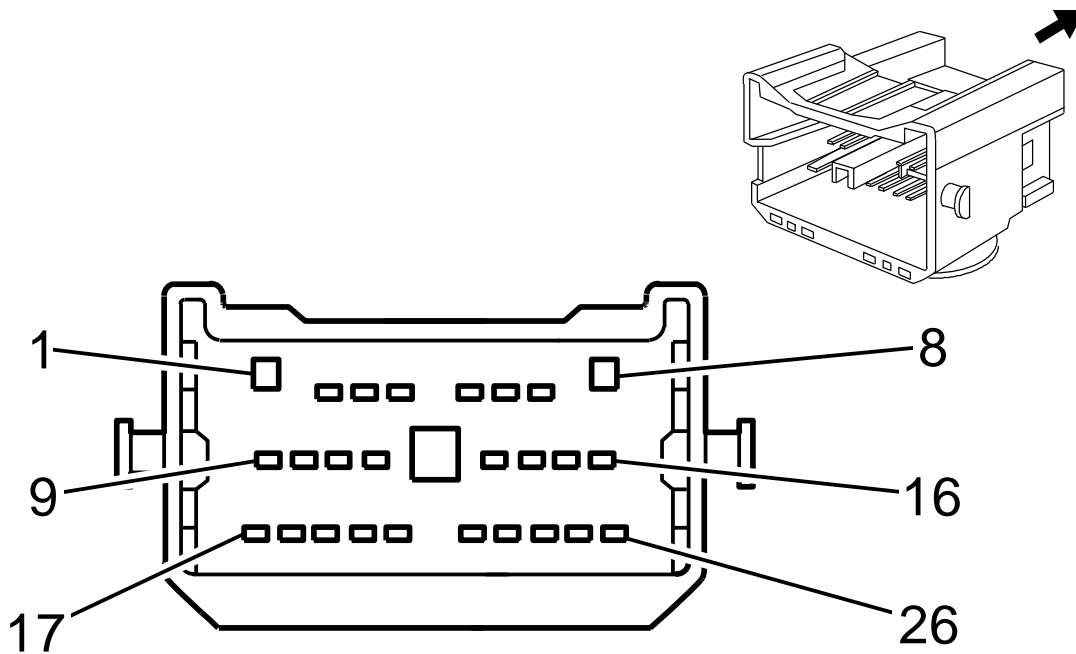
Table 291 X315 Body Harness to Brake Clutch Harness (cont.)

Male						Function	Female					
Pin	Size	Color	Circuit	Terminal Type ID	Option		Pin	Size	Color	Circuit	Terminal Type ID	Option
9	0.35	D-BU / YE	5361	II	—	Brake Apply Sensor Signal	9	0.5	D-BU / YE	5361	III	—
10	—	—	—	—	—	Rotary Position Sensor Low Reference	10	0.5	YE / BK	7478	III	—
11	—	—	—	—	—	Rotary Position Sensor 5 volt Reference	11	0.5	WH / RD	7477	III	—
12	—	—	—	—	—	Rotary Position Sensor Signal	12	0.5	WH / L-GN	7479	III	—
13-16	—	—	—	—	—	Not Occupied	13-16	—	—	—	—	—



**Connector Part Information**

- Harness Type: Headliner
- Service Connector: 6040221C1
- Description: 26-pin F 1.5, 2.8, 6.3 Series (BK)



**Connector Part Information**

- Harness Type: Overhead Console
- Service Connector: Service by Harness
- Description: 26-pin M 1.5, 2.8, 6.3 YESC Series (BK)

**Table 294 Terminal Part Information**

Terminal Type ID	Service Terminal
I	6041943C1
II	6041943C1
III	3605695C1
IV	Not Available
V	Not Available

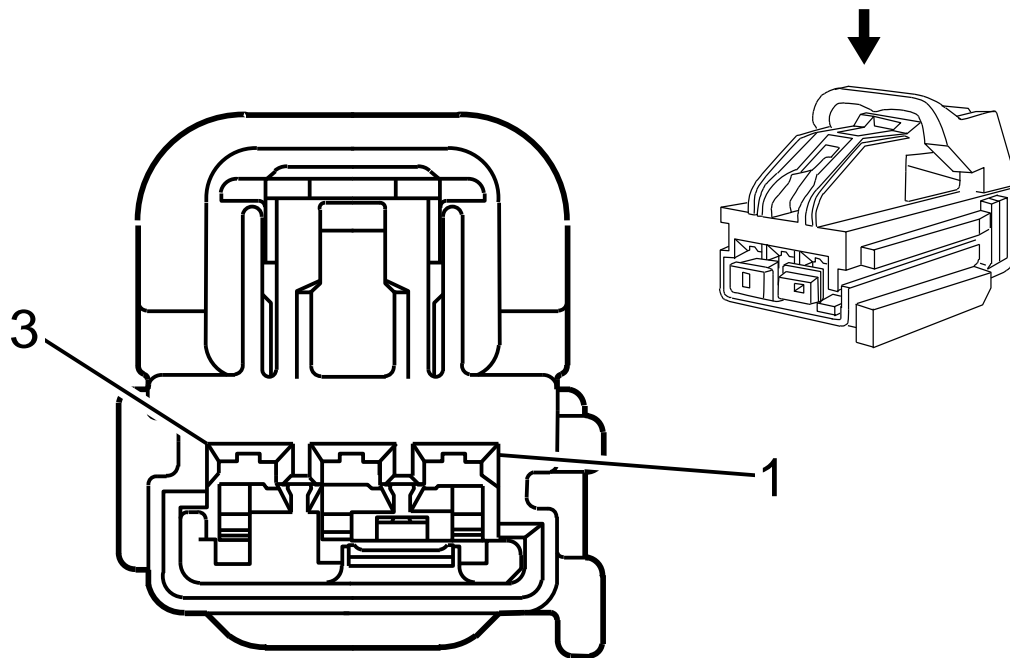
Table 295 X316 Headliner Harness to Overhead Console Harness

Male						Function	Female					
Pin	Size	Color	Circuit	Terminal Type ID	Option		Pin	Size	Color	Circuit	Terminal Type ID	Option
1-2	—	—	—	—	—	Not Occupied	1-2	—	—	—	—	—
3	0.35	VT / YE	43	II	—	Accessory Ignition Voltage	3	0.35	VT / YE	43	IV	—
4	0.5	BK	1050	I	—	Ground	4	0.5	BK	1050	IV	—
5	0.35	GY / L-GN	328	II	—	Interior Lamp Defeat Switch Signal	5	0.35	GY / L-GN	328	IV	—
6	0.35	GY / D-BU	156	II	—	Courtesy Lamp Switch Signal	6	0.35	GY	156	IV	—
7	0.5	WH / BN	6815	I	—	Inadvertent Power Control	7	0.5	WH / BN	6815	IV	—
8	—	—	—	—	—	Not Occupied	8	—	—	—	—	—
9	0.35	VT / L-GN	7558	II	—	LED Ambient Lighting Control 2	9	0.35	VT / L-GN	7558	IV	—
10	0.5	YE	6817	I	—	LED Backlight Dimming Control	10	0.5	YE	6817	IV	—
11	0.35	VT / BK	1139	II	—	Run / Crank Ignition 1 Voltage	11	0.35	VT / WH	1139	IV	—
12	0.35	VT / WH	5234	II	—	Passenger Seat Belt Indicator Control	12	0.35	VT / WH	5234	IV	—
13	0.35	D-BU	2307	II	—	Passenger Air Bag On Indicator Control	13	0.35	D-BU	2307	IV	—

Table 295 X316 Headliner Harness to Overhead Console Harness (cont.)

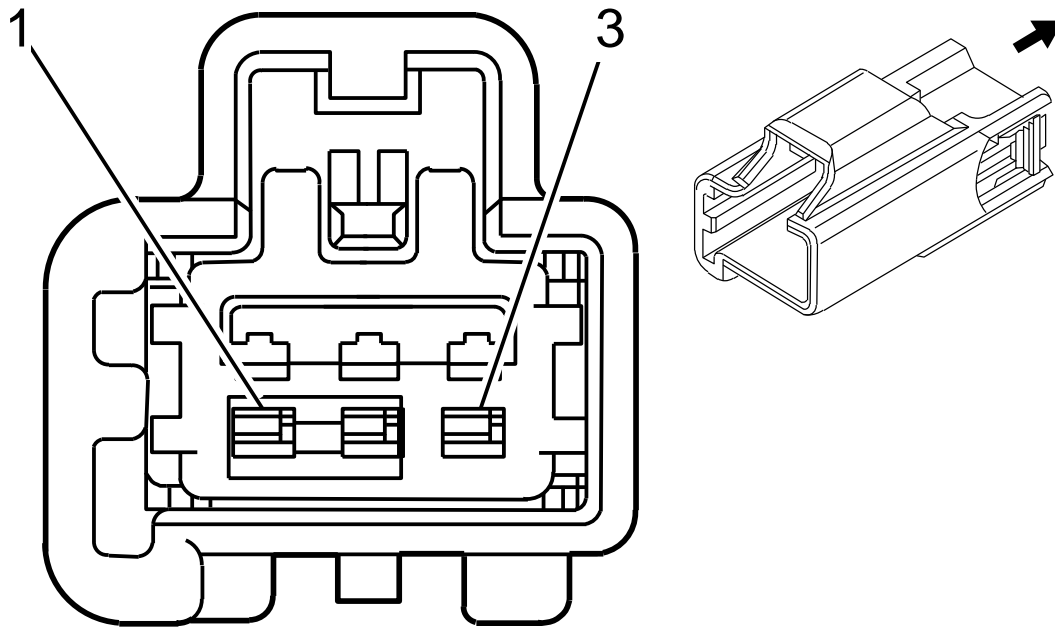
Male						Function	Female					
Pin	Size	Color	Circuit	Terminal Type ID	Option		Pin	Size	Color	Circuit	Terminal Type ID	Option
14	0.35	L-GN / RD	2308	II	—	Passenger Air Bag Off Indicator Control	14	0.35	L-GN	2308	IV	—
15-16	—	—	—	—	—	Not Occupied	15-16	—	—	—	—	—
17	0.5	RD / YE	240	III	—	Battery Positive Voltage	17	0.5	RD / YE	240	V	—
18	—	—	—	—	—	Not Occupied	18	—	—	—	—	—
19	0.35	YE / VT	6191	II	—	Power Sliding Window Switch Open Signal	19	0.35	YE / VT	6191	IV	—
20	0.35	WH	6192	II	—	Power Sliding Window Switch Close Signal	20	0.35	WH	6192	IV	—
21	0.5	GY	157	I	—	Interior Lamp Control	21	0.5	GY	157	IV	—
22	—	—	—	—	—	Not Occupied	22	—	—	—	—	—
23	0.35	VT / YE	43	II	—	Accessory Ignition Voltage	23	0.35	VT / YE	43	IV	—
24-26	—	—	—	—	—	Not Occupied	24-26	—	—	—	—	—





**Connector Part Information**

- Harness Type: Headliner
- Service Connector: 6040296C1
- Description: 3-pin F 1.5 Kaizen Series (L-GY)



**Connector Part Information**

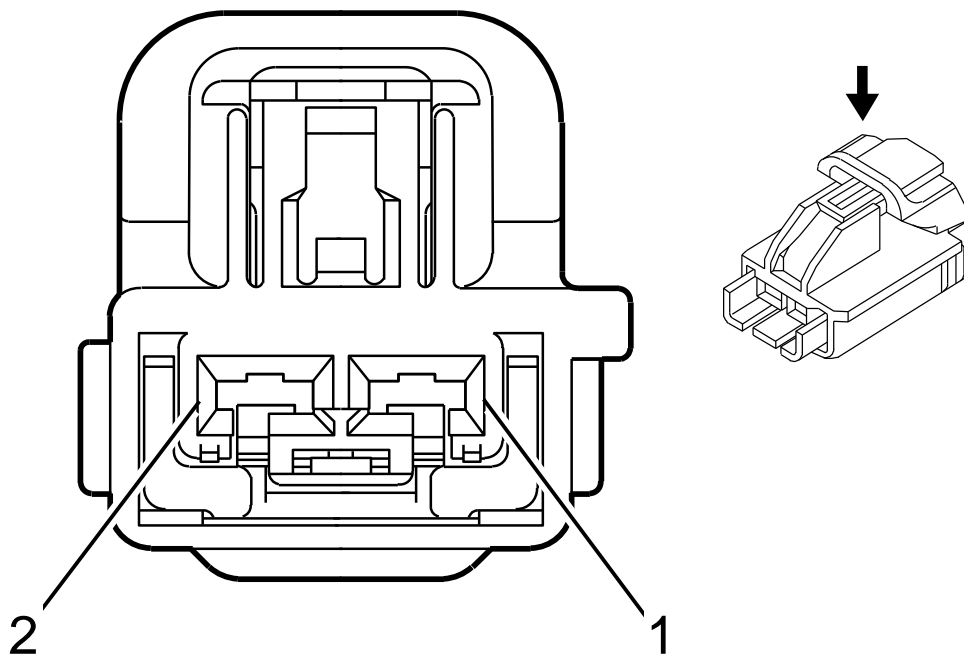
- Harness Type: Center High Mounted Stop Lamp
- Service Connector: Service by Harness
- Description: 3-pin M

**Table 298 Terminal Part Information**

Terminal Type ID	Service Terminal
I	6041944C1
II	6042000C1

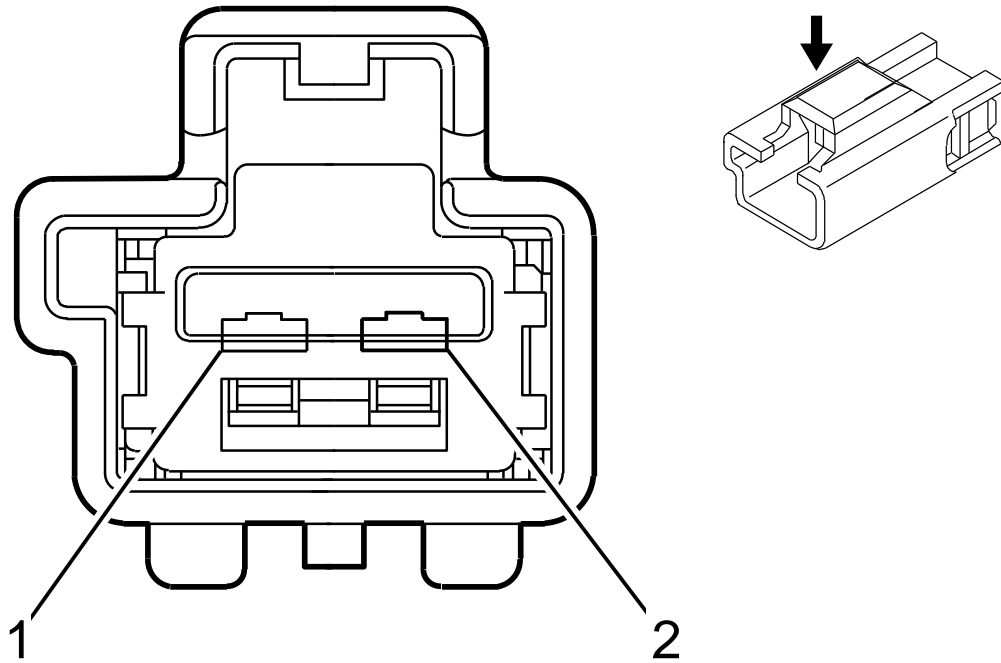
Table 299 X317 Headliner Harness to Center High Mounted Stop Lamp Harness

Male						Function	Female					
Pin	Size	Color	Circuit	Terminal Type ID	Option		Pin	Size	Color	Circuit	Terminal Type ID	Option
1	0.75	WH / VT	1430	I	—	Exterior Courtesy Lamp Control	1	0.75	WH / VT	1430	II	—
2	0.5	VT / GY	1054	I	—	Stop Lamp Control	2	0.5	VT / GY	1054	II	—
3	0.5	BK	1050	I	—	Ground	3	0.5	BK	1050	II	—



**Connector Part Information**

- Harness Type: Overhead Console
- Service Connector: Service by Harness
- Description: 2-pin F YESC Kaizen Series (L-GY)



**Connector Part Information**

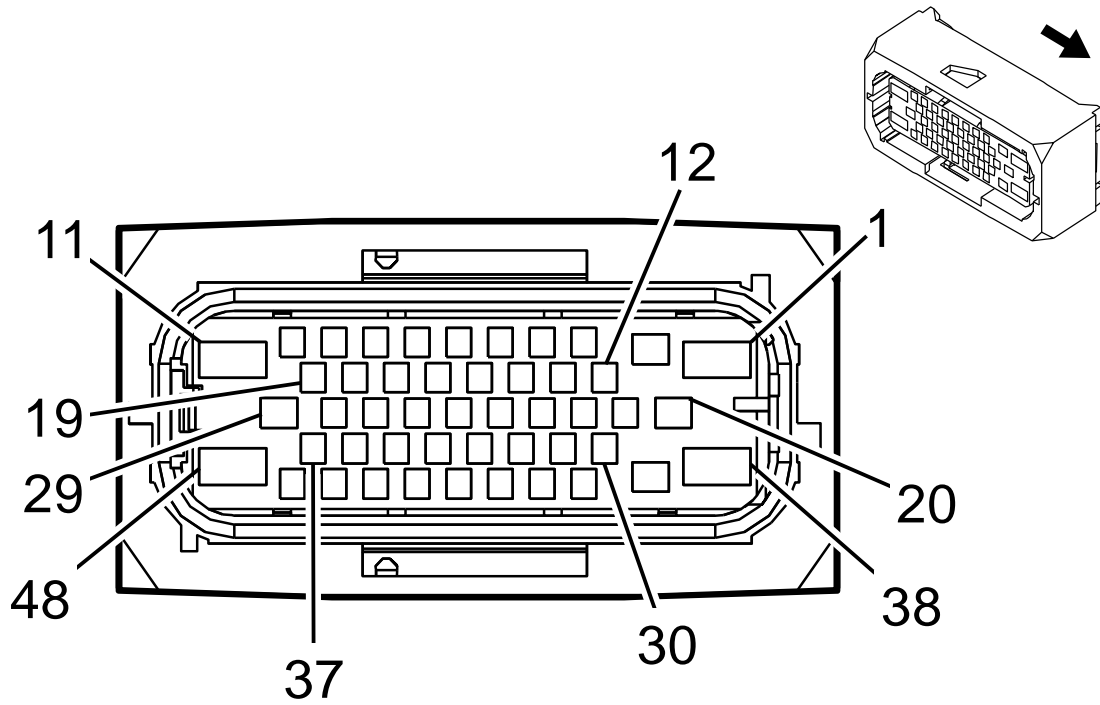
- Harness Type: Right A-Pillar
- Service Connector: Service by Harness
- Description: 2-pin M YESC Kaizen Series (L-GY)

**Table 302 Terminal Part Information**

Terminal Type ID	Service Terminal
I	Not Available
II	Not Available

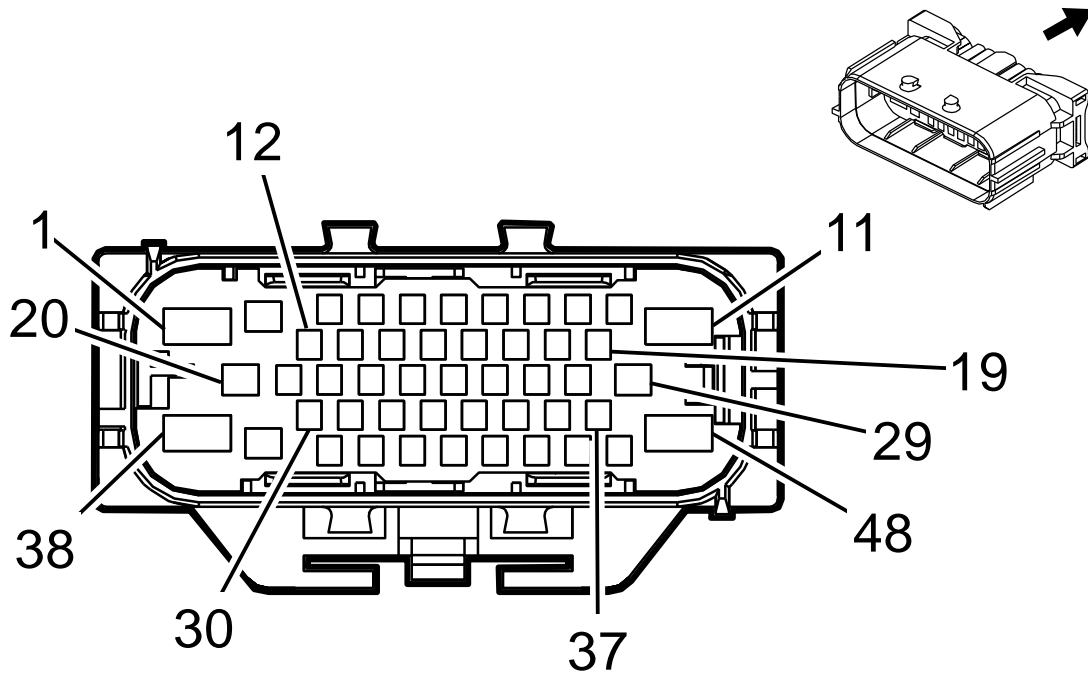
**Table 303 X319 Overhead Console Harness to Right A-Pillar Harness (Feature Code: 0008XKS)**

Male							Female					
Pin	Size	Color	Circuit	Terminal Type ID	Option	Function	Pin	Size	Color	Circuit	Terminal Type ID	Option
1	2.5	RD / L-GN	3140	I	—	Battery Positive Voltage	1	2.5	RD / L-GN	3140	II	—
2	2.5	BK	1050	I	—	Ground	2	2.5	BK	1050	II	—



**Connector Part Information**

- Harness Type: Passenger Seat Cushion
- Service Connector: Service by Harness
- Description: 48-pin F 1.5 MCP, 2.8 JPT, 6.3 MCP Series, Sealed (YE)



**Connector Part Information**

- Harness Type: Body
- Service Connector: 6040238C1
- Description: 48-pin M 1.6, 2.8, 5.8 Series, Sealed (BK)

**Table 306 Terminal Part Information**

Terminal Type ID	Service Terminal
I	Not Available
II	Not Available
III	Not Available
IV	6041927C1
V	6042001C1

**ELECTRICAL CIRCUIT DIAGRAM MANUAL**

**Table 307 X320 Passenger Seat Cushion Harness to Body Harness (Feature Code: 0016KVV / AG2 / 0016XJR)**

Male							Female						
Pin	Size	Color	Circuit	Terminal Type ID	Option	Function	Pin	Size	Color	Circuit	Terminal Type ID	Option	
1	—	—	—	—	—	Not Occupied	1	—	—	—	—	—	
2	2.5	RD / BN	1440	III	—	Battery Positive Voltage	2	2.5	RD / YE	1440	V	—	
3-5	—	—	—	—	—	Not Occupied	3-5	—	—	—	—	—	
6	0.35	OG / VT	1362	I	—	Passenger Seat Belt Switch Signal	6	—	—	—	—	—	
7	0.35	BK / OG	1361	I	—	Passenger Seat Belt Switch Low Reference	7	—	—	—	—	—	
8	0.75	BN / VT	2077	I	—	Driver Heated Seat Element Control	8	0.75	BN / VT	2077	IV	—	
9	0.75	BN	2432	I	—	Driver Heated Back Element Control	9	0.75	BN	2432	IV	—	
10	—	—	—	—	—	Not Occupied	10	—	—	—	—	—	
11	4	BK	1250	II	—	Ground Ground	11	1 4	BK BK	1250 1250	IV IV	Feature Code: 0016KVU AG2	
12-13	—	—	—	—	—	Not Occupied	12-13	—	—	—	—	—	
14	0.35	L-BU / RD	5612	I	—	Passenger Seat Belt Tension Sensor 5 volt Reference	14	—	—	—	—	—	



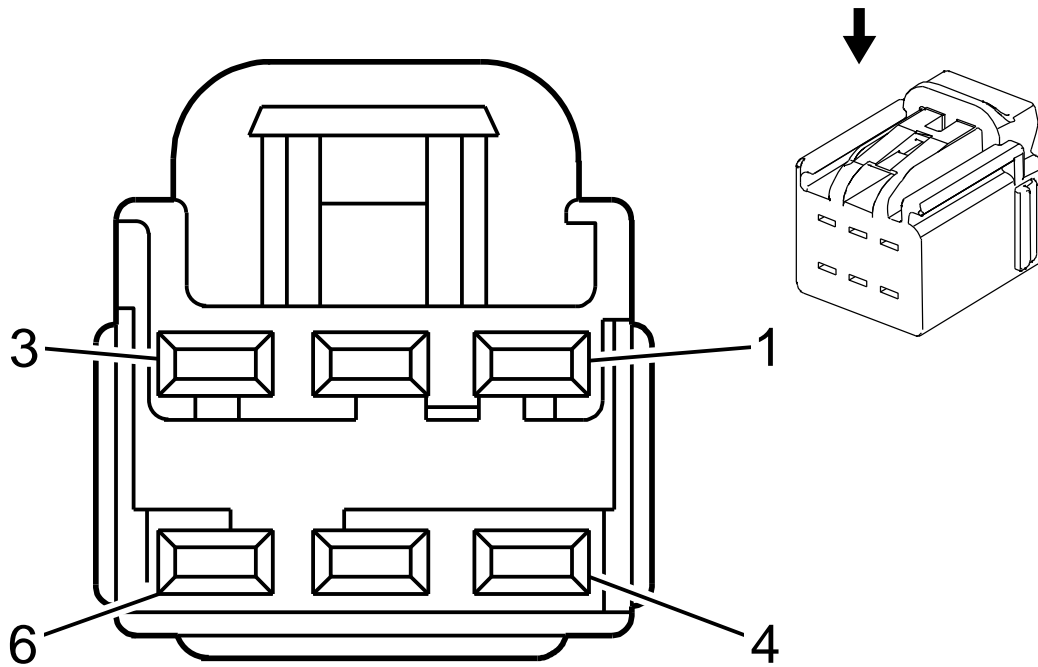
Table 307 X320 Passenger Seat Cushion Harness to Body Harness (Feature Code: 0016KVV / AG2 / 0016XJR) (cont.)

Male						Function	Female					
Pin	Size	Color	Circuit	Terminal Type ID	Option		Pin	Size	Color	Circuit	Terminal Type ID	Option
15	0.35	VT / OG	5611	I	—	Passenger Seat Belt Tension Sensor Signal	15	—	—	—	—	—
16	—	—	—	—	—	Not Occupied	16	—	—	—	—	—
17	0.75	RD / L-GN	6140	I	—	Battery Positive Voltage	17	0.75	RD / L-GN	6140	IV	—
18-21	—	—	—	—	—	Not Occupied	18-21	—	—	—	—	—
22	0.75	BN / BK	2078	I	—	Driver Heated Seat Element Low Reference	22	0.75	BN / BK	2078	IV	—
23	—	—	—	—	—	Not Occupied	23	—	—	—	—	—
24	0.5	BN / OG	3067	I	—	Passenger Side Impact Module Low Control	24	—	—	—	—	—
25	0.5	GY / OG	3480	I	—	Passenger Seat Belt Anchor Pretensioner Low Control	25	—	—	—	—	—
26	0.35	L-GN	5060	I	—	Low Speed GMLAN Serial Data	26	—	—	—	—	—
27	0.35	L-GN / L-BU	6133	I	—	Local Interconnect Network Serial Data Bus 2	27	0.5	L-GN / D-BU	6133	IV	—

**ELECTRICAL CIRCUIT DIAGRAM MANUAL**

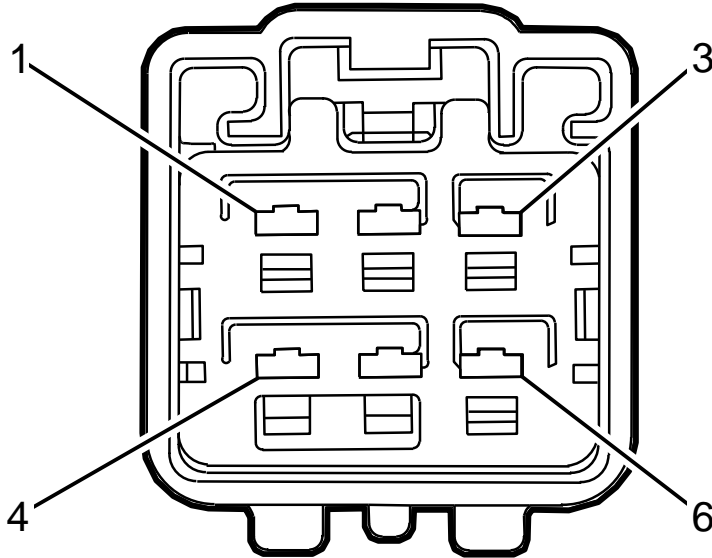
**Table 307 X320 Passenger Seat Cushion Harness to Body Harness (Feature Code: 0016KVV / AG2 / 0016XJR) (cont.)**

Male							Female					
Pin	Size	Color	Circuit	Terminal Type ID	Option	Function	Pin	Size	Color	Circuit	Terminal Type ID	Option
28	0.5	BK / YE	2080	I	—	Driver Heated Seat NTC Low Reference	28	0.5	BK / YE	2080	IV	—
29	—	—	—	—	—	Not Occupied	29	—	—	—	—	—
30	0.5	L-BU	2425	I	—	Driver Heated Back NTC Signal	30	0.5	D-BU	2425	IV	—
31	—	—	—	—	—	Not Occupied	31	—	—	—	—	—
32	0.5	YE / GY	2079	I	—	Driver Heated Seat NTC Signal	32	0.5	YE / GY	2079	IV	—
33	0.5	OG / GY	3066	I	—	Passenger Side Impact Module High Control	33	—	—	—	—	—
34	0.5	OG / BN	3479	I	—	Passenger Seat Belt Anchor Pretensioner High Control	34	—	—	—	—	—
35	0.35	RD / L-GN	4440	I	—	Battery Positive Voltage	35	—	—	—	—	—
36	0.35	BK / WH	2751	I	—	Signal Ground	36	—	—	—	—	—
37-46	—	—	—	—	—	Not Occupied	37-46	—	—	—	—	—
47	0.75	RD / L-GN	5140	I	—	Battery Positive Voltage	47	0.75	RD / L-GN	5140	IV	—
48	—	—	—	—	—	Not Occupied	48	—	—	—	—	—



**Connector Part Information**

- Harness Type: Passenger Seat Back
- Service Connector: Service by Harness
- Description: 6-pin F



**Connector Part Information**

- Harness Type: Passenger Seat Cushion
- Service Connector: Service by Harness
- Description: 6-pin M YESC Kaizen Series (L-GY)

**Table 310 Terminal Part Information**

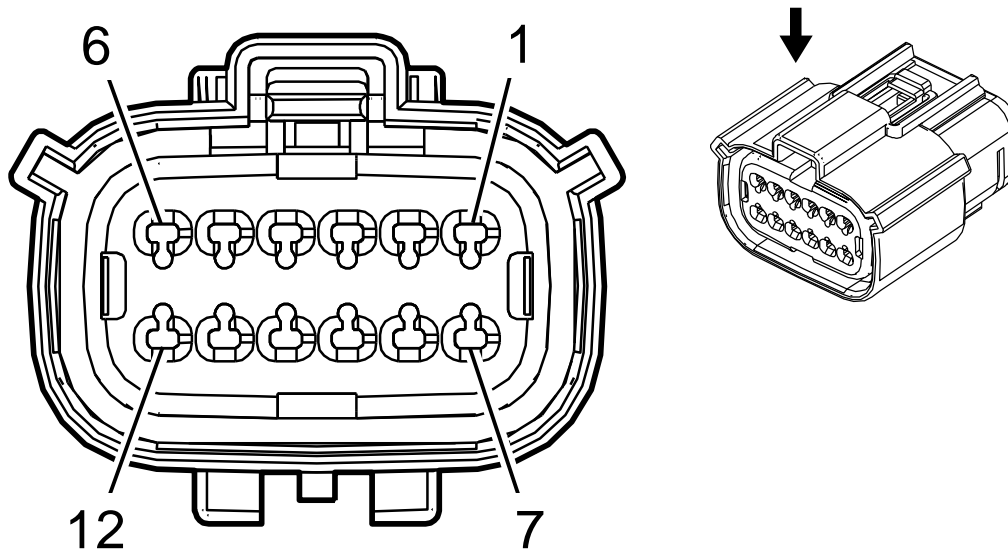
Terminal Type ID	Service Terminal
I	Not Available
II	Not Available

**Table 311 X321 Passenger Seat Back Harness to Passenger Seat Cushion Harness (Feature Code: 0016KVV / AG2)**

Male							Female						
Pin	Size	Color	Circuit	Terminal Type ID	Option	Function	Pin	Size	Color	Circuit	Terminal Type ID	Option	
1-2	—	—	—	—	—	Not Occupied	1-2	—	—	—	—	—	
3	1.5	L-BU	211	I	—	Passenger Power	3	1.5	L-BU	211	II	—	

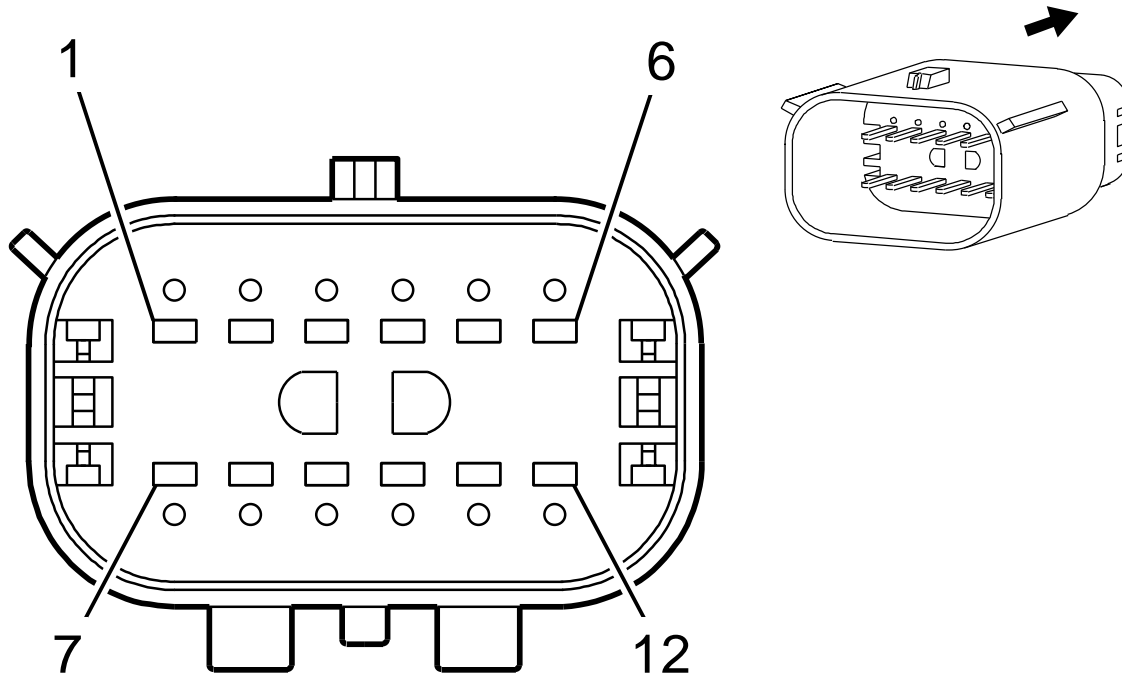
**Table 311 X321 Passenger Seat Back Harness to Passenger Seat Cushion Harness (Feature Code: 0016KVV / AG2) (cont.)**

Male							Female					
Pin	Size	Color	Circuit	Terminal Type ID	Option	Function	Pin	Size	Color	Circuit	Terminal Type ID	Option
						Seat Lumbar Motor Forward Control						
4	1.5	VT	210	I	—	Passenger Power Seat Lumbar Motor Rearward Control	4	1.5	VT	210	II	—
5	1.5	L-GN	76	I	—	Passenger Power Seat Recline Motor Forward Control	5	1.5	L-GN	76	II	—
6	1.5	L-BU / BN	77	I	—	Passenger Power Seat Recline Motor Rearward Control	6	1.5	L-BU / BN	77	II	—



**Connector Part Information**

- Harness Type: Passenger Seat Back
- Service Connector: Service by Harness
- Description: 12-pin F



**Connector Part Information**

- Harness Type: Passenger Seat Cushion
- Service Connector: Service by Harness
- Description: 12-pin M 150 MX Series, Sealed (YE)

**Table 314 Terminal Part Information**

Terminal Type ID	Service Terminal
I	Not Available
II	Not Available

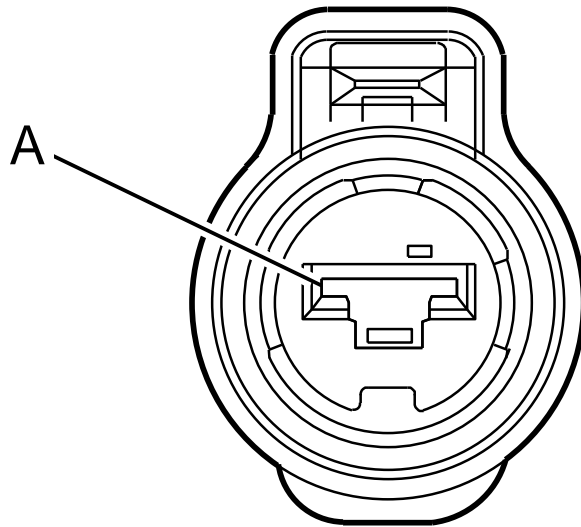
**Table 315 X322 Passenger Seat Back Harness to Passenger Seat Cushion Harness (0016XJR)**

Male						Function	Female					
Pin	Size	Color	Circuit	Terminal Type ID	Option		Pin	Size	Color	Circuit	Terminal Type ID	Option
1	0.5	OG / GY	3066	I	—	Passenger Side Impact Module	1	0.5	OG / GY	3066	II	—

Table 315 X322 Passenger Seat Back Harness to Passenger Seat Cushion Harness (0016XJR) (cont.)

Male							Female					
Pin	Size	Color	Circuit	Terminal Type ID	Option	Function	Pin	Size	Color	Circuit	Terminal Type ID	Option
						High Control						
2	0.5	BN / OG	3067	I	—	Passenger Side Impact Module Low Control	2	0.5	BN / OG	3067	II	—
3	0.75	BK	1250	I	—	Ground	3	0.75	BK	1250	II	—
4	0.75	WH / BN	2481	I	—	Passenger Heated Back Element Control	4	0.75	WH / BN	2481	II	—
5	—	—	—	—	—	Not Occupied	5	—	—	—	—	—
6	0.5	BK / L-GN	2482	I	—	Passenger Heated Back NTC Low Reference	6	0.5	BK / L-GN	2482	II	—
7	0.75	GY / BK	2480	I	—	Passenger Heated Seat Element Low Reference	7	0.75	GY / BK	2480	II	—
8	0.5	WH / L-BU	2436	I	—	Passenger Heated Back NTC Signal	8	0.5	WH / L-BU	2436	II	—
9-12	—	—	—	—	—	Not Occupied	9-12	—	—	—	—	—





**Connector Part Information**

- Harness Type: Chassis
- Service Connector: 3537133C1
- Description: 1-pin F 312 Series (GY)

**Connector Part Information**

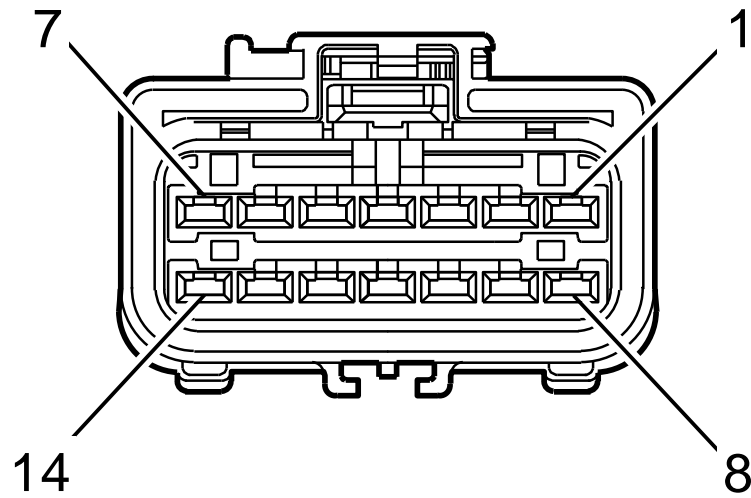
- Harness Type: Battery Feed
- Service Connector: Service by Harness
- Description: 1-pin M

**Table 318 Terminal Part Information**

Terminal Type ID	Service Terminal
I	3700153C1
II	Not Available

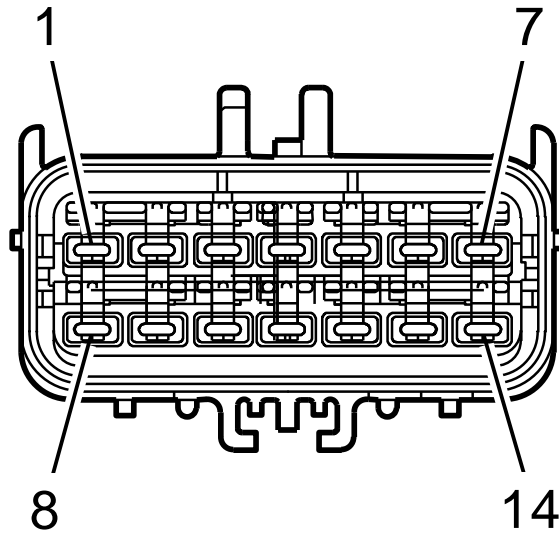
**Table 319 X330 Chassis Harness to Battery Feed Harness (Feature Code: 0008MVZ / 0008MWA)**

Male						Function	Female					
Pin	Size	Color	Circuit	Terminal Type ID	Option		Pin	Size	Color	Circuit	Terminal Type ID	Option
A	6	RD	90	I	—	Right Mirror Motor Left Control	A	6	RD	90	II	—



**Connector Part Information**

- Harness Type: Chassis Rear Left
- Service Connector: Service by Harness
- Description: 14-pin F 2.8 APEX Series, Sealed (BK)



**Connector Part Information**

- Harness Type: Chassis
- Service Connector: 3618231C1
- Description: 14-pin M 2.8 APEX Series, Sealed (BK)

**Table 322 Terminal Part Information**

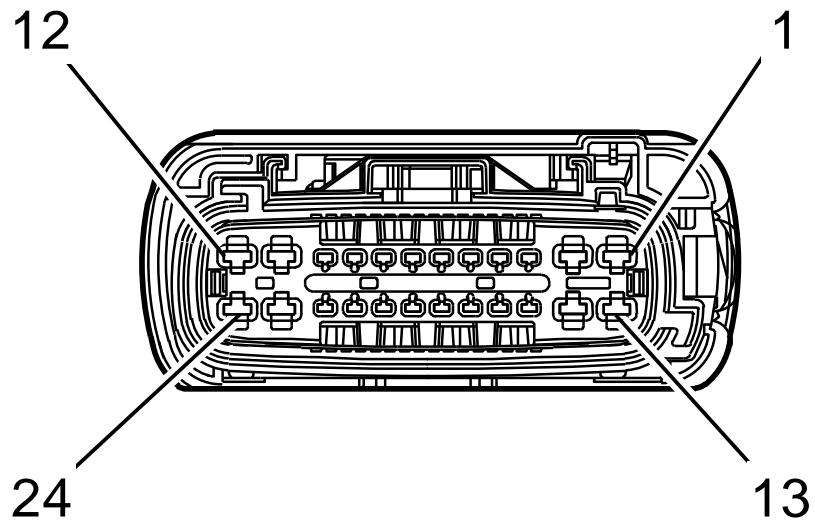
Terminal Type ID	Service Terminal
I	Not Available
II	3618273C1

Table 323 X401 Chassis Rear Left Harness to Chassis Harness

Male						Function	Female					
Pin	Size	Color	Circuit	Terminal Type ID	Option		Pin	Size	Color	Circuit	Terminal Type ID	Option
1	2	GN / WH	24	I	—	Backup Lamp Control	1	2	GN / WH	24	II	—
2	2	YE / BU	18	I	—	Left Rear Stop / Turn Lamp Control	2	1	YE / BU	18	II	—
3	2	VT / GY	709	I	—	Left Park Lamp Control	3	2	VT / GY	709	II	—
4	1	GY / BK	7127	I	—	Wheel Speed Sensor Control Left Rear	4	0.75	GY / BK	7127	II	—
5	1	BU	884	I	—	Wheel Speed Sensor Signal Left Rear	5	0.75	BU	884	II	—
6	2.5	RD / VT	1242	I	—	Battery Positive Voltage	6	2	RD / VT	1242	II	—
7	2.5	WH / GN	1624	I	—	Trailer Backup Lamp Control	7	2	WH / GN	1624	II	—
8	2.5	BU	47	I	—	Trailer Auxiliary Control	8	1.5	BU	47	II	—
						Trailer Auxiliary Control		3	BU	47	II	—
9	2.5	GN / BN	319	I	—	Right Rear Trailer Stop / Turn Lamp Control	9	2	GN / BN	319	II	—
10	2.5	GY / BN	2109	I	—	Trailer Park Lamp Control	10	5	GY / BN	2109	II	—

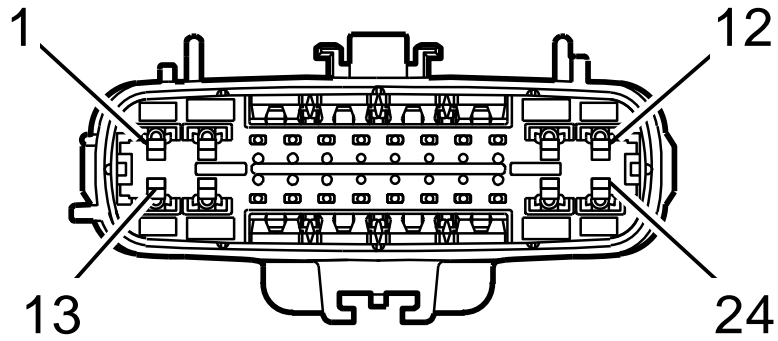
Table 323 X401 Chassis Rear Left Harness to Chassis Harness (cont.)

Male						Function	Female					
Pin	Size	Color	Circuit	Terminal Type ID	Option		Pin	Size	Color	Circuit	Terminal Type ID	Option
11	2.5	YE / BU	318	I	—	Left Rear Trailer Stop / Turn Lamp Control	11	1.5	YE / BU	318	II	—
12-14	—	—	—	—	—	Not Occupied	12-14	—	—	—	—	—



**Connector Part Information**

- Harness Type: Chassis Rear Right
- Service Connector: 3857801C1
- Description: 24-pin F 1.5, 2.8 APEX Series, Sealed (BK)



**Connector Part Information**

- Harness Type: Chassis
- Service Connector: 3920649C1
- Description: 24-pin M 1.5, 2.8 APEX Series, Sealed (BK)

**Table 326 Terminal Part Information**

Terminal Type ID	Service Terminal
I	3857801C1
II	3920812C1 0.5mm
	3920811C1 0.75mm



Table 327 X402 Chassis Rear Right Harness to Chassis Harness

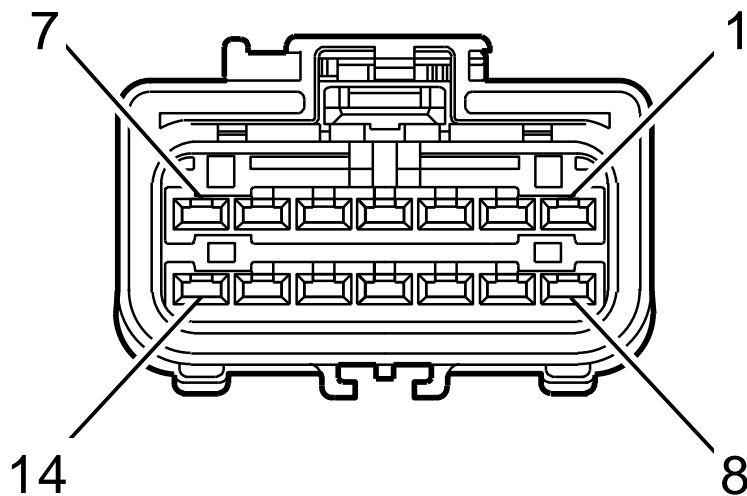
Male						Function	Female					
Pin	Size	Color	Circuit	Terminal Type ID	Option		Pin	Size	Color	Circuit	Terminal Type ID	Option
1	—	—	—	—	—	Not Occupied	1	—	—	—	—	—
2	2	BN / GN	19	I	—	Right Rear Stop / Turn Lamp Control	2	1	BN / GN	19	II	—
3	—	—	—	—	—	Not Occupied	3	—	—	—	—	—
4	0.75	WH / GN	1624	I	—	Trailer Backup Lamp Control	4	1.5	GN / WH	24	II	—
5	0.75	WH / BU	7128	I	—	Wheel Speed Sensor Control Right Rear	5	0.75	WH / BU	7128	II	—
6	1	VT	882	I	—	Wheel Speed Sensor Signal Right Rear	6	0.75	VT	882	II	—
7	—	—	—	—	—	Not Occupied	7	—	—	—	—	—
8	0.5	BU / VT	1589	I	—	Primary Fuel Level Sensor Signal	8	0.5	VT	1589	II	—
	0.5	BU / WH	1937	I	—	Secondary Fuel Level Sensor Signal		0.5	BU	1937	II	—
9	0.5	BK / GN	6281	I	—	Fuel Level Sensor Low Reference	9	0.5	BN / WH	6281	II	—
						Fuel Level Sensor Low Reference		0.5	BK / GN	6281	II	—

Table 327 X402 Chassis Rear Right Harness to Chassis Harness (cont.)

Male						Function	Female					
Pin	Size	Color	Circuit	Terminal Type ID	Option		Pin	Size	Color	Circuit	Terminal Type ID	Option
10	0.75	WH / VT	1430	I	—	Exterior Courtesy Lamp Control	10	0.75	GN / VT	1430	II	—
11	1.5	GY	120	I	—	Fuel Pump Control	11	1.5	GY	120	II	—
12	1.5	YE / GY	4137	I	—	Fuel Pump Supply Voltage Phase 2	12	1.5	YE / GY	4137	II	—
13	1.5	WH / BN	4138	I	—	Fuel Pump Supply Voltage Phase 3	13	1.5	WH / BN	4138	II	—
14	2	GN / WH	24	I	—	Backup Lamp Control	14	2	GN / WH	24	II	—
15	0.75	GY / YE	6972	I	—	Camera Signal 2 (+)	15	0.75	GY / YE	6972	II	—
16	0.5	BK	6974	I	—	Camera Low Reference	16	0.75	WH	6974	II	—
17	0.75	WH / BU	6973	I	—	Camera Signal 2	17	0.75	WH / BU	6973	II	—
18	0.75	VT / GN	1739	I	—	Run / Crank Ignition 1 Voltage	18	0.5	PK	1739	II	—
19	0.5	BK	7444	I	—	Fuel System Control Module Shield Ground	19	0.5	BK	7444	II	—
20	—	—	—	I	—	Ground	20	0.5	BK	2550	II	—
21-22	—	—	—	—	—	Not Occupied	21-22	—	—	—	—	—

Table 327 X402 Chassis Rear Right Harness to Chassis Harness (cont.)

Male						Function	Female					
Pin	Size	Color	Circuit	Terminal Type ID	Option		Pin	Size	Color	Circuit	Terminal Type ID	Option
23	2	GY / BN	309	I	—	Right Park Lamp Control	23	2	GY / BN	309	II	—
24	1.5	BK	2150	I	—	Ground	24	2	BK	2150	II	—



**Connector Part Information**

- Harness Type: Chassis
- Service Connector: 3573078C1
- Description: 14-pin F 2.8 APEX Series, Sealed (BK)

**Connector Part Information**

- Harness Type: Body Builder Connection
- Service Connector: Service by Harness
- Description: 14-pin M

**Table 330 Terminal Part Information**

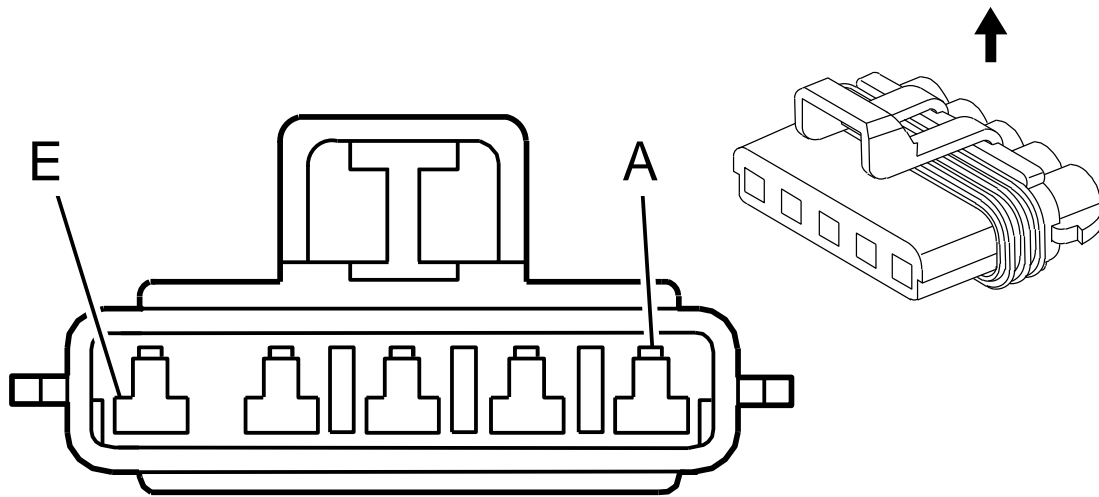
Terminal Type ID	Service Terminal
I	3613770C1
II	Not Available

**Table 331 X405 Chassis Harness to Body Builder Connection Harness (Feature Code: 0008HXV)**

Male						Female						
Pin	Size	Color	Circuit	Terminal Type ID	Option	Function	Pin	Size	Color	Circuit	Terminal Type ID	Option
1	—	—	—	—	—	Not Occupied	1	—	—	—	—	—
2	2	GN / WH	24	I	—	Backup Lamp Control	2	2	GN / WH	24	II	—
3	2	YE / BN	618	I	—	Left Rear Turn Signal Lamp Control	3	2	YE / BN	618	II	—
4	1	GN / VT	619	I	—	Right Rear Turn Signal Lamp Control	4	1	GN / VT	619	II	—
5	0.75	VT / GY	1054	I	—	Stop Lamp Control	5	0.75	VT / GY	1054	II	—
6-7	—	—	—	—	—	Not Occupied	6-7	—	—	—	—	—
8	2	VT / GY	709	I	—	Left Park Lamp Control	8	2	VT / GY	709	II	—
9	2	GY / BN	309	I	—	Right Park Lamp Control	9	2	GY / BN	309	II	—
10-11	—	—	—	—	—	Not Occupied	10-11	—	—	—	—	—

Table 331 X405 Chassis Harness to Body Builder Connection Harness (Feature Code: 0008HXV)  
(cont.)

Male						Function	Female					
Pin	Size	Color	Circuit	Terminal Type ID	Option		Pin	Size	Color	Circuit	Terminal Type ID	Option
12	1	YE / BU	18	I	—	Left Rear Stop / Turn Lamp Control	12	1	YE / BU	18	II	—
	2	YE / BU	18	I	—			2	YE / BU	18	II	—
13	1	BN / GN	19	I	—	Right Rear Stop / Turn Lamp Control	13	1	BN / GN	19	II	—
14	2	RD / GN	1142	I	—	Battery Positive Voltage	14	2	RD / GN	1142	II	—
	3	RD / GN	1142	I	—			3	RD / GN	1142	II	—



**Connector Part Information**

- Harness Type: Chassis Rear Left
- Service Connector: 1661375C2
- Description: 4-pin F 280 Metri-Pack Series, Sealed

**Connector Part Information**

- Harness Type: Left Outside Stop, Tail and Turn Lamp
- Service Connector: Service by Harness
- Description: 4-pin M

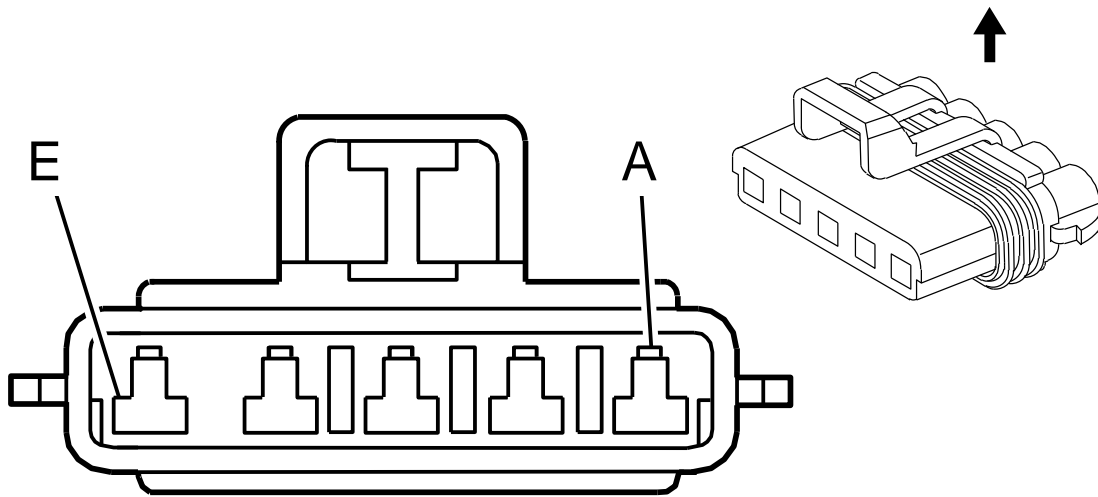
**Table 334 Terminal Part Information**

Terminal Type ID	Service Terminal
I	2033816C1
II	Not Available

**Table 335 X410 Chassis Rear Left Harness to Tail Lamp Assembly - Left Harness**

Male							Female					
Pin	Size	Color	Circuit	Terminal Type ID	Option	Function	Pin	Size	Color	Circuit	Terminal Type ID	Option
A	2	GN / WH	24	I	—	Backup Lamp Control	A	2	GN / WH	24	II	—
B	2	YE / BU	18	I	—	Left Rear Stop / Turn Lamp Control	B	2	YE / BU	18	II	—
C	—	—	—	—	—	Not Occupied	C	—	—	—	—	—
D	2	VT / GY	709	I	—	Left Park Lamp Control	D	2	VT / GY	709	II	—
E	3	BK	10	I	—	Headlight Switch Signal	E	3	BK	10	II	—





**Connector Part Information**

- Harness Type: Chassis Rear Right
- Service Connector: 1661375C2
- Description: 4-pin F 280 Metri-Pack Series, Sealed

**Connector Part Information**

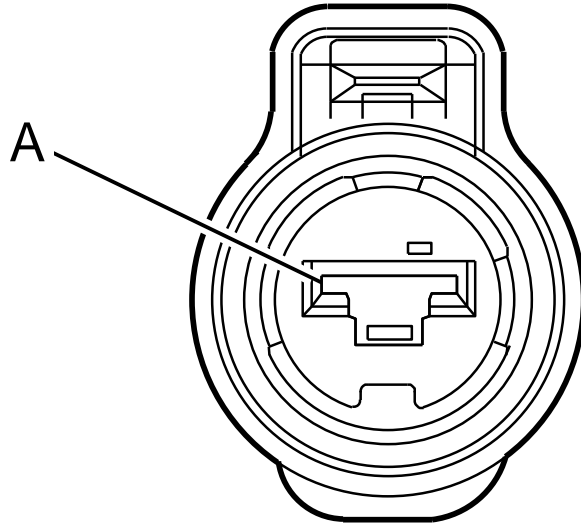
- Harness Type: Right Outside Stop, Tail and Turn Lamp
- Service Connector: Service by Harness
- Description: 4-pin M

**Table 338 Terminal Part Information**

Terminal Type ID	Service Terminal
I	2033816C1
II	Not Available

**Table 339 X420 Chassis Rear Right Harness to Tail Lamp Assembly - Right Harness**

Male						Female						
Pin	Size	Color	Circuit	Terminal Type ID	Option	Function	Pin	Size	Color	Circuit	Terminal Type ID	Option
A	2	GN / WH	24	I	—	Backup Lamp Control	A	2	GN / WH	24	II	—
B	2	GY / BN	309	I	—	Right Park Lamp Control	B	2	GY / BN	309	II	—
C	2	BN / GN	19	I	—	Right Rear Stop / Turn Lamp Control	C	2	BN / GN	19	II	—
D	2	GY / BN	309	I	—	Right Park Lamp Control	D	2	GY / BN	309	II	—
E	3	BK	10	I	—	Headlight Switch Signal	E	3	BK	10	II	—



**Connector Part Information**

- Harness Type: Chassis
- Service Connector: 3537133C1
- Description: 1-pin F 312 Series (GY)

**Connector Part Information**

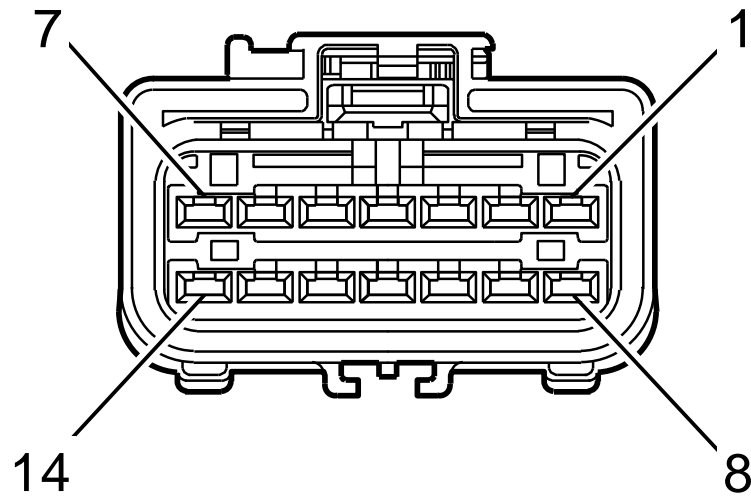
- Harness Type: Battery Feed
- Service Connector: Service by Harness
- Description: 1-pin M

**Table 342 Terminal Part Information**

Terminal Type ID	Service Terminal
I	3700153C1
II	Not Available

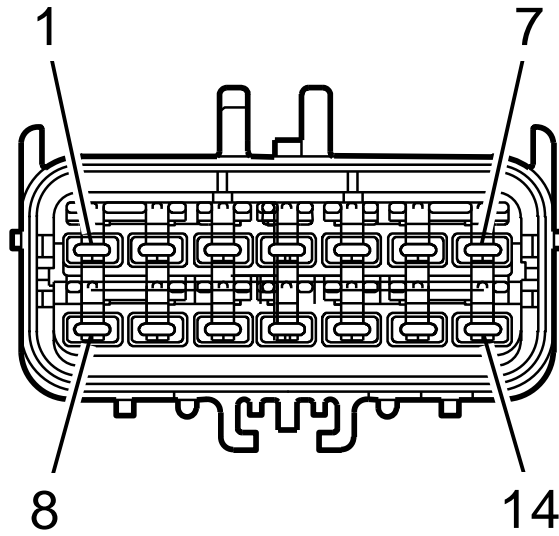
**Table 343 X430 Chassis Harness to Battery Feed Harness (Feature Code: 0008MSD (0008VUV))**

Male						Function	Female					
Pin	Size	Color	Circuit	Terminal Type ID	Option		Pin	Size	Color	Circuit	Terminal Type ID	Option
A	6	RD	90	I	—	Right Mirror Motor Left Control	A	6	RD	90	II	—



**Connector Part Information**

- Harness Type: Chassis
- Service Connector: 3573078C1
- Description: 14-pin F 2.8 APEX Series, Sealed (BK)



**Connector Part Information**

- Harness Type: Chassis Rear Right
- Service Connector: 3618231C1
- Description: 14-pin M 2.8 APEX Series, Sealed (BK)

**Table 346 Terminal Part Information**

Terminal Type ID	Service Terminal
I	3613771C1 0.75-1 mm 3613770C1 2mm
II	3618273C1

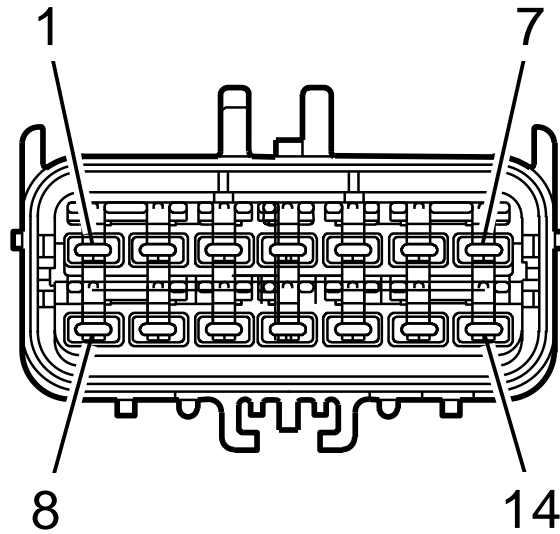
Table 347 X455 Chassis Harness to Chassis Rear Right Harness (Feature Code: 0008HXU)

Male						Function	Female					
Pin	Size	Color	Circuit	Terminal Type ID	Option		Pin	Size	Color	Circuit	Terminal Type ID	Option
1	—	—	—	—	—	Not Occupied	1	—	—	—	—	—
2	2	GN / WH	24	I	—	Backup Lamp Control	2	2	GN / WH	24	II	—
3	2	YE / BN	618	I	—	Left Rear Turn Signal Lamp Control	3	2	YE / BN	618	II	—
4	1	GN / VT	619	I	—	Right Rear Turn Signal Lamp Control	4	2	GN / VT	619	II	—
5	0.75	VT / GY	1054	I	—	Stop Lamp Control	5	2	VT / GY	1054	II	—
	1	VT / GY	1054	I	—	Stop Lamp Control						
6-7	—	—	—	—	—	Not Occupied	6-7	—	—	—	—	—
8	2	VT / GY	709	I	—	Left Park Lamp Control	8	2	VT / GY	709	II	—
9	2	GY / BN	309	I	—	Right Park Lamp Control	9	2	GY / BN	309	II	—
10-11	—	—	—	—	—	Not Occupied	10-11	—	—	—	—	—
12	1	YE / BU	YE / BU	I	—	Left Rear Stop / Turn Lamp Control	12	2	YE / BU	YE / BU	II	—
13	1	BN / GN	19	I	—	Right Rear Stop / Turn Lamp Control	13	2	BN / GN	19	II	—
14	2	RD / GN	1142	I	—	Battery Positive Voltage	14	2	RD / YE	1142	II	—

**Connector Part Information**

- Harness Type: Body Builder Connection
- Service Connector: Service by Harness
- Description: 14-pin F





**Connector Part Information**

- Harness Type: Chassis Rear Right
- Service Connector: 3618231C1
- Description: 14-pin M 2.8 APEX Series, Sealed (BK)

**Table 350 Terminal Part Information**

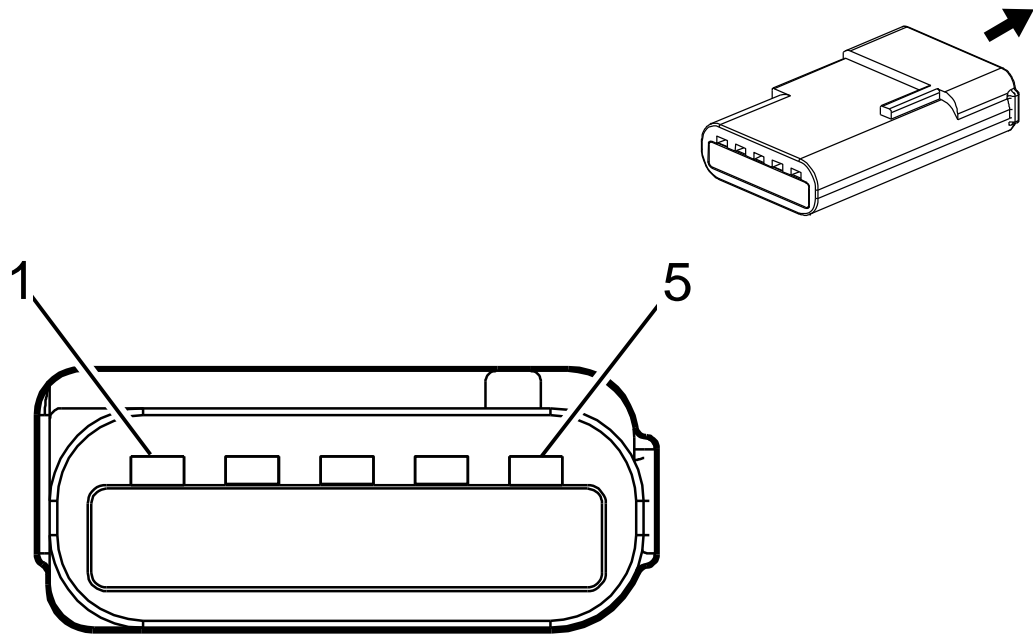
Terminal Type ID	Service Terminal
I	Not Available
II	3618273C1

**Table 351 X495 Body Builder Connection Harness to Chassis Rear Right Harness (Feature Code: 0008HXU)**

Male					Function	Female				
Pin	Size	Color	Circuit	Terminal Type ID		Pin	Size	Color	Circuit	Terminal Type ID
1	1.5	BK	BK	I	Headlight Switch Signal	1	1.5	BK	BK	II
2	2	GN / WH	24	I	Backup Lamp Control	2	2	GN / WH	24	II

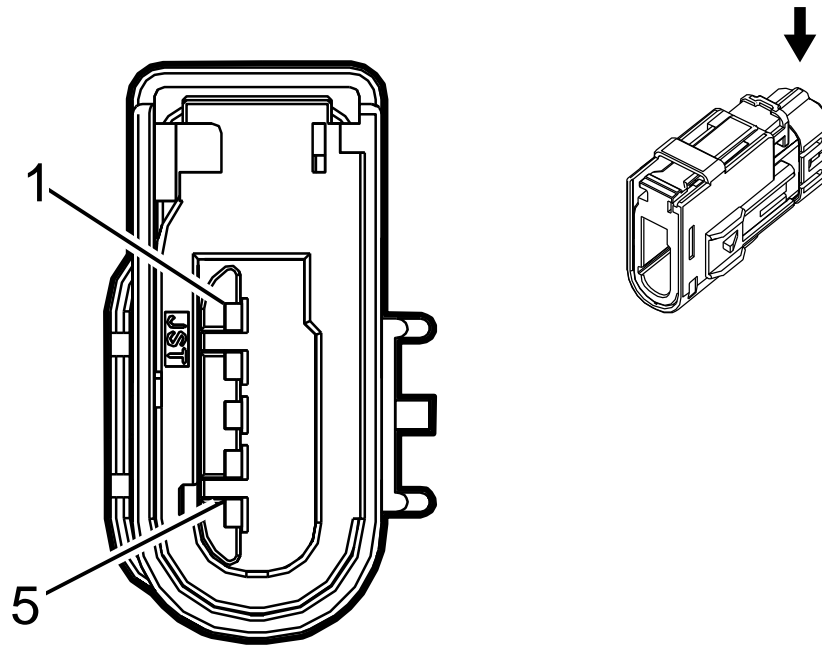
Table 351 X495 Body Builder Connection Harness to Chassis Rear Right Harness (Feature Code: 0008HXU) (cont.)

Male						Female				
Pin	Size	Color	Circuit	Terminal Type ID	Function	Pin	Size	Color	Circuit	Terminal Type ID
3	2	YE / BN	618	I	Left Rear Turn Signal Lamp Control	3	2	YE / BN	618	II
4	2	GN / VT	619	I	Right Rear Turn Signal Lamp Control	4	2	GN / VT	619	II
5	2	VT / GY	1054	I	Stop Lamp Control	5	2	VT / GY	1054	II
6	2	VT / GY	709	I	Left Park Lamp Control	6	2	VT / GY	709	II
7	—	—	—	—	Not Occupied	7	—	—	—	—
8	2	VT / GY	709	I	Left Park Lamp Control	8	2	VT / GY	709	II
9	2	GY / BN	309	I	Right Park Lamp Control	9	2	GY / BN	309	II
10-11	—	—	—	—	Not Occupied	10-11	—	—	—	—
12	2	YE / BU	18	I	Left Rear Stop / Turn Lamp Control	12	2	YE / BU	18	II
13	2	BN / GN	19	I	Right Rear Stop / Turn Lamp Control	13	2	BN / GN	19	II
14	2	RD / YE	1142	I	Battery Positive Voltage	14	2	RD / YE	1142	II



**Connector Part Information**

- Harness Type: Rearview Camera Jumper
- Service Connector: Service by Harness
- Description: 5-pin F 1.2 Series, Sealed (GY)



**Connector Part Information**

- Harness Type: Chassis Rear Right
- Service Connector: 4102336C1
- Description: 5-pin M 1.2 Series, Sealed (BK)

**Table 354 Terminal Part Information**

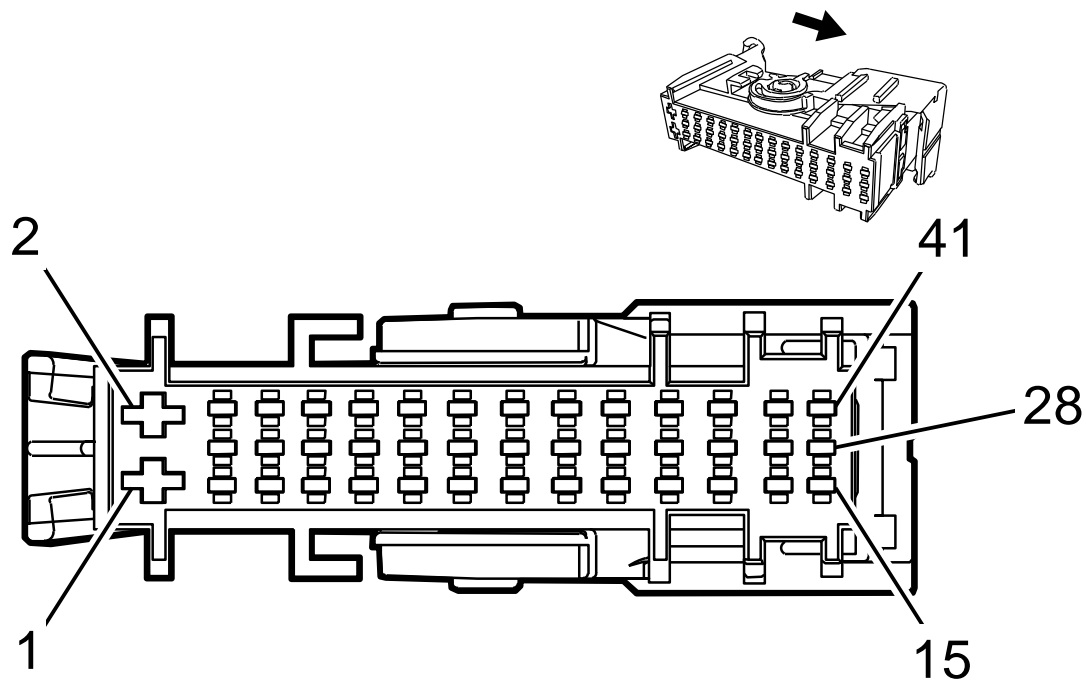
Terminal Type ID	Service Terminal
I	Not Available
II	4102338C1

**Table 355 X499 Rearview Camera Jumper Harness to Chassis Rear Right Harness (Feature Code: 0008RNY)**

Male					Function	Female				
Pin	Size	Color	Circuit	Terminal Type ID		Pin	Size	Color	Circuit	Terminal Type ID
1	0.75	GY / YE	6972	I	Camera Signal 2 (+)	1	0.75	GY / YE	6972	II
2	0.75	WH / BU	6973	I	Camera Signal 2	2	0.75	WH / BU	6973	II

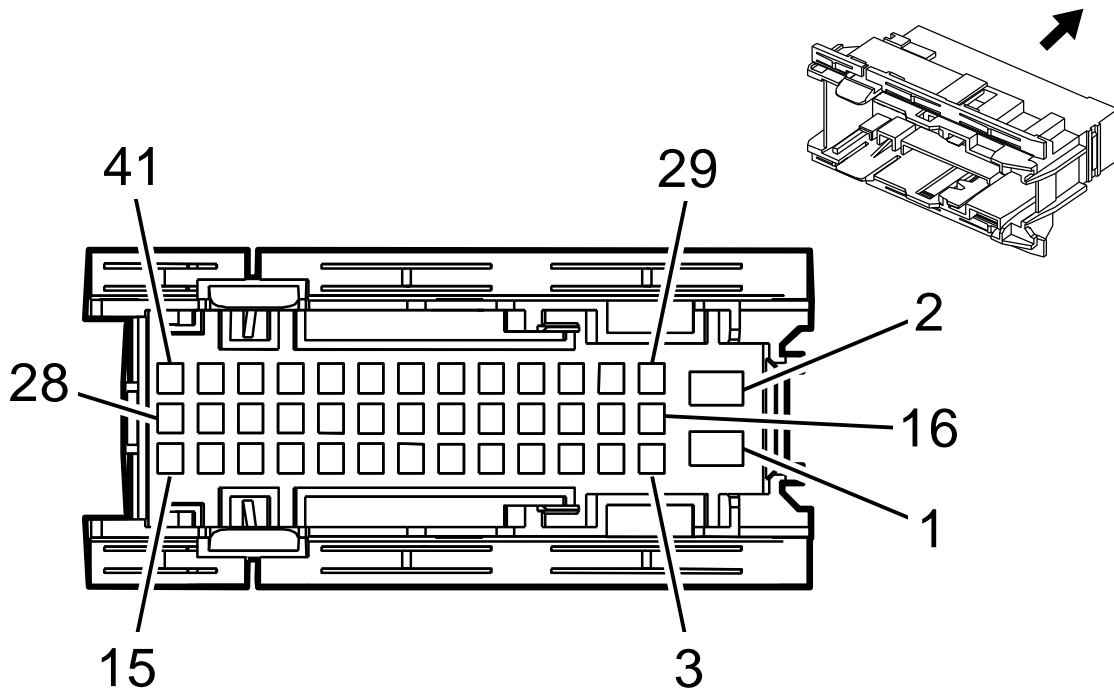
**Table 355 X499 Rearview Camera Jumper Harness to Chassis Rear Right Harness (Feature Code: 0008RNY) (cont.)**

Male					Function	Female				
Pin	Size	Color	Circuit	Terminal Type ID		Pin	Size	Color	Circuit	Terminal Type ID
3	0.5	WH	6974	I	Camera Low Reference	3	0.5	BK	6974	II
4	0.75	BK	2550	I	Ground	4	0.75	BK	2550	II
5	0.75	VT / GN	1739	I	Run / Crank Ignition 1 Voltage	5	0.75	VT / GN	1739	II



**Connector Part Information**

- Harness Type: Driver Door
- Service Connector: Service by Harness
- Description: 41-pin F 4.8 Timer, 1.5 DSQ Series



**Connector Part Information**

- Harness Type: Body
- Service Connector: 6040220C1
- Description: 41-pin M 1.5, 2.8 Series (GY)

**Table 358 Terminal Part Information**

Terminal Type ID	Service Terminal
I	6042024C1 0.35-0.5mm
	6042025C1 1mm
II	6042002C1 2.5mm
	6042015C1 3mm
III	6041852C1
IV	6042026C1
V	6041981C1
VI	6042027C1
VII	6041852C1
VIII	6041981C1

Table 359 X500 Driver Door Harness to Body Harness

Male					Function	Female				
Pin	Size	Color	Circuit	Terminal Type ID		Pin	Size	Color	Circuit	Terminal Type ID
1	2.5	RD / D-BU	1842	II	Battery Positive Voltage	1	2.5	RD / D-BU	1842	V
2	3	BK	1150	II	Ground	2	4	BK	1150	VIII
3	0.5	GY / WH	5996	I	Driver Outside Rear View Mirror Puddle Lamp Control	3	—	—	—	—
4	0.5	WH	3398	I	Passenger Mirror Motor Common Control	4	0.5	WH	3398	VI
5	0.35	YE / BK	1690	I	Automatic Day / Night Mirror Signal	5	—	—	—	—
6	0.35	BK / YE	1691	I	Automatic Day / Night Mirror Low Reference	6	—	—	—	—
7	0.35	D-BU / L-GN	614	I	Memory Seat Switch Set Signal	7	0.5	D-BU / L-GN	3412	VI
8	0.35	WH	615	I	Memory Seat Switch Signal 1	8	0.5	GY / WH	3411	VI
9	0.5	WH / VT	1430	I	Exterior Courtesy Lamp Control	9	0.5	WH / VT	1430	VI
10	1	D-BU	201	I	Left Front Speaker Control (+) 1	10	0.75	D-BU	201	VII
11	0.5	VT / GY	709	I	Left Park Lamp Control	11	0.5	VT / GY	709	VI
12	0.35	GY	745	I	Left Front Door Ajar Switch Signal	12	0.35	GY	745	IV
13	0.35	WH / VT	3270	I	Driver Door Lock Motor Status Signal	13	0.35	WH / VT	3270	IV

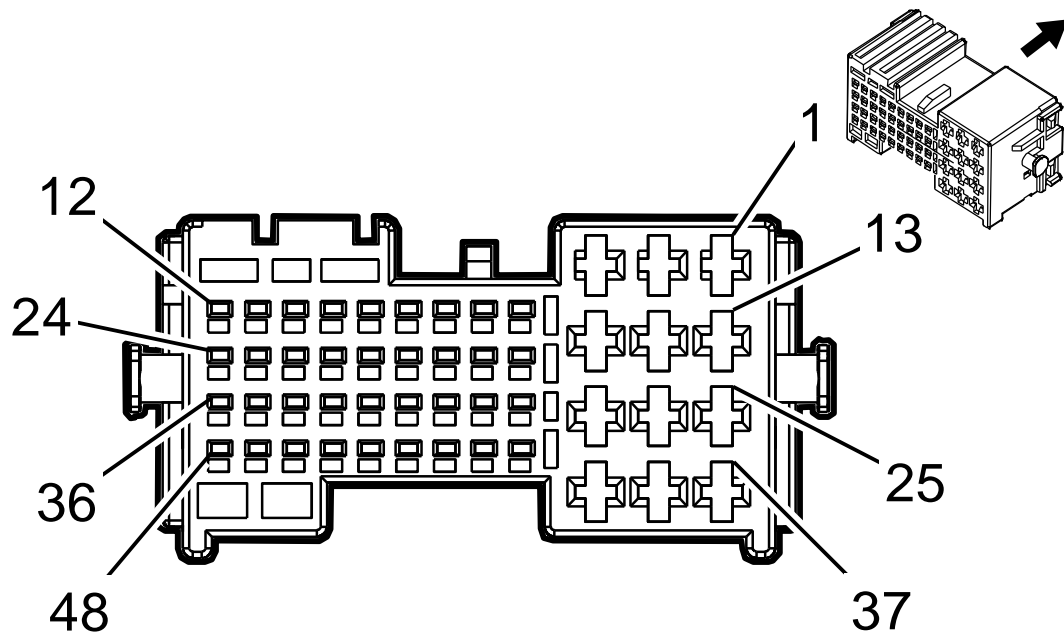


Table 359 X500 Driver Door Harness to Body Harness (cont.)

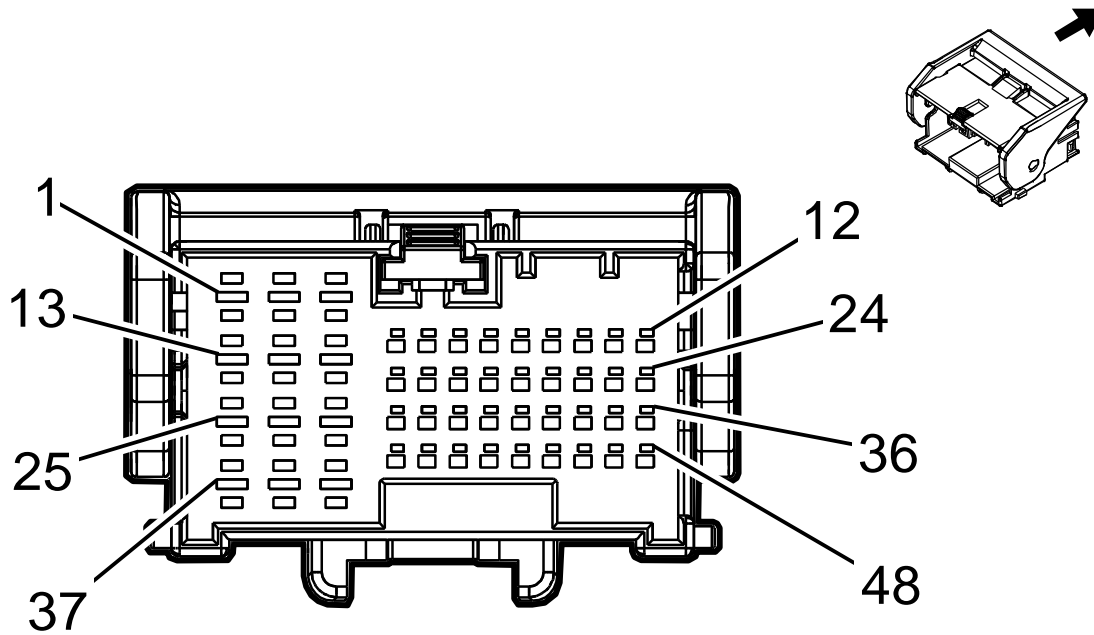
Male					Function	Female				
Pin	Size	Color	Circuit	Terminal Type ID		Pin	Size	Color	Circuit	Terminal Type ID
14	0.5	OG / L-GN	2132	I	Left Front Side Impact Sensing Module Signal	14	—	—	—	—
15	0.5	BK / OG	6628	I	Left Front Side Impact Sensing Module Low Reference	15	—	—	—	—
16	0.35	WH	6816	I	Indicator Dimming Control	16	0.5	WH	6816	VI
17	0.35	BN / WH	781	I	Driver Door Lock Switch Unlock Signal	17	0.35	BN / WH	781	IV
18	0.35	BN / YE	780	I	Driver Door Lock Switch Lock Signal	18	0.35	BN / YE	780	IV
19	0.75	BN / BK	294	I	Door Lock Actuator Unlock Control	19	0.75	BN / YE	294	VII
20	0.75	GY	5911	I	Door Lock Actuator Lock Control 2	20	0.75	GY	5911	VII
21	0.35	BK / D-BU	5978	I	Memory Switch Low Reference	21	—	—	—	—
22	—	—	—	—	Not Occupied	22	—	—	—	—
23	1	BN / D-BU	118	I	Left Front Speaker Signal (-) 1	23	0.75	BN / D-BU	118	VII
24-25	—	—	—	—	Not Occupied	24-25	—	—	—	—
26	0.35	D-BU / VT	1124	I	Door Lock Key Switch Unlock Signal	26	0.35	D-BU / VT	1124	IV
27-28	—	—	—	—	Not Occupied	27-28	—	—	—	—
29	0.35	YE	6817	I	LED Backlight Dimming Control	29	0.35	YE	6817	IV

Table 359 X500 Driver Door Harness to Body Harness (cont.)

Male						Female				
Pin	Size	Color	Circuit	Terminal Type ID	Function	Pin	Size	Color	Circuit	Terminal Type ID
30	0.35	WH / YE	7557	I	LED Ambient Lighting Control 1	30	0.35	WH / YE	7557	IV
31	0.5	BN / OG	2267	I	Mirror Heating Element Control	31	0.5	BN / YE	2267	VI
32	0.35	GY	5697	I	Child Lockout Indicator Control	32	0.35	GY	5697	IV
33	0.5	L-GN / YE	6134	I	Local Interconnect Network Serial Data Bus 3	33	0.5	L-GN / YE	6134	III
34	0.5	L-GN / WH	7530	I	Local Interconnect Network Serial Data Bus 8	34	—	—	—	—
35	0.35	BN / RD	3265	I	Child Security Lock Switch Signal	35	0.35	YE / BN	3265	IV
36	0.5	L-GN / BK	3396	I	Passenger Mirror Motor Right (+) Left (-) Control	36	0.5	L-GN / BK	3396	VI
37	—	—	—	—	Not Occupied	37	—	—	—	—
38	0.5	YE / VT	3397	I	Passenger Mirror Motor Up (+) Down (-) Control	38	0.5	YE / VT	3397	VI
39	—	—	—	—	Door Double Lock Actuator Lock Control	39	0.75	BN	5910	VII
40	0.5	RD / VT	1940	I	Battery Positive Voltage	40	0.5	RD / VT	1940	VI
41	0.5	D-BU / WH	1314	I	Left Front Turn Signal Lamp Control	41	0.75	D-BU / WH	1314	VII

**Connector Part Information**

- Harness Type: Driver Door
- Service Connector: Service by Harness
- Description: 48-pin F 1.2 MCON, 2.8 MCP Series (BK)



**Connector Part Information**

- Harness Type: Driver Door Trim
- Service Connector: Service by Harness
- Description: 48-pin M 1.2 MCON, 2.8 MCP Series (BK)

**Table 362 Terminal Part Information**

Terminal Type ID	Service Terminal
I	Not Available
II	Not Available
III	6041959C1 0.35 mm
	6041995C1 0.5-0.75 mm
IV	6042014C1 0.35-0.5 mm
	6042006C1 0.75mm

Table 363 X505 Driver Door Harness to Driver Door Trim Harness (Feature Code: 0016WAK)

Male					Function	Female				
Pin	Size	Color	Circuit	Terminal Type ID		Pin	Size	Color	Circuit	Terminal Type ID
1	0.35	YE	6817	II	LED Backlight Dimming Control	1	0.35	YE	6817	IV
2	0.35	WH / YE	7557	II	LED Ambient Lighting Control 1	2	0.35	WH / YE	7557	IV
3	0.35	WH	6816	II	Indicator Dimming Control	3	0.35	WH	6816	IV
4	—	—	—	—	Not Occupied	4	—	—	—	—
5	0.5	BN / BK	3389	I	Driver Mirror Motor Right (+) Left (-) Control	5	0.75	BN / BK	3389	III
6	0.5	VT / D-BU	3390	I	Driver Mirror Motor Up (+) Down (-) Control	6	0.75	VT / D-BU	3390	III
7	0.5	YE / BN	3391	I	Driver Mirror Motor Common Control	7	0.75	YE / BN	3391	III
8	0.5	GY / WH	3411	I	Driver Mirror Motor Fold Out Control	8	0.75	GY / WH	3411	III
9	0.5	WH / L-GN	3412	I	Driver Mirror Motor Fold In Control	9	0.75	WH / L-GN	3412	III
10	0.35	GY / BN	3394	I	Driver Mirror Position Sensor Up (+) Down (-) Signal	10	0.35	GY / BN	3394	III
11	0.5	BN / BK	3389	I	Driver Mirror Motor Right (+) Left (-) Control	11	0.75	BN / BK	3389	III
12	0.35	VT / RD	3392	I	Driver Mirror Position Sensor 5 volt Reference	12	0.35	VT / RD	3392	III

**ELECTRICAL CIRCUIT DIAGRAM MANUAL**

**Table 363 X505 Driver Door Harness to Driver Door Trim Harness (Feature Code: 0016WAK) (cont.)**

Male						Female				
Pin	Size	Color	Circuit	Terminal Type ID	Function	Pin	Size	Color	Circuit	Terminal Type ID
13	0.35	WH / YE	3395	II	Driver Mirror Position Sensor Left (-) Right (+) Signal	13	0.35	WH / YE	3395	IV
14	0.35	BK / BN	3393	II	Driver Mirror Position Sensor Low Reference	14	0.35	BK / BN	3393	IV
15-16	—	—	—	—	Not Occupied	15-16	—	—	—	—
17	0.5	BK	1150	I	Ground	17	0.35	BK	1150	III
18-21	—	—	—	—	Not Occupied	18-21	—	—	—	—
22	0.5	RD / VT	1940	I	Battery Positive Voltage	22	0.5	RD / VT	1940	III
23	0.75	BK	1150	I	Ground	23	0.75	BK	1150	III
24	—	—	—	—	Not Occupied	24	—	—	—	—
25	0.5	GY / WH	3411	II	Driver Mirror Motor Fold Out Control	25	0.75	GY / WH	3411	IV
26	0.5	WH / L-GN	3412	II	Driver Mirror Motor Fold In Control	26	0.75	WH / L-GN	3412	IV
27-28	—	—	—	—	Not Occupied	27-28	—	—	—	—
29	0.35	GY	1136	I	Power Window Master Switch Left Front Down Signal	29	0.35	GY	1136	III
30	0.35	L-GN / WH	1300	I	Power Window Master Switch Left Front Up Signal	30	0.35	L-GN / WH	1300	III
31	0.35	L-GN / VT	7628	I	Power Window Motor Left Front Express Control	31	0.35	L-GN / VT	7628	III

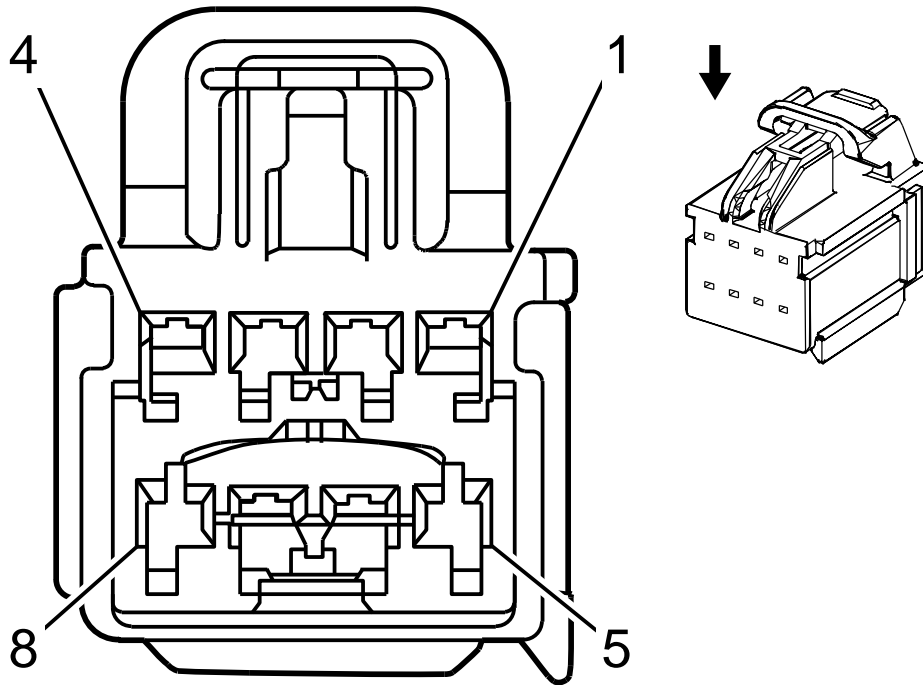
Table 363 X505 Driver Door Harness to Driver Door Trim Harness (Feature Code: 0016WAK) (cont.)

Male					Function	Female				
Pin	Size	Color	Circuit	Terminal Type ID		Pin	Size	Color	Circuit	Terminal Type ID
32	0.35	BK / D-BU	5978	I	Memory Switch Low Reference	32	0.35	BK / D-BU	5978	III
33	0.35	D-BU / L-GN	614	I	Memory Seat Switch Set Signal	33	0.35	D-BU / L-GN	614	III
34	0.35	WH	615	I	Memory Seat Switch Signal 1	34	0.35	WH	615	III
35	—	—	—	—	Not Occupied	35	—	—	—	—
36	0.5	L-GN / YE	6134	I	Local Interconnect Network Serial Data Bus 3	36	0.5	L-GN / YE	6134	III
37	0.5	L-GN / WH	7530	II	Local Interconnect Network Serial Data Bus 8	37	0.5	L-GN / WH	7530	IV
38-39	—	—	—	—	Not Occupied	38-39	—	—	—	—
40	0.35	BN / RD	3265	I	Child Security Lock Switch Signal	40	0.35	YE / BN	3265	III
41	0.35	WH / VT	3270	I	Driver Door Lock Motor Status Signal	41	0.35	WH / VT	3270	III
42	0.5	L-GN / BK	3396	I	Passenger Mirror Motor Right (+) Left (-) Control	42	0.75	L-GN / BK	3396	III
43	0.5	YE / VT	3397	I	Passenger Mirror Motor Up (+) Down (-) Control	43	0.75	YE / VT	3397	III
44	0.5	WH	3398	I	Passenger Mirror Motor Common Control	44	0.75	WH	3398	III
45	0.35	GY	5697	I	Child Lockout Indicator Control	45	0.35	GY	5697	III

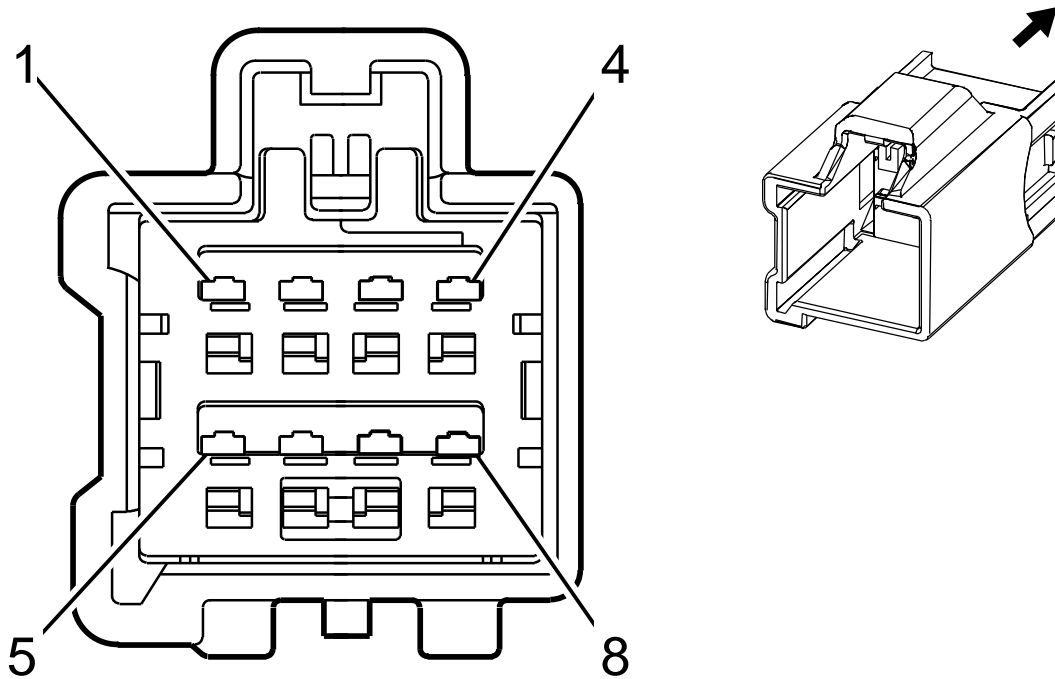
**Table 363 X505 Driver Door Harness to Driver Door Trim Harness (Feature Code: 0016WAK) (cont.)**

Male					Function	Female				
Pin	Size	Color	Circuit	Terminal Type ID		Pin	Size	Color	Circuit	Terminal Type ID
46	0.35	D-BU / VT	1124	I	Door Lock Key Switch Unlock Signal	46	0.35	D-BU / VT	1124	III
47	0.35	BN / WH	781	I	Driver Door Lock Switch Unlock Signal	47	0.35	BN / WH	781	III
48	0.35	BN / YE	780	I	Driver Door Lock Switch Lock Signal	48	0.35	BN / YE	780	III



**Connector Part Information**

- Harness Type: Driver Door Trim
- Service Connector: Service by Harness
- Description: 8-pin F 1.5 YESC Kaizen Series (L-GY)



**Connector Part Information**

- Harness Type: Driver Door
- Service Connector: Service by Harness
- Description: 8-pin M 1.5 YESC Kaizen Series (L-GY)

**Table 366 Terminal Part Information**

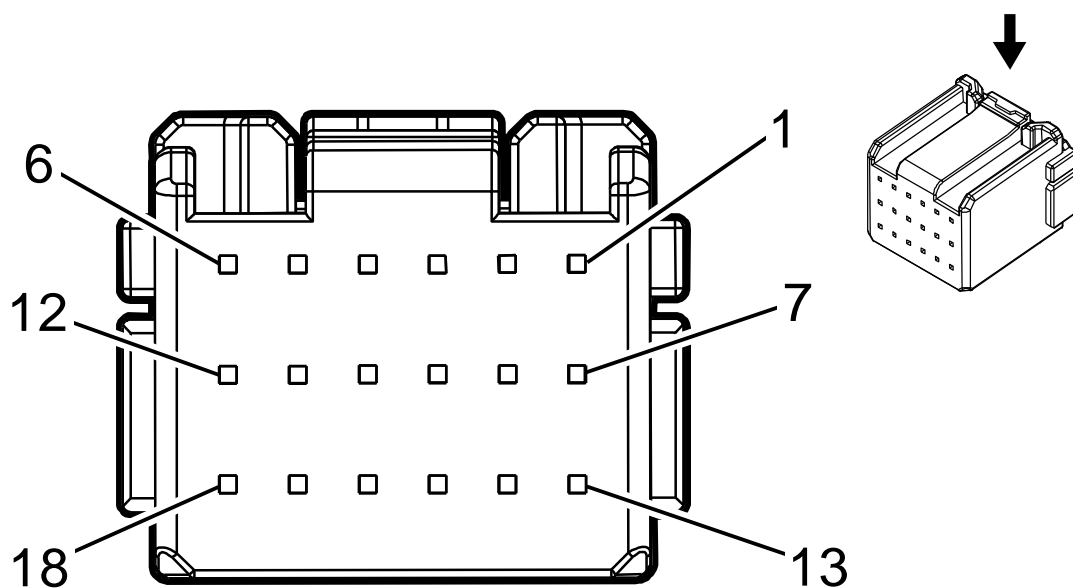
Terminal Type ID	Service Terminal
I	6041949C1
II	6042014C1

**Table 367 X506 Driver Door Trim Harness to Driver Door Harness (-Feature Code: 0016WAK)**

Male					Function	Female				
Pin	Size	Color	Circuit	Terminal Type ID		Pin	Size	Color	Circuit	Terminal Type ID
1-3	—	—	—	—	Not Occupied	1-3	—	—	—	—
4	0.35	BN / YE	780	I	Driver Door Lock Switch Lock Signal	4	0.35	BN / YE	780	II

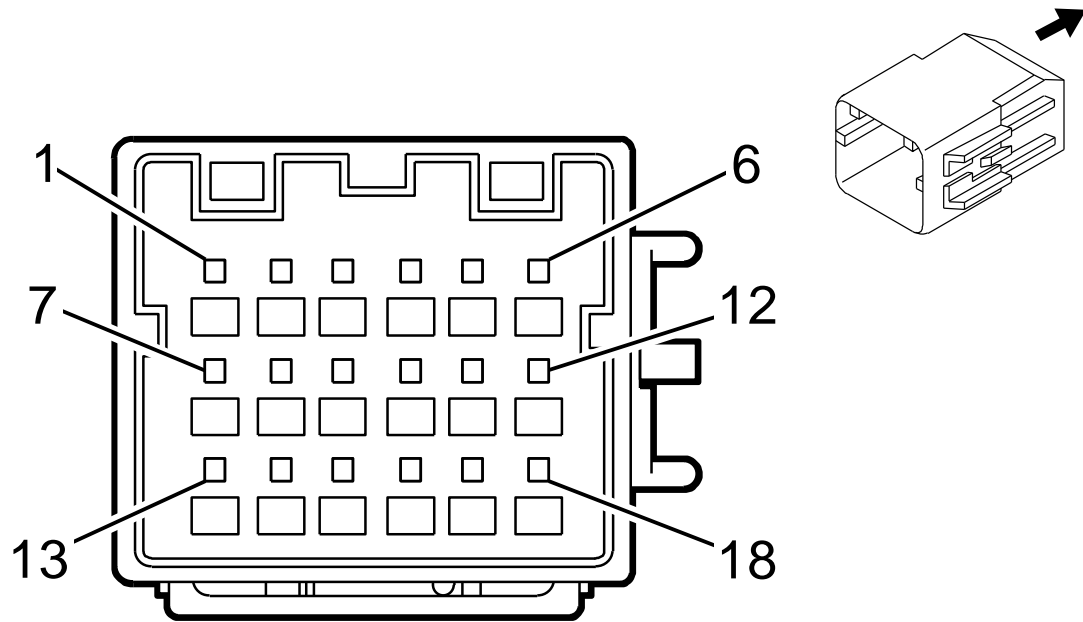
Table 367 X506 Driver Door Trim Harness to Driver Door Harness (-Feature Code: 0016WAK) (cont.)

Male					Function	Female				
Pin	Size	Color	Circuit	Terminal Type ID		Pin	Size	Color	Circuit	Terminal Type ID
5	0.35	BN / WH	781	I	Driver Door Lock Switch Unlock Signal	5	0.35	BN / WH	781	II
6	0.35	YE	6817	I	LED Backlight Dimming Control	6	0.35	YE	6817	II
7	0.35	BK	1150	I	Ground	7	0.5	BK	1150	II
8	—	—	—	—	Not Occupied	8	—	—	—	—



**Connector Part Information**

- Harness Type: Outside Rearview Mirror – Driver
- Service Connector: Service by Harness
- Description: 18-pin F



**Connector Part Information**

- Harness Type: Driver Door
- Service Connector: Service by Harness
- Description: 18-pin M 0.64 Series (BK)

**Table 370 Terminal Part Information**

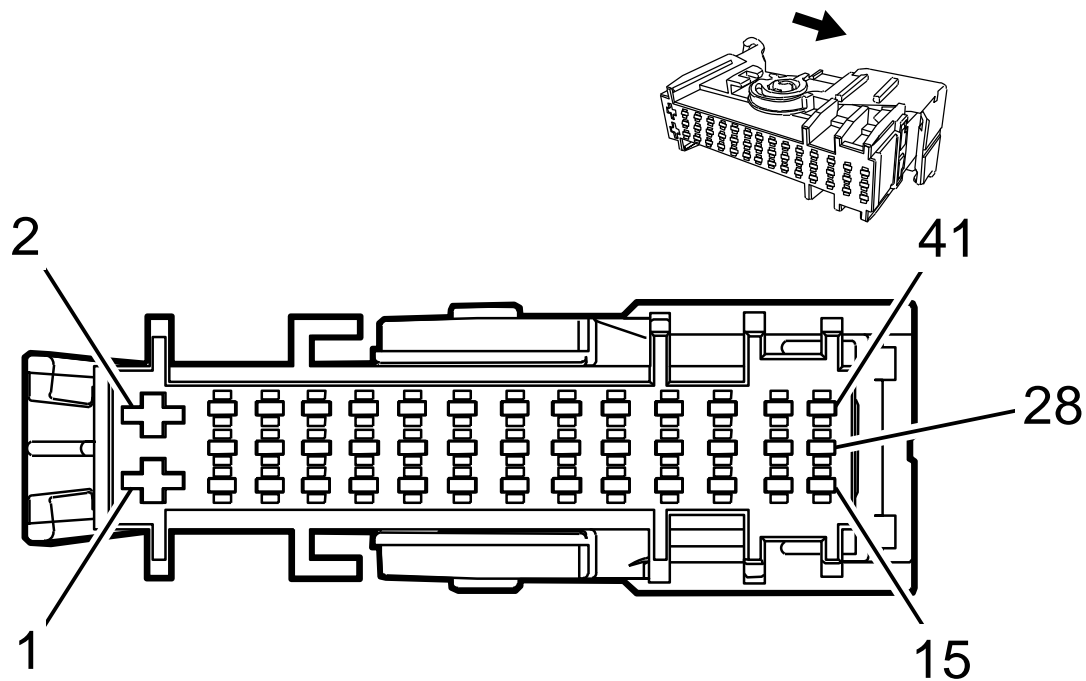
Terminal Type ID	Service Terminal
I	Not Available
II	6041996C1

Table 371 X510 Outside Rearview Mirror - Driver Harness to Driver Door Harness (Feature Code: 0016SPS)

Male						Function	Female					
Pin	Size	Color	Circuit	Terminal Type ID	Option		Pin	Size	Color	Circuit	Terminal Type ID	Option
1	0.5	VT / GY	709	I	Feature Code: 0016SPS	Left Park Lamp Control	1	0.5	VT / GY	709	II	Feature Code: 0016SPS
2	0.5	WH / VT	1430	I	Feature Code: 0016SPS	Exterior Courtesy Lamp Control	2	0.5	WH / VT	1430	II	Feature Code: 0016SPS
3	0.35	BK / BN	3393	I	—	Driver Mirror Position Sensor Low Reference	3	0.35	BK / BN	3393	II	—
4	0.5	GY / WH	3411	I	—	Driver Mirror Motor Fold Out Control	4	0.5	GY / WH	3411	II	—
5	0.5	BK	1150	I	—	Ground	5	0.5	BK	1150	II	—
6	—	—	—	—	—	Not Occupied	6	—	—	—	—	—
7	0.35	WH / YE	3395	I	—	Driver Mirror Position Sensor Left (-) Right (+) Signal	7	0.35	WH / YE	3395	II	—
8	0.5	BN / OG	2267	I	—	Mirror Heating Element Control	8	0.5	BN / OG	2267	II	—
9	0.5	VT / D-BU	3390	I	—	Driver Mirror Motor Up (+) Down (-) Control	9	0.5	VT / D-BU	3390	II	—

Table 371 X510 Outside Rearview Mirror - Driver Harness to Driver Door Harness (Feature Code: 0016SPS) (cont.)

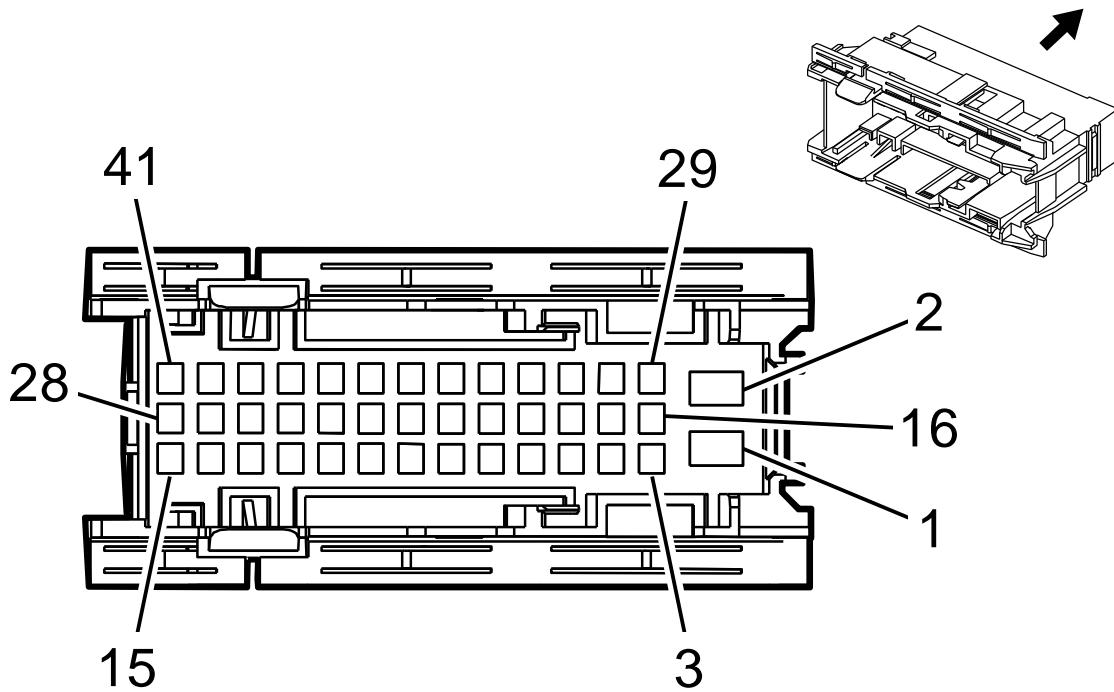
Male						Function	Female					
Pin	Size	Color	Circuit	Terminal Type ID	Option		Pin	Size	Color	Circuit	Terminal Type ID	Option
10	0.5	BN / BK	3389	I	—	Driver Mirror Motor Right (+) Left (-) Control	10	0.5	BN / BK	3389	II	—
11	0.5	BK	1150	I	—	Ground	11	0.5	BK	1150	II	—
12	0.5	YE / BN	3391	I	—	Driver Mirror Motor Common Control	12	0.5	YE / BN	3391	II	—
13	0.5	D-BU / WH	1314	I	—	Left Front Turn Signal Lamp Control	13	0.5	D-BU / WH	1314	II	—
14	0.35	GY / BN	3394	I	—	Driver Mirror Position Sensor Up (+) Down (-) Signal	14	0.35	GY / BN	3394	II	—
15	—	—	—	—	—	Not Occupied	15	—	—	—	—	—
16	0.35	BK / YE	1691	I	—	Automatic Day / Night Mirror Low Reference	16	0.35	BK / YE	1691	II	—
17	0.35	VT / RD	3392	I	—	Driver Mirror Position Sensor 5 volt Reference	17	0.35	VT / RD	3392	II	—
18	0.5	WH / L-GN	3412	I	—	Driver Mirror Motor Fold In Control	18	0.5	WH / L-GN	3412	II	—



**Connector Part Information**

- Harness Type: Passenger Door
- Service Connector: Service by Harness
- Description: 41-pin F 4.8 Timer, 1.5 DSQ Series





**Connector Part Information**

- Harness Type: Body
- Service Connector: 6040220C1
- Description: 41-pin M 1.5, 2.8 Series (GY)

**Table 374 Terminal Part Information**

Terminal Type ID	Service Terminal
I	6042024C1
II	6042002C1
III	6041852C1
IV	6041852C1
V	6041978C1
VI	6041915C1

Table 375 X600 Passenger Door Harness to Body Harness

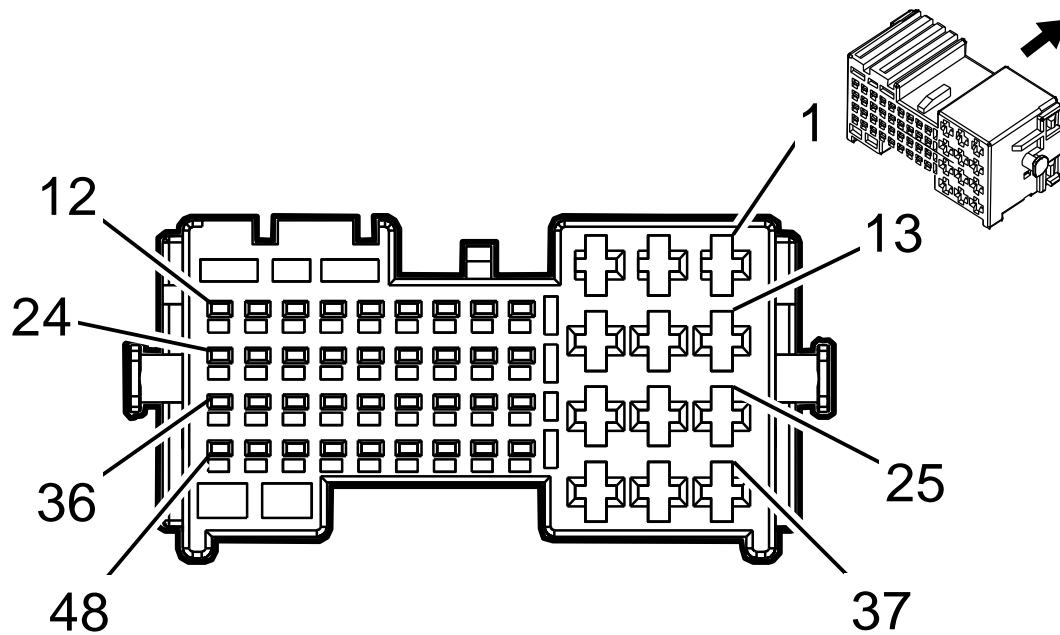
Male					Function	Female				
Pin	Size	Color	Circuit	Terminal Type ID		Pin	Size	Color	Circuit	Terminal Type ID
1	2.5	RD / WH	1340	II	Battery Positive Voltage	1	2.5	RD / WH	1340	V
2	2.5	BK	1250	II	Ground	2	2.5	BK	1250	V
3	0.5	GY / L-GN	5996	I	Driver Outside Rear View Mirror Puddle Lamp Control	3	—	—	—	—
4	0.5	WH	3398	I	Passenger Mirror Motor Common Control	4	0.5	WH	3398	III
5-6	—	—	—	—	Not Occupied	5-6	—	—	—	—
7	0.5	WH / L-GN	3412	I	Driver Mirror Motor Fold In Control	7	0.5	WH / L-GN	3412	III
8	0.5	GY / WH	3411	I	Driver Mirror Motor Fold Out Control	8	0.5	GY / WH	3411	III
9	0.5	WH / VT	1430	I	Exterior Courtesy Lamp Control	9	0.5	WH / VT	1430	III
10	1	YE / BK	117	I	Right Front Speaker Signal (-) 1	10	0.75	YE / BK	117	IV
11	0.5	GY / BN	309	I	Right Park Lamp Control	11	0.5	GY / BN	309	III
12	0.35	GY	746	I	Right Front Door Ajar Switch Signal	12	0.35	GY	746	VI
13	—	—	—	—	Not Occupied	13	—	—	—	—
14	0.5	OG / L-GN	2134	I	Right Front Side Impact Sensing Module Signal	14	—	—	—	—
15	0.5	BK / OG	6629	I	Right Front Side Impact Sensing Module Low Reference	15	—	—	—	—
16	—	—	—	—	Not Occupied	16	—	—	—	—

Table 375 X600 Passenger Door Harness to Body Harness (cont.)

Male					Function	Female				
Pin	Size	Color	Circuit	Terminal Type ID		Pin	Size	Color	Circuit	Terminal Type ID
17	0.35	BN / VT	245	I	Passenger Door Lock Switch Unlock Control	17	0.35	BN / VT	245	VI
18	0.35	YE / BK	244	I	Passenger Door Lock Switch Lock Control	18	0.35	YE / VT	244	VI
19	0.75	BN / YE	294	I	Door Lock Actuator Unlock Control	19	0.75	BN / YE	294	IV
20	0.75	GY	295	I	Door Lock Actuator Lock Control	20	0.75	GY	295	IV
21	0.5	BK / D-BU	61	I	Outside Ambient Temperature Sensor Low Reference	21	0.35	BK / D-BU	61	VI
22	—	—	—	—	Not Occupied	22	—	—	—	—
23	1	YE	200	I	Right Front Speaker Control (+) 1	23	0.75	YE	200	IV
24	0.5	D-BU / GY	636	I	Outside Ambient Air Temperature Sensor Signal	24	0.35	D-BU / GY	636	VI
25-28	—	—	—	—	Not Occupied	25-28	—	—	—	—
29	0.35	YE	6817	I	LED Backlight Dimming Control	29	0.5	YE	6817	III
30	0.35	WH / YE	7557	I	LED Ambient Lighting Control 1	30	0.35	WH / YE	7557	VI
31	0.5	BN / OG	2267	I	Mirror Heating Element Control	31	0.5	BN / YE	2267	III
32	—	—	—	—	Not Occupied	32	—	—	—	—
33	0.5	L-GN / YE	6134	I	Local Interconnect Network Serial Data Bus 3	33	0.5	L-GN / YE	6134	III

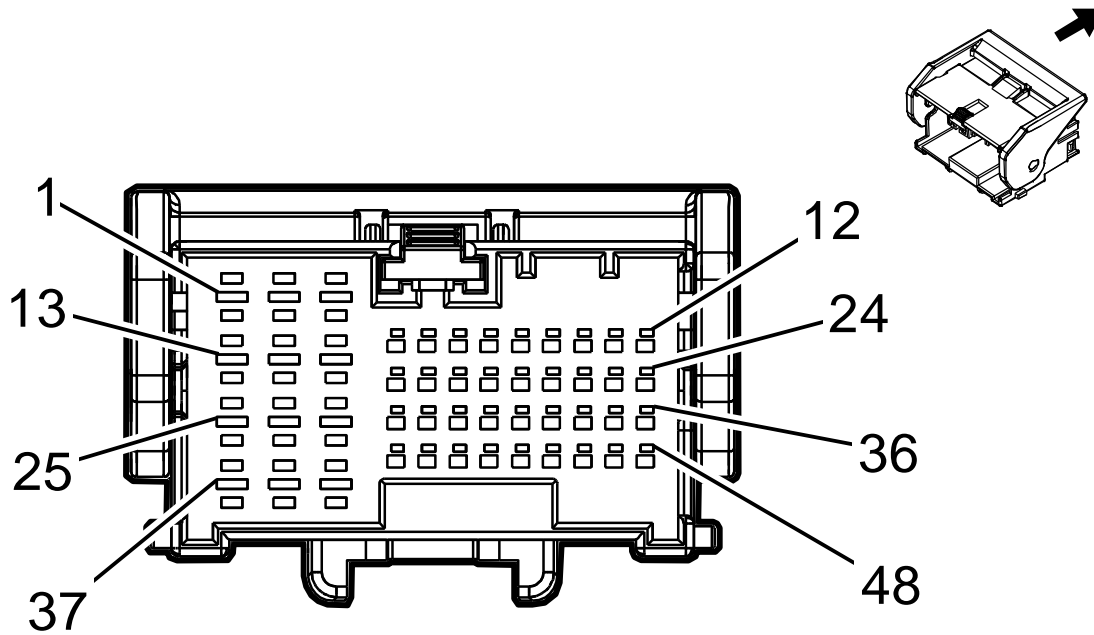
Table 375 X600 Passenger Door Harness to Body Harness (cont.)

Male					Function	Female				
Pin	Size	Color	Circuit	Terminal Type ID		Pin	Size	Color	Circuit	Terminal Type ID
34-35	—	—	—	—	Not Occupied	34-35	—	—	—	—
36	0.5	L-GN / BK	3396	I	Passenger Mirror Motor Right (+) Left (-) Control	36	0.5	L-GN / BK	3396	III
37	—	—	—	—	Not Occupied	37	—	—	—	—
38	0.5	YE / VT	3397	I	Passenger Mirror Motor Up (+) Down (-) Control	38	0.5	YE / VT	3397	III
39	—	—	—	—	Door Double Lock Actuator Lock Control	39	0.75	BN	5910	IV
40	—	—	—	—	Not Occupied	40	—	—	—	—
41	0.5	L-GN / VT	1315	I	Right Front Turn Signal Lamp Control	41	0.75	L-GN / VT	1315	IV



**Connector Part Information**

- Harness Type: Passenger Door
- Service Connector: Service by Harness
- Description: 48-pin F 1.2 MCON, 2.8 MCP Series (BK)



**Connector Part Information**

- Harness Type: Passenger Door Trim
- Service Connector: Service by Harness
- Description: 48-pin M 1.2 MCON, 2.8 MCP Series (BK)

**Table 378 Terminal Part Information**

Terminal Type ID	Service Terminal
I	6041993C1 0.35 mm
	6041994C1 0.5 mm
II	6042028C1 0.35 mm
	6042018C1 0.5 mm
	6042019C1 2.5 mm
III	6041959C1 0.35 mm
	6041995C1 0.5-0.75 mm
IV	6042014C1 0.35-0.5 mm
	6042007C1 2.5 mm

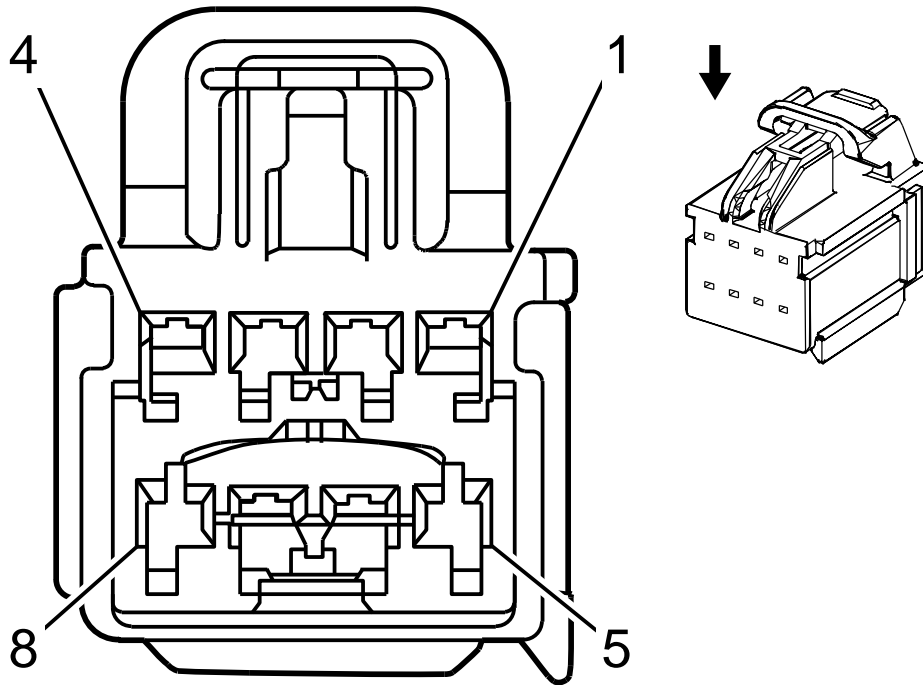
Table 379 X605 Passenger Door Harness to Passenger Door Trim Harness (Feature Code: 0016WAK)

Male					Function	Female				
Pin	Size	Color	Circuit	Terminal Type ID		Pin	Size	Color	Circuit	Terminal Type ID
1	0.35	YE	6817	II	LED Backlight Dimming Control	1	0.35	YE	6817	IV
2	0.35	WH / YE	7557	II	LED Ambient Lighting Control 1	2	0.35	WH / YE	7557	IV
3-5	—	—	—	—	Not Occupied	3-5	—	—	—	—
6	0.5	YE / VT	3397	I	Passenger Mirror Motor Up (+) Down (-) Control	6	0.75	YE / VT	3397	III
7	0.5	WH	3398	I	Passenger Mirror Motor Common Control	7	0.75	WH	3398	III
8	0.5	YE / GY	3413	I	Passenger Mirror Motor Fold Out Control	8	0.75	YE / WH	3413	III
9	0.5	D-BU / GY	3414	I	Passenger Mirror Motor Fold In Control	9	0.75	D-BU / GY	3414	III
10	0.35	D-BU / YE	3401	I	Passenger Mirror Position Sensor Up (+) Down (-) Signal	10	0.35	D-BU / YE	3401	III
11	0.5	L-GN / BK	3396	I	Passenger Mirror Motor Right (+) Left (-) Control	11	0.75	L-GN / BK	3396	III
12	0.35	YE / RD	3399	I	Passenger Mirror Position Sensor 5 volt Reference	12	0.35	YE / RD	3399	III
13	0.35	VT / WH	3403	II	Passenger Mirror Position Sensor Left (-) Right (+) Signal	13	0.35	VT / WH	3403	IV

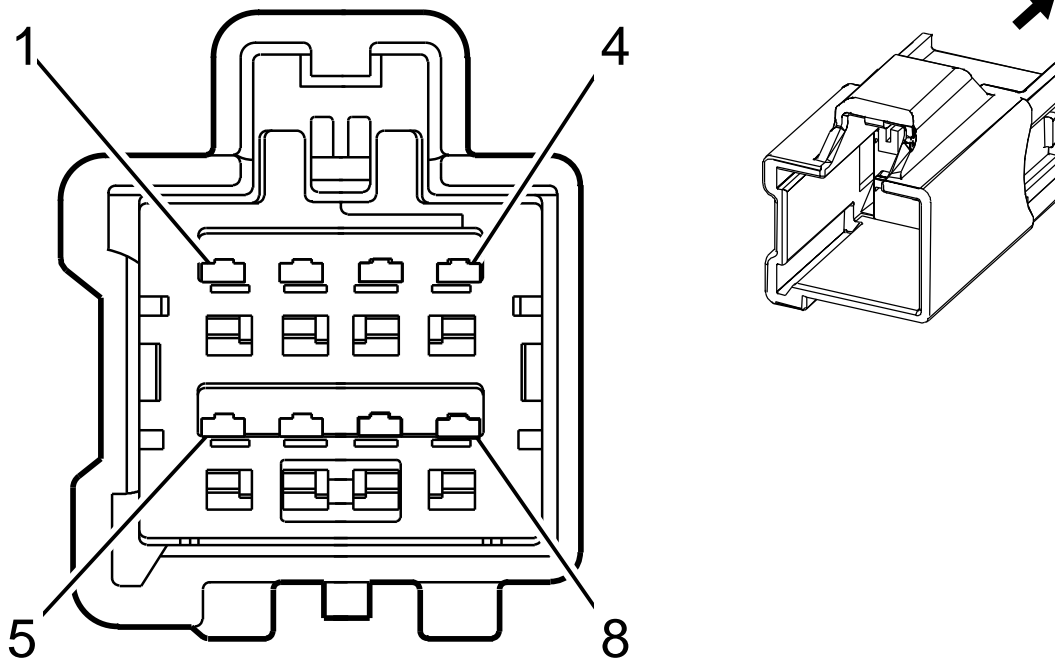
**Table 379 X605 Passenger Door Harness to Passenger Door Trim Harness (Feature Code: 0016WAK)  
(cont.)**

Male						Female				
Pin	Size	Color	Circuit	Terminal Type ID	Function	Pin	Size	Color	Circuit	Terminal Type ID
14	0.35	BK / L-GN	3400	II	Passenger Mirror Position Sensor Low Reference	14	0.35	BK / L-GN	3400	IV
15	2.5	BK	1250	II	Ground	15	2.5	BK	1250	IV
16	—	—	—	—	Not Occupied	16	—	—	—	—
17	0.5	BK	1250	I	Ground	17	0.35	BK	1250	III
18-24	—	—	—	—	Not Occupied	18-24	—	—	—	—
25	2.5	L-GN / GY	3387	II	Power Window Motor Passenger Up Control	25	2.5	L-GN / GY	3387	IV
26	2.5	YE / D-BU	3388	II	Power Window Motor Passenger Down Control	26	2.5	YE / D-BU	3388	IV
27	2.5	RD / WH	1340	II	Battery Positive Voltage	27	2.5	RD / WH	1340	IV
28-35	—	—	—	—	Not Occupied	28-35	—	—	—	—
36	0.5	L-GN / YE	6134	I	Local Interconnect Network Serial Data Bus 3	36	0.5	L-GN / YE	6134	III
37	0.5	L-GN / WH	7530	II	Local Interconnect Network Serial Data Bus 8	37	0.5	L-GN / WH	7530	IV
38-45	—	—	—	—	Not Occupied	38-45	—	—	—	—
46	0.35	GY	746	I	Right Front Door Ajar Switch Signal	46	0.35	GY	746	III
47	0.35	BN / VT	245	I	Passenger Door Lock Switch Unlock Control	47	0.35	BN / VT	245	III
48	0.35	YE / BK	244	I	Passenger Door Lock Switch Lock Control	48	0.35	YE / VT	244	III



**Connector Part Information**

- Harness Type: Passenger Door Trim
- Service Connector: Service by Harness
- Description: 8-pin F 1.5 YESC Kaizen Series (L-GY)



**Connector Part Information**

- Harness Type: Passenger Door
- Service Connector: Service by Harness
- Description: 8-pin M 1.5 YESC Kaizen Series (L-GY)

**Table 382 Terminal Part Information**

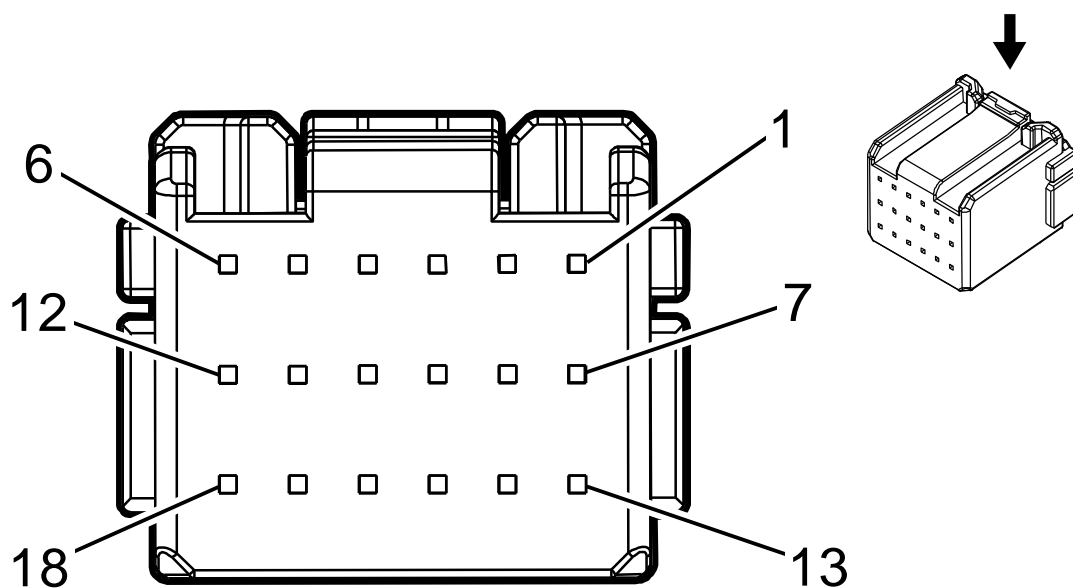
Terminal Type ID	Service Terminal
I	Not Available
II	Not Available

**Table 383 X606 Passenger Door Trim Harness to Passenger Door Harness (Without Feature Code: 0016WAK)**

Male					Function	Female				
Pin	Size	Color	Circuit	Terminal Type ID		Pin	Size	Color	Circuit	Terminal Type ID
1-3	—	—	—	—	Not Occupied	1-3	—	—	—	—
4	0.35	YE / VT	244	I	Passenger Door Lock Switch Lock Control	4	0.35	YE / BK	244	II

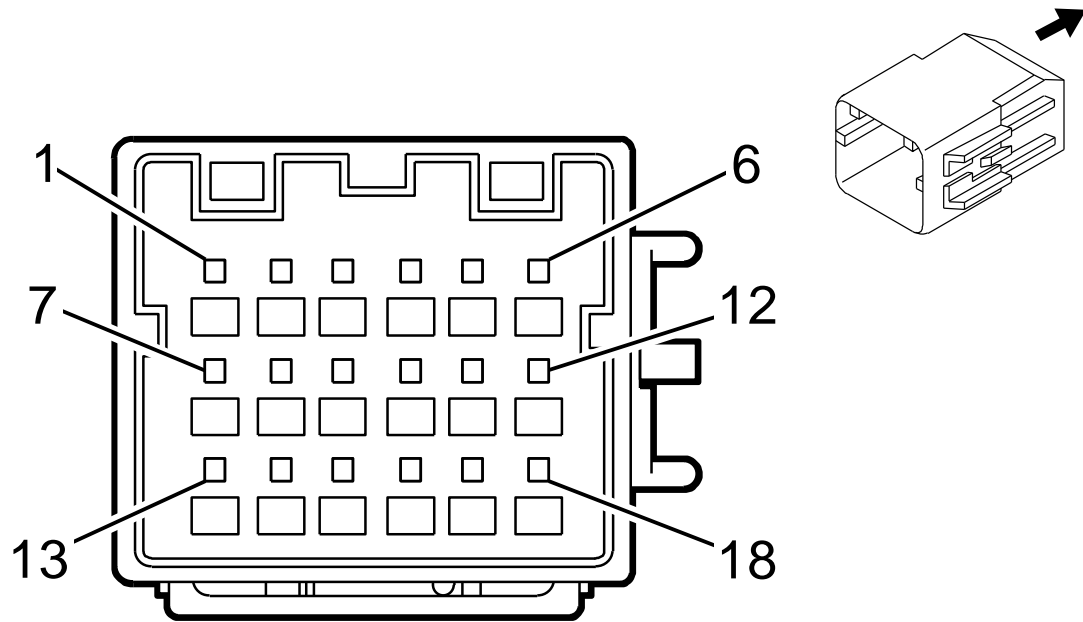
**Table 383 X606 Passenger Door Trim Harness to Passenger Door Harness (Without Feature Code: 0016WAK) (cont.)**

Male					Function	Female				
Pin	Size	Color	Circuit	Terminal Type ID		Pin	Size	Color	Circuit	Terminal Type ID
5	0.35	BN / VT	245	I	Passenger Door Lock Switch Unlock Control	5	0.35	BN / VT	245	II
6	0.35	YE	6817	I	LED Backlight Dimming Control	6	0.35	YE	6817	II
7	0.35	BK	1250	I	Ground	7	0.5	BK	1250	II
8	—	—	—	—	Not Occupied	8	—	—	—	—



**Connector Part Information**

- Harness Type: Outside Rearview Mirror – Passenger
- Service Connector: Service by Harness
- Description: 18-pin F



**Connector Part Information**

- Harness Type: Passenger Door
- Service Connector: Service by Harness
- Description: 18-pin M 0.64 Series (BK)

**Table 386 Terminal Part Information**

Terminal Type ID	Service Terminal
I	6041949C1
II	6041999C1

**Table 387 X610 Outside Rearview Mirror - Passenger Harness to Passenger Door Harness (Feature Code: 0016SPS)**

Male						Function	Female					
Pin	Size	Color	Circuit	Terminal Type ID	Option		Pin	Size	Color	Circuit	Terminal Type ID	Option
1	0.5	GY / BN	309	I	Feature Code: 0016SPS	Right Park Lamp Control	1	0.5	GY / BN	309	II	Feature Code: 0016SPS
2	0.5	WH / VT	1430	I	—	Exterior Courtesy Lamp Control	2	0.5	WH / VT	1430	II	—
3	0.35	BK / L-GN	3400	I	—	Passenger Mirror Position Sensor Low Reference	3	0.35	BK / L-GN	3400	II	—
4	0.5	GY / WH	3411	I	—	Driver Mirror Motor Fold Out Control	4	0.5	GY / WH	3411	II	—
5	0.5	BK	1250	I	—	Ground	5	0.5	BK	1250	II	—
6	—	—	—	—	—	Not Occupied	6	—	—	—	—	—
7	0.35	VT / WH	3403	I	—	Passenger Mirror Position Sensor Left (-) Right (+) Signal	7	0.35	VT / WH	3403	II	—
8	0.5	BN / OG	2267	I	—	Mirror Heating Element Control	8	0.5	BN / OG	2267	II	—
9	0.5	YE / VT	3397	I	—	Passenger Mirror Motor Up (+) Down (-) Control	9	0.5	YE / VT	3397	II	—

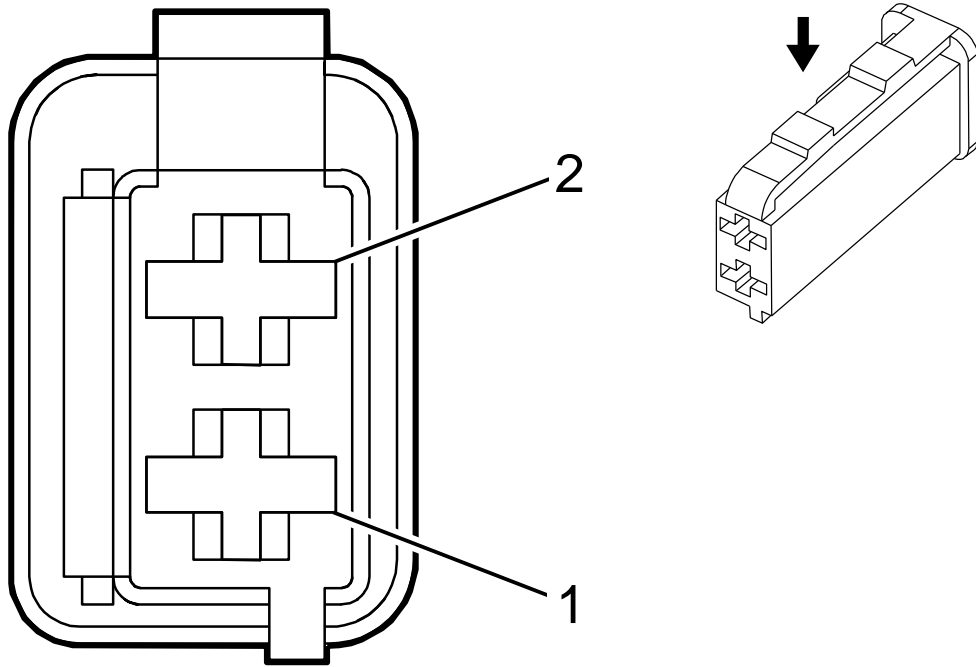
Table 387 X610 Outside Rearview Mirror - Passenger Harness to Passenger Door Harness (Feature Code: 0016SPS) (cont.)

Male						Function	Female					
Pin	Size	Color	Circuit	Terminal Type ID	Option		Pin	Size	Color	Circuit	Terminal Type ID	Option
10	0.5	L-GN / BK	3396	I	—	Passenger Mirror Motor Right (+) Left (-) Control	10	0.5	L-GN / BK	3396	II	—
11	0.5	BK	1250	I	—	Ground	11	0.5	BK	1250	II	—
12	0.5	WH	3398	I	—	Passenger Mirror Motor Common Control	12	0.5	WH	3398	II	—
13	0.5	L-GN / VT	1315	I	—	Right Front Turn Signal Lamp Control	13	0.5	L-GN / VT	1315	II	—
14	0.35	D-BU / YE	3401	I	—	Passenger Mirror Position Sensor Up (+) Down (-) Signal	14	0.35	D-BU / YE	3401	II	—
15	0.5	D-BU / GY	636	I	—	Outside Ambient Air Temperature Sensor Signal	15	0.5	D-BU / GY	636	II	—
16	0.5	BK / D-BU	61	I	—	Outside Ambient Temperature Sensor Low Reference	16	0.5	BK / D-BU	61	II	—

**Table 387 X610 Outside Rearview Mirror - Passenger Harness to Passenger Door Harness (Feature Code: 0016SPS) (cont.)**

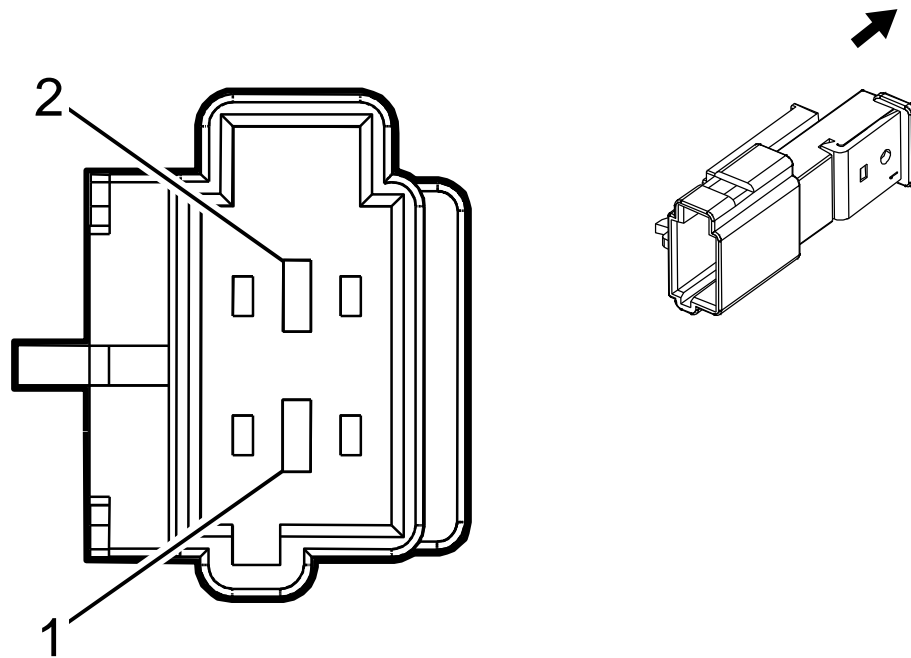
Male							Female					
Pin	Size	Color	Circuit	Terminal Type ID	Option	Function	Pin	Size	Color	Circuit	Terminal Type ID	Option
17	0.35	YE / RD	3399	I	—	Passenger Mirror Position Sensor 5 volt Reference	17	0.35	YE / RD	3399	II	—
18	0.5	WH / L-GN	3412	I	—	Driver Mirror Motor Fold In Control	18	0.5	WH / L-GN	3412	II	—





**Connector Part Information**

- Harness Type: Outside Rearview Mirror – Passenger
- Service Connector: Service by Harness
- Description: 2-pin F



**Connector Part Information**

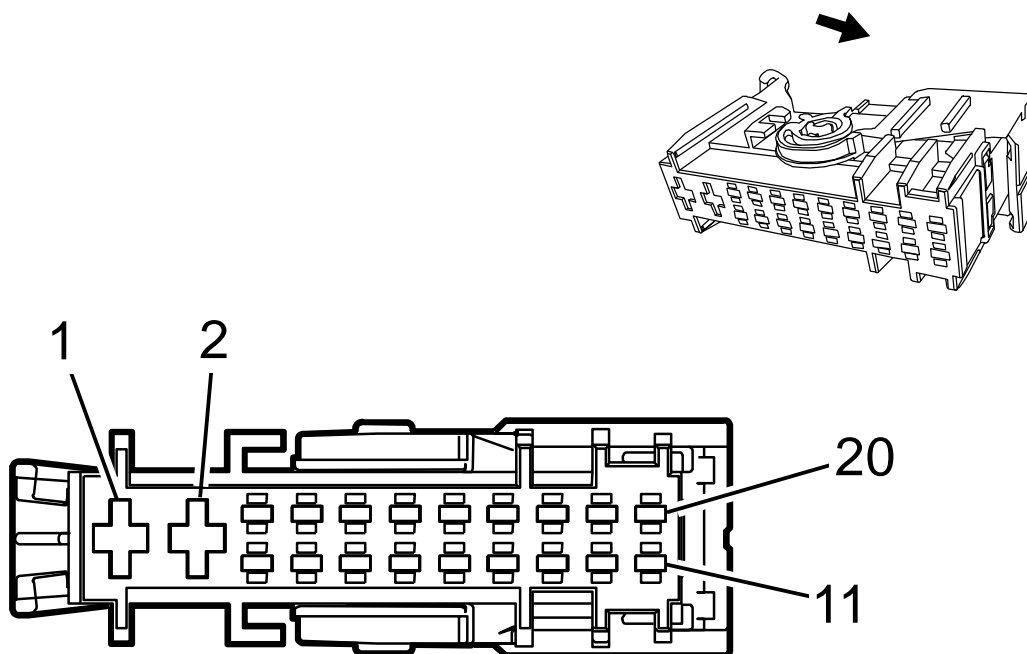
- Harness Type: Passenger Door
- Service Connector: Service by Harness
- Description: 2-pin M 1.6 Timer Series (BK)

**Table 390 Terminal Part Information**

Terminal Type ID	Service Terminal
I	Not Available
II	6042005C1

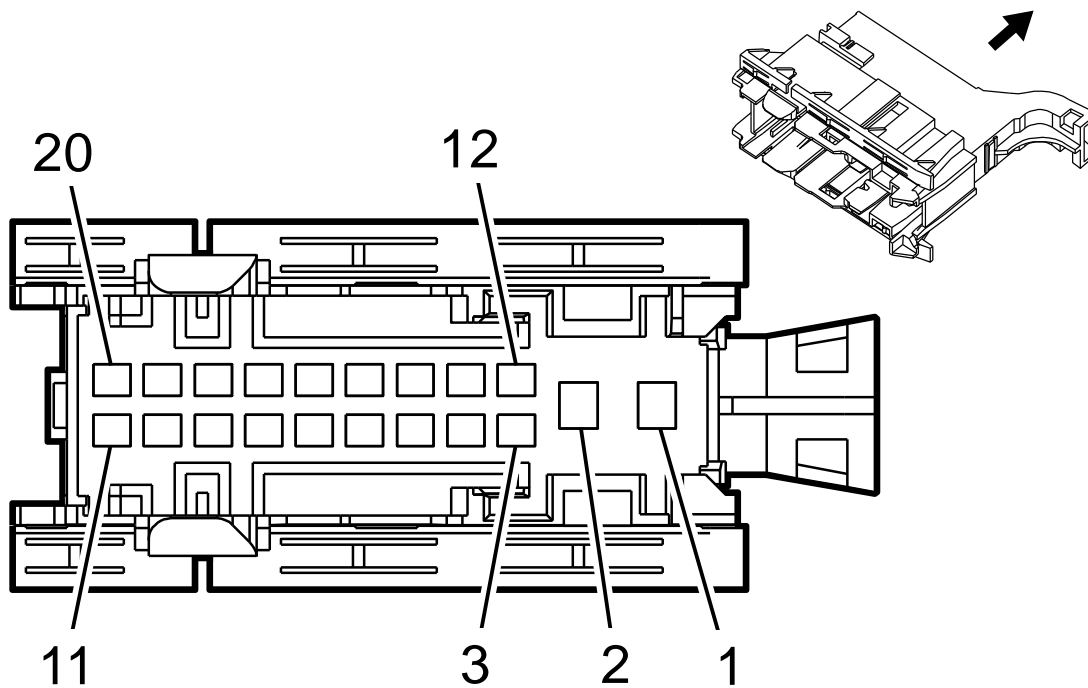
**Table 391 X611 Outside Rearview Mirror - Passenger Harness to Passenger Door Harness (Feature Code: 0016SPR)**

Male					Function	Female				
Pin	Size	Color	Circuit	Terminal Type ID		Pin	Size	Color	Circuit	Terminal Type ID
1	0.5	D-BU / GY	636	I	Outside Ambient Air Temperature Sensor Signal	1	0.5	D-BU / GY	636	II
2	0.5	BK / D-BU	61	I	Outside Ambient Temperature Sensor Low Reference	2	0.5	BK / D-BU	61	II



**Connector Part Information**

- Harness Type: Left Rear Door
- Service Connector: Service by Harness
- Description: 20-pin F 1.5 DSQ, 4.8 Timer Series (GY)



**Connector Part Information**

- Harness Type: Body
- Service Connector: 6040254C1
- Description: 20-pin M 1.5, 5.8 TTS Series (D-GY)

**Table 394 Terminal Part Information**

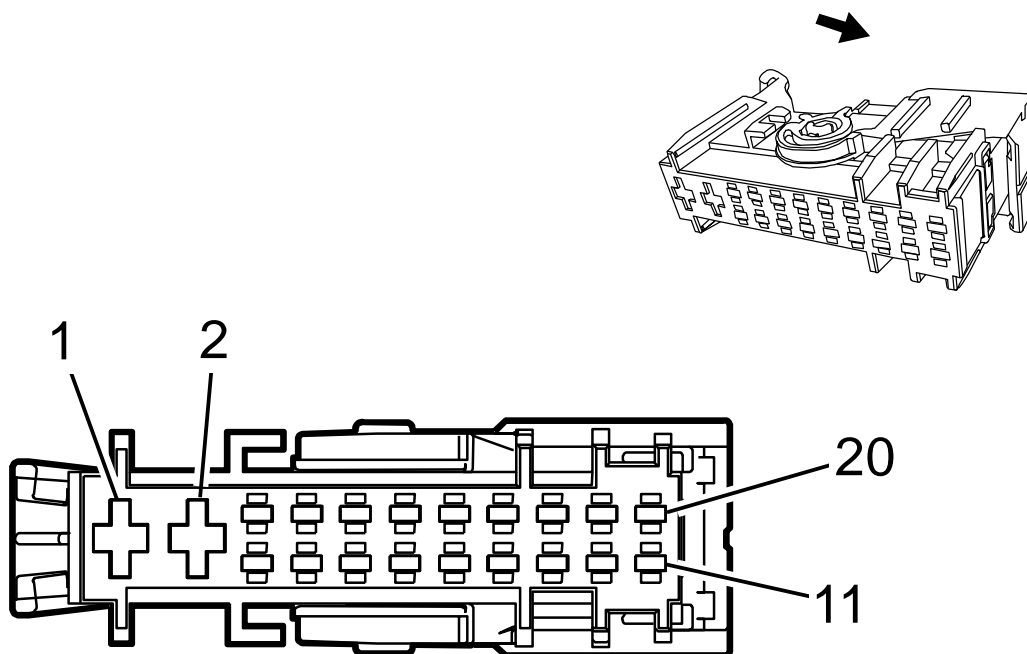
Terminal Type ID	Service Terminal
I	6042024C1 0.35-0.5mm
	6042025C1 0.75-1mm
II	6042002C1 2.5mm
	6042015C1 3mm
III	6042026C1
IV	6041981C1
V	6041852C1
VI	6041852C1
VII	6041981C1

Table 395 X700 Left Rear Door Harness to Body Harness (Crew Cab)

Male					Function	Female				
Pin	Size	Color	Circuit	Terminal Type ID		Pin	Size	Color	Circuit	Terminal Type ID
1	2.5	RD / D-BU	1842	II	Battery Positive Voltage	1	2.5	RD / D-BU	1842	IV
2	3	BK	1150	II	Ground	2	4	BK	1150	VII
3-6	—	—	—	—	Not Occupied	3-6	—	—	—	—
7	1	L-GN	199	I	Left Rear Speaker Control (+)	7	0.5	L-GN	199	V
8	—	—	—	—	Not Occupied	8	—	—	—	—
9	0.75	WH / D-BU	3266	I	Child Security Lock Motor Lock Control	9	0.75	WH / D-BU	3266	VI
10	0.75	BN / YE	294	I	Door Lock Actuator Unlock Control	10	0.75	BN / YE	294	VI
11	0.75	GY	295	I	Door Lock Actuator Lock Control	11	0.75	GY	295	VI
12	—	—	—	—	Left Rear Door Ajar Switch Signal	12	0.35	GY	747	III
13	—	—	—	—	Door Double Lock Actuator Lock Control	13	0.75	BN	5910	VI
14-15	—	—	—	—	Not Occupied	14-15	—	—	—	—
16	1	L-GN / BK	116	I	Left Rear Speaker Signal (-)	16	0.5	L-GN / BK	116	V
17	0.5	OG / D-BU	6620	I	Left Middle Side Impact Sensing Module Signal	17	—	—	—	—
18	0.5	BK / OG	6621	I	Left Middle Side Impact Sensing Module Low Reference	18	—	—	—	—

Table 395 X700 Left Rear Door Harness to Body Harness (Crew Cab) (cont.)

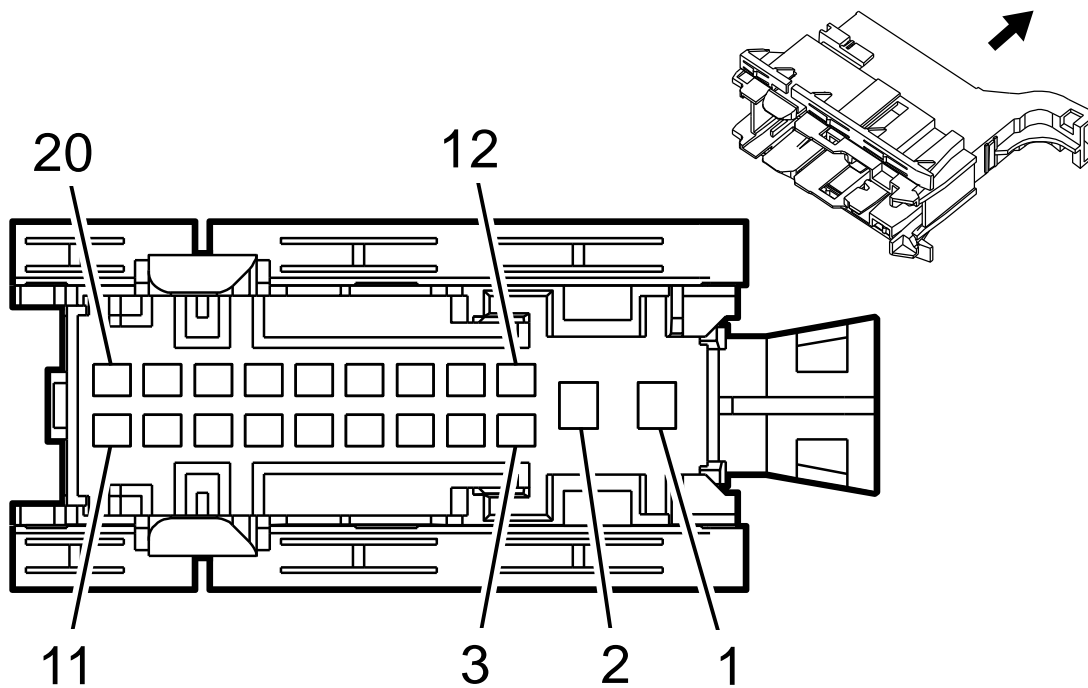
Male					Function	Female				
Pin	Size	Color	Circuit	Terminal Type ID		Pin	Size	Color	Circuit	Terminal Type ID
19	0.35	BN / WH	3269	I	Child Security Lock Motor Status Signal Left Rear	19	0.35	BN / WH	3269	III
20	0.5	L-GN / GY	6135	I	Local Interconnect Network Serial Data Bus 4	20	0.5	L-GN / GY	6135	V



**Connector Part Information**

- Harness Type: Right Rear Door
- Service Connector: Service by Harness
- Description: 20-pin F 1.5 DSQ, 4.8 Timer Series (GY)





**Connector Part Information**

- Harness Type: Body
- Service Connector: 6040254C1
- Description: 20-pin M 1.5, 5.8 TTS Series (D-GY)

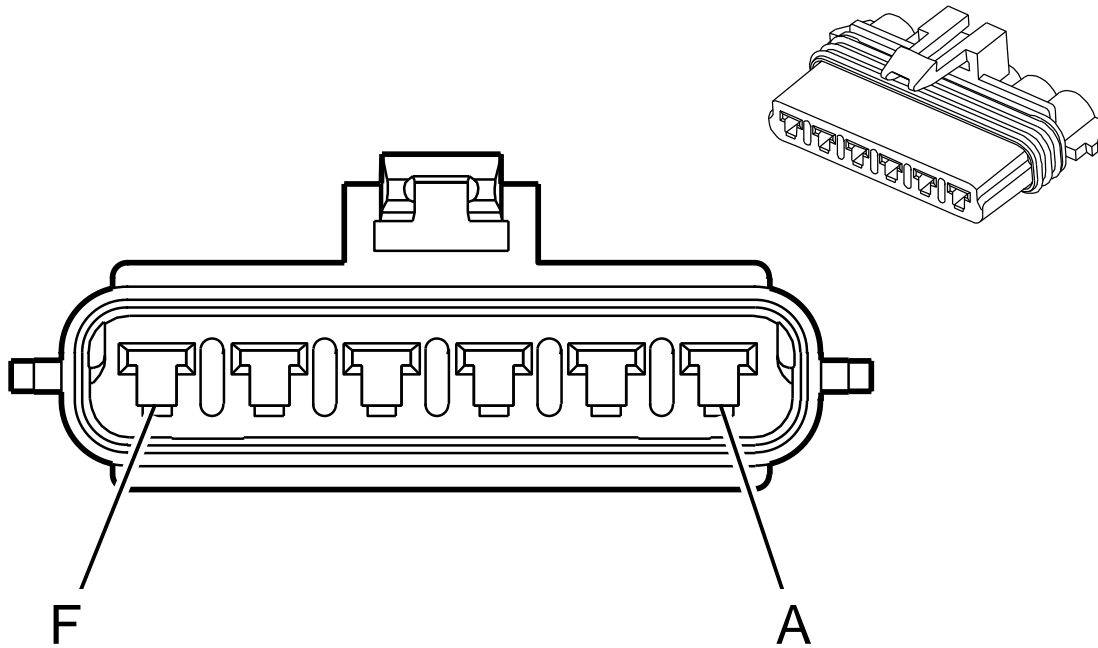
**Table 398 Terminal Part Information**

Terminal Type ID	Service Terminal
I	6042024C1 0.35-0.5 mm
	6042025C1 0.75-1 mm
II	6042002C1 2.5mm
	6042015C1 3mm
III	6042026C1
IV	6041981C1
V	6041852C1
VI	6041852C1

Table 399 X800 Right Rear Door Harness to Body Harness (Crew Cab)

Male					Function	Female				
Pin	Size	Color	Circuit	Terminal Type ID		Pin	Size	Color	Circuit	Terminal Type ID
1	2.5	RD / WH	1340	II	Battery Positive Voltage	1	2.5	RD / WH	1340	IV
2	2.5	BK	1250	II	Ground	2	2.5	BK	1250	IV
3-6	—	—	—	—	Not Occupied	3-6	—	—	—	—
7	1	WH	46	I	Right Rear Speaker Control (+)	7	0.5	WH	46	V
8	—	—	—	—	Not Occupied	8	—	—	—	—
9	0.75	WH / D-BU	3266	I	Child Security Lock Motor Lock Control	9	0.75	WH / D-BU	3266	VI
10	0.75	BN / YE	294	I	Door Lock Actuator Unlock Control	10	0.75	BN / YE	294	VI
11	0.75	GY	295	I	Door Lock Actuator Lock Control	11	0.75	GY	295	VI
12	—	—	—	—	Right Rear Door Ajar Switch Signal	12	0.35	GY	748	III
13-15	—	—	—	—	Not Occupied	13-15	—	—	—	—
16	1	D-BU / BK	115	I	Right Rear Speaker Signal (-)	16	0.5	D-BU / BK	115	V
17	0.5	OG / VT	6624	I	Right Middle Side Impact Sensing Module Signal	17	—	—	—	—
18	0.5	BK / OG	6625	I	Right Middle Side Impact Sensing Module Low Reference	18	—	—	—	—
19	0.35	GY / BK	3268	I	Child Security Lock Motor Status Signal Right Rear	19	0.35	GY / BK	3268	III
20	0.5	L-GN / GY	6135	I	Local Interconnect Network Serial Data Bus 4	20	0.5	L-GN / GY	6135	V

17.2. SPLICE PACK CONNECTOR END VIEWS



Connector Part Information	
•	Harness Type: Forward Lamp
•	Service Connector: 3551896C1
•	Description: 6-pin F 280 Metri-Pack Series, Sealed (BK)

Table 401 Terminal Part Information

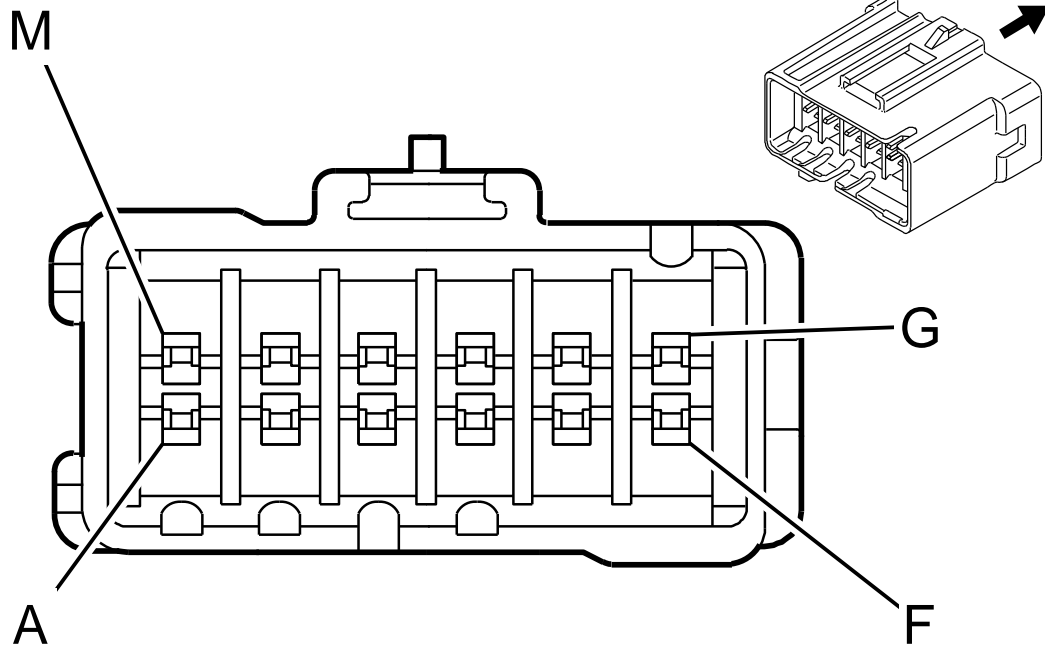
Terminal Type ID	Service Terminal
I	2033819C1 1mm
	2033816C1 1.5-2.0mm

Table 402 JX100 Splice Pack

Pin	Size	Color	Circuit	Function	Terminal Type ID	Option
A	2	BK	10	Headlight Switch Signal	I	—
B	1.5	BK	150	Ground	I	—
C	1	BK	139	Run / Crank Ignition 1 Voltage	I	—

Table 402 JX100 Splice Pack (cont.)

Pin	Size	Color	Circuit	Function	Terminal Type ID	Option
D	1	BK	603	A/C Low Pressure Switch Signal	I	—
E-F	—	—	—	Not Occupied	—	—



**Connector Part Information**

- Harness Type: Instrument Panel
- Service Connector: 6040289C1, 6040290C1
- Description: 12-pin F 280 Metri-Pack Series (BK)

**Table 404 Terminal Part Information**

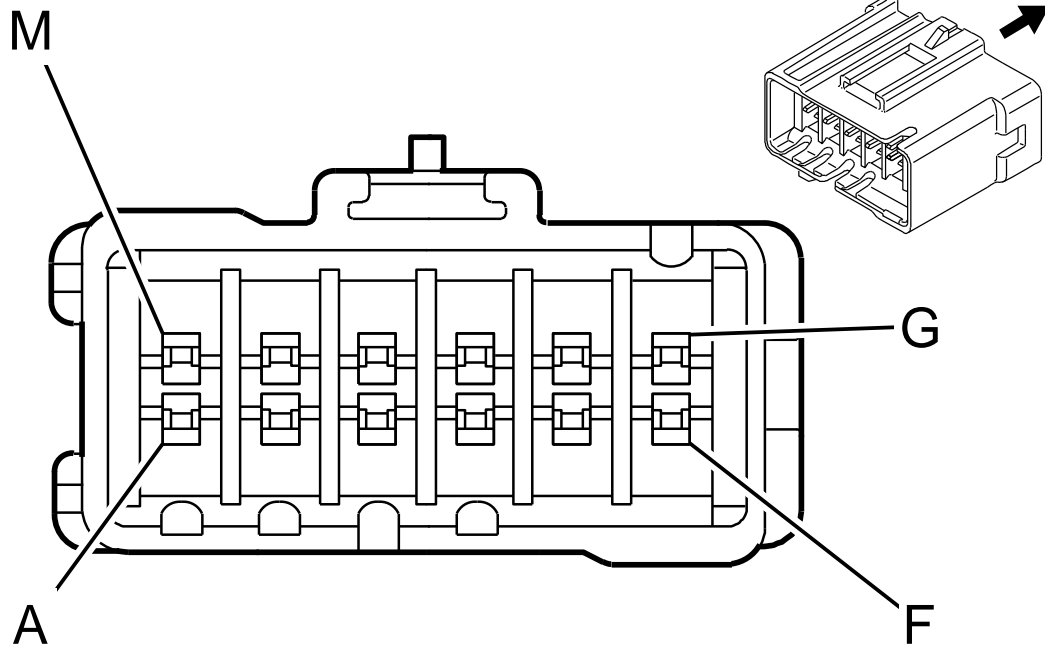
Terminal Type ID	Service Terminal
I	3534164C1
II	3534164C1

**Table 405 JX200 Splice Pack**

Pin	Size	Color	Circuit	Function	Terminal Type ID	Option
A	0.5	L-GN	5060	Low Speed GMLAN Serial Data	II	—
B-D	—	—	—	Not Occupied	—	—
E	0.35	L-GN	5060	Low Speed GMLAN Serial Data	I	—
F-H	—	—	—	Not Occupied	—	—
J	0.5	L-GN	5060	Low Speed GMLAN Serial Data	II	—

Table 405 JX200 Splice Pack (cont.)

Pin	Size	Color	Circuit	Function	Terminal Type ID	Option
K	0.35	L-GN	5060	Low Speed GMLAN Serial Data	I	—
L	—	—	—	Not Occupied	—	—
M	0.5	L-GN	5060	Low Speed GMLAN Serial Data	II	—



**Connector Part Information**

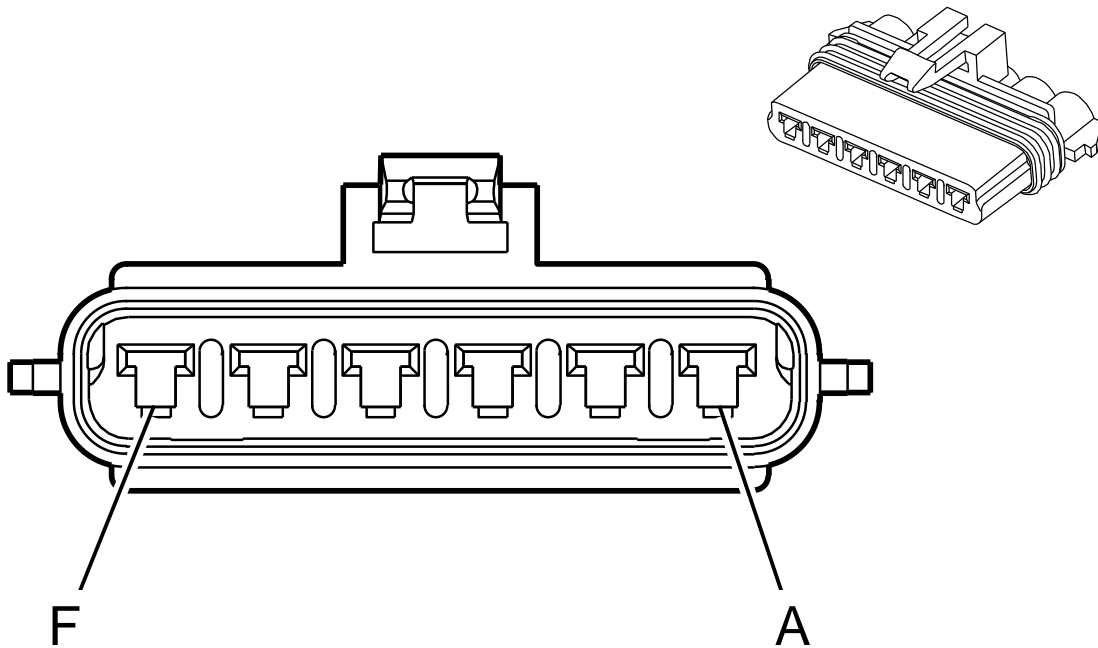
- Harness Type: Body
- Service Connector: 6040289C1, 6040290C1
- Description: 12-pin F 280 Metri-Pack Series (BK)

**Table 407 Terminal Part Information**

Terminal Type ID	Service Terminal
I	3534164C1

**Table 408 JX300 Splice Pack**

Pin	Size	Color	Circuit	Function	Terminal Type ID	Option
A	0.5	L-GN	A. 5060	A. Low Speed GMLAN Serial Data	I	—
B-H	—	—	—	Not Occupied	—	—
J	0.5	L-GN	J. 5060	Low Speed GMLAN Serial Data	I	—
K-L	—	—	—	Not Occupied	—	—
M	0.5	L-GN	M. 5060	Low Speed GMLAN Serial Data	I	—



**Connector Part Information**

- Harness Type: Chassis
- Service Connector: 3551896C1
- Description: 6-pin F 280 Metri-Pack Series, Sealed (BK)

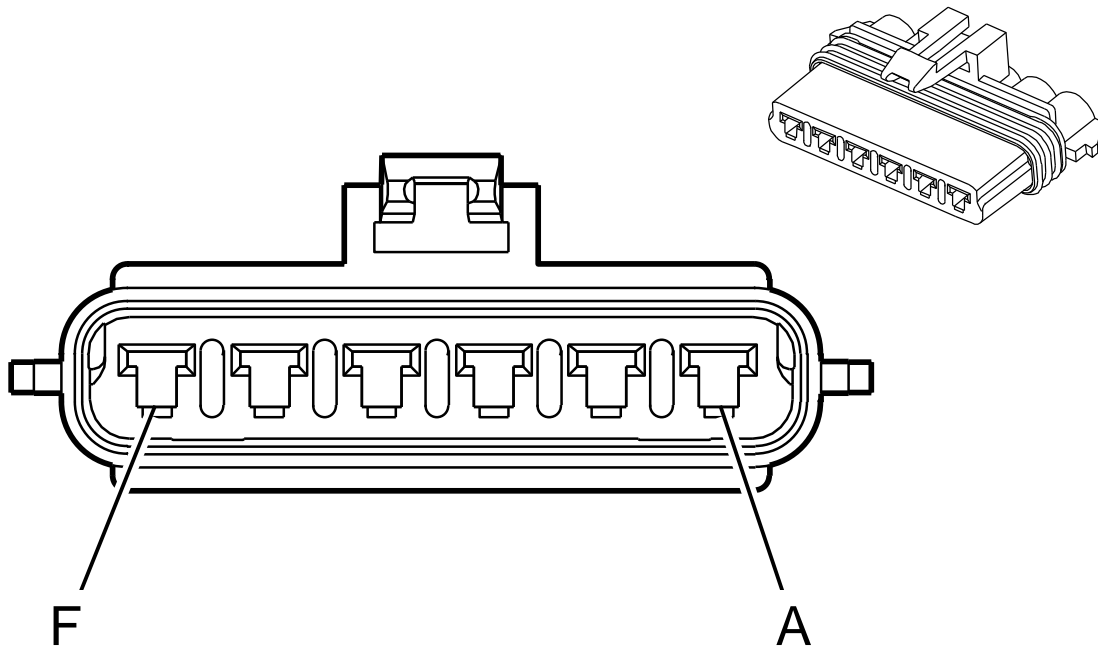
**Table 410 Terminal Part Information**

Terminal Type ID	Service Terminal
I	2033816C1

**Table 411 JX301 Splice Pack**

Pin	Size	Color	Circuit	Function	Terminal Type ID	Option
A	3	BK	11	Headlight High Beam Control	I	—
B	1	BK	1750	Ground	I	—
C	1.5	BK	2150	Ground	I	—
D	1.5	BK	2150	Ground	I	—
E	3	BK	2150	Ground	I	—
F	1.5	BK	2150	Ground	I	—





**Connector Part Information**

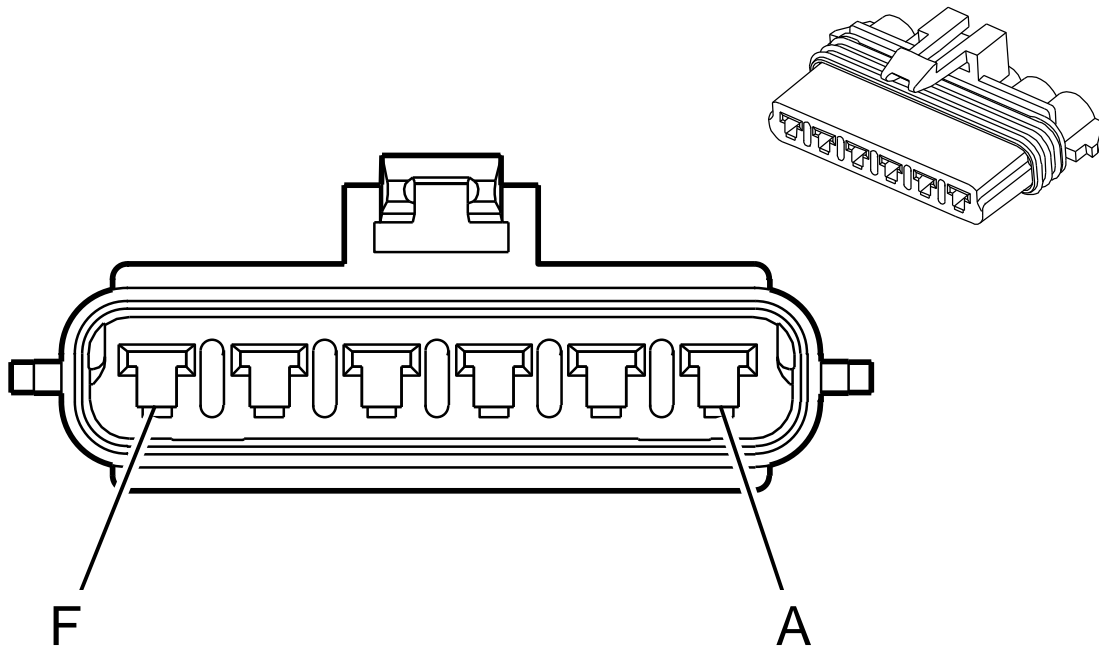
- Harness Type: Chassis
- Service Connector: 3551896C1
- Description: 6-pin F 280 Metri-Pack Series, Sealed (BK)

**Table 413 Terminal Part Information**

Terminal Type ID	Service Terminal
I	2033816C1

**Table 414 JX302 Splice Pack**

Pin	Size	Color	Circuit	Function	Terminal Type ID	Option
A	3	BK	11	Headlight High Beam Control	I	—
B	3	BK	1750	Ground	I	—
C	1.5	BK	2150	Ground	I	—
D	3	BK	2150	Ground	I	—
E	3	WH	90	Right Mirror Motor Left Control	I	—
F	—	—	—	Not Occupied	—	—



Connector Part Information	
•	Harness Type: Chassis Rear Right
•	Service Connector: 3551896C1
•	Description: 6-pin F 280 Metri-Pack Series, Sealed (BK)

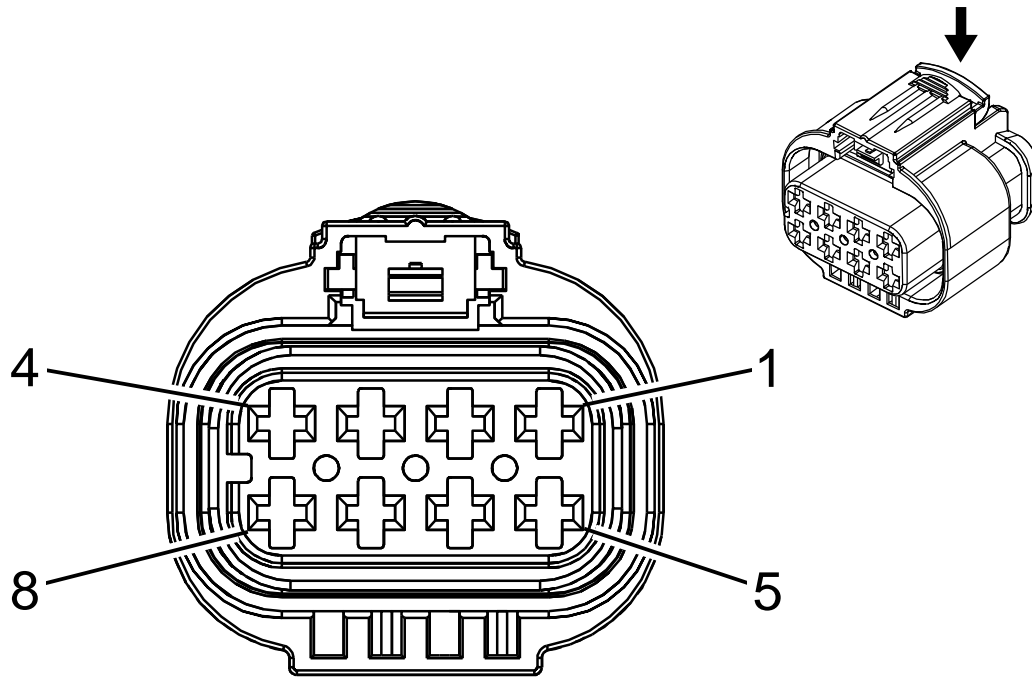
Table 416 Terminal Part Information

Terminal Type ID	Service Terminal
I	2033816C1

Table 417 JX402 Splice Pack

Pin	Size	Color	Circuit	Function	Terminal Type ID	Option
A	3	BK	10	Headlight Switch Signal	I	—
B	3	BK	10	Headlight Switch Signal	I	—
C	1	BK	1430	Exterior Courtesy Lamp Control	I	—
D	1	BK	1624	Trailer Backup Lamp Control	I	—
E	0.75	BK	2550	Ground	I	—
F	1.5	BK	10	Headlight Switch Signal	I	—

17.3. COMPONENT CONNECTOR END VIEWS



Connector Part Information	
•	Harness Type: Chassis Rear Right
•	Service Connector: 4088330C1
•	Description: 8-pin F 2.8 Series, Sealed (GY)

Table 419 Terminal Part Information

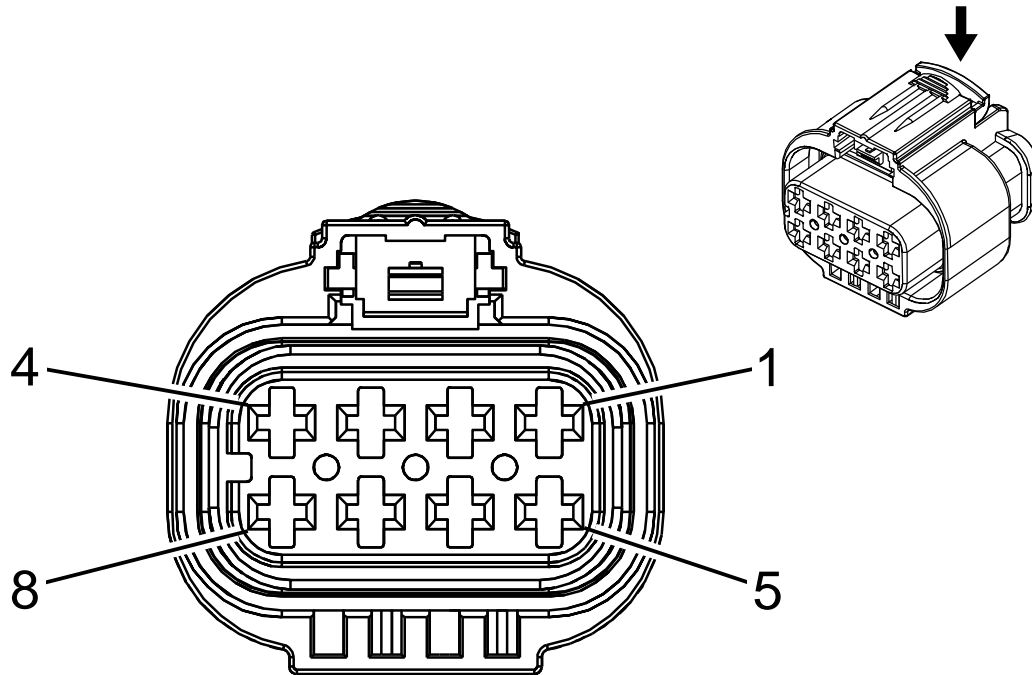
Terminal Type ID	Service Terminal
I	3830792C1 0.5mm
	3830798C1 1.5mm

Table 420 A6C Fuel Pump and Level Sensor Assembly – Primary (Feature Code: 0015SZN)

Pin	Size	Color	Circuit	Function	Terminal Type ID	Option
1	1.5	GY	120	Fuel Pump Control	I	—
2	1.5	YE / GY	4137	Fuel Pump Supply Voltage Phase 2	I	—
3	1.5	WH / BN	4138	Fuel Pump Supply Voltage Phase 3	I	—
4	—	—	—	Not Occupied	—	—

**Table 420 A6C Fuel Pump and Level Sensor Assembly – Primary (Feature Code: 0015SZN) (cont.)**

<b>Pin</b>	<b>Size</b>	<b>Color</b>	<b>Circuit</b>	<b>Function</b>	<b>Terminal Type ID</b>	<b>Option</b>
5	0.5	BU / VT	1589	Primary Fuel Level Sensor Signal	I	—
6	0.5	BK / GN	6281	Fuel Level Sensor Low Reference	I	—
7-8	—	—	—	Not Occupied	—	—



**Connector Part Information**

- Harness Type: Chassis
- Service Connector: 4088330C1
- Description: 8-pin F 2.8 Series, Sealed (GY)

**Table 422 Terminal Part Information**

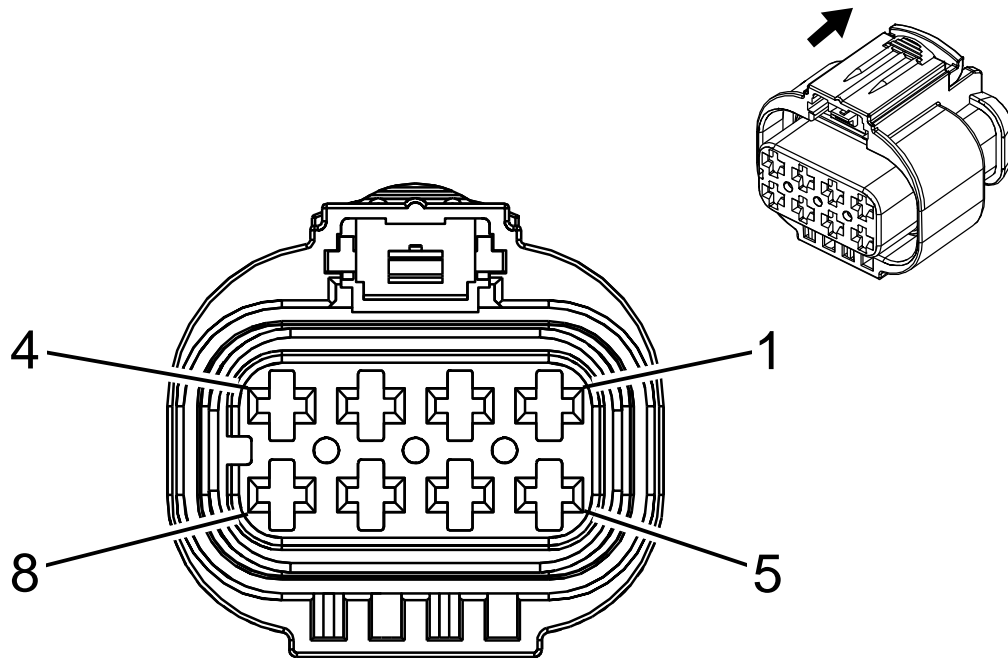
Terminal Type ID	Service Terminal
I	3830792C1 0.5mm
	3830798C1 1.5mm

**Table 423 A6C Fuel Pump and Level Sensor Assembly – Primary (Feature Code: 0015DSZ / 0015SZP)**

Pin	Size	Color	Circuit	Function	Terminal Type ID	Option
1	1.5	GY	120	Fuel Pump Control	I	—
2	1.5	YE / GY	4137	Fuel Pump Supply Voltage Phase 2	I	—
3	1.5	WH / BN	4138	Fuel Pump Supply Voltage Phase 3	I	—
4	—	—	—	Not Occupied	—	—
5	0.5	BU / VT	1589	Primary Fuel Level Sensor Signal	I	—

**Table 423 A6C Fuel Pump and Level Sensor Assembly – Primary (Feature Code: 0015DSZ / 0015SZP)  
(cont.)**

Pin	Size	Color	Circuit	Function	Terminal Type ID	Option
6	0.5	BK / GN	6281	Fuel Level Sensor Low Reference	I	—
7-8	—	—	—	Not Occupied	—	—



**Connector Part Information**

- Harness Type: Chassis Rear Right
- Service Connector: 4088872C1
- Description: 8-pin F 2.8 Series, Sealed (L-BU)

**Table 425 Terminal Part Information**

Terminal Type ID	Service Terminal
I	3830792C1 0.5mm
	3830798C1 1.5mm

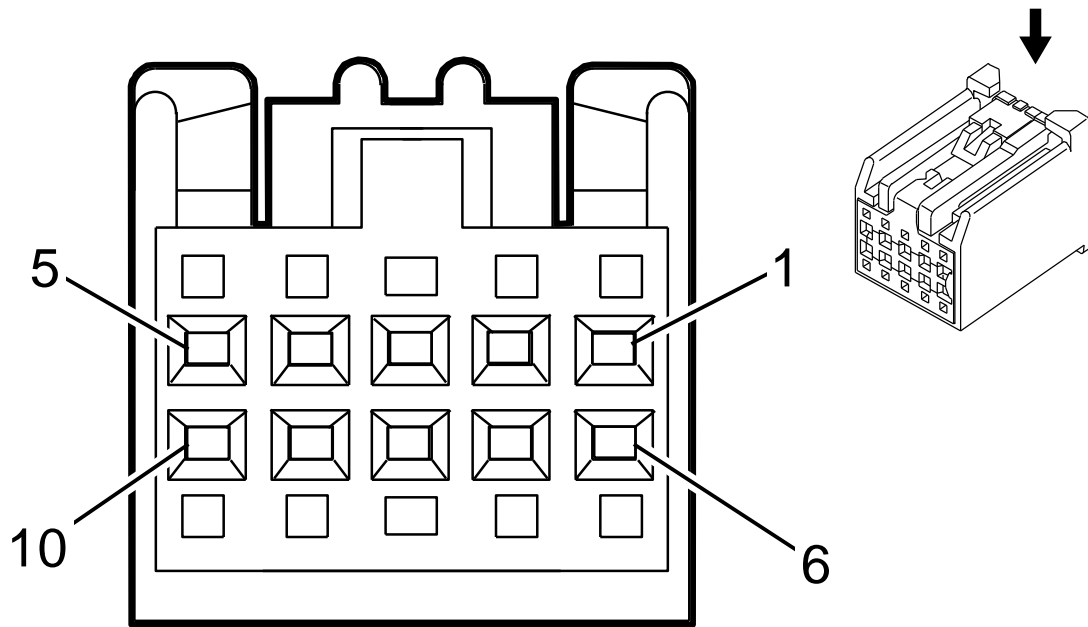
**Table 426 A6D Fuel Pump and Level Sensor Assembly – Secondary (Feature Code: 0015DSZ)**

Pin	Size	Color	Circuit	Function	Terminal Type ID	Option
1-2	—	—	—	Not Occupied	—	—
3	1.5	GY	120	Fuel Pump Control	I	—
4	1.5	BK	2150	Ground	I	—
5	0.5	BU / WH	1937	Secondary Fuel Level Sensor Signal	I	—

**Table 426 A6D Fuel Pump and Level Sensor Assembly – Secondary (Feature Code: 0015DSZ) (cont.)**

Pin	Size	Color	Circuit	Function	Terminal Type ID	Option
6	0.5	BK / GN	6281	Fuel Level Sensor Low Reference	I	—
7-8	—	—	—	Not Occupied	—	—





**Connector Part Information**

- Harness Type: Headliner
- Service Connector: 6040201C1
- Description: 10-pin F 0.64 Kaizen Series (BK)

**Table 428 Terminal Part Information**

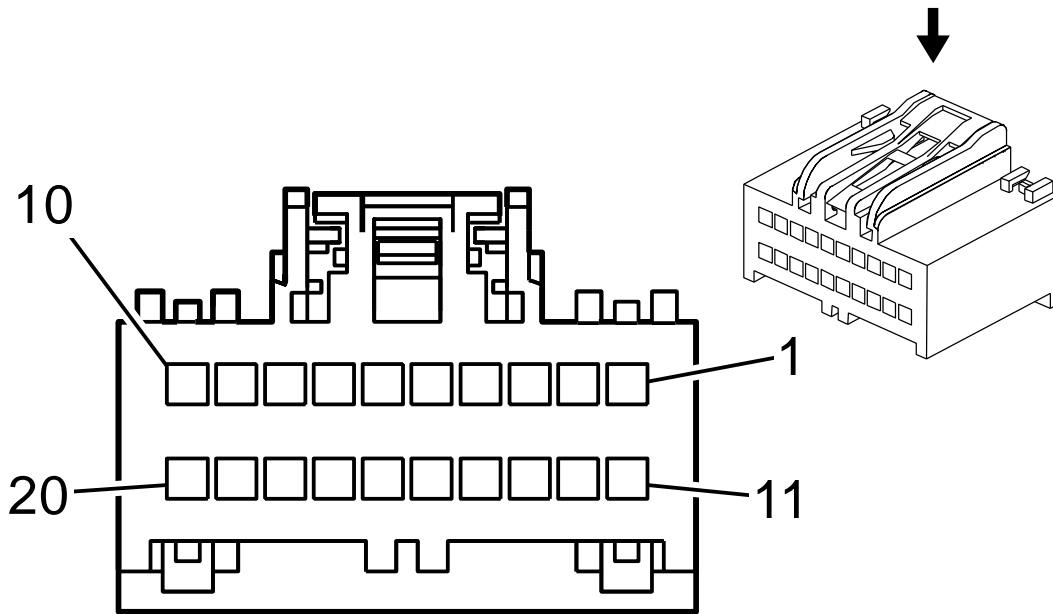
Terminal Type ID	Service Terminal
I	6041997C1
II	6041853C1

**Table 429 A10 Inside Rearview Mirror (Feature Code: 0016ACC / 0008AAE)**

Pin	Size	Color	Circuit	Function	Terminal Type ID	Option
1	0.35	L-GN / RD	24	Backup Lamp Control	II	—
2	0.35	VT / L-GN	1739	Run / Crank Ignition 1 Voltage	II	—
3	0.35	L-GN / D-BU	2514	Keypad Signal	II	—

**Table 429 A10 Inside Rearview Mirror (Feature Code: 0016ACC / 0008AAE) (cont.)**

Pin	Size	Color	Circuit	Function	Terminal Type ID	Option
4	0.35	L-GN / BK	2515	Keypad Control	II	—
5	0.5	BK	1050	Ground	I	—
6	0.35	YE / BN	2516	Keypad Green LED Control	II	—
7	0.35	BN / WH	2517	Keypad Red LED Control	II	—
8	0.35	BK / YE	1691	Automatic Day / Night Mirror Low Reference	II	—
9	0.35	YE / WH	1690	Automatic Day / Night Mirror Signal	II	—
10	—	—	—	Not Occupied	—	—



**Connector Part Information**

- Harness Type: Instrument Panel
- Service Connector: 6040228C1
- Description: 20-pin F USCAR 64 Series (GY)

**Table 431 Terminal Part Information**

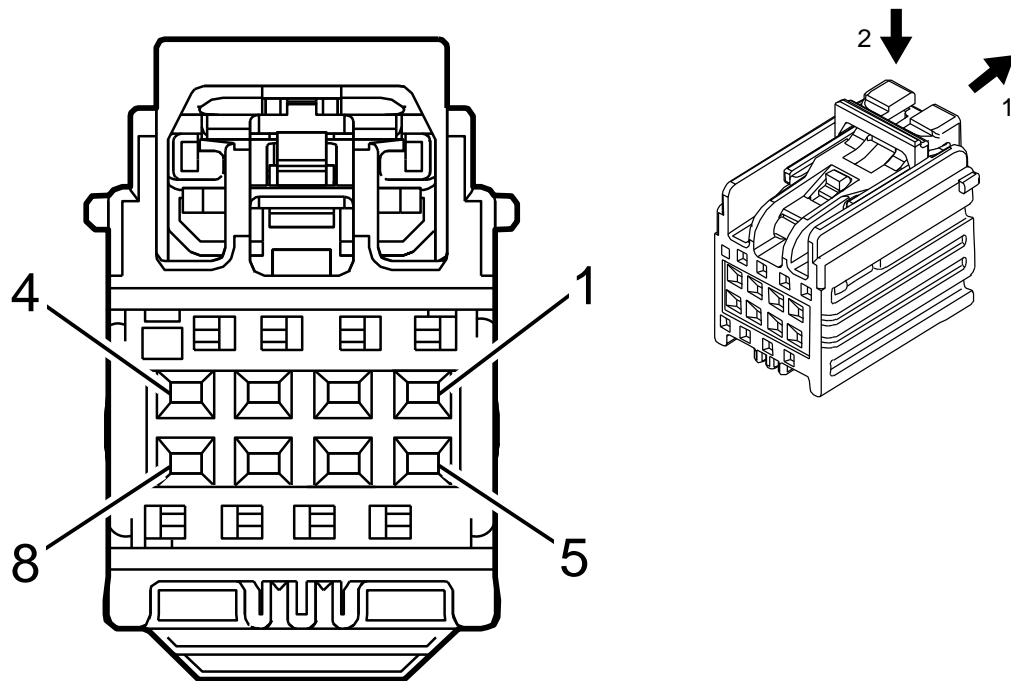
Terminal Type ID	Service Terminal
I	6041997C1
II	6041853C1

**Table 432 A11 Radio X1 (Feature Code: 0008RNN / 0008RNW / 0008RNX)**

Pin	Size	Color	Circuit	Function	Terminal Type ID	Option
1-3	—	—	—	Not Occupied	—	—
4	0.35	WH / D-BU	6973	Camera Signal 2	II	—
5	0.35	GY / YE	6972	Camera Signal 2 +	II	—
6	0.5	BARE	5842	Auxiliary Audio Screen 2	I	—

Table 432 A11 Radio X1 (Feature Code: 0008RNN / 0008RNW / 0008RNX) (cont.)

Pin	Size	Color	Circuit	Function	Terminal Type ID	Option
7	0.35	D-BU	2060	Auxiliary Detection Signal	II	—
8	0.35	VT	5843	Auxiliary Audio Common Signal	II	—
9	0.35	GY	5839	Left Auxiliary Audio Signal 2	II	—
10	0.35	L-GN	5841	Right Auxiliary Audio Signal 2	II	—
11-12	—	—	—	Not Occupied	—	—
13	0.5	L-GN / D-BU	7532	Local Interconnect Network Serial Data Bus 10	I	—
14	0.5	GY / L-GN	1102	Low Speed GMLAN Serial Data #2	I	—
15-18	—	—	—	Not Occupied	—	—
19	0.35	BK / YE	659	Cellular Telephone Voice Low Reference	II	—
20	0.35	YE	658	Cellular Telephone Voice Signal	II	—



**Connector Part Information**

- Harness Type: Instrument Panel
- Service Connector: 6040265C1
- Description: 8-pin F YESC Kaizen Series (GY)

**Table 434 Terminal Part Information**

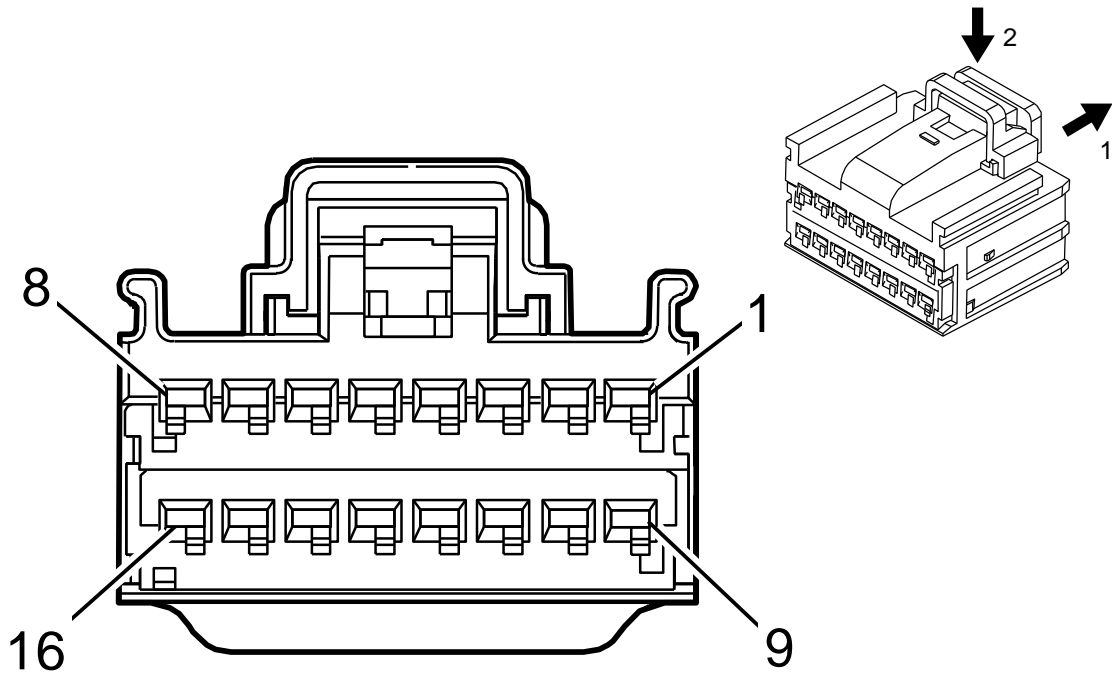
Terminal Type ID	Service Terminal
I	6041853C1

**Table 435 A11 Radio X2 (Feature Code: 0008RNN / 0008RNW / 0008RNX)**

Pin	Size	Color	Circuit	Function	Terminal Type ID	Option
1	0.5	WH / L-GN	3997	MOST Serial Data (-)	I	—
2	0.5	GY / VT	3998	MOST Serial Data (+)	I	—
3	0.5	WH / L-GN	3997	MOST Serial Data (-)	I	—
4	0.5	GY / VT	3998	MOST Serial Data (+)	I	—
5-6	—	—	—	Not Occupied	—	—

Table 435 A11 Radio X2 (Feature Code: 0008RNN / 0008RNW / 0008RNX) (cont.)

Pin	Size	Color	Circuit	Function	Terminal Type ID	Option
7	0.35	WH / VT	3999	MOST Control	I	—
8	—	—	—	Not Occupied	—	—



**Connector Part Information**

- Harness Type: Instrument Panel
- Service Connector: 6040223C1
- Description: 16-pin F 1.5 OCS Series (BK)

**Table 437 Terminal Part Information**

Terminal Type ID	Service Terminal
I	6041915C1

**Table 438 A11 Radio X3 (Feature Code: 0008RNN / 0008RNW / 0008RNX)**

Pin	Size	Color	Circuit	Function	Terminal Type ID	Option
1	0.75	D-BU	201	Left Front Speaker Control (+) 1	I	—
2	0.75	YE	200	Right Front Speaker Control (+) 1	I	—
3	0.5	L-GN	199	Left Rear Speaker Control (+)	I	—
4	0.5	WH	46	Right Rear Speaker Control (+)	I	—
5-7	—	—	—	Not Occupied	—	—
8	0.75	RD / VT	340	Battery Positive Voltage	I	—

**Table 438 A11 Radio X3 (Feature Code: 0008RNN / 0008RNW / 0008RNX) (cont.)**

<b>Pin</b>	<b>Size</b>	<b>Color</b>	<b>Circuit</b>	<b>Function</b>	<b>Terminal Type ID</b>	<b>Option</b>
9	0.75	BN / D-BU	118	Left Front Speaker Signal (-) 1	I	—
10	0.75	YE / BK	117	Right Front Speaker Signal (-) 1	I	—
11	0.5	L-GN / BK	116	Left Rear Speaker Signal (-)	I	—
12	0.5	D-BU / BK	115	Right Rear Speaker Signal (-)	I	—
13-15	—	—	—	Not Occupied	—	—
16	0.75	BK	2550	Ground	I	—



**Connector Part Information**

- Harness Type: Radio Antenna Jumper Coax
- Service Connector: Service by Harness
- Description: Description: 1-Way F

**Table 440 Terminal Part Information**

Terminal Type ID	Service Terminal
I	Not Available

**Table 441 A11 Radio X4**

Pin	Size	Color	Circuit	Function	Terminal Type ID	Option
Coax	Coax	Coax	Coax	(AM/FM) Antenna RF Signal	Coax.	Coax.

**Connector Part Information**

- Harness Type: Instrument Panel Coax
- Service Connector: Service by Harness
- Description: 1-Way F Coax Type (CU)

**Table 443 Terminal Part Information**

Terminal Type ID	Service Terminal
I	Not Available

**Table 444 A11 Radio X5**

Pin	Size	Color	Circuit	Function	Terminal Type ID	Option
Coax	Coax	Coax	Coax	(XM +/-HD) Coaxial Antenna XM Signal	Coax.	Coax.

**Connector Part Information**

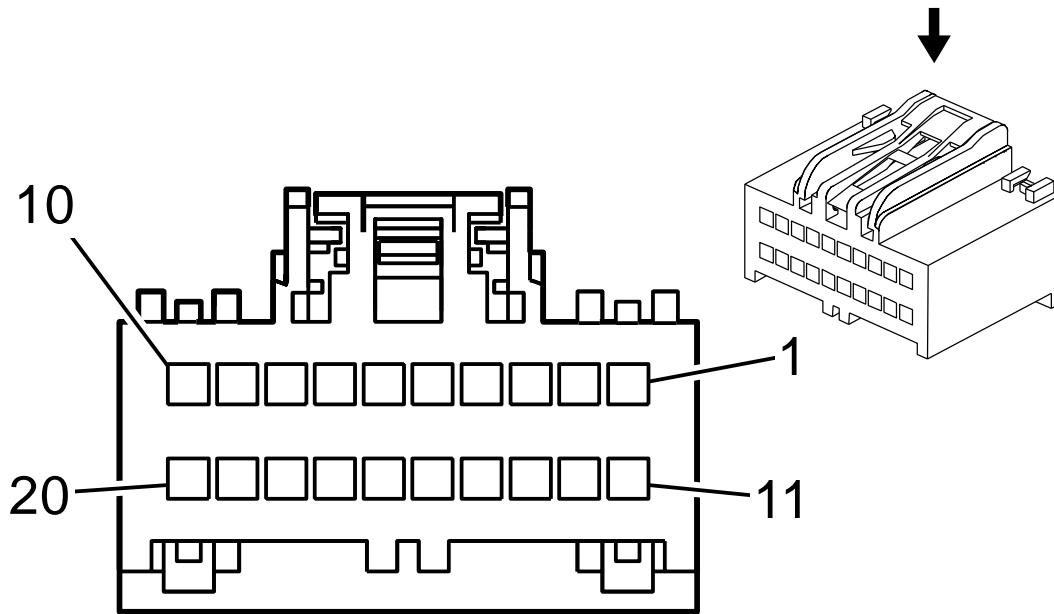
- Harness Type: Instrument Panel Coax
- Service Connector: Service by Harness
- Description: 1-Way F Coax Type (CU)

**Table 446 Terminal Part Information**

Terminal Type ID	Service Terminal
I	Not Available

**Table 447 A11 Radio X6**

Pin	Size	Color	Circuit	Function	Terminal Type ID	Option
Coax	Coax	Coax	Coax	Coax. (XM +/-HD) Coaxial Antenna XM Signal	Coax.	Coax.



**Connector Part Information**

- Harness Type: Instrument Panel
- Service Connector: 6040228C1
- Description: 20-pin F USCAR 64 Series (GY)

**Table 449 Terminal Part Information**

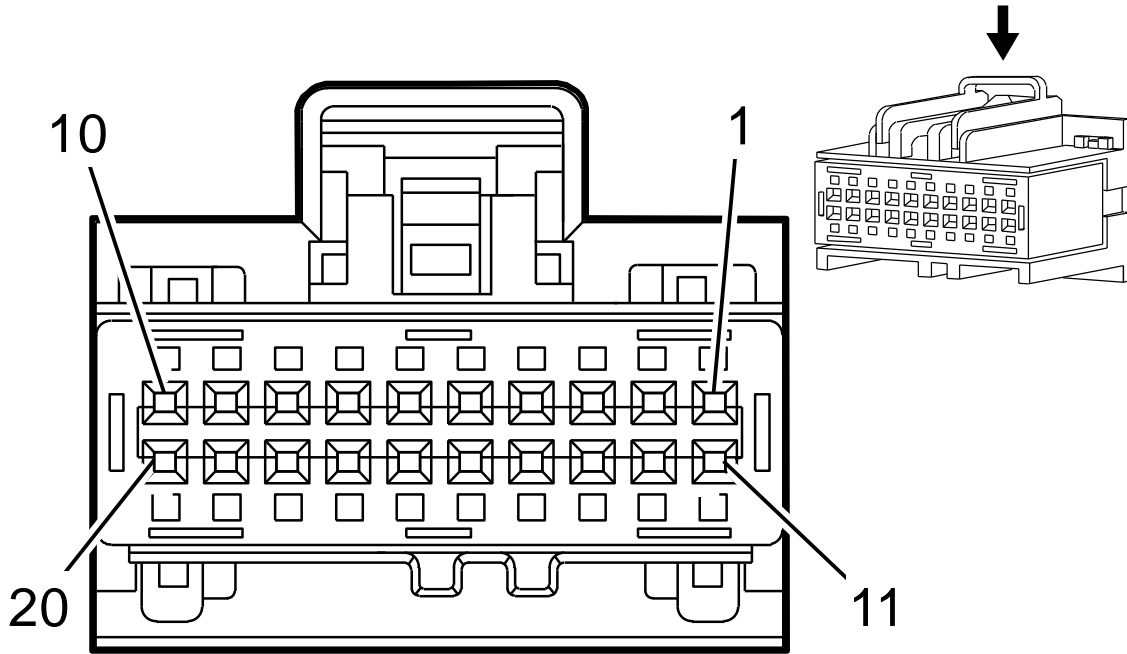
Terminal Type ID	Service Terminal
I	6041997C1
II	6041853C1

**Table 450 A11 Radio X1 (Feature Code: 0008RNM)**

Pin	Size	Color	Circuit	Function	Terminal Type ID	Option
1	0.75	BK	2550	Ground	I	—
2	0.35	GY / BN	9003	—	II	—
3	0.35	BN	9004	—	II	—
4	0.5	GY / L-GN	1102	Low Speed GMLAN Serial Data #2	I	—

Table 450 A11 Radio X1 (Feature Code: 0008RNM) (cont.)

Pin	Size	Color	Circuit	Function	Terminal Type ID	Option
5	—	—	—	Not Occupied	—	—
6	0.35	BK / GY	5152	Voice Recognition Audio Low Reference	II	—
7	0.35	GY / YE	5149	Voice Recognition Audio Signal	II	—
8	0.35	BN / L-GN	3983	Display Radio Bank Switch Signal 2	II	—
9	0.35	BK / YE	659	Cellular Telephone Voice Low Reference	II	—
10	0.35	YE	658	Cellular Telephone Voice Signal	II	—
11	0.75	RD / VT	340	Battery Positive Voltage	I	—
12-13	—	—	—	Not Occupied	—	—
14	0.35	WH / D-BU	6973	Camera Signal 2	II	—
15	0.35	GY / YE	6972	Camera Signal 2 +	II	—
16	0.5	BARE	5842	Auxiliary Audio Screen 2	I	—
17	0.35	D-BU	2060	Auxiliary Detection Signal	II	—
18	0.35	VT	5843	Auxiliary Audio Common Signal	II	—
19	0.35	GY	5839	Left Auxiliary Audio Signal 2	II	—
20	0.35	L-GN	5841	Right Auxiliary Audio Signal 2	II	—



**Connector Part Information**

- Harness Type: Instrument Panel
- Service Connector: 6040227C1
- Description: 20-pin F USCAR 64 Series (BN)

**Table 452 Terminal Part Information**

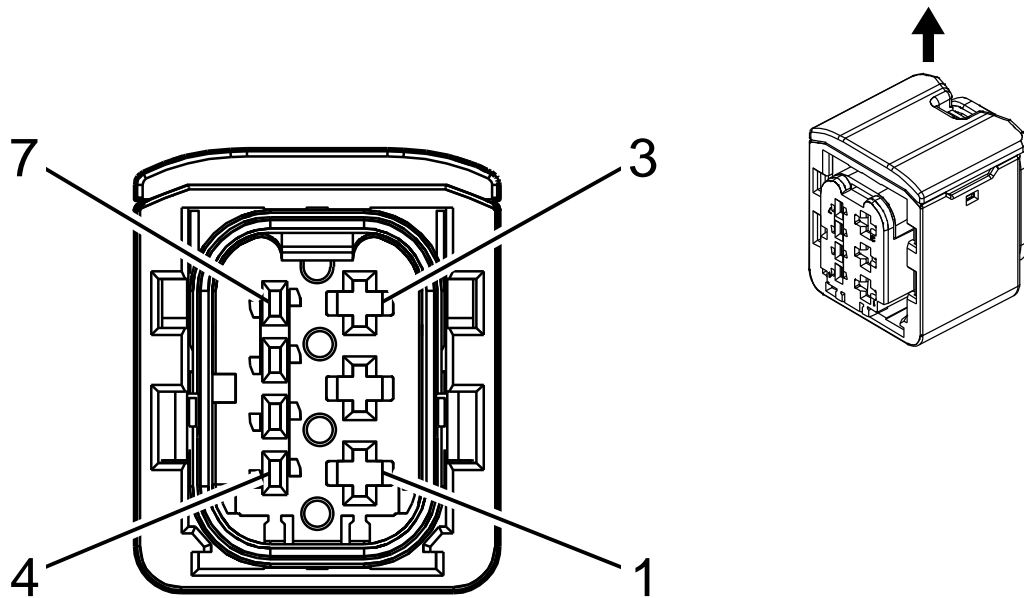
Terminal Type ID	Service Terminal
I	6041997C1
II	6041853C1

**Table 453 A11 Radio X2 (Feature Code: 0008RNM)**

Pin	Size	Color	Circuit	Function	Terminal Type ID	Option
1-2	—	—	—	Not Occupied	—	—
3	0.35	GY	314	Radio On Signal	II	—
4	0.35	VT / GY	1381	LCD Dimming Signal	II	—
5	0.35	GY / D-BU	3989	Display Radio Bank Switch Dim Signal	II	—

Table 453 A11 Radio X2 (Feature Code: 0008RNM) (cont.)

Pin	Size	Color	Circuit	Function	Terminal Type ID	Option
6	0.35	BN / L-GN	4502	Video Display Request Signal	II	—
7	0.35	BN / L-GN	3364	Navigation Display Reset Signal	II	—
8	0.35	D-BU	4315	Radio Volume Up Signal	II	—
9	0.35	GY / BN	4314	Radio Volume Down Signal	II	—
10	0.75	BK	2550	Ground	I	—
11	0.5	WH	46	Right Rear Speaker Control (+)	I	—
12	0.5	D-BU / BK	115	Right Rear Speaker Signal (-)	I	—
13	0.5	L-GN	199	Left Rear Speaker Control (+)	I	—
14	0.5	L-GN / BK	116	Left Rear Speaker Signal (-)	I	—
15	0.75	YE / BK	117	Right Front Speaker Signal (-) 1	I	—
16	0.75	YE	200	Right Front Speaker Control (+) 1	I	—
17	0.75	BN / D-BU	118	Left Front Speaker Signal (-) 1	I	—
18	0.75	D-BU	201	Left Front Speaker Control (+) 1	I	—
19	—	—	—	Not Occupied	—	—
20	0.75	RD / VT	340	Battery Positive Voltage	I	—



**Connector Part Information**

- Harness Type: Engine Chassis
- Service Connector: 6040276C1
- Description: 7-pin F 1.5, 2.8 MCP Series, Sealed (BK)

**Table 455 Terminal Part Information**

Terminal Type ID	Service Terminal
I	6041983C1
II	6041988C1

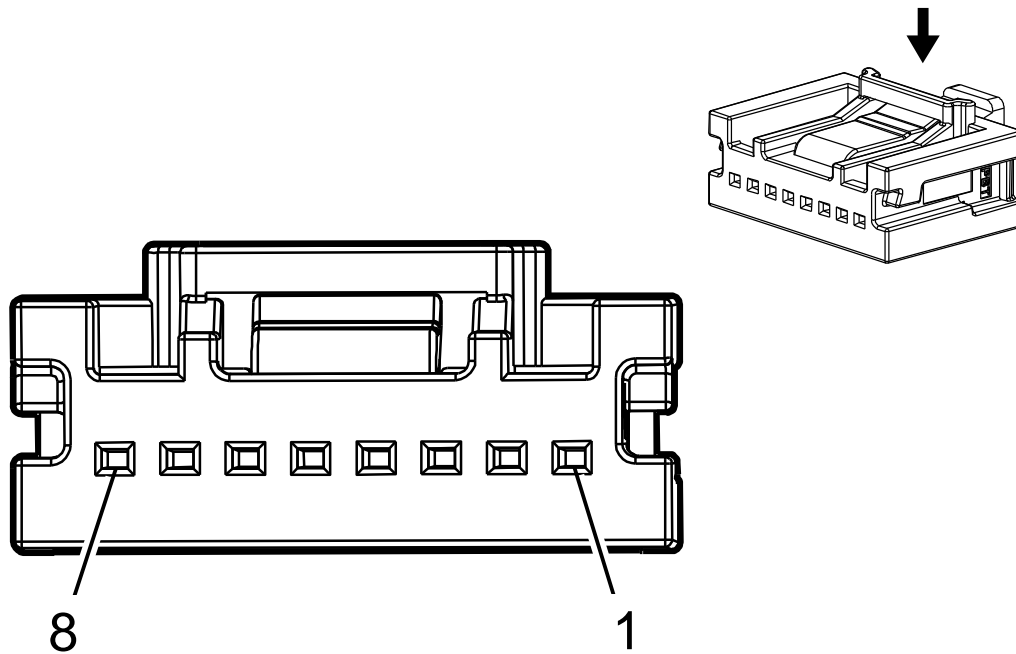
**Table 456 A16 Transfer Case Motor (Feature Code: 0013TLP (0013WDB))**

Pin	Size	Color	Circuit	Function	Terminal Type ID	Option
1	1	YE / VT	1553	Transfer Case Motor Counter Clockwise Control	II	—
2	—	—	—	Not Occupied	—	—
3	1	OG	1552	Transfer Case Motor Clockwise Control	II	—
4	0.5	VT	7476	Incremental Encoder Sensor Low Reference	I	—



Table 456 A16 Transfer Case Motor (Feature Code: 0013TLP (0013WDB)) (cont.)

Pin	Size	Color	Circuit	Function	Terminal Type ID	Option
5	—	—	—	Not Occupied	—	—
6	0.5	D-BU / GY	7473	Incremental Encoder Impulse Signal	I	—
7	0.5	WH / L-GN	7475	Incremental Encoder Sensor 8 volt Reference	I	—



Connector Part Information	
•	Harness Type: Instrument Panel
•	Service Connector: 6040276C1
•	Description: 8-pin F 0.64 Series (BK)

**Table 458 Terminal Part Information**

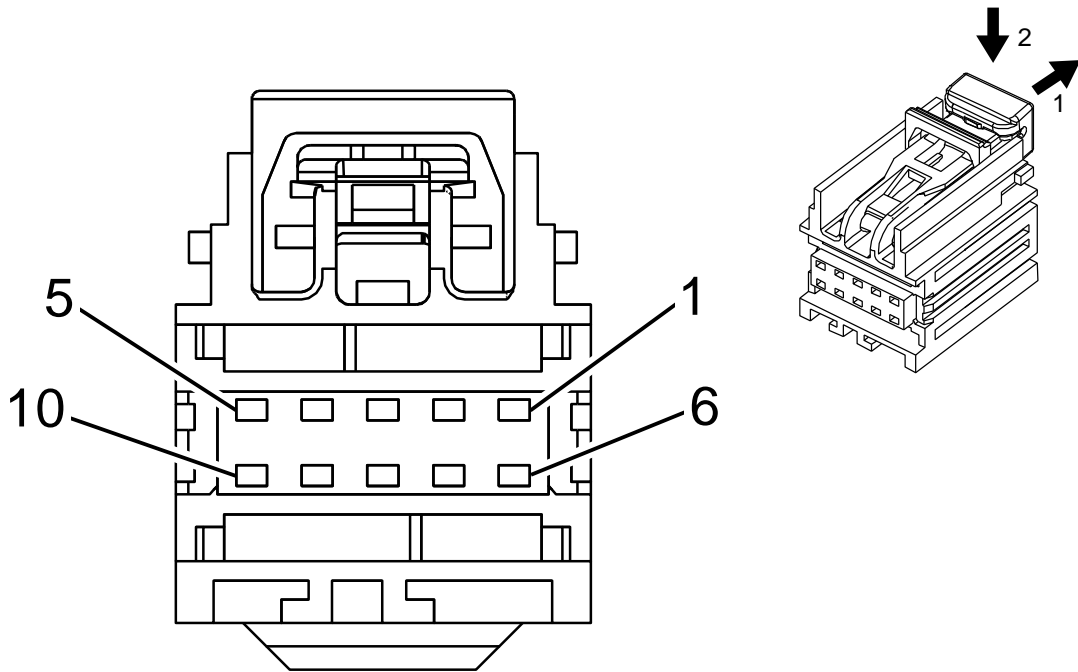
Terminal Type ID	Service Terminal
I	6041983C1

**Table 459 A22 Radio Controls (Feature Code: 0008RNM)**

Pin	Size	Color	Circuit	Function	Terminal Type ID	Option
1	0.35	GY / BN	3761	Infotainment Regulated Control	I	—
2	0.35	L-GN / BK	2515	Keypad Control	I	—
3	0.35	BN / L-GN	3983	Display Radio Bank Switch Signal 2	I	—
4	0.35	GY	314	Radio On Signal	I	—

Table 459 A22 Radio Controls (Feature Code: 0008RNM) (cont.)

Pin	Size	Color	Circuit	Function	Terminal Type ID	Option
5	0.35	GY / D-BU	3989	Display Radio Bank Switch Dim Signal	I	—
6	0.35	D-BU	4315	Radio Volume Up Signal	I	—
7	0.35	GY / BN	4314	Radio Volume Down Signal	I	—
8	0.35	BK / BN	2518	Keypad Low Reference	I	—



Connector Part Information	
•	Harness Type: Driver Door
•	Service Connector: Service by Harness
•	Description: 10-pin F 0.64 YESC Kaizen Series (GN)

Table 461 Terminal Part Information

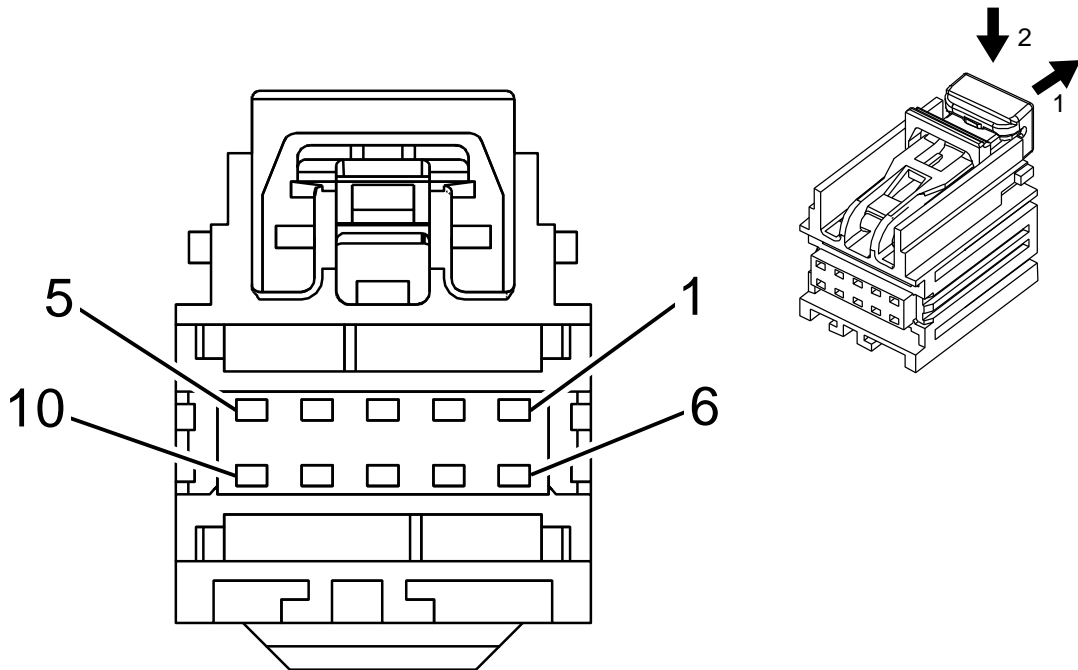
Terminal Type ID	Service Terminal
I	6041853C1 0.35-0.5mm
	6041997C1 0.75mm

Table 462 A23D Door Latch Assembly – Driver

Pin	Size	Color	Circuit	Function	Terminal Type ID	Option
1	0.35	GY	745	Left Front Door Ajar Switch Signal	I	—
2	—	—	—	Not Occupied	—	—
3	0.5	BK	1150	Ground	I	—
4	0.35	WH / VT	3270	Driver Door Lock Motor Status Signal	I	—

Table 462 A23D Door Latch Assembly – Driver (cont.)

Pin	Size	Color	Circuit	Function	Terminal Type ID	Option
5	0.35	D-BU / VT	1124	Door Lock Key Switch Unlock Signal	I	—
6	—	—	—	Not Occupied	—	—
7	0.75	GY	5911	Door Lock Actuator Lock Control 2	I	—
8	0.75	BN / BK	294	Door Lock Actuator Unlock Control	I	—
9-10	—	—	—	Not Occupied	—	—



**Connector Part Information**

- Harness Type: Left Rear Door
- Service Connector: Service by Harness
- Description: 10-pin F 0.64 YESC Kaizen Series (GN)

**Table 464 Terminal Part Information**

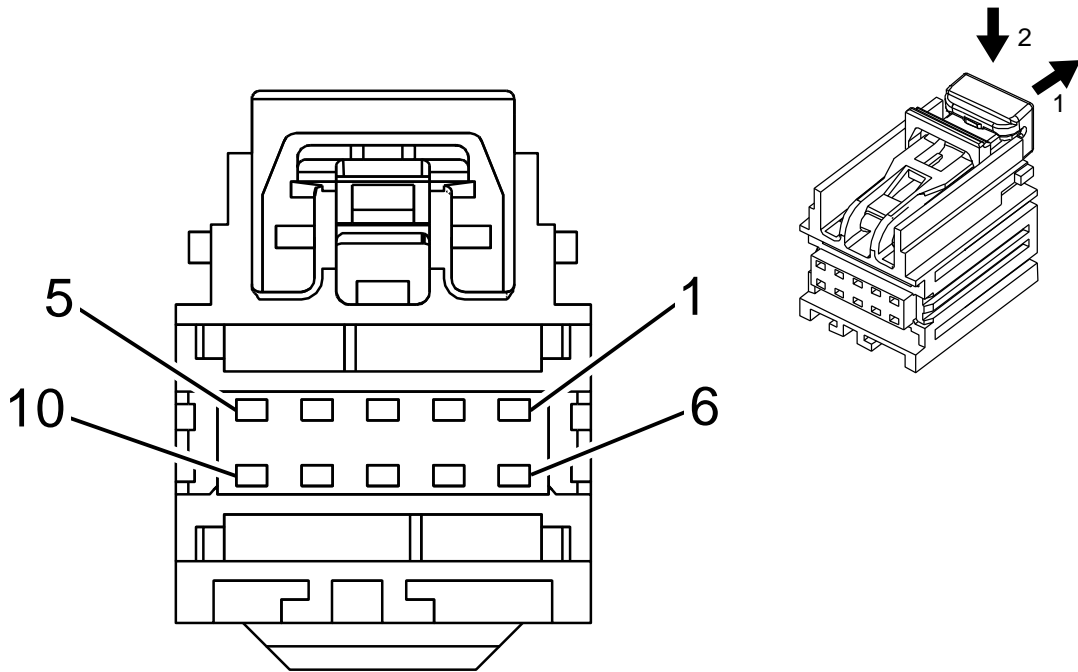
Terminal Type ID	Service Terminal
I	6041853C1 0.35-0.5mm
	6041997C1 0.75mm

**Table 465 A23LR Door Latch Assembly – Left Rear (Crew Cab)**

Pin	Size	Color	Circuit	Function	Terminal Type ID	Option
1	0.35	GY / WH	747	Left Rear Door Ajar Switch Signal	I	—
2	0.35	BN / WH	3269	Child Security Lock Motor Status Signal Left Rear	I	—
3	0.5	BK	1150	Ground	I	—
4-6	—	—	—	Not Occupied	—	—

Table 465 A23LR Door Latch Assembly – Left Rear (Crew Cab) (cont.)

Pin	Size	Color	Circuit	Function	Terminal Type ID	Option
7	0.75	GY	295	Door Lock Actuator Lock Control	I	—
8	0.75	BN / YE	294	Door Lock Actuator Unlock Control	I	—
9	0.75	WH / D-BU	3266	Child Security Lock Motor Lock Control	I	—
10	—	—	—	Not Occupied	—	—



Connector Part Information	
•	Harness Type: Passenger Door
•	Service Connector: Service by Harness
•	Description: 10-pin F 0.64 YESC Kaizen Series (GN)

Table 467 Terminal Part Information

Terminal Type ID	Service Terminal
I	6041853C1 0.35-0.5mm
	6041997C1 0.75mm

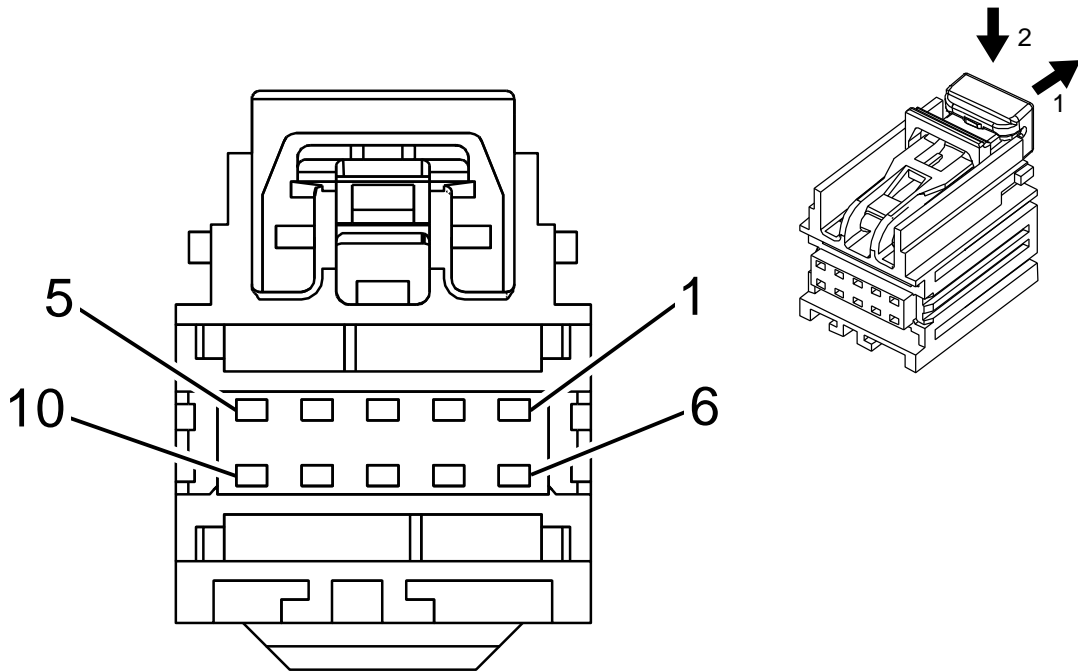
Table 468 A23P Door Latch Assembly – Passenger

Pin	Size	Color	Circuit	Function	Terminal Type ID	Option
1-2	—	—	—	Not Occupied	—	—
3	0.5	BK	1250	Ground	I	—
4	—	—	—	Not Occupied	—	—
5	0.35	GY	746	Right Front Door Ajar Switch Signal	I	—
6-7	—	—	—	Not Occupied	—	—



Table 468 A23P Door Latch Assembly – Passenger (cont.)

Pin	Size	Color	Circuit	Function	Terminal Type ID	Option
8	0.75	BN / YE	294	Door Lock Actuator Unlock Control	I	—
9	0.75	GY	295	Door Lock Actuator Lock Control	I	—
10	—	—	—	Not Occupied	—	—



**Connector Part Information**

- Harness Type: Right Rear Door
- Service Connector: Service by Harness
- Description: 10-pin F 0.64 YESC Kaizen Series (GN)

**Table 470 Terminal Part Information**

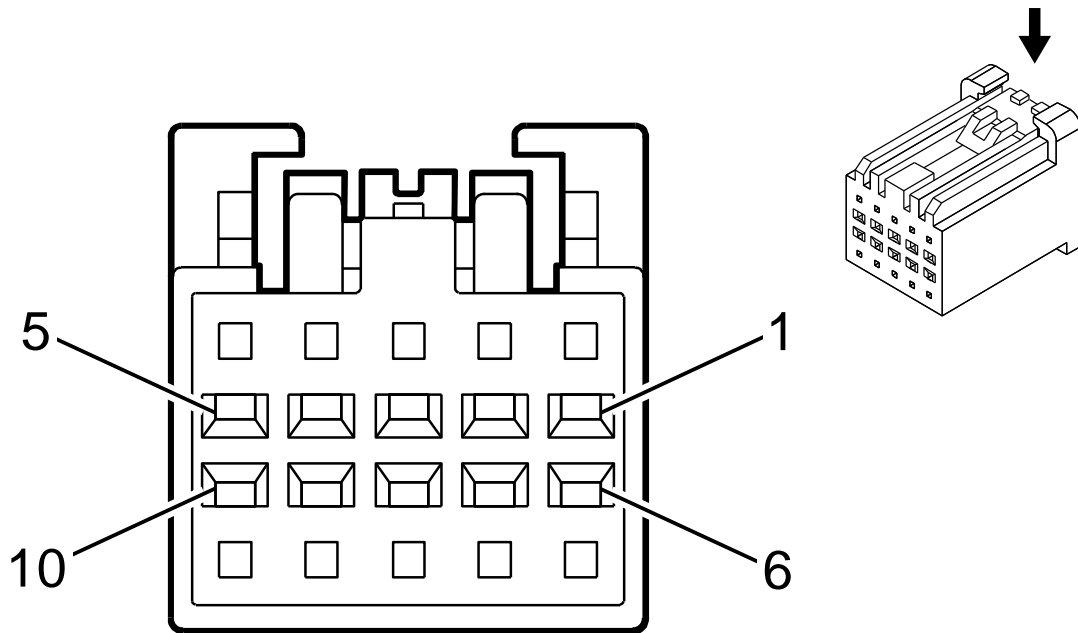
Terminal Type ID	Service Terminal
I	6041853C1 0.35-0.5mm
	6041997C1 0.75mm

**Table 471 A23RR Door Latch Assembly – Right Rear (Crew Cab)**

Pin	Size	Color	Circuit	Function	Terminal Type ID	Option
1-2	—	—	—	Not Occupied	—	—
3	0.5	BK	1250	Ground	I	—
4	0.35	GY / BK	3268	Child Security Lock Motor Status Signal Right Rear	I	—
5	0.35	GY / WH	748	Right Rear Door Ajar Switch Signal	I	—

Table 471 A23RR Door Latch Assembly – Right Rear (Crew Cab) (cont.)

Pin	Size	Color	Circuit	Function	Terminal Type ID	Option
6	—	—	—	Not Occupied	—	—
7	0.75	WH / D-BU	3266	Child Security Lock Motor Lock Control	I	—
8	0.75	BN / YE	294	Door Lock Actuator Unlock Control	I	—
9	0.75	GY	295	Door Lock Actuator Lock Control	I	—
10	—	—	—	Not Occupied	—	—



**Connector Part Information**

- Harness Type: Instrument Panel
- Service Connector: 6040205C1
- Description: 10-pin F 0.64 Kaizen Series (GY)

**Table 473 Terminal Part Information**

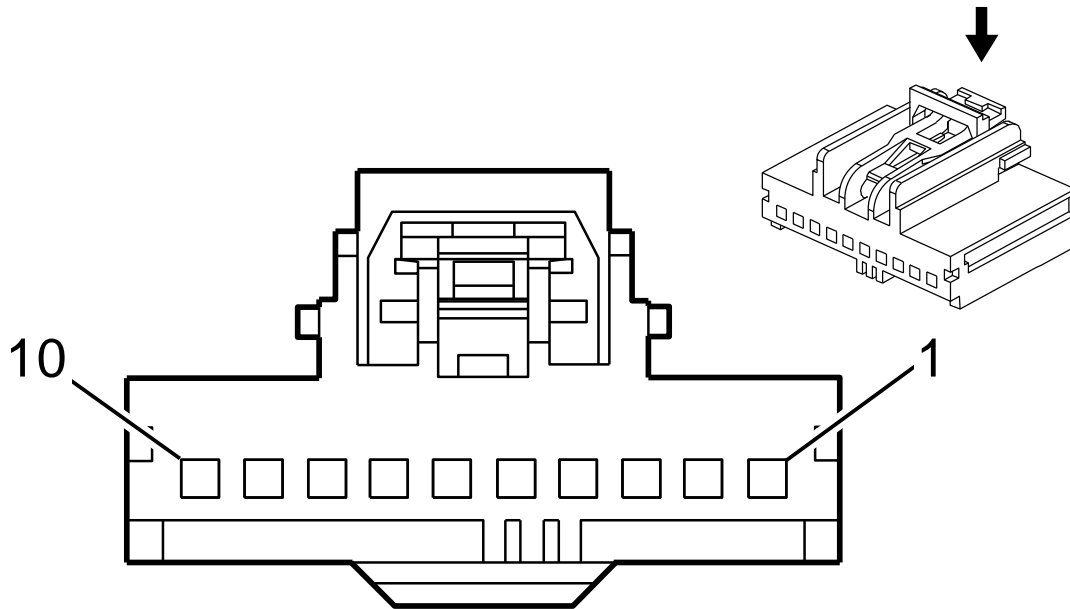
Terminal Type ID	Service Terminal
I	6041997C1
II	6041853C1

**Table 474 A26 HVAC Controls**

Pin	Size	Color	Circuit	Function	Terminal Type ID	Option
1	0.5	RD / GY	2840	Battery Positive Voltage	I	—
2	—	—	—	Not Occupied	—	—
3	0.35	L-GN	5060	Low Speed GMLAN Serial Data	II	—
4-8	—	—	—	Not Occupied	—	—

Table 474 A26 HVAC Controls (cont.)

Pin	Size	Color	Circuit	Function	Terminal Type ID	Option
9	0.35	L-GN / YE	7531	Local Interconnect Network Serial Data Bus 9	II	—
10	0.35	BK	2550	Ground	II	—



Connector Part Information	
•	Harness Type: Instrument Panel
•	Service Connector: 6040287C1
•	Description: 10-pin F 0.64 Kaizen Series (BK)

**Table 476 Terminal Part Information**

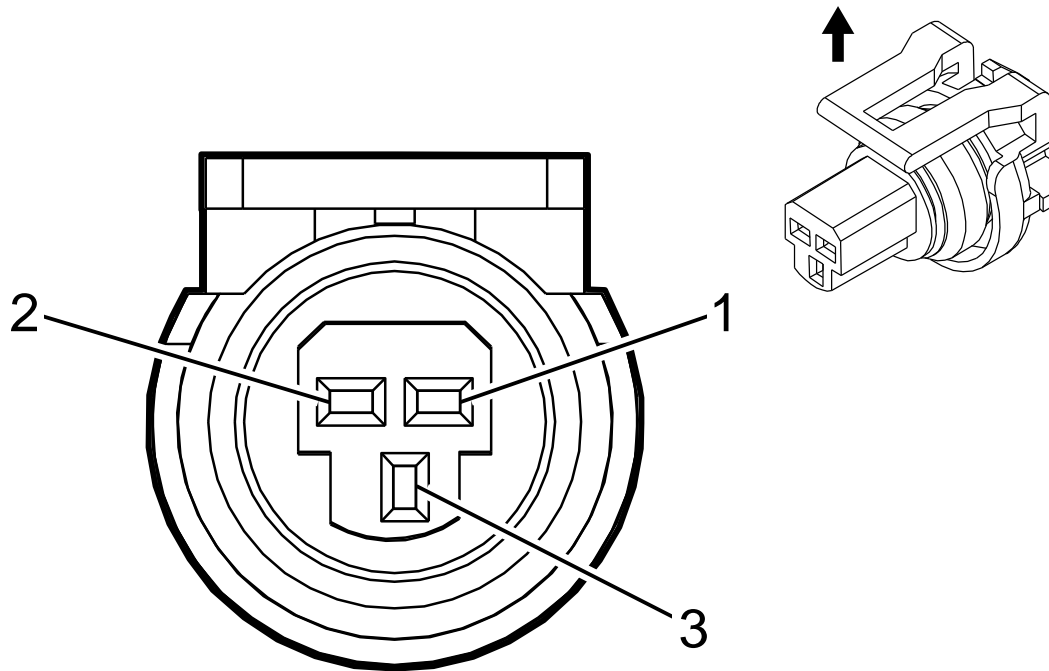
Terminal Type ID	Service Terminal
I	6041997C1
II	6041853C1

**Table 477 A33 Media Disc Player (Feature Code: 0008RNS)**

Pin	Size	Color	Circuit	Function	Terminal Type ID	Option
1	0.35	WH / VT	3999	MOST Control	II	—
2	—	—	—	Not Occupied	—	—
3	0.5	WH / L-GN	3997	MOST Serial Data (-)	I	—
4	0.5	GY / VT	3998	MOST Serial Data (+)	I	—

Table 477 A33 Media Disc Player (Feature Code: 0008RNS) (cont.)

Pin	Size	Color	Circuit	Function	Terminal Type ID	Option
5	0.5	WH / L-GN	3997	MOST Serial Data (-)	I	—
6	0.5	GY / VT	3998	MOST Serial Data (+)	I	—
7	—	—	—	Not Occupied	—	—
8	0.75	BK	2550	Ground	I	—
9	—	—	—	Not Occupied	—	—
10	0.75	RD / VT	340	Battery Positive Voltage	I	—



**Connector Part Information**

- Harness Type: Engine Chassis
- Service Connector: 6040275C1
- Description: 3-pin F 150 GT Series, Sealed (BK)

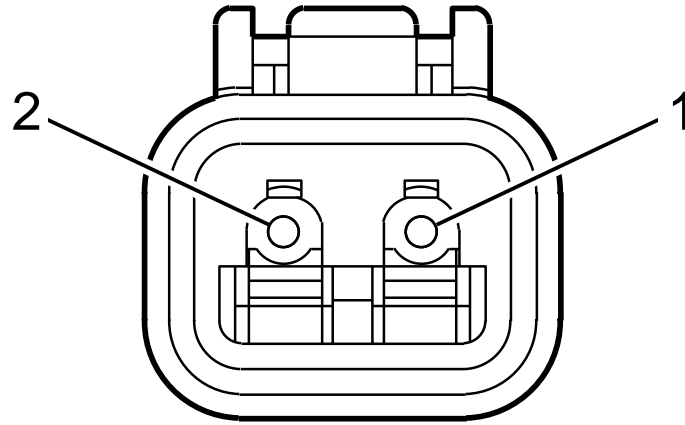
**Table 479 Terminal Part Information**

Terminal Type ID	Service Terminal
I	6041913C1

**Table 480 B1 A/C Refrigerant Pressure Sensor (Feature Code: 0016XZA)**

Pin	Size	Color	Circuit	Function	Terminal Type ID	Option
1	0.5	BK / BN	5514	A/C Refrigerant Pressure Sensor Low Reference	I	—
2	0.5	BN / RD	2700	A/C Pressure Sensor 5 volt Reference	I	—
3	0.5	L-GN	380	A/C Refrigerant Pressure Sensor Signal	I	—





**Connector Part Information**

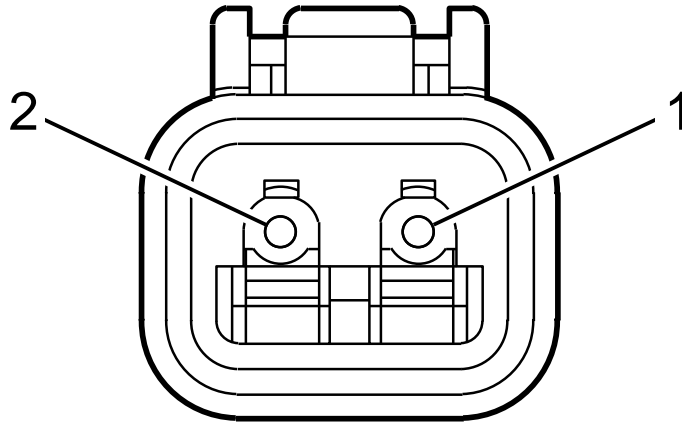
- Harness Type: Chassis
- Service Connector: 3866308C1
- Description: 2-pin F DT Series, Sealed (BK)

**Table 482 Terminal Part Information**

Terminal Type ID	Service Terminal
I	2034787C1

**Table 483 B5LF Wheel Speed Sensor – Left Front**

Pin	Size	Color	Circuit	Function	Terminal Type ID	Option
1	0.75	GY / WH	7064	Wheel Speed Sensor Control Left Front	I	—
2	0.75	GY	830	Wheel Speed Sensor Signal Left Front	I	—



**Connector Part Information**

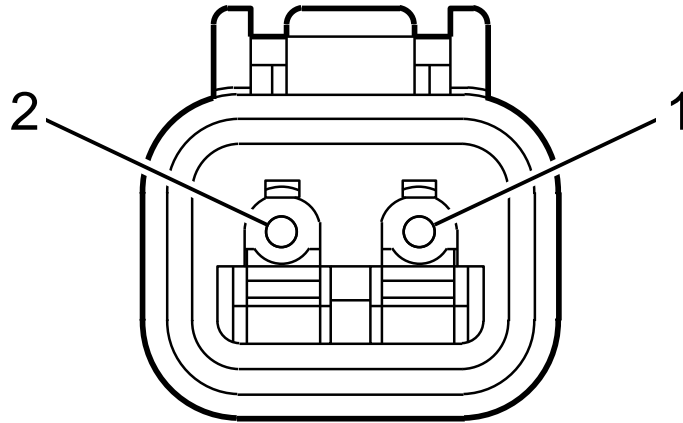
- Harness Type: Chassis Rear Left
- Service Connector: 3866308C1
- Description: 2-pin F DT Series, Sealed (BK)

**Table 485 Terminal Part Information**

Terminal Type ID	Service Terminal
I	2034787C1

**Table 486 B5LR Wheel Speed Sensor – Left Rear**

Pin	Size	Color	Circuit	Function	Terminal Type ID	Option
1	1	GY / BK	7127	Wheel Speed Sensor Control Left Rear	I	—
2	1	BU	884	Wheel Speed Sensor Signal Left Rear	I	—



**Connector Part Information**

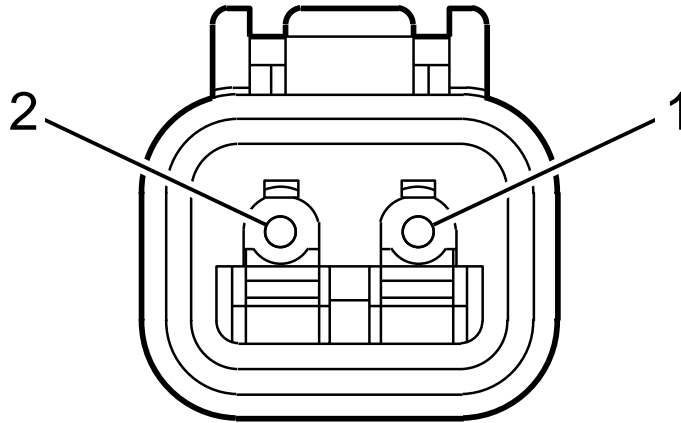
- Harness Type: Chassis
- Service Connector: 3866308C1
- Description: 2-pin F DT Series, Sealed (BK)

**Table 488 Terminal Part Information**

Terminal Type ID	Service Terminal
I	2034787C1

**Table 489 B5RF Wheel Speed Sensor – Right Front**

Pin	Size	Color	Circuit	Function	Terminal Type ID	Option
1	0.75	GY / BN	7065	Wheel Speed Sensor Control Right Front	I	—
2	0.75	YE	872	Wheel Speed Sensor Signal Right Front	I	—



**Connector Part Information**

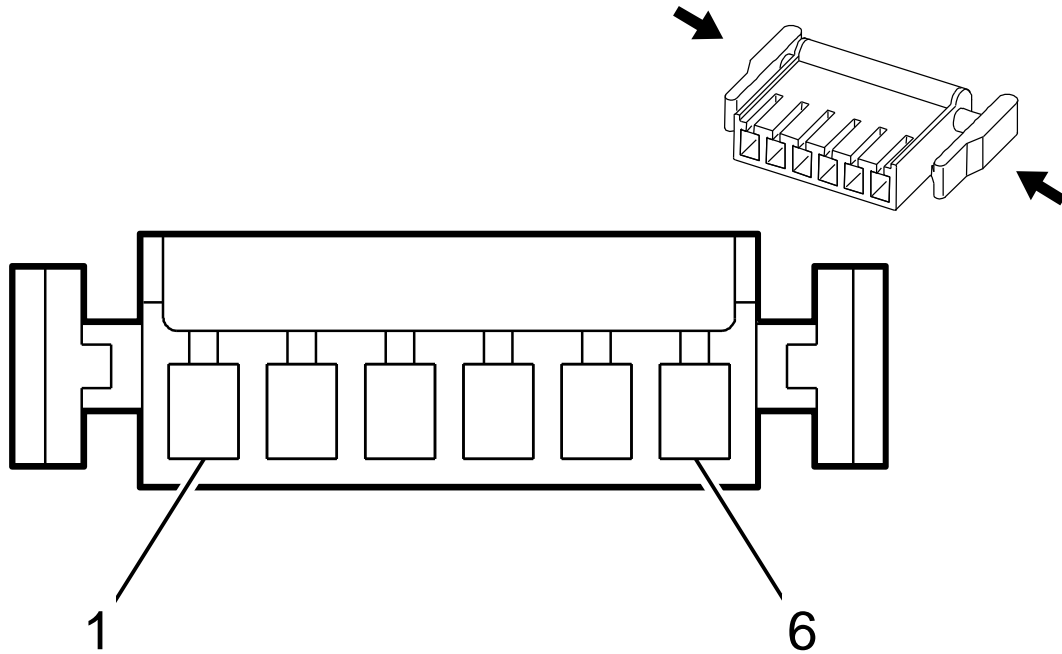
- Harness Type: Chassis Rear Right
- Service Connector: 3866308C1
- Description: 2-pin F DT Series, Sealed (BK)

**Table 491 Terminal Part Information**

Terminal Type ID	Service Terminal
I	2034787C1

**Table 492 B5RR Wheel Speed Sensor – Right Rear**

Pin	Size	Color	Circuit	Function	Terminal Type ID	Option
1	0.75	WH / BU	7128	Wheel Speed Sensor Control Right Rear	I	—
2	1	VT	882	Wheel Speed Sensor Signal Right Rear	I	—



**Connector Part Information**

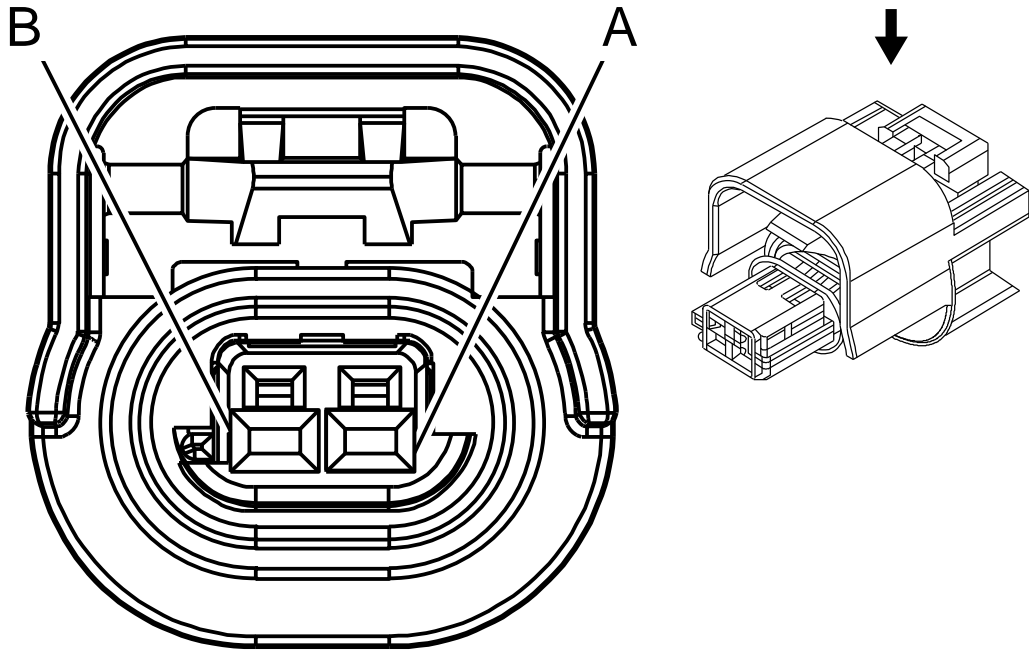
- Harness Type: Instrument Panel
- Service Connector: 6040197C1
- Description: 6-pin F 0.64 Micro-Quadlock Series (BK)

**Table 494 Terminal Part Information**

Terminal Type ID	Service Terminal
I	6042035C1

**Table 495 B10B Ambient Light / Sunload Sensor**

Pin	Size	Color	Circuit	Function	Terminal Type ID	Option
1	0.35	GY	728	Security Indicator Control	I	—
2-4	—	—	—	Not Occupied	—	—
5	0.35	WH / D-BU	278	Ambient Light Sensor Signal	I	—
6	0.35	BK / YE	1791	Air Temperature Door Control Low Reference	I	—



**Connector Part Information**

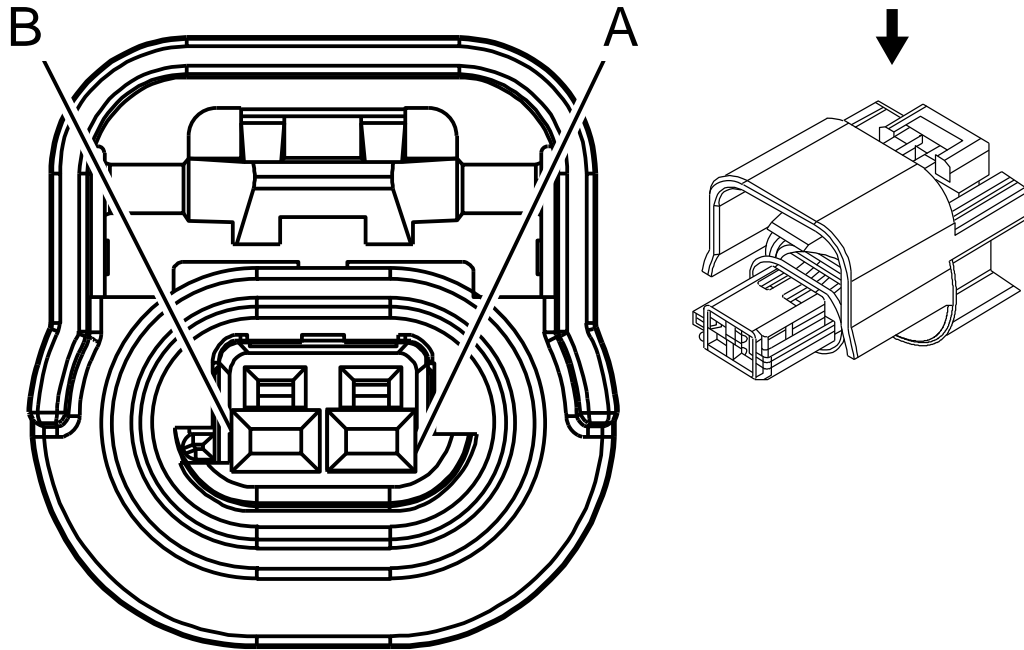
- Harness Type: Engine Chassis
- Service Connector: 6040192C1
- Description: 2-pin F 150 GT Series, Sealed (BK)

**Table 497 Terminal Part Information**

Terminal Type ID	Service Terminal
I	6041912C1

**Table 498 B14A Transmission Output Shaft Speed Sensor**

Pin	Size	Color	Circuit	Function	Terminal Type ID	Option
A	0.75	YE	160	Antenna Motor Down Control	I	—
B	0.75	L-GN	140	Battery Positive Voltage	I	—



**Connector Part Information**

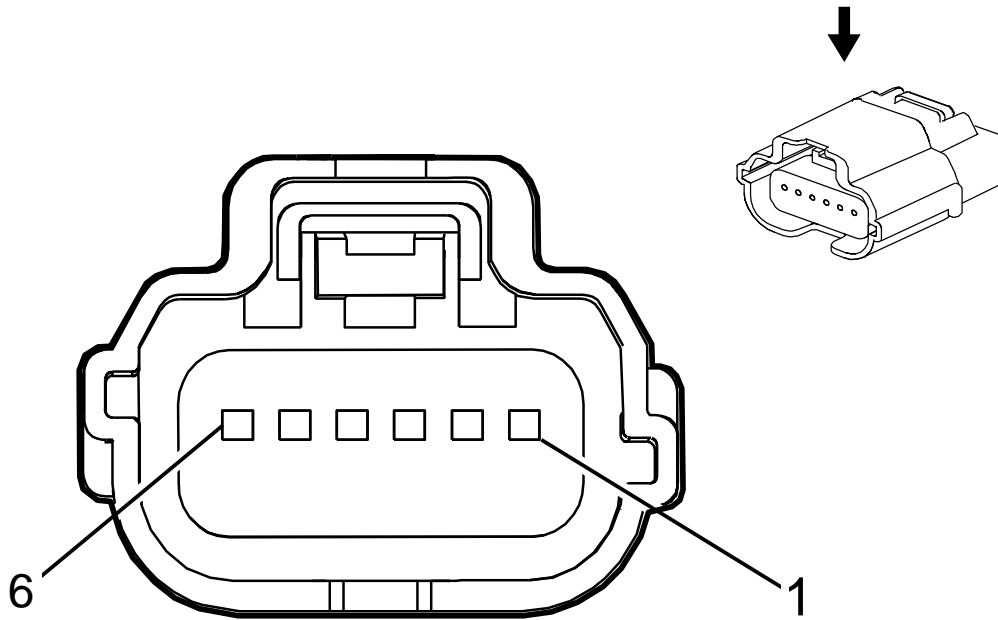
- Harness Type: Engine Chassis
- Service Connector: 6040192C1
- Description: 2-pin F 150 GT Series, Sealed (BK)

**Table 500 Terminal Part Information**

Terminal Type ID	Service Terminal
I	6041912C1

**Table 501 B14B Transmission Turbine Speed Sensor**

Pin	Size	Color	Circuit	Function	Terminal Type ID	Option
A	0.75	OG	180	Remote Compact Disc / Cassette Player Control	I	—
B	0.75	D-BU	120	Fuel Pump Control	I	—



**Connector Part Information**

- Harness Type: Brake Clutch
- Service Connector: Service by Harness
- Description: 6-pin F 64 Series, Sealed (NA)

**Table 503 Terminal Part Information**

Terminal Type ID	Service Terminal
I	6042044C1

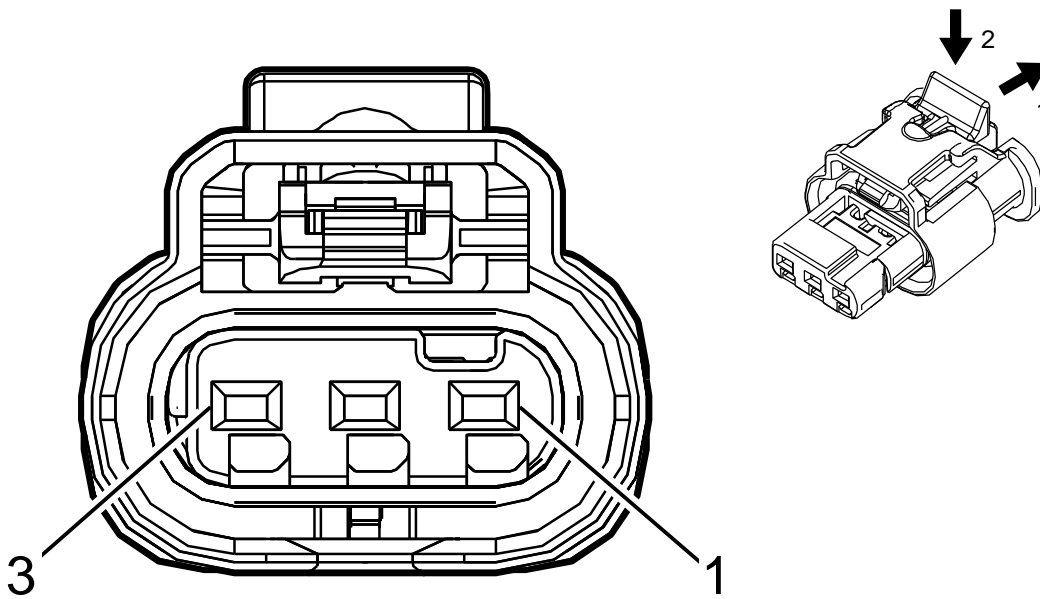
**Table 504 B22 Brake Pedal Position Sensor**

Pin	Size	Color	Circuit	Function	Terminal Type ID	Option
1	0.5	BK / L-GN	552	Sensor Low Reference	I	—
2	0.5	GY / RD	598	5 Volt Reference	I	—
3	0.5	WH / L-GN	526	Stop Lamp Switch Signal	I	—
4	0.5	D-BU / YE	5361	Brake Apply Sensor Signal	I	—



Table 504 B22 Brake Pedal Position Sensor (cont.)

Pin	Size	Color	Circuit	Function	Terminal Type ID	Option
5	0.5	BK / BN	5360	Brake Apply Sensor Low Reference	I	—
6	0.5	WH	5359	Brake Apply Sensor Control	I	—



**Connector Part Information**

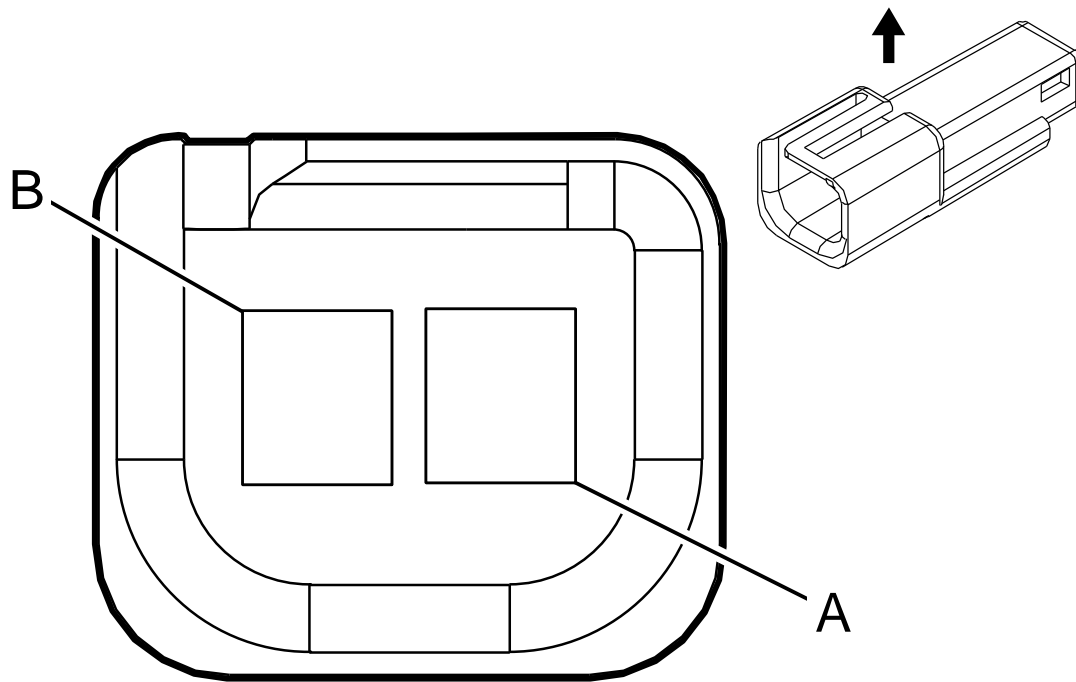
- Harness Type: Engine
- Service Connector: 6040299C1
- Description: 3-pin F 1.2 MCP Series, Sealed (BN)

**Table 506 Terminal Part Information**

Terminal Type ID	Service Terminal
I	6042039C1

**Table 507 B23 Camshaft Position Sensor**

Pin	Size	Color	Circuit	Function	Terminal Type ID	Option
1	0.5	GY / BU	5300	Camshaft Position Intake Sensor Control 1	I	—
2	0.5	BK / GN	5301	Camshaft Position Intake Sensor Low Reference 1	I	—
3	0.5	YE / VT	5275	Camshaft Position Intake Sensor 1	I	—



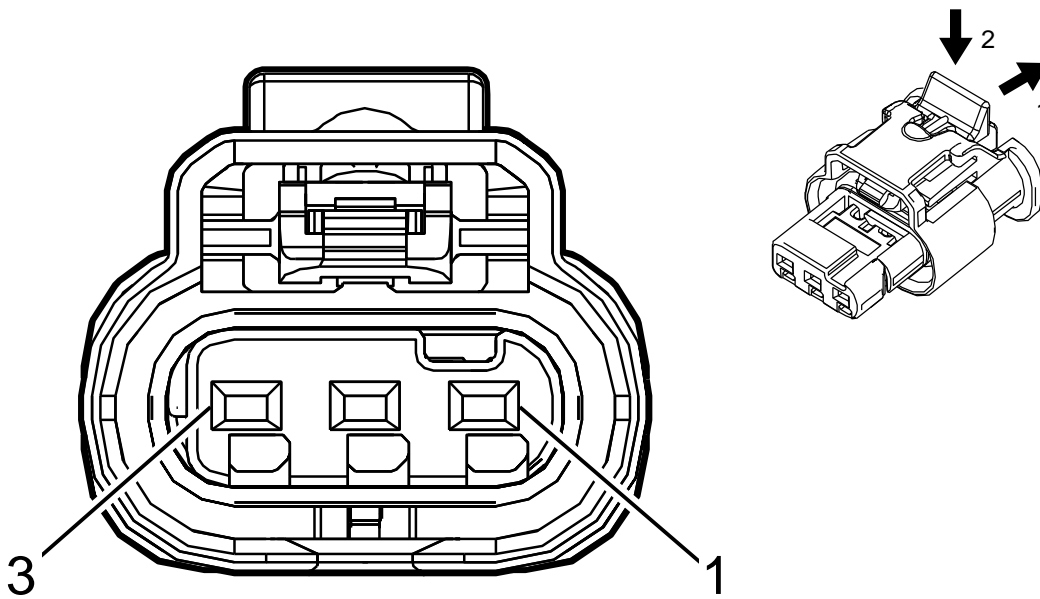
Connector Part Information	
•	Harness Type: Headliner
•	Service Connector: 6040210C1
•	Description: 2-pin M 150 Metri-Pack Series (BK)

Table 509 Terminal Part Information

Terminal Type ID	Service Terminal
I	6041897C1

Table 510 B24 Mobile Telephone Microphone (Feature Code: 0008RNW / 0008RNX / 0008RNM / 0008AAE)

Pin	Size	Color	Circuit	Function	Terminal Type ID	Option
A	0.35	BK / BN	654	Cellular Telephone Microphone Low Reference	I	—
B	0.35	D-BU	655	Cellular Telephone Microphone Signal	I	—



**Connector Part Information**

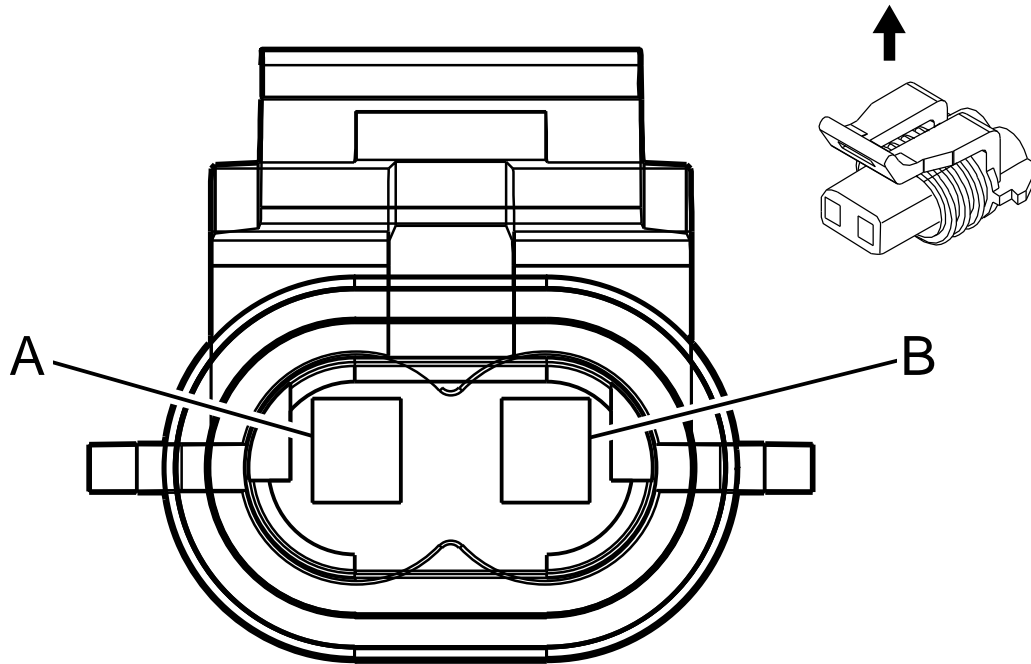
- Harness Type: Engine Left
- Service Connector: Service by Harness
- Description: 3-pin F 1.2 MCP Series, Sealed (BN)

**Table 512 Terminal Part Information**

Terminal Type ID	Service Terminal
I	6042039C1

**Table 513 B26 Crankshaft Position Sensor**

Pin	Size	Color	Circuit	Function	Terminal Type ID	Option
1	0.5	VT / BU	6270	Crankshaft 60X Sensor 5 volt Reference	I	—
2	0.5	BK / VT	6272	Crankshaft 60X Sensor Low Reference	I	—
3	0.5	GN	6271	Crankshaft 60X Sensor Signal	I	—



**Connector Part Information**

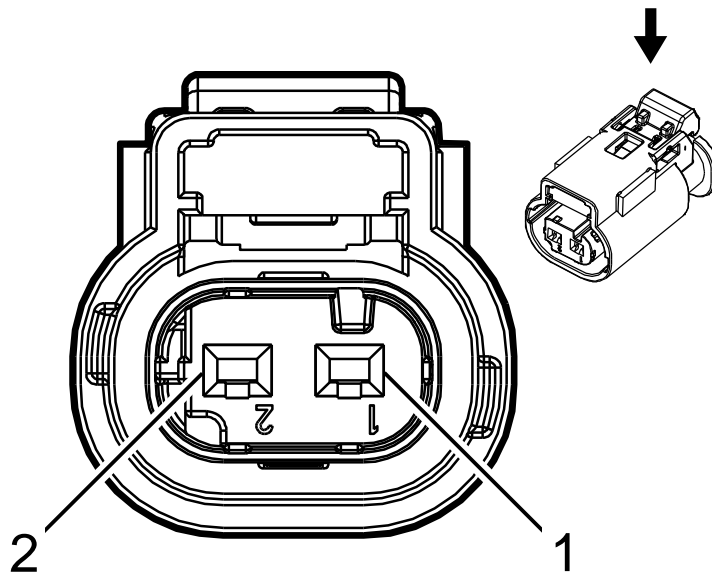
- Harness Type: Body
- Service Connector: 6041823C1
- Description: 2-pin F 150 Metri-Pack Series, Sealed (GY)

**Table 515 Terminal Part Information**

Terminal Type ID	Service Terminal
I	6041923C1

**Table 516 B33 Engine Coolant Level Switch**

Pin	Size	Color	Circuit	Function	Terminal Type ID	Option
A	0.5	D-BU / YE	68	Low Coolant Level Indicator Control	I	—
B	0.75	BK / WH	1851	Signal Ground	I	—



**Connector Part Information**

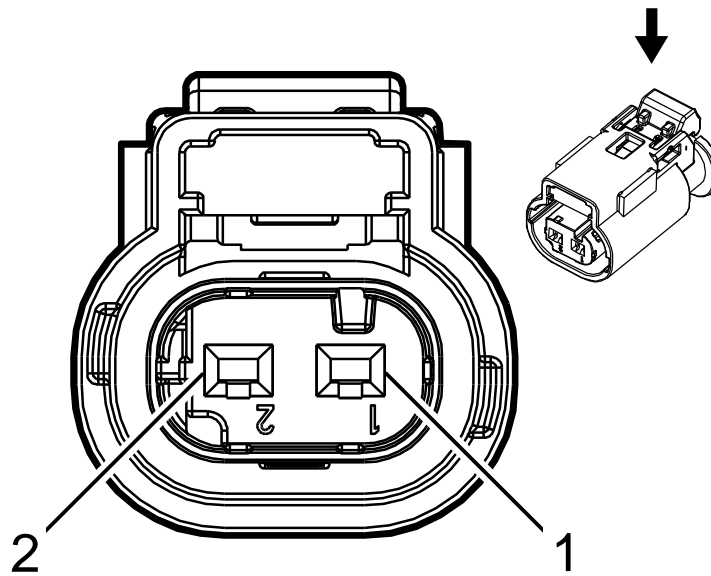
- Harness Type: Engine Left
- Service Connector: Service by Harness
- Description: 2-pin F 1.2 Multilock Series, Sealed (BK)

**Table 518 Terminal Part Information**

Terminal Type ID	Service Terminal
I	6042077C1

**Table 519 B34 Engine Coolant Temperature Sensor**

Pin	Size	Color	Circuit	Function	Terminal Type ID	Option
1	0.5	BK / BN	2761	Coolant Temperature Sensor Low Reference	I	—
2	0.5	BU	410	Engine Coolant Temperature Sensor Signal	I	—



**Connector Part Information**

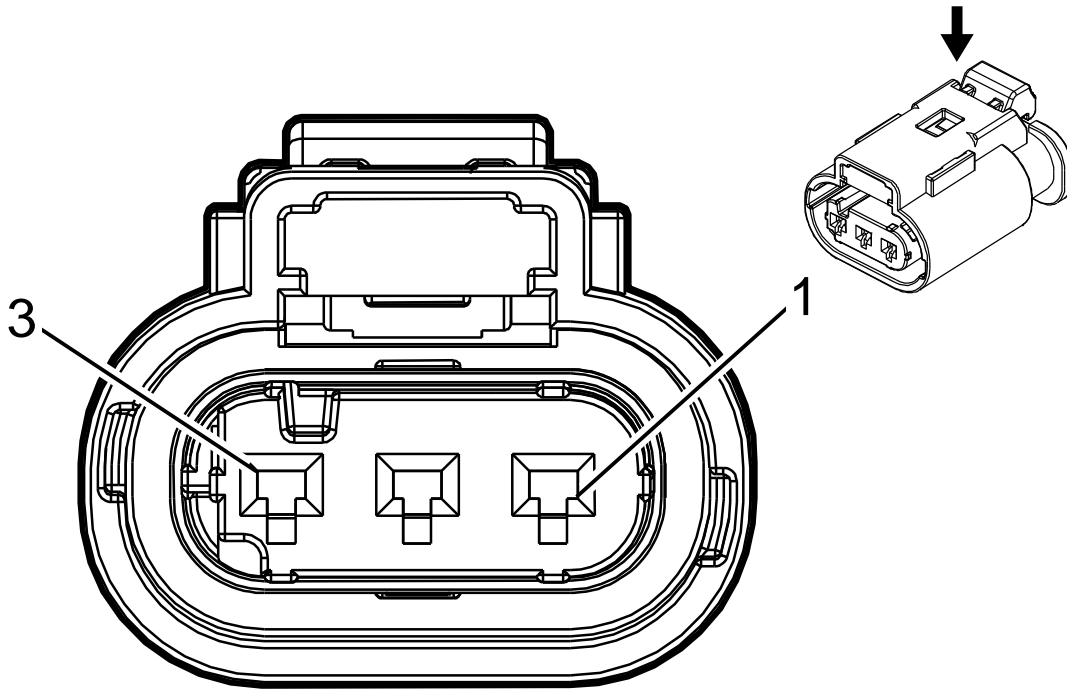
- Harness Type: Engine Left
- Service Connector: Service by Harness
- Description: 2-pin F 1.2 Multilock Series, Sealed (BK)

**Table 521 Terminal Part Information**

Terminal Type ID	Service Terminal
I	6042077C1

**Table 522 B35 Engine Oil Level Switch**

Pin	Size	Color	Circuit	Function	Terminal Type ID	Option
1	0.5	BK / WH	251	Signal Ground	I	—
2	0.5	BN / GN	1174	Oil Level Switch Signal	I	—



**Connector Part Information**

- Harness Type: Engine Left
- Service Connector: Service by Harness
- Description: 3-pin F 1.2 Multilock Series, Sealed (BK)

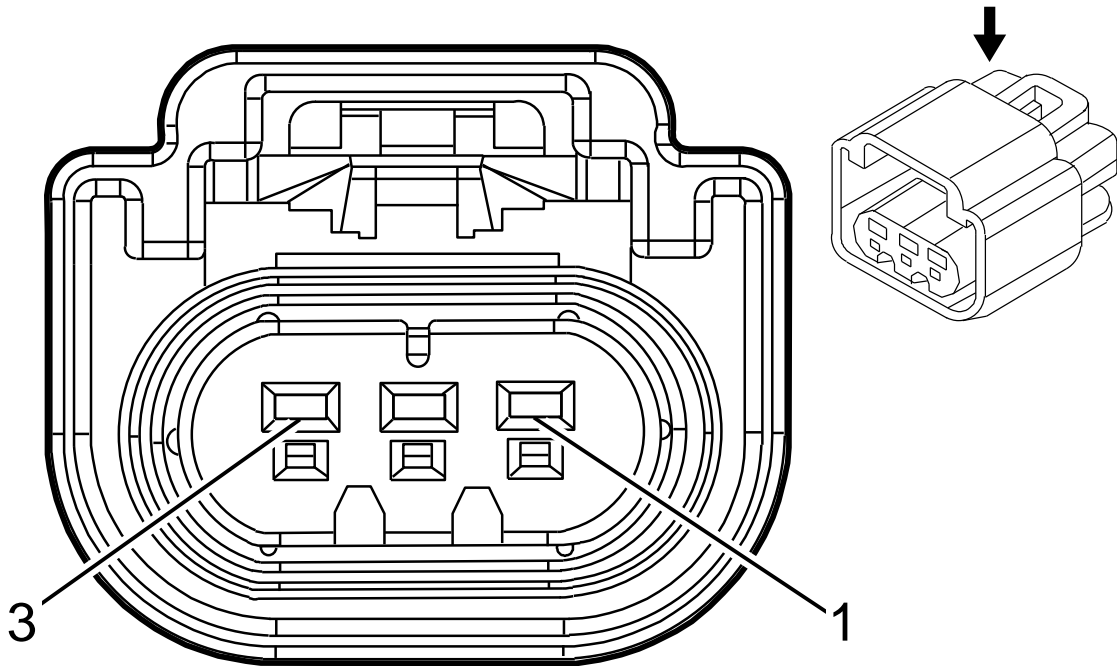
**Table 524 Terminal Part Information**

Terminal Type ID	Service Terminal
I	6042078C1

**Table 525 B37B Engine Oil Pressure Sensor**

Pin	Size	Color	Circuit	Function	Terminal Type ID	Option
1	0.5	YE / BN	331	Oil Pressure Sensor Signal	I	—
2	0.5	BK / VT	2755	Oil Pressure Sensor Low Reference	I	—
3	0.5	WH / RD	2705	Oil Pressure Sensor 5 volt Reference	I	—





**Connector Part Information**

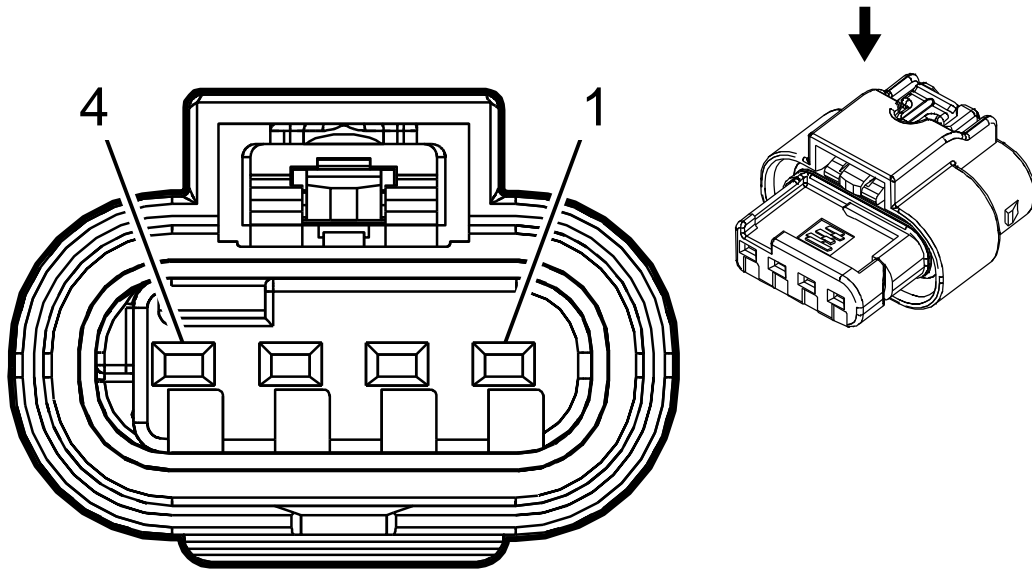
- Harness Type: Chassis
- Service Connector: 4088276C1
- Description: 3-pin F 150 GT Series, Sealed (BK)

**Table 527 Terminal Part Information**

Terminal Type ID	Service Terminal
I	3535302C1

**Table 528 B47 Fuel Pressure Sensor**

Pin	Size	Color	Circuit	Function	Terminal Type ID	Option
1	0.5	BU	7446	Fuel Line Pressure Sensor Signal	I	—
2	0.5	BK / YE	7447	Fuel Line Pressure Sensor Low Reference	I	—
3	0.5	BN / RD	7445	Fuel Line Pressure Sensor 5 volt Reference	I	—



**Connector Part Information**

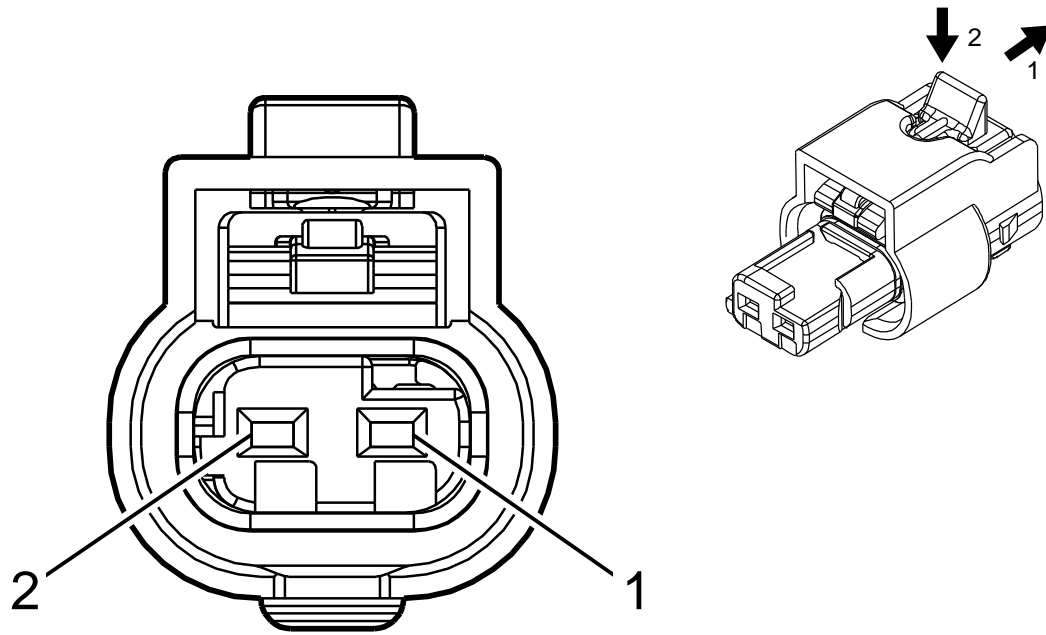
- Harness Type: Engine Left
- Service Connector: Service by Harness
- Description: 4-pin F 1.2 MCP Series, Sealed (BK)

**Table 530 Terminal Part Information**

Terminal Type ID	Service Terminal
I	6042039C1

**Table 531 B47B Fuel Rail Pressure Sensor**

Pin	Size	Color	Circuit	Function	Terminal Type ID	Option
1	0.5	BN / RD	2917	Fuel Rail Pressure Sensor 5 volt Reference	I	—
2	0.5	BN / YE	2161	Fuel Rail Pressure Sensor 2 Signal	I	—
3	0.5	BK / GN	2919	Fuel Rail Pressure Sensor Low Reference	I	—
4	0.5	BU / WH	2918	Fuel Rail Pressure Sensor Signal	I	—



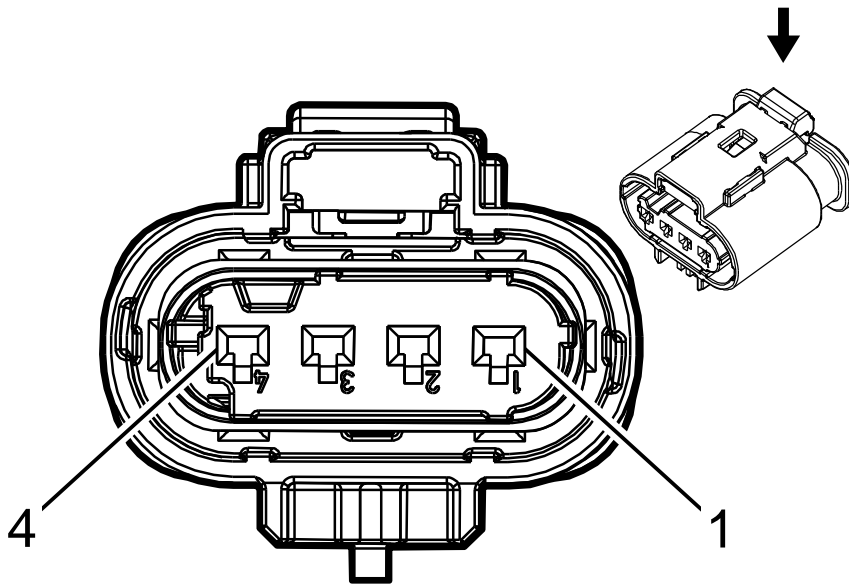
Connector Part Information	
•	Harness Type: Forward Lamp
•	Service Connector: 4087999C1
•	Description: 2-pin F 1.2 MCON-CB Series, Sealed (BK)

Table 533 Terminal Part Information

Terminal Type ID	Service Terminal
I	4088468C1

Table 534 B59 Front Impact Sensor

Pin	Size	Color	Circuit	Function	Terminal Type ID	Option
1	1.5	OG / GY	6618	Middle Front Discriminating Sensor Signal	I	—
2	1.5	BK / OG	6619	Middle Front Discriminating Sensor Low Reference	I	—



**Connector Part Information**

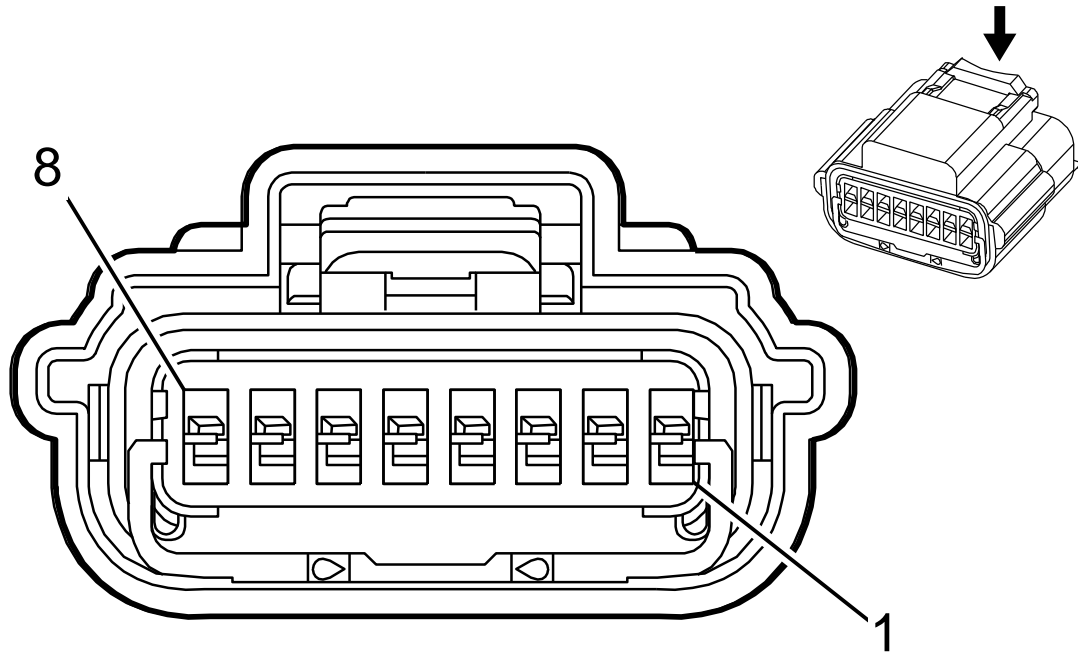
- Harness Type: Engine
- Service Connector: 6040293C1
- Description: 4-pin F 1.2 Multilock Series, Sealed (BK)

**Table 536 Terminal Part Information**

Terminal Type ID	Service Terminal
I	6042077C1

**Table 537 B65 Intake Manifold Pressure and Air Temperature Sensor**

Pin	Size	Color	Circuit	Function	Terminal Type ID	Option
1	0.5	BN	7348	Induction Air Temperature Sensor 2 Signal	I	—
2	0.5	GY / RD	2704	Manifold Absolute Pressure Sensor 5 volt Reference	I	—
3	0.5	BK / GN	469	Manifold Absolute Pressure Sensor Low Reference	I	—
4	0.5	GN / WH	432	Manifold Absolute Pressure Sensor Signal	I	—



**Connector Part Information**

- Harness Type: Engine Chassis
- Service Connector: 6040207C1
- Description: 8-pin F 0.64 Series, Sealed (BK)

**Table 539 Terminal Part Information**

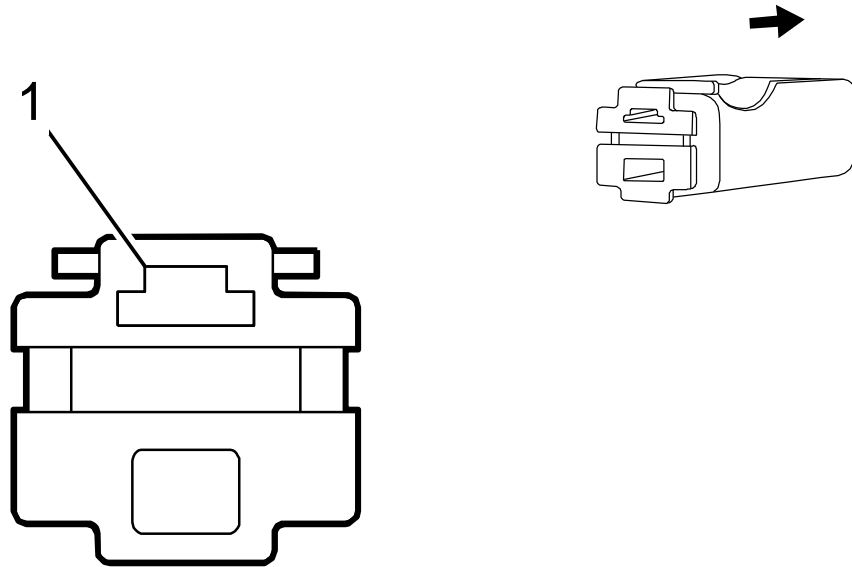
Terminal Type ID	Service Terminal
I	6041997C1

**Table 540 B75C Multifunction Intake Air Sensor**

Pin	Size	Color	Circuit	Function	Terminal Type ID	Option
1	0.5	WH / D-BU	6289	Induction Air Temperature Sensor Signal	I	—
2	0.5	WH / RD	3201	Throttle Inlet Absolute Pressure Sensor 5 volt Reference	I	—
3	0.5	BK / VT	2760	Intake Air Temperature Sensor Low Reference	I	—

**Table 540 B75C Multifunction Intake Air Sensor (cont.)**

<b>Pin</b>	<b>Size</b>	<b>Color</b>	<b>Circuit</b>	<b>Function</b>	<b>Terminal Type ID</b>	<b>Option</b>
4	0.5	BN / L-GN	5266	Ambient Air Pressure Sensor Signal	I	—
5	0.5	VT / D-BU	5294	Powertrain Main Relay Fused Supply 5	I	—
6	0.5	L-GN / WH	492	Mass Air Flow Sensor Signal	I	—
7	0.75	BK / WH	451	Signal Ground	I	—
8	0.5	BN / GY	4008	Humidity Sensor Signal	I	—



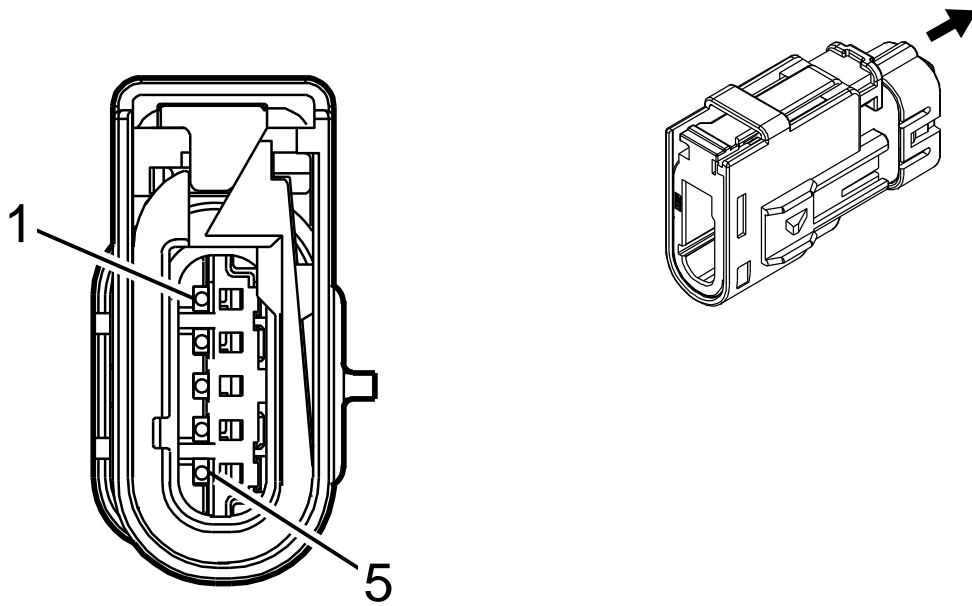
Connector Part Information	
•	Harness Type: Body
•	Service Connector: 6040270C1
•	Description: 1-pin F 250 Series (BK)

Table 542 Terminal Part Information

Terminal Type ID	Terminated Lead
I	6041997C1

Table 543 B80 Park Brake Switch

Pin	Size	Color	Circuit	Function	Terminal Type ID	Option
1	1	D-BU / VT	1134	Park Brake Switch Signal	I	—



**Connector Part Information**

- Harness Type: Rearview Camera Jumper
- Service Connector: Service by Harness
- Description: 5-pin M 1.2 Series, Sealed (GY)

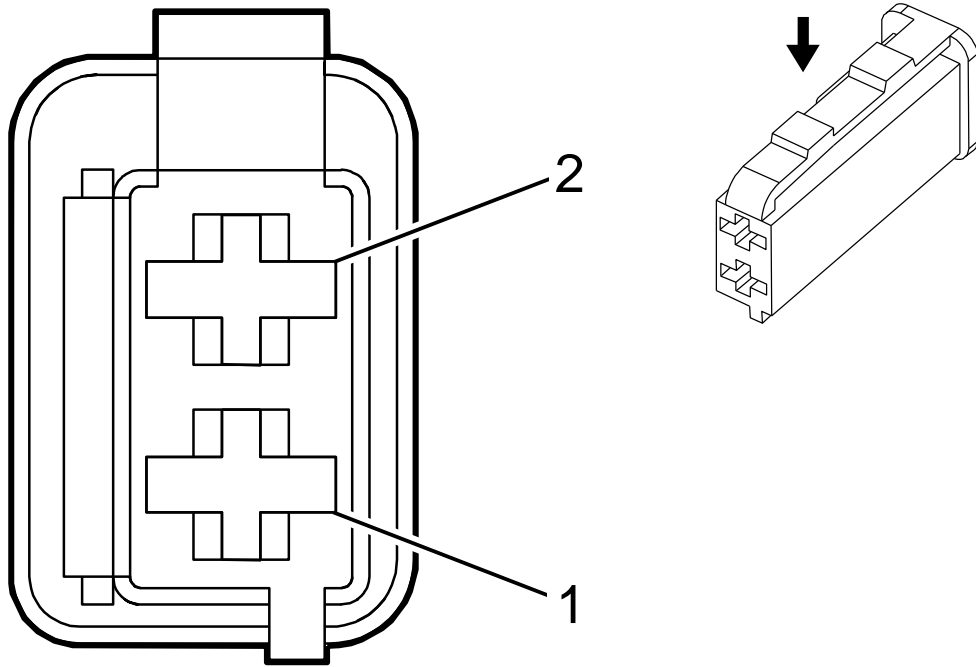
**Table 545 Terminal Part Information**

Terminal Type ID	Service Terminal
I	4102338C1

**Table 546 B87 Rearview Camera (Feature Code: 0008RNY)**

Pin	Size	Color	Circuit	Function	Terminal Type ID	Option
1	0.75	GY / YE	6972	Camera Signal 2 +	I	—
2	0.75	WH / BU	6973	Camera Signal 2	I	—
3	0.5	WH	6974	Camera Low Reference	I	—
4	0.75	BK	2550	Ground	I	—
5	0.75	VT / GN	1739	Run / Crank Ignition 1 Voltage	I	—





**Connector Part Information**

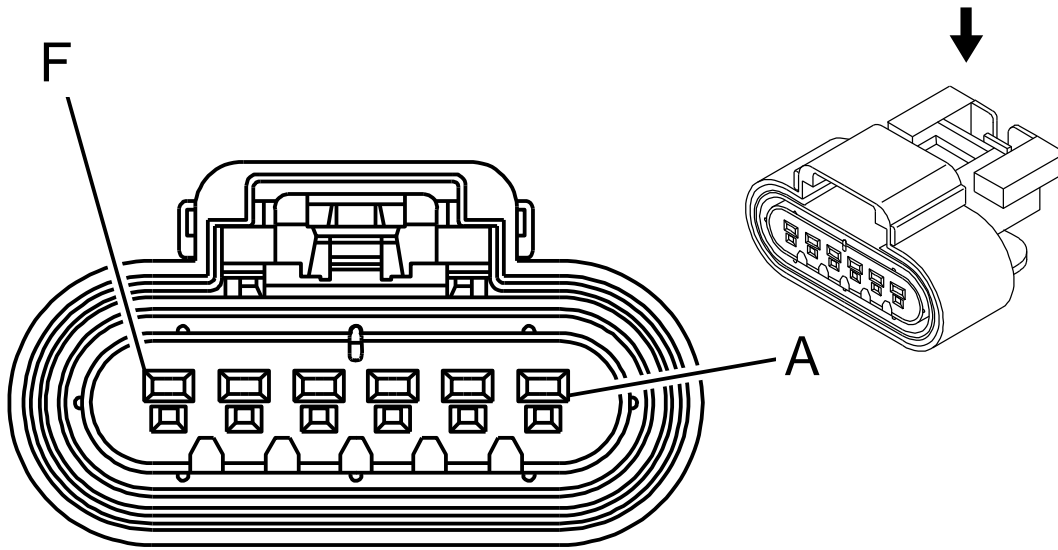
- Harness Type: Driver Seat Cushion
- Service Connector: Service by Harness
- Description: 2-pin F 1.6 Timer Series (BK)

**Table 548 Terminal Part Information**

Terminal Type ID	Service Terminal
I	6041905C1

**Table 549 B88D Seat Belt Switch – Driver**

Pin	Size	Color	Circuit	Function	Terminal Type ID	Option
1	0.35	BK / OG	1363	Driver Seat Belt Switch Low Reference	I	—
2	0.35	OG / BN	238	Driver Seat Belt Switch Signal	I	—



**Connector Part Information**

- Harness Type: Brake Clutch
- Service Connector: Service by Harness
- Description: 6-pin F 150 GT Series, Sealed (BK)

**Table 551 Terminal Part Information**

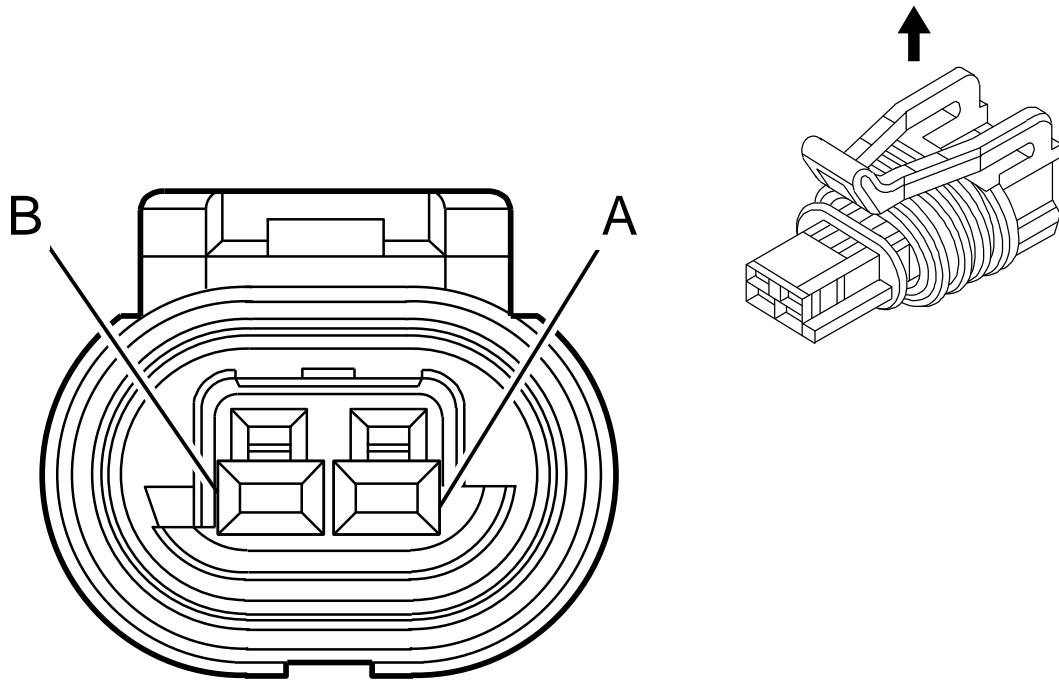
Terminal Type ID	Service Terminal
I	6041909C1

**Table 552 B107 Accelerator Pedal Position Sensor**

Pin	Size	Color	Circuit	Function	Terminal Type ID	Option
A	0.35	BK / VT	1272	Accelerator Pedal Position Low Reference 2	I	—
B	0.35	L-GN / WH	1162	Accelerator Pedal Position Signal 2	I	—
C	0.35	BN / RD	1274	Accelerator Pedal Position 5 volt Reference 2	I	—

Table 552 B107 Accelerator Pedal Position Sensor (cont.)

Pin	Size	Color	Circuit	Function	Terminal Type ID	Option
D	0.35	WH / RD	1164	Accelerator Pedal Position 5 volt Reference 1	I	—
E	0.35	YE / WH	1161	Accelerator Pedal Position Signal 1	I	—
F	0.35	BK / D-BU	1271	Accelerator Pedal Position Low Reference 1	I	—



**Connector Part Information**

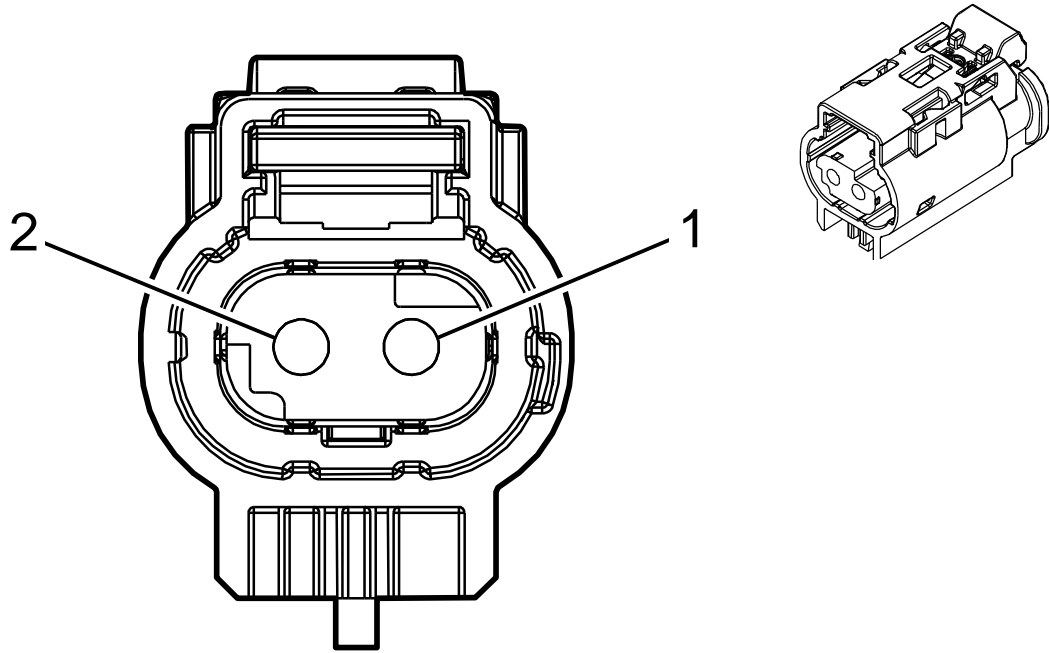
- Harness Type: Body
- Service Connector: 6040280C1
- Description: 2-pin F 150 GT Series, Sealed (BK)

**Table 554 Terminal Part Information**

Terminal Type ID	Service Terminal
I	6042022C1

**Table 555 B118B Windshield Washer Fluid Level Switch**

Pin	Size	Color	Circuit	Function	Terminal Type ID	Option
A	0.35	VT	185	Low Washer Fluid Indicator Control	I	—
B	0.75	BK	1050	Ground	I	—



**Connector Part Information**

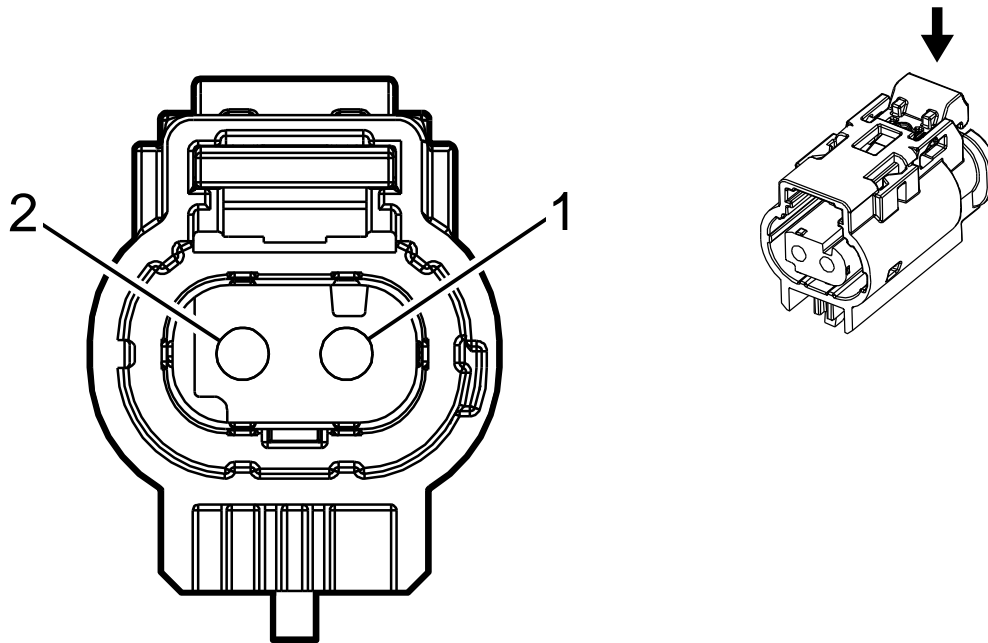
- Harness Type: Engine
- Service Connector: 6040270C1
- Description: 2-pin F 1.2 Multilock Series, Sealed

**Table 557 Terminal Part Information**

Terminal Type ID	Service Terminal
I	6041900C1

**Table 558 B130A Exhaust Gas Recirculation Temperature Sensor 1**

Pin	Size	Color	Circuit	Function	Terminal Type ID	Option
1	0.5	YE / GN	3236	Exhaust Gas Recirculation Temperature Sensor 2 Signal	I	—
2	0.5	BK / YE	6275	Exhaust Gas Recirculation Temperature Sensor 2 Low Reference	I	—



**Connector Part Information**

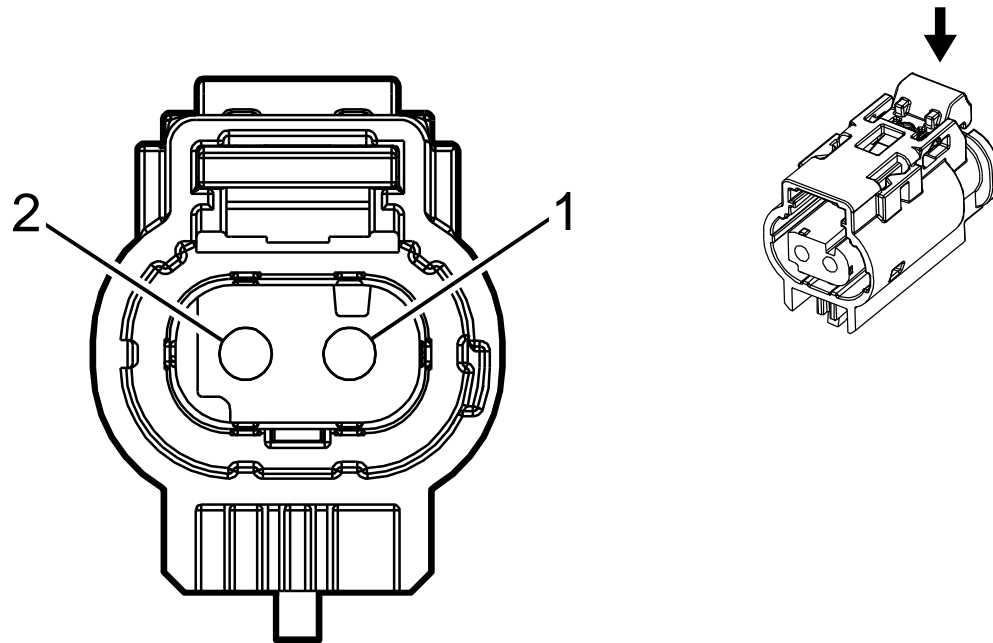
- Harness Type: Engine
- Service Connector: 6040298C1
- Description: 2-pin F 1.2 Multilock Series, Sealed (GY)

**Table 560 Terminal Part Information**

Terminal Type ID	Service Terminal
I	6042077C1

**Table 561 B130B Exhaust Gas Recirculation Temperature Sensor 2**

Pin	Size	Color	Circuit	Function	Terminal Type ID	Option
1	0.5	WH / BN	3237	Exhaust Gas Recirculation Temperature Sensor Signal	I	—
2	0.5	BK / BU	6274	Exhaust Gas Recirculation Temperature Sensor Low Reference	I	—



**Connector Part Information**

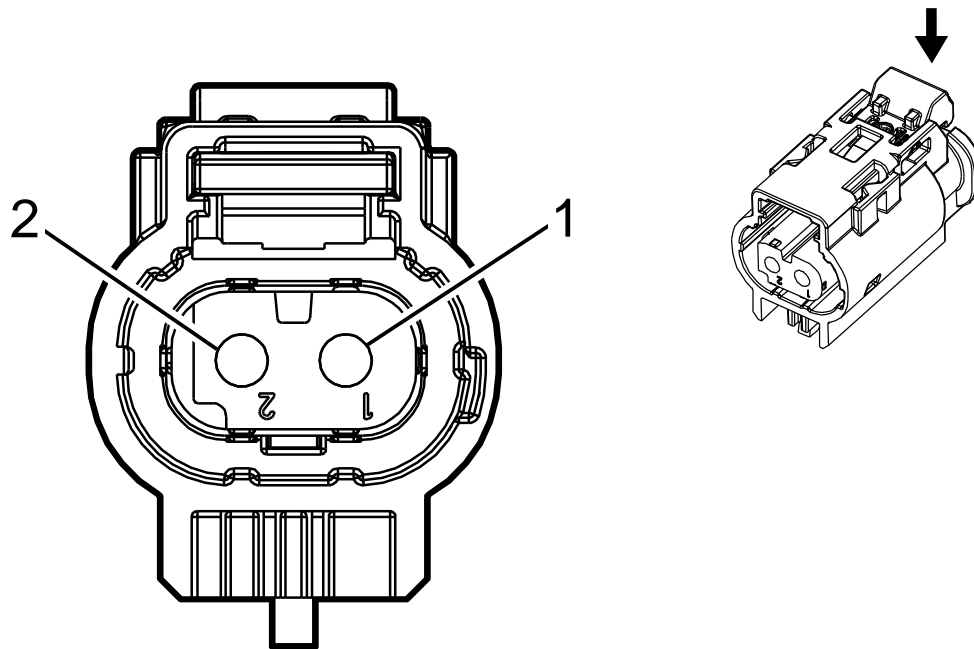
- Harness Type: Engine
- Service Connector: 6040260C1
- Description: 2-pin F 1.2 Multilock Series, Sealed (BK)

**Table 563 Terminal Part Information**

Terminal Type ID	Service Terminal
I	6042077C1

**Table 564 B131A Exhaust Temperature Sensor 1**

Pin	Size	Color	Circuit	Function	Terminal Type ID	Option
1	0.5	BU / WH	5277	Diesel Oxidation Catalyst Intake Temperature (Exhaust Gas Temperature Sensor 1) Signal	I	—
2	0.5	BK / BN	6782	Diesel Oxidation Catalyst Intake Temperature (Exhaust Gas Temperature Sensor 1) Low Reference	I	—



**Connector Part Information**

- Harness Type: Engine
- Service Connector: 6040258C1
- Description: 2-pin F 1.2 Multilock Series, Sealed

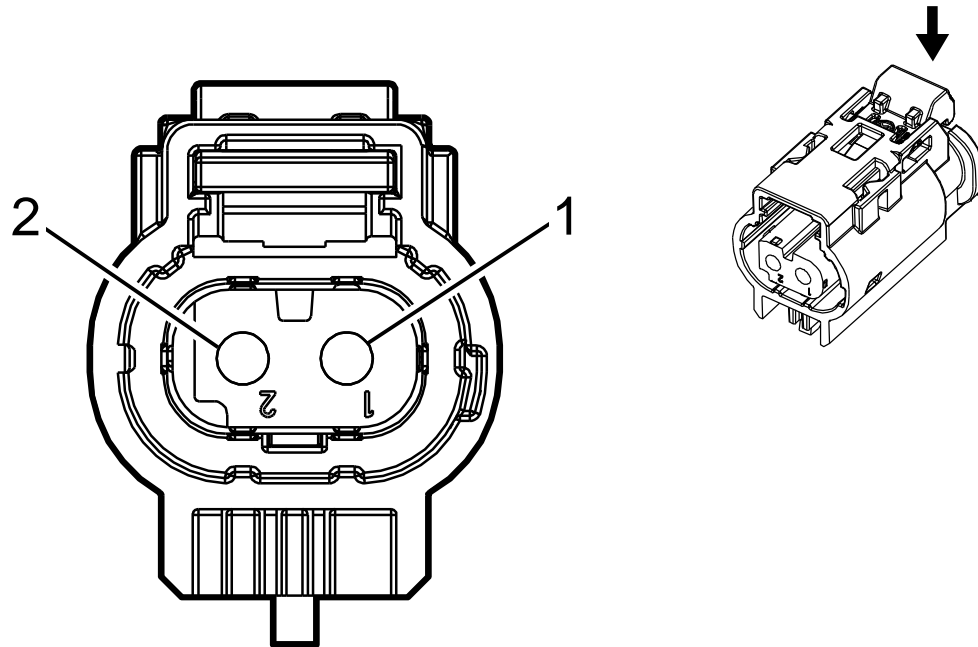
**Table 566 Terminal Part Information**

Terminal Type ID	Service Terminal
I	6042077C1

**Table 567 B131B Exhaust Temperature Sensor 2**

Pin	Size	Color	Circuit	Function	Terminal Type ID	Option
1	0.5	BU / GN	5377	Diesel Oxidation Catalyst (Exhaust Gas Temperature Sensor 2) Signal	I	—
2	0.5	BK / BU	6783	Diesel Oxidation Catalyst (Exhaust Gas Temperature Sensor 2) Low Reference	I	—





**Connector Part Information**

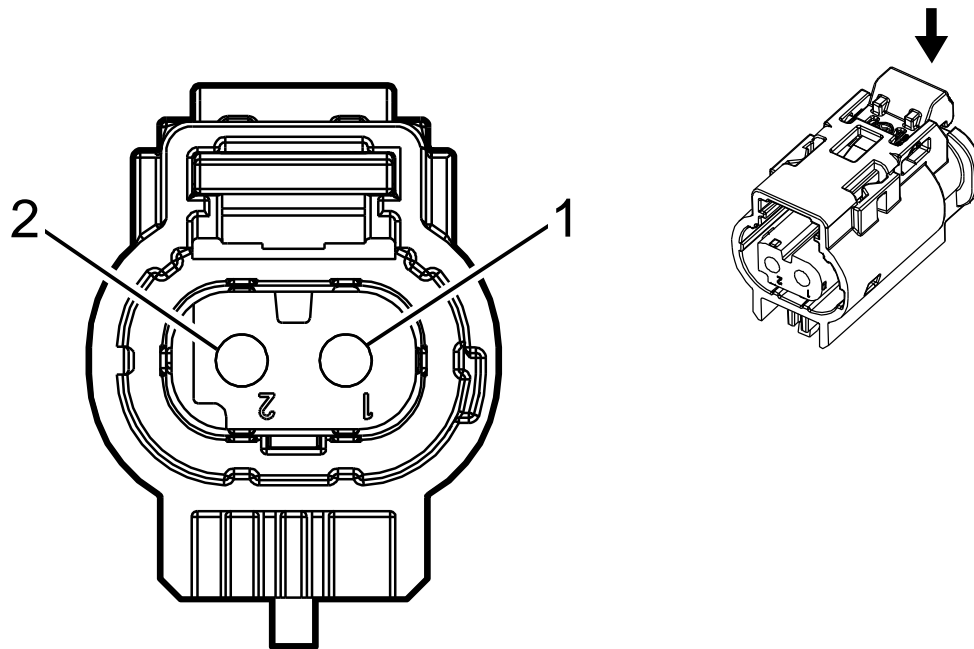
- Harness Type: Chassis
- Service Connector: 4088566C1
- Description: 2-pin F 1.2 Multilock Series, Sealed

**Table 569 Terminal Part Information**

Terminal Type ID	Service Terminal
I	4088570C1

**Table 570 B131C Exhaust Temperature Sensor 3**

Pin	Size	Color	Circuit	Function	Terminal Type ID	Option
1	0.5	GY / GN	5378	Diesel Particulate Filter Inlet Temperature (Exhaust Gas Temperature Sensor 3) Signal	I	—
2	0.5	BK / GN	3657	Diesel Particulate Filter Inlet Temperature (Exhaust Gas Temperature Sensor 3) Low Reference	I	—



**Connector Part Information**

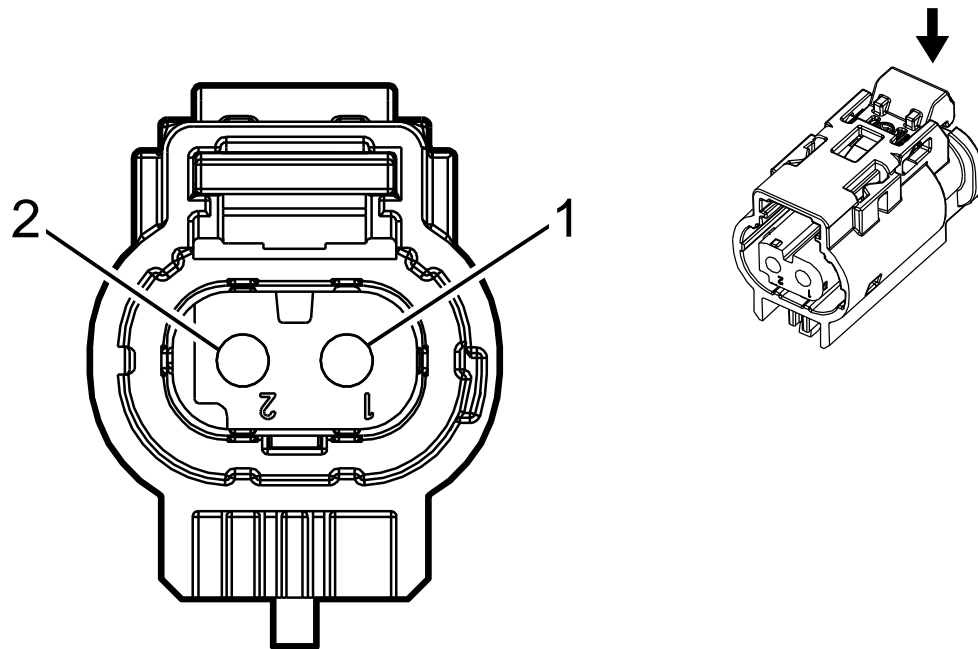
- Harness Type: Chassis
- Service Connector: 4088566C1
- Description: 2-pin F 1.2 Multilock Series, Sealed

**Table 572 Terminal Part Information**

Terminal Type ID	Service Terminal
I	4088570C1

**Table 573 B131D Exhaust Temperature Sensor 4**

Pin	Size	Color	Circuit	Function	Terminal Type ID	Option
1	0.5	VT / BN	3658	Diesel Particulate Filter Outlet Temperature (Exhaust Gas Temperature Sensor 4) Signal	I	—
2	0.5	BK / GY	3659	Diesel Particulate Filter Outlet Temperature (Exhaust Gas Temperature Sensor 4) Low Reference	I	—



**Connector Part Information**

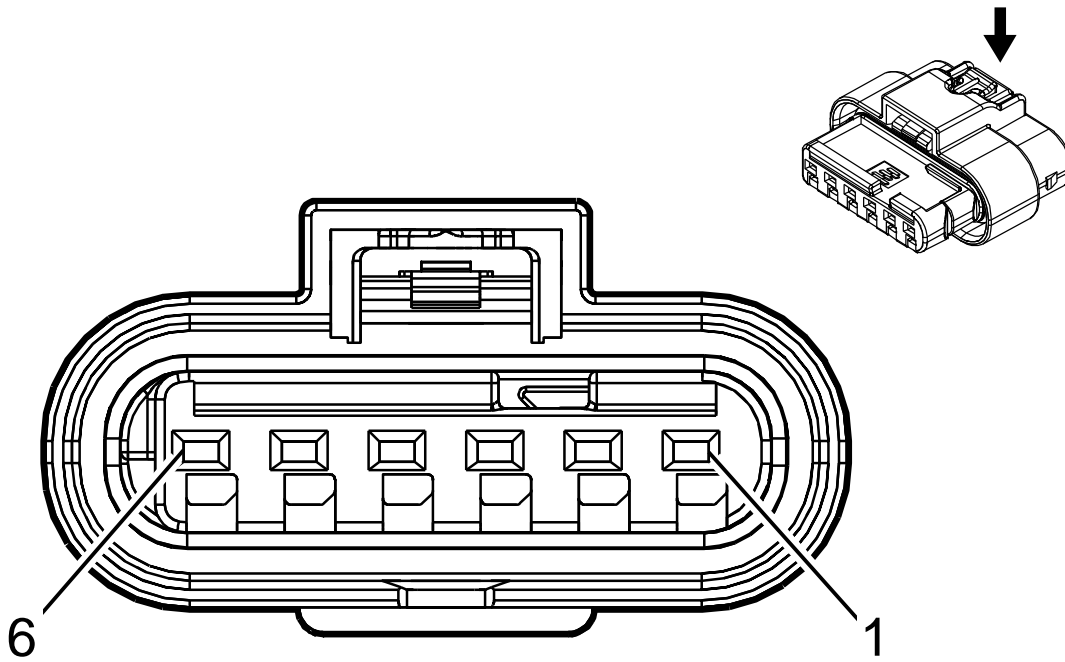
- Harness Type: Chassis
- Service Connector: 4088566C1
- Description: 2-pin F 1.2 Multilock Series, Sealed

**Table 575 Terminal Part Information**

Terminal Type ID	Service Terminal
I	4088570C1

**Table 576 B131E Exhaust Temperature Sensor 5**

Pin	Size	Color	Circuit	Function	Terminal Type ID	Option
1	0.5	BU / GY	3660	Exhaust Gas Temperature Sensor 5 Signal	I	—
2	0.5	BK / VT	3661	Exhaust Gas Temperature Sensor 5 Low Reference	I	—



**Connector Part Information**

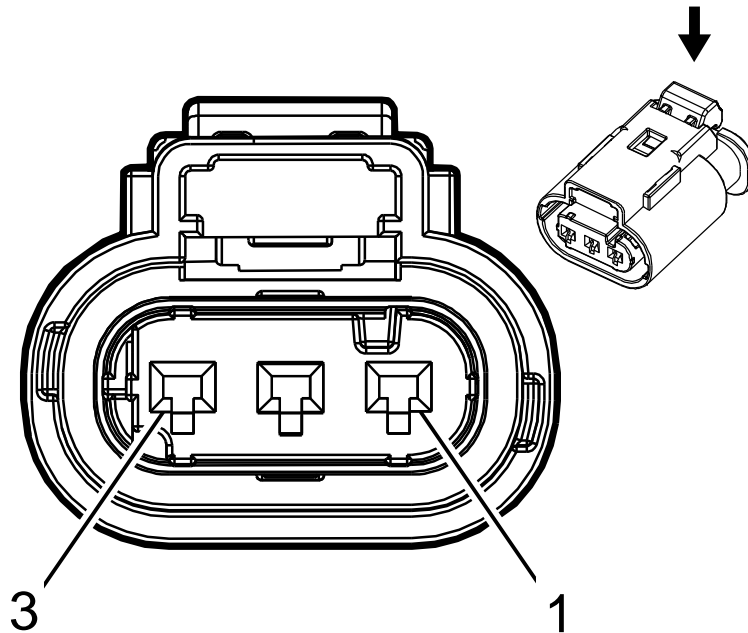
- Harness Type: Chassis
- Service Connector: 4088465C1
- Description: 6-pin F 1.2 MCON-CB Series, Sealed (BK)

**Table 578 Terminal Part Information**

Terminal Type ID	Service Terminal
I	4088467C1

**Table 579 B136 Exhaust Particulate Matter Sensor**

Pin	Size	Color	Circuit	Function	Terminal Type ID	Option
1	1.5	BK	2150	Ground	I	—
2	0.5	WH	4499	High Speed GMLAN Serial Data (-) 7	I	—
3	0.5	WH	4499	High Speed GMLAN Serial Data (-) 7	I	—
4	0.5	BU / BN	4498	High Speed GMLAN Serial Data (+) 7	I	—
5	0.5	BU / BN	4498	High Speed GMLAN Serial Data (+) 7	I	—
6	1.5	VT / BU	3674	NOx Sensor 1 Control	I	—



**Connector Part Information**

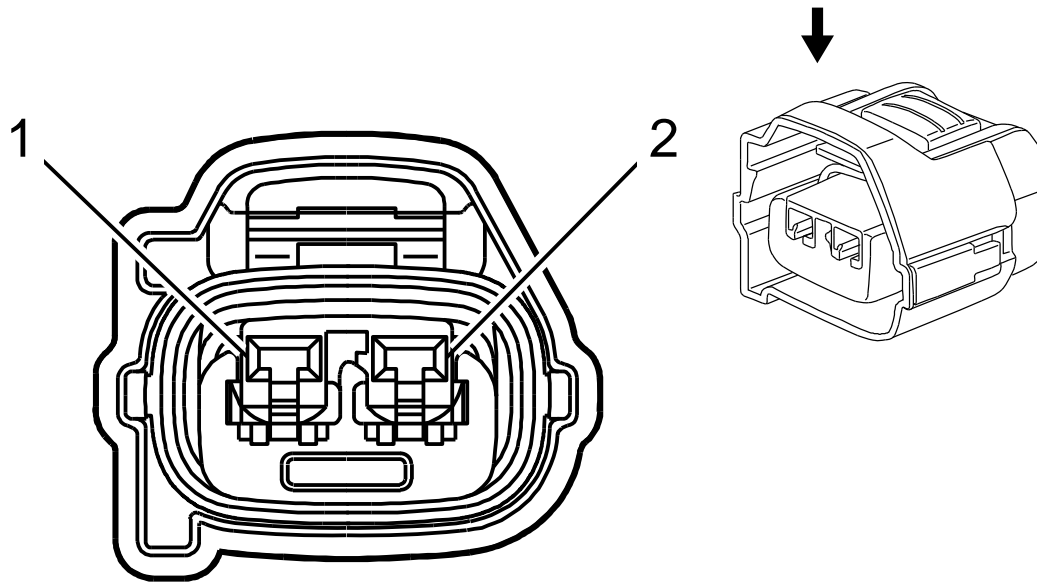
- Harness Type: Chassis
- Service Connector: 4088567C1
- Description: 3-pin F 1.2 Multilock Series, Sealed (BK)

**Table 581 Terminal Part Information**

Terminal Type ID	Service Terminal
I	4089847C1

**Table 582 B154 Diesel Particulate Filter Exhaust Differential Pressure Sensor**

Pin	Size	Color	Circuit	Function	Terminal Type ID	Option
1	0.5	BU	6053	Exhaust Pressure Sensor Signal 1	I	—
2	0.5	BK / YE	6055	Exhaust Pressure Sensor Low Reference 1	I	—
3	0.5	WH / RD	6054	Exhaust Pressure Sensor 5 volt Reference 1	I	—



**Connector Part Information**

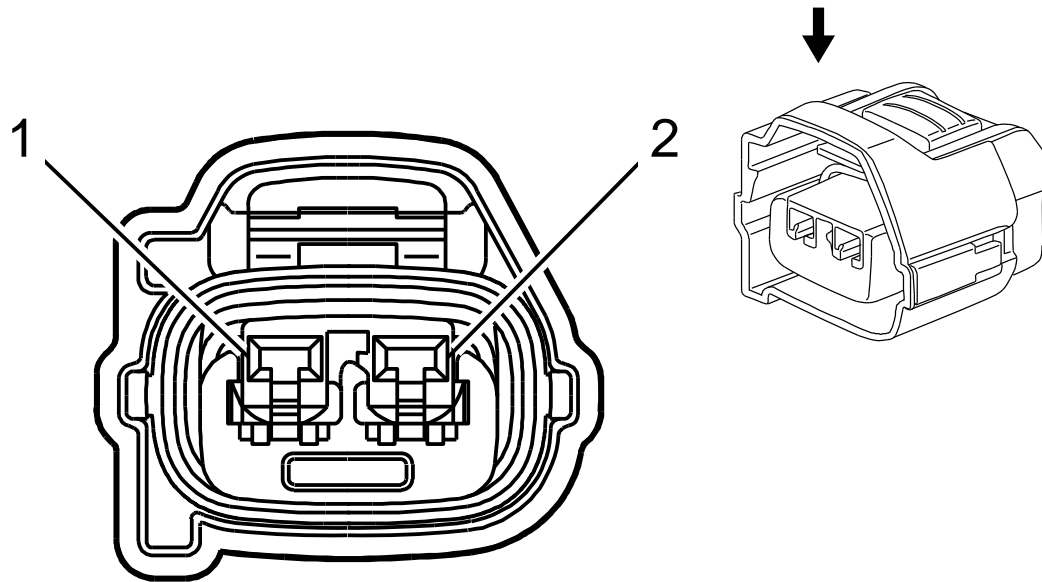
- Harness Type: Engine
- Service Connector: 6040274C1
- Description: 2-pin F 090 Series, Sealed (D-GY)

**Table 584 Terminal Part Information**

Terminal Type ID	Service Terminal
I	6042068C1

**Table 585 B193A Charge Air Cooler Inlet Temperature Sensor**

Pin	Size	Color	Circuit	Function	Terminal Type ID	Option
1	0.5	GN	3683	Charge Air Cooler Inlet Temperature Sensor Signal	I	—
2	0.5	YE / BK	3682	Charge Air Cooler Inlet Temperature Sensor Low Reference	I	—



**Connector Part Information**

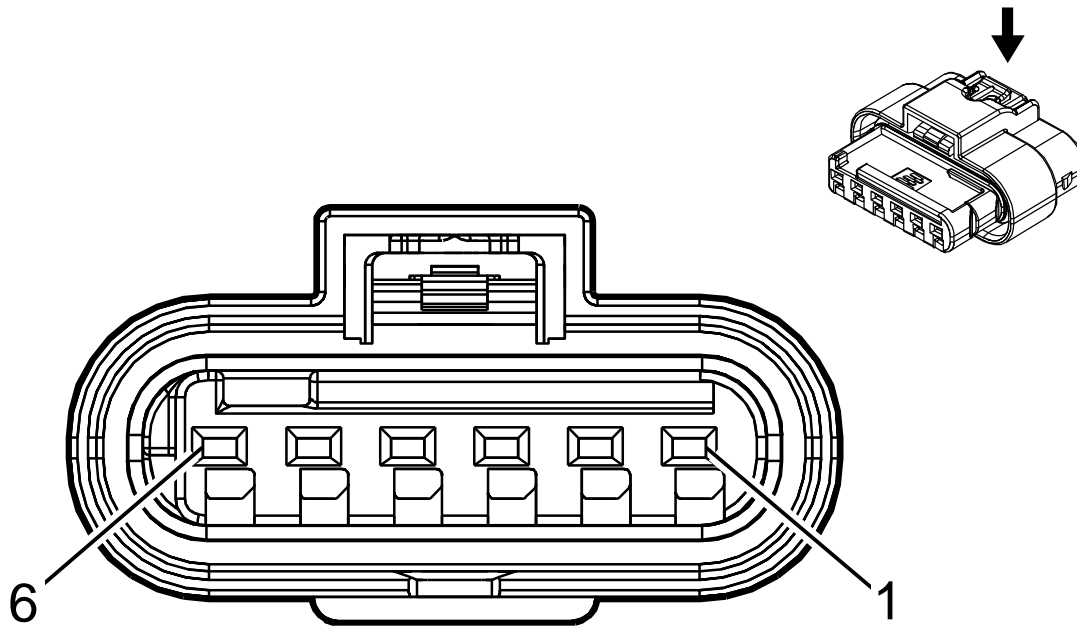
- Harness Type: Engine Chassis
- Service Connector: 6040274C1
- Description: 2-pin F 090 Series, Sealed (D-GY)

**Table 587 Terminal Part Information**

Terminal Type ID	Service Terminal
I	6041892C1

**Table 588 B193B Charge Air Cooler Outlet Temperature Sensor**

Pin	Size	Color	Circuit	Function	Terminal Type ID	Option
1	0.5	BN	3681	Charge Air Cooler Outlet Temperature Sensor Signal	I	—
2	0.5	YE / D-BU	3680	Charge Air Cooler Outlet Temperature Sensor Low Reference	I	—



**Connector Part Information**

- Harness Type: Body
- Service Connector: 6040244C1
- Description: 6-pin F 1.2 MCON-CB Series, Sealed (BN)

**Table 590 Terminal Part Information**

Terminal Type ID	Service Terminal
I	6041892C1

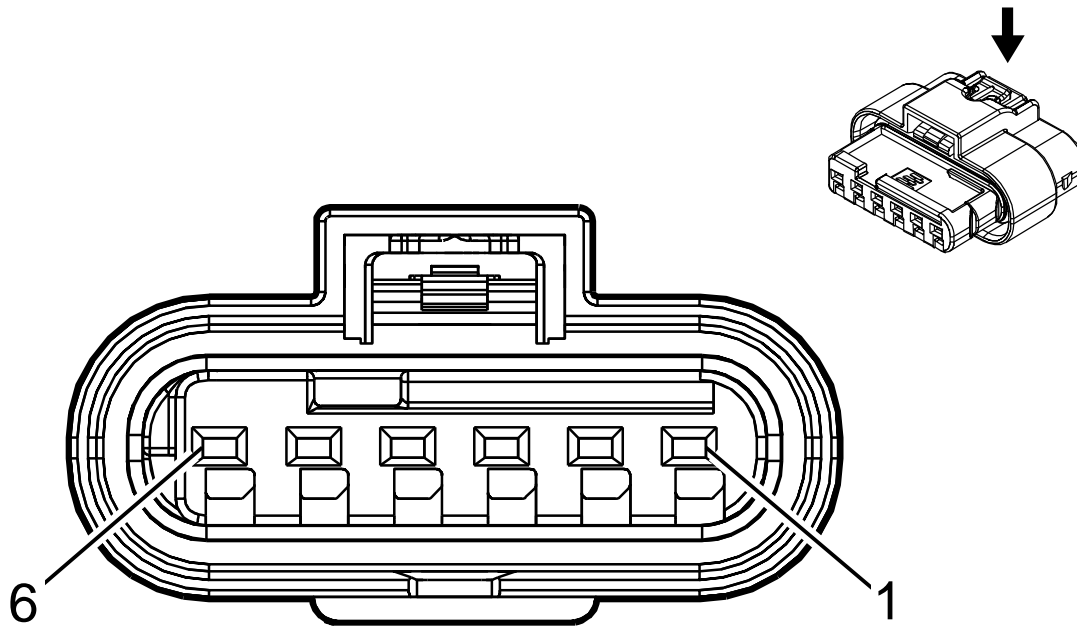
**Table 591 B195A Nitrogen Oxides Sensor 1**

Pin	Size	Color	Circuit	Function	Terminal Type ID	Option
1	0.5	VT / D-BU	3674	NOx Sensor 1 Control	I	—
2	0.5	D-BU / BN	4498	High Speed GMLAN Serial Data (+) 7	I	—
3	0.5	D-BU / BN	4498	High Speed GMLAN Serial Data (+) 7	I	—
4	0.5	WH	4499	High Speed GMLAN Serial Data (-) 7	I	—



Table 591 B195A Nitrogen Oxides Sensor 1 (cont.)

Pin	Size	Color	Circuit	Function	Terminal Type ID	Option
5	0.5	WH	4499	High Speed GMLAN Serial Data (-) 7	I	—
6	0.5	BK / WH	451	Signal Ground	I	—



**Connector Part Information**

- Harness Type: Chassis
- Service Connector: Service by Harness
- Description: 6-pin F 1.2 MCON-CB Series, Sealed (BN)

**Table 593 Terminal Part Information**

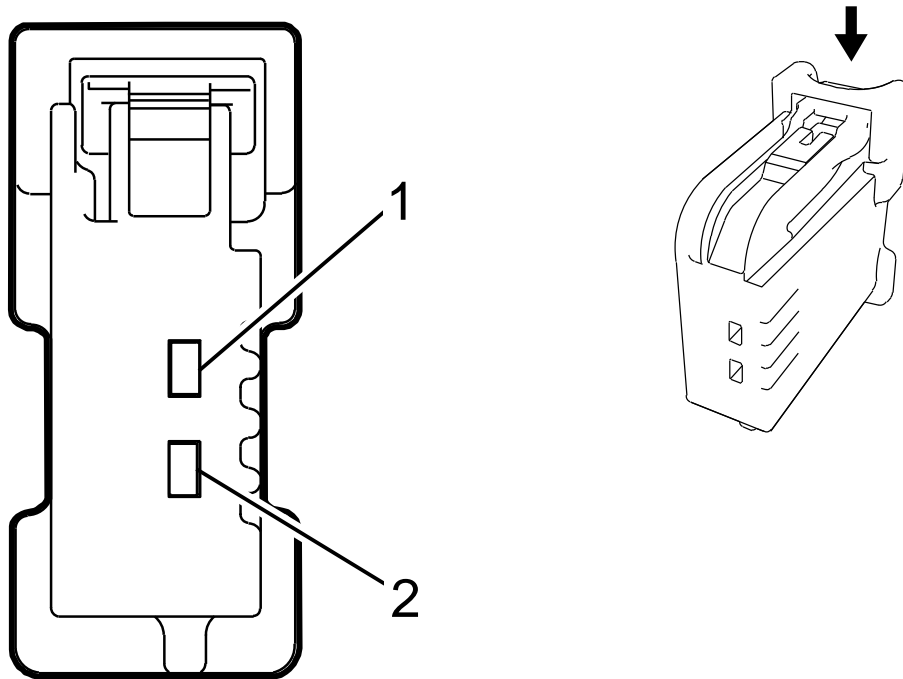
Terminal Type ID	Service Terminal
I	4088467C1 0.5mm
	4088468C1 1.5mm

**Table 594 B195B Nitrogen Oxides Sensor 2**

Pin	Size	Color	Circuit	Function	Terminal Type ID	Option
1	1.5	VT / BU	3674	NOx Sensor 1 Control	I	—
2	0.5	BU / BN	4498	High Speed GMLAN Serial Data (+) 7	I	—
3	0.5	BU / BN	4498	High Speed GMLAN Serial Data (+) 7	I	—
4	0.5	WH	4499	High Speed GMLAN Serial Data (-) 7	I	—

Table 594 B195B Nitrogen Oxides Sensor 2 (cont.)

Pin	Size	Color	Circuit	Function	Terminal Type ID	Option
5	0.5	WH	4499	High Speed GMLAN Serial Data (-) 7	I	—
6	1.5	BK	2150	Ground	I	—



**Connector Part Information**

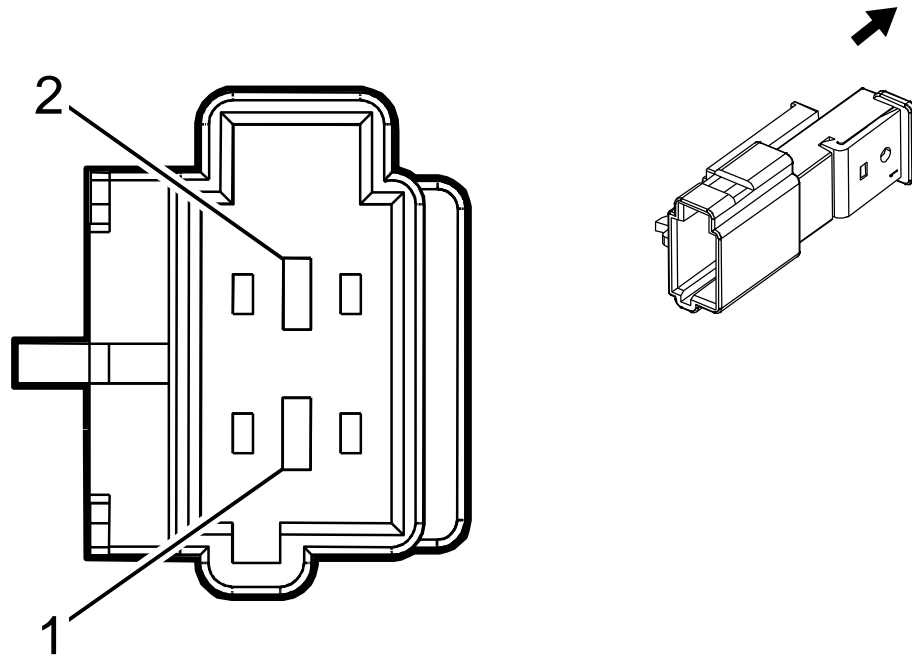
- Harness Type: Overhead Console
- Service Connector: Service by Harness
- Description: 2-pin F 1.5 Series (BK)

**Table 596 Terminal Part Information**

Terminal Type ID	Service Terminal
I	6041917C1

**Table 597 E1L Accent Lamp - Overhead Console**

Pin	Size	Color	Circuit	Function	Terminal Type ID	Option
1	0.35	VT / L-GN	7558	LED Ambient Lighting Control 2	I	—
2	0.35	BK	1050	Ground	I	—



**Connector Part Information**

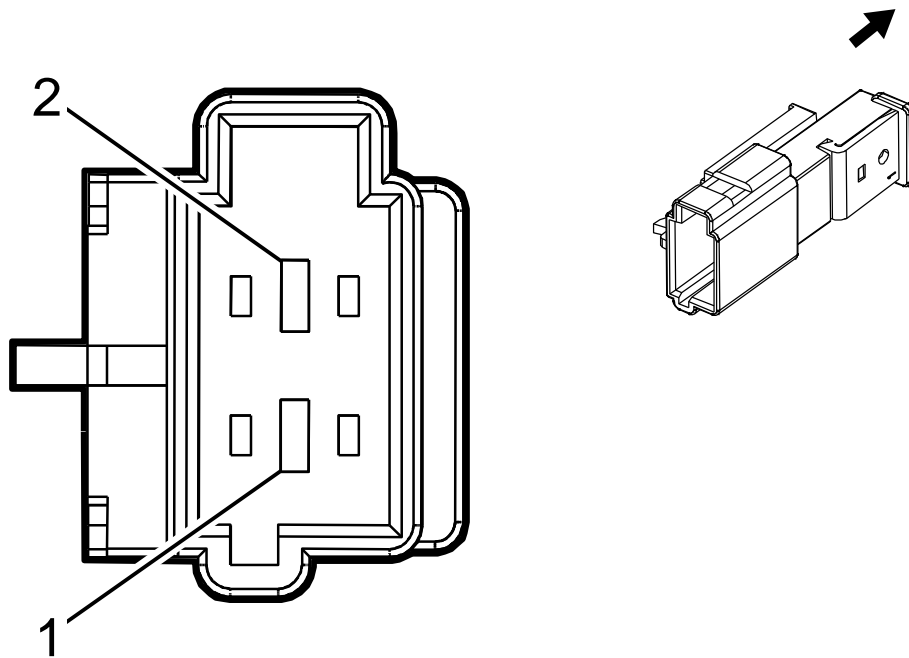
- Harness Type: Right A-pillar
- Service Connector: Service by Harness
- Description: 2-pin M 1.6 Timer Series (BK)

**Table 599 Terminal Part Information**

Terminal Type ID	Service Terminal
I	6042004C1

**Table 600 E3A Roof Clearance Lamp – Left Front Outer**

Pin	Size	Color	Circuit	Function	Terminal Type ID	Option
1	0.5	VT / GY	709	Left Park Lamp Control	I	—
2	0.5	BK	1050	Ground	I	—



**Connector Part Information**

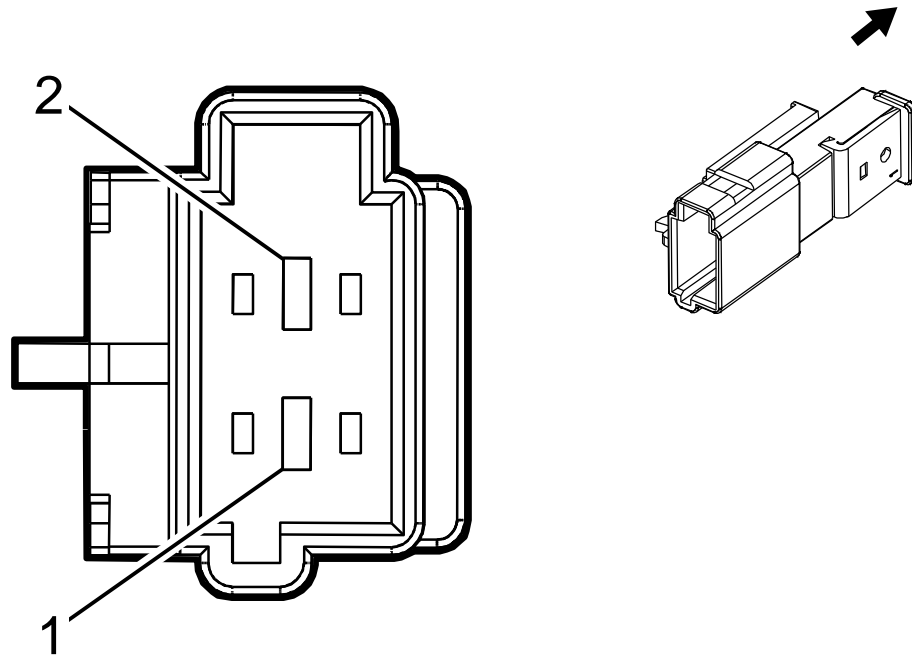
- Harness Type: Right A-Pillar
- Service Connector: Service by Harness
- Description: 2-pin M 1.6 Timer Series (BK)

**Table 602 Terminal Part Information**

Terminal Type ID	Service Terminal
I	6042004C1

**Table 603 E3C Roof Clearance Lamp – Front Middle**

Pin	Size	Color	Circuit	Function	Terminal Type ID	Option
1	0.5	VT / GY	709	Left Park Lamp Control	I	—
2	0.5	BK	1050	Ground	I	—



**Connector Part Information**

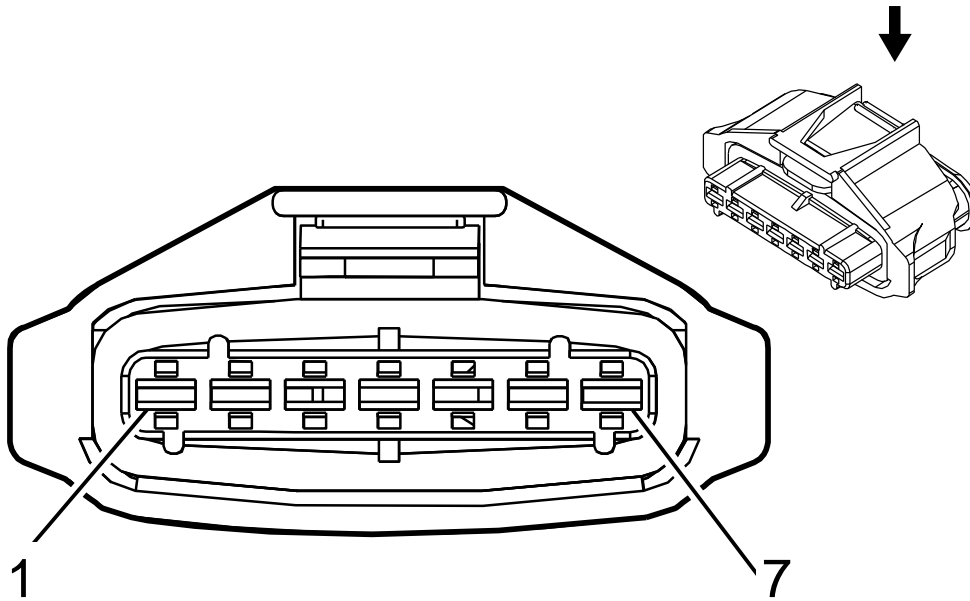
- Harness Type: Right A-pillar
- Service Connector: Service by Harness
- Description: 2-pin M 1.6 Timer Series (BK)

**Table 605 Terminal Part Information**

Terminal Type ID	Service Terminal
I	6042004C1

**Table 606 E3E Roof Clearance Lamp – Right Front Outer**

Pin	Size	Color	Circuit	Function	Terminal Type ID	Option
1	0.5	VT / GY	709	Left Park Lamp Control	I	—
2	0.5	BK	1050	Ground	I	—



Connector Part Information	
•	Harness Type: Chassis
•	Service Connector: 4088469C1
•	Description: 7-pin F 2.8 Junior Power Timer Series, Sealed (BK)

**Table 608 Terminal Part Information**

Terminal Type ID	Service Terminal
I	3509874C1

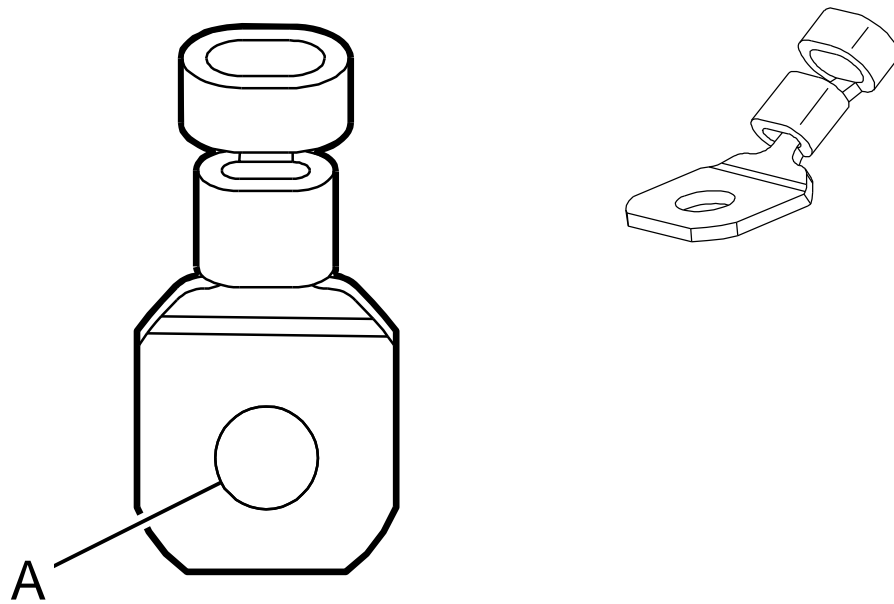
**Table 609 E11A Fuel Heater / Water in Fuel Sensor**

Pin	Size	Color	Circuit	Function	Terminal Type ID	Option
1	0.5	BK / VT	412	Fuel Filter Temperature Sensor Low Reference	I	—
2	0.5	BN / VT	455	Fuel Filter Temperature Signal	I	—
3	0.5	BK / BU	6861	Water In Fuel Sensor Signal	I	—
4	0.5	BK / BU	6863	Water In Fuel Sensor Low Reference	I	—
5	—	—	—	Not Occupied	—	—



Table 609 E11A Fuel Heater / Water in Fuel Sensor (cont.)

Pin	Size	Color	Circuit	Function	Terminal Type ID	Option
6	1.5	VT / GN	355	Fuel Filter Heater Voltage	I	—
7	1.5	BK	2150	Ground	I	—



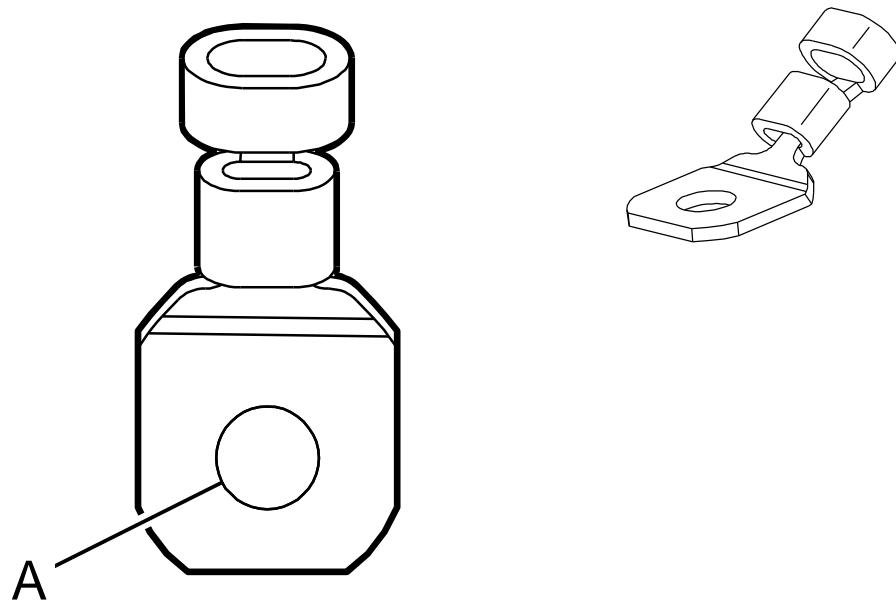
Connector Part Information	
•	Harness Type: Engine
•	Service Connector: Service by Cable Assembly
•	Description: 1-pin Ring Terminal

**Table 611 Terminal Part Information**

Terminal Type ID	Service Terminal
I	Not Available

**Table 612 E12A Glow Plug 1**

Pin	Size	Color	Circuit	Function	Terminal Type ID	Option
A	2	GY / BU	1581	Glow Plug Control 1	I	—



**Connector Part Information**

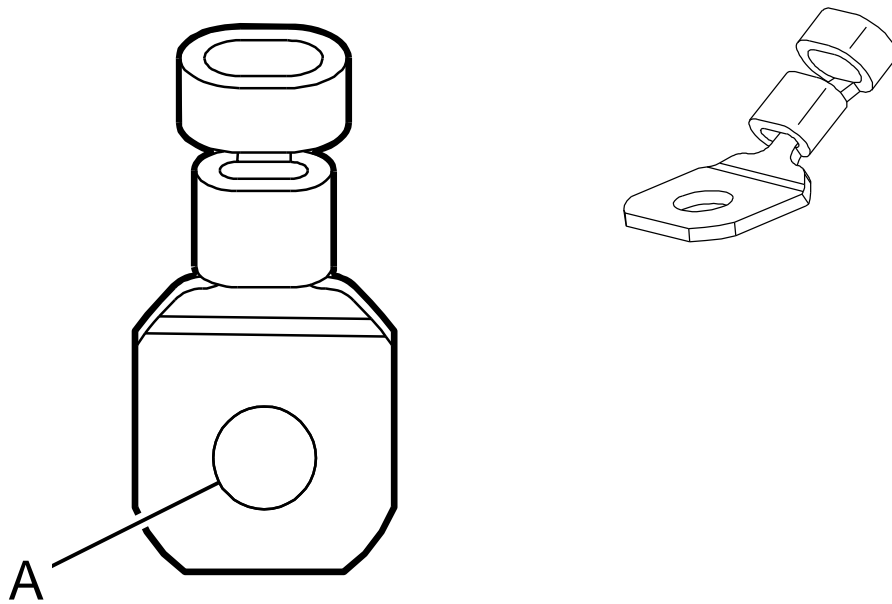
- Harness Type: Engine
- Service Connector: Service by Cable Assembly
- Description: 1-pin Ring Terminal

**Table 614 Terminal Part Information**

Terminal Type ID	Service Terminal
I	Not Available

**Table 615 E12B Glow Plug 2**

Pin	Size	Color	Circuit	Function	Terminal Type ID	Option
A	2	GY / BN	1582	Glow Plug Control 2	I	—



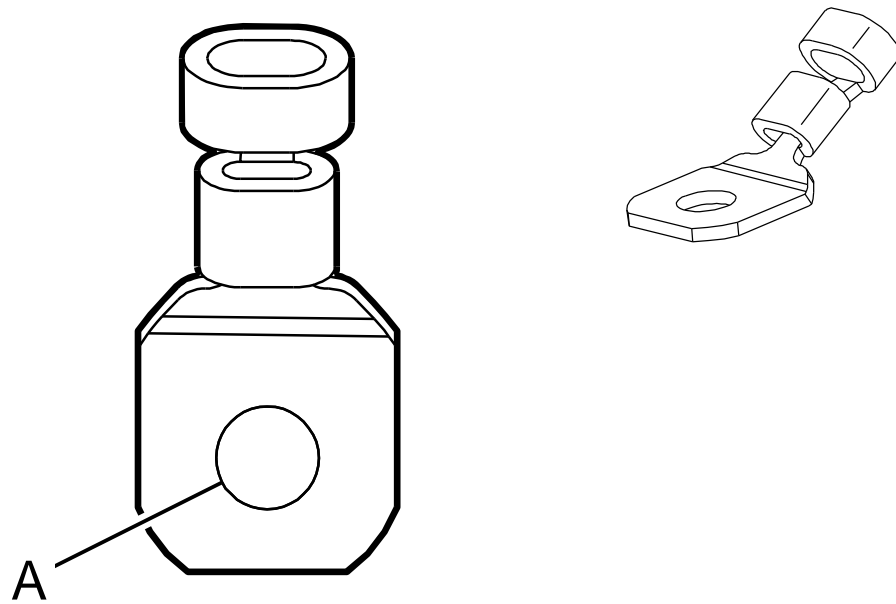
Connector Part Information	
•	Harness Type: Engine
•	Service Connector: Service by Cable Assembly
•	Description: 1-pin Ring Terminal

**Table 617 Terminal Part Information**

Terminal Type ID	Service Terminal
I	Not Available

**Table 618 E12C Glow Plug 3**

Pin	Size	Color	Circuit	Function	Terminal Type ID	Option
A	2	GY / GN	1583	Glow Plug Control 3	I	—



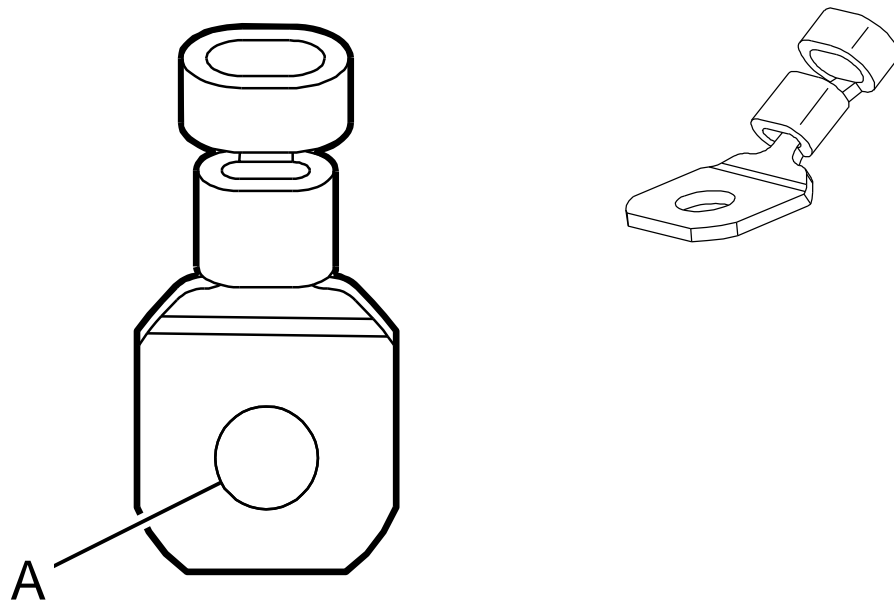
Connector Part Information	
•	Harness Type: Engine
•	Service Connector: Service by Cable Assembly
•	Description: 1-pin Ring Terminal

**Table 620 Terminal Part Information**

Terminal Type ID	Service Terminal
I	Not Available

**Table 621 E12D Glow Plug 4**

Pin	Size	Color	Circuit	Function	Terminal Type ID	Option
A	2	GY / YE	1584	Glow Plug Control 4	I	—



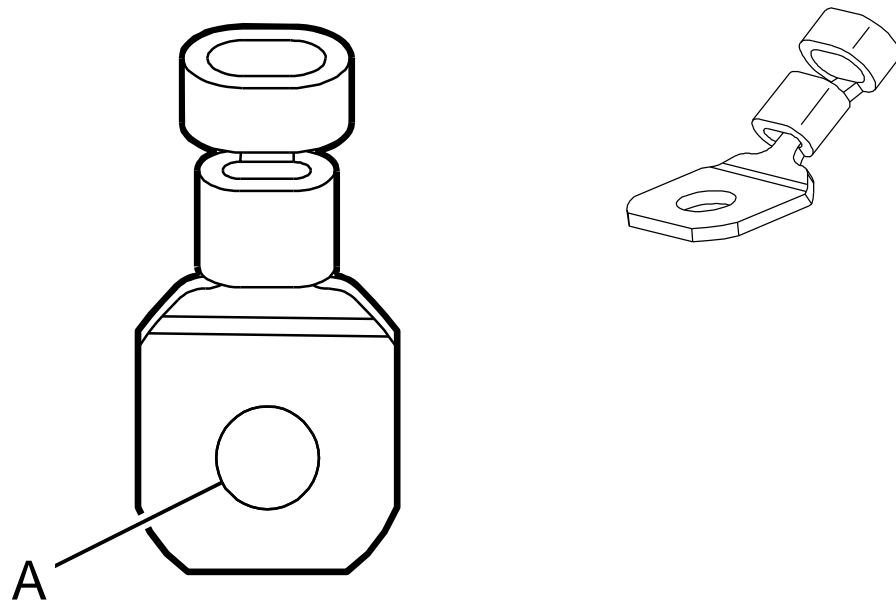
<p><b>Connector Part Information</b></p> <ul style="list-style-type: none"> <li>• Harness Type: Engine</li> <li>• Service Connector: Service by Cable Assembly</li> <li>• Description: 1-pin Ring Terminal</li> </ul>
---

**Table 623 Terminal Part Information**

Terminal Type ID	Service Terminal
I	Not Available

**Table 624 E12E Glow Plug 5**

Pin	Size	Color	Circuit	Function	Terminal Type ID	Option
A	2	GY / WH	1585	Glow Plug Control 5	I	—



**Connector Part Information**

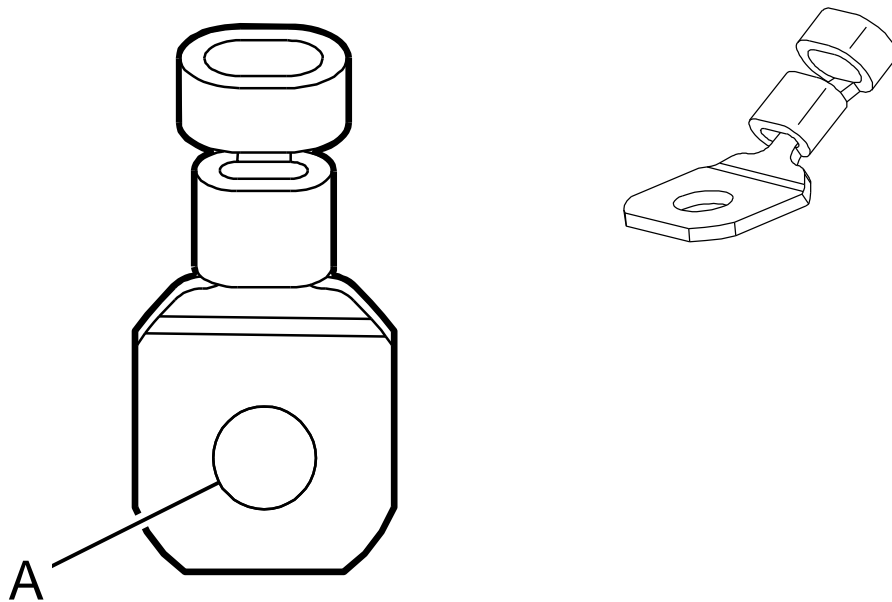
- Harness Type: Engine
- Service Connector: Service by Cable Assembly
- Description: 1-pin Ring Terminal

**Table 626 Terminal Part Information**

Terminal Type ID	Service Terminal
I	Not Available

**Table 627 E12F Glow Plug 6**

Pin	Size	Color	Circuit	Function	Terminal Type ID	Option
A	2	GY / VT	1586	Glow Plug Control 6	I	—



<p><b>Connector Part Information</b></p> <ul style="list-style-type: none"> <li>• Harness Type: Engine</li> <li>• Service Connector: Service by Cable Assembly</li> <li>• Description: 1-pin Ring Terminal</li> </ul>	
---	--

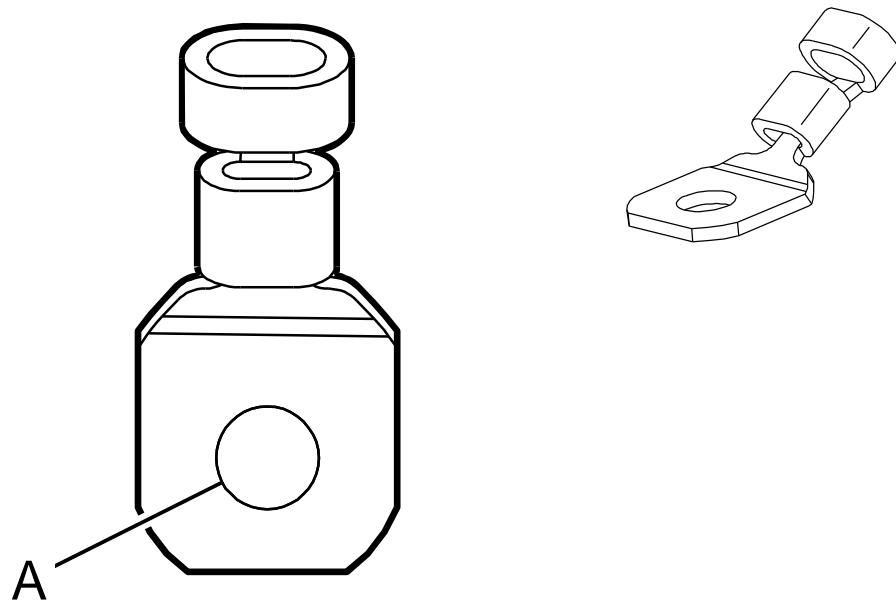
**Table 629 Terminal Part Information**

Terminal Type ID	Service Terminal
I	Not Available

**Table 630 E12G Glow Plug 7**

Pin	Size	Color	Circuit	Function	Terminal Type ID	Option
A	2	WH / BU	1588	Glow Plug Control 8	I	—





**Connector Part Information**

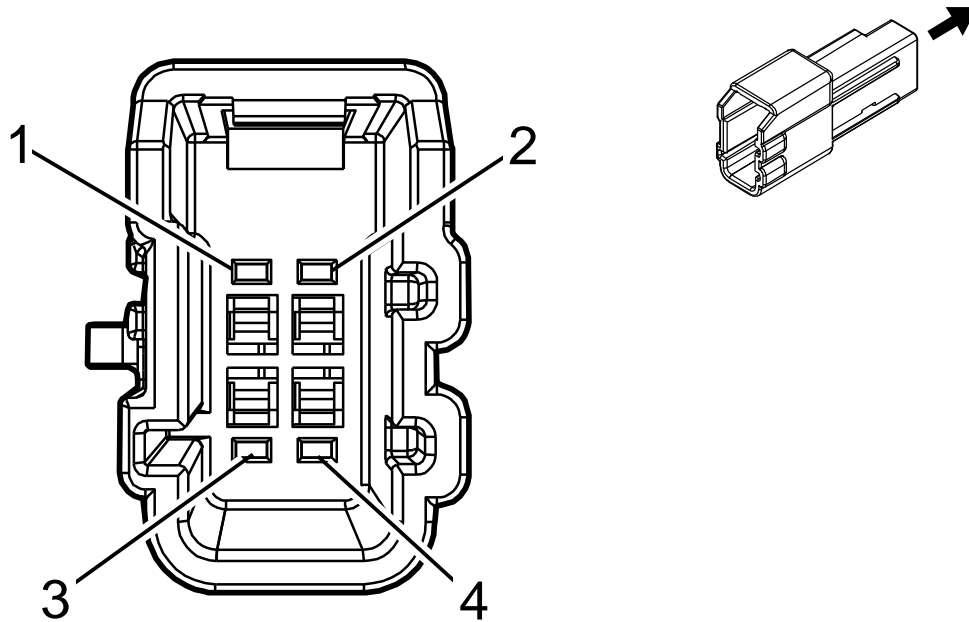
- Harness Type: Engine
- Service Connector: Service by Cable Assembly
- Description: 1-pin Ring Terminal

**Table 632 Terminal Part Information**

Terminal Type ID	Service Terminal
I	Not Available

**Table 633 E12H Glow Plug 8**

Pin	Size	Color	Circuit	Function	Terminal Type ID	Option
A	2	WH / BK	1587	Glow Plug Control 7	I	—



**Connector Part Information**

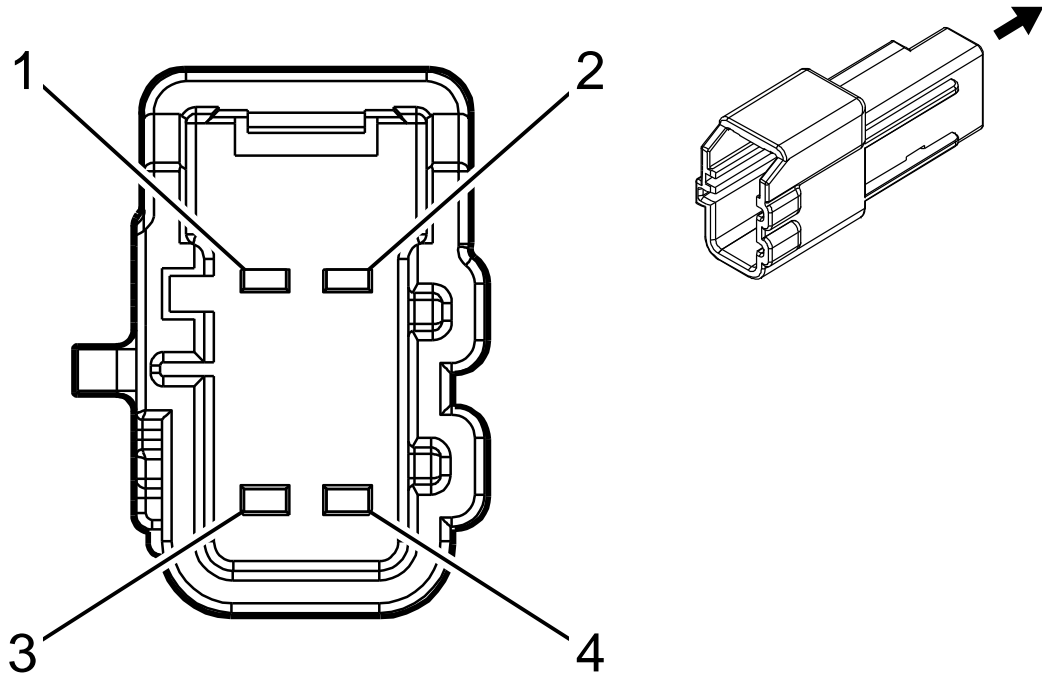
- Harness Type: Driver Seat Back
- Service Connector: Service by Harness
- Description: 4-pin M 1.2 Series (GY)

**Table 635 Terminal Part Information**

Terminal Type ID	Service Terminal
I	6041938C1

**Table 636 E14A Seat Heating Element – Driver Back (Feature Code: 0016XJR)**

Pin	Size	Color	Circuit	Function	Terminal Type ID	Option
1	0.75	BN	2432	Driver Heated Back Element Control	I	—
2	0.5	L-BU	2425	Driver Heated Back NTC Signal	I	—
3	0.5	BK / YE	2080	Driver Heated Seat NTC Low Reference	I	—
4	0.75	BN / BK	2078	Driver Heated Seat Element Low Reference	I	—



**Connector Part Information**

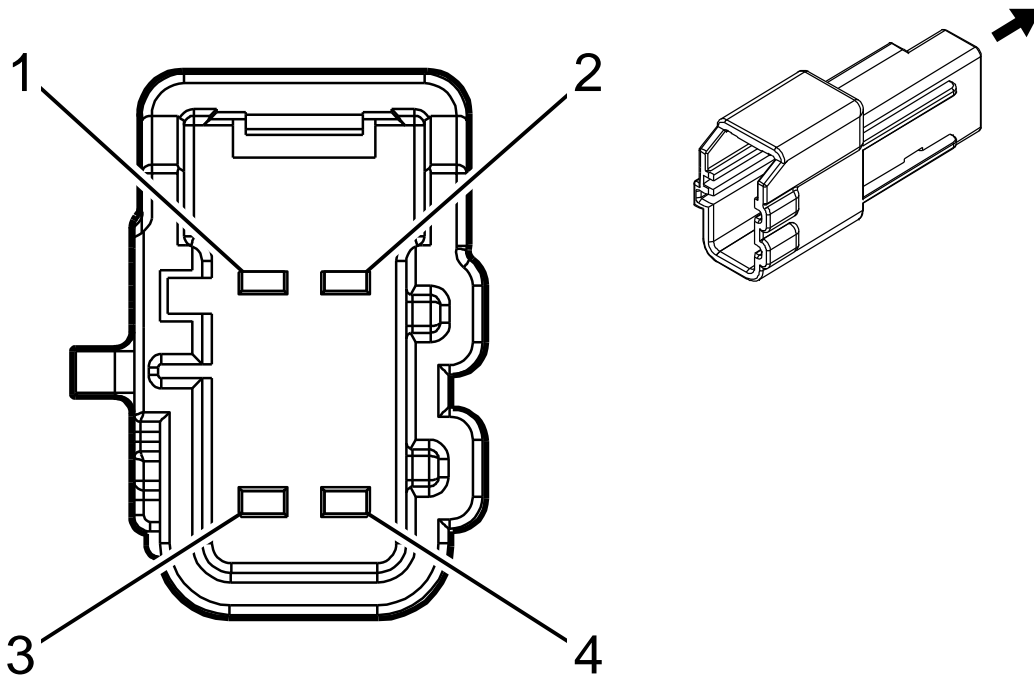
- Harness Type: Driver Seat Cushion
- Service Connector: Service by Harness
- Description: 4-pin M 1.2 Series (BK)

**Table 638 Terminal Part Information**

Terminal Type ID	Service Terminal
I	6041938C1

**Table 639 E14B Seat Heating Element – Driver Cushion (Feature Code: 0016XJR)**

Pin	Size	Color	Circuit	Function	Terminal Type ID	Option
1	0.75	BN / VT	2077	Driver Heated Seat Element Control	I	—
2	0.5	YE / GY	2079	Driver Heated Seat NTC Signal	I	—
3	0.5	BN / YE	2080	Driver Heated Seat NTC Low Reference	I	—
4	0.75	BN / BK	2078	Driver Heated Seat Element Low Reference	I	—



**Connector Part Information**

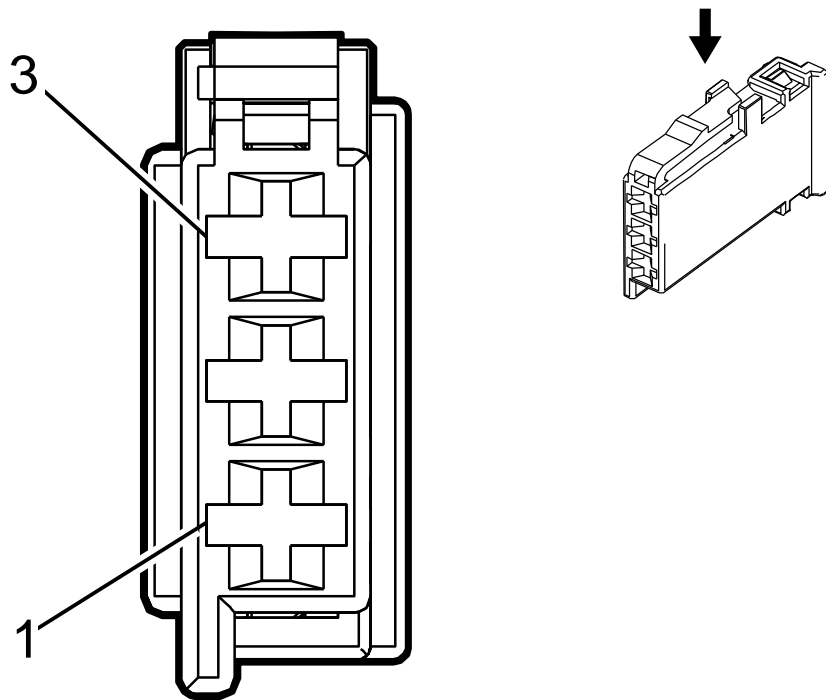
- Harness Type: Passenger Seat Cushion
- Service Connector: Service by Harness
- Description: 4-pin M 1.2 Series (BK)

**Table 641 Terminal Part Information**

Terminal Type ID	Service Terminal
I	6041938C1

**Table 642 E14D Seat Heating Element – Passenger Cushion (Feature Code: 0016XJR)**

Pin	Size	Color	Circuit	Function	Terminal Type ID	Option
1	0.75	BN / L-BU	2479	Passenger Heated Seat Element Control	I	—
2	0.5	WH / GY	2434	Passenger Heated Seat NTC Signal	I	—
3	0.5	BK / GY	2435	Passenger Heated Seat NTC Low Reference	I	—
4	0.75	GY / BK	2480	Passenger Heated Seat Element Low Reference	I	—



**Connector Part Information**

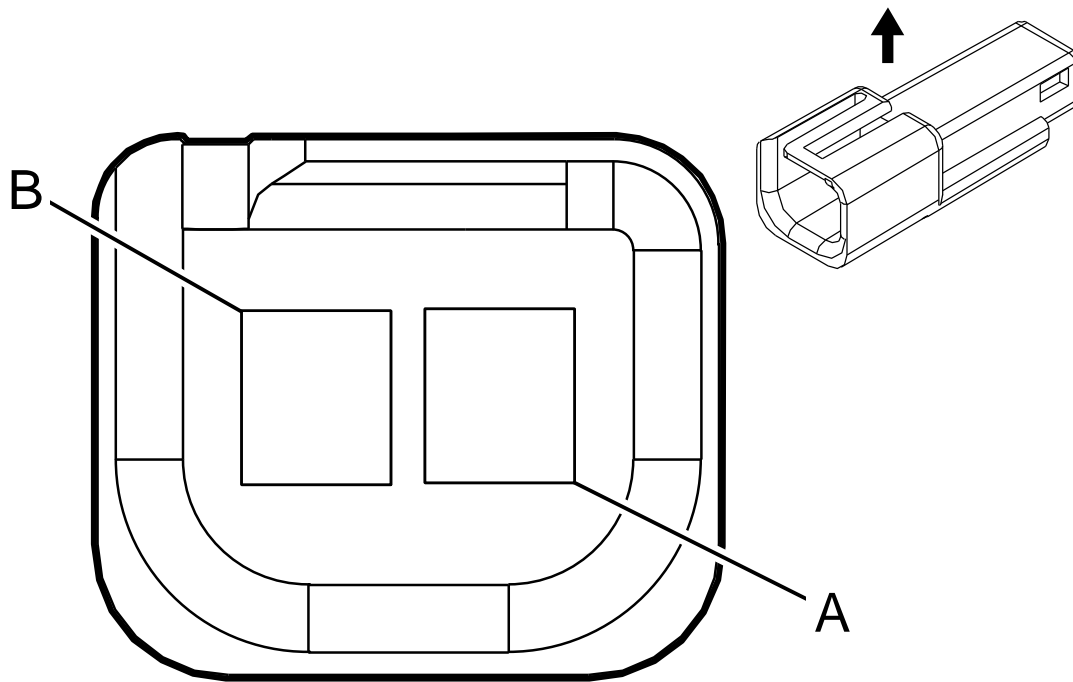
- Harness Type: Floor Console
- Service Connector: Service by Harness
- Description: 3-pin F 1.6 Micro-Timer Series (BK)

**Table 644 Terminal Part Information**

Terminal Type ID	Service Terminal
I	6042024C1 0.5mm
	6042003C1 0.75mm

**Table 645 E28 Center Console Compartment Lamp (Feature Code: 0016XCN)**

Pin	Size	Color	Circuit	Function	Terminal Type ID	Option
1	0.5	WH / BN	6815	Inadvertent Power Control	I	—
2	0.75	BK	1050	Ground	I	—
3	—	—	—	Not Occupied	—	—



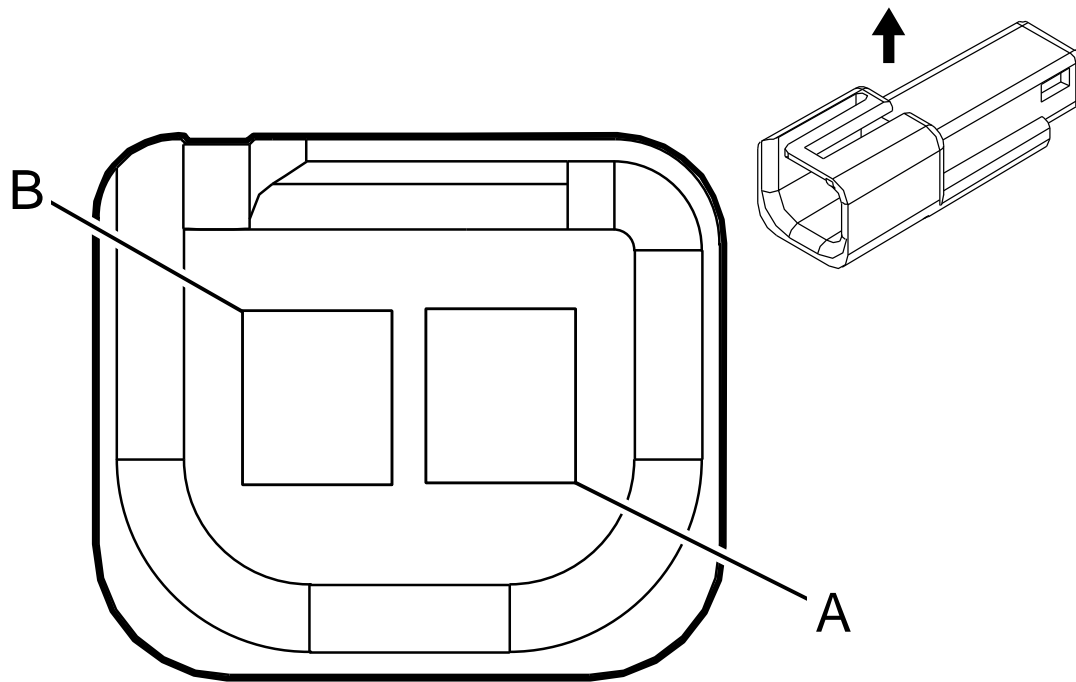
Connector Part Information	
•	Harness Type: Headliner
•	Service Connector: 6040210C1
•	Description: 2-pin M 150 Metri-Pack Series (BK)

**Table 647 Terminal Part Information**

Terminal Type ID	Service Terminal
I	6041897C1

**Table 648 E31L Sunshade Mirror Lamp – Left (Feature Code: 0016XCS)**

Pin	Size	Color	Circuit	Function	Terminal Type ID	Option
A	0.5	WH / BN	6815	Inadvertent Power Control	I	—
B	0.5	BK	1050	Ground	I	—



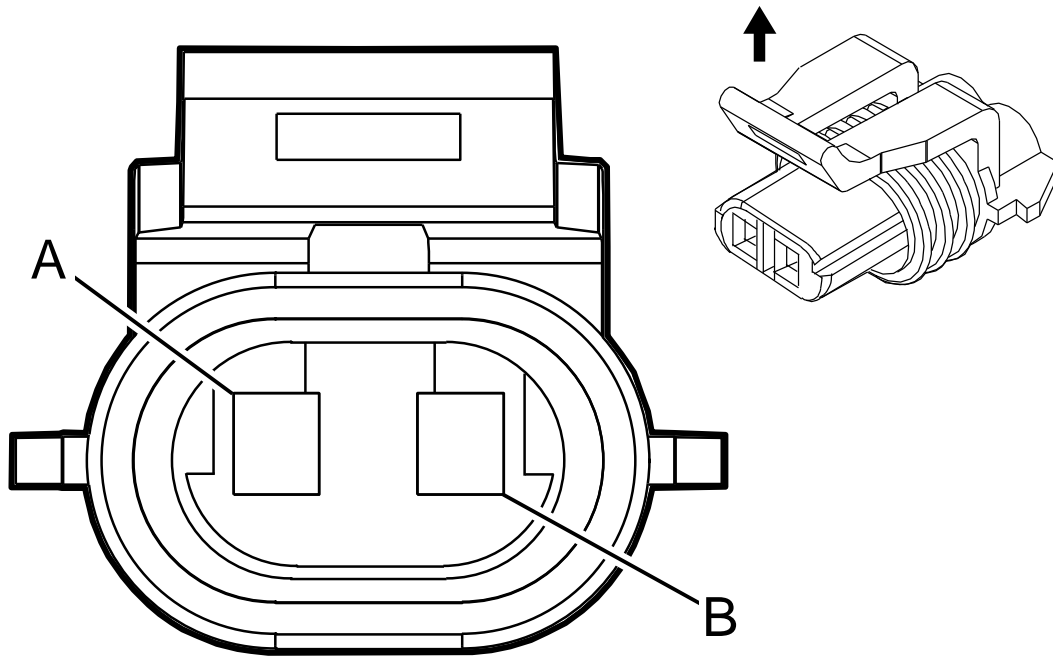
Connector Part Information	
•	Harness Type: Headliner
•	Service Connector: 6040210C1
•	Description: 2-pin M 150 Metri-Pack Series (BK)

Table 650 Terminal Part Information

Terminal Type ID	Service Terminal
I	6041897C1

Table 651 E31R Sunshade Mirror Lamp – Right (Feature Code: 0016XCS)

Pin	Size	Color	Circuit	Function	Terminal Type ID	Option
A	0.5	WH / BN	6815	Inadvertent Power Control	I	—
B	0.5	BK	1050	Ground	I	—



**Connector Part Information**

- Harness Type: Chassis Rear Right
- Service Connector: Service by Harness
- Description: 2-pin F 150 Metri-Pack Series, Sealed (GY)

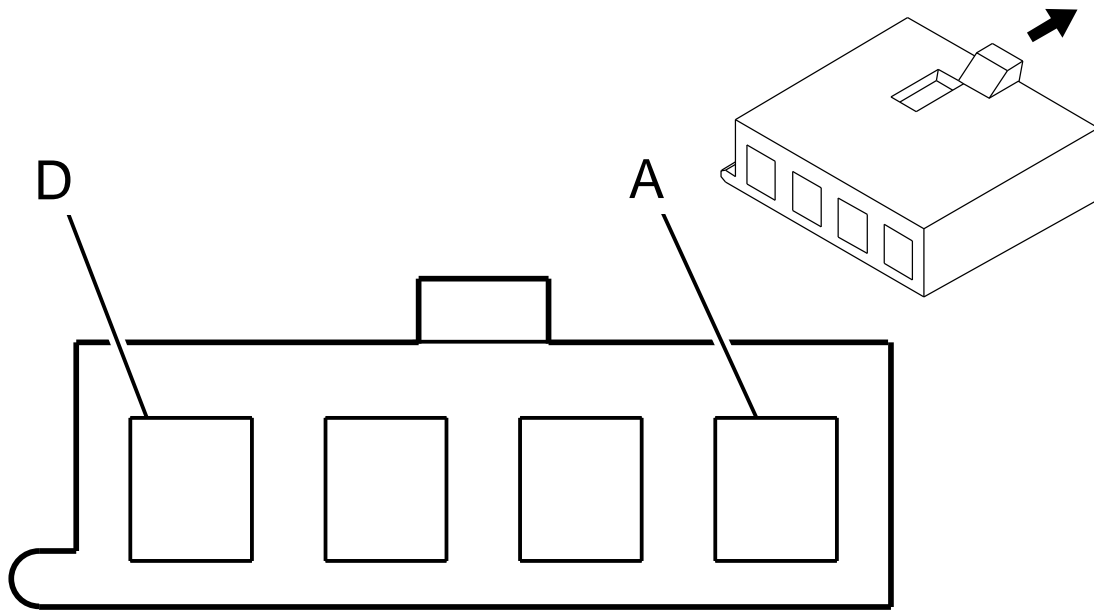
**Table 653 Terminal Part Information**

Terminal Type ID	Service Terminal
I	1661875C1

**Table 654 E33 Cargo Lamp**

Pin	Size	Color	Circuit	Function	Terminal Type ID	Option
A	0.75	WH / VT	1430	Exterior Courtesy Lamp Control	I	—
B	1	BK	1430	Exterior Courtesy Lamp Control	I	—





**Connector Part Information**

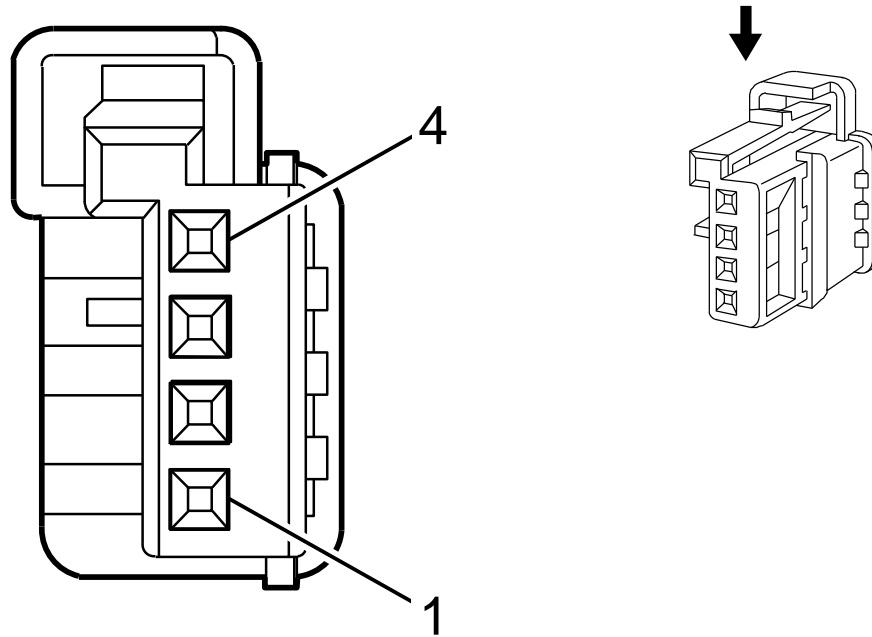
- Harness Type: Headliner
- Service Connector: 6040295C1
- Description: 4-pin F 150 Metri-Pack Series (BK)

**Table 656 Terminal Part Information**

Terminal Type ID	Service Terminal
I	6041922C1

**Table 657 E37B Dome / Reading Lamps – 2nd Row (Crew Cab-Feature Code: 0016LVT)**

Pin	Size	Color	Circuit	Function	Terminal Type ID	Option
A	0.5	WH / BN	6815	Inadvertent Power Control	I	—
B	0.5	BK	1050	Ground	I	—
C	0.5	GY	157	Interior Lamp Control	I	—
D	0.5	YE	6817	LED Backlight Dimming Control	I	—



**Connector Part Information**

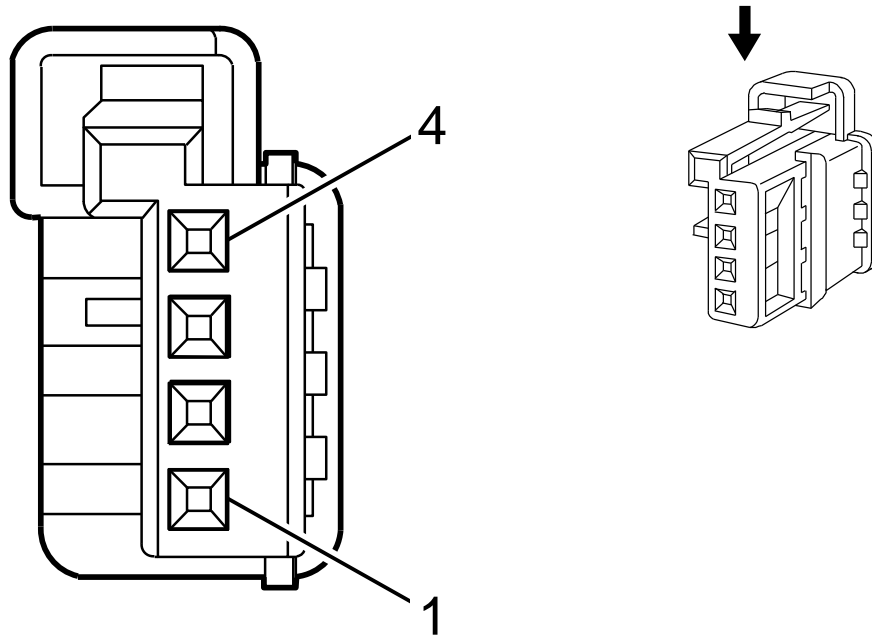
- Harness Type: Overhead Console
- Service Connector: Service by Harness
- Description: 4-pin F 0.64 Micro-Quadlock Series (GY)

**Table 659 Terminal Part Information**

Terminal Type ID	Service Terminal
I	6042008C1

**Table 660 E37EL Dome / Reading Lamps – Front Overhead Console Left**

Pin	Size	Color	Circuit	Function	Terminal Type ID	Option
1	0.35	YE	6817	LED Backlight Dimming Control	I	—
2	0.5	WH / BN	6815	Inadvertent Power Control	I	—
3	0.5	GY	157	Interior Lamp Control	I	—
4	0.5	BK	1050	Ground	I	—



**Connector Part Information**

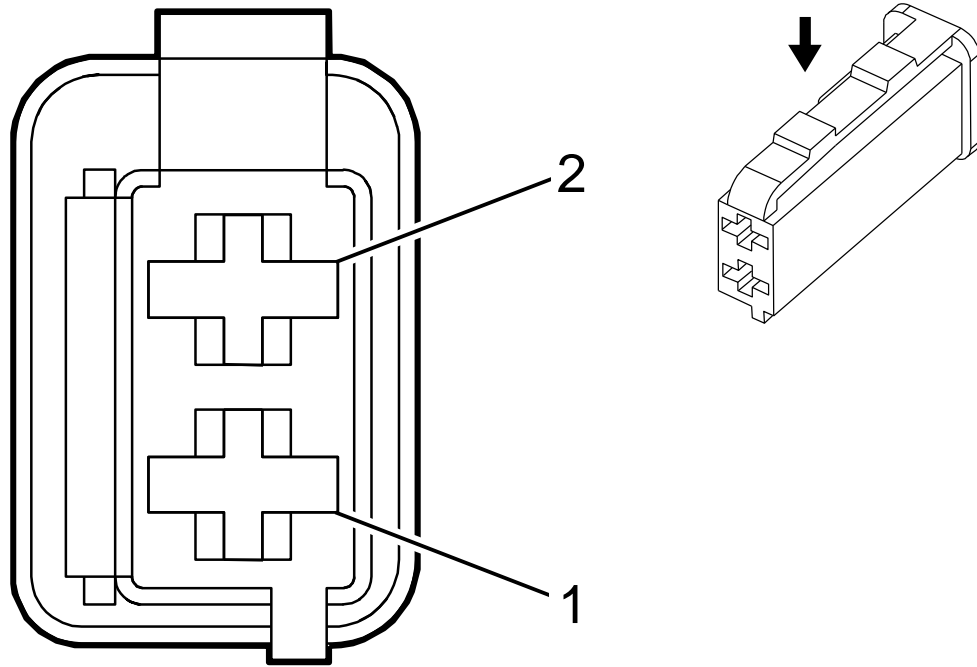
- Harness Type: Overhead Console
- Service Connector: Service by Harness
- Description: 4-pin F 0.64 Micro-Quadlock Series (GY)

**Table 662 Terminal Part Information**

Terminal Type ID	Service Terminal
I	6042008C1

**Table 663 E37ER Dome / Reading Lamps – Front Overhead Console Right**

Pin	Size	Color	Circuit	Function	Terminal Type ID	Option
1	0.35	YE	6817	LED Backlight Dimming Control	I	—
2	0.5	WH / BN	6815	Inadvertent Power Control	I	—
3	0.5	GY	157	Interior Lamp Control	I	—
4	0.5	BK	1050	Ground	I	—



**Connector Part Information**

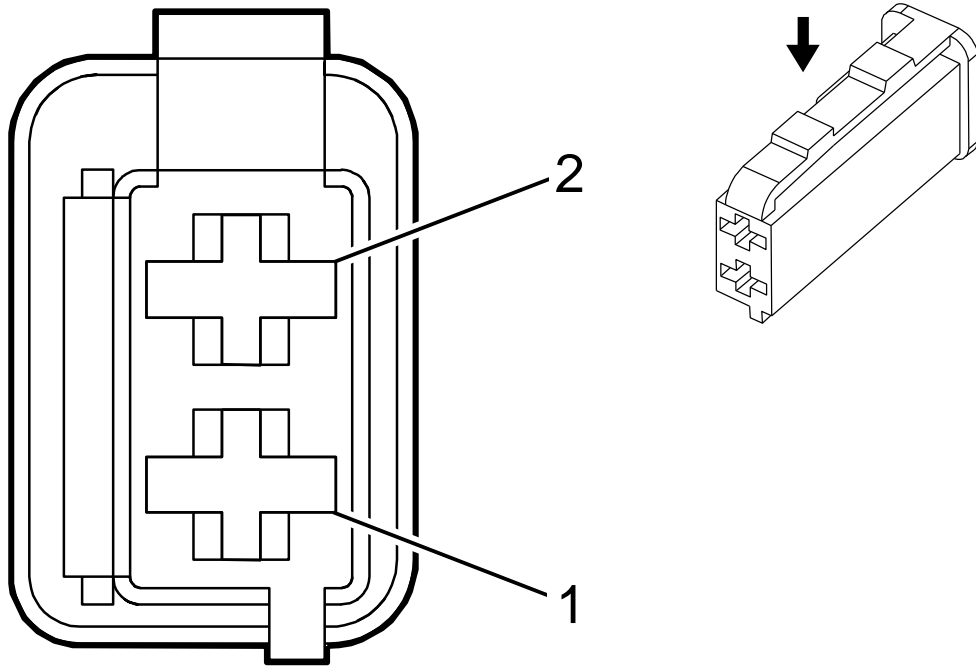
- Harness Type: Driver Door Trim
- Service Connector: Service by Harness
- Description: 2-pin F 1.6 Timer Series (BK)

**Table 665 Terminal Part Information**

Terminal Type ID	Service Terminal
I	6042024C1

**Table 666 E63D Flood Lamp – Driver Door Handle (Feature Code: 0016WAK)**

Pin	Size	Color	Circuit	Function	Terminal Type ID	Option
1	0.35	WH / YE	7557	LED Ambient Lighting Control 1	I	—
2	0.35	BK	1150	Ground	I	—



**Connector Part Information**

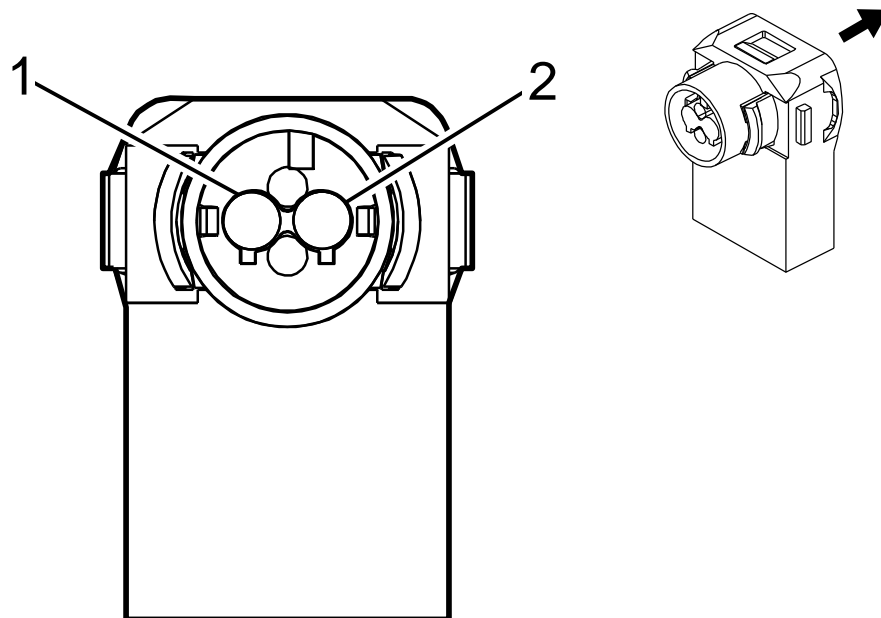
- Harness Type: Passenger Door Trim
- Service Connector: Service by Harness
- Description: 2-pin F 1.6 Timer Series (BK)

**Table 668 Terminal Part Information**

Terminal Type ID	Service Terminal
I	6041942C1

**Table 669 E63P Flood Lamp – Passenger Door Handle (Feature Code: 0016WAK)**

Pin	Size	Color	Circuit	Function	Terminal Type ID	Option
1	0.35	WH / YE	7557	LED Ambient Lighting Control 1	I	—
2	0.35	BK	1250	Ground	I	—



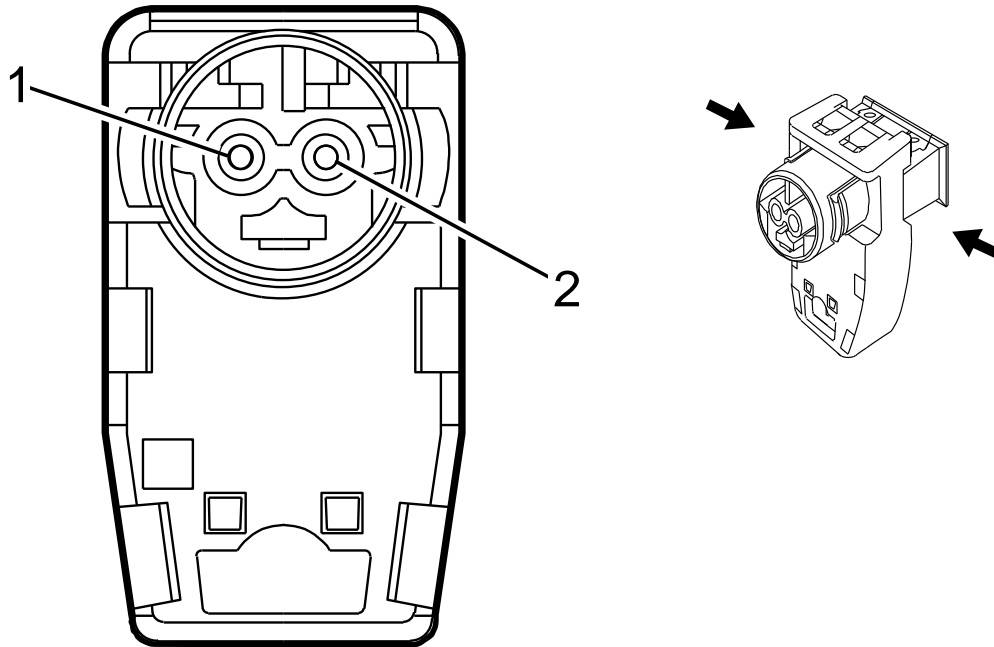
Connector Part Information	
•	Harness Type: Body
•	Service Connector: 6040267C1
•	Description: 2-pin F ABX-5 Series (PU with YE Cover)

**Table 671 Terminal Part Information**

Terminal Type ID	Service Terminal
I	Not Available

**Table 672 F112D Seat Belt Retractor Pretensioner – Driver (Crew Cab)**

Pin	Size	Color	Circuit	Function	Terminal Type ID	Option
1	0.5	RD	3477	Driver Seat Belt Retractor Pretensioner High Control	I	—
2	0.5	GY	3478	Driver Seat Belt Retractor Pretensioner Low Control	I	—



**Connector Part Information**

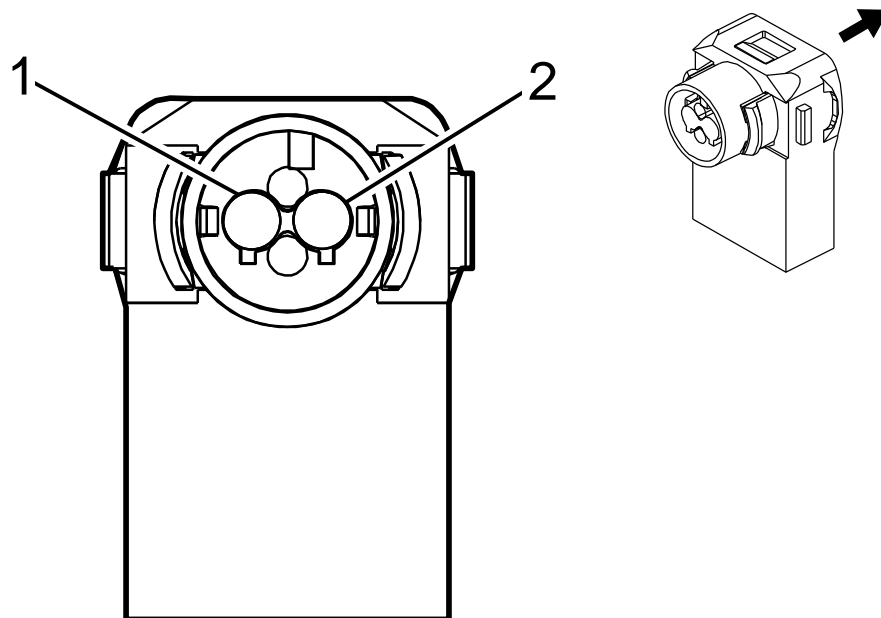
- Harness Type: Body
- Service Connector: 6040268C1
- Description: 2-pin F 0.64 Series, Sealed (BK with YE Cover)

**Table 674 Terminal Part Information**

Terminal Type ID	Service Terminal
I	Not Available

**Table 675 F112D Seat Belt Retractor Pretensioner – Driver (Standard Cab)**

Pin	Size	Color	Circuit	Function	Terminal Type ID	Option
1	0.5	RD	3477	Driver Seat Belt Retractor Pretensioner High Control	I	—
2	0.5	GY	3478	Driver Seat Belt Retractor Pretensioner Low Control	I	—



Connector Part Information	
•	Harness Type: Body
•	Service Connector: 6040267C1
•	Description: 2-pin F ABX-5 Series (PU with YE Cover)

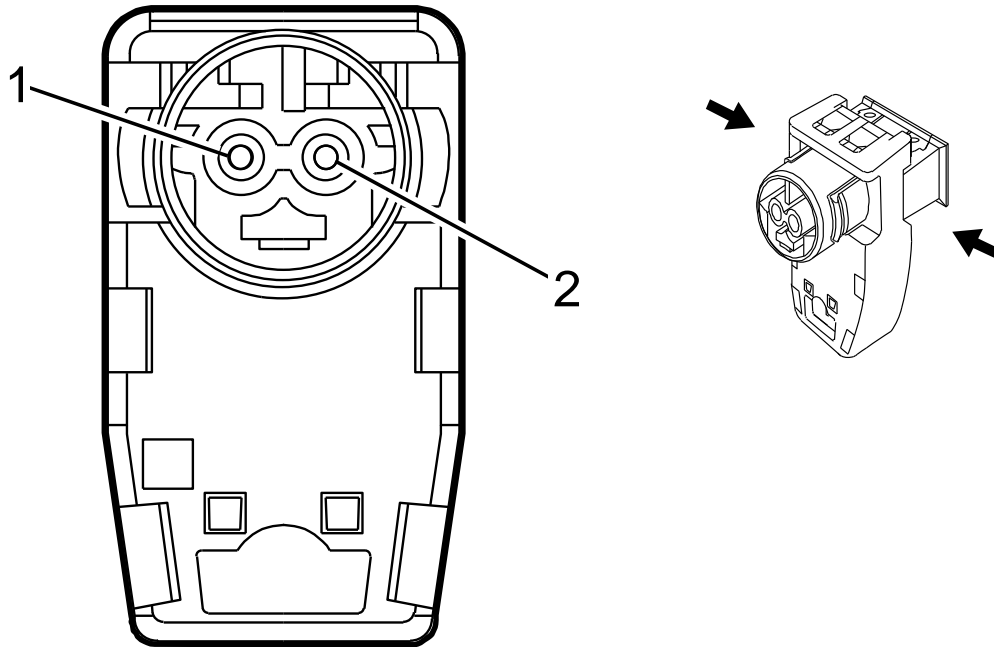
**Table 677 Terminal Part Information**

Terminal Type ID	Service Terminal
I	Not Available

**Table 678 F112P Seat Belt Retractor Pretensioner – Passenger (Crew Cab)**

Pin	Size	Color	Circuit	Function	Terminal Type ID	Option
1	0.5	L-GN	3475	Passenger Seat Belt Retractor Pretensioner High Control	I	—
2	0.5	WH	3476	Passenger Seat Belt Retractor Pretensioner Low Control	I	—





**Connector Part Information**

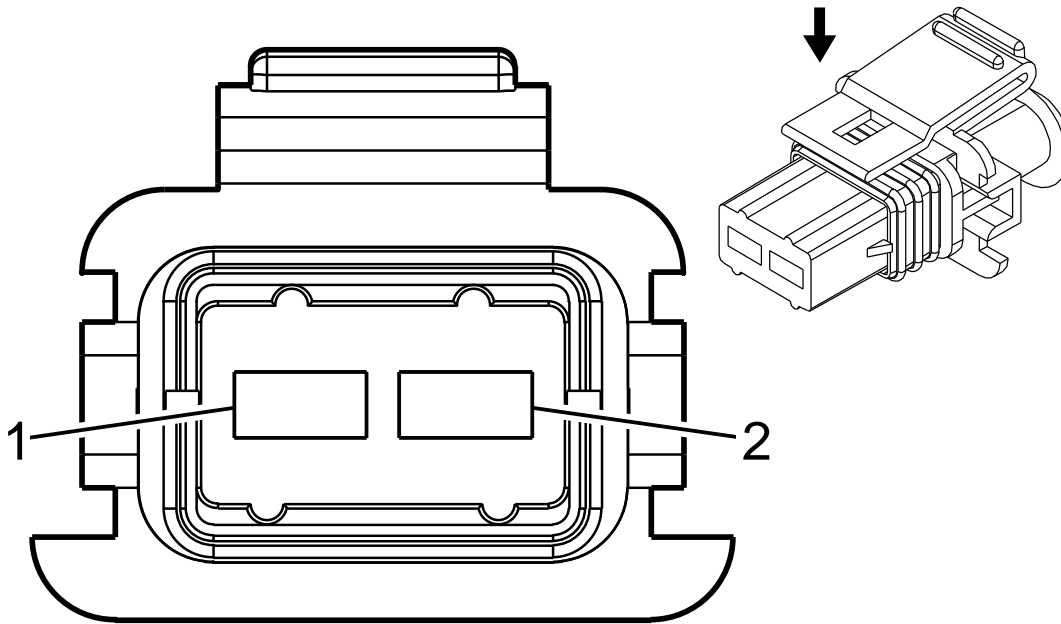
- Harness Type: Body
- Service Connector: 6040268C1
- Description: 2-pin F 0.64 Series, Sealed (BK with YE Cover)

**Table 680 Terminal Part Information**

Terminal Type ID	Service Terminal
I	Not Available

**Table 681 F112P Seat Belt Retractor Pretensioner – Passenger (Standard Cab)**

Pin	Function
1	Passenger Seat Belt Retractor Pretensioner High Control
2	Passenger Seat Belt Retractor Pretensioner Low Control



**Connector Part Information**

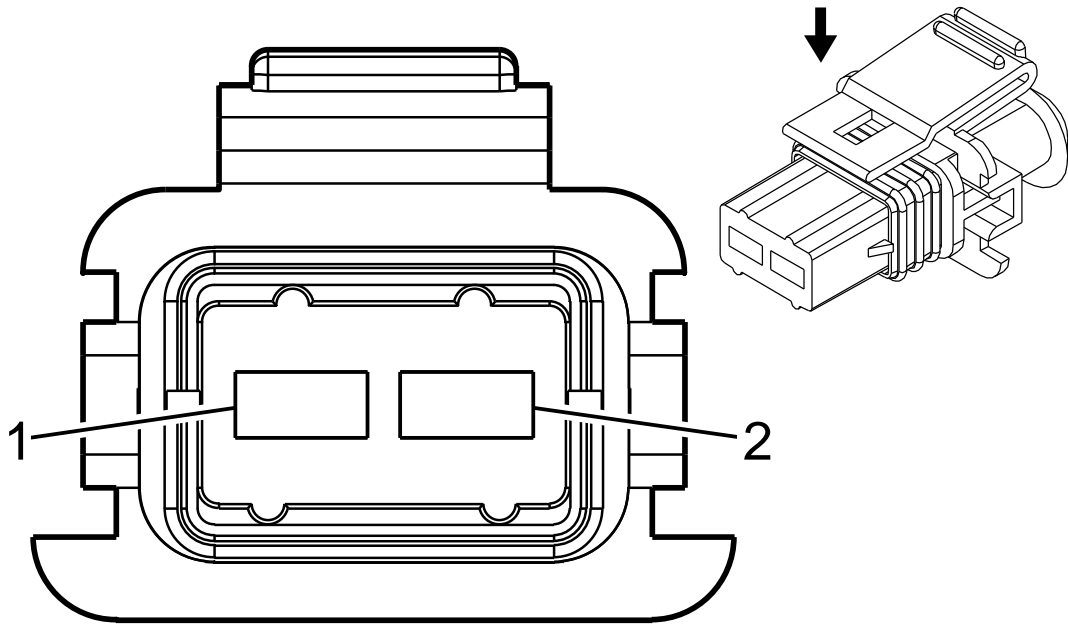
- Harness Type: Engine Chassis
- Service Connector: 6040292C1
- Description: 2-pin F Junior Power Timer Series, Sealed (BK)

**Table 683 Terminal Part Information**

Terminal Type ID	Service Terminal
I	6041960C1 0.5mm
	6041945C1 0.75mm

**Table 684 G13 Alternator (Generator)**

Pin	Size	Color	Circuit	Function	Terminal Type ID	Option
1	0.75	BN	25	Charge Indicator Control	I	—
2	0.5	GY	23	Alternator (Generator) Field Duty Cycle Signal	I	—



**Connector Part Information**

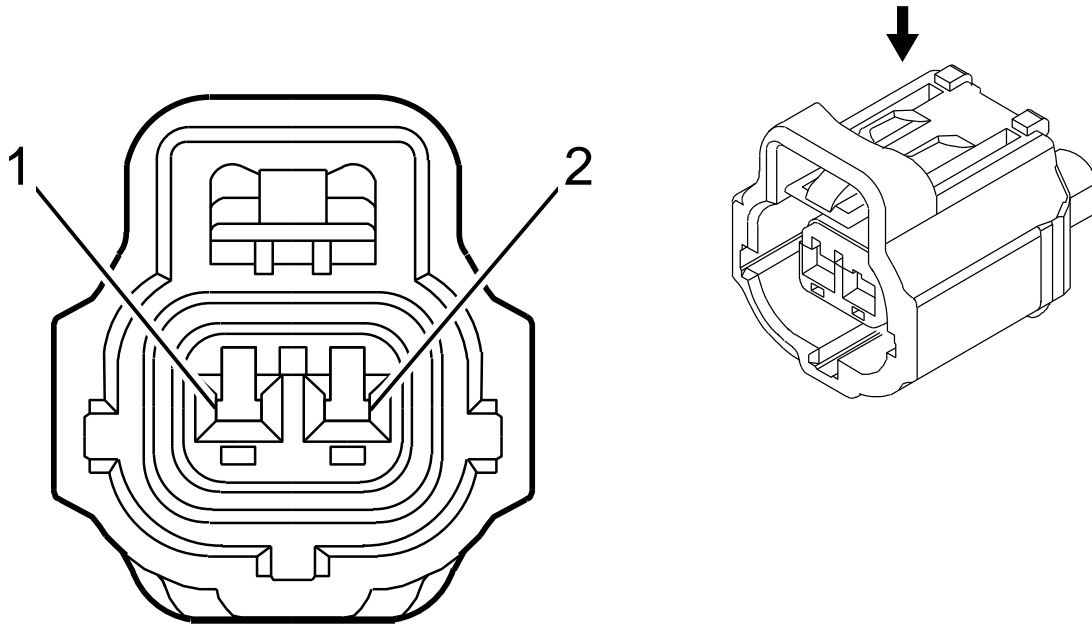
- Harness Type: Engine Chassis
- Service Connector: 6040292C1
- Description: 2-pin F Junior Power Timer Series, Sealed (BK)

**Table 686 Terminal Part Information**

Terminal Type ID	Service Terminal
I	6041960C1 0.5mm
	6041945C1 0.75mm

**Table 687 G13E Alternator (Generator) – Auxiliary (Feature Code: 0008GJC)**

Pin	Size	Color	Circuit	Function	Terminal Type ID	Option
1	0.75	BN	25	Charge Indicator Control	I	—
2	—	—	—	Not Occupied	—	—



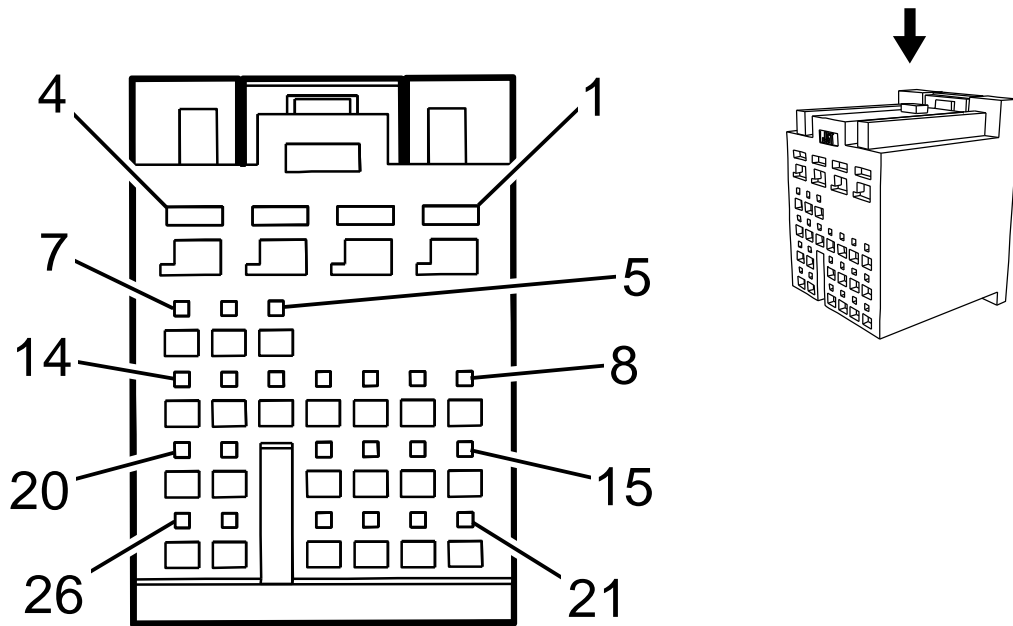
Connector Part Information	
•	Harness Type: Body
•	Service Connector: 6041829C1
•	Description: 2-pin F SSC Series, Sealed (BK)

**Table 689 Terminal Part Information**

Terminal Type ID	Service Terminal
I	6042017C1

**Table 690 G24 Windshield Washer Pump**

Pin	Size	Color	Circuit	Function	Terminal Type ID	Option
1	0.75	GY / VT	228	Windshield Washer Pump Control	I	—
2	0.75	BK	1050	Ground	I	—



**Connector Part Information**

- Harness Type: Instrument Panel
- Service Connector: 6040206C1
- Description: 26-pin F 0.64, 2.8 Series (NA)

**Table 692 Terminal Part Information**

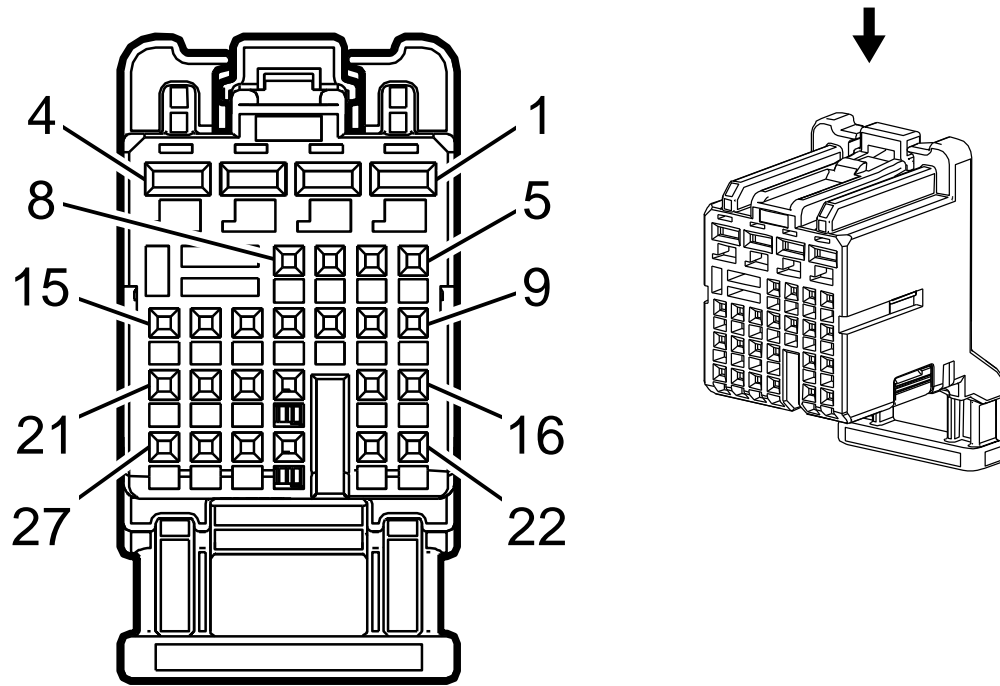
Terminal Type ID	Service Terminal
I	6042047C1
II	6041854C1
III	6041854C1

**Table 693 K9 Body Control Module X1**

Pin	Size	Color	Circuit	Function	Terminal Type ID	Option
1	0.75	BK	1850	Ground	III	—
2	0.75	RD / D-BU	2540	Battery Positive Voltage	III	—
3	1	RD / GY	2140	Battery Positive Voltage	II	—

**Table 693 K9 Body Control Module X1 (cont.)**

Pin	Size	Color	Circuit	Function	Terminal Type ID	Option
4	0.75	RD / BN	2240	Battery Positive Voltage	III	—
5	0.5	WH	6816	Indicator Dimming Control	I	—
6	—	—	—	Not Occupied	—	—
7	0.35	BK / YE	5005	Instrument Panel Lamp Dimmer Switch Low Reference	I	—
8-9	—	—	—	Not Occupied	—	—
10	0.5	D-BU / VT	1134	Park Brake Switch Signal	I	—
11	0.35	L-GN / BN	306	Headlight Switch Headlights Off Signal Control	I	—
12	—	—	—	Not Occupied	—	—
13	0.35	D-BU / RD	1688	5 volt Reference	I	—
14	0.35	GY / L-GN	328	Interior Lamp Defeat Switch Signal	I	—
15	0.35	D-BU / GY	192	Front Fog Lamp Switch Signal	I	—
16	0.35	WH / VT	103	Headlight Switch On Signal	I	—
17-18	—	—	—	Not Occupied	—	—
19	0.35	BK / L-GN	552	Sensor Low Reference	I	—
20	—	—	—	Not Occupied	—	—
21	0.35	GY	728	Security Indicator Control	I	—
22	0.35	L-GN / GY	13	Headlight Switch Park Lamp Signal	I	—
23	0.5	VT / L-GN	7558	LED Ambient Lighting Control 2	I	—
24	0.5	WH	2501	High Speed GMLAN Serial Data (-) 1	I	—
25	0.5	D-BU	2500	High Speed GMLAN Serial Data (+) 1	I	—
26	0.35	D-BU / WH	3275	Remote Function Actuator Receive Signal	I	—



**Connector Part Information**

- Harness Type: Instrument Panel
- Service Connector: 6040200C1
- Description: 27-pin F 0.64, 2.8 Series (L-BU)

**Table 695 Terminal Part Information**

Terminal Type ID	Service Terminal
I	6042047C1
II	6041854C1

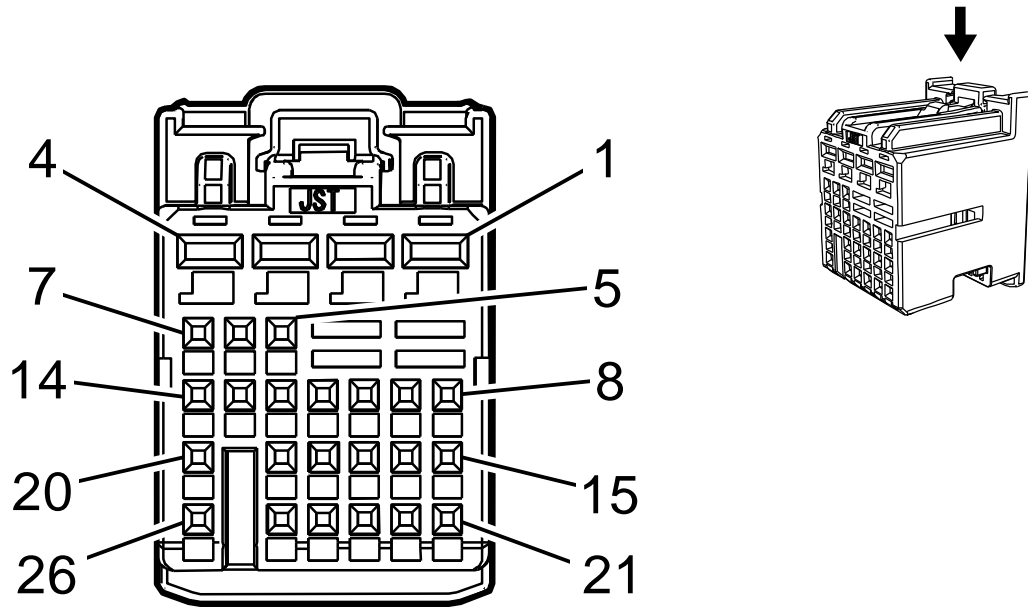
**Table 696 K9 Body Control Module X2**

Pin	Size	Color	Circuit	Function	Terminal Type ID	Option
1	0.75	RD / WH	2740	Battery Positive Voltage	II	—
2	0.75	BK	1850	Ground	II	—
3	0.75	RD / BN	2940	Battery Positive Voltage	II	—
4	0.75	RD / VT	4040	Battery Positive Voltage	II	—
5	—	—	—	Not Occupied	—	—

Table 696 K9 Body Control Module X2 (cont.)

Pin	Size	Color	Circuit	Function	Terminal Type ID	Option
6	0.35	GY	5697	Child Lockout Indicator Control	I	—
7	0.35	WH / L-GN	526	Stop Lamp Switch Signal	I	—
8	0.5	YE	6817	LED Backlight Dimming Control	I	—
9	0.35	YE / GY	44	Instrument Panel Lamp Dimmer Switch Signal	I	—
10	0.35	WH / D-BU	278	Ambient Light Sensor Signal	I	—
11-12	—	—	—	Not Occupied	—	—
13	0.35	GY / RD	598	5 volt Reference	I	—
14	0.35	D-BU / VT	1788	Traction Control Switch Signal 1	I	—
15	0.35	BN / WH	781	Driver Door Lock Switch Unlock Signal	I	—
16	0.35	GY	3273	Remote Function Actuator Low Reference	I	—
17	—	—	—	Not Occupied	—	—
18	0.5	GY	158	Cargo Lamp Switch Signal	I	—
19	0.35	BN / YE	780	Driver Door Lock Switch Lock Signal	I	—
20	0.5	WH / D-BU	3691	Trailer Brake Apply Signal	I	—
21	0.5	L-GN / GY	6135	Local Interconnect Network Serial Data Bus 4	I	—
22-24	—	—	—	Not Occupied	—	—
25	0.35	GY / WH	3272	Remote Function Actuator Control	I	—
26	0.35	L-GN / WH	111	Hazard Switch Signal	I	—
27	0.35	YE / L-GN	3274	Remote Function Actuator Transmit Signal	I	—





**Connector Part Information**

- Harness Type: Body
- Service Connector: 6040219C1
- Description: 26-pin F 0.64, 2.8 Series (BK)

**Table 698 Terminal Part Information**

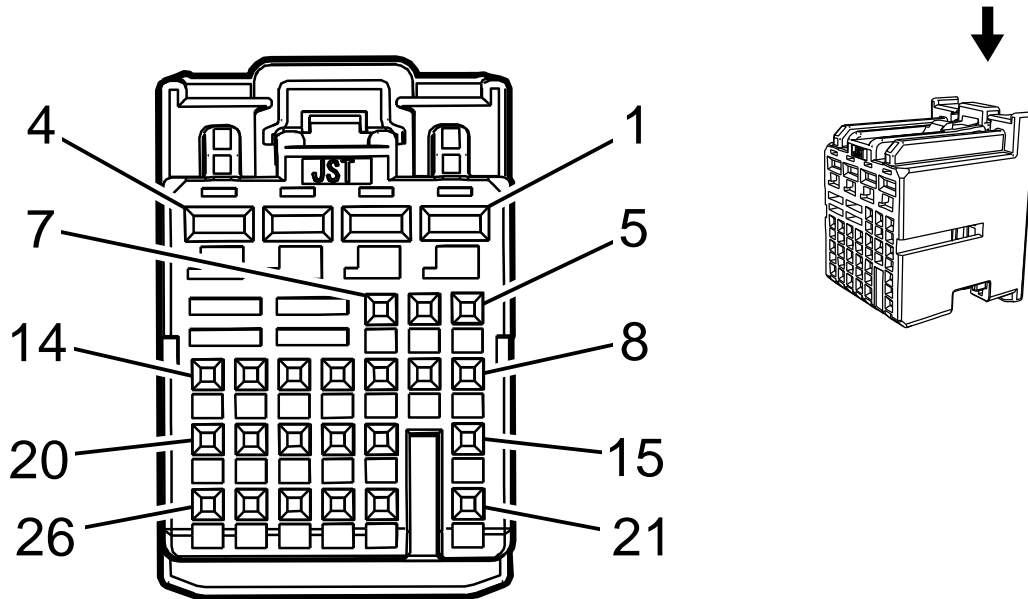
Terminal Type ID	Service Terminal
I	6042047C1
II	6042046C1
III	6041854C1

**Table 699 K9 Body Control Module X4**

Pin	Size	Color	Circuit	Function	Terminal Type ID	Option
1	0.75	YE	712	Left Headlight Low Beam Control	III	—
2	0.75	YE	312	Right Headlight Low Beam Control	III	—
3	0.75	L-GN / VT	1315	Right Front Turn Signal Lamp Control	III	—

Table 699 K9 Body Control Module X4 (cont.)

Pin	Size	Color	Circuit	Function	Terminal Type ID	Option
4-10	—	—	—	Not Occupied	—	—
11	0.5	VT / WH	5065	Stop Lamp Relay Coil Control	I	—
12	0.35	GY / VT	755	RAP Relay Coil Control	I	—
13	—	—	—	Not Occupied	—	—
14	0.35	BN / GY	2268	Windshield Washer Relay Control	I	—
15	0.35	L-GN / VT	5199	Run / Crank Relay Coil Control	I	—
16	0.35	GY	91	Windshield Wiper Motor Relay Coil Control	I	—
17	0.5	BN / L-GN	196	Windshield Wiper Motor Park Switch Signal	I	—
18-19	—	—	—	Not Occupied	—	—
20	0.5	RD / YE	2340	Battery Positive Voltage	I	—
21	0.5	YE	5530	Hood Open Switch Signal	I	—
22	0.35	VT / YE	5985	Accessory Wake-up Serial Data	I	—
23	0.5	WH / D-BU	5986	Serial Data Communication Enable	I	—
24	0.5	BN / L-GN	109	Hood Ajar Switch Signal	I	—
25	0.5	L-GN / YE	2081	Exhaust Brake Switch Control	I	—
26	0.75	BK / WH	451	Signal Ground	II	—



**Connector Part Information**

- Harness Type: Body
- Service Connector: 6040217C1
- Description: 26-pin F 0.64, 2.8 Series (BN)

**Table 701 Terminal Part Information**

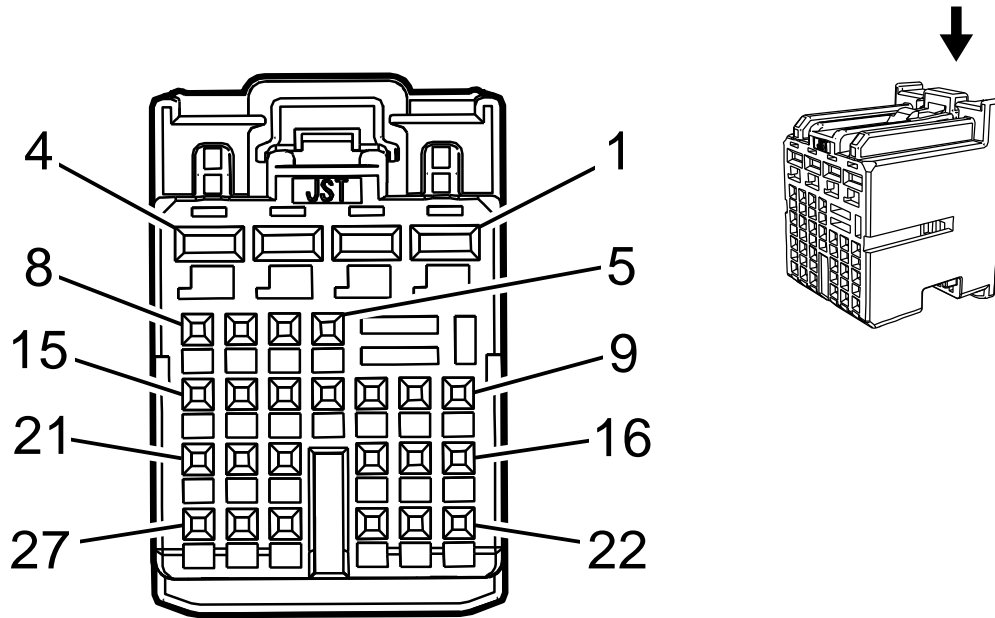
Terminal Type ID	Service Terminal
I	6042047C1
II	6042046C1
III	6041854C1

**Table 702 K9 Body Control Module X5**

Pin	Size	Color	Circuit	Function	Terminal Type ID	Option
1	—	—	—	Not Occupied	—	—
2	0.75	D-BU / WH	1314	Left Front Turn Signal Lamp Control	III	—
3	0.75	RD / L-GN	5140	Battery Positive Voltage	III	—

Table 702 K9 Body Control Module X5 (cont.)

Pin	Size	Color	Circuit	Function	Terminal Type ID	Option
4	0.75	RD / WH	3440	Battery Positive Voltage	III	—
5-7	—	—	—	Not Occupied	—	—
8	0.35	D-BU / WH	5186	Left Trailer Turn Signal Lamp Control	I	—
9	—	—	—	Not Occupied	—	—
10	0.5	BN	1317	Fog Lamp Relay Control	I	—
11	—	—	—	Not Occupied	—	—
12	0.35	WH / D-BU	6311	Cruise / ETC / TCC Brake Signal	I	—
13	—	—	—	Not Occupied	—	—
14	0.35	VT / BN	300	Run Ignition 3 Voltage	I	—
15	0.35	L-GN / WH	3438	Exhaust Brake Switch Signal	I	—
16	0.35	VT / YE	3267	Child Security Lock Relay Control	I	—
17	0.35	YE / GY	5187	Right Trailer Turn Signal Lamp Control	I	—
18	0.35	BN / VT	1969	Headlight High Beam Relay Control	I	—
19	0.35	BN / WH	28	Horn Relay Control	I	—
20	0.75	BN / L-GN	9950	—	II	—
21	0.75	YE / D-BU	9960	—	II	—
22	0.35	D-BU	45	Park Lamp Relay Control	I	—
23	—	—	—	Not Occupied	—	—
24	0.35	WH / VT	860	Front Windshield Wiper Switch High Signal	I	—
25	—	—	—	Not Occupied	—	—
26	0.35	D-BU / BN	38	Backup Lamp Relay Control	I	—



**Connector Part Information**

- Harness Type: Body
- Service Connector: 6040216C1
- Description: 27-pin F 0.64, 2.8 Series (L-PU)

**Table 704 Terminal Part Information**

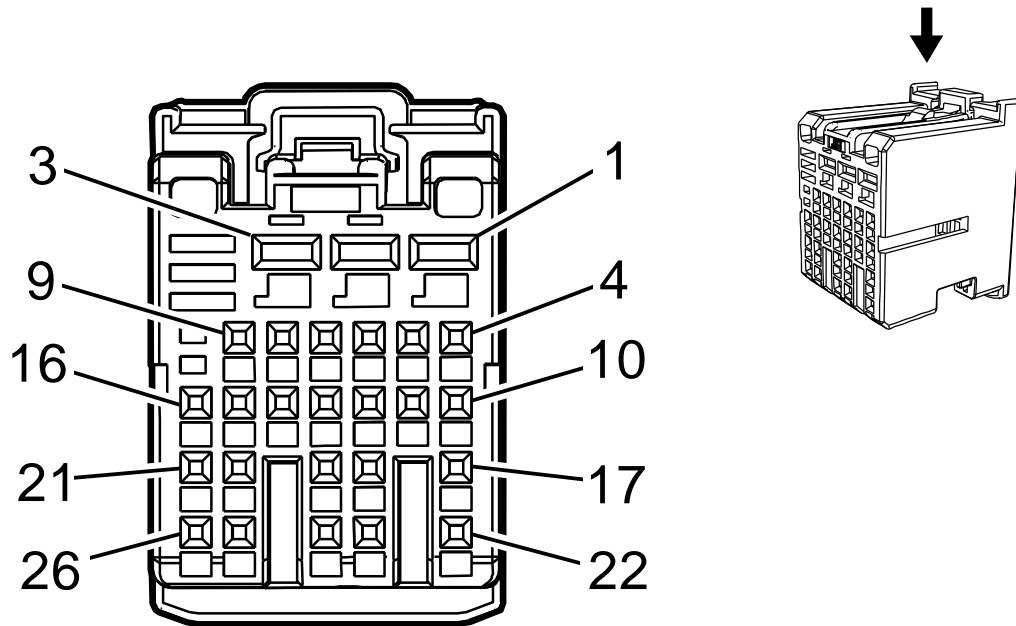
Terminal Type ID	Service Terminal
I	6041854C1
II	6042047C1
III	6041854C1

**Table 705 K9 Body Control Module X6**

Pin	Size	Color	Circuit	Function	Terminal Type ID	Option
1	1.5	D-BU / WH	195	Door Lock Control	I	—
2	1.5	GY / L-GN	3271	Door Lock Control 2	I	—
3	1.5	BK	1850	Ground	I	—

Table 705 K9 Body Control Module X6 (cont.)

Pin	Size	Color	Circuit	Function	Terminal Type ID	Option
4	1.5	BN / YE	294	Door Lock Actuator Unlock Control	I	CREW CAB 43
	0.75	BN / YE	294	Door Lock Actuator Unlock Control	III	STANDARD CAB 03
5	—	—	—	Not Occupied	—	—
6	0.35	D-BU / VT	1124	Door Lock Key Switch Unlock Signal	II	—
7-8	—	—	—	Not Occupied	—	—
9	0.5	L-GN / D-BU	6133	Local Interconnect Network Serial Data Bus 2	II	—
10	0.5	L-GN / YE	6134	Local Interconnect Network Serial Data Bus 3	II	—
11-20	—	—	—	Not Occupied	—	—
21	0.35	WH / VT	3270	Driver Door Lock Motor Status Signal	II	—
22-23	—	—	—	Not Occupied	—	—
24	0.5	D-BU	2500	High Speed GMLAN Serial Data (+) 1	II	—
25	0.5	WH	2501	High Speed GMLAN Serial Data (-) 1	II	—
26	0.5	BN / WH	1429	Standing Lamp Relay Control	II	—
27	0.35	GY	747	Left Rear Door Ajar Switch Signal	II	—



**Connector Part Information**

- Harness Type: Body
- Service Connector: 6040218C1
- Description: 26-pin F 0.64, 2.8 Series (L-GY)

**Table 707 Terminal Part Information**

Terminal Type ID	Service Terminal
I	6042047C1
II	6041854C1

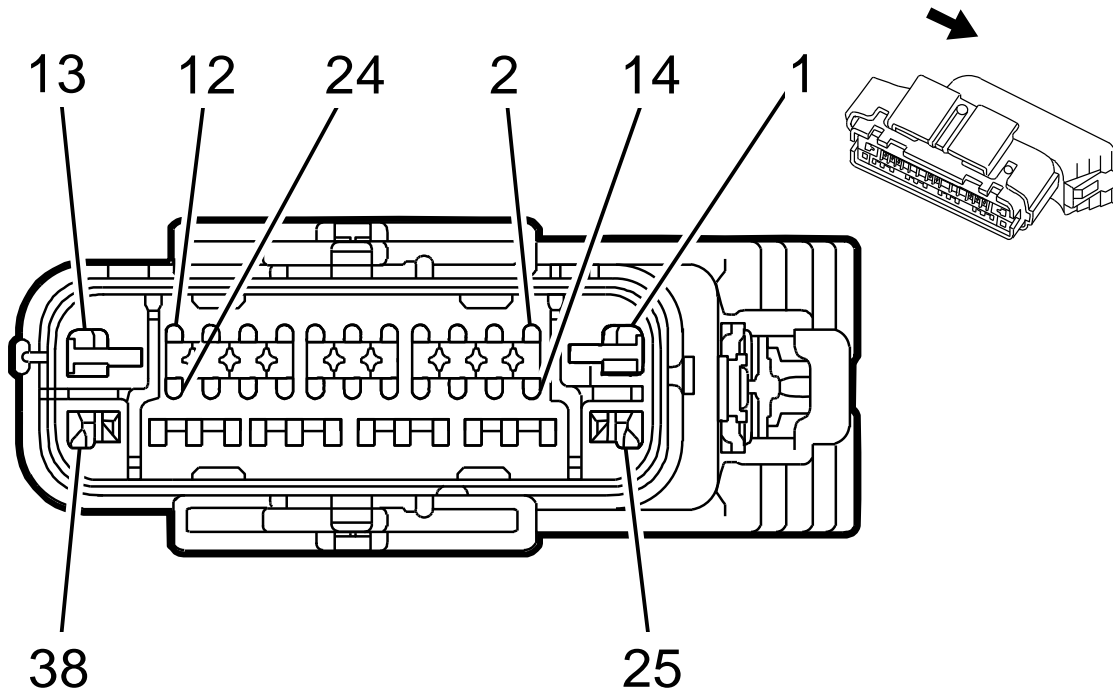
**Table 708 K9 Body Control Module X7**

Pin	Size	Color	Circuit	Function	Terminal Type ID	Option
1	0.75	GY	157	Interior Lamp Control	II	—
2	—	—	—	Not Occupied	—	—
3	0.75	WH / BN	6815	Inadvertent Power Control	II	—
4-5	—	—	—	Not Occupied	—	—

**Table 708 K9 Body Control Module X7 (cont.)**

Pin	Size	Color	Circuit	Function	Terminal Type ID	Option
6	0.35	YE / WH	816	Brake Transmission Shift Interlock Solenoid Control	I	—
7-8	—	—	—	Not Occupied	—	—
9	0.5	YE	6817	LED Backlight Dimming Control	I	—
10	0.35	D-BU / BN	7547	Security Lock Relay Control	I	—
11	0.35	GY	748	Right Rear Door Ajar Switch Signal	I	—
12	0.35	BN / WH	3269	Child Security Lock Motor Status Signal Left Rear	I	—
13	—	—	—	Not Occupied	—	—
14	0.35	GY	746	Right Front Door Ajar Switch Signal	I	—
15	0.35	YE / BN	3265	Child Security Lock Switch Signal	I	—
16	0.5	WH / D-BU	3691	Trailer Brake Apply Signal	I	—
17	—	—	—	Not Occupied	—	—
18	0.35	GY / BK	3268	Child Security Lock Motor Status Signal Right Rear	I	—
19	0.35	GY	156	Courtesy Lamp Switch Signal	I	—
20	—	—	—	Not Occupied	—	—
21	0.35	YE / VT	244	Passenger Door Lock Switch Lock Control	I	—
22	0.35	WH / YE	7557	LED Ambient Lighting Control 1	I	—
23	0.5	L-GN	5060	Low Speed GMLAN Serial Data	I	—
24	0.35	BN / VT	245	Passenger Door Lock Switch Unlock Control	I	—
25	0.35	L-GN	4512	Left Front Door Ajar Switch Signal	I	CREW CAB 43
	0.35	GY	745		I	STANDARD CAB 03
26	—	—	—	Not Occupied	—	—





**Connector Part Information**

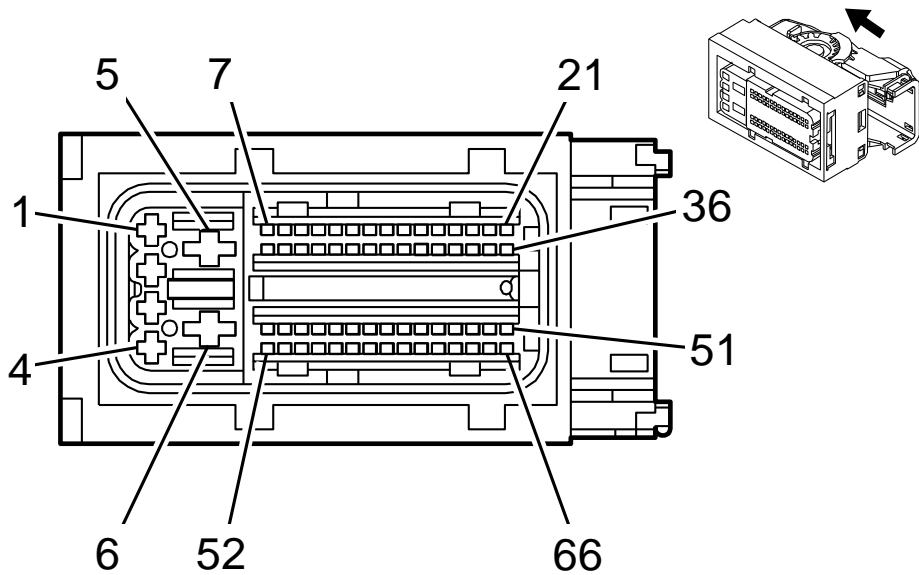
- Harness Type: Chassis
- Service Connector: 4089378C1
- Description: 38-pin F 0.64, 2.8, 6.3 Series, Sealed (BK)

**Table 710 Terminal Part Information**

Terminal Type ID	Service Terminal
I	4089394C1 0.5mm
	4089393C1 0.75mm
	3534163C1 1.5-2mm
	3612307C1 3mm
	3592378C1 5mm

Table 711 K17 Electronic Brake Control Module

Pin	Size	Color	Circuit	Function	Terminal Type ID	Option
1	5	RD / YE	1042	Battery Positive Voltage	I	—
2-3	—	—	—	Not Occupied	—	—
4	0.75	GY	90	Right Mirror Motor Left Control	I	—
5	—	—	—	Not Occupied	—	—
6	0.75	GY / BN	7065	Wheel Speed Sensor Control Right Front	I	—
7-12	—	—	—	Not Occupied	—	—
13	3	BK	2150	Ground	I	—
14	0.5	WH	2501	High Speed GMLAN Serial Data (-) 1	I	—
15-17	—	—	—	Not Occupied	—	—
18	0.75	YE	872	Wheel Speed Sensor Signal Right Front	I	—
19	0.75	VT	882	Wheel Speed Sensor Signal Right Rear	I	—
20	0.75	GY / BK	7127	Wheel Speed Sensor Control Left Rear	I	—
21	0.75	GY	830	Wheel Speed Sensor Signal Left Front	I	—
22-24	—	—	—	Not Occupied	—	—
25	2	RD / VT	1940	Battery Positive Voltage	I	—
26	0.5	BU	2500	High Speed GMLAN Serial Data (+) 1	I	—
27	—	—	—	Not Occupied	—	—
28	0.75	GY	90	Right Mirror Motor Left Control	I	—
29	0.75	GY	90	Right Mirror Motor Left Control	I	—
30	—	—	—	Not Occupied	—	—
31	0.75	WH / BU	7128	Wheel Speed Sensor Control Right Rear	I	—
32	—	—	—	Not Occupied	—	—
33	0.75	BU	884	Wheel Speed Sensor Signal Left Rear	I	—
34	0.75	GY / WH	7064	Wheel Speed Sensor Control Left Front	I	—
35	0.75	WH / BU	5986	Serial Data Communication Enable	I	—
36-37	—	—	—	Not Occupied	—	—
38	1.5	BK	2150	Ground	I	—



**Connector Part Information**

- Harness Type: Engine Chassis
- Service Connector: 6041825C1
- Description: 66-pin F 0.64 MTS-B, 2.8 ATS, 6.3 Ducon Series, Sealed (BK)

**Table 713 Terminal Part Information**

Terminal Type ID	Service Terminal
I	6041901C1
II	6041933C1
III	6041855C1
IV	6041930C1
V	6041851C1

**Table 714 K20 Engine Control Module X1**

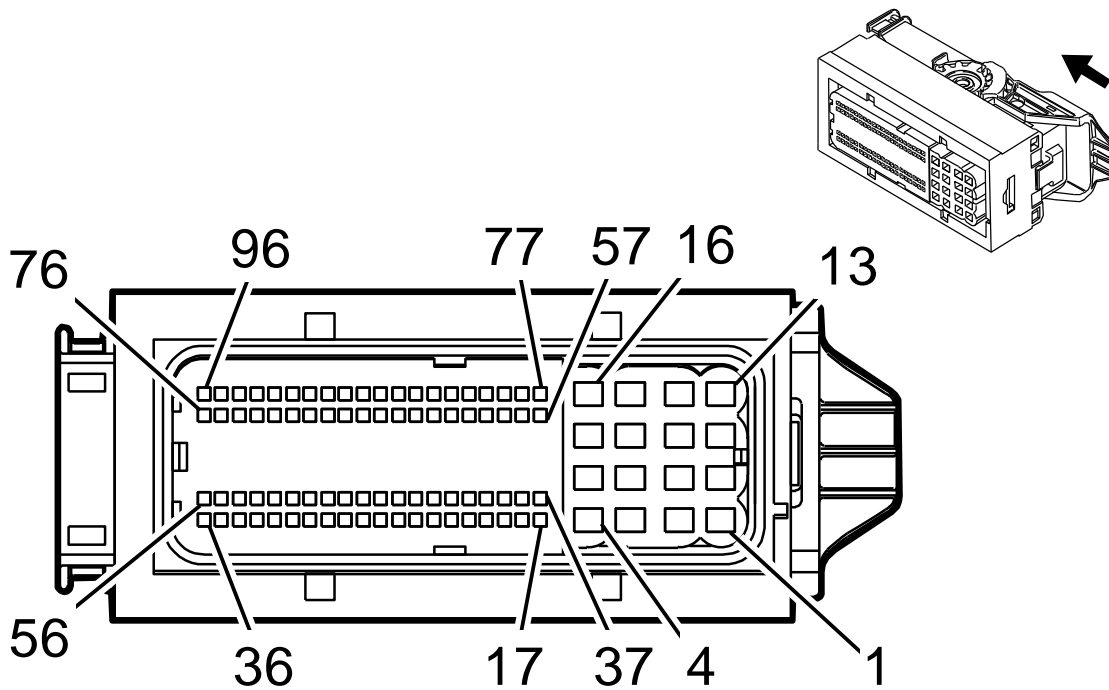
Pin	Size	Color	Circuit	Function	Terminal Type ID	Option
1	0.75	VT / D-BU	5290	Powertrain Main Relay Fused Supply 1	I	—
2	0.5	VT / D-BU	5290	Powertrain Main Relay Fused Supply 1	I	—
3	—	—	—	Not Occupied	—	—
4	0.5	RD / BN	440	Battery Positive Voltage	I	—

Table 714 K20 Engine Control Module X1 (cont.)

Pin	Size	Color	Circuit	Function	Terminal Type ID	Option
5	2.5	VT / D-BU	5290	Powertrain Main Relay Fused Supply 1	IV	—
6	4	BK / WH	451	Signal Ground	V	—
7	0.5	VT / YE	5985	Accessory Wake-up Serial Data	III	—
8-9	—	—	—	Not Occupied	—	—
10	0.5	L-GN / WH	492	Mass Air Flow Sensor Signal	III	—
11	0.5	D-BU / GY	636	Outside Ambient Air Temperature Sensor Signal	III	—
12	—	—	—	Not Occupied	—	—
13	0.5	WH / RD	1164	Accelerator Pedal Position 5 volt Reference 1	III	—
14	0.5	BN / RD	1274	Accelerator Pedal Position 5 volt Reference 2	III	—
15	0.5	L-GN / WH	1162	Accelerator Pedal Position Signal 2	III	—
16	0.5	BK / VT	1272	Accelerator Pedal Position Low Reference 2	III	—
17-20	—	—	—	Not Occupied	—	—
21	0.5	YE	2928	Fuel Metering Valve High Control	III	—
22	0.5	VT / L-GN	439	Run / Crank Ignition 1 Voltage	III	—
23	—	—	—	Not Occupied	—	—
24	0.5	WH / D-BU	6311	Cruise / ETC / TCC Brake Signal	III	—
25	0.5	BN / GY	4008	Humidity Sensor Signal	III	—
26	0.5	BK / D-BU	61	Outside Ambient Temperature Sensor Low Reference	III	—
27	0.5	BK / D-BU	1271	Accelerator Pedal Position Low Reference 1	III	—
28	0.5	YE / WH	1161	Accelerator Pedal Position Signal 1	III	—
29-32	—	—	—	Not Occupied	—	—
33	0.5	BN / WH	419	Check Engine Indicator Control	III	—
34	0.5	L-GN / BN	507	Wait To Start Indicator Control	III	—
35	0.5	WH / GY	459	A/C Compressor Clutch Relay Control	III	—
36	0.5	BN / BK	2929	Fuel Metering Valve Low Control	III	—
37-38	—	—	—	Not Occupied	—	—

Table 714 K20 Engine Control Module X1 (cont.)

Pin	Size	Color	Circuit	Function	Terminal Type ID	Option
39	0.5	WH	4499	High Speed GMLAN Serial Data (-) 7	III	—
40	0.5	WH	2501	High Speed GMLAN Serial Data (-) 1	II	—
41-42	—	—	—	Not Occupied	—	—
43	0.5	BK / BN	5360	Brake Apply Sensor Low Reference	III	—
44	0.5	WH	5359	Brake Apply Sensor Control	III	—
45	0.5	WH / D-BU	6289	Induction Air Temperature Sensor Signal	III	—
46	0.5	BN / RD	2700	A/C Pressure Sensor 5 volt Reference	III	—
47	0.5	L-GN	380	A/C Refrigerant Pressure Sensor Signal	III	—
48	0.5	BK / BN	5514	A/C Refrigerant Pressure Sensor Low Reference	III	—
49	—	—	—	Not Occupied	—	—
50	0.5	WH / BK	2366	Cooling Fan Control Relay Speed Signal	III	—
51	0.5	YE	5991	Powertrain Relay Coil Control	III	—
52-53	—	—	—	Not Occupied	—	—
54	0.5	D-BU / BN	4498	High Speed GMLAN Serial Data (+) 7	III	—
55	0.5	D-BU	2500	High Speed GMLAN Serial Data (+) 1	II	—
56-58	—	—	—	Not Occupied	—	—
59	0.5	D-BU / YE	5361	Brake Apply Sensor Signal	III	—
60	0.5	BK / VT	2760	Intake Air Temperature Sensor Low Reference	III	—
61-63	—	—	—	Not Occupied	—	—
64	0.5	YE / D-BU	1465	Secondary Fuel Pump Relay Control	III	—
65	0.5	YE / BK	625	Starter Enable Relay Control	III	—
66	0.5	L-GN / GY	465	Fuel Pump Primary Relay Control	III	—



**Connector Part Information**

- Harness Type: Engine
- Service Connector: 6041828C1
- Description: 96-pin F 0.64 MTS-B, 2.8 ATS Series, Sealed (BK)

**Table 716 Terminal Part Information**

Terminal Type ID	Service Terminal
I	6041931C1
II	6041911C1
III	6041851C1

**Table 717 K20 Engine Control Module X2**

Pin	Size	Color	Circuit	Function	Terminal Type ID	Option
1	0.75	VT / GN	4806	Direct Fuel Injector (DFI) High Voltage Control Cylinder 6	III	—
2	0.75	YE / GY	4807	Direct Fuel Injector (DFI) High Voltage Control Cylinder 7	III	—

Table 717 K20 Engine Control Module X2 (cont.)

Pin	Size	Color	Circuit	Function	Terminal Type ID	Option
3	0.75	GY / BU	4804	Direct Fuel Injector (DFI) High Voltage Control Cylinder 4	III	—
4	0.75	BN	4801	Direct Fuel Injector (DFI) High Voltage Control Cylinder 1	III	—
5	0.75	VT / GY	4906	Direct Fuel Injector (DFI) High Voltage Supply Cylinder 6	III	—
6	0.75	WH / YE	4907	Direct Fuel Injector (DFI) High Voltage Supply Cylinder 7	III	—
7	0.75	BU / WH	4904	Direct Fuel Injector (DFI) High Voltage Supply Cylinder 4	III	—
8	0.75	BN / WH	4901	Direct Fuel Injector (DFI) High Voltage Supply Cylinder 1	III	—
9	0.75	GN / GY	4903	Direct Fuel Injector (DFI) High Voltage Supply Cylinder 3	III	—
10	0.75	GY / WH	4908	Direct Fuel Injector (DFI) High Voltage Supply Cylinder 8	III	—
11	0.75	GN / WH	4905	Direct Fuel Injector (DFI) High Voltage Supply Cylinder 5	III	—
12	0.75	BU / GY	4902	Direct Fuel Injector (DFI) High Voltage Supply Cylinder 2	III	—
13	0.75	GN	4803	Direct Fuel Injector (DFI) High Voltage Control Cylinder 3	III	—
14	0.75	GY	4808	Direct Fuel Injector (DFI) High Voltage Control Cylinder 8	III	—
15	0.75	WH / GN	4805	Direct Fuel Injector (DFI) High Voltage Control Cylinder 5	III	—
16	0.75	BU	4802	Direct Fuel Injector (DFI) High Voltage Control Cylinder 2	III	—
17	0.5	BK / VT	2755	Oil Pressure Sensor Low Reference	II	—
18	0.5	YE / BN	331	Oil Pressure Sensor Signal	II	—
19	0.5	WH / RD	2705	Oil Pressure Sensor 5 volt Reference	II	—
20	0.5	BU / RD	2702	Exhaust Gas Recirculation 5 volt Reference 2	II	—
21	0.5	BN / WH	5763	Exhaust Gas Recirculation Valve Sensor Signal	II	—
22	0.5	BK / BN	2753	Exhaust Gas Recirculation Sensor Low Reference	II	—
23	—	—	—	Not Occupied	—	—
24	0.5	BN / YE	2161	Fuel Rail Pressure Sensor 2 Signal	II	—

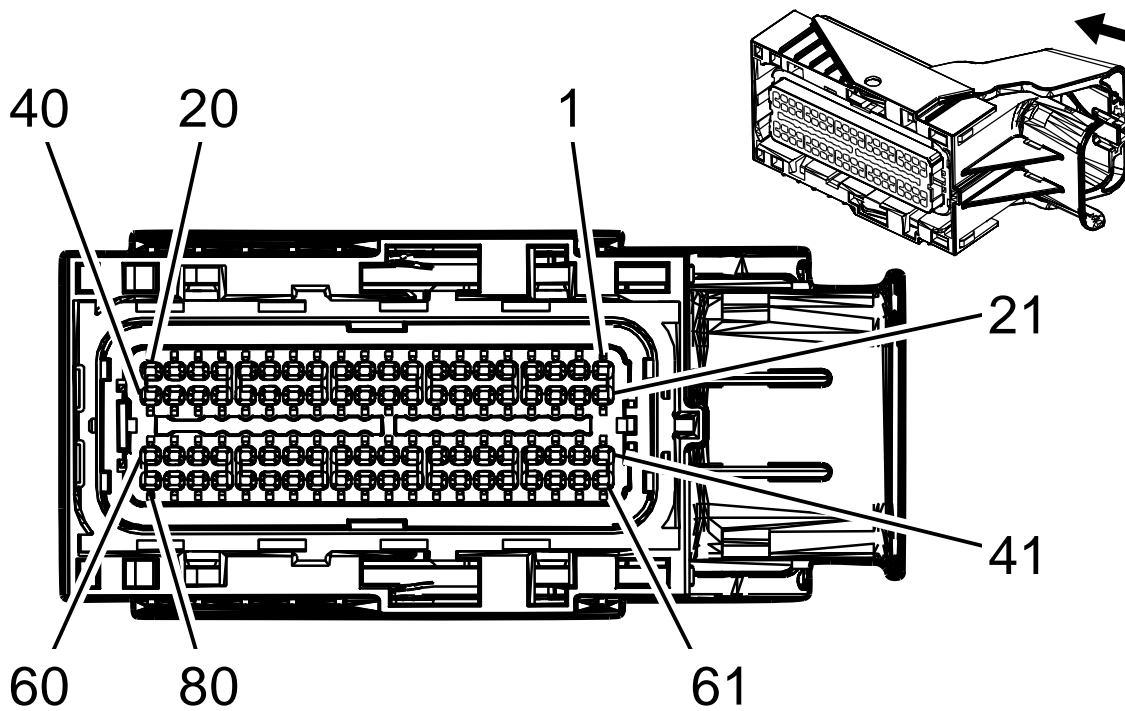
Table 717 K20 Engine Control Module X2 (cont.)

Pin	Size	Color	Circuit	Function	Terminal Type ID	Option
25	—	—	—	Not Occupied	—	—
26	0.5	BN	7348	Induction Air Temperature Sensor 2 Signal	II	—
27-29	—	—	—	Not Occupied	—	—
30	0.5	BU	410	Engine Coolant Temperature Sensor Signal	II	—
31	0.5	BN	25	Charge Indicator Control	II	—
32-36	—	—	—	Not Occupied	—	—
37	0.5	BK / GN	5301	Camshaft Position Intake Sensor Low Reference 1	II	—
38	0.5	YE / VT	5275	Camshaft Position Intake Sensor 1	II	—
39	0.5	GY / BU	5300	Camshaft Position Intake Sensor Control 1	II	—
40	0.5	VT / RD	3652	EGR Cooler Bypass Position Sensor 5 volt Reference	II	—
41	0.5	GN / GY	3654	EGR Cooler Bypass Position Sensor Signal	II	—
42	0.5	BK / BU	3653	EGR Cooler Bypass Position Sensor Low Reference	II	—
43	0.5	BK / BN	2752	Throttle Position Sensor Low Reference	II	—
44	0.5	BU / WH	3630	Throttle Position Sensor (SENT1) Signal	II	—
45	0.5	BN / RD	2701	Throttle Position Sensor 5 volt Reference	II	—
46-49	—	—	—	Not Occupied	—	—
50	0.5	BK / BN	2761	Coolant Temperature Sensor Low Reference	II	—
51	0.5	GY	23	Alternator (Generator) Field Duty Cycle Signal	II	—
52-56	—	—	—	Not Occupied	—	—
57	0.5	BK / GN	2919	Fuel Rail Pressure Sensor Low Reference	II	—
58	0.5	BU / WH	2918	Fuel Rail Pressure Sensor Signal	II	—
59	0.5	BN / RD	2917	Fuel Rail Pressure Sensor 5 volt Reference	II	—
60	0.5	GY / RD	2704	Manifold Absolute Pressure Sensor 5 volt Reference	II	—
61	0.5	GN / WH	432	Manifold Absolute Pressure Sensor Signal	II	—



Table 717 K20 Engine Control Module X2 (cont.)

Pin	Size	Color	Circuit	Function	Terminal Type ID	Option
62	0.5	BK / GN	469	Manifold Absolute Pressure Sensor Low Reference	II	—
63-68	—	—	—	Not Occupied	—	—
69	0.5	BN / BU	2926	Hydrocarbon Injector High Control	II	—
70	—	—	—	Not Occupied	—	—
71	0.5	VT / BU	6091	Crankshaft Position Sensor Replicated Signal	II	—
72	0.5	VT / BN	2927	Hydrocarbon Injector Low Control	II	—
73	—	—	—	Not Occupied	—	—
74	0.5	YE	581	Throttle Actuator Control Open	II	—
75	0.5	BN / WH	582	Throttle Actuator Control Close	II	—
76	0.75	BK / YE	2834	Fuel Rail Pressure Solenoid Low Reference	I	—
77-79	—	—	—	Not Occupied	—	—
80	0.5	BN / RD	7445	Fuel Line Pressure Sensor 5 volt Reference	II	—
81	0.5	BU / WH	7446	Fuel Line Pressure Sensor Signal	II	—
82	0.5	BK / YE	7447	Fuel Line Pressure Sensor Low Reference	II	—
83	—	—	—	Not Occupied	—	—
84	0.5	BK / VT	6272	Crankshaft 60X Sensor Low Reference	II	—
85	0.5	GN	6271	Crankshaft 60X Sensor Signal	II	—
86	0.5	VT / BU	6270	Crankshaft 60X Sensor 5 volt Reference	II	—
87	0.5	BN / GN	1174	Oil Level Switch Signal	II	—
88-90	—	—	—	Not Occupied	—	—
91	0.5	BU / GN	7071	Heater Fuel Control	II	—
92	0.5	BN / VT	3656	EGR Cooler Bypass Motor Close Control	II	—
93	0.5	YE / GN	3655	EGR Cooler Bypass Motor Open Control	II	—
94	0.5	VT / BK	5746	Exhaust Gas Recirculation Valve Motor Low Signal	II	—
95	0.5	WH / VT	5764	Exhaust Gas Recirculation Valve Motor High Signal	II	—
96	0.75	BU / WH	2530	Fuel Rail Pressure Solenoid Control	I	—



**Connector Part Information**

- Harness Type: Engine Chassis
- Service Connector: 6040202C1
- Description: 80-pin F MX123 Series, Sealed (BU)

**Table 719 Terminal Part Information**

Terminal Type ID	Service Terminal
I	6041851C1

**Table 720 K20 Engine Control Module X3**

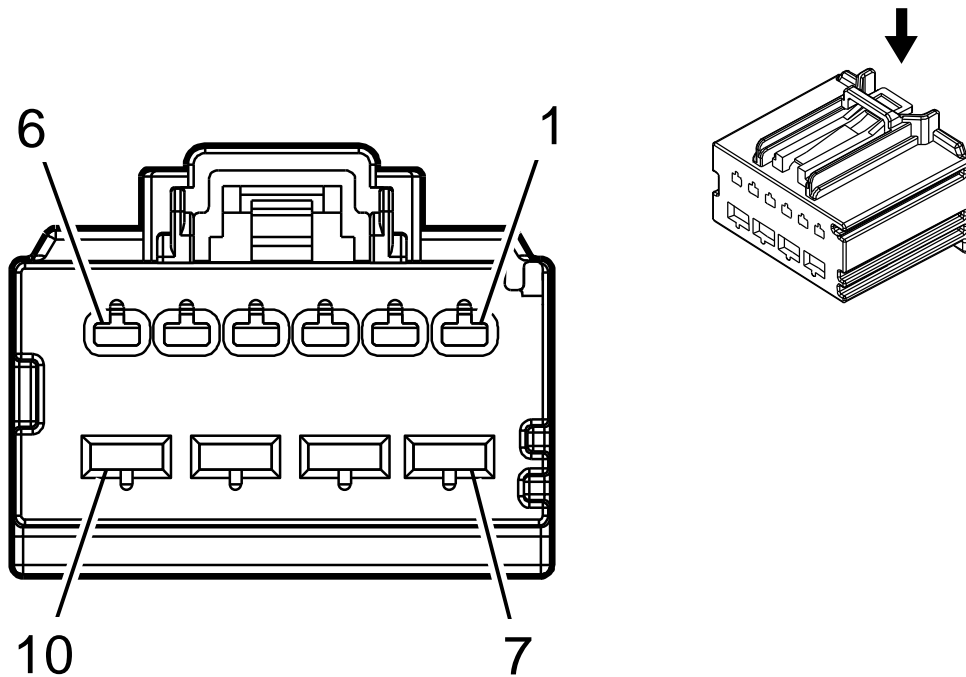
Pin	Size	Color	Circuit	Function	Terminal Type ID	Option
1	0.75	BN	3099	DEF Dosing Valve High Control	I	—
2	—	—	—	Not Occupied	—	—
3	0.5	L-GN / D-BU	3889	DEF Power Module Relay Control	I	—
4-11	—	—	—	Not Occupied	—	—
12	0.5	YE / BK	3682	Charge Air Cooler Inlet Temperature Sensor Low Reference	I	—

Table 720 K20 Engine Control Module X3 (cont.)

Pin	Size	Color	Circuit	Function	Terminal Type ID	Option
13	0.5	YE / D-BU	3680	Charge Air Cooler Outlet Temperature Sensor Low Reference	I	—
14	0.5	BK / YE	6275	EGR Outlet Temperature (Exhaust Gas Recirculation Temperature Sensor 2) Low Reference	I	—
15	0.5	BK / D-BU	6274	EGR Inlet Temperature (Exhaust Gas Recirculation Temperature Sensor 1) Low Reference	I	—
16	0.5	BK / VT	3661	Exhaust Gas Temperature Sensor 5 Low Reference	I	—
17	0.5	BK / GY	3659	Diesel Particulate Filter Outlet Temperature (Exhaust Gas Temperature Sensor 4) Low Reference	I	—
18	0.5	BK / L-GN	3657	Diesel Particulate Filter Intake Temperature (Exhaust Gas Temperature Sensor 3) Low Reference	I	—
19	0.5	BK / D-BU	6783	Diesel Oxidation Catalyst Outlet Temperature (Exhaust Gas Temperature Sensor 2) Low Reference	I	—
20	0.5	BK / BN	6782	Diesel Oxidation Catalyst Intake Temperature (Exhaust Gas Temperature Sensor 1) Low Reference	I	—
21	0.75	BN / WH	3100	DEF Dosing Valve Low Control	I	—
22-24	—	—	—	Not Occupied	—	—
25	0.5	WH / L-GN	6142	Power Take Off Engine Shutdown Signal	I	—
26-27	—	—	—	Not Occupied	—	—
28	0.5	WH / RD	3201	28. Throttle Inlet Absolute Pressure Sensor 5 volt Reference	I	—
29	0.5	BN / L-GN	5266	29. Ambient Air Pressure Sensor Signal	I	—
30-31	—	—	—	Not Occupied	—	—
32	0.5	L-GN	3683	Charge Air Cooler Inlet Temperature Sensor Signal	I	—
33	0.5	BN	3681	Charge Air Cooler Outlet Temperature Sensor Signal	I	—
34	0.5	YE / L-GN	3236	Exhaust Gas Recirculation Outlet Temperature (Exhaust Gas Recirculation Temperature Sensor 2) Signal	I	—

Table 720 K20 Engine Control Module X3 (cont.)

Pin	Size	Color	Circuit	Function	Terminal Type ID	Option
35	0.5	WH / BN	3237	Exhaust Gas Recirculation Inlet Temperature (Exhaust Gas Recirculation Temperature Sensor 1) Signal	I	—
36	0.5	D-BU / GY	3660	Exhaust Gas Temperature Sensor 5 Signal	I	—
37	0.5	VT / BN	3658	Diesel Particulate Filter Outlet Temperature (Exhaust Gas Temperature Sensor 4) Signal	I	—
38	0.5	GY / L-GN	5378	Diesel Particulate Filter Intake Temperature (Exhaust Gas Temperature Sensor 3) Signal	I	—
39	0.5	D-BU / L-GN	5377	Diesel Oxidation Catalyst Outlet Temperature (Exhaust Gas Temperature Sensor 2) Signal	I	—
40	0.5	D-BU / WH	5277	Diesel Oxidation Catalyst Intake Temperature (Exhaust Gas Temperature Sensor 1) Signal	I	—
41-64	—	—	—	Not Occupied	—	—
65	0.5	BK / BN	6141	Cooling Fan Speed Low Reference	I	—
66	0.5	D-BU / VT	2364	Cooling Fan Speed Signal	I	—
67	0.5	GY / RD	2365	Cooling Fan Speed 5 volt Reference	I	—
68	0.5	GY / BK	3096	Output Speed (Digital) Sensor 5 volt Reference	I	—
69	0.5	L-GN	3098	Output Speed (Digital) Signal	I	—
70	0.5	WH / BK	3097	Output Speed (Digital) Sensor Low Reference	I	—
71-75	—	—	—	Not Occupied	—	—
76	0.5	BK / YE	6055	Diesel Particulate Filter Differential Pressure (Exhaust Pressure Sensor) Low Reference	I	—
77	0.5	D-BU	6053	Diesel Particulate Filter Differential Pressure (Exhaust Pressure Sensor) Signal	I	—
78	0.5	WH / RD	6054	Diesel Particulate Filter Differential Pressure (Exhaust Pressure Sensor) 5 volt Reference	I	—
79-80	—	—	—	Not Occupied	—	—



**Connector Part Information**

- Harness Type: Passenger Seat Cushion
- Service Connector: Service by Harness
- Description: 10-pin F 1.5, 2.8 Series (BK)

**Table 722 Terminal Part Information**

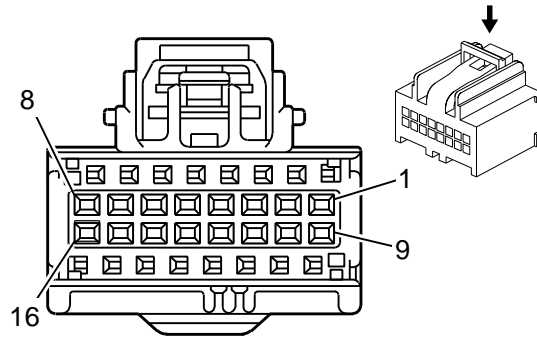
Terminal Type ID	Service Terminal
I	6041851C1
II	6041851C1

**Table 723 K29 Seat Heating Control Module X1 (Feature Code: 0016XJR)**

Pin	Size	Color	Circuit	Function	Terminal Type ID	Option
1	0.75	WH / BN	2481	Passenger Heated Back Element Control	I	—
2	0.75	BN / L-BU	2479	Passenger Heated Seat Element Control	I	—
3	0.75	GY / BK	2480	Passenger Heated Seat Element Low Reference	I	—

**Table 723 K29 Seat Heating Control Module X1 (Feature Code: 0016XJR) (cont.)**

<b>Pin</b>	<b>Size</b>	<b>Color</b>	<b>Circuit</b>	<b>Function</b>	<b>Terminal Type ID</b>	<b>Option</b>
4	0.75	BN / BK	2078	Driver Heated Seat Element Low Reference	I	—
5	0.75	BN	2432	Driver Heated Back Element Control	I	—
6	0.75	BN / VT	2077	Driver Heated Seat Element Control	I	—
7	0.75	RD / L-GN	6140	Battery Positive Voltage	II	—
8	0.75	BK	1250	Ground	II	—
9	—	—	—	Not Occupied	—	—
10	0.75	RD / L-GN	5140	Battery Positive Voltage	II	—



**Connector Part Information**

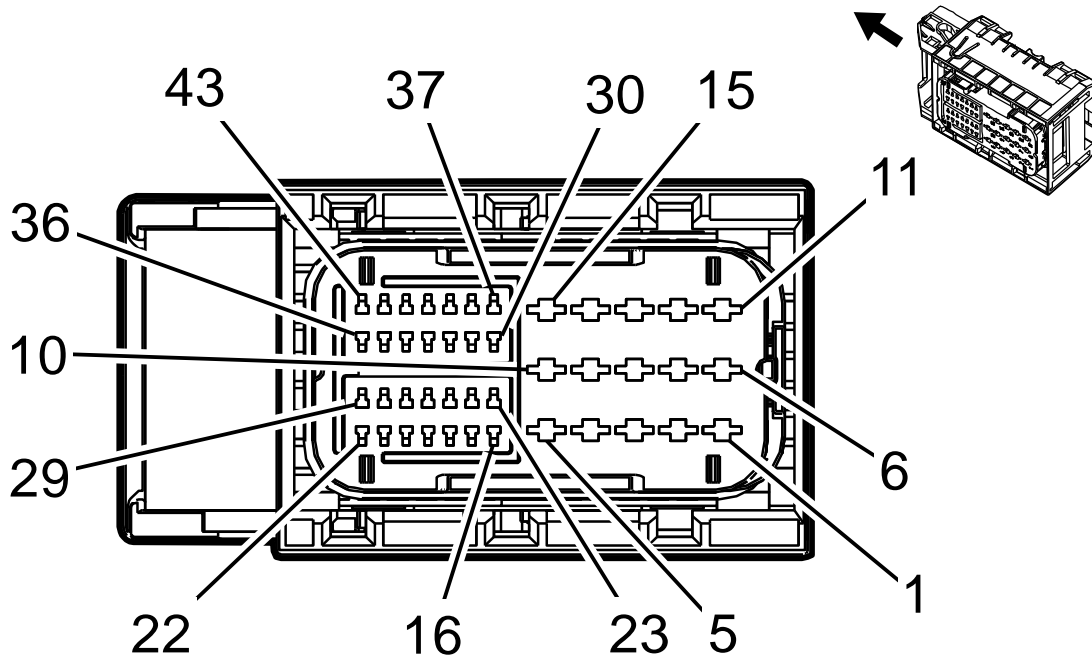
- Harness Type: Passenger Seat Cushion
- Service Connector: Service by Harness
- Description: 16-pin F 0.64 Kaizen Series (BK)

**Table 725 Terminal Part Information**

Terminal Type ID	Service Terminal
I	6042045C1

**Table 726 K29 Seat Heating Control Module X2 (Feature Code: 0016XJR)**

Pin	Size	Color	Circuit	Function	Terminal Type ID
1	0.5	BK / YE	2080	Driver Heated Seat NTC Low Reference	I
2	0.5	BK / GY	2435	Passenger Heated Seat NTC Low Reference	I
3	0.5	L-BU	2425	Driver Heated Back NTC Signal	I
4	0.5	WH / L-BU	2436	Passenger Heated Back NTC Signal	I
5	0.5	WH / GY	2434	Passenger Heated Seat NTC Signal	I
6	0.5	YE / GY	2079	Driver Heated Seat NTC Signal	I
7	—	—	—	Not Occupied	—
8	0.35	L-GN / L-BU	6133	Local Interconnect Network Serial Data Bus 2	I
9-11	—	—	—	Not Occupied	—
12	0.5	BK / L-GN	2482	Passenger Heated Back NTC Low Reference	I
13-16	—	—	—	Not Occupied	—



**Connector Part Information**

- Harness Type: Engine
- Service Connector: 6040290C1
- Description: 43-pin F 1.2, 2.8 Series, Sealed (BK)

**Table 728 Terminal Part Information**

Terminal Type ID	Service Terminal
I	6042076C1
II	6042075C1

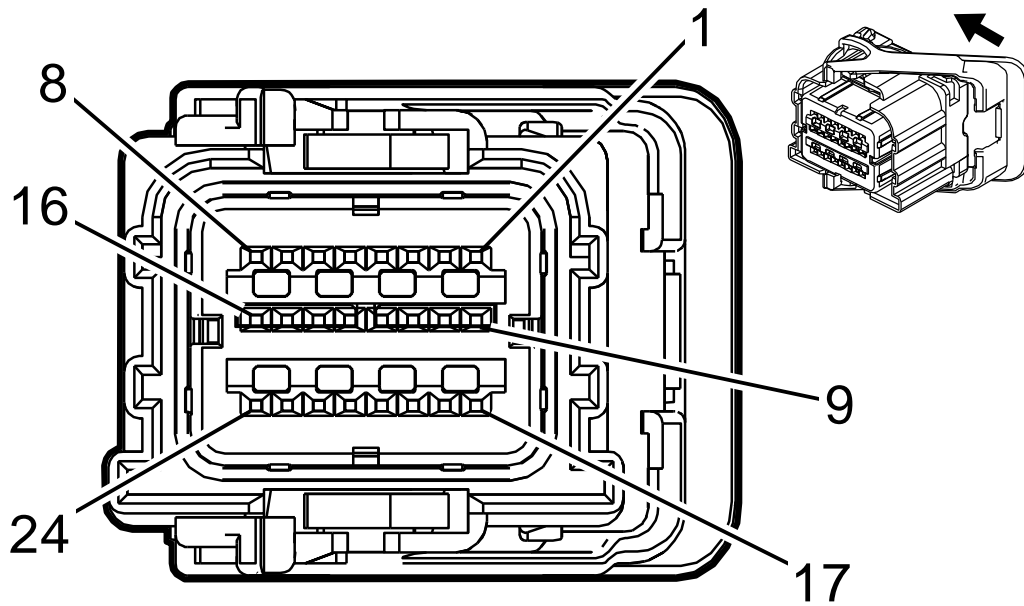
**Table 729 K34 Glow Plug Control Module X2**

Pin	Size	Color	Circuit	Function	Terminal Type ID
1	—	—	—	Not Occupied	—
2	2	GY / YE	1584	Glow Plug Control 4	I
3	2	GY / GN	1583	Glow Plug Control 3	I
4	2	GY / BN	1582	Glow Plug Control 2	I
5	2	GY / BU	1581	Glow Plug Control 1	I



Table 729 K34 Glow Plug Control Module X2 (cont.)

Pin	Size	Color	Circuit	Function	Terminal Type ID
6-9	—	—	—	Not Occupied	—
10	2	BK	550	Ground	I
11	—	—	—	Not Occupied	—
12	2	GY / WH	1585	Glow Plug Control 5	I
13	2	GY / VT	1586	Glow Plug Control 6	I
14	2	WH / BK	1587	Glow Plug Control 7	I
15	2	WH / BU	1588	Glow Plug Control 8	I
16	0.5	BK	—	—	II
17	0.5	BK	—	—	II
18	0.5	WH	2501	High Speed GMLAN Serial Data (-) 1	II
19	0.5	WH	2501	High Speed GMLAN Serial Data (-) 1	II
20-22	—	—	—	Not Occupied	—
23	0.5	23. BK	—	—	II
24	0.5	24. BK	—	—	II
25	0.5	25. BU	2500	High Speed GMLAN Serial Data (+) 1	II
26	0.5	26. BU	2500	High Speed GMLAN Serial Data (+) 1	II
27-29	—	—	—	Not Occupied	—
30	0.5	BK	—	—	II
31	0.5	BK	—	—	II
32	—	—	—	Not Occupied	—
33	0.5	VT / BK	2139	Run / Crank Ignition 1 Voltage	II
34-36	—	—	—	Not Occupied	—
37	0.5	BK	—	—	II
38	0.5	BK	—	—	II
39	—	—	—	Not Occupied	—
40	0.5	VT / YE	443	Accessory Ignition Voltage	II
41-43	—	—	—	Not Occupied	—



**Connector Part Information**

- Harness Type: Body
- Service Connector: 6040243C1
- Description: 24-pin F 0.64 Series, Sealed (YE)

**Table 731 Terminal Part Information**

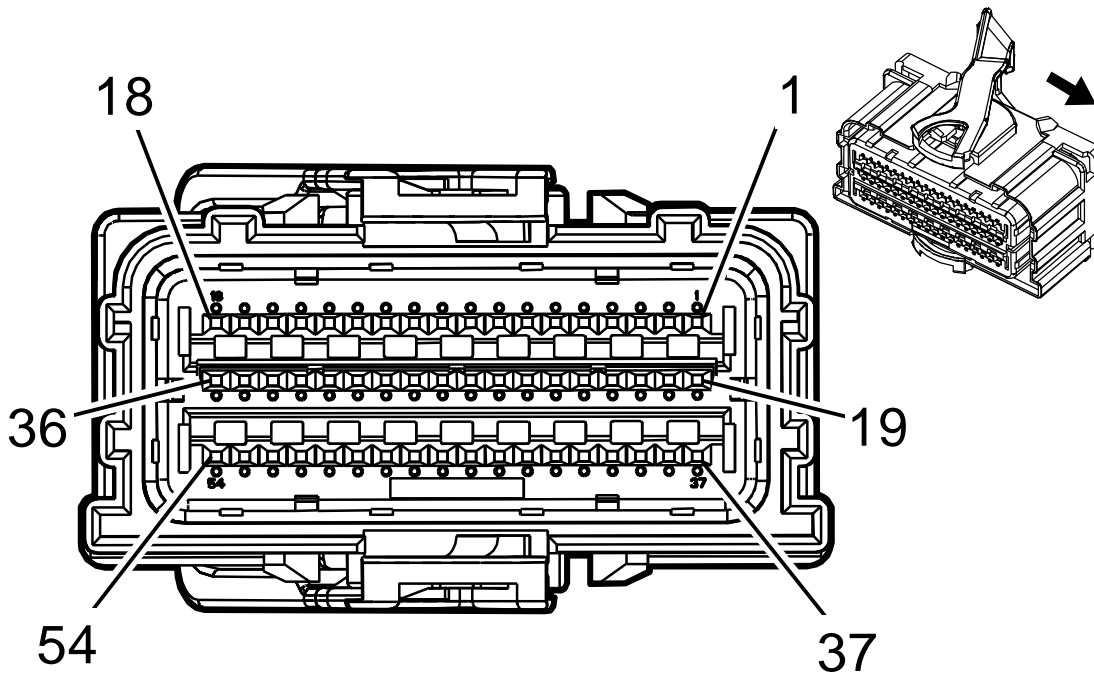
Terminal Type ID	Service Terminal
I	6042044C1
II	6042045C1

**Table 732 K36 Inflatable Restraint Sensing and Diagnostic Module X1**

Pin	Size	Color	Circuit	Function	Terminal Type ID
1-2	—	—	—	Not Occupied	—
3	0.35	BN / OG	3020	Steering Wheel Module Stage 1 Low Control	I
4	0.35	OG / VT	3021	Steering Wheel Module Stage 1 High Control	I
5	0.35	YE / OG	3025	Passenger IP Module Stage 1 High Control	I
6	0.35	OG / WH	3024	Passenger IP Module Stage 1 Low Control	I

Table 732 K36 Inflatable Restraint Sensing and Diagnostic Module X1 (cont.)

Pin	Size	Color	Circuit	Function	Terminal Type ID
7	0.35	OG / VT	3026	Passenger IP Module Stage 2 Low Control	I
8	0.35	GY / OG	3027	Passenger IP Module Stage 2 High Control	I
9	0.5	RD / L-GN	4440	Battery Positive Voltage	II
10	0.35	VT / WH	5234	Passenger Seat Belt Indicator Control	I
11	0.35	D-BU	2307	Passenger Air Bag On Indicator Control	I
12	0.35	L-GN	2308	Passenger Air Bag Off Indicator Control	I
13	0.35	VT / OG	371	Passenger IP Module Disable Switch Signal	I
14	0.35	D-BU / OG	7328	Passenger IP Module Disable Switch Low Reference	I
15	0.5	L-GN	5060	Low Speed GMLAN Serial Data	II
16	—	—	—	Not Occupied	—
17	0.5	WH / D-BU	5986	Serial Data Communication Enable	II
18	0.5	D-BU / YE	6105	High Speed GMLAN Serial Data (+) 2	II
19	0.75	BK / WH	2751	Signal Ground	II
20	0.5	WH	6106	High Speed GMLAN Serial Data (-) 2	II
21-24	—	—	—	Not Occupied	—



**Connector Part Information**

- Harness Type: Body
- Service Connector: 6040241C1
- Description: 54-pin F 0.64 Series, Sealed (YE)

**Table 734 Terminal Part Information**

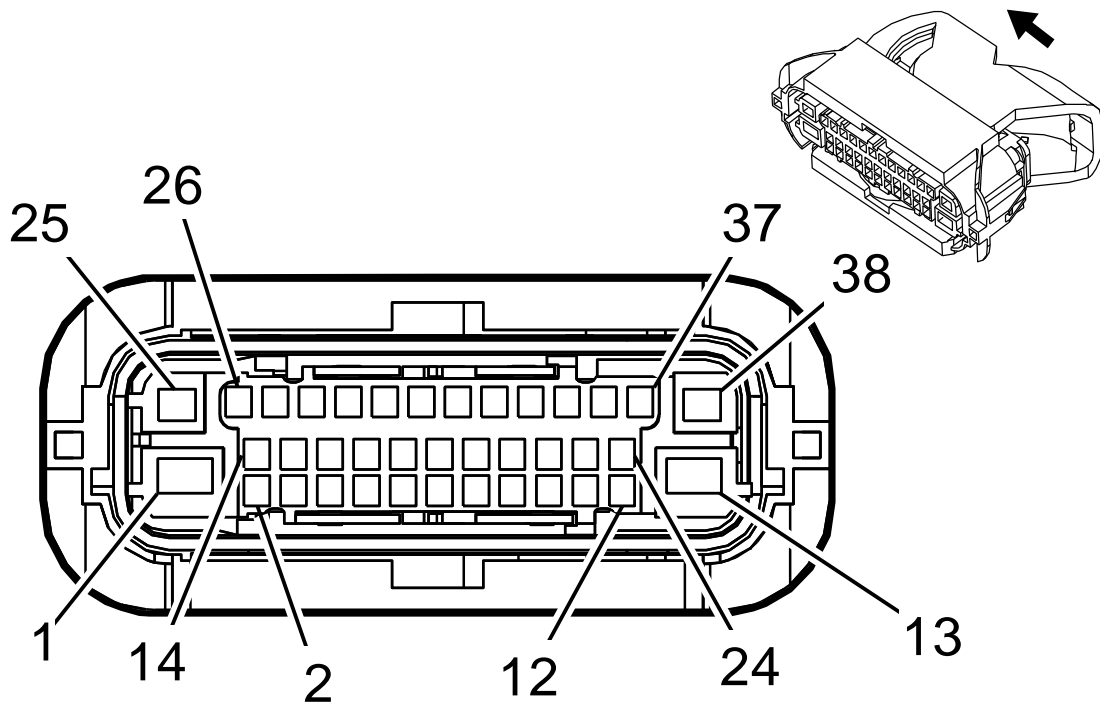
Terminal Type ID	Service Terminal
I	6042044C1
II	6042044C1

**Table 735 K36 Inflatable Restraint Sensing and Diagnostic Module X2**

Pin	Size	Color	Circuit	Function	Terminal Type ID
1-22	—	—	—	Not Occupied	—
23	0.5	OG / GY	6618	Middle Front Discriminating Sensor Signal	II
24	0.5	BK / OG	6619	Middle Front Discriminating Sensor Low Reference	II
25-36	—	—	—	Not Occupied	—

Table 735 K36 Inflatable Restraint Sensing and Diagnostic Module X2 (cont.)

Pin	Size	Color	Circuit	Function	Terminal Type ID
37	0.5	RD	3477	Driver Seat Belt Retractor Pretensioner High Control	II
38	0.5	GY	3478	Driver Seat Belt Retractor Pretensioner Low Control	II
39	0.5	WH	3476	Passenger Seat Belt Retractor Pretensioner Low Control	II
40	0.5	L-GN	3475	Passenger Seat Belt Retractor Pretensioner High Control	II
41	0.35	OG / BN	238	Driver Seat Belt Switch Signal	I
42	—	—	—	Not Occupied	—
43	0.35	BK / OG	1363	Driver Seat Belt Switch Low Reference	I
44 - 54	—	—	—	Not Occupied	—



**Connector Part Information**

- Harness Type: Chassis
- Service Connector: 4086720C1
- Description: 38-pin F 1.5 CTS, 2.8 MCP, 4.8 MCP Series, Sealed (BK)

**Table 737 Terminal Part Information**

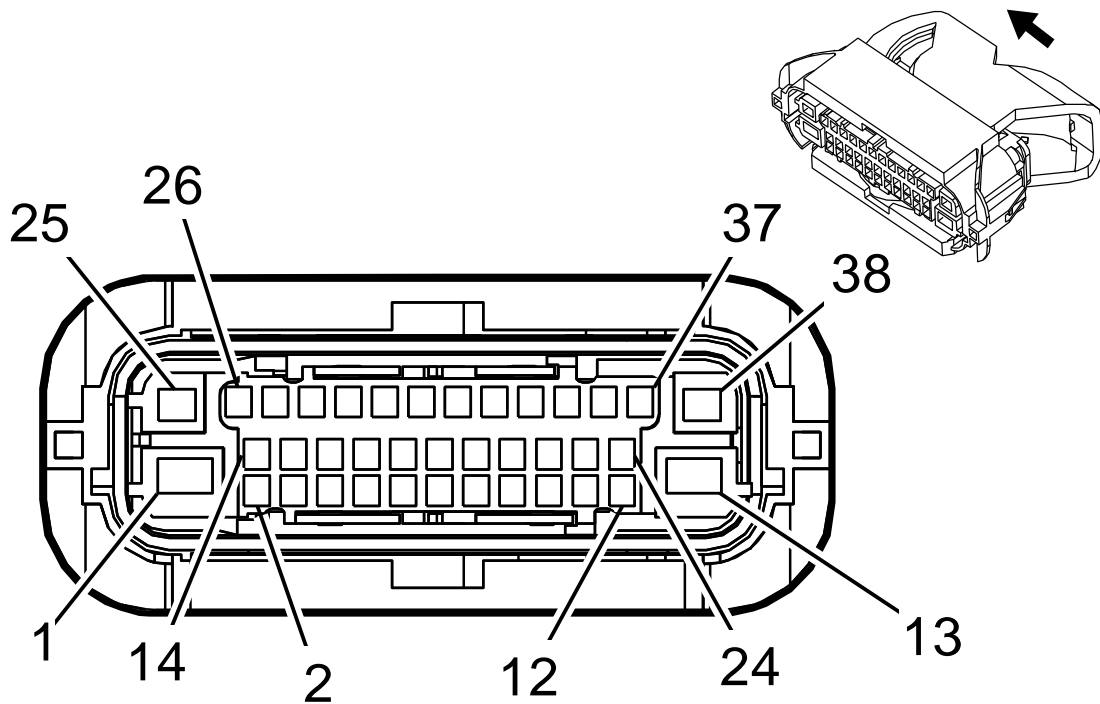
Terminal Type ID	Service Terminal
I	4086472C1 0.5mm
	6113342C1 1.0mm
	3830798C1 1.5mm

**Table 738 K38A Chassis Control Module – Auxiliary (Feature Code: 0008HBW) (JL1)**

Pin	Size	Color	Circuit	Function	Terminal Type ID
1	1	RD	2040	Battery Positive Voltage	I
2-12	—	—	—	Not Occupied	—
13	1	BK	1750	Ground	I

Table 738 K38A Chassis Control Module – Auxiliary (Feature Code: 0008HBW) (JL1) (cont.)

Pin	Size	Color	Circuit	Function	Terminal Type ID
14	0.5	VT / YE	5985	Accessory Wake-up Serial Data	I
15	—	—	—	Not Occupied	—
16	0.5	BU / RD	7632	Integrated Trailer Brake Controller Switch 5 volt Reference	I
17	—	—	—	Not Occupied	—
18	0.5	BN	7634	Integrated Trailer Brake Controller Redundant Manual Apply Signal	I
19	0.5	BK / BN	7631	Integrated Trailer Brake Controller Switch Low Reference	I
20	0.5	YE	7635	Integrated Trailer Brake Controller Manual Apply Signal	I
21	0.5	GN / BK	7633	Integrated Trailer Brake Controller User Gain Signal	I
22	0.5	YE / BK	2224	Trailer Brake Enable Signal	I
23	0.5	WH / BK	2223	Trailer Brake Control Signal	I
24	—	—	—	Not Occupied	—
25	1.5	VT / GN	439	Run / Crank Ignition 1 Voltage	I
26	0.5	BU	2500	High Speed GMLAN Serial Data (+) 1	I
27	0.5	BU	2500	High Speed GMLAN Serial Data (+) 1	I
28	0.5	WH	2501	High Speed GMLAN Serial Data (-) 1	I
29	0.5	WH	2501	High Speed GMLAN Serial Data (-) 1	I
30	0.5	GN / VT	4114	Local Interconnect Network Serial Data Bus 14	I
31-38	—	—	—	Not Occupied	—



**Connector Part Information**

- Harness Type: Engine Chassis
- Service Connector: 6040232C1
- Description: 38-pin F 1.5 CTS, 2.8 MCP, 4.8 MCP Series, Sealed (BK)

**Table 740 Terminal Part Information**

Terminal Type ID	Service Terminal
I	6041845C1
II	6041846C1
III	6041985C1
IV	6042031C1

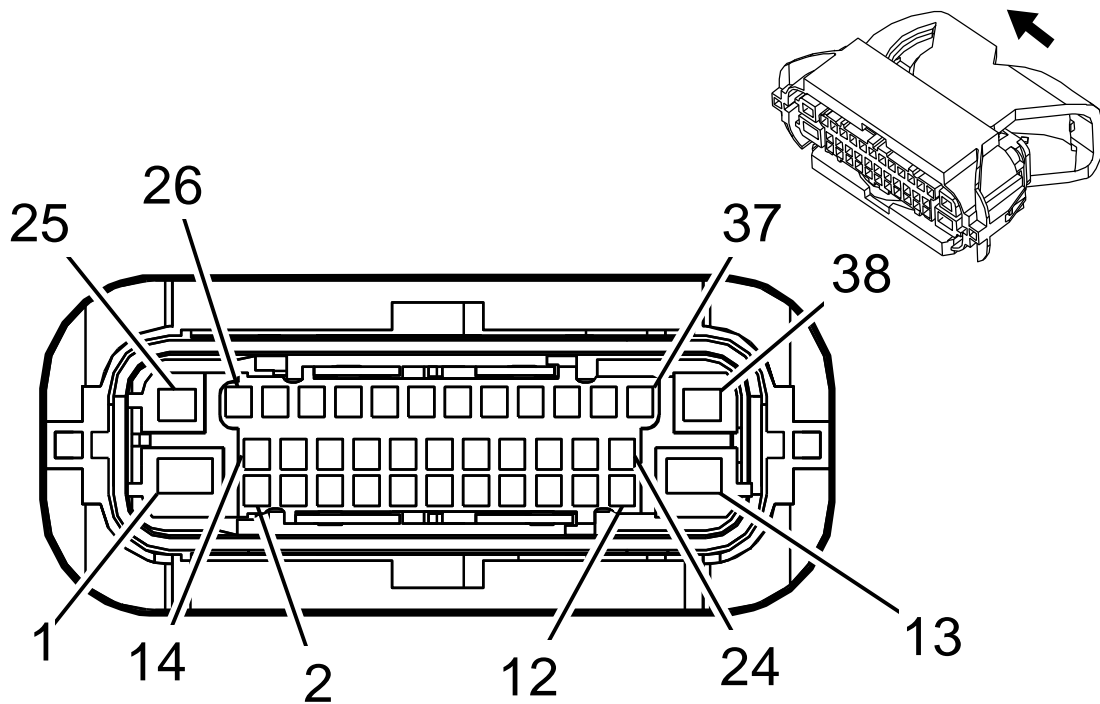
**Table 741 K44 Power Take-off Control Module X1 (Feature Code: 0012WGG)**

Pin	Size	Color	Circuit	Function	Terminal Type ID
1	0.75	RD / D-BU	4540	Battery Positive Voltage	III
2-12	—	—	—	Not Occupied	—
13	1.5	BK / WH	451	Signal Ground	II



**Table 741 K44 Power Take-off Control Module X1 (Feature Code: 0012WGG) (cont.)**

Pin	Size	Color	Circuit	Function	Terminal Type ID
14	0.5	WH / D-BU	5986	Serial Data Communication Enable	IV
15	0.5	L-GN / WH	488	Power Take-off Control Switch	IV
16-17	—	—	—	Not Occupied	—
18	0.5	BN / L-GN	4311	Power Take-off Enable In Cab Switch Normally Closed Signal	IV
19-24	—	—	—	Not Occupied	—
25	0.75	BN / WH	6085	Power Take-off Remote Engine Start Switch Signal	I
26	0.5	D-BU	2500	High Speed GMLAN Serial Data (+) 1	IV
27	0.5	D-BU	2500	High Speed GMLAN Serial Data (+) 1	IV
28	0.5	WH	2501	High Speed GMLAN Serial Data (-) 1	IV
29	0.5	WH	2501	High Speed GMLAN Serial Data (-) 1	IV
30 - 38	—	—	—	Not Occupied	—



**Connector Part Information**

- Harness Type: Engine Chassis
- Service Connector: 6040242C1
- Description: 38-pin F 1.5 CTS, 2.8 MCP, 4.8 MCP Series, Sealed (BK with BN Inner Connector)

**Table 743 Terminal Part Information**

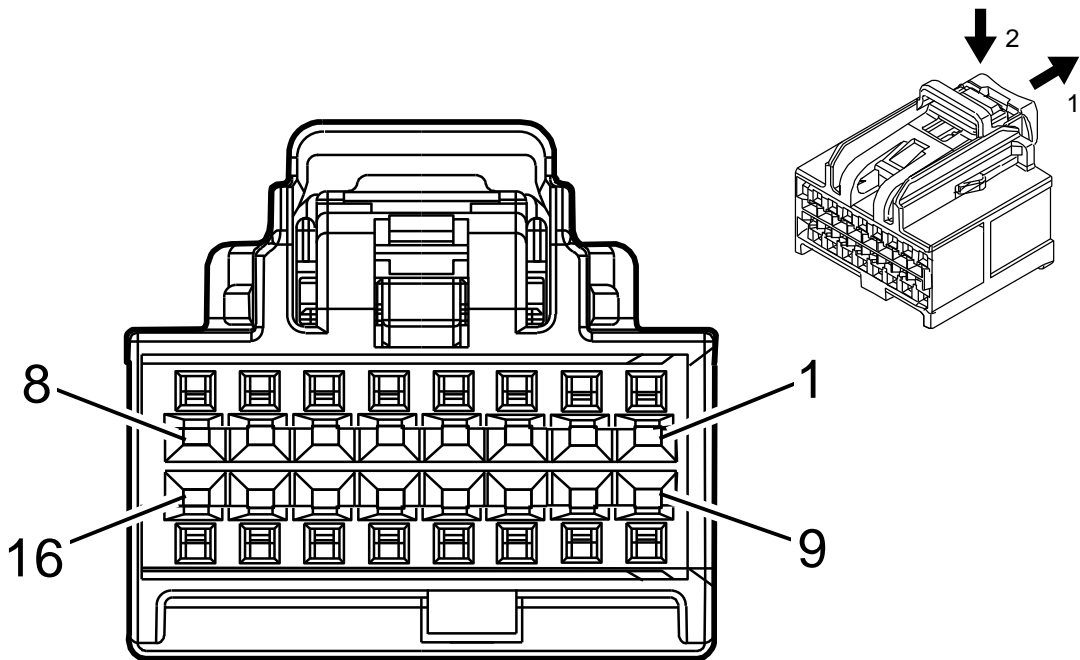
Terminal Type ID	Service Terminal
I	6042031C1

**Table 744 K44 Power Take-Off Control Module X2 (Feature Code: 0012WGG) (PTO)**

Pin	Size	Color	Circuit	Function	Terminal Type ID
1-7	—	—	—	Not Occupied	—
8	0.75	YE	2522	Power Take-off Status Signal	I
9-10	—	—	—	Not Occupied	—
11	0.5	VT / D-BU	2562	Power Take-off Relay Coil Control	I
12-27	—	—	—	Not Occupied	—
28	0.5	WH / L-GN	6142	Power Take-off Engine Shutdown Signal	I

Table 744 K44 Power Take-Off Control Module X2 (Feature Code: 0012WGG) (PTO) (cont.)

Pin	Size	Color	Circuit	Function	Terminal Type ID
29-34	—	—	—	Not Occupied	—
35	0.5	D-BU / GY	6089	Power Take-off Remote Switch Set Signal 1	I
36	0.75	D-BU / BN	4408	Power Take-off Enable Signal	I
37	0.75	BN	6381	Power Take-off Relay Engage Signal	I
38	—	—	—	Not Occupied	—



**Connector Part Information**

- Harness Type: Instrument Panel
- Service Connector: 6040194C1
- Description: 16-pin F 0.64 OCS Series (BK)

**Table 746 Terminal Part Information**

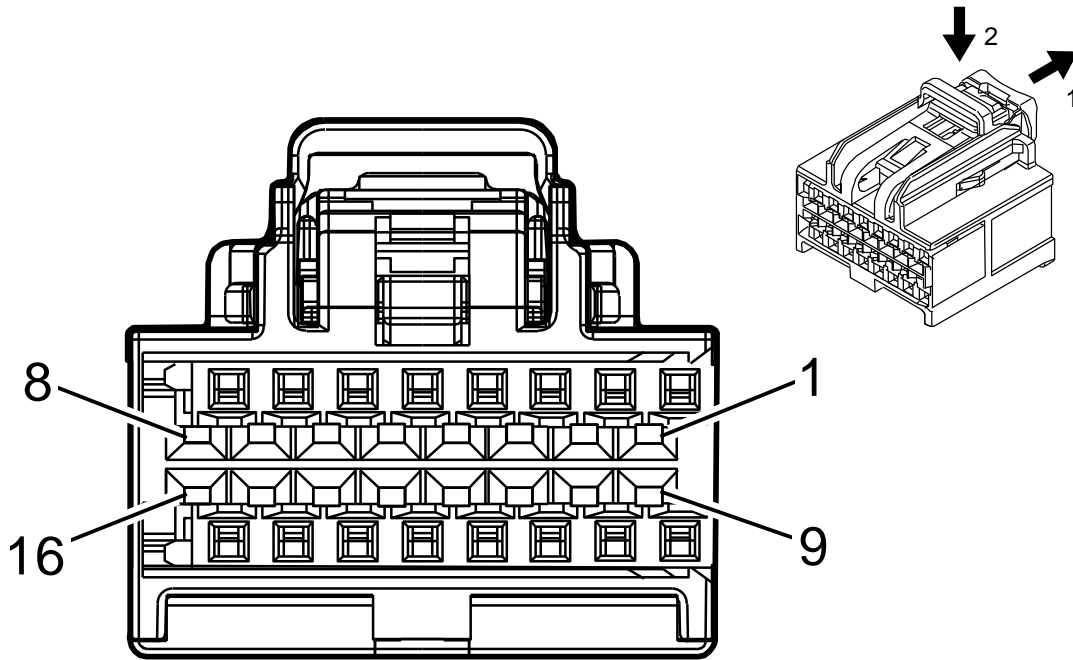
Terminal Type ID	Service Terminal
I	6041975C1

**Table 747 K56 Serial Data Gateway Module X1**

Pin	Size	Color	Circuit	Function	Terminal Type ID
1	0.35	RD / VT	3340	Battery Positive Voltage	I
2	—	—	—	Not Occupied	—
3	0.35	D-BU / L-GN	1304	3. High Speed GMLAN Serial Data (+) 9	I
4	0.35	WH / L-GN	1305	4. High Speed GMLAN Serial Data (-) 9	I
5	—	—	—	Not Occupied	—

Table 747 K56 Serial Data Gateway Module X1 (cont.)

Pin	Size	Color	Circuit	Function	Terminal Type ID
6	0.35	BK / WH	1851	Signal Ground	I
7	0.5	D-BU	2500	High Speed GMLAN Serial Data (+) 1	I
8	0.5	WH	2501	High Speed GMLAN Serial Data (-) 1	I
9	—	—	—	Not Occupied	—
10	0.35	WH / D-BU	5986	Serial Data Communication Enable	I
11	0.35	D-BU / L-GN	1304	High Speed GMLAN Serial Data (+) 9	I
12	0.35	WH / L-GN	1305	High Speed GMLAN Serial Data (-) 9	I
13	0.35	D-BU / L-GN	1304	High Speed GMLAN Serial Data (+) 9	I
14	0.35	WH / L-GN	1305	High Speed GMLAN Serial Data (-) 9	I
15	0.5	L-GN	5060	Low Speed GMLAN Serial Data	I
16	—	—	—	Not Occupied	—



Connector Part Information	
•	Harness Type: Instrument Panel
•	Service Connector: 6040195C1
•	Description: 16-pin F 0.64 OCS Series (GY)

**Table 749 Terminal Part Information**

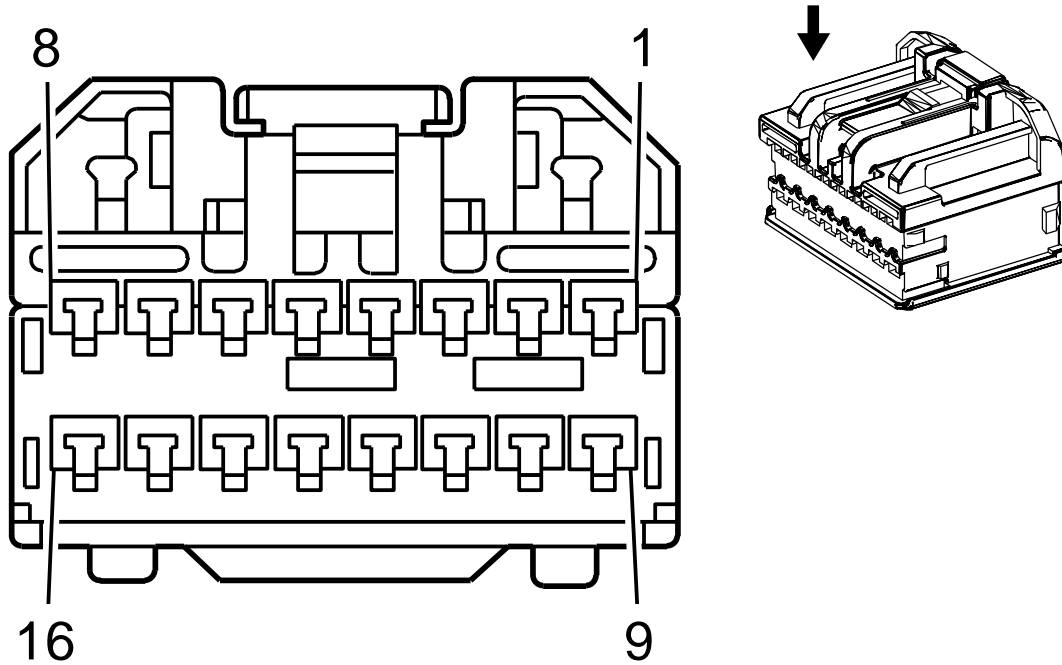
Terminal Type ID	Service Terminal
I	6042053C1

**Table 750 K56 Serial Data Gateway Module X2**

Pin	Size	Color	Circuit	Function	Terminal Type ID
1	0.5	D-BU	2500	High Speed GMLAN Serial Data (+) 1	I
2	0.5	WH	2501	High Speed GMLAN Serial Data (-) 1	I
3-6	—	—	—	Not Occupied	—
7	0.5	D-BU / YE	6105	High Speed GMLAN Serial Data (+) 2	I
8	0.5	WH	6106	High Speed GMLAN Serial Data (-) 2	I
9	—	—	—	Not Occupied	—

Table 750 K56 Serial Data Gateway Module X2 (cont.)

Pin	Size	Color	Circuit	Function	Terminal Type ID
10	0.5	GY / L-GN	1102	Low Speed GMLAN Serial Data #2	I
11-16	—	—	—	Not Occupied	—



Connector Part Information	
•	Harness Type: Brake Clutch
•	Service Connector: Service by Harness
•	Description: 16-pin F 1.5 Series (GY)

Table 752 Terminal Part Information

Terminal Type ID	Service Terminal
I	6041889C1
II	6041890C1

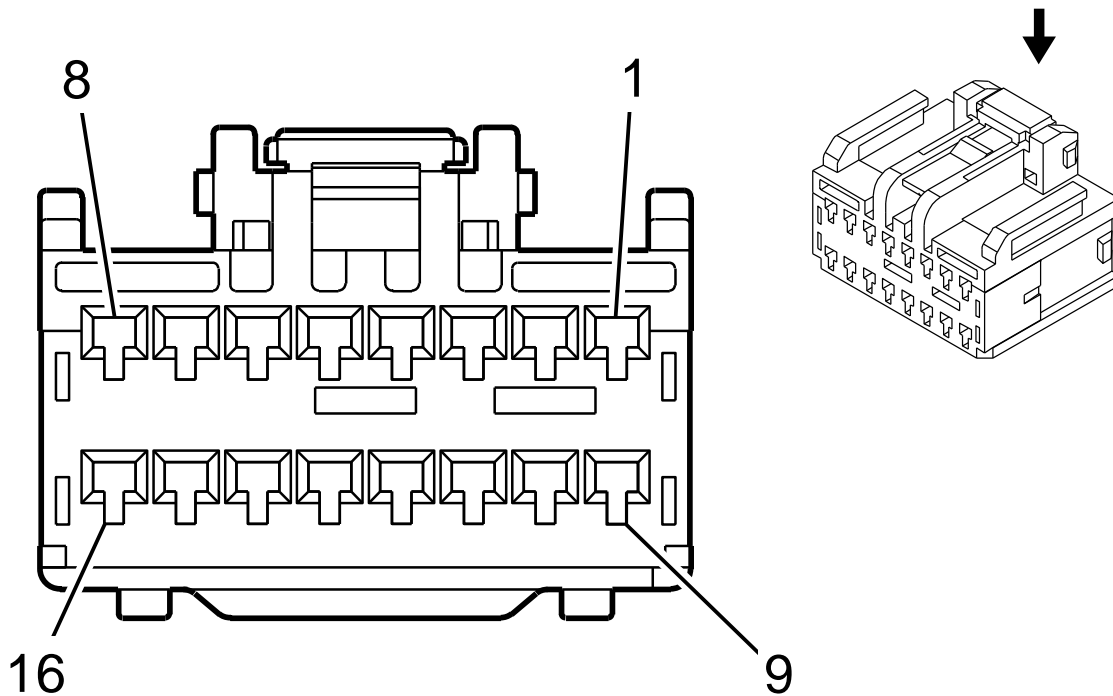
Table 753 K69 Transfer Case Control Module X1 (Feature Code: 0013TLP (0013WDB))

Pin	Size	Color	Circuit	Function	Terminal Type ID
1	0.5	YE / BK	7478	Rotary Position Sensor Low Reference	II
2	0.5	WH / L-GN	7479	Rotary Position Sensor Signal	II
3	0.35	YE	7474	Incremental Encoder Direction Signal	II
4	0.5	GY / BK	1570	Front Axle Actuator Control	II
5	0.35	D-BU / GY	7473	Incremental Encoder Impulse Signal	II



Table 753 K69 Transfer Case Control Module X1 (Feature Code: 0013TLP (0013WDB)) (cont.)

Pin	Size	Color	Circuit	Function	Terminal Type ID
6	0.35	GY / RD	6029	Four Wheel Drive Mode Switch 5 volt Reference	II
7	0.35	D-BU / YE	1693	Four Wheel Drive Switch Signal	II
8	—	—	—	Not Occupied	—
9	0.5	WH / RD	7477	Rotary Position Sensor 5 volt Reference	II
10	0.35	WH / L-GN	7475	Incremental Encoder Sensor 8 volt Reference	II
11	0.35	VT	7476	Incremental Encoder Sensor Low Reference	II
12	0.5	YE / WH	1695	Four Wheel Drive Wheel Lock Indicator Control	II
13	1	YE / BN	1569	Transfer Case Lock Solenoid Control	I
14-16	—	—	—	Not Occupied	—



**Connector Part Information**

- Harness Type: Brake Clutch
- Service Connector: Service by Harness
- Description: 16-pin F 1.5 Series (BK)

**Table 755 Terminal Part Information**

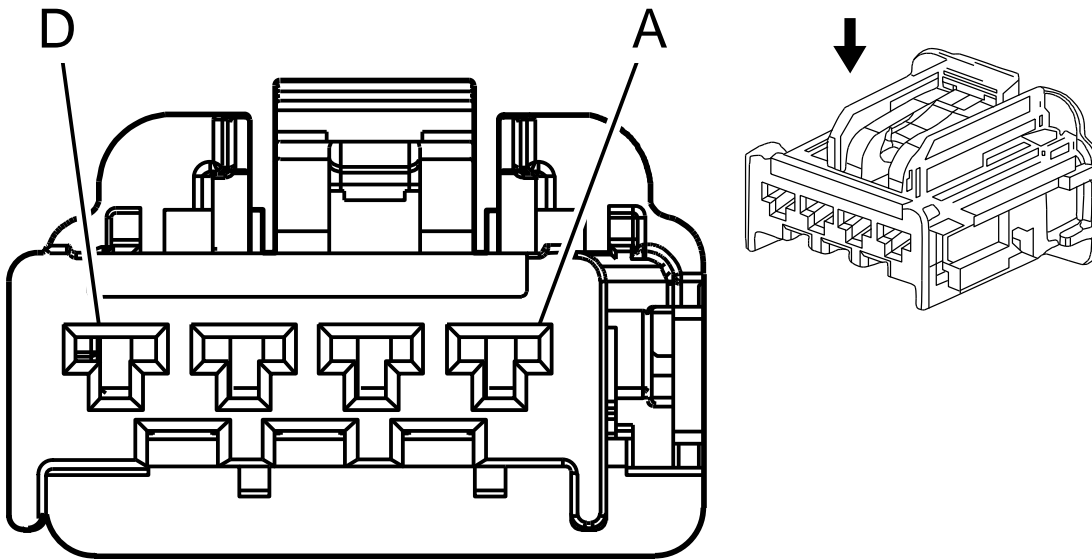
Terminal Type ID	Service Terminal
I	6041890C1

**Table 756 K69 Transfer Case Control Module X2 (Feature Code: 0013TLP (0013WDB))**

Pin	Size	Color	Circuit	Function	Terminal Type ID
1-2	—	—	—	Not Occupied	—
3	0.35	VT / WH	1565	4 LO Indicator Control	I
4	0.35	VT / L-GN	1739	Run / Crank Ignition 1 Voltage	I
5	—	—	—	Not Occupied	—
6	0.35	VT / YE	5985	Accessory Wake-up Serial Data	I
7	0.5	D-BU	2500	High Speed GMLAN Serial Data (+) 1	I

Table 756 K69 Transfer Case Control Module X2 (Feature Code: 0013TLP (0013WDB)) (cont.)

Pin	Size	Color	Circuit	Function	Terminal Type ID
8	0.5	WH	2501	High Speed GMLAN Serial Data (-) 1	I
9-10	—	—	—	Not Occupied	—
11	0.35	GY / L-GN	1561	AWD Indicator Control	I
12	0.35	BN	1560	Neutral Indicator Control	I
13	0.35	L-GN / BK	1563	2 HI Indicator Control	I
14	0.35	BN / BK	1566	4 HI Indicator Control	I
15	0.5	D-BU	2500	High Speed GMLAN Serial Data (+) 1	I
16	0.5	WH	2501	High Speed GMLAN Serial Data (-) 1	I



**Connector Part Information**

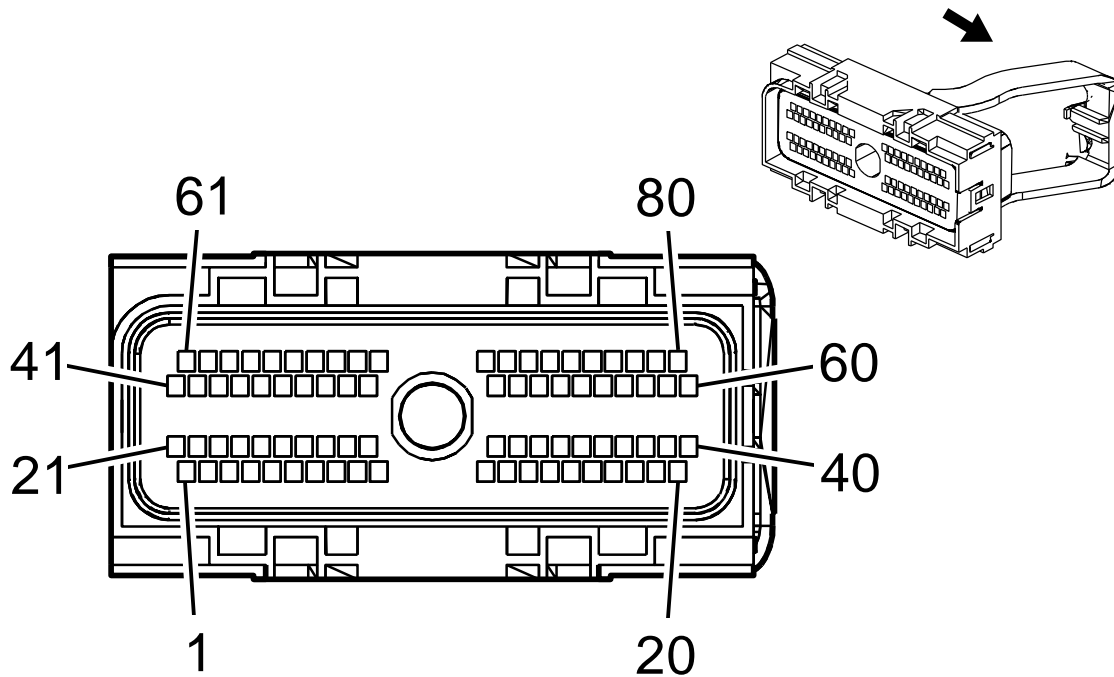
- Harness Type: Brake Clutch
- Service Connector: Service by Harness
- Description: 4-pin F 280 GT Series (L-GY)

**Table 758 Terminal Part Information**

Terminal Type ID	Service Terminal
I	6041919C1 3mm
	6041920C1 4mm

**Table 759 K69 Transfer Case Control Module X3 (Feature Code: 0013TLP (0013WDB))**

Pin	Size	Color	Circuit	Function	Terminal Type ID
A	4	YE / VT	1553	Transfer Case Motor Counter Clockwise Control	I
B	4	YE / GY	1552	Transfer Case Motor Clockwise Control	I
C	3	RD / GY	1342	Battery Positive Voltage	I
D	3	BK	550	Ground	I



**Connector Part Information**

- Harness Type: Engine Chassis
- Service Connector: 6040284C1
- Description: 80-pin F 1.5 Series, Sealed (BK)

**Table 761 Terminal Part Information**

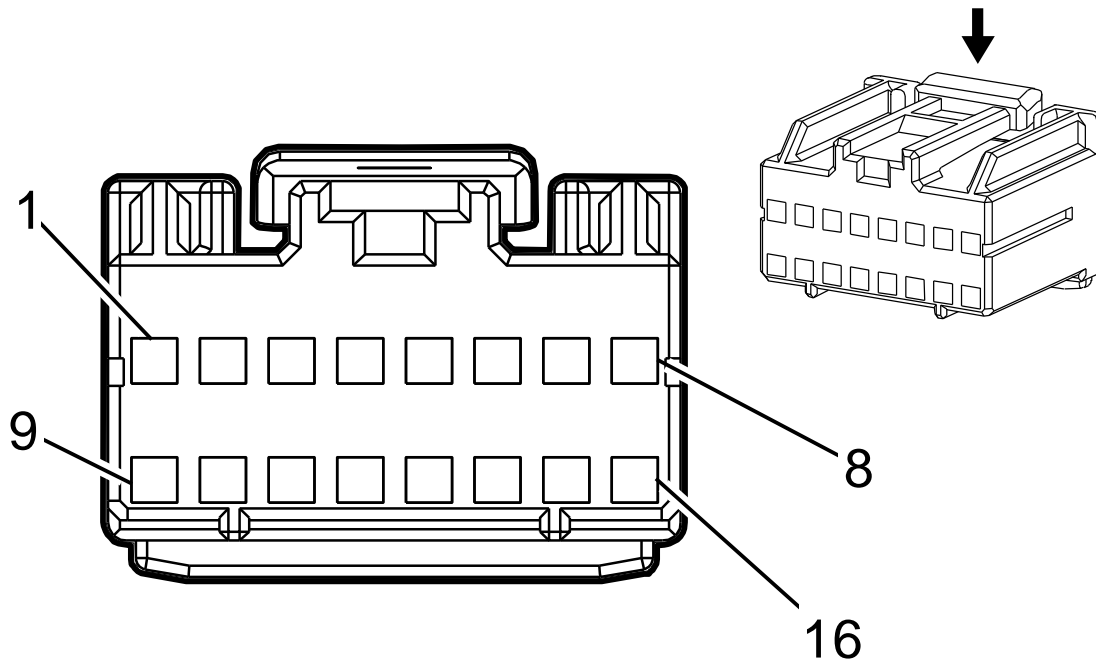
Terminal Type ID	Service Terminal
I	6041963C1
II	6041962C1
III	6041961C1

Table 762 K71 Transmission Control Module

Pin	Size	Color	Circuit	Function	Terminal Type ID
1-5	—	—	—	Not Occupied	—
6	0.75	YE	2500	High Speed GMLAN Serial Data (+) 1	III
7-8	—	—	—	Not Occupied	—
9	1.5	BK	109	Ground	II
10	0.75	RD	110	Battery Positive Voltage	III
11	0.75	OG	111	Transmission Solenoid Supply	I
12-13	—	—	—	Not Occupied	—
14	0.75	GY	114	Transmission Position Switch Bit 3 Signal	I
15-16	—	—	—	Not Occupied	—
17	0.75	D-BU	117	Transmission Fluid Pressure Switch Signal Bit 1	I
18-19	—	—	—	Not Occupied	—
20	0.75	D-BU	120	Transmission Turbine Speed Signal	I
21-22	—	—	—	Not Occupied	—
23	0.75	L-GN	123	Run/Crank Ignition 1 Voltage	I
24	—	—	—	Not Occupied	—
25	0.75	GN/GY	125	Vehicle Speed Signal	I
26	—	—	—	Not Occupied	—
27	0.75	GN	2501	High Speed GMLAN Serial Data (-) 1	III
28-30	—	—	—	Not Occupied	—
31	0.75	YE	131	Transmission Solenoid Supply	I
32	—	—	—	Not Occupied	—
33	0.75	YE	133	2 Shift Solenoid Valve Control	I
34	0.75	WH	134	Transmission Position Switch Parity Bit Signal	I
35	—	—	—	Not Occupied	—
36	0.75	OG	136	Pressure Control Solenoid Valve 2 Low Control	I
37	0.75	WH	137	Low Reference	I
38	0.75	OG	138	Transmission Park/Neutral Signal 1	I
39	—	—	—	Not Occupied	—
40	0.75	GN	140	Transmission Output Shaft Speed Signal	I
41-50	—	—	—	Not Occupied	—
51	0.75	WH	151	3 Shift Solenoid Valve Control	I
52	0.75	GN	152	1 Shift Solenoid Valve Control	I
53	0.75	YE	153	Transmission Position Switch Bit 2 Signal	I
54	0.75	TN	154	Transmission Temperature Sensor Signal	I

Table 762 K71 Transmission Control Module (cont.)

Pin	Size	Color	Circuit	Function	Terminal Type ID
55	0.75	WH	155	Pressure Control Solenoid Valve 1 Low Control	I
56	—	—	—	Not Occupied	—
57	0.75	WH	157	Transmission Fluid Pressure Switch Signal Bit 3	I
58	0.75	GN	158	Transmission Fluid Temperature Sensor Low Reference	I
59	—	—	—	Not Occupied	—
60	0.75	YE	160	9 Volt Reference	I
61-62	—	—	—	Not Occupied	—
63	0.75	YE	163	Folding Top Motor Down Control	I
64-68	—	—	—	Not Occupied	—
69	1	BK	169	Ground	—
70	1	RD	170	Battery Positive Voltage	I
71	0.75	YE	171	Transmission Solenoid Supply	I
72	—	—	—	Not Occupied	—
73	0.75	BU	173	Transmission Position Switch Bit 1 Signal	I
74	0.75	BU	174	Transmission Mainline Pressure Solenoid Control	I
75 - 76	—	—	—	Not Occupied	—
77	0.75	GN	177	Transmission Fluid Pressure Switch Signal Bit 4	I
78	0.75	WH	178	Torque Converter Clutch PWM Solenoid Control	I
79	0.75	RD	179	Transmission Fluid Pressure Switch Signal Bit 2	I
80	0.75	OG	180	9 Volt Reference	I



**Connector Part Information**

- Harness Type: Instrument Panel
- Service Connector: 6040284C1
- Description: 16-pin F 100A Micro-Pack Series (NA)

**Table 764 Terminal Part Information**

Terminal Type ID	Service Terminal
I	6041844C1
II	6041844C1

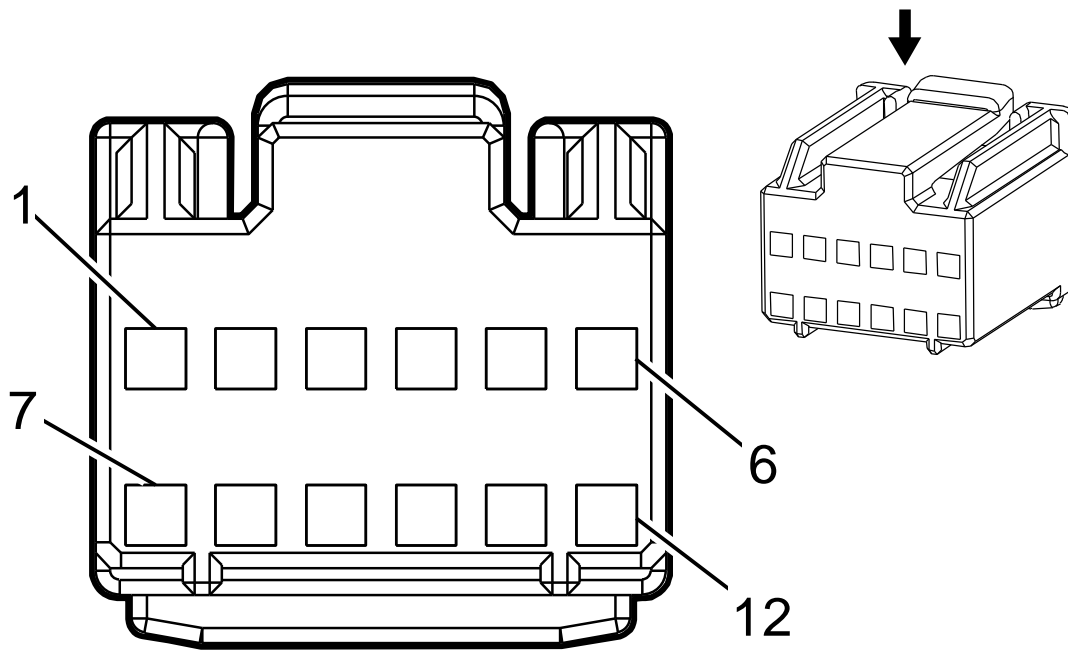
**Table 765 K73 Telematics Communication Interface Control Module X1 (Feature Code: 0008AAE)**

Pin	Size	Color	Circuit	Function	Terminal Type ID
1	0.75	GY / L-GN	1102	Low Speed GMLAN Serial Data #2	II
2	0.35	BN / WH	2517	Keypad Red LED Control	I
3	0.35	YE / VT	2516	Keypad Green LED Control	I
4-5	—	—	—	Not Occupied	—
6	0.35	GN/BK	2515	Keypad Control	I



**Table 765 K73 Telematics Communication Interface Control Module X1 (Feature Code: 0008AAE)  
(cont.)**

Pin	Size	Color	Circuit	Function	Terminal Type ID
7	0.35	BK	2550	Ground	I
8-9	—	—	—	Not Occupied	—
10	0.35	BU/GN	1304	High Speed GMLAN Serial Data (+) 9	I
11	0.35	GN/WH	2514	Keypad Signal	I
12	0.35	WH/GN	1305	High Speed GMLAN Serial Data (-) 9	I
13-14	—	—	—	Not Occupied	—
15	0.35	RD/BU	3240	Battery Positive Voltage	I
16	—	—	—	Not Occupied	—



**Connector Part Information**

- Harness Type: Instrument Panel
- Service Connector: 6040278C1
- Description: 12-pin F 100 amp Micro-Pack Series (NA)

**Table 767 Terminal Part Information**

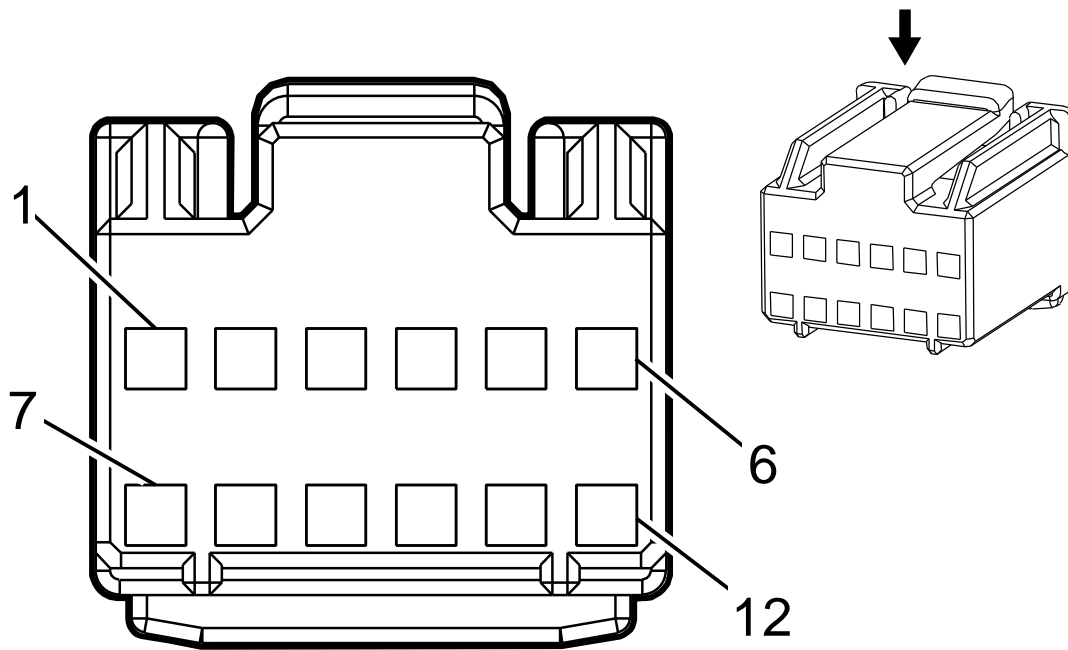
Terminal Type ID	Service Terminal
I	6041844C1
II	6041844C1

**Table 768 K73 Telematics Communication Interface Control Module X2 (Feature Code: 0008AAE)**

Pin	Size	Color	Circuit	Function	Terminal Type ID
1	0.35	YE	658	Cellular Telephone Voice Signal	I
2	0.35	BK / YE	659	Cellular Telephone Voice Low Reference	I
3	0.5	D-BU / L-GN	1304	High Speed GMLAN Serial Data (+) 9	II
4	0.5	WH / L-GN	1305	High Speed GMLAN Serial Data (-) 9	II

**Table 768 K73 Telematics Communication Interface Control Module X2 (Feature Code: 0008AAE)  
(cont.)**

Pin	Size	Color	Circuit	Function	Terminal Type ID
5	0.5	BARE	1792	Low Reference	II
6	0.35	GY / YE	5149	Voice Recognition Audio Signal	I
7	0.35	WH / D-BU	5986	Serial Data Communication Enable	I
8	0.35	BARE	782	Low Reference	I
9	0.35	D-BU	655	Cellular Telephone Microphone Signal	I
10	0.35	BK / BN	654	Cellular Telephone Microphone Low Reference	I
11	—	—	—	Not Occupied	—
12	0.35	BK / GY	5152	Voice Recognition Audio Low Reference	I



**Connector Part Information**

- Harness Type: Instrument Panel
- Service Connector: 6040278C1
- Description: 12-pin F 100 amp Micro-Pack Series (NA)

**Table 770 Terminal Part Information**

Terminal Type ID	Service Terminal
I	6041844C1
II	6041844C1

**Table 771 K73 Telematics Communication Interface Control Module X2 (Feature Code: 0008AAE)**

Pin	Size	Color	Circuit	Function	Terminal Type ID
1	0.35	YE	658	Cellular Telephone Voice Signal	I
2	0.35	BK / YE	659	Cellular Telephone Voice Low Reference	I
3	0.5	D-BU / L-GN	1304	High Speed GMLAN Serial Data (+) 9	II
4	0.5	WH / L-GN	1305	High Speed GMLAN Serial Data (-) 9	II

**Table 771 K73 Telematics Communication Interface Control Module X2 (Feature Code: 0008AAE)  
(cont.)**

Pin	Size	Color	Circuit	Function	Terminal Type ID
5	0.5	BARE	1792	Low Reference	II
6	0.35	GY / YE	5149	Voice Recognition Audio Signal	I
7	0.35	WH / D-BU	5986	Serial Data Communication Enable	I
8	0.35	BARE	782	Low Reference	I
9	0.35	D-BU	655	Cellular Telephone Microphone Signal	I
10	0.35	BK / BN	654	Cellular Telephone Microphone Low Reference	I
11	—	—	—	Not Occupied	—
12	0.35	BK / GY	5152	Voice Recognition Audio Low Reference	I

**Connector Part Information**

- Harness Type: Instrument Panel
- Service Connector: Service by Cable Assembly
- Description: 1-Way F Coax Type (VT)

**Table 773 Terminal Part Information**

Terminal Type ID	Service Terminal
I	Not Available

**Table 774 K73 Telematics Communication Interface Control Module X7 (IO6)**

Pin	Size	Color	Circuit	Function	Terminal Type ID	Option
1	Coax.	Coax.	Coax.	(Cell only) Coaxial Antenna Cell Phone Signal	Coax.I	—

**Connector Part Information**

- Harness Type: Instrument Panel
- Service Connector: Service by Cable Assembly
- Description: 1-Way F Coax Type (BN)

**Table 776 Terminal Part Information**

Terminal Type ID	Service Terminal
I	Not Available

**Table 777 K73 Telematics Communication Interface Control Module X7 (IO6)**

Pin	Size	Color	Circuit	Function	Terminal Type ID	Option
1	Coax.	Coax.	Coax.	(Cell only) Coaxial Antenna Cell Phone Signal	Coax.I	—

**Connector Part Information**

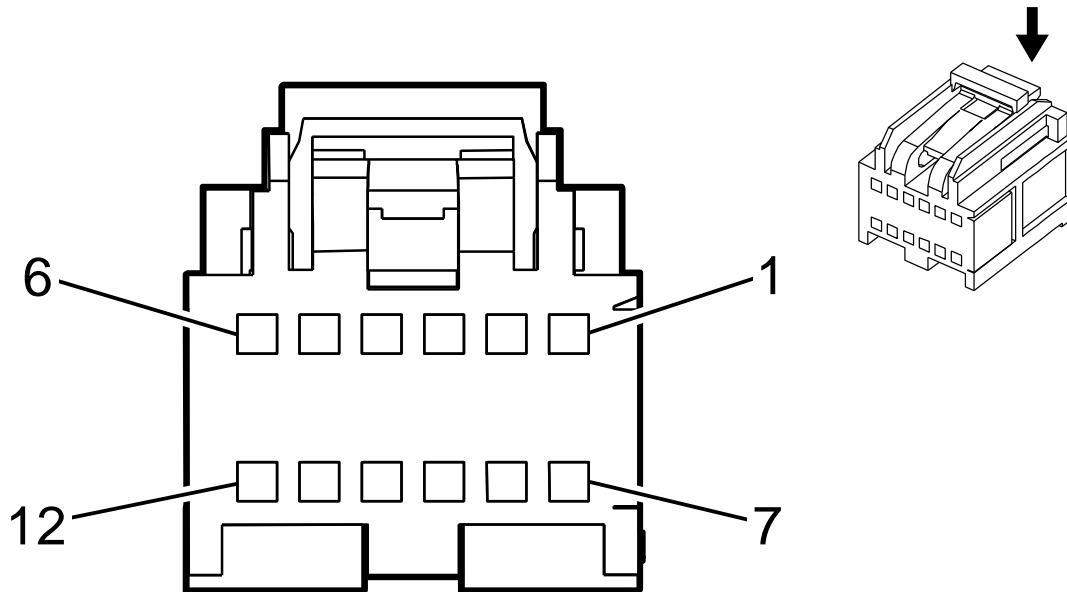
- Harness Type: Instrument Panel
- Service Connector: 6040193C1
- Description: 12-pin F 0.64 OCS Series (GY)

**Table 779 Terminal Part Information**

Terminal Type ID	Service Terminal
I	6041975C1 0.35 mm
	6041976C1 0.75 mm

**Table 780 K74 Human Machine Interface Control Module X1 (Feature Code: 0008RNW / 0008RNX)**

Pin	Size	Color	Circuit	Function	Terminal Type ID
1	0.35	GY/YE	5149	Voice Recognition Audio Signal	I
		BU	655	Cellular Telephone Microphone Signal	I
2	0.35	BK/GY	5152	Voice Recognition Audio Low Reference	I
		BK/GN	654	Cellular Telephone Microphone Low Reference	I
3-4	—	—	—	Not Occupied	I
5	0.35	WH/BU	5986	Serial Data Communication Enable	I
6	—	—	—	Not Occupied	—
7	0.5	RD/VT	340	Battery Positive Voltage	I
8	0.75	BK	2550	Ground	I
9	0.5	GN/WH	7527	Local Interconnect Network Serial Data Bus 5	I
10	—	—	—	Not Occupied	—
11	0.35	BU/GN	1304	High Speed GMLAN Serial Data (+)9	I
	0.5	BU/GN	1304	High Speed GMLAN Serial Data (+)9	I
12	0.35	WH/GN	1305	High Speed GMLAN Serial Data (-)9	I
	0.5	WH/GN	1305	High Speed GMLAN Serial Data (-)9	I
13	0.5	BU/GN	1304	High Speed GMLAN Serial Data (+)9	I
14	0.5	WH/GN	1305	High Speed GMLAN Serial Data (-)9	I
15-16	—	—	—	Not Occupied	—



Connector Part Information	
•	Harness Type: Instrument Panel
•	Service Connector: 6041826C1
•	Description: 12-pin F 0.64 OCS Series (GY)

**Table 782 Terminal Part Information**

Terminal Type ID	Service Terminal
I	6041975C1

**Table 783 K74 Human Machine Interface Control Module X2 (Feature Code: 0008RNW / 0008RNX)**

Pin	Size	Color	Circuit	Function	Terminal Type ID
1	0.35	WH / VT	3999	MOST Control	I
2	0.5	WH / L-GN	3997	MOST Serial Data (-)	I
3	0.5	GY / VT	3998	MOST Serial Data (+)	I
4	—	—	—	Not Occupied	—
5	0.35	GY / YE	6972	Camera Signal 2 (+)	I



**Table 783 K74 Human Machine Interface Control Module X2 (Feature Code: 0008RNW / 0008RNX)  
(cont.)**

Pin	Size	Color	Circuit	Function	Terminal Type ID
6	0.35	WH / D-BU	6973	Camera Signal 2	I
7	—	—	—	Not Occupied	—
8	0.5	GY / VT	3998	MOST Serial Data (+)	I
9	0.5	WH / L-GN	3997	MOST Serial Data (-)	I
10-12	—	—	—	Not Occupied	—

**Connector Part Information**

- Harness Type: Instrument Panel
- Service Connector: Service by Cable Assembly
- Description:—

**Table 785 Terminal Part Information**

Terminal Type ID	Service Terminal
I	Not Available

**Table 786 K74 Human Machine Interface Control Module X3 (IO5/IO6)**

Pin	Size	Color	Circuit	Function	Terminal Type ID
USB	USB	USB	USB	USB	USB

**Connector Part Information**

- Harness Type: Instrument Panel
- Service Connector: Service by Cable Assembly
- Description:—

**Table 788 Terminal Part Information**

<b>Terminal Type ID</b>	<b>Service Terminal</b>
I	Not Available

**Table 789 K74 Human Machine Interface Control Module X4 (IO5/IO6)**

<b>Pin</b>	<b>Size</b>	<b>Color</b>	<b>Circuit</b>	<b>Function</b>	<b>Terminal Type ID</b>
USB	USB	USB	USB	USB	USB

**Connector Part Information**

- Harness Type: Instrument Panel
- Service Connector: Service by Cable Assembly
- Description:—

**Table 791 Terminal Part Information**

<b>Terminal Type ID</b>	<b>Service Terminal</b>
I	Not Available

**Table 792 K74 Human Machine Interface Control Module X5 (IO5/IO6)**

<b>Pin</b>	<b>Size</b>	<b>Color</b>	<b>Circuit</b>	<b>Function</b>	<b>Terminal Type ID</b>
LVDS	LVDS	LVDS	LVDS	LVDS	LVDS

**Connector Part Information**

- Harness Type: Instrument Panel
- Service Connector: Service by Cable Assembly
- Description:—

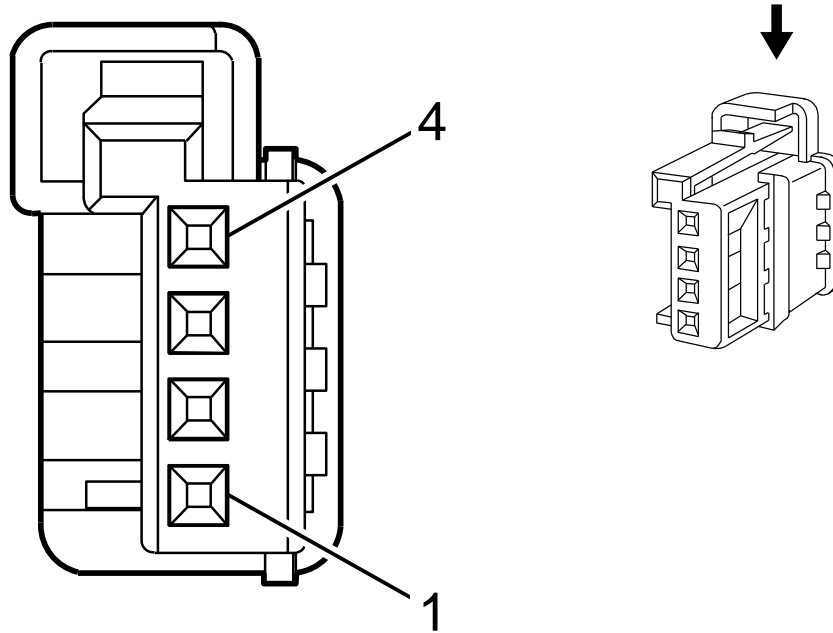
**Table 794 Terminal Part Information**

Terminal Type ID	Service Terminal
I	Not Available

**Table 795 K74 Human Machine Interface Control Module X7 (I06)**

Pin	Size	Color	Circuit	Function	Terminal Type ID
Coax.	Coax.	Coax.	Coax.	Coax. (GPS only) Coaxial Antenna GPS Signal	Coax.





**Connector Part Information**

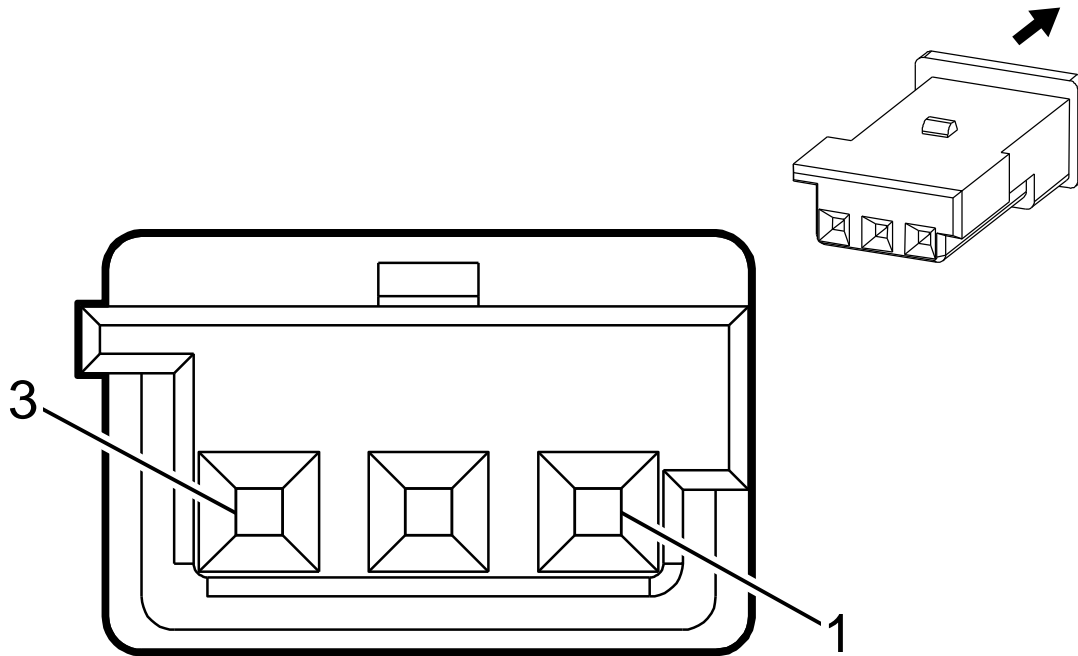
- Harness Type: Body
- Service Connector: 6040208C1
- Description: 4-pin F 0.64 Micro-Quadlock Series (BK)

**Table 797 Terminal Part Information**

Terminal Type ID	Service Terminal
I	6042035C1

**Table 798 K77 Remote Control Door Lock Receiver**

Pin	Size	Color	Circuit	Function	Terminal Type ID
1	0.35	GY	3273	Remote Function Actuator Low Reference	I
2	0.35	YE / L-GN	3274	Remote Function Actuator Transmit Signal	I
3	0.35	D-BU / WH	3275	Remote Function Actuator Receive Signal	I
4	0.35	GY / WH	3272	Remote Function Actuator Control	I



**Connector Part Information**

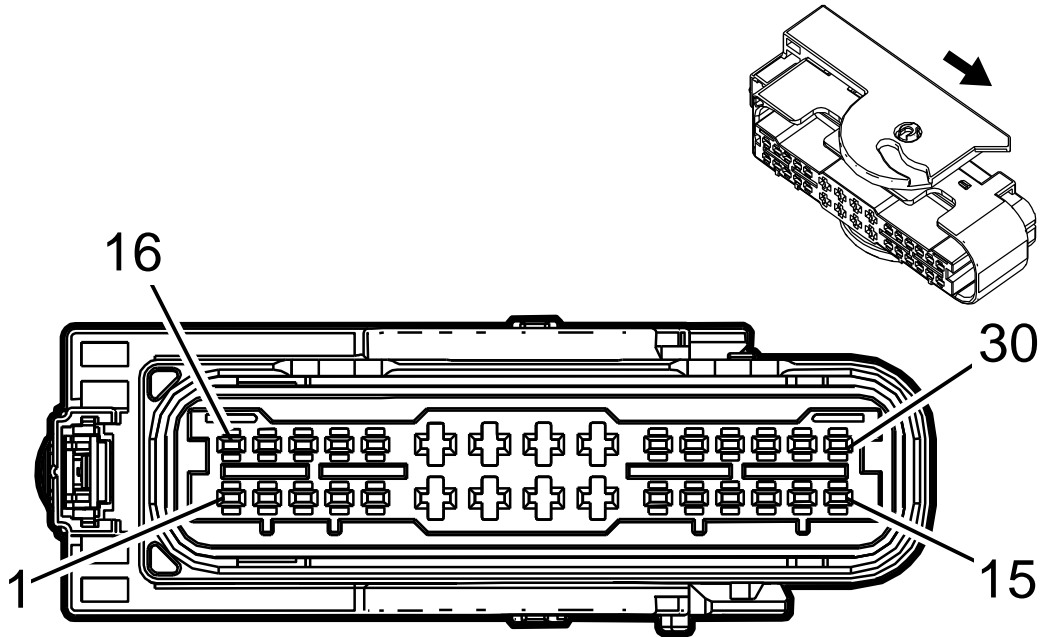
- Harness Type: Body
- Service Connector: Service by Harness
- Description: 3-Way F Micro-Quadlock Series (PU)

**Table 800 Terminal Part Information**

Terminal Type ID	Service Terminal
I	Not Available

**Table 801 K89 Remote Control Door Lock Receiver**

Pin	Size	Color	Circuit	Function	Terminal Type ID
1	0.35	GN/GY	3277	Vehicle Anti-Theft System Immobilizer Low Reference	I
2	0.5	GN/VT	7533	Local Interconnect Network Serial Data Bus 11	I
3	0.35	GY/BK	3276	Vehicle Anti-Theft System Immobilizer Control	I



**Connector Part Information**

- Harness Type: Chassis
- Service Connector: 4086737C1
- Description: 30-pin F 1.5, 2.8 Series, Sealed (BK)

**Table 803 Terminal Part Information**

Terminal Type ID	Service Terminal
I	4086472C1 0.5-1.0mm
	3830798C1 1.5mm

**Table 804 K111 Fuel Pump Driver Control Module**

Pin	Size	Color	Circuit	Function	Terminal Type ID
1-3	—	—	—	Not Occupied	—
4	0.5	BN / VT	455	Fuel Filter Temperature Signal	I
5	0.5	BK / BU	6861	Water In Fuel Sensor Signal	I
6	—	—	—	Not Occupied	—
7	1.5	RD / VT	1242	Battery Positive Voltage	I

Table 804 K111 Fuel Pump Driver Control Module (cont.)

Pin	Size	Color	Circuit	Function	Terminal Type ID
8	1.5	GY	120	Fuel Pump Control	I
9	1.5	YE / GY	4137	Fuel Pump Supply Voltage Phase 2	I
10-12	—	—	—	Not Occupied	—
13	0.5	BU / VT	1589	Primary Fuel Level Sensor Signal	I
	0.5	VT	1589	Primary Fuel Level Sensor Signal	I
14	0.5	BU	1937	Secondary Fuel Level Sensor Signal	I
15	0.5	WH	4499	High Speed GMLAN Serial Data (-) 7	I
16	1	VT / BU	3674	NOx Sensor 1 Control	I
17	1	VT / GN	439	Run / Crank Ignition 1 Voltage	I
18	0.5	GN / GY	465	Fuel Pump Primary Relay Control	I
19	0.5	BK / VT	412	Fuel Filter Temperature Sensor Low Reference	I
20-21	—	—	—	Not Occupied	—
22	1.5	BK	2150	Ground	I
23	0.5	BK	7444	Fuel System Control Module Shield Ground	I
24	1.5	WH / BN	4138	Fuel Pump Supply Voltage Phase 3	I
25	0.5	BK / BU	6863	Water In Fuel Sensor Low Reference	I
26-27	—	—	—	Not Occupied	—
28	0.5	BK / GN	6281	Fuel Level Sensor Low Reference	I
29	0.5	BN / WH	6281	Fuel Level Sensor Low Reference	I
30	0.5	BU / BN	4498	High Speed GMLAN Serial Data (+) 7	I

**Connector Part Information**

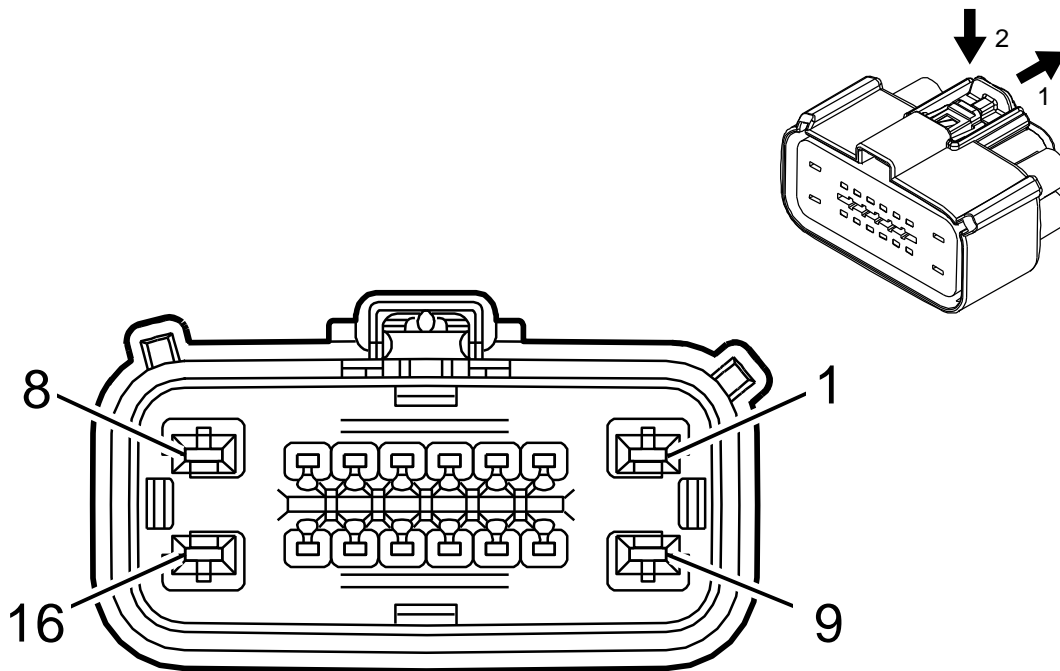
- Harness Type: Chassis
- Service Connector: Service by Harness
- Description: 8-Way F 2.8 Series, Sealed (BK)

**Table 806 Terminal Part Information**

Terminal Type ID	Service Terminal
I	Not Available

**Table 807 K115 Fuel Pump Driver Control Module**

Pin	Size	Color	Circuit	Function	Terminal Type ID
1	2.5	RD/WH	3440	Battery Positive Voltage	—
2	0.5	WH	4499	High Speed GMLAN Serial Data (-) 7	I
3	0.5	BU/BN	4498	High Speed GMLAN Serial Data (+) 7	I
4	2.5	BK	550	Ground	—
5	2.5	PU/GN	4320	Selective Catalytic Reduction Power Module Wake-Up Signal	I
6	0.5	WH	4499	High Speed GMLAN Serial Data (-) 7	I
7	0.5	BU/BN	4498	High Speed GMLAN Serial Data (+) 7	I
8	2.5	BU	3922	DEF Heater Supply 2	—



**Connector Part Information**

- Harness Type: Chassis
- Service Connector: 4086719C1
- Description: 16-pin F 1.5, 2.8 Series, Sealed (GY)

**Table 809 Terminal Part Information**

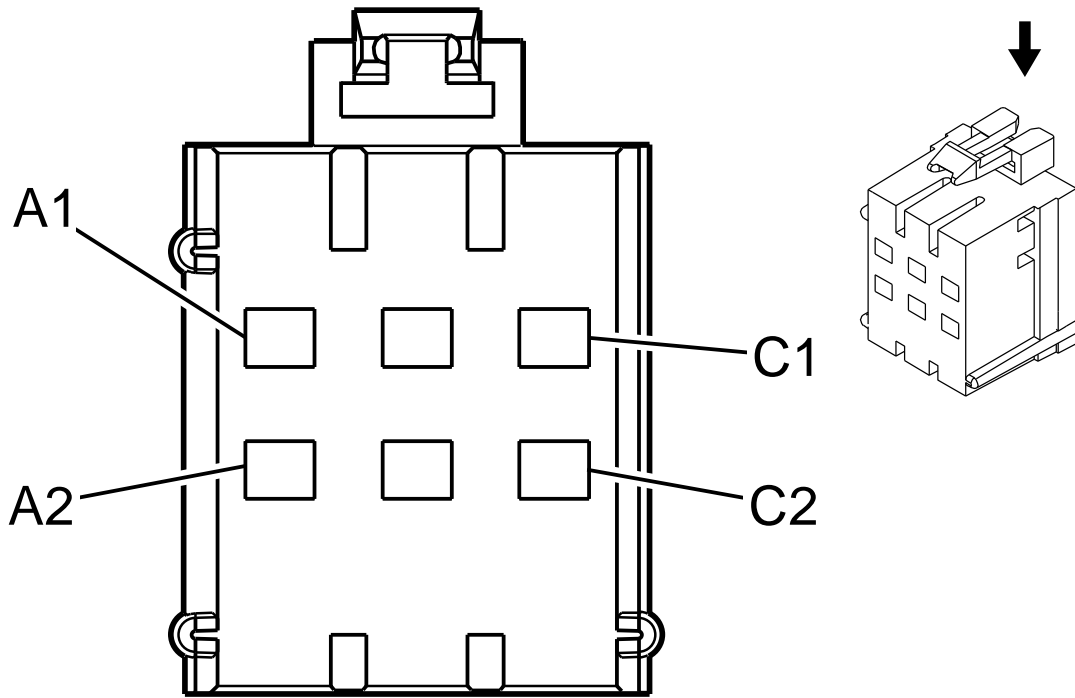
Terminal Type ID	Service Terminal
I	Not Available

**Table 810 K133 Trailer Brake Power Control Module (Feature Code: 0008HBW)**

Pin	Size	Color	Circuit	Function	Terminal Type ID
1	2	RD / GN	1142	Battery Positive Voltage	I
	3	RD / GN	1142	Battery Positive Voltage	I
2	0.5	WH / BK	2223	Trailer Brake Control Signal	I
3-4	—	—	—	Not Occupied	—
5	0.5	YE / BK	2224	Trailer Brake Enable Signal	I
6-7	—	—	—	Not Occupied	—

**Table 810 K133 Trailer Brake Power Control Module (Feature Code: 0008HBW) (cont.)**

Pin	Size	Color	Circuit	Function	Terminal Type ID
8	3	BU	47	Trailer Auxiliary Control	I
9	3	BK	1750	Ground	I
10-11	—	—	—	Not Occupied	—
12	0.5	GN / VT	4114	Local Interconnect Network Serial Data Bus 14	I
13-16	—	—	—	Not Occupied	—



**Connector Part Information**

- Harness Type: Overhead Console
- Service Connector: Service by Harness
- Description: 6-pin F 280 Metri-Pack Flexlock Series (BK)

**Table 812 Terminal Part Information**

Terminal Type ID	Service Terminal
I	6041899C1

**Table 813 KR58 Roof Beacon Relay (Feature Code: 0008XKS)**

Pin	Size	Color	Circuit	Function	Terminal Type ID
A1	0.35	BK	1050	Ground	I
A2	2.5	L-GN / D-BU	5989	Emergency Lamp Relay Contact Control	I
B1-B2	—	—	—	Not Occupied	—
C1	2.5	RD / L-GN	3140	Battery Positive Voltage	I
C2	0.5	WH / BK	5990	Emergency Lamp Switch Signal	I



**Connector Part Information**

- Harness Type: Driver Seat Cushion
- Service Connector: Service by Harness
- Description: 6-Way F

**Table 815 Terminal Part Information**

Terminal Type ID	Service Terminal
I	Not Available

**Table 816 M4 Air Inlet Actuator**

Pin	Size	Color	Circuit	Function	Terminal Type ID
1	—	BK/YE	1791	Air Temperature Door Control Low Reference	I
2	—	VT/GN	1838	Recirculation Door Position Signal	I
3	—	GY/RD	598	5V Reference	I
4	—	—	—	Not Occupied	—
5	—	GN	1614	Recirculation Door Control	I
6	—	YE/BK	2274	Recirculation Door Control	I

**Connector Part Information**

- Harness Type: Driver Seat Cushion
- Service Connector: Service by Harness
- Description: 6-Way F

**Table 818 Terminal Part Information**

Terminal Type ID	Service Terminal
I	Not Available

**Table 819 M6 Air Temperature Door Actuator**

Pin	Size	Color	Circuit	Function	Terminal Type ID
1	—	BK/YE	1791	Air Temperature Door Control Low Reference	I
2	—	BU/YE	733	Recirculation Door Position Signal	I
3	—	GY/RD	598	5V Reference	I
4	—	—	—	Not Occupied	—
5	—	BU/BN	1199	Recirculation Door Control	I
6	—	GY/GN	2210	Recirculation Door Control	I

**Connector Part Information**

- Harness Type: Driver Seat Cushion
- Service Connector: Service by Harness
- Description: 6-Way F

**Table 821 Terminal Part Information**

Terminal Type ID	Service Terminal
I	Not Available

**Table 822 M7 Transmission Shift Lock Control Solenoid Actuator**

Pin	Size	Color	Circuit	Function	Terminal Type ID
A	0.5	YE/WH	816	Brake Transmission Shift Interlock Solenoid Control	I
B	0.5	BK/WH	1851	Signal Ground	I

**Connector Part Information**

- Harness Type: Driver Seat Cushion
- Service Connector: Service by Harness
- Description: 6-Way F

**Table 824 Terminal Part Information**

Terminal Type ID	Service Terminal
I	Not Available

**Table 825 M8 Blower Motor**

Pin	Size	Color	Circuit	Function	Terminal Type ID
1	—	RD/VT	542	Brake Transmission Shift Interlock Solenoid Control	I
2	—	BU/GY	754	Signal Ground	I
3	—	—	—	Not Occupied	—
4	—	BK	1050	Ground	I

**Connector Part Information**

- Harness Type: Driver Seat Cushion
- OEM Connector: 365682C2
- Description: 1-Way Ring Terminal

**Table 827 Terminal Part Information**

Terminal Type ID	Service Terminal
I	Not Available

**Table 828 M9 Blower Moter**

Pin	Size	Color	Circuit	Function	Terminal Type ID
1	5	GY	90FA	Brake Booster Pump Supply	I

**Connector Part Information**

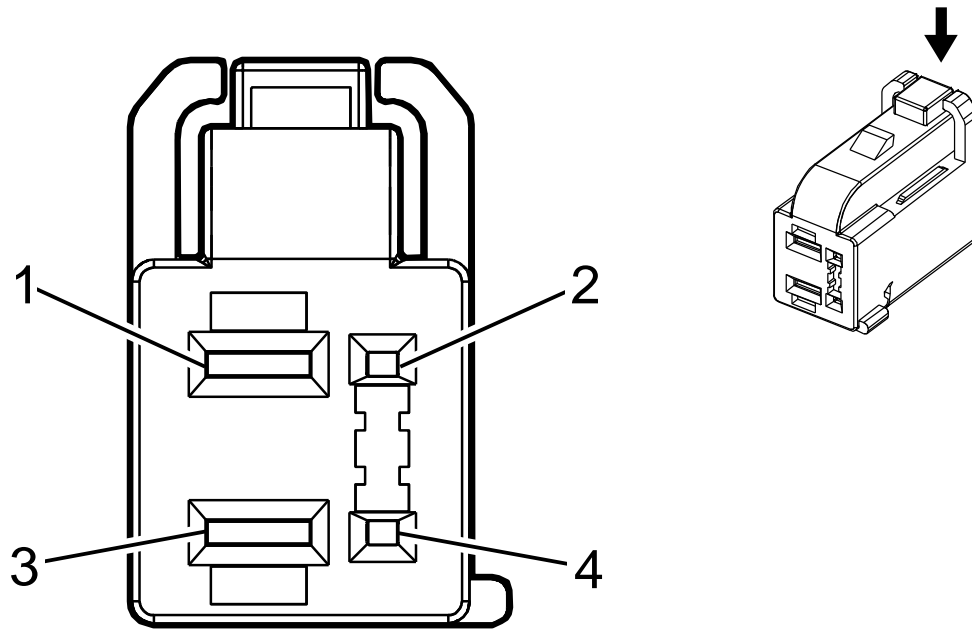
- Harness Type: Driver Seat Cushion
- Service Connector: Service by Harness
- Description: Description: 6-Way F

**Table 830 Terminal Part Information**

Terminal Type ID	Service Terminal
I	Not Available

**Table 831 M37 Mode Door Actuator**

Pin	Size	Color	Circuit	Function	Terminal Type ID
1	—	BK/YE	1791	Air Temperature Door Control Low Reference	I
2	—	WH/GN	2275	Mode 1 Valve Positions Sensor Signal	I
3	—	GY/RD	598	5V Reference	I
4	—	—	—	Not Occupied	—
5	—	WH	119	Mode Door Control	I
6	—	YE/BN	2273	Mode Door Control	I



**Connector Part Information**

- Harness Type: Driver Seat Cushion
- Service Connector: Service by Harness
- Description: 4-pin F 0.64, 2.8 Series (BN)

**Table 833 Terminal Part Information**

Terminal Type ID	Service Terminal
I	6041906C1
II	6041902C1 0.35mm
	6041904C1 0.5mm

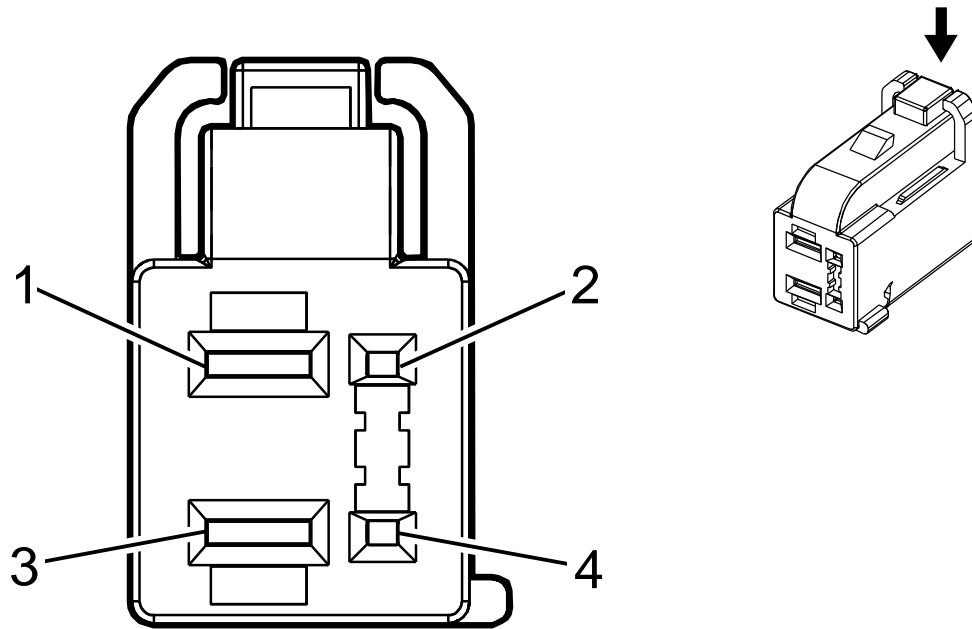
**Table 834 M50D Seat Front Vertical Motor – Driver (Feature Code: 0016KVV / 0016KVU)**

Pin	Size	Color	Circuit	Function	Terminal Type ID
1	1.5	L-GN / BN	286	Driver Power Seat Front Vertical Motor Up Control	I
2	0.35	WH / RD	3298	Memory Sensor High Reference 2	II

**Table 834 M50D Seat Front Vertical Motor – Driver (Feature Code: 0016KVV / 0016KVU) (cont.)**

<b>Pin</b>	<b>Size</b>	<b>Color</b>	<b>Circuit</b>	<b>Function</b>	<b>Terminal Type ID</b>
3	1.5	L-BU / VT	287	Driver Power Seat Front Vertical Motor Down Control	I
4	0.5	BN / WH	557	Memory Seat Front Vertical Motor Position Sensor Signal	II





**Connector Part Information**

- Harness Type: Driver Seat Cushion
- Service Connector: Service by Harness
- Description: 4-pin F 0.64, 2.8 Series (BN)

**Table 836 Terminal Part Information**

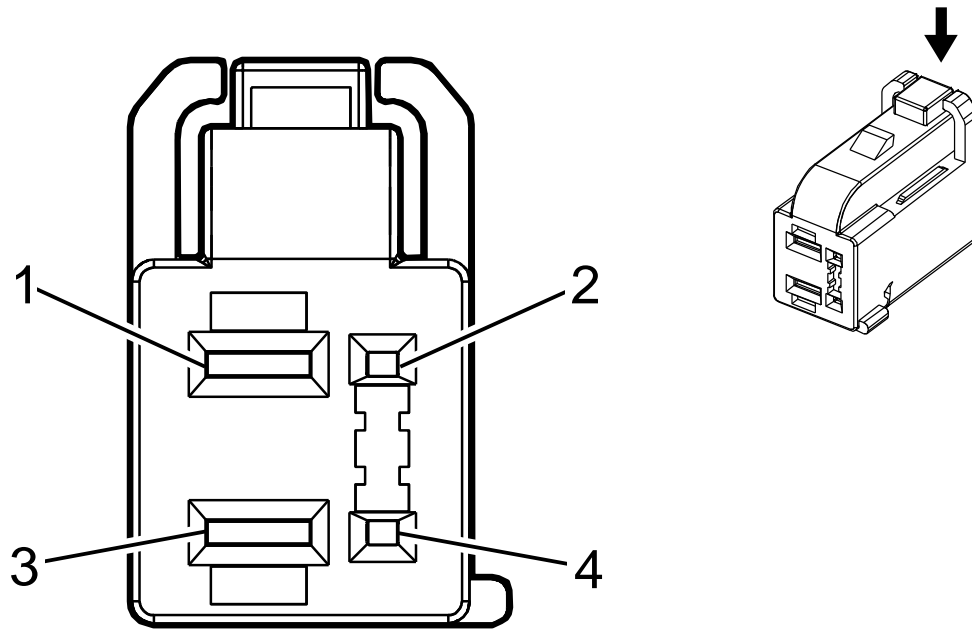
Terminal Type ID	Service Terminal
I	6041906C1
II	6041902C1 0.35mm
	6041904C1 0.5mm

**Table 837 M51D Seat Horizontal Motor – Driver (Feature Code: 0016KVV / 0016KVU)**

Pin	Size	Color	Circuit	Function	Terminal Type ID
1	1.5	YE / L-BU	285	Driver Power Seat Horizontal Motor Forward Control	I
2	0.35	WH / RD	3298	Memory Sensor High Reference 2	II

**Table 837 M51D Seat Horizontal Motor – Driver (Feature Code: 0016KVV / 0016KVU) (cont.)**

<b>Pin</b>	<b>Size</b>	<b>Color</b>	<b>Circuit</b>	<b>Function</b>	<b>Terminal Type ID</b>
3	1.5	GY / L-GN	284	Driver Power Seat Horizontal Motor Rearward Control	I
4	0.5	L-GN	569	Memory Seat Horizontal Motor Position Sensor Signal	II



**Connector Part Information**

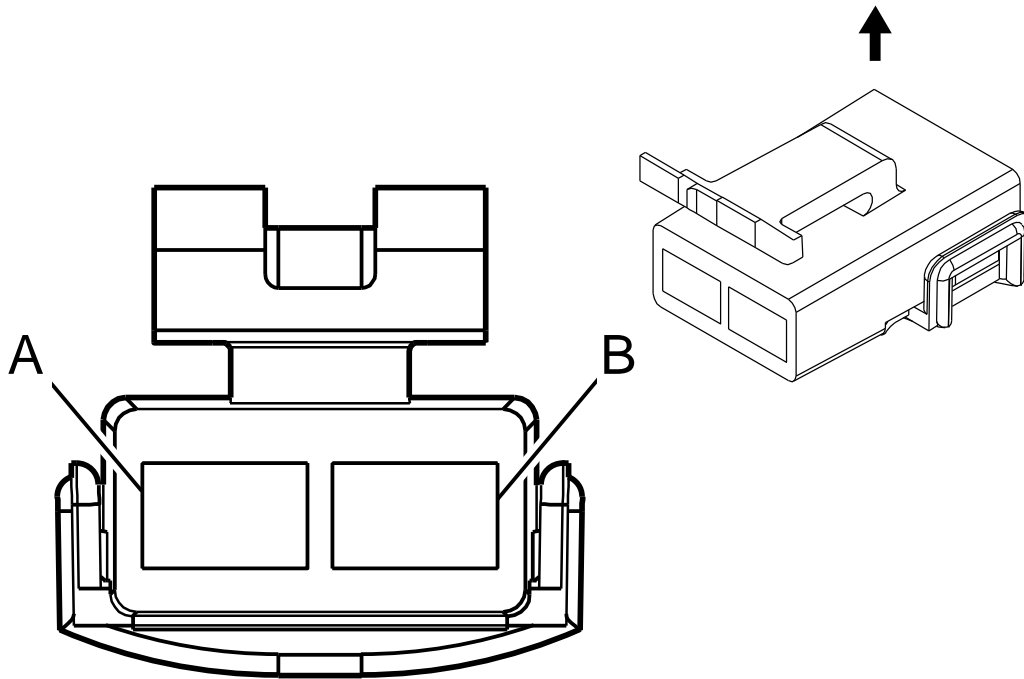
- Harness Type: Passenger Seat Cushion
- Service Connector: Service by Harness
- Description: 4-pin F 0.64, 2.8 Series (BN)

**Table 839 Terminal Part Information**

Terminal Type ID	Service Terminal
I	6041906C1

**Table 840 M51P Seat Horizontal Motor – Passenger (Feature Code: 0016KVV / AG2)**

Pin	Size	Color	Circuit	Function	Terminal Type ID
1	1.5	YE / L-BU	290	Passenger Power Seat Horizontal Motor Rearward Control	I
2	—	—	—	Not Occupied	—
3	1.5	YE / WH	296	Passenger Power Seat Horizontal Motor Forward Control	I
4	—	—	—	Not Occupied	—



**Connector Part Information**

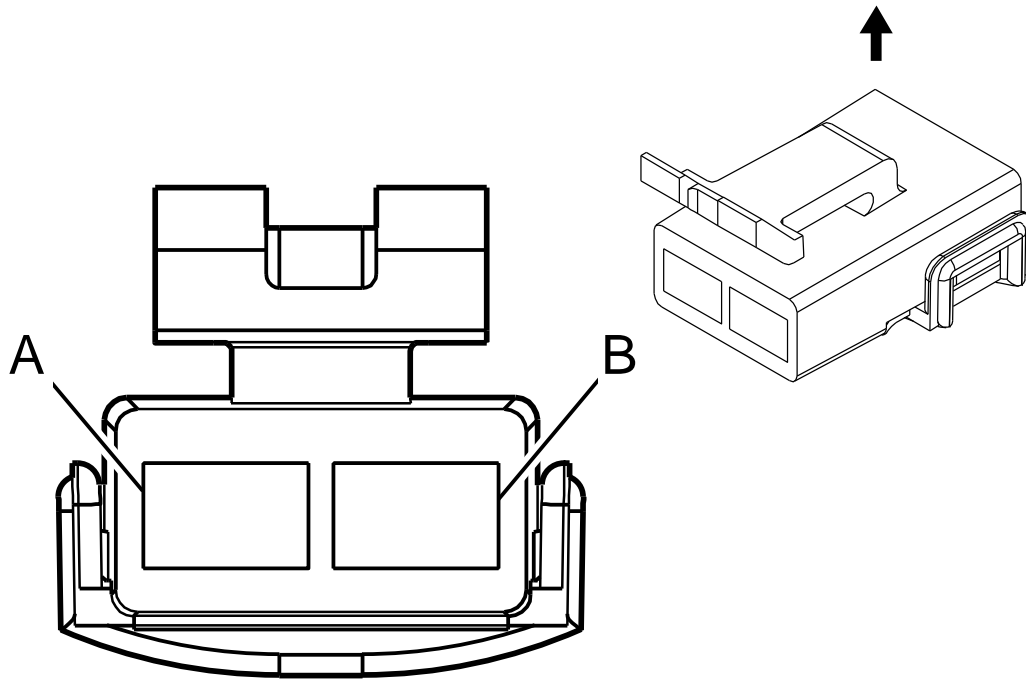
- Harness Type: Driver Seat Back
- Service Connector: Service by Harness
- Description: 2-pin F 480 Metri-Pack Series (BK)

**Table 842 Terminal Part Information**

Terminal Type ID	Service Terminal
I	6041925C1

**Table 843 M52D Seat Lumbar Support Horizontal Motor – Driver (Feature Code: 0016KVV / 0016KVU)**

Pin	Size	Color	Circuit	Function	Terminal Type ID
A	1.5	L-BU	611	Driver Power Seat Lumbar Motor Forward Control	I
B	1.5	VT	610	Driver Power Seat Lumbar Motor Rearward Control	I



**Connector Part Information**

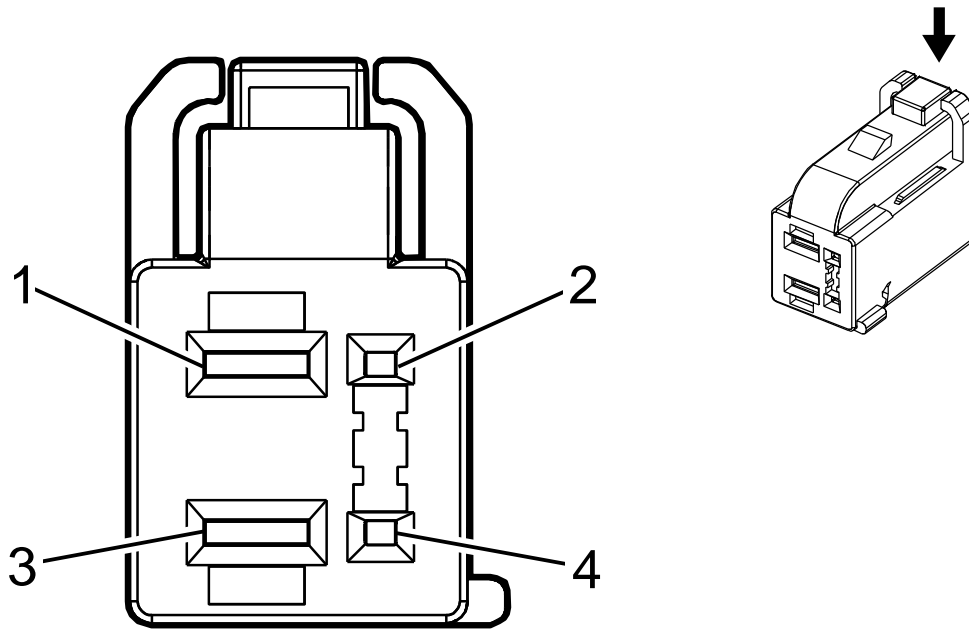
- Harness Type: Driver Seat Back
- Service Connector: Service by Harness
- Description: 2-Way F

**Table 845 Terminal Part Information**

Terminal Type ID	Service Terminal
I	Not Available

**Table 846 M52P Seat Lumbar Support Horizontal Motor – Driver (Feature Code: 0016KVV / 0016KVU)**

Pin	Size	Color	Circuit	Function	Terminal Type ID
A	—	BU	211	Passenger Power Seat Lumbar Motor Forward Control	I
B	—	VT	210	Passenger Power Seat Lumbar Motor Rearward Control	I



**Connector Part Information**

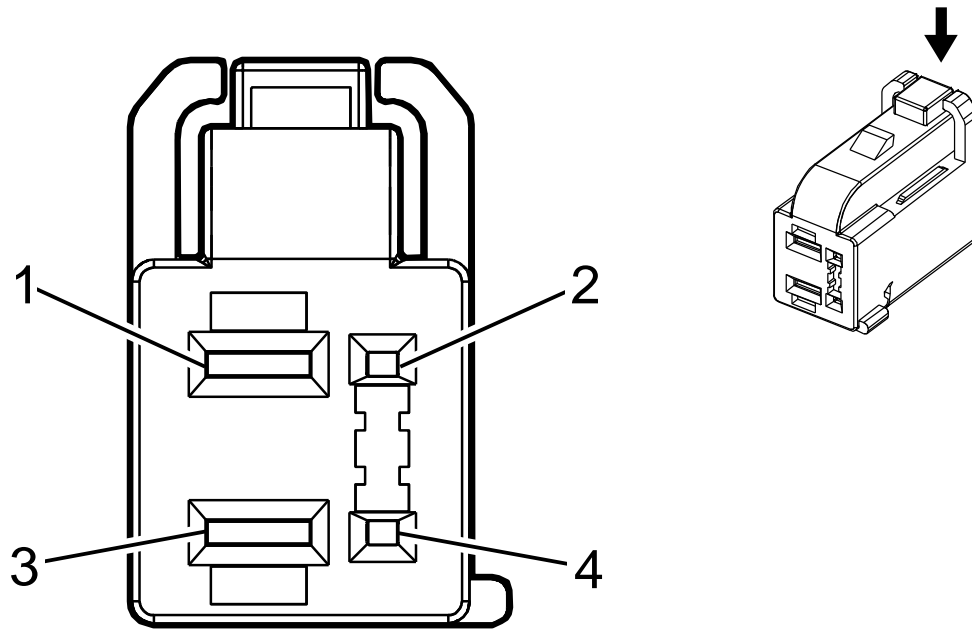
- Harness Type: Driver Seat Cushion
- Service Connector: Service by Harness
- Description: 4-Way F 0.64, 2.8 Series (BN)

**Table 848 Terminal Part Information**

Terminal Type ID	Service Terminal
I	Not Available

**Table 849 M55D Seat Rear Vertical Motor – Driver (Feature Code: 0016KVV / 0016KVU)**

Pin	Size	Color	Circuit	Function	Terminal Type ID
1	1.5	GY / L-BU	283	Driver Power Seat Rear Vertical Motor Down Control	I
2	—	—	—	Not Occupied	—
3	1.5	YE	282	Driver Power Seat Rear Vertical Motor Up Control	I
4	—	—	—	Not Occupied	—



**Connector Part Information**

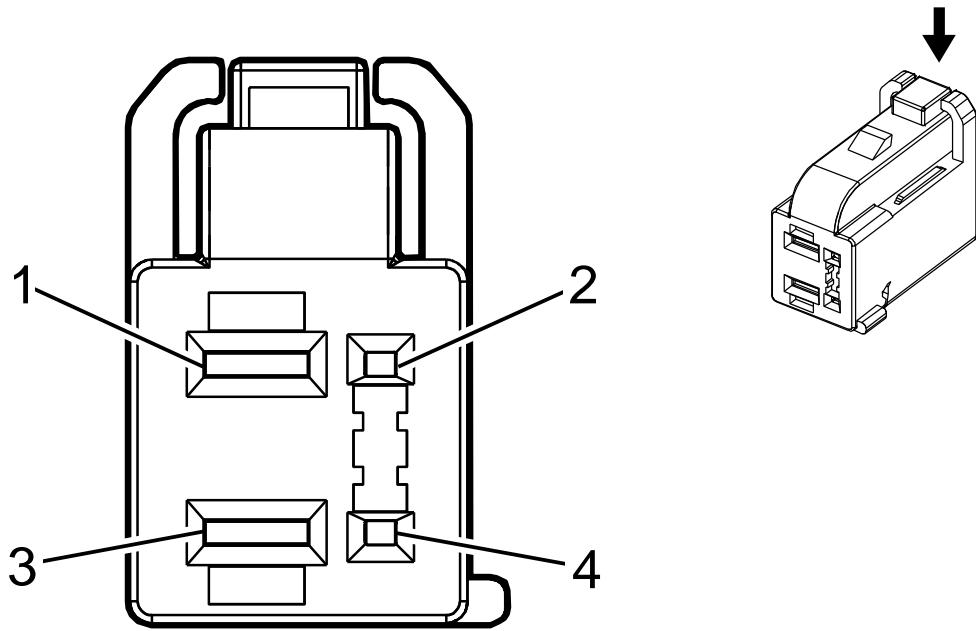
- Harness Type: Driver Seat Back
- Service Connector: Service by Harness
- Description: 4-pin F 0.64, 2.8 Series (BN)

**Table 851 Terminal Part Information**

Terminal Type ID	Service Terminal
I	Not Available

**Table 852 M56D Seat Recline Motor – Driver (Feature Code: 0016KVV / 0016KVU and 0016XJR)**

Pin	Size	Color	Circuit	Function	Terminal Type ID
1	1.5	GN/YE	276	Driver Power Seat Recline Motor Forward Control	—
2	—	—	—	Not Occupied	—
3	1.5	BU/YE	277	Driver Power Seat Recline Motor Rearward Control	—
4	—	—	—	Not Occupied	—



**Connector Part Information**

- Harness Type: Driver Seat Back
- Service Connector: Service by Harness
- Description: 4-Way F

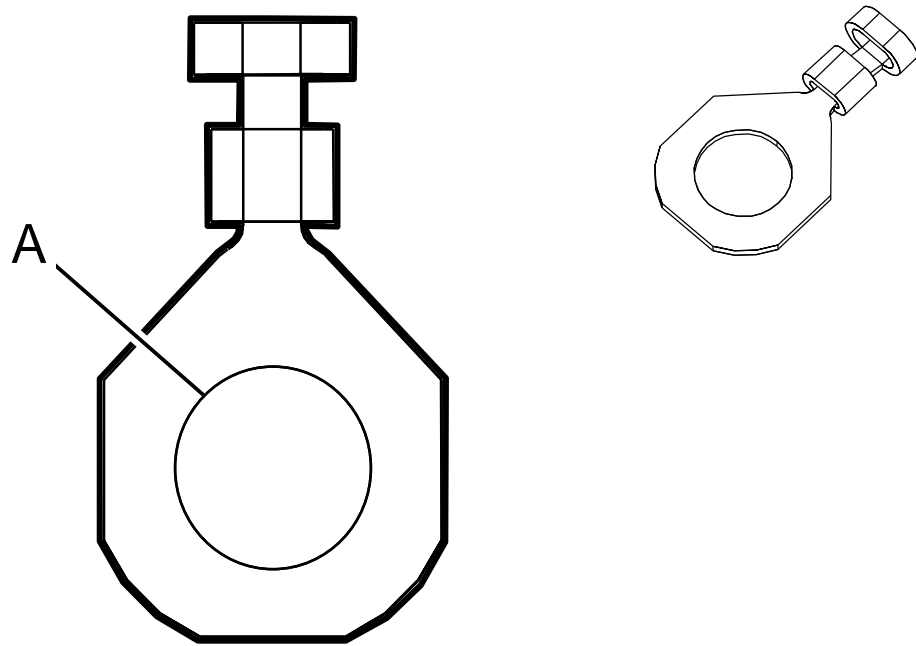
**Table 854 Terminal Part Information**

Terminal Type ID	Service Terminal
I	Not Available

**Table 855 M56P Seat Recline Motor – Driver (Feature Code: 0016KVV / 0016KVU Without 0016XJR)**

Pin	Size	Color	Circuit	Function	Terminal Type ID
1	—	GN	76	Passenger Power Seat Recline Motor Forward Control	I
2	—	—	—	Not Occupied	II
3	—	BU/BN	77	Passenger Power Seat Recline Motor Rearward Control	I
4	—	—	—	Not Occupied	II





**Connector Part Information**

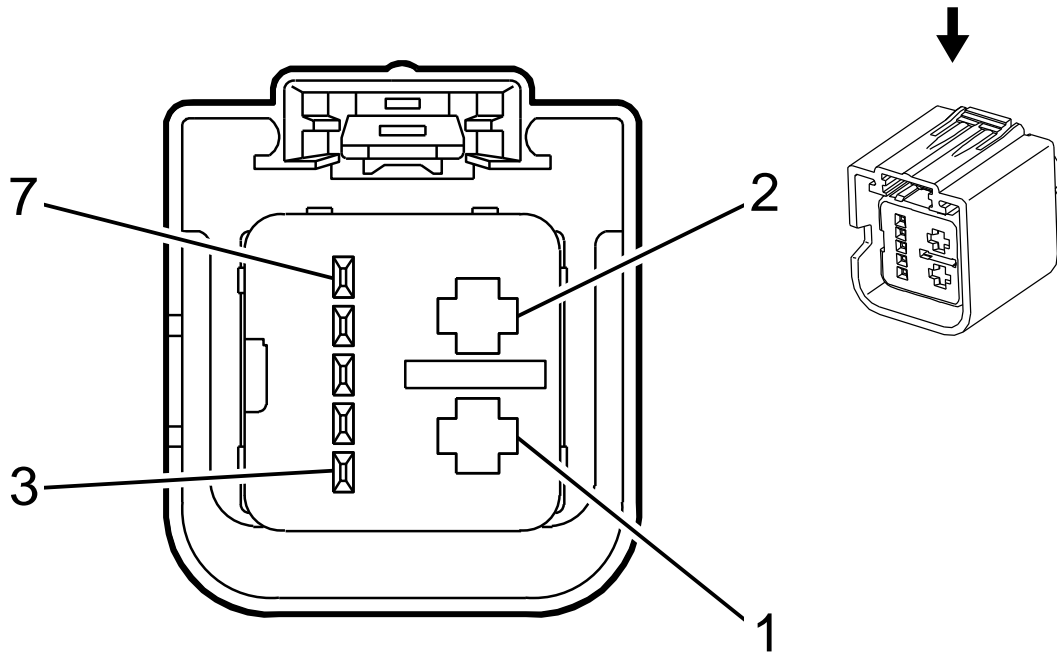
- Harness Type: Engine Chassis
- Service Connector: Service by Cable Assembly
- Description: 1-pin Ring Terminal

**Table 857 Terminal Part Information**

Terminal Type ID	Service Terminal
I	Not Available

**Table 858 M64 Starter Motor X1**

Pin	Size	Color	Circuit	Function	Terminal Type ID
A	3	YE/VT	6	Starter Solenoid Crank Ignition Voltage	I



**Connector Part Information**

- Harness Type: Driver Door
- Service Connector: Service by Harness
- Description: 7-Way F 0.64, 2.8 Kaizen Timer Series, Sealed (GY)

**Table 860 Terminal Part Information**

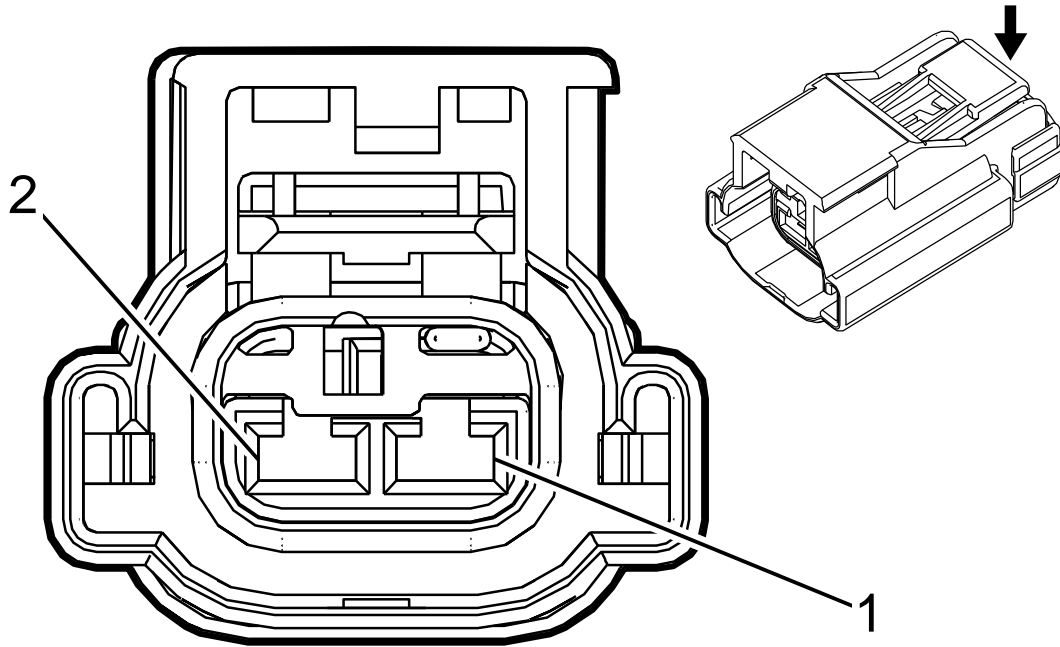
Terminal Type ID	Service Terminal
I	Not Available

**Table 861 M74D Window Motor – Driver (Feature Code: 0016WAK)**

Pin	Size	Color	Circuit	Function	Terminal Type ID
1	2.5	BK	1150	Ground	I
2	2.5	RD / D-BU	1842	Battery Positive Voltage	I
3	0.35	L-GN / WH	1300	Power Window Master Switch Left Front Up Signal	II
4	0.5	L-GN / YE	6134	Local Interconnect Network Serial Data Bus 3	II
5	0.35	L-GN / VT	7628	Power Window Motor Left Front Express Control	II

Table 861 M74D Window Motor – Driver (Feature Code: 0016WAK) (cont.)

Pin	Size	Color	Circuit	Function	Terminal Type ID
6	0.35	GY	745	Left Front Door Ajar Switch Signal	II
7	0.35	GY	1136	Power Window Master Switch Left Front Down Signal	II



**Connector Part Information**

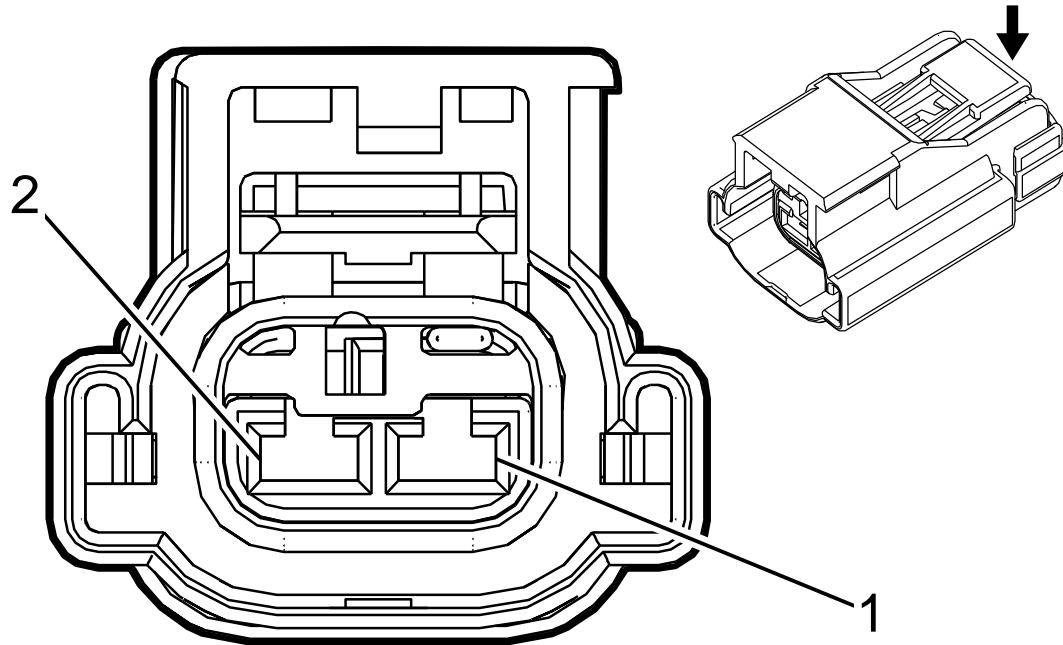
- Harness Type: Left Rear Door
- Service Connector: Service by Harness
- Description: 2-pin F 2.8 APEX Series, Sealed (BK)

**Table 863 Terminal Part Information**

Terminal Type ID	Service Terminal
I	6042030C1

**Table 864 M74LR Window Motor – Left Rear (Crew Cab)**

Pin	Size	Color	Circuit	Function	Terminal Type ID
1	2.5	D-BU / VT	668	Power Window Motor Left Rear Up Control	I
2	2.5	YE / D-BU	669	Power Window Motor Left Rear Down Control	I



**Connector Part Information**

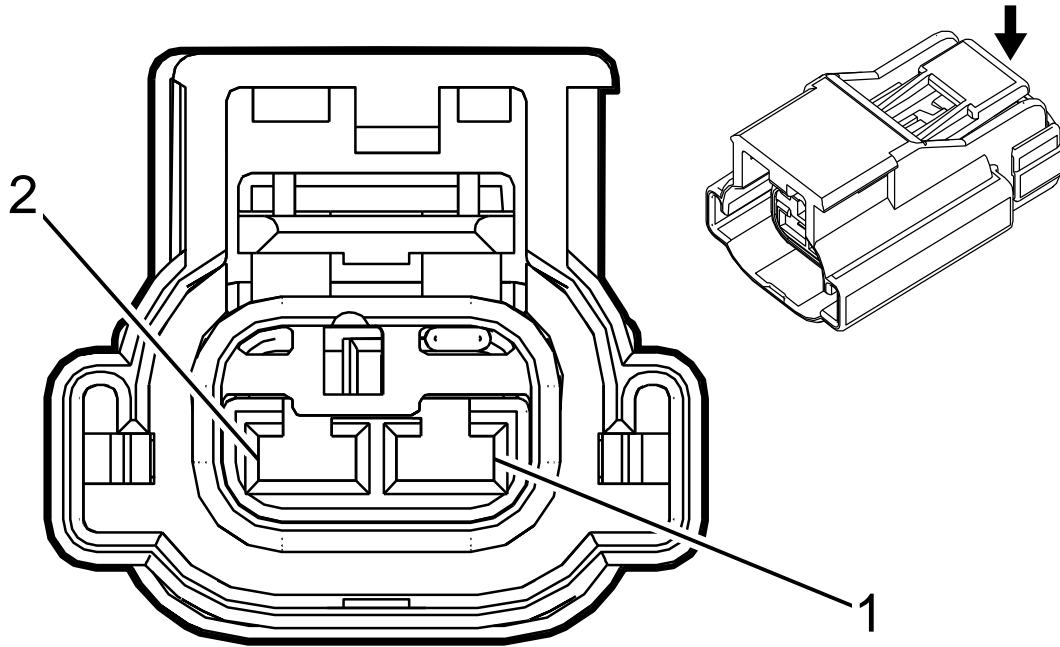
- Harness Type: Passenger Door
- Service Connector: Service by Harness
- Description: 2-pin F 2.8 APEX Series, Sealed (BK)

**Table 866 Terminal Part Information**

Terminal Type ID	Service Terminal
I	6042030C1

**Table 867 M74P Window Motor – Passenger**

Pin	Size	Color	Circuit	Function	Terminal Type ID
1	2.5	YE / D-BU	3388	Power Window Motor Passenger Down Control	I
2	2.5	L-GN / GY	3387	Power Window Motor Passenger Up Control	I



**Connector Part Information**

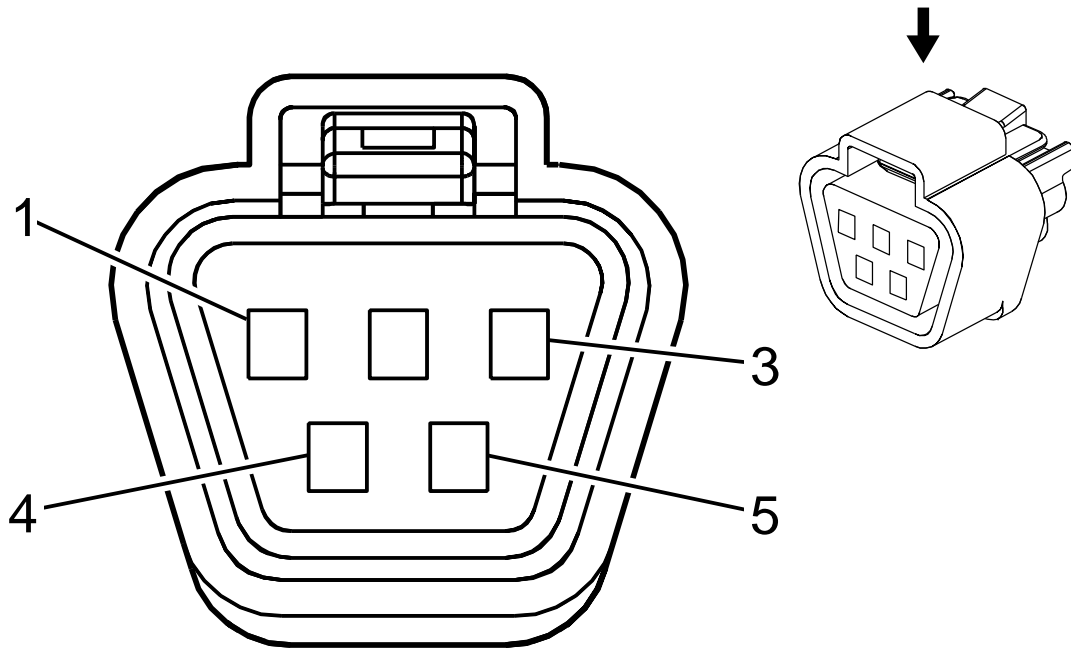
- Harness Type: Right Rear Door
- Service Connector: Service by Harness
- Description: 2-pin F 2.8 APEX Series, Sealed (BK)

**Table 869 Terminal Part Information**

Terminal Type ID	Service Terminal
I	6042030C1

**Table 870 M74RR Window Motor – Right Rear (Crew Cab)**

Pin	Size	Color	Circuit	Function	Terminal Type ID
1	2.5	D-BU / GY	670	Power Window Motor Right Rear Up Control	I
2	2.5	L-GN / BK	671	Power Window Motor Right Rear Down Control	I



**Connector Part Information**

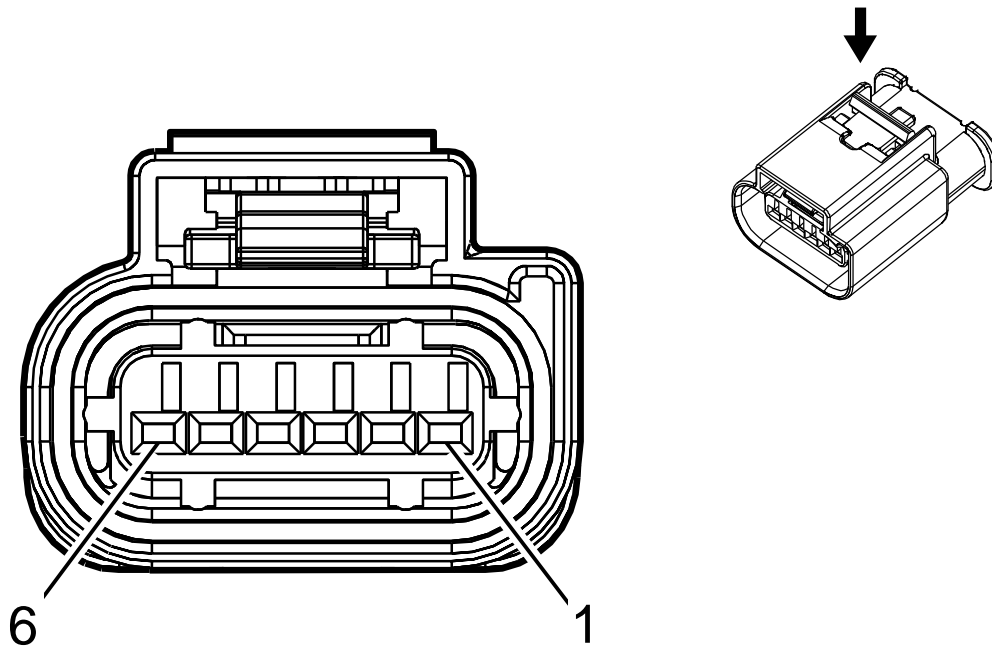
- Harness Type: Body
- Service Connector: 6040215C1
- Description: 5-pin F 090 Series, Sealed (BK)

**Table 872 Terminal Part Information**

Terminal Type ID	Service Terminal
I	6041941C1 0.5mm
	6042020C1 1mm

**Table 873 M75 Windshield Wiper Motor**

Pin	Size	Color	Circuit	Function	Terminal Type ID
1	1	YE / BN	95	Windshield Wiper Motor Low Speed Control	I
2	0.5	BK	1850	Ground	I
3	0.5	BN / L-GN	196	Windshield Wiper Motor Park Switch Signal	I
4	1	WH	92	Windshield Wiper Motor High Speed Control	I
5	1	BK	550	Ground	I



**Connector Part Information**

- Harness Type: Engine
- Service Connector: 6040215C1
- Description: 6-pin F 1.2 MCON Series, Sealed (BK)

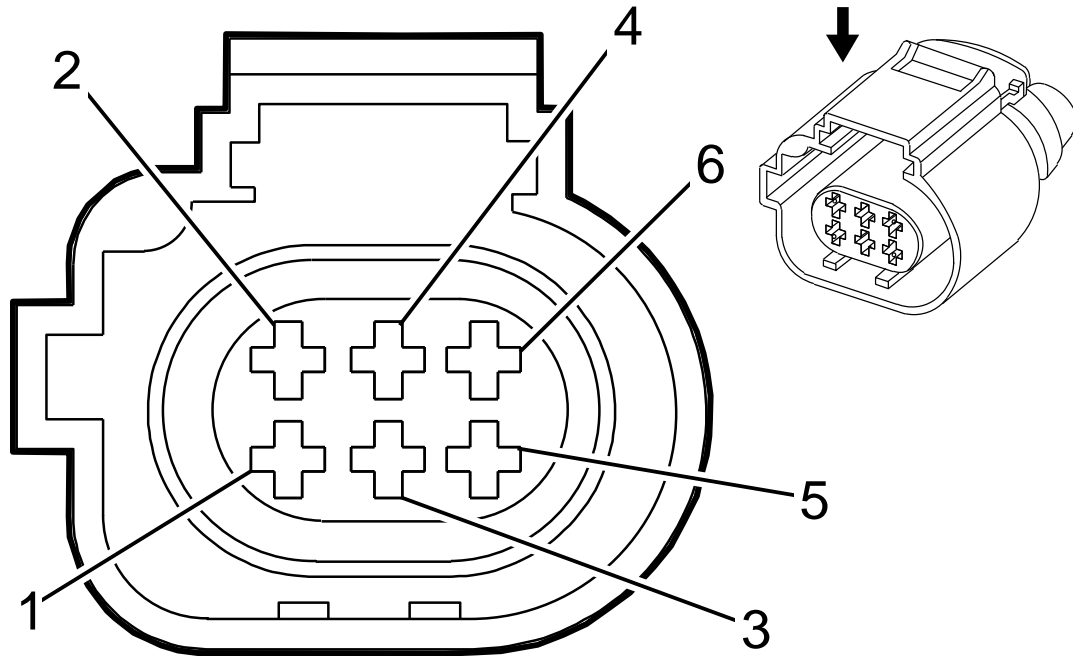
**Table 875 Terminal Part Information**

Terminal Type ID	Service Terminal
I	6041941C1

**Table 876 M103 Turbocharger Vane Position Actuator**

Pin	Size	Color	Circuit	Function	Terminal Type ID
1	0.5	WH	4499	High Speed GMLAN Serial Data (-) 7	I
2	0.5	WH	4499	High Speed GMLAN Serial Data (-) 7	I
3	0.5	BU / BN	4498	High Speed GMLAN Serial Data (+) 7	I
4	0.5	BU / BN	4498	High Speed GMLAN Serial Data (+) 7	I
5	0.5	BK / WH	251	Signal Ground	I
6	0.5	VT / BU	3674	NOx Sensor 1 Control	I





**Connector Part Information**

- Harness Type: Engine
- Service Connector: 6040263C1
- Description: 6-pin F 1.6 Micro-Timer Series, Sealed (GY)

**Table 878 Terminal Part Information**

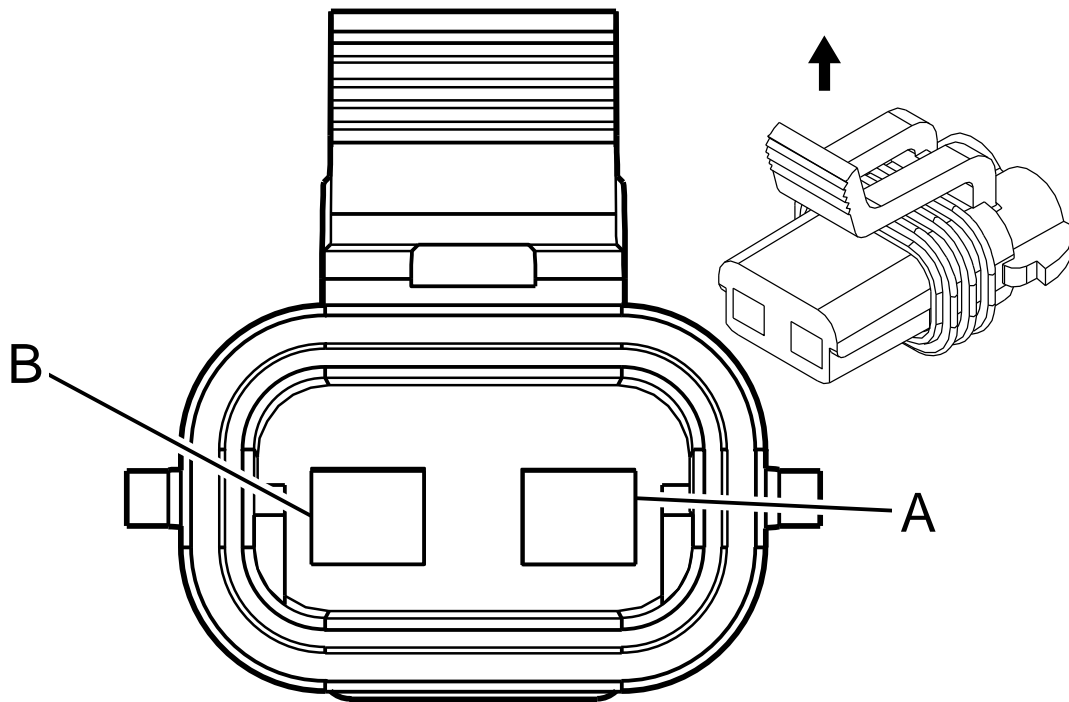
Terminal Type ID	Service Terminal
I	6041903C1

**Table 879 M114 Exhaust Gas Recirculation Cooler Bypass Valve Actuator**

Pin	Size	Color	Circuit	Function	Terminal Type ID
1	0.5	BN / VT	3656	EGR Cooler Bypass Motor Close Control	I
2	0.5	GN / GY	3654	EGR Cooler Bypass Position Sensor Signal	I
3	—	—	—	Not Occupied	—
4	0.5	BK / BU	3653	EGR Cooler Bypass Position Sensor Low Reference	I

**Table 879 M114 Exhaust Gas Recirculation Cooler Bypass Valve Actuator (cont.)**

<b>Pin</b>	<b>Size</b>	<b>Color</b>	<b>Circuit</b>	<b>Function</b>	<b>Terminal Type ID</b>
5	0.5	YE / GN	3655	EGR Cooler Bypass Motor Open Control	I
6	0.5	VT / RD	3652	EGR Cooler Bypass Position Sensor 5 volt Reference	I



**Connector Part Information**

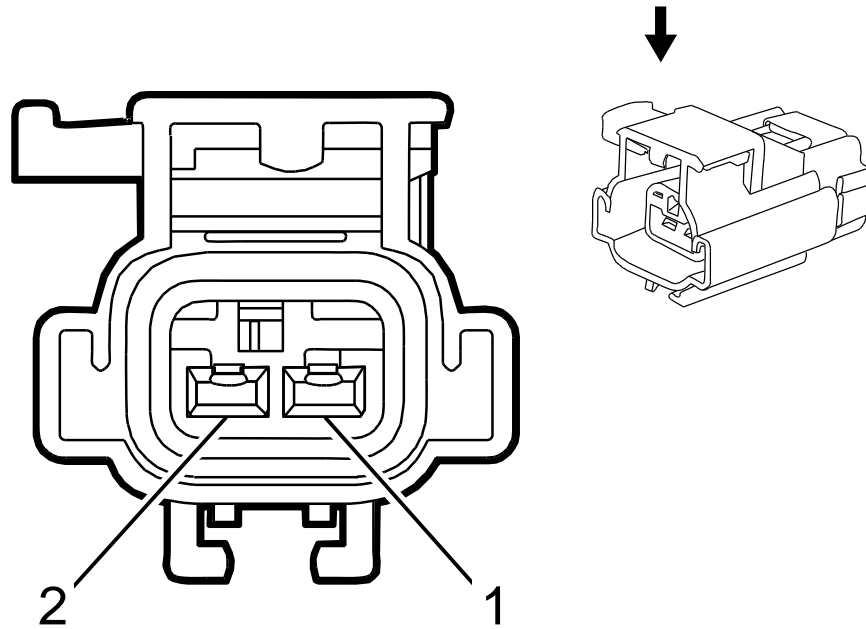
- Harness Type: Chassis Rear Right
- Service Connector: Service by Harness
- Description: 2-pin F 280 Metri-Pack Series, Sealed (BK)

**Table 881 Terminal Part Information**

Terminal Type ID	Service Terminal
I	2033819C1

**Table 882 P3 Backup Alarm (Feature Code: 0008THB)**

Pin	Size	Color	Circuit	Function	Terminal Type ID
A	0.75	WH / GN	1624	Trailer Backup Lamp Control	I
B	1	BK	1624	Trailer Backup Lamp Control	I



**Connector Part Information**

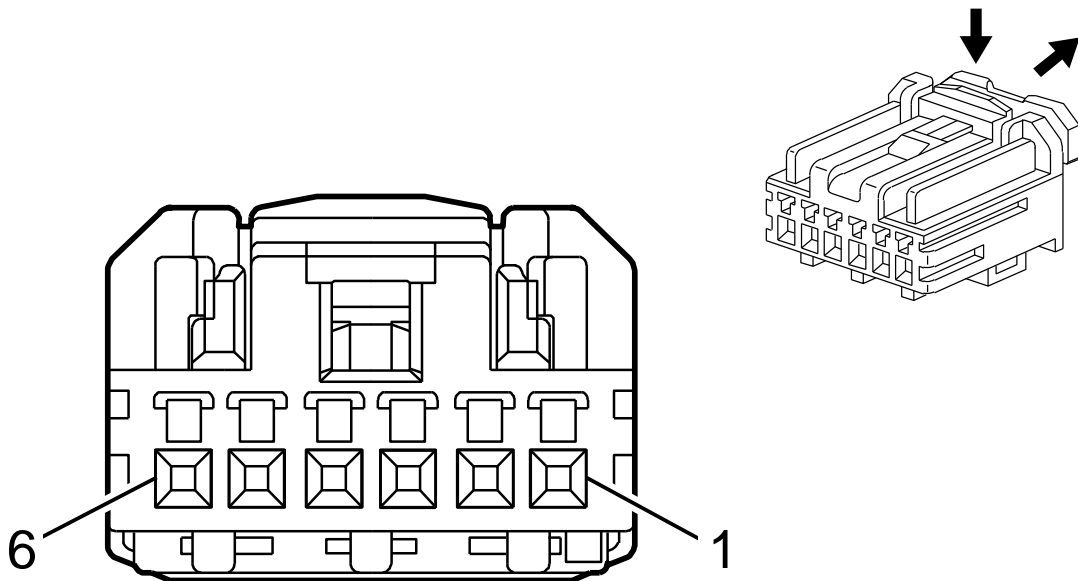
- Harness Type: Forward Lamp
- Service Connector: 3626435C1
- Description: 2-pin F 2.8 Series, Sealed (BK)

**Table 884 Terminal Part Information**

Terminal Type ID	Service Terminal
I	3613771C1

**Table 885 P12 Horn**

Pin	Size	Color	Circuit	Function	Terminal Type ID
A	1	BN / GY	29	Horn Control	I
B	1	BK	85	Cruise Control Engaged Indicator	I



**Connector Part Information**

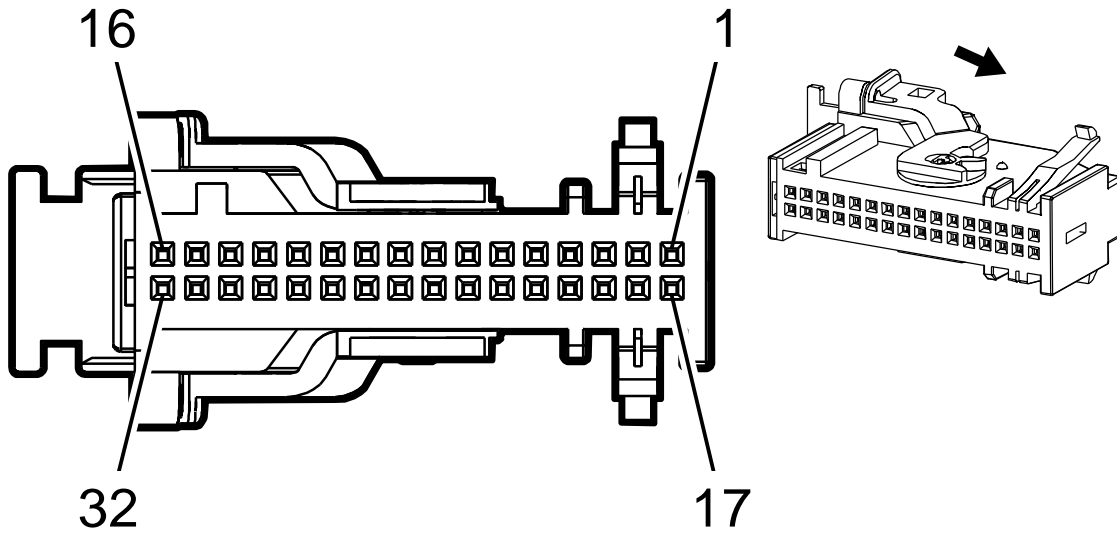
- Harness Type: Overhead Console
- Service Connector: Service by Harness
- Description: 6-pin F 0.64 HCM Series (NA)

**Table 887 Terminal Part Information**

Terminal Type ID	Service Terminal
I	6042029C1

**Table 888 P14 Passenger Air Bag Disabled Indicator**

Pin	Size	Color	Circuit	Function	Terminal Type ID
1.	0.35	D-BU	2307	Passenger Air Bag On Indicator Control	I
2.	. 0.5	BK	1050	Ground	I
3.	0.35	L-GN	2308	Passenger Air Bag Off Indicator Control	. I
4.	0.35	VT / WH	1139	Run / Crank Ignition 1 Voltage	. I
5.	0.35	VT / WH	5234	Passenger Seat Belt Indicator Control	I
6	—	—	—	Not Occupied	—



**Connector Part Information**

- Harness Type: Instrument Panel
- Service Connector: 6040282C1
- Description: 32-pin F 0.64 Micro-Quadlock Series (BK)

**Table 890 Terminal Part Information**

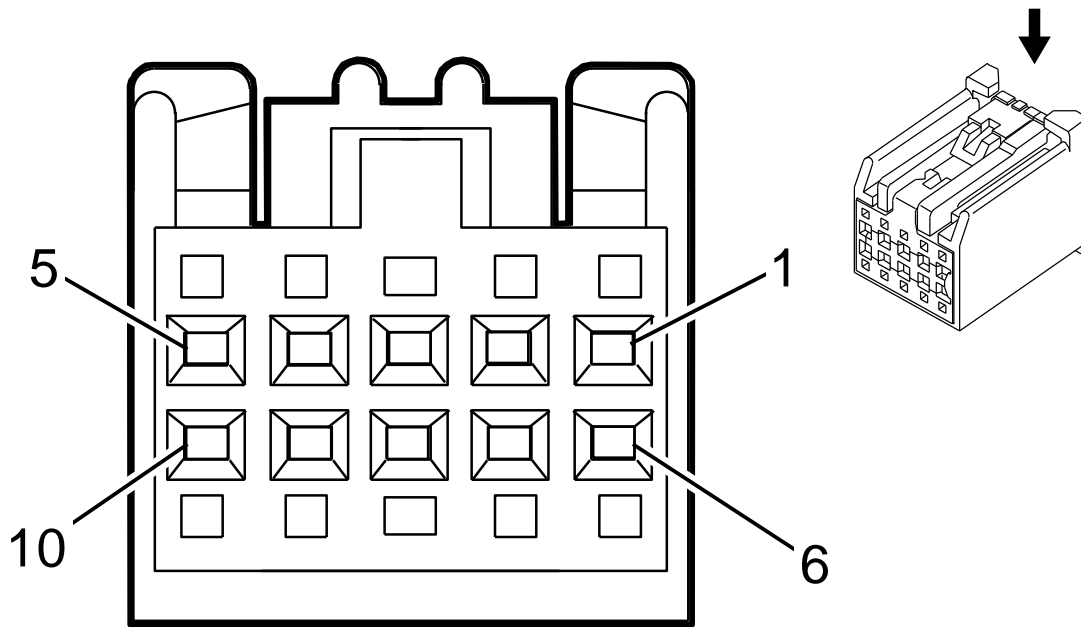
Terminal Type ID	Service Terminal
I	6041849C1

**Table 891 P16 Instrument Cluster**

Pin	Size	Color	Circuit	Function	Terminal Type ID
1	0.5	WH/GN	3997	MOST Serial Data (-)	I
2	0.5	GY/VT	3998	MOST Serial Data (+)	I
3	0.5	GY/GN	1102	Low Speed GMLAN Serial Data #2	I
4	—	—	—	Not Occupied	—
5	0.35	WH / VT	3999	MOST Control	I
6	—	—	—	Not Occupied	—

Table 891 P16 Instrument Cluster (cont.)

Pin	Size	Color	Circuit	Function	Terminal Type ID
7	0.5	RD / GY	2840	Battery Positive Voltage	I
8	0.5	VT / BK	1639	Run / Crank Ignition 1 Voltage	I
9	—	—	—	Not Occupied	—
10	0.5	D-BU / YE	68	Low Coolant Level Indicator Control	I
11-15	—	—	—	Not Occupied	—
16	0.35	BN / WH	419	Check Engine Indicator Control	I
17	0.5	GY / VT	3998	MOST Serial Data (+)	I
18	0.5	WH / L-GN	3997	MOST Serial Data (-)	I
19	0.5	BK / WH	1851	Signal Ground	I
20	0.5	L-GN / BK	3894	Local Interconnect Network Serial Data Bus 12	I
21-23	—	—	—	Not Occupied	—
24	0.35	VT	185	Low Washer Fluid Indicator Control	I
25-31	—	—	—	Not Occupied	—
32	0.35	L-GN / BN	507	Wait To Start Indicator Control	I



**Connector Part Information**

- Harness Type: Instrument Panel
- Service Connector: 6040282C1
- Description: 10-pin F 0.64 Kaizen Series (BK)

**Table 893 Terminal Part Information**

Terminal Type ID	Service Terminal
I	6041853C1
II	6041853C1

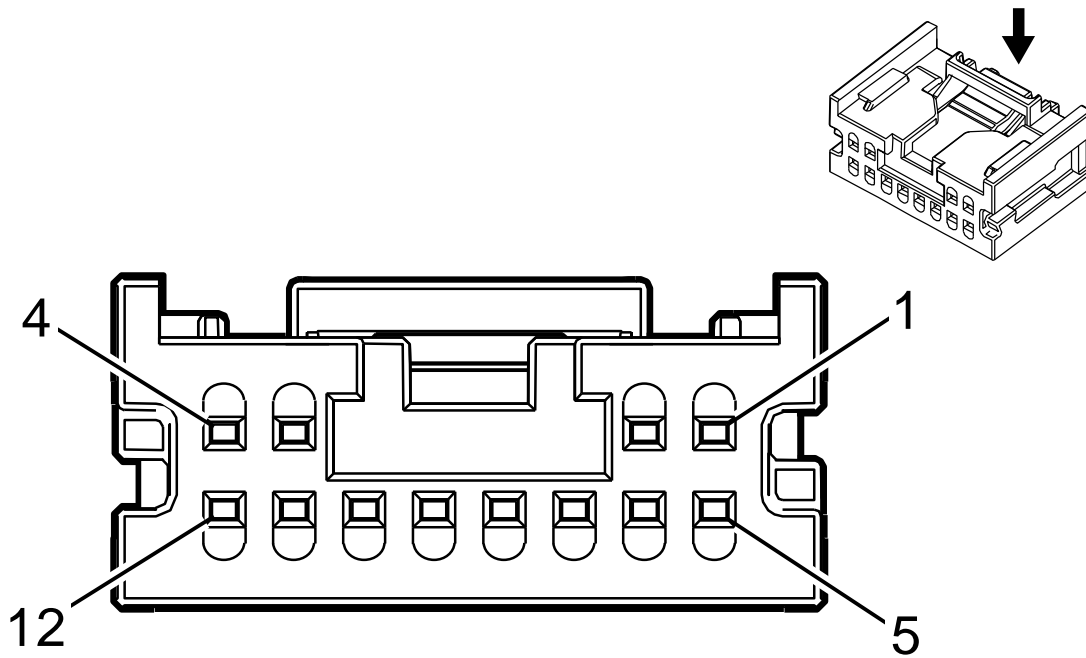
**Table 894 P17 Info Display Module X1 (Feature Code: 0008RNN / 0008RNNW / 0008RNX)**

Pin	Size	Color	Circuit	Function	Terminal Type ID
1	0.5	RD / GY	2840	Battery Positive Voltage	I
2	—	—	—	Not Occupied	—
3	0.5	GY / L-GN	1102	Low Speed GMLAN Serial Data #2	I
4	—	—	—	Not Occupied	—



**Table 894 P17 Info Display Module X1 (Feature Code: 0008RNN / 0008RNW / 0008RNX) (cont.)**

Pin	Size	Color	Circuit	Function	Terminal Type ID
5	0.5	L-GN / D-BU	7532	Local Interconnect Network Serial Data Bus 10	I
6-7	—	—	—	Not Occupied	—
8	0.5	L-GN / WH	7527	Local Interconnect Network Serial Data Bus 5	I
9	—	—	—	Not Occupied	—
10	0.35	BK	2550	Ground	II



**Connector Part Information**

- Harness Type: Instrument Panel
- Service Connector: 6040222C1
- Description: 12-pin F Mini 50 Series (BK)

**Table 896 Terminal Part Information**

Terminal Type ID	Service Terminal
I	6042042C1

**Table 897 P17 Info Display Module X1 (Feature Code: 0008RNM)**

Pin	Size	Color	Circuit	Function	Terminal Type ID
1	0.35	BN	9004	—	I
2	0.35	BN / L-GN	3364	Navigation Display Reset Signal	I
3	0.35	GY / BN	3761	Infotainment Regulated Control	I
4	0.35	L-GN / BK	2515	Keypad Control	I
5	0.35	VT / GY	1381	LCD Dimming Signal	I
6	0.35	GY / D-BU	3989	Display Radio Bank Switch Dim Signal	I

Table 897 P17 Info Display Module X1 (Feature Code: 0008RNM) (cont.)

Pin	Size	Color	Circuit	Function	Terminal Type ID
7	0.35	BN / L-GN	4502	Video Display Request Signal	I
8	0.35	GY / BN	9003	—	I
9	0.35	BK	2550	Ground	I
10	0.35	BK	2550	Ground	I
11	0.35	BK / BN	2518	Keypad Low Reference	I
12	0.35	GY / D-BU	3989	Display Radio Bank Switch Dim Signal	I

**Connector Part Information**

- Harness Type: Instrument Panel
- Service Connector: Service By Cable Assembly
- Description: —

**Table 899 Terminal Part Information**

Terminal Type ID	Service Terminal
I	Not Available

**Table 900 P17 Info Display Module X2 (IOB)**

Pin	Size	Color	Circuit	Function	Terminal Type ID
LVDS.	LVDS.	LVDS.	LVDS.	Infotainment Display Signal	LVDS

**Connector Part Information**

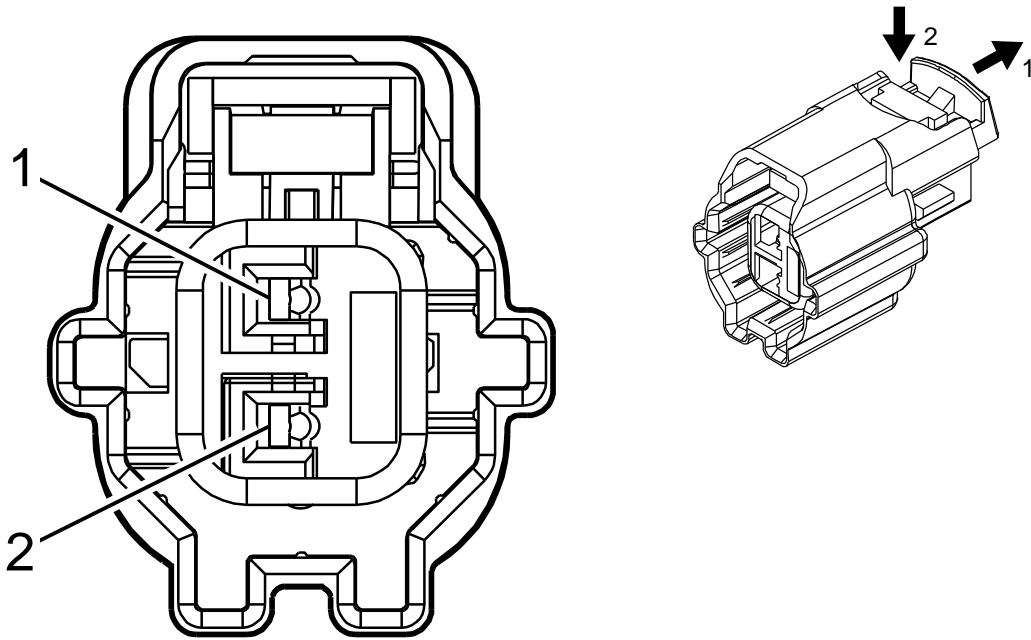
- Harness Type: Instrument Panel
- Service Connector: Service By Cable Assembly
- Description: 5-Way M 2.0 Mini-B USB Type (BK)

**Table 902 Terminal Part Information**

Terminal Type ID	Service Terminal
I	Not Available

**Table 903 P17 Info Display Module X3 (IO3/IO5/IO6)**

Pin	Size	Color	Circuit	Function	Terminal Type ID
LVDS.	LVDS.	LVDS.	LVDS.	Infotainment Display Signal	LVDS



**Connector Part Information**

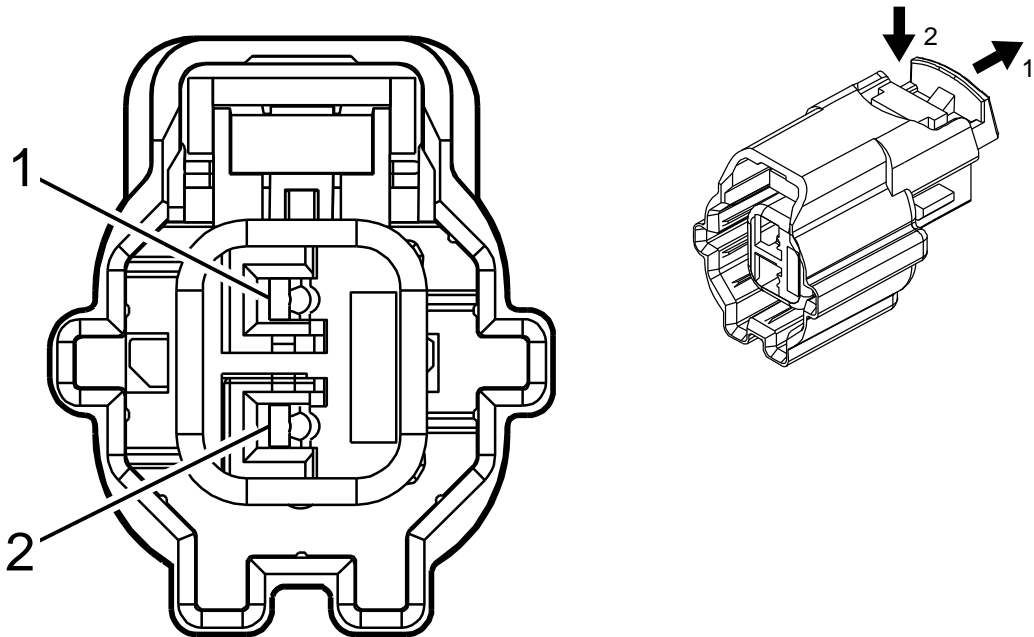
- Harness Type: Driver Door
- Service Connector: Service by Harness
- Description: 2-pin F 150 MX Series (BK)

**Table 905 Terminal Part Information**

Terminal Type ID	Service Terminal
I	6042009C1

**Table 906 P19AG Speaker – Left Front Door**

Pin	Size	Color	Circuit	Function	Terminal Type ID
1	1	BN / D-BU	118	Left Front Speaker Signal (-) 1	I
2	1	D-BU	201	Left Front Speaker Control (+) 1	I



**Connector Part Information**

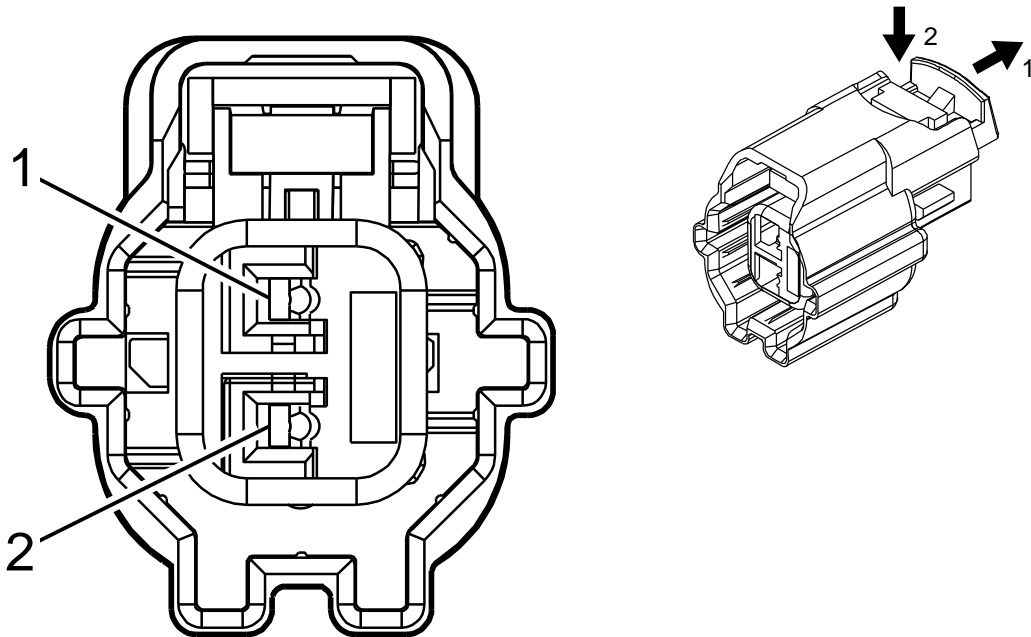
- Harness Type: Passenger Door
- Service Connector: Service by Harness
- Description: 2-pin F 150 MX Series (BK)

**Table 908 Terminal Part Information**

Terminal Type ID	Service Terminal
I	6042009C1

**Table 909 P19AH Speaker – Right Front Door**

Pin	Size	Color	Circuit	Function	Terminal Type ID
1	1	YE / BK	117	Right Front Speaker Signal (-) 1	I
2	1	YE	200	Right Front Speaker Control (+) 1	I



**Connector Part Information**

- Harness Type: Left Rear Door
- Service Connector: Service by Harness
- Description: 2-pin F 150 MX Series (BK)

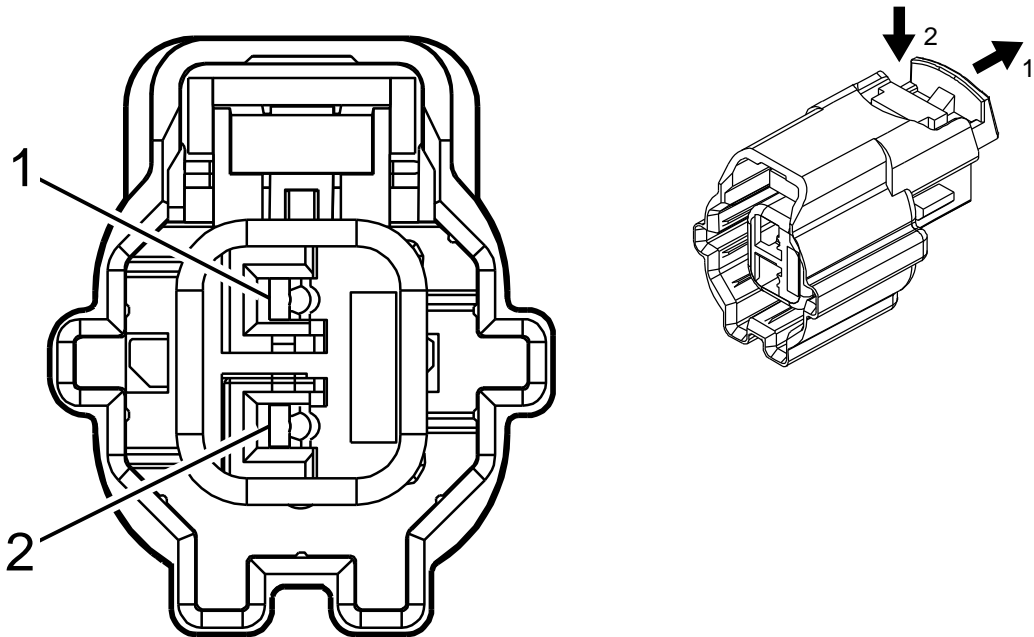
**Table 911 Terminal Part Information**

Terminal Type ID	Service Terminal
I	6042009C1

**Table 912 P19AL Speaker – Left Rear Door (Crew Cab)**

Pin	Size	Color	Circuit	Function	Terminal Type ID
1	1	GN/BK	116	Left Rear Speaker Signal (-)	I
2	1	GN	199	Left Rear Speaker Control (+)	I





**Connector Part Information**

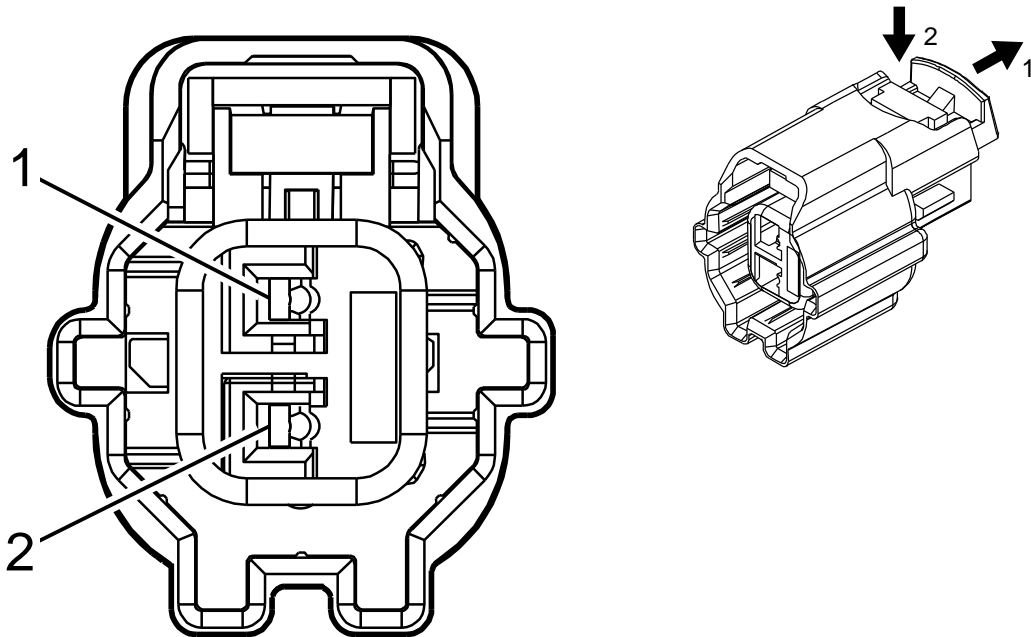
- Harness Type: Right Rear Door
- Service Connector: Service by Harness
- Description: 2-Way F 150 MX Series (BK)

**Table 914 Terminal Part Information**

Terminal Type ID	Service Terminal
I	6042009C1

**Table 915 P19AM Speaker – Right Rear Door (Crew Cab)**

Pin	Size	Color	Circuit	Function	Terminal Type ID
1	1	BU/BK	115	Right Rear Speaker Signal (-)	I
2	1	WH	46	Right Rear Speaker Control (+)	I



**Connector Part Information**

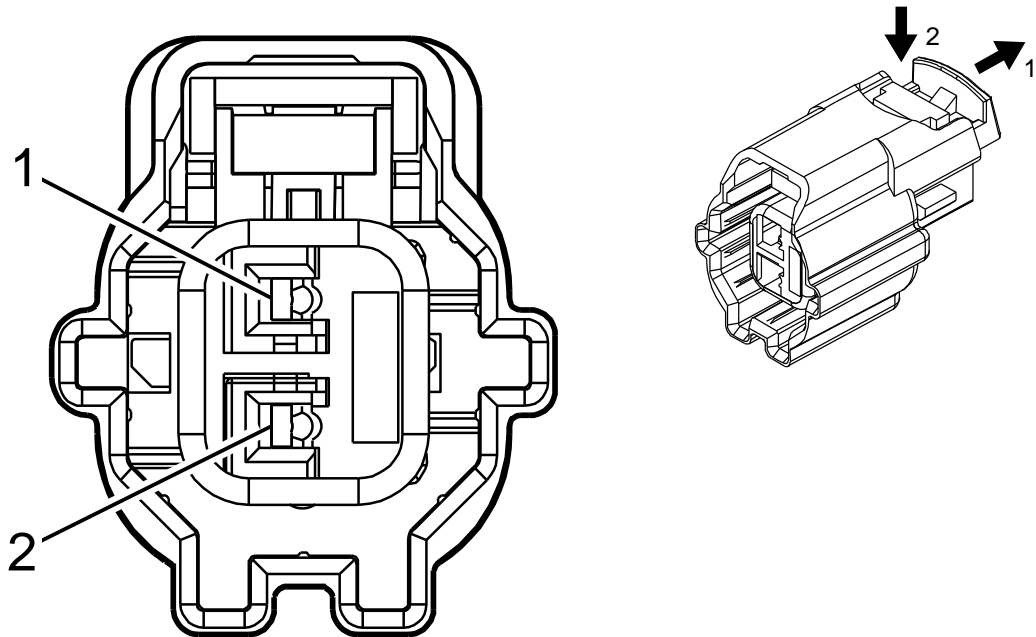
- Harness Type: Body
- Service Connector: 6041824C1
- Description: 2-pin F 150 MX Series (BK)

**Table 917 Terminal Part Information**

Terminal Type ID	Service Terminal
I	6041964C1

**Table 918 P19AN Speaker - Left Rear Trim Panel (Standard Cab)**

Pin	Size	Color	Circuit	Function	Terminal Type ID
1	0.5	L-GN / BK	116	Left Rear Speaker Signal (-)	I
2	0.5	L-GN	199	Left Rear Speaker Control (+)	I



**Connector Part Information**

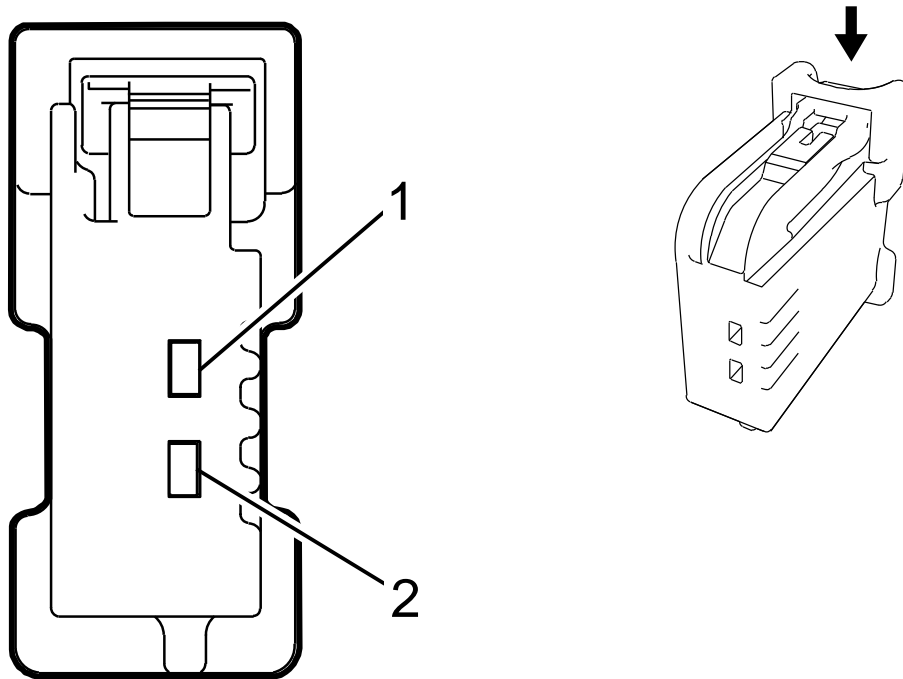
- Harness Type: Body
- Service Connector: 6041824C1
- Description: 2-pin F 150 MX Series (BK)

**Table 920 Terminal Part Information**

Terminal Type ID	Service Terminal
I	6041964C1

**Table 921 P19AP Speaker – Right Rear Trim Panel (Standard Cab)**

Pin	Size	Color	Circuit	Function	Terminal Type ID
1	0.5	D-BU / BK	115	Right Rear Speaker Signal (-)	I
2	0.5	WH	46	Right Rear Speaker Control (+)	I



**Connector Part Information**

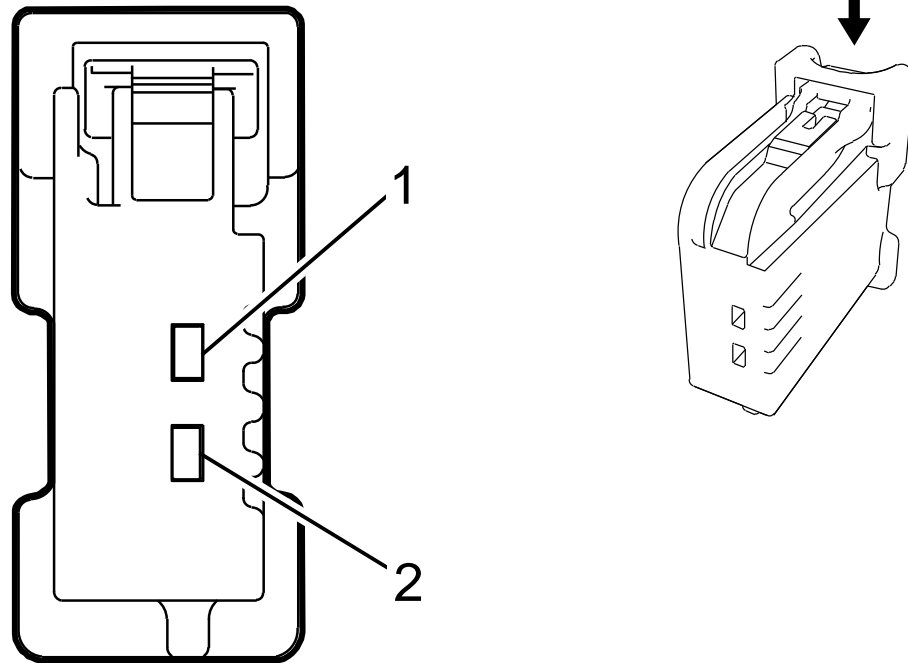
- Harness Type: Instrument Panel
- Service Connector: 6040291C1
- Description: 2-pin F 1.5 Series (BK)

**Table 923 Terminal Part Information**

Terminal Type ID	Service Terminal
I	6041890C1

**Table 924 P19J Speaker – Left Instrument Panel (Feature Code: 0008RNU)**

Pin	Size	Color	Circuit	Function	Terminal Type ID
1	0.5	BN / D-BU	118	Left Front Speaker Signal (-) 1	I
2	0.5	D-BU	201	Left Front Speaker Control (+) 1	I



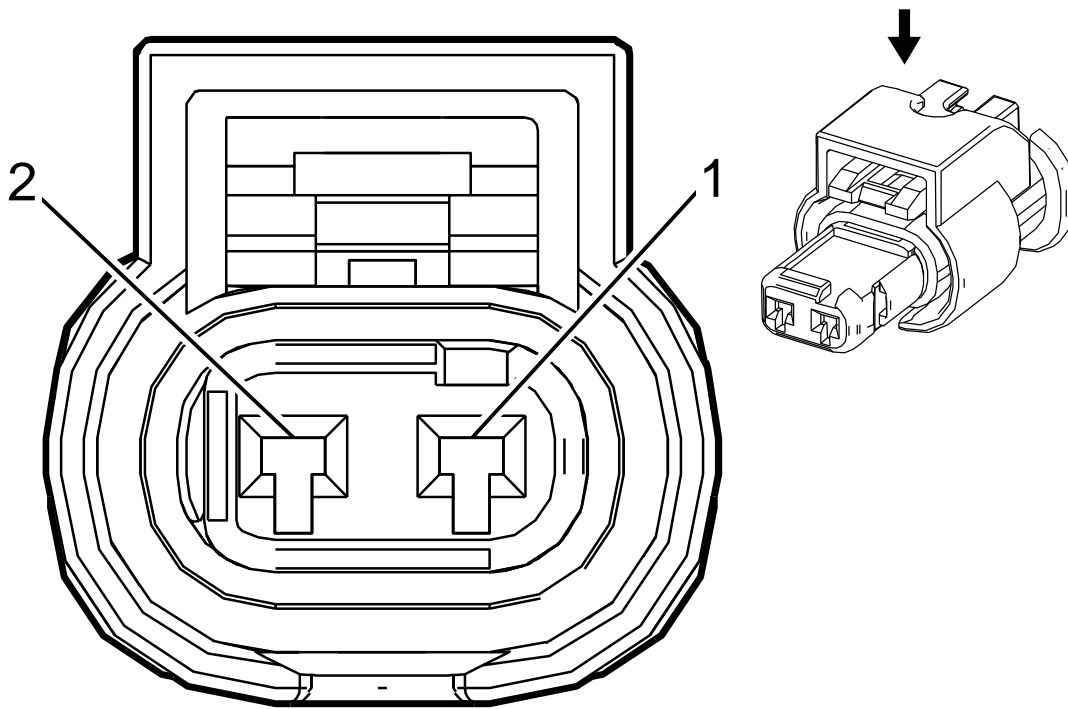
Connector Part Information	
•	Harness Type: Instrument Panel
•	Service Connector: 6040291C1
•	Description: 2-pin F 1.5 Series (BK)

Table 926 Terminal Part Information

Terminal Type ID	Service Terminal
I	6041890C1

Table 927 P19W Speaker – Right Instrument Panel (Feature Code: 0008RNU)

Pin	Size	Color	Circuit	Function	Terminal Type ID
1	0.5	YE / BK	117	Right Front Speaker Signal (-) 1	I
2	0.5	YE	200	Right Front Speaker Control (+) 1	I



**Connector Part Information**

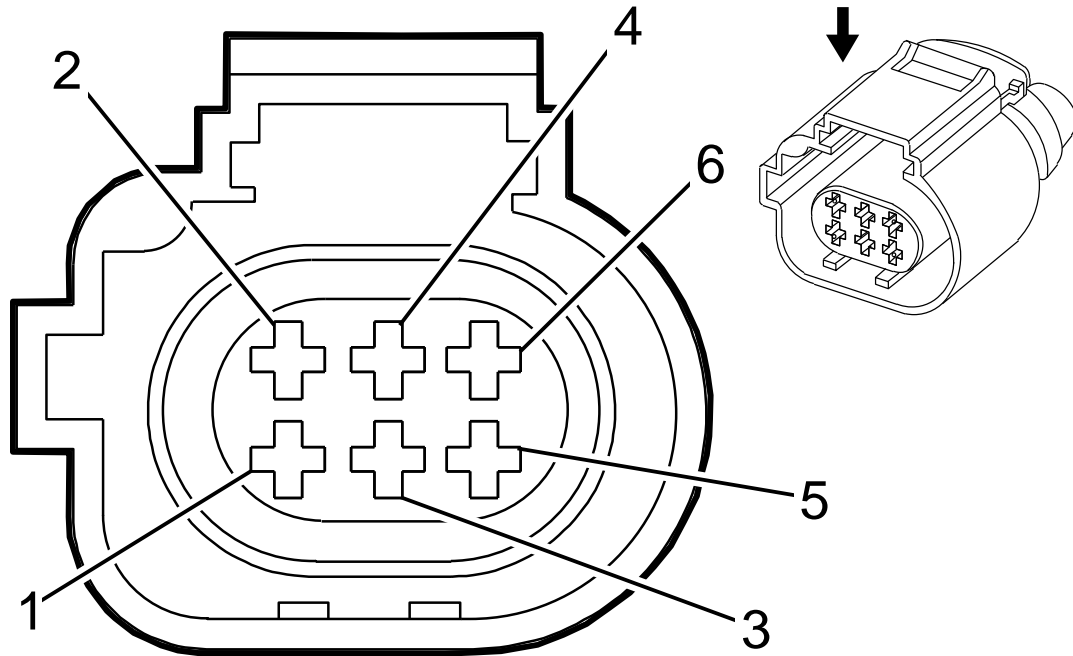
- Harness Type: Engine Chassis
- Service Connector: 6040245C1
- Description: 2-pin F 1.2 MCP Series, Sealed (BK)

**Table 929 Terminal Part Information**

Terminal Type ID	Service Terminal
I	6041991C1

**Table 930 Q2 A/C Compressor Clutch (Feature Code: 0016XZA)**

Pin	Size	Color	Circuit	Function	Terminal Type ID
1	1	BK	550	Ground	I
2	0.75	BN / L-GN	59	A/C Compressor Clutch Control	I



**Connector Part Information**

- Harness Type: Engine
- Service Connector: 6040263C1
- Description: 6-pin F 1.6 Micro-Timer Series, Sealed (GY)

**Table 932 Terminal Part Information**

Terminal Type ID	Service Terminal
I	6041903C1

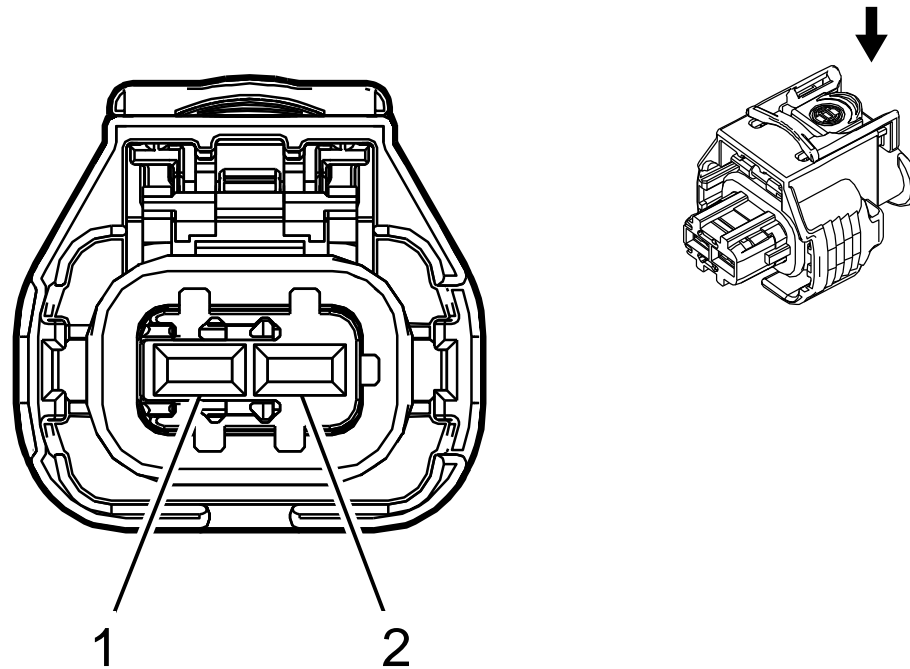
**Table 933 Q14 Exhaust Gas Recirculation Valve**

Pin	Size	Color	Circuit	Function	Terminal Type ID
1	0.5	WH / VT	5764	Exhaust Gas Recirculation Valve Motor High Signal	I
2	0.5	BN / WH	5763	Exhaust Gas Recirculation Valve Sensor Signal	I
3	—	—	—	Not Occupied	—
4	0.5	BK / BN	2753	Exhaust Gas Recirculation Sensor Low Reference	I

**Table 933 Q14 Exhaust Gas Recirculation Valve (cont.)**

<b>Pin</b>	<b>Size</b>	<b>Color</b>	<b>Circuit</b>	<b>Function</b>	<b>Terminal Type ID</b>
5	0.5	VT / BK	5746	Exhaust Gas Recirculation Valve Motor Low Signal	I
6	0.5	BU / RD	2702	Exhaust Gas Recirculation 5 volt Reference 2	I





**Connector Part Information**

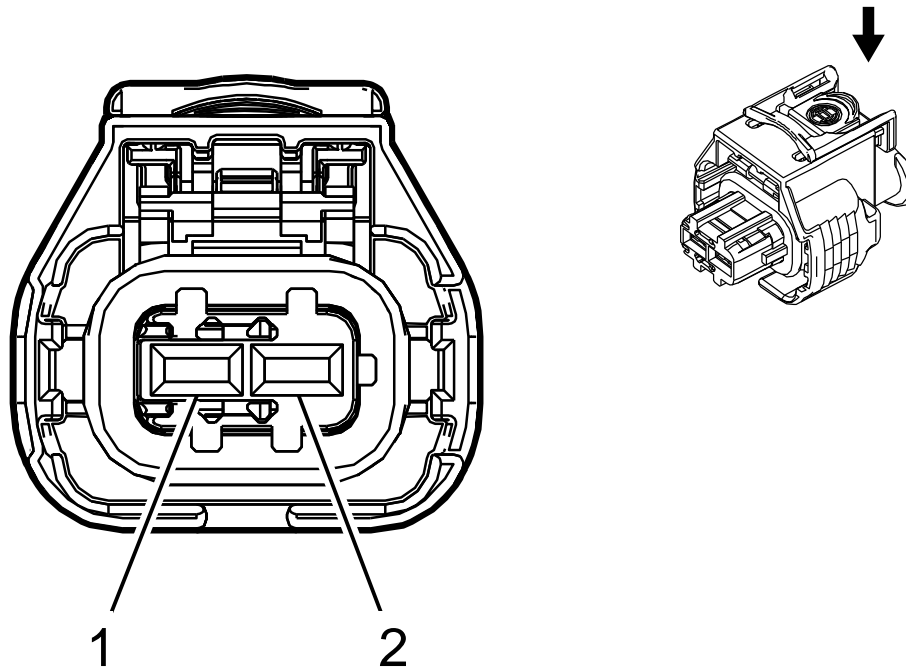
- Harness Type: Engine
- Service Connector: 6040272C1
- Description: 2-pin F 2.8 Series, Sealed (BK)

**Table 935 Terminal Part Information**

Terminal Type ID	Service Terminal
I	6041896C1

**Table 936 Q17A Fuel Injector 1**

Pin	Size	Color	Circuit	Function	Terminal Type ID
1	0.75	BN	4801	Direct Fuel Injector (DFI) High Voltage Control Cylinder 1	I
2	0.75	BN / WH	4901	Direct Fuel Injector (DFI) High Voltage Supply Cylinder 1	I



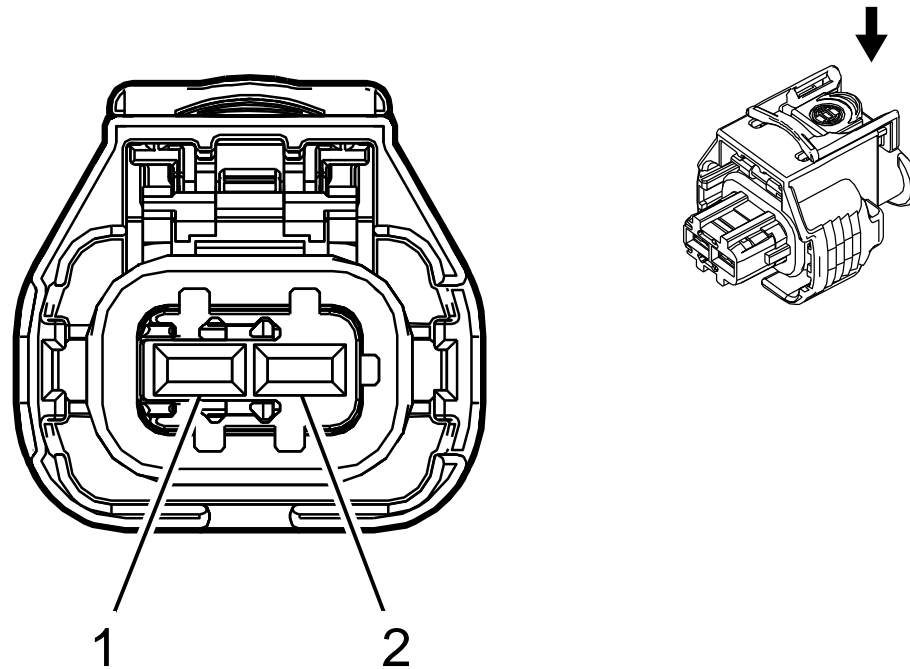
Connector Part Information	
•	Harness Type: Engine
•	Service Connector: 6040272C1
•	Description: 2-pin F 2.8 Series, Sealed (BK)

**Table 938 Terminal Part Information**

Terminal Type ID	Service Terminal
I	6041896C1

**Table 939 Q17B Fuel Injector 2**

Pin	Size	Color	Circuit	Function	Terminal Type ID
1	0.75	BU	4802	Direct Fuel Injector (DFI) High Voltage Control Cylinder 2	I
2	0.75	BU / GY	4902	Direct Fuel Injector (DFI) High Voltage Supply Cylinder 2	I



**Connector Part Information**

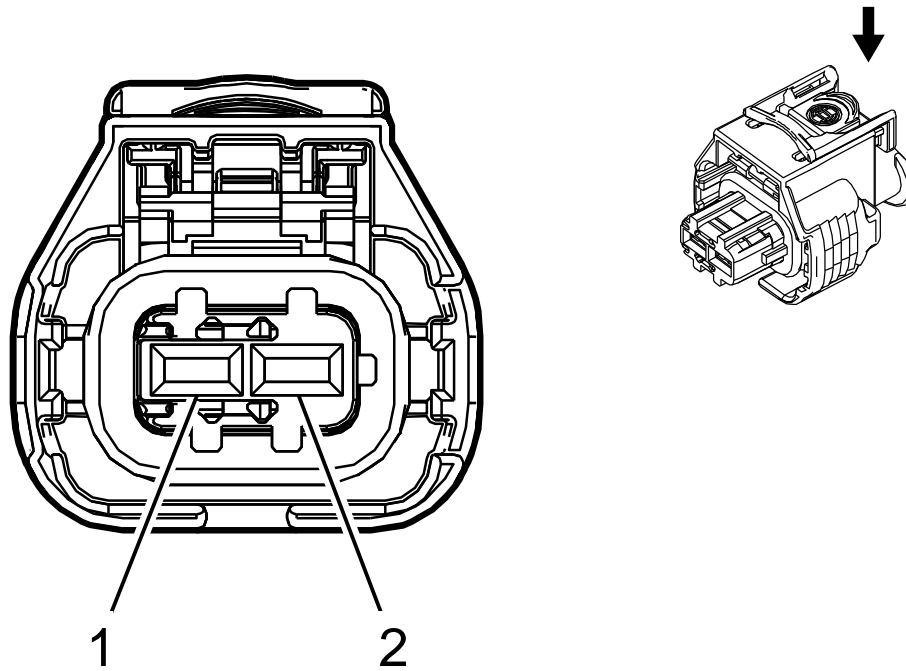
- Harness Type: Engine
- Service Connector: 6040272C1
- Description: 2-pin F 2.8 Series, Sealed (BK)

**Table 941 Terminal Part Information**

Terminal Type ID	Service Terminal
I	6041896C1

**Table 942 Q17C Fuel Injector 3**

Pin	Size	Color	Circuit	Function	Terminal Type ID
1	0.75	GN	4803	Direct Fuel Injector (DFI) High Voltage Control Cylinder 3	I
2	0.75	GN / GY	4903	Direct Fuel Injector (DFI) High Voltage Supply Cylinder 3	I



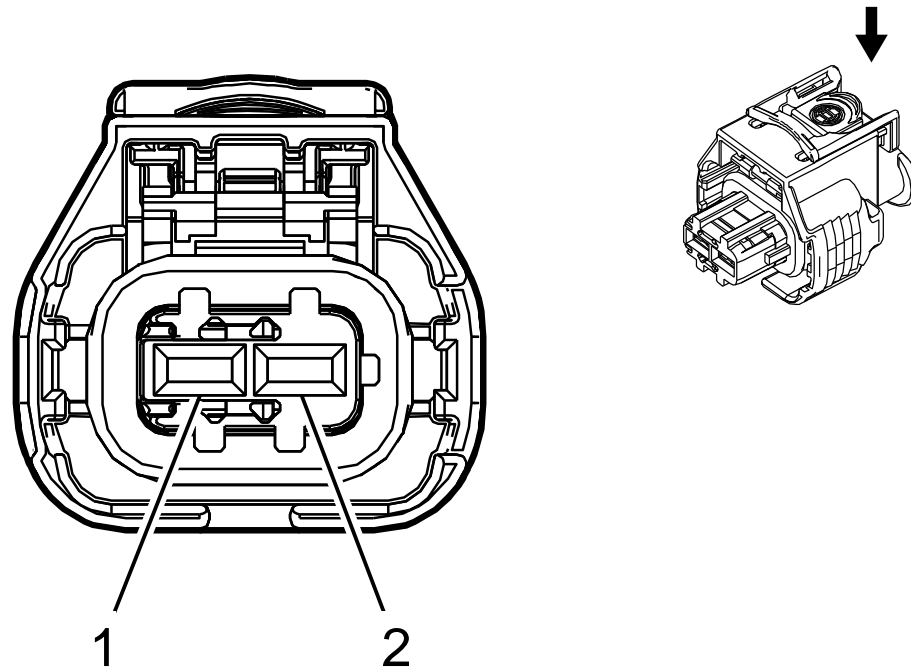
Connector Part Information	
•	Harness Type: Engine
•	Service Connector: 6040272C1
•	Description: 2-pin F 2.8 Series, Sealed (BK)

**Table 944 Terminal Part Information**

Terminal Type ID	Service Terminal
I	6041896C1

**Table 945 Q17D Fuel Injector 4**

Pin	Size	Color	Circuit	Function	Terminal Type ID
1	0.75	GY / BU	4804	Direct Fuel Injector (DFI) High Voltage Control Cylinder 4	I
2	0.75	BU / WH	4904	Direct Fuel Injector (DFI) High Voltage Supply Cylinder 4	I



**Connector Part Information**

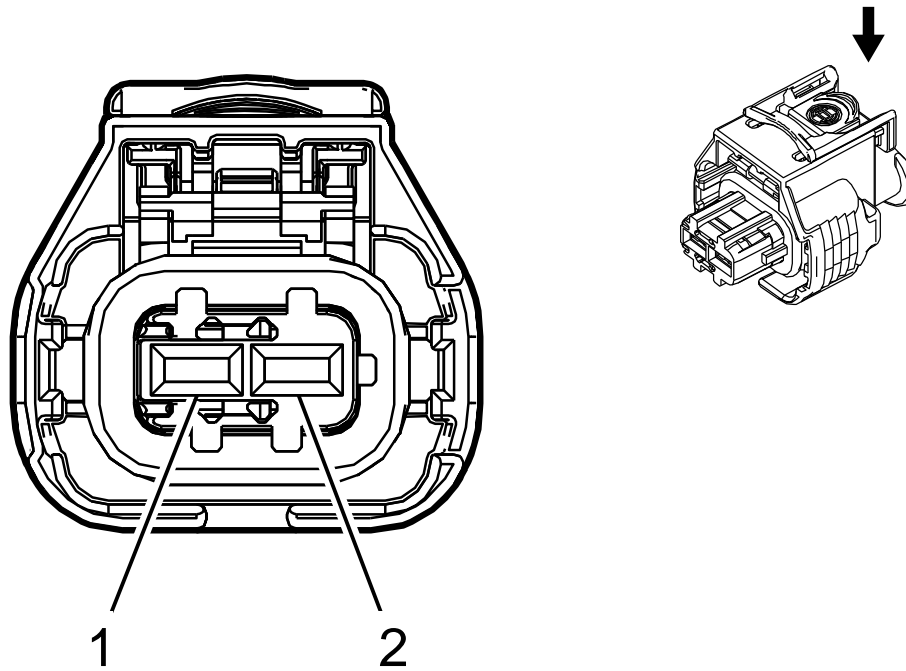
- Harness Type: Engine
- Service Connector: 6040272C1
- Description: 2-pin F 2.8 Series, Sealed (BK)

**Table 947 Terminal Part Information**

Terminal Type ID	Service Terminal
I	6041896C1

**Table 948 Q17E Fuel Injector 5**

Pin	Size	Color	Circuit	Function	Terminal Type ID
1	0.75	WH / GN	4805	Direct Fuel Injector (DFI) High Voltage Control Cylinder 5	I
2	0.75	GN / WH	4905	Direct Fuel Injector (DFI) High Voltage Supply Cylinder 5	I



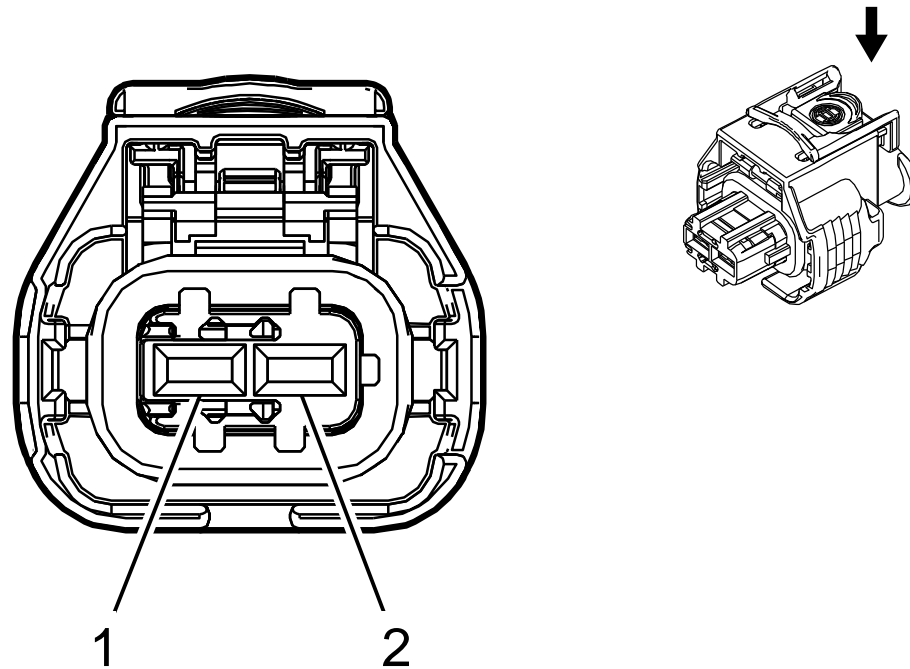
Connector Part Information	
•	Harness Type: Engine
•	Service Connector: 6040272C1
•	Description: 2-pin F 2.8 Series, Sealed (BK)

**Table 950 Terminal Part Information**

Terminal Type ID	Service Terminal
I	6041896C1

**Table 951 Q17F Fuel Injector 6**

Pin	Size	Color	Circuit	Function	Terminal Type ID
1	0.75	VT / GN	4806	Direct Fuel Injector (DFI) High Voltage Control Cylinder 6	I
2	0.75	VT / GY	4906	Direct Fuel Injector (DFI) High Voltage Supply Cylinder 6	I



**Connector Part Information**

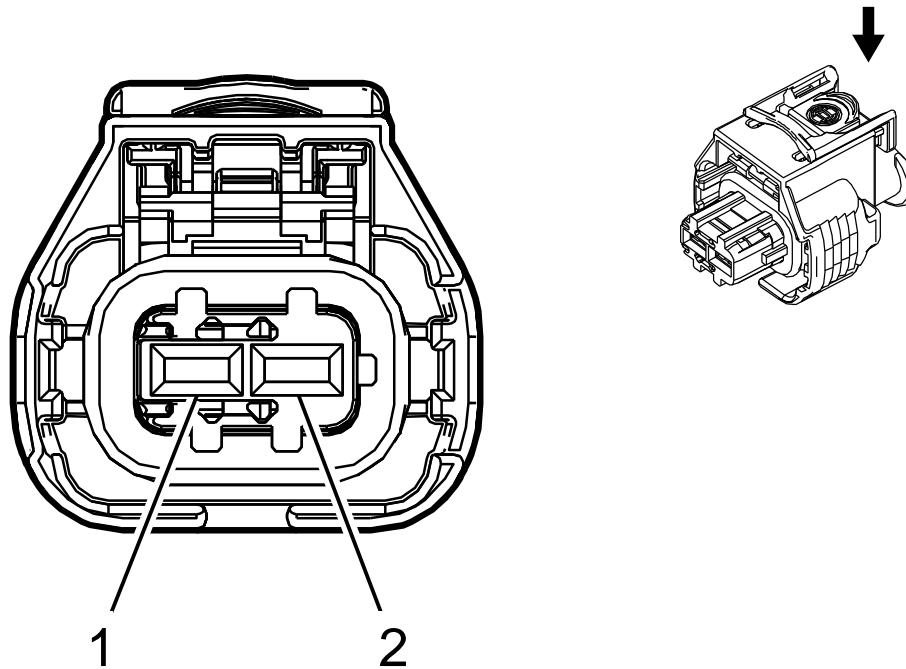
- Harness Type: Engine
- Service Connector: 6040272C1
- Description: 2-pin F 2.8 Series, Sealed (BK)

**Table 953 Terminal Part Information**

Terminal Type ID	Service Terminal
I	6041896C1

**Table 954 Q17G Fuel Injector 7**

Pin	Size	Color	Circuit	Function	Terminal Type ID
1	0.75	YE / GY	4807	Direct Fuel Injector (DFI) High Voltage Control Cylinder 7	I
2	0.75	WH / YE	4907	Direct Fuel Injector (DFI) High Voltage Supply Cylinder 7	I



Connector Part Information	
•	Harness Type: Engine
•	Service Connector: 6040272C1
•	Description: 2-pin F 2.8 Series, Sealed (BK)

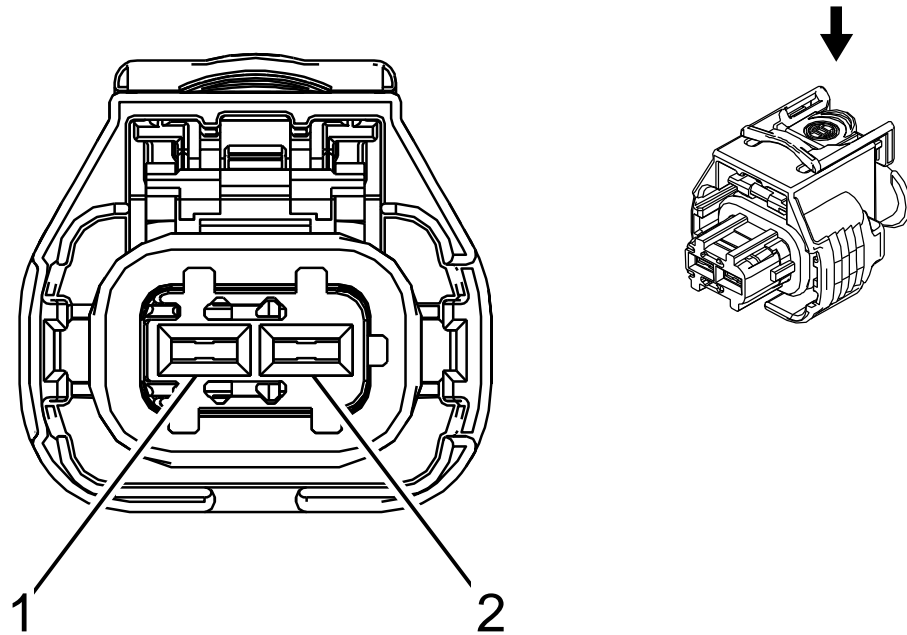
**Table 956 Terminal Part Information**

Terminal Type ID	Service Terminal
I	6041896C1

**Table 957 Q17H Fuel Injector 8**

Pin	Size	Color	Circuit	Function	Terminal Type ID
1	0.75	GY	4808	Direct Fuel Injector (DFI) High Voltage Control Cylinder 8	I
2	0.75	GY / WH	4908	Direct Fuel Injector (DFI) High Voltage Supply Cylinder 8	I





**Connector Part Information**

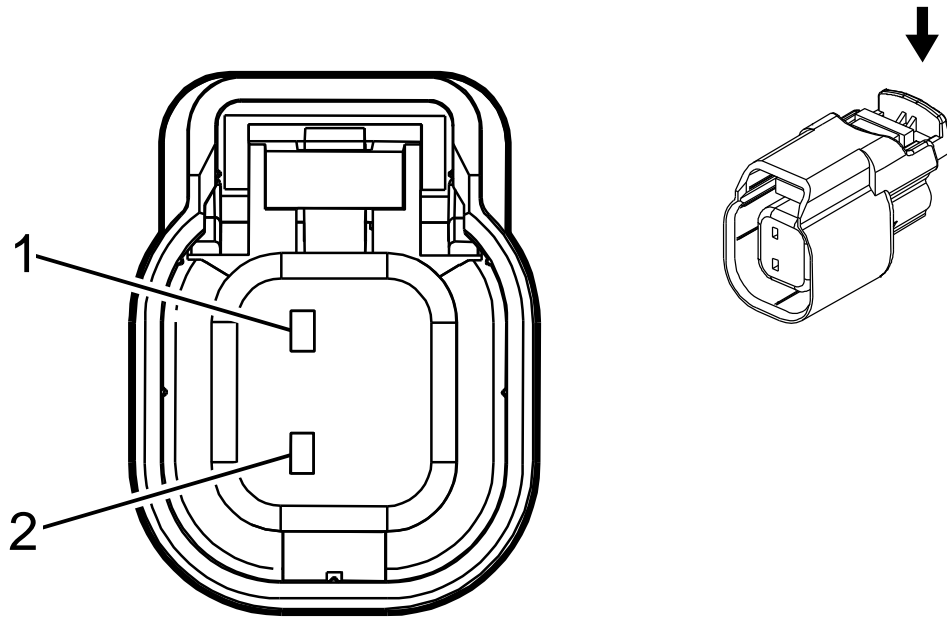
- Harness Type: Engine Left
- Service Connector: Service by Harness
- Description: 2-pin F 2.8 Series, Sealed (BK)

**Table 959 Terminal Part Information**

Terminal Type ID	Service Terminal
I	6041896C1

**Table 960 Q18A Fuel Pressure Regulator 1**

Pin	Size	Color	Circuit	Function	Terminal Type ID
1	0.5	BN / BK	2929	Fuel Metering Valve Low Control	I
2	0.5	YE	2928	Fuel Metering Valve High Control	I



**Connector Part Information**

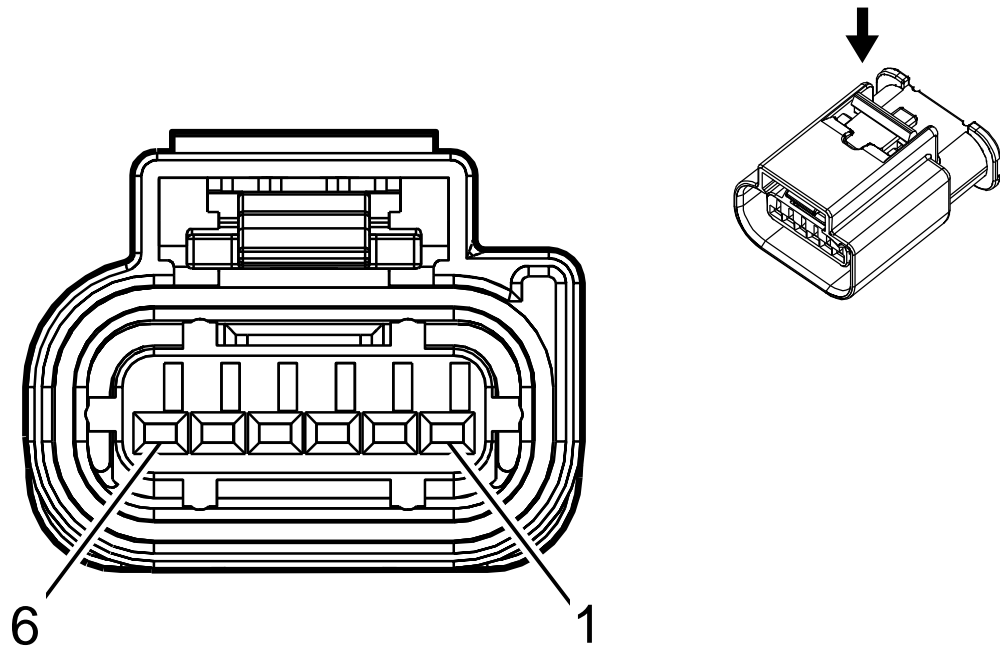
- Harness Type: Engine
- Service Connector: 6040300C1
- Description: 2-pin F 1.5 Series, Sealed (BK)

**Table 962 Terminal Part Information**

Terminal Type ID	Service Terminal
I	6041974C1

**Table 963 Q18B Fuel Pressure Regulator 2**

Pin	Size	Color	Circuit	Function	Terminal Type ID
1	0.75	BK / YE	2834	Fuel Rail Pressure Solenoid Low Reference	I
2	0.75	BU / WH	2530	Fuel Rail Pressure Solenoid Control	I



**Connector Part Information**

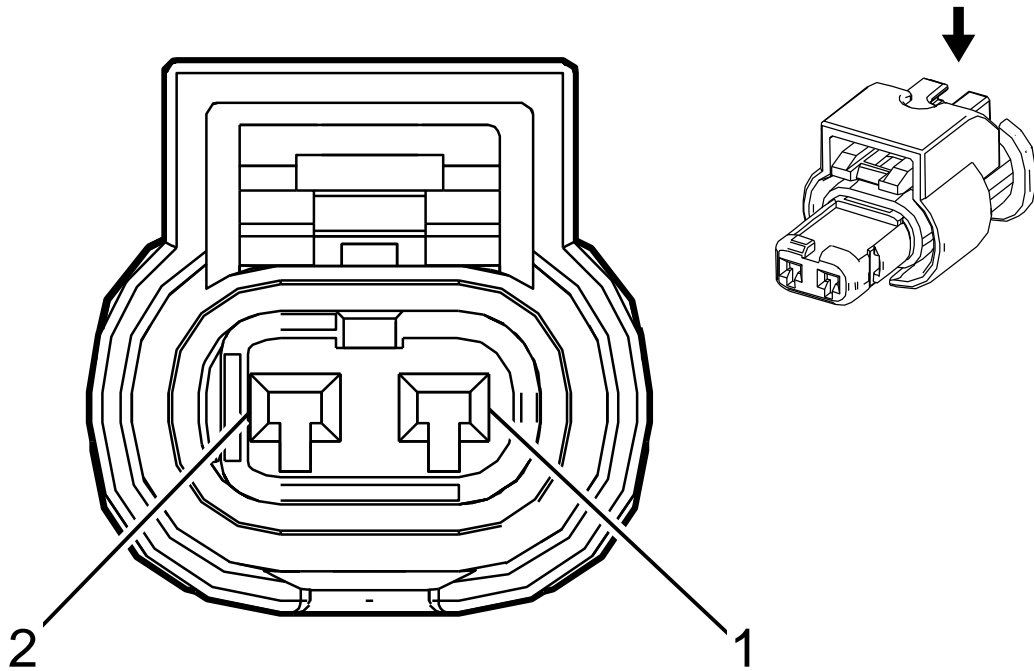
- Harness Type: Engine
- Service Connector: 6040301C1
- Description: 6-pin F 1.2 MCON Series, Sealed (BK)

**Table 965 Terminal Part Information**

Terminal Type ID	Service Terminal
I	6041894C1

**Table 966 Q20 Intake Air Flow Valve**

Pin	Size	Color	Circuit	Function	Terminal Type ID
1	0.5	YE	581	Throttle Actuator Control Open	I
2	0.5	BN / WH	582	Throttle Actuator Control Close	I
3	0.5	BU / WH	3630	Throttle Position Sensor (SENT1) Signal	I
4	0.5	BK / BN	2752	Throttle Position Sensor Low Reference	I
5	0.5	BN / RD	2701	Throttle Position Sensor 5 volt Reference	I
6	—	—	—	Not Occupied	—



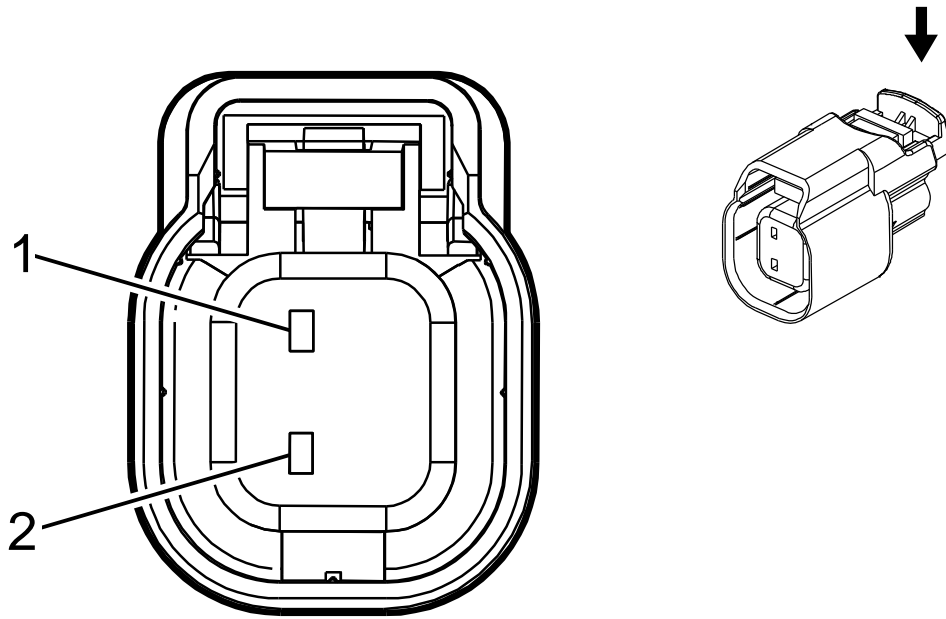
Connector Part Information	
•	Harness Type: Engine Chassis
•	Service Connector: 6040236C1
•	Description: 2-pin F 1.2 MCP Series, Sealed (BK)

**Table 968 Terminal Part Information**

Terminal Type ID	Service Terminal
I	6041991C1

**Table 969 Q46 A/C Compressor Solenoid Valve (Feature Code: 0016XZA)**

Pin	Size	Color	Circuit	Function	Terminal Type ID
1	0.75	D-BU / YE	7574	Electric Variable Displacement Control	I
2	0.75	D-BU / BN	7573	Electric Variable Displacement Supply	I



**Connector Part Information**

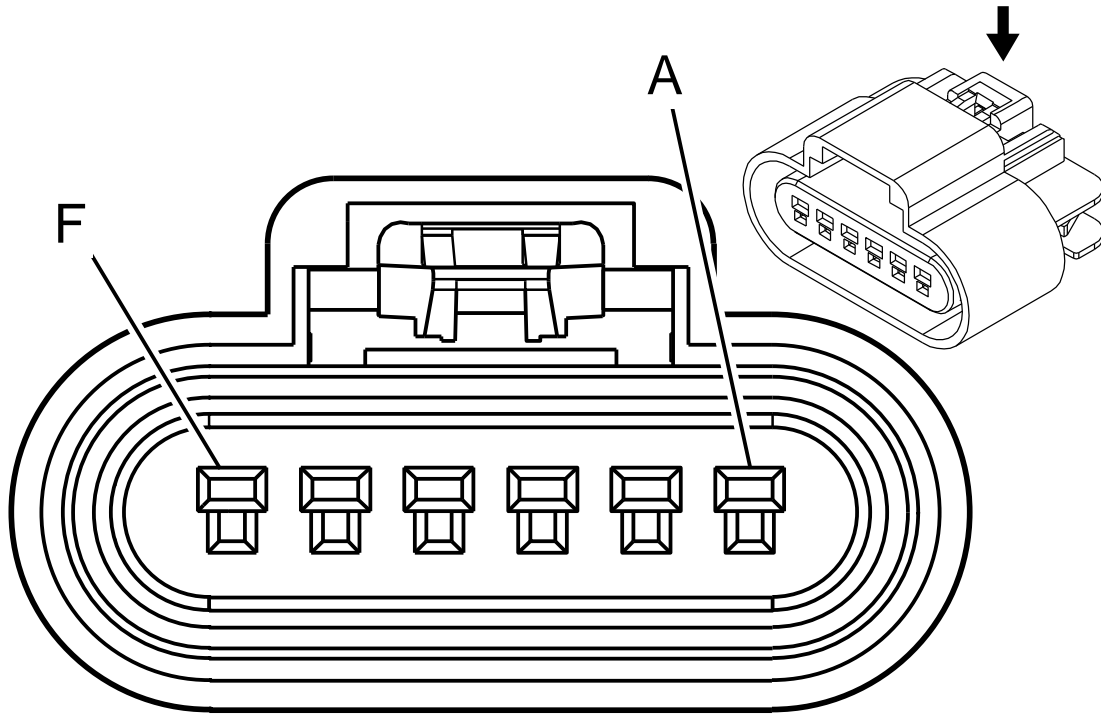
- Harness Type: Engine Chassis
- Service Connector: 6040300C1
- Description: 2-pin F 1.5 Series, Sealed (BK)

**Table 971 Terminal Part Information**

Terminal Type ID	Service Terminal
I	6042074C1

**Table 972 Q61 Reductant Injector**

Pin	Size	Color	Circuit	Function	Terminal Type ID
1	0.75	BN	3099	DEF Dosing Valve High Control	I
2	0.75	BN / WH	3100	DEF Dosing Valve Low Control	I



**Connector Part Information**

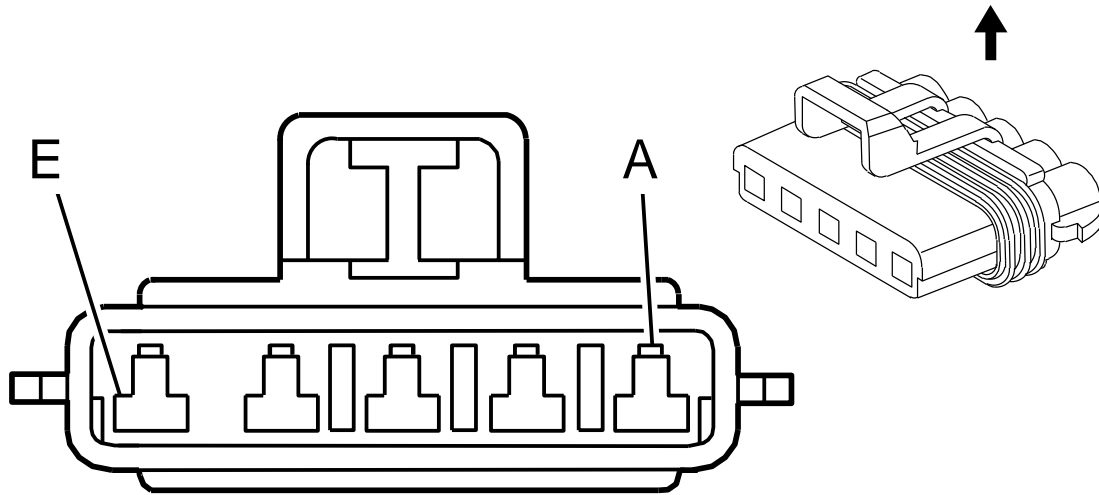
- Harness Type: Engine Chassis
- Service Connector: Service by Harness
- Description: 6-Way F Sealed

**Table 974 Terminal Part Information**

Terminal Type ID	Service Terminal
I	None Available

**Table 975 Q85 Cooling Fan Clutch**

Pin	Size	Color	Circuit	Function	Terminal Type ID
A	—	RD	2368	Cooling Fan Control Signal	I
B	—	—	—	Not Occupied	I
C	—	OG	2365	Cooling Fan Speed 5V Reference	I
D	—	WH	2364	Cooling Fan Speed Signal	I
E	—	BK	6141	Cooling Fan Speed Low Reference	I
F	—	GN	550	Ground	I



**Connector Part Information**

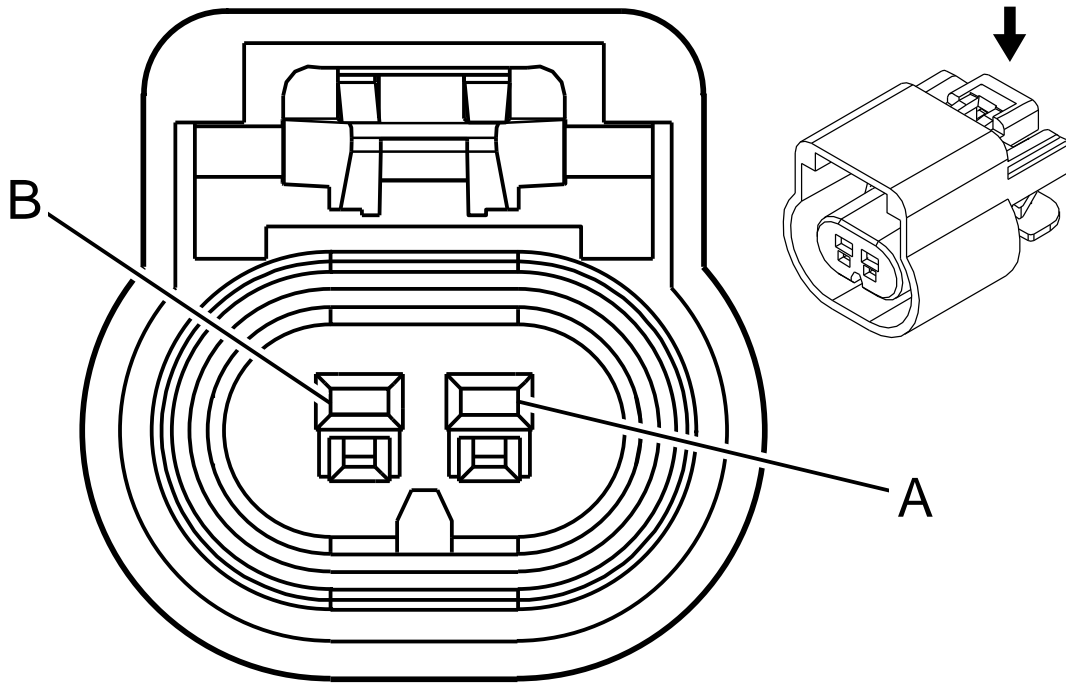
- Harness Type: Engine Chassis
- Service Connector: Service by Harness
- Description: 6-Way F Sealed

**Table 977 Terminal Part Information**

Terminal Type ID	Service Terminal
I	None Available

**Table 978 Q101 Rear Air Suspension Control Valve (JPZ)**

Pin	Size	Color	Circuit	Function	Terminal Type ID
A	2	BK	4461-G	Ground	I
B-C	—	—	—	Not Occupied	—
D	0.75	GN	6094	Left/Rear Air Spring Solenoid Control	I
E	0.75	GN/GY	6095	Right Rear Air Spring Solenoid Control	I



**Connector Part Information**

- Harness Type: Chassis
- Service Connector: 3683465C1
- Description: 2-pin F 150 GT Series, Sealed (BK)

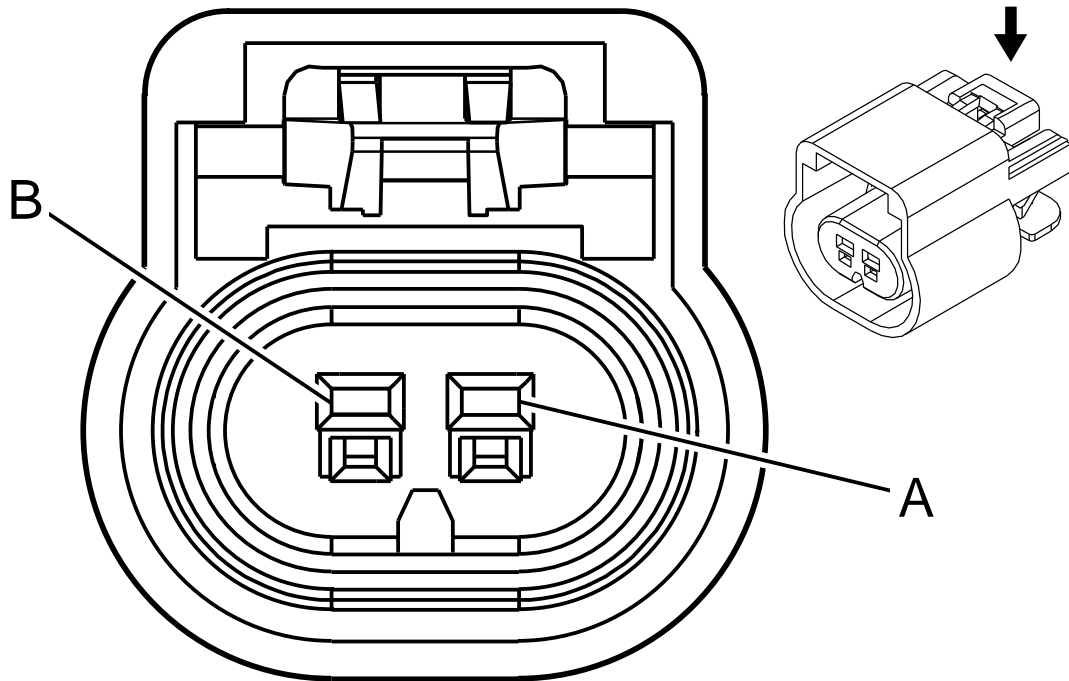
**Table 980 Terminal Part Information**

Terminal Type ID	Service Terminal
I	3535302C1

**Table 981 R6A Terminating Resistor – High Speed Bus**

Pin	Size	Color	Circuit	Function	Terminal Type ID
A	0.5	BU	2500	High Speed GMLAN Serial Data (+) 1	I
B	0.5	WH	2501	High Speed GMLAN Serial Data (-) 1	I





**Connector Part Information**

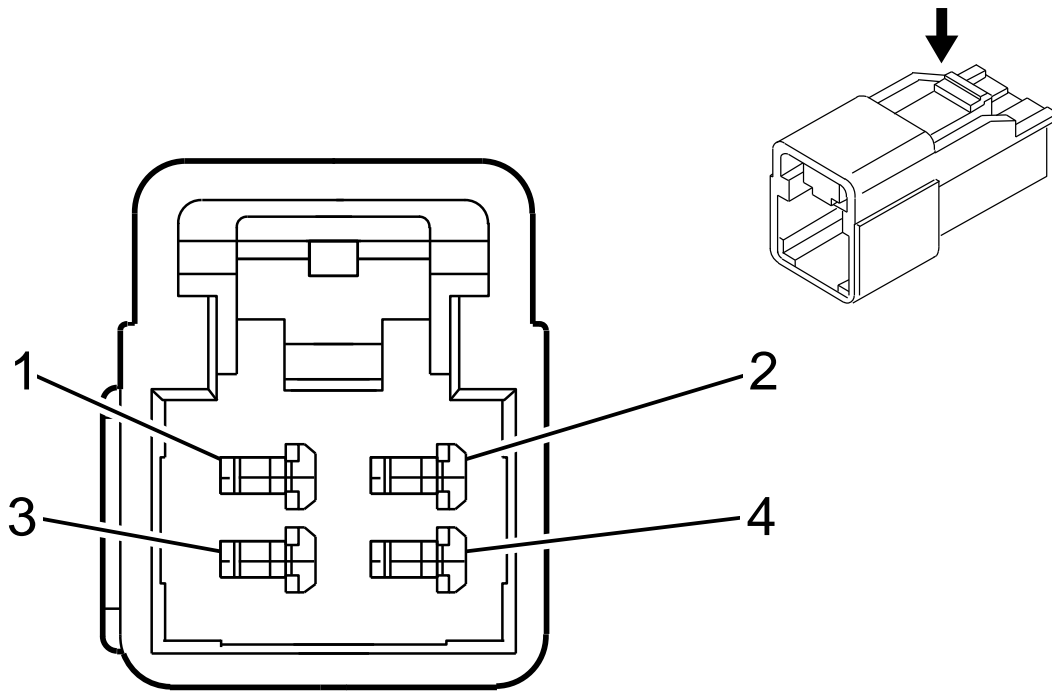
- Harness Type: Instrument Panel
- Service Connector: 6040203C1
- Description: 2-pin F 150 GT Series, Sealed (BK)

**Table 983 Terminal Part Information**

Terminal Type ID	Service Terminal
I	6041932C1

**Table 984 R6F Terminating Resistor – High Speed Extension Bus 2**

Pin	Size	Color	Circuit	Function	Terminal Type ID
A	0.5	D-BU / L-GN	1304	High Speed GMLAN Serial Data (+) 9	I
B	0.5	WH / L-GN	1305	High Speed GMLAN Serial Data (-) 9	I



**Connector Part Information**

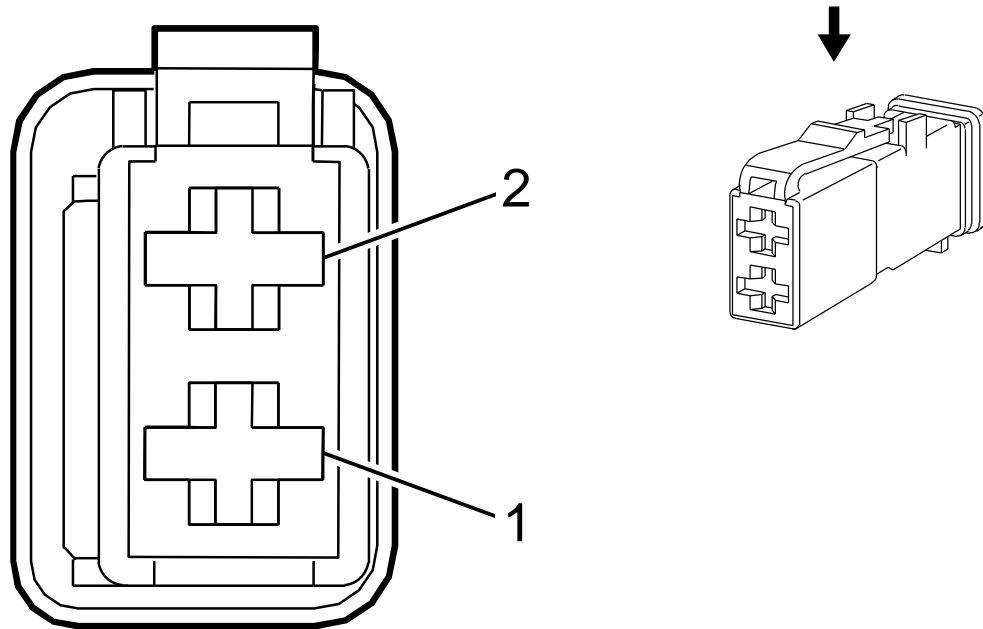
- Harness Type: Floor Console
- Service Connector: Service by Harness
- Description: 4-Way M HCM Series (BK)

**Table 986 Terminal Part Information**

Terminal Type ID	Service Terminal
I	Not Available

**Table 987 S3 Transmission Shift Lever**

Pin	Size	Color	Circuit	Function	Terminal Type ID
1	0.35	BU/GY	553	Shift Select Switch Performance	—
2	0.35	BK/WH	1815	Signal Ground	—
3	0.35	VT/YE	5536	Tap Up/Tap Down Switch Signal	—
4	0.35	BK/WH	1851	Signal Ground	—



**Connector Part Information**

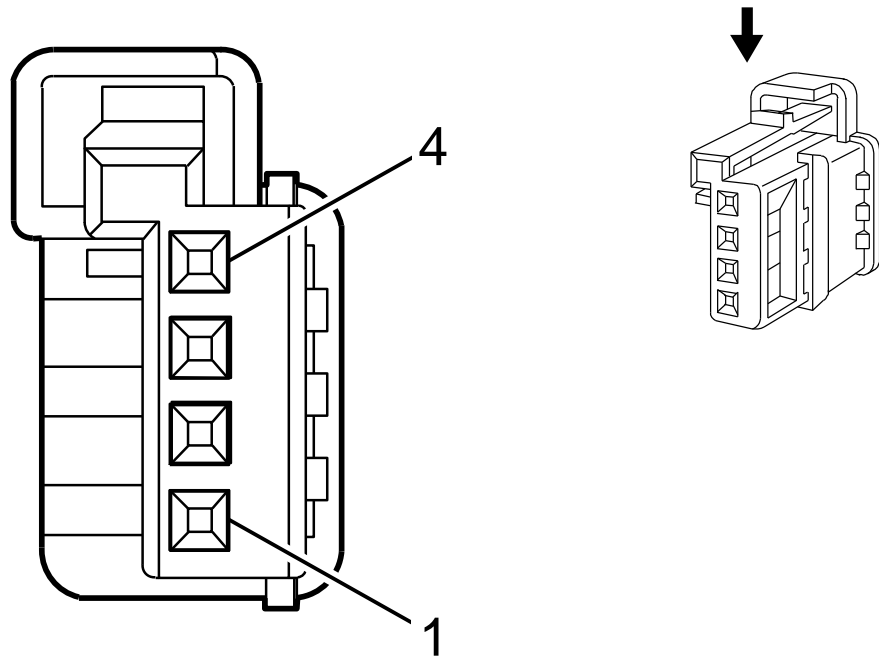
- Harness Type: Floor Console
- Service Connector: Service by Harness
- Description: 2-pin F 1.2 Timer Series (NA)

**Table 989 Terminal Part Information**

Terminal Type ID	Service Terminal
I	6041942C1

**Table 990 S5 Center Console Compartment Lamp Switch (Feature Code: 0016XCN)**

Pin	Size	Color	Circuit	Function	Terminal Type ID
1	0.5	WH / BN	6815	Inadvertent Power Control	I
2	0.5	WH / BN	6815	Inadvertent Power Control	I



**Connector Part Information**

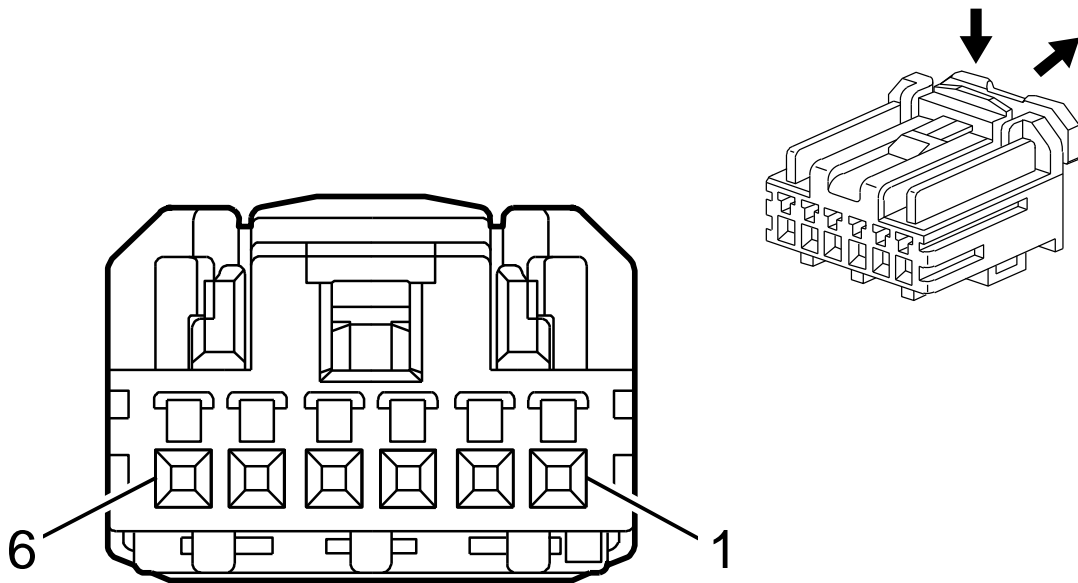
- Harness Type: Overhead Console
- Service Connector: Service by Harness
- Description: 4-pin F 0.64 Micro-Quadlock Series (BN)

**Table 992 Terminal Part Information**

Terminal Type ID	Service Terminal
I	6042008C1

**Table 993 S12 Dome Lamp Switch**

Pin	Size	Color	Circuit	Function	Terminal Type ID
1	0.5	BK	1050	Ground	I
2	0.35	GY / L-GN	328	Interior Lamp Defeat Switch Signal	I
3	0.35	GY	156	Courtesy Lamp Switch Signal	I
4	0.35	YE	6817	LED Backlight Dimming Control	I



**Connector Part Information**

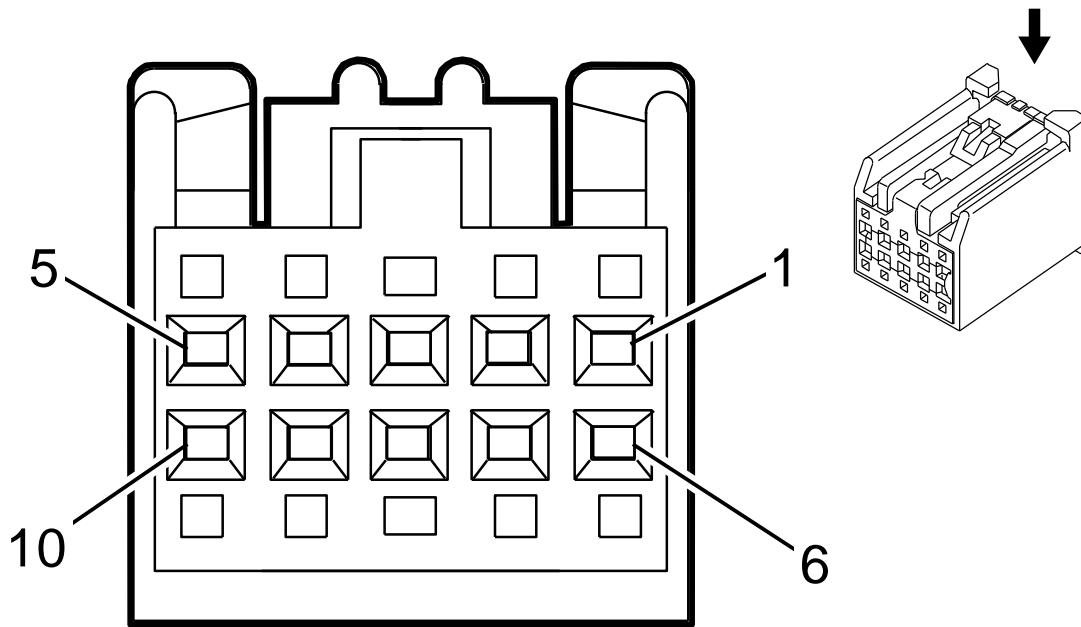
- Harness Type: Driver Door Trim
- Service Connector: Service by Harness
- Description: 6-pin F 0.64 HCM Series (BK)

**Table 995 Terminal Part Information**

Terminal Type ID	Service Terminal
I	6042029C1

**Table 996 S13D Door Lock Switch – Driver (Feature Code: 0016WAK)**

Pin	Size	Color	Circuit	Function	Terminal Type ID
1	—	—	—	Not Occupied	—
2	0.35	YE	6817	LED Backlight Dimming Control	I
3	0.35	BN / YE	780	Driver Door Lock Switch Lock Signal	I
4	0.35	BN / WH	781	Driver Door Lock Switch Unlock Signal	I
5	0.35	BK	1150	Ground	I
6	—	—	—	Not Occupied	—



**Connector Part Information**

- Harness Type: Driver Door Trim
- Service Connector: Service by Harness
- Description: 10-pin F 0.64 Kaizen Series (BK)

**Table 998 Terminal Part Information**

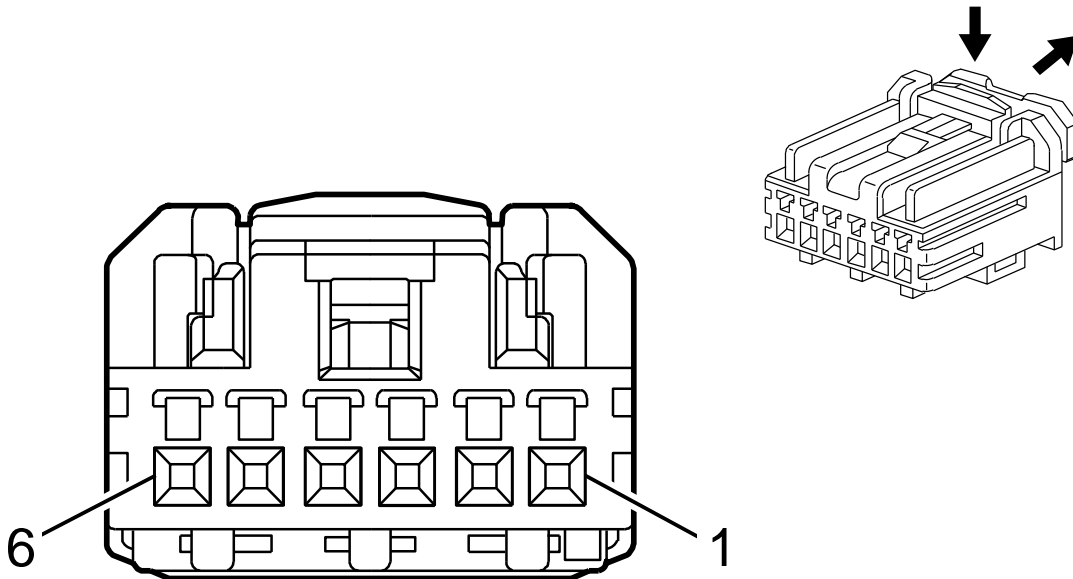
Terminal Type ID	Service Terminal
I	6041853C1

**Table 999 S13D Door Lock Switch – Driver (Without Feature Code: 0016WAK)**

Pin	Size	Color	Circuit	Function	Terminal Type ID
1	0.35	1. BK	1. 1150	1. Ground	I
2-3	—	—	—	Not Occupied	—
4	0.35	4. YE	4. 6817	4. LED Backlight Dimming Control	I
5	—	—	—	Not Occupied	—
6	0.35	6. BN / YE	6. 780	6. Driver Door Lock Switch Lock Signal	I

Table 999 S13D Door Lock Switch – Driver (Without Feature Code: 0016WAK) (cont.)

Pin	Size	Color	Circuit	Function	Terminal Type ID
7	0.35	7. BN/WH	7. 781	7. Driver Door Lock Switch Unlock Signal	I
8-10	—	—	—	Not Occupied	—



Connector Part Information	
•	Harness Type: Passenger Door Trim
•	Service Connector: Service by Harness
•	Description: 6-pin F 0.64 HCM Series (BK)

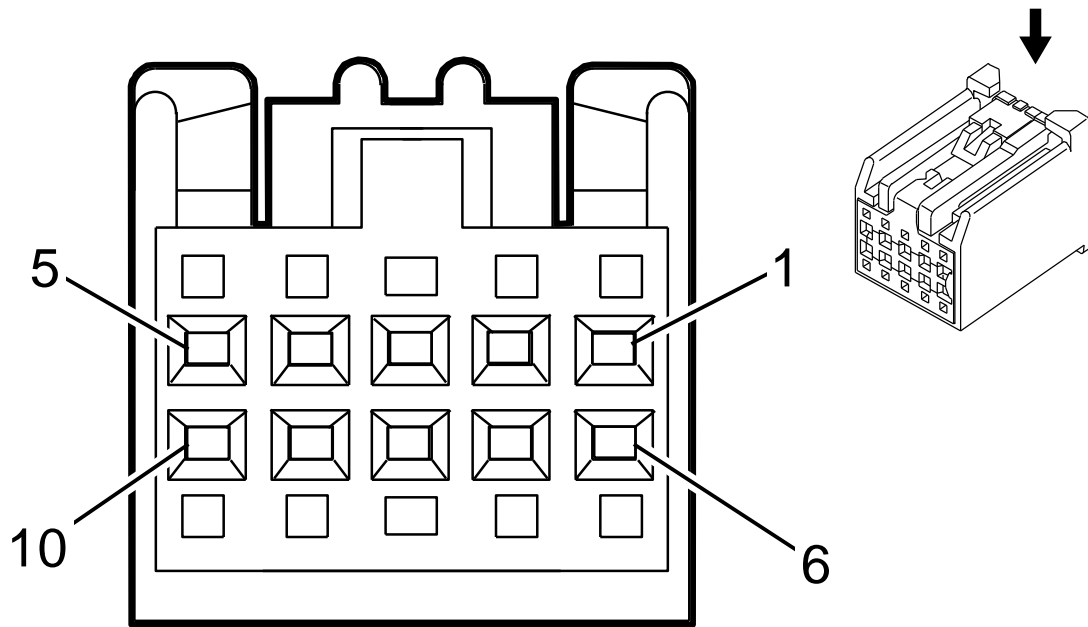
Table 1001 Terminal Part Information

Terminal Type ID	Service Terminal
I	6042029C1

Table 1002 S13P Door Lock Switch – Passenger (Feature Code: 0016WAK)

Pin	Size	Color	Circuit	Function	Terminal Type ID
1	—	—	—	Not Occupied	—
2	0.35	2. YE	2. 6817	2. LED Backlight Dimming Control	I
3	0.35	3. YE / VT	3. 244	3. Passenger Door Lock Switch Lock Control	I
4	0.35	4. BN / VT	4. 245	4. Passenger Door Lock Switch Unlock Control	I
5	0.35	5. BK	5. 1250	5. Ground	I
6	—	—	—	Not Occupied	—





**Connector Part Information**

- Harness Type: Passenger Door Trim
- Service Connector: Service by Harness
- Description: 10-pin F 0.64 Kaizen Series (BK)

**Table 1004 Terminal Part Information**

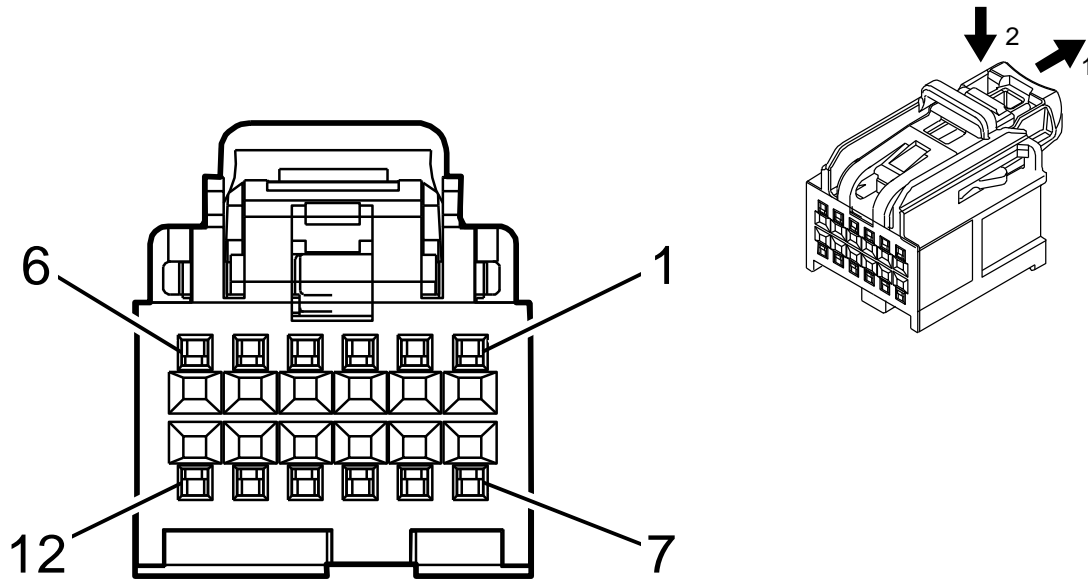
Terminal Type ID	Service Terminal
I	6041853C1

**Table 1005 S13P Door Lock Switch – Passenger (Without Feature Code: 0016WAK)**

Pin	Size	Color	Circuit	Function	Terminal Type ID
1	0.35	BK	1250	Ground	I
2-3	—	—	—	Not Occupied	—
4	0.35	YE	6817	LED Backlight Dimming Control	I
5	—	—	—	Not Occupied	—
6	0.35	YE / VT	244	Passenger Door Lock Switch Lock Control	I

**Table 1005 S13P Door Lock Switch – Passenger (Without Feature Code: 0016WAK) (cont.)**

<b>Pin</b>	<b>Size</b>	<b>Color</b>	<b>Circuit</b>	<b>Function</b>	<b>Terminal Type ID</b>
7	0.35	BN / VT	245	Passenger Door Lock Switch Unlock Control	I
8-10	—	—	—	Not Occupied	—



**Connector Part Information**

- Harness Type: Instrument Panel
- Service Connector: 6040196C1
- Description: 12-pin F 0.64 OCS Series (BK)

**Table 1007 Terminal Part Information**

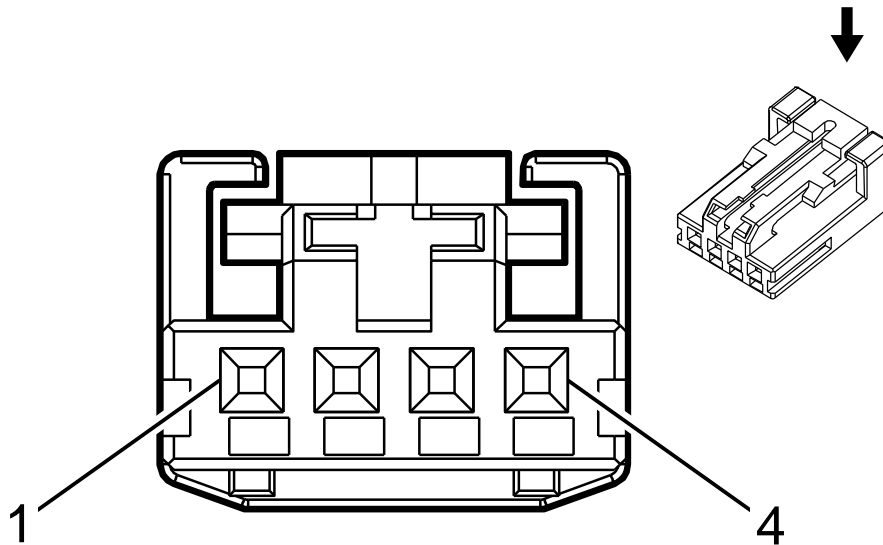
Terminal Type ID	Service Terminal
I	6041975C1

**Table 1008 S30 Headlight Switch**

Pin	Size	Color	Circuit	Function	Terminal Type ID
1	0.35	WH / VT	103	Headlight Switch On Signal	I
2	0.5	YE	6817	LED Backlight Dimming Control	I
3	0.35	L-GN / BN	306	Headlight Switch Headlights Off Signal Control	I
4	—	—	—	Not Occupied	—
5	0.35	L-GN / GY	13	Headlight Switch Park Lamp Signal	I
6	—	—	—	Not Occupied	—

Table 1008 S30 Headlight Switch (cont.)

Pin	Size	Color	Circuit	Function	Terminal Type ID
7	0.35	BK / YE	5005	Instrument Panel Lamp Dimmer Switch Low Reference	I
8	0.5	BK	1850	Ground	I
9	—	—	—	Not Occupied	—
10	0.35	D-BU / GY	192	Front Fog Lamp Switch Signal	I
11	0.35	YE / GY	44	Instrument Panel Lamp Dimmer Switch Signal	I
12	0.35	D-BU / RD	1688	5 volt Reference	I



**Connector Part Information**

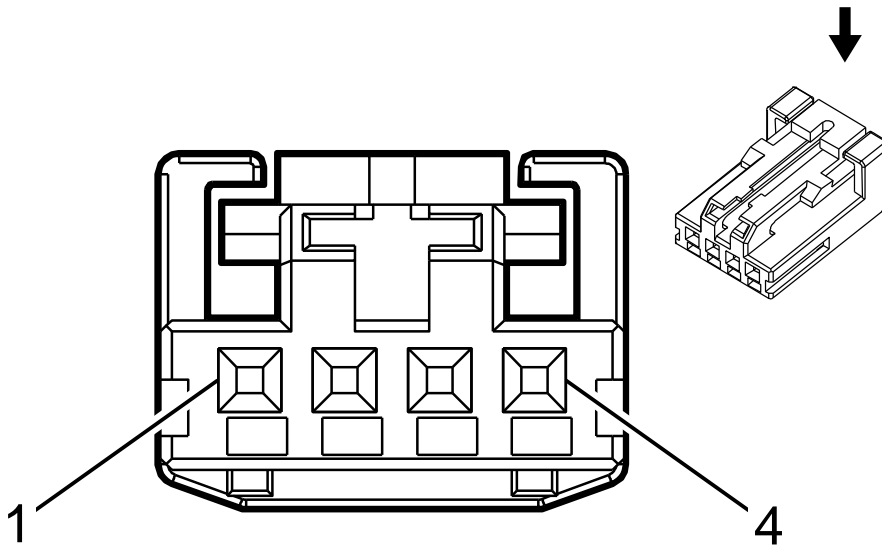
- Harness Type: Instrument Panel
- Service Connector: 6040269C1
- Description: 4-pin F 0.64 Micro-Quadlock Series (BK)

**Table 1010 Terminal Part Information**

Terminal Type ID	Service Terminal
I	6041975C1

**Table 1011 S32D Seat Heating Switch – Driver (Feature Code: 0016XJR)**

Pin	Size	Color	Circuit	Function	Terminal Type ID
1	0.5	BK	1850	Ground	I
2	—	—	—	Not Occupied	—
3	0.5	L-GN / WH	7527	Local Interconnect Network Serial Data Bus 5	I
4	0.35	RD / GY	2840	Battery Positive Voltage	I



**Connector Part Information**

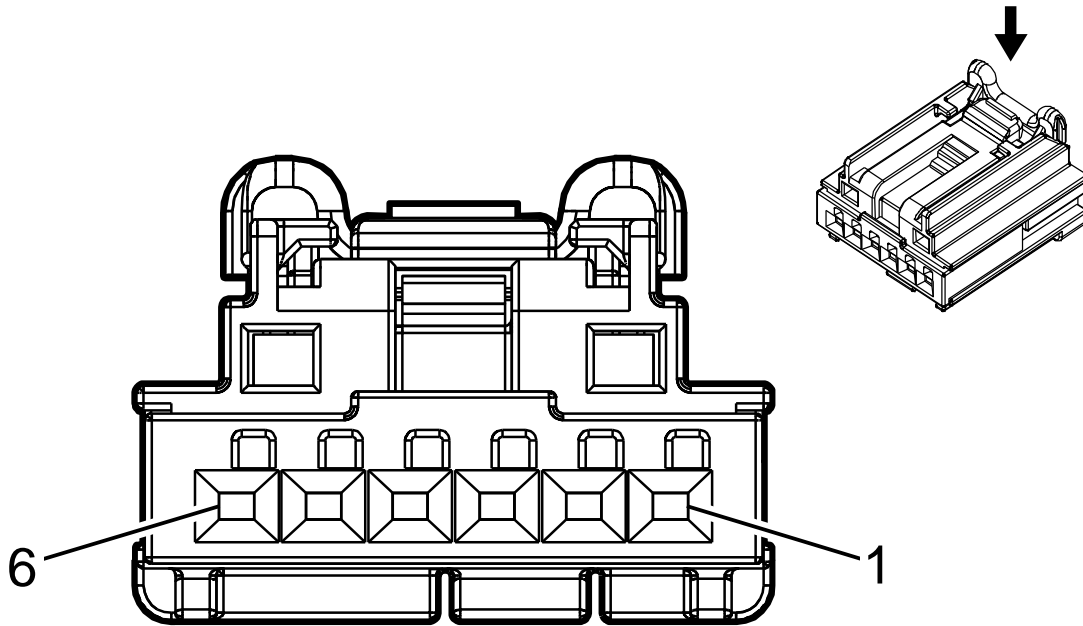
- Harness Type: Instrument Panel
- Service Connector: 6040269C1
- Description: 4-pin F 0.64 Micro-Quadlock Series (BK)

**Table 1013 Terminal Part Information**

Terminal Type ID	Service Terminal
I	6041975C1

**Table 1014 S32P Seat Heating Switch – Passenger (Feature Code: 0016XJR)**

Pin	Size	Color	Circuit	Function	Terminal Type ID
1	0.35	RD / GY	2840	Battery Positive Voltage	I
2	0.5	L-GN / WH	7527	Local Interconnect Network Serial Data Bus 5	I
3	—	—	—	Not Occupied	—
4	0.5	BK	1850	Ground	I



**Connector Part Information**

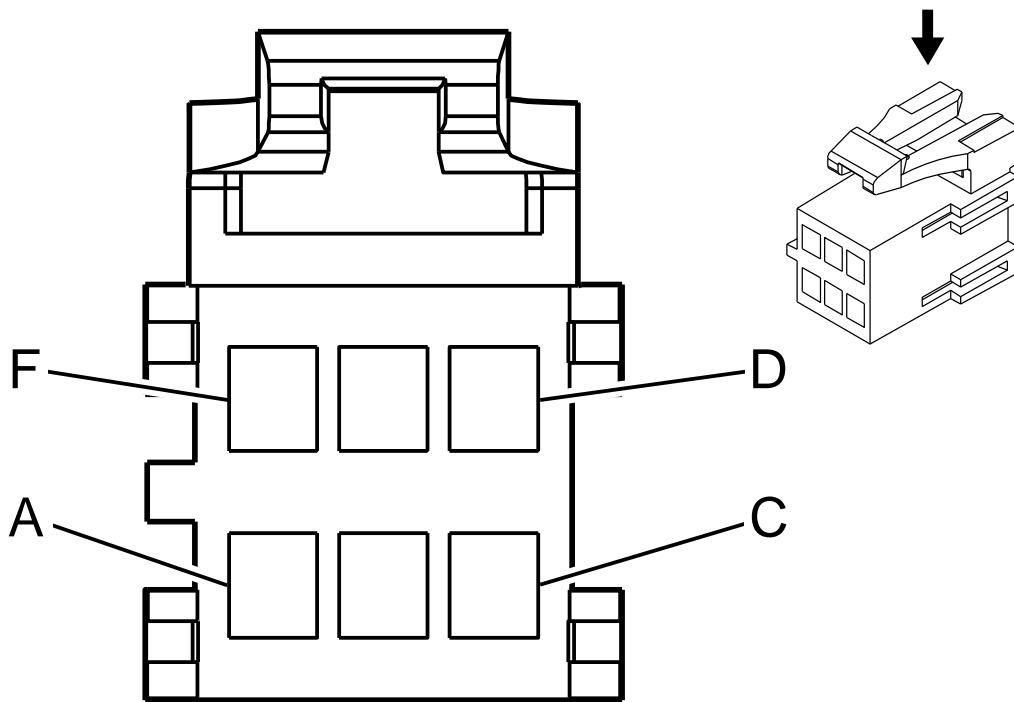
- Harness Type: Instrument Panel
- Service Connector: Service by Harness
- Description: 6-Way F 0.64 Generation Y Series (BK)

**Table 1016 Terminal Part Information**

Terminal Type ID	Service Terminal
I	Not Available

**Table 1017 S39 Ignition Switch**

Pin	Size	Color	Circuit	Function	Terminal Type ID
1	—	—	—	Not Occupied	—
2	0.5	VT/BK	3	Run/Crank Ignition 1 Voltage	—
3	0.5	VT/YE	4	Accessory Ignition Voltage	—
4	0.35	RD/BU	540	Battery Positive Voltage	—
5	0.5	WH/VT	1020	Off/Run/Crank Ignition Voltage	—
6	0.5	WH/BK	1073	Ignition Key Resistor Signal	—



**Connector Part Information**

- Harness Type: Instrument Panel
- Service Connector: 6040294C1
- Description: 6-pin F 150 Metri-Pack Series (YE)

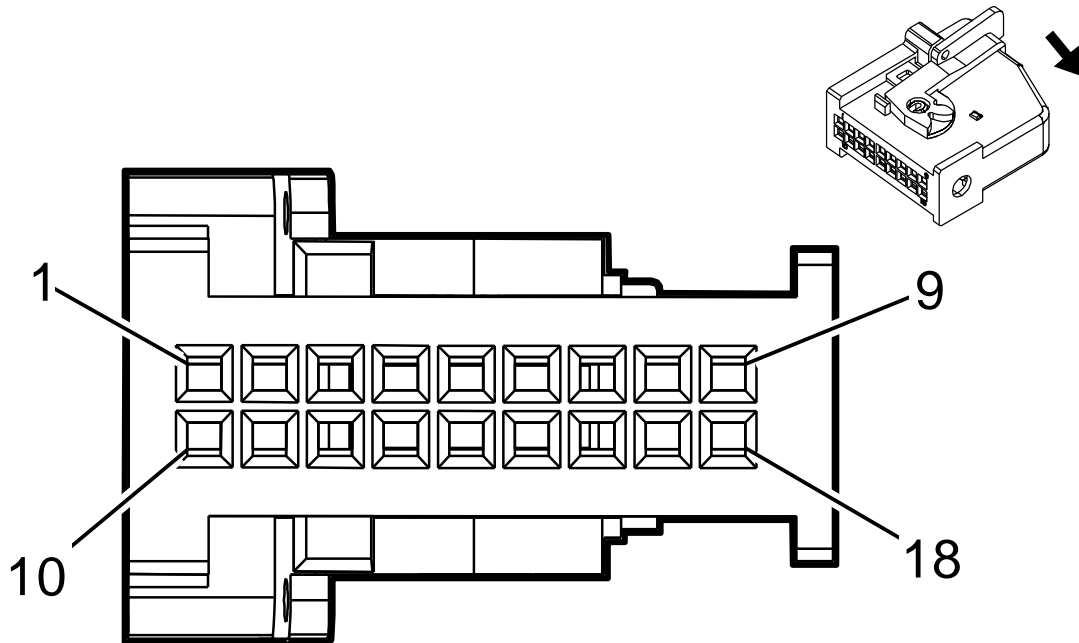
**Table 1019 Terminal Part Information**

Terminal Type ID	Service Terminal
I	6041950C1

**Table 1020 S40 Passenger Air Bag Disable Switch (Feature Code: 0016XCR) (C99)**

Pin	Size	Color	Circuit	Function	Terminal Type ID
A	0.35	D-BU / OG	7328	Passenger IP Module Disable Switch Low Reference	I
B-C	—	—	—	Not Occupied	—
D	0.35	VT / OG	371	Passenger IP Module Disable Switch Signal	I
E-F	—	—	—	Not Occupied	—





**Connector Part Information**

- Harness Type: Instrument Panel
- Service Connector: 6040209C1
- Description: 18-pin F 0.64 Series (BK)

**Table 1022 Terminal Part Information**

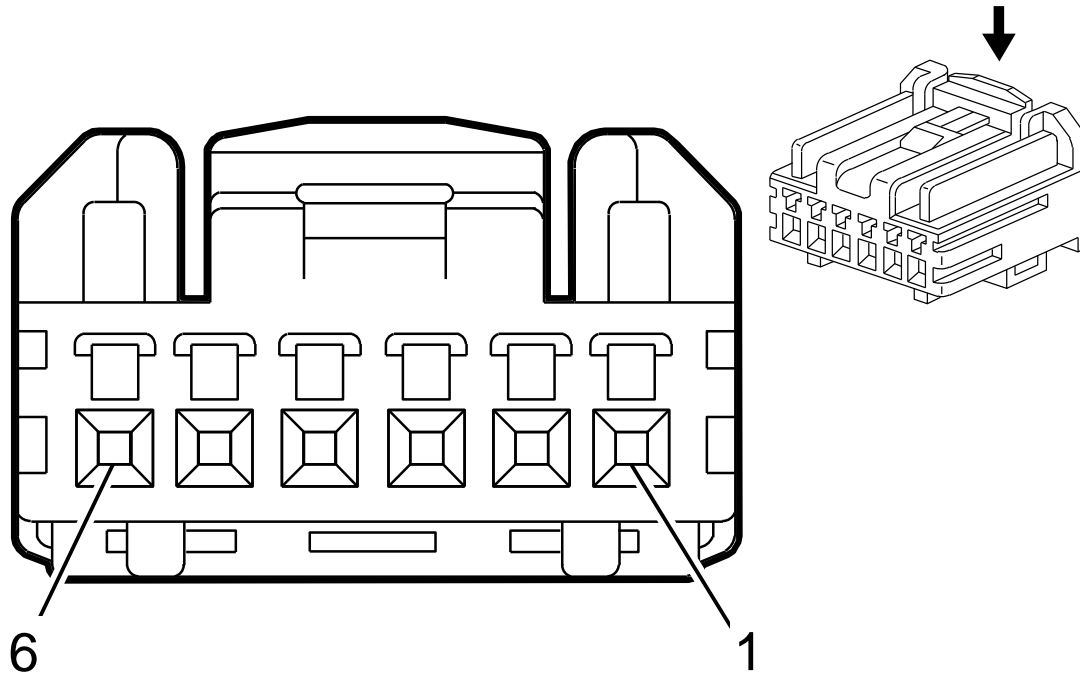
Terminal Type ID	Service Terminal
I	6042035C1

**Table 1023 S48A Multifunction Switch – Instrument Panel X1**

Pin	Size	Color	Circuit	Function	Terminal Type ID
1	0.35	YE	6817	LED Backlight Dimming Control	II
2	0.35	WH	6816	Indicator Dimming Control	II
3	—	—	—	Not Occupied	—
4	0.5	VT / WH	239	Run / Crank Ignition 1 Voltage	I
5	0.5	BN / L-GN	603	A/C Low Pressure Switch Signal	I
6	—	—	—	Not Occupied	—

Table 1023 S48A Multifunction Switch – Instrument Panel X1 (cont.)

Pin	Size	Color	Circuit	Function	Terminal Type ID
7	0.5	BN / WH	1429	Standing Lamp Relay Control	I
8-9	—	—	—	Not Occupied	—
10	0.5	WH / D-BU	964	—	I
11	0.5	L-GN / GY	963	—	I
12	0.5	RD / WH	961	—	I
13	0.5	YE / WH	962	—	I
14	0.5	BK	1850	Ground	I
15-16	—	—	—	Not Occupied	—
17	0.35	D-BU / VT	1788	Traction Control Switch Signal 1	II
18	0.5	GY	158	Cargo Lamp Switch Signal	I



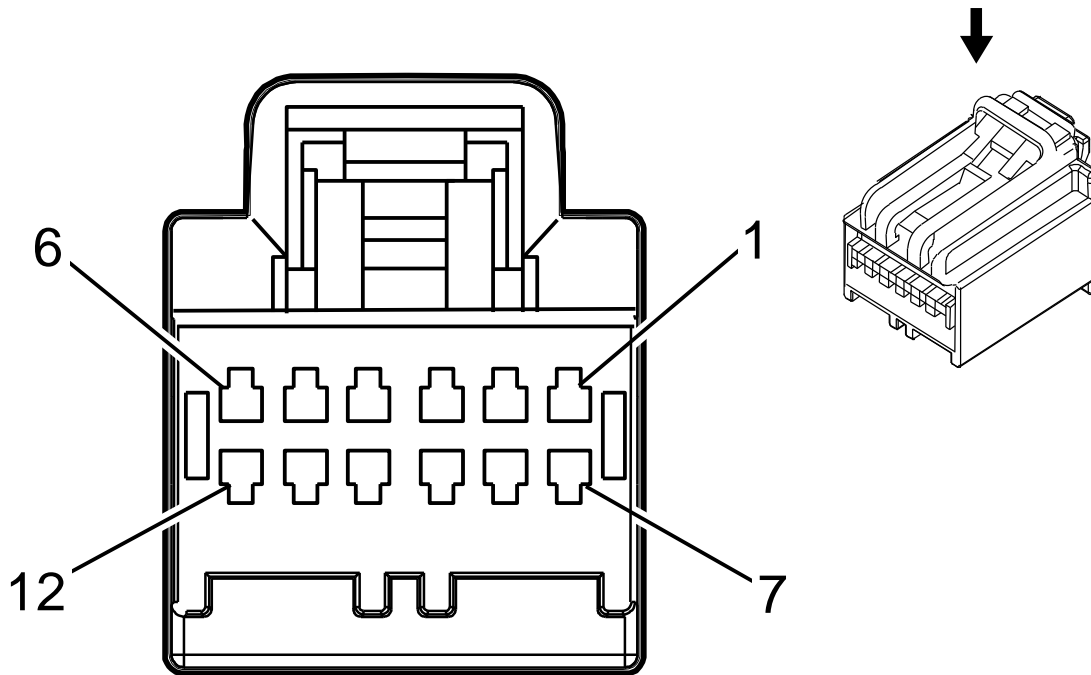
Connector Part Information	
•	Harness Type: Instrument Panel
•	Service Connector: 6040231C1
•	Description: 6-pin F 0.64 HCM Series (BK)

Table 1025 Terminal Part Information

Terminal Type ID	Service Terminal
I	6041950C1

Table 1026 S48A Multifunction Switch – Instrument Panel X2

Pin	Size	Color	Circuit	Function	Terminal Type ID
1	0.35	BN / L-GN	4311	Power Take-off Enable In Cab Switch Normally Closed Signal	I
2	0.35	L-GN / WH	488	Power Take-off Control Switch	I
3	0.35	VT / L-GN	1739	Run / Crank Ignition 1 Voltage	I
4	0.5	L-GN / YE	2081	Exhaust Brake Switch Control	I
5	0.35	L-GN / WH	3438	Exhaust Brake Switch Signal	I
6	—	—	—	Not Occupied	—



**Connector Part Information**

- Harness Type: Driver Door Trim
- Service Connector: Service by Harness
- Description: 12-pin F 64 Series, Sealed (GY)

**Table 1028 Terminal Part Information**

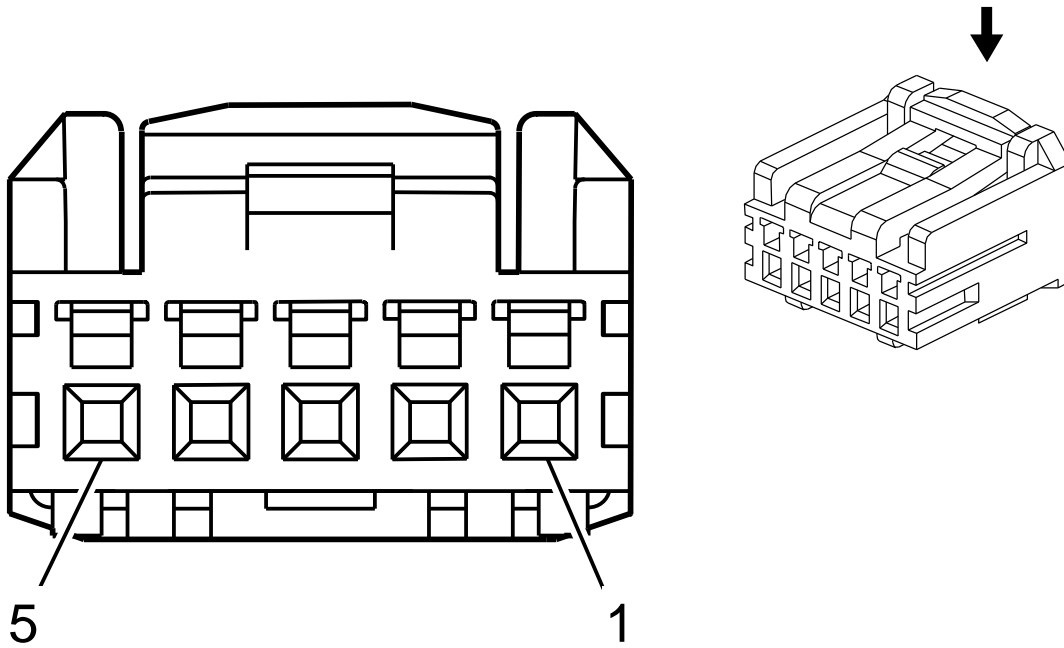
Terminal Type ID	Service Terminal
I	6041997C1

**Table 1029 S52 Outside Rearview Mirror Switch (Feature Code: 0016SPS)**

Pin	Size	Color	Circuit	Function	Terminal Type ID
1	0.75	YE / VT	3397	Passenger Mirror Motor Up (+) Down (-) Control	I
2	0.75	WH / L-GN	3412	Driver Mirror Motor Fold In Control	I
3	0.75	YE / BN	3391	Driver Mirror Motor Common Control	I
4	0.75	L-GN / BK	3396	Passenger Mirror Motor Right (+) Left (-) Control	I
5	0.75	BK	1150	Ground	I
6	0.35	YE	6817	LED Backlight Dimming Control	I

Table 1029 S52 Outside Rearview Mirror Switch (Feature Code: 0016SPS) (cont.)

Pin	Size	Color	Circuit	Function	Terminal Type ID
7	0.75	VT / D-BU	3390	Driver Mirror Motor Up (+) Down (-) Control	I
8	0.75	WH	3398	Passenger Mirror Motor Common Control	I
9	0.75	GY / WH	3411	Driver Mirror Motor Fold Out Control	I
10	0.75	BN / BK	3389	Driver Mirror Motor Right (+) Left (-) Control	I
11	—	—	—	Not Occupied	—
12	0.75	RD / VT	1940	Battery Positive Voltage	I



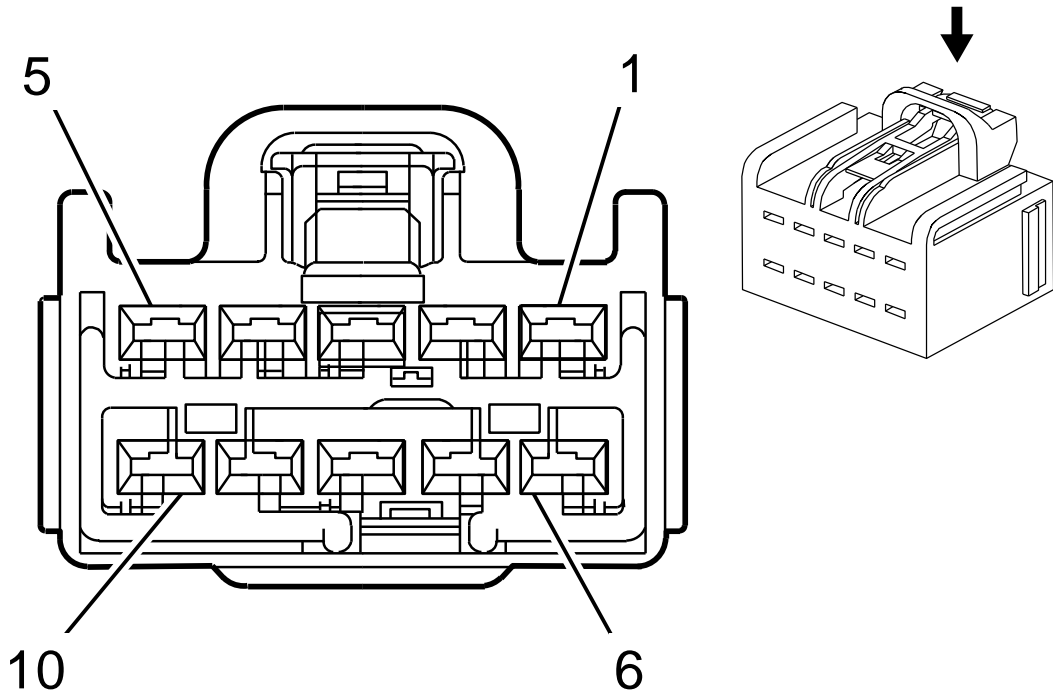
Connector Part Information	
•	Harness Type: Overhead Console
•	Service Connector: Service by Harness
•	Description: 5-pin F HCM Series (BK)

**Table 1031 Terminal Part Information**

Terminal Type ID	Service Terminal
I	6042029C1

**Table 1032 S63 Roof Beacon Switch (Feature Code: 0008XKS)**

Pin	Size	Color	Circuit	Function	Terminal Type ID
1	0.35	BK	1050	Ground	I
2	0.5	YE	6817	LED Backlight Dimming Control	I
3	0.5	RD / YE	240	Battery Positive Voltage	I
4	0.5	WH / BK	5990	Emergency Lamp Switch Signal	I
5	—	—	—	Not Occupied	—



Connector Part Information	
•	Harness Type: Driver Seat Cushion
•	OEM Connector: 7283-6457-40
•	Service Connector: Service by Harness
•	Description: 10-pin F YESC Kaizen Series (L-GY)

**Table 1034 Terminal Part Information**

Terminal Type ID	Service Terminal
I	None

**Table 1035 S64D Seat Adjuster Switch – Driver X1 (Feature Code: 0016KVV / 0016KVU)**

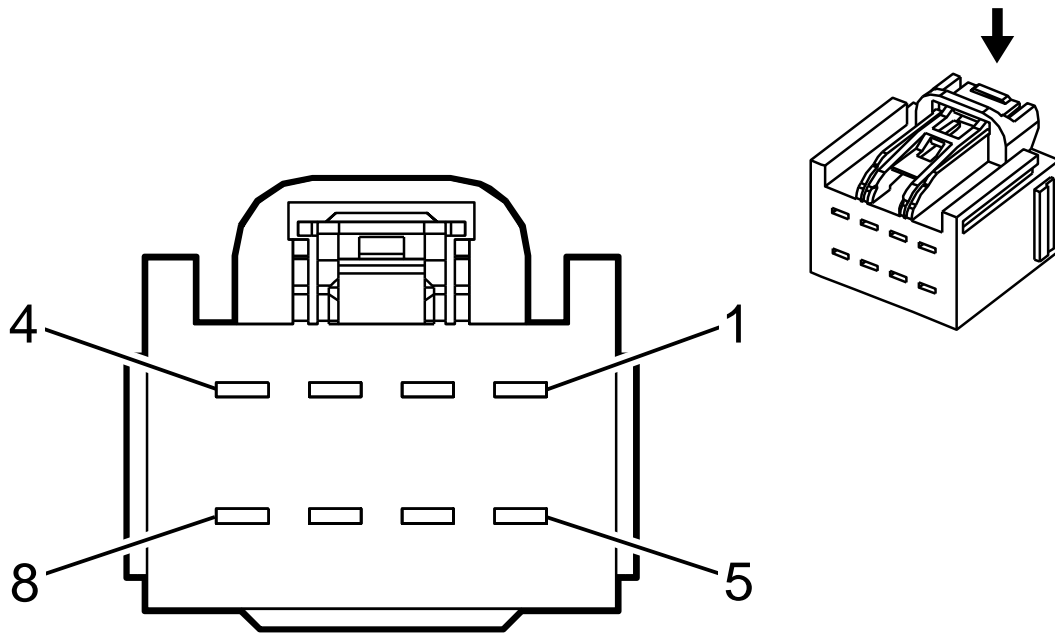
Pin	Size	Color	Circuit	Function	Terminal Type ID	Option
1	0.5	L-GN / BN	1518	Power Seat Front Vertical Up Switch Signal	I	CREW CAB 43
	1.5	L-GN / BN	286	Driver Power Seat Front Vertical Motor Up Control	I	STANDARD CAB 03
2	2.5	BK	1150	Ground	I	—

**ELECTRICAL CIRCUIT DIAGRAM MANUAL**

**Table 1035 S64D Seat Adjuster Switch – Driver X1 (Feature Code: 0016KVV / 0016KVU) (cont.)**

Pin	Size	Color	Circuit	Function	Terminal Type ID	Option
3	0.5	YE / BN	1522	Power Seat Horizontal Forward Switch Signal	I	CREW CAB 43
	1.5	YE / L-BU	285	Driver Power Seat Horizontal Motor Forward Control	I	STANDARD CAB 03
4	0.5	GY / BK	1269	Power Seat Recline Forward Switch Signal	I	CREW CAB 43
	1.5	L-GN / YE	276	Driver Power Seat Recline Motor Forward Control	I	STANDARD CAB 03
5	0.5	L-BU / VT	1520	Power Seat Front Vertical Down Switch Signal	I	CREW CAB 4
	1.5	L-BU / VT	287	Driver Power Seat Front Vertical Motor Down Control	I	STANDARD CAB 03
6	0.35	BK	1150	Ground	I	CREW CAB 43
	2.5	RD / YE	5040	Battery Positive Voltage	I	STANDARD CAB 03
7	0.5	GY / L-GN	1523	Power Seat Horizontal Rearward Switch Signal	I	CREW CAB 43
	1.5	GY / L-GN	284	Driver Power Seat Horizontal Motor Rearward Control	I	STANDARD CAB 03
8	0.5	YE	1519	Power Seat Rear Vertical Up Switch Signal	I	CREW CAB 43
	1.5	YE	282	Driver Power Seat Rear Vertical Motor Up Control	I	STANDARD CAB 03
9	0.5	L-GN / GY	1270	Power Seat Recline Rearward Switch Signal	I	CREW CAB 43
	1.5	L-BU / YE	277	Driver Power Seat Recline Motor Rearward Control	I	STANDARD CAB 03
10	0.5	YE / L-BU	1521	Power Seat Rear Vertical Down Switch Signal	I	CREW CAB 43
	1.5	GY / L-BU	283	Driver Power Seat Rear Vertical Motor Down Control	I	STANDARD CAB 03





**Connector Part Information**

- Harness Type: Driver Seat Cushion
- Service Connector: Service by Harness
- Description: 8-pin F 2.8 Series (L-GY)

**Table 1037 Terminal Part Information**

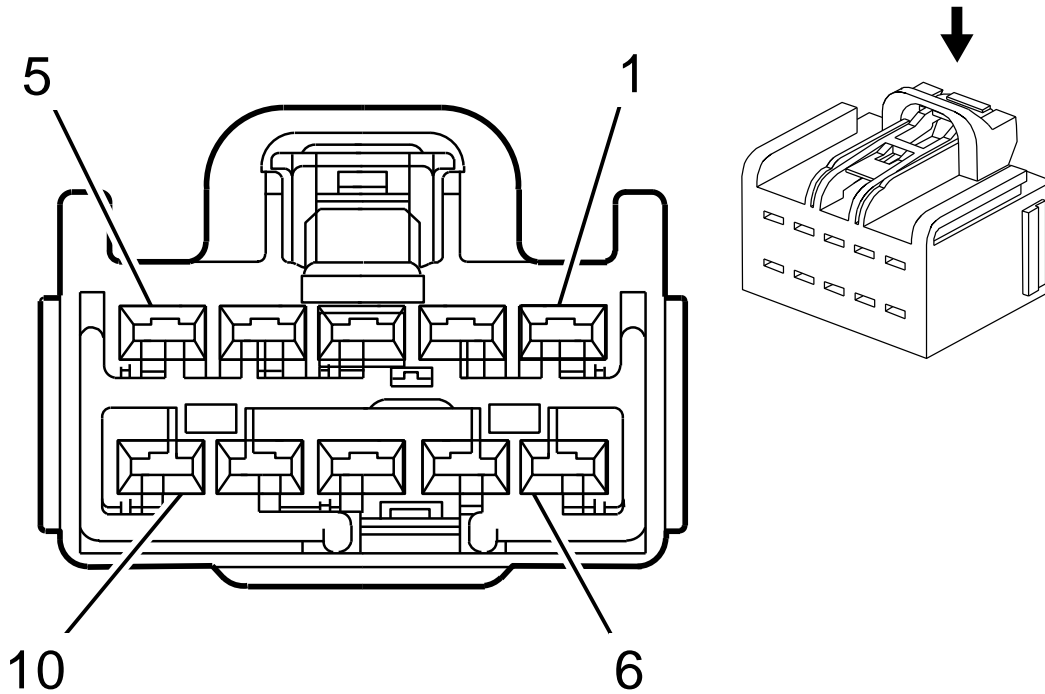
Terminal Type ID	Service Terminal
I	6041851C1 0.5mm
	6042071C1 1.5mm

**Table 1038 S64D Seat Adjuster Switch – Driver X2 (Feature Code: 0016KVV / 0016KVU)**

Pin	Size	Color	Circuit	Function	Terminal Type ID	Option
1	0.5	WH	1066	Driver Seat Lumbar Up Switch Signal	I	—
2	0.5	YE	1065	Driver Seat Lumbar Forward Switch Signal	I	CREW CAB 43
	1.5	L-BU	611	Driver Power Seat Lumbar Motor Forward Control	I	STANDARD CAB 03

Table 1038 S64D Seat Adjuster Switch – Driver X2 (Feature Code: 0016KVV / 0016KVU) (cont.)

Pin	Size	Color	Circuit	Function	Terminal Type ID	Option
3-4	—	—	—	Not Occupied	—	—
5	0.5	YE / BK	1067	Driver Seat Lumbar Down Switch Signal	I	—
6	0.5	L-BU / VT	1064	Driver Seat Lumbar Rearward Switch Signal	I	CREW CAB 43
	1.5	VT	610	Driver Power Seat Lumbar Motor Rearward Control	I	STANDARD CAB 03
7-8	—	—	—	Not Occupied	—	—



**Connector Part Information**

- Harness Type: Passenger Seat Cushion
- Service Connector: Service by Harness
- Description: 10-pin F YESC Kaizen Series (L-GY)

**Table 1040 Terminal Part Information**

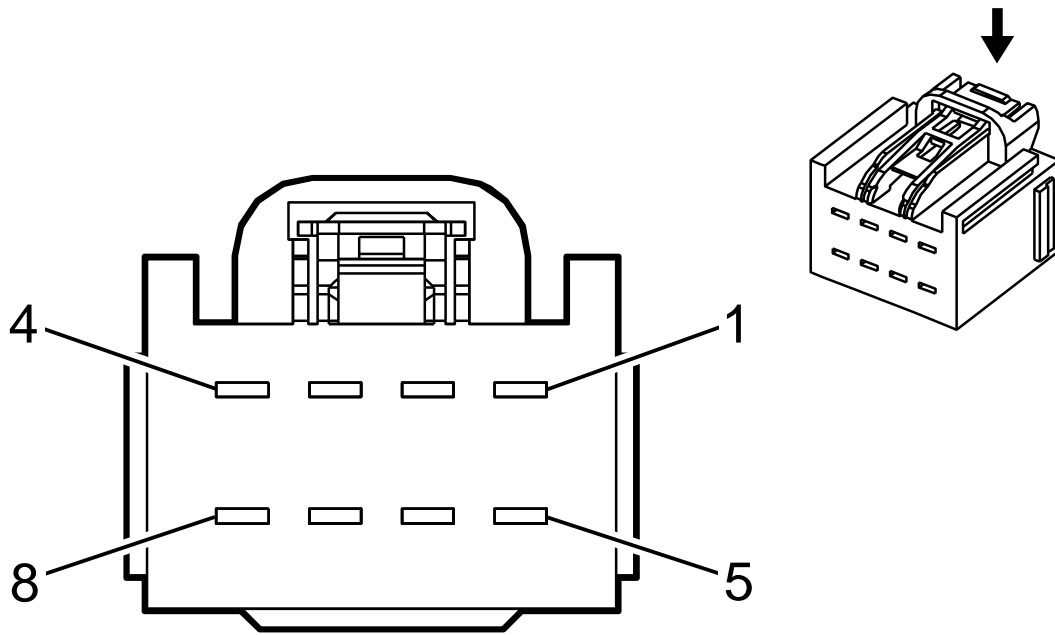
Terminal Type ID	Service Terminal
I	6042071C1

**Table 1041 S64P Seat Adjuster Switch – Passenger X1 (Feature Code: 0016KVV / AG2)**

Pin	Size	Color	Circuit	Function	Terminal Type ID
1	—	—	—	Not Occupied	—
2	1.5	L-GN	76	Passenger Power Seat Recline Motor Forward Control	I
3	1.5	YE / WH	296	Passenger Power Seat Horizontal Motor Forward Control	I
4	—	—	—	Not Occupied	—
5	2.5	BK	1250	Ground	I

**Table 1041 S64P Seat Adjuster Switch – Passenger X1 (Feature Code: 0016KVV / AG2) (cont.)**

Pin	Size	Color	Circuit	Function	Terminal Type ID
6	—	—	—	Not Occupied	—
7	1.5	L-BU / BN	77	Passenger Power Seat Recline Motor Rearward Control	I
8	—	—	—	Not Occupied	—
9	1.5	YE / L-BU	290	Passenger Power Seat Horizontal Motor Rearward Control	I
10	2.5	RD / BN	1440	Battery Positive Voltage	I



**Connector Part Information**

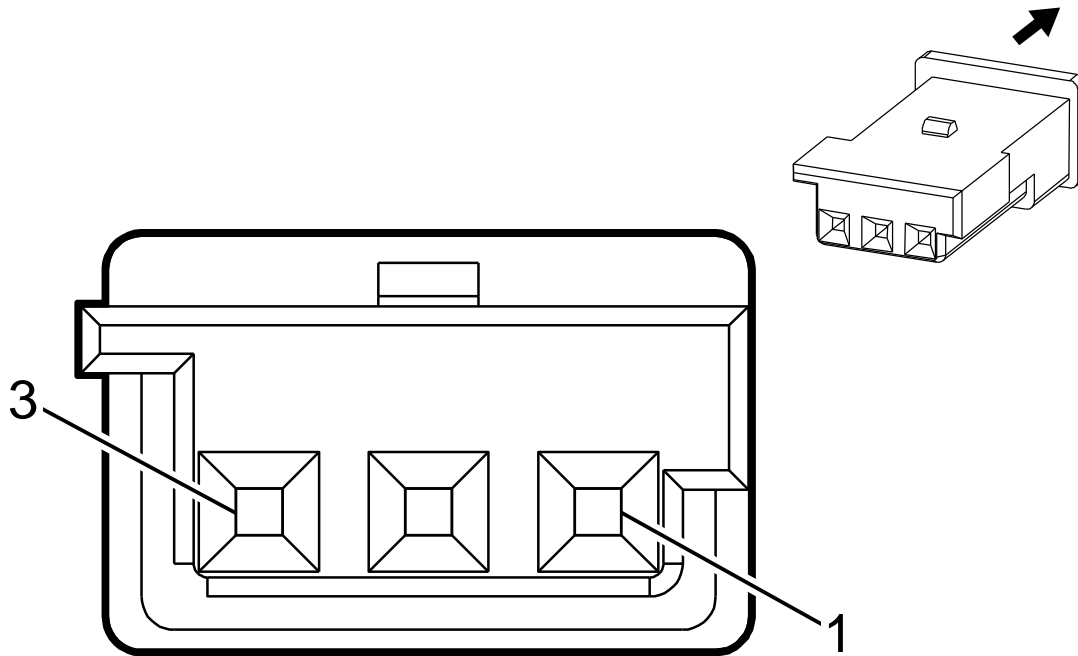
- Harness Type: Passenger Seat Cushion
- Service Connector: Service by Harness
- Description: 8-pin F 2.8 Series (L-GY)

**Table 1043 Terminal Part Information**

Terminal Type ID	Service Terminal
I	6042071C1

**Table 1044 S64P Seat Adjuster Switch – Passenger X2 (Feature Code: 0016KVV / AG2)**

Pin	Size	Color	Circuit	Function	Terminal Type ID
1-2	—	—	—	Not Occupied	—
3	1.5	VT	210	Passenger Power Seat Lumbar Motor Rearward Control	I
4-5	—	—	—	Not Occupied	—
6	1.5	L-BU	211	Passenger Power Seat Lumbar Motor Forward Control	I
7-8	—	—	—	Not Occupied	—



**Connector Part Information**

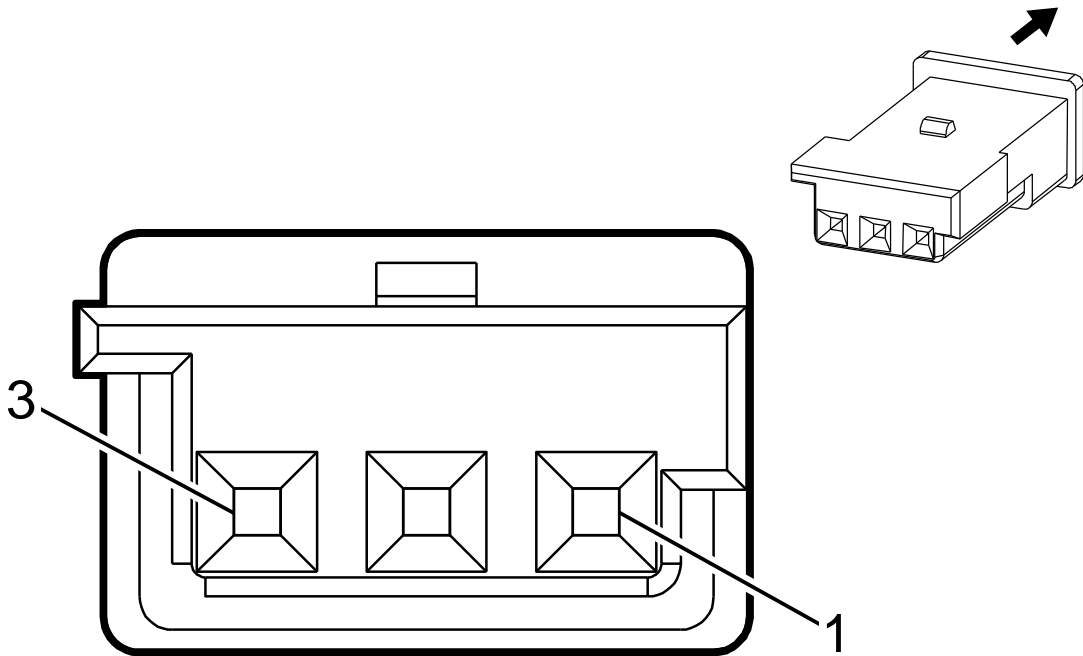
- Harness Type: Instrument Panel
- OEM Connector: 4-1718346-1
- Service Connector: Service by Harness
- Description: 3-Way F 0.64 Micro-Quadlock Series (PU)

**Table 1046 Terminal Part Information**

Terminal Type ID	Service Terminal
I	6041853C1

**Table 1047 S70E Steering Wheel Controls Switch - Radio Presets (UK3)**

Pin	Size	Color	Circuit	Function	Terminal Type ID
1	0.35	WH/YE	4313	Radio Favorite Forward Signal	I
2	0.35	YE/BU	4312	Radio Favorite Back Signal	I
3	0.35	BK	1050	Ground	I



**Connector Part Information**

- Harness Type: Instrument Panel
- OEM Connector: 4-1718346-1
- Service Connector: Service by Harness
- Description: 3-Way F 0.64 Micro-Quadlock Series (PU)

**Table 1049 Terminal Part Information**

Terminal Type ID	Service Terminal
I	None

**Table 1050 S70F Steering Wheel Controls Switch - Radio Presets (UK3)**

Pin	Size	Color	Circuit	Function	Terminal Type ID
1	0.35	BU	4315	Radio Volume Up Signal	I
2	0.35	GN/BN	4314	Radio Volume Down Signal	I
3	0.35	BK	1050	Ground	I

**Connector Part Information**

- Harness Type: Instrument Panel
- OEM Connector: 1488973-1
- Service Connector: Service by Harness
- Description: 10-Way F 0.64 Micro-Quadlock Series (BK)

**Table 1052 Terminal Part Information**

Terminal Type ID	Service Terminal
I	None

**Table 1053 S70L Steering Wheel Controls Switch - Left**

Pin	Size	Color	Circuit	Function	Terminal Type ID
1	0.35	BK	1050	Ground	—
2	—	—	—	Not Occupied	I
3	0.35	GY/OG	5737	Not Used	I
4	0.35	BN/YE	1884	Cruise Control Set/Coast/Resume/Accelerate Switch Signal	I
5	—	—	—	Not Occupied	—
6	0.35	YE	6817	LED Backlight Dimming Control	I
	0.35	YE	6136	Control	I
7-8	—	—	—	Not Occupied	—
9	0.35	WH	1444	12V Reference	I
10	0.35	RD/YE	3040	Battery Positive Voltage	I



**Connector Part Information**

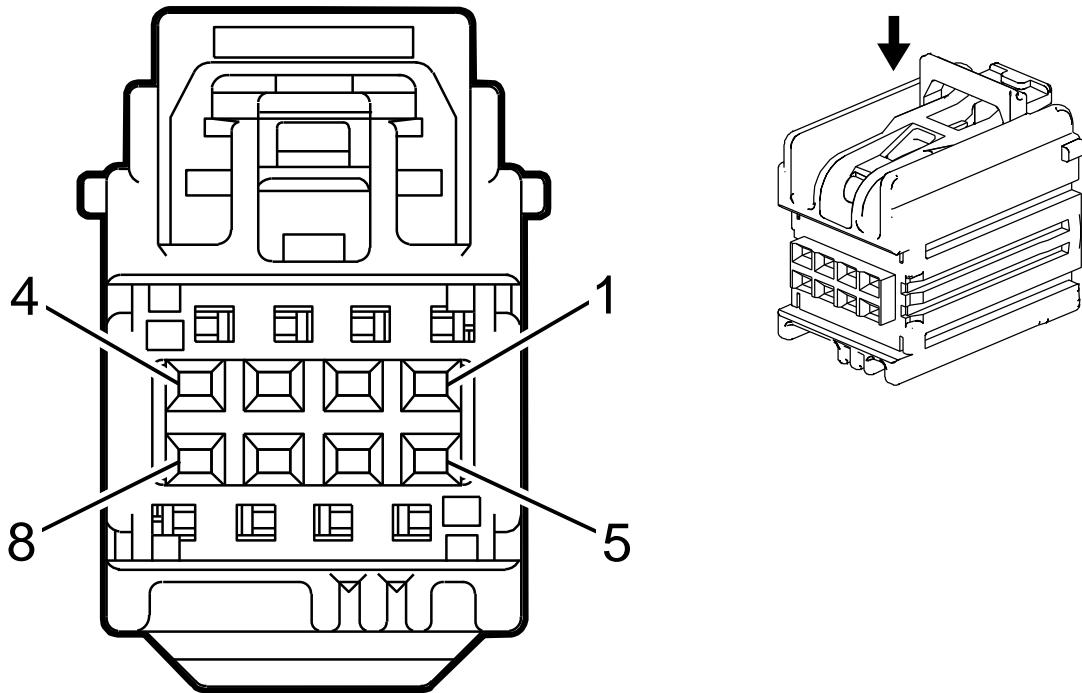
- Harness Type: Instrument Panel
- Service Connector: Service by Harness
- Description: 10-Way F 0.64 Micro-Quadlock Series (BK)

**Table 1055 Terminal Part Information**

Terminal Type ID	Service Terminal
I	Not Available

**Table 1056 S70R Steering Wheel Controls Switch - Right (UK3)**

Pin	Size	Color	Circuit	Function	Terminal Type ID
1	0.35	YE	6817	LED Backlight Dimming Control	I
2	—	—	—	Not Occupied	—
3	0.5	GN	3894	Local Interconnect Network Serial Data Bus 12	I
4	—	—	—	Not Occupied	—
5	0.35	RD/YE	3040	Battery Positive Voltage	I
6	0.35	BK	1050	Ground	I
7	0.35	BU	4315	Radio Volume Up Signal	I
8	0.35	GN/BN	4314	Radio Volume Down Signal	I
9	0.35	GN/BN	4313	Radio Favorite Forward Signal	I
10	0.35	YE/BU	4312	Battery Positive Voltage	I



Connector Part Information	
•	Harness Type: Instrument Panel
•	Service Connector: 6040198C1
•	Description: 8-pin F YESC Kaizen Series (BK)

Table 1058 Terminal Part Information

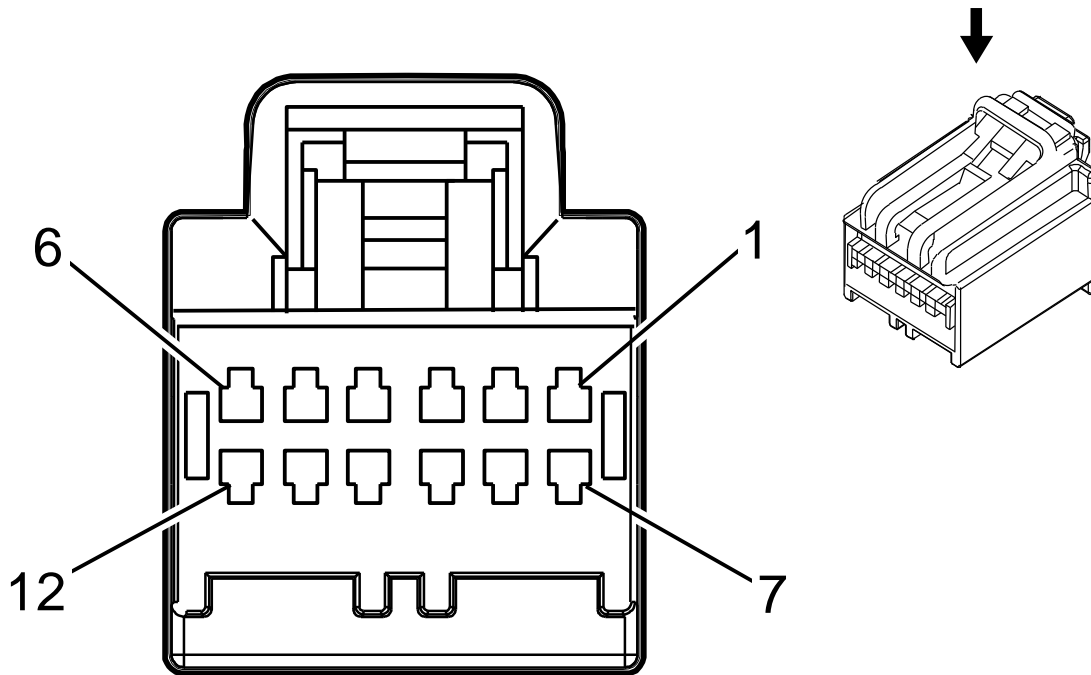
Terminal Type ID	Service Terminal
I	6041853C1

Table 1059 S76 Trailer Brake Control Switch (J71)

Pin	Size	Color	Circuit	Function	Terminal Type ID
1-2	—	—	—	Not Occupied	—
3	0.5	D-BU / RD	7632	Integrated Trailer Brake Controller Switch 5 volt Reference	I
4	0.5	YE	7635	Integrated Trailer Brake Controller Manual Apply Signal	I
5	0.5	BN	7634	Integrated Trailer Brake Controller Redundant Manual Apply Signal	I

Table 1059 S76 Trailer Brake Control Switch (J71) (cont.)

Pin	Size	Color	Circuit	Function	Terminal Type ID
6	0.5	L-GN / BK	7633	Integrated Trailer Brake Controller User Gain Signal	I
7	0.35	YE	6817	LED Backlight Dimming Control	I
8	0.5	BK / BN	7631	Integrated Trailer Brake Controller Switch Low Reference	I



Connector Part Information	
•	Harness Type: Instrument Panel
•	Service Connector: 6040234C1
•	Description: 12-pin F 64 Series, Sealed (GY)

**Table 1061 Terminal Part Information**

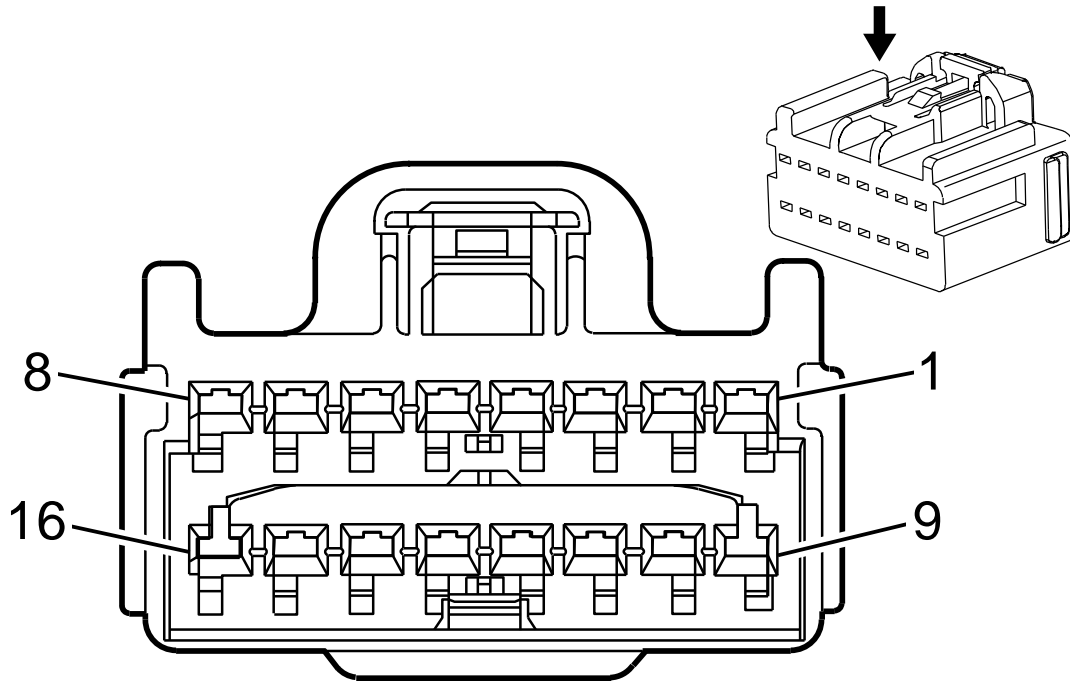
Terminal Type ID	Service Terminal
I	6041853C1
II	6041853C1

**Table 1062 S77 Transfer Case Shift Control Switch (Feature Code: 0013TLP (0013WDB))**

Pin	Size	Color	Circuit	Function	Terminal Type ID
1	—	—	—	Not Occupied	—
2	0.35	VT / BN	300	Run Ignition 3 Voltage	II
3	0.35	BN	1560	Neutral Indicator Control	II
4	0.35	WH	6816	Indicator Dimming Control	II
5	0.35	YE	6817	LED Backlight Dimming Control	II

**Table 1062 S77 Transfer Case Shift Control Switch (Feature Code: 0013TLP (0013WDB)) (cont.)**

Pin	Size	Color	Circuit	Function	Terminal Type ID
6	0.5	BK	1050	Ground	I
7	—	—	—	Not Occupied	—
8	0.35	L-GN / BK	1563	2 HI Indicator Control	II
9	0.35	BN / BK	1566	4 HI Indicator Control	II
10	0.35	VT / WH	1565	4 LO Indicator Control	II
11	0.35	GY / RD	6029	Four-wheel Drive Mode Switch 5 volt Reference	II
12	0.35	D-BU / YE	1693	Four-wheel Drive Switch Signal	II



**Connector Part Information**

- Harness Type: Instrument Panel
- Service Connector: Service by Harness
- Description: 16-Way F 1.5 Kaizen Series (GN)

**Table 1064 Terminal Part Information**

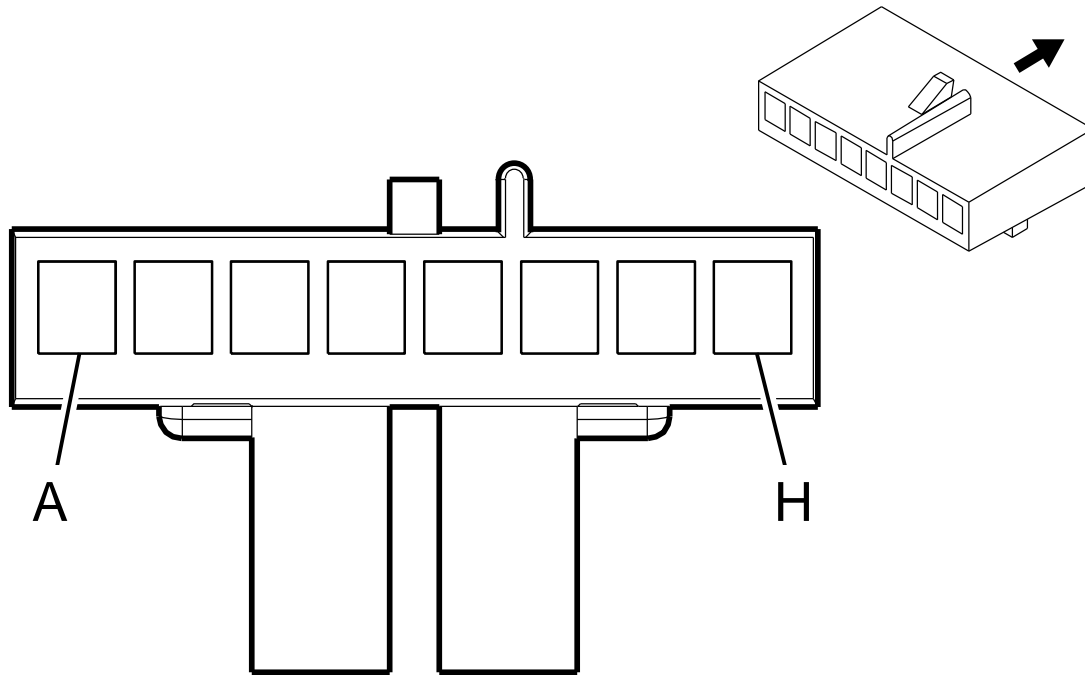
Terminal Type ID	Service Terminal
I	None

**Table 1065 S78 Turn Signal/Multifunction Switch X1**

Pin	Size	Color	Circuit	Function	Terminal Type ID
1-3	—	—	—	Not Occupied	—
4	0.35	GY	1715	Windshield Wiper Switch High Signal	I
5	—	—	—	Not Occupied	—
6	0.35	WH/BK	94	Windshield Washer Switch Signal	I
7	0.35	BK/GY	6009	Windshield Wiper Switch Low Reference	I
8	0.35	YE/BU	1714	Windshield Wiper Switch Low Signal	I

Table 1065 S78 Turn Signal/Multifunction Switch X1 (cont.)

Pin	Size	Color	Circuit	Function	Terminal Type ID
9	—	—	—	Not Occupied	—
10	0.35	YE/BN	307	Headlamp Switch Flash To Pass Signal	I
11-12	—	—	—	Not Occupied	—
13	0.35	BK/WH	1851	Signal Ground	I
14	0.35	WH	524	Headlamp Dimmer Switch High Beam Signal	I
15-16	—	—	—	Not Occupied	—



**Connector Part Information**

- Harness Type: Instrument Panel
- Service Connector: Service by Harness
- Description: 8-Way F 150 Metri-Pack Series (L-GY)

**Table 1067 Terminal Part Information**

Terminal Type ID	Service Terminal
I	None

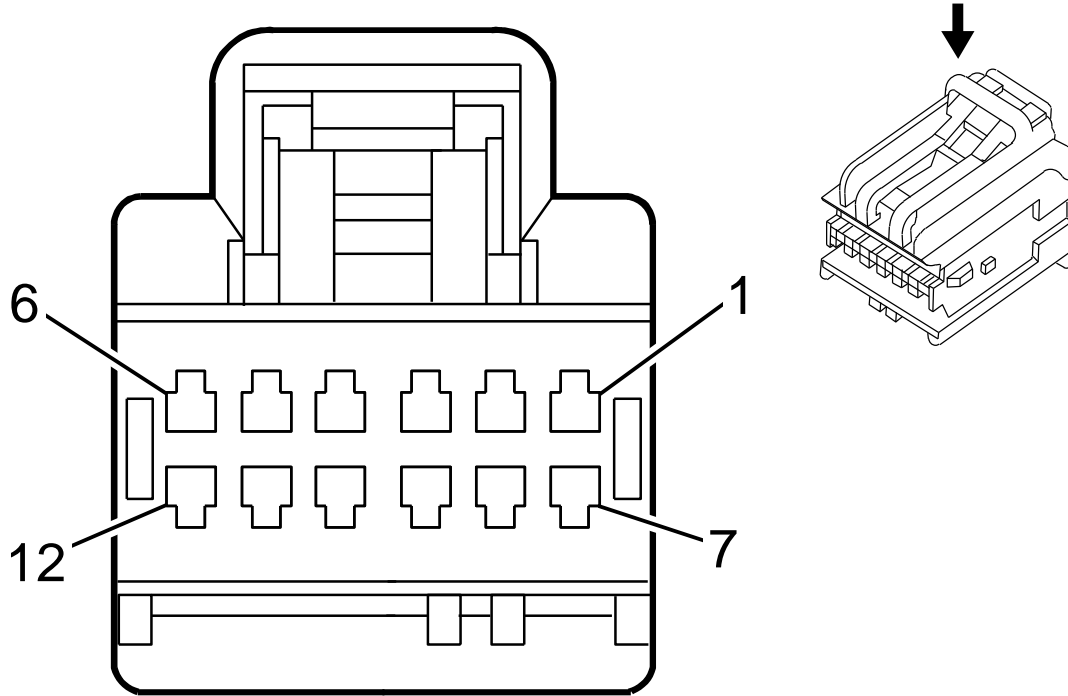
**Table 1068 S78 Turn Signal/Multifunction Switch X2**

Pin	Size	Color	Circuit	Function	Terminal Type ID
A-B	—	—	—	Not Occupied	—
C	0.35	BK/WH	1851	Signal Ground	I
D	0.35	VT/BU	664	Hazard Switch Right Turn Signal	I
E	0.35	WH/GN	663	Hazard Switch Left Turn Signal	I
F	0.35	BK/WH	1851	Signal Ground	I



Table 1068 S78 Turn Signal/Multifunction Switch X2 (cont.)

Pin	Size	Color	Circuit	Function	Terminal Type ID
G	0.35	GN/WH	111	Hazard Switch Signal	I
H	—	—	—	Not Occupied	—



**Connector Part Information**

- Harness Type: Driver Door Trim
- Service Connector: Service by Harness
- Description: 12-pin F 0.64 Series, Sealed (BK)

**Table 1070 Terminal Part Information**

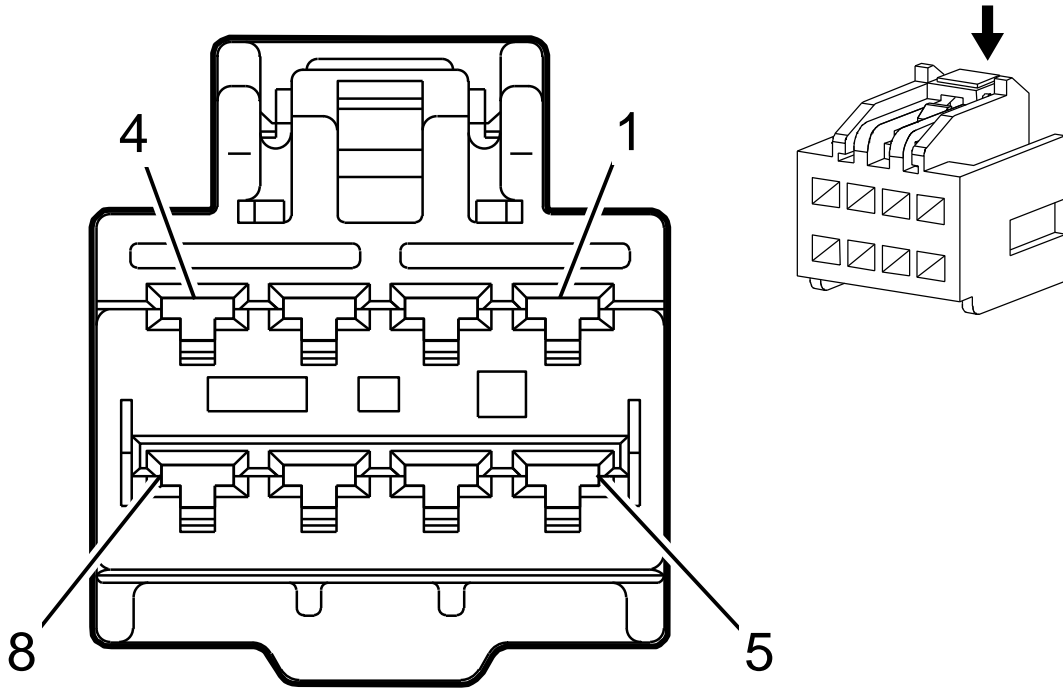
Terminal Type ID	Service Terminal
I	6041997C1

**Table 1071 S79D Window Switch – Driver (Feature Code: 0016WAK)**

Pin	Size	Color	Circuit	Function	Terminal Type ID
1	0.75	BK	1150	Ground	I
2	0.35	L-GN / VT	7628	Power Window Motor Left Front Express Control	I
3	0.35	GY	1136	Power Window Master Switch Left Front Down Signal	I
4	0.5	RD / VT	1940	Battery Positive Voltage	I
5	0.5	L-GN / YE	6134	Local Interconnect Network Serial Data Bus 3	I

Table 1071 S79D Window Switch – Driver (Feature Code: 0016WAK) (cont.)

Pin	Size	Color	Circuit	Function	Terminal Type ID
6	0.35	L-GN / WH	1300	Power Window Master Switch Left Front Up Signal	I
7	0.35	WH / VT	3270	Driver Door Lock Motor Status Signal	I
8	0.35	D-BU / VT	1124	Door Lock Key Switch Unlock Signal	I
9	—	—	—	Not Occupied	—
10	0.35	YE / BN	3265	Child Security Lock Switch Signal	I
11	0.35	WH	6816	Indicator Dimming Control	I
12	0.35	GY	5697	Child Lockout Indicator Control	I



**Connector Part Information**

- Harness Type: Left Rear Door
- Service Connector: Service by Harness
- Description: 8-pin F 2.8 Series (BK)

**Table 1073 Terminal Part Information**

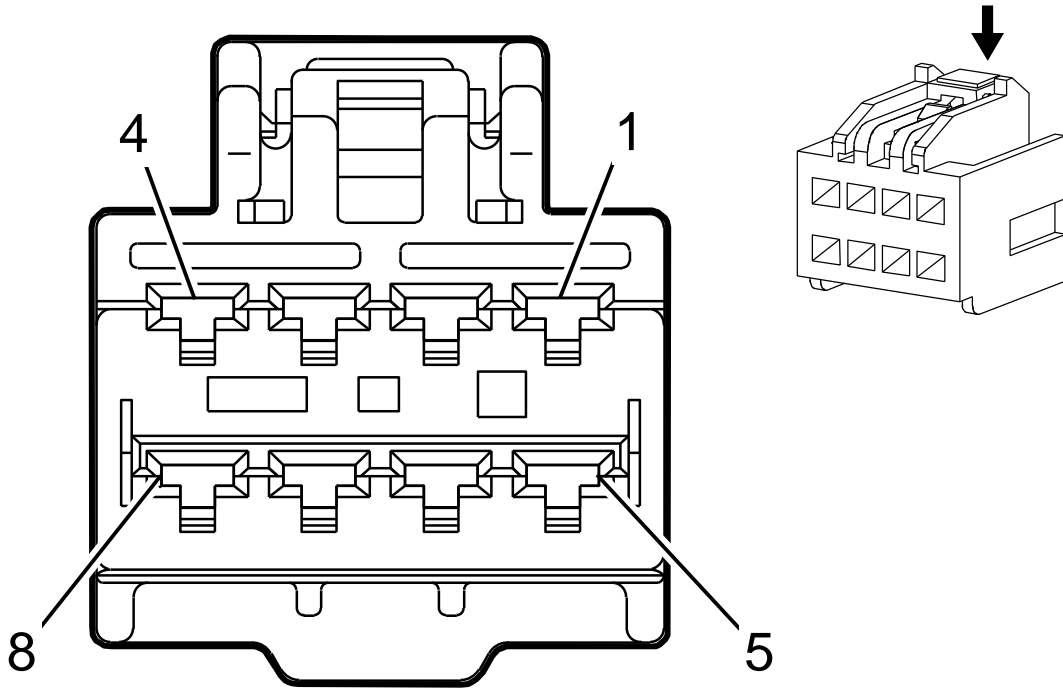
Terminal Type ID	Service Terminal
I	6041885C1 0.35-0.5mm
	6041887C1 2.5mm

**Table 1074 S79LR Window Switch – Left Rear (Crew Cab)**

Pin	Size	Color	Circuit	Function	Terminal Type ID
1	0.5	L-GN / GY	6135	Local Interconnect Network Serial Data Bus 4	I
2	0.35	GY / WH	747	Left Rear Door Ajar Switch Signal	I
3	0.5	BK	1150	Ground	I
4	—	—	—	Not Occupied	—
5	2.5	BK	1150	Ground	I

Table 1074 S79LR Window Switch – Left Rear (Crew Cab) (cont.)

Pin	Size	Color	Circuit	Function	Terminal Type ID
6	2.5	D-BU / VT	668	Power Window Motor Left Rear Up Control	I
7	2.5	YE / D-BU	669	Power Window Motor Left Rear Down Control	I
8	2.5	RD / D-BU	1842	Battery Positive Voltage	I



**Connector Part Information**

- Harness Type: Passenger Door Trim
- Service Connector: Service by Harness
- Description: 8-pin F 2.8 Series (BK)

**Table 1076 Terminal Part Information**

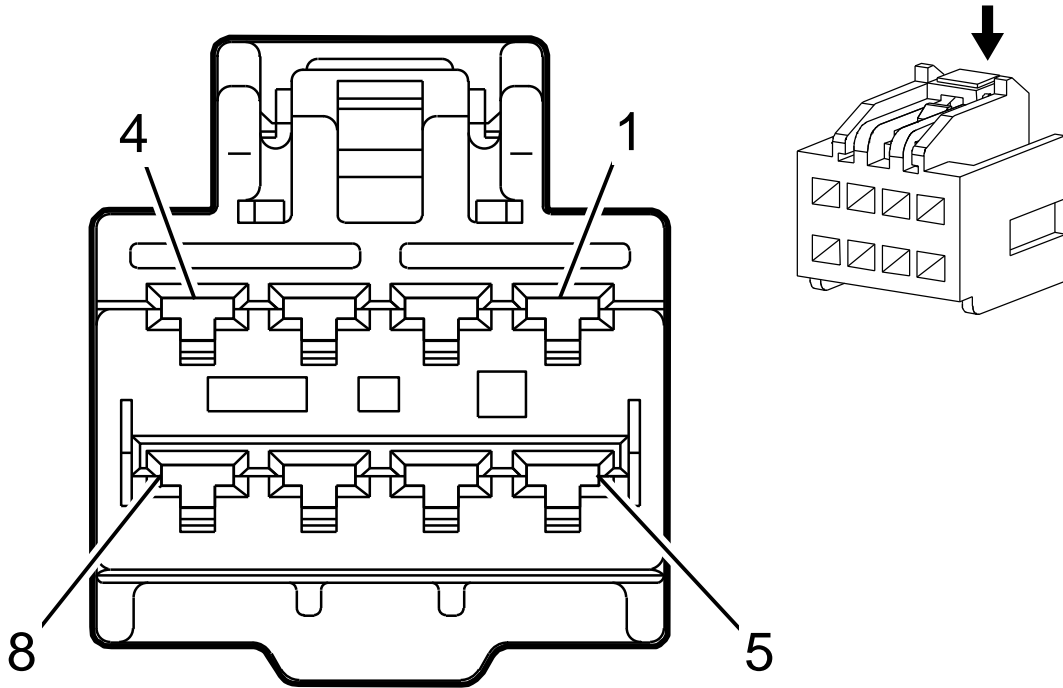
Terminal Type ID	Service Terminal
I	6041887C1 0.35-0.5mm
	6041885C1 2.5mm

**Table 1077 S79P Window Switch – Passenger (Feature Code: 0016WAK)**

Pin	Size	Color	Circuit	Function	Terminal Type ID
1	2.5	BK	1250	Ground	I
2	2.5	L-GN / GY	3387	Power Window Motor Passenger Up Control	I
3	2.5	YE / D-BU	3388	Power Window Motor Passenger Down Control	I
4	2.5	RD / WH	1340	Battery Positive Voltage	I
5	0.5	L-GN / YE	6134	Local Interconnect Network Serial Data Bus 3	I

Table 1077 S79P Window Switch – Passenger (Feature Code: 0016WAK) (cont.)

Pin	Size	Color	Circuit	Function	Terminal Type ID
6-7	—	—	—	Not Occupied	—
8	0.35	GY	746	Right Front Door Ajar Switch Signal	I



**Connector Part Information**

- Harness Type: Right Rear Door
- Service Connector: Service by Harness
- Description: 8-pin F 2.8 Series (BK)

**Table 1079 Terminal Part Information**

Terminal Type ID	Service Terminal
I	6041887C1 0.35-0.5mm
	6041885C1 2.5mm

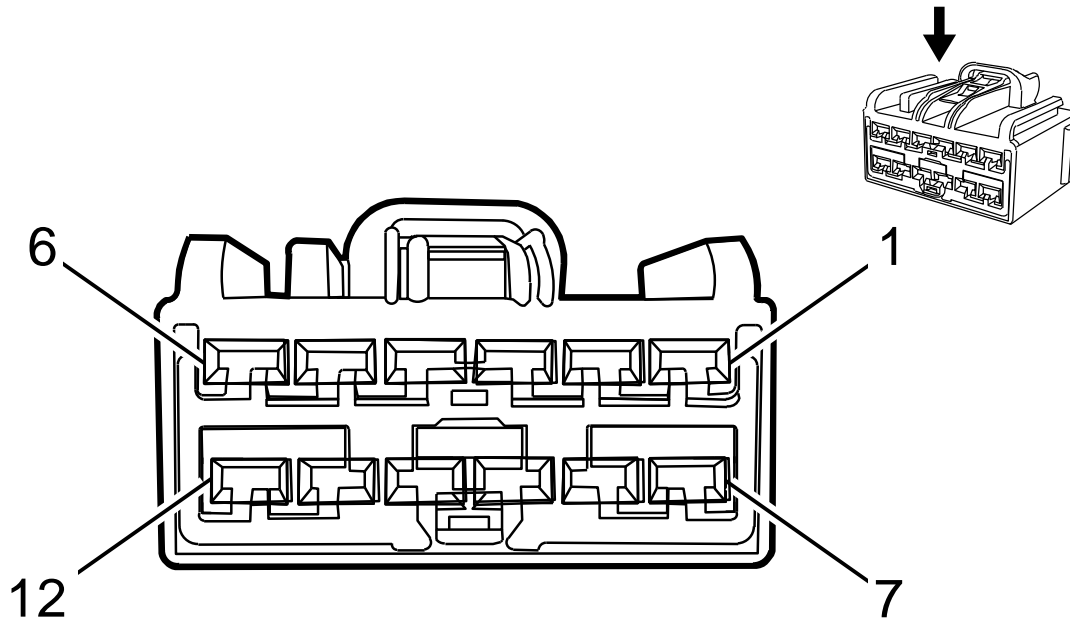
**Table 1080 S79RR Window Switch – Right Rear (Crew Cab)**

Pin	Size	Color	Circuit	Function	Terminal Type ID
1	0.5	L-GN / GY	6135	Local Interconnect Network Serial Data Bus 4	I
2	0.35	GY / WH	748	Right Rear Door Ajar Switch Signal	I
3-4	—	—	—	Not Occupied	—
5	2.5	BK	1250	Ground	I
6	2.5	D-BU / GY	670	Power Window Motor Right Rear Up Control	I



Table 1080 S79RR Window Switch – Right Rear (Crew Cab) (cont.)

Pin	Size	Color	Circuit	Function	Terminal Type ID
7	2.5	L-GN / BK	671	Power Window Motor Right Rear Down Control	I
8	2.5	RD / WH	1340	Battery Positive Voltage	I



**Connector Part Information**

- Harness Type: Instrument Panel
- Service Connector: 6040204C1
- Description: 12-pin F 2.8 Kaizen Series (L-GY)

**Table 1082 Terminal Part Information**

Terminal Type ID	Service Terminal
I	6041989C1
II	6042056C1
III	6042054C1
IV	3605697C1

**Table 1083 T1 Accessory DC / AC Power Inverter Module (Feature Code: 0008XJX)**

Pin	Size	Color	Circuit	Function	Terminal Type ID
1	—	—	—	Not Occupied	—
2	1.5	BK	5683	120 volt AC Phase A	III
3-5	—	—	—	Not Occupied	—

**Table 1083 T1 Accessory DC / AC Power Inverter Module (Feature Code: 0008XJX) (cont.)**

<b>Pin</b>	<b>Size</b>	<b>Color</b>	<b>Circuit</b>	<b>Function</b>	<b>Terminal Type ID</b>
6	2.5	RD / GY	4140	Battery Positive Voltage	IV
7	1.5	RD	5684	120 volt AC Phase B	III
8-9	—	—	—	Not Occupied	—
10	0.5	BARE	514	Low Reference	I
11	2.5	BK	1050	Ground	III
12	0.35	D-BU / BN	6807	DC To AC Inverter Control	II

**Connector Part Information**

- Harness Type: Instrument Panel
- Service Connector: Service by Cable Assembly
- Description: 1-Way F Coax Type (BU)

**Table 1085 Terminal Part Information**

Terminal Type ID	Service Terminal
I	Not Available

**Table 1086 T2RF Antenna - Roof Front X3 (IO6-UE1)**

Pin	Size	Color	Circuit	Function	Terminal Type ID
Coax	Coax	Coax	Coax	(GPS only) Coaxial Antenna GPS Signal	Coax

**Connector Part Information**

- Harness Type: Instrument Panel
- Service Connector: Service by Cable Assembly
- Description: 1-Way F Coax Type (CU)

**Table 1088 Terminal Part Information**

Terminal Type ID	Service Terminal
I	Not Available

**Table 1089 T2RF Antenna - Roof Front X4 (U2K)**

Pin	Size	Color	Circuit	Function	Terminal Type ID
Coax	Coax	Coax	Coax	(XM +/-HD) Coaxial Antenna XM Signal	Coax

**Connector Part Information**

- Harness Type: Instrument Panel
- Service Connector: Service by Cable Assembly
- Description: 2-Way F Coax Type (PU)

**Table 1091 Terminal Part Information**

Terminal Type ID	Service Terminal
I	Not Available

**Table 1092 T2RF Antenna - Roof Front X5 (UE1)**

Pin	Size	Color	Circuit	Function	Terminal Type ID
1	—	—	Coax	(GPS/Cell) Coaxial Antenna Cell/GPS Combined Signal	Coax
2	—	—	Coax	(Cell only) Coaxial Antenna Cell Phone Signal	Coax

**Connector Part Information**

- Harness Type: Instrument Panel
- Service Connector: Service by Cable Assembly
- Description: 1-Way F

**Table 1094 Terminal Part Information**

Terminal Type ID	Service Terminal
I	Not Available

**Table 1095 T4M Radio Antenna**

Pin	Size	Color	Circuit	Function	Terminal Type ID
Coax	Coax	Coax	Coax	(AM/FM) Antenna RF Signal	Coax

**Connector Part Information**

- Harness Type: Instrument Panel
- Service Connector: Service by Cable Assembly
- Description: —

**Table 1097 Terminal Part Information**

Terminal Type ID	Service Terminal
I	Not Available

**Table 1098 T15 Navigation Antenna Signal Splitter X1 (IO6+UE1)**

Pin	Size	Color	Circuit	Function	Terminal Type ID
Coax	Coax	Coax	Coax	(GPS/Cell) Coaxial Antenna Cell/GPS combined Signal	Coax



**Connector Part Information**

- Harness Type: Instrument Panel
- Service Connector: Service by Cable Assembly
- Description: —

**Table 1100 Terminal Part Information**

Terminal Type ID	Service Terminal
I	Not Available

**Table 1101 T15 Navigation Antenna Signal Splitter X2 (IO6+UE1)**

Pin	Size	Color	Circuit	Function	Terminal Type ID
Coax	Coax	Coax	Coax	(GPS/Cell) Coaxial Antenna Cell/GPS combined Signal	Coax

**Connector Part Information**

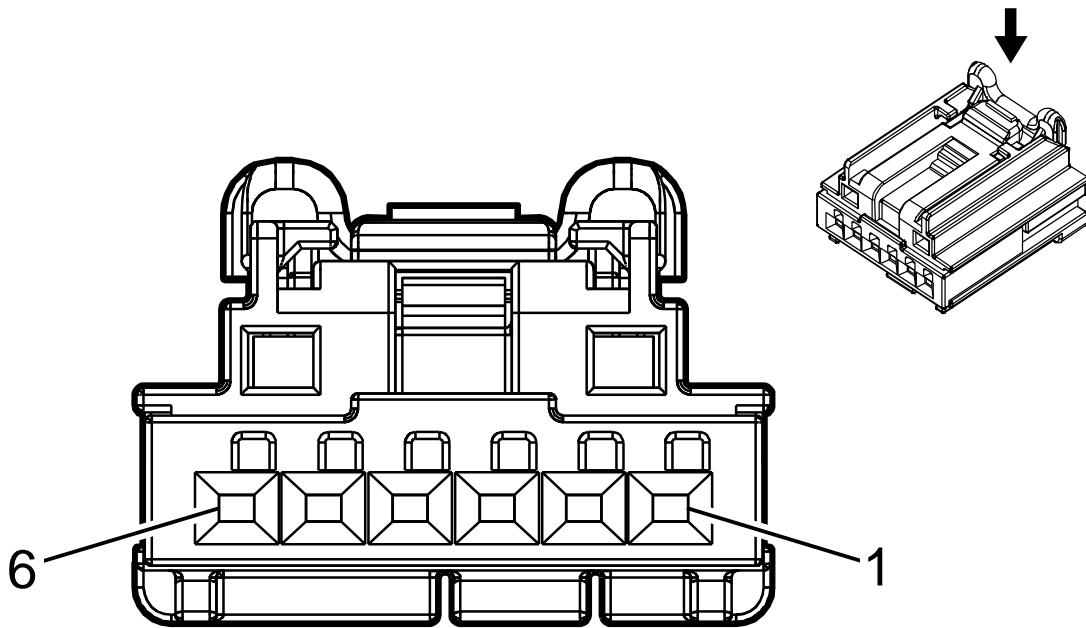
- Harness Type: Instrument Panel
- Service Connector: Service by Cable Assembly
- Description: —

**Table 1103 Terminal Part Information**

Terminal Type ID	Service Terminal
I	Not Available

**Table 1104 T15 Navigation Antenna Signal Splitter X3 (IO6+UE1)**

Pin	Size	Color	Circuit	Function	Terminal Type ID
Coax	Coax	Coax	Coax	(GPS only) Coaxial Antenna GPS Signal	Coax



**Connector Part Information**

- Harness Type: Instrument Panel
- Service Connector: Service by Harness
- Description: —

**Table 1106 Terminal Part Information**

Terminal Type ID	Service Terminal
I	Not Available

**Table 1107 T22 Mobile Device Wireless Charger Module (K4C)**

Pin	Size	Color	Circuit	Function	Terminal Type ID
1	0.35	VT/YE	43	Accessory Ignition Voltage	I
2	0.75	BK	150	Ground	I
3	0.35	GN	4512	Wireless Charging System Charge Indicator Control	I
4-6	—	—	—	Not Occupied	—

**Connector Part Information**

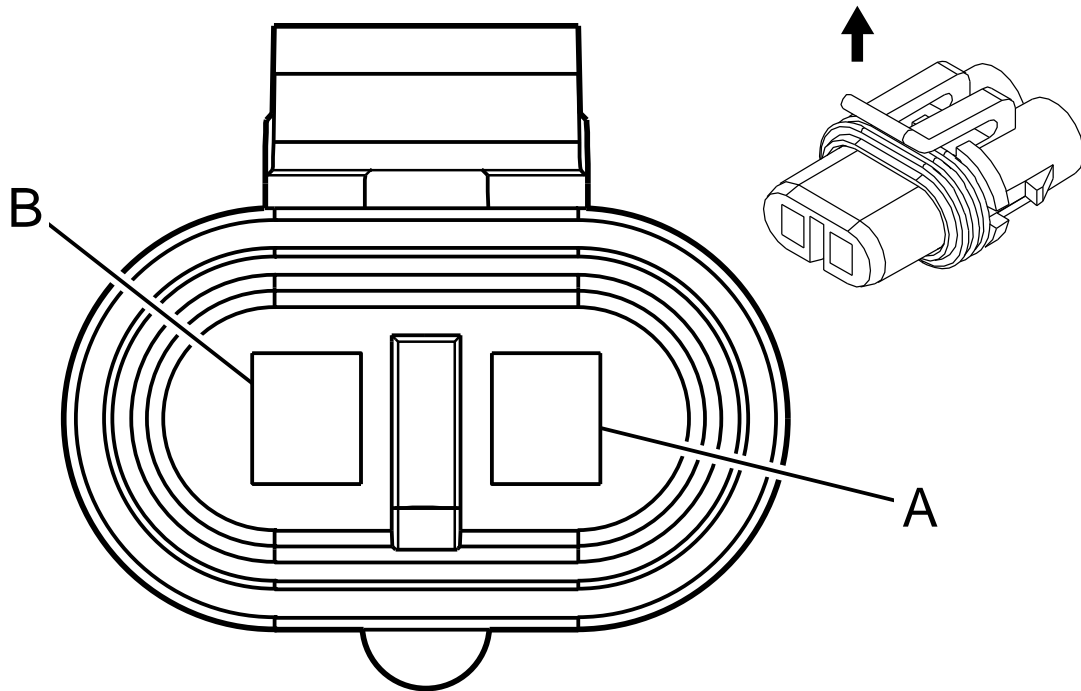
- Harness Type: Instrument Panel
- Service Connector: Service by Harness
- Description: —

**Table 1109 Terminal Part Information**

Terminal Type ID	Service Terminal
I	Not Available

**Table 1110 W34 Battery Positive Cable Terminal Post - Jump Start (BTN)**

Pin	Size	Color	Circuit	Function	Terminal Type ID
1	—	RD	1	Unfused Battery Positive Voltage	I



**Connector Part Information**

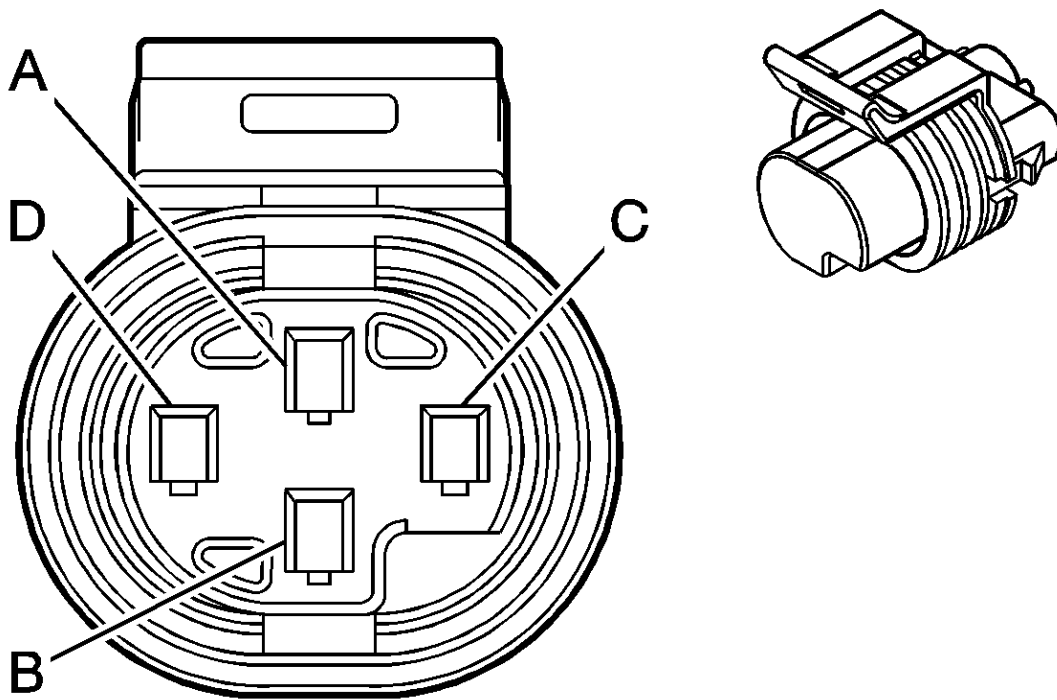
- Harness Type: Forward Lamp
- Service Connector: 1673790C1
- Description: 2-pin F 280 Metri-Pack Series, Sealed (BK)

**Table 1112 Terminal Part Information**

Terminal Type ID	Service Terminal
I	2033819C1

**Table 1113 TBD1 Air Dryer (Feature Code: 0004EBD (0004VGA))**

Pin	Size	Color	Circuit	Function	Terminal Type ID
A	1	VT / GY	139	Run / Crank Ignition 1 Voltage	I
B	1	BK	139	Run / Crank Ignition 1 Voltage	I



**Connector Part Information**

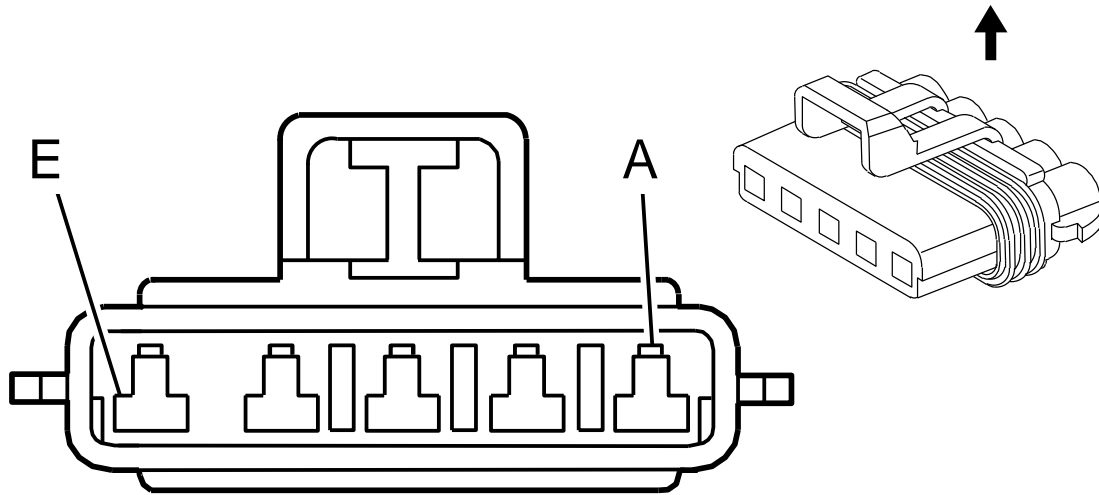
- Harness Type: Forward Lamp
- Service Connector: Service by Harness
- Description: 4-pin F 150 Metri-Pack Series, Sealed (BN)

**Table 1115 Terminal Part Information**

Terminal Type ID	Service Terminal
I	1661875C1

**Table 1116 TBD2 Low Air Pressure Warning Switch (Feature Code: 0014TCH / 0014TDG / 0014TDH)**

Pin	Size	Color	Circuit	Function	Terminal Type ID
C	1	GY	603	A/C Low Pressure Switch Signal	I
D	1	BK	603	A/C Low Pressure Switch Signal	I



**Connector Part Information**

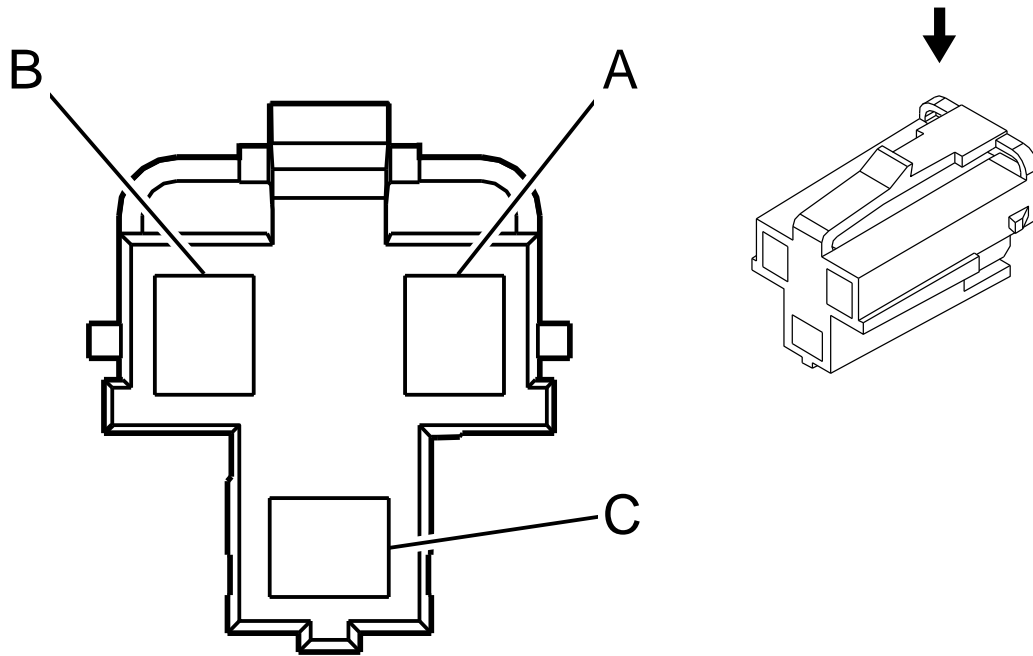
- Harness Type: Chassis
- Service Connector: 1661375C2
- Description: 4-pin F 280 Metri-Pack Series, Sealed

**Table 1118 Terminal Part Information**

Terminal Type ID	Service Terminal
I	2033819C1

**Table 1119 TBD3 Air System Control Solenoid Valve Assembly (Feature Code: 14899)**

Pin	Size	Color	Circuit	Function	Terminal Type ID
A	—	—	—	Not Occupied	—
B	0.75	GY	4462	Soft Top Boot Well Sensor Signal Left	I
C	0.75	GY	4461	Soft Top Boot Well Sensor Signal Right	I
D-E	—	—	—	Not Occupied	—



**Connector Part Information**

- Harness Type: Center Seat
- Service Connector: Service by Harness
- Description: 3-pin F 280 Metri-Pack Series (GY)

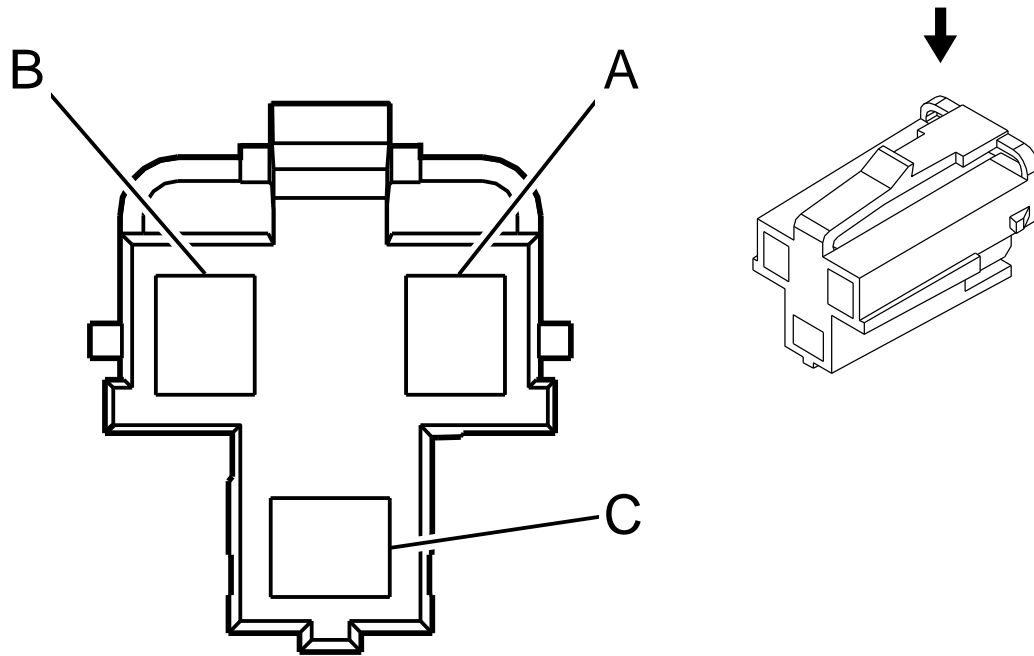
**Table 1121 Terminal Part Information**

Terminal Type ID	Service Terminal
I	6041914C1

**Table 1122 X80D Accessory Power Receptacle – Center Console Compartment (Feature Code: 0016KVS / 0016LVT (0016KVU))**

Pin	Size	Color	Circuit	Function	Terminal Type ID
A	1.5	VT / YE	243	Accessory Ignition Voltage	I
B	—	—	—	Not Occupied	—
C	1.5	BK	1250	Ground	I





**Connector Part Information**

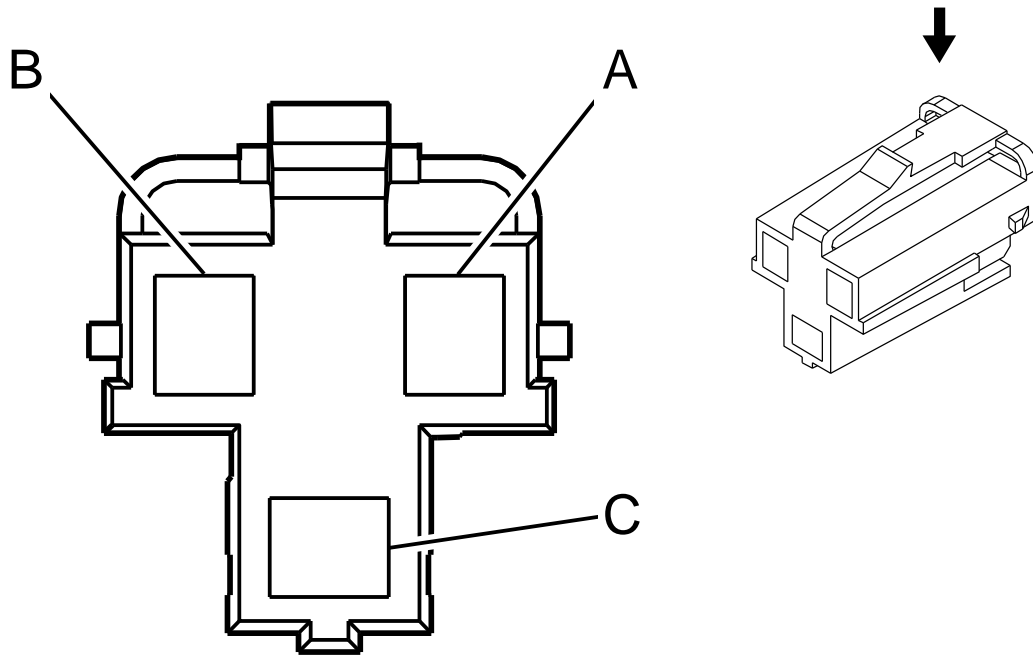
- Harness Type: Floor Console
- Service Connector: Service by Harness
- Description: 3-pin F 280 Metri-Pack Series (GY)

**Table 1124 Terminal Part Information**

Terminal Type ID	Service Terminal
I	6041914C1

**Table 1125 X80D Accessory Power Receptacle – Center Console Compartment (Feature Code: 0016XCN)**

Pin	Size	Color	Circuit	Function	Terminal Type ID
A	1.5	VT / YE	143	Accessory Ignition Voltage	I
B	—	—	—	Not Occupied	—
C	1.5	BK	1050	Ground	I



**Connector Part Information**

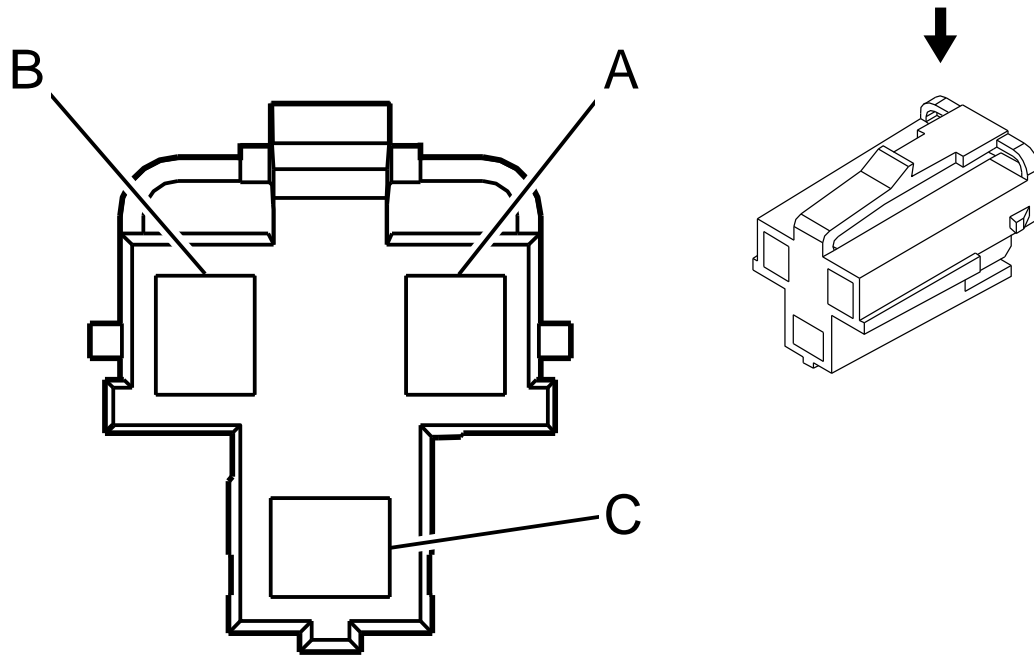
- Harness Type: Center Seat
- Service Connector: Service by Harness
- Description: 3-pin F 280 Metri-Pack Series (GY)

**Table 1127 Terminal Part Information**

Terminal Type ID	Service Terminal
I	6041914C1

**Table 1128 X80E Accessory Power Receptacle – Center Seat (Feature Code: 0016LVT (0016KVU))**

Pin	Size	Color	Circuit	Function	Terminal Type ID
A	1.5	VT / YE	143	Accessory Ignition Voltage	I
B	—	—	—	Not Occupied	—
C	1.5	BK	1250	Ground	I



**Connector Part Information**

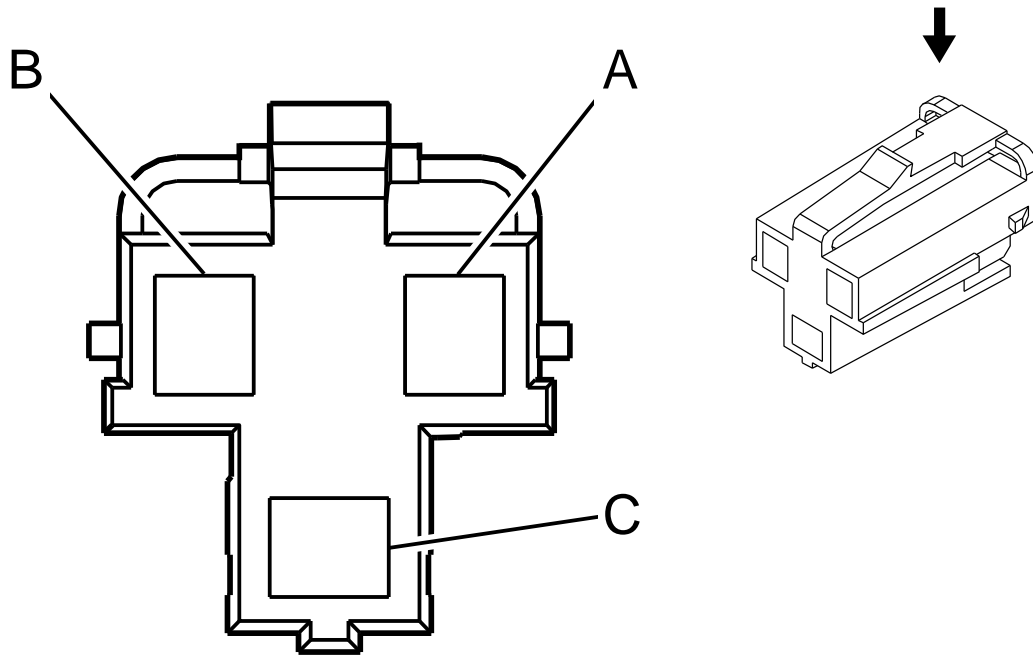
- Harness Type: Instrument Panel
- Service Connector: 6040297C1
- Description: 3-pin F 280 Metri-Pack Series (GY)

**Table 1130 Terminal Part Information**

Terminal Type ID	Service Terminal
I	6041898C1

**Table 1131 X80G Accessory Power Receptacle – Instrument Panel (Without Feature Code: 0016XCN)**

Pin	Size	Color	Circuit	Function	Terminal Type ID
A	1.5	RD / BN	4240	Battery Positive Voltage	I
B	—	—	—	Not Occupied	—
C	1.5	BK	1050	Ground	I



**Connector Part Information**

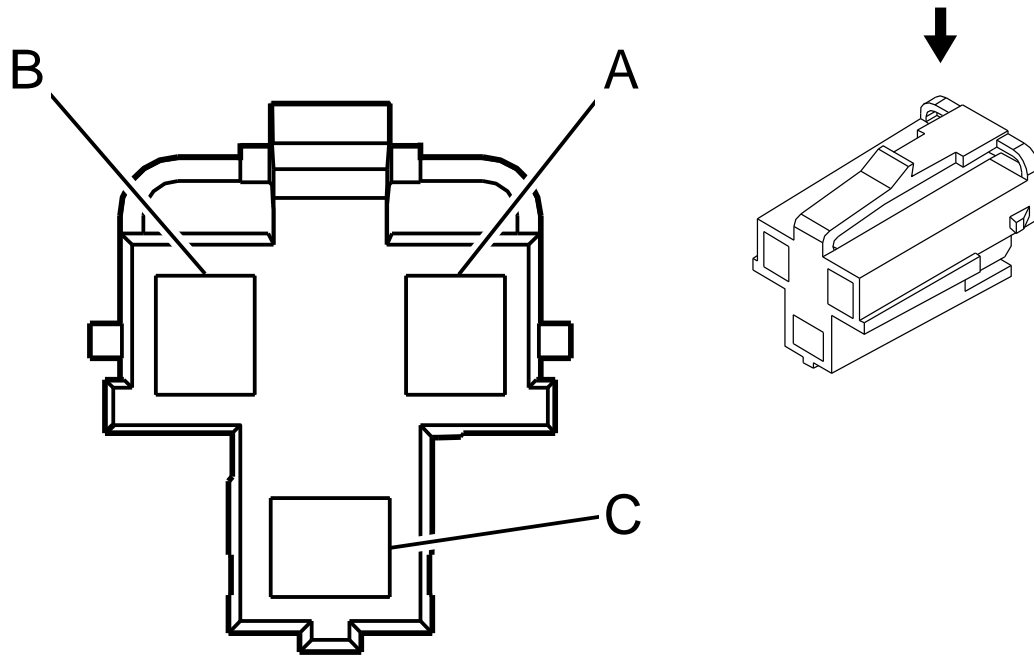
- Harness Type: Instrument Panel
- Service Connector: 6040297C1
- Description: 3-pin F 280 Metri-Pack Series (GY)

**Table 1133 Terminal Part Information**

Terminal Type ID	Service Terminal
I	6041898C1

**Table 1134 X80J Accessory Power Receptacle – Instrument Panel 1 (Feature Code: 0016XCN)**

Pin	Size	Color	Circuit	Function	Terminal Type ID
A	1.5	RD / WH	1040	Battery Positive Voltage	I
B	—	—	—	Not Occupied	—
C	1.5	BK	1050	Ground	I



**Connector Part Information**

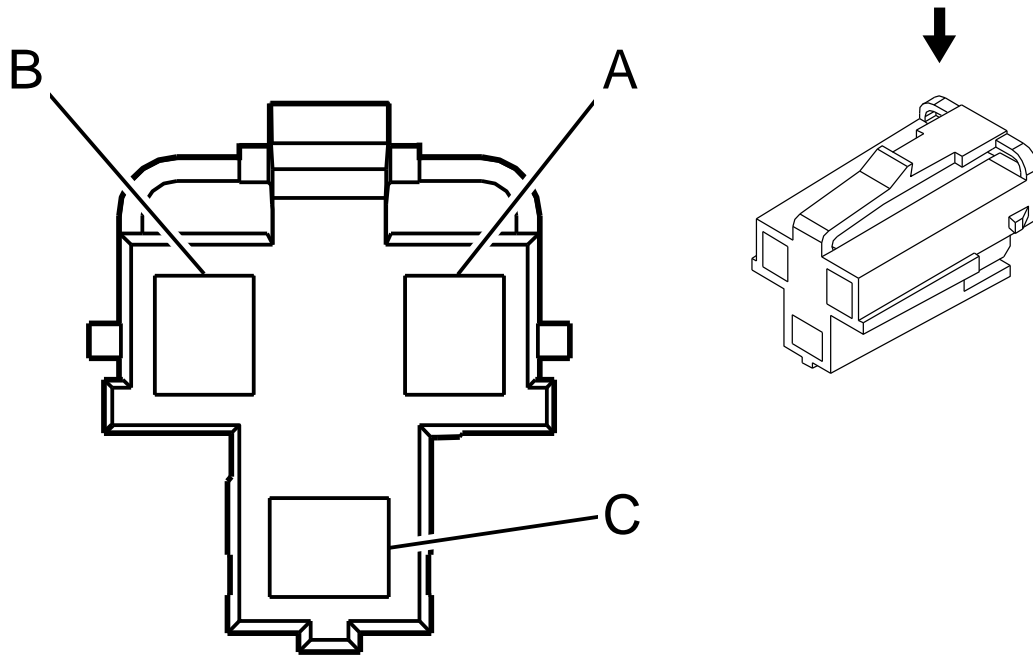
- Harness Type: Instrument Panel
- Service Connector: 6040297C1
- Description: 3-pin F 280 Metri-Pack Series (GY)

**Table 1136 Terminal Part Information**

Terminal Type ID	Service Terminal
I	6041898C1

**Table 1137 X80K Accessory Power Receptacle – Instrument Panel 2 (Feature Code: 0016XCN)**

Pin	Size	Color	Circuit	Function	Terminal Type ID
A	1.5	RD / BN	4240	Battery Positive Voltage	I
B	—	—	—	Not Occupied	—
C	1.5	BK	1050	Ground	I



**Connector Part Information**

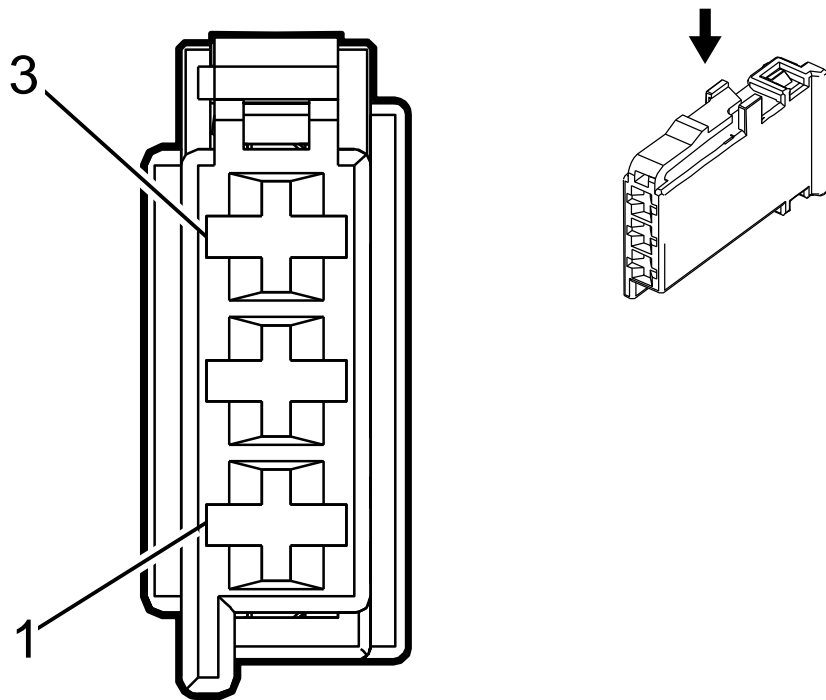
- Harness Type: Floor Console
- Service Connector: Service by Harness
- Description: 3-pin F 280 Metri-Pack Series (GY)

**Table 1139 Terminal Part Information**

Terminal Type ID	Service Terminal
I	6041937C1

**Table 1140 X80L Accessory Power Receptacle – Center Console Rear (Feature Code: 0016XCN)**

Pin	Size	Color	Circuit	Function	Terminal Type ID
A	1.5	VT / YE	243	Accessory Ignition Voltage	I
B	—	—	—	Not Occupied	—
C	1.5	BK	1050	Ground	I



**Connector Part Information**

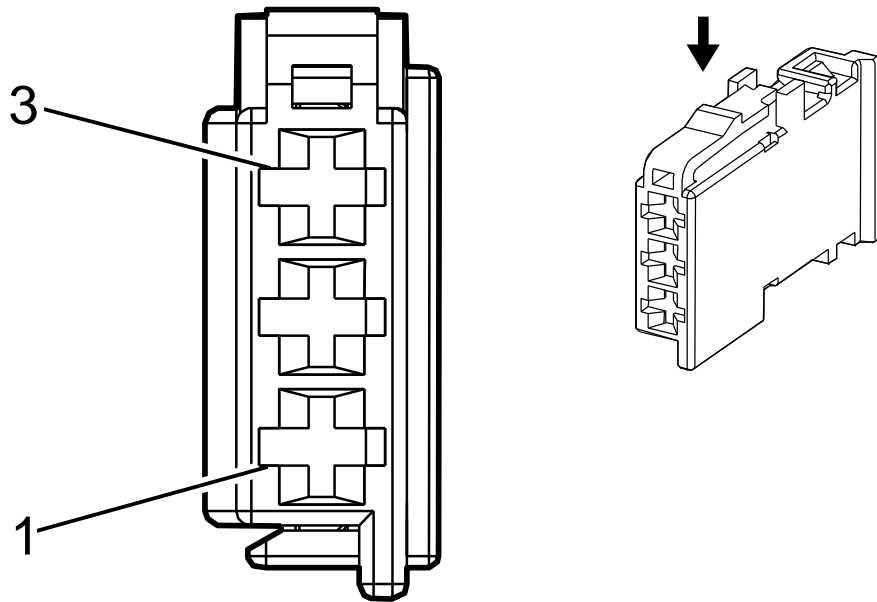
- Harness Type: Instrument Panel
- Service Connector: 6041830C1
- Description: 3-pin F 1.6 Micro-Timer Series (BK)

**Table 1142 Terminal Part Information**

Terminal Type ID	Service Terminal
I	6042024C1 0.35mm
	6042021C1 1.5mm

**Table 1143 X81 Accessory Power Receptacle – 110 volt AC X1 (Feature Code: 0008XJX and 0016XCN)**

Pin	Size	Color	Circuit	Function	Terminal Type ID
1	0.35	VT / BN	300	Run Ignition 3 Voltage	I
2	—	—	—	Not Occupied	—
3	1.5	BK	5683	120 volt AC Phase A	I



Connector Part Information	
•	Harness Type: Instrument Panel
•	Service Connector: 6040271C1
•	Description: 3-pin F 1.6 Timer Series, Sealed (GY)

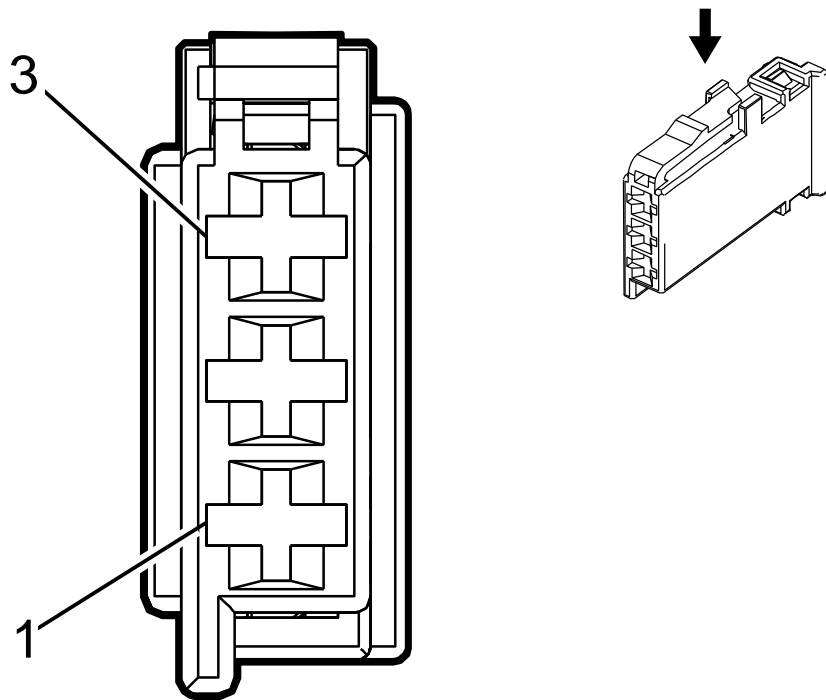
Table 1145 Terminal Part Information

Terminal Type ID	Service Terminal
I	6042024C1 0.35mm
	6042021C1 1.5mm

Table 1146 X81 Accessory Power Receptacle – 110 volt AC X2 (Feature Code: 0008XJX and 0016XCN)

Pin	Size	Color	Circuit	Function	Terminal Type ID
1	0.35	D-BU / BN	6807	DC To AC Inverter Control	I
2	—	—	—	Not Occupied	—
3	1.5	RD	5684	120 volt AC Phase B	I





**Connector Part Information**

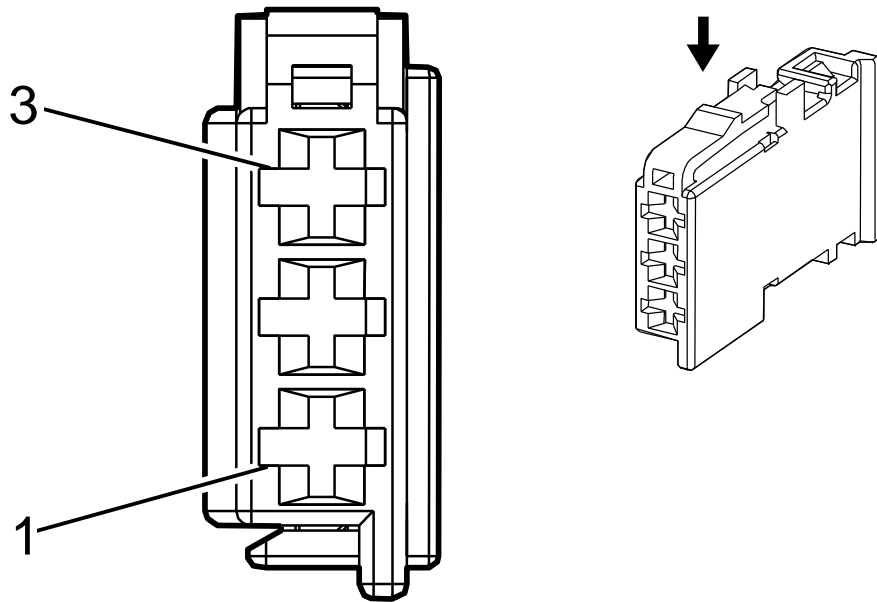
- Harness Type: Instrument Panel
- Service Connector: 6041830C1
- Description: 3-pin F 1.6 Micro-Timer Series (BK)

**Table 1148 Terminal Part Information**

Terminal Type ID	Service Terminal
I	6042024C1 0.35mm
	6042021C1 1.5mm

**Table 1149 X81 Accessory Power Receptacle – 110 volt AC X1 (Feature Code: 0008XJX without 0016XCN)**

Pin	Size	Color	Circuit	Function	Terminal Type ID
1	0.35	VT / BN	300	Run Ignition 3 Voltage	I
2	—	—	—	Not Occupied	—
3	1.5	BK	5683	120 volt AC Phase A	I



**Connector Part Information**

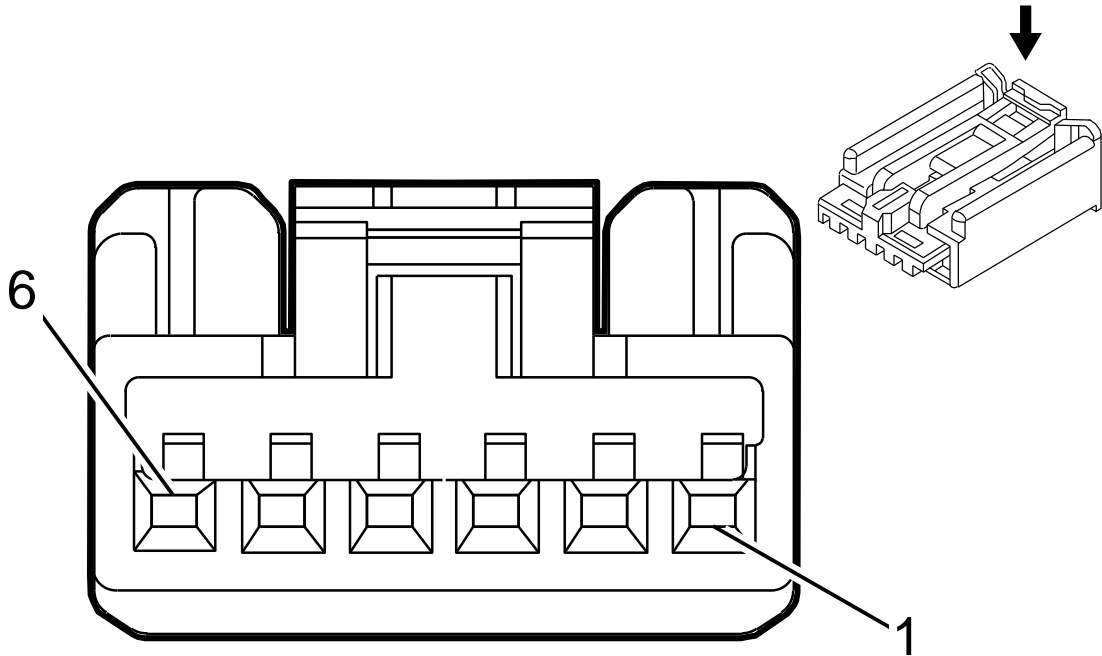
- Harness Type: Instrument Panel
- Service Connector: 6040271C1
- Description: 3-pin F 1.6 Timer Series, Sealed (GY)

**Table 1151 Terminal Part Information**

Terminal Type ID	Service Terminal
I	6042024C1 0.35mm
	6042021C1 1.5mm

**Table 1152 X81 Accessory Power Receptacle – 110 volt AC X2 (Feature Code: 0008XJX without 0016XCN)**

Pin	Size	Color	Circuit	Function	Terminal Type ID
1	0.35	D-BU / BN	6807	DC To AC Inverter Control	I
2	—	—	—	Not Occupied	—
3	1.5	RD	5684	120 volt AC Phase B	I



**Connector Part Information**

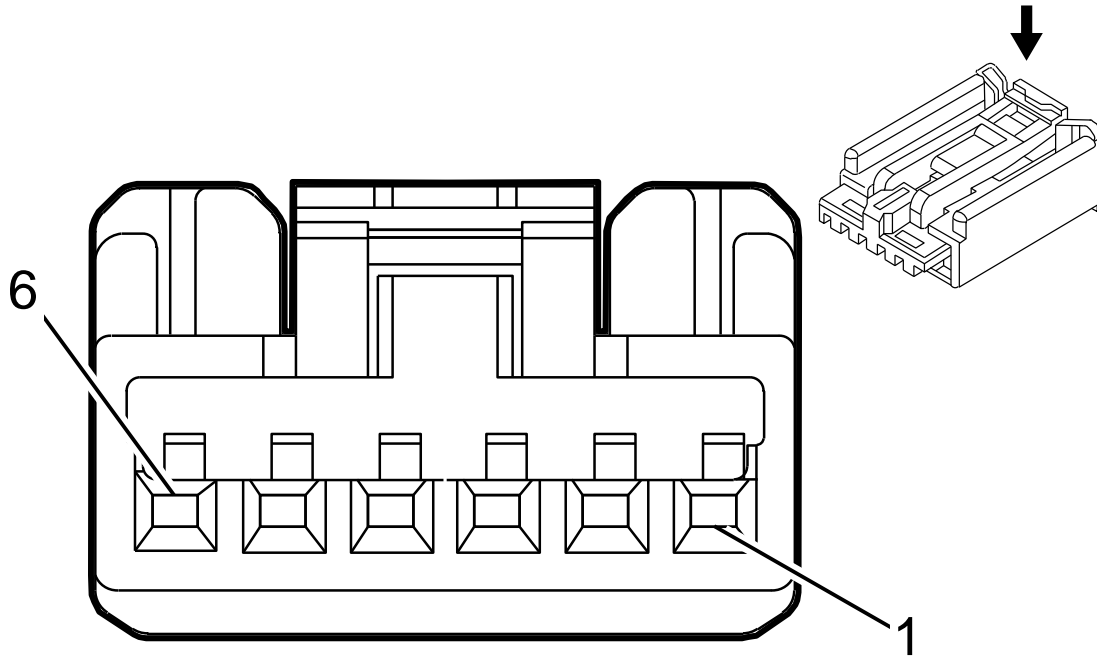
- Harness Type: Floor Console
- Service Connector: Service by Harness
- Description: 6-pin F 0.64 Kaizen Series (BK)

**Table 1154 Terminal Part Information**

Terminal Type ID	Service Terminal
I	Not Available

**Table 1155 X83 Auxiliary Audio Input X1 (Feature Code: 0016XCN)**

Pin	Size	Color	Circuit	Function	Terminal Type ID
1	0.35	GY	5839	Left Auxiliary Audio Signal 2	I
2	0.35	L-GN	5841	Right Auxiliary Audio Signal 2	I
3	0.35	VT	5843	Auxiliary Audio Common Signal	I
4	0.75	BK	2550	Ground	I
5	0.35	D-BU	2060	Auxiliary Detection Signal	I
6	0.75	RD / VT	340	Battery Positive Voltage	I



**Connector Part Information**

- Harness Type: Center Seat
- Service Connector: Service by Harness
- Description: 6-pin F 0.64 Kaizen Series (BK)

**Table 1157 Terminal Part Information**

Terminal Type ID	Service Terminal
I	Not Available

**Table 1158 X83 Auxiliary Audio Input X1 (Without Feature Code: 0016XCN)**

Pin	Size	Color	Circuit	Function	Terminal Type ID
1	0.35	GY	5839	Left Auxiliary Audio Signal 2	I
2	0.35	L-GN	5841	Right Auxiliary Audio Signal 2	I
3	0.35	VT	5843	Auxiliary Audio Common Signal	I
4	0.35	BK	2550	Ground	I

**Table 1158 X83 Auxiliary Audio Input X1 (Without Feature Code: 0016XCN) (cont.)**

<b>Pin</b>	<b>Size</b>	<b>Color</b>	<b>Circuit</b>	<b>Function</b>	<b>Terminal Type ID</b>
5	0.35	L-BU	2060	Auxiliary Detection Signal	I
6	0.75	RD / VT	340	Battery Positive Voltage	I

**Connector Part Information**

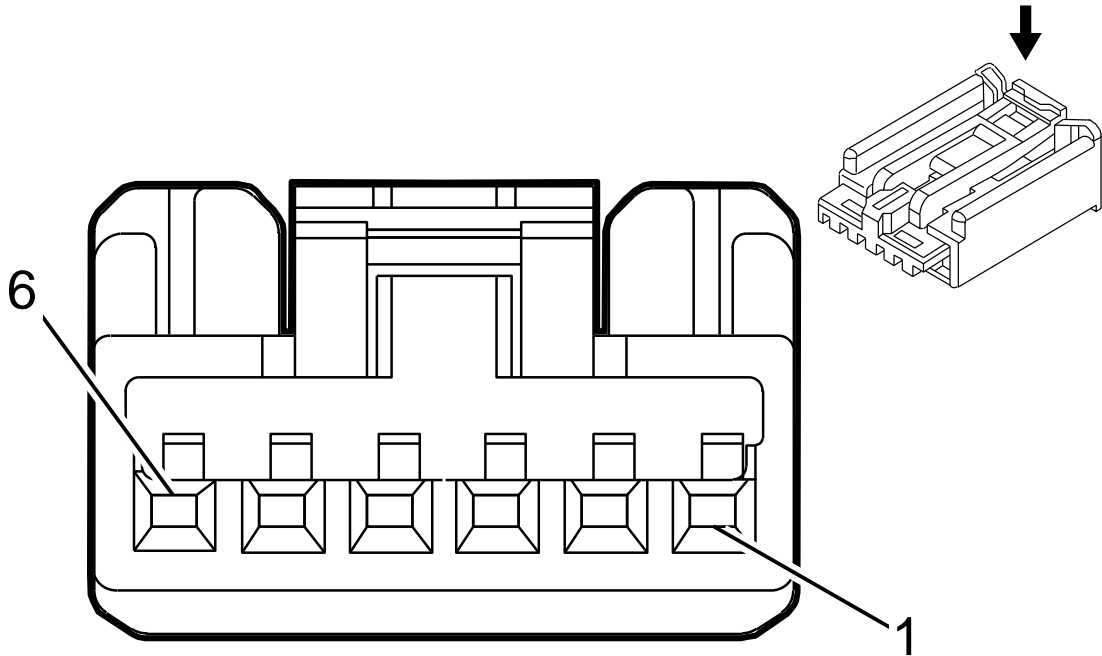
- Harness Type: Center Seat
- Service Connector: Service by Harness
- Description: 5-Way M 2.0 Mini-B USB Type (GY)

**Table 1160 Terminal Part Information**

Terminal Type ID	Service Terminal
I	Not Available

**Table 1161 X83 Auxiliary Audio Input X2 (D07)**

Pin	Size	Color	Circuit	Function	Terminal Type ID
USB	USB	USB	USB	USB	IUSB



**Connector Part Information**

- Harness Type: Center Seat
- Service Connector: Service by Harness
- Description: 6-Way F 0.64 Kaizen Series (BK)

**Table 1163 Terminal Part Information**

Terminal Type ID	Service Terminal
I	Not Available

**Table 1164 X83 Auxiliary Audio Input X1 (-D07)**

Pin	Size	Color	Circuit	Function	Terminal Type ID
1	0.35	GY	5839	Left Auxiliary Audio Signal 2	I
2	0.35	GN	5841	Right Auxiliary Audio Signal 2	I
3	0.35	VT	5843	Auxiliary Audio Common Signal	I
4	0.35	BK	2550	Ground	I
5	0.35	BU	2060	Auxiliary Detection Signal	I
6	0.75	RD/VT	340	Battery Positive Voltage	I

**Connector Part Information**

- Harness Type: Center Seat
- Service Connector: Service by Cable Assembly
- Description: -Way F (GY)

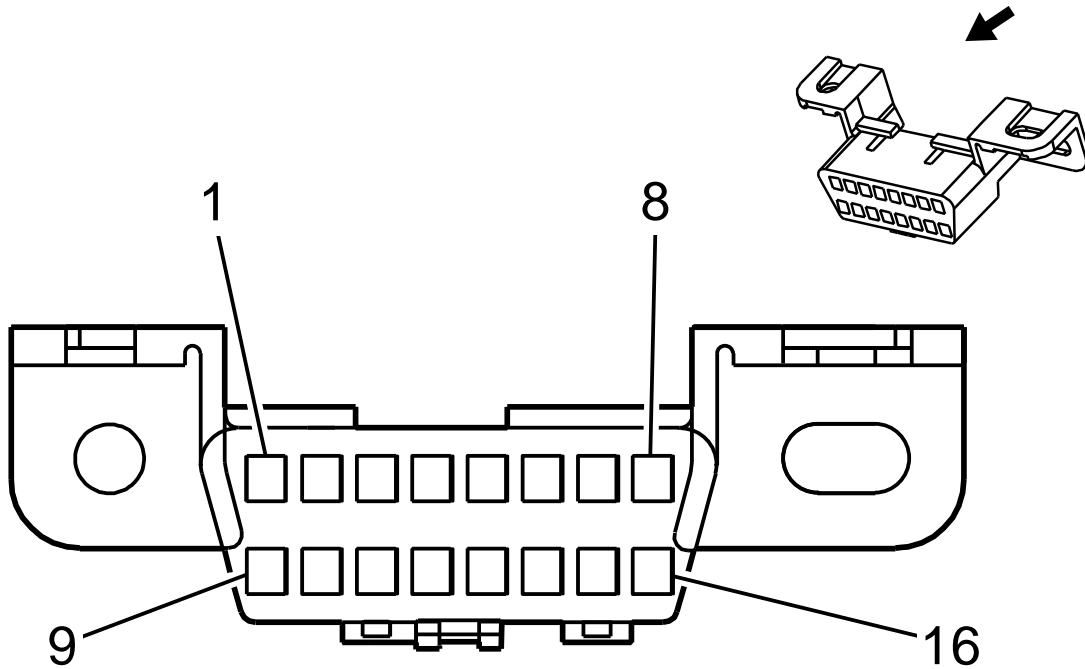
**Table 1166 Terminal Part Information**

Terminal Type ID	Service Terminal
I	Not Available

**Table 1167 X83 Auxiliary Audio Input X2 (-D07)**

Pin	Size	Color	Circuit	Function	Terminal Type ID
USB.	USB.	USB.	USB.	USB.	USB.





**Connector Part Information**

- Harness Type: Instrument Panel
- Service Connector: 6040191C1
- Description: 16-pin F 150 Metri-Pack Series (BK)

**Table 1169 Terminal Part Information**

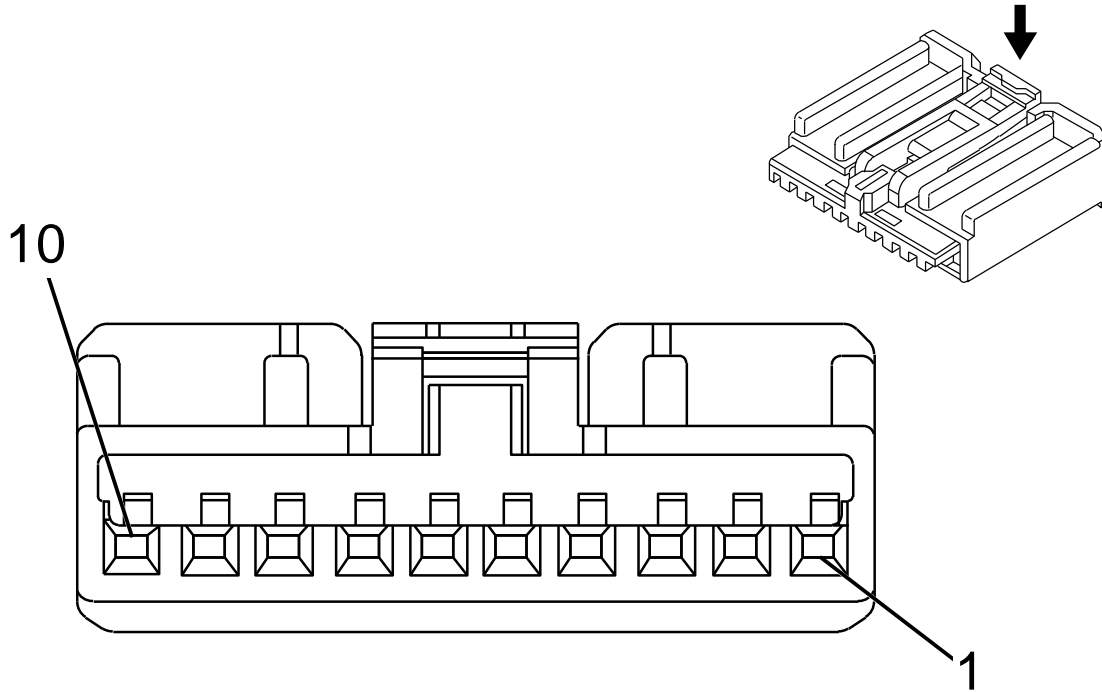
Terminal Type ID	Service Terminal
I	3577762C1

**Table 1170 X84 Data Link Connector**

Pin	Size	Color	Circuit	Function	Terminal Type ID
1	0.5	L-GN	5060	Low Speed GMLAN Serial Data	I
2-3	—	—	—	Not Occupied	—
4	0.5	BK	1050	Ground	I
5	0.5	BK / WH	1851	Signal Ground	I
6	0.5	D-BU	2500	High Speed GMLAN Serial Data (+) 1	I
7-11	—	—	—	Not Occupied	—

**Table 1170 X84 Data Link Connector (cont.)**

<b>Pin</b>	<b>Size</b>	<b>Color</b>	<b>Circuit</b>	<b>Function</b>	<b>Terminal Type ID</b>
12	0.5	D-BU / YE	6105	High Speed GMLAN Serial Data (+) 2	I
13	0.5	WH	6106	High Speed GMLAN Serial Data (-) 2	I
14	0.5	WH	2501	High Speed GMLAN Serial Data (-) 1	I
15	—	—	—	Not Occupied	—
16	0.5	RD / D-BU	3240	Battery Positive Voltage	I



Connector Part Information	
•	Harness Type: Body
•	Service Connector: Service by Harness
•	Description: 10-Way F 0.64 Kaizen Series (BK)

Table 1172 Terminal Part Information

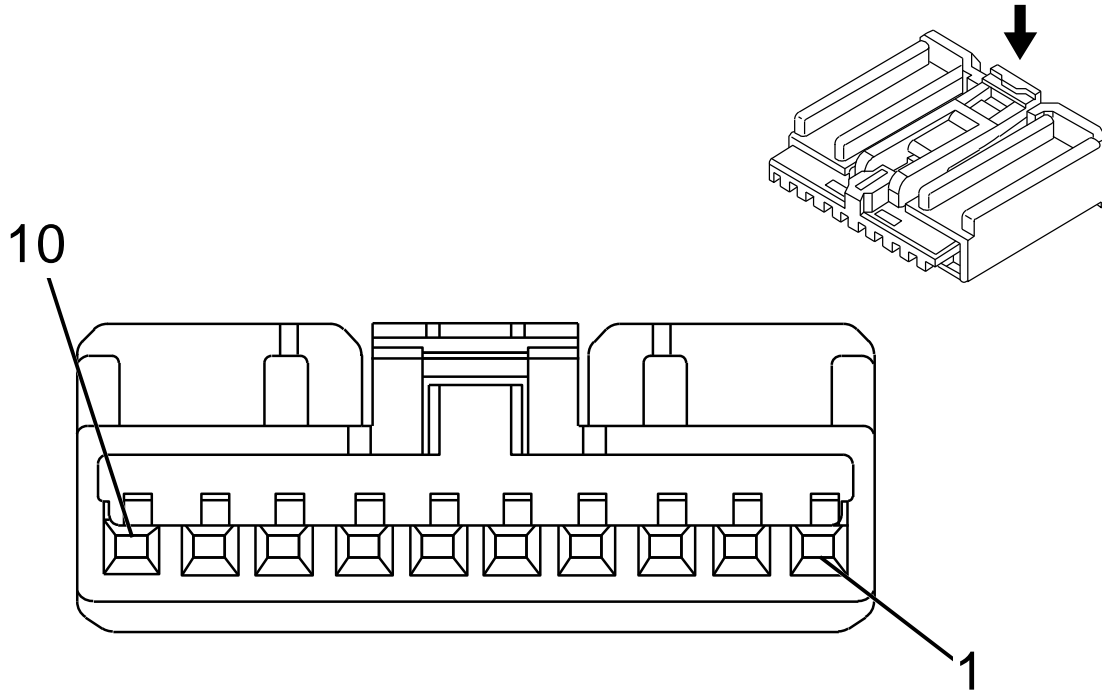
Terminal Type ID	Service Terminal
I	None

Table 1173 X85 Steering Wheel Air Bag Coil X1

Pin	Size	Color	Circuit	Function	Terminal Type ID
1	0.35	RD/YE	3040	Battery Positive Voltage	I
2	0.5	GN/BK	3894	Local Interconnect Network Serial Data Bus 12	I
3	—	—	—	Not Occupied	—
4	0.35	GY/GN	5737	Adaptive Cruise Control Gap Up/Down Switch Signal	I
5	.35	BN	6136	Control	I

Table 1173 X85 Steering Wheel Air Bag Coil X1 (cont.)

Pin	Size	Color	Circuit	Function	Terminal Type ID
6	.35	WH/RD	1444	12V Reference	I
7	—	—	—	Not Occupied	—
8	0.35	BN/GN	1884	Cruise Control Set/Coast/Resume/Accelerate Switch Signal	I
9	0.35	BK	1050	Ground	I
10	0.35	GN/WH	3287	Horn Switch Signal	I



**Connector Part Information**

- Harness Type: Body
- Service Connector: Service by Harness
- Description: 10-Way F 0.64 Kaizen Series (BK)

**Table 1175 Terminal Part Information**

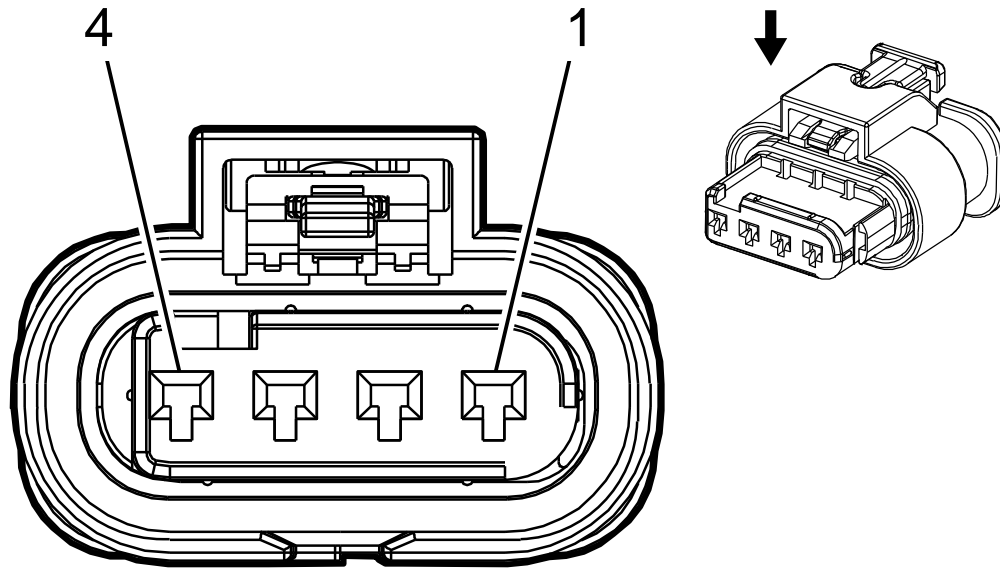
Terminal Type ID	Service Terminal
I	Not Available

**Table 1176 X85 Steering Wheel Air Bag Coil X2**

Pin	Size	Color	Circuit	Function	Terminal Type ID
1	0.35	RD	3021	Horn Switch Signal	I
2	0.35	BK	3020	Ground	I
3	—	BN/YE	1884	Cruise Control Set/Coast/Resume/Accelerate Switch Signal	—
4	0.35	—	—	Not Occupied	I
5	0.35	WH	1444	12V Reference	I

Table 1176 X85 Steering Wheel Air Bag Coil X2 (cont.)

Pin	Size	Color	Circuit	Function	Terminal Type ID
6	0.35	YE	6136	Control	I
7	0.35	GY/OG	5737	Not Used	I
8	—	—	—	Not Occupied	—
9	0.5	GN	3894	Local Interconnect Network Serial Data Bus 12	I
10	0.35	RD/YE	3040	Battery Positive Voltage	I



**Connector Part Information**

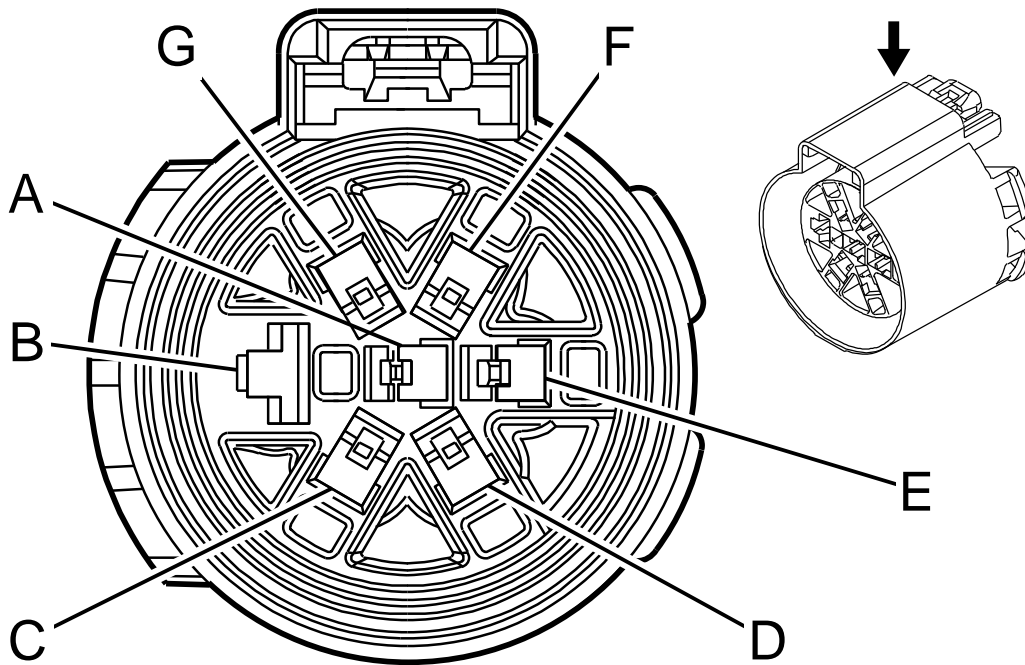
- Harness Type: Body
- Service Connector: 6040212C1
- Description: 4-pin F 1.2 Series, Sealed (YE)

**Table 1178 Terminal Part Information**

Terminal Type ID	Service Terminal
I	6041956C1

**Table 1179 X85 Steering Wheel Air Bag Coil X3**

Pin	Size	Color	Circuit	Function	Terminal Type ID
1	0.35	OG / VT	3021	Steering Wheel Module Stage 1 High Control	I
2	0.35	BN / OG	3020	Steering Wheel Module Stage 1 Low Control	I
3-4	—	—	—	Not Occupied	—



**Connector Part Information**

- Harness Type: Chassis Rear Left
- Service Connector: 4088983C1
- Description: 7-pin F 280, 630 Metri-Pack Series, Sealed (BK)

**Table 1181 Terminal Part Information**

Terminal Type ID	Service Terminal
I	2039313C1 2.5mm
	4088987C1 5mm

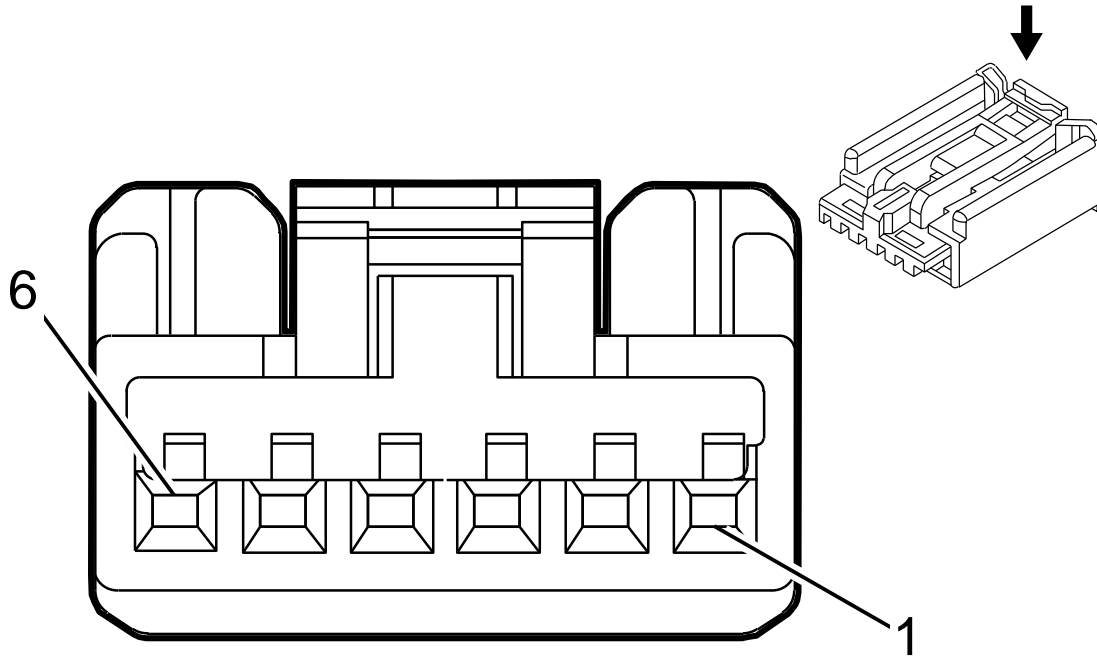
**Table 1182 X88 Trailer Connector (Feature Code: 0008TRA)**

Pin	Size	Color	Circuit	Function	Terminal Type ID
A	2.5	WH / GN	1624	Trailer Backup Lamp Control	I
B	5	BK	22	Trailer Ground	I
C	2.5	BU	47	Trailer Auxiliary Control	I
D	2.5	GN / BN	319	Right Rear Trailer Stop / Turn Lamp Control	I
E	2.5	RD / VT	1242	Battery Positive Voltage	I



Table 1182 X88 Trailer Connector (Feature Code: 0008TRA) (cont.)

Pin	Size	Color	Circuit	Function	Terminal Type ID
F	2.5	GY / BN	2109	Trailer Park Lamp Control	I
G	2.5	YE / BU	318	Left Rear Trailer Stop / Turn Lamp Control	I



**Connector Part Information**

- Harness Type: Instrument Panel
- Service Connector: 6041822C1
- Description: 6-pin F 0.64 Kaizen Series (BK)

**Table 1184 Terminal Part Information**

Terminal Type ID	Service Terminal
I	6041997C1

**Table 1185 X92 USB Receptacle X1 (Feature Code: 0016XCN)**

Pin	Size	Color	Circuit	Function	Terminal Type ID
1-3	—	—	—	Not Occupied	—
4	0.35	BK	2550	Ground	I
5	—	—	—	Not Occupied	—
6	0.75	RD / VT	340	Battery Positive Voltage	I

## APPENDICES

## 18.1. APPENDIX A: FEATURE CODE TABLE

The following table provides the description of the Feature Codes that are available on the vehicle.

Feature Code	RPO Code	Description
0001ANA	C56043/C56403	AXLE CONFIGURATION 4x2
0001ANB	K56043/K56403	AXLE CONFIGURATION 4x4
0001AMM	NZZ	SKID PLATE Steel, Frame Mounted, Protects the Transfer Case from the Ground
0001LEG	VK3	LICENSE PLATE HOLDER Includes Upper & Lower Mounting Plate Hardware, Mounted in Existing Holes in Front Bumper
0001LLK	8H5	BUMPER, FRONT Omit Item
0001LNZ	V46	BUMPER, FRONT Full Width, Aerodynamic, Steel, Chrome Plated
0001LRZ	8E8	BUMPER, FRONT Full Width, Aerodynamic, Steel, Painted Black
0001LSA	5D1	BUMPER, FRONT Full Width, Aerodynamic, Steel, Painted Gray
0001WAC	T3A	BUMPER EXTENSION, FRONT 4.0"
0002AJJ	FTD	AXLE, FRONT NON-DRIVING {Dana Spicer D-800N} I-Beam Type, 6,000-lb Capacity
0002AJK	FTA	AXLE, FRONT NON-DRIVING {Dana Spicer D-800N} I-Beam Type, 7,000-lb Capacity
0002AJL	FTL	AXLE, FRONT NON-DRIVING {Dana Spicer D-800N} I-Beam Type, 8,000-lb Capacity
0002EWA	FTB	AXLE, FRONT DRIVING {Dana Spicer 60-256} Single Reduction, 7,500-lb Capacity, with Hub Piloted Wheel Mounting
0002WLC	FTN	AXLE, FRONT DRIVING, LUBE {EmGard FE-75W-90} Synthetic Oil; 1 thru 29.99 Pints

**ELECTRICAL CIRCUIT DIAGRAM MANUAL**

<b>Feature Code</b>	<b>RPO Code</b>	<b>Description</b>
0003ADA	FSN	SUSPENSION, FRONT, SPRING Parabolic, Taper Leaf; 8,000-lb Capacity; with Shock Absorbers
0003AGN	FK6	SUSPENSION, FRONT, SPRING Taper Leaf, Shackle Type; 7,000-lb Capacity; with Shock Absorbers
0003AGP	F95	SUSPENSION, FRONT, SPRING Taper Leaf, Shackle Type; 6,000-lb Capacity; with Shock Absorbers
0003AJN	FTV	SUSPENSION, FRONT, SPRING Parabolic, Taper Leaf; 7,500-lb Capacity; with Shock Absorbers
0003WAP	F59	STABILIZER BAR, FRONT
0004198	J48	BRAKE SYSTEM, HYDRAULIC {Bosch} Split System, with Four Channel ABS, Traction Control, Hydromax Brake Booster and Master Cylinder
0004EBD	JPY	AIR DRYER {Wabco System Saver 1200} with Heater
0004GBJ	J69	BRAKE, PARKING {Bosch} DSSA Type, 12" x 3"; for Hydraulic Brake Chassis; Foot Operated in Cab; Differential Mounted
0004SBX	KUT	AIR COMPRESSOR {YOOSUNG} with Clutch, 7.1 CFM Capacity
0005708	N33	STEERING COLUMN Tilting
0005CBG	NK5	STEERING WHEEL 4-Spoke; 15" Dia., Black
0005CBH	NP5	STEERING WHEEL 4-Spoke; 15" Dia., Black, Leather Wrapped
0006901	JG1	PROPSHAFT GUARD
0007WDU	NPK	TAIL PIPE Horizontal, Single Exhaust, Exits Right-Side Ahead of Rear Wheel

Feature Code	RPO Code	Description
0007WDV	NPJ	TAIL PIPE Horizontal, Single Exhaust, Exits Left-Side Ahead of Rear Wheel
0008541	U05	HORN, ELECTRIC (2) Disc Style
0008AAB	C49	DEFROSTER, REAR WINDOW Electric
0008AAG	VV4	COMMUNICATION EQUIPMENT for Mobile Internet Connectivity
0008GJA	KG4	ALTERNATOR {Denso SC2} Brush Type, 12 Volt 150 Amp. Capacity
0008GJB	KW5	ALTERNATOR {Denso SC6} Brush Type, 12 Volt 220 Amp.Capacity
0008GJC	KHB	ALTERNATOR {Denso SC6} Dual, Brush Type, 12 Volt 150 and 220 Amp. Capacity
0008HBW	JL1	TRAILER BRAKE CONTROL Integrated
0008HXV	5DX	BODY BUILDER WIRING Back of Standard Cab at Left-Side Frame or Under Extended or Crew Cab at Left-Side Frame; Includes One Sealed Connector for Separate Ground/Backup/Left-Side and Right-Side Turn, Left-Side and Right-Side Tail/Stop/Accessory Power and Combined for Left-Side and Right-Side Stop/Turn
0008MVZ	7Y7	BATTERY SYSTEM {VARTA} Maintenance-Free (2) 12-Volt 1100CCA Total
0008MWA	7Y8	BATTERY SYSTEM {VARTA} Maintenance-Free (2) 12-Volt 1300CCA Total
0008MSD	7Y9	BATTERY SYSTEM {VARTA} (3) 12-Volt 2250CCA Total

**ELECTRICAL CIRCUIT DIAGRAM MANUAL**

<b>Feature Code</b>	<b>RPO Code</b>	<b>Description</b>
0008NAA	JTR	TAIL LIGHT WIRING MODIFIED Includes: Wiring for Standard Lt & Rt Tail Lights; Separate 8.0' of Extra Cable Wiring for Lt & Rt Body Mounted Tail Lights
0008RNN	IO3 U73	RADIO AM/FM Stereo/USB Input/Auxiliary Input/SD Card Slot, with 4.2" Color Touch Panel Display
0008RNM	IOB U2J U73	RADIO AM/FM Stereo/Clock/Bluetooth, Seek/Scan, with 7" Touch Panel Display
0008RNW	IO5 U2K U73	RADIO AM/FM Stereo/Bluetooth/USB Input/Auxiliary Input/SD Card Slot, with 8" Color Touch Panel Display, Voice Activated Technology
0008RNR	IO5 U2K U73	RADIO AM/FM Stereo/Bluetooth/USB Input/Auxiliary Input/SD Card Slot, with 8" Color Touch Panel Display, Voice Activated Technology, Satellite Radio Compatible
0008RNV	IOB U2J U73	RADIO AM/FM Stereo/Clock/Bluetooth, Seek/Scan, with 7" Color Touch Panel Display, Satellite Radio Compatible
0008RNX	IO6 U2J U73	RADIO AM/FM Stereo/Bluetooth/USB Input/Auxiliary Input/SD Card Slot, with 8" Color Touch Panel Display with Navigation, Voice Activated Technology
0008RNP	IO6 U2J U73	RADIO AM/FM Stereo/Bluetooth/USB Input/Auxiliary Input/SD Card Slot, with 8" Color Touch Panel Display with Navigation, Voice Activated Technology, Satellite Radio Compatible
0008RNS	TG5	COMPACT DISC PLAYER with MP3

Feature Code	RPO Code	Description
0008RNU	UQ3	SPEAKERS (6)
0008RNT	UQ5	SPEAKERS (4)
0008RNY	UVC	CAMERA SYSTEM, REAR VIEW Includes Camera, Mounting, Wiring and Interface to the Monitor, for the Back-up Camera System
0008TUK	UGE	STOP, TURN, TAIL & B/U LIGHTS Multi-Function, Sealed, LED Lights for Stop, Turn and Tail, Incandescent Backup Lights, with Rear Reflex Reflector, Includes LED License Plate Light
0008TUM	UNL	AUXILIARY HARNESS "Y" Harness for Auxiliary Front Head Lights (High/Low Beam), Marker Lights, and Turn Signals for Front Plow Applications
0008TUL	TR1	STOP, TURN, TAIL & B/U LIGHTS Multi-Function, Sealed, Incandescent Stop, Turn and Tail Lights, Backup Lights with Rear Reflex Reflector, Includes License Plate Light
0008TRA	UY7	TRAILER CONNECTION SOCKET Mounted at Rear of Frame, Wired for Turn Signals Combined with Stop, Compatible with Trailers That Use Combined Stop, Tail, Turn Lamps
0008THB	UZF	BACK-UP ALARM Electric, 102 dBA
0008VAY	U04	HORN, ELECTRIC Disc Style
0008WBW	BTN	JUMP START STUD Remote Mounted
0008XJP	9L7	SWITCH, AUXILIARY 1 to 4 Latching Switches with 30-Amp Fuses
0008XKS	TRW	SWITCH, TOGGLE, FOR WORK LIGHT Lighted; in Overhead Console and Wiring Effects for Customer Furnished Roof Mounted Light

**ELECTRICAL CIRCUIT DIAGRAM MANUAL**

<b>Feature Code</b>	<b>RPO Code</b>	<b>Description</b>
0008XJV	U01	CLEARANCE/MARKER LIGHTS (5) Amber LED Lights, Flush Mounted on Cab
0008XJX	KI4	POWER INVERTER 12 Volt DC to 110 Volt AC
0008XJG	T3U	FOG LIGHTS (2) Clear Lens, Halogen, Rectangular, with White Light Source
0009AAB	6Y5	LOGOS EXTERIOR Badges
0009HBZ	VWX	GRILLE Molded, Dark Gray Color
0009HCG	V22	GRILLE Chrome, with Chrome Headlight Bezels
0009WAC	P0D	BUG SCREEN Mounted Behind Grille
0009WBT	P0E	GRILLE EMBER SCREEN Mounted to Grille and Cowl Tray to Keep Hot Embers out of Engine and HVAC Air Intake System
0010506	V33	TOOL KIT Rim Wrench and Handle Only
0010NBH	WN9	SPECIAL DELIVERY REQUESTED Do not Use for Lead Truck, Must be Towed or Hauled
0010WBS	5H1	KEYS – ALL ALIKE, ADDITIONAL 2 Keys
0010WGH	C5B	SPECIAL RATING, GVWR Limited to 15,000-lb GVWR
0010WGY	C7P	SPECIAL RATING, GVWR Limited to 16,000-lb GVWR
0010WGV	DD4	SPECIAL RATING, GVWR Limited to 17,000-lb GVWR
0010WGT	DD7	SPECIAL RATING, GVWR Limited to 23,500-lb GVWR
0010WGE	GZG	SPECIAL RATING, GVWR Limited to 19,500-lb GVWR
0010WJG	GZJ	SPECIAL RATING, GVWR Limited to 18,000-lb GVWR
0010XAC	C7R	SPECIAL RATING, GVWR Limited to 16,500-lb GVWR



Feature Code	RPO Code	Description
0010XAE	DD5	SPECIAL RATING, GVWR Limited to 21,000-lb GVWR
0010XAG	GZH	SPECIAL RATING, GVWR Limited to 21,500-lb GVWR
0010XAD	GZX	SPECIAL RATING, GVWR Limited to 17,500-lb GVWR
0010WAS	VTS	LANGUAGE IDENTITY For Spanish
0010WWS	VYU	SNOW PLOW PREP PACKAGE Includes Wiring for Roof Mounted Light
0012TTM	L5D	FAN DRIVE Viscous Screw On Type, Rear Tether, Electronically Controlled
0012VEG	BTV	REMOTE START Keyfob for Engine, Includes Theft Deterrent System
0012VGS	N4C	FEDERAL EMISSIONS {International 6.6 Liter} EPA, OBD and GHG Certified for Calendar Year 2018
0012VGS	N4E	FEDERAL EMISSIONS {International 6.6 Liter} EPA, OBD and GHG Certified for Calendar Year 2018
0012VEG	UTJ	REMOTE START Keyfob for Engine, Includes Theft Deterrent System
0012XBL	K05	BLOCK HEATER, ENGINE 120 Volt/800 Watt
0013AWL	ME0	TRANSMISSION, AUTOMATIC {Allison 1750 MH} 5th Generation Controls, Close Ratio, 6-Speed with Overdrive, with PTO Provision, Less Retarder, Includes Park Pawl, with 22,000-lb GVW and 30,000-lb GCW Max
0013AWM	MFO	TRANSMISSION, AUTOMATIC {Allison 2700 MH} 5th Generation Controls, Close Ratio, 6-Speed with Overdrive, with PTO Provision, Less Retarder, Includes Park Pawl, with 26,000-lb GVW and 26,001-lb GCW Max

**ELECTRICAL CIRCUIT DIAGRAM MANUAL**

Feature Code	RPO Code	Description
0013AXJ	MG0	TRANSMISSION, AUTOMATIC {Allison 2700 EVS} 5th Generation Controls, Close Ratio, 6-Speed with Double Overdrive, with PTO Provision, Less Retarder, Includes Park Pawl, with 26,000-lb GVW and GCW Max
0013AWZ	MH1	TRANSMISSION, AUTOMATIC {Allison 1700 EVS} 5th Generation Controls, Close Ratio, 6-Speed with Overdrive, with PTO Provision, Less Retarder, Includes Park Pawl, with 19,500-lb GVW and 26,000-lb GCW Max
0013AXD	MHV	TRANSMISSION, AUTOMATIC {Allison 1750 EVS} 5th Generation Controls, Close Ratio, 6-Speed with Overdrive, with PTO Provision, Less Retarder, Includes Park Pawl, with 19,500-lb GVW and 30,000-lb GCW Max
0013AXC	MI0	TRANSMISSION, AUTOMATIC {Allison 1750 RDS} 5th Generation Controls, Close Ratio, 6-Speed with Overdrive, with PTO Provision, Less Retarder, Includes Park Pawl, with 19,500-lb GVW and 30,000-lb GCW Max, On/Off Highway
0013AXH	MIA	TRANSMISSION, AUTOMATIC {Allison 2700 RDS} 5th Generation Controls, Close Ratio, 6-Speed with Double Overdrive, with PTO Provision, Less Retarder, Includes Park Pawl, with 26,000-lb GVW and GCW Max, On/Off Highway

Feature Code	RPO Code	Description
0013AWY	MIU	TRANSMISSION, AUTOMATIC {Allison 1700 RDS} 5th Generation Controls, Close Ratio, 6-Speed with Overdrive, with PTO Provision, Less Retarder, Includes Park Pawl, with 19,500-lb GVW and 26,000-lb GCW Max, On/Off Highway
0013AWK	MIX	TRANSMISSION, AUTOMATIC {Allison 1700 MH} 5th Generation Controls, Close Ratio, 6-Speed with Overdrive, with PTO Provision, Less Retarder, Includes Park Pawl, with 22,000-lb GVW and 26,001-lb GCW Max
0013AXB	MJ0	TRANSMISSION, AUTOMATIC {Allison 1750 HS} 5th Generation Controls, Close Ratio, 6-Speed with Overdrive, Less PTO Provision, Less Retarder, Includes Park Pawl, with 19,500-lb GVW and 30,000-lb GCW Max
0013AWX	MWA	TRANSMISSION, AUTOMATIC {Allison 1700 HS} 5th Generation Controls, Close Ratio, 6-Speed with Overdrive, Less PTO Provision, Less Retarder, Includes Park Pawl, with 19,500-lb GVW and 26,000-lb GCW Max
0013AXG	MWB	TRANSMISSION, AUTOMATIC {Allison 2700 HS} 5th Generation Controls, Close Ratio, 6-Speed with Double Overdrive, Less PTO Provision, Less Retarder, Includes Park Pawl, with 26,000-lb GVW and GCW Max
0013TLP	NQF	TRANSFER CASE LUBE {EmGard 50W} Synthetic; 1 thru 14.99 Pints
0013WYY	KBK	SHIFT CONTROL PARAMETERS Allison 1000 or 2000 Series Transmissions, 5th Generation Controls, Performance Programming

**ELECTRICAL CIRCUIT DIAGRAM MANUAL**

<b>Feature Code</b>	<b>RPO Code</b>	<b>Description</b>
0014888	G86	DIFFERENTIAL, LOCKING {Dana Spicer Truetrac} Torque Proportioning Limited Slip
0014899	JPZ	SUSPENSION AIR CONTROL VALVE Pressure Release Control In Cab
0014ACV	GL4	AXLE, REAR, SINGLE {Dana Spicer S14-110} Single Reduction, 11,000-lb Capacity, 190 Wheel Ends
0014AWH	FN1	AXLE, REAR, SINGLE {Dana Spicer S14-110} Single Reduction, 10,000-lb Capacity, 190 Wheel Ends
0014AWG	HD1	AXLE, REAR, SINGLE {Dana Spicer S16-130} Single Reduction, 15,000-lb Capacity, 190 Wheel Ends
0014ACW	HD2	AXLE, REAR, SINGLE {Dana Spicer S14-110} Single Reduction, 13,500-lb Capacity, 190 Wheel Ends
0014SAE	FU7	SUSPENSION, RR, SPRING, SINGLE Vari-Rate; 15,500-lb Capacity
0014SCG	GR3	SUSPENSION, RR, SPRING, SINGLE Vari-Rate; 11,000-lb Capacity
0014SAC	GR4	SUSPENSION, RR, SPRING, SINGLE Vari-Rate; 13,500-lb Capacity
0014TCH	G40	SUSPENSION, REAR, AIR, SINGLE {International} Ride Optimized Suspension (IROS); 12,000-lb Capacity, 6.0" Ride Height, with Shock Absorbers
0014TDG	GP1	SUSPENSION, REAR, AIR, SINGLE {International} Ride Optimized Suspension (IROS); 13,500-lb Capacity, 6.0" Ride Height, with Shock Absorbers
0014TDH	GP8	SUSPENSION, REAR, AIR, SINGLE {International} Ride Optimized Suspension (IROS); 15,500-lb Capacity, 6.0" Ride Height, with Shock Absorbers

Feature Code	RPO Code	Description
0014WMN	FTO	AXLE, REAR, LUBE {EmGard FE-75W-90} Synthetic Oil; 1 thru 29.99 Pints
0014WAP	G68	SHOCK ABSORBERS, REAR (2)
0001570	V76	TOW HOOK, FRONT (2) Frame Mounted
0015DSZ	NSQ	FUEL TANK (2) Top Draw, Plastic, Rectangular, 40 US Gal (151L) Mounted Between Frame Rails and Behind Rear Axle; 25 US Gal (95L), Mounted Left-Side Between Frame Rails and Forward of Rear Axle; Total Capacity 65 US Gal (246L) Includes Fuel Filler Assemblies and Auxiliary Draw Ports
0015SZN	N2L	FUEL TANK Top Draw, Plastic, Rectangular, 17" Tank Depth, 40 US Gal (151L), Includes Auxiliary Draw Port and Fuel Filler Assembly, Mounted Between Frame Rails and Behind Rear Axle
0015SZP	NVK	FUEL TANK Top Draw, Plastic, Rectangular, 17" Tank Depth, 25 US Gal (95L), Includes Auxiliary Draw Port and Fuel Filler Assembly, Mounted Between Frame Rails and Forward of Rear Axle
0015WZG	8E4	FUEL Additional 5 U.S. Diesel Gallons, for Transport/Delivery
0015WZH	NXO	Fuel Additional 40 U.S. Diesel Gallons, for Transport/Delivery
0015WZT	NXG	FUEL Additional 20 U.S. Diesel Gallons, for Transport/Delivery
0016000	BG9	FLOOR COVERING Transmission Cover, Floor Mats and Seal DO NOT ORDER-FOR FACTORY USE ONLY
0016400	APL	SEAT, PASSENGER Omit Item
0016615	ATZ	SEAT RR-NONE
0016975	KT0	HEATER HOSES Silicone

**ELECTRICAL CIRCUIT DIAGRAM MANUAL**

<b>Feature Code</b>	<b>RPO Code</b>	<b>Description</b>
0016ACB	DD8	MIRROR, INSIDE REAR VIEW with Tilt
0016BAL	C42	HEATER
0016BBB	AKO	GLASS, ALL WINDOWS Solar Absorbing, Tint
0016BBA	AKP	GLASS, ALL WINDOWS Solar Absorbing, Tint
0016BAN	E20	DOOR HANDLE, EXTERIOR Bright Finish
0016CEN	4AA	COLOR, INTERIOR Jet Black
0016CEM	4D7	COLOR, INTERIOR Dark Ash
0016HCU 0016HLZ	U19	SPEEDOMETER-INST, KILO & MILES, KILO ODOMETER & DISPLAY INSTRUMENT-DRIVER INFO ENHANCED (ONE COLOR GRAPHIC)  SPEEDOMETER-INST, KILO & MILES, KILO ODOMETER & DISPLAY INSTRUMENT-DRIVER INFO ENHANCED (MULTI COLOR STANDARD GRAPHIC)
0016HLZ 0016HLY	UDD	GAUGE CLUSTER Metric with English Speedometer, Includes Metric Odometer; Includes 4.2" Color Display with Personalization, Warning Messages and Vehicle Information  GAUGE CLUSTER English with Metric Speedometer, Includes English Odometer; Includes 4.2" Color Display with Personalization, Warning Messages and Vehicle Information
0016HCT	UMN	GAUGE CLUSTER English with Metric Speedometer, Includes English Odometer; Includes 3.5" Monochromatic Display with Personalization, Warning Messages and Vehicle Information

Feature Code	RPO Code	Description
0016KVU	H0U	SEAT, DRIVER Split Bench, High Back with Integral Headrest, 10-Way Power Adjustable, Cloth, Manual Adjust Lumbar
0016KVU	AZ3	SEAT, DRIVER Split Bench, High Back with Integral Headrest, 10-Way Power Adjustable, Cloth, Manual Adjust Lumbar
0016KZC	A68	SEAT, REAR BENCH, Vinyl
0016KVV	A95	SEAT, DRIVER Non-Suspension, High Back with Adjustable Headrest, 10-Way Power Adjustable, Cloth, Power Lumbar
0016KVS	AE7	SEAT, DRIVER High Back with Integral Headrest, with Recline, Vinyl, Fixed Lumbar
0016KVU	AG1	SEAT, DRIVER Split Bench, High Back with Integral Headrest, 10-Way Power Adjustable, Cloth, Manual Adjust Lumbar
0016LVP	H2R	SEAT, TWO-MAN PASSENGER High Back with Integral Headrest in Outboard Position, Center Fold-Down Armrest with Storage, Cloth, with Recline
0016LVT	H2S	SEAT, TWO-MAN PASSENGER High Back with Integral Headrest in Outboard Position, Center Fold-Down Armrest with Storage, Lockable Storage in Seat Cushion, Cloth, with Recline
0016LVR	H2Q	SEAT, DRIVER Non-Suspension, High Back with Adjustable Headrest, 10-Way Power Adjustable, Cloth, Power Lumbar
0016SPR	DF2	MIRRORS (2) Wide Load, Manual Folding and Extending, Black Head, Mounting Bracket and Arms

**ELECTRICAL CIRCUIT DIAGRAM MANUAL**

<b>Feature Code</b>	<b>RPO Code</b>	<b>Description</b>
0016SPT	DP9	MIRRORS (2) Wide Load, Manual Folding and Extending, Bright Head, Black Mounting Bracket and Arms, Heated Head, Turn Signal Indicator Located in Mirror, Power Operated
0016SPT 0016SPS	DPN	MIRRORS (2) Wide Load, Manual Folding and Extending, Bright Head, Black Mounting Bracket and Arms, Heated Head, Turn Signal Indicator Located in Mirror, Power Operated
0016VKK	1LT	CAB INTERIOR TRIM Diamond, for Crew Cab
0016VKK	YE9	CAB INTERIOR TRIM Diamond, for Day Cab
0016VKB	1WT	CAB INTERIOR TRIM Classic, for Day Cab
0016VCC	379	Seat Belt All Orange; 1 to 3
0016VCB		Seat Belt All Orange; 4 to 6
0016VBZ	3F9	SEAT BELT All Red; 1 to 3
0016VCA		SEAT BELT All Red; 4 to 6
0016WHJ	KUD	HOSE CLAMPS, HEATER HOSE {Breeze} Belleville Washer Type
0016WAK	A31	WINDOW, POWER (2) in Left and Right Doors
0016XCP	AJ3	AIR BAG, DRIVER SIDE
0016XCP	AK5	AIR BAG, DRIVER SIDE
0016XAL	AQQ	KEYLESS ENTRY SYSTEM REMOTE with Panic Alarm and Horn Beep Lock Confirmation, Includes Two Key Fob Transmitters
0016XZA	C67 C32	AIR CONDITIONER and Heater, Single Zone
0016XCR	C99	AIR BAG, PASSENGER SIDE



Feature Code	RPO Code	Description
0016XCN	D07	CONSOLE, BETWEEN SEATS Floor Mounted, Reconfigurable with Movable Cup Holders, Cell Phone Storage, (1) 12 Volt, Cigar Type Receptacle, (2) USB Ports, and Hanging File Holder Capability
0016XCS	DH6	SUN VISOR, INTERIOR with Illuminated Mirror for Driver and Passenger-Sides
0016XUC 0016XUD	EON	ACCESS, CAB Driver & Passenger-Sides, One Bright Aluminum Step Per Door, for use with Regular & Extended Cabs  ACCESS, CAB Driver & Passenger-Sides, One Bright Aluminum Step Per Door, for use with Crew Cab
0016XCN	D07 K4C	CONSOLE, BETWEEN SEATS Floor Mounted, Reconfigurable with Movable Cup Holders, Cell Phone Storage, (1) 12 Volt, Cigar Type Receptacle, (2) USB Ports, and Hanging File Holder Capability
0016XJR	KA1	SEAT HEATER, FRONT for Driver and Passenger Seats
0026DTX	PWY	WHEEL, SPARE, DISC {Accuride 50180} 19.5x6.75 Rims, Powder Coat Steel, 4-Hand Hole, 8-Stud, 275mm BC, Hub-Piloted
0027DTX	PWS PWR PWQ	WHEELS, FRONT {Accuride 50180} DISC; 19.5x6.75 Rims, Powder Coat Steel, 4-Hand Hole, 8-Stud, 275mm BC, Hub-Piloted, Flanged Nut, with Steel Hubs
0028DVE	PWV	WHEELS, REAR {Accuride 29695} DUAL DISC; 19.5" Polished Aluminum Outer Wheel and Steel Inner Wheel, 8-Stud (275MM BC) Hub Piloted, Flanged Nut,

**ELECTRICAL CIRCUIT DIAGRAM MANUAL**

<b>Feature Code</b>	<b>RPO Code</b>	<b>Description</b>
0029ACD	Q91	TIRE VALVE CAP Flo-Thru Design
0029AAU	Q92	TIRE VALVE CAP {Alligaro V2B} Flo-Thru Design
0029SAE	FF3	WHEEL SEALS, FRONT {Chicago Rawhide Nitrile} for Oil Lubricated Wheel Bearings
0029WLK	FG0	WHEEL BEARING, FRONT, LUBE {EmGard FE-75W-90} Synthetic Oil
92AA	X88	GM IP PARAMETERS Market Brand, Chevrolet
0510AAB	VT7	0510AAB
0516005	E01	ACCESS, CAB Driver & Passenger-Sides, Single Step Per Door, For Use with Regular & Extended Cabs
0516006		ACCESS, CAB Driver & Passenger-Sides, One Step Per Door, For Use with Crew Cabs
0592CV3	CV3	GM IP PARAMETERS for Mexico
508032	5DY	SPECIAL ROUTING, GROUP 08 for Completion of Electrical Components System, Installed at TSC Springfield
0592K40	K40	GM IP PARAMETERS for Engine Exhaust Brake
0508014	KL6	TAIL LIGHT LOCATION Tail Lights Located on Inside of Frame Rail
0508015	MTZ	TAIL LIGHT LOCATION Tail Lights Located on Outside of Frame Rail
0507015	N12	TAIL PIPE Horizontal, Straight Type, for Single Exhaust
0507016	NPR	TAIL PIPE Horizontal, Single Exhaust, Exit Right-Side Over the Rear Axle, Behind Rear Wheel
0592PTO	PTO	GM IP PARAMETERS for Engine Control (PTO) Controls

Feature Code	RPO Code	Description
0592U2J	U2J	GM IP PARAMETERS Digital Audio System-None
0592U2K	U2K	GM IP PARAMETERS Digital Audio System, with S-Band
0592U73	U73	GM IP PARAMETERS Fixed Antenna for Radio
0592UDC	UDC	IP PARAMETERS Drivers Instrument Information Display, Enhanced, One Color Graphic
10764	ZY4	PAINT TYPE TSA (Acrylic), 1-2 Tone
10761	ZY2	PAINT TYPE Base Coat/Clear Coat, 1-2 Tone
—	FHX	VEHICLE FUEL-DIESEL B20
—	9D9	MIRROR, INSIDE REAR VIEW with Tilt
—	9L3	TIRE SPARE-NONE
—	AAC	PROVISIONS-ENGINE SHUTDOWN PARTS PKG-SHIPPED LOOSE
—	ACO	IDENTIFICATION-ACCESSORY CATALOG OFFERING
—	AU3	LOCK CONTROL-SIDE DR, ELEC
—	FBC	WB = 243"
—	FNV	WB = 175"
—	FPN	WB = 231"
—	FQT	WB = 141"
—	FRP	WB = 235"
—	G1K	PRIMARY COLOR-EXTERIOR, SACRE BLUE MET (409Y)
—	G2X	PRIMARY COLOR-EXTERIOR, HAVANA MET-1 (439C)
—	G7C	PRIMARY COLOR-EXTERIOR, PULL ME OVER RED SOLID (130X)
—	GAN	PRIMARY COLOR-EXTERIOR, SWITCHBLADE SILVER MET (G) 636R

**ELECTRICAL CIRCUIT DIAGRAM MANUAL**

<b>Feature Code</b>	<b>RPO Code</b>	<b>Description</b>
—	GAZ	PRIMARY COLOR-EXTERIOR, SUMMIT WHITE (G) 8624
—	GBA	PRIMARY COLOR-EXTERIOR, BLACK (G) 8555
—	GH5	MKT = CAN
—	I19	ENGINEERING YEAR-2019
—	ITT	CV51500
—	GPA	PRIMARY COLOR-EXTERIOR, GASOLINE MET-2 (457B)
—	K2N	PROVISIONS-2 WAY RADIO UNIT
—	K34	CRUISE CONTROL-AUTOMATIC, ELECTRONIC
—	SYT	ACCESSORY-SILL PLATES - ALTERNATE FINISH
—	KBG	SHIFT CONTROL-AUTOMATIC TRANSMISSION, FUEL SENSE BASIC
—	UE0	COMMUNICATION SYSTEM-VEHICLE - NONE
—	PD7	WHEEL SPARE-(NONE)
—	9L3	
—	NAV	PLT = 002
—	PTX	POWER TAKE OFF-DELETE PTO
—	UZI	EQUIPMENT-TRUCK TRAILER HD, SIDE TURN LAMPS
—	VTG	ACCESSORY-INTERIOR TRIM KIT
—	WOJ	ACCESSORY-DOOR COVER - PET PROTECTOR - DESIGN 1
—	WMK	VIN MODEL YEAR-2019
—	XL7	FREQUENCIES RATING-315 MHZ, LONG DISTANCE

Feature Code	RPO Code	Description
—	YF2	SALES PACKAGE-AMBULANCE UPFITTER
—	YM8	IDENTIFICATION-LIMITED PERSONALIZATION OPTION (LPO)
—	ZY1	COLOR COMBINATION-SOLID
—	RDI	ACCESSORY-KEYLESS ENTRY
—	RWI	ACCESSORY-BODY SIDE MOLDINGS – CHROME
—	RWK	ACCESSORY-BODY SIDE MOLDINGS – PAINTED
—	RWR	ACCESSORY-CAMERA – REAR VISION
—	RY7	ACCESSORY-DOOR HANDLES – ALTERNATE FINISH 1
—	S0P	ACCESSORY-INSERT – FLOOR CONSOLE
—	S6M	ACCESSORY-RADIO KIT – NAVIGATION
—	S6P	ACCESSORY-REMOTE START KIT
—	S6W	ACCESSORY-SEAT COVER – MUDDER (PROTECTIVE)
—	S6Z	ACCESSORY-SEAT COVER – TAILORED – ALTERNATE MATERIAL
—	SFJ	ACCESSORY-WINDOW SHADES – REFLECTIVE
—	SFV	ACCESSORY-WIRELESS NETWORK INTERFACE MODULE
—	SIF	ACCESSORY-RSE - PORTABLE MEDIA CONNECTIVITY PACKAGE
—	V8C	VEHICLE STATEMENT-VEHICLE LABEL CONTENT – NO CERT STATEMENT (MEXICO)

**ELECTRICAL CIRCUIT DIAGRAM MANUAL**

---

<b>Feature Code</b>	<b>RPO Code</b>	<b>Description</b>
—	V8D	VEHICLE STATEMENT-VEHICLE LABEL CONTENT – U.S. FMVSS
—	VBJ	ACCESSORY – UNDERSEAT STORAGE
—	VKW	ACCESSORY-ORGANIZER – FRONT CONSOLE
—	VKY	ACCESSORY-DOOR HANDLES – ALTERNATE FINISH – CHROME
—	ZY3	COLOR COMBINATION-TWO TONE, SPECIAL

## 18.2. APPENDIX B: NAMING CONVENTION AND ACRONYMS TABLE

Table 1187 Naming Convention

Navistar Name	Navistar Acronym	GM Name	GM Acronym
Active Regeneration	—	Normal Regeneration	—
Aftertreatment Control Module	ACM	Reductant Control Module	—
Air Cleaner	—	Air Filter	—
Air Cleaner Housing	—	Air Filter Housing	—
Alternator	—	Generator	—
Ambient Light Sensor	—	Ambient Light/Sunload Sensor	—
Ammonia Slip Catalyst	—	Ammonia Slip Filter	—
CD Player	—	Media Disc Player	—
Clearance Light	—	Roof Clearance Lamp	—
Clockspring	—	Steering Wheel Air Bag Coil	—
Closed Crankcase Ventilation	—	Positive Crankcase Ventilation	—
Deaeration Tank	—	Surge Tank	—
Diesel Exhaust Fluid	DEF	Reductant	—
Diesel Exhaust Fluid Doser	DEFD	Reductant Injector	—
Diesel Exhaust Fluid Head Unit	DEF Head Unit	Reductant Pump and Sensor Assembly	—
Diesel Exhaust Fluid Line Pressure	DEFPLP	Reductant Pressure Sensor	—
Diesel Exhaust Fluid Pressure Line	DEFPL	Reductant Line	—
Diesel Exhaust Fluid Pressure Line Heater	DEFPLH	Reductant Line Heater	—
Diesel Exhaust Fluid Quality	DEFQ	Reductant Quality	—
Diesel Exhaust Fluid Supply Pump	DEFSP	Reductant Pump, DEF Pump Module, Reductant Temperature Sensor	—
Diesel Exhaust Fluid Supply Temperature	DEFSP Temperature	Reductant Pump, DEF Pump Module	—
Diesel Exhaust Fluid Tank Heater	DEFTH	Reductant Tank Heater	—
Diesel Exhaust Fluid Tank Level	DEFTL	Reductant Level Sensor 1, Reductant Tank Level	—

**Table 1187 Naming Convention (cont.)**

<b>Navistar Name</b>	<b>Navistar Acronym</b>	<b>GM Name</b>	<b>GM Acronym</b>
Diesel Exhaust Fluid Tank Level & Temperature Sensor Module	DEFTLT	Reductant Tank Level & Temperature Sensor Module	—
Diesel Exhaust Fluid Tank Temperature	DEFTT	Reductant Tank Temperature	—
Diesel Oxidation Catalyst Intake Temperature	DOCIT	Exhaust Temp Sensor 1	—
Diesel Oxidation Catalyst Outlet Temperature	DOCOT	Exhaust Temp Sensor 2	—
Diesel Particulate Filter	DPF	Diesel Particulate Filter Engine Particulate Filter Exhaust Particulate Filter	—
Diesel Particulate Filter Intake Temperature	DPFIT	Exhaust Temp Sensor 3	—
Diesel Particulate Filter Outlet Temperature	DPFOT	Exhaust Temp Sensor 4	—
Engine Oil Level Gauge (Dipstick)	Engine Oil Dipstick	Engine Oil Level Indicator	—
Engine Throttle Valve	ETV	Intake air valve, throttle body, Intake Air Flow Valve	—
—	—	Exhaust Gas Recirculation	EGR
Exhaust Gas Recirculation Inlet Temperature	EGRIT	Exhaust Gas Recirculation Temperature #1	—
Exhaust Gas Recirculation Outlet Temperature	EGROT	Exhaust Gas Recirculation Temperature #2	—
Exterior Mirrors	—	Outside Rearview Mirror (Right and left)	—
—	—	Failure Type Byte	FTB
Fog Light	—	Fog Lamp	—
Freeze Probe	—	Fog Lamp	—
Front Thermostat	—	Thermostat (Located at Front of Thermostat Housing)	—



Table 1187 Naming Convention (cont.)

Navistar Name	Navistar Acronym	GM Name	GM Acronym
Fuel Delivery Pressure	FDP	Fuel Pressure Sensor (sensor located just after the fuel filter module)	—
Fuel Sending Unit	—	Fuel Pump Module	—
Fuel Transfer Pump	—	Transfer pump	—
Gauge Cluster	—	Instrument Cluster	—
Headlight	—	Headlamp	—
Headlight Switch	—	Headlamp Switch	—
Hood Switch	—	Engine Hood Switch, Hood Switch, Hood Ajar Switch	—
HVAC Controls	—	User Interface (HVAC Controls)	—
Infotainment	—	Info Display Module, Infotainment	—
Intake Manifold Pressure / Temperature	IMP	Intake Air/Manifold Pressure and Air Temperature Sensor MAP	—
Marker Light	—	Side Marker Lamp	—
Mode Actuator	—	Mode Door Actuator	—
Module Flashing	—	Component programming	—
Multifunction Intake Air Sensor	—	MAF IAT1 IAT2 TIAP - Multifunction Intake Air Sensor	—
Oil Pump Drive Gear	—	Crank Gear	—
Parked Regeneration	—	Service Regeneration	—
Particulate Matter Sensor	PM Sensor	PM Sensor	—
Piston Cooler Jet	—	Piston Cooling Nozzles	—
Power Distribution Module	PDM	Fuse Block,Fuse Block Underhood, UEC	UEC
Power Inverter Module	—	Accessory DC/AC Power Inverter Module	—
Rear Thermostat	—	Thermostat (Located at Rear of Thermostat Housing)	—
Rearview Mirror (interior)	—	Inside Rearview Mirror	—

**Table 1187 Naming Convention (cont.)**

<b>Navistar Name</b>	<b>Navistar Acronym</b>	<b>GM Name</b>	<b>GM Acronym</b>
Recirculation Actuator	—	Air Inlet Door & Air Inlet Door Actuator	—
Selective Catalyst Reduction Exhaust Temperature Sensor	SECRET	Exhaust Temp Sensor 5	—
Selective Catalyst Reduction Outlet Temperature Sensor	SCROT	SCR Temperature Sensor	—
Starter	—	Starter Motor	—
Switch Pack	—	Multifunction Switch	—
Temperature Actuator	—	Air Temperature Door Actuator	—
Transfer Case Mode Switch	—	Transfer Case Shift Control Switch, Four Wheel Drive Mode Switch, Four Wheel Drive Switch	—
Upper Oil Pan	—	Lower crank case or upper oil pan	—
Variable Geometry Turbocharger Actuator	VGT Actuator	Turbo Charger Vane Position Actuator	—
—	—	Two-Wheel Drive	2WD
—	—	Four-Wheel Drive	4WD
—	—	Air Conditioning	A/C
—	—	Analog to Digital	A/D
—	—	Antilock Braking System	ABS
—	—	Alternating Current	AC
—	—	Amplitude Modulation	AM
—	—	Accelerator Pedal Position	APP
—	—	All-Wheel Drive	AWD
—	—	American Wire Gauge	AWG
—	—	Battery Positive Voltage	B+
—	—	Barometric Pressure	BARO
—	—	Body Control Module	BCM
—	—	Brake Pedal Position	BPP
—	—	Controller Area Network	CAN

Table 1187 Naming Convention (cont.)

Navistar Name	Navistar Acronym	GM Name	GM Acronym
—	—	Chassis Control Module	CCM
—	—	Compact Disc	CD
—	—	Carbon Monoxide	CO
—	—	Carbon Dioxide	CO2
—	—	Connector Position Assurance	CPA
—	—	Constant Velocity	CV
—	—	Drive	D
—	—	Digital Audio Broadcast	DAB
—	—	Direct Current	DC
—	—	Data Link Connector	DLC
—	—	Digital Multimeter	DMM
—	—	Dual Overhead Camshaft	DOHC
—	—	Diesel Particulate Filter	DPF
—	—	Daytime Running Lamps	DRL
—	—	Digital Signal Processor	DSP
—	—	Diagnostic Trouble Code	DTC
—	—	Digital Versatile Disc	DVD
—	—	Electronic Brake Control Module	EBCM
—	—	Engine Control Module	ECM
—	—	Engine Coolant Temperature	ECT
—	—	Electrically Erasable Programmable Read-Only Memory	EEPROM
—	—	Exhaust Gas Recirculation	EGR
—	—	Electromagnetic Interference	EMI
—	—	Electrostatic Discharge	ESD

Table 1187 Naming Convention (cont.)

Navistar Name	Navistar Acronym	GM Name	GM Acronym
—	—	Evaporative Emission	EVAP
—	—	Frequency Modulation	FM
—	—	Front-Wheel Drive	FWD
—	—	General Motors Local Area Network	GMLAN
—	—	Global Positioning System	GPS
—	—	Global System for Mobile Communications	GSM
—	—	Gross Vehicle Weight	GVW
—	—	Heavy Duty	HD
—	—	High Intensity Discharge	HID
—	—	Heated Oxygen Sensor	HO2S
—	—	Heating Ventilation Air Conditioning	HVAC
—	—	Inter-Integrated Circuit	I <sup>2</sup> C
—	—	Intake Air Temperature	IAT
—	—	Internal Combustion Engine	ICE
—	—	Identification	ID
—	—	Internet Service Provider	ISP
—	—	Input Shaft Speed	ISS
—	—	Local Area Network	LAN
—	—	Liquid Crystal Display	LCD
—	—	Light Emitting Diode	LED
—	—	Local Interconnect Network	LIN
—	—	Liquefied Petroleum Gas	LPG
—	—	Mass Air Flow	MAF
—	—	Manifold Absolute Pressure	MAP
—	—	Multiple Diagnostics Interface	MDI

Table 1187 Naming Convention (cont.)

Navistar Name	Navistar Acronym	GM Name	GM Acronym
—	—	Malfunction Indicator Lamp	MIL
—	—	Media Oriented Systems Transport	MOST
—	—	Neutral	N
—	—	Nickel Metal Hydride	NiMH
—	—	Nitrogen Oxides	NOx
—	—	Oxygen	O2
—	—	Oxygen Sensor	O2S
—	—	On-Board Diagnostic	OBD
—	—	Original Equipment Manufacturer	OEM
—	—	Output Shaft Speed	OSS
—	—	Park	P
—	—	Printed Circuit Board	PCB
—	—	Powertrain Control Module	PCM
—	—	Personal Computer Memory Card Industry Association	PCMCIA
—	—	Personal Identification Number	PIN
—	—	Personal Protective Equipment	PPE
—	—	Park, Reverse, Neutral, Drive, Low	PRNDL
—	—	Positive Temperature Coefficient	PTC
—	—	Power Take-Off	PTO
—	—	Polyvinyl Chloride	PVC
—	—	Pulse Width Modulation	PWM
—	—	Reverse	R
—	—	Random Access Memory	RAM
—	—	Radiator Coolant Temperature	RCT
—	—	Radio Data System	RDS
—	—	Radio Frequency	RF

Table 1187 Naming Convention (cont.)

Navistar Name	Navistar Acronym	GM Name	GM Acronym
—	—	Read-Only Memory	ROM
—	—	Regular Production Option	RPO
—	—	Rear Seat Audio	RSA
—	—	Rear-Wheel Drive	RWD
—	—	Speed Controlled Volume	SCV
—	—	Sensing and Diagnostic Module	SDM
—	—	Subscriber Identity Module	SIM
—	—	Supplemental Inflatable Restraint	SIR
—	—	Serial Peripheral Interface	SPI
—	—	Service Programming System	SPS
—	—	Sport Utility Vehicle	SUV
—	—	Service Vehicle Soon	SVS
—	—	Traffic Announcement	TA
—	—	Throttle Actuator Control	TAC
—	—	Transmission Adaptive Pressure	TAP
—	—	Torque Converter Clutch	TCC
—	—	Transmission Control Module	TCM
—	—	Top Dead Center	TDC
—	—	Techline Information System	TIS
—	—	Terminal Position Assurance	TPA
—	—	Television	TV
—	—	Universal Serial Bus	USB
—	—	Vehicle Communications Interface	VCI
—	—	Vehicle Identification Number	VIN

Table 1187 Naming Convention (cont.)

Navistar Name	Navistar Acronym	GM Name	GM Acronym
—	—	Vehicle Stability Control Module	VSCM
—	—	Vehicle Speed Sensor	VSS
—	—	Wide Open Throttle	WOT
—	—	Wireless Local Area Network	WLAN
—	—	XM (Satellite Radio)	XM
—	—	Extensible Markup Language	XML