

List of "equipment" codes

Key to appliances

Code	Function name	Location
A001	Cab electrical distribution box	
A004	Batteries	
A006	Electrically controlled master switch	
A007	Manually controlled master switch	
A009	Alternator	
A011	Voltage converter (24V / 12V) for information technology pack	
A012	Voltage converter (24V / 12V - 10A) for audio communication system	
A013	Voltage converter (24V / 12V - 15A) for audio communication system	
A014	Power fuse box unit (FM1 to FM4)	
A020	Voltage converter (24V / 12V) - 12 and 24 Volts integrated sockets	
A200	Available power supply (insulated cut wires)	
A201	Available power supply (vehicle earth)	
A204	Available power supply (after master switch)	
A205	Available power supply (after ignition)	
A212	Available power supply (engine speed)	
A213	Available power supply (PTO N°1)	
A219	Available power supply (radio-telephone +)	
A220	Available power supply (radio-telephone -)	
A226	Available power supply (CB -)	
A227	Available power supply (CB +)	
A229	Available power supply (bodybuilder equipment control)	
A230	Available power supply (equipment in "road" position warning pictogram)	
A231	Available power supply (equipment in "working" position warning pictogram)	
A240	Available power supply (lighting)	
A246	Available power supply (PTO N°1 control)	
A247	Available power supply (alternator information, engine running)	
A248	Available power supply (alternator information, engine speed)	
A249	Available power supply (tachograph corrected speed information)	
A250	Available power supply (PTO 2 control)	

A251	Available power supply (PTO 2 warning light)	
A252	Available power supply (PTO 2 solenoid valve piloting)	
A253	Available power supply (reversing information)	
A254	Available power supply (parking brake information)	
A255	Available power supply (gearbox neutral information)	
A256	Available power supply (chassis-mounted engine speed control actuation demand)	
A257	Available power supply (selection of engine speed N°1)	
A258	Available power supply (selection of engine speed N°2)	
A259	Available power supply (engine speed acceleration demand)	
A260	Available power supply (engine speed deceleration demand)	
A261	Available power supply (reversing forbidden inhibition)	
A270	Available power supply (main engine speed automatic return)	
A280	Available power supply (low speed)	
A281	Available power supply (engine stop control)	
A282	Available power supply (engine start control)	
A283	Available power supply (engine starting information)	
A284	Available power supply (engine alert)	
A285	Available power supply (parameter definable frequency-related output)	
A286	Available power supply (PLC 2 min. output)	
A287	Available power supply (PLC 1 min. output)	
A288	Available power supply (PLC 1 min. input)	
A289	Available power supply (PLC 2 min. input)	
A290	Available power supply (high level CAN bus J1939)	
A291	Available power supply (low level CAN bus J1939)	
A294	Available power supply (LH rear marker light(s))	
A295	Available power supply (RH rear marker light(s))	
A297	Available power supply (night lighting)	
A311	Available power supply (PTO 1 engaged information)	
A312	Available power supply (equipment in dangerous position)	
A313	Available power supply (CAN bus disabling)	
A314	Available power supply (engine speed set-point validation)	
A315	Available power supply (PTO 3 solenoid valve piloting)	
A317	Available power supply (PTO 3 control)	
A318	Available power supply (PTO 3 warning light)	

A319	Available power supply (suspension level control)	
A320	Available power supply (suspension level actuation control)	
A321	Available power supply (6 km/h limitation)	
A322	Available power supply (30 km/h limitation)	
A323	Available power supply (alarm stop)	
A324	Available power supply (rigid perimetric protection module)	
A325	Available power supply (independent heating cut-off)	
B001	Air suspension remote control	
B002	Air suspension 'up' position remote control	
B003	Air suspension 'down' position remote control	
B004	Air suspension memorized position remote control	
B026	Automatic transmission gear selector	
B103	Key switch unit	
B105	Engine stop control	
B106	Hazard lights control	
B108	Revolving beacons control	
B111	Horn control	
B113	Side/parking lights control	
B116	Doors locking control	
B117	Sun-roof opening / closing control (on dashboard)	
B118	Swivelling rearview mirrors and alarm siren adjustment control	
B119	Rearview mirrors and windscreen defrosting control	
B125	Radio set control	
B126	Driver's window winder motor control (driver side)	
B127	Front passenger window winder motor control (front passenger side)	
B130	Front passenger window winder motor control (driver side)	
B133	Add-on heater timer control	
B134	Pull-down display menu control	
B137	Windscreen wash control	
B138	Windscreen wipers control	
B139	Windscreen / headlamps wash/wipe control	
B140	Dipped beam headlights control	
B141	Main beam headlights control	
B142	Headlamps ride corrector control	
B143	Steering wheel fingertip controls N° 1	

B144	Long range driving lights control	
B145	Fog driving lights control	
B146	Fog lights control	
B148	Working lights control	
B151	Reversing buzzer inhibition control	
B155	Electric or hydraulic retarder control	
B159	Engine speed set-point control for difficult terrain	
B162	Cab tilting control	
B163	Alarm anti-panic control	
B164	Rear wheels diff lock control	
B165	Second rear axle lift-up control	
B167	Cab add-on heater control	
B168	Traction control enabling control	
B169	Trailer brake holding enabling control	
B170	Cab emergency stop control	
B171	Chassis emergency stop control	
B172	Alarm siren sound level reduction control	
B175	Pre-arrangement for bodybuilder N° 1 control	
B176	Pre-arrangement for bodybuilder N° 2 control	
B177	PTO 1 engagement request control (in cab)	
B181	Direction indicator control	
B182	Auto/manual selection control	
B183	Fuel water bleed control	
B184	Axle load-shedding activation control	
B185	PTO 2 engagement request control (in cab)	
B186	Brake holding enabling control	
B187	Inter-axle diff lock control	
B190	PTO 2 engagement request control (en cab)	
B194	Overhead lighting control (ambience)	
B197	Coolant circuit solenoid valve control	
B198	Fast idling actuation control	
B199	Fast idling adjustment control	
C001	LH front wheel brake linings wear sensor	
C002	RH front wheel brake linings wear sensor	
C005	Lift-up axle or second rear axle LH wheel brake linings wear sensor	

C006	Lift-up axle or second rear axle RH wheel brake linings wear sensor	
C007	LH front wheel speed sensor	
C008	RH front wheel speed sensor	
C009	LH rear wheel speed sensor	
C010	RH rear wheel speed sensor	
C011	Lift-up axle or second rear axle LH wheel speed sensor	
C012	Lift-up axle or second rear axle RH wheel speed sensor	
C013	Driver's door open position information sensor	
C014	Passenger's front door open position information sensor	
C019	Boost air pressure and temperature sensor	
C020	Boost air temperature sensor	
C021	Boost air pressure sensor	
C022	Engine oil level sensor	
C023	Engine oil pressure sensor	
C024	Engine oil level and temperature sensor unit	
C025	3-level air conditioning pressure sensor	
C027	Low level air conditioning pressure sensor	
C028	High level air conditioning pressure sensor	
C029	Intermediate level air conditioning pressure sensor	
C030	Rear inter-axle diff lock engaged sensor	
C031	Front inter-axle diff lock engaged sensor	
C035	PTO 1 engaged position information sensor	
C036	PTO 2 engaged position information sensor	
C038	Drive axle suspension RH position sensor	
C039	Drive axle suspension LH position sensor	
C045	Internal temperature sensor	
C046	External temperature sensor	
C048	Engine cooling circuit temperature sensor	
C051	Fuel level sensor	
C053	Stop lights switch	
C054	Air filter clogging sensor	
C056	Tachograph speed sensor	
C057	Neutral position sensor	
C058	Reverse gear engaged position sensor	
C059	Retarder oil temperature sensor	

C060	Retarder coolant temperature sensor	
C061	Front axle suspension position sensor	
C062	Clutch position sensor	
C064	Retarder air pressure sensor	
C066	Retarder coolant temperature sensor	
C067	Flywheel speed sensor	
C068	Camshaft engine speed sensor	
C070	PTO 3 engaged position information sensor	
C071	Alarm ultra-sonic transmitter sensor	
C072	Alarm ultra-sonic receiver sensor	
C075	AdBlue tank temperature and level sensors	
C076	Exhaust gases temperature sensor	
C077	Nitrogen oxides gases concentration sensor	
C079	Trailer braking assistance pressure system sensor	
C084	Engine oil temperature sensor	
C086	Steering lockover angle sensor	
C087	Chassis lateral acceleration sensor	
C088	Engine coolant level sensor	
C096	Range change selector pressure sensor	
C109	Water in fuel sensor	
C110	Parking brake indicator pressure sensor	
C111	Accelerator pedal position sensor	
C112	Accelerator pedal "rest" position sensor N° 2	
C113	Accelerator pedal rest position sensor	
C114	Accelerator pedal sensor unit	
C115	Lift-up air spring pressure sensor	
C116	Middle axle suspension air pressure sensor	
C117	Front air spring pressure sensor	
C118	Drive axle suspension LH pressure sensor	
C119	Drive axle suspension RH pressure sensor	
C120	Piloted axle oil level sensor	
C121	Piloted axle lockover angle sensor	
C122	Piloted axle lockover angle sensor	
C123	LH rear wheel brake linings wear sensor (drive axle N° 1)	
C124	RH rear wheel brake linings wear sensor (drive axle N° 1)	

C125	LH rear wheel brake linings wear sensor (drive axle N° 2)	
C126	RH rear wheel brake linings wear sensor (drive axle N° 2)	
C130	Clutch pedal position sensor	
C132	Engine boost pressure sensor	
C133	Engine cooling fan speed sensor	
C134	Brake pedal sensor unit	
C135	Brake pedal position copying sensor	
C140	LH front wheel brake linings wear sensor (drive axle or axle N° 2)	
C141	RH front wheel brake linings wear sensor (drive axle or axle N° 2)	
C142	LH front wheel brake linings wear sensor (drive axle or axle N° 1)	
C143	RH front wheel brake linings wear sensor (drive axle or axle N° 1)	
C144	LH front wheel speed sensor (drive axle or axle N° 1)	
C145	RH front wheel speed sensor (drive axle or axle N° 1)	
C146	LH front wheel speed sensor (drive axle or axle N° 2)	
C147	RH front wheel speed sensor (drive axle or axle N° 2)	
C148	High fuel pressure sensor	
C149	Driver's seatbelt not buckled sensor	
C150	Engine block inside pressure sensor	
C172	Fifth wheel position sensors	
C173	N° 1 rear drive axle inter-wheel diff. lock engaged position sensor	
C174	N° 2 rear drive axle inter-wheel diff lock engaged position sensor	
D001	Principal information display	
D004	Tachograph	
D006	Vehicle hour-meter	
D018	Battery charge warning light	
D021	Fuel preheating warning light	
D026	Fog lights warning light	
D039	Main beam headlights warning light	
D041	Fog driving lights warning light	
D044	Working spotlight warning light	
D047	Fuel level warning light	
D059	Brake pads wear warning light	
D065	Air filter clogging warning light	
D067	Inter-wheel diff. lock warning light	
D077	Equipment in unlocked position warning light	

D081	Trailer brake pads wear warning light	
D082	Equipment in service information tell-tale light	
D083	Equipment in dangerous position information tell-tale light	
D084	Equipment lighting information tell-tale light	
E008	Driver's side single overhead light	
E010	Front passenger's side single overhead light	
E012	RH upper overhead lighting (door)	
E025	Driver's reading spotlight	
E026	Front passenger's reading spotlight	
E028	Driver's overhead light / reading spotlight unit	
E029	Passenger's overhead light / reading spotlight unit	
E030	Tool compartment light	
E031	Front grille lighting	
E032	Bottom bunk overhead lighting	
E033	LH upper overhead lighting (door)	
E034	LH overhead lighting (ambience)	
E035	RH overhead lighting (ambience)	
E036	Top bunk overhead lighting	
E100	RH front direction change indicator lights	
E101	LH front direction change indicator lights	
E102	Driver's side stepwell lighting	
E103	Front passenger's side stepwell lighting	
E104	Roof RH front direction change indicator lights	
E105	Roof LH front direction change indicator lights	
E109	RH rear direction change indicator lights	
E110	LH rear direction change indicator lights	
E114	Revolving beacon N° 1	
E115	Revolving beacon N° 2	
E116	RH rear fog light	
E117	LH rear fog light	
E119	LH stop lights	
E120	RH stop lights	
E122	RH clearance light N° 1	
E123	RH clearance light N° 2	
E124	LH front side/parking lights	

E125	RH front side/parking lights	
E128	LH clearance lights N° 3	
E129	LH clearance lights N° 4	
E131	RH clearance lights N° 3	
E132	RH clearance lights N° 4	
E133	LH clearance lights N° 1	
E134	LH clearance lights N° 2	
E135	LH tail lights unit	
E136	RH tail lights unit	
E137	RH rear side/parking lights	
E138	LH rear side/parking lights	
E141	LH reversing lights	
E142	RH reversing lights	
E144	Roof LH side/parking lights	
E145	Roof LH side/parking lights	
E149	Anti-glare strip-mounted LH marker lights	
E150	Anti-glare strip-mounted RH marker lights	
E500	RH dipped beam headlight	
E501	LH dipped beam headlight	
E502	RH main beam headlight	
E503	LH dipped beam headlight	
E504	RH headlamp insert	
E505	LH headlamp insert	
E506	LH fog driving light	
E507	RH fog driving light	
E508	RH long range driving light	
E509	LH long range driving light	
E510	Working spotlight	
G001	Vehicle management ECU	
G002	Engine management ECU	
G003	Bodybuilder pre-arrangement management ECU	
G004	Air suspension ECU	
G005	EBS braking management ECU	
G006	Vehicle power supply management ECU (ADR)	
G007	Front axle braking assistance modulator unit	

G008	Drive axle braking assistance modulator unit	
G012	Lighting and signalling management ECU	
G016	Second rear axle braking assistance modulator unit	
G017	Cab temperature regulation ECU	
G018	Onboard management interface ECU	
G019	Gear selector ECU	
G020	Automatic transmission ECU	
G021	Hydraulic retarder ECU	
G022	Electric retarder ECU	
G025	Engine immobilizer ECU	
G026	Alarm ECU	
G027	Piloted axle ECU	
G028	Doors central locking ECU	
G029	Automatic transmission sensors / actuators unit	
G030	AdBlue supply management pump module	
G051	Air production management ECU	
G102	Onboard management ECU	
G104	Tyre pressures monitoring ECU	
H001	Engine immobilizer antenna	
H002	Radio set antenna	
H011	LH front loudspeaker	
H012	RH front loudspeaker	
H014	Radio set	
H016	CD player	
J001	Cigar lighter	
J002	RH heated seat unit	
J003	LH heated seat unit	
J006	Refrigerated compartment	
J007	Refrigerator	
K001	Air/water add-on heater	
K002	Air/air add-on heater	
K003	Air conditioning ECU	
L004	External horn	
L006	Horn - Alarm siren	
L008	Electric horn	

M002	Starter	
M020	Windscreen wipers drive motor	
M021	Windscreen wash pump motor	
M022	Headlamps wash pump motor	
M023	LH headlamp ride correction motor	
M024	RH headlamp ride correction motor	
M056	Driver's door window winder motor	
M057	Front passenger's door window winder motor	
M060	Electric roof air vent motor	
M080	RH rearview mirror horizontal swivelling motor	
M081	RH rearview mirror vertical swivelling motor	
M082	LH rearview mirror horizontal swivelling motor	
M083	LH rearview mirror vertical swivelling motor	
M102	Cab tilting motor	
M200	Air conditioning compressor electric clutch	
M203	Add-on heater fuel pump motor	
N001	Fuel heater resistor N° 2	
N004	Air preheating resistor	
N008	LH defrosting rearview mirror resistor	
N009	RH defrosting rearview mirror resistor	
N010	Windscreen defrosting resistor	
N015	AdBlue heating resistor (in tank to pump module circuit)	
N016	AdBlue heating resistor (in pump module to tank circuit)	
N017	AdBlue heating resistor (in pump module to metering solenoid valve circuit)	
N018	AdBlue heating resistor (in metering solenoid valve to pump module circuit)	
N019	AdBlue heating resistor (in filter on pump)	
S001	After ignition power supply relay N°1	
S002	After ignition power supply relay N°2	
S003	After ignition power supply relay N° 3	
S004	Accessories power supply relay N° 1	
S005	Accessories power supply relay N° 2	
S020	Starting relay	
S021	Alternator circuit earthing relay (ADR)	
S022	Alternator controlled power supply relay (engine running)	

S100	Stop lights power supply relay	
S101	Rear fog lights power supply relay	
S102	Main beam headlights power supply relay	
S103	Fog driving lights power supply relay	
S104	Reversing lights power supply relay	
S105	RH and LH side/parking and marker lights power supply relay	
S106	Switches night lighting power supply relay	
S107	RH and LH side/parking and marker lights power supply relay (trailer and bodybuilder)	
S108	Revolving beacons power supply relay	
S109	Long range driving lights power supply relay	
S110	Fog lights cut-off relay if main beam headlights on	
S200	Automatic transmission management ECU power supply relay	
S201	Vehicle and engine ECUs power supply relay	
S202	Air suspension power supply relay	
S300	Cab tilting safety and authorization relay	
S400	Windscreen wipers motor time-delay relay	
S401	Headlamps wash pump motor power supply relay	
S402	Electric retarder relay box	
S403	Electric retarder	
S452	Air conditioning fan piloting relay	
S453	Add-on heater power supply relay	
S500	Heated and swivelling rearview mirror power supply relay	
S501	Air preheating relay	
S502	Windscreen defrosting control relay	
S600	Cab tilting motor power supply relay	
V001	Air/water add-on heater solenoid valve	
V002	Rear wheels diff lock electrovalve	
V003	LH roadwheel ABS electrovalve	
V004	Front RH wheel ABS solenoid valve	
V005	Axle piloting solenoid valve unit	
V006	Locking solenoid valve	
V007	LH steer control solenoid valve	
V008	RH steer control solenoid valve	
V009	60-tonne vehicle safety solenoid valve	

V010	PTO engagement electrovalve N° 1	
V011	High speed disengagement solenoid valve	
V012	High speed engagement solenoid valve	
V013	Low speed engagement solenoid valve	
V014	Low speed disengagement solenoid valve	
V015	Retarder proportional electrovalve	
V016	Retarder accumulation electrovalve	
V018	PTO engagement electrovalve N° 2	
V021	Engine brake N° 1 solenoid valve	
V022	Engine brake N° 2 solenoid valve	
V023	Exhaust brake solenoid valve	
V030	Drive axle suspension control solenoid valve unit	
V031	Drive axle rear suspension main electrovalve	
V032	Drive axle rear suspension (RH side) electrovalve	
V033	Drive axle rear suspension (LH side) electrovalve	
V034	Rear axle suspension control solenoid valve unit	
V035	Rear axle suspension main electrovalve	
V036	Rear axle suspension electrovalve	
V037	Lift-up air spring control electrovalve	
V038	Front suspension electrovalve	
V040	PTO N° 3 engagement electrovalve	
V050	Braking auxiliary electrovalve	
V051	Trailer braking inlet/exhaust electrovalve	
V052	Range change electrovalve	
V053	Splitter control electrovalve	
V054	Splitter and range change control unit	
V055	Engine water circuit by-pass solenoid valve	
V056	AdBlue supply metering solenoid valve	
V060	High pressure pump solenoid valve	
V101	Cylinder injector solenoid valve N° 1	
V102	Cylinder injector solenoid valve N° 2	
V103	Cylinder injector solenoid valve N° 3	
V104	Cylinder injector solenoid valve N° 4	
V105	Cylinder injector solenoid valve N° 5	
V106	Cylinder injector solenoid valve N° 6	

V107	Air horn	
V108	Air dryer bleeding solenoid valve	
V109	Engine cooling fan speed regulation solenoid valve	
V110	Inter-axle diff. lock electrovalve	
W100	Alternator circuit draw resistor	
W500	Diode(s)	
W501	Diodes set	
W502	Diode on after ignition information circuit for vehicle management box	
W503	Diode on engine running information relay power supply circuit	
W504	Diode on alternator earthing relay power supply circuit	
W505	Diode on alternator earthing relay power supply circuit	
W506	Doors central locking diode	
W507	Vehicle alarm sounding diode	
X200	Available power supplies connector	
X203	CAN bus grouping connector	
X900	15-pin trailer socket	
X902	24 Volts power supply socket	
X906	ABS/EBS trailer socket	
X907	Ground receptacle	
X908	12 Volts power supply socket	
X909	Extra 24 Volts power supply socket	
X913	Vehicle diagnostic socket	
X914	Vehicle data extraction socket	
X915	Automatic gearbox diagnostic socket	
Z001	Fuel heating unit	
Z003	Fan speed regulator unit	
Z004	Retarder unit	
Z005	Automatic transmission unit	
Z008	Driver's swivelling defrosting rearview mirror	
Z009	Passenger's swivelling defrosting rearview mirror	
Z010	Front passenger's door locking striker unit	
Z011	Driver's door locking striker unit	
Z014	Trailer brake control EBS modulator unit	

Summary of diagrams

CAN BUS transfer zone J1587-1

Diagram plate: **006**

CAN BUS transfer zone J1939-1

Diagram plate: **007**

CAN BUS transfer zone J1939-2

Diagram plate: **008**

CAN BUS transfer zone J1939-ENG

Diagram plate: **009**

Energy production (except ADR)

Diagram plate: **010**

Energy production "ADR"

Diagram plate: **012**

Control ECU ADR

Diagram plate: **015**

Electrical distribution 1/7

Diagram plate: **020**

Electrical distribution 2/7

Diagram plate: **022**

Electrical distribution 3/7

Diagram plate: **024**

Electrical distribution 4/7

Diagram plate: **026**

Electrical distribution 5/7

Diagram plate: **028**

Electrical distribution 6/7

Diagram plate: **030**

Electrical distribution 7/7

Diagram plate: **032**

Air production management

Diagram plate: **040**

Lighting and signalling management

Diagram plate: **050**

Windscreen wiper(s) and headlamps wash

Diagram plate: **052**

Side, marker, identification and parking lights

Diagram plate: **053**

Rear lights

Diagram plate: **055**

Headlights and front lights

Diagram plate: **057**

Specific trade lights and horn

Diagram plate: **059**

Electric window raiser / Sun-roof

Diagram plate: **060**

Swivelling defrosting rearview mirrors

Diagram plate: **064**

Comfort lighting 1/2

Diagram plate: **069**

Comfort lighting 2/2

Diagram plate: **070**

Comfort accessories

Diagram plate: **074**

Radio, CB radio and telephone

Diagram plate: **075**

Air conditioning

Diagram plate: **079**

Independent (add-on) heating AT2000ST

Diagram plate: **090**

Independent (add-on) heating THERME90S

Diagram plate: **092**

Independent (add-on) heating AT2000ST - ADR

Diagram plate: **094**

Diff lock

Diagram plate: **100**

EBS braking system 1/7

Diagram plate: **102**

EBS braking system 2/7

Diagram plate: **103**

EBS braking system 3/7

Diagram plate: **104**

EBS braking system 4/7

Diagram plate: **105**

EBS braking system 5/7

EBS table **4x2/4x4**

EBS braking system 6/7

EBS table **6x2/6x4**

EBS braking system 7/7

EBS table **8x2/8x4**

Steered axle

Diagram plate: **110**

Automatic gearbox

Diagram plate: **120**

Gearbox "ALLISON 3000V"

Diagram plate: **122**

Electronic air suspension - "4x2" tractors

Diagram plate: **150**

Electronic air suspension - Except "4x2" tractors

Diagram plate: **152**

Electronic air suspension "6x2"

Diagram plate: **154**

Electric retarder

Diagram plate: **202**

Hydraulic retarder

Diagram plate: **204**

Vehicle electronic management 1/2

Diagram plate: **602**

Vehicle electronic management 2/2

Diagram plate: **604**

Bodybuilder pre-arrangement management

Diagram plate: **605**

Engine electronic management DXI11 (1/2)

Diagram plate: **610**

Engine electronic management DXI11 (2/2)

Diagram plate: **612**

Engine electronic management DXI7 (1/2)

Diagram plate: **614**

Engine electronic management DXI7 (2/2)

Diagram plate: **616**

Urea inflow management

Diagram plate: **620**

Alarm

Diagram plate: **702**

Door control/Immobiliser

Diagram plate: **750**

Tachograph

Diagram plate: **800**

Diagnostic socket

Diagram plate: **805**

Principal information display 1/2

Diagram plate: **850**

Principal information display 2/2

Diagram plate: **851**

Trailer sockets

Diagram plate: **890**

Available power supplies 1/3

Diagram plate: **900**

Available power supplies 2/3

Diagram plate: **901**

Available power supplies 3/3

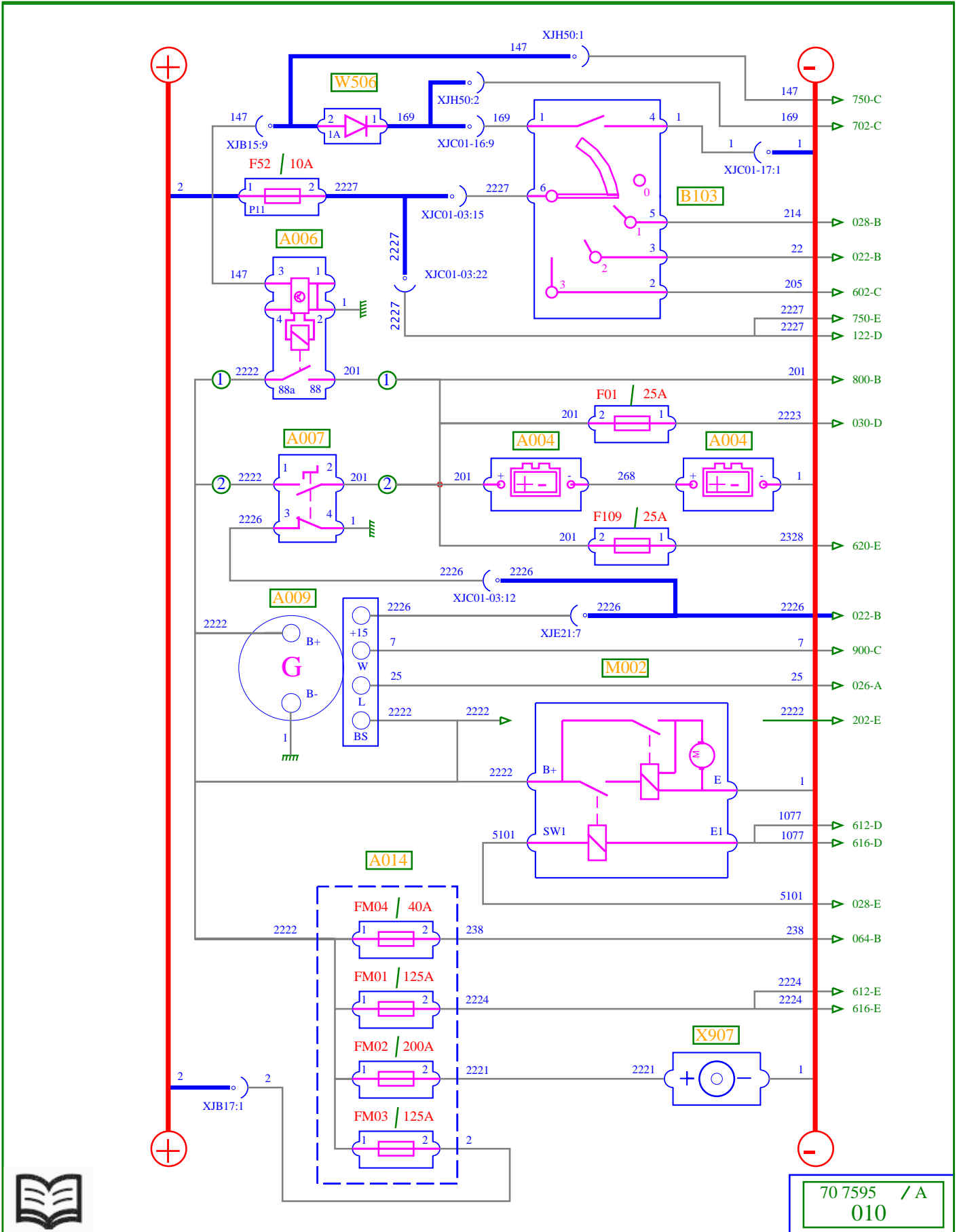
Diagram plate: **902**

Onboard management "FMS + TMC"

Diagram plate: **940**

Onboard management "FMS + RAL"

Diagram plate: **941**



cardiagn.com



Energy production (except ADR)

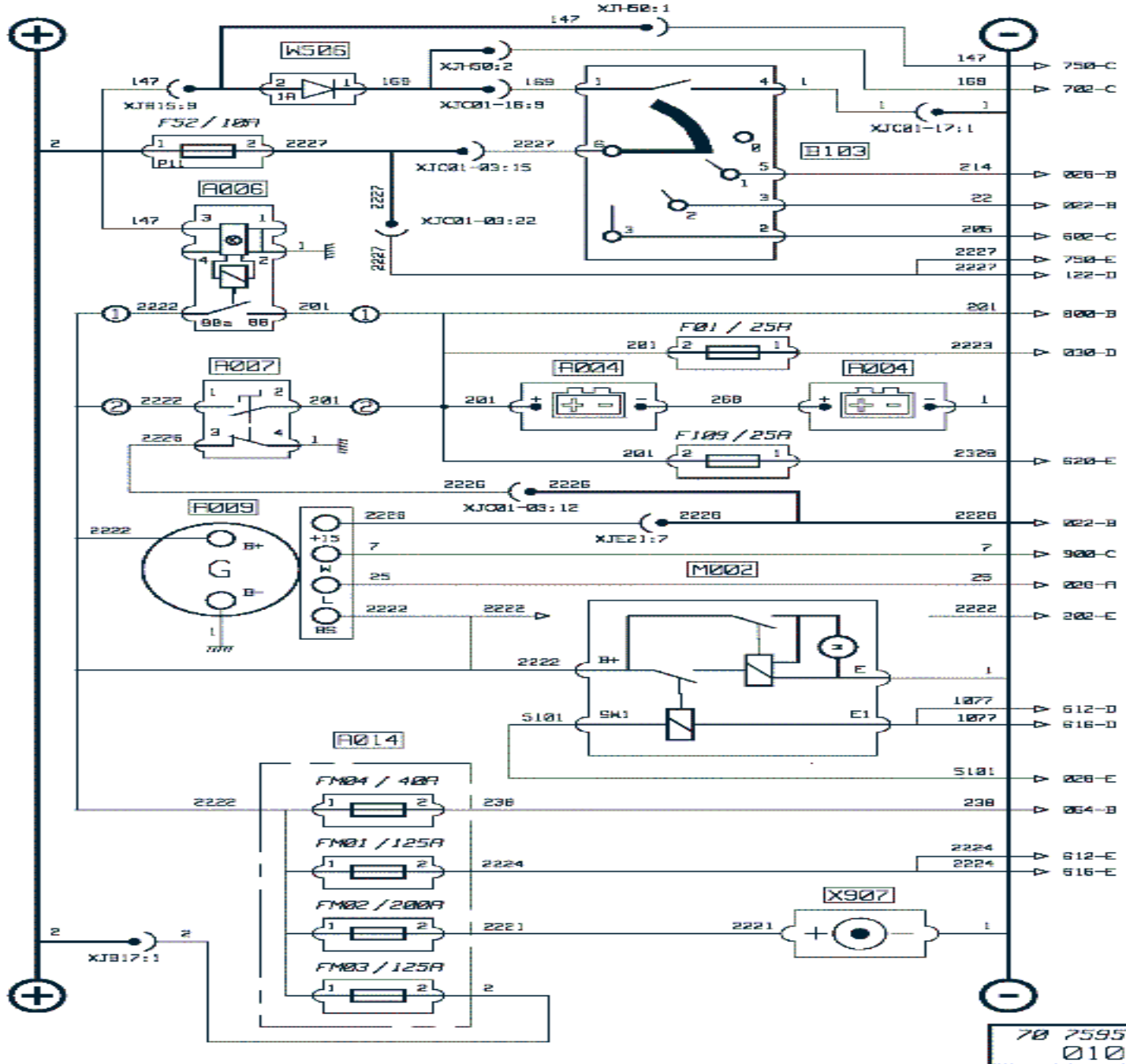
Key to appliances

Code	Function	Location
A004	Batteries	C4d
A006	Electrically controlled master switch	C4d
A007	Manually controlled master switch	C4d
A009	Alternator	B3c
A014	Power fuse box unit (FM1 to FM4)	C4d
B103	Key switch unit	C2c
M002	Starter	B3c
W506	Doors central locking diode	A2c
X907	Ground receptacle	C5d

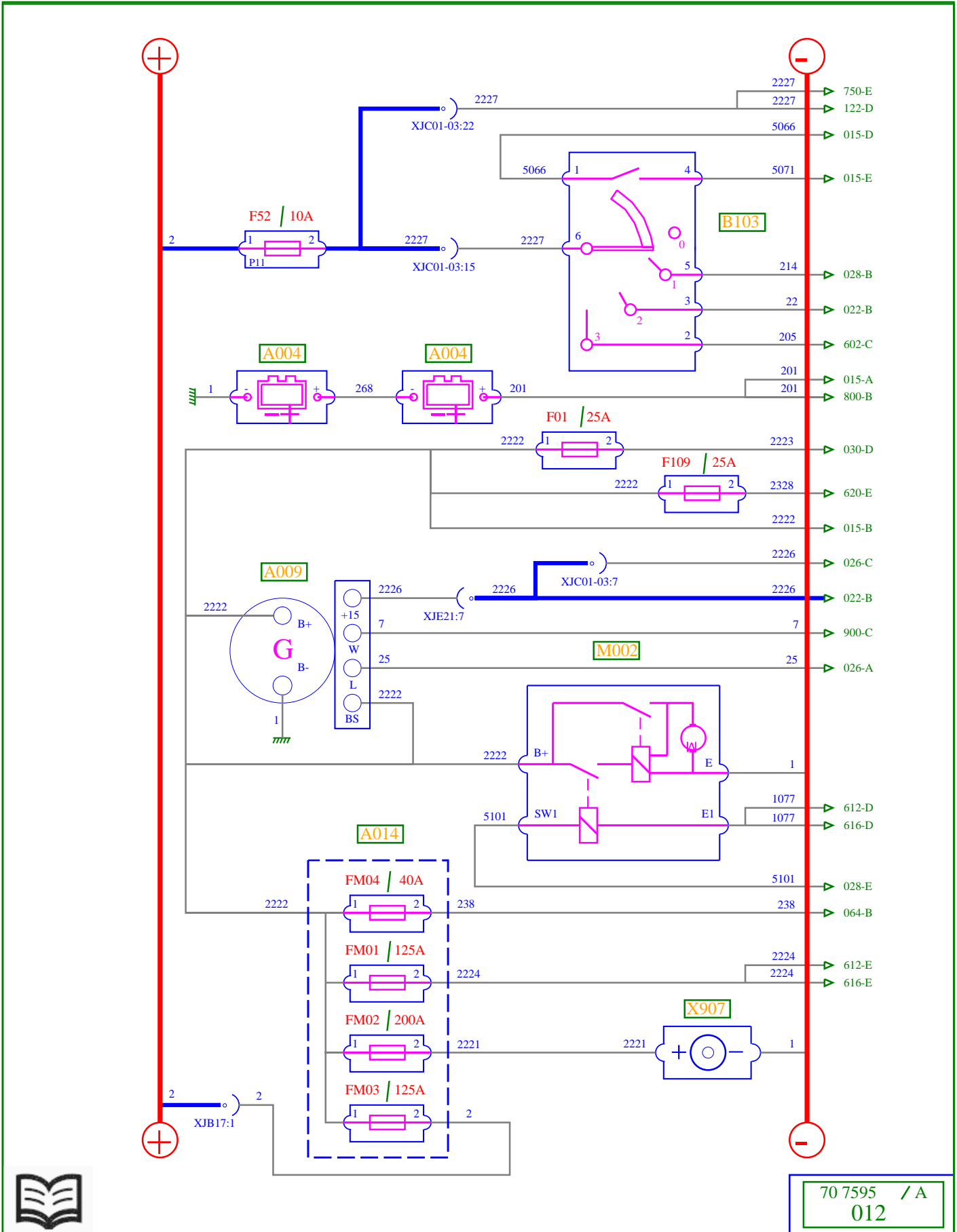
- 1: with electrical master switch
- 2: with mechanical master switch

Energy production (except ADR)

F
B
C
D
E



70 7595 / R
010



cardiagn.com

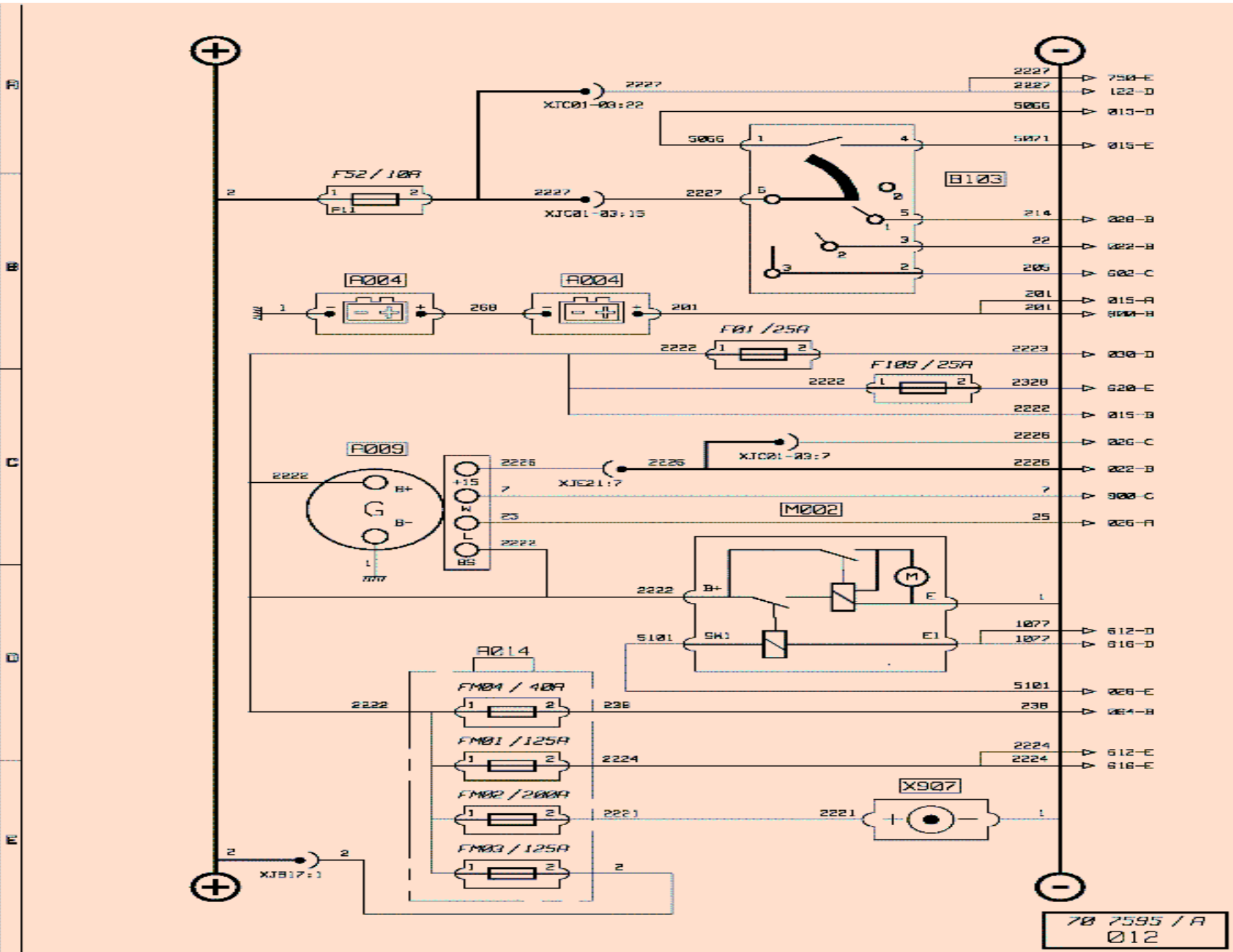


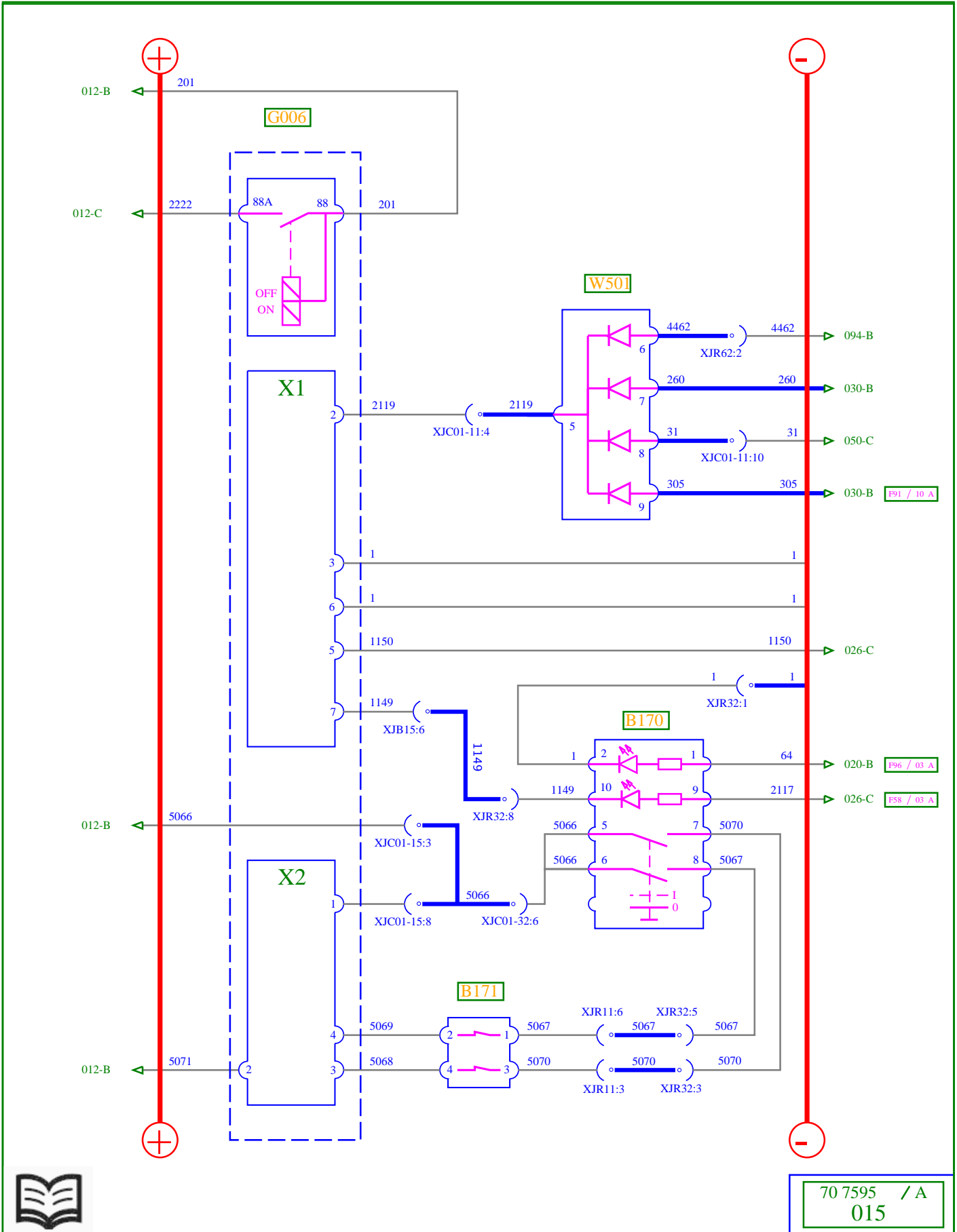
Energy production "ADR"

Key to appliances

Code	Function	Location
A004	Batteries	C4d
A009	Alternator	B3c
A014	Power fuse box unit (FM1 to FM4)	C4d
B103	Key switch unit	C2c
M002	Starter	B3c
X907	Ground receptacle	C5d

Energy production "ADR"



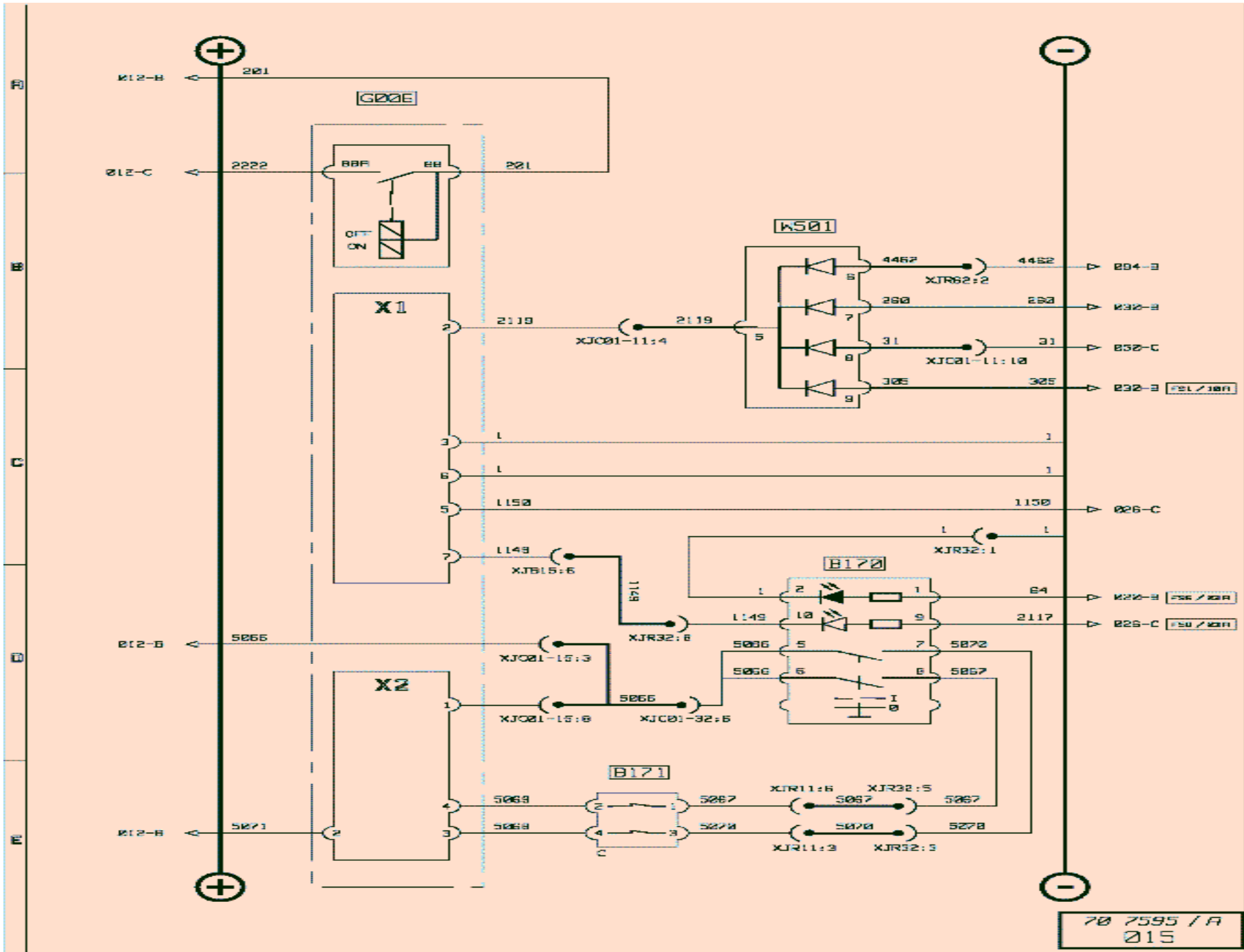


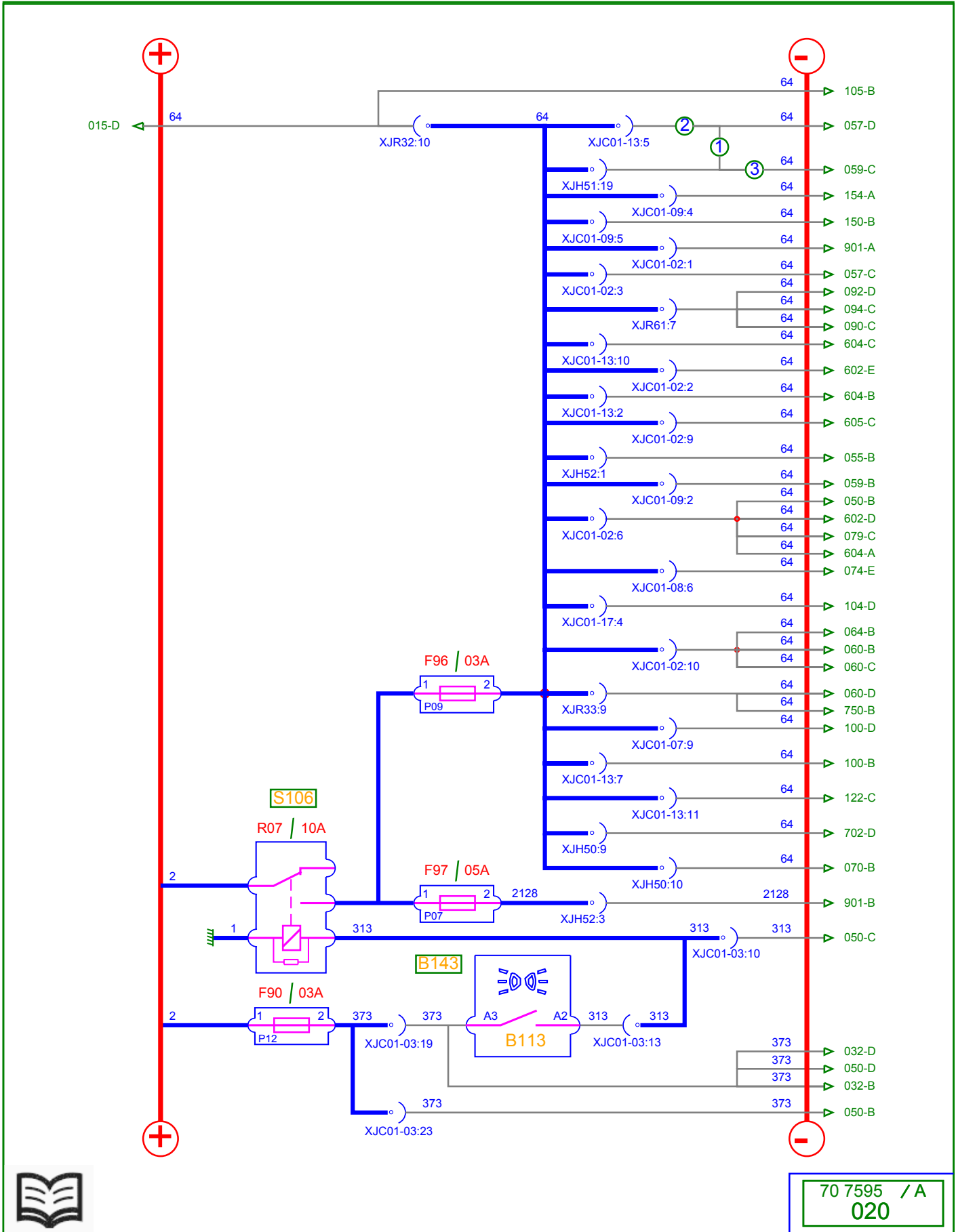
Control ECU ADR

Key to appliances

Code	Function	Location
B170	Cab emergency stop control	C2d
B171	Chassis emergency stop control	A3c
G006	Vehicle power supply management ECU (ADR)	C4d
W501	Diodes set	A2c

Control ECU ADR





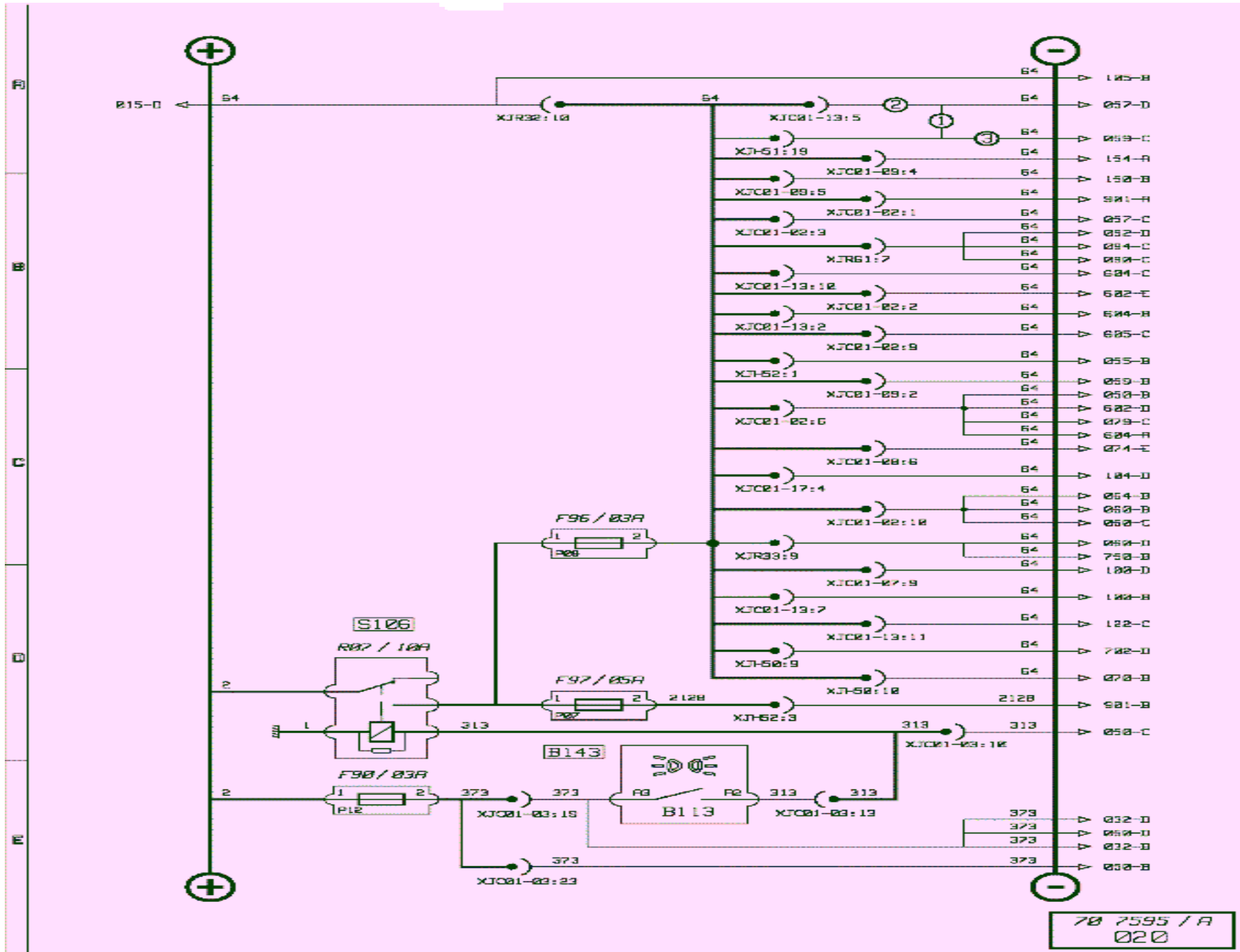
Electrical distribution (1/7)

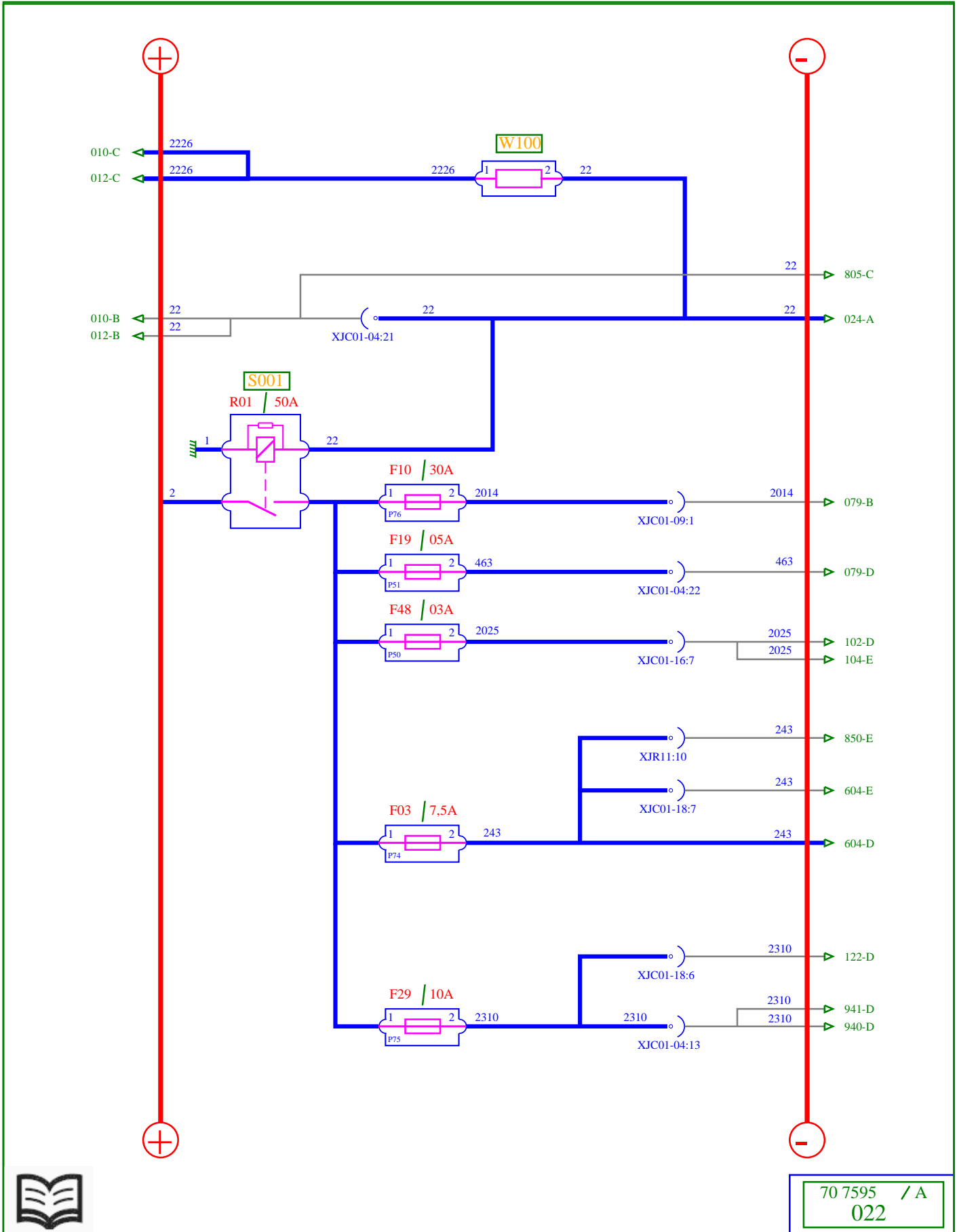
Key to appliances

Code	Function	Location
B113	Side/parking lights control	C2b
B143	Steering wheel fingertip controls N° 1	C2b
S106	Switches night lighting power supply relay	A2c

- 1: with dashboard-mounted long range driving lights control
- 2: with top ledge-mounted long range driving lights control
- 3: with revolving beacon(s)

Electrical distribution (1/7)



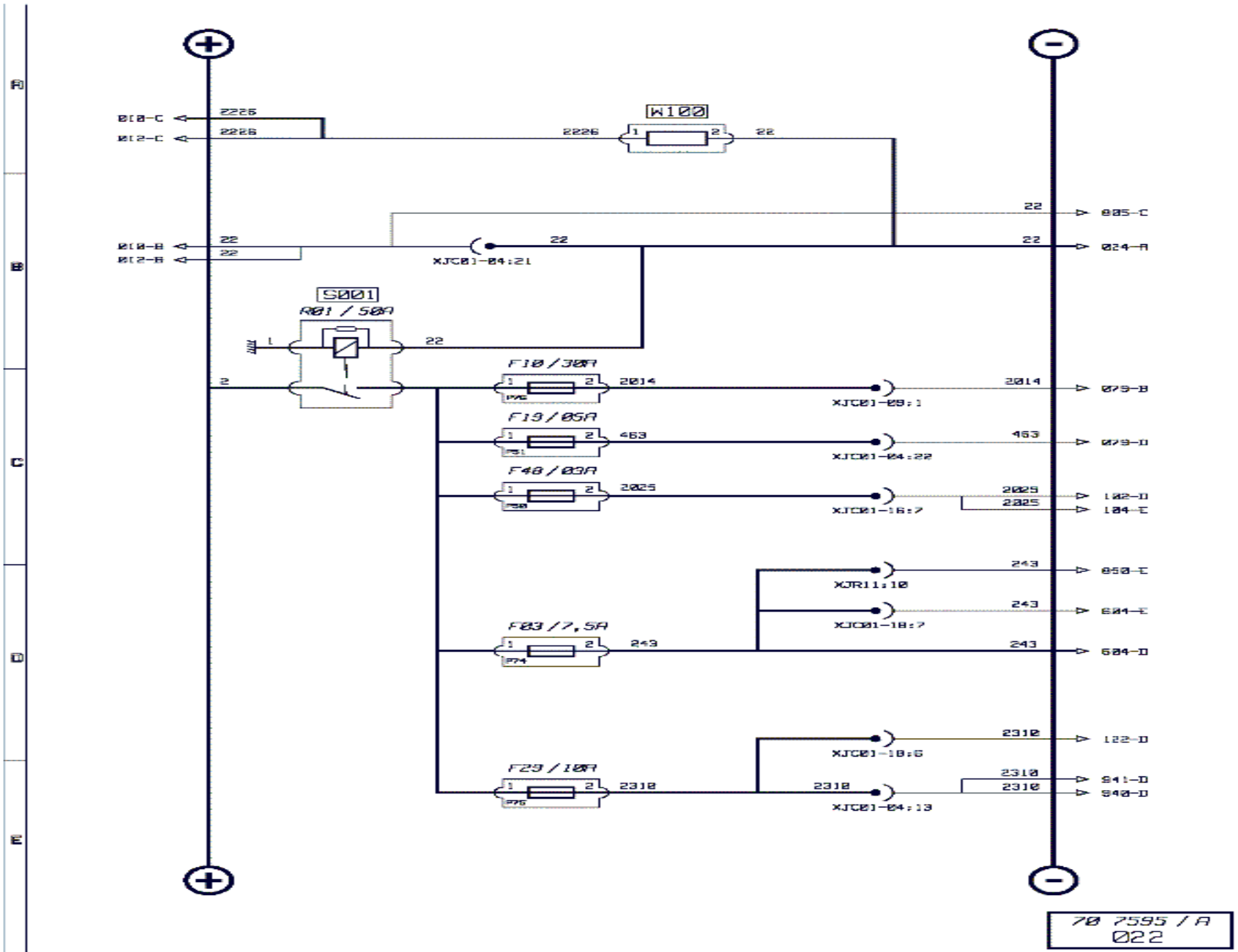


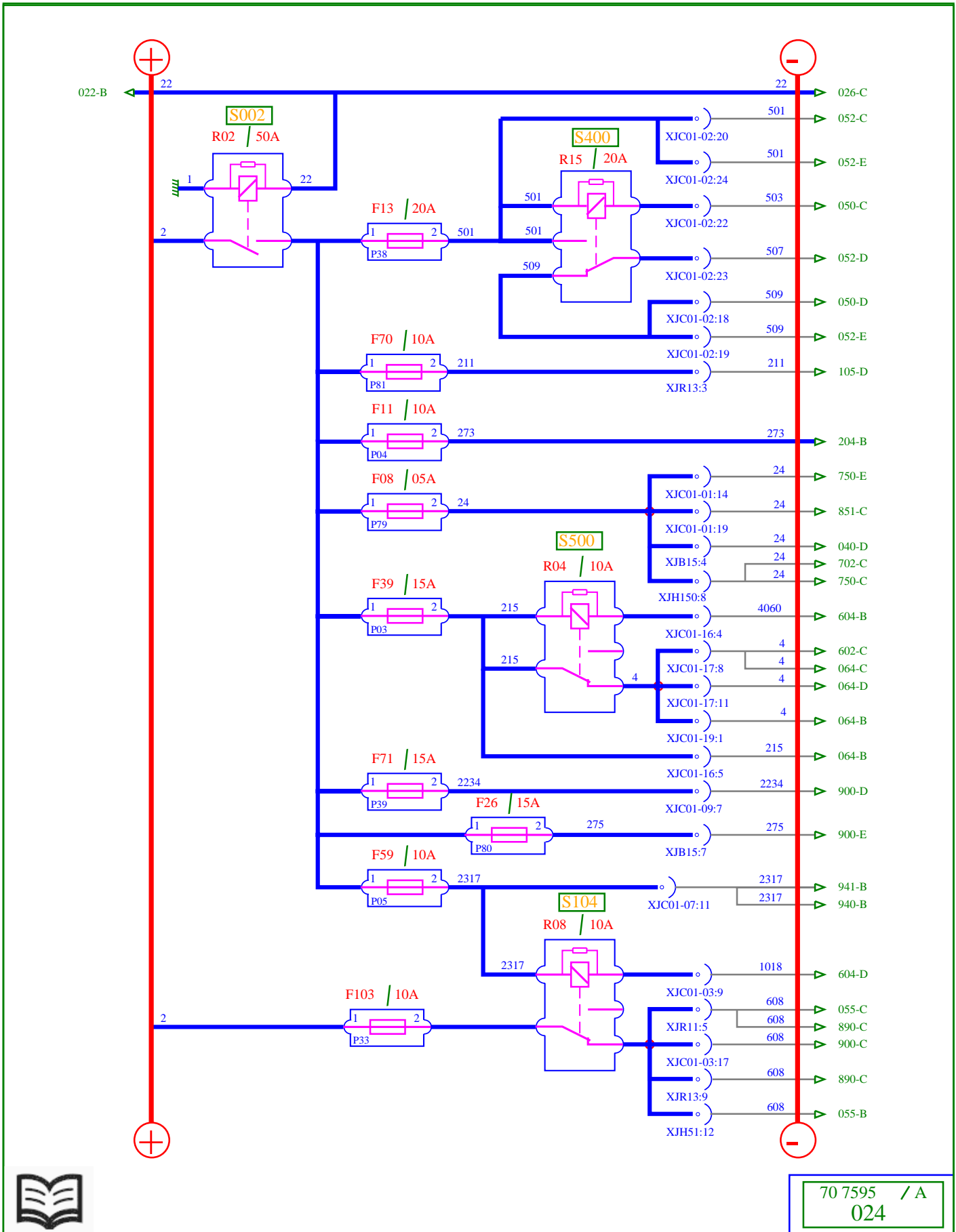
Electrical distribution (2/7)

Key to appliances

Code	Function	Location
S001	After ignition power supply relay N°1	A2c
W100	Alternator circuit draw resistor	A2c

Electrical distribution (2/7)





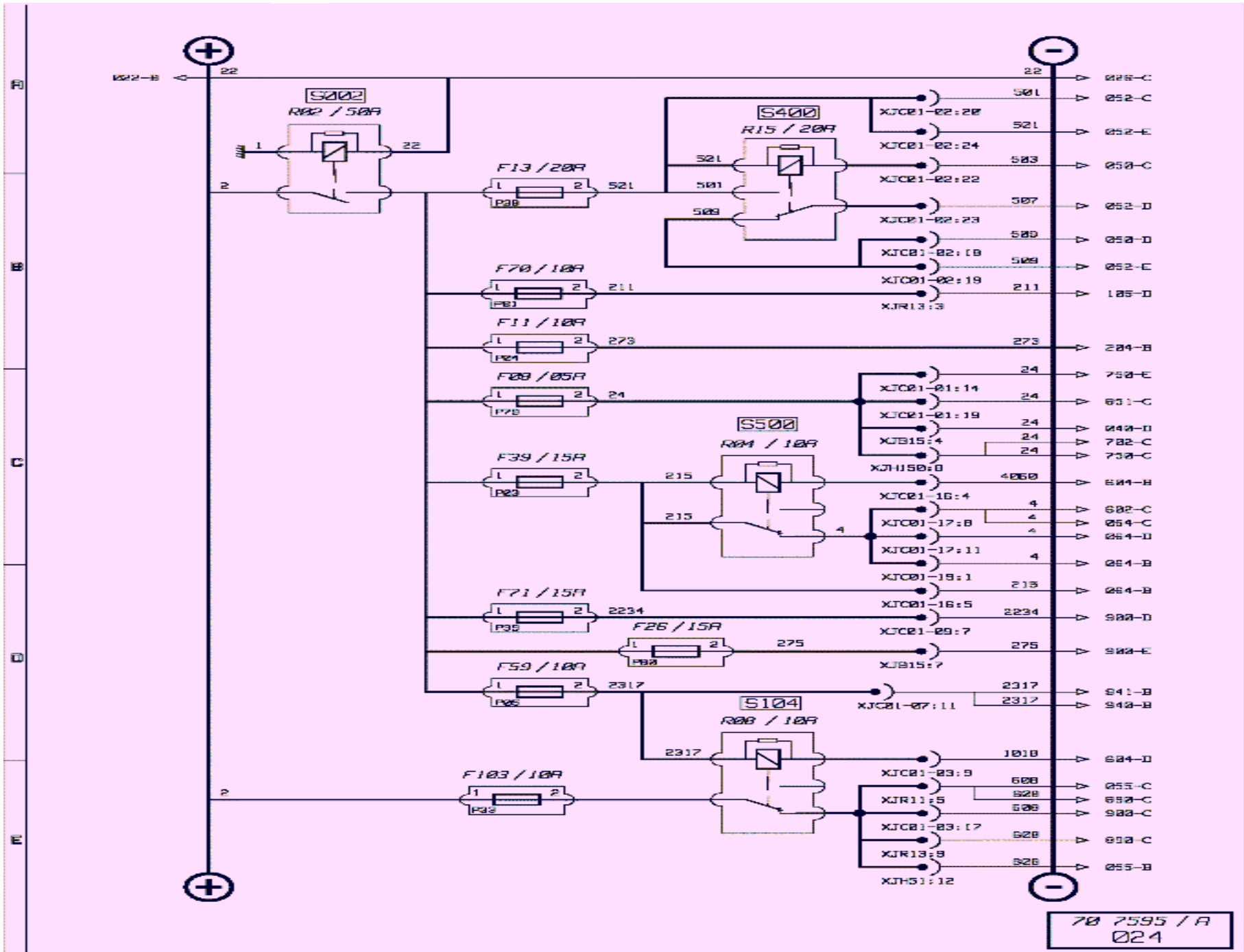
cardiagn.com

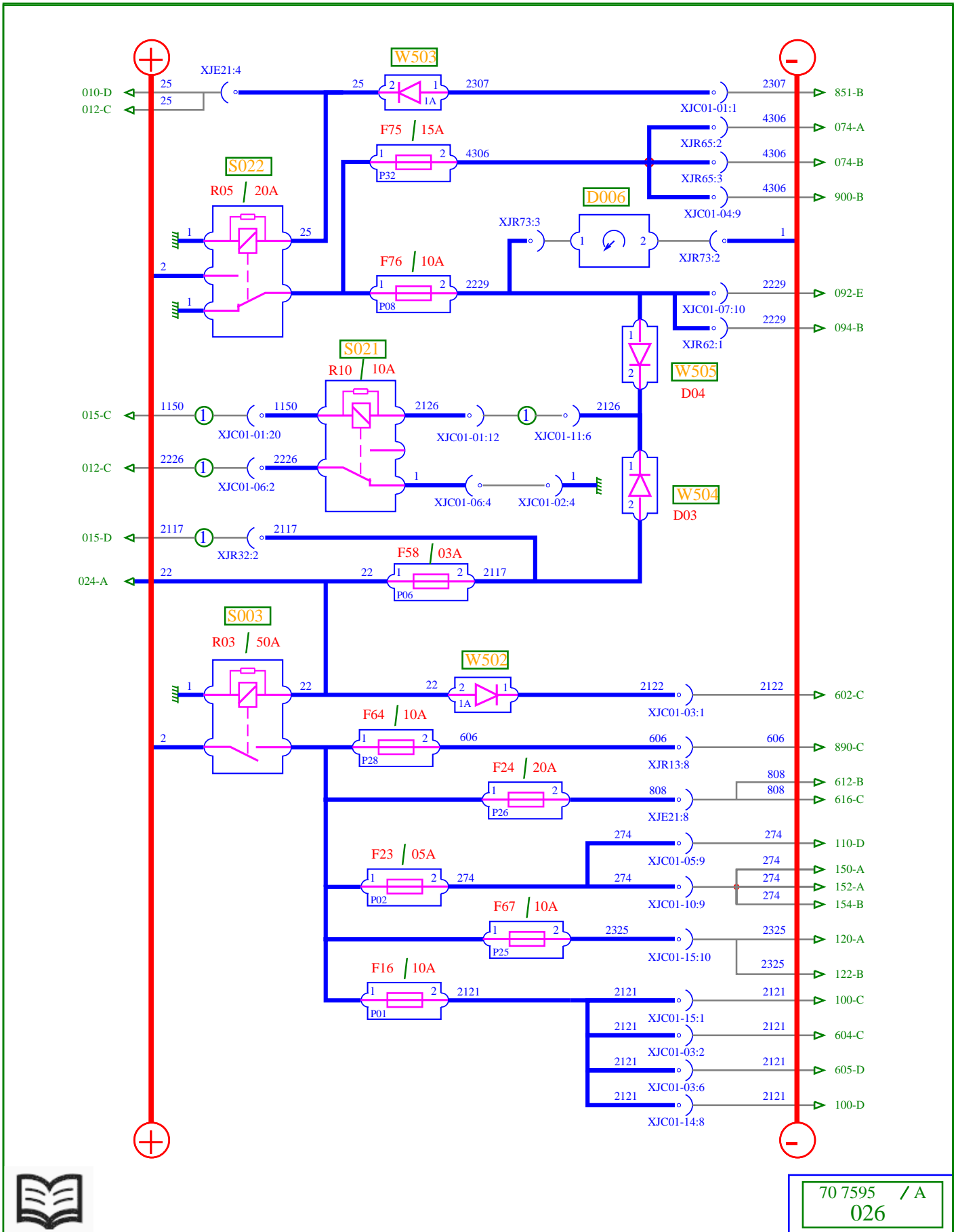
Electrical distribution (3/7)

Key to appliances

Code	Function	Location
S002	After ignition power supply relay N°2	A2c
S104	Reversing lights power supply relay	A2c
S400	Windscreen wipers motor time-delay relay	A2c
S500	Heated and swivelling rearview mirror power supply relay	A2c

Electrical distribution (3/7)





cardiagn.com

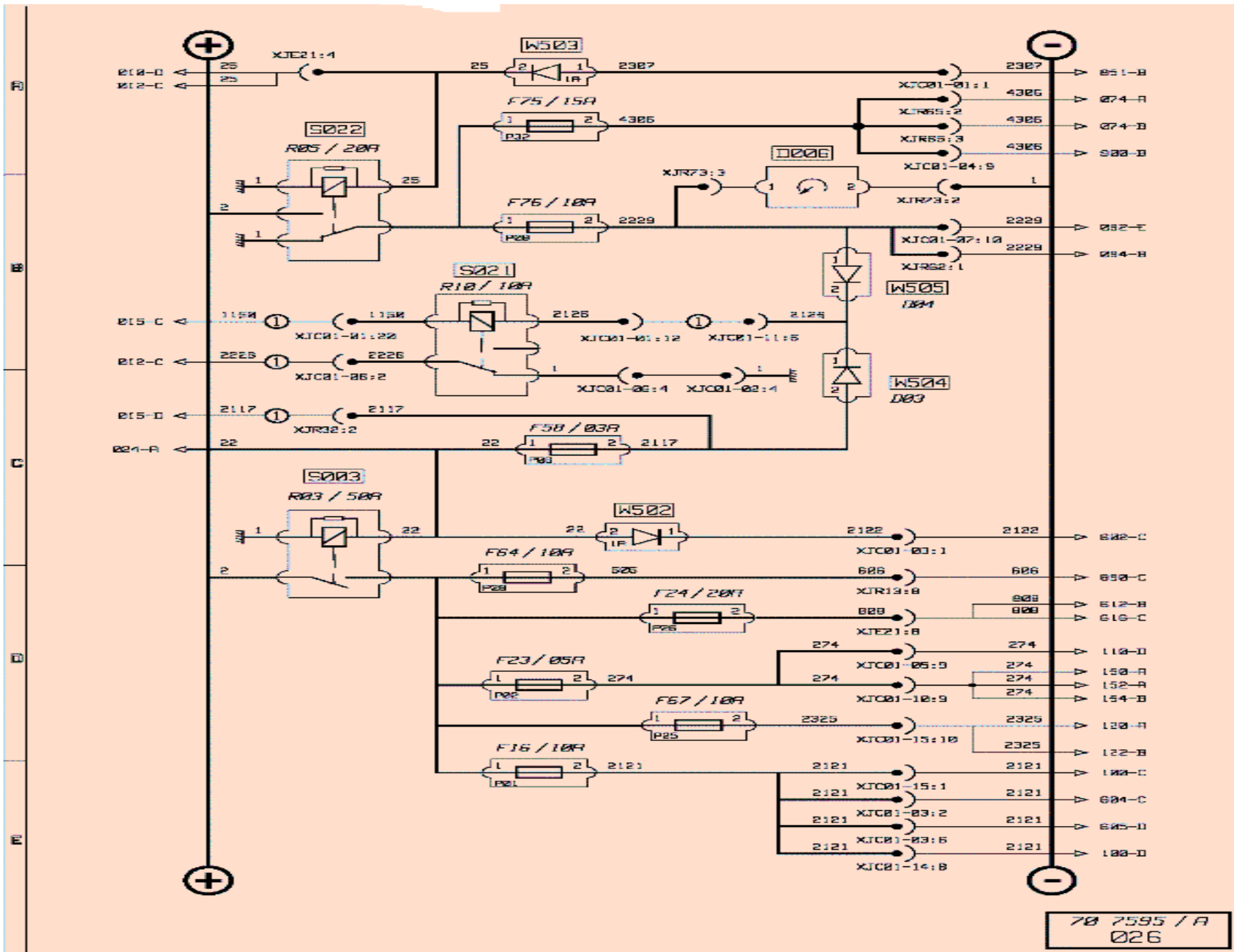
Electrical distribution (4/7)

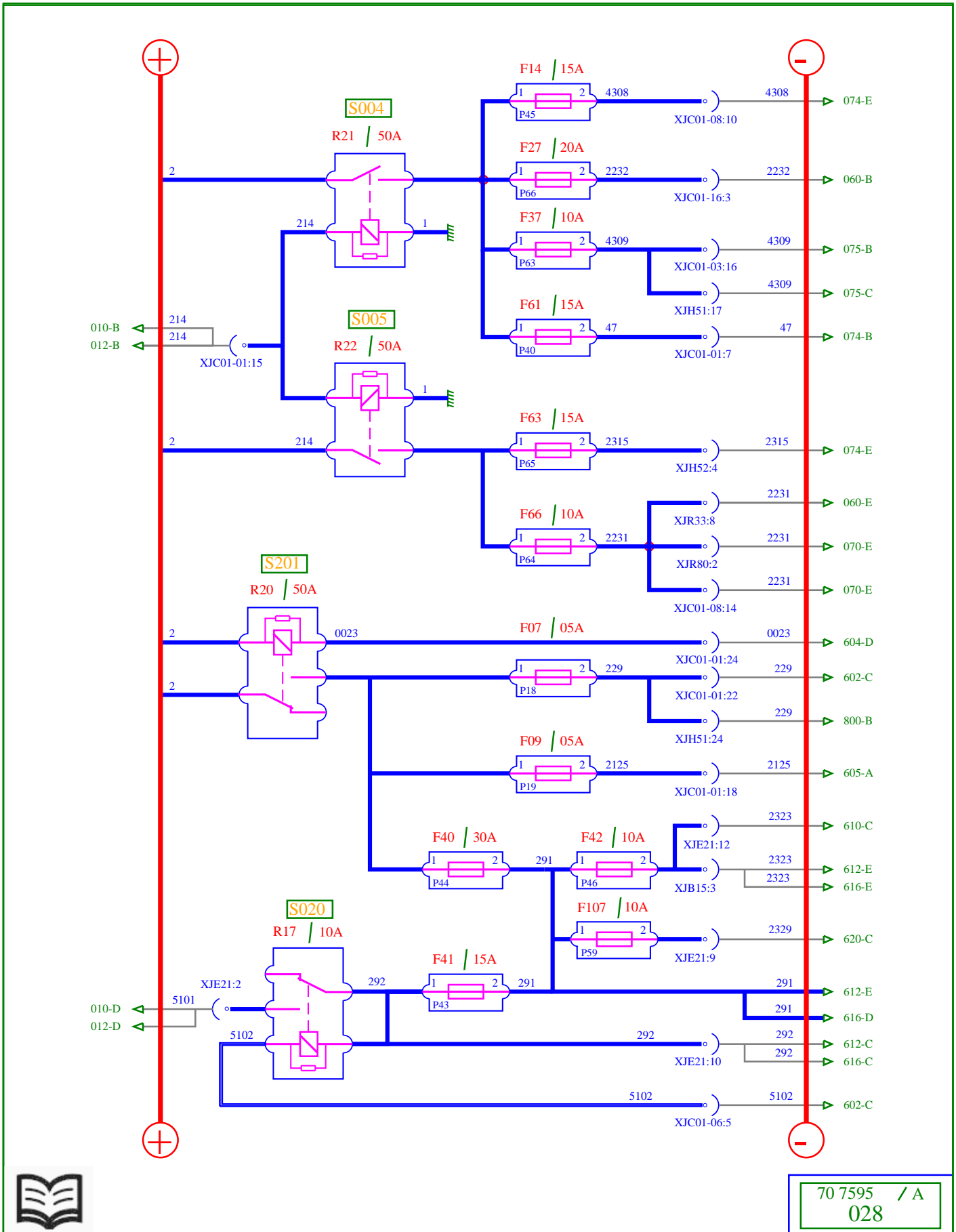
Key to appliances

Code	Function	Location
D006	Vehicle hour-meter	C3c
S003	After ignition power supply relay N° 3	A2c
S021	Alternator circuit earthing relay (ADR)	A2c
S022	Alternator controlled power supply relay (engine running)	A2c
W502	Diode on after ignition information circuit for vehicle management box	A2c
W503	Diode on engine running information relay power supply circuit	A2c
W504	Diode on alternator earthing relay power supply circuit	A2c
W505	Diode on alternator earthing relay power supply circuit	A2c

1: with ADR equipment

Electrical distribution (4/7)





cardiagn.com

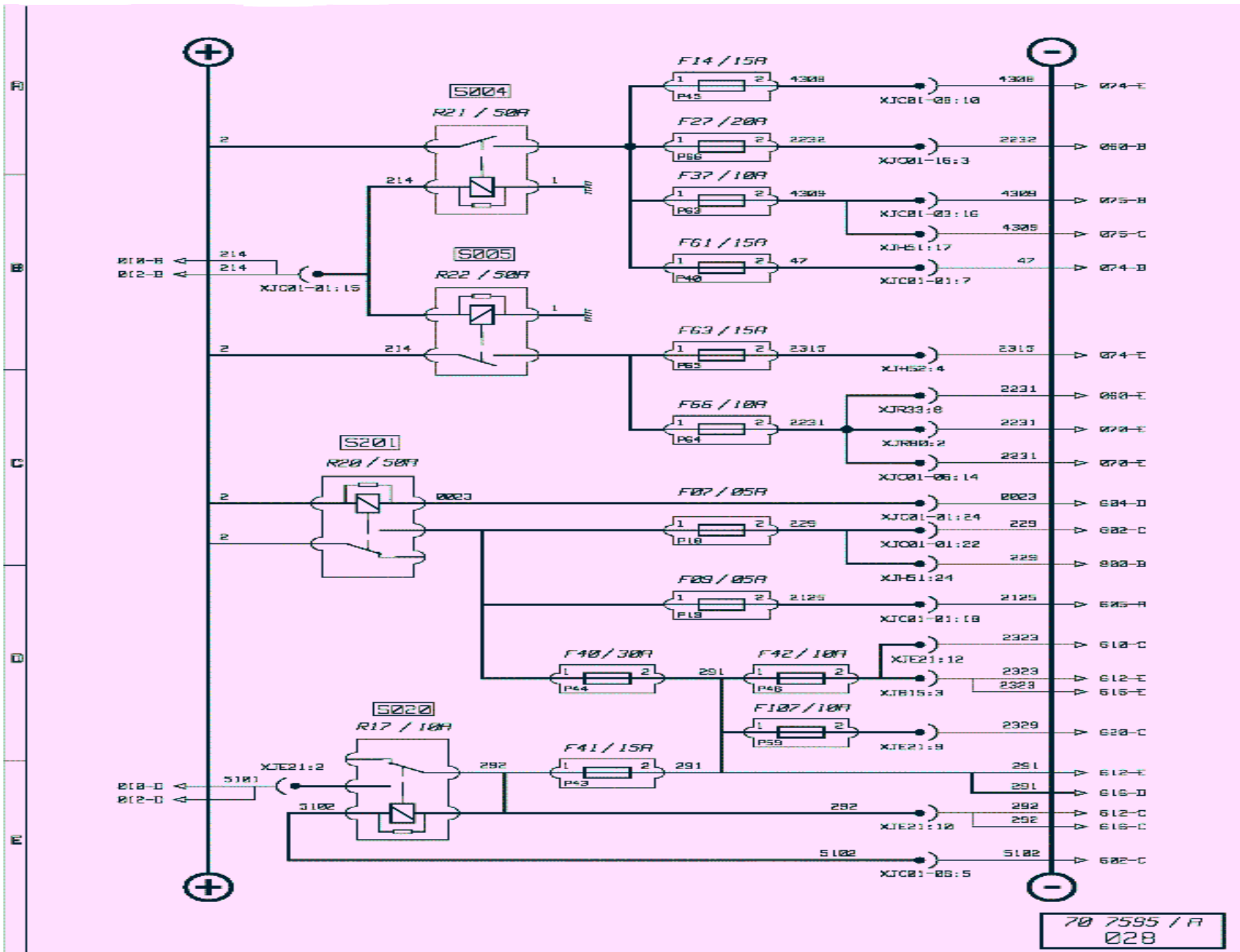


Electrical distribution (5/7)

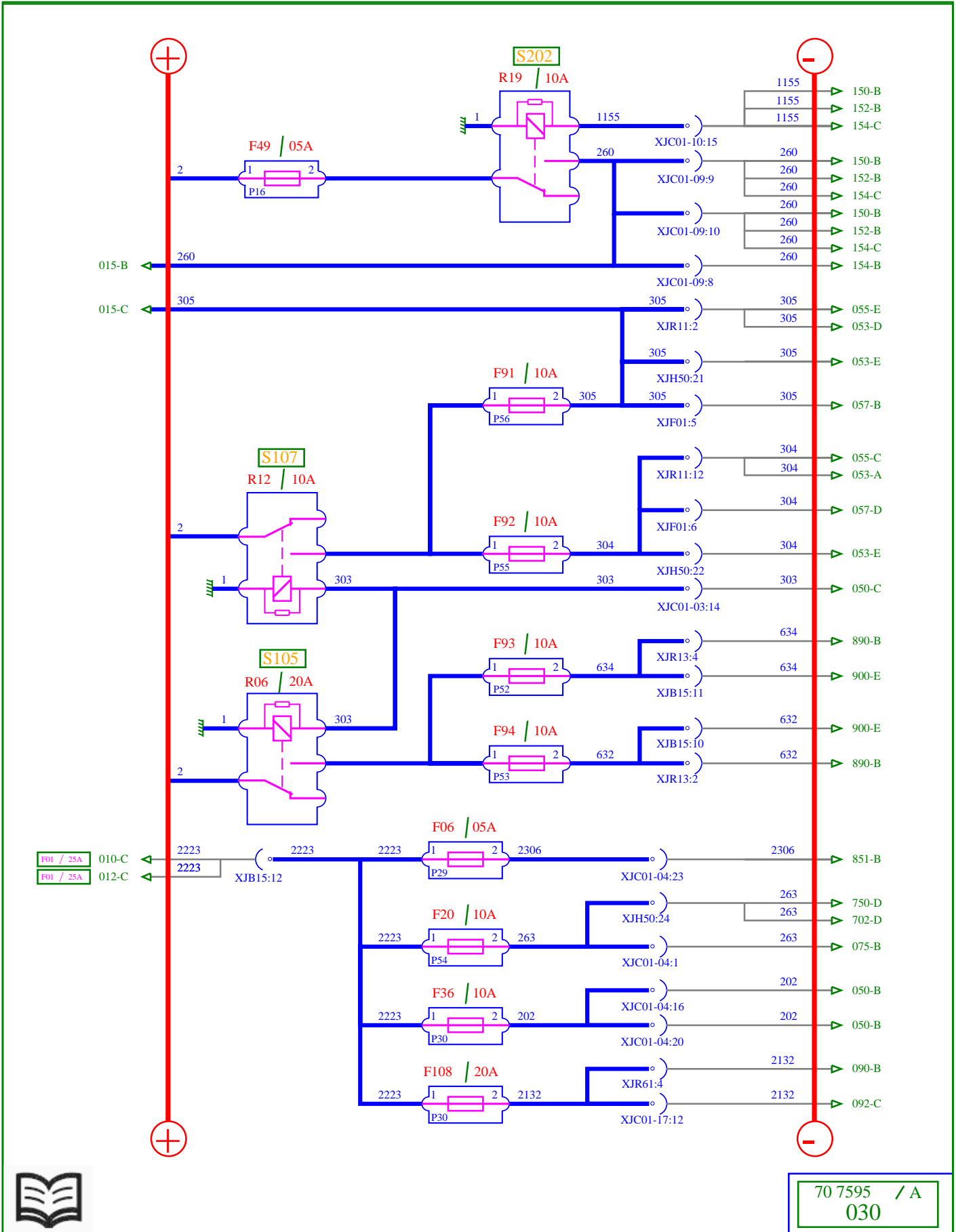
Key to appliances

Code	Function	Location
S004	Accessories power supply relay N° 1	A2c
S005	Accessories power supply relay N° 2	A2c
S020	Starting relay	A2c
S201	Vehicle and engine ECUs power supply relay	A2c

Electrical distribution (5/7)



70 7595 / R
028

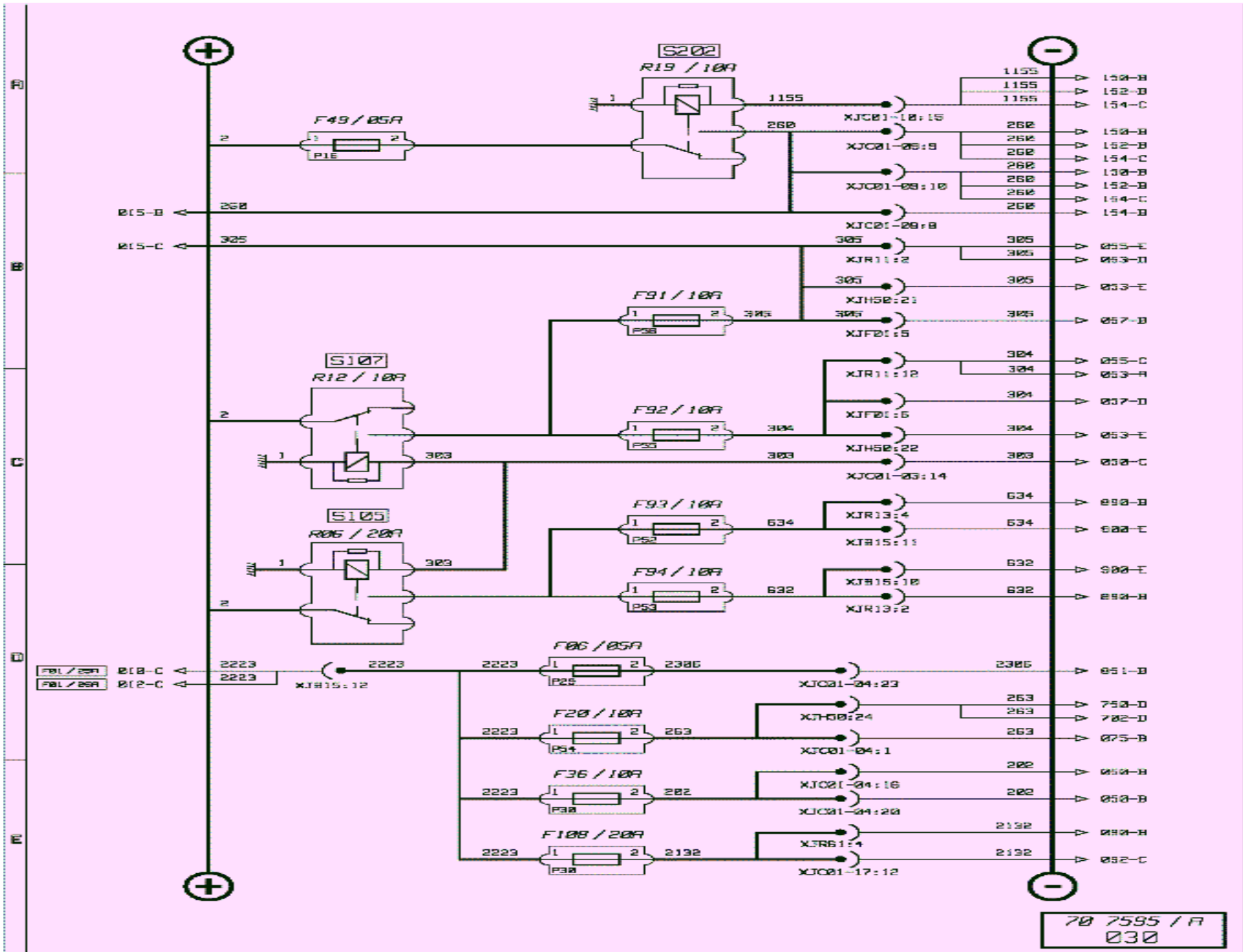


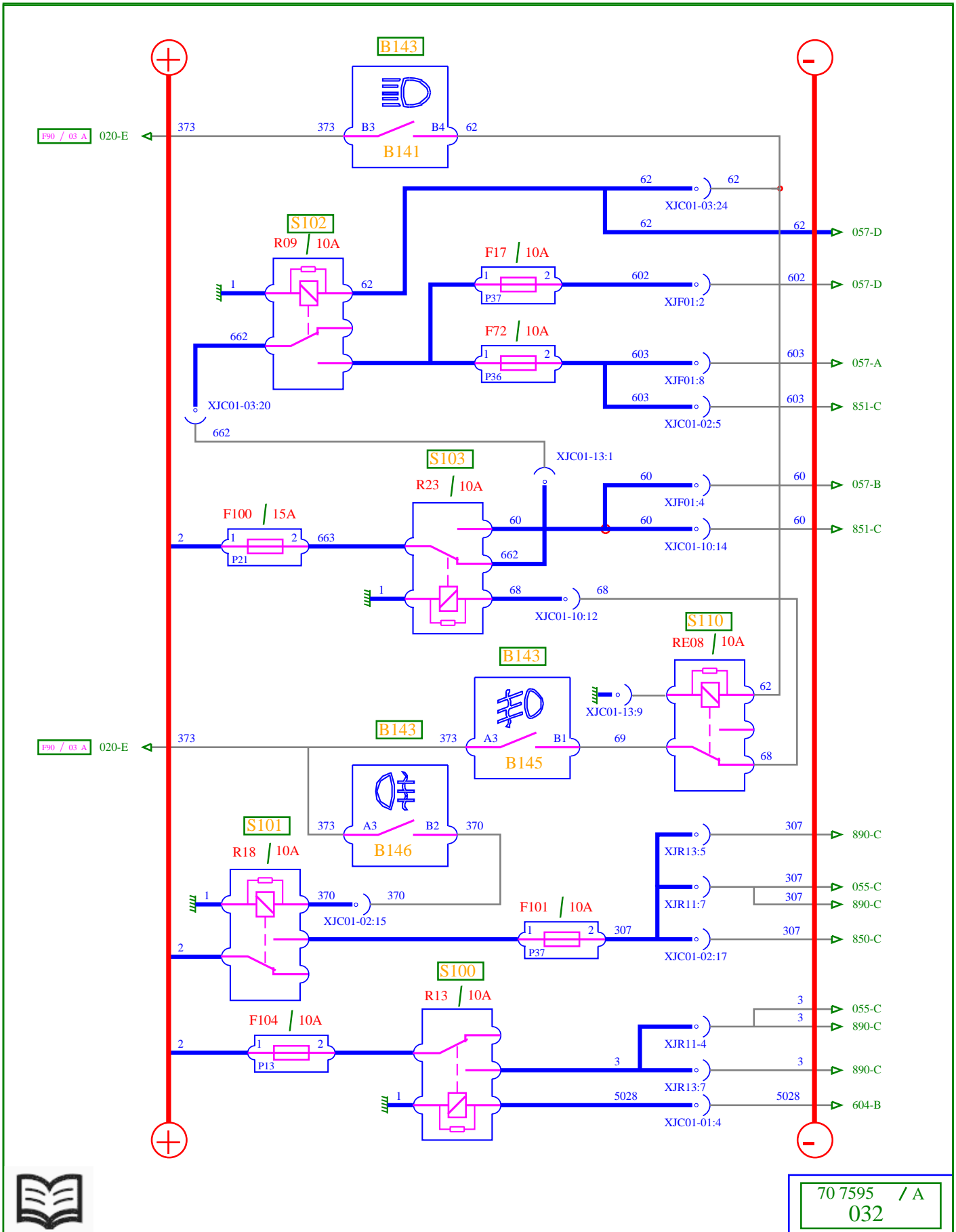
Electrical distribution (6/7)

Key to appliances

Code	Function	Location
S105	RH and LH side/parking and marker lights power supply relay	A2c
S107	RH and LH side/parking and marker lights power supply relay (trailer and bodybuilder)	A2c
S202	Air suspension power supply relay	A2c

Electrical distribution (6/7)





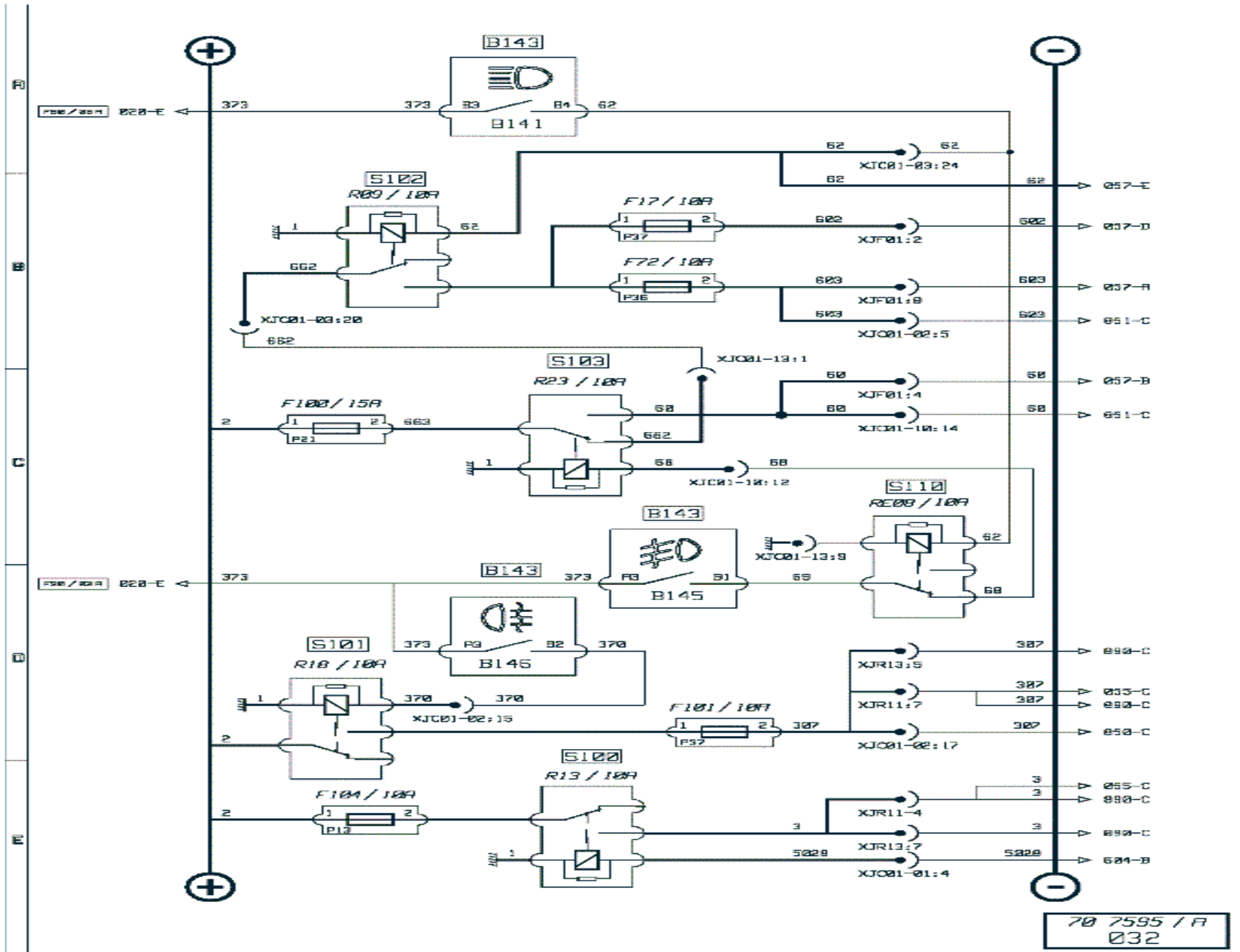
cardiagn.com

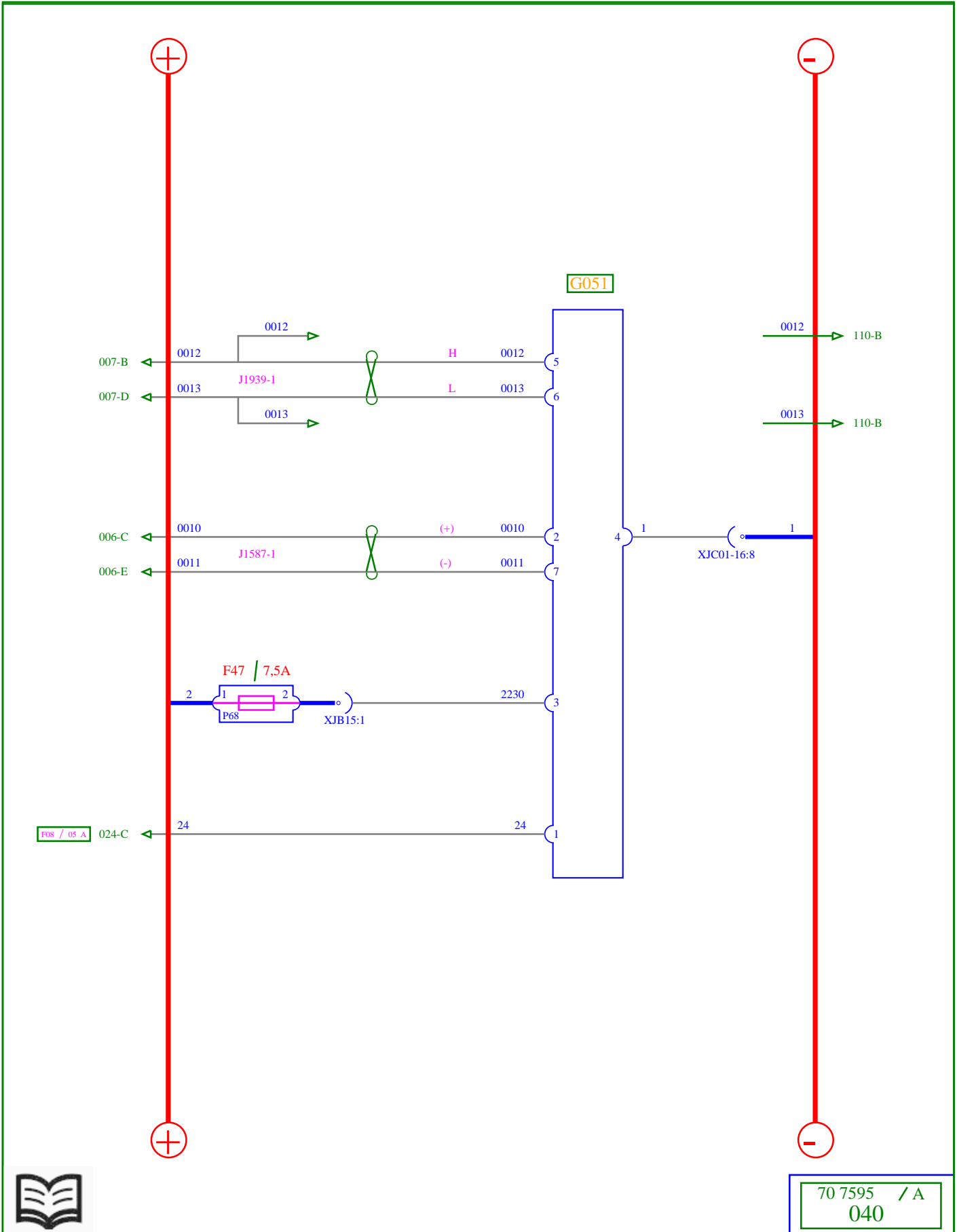
Electrical distribution (7/7)

Key to appliances

Code	Function	Location
B141	Main beam headlights control	C2b
B143	Steering wheel fingertip controls N° 1	C2b
B145	Fog driving lights control	C2b
B146	Fog lights control	C2b
S100	Stop lights power supply relay	A2c
S101	Rear fog lights power supply relay	A2c
S102	Main beam headlights power supply relay	A2c
S103	Fog driving lights power supply relay	A2c
S110	Fog lights cut-off relay if main beam headlights on	A2c

Electrical distribution (7/7)



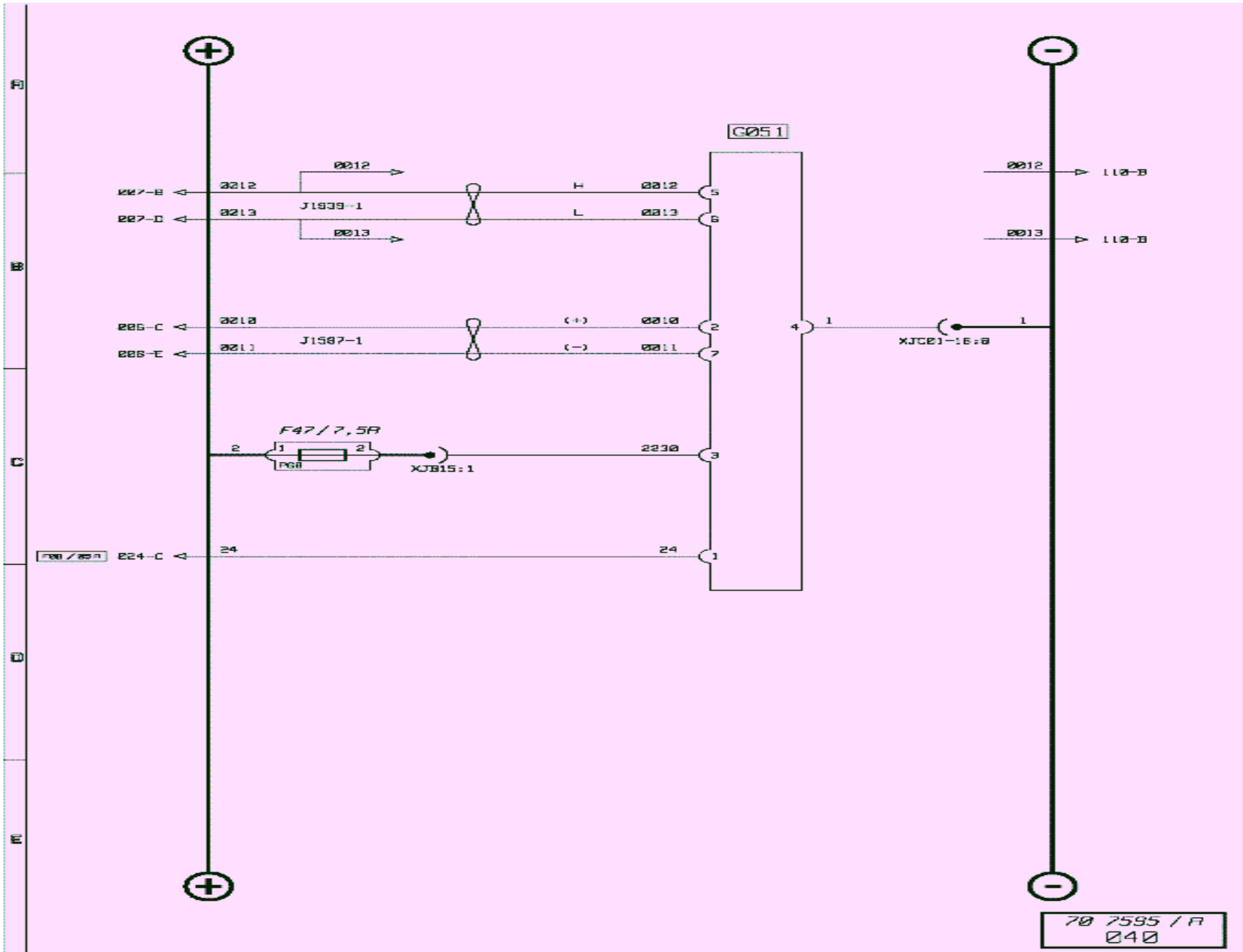


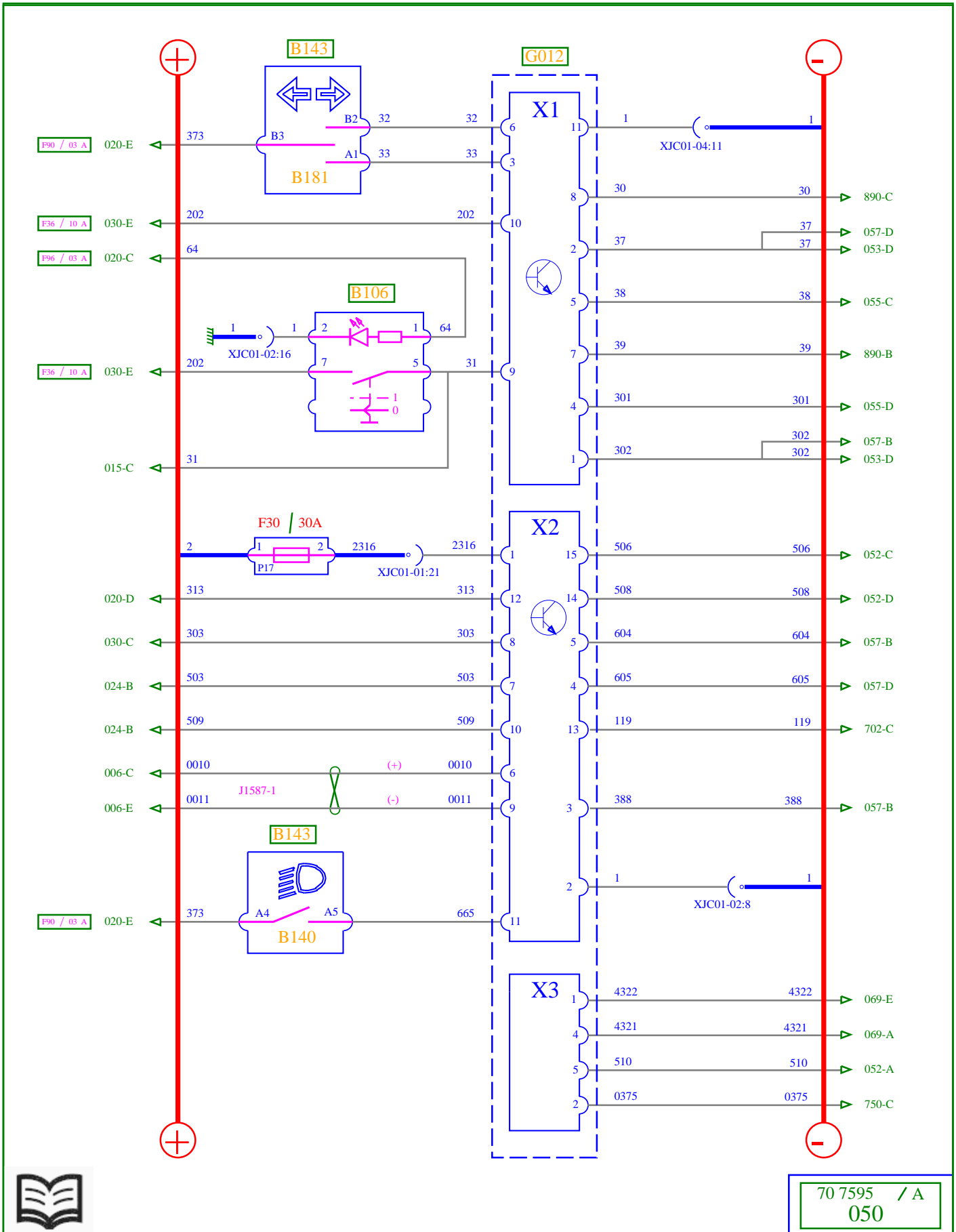
Air production management

Key to appliances

Code	Function	Location
G051	Air production management ECU	C4d

Air production management





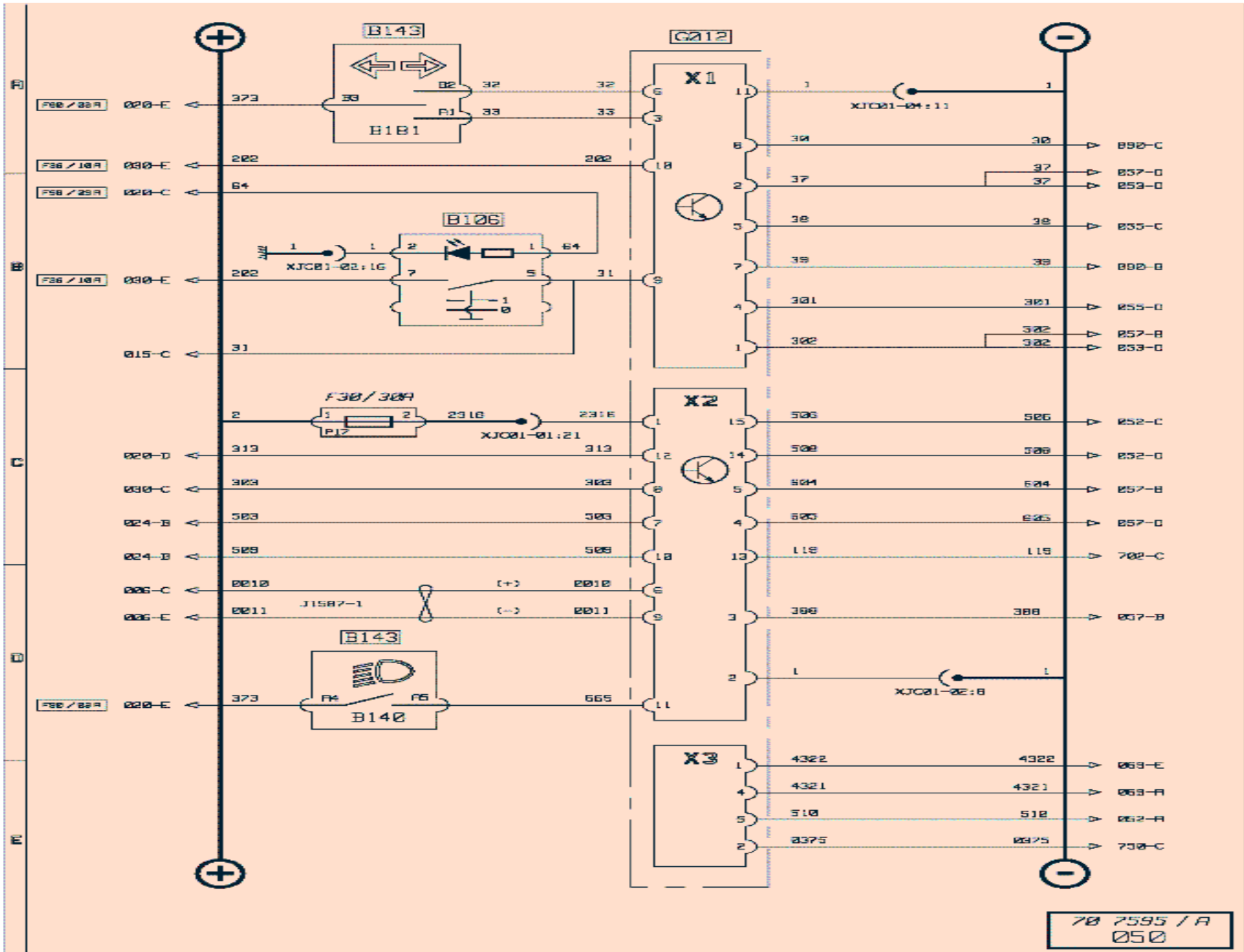
cardiagn.com

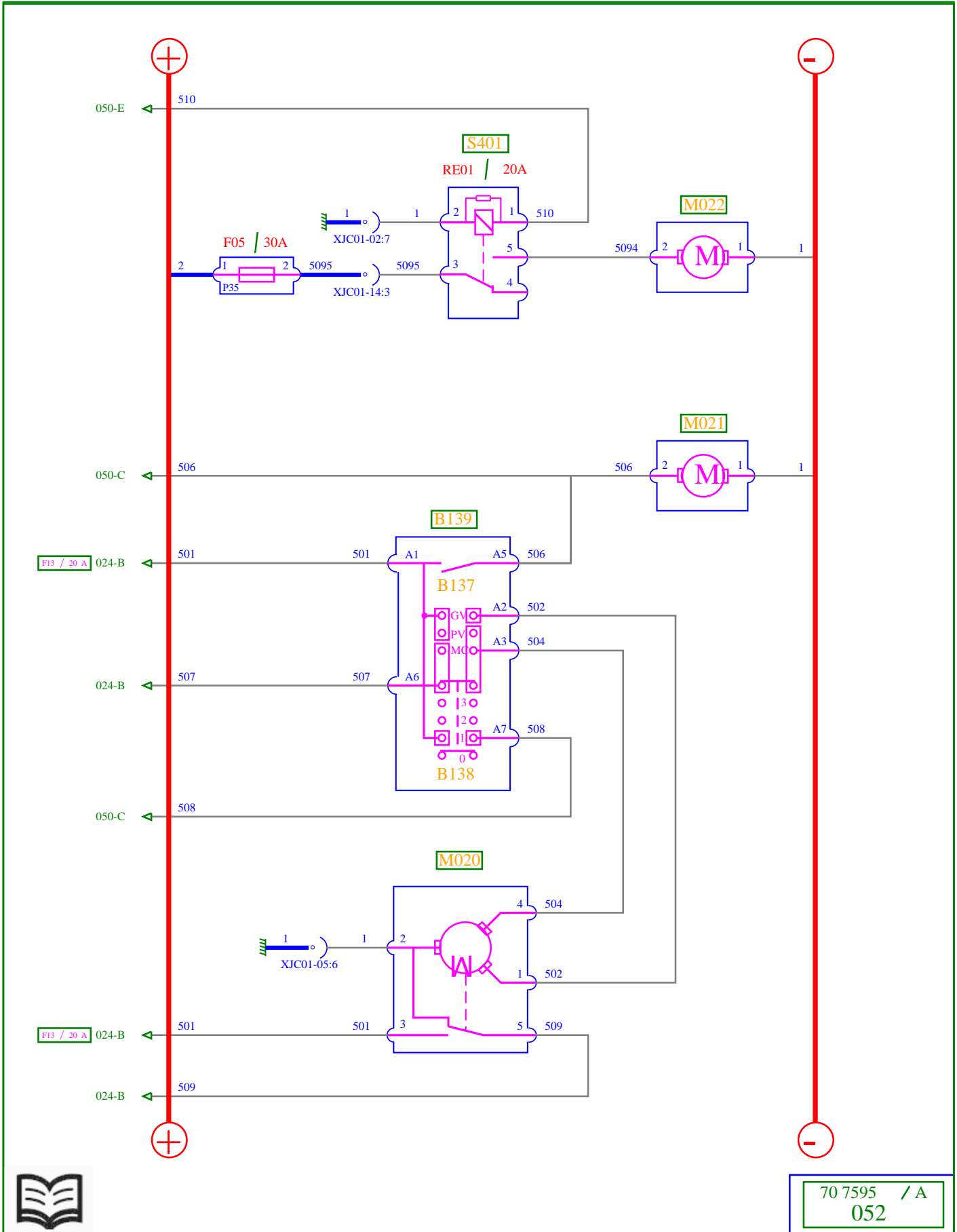
Lighting and signalling management

Key to appliances

Code	Function	Location
B106	Hazard lights control	C2b
B140	Dipped beam headlights control	C2b
B143	Steering wheel fingertip controls N° 1	C2b
B181	Direction indicator control	C2b
G012	Lighting and signalling management ECU	A2b

Lighting and signalling management





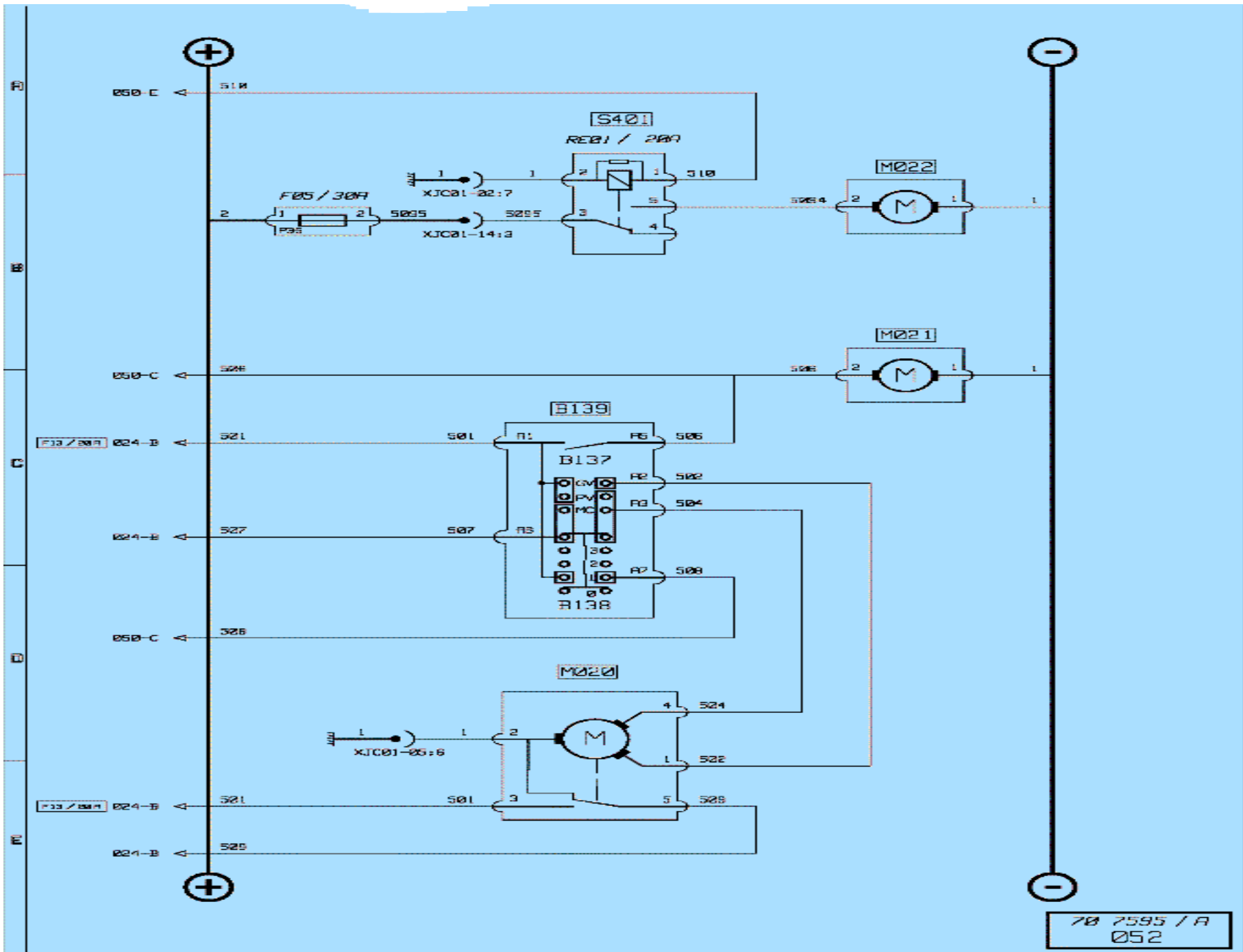
cardiagn.com

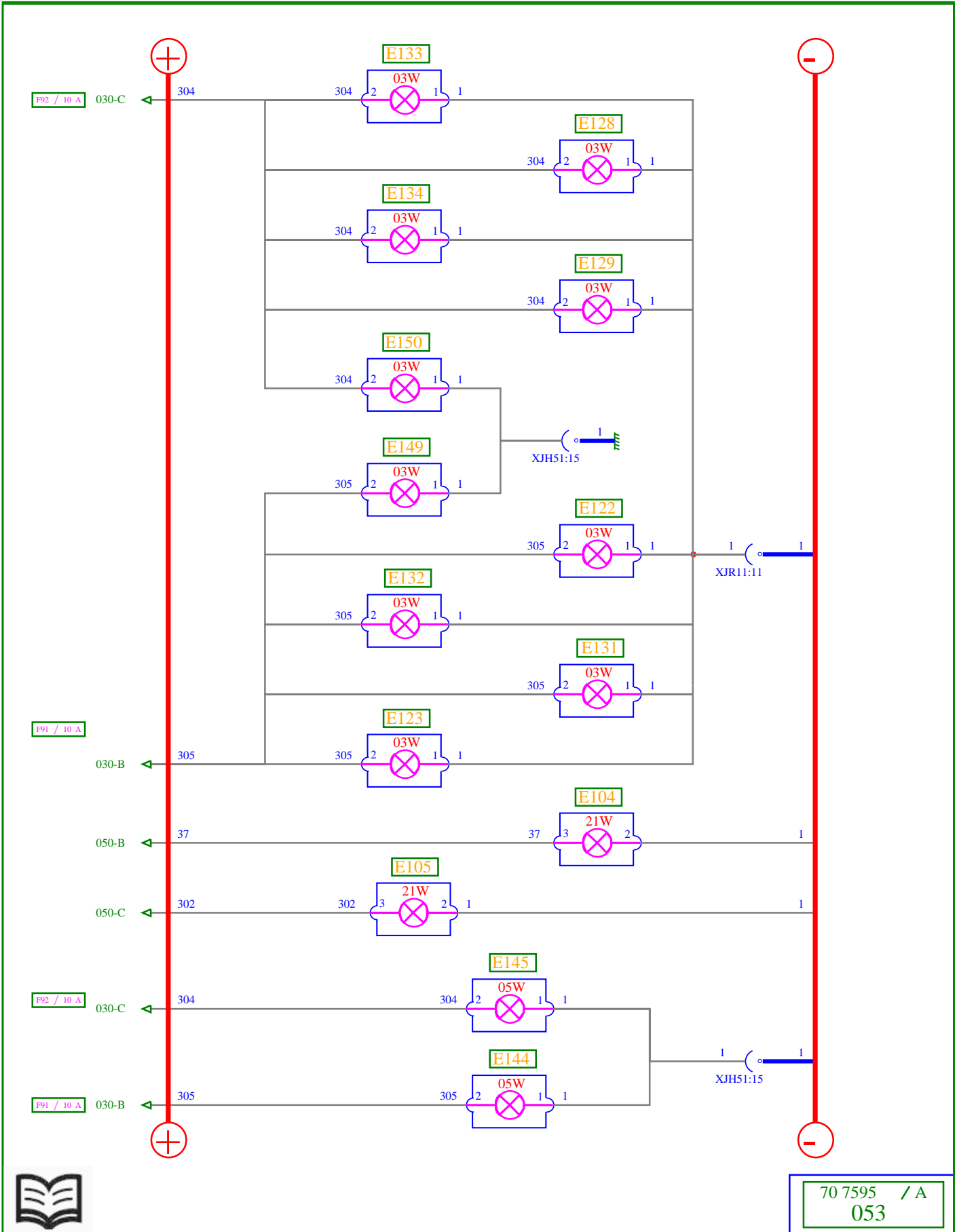
Windscreen wiper(s) and headlamps wash

Key to appliances

Code	Function	Location
B137	Windscreen wash control	C2b
B138	Windscreen wipers control	C2b
B139	Windscreen / headlamps wash/wipe control	C2b
M020	Windscreen wipers drive motor	B1c
M021	Windscreen wash pump motor	C2c
M022	Headlamps wash pump motor	A2c
S401	Headlamps wash pump motor power supply relay	A2c

Windscreen wiper(s) and headlamps wash



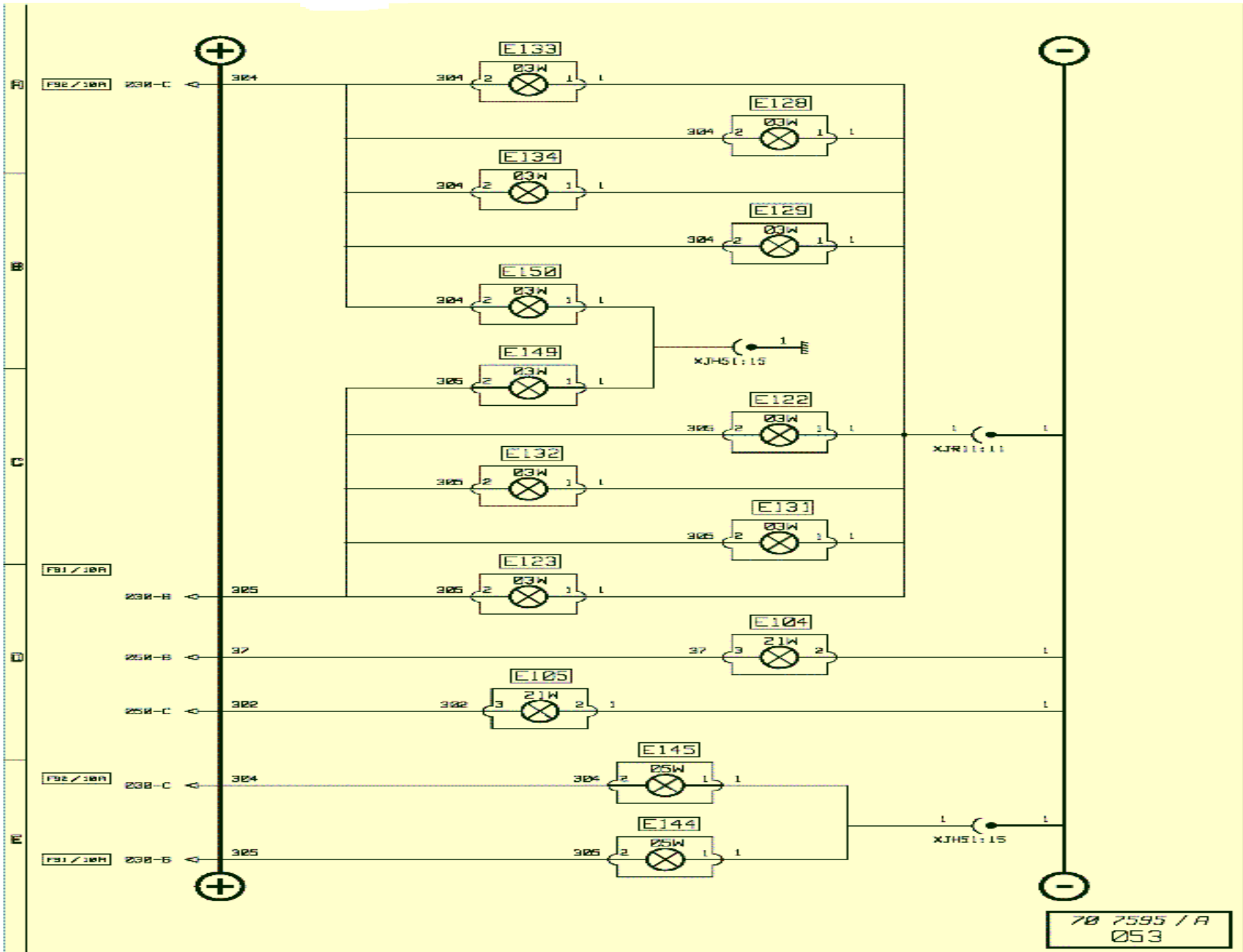


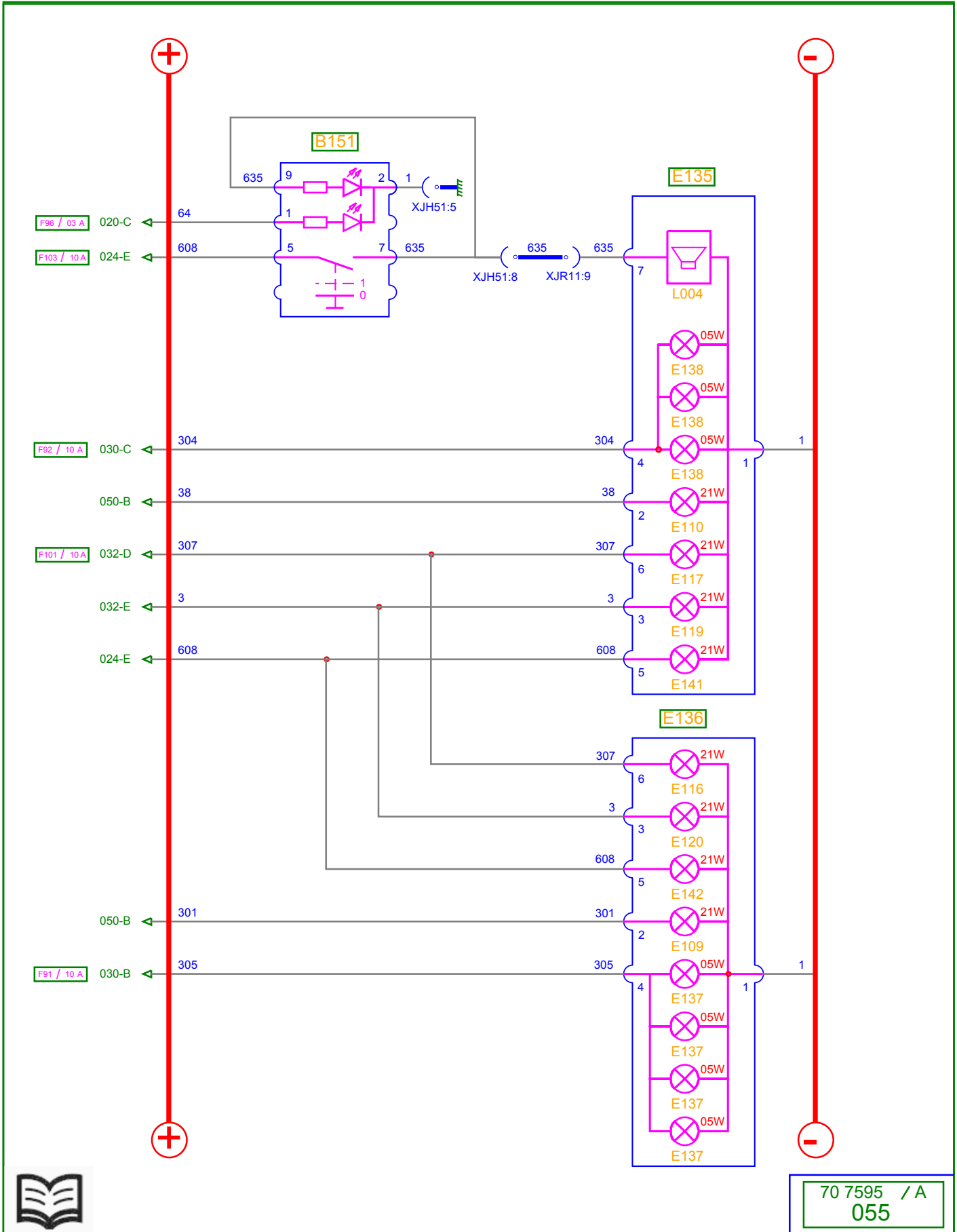
Side, marker, identification and parking lights

Key to appliances

Code	Function	Location
E104	Roof RH front direction change indicator lights	A2a
E105	Roof LH front direction change indicator lights	C2a
E122	RH clearance light N° 1	A2d
E123	RH clearance light N° 2	A4d
E128	LH clearance lights N° 3	C6d
E129	LH clearance lights N° 4	C8d
E131	RH clearance lights N° 3	A6d
E132	RH clearance lights N° 4	A8d
E133	LH clearance lights N° 1	C2d
E134	LH clearance lights N° 2	C4d
E144	Roof LH side/parking lights	C2a
E145	Roof LH side/parking lights	A2a
E149	Anti-glare strip-mounted LH marker lights	A2c
E150	Anti-glare strip-mounted RH marker lights	A2c

Side, marker, identification and parking lights



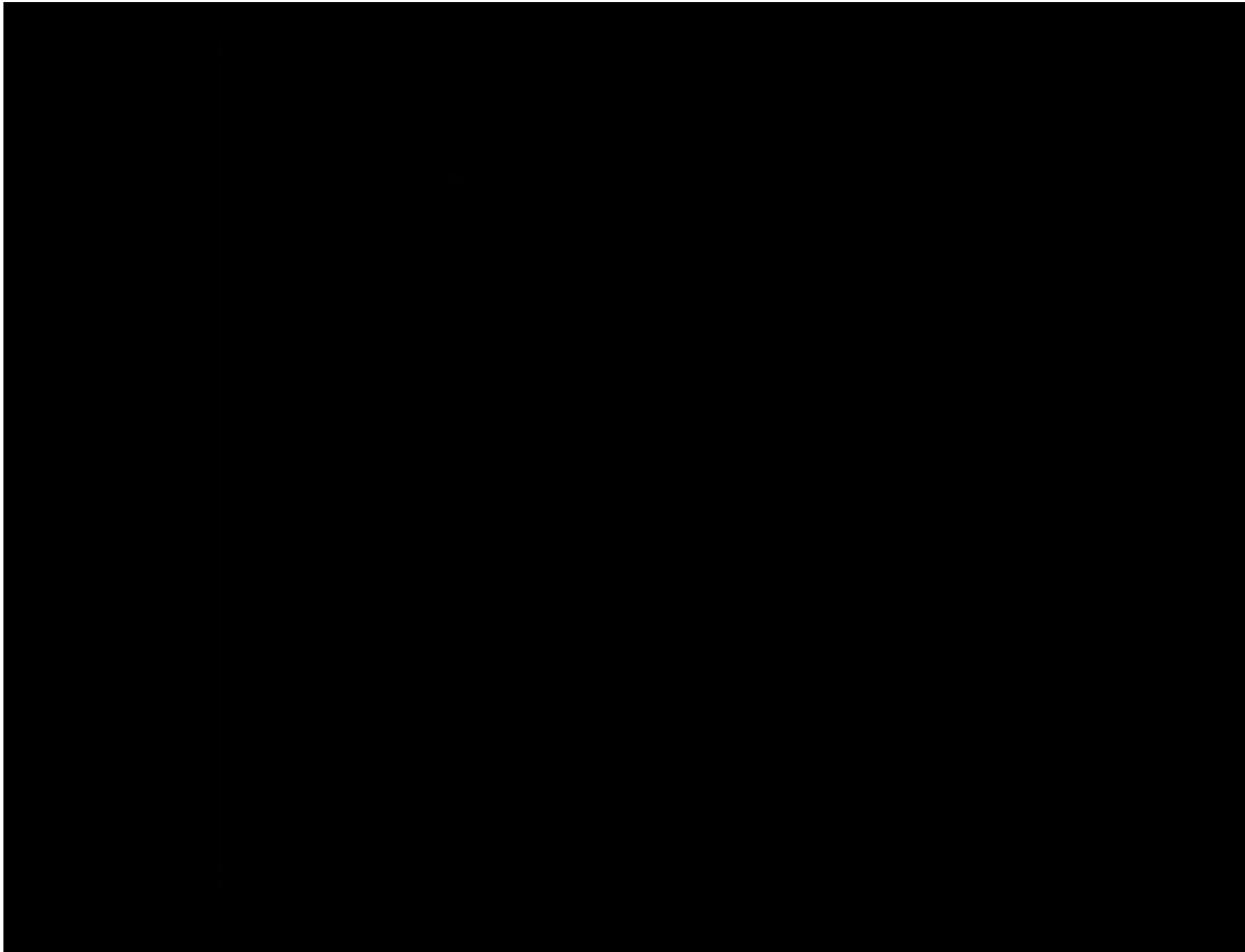


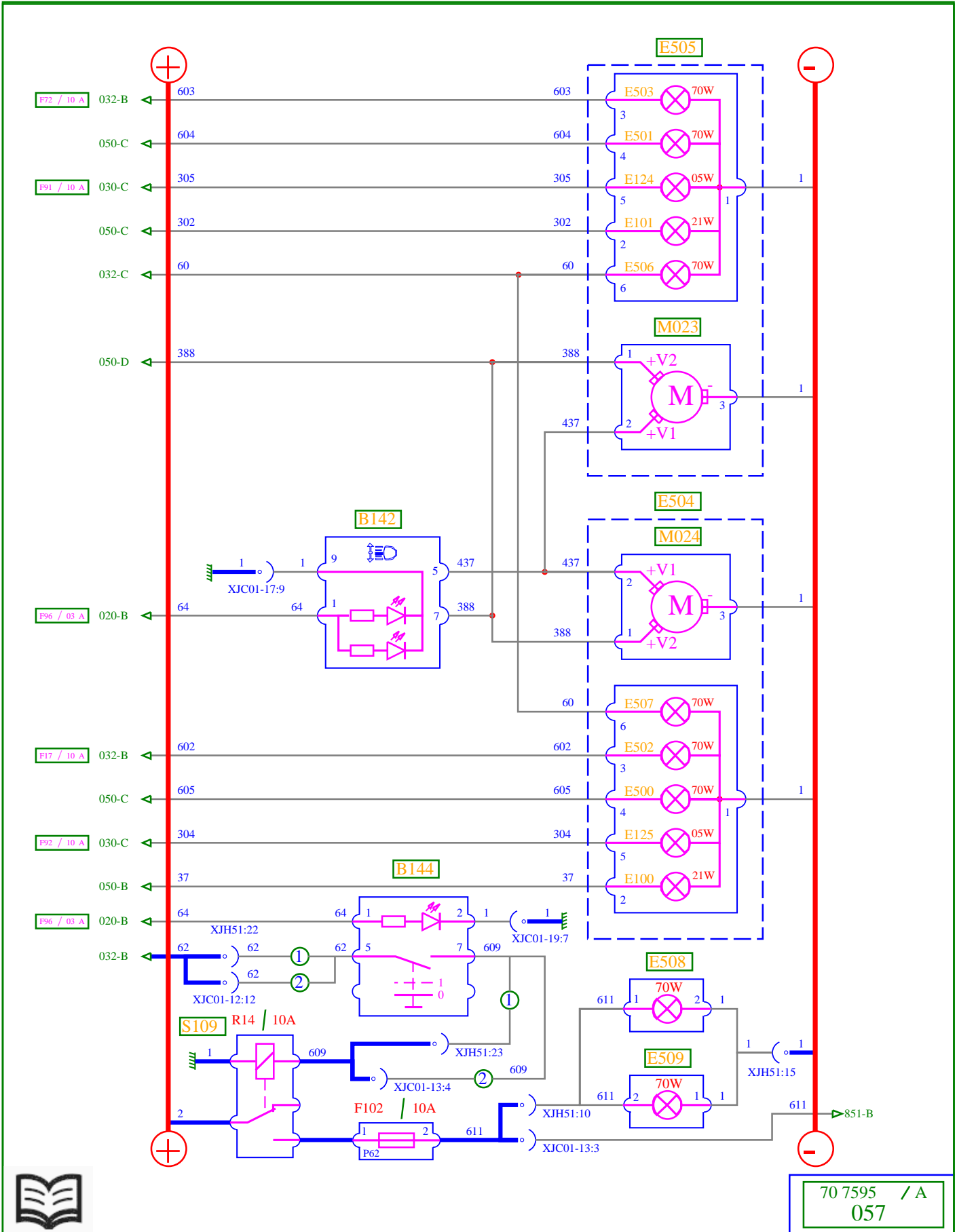
Rear lights

Key to appliances

Code	Function	Location
B151	Reversing buzzer inhibition control	C2a
E109	RH rear direction change indicator lights	A9d
E110	LH rear direction change indicator lights	C9d
E116	RH rear fog light	A9d
E117	LH rear fog light	C9d
E119	LH stop lights	C9d
E120	RH stop lights	A9d
E135	LH tail lights unit	C9d
E136	RH tail lights unit	A9d
E137	RH rear side/parking lights	A9d
E138	LH rear side/parking lights	C9d
E141	LH reversing lights	C9d
E142	RH reversing lights	A9d
L004	External horn	C9d

Rear lights





Headlights and front lights

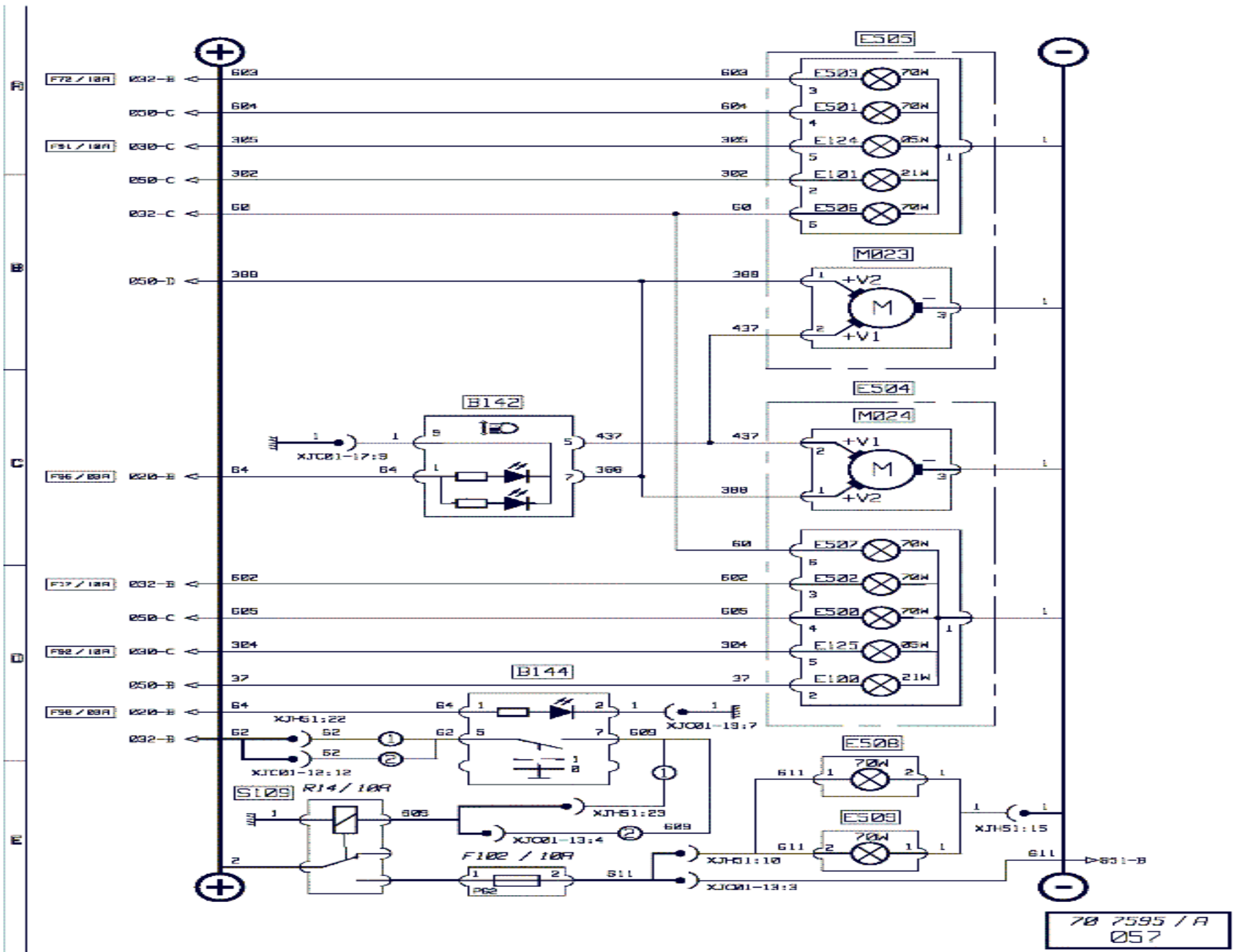
Key to appliances

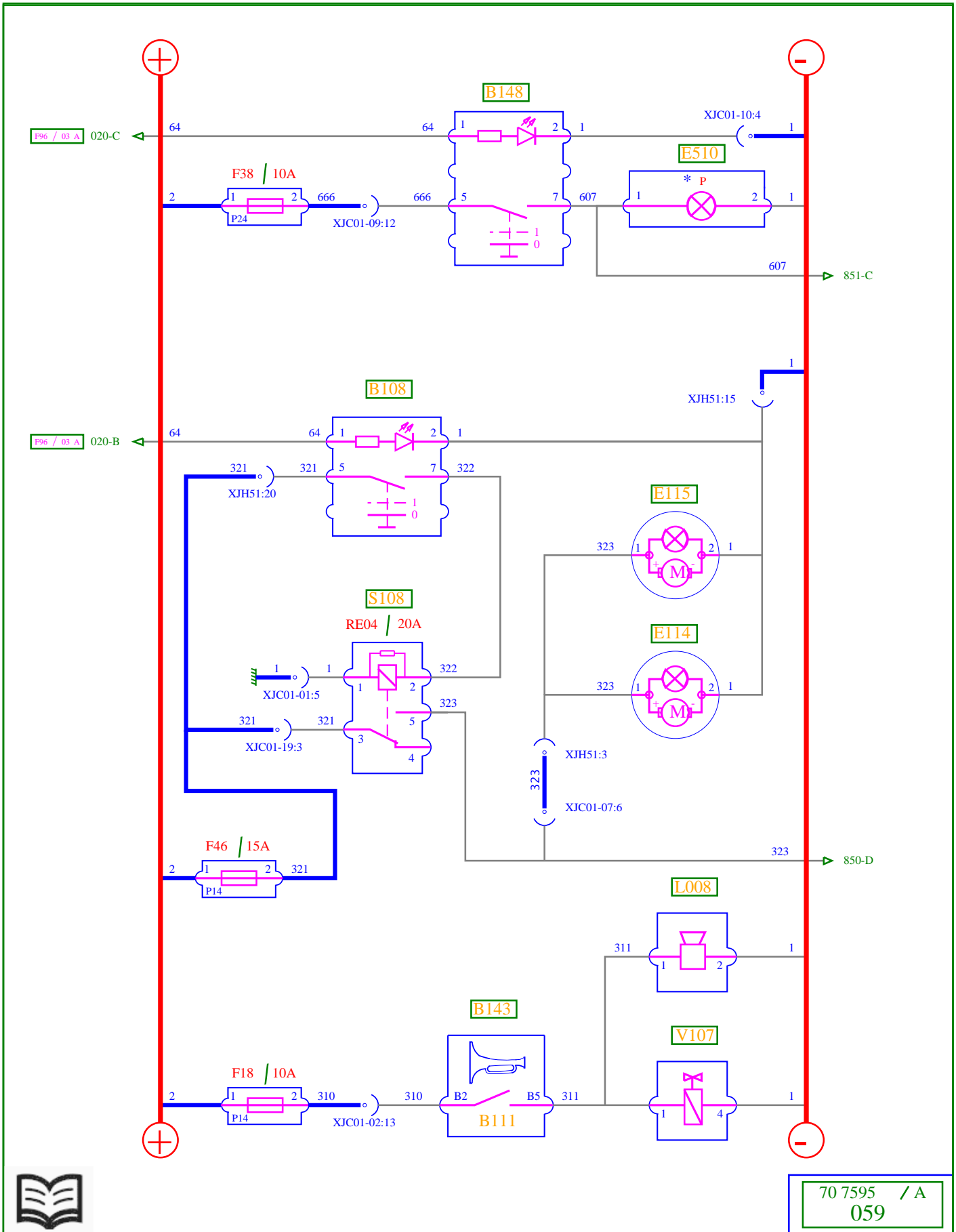
Code	Function	Location
B142	Headlamps ride corrector control	C2b
B144	Long range driving lights control	C2b
E100	RH front direction change indicator lights	A1d
E101	LH front direction change indicator lights	C1d
E124	LH front side/parking lights	C1d
E125	RH front side/parking lights	A1d
E500	RH dipped beam headlight	A1d
E501	LH dipped beam headlight	C1d
E502	RH main beam headlight	A1d
E503	LH dipped beam headlight	C1d
E504	RH headlamp insert	A1d
E505	LH headlamp insert	C1d
E506	LH fog driving light	C1d
E507	RH fog driving light	A1d
E508	RH long range driving light	C1d
E509	LH long range driving light	A1d
M023	LH headlamp ride correction motor	C1d
M024	RH headlamp ride correction motor	A1d
S109	Long range driving lights power supply relay	A2c

1: with dashboard-mounted long range driving lights control

2: with top ledge-mounted long range driving lights control

Headlights and front lights





cardiagn.com



70 7595 / A
059

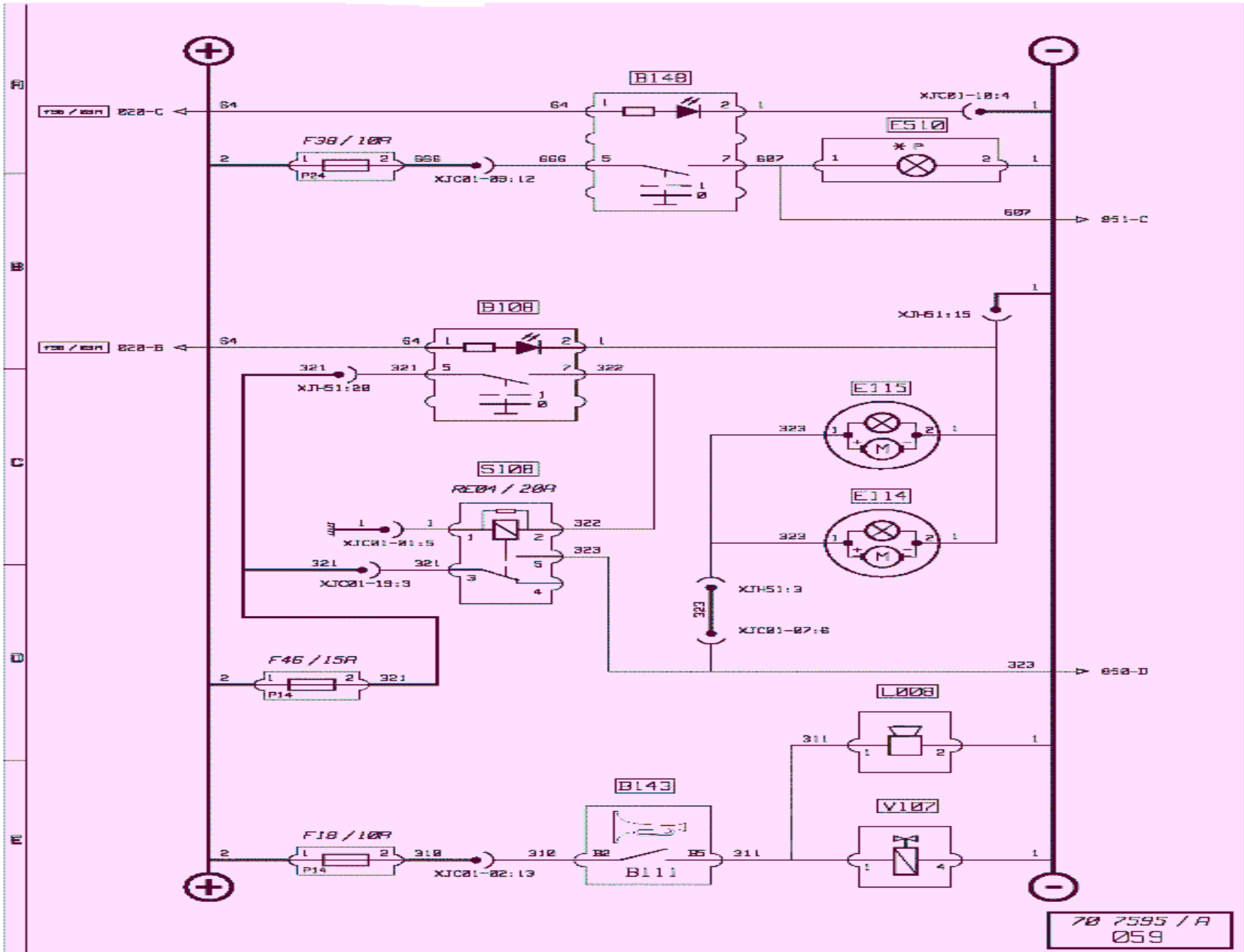
Specific trade lights and horn

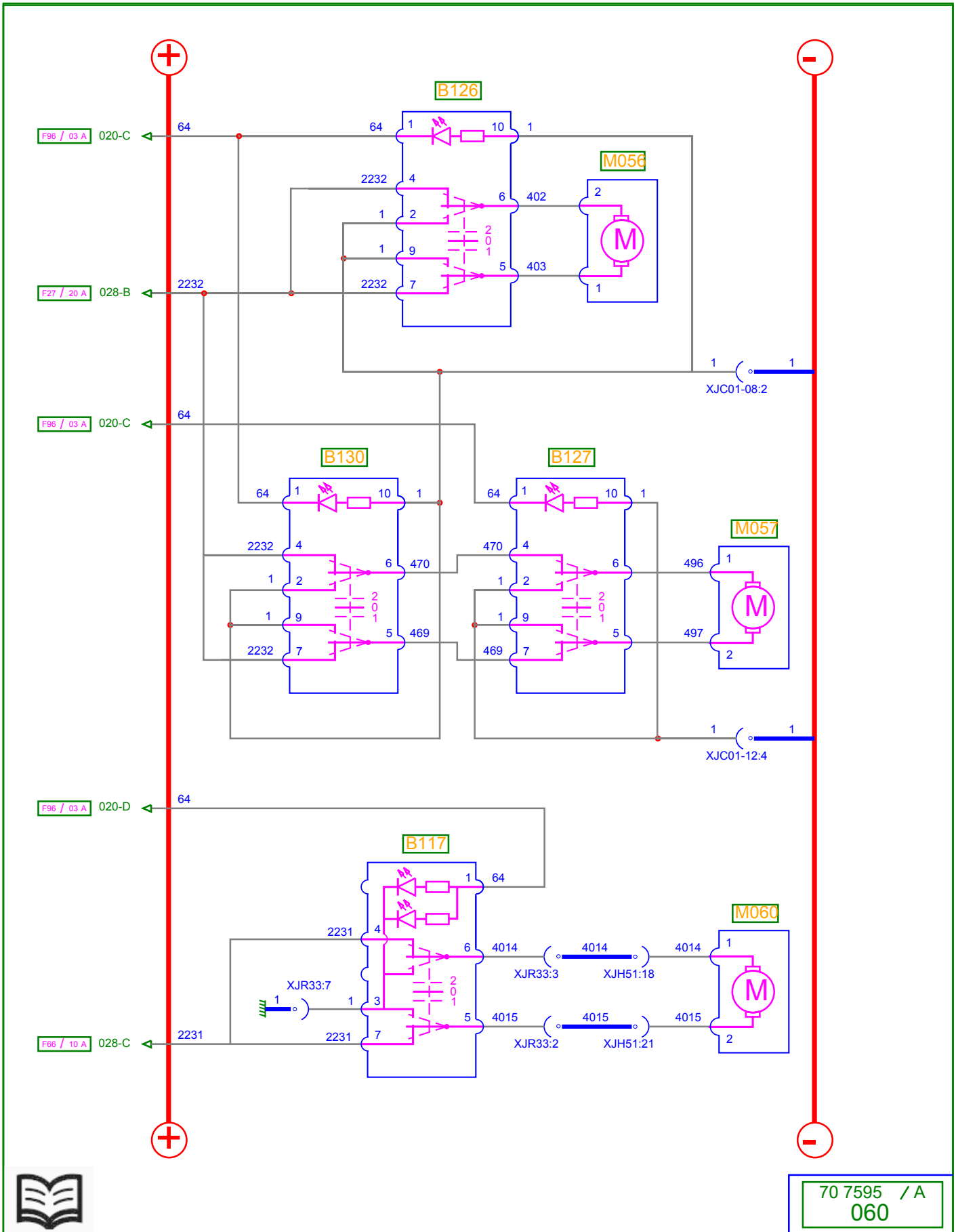
Key to appliances

Code	Function	Location
B108	Revolving beacons control	B2b
B111	Horn control	C2b
B143	Steering wheel fingertip controls N° 1	C2b
B148	Working lights control	C2b
E114	Revolving beacon N° 1	A2a
E115	Revolving beacon N° 2	C2a
E510	Working spotlight	B4c
L008	Electric horn	C2d
S108	Revolving beacons power supply relay	A2b
V107	Air horn	C2d

* P=70W; P=21W Depending on option

Specific trade lights and horn





cardiagn.com

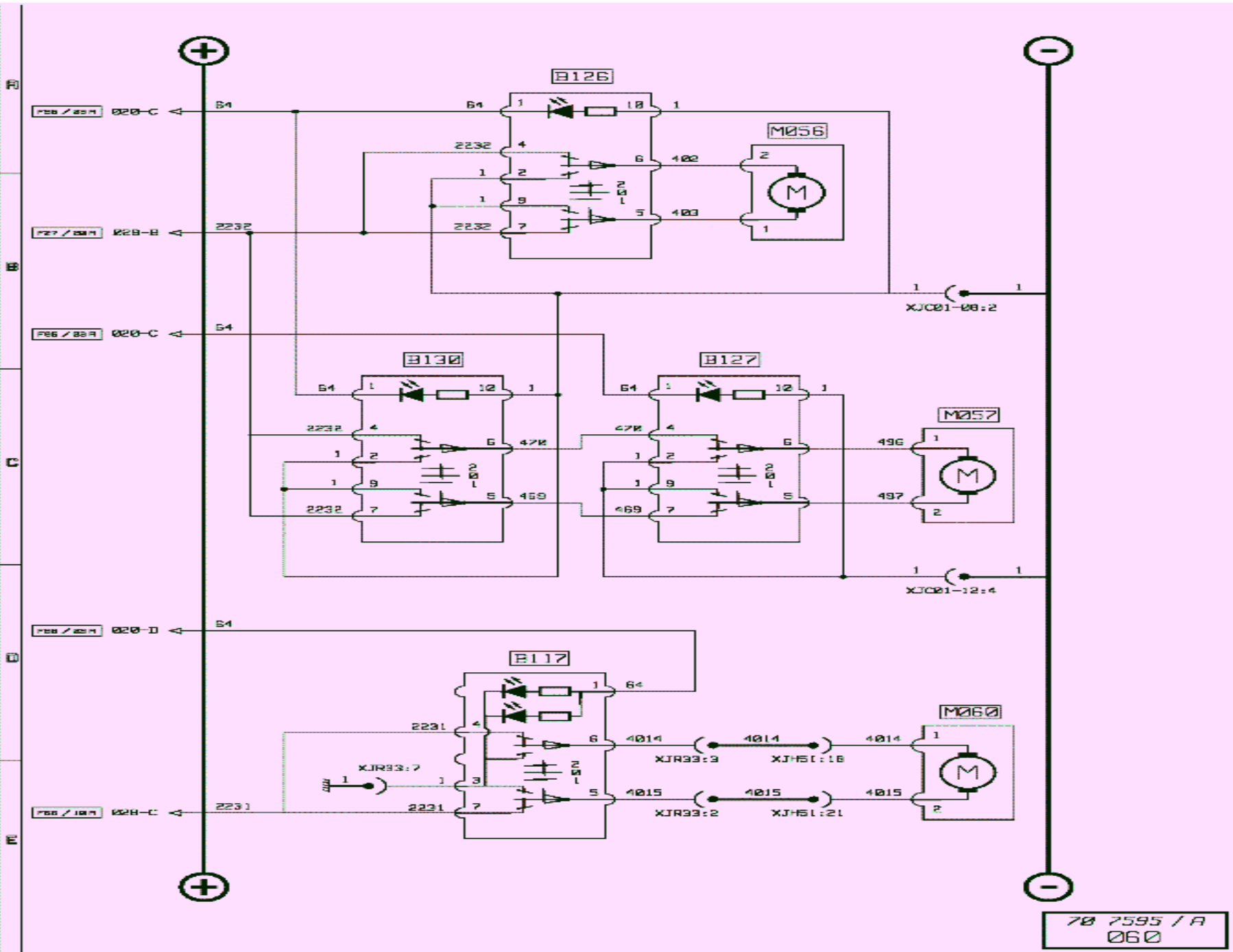
70 7595 / A
060

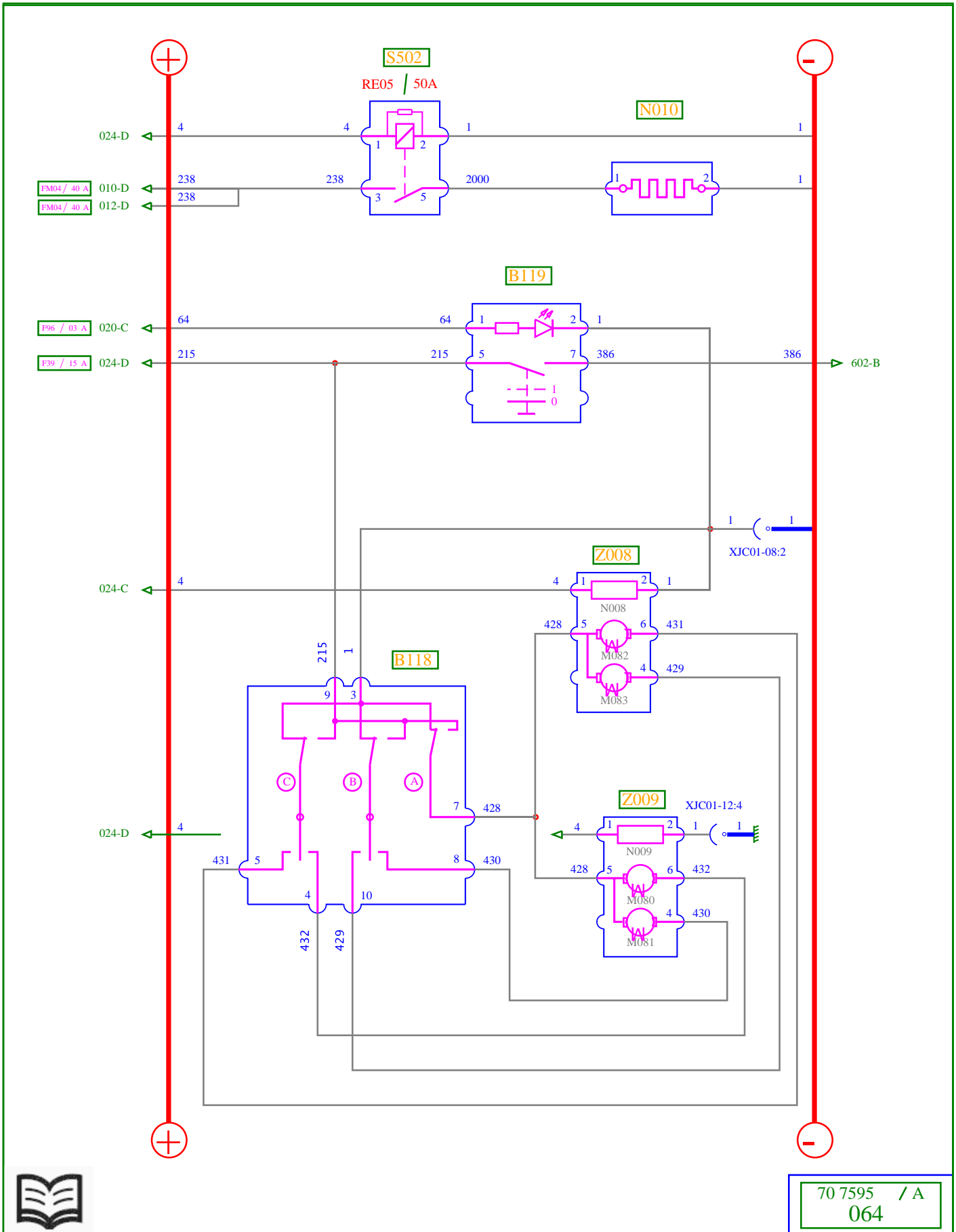
Electric window raiser / Sun-roof

Key to appliances

Code	Function	Location
B117	Sun-roof opening / closing control (on dashboard)	B3b
B126	Driver's window winder motor control (driver side)	C2b
B127	Front passenger window winder motor control (front passenger side)	A2b
B130	Front passenger window winder motor control (driver side)	C2b
M056	Driver's door window winder motor	C3c
M057	Front passenger's door window winder motor	A3c
M060	Electric roof air vent motor	B3a

Electric window raiser / Sun-roof





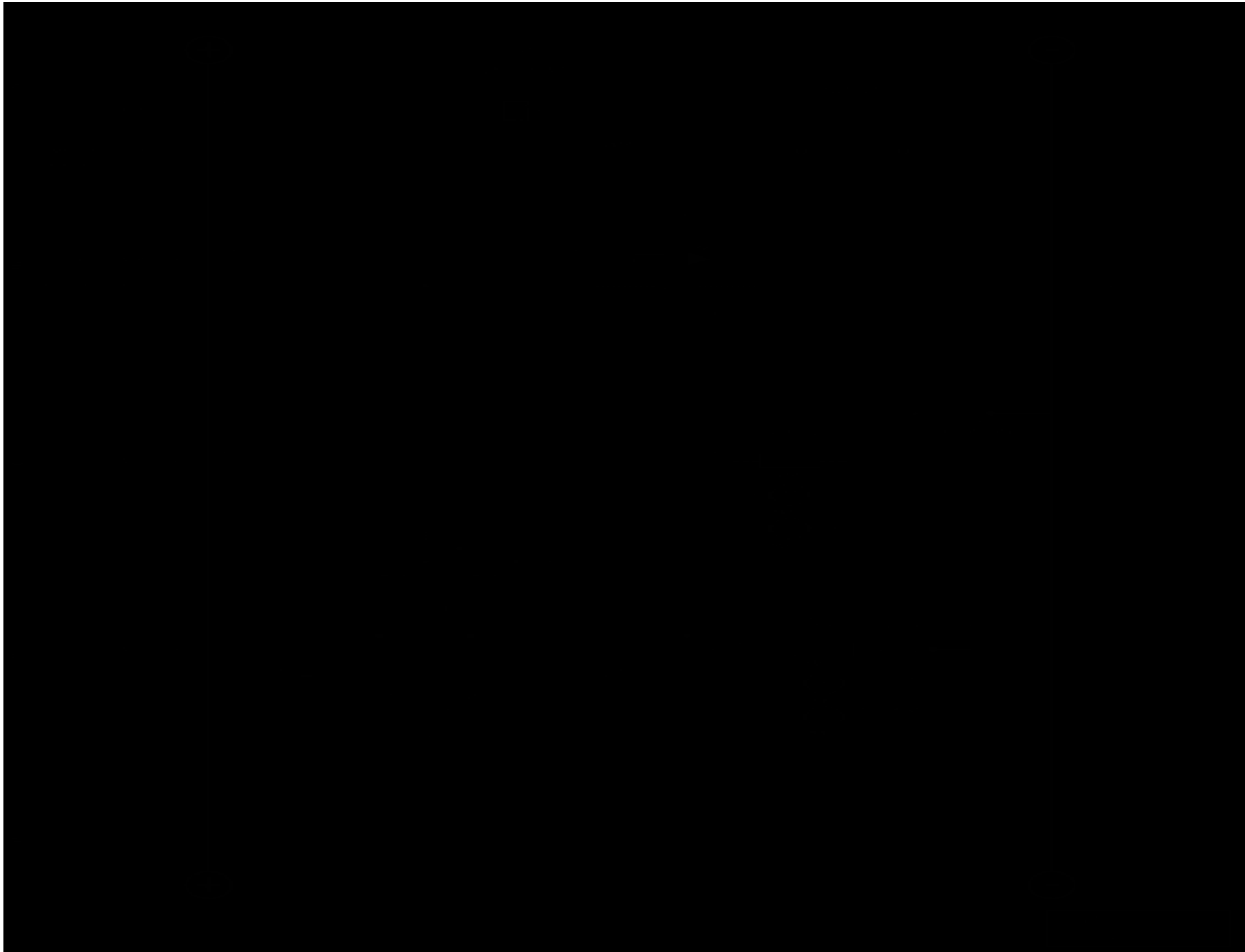
cardiagn.com

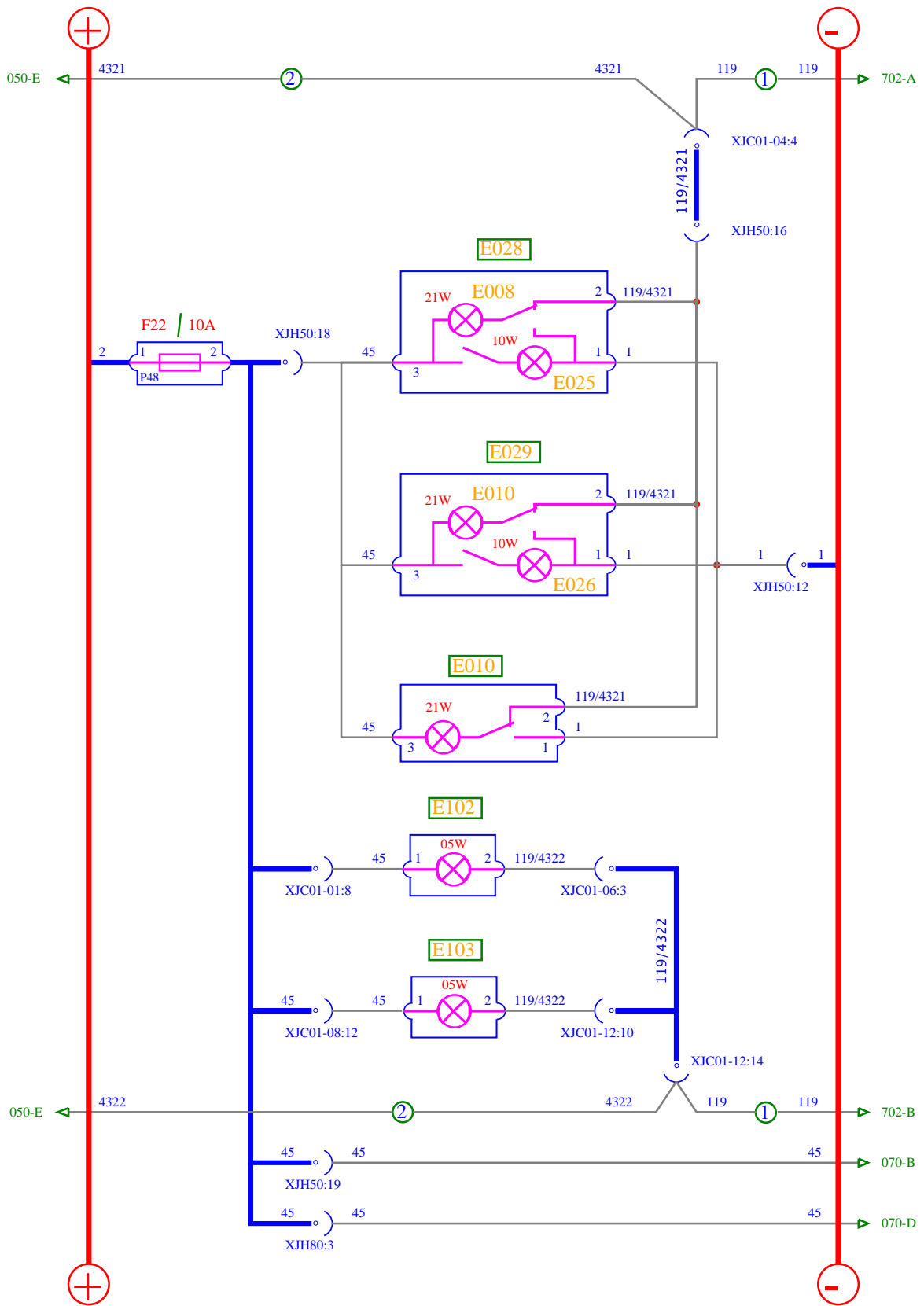
Swivelling defrosting rearview mirrors

Key to appliances

Code	Function	Location
B118	Swivelling rearview mirrors and alarm siren adjustment control	B3b
B119	Rearview mirrors and windscreen defrosting control	B3b
M080	RH rearview mirror horizontal swivelling motor	A2a
M081	RH rearview mirror vertical swivelling motor	A2a
M082	LH rearview mirror horizontal swivelling motor	C2a
M083	LH rearview mirror vertical swivelling motor	C2a
N008	LH defrosting rearview mirror resistor	C2a
N009	RH defrosting rearview mirror resistor	A2a
N010	Windscreen defrosting resistor	B1a
S502	Windscreen defrosting control relay	A2b
Z008	Driver's swivelling defrosting rearview mirror	C2a
Z009	Passenger's swivelling defrosting rearview mirror	A2a

Swivelling defrosting rearview mirrors





70 7595 / A
069



Comfort lighting (1/2)

Key to appliances

Code	Function	Location
E008	Driver's side single overhead light	C2a
E010	Front passenger's side single overhead light	A2a
E025	Driver's reading spotlight	C2a
E026	Front passenger's reading spotlight	A2a
E028	Driver's overhead light / reading spotlight unit	C2a
E029	Passenger's overhead light / reading spotlight unit	A2a
E102	Driver's side stepwell lighting	C2c
E103	Front passenger's side stepwell lighting	A2c

- 1: without lighting management
- 2: with lighting management

Comfort lighting (1/2)

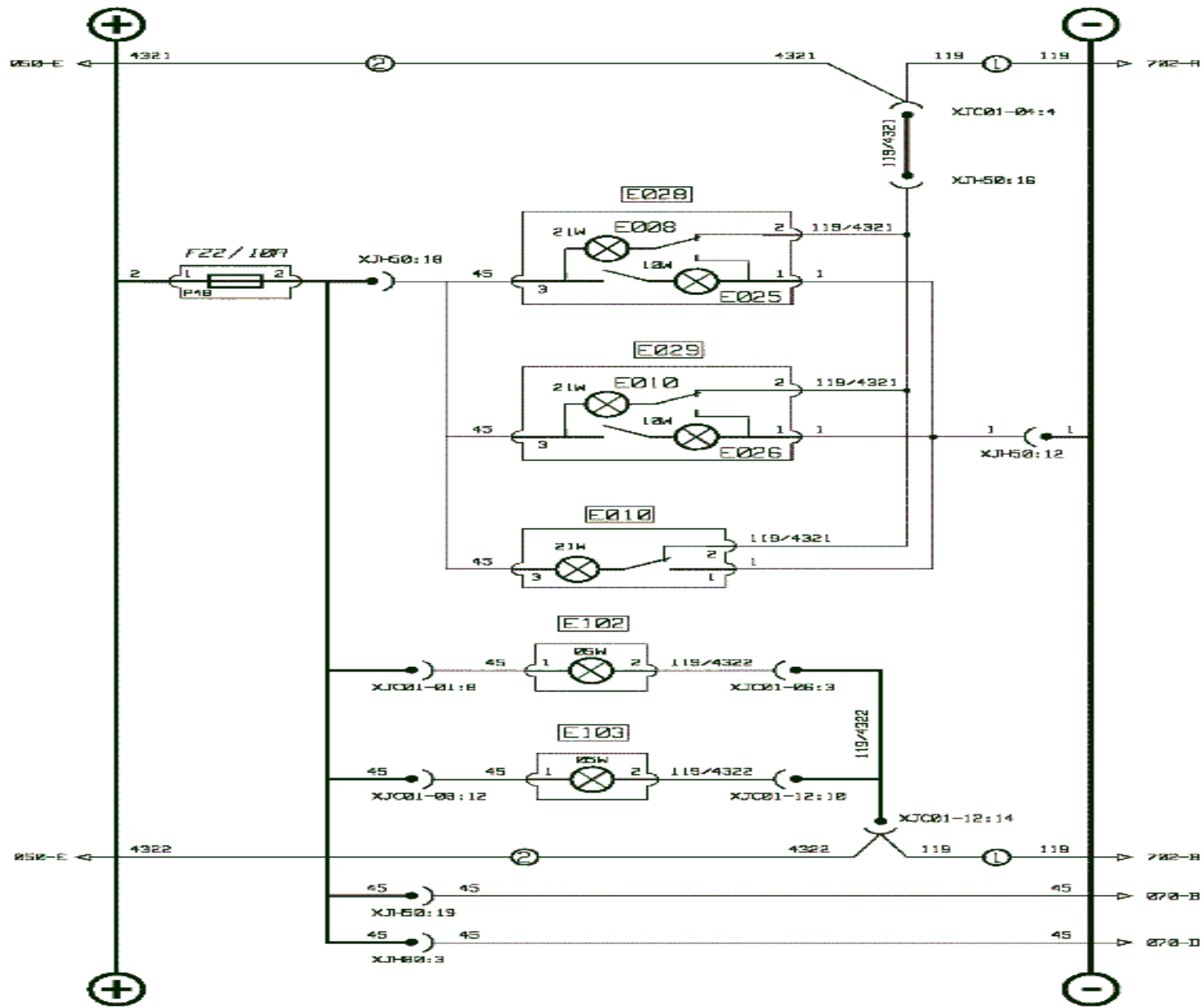
F

B

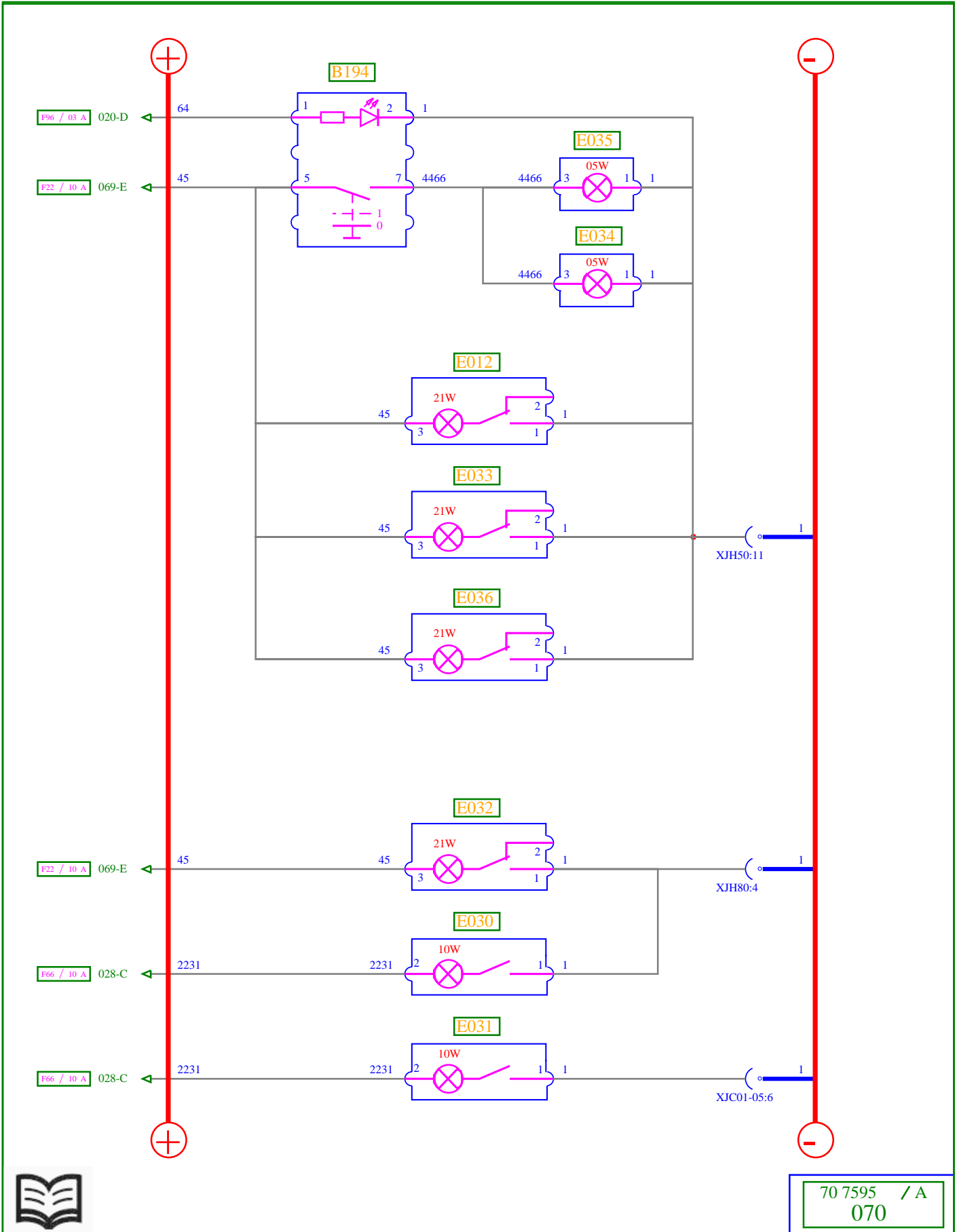
C

D

E



70 7595 / A
069



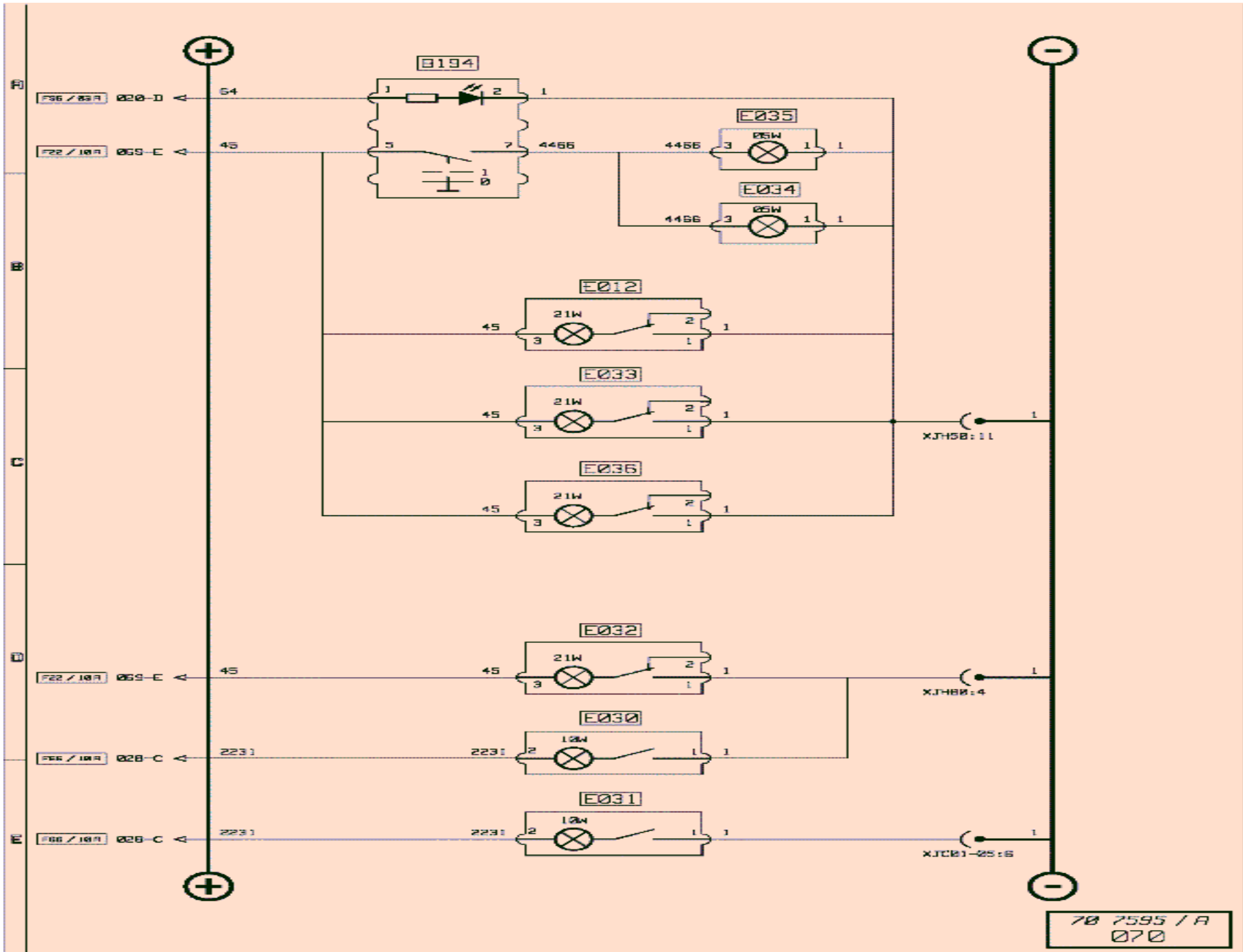
cardiagn.com

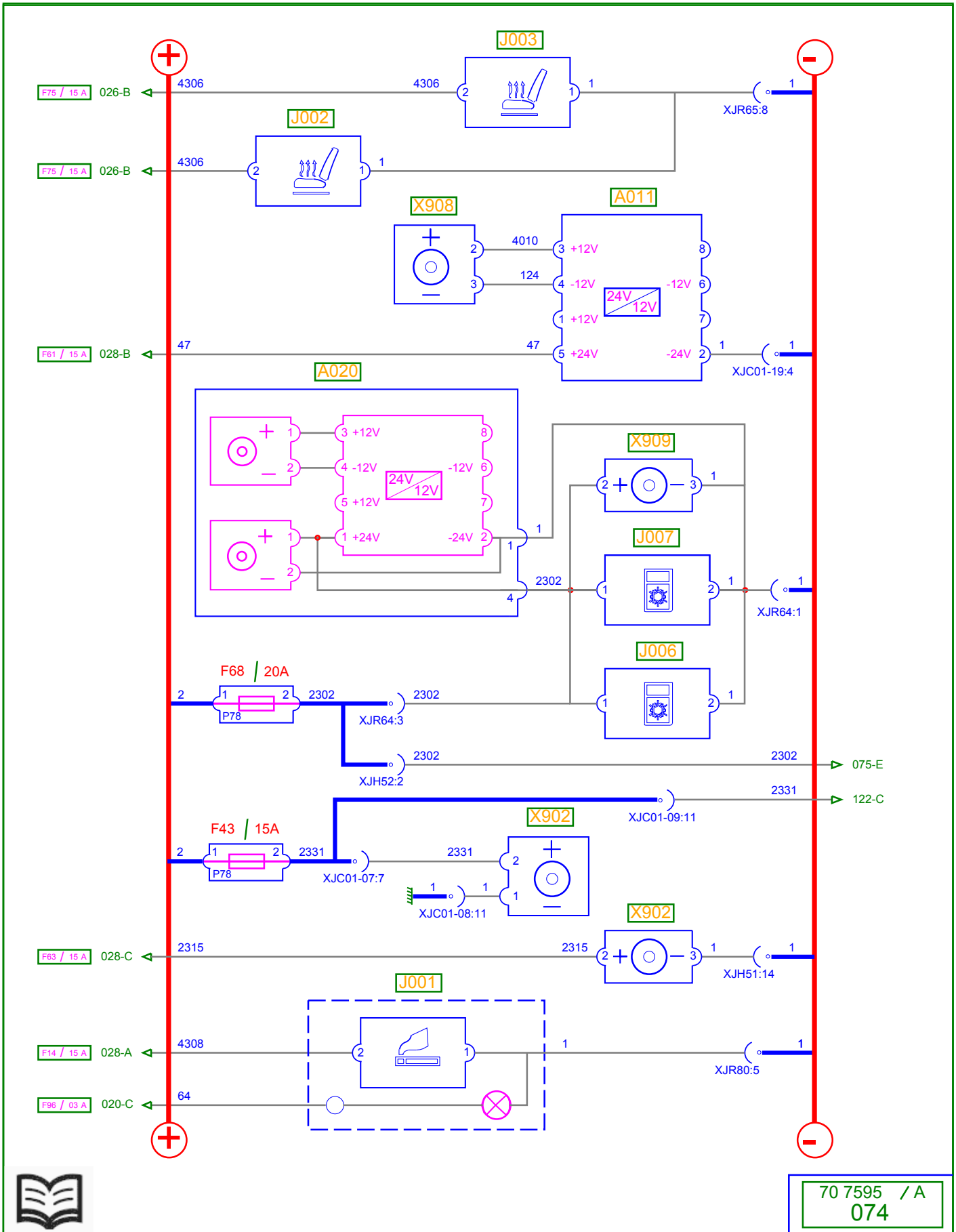
Comfort lighting (2/2)

Key to appliances

Code	Function	Location
B194	Overhead lighting control (ambience)	C2a
E012	RH upper overhead lighting (door)	A3a
E030	Tool compartment light	C5d
E031	Front grille lighting	B1c
E032	Bottom bunk overhead lighting	C3c
E033	LH upper overhead lighting (door)	C3a
E034	LH overhead lighting (ambience)	C3a
E035	RH overhead lighting (ambience)	A3a
E036	Top bunk overhead lighting	C3a

Comfort lighting (2/2)





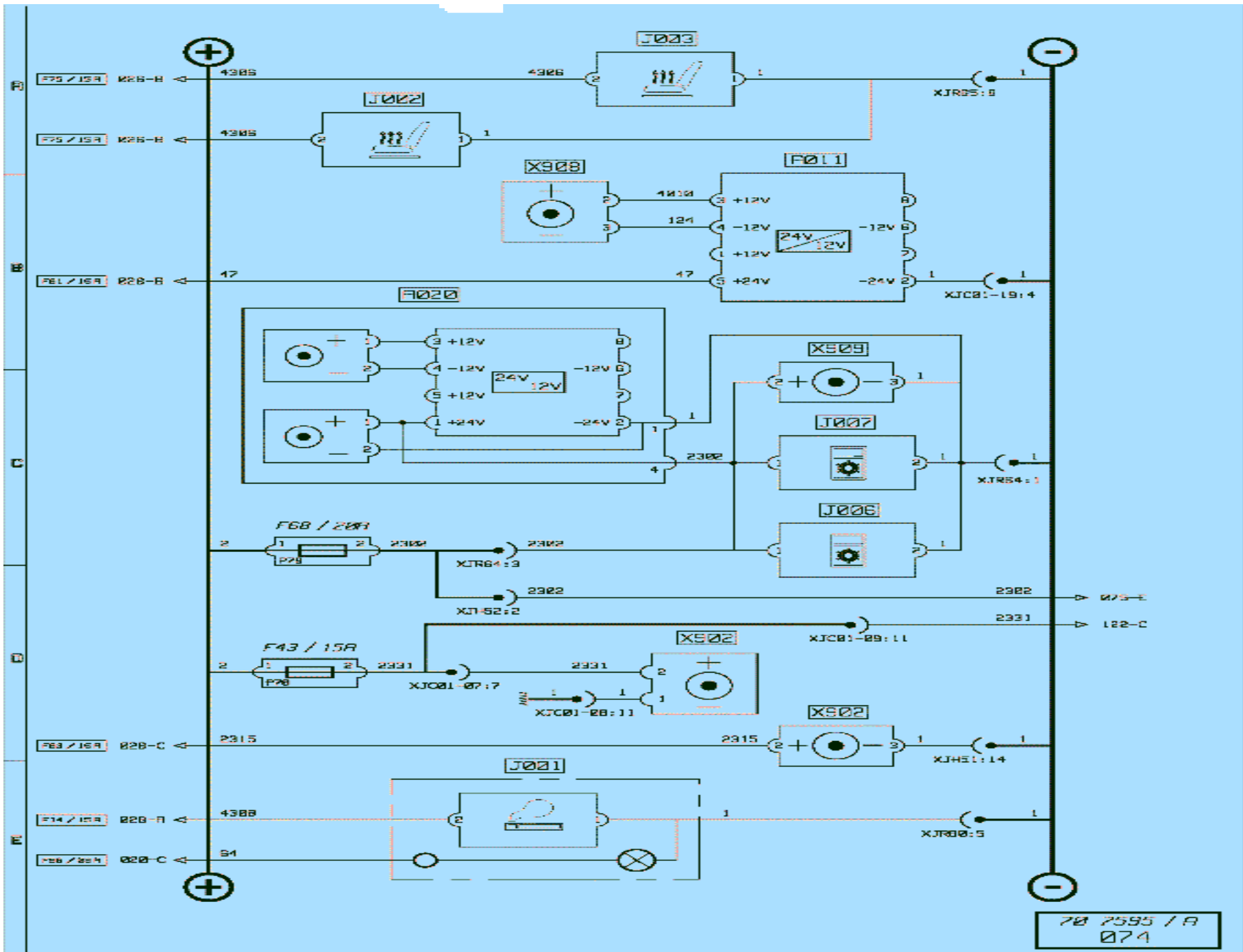
cardiagn.com

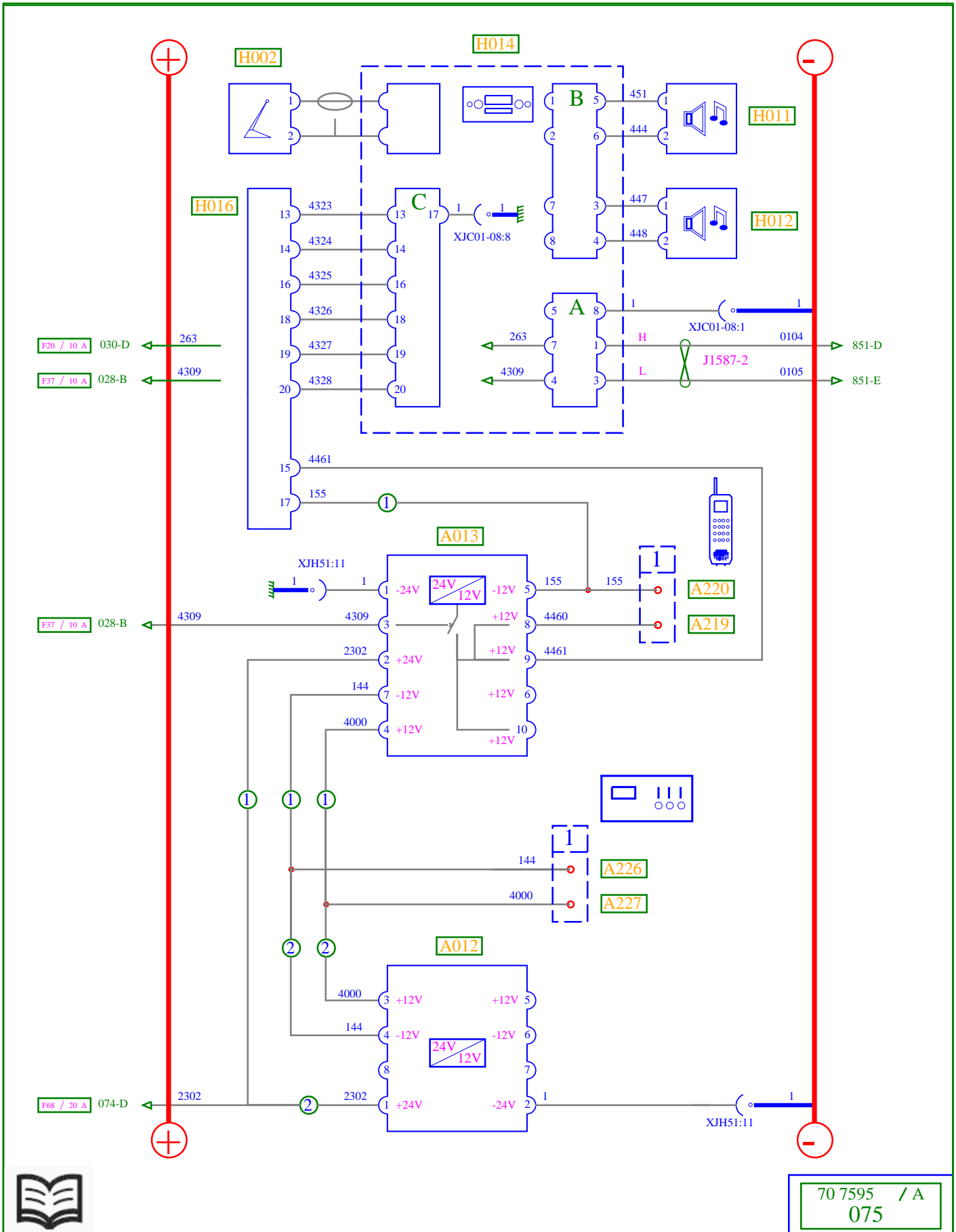
Comfort accessories

Key to appliances

Code	Function	Location
A011	Voltage converter (24V / 12V) for information technology pack	B2b
A020	Voltage converter (24V / 12V) - 12 and 24 Volts integrated sockets	C2a
J001	Cigar lighter	B2b
J002	RH heated seat unit	A3b
J003	LH heated seat unit	C3b
J006	Refrigerated compartment	B4b
J007	Refrigerator	B4b
X902	24 Volts power supply socket	A2a
X908	12 Volts power supply socket	B2b
X909	Extra 24 Volts power supply socket	A2a

Comfort accessories





cardiagn.com

Radio, CB radio and telephone

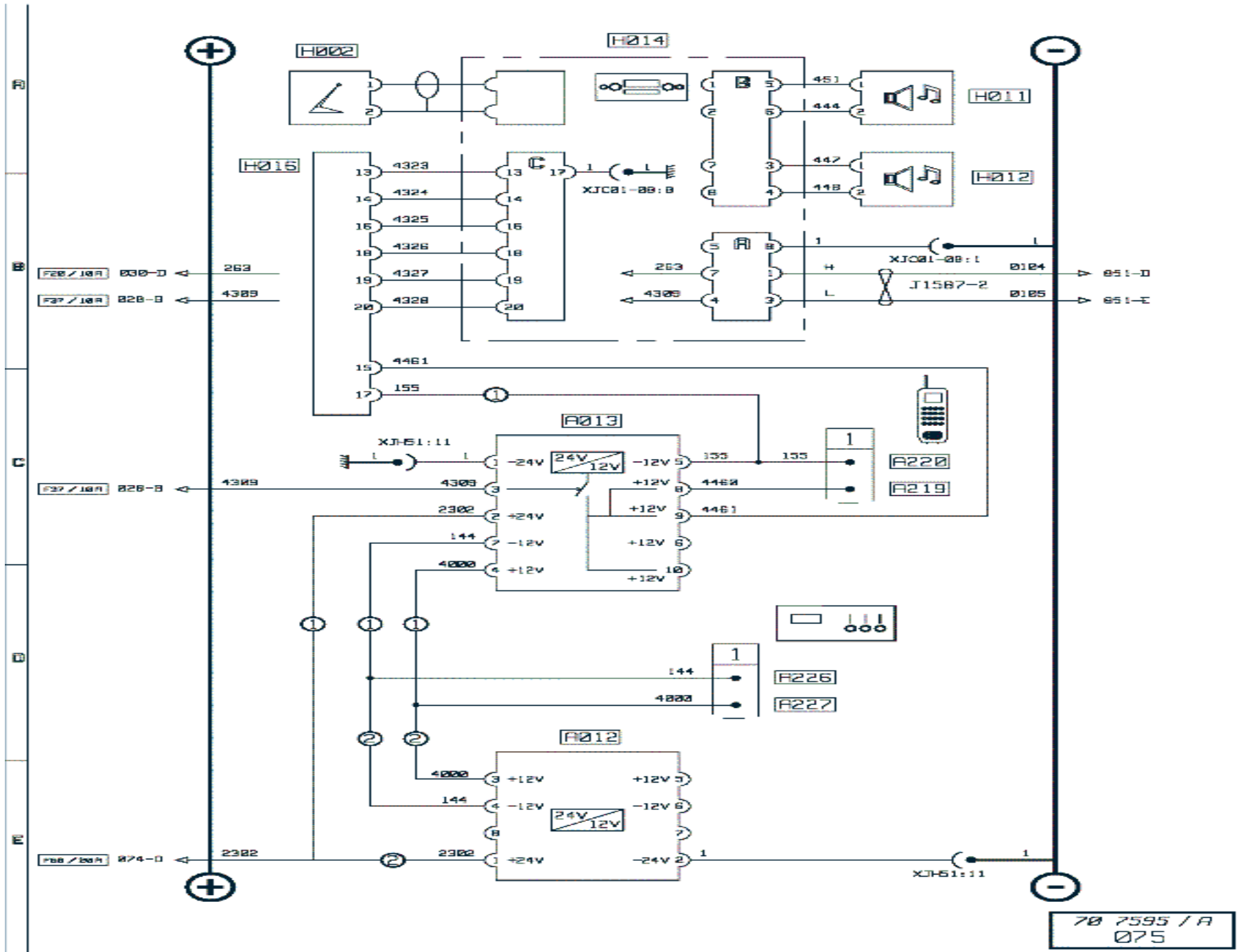
Key to appliances

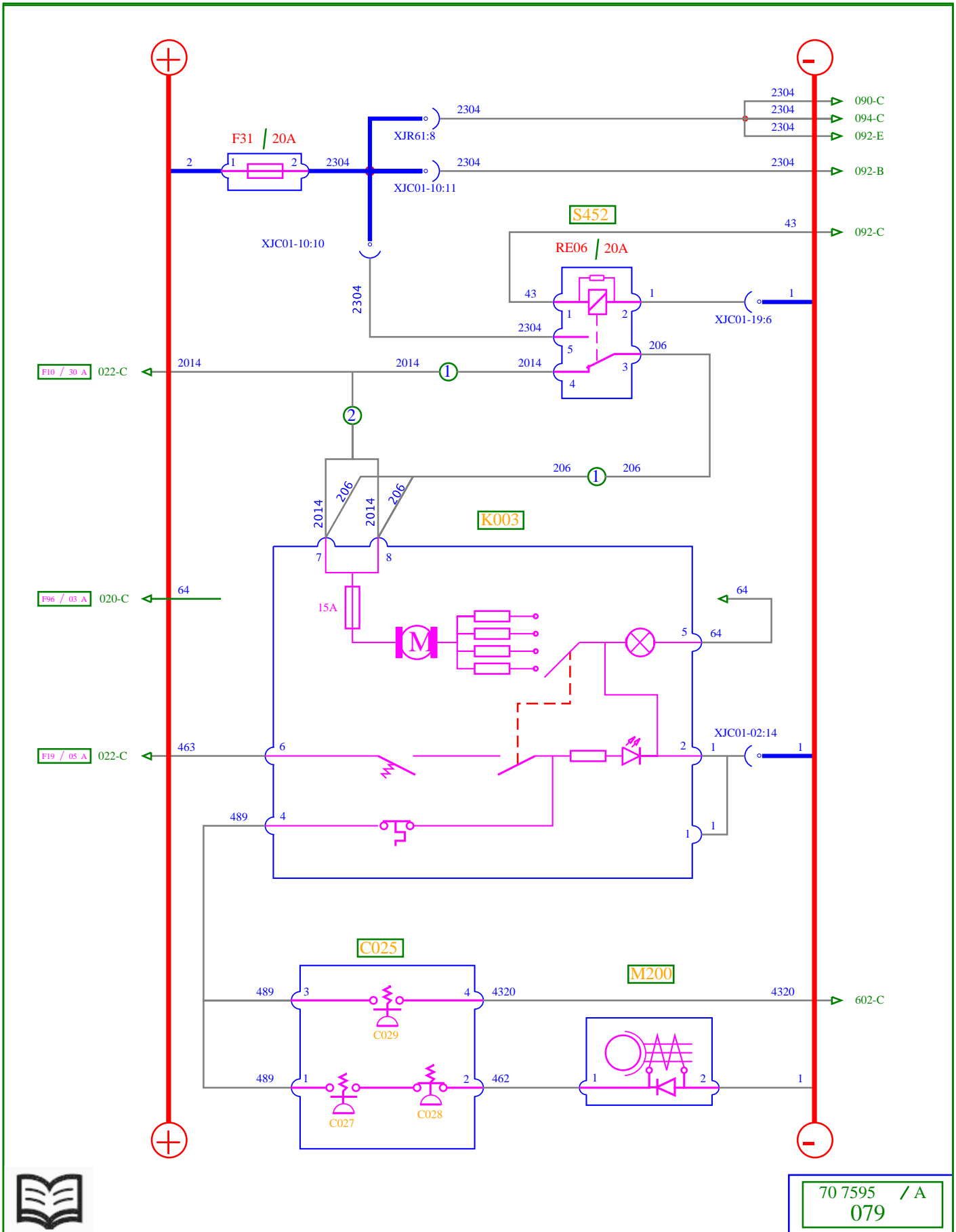
Code	Function	Location
A012	Voltage converter (24V / 12V - 10A) for audio communication system	C2a
A013	Voltage converter (24V / 12V - 15A) for audio communication system	C2a
A219	Available power supply (radio-telephone +)	C2a
A220	Available power supply (radio-telephone -)	C2a
A226	Available power supply (CB -)	C2a
A227	Available power supply (CB +)	C2a
H002	Radio set antenna	A2a
H011	LH front loudspeaker	C2a
H012	RH front loudspeaker	A2a
H014	Radio set	B2b
H016	CD player	C2a

1: with voltage dropper 15 Amps

2: with voltage dropper 10 Amps

Radio, CB radio and telephone





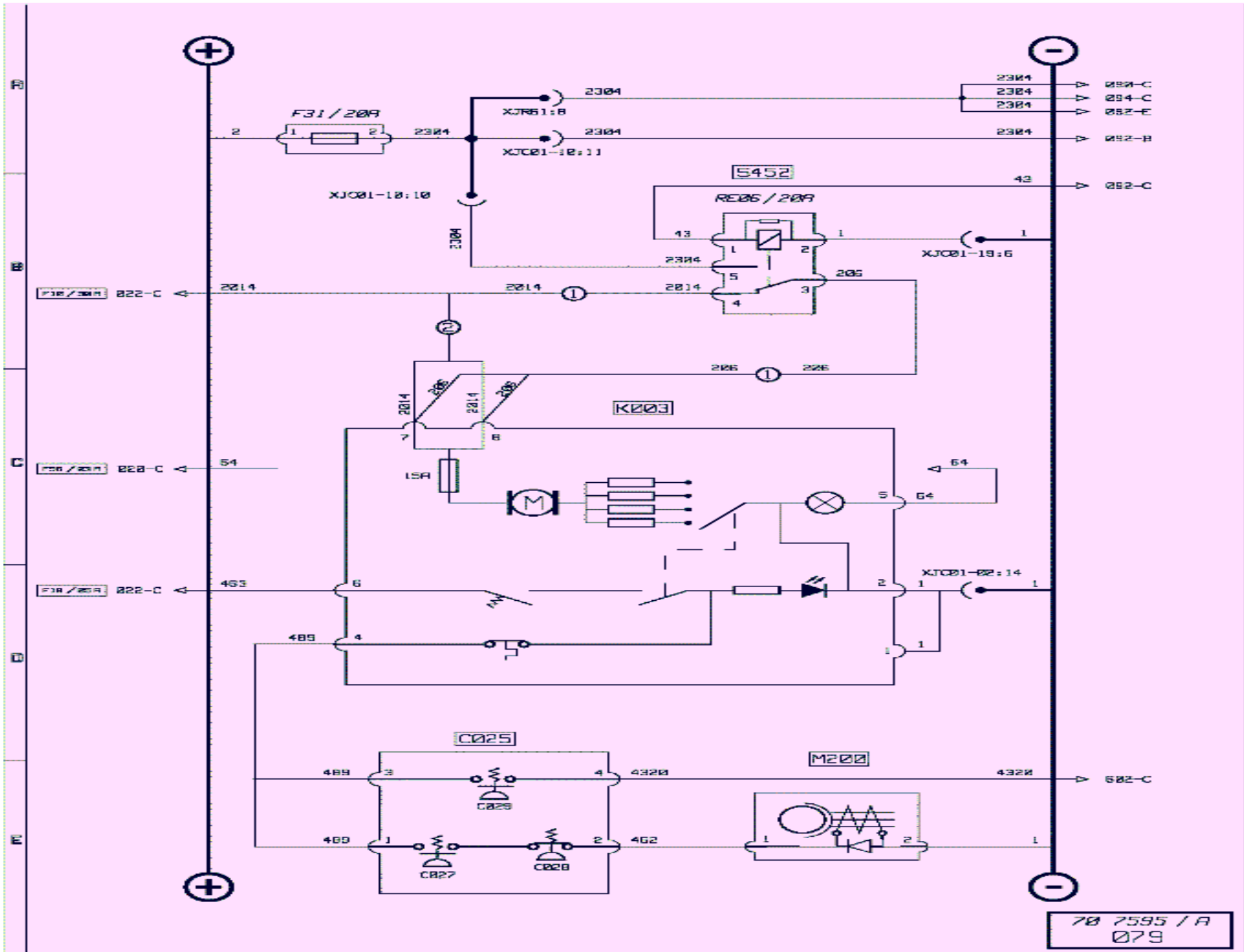
Air conditioning

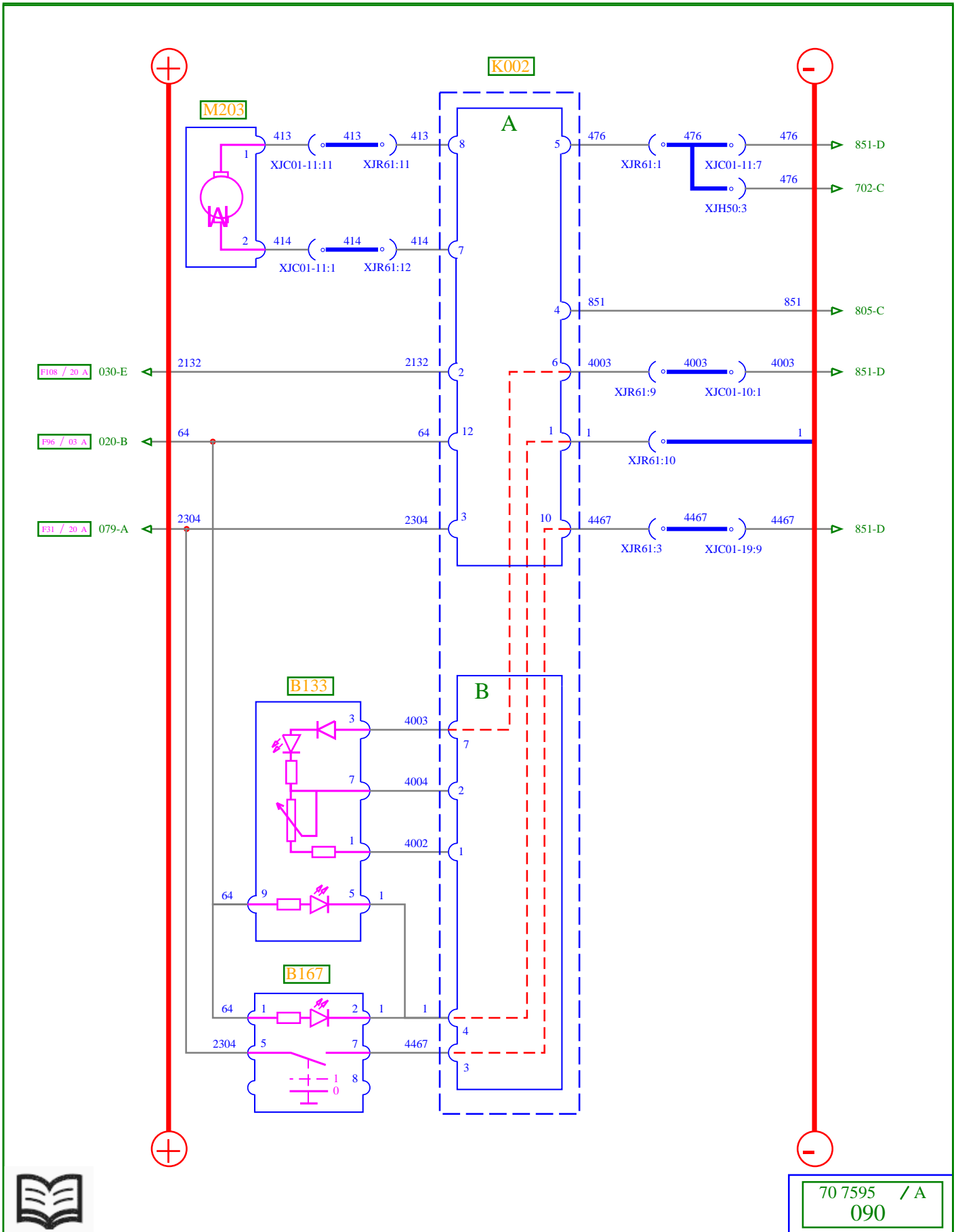
Key to appliances

Code	Function	Location
C025	3-level air conditioning pressure sensor	B1c
C027	Low level air conditioning pressure sensor	B1c
C028	High level air conditioning pressure sensor	B1c
C029	Intermediate level air conditioning pressure sensor	B1c
K003	Air conditioning ECU	B2b
M200	Air conditioning compressor electric clutch	B3d
S452	Air conditioning fan piloting relay	A2b

- 1: with independent heating "Thermo 90S"
- 2: without independent heating "Thermo 90S"

Air conditioning





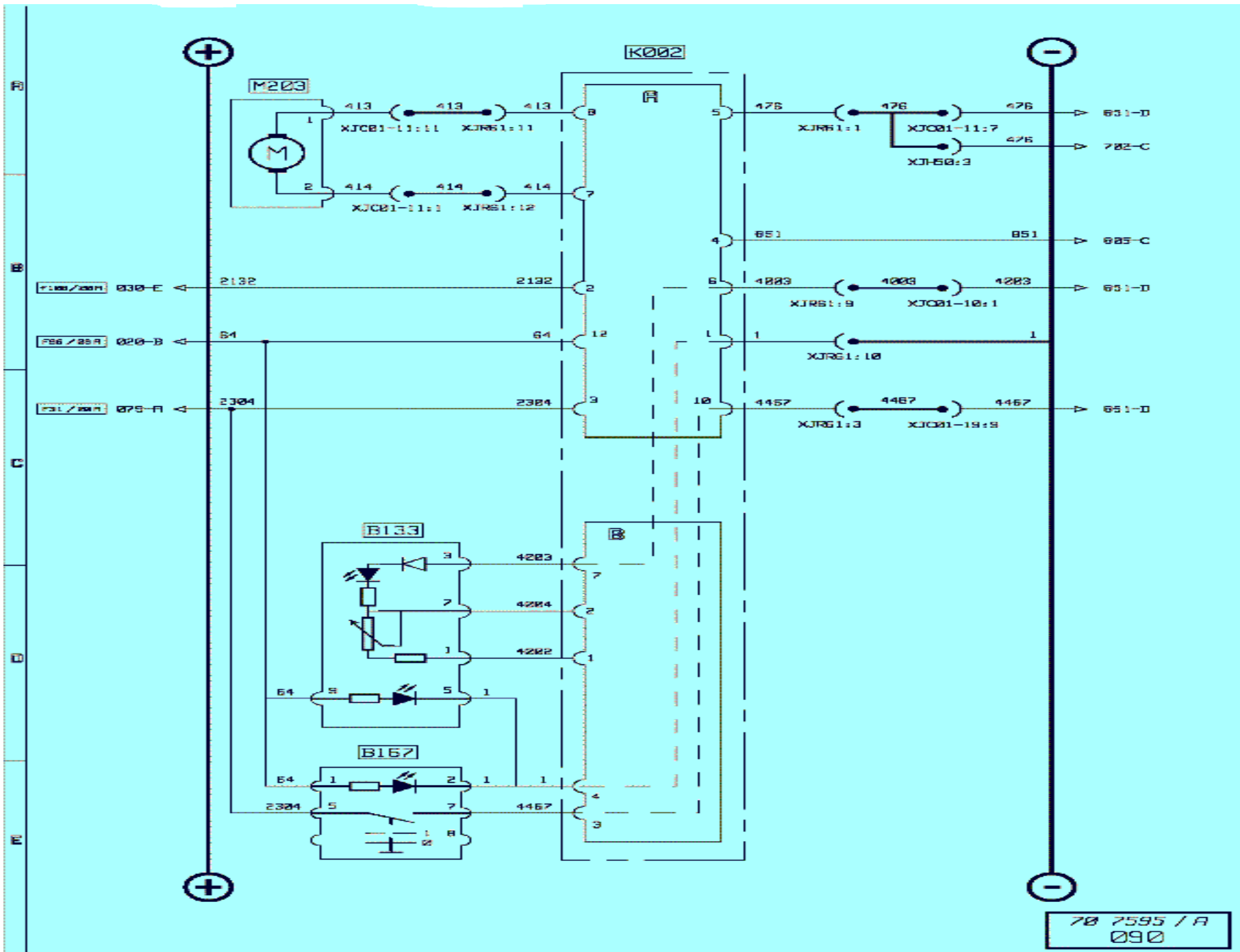
cardiagn.com

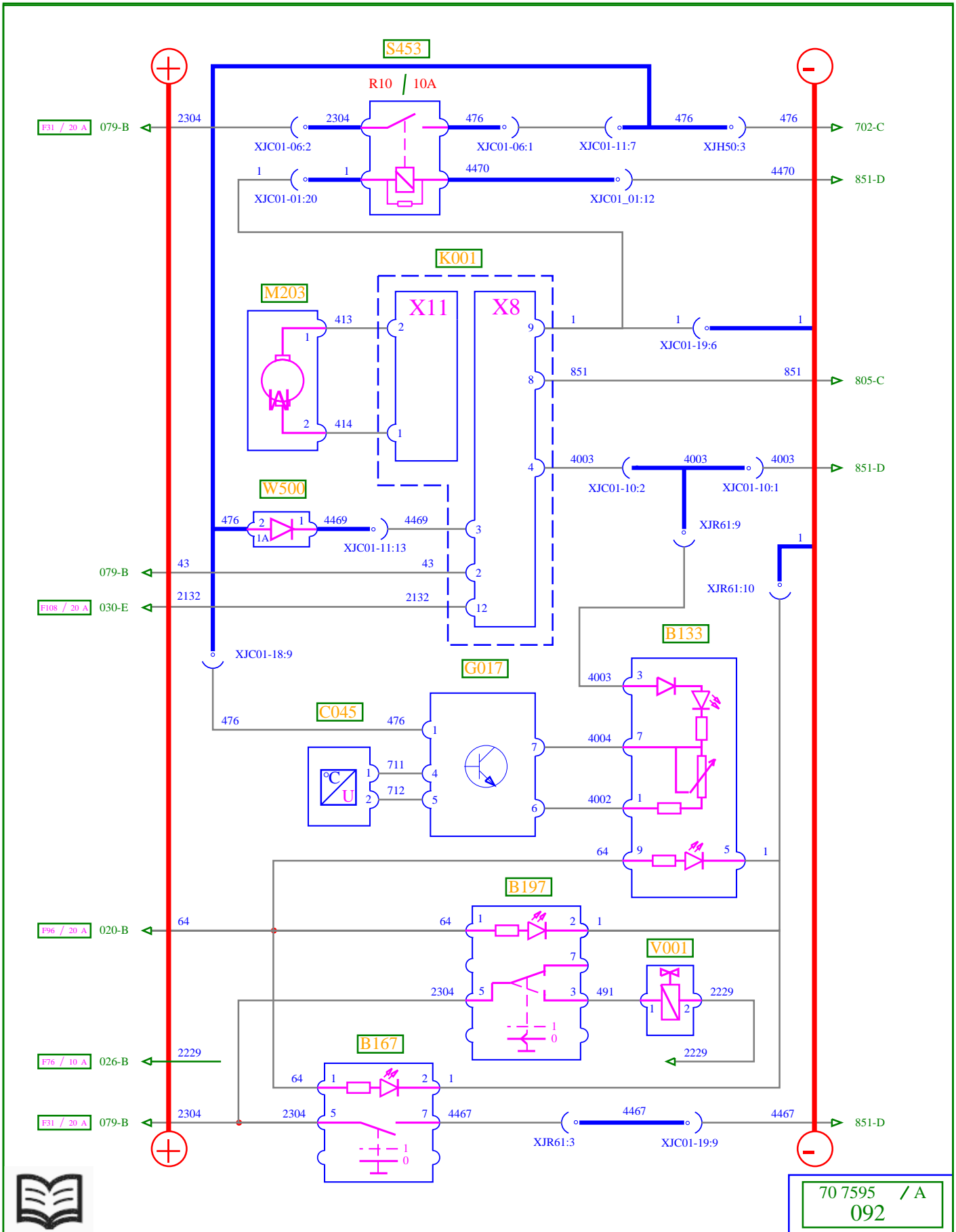
Independent (add-on) heating "AT2000 ST"

Key to appliances

Code	Function	Location
B133	Add-on heater timer control	C3b
B167	Cab add-on heater control	B3c
K002	Air/air add-on heater	B2b
M203	Add-on heater fuel pump motor	A4d

Independent (add-on) heating "AT2000 ST"





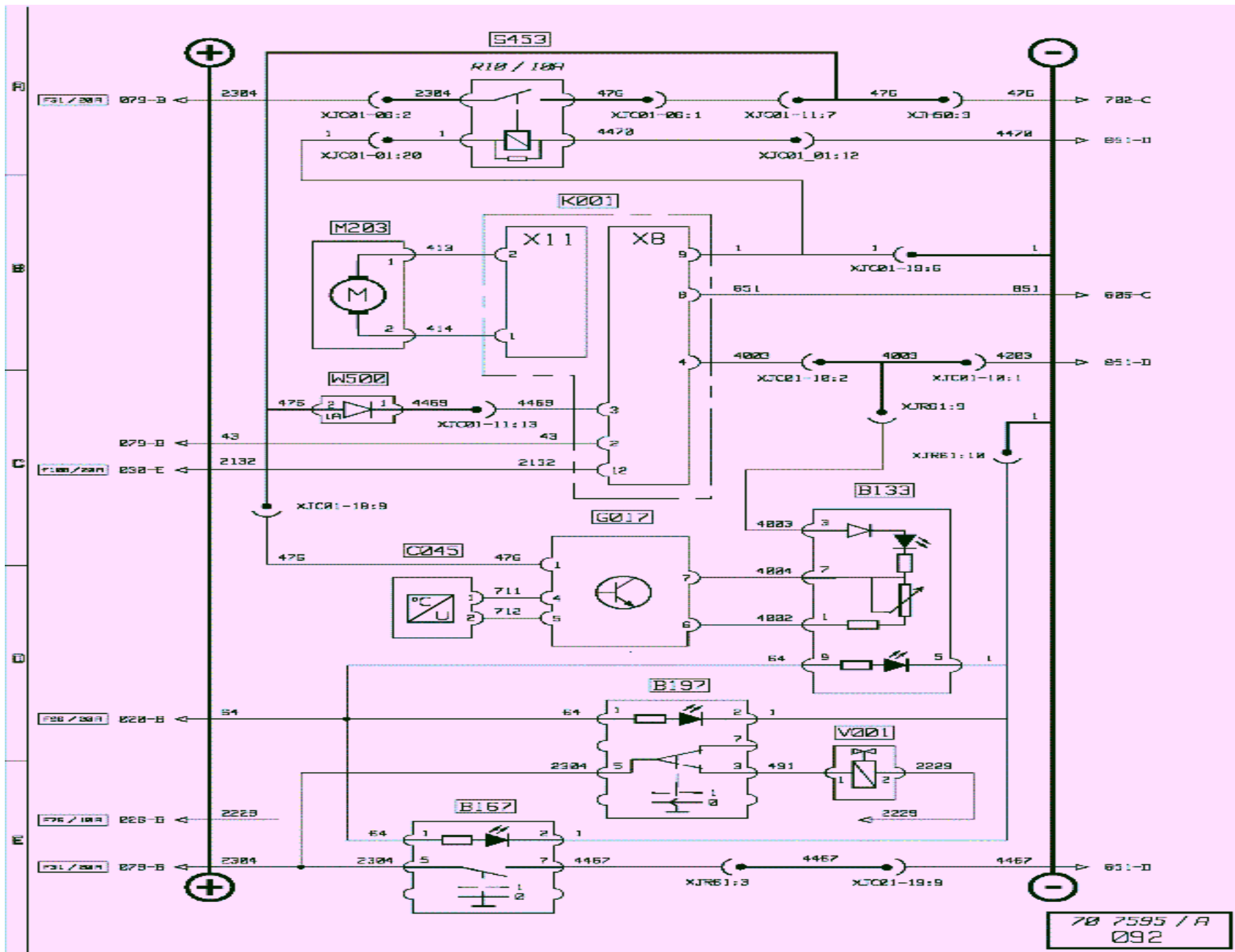
cardiagn.com

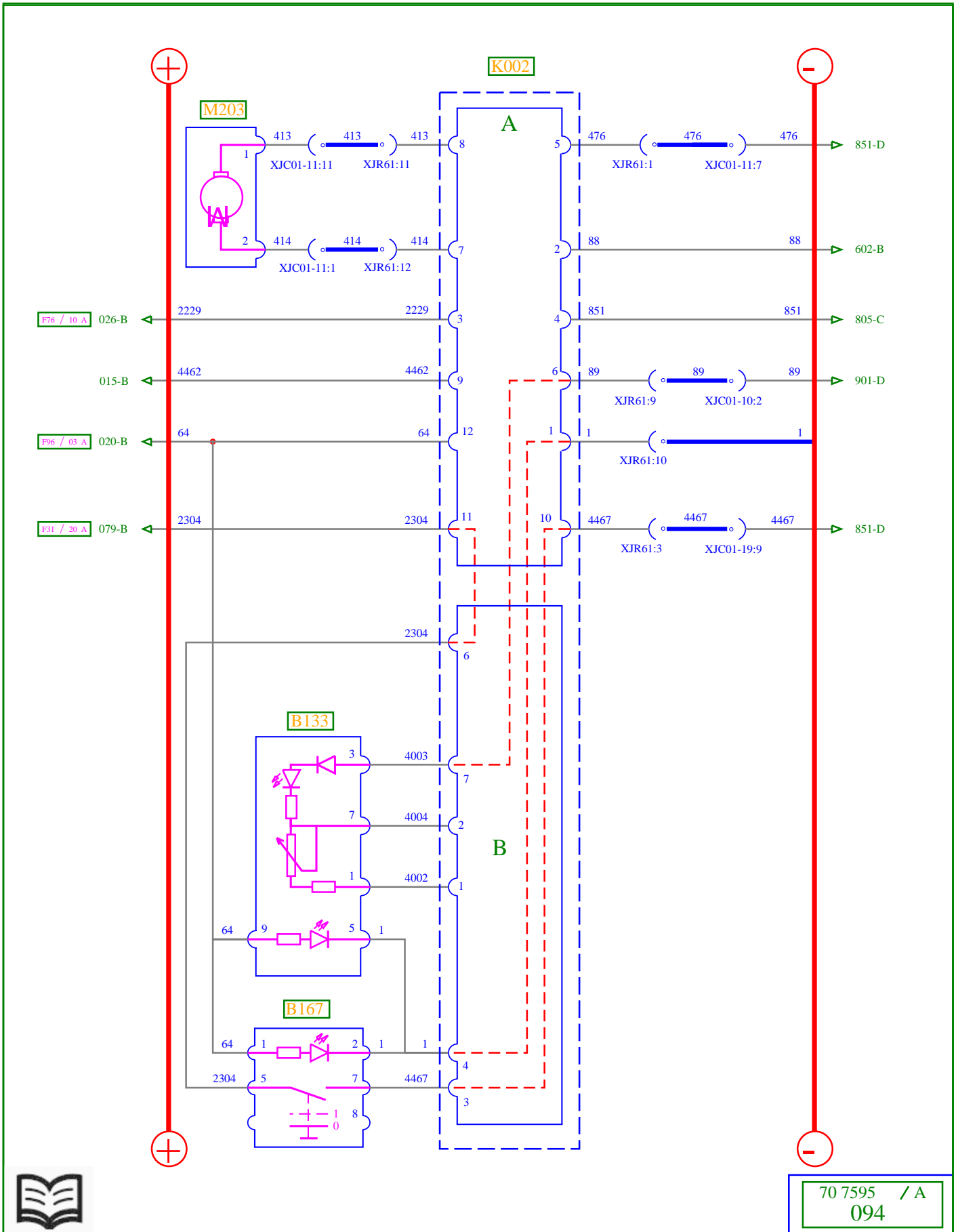
Independent (add-on) heating "Thermo 90S"

Key to appliances

Code	Function	Location
B133	Add-on heater timer control	C3b
B167	Cab add-on heater control	B3c
B197	Coolant circuit solenoid valve control	A4a
C045	Internal temperature sensor	C3b
G017	Cab temperature regulation ECU	A4c
K001	Air/water add-on heater	A4c
M203	Add-on heater fuel pump motor	A4d
S453	Add-on heater power supply relay	A2c
V001	Air/water add-on heater solenoid valve	A4d
W500	Diode(s)	B2c

Independent (add-on) heating "Thermo 90S"





cardiagn.com

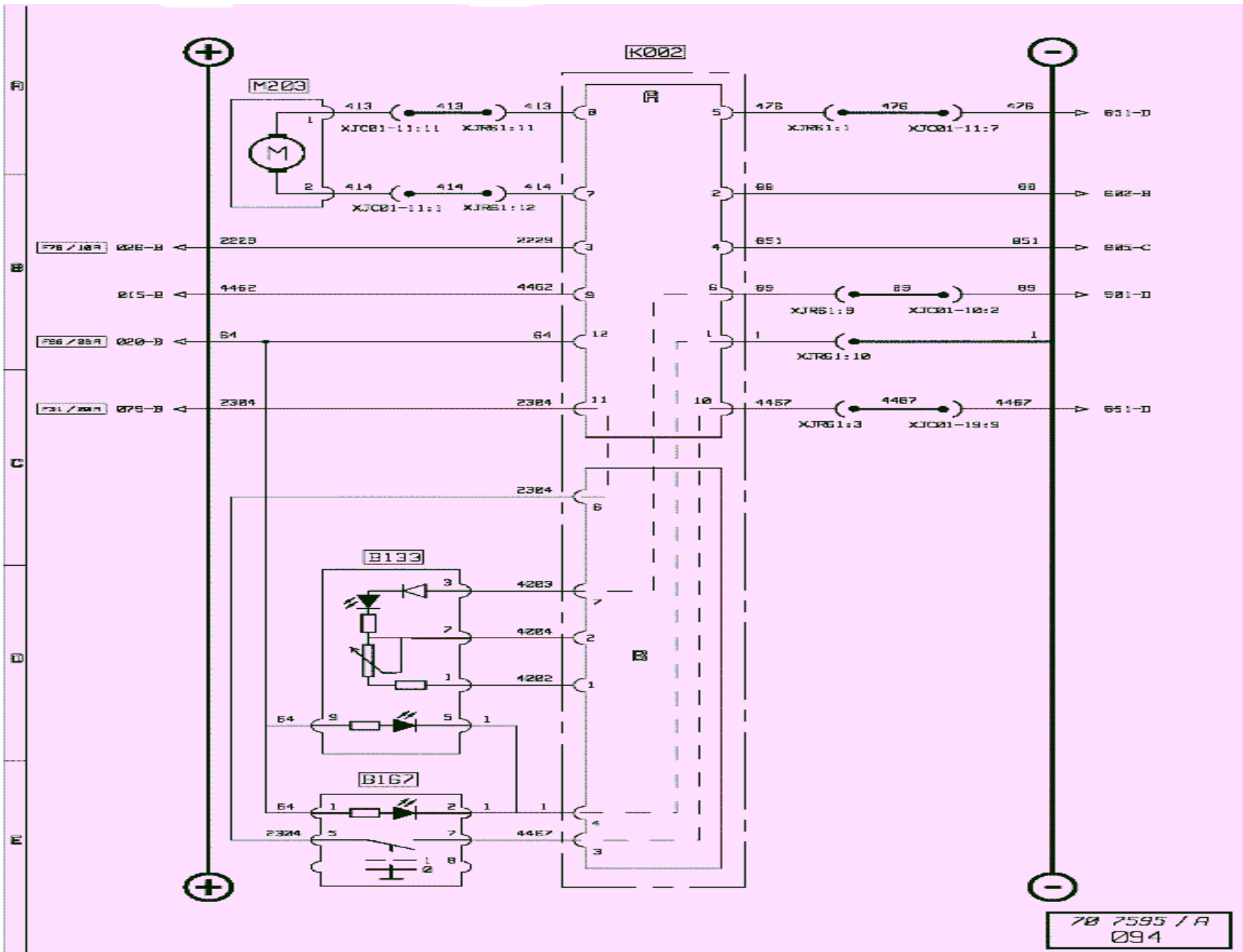


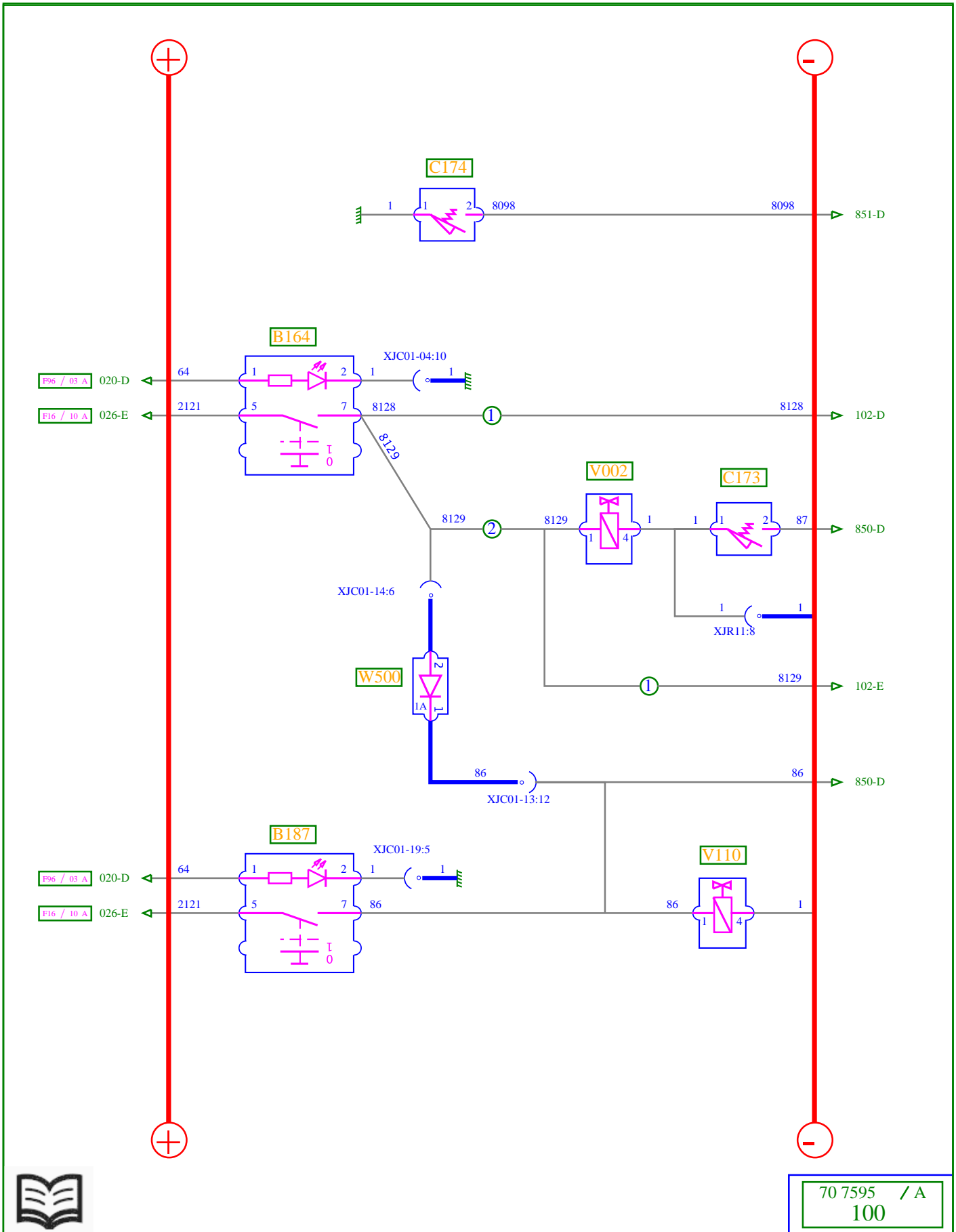
Independent (add-on) heating "AT2000 ST (ADR)"

Key to appliances

Code	Function	Location
B133	Add-on heater timer control	C4a
B167	Cab add-on heater control	C4a
K002	Air/air add-on heater	B2b
M203	Add-on heater fuel pump motor	C4d

Independent (add-on) heating "AT2000 ST (ADR)"





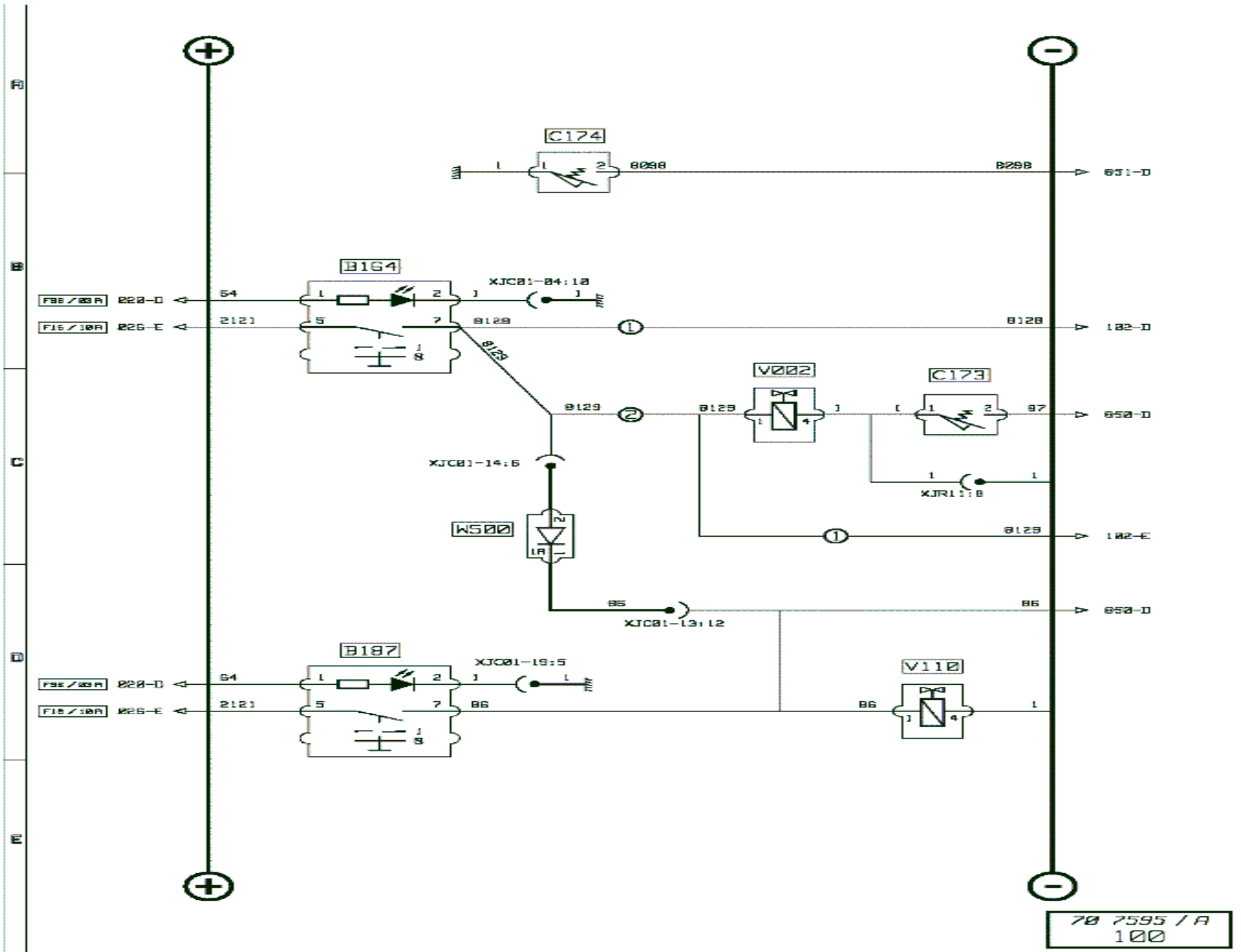
Diff lock

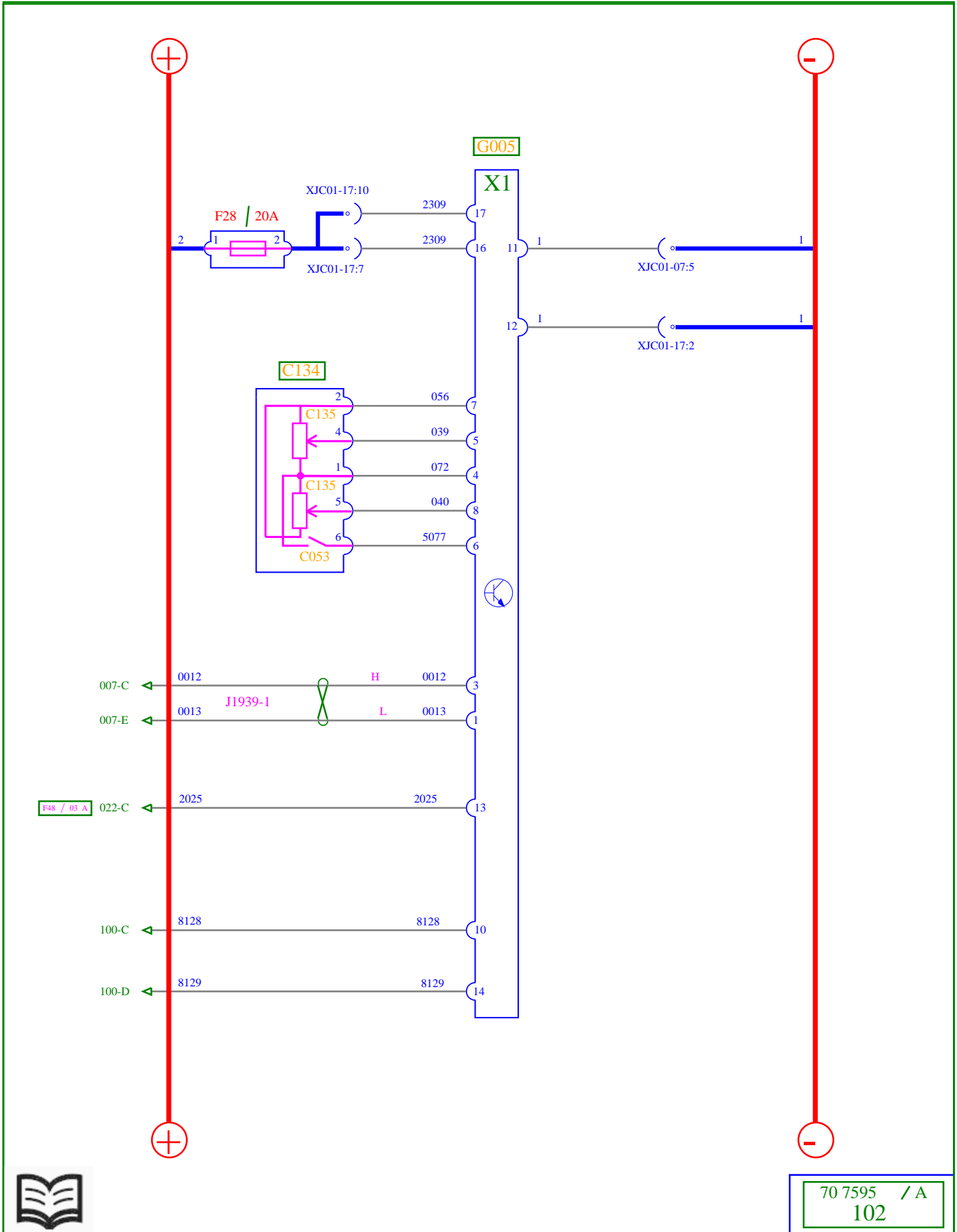
Key to appliances

Code	Function	Location
B164	Rear wheels diff lock control	C2b
B187	Inter-axle diff lock control	B2b
C173	N° 1 rear drive axle inter-wheel diff. lock engaged position sensor	B7d
C174	N° 2 rear drive axle inter-wheel diff lock engaged position sensor	B8d
V002	Rear wheels diff lock electrovalve	B7d
V110	Inter-axle diff. lock electrovalve	B9d
W500	Diode(s)	A2b

- 1: with "EBS" braking system
- 2: without "EBS" braking system

Diff lock



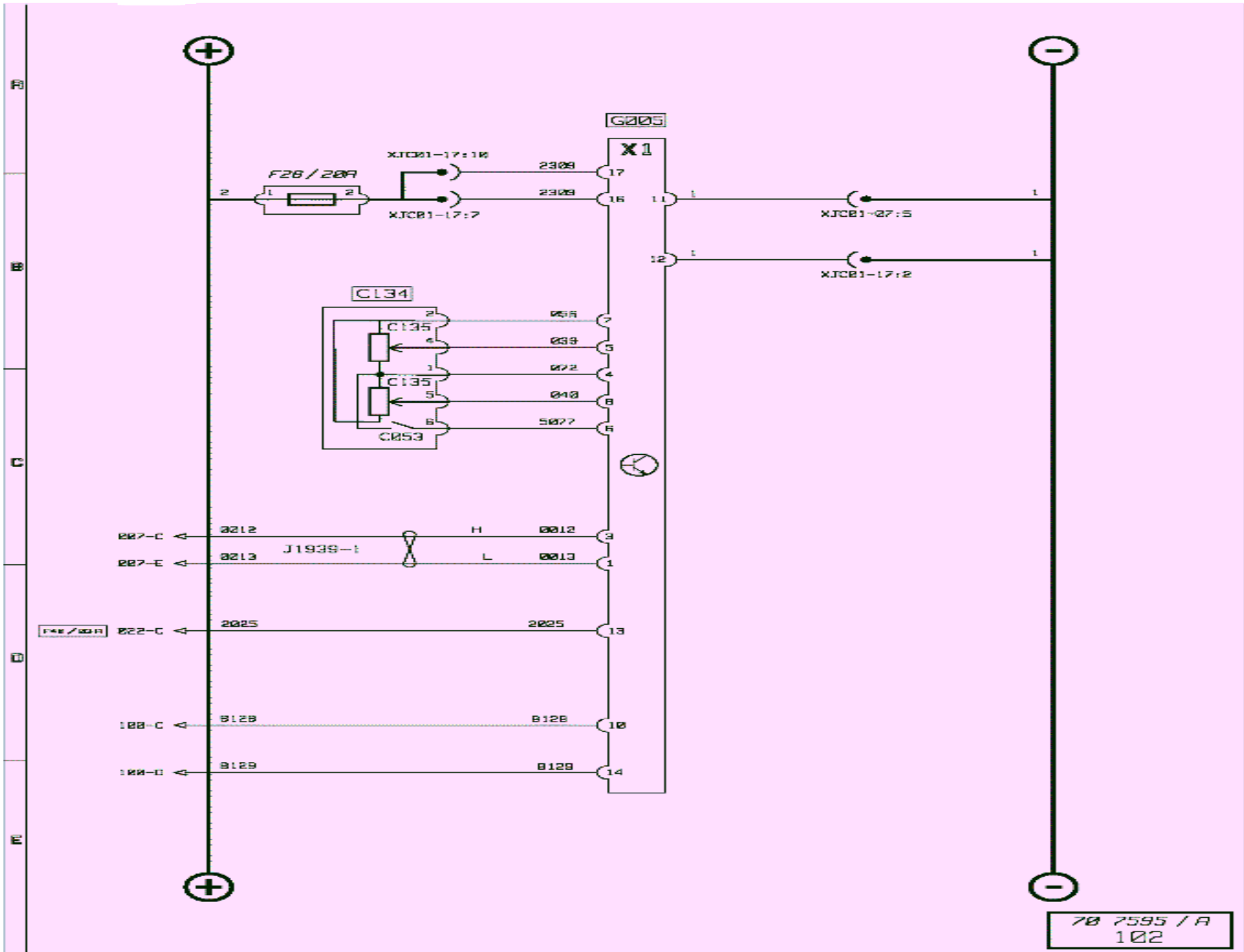


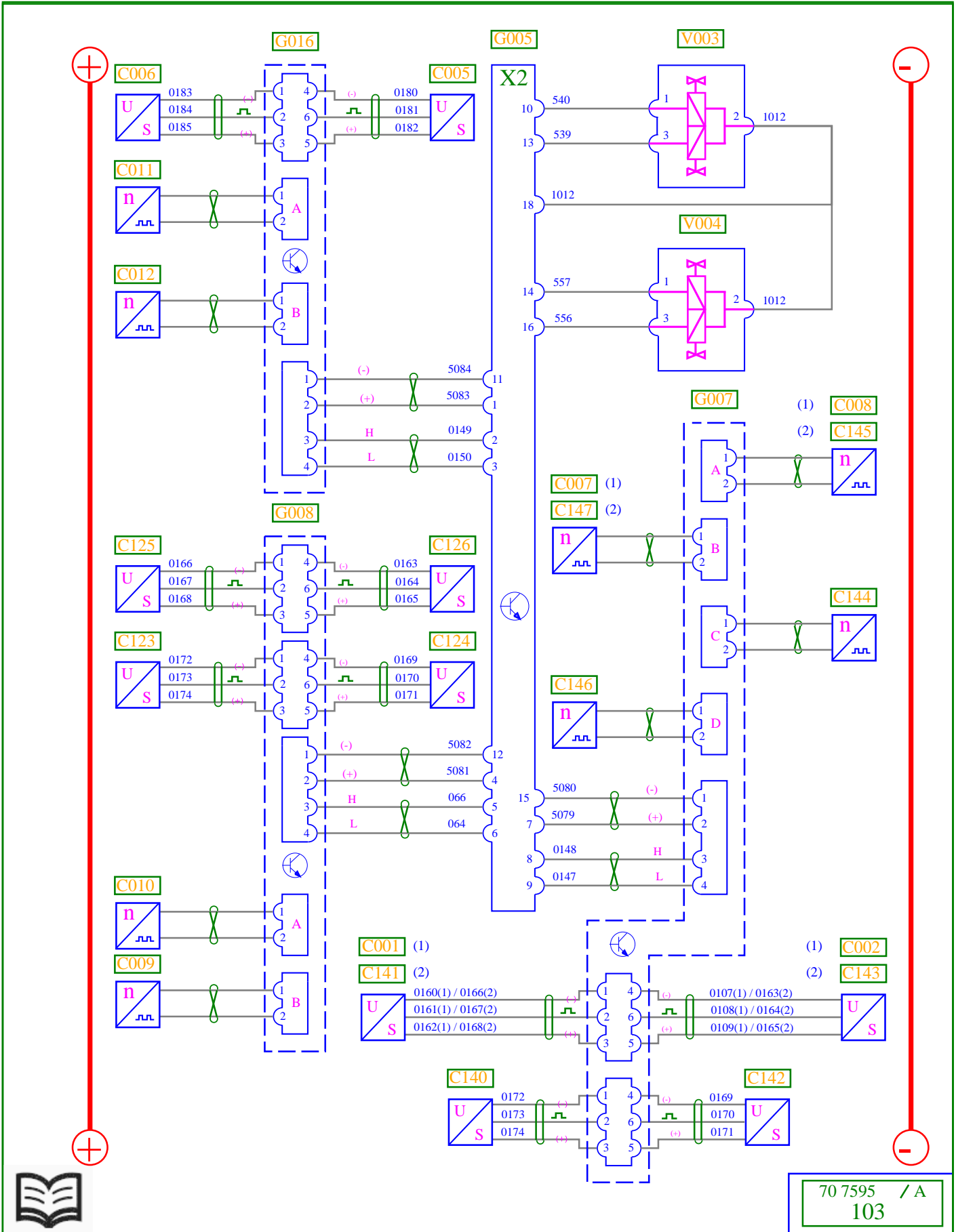
EBS braking system (1/7)

Key to appliances

Code	Function	Location
C053	Stop lights switch	C2c
C134	Brake pedal sensor unit	C2c
C135	Brake pedal position copying sensor	C2c
G005	EBS braking management ECU	A2b

EBS braking system (1/7)





EBS braking system (2/7)

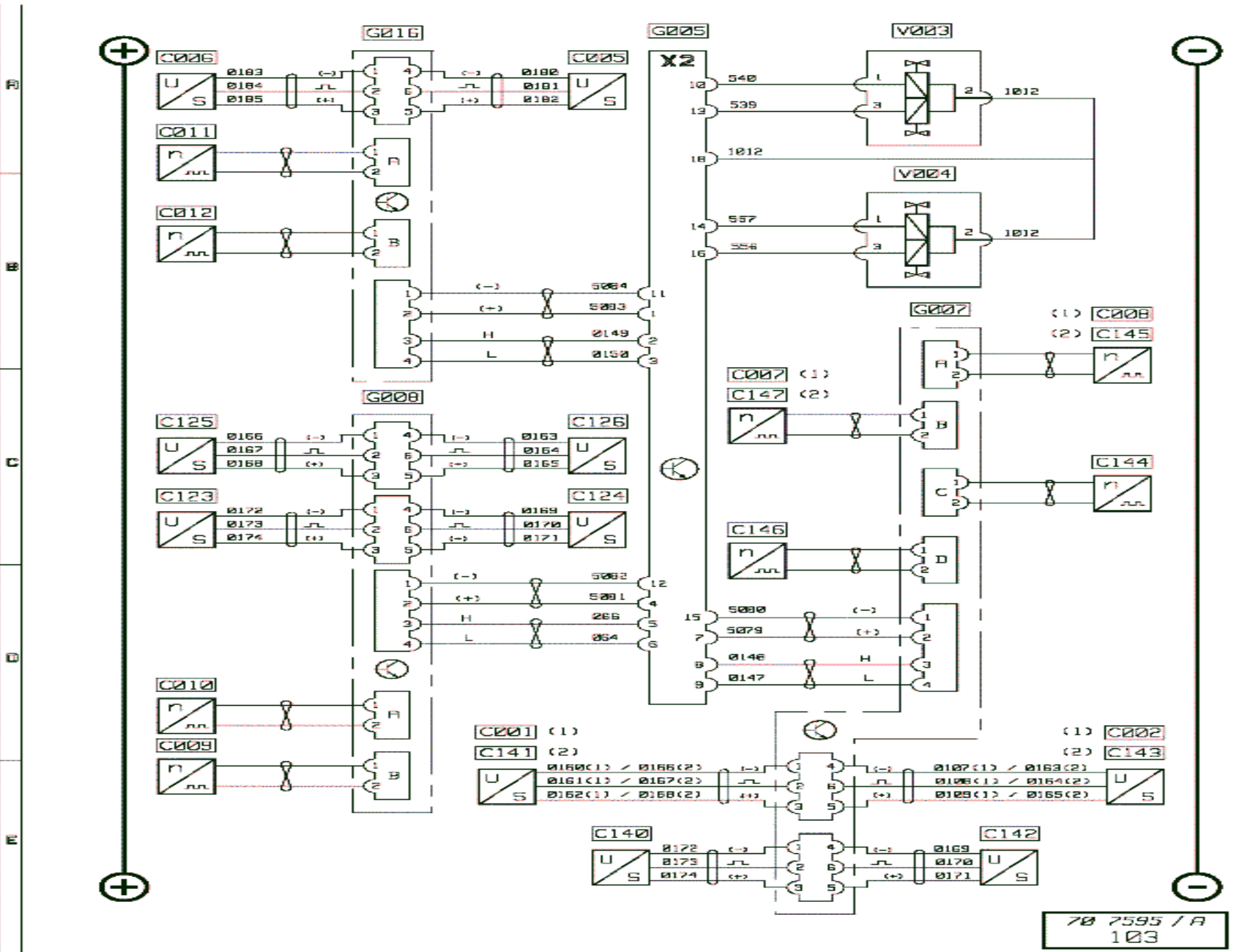
Key to appliances

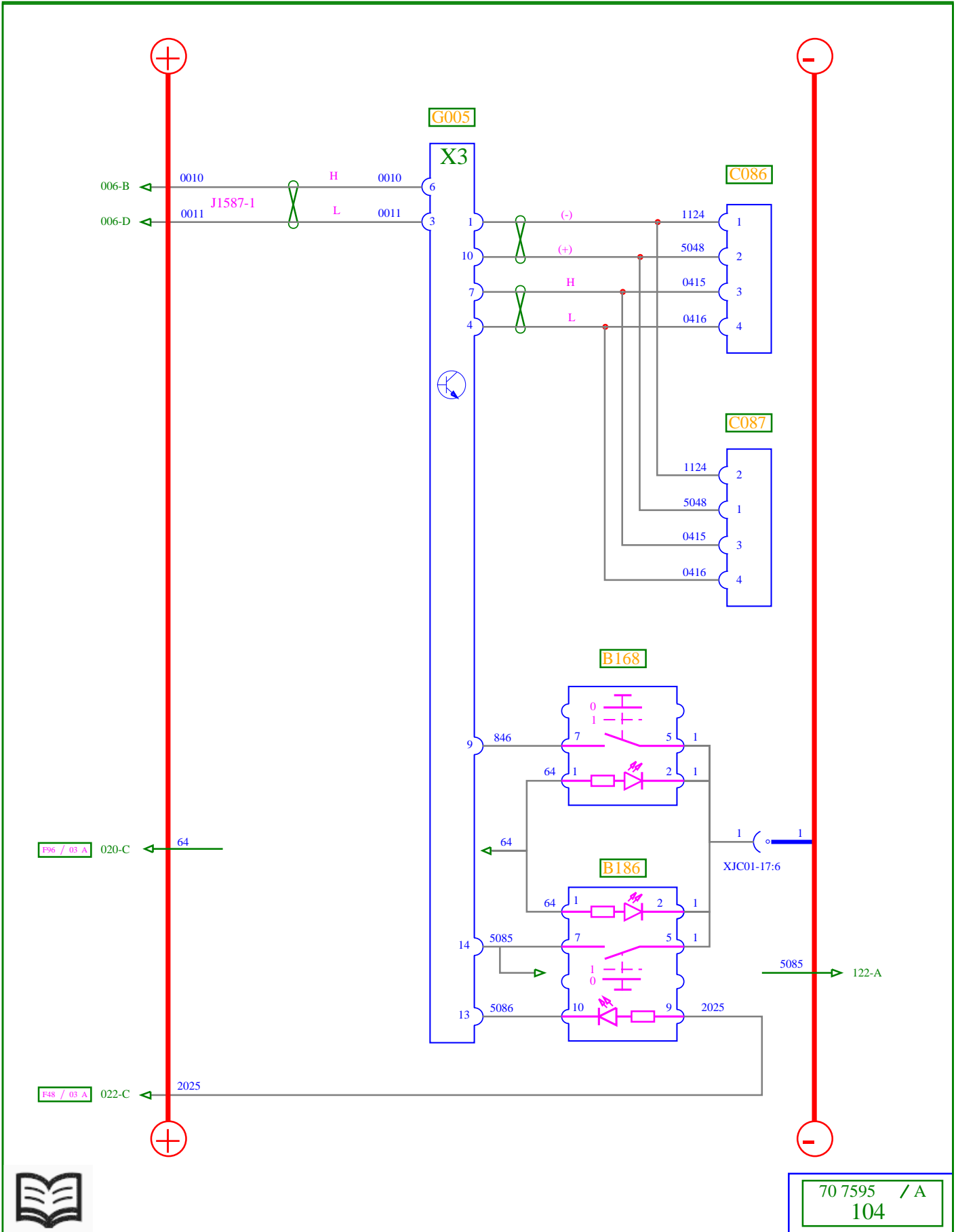
Code	Function	Location
C001	LH front wheel brake linings wear sensor	C3d
C002	RH front wheel brake linings wear sensor	A3d
C005	Lift-up axle or second rear axle LH wheel brake linings wear sensor	C8d
C006	Lift-up axle or second rear axle RH wheel brake linings wear sensor	A8d
C007	LH front wheel speed sensor	C3d
C008	RH front wheel speed sensor	A3d
C009	LH rear wheel speed sensor	C7d
C010	RH rear wheel speed sensor	A7d
C011	Lift-up axle or second rear axle LH wheel speed sensor	C8d
C012	Lift-up axle or second rear axle RH wheel speed sensor	A8d
C123	LH rear wheel brake linings wear sensor (drive axle N° 1)	C7d
C124	RH rear wheel brake linings wear sensor (drive axle N° 1)	A7d
C125	LH rear wheel brake linings wear sensor (drive axle N° 2)	C8d
C126	RH rear wheel brake linings wear sensor (drive axle N° 2)	A8d
C140	LH front wheel brake linings wear sensor (drive axle or axle N° 2)	C4d
C141	RH front wheel brake linings wear sensor (drive axle or axle N° 2)	A4d
C142	LH front wheel brake linings wear sensor (drive axle or axle N° 1)	C3d
C143	RH front wheel brake linings wear sensor (drive axle or axle N° 1)	A3d
C144	LH front wheel speed sensor (drive axle or axle N° 1)	C3d
C145	RH front wheel speed sensor (drive axle or axle N° 1)	A3d
C146	LH front wheel speed sensor (drive axle or axle N° 2)	C4d
C147	RH front wheel speed sensor (drive axle or axle N° 2)	A4d
G005	EBS braking management ECU	A2b
G007	Front axle braking assistance modulator unit	C2d
G008	Drive axle braking assistance modulator unit	B7d
G016	Second rear axle braking assistance modulator unit	B8d
V003	LH roadwheel ABS electrovalve	C3d
V004	Front RH wheel ABS solenoid valve	A3d

(1): With 1 drive axles or 1 front axles

(2): With **2** drive axles or **2** front axles

EBS braking system (2/7)



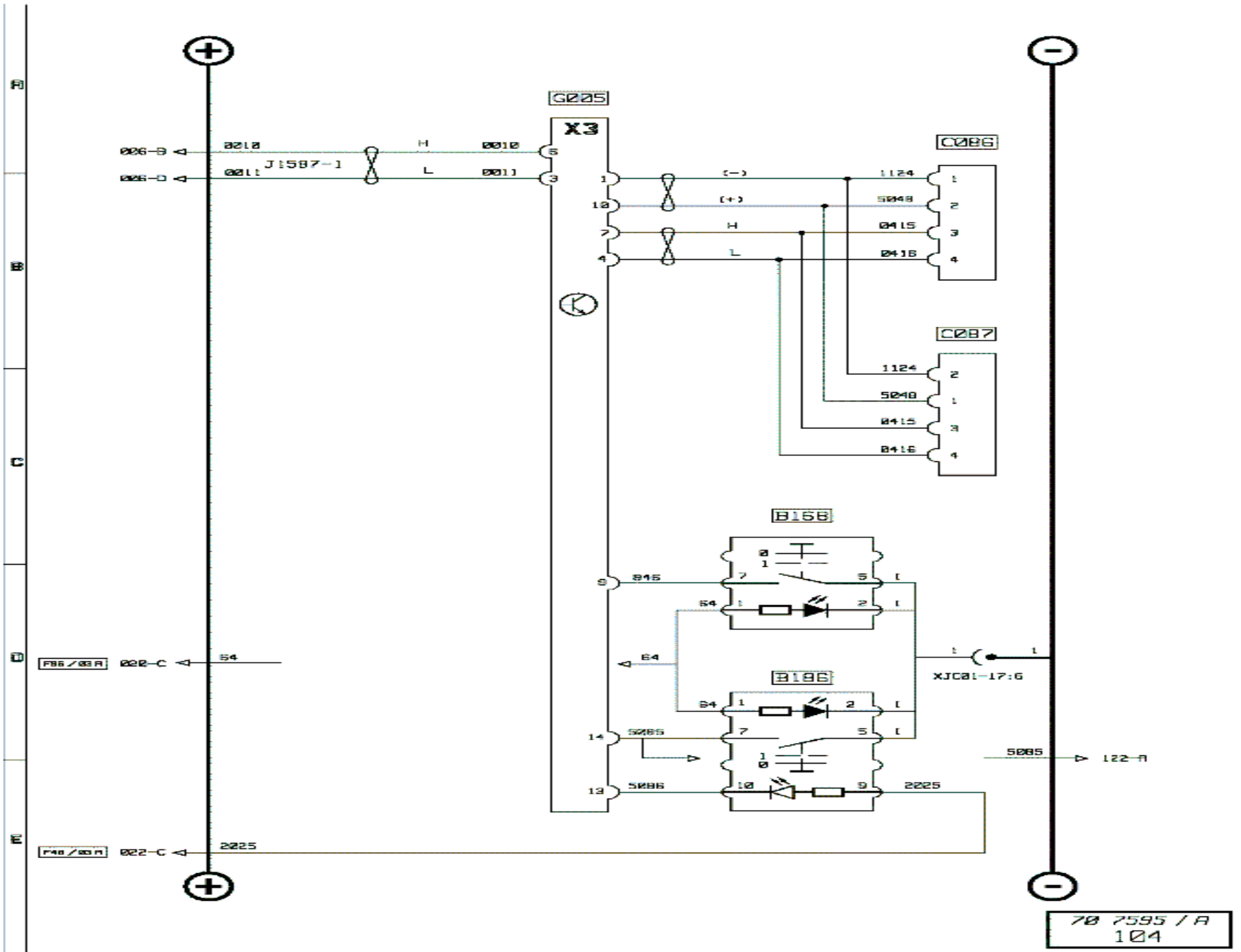


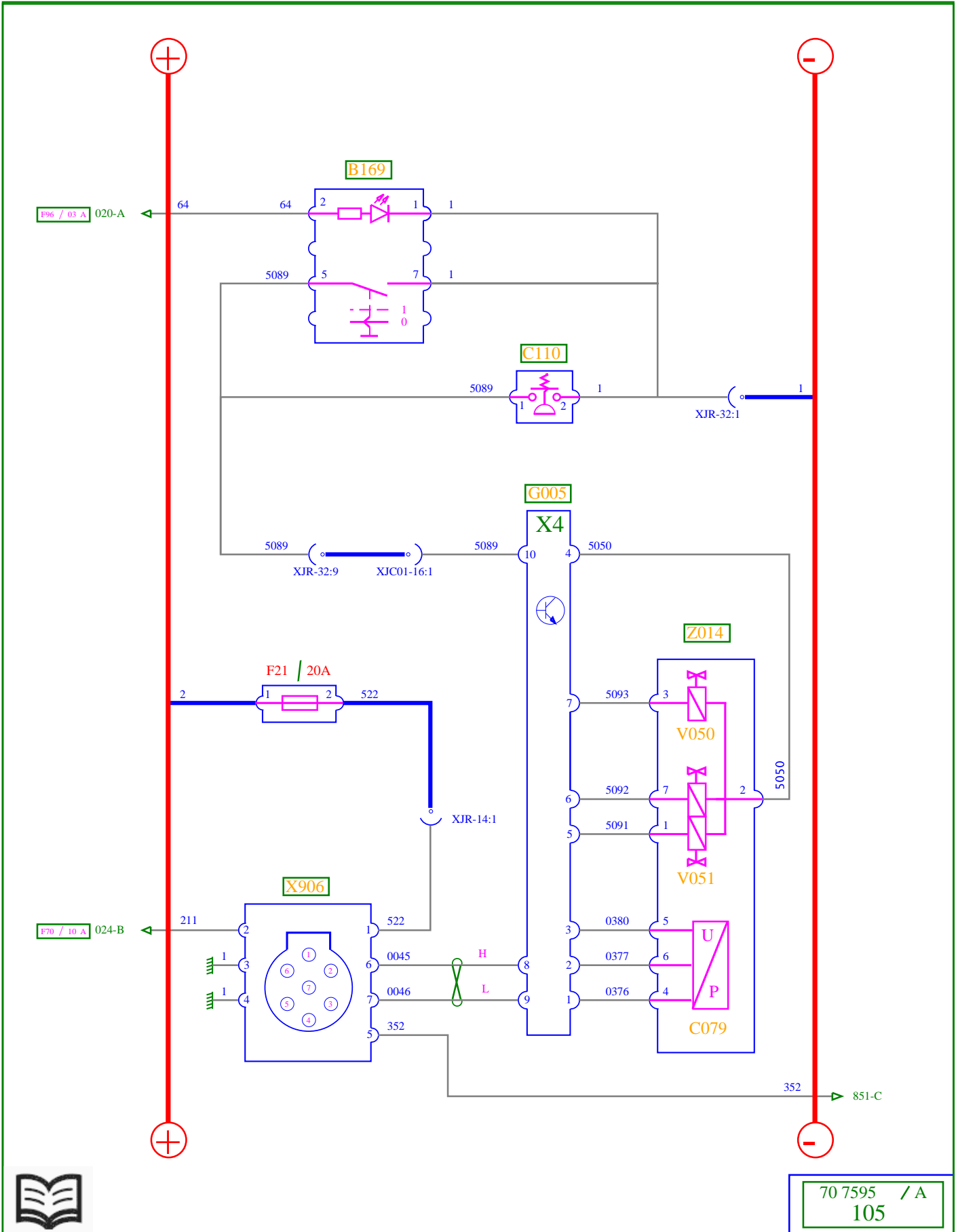
EBS braking system (3/7)

Key to appliances

Code	Function	Location
B168	Traction control enabling control	B2b
B186	Brake holding enabling control	B2b
C086	Steering lockover angle sensor	C2c
C087	Chassis lateral acceleration sensor	B6d
G005	EBS braking management ECU	A2b

EBS braking system (3/7)





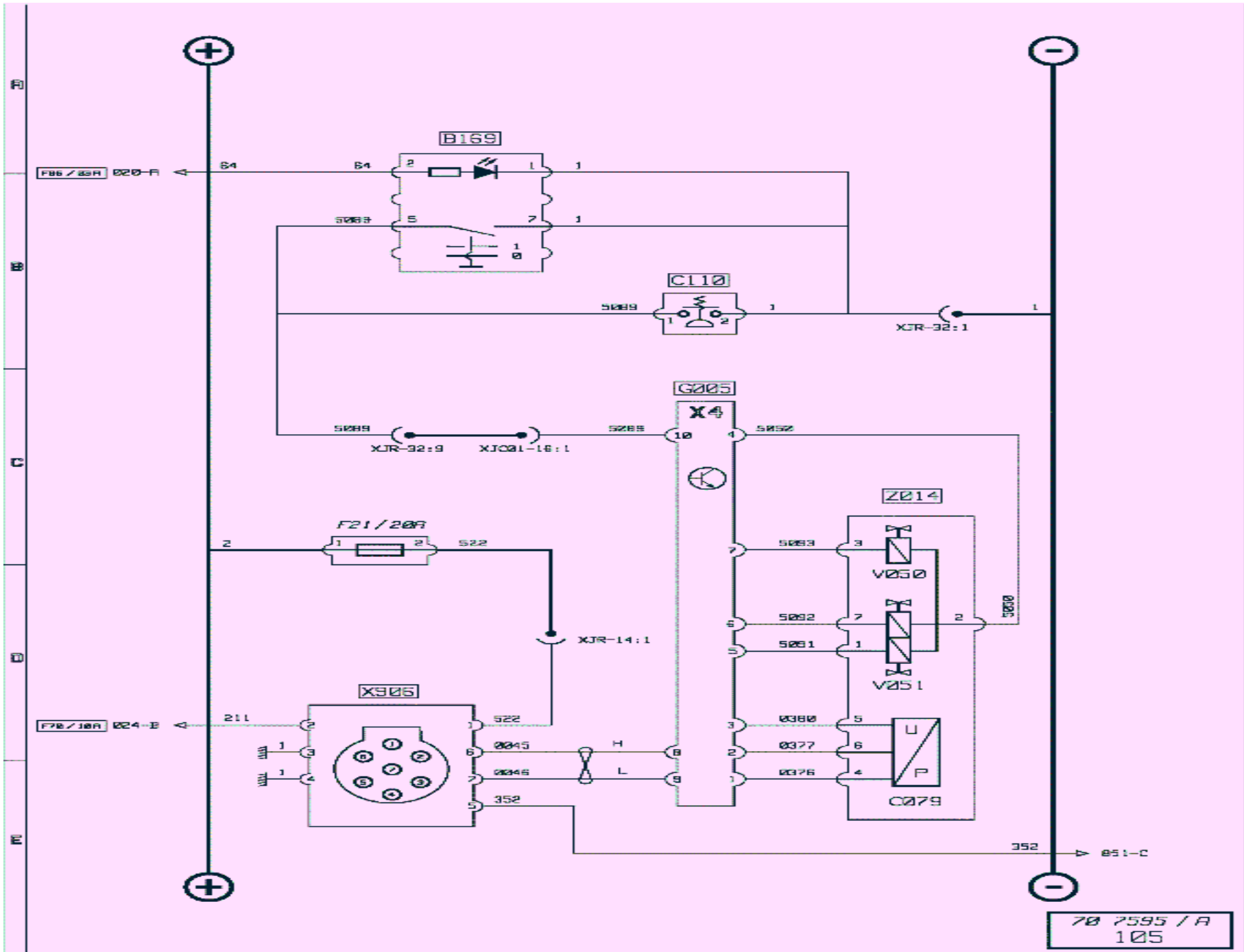
70 7595 / A
105

EBS braking system (4/7)

Key to appliances

Code	Function	Location
B169	Trailer brake holding enabling control	C2C
C079	Trailer braking assistance pressure system sensor	B6d
C110	Parking brake indicator pressure sensor	B7d
G005	EBS braking management ECU	A2b
V050	Braking auxiliary electrovalve	B6d
V051	Trailer braking inlet/exhaust electrovalve	B6d
X906	ABS/EBS trailer socket	B4d
Z014	Trailer brake control EBS modulator unit	B6d

EBS braking system (4/7)



EBS braking system (5/7)

EBS braking system 4x2 / 4x4

EBS table

Axle spreads or options Appliances	Basic Solo 4x2/4x4	Basic+ Solo 4x2	Full Solo 4x2	Basic 4x2/4x4	Basic + 4x2	Full 4x2	With VFR*	Without VFR*	With BDS°
B168 / B186		X	X		X	X			
C001 / C002		X	X		X	X			
C005 / C006									
C007 / C008	X	X	X	X	X	X			
C009 / C010	X	X	X	X	X	X			
C011 / C012									
C086 / C087			X			X			
C123 / C124									
C125 / C126		X	X		X	X			
C140 / C141									
C142 / C143									
C144 / C145									
C146 / C147									
G016									
Z014				X	X	X			
V003 / V004	X	X	X	X	X	X			
B169				X	X	X		X	
C110	X	X	X	X	X	X	X		
B164 / V002	X	X	X	X	X	X			X

EBS braking system (5/7)

Key to appliances

Code	Function	Location
B164	Rear wheels diff lock control	B2b
B168	Traction control enabling control	B2b
B169	Trailer brake holding enabling control	C2c
B186	Brake holding enabling control	C2c
C001	LH front wheel brake linings wear sensor	C3d
C002	RH front wheel brake linings wear sensor	A3d
C005	Lift-up axle or second rear axle LH wheel brake linings wear sensor	C8d
C006	Lift-up axle or second rear axle RH wheel brake linings wear sensor	A8d
C007	LH front wheel speed sensor	C3d
C008	RH front wheel speed sensor	A3d
C009	LH rear wheel speed sensor	C7d
C010	RH rear wheel speed sensor	A7d
C011	Lift-up axle or second rear axle LH wheel speed sensor	C8d
C012	Lift-up axle or second rear axle RH wheel speed sensor	A8d
C086	Steering lockover angle sensor	C2c
C087	Chassis lateral acceleration sensor	B6d
C123	LH rear wheel brake linings wear sensor (drive axle N° 1)	C7d
C124	RH rear wheel brake linings wear sensor (drive axle N° 1)	A7d
C125	LH rear wheel brake linings wear sensor (drive axle N° 2)	C8d
C126	RH rear wheel brake linings wear sensor (drive axle N° 2)	A8d
C140	LH front wheel brake linings wear sensor (drive axle or axle N° 2)	C4d
C141	RH front wheel brake linings wear sensor (drive axle or axle N° 2)	A4d
C142	LH front wheel brake linings wear sensor (drive axle or axle N° 1)	C3d
C143	RH front wheel brake linings wear sensor (drive axle or axle N° 1)	A3d
C144	LH front wheel speed sensor (drive axle or axle N° 1)	C3d
C145	RH front wheel speed sensor (drive axle or axle N° 1)	A3d
C146	LH front wheel speed sensor (drive axle or axle N° 2)	C4d
C147	RH front wheel speed sensor (drive axle or axle N° 2)	A4d
C110	Parking brake indicator pressure sensor	B6d
G016	Second rear axle braking assistance modulator unit	B7d
V002	Rear wheels diff lock electrovalve	B9d

V003	LH roadwheel ABS electrovalve	C3d
V004	Front RH wheel ABS solenoid valve	A3d
Z014	Trailer brake control EBS modulator unit	B6d

* VFR = Trailer brake valve

° BDS = Synchronized diff lock

EBS braking system (5/7)

EBS braking system 4x2 / 4x4

EBS table

Axle spreads or options Appliances	Basic Solo 4x2/4x4	Basic+ Solo 4x2	Full Solo 4x2	Basic 4x2/4x4	Basic + 4x2	Full4x2	WithVFR	WithoutVFR	WithBDS°
B168 / B186		X	X		X	X			
C001 / C002		X	X		X	X			
C005 / C006									
C007 / C008	X	X	X	X	X	X			
C009 / C010	X	X	X	X	X	X			
C011 / C012									
C086 / C087			X			X			
C123 / C124									
C125 / C126		X	X		X	X			
C140 / C141									
C142 / C143									
C144 / C145									
C146 / C147									
G016									
Z014				X	X	X			
V003 / V004	X	X	X	X	X	X			
B169				X	X	X		X	
C110	X	X	X	X	X	X	X		
B164 / V002	X	X	X	X	X	X			X

EBS braking system (6/7)

EBS braking system 6x2 / 6x4

EBS table

Axle spreads or options >Appliances	Basic +Solo6x2	Basic +6x2	Full6x2	BasicSolo 6x4	Basic +Solo6x4	Basic6x4	Basic +6x4	Full6x4	WithVFR	WithoutVFR	WithBDS
B168 / B186	x	x	x		x		x	x			
C001 / C002	x	x	x		x		x	x			
C005 / C006	x	x	x								
C007 / C008	x	x	x	x	x	x	x	x			
C009 / C010	x	x	x	x	x	x	x	x			
C011 / C012	x	x	x								
C086 / C087			x					x			
C123 / C124					x		x	x			
C125 / C126	x	x	x		x		x	x			
C140 / C141											
C142 / C143											
C144 / C145											
C146 / C147											
G016	x	x	x								
Z014		x	x			x	x	x			
V003 / V004	x	x	x	x	x	x	x	x			
B169		x	x			x	x	x		x	
C110	x	x	x	x	x	x	x	x	x		
B164 / V002	x	x	x								x

EBS braking system (6/7)

Key to appliances

Code	Function	Location
B164	Rear wheels diff lock control	B2b
B168	Traction control enabling control	B2b
B169	Trailer brake holding enabling control	C2c
B186	Brake holding enabling control	C2c
C001	LH front wheel brake linings wear sensor	C3d
C002	RH front wheel brake linings wear sensor	A3d
C005	Lift-up axle or second rear axle LH wheel brake linings wear sensor	C8d
C006	Lift-up axle or second rear axle RH wheel brake linings wear sensor	A8d
C007	LH front wheel speed sensor	C3d
C008	RH front wheel speed sensor	A3d
C009	LH rear wheel speed sensor	C7d
C010	RH rear wheel speed sensor	A7d
C011	Lift-up axle or second rear axle LH wheel speed sensor	C8d
C012	Lift-up axle or second rear axle RH wheel speed sensor	A8d
C086	Steering lockover angle sensor	C2c
C087	Chassis lateral acceleration sensor	B6d
C123	LH rear wheel brake linings wear sensor (drive axle N° 1)	C7d
C124	RH rear wheel brake linings wear sensor (drive axle N° 1)	A7d
C125	LH rear wheel brake linings wear sensor (drive axle N° 2)	C8d
C126	RH rear wheel brake linings wear sensor (drive axle N° 2)	A8d
C140	LH front wheel brake linings wear sensor (drive axle or axle N° 2)	C4d
C141	RH front wheel brake linings wear sensor (drive axle or axle N° 2)	A4d
C142	LH front wheel brake linings wear sensor (drive axle or axle N° 1)	C3d
C143	RH front wheel brake linings wear sensor (drive axle or axle N° 1)	A3d
C144	LH front wheel speed sensor (drive axle or axle N° 1)	C3d
C145	RH front wheel speed sensor (drive axle or axle N° 1)	A3d
C146	LH front wheel speed sensor (drive axle or axle N° 2)	C4d
C147	RH front wheel speed sensor (drive axle or axle N° 2)	A4d
C110	Parking brake indicator pressure sensor	B6d
G016	Second rear axle braking assistance modulator unit	B7d
V002	Rear wheels diff lock electrovalve	B9d

V003	LH roadwheel ABS electrovalve	C3d
V004	Front RH wheel ABS solenoid valve	A3d
Z014	Trailer brake control EBS modulator unit	B6d

* VFR = Trailer brake valve

° BDS = Synchronized diff lock

EBS braking system (6/7)

EBS braking system 6x2 / 6x4

EBS table

Axle spreads or options Appliances	Basic +Solo6x2	Basic +6x2	Full6x2	BasicSolo6x4	Basic +Solo6x4	Basic6x4	Basic +6x4	Full6x4	WithVFR	WithoutVFR	WithBDS°
B168 / B186	x	x	x		x		x	x			
C001 / C002	x	x	x		x		x	x			
C005 / C006	x	x	x								
C007 / C008	x	x	x	x	x	x	x	x			
C009 / C010	x	x	x	x	x	x	x	x			
C011 / C012	x	x	x								
C086 / C087			x					x			
C123 / C124					x		x	x			
C125 / C126	x	x	x		x		x	x			
C140 / C141											
C142 / C143											
C144 / C145											
C146 / C147											
G016	x	x	x								
Z014		x	x			x	x	x			
V003 / V004	x	x	x	x	x	x	x	x			
B169		x	x			x	x	x		x	
C110	x	x	x	x	x	x	x	x	x		
B164 / V002	x	x	x								x

EBS braking system (7/7)

EBS braking system 8x2 / 8x4

EBS table

Axle spreads or options Appliances	Basic Solo8x2	Basic + Solo8x4	Basic 8x4	Basic +8x4	Basic Solo8x2	Basic +Solo8x2	Basic 8x2	Basic +8x2	With VFR	Without VFR	With VFR BDS
B168 / B186		x		x		x		x			
C001 / C002											
C005 / C006						x		x			
C007 / C008											
C009 / C010	x	x	x	x	x	x	x	x			
C011 / C012					x	x	x	x			
C086 / C087											
C123 / C124		x		x							
C125 / C126		x		x		x		x			
C140 / C141		x		x		x		x			
C142 / C143		x		x		x		x			
C144 / C145	x	x	x	x	x	x	x				
C146 / C147	x	x	x	x	x	x	x	x			
G016					x	x	x	x			
Z014			x	x			x	x			
V003 / V004											
B169			x	x			x	x		x	
C110	x	x	x	x	x	x	x	x	x		
B164 / V002					x	x	x	x			x

EBS braking system (7/7)

Key to appliances

Code	Function	Location
B164	Rear wheels diff lock control	B2b
B168	Traction control enabling control	B2b
B169	Trailer brake holding enabling control	C2c
B186	Brake holding enabling control	C2c
C001	LH front wheel brake linings wear sensor	C3d
C002	RH front wheel brake linings wear sensor	A3d
C005	Lift-up axle or second rear axle LH wheel brake linings wear sensor	C8d
C006	Lift-up axle or second rear axle RH wheel brake linings wear sensor	A8d
C007	LH front wheel speed sensor	C3d
C008	RH front wheel speed sensor	A3d
C009	LH rear wheel speed sensor	C7d
C010	RH rear wheel speed sensor	A7d
C011	Lift-up axle or second rear axle LH wheel speed sensor	C8d
C012	Lift-up axle or second rear axle RH wheel speed sensor	A8d
C086	Steering lockover angle sensor	C2c
C087	Chassis lateral acceleration sensor	B6d
C123	LH rear wheel brake linings wear sensor (drive axle N° 1)	C7d
C124	RH rear wheel brake linings wear sensor (drive axle N° 1)	A7d
C125	LH rear wheel brake linings wear sensor (drive axle N° 2)	C8d
C126	RH rear wheel brake linings wear sensor (drive axle N° 2)	A8d
C140	LH front wheel brake linings wear sensor (drive axle or axle N° 2)	C4d
C141	RH front wheel brake linings wear sensor (drive axle or axle N° 2)	A4d
C142	LH front wheel brake linings wear sensor (drive axle or axle N° 1)	C3d
C143	RH front wheel brake linings wear sensor (drive axle or axle N° 1)	A3d
C144	LH front wheel speed sensor (drive axle or axle N° 1)	C3d
C145	RH front wheel speed sensor (drive axle or axle N° 1)	A3d
C146	LH front wheel speed sensor (drive axle or axle N° 2)	C4d
C147	RH front wheel speed sensor (drive axle or axle N° 2)	A4d
C110	Parking brake indicator pressure sensor	B6d
G016	Second rear axle braking assistance modulator unit	B7d
V002	Rear wheels diff lock electrovalve	B9d

V003	LH roadwheel ABS electrovalve	C3d
V004	Front RH wheel ABS solenoid valve	A3d
Z014	Trailer brake control EBS modulator unit	B6d

* VFR = Trailer brake valve

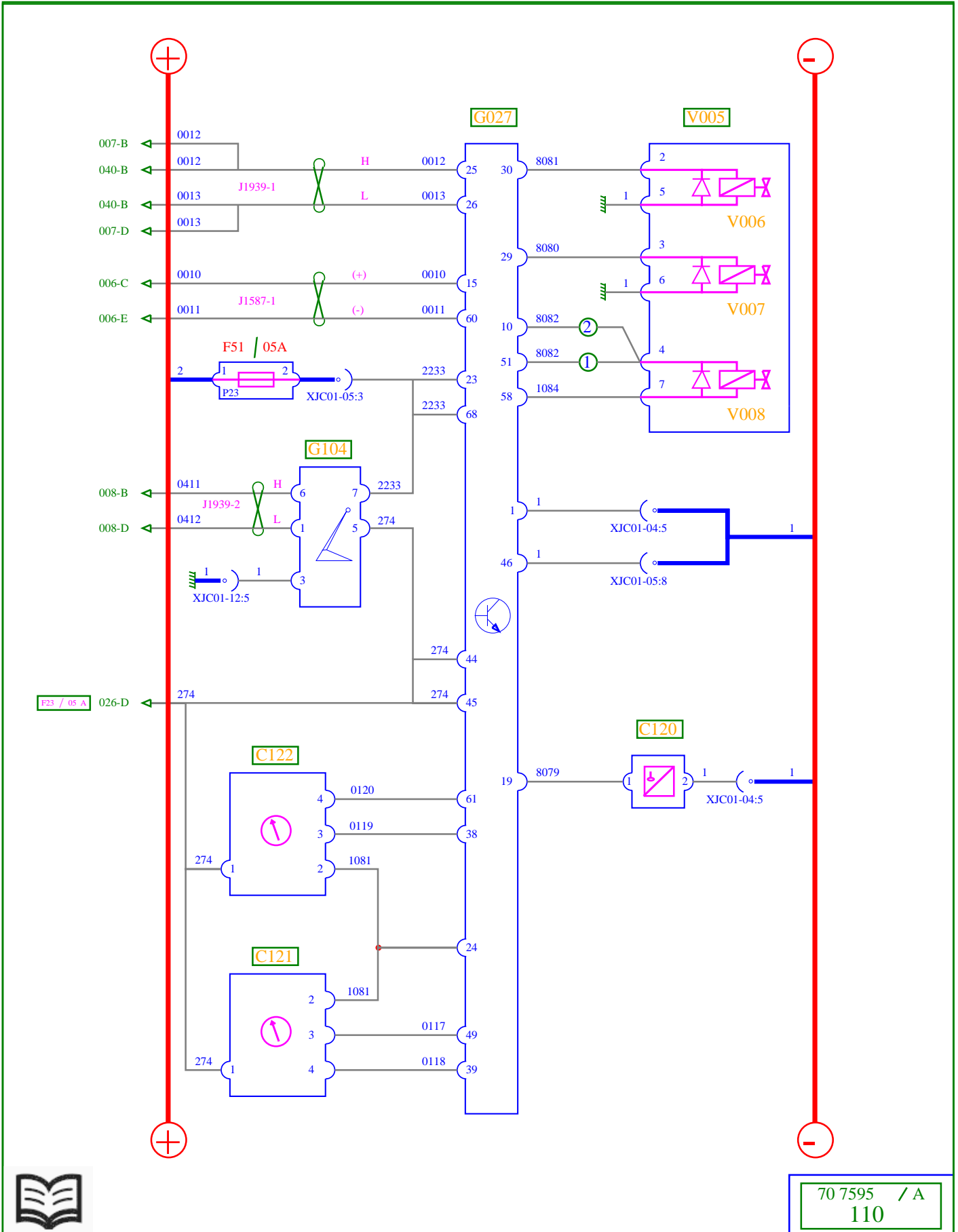
° BDS = Synchronized diff lock

EBS braking system (7/7)

EBS braking system 8x2 / 8x4

EBS table

Axle spreads or options Appliances	Basic 8x2	Solo 8x4	Basic + Solo 8x4	Basic 8x4	Basic +8x4	Basic Solo 8x2	Basic +Solo 8x2	Basic 8x2	Basic +8x2	With VFR	Without VFR	With BDS °
B168 / B186			x		x			x	x			
C001 / C002												
C005 / C006								x	x			
C007 / C008												
C009 / C010	x	x	x	x	x	x	x	x	x			
C011 / C012						x	x	x	x			
C086 / C087												
C123 / C124			x		x							
C125 / C126			x		x			x	x			
C140 / C141			x		x			x	x			
C142 / C143			x		x			x	x			
C144 / C145	x	x	x	x	x	x	x	x				
C146 / C147	x	x	x	x	x	x	x	x	x			
G016						x	x	x	x			
Z014				x	x			x	x			
V003 / V004												
B169				x	x			x	x		x	
C110	x	x	x	x	x	x	x	x	x	x		
B164 / V002						x	x	x	x			x

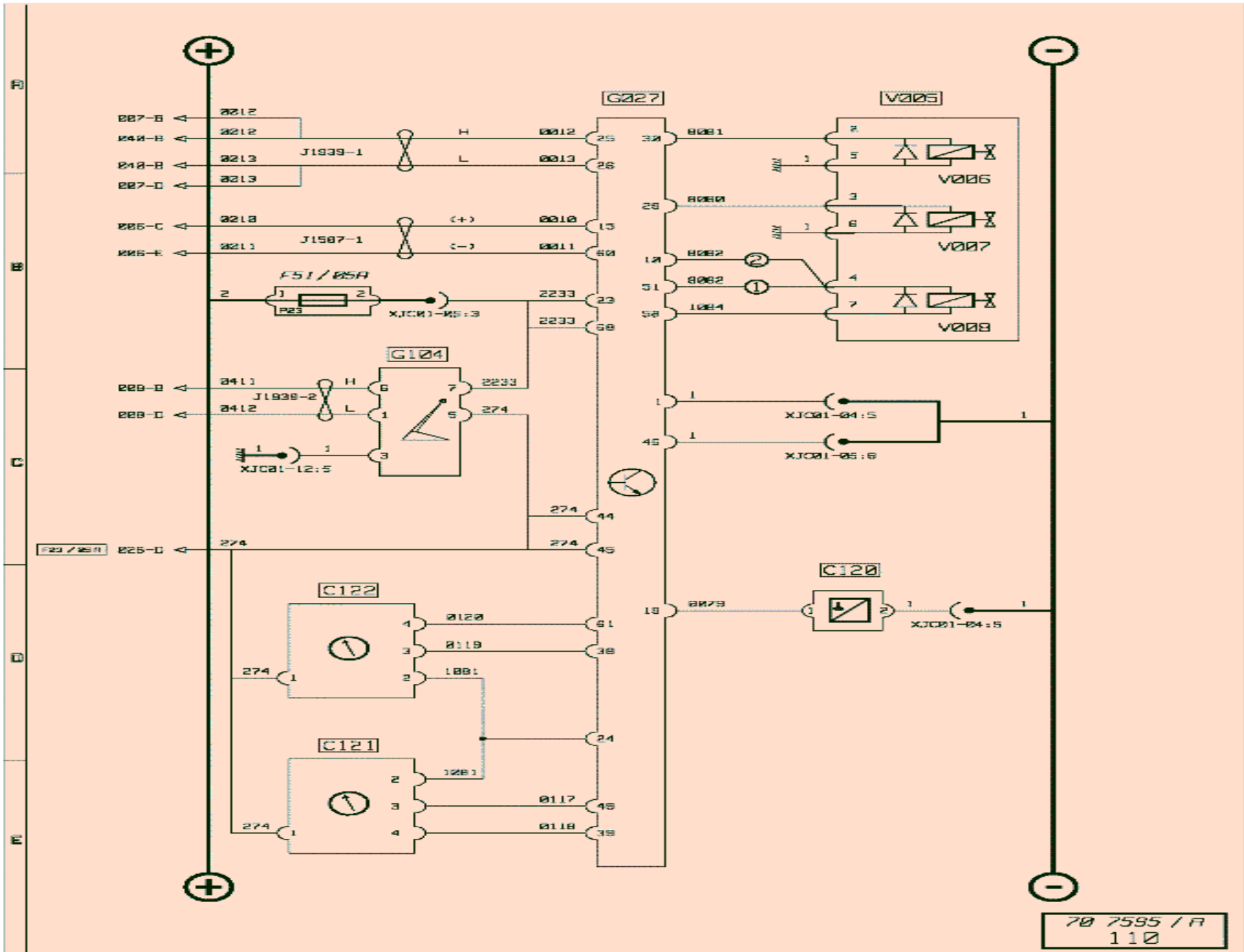


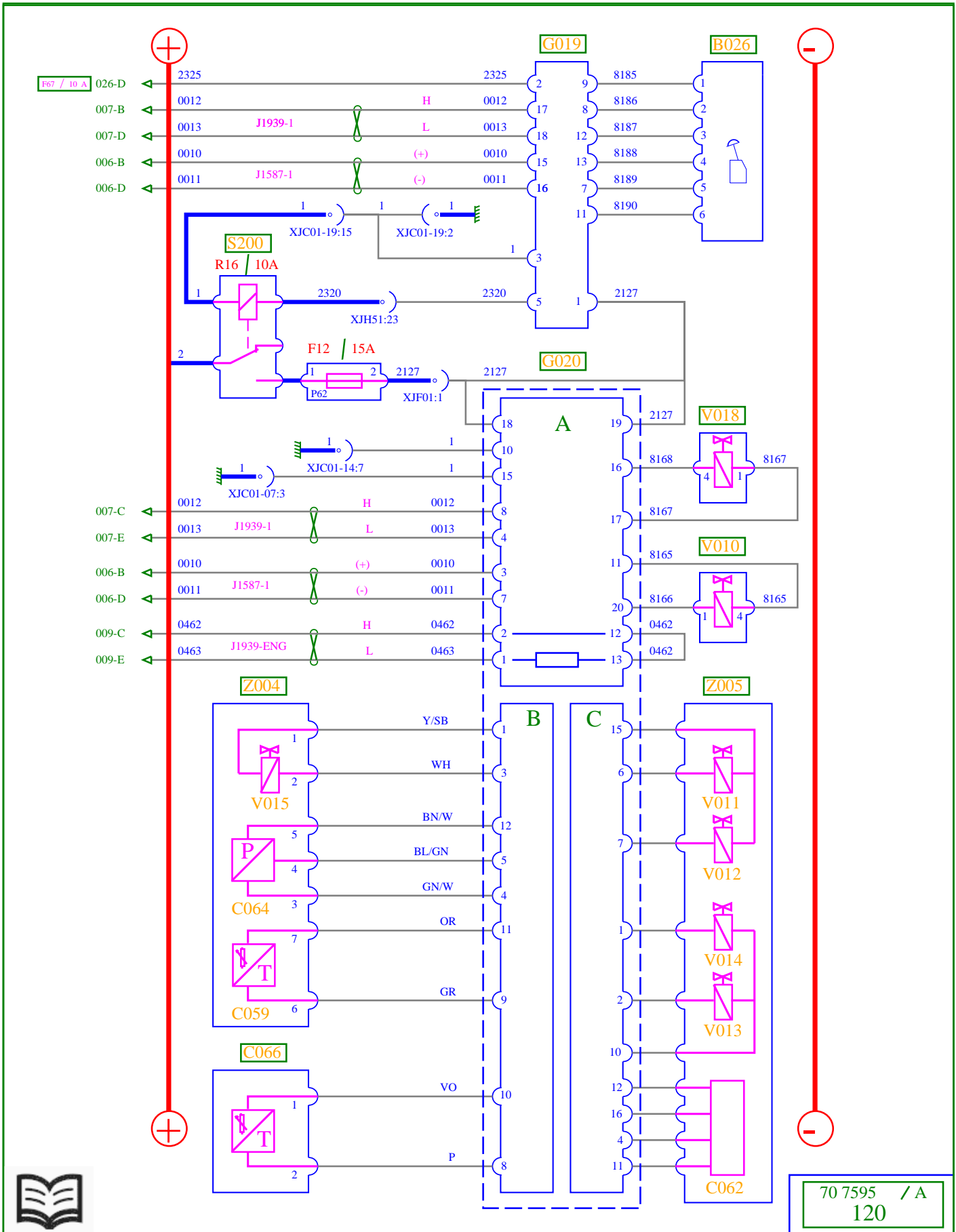
Steered axle

Key to appliances

Code	Function	Location
C120	Piloted axle oil level sensor	B7d
C121	Piloted axle lockover angle sensor	B7d
C122	Piloted axle lockover angle sensor	B7d
G027	Piloted axle ECU	A2b
G104	Tyre pressures monitoring ECU	A2b
V005	Axle piloting solenoid valve unit	B7d
V006	Locking solenoid valve	B7d
V007	LH steer control solenoid valve	B7d
V008	RH steer control solenoid valve	B7d

Steered axle





cardiagn.com

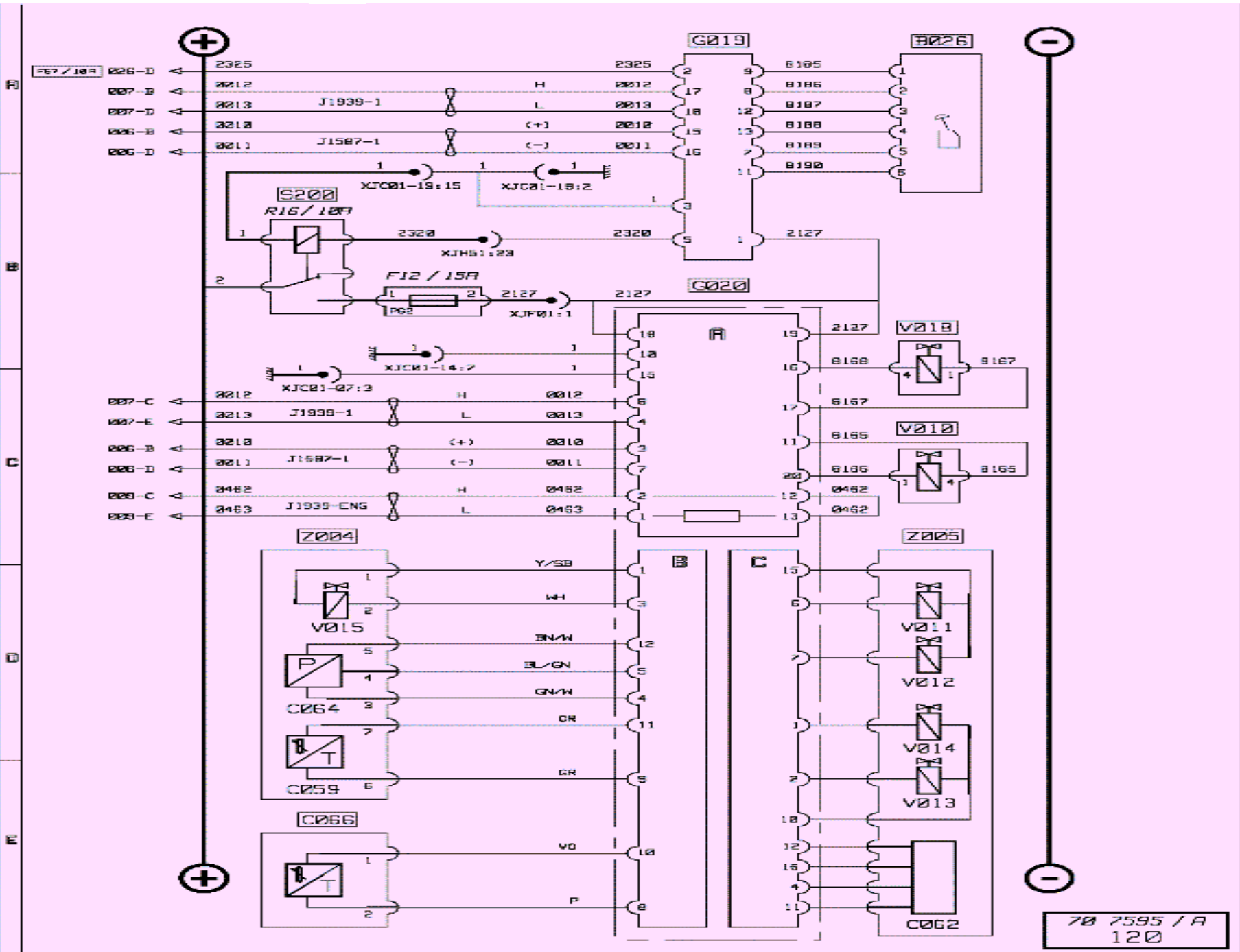
70 7595 / A
120

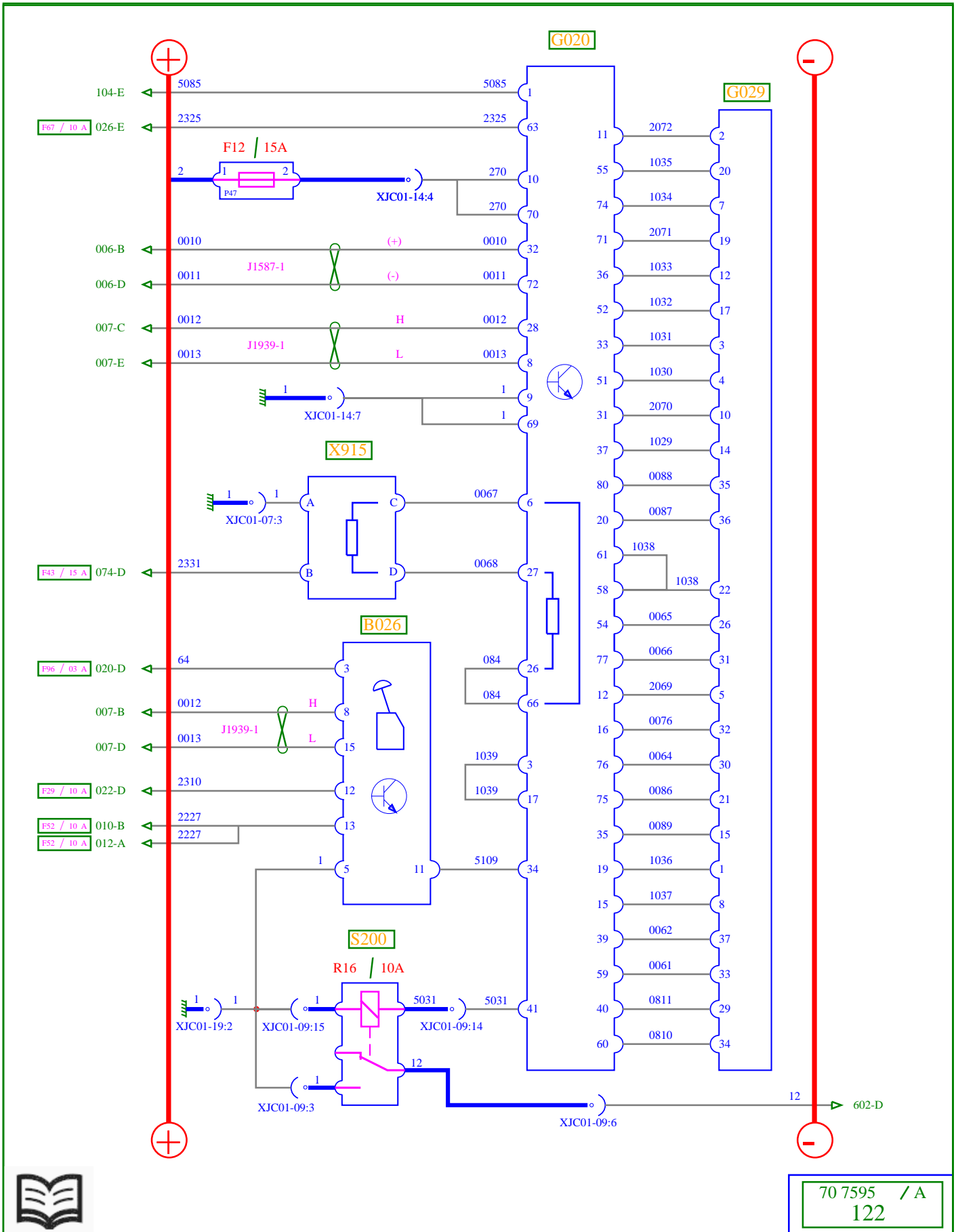
Automatic gearbox

Key to appliances

Code	Function	Location
B026	Automatic transmission gear selector	B2b
C059	Retarder oil temperature sensor	B4d
C062	Clutch position sensor	B4d
C064	Retarder air pressure sensor	B4d
C066	Retarder coolant temperature sensor	B4d
G019	Gear selector ECU	A2b
G020	Automatic transmission ECU	B4b
S200	Automatic transmission management ECU power supply relay	A2b
V010	PTO engagement electrovalve N° 1	B4d
V011	High speed disengagement solenoid valve	B4d
V012	High speed engagement solenoid valve	B4d
V013	Low speed engagement solenoid valve	B4d
V014	Low speed disengagement solenoid valve	B4d
V015	Retarder proportional electrovalve	B4d
V018	PTO engagement electrovalve N° 2	B4d
Z004	Retarder unit	B4d
Z005	Automatic transmission unit	B4d

Automatic gearbox





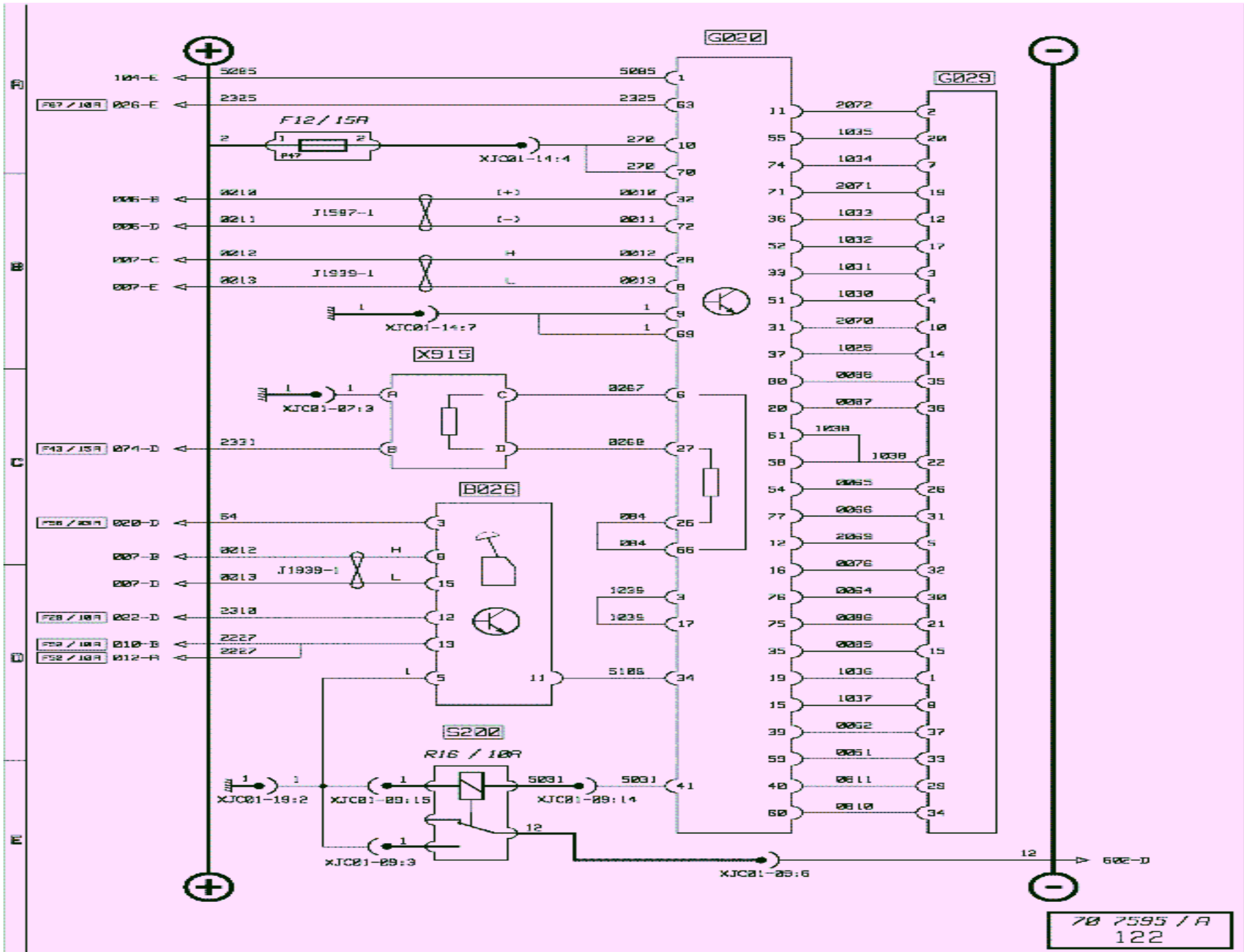
cardiagn.com

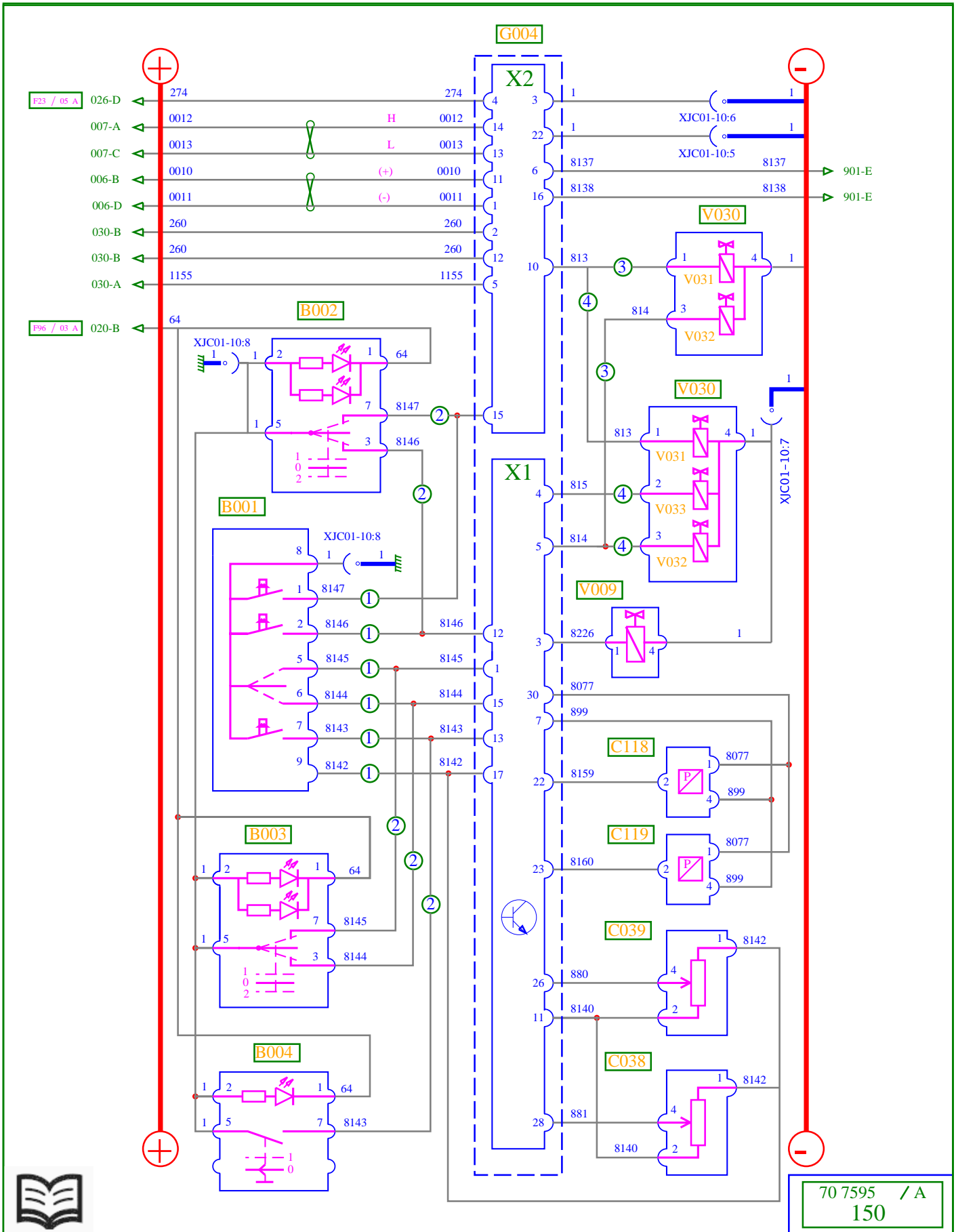
Gearbox "ALLISON 3000V"

Key to appliances

Code	Function	Location
B026	Automatic transmission gear selector	B2b
G020	Automatic transmission ECU	A2b
G029	Automatic transmission sensors / actuators unit	B4d
S200	Automatic transmission management ECU power supply relay	A2b
X915	Automatic gearbox diagnostic socket	B4c

Gearbox "ALLISON 3000V"





cardiagn.com

70 7595 / A
150

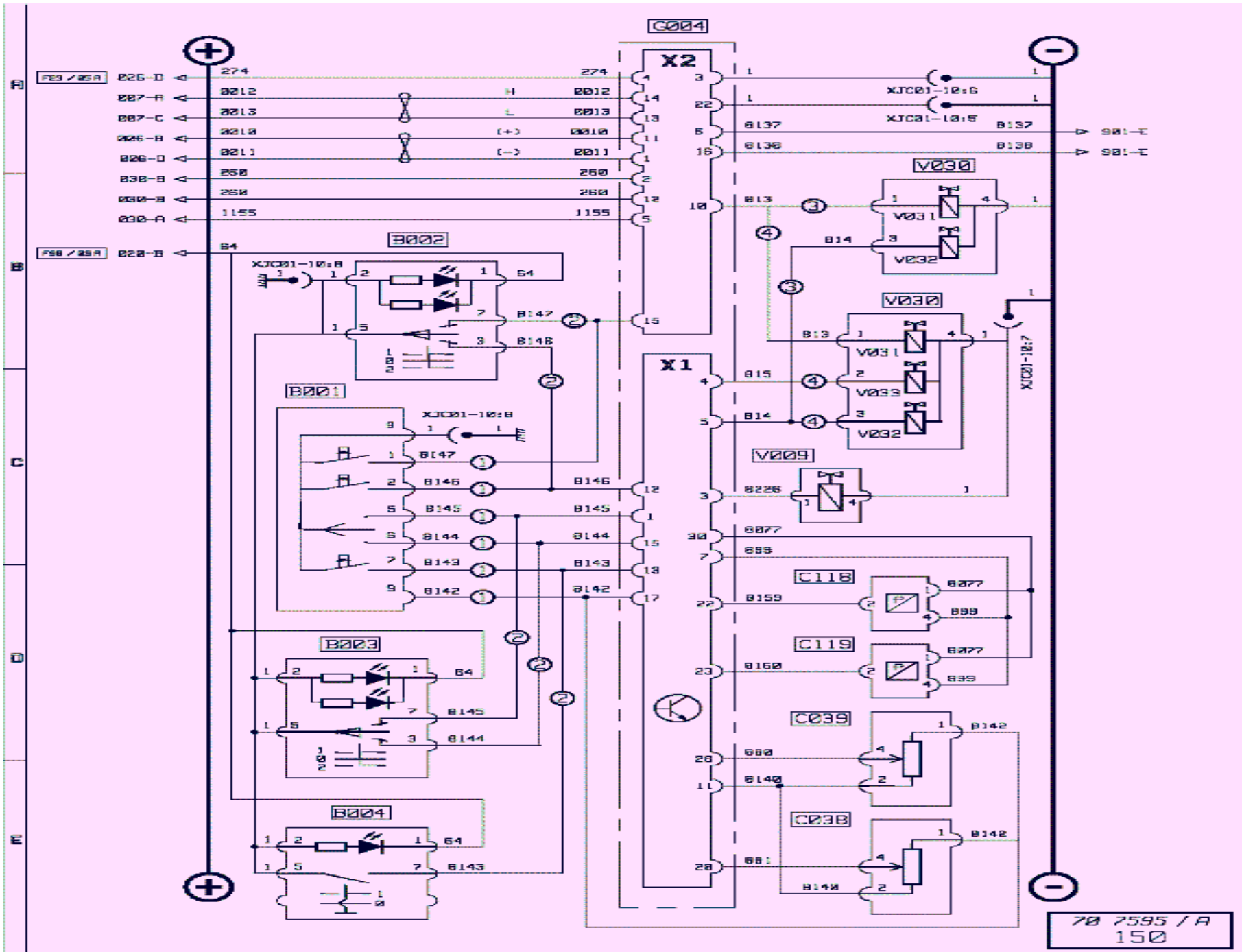
Electronic air suspension - "4x2" tractors

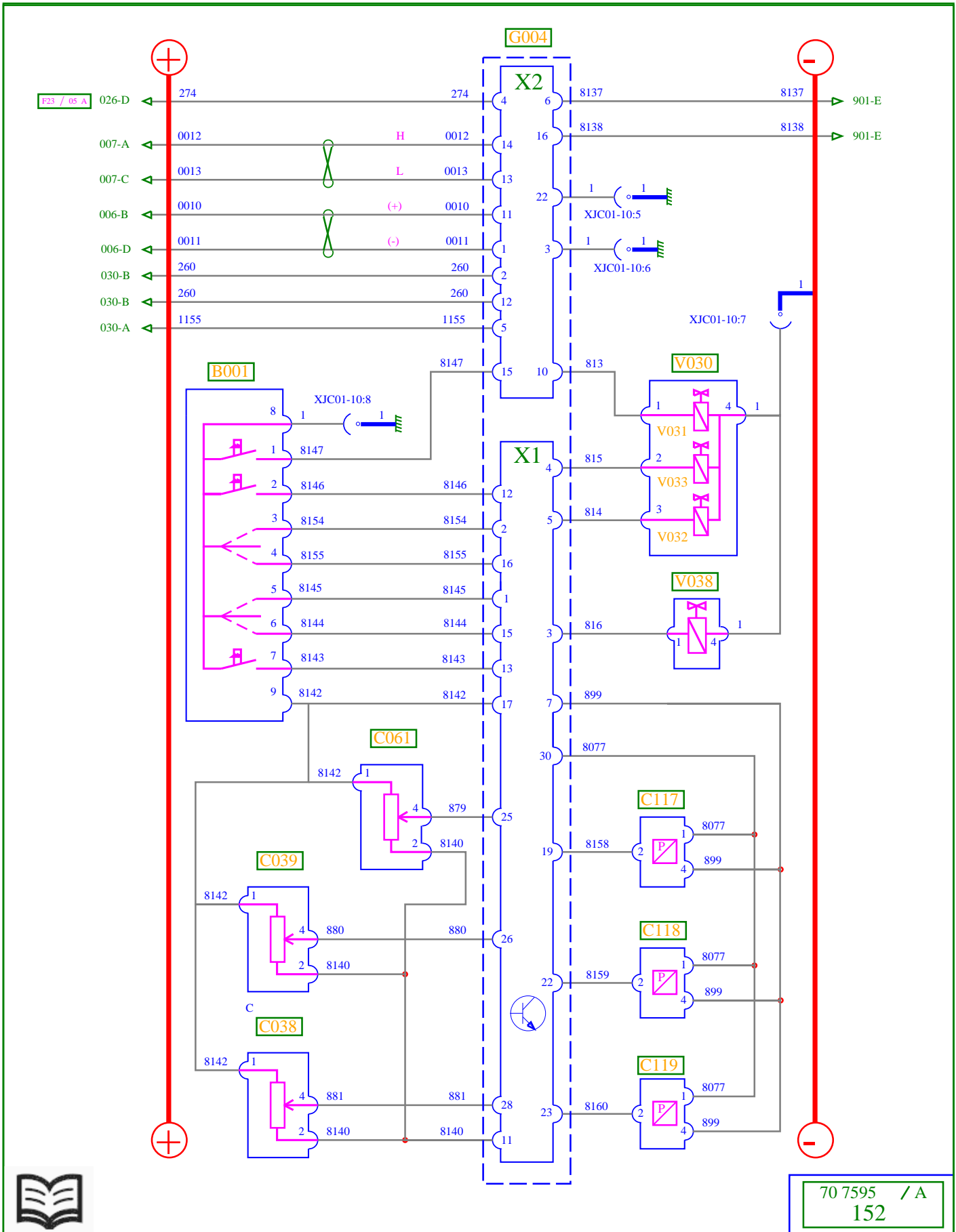
Key to appliances

Code	Function	Location
B001	Air suspension remote control	C3c
B002	Air suspension 'up' position remote control	C2c
B003	Air suspension 'down' position remote control	C2c
B004	Air suspension memorized position remote control	C2c
C038	Drive axle suspension RH position sensor	A7d
C039	Drive axle suspension LH position sensor	C7d
C118	Drive axle suspension LH pressure sensor	C7d
C119	Drive axle suspension RH pressure sensor	A7d
G004	Air suspension ECU	A2b
V009	60-tonne vehicle safety solenoid valve	B7d
V030	Drive axle suspension control solenoid valve unit	B7d
V031	Drive axle rear suspension main electrovalve	B7d
V032	Drive axle rear suspension (RH side) electrovalve	B7d
V033	Drive axle rear suspension (LH side) electrovalve	B7d

- 1: with remote control
- 2: without remote control
- 3: with 1 sensors
- 4: with 2 sensors

Electronic air suspension - "4x2" tractors





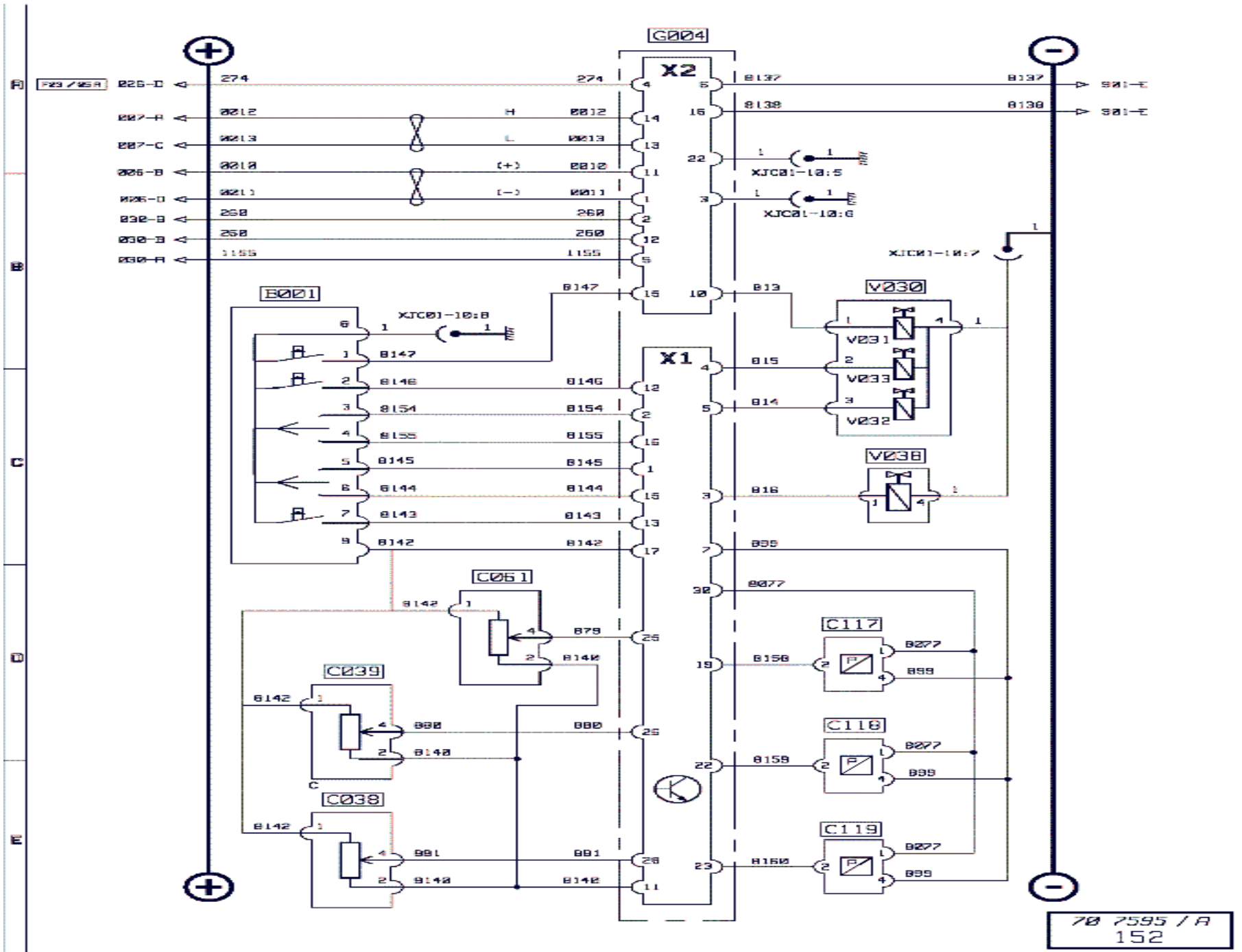
cardiagn.com

Electronic air suspension - Except "4x2" tractors

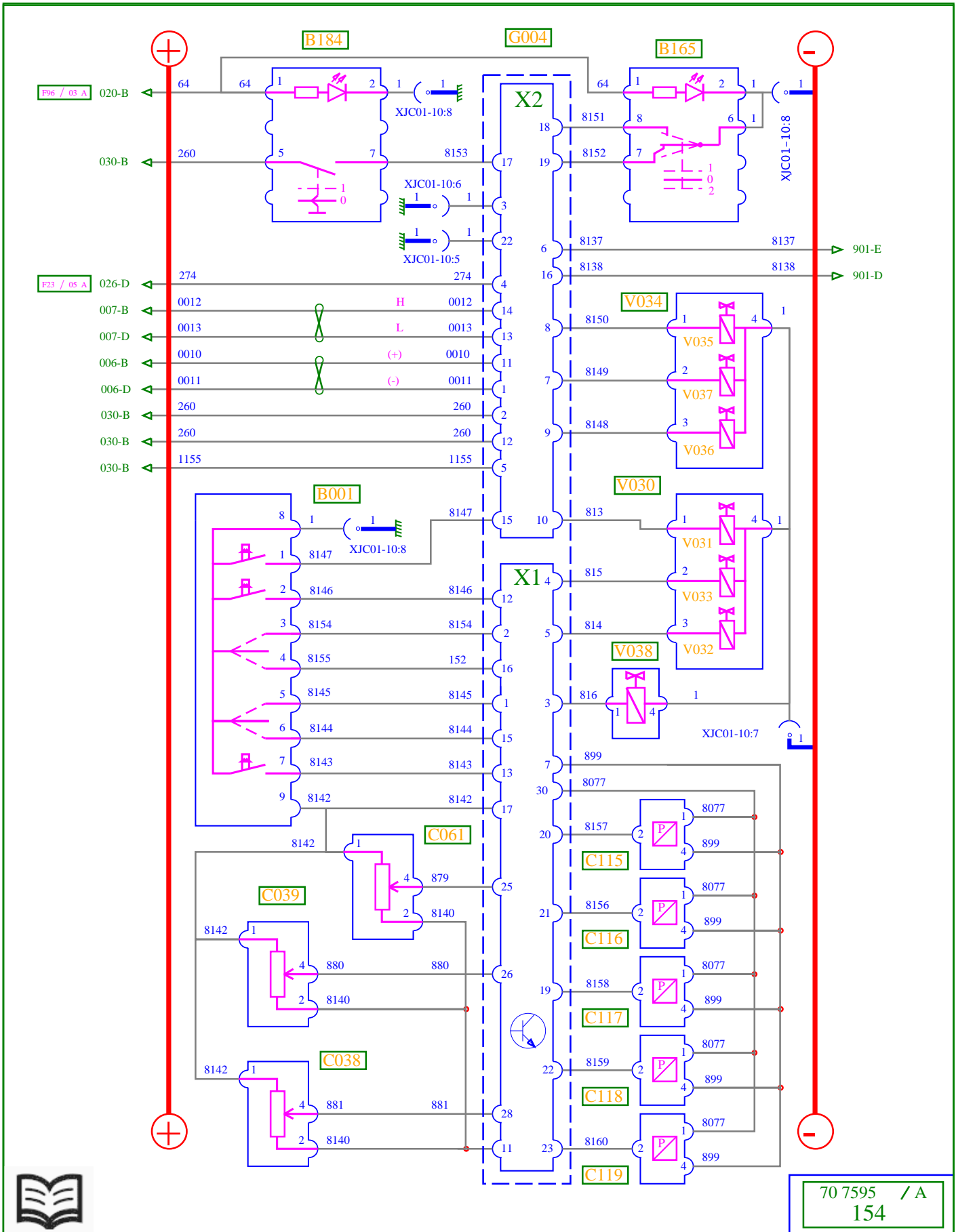
Key to appliances

Code	Function	Location
B001	Air suspension remote control	C3c
C038	Drive axle suspension RH position sensor	A7d
C039	Drive axle suspension LH position sensor	C7d
C061	Front axle suspension position sensor	C3d
C117	Front air spring pressure sensor	C3d
C118	Drive axle suspension LH pressure sensor	C7d
C119	Drive axle suspension RH pressure sensor	A7d
G004	Air suspension ECU	A2b
V030	Drive axle suspension control solenoid valve unit	B7d
V031	Drive axle rear suspension main electrovalve	B7d
V032	Drive axle rear suspension (RH side) electrovalve	B7d
V033	Drive axle rear suspension (LH side) electrovalve	B7d
V038	Front suspension electrovalve	C3d

Electronic air suspension - Except "4x2" tractors



70 7595 / A
152



cardiagn.com

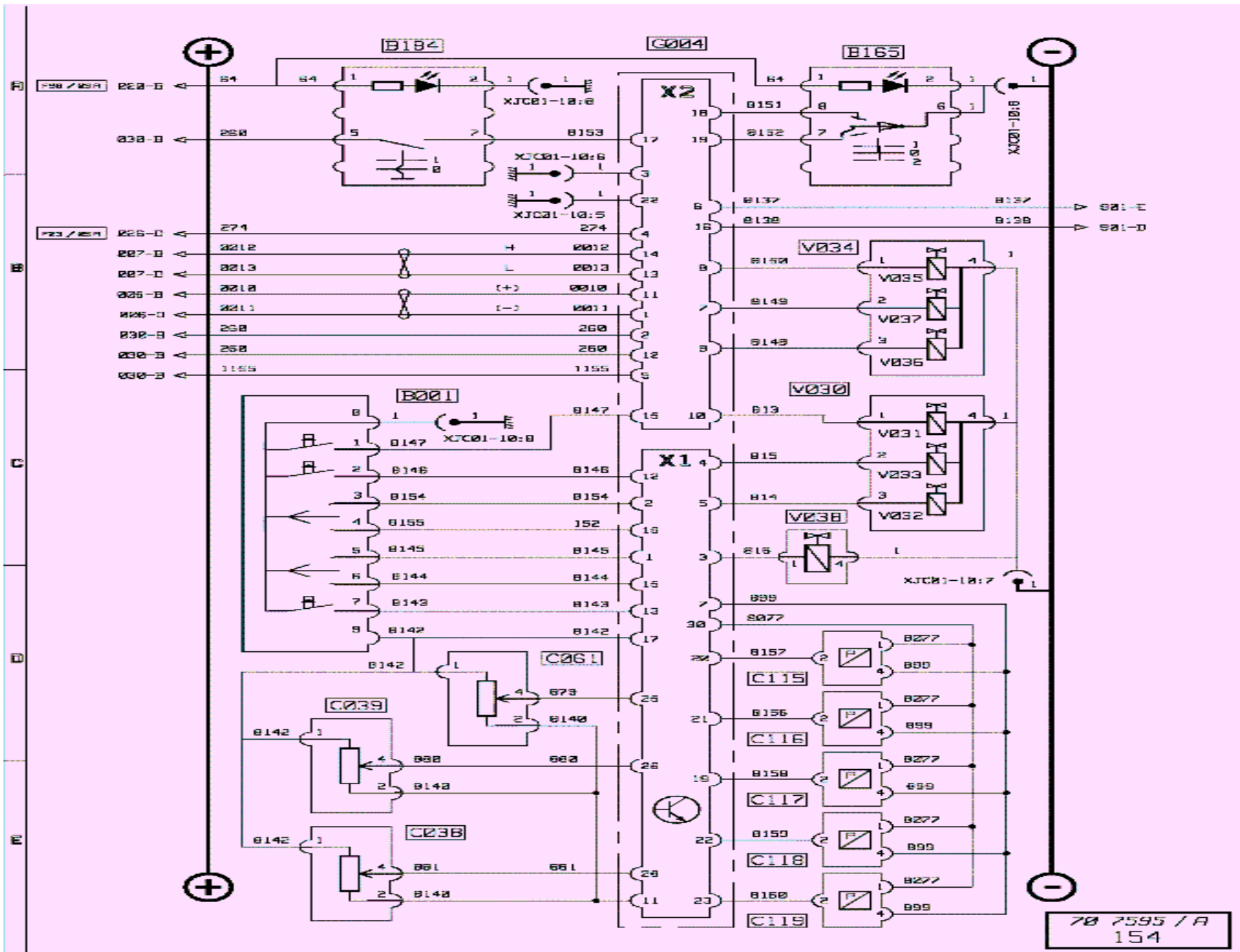
70 7595 / A
154

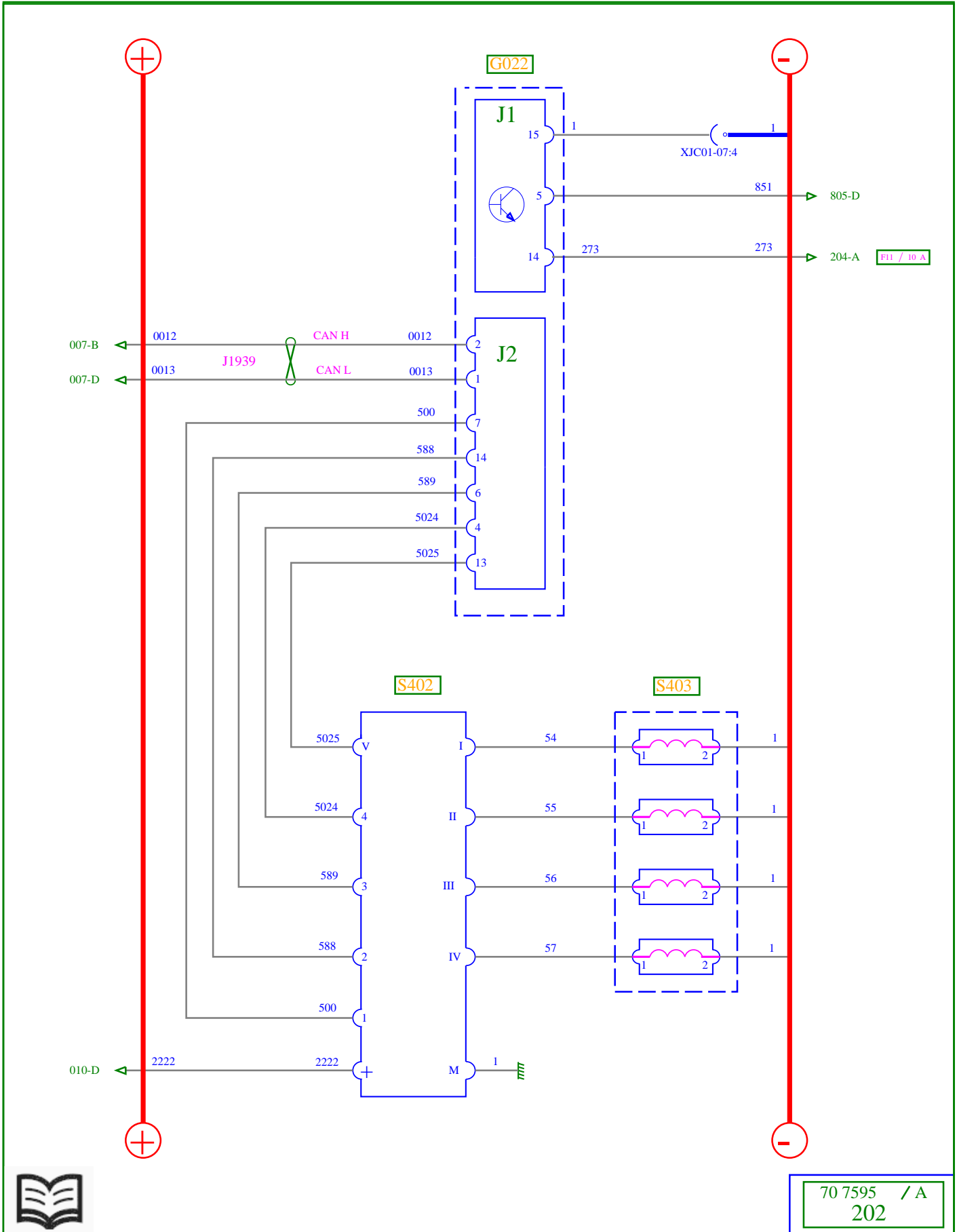
Electronic air suspension "6x2"

Key to appliances

Code	Function	Location
B001	Air suspension remote control	C3c
B165	Second rear axle lift-up control	B2b
B184	Axle load-shedding activation control	B2b
C038	Drive axle suspension RH position sensor	A7d
C039	Drive axle suspension LH position sensor	C7d
C061	Front axle suspension position sensor	A3d
C115	Lift-up air spring pressure sensor	A8d
C116	Middle axle suspension air pressure sensor	A8d
C117	Front air spring pressure sensor	C3d
C118	Drive axle suspension LH pressure sensor	C7d
C119	Drive axle suspension RH pressure sensor	A7d
G004	Air suspension ECU	A2b
V030	Drive axle suspension control solenoid valve unit	B7d
V031	Drive axle rear suspension main electrovalve	B7d
V032	Drive axle rear suspension (RH side) electrovalve	B7d
V033	Drive axle rear suspension (LH side) electrovalve	B7d
V034	Rear axle suspension control solenoid valve unit	B7d
V035	Rear axle suspension main electrovalve	B7d
V036	Rear axle suspension electrovalve	B7d
V037	Lift-up air spring control electrovalve	B7d
V038	Front suspension electrovalve	C3d

Electronic air suspension "6x2"





cardiagn.com

70 7595 / A
202

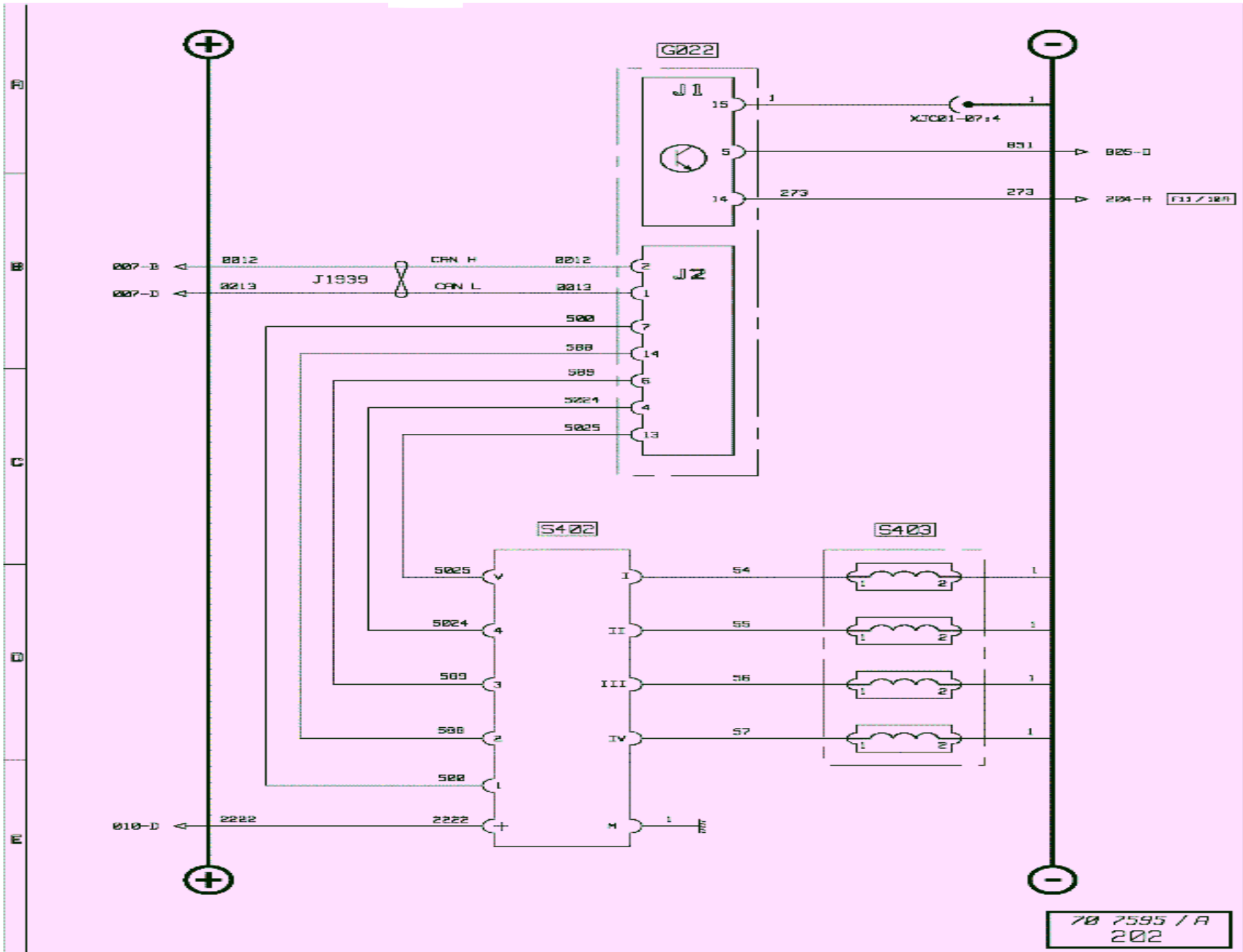


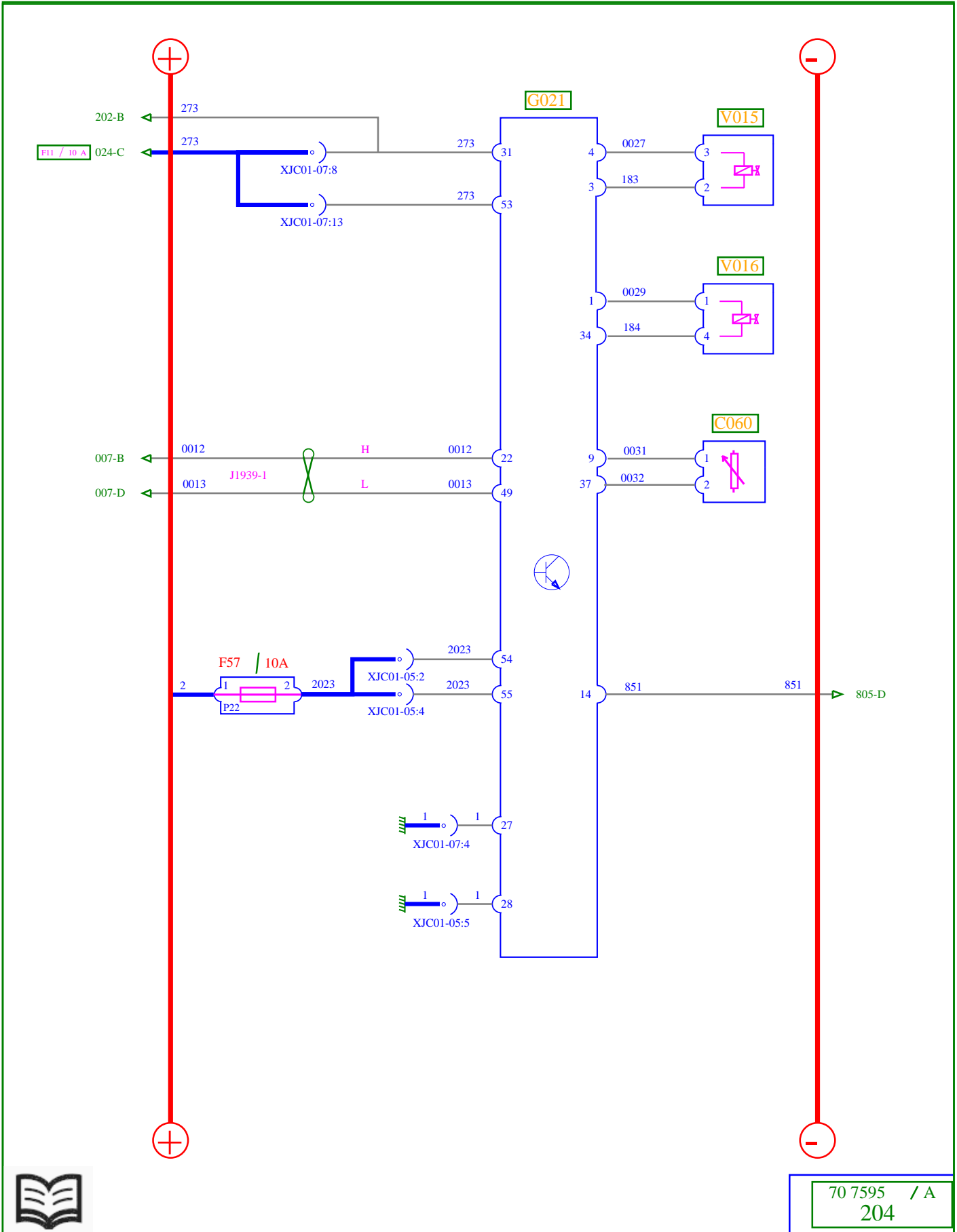
Electric retarder

Key to appliances

Code	Function	Location
G022	Electric retarder ECU	A2b
S402	Electric retarder relay box	B6d
S403	Electric retarder	B6d

Electric retarder





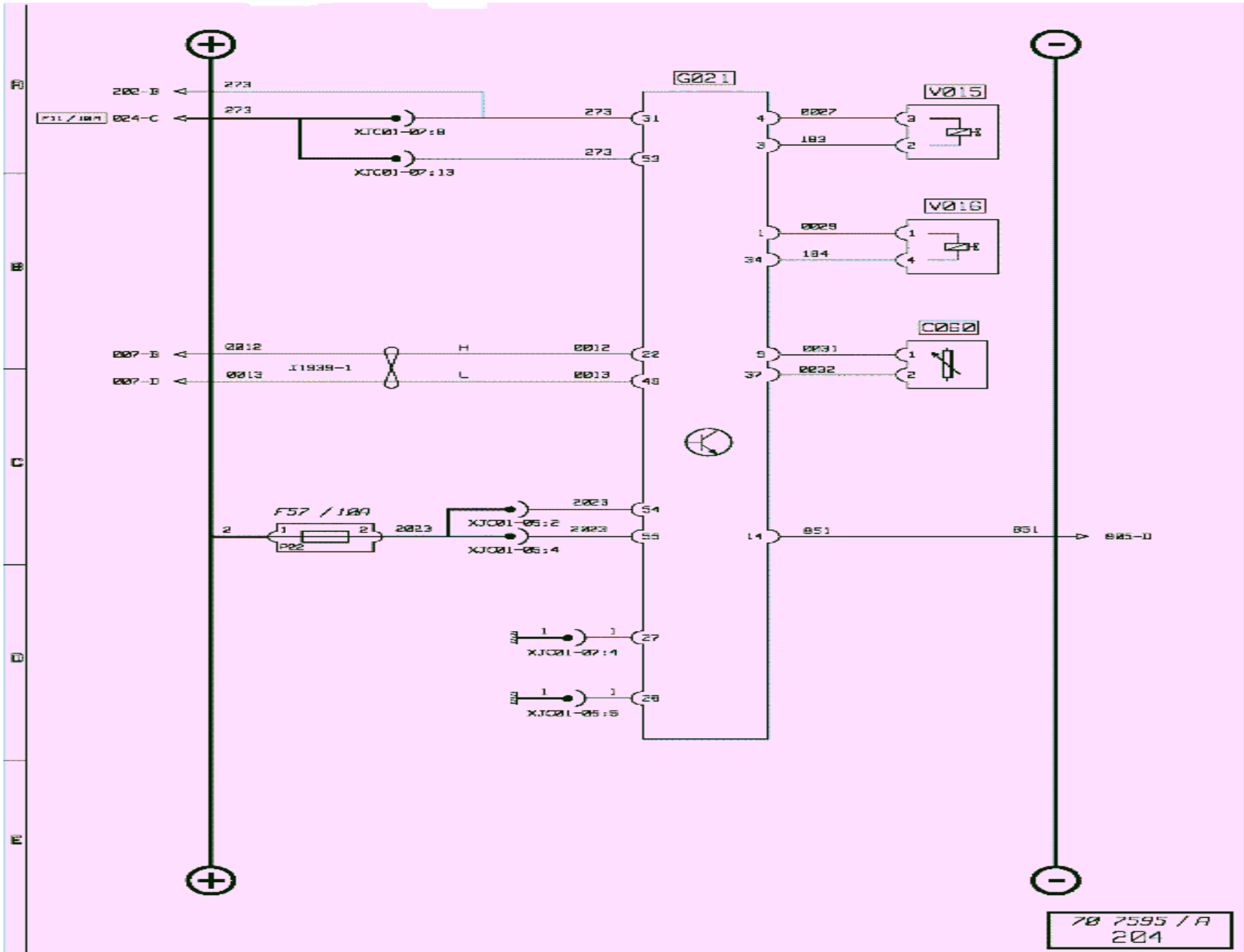
cardiagn.com

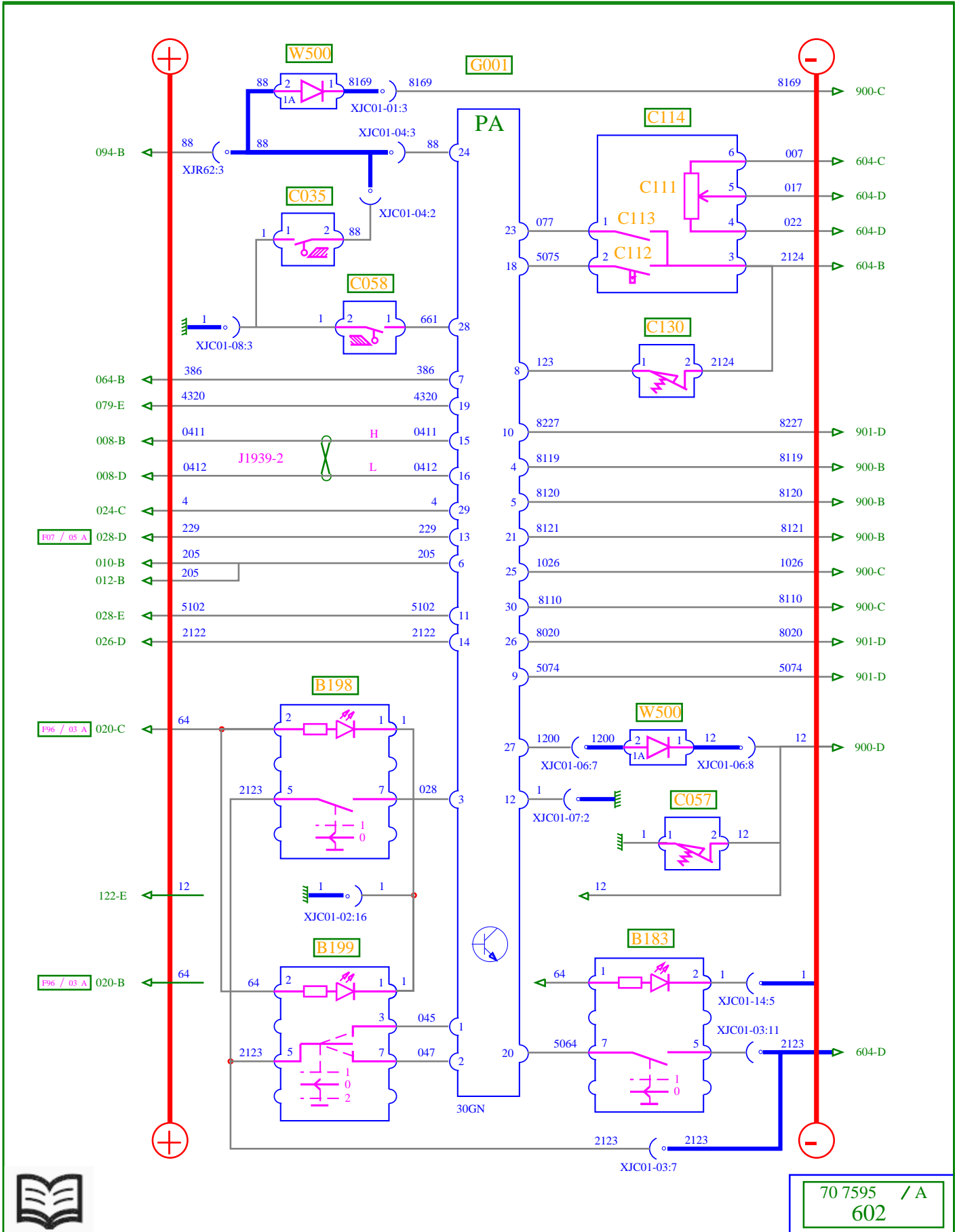
Hydraulic retarder

Key to appliances

Code	Function	Location
C060	Retarder coolant temperature sensor	B4c
G021	Hydraulic retarder ECU	B4c
V015	Retarder proportional electrovalve	B4c
V016	Retarder accumulation electrovalve	B4c

Hydraulic retarder





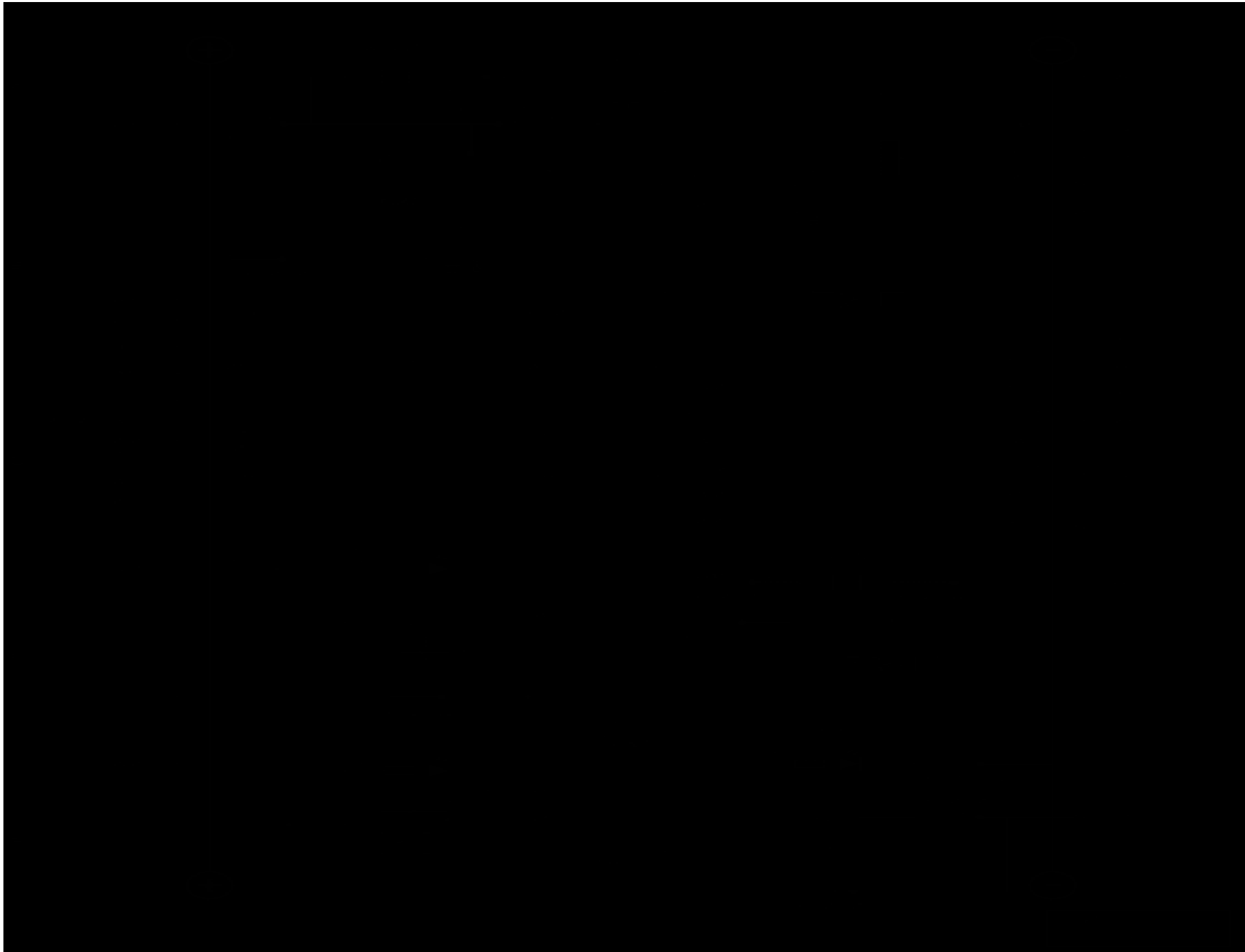
cardiagn.com

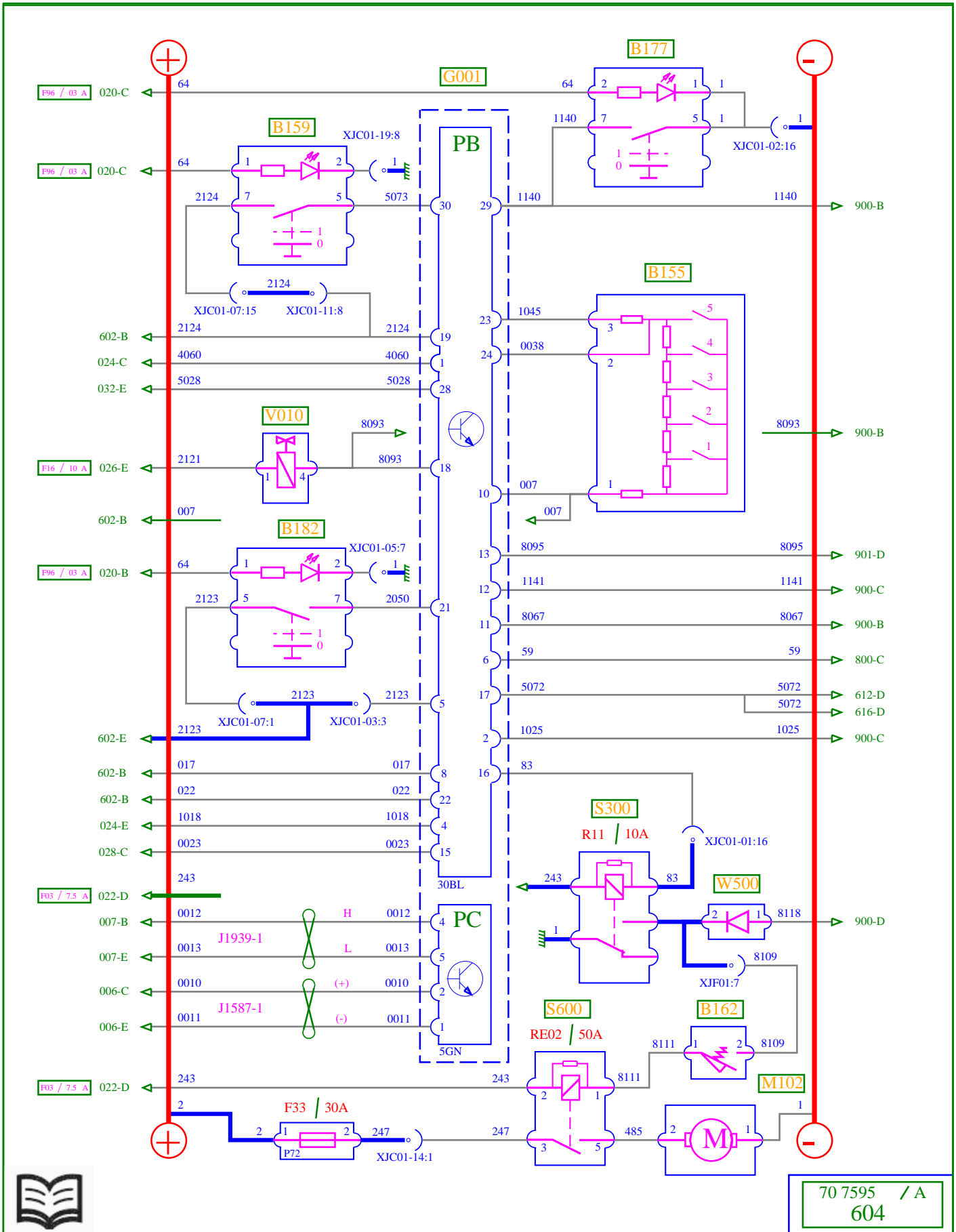
Vehicle electronic management (1/2)

Key to appliances

Code	Function	Location
B183	Fuel water bleed control	C2b
B198	Fast idling actuation control	C2c
B199	Fast idling adjustment control	C2c
C035	PTO 1 engaged position information sensor	B4c
C057	Neutral position sensor	B4c
C058	Reverse gear engaged position sensor	B4c
C111	Accelerator pedal position sensor	C1c
C112	Accelerator pedal "rest" position sensor N° 2	C1c
C113	Accelerator pedal rest position sensor	C1c
C114	Accelerator pedal sensor unit	C1c
C130	Clutch pedal position sensor	C1c
G001	Vehicle management ECU	A2b
W500	Diode(s)	A2b

Vehicle electronic management (1/2)





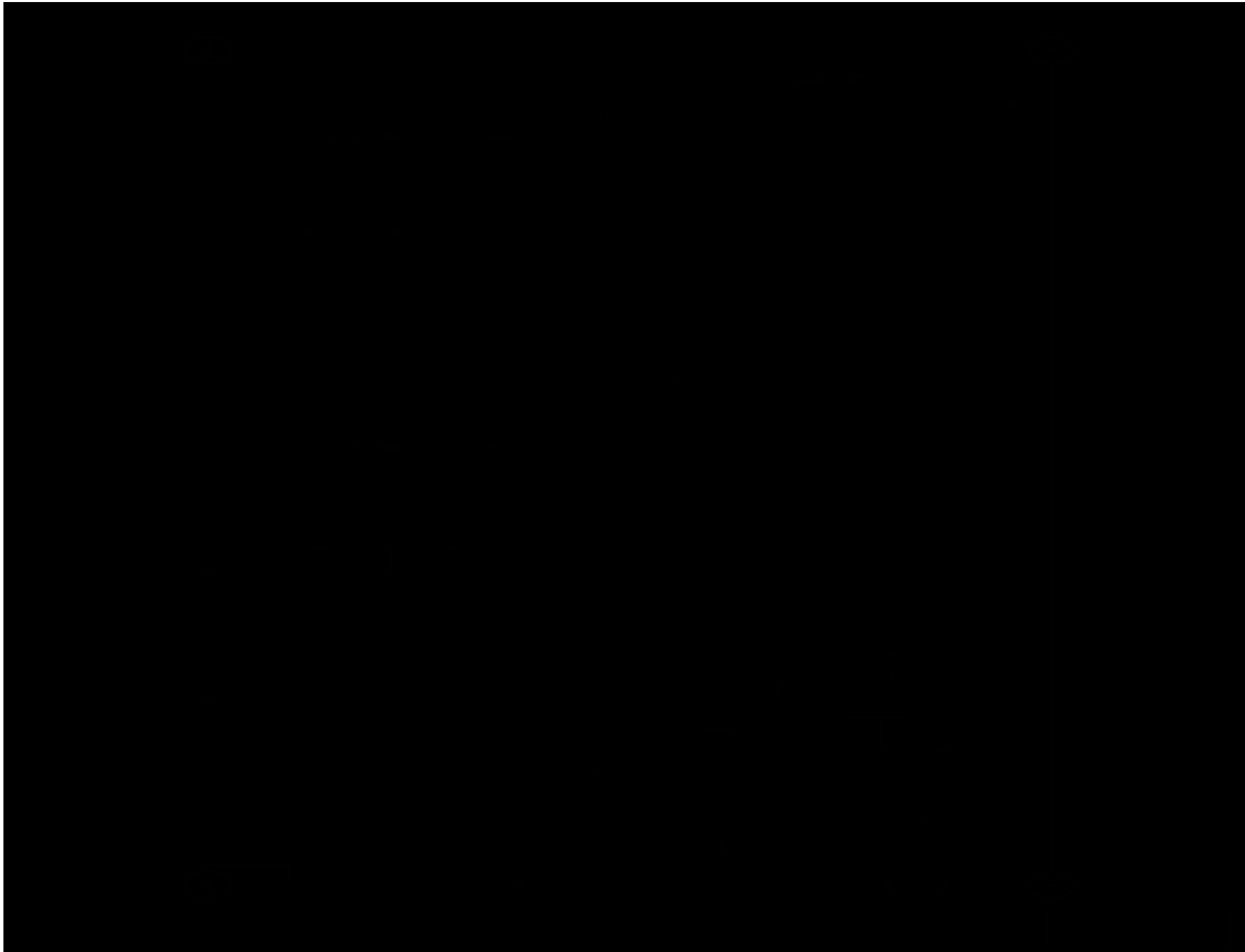
cardiagn.com

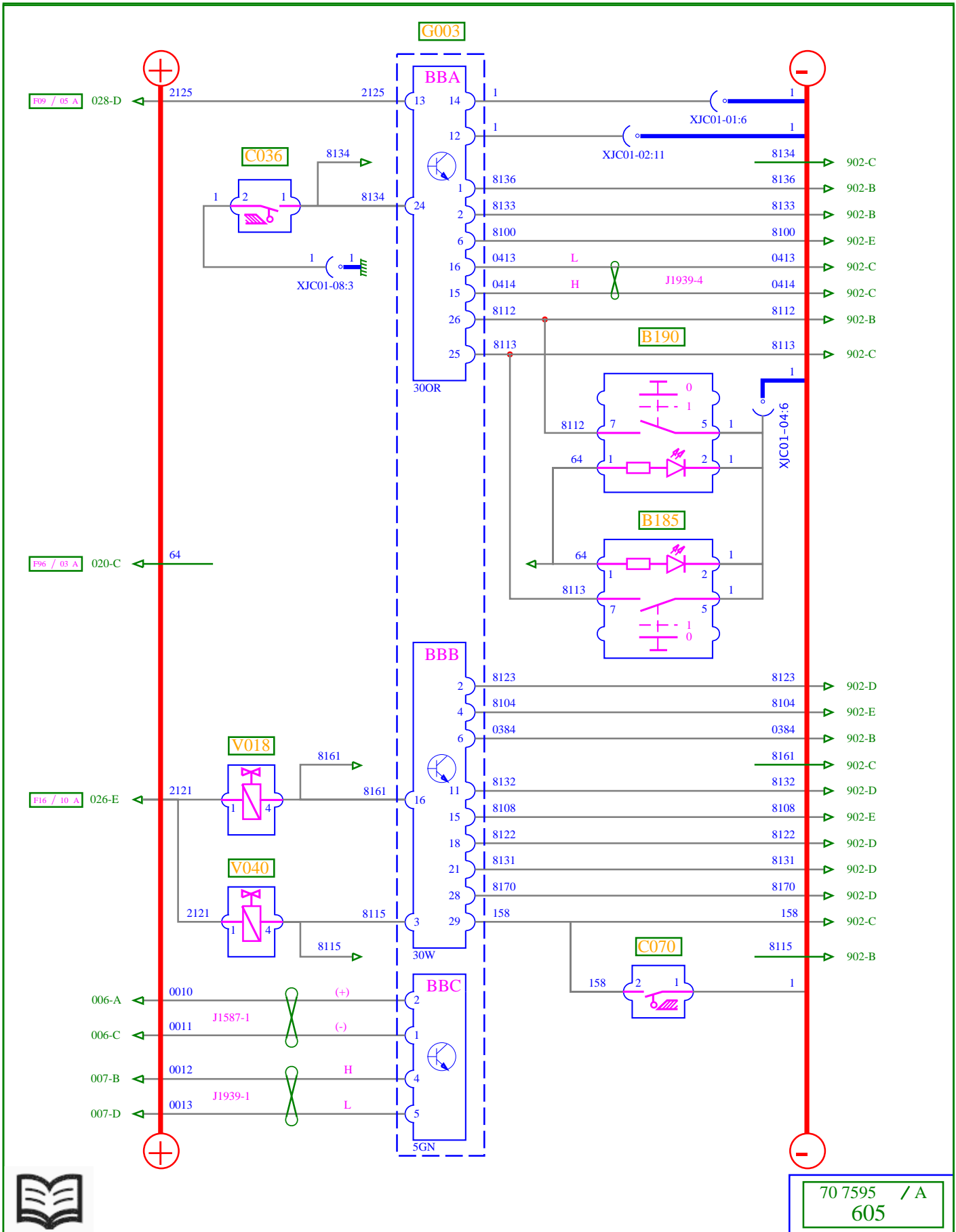
Vehicle electronic management (2/2)

Key to appliances

Code	Function	Location
B155	Electric or hydraulic retarder control	C2c
B159	Engine speed set-point control for difficult terrain	B2b
B162	Cab tilting control	A4c
B177	PTO 1 engagement request control (in cab)	B2b
B182	Auto/manual selection control	B2b
G001	Vehicle management ECU	A2b
M102	Cab tilting motor	A4d
S300	Cab tilting safety and authorization relay	A2c
S600	Cab tilting motor power supply relay	A2c
V010	PTO engagement electrovalve N° 1	B4d
W500	Diode(s)	B2b

Vehicle electronic management (2/2)





cardiagn.com

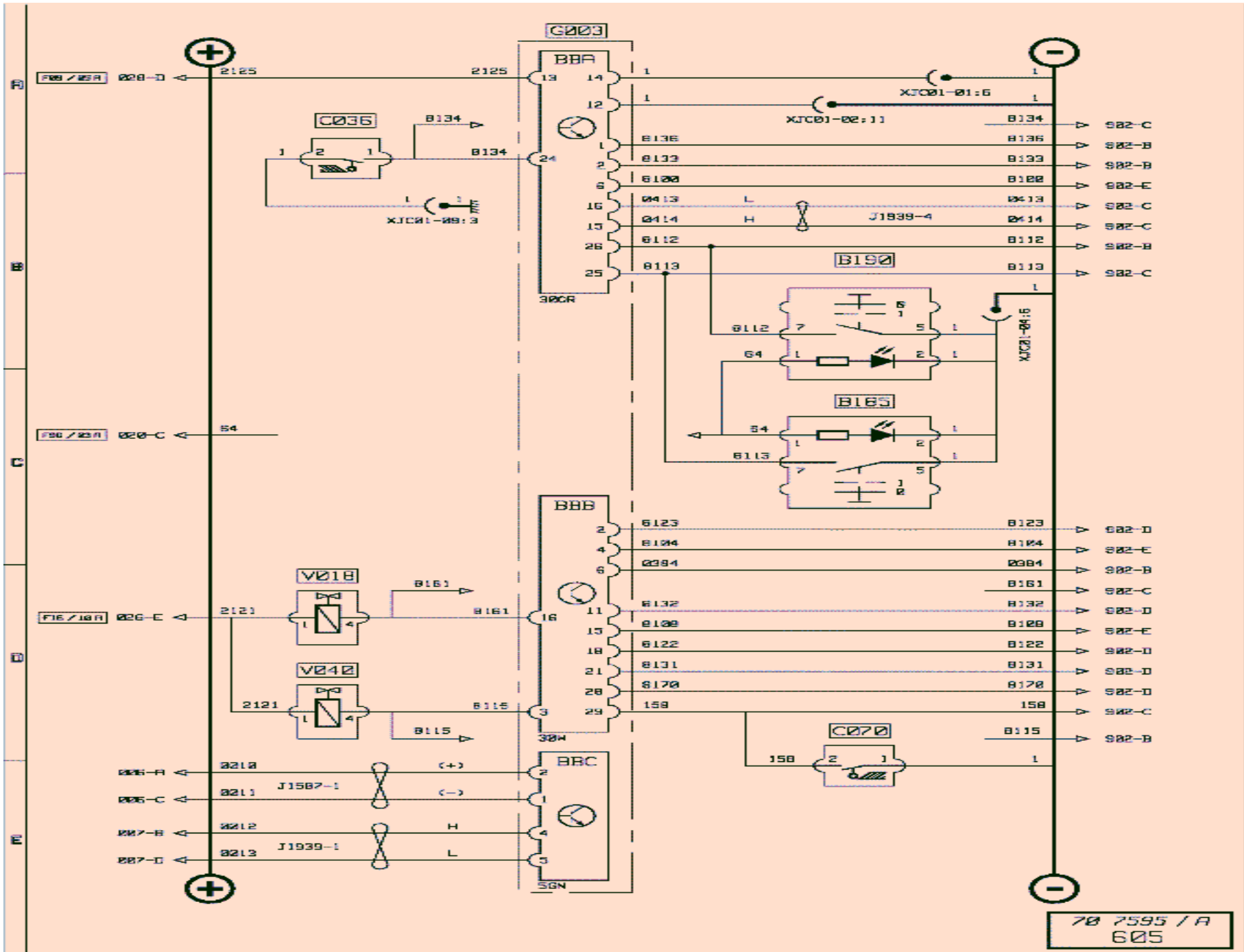


Bodybuilder pre-arrangement management

Key to appliances

Code	Function	Location
B185	PTO 2 engagement request control (in cab)	B2b
B190	PTO 2 engagement request control (en cab)	B2b
C036	PTO 2 engaged position information sensor	B4d
C070	PTO 3 engaged position information sensor	B4d
G003	Bodybuilder pre-arrangement management ECU	A2b
V018	PTO engagement electrovalve N° 2	B4d
V040	PTO N° 3 engagement electrovalve	B4d

Bodybuilder pre-arrangement management

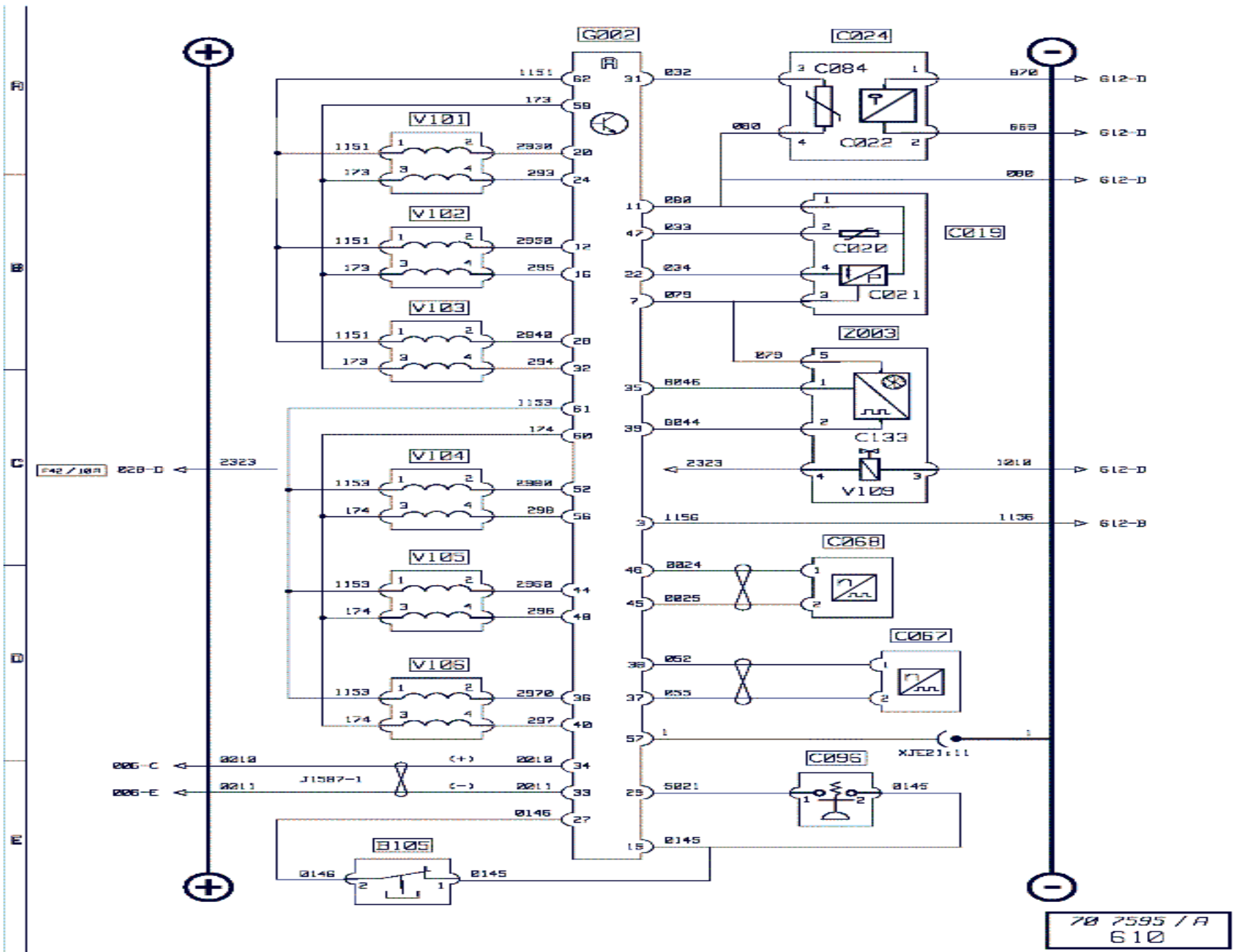


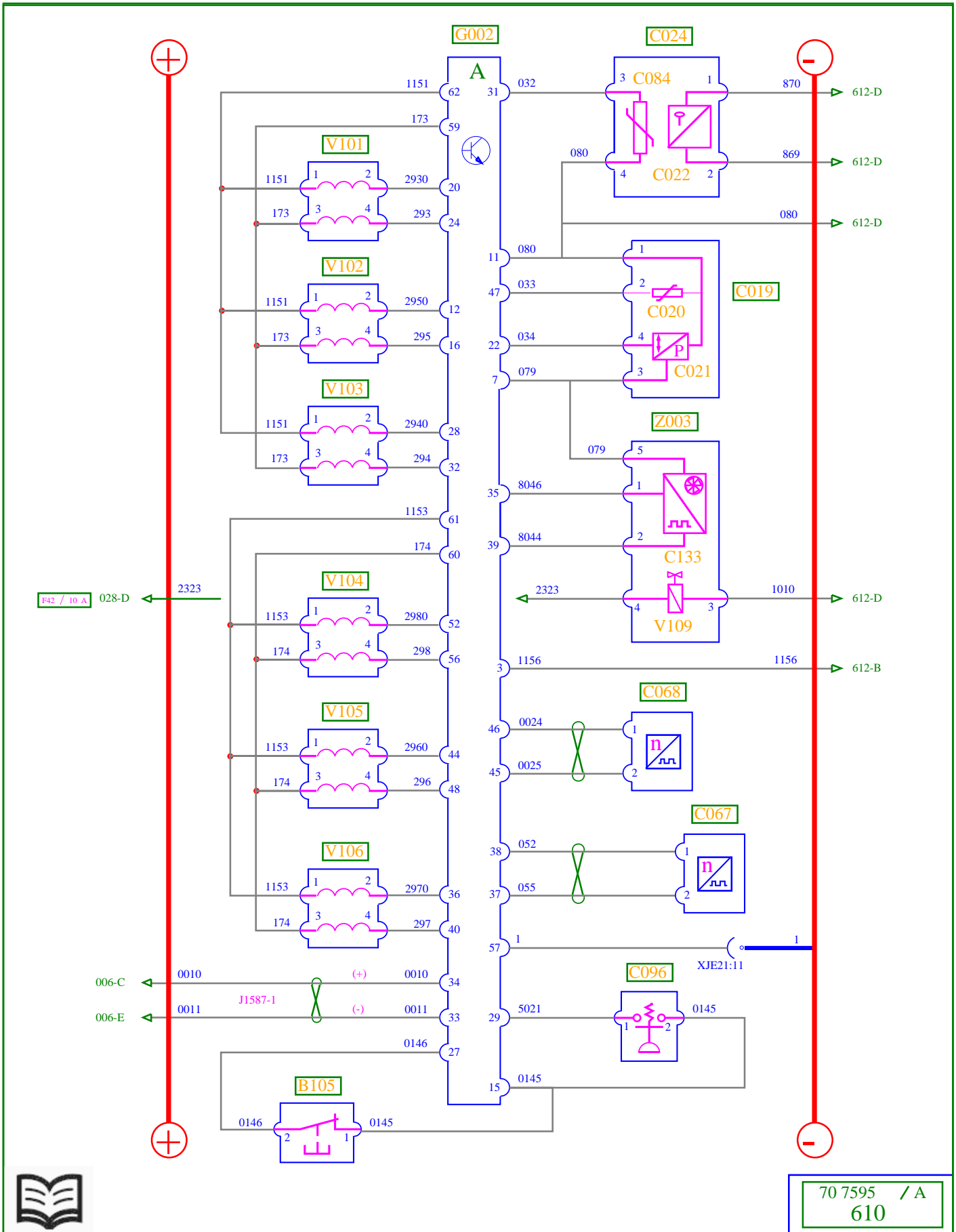
Engine electronic management DXI11 (1/2)

Key to appliances

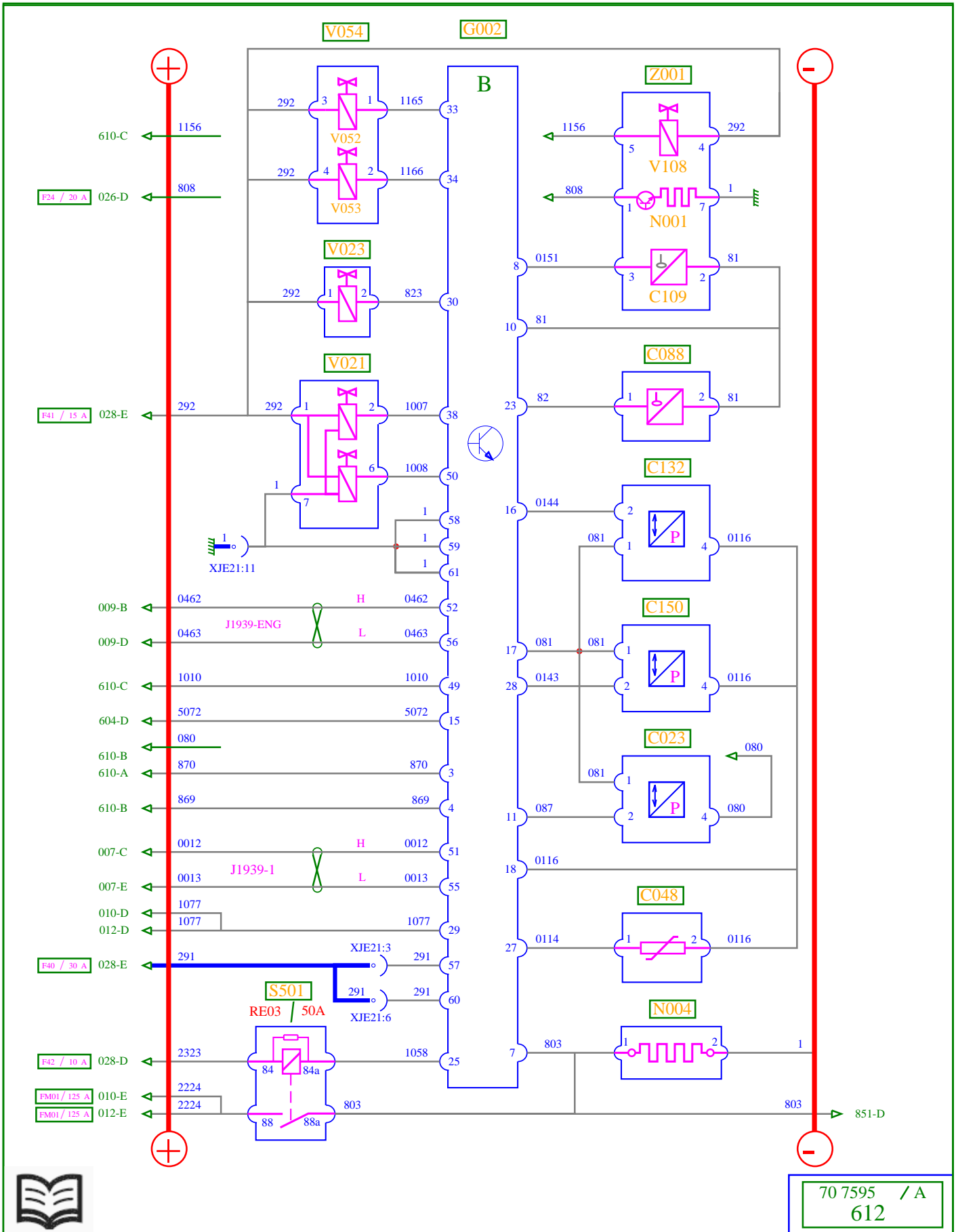
Code	Function	Location
B105	Engine stop control	B3b
C019	Boost air pressure and temperature sensor	B3b
C020	Boost air temperature sensor	B3b
C021	Boost air pressure sensor	B3b
C022	Engine oil level sensor	B3b
C024	Engine oil level and temperature sensor unit	B3b
C067	Flywheel speed sensor	B3b
C068	Camshaft engine speed sensor	B3b
C084	Engine oil temperature sensor	B3b
C096	Range change selector pressure sensor	B3b
C133	Engine cooling fan speed sensor	B3b
G002	Engine management ECU	B3b
V101	Cylinder injector solenoid valve N° 1	B3b
V102	Cylinder injector solenoid valve N° 2	B3b
V103	Cylinder injector solenoid valve N° 3	B3b
V104	Cylinder injector solenoid valve N° 4	B3b
V105	Cylinder injector solenoid valve N° 5	B3b
V106	Cylinder injector solenoid valve N° 6	B3b
V109	Engine cooling fan speed regulation solenoid valve	B3b
Z003	Fan speed regulator unit	B3b

Engine electronic management DXI11 (1/2)





cardiagn.com



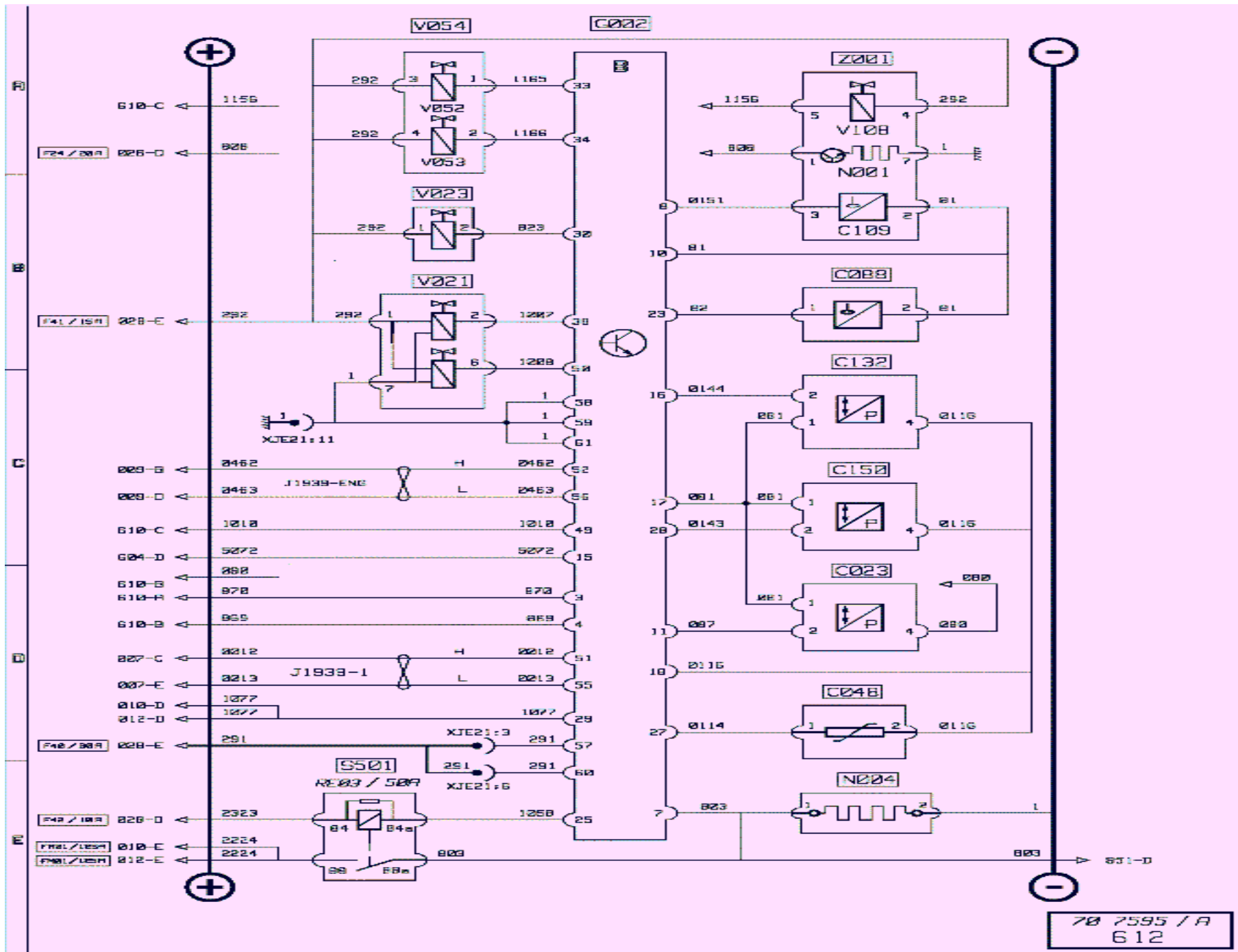
cardiagn.com

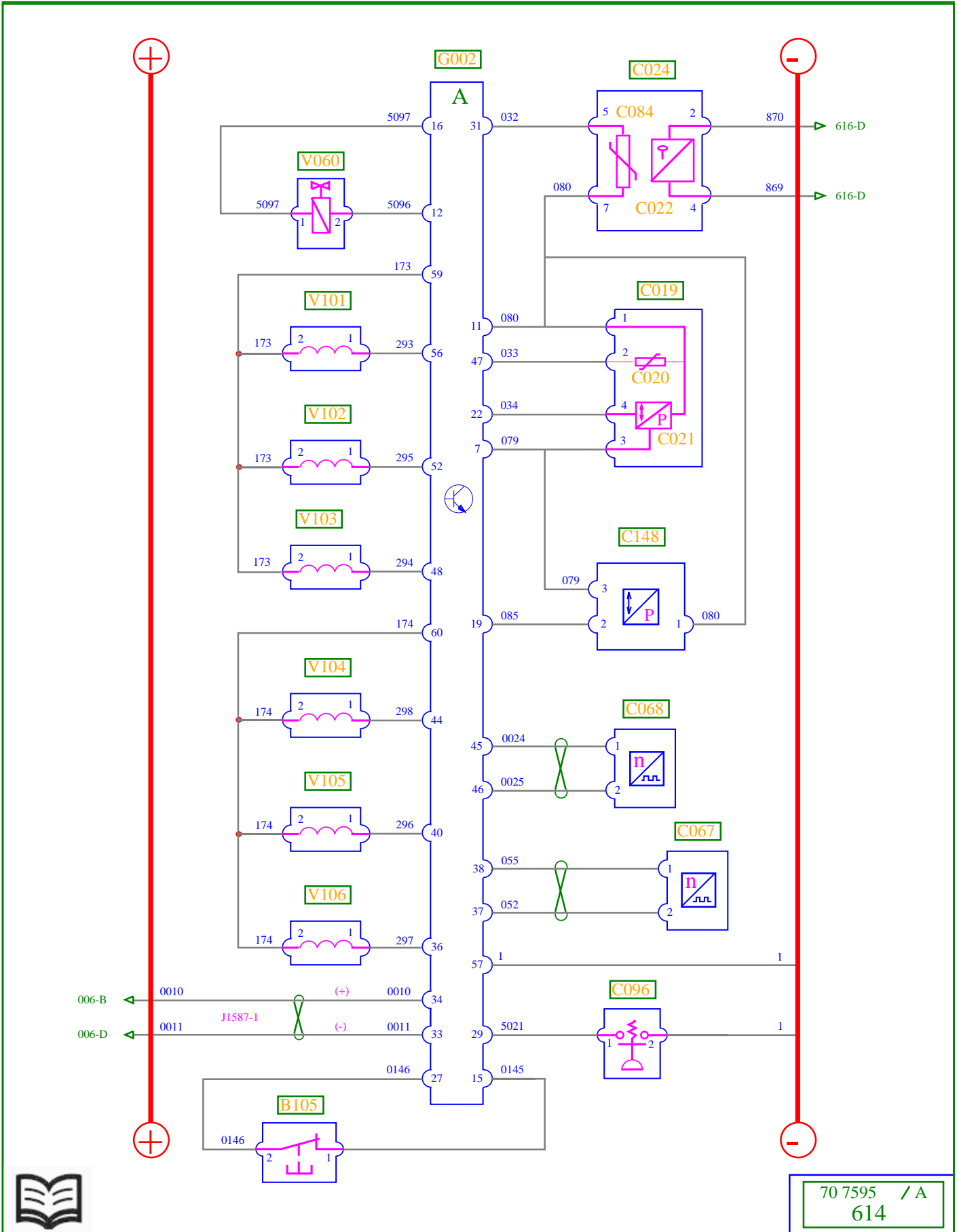
Engine electronic management DXI11 (2/2)

Key to appliances

Code	Function	Location
C023	Engine oil pressure sensor	B3b
C048	Engine cooling circuit temperature sensor	B3b
C088	Engine coolant level sensor	B3b
C109	Water in fuel sensor	B3b
C132	Engine boost pressure sensor	B3b
C150	Engine block inside pressure sensor	B3b
G002	Engine management ECU	B3b
N001	Fuel heater resistor N° 2	B3b
N004	Air preheating resistor	B3b
S501	Air preheating relay	C4d
V021	Engine brake N° 1 solenoid valve	B3b
V023	Exhaust brake solenoid valve	B3b
V052	Range change electrovalve	B3b
V053	Splitter control electrovalve	B3b
V054	Splitter and range change control unit	B3b
V108	Air dryer bleeding solenoid valve	B3b
Z001	Fuel heating unit	B3b

Engine electronic management DXI11 (2/2)



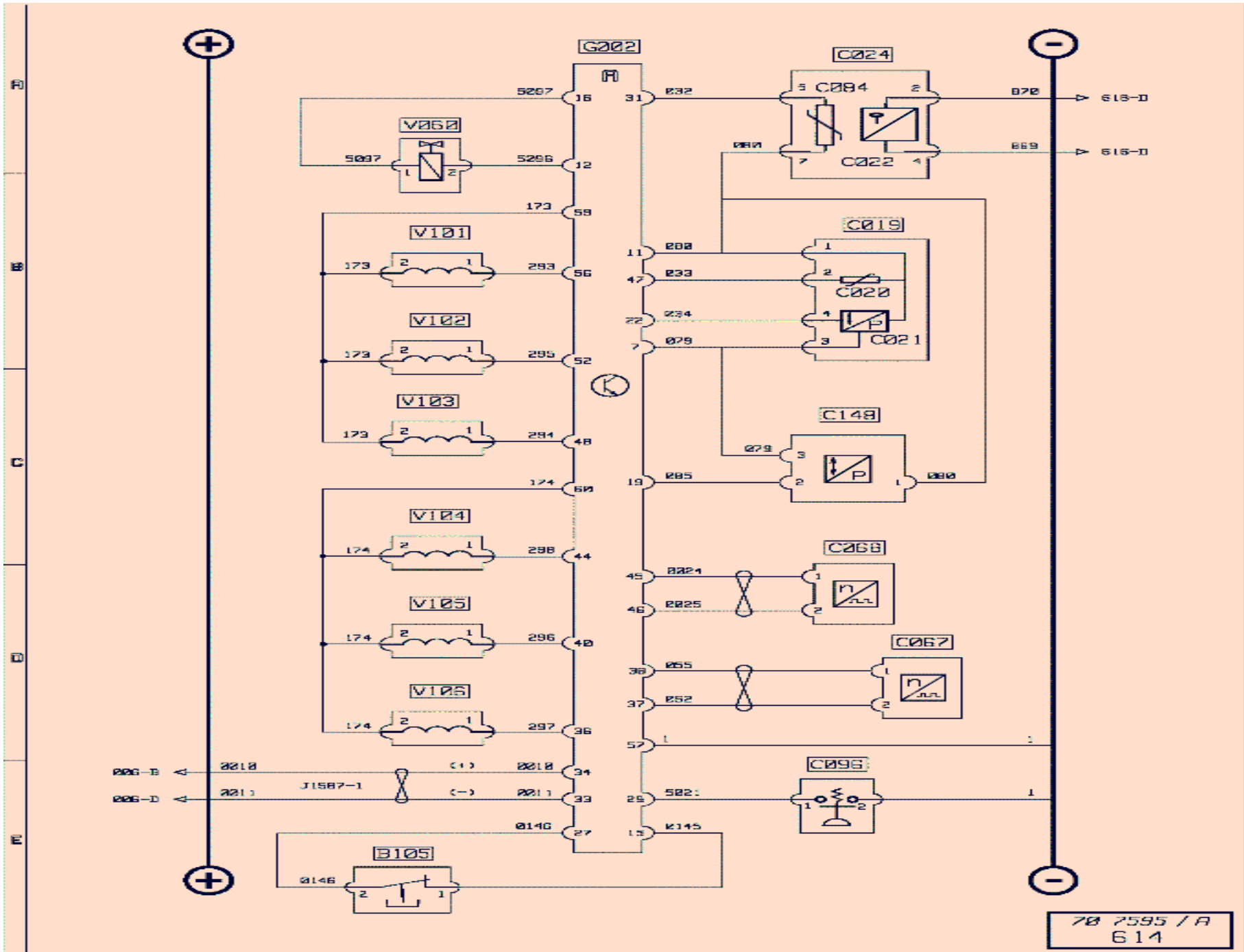


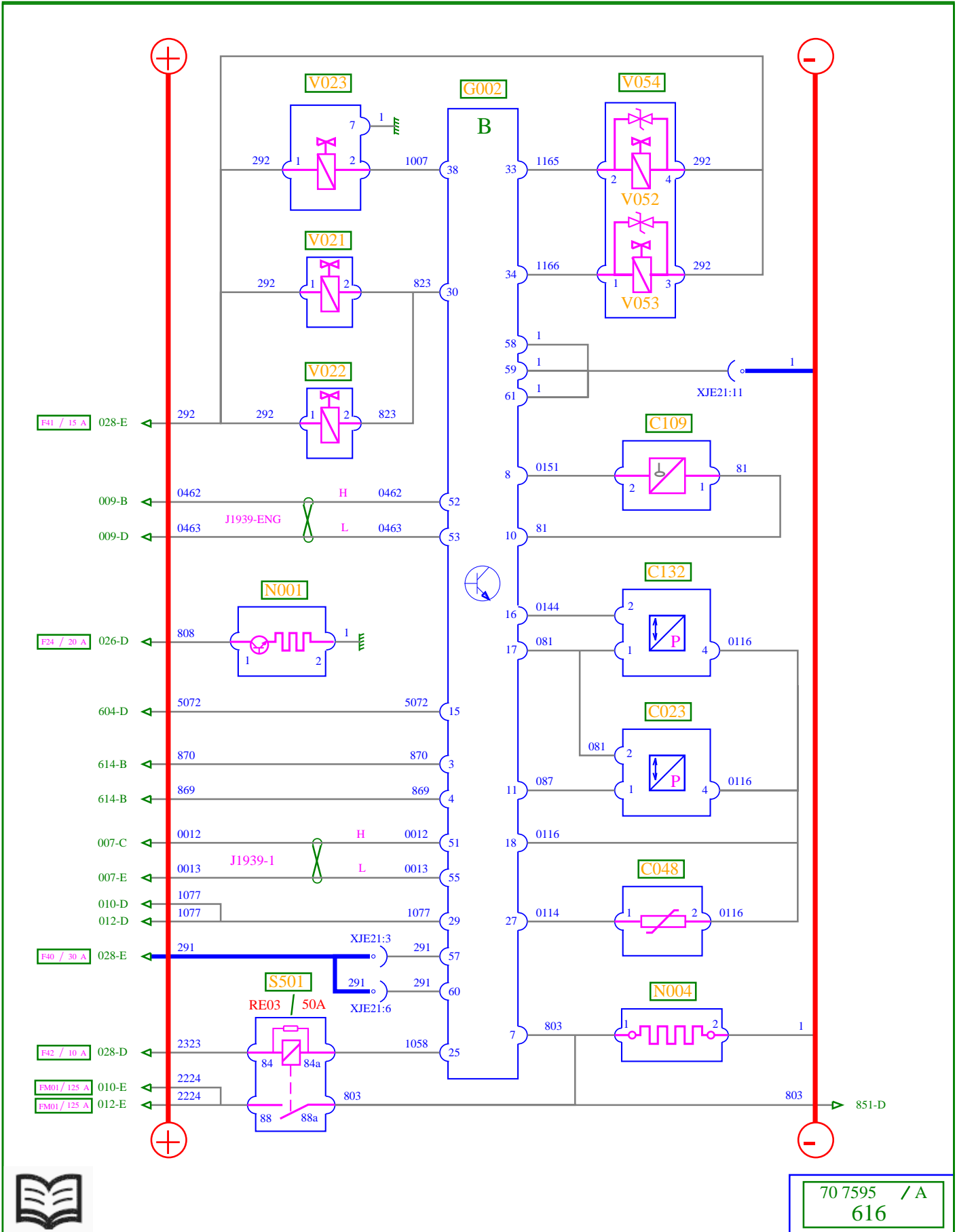
Engine electronic management DXI7 (1/2)

Key to appliances

Code	Function	Location
B105	Engine stop control	B3b
C019	Boost air pressure and temperature sensor	B3b
C020	Boost air temperature sensor	B3b
C021	Boost air pressure sensor	B3b
C022	Engine oil level sensor	B3b
C024	Engine oil level and temperature sensor unit	B3b
C067	Flywheel speed sensor	B3b
C068	Camshaft engine speed sensor	B3b
C084	Engine oil temperature sensor	B3b
C096	Range change selector pressure sensor	B3b
C148	High fuel pressure sensor	A3c
G002	Engine management ECU	B3b
V060	High pressure pump solenoid valve	B3b
V101	Cylinder injector solenoid valve N° 1	B3b
V102	Cylinder injector solenoid valve N° 2	B3b
V103	Cylinder injector solenoid valve N° 3	B3b
V104	Cylinder injector solenoid valve N° 4	B3b
V105	Cylinder injector solenoid valve N° 5	B3b
V106	Cylinder injector solenoid valve N° 6	B3b

Engine electronic management DXI7 (1/2)





cardiagn.com

70 7595 / A
616

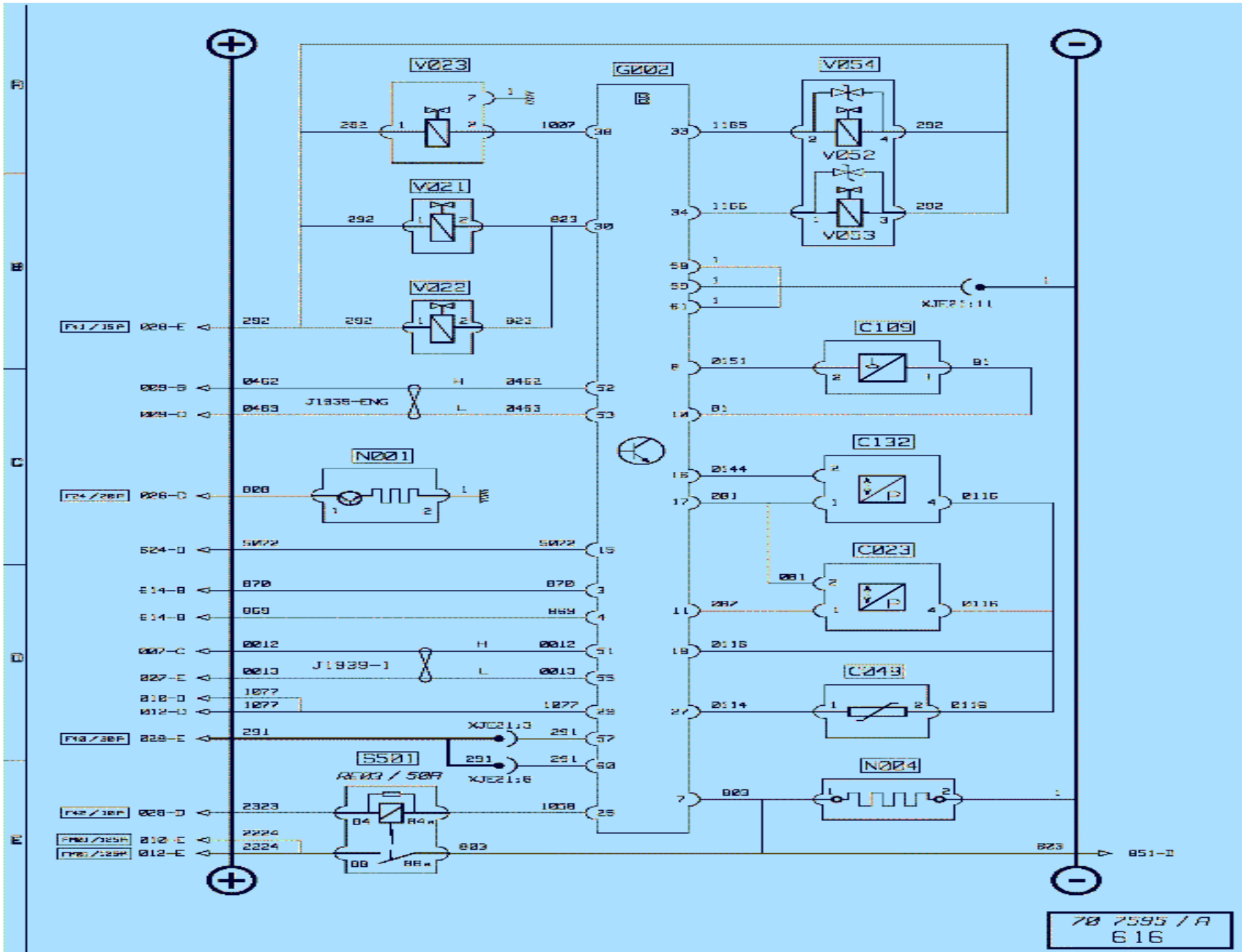


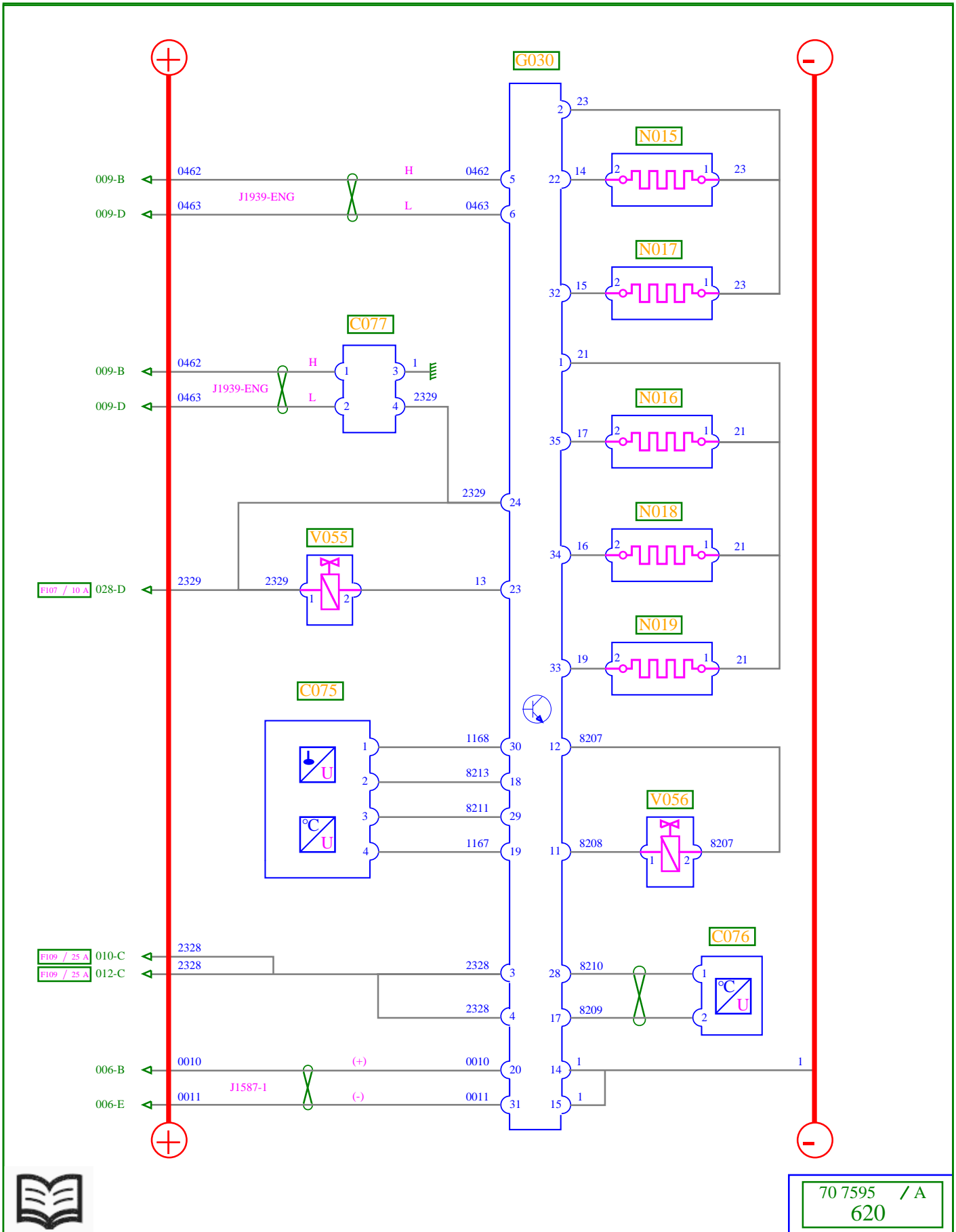
Engine electronic management DXI7 (2/2)

Key to appliances

Code	Function	Location
C023	Engine oil pressure sensor	B3b
C048	Engine cooling circuit temperature sensor	B3b
C109	Water in fuel sensor	B3b
C132	Engine boost pressure sensor	B3b
G002	Engine management ECU	B3b
N001	Fuel heater resistor N° 2	B3b
N004	Air preheating resistor	B3b
S501	Air preheating relay	C4d
V021	Engine brake N° 1 solenoid valve	B3b
V022	Engine brake N° 2 solenoid valve	B3b
V023	Exhaust brake solenoid valve	B3b
V052	Range change electrovalve	B3b
V053	Splitter control electrovalve	B3b
V054	Splitter and range change control unit	B3b

Engine electronic management DXI7 (2/2)





cardiagn.com

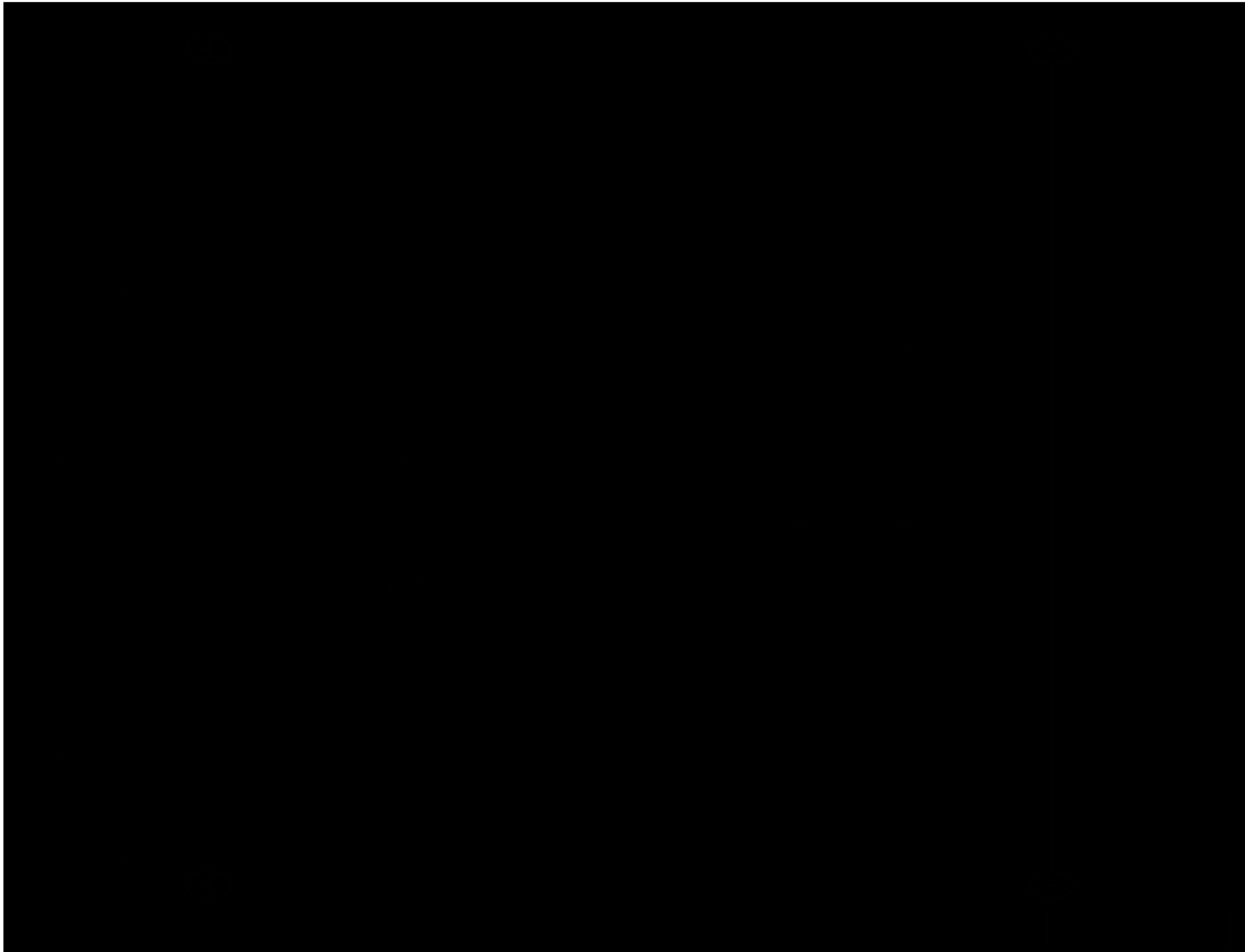
70 7595 / A
620

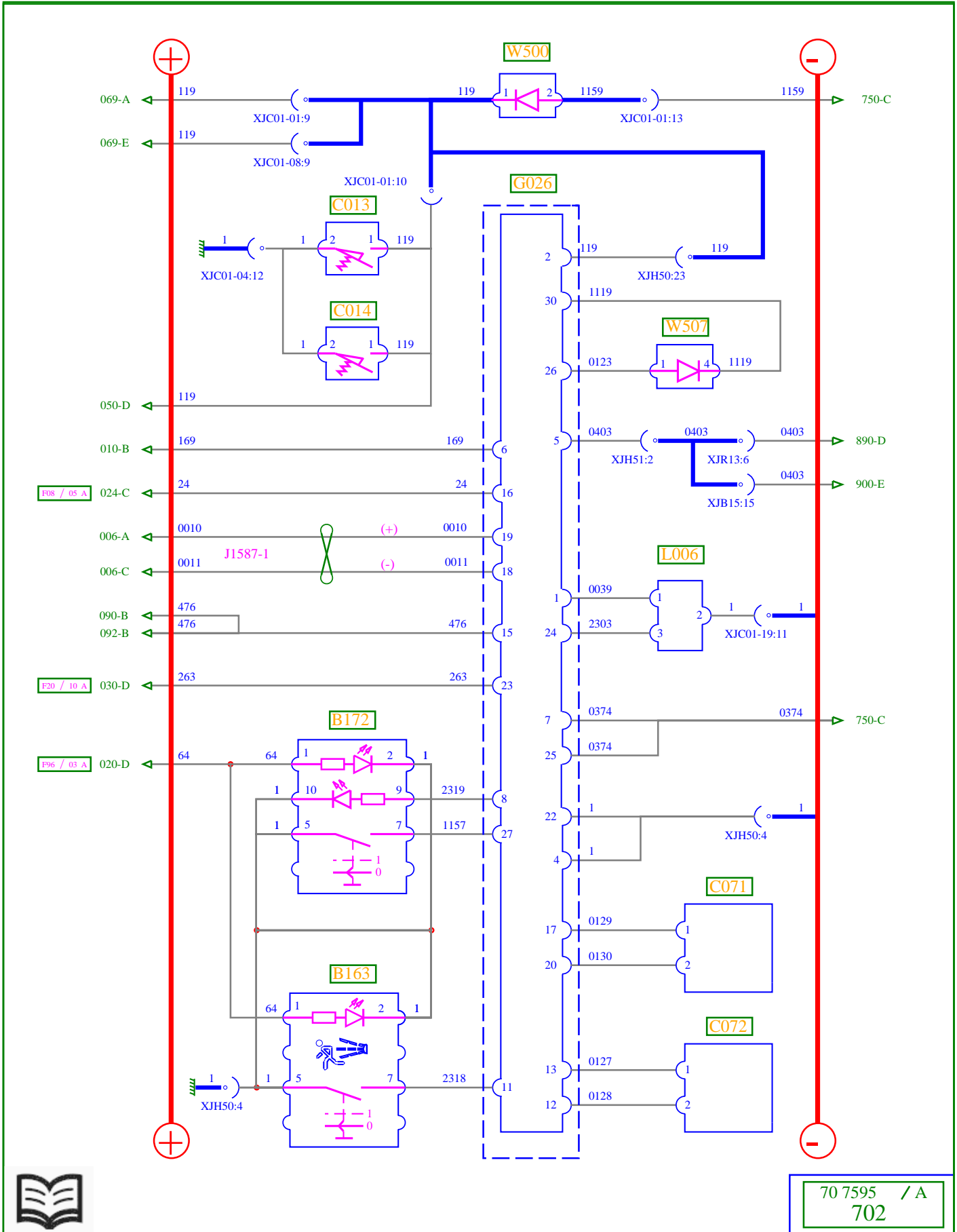
Urea inflow management

Key to appliances

Code	Function	Location
C075	AdBlue tank temperature and level sensors	A4d
C076	Exhaust gases temperature sensor	C4d
C077	Nitrogen oxides gases concentration sensor	C4d
G030	AdBlue supply management pump module	C4d
N015	AdBlue heating resistor (in tank to pump module circuit)	A4d
N016	AdBlue heating resistor (in pump module to tank circuit)	A4d
N017	AdBlue heating resistor (in pump module to metering solenoid valve circuit)	A4d
N018	AdBlue heating resistor (in metering solenoid valve to pump module circuit)	A4d
N019	AdBlue heating resistor (in filter on pump)	A4d
V055	Engine water circuit by-pass solenoid valve	C4d
V056	AdBlue supply metering solenoid valve	C4d

Urea inflow management





cardiagn.com

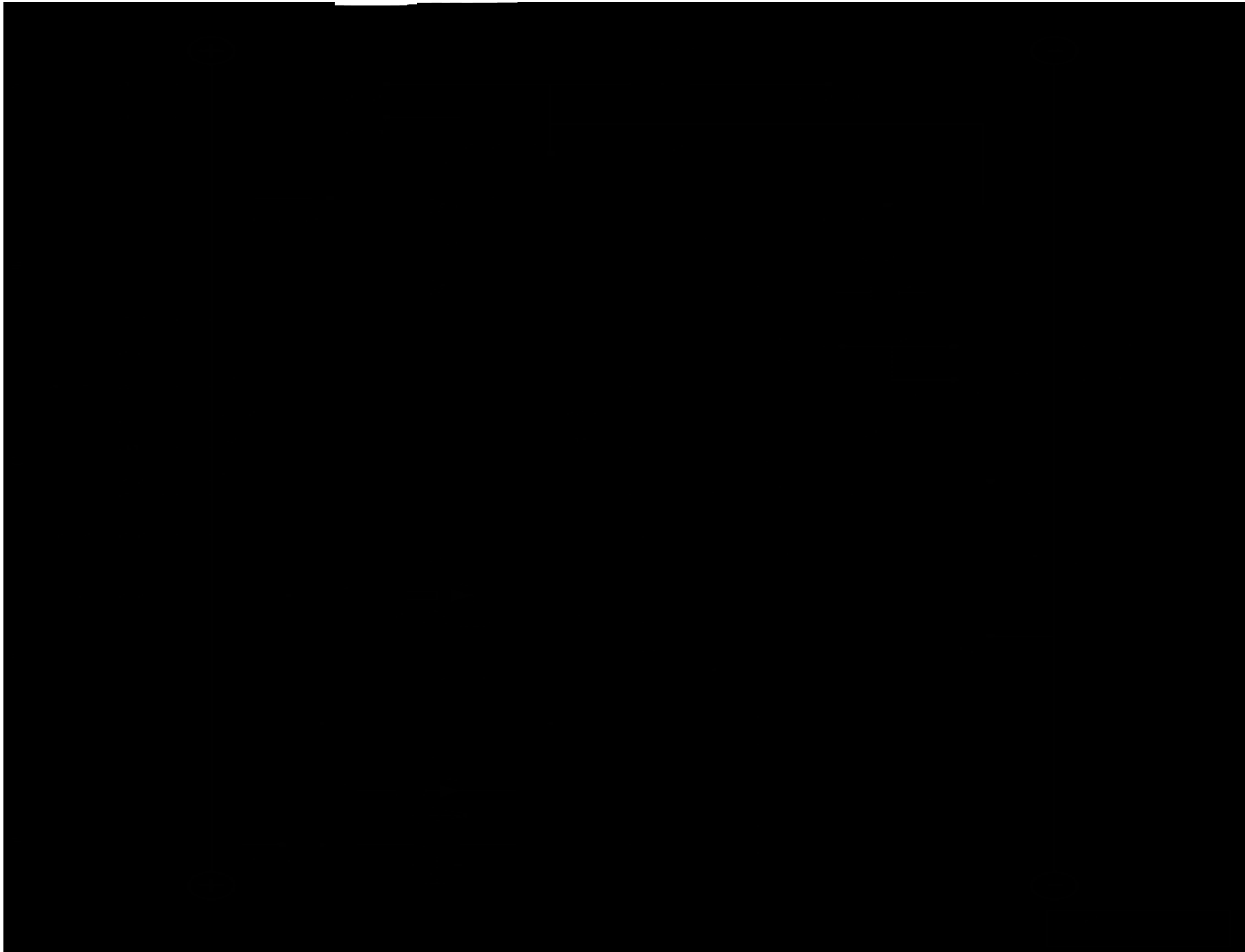
70 7595 / A
702

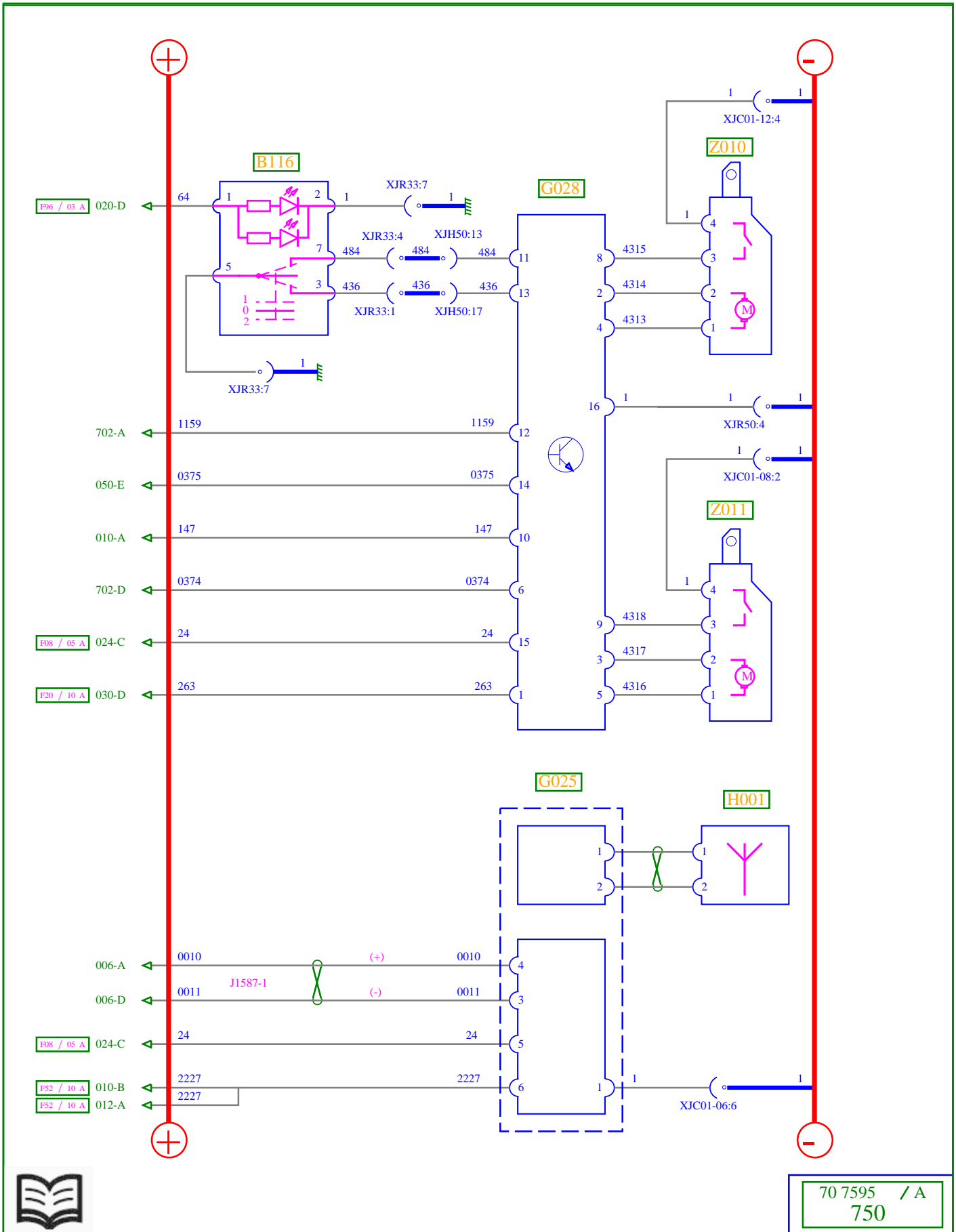
Alarm

Key to appliances

Code	Function	Location
B163	Alarm anti-panic control	C2a
B172	Alarm siren sound level reduction control	C2a
C013	Driver's door open position information sensor	C2c
C014	Passenger's front door open position information sensor	A2c
C071	Alarm ultra-sonic transmitter sensor	C2c
C072	Alarm ultra-sonic receiver sensor	A2c
G026	Alarm ECU	C2a
L006	Horn - Alarm siren	C2d
W500	Diode(s)	B2c
W507	Vehicle alarm sounding diode	B2a

Alarm





cardiagn.com

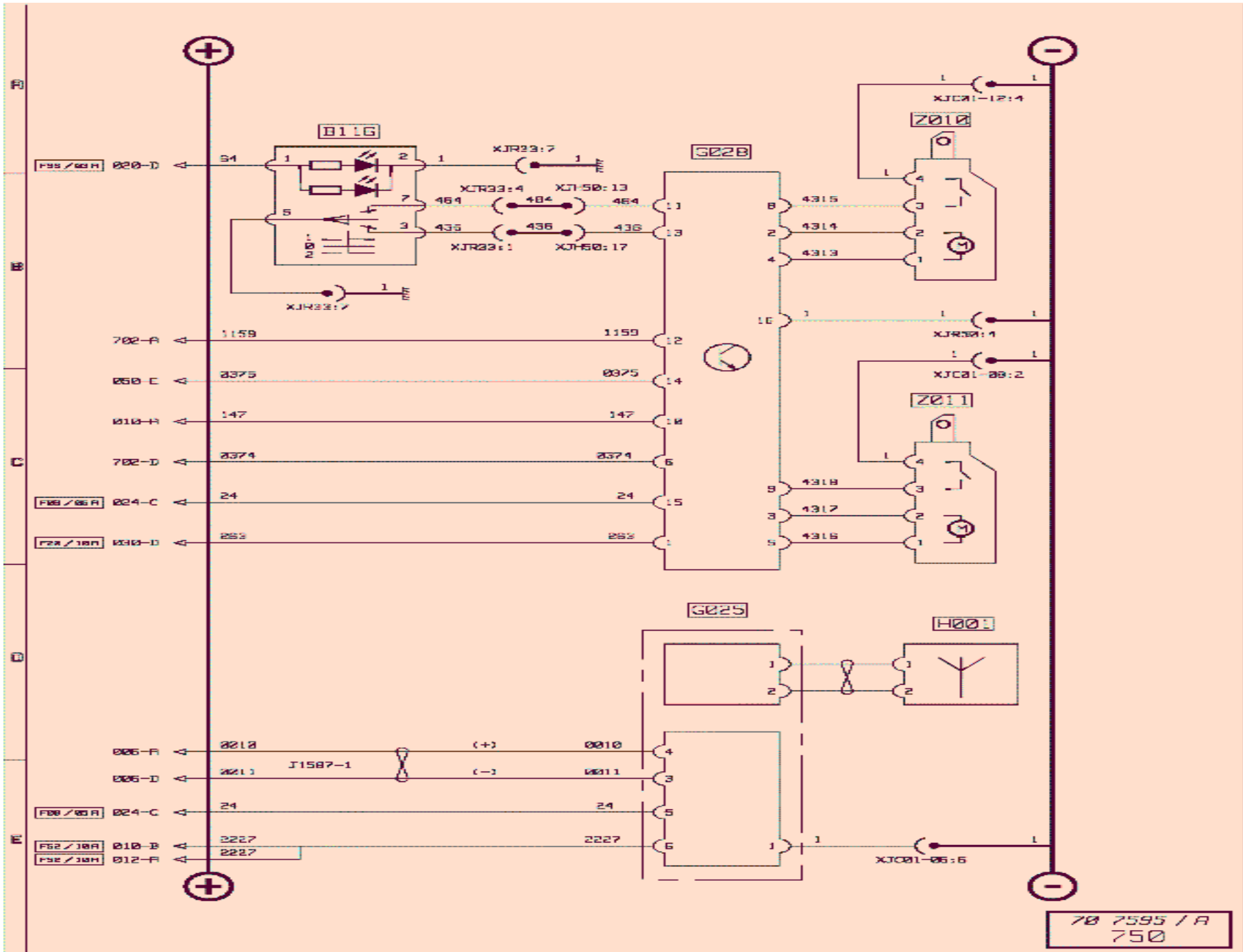
70 7595 / A
750

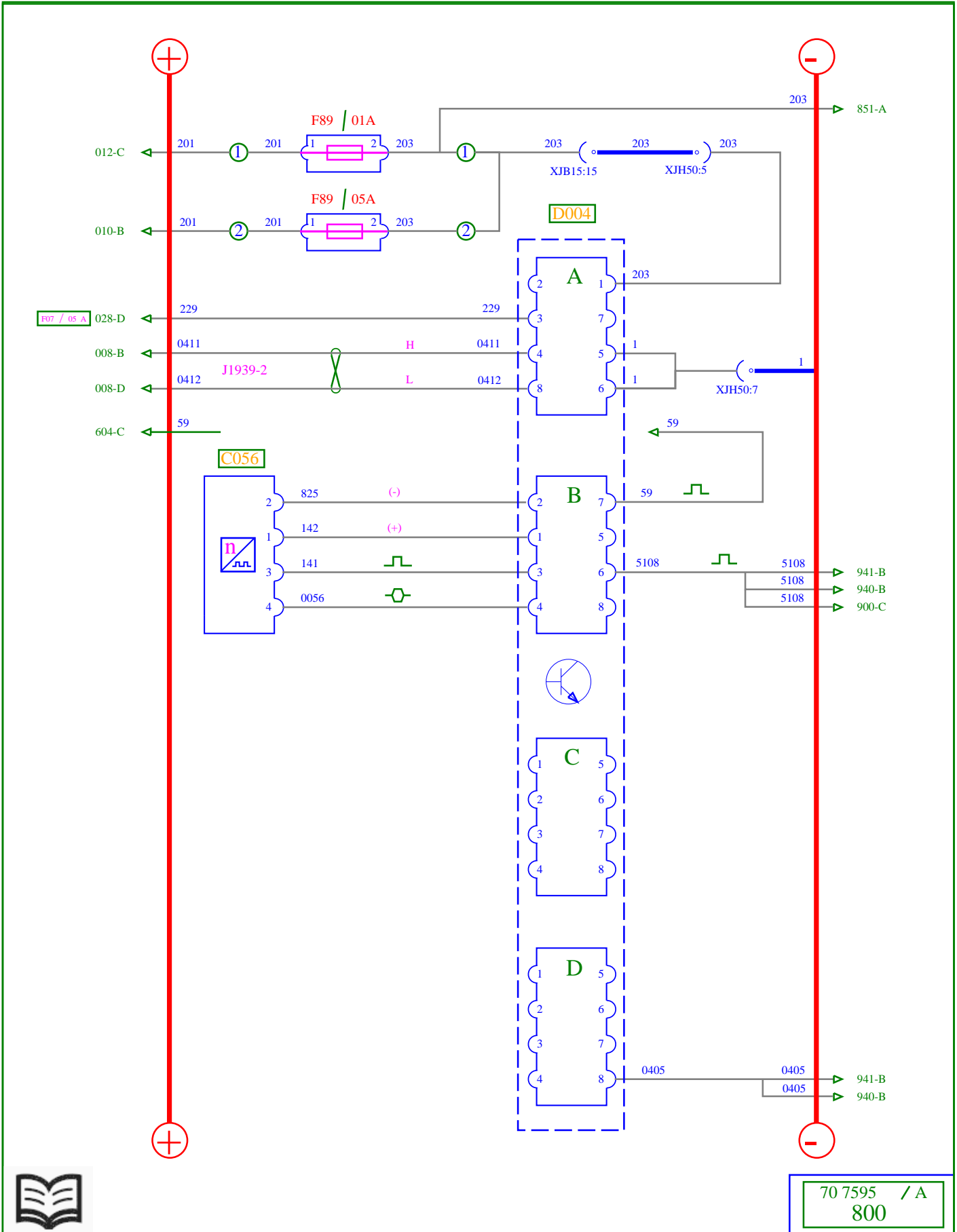
Door control/Immobiliser

Key to appliances

Code	Function	Location
B116	Doors locking control	B3b
G025	Engine immobilizer ECU	C2c
G028	Doors central locking ECU	C2c
H001	Engine immobilizer antenna	C2c
Z010	Front passenger's door locking striker unit	A3c
Z011	Driver's door locking striker unit	C3c

Door control/Immobiliser





cardiagn.com



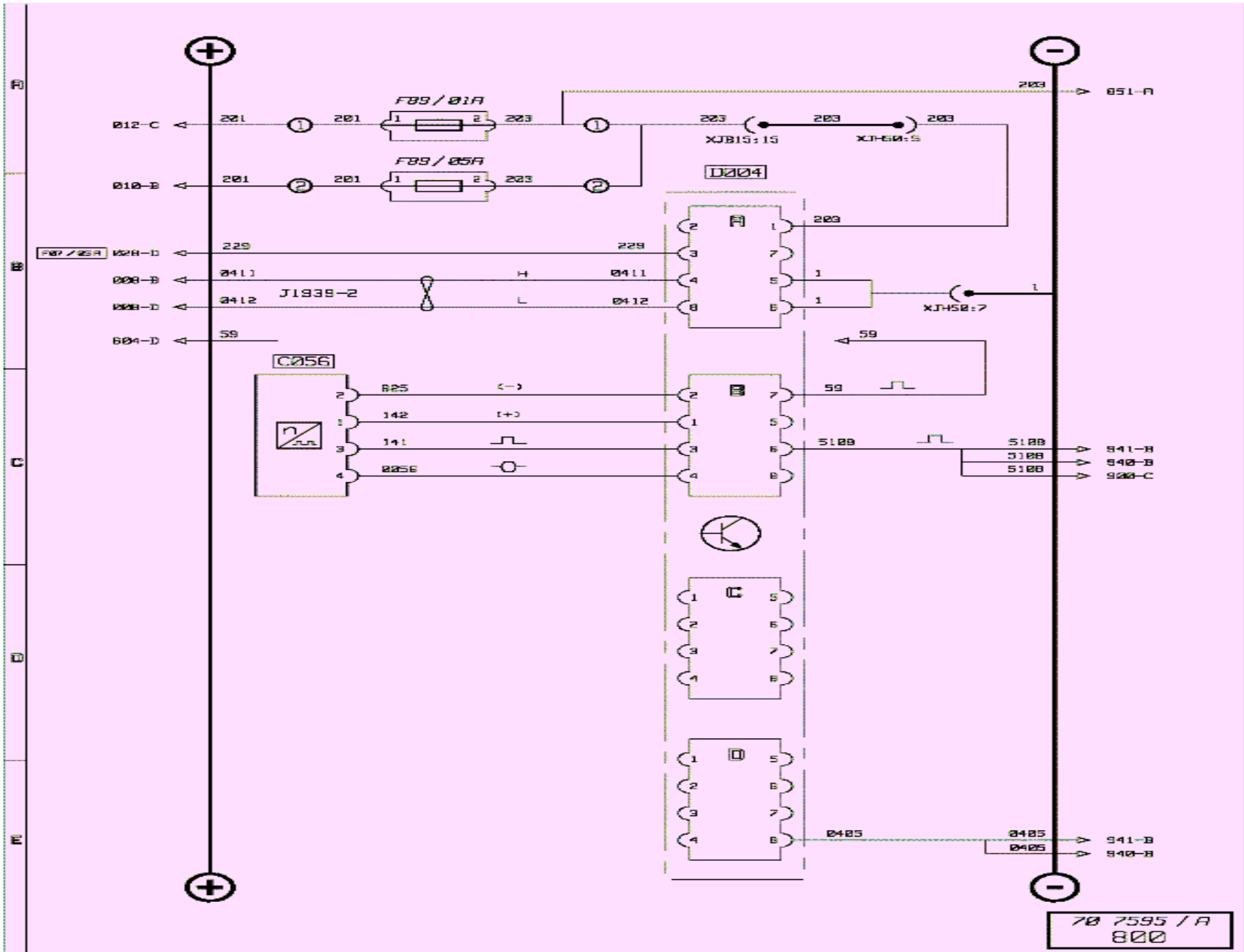
Tachograph

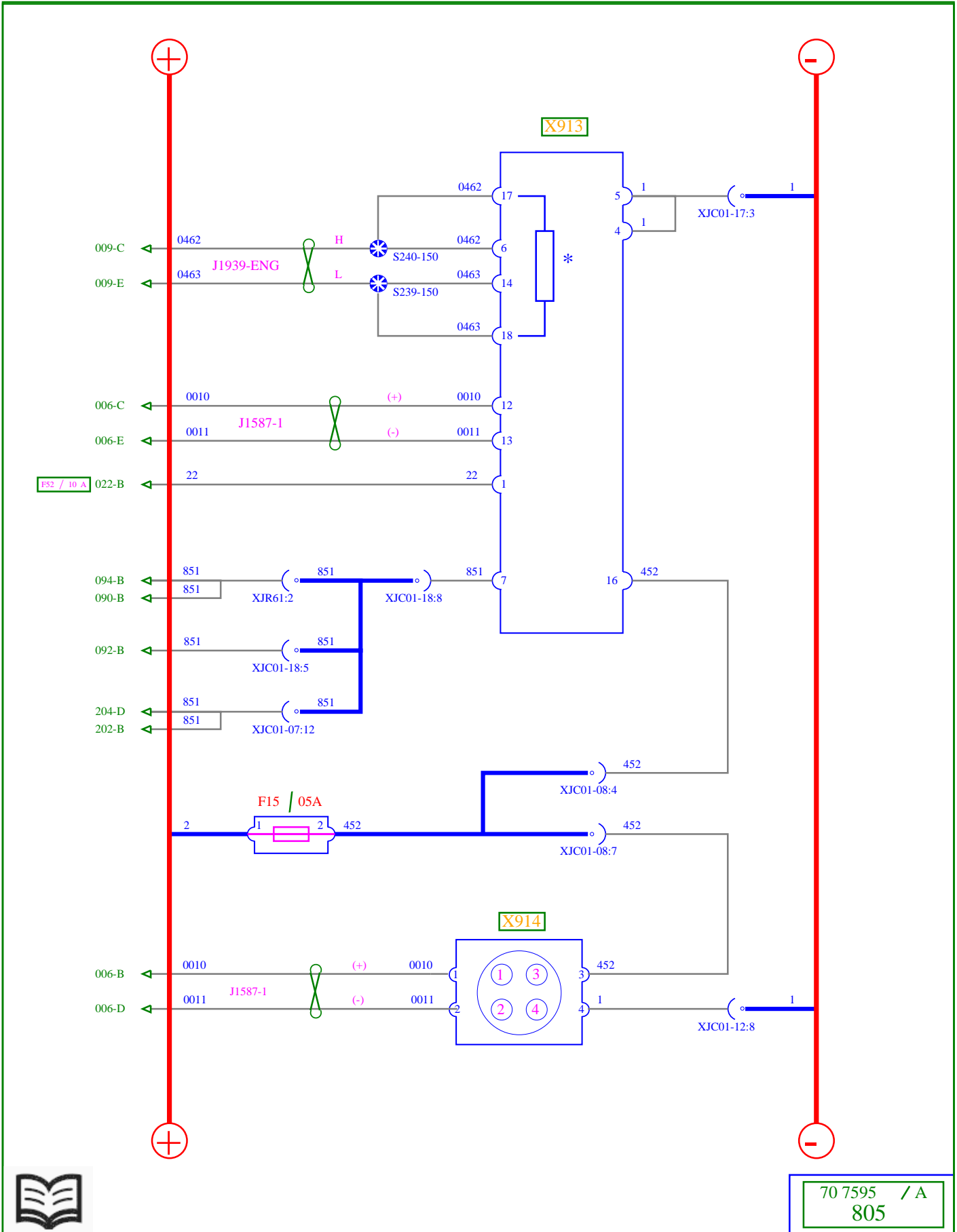
Key to appliances

Code	Function	Location
C056	Tachograph speed sensor	B3a
D004	Tachograph	B3c

- 1: with ADR equipment
- 2: without ADR equipment

Tachograph





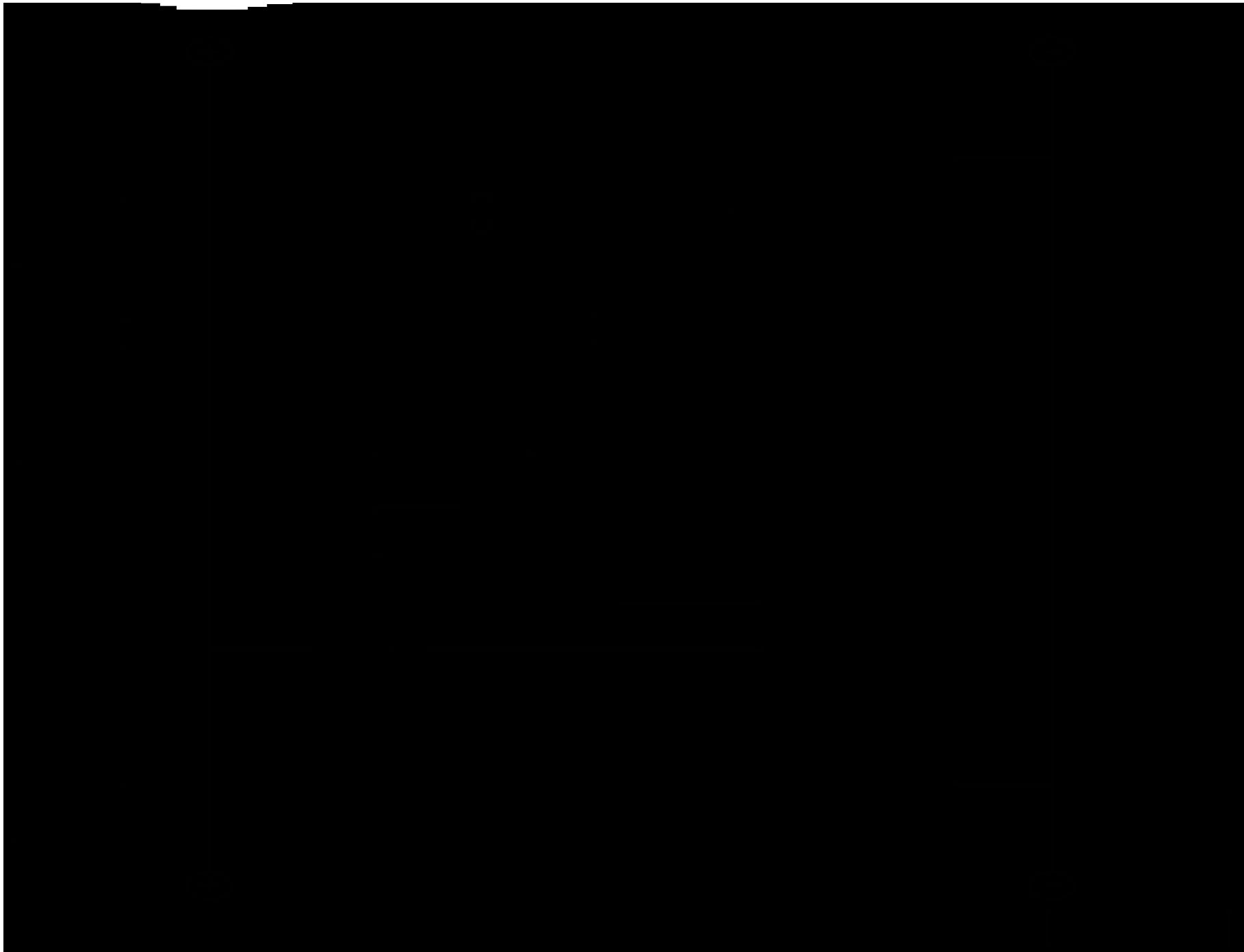
70 7595 / A
805

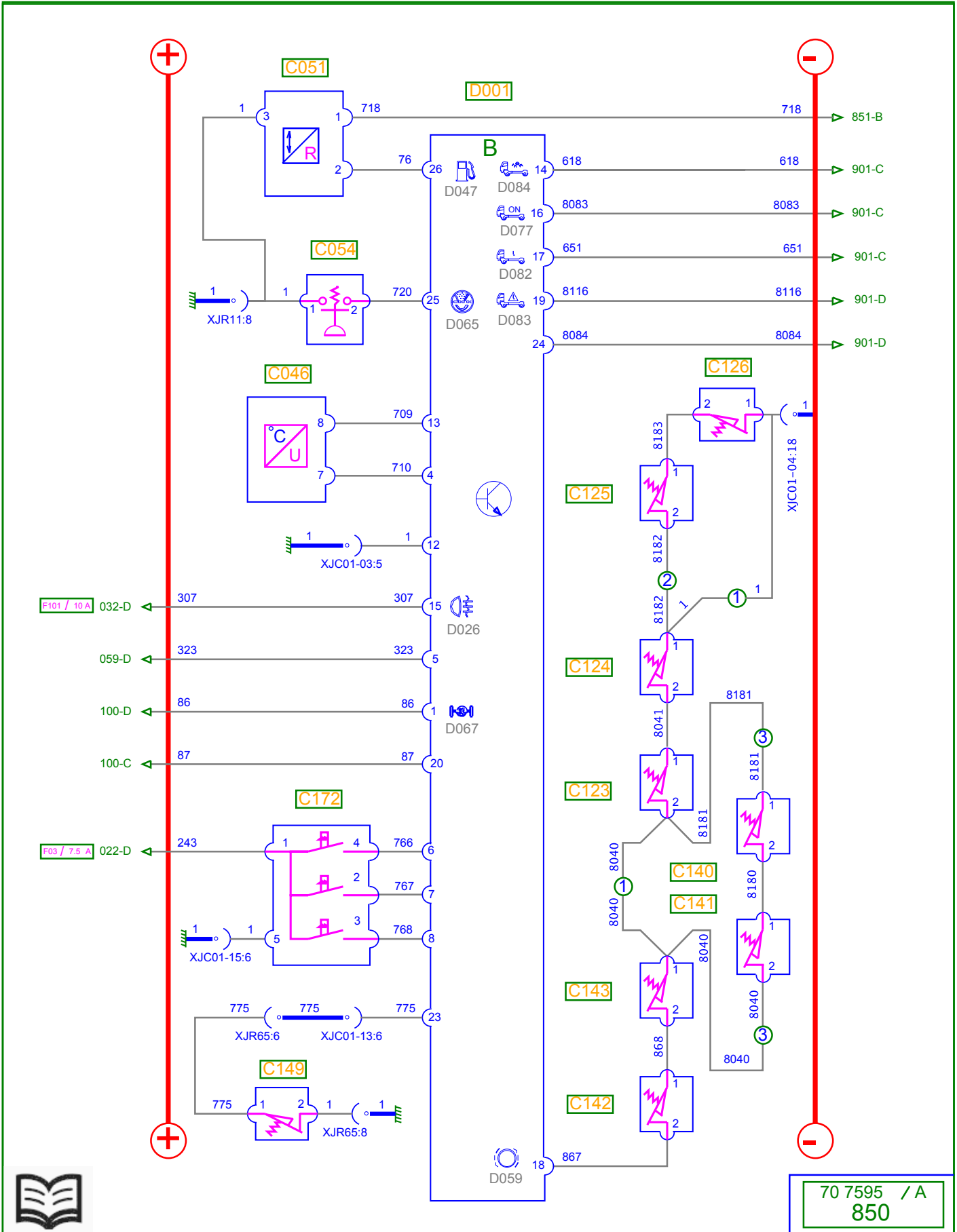
Diagnostic socket

Code	Function	Location
X913	Vehicle diagnostic socket	C2c
X914	Vehicle data extraction socket	C2c

* Depending on option

Diagnostic socket





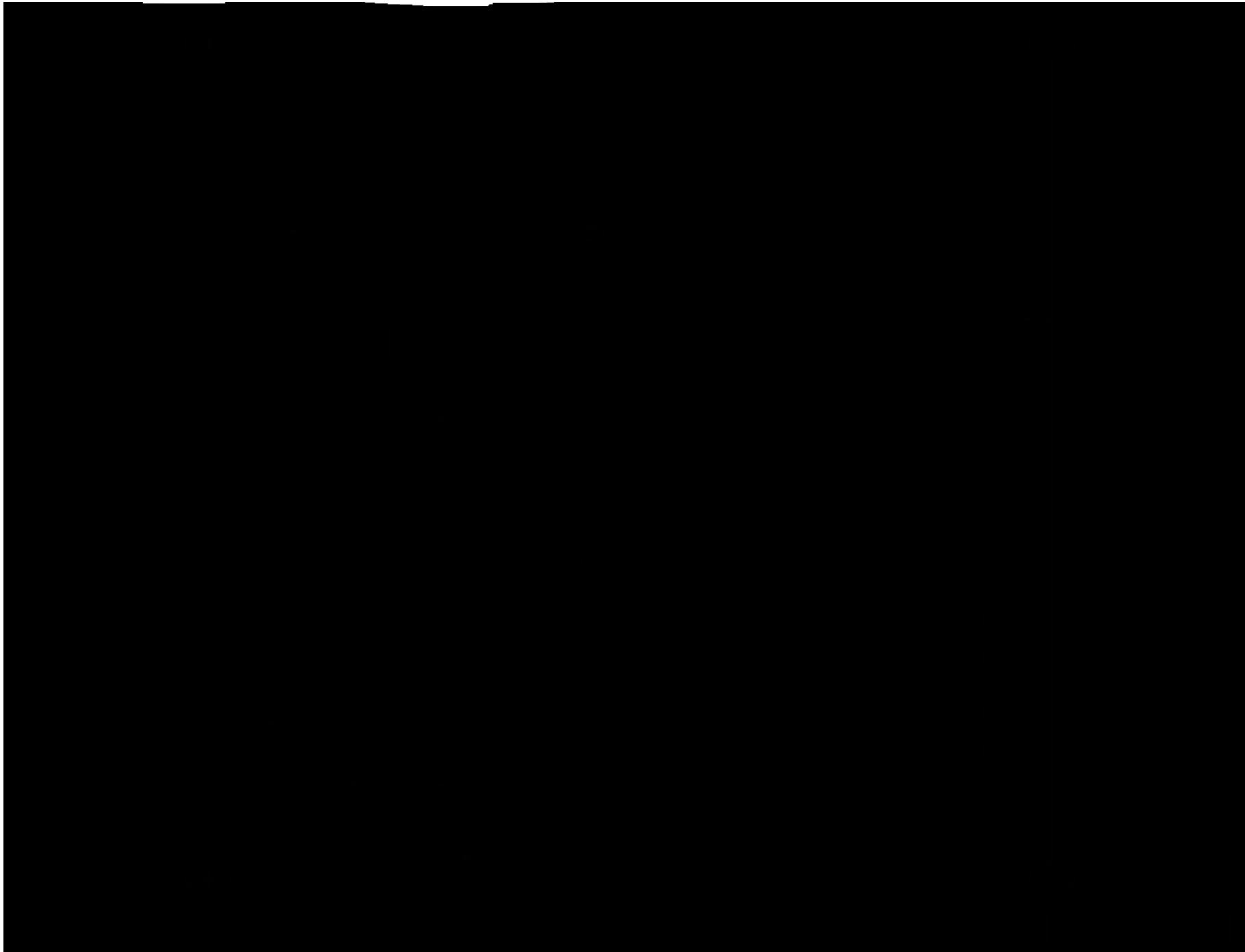
Principal information display (1/2)

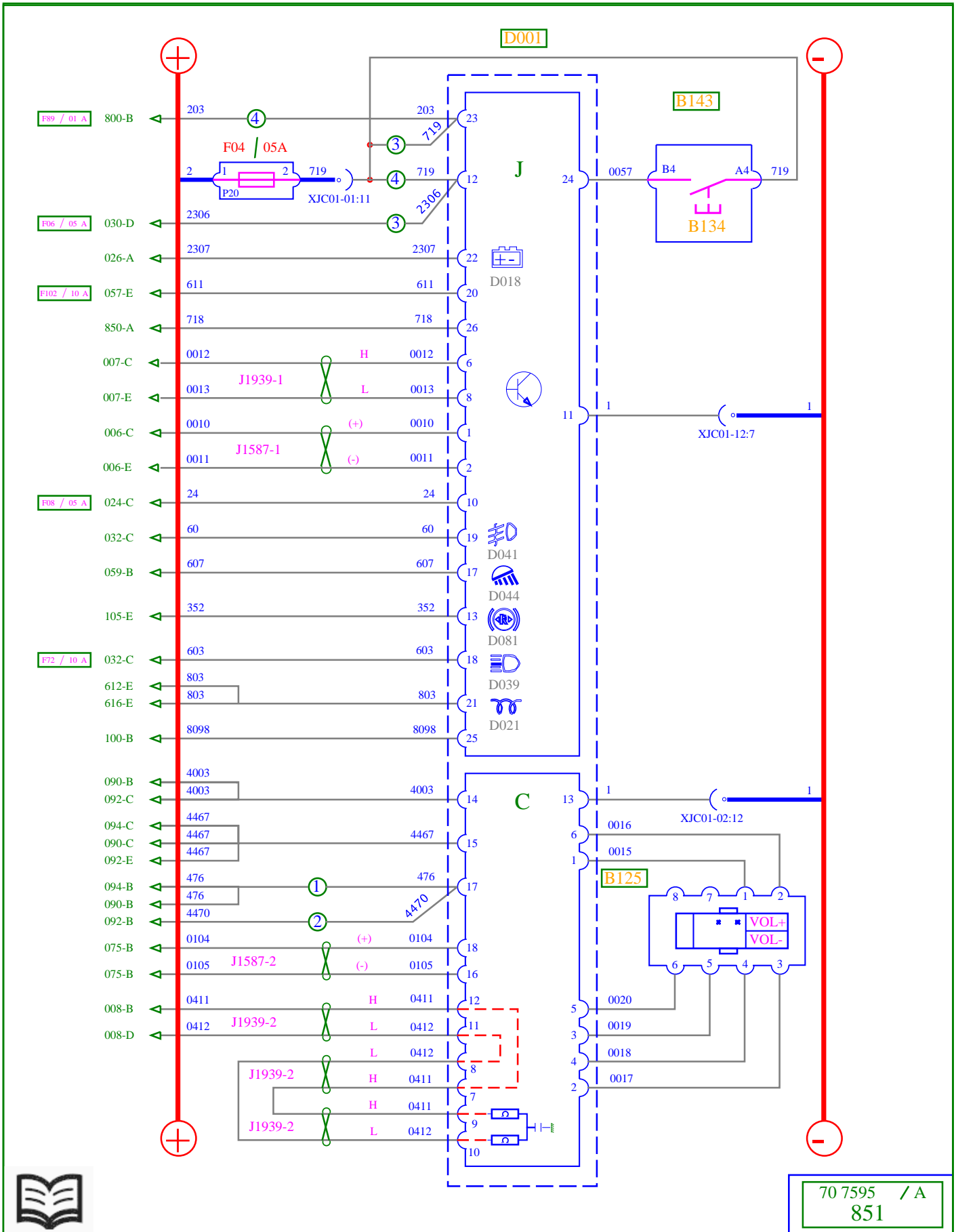
Key to appliances

Code	Function	Location
C046	External temperature sensor	A2a
C051	Fuel level sensor	A5d
C054	Air filter clogging sensor	B4b
C123	LH rear wheel brake linings wear sensor (drive axle N° 1)	C7d
C124	RH rear wheel brake linings wear sensor (drive axle N° 1)	A7d
C125	LH rear wheel brake linings wear sensor (drive axle N° 2)	C8d
C126	RH rear wheel brake linings wear sensor (drive axle N° 2)	A8d
C140	LH front wheel brake linings wear sensor (drive axle or axle N° 2)	C4d
C141	RH front wheel brake linings wear sensor (drive axle or axle N° 2)	A4d
C142	LH front wheel brake linings wear sensor (drive axle or axle N° 1)	C3d
C143	RH front wheel brake linings wear sensor (drive axle or axle N° 1)	A3d
C149	Driver's seatbelt not buckled sensor	B3c
C172	Fifth wheel position sensors	B6c
D001	Principal information display	C2b
D026	Fog lights warning light	C2b
D047	Fuel level warning light	C2b
D059	Brake pads wear warning light	C2b
D065	Air filter clogging warning light	C2b
D067	Inter-wheel diff. lock warning light	C2b
D077	Equipment in unlocked position warning light	C2b
D082	Equipment in service information tell-tale light	C2b
D083	Equipment in dangerous position information tell-tale light	C2b
D084	Equipment lighting information tell-tale light	C2b

- 1: With 4 discs
- 2: With 6/8 discs
- 3: With 8 discs

Principal information display (1/2)





cardiagn.com

Principal information display (2/2)

Key to appliances

Code	Function	Location
B125	Radio set control	C2c
B134	Pull-down display menu control	C2c
B143	Steering wheel fingertip controls N° 1	C2c
D001	Principal information display	C2b
D018	Battery charge warning light	C2b
D021	Fuel preheating warning light	C2b
D039	Main beam headlights warning light	C2b
D041	Fog driving lights warning light	C2b
D044	Working spotlight warning light	C2b
D081	Trailer brake pads wear warning light	C2b

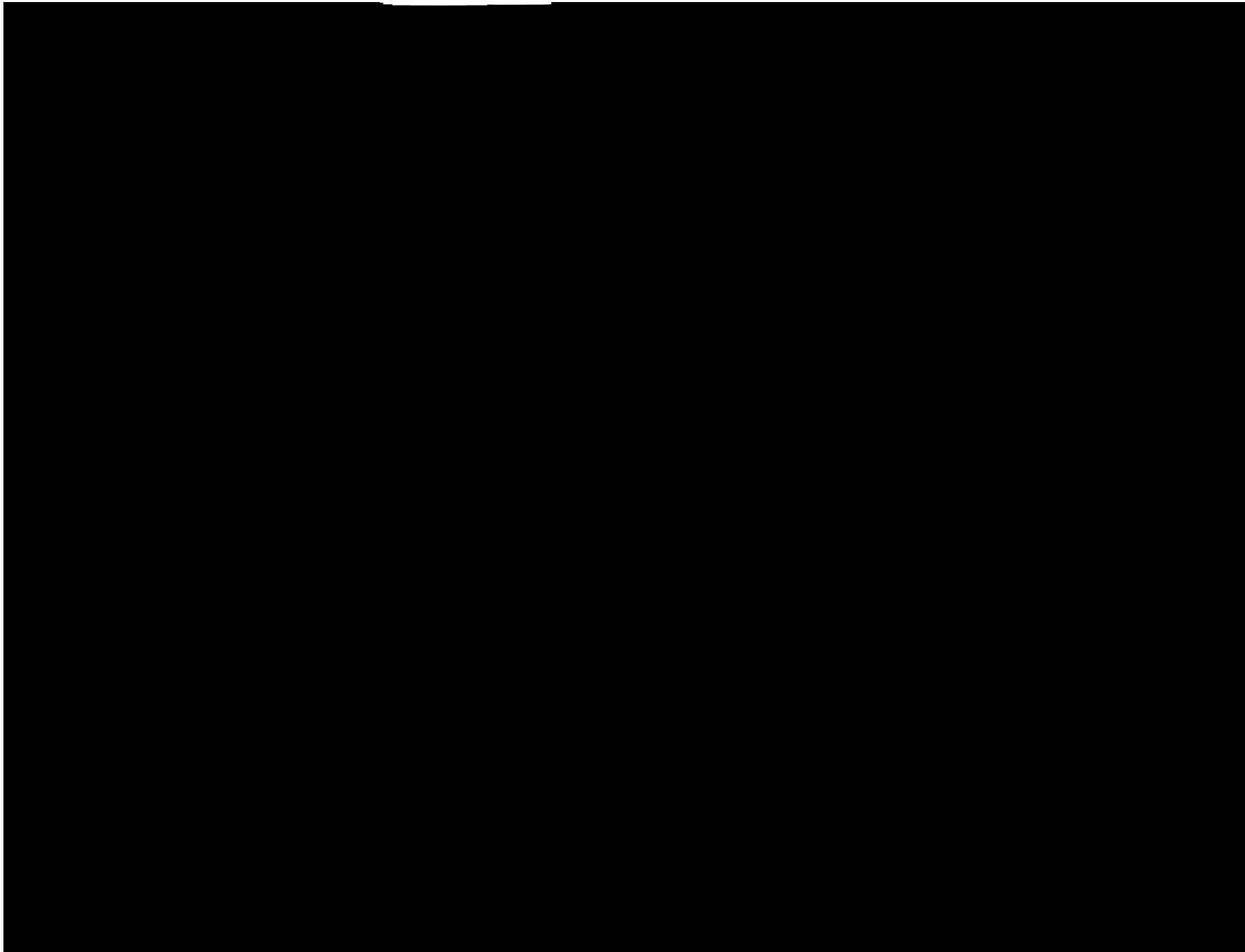
1: with independent heating "AT2000 ST"

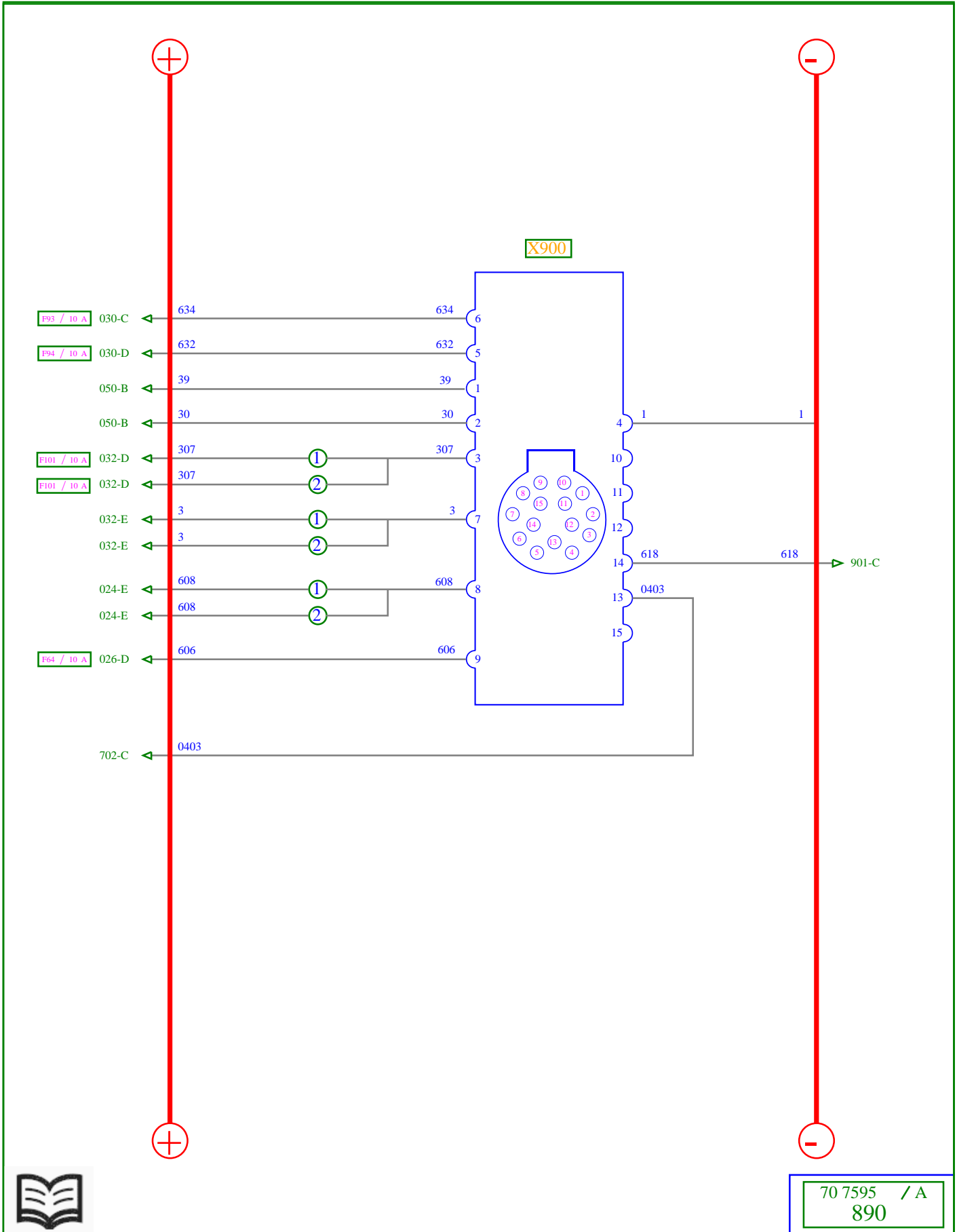
2: with independent heating "Thermo 90S"

3: with ADR equipment

4: without ADR equipment

Principal information display (2/2)





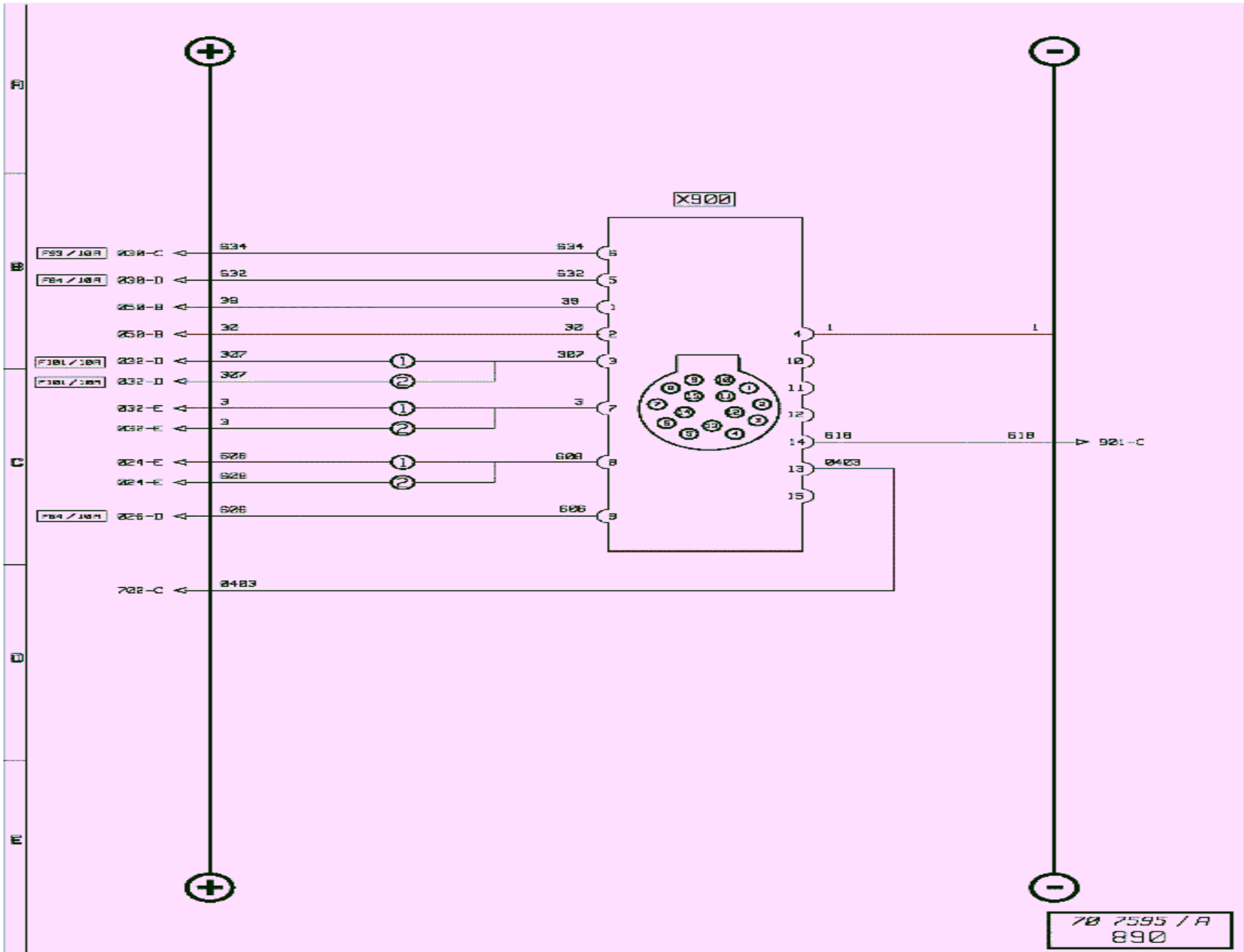
Trailer sockets

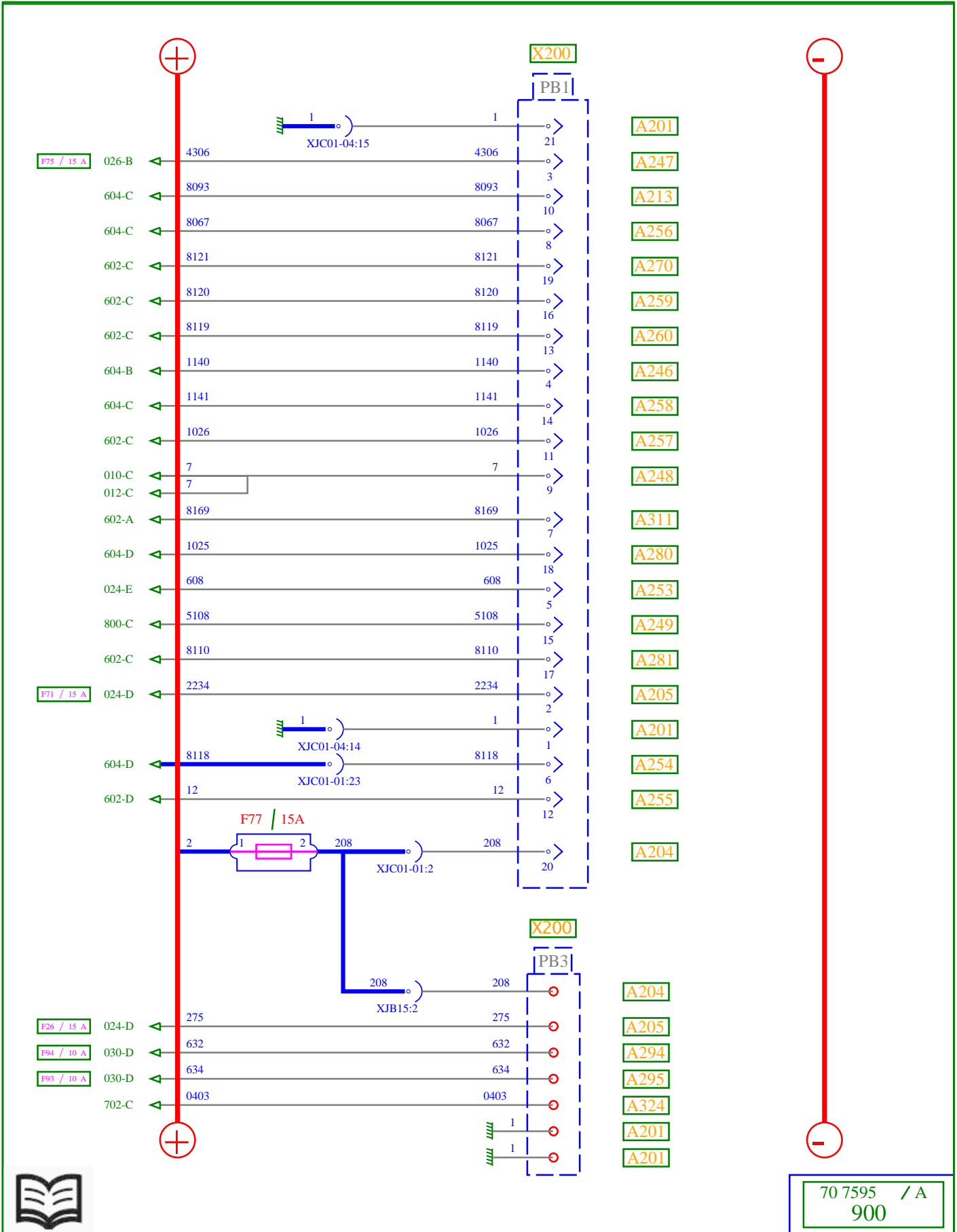
Key to appliances

Code	Function	Location
X900	15-pin trailer socket	B4b

- 1: tractor vehicle
- 2: rigid vehicle

Trailer sockets



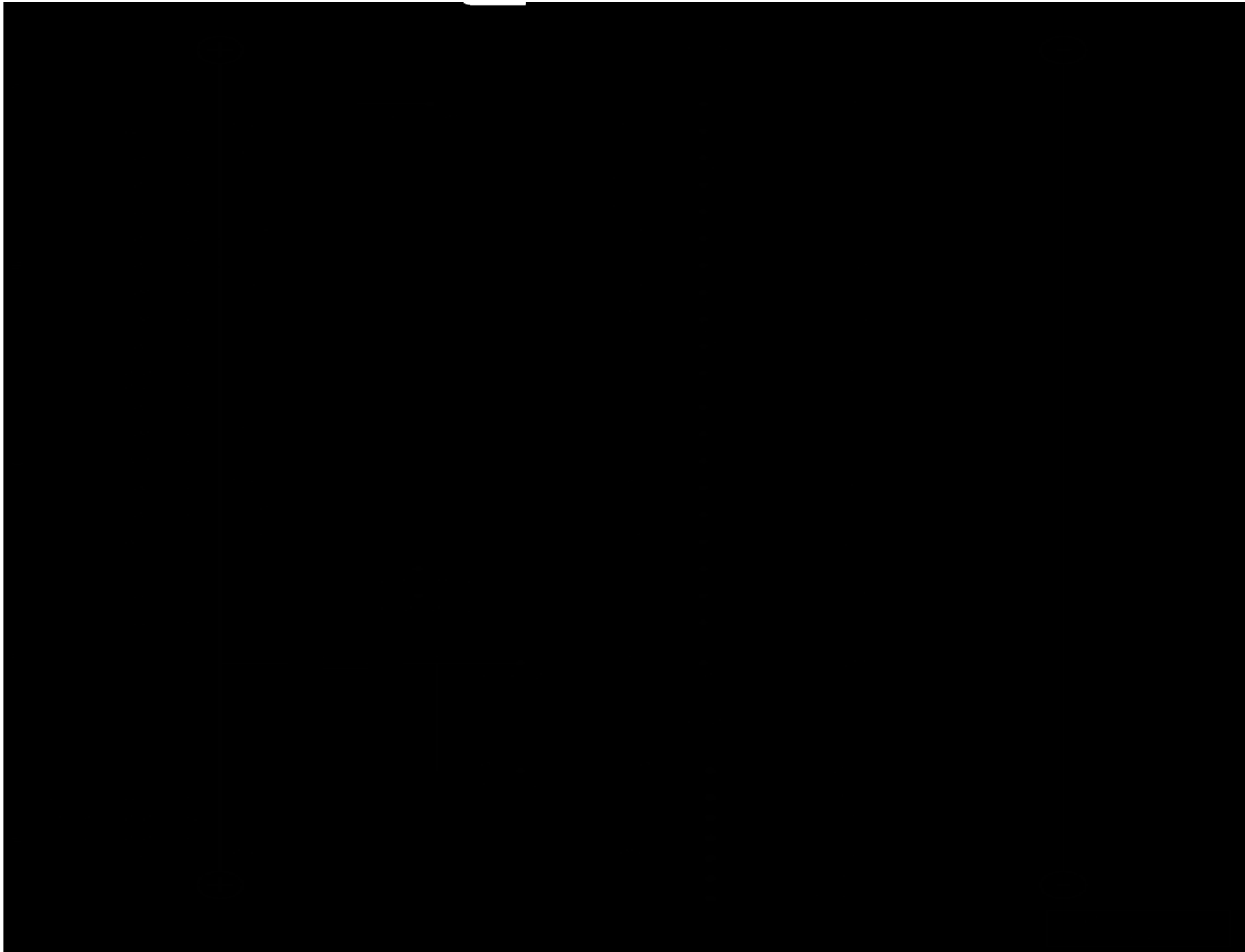


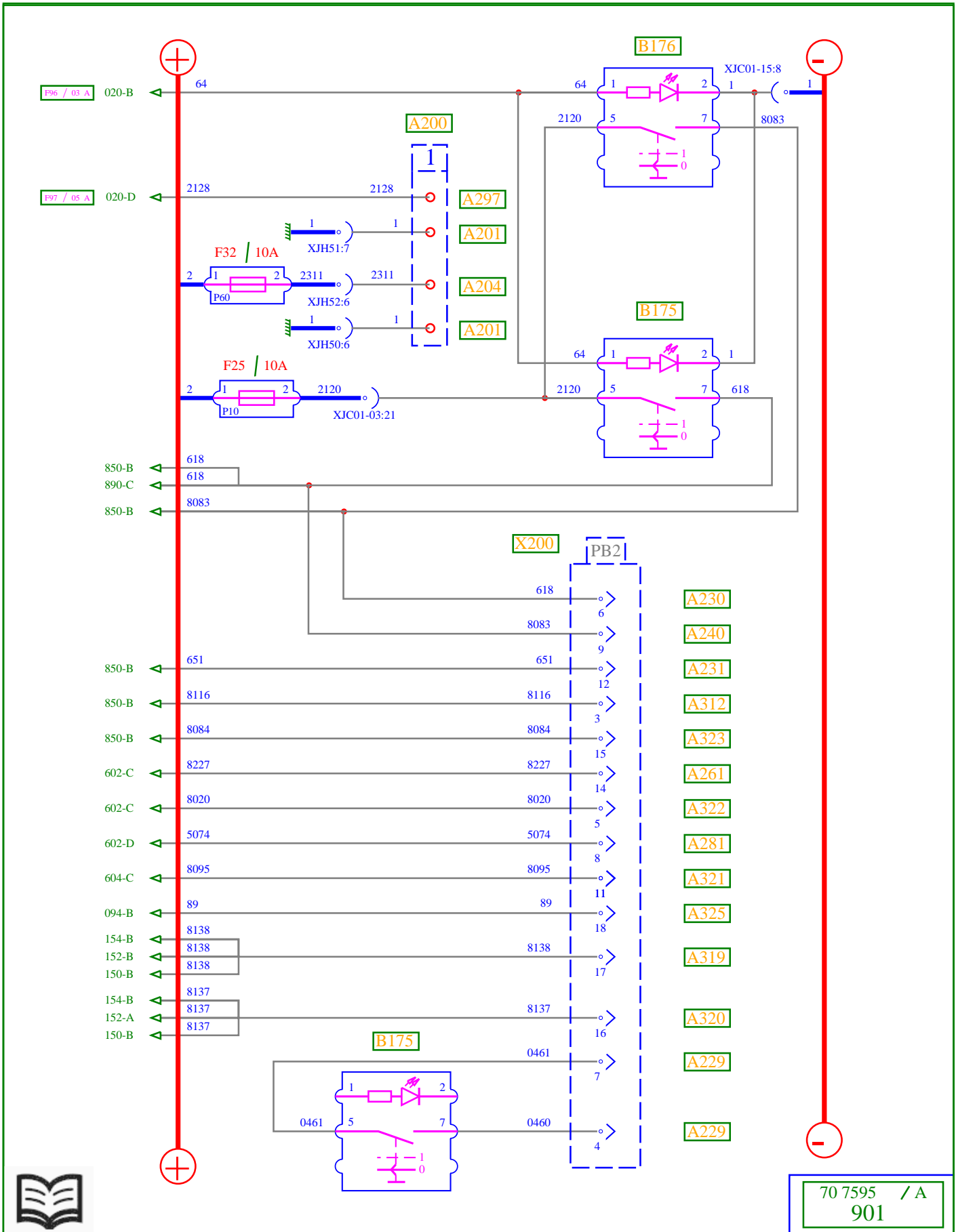
Available power supplies (1/3)

Key to appliances

Code	Function	Location
A201	Available power supply (vehicle earth)	A2c/C4d
A204	Available power supply (after master switch)	A2c/C4d
A205	Available power supply (after ignition)	A2c/C4d
A213	Available power supply (PTO N°1)	A2c
A246	Available power supply (PTO N°1 control)	A2c
A247	Available power supply (alternator information, engine running)	A2c
A248	Available power supply (alternator information, engine speed)	A2c
A249	Available power supply (tachograph corrected speed information)	A2c
A253	Available power supply (reversing information)	A2c
A254	Available power supply (parking brake information)	A2c
A255	Available power supply (gearbox neutral information)	A2c
A256	Available power supply (chassis-mounted engine speed control actuation demand)	A2c
A257	Available power supply (selection of engine speed N°1)	A2c
A258	Available power supply (selection of engine speed N°2)	A2c
A259	Available power supply (engine speed acceleration demand)	A2c
A260	Available power supply (engine speed deceleration demand)	A2c
A270	Available power supply (main engine speed automatic return)	A2c
A280	Available power supply (low speed)	A2c
A281	Available power supply (engine stop control)	A2c
A294	Available power supply (LH rear marker light(s))	C4d
A295	Available power supply (RH rear marker light(s))	C4d
A311	Available power supply (PTO 1 engaged information)	A2c
A324	Available power supply (rigid perimetric protection module)	C4d
X200	Available power supplies connector	A2c/C4d

Available power supplies (1/3)





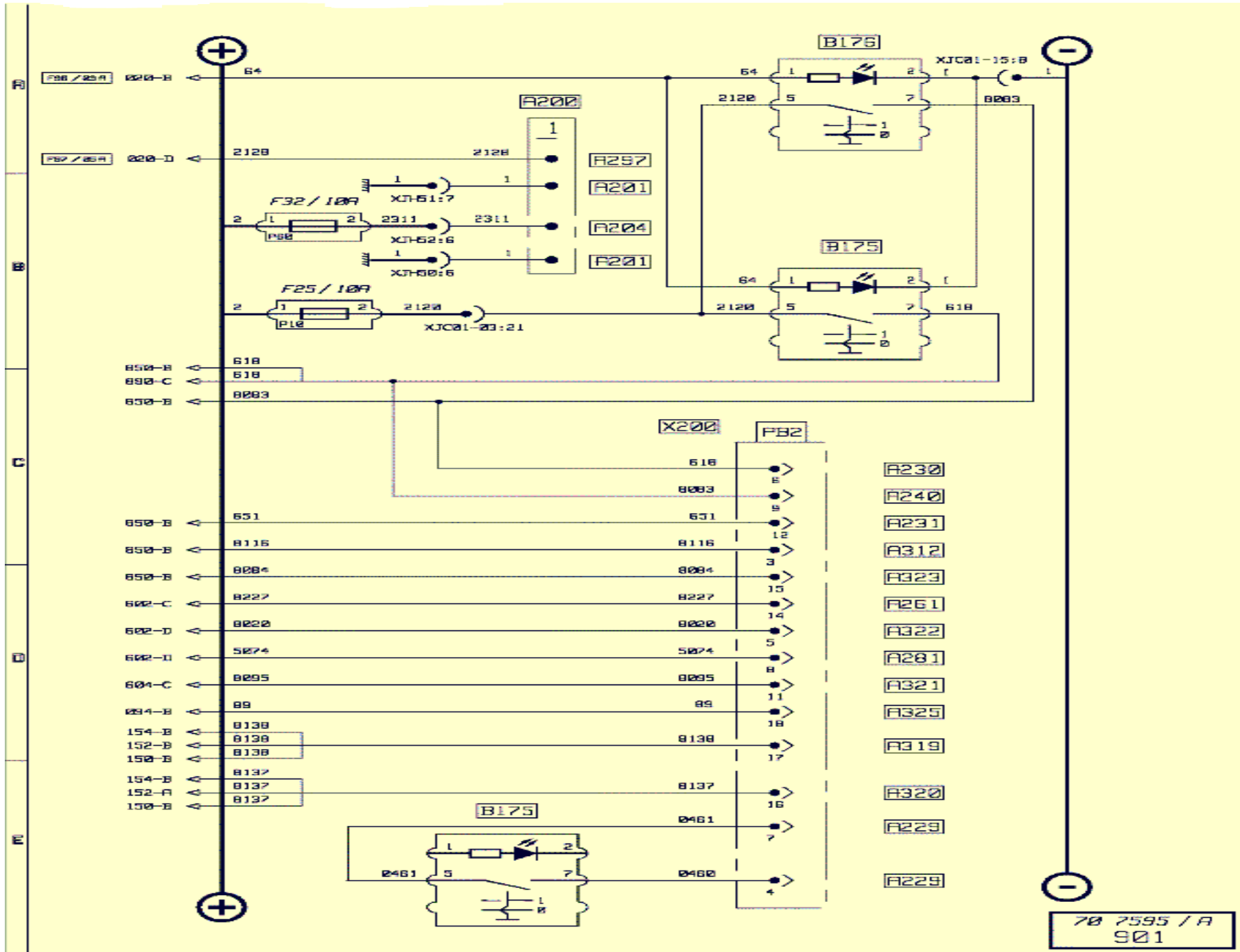
cardiagn.com

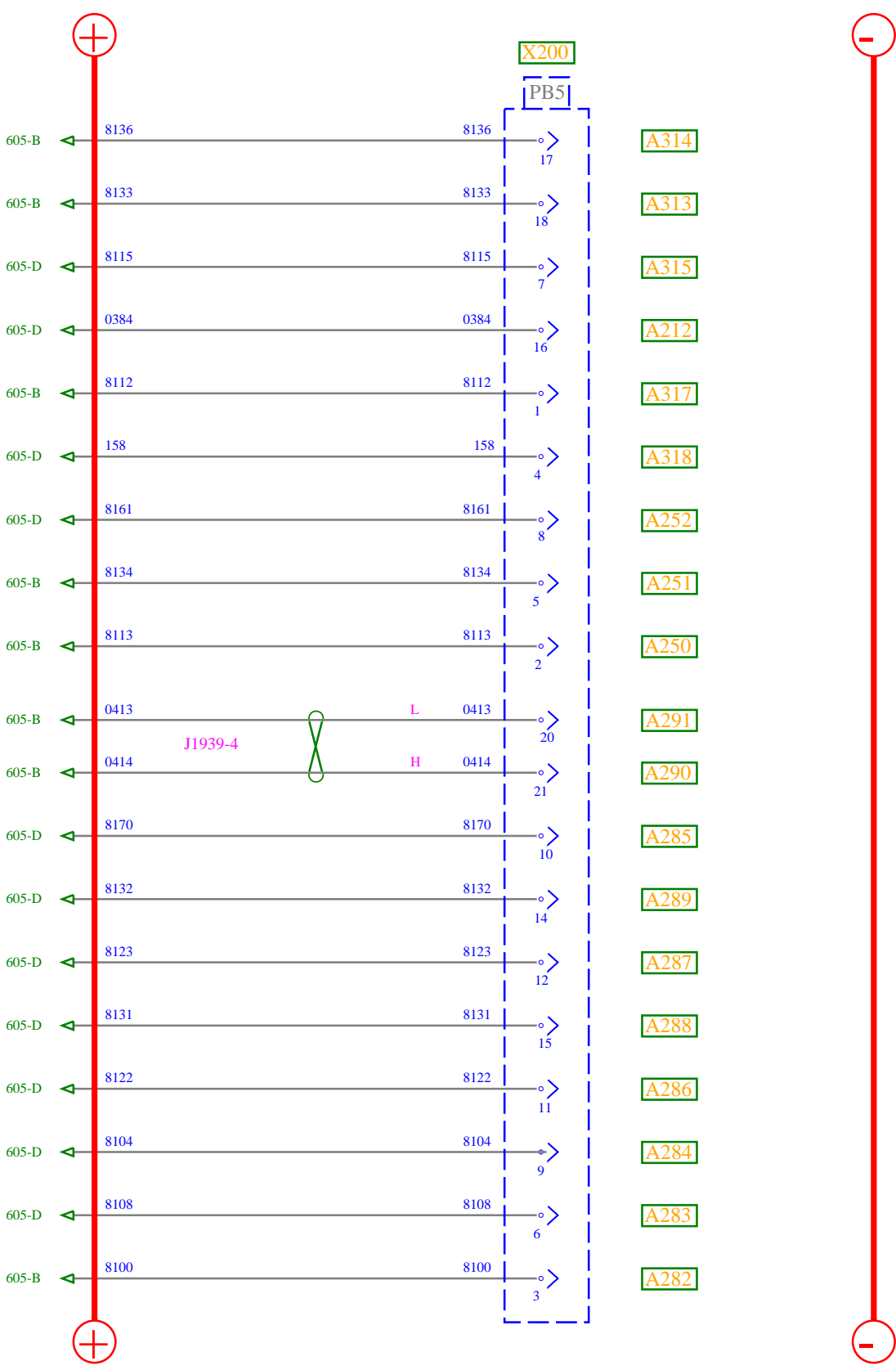
Available power supplies (2/3)

Key to appliances

Code	Function	Location
A200	Available power supply (insulated cut wires)	C2a
A201	Available power supply (vehicle earth)	C2a
A204	Available power supply (after master switch)	C2a
A229	Available power supply (bodybuilder equipment control)	A2c
A230	Available power supply (equipment in "road" position warning pictogram)	A2c
A231	Available power supply (equipment in "working" position warning pictogram)	A2c
A240	Available power supply (lighting)	A2c
A261	Available power supply (reversing forbidden inhibition)	A2c
A281	Available power supply (engine stop control)	A2c
A297	Available power supply (night lighting)	C2a
A312	Available power supply (equipment in dangerous position)	A2c
A319	Available power supply (suspension level control)	A2c
A320	Available power supply (suspension level actuation control)	A2c
A321	Available power supply (6 km/h limitation)	A2c
A322	Available power supply (30 km/h limitation)	A2c
A323	Available power supply (alarm stop)	A2c
A325	Available power supply (independent heating cut-off)	A2c
B175	Pre-arrangement for bodybuilder N° 1 control	C2b
B176	Pre-arrangement for bodybuilder N° 2 control	C2b
X200	Available power supplies connector	A2c/C2a

Available power supplies (2/3)





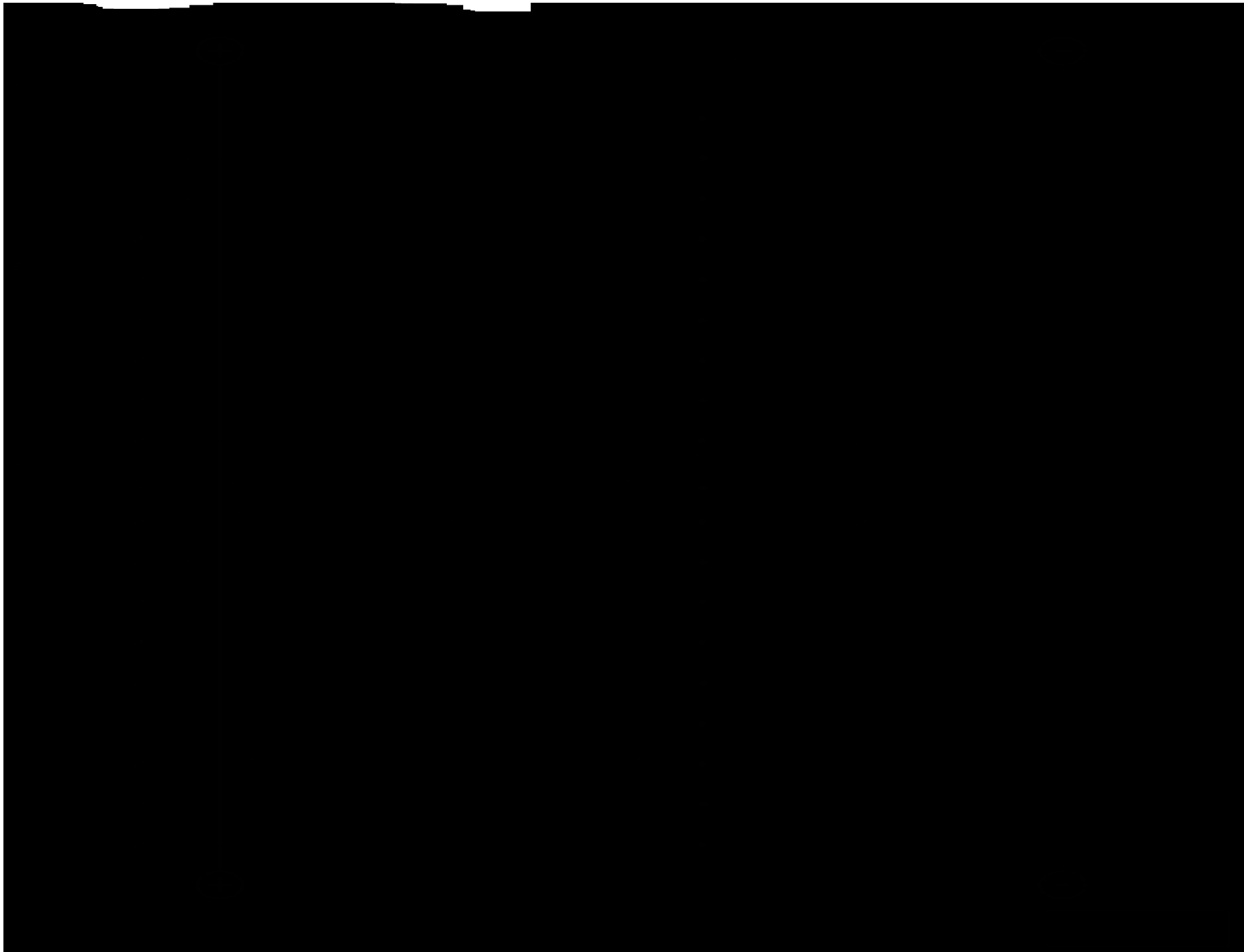
70 7595 / A
902

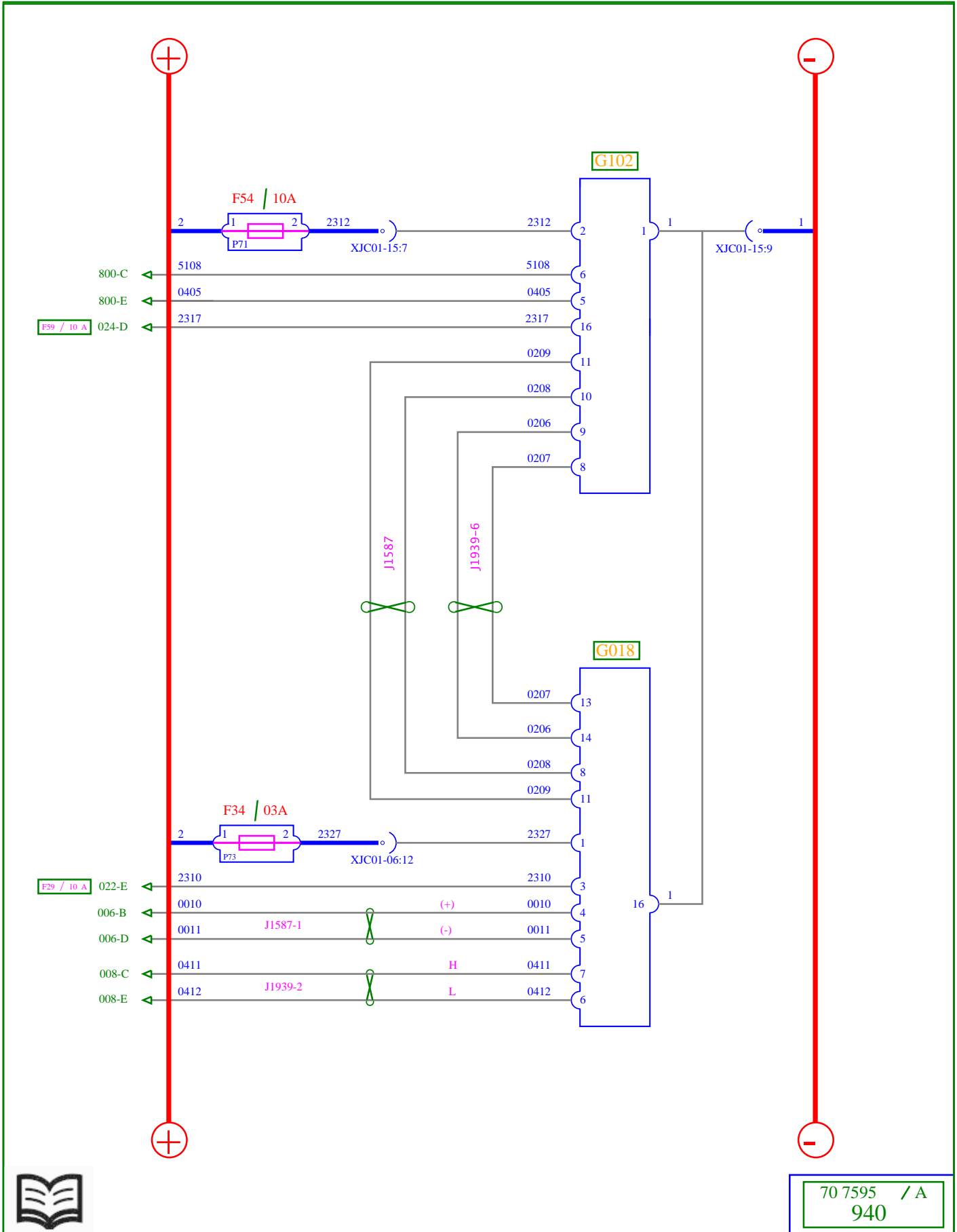
Available power supplies (3/3)

Key to appliances

Code	Function	Location
A212	Available power supply (engine speed)	A2c
A250	Available power supply (PTO 2 control)	A2c
A251	Available power supply (PTO 2 warning light)	A2c
A252	Available power supply (PTO 2 solenoid valve piloting)	A2c
A282	Available power supply (engine start control)	A2c
A283	Available power supply (engine starting information)	A2c
A284	Available power supply (engine alert)	A2c
A285	Available power supply (parameter definable frequency-related output)	A2c
A286	Available power supply (PLC 2 min. output)	A2c
A287	Available power supply (PLC 1 min. output)	A2c
A288	Available power supply (PLC 1 min. input)	A2c
A289	Available power supply (PLC 2 min. input)	A2c
A290	Available power supply (high level CAN bus J1939)	A2c
A291	Available power supply (low level CAN bus J1939)	A2c
A313	Available power supply (CAN bus disabling)	A2c
A314	Available power supply (engine speed set-point validation)	A2c
A315	Available power supply (PTO 3 solenoid valve piloting)	A2c
A317	Available power supply (PTO 3 control)	A2c
A318	Available power supply (PTO 3 warning light)	A2c
X200	Available power supplies connector	A2c

Available power supplies (3/3)



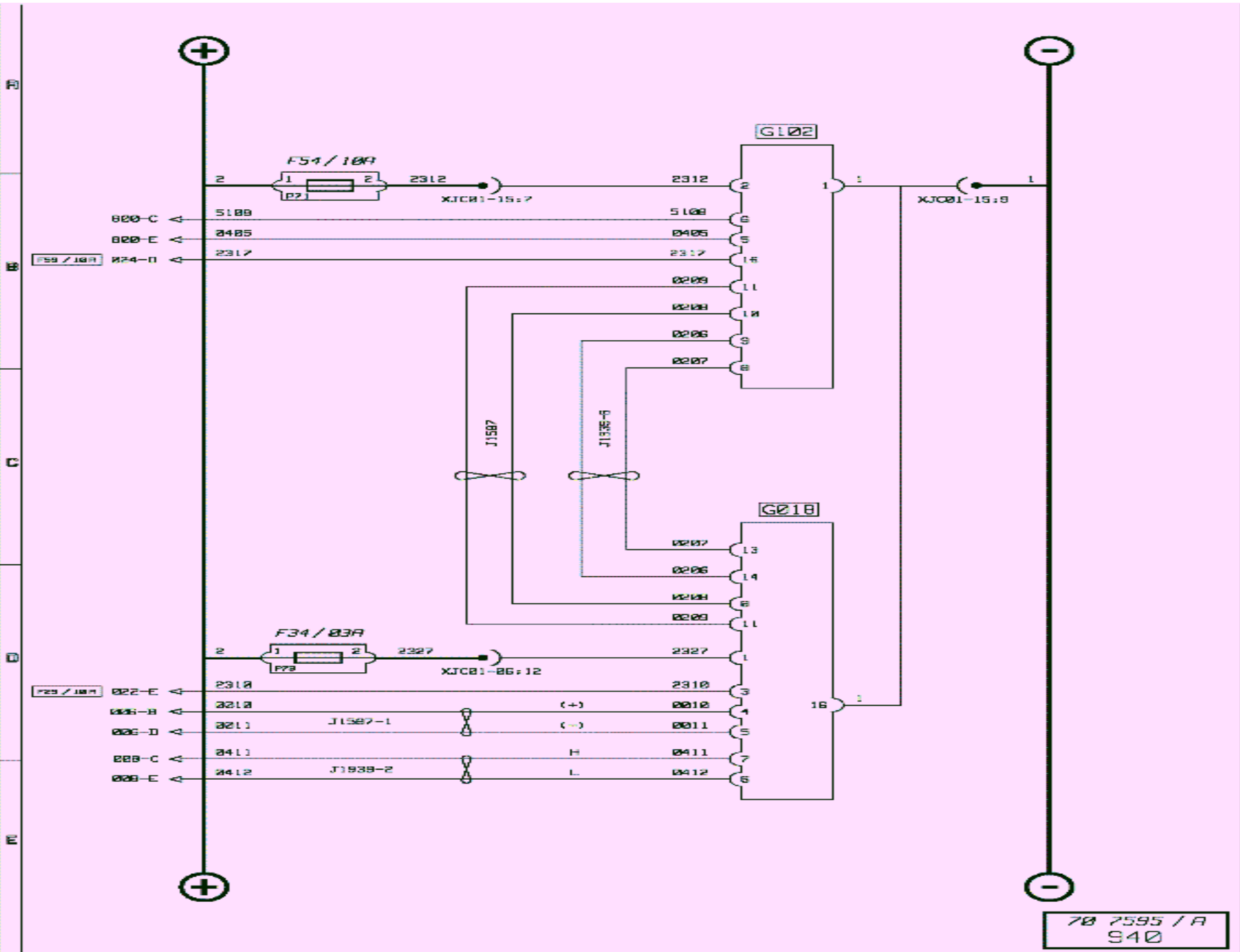


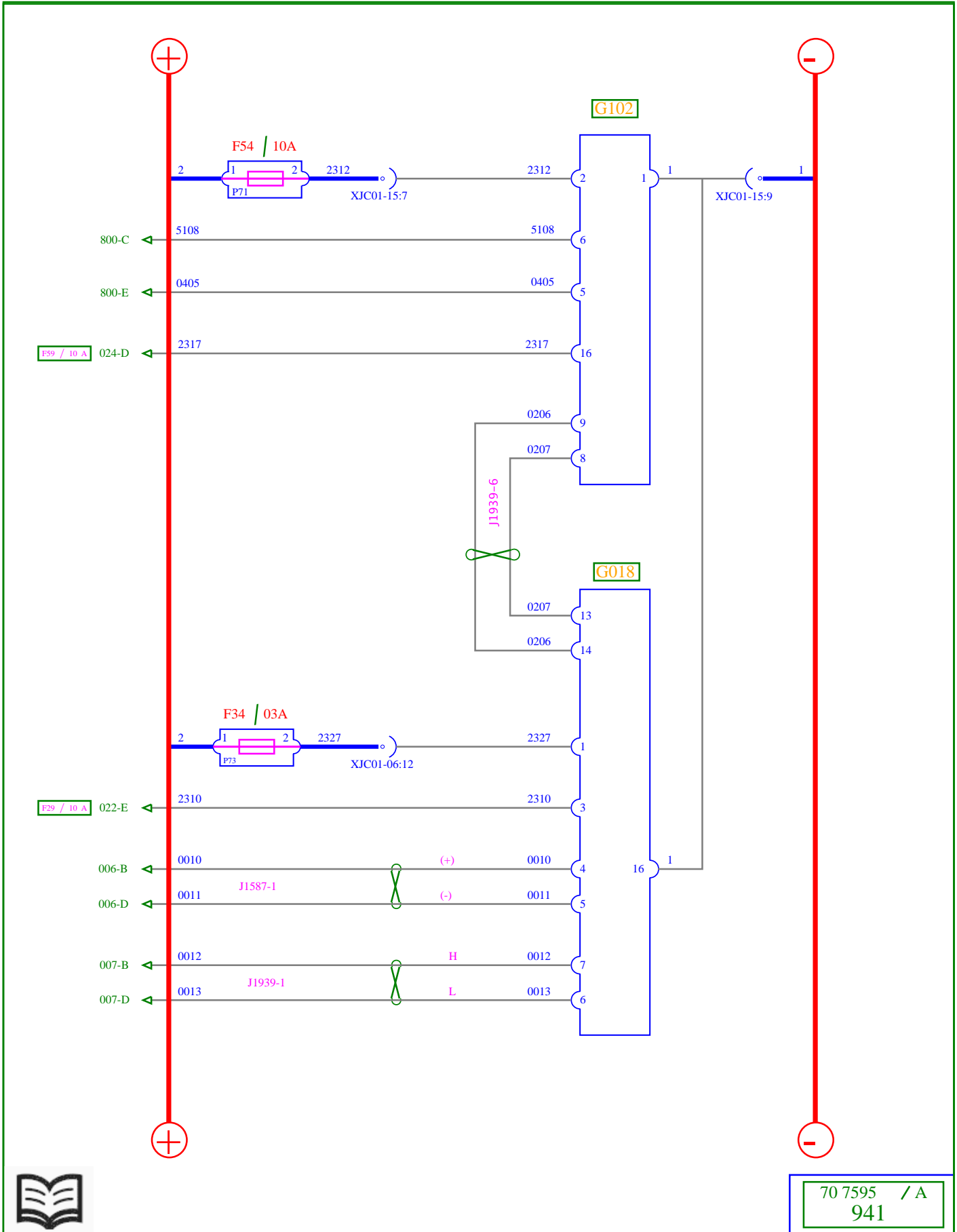
Onboard management "FMS + TMC"

Key to appliances

Code	Function	Location
G018	Onboard management interface ECU	B2c
G102	Onboard management ECU	B2c

Onboard management "FMS + TMC"



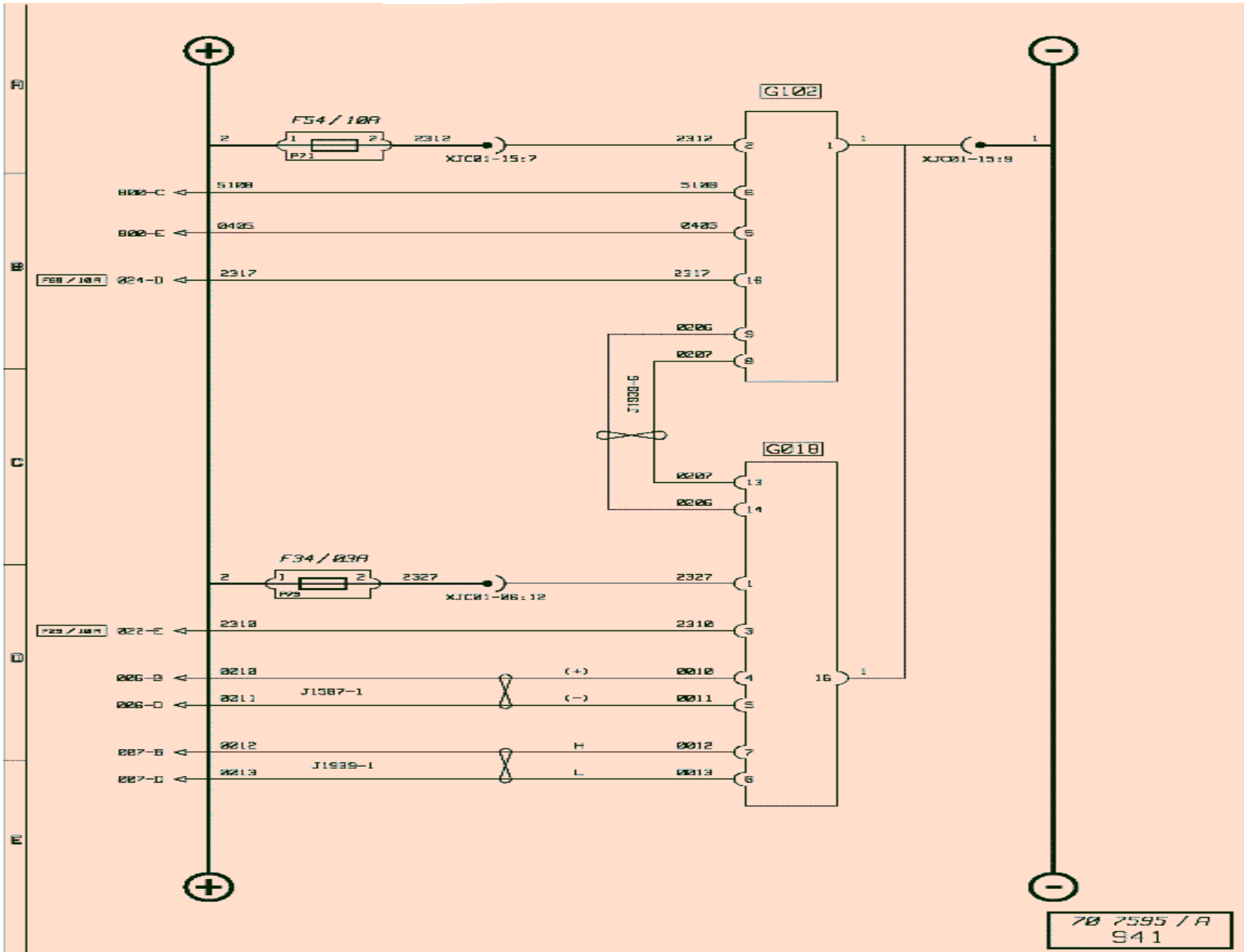


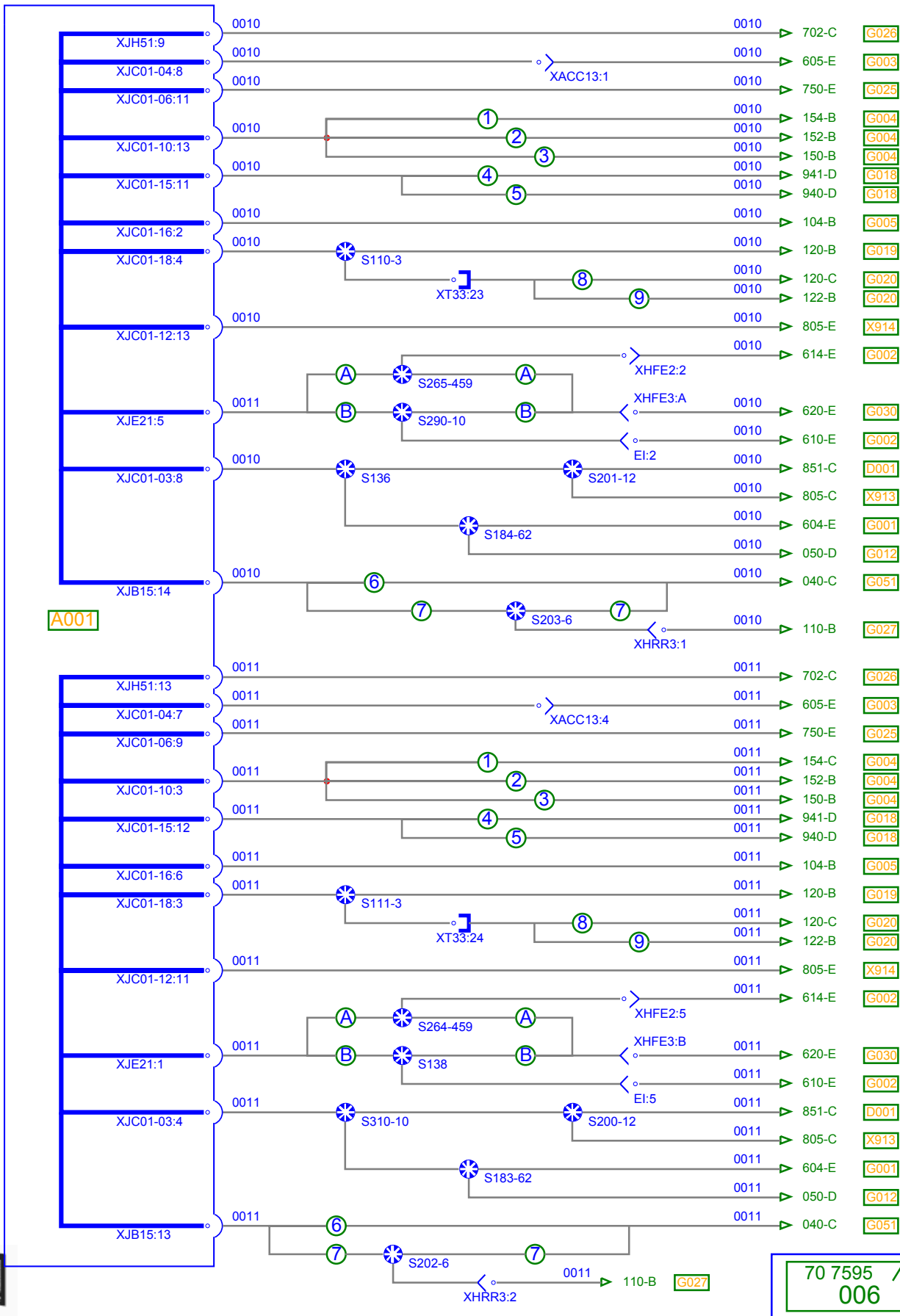
Onboard management "FMS + RAL"

Key to appliances

Code	Function	Location
G018	Onboard management interface ECU	B2c
G102	Onboard management ECU	B2c

Onboard management "FMS + RAL"





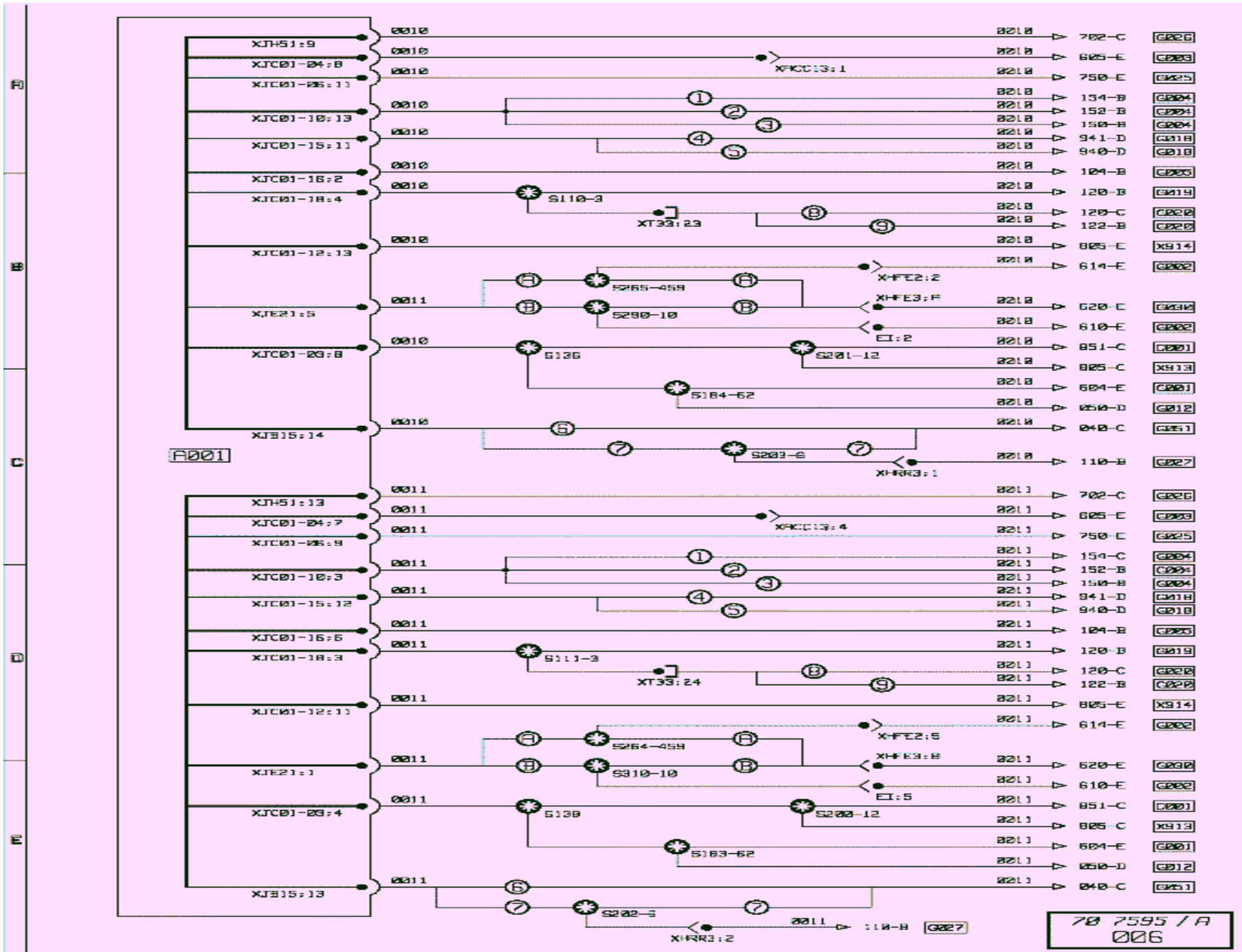
CAN BUS transfer zone "J1587-1"

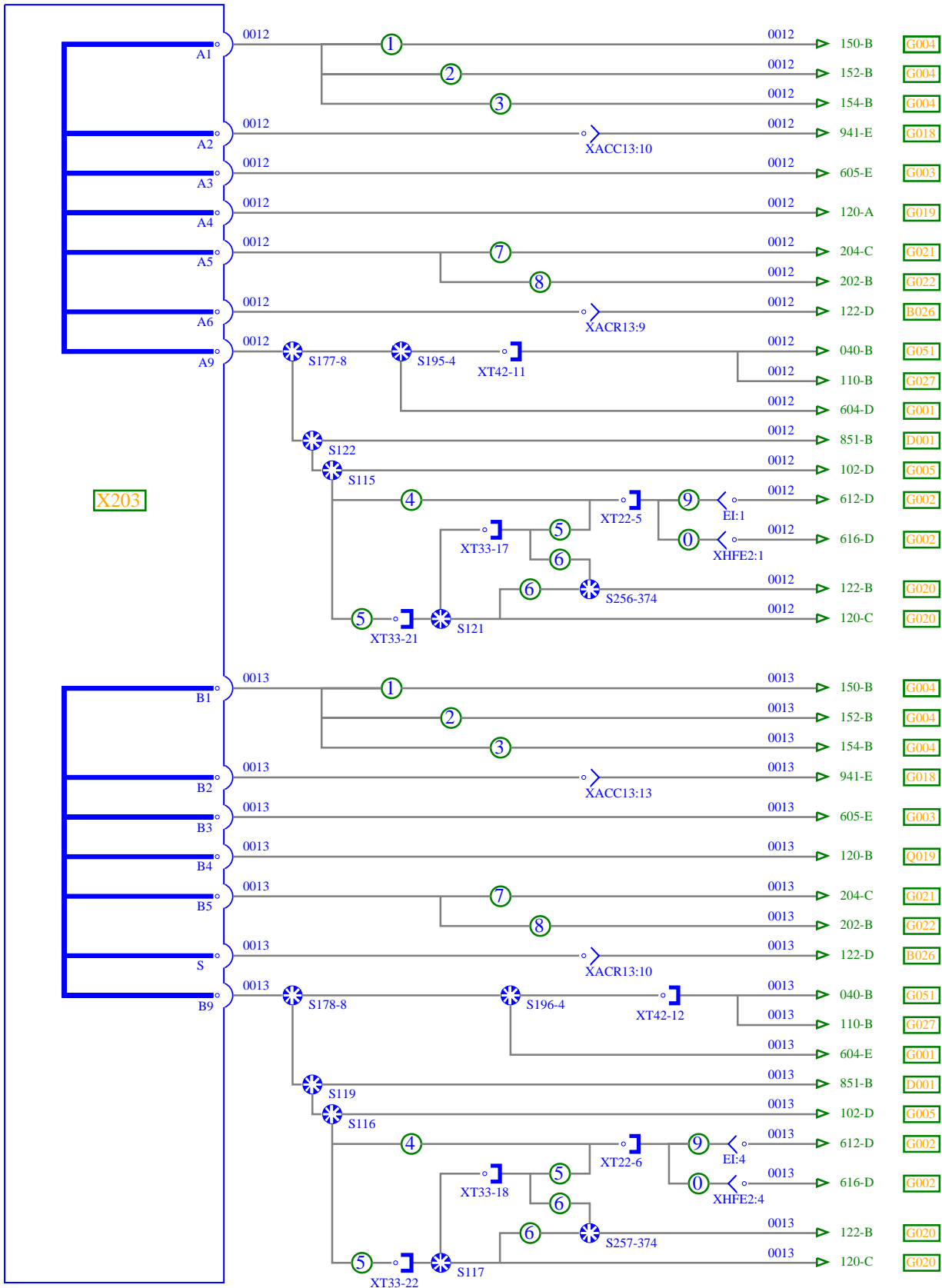
Key to appliances

Code	Function	Location
A001	Cab electrical distribution box	A2b
D001	Principal information display	C2b
G001	Vehicle management ECU	A2b
G002	Engine management ECU	B3b
G003	Bodybuilder pre-arrangement management ECU	B2b
G004	Air suspension ECU	A2b
G005	EBS braking management ECU	A2b
G012	Lighting and signalling management ECU	A2b
G018	Onboard management interface ECU	A2b
G019	Gear selector ECU	A2b
G020	Automatic transmission ECU	B3c
G025	Engine immobilizer ECU	B2b
G026	Alarm ECU	A2a
G027	Piloted axle ECU	A2b
G030	AdBlue supply management pump module	C4d
G051	Air production management ECU	C4d
X913	Vehicle diagnostic socket	C1c
X914	Vehicle data extraction socket	C1c

- 1: with **6x2** suspension
- 2: with **4x2** suspension (except tractor)
- 3: with **4x2** suspension (tractor)
- 4: with onboard management "**FMS**"
- 5: with onboard management "**FMS + TMC**"
- 6: with piloted rear axle
- 7: without piloted rear axle
- 8: With automatic transmission
- 9: with "ALLISON" gearbox
- A:** with **DXI7** engine
- B:** with **DXI11** engine

CAN BUS transfer zone "J1587-1"





X203

70 7595 / A
007

cardiagn.com



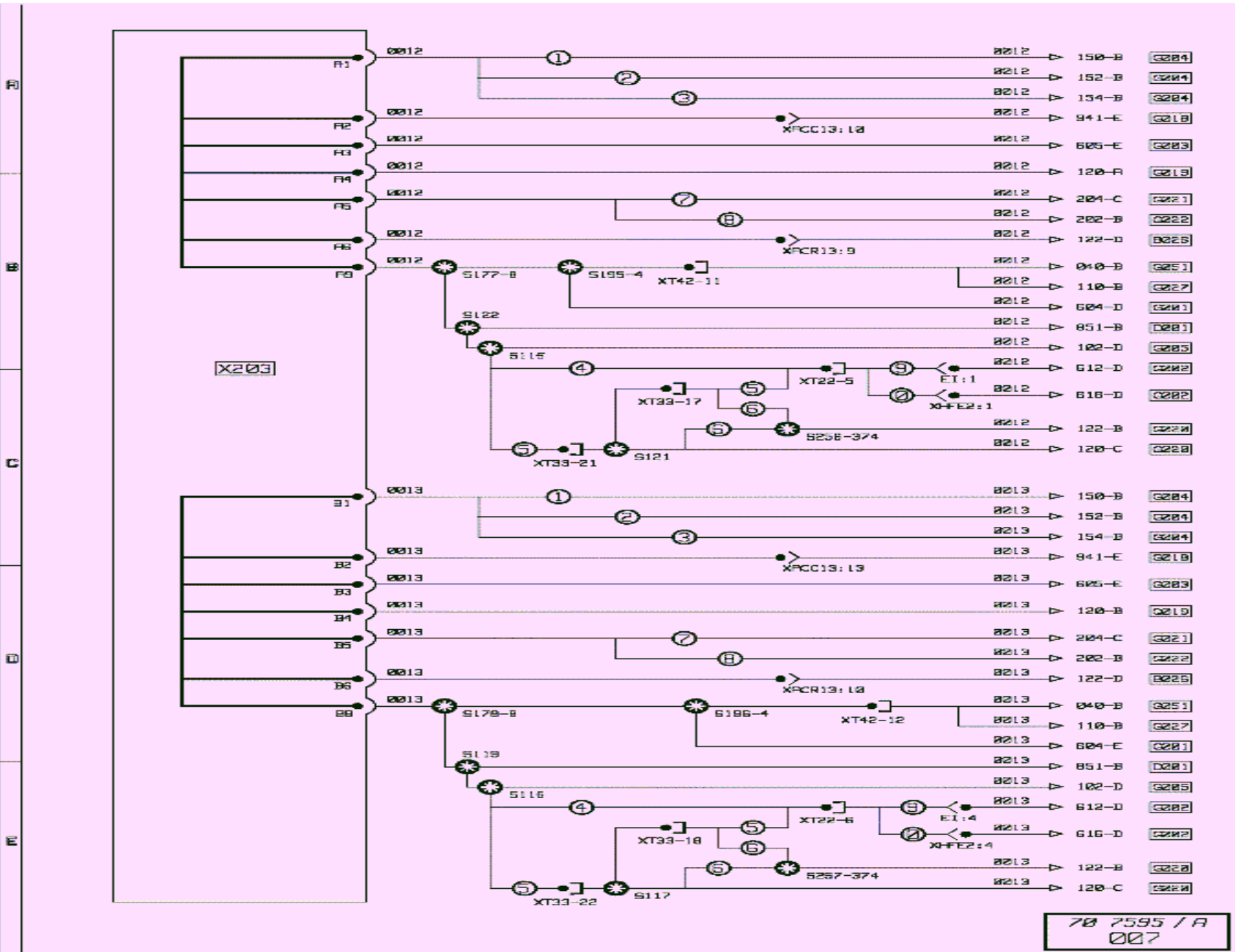
CAN BUS transfer zone "J1939-1"

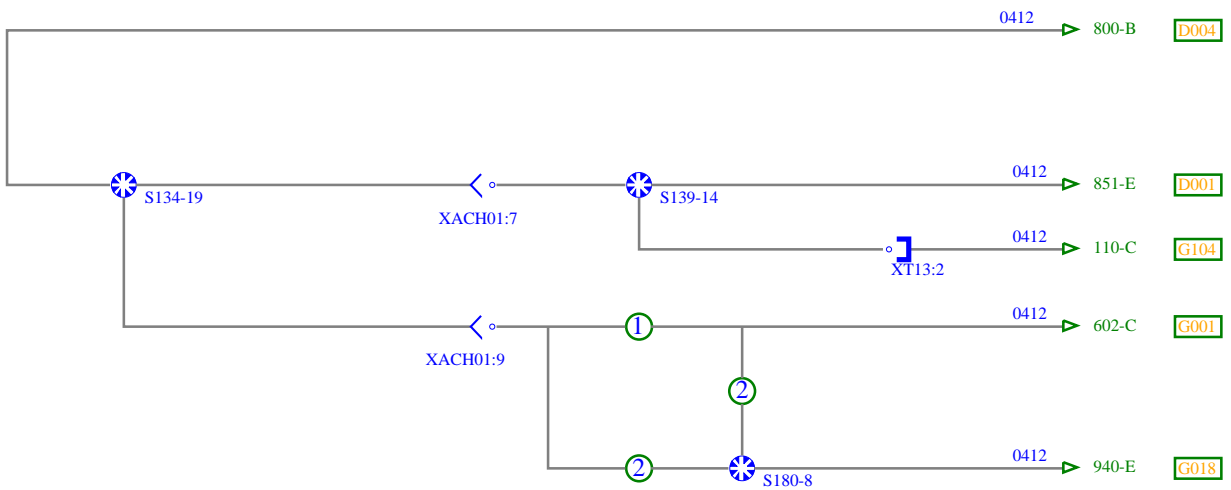
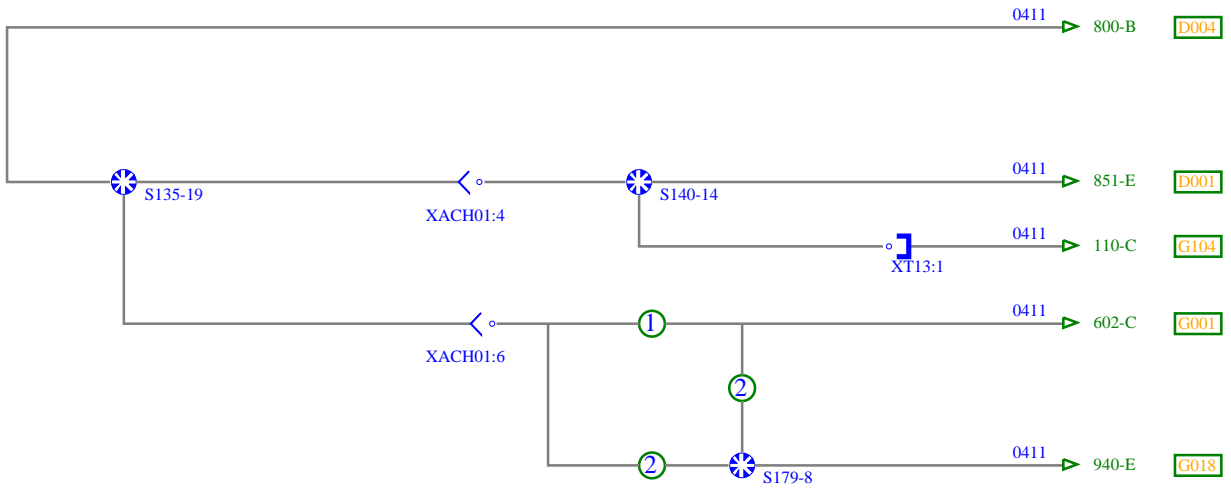
Key to appliances

Code	Function	Location
B026	Automatic transmission gear selector	B2b
D001	Principal information display	C2b
G001	Vehicle management ECU	A2b
G002	Engine management ECU	B3b
G003	Bodybuilder pre-arrangement management ECU	A2b
G004	Air suspension ECU	A2b
G005	EBS braking management ECU	A2b
G018	Onboard management interface ECU	B2b
G019	Gear selector ECU	A2b
G020	Automatic transmission ECU	B3c
G021	Hydraulic retarder ECU	A2b
G022	Electric retarder ECU	A2b
G027	Piloted axle ECU	A2b
G051	Air production management ECU	C4d
X203	CAN bus grouping connector	A2c

- 1: with 4x2 suspension (tractor)
- 2: with 4x2 suspension (except tractor)
- 3: with 6x2 suspension
- 4: with manual gearbox
- 5: With automatic transmission
- 6: with "ALLISON" gearbox
- 7: with hydraulic retarder
- 8: with electric retarder
- 9: with DXI7 engine
- 0: with DXI11 engine

CAN BUS transfer zone "J1939-1"





70 7595 / A
008

CAN BUS transfer zone "J1939-2"

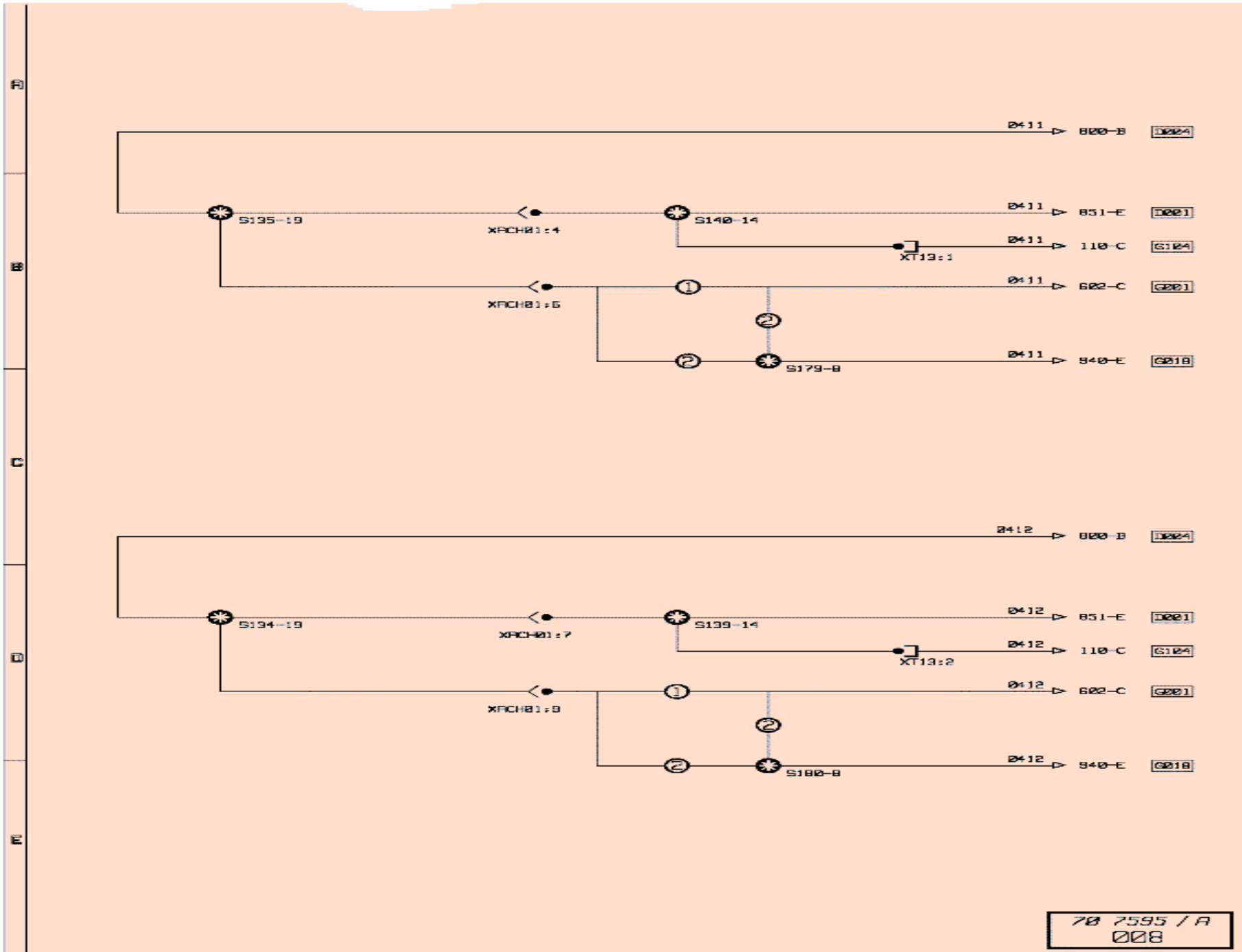
Key to appliances

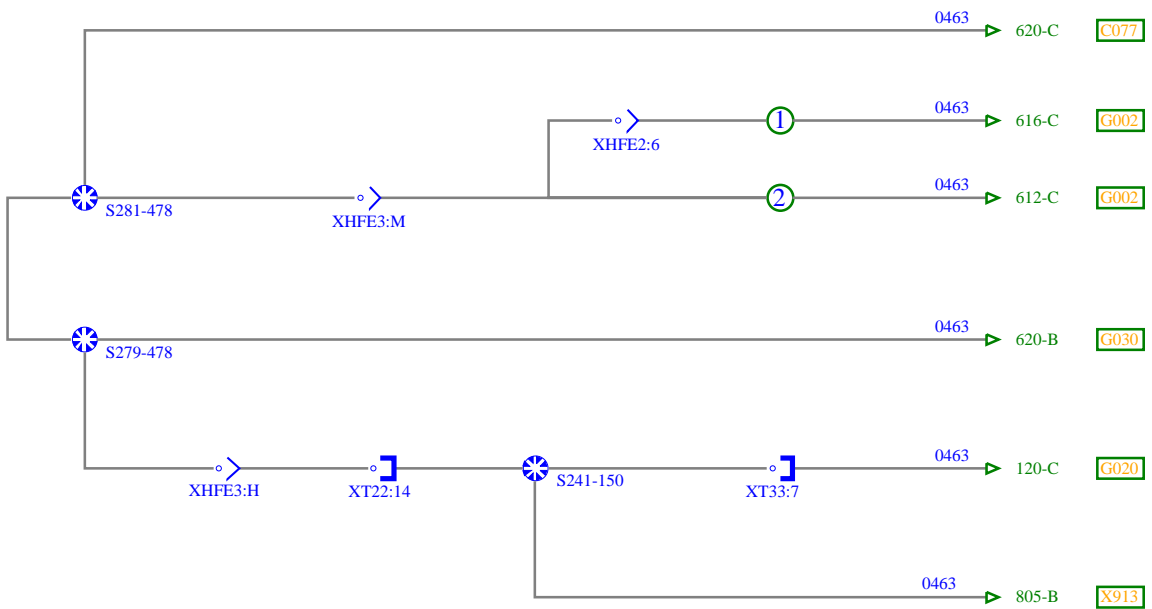
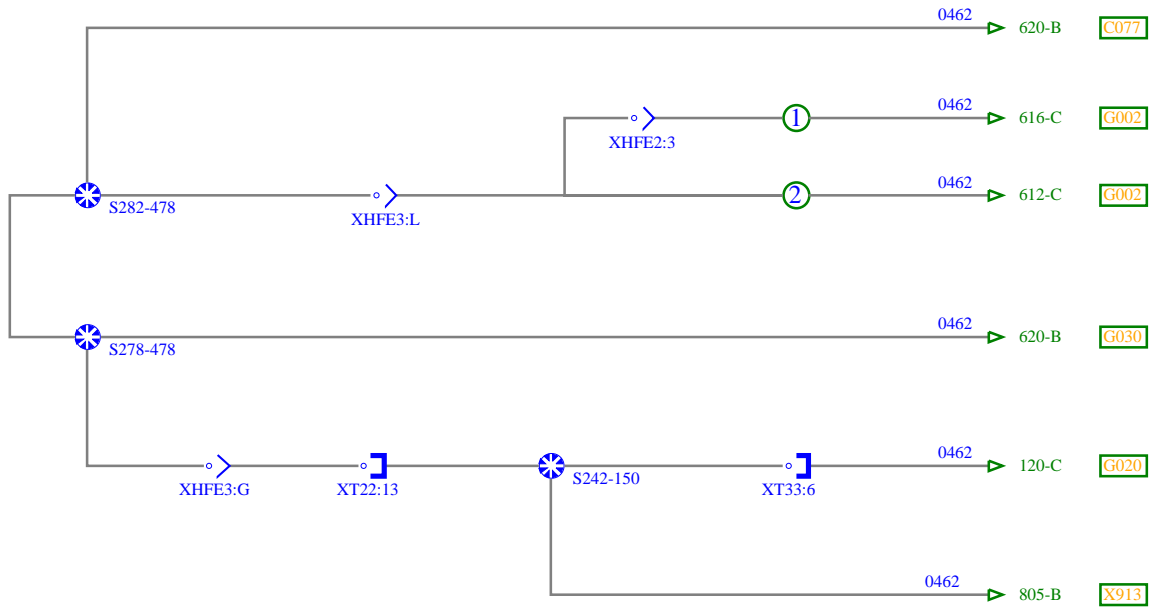
Code	Function	Location
D001	Principal information display	C2b
D004	Tachograph	C2a
G001	Vehicle management ECU	B2b
G018	Onboard management interface ECU	A2b
G104	Tyre pressures monitoring ECU	A2b

1: without onboard management

2: with onboard management

CAN BUS transfer zone "J1939-2"





70 7595 / A
009

CAN BUS transfer zone "J1939-ENG"

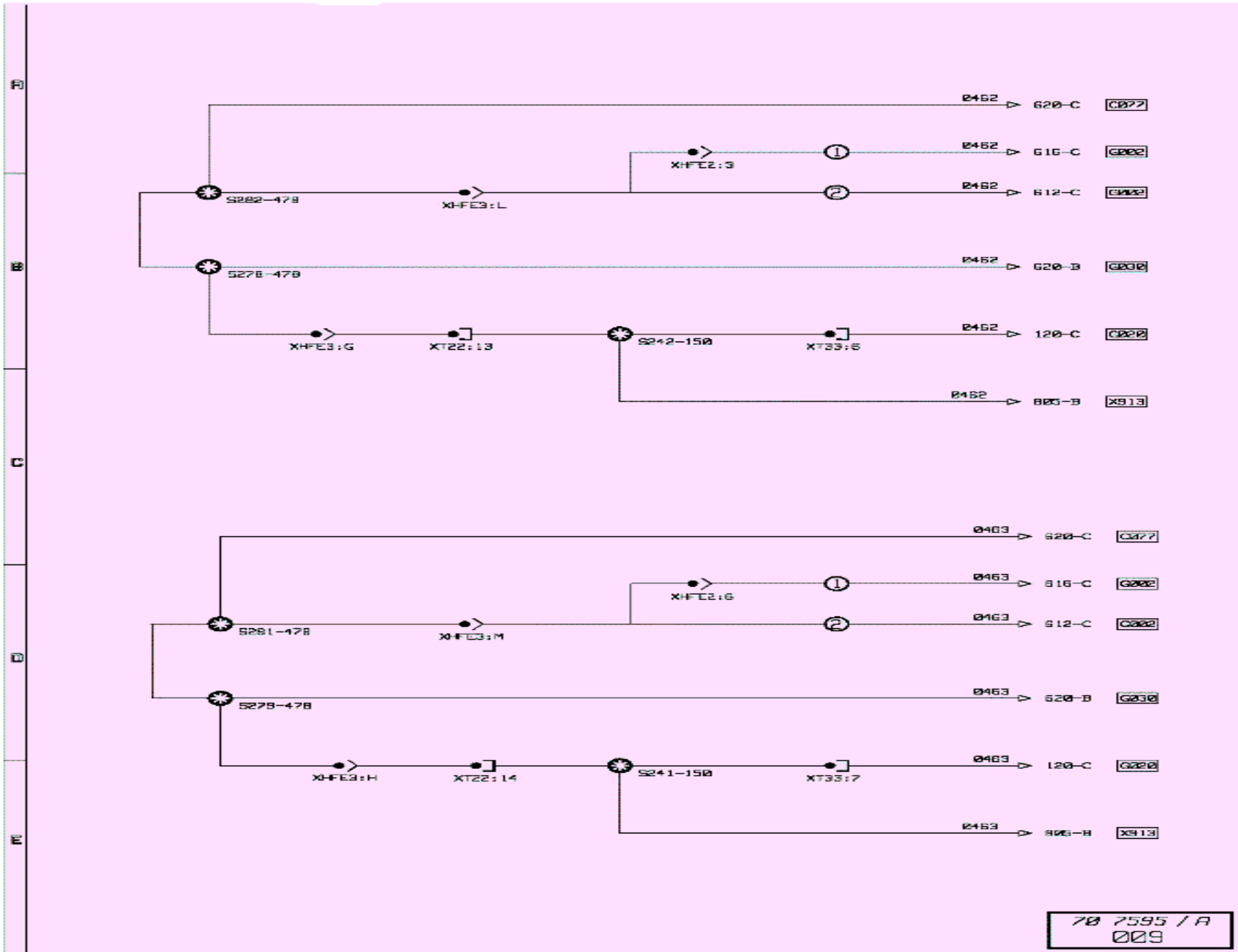
Key to appliances

Code	Function	Location
C077	Nitrogen oxides gases concentration sensor	C4d
G002	Engine management ECU	B3b
G020	Automatic transmission ECU	B4d
G030	AdBlue supply management pump module	C4d
X913	Vehicle diagnostic socket	C2c

1): with DXI7 engine

2): with DXI11 engine

CAN BUS transfer zone "J1939-ENG"



70 7595 / A
009