

LIQUID SPRAYERS

PARTS CATALOG

CHALLENGER

7460 / 7660 SPRAYER CHASSIS (EFF S/N ..Txx1001)

520030D1 B

June 2008

How to use this Parts Book

Parts Ordering Guide:

1. Give the Serial Number of your Chassis or System when ordering.
2. Use the part number and description when ordering parts.
3. Give the Assembly Title if needed.
4. Give the P/N number and date for the Parts Book if needed.

Parts List Abbreviations

NSS Not Sold Separately
 AR As Required, usually for a lubricant or adhesive
 REF Reference - Part called out on a different page.
 NS Not shown in illustration
 R/B Replaced by another number
 ASM assembly page

Notice:

Every effort has been made to ensure the accuracy of the information in this book. However, because of design changes that can occur since this book was published, it is possible that some illustrations and part numbers can be different than on your machine. The technical information in this book was correct at the time this book was approved for publication.

FUEL TANK AND TOOL BOX INSTL

ITEM	PART #	QTY	DESCRIPTION	COMMENTS
1	AG109742	4	MATTING-RUBBER,2.00X44.50X.12	
2	AG109754	4	MATTING-RUBBER,2.00X46.00X.12	
3	AG120558	1	TUBE WLDMT-FUEL LINE	
4	AG122229	1	BRKT,STIFFNER,HAT SECTION	
5	AG122302	1	BRKT-AUX BAT POST	
6	AG125208	1	SHIELD-EXHAUST	
7	AG125210	4	STRAP WLDMT-FUEL TANK	
8	AG126403	4	BOLT-.31-18X2.75 G5 CRG ZN/Y	
9	AG130111	1	PLATE,MTG-FUEL TUBE	
10	AG130414	4	TUBE-RD,.75ODX.12WALL X 2.00LG	
11	AG262729	2	PLATE-SLOT SEALING	
12	AG325049	1	CABINET ASM-TOOL BOX,LH	
13	AG325050	1	CABINET ASM-TOOL BOX,RH	
14	AG504815	1	TANK-FUEL,65GL,POLY,RH	
15	AG504816	1	TANK-FUEL,65GL,POLY,LH	
16	AG510939	-	HOSE HYD 0.37 BULK 250PSI WP [BULK: 5 FT]	
17	AG512346	-	3M 1300 YELLOW ADHESIVE (GAL) [BULK: 0.001 GL]	
18	AG512885	AR	LOCTITE ADHESIVE SEALANT BLUE	
19	AG518292	2	BOLT-UJ .31-18X2.00X 2.69 RD SS	
20	AG519556	1	SENDING UNIT FUEL LEVEL	
21	AG522183	-	HOSE-FUEL,2.00 ID [BULK: 2.5 FT]	
22	AG522439	8	BOLT-.38-16X1.5,G5,ZN,CRG	
23	AG522453	2	VENT-FUEL,90D,.50MNPTX.38HOSEB	
24	AG523919	8	CLAMP-HIGH TORQUE,3.00	
25	AG550124	2	NUT 0.50-13NC HEX ZN REG	
26	AG550205	4	WASHER LK 0.31 ZN REG	
27	AG550213	4	NUT 0.31-18NC HEX ZN REG	
28	AG550256	2	BOLT.50-13NCX1.25 G5 ZN HHD	
29	AG550264	2	WASHER 0.50 LK ZN REG	
30	AG550353	10	WASHER 0.50 FL ZN REG TYPE-B	
31	AG551007	8	WASHER FL 0.37 ZN REG TYPE-B	
32	AG551015	4	WASHER 0.31 FL ZN REG TYPE-B	
33	AG551201	1	ADAP STR .37MNPT X .37MJIC (N)	
34	AG552461	1	ADAP STR 0.50MNPT X 0.50MJIC	
35	AG561025	2	CLAMP HOSE .218 TO .625 U55	
36	AG561867	2	PLUG PIPE 0.25-18 EXT HEX HD	
37	AG601152	8	NUT 0.50-13NC HEX ZN REG NY	
38	AG601411	8	NUT 0.37-16NC HEX ZN REG LK NY	
39	AG601888	4	NUT 0.31-18NC HEX ZN REG NY	
	FOOTNOTE [A]		FOR REPLACEMENT CAP USE AG055178	
	FOOTNOTE [B]		FOR REPLACEMENT CAP USE AG055178	

Assembly Title, refer to Table of Contents

Assembly Reference, see referenced page

SEE PAGE 4-2
 SEE PAGE 4-3
 [A]
 [B]

Footnote Reference, see notes below.

Footnote Reference

Footnote description

Assembly Page #, refer to Table of Contents

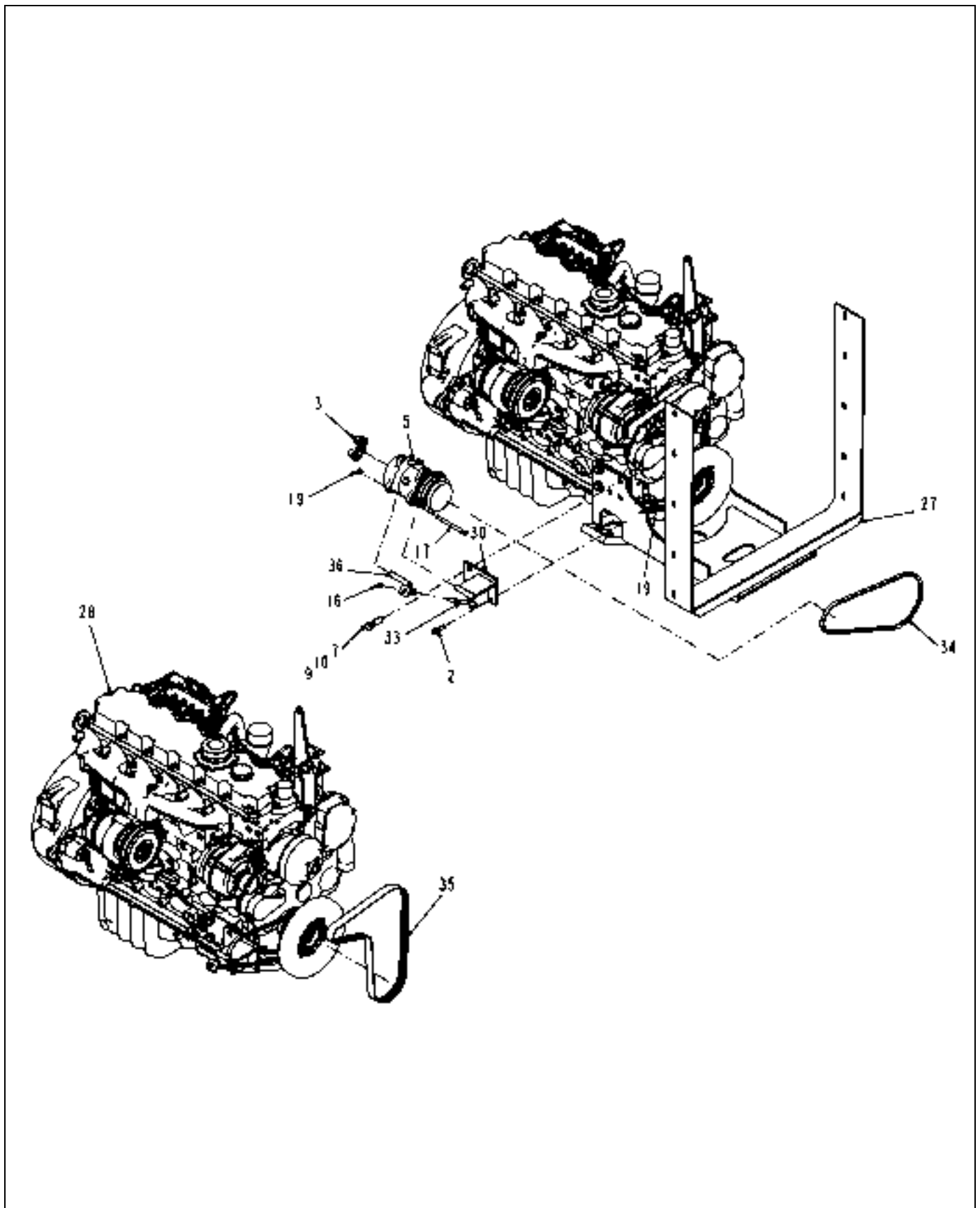
Part Book Section, refer to Table of Contents

Part Book Title, refer to Part Book Cover

ENGINE GROUP	1
TRANSMISSION GROUP	2
FRAME AND SUSPENSION GROUP	3
AXLE AND STEERING GROUP	4
FUEL SYSTEM GROUP	5
HYDRAULIC GROUP	6
CAB GROUP	7
ELECTRICAL GROUP	8
LIGHTING GROUP	9
APPEARANCE GROUP	10
TIRE AND WHEEL GROUP	11
DECAL GROUP	12
GUIDANCE GROUP	13
CONTROLLER GROUP	14
OPTIONS GROUP	15

ENGINE INSTALL-7X60,CHALLENGER	1-1
ENGINE INSTALL-7X60,CHALLENGER	1-2
ENGINE-CAT C6.6,174HP T3	1-3
FAN GUARD INSTALL	1-4
FAN GUARD INSTALL	1-5
AIR INTAKE GROUP	1-6
EXHAUST SYSTEM GROUP	1-7
COOLING PKG GROUP	1-8
COOLING PKG GROUP	1-9

ENGINE INSTALL-7X60,CHALLENGER

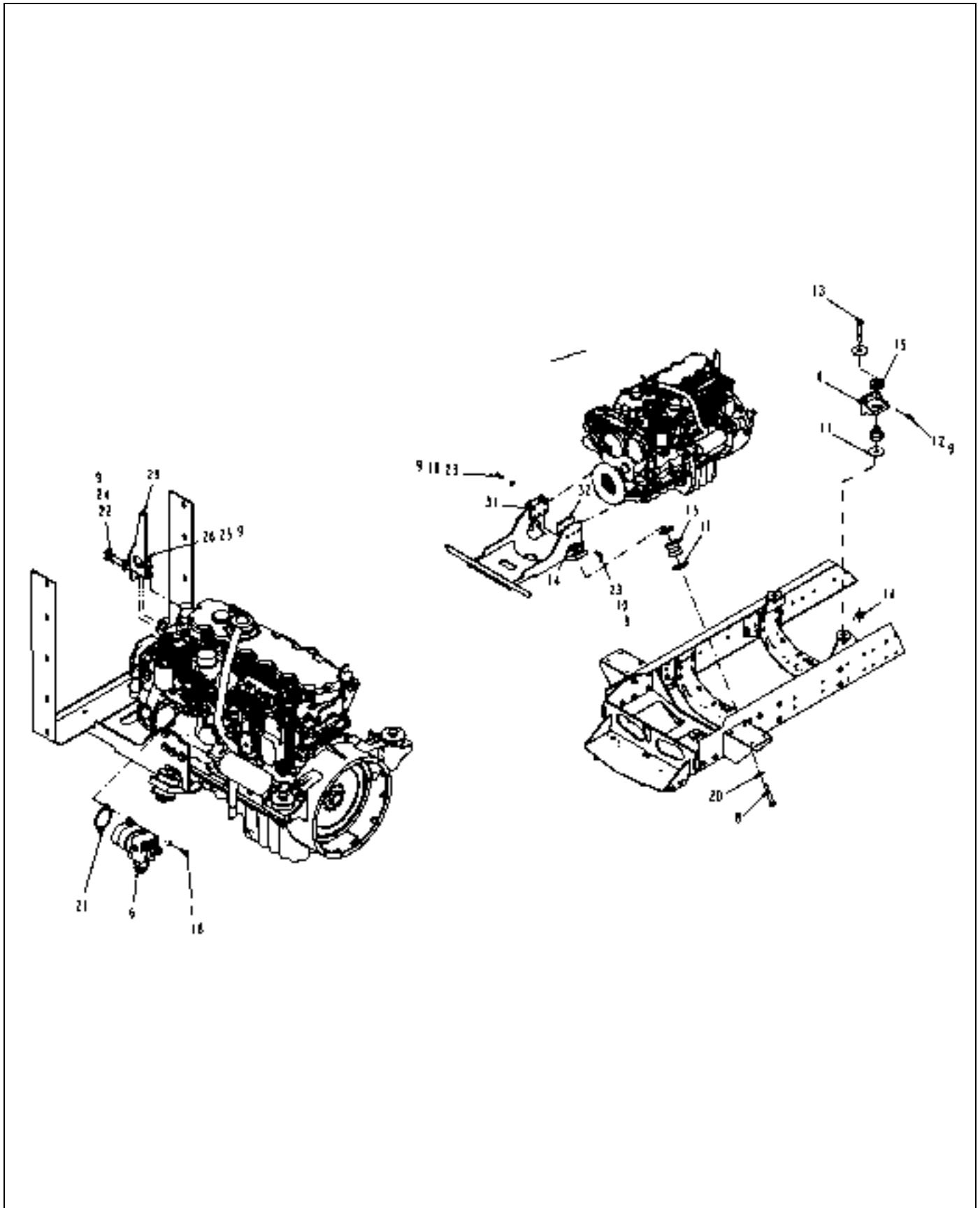


513027D1-03-T101-01.TIF

ENGINE INSTALL-7X60,CHALLENGER

ITEM	PART #	QTY	DESCRIPTION	COMMENTS
2	WR55261	1	SCREW-HEX FLG.,.375NCX1.50 GR5	
3	AG122058	1	PAD-FITTING,A/C COMPRESSOR	
5	WR127944	1	COMPRESSOR-A/C,R134A,2 GROOVE	
7	WR129405	2	BOLT-HEX M16-2.0X50,10.9,ZN	
9	AG512885	-	LOCTITE ADHESIVE SEALANT BLUE	
10	AG515180	8	WASHER 0.62 FL ZN SAE TYP-A G8	
16	AG550825	2	NUT 0.37-16NC HEX ZN REG	
17	AG553662	2	BOLT 0.37-16NCX 5.00 G5 ZN HHD	
19	AG601411	3	NUT 0.37-16NC HEX ZN REG NY	
27	513025D1	1	WLDMT-MOUNT,ENG,FRONT	
28	513030D1	1	ENGINE-CAT C6.6,174HP T3	SEE PAGE 1-3
30	513121D1	1	WLDMT-BRKT,A/C	
33	513800D1	1	ROD-TENSIONER,A/C	
34	515757D1	1	BELT-VEE,.500 IN X44.3 IN	
35	515758D1	1	BELT-8PK1360	
36	517537D1	1	BRACKET-TENSION,A/C	

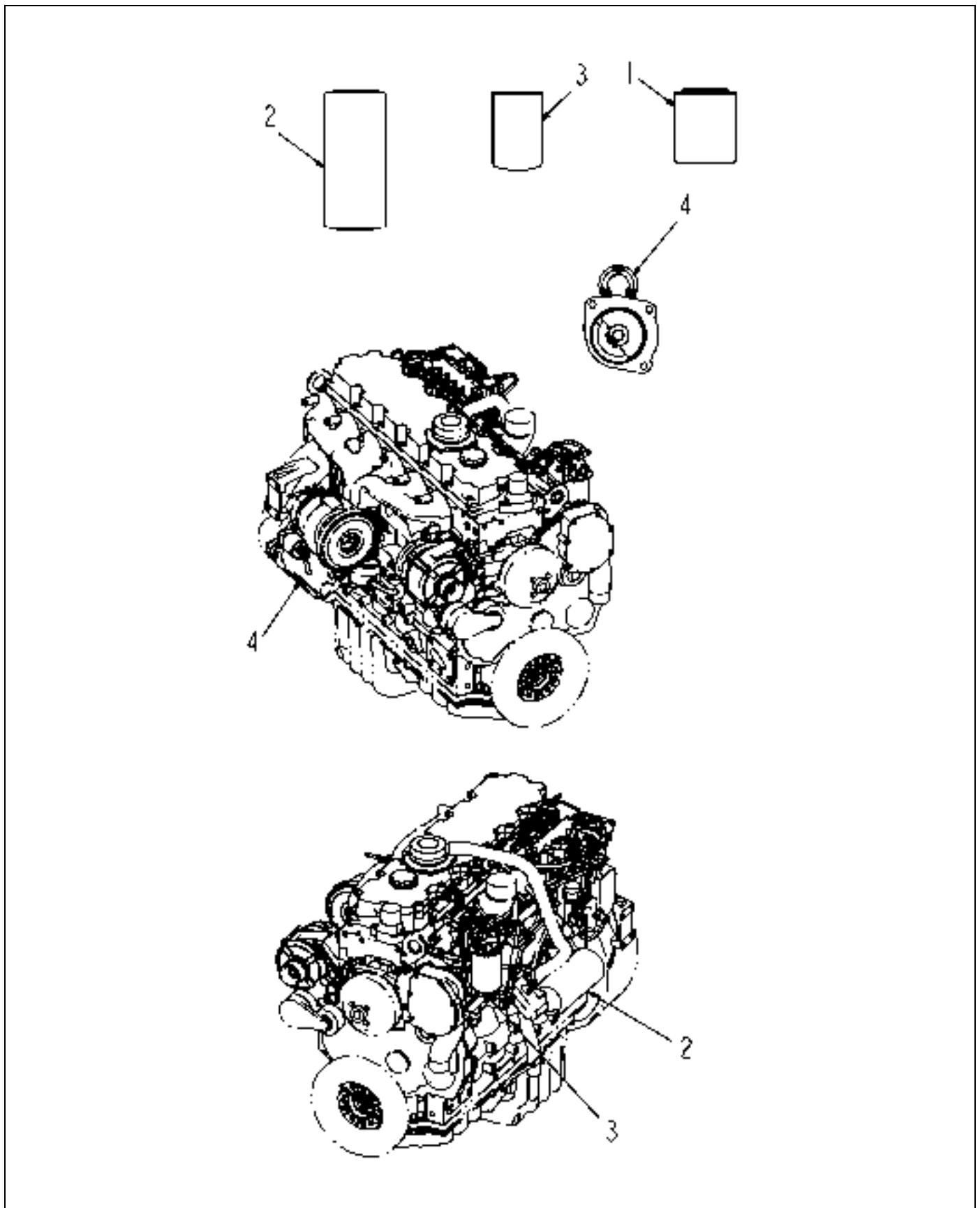
ENGINE INSTALL-7X60,CHALLENGER



513027D1-03-T101-02.TIF

ENGINE INSTALL-7X60,CHALLENGER

ITEM	PART #	QTY	DESCRIPTION	COMMENTS
1	AG609419	2	SOCKET HD CPSCR M10-1.5X30MM	
4	WR125256	2	WLDMT-MOUNT,ENGINE,REAR	
6	WR129400	1	PUMP-ASM,HYD,CHASSIS	SEE PAGE 6-28
8	WR134414	2	BOLT .87-9UNCX 5.00 G8 ZN HHD	
9	AG512885	-	LOCTITE ADHESIVE SEALANT BLUE	
10	AG515180	8	WASHER 0.62 FL ZN SAE TYP-A G8	
11	AG521797	8	WASHER-3.880 OD X .938 ID	
12	AG522193	8	BOLT-M12-1.75X30,CL10.9,PH,FLG	
13	AG522710	2	BOLT .87-9UNCX 5.50 G8 ZN HHD	
14	AG522719	4	NUT-.88-9,G8,ZN,H	
15	AG522989	4	MOUNT-RUBBER,2 PIECE	
18	AG562271	2	WASHER M10 LK ZN REG	
20	AG606258	2	WASHER 1.75ODX0.93ID G8 ZN	
21	AG711567	1	GASKET-SAE A PAD	
22	400059X1	2	BOLT-M10X1.5X35 ZNDI HHD 10.9	
23	400191X1	6	BOLT-M16X2X40MM ZNDI HHD 10.9	
24	400287X1	2	WASHER-HARD 11IDX21ODX2.5 ZND1	
25	400339X1	1	WASHER-HARD 9IDX16ODX2.5 ZNDI	
26	400341X1	1	BOLT-M8X1.25X25ZNDI HHD 10.9	
29	513033D1	1	WELDMENT-BRACE,RADIATOR	
31	513122D1	1	SPACER-ENGINE MNT PLATE, RH	
32	513124D1	1	SPACER-ENGINE MNT PLATE, LH	

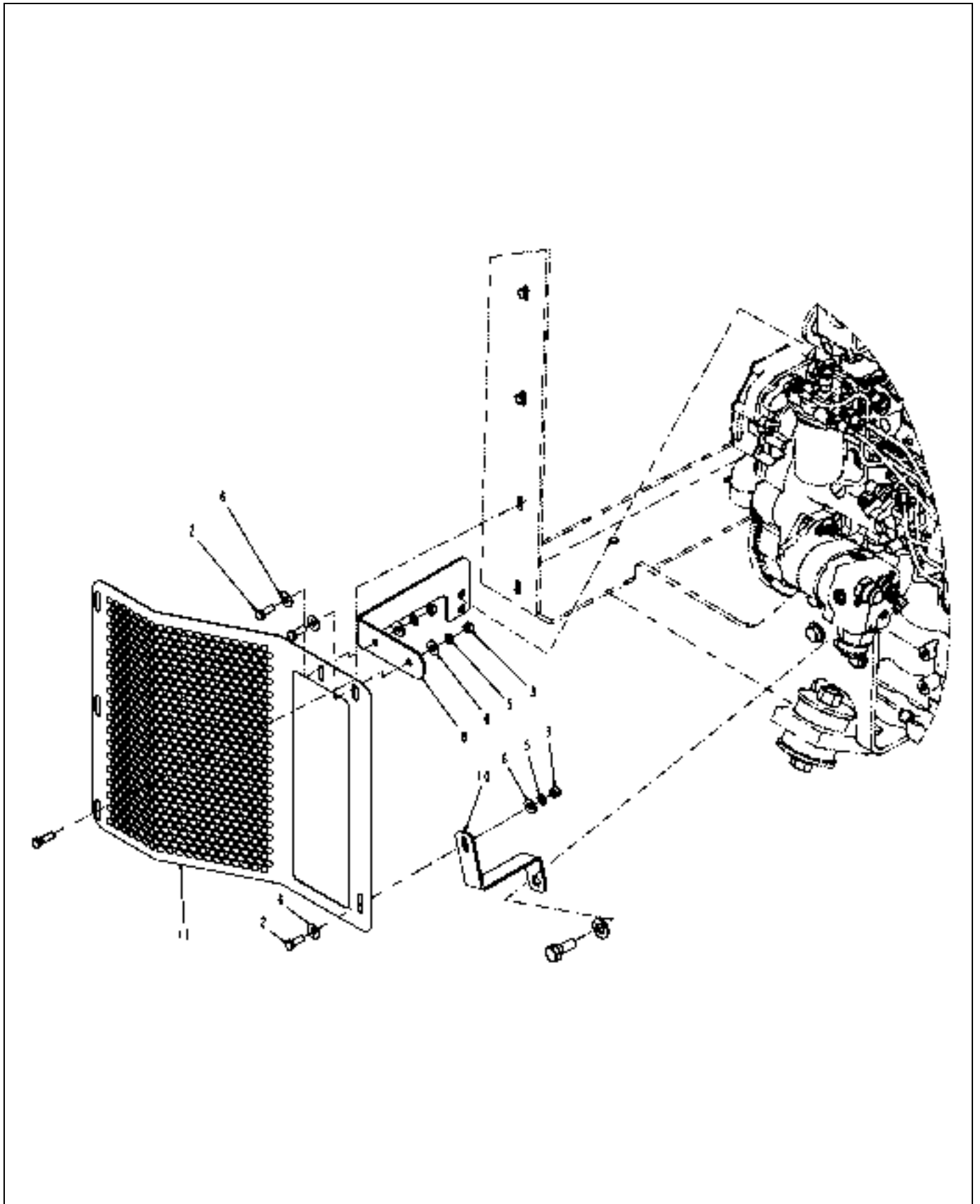


513030D1-05-T160-.TIF

ENGINE-CAT C6.6,174HP T3

ITEM	PART #	QTY	DESCRIPTION	COMMENTS
1	521057D1	1	ELEMENT-FWS	
2	521058D1	1	FILTER-OIL,ENGINE	
3	521059D1	1	FILTER-FUEL,PRIMARY	
4	522589D1	1	STARTER-LIGHT DUTY,RHS	

FAN GUARD INSTALL

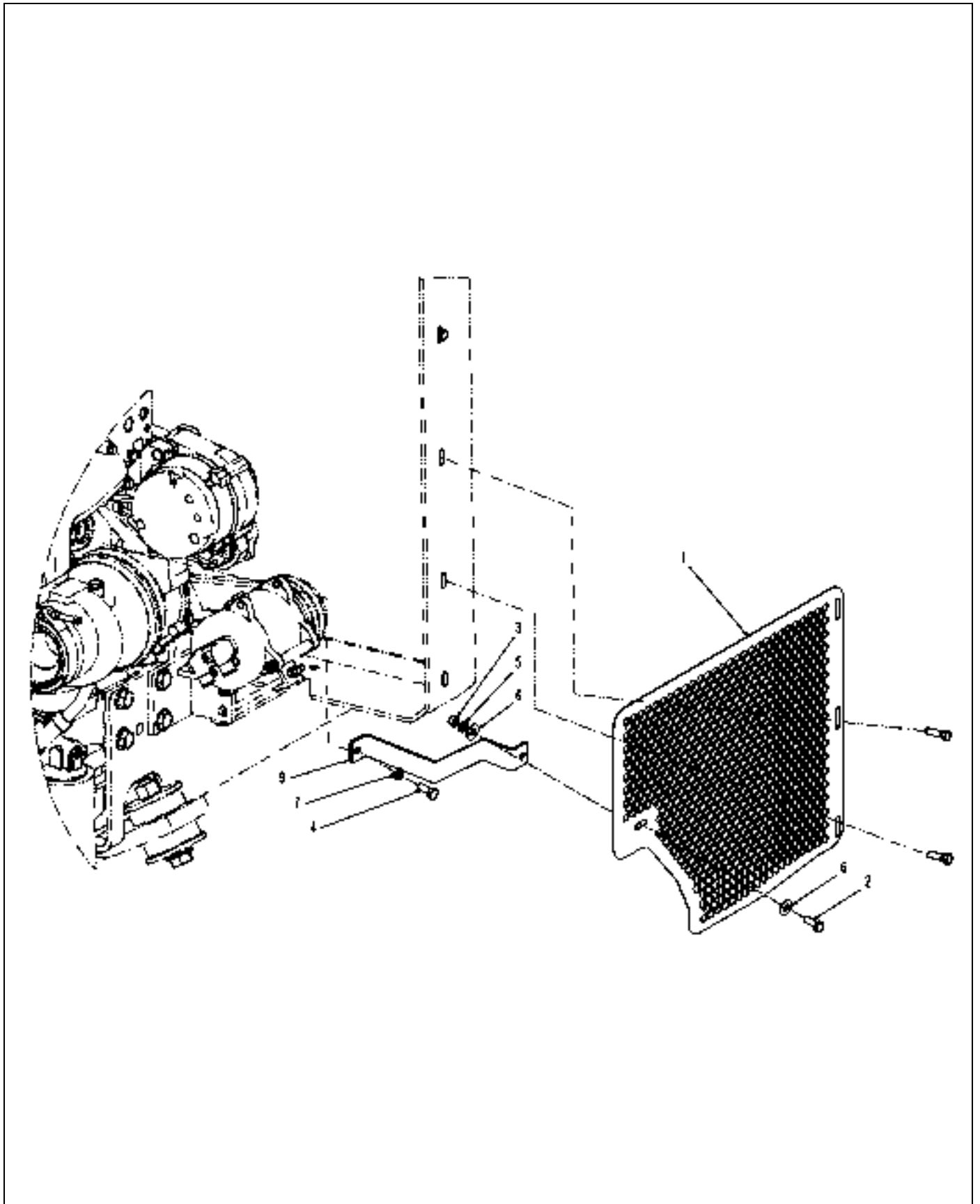


513039D1-03-T003-01.TIF

FAN GUARD INSTALL

ITEM	PART #	QTY	DESCRIPTION	COMMENTS
2	AG550175	4	BOLT 0.37-16NCX 1.00 G5 ZN HHD	
3	AG550825	4	NUT 0.37-16NC HEX ZN REG	
5	AG562050	4	WASHER 0.37 LK SS REG	
6	AG562073	8	WASHER 0.37 FL SS R/B 523061	
8	513048D1	1	BRKT,FAN GUARD, LH TOP	
10	513125D1	1	BRKT-FAN GUARD, LH BOTTOM	
11	515782D1	1	GUARD-FAN,LH	

FAN GUARD INSTALL

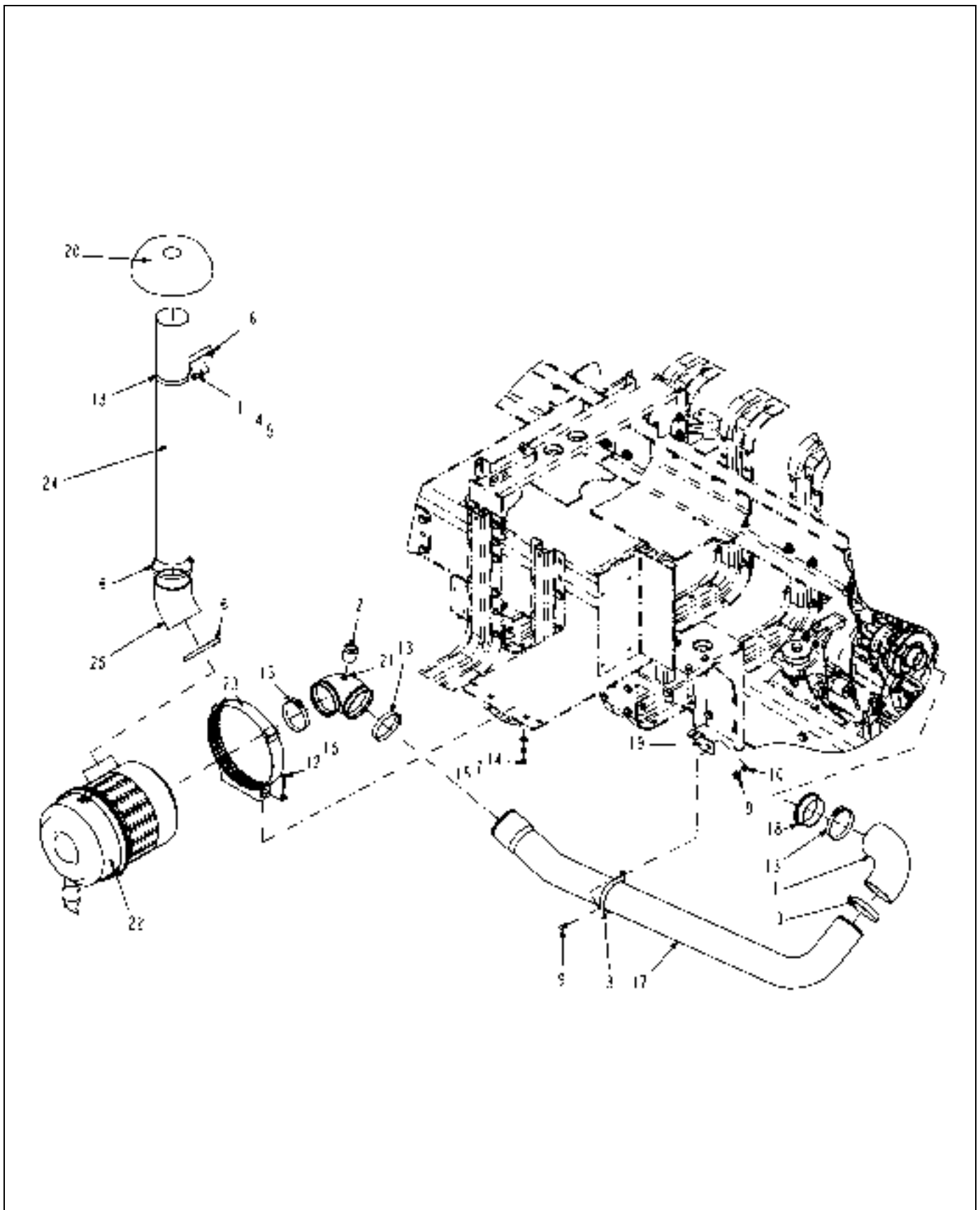


513039D1-03-T003-02.TIF

FAN GUARD INSTALL

ITEM	PART #	QTY	DESCRIPTION	COMMENTS
1	WR128648	1	FAN GUARD,RH	
2	AG550175	4	BOLT 0.37-16NCX 1.00 G5 ZN HHD	
3	AG550825	4	NUT 0.37-16NC HEX ZN REG	
4	AG561683	1	BOLT M10-1.5 X 25MM G8.8 ZN HH	
5	AG562050	4	WASHER 0.37 LK SS REG	
6	AG562073	8	WASHER 0.37 FL SS R/B 523061	
7	AG562271	1	WASHER M10 LK ZN REG	
9	513049D1	1	BRKT-FAN GUARD, RH	

AIR INTAKE GROUP

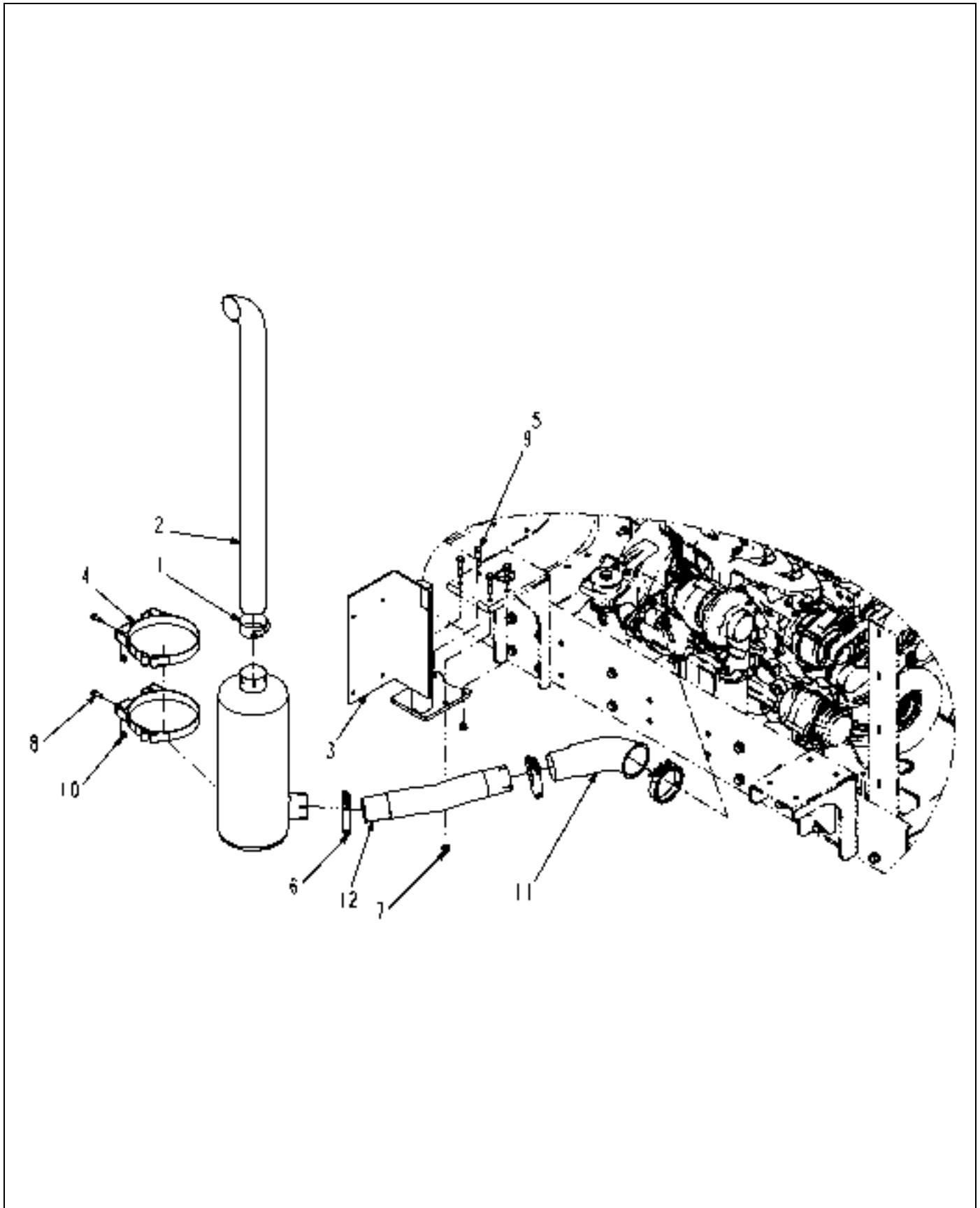


513040D1-02-R816-.TIF

AIR INTAKE GROUP

ITEM	PART #	QTY	DESCRIPTION	COMMENTS
1	WR28659	1	ELBOW-RUBBER 90,4.00 ID	
2	AG122569	1	INDICATOR-OPTICAL SERVICE	
3	WR129637	1	CLAMP-4.00 DIA,COATED,HOSE	
4	WR129759	1	WASHER-FLAT,M10,ZN,HARD	
5	AG512885	AR	LOCTITE ADHESIVE SEALANT BLUE	
6	AG522378	2	CLAMP-HIGH TORQUE,5.00	
7	AG561679	2	WASHER LOCK M8 ZN	
8	AG562073	1	WASHER 0.37 FL SS R/B 523061	
9	AG562120	1	BOLT 0.37-16NCX 0.75 S.S. HHD	
10	AG562123	1	NUT 0.37-16NC HEX SS C-LK	
11	AG562463	1	BOLT M10-1.50X 20MM G8.8 ZN HH	
12	400060X1	2	BOLT-M8X1.25X40 ZNDI HHD 10.9	
13	400127X1	5	CLAMP-HOSE CT SST 95-118X16	
14	400340X1	2	NUT-M8X1.25X13 HEX ZND1	
15	400599X1	4	WASHER-HARD,M8X20.5ODX2THK	
16	511813D1	1	PLATE-AIR INTAKE TUBE,ATTACH	
17	513041D1	1	PIPE-INLET, AIR INTAKE	
18	513042D1	1	INSERT - RUBBER, 4.0 X 3.75	
19	513114D1	1	BRKT-AIR INTAKE TUBE	
20	522329D1	1	CAP-RAIN,AIR INTAKE, 110	
21	522330D1	1	COUPLING-90DEG, W/PORT	
22	522331D1	1	AIR FILTER ASSY,12.00 IN	
23	522332D1	1	BRKT-MOUNTING AIR CLEANER	
24	522333D1	1	TUBE-AIR INTAKE, EXT.,STACK	
25	522335D1	1	ELBOW-45,AIR INTAKE	

EXHAUST SYSTEM GROUP

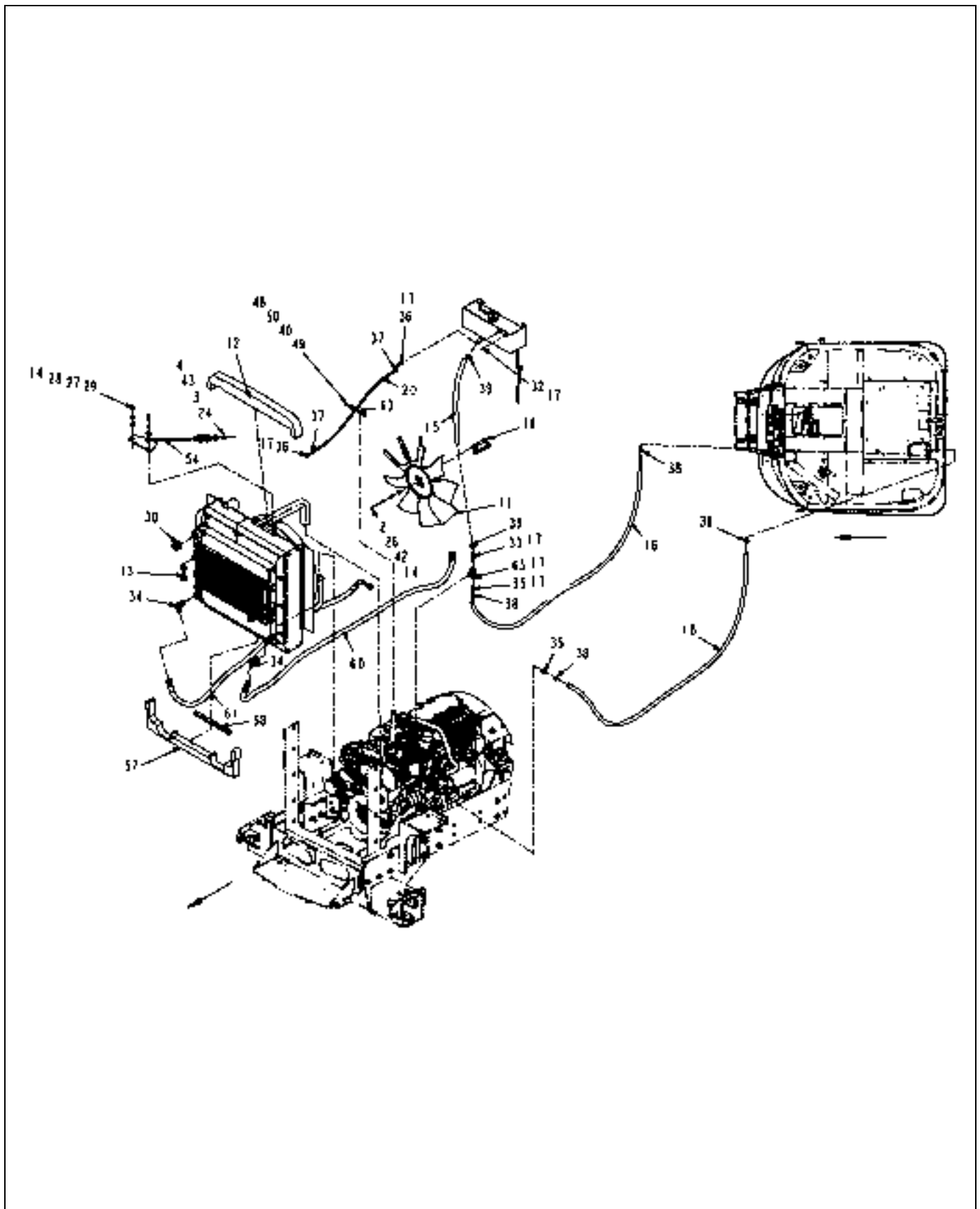


513043D1-01-R674-.TIF

EXHAUST SYSTEM GROUP

ITEM	PART #	QTY	DESCRIPTION	COMMENTS
1	WR125158	1	CLAMP-EXHAUST,BENT BOLT	
2	WR125161	1	EXHAUST-STACK,3.00 IN X48 IN	
3	WR125880	1	BRACKET-MUFFLER WLDMT	
4	WR128453	2	CLAMP-MUFFLER BODY,8.5 IN	
5	AG512885	-	LOCTITE ADHESIVE SEALANT BLUE	
6	AG516482	2	CLAMP EXHAUST 3.00 DIA. ZN	[A]
7	AG550124	4	NUT 0.50-13NC HEX ZN REG	
8	AG550175	4	BOLT 0.37-16NCX 1.00 G5 ZN HHD	
9	AG551244	4	BOLT.50-13NCX 2.25G5 ZN HHD	
10	AG601411	4	NUT 0.37-16NC HEX ZN REG NY	
11	513045D1	1	PIPE - EXHAUST TURBO	
12	513113D1	1	TUBE-EXHAUST FLEX	
13	519244D1	1	RWK-EXHAUST,MUFFLER	
	FOOTNOTE [A]		UPDATE 9645	

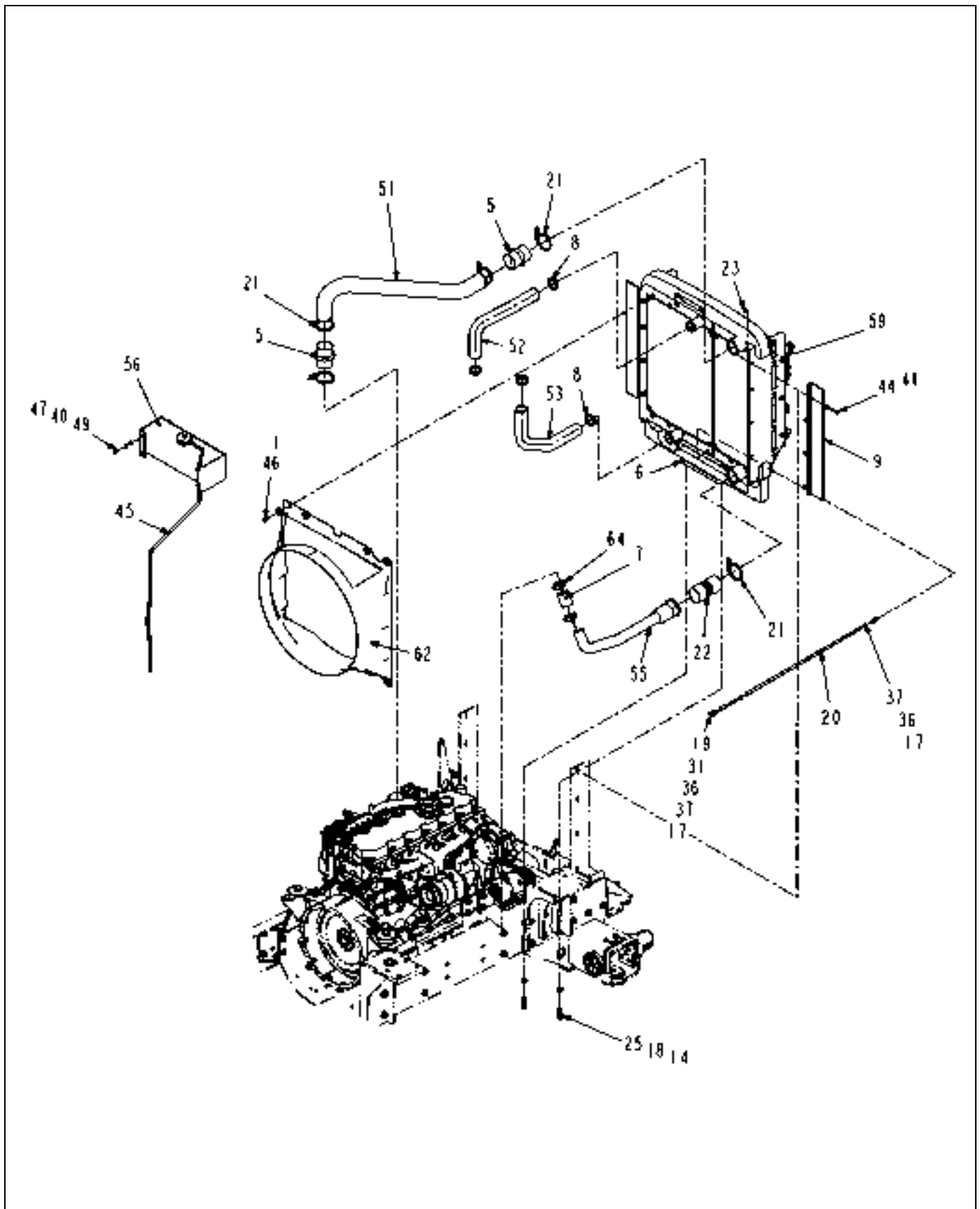
COOLING PKG GROUP



513028D1-03-T160-02.TIF

COOLING PKG GROUP

ITEM	PART #	QTY	DESCRIPTION	COMMENTS
2	WR55062	4	SCREW-CAP HEX M8 X 130	
3	AG100676	1	WASHER SHOCK MOUNT	
4	AG109445	1	WASHER-SHOCK MOUNT	
10	WR129586	1	FAN SPACER-4.00 IN	
11	WR129588	1	FAN-26 IN ,STD FLOW	
12	WR129929	1	BARRIER-RECIRC,FOAM,TOP	
13	AG235212	1	SWITCH A/C HIGH PRESS ASM	
14	AG512885	AR	LOCTITE ADHESIVE SEALANT BLUE	
15	AG513385	-	HOSE,MED.PRESS 0.75 2BRD EPDM [BULK: 2.500 FT]	
16	AG513423	-	HOSE 0.62 1BRD EPDM [BULK: 17.500 FT]	
17	AG513916	AR	LOCTITE HYD SEALANT BROWN	
20	AG517845	-	HOSE .25 BULK AIR,H2O,FUEL [BULK: 5.667 FT]	
24	AG550124	2	NUT 0.50-13NC HEX ZN REG	
26	AG550205	4	WASHER 0.31 LK ZN REG	
27	AG550264	2	WASHER 0.50 LK ZN REG	
28	AG550353	2	WASHER 0.50 FL ZN REG TYPE-B	
29	AG550817	2	BOLT 0.50-13NCX 1.50 G5 ZN HDD	
30	AG552186	2	ADAP STR-20MBX-20MJ	[A]
32	AG553441	1	PLUG PIPE .25 SQ HD NPT ZN PL	
33	AG553867	1	HOSE BARB 0.50NPTX0.75 STL	
34	AG554510	2	ELBOW 90D -12MJIC X -12MSTOR	
35	AG558648	2	HOSE BARB 0.50NPTX0.62HOSE STL	
36	AG559873	4	HOSE BARB 0.25NPTX0.25HOSE STL	
37	AG561025	4	CLAMP HOSE .218 TO .625 U5S	
38	AG561215	4	CLAMP 0.50-0.91 HOSE 8HS	
39	AG561229	2	CLAMP 0.68-1.25 HOSE 12HS	
40	AG561679	5	WASHER LOCK M8 ZN	
42	AG562074	4	WASHER 0.31 FL SS REG TYPE-B	
43	AG601284	1	MOUNT SHOCK LORD J-6642-7	
48	400340X1	1	NUT-M8X1.25X13 HEX ZND1	
49	400341X1	5	BOLT-M8X1.25X25ZNDI HDD 10.9	
50	400599X1	1	WASHER-HARD,M8X20.5ODX2THK	
54	513038D1	1	WLDMT-RADIATOR/ENGINE,TOP MNT	
57	518488D1	1	SEAL-LOWER RADIATOR	
58	518557D1	1	BAFFLE-FOAM,ENGINE MNT	
60	522418D1	-	HOSE ASM,-12X97 FJS/16FJS	
61	522419D1	-	HOSE ASM,-12X78 FJS/FJS90L	
63	CH4K-8864	1	CLIP-LOOP 14.29ID	
65	WR55840	1	TEE-08FP-08FP-08MP	
	FOOTNOTE [A]		AG714806-O-RING	

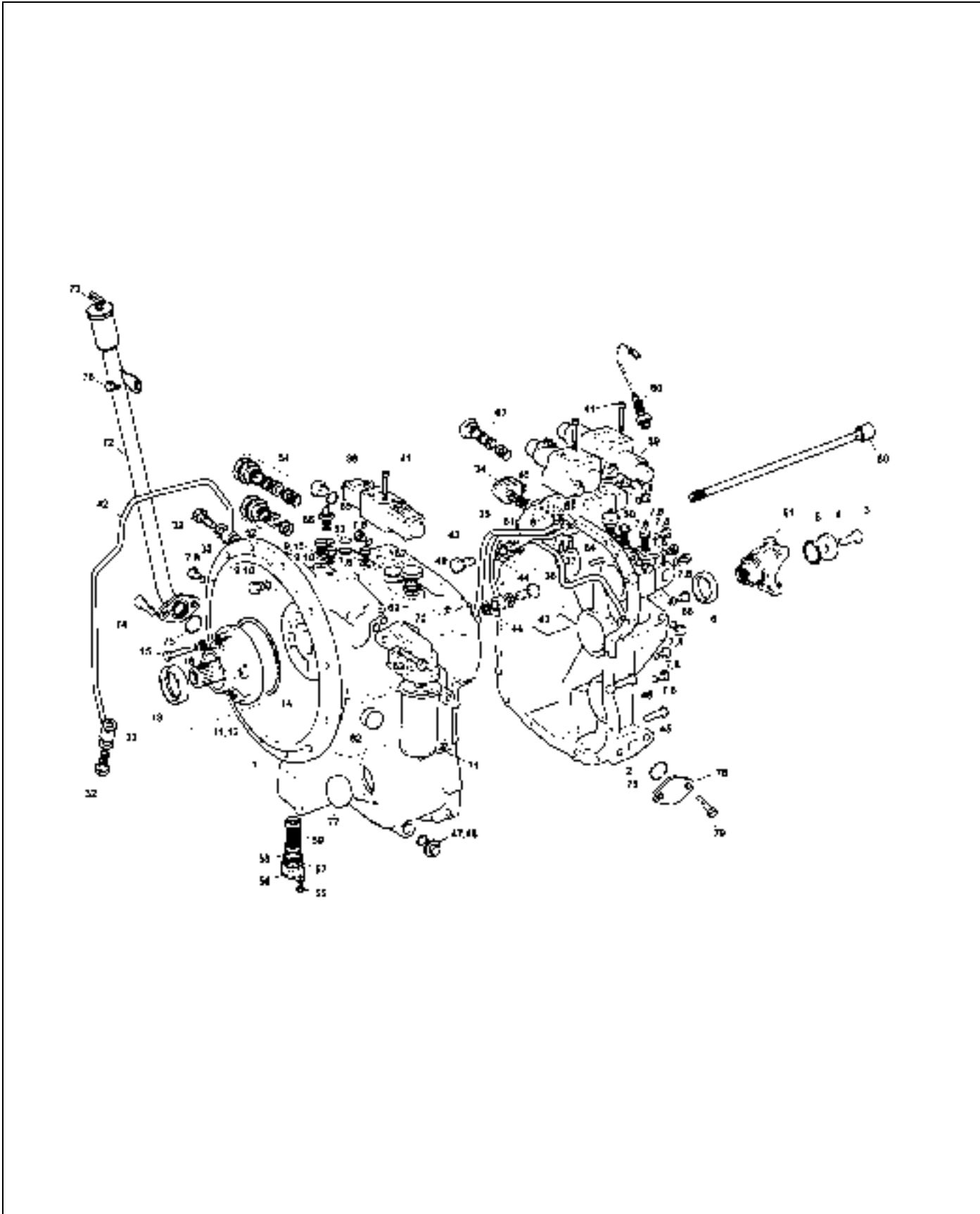


513028D1-03-T160-03.TIF

COOLING PKG GROUP

ITEM	PART #	QTY	DESCRIPTION	COMMENTS
1	WR19092	8	WASHER-FENDER, 3/8 ID	
5	AG121551	2	HUMP HOSE,3 X 4.38	
6	AG121841	1	ISOLATOR,COOLER MOUNT	
6	WR124315	2	CLAMP- CT250L R/B CH8T-6703	
7	WR124381	1	HOSE-CAC,2 IN	
8	AG125817	4	CLAMP-HOSE,HIGH TORQUE,2.75	
9	WR128403	2	SEAL-BRUSH,RADIATOR	
14	AG512885	AR	LOCTITE ADHESIVE SEALANT BLUE	
17	AG513916	AR	LOCTITE HYD SEALANT BROWN	
18	AG514554	2	WASHER 0.50 FL ZN SAE TYP-A G8	
19	AG515983	1	PETCOCK DRAIN 0.25NPT BR	
20	AG517845	-	HOSE .25 BULK AIR,H2O,FUEL [BULK: 5.667 FT]	
21	AG519741	6	CLAMP-HOSE 2.75 DIA	
22	AG520209	1	HOSE-3.00 ID,AIR COOLER	
23	AG522562	8	NUT-.38-16,SS,SFLG,H	
25	AG550132	2	BOLT .50-13NCX 2 G5 ZN HHD	
31	AG553115	1	COUPLING 0.25NPS PIPE STEEL PL	
36	AG559873	4	HOSE BARB 0.25NPTX0.25HOSE STL	
37	AG561025	4	CLAMP HOSE .218 TO .625 U5S	
40	AG561679	5	WASHER LOCK M8 ZN	
41	AG562072	5	WASHER 0.37 FL SS SAE TYPE-A	
44	AG604167	8	BOLT 0.37-16NCX 1.25 S.S. HHD	
45	6577822	-	HOSE BULK, 5/16 IN [BULK: 5 FT]	
46	400053X1	8	BOLT-M8X1.25X20 ZNDI HHD 10.9	
47	400339X1	4	WASHER-HARD 9IDX16ODX2.5 ZNDI	
49	400341X1	5	BOLT-M8X1.25X25ZNDI HHD 10.9	
51	513029D1	1	AIR PIPE-CAC TO ENGINE INLET	
52	513031D1	1	HOSE-RADIATOR,UPPER	
53	513032D1	1	HOSE-RADITOR,LOWER	
55	513046D1	1	PIPE-AIR,COMPRESSOR TO CAC	
56	515091D1	1	TANK-DEARATION	
59	521942D1	1	COOLING PKG - TIER 3,COUPE 7X6	
62	523174D1	1	FAN-SHROUD, 26 IN FAN	
64	CH8T-6703	2	CLAMP-HOSE 45-67X16 CONST LD	

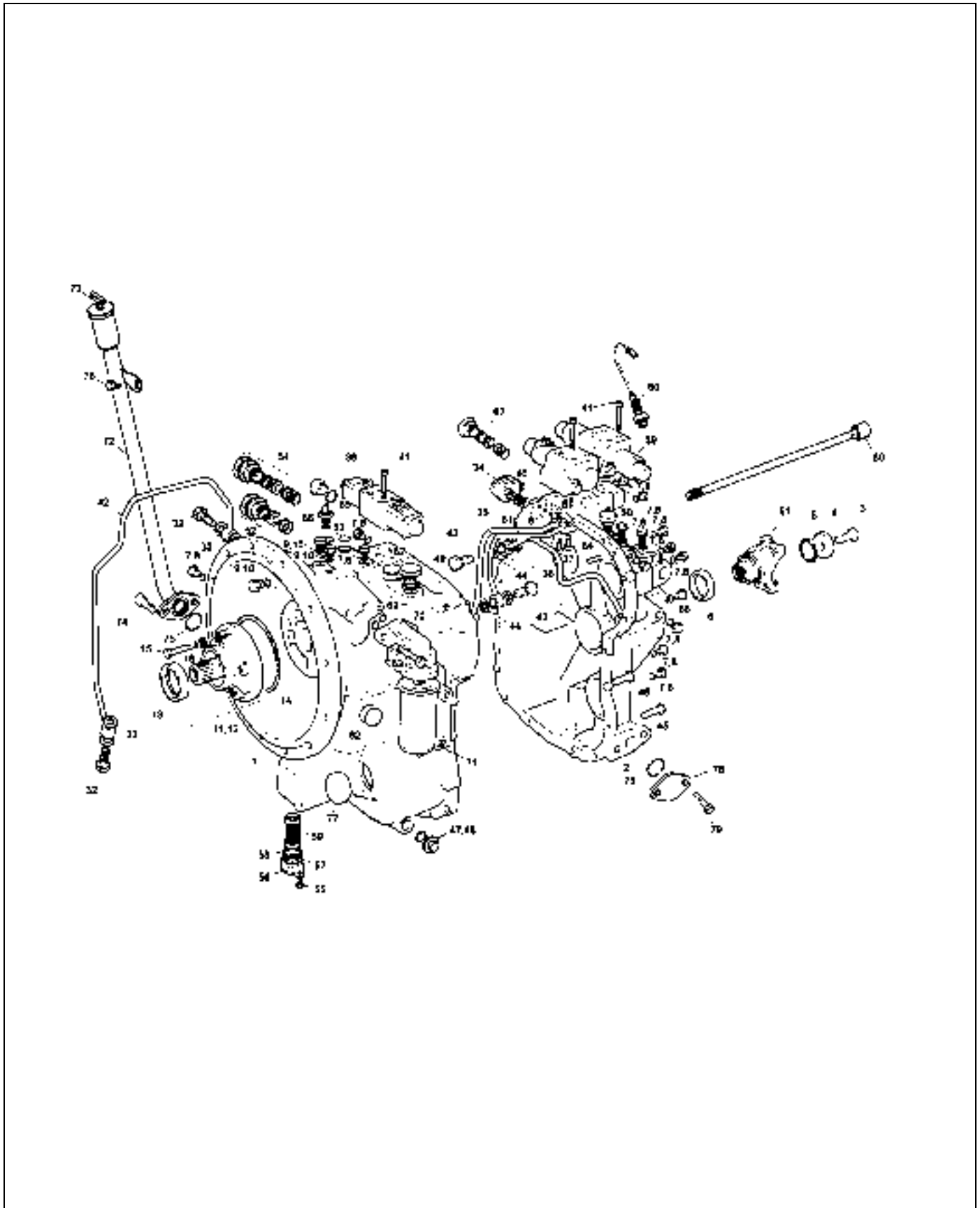
TRANSMISSION-POWERSHIFT,6SP 1.94TC	2-1
TRANSMISSION-POWERSHIFT,6SP 1.94TC	2-2
TRANSMISSION-POWERSHIFT,6SP 1.94TC	2-3
TRANSMISSION-POWERSHIFT,6SP 1.94TC	2-4
VALVE-CLUTCH 1	2-5
VALVE, FORWARD HI-LO	2-6
VALVE-CLUTCH	2-7
VALVE-CLUTCH	2-8
TRANSMISSION-INSTALL	2-9
TCU-INSTALL, 6 SPEED	2-10
TCU-INSTALL,4 SPEED	2-11



136436-A-1.TIF

TRANSMISSION-POWERSHIFT,6SP 1.94TC

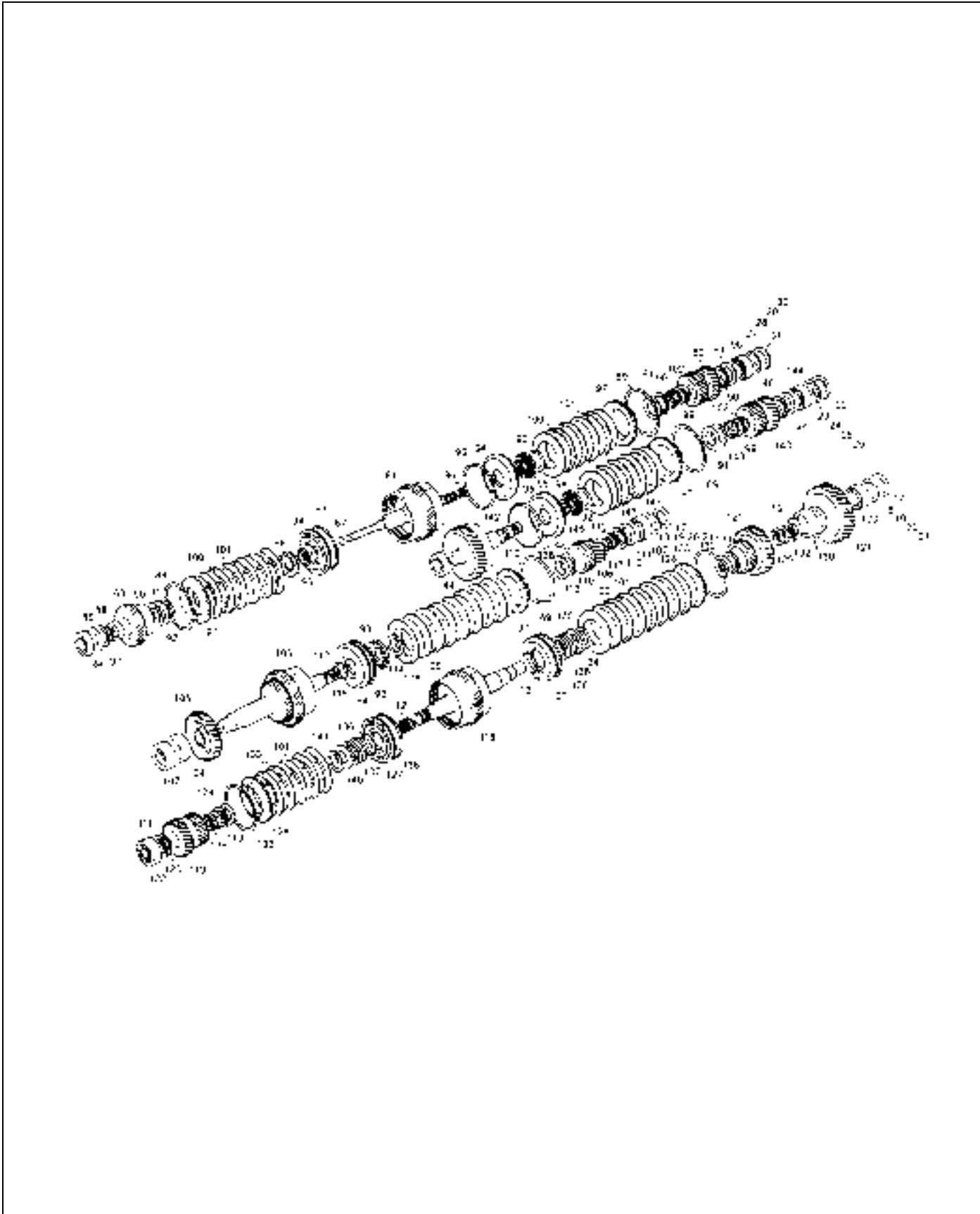
ITEM	PART #	QTY	DESCRIPTION	COMMENTS
REF	WR127993	1	TCU-TURNER,SC,4F,2R	
REF	AG136437	1	TORQUE CONV. 1.94	
REF	505565D1	1	TCU-TURNER,SPRA-COUPÉ	
1	WR137609	1	CASE-FRONT	
2	WR137610	1	CASE-REAR	
3	WR137611	AR	BOLT-OUTPUT YOKE RETAINING	
4	7T-3195	1	WASHER	
5	4F-7391	1	SEAL-O RING	
6	216-2267	1	SEAL	
7	400611X1	1	PLUG-STO 9/16-18 PLATED	
8	400318X1	1	SEAL-O-RING 11.89IDX1A1.98	
9	8L-2786	1	SEAL-O RING	
10	WR137613	1	PLUT & O-RING	
11	121-7385	1	PUMP & SEAL ASM	
13	208-8240	1	SEAL	
14	7X-4741	1	RING/SEAL	
15	WR137614	AR	BOLT-PUMP	
16	9P-9150	4	WASHER	
18	6T-9166	AR	SHIM	
32	147-0266	2	BOLT	
33	147-0262	4	WASHER,SEALING	
34	121-4036	1	VALVE-CLUTCH 1	SEE PAGE 2-5
35	147-0218	1	PIPE, TRANSFER 3-4	
36	147-0226	1	PIPE, TRANSFER 1ST	
37	238-7562	1	BOLT	
38	238-1968	1	VALVE, FORWARD HI-LO	SEE PAGE 2-6
39	274-4575	1	VALVE-CLUTCH	SEE PAGE 2-7
40	274-4581	1	VALVE-CLUTCH	SEE PAGE 2-8
41	WR137618	AR	BOLT	
42	147-0236	1	PIPE, TRANSFER ASM	
43	147-0234	4	BOLT	
44	WR137619	AR	WASHER-SEAL	
45	8T-0643	AR	BOLT	
47	6Y-1896	1	PLUG WITH O-RING	
48	5P-6718	1	O-RING	
49	7M-8485	1	SEAL-O RING 29.75ID X 2.95CS	
49	9S-9334	1	PLUG	
50	7T-3251	1	BREATHER	
50	6V-5842	AR	BOLT-M10X1.5X40 PH&O HHD 10.9	
51	184-1112	1	YOKE-END ASSEMBLY	
52	147-0209	1	CARTRIDGE, VALVE	
53	6T-9202	2	PLUG, EXTENSION	
54	121-7396	1	CARTRIDGE, RELIEF	
54	WR136438	1	VALVE, PRESS REG 18 BAR	
55	6V-5215	2	BOLT-M8X1.25-16 PH&O HHD 10.9	
56	106-9861	1	PLATE, COVER ASM	
57	4F-7952	1	O-RING	
58	9W-5460	1	WASHER, SUPPORT	
59	7T-2651	1	STRAINER	
60	189-5746	1	TRANSDUCER SPEED	
61	120-9762	3	O-RING	



136436-A-1.TIF

TRANSMISSION-POWERSHIFT,6SP 1.94TC

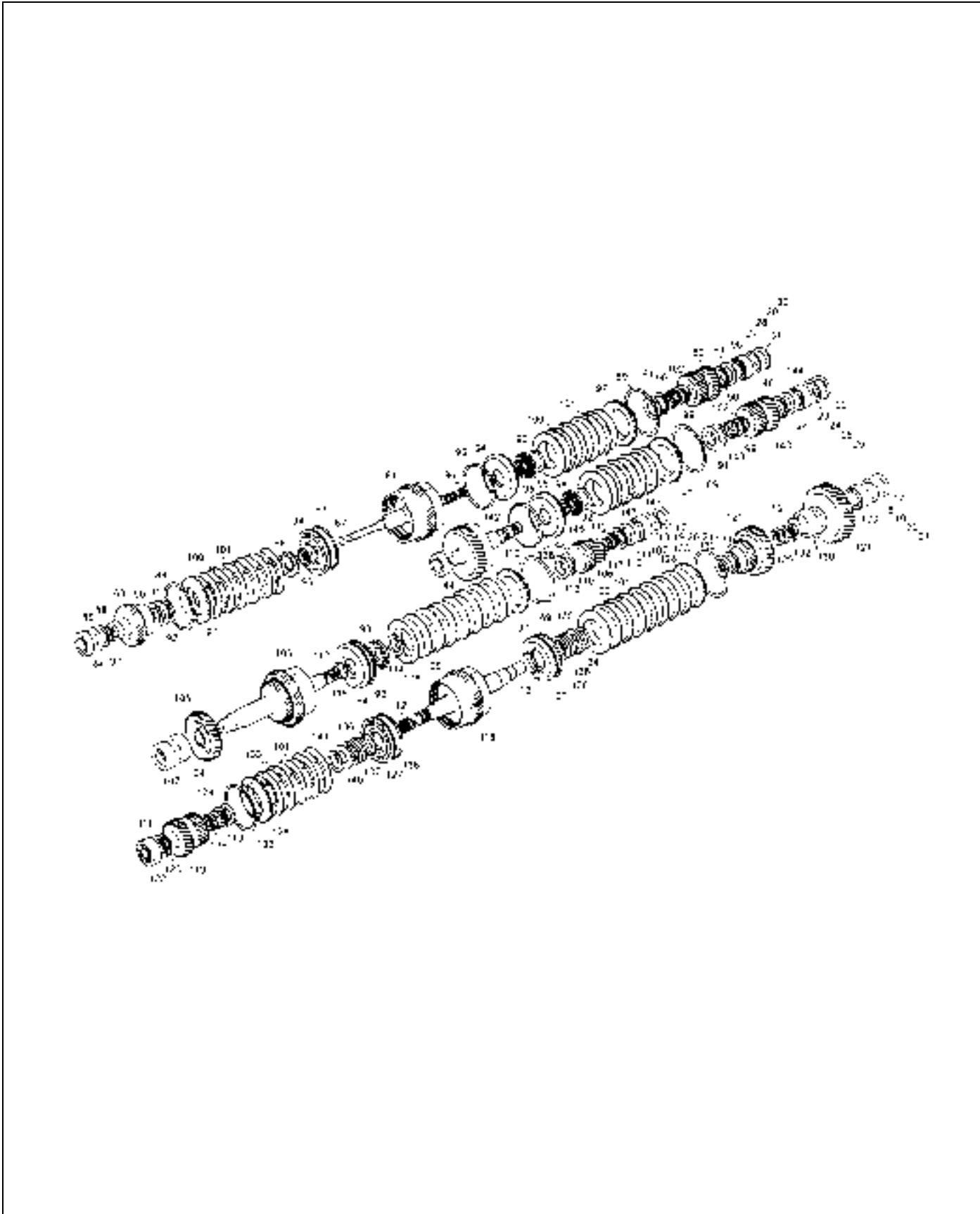
ITEM	PART #	QTY	DESCRIPTION	COMMENTS
62	147-0232	2	CAP, SEALING	
63	6V-3822	2	BOLT	
64	7T-3253	2	DOWELL	
65	203-8025	1	SENDER, TEMP	
66	3J-1907	1	SEAL-O RING 11.89ID X 1.98CS	
67	147-0211	1	PLUG	
68	237-5185	1	PLUG & O-RING	
69	150-7732	2	O-RING	
71	119-4740	1	FILTER, OIL	
72	1387380	1	TUBE/DIPSTICK	
73	274-4577	1	GAGE-DIPSTICK	
74	6A-5591	1	BOLT M12X1.75X25MM	
75	281-218	2	O-RING	
75	4F-7952	2	O-RING	
76	6V-5215	1	BOLT-M8X1.25-16 PH&O HHD 10.9	
77	147-0239	1	SEAL, BORE 62 MM	
78	WR137629	1	PLATE-COVER	
80	WR137631	1	SHAFT AUX-PUMP R/B 274-4570	
82	147-0202	1	GEAR, LOW PRI 24 T	
84	WR137635	1	CUP-BEARING	
84	WR137634	1	CONE-BEARING	
87	122-1886	1	RING, SEAL 40MM	
88	WR137636	1	BEARING-NEEDLE	
125	274-4557	AR	DISC/FRICTION	
126	274-4553	AR	PLATE	
146	274-4553	AR	PLATE	



136436-A-2.TIF

TRANSMISSION-POWERSHIFT,6SP 1.94TC

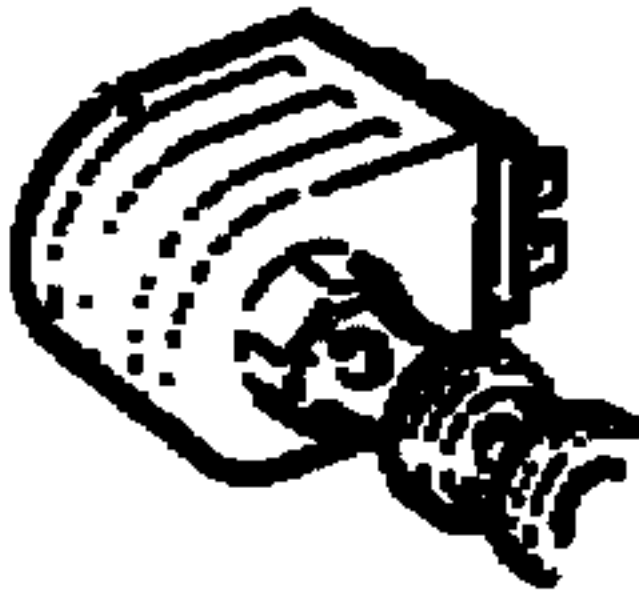
ITEM	PART #	QTY	DESCRIPTION	COMMENTS
17	7T-2646	2	SPACER	
18	6T-9166	AR	SHIM	
19	6T-9165	AR	SHIM	
20	6T-9164	4	SHIM	
21	6T-9163	AR	SHIM	
22	122-1879	1	SPACER	
23	104-3288	AR	SHIM	
24	121-2059	AR	SHIM	
25	121-2060	AR	SHIM	
26	121-2061	AR	SHIM	
27	121-7399	AR	SHIM	
28	121-7400	AR	SHIM	
29	121-7401	AR	SHIM	
30	121-7402	AR	SHIM	
31	121-7398	1	SHIM	
82	147-0202	1	GEAR, LOW PRI 24 T	
83	147-0224	1	GEAR, HI 32T	
84	WR137635	1	CUP-BEARING	
84	WR137634	1	CONE-BEARING	
85	121-0694	1	WASHER, SUPPORT	
86	9U-8886	3	RING, SEAL 50MM	
87	122-1886	1	RING, SEAL 40MM	
88	WR137636	1	BEARING-NEEDLE	
89	9U-8875	3	RING-RETAINING	
90	WR137637	1	BEARING-THRUST	
91	121-2500	3	WASHER, THRUST	
92	238-7567	3	CLIP	
93	6T-9196	2	SEAL	
94	147-0228	3	PISTON	
96	WR137639	1	CONE-BEARING	
96	WR137640	1	CUP-BEARING	
97	8E-5707	3	RING, SUPPORT CLUTCH	
98	147-0238	3	RETAINER, SPRING	
99	147-0259	1	SPACER	
100	274-4553	45	PLATE	
101	274-4557	37	DISC/FRICTION	
102	7T-6655	2	BEARING	
103	WR137643	1	SHAFT AS-COUNTER	
103	WR137644	1	SHAFT AS-COUNTER (WELDED)	
104	WR137645	1	SPECER	
105	147-0216	1	BEAR, 38T	
106	147-0215	1	GEAR, 1 - 2 19T	
107	WR137646	1	CONE-BEARING	
107	WR137647	1	CUP-BEARING	
108	274-4553	AR	PLATE	
109	274-4557	AR	DISC/FRICTION	
110	WR137650	1	BEARING-THRUST	
111	122-1877	1	WASHER, THRUST	
112	6Y-1192	2	RING, SEALING	
113	147-0203	1	WASHER, THRUST	
114	WR132988	1	CLIP R/B 238-7567	
115	WR137678	1	BEARING-NEEDLE	



136436-A-2.TIF

TRANSMISSION-POWERSHIFT,6SP 1.94TC

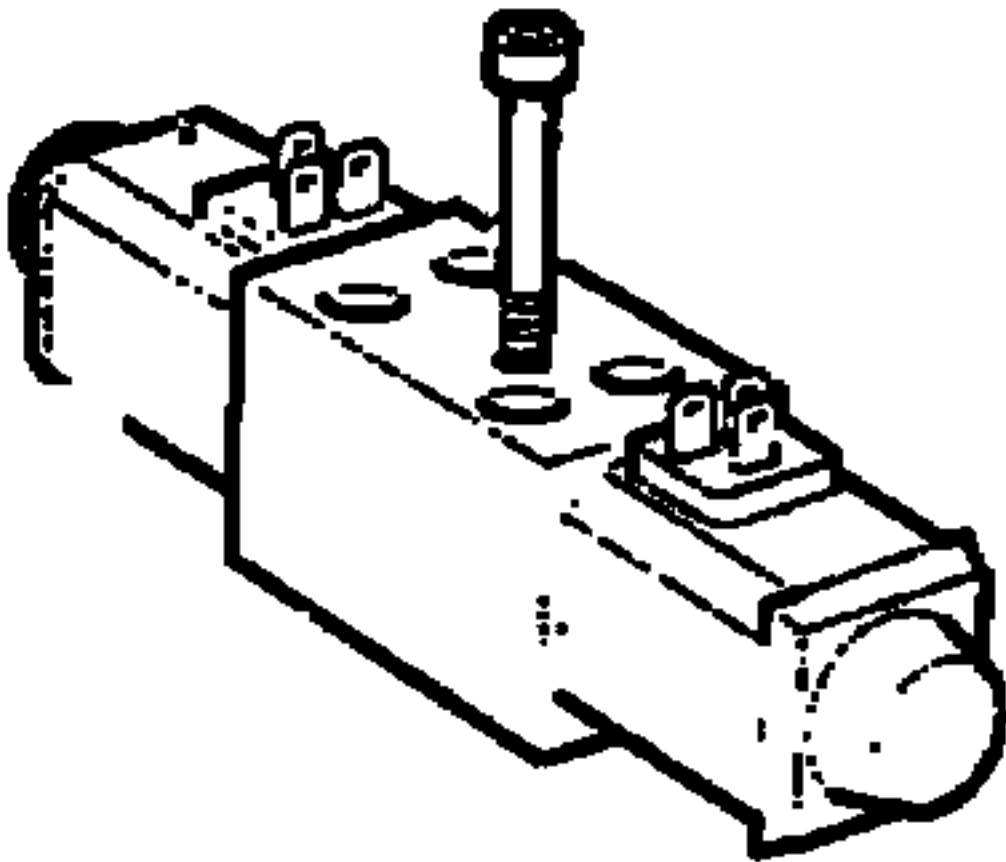
ITEM	PART #	QTY	DESCRIPTION	COMMENTS
116	WR137651	1	O-RING	
117	147-0258	1	SPACER	
118	WR137652	1	SHAFT AS-MAIN	
118	WR137653	1	MAINSHAFT-WELDED ASSEMBLY	
119	WR137654	1	GEAR-4TH MAIN	
120	WR137655	1	GEAR-3RD MAIN	
121	147-0242	1	GEAR, 48T	
122	8T-1580	1	CUP-BEARING	
123	WR137647	1	CUP-BEARING	
123	WR137646	1	CONE-BEARING	
124	WR137656	1	BEARING-THRUST	
127	157-2088	2	PISTON	
128	WR137659	1	RING-SUPPORT	
129	6V-8500	2	BEARING	
130	WR137660	1	SPACER-NEEDLE BEARING	
131	WR137661	1	BEARING-THRUST	
132	147-0205	2	WASHER, THRUST	
133	9U-8875	2	RING-RETAINING	
134	WR137662	1	CIRCLIP	
135	147-0260	1	RETAINER, SPRING	
136	178-9566	2	SPRING	
137	WR137663	1	SEAL-PISTON	
138	6T-9196	2	SEAL	
139	274-4560	1	NUT	
140	121-0885	1	RETAINER, SPRING	
141	WR137665	1	CIRCLIP	
142	WR137676	1	SHAFT-REVERSE IDLER	
142	WR137666	1	SHAFT AS-REV IDLER	
143	147-0202	1	GEAR, LOW PRI 24 T	
144	WR137634	1	CONE-BEARING	
144	WR137635	1	CUP-BEARING	
145	WR137667	1	O-RING	
147	274-4557	AR	DISC/FRICTION	
148	WR137670	1	BEARING-THRUST	



121-4036.TIF

VALVE-CLUTCH 1

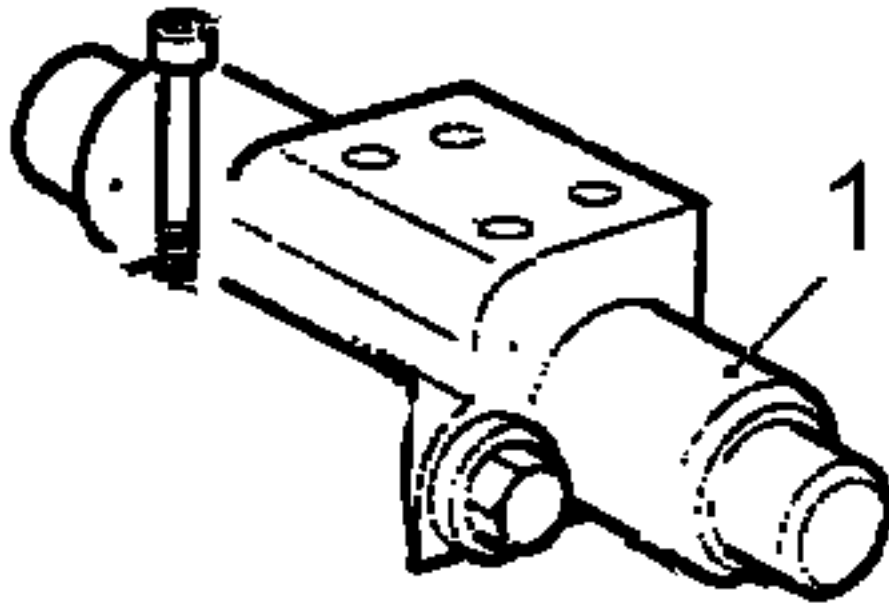
ITEM	PART #	QTY	DESCRIPTION	COMMENTS
REF	3J-9196	1	NUT	
REF	130-0013	1	COIL	



238-1968.TIF

VALVE, FORWARD HI-LO

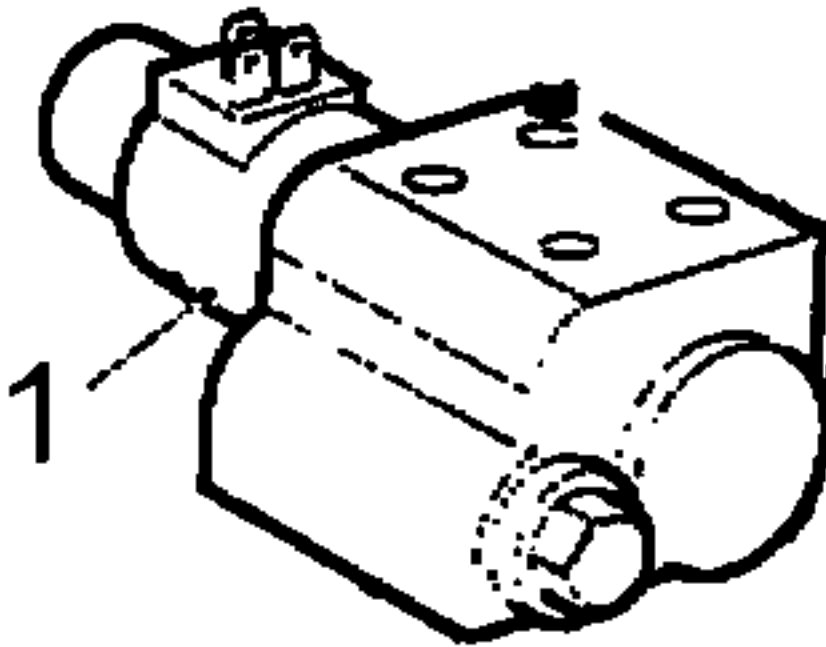
ITEM	PART #	QTY	DESCRIPTION	COMMENTS
REF	202-0040	1	NUT	
REF	130-0912	1	SOLENOID/3 PIN CONNECTOR	
REF	117-2911	1	SOLENOID/2 PIN CONNECTOR	



274-4575.TIF

VALVE-CLUTCH

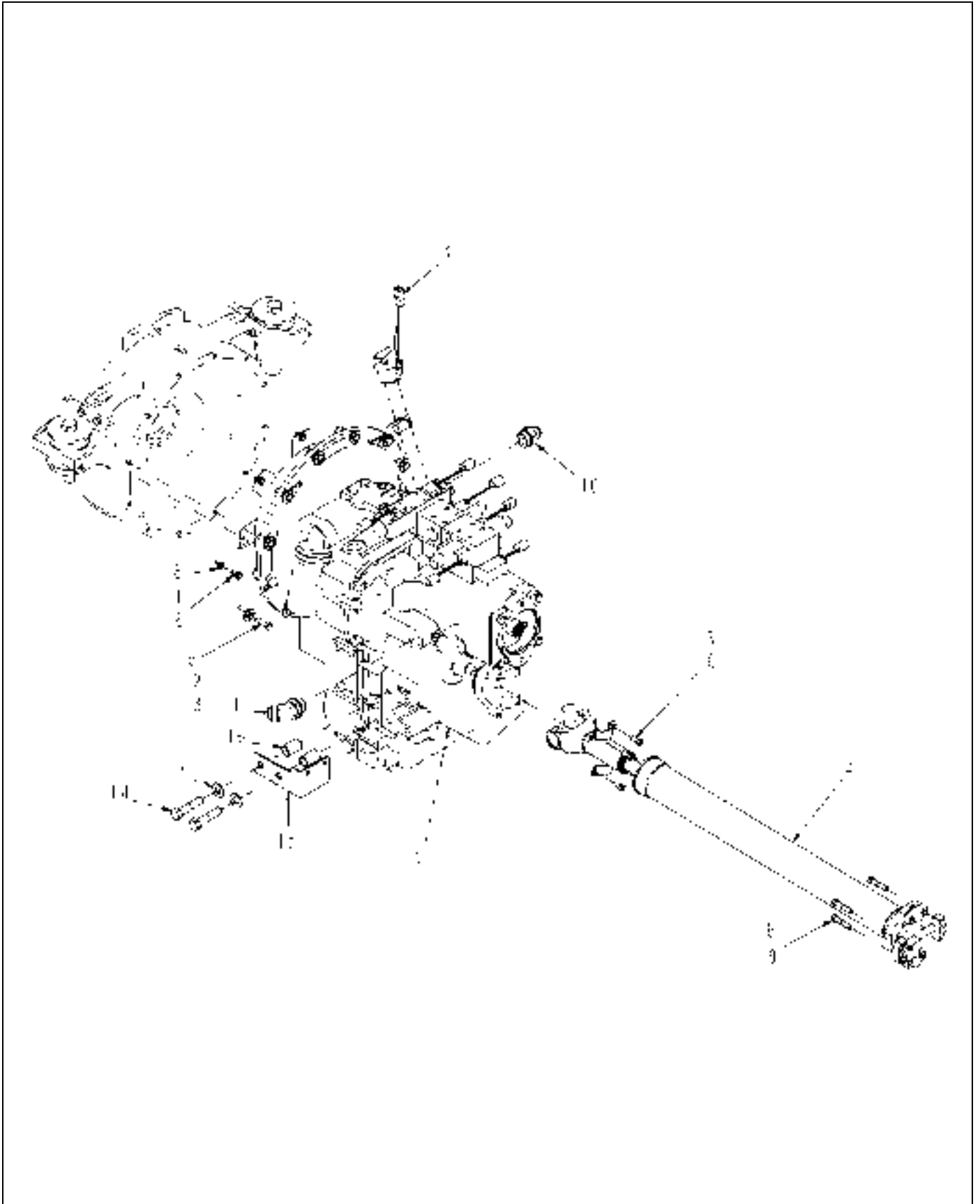
ITEM	PART #	QTY	DESCRIPTION	COMMENTS
REF	274-4560	2	NUT	
REF	WR70899	1	O-RING/NUT KIT D15 SOELNOID	
1	274-4559	1	COIL	



274-4581.TIF

VALVE-CLUTCH

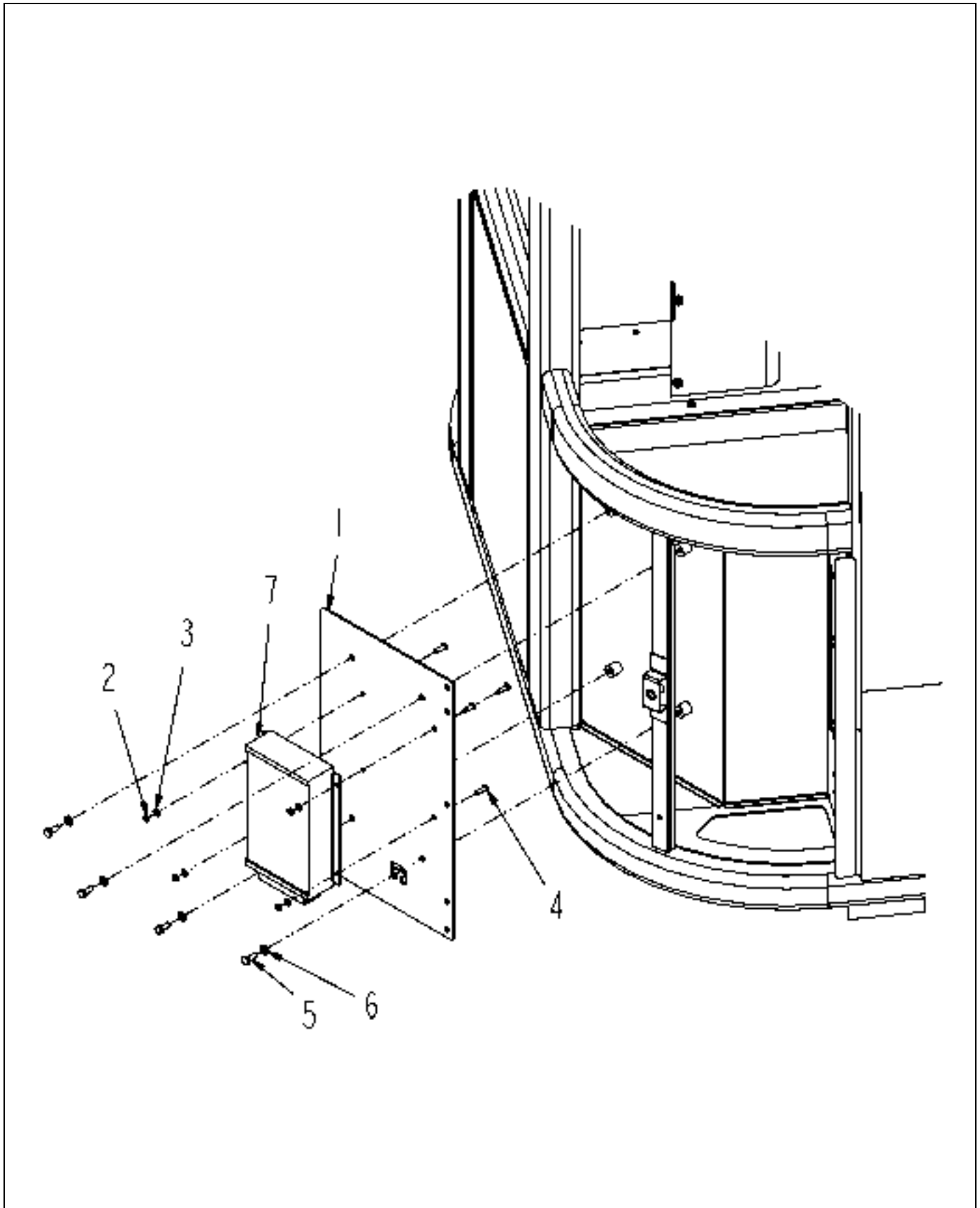
ITEM	PART #	QTY	DESCRIPTION	COMMENTS
1	WR70899	2	O-RING/NUT KIT D15 SOELNOID	
1	274-4559	1	COIL	



515766D1-01-R518-.TIF

TRANSMISSION-INSTALL

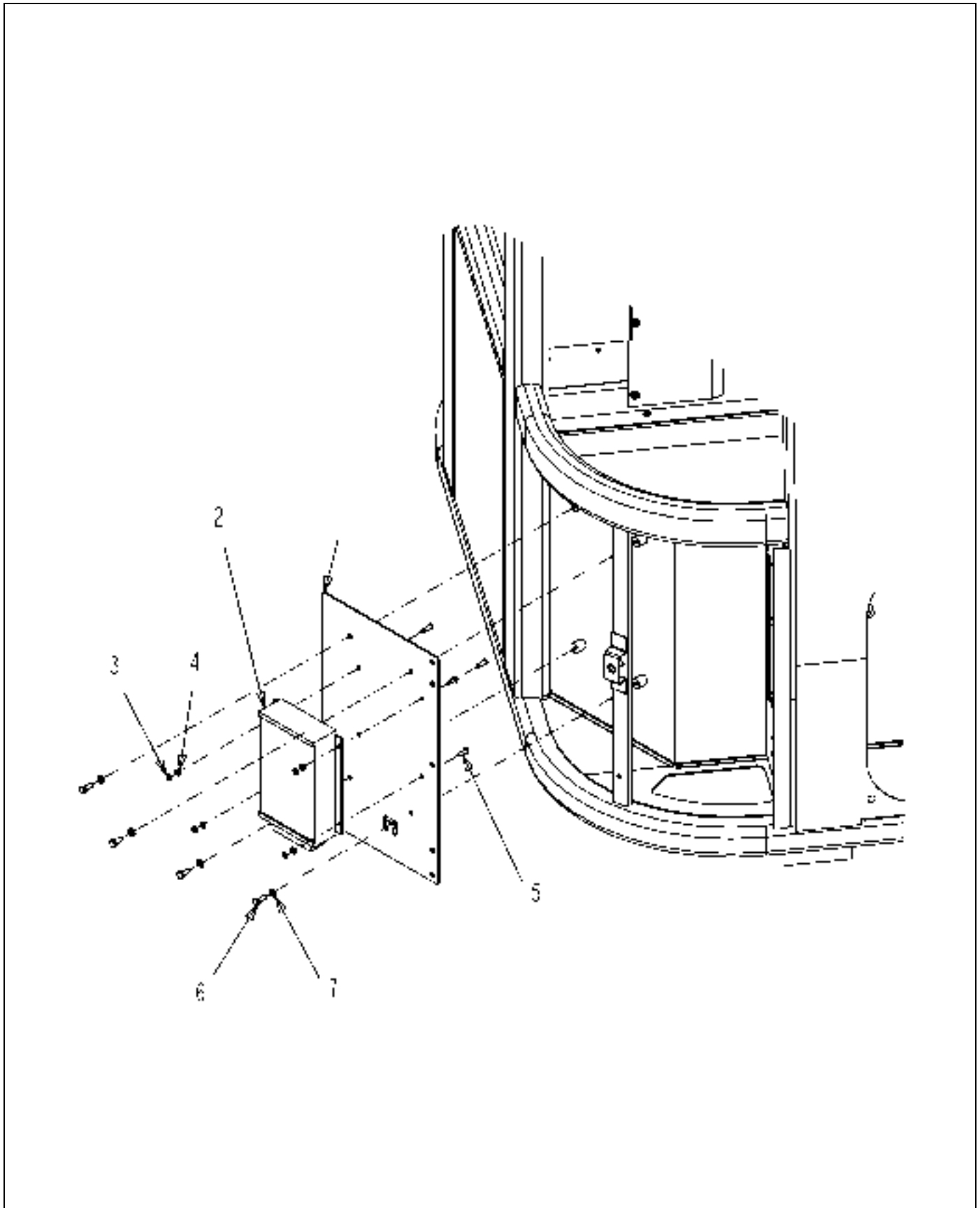
ITEM	PART #	QTY	DESCRIPTION	COMMENTS
1	WR25752	8	SCREW-CAP HEX M8 X 16,	
2	WR123752	1	DRIVESHAFT-6C TELESCOPING	SEE PAGE 4-35
3	WR129592	1	STRAP KIT-1480/1550	
4	AG131763	1	SWITCH-TEMP,120DC,-6 O-RING	
5	AG136436	1	TRANS-POWERSHIFT,6SP 1.94TC	SEE PAGE 2-1
6	AG512885	AR	LOCTITE ADHESIVE SEALANT BLUE	
7	AG515180	2	WASHER 0.62 FL ZN SAE TYP-A G8	
8	AG520880	8	WASHER-FL,M8,ZN,REG	
9	AG561119	4	BOLT 0.37-24NFX 1.75 G8 ZN HHD	
10	AG561317	1	ADAP STR 1.00MO-R X 0.75MJIC	[A]
11	AG561454	1	ELBOW -16MB45X-16MJ	[B]
12	AG562789	12	WASHER FL METRIC#10 GEN PUR ZN	
13	AG562817	12	BOLT M10-1.5X35MM G10.9 ZN HHD	
14	401619X1	2	BOLT,M16-2 X 70,8.8,HHD,ZN	
15	515767D1	1	PLATE-FUEL FILTER,SECONDARY	
16	517527D1	2	TUBE-SPACER,1.0 OD X .120 WL	
	FOOTNOTE [A]		AG713900 O-RING	
	FOOTNOTE [B]		AG714365 O-RING	



128252-02-M755-.TIF

TCU-INSTALL, 6 SPEED

ITEM	PART #	QTY	DESCRIPTION	COMMENTS
1	WR126909	1	PLATE-TCU,MINI CAB	
2	AG522220	4	NUT-M5-0.8,CL10.9,ZN,H	
3	AG522247	4	WASHER-LK,M5,SS,REG	
4	AG523508	4	SCR-M5-0.8X16,CL10.9,BLK,BHHS	
5	AG562639	4	BOLT M6 1.00X12MM G8.8 ZN HHD	
6	AG562792	4	WASHER LOCK M6 SPRING ZN	
7	505565D1	1	TCU-TURNER,SPRA-COUPE	

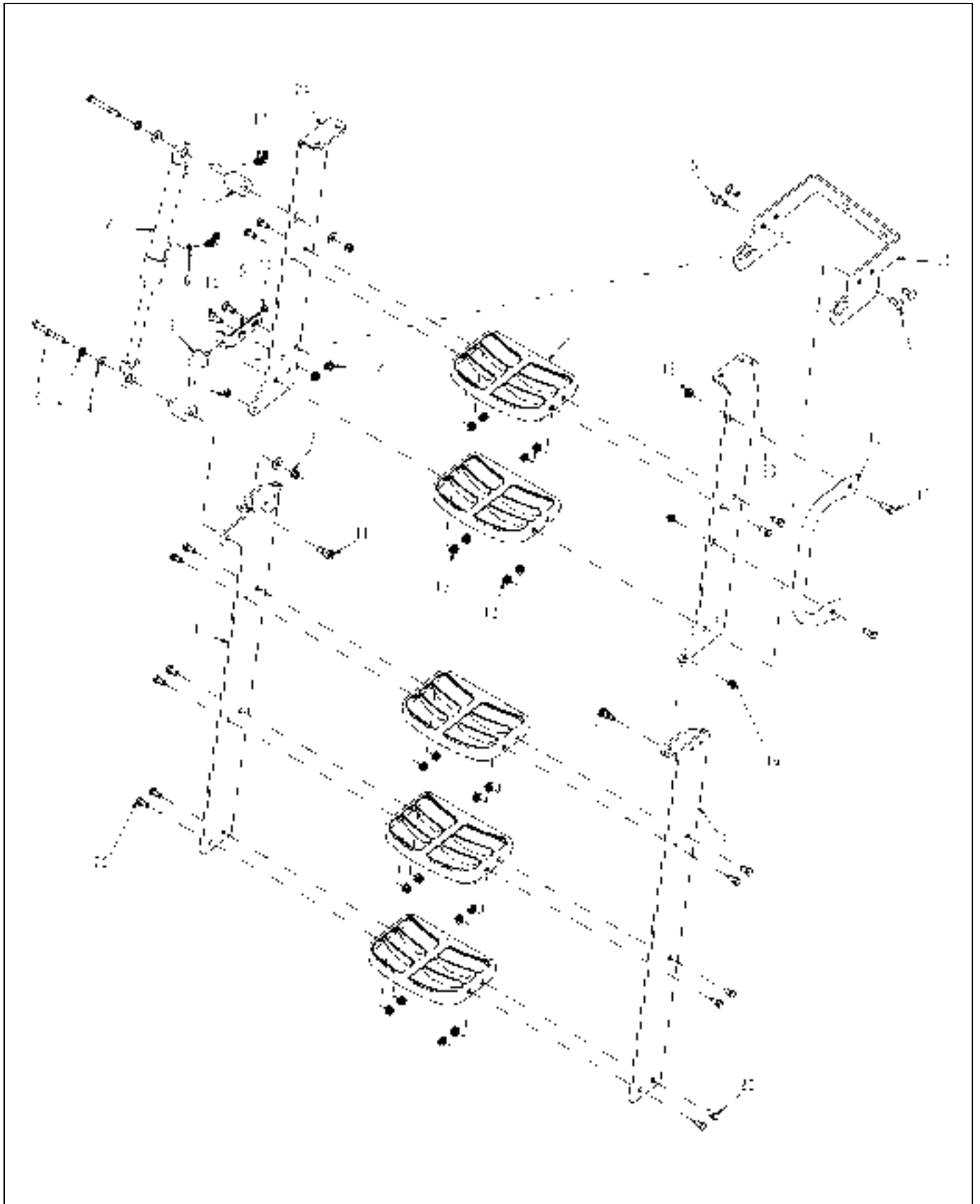


128253-A-1.TIF

TCU-INSTALL,4 SPEED

ITEM	PART #	QTY	DESCRIPTION	COMMENTS
1	WR126909	1	PLATE-TCU,MINI CAB	
2	WR127993	1	TCU-TURNER,SC,4F,2R	
3	AG522220	4	NUT-M5-0.8,CL10.9,ZN,H	
4	AG522247	4	WASHER-LK,M5,SS,REG	
5	AG523508	4	SCR-M5-0.8X16,CL10.9,BLK,BHHS	
6	AG562639	4	BOLT M6 1.00X12MM G8.8 ZN HHD	
7	AG562792	4	WASHER LOCK M6 SPRING ZN	

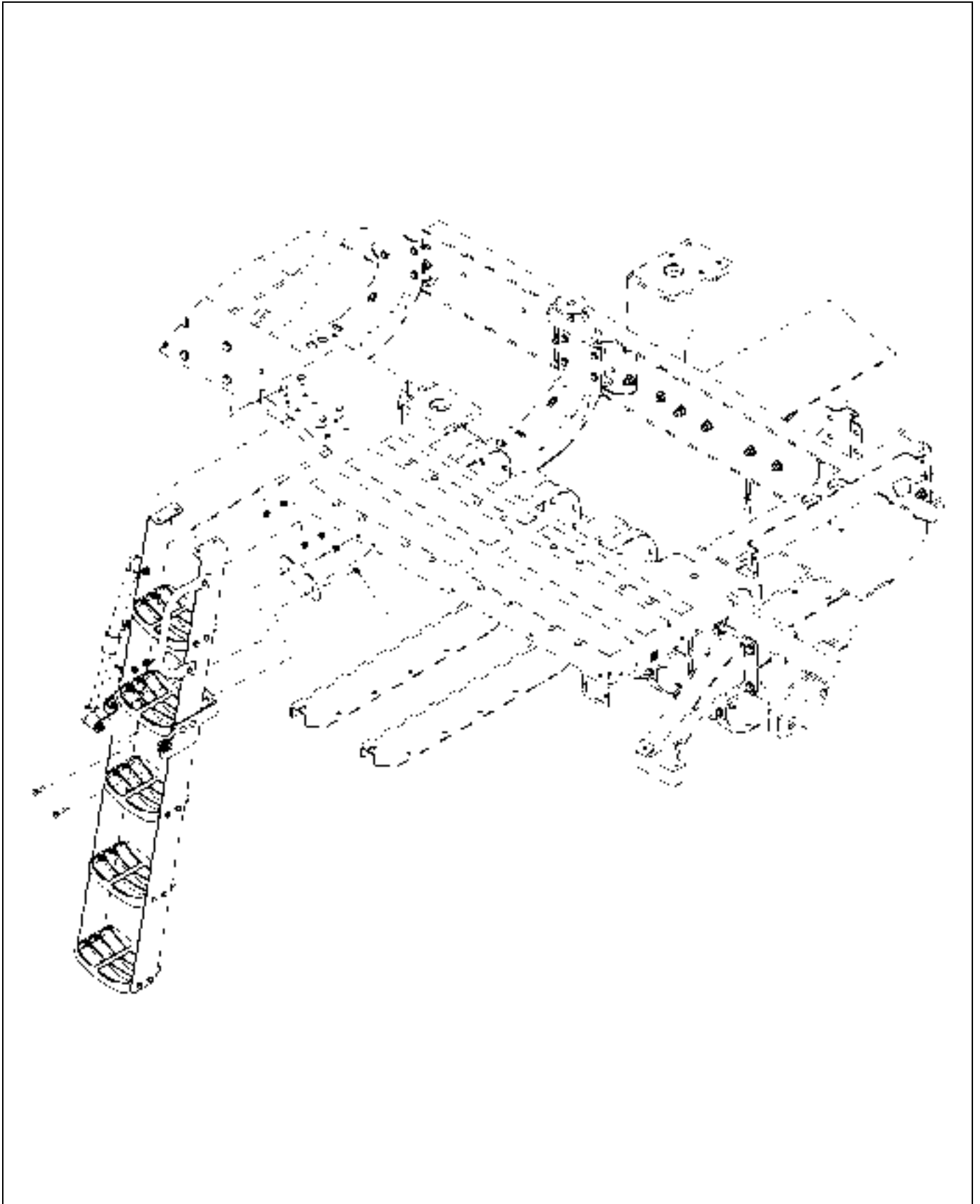
LADDER INSTALL-SC7000	3-1
LADDER INSTALL-SC7000	3-2
PLATFORM INSTALL-SC7000	3-3
BOOMREST INSTALL-DOMESTIC	3-4
BOOMREST INSTALL-EUROPE	3-5



520394D1-01-R489-01.TIF

LADDER INSTALL-SC7000

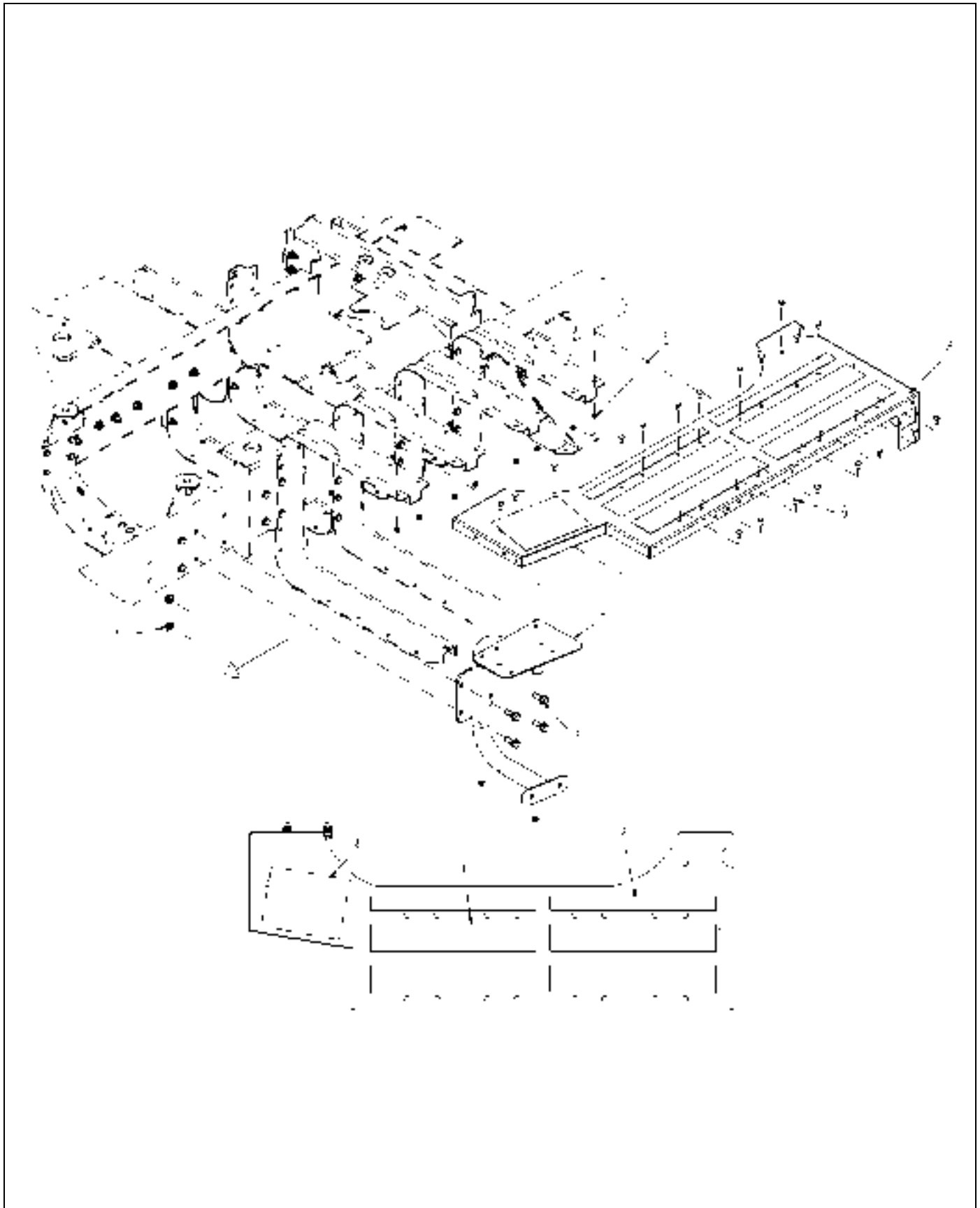
ITEM	PART #	QTY	DESCRIPTION	COMMENTS
1	WR126139	1	STRINGER-WLDMT,LADDER,LWR,LH	
2	WR126480	1	CYLINDER-HYD,6.50 IN STROKE	SEE PAGE 6-54
3	WR128461	5	STEP-6.50 IN X 10.63 IN	
4	WR128640	1	STRINGER-WLDMT,LADDER,LWR,RH	
5	AG130137	1	BRACKET-MOUNTING, BUMPER	
6	WR132236	1	PLATE-ORIFICE,2 WAY,THREADED	
7	AG262883	2	SPACER-UPPER,LADDER	
8	AG514559	2	WASHER 0.37 FL ZN SAE TYP-A G8	
9	AG519802	1	BUMPER, RUBBER VIBRATION	
10	AG520929	1	HANDLE-TUBULAR	
11	AG521342	2	BOLT-.38-16X.50DX.50,S,SH	
12	AG522562	30	NUT-.38-16,SS,SFLG,H	
14	AG551007	4	WASHER 0.37 FL ZN REG TYPE-B	
15	AG556300	6	BOLT 0.37-16NCX 1.00 G5 ZN CRG	
16	AG557676	2	NUT 0.37-16NC HEX ZN C-LK	
17	AG561677	2	ELBOW 90D 0.25MO-R X 0.25MJIC	SEE PAGE 6-106
18	AG562013	2	BOLT 0.37-16NCX 3.25 G8 ZN HHD	
19	AG562048	2	BOLT 0.37-16NCX 1.00 S.S. HHD	
20	AG562120	16	BOLT 0.37-16NCX 0.75 S.S. HHD	
21	AG601411	2	NUT 0.37-16NC HEX ZN REG NY	
22	AG601888	1	NUT 0.31-18NC HEX ZN REG NY	
23	520469D1	1	PLATE-STRINGER,UPPER,RH	
24	520470D1	1	PLATE-STRINGER,UPPER,LH	
25	520471D1	1	PLATE-BRACKET,LADDER SUPPORT	



520394D1-01-R489-02.TIF

LADDER INSTALL-SC7000

ITEM	PART #	QTY	DESCRIPTION	COMMENTS
12	AG522562	30	NUT-.38-16,SS,SFLG,H	
13	AG522571	6	BOLT .37-16NCX 1.25 SS CRG	

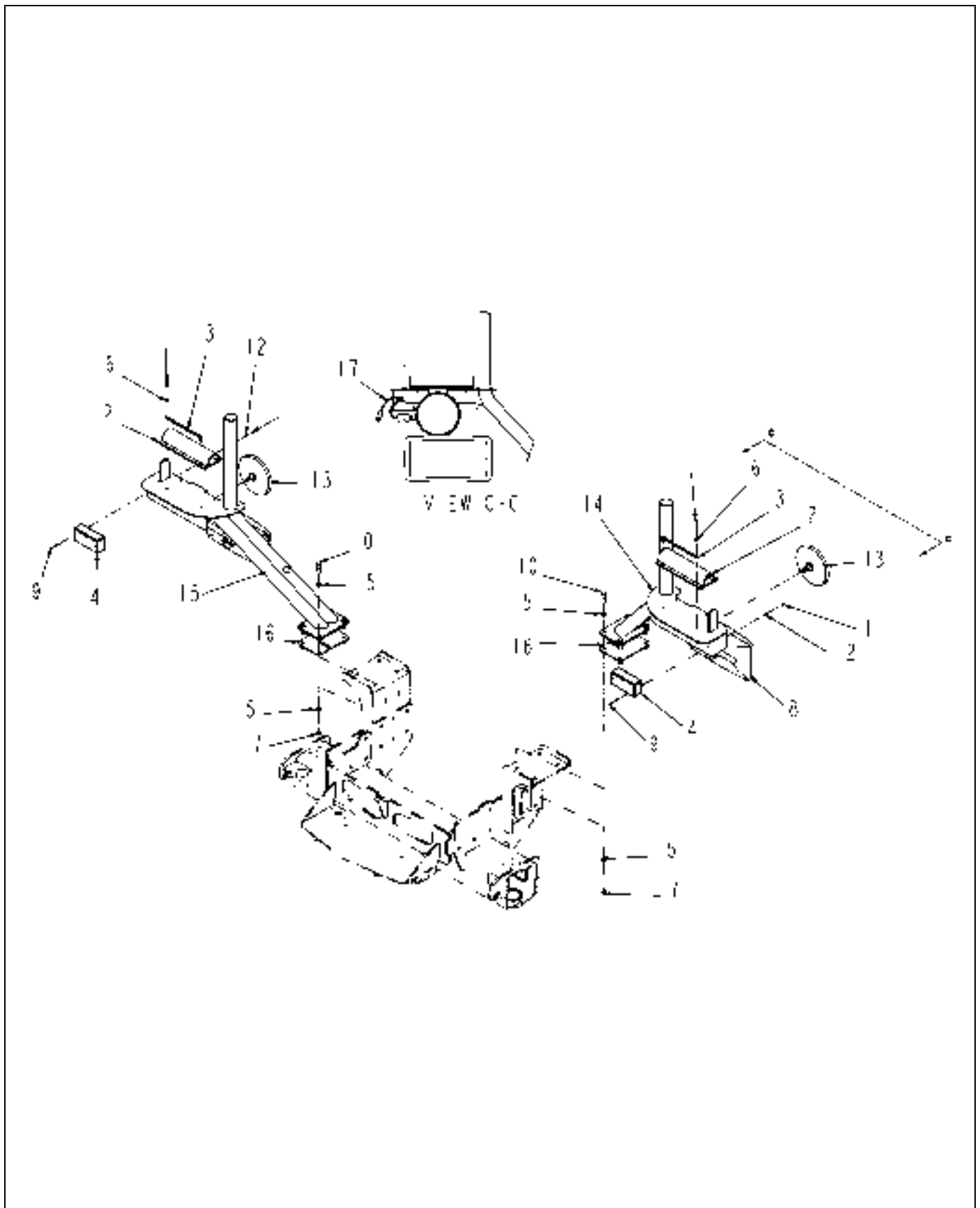


520395D1-01-R489-.TIF

PLATFORM INSTALL-SC7000

ITEM	PART #	QTY	DESCRIPTION	COMMENTS
1	AG511757	4	TREAD, SAFETY 4 IN X 24 IN	
2	AG515361	2	TREAD SAFETY 2.00X24.00	
3	AG517556	4	BOLT 0.62-18 X 1.75 G8 HX FLG	
4	AG519203	1	TREAD SAFETY 11.50 X 8.75	
5	AG522562	20	NUT-.38-16,SS,SFLG,H	
6	AG609084	20	BOLT 0.37-16NCX 1.00 SS CRG	
7	AG609313	4	NUT HX FLG 0.62-18NF	
8	520465D1	1	WLDMT-PLATFORM,MAIN	
9	520467D1	1	WLDMT-LADDER,SUPPORT TUBE	

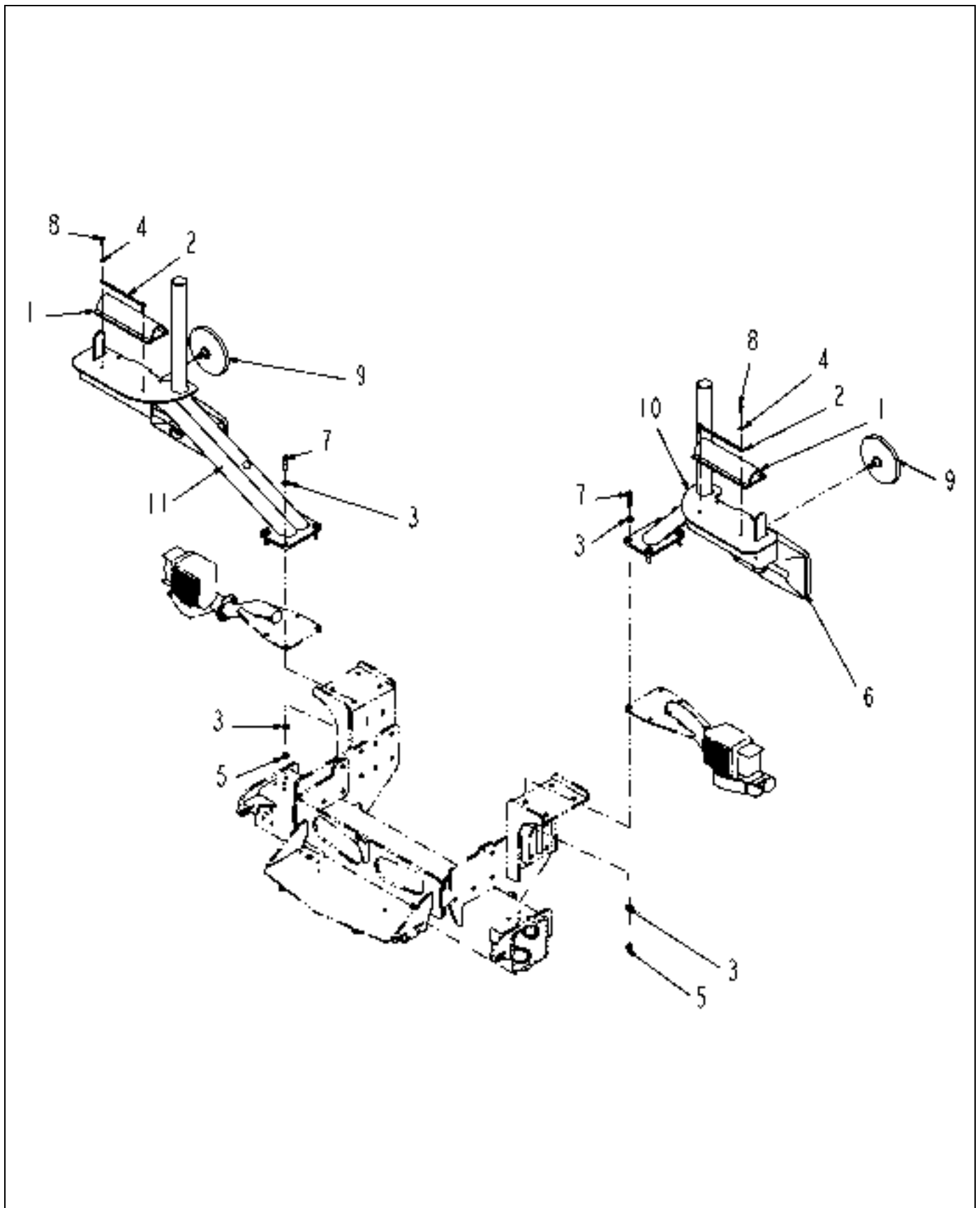
BOOMREST INSTALL-DOMESTIC



517863D1-01-R181-.TIF

BOOMREST INSTALL-DOMESTIC

ITEM	PART #	QTY	DESCRIPTION	COMMENTS
1	AG027274	4	NUT #10-24NC HEX SS REG NY	
2	WR136831	2	BUMPER-12.25,BOOM REST	
3	WR136832	4	STRAP-RETAINER,BUMPER	
4	AG327247	2	LAMP-WARNING,AMBER	
5	AG514554	16	WASHER 0.50 FL ZN SAE TYP-A G8	
6	AG515121	8	WASHER 0.25 FL SS REG TYPE-B	
7	AG520614	8	NUT-.50-13,G8,ZN,HH,C-LK	
8	AG521009	2	MIRROR-RECTANGULAR	
9	AG523814	4	SCR-10-24X2.25,PPH,SS	
10	AG561665	8	BOLT 0.50-13NCX 2.00 G8 ZN HHD	
11	AG561952	8	BOLT 0.25-20NCX 1.25 SS HHD	
12	AG562082	4	WASHER #10 FL SS REG TYPE-B	
13	AG610643	2	MIRROR-ROUND,8.00,BLK (326990)	
14	514090D1	1	WLDMT-BOOMREST,LH	
15	514096D1	1	WLDMT-BOOMREST,RH	
16	517112D1	2	PLATE-ELEC,SPACER,BOOMREST	
17	517950D1	2	HARNESS-BOOM REST	



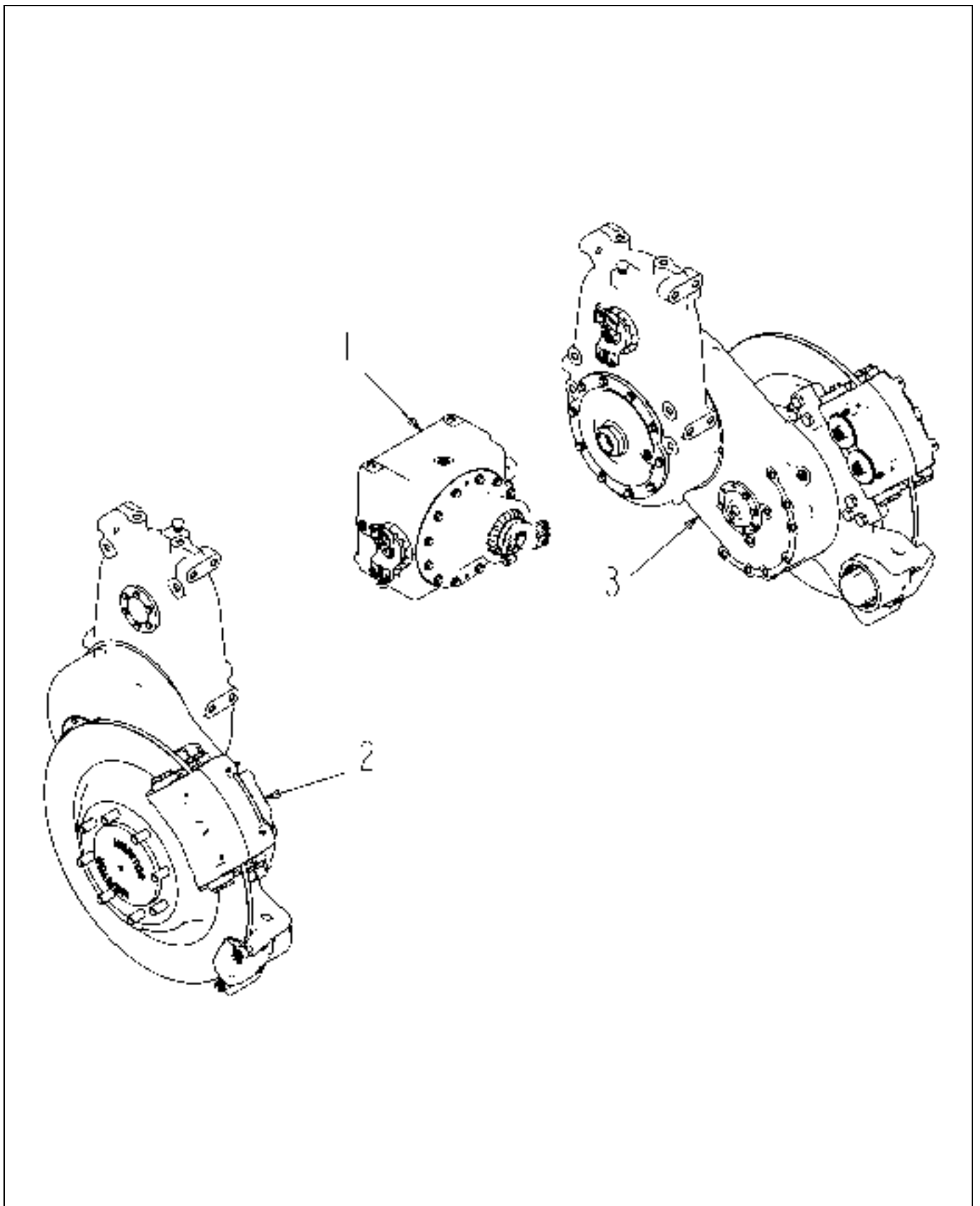
520929D1-02-R925-.TIF

BOOMREST INSTALL-EUROPE

ITEM	PART #	QTY	DESCRIPTION	COMMENTS
1	WR136831	2	BUMPER-12.25,BOOM REST	
2	WR136832	4	STRAP-RETAINER,BUMPER	
3	AG514554	16	WASHER 0.50 FL ZN SAE TYP-A G8	
4	AG515121	8	WASHER 0.25 FL SS REG TYPE-B	
5	AG520614	8	NUT-.50-13,G8,ZN,HH,C-LK	
6	AG521009	2	MIRROR-RECTANGULAR	
7	AG551244	8	BOLT.50-13NCX 2.25G5 ZN HHD	
8	AG561952	8	BOLT 0.25-20NCX 1.25 SS HHD	
9	AG610643	2	MIRROR-ROUND,8.00,BLK (326990)	
10	514090D1	1	WLDMT-BOOMREST,LH	
11	514096D1	1	WLDMT-BOOMREST,RH	

AXLE-ASM,LOW SPEED,17.8:1	4-1
CHAINCASE-ASM,LH,1.18:1	4-2
CHAINCASE-ASM,LH,1.18:1	4-3
CHAINCASE-ASM,RH,1.18:1	4-4
CHAINCASE-ASM,RH,1.18:1	4-5
BRAKE GROUP	4-6
ASSEMBLY, BRAKE DISC	4-7
BRAKE, ASM DISC	4-8
KIT, LINING	4-9
KIT, SEAL	4-10
KIT, HYDRAULIC	4-11
KIT, HARDWARE	4-12
KIT, REPAIR	4-13
CYLINDER-INSTALL,REAR AXLE,71	4-14
CARRIER-ASM,2.92:1	4-15
ASSEMBLY CENTER AXLE	4-16
ASSEMBLY CARRIER	4-17
BOLT ASM-EYE	4-18
DRIVE SHAFT W/U JOINT CAPS,NRW	4-19
STEERING UNIT INSTALL	4-20
STEERING UNIT ASM	4-21
AXLE-INSTALL,REAR,120-160	4-22
AXLE-INSTALL,REAR,120-160	4-23
AXLE-INSTALL,REAR,120-160	4-24
AXLE-INSTALL,REAR,120-160	4-25
DRIVESHAFT-W/CAPS,120-160 AXLE	4-26
AXLE-REAR,HYD,88 IN	4-27
AXLE-REAR,HYD,88 IN	4-28
AXLE-REAR,HYD,88 IN	4-29
AXLE-REAR,HYD,88 IN	4-30
AXLE-REAR,120 IN -160 IN ,HYDRAULIC	4-31
AXLE-REAR,120 IN -160 IN ,HYDRAULIC	4-32
AXLE-REAR,120 IN -160 IN ,HYDRAULIC	4-33
AXLE-REAR,120 IN -160 IN ,HYDRAULIC	4-34
DRIVESHAFT-6C TELESCOPING	4-35
AXLE-REAR,SPRING,88 IN	4-36
AXLE-REAR,SPRING,88 IN	4-37
AXLE-REAR,SPRING,88 IN	4-38
AXLE-REAR,SPRING,88 IN	4-39
DRIVESHAFT-W/CAPS,88 IN -128 IN	4-40
AXLE-FRONT,88 IN -120 IN	4-41
AXLE-FRONT,88 IN -120 IN	4-42
AXLE-FRONT,88 IN -120 IN	4-43
AXLE-FRONT,88 IN -120 IN	4-44
AXLE-FRONT,88 IN -120 IN	4-45
AXLE-FRONT,120 IN -160 IN	4-46
AXLE-FRONT,120 IN -160 IN	4-47
AXLE-FRONT,120 IN -160 IN	4-48
AXLE-FRONT,120 IN -160 IN	4-49
AXLE-FRONT,120 IN -160 IN	4-50
ASSEMBLY-FRAME,7X50,NO OSC.	4-51
ASSEMBLY-FRAME,7X50,NO OSC.	4-52
ASSEMBLY-FRAME,7X50,NO OSC.	4-53
HUB/SPINDLE-10 STUD,11.25 B.C.	4-54

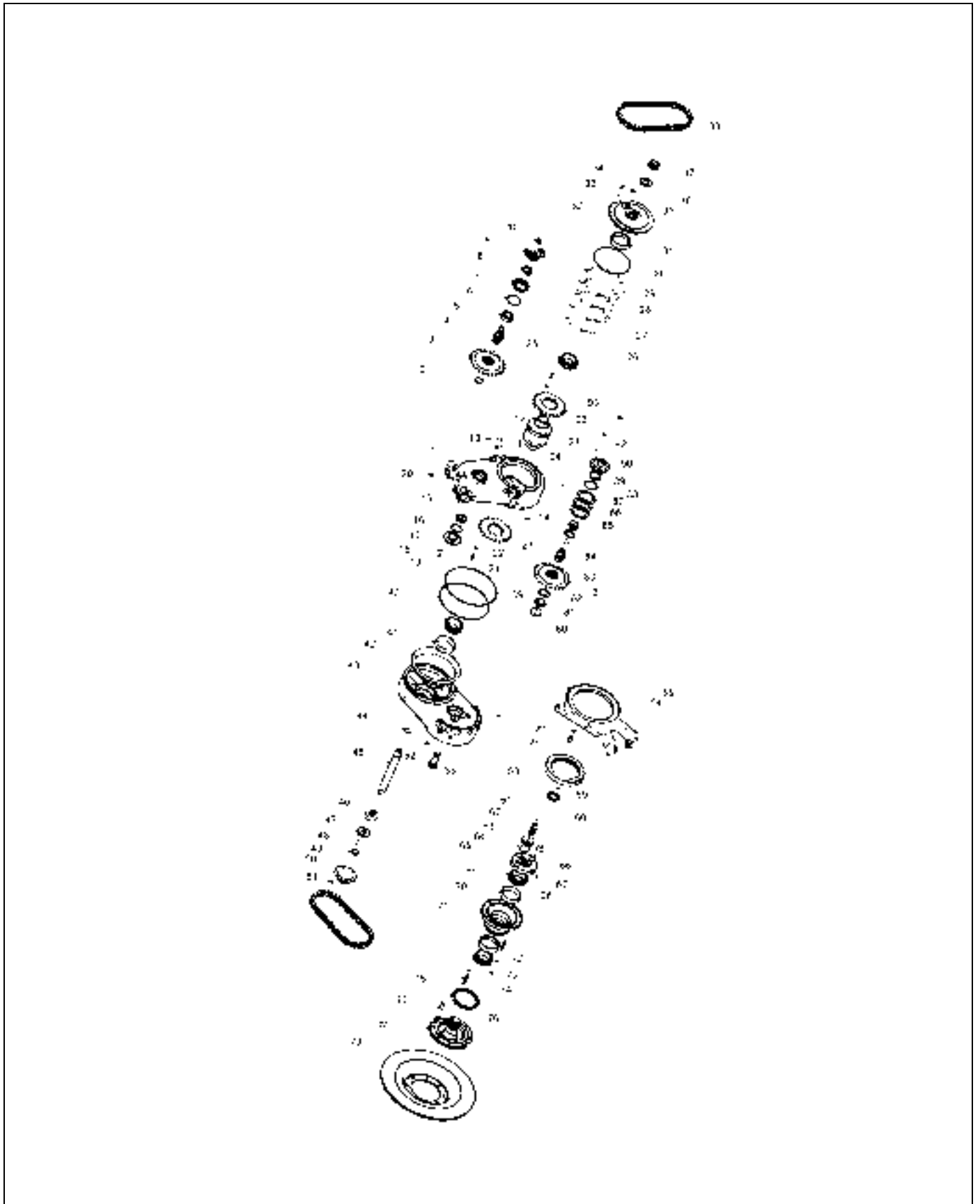
AXLE-REAR,SPRING,71 IN	4-55
AXLE-REAR,SPRING,71 IN	4-56
AXLE-REAR,SPRING,71 IN	4-57
AXLE-REAR,SPRING,71 IN	4-58
AXLE-REAR,HYDRAULIC,71 IN	4-59
AXLE-REAR,HYDRAULIC,71 IN	4-60
AXLE-REAR,HYDRAULIC,71 IN	4-61
AXLE-REAR,HYDRAULIC,71 IN	4-62



129724-A.TIF

AXLE-ASM,LOW SPEED,17.8:1

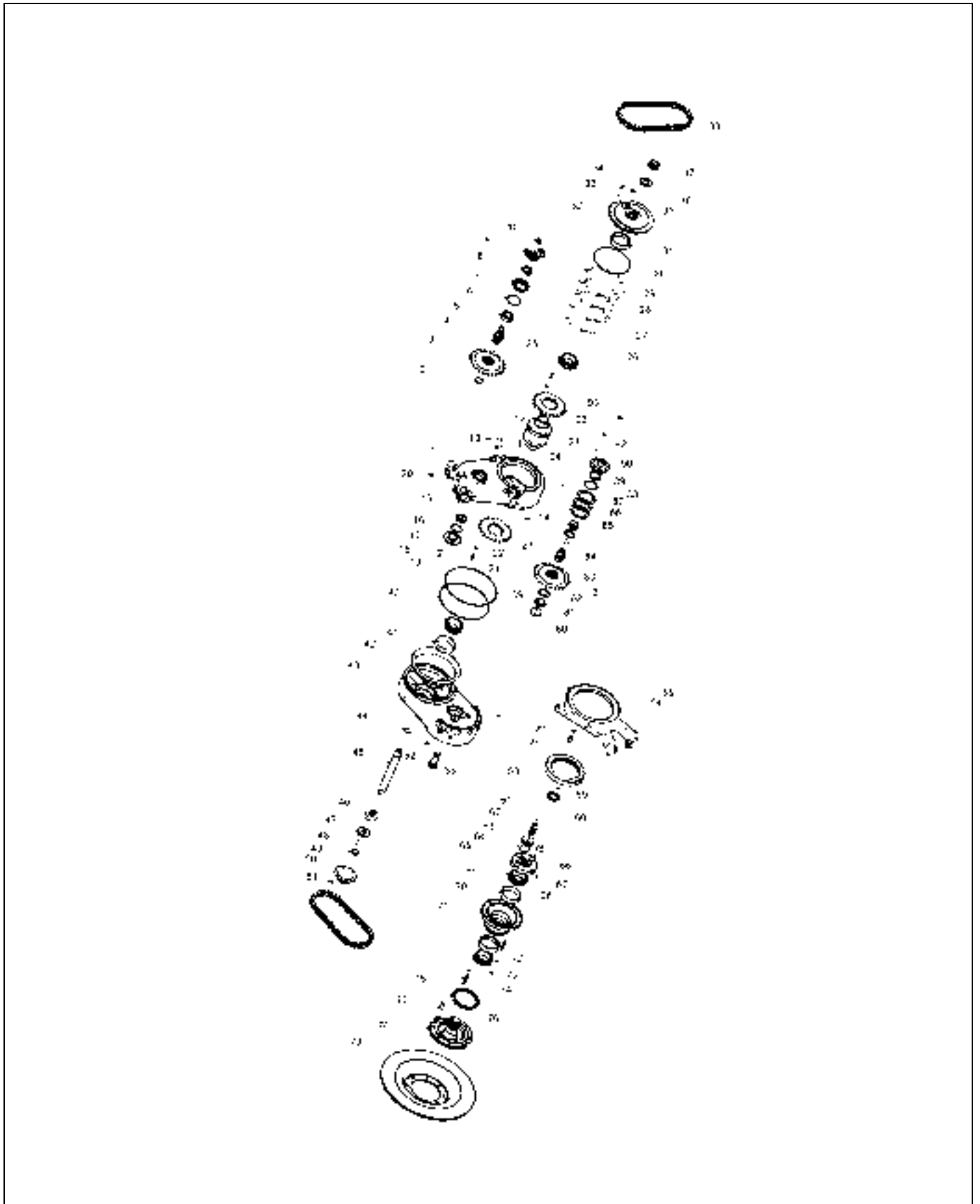
ITEM	PART #	QTY	DESCRIPTION	COMMENTS
1	WR129725	1	CARRIER-ASM,2.92:1	SEE PAGE 4-15
2	WR129726	1	CHAINCASE-ASM,LH,R/B522022D1	SEE PAGE 4-2
3	WR129727	1	CHAINCASE-ASM,RH,R/B522020D1	SEE PAGE 4-4



129726.TIF

CHAINCASE-ASM,LH,1.18:1

ITEM	PART #	QTY	DESCRIPTION	COMMENTS
REF	WR131980	-	BRAKE GROUP	SEE PAGE 4-6
REF	WR131981	-	BRAKE, ASM DISC	SEE PAGE 4-8
REF	AG330668	1	STUD/WHEEL END	
1	WR131830	1	CASE, TRANSFER	
2	WR131831	1	RING, SNAP	
3	WR131913	1	SPROCKET, 23 TOOTH	
3	WR131832	1	SPROCKET, 25 TOOTH	
4	WR131890	4	WASHER, THRUST	
4	WR131833	1	SHAFT, INPUT	
5	WR131834	1	BEARING	
6	WR131835	1	O-RING	
7	WR131836	1	CAGE PINION	
8	WR131837	1	SEAL	
9	WR131838	1	YOKE, INPUT	
10	WR131839	1	NUT, LOCK	
11	WR131840	1	LOCK	
12	WR131841	1	SCREW	
13	WR131842	1	FITTING, GREASE	
14	WR131843	1	FITTING, RELIEF	
15	WR131844	1	BEARING	
16	WR131845	1	O-RING	
17	WR131846	1	COVER	
18	WR131847	6	WASHER, HARDENED	
19	WR131848	6	SCREW	
20	AG132723	1	BREATHER	
20	WR131850	1	PLUG	
21	AG726892	20	CAPSCREW	
22	WR131852	30	WASHER, FLAT	
23	WR131914	1	SPROCKET, 25 TOOTH	
23	WR131853	1	SPROCKET, 23 TOOTH	
24	WR131854	1	SHAFT	
25	WR131855	2	BEARING	
26	WR131856	-	SHIM, .010	
27	WR131857	-	SHIM .004	
28	WR131858	-	SHIM .002	
29	WR131859	-	SHIM .020	
30	WR131860	1	O-RING	
31	WR131861	2	CUP, BEARING	
32	WR131862	1	CAGE, ASM BEARING	
34	WR131863	10	SCREW	
35	AG705830	1	PLUG LEVEL	
36	WR131864	1	WASHER, FLAT	
37	WR131865	1	NUT, LOCK	
38	WR131866	2	CHAIN, ASM DRIVE	
39	WR131867	1	O-RING	
40	WR131868	1	SEAL	
42	WR131869	1	BUSHING	
43	WR131870	1	CASE, ASM TRANSFER	
44	WR131871	1	O-RING	
45	WR131872	1	SHAFT, PINION	
46	AG131873	1	BEARING, THRUST	
47	WR131874	1	WASHER, FLAT	
	FOOTNOTE		ITEM 63: ROLLER. FOR THE 7000 SPRA-COUPE, THIS ROLLER IS USED IN 4 DIFFERENT BEARINGS IN EACH CHAINCASE AND EACH BEARING CONTAINS 29 OF THESE ROLLERS.	



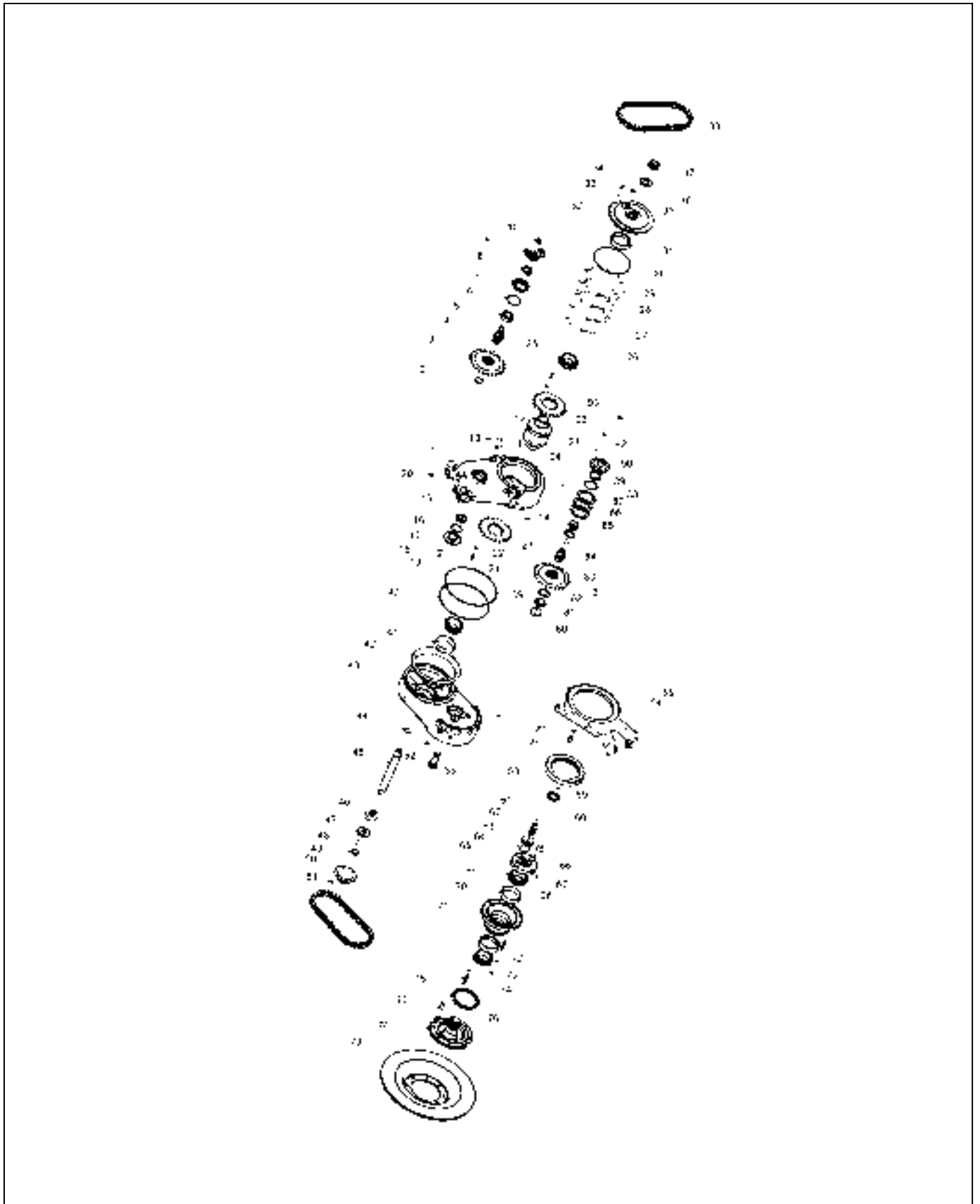
129726.TIF

CHAINCASE-ASM,LH,1.18:1

ITEM	PART #	QTY	DESCRIPTION	COMMENTS
48	AG713825	1	WASHER BEVEL PINION NUT	
49	AG713834	1	NUT BEVEL PINION	
50	WR131876	1	CAP, HUB	
51	WR131877	6	SCREW	
52	AG707658	3	PLUG PLANETARY OIL LEVER .75	
53	WR131878	1	GEAR, SUN R/B 522761D1	
54	WR131879	1	ADAPTER, BRAKE LH	
55	WR131880	1	ADAPTER, BRAKE RH	
56	WR131881	10	WASHER, HARDENED	
57	WR131882	10	SCREW	
58	WR131883	1	GEAR, RING	
59	WR131884	1	SCREW, SPECIAL	
60	WR131885	1	NUT, WHEEL BRG	
61	WR131886	2	RING, SNAP	
62	WR131887	2	WASHER, THRUST	
63	WR131888	116	ROLLER	
64	WR131889	4	PINION, PLANET	
66	WR131891	4	SHAFT, PINION PLANET	
67	WR131892	1	SPIDER, ASM PLANET	
68	WR131893	4	SCREW SET	
71	WR131895	1	CAGE, ASM BEARING	
72	WR131915	4	STUD	
74	WR131897	2	NUT LOCK	
75	WR131898	14	SCREW	
76	WR131899	1	SEAL, ASM	
77	WR131900	4	STUD, WHEEL	
78	WR131901	1	SHAFT, OUTPUT PLANET	
78	WR131902	1	SHAFT, OUTPUT ASM	
78	WR131903	1	SHAFT, OUTPUT ASM	
79	WR131904	1	DISC, BRAKE	
80	AG714471	1	CONE TAPER BRG	
81	AG714472	2	CONE TAPER BRG	
82	WR131905	2	WASHER, HARDENED	
83	WR131906	1	SHAFT, OUTPUT	
84	WR131907	1	RING, SNAP	
85	WR131908	-	SHIM .020	
86	WR131909	-	SHIM .004	
87	WR131910	-	SHIM .010	
88	WR131911	1	O-RING	
90	WR131912	1	CAGE, BRG ASM	

FOOTNOTE

ITEM 63: ROLLER. FOR THE 7000 SPRA-COUPE, THIS ROLLER IS USED IN 4 DIFFERENT BEARINGS IN EACH CHAINCASE AND EACH BEARING CONTAINS 29 OF THESE ROLLERS.



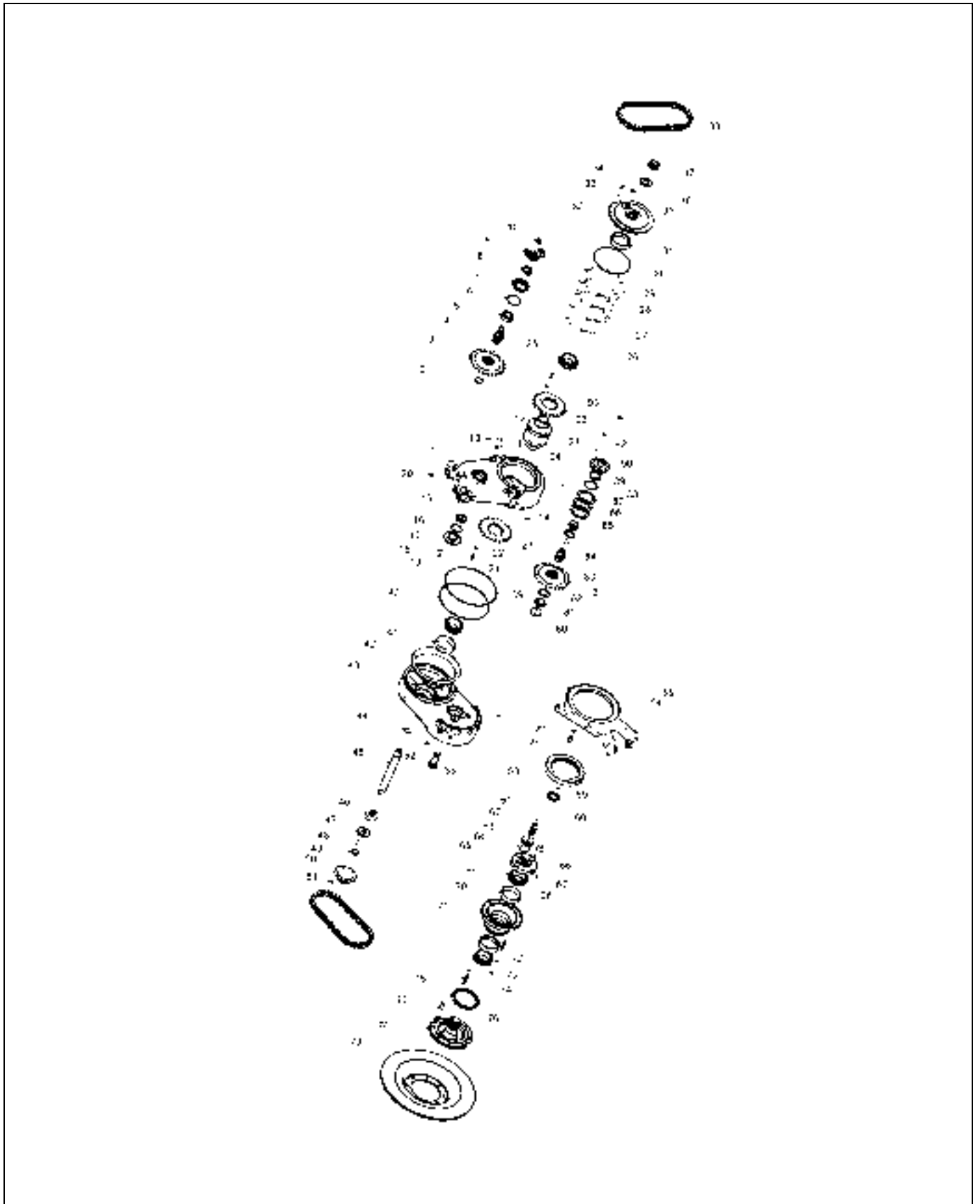
129727.TIF

CHAINCASE-ASM,RH,1.18:1

ITEM	PART #	QTY	DESCRIPTION	COMMENTS
REF	WR131980	-	BRAKE GROUP	SEE PAGE 4-6
REF	WR131981	-	BRAKE, ASM DISC	SEE PAGE 4-8
REF	AG330668	1	STUD/WHEEL END	
1	WR131830	1	CASE, TRANSFER	
2	WR131831	1	RING, SNAP	
3	WR131913	1	SPROCKET, 23 TOOTH	
3	WR131832	1	SPROCKET, 25 TOOTH	
4	WR131890	4	WASHER, THRUST	
4	WR131833	1	SHAFT, INPUT	
5	WR131834	1	BEARING	
6	WR131835	1	O-RING	
7	WR131836	1	CAGE PINION	
8	WR131837	1	SEAL	
9	WR131838	1	YOKE, INPUT	
10	WR131839	1	NUT, LOCK	
11	WR131840	1	LOCK	
12	WR131841	1	SCREW	
13	WR131842	1	FITTING, GREASE	
14	WR131843	1	FITTING, RELIEF	
15	WR131844	1	BEARING	
16	WR131845	1	O-RING	
17	WR131846	1	COVER	
18	WR131847	6	WASHER, HARDENED	
19	WR131848	6	SCREW	
20	AG132723	1	BREATHER	
20	WR131850	1	PLUG	
21	AG726892	20	CAPSCREW	
22	WR131852	30	WASHER, FLAT	
23	WR131914	1	SPROCKET, 25 TOOTH	
23	WR131853	1	SPROCKET, 23 TOOTH	
24	WR131854	1	SHAFT	
25	WR131855	2	BEARING	
26	WR131856	-	SHIM, .010	
27	WR131857	-	SHIM .004	
28	WR131858	-	SHIM .002	
29	WR131859	-	SHIM .020	
30	WR131860	1	O-RING	
31	WR131861	2	CUP, BEARING	
32	WR131862	1	CAGE, ASM BEARING	
34	WR131863	10	SCREW	
35	AG705830	1	PLUG LEVEL	
36	WR131864	1	WASHER, FLAT	
37	WR131865	1	NUT, LOCK	
38	WR131866	2	CHAIN, ASM DRIVE	
39	WR131867	1	O-RING	
40	WR131868	1	SEAL	
42	WR131869	1	BUSHING	
43	WR131870	1	CASE, ASM TRANSFER	
44	WR131871	1	O-RING	
45	WR131872	1	SHAFT, PINION	
46	AG131873	1	BEARING, THRUST	
47	WR131874	1	WASHER, FLAT	

FOOTNOTE

ITEM 63: ROLLER. FOR THE 7000 SPRA-COUPE, THIS ROLLER IS USED IN 4 DIFFERENT BEARINGS IN EACH CHAINCASE AND EACH BEARING CONTAINS 29 OF THESE ROLLERS.



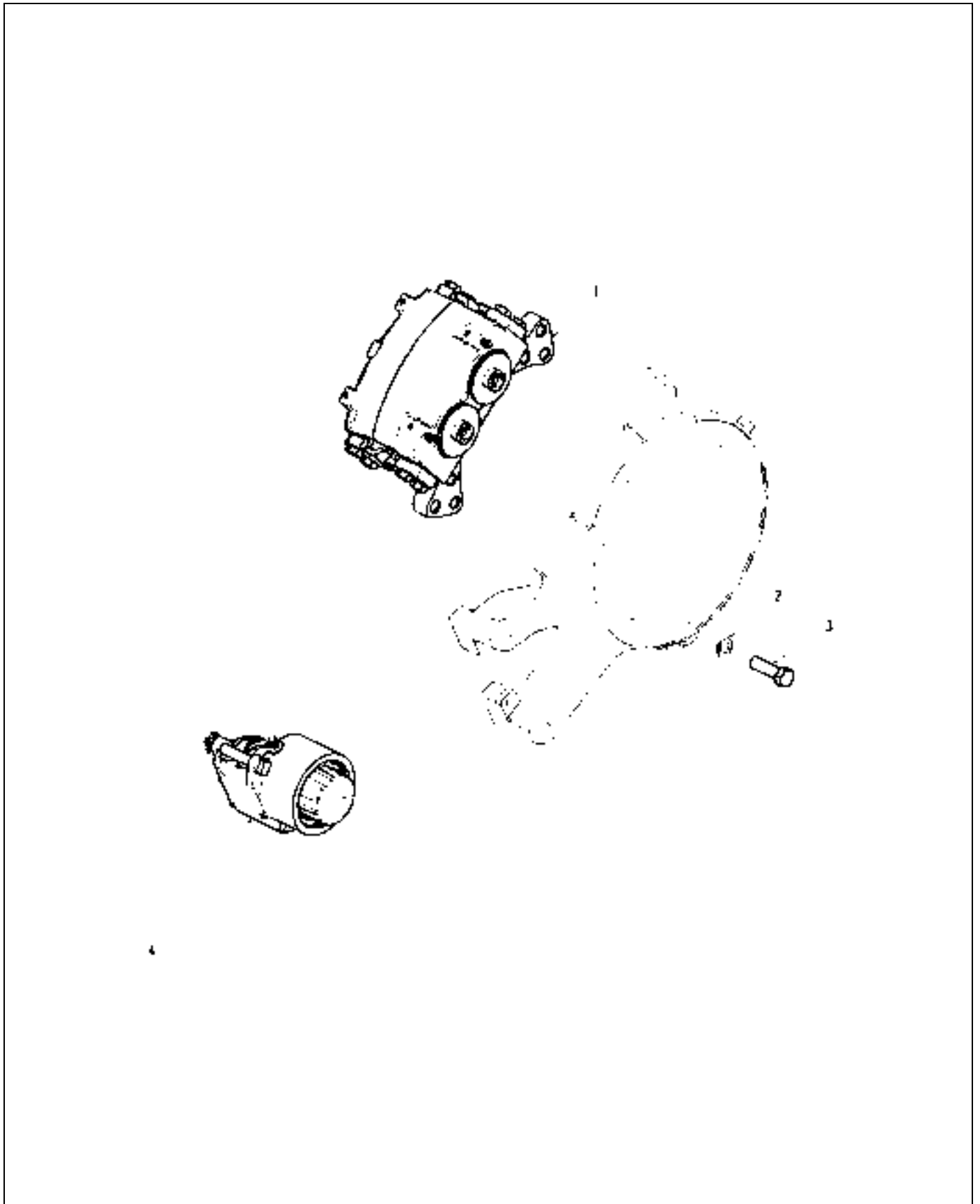
129727.TIF

CHAINCASE-ASM,RH,1.18:1

ITEM	PART #	QTY	DESCRIPTION	COMMENTS
48	AG713825	1	WASHER BEVEL PINION NUT	
49	AG713834	1	NUT BEVEL PINION	
50	WR131876	1	CAP, HUB	
51	WR131877	6	SCREW	
52	AG707658	3	PLUG PLANETARY OIL LEVER .75	
53	WR131878	1	GEAR, SUN R/B 522761D1	
54	WR131879	1	ADAPTER, BRAKE LH	
55	WR131880	1	ADAPTER, BRAKE RH	
56	WR131881	10	WASHER, HARDENED	
57	WR131882	10	SCREW	
58	WR131883	1	GEAR, RING	
59	WR131884	1	SCREW, SPECIAL	
60	WR131885	1	NUT, WHEEL BRG	
61	WR131886	2	RING, SNAP	
62	WR131887	2	WASHER, THRUST	
63	WR131888	116	ROLLER	
64	WR131889	4	PINION, PLANET	
66	WR131891	4	SHAFT, PINION PLANET	
67	WR131892	1	SPIDER, ASM PLANET	
68	WR131893	4	SCREW SET	
71	WR131895	1	CAGE, ASM BEARING	
72	WR131915	4	STUD	
74	WR131897	2	NUT LOCK	
75	WR131898	14	SCREW	
76	WR131899	1	SEAL, ASM	
77	WR131900	4	STUD, WHEEL	
78	WR131901	1	SHAFT, OUTPUT PLANET	
78	WR131902	1	SHAFT, OUTPUT ASM	
78	WR131903	1	SHAFT, OUTPUT ASM	
79	WR131904	1	DISC, BRAKE	
80	AG714471	1	CONE TAPER BRG	
81	AG714472	2	CONE TAPER BRG	
82	WR131905	2	WASHER, HARDENED	
83	WR131906	1	SHAFT, OUTPUT	
84	WR131907	1	RING, SNAP	
85	WR131908	-	SHIM .020	
86	WR131909	-	SHIM .004	
87	WR131910	-	SHIM .010	
88	WR131911	1	O-RING	
90	WR131912	1	CAGE, BRG ASM	

FOOTNOTE

ITEM 63: ROLLER. FOR THE 7000 SPRA-COUPE, THIS ROLLER IS USED IN 4 DIFFERENT BEARINGS IN EACH CHAINCASE AND EACH BEARING CONTAINS 29 OF THESE ROLLERS.

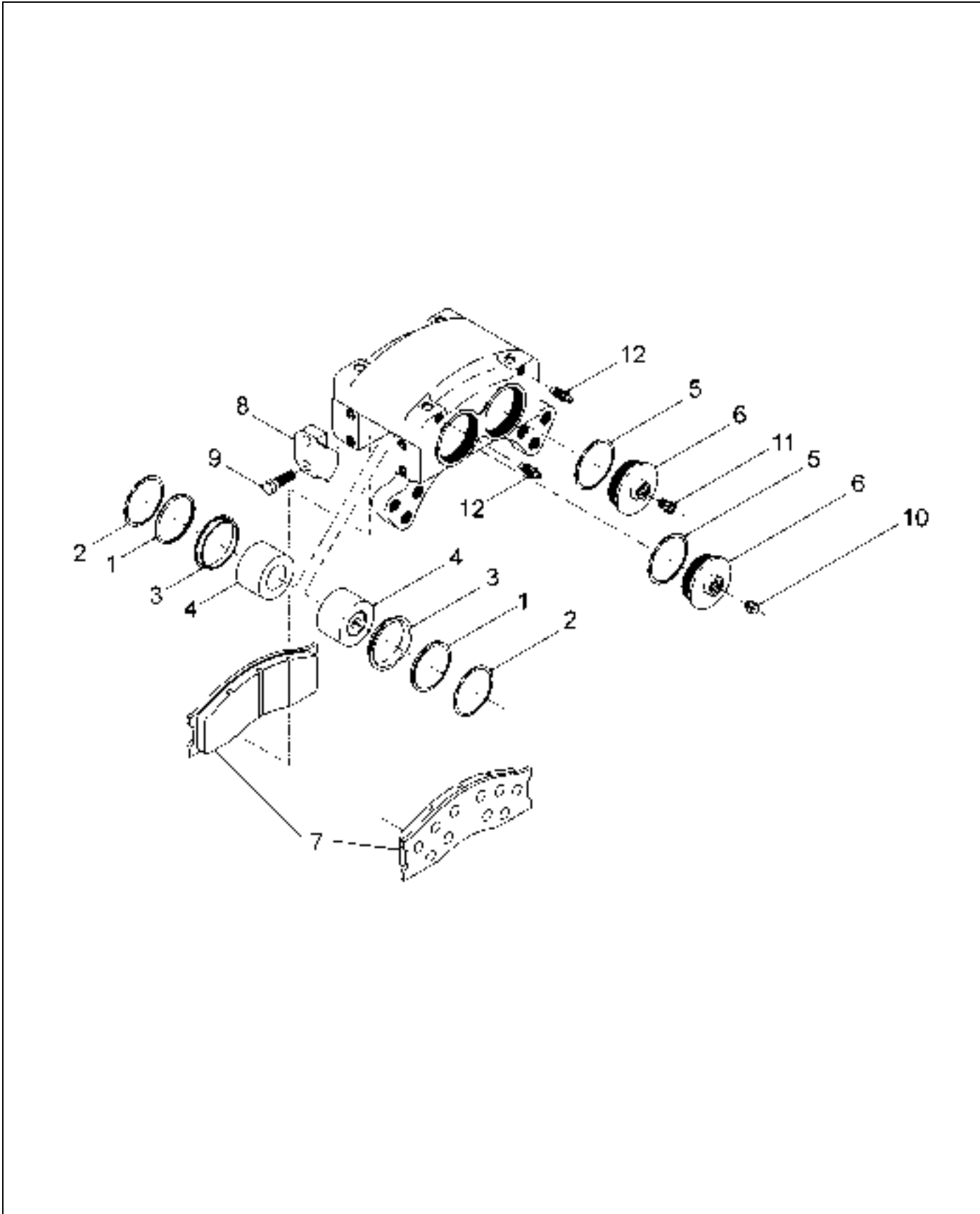


131980.TIF

BRAKE GROUP

ITEM	PART #	QTY	DESCRIPTION	COMMENTS
REF	WR131951	4	CAP, BLEED SCREW	
1	WR131947	2	ASSEMBLY, BRAKE DISC	SEE PAGE 4-7
2	AG705968	12	WASHER 0.75X1.25X0.12	
3	WR131948	12	SCREW	
4	WR131949	1	BRAKE, ASM LH	
4	WR131950	1	BRAKE, ASM RH	

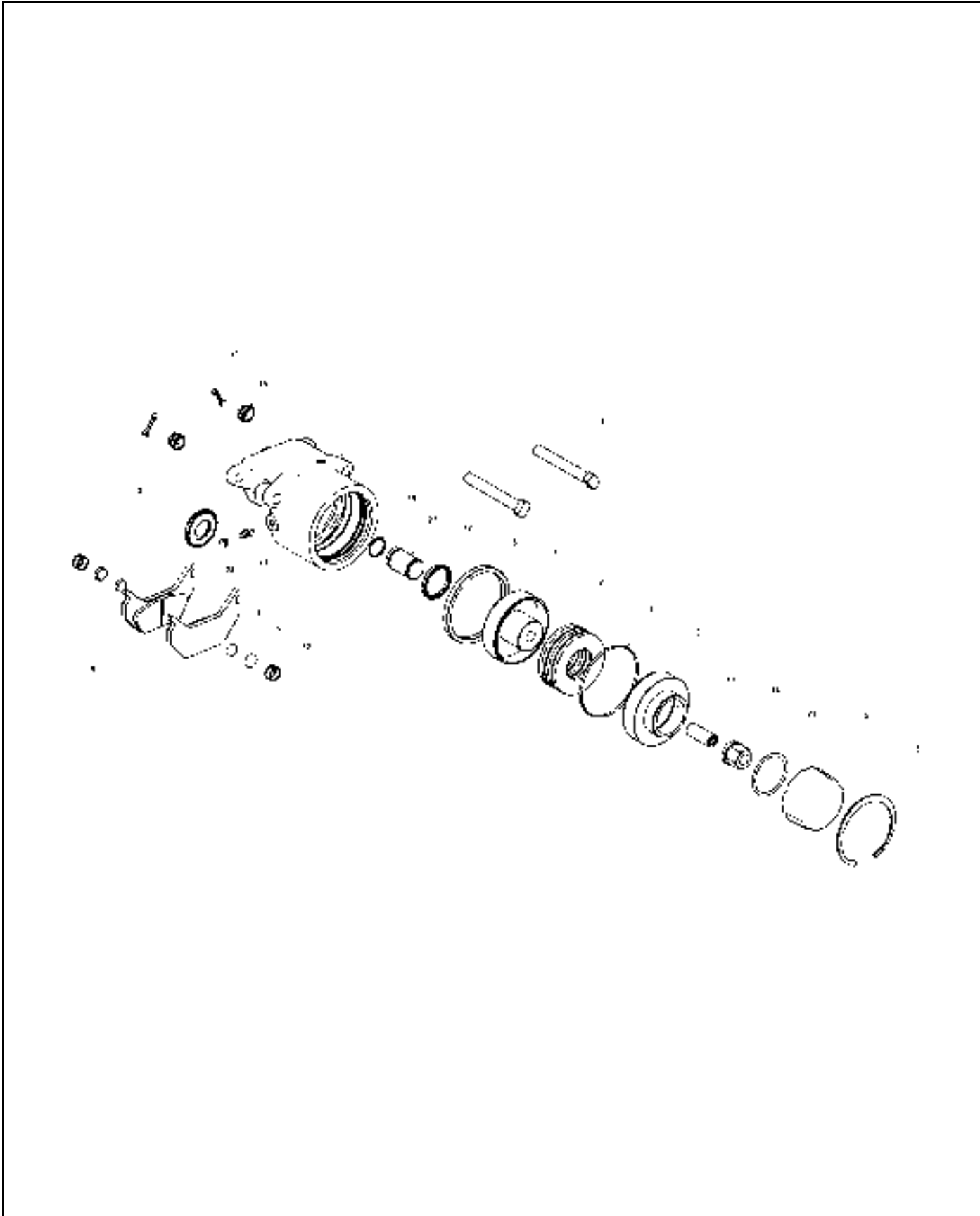
ASSEMBLY, BRAKE DISC



131947.TIF

ASSEMBLY, BRAKE DISC

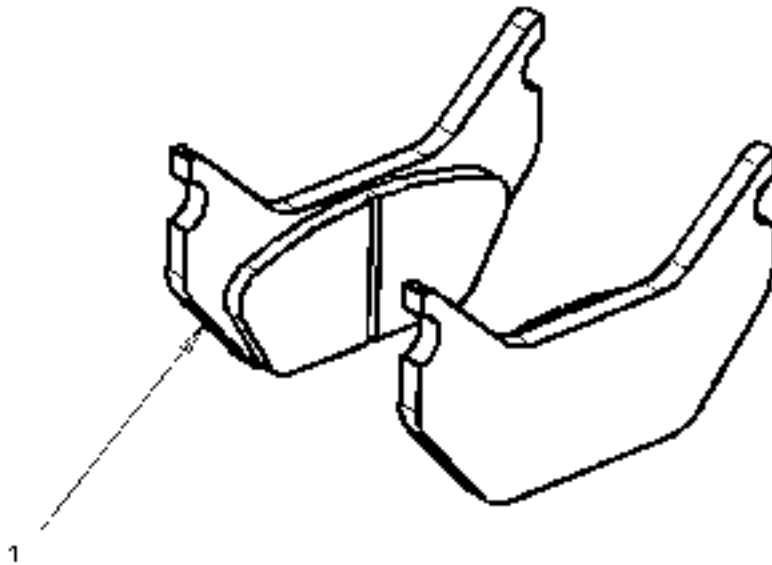
ITEM	PART #	QTY	DESCRIPTION	COMMENTS
REF	AG330527	1	KIT/OVERHAUL BRAKE	
REF	AG330526	1	SHOE/BRAKE KIT	
REF	WR139407	4	FITTING ASY/BRAKE	
REF	WR139408	1	HOUSING/BRAKE, FIN.	
6	WR139414	2	CAP, FIN.	
8	WR139416	4	PLATE, FIN.	
9	WR139417	8	BOLT/CAPSCREW	
10	WR139418	1	PLUG	
11	WR139419	1	PROTECTOR/SHIPPING	
	FOOTNOTE		ITEMS 1 - 5 and 12 ARE NOT AVAILABLE INDIVIDUALLY BUT ARE INCLUDED IN THE AG330527 OVERHAUL KIT.	
	FOOTNOTE		AG330527 OVERHAUL KIT INCLUDES ITEMS 1 - 5, 7 AND 12.	
	FOOTNOTE		AG330526 SHOE/BRAKE, LINING ASSY	



131981.TIF

BRAKE, ASM DISC

ITEM	PART #	QTY	DESCRIPTION	COMMENTS
REF	WR131973	-	KIT, SEAL	SEE PAGE 4-10
REF	WR131972	-	KIT, LINING	SEE PAGE 4-9
REF	WR131974	-	KIT, HYD	SEE PAGE 4-11
REF	WR131976	-	KIT, REPAIR	SEE PAGE 4-13
REF	WR131975	-	KIT, HARDWARE	SEE PAGE 4-12
2	WR131952	1	RING, RETAINER	
3	WR131953	1	PAD, THRUST	
4	WR131954	1	PISTON	
5	WR131955	1	SCREW	
6	WR131956	2	PIN, SLIDE	
8	WR131957	2	CAP, DUST	
9	WR131958	1	PAD, BRAKE	
12	WR131959	1	CUP, SEAL	
13	WR131960	1	CUP, SEAL	
14	WR131961	1	SCREW, GRUB	
15	WR131962	1	NUT, LOCK	
16	WR131963	2	NUT, CASTLE	
17	WR131964	2	PIN, COTTER	
18	WR131965	1	O-RING	
19	WR131966	1	O-RING	
20	WR131967	1	O-RING	
21	WR131968	6	SPRING, DISC	
22	WR131969	1	COUPLING, FORCE BOLT	
23	WR131970	1	SCREW, BLEED	
24	WR131971	1	CAP, DUST	
	FOOTNOTE		ITEM 1 CANNOT BE PURCHASED INDIVIDUALLY BUT IS INCLUDED IN THE BRAKE ASSEMBLY.	
	FOOTNOTE		ITEMS 7, 10 AND 11 CANNOT BE PURCHASED INDIVIDUALLY.	

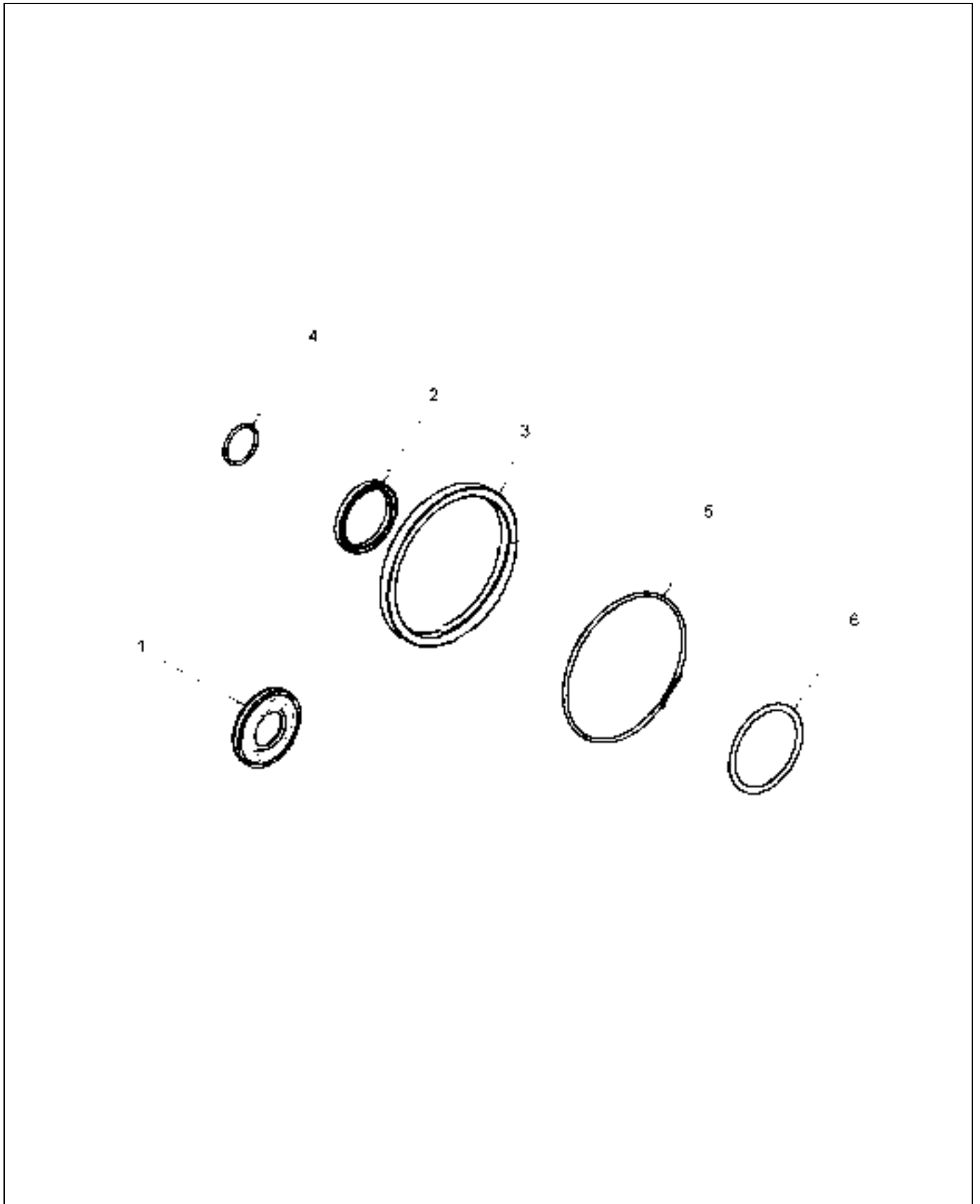


131972.TIF

KIT, LINING

ITEM	PART #	QTY	DESCRIPTION	COMMENTS
1	WR131958	2	PAD, BRAKE	

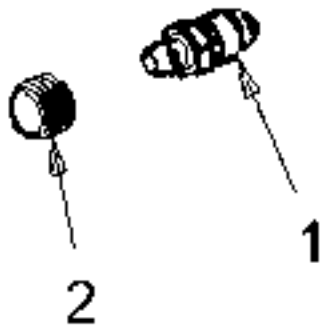
KIT, SEAL



131973.TIF

KIT, SEAL

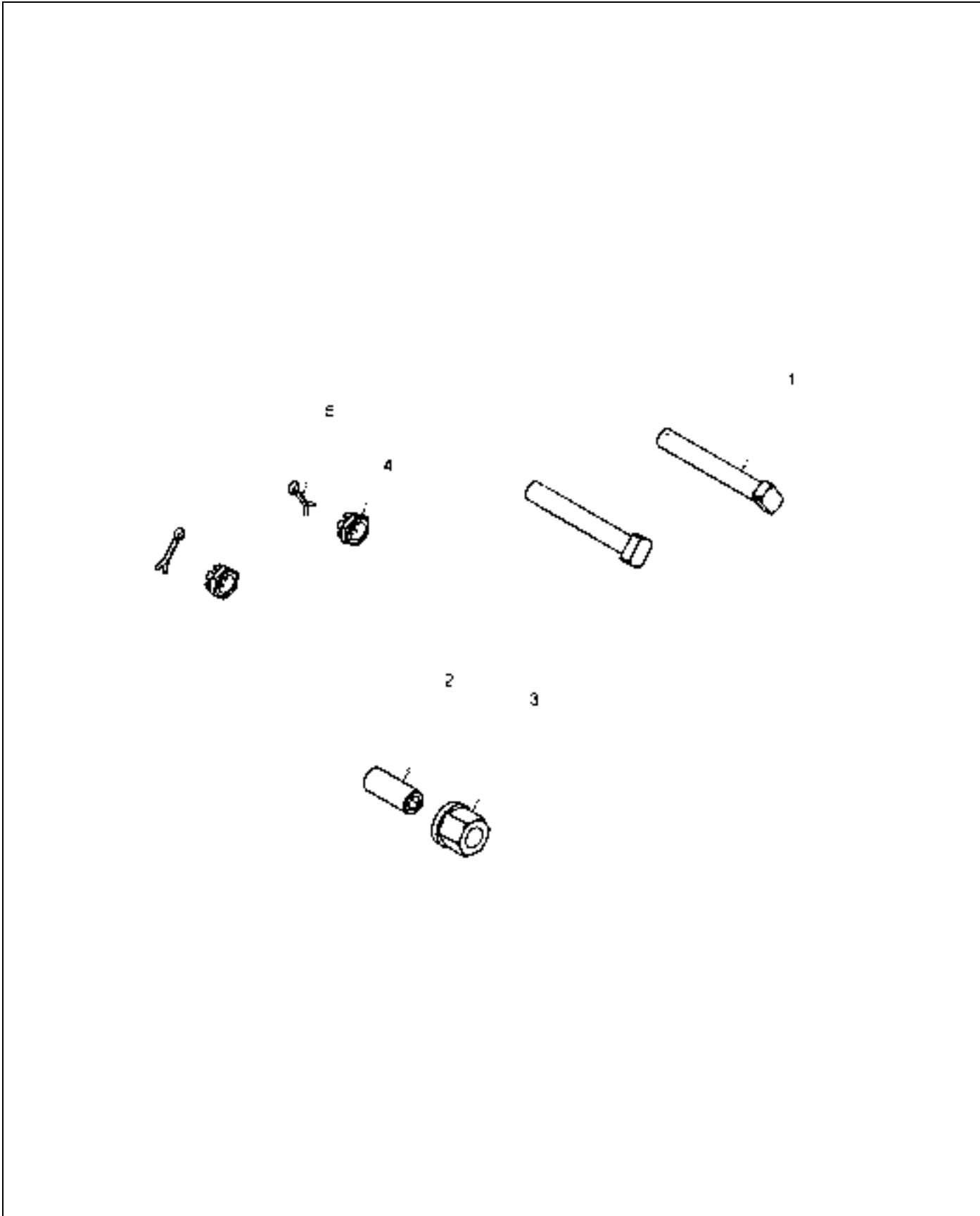
ITEM	PART #	QTY	DESCRIPTION	COMMENTS
1	WR131957	1	CAP, DUST	
2	WR131959	1	CUP, SEAL	
3	WR131960	1	CUP, SEAL	
4	WR131965	1	O-RING	
5	WR131966	1	O-RING	
6	WR131967	1	O-RING	



131974.TIF

KIT, HYDRAULIC

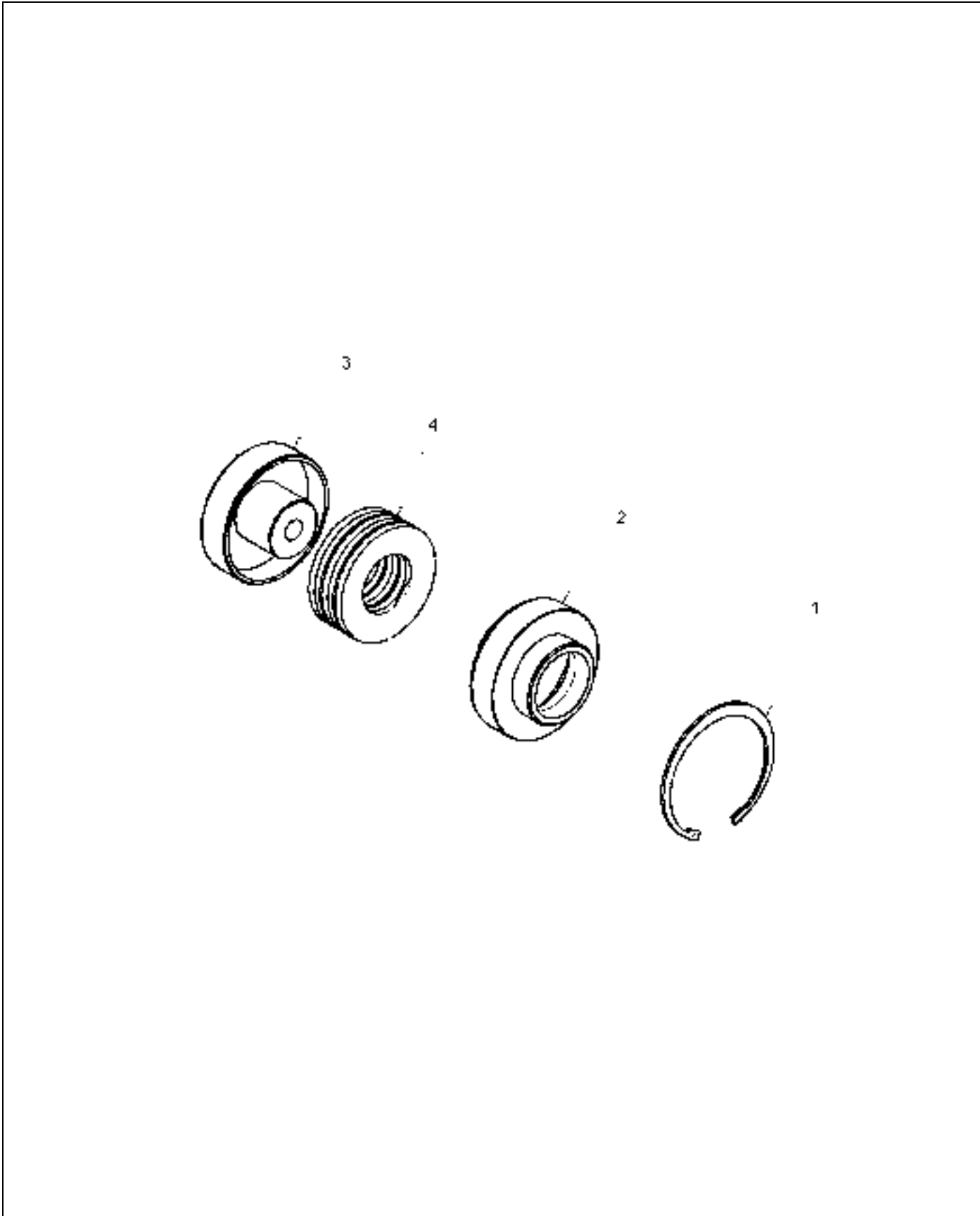
ITEM	PART #	QTY	DESCRIPTION	COMMENTS
1	WR131970	1	SCREW, BLEED	
2	WR131971	1	CAP, DUST	



131975.TIF

KIT, HARDWARE

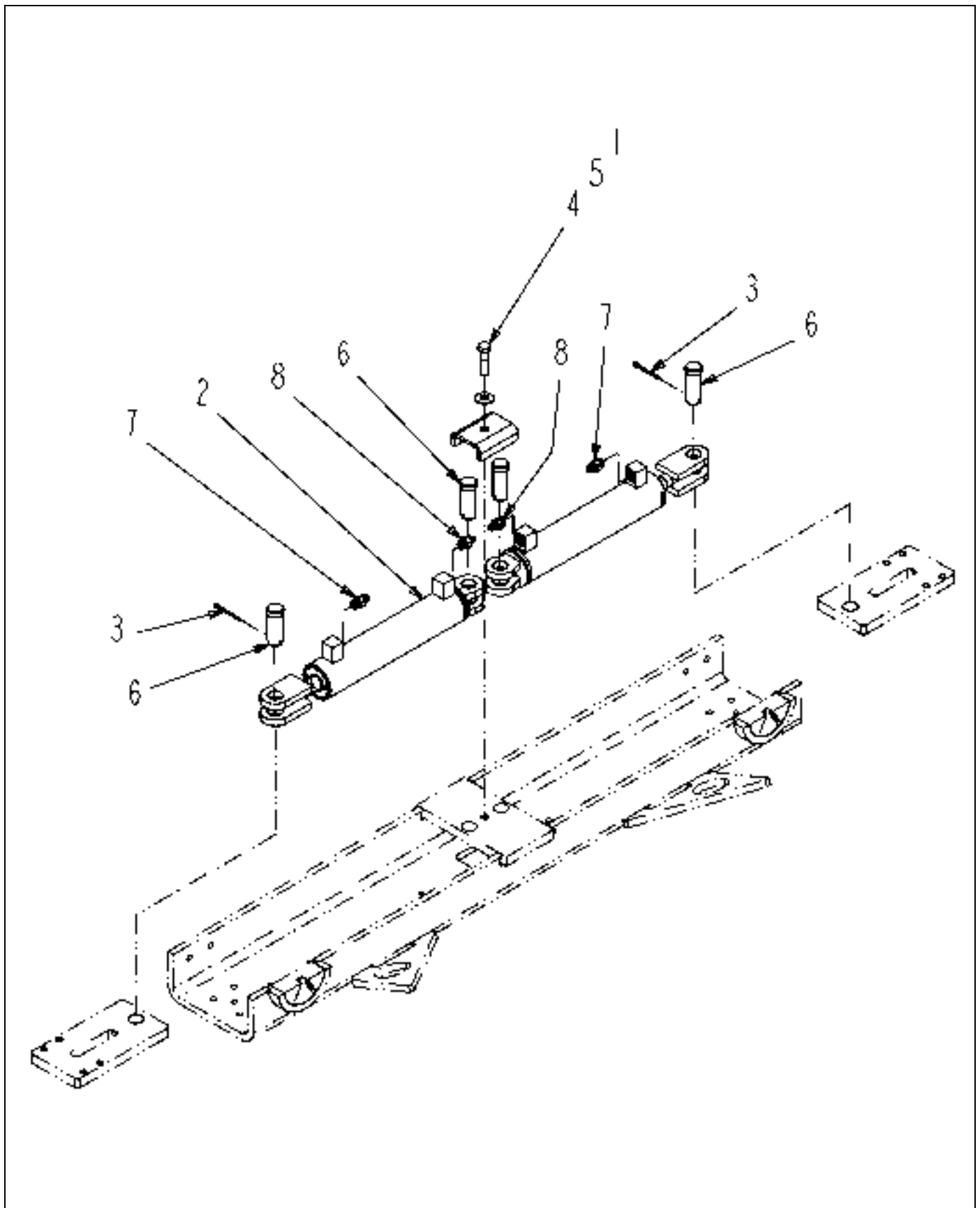
ITEM	PART #	QTY	DESCRIPTION	COMMENTS
1	WR131956	2	PIN, SLIDE	
2	WR131961	1	SCREW, GRUB	
3	WR131962	1	NUT, LOCK	
4	WR131963	2	NUT, CASTLE	
5	WR131964	2	PIN, COTTER	



131976.TIF

KIT, REPAIR

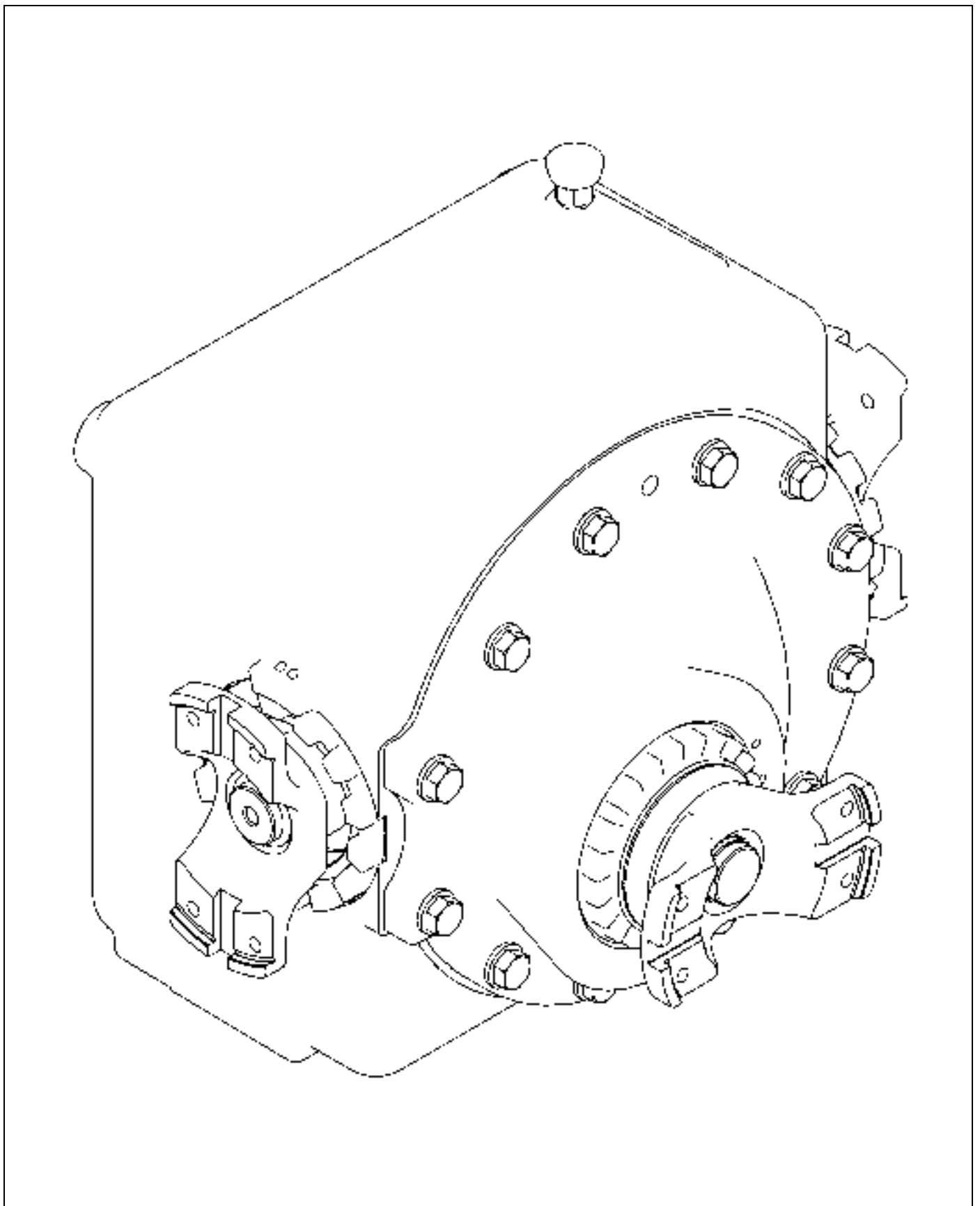
ITEM	PART #	QTY	DESCRIPTION	COMMENTS
1	WR131952	1	RING, RETAINER	
2	WR131953	1	PAD, THRUST	
3	WR131954	1	PISTON	
4	WR131968	6	SPRING, DISC	



520822D1-01-R549-.TIF

CYLINDER-INSTALL,REAR AXLE,71

ITEM	PART #	QTY	DESCRIPTION	COMMENTS
1	WR127015	1	CLAMP	
2	WR128661	2	CYLINDER-HYD,725 REAR TRK NRW	SEE PAGE 6-5
3	AG515352	2	PIN COTTER 0.18X2.00 SS	
4	AG550132	1	BOLT .50-13NCX 2 G5 ZN HHD	
5	AG550353	1	WASHER 0.50 FL ZN REG TYPE-B	
6	AG554022	4	PIN CLEVIS 1.00X2.50 ZN	
7	AG560693	2	ADAP STR 0.37MO-R X 0.37MJIC	SEE PAGE 6-104
8	AG561744	2	ADAP STR 0.37MO-R X 0.25MJIC	[A]
	FOOTNOTE [A]		AG713166 O-RING	

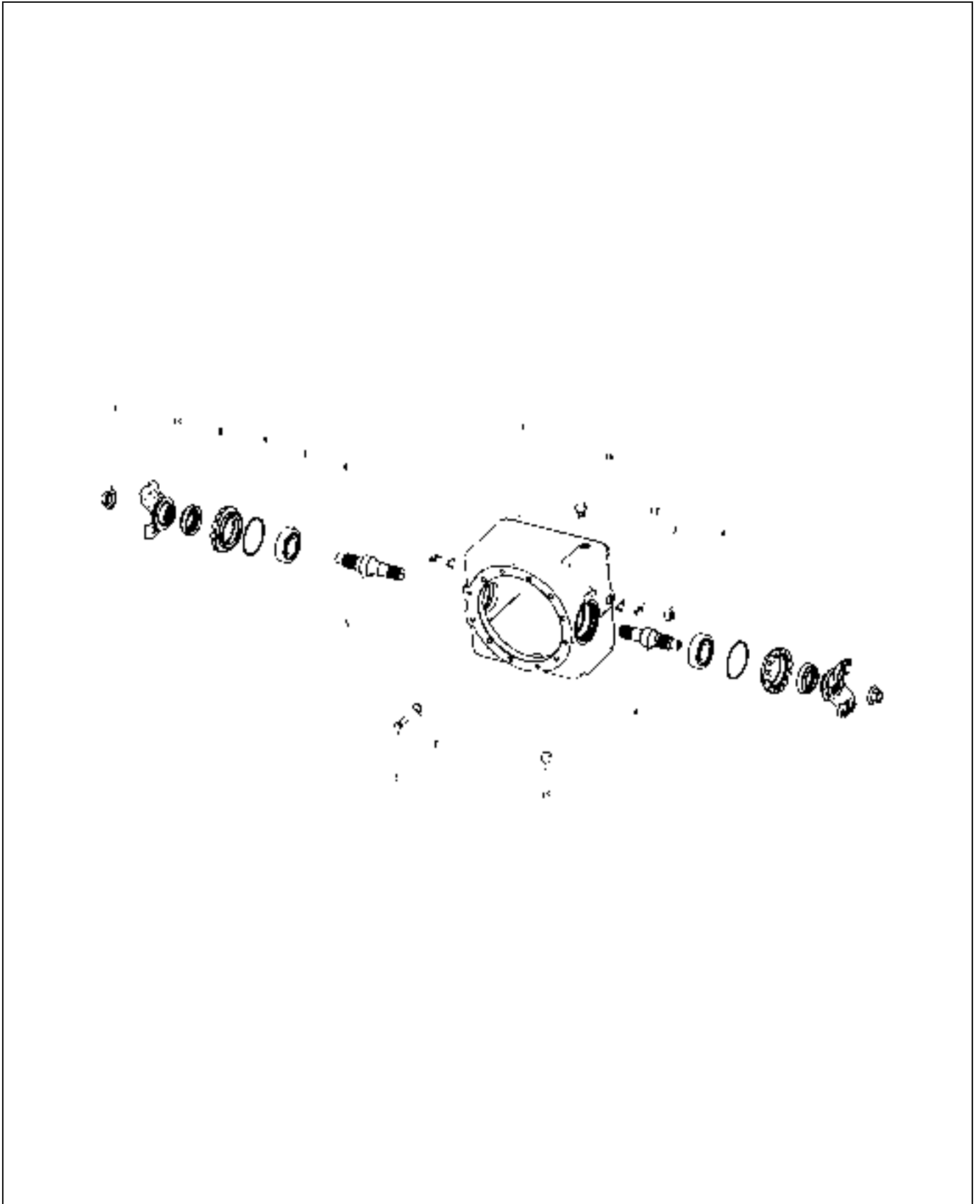


129725-A-L899-.TIF

CARRIER-ASM,2.92:1

ITEM	PART #	QTY	DESCRIPTION	COMMENTS
REF	AG132901	1	ASSEMBLY CARRIER	SEE PAGE 4-17
REF	AG131979	1	ASSEMBLY CENTER AXLE	SEE PAGE 4-16

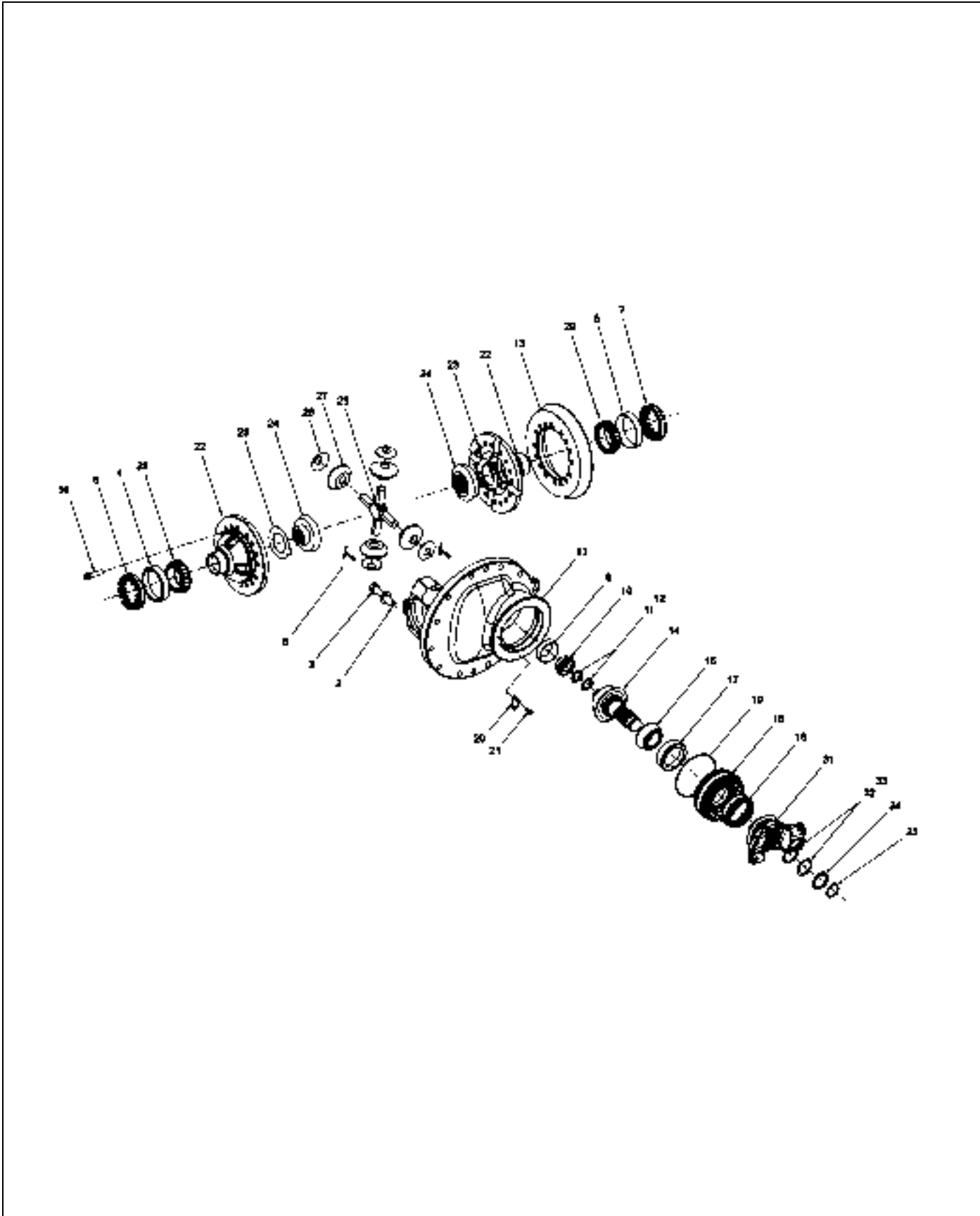
ASSEMBLY CENTER AXLE



131979.TIF

ASSEMBLY CENTER AXLE

ITEM	PART #	QTY	DESCRIPTION	COMMENTS
1	WR131942	1	HOUSING, ASM	
2	WR131852	12	WASHER, FLAT	
3	WR131943	12	SCREW	
4	WR131944	1	SHAFT, OUTPUT LH	
5	WR131945	1	SHAFT, OUTPUT RH	
6	WR131946	2	BEARING	
7	WR131835	2	O-RING	
8	WR131836	2	CAGE PINION	
9	WR131837	2	SEAL	
10	WR131838	2	YOKE, INPUT	
11	WR131839	2	NUT, LOCK	
12	WR131840	2	LOCK	
13	WR131841	4	SCREW	
14	AG705830	1	PLUG LEVEL	
15	AG707658	1	PLUG PLANETARY OIL LEVER .75	
16	AG132723	1	BREATHER	
	FOOTNOTE		ITEM 1 INCLUDES ITEMS 2,3,14,15 AND 16	



132901.TIF

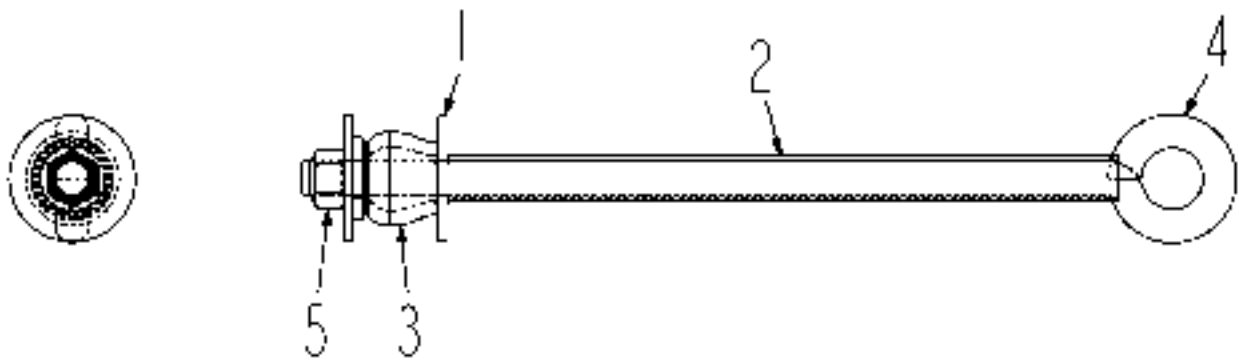
ASSEMBLY CARRIER

ITEM	PART #	QTY	DESCRIPTION	COMMENTS
1	WR131916	1	ASSEMBLY CARRIER	
2	WR131917	1	WASHER, FLAT	
3	WR131918	1	SCREW	
4	AG714471	2	CONE TAPER BRG	
5	AG714471	2	CONE TAPER BRG	
6	WR131919	2	RING, BRG ADJ	
7	WR131919	2	RING, BRG ADJ	
8	WR131920	2	PIN, COTTER	
9	WR131921	1	CUP, INNER	
10	WR131922	1	BEARING, INNER	
11	WR131923	-	SHIM .030	
12	WR131924	-	SHIM .020	
13	WR132902	1	GEAR, SET	
15	WR131926	1	BEARING	
16	WR131927	1	CAGE, PINION ASM	
17	WR131928	1	CUP, BEARING	
18	WR131837	1	SEAL	
19	WR131929	1	O-RING	
20	WR131977	1	LOCK	
21	WR131841	2	SCREW	
22	WR131930	2	CASE, DIFF FLANGE HALF	
23	522871D1	2	WASHER, THRUST	
24	WR131932	2	GEAR, DIFF SIDE	
25	WR131933	1	SPIDER, DIFF	
26	WR131934	4	WASHER, THRUST	
27	WR131935	4	PINION, DIFF	
28	AG714472	1	CONE TAPER BRG	
30	WR131936	16	SCREW	
31	WR131937	1	YOKE, FLANGE INPUT	
32	WR131938	-	SHIM .020	
33	WR131939	-	SHIM .030	
34	WR131940	1	WASHER, FLAT	
35	WR131941	1	RING, SNAP	

FOOTNOTE

ITEM 14 CANNOT BE PURCHASED INDIVIDUALLY.

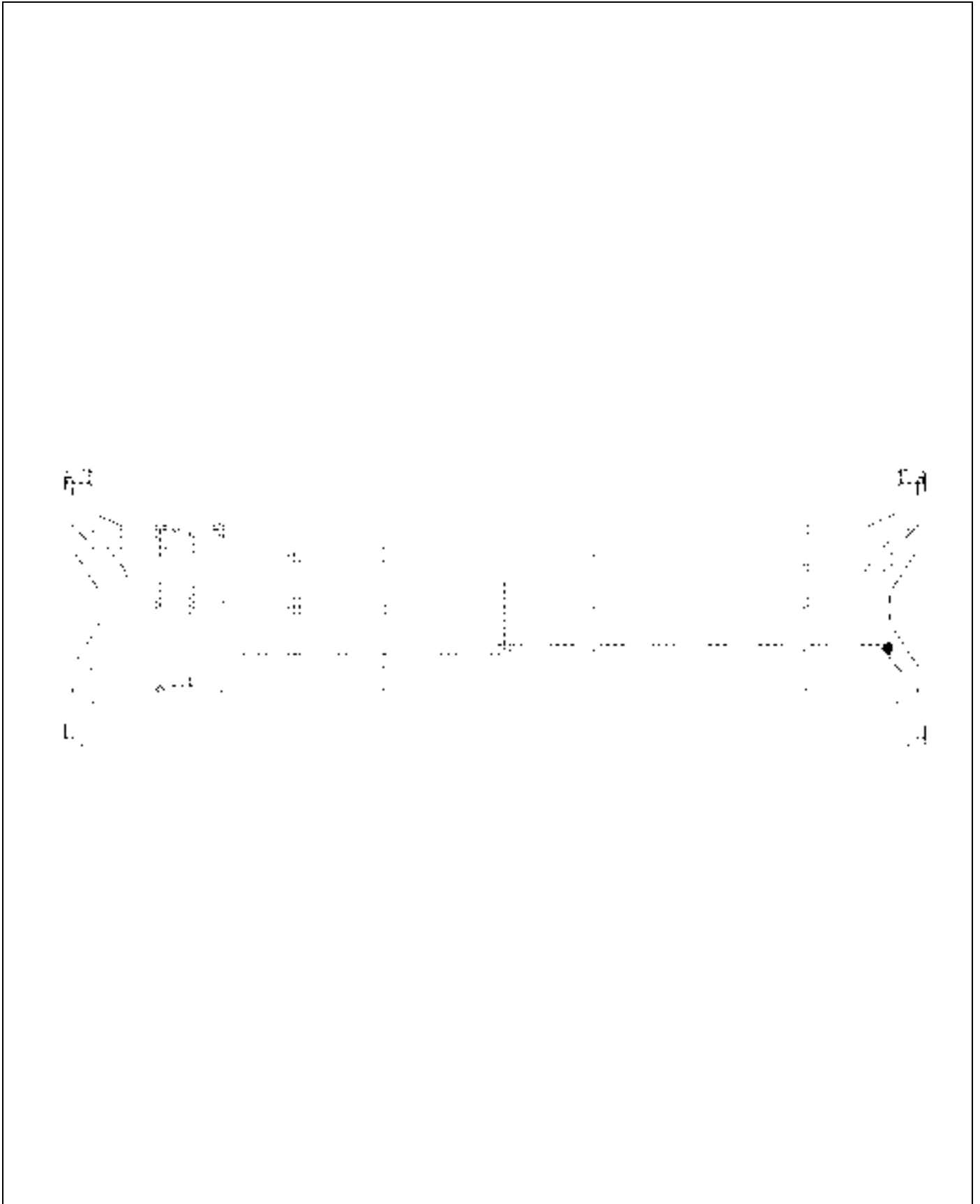
BOLT ASM-EYE



128307-D.TIF

BOLT ASM-EYE

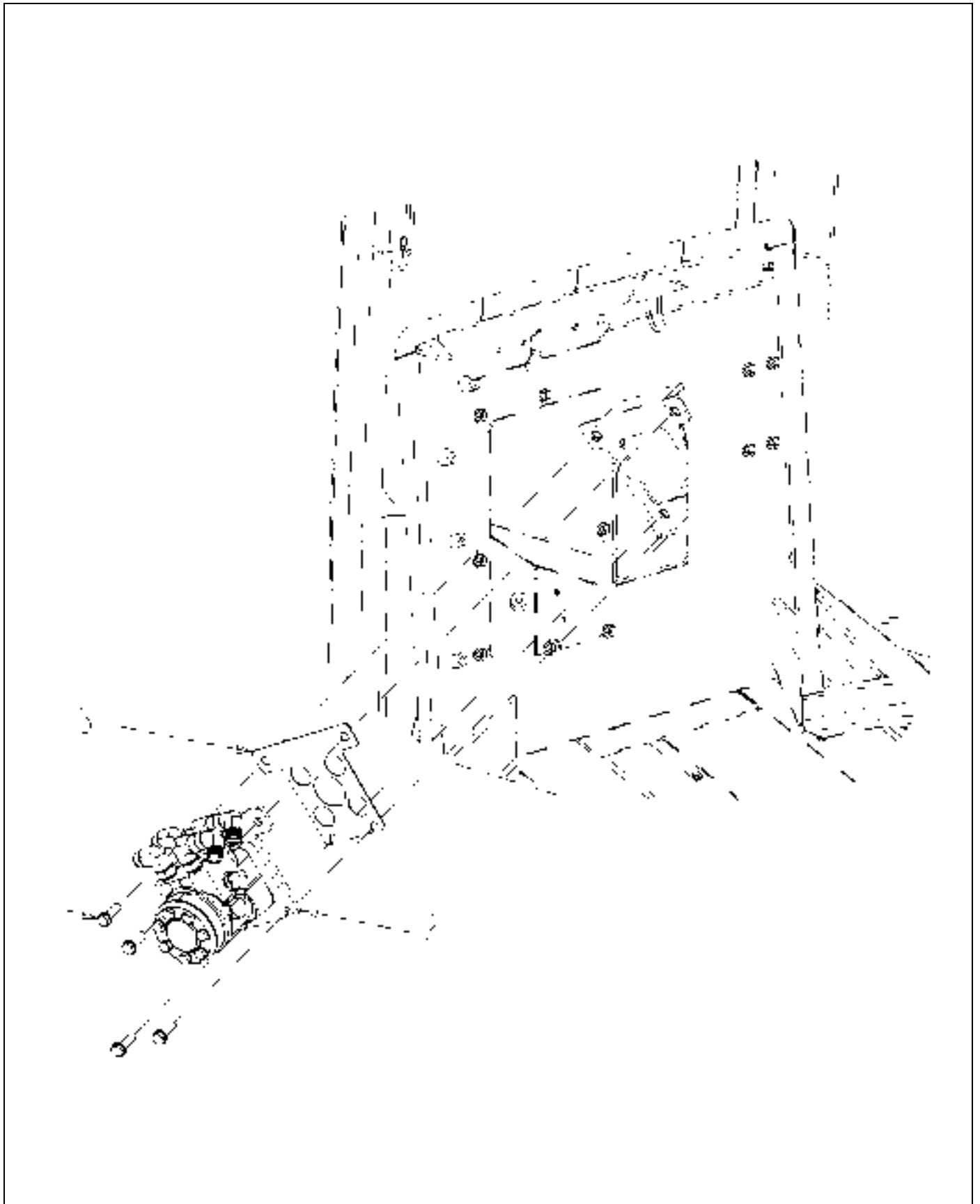
ITEM	PART #	QTY	DESCRIPTION	COMMENTS
1	WR34265	2	WASHER-FLAT,FAB,2.812 OD	
2	WR128309	1	TUBE-EYEBOLT SHEATH	
3	WR134529	1	BUMPER-REBOUND,ELASTOMER	
4	AG522877	1	BOLT-EYE,.75-10X18.00,G5,ZN	
5	AG603864	1	NUT 0.75-10NC HEX ZN REG NY	



512336D1-01-N519-.TIF

DRIVE SHAFT W/U JOINT CAPS,NRW

ITEM	PART #	QTY	DESCRIPTION	COMMENTS
REF	WR131499	2	KIT,CROSS & BEARING	

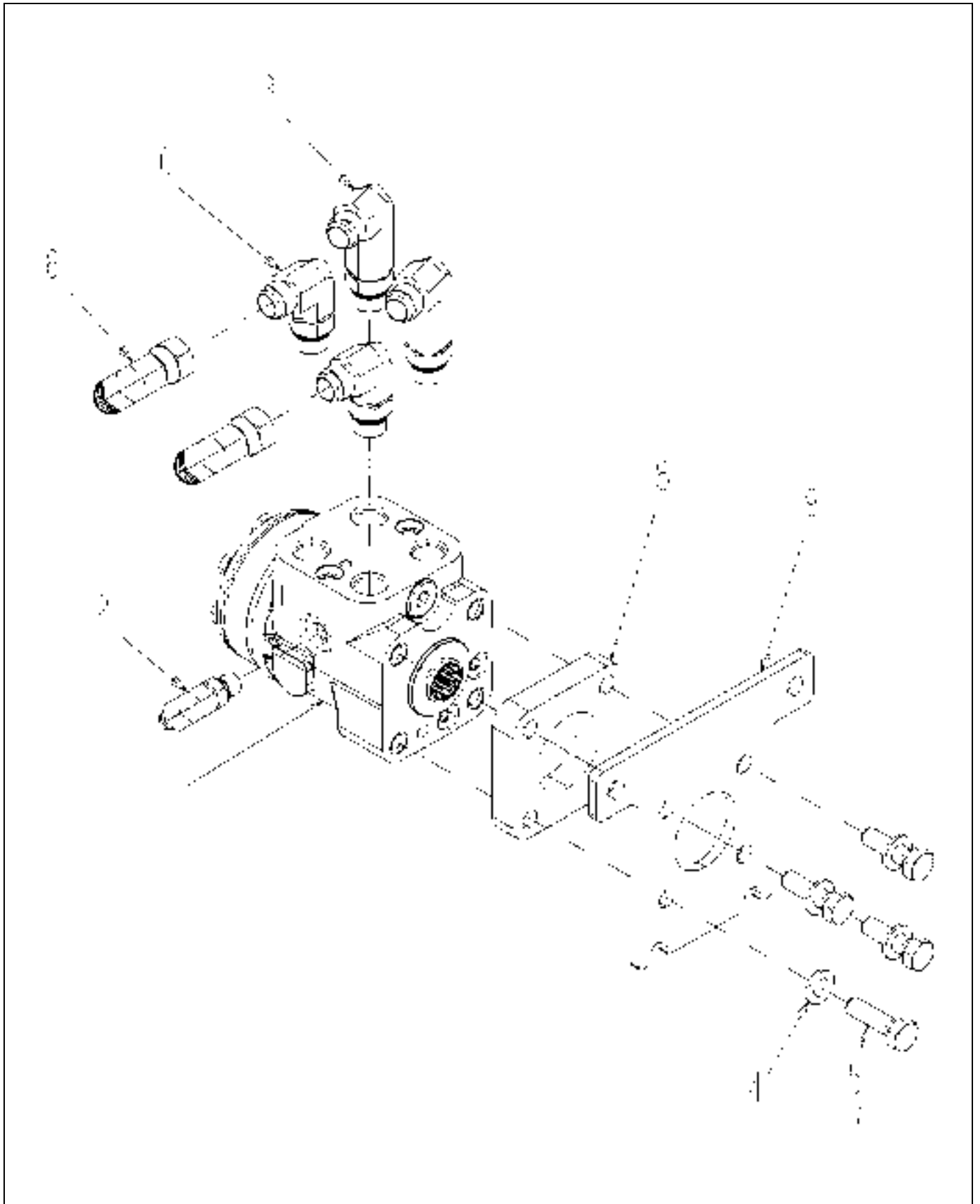


520283D1-01-R518-.TIF

STEERING UNIT INSTALL

ITEM	PART #	QTY	DESCRIPTION	COMMENTS
1	AG520691	4	BOLT-M10-1.5X30MM,G8.8,FLG,HHD	
2	520274D1	1	STEERING UNIT ASM	SEE PAGE 4-21
3	520284D1	AR	SHIM-MTG,STEERING ORBITROL	

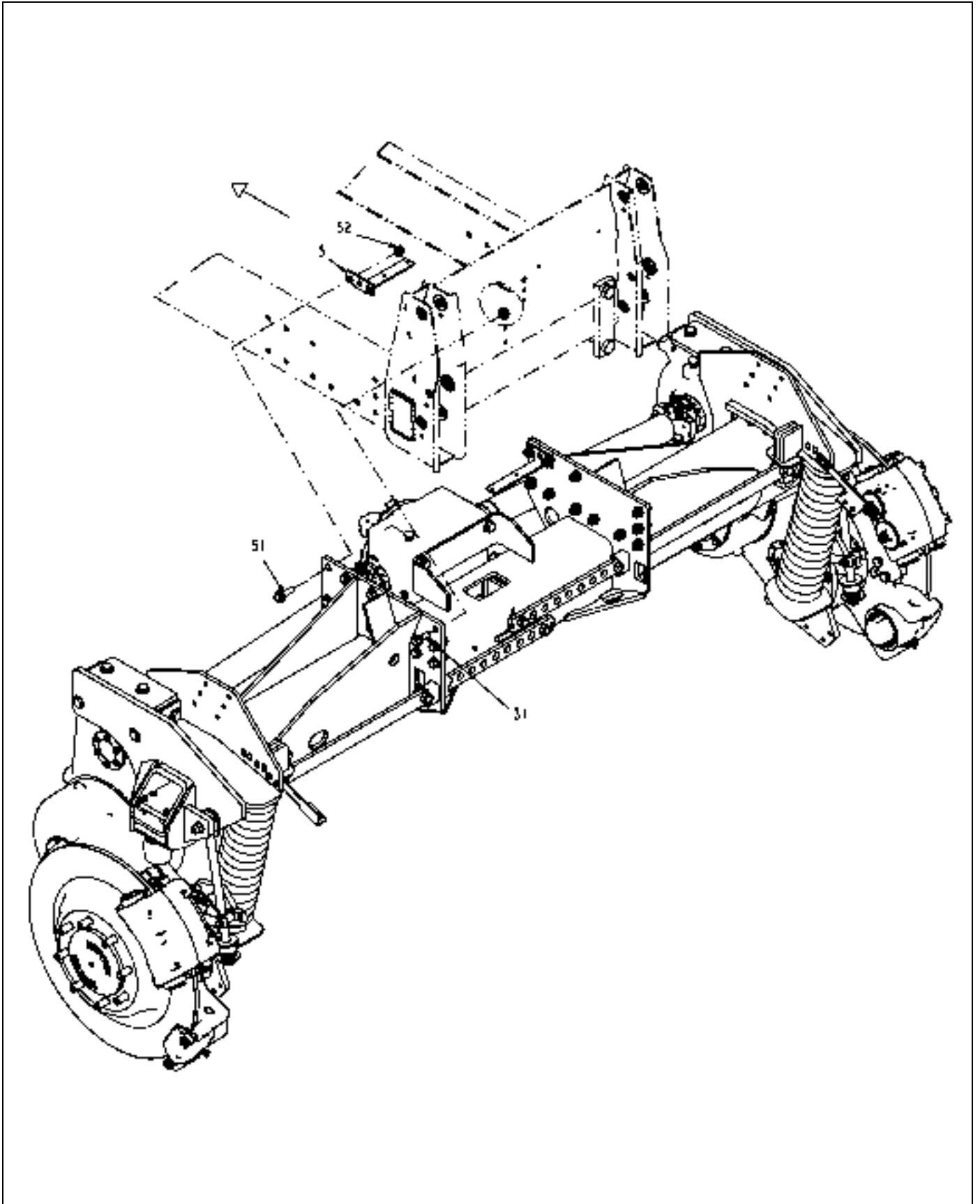
STEERING UNIT ASM



520274D1-02-R560-.TIF

STEERING UNIT ASM

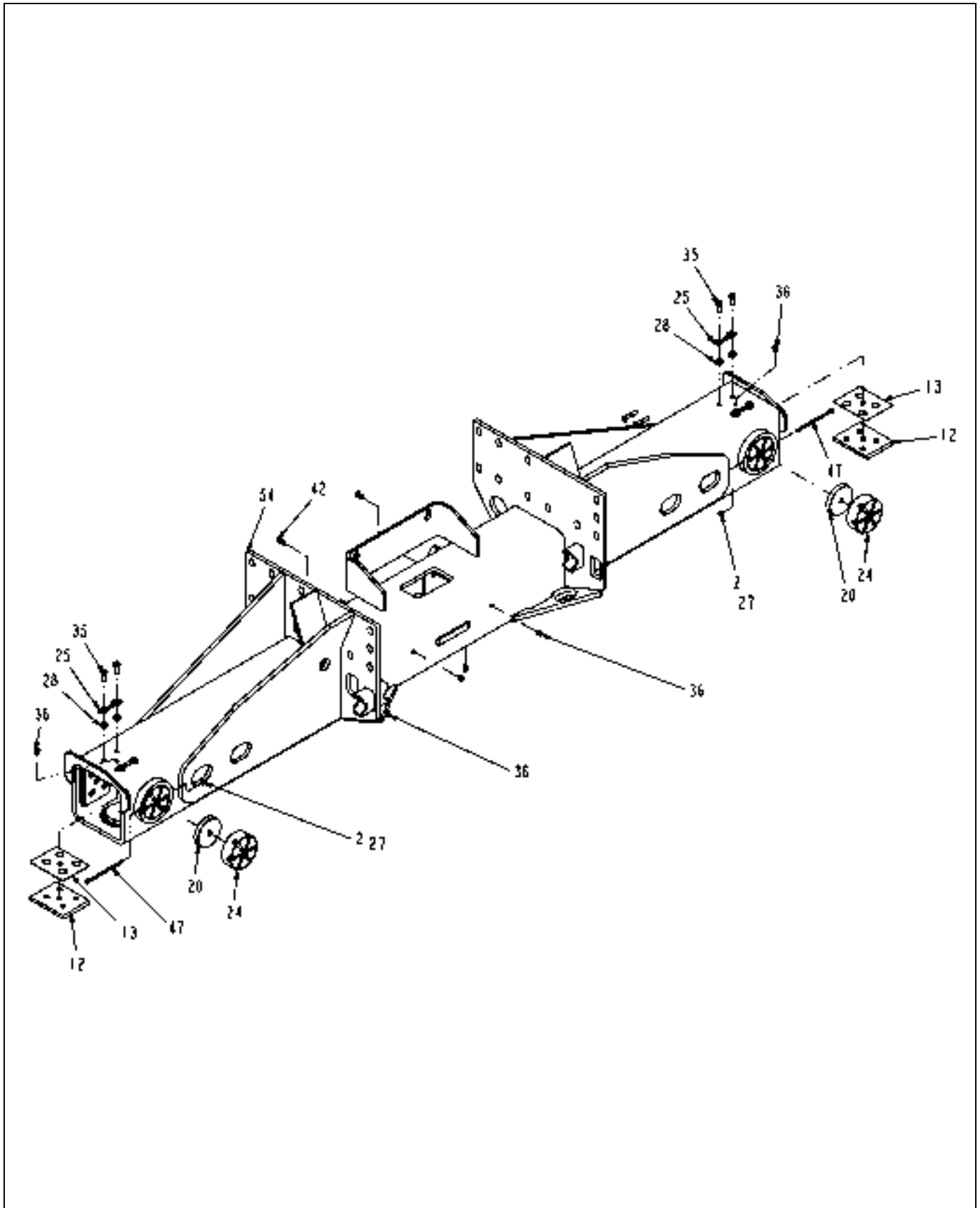
ITEM	PART #	QTY	DESCRIPTION	COMMENTS
1	WR123746	1	STEER UNIT-OSPQ,125/250	
2	WR129175	1	ELBOW-90,-M12MB/-04MJ	
3	WR129176	2	ELBOW-90L,-M18B/-08MJ	
4	WR129759	4	WASHER-FLAT,M10,ZN,HARD	
5	AG512885	AR	LOCTITE ADHESIVE SEALANT BLUE	
6	AG561941	2	ELBOW -8FJS90 X-8MJ	
7	400059X1	4	BOLT-M10X1.5X35 ZNDI HHD 10.9	
8	520272D1	1	SPACER-STEERING CONTROL,0.62 IN	
9	520273D1	1	PLATE-MTG,STEERING ORBITROL	
10	WR41013	2	ELBOW-90,-M18MB/-08MJ	



503479D1-05-T369-01.TIF

AXLE-INSTALL,REAR,120-160

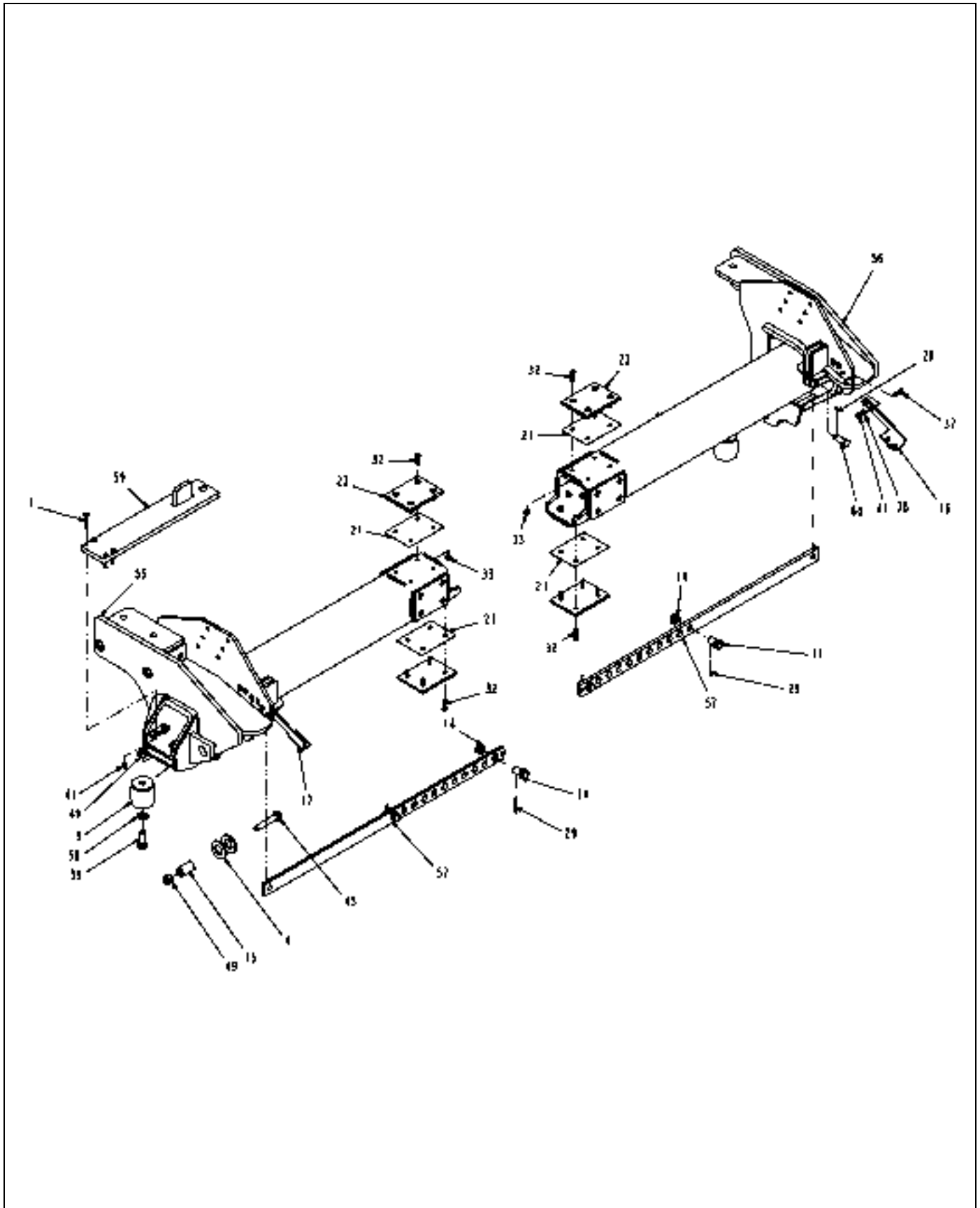
ITEM	PART #	QTY	DESCRIPTION	COMMENTS
5	AG121826	2	BRACKET-HOSE SUPPORT	
26	AG511099	AR	GREASE-MULTI PURPOSE LITH.	
30	AG516064	AR	ANTI SEIZE	
31	AG517556	18	BOLT 0.62-18 X 1.75 G8 HX FLG	
51	AG609311	4	BOLT 0.62-18 X 2.00 G8 HX FLG	
52	AG609313	22	NUT HX FLG 0.62-18NF	



503479D1-05-T369-02.TIF

AXLE-INSTALL,REAR,120-160

ITEM	PART #	QTY	DESCRIPTION	COMMENTS
2	WR11494	4	NUT-CENTERLOCK, 1/4	
12	WR125577	4	PAD-WEAR,MID SIZE	
13	WR125580	AR	SHIM-WEAR PAD,UPPER	
20	WR128335	4	PAD-WEAR,SLIDERITE	
24	WR135714	-	ADJUSTER-WEAR PAD,PUCK	[A]
25	AG233052	8	LOCK STRAP	
27	AG512885	AR	LOCTITE ADHESIVE SEALANT BLUE	
28	AG514559	16	WASHER 0.37 FL ZN SAE TYP-A G8	
35	AG519184	16	BOLT 0.37-24NFX 1.00 G5 ZN HHD	
36	AG550280	8	FITTING LUB.12-27NPTFX0.68	
42	AG559083	2	FITTING LUB 90D 0.125 NPTF	
47	AG563104	4	BOLT 0.25-20NCX 5.25 G5 ZN HHD	
54	503480D1	1	WLDMT-AXLE TUBE,REAR,120	
	FOOTNOTE [A]		THE TOOL TO ADJUST THIS PUCK IS WR129714.	



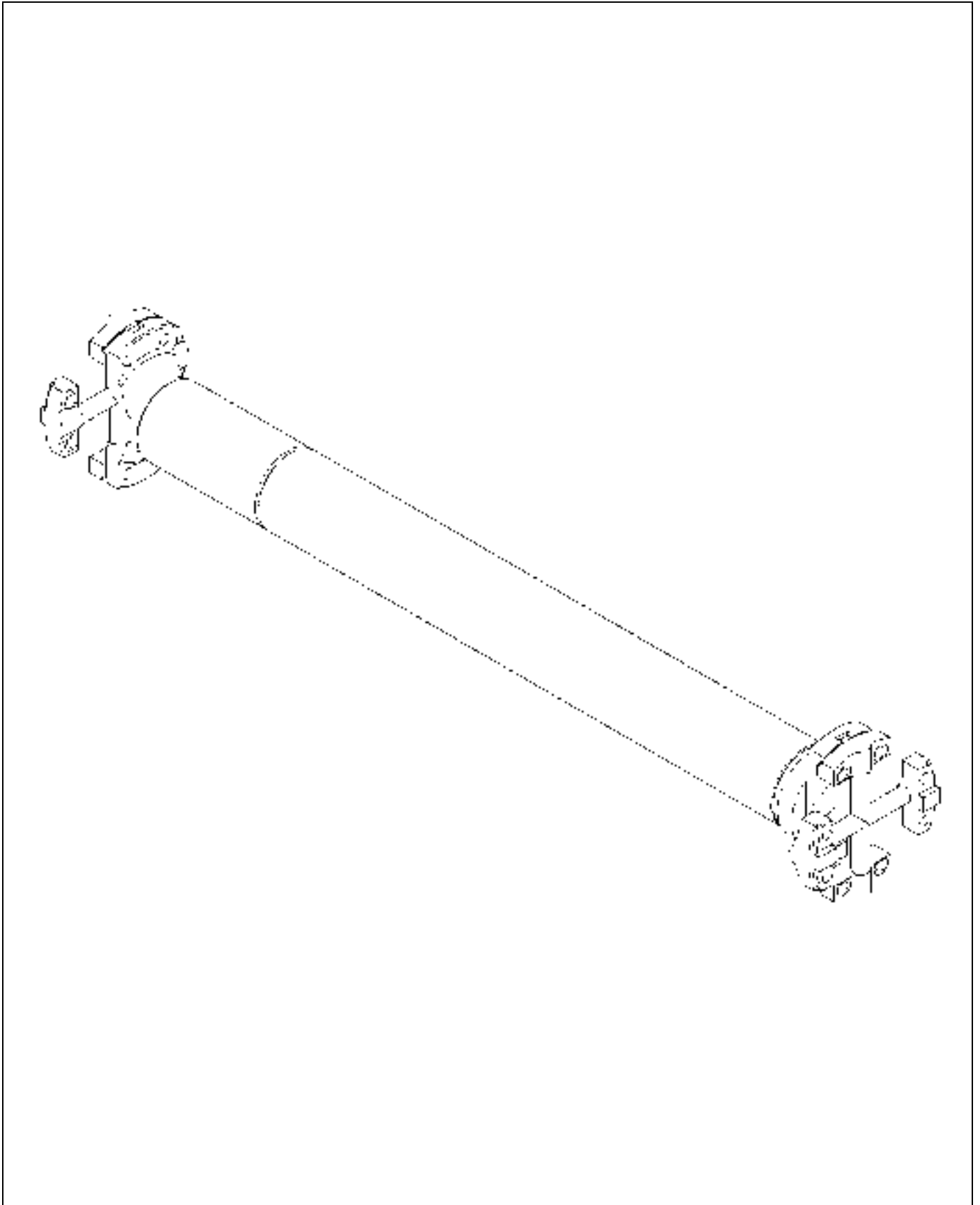
503479D1-05-T369-03.TIF

AXLE-INSTALL,REAR,120-160

ITEM	PART #	QTY	DESCRIPTION	COMMENTS
1	WR10185	8	SCREW-CAP HEX 3/8 NC X 2	
4	AG109948	4	SPACER-EYEBOLT HANGER	
9	WR123067	2	BUMPER-LIMIT,SUSPENSION	
11	WR125526	4	PIN-TRACK ADJUST	
14	WR125609	4	BUSHING-TRACK ADJUST	
15	WR125758	2	SPACER-MTG,EYEBOLT HANGER	
16	WR126678	1	BRACKET-BRAKE LINES KEEPER	
17	WR126679	1	BRACKET-BRAKE LINES KEEPER	
21	WR129686	AR	SHIM-WEAR PAD,5.00 IN X6.88 IN	
23	WR134202	8	PAD-WEAR,SLIDERITE,5.00X6.75 IN	
29	AG515352	6	PIN COTTER 0.18X2.00 SS	
32	AG518505	32	SCREW .38-24 NF X 1.50 FHCS	
33	AG518511	32	NUT FLANGE .38-24 UNF	
37	AG550515	4	BOLT 0.37-16NCX 1.25 G5 ZN HHD	
38	AG550981	4	WASHER 0.37 FL ZN NAR TYPE-B	
39	AG554537	2	BOLT 0.75-10NCX 2.00 G5 ZN HHD	
41	AG557676	12	NUT 0.37-16NC HEX ZN C-LK	
45	AG561593	2	BOLT 0.75-10NCX 4.00 G5 ZN HHD	
49	AG603864	4	NUT 0.75-10NC HEX ZN REG NY	
50	AG604203	22	WASHER 0.75 FL ZN SAE TYP-A G8	
55	503483D1	1	WLDMT-6X6,LH,REAR,120	
56	503484D1	1	WLDMT-6X6,RH,REAR,120	
57	503491D1	2	PLATE-TRACKING,REAR,ADJUST	
59	524603D1	2	WLDMT-TRACK CYL,ANCHOR,120 IN	
60	WR55974	2	PIN-CLEVIS	

AXLE-INSTALL,REAR,120-160

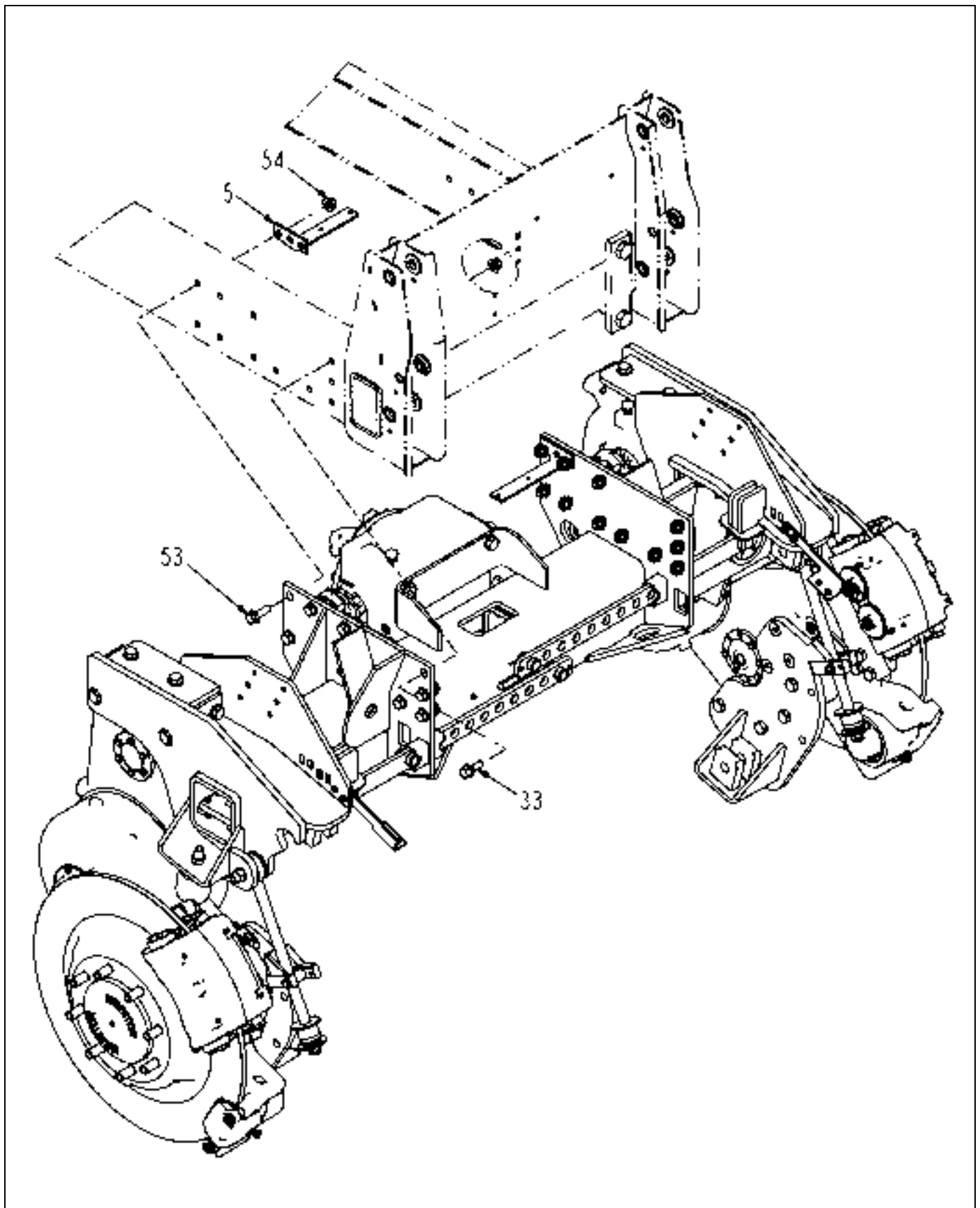
ITEM	PART #	QTY	DESCRIPTION	COMMENTS
3	AG109902	2	SPACER-MTG,EYEBOLT STOP	
6	WR122909	2	SPRING-REAR,HEAVY	
7	WR122915	1	BRACKET-WDMT,SPRING PVT,LH	
8	WR123065	8	FSHCS-.75X1.50 ALLOY	
10	WR124043	1	BRACKET-WDMT,SPRING RH	
18	WR128307	2	BOLT ASM-EYE	SEE PAGE 4-18
19	WR128326	2	ADAPTER,-4JICX-5MOR,STR	
22	WR129814	24	BOLT .75-10NCX 1.75 G8 ZN HHD	
34	AG519113	2	TUBE END NIPPLE -4	
40	AG556149	2	BOLT 0.50-13NCX 3.50 G5 ZN HHD	
43	AG559938	8	BOLT 0.75-10NCX 1.50 G5 ZN HHD	
44	AG561119	16	BOLT 0.37-24NFX 1.75 G8 ZN HHD	
46	AG561677	2	ELBOW 90D 0.25MO-R X 0.25MJIC	SEE PAGE 6-106
48	AG601152	2	NUT 0.50-13NC HEX ZN REG NY	
50	AG604203	22	WASHER 0.75 FL ZN SAE TYP-A G8	
53	401704X1	2	ELBOW 90D -4MJX-5MOR	
58	503492D1	2	DRIVESHAFT-W/CAPS,120 IN	SEE PAGE 4-26



503492D1-01-R217-.TIF

DRIVESHAFT-W/CAPS,120-160 AXLE

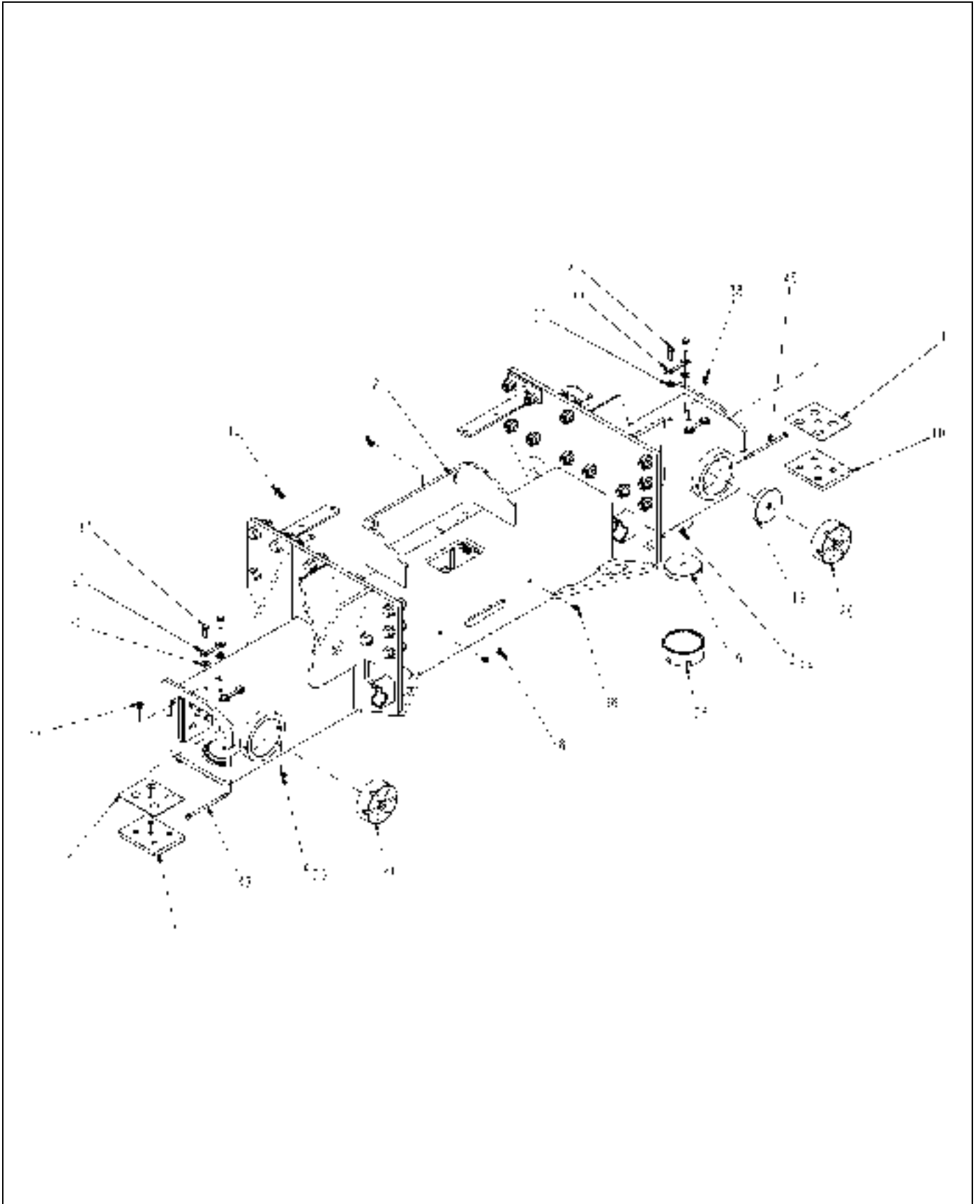
ITEM	PART #	QTY	DESCRIPTION	COMMENTS
REF	WR131499	2	KIT,CROSS & BEARING	



514346D1-03-T369-01.TIF

AXLE-REAR, HYD, 88 IN

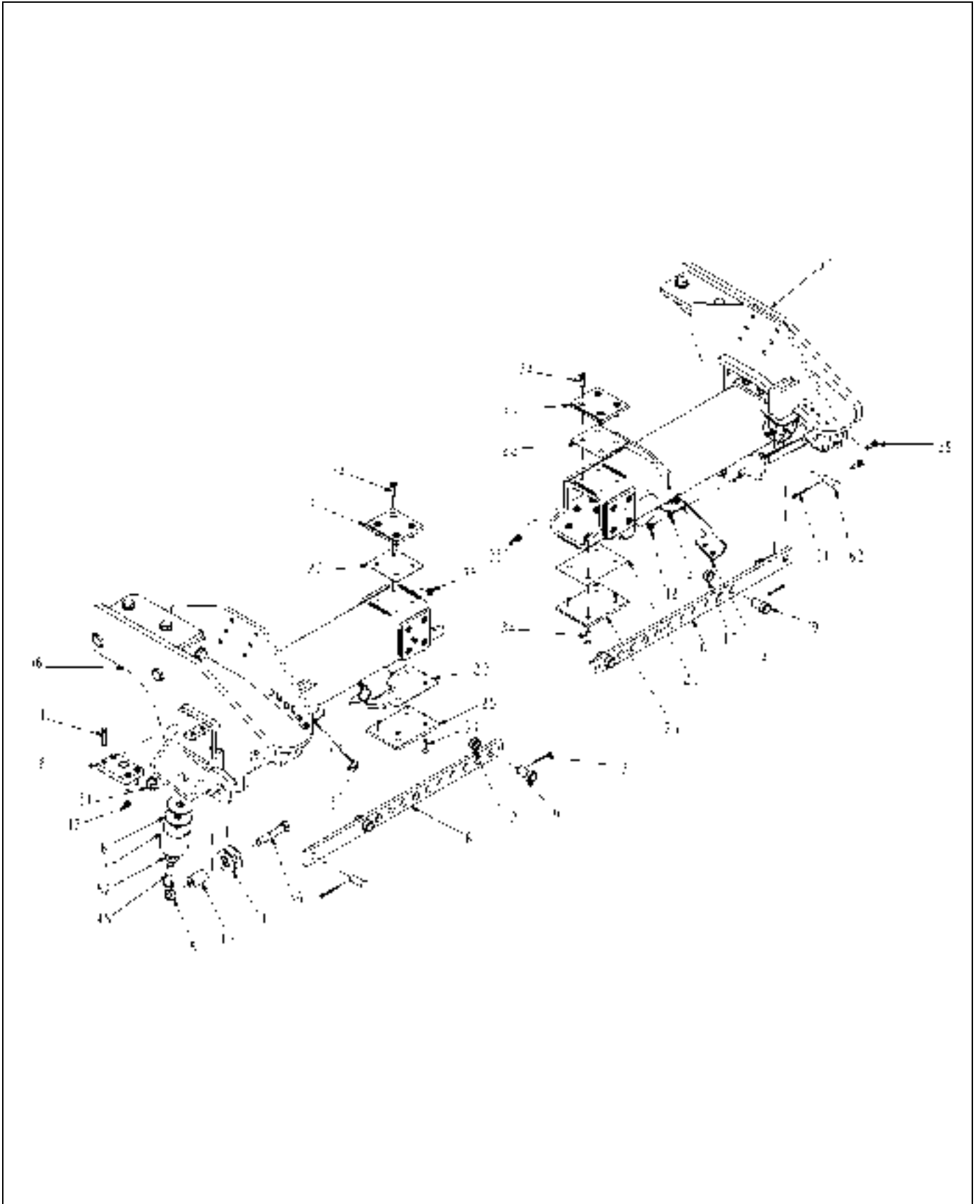
ITEM	PART #	QTY	DESCRIPTION	COMMENTS
5	AG121826	2	BRACKET-HOSE SUPPORT	
26	WR135714	-	ADJUSTER-WEAR PAD, PUCK	[A]
28	AG511099	AR	GREASE-MULTI PURPOSE LITH.	
32	AG516064	AR	ANTI SEIZE	
33	AG517556	16	BOLT 0.62-18 X 1.75 G8 HX FLG	
53	AG609311	4	BOLT 0.62-18 X 2.00 G8 HX FLG	
54	AG609313	22	NUT HX FLG 0.62-18NF	
	FOOTNOTE [A]		THE TOOL TO ADJUST THIS PUCK IS WR129714.	



514346D1-03-T369-02.TIF

AXLE-REAR,HYD,88 IN

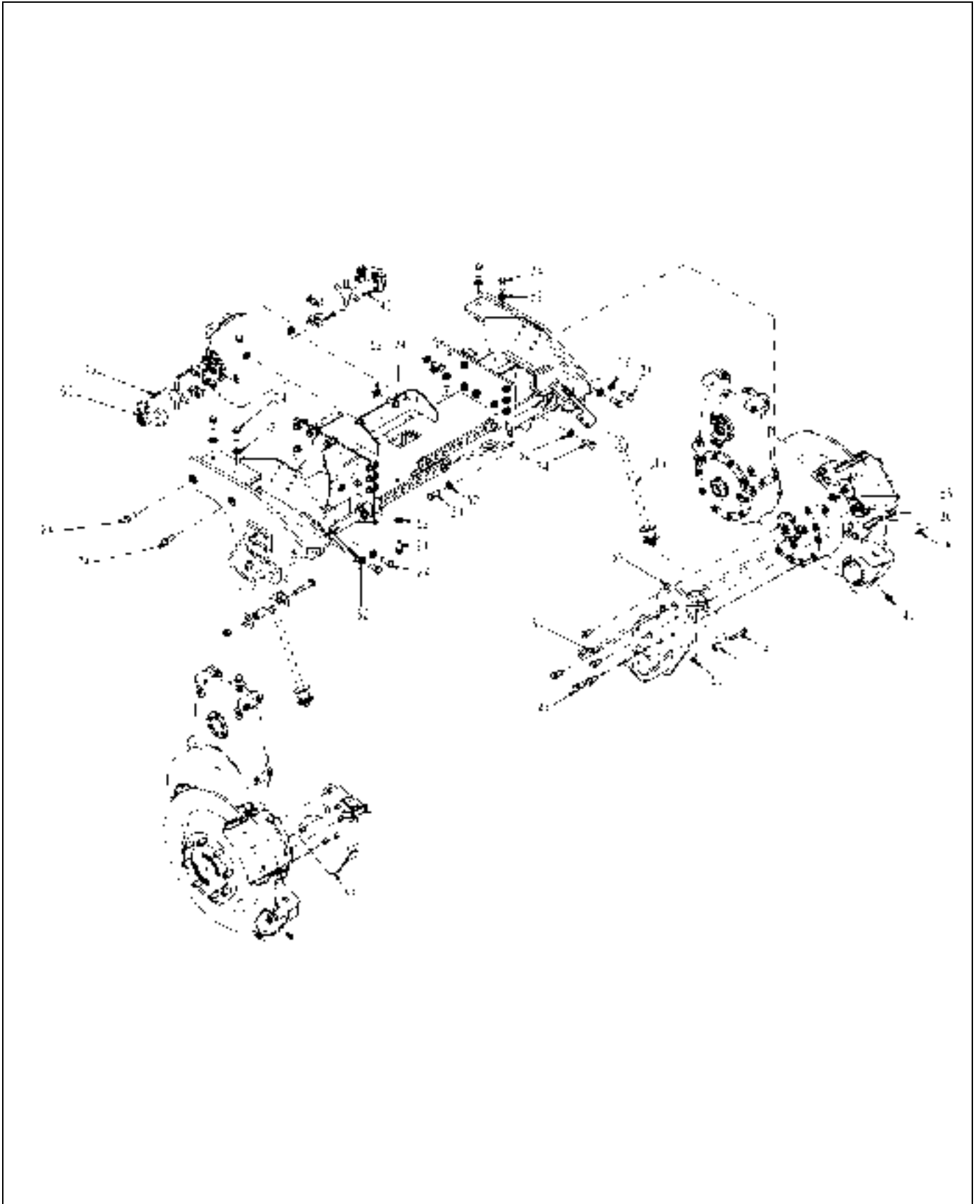
ITEM	PART #	QTY	DESCRIPTION	COMMENTS
2	WR11494	2	NUT-CENTERLOCK, 1/4	
10	WR125577	4	PAD-WEAR,MID SIZE	
11	WR125580	AR	SHIM-WEAR PAD,UPPER	
19	WR128335	4	PAD-WEAR,SLIDERITE	
21	WR129662	1	AXLE WLDMT-REAR,WIDE TRACK	
27	AG233052	8	LOCK STRAP	
29	AG512885	AR	LOCTITE ADHESIVE SEALANT BLUE	
30	AG514559	16	WASHER 0.37 FL ZN SAE TYP-A G8	
37	AG519184	16	BOLT 0.37-24NFX 1.00 G5 ZN HHD	
38	AG550280	8	FITTING LUB.12-27NPTFX0.68	
43	AG559083	2	FITTING LUB 90D 0.125 NPTF	
49	AG563104	4	BOLT 0.25-20NCX 5.25 G5 ZN HHD	



514346D1-03-T369-03.TIF

AXLE-REAR,HYD,88 IN

ITEM	PART #	QTY	DESCRIPTION	COMMENTS
1	WR10185	8	SCREW-CAP HEX 3/8 NC X 2	
4	AG109948	4	SPACER-EYEBOLT HANGER	
7	WR123067	2	BUMPER-LIMIT,SUSPENSION	
8	WR125503	2	BAR-TRACK CYL ANCHOR	
9	WR125526	4	PIN-TRACK ADJUST	
12	WR125609	4	BUSHING-TRACK ADJUST	
13	WR125758	2	SPACER-MTG,EYEBOLT HANGER	
14	WR126678	1	BRACKET-BRAKE LINES KEEPER	
15	WR126679	1	BRACKET-BRAKE LINES KEEPER	
16	AG127152	4	WASHER-FLAT,3.0ODX.80IDX.19T	
20	WR129646	6	PAD-WEAR,6X6,REAR,SLIDERITE	
22	WR129685	AR	SHIM-WEAR PAD,4.50 IN X5.00 IN	
23	WR129686	AR	SHIM-WEAR PAD,5.00 IN X6.88 IN	
25	WR134202	2	PAD-WEAR,SLIDERITE,5.00X6.75 IN	
31	AG515352	6	PIN COTTER 0.18X2.00 SS	
34	AG518505	32	SCREW .38-24 NF X 1.50 FHCS	
35	AG518511	32	NUT FLANGE .38-24 UNF	
39	AG550515	4	BOLT 0.37-16NCX 1.25 G5 ZN HHD	
40	AG550981	4	WASHER 0.37 FL ZN NAR TYPE-B	
42	AG557676	12	NUT 0.37-16NC HEX ZN C-LK	
46	AG561593	2	BOLT 0.75-10NCX 4.00 G5 ZN HHD	
48	AG562688	2	BOLT 0.75-10NCX 3.00 G8 ZN HHD	
51	AG603864	4	NUT 0.75-10NC HEX ZN REG NY	
52	AG604203	22	WASHER 0.75 FL ZN SAE TYP-A G8	
56	511555D1	1	WLDMT-SLIDE,HYD,88 IN ,LH	
57	511560D1	1	WLDMT-SLIDE,HYD,88 IN ,RH	
61	518498D1	2	PLATE-BAR,TRACK,88 IN	
62	WR55974	2	PIN-CLEVIS	

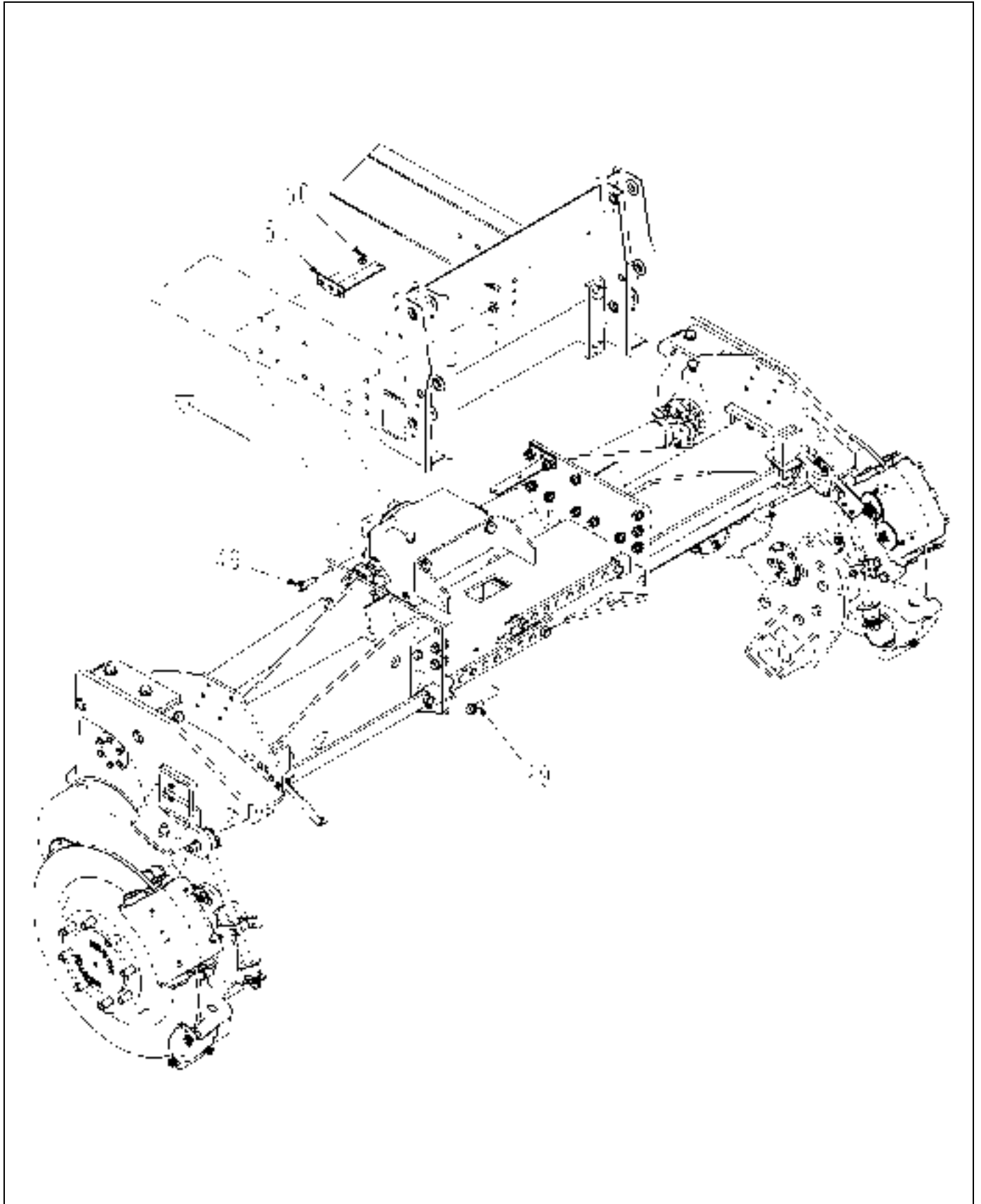


514346D1-03-T369-04.TIF

AXLE-REAR, HYD, 88 IN

ITEM	PART #	QTY	DESCRIPTION	COMMENTS
3	AG109902	2	SPACER-MTG,EYEBOLT STOP	
6	WR123065	6	FSHCS-.75X1.50 ALLOY	
17	WR128307	2	BOLT ASM-EYE	SEE PAGE 4-18
18	WR128326	2	ADAPTER,-4JICX-5MOR,STR	
24	WR129814	24	BOLT .75-10NCX 1.75 G8 ZN HHD	
36	AG519113	2	TUBE END NIPPLE -4	
41	AG556149	2	BOLT 0.50-13NCX 3.50 G5 ZN HHD	
44	AG559938	8	BOLT 0.75-10NCX 1.50 G5 ZN HHD	
45	AG561119	32	BOLT 0.37-24NFX 1.75 G8 ZN HHD	
47	AG561677	2	ELBOW 90D 0.25MO-R X 0.25MJIC	SEE PAGE 6-106
50	AG601152	2	NUT 0.50-13NC HEX ZN REG NY	
52	AG604203	22	WASHER 0.75 FL ZN SAE TYP-A G8	
55	401704X1	2	ELBOW 90D -4MJX-5MOR	
58	511769D1	1	WLDMT-CYLINDER MNT,LH	
59	511770D1	1	WLDMT-CYLINDER MNT,RH	
60	512337D1	2	DRIVESHAFT-W/CAPS,88 IN -128 IN	SEE PAGE 4-40

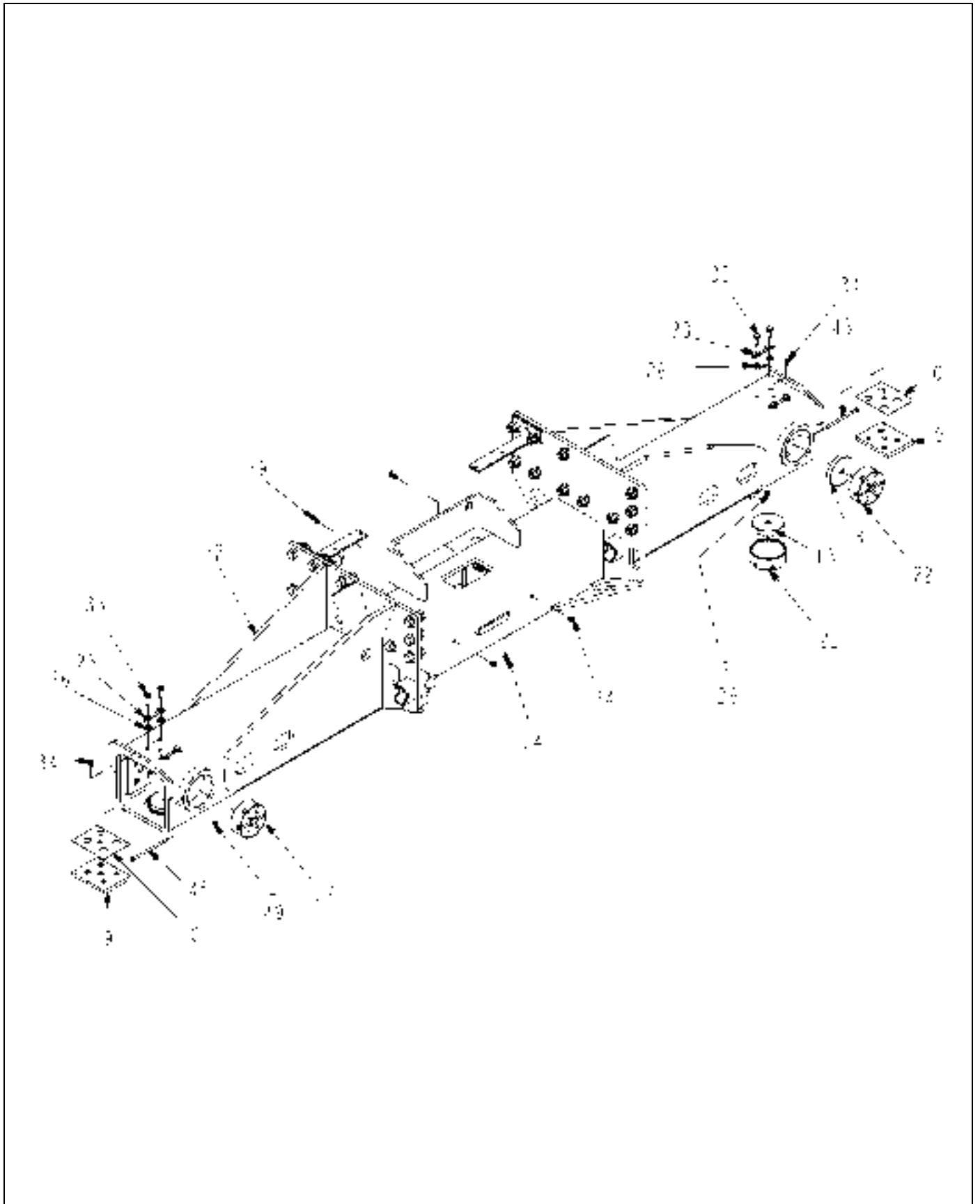
AXLE-REAR,120 IN -160 IN ,HYDRAULIC



515231D1-03-T369-01.TIF

AXLE-REAR,120 IN -160 IN ,HYDRAULIC

ITEM	PART #	QTY	DESCRIPTION	COMMENTS
5	AG121826	2	BRACKET-HOSE SUPPORT	
24	AG511099	AR	GREASE-MULTI PURPOSE LITH.	
25	AG512885	AR	LOCTITE ADHESIVE SEALANT BLUE	
28	AG516064	AR	ANTI SEIZE	
29	AG517556	18	BOLT 0.62-18 X 1.75 G8 HX FLG	
49	AG609311	4	BOLT 0.62-18 X 2.00 G8 HX FLG	
50	AG609313	22	NUT HX FLG 0.62-18NF	

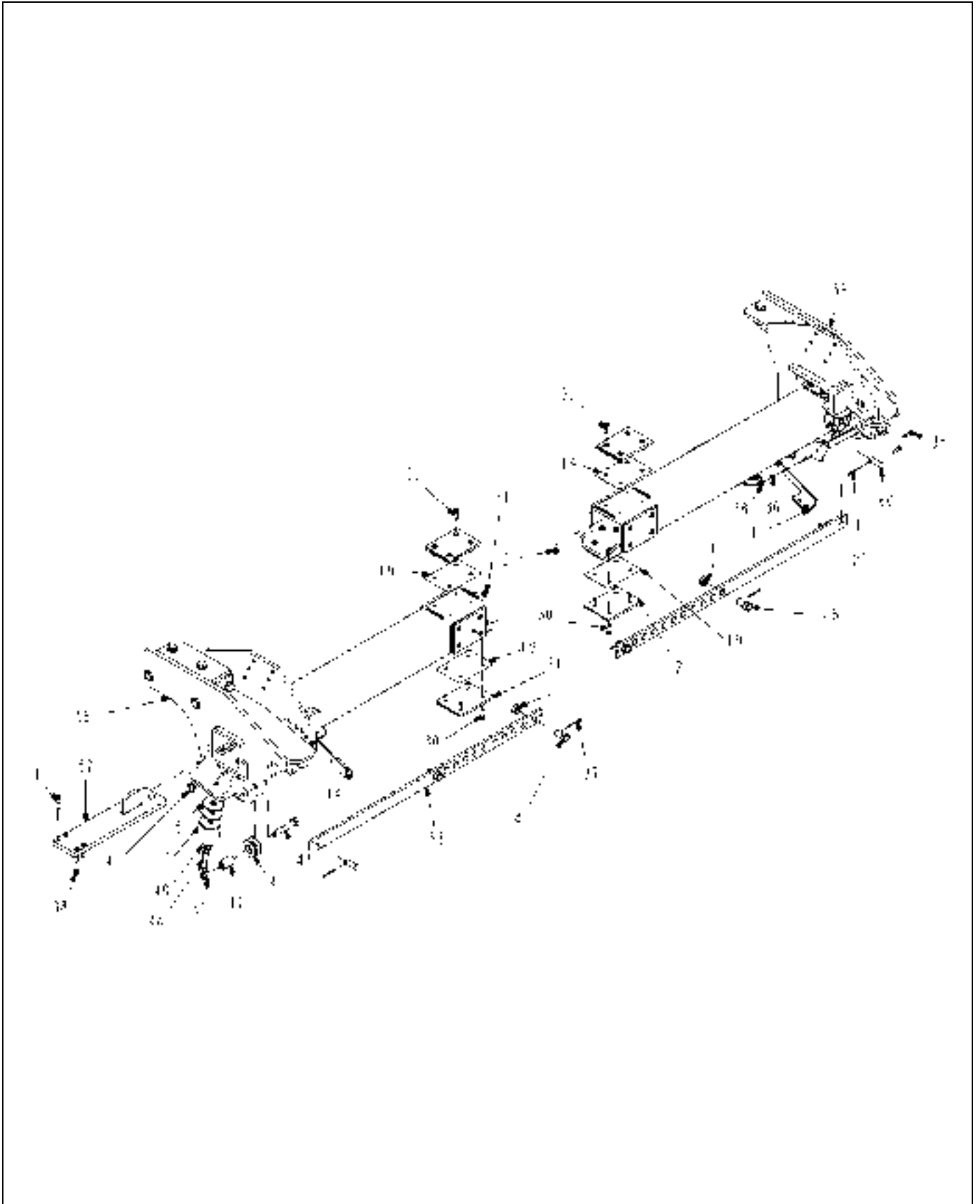


515231D1-03-T369-02.TIF

AXLE-REAR,120 IN -160 IN ,HYDRAULIC

ITEM	PART #	QTY	DESCRIPTION	COMMENTS
2	WR11494	4	NUT-CENTERLOCK, 1/4	
9	WR125577	4	PAD-WEAR,MID SIZE	
10	WR125580	AR	SHIM-WEAR PAD,UPPER	
18	WR128335	4	PAD-WEAR,SLIDERITE	
22	WR135714	-	ADJUSTER-WEAR PAD,PUCK	[A]
23	AG233052	8	LOCK STRAP	
26	AG514559	16	WASHER 0.37 FL ZN SAE TYP-A G8	
29	AG517556	18	BOLT 0.62-18 X 1.75 G8 HX FLG	
33	AG519184	16	BOLT 0.37-24NFX 1.00 G5 ZN HHD	
34	AG550280	8	FITTING LUB.12-27NPTFX0.68	
39	AG559083	2	FITTING LUB 90D 0.125 NPTF	
45	AG563104	4	BOLT 0.25-20NCX 5.25 G5 ZN HHD	
52	503480D1	1	WLDMT-AXLE TUBE,REAR,120	
	FOOTNOTE [A]		THE TOOL TO ADJUST THIS PUCK IS WR129714.	

AXLE-REAR,120 IN -160 IN ,HYDRAULIC

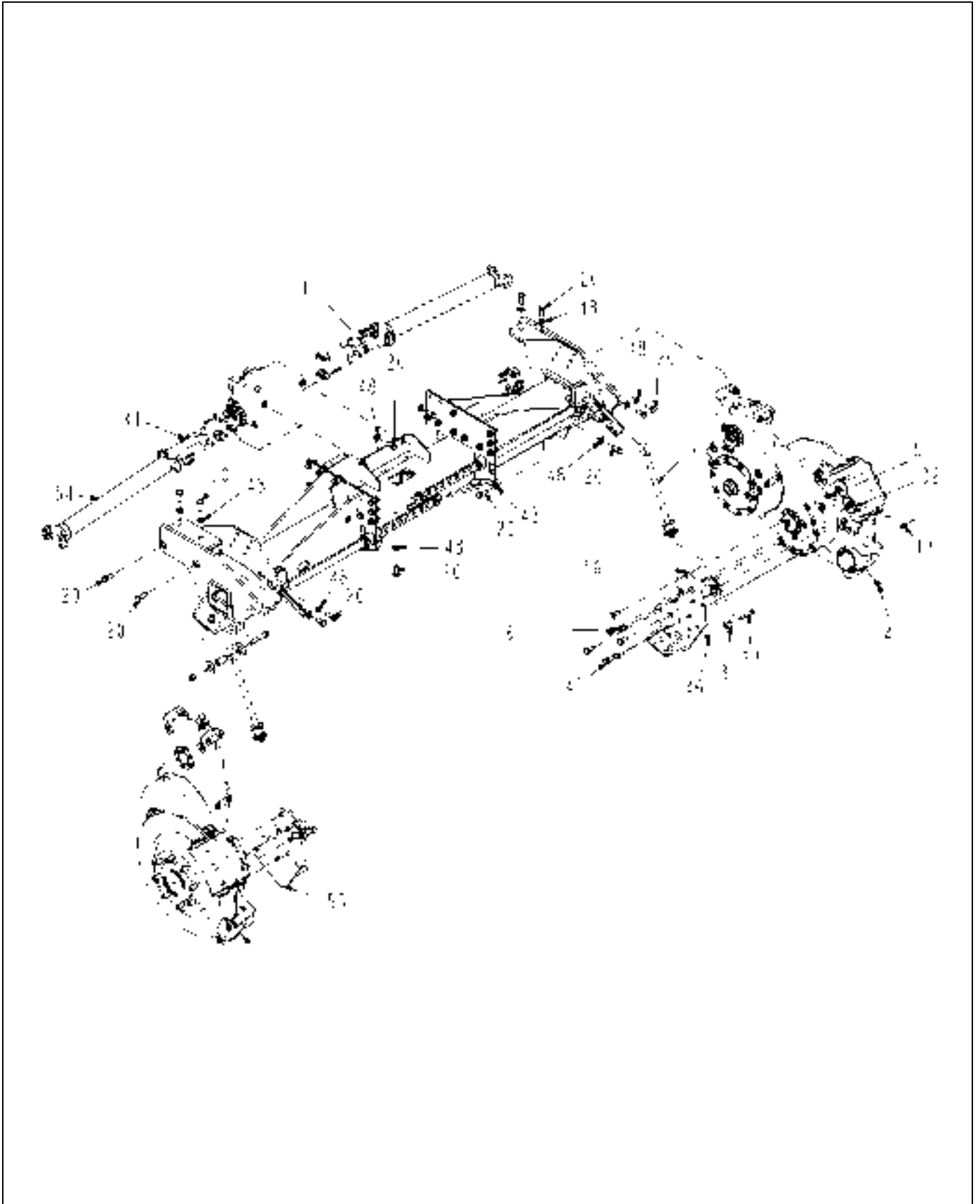


515231D1-03-T369-03.TIF

AXLE-REAR,120 IN -160 IN ,HYDRAULIC

ITEM	PART #	QTY	DESCRIPTION	COMMENTS
1	WR10185	8	SCREW-CAP HEX 3/8 NC X 2	
4	AG109948	4	SPACER-EYEBOLT HANGER	
7	WR123067	2	BUMPER-LIMIT,SUSPENSION	
8	WR125526	4	PIN-TRACK ADJUST	
11	WR125609	4	BUSHING-TRACK ADJUST	
12	WR125758	2	SPACER-MTG,EYEBOLT HANGER	
13	WR126678	1	BRACKET-BRAKE LINES KEEPER	
14	WR126679	1	BRACKET-BRAKE LINES KEEPER	
15	AG127152	4	WASHER-FLAT,3.0ODX.80IDX.19T	
19	WR129686	AR	SHIM-WEAR PAD,5.00 IN X6.88 IN	
21	WR134202	8	PAD-WEAR,SLIDERITE,5.00X6.75 IN	
27	AG515352	6	PIN COTTER 0.18X2.00 SS	
30	AG518505	32	SCREW .38-24 NF X 1.50 FHCS	
31	AG518511	32	NUT FLANGE .38-24 UNF	
35	AG550515	4	BOLT 0.37-16NCX 1.25 G5 ZN HHD	
36	AG550981	4	WASHER 0.37 FL ZN NAR TYPE-B	
38	AG557676	12	NUT 0.37-16NC HEX ZN C-LK	
42	AG561593	2	BOLT 0.75-10NCX 4.00 G5 ZN HHD	
44	AG562688	2	BOLT 0.75-10NCX 3.00 G8 ZN HHD	
47	AG603864	4	NUT 0.75-10NC HEX ZN REG NY	
48	AG604203	22	WASHER 0.75 FL ZN SAE TYP-A G8	
53	503491D1	2	PLATE-TRACKING,REAR,ADJUST	
57	512357D1	2	WLDMT-SLIDE,CYLINDER ATTACH	
58	515232D1	1	WLDMT-SLIDE,120 IN ,LH,HYD	
59	515233D1	1	WLDMT-SLIDE,120 IN ,RH,HYD	
60	WR55974	2	PIN-CLEVIS	

AXLE-REAR,120 IN -160 IN ,HYDRAULIC

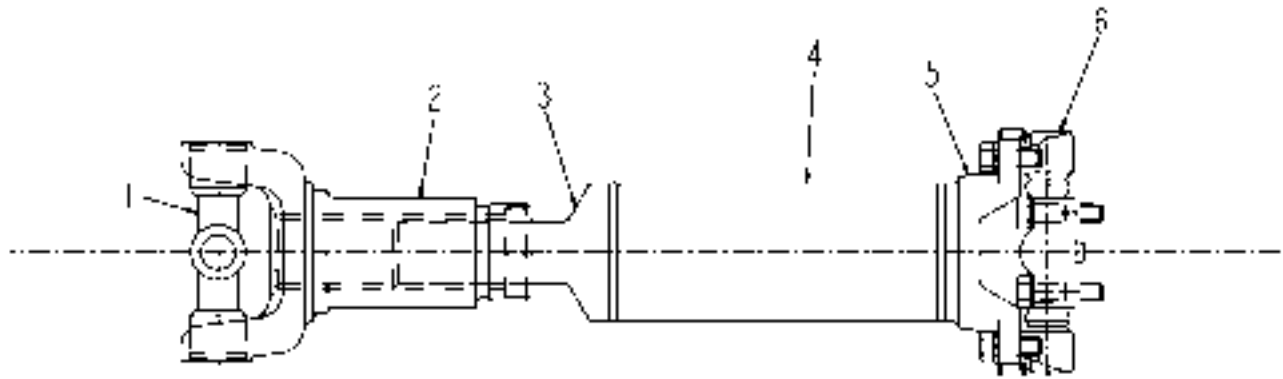


515231D1-03-T369-04.TIF

AXLE-REAR,120 IN -160 IN ,HYDRAULIC

ITEM	PART #	QTY	DESCRIPTION	COMMENTS
3	AG109902	2	SPACER-MTG,EYEBOLT STOP	
6	WR123065	6	FSHCS-.75X1.50 ALLOY	
16	WR128307	2	BOLT ASM-EYE	SEE PAGE 4-18
17	WR128326	2	ADAPTER,-4JICX-5MOR,STR	
20	WR129814	24	BOLT .75-10NCX 1.75 G8 ZN HHD	
32	AG519113	2	TUBE END NIPPLE -4	
37	AG556149	2	BOLT 0.50-13NCX 3.50 G5 ZN HHD	
40	AG559938	8	BOLT 0.75-10NCX 1.50 G5 ZN HHD	
41	AG561119	32	BOLT 0.37-24NFX 1.75 G8 ZN HHD	
43	AG561677	2	ELBOW 90D 0.25MO-R X 0.25MJIC	SEE PAGE 6-106
46	AG601152	2	NUT 0.50-13NC HEX ZN REG NY	
48	AG604203	22	WASHER 0.75 FL ZN SAE TYP-A G8	
51	401704X1	2	ELBOW 90D -4MJX-5MOR	
54	503492D1	2	DRIVESHAFT-W/CAPS,120 IN	SEE PAGE 4-26
55	511769D1	1	WLDMT-CYLINDER MNT,LH	
56	511770D1	1	WLDMT-CYLINDER MNT,RH	

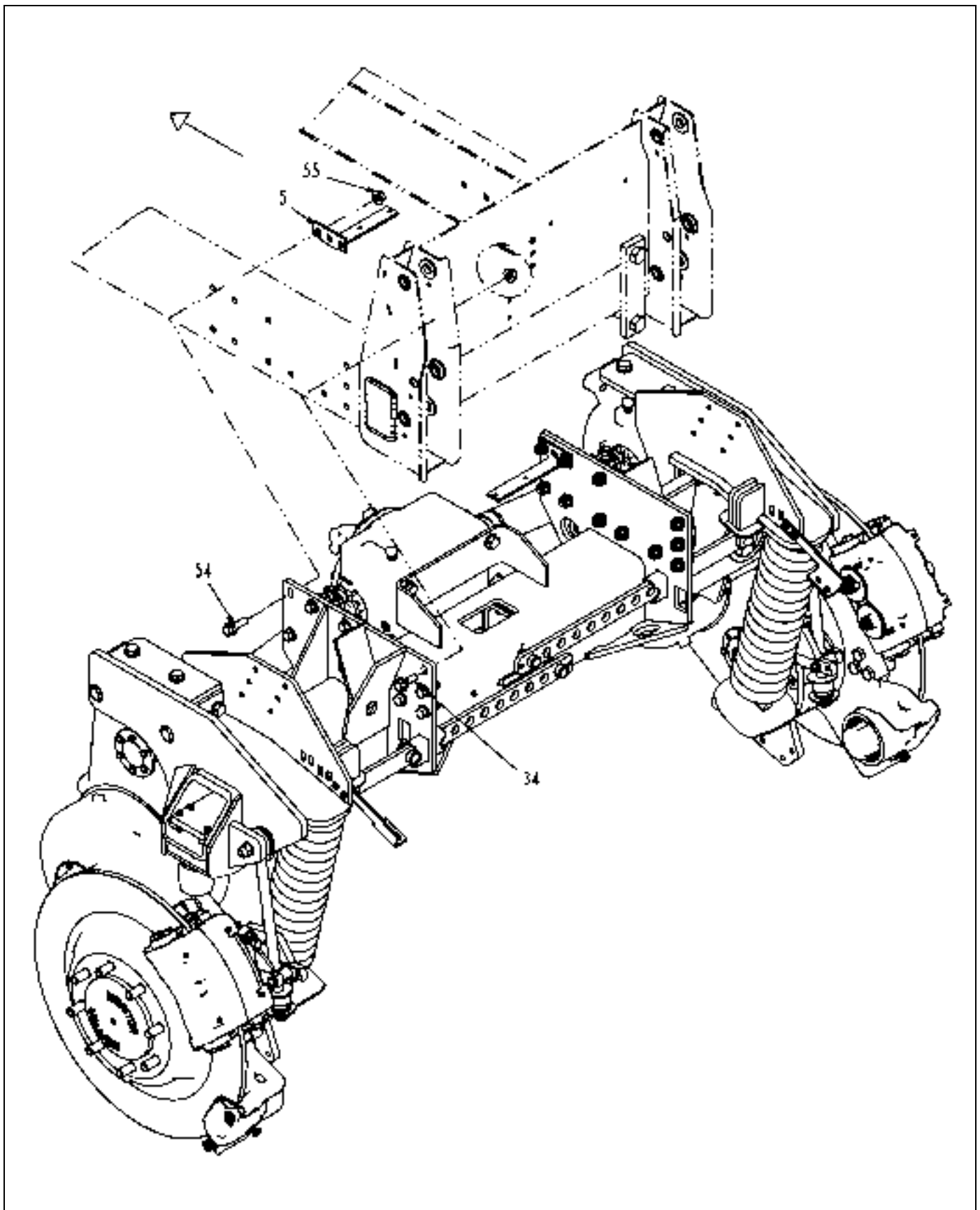
DRIVESHAFT-6C TELESCOPING



123752-A.TIF

DRIVESHAFT-6C TELESCOPING

ITEM	PART #	QTY	DESCRIPTION	COMMENTS
1	WR131495	1	KIT, CROSS & BEARING	
2	AG722951	1	SLIP YOKE	
3	NS	-	NON-SERVICEABLE PART	
4	NS	-	NON-SERVICEABLE PART	
5	NS	-	NON-SERVICEABLE PART	
6	WR131499	1	KIT,CROSS & BEARING	
	FOOTNOTE		ITEMS 3, 4, AND 5 CANNOT BE PURCHASED INDIVIDUALLY BUT ARE INCLUDED IN THE DRIVESHAFT ASSEMBLY.	

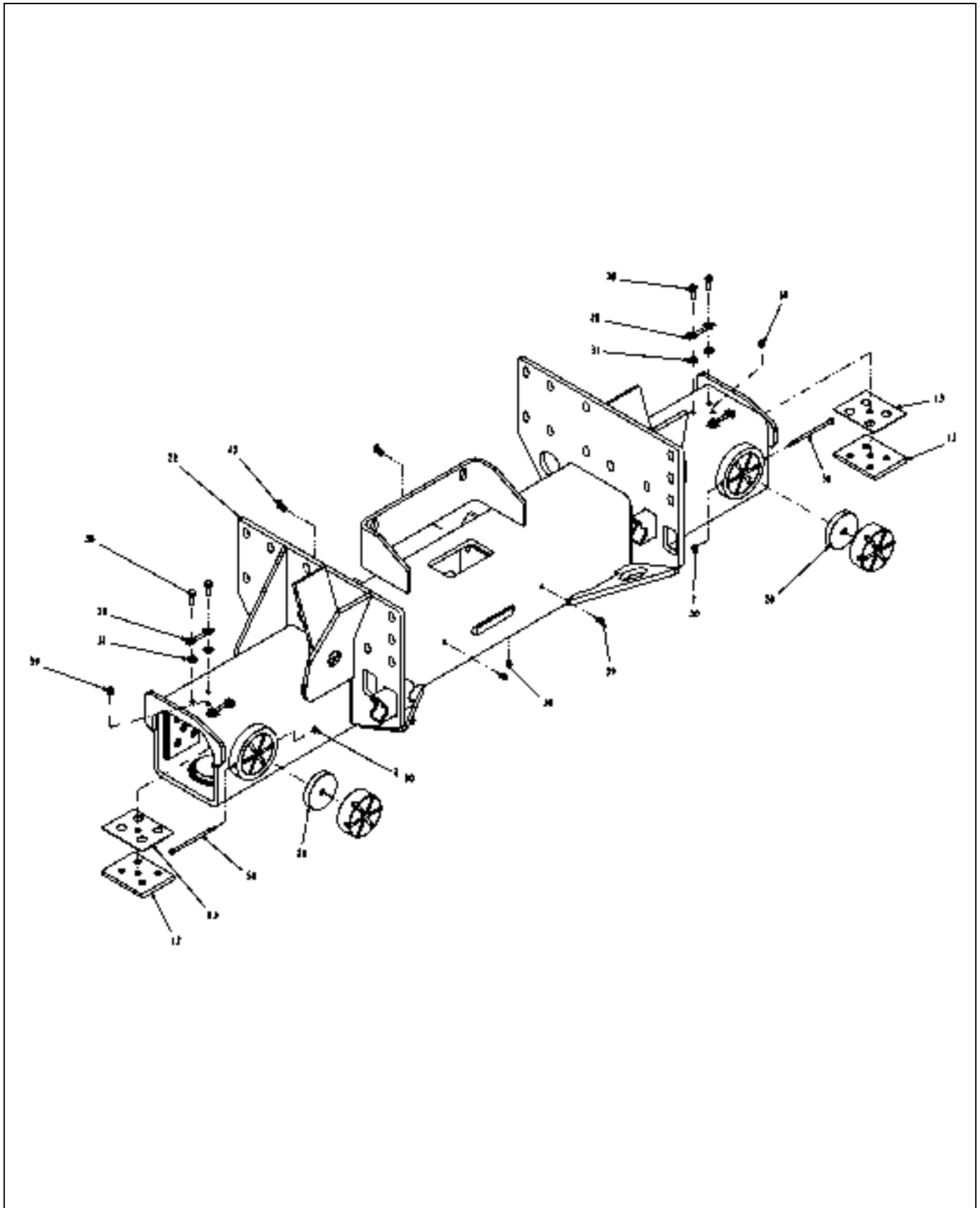


518378D1-05-T369-01.TIF

AXLE-REAR,SPRING,88 IN

ITEM	PART #	QTY	DESCRIPTION	COMMENTS
5	AG121826	2	BRACKET-HOSE SUPPORT	
27	WR135714	-	ADJUSTER-WEAR PAD,PUCK	[A]
29	AG511099	AR	GREASE-MULTI PURPOSE LITH.	
33	AG516064	AR	ANTI SEIZE	
34	AG517556	18	BOLT 0.62-18 X 1.75 G8 HX FLG	
54	AG609311	4	BOLT 0.62-18 X 2.00 G8 HX FLG	
55	AG609313	22	NUT HX FLG 0.62-18NF	
	FOOTNOTE [A]		THE TOOL TO ADJUST THIS PUCK IS WR129714.	

AXLE-REAR, SPRING, 88 IN



518378D1-05-T369-02.TIF

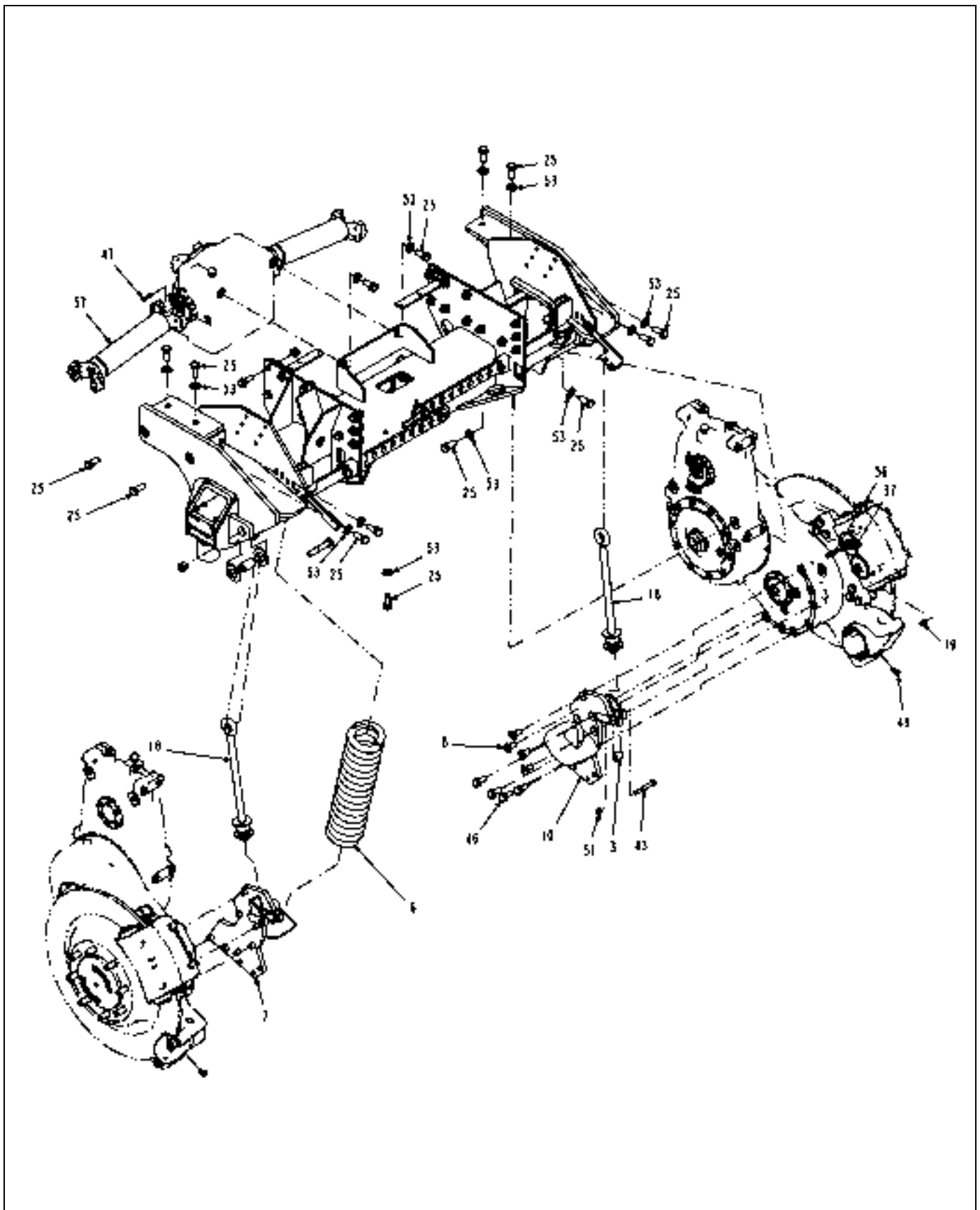
AXLE-REAR,SPRING,88 IN

ITEM	PART #	QTY	DESCRIPTION	COMMENTS
2	WR11494	4	NUT-CENTERLOCK, 1/4	
12	WR125577	4	PAD-WEAR,MID SIZE	
13	WR125580	AR	SHIM-WEAR PAD,UPPER	
20	WR128335	4	PAD-WEAR,SLIDERITE	
22	WR129662	1	AXLE WLDMT-REAR,WIDE TRACK	
28	AG233052	8	LOCK STRAP	
30	AG512885	AR	LOCTITE ADHESIVE SEALANT BLUE	
31	AG514559	16	WASHER 0.37 FL ZN SAE TYP-A G8	
38	AG519184	16	BOLT 0.37-24NFX 1.00 G5 ZN HHD	
39	AG550280	8	FITTING LUB.12-27NPTFX0.68	
45	AG559083	2	FITTING LUB 90D 0.125 NPTF	
50	AG563104	4	BOLT 0.25-20NCX 5.25 G5 ZN HHD	

AXLE-REAR,SPRING,88 IN

ITEM	PART #	QTY	DESCRIPTION	COMMENTS
1	WR10185	8	SCREW-CAP HEX 3/8 NC X 2	
4	AG109948	4	SPACER-EYEBOLT HANGER	
9	WR123067	2	BUMPER-LIMIT,SUSPENSION	
11	WR125526	4	PIN-TRACK ADJUST	
14	WR125609	4	BUSHING-TRACK ADJUST	
15	WR125758	2	SPACER-MTG,EYEBOLT HANGER	
16	WR126678	1	BRACKET-BRAKE LINES KEEPER	
17	WR126679	1	BRACKET-BRAKE LINES KEEPER	
21	WR129646	6	PAD-WEAR,6X6,REAR,SLIDERITE	
23	WR129685	AR	SHIM-WEAR PAD,4.50 IN X5.00 IN	
24	WR129686	AR	SHIM-WEAR PAD,5.00 IN X6.88 IN	
26	WR134202	2	PAD-WEAR,SLIDERITE,5.00X6.75 IN	
32	AG515352	6	PIN COTTER 0.18X2.00 SS	
35	AG518505	32	SCREW .38-24 NF X 1.50 FHCS	
36	AG518511	32	NUT FLANGE .38-24 UNF	
40	AG550515	4	BOLT 0.37-16NCX 1.25 G5 ZN HHD	
41	AG550981	4	WASHER 0.37 FL ZN NAR TYPE-B	
42	AG554537	2	BOLT 0.75-10NCX 2.00 G5 ZN HHD	
44	AG557676	12	NUT 0.37-16NC HEX ZN C-LK	
48	AG561593	2	BOLT 0.75-10NCX 4.00 G5 ZN HHD	
52	AG603864	4	NUT 0.75-10NC HEX ZN REG NY	
53	AG604203	22	WASHER 0.75 FL ZN SAE TYP-A G8	
58	518405D1	1	WLDMT-SLIDE,88 IN ,SPRING,LH	
59	518406D1	1	WLDMT-SLIDE,88 IN ,SPRING,RH	
60	518498D1	2	PLATE-BAR,TRACK,88 IN	
61	524602D1	2	PLATE-TRACK CYL,ANCHOR,88 IN	
62	WR55974	2	PIN-CLEVIS	

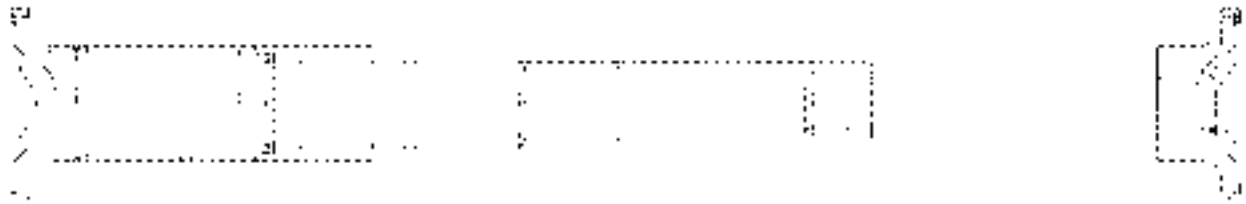
AXLE-REAR, SPRING, 88 IN



518378D1-05-T369-04.TIF

AXLE-REAR,SPRING,88 IN

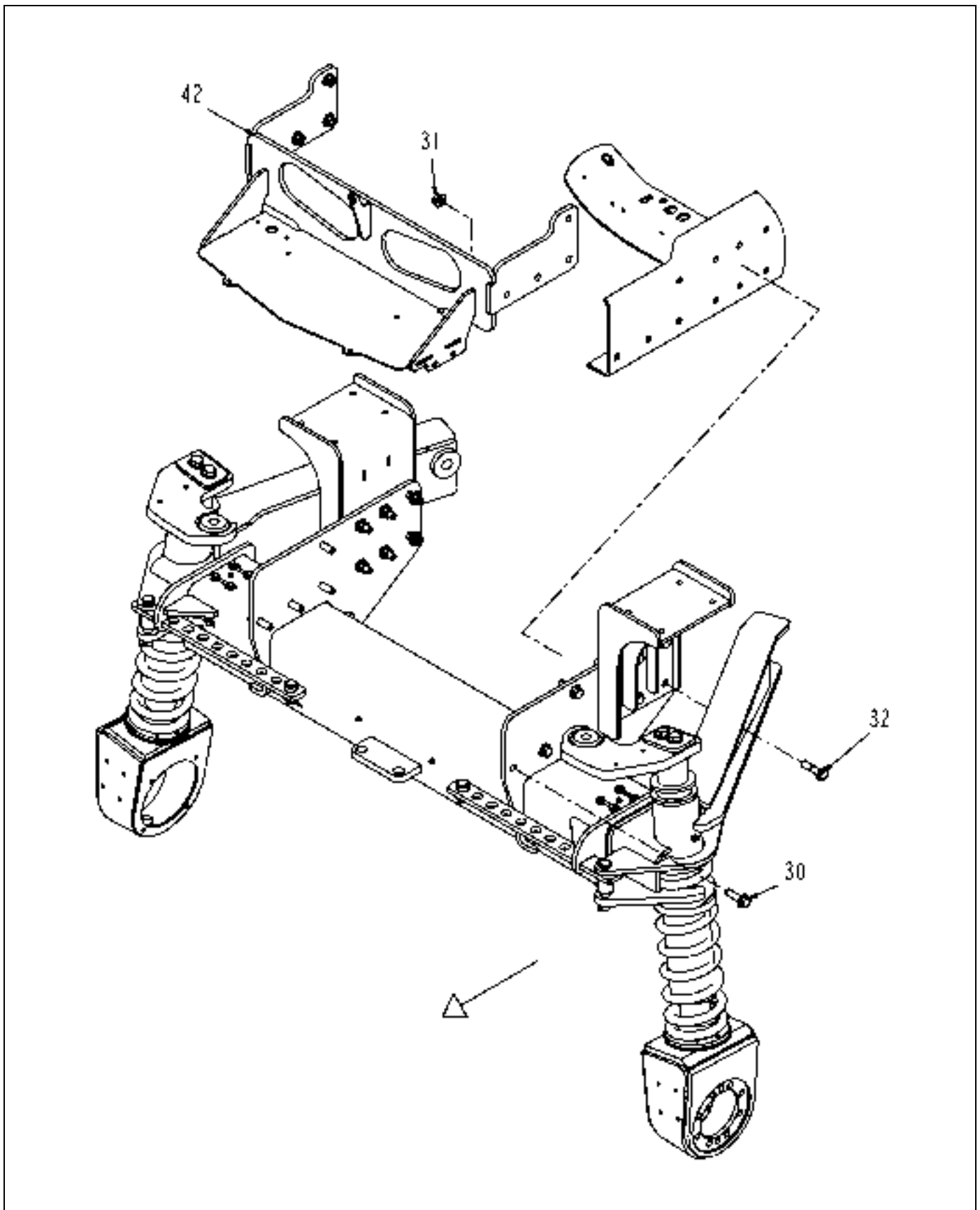
ITEM	PART #	QTY	DESCRIPTION	COMMENTS
3	AG109902	2	SPACER-MTG,EYEBOLT STOP	
6	WR122909	2	SPRING-REAR,HEAVY	
7	WR122915	1	BRACKET-WDMT,SPRING PVT,LH	
8	WR123065	8	FSHCS-.75X1.50 ALLOY	
10	WR124043	1	BRACKET-WDMT,SPRING RH	
18	WR128307	2	BOLT ASM-EYE	SEE PAGE 4-18
19	WR128326	2	ADAPTER,-4JICX-5MOR,STR	
25	WR129814	24	BOLT .75-10NCX 1.75 G8 ZN HHD	
37	AG519113	2	TUBE END NIPPLE -4	
43	AG556149	2	BOLT 0.50-13NCX 3.50 G5 ZN HHD	
46	AG559938	8	BOLT 0.75-10NCX 1.50 G5 ZN HHD	
47	AG561119	16	BOLT 0.37-24NFX 1.75 G8 ZN HHD	
49	AG561677	2	ELBOW 90D 0.25MO-R X 0.25MJIC	SEE PAGE 6-106
51	AG601152	2	NUT 0.50-13NC HEX ZN REG NY	
53	AG604203	22	WASHER 0.75 FL ZN SAE TYP-A G8	
56	401704X1	2	ELBOW 90D -4MJX-5MOR	
57	512337D1	2	DRIVESHAFT-W/CAPS,88 IN -128 IN	SEE PAGE 4-40



512337D1-01-N519-.TIF

DRIVESHAFT-W/CAPS,88 IN -128 IN

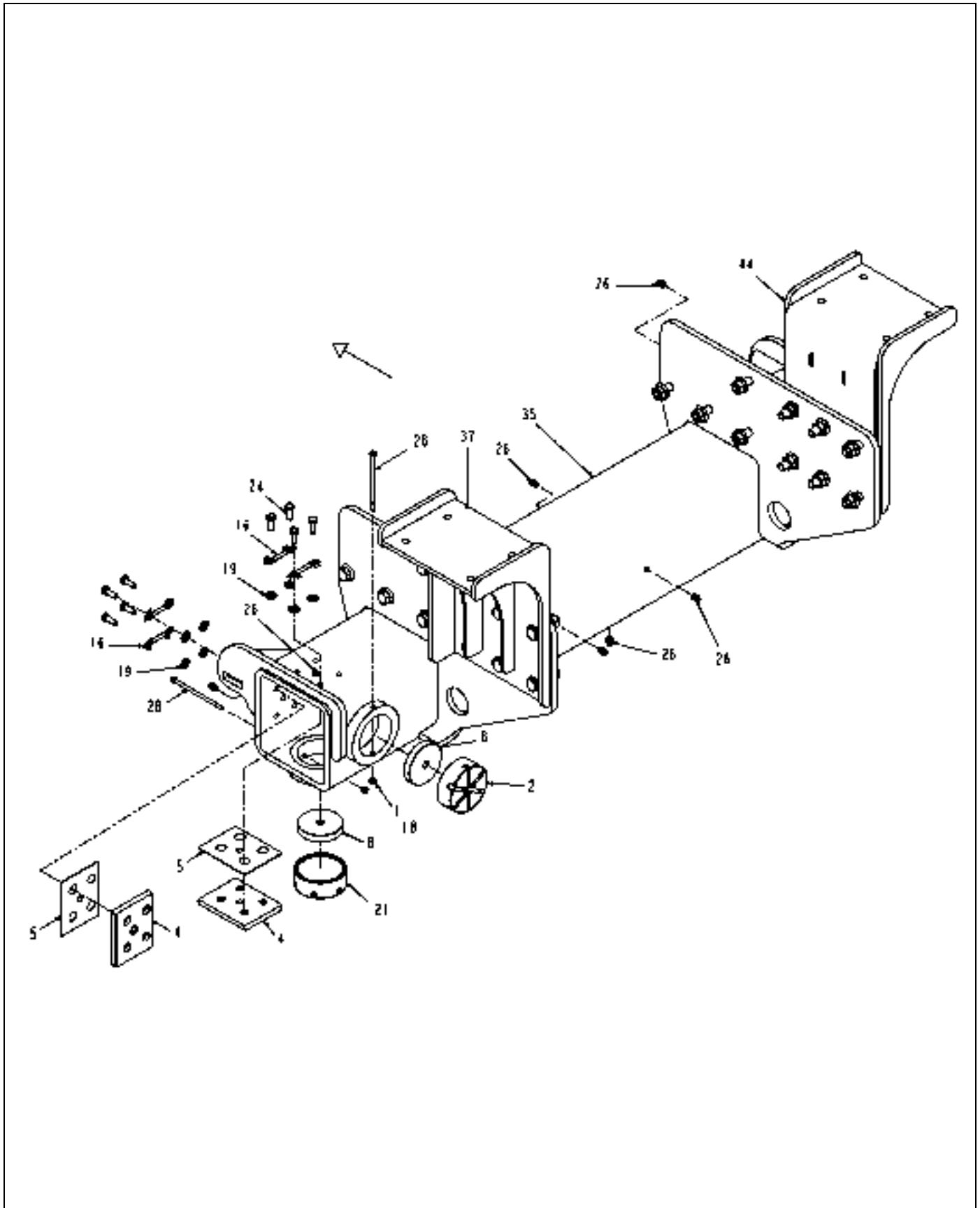
ITEM	PART #	QTY	DESCRIPTION	COMMENTS
REF	AG331463	-	RING/RETAINING-MEDIUM	
REF	AG331464	-	RING/RETAINING-LARGE	
REF	WR131499	2	KIT,CROSS & BEARING	
REF	AG331462	-	RING/RETAINING-SMALL	



508470D1-03-T176-01.TIF

AXLE-FRONT,88 IN -120 IN

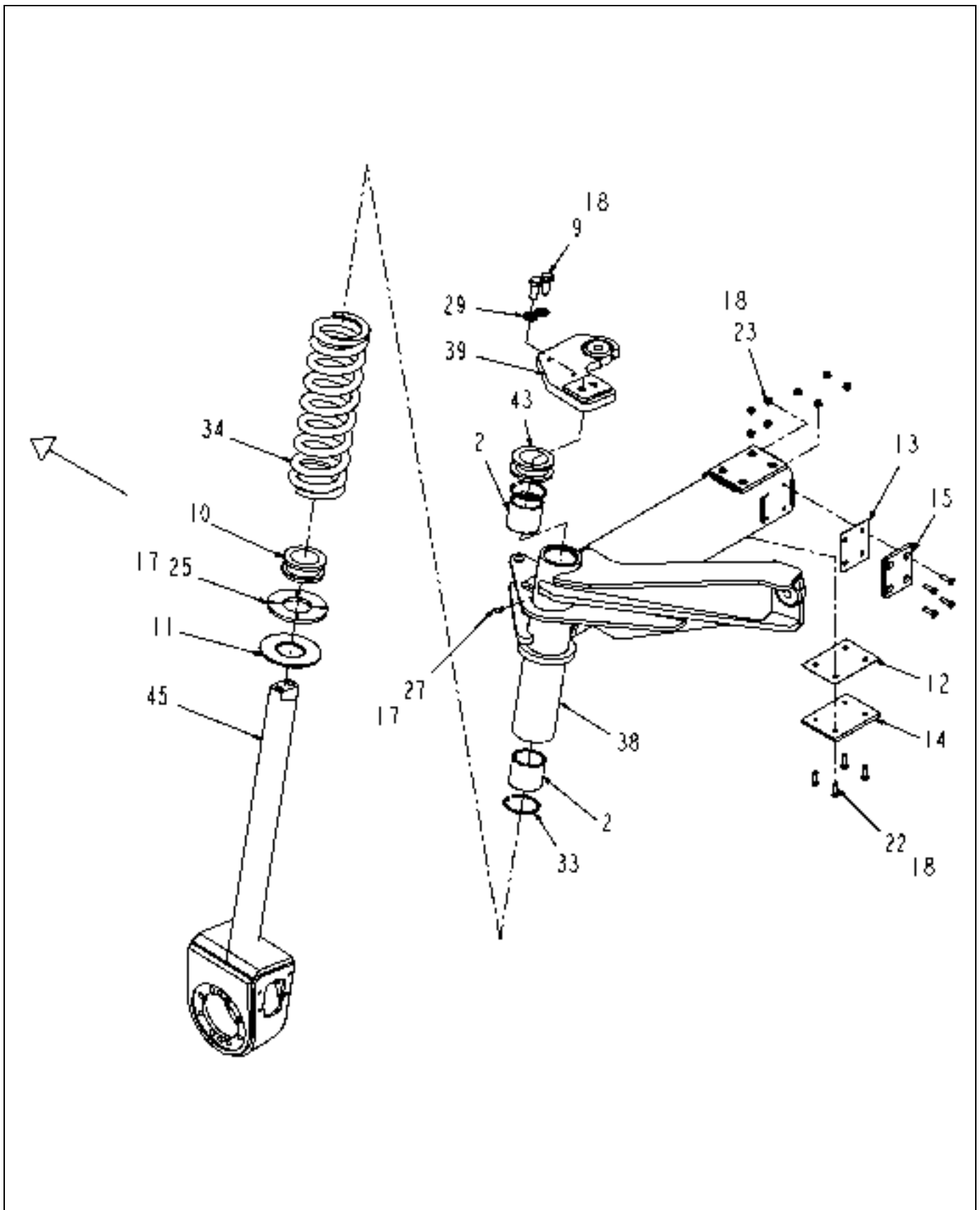
ITEM	PART #	QTY	DESCRIPTION	COMMENTS
30	AG609311	20	BOLT 0.62-18 X 2.00 G8 HX FLG	
31	AG609313	20	NUT HX FLG 0.62-18NF	
32	AG609314	12	BOLT 0.62-18 X 2.50 G8 HX FLG	
42	515151D1	1	WLDMT-CROSSMEMBER,FNT	



508470D1-03-T176-02.TIF

AXLE-FRONT,88 IN -120 IN

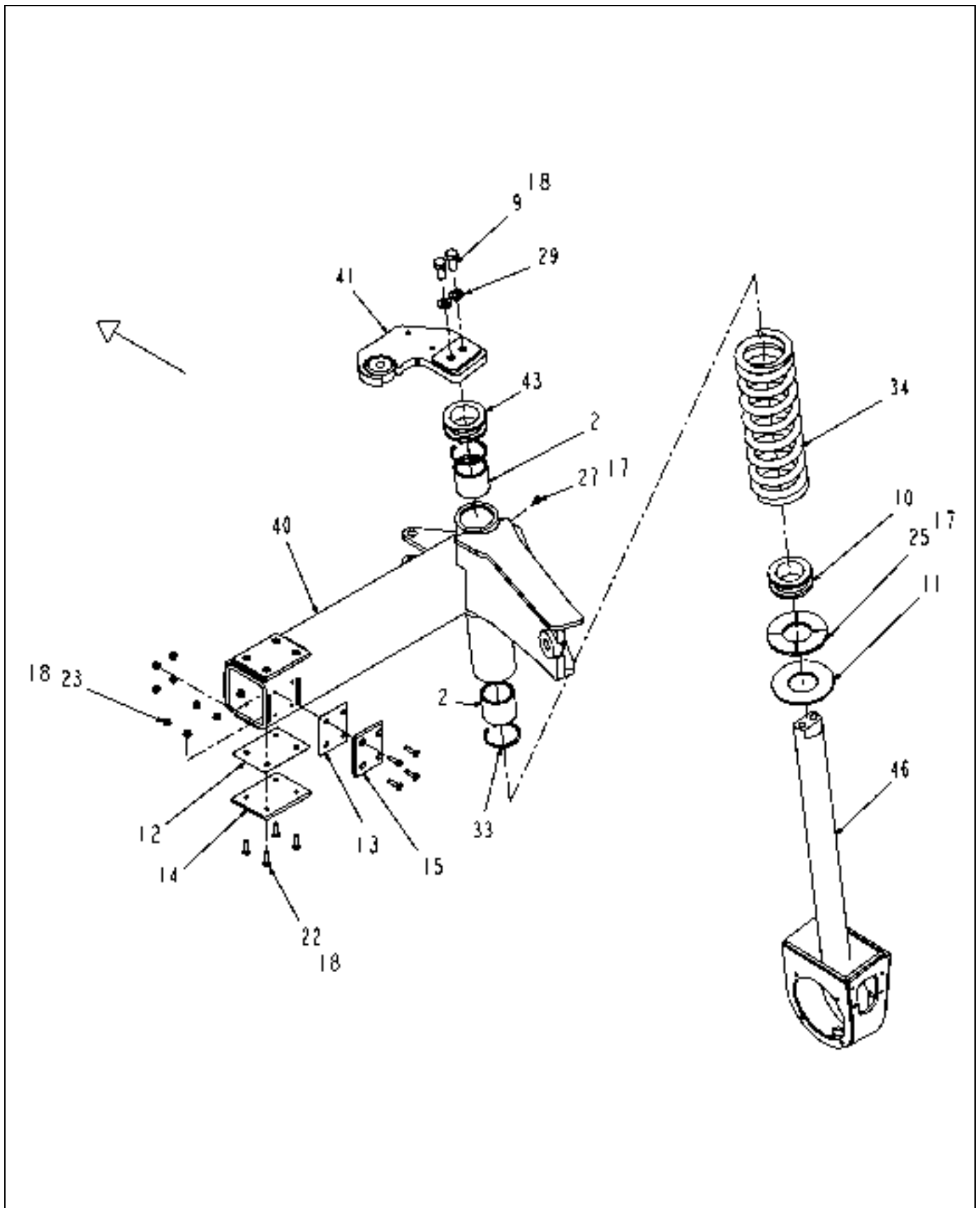
ITEM	PART #	QTY	DESCRIPTION	COMMENTS
1	WR11494	4	NUT-CENTERLOCK, 1/4	
2	WR125398	4	BUSHING-3.507X3.006X3.00	
4	WR125577	4	PAD-WEAR,MID SIZE	
5	WR125580	AR	SHIM-WEAR PAD,UPPER	
8	WR128335	4	PAD-WEAR,SLIDERITE	
16	AG233052	8	LOCK STRAP	
18	AG512885	AR	LOCTITE ADHESIVE SEALANT BLUE	
19	AG514559	16	WASHER 0.37 FL ZN SAE TYP-A G8	
21	AG516064	AR	ANTI SEIZE	
24	AG519184	16	BOLT 0.37-24NFX 1.00 G5 ZN HHD	
26	AG550280	10	FITTING LUB.12-27NPTFX0.68	
28	AG563104	4	BOLT 0.25-20NCX 5.25 G5 ZN HHD	
35	508479D1	1	WELDMENT-AXLE,FRONT,88 IN 120 IN	
37	514101D1	1	WLDMT-BOOMREST,ATTACH,LH	
44	515167D1	1	WLDMT-BOOMREST,ATTACH,RH	



508470D1-03-T176-03.TIF

AXLE-FRONT,88 IN -120 IN

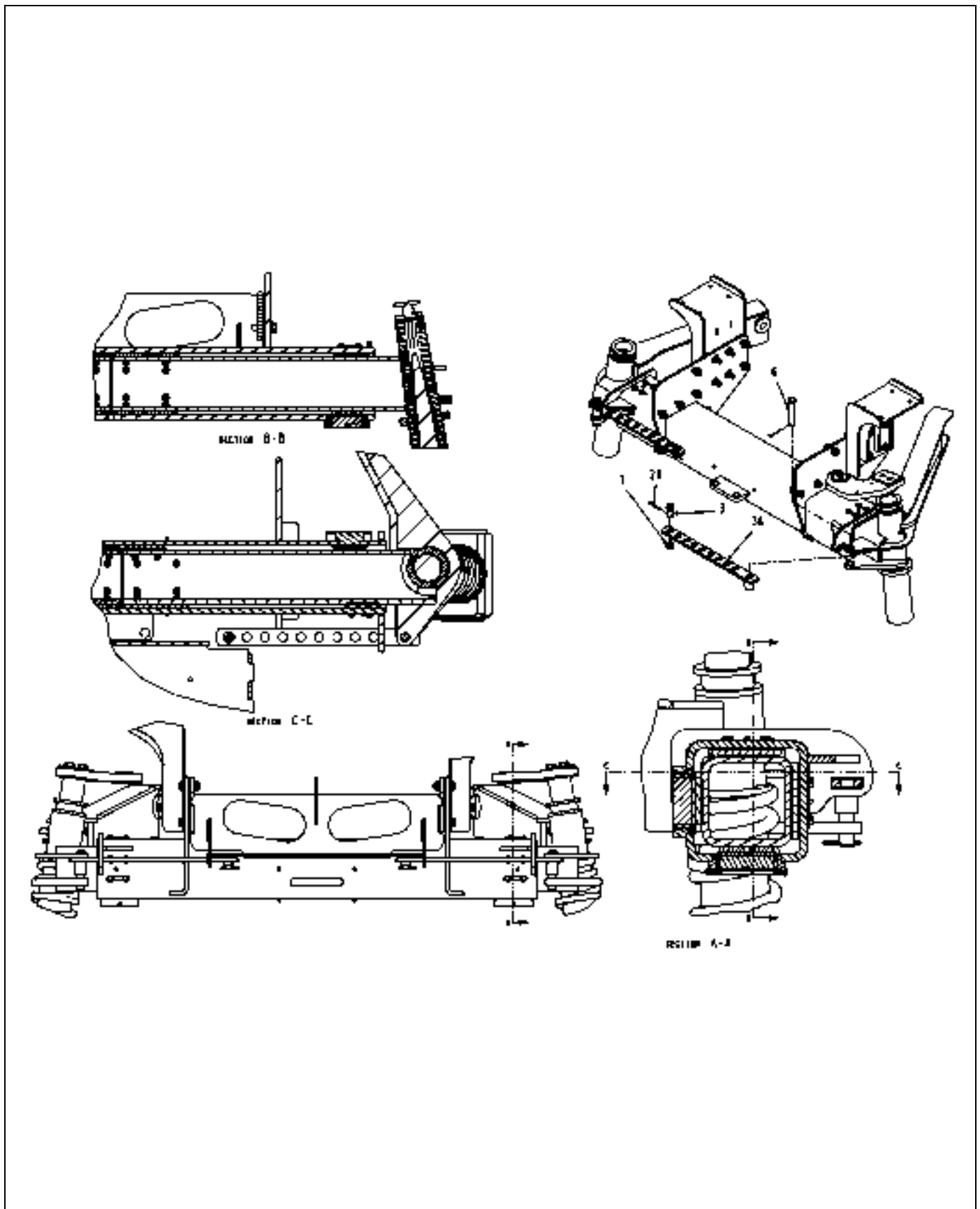
ITEM	PART #	QTY	DESCRIPTION	COMMENTS
2	WR125398	4	BUSHING-3.507X3.006X3.00	
9	WR129814	4	BOLT .75-10NCX 1.75 G8 ZN HHD	
10	WR132214	2	JOUNCE BUMPER-ELASTOMER,7650	
11	WR132224	2	WASHER-HARD BOTTOM	
12	WR134200	AR	SHIM-WEAR PAD,5.00X6.75 IN	
13	WR134201	AR	SHIM-WEAR PAD,5.00X4.125 IN	
14	WR134202	6	PAD-WEAR,SLIDERITE,5.00X6.75 IN	
15	WR134203	2	PAD-WEAR,SLIDERITE,5.00X4.125 IN	
17	AG511099	AR	GREASE-MULTI PURPOSE LITH.	
18	AG512885	AR	LOCTITE ADHESIVE SEALANT BLUE	
22	AG518505	32	SCREW .38-24 NF X 1.50 FHCS	
23	AG518511	32	NUT FLANGE .38-24 UNF	
25	AG522723	2	BUSHING-THRUST,KING PIN	
27	AG559083	2	FITTING LUB 90D 0.125 NPTF	
29	AG604203	4	WASHER 0.75 FL ZN SAE TYP-A G8	
33	401481X1	4	RING-RETAINING,INT,3.625 DIA	
34	508467D1	2	SPRING-COIL	
38	514934D1	1	WELDMENT-SLIDE,LH,88 IN -120 IN	
39	514937D1	1	ARM-FORMED,STEERING,LH	
43	515156D1	2	BUMPER-REBOUND,STRUT	
45	525874D1	1	KNUCKLE-STRG,LH	



508470D1-03-T176-04.TIF

AXLE-FRONT,88 IN -120 IN

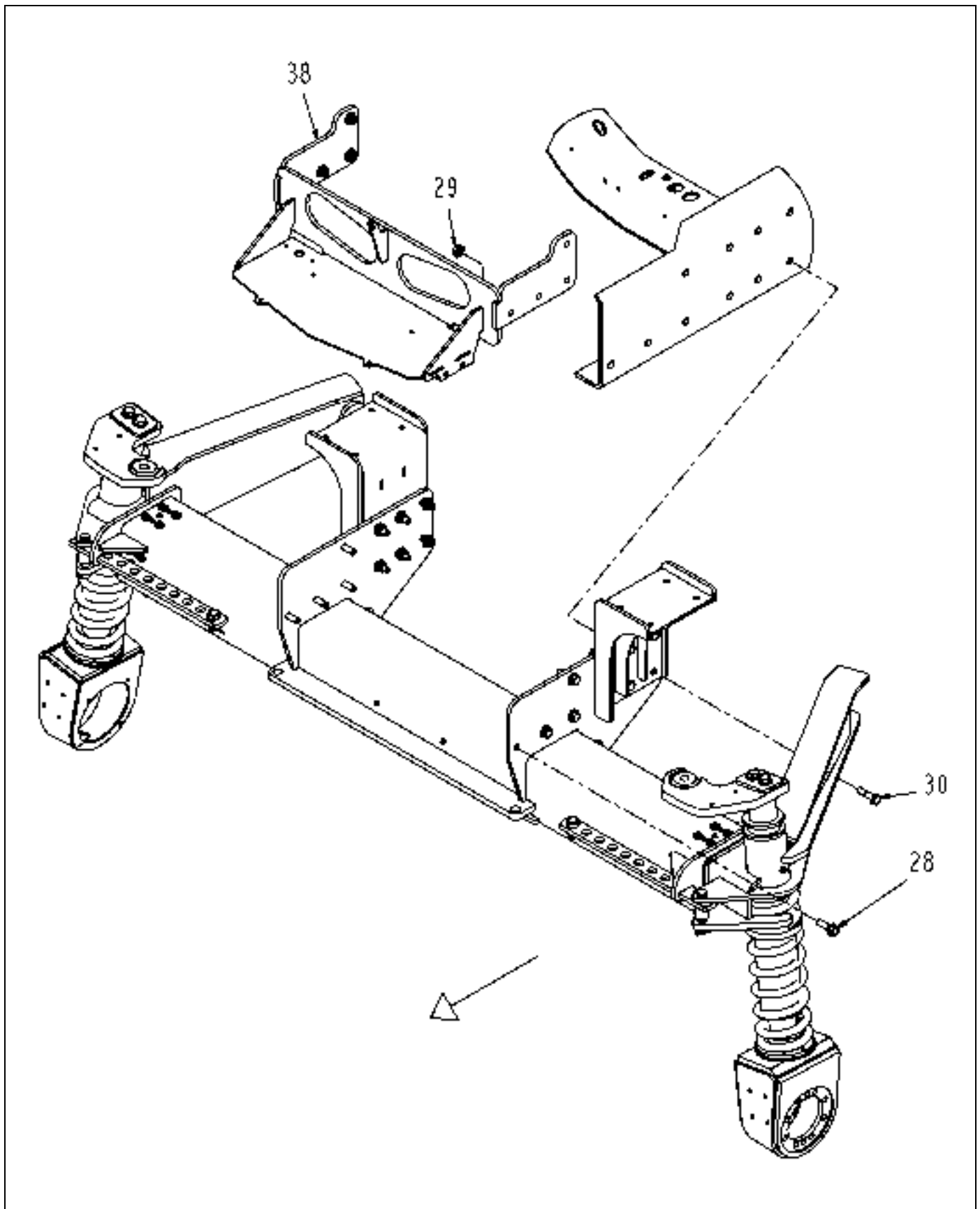
ITEM	PART #	QTY	DESCRIPTION	COMMENTS
2	WR125398	4	BUSHING-3.507X3.006X3.00	
9	WR129814	4	BOLT .75-10NCX 1.75 G8 ZN HHD	
10	WR132214	2	JOUNCE BUMPER-ELASTOMER,7650	
11	WR132224	2	WASHER-HARD BOTTOM	
12	WR134200	AR	SHIM-WEAR PAD,5.00X6.75 IN	
13	WR134201	AR	SHIM-WEAR PAD,5.00X4.125 IN	
14	WR134202	6	PAD-WEAR,SLIDERITE,5.00X6.75 IN	
15	WR134203	2	PAD-WEAR,SLIDERITE,5.00X4.125 IN	
17	AG511099	AR	GREASE-MULTI PURPOSE LITH.	
18	AG512885	AR	LOCTITE ADHESIVE SEALANT BLUE	
22	AG518505	32	SCREW .38-24 NF X 1.50 FHCS	
23	AG518511	32	NUT FLANGE .38-24 UNF	
25	AG522723	2	BUSHING-THRUST,KING PIN	
27	AG559083	2	FITTING LUB 90D 0.125 NPTF	
29	AG604203	4	WASHER 0.75 FL ZN SAE TYP-A G8	
33	401481X1	4	RING-RETAINING,INT,3.625 DIA	
34	508467D1	2	SPRING-COIL	
40	514943D1	1	WELDMNT-SLIDE,88 IN -120 IN ,RH	
41	514948D1	1	ARM-FORMED,STEERING,RH	
43	515156D1	2	BUMPER-REBOUND,STRUT	
46	525875D1	1	KNUCKLE-STRG,RH	



508470D1-03-T176-05.TIF

AXLE-FRONT,88 IN -120 IN

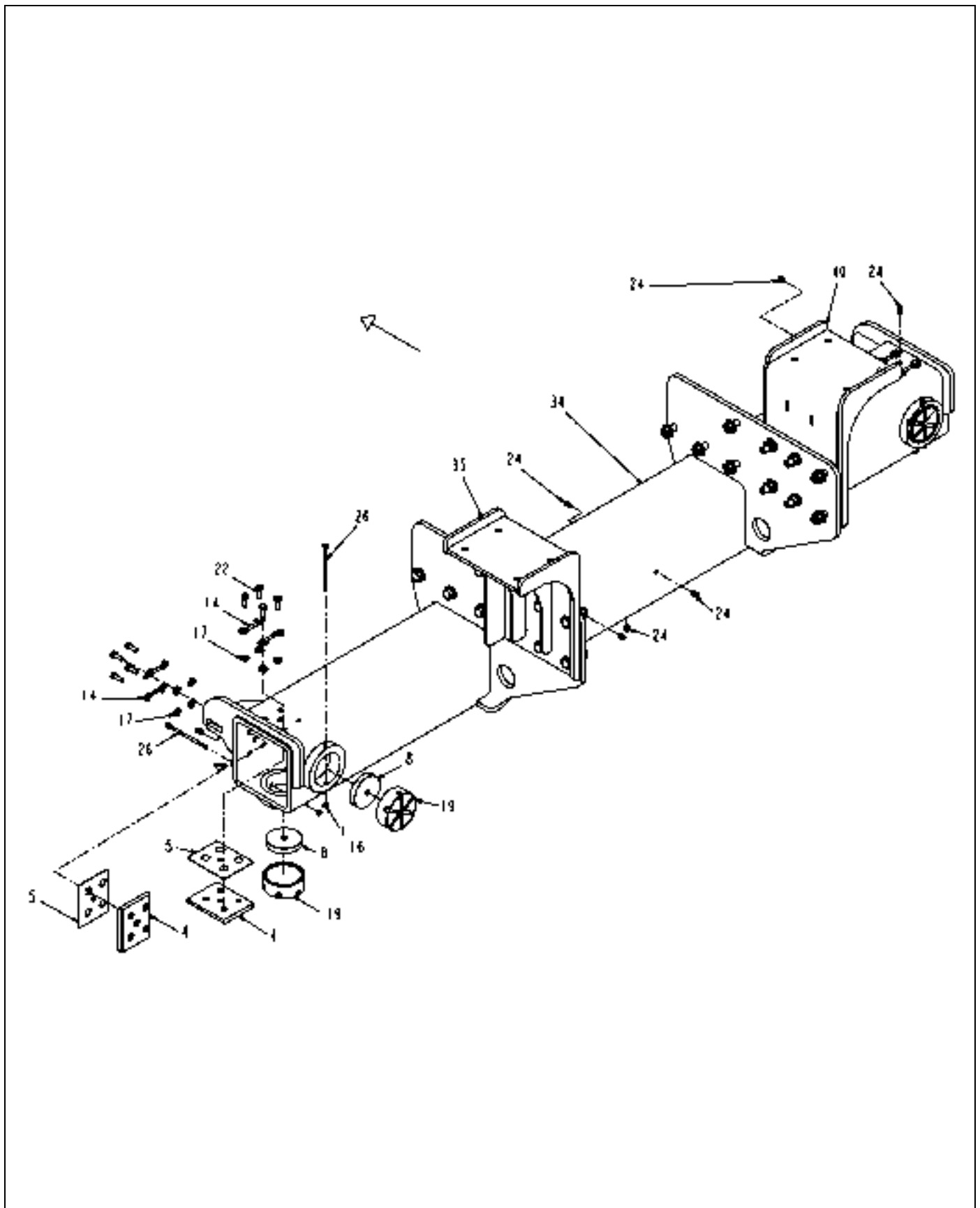
ITEM	PART #	QTY	DESCRIPTION	COMMENTS
3	WR125526	2	PIN-TRACK ADJUST	
6	WR125598	2	PIN-CLEVIS	
7	WR125609	2	BUSHING-TRACK ADJUST	
20	AG515352	4	PIN COTTER 0.18X2.00 SS	
36	511364D1	2	WELDMENT-BAR,TRACK ADJ	



512338D1-03-T176-01.TIF

AXLE-FRONT,120 IN -160 IN

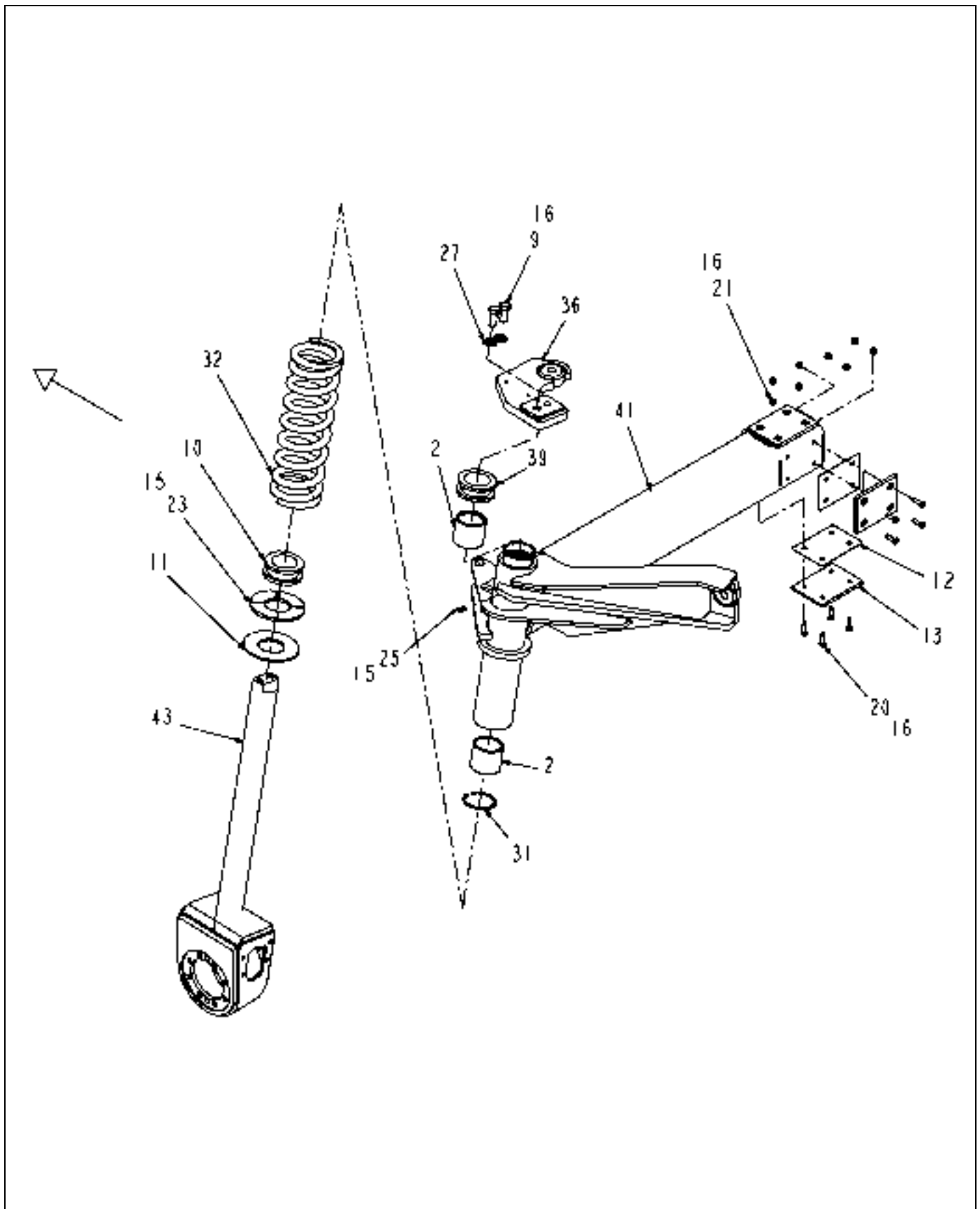
ITEM	PART #	QTY	DESCRIPTION	COMMENTS
28	AG609311	8	BOLT 0.62-18 X 2.00 G8 HX FLG	
29	AG609313	20	NUT HX FLG 0.62-18NF	
30	AG609314	12	BOLT 0.62-18 X 2.50 G8 HX FLG	
38	515151D1	1	WLDMT-CROSSMEMBER,FNT	



512338D1-03-T176-02.TIF

AXLE-FRONT,120 IN -160 IN

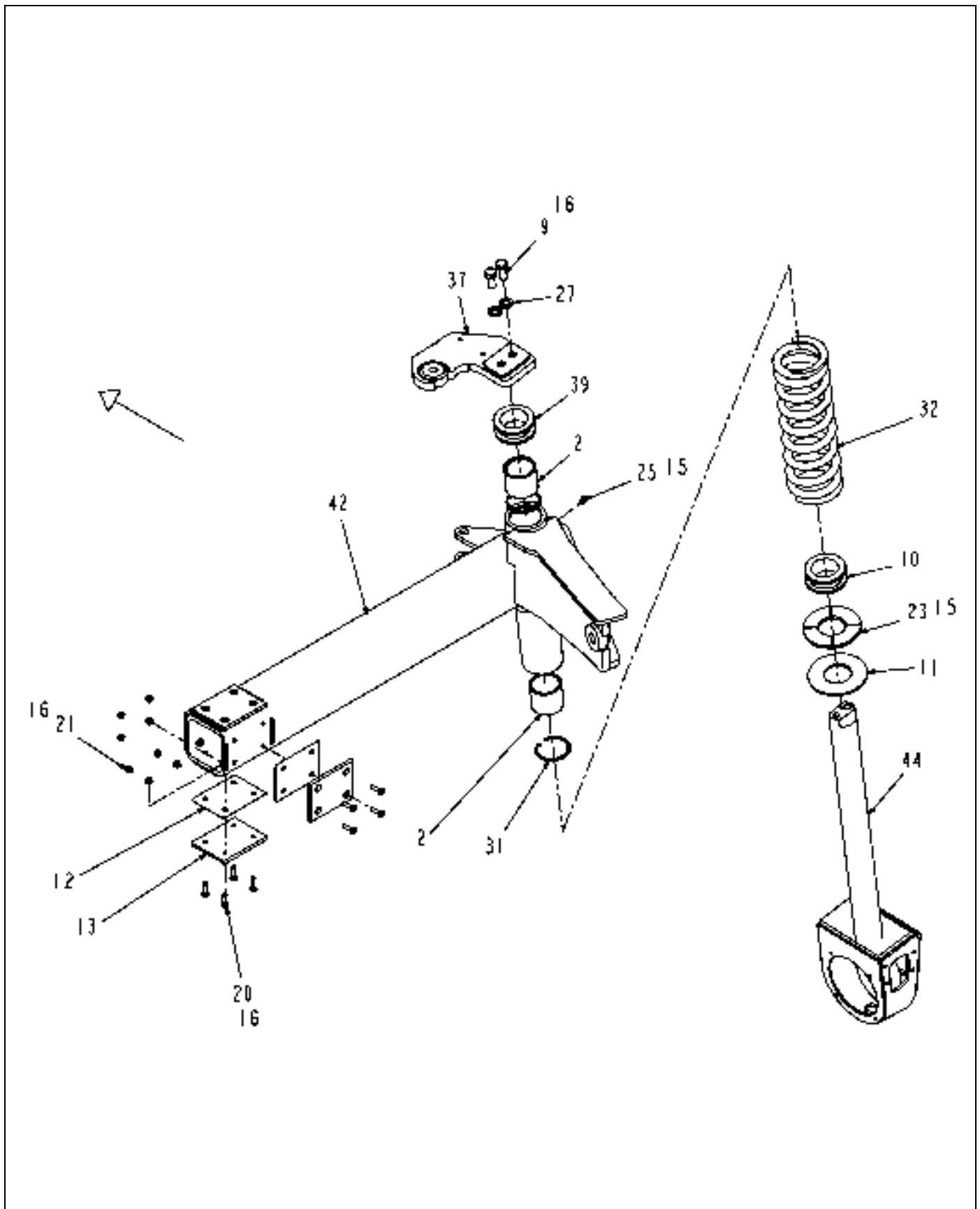
ITEM	PART #	QTY	DESCRIPTION	COMMENTS
1	WR11494	4	NUT-CENTERLOCK, 1/4	
4	WR125577	4	PAD-WEAR,MID SIZE	
5	WR125580	AR	SHIM-WEAR PAD,UPPER	
8	WR128335	4	PAD-WEAR,SLIDERITE	
14	AG233052	8	LOCK STRAP	
16	AG512885	AR	LOCTITE ADHESIVE SEALANT BLUE	
17	AG514559	16	WASHER 0.37 FL ZN SAE TYP-A G8	
19	AG516064	AR	ANTI SEIZE	
22	AG519184	16	BOLT 0.37-24NFX 1.00 G5 ZN HHD	
24	AG550280	10	FITTING LUB.12-27NPTFX0.68	
26	AG563104	4	BOLT 0.25-20NCX 5.25 G5 ZN HHD	
34	512339D1	1	WELDMNT-AXLE,FRONT,120 IN	
35	514101D1	1	WLDMT-BOOMREST,ATTACH,LH	
40	515167D1	1	WLDMT-BOOMREST,ATTACH,RH	



512338D1-03-T176-03.TIF

AXLE-FRONT,120 IN -160 IN

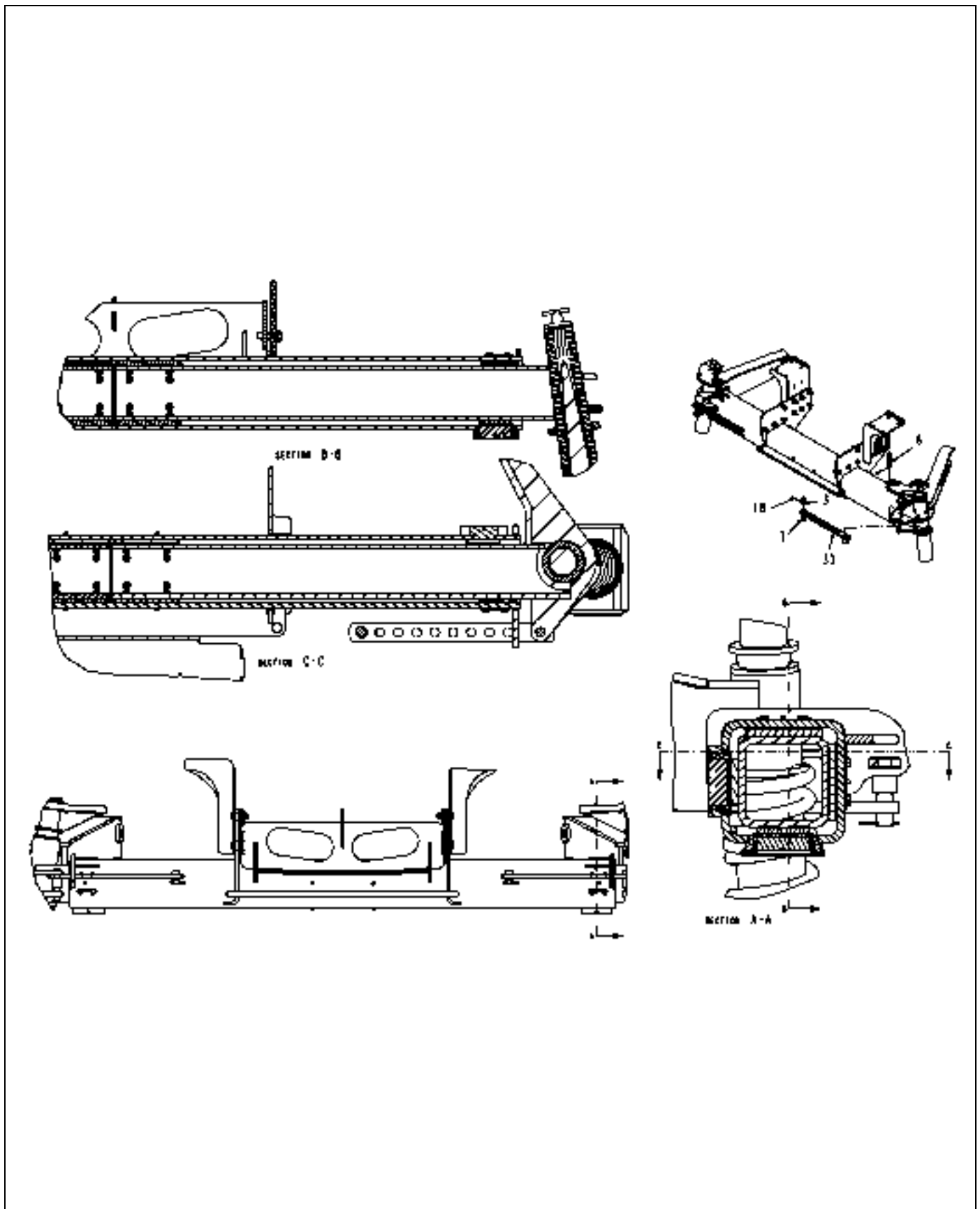
ITEM	PART #	QTY	DESCRIPTION	COMMENTS
2	WR125398	4	BUSHING-3.507X3.006X3.00	
9	WR129814	4	BOLT .75-10NCX 1.75 G8 ZN HHD	
10	WR132214	2	JOUNCE BUMPER-ELASTOMER,7650	
11	WR132224	2	WASHER-HARD BOTTOM	
12	WR134200	AR	SHIM-WEAR PAD,5.00X6.75 IN	
13	WR134202	8	PAD-WEAR,SLIDERITE,5.00X6.75 IN	
15	AG511099	AR	GREASE-MULTI PURPOSE LITH.	
16	AG512885	AR	LOCTITE ADHESIVE SEALANT BLUE	
20	AG518505	32	SCREW .38-24 NF X 1.50 FHCS	
21	AG518511	32	NUT FLANGE .38-24 UNF	
23	AG522723	2	BUSHING-THRUST,KING PIN	
25	AG559083	2	FITTING LUB 90D 0.125 NPTF	
27	AG604203	4	WASHER 0.75 FL ZN SAE TYP-A G8	
31	401481X1	4	RING-RETAINING,INT,3.625 DIA	
32	508467D1	2	SPRING-COIL	
36	514937D1	1	ARM-FORMED,STEERING,LH	
39	515156D1	2	BUMPER-REBOUND,STRUT	
41	515194D1	1	WLDMT-SLIDE,120 IN ,LH,FNT	
43	525874D1	1	KNUCKLE-STRG,LH	



512338D1-03-T176-04.TIF

AXLE-FRONT,120 IN -160 IN

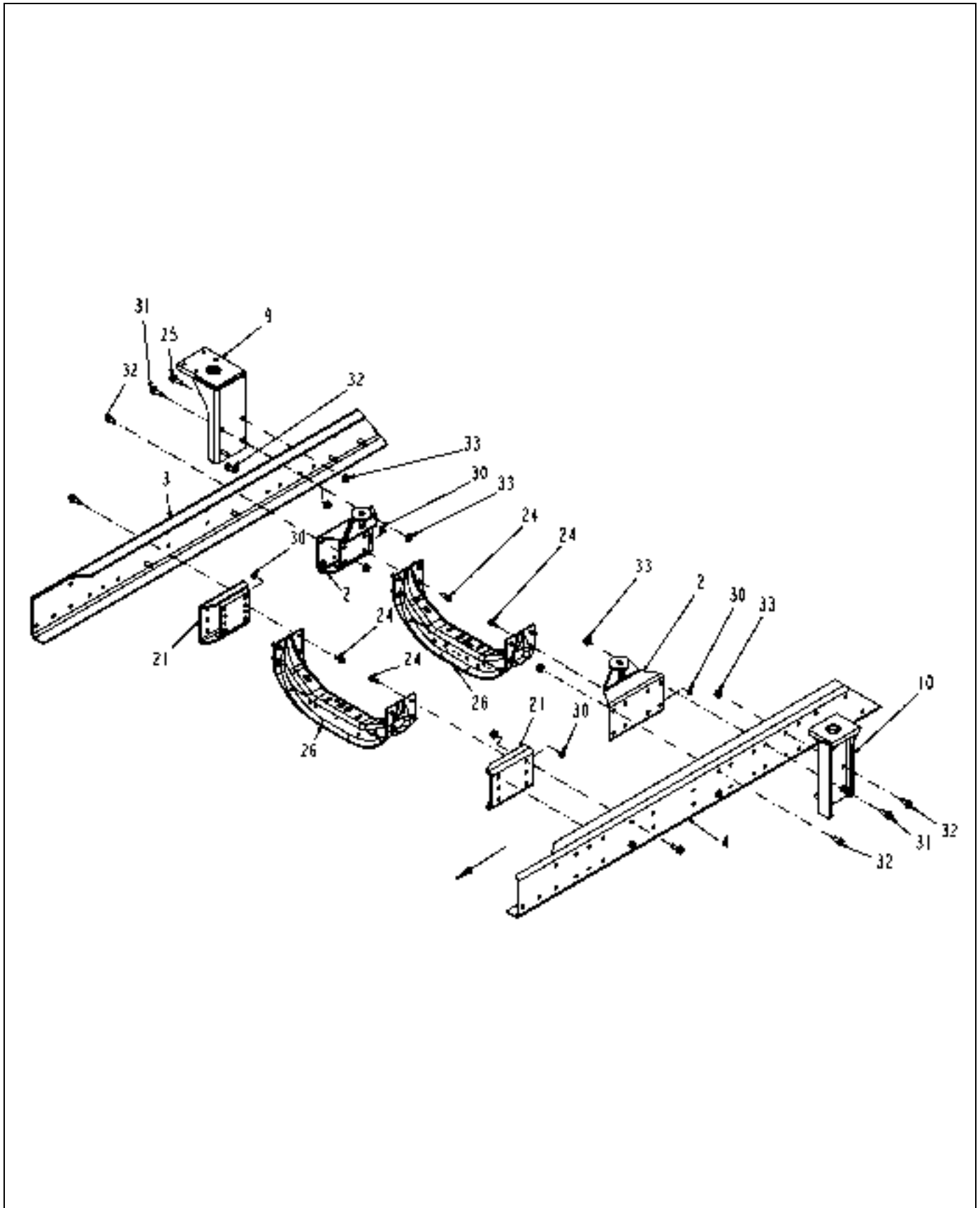
ITEM	PART #	QTY	DESCRIPTION	COMMENTS
2	WR125398	4	BUSHING-3.507X3.006X3.00	
9	WR129814	4	BOLT .75-10NCX 1.75 G8 ZN HHD	
10	WR132214	2	JOUNCE BUMPER-ELASTOMER,7650	
11	WR132224	2	WASHER-HARD BOTTOM	
12	WR134200	AR	SHIM-WEAR PAD,5.00X6.75 IN	
13	WR134202	8	PAD-WEAR,SLIDERITE,5.00X6.75 IN	
15	AG511099	AR	GREASE-MULTI PURPOSE LITH.	
16	AG512885	AR	LOCTITE ADHESIVE SEALANT BLUE	
20	AG518505	32	SCREW .38-24 NF X 1.50 FHCS	
21	AG518511	32	NUT FLANGE .38-24 UNF	
23	AG522723	2	BUSHING-THRUST,KING PIN	
25	AG559083	2	FITTING LUB 90D 0.125 NPTF	
27	AG604203	4	WASHER 0.75 FL ZN SAE TYP-A G8	
31	401481X1	4	RING-RETAINING,INT,3.625 DIA	
32	508467D1	2	SPRING-COIL	
37	514948D1	1	ARM-FORMED,STEERING,RH	
39	515156D1	2	BUMPER-REBOUND,STRUT	
42	515195D1	1	WLDMT-SLIDE,120 IN ,RH,FNT	
44	525875D1	1	KNUCKLE-STRG,RH	



512338D1-03-T176-05.TIF

AXLE-FRONT,120 IN -160 IN

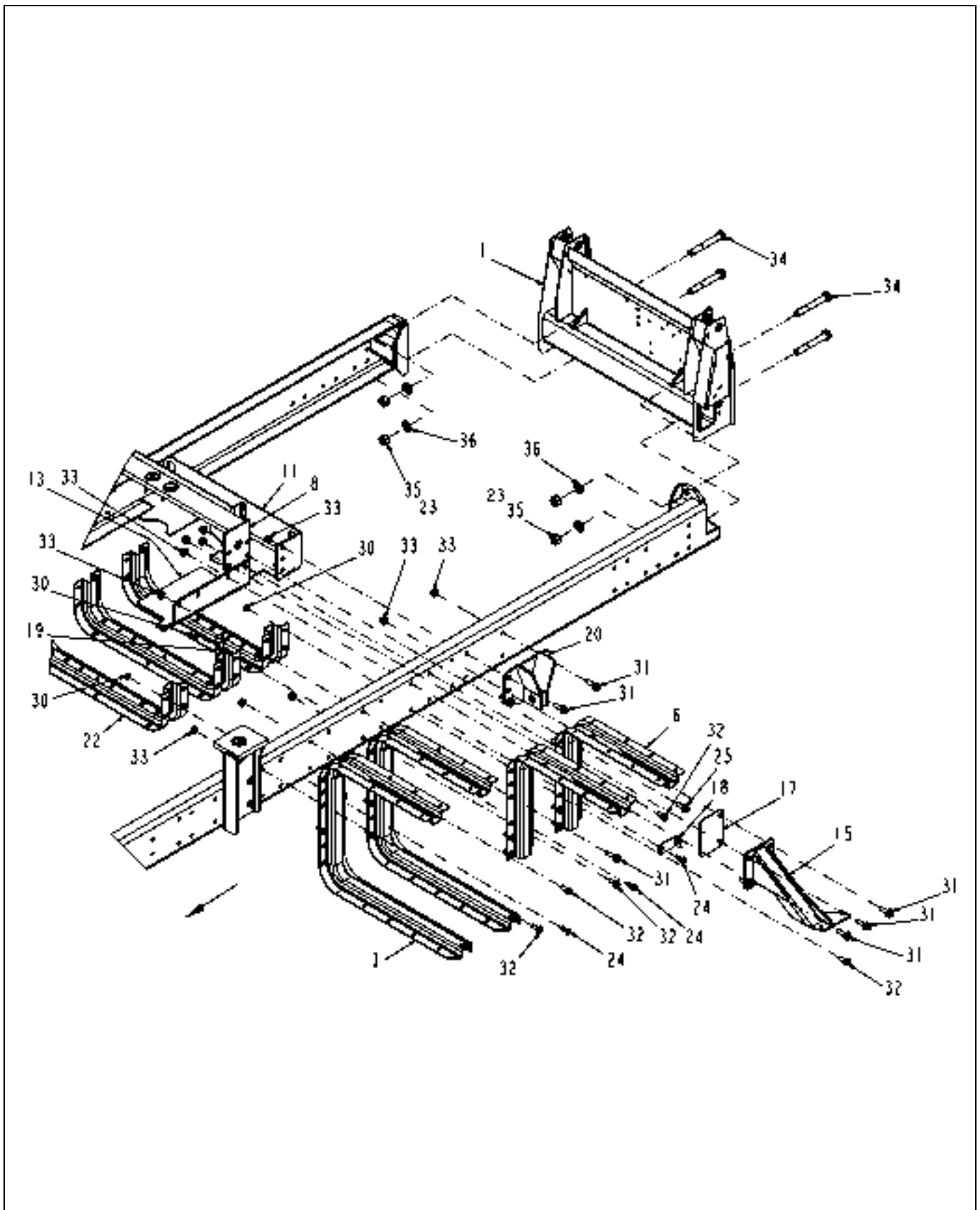
ITEM	PART #	QTY	DESCRIPTION	COMMENTS
3	WR125526	2	PIN-TRACK ADJUST	
6	WR125598	2	PIN-CLEVIS	
7	WR125609	2	BUSHING-TRACK ADJUST	
18	AG515352	4	PIN COTTER 0.18X2.00 SS	
33	511364D1	2	WELDMENT-BAR,TRACK ADJ	



511370D1-02-R673-02.TIF

ASSEMBLY-FRAME,7X50,NO OSC.

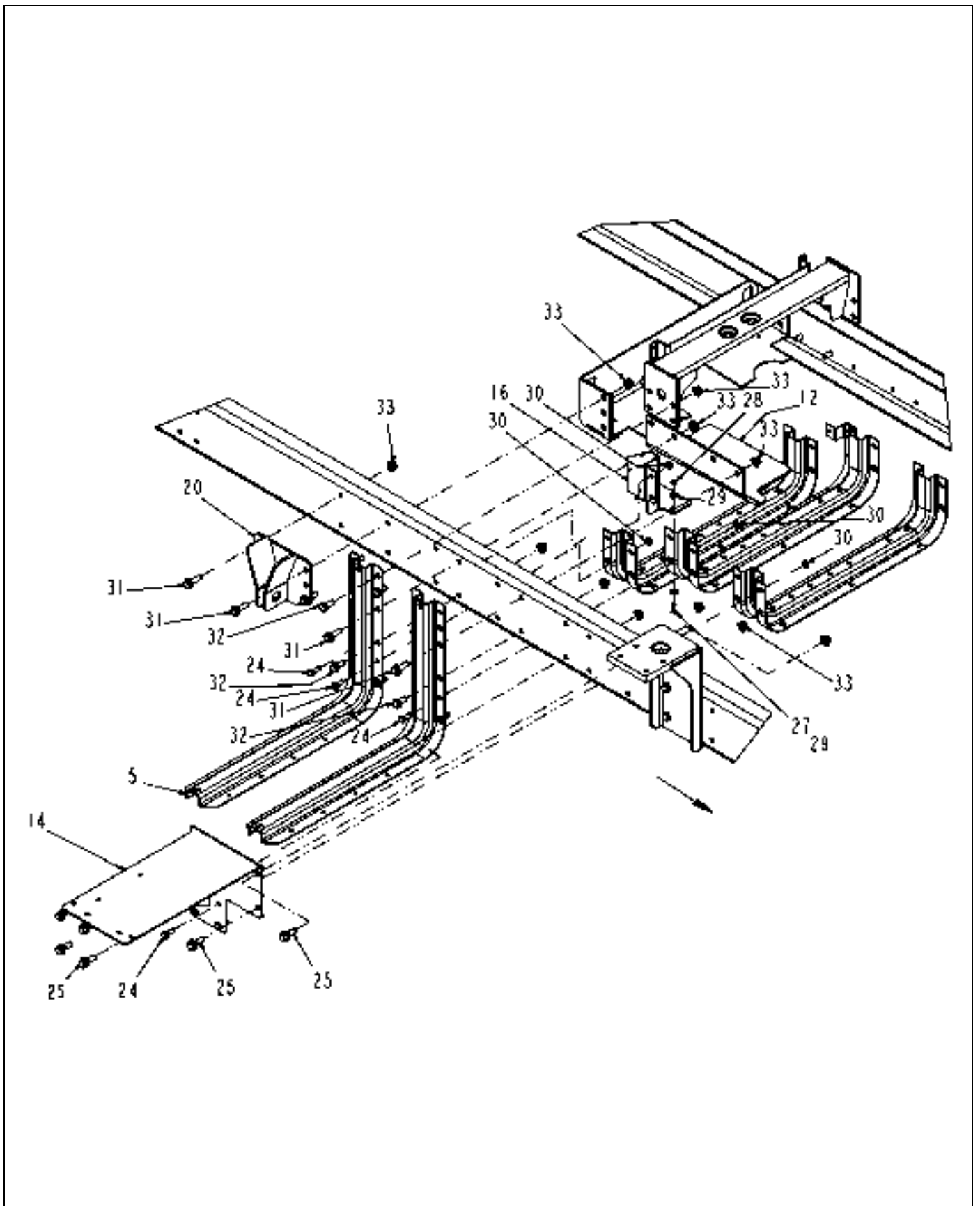
ITEM	PART #	QTY	DESCRIPTION	COMMENTS
2	WR124252	2	BRKT-WLDMT,MTG,ENGINE,REAR	
3	WR124255	1	RAIL WLMDT-FRAME,RH	
4	WR124256	1	RAIL WLDMT-FRAME,LH	
9	WR124548	1	WLDMT-BRKT,MOUNT,CAB,FRONT,RH	
10	WR124551	1	MOUNT CAB LH FRT	
21	AG327879	2	CHANNEL WLDMT-XMBR MOUNT	
24	AG514771	40	BOLT 0.50-20 X 1.50 G8 HX FLG	
25	AG517556	13	BOLT 0.62-18 X 1.75 G8 HX FLG	
26	AG518361	2	CROSSMEMBER	
30	AG606489	40	NUT HX FLG 0.50-20NF	
31	AG609311	23	BOLT 0.62-18 X 2.00 G8 HX FLG	
32	AG609312	28	BOLT 0.62-18 X 1.50 G8 HXFLG	
33	AG609313	64	NUT HX FLG 0.62-18NF	



511370D1-02-R673-03.TIF

ASSEMBLY-FRAME,7X50,NO OSC.

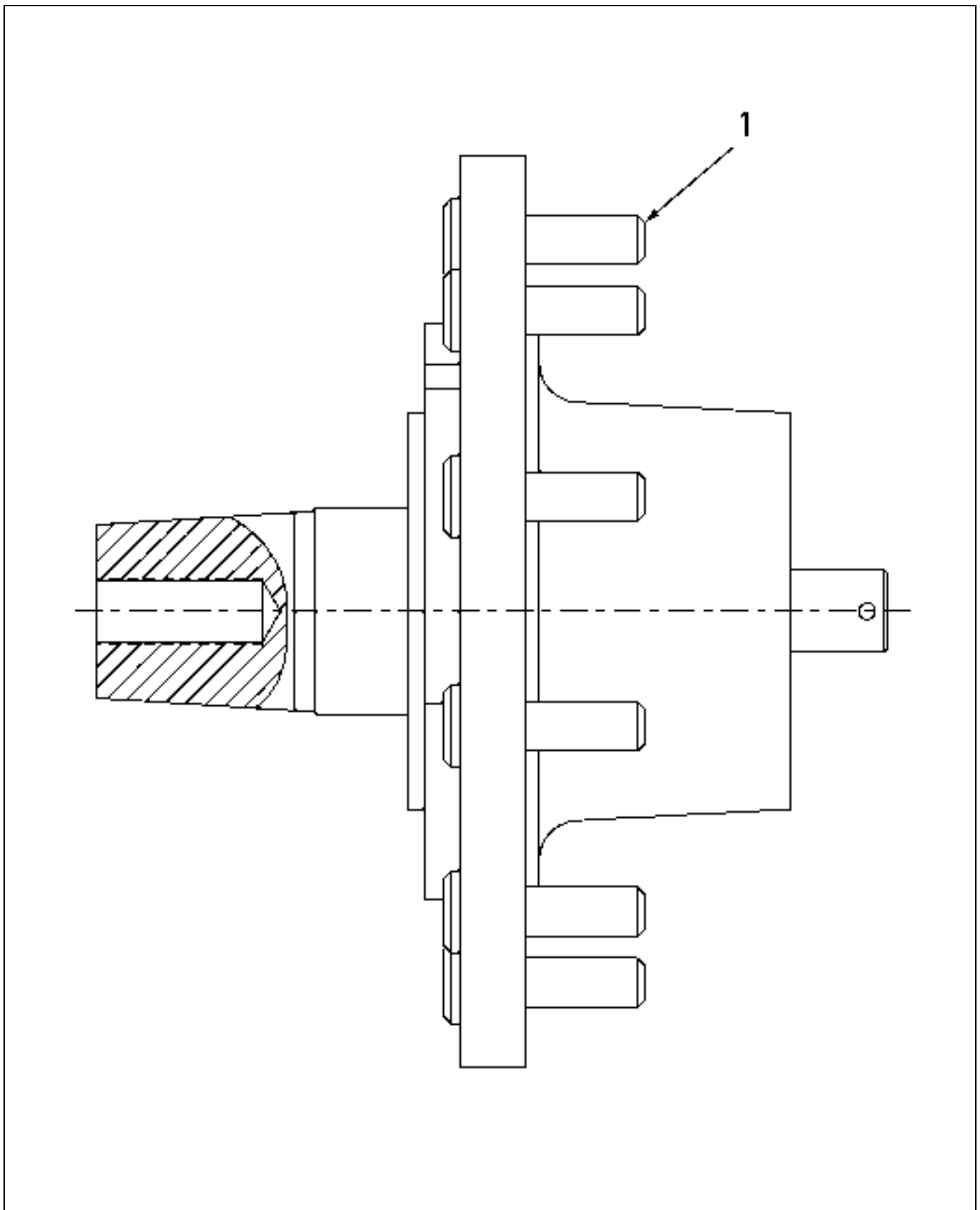
ITEM	PART #	QTY	DESCRIPTION	COMMENTS
1	WR124143	1	CROSSMEMBER,WLDMT,FRAME,REAR	
6	WR124291	2	BRKT WLDMT-PLTFRM,DECK	
7	WR124293	2	BRKT WLDMT-PLTFRM,TANK,FUEL,LH	
8	WR124316	1	MOUNT-REAR CAB	
11	WR124994	1	WLDMT-CROSSMEMBER,MIDDLE	
13	WR125195	1	PLATE-SUPPORT,TANK,LH	
15	WR126885	1	SUPPORT WLDMT-PUMP,PRODUCT	
17	WR127665	1	PLATE-SPACER,SUPPORT,PROD PUMP	
18	WR129425	1	BRKT-MTG,90D,TWIN CLAMP,TUBE	
19	WR129426	1	BRKT-MTG,Z,TWIN CLAMP,TUBE	
20	AG327819	2	BRACKET WLDMT-SYSTEM MOUNT	
22	AG407964	3	CROSSMEMBER	
23	AG512885	AR	LOCTITE ADHESIVE SEALANT BLUE	
24	AG514771	40	BOLT 0.50-20 X 1.50 G8 HX FLG	
25	AG517556	13	BOLT 0.62-18 X 1.75 G8 HX FLG	
30	AG606489	40	NUT HX FLG 0.50-20NF	
31	AG609311	23	BOLT 0.62-18 X 2.00 G8 HX FLG	
32	AG609312	28	BOLT 0.62-18 X 1.50 G8 HXFLG	
33	AG609313	64	NUT HX FLG 0.62-18NF	
34	401074X1	4	BOLT-1.00-8NCX7.00,G8,PHOS,HHD	
35	401075X1	4	NUT-1.00-8NC,GR8,PHOS	
36	401076X1	4	WASHER-1.00,HARD,PHOS	



511370D1-02-R673-04.TIF

ASSEMBLY-FRAME,7X50,NO OSC.

ITEM	PART #	QTY	DESCRIPTION	COMMENTS
5	WR124290	2	BRKT WLDMT-PLTFRM,WATER TANK	
12	WR125194	1	PLATE-SUPPORT,TANK,RH	
14	WR126006	1	WLDMT-AIR CLEANER	
16	WR127157	1	BRACKET-RADAR	
20	AG327819	2	BRACKET WLDMT-SYSTEM MOUNT	
24	AG514771	40	BOLT 0.50-20 X 1.50 G8 HX FLG	
25	AG517556	13	BOLT 0.62-18 X 1.75 G8 HX FLG	
27	AG550175	1	BOLT 0.37-16NCX 1.00 G5 ZN HHD	
28	AG550825	1	NUT 0.37-16NC HEX ZN REG	
29	AG551007	2	WASHER 0.37 FL ZN REG TYPE-B	
30	AG606489	40	NUT HX FLG 0.50-20NF	
31	AG609311	23	BOLT 0.62-18 X 2.00 G8 HX FLG	
32	AG609312	28	BOLT 0.62-18 X 1.50 G8 HXFLG	
33	AG609313	64	NUT HX FLG 0.62-18NF	

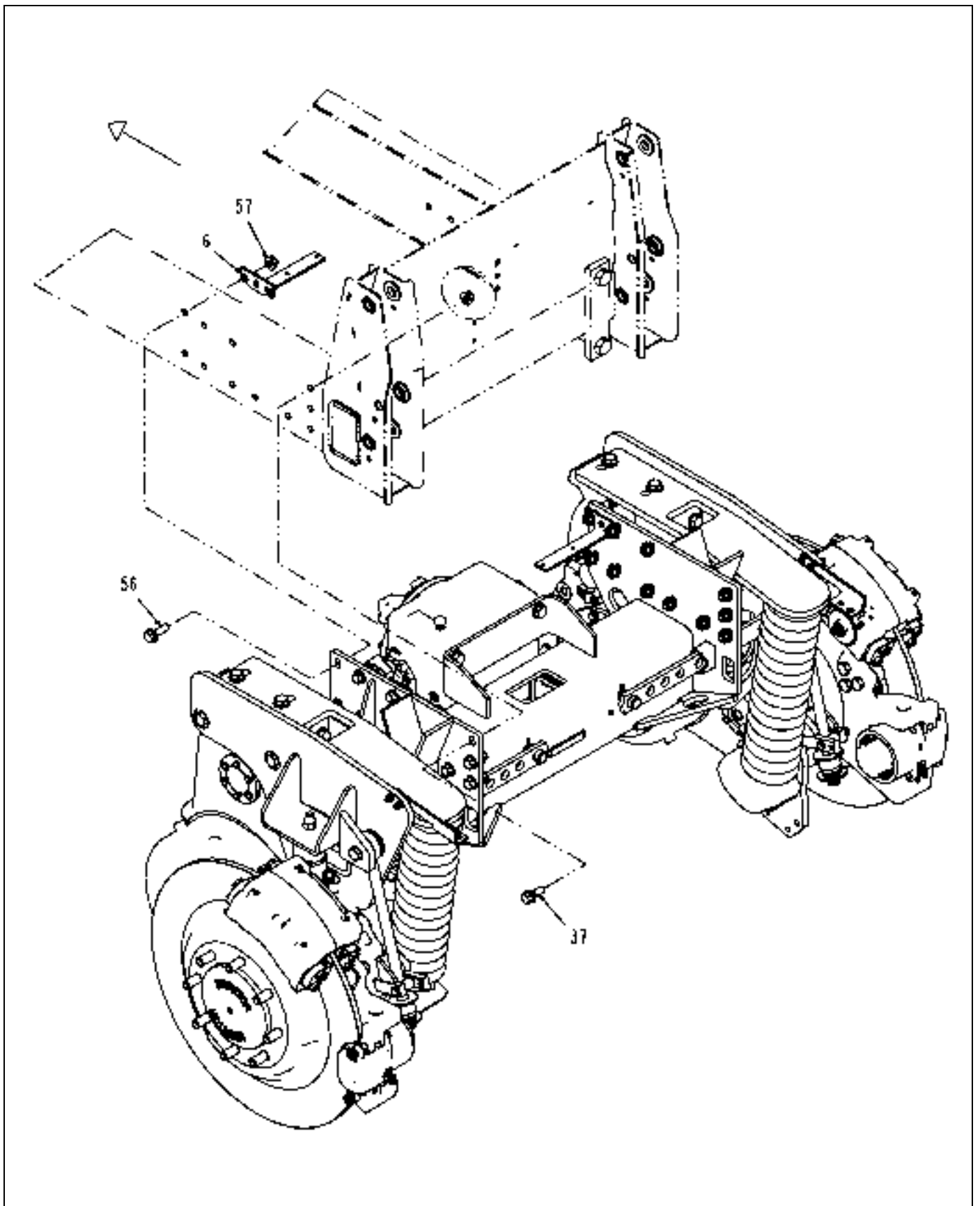


512002D1-01-R217-.TIF

HUB/SPINDLE-10 STUD,11.25 B.C.

ITEM	PART #	QTY	DESCRIPTION	COMMENTS
REF	AG333302	1	CONE,BEARING	
REF	AG720158	1	CUP INNER TIMKEN	
REF	74253787	1	CONE,BEARING	
REF	AG115052	1	SEAL	
REF	AG115054	1	BEARING CUP	
1	AG332233	10	STUD	
	FOOTNOTE		INNER CONE BEARING IS 74253787	
	FOOTNOTE		OUTER CONE BEARING IS AG333302	
	FOOTNOTE		OUTER BEARING CUP IS AG720158	
	FOOTNOTE		INNER BEARING CUP IS AG115054	

AXLE-REAR, SPRING, 71 IN

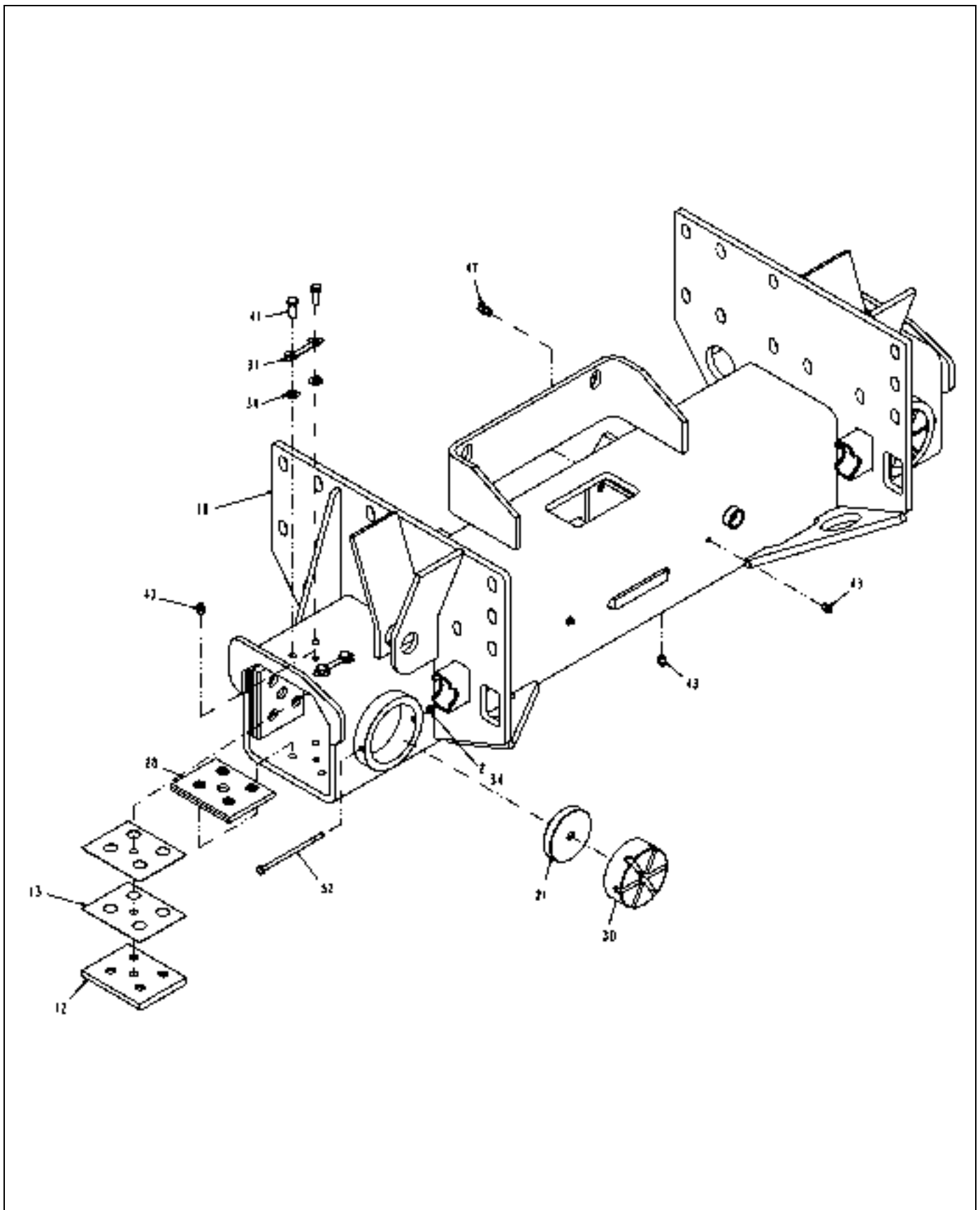


519461D1-03-T369-01.TIF

AXLE-REAR,SPRING,71 IN

ITEM	PART #	QTY	DESCRIPTION	COMMENTS
6	AG121826	2	BRACKET-HOSE SUPPORT	
7	WR122909	2	SPRING-REAR,HEAVY	
30	WR135714	-	ADJUSTER-WEAR PAD,PUCK	[A]
32	AG511099	AR	GREASE-MULTI PURPOSE LITH.	
33	AG512885	AR	LOCTITE ADHESIVE SEALANT BLUE	
36	AG516064	AR	ANTI SEIZE	
37	AG517556	18	BOLT 0.62-18 X 1.75 G8 HX FLG	
56	AG609311	4	BOLT 0.62-18 X 2.00 G8 HX FLG	
57	AG609313	22	NUT HX FLG 0.62-18NF	
	FOOTNOTE [A]		THE TOOL TO ADJUST THIS PUCK IS WR129714.	

AXLE-REAR, SPRING, 71 IN

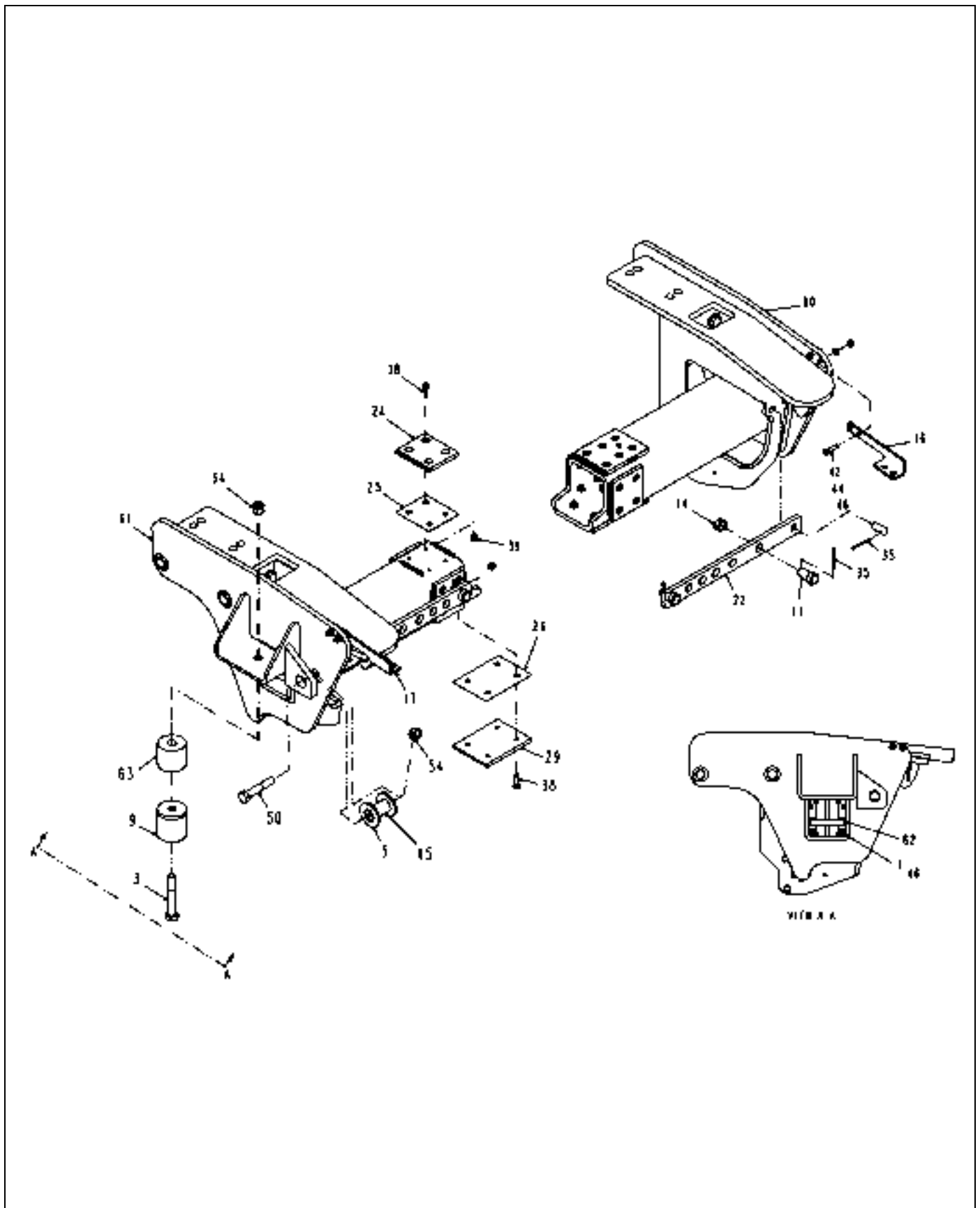


519461D1-03-T369-02.TIF

AXLE-REAR,SPRING,71 IN

ITEM	PART #	QTY	DESCRIPTION	COMMENTS
2	WR11494	2	NUT-CENTERLOCK, 1/4	
12	WR125577	4	PAD-WEAR,MID SIZE	
13	WR125580	AR	SHIM-WEAR PAD,UPPER	
18	WR128007	1	AXLE WLDMT-REAR,NARROW	
21	WR128335	2	PAD-WEAR,SLIDERITE	
28	WR133195	2	PAD-WEAR,8X8 BOTTOM	
31	AG233052	12	LOCK STRAP	
34	AG514559	24	WASHER 0.37 FL ZN SAE TYP-A G8	
41	AG519184	24	BOLT 0.37-24NFX 1.00 G5 ZN HHD	
43	AG550280	10	FITTING LUB.12-27NPTFX0.68	
47	AG559083	2	FITTING LUB 90D 0.125 NPTF	
52	AG563104	2	BOLT 0.25-20NCX 5.25 G5 ZN HHD	

AXLE-REAR, SPRING, 71 IN

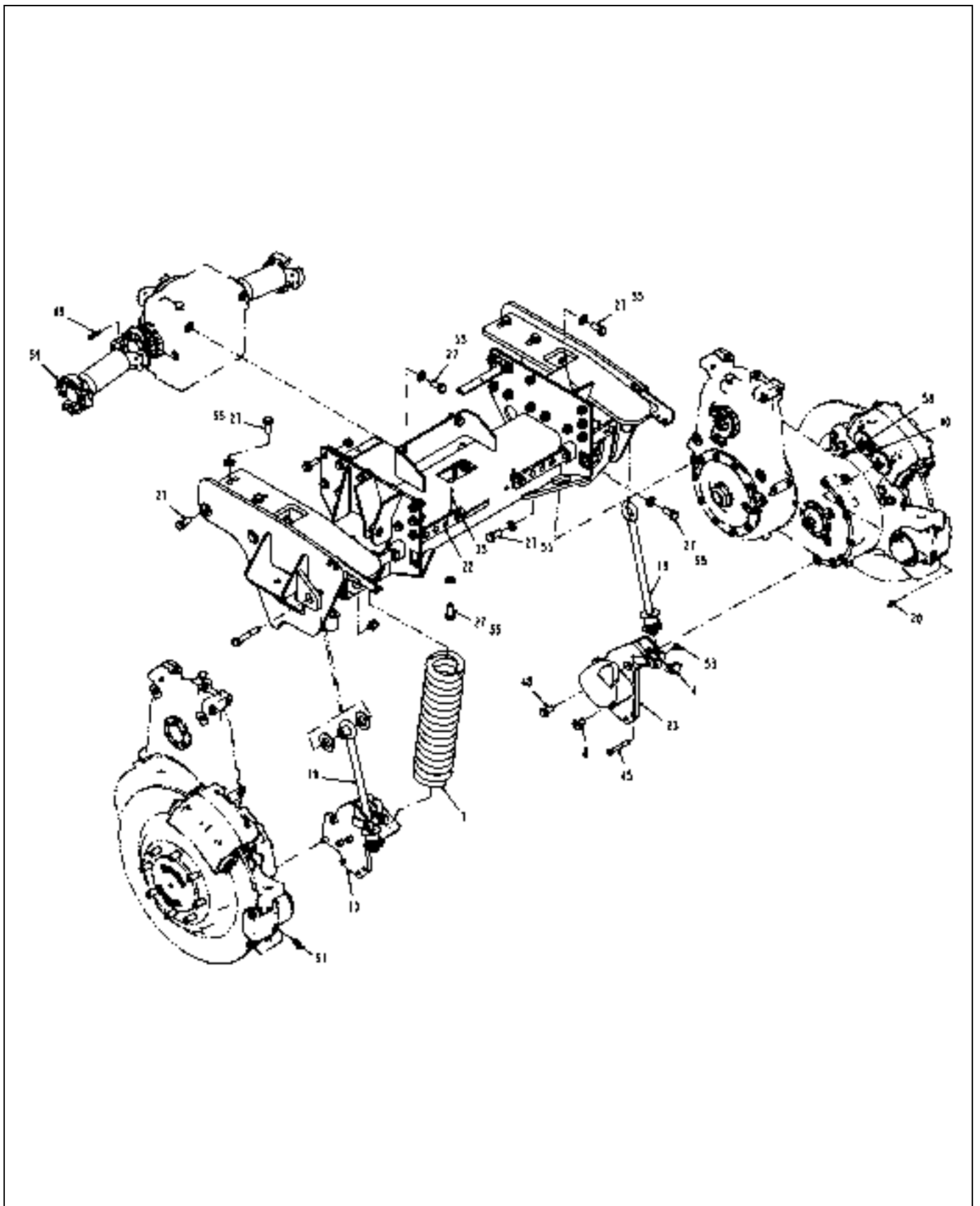


519461D1-03-T369-03.TIF

AXLE-REAR,SPRING,71 IN

ITEM	PART #	QTY	DESCRIPTION	COMMENTS
1	WR10185	8	SCREW-CAP HEX 3/8 NC X 2	
3	WR51770	2	SCREW-CAP HEX 3/4 NC X 5	
5	AG109948	4	SPACER-EYEBOLT HANGER	
9	WR123067	2	BUMPER-LIMIT,SUSPENSION	
11	WR125526	4	PIN-TRACK ADJUST	
14	WR125609	4	BUSHING-TRACK ADJUST	
15	WR125758	2	SPACER-MTG,EYEBOLT HANGER	
16	WR126678	1	BRACKET-BRAKE LINES KEEPER	
17	WR126679	1	BRACKET-BRAKE LINES KEEPER	
22	WR128359	2	PLATE-STOP,TRACK ADJ,NRW	
24	WR129646	6	PAD-WEAR,6X6,REAR,SLIDERITE	
25	WR129685	AR	SHIM-WEAR PAD,4.50 IN X5.00 IN	
26	WR129686	AR	SHIM-WEAR PAD,5.00 IN X6.88 IN	
29	WR134202	2	PAD-WEAR,SLIDERITE,5.00X6.75 IN	
35	AG515352	6	PIN COTTER 0.18X2.00 SS	
38	AG518505	32	SCREW .38-24 NF X 1.50 FHCS	
39	AG518511	32	NUT FLANGE .38-24 UNF	
42	AG522905	4	BOLT .37-16NCX 1.50 G5 ZN FTD	
44	AG550981	4	WASHER 0.37 FL ZN NAR TYPE-B	
46	AG557676	12	NUT 0.37-16NC HEX ZN C-LK	
50	AG561593	2	BOLT 0.75-10NCX 4.00 G5 ZN HHD	
54	AG603864	4	NUT 0.75-10NC HEX ZN REG NY	
60	519462D1	1	WLDMT-6X6,RH,REAR,71 IN	
61	519463D1	1	WLDMT-6X6,LH,REAR,71 IN	
62	519491D1	2	WLDMT-SLIDE,CYLINDER ATTACH	
63	519493D1	2	BLOCK-BUMPER,SPACER	

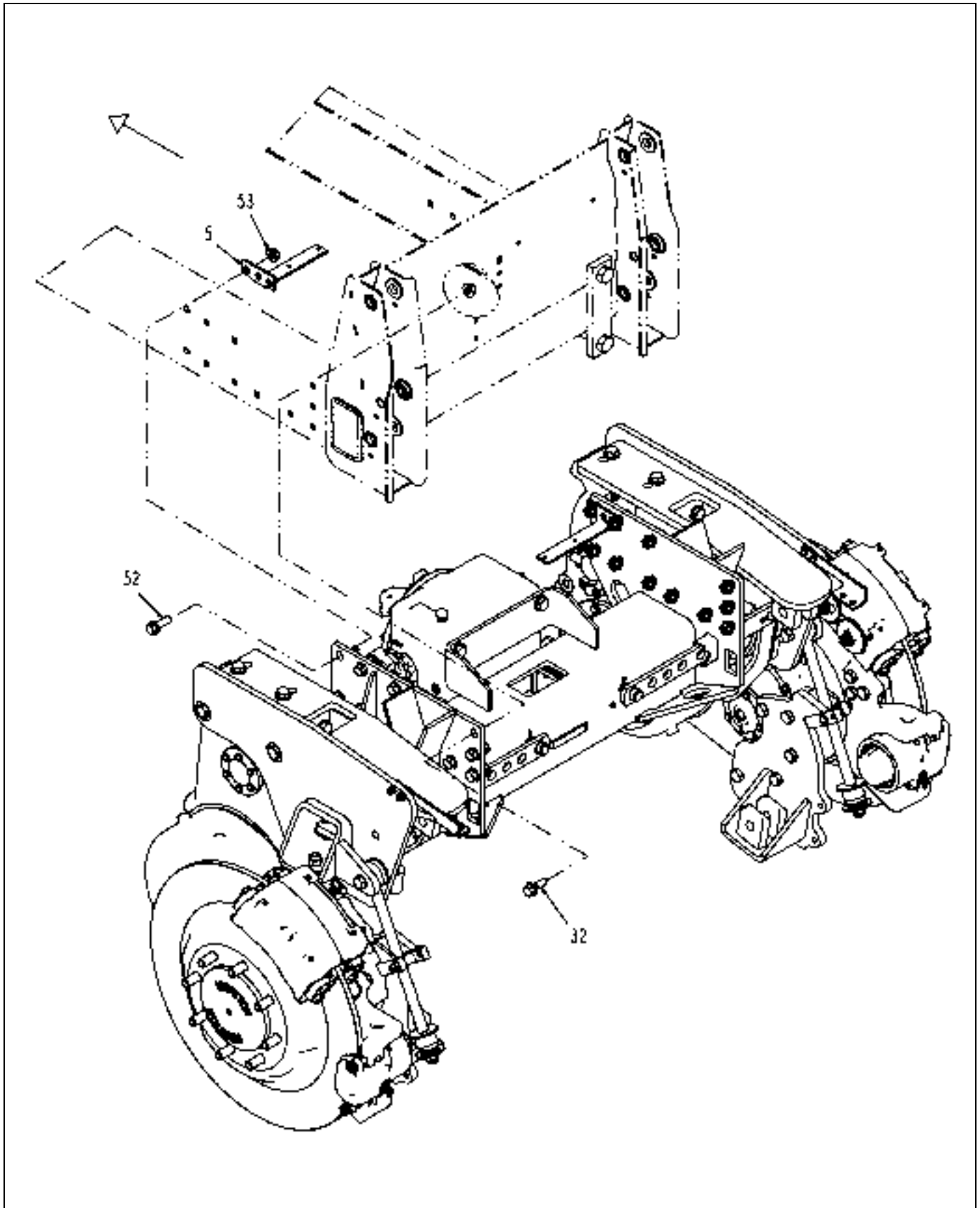
AXLE-REAR, SPRING, 71 IN



519461D1-03-T369-04.TIF

AXLE-REAR,SPRING,71 IN

ITEM	PART #	QTY	DESCRIPTION	COMMENTS
1	WR10185	8	SCREW-CAP HEX 3/8 NC X 2	
4	AG109902	2	SPACER-MTG,EYEBOLT STOP	
8	WR123065	2	FSHCS-.75X1.50 ALLOY	
10	WR124021	1	BRACKET-WLDMT,SPRING PIVOT,LH	
19	WR128307	2	BOLT ASM-EYE	SEE PAGE 4-18
20	WR128326	2	ADAPTER,-4JICX-5MOR,STR	
22	WR128359	2	PLATE-STOP,TRACK ADJ,NRW	
23	WR128659	1	BRACKET-WLDMT,SPRING PIVOT,RH	
27	WR129814	24	BOLT .75-10NCX 1.75 G8 ZN HHD	
35	AG515352	6	PIN COTTER 0.18X2.00 SS	
40	AG519113	2	TUBE END NIPPLE -4	
45	AG556149	2	BOLT 0.50-13NCX 3.50 G5 ZN HHD	
48	AG559938	8	BOLT 0.75-10NCX 1.50 G5 ZN HHD	
49	AG561119	32	BOLT 0.37-24NFX 1.75 G8 ZN HHD	
51	AG561677	2	ELBOW 90D 0.25MO-R X 0.25MJC	SEE PAGE 6-106
53	AG601152	2	NUT 0.50-13NC HEX ZN REG NY	
55	AG604203	20	WASHER 0.75 FL ZN SAE TYP-A G8	
58	401704X1	2	ELBOW 90D -4MJX-5MOR	
59	512336D1	2	DRIVE SHAFT W/U JOINT CAPS,NRW	SEE PAGE 4-19

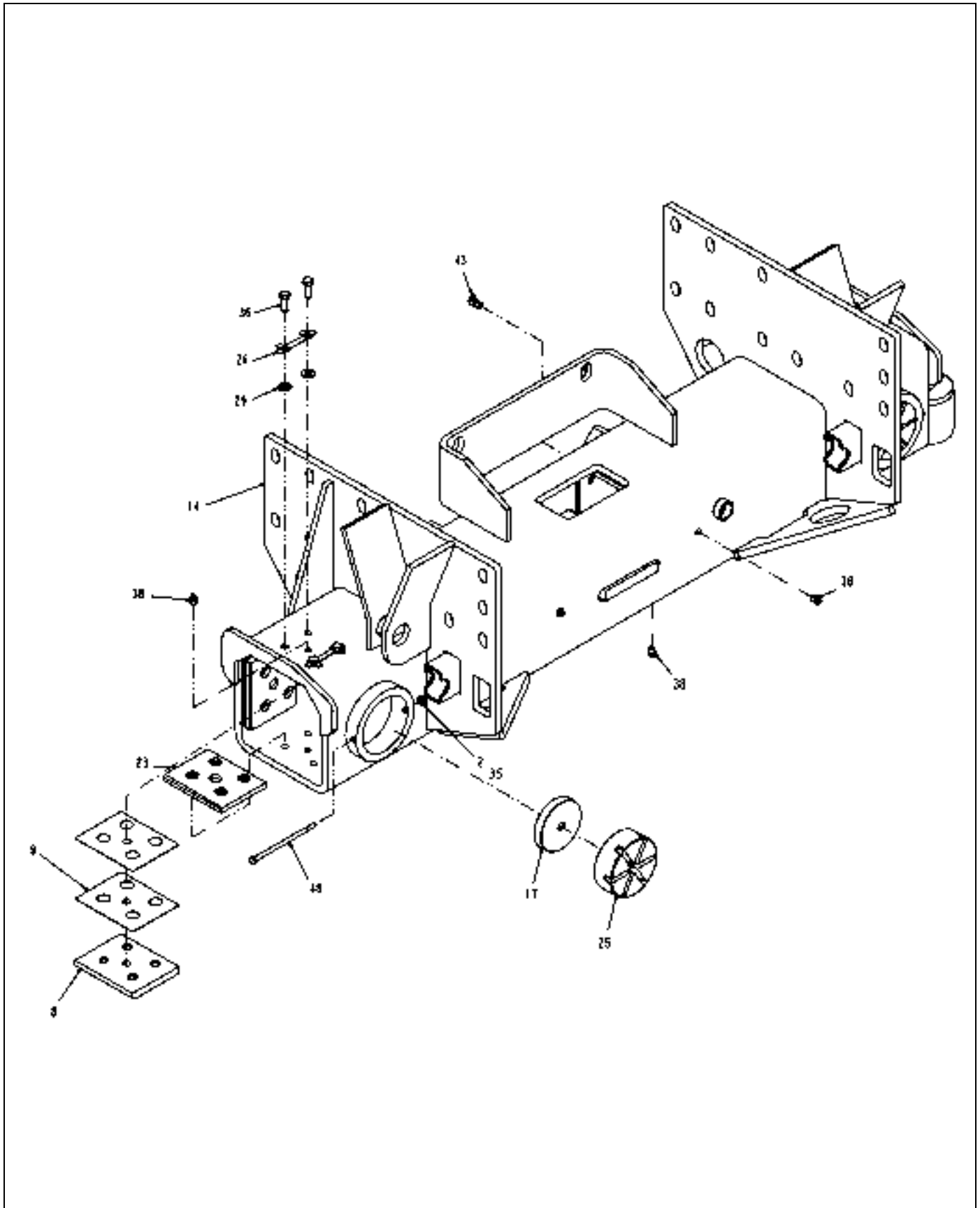


520185D1-03-T369-01.TIF

AXLE-REAR, HYDRAULIC, 71 IN

ITEM	PART #	QTY	DESCRIPTION	COMMENTS
5	AG121826	2	BRACKET-HOSE SUPPORT	
25	WR135714	-	ADJUSTER-WEAR PAD, PUCK	[A]
27	AG511099	AR	GREASE-MULTI PURPOSE LITH.	
28	AG512885	AR	LOCTITE ADHESIVE SEALANT BLUE	
31	AG516064	AR	ANTI SEIZE	
32	AG517556	18	BOLT 0.62-18 X 1.75 G8 HX FLG	
52	AG609311	4	BOLT 0.62-18 X 2.00 G8 HX FLG	
53	AG609313	22	NUT HX FLG 0.62-18NF	
	FOOTNOTE [A]		THE TOOL TO ADJUST THIS PUCK IS WR129714.	

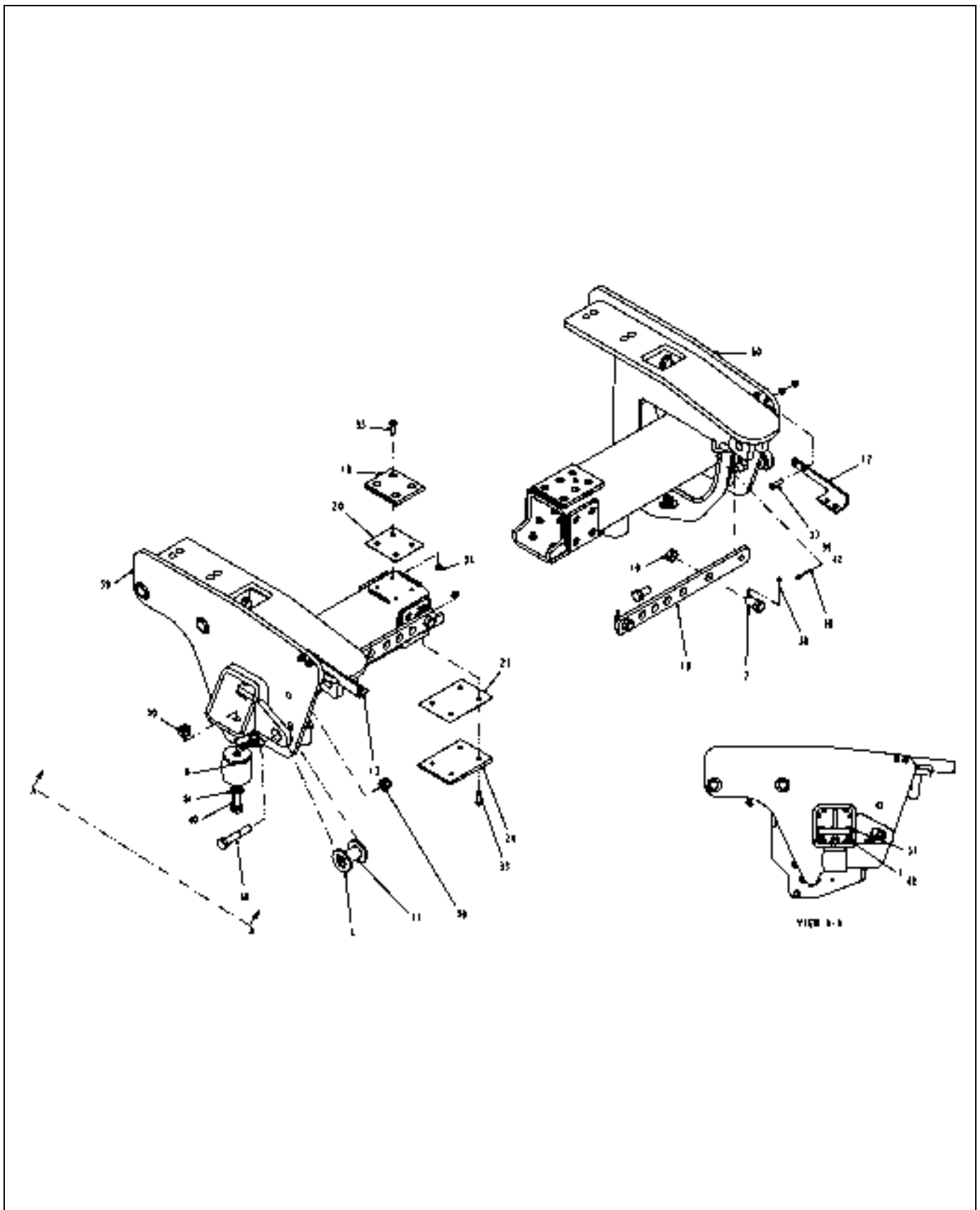
AXLE-REAR, HYDRAULIC, 71 IN



520185D1-03-T369-02.TIF

AXLE-REAR, HYDRAULIC, 71 IN

ITEM	PART #	QTY	DESCRIPTION	COMMENTS
2	WR11494	2	NUT-CENTERLOCK, 1/4	
8	WR125577	4	PAD-WEAR, MID SIZE	
9	WR125580	AR	SHIM-WEAR PAD, UPPER	
14	WR128007	1	AXLE WLDMT-REAR, NARROW	
17	WR128335	2	PAD-WEAR, SLIDERITE	
23	WR133195	2	PAD-WEAR, 8X8 BOTTOM	
26	AG233052	12	LOCK STRAP	
29	AG514559	24	WASHER 0.37 FL ZN SAE TYP-A G8	
35	AG519113	2	TUBE END NIPPLE -4	
36	AG519184	24	BOLT 0.37-24NFX 1.00 G5 ZN HHD	
38	AG550280	10	FITTING LUB. 12-27NPTFX0.68	
43	AG559083	2	FITTING LUB 90D 0.125 NPTF	
48	AG563104	2	BOLT 0.25-20NCX 5.25 G5 ZN HHD	

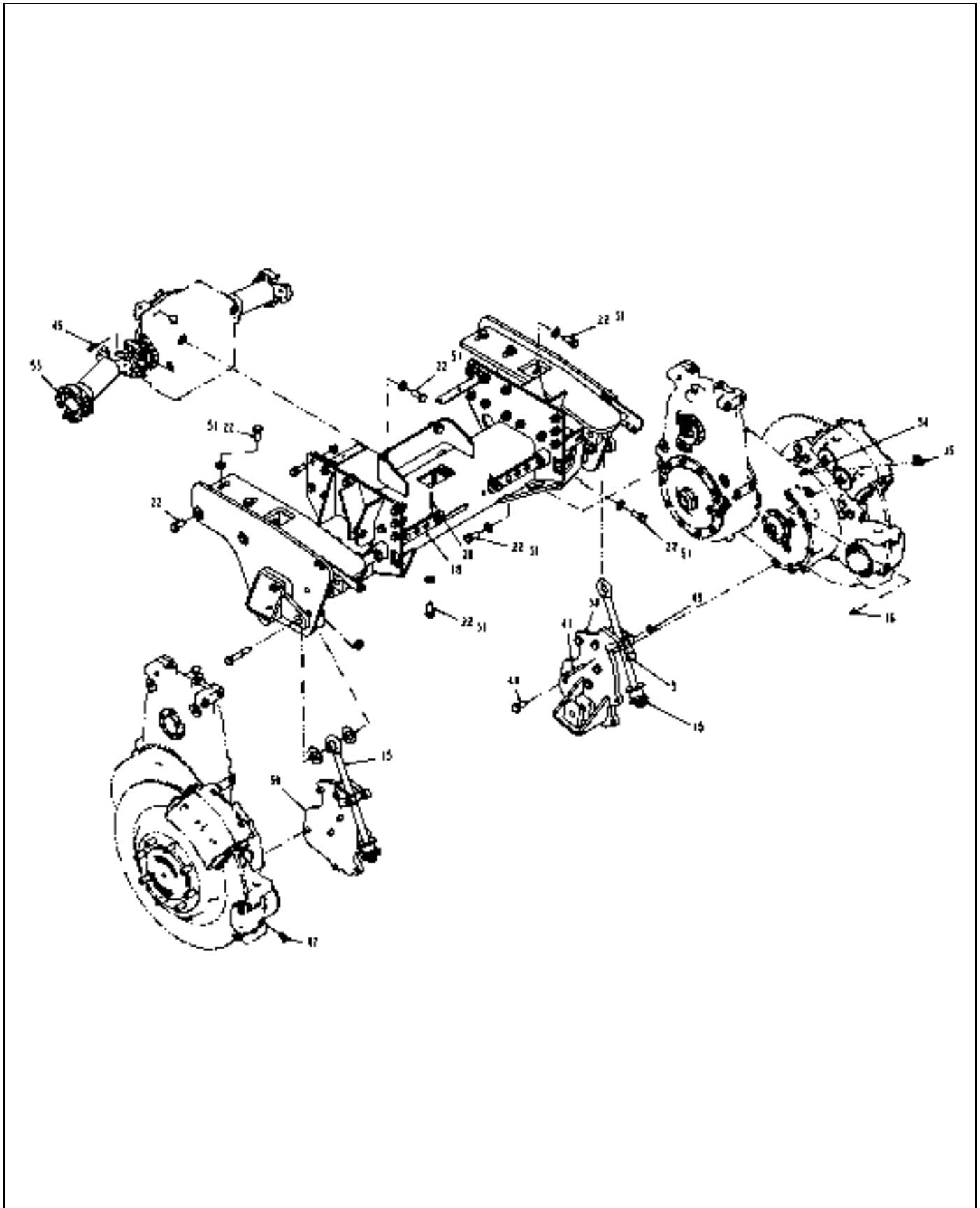


520185D1-03-T369-03.TIF

AXLE-REAR, HYDRAULIC, 71 IN

ITEM	PART #	QTY	DESCRIPTION	COMMENTS
1	WR10185	8	SCREW-CAP HEX 3/8 NC X 2	
4	AG109948	4	SPACER-EYEBOLT HANGER	
6	WR123067	2	BUMPER-LIMIT, SUSPENSION	
7	WR125526	4	PIN-TRACK ADJUST	
10	WR125609	4	BUSHING-TRACK ADJUST	
11	WR125758	2	SPACER-MTG, EYEBOLT HANGER	
12	WR126678	1	BRACKET-BRAKE LINES KEEPER	
13	WR126679	1	BRACKET-BRAKE LINES KEEPER	
18	WR128359	2	PLATE-STOP, TRACK ADJ, NRW	
19	WR129646	6	PAD-WEAR, 6X6, REAR, SLIDERITE	
20	WR129685	AR	SHIM-WEAR PAD, 4.50 IN X 5.00 IN	
21	WR129686	AR	SHIM-WEAR PAD, 5.00 IN X 6.88 IN	
24	WR134202	2	PAD-WEAR, SLIDERITE, 5.00 X 6.75 IN	
30	AG515352	6	PIN COTTER 0.18 X 2.00 SS	
33	AG518505	32	SCREW .38-24 NF X 1.50 FHCS	
34	AG518511	32	NUT FLANGE .38-24 UNF	
37	AG522905	4	BOLT .37-16NCX 1.50 G5 ZN FTD	
39	AG550981	4	WASHER 0.37 FL ZN NAR TYPE-B	
40	AG554537	2	BOLT 0.75-10NCX 2.00 G5 ZN HHD	
42	AG557676	12	NUT 0.37-16NC HEX ZN C-LK	
46	AG561593	2	BOLT 0.75-10NCX 4.00 G5 ZN HHD	
50	AG603864	4	NUT 0.75-10NC HEX ZN REG NY	
51	AG604203	22	WASHER 0.75 FL ZN SAE TYP-A G8	
57	519491D1	2	WLDMT-SLIDE, CYLINDER ATTACH	
59	520186D1	1	WLDMT-6X6, LH, REAR, HYD, 71 IN	
60	520187D1	1	WLDMT-6X6, RH, REAR, HYD, 71 IN	

AXLE-REAR, HYDRAULIC, 71 IN



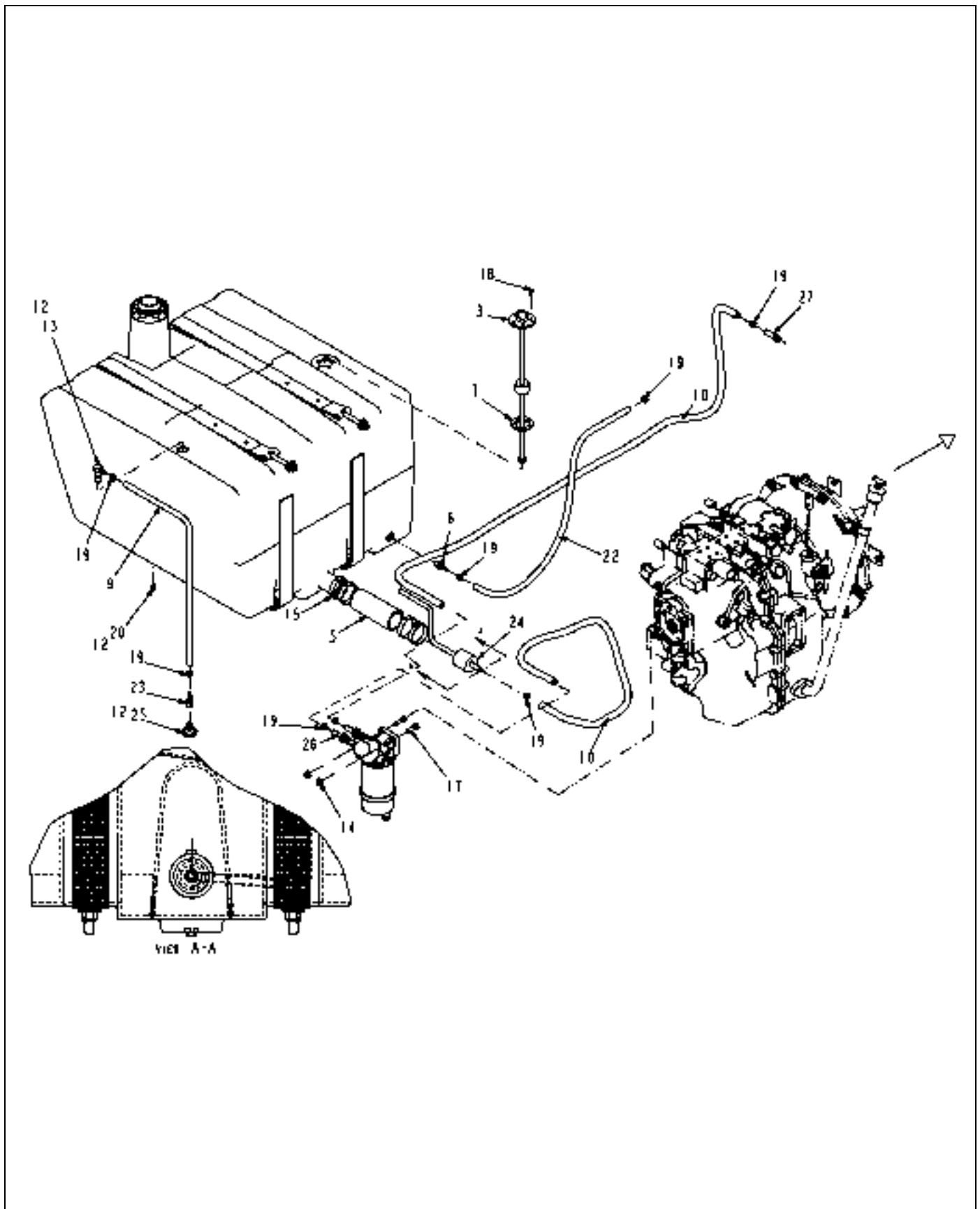
520185D1-03-T369-04.TIF

AXLE-REAR, HYDRAULIC, 71 IN

ITEM	PART #	QTY	DESCRIPTION	COMMENTS
3	AG109902	2	SPACER-MTG,EYEBOLT STOP	
15	WR128307	2	BOLT ASM-EYE	SEE PAGE 4-18
16	WR128326	2	ADAPTER,-4JICX-5MOR,STR	
18	WR128359	2	PLATE-STOP,TRACK ADJ,NRW	
22	WR129814	24	BOLT .75-10NCX 1.75 G8 ZN HHD	
30	AG515352	6	PIN COTTER 0.18X2.00 SS	
35	AG519113	2	TUBE END NIPPLE -4	
41	AG556149	2	BOLT 0.50-13NCX 3.50 G5 ZN HHD	
44	AG559938	10	BOLT 0.75-10NCX 1.50 G5 ZN HHD	
45	AG561119	32	BOLT 0.37-24NFX 1.75 G8 ZN HHD	
47	AG561677	2	ELBOW 90D 0.25MO-R X 0.25MJIC	SEE PAGE 6-106
49	AG601152	2	NUT 0.50-13NC HEX ZN REG NY	
51	AG604203	22	WASHER 0.75 FL ZN SAE TYP-A G8	
54	401704X1	2	ELBOW 90D -4MJX-5MOR	
55	512336D1	2	DRIVE SHAFT W/U JOINT CAPS,NRW	SEE PAGE 4-19
56	519489D1	1	WLDMT-CYLINDER,SLIDE MOUNT,LH	
58	520008D1	1	WLDMT-CYLINDER,SLIDE MOUNT,RH	

FUEL TANK GROUP	5-1
FUEL TANK GROUP	5-2
TANK-POLY,65GL,LH	5-3

FUEL TANK GROUP

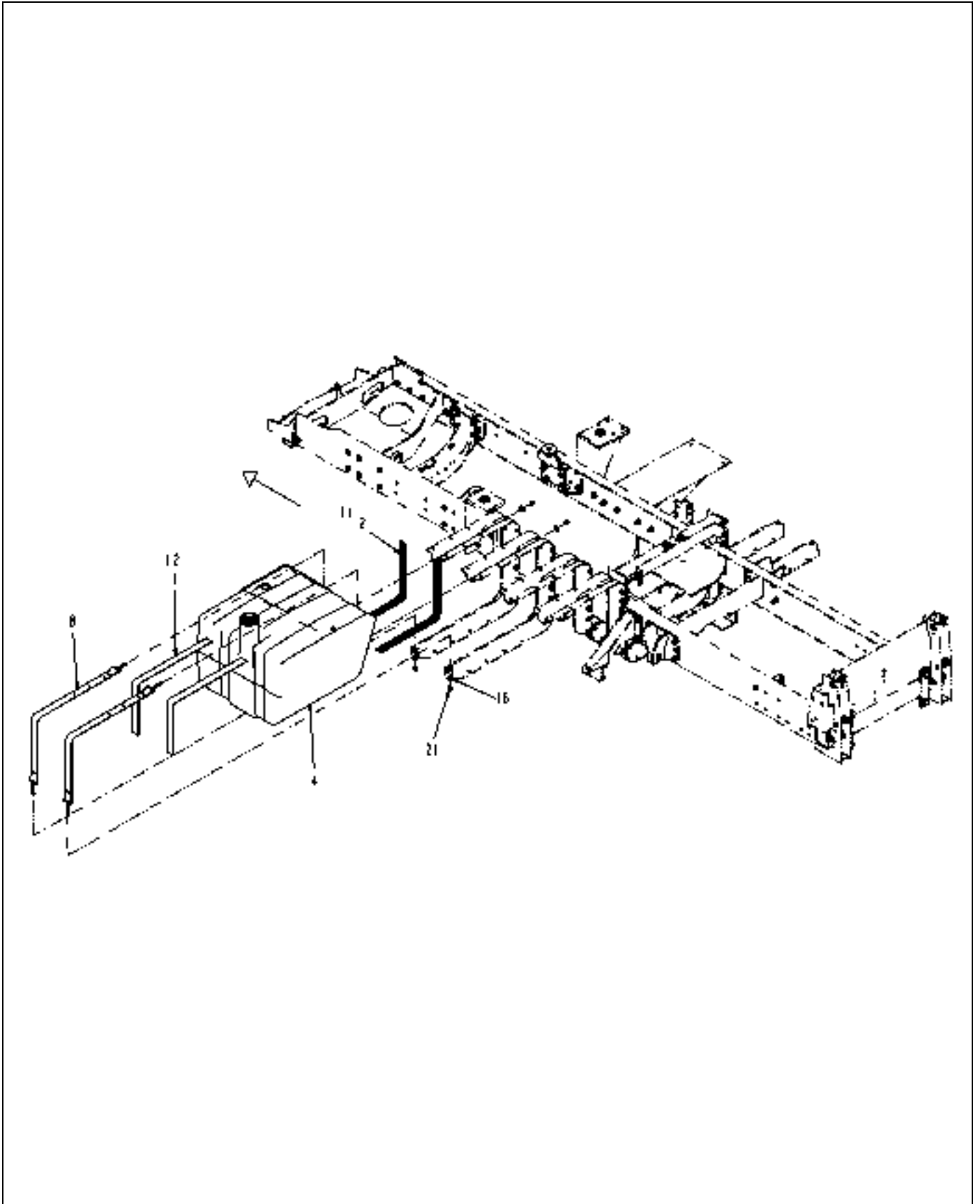


515743D1-04-T003-01.TIF

FUEL TANK GROUP

ITEM	PART #	QTY	DESCRIPTION	COMMENTS
3	AG122986	1	FUEL SENDER-TUBE TYPE	
5	AG522183	-	HOSE-FUEL,2.00 ID [BULK: 0.334 FT]	
6	WR128473	1	FITTING-3/8NPTF X -5 PUSHLOCK	
7	AG236753	1	GASKET-SENDER,FUEL	
9	AG510939	-	HOSE HYD 0.37 BULK 250PSI WP [BULK: 2.500 FT]	
10	AG510947	-	HOSE HYD 0.50 BULK 250PSI WP [BULK: 8.334 FT]	
12	AG513916	AR	LOCTITE HYD SEALANT BROWN	
13	AG522453	1	VENT-FUEL,90D,.50MNPTX.38HOSEB	
14	AG522562	2	NUT-.38-16,SS,SFLG,H	
15	AG523919	4	CLAMP-HIGH TORQUE,3.00	
17	AG550515	2	BOLT 0.37-16NCX 1.25 G5 ZN HHD	
18	AG553174	5	SCREW 10-32X 0.75 MA ZN SL RHD	
19	AG561025	8	CLAMP HOSE .218 TO .625 U5S	
20	AG561867	1	PLUG PIPE 0.25-18 EXT HEX HD	
22	6577822	-	HOSE BULK, 5/16 IN [BULK: 3 FT]	
23	401468X1	1	HOSEBARB - .25 FNPTF X .31	
24	513779D1	1	FUEL-PICKUP,.40ID IN,.24ID OUT	
25	515768D1	1	VENT-FUEL TANK	
26	523010D1	2	ADAPTOR - M16 MSTOR X 08HB	
27	523011D1	1	ADAPTOR - M12 MSTOR X 08HB	

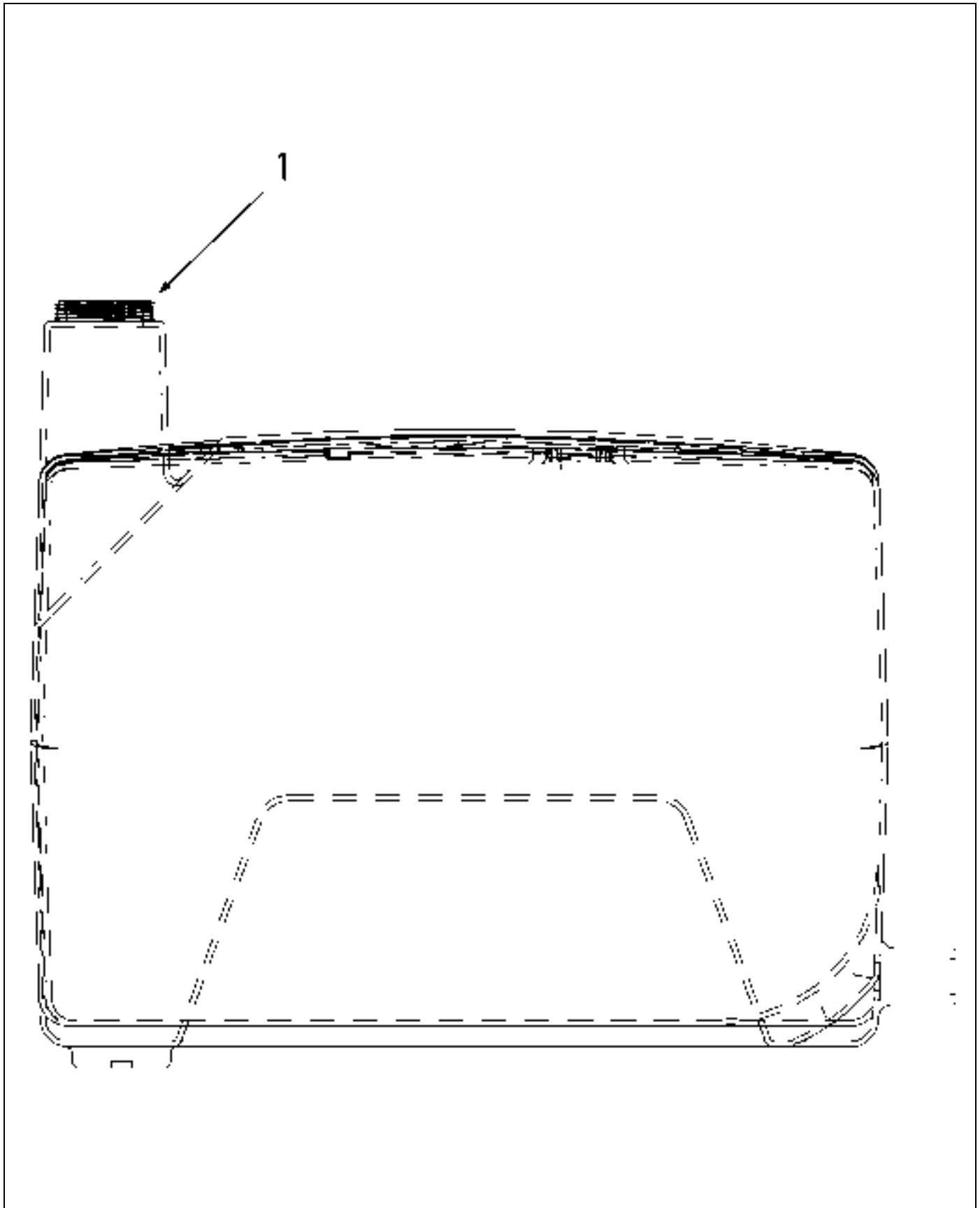
FUEL TANK GROUP



515743D1-04-T003-02.TIF

FUEL TANK GROUP

ITEM	PART #	QTY	DESCRIPTION	COMMENTS
1	AG109742	2	MATTING-RUBBER,2.00X44.50X.12	
2	AG109754	2	MATTING-RUBBER,2.00X46.00X.12	
4	WR128281	1	TANK-POLY,65GL,LH	SEE PAGE 5-3
8	AG425412	2	STRAP-MTG,FUEL TANK	
11	AG512346	AR	3M 1300 YELLOW ADHESIVE (GAL)	
12	AG513916	AR	LOCTITE HYD SEALANT BROWN	
16	AG550353	4	WASHER 0.50 FL ZN REG TYPE-B	
21	AG601152	4	NUT 0.50-13NC HEX ZN REG NY	



128281.TIF

TANK-POLY,65GL,LH

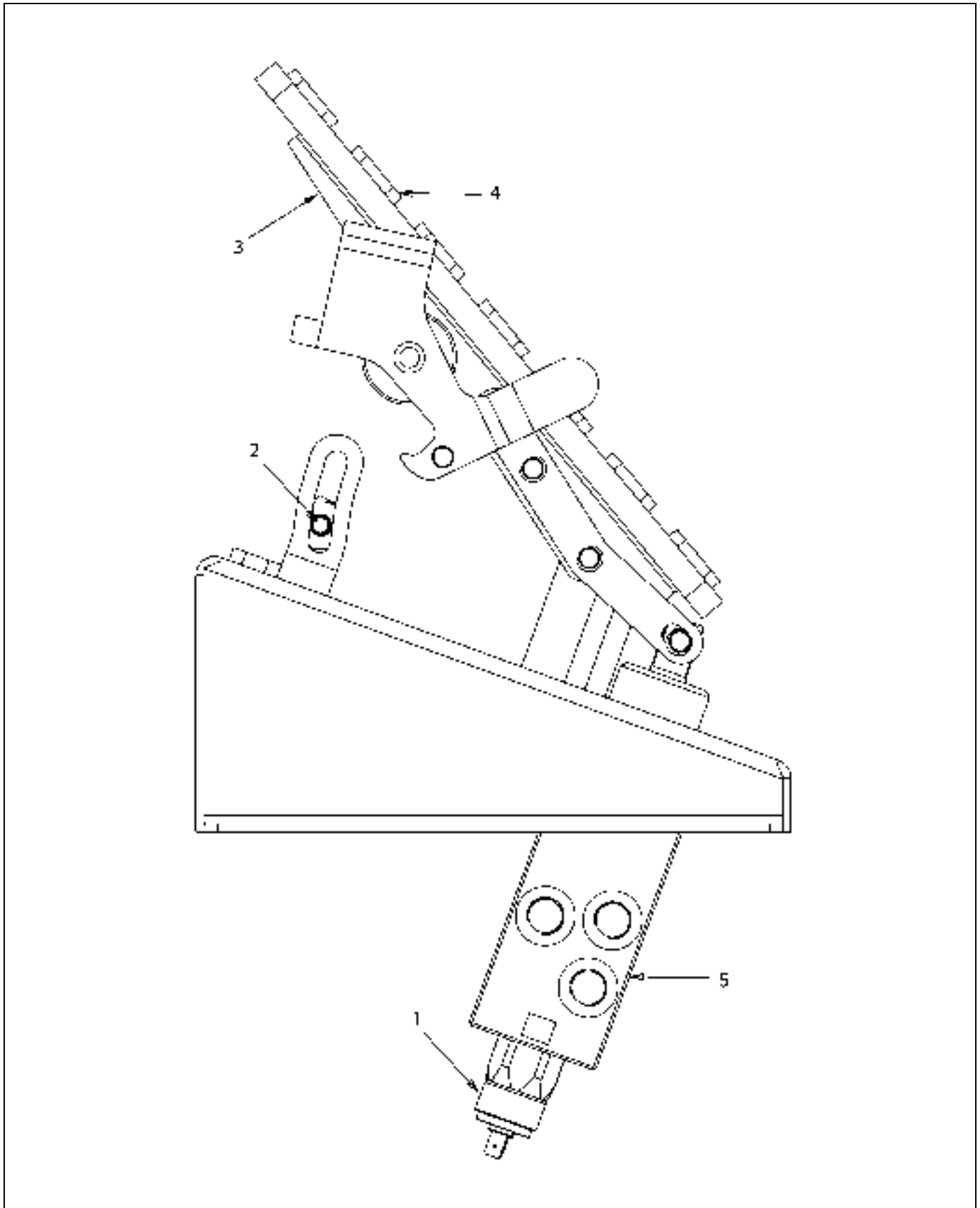
ITEM	PART #	QTY	DESCRIPTION	COMMENTS
1	AG055178	1	CAP-DIESEL FUEL, GREEN	

VALVE-PARK BRAKE	6-1
CYLINDER-HYD,TRACK ADJ,NARROW	6-2
CYLINDER-ASM,STEERING,7000	6-3
CYLINDER-STEERING,7000,9.59 STROKE	6-4
CYLINDER-HYD,725 REAR TRACK NARROW	6-5
HYD-INSTALL, HYD SUSPENSION	6-6
HYD SUSPENSION ASM	6-7
COMPONENT INSTALL-CHASSIS	6-8
FITTING INSTALL-PROD/BOOM VALVE	6-9
VALVE-PRODUCT/BOOM PRIORITY	6-10
VALVE, COMPENSATOR	6-11
POPPET	6-12
VALVE, RELIEF	6-13
VALVE, PRIORITY	6-14
FILTER-ASM,CHASSIS	6-15
FILTER-HYD,W/25PSI BY-PASS	6-16
FWA,COMPONENT INSTALL	6-17
FWA-PUMP ASM	6-18
PUMP-HYD,51CC,LOAD SENSE	6-19
FWA-2 SPEED/CASE BYPASS ASM	6-20
VALVE-CARTRIDGE,2 SPEED,HI/LO	6-21
FILTER ASM-FWA,R2	6-22
CYLINDER-INSTALL,FRONT AXLE,88	6-23
CYLINDER-INSTALL,FRONT AXLE,88	6-24
CYLINDER-HYD,TRACK ADJUST	6-25
CYLINDER-INSTALL,FRONT AXLE,120	6-26
CYLINDER-INSTALL,FRONT AXLE,120	6-27
PUMP-ASM,HYDRAULIC,CHASSIS	6-28
PUMP-HYDRAULIC,GEAR,2.75 CID	6-29
VALVE INSTALL-HYD,BOOM LIFT/TRACK ADJUST	6-30
VALVE ASM-HYD,BOOM LIFT/TRACK ADJUST	6-31
FITTING INSTALL-BRAKE CHARGE VALVE	6-32
CHASSIS-HOSE ASM INSTALL, 2008	6-33
CHASSIS-HOSE ASM INSTALL, 2008	6-34
CHASSIS-HOSE ASM INSTALL, 2008	6-35
HYD CHASSIS GROUP,NON DOMESTIC	6-36
HYD CHASSIS GROUP,DOMESTIC	6-37
CHASSIS-HOSE ASM INSTALL, 2009	6-38
CHASSIS-HOSE ASM INSTALL, 2009	6-39
CHASSIS-HOSE ASM INSTALL, 2009	6-40
CHASSIS-HOSE ASM INSTALL, 2009	6-41
CHASSIS-HOSE ASM INSTALL, 2009	6-42
CHASSIS-HOSE ASM INSTALL, 2009	6-43
FWA,HYDRAULIC TANK INSTALL	6-44
FWA-HYDRAULIC TANK ASM	6-45
FILTER ASM-FWA,R3	6-46
VALVE ASM-FWA,MAIN	6-47
2 WHEEL DRIVE-HYDRAULIC TANK INSTALL	6-48
2 WHEEL DRIVE-HYDRAULIC TANK ASM	6-49
INSTALL-2 WHEEL DRIVE	6-50
CYLINDER-INSTALL,REAR AXLE,120	6-51
CYLINDER-HYDRAULIC,TRACK ADJUST	6-52
CYLINDER-INSTALL,REAR AXLE,88	6-53
CYLINDER-HYD,6.50 IN STROKE	6-54

HOSE-INSTALL,NON AUTOGUIDE	6-55
2-WHEEL DRIVE COVER INSTALL	6-56
WHEEL MOTOR GROUP	6-57
WHEEL MTR-HYD,940/470CC	6-58
WHEEL MTR-HYD,940/470CC	6-59
HOSE-INSTALL,REAR AXLE,120	6-60
HOSE-INSTALL,REAR AXLE,120	6-61
HOSE-INSTALL,REAR AXLE,88	6-62
HOSE-INSTALL,REAR AXLE,88	6-63
FWA,HOSE INSTALL,120	6-64
FWA,HOSE INSTALL,120	6-65
HOSE SUPPORT INSTALL,120	6-66
FWA,HOSE INSTALL,88	6-67
FWA,HOSE INSTALL,88	6-68
WHEEL MTR,HOSE INSTALL,120	6-69
WHEEL MTR,HOSE INSTALL,88	6-70
HOSE SUPPORT INSTALL,88	6-71
HOSE-INSTALL,FRONT AXLE,71	6-72
HOSE-INSTALL,FRONT AXLE,71	6-73
CYLINDER-INSTALL,FRONT AXLE,71	6-74
CYLINDER-INSTALL,FRONT AXLE,71	6-75
HOSE-INSTALL,REAR AXLE,71	6-76
HOSE-INSTALL,REAR AXLE,71	6-77
HOSE-INSTALL,FRONT AXLE,88	6-78
HOSE-INSTALL,FRONT AXLE,88	6-79
HOSE-INSTALL,FRONT AXLE,120	6-80
HOSE-INSTALL,FRONT AXLE,120	6-81
WHEEL MOTOR,HOSE INSTALL,71	6-82
FWA,HOSE INSTALL,71	6-83
FWA,HOSE INSTALL,71	6-84
HOSE SUPPORT INSTALL,71	6-85
HOSE-SUPPORT,STEERING	6-86
VALVE-HYD,BOOM LIFT/TRACK ADJUST,3 BANK	6-87
VALVE-CHECK,CV08200N25	6-88
CYLINDER-SINGLE ACT,3 X 12.00 IN	6-89
VALVE-BRAKE CHARGE	6-90
VALVE-CARTRIDGE,CHECK-08 (4 PSI)	6-91
RETAINER, FILTER	6-92
UNLOADER, PILOT #10	6-93
VALVE-CONTROL,F.W.A. S/D	6-94
VALVE-CONTROL,F.W.A. S/D	6-95
VALVE-CONTROL,F.W.A. S/D	6-96
VALVE-CONTROL,F.W.A. S/D	6-97
VALVE-CONTROL,F.W.A. S/D	6-98
VALVE-CONTROL,F.W.A. S/D	6-99
VALVE-BRAKE,L/R,DUAL SLOPE	6-100
TEE-RUN,STR THD -6	6-101
ADAP STR 0.50MO-R X 0.50 MJIC	6-102
ADAP STR 1.00MO-R X 1.00MJIC	6-103
ADAP STR 0.37MO-R X 0.37MJIC	6-104
ELBOW 90D 0.50MO-R X 0.50MJIC	6-105
ELBOW 90D 0.25MO-R X 0.25MJIC	6-106
HYD-INSTALL,REAR AXLE,71,2009 SPR	6-107
HOSE-INSTALL,REAR AXLE,71,2009	6-108

HOSE-INSTALL,REAR AXLE,71,2009	6-109
HYD-INSTALL,REAR AXLE,71, HYD,2009	6-110
HYD-INSTALL,REAR AXLE,88 SPR,2009	6-111
HOSE-INSTALL,REAR AXLE,88,2009	6-112
HOSE-INSTALL,REAR AXLE,88,2009	6-113
HYD-INSTALL,REAR AXLE,88 HYD,2009	6-114
HYD-INSTALL,REAR AXLE,120 SPR,2009	6-115
HOSE-INSTALL,REAR AXLE,120,2009	6-116
HOSE-INSTALL,REAR AXLE,120,2009	6-117
HYD-INSTALL,REAR AXLE,120 HYD,2009	6-118

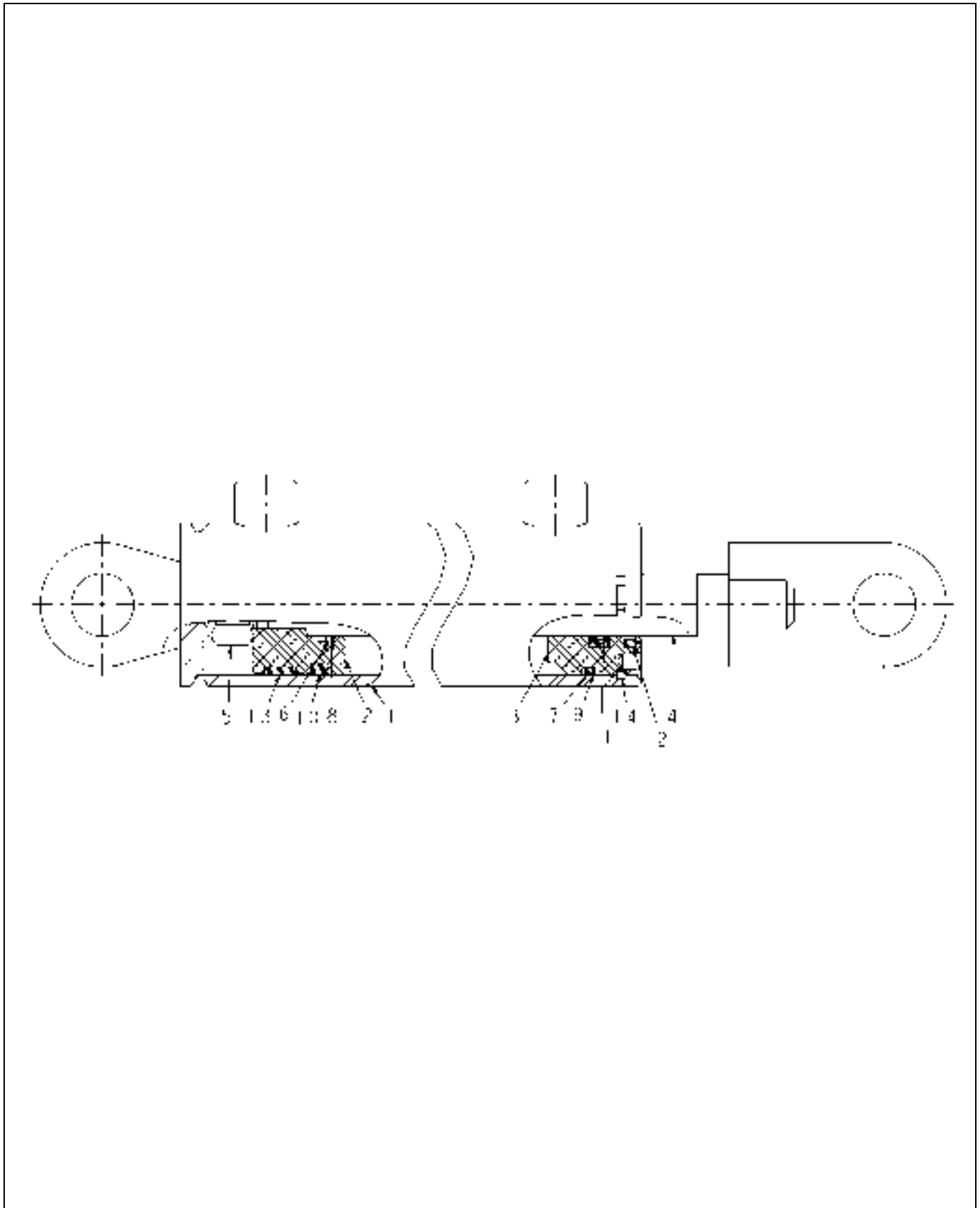
VALVE-PARK BRAKE



512906D1-02-R016-.TIF

VALVE-PARK BRAKE

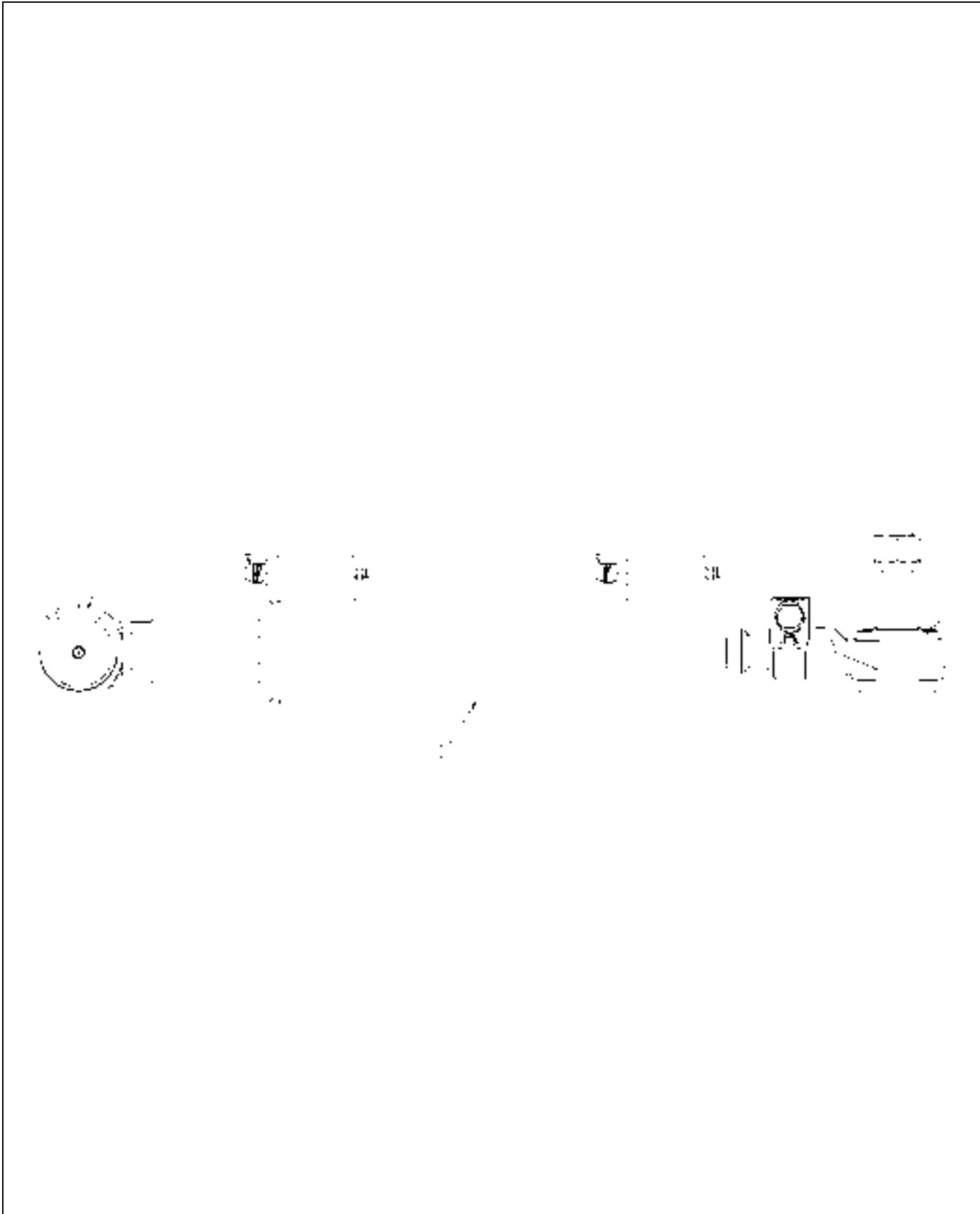
ITEM	PART #	QTY	DESCRIPTION	COMMENTS
REF	516586D1	1	PARK BRAKE,PEDAL ASSEMBLY	
1	WR133082	1	SWITCH, PRESSURE	
2	WR137370	1	PIN/LOCKING 128040	
3	WR139381	1	PEDAL ASY	
4	WR139382	1	PEDAL/RUBBER	
5	516585D1	1	VALVE-PARK BRAKE W/O PEDAL ASM	



128334.TIF

CYLINDER-HYD,TRACK ADJ,NARROW

ITEM	PART #	QTY	DESCRIPTION	COMMENTS
REF	WR124932	-	KIT, SEAL	
2	WR131647	1	PISTON	
3	WR131646	1	HEAD, GLAND	
4	WR131648	1	ROD, CYLINDER	
5	WR606610	1	NUT 0.75-16NF HEX ZN C-LK	
	FOOTNOTE		ITEM 1 CANNOT BE PURCHASED INDIVIDUALLY BUT IS INCLUDED WIT THE CYLINDER.	
	FOOTNOTE		ITEMS 6 - 14 CANNOT BE PURCHASED INDIVIDUALLY BUT ARE INCLUDED IN THE SEAL KIT.	

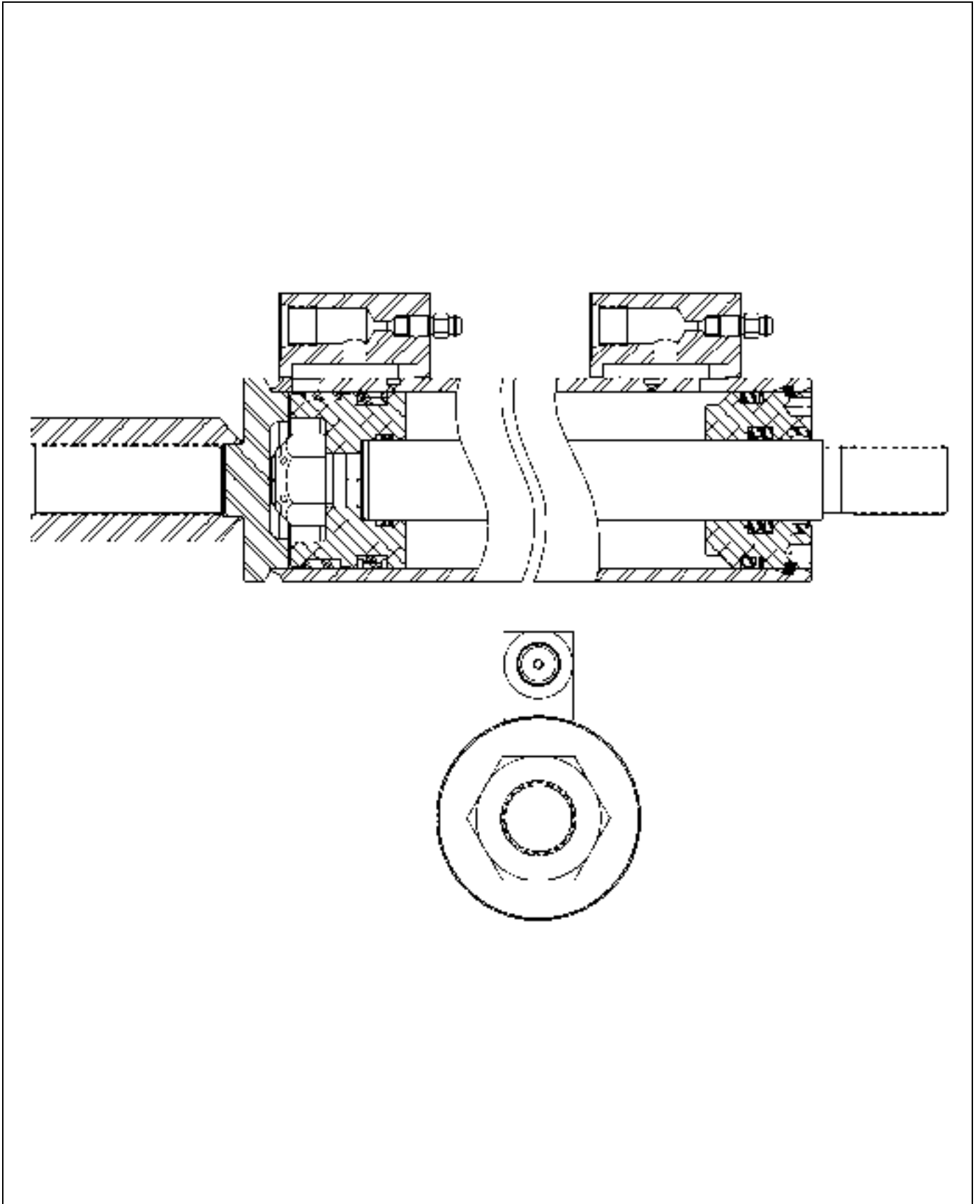


515282D1-02-R270-.TIF

CYLINDER-ASM,STEERING,7000

ITEM	PART #	QTY	DESCRIPTION	COMMENTS
1	WR129397	1	BALL SOCKET-STEERING	
2	AG560693	2	ADAP STR 0.37MO-R X 0.37MJIC	SEE PAGE 6-104
3	515157D1	1	SOCKET-VERTICAL ASSEMBLY,MALE	
4	515283D1	1	CYL-STEERING,7000,9.59 STROKE	SEE PAGE 6-4

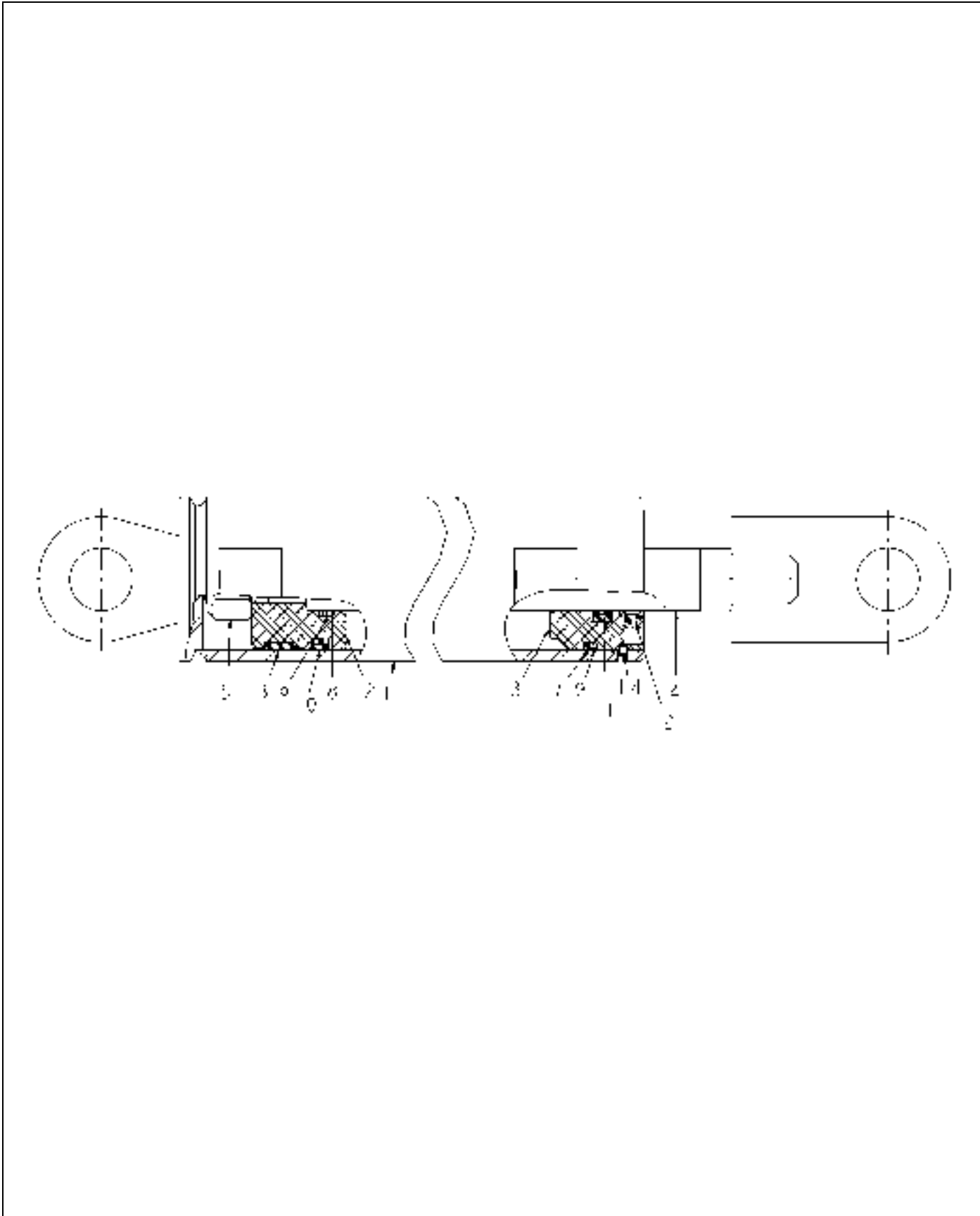
CYLINDER-STEERING,7000,9.59 STROKE



515283D1-02-R270-.TIF

CYLINDER-STEERING,7000,9.59 STROKE

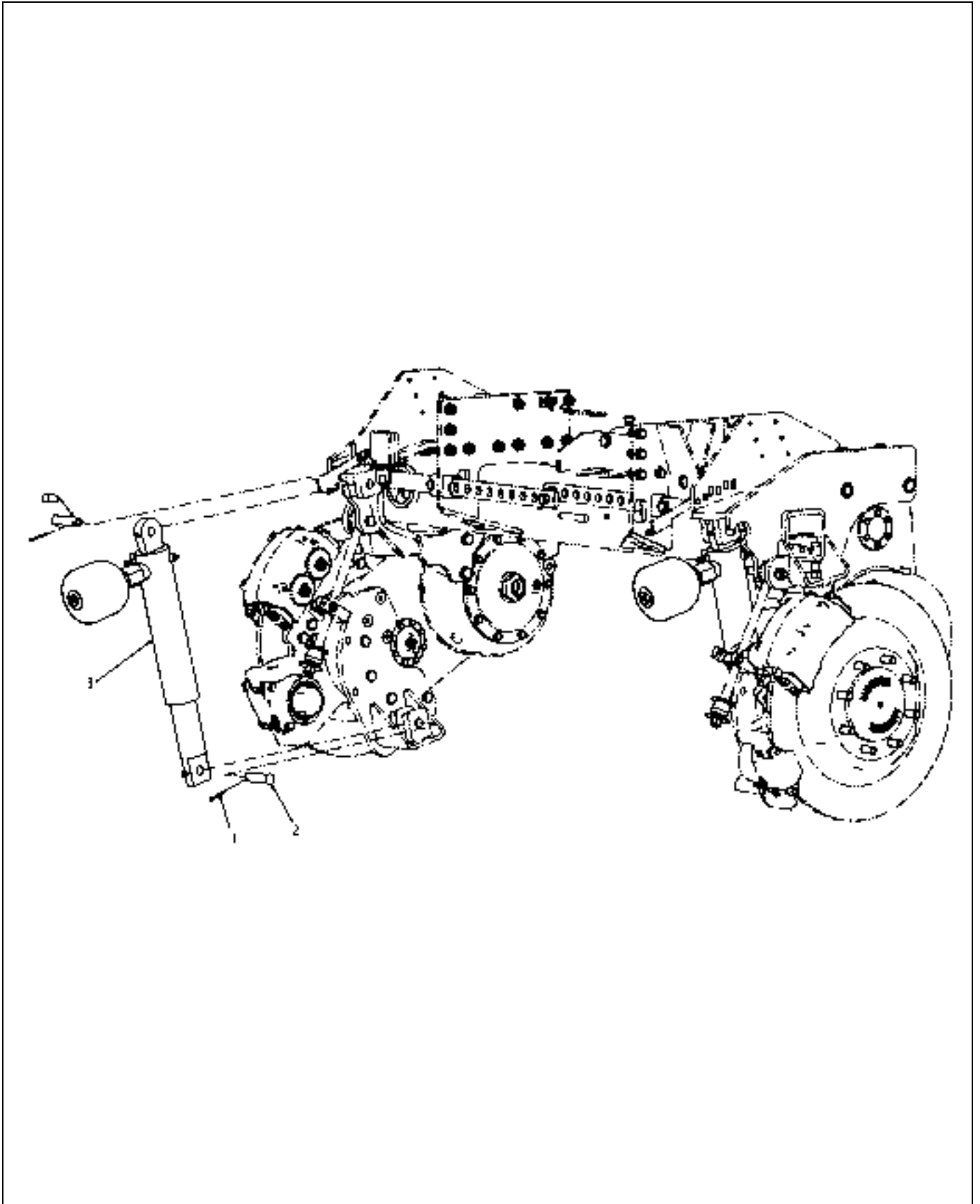
ITEM	PART #	QTY	DESCRIPTION	COMMENTS
REF	WR124931	-	KIT, SEAL	



128661.TIF

CYLINDER-HYD,725 REAR TRACK NARROW

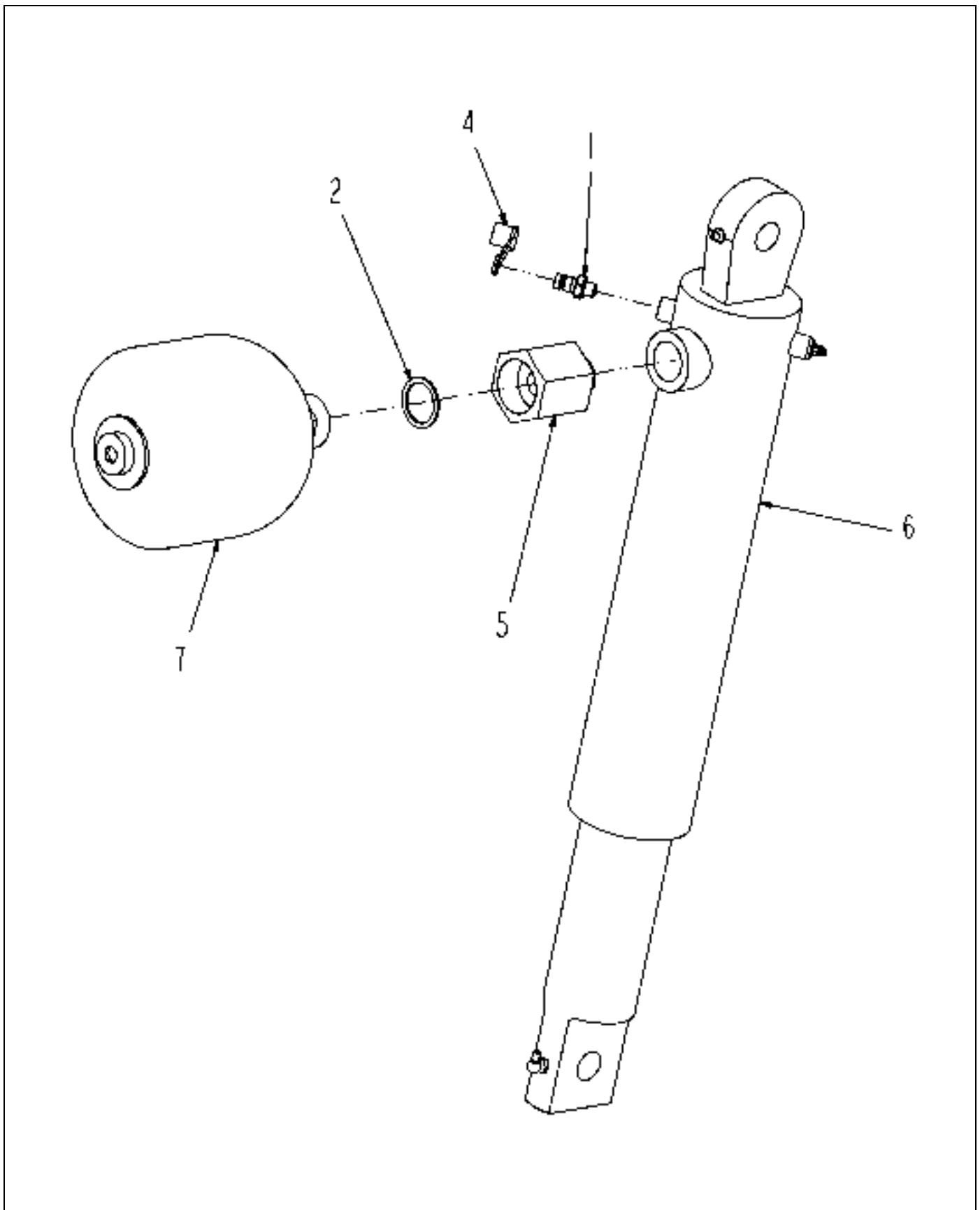
ITEM	PART #	QTY	DESCRIPTION	COMMENTS
REF	WR124932	-	KIT, SEAL	
2	WR131647	1	PISTON	
3	WR131646	1	HEAD, GLAND	
4	WR131648	1	ROD, CYLINDER	
5	WR606610	1	NUT 0.75-16NF HEX ZN C-LK	
	FOOTNOTE		ITEM 1 CANNOT BE PURCHASED INDIVIDUALLY BUT IS INCLUDED WITH THE CYLINDER.	
	FOOTNOTE		ITEMS 6 - 14 CANNOT BE PURCHASED INDIVIDUALLY BUT ARE INCLUDED IN THE SEAL KIT.	



518400D1-05-R616-.TIF

HYD-INSTALL, HYD SUSPENSION

ITEM	PART #	QTY	DESCRIPTION	COMMENTS
1	AG515352	4	PIN COTTER 0.18X2.00 SS	
2	AG522058	4	PIN-CLEVIS 1.00 X4.00	
3	518401D1	2	HYD SUSPENSION ASM	SEE PAGE 6-7

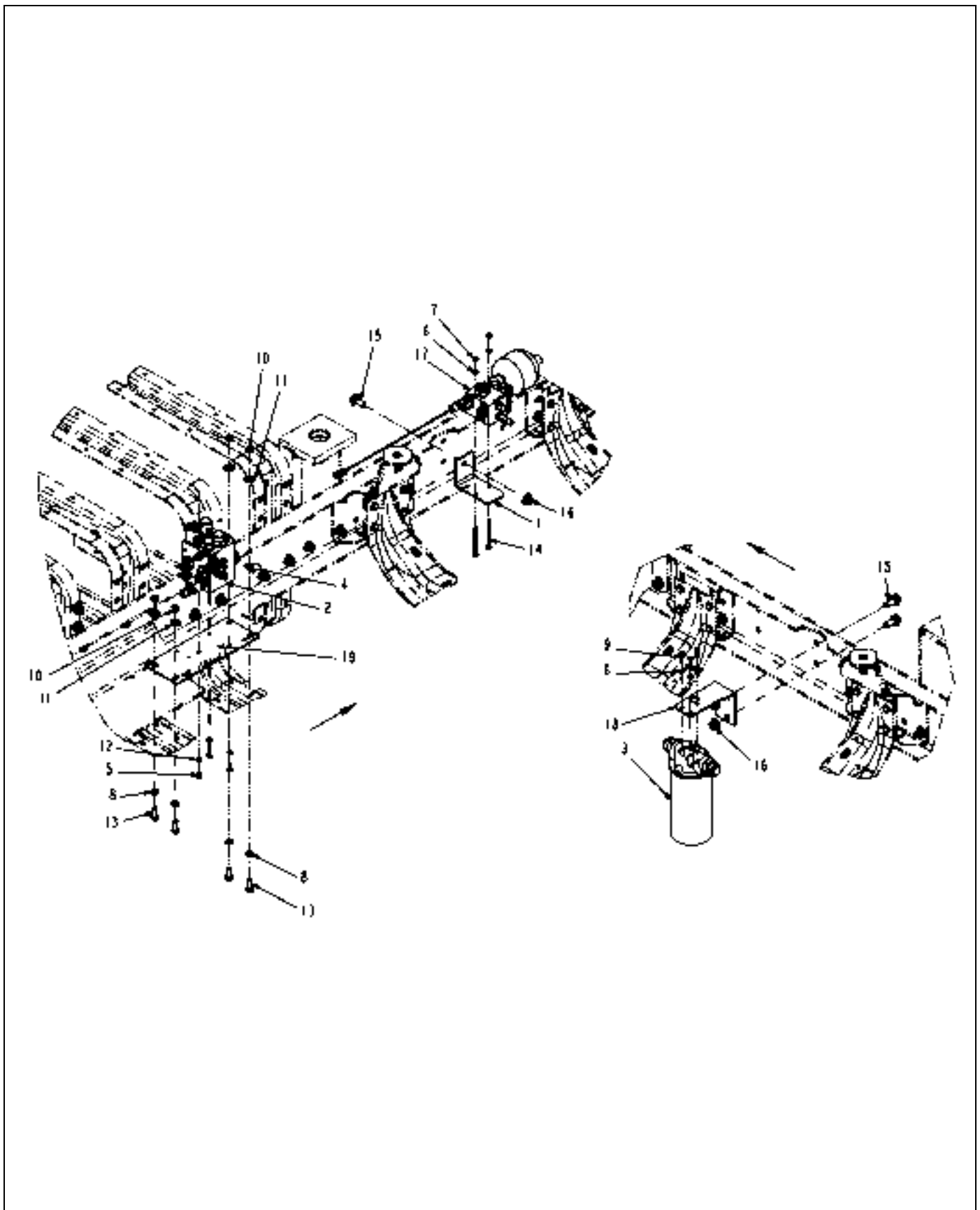


518401D1-05-R539-.TIF

HYD SUSPENSION ASM

ITEM	PART #	QTY	DESCRIPTION	COMMENTS
1	WR32723	1	COUPLING-MPD/-04MB	
2	AG124041	1	RING-SEAL,ACCUMULATOR(123765)	
3	AG523964	-	OIL-HYD,VISCOSITY IMPROVED [BULK: 0.370 GA]	
4	6630367	1	CAP-DUST	
5	401582X1	1	ORIFICE CHECK -16MORXM45X1.5	
6	509945D1	1	CYLINDER-SINGLE ACT.,3X12.00 IN	SEE PAGE 6-89
7	520039D1	1	HYDAC 2.0L ACCUMULATOR	

COMPONENT INSTALL-CHASSIS

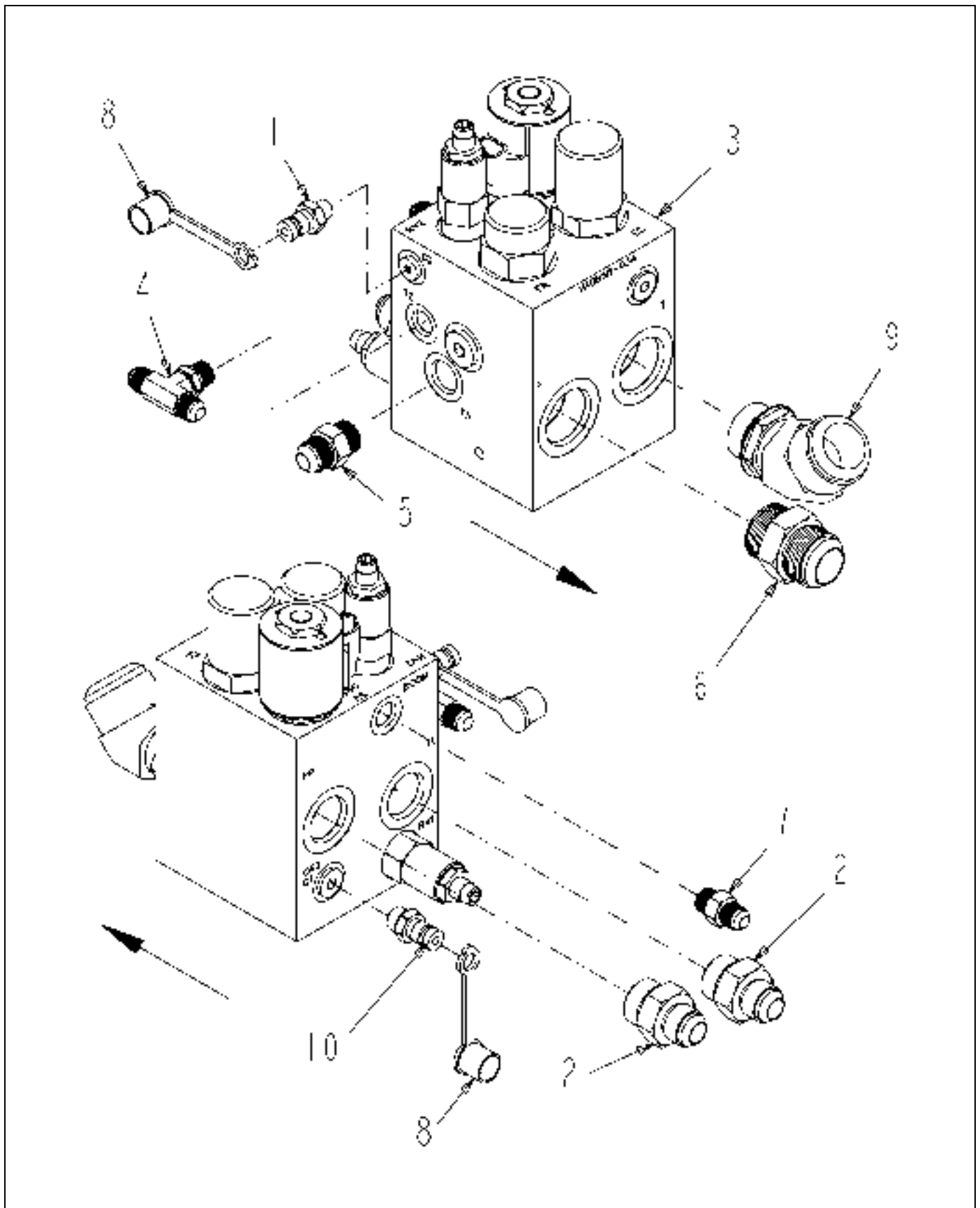


520782D1-02-T026-.TIF

COMPONENT INSTALL-CHASSIS

ITEM	PART #	QTY	DESCRIPTION	COMMENTS
1	WR128477	1	PLATE-BRAKE CHARGE VALVE	
2	WR129375	1	FITTING INSTL-PROD/BOOM VALVE	SEE PAGE 6-9
3	WR129404	1	FILTER-ASM,CHASSIS	SEE PAGE 6-15
4	AG514777	1	CLAMP 0.50 COATED HOSE	
5	AG523910	3	BOLT .31-18NCX .62 SS HHD	
6	AG550205	5	WASHER 0.31 LK ZN REG	
7	AG550213	2	NUT 0.31-18NC HEX ZN REG	
8	AG550264	4	WASHER 0.50 LK ZN REG	
9	AG551252	3	BOLT 0.31-18NCX 1.00 G5 ZN HHD	
10	AG562045	4	NUT 0.50-13NC HEX SS REG	
11	AG562046	4	WASHER 0.50 FL SS REG TYPE-B	
12	AG562051	3	WASHER 0.31 LK SS REG	
13	AG562115	4	BOLT 0.50-13NCX 1.25 S.S. HHD	
14	AG562214	2	BOLT 0.31-18NCX 4.00 G5 ZN HHD	
15	AG609312	3	BOLT 0.62-18 X 1.50 G8 HXFLG	
16	AG609313	3	NUT HX FLG 0.62-18NF	
17	503558D1	1	FITTING INSTL-BRAKE CHG VALVE	SEE PAGE 6-32
18	520847D1	1	BRKT-HYD,OIL FILTER	
19	522562D1	1	BRACKET-VALVE MTG.	

FITTING INSTALL-PROD/BOOM VALVE

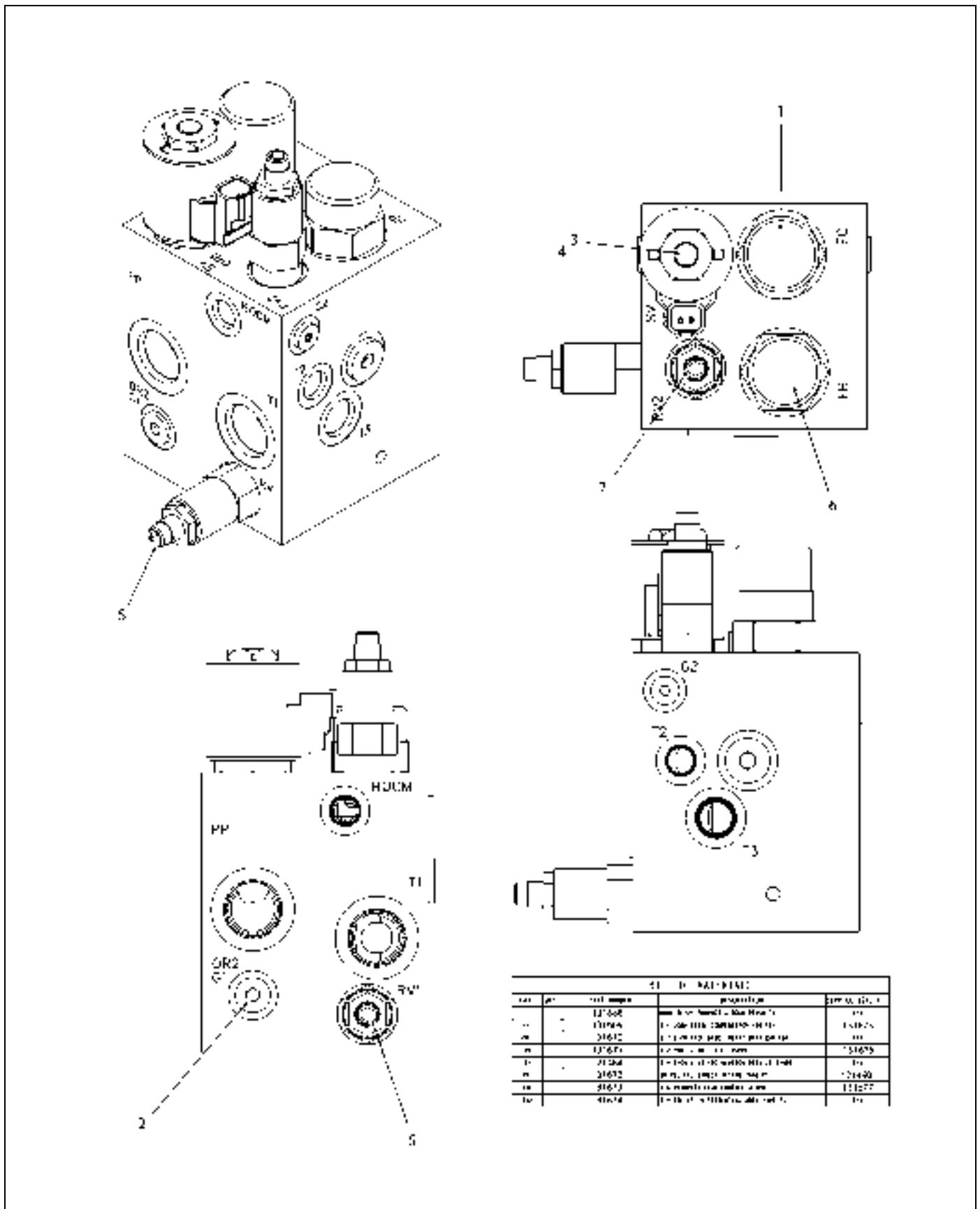


129375-03-N276.TIF

FITTING INSTALL-PROD/BOOM VALVE

ITEM	PART #	QTY	DESCRIPTION	COMMENTS
1	WR32723	1	COUPLING-MPD/-04MB	
2	AG122207	2	ADAPTR-STR -12MB X -10MJ	
3	WR128478	1	VALVE-PRODUCT/BOOM PRIORITY	SEE PAGE 6-10
4	AG520285	1	TEE-6MOR X -6MJIC	
5	AG551139	1	ADAP STR 0.50MO-R X 0.50 MJIC	SEE PAGE 6-102
6	AG558877	1	ADAP STR 1.00MO-R X 1.00MJIC	SEE PAGE 6-103
7	AG560693	1	ADAP STR 0.37MO-R X 0.37MJIC	SEE PAGE 6-104
8	6630367	2	CAP-DUST	
9	401253X1	1	ELBOW-45D,-20MJIC-16MO-R	
10	WR41777	1	COUPLING-MPD/-06MB	

VALVE-PRODUCT/BOOM PRIORITY

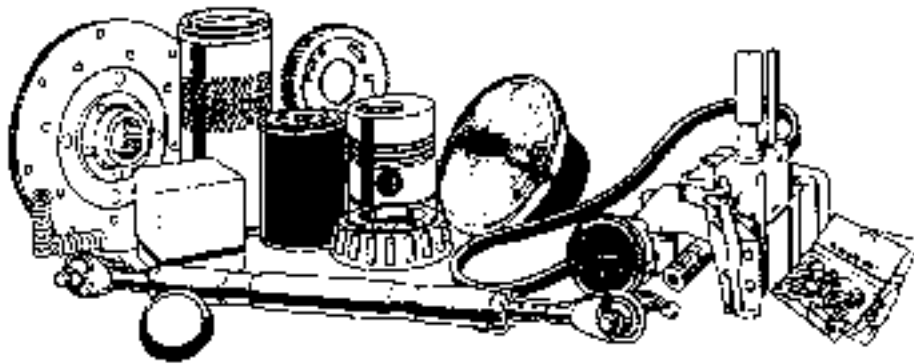


128478.TIF

VALVE-PRODUCT/BOOM PRIORITY

ITEM	PART #	QTY	DESCRIPTION	COMMENTS
REF	WR131677	-	KIT, SEAL	
REF	WR131676	-	KIT, SEAL	
REF	WR131668	-	BODY, VALVE BLOCK	
REF	WR31675	-	FRAME WLDMT-REAR,6400	
REF	AG121490	-	KIT-SEAL,SOLENOID,-08	
1	WR131669	1	VALVE, COMPENSATOR	SEE PAGE 6-11
2	WR131670	1	ORIFICE, DISC 12-2	
3	WR131671	1	POPPET	SEE PAGE 6-12
4	AG121484	1	COIL-E,12VDC DEUTCH W/DIODE,10	
5	WR131672	1	VALVE, RELIEF	SEE PAGE 6-13
6	WR131673	1	VALVE, PRIORITY	SEE PAGE 6-14
7	WR131674	1	VALVE, RELIEF	

**Please refer to the
Bill Of Material
on the opposite page
for related Installations,
Assemblies, or Parts**

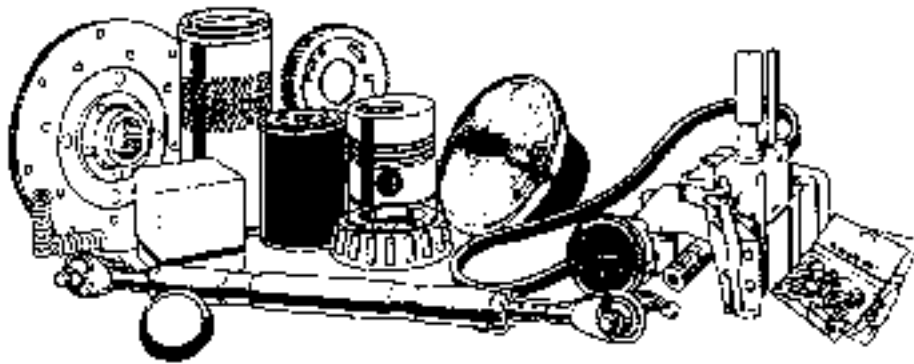


131669.TIF

VALVE, COMPENSATOR

ITEM	PART #	QTY	DESCRIPTION	COMMENTS
REF	WR131675	-	KIT, SEAL	

**Please refer to the
Bill Of Material
on the opposite page
for related Installations,
Assemblies, or Parts**

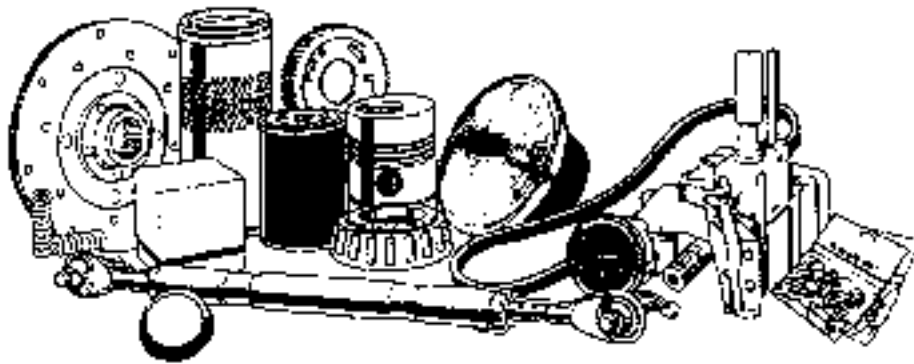


131671.TIF

POPPET

ITEM	PART #	QTY	DESCRIPTION	COMMENTS
REF	WR131676	-	KIT, SEAL	

**Please refer to the
Bill Of Material
on the opposite page
for related Installations,
Assemblies, or Parts**

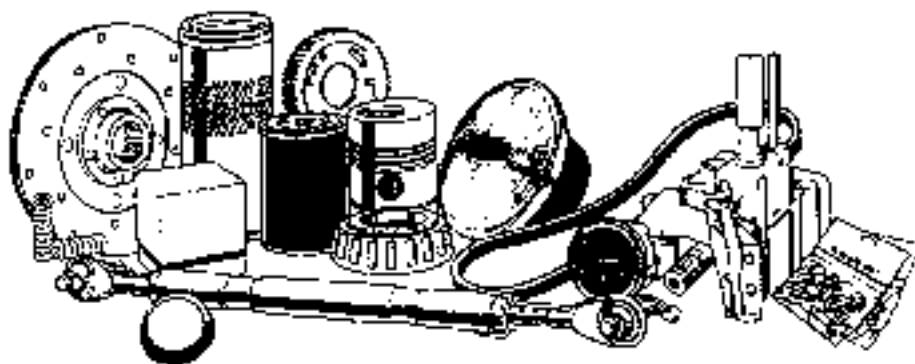


131672.TIF

VALVE, RELIEF

ITEM	PART #	QTY	DESCRIPTION	COMMENTS
REF	AG121490	-	KIT-SEAL,SOLENOID,-08	

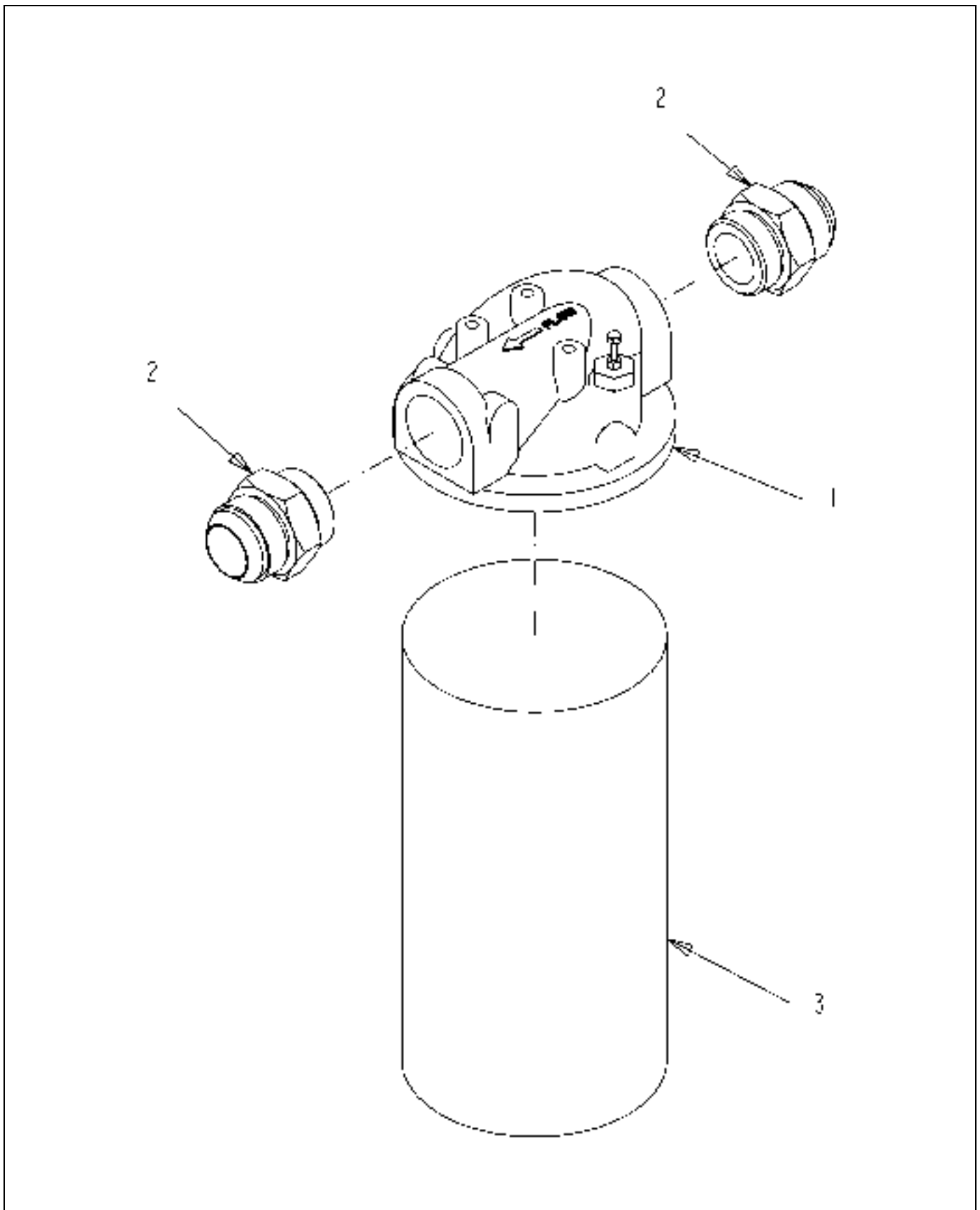
**Please refer to the
Bill Of Material
on the opposite page
for related Installations,
Assemblies, or Parts**



131673.TIF

VALVE, PRIORITY

ITEM	PART #	QTY	DESCRIPTION	COMMENTS
REF	WR131677	-	KIT, SEAL	

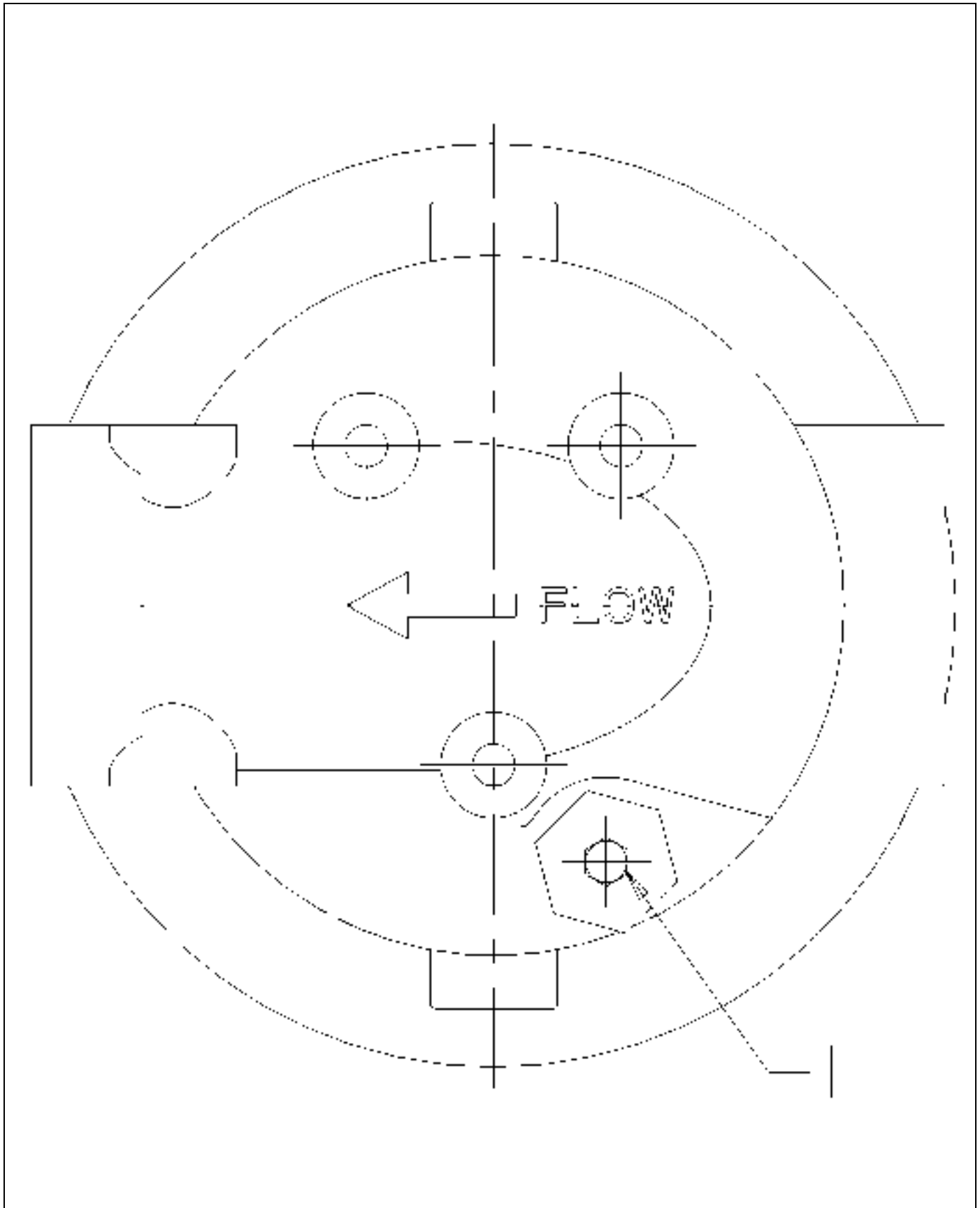


129404-A-1.TIF

FILTER-ASM,CHASSIS

ITEM	PART #	QTY	DESCRIPTION	COMMENTS
1	AG121587	1	FILTER-HYD,W/25PSI BY-PASS	SEE PAGE 6-16
2	AG552186	2	ADAP STR-20MBX-20MJ	[A]
3	AG715586	1	ELEMENT FILTER	
	FOOTNOTE [A]		AG714806-O-RING	

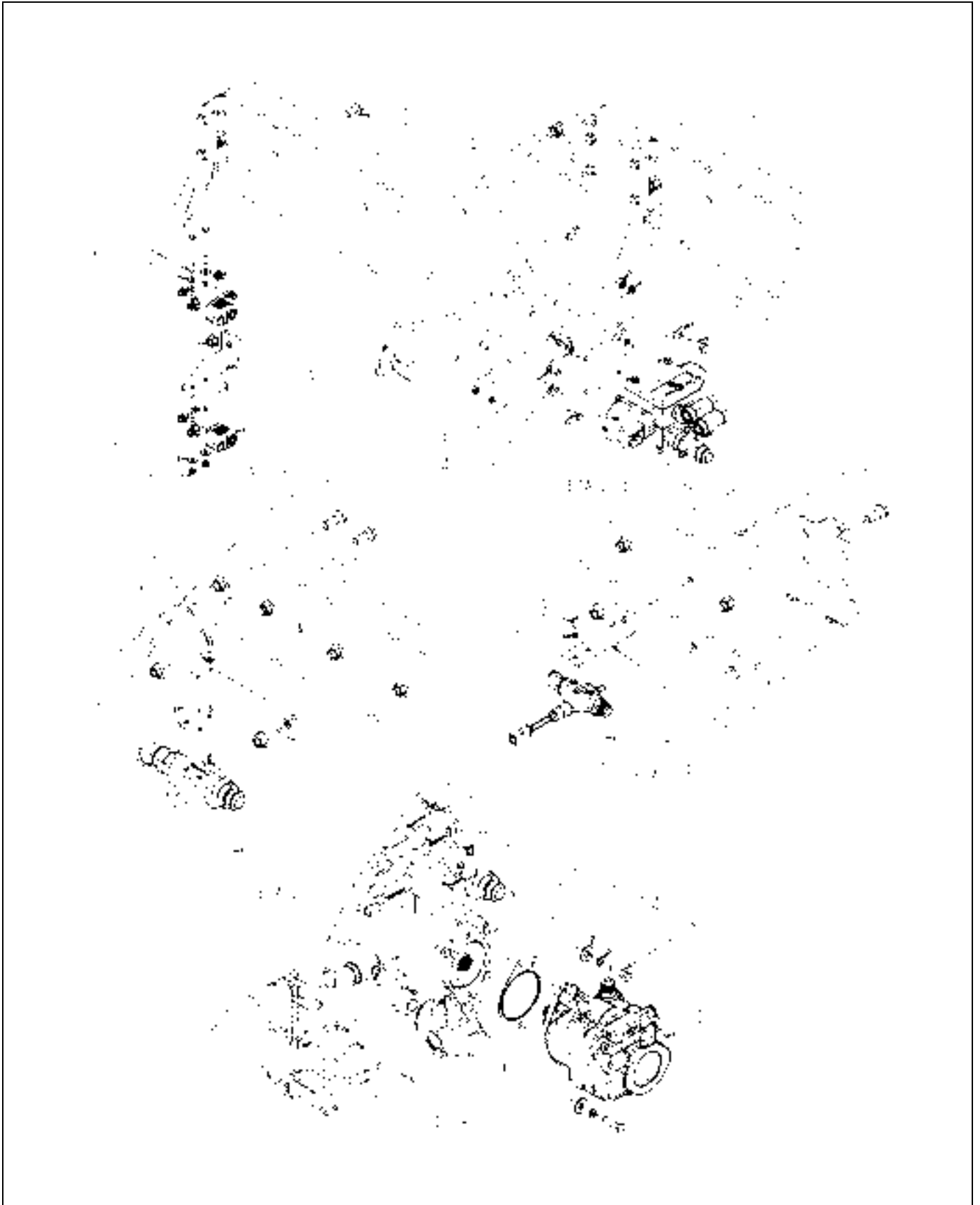
FILTER-HYD,W/25PSI BY-PASS



121587.TIF

FILTER-HYD,W/25PSI BY-PASS

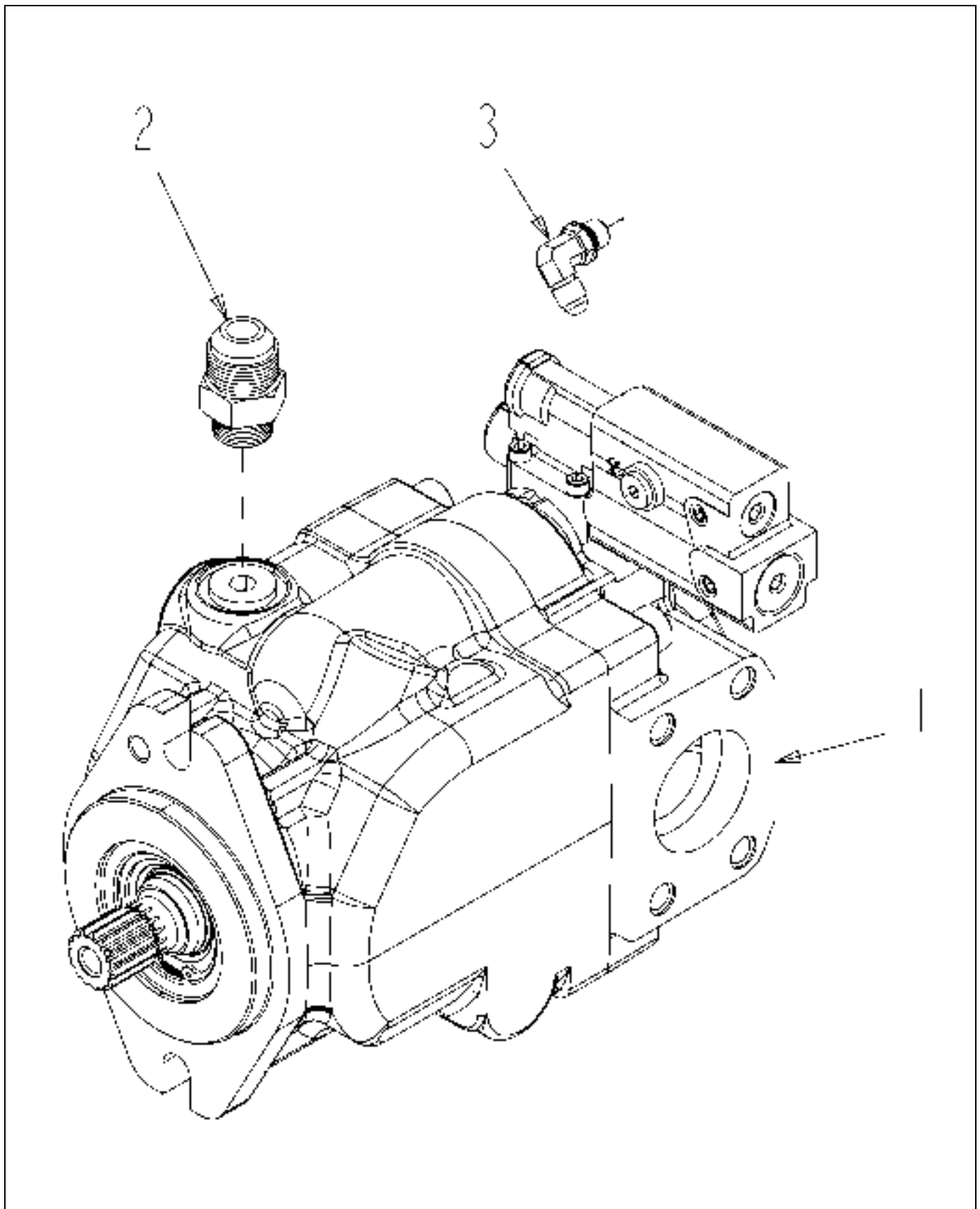
ITEM	PART #	QTY	DESCRIPTION	COMMENTS
1	AG122807	1	INDICATOR-ELEC,22PSID DC	



518949D1-01-R270-02.TIF

FWA,COMPONENT INSTALL

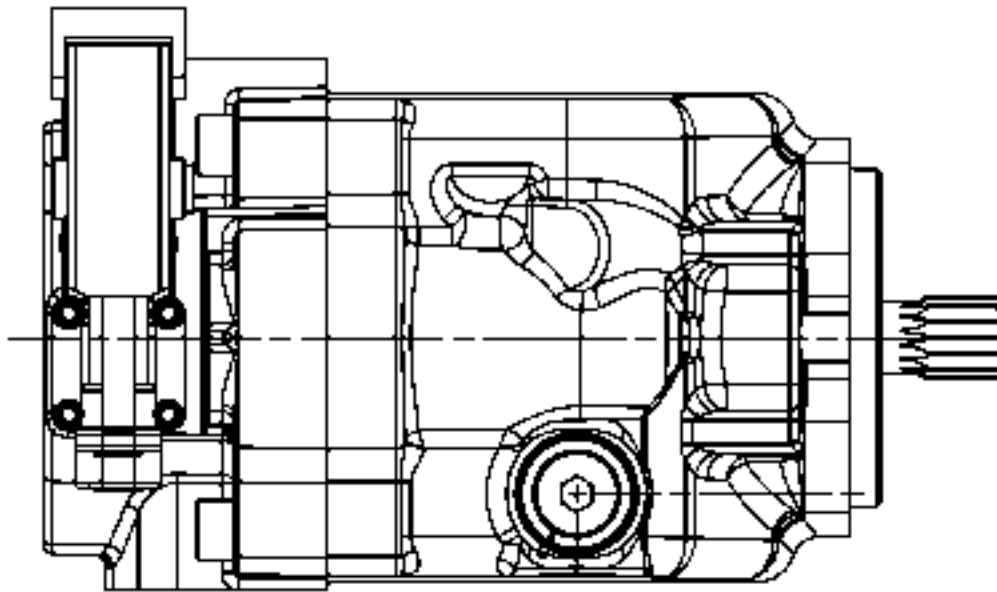
ITEM	PART #	QTY	DESCRIPTION	COMMENTS
1	WR125776	1	BRACKET-VALVE FWA	
2	WR126694	1	BRKT-HYD FILTER	
3	WR128467	1	BRKT-HYD.,FILTER MOUNT	
4	WR128673	1	FWA-PUMP ASM	SEE PAGE 6-18
5	WR128674	1	FWA-2 SPEED/CASE BYPASS ASM	SEE PAGE 6-20
6	WR128887	1	BRKT-2 SPEED VALVE	
7	WR128892	1	FILTER ASM-FWA,R2	SEE PAGE 6-22
8	WR128893	1	FILTER ASM-FWA,R3	SEE PAGE 6-46
9	AG515121	4	WASHER 0.25 FL SS REG TYPE-B	
10	AG520627	1	BOLT-.50-13X1.00,G5,ZN,FLG,HHD	
11	AG520628	1	NUT-.50-13,G5,ZN,FLG,HHD	
12	AG550124	1	NUT 0.50-13NC HEX ZN REG	
13	AG550183	4	BOLT 0.31-18NCX 0.75 G5 ZN HHD	
14	AG550205	9	WASHER 0.31 LK ZN REG	
15	AG550213	2	NUT 0.31-18NC HEX ZN REG	
16	AG550256	1	BOLT.50-13NCX1.25 G5 ZN HHD	
17	AG550264	1	WASHER 0.50 LK ZN REG	
18	AG550353	1	WASHER 0.50 FL ZN REG TYPE-B	
19	AG550485	2	BOLT 0.25-20NCX 0.75 G5 ZN HHD	
20	AG550493	2	WASHER 0.25 LK ZN REG	
21	AG551252	5	BOLT 0.31-18NCX 1.00 G5 ZN HHD	
22	AG561246	2	BOLT 0.25-20NCX 3.25 G5 ZN HHD	
23	AG562270	2	BOLT M12-1.75X 40MM G8.8 ZN HH	
24	AG562272	2	WASHER M12 LK ZN REG	
25	AG562790	2	WASHER FL METRIC#12 GEN PUR ZN	
26	AG604216	2	NUT 0.25-20NC HEX ZN REG NY	
27	AG714101	1	GASKET PUMP	
28	519005D1	1	VALVE ASM-FWA,MAIN	SEE PAGE 6-47



128673-03-M503-.TIF

FWA-PUMP ASM

ITEM	PART #	QTY	DESCRIPTION	COMMENTS
1	WR136148	1	PUMP-HYD,51CC,LOAD SENSE	SEE PAGE 6-19
2	AG560900	1	ADAP STR -10MBX12MJ	
3	AG561677	1	ELBOW 90D 0.25MO-R X 0.25MJIC	SEE PAGE 6-106

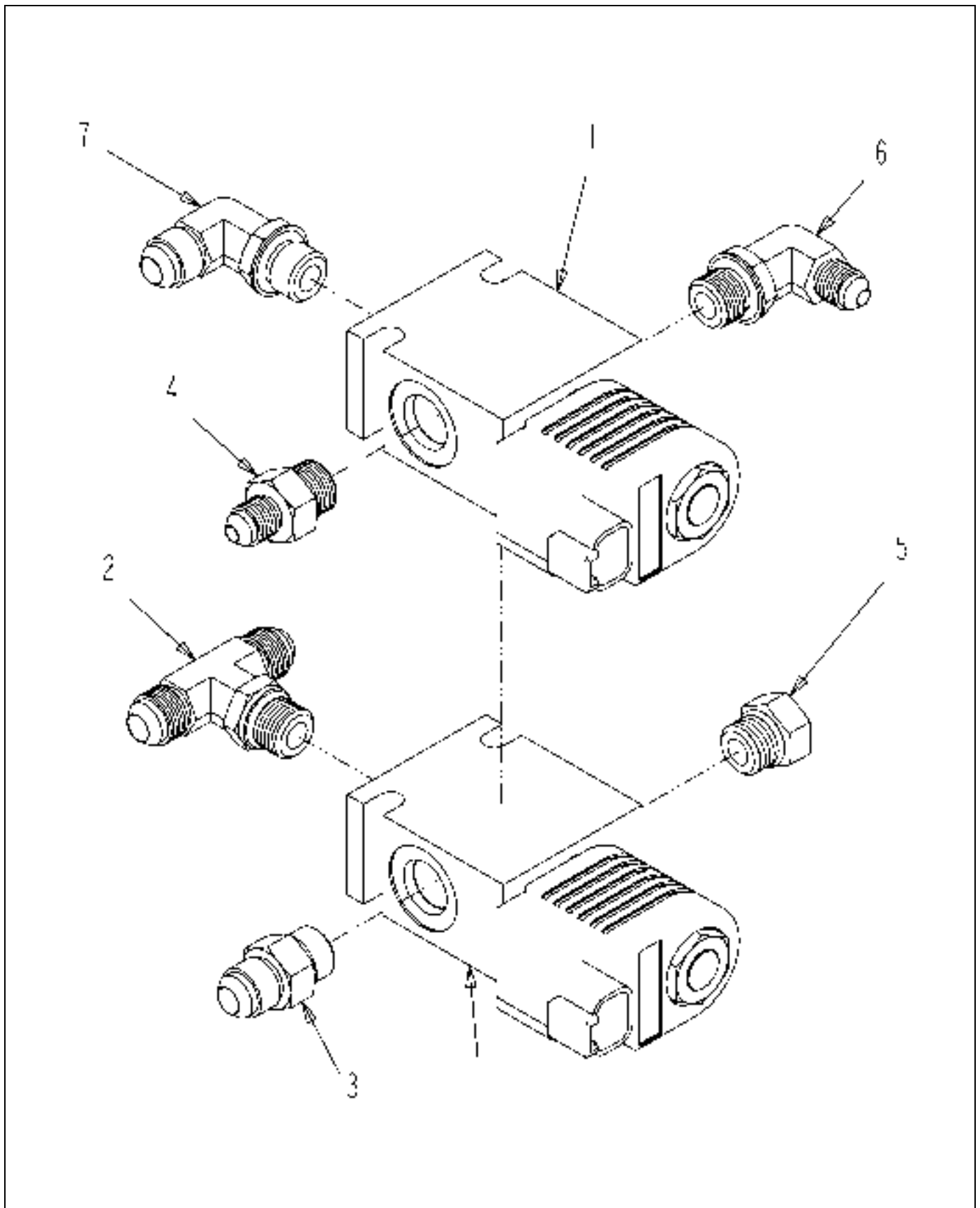


136148-01-M503-.TIF

PUMP-HYD,51CC,LOAD SENSE

ITEM	PART #	QTY	DESCRIPTION	COMMENTS
REF	AG332529	-	CONTROL KIT, LOAD SENSING	
REF	AG727285	-	RING/SEAL	
REF	WR132160	-	KIT,CONTROL PC/LS	
REF	AG330796	1	SEAL/LIP	

FWA-2 SPEED/CASE BYPASS ASM

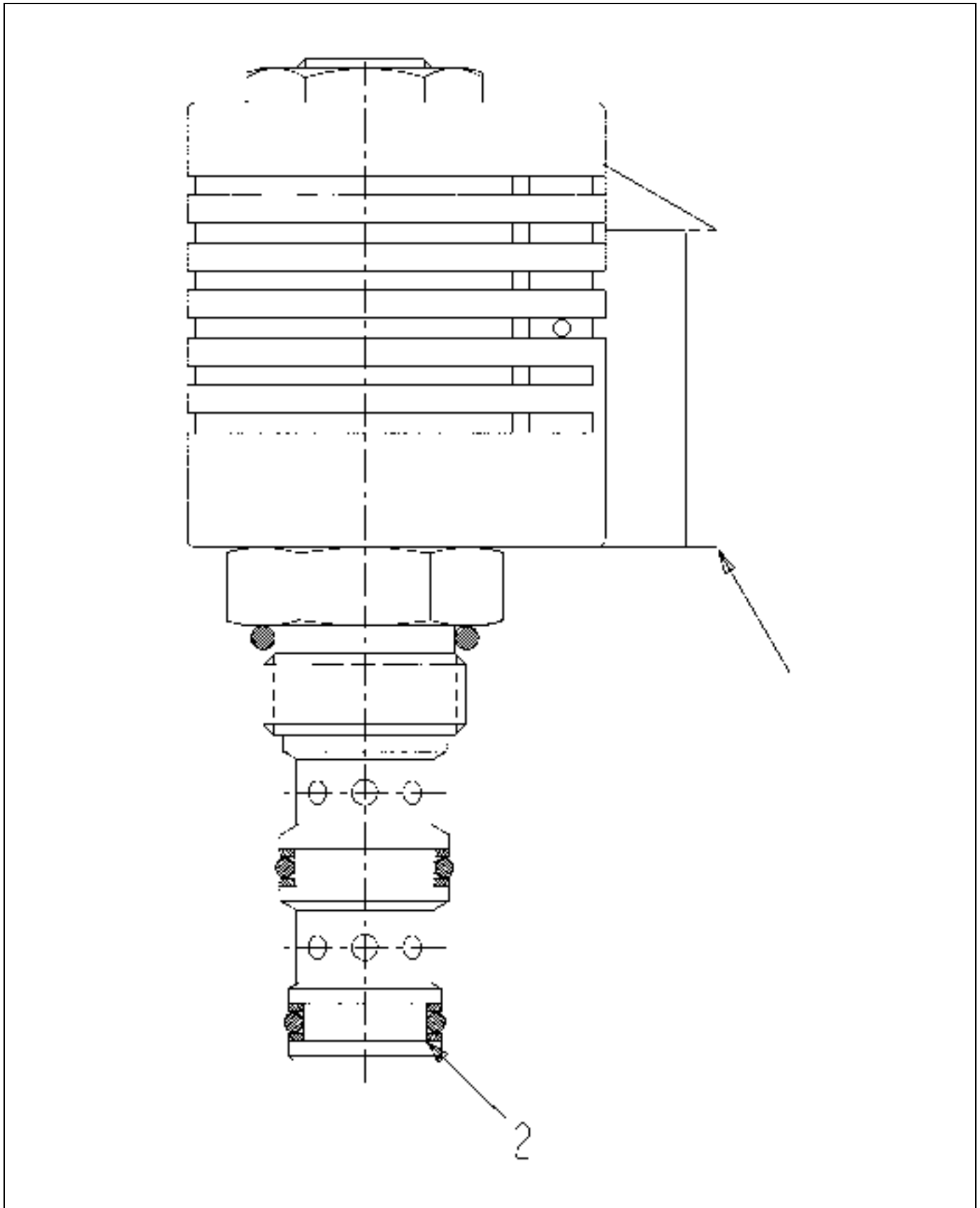


128674-02-M812-.TIF

FWA-2 SPEED/CASE BYPASS ASM

ITEM	PART #	QTY	DESCRIPTION	COMMENTS
1	WR123749	2	VALVE-CARTRIDGE,2 SPEED,HI/LO	SEE PAGE 6-21
2	AG520285	1	TEE-6MOR X -6MJIC	
3	AG560693	1	ADAP STR 0.37MO-R X 0.37MJIC	SEE PAGE 6-104
4	AG561744	1	ADAP STR 0.37MO-R X 0.25MJIC	[A]
5	AG561797	1	PLUG 0.37MO-R HEX	
6	AG562354	1	ELBOW 90D 0.37MO-R X 0.25MJIC	[B]
7	AG562401	1	ELBOW -6MB90X-6MJ	
	FOOTNOTE [A]		AG713166 O-RING	
	FOOTNOTE [B]		AG713166 O-RING	

VALVE-CARTRIDGE, 2 SPEED, HI/LO

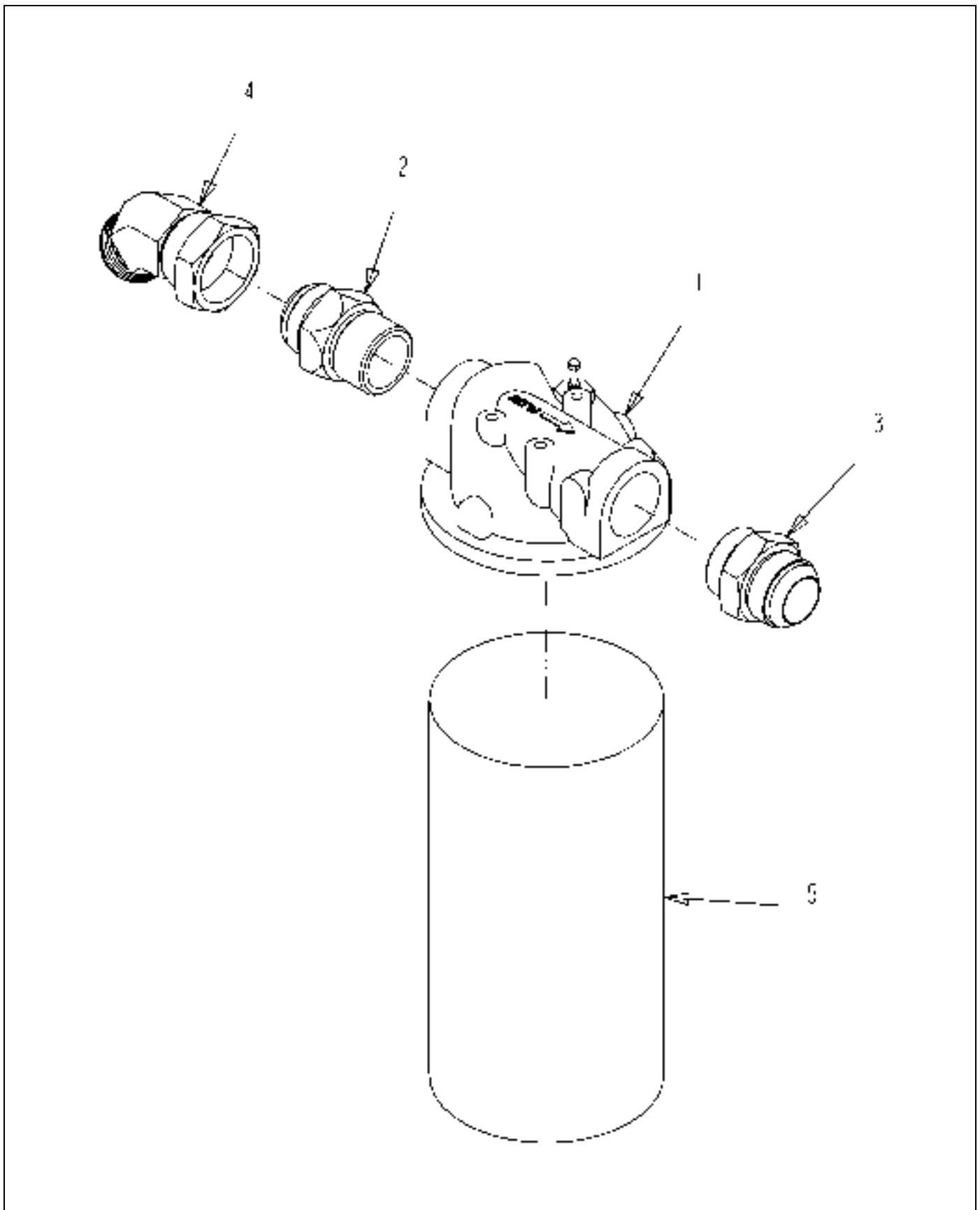


123749-A.TIF

VALVE-CARTRIDGE,2 SPEED,HI/LO

ITEM	PART #	QTY	DESCRIPTION	COMMENTS
1	WR133568	1	COIL	
2	AG133727	1	CARTRIDGE	

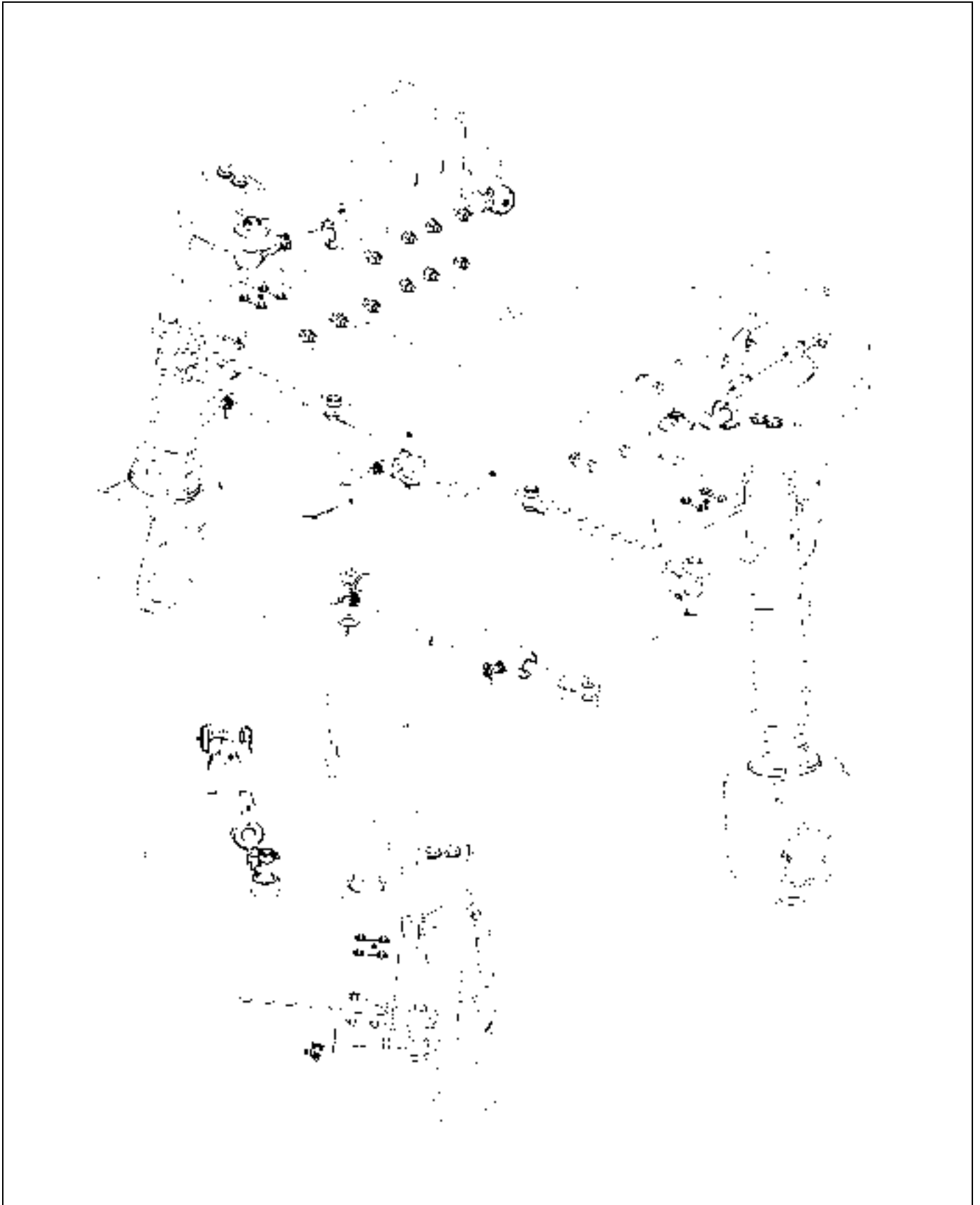
FILTER ASM-FWA,R2



128892-A-1.TIF

FILTER ASM-FWA,R2

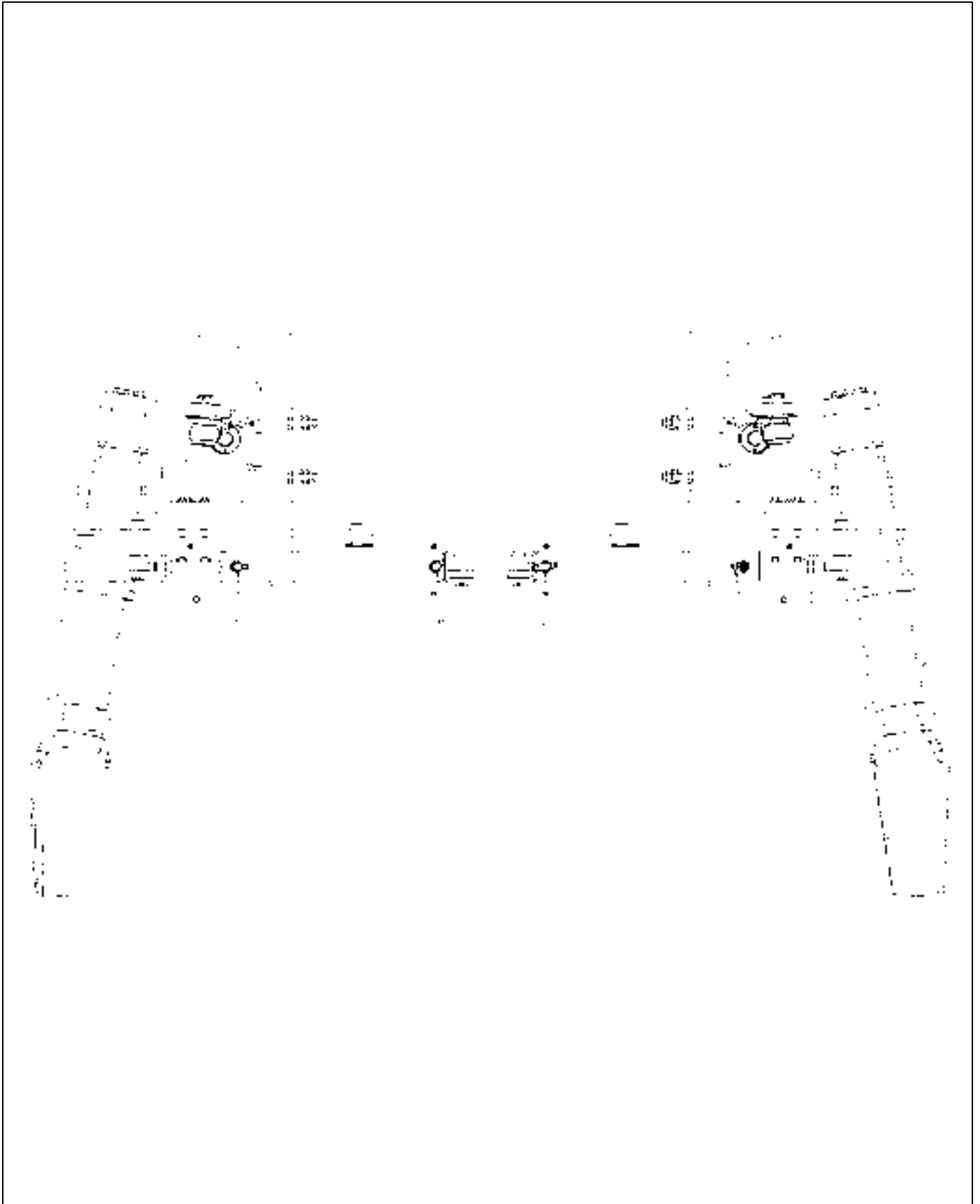
ITEM	PART #	QTY	DESCRIPTION	COMMENTS
1	AG121587	1	FILTER-HYD,W/25PSI BY-PASS	SEE PAGE 6-16
2	WR128753	1	VALVE-CHECK,65 PSI	
3	AG552186	1	ADAP STR-20MBX-20MJ	[A]
4	AG561794	1	ELBOW 45D 1.25MJICX1.25FJIC SW	
5	AG715586	1	ELEMENT FILTER	
	FOOTNOTE [A]		AG714806-O-RING	



518389D1-02-R270-01.TIF

CYLINDER-INSTALL,FRONT AXLE,88

ITEM	PART #	QTY	DESCRIPTION	COMMENTS
1	AG515352	2	PIN COTTER 0.18X2.00 SS	
2	AG519123	1	TEE-RUN,STR THD -6	SEE PAGE 6-101
3	AG520285	1	TEE-6MOR X -6MJIC	
4	AG551856	2	WASHER 1.00 FL ZN SAE TYPE-A	
5	AG557838	4	PIN COTTER 0.12X2.00 ZN	
6	AG562354	2	ELBOW 90D 0.37MO-R X 0.25MJIC	[A]
7	AG602132	2	PIN CLEVIS 1.00X2.62 ZN	
8	515282D1	2	CYL-ASM,STEERING,7000	SEE PAGE 6-3
9	518305D1	2	CYL-HYD,TRACK ADJUST	SEE PAGE 6-25
	FOOTNOTE [A]		AG713166 O-RING	

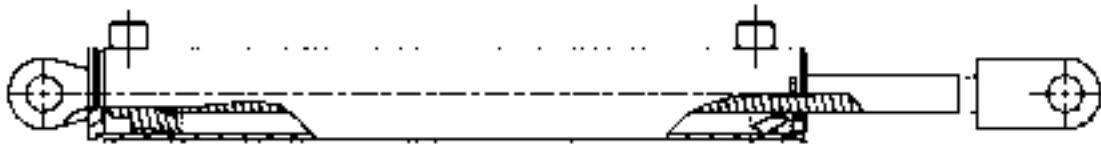


518389D1-02-R270-02.TIF

CYLINDER-INSTALL,FRONT AXLE,88

ITEM	PART #	QTY	DESCRIPTION	COMMENTS
2	AG519123	1	TEE-RUN,STR THD -6	SEE PAGE 6-101
3	AG520285	1	TEE-6MOR X -6MJIC	
6	AG562354	2	ELBOW 90D 0.37MO-R X 0.25MJIC	[A]
	FOOTNOTE [A]		AG713166 O-RING	

CYLINDER-HYD, TRACK ADJUST



518305D1-01-R109-.TIF

CYLINDER-HYD, TRACK ADJUST

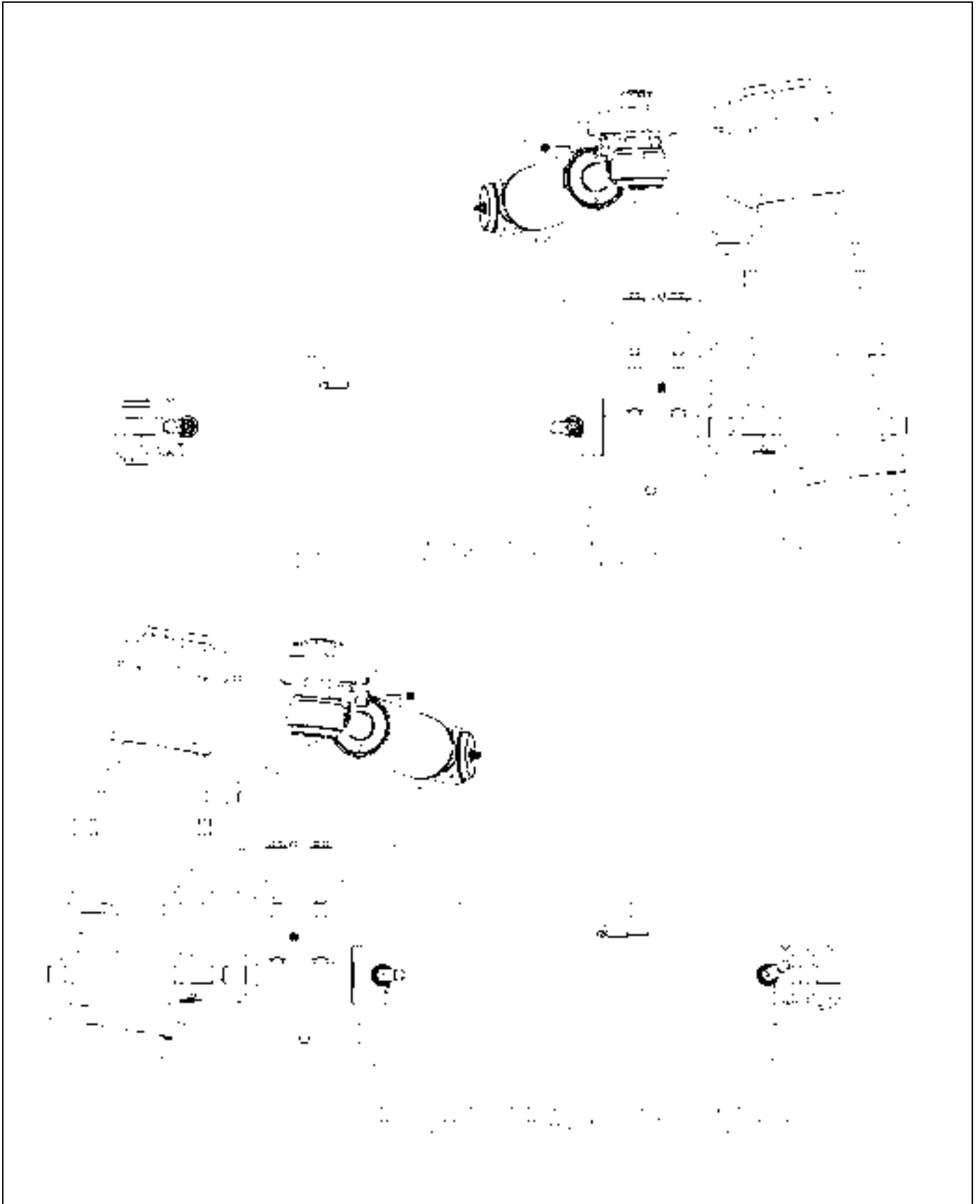
ITEM	PART #	QTY	DESCRIPTION	COMMENTS
REF	WR124932	-	KIT, SEAL	



518353D1-02-R270-01.TIF

CYLINDER-INSTALL,FRONT AXLE,120

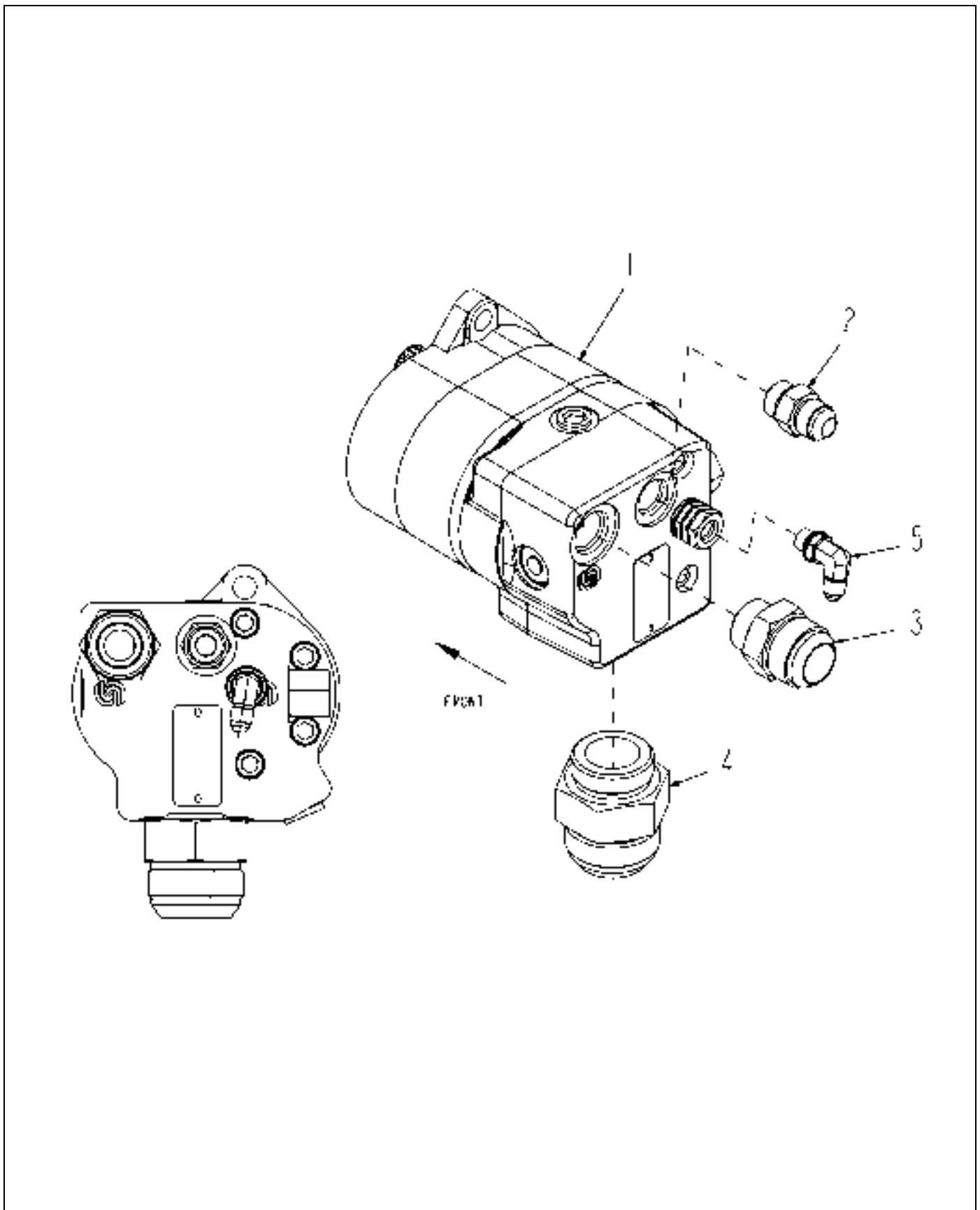
ITEM	PART #	QTY	DESCRIPTION	COMMENTS
1	AG515352	2	PIN COTTER 0.18X2.00 SS	
2	AG519123	2	TEE-RUN,STR THD -6	SEE PAGE 6-101
3	AG551856	2	WASHER 1.00 FL ZN SAE TYPE-A	
4	AG557838	4	PIN COTTER 0.12X2.00 ZN	
5	AG562354	2	ELBOW 90D 0.37MO-R X 0.25MJIC	[A]
6	AG602132	2	PIN CLEVIS 1.00X2.62 ZN	
7	515282D1	2	CYL-ASM,STEERING,7000	SEE PAGE 6-3
8	518305D1	2	CYL-HYD,TRACK ADJUST	SEE PAGE 6-25
	FOOTNOTE [A]		AG713166 O-RING	



518353D1-02-R270-02.TIF

CYLINDER-INSTALL,FRONT AXLE,120

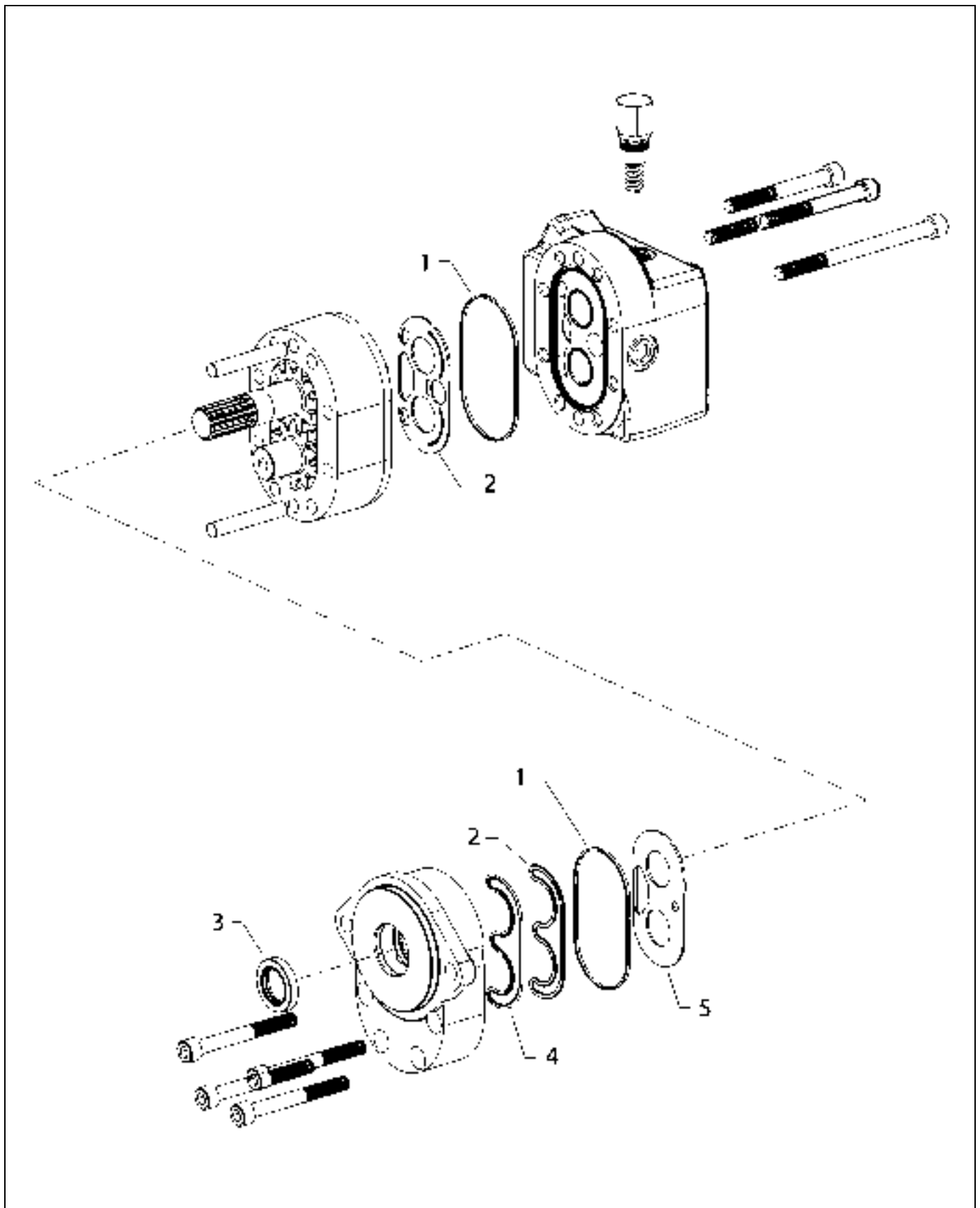
ITEM	PART #	QTY	DESCRIPTION	COMMENTS
2	AG519123	2	TEE-RUN,STR THD -6	SEE PAGE 6-101
5	AG562354	2	ELBOW 90D 0.37MO-R X 0.25MJIC	[A]
	FOOTNOTE [A]		AG713166 O-RING	



129400-A-1.TIF

PUMP-ASM, HYDRAULIC, CHASSIS

ITEM	PART #	QTY	DESCRIPTION	COMMENTS
1	WR123745	1	PUMP-HYD,GEAR,2.75 CID	SEE PAGE 6-29
2	AG551139	1	ADAP STR 0.50MO-R X 0.50 MJIC	SEE PAGE 6-102
3	AG561288	1	ADAP STR 0.75MO-R X 1.00MJIC	[A]
4	AG561296	1	ADAP STR 1.25MO-R X 1.50MJIC	
5	AG561677	1	ELBOW 90D 0.25MO-R X 0.25MJIC	SEE PAGE 6-106
	FOOTNOTE [A]		O-RING ONLY - AG714806	

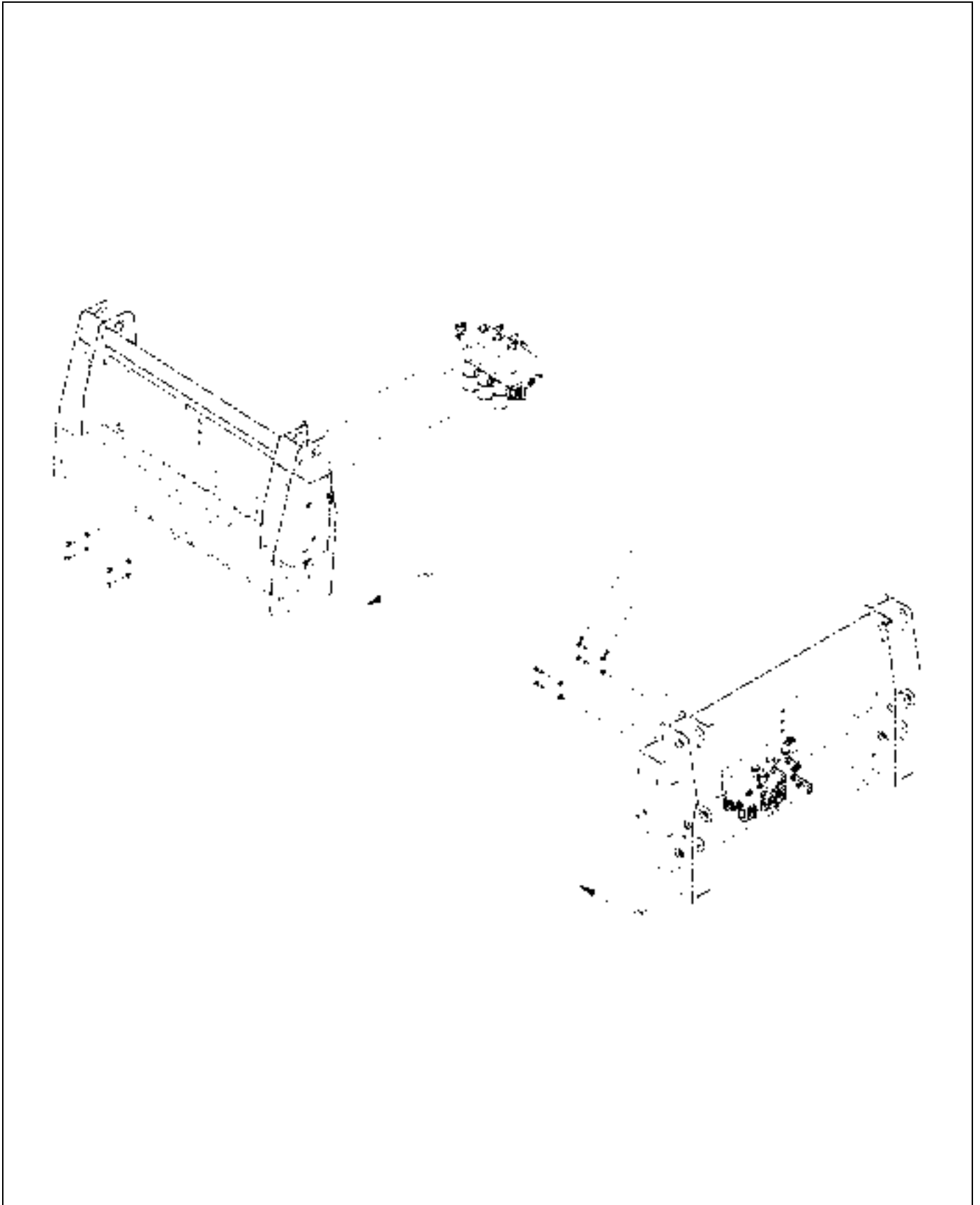


123745-A.TIF

PUMP-HYDRAULIC,GEAR,2.75 CID

ITEM	PART #	QTY	DESCRIPTION	COMMENTS
REF	WR138066	1	KIT/SEAL	
	FOOTNOTE		ITEMS 1-5 CANNOT BE PURCHASED INDIVIDUALLY BUT ARE INCLUDED IN THE SEAL KIT.	

VALVE INSTALL-HYD,BOOM LIFT/TRACK ADJUST

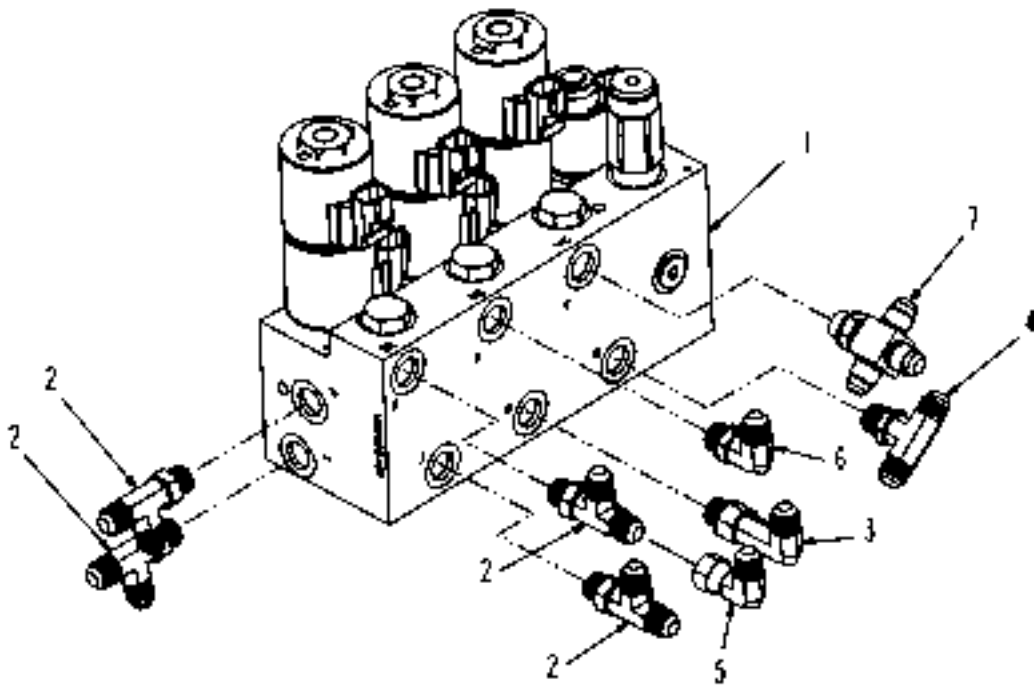


128875-04-N048-.TIF

VALVE INSTALL-HYD,BOOM LIFT/TRACK ADJUST

ITEM	PART #	QTY	DESCRIPTION	COMMENTS
1	WR128874	1	VALVE ASM-HYD,BM LFT/TRK ADJ	SEE PAGE 6-31
2	AG550205	4	WASHER 0.31 LK ZN REG	
3	AG551252	4	BOLT 0.31-18NCX 1.00 G5 ZN HHD	

VALVE ASM-HYD,BOOM LIFT/TRACK ADJUST

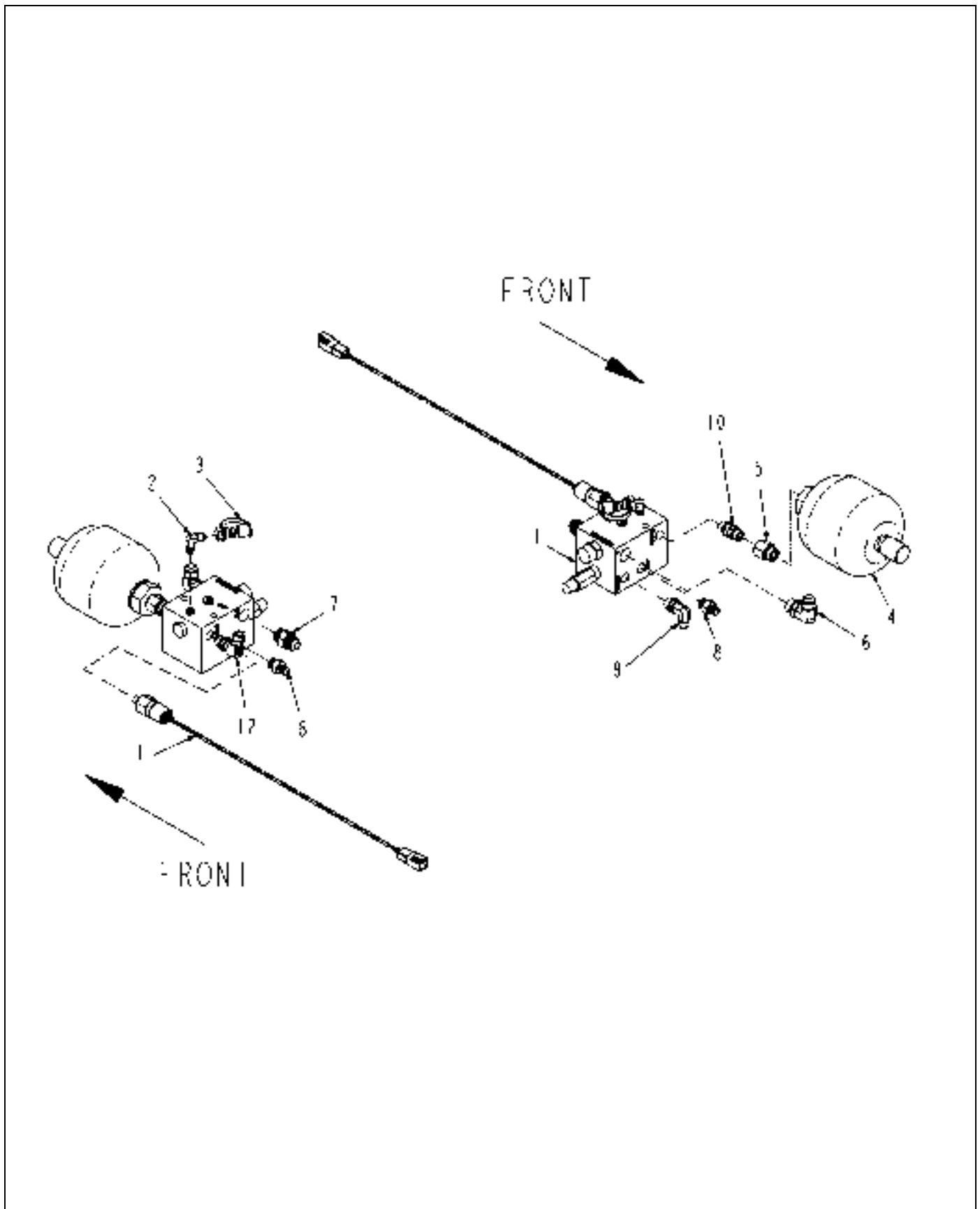


128874-C.TIF

VALVE ASM-HYD,BOOM LIFT/TRACK ADJUST

ITEM	PART #	QTY	DESCRIPTION	COMMENTS
1	WR122643	1	VALVE-HYD,BM LFT/TRK ADJ,3BANK	SEE PAGE 6-87
2	AG519123	4	TEE-RUN,STR THD -6	SEE PAGE 6-101
3	AG519766	1	ELBOW 90D .37MO-R LONGX.37MJIC	
4	AG520285	1	TEE-6MOR X -6MJIC	
5	AG561629	1	ELBOW -6FJS90X -6MJ	
6	AG562401	1	ELBOW -6MB90X-6MJ	
7	6578209	1	CONNECTOR-CROSS	

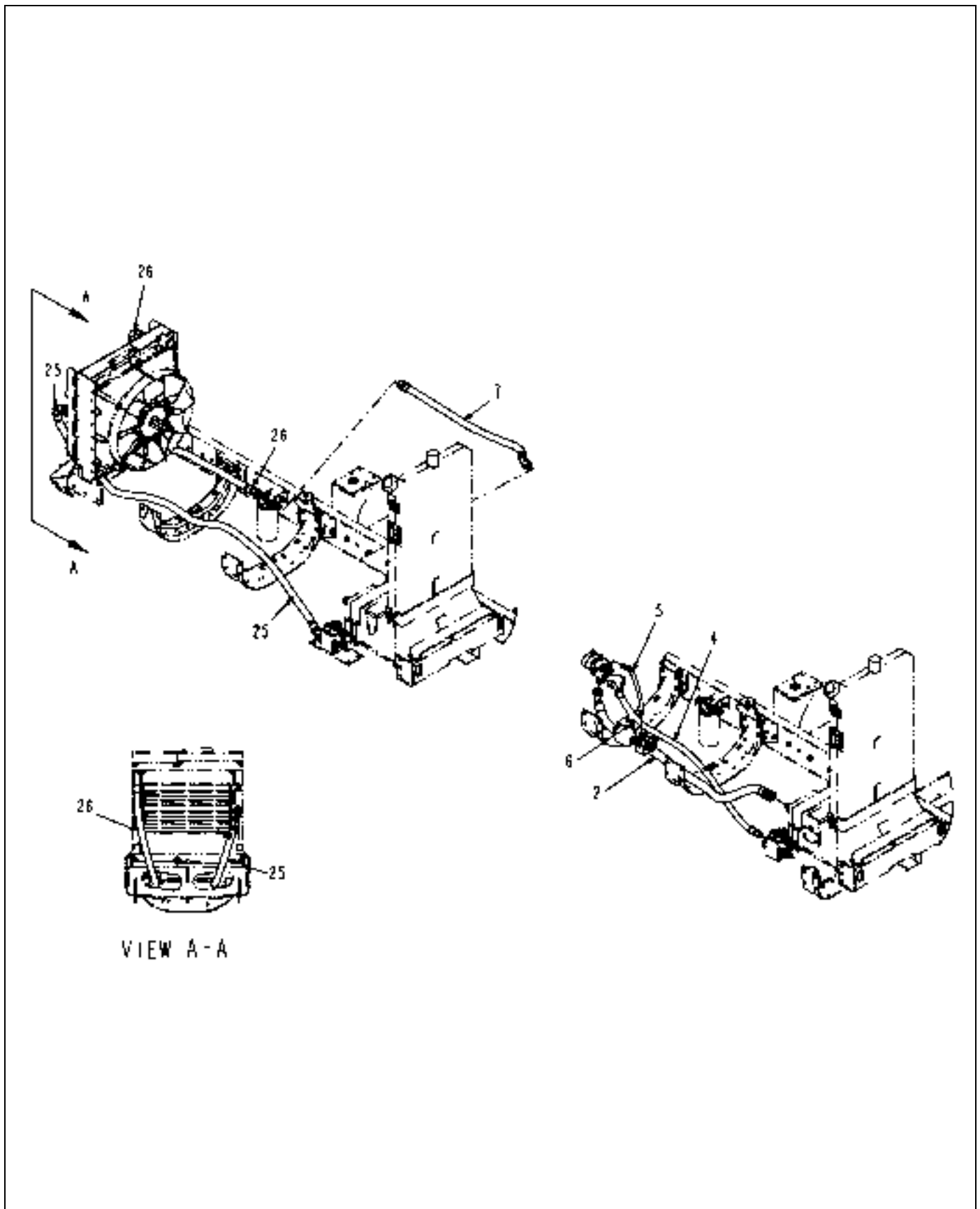
FITTING INSTALL-BRAKE CHARGE VALVE



503558D1-02-M835-.TIF

FITTING INSTALL-BRAKE CHARGE VALVE

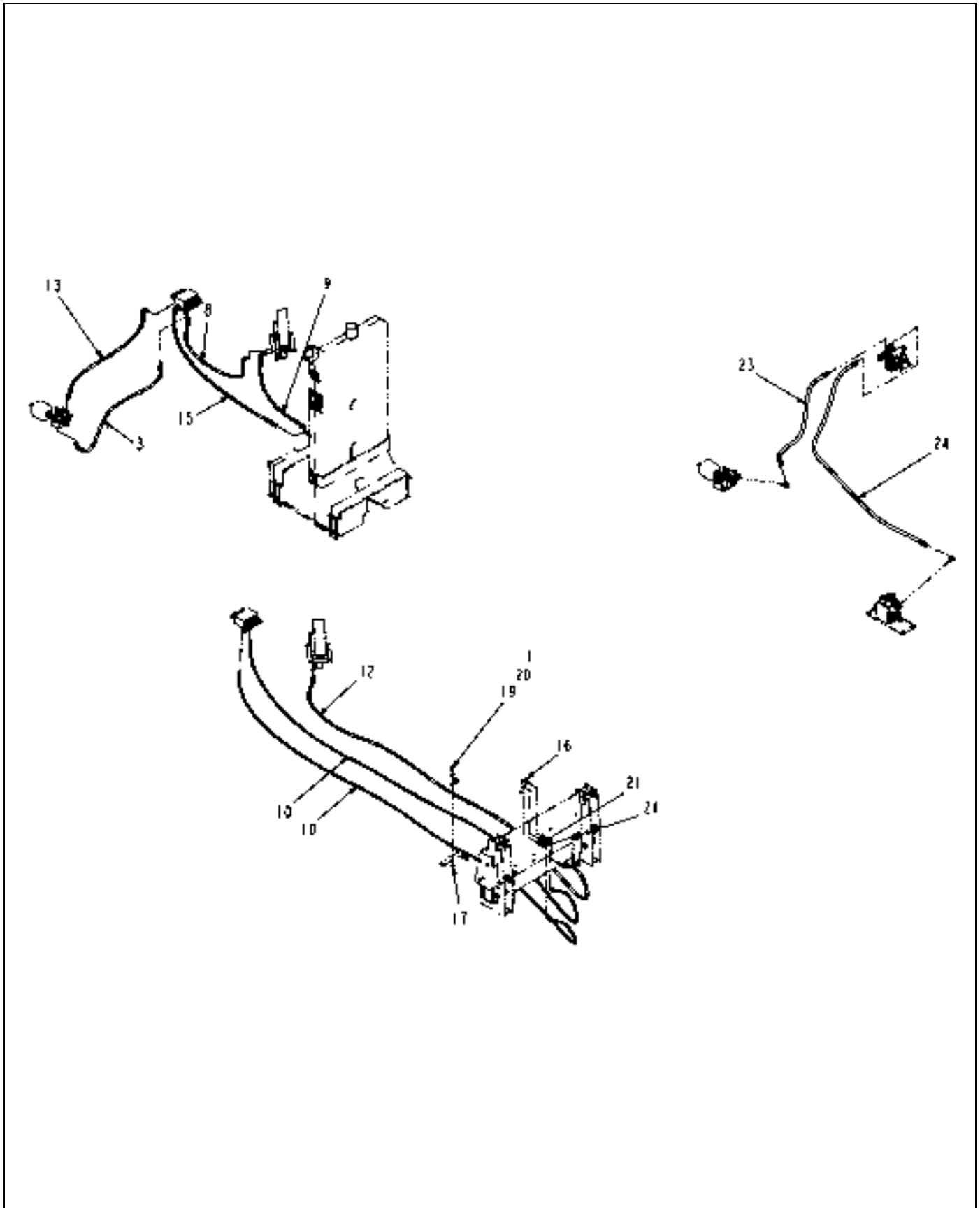
ITEM	PART #	QTY	DESCRIPTION	COMMENTS
1	WR122664	1	VALVE-BRAKE CHARGE	SEE PAGE 6-90
2	WR134358	1	ELBOW-90D -2MO-R X -4MJIC	
3	AG519113	1	TUBE END NIPPLE -4	
4	AG523544	1	ACCUM-HYD,DIAPH,45CU IN(MV)	
5	AG523871	1	ADAPTER-STR,.50MO-RX.38FO-R	
6	AG551112	1	ELBOW 90D 0.50MO-R X 0.50MJIC	SEE PAGE 6-105
7	AG551139	1	ADAP STR 0.50MO-R X 0.50 MJIC	SEE PAGE 6-102
8	AG561744	2	ADAP STR 0.37MO-R X 0.25MJIC	[A]
9	AG562401	1	ELBOW -6MB90X-6MJ	
10	AG717340	1	ADPTR-STR,.37MORX.37MOR	
11	503528D1	1	SWITCH-PRESSURE,-2MNPT,1040F	
12	503554D1	1	ELBOW-90D,-6MORX-6MJIC,2NPTF	
	FOOTNOTE [A]		AG713166 O-RING	



520783D1-04-T044-01.TIF

CHASSIS-HOSE ASM INSTALL, 2008

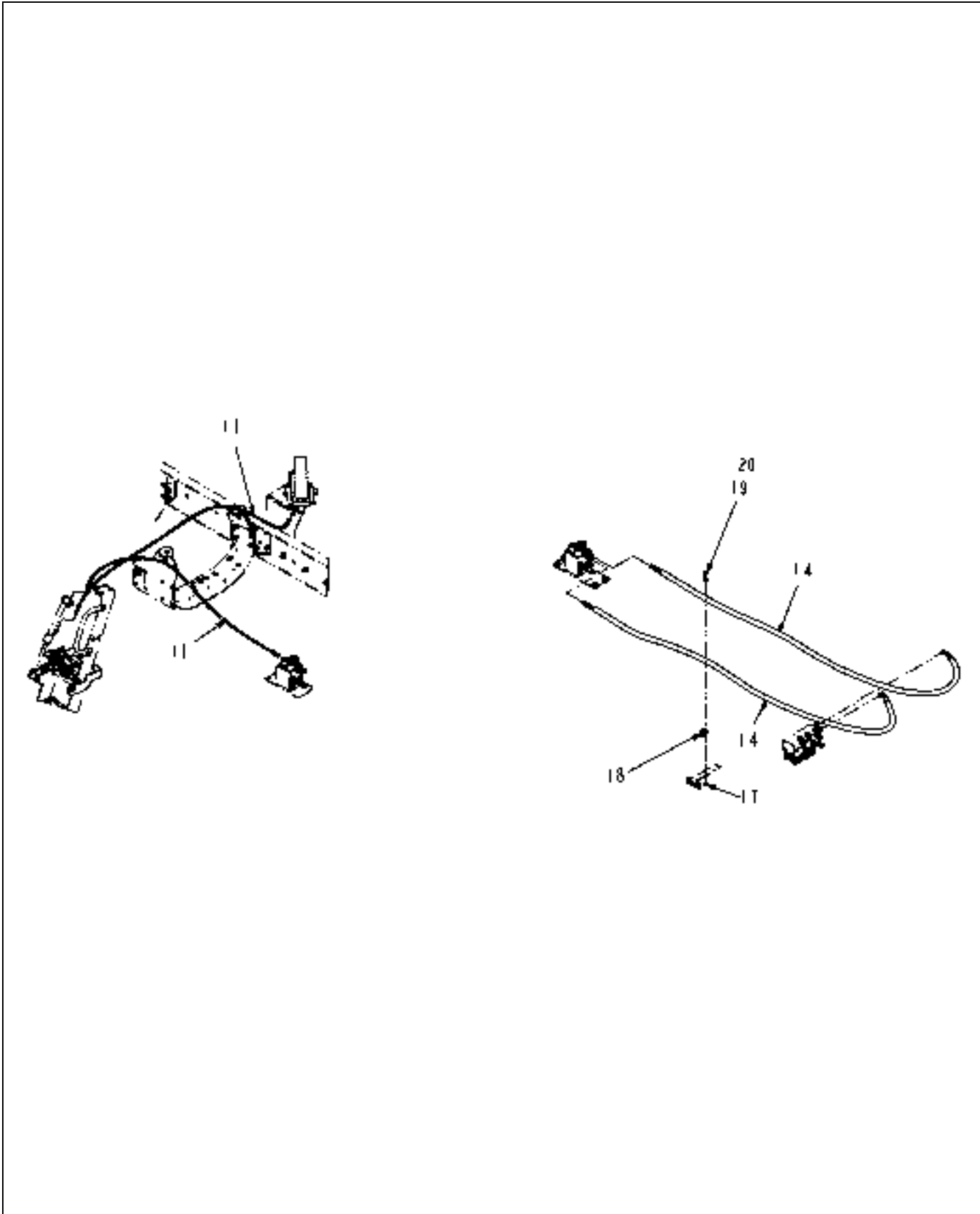
ITEM	PART #	QTY	DESCRIPTION	COMMENTS
2	WR128895	-	HOSE ASM -24X71.00 FJS/FJS45	
4	WR129217	-	HOSE ASM -16X62.00 FJS/FJS45	
5	WR129218	-	HOSE ASM -8X21.00 FJS/FJS45	
6	WR129219	-	HOSE ASM -4X15.50 FJS/FJS45	
7	WR129221	-	HOSE ASM -20X49.00 FJS/FJS45	
12	AG235277	-	HOSE ASM -6 140.00 FJS/FJS90	
22	520784D1	-	KIT-HOSE,CHASSIS	
25	522421D1	-	HOSE ASM,-20X114 FJS/FJS90S	
26	525056D1	-	HOSE ASM,-20X74 FJS/FJS90S	



520783D1-04-T044-02.TIF

CHASSIS-HOSE ASM INSTALL, 2008

ITEM	PART #	QTY	DESCRIPTION	COMMENTS
1	AG010359	1	CLAMP LOOM 1.25 PER DWG	
3	WR129213	-	HOSE ASM -6X48.00 FJS/FJS90	
8	WR129227	-	HOSE ASM -6X36.00 FJS/FJS90	
9	WR129232	-	HOSE ASM -6X33.00 FJS90/FJS90	
10	WR129406	-	HOSE ASM -4X173 4FJS/6FJS	
13	AG235880	-	HOSE ASM -6X40.00 FJS/FJS90	
15	AG260517	-	HOSE ASM -6X55.00 FJS/FJS90	
16	AG517469	1	TEE BLKHD 0.38 JIC	[A]
17	AG520885	2	NUT-.38-16,G5,ZN,FLG,H	
19	AG550175	2	BOLT 0.37-16NCX 1.00 G5 ZN HHD	
20	AG550981	2	WASHER 0.37 FL ZN NAR TYPE-B	
21	AG561645	2	ADAP STR 0.25MJICBKHD0.25MJIC	
23	521457D1	-	HOSE ASM,-8X40 FJS(2)	
24	521458D1	-	HOSE ASM,-8X78 FJS(2)	
	FOOTNOTE [A]		AG713166 O-RING	

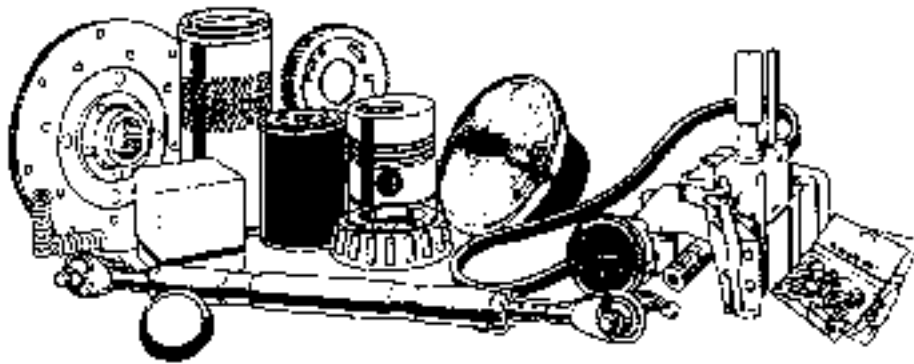


520783D1-04-T044-03.TIF

CHASSIS-HOSE ASM INSTALL, 2008

ITEM	PART #	QTY	DESCRIPTION	COMMENTS
11	AG229245	-	HOSE ASM -4 63.00 R1AT	
14	AG237062	-	HOSE ASM -6X120,FJS/FJS90	
17	AG520885	2	NUT-.38-16,G5,ZN,FLG,H	
18	AG523533	1	CLAMP-1.62 DIA,COATED,HOSE	
19	AG550175	2	BOLT 0.37-16NCX 1.00 G5 ZN HHD	
20	AG550981	2	WASHER 0.37 FL ZN NAR TYPE-B	

**Please refer to the
Bill Of Material
on the opposite page
for related Installations,
Assemblies, or Parts**

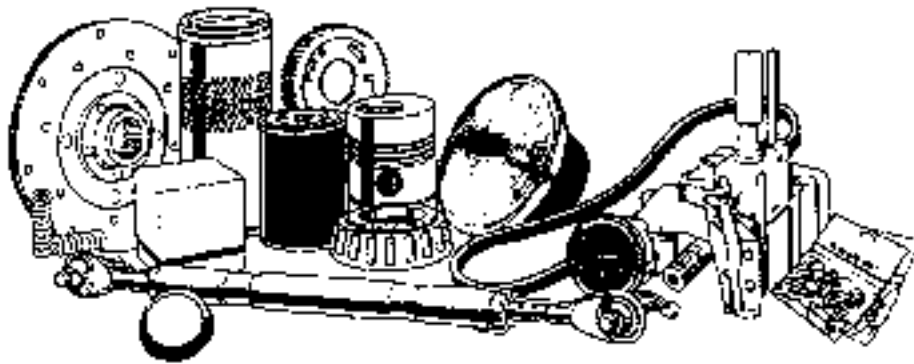


523722D1.tif

HYD CHASSIS GROUP, NON DOMESTIC

ITEM	PART #	QTY	DESCRIPTION	COMMENTS
1	WR128875	1	VALVE INSTL-HYD,BM LFT/TRK ADJ	SEE PAGE 6-30
2	520782D1	1	COMPONENT INSTL-CHASSIS	SEE PAGE 6-8
3	523922D1	1	CHASSIS-HOSE ASM INSTL	SEE PAGE 6-41
4	523924D1	1	KIT-HOSE,CHASSIS	

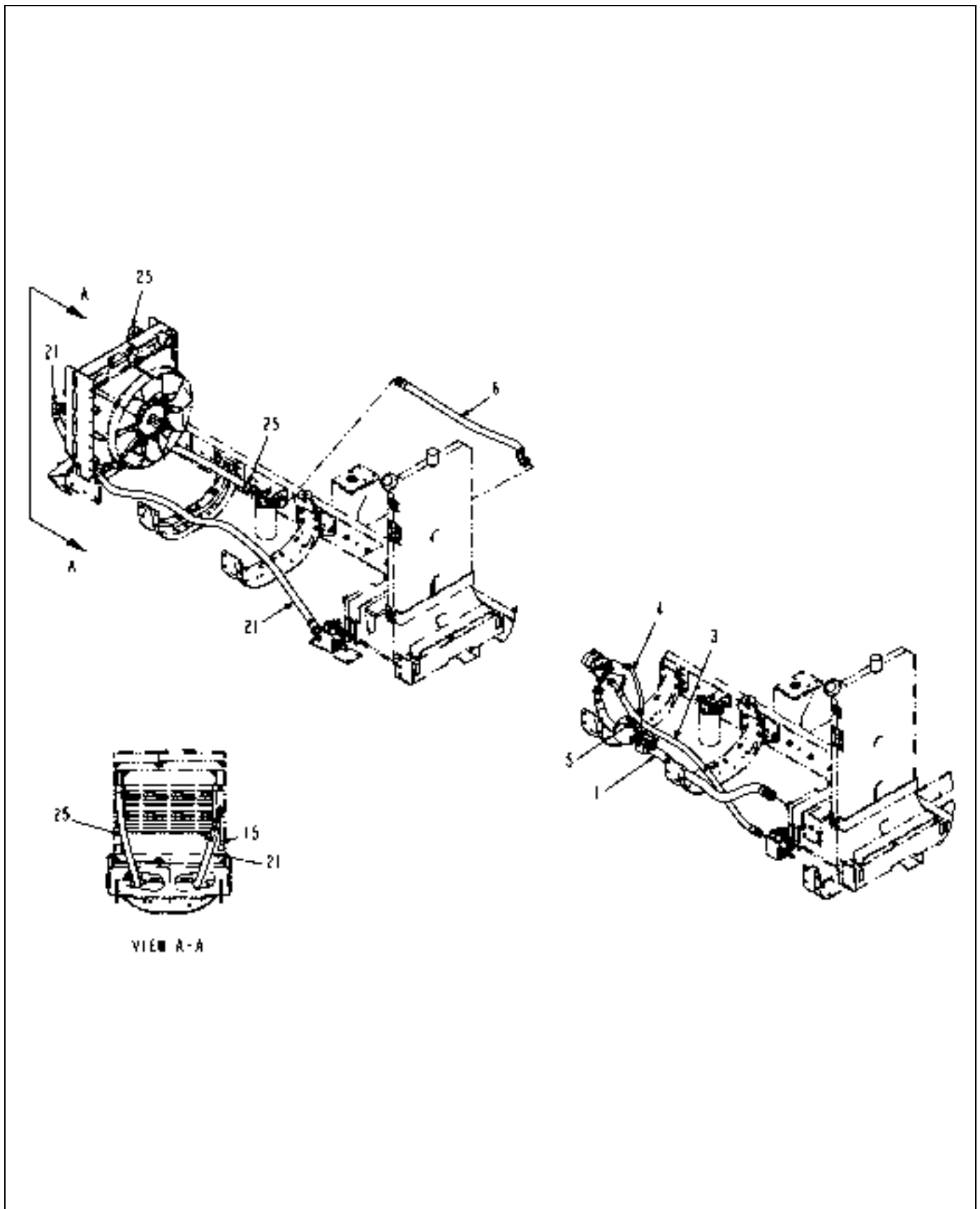
**Please refer to the
Bill Of Material
on the opposite page
for related Installations,
Assemblies, or Parts**



523049D1.tif

HYD CHASSIS GROUP,DOMESTIC

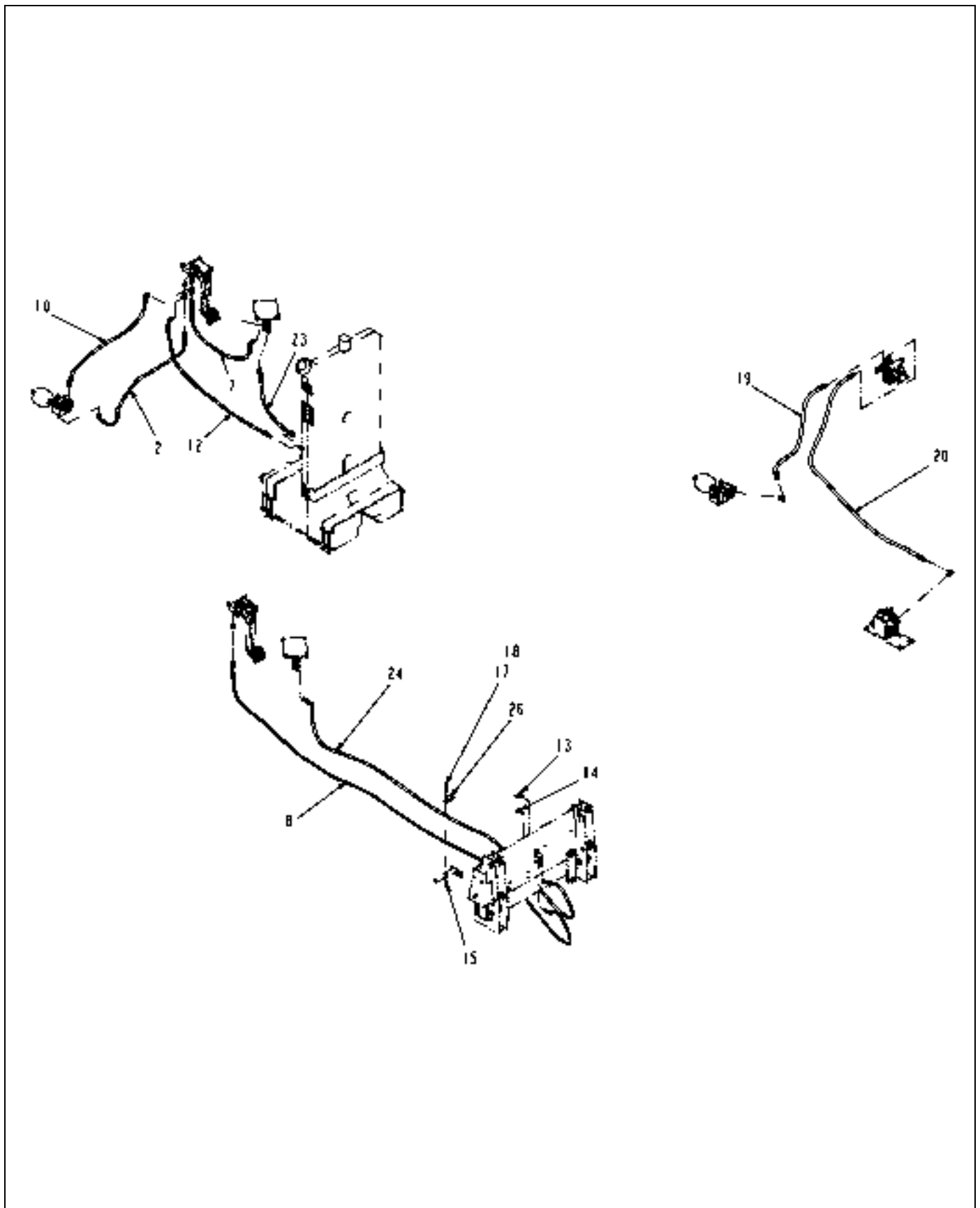
ITEM	PART #	QTY	DESCRIPTION	COMMENTS
1	WR128875	1	VALVE INSTL-HYD,BM LFT/TRK ADJ	SEE PAGE 6-30
2	520782D1	1	COMPONENT INSTL-CHASSIS	SEE PAGE 6-8
3	523921D1	1	CHASSIS-HOSE ASM INSTL	SEE PAGE 6-38
4	523923D1	1	KIT-HOSE,CHASSIS	



523921D1-01-R907-01.TIF

CHASSIS-HOSE ASM INSTALL, 2009

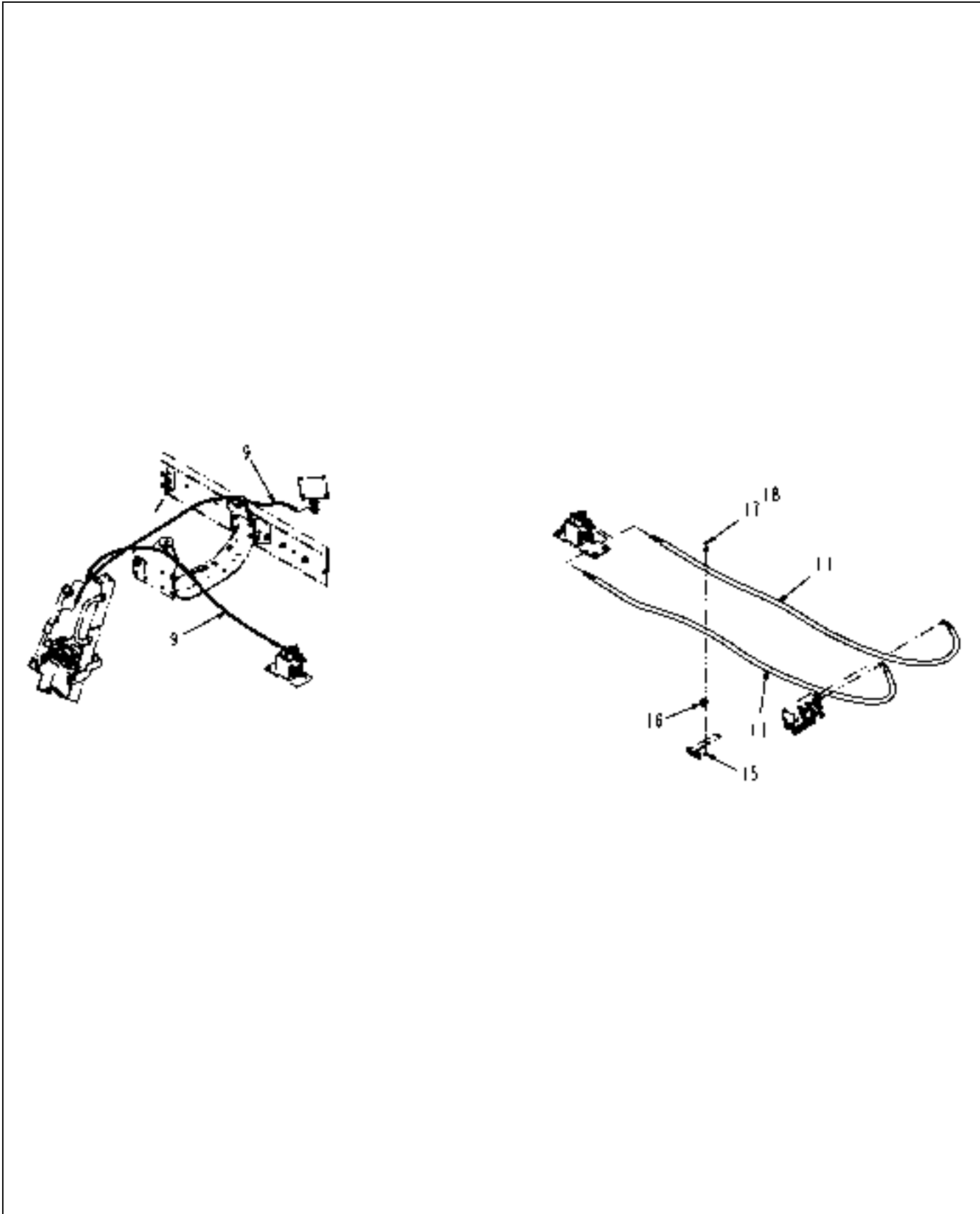
ITEM	PART #	QTY	DESCRIPTION	COMMENTS
1	WR128895	-	HOSE ASM -24X71.00 FJS/FJS45	
3	WR129217	-	HOSE ASM -16X62.00 FJS/FJS45	
4	WR129218	-	HOSE ASM -8X21.00 FJS/FJS45	
5	WR129219	-	HOSE ASM -4X15.50 FJS/FJS45	
6	WR129221	-	HOSE ASM -20X49.00 FJS/FJS45	
15	AG520885	2	NUT-.38-16,G5,ZN,FLG,H	
21	522421D1	-	HOSE ASM,-20X114 FJS/FJS90S	
22	523923D1	-	KIT-HOSE,CHASSIS	
25	525056D1	-	HOSE ASM,-20X74 FJS/FJS90S	



523921D1-01-R907-02.TIF

CHASSIS-HOSE ASM INSTALL, 2009

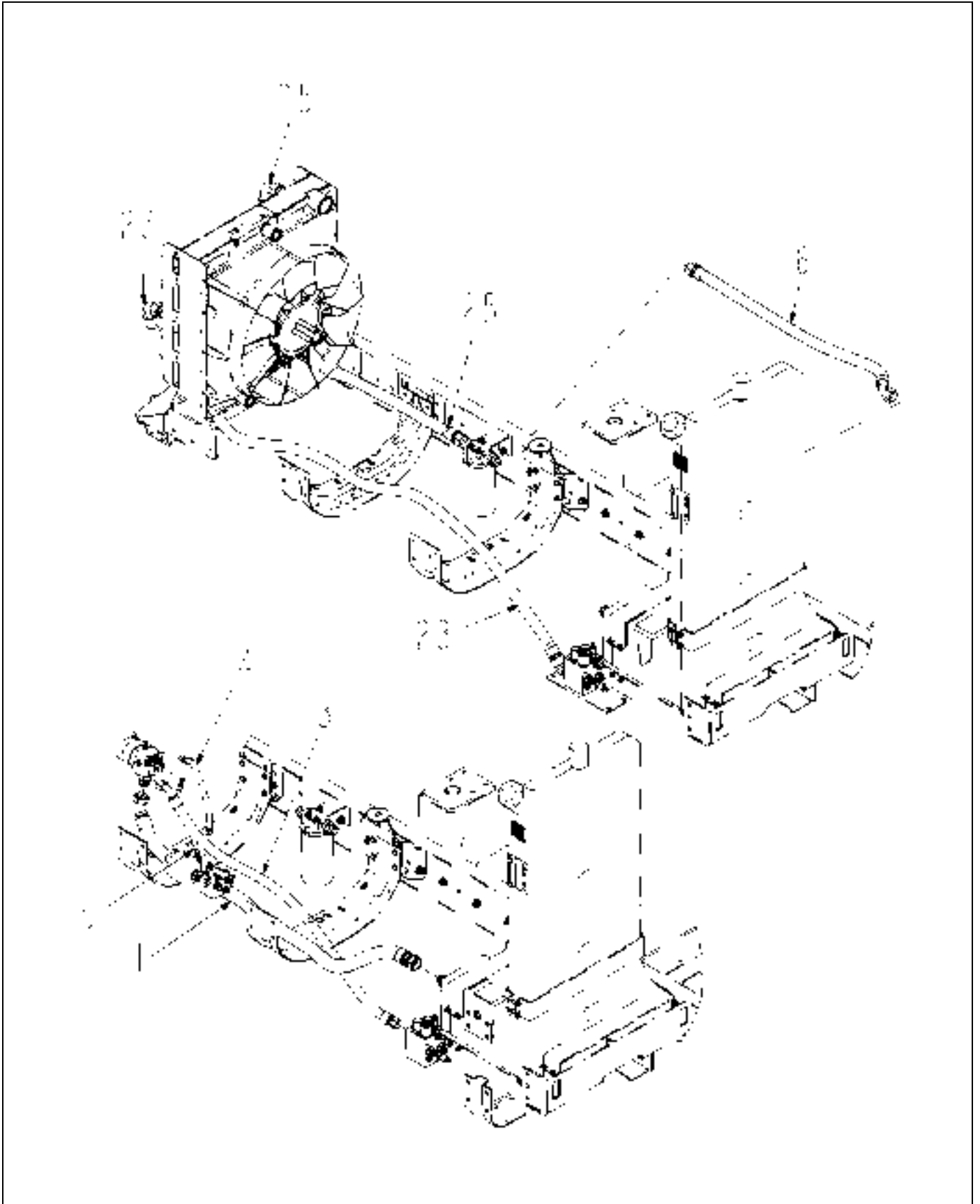
ITEM	PART #	QTY	DESCRIPTION	COMMENTS
2	WR129213	-	HOSE ASM -6X48.00 FJS/FJS90	
7	WR129227	-	HOSE ASM -6X36.00 FJS/FJS90	
8	WR129406	-	HOSE ASM -4X173 4FJS/6FJS	
10	AG235880	-	HOSE ASM -6X40.00 FJS/FJS90	
12	AG260517	-	HOSE ASM -6X55.00 FJS/FJS90	
13	AG517469	1	TEE BLKHD 0.38 JIC	[A]
14	AG517471	1	ADAPTER BLKHD BRANCH TEE -4	
15	AG520885	2	NUT-.38-16,G5,ZN,FLG,H	
17	AG550175	2	BOLT 0.37-16NCX 1.00 G5 ZN HHD	
18	AG550981	2	WASHER 0.37 FL ZN NAR TYPE-B	
19	521457D1	-	HOSE ASM,-8X40 FJS(2)	
20	521458D1	-	HOSE ASM,-8X78 FJS(2)	
23	523946D1	-	HOSE ASM,-6X28 FJS/FJS90S	
24	523947D1	-	HOSE ASM,-6X138 FJS/FJS90S	
26	CH100-4336	1	CLIP-LOOP 10.3 DBL	
	FOOTNOTE [A]		AG713166 O-RING	



523921D1-01-R907-03.TIF

CHASSIS-HOSE ASM INSTALL, 2009

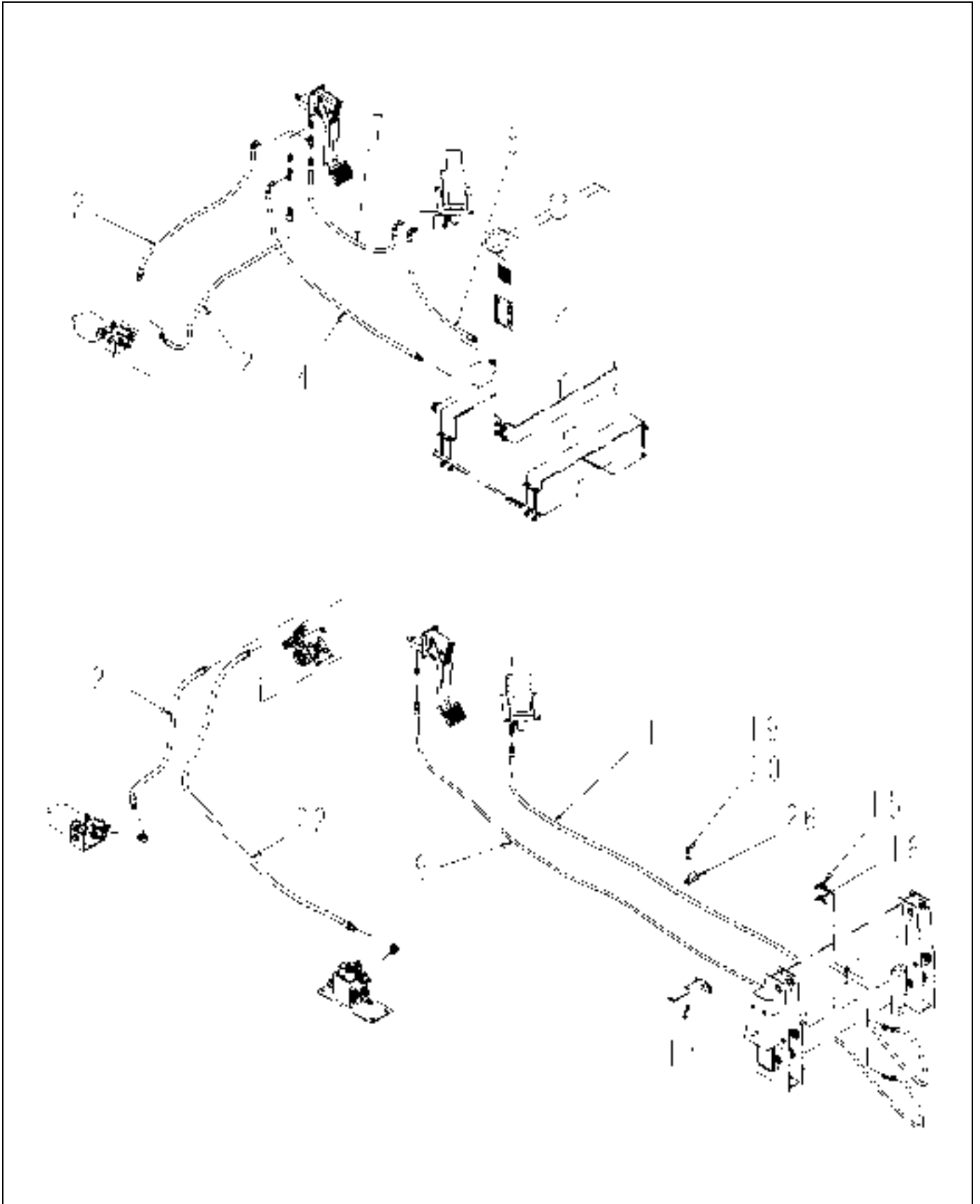
ITEM	PART #	QTY	DESCRIPTION	COMMENTS
9	AG229245	-	HOSE ASM -4 63.00 R1AT	
11	AG237062	-	HOSE ASM -6X120,FJS/FJS90	
15	AG520885	2	NUT-.38-16,G5,ZN,FLG,H	
16	AG523533	1	CLAMP-1.62 DIA,COATED,HOSE	
17	AG550175	2	BOLT 0.37-16NCX 1.00 G5 ZN HHD	
18	AG550981	2	WASHER 0.37 FL ZN NAR TYPE-B	



523922D1-01-R907-01.TIF

CHASSIS-HOSE ASM INSTALL, 2009

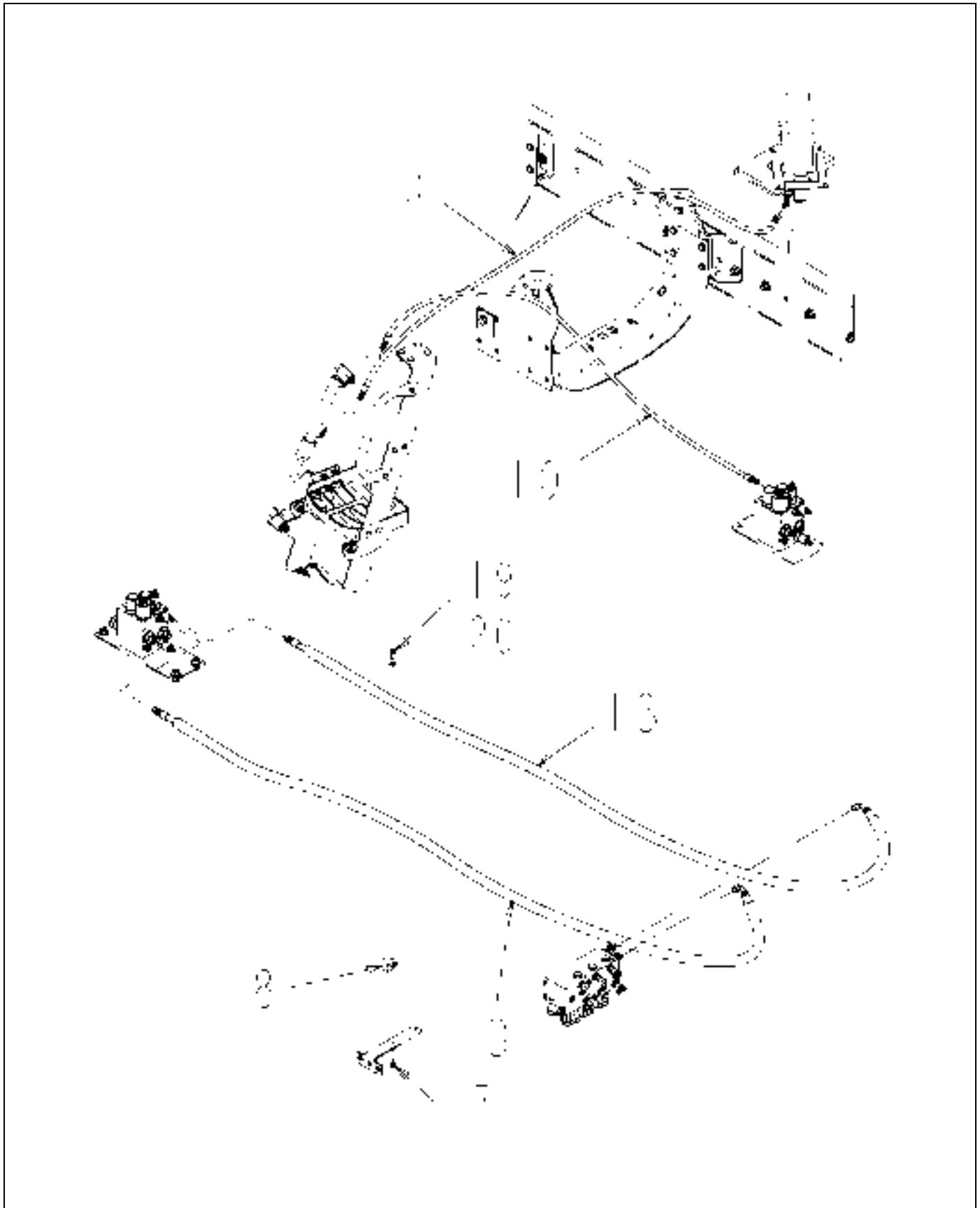
ITEM	PART #	QTY	DESCRIPTION	COMMENTS
1	WR128895	-	HOSE ASM -24X71.00 FJS/FJS45	
3	WR129217	-	HOSE ASM -16X62.00 FJS/FJS45	
4	WR129218	-	HOSE ASM -8X21.00 FJS/FJS45	
5	WR129219	-	HOSE ASM -4X15.50 FJS/FJS45	
6	WR129221	-	HOSE ASM -20X49.00 FJS/FJS45	
23	522421D1	-	HOSE ASM,-20X114 FJS/FJS90S	
24	523924D1	-	KIT-HOSE,CHASSIS	
25	525056D1	-	HOSE ASM,-20X74 FJS/FJS90S	



523922D1-01-R907-02.TIF

CHASSIS-HOSE ASM INSTALL, 2009

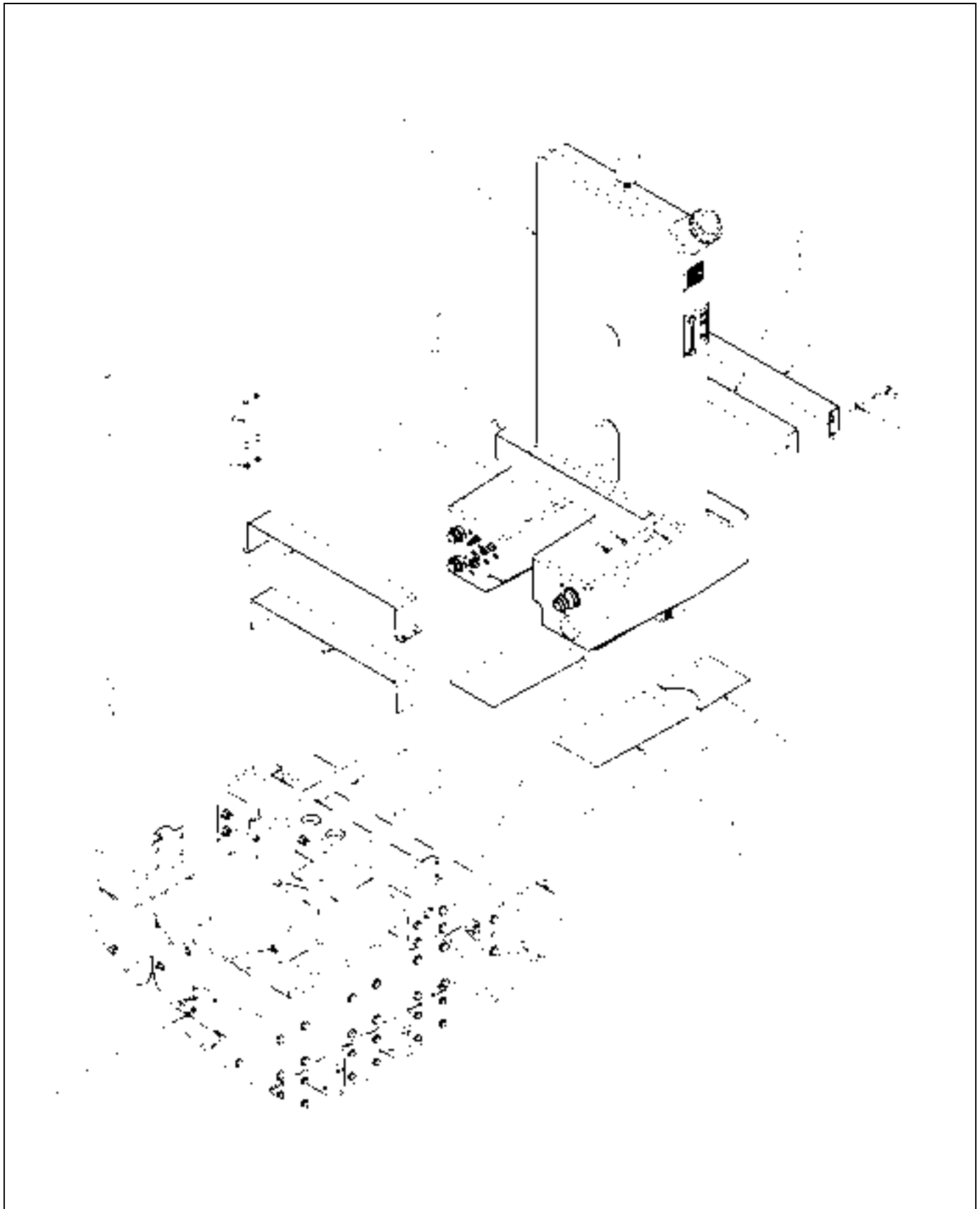
ITEM	PART #	QTY	DESCRIPTION	COMMENTS
2	WR129213	-	HOSE ASM -6X48.00 FJS/FJS90	
7	WR129227	-	HOSE ASM -6X36.00 FJS/FJS90	
8	WR129232	-	HOSE ASM -6X33.00 FJS90/FJS90	
9	WR129406	-	HOSE ASM -4X173 4FJS/6FJS	
11	AG235277	-	HOSE ASM -6 140.00 FJS/FJS90	
12	AG235880	-	HOSE ASM -6X40.00 FJS/FJS90	
14	AG260517	-	HOSE ASM -6X55.00 FJS/FJS90	
15	AG517469	1	TEE BLKHD 0.38 JIC	[A]
16	AG517471	1	ADAPTER BLKHD BRANCH TEE -4	
17	AG520885	2	NUT-.38-16,G5,ZN,FLG,H	
19	AG550175	2	BOLT 0.37-16NCX 1.00 G5 ZN HHD	
20	AG550981	2	WASHER 0.37 FL ZN NAR TYPE-B	
21	521457D1	-	HOSE ASM,-8X40 FJS(2)	
22	521458D1	-	HOSE ASM,-8X78 FJS(2)	
26	CH100-4336	1	CLIP-LOOP 10.3 DBL	
	FOOTNOTE [A]		AG713166 O-RING	



523922D1-01-R907-03.TIF

CHASSIS-HOSE ASM INSTALL, 2009

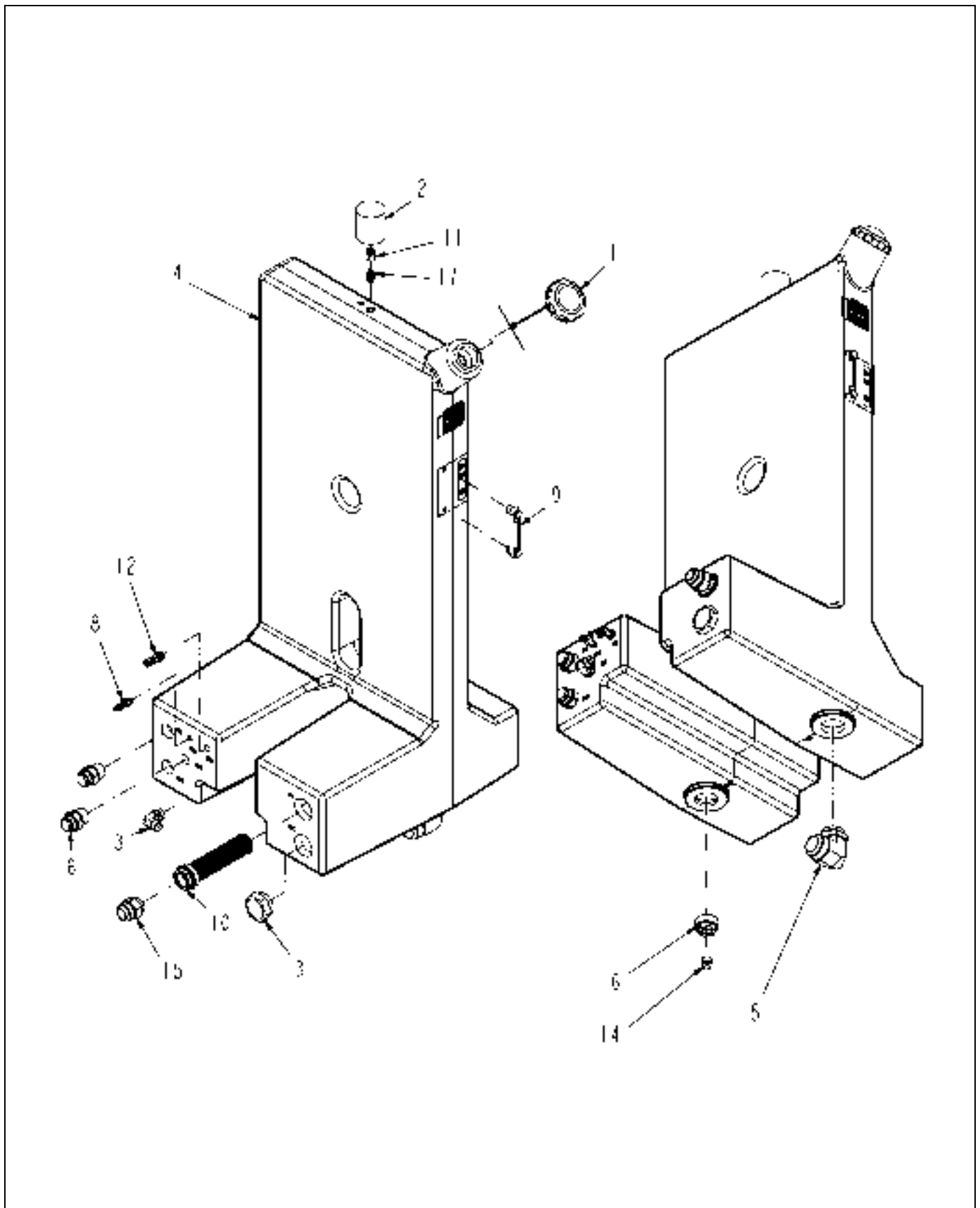
ITEM	PART #	QTY	DESCRIPTION	COMMENTS
10	AG229245	-	HOSE ASM -4 63.00 R1AT	
13	AG237062	-	HOSE ASM -6X120,FJS/FJS90	
17	AG520885	2	NUT-.38-16,G5,ZN,FLG,H	
18	AG523533	1	CLAMP-1.62 DIA,COATED,HOSE	
19	AG550175	2	BOLT 0.37-16NCX 1.00 G5 ZN HHD	
20	AG550981	2	WASHER 0.37 FL ZN NAR TYPE-B	



518947D1-01-R270-.TIF

FWA, HYDRAULIC TANK INSTALL

ITEM	PART #	QTY	DESCRIPTION	COMMENTS
1	WR124555	1	BRKT-MOUNT, HYD, RESERVOIR	
2	WR126011	1	BRKT-MOUNT, HYD, RESERVOIR FRONT	
3	WR128683	1	FWA-HYDRAULIC TANK ASM	SEE PAGE 6-45
4	WR128911	2	MATTING-RUBBER, 3.50X29.41	
5	WR128912	1	MATTING-RUBBER, 3.50X34.54	
6	WR128913	2	MATTING-RUBBER, 7.75X16.00	
7	WR128914	2	MATTING-RUBBER, 7.50X8.75	
8	WR129148	4	BOLT HEX-5/16-18UNCX7.00 G5 ZN	
9	AG512346	AR	3M 1300 YELLOW ADHESIVE (GAL)	
10	AG516403	8	NUT 0.31-18NC HEX SS REG NY	
11	AG561384	4	BOLT 0.31-18NCX 2.50 G5 ZN HHD	
12	AG562074	16	WASHER 0.31 FL SS REG TYPE-B	

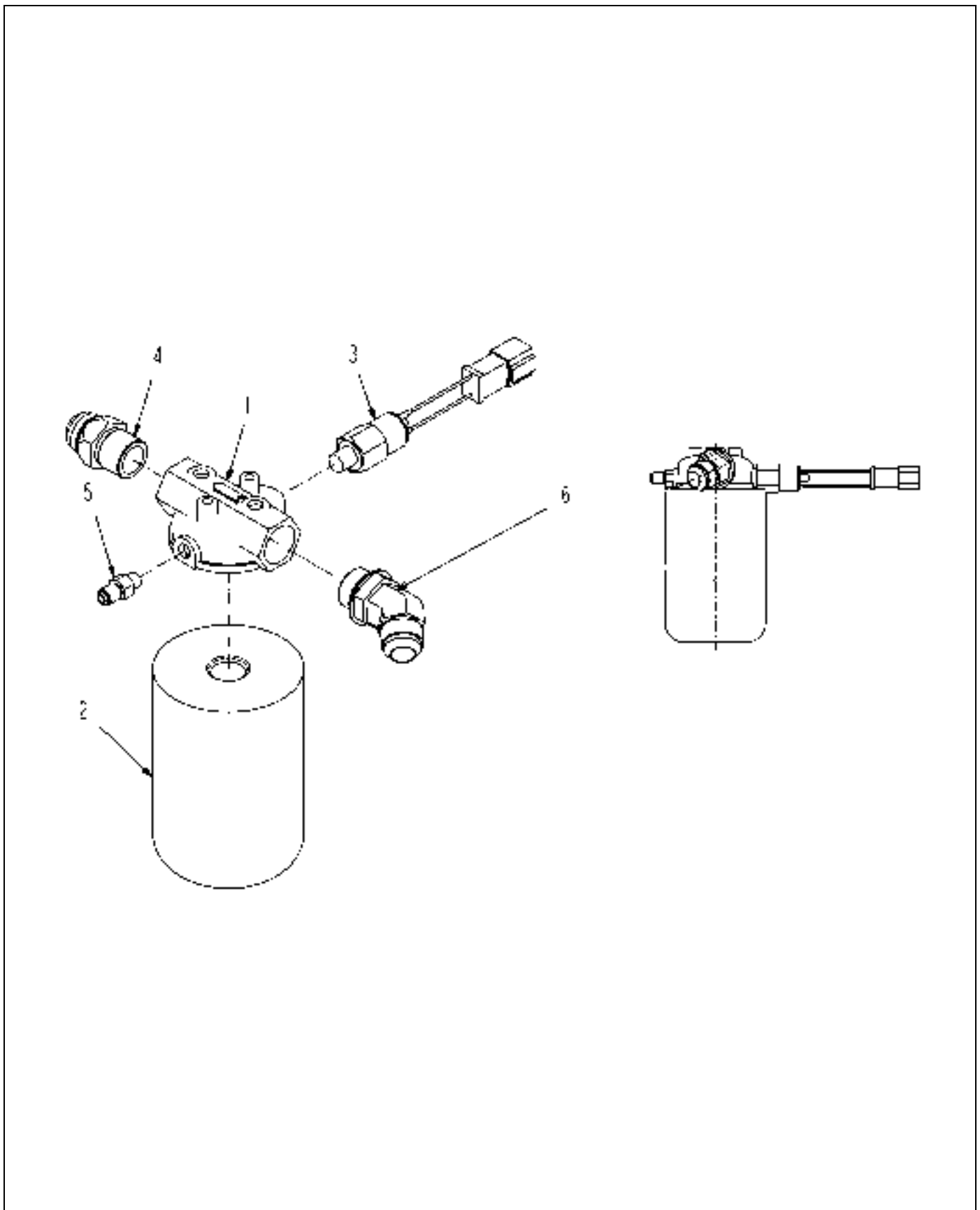


128683-05-N157-.TIF

FWA-HYDRAULIC TANK ASM

ITEM	PART #	QTY	DESCRIPTION	COMMENTS
1	AG121768	-	CAP-HYDRAULIC W/LANYARD	
2	AG121778	1	FILTER BREATHER,HYD. TANK	
3	AG121806	1	PLUG-2.00 MO-R HEX	
4	WR125282	1	TANK-HYDRAULIC	
5	WR128671	1	ELBOW 90D -32MOR X -32MJIC	
6	WR128754	2	VALVE-CHECK, 5 PSI	
7	AG513916	AR	LOCTITE HYD SEALANT BROWN	
8	AG519123	1	TEE-RUN,STR THD -6	SEE PAGE 6-101
9	AG519570	1	INDICATOR HYD FLUID LEVEL	
10	AG520617	1	STRAINER-SUCTION 2.50	
11	AG523871	1	ADAPTER-STR,.50MO-RX.38FO-R	
12	AG553891	1	ELBOW 45D 0.50MO-R X 0.50MJIC	
13	AG554510	1	ELBOW 90D -12MJIC X -12MSTOR	
14	AG557315	1	PLUG PIPE .75 SQ HD NPT ML IR	
15	AG561296	1	ADAP STR 1.25MO-R X 1.50MJIC	
16	AG561549	1	BUSHG 2.00X 0.75 NPT,STEEL,HX	
17	AG717340	1	ADPTR-STR,.37MORX.37MOR	

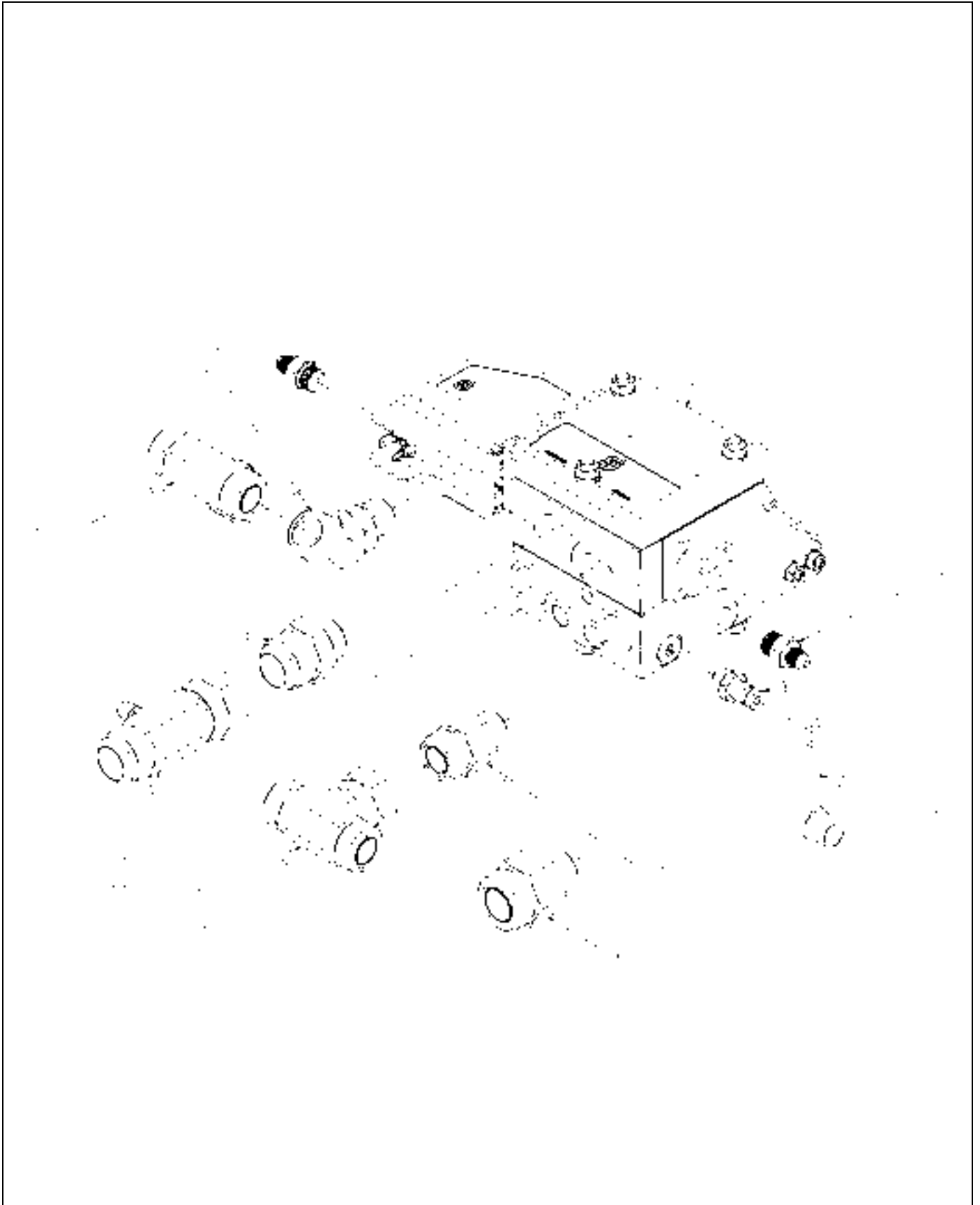
FILTER ASM-FWA,R3



128893-04-M461-.TIF

FILTER ASM-FWA,R3

ITEM	PART #	QTY	DESCRIPTION	COMMENTS
1	WR125334	1	FILTER HEAD-HYD. NO BYPASS	
2	WR125335	1	ELEMENT-HYD,NO-BYPASS	
3	WR125336	1	SWITCH-HYD,25 PSI	
4	AG522307	1	VALVE-CHECK -12MB X -12MJ,5PSI	
5	AG553530	1	ADAP STR -2MP X -4MJ	
6	AG709257	1	ELBOW 45D 0.75MO-R X 0.75MJIC	

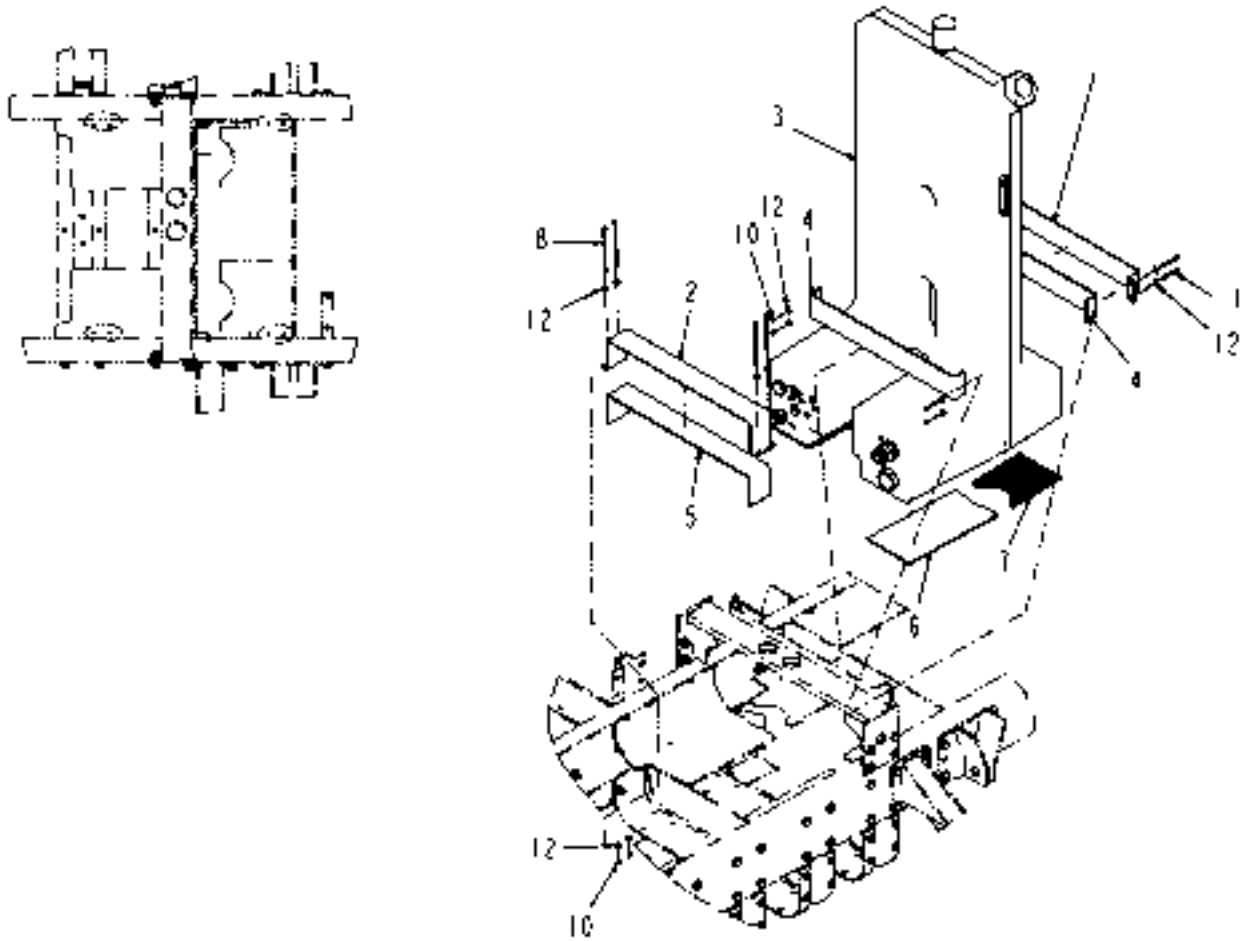


519005D1-01-R270-.TIF

VALVE ASM-FWA,MAIN

ITEM	PART #	QTY	DESCRIPTION	COMMENTS
1	WR123748	1	VALVE-CONTROL,F.W.A. S/D	SEE PAGE 6-94
2	WR128769	1	ADAPTER-10 SAE X -12 ORFS 45D	
3	WR128770	1	ADAPTER-10 SAE X -12 ORFS STR	
4	WR128877	1	TEE-16MJIC -4MJIC,RUN SWIVEL	
5	WR128878	2	TEE -12ORFS,BRANCH	
6	WR128879	1	ADAPTER -16ORFS X -12ORB	
7	AG561288	1	ADAP STR 0.75MO-R X 1.00MJIC	[A]
8	AG561744	2	ADAP STR 0.37MO-R X 0.25MJIC	[B]
9	6630367	1	CAP-DUST	
10	WR41777	1	COUPLING-MPD/-06MB	
	FOOTNOTE [A]		O-RING ONLY - AG714806	
	FOOTNOTE [B]		AG713166 O-RING	

2 WHEEL DRIVE-HYDRAULIC TANK INSTALL

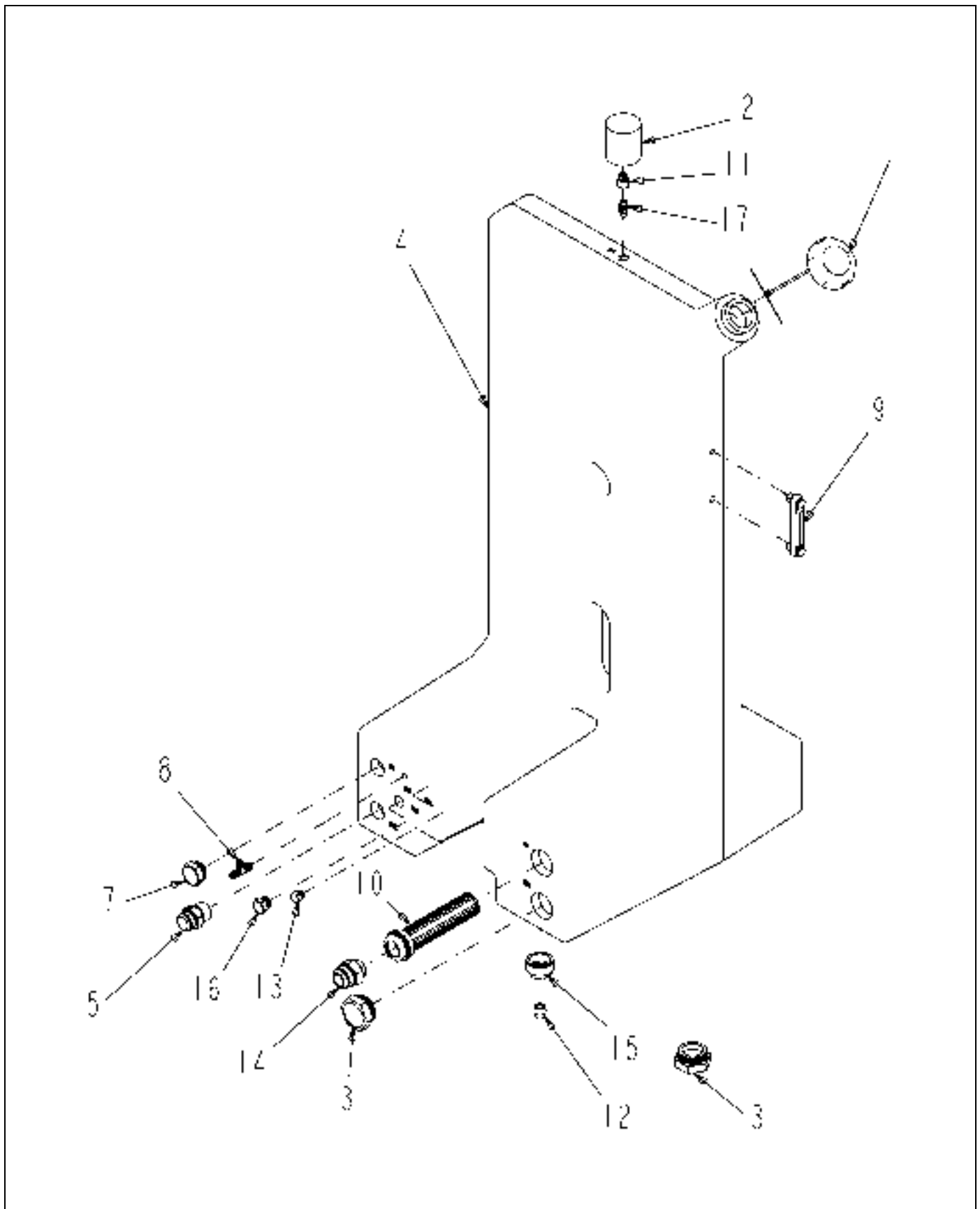


128909-C.TIF

2 WHEEL DRIVE-HYDRAULIC TANK INSTALL

ITEM	PART #	QTY	DESCRIPTION	COMMENTS
1	WR124555	1	BRKT-MOUNT,HYD,RESERVOIR	
2	WR126011	1	BRKT-MOUNT,HYD,RESERVOIR FRONT	
3	WR128910	1	2 WHEEL DRIVE-HYD TANK ASM	SEE PAGE 6-49
4	WR128911	2	MATTING-RUBBER,3.50X29.41	
5	WR128912	1	MATTING-RUBBER,3.50X34.54	
6	WR128913	2	MATTING-RUBBER,7.75X16.00	
7	WR128914	2	MATTING-RUBBER,7.50X8.75	
8	WR129148	4	BOLT HEX-5/16-18UNCX7.00 G5 ZN	
9	AG512346	AR	3M 1300 YELLOW ADHESIVE (GAL)	
10	AG516403	8	NUT 0.31-18NC HEX SS REG NY	
11	AG561384	4	BOLT 0.31-18NCX 2.50 G5 ZN HHD	
12	AG562074	16	WASHER 0.31 FL SS REG TYPE-B	

2 WHEEL DRIVE-HYDRAULIC TANK ASM

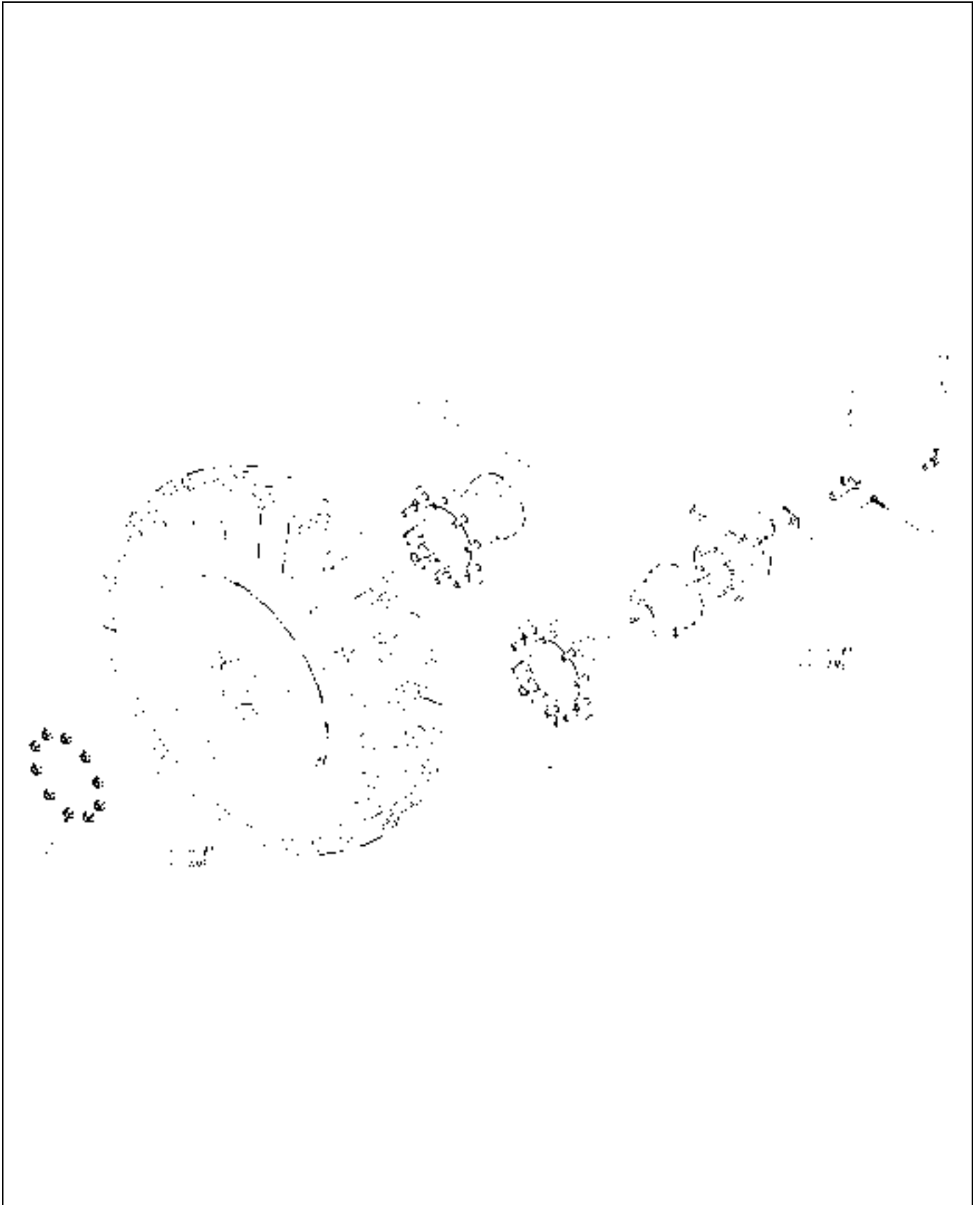


128910-04-N157-.TIF

2 WHEEL DRIVE-HYDRAULIC TANK ASM

ITEM	PART #	QTY	DESCRIPTION	COMMENTS
1	AG121768	-	CAP-HYDRAULIC W/LANYARD	
2	AG121778	1	FILTER BREATHER,HYD. TANK	
3	AG121806	2	PLUG-2.00 MO-R HEX	
4	WR125282	1	TANK-HYDRAULIC	
5	WR128754	1	VALVE-CHECK, 5 PSI	
6	AG513916	AR	LOCTITE HYD SEALANT BROWN	
7	AG517802	2	PLUG, O-RING BOSS-20	
8	AG519123	1	TEE-RUN,STR THD -6	SEE PAGE 6-101
9	AG519570	1	INDICATOR HYD FLUID LEVEL	
10	AG520617	1	STRAINER-SUCTION 2.50	
11	AG523871	1	ADAPTER-STR,.50MO-RX.38FO-R	
12	AG557315	1	PLUG PIPE .75 SQ HD NPT ML IR	
13	AG560899	1	PLUG 0.50MO-R HEX	
14	AG561296	1	ADAP STR 1.25MO-R X 1.50MJIC	
15	AG561549	1	BUSHG 2.00X 0.75 NPT,STEEL,HX	
16	AG561879	1	PLUG 0.75MO-R HEX	
17	AG717340	1	ADPTR-STR,.37MORX.37MOR	

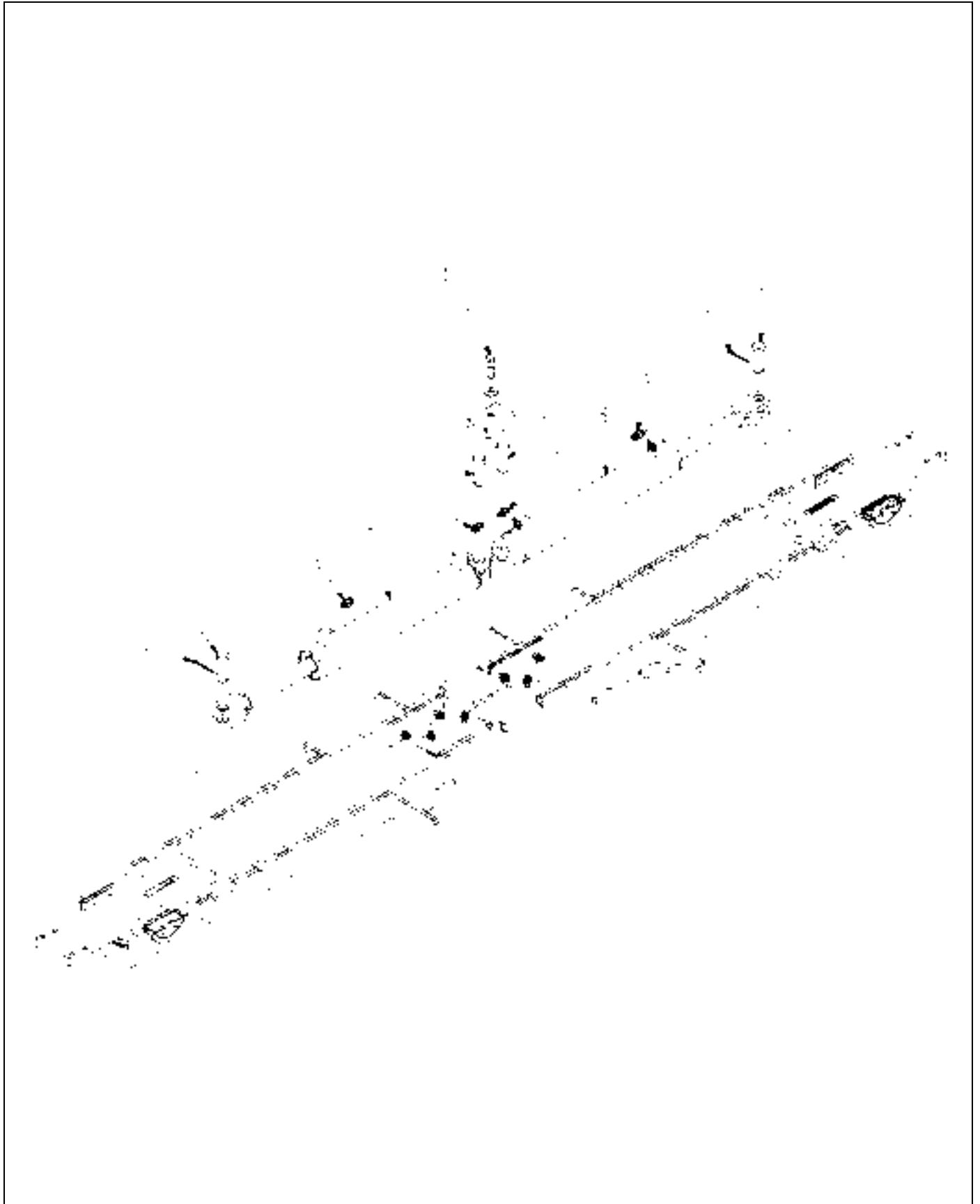
INSTALL-2 WHEEL DRIVE



518500D1-02-R292-.TIF

INSTALL-2 WHEEL DRIVE

ITEM	PART #	QTY	DESCRIPTION	COMMENTS
1	WR33994	20	NUT-FLANGE,WHEEL BOLT	
2	WR126351	2	SPINDLE-ADAPTER,FINAL MACH	
3	WR128756	2	BOLT-HEX 1-14UNF X 3.50 G8 ZN	
4	AG512885	AR	LOCTITE ADHESIVE SEALANT BLUE	
5	AG515180	16	WASHER 0.62 FL ZN SAE TYP-A G8	
6	AG518357	16	BOLT HDD M16-2X35MM GR 10.9	
7	AG604184	2	WASHER 1.00 FL ZN SAE TYP-A G8	
8	512002D1	2	HUB/SPINDLE-10 STUD,11.25 B.C.	SEE PAGE 4-54

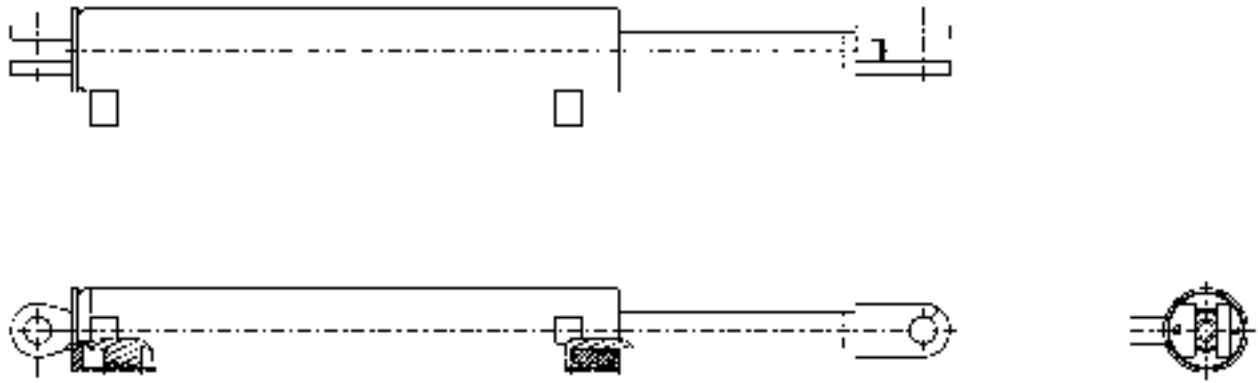


518393D1-01-R109-.TIF

CYLINDER-INSTALL,REAR AXLE,120

ITEM	PART #	QTY	DESCRIPTION	COMMENTS
1	WR127015	1	CLAMP	
2	AG515352	2	PIN COTTER 0.18X2.00 SS	
3	AG550132	1	BOLT .50-13NCX 2 G5 ZN HHD	
4	AG550353	1	WASHER 0.50 FL ZN REG TYPE-B	
5	AG554022	4	PIN CLEVIS 1.00X2.50 ZN	
6	AG560693	2	ADAP STR 0.37MO-R X 0.37MJIC	SEE PAGE 6-104
7	AG561744	2	ADAP STR 0.37MO-R X 0.25MJIC	[A]
8	514345D1	2	CYL-HYD,TRACK ADJUST	SEE PAGE 6-52
	FOOTNOTE [A]		AG713166 O-RING	

CYLINDER-HYDRAULIC, TRACK ADJUST



514345D1-01-R109-.TIF

CYLINDER-HYDRAULIC,TRACK ADJUST

ITEM	PART #	QTY	DESCRIPTION	COMMENTS
REF	515812D1	1	KIT-SEAL, CYLINDER	

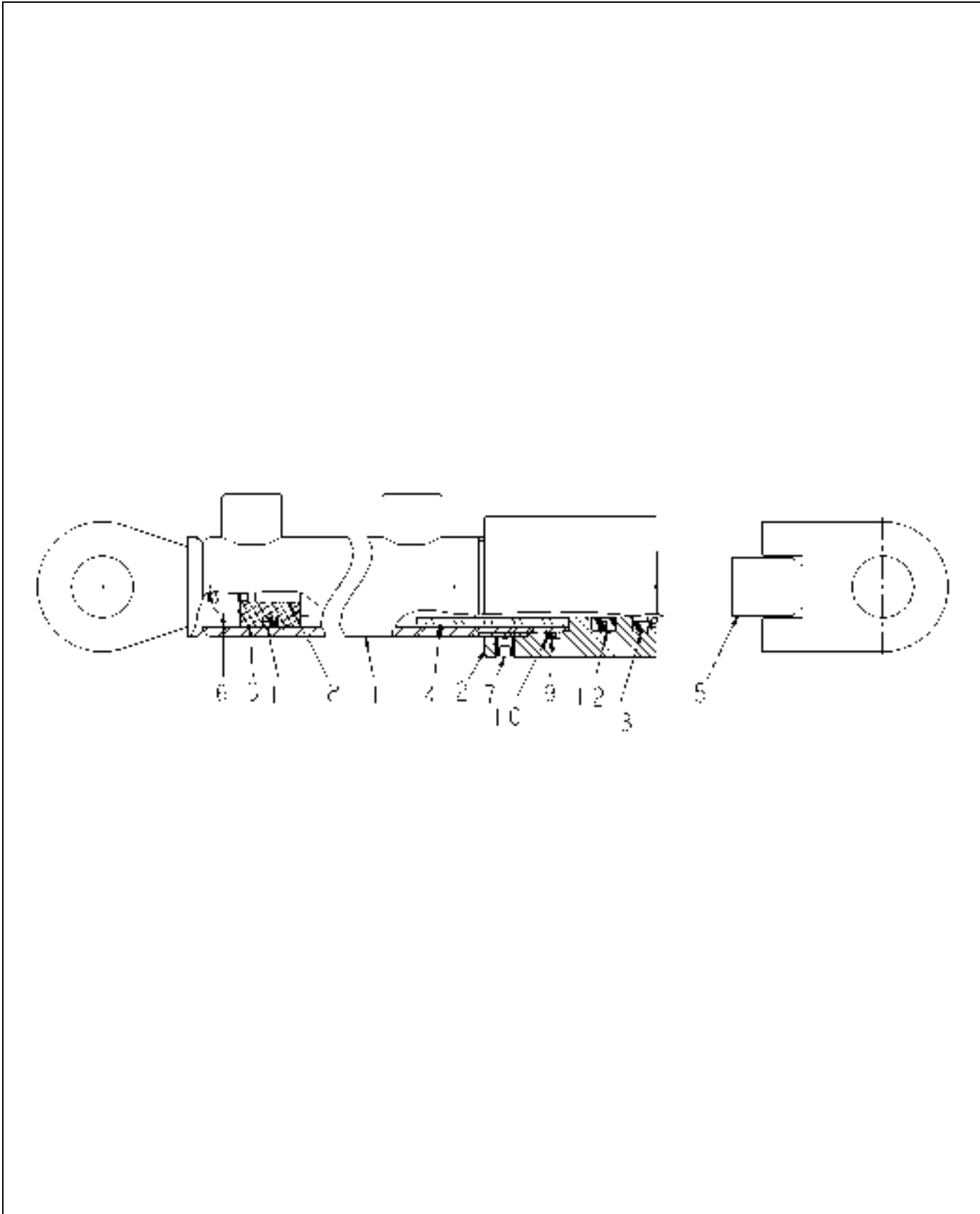


518398D1-01-R109-.TIF

CYLINDER-INSTALL,REAR AXLE,88

ITEM	PART #	QTY	DESCRIPTION	COMMENTS
1	WR127015	1	CLAMP	
2	AG515352	2	PIN COTTER 0.18X2.00 SS	
3	AG550132	1	BOLT .50-13NCX 2 G5 ZN HHD	
4	AG550353	1	WASHER 0.50 FL ZN REG TYPE-B	
5	AG554022	4	PIN CLEVIS 1.00X2.50 ZN	
6	AG560693	2	ADAP STR 0.37MO-R X 0.37MJIC	SEE PAGE 6-104
7	AG561744	2	ADAP STR 0.37MO-R X 0.25MJIC	[A]
8	514345D1	2	CYL-HYD,TRACK ADJUST	SEE PAGE 6-52
	FOOTNOTE [A]		AG713166 O-RING	

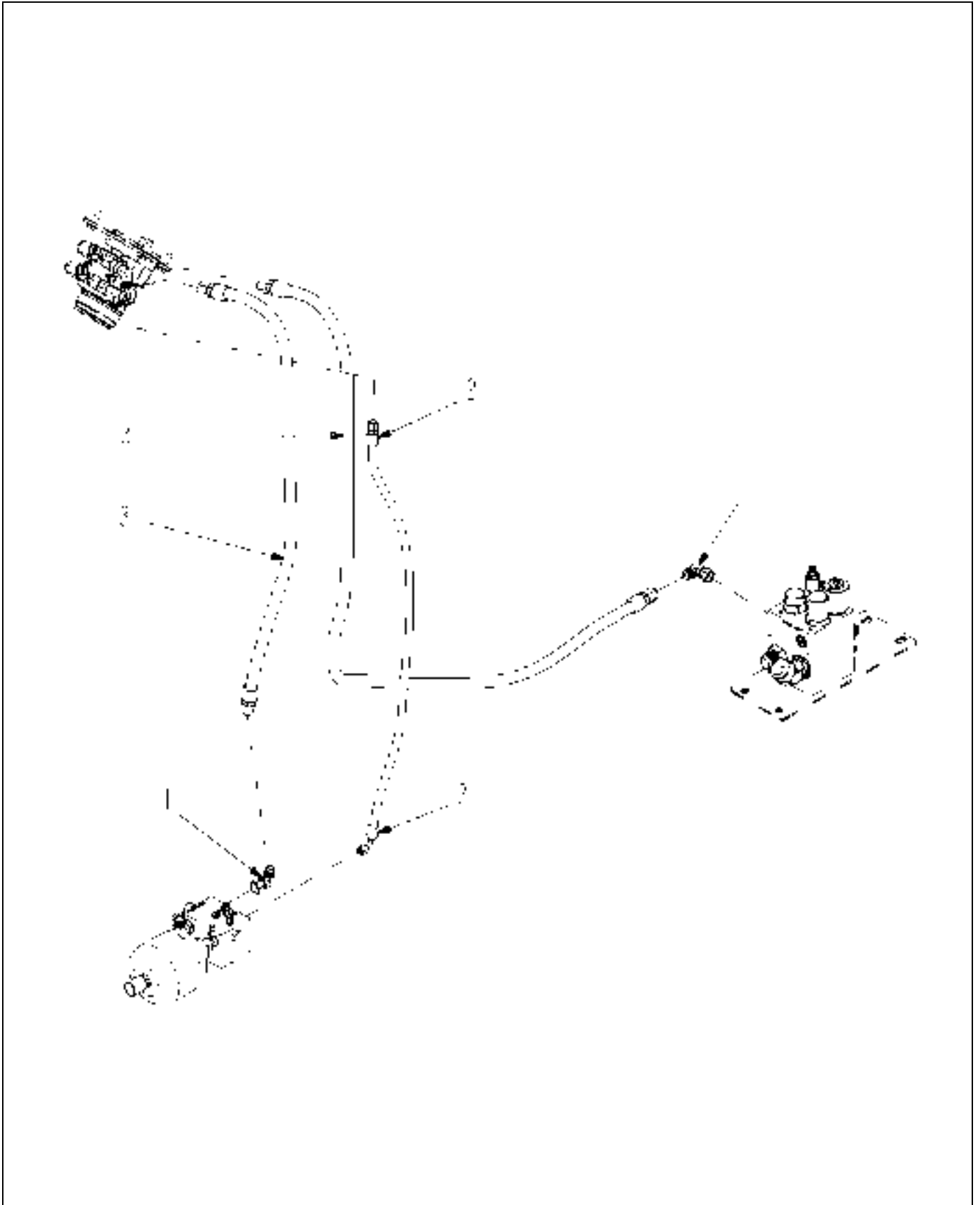
CYLINDER-HYD,6.50 IN STROKE



126480.TIF

CYLINDER-HYD,6.50 IN STROKE

ITEM	PART #	QTY	DESCRIPTION	COMMENTS
REF	WR131664	1	KIT, REPAIR	
2	WR131663	1	CAP, HEAD GLAND	
3	WR131655	1	PISTON	
4	WR131654	4	SPACER, ROD	
5	WR131653	5	ROD, CYLINDER	
6	AG602639	1	NUT 0.37-24NF HEX ZN REG NY	
7	WR131667	1	SCREW, SET	
	FOOTNOTE		ITEMS 8 - 13 CANNOT BE PURCHASED INDIVIDUALLY BUT ARE INCLUDED WITH THE SEAL KIT.	

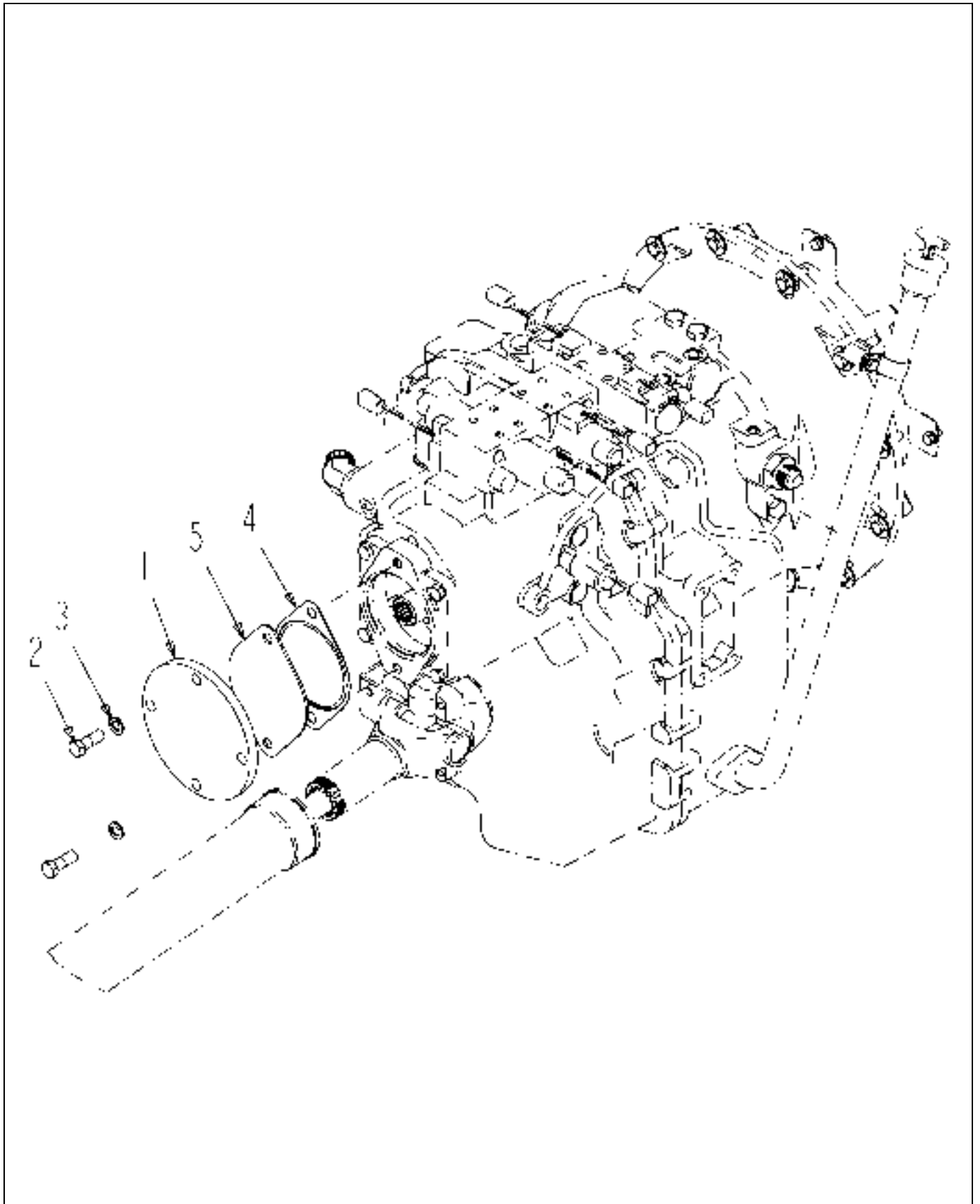


520837D1-02-R560-.TIF

HOSE-INSTALL, NON AUTOGUIDE

ITEM	PART #	QTY	DESCRIPTION	COMMENTS
1	AG561941	2	ELBOW -8FJS90 X-8MJ	
2	520838D1	1	HOSE ASM,-4X34 FJS/FJS90S	
3	521457D1	-	HOSE ASM,-8X40 FJS(2)	
4	521458D1	-	HOSE ASM,-8X78 FJS(2)	

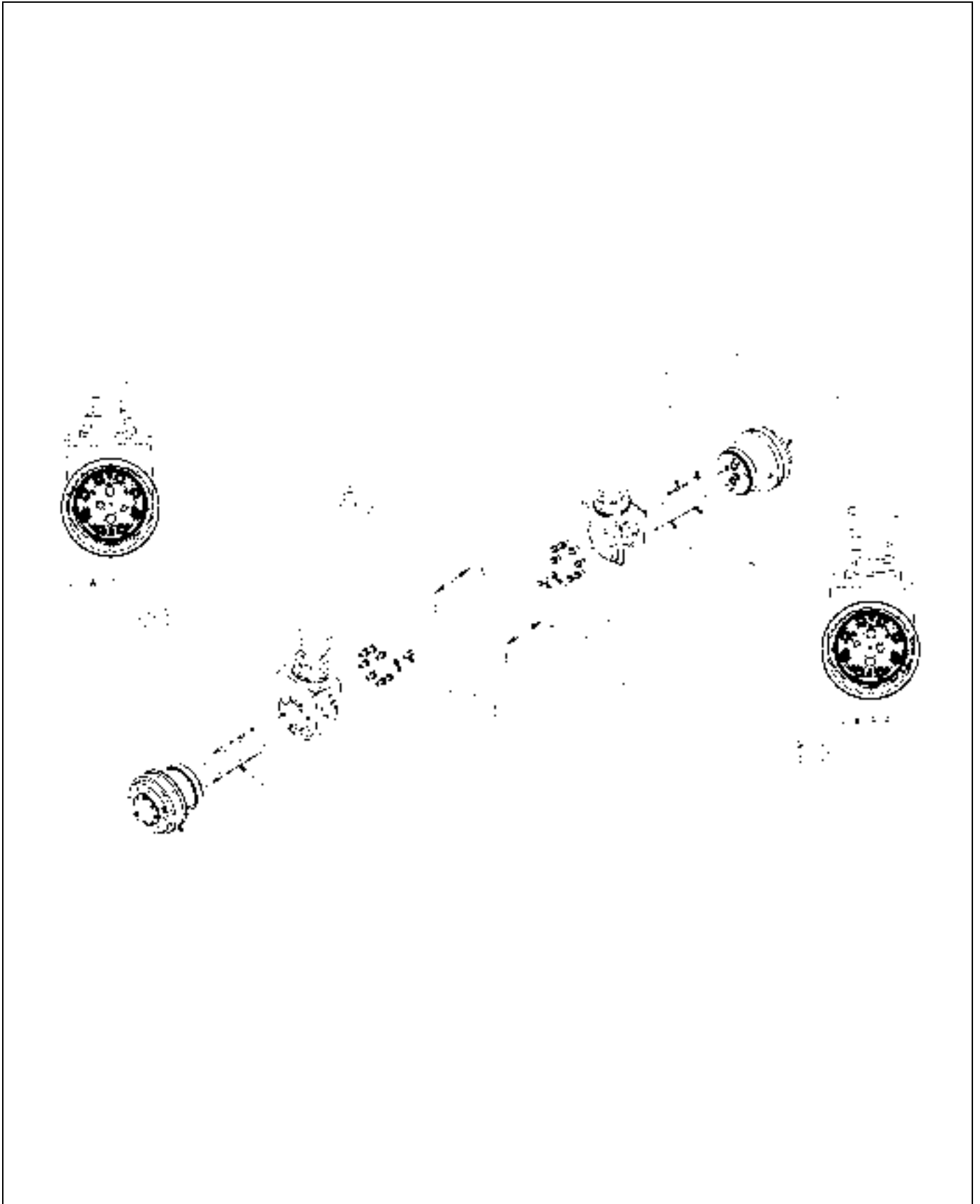
2-WHEEL DRIVE COVER INSTALL



132525-03-N739-.TIF

2-WHEEL DRIVE COVER INSTALL

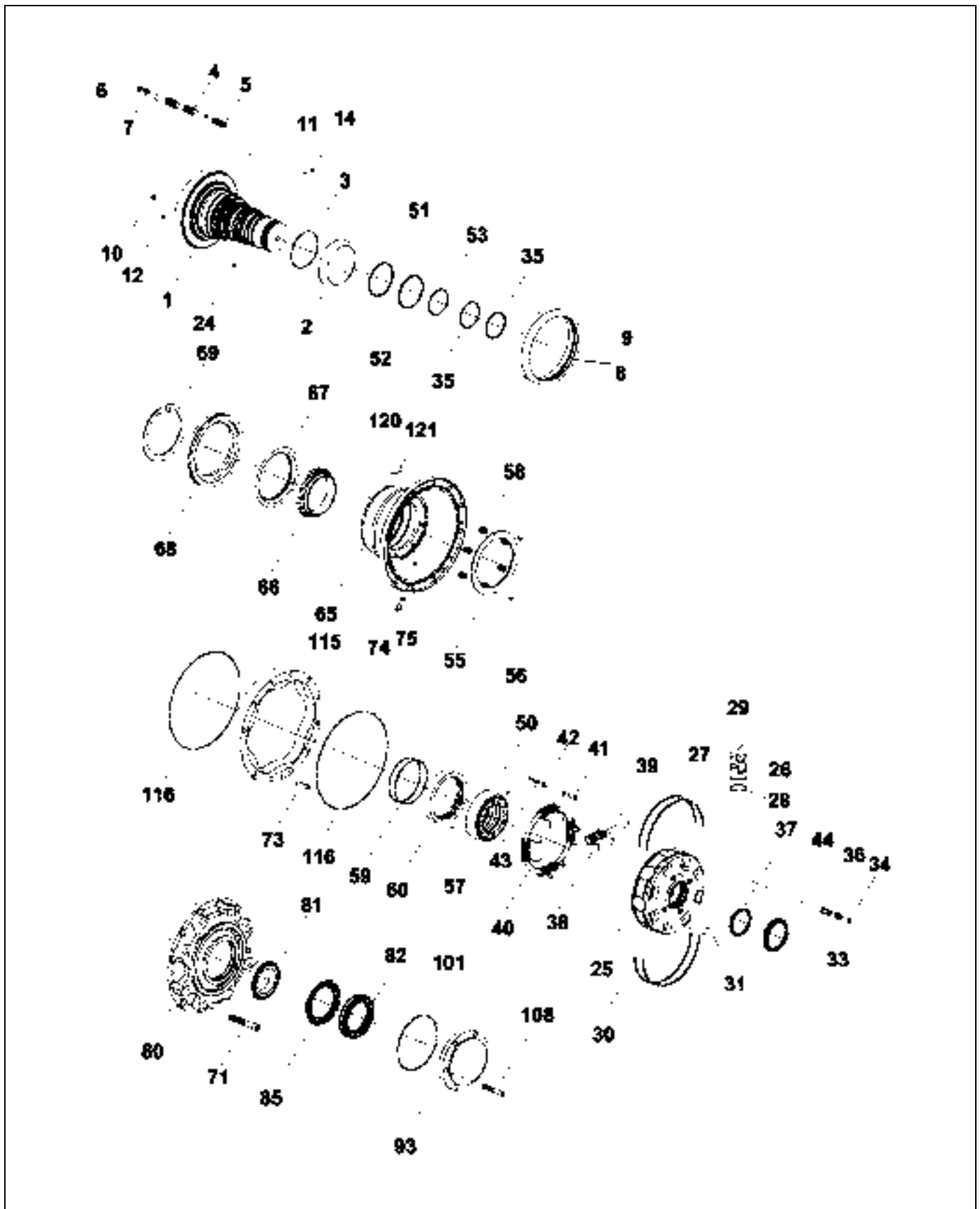
ITEM	PART #	QTY	DESCRIPTION	COMMENTS
1	AG328690	1	COVER-PUMP,B PAD	
2	AG518304	2	BOLT M12-1.75X 35MM G8.8 ZN HH	
3	AG562272	2	WASHER M12 LK ZN REG	
4	AG714101	1	GASKET PUMP	
5	513918D1	1	SPACER-COVER, UHMW	



517319D1-01-R109-.TIF

WHEEL MOTOR GROUP

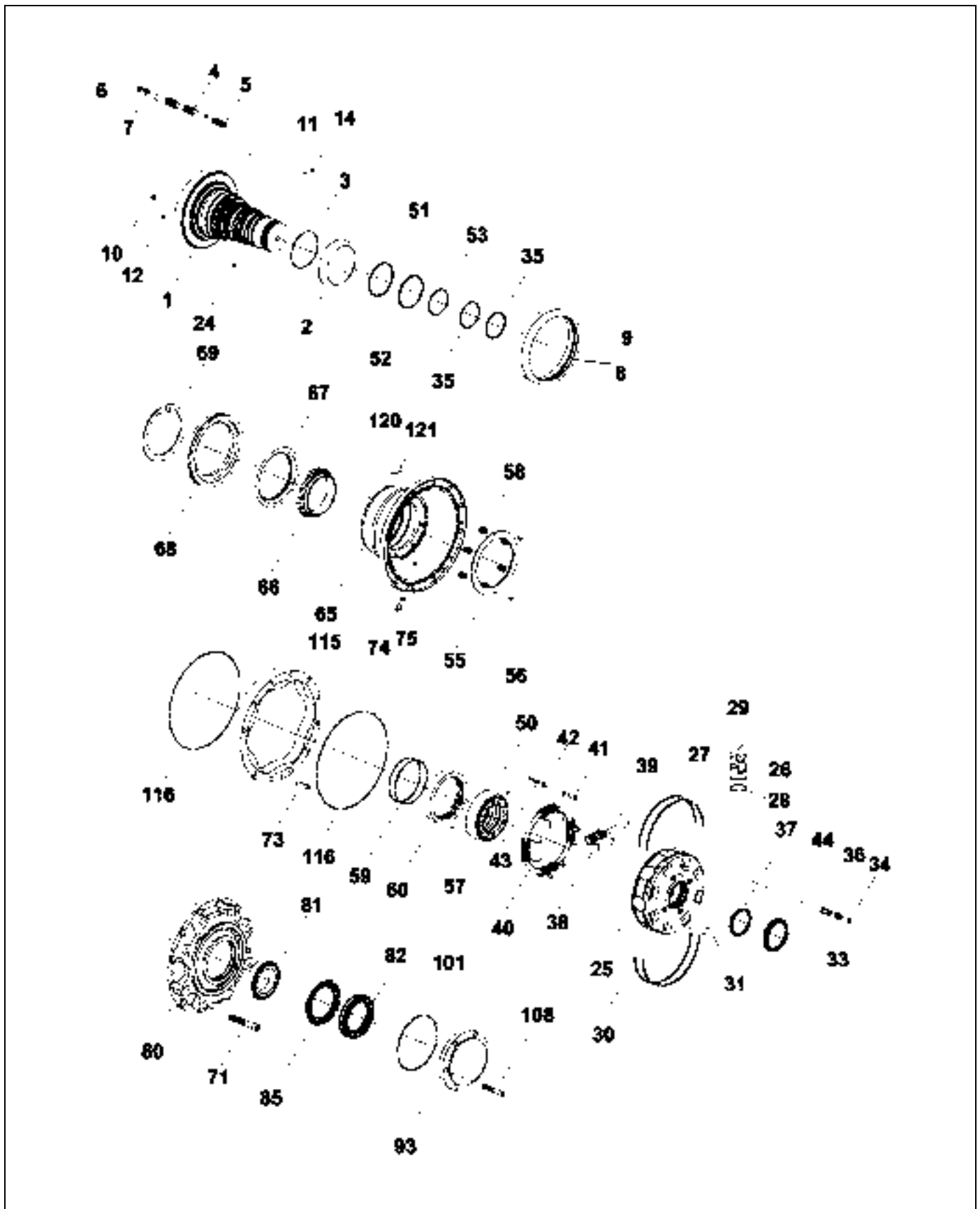
ITEM	PART #	QTY	DESCRIPTION	COMMENTS
1	AG056442	2	NIPPLE,EXTRA HEAVY .125X4.00	
2	WR136700	2	WHEEL MTR-HYD,940/470CC	SEE PAGE 6-58
3	AG511021	-	TUBING 0.25 OD NYLON BLACK [BULK: 1.334 FT]	
4	AG512885	AR	LOCTITE ADHESIVE SEALANT BLUE	
5	AG513916	AR	LOCTITE HYD SEALANT BROWN	
6	AG515180	16	WASHER 0.62 FL ZN SAE TYP-A G8	
7	AG518357	16	BOLT HHD M16-2X35MM GR 10.9	
8	AG518421	2	COUPLING .25 AIR QUICK METAL	
9	AG556475	2	COUPLING 0.12NPS PIPE STEEL PL	



136700-01.TIF

WHEEL MTR-HYD,940/470CC

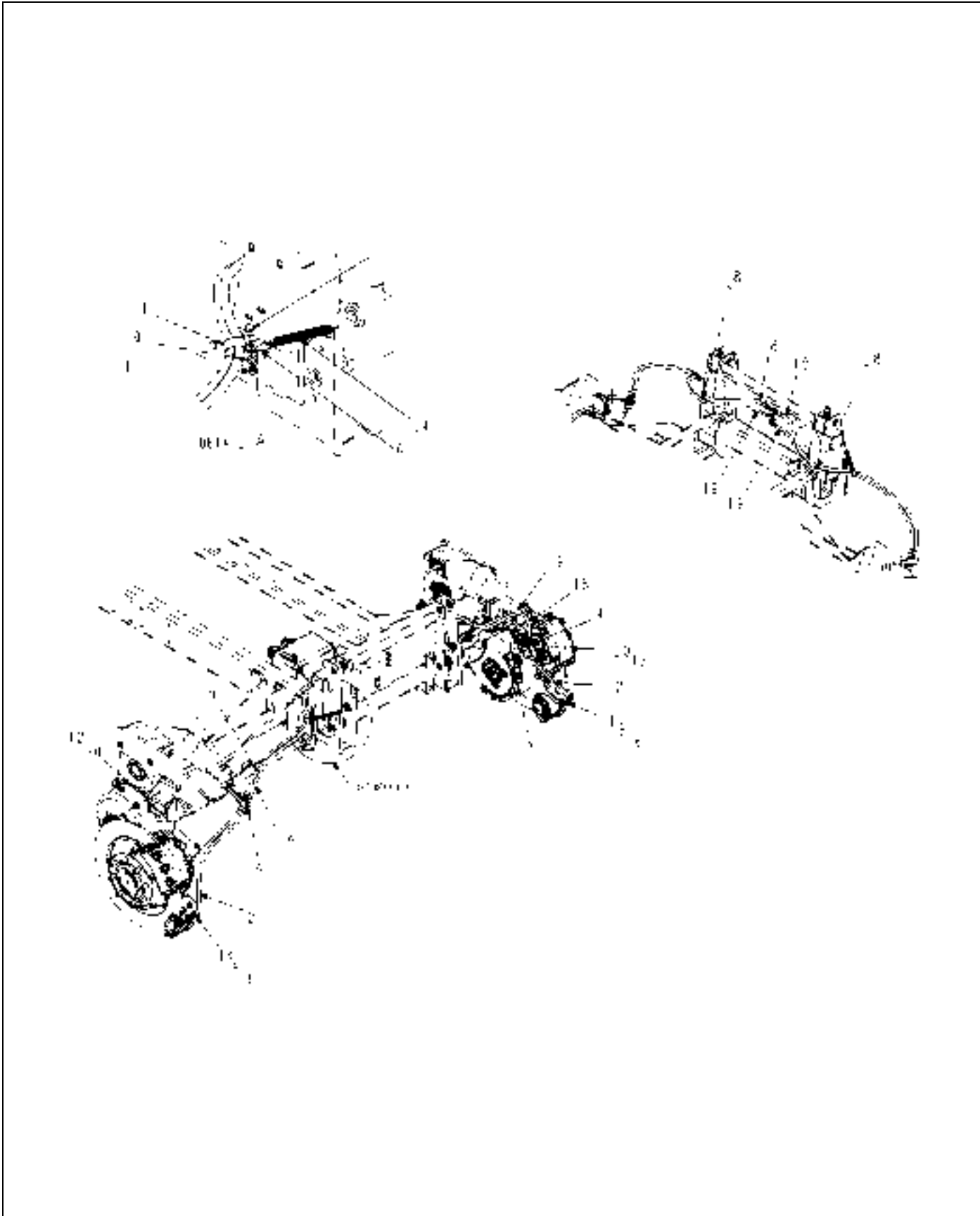
ITEM	PART #	QTY	DESCRIPTION	COMMENTS
REF	WR425871	1	RING/SUPPORT BBC02	
REF	AG330529	1	SEAL/KIT LUE BBC2	
REF	WR132044	-	ASSEMBLY, CYL BLOCK	
REF	WR425874	1	MOTOR/REMAN 136700	
REF	WR425873	1	COLLAR/SEAL BBC02	
REF	WR425872	1	SEAL/BLUE BBC02	
1	AG263373	1	SHAFT/THREADED BBC02	
3	WR131829	1	O-RING	
4	WR131982	1	SPOOL, 2-SPEED	
5	WR131983	1	SPRING	
6	WR131984	1	PLUG	
7	WR131985	1	ORIFICE	
8	WR131986	1	RING, SEALING	
9	WR131987	1	RING, GREASE	
10	AG726285	2	GREASE ZERK	
11	AG726286	2	VALVE, CHECK	
12	AG717101	1	PLUG-EXPANDER	
14	AG713524	2	SHAFT PLUG	
24	AG726290	2	EXPANDER PLUG	
25	WR131988	1	CYLINDER BLOCK	
26	WR131989	10	PISTON	
27	WR131990	10	INSERT, PISTON	
28	WR131991	10	RING, PISTON	
29	WR131992	10	ROLLER, CAM	
30	AG263375	1	RING/GUIDE	
31	WR131994	8	PIN	
33	WR131995	5	SPRING	
34	WR131996	5	PLUG	
35	WR131997	2	RING, SEALING	
36	WR131998	5	SPOOL, POPPET	
37	WR131999	1	RING, RETAINING	
38	WR132000	5	SPRING	
39	WR132001	5	PIPE, PLASTIC	
40	WR132002	1	RING	
41	WR132003	5	BUSHING	
42	AG713495	10	FW CLIP	
43	WR132004	5	SCREW	
44	WR132005	1	RING, LOCKING	
50	WR132006	1	DISTRIBUTOR	
51	WR132009	1	RING, SEALING	
52	WR132008	1	RING, SEALING	
53	WR133007	1	RETAINER, SPRING R/B 147-0260	
55	WR132010	1	RING, CONNECTING	
56	AG715330	2	PIN	
57	AG713528	2	GUIDE PIN	
58	WR132011	12	SPRING	
59	WR132012	2	RING, SEALING	
60	WR132013	1	RING, SUPPORT	
65	WR132014	1	COVER, REAR	



136700-01.TIF

WHEEL MTR-HYD,940/470CC

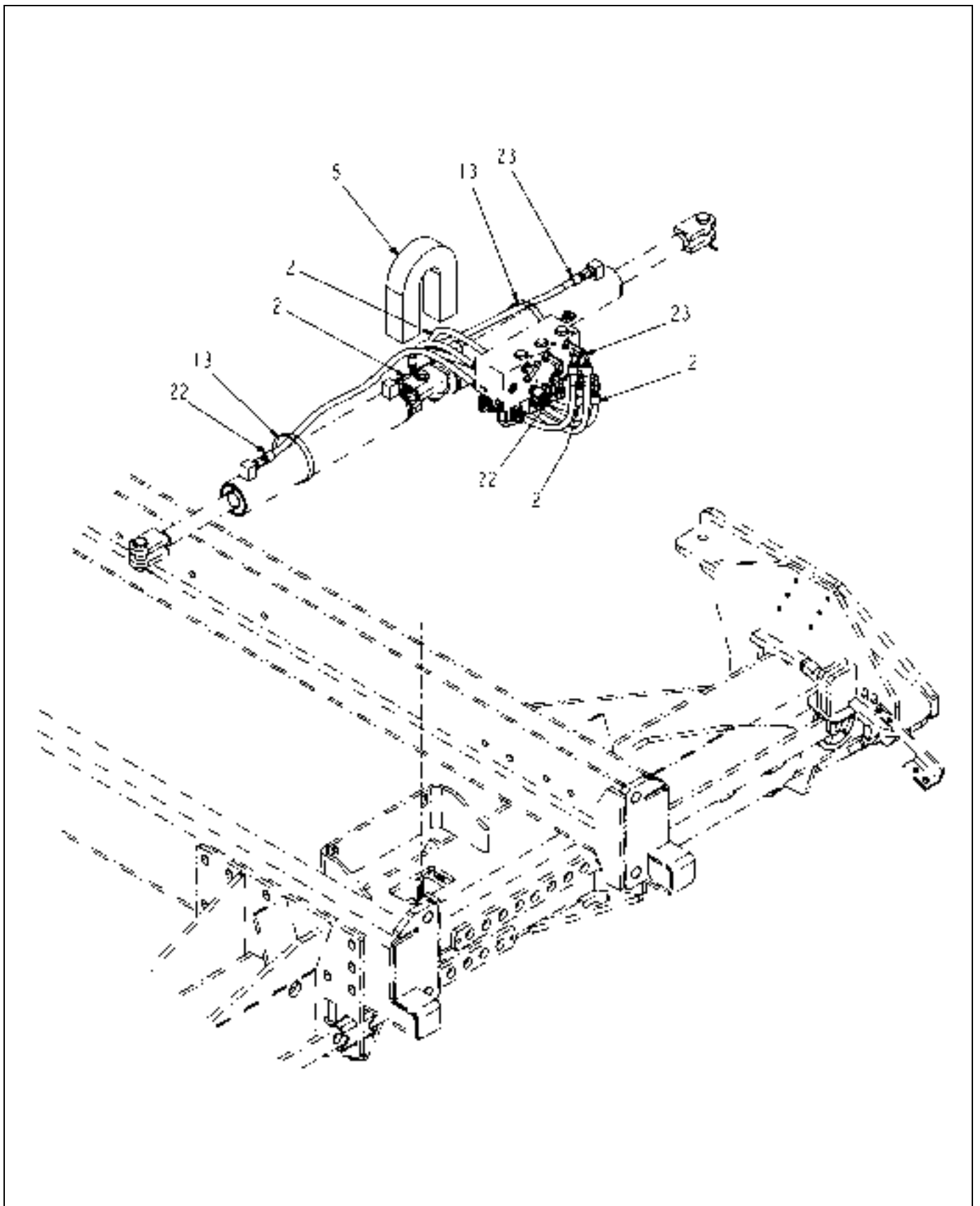
ITEM	PART #	QTY	DESCRIPTION	COMMENTS
66	WR132015	1	BEARING	
69	WR132018	1	RING, RETAINING	
71	WR132019	15	SCREW	
73	WR132020	1	PIN	
74	AG713497	2	BLEED SCREW	
75	AG713525	2	WASHER	
80	WR132021	1	COVER, HUB	
81	WR132022	1	BEARING	
82	AG263371	1	NUT/SHAFT BBC02	
85	AG263372	1	RING/RETAINER	
93	WR132038	1	COVER	
101	WR131829	1	O-RING	
108	WR132040	8	SCREW	
115	WR132041	1	RING,CAM 940 CCM	
116	WR132042	2	O-RING	
120	AG713517	1	IDENTIFICATION TAG	
121	AG726354	2	PIN R/B 713518	



518391D1-02-R560-01.TIF

HOSE-INSTALL,REAR AXLE,120

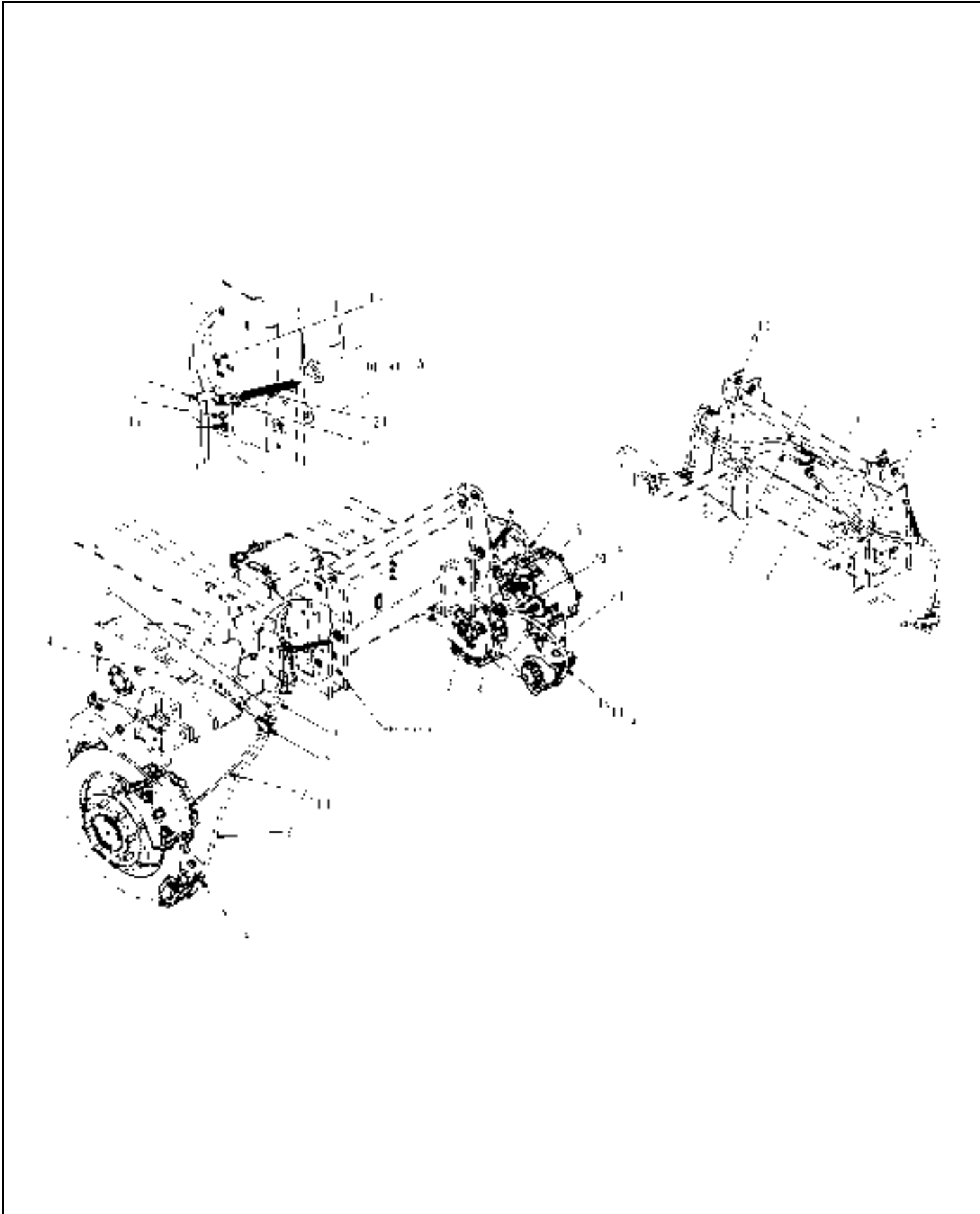
ITEM	PART #	QTY	DESCRIPTION	COMMENTS
1	WR55247	2	CLAMP-SUPPORT CUSHION DBL	
3	WR129997	2	NUT-HEX,.438-20UN2B,ZINC	
4	WR129998	2	NUT-HEX,.563-18UN2B,ZINC	
6	AG263132	2	WASHER-DOUBLE HOLE,.50	
7	AG519861	AR	PROTECTOR HOSE 6.00 IN EPHA	
8	AG519862	AR	PROTECTOR HOSE 4 IN EPHA	
9	AG550671	2	WASHER 0.25 FL ZN SAE TYPE-A	
10	AG550981	2	WASHER 0.37 FL ZN NAR TYPE-B	
11	AG551503	2	BOLT 0.37-16NCX 0.75 G5 ZN HHD	
12	AG553557	AR	TIE CABLE 7.37 .06-1.37 BLACK	
14	AG562237	2	CLAMP CTD 0.75IDX0.75WIDE	
15	AG601411	2	NUT 0.37-16NC HEX ZN REG NY	
16	400152X1	2	BOLT-M6X1X16MM ZNDI HHD 10.9	
17	518392D1	-	HOSE-KIT,REAR AXLE,120	
18	518531D1	-	HOSE ASM,-6X72 FJS(2)	
19	518532D1	-	HOSE ASM,-4X72 FJS/FJS90	
20	518533D1	-	HOSE ASM,-4X26 FJS45/MJ(BH)	
21	518534D1	-	HOSE ASM,-6X42 4FJS/MJ(BH)	
24	521617D1	2	SPRING-EXTENSION,.63X5.5	



518391D1-02-R560-02.TIF

HOSE-INSTALL,REAR AXLE,120

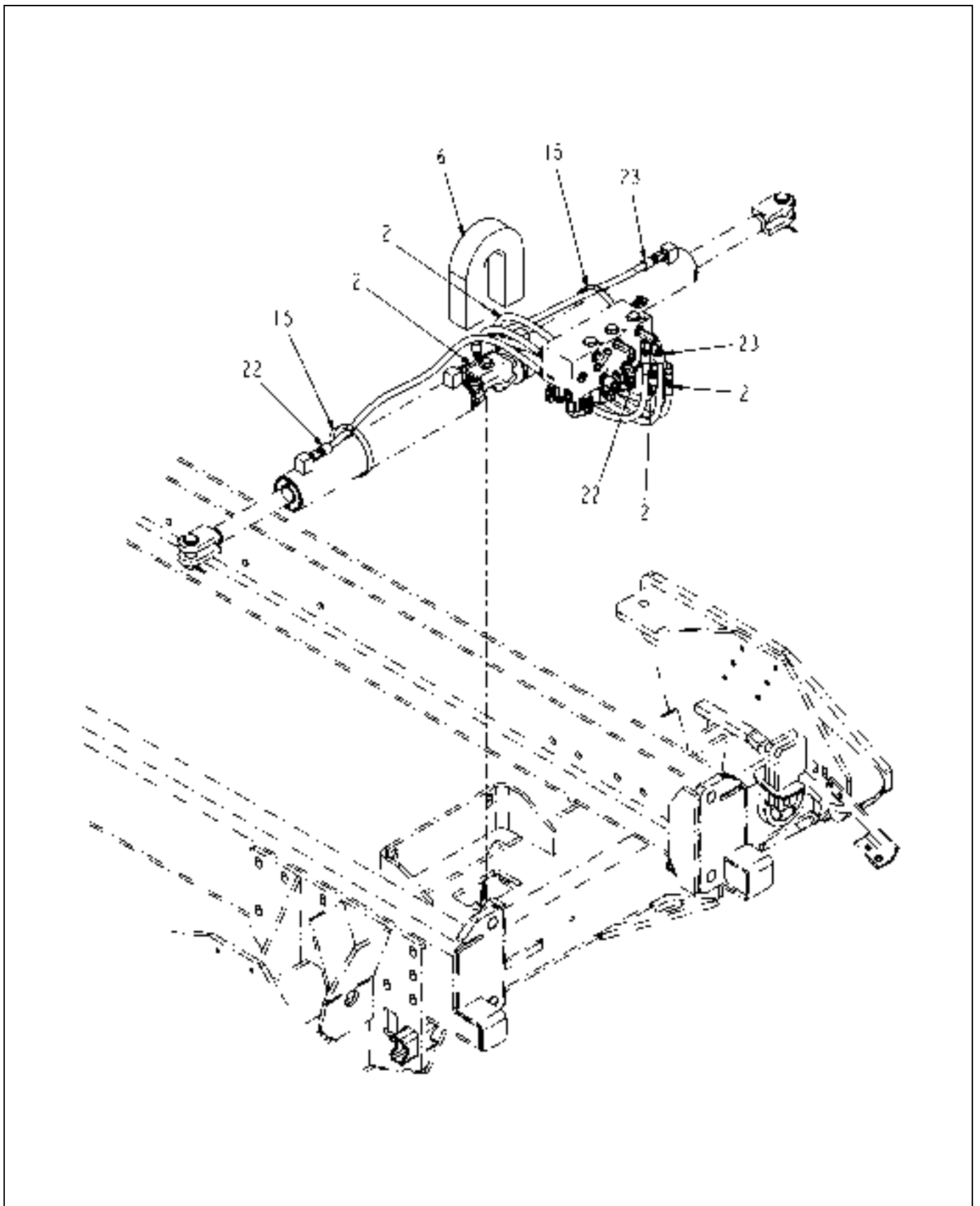
ITEM	PART #	QTY	DESCRIPTION	COMMENTS
2	WR128678	-	HOSE ASM -4X38.00 6FJS/4FJS90	
5	WR134416	1	INSL-FOAM,2.00X2.00X14.00	[A]
13	AG561237	2	CLAMP 3.56-4.50 HOSE 64HS	
22	518535D1	-	HOSE ASM,-4X59 6FJS(2)	
23	518536D1	-	HOSE ASM,-4X59 6FJS/6FJS90	
	FOOTNOTE [A]		REFRENCE S.B.#0631	



518396D1-03-R560-01.TIF

HOSE-INSTALL,REAR AXLE,88

ITEM	PART #	QTY	DESCRIPTION	COMMENTS
1	WR55247	2	CLAMP-SUPPORT CUSHION DBL	
3	WR129407	-	HOSE ASM -4X60 4FJS90/4FJS	
4	WR129997	2	NUT-HEX,.438-20UN2B,ZINC	
5	WR129998	2	NUT-HEX,.563-18UN2B,ZINC	
7	AG203866	-	HOSE ASM -6 60.00 R1AT	
8	AG263132	2	WASHER-DOUBLE HOLE,.50	
9	AG519861	AR	PROTECTOR HOSE 6.00 IN EPHA	
10	AG519862	AR	PROTECTOR HOSE 4 IN EPHA	
11	AG550671	2	WASHER 0.25 FL ZN SAE TYPE-A	
12	AG550981	2	WASHER 0.37 FL ZN NAR TYPE-B	
13	AG551503	2	BOLT 0.37-16NCX 0.75 G5 ZN HHD	
14	AG553557	AR	TIE CABLE 7.37 .06-1.37 BLACK	
16	AG562237	2	CLAMP CTD 0.75IDX0.75WIDE	
17	AG601411	2	NUT 0.37-16NC HEX ZN REG NY	
18	400152X1	2	BOLT-M6X1X16MM ZNDI HHD 10.9	
19	518397D1	-	HOSE-KIT,REAR AXLE,88	
20	518533D1	-	HOSE ASM,-4X26 FJS45/MJ(BH)	
21	518534D1	14	HOSE ASM,-6X42 4FJS/MJ(BH)	
24	521617D1	2	SPRING-EXTENSION,.63X5.5	



518396D1-03-R560-02.TIF

HOSE-INSTALL,REAR AXLE,88

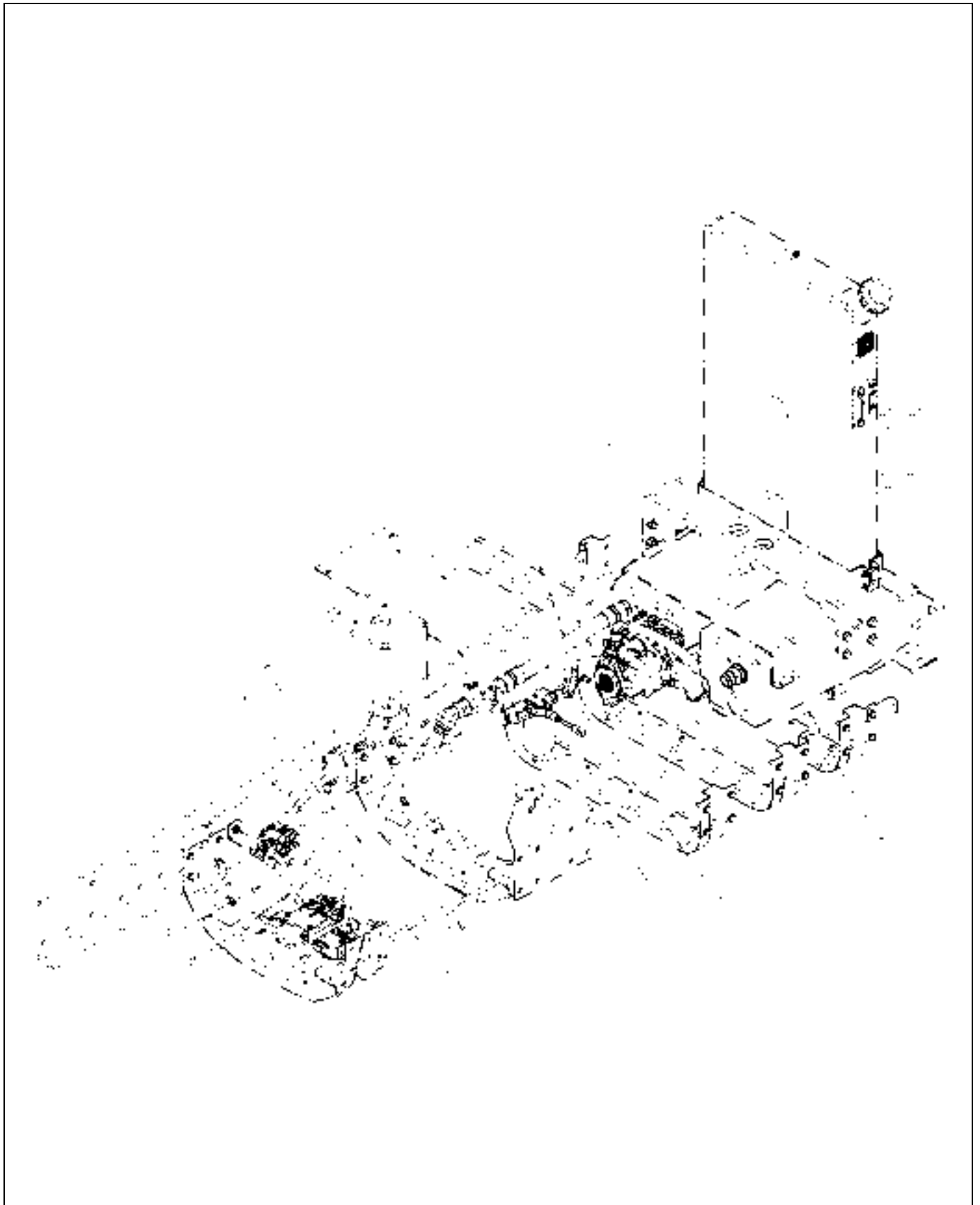
ITEM	PART #	QTY	DESCRIPTION	COMMENTS
2	WR128678	-	HOSE ASM -4X38.00 6FJS/4FJS90	
6	WR134416	1	INSL-FOAM,2.00X2.00X14.00	[A]
15	AG561237	2	CLAMP 3.56-4.50 HOSE 64HS	
22	518535D1	-	HOSE ASM,-4X59 6FJS(2)	
23	518536D1	-	HOSE ASM,-4X59 6FJS/6FJS90	
	FOOTNOTE [A]		REFRENCE S.B.#0631	



518948D1-01-R270-01.TIF

FWA,HOSE INSTALL,120

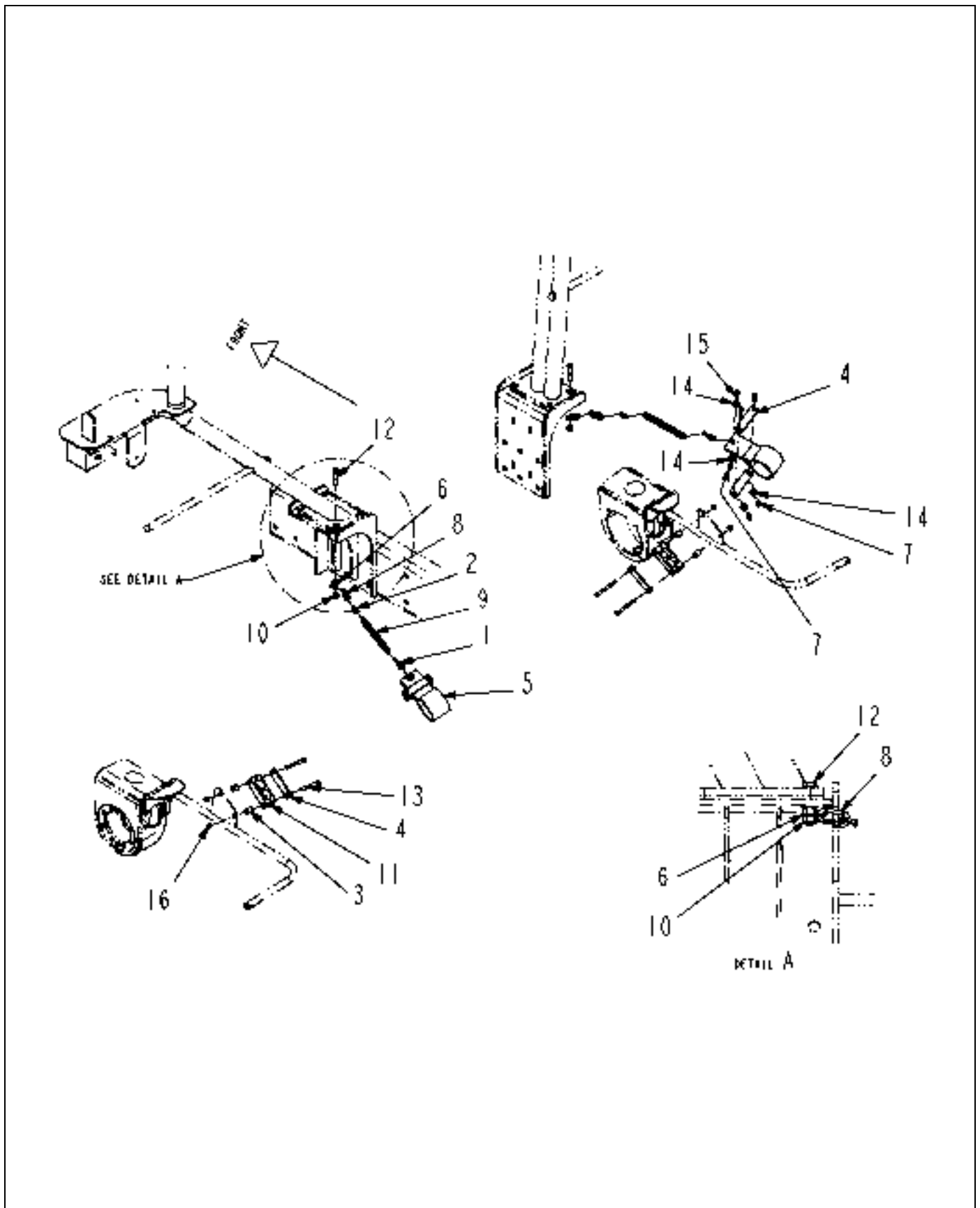
ITEM	PART #	QTY	DESCRIPTION	COMMENTS
1	WR128759	-	HOSE ASM-16X48.00 20FJS/FJS45	
2	WR128760	-	HOSE ASM -20X20.00 FJS/FJS	
3	WR128904	-	HOSE ASM -32X30.00 FJS/FJS90	
4	WR129215	-	HOSE ASM -16X66.00 FORFS/FL45	
5	WR129222	-	HOSE ASM -4X88.00 FJS/FJS45	
6	WR129223	-	HOSE ASM -4X46.00 FJS/FJS90	
7	WR129228	-	HOSE ASM -6X11.50 FJS/FJS90	
8	WR129229	-	HOSE ASM -6X17.00 FJS/4FJS90	
9	WR129233	-	HOSE ASM -8X11.50 6FJS/FJS90	
10	WR129234	-	HOSE ASM -8X18.00 FJS/12FJS90	
11	WR129282	-	HOSE ASM -8X48.00 12FJS/6FJS90	
12	AG220648	-	HOSE ASM -12X29.00 FJS/FJS90	
13	AG240932	-	HOSE ASM -4 20.00 R1AT	
14	AG519527	1	FLANGE SPLIT KIT CODE 61-32	
15	AG561044	1	KIT 1.00 SPLIT FLANGE	
16	518950D1	-	KIT-HOSE,FWA,120	



518948D1-01-R270-02.TIF

FWA,HOSE INSTALL,120

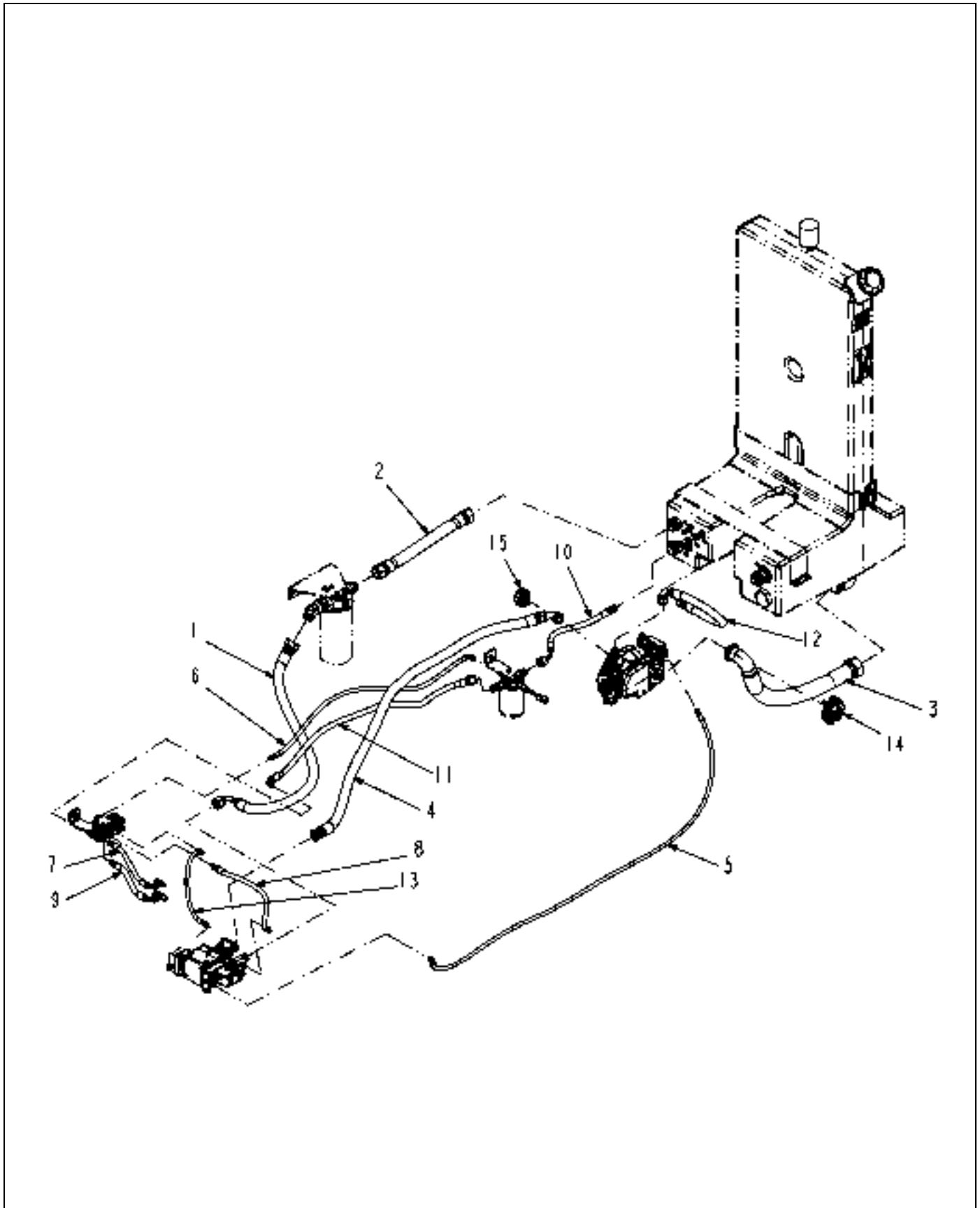
ITEM	PART #	QTY	DESCRIPTION	COMMENTS
1	WR128759	-	HOSE ASM-16X48.00 20FJS/FJS45	
2	WR128760	-	HOSE ASM -20X20.00 FJS/FJS	
3	WR128904	-	HOSE ASM -32X30.00 FJS/FJS90	
4	WR129215	-	HOSE ASM -16X66.00 FORFS/FL45	
5	WR129222	-	HOSE ASM -4X88.00 FJS/FJS45	
6	WR129223	-	HOSE ASM -4X46.00 FJS/FJS90	
7	WR129228	-	HOSE ASM -6X11.50 FJS/FJS90	
8	WR129229	-	HOSE ASM -6X17.00 FJS/4FJS90	
9	WR129233	-	HOSE ASM -8X11.50 6FJS/FJS90	
10	WR129234	-	HOSE ASM -8X18.00 FJS/12FJS90	
11	WR129282	-	HOSE ASM -8X48.00 12FJS/6FJS90	
12	AG220648	-	HOSE ASM -12X29.00 FJS/FJS90	
13	AG240932	-	HOSE ASM -4 20.00 R1AT	



518951D1-02-R503-.TIF

HOSE SUPPORT INSTALL,120

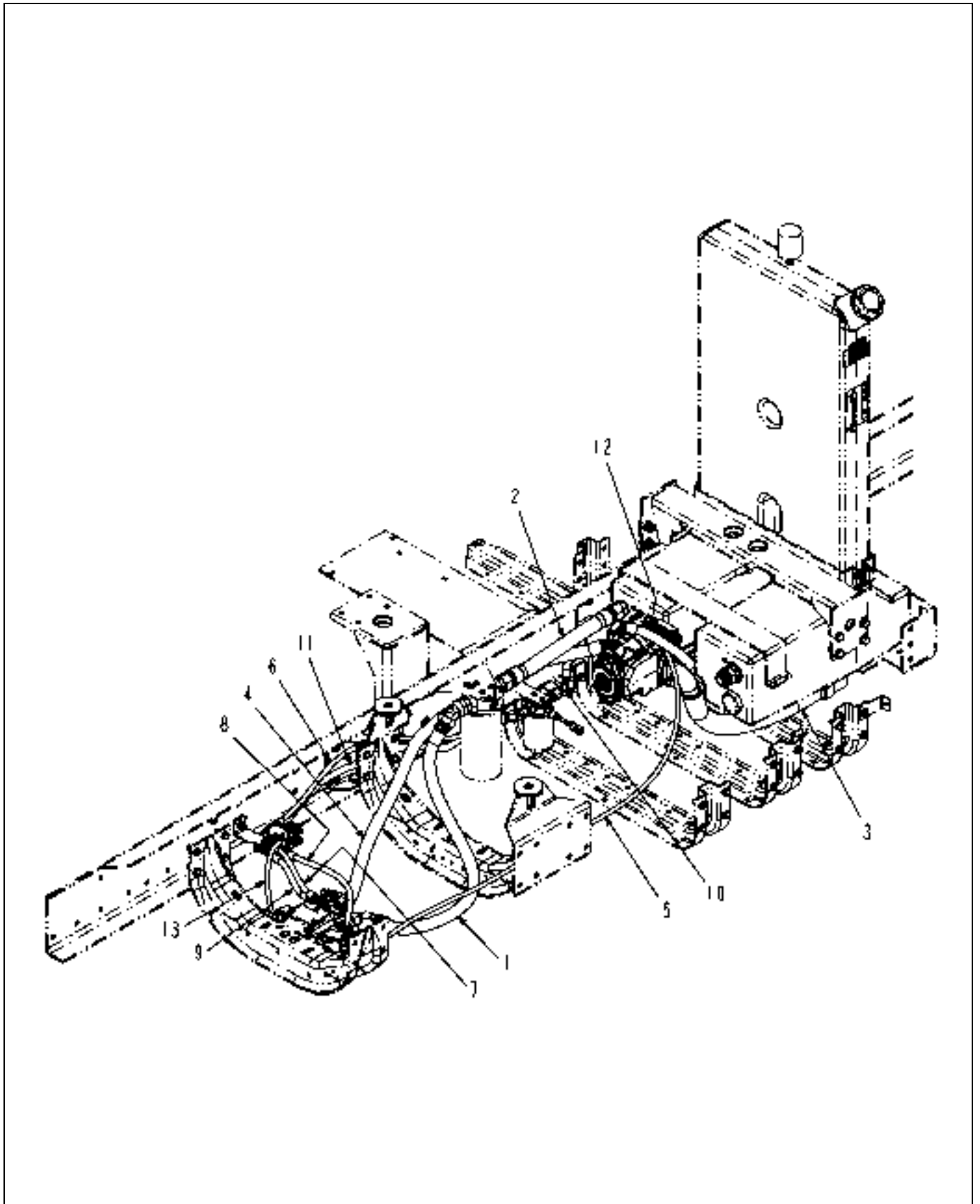
ITEM	PART #	QTY	DESCRIPTION	COMMENTS
1	AG114698	2	CHAIN HOLD-UP (2 LINKS)	
2	AG115096	2	CHAIN LINK .19	
3	AG231952	4	TUBE	
4	AG237961	6	PLATE-COVER	
5	AG238315	2	STRAP-HOSE HANGER	
6	AG263132	2	WASHER-DOUBLE HOLE,.50	
7	AG515140	6	NUT 0.37-16NC HEX SS HVY NY	
8	AG516517	2	CONNECTOR THREADED CHAIN 0.25 IN	
9	AG517097	2	SPRING COIL EXTENSION	
10	AG520614	2	NUT-.50-13,G8,ZN,HH,C-LK	
11	AG521587	2	CLAMP-TWIN,1.50,POLY	
12	AG552240	2	BOLT 0.37-16NCX 2.00 G5 ZN HHD	
13	AG555126	4	BOLT 0.37-16NCX 3.75 G5 ZN HHD	
14	AG562073	8	WASHER 0.37 FL SS R/B 523061	
15	AG562159	6	BOLT 0.37-16NCX 1.50 SS HHD	
16	AG601411	4	NUT 0.37-16NC HEX ZN REG NY	



518956D1-01-R270-01.TIF

FWA,HOSE INSTALL,88

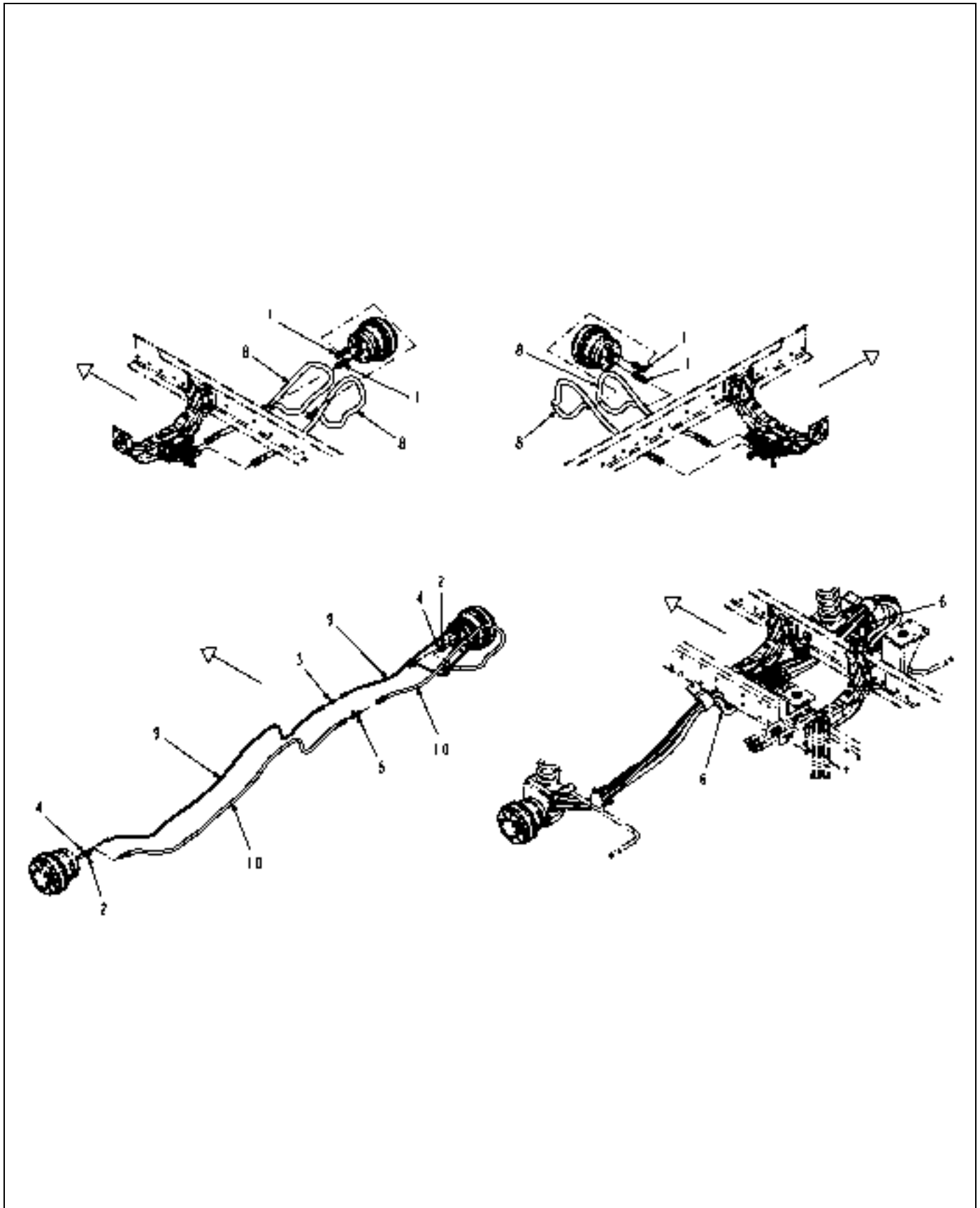
ITEM	PART #	QTY	DESCRIPTION	COMMENTS
1	WR128759	-	HOSE ASM-16X48.00 20FJS/FJS45	
2	WR128760	-	HOSE ASM -20X20.00 FJS/FJS	
3	WR128904	-	HOSE ASM -32X30.00 FJS/FJS90	
4	WR129215	-	HOSE ASM -16X66.00 FORFS/FL45	
5	WR129222	-	HOSE ASM -4X88.00 FJS/FJS45	
6	WR129223	-	HOSE ASM -4X46.00 FJS/FJS90	
7	WR129228	-	HOSE ASM -6X11.50 FJS/FJS90	
8	WR129229	-	HOSE ASM -6X17.00 FJS/4FJS90	
9	WR129233	-	HOSE ASM -8X11.50 6FJS/FJS90	
10	WR129234	-	HOSE ASM -8X18.00 FJS/12FJS90	
11	WR129282	-	HOSE ASM -8X48.00 12FJS/6FJS90	
12	AG220648	-	HOSE ASM -12X29.00 FJS/FJS90	
13	AG240932	-	HOSE ASM -4 20.00 R1AT	
14	AG519527	1	FLANGE SPLIT KIT CODE 61-32	
15	AG561044	1	KIT 1.00 SPLIT FLANGE	
16	518957D1	-	KIT-HOSE,FWA,88	



518956D1-01-R270-02.TIF

FWA,HOSE INSTALL,88

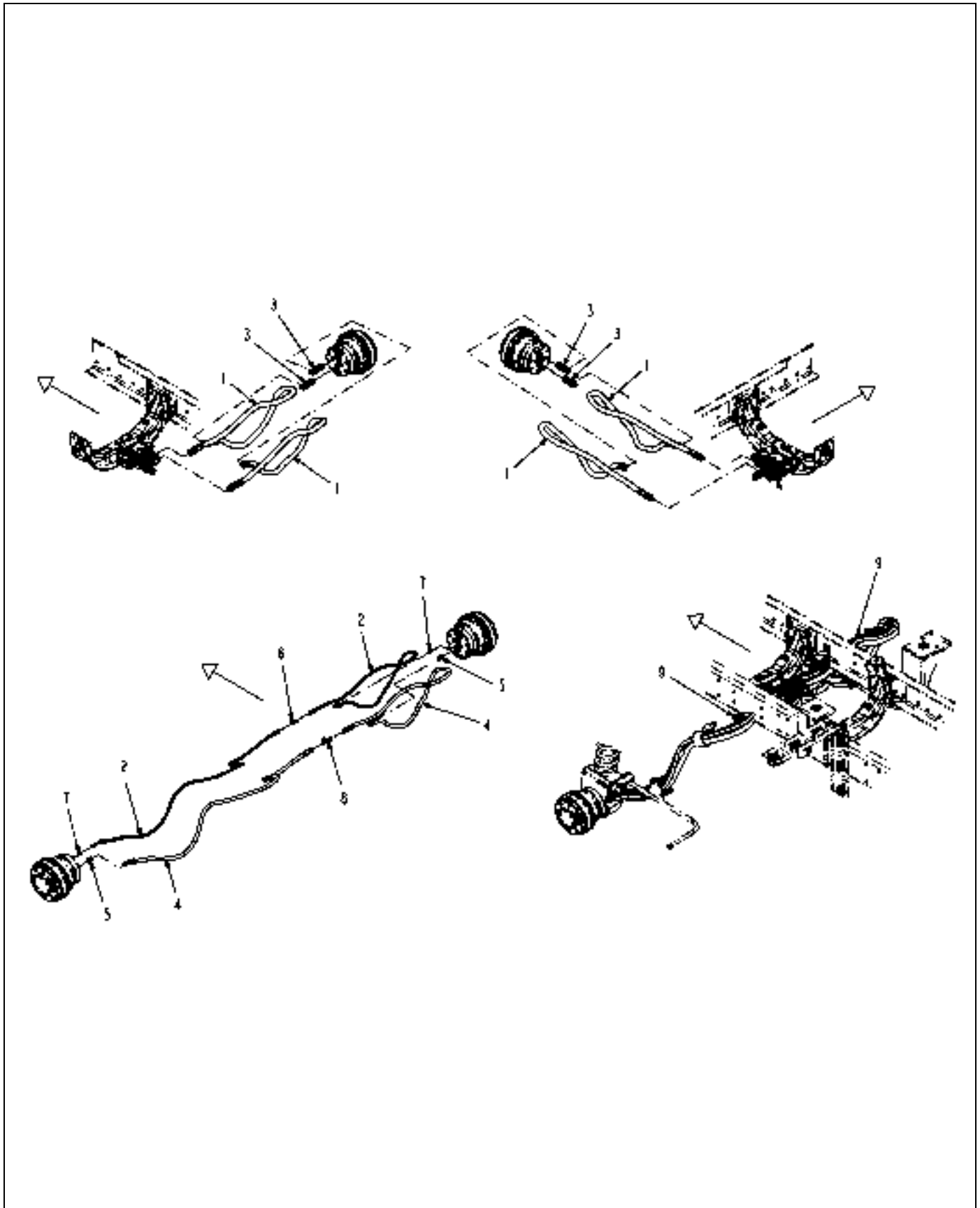
ITEM	PART #	QTY	DESCRIPTION	COMMENTS
1	WR128759	-	HOSE ASM-16X48.00 20FJS/FJS45	
2	WR128760	-	HOSE ASM -20X20.00 FJS/FJS	
3	WR128904	-	HOSE ASM -32X30.00 FJS/FJS90	
4	WR129215	-	HOSE ASM -16X66.00 FORFS/FL45	
5	WR129222	-	HOSE ASM -4X88.00 FJS/FJS45	
6	WR129223	-	HOSE ASM -4X46.00 FJS/FJS90	
7	WR129228	-	HOSE ASM -6X11.50 FJS/FJS90	
8	WR129229	-	HOSE ASM -6X17.00 FJS/4FJS90	
9	WR129233	-	HOSE ASM -8X11.50 6FJS/FJS90	
10	WR129234	-	HOSE ASM -8X18.00 FJS/12FJS90	
11	WR129282	-	HOSE ASM -8X48.00 12FJS/6FJS90	
12	AG220648	-	HOSE ASM -12X29.00 FJS/FJS90	
13	AG240932	-	HOSE ASM -4 20.00 R1AT	



518996D1-02-R641-.TIF

WHEEL MTR,HOSE INSTALL,120

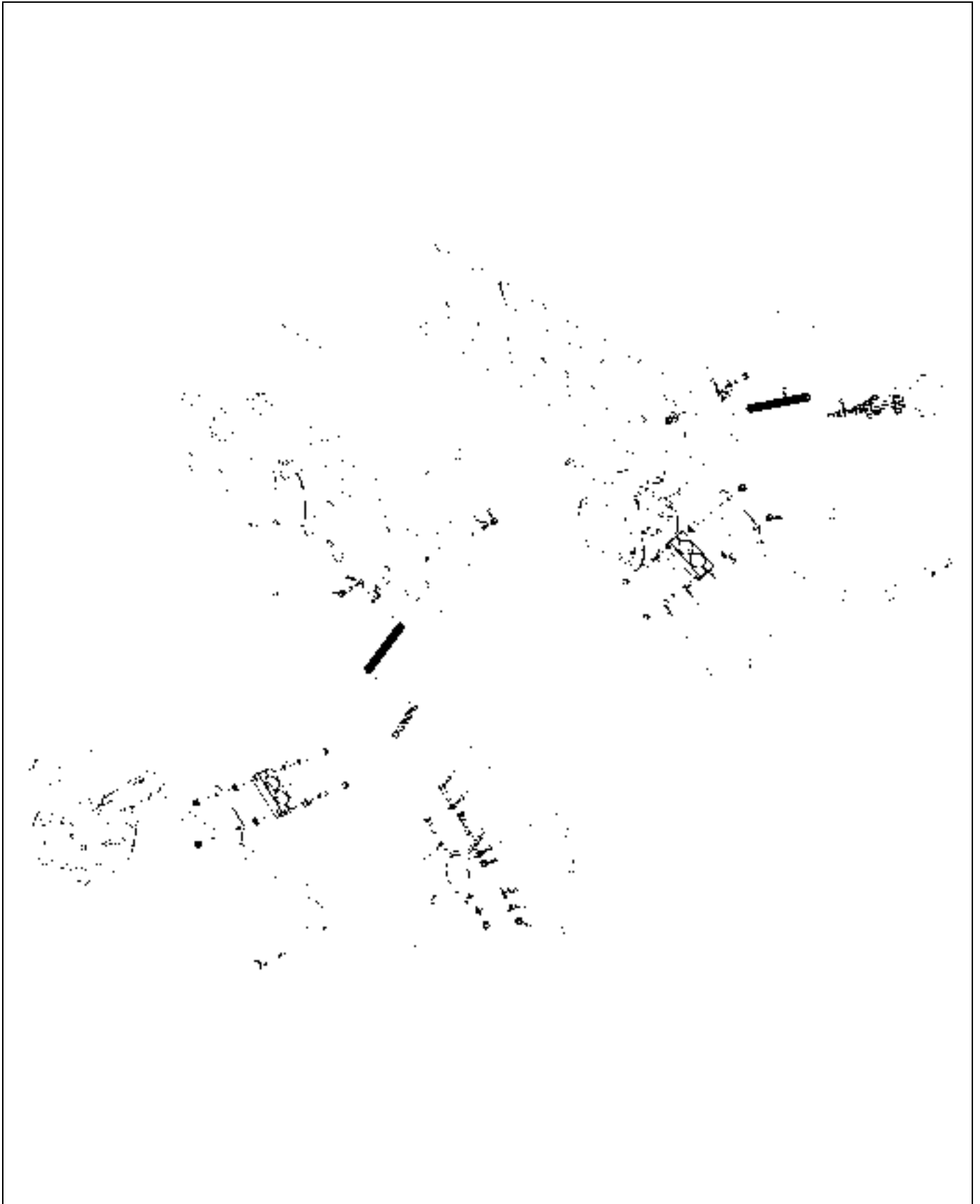
ITEM	PART #	QTY	DESCRIPTION	COMMENTS
1	WR128767	4	ADAPTER-12ORFS X -12MOR 90DEG	[A]
2	AG551139	2	ADAP STR 0.50MO-R X 0.50 MJIC	SEE PAGE 6-102
3	AG553514	1	TEE 0.37 MJIC (3)	
4	AG561360	2	ADAP STR -4MBX-4MJ	[B]
5	AG562346	1	TEE -8MJ	
6	AG562496	AR	TIE CABLE 15.0 .18-4.00 BLACK	
7	518950D1	-	KIT-HOSE,FWA,120	
8	518952D1	-	HOSE ASM,-12X103 ORFS/ORFS	
9	518953D1	-	HOSE ASM,-4X109 6FJS/FJS90L	
10	518954D1	-	HOSE ASM,-8X106 FJS/FJS90S	
	FOOTNOTE [A]		REPLACEMENT O-RING USE AG714806.	
	FOOTNOTE [B]		AG520428 O-RING	



518997D1-02-R641-.TIF

WHEEL MTR,HOSE INSTALL,88

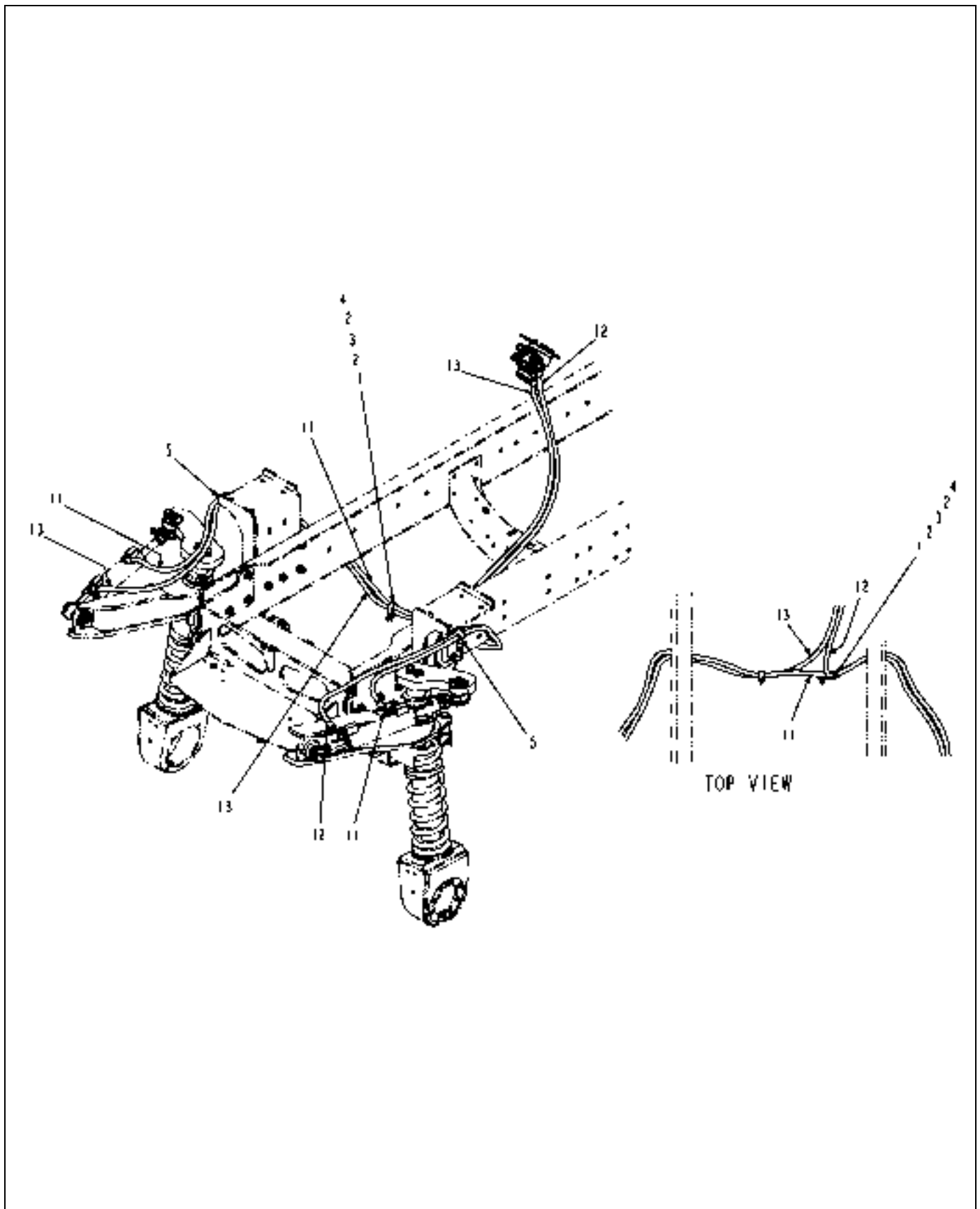
ITEM	PART #	QTY	DESCRIPTION	COMMENTS
1	WR128762	-	HOSE ASM -12X91.00 FORFS/FORFS	
2	WR128764	-	HOSE ASM -4X97.00 6FJS/FJS90L	
3	WR128767	4	ADAPTER-12ORFS X -12MOR 90DEG	[A]
4	WR134869	-	HOSE ASM -8X94.00 FJS/FJS90	
5	AG551139	2	ADAP STR 0.50MO-R X 0.50 MJIC	SEE PAGE 6-102
6	AG553514	1	TEE 0.37 MJIC (3)	
7	AG561360	2	ADAP STR -4MBX-4MJ	[B]
8	AG562346	1	TEE -8MJ	
9	AG562496	AR	TIE CABLE 15.0 .18-4.00 BLACK	
10	518957D1	-	KIT-HOSE,FWA,88	
	FOOTNOTE [A]		REPLACEMENT O-RING USE AG714806.	
	FOOTNOTE [B]		AG520428 O-RING	



519127D1-01-R270-.TIF

HOSE SUPPORT INSTALL,88

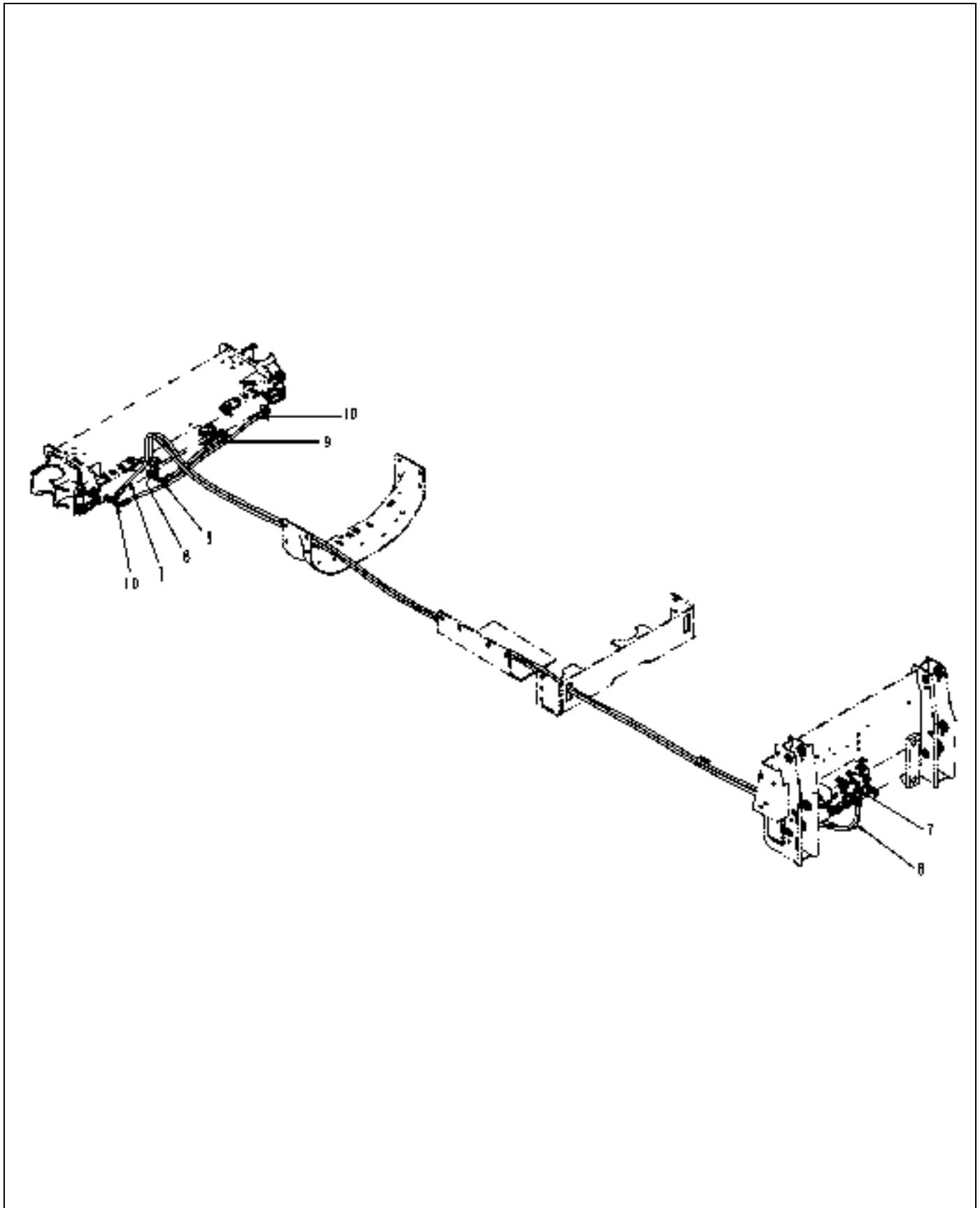
ITEM	PART #	QTY	DESCRIPTION	COMMENTS
1	AG114698	2	CHAIN HOLD-UP (2 LINKS)	
2	AG231952	4	TUBE	
3	WR232770	2	CHAIN .19-5 LINKS	
4	AG237961	6	PLATE-COVER	
5	AG238315	2	STRAP-HOSE HANGER	
6	AG515140	6	NUT 0.37-16NC HEX SS HVY NY	
7	AG517097	2	SPRING COIL EXTENSION	
8	AG521587	2	CLAMP-TWIN,1.50,POLY	
9	AG550515	2	BOLT 0.37-16NCX 1.25 G5 ZN HHD	
10	AG551007	4	WASHER 0.37 FL ZN REG TYPE-B	
11	AG555126	4	BOLT 0.37-16NCX 3.75 G5 ZN HHD	
12	AG562073	8	WASHER 0.37 FL SS R/B 523061	
13	AG562159	6	BOLT 0.37-16NCX 1.50 SS HHD	
14	AG601411	6	NUT 0.37-16NC HEX ZN REG NY	



520826D1-02-T044-01.TIF

HOSE-INSTALL,FRONT AXLE,71

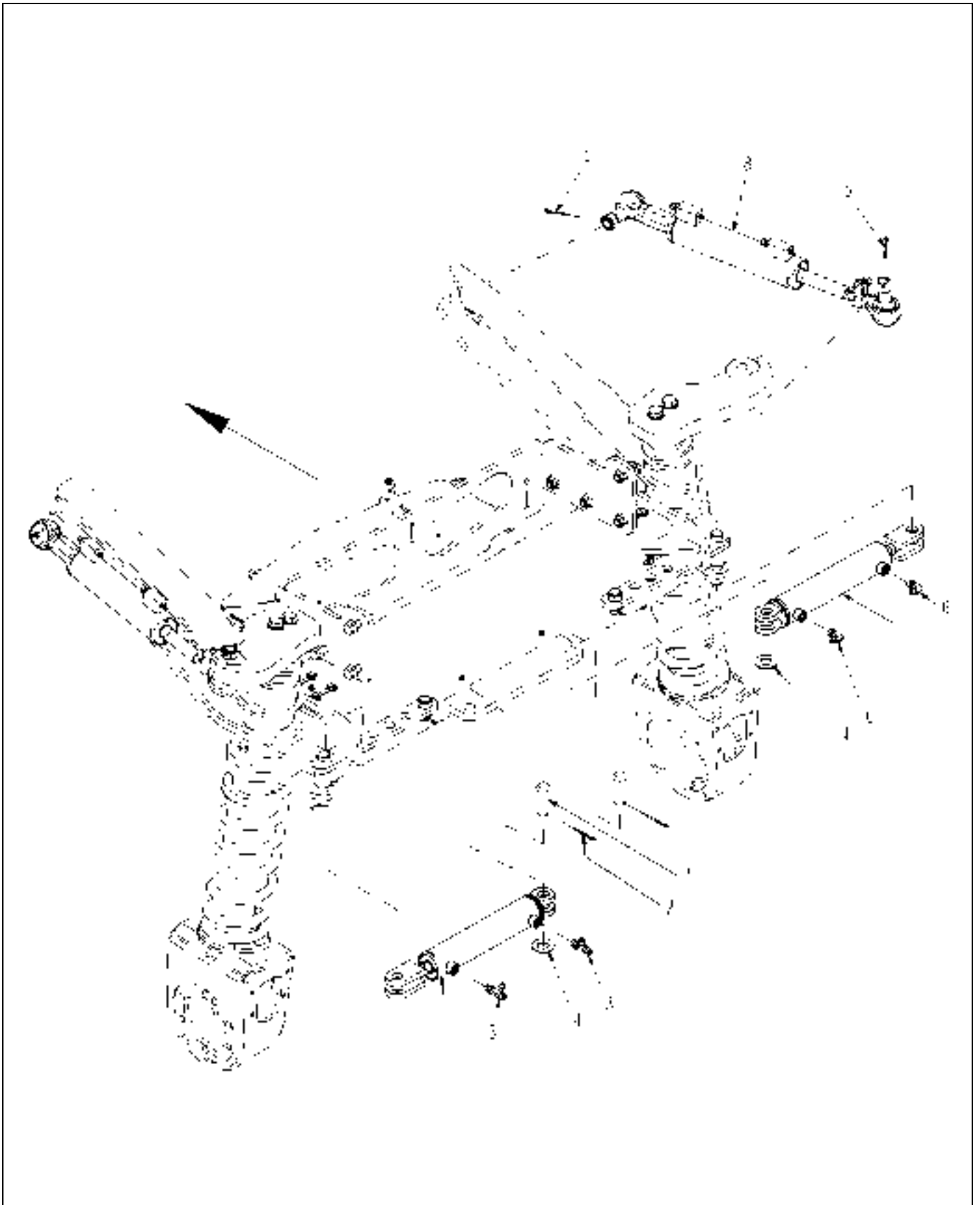
ITEM	PART #	QTY	DESCRIPTION	COMMENTS
1	WR55248	2	CLAMP-SUPPORT CUSHION DBL	
2	AG550671	4	WASHER 0.25 FL ZN SAE TYPE-A	
3	AG550698	2	BOLT 0.25-20NCX 1.00 G5 ZN HHD	
4	AG604216	2	NUT 0.25-20NC HEX ZN REG NY	
5	400667X1	2	CLIP-TWO TUBE COATED	
6	520827D1	-	HOSE-KIT,FRT AXLE,71	
11	521153D1	-	HOSE ASM,-6X144 FJS90S(2)	
12	521154D1	-	HOSE ASM,-6X121 8FJS/6FJS90S	
13	521155D1	-	HOSE ASM,-6X139 8FJS/6FJS90S	



520826D1-02-T044-02.TIF

HOSE-INSTALL,FRONT AXLE,71

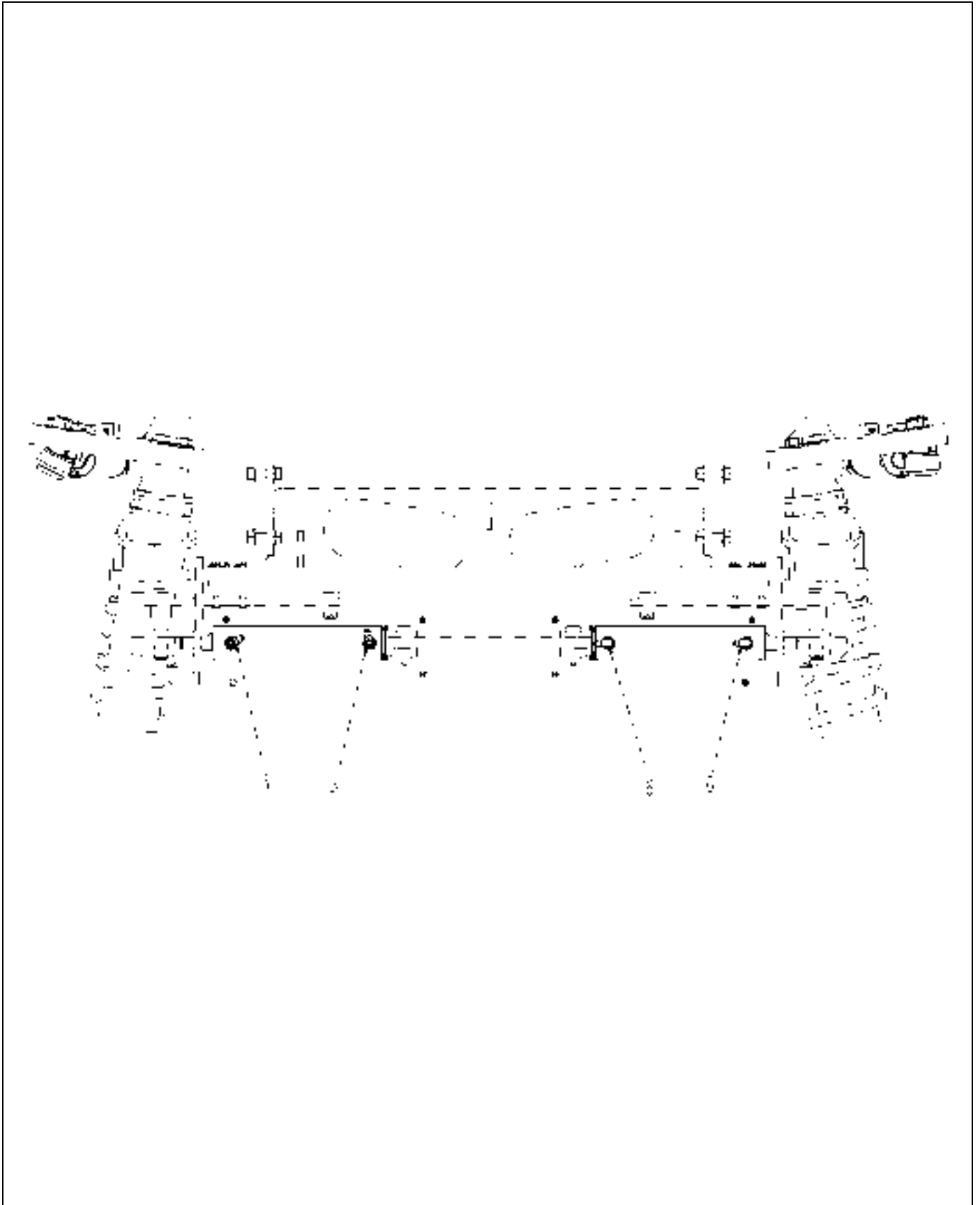
ITEM	PART #	QTY	DESCRIPTION	COMMENTS
7	521145D1	-	HOSE ASM,-4X203 6FJS(2)	
8	521146D1	-	HOSE ASM,-4X193 6FJS(2)	
9	521151D1	-	HOSE ASM,-4X19 FJS/6FJS90S	
10	521152D1	-	HOSE ASM,-4X39 FJS/6FJS90S	



520828D1-01-R549-01.TIF

CYLINDER-INSTALL,FRONT AXLE,71

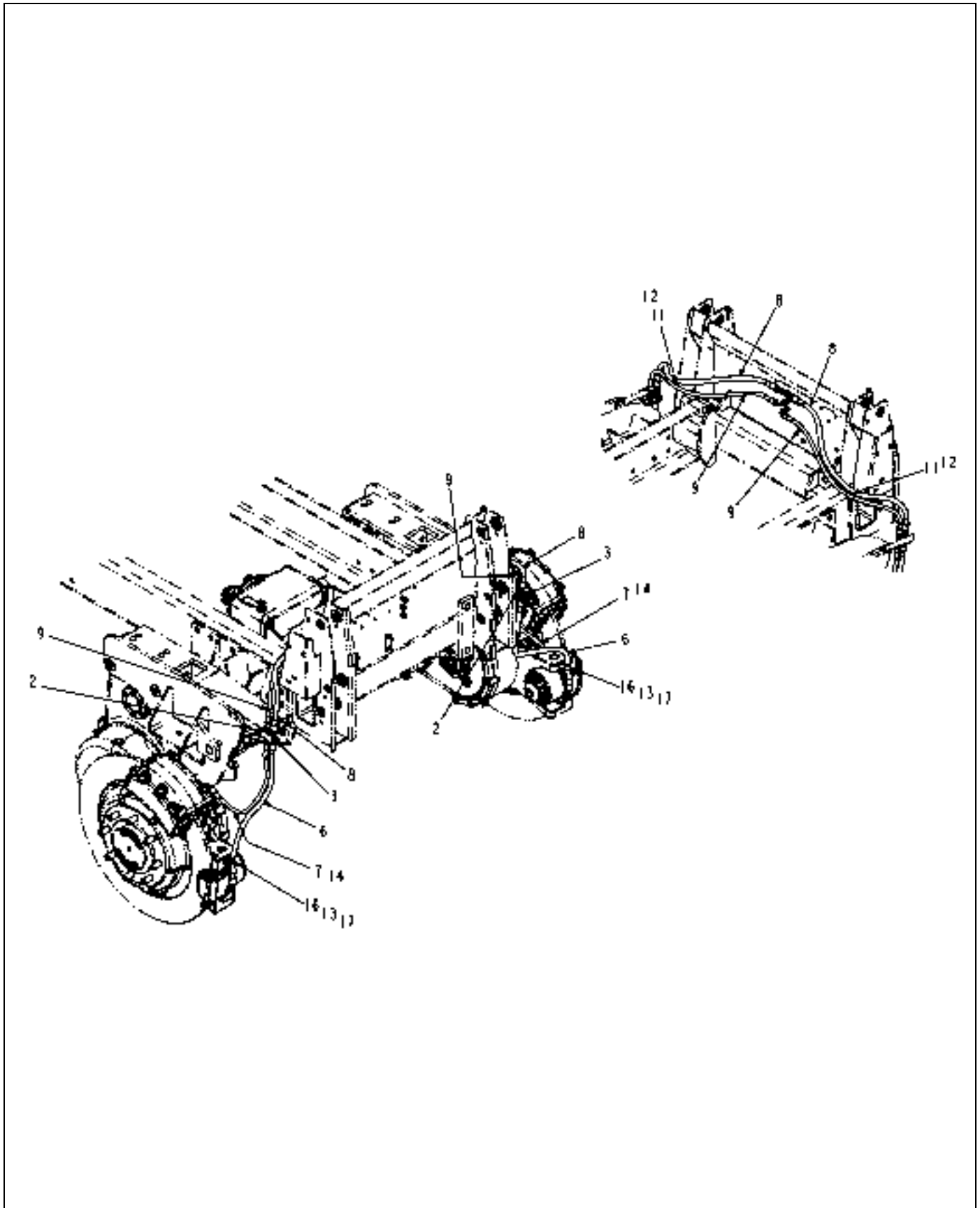
ITEM	PART #	QTY	DESCRIPTION	COMMENTS
1	WR128334	2	CYLINDER-HYD,TRACK ADJ,NARROW	SEE PAGE 6-2
2	AG515352	2	PIN COTTER 0.18X2.00 SS	
3	AG519123	2	TEE-RUN,STR THD -6	SEE PAGE 6-101
4	AG551856	2	WASHER 1.00 FL ZN SAE TYPE-A	
5	AG557838	4	PIN COTTER 0.12X2.00 ZN	
6	AG562354	2	ELBOW 90D 0.37MO-R X 0.25MJIC	[A]
7	AG602132	2	PIN CLEVIS 1.00X2.62 ZN	
8	515282D1	2	CYL-ASM,STEERING,7000	SEE PAGE 6-3
	FOOTNOTE [A]		AG713166 O-RING	



520828D1-01-R549-02.TIF

CYLINDER-INSTALL,FRONT AXLE,71

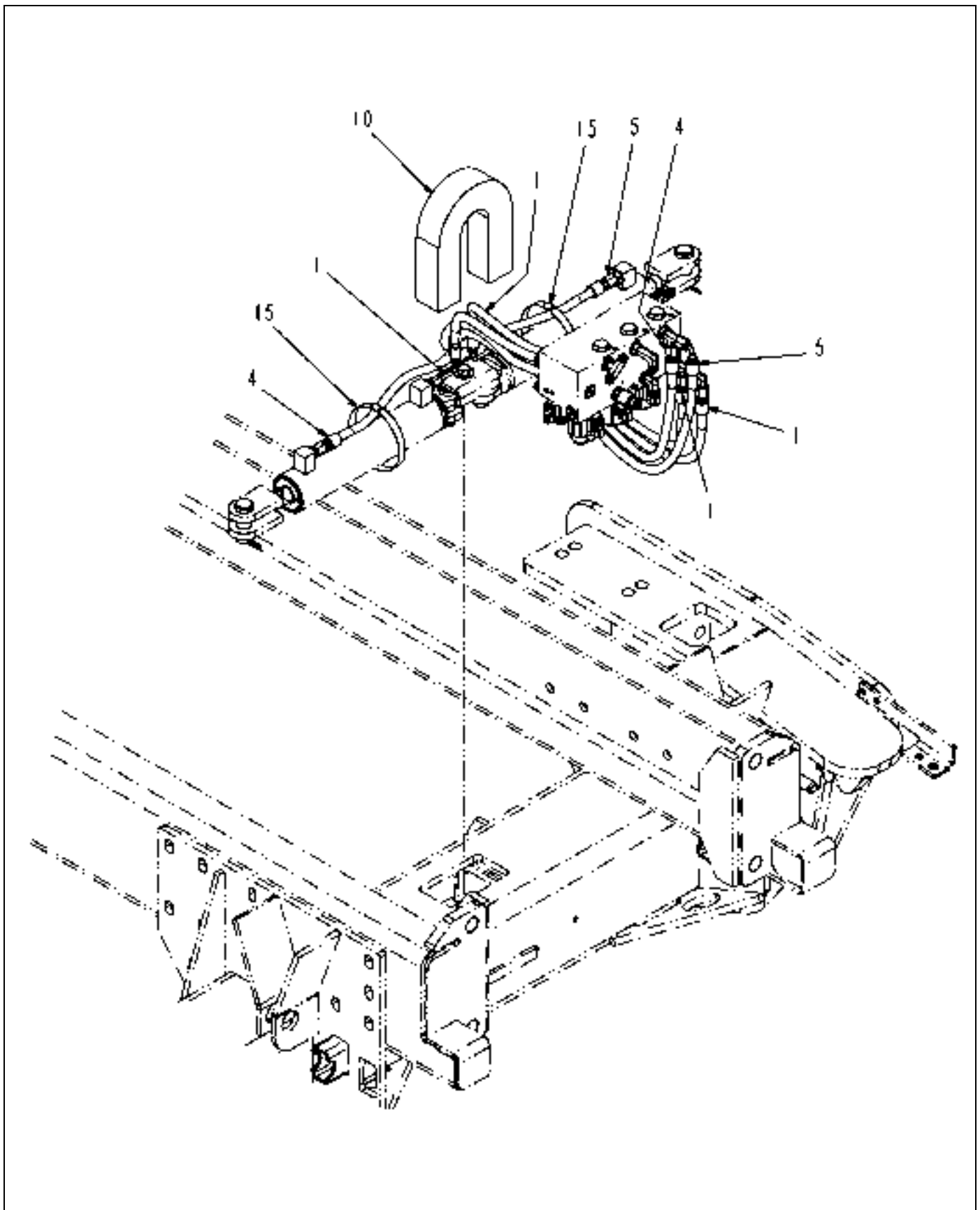
ITEM	PART #	QTY	DESCRIPTION	COMMENTS
3	AG519123	2	TEE-RUN,STR THD -6	SEE PAGE 6-101
6	AG562354	2	ELBOW 90D 0.37MO-R X 0.25MJIC	[A]
	FOOTNOTE [A]		AG713166 O-RING	



520824D1-02-T044-01.TIF

HOSE-INSTALL,REAR AXLE,71

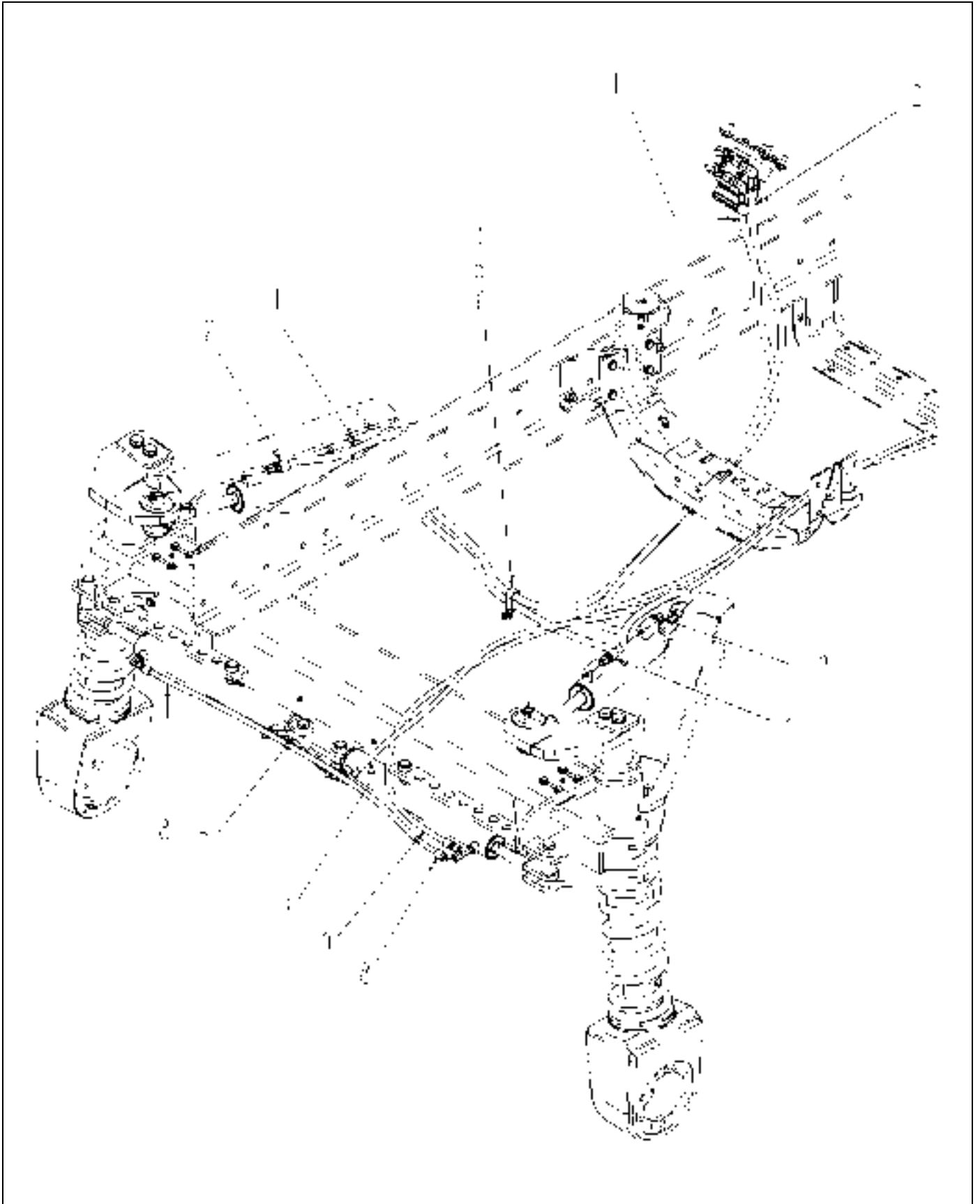
ITEM	PART #	QTY	DESCRIPTION	COMMENTS
2	WR129997	2	NUT-HEX,.438-20UN2B,ZINC	
3	WR129998	2	NUT-HEX,.563-18UN2B,ZINC	
6	AG132379	-	HOSE ASM-6X39.25 FJS/MJ (BH)	
7	AG132380	-	HOSE ASM-4X27.50 FJS/MJ (BH)	
8	AG132381	-	HOSE ASM-6X44.00 R1AT FJS/FJS	
9	AG132383	-	HOSE ASM-4X44 4FJS90/4FJS	
11	AG519861	AR	PROTECTOR HOSE 6.00 IN EPHA	
12	AG519862	AR	PROTECTOR HOSE 4 IN EPHA	
13	AG550671	2	WASHER 0.25 FL ZN SAE TYPE-A	
14	AG553557	AR	TIE CABLE 7.37 .06-1.37 BLACK	
16	AG562237	2	CLAMP CTD 0.75IDX0.75WIDE	
17	400152X1	2	BOLT-M6X1X16MM ZNDI HHD 10.9	
18	520823D1	-	HOSE-KIT,REAR AXLE,71	



520824D1-02-T044-02.TIF

HOSE-INSTALL,REAR AXLE,71

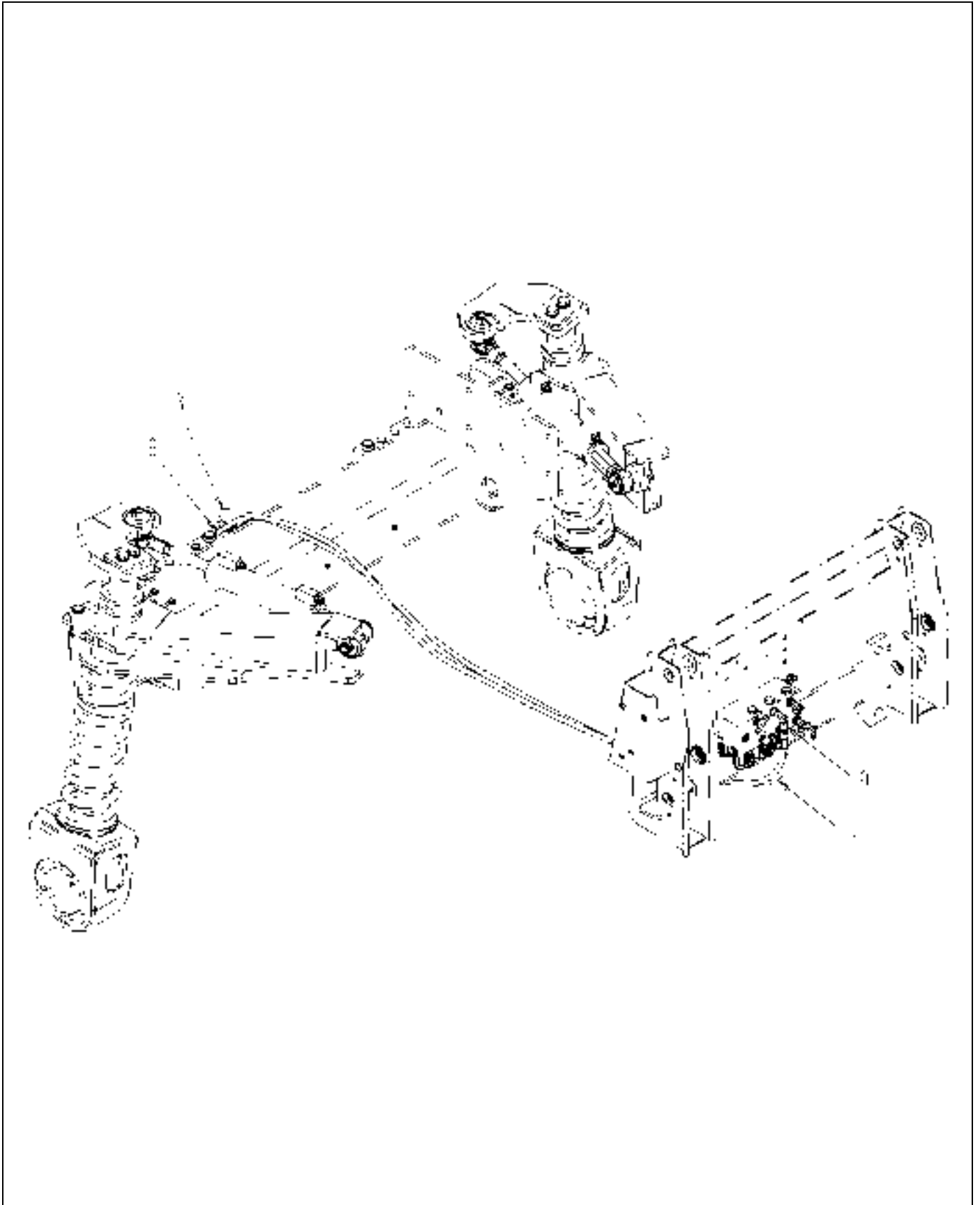
ITEM	PART #	QTY	DESCRIPTION	COMMENTS
1	WR128678	-	HOSE ASM -4X38.00 6FJS/4FJS90	
4	AG132366	-	HOSE ASM-4X52.00 6FJS/6FJS	
5	AG132367	-	HOSE ASM-4X52.00 6FJS/6FJS90	
10	WR134416	1	INSL-FOAM,2.00X2.00X14.00	[A]
15	AG561237	2	CLAMP 3.56-4.50 HOSE 64HS	
	FOOTNOTE [A]		REFRENCE S.B.#0631	



520815D1-02-R560-01.TIF

HOSE-INSTALL,FRONT AXLE,88

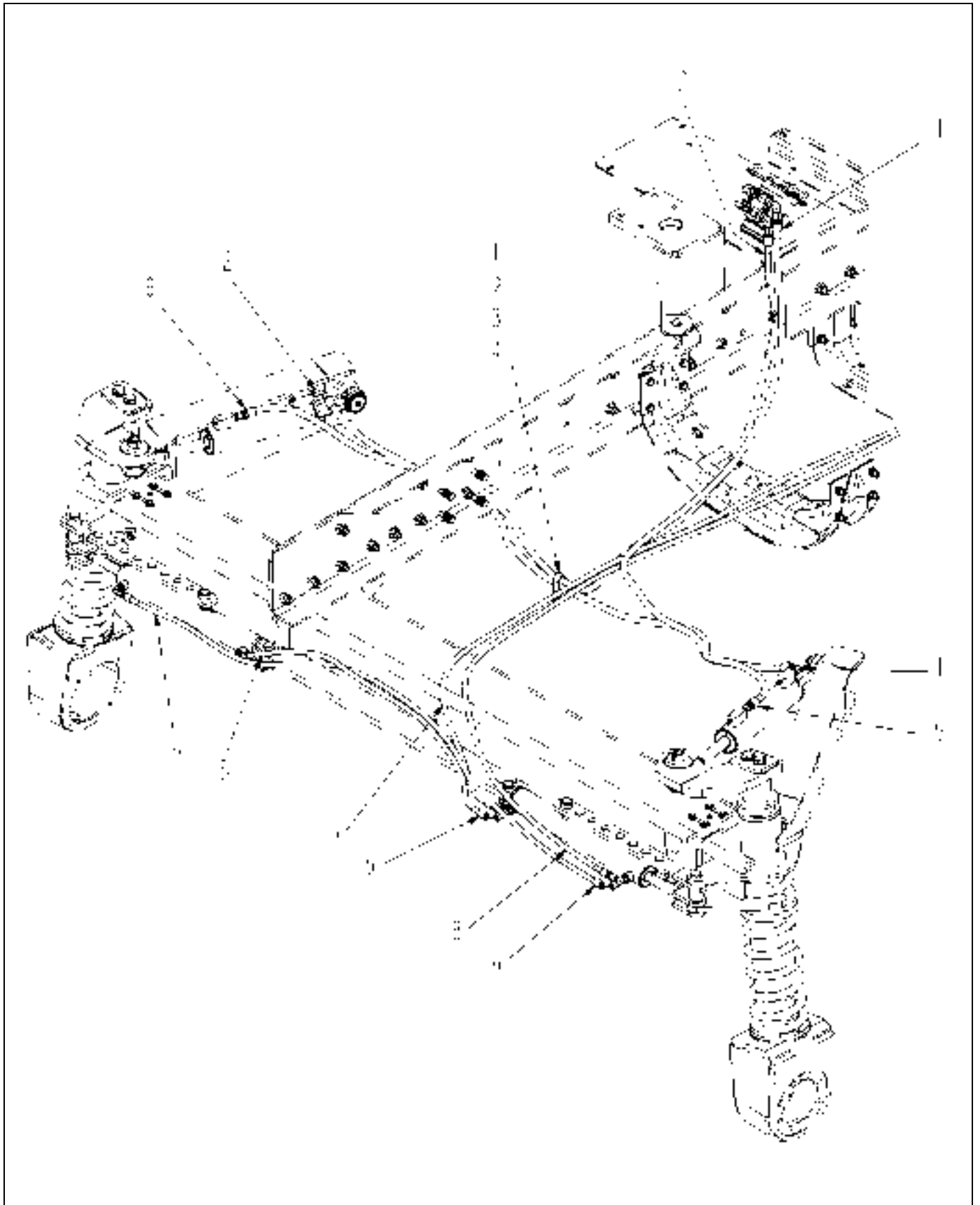
ITEM	PART #	QTY	DESCRIPTION	COMMENTS
1	WR55248	1	CLAMP-SUPPORT CUSHION DBL	
2	WR124852	-	HOSE ASM -6X114.00 FJS/FJS	
3	WR129209	-	HOSE ASM -4X205.00 6FJS/6FJS45	
4	AG550671	2	WASHER 0.25 FL ZN SAE TYPE-A	
5	AG550698	1	BOLT 0.25-20NCX 1.00 G5 ZN HHD	
6	AG604216	1	NUT 0.25-20NC HEX ZN REG NY	
7	520482D1	-	PLATE	
8	520493D1	-	HOSE ASM,-4X46 FJS/6FJS90	
9	520587D1	-	HOSE ASM,-4X225 6FJS(2)	
11	520887D1	-	HOSE ASM,-6X111 8FJS/FJS90S	
11	520816D1	-	HOSE-KIT,FRT AXLE,88	
12	520888D1	-	HOSE ASM,-6X84 8FJS/FJS90S	



520815D1-02-R560-02.TIF

HOSE-INSTALL,FRONT AXLE,88

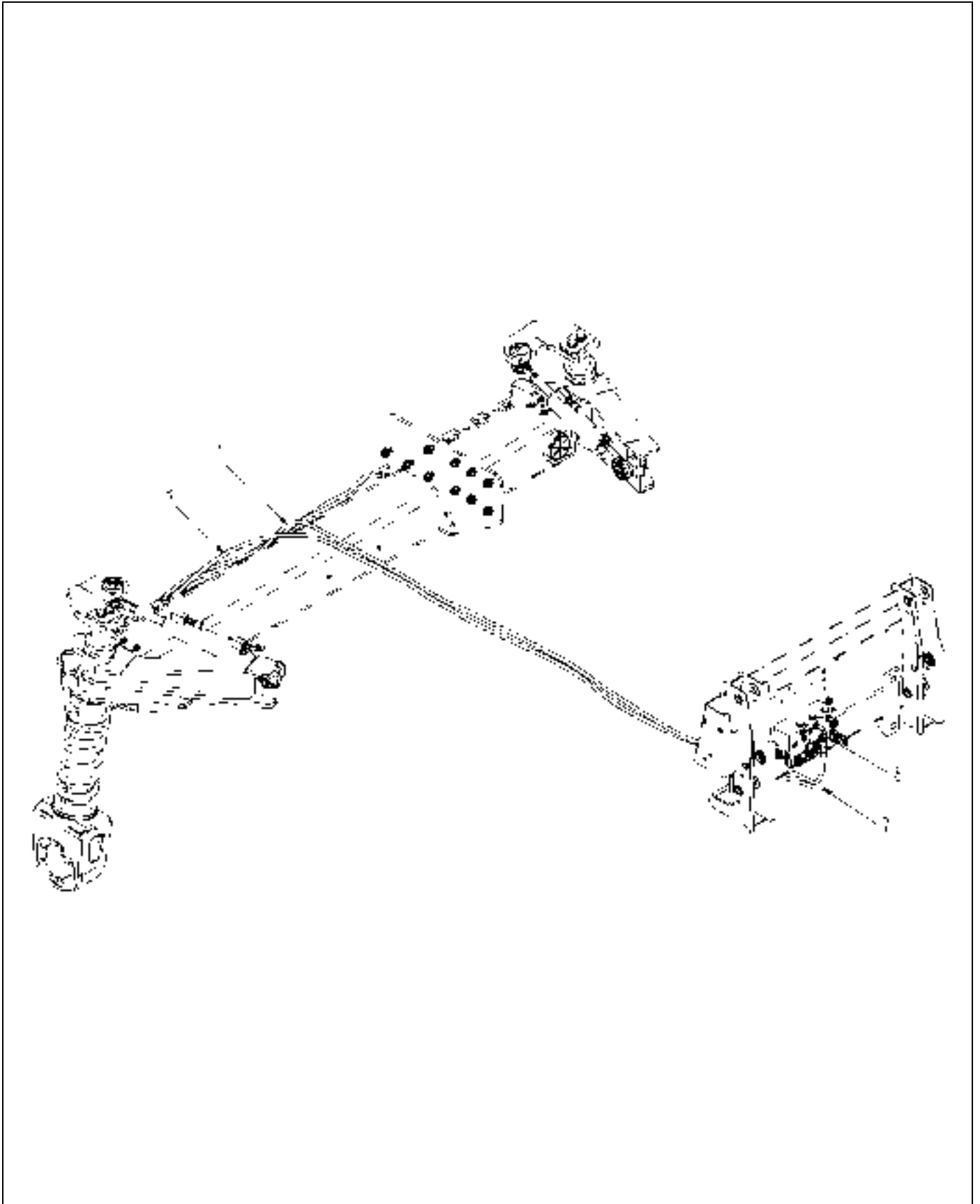
ITEM	PART #	QTY	DESCRIPTION	COMMENTS
3	WR129209	-	HOSE ASM -4X205.00 6FJS/6FJS45	
9	520587D1	-	HOSE ASM,-4X225 6FJS(2)	



520818D1-02-R560-01.TIF

HOSE-INSTALL,FRONT AXLE,120

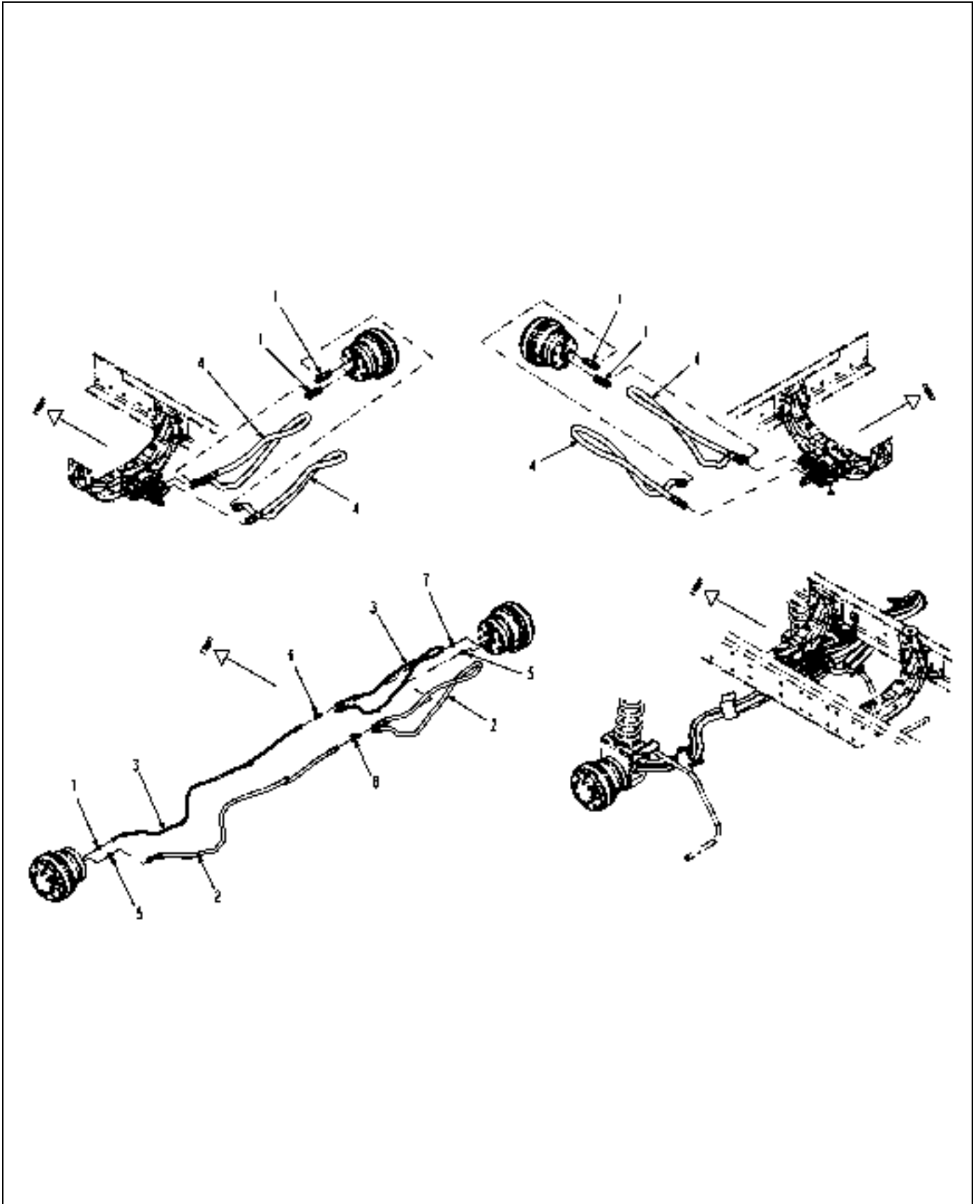
ITEM	PART #	QTY	DESCRIPTION	COMMENTS
1	WR55248	1	CLAMP-SUPPORT CUSHION DBL	
2	AG550671	2	WASHER 0.25 FL ZN SAE TYPE-A	
3	AG550698	1	BOLT 0.25-20NCX 1.00 G5 ZN HHD	
4	AG604216	1	NUT 0.25-20NC HEX ZN REG NY	
5	518354D1	-	HOSE ASM,-4X41 FJS/6FJS90	
6	518355D1	-	HOSE ASM,-4X76 FJS/6FJS90	
7	518356D1	-	HOSE ASM,-4X215 6FJS(2)	
8	518357D1	-	HOSE ASM,-4X234 6FJS(2)	
9	518359D1	-	HOSE ASM,-6X138 FJS(2)	
10	520819D1	-	HOSE-KIT,FRT AXLE,120	
11	520891D1	-	HOSE ASM,-6X96 8FJS/FJS90S	
12	520892D1	-	HOSE ASM,-6X123 8FJS/FJS90S	



520818D1-02-R560-02.TIF

HOSE-INSTALL,FRONT AXLE,120

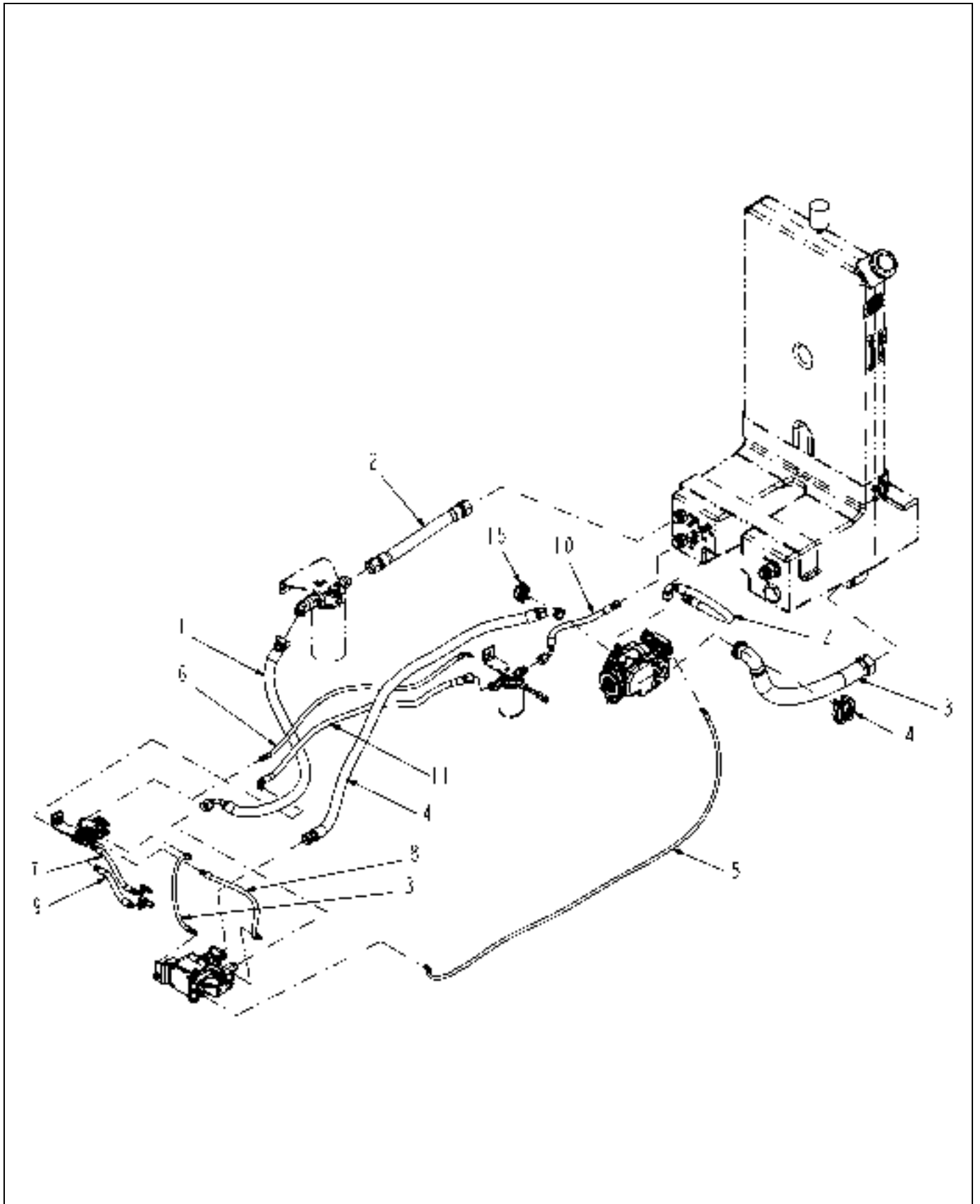
ITEM	PART #	QTY	DESCRIPTION	COMMENTS
7	518356D1	-	HOSE ASM,-4X215 6FJS(2)	
8	518357D1	-	HOSE ASM,-4X234 6FJS(2)	



521183D1-01-R549-.TIF

WHEEL MOTOR,HOSE INSTALL,71

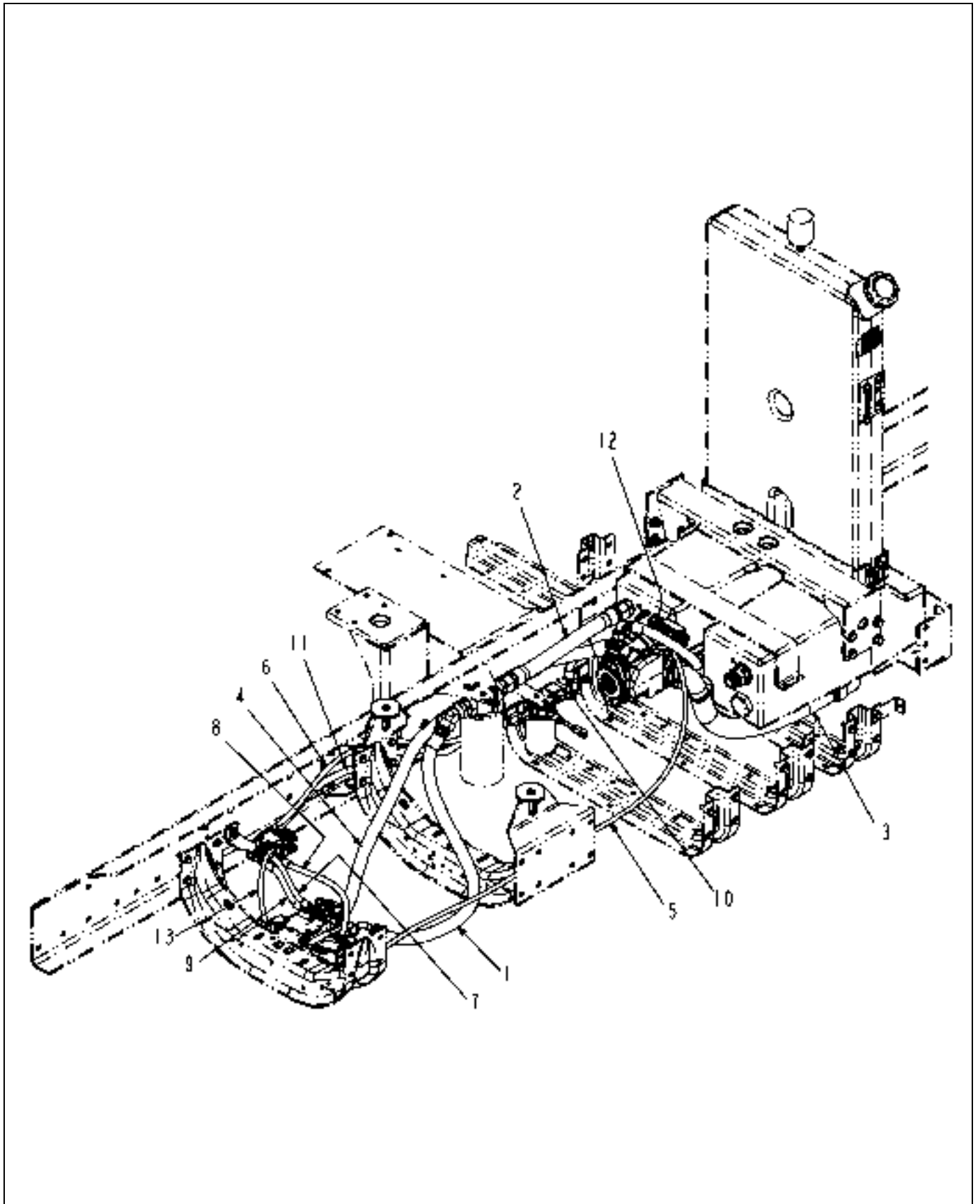
ITEM	PART #	QTY	DESCRIPTION	COMMENTS
1	WR128767	4	ADAPTER-12ORFS X -12MOR 90DEG	[A]
2	AG132360	-	HOSE ASM-8X79.00 FJS/FJS90	
3	AG132361	-	HOSE ASM-4X81.00 6FJS/FJS90L	
4	AG132362	-	HOSE ASM-12X75.50 FORFS/FORFS	
5	AG551139	2	ADAP STR 0.50MO-R X 0.50 MJIC	SEE PAGE 6-102
6	AG553514	1	TEE 0.37 MJIC (3)	
7	AG561360	2	ADAP STR -4MBX-4MJ	[B]
8	AG562346	1	TEE -8MJ	
9	521184D1	-	KIT-HOSE,FWA,71	
	FOOTNOTE [A]		REPLACEMENT O-RING USE AG714806.	
	FOOTNOTE [B]		AG520428 O-RING	



521185D1-01-R549-01.TIF

FWA,HOSE INSTALL,71

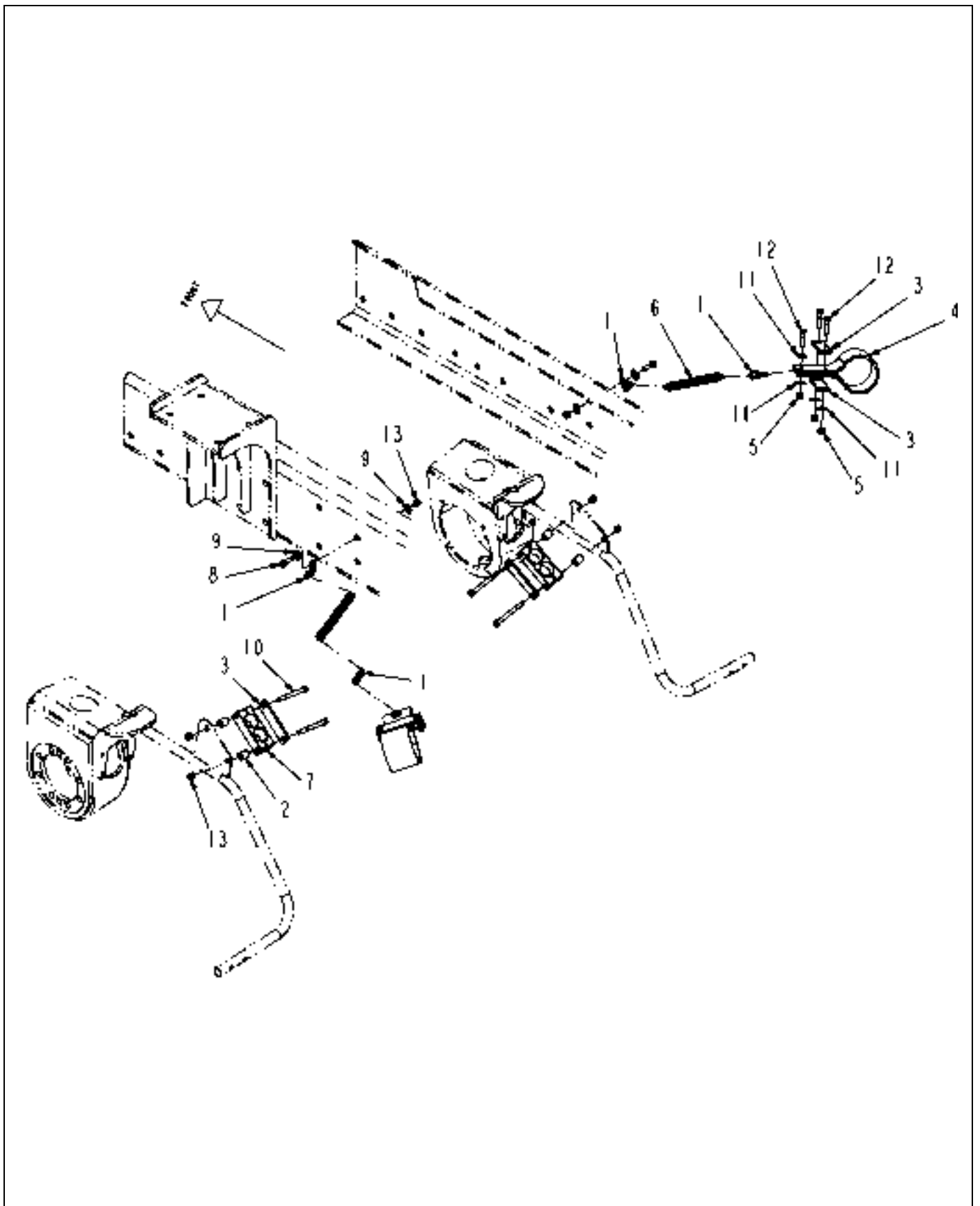
ITEM	PART #	QTY	DESCRIPTION	COMMENTS
1	WR128759	-	HOSE ASM-16X48.00 20FJS/FJS45	
2	WR128760	-	HOSE ASM -20X20.00 FJS/FJS	
3	WR128904	-	HOSE ASM -32X30.00 FJS/FJS90	
4	WR129215	-	HOSE ASM -16X66.00 FORFS/FL45	
5	WR129222	-	HOSE ASM -4X88.00 FJS/FJS45	
6	WR129223	-	HOSE ASM -4X46.00 FJS/FJS90	
7	WR129228	-	HOSE ASM -6X11.50 FJS/FJS90	
8	WR129229	-	HOSE ASM -6X17.00 FJS/4FJS90	
9	WR129233	-	HOSE ASM -8X11.50 6FJS/FJS90	
10	WR129234	-	HOSE ASM -8X18.00 FJS/12FJS90	
11	WR129282	-	HOSE ASM -8X48.00 12FJS/6FJS90	
12	AG220648	1	HOSE ASM -12X29.00 FJS/FJS90	
13	AG240932	1	HOSE ASM -4 20.00 R1AT	
14	AG519527	1	FLANGE SPLIT KIT CODE 61-32	
15	AG561044	1	KIT 1.00 SPLIT FLANGE	
16	521184D1	-	KIT-HOSE,FWA,71	



521185D1-01-R549-02.TIF

FWA,HOSE INSTALL,71

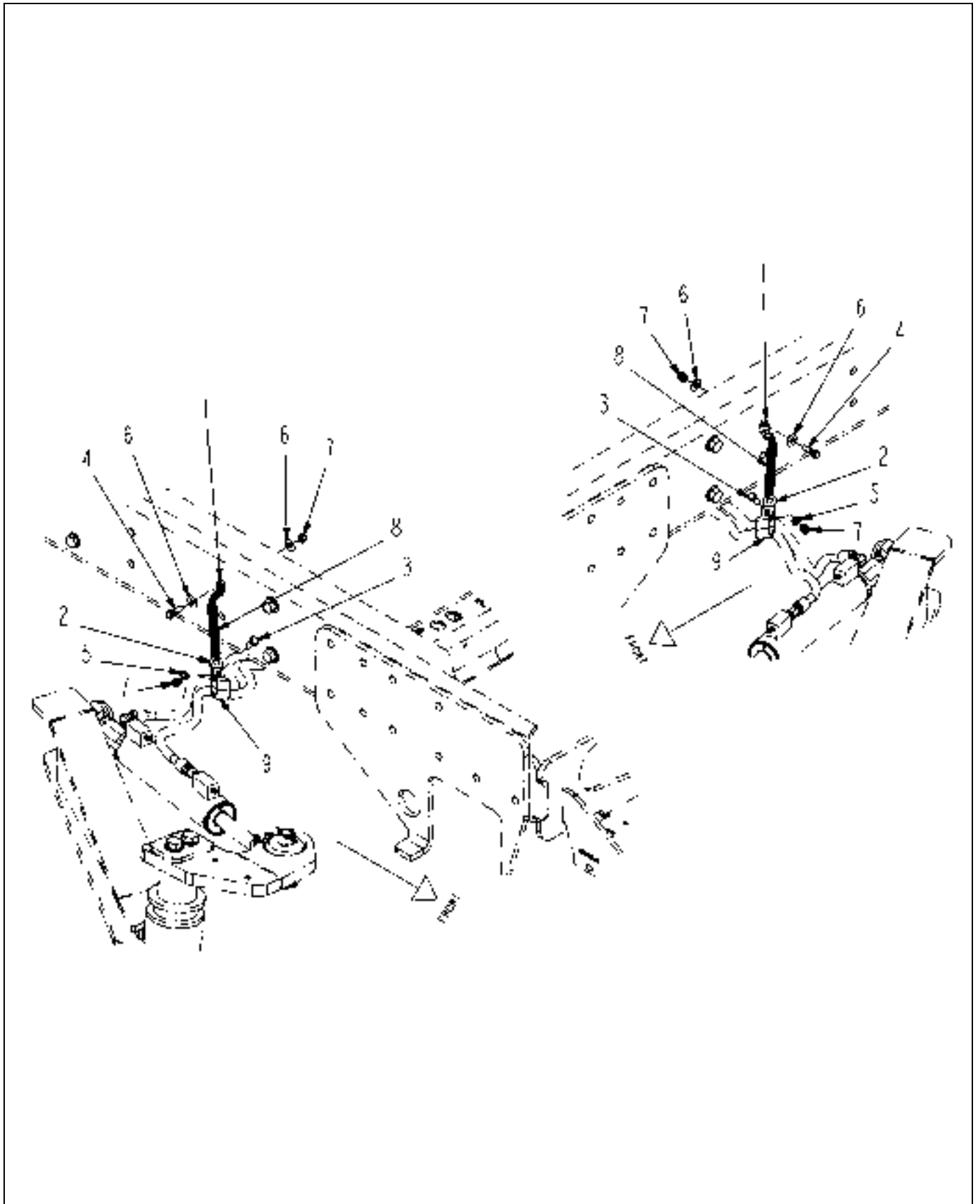
ITEM	PART #	QTY	DESCRIPTION	COMMENTS
1	WR128759	-	HOSE ASM-16X48.00 20FJS/FJS45	
2	WR128760	-	HOSE ASM -20X20.00 FJS/FJS	
3	WR128904	-	HOSE ASM -32X30.00 FJS/FJS90	
4	WR129215	-	HOSE ASM -16X66.00 FORFS/FL45	
5	WR129222	-	HOSE ASM -4X88.00 FJS/FJS45	
6	WR129223	-	HOSE ASM -4X46.00 FJS/FJS90	
7	WR129228	-	HOSE ASM -6X11.50 FJS/FJS90	
8	WR129229	-	HOSE ASM -6X17.00 FJS/4FJS90	
9	WR129233	-	HOSE ASM -8X11.50 6FJS/FJS90	
10	WR129234	-	HOSE ASM -8X18.00 FJS/12FJS90	
11	WR129282	-	HOSE ASM -8X48.00 12FJS/6FJS90	
12	AG220648	1	HOSE ASM -12X29.00 FJS/FJS90	
13	AG240932	1	HOSE ASM -4 20.00 R1AT	



521182D1-01-R549-.TIF

HOSE SUPPORT INSTALL,71

ITEM	PART #	QTY	DESCRIPTION	COMMENTS
1	AG114698	4	CHAIN HOLD-UP (2 LINKS)	
2	AG231952	4	TUBE	
3	AG237961	6	PLATE-COVER	
4	AG238315	2	STRAP-HOSE HANGER	
5	AG515140	6	NUT 0.37-16NC HEX SS HVY NY	
6	AG517097	2	SPRING COIL EXTENSION	
7	AG521587	2	CLAMP-TWIN,1.50,POLY	
8	AG550515	2	BOLT 0.37-16NCX 1.25 G5 ZN HHD	
9	AG551007	4	WASHER 0.37 FL ZN REG TYPE-B	
10	AG555126	4	BOLT 0.37-16NCX 3.75 G5 ZN HHD	
11	AG562073	8	WASHER 0.37 FL SS R/B 523061	
12	AG562159	6	BOLT 0.37-16NCX 1.50 SS HHD	
13	AG601411	6	NUT 0.37-16NC HEX ZN REG NY	



521763D1-01-R641-.TIF

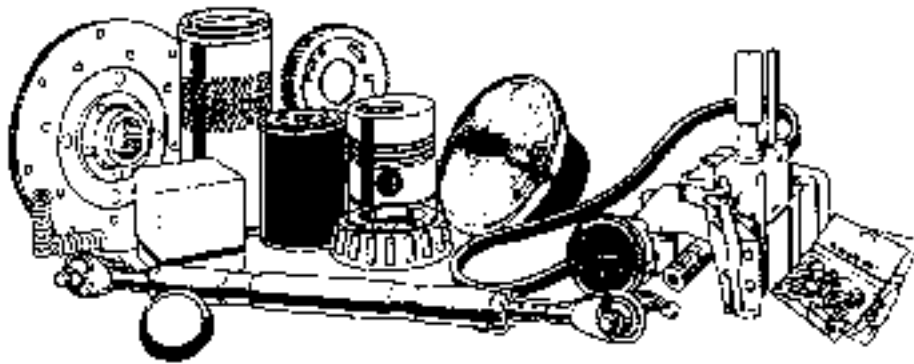
HOSE-SUPPORT,STEERING

ITEM	PART #	QTY	DESCRIPTION	COMMENTS
1	AG114698	2	CHAIN HOLD-UP (2 LINKS)	
2	AG263132	2	WASHER-DOUBLE HOLE,.50	
3	AG550175	2	BOLT 0.37-16NCX 1.00 G5 ZN HHD	
4	AG550515	2	BOLT 0.37-16NCX 1.25 G5 ZN HHD	
5	AG550981	2	WASHER 0.37 FL ZN NAR TYPE-B	
6	AG551007	4	WASHER 0.37 FL ZN REG TYPE-B	
7	AG601411	4	NUT 0.37-16NC HEX ZN REG NY	
8	521617D1	2	SPRING-EXTENSION,.63X5.5	
9	CH100-4336	2	CLIP-LOOP 10.3 DBL	

VALVE-HYD,BOOM LIFT/TRACK ADJUST,3 BANK

ITEM	PART #	QTY	DESCRIPTION	COMMENTS
REF	AG712150	-	VALVE CARTRIDGE 4WAY	
REF	6662881	-	ORIFICE-BOOM LIFT	
REF	AG609465	-	HYDRAFORCE N D VALVE	
REF	AG726854	-	NUT/PULL COIL E-SERIES	
REF	AG716811	-	KIT-ORING,ND VALVE(609465)	
REF	AG715207	-	SEAL KIT	
REF	WR26528	-	VALVE-CHECK,CV08200N25	SEE PAGE 6-88
REF	AG121483	-	COIL-E,12VDC DEUTCH W/DIODE,08	
REF	WR41967	-	PISTON-DBL PILOT, 4:1,	
REF	WR38762	-	VALVE-CARTRIDGE,RELIEF-08	
REF	WR128405	-	NUT-PUSH,E-SERIES,#8	
REF	AG121485	-	SPACER-E COIL,10	
REF	AG121484	-	COIL-E,12VDC DEUTCH W/DIODE,10	

**Please refer to the
Bill Of Material
on the opposite page
for related Installations,
Assemblies, or Parts**

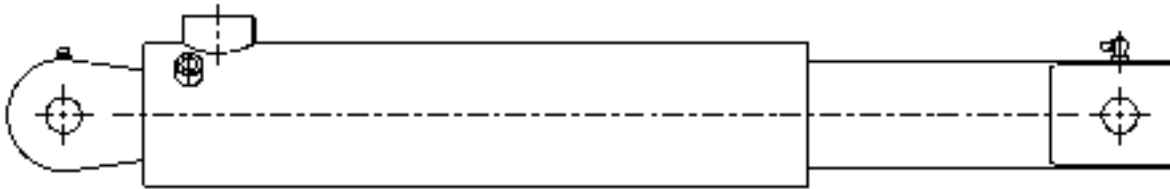


26528.TIF

VALVE-CHECK,CV08200N25

ITEM	PART #	QTY	DESCRIPTION	COMMENTS
REF	WR27671	1	SEAL KIT-HYDRA FRC,	

CYLINDER-SINGLE ACT,3 X 12.00 IN

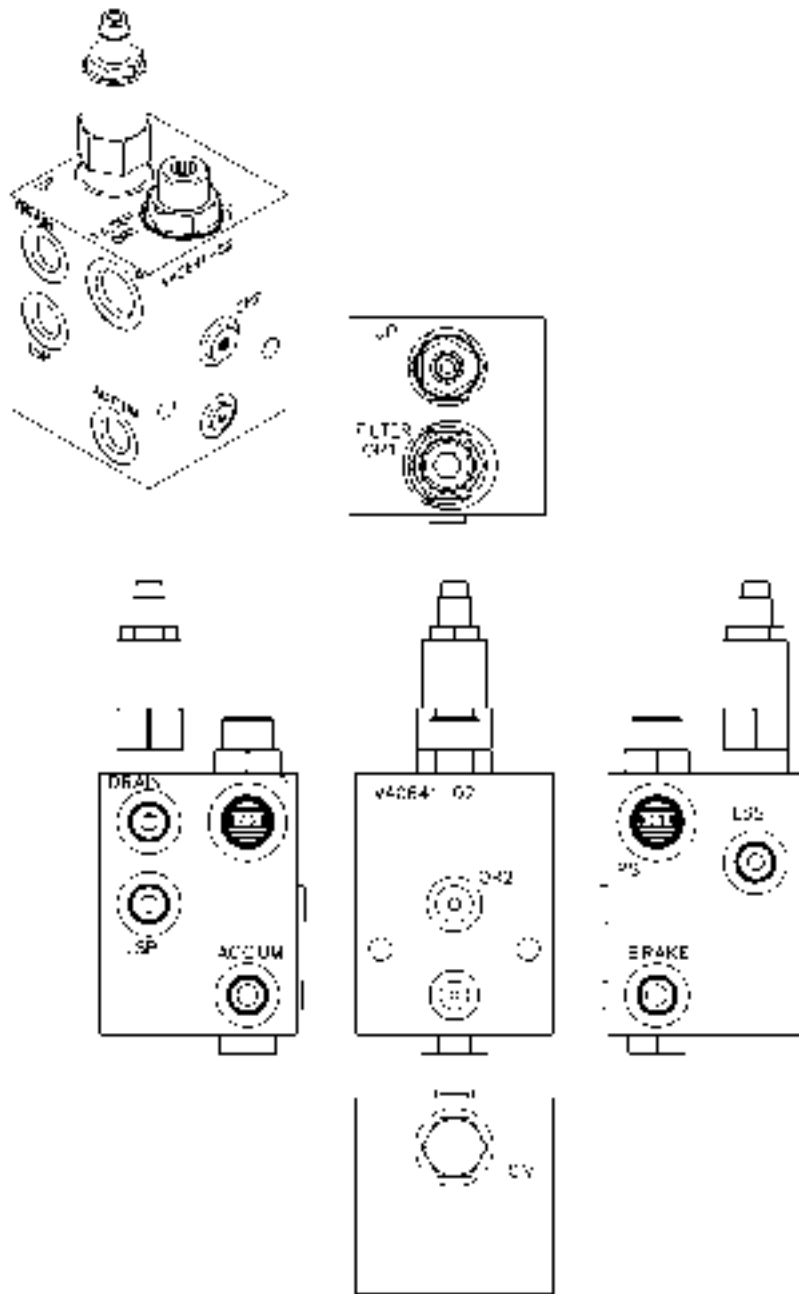


509945D1-02-R503-.TIF

CYLINDER-SINGLE ACT,3 X 12.00 IN

ITEM	PART #	QTY	DESCRIPTION	COMMENTS
REF	517063D1	1	SEAL-KIT, CYLINDER	

VALVE-BRAKE CHARGE



LIST OF MATERIALS

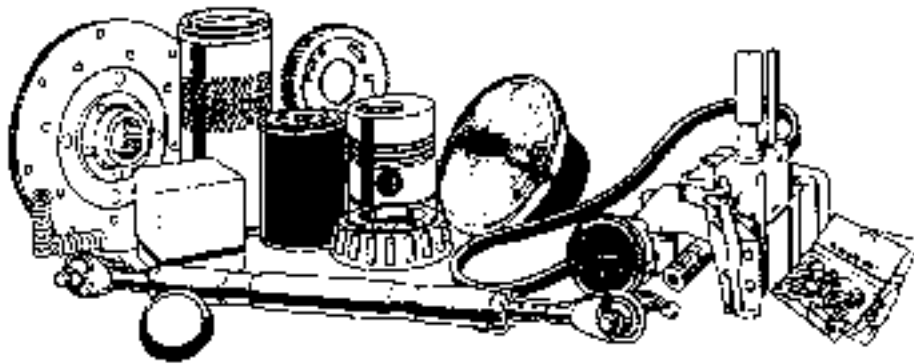
QTY	UNIT	PART NUMBER	DESCRIPTION	REPLACEABLE
1		24126	SOFT SEAL CONICAL VALVE	NO
1		51121	1/4" O.D. X 1/2" L. O-RING	NO
1		41 111	VALVE BODY	NO
1		41 121	VALVE BODY GASKET	NO
1		41 131	VALVE BODY GASKET	NO
1		41 141	VALVE BODY GASKET	NO
1		41 151	VALVE BODY GASKET	NO
1		41 161	VALVE BODY GASKET	NO

122664.TIF

VALVE-BRAKE CHARGE

ITEM	PART #	QTY	DESCRIPTION	COMMENTS
REF	WR131725	1	UNLOADER, PILOT #10	SEE PAGE 6-93
REF	WR131724	1	RETAINER, FILTER	SEE PAGE 6-92
REF	WR131726	-	KIT, SEAL	
REF	WR131728	-	KIT, SEAL	
REF	WR131727	-	KIT, SEAL	
REF	WR131720	1	BODY, VALVE	
REF	WR38768	1	VALVE-CARTRIDGE,CHECK-08	SEE PAGE 6-91
REF	WR131721	1	ORIFICE, PLUG	
REF	WR131723	1	WASHER	
REF	WR131722	1	FILTER, 50 MICRON	

**Please refer to the
Bill Of Material
on the opposite page
for related Installations,
Assemblies, or Parts**

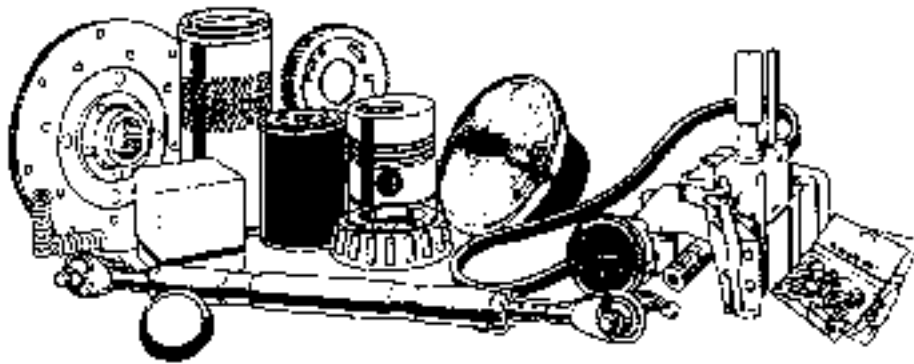


WR38768.tif

VALVE-CARTRIDGE,CHECK-08 (4 PSI)

ITEM	PART #	QTY	DESCRIPTION	COMMENTS
REF	WR131728	1	KIT, SEAL	

**Please refer to the
Bill Of Material
on the opposite page
for related Installations,
Assemblies, or Parts**

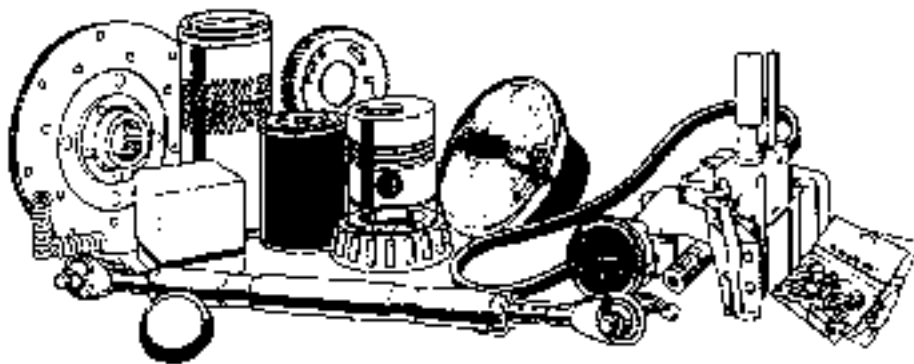


131724.tif

RETAINER, FILTER

ITEM	PART #	QTY	DESCRIPTION	COMMENTS
REF	WR131726	1	KIT, SEAL	

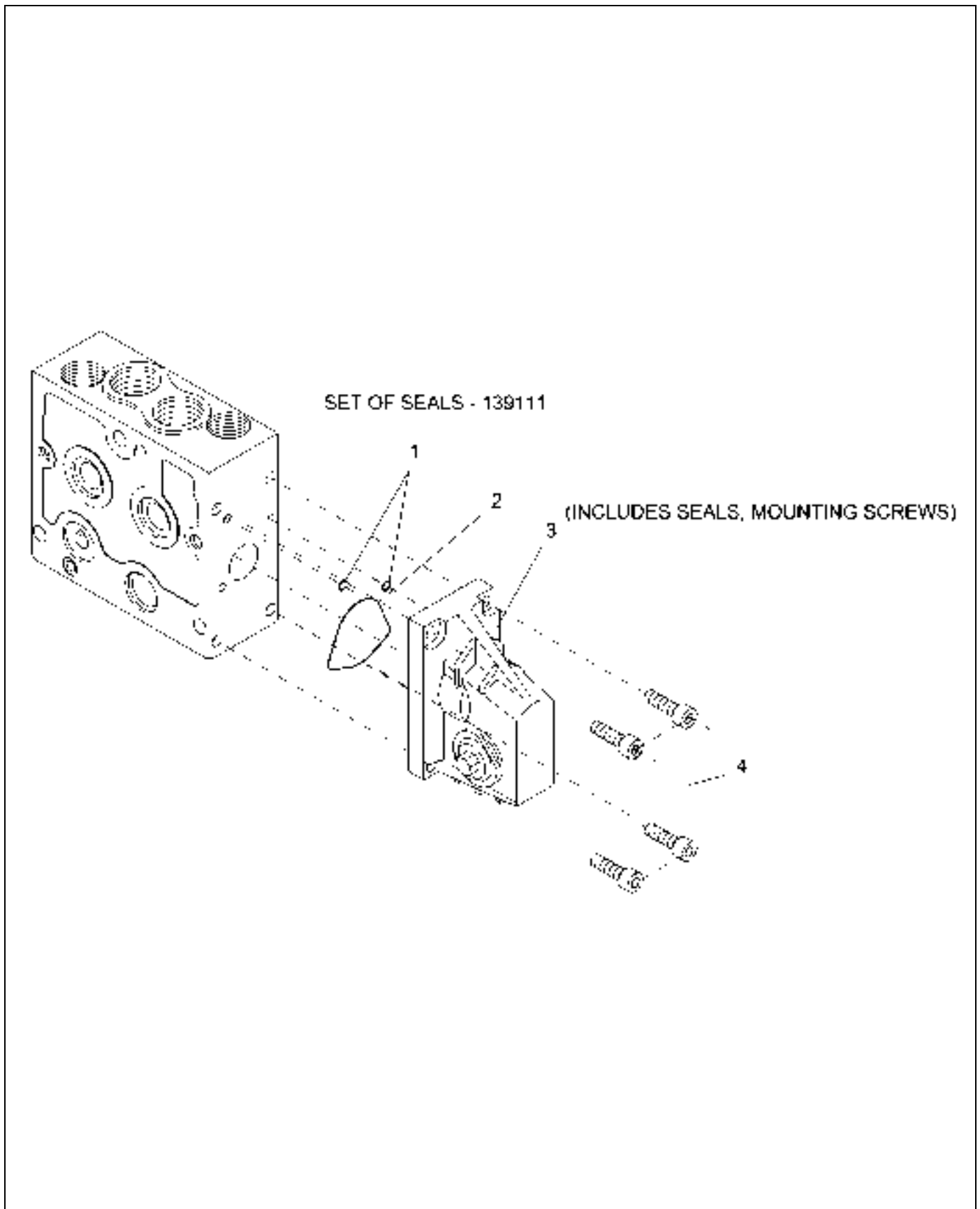
**Please refer to the
Bill Of Material
on the opposite page
for related Installations,
Assemblies, or Parts**



131725.tif

UNLOADER, PILOT #10

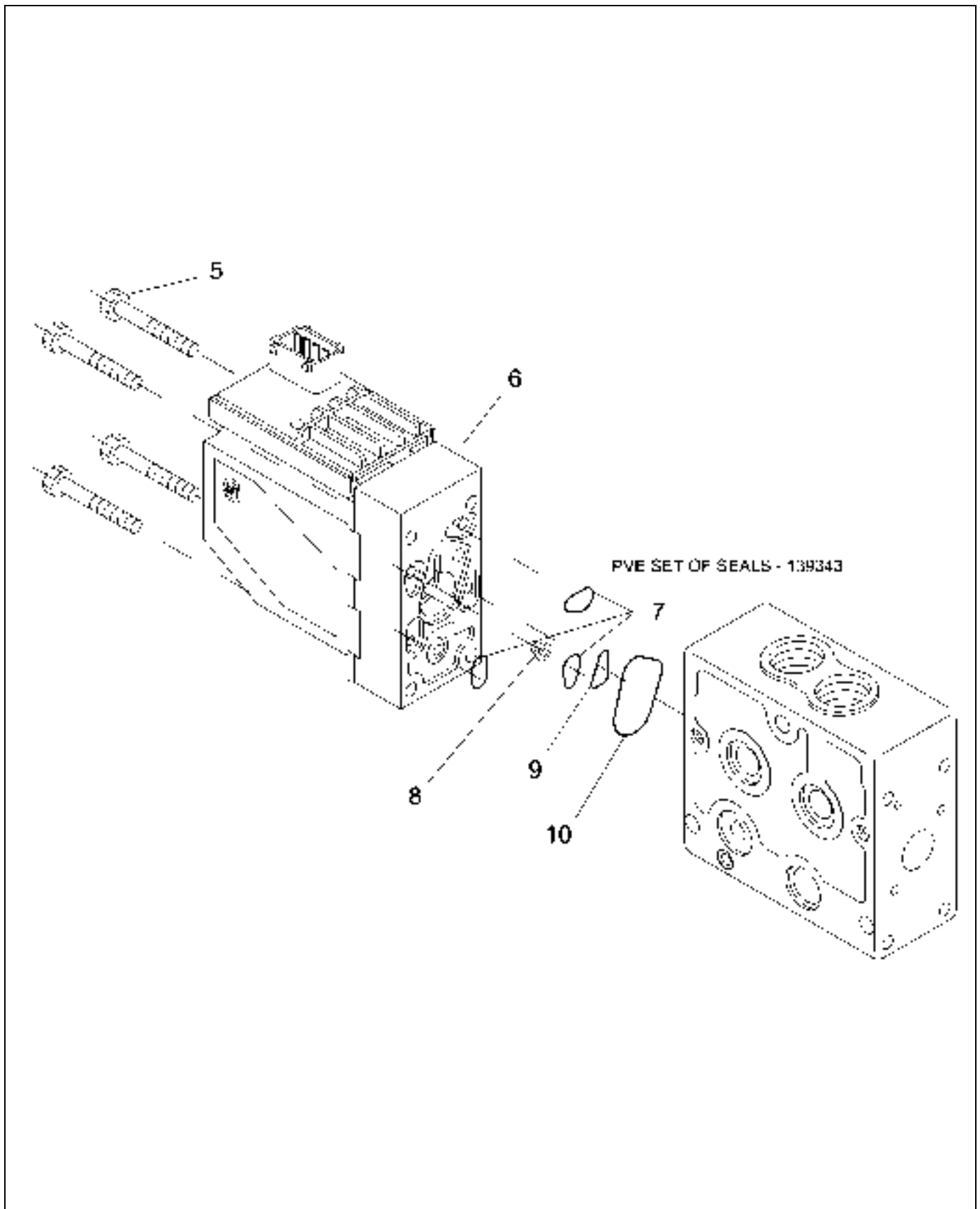
ITEM	PART #	QTY	DESCRIPTION	COMMENTS
REF	WR131727	1	KIT, SEAL	



123748-1.TIF

VALVE-CONTROL,F.W.A. S/D

ITEM	PART #	QTY	DESCRIPTION	COMMENTS
REF	WR139111	1	SEAL KIT	
REF	WR139343	1	SEAL/KIT	
REF	WR139348	1	TOOL/ADJUSTMENT	
1	WR139110	6	O-RING	
2	WR139112	1	SEAL	
3	WR139113	1	ACTIVATOR/MECHANICAL	
4	WR139114	1	BOLTS/MOUNTING	
	FOOTNOTE		ITEMS 19 - 24 CANNOT BE PURCHASED INDIVIDUALLY BUT ARE INCLUDED WITH ITEM 18.	

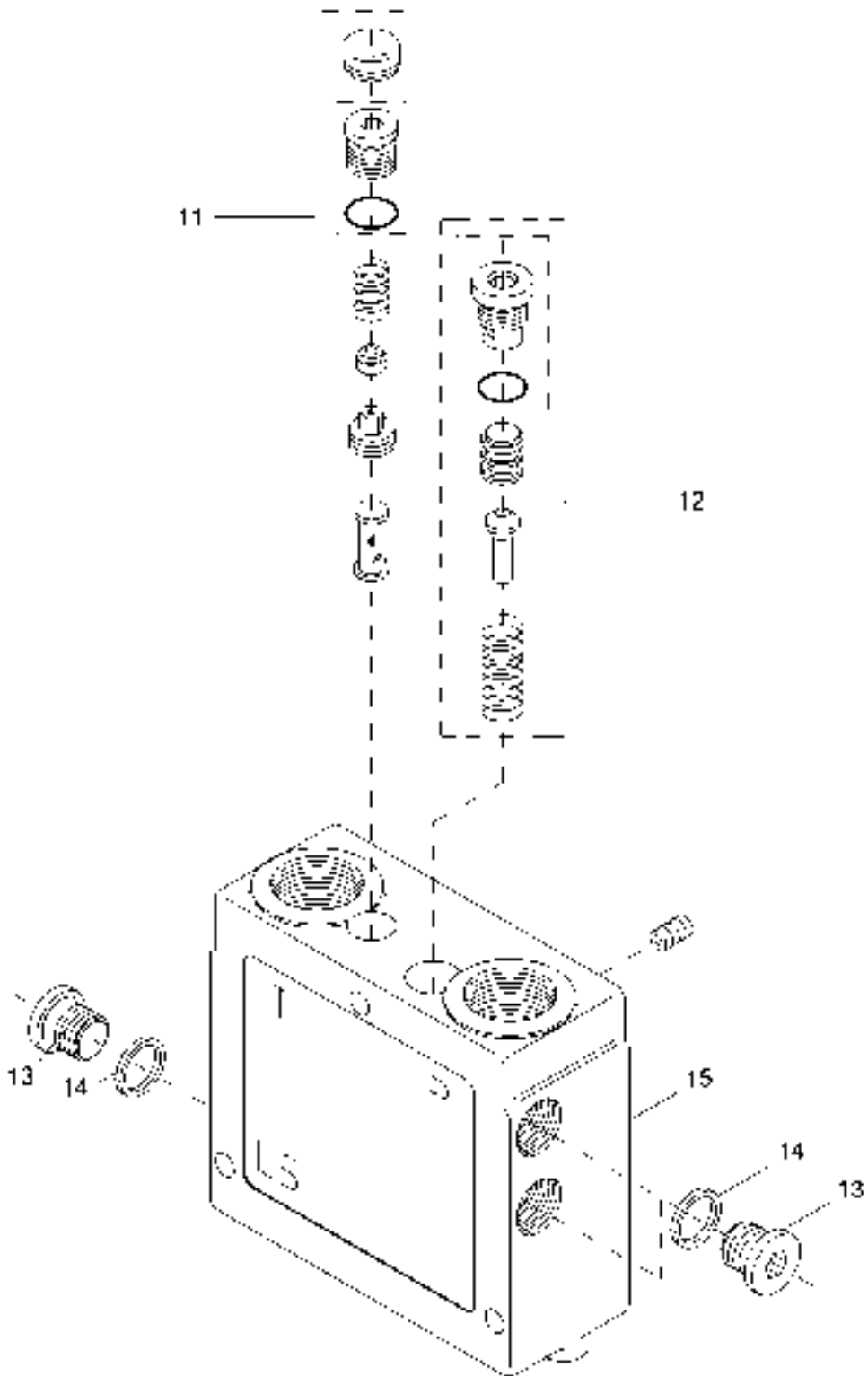


123748-2.TIF

VALVE-CONTROL,F.W.A. S/D

ITEM	PART #	QTY	DESCRIPTION	COMMENTS
5	WR139115	4	BOLTS/MOUNTING	
6	WR139342	1	ACTIVATOR/ELECTRICAL	
7	WR139344	4	SEAL	
8	WR139345	1	FILTER/LAST CHANCE	
9	WR139346	1	SEAL	
10	WR139347	1	SEAL	
	FOOTNOTE		ITEMS 19 - 24 CANNOT BE PURCHASED INDIVIDUALLY BUT ARE INCLUDED WITH ITEM 18.	

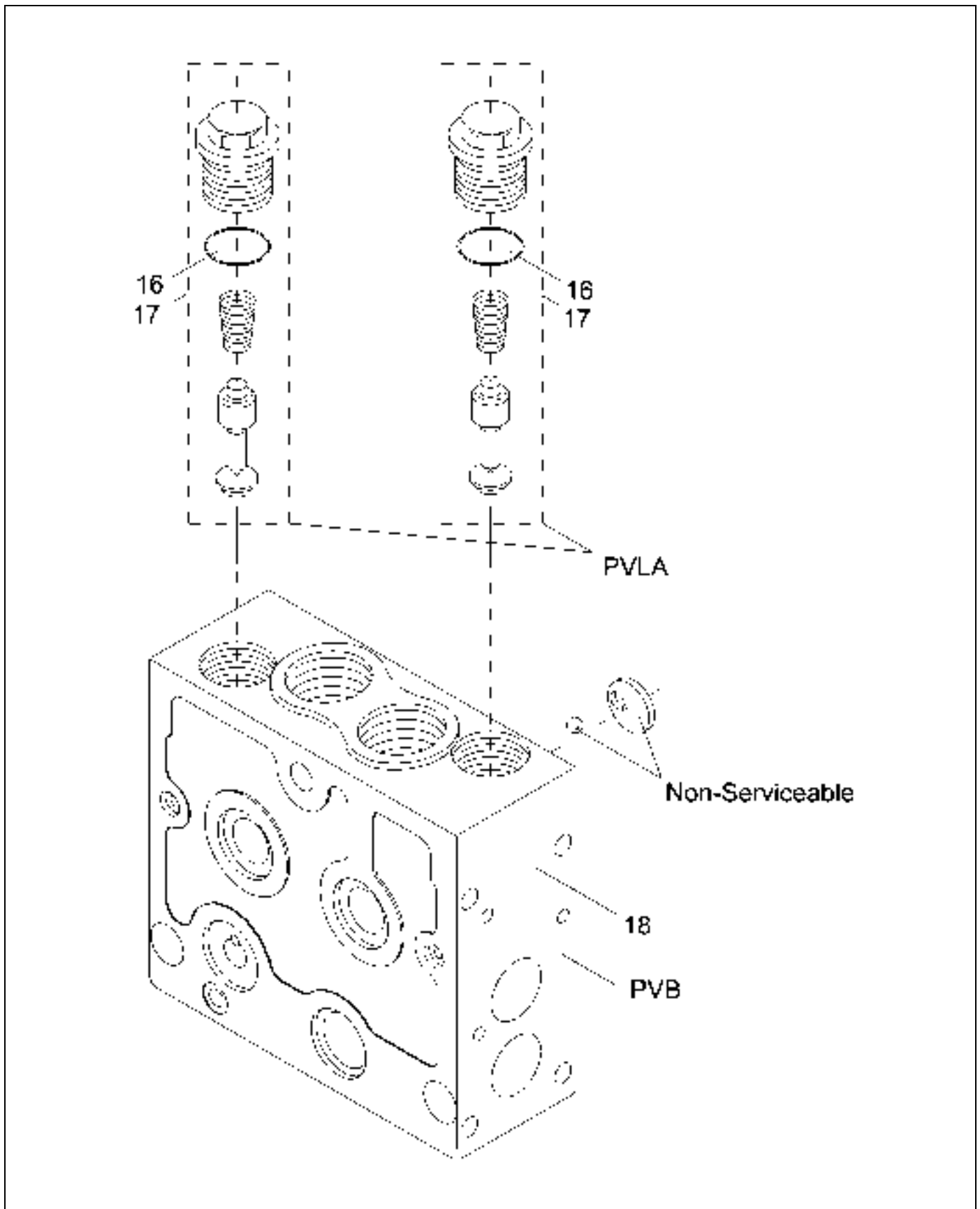
NOTE: ITEM 11 REQUIRES ADJUSTMNET TOOL 139348



123748-3.TIF

VALVE-CONTROL,F.W.A. S/D

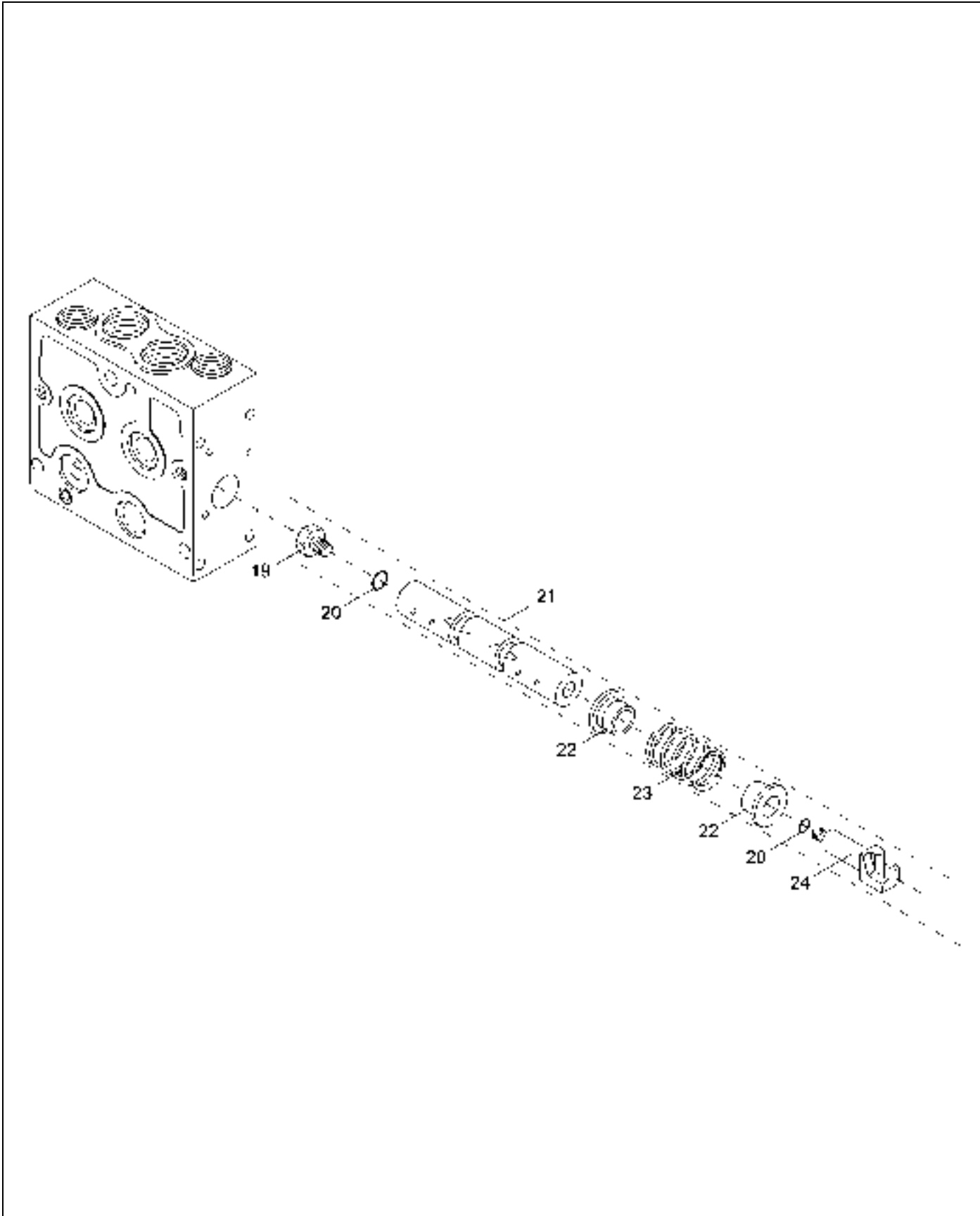
ITEM	PART #	QTY	DESCRIPTION	COMMENTS
11	WR139366	1	VALVE/RELIEF	
12	WR139349	1	VALVE/PILOT SUPPLY	
13	WR139350	2	PLUG	
14	WR139351	2	SEAL	
15	WR139355	1	HOUSING/PROPORTIONAL VALVE	
	FOOTNOTE		ITEMS 19 - 24 CANNOT BE PURCHASED INDIVIDUALLY BUT ARE INCLUDED WITH ITEM 18.	



123748-4.TIF

VALVE-CONTROL,F.W.A. S/D

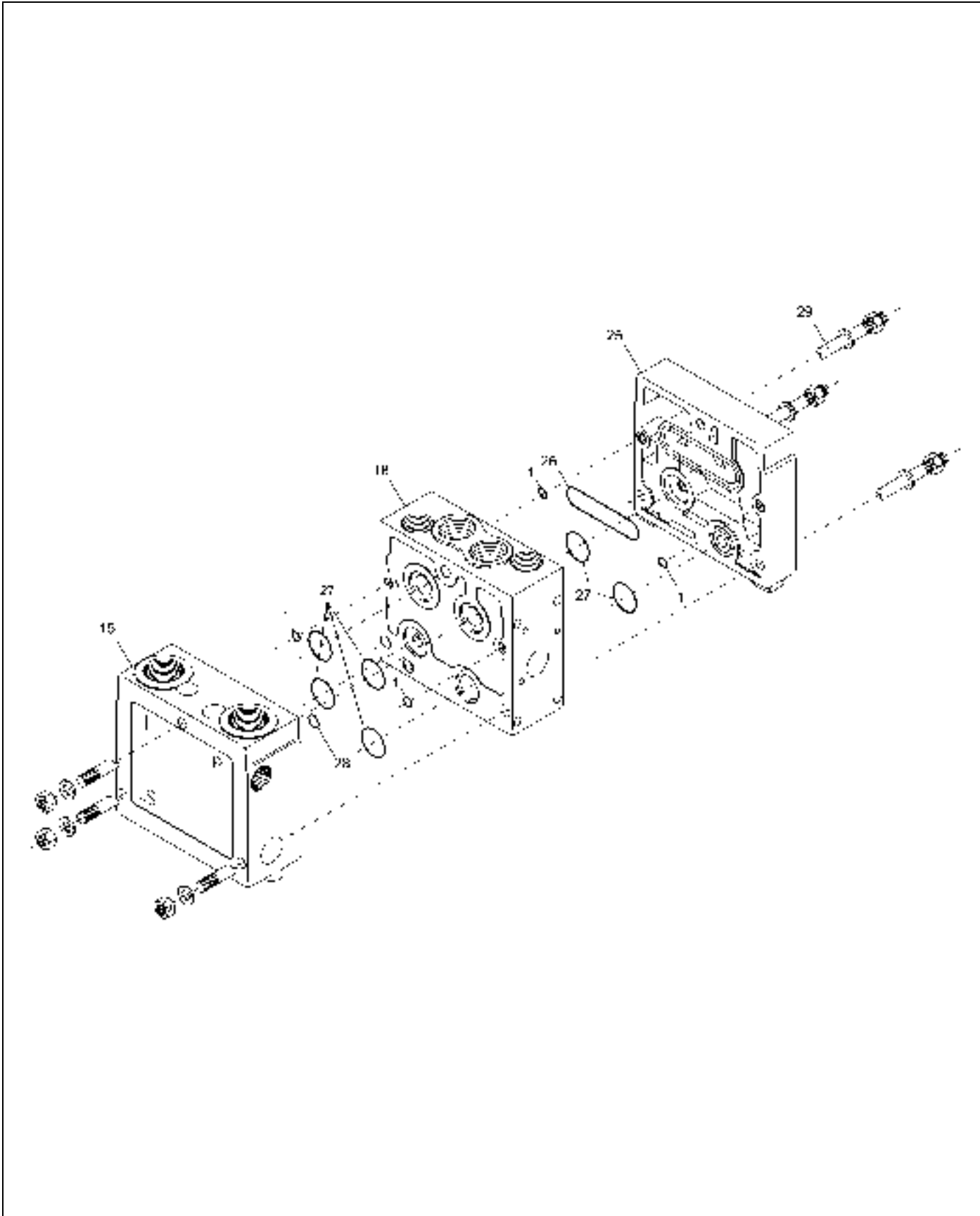
ITEM	PART #	QTY	DESCRIPTION	COMMENTS
16	WR139352	2	O-RING	
17	WR139354	2	VALVE/PVLA	
18	WR139353	1	HOUSING/PVB	
	FOOTNOTE		ITEMS 19 - 24 CANNOT BE PURCHASED INDIVIDUALLY BUT ARE INCLUDED WITH ITEM 18.	



123748-5.TIF

VALVE-CONTROL,F.W.A. S/D

ITEM	PART #	QTY	DESCRIPTION	COMMENTS
19	WR139356	1	SCREW	
20	WR139357	2	O-RING	
21	WR139358	1	SPOOL	
22	WR139359	2	STOP/SPRING	
23	WR139360	1	SPRING	
24	WR139361	1	ROD/TENSION	
	FOOTNOTE		ITEMS 19 - 24 CANNOT BE PURCHASED INDIVIDUALLY BUT ARE INCLUDED WITH ITEM 18.	

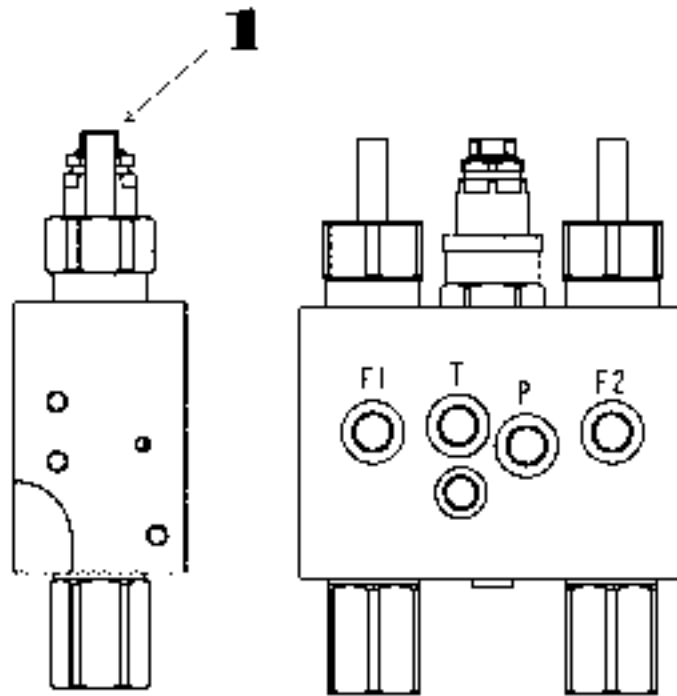


123748-6.TIF

VALVE-CONTROL,F.W.A. S/D

ITEM	PART #	QTY	DESCRIPTION	COMMENTS
1	WR139110	6	O-RING	
15	WR139355	1	HOUSING/PROPORTIONAL VALVE	
18	WR139353	1	HOUSING/PVB	
25	NS	-	NON-SERVICEABLE PART	
27	WR139110	6	O-RING	
28	AG139365	1	SEAL	
29	NS	-	NON-SERVICEABLE PART	
	FOOTNOTE		ITEMS 19 - 24 CANNOT BE PURCHASED INDIVIDUALLY BUT ARE INCLUDED WITH ITEM 18.	

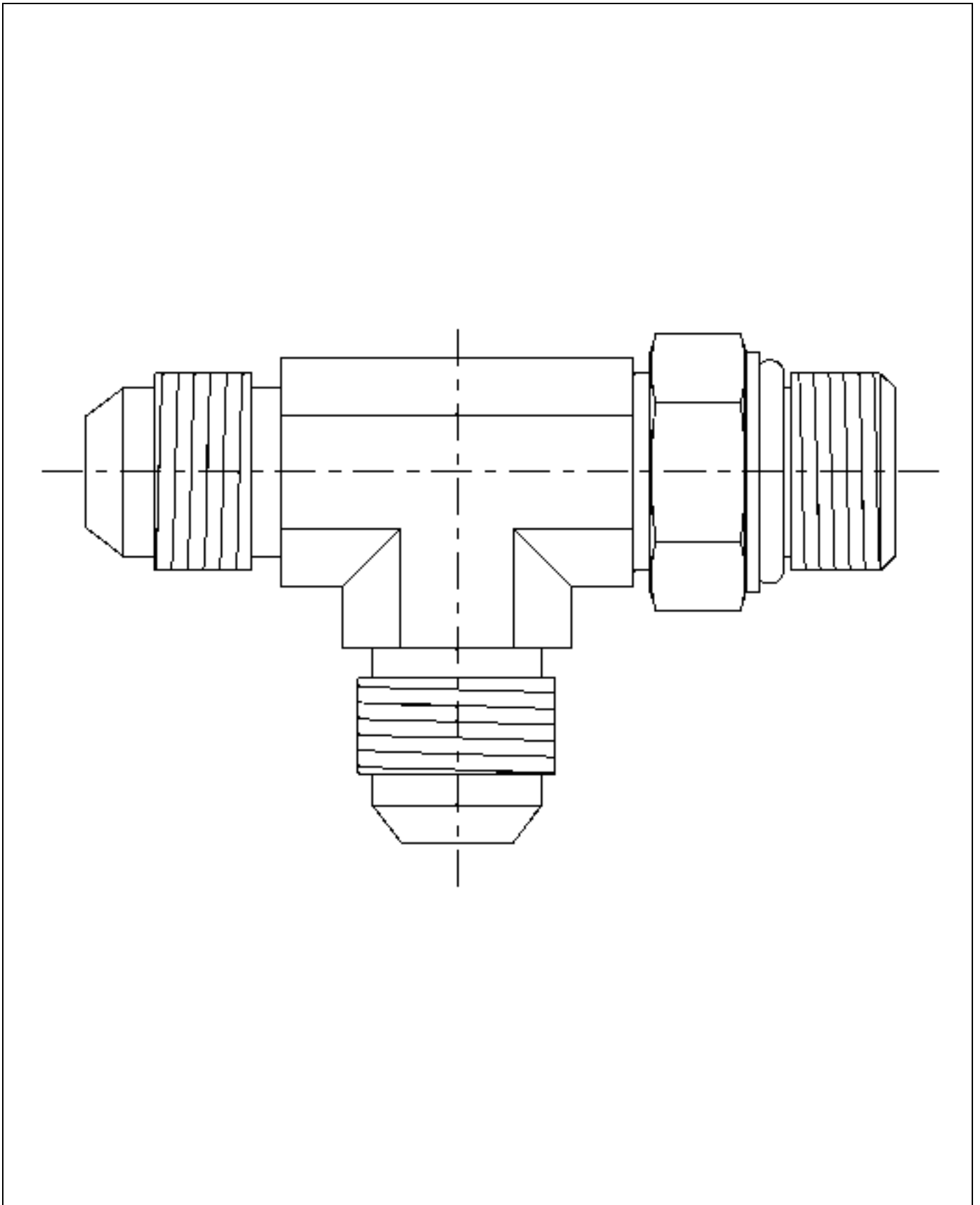
VALVE-BRAKE,L/R,DUAL SLOPE



511983D1-01-N494-.TIF

VALVE-BRAKE,L/R,DUAL SLOPE

ITEM	PART #	QTY	DESCRIPTION	COMMENTS
1	WR139380	1	PROTECTOR/RUBBER	

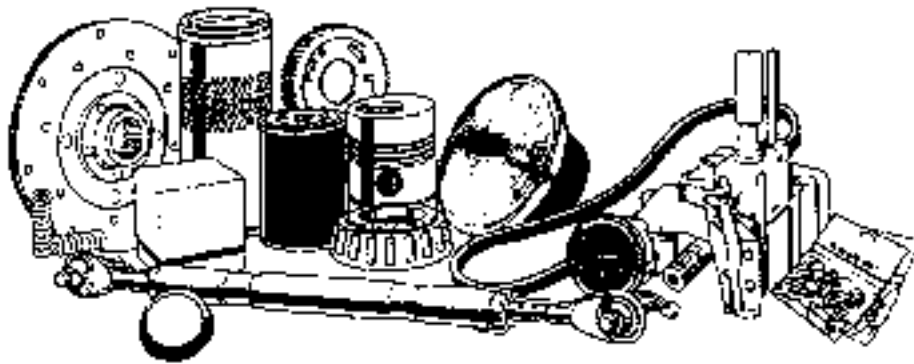


519123-B-J736-.TIF

TEE-RUN,STR THD -6

ITEM	PART #	QTY	DESCRIPTION	COMMENTS
REF	AG713166	1	O RING 3-906	
	FOOTNOTE		AG713166 O-RING	

**Please refer to the
Bill Of Material
on the opposite page
for related Installations,
Assemblies, or Parts**

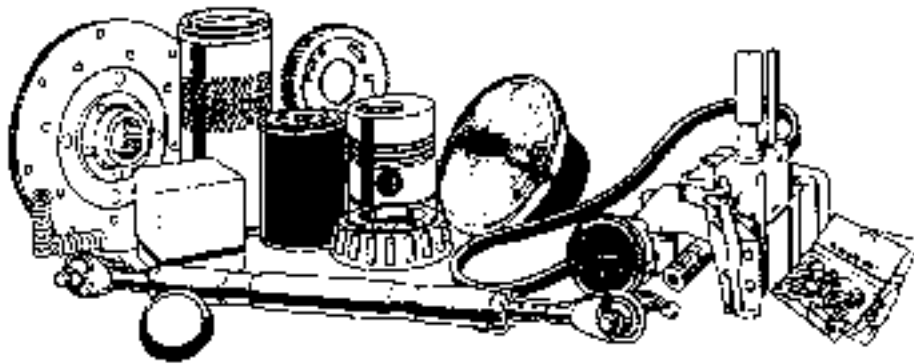


551139.tif

ADAP STR 0.50MO-R X 0.50 MJIC

ITEM	PART #	QTY	DESCRIPTION	COMMENTS
REF	AG713670	-	O RING POLY	

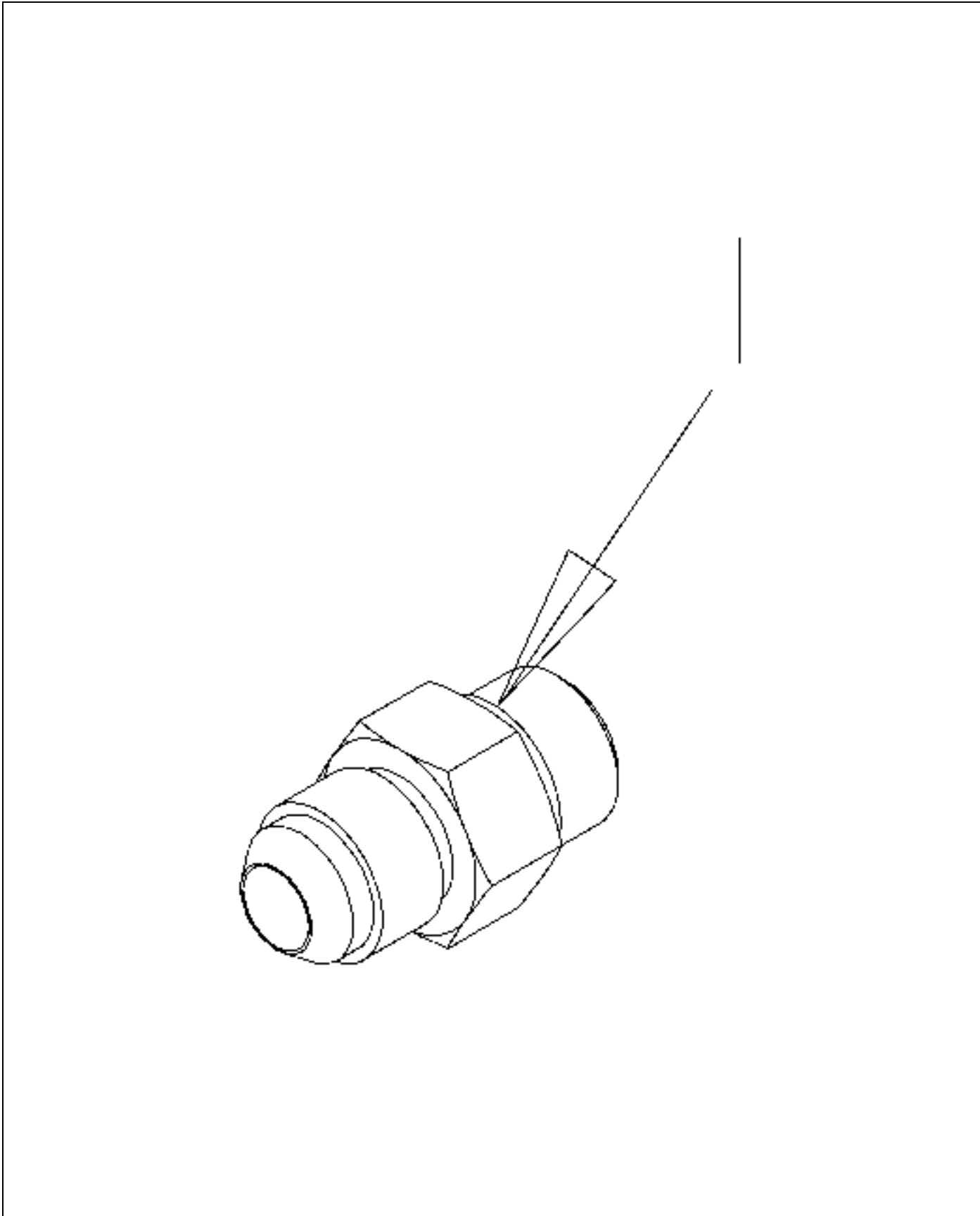
**Please refer to the
Bill Of Material
on the opposite page
for related Installations,
Assemblies, or Parts**



558877.tif

ADAP STR 1.00MO-R X 1.00MJIC

ITEM	PART #	QTY	DESCRIPTION	COMMENTS
REF	AG714389	-	O RING FOR 713255	
REF	AG714365	-	O RING 558877	
	FOOTNOTE		O-RING - 714365, POLY O-RING AG714389	

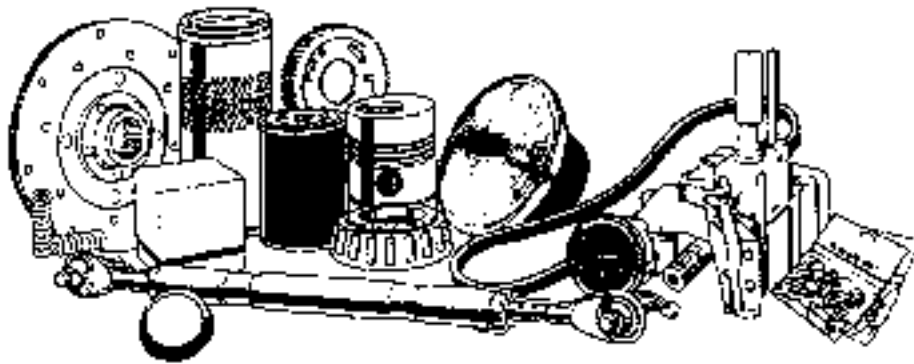


560693.TIF

ADAP STR 0.37MO-R X 0.37MJIC

ITEM	PART #	QTY	DESCRIPTION	COMMENTS
1	AG139107	1	O-RING,FLARE-O,BUNA	

**Please refer to the
Bill Of Material
on the opposite page
for related Installations,
Assemblies, or Parts**

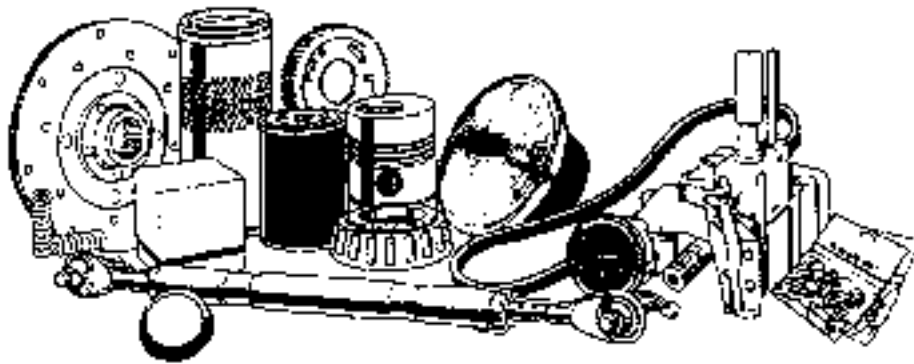


551112.tif

ELBOW 90D 0.50MO-R X 0.50MJIC

ITEM	PART #	QTY	DESCRIPTION	COMMENTS
REF	AG713670	1	O RING POLY	
	FOOTNOTE		AG713670-O-RING	

**Please refer to the
Bill Of Material
on the opposite page
for related Installations,
Assemblies, or Parts**

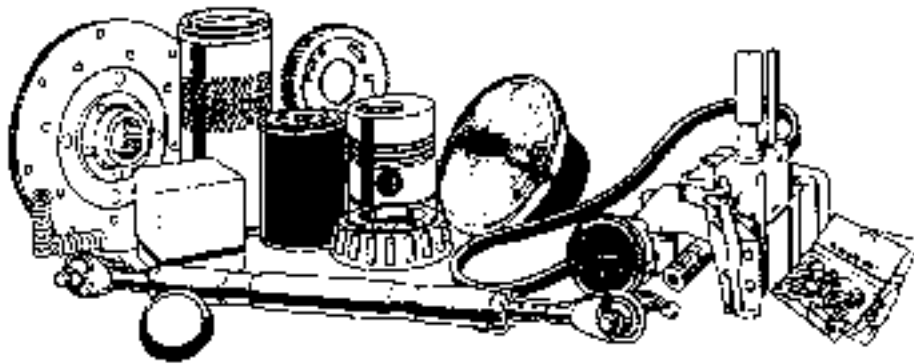


561677.tif

ELBOW 90D 0.25MO-R X 0.25MJIC

ITEM	PART #	QTY	DESCRIPTION	COMMENTS
REF	AG713670	-	O RING POLY	
	FOOTNOTE		AG713670 O-RING	

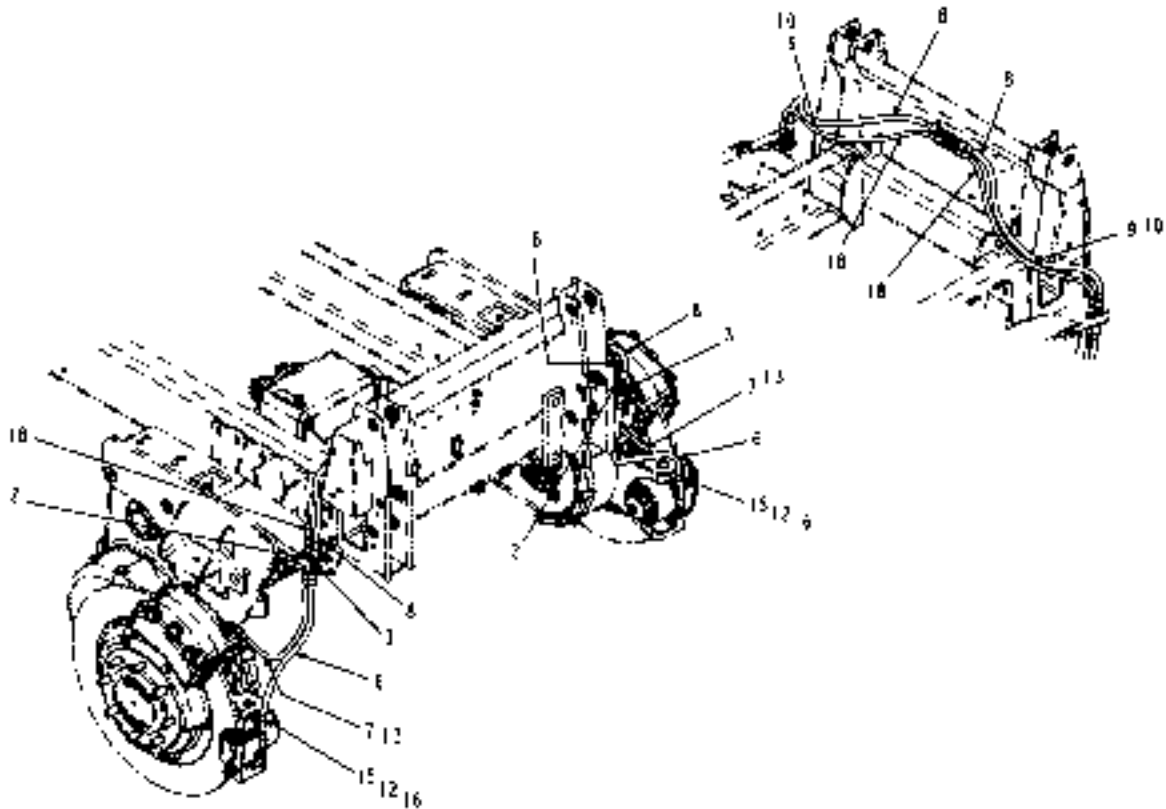
**Please refer to the
Bill Of Material
on the opposite page
for related Installations,
Assemblies, or Parts**



524047D1.tif

HYD-INSTALL,REAR AXLE,71,2009 SPR

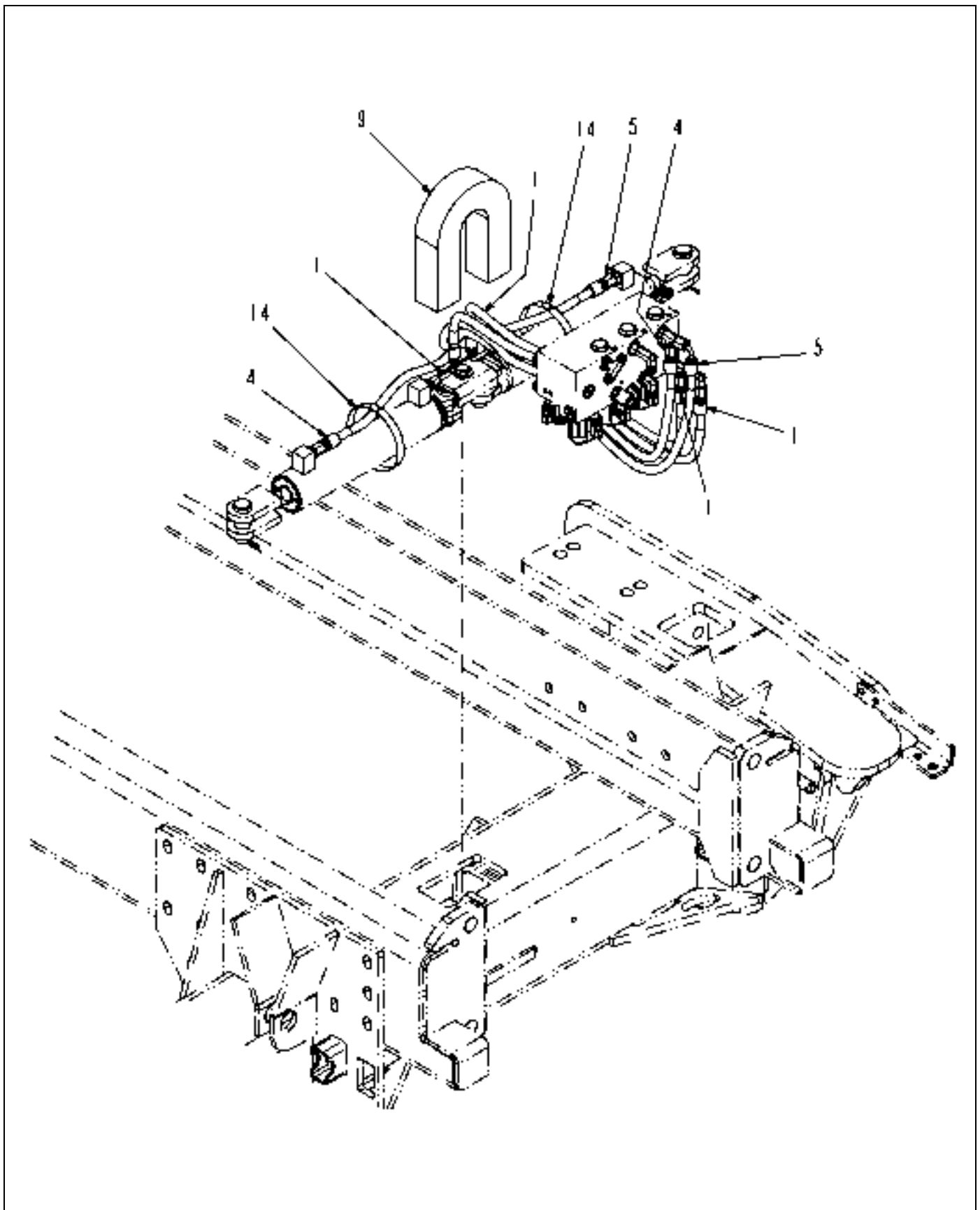
ITEM	PART #	QTY	DESCRIPTION	COMMENTS
1	520822D1	1	CYL-INSTL,REAR AXLE,71	SEE PAGE 4-14
2	524053D1	1	HOSE-INSTL,REAR AXLE,71	SEE PAGE 6-108
3	524054D1	1	HOSE-KIT,REAR AXLE,71	



524053D1-01-T311-01.TIF

HOSE-INSTALL,REAR AXLE,71,2009

ITEM	PART #	QTY	DESCRIPTION	COMMENTS
2	WR129997	2	NUT-HEX, .438-20UN2B,ZINC	
3	WR129998	2	NUT-HEX, .563-18UN2B,ZINC	
6	AG132379	-	HOSE ASM-6X39.25 FJS/MJ (BH)	
7	AG132380	-	HOSE ASM-4X27.50 FJS/MJ (BH)	
8	AG132381	-	HOSE ASM-6X44.00 R1AT FJS/FJS	
9	WR134416	1	INSL-FOAM,2.00X2.00X14.00	[A]
10	AG519861	AR	PROTECTOR HOSE 6.00 IN EPHA	
11	AG519862	AR	PROTECTOR HOSE 4 IN EPHA	
12	AG550671	2	WASHER 0.25 FL ZN SAE TYPE-A	
13	AG553557	AR	TIE CABLE 7.37 .06-1.37 BLACK	
15	AG562237	2	CLAMP CTD 0.75IDX0.75WIDE	
16	400152X1	2	BOLT-M6X1X16MM ZNDI HHD 10.9	
17	524054D1	-	HOSE-KIT,REAR AXLE,71	
18	524059D1	-	HOSE ASM,-4X44 FJS(2)	
	FOOTNOTE [A]		REFRENC S.B.#0631	

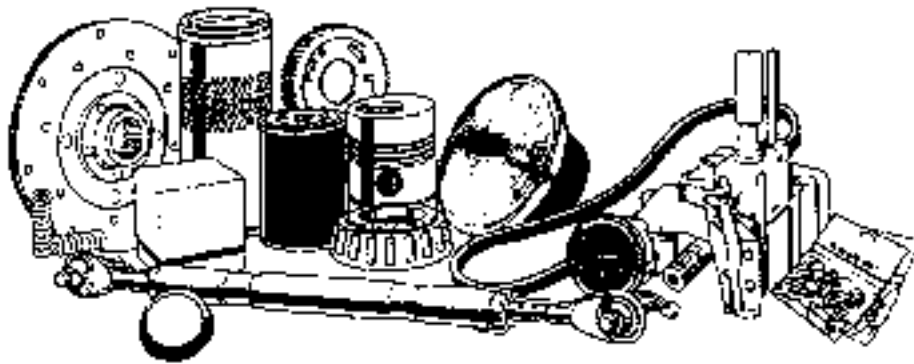


524053D1-01-T311-02.TIF

HOSE-INSTALL,REAR AXLE,71,2009

ITEM	PART #	QTY	DESCRIPTION	COMMENTS
1	WR128678	-	HOSE ASM -4X38.00 6FJS/4FJS90	
4	AG132366	-	HOSE ASM-4X52.00 6FJS/6FJS	
5	AG132367	-	HOSE ASM-4X52.00 6FJS/6FJS90	
9	WR134416	1	INSL-FOAM,2.00X2.00X14.00	[A]
14	AG561237	2	CLAMP 3.56-4.50 HOSE 64HS	
	FOOTNOTE [A]		REFRENCE S.B.#0631	

**Please refer to the
Bill Of Material
on the opposite page
for related Installations,
Assemblies, or Parts**

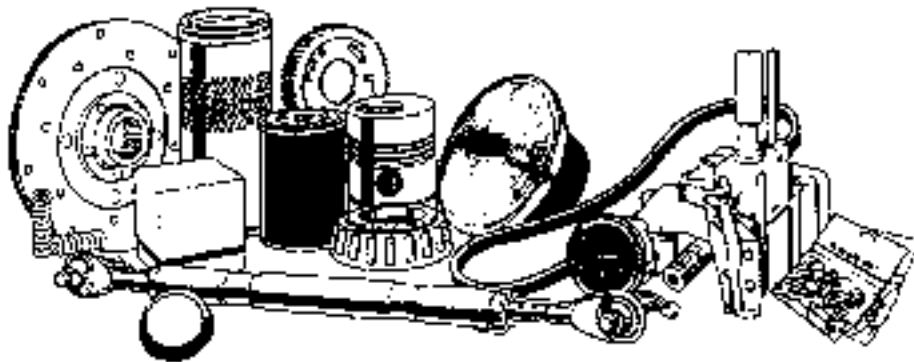


524048D1.tif

HYD-INSTALL,REAR AXLE,71, HYD,2009

ITEM	PART #	QTY	DESCRIPTION	COMMENTS
1	518400D1	1	HYD-INSTL, HYD SUSPENSION	SEE PAGE 6-6
2	520822D1	1	CYL-INSTL,REAR AXLE,71	SEE PAGE 4-14
3	524053D1	1	HOSE-INSTL,REAR AXLE,71	SEE PAGE 6-108
4	524054D1	1	HOSE-KIT,REAR AXLE,71	

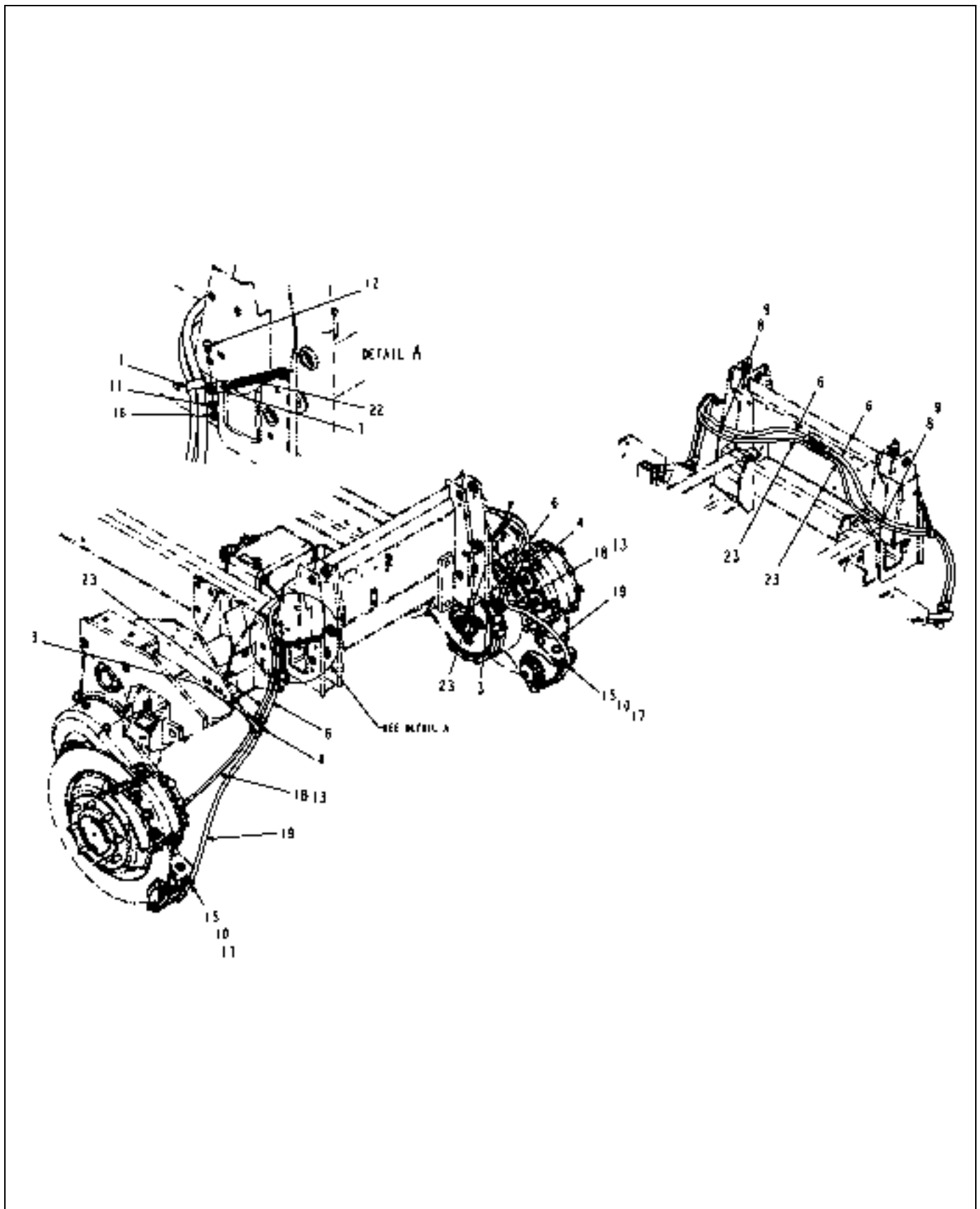
**Please refer to the
Bill Of Material
on the opposite page
for related Installations,
Assemblies, or Parts**



524049D1.tif

HYD-INSTALL,REAR AXLE,88 SPR,2009

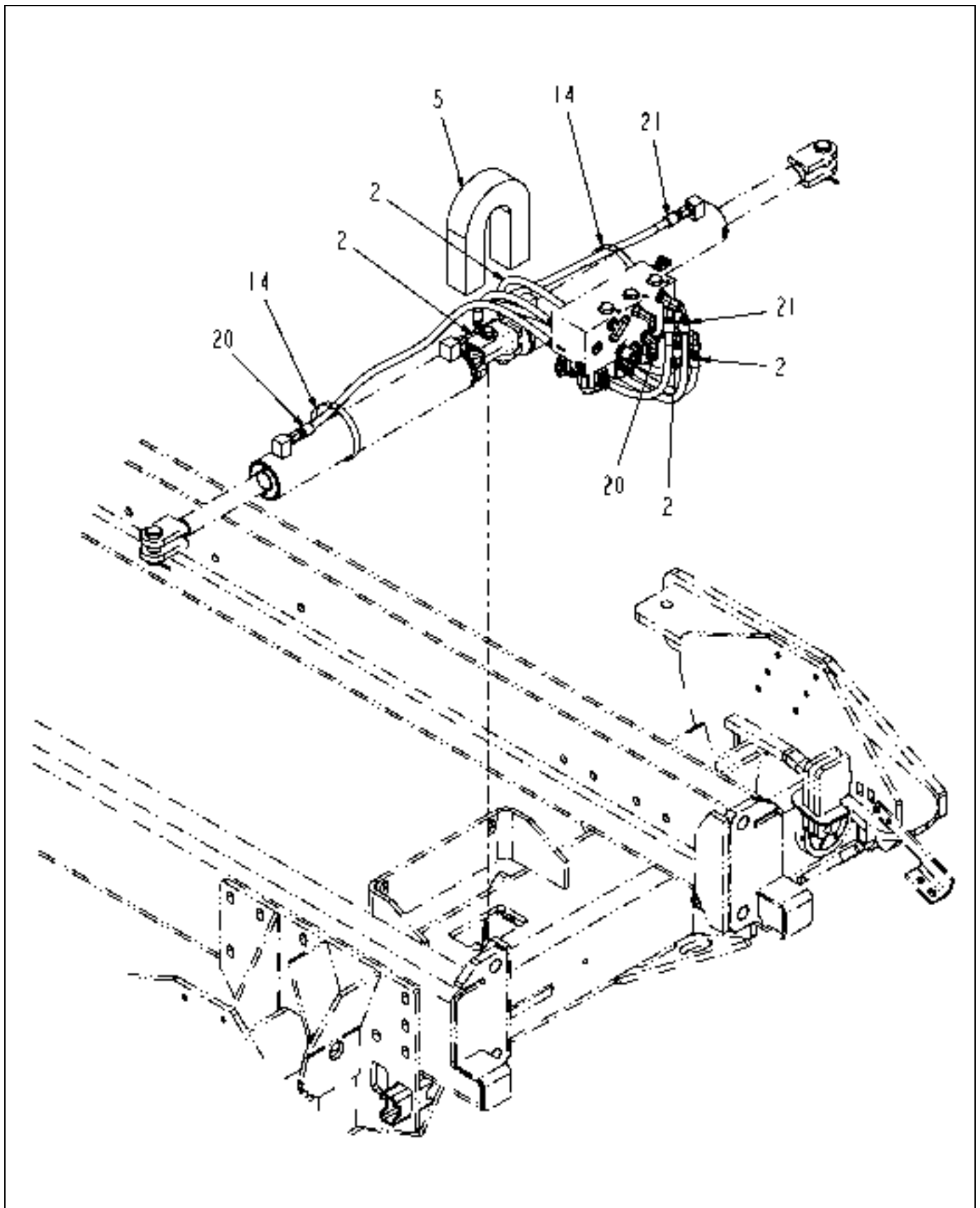
ITEM	PART #	QTY	DESCRIPTION	COMMENTS
1	518398D1	1	CYL-INSTL,REAR AXLE,88	SEE PAGE 6-53
2	524055D1	1	HOSE-INSTL,REAR AXLE,88	SEE PAGE 6-112
3	524056D1	1	HOSE-KIT,REAR AXLE,88	



524055D1-01-T311-01.TIF

HOSE-INSTALL,REAR AXLE,88,2009

ITEM	PART #	QTY	DESCRIPTION	COMMENTS
1	WR55247	2	CLAMP-SUPPORT CUSHION DBL	
3	WR129997	2	NUT-HEX,.438-20UN2B,ZINC	
4	WR129998	2	NUT-HEX,.563-18UN2B,ZINC	
6	AG203866	-	HOSE ASM -6 60.00 R1AT	
7	AG263132	2	WASHER-DOUBLE HOLE,.50	
8	AG519861	AR	PROTECTOR HOSE 6.00 IN EPHA	
9	AG519862	AR	PROTECTOR HOSE 4 IN EPHA	
10	AG550671	2	WASHER 0.25 FL ZN SAE TYPE-A	
11	AG550981	2	WASHER 0.37 FL ZN NAR TYPE-B	
12	AG551503	2	BOLT 0.37-16NCX 0.75 G5 ZN HHD	
13	AG553557	AR	TIE CABLE 7.37 .06-1.37 BLACK	
15	AG562237	2	CLAMP CTD 0.75IDX0.75WIDE	
16	AG601411	2	NUT 0.37-16NC HEX ZN REG NY	
17	400152X1	2	BOLT-M6X1X16MM ZNDI HHD 10.9	
18	518533D1	-	HOSE ASM,-4X26 FJS45/MJ(BH)	
19	518534D1	-	HOSE ASM,-6X42 4FJS/MJ(BH)	
22	521617D1	2	SPRING-EXTENSION,.63X5.5	
23	524025D1	-	HOSE ASM,-4X60 FJS(2)	
24	524056D1	-	HOSE-KIT,REAR AXLE,88	

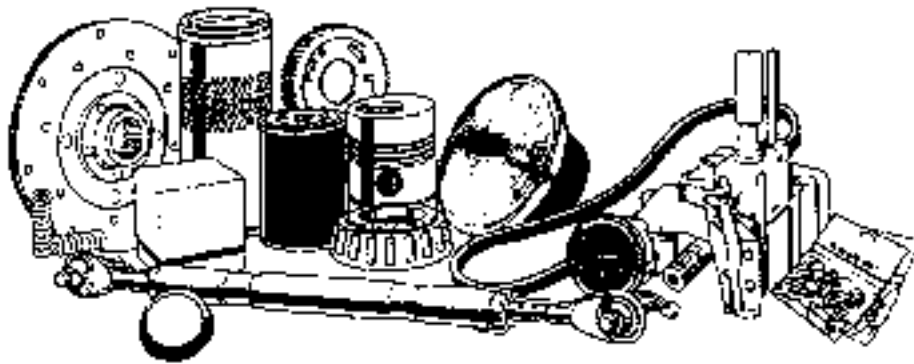


524055D1-01-T311-02.TIF

HOSE-INSTALL,REAR AXLE,88,2009

ITEM	PART #	QTY	DESCRIPTION	COMMENTS
2	WR128678	-	HOSE ASM -4X38.00 6FJS/4FJS90	
5	WR134416	1	INSL-FOAM,2.00X2.00X14.00	[A]
14	AG561237	2	CLAMP 3.56-4.50 HOSE 64HS	
20	518535D1	-	HOSE ASM,-4X59 6FJS(2)	
21	518536D1	-	HOSE ASM,-4X59 6FJS/6FJS90	
	FOOTNOTE [A]		REFRENCE S.B.#0631	

**Please refer to the
Bill Of Material
on the opposite page
for related Installations,
Assemblies, or Parts**

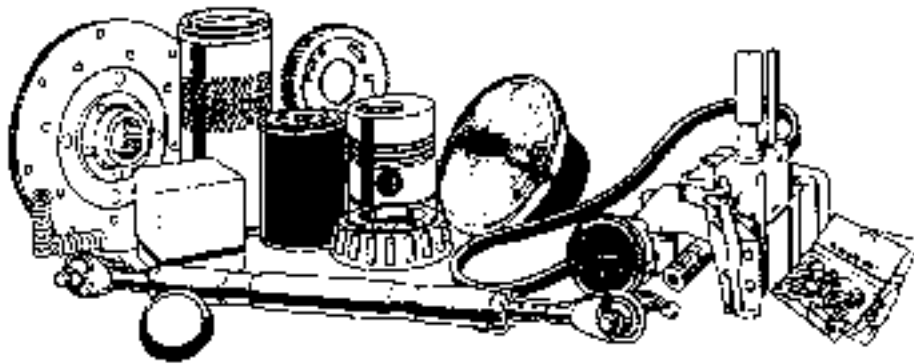


524050D1.tif

HYD-INSTALL,REAR AXLE,88 HYD,2009

ITEM	PART #	QTY	DESCRIPTION	COMMENTS
1	518398D1	1	CYL-INSTL,REAR AXLE,88	SEE PAGE 6-53
2	518400D1	1	HYD-INSTL, HYD SUSPENSION	SEE PAGE 6-6
3	524055D1	1	HOSE-INSTL,REAR AXLE,88	SEE PAGE 6-112
4	524056D1	1	HOSE-KIT,REAR AXLE,88	

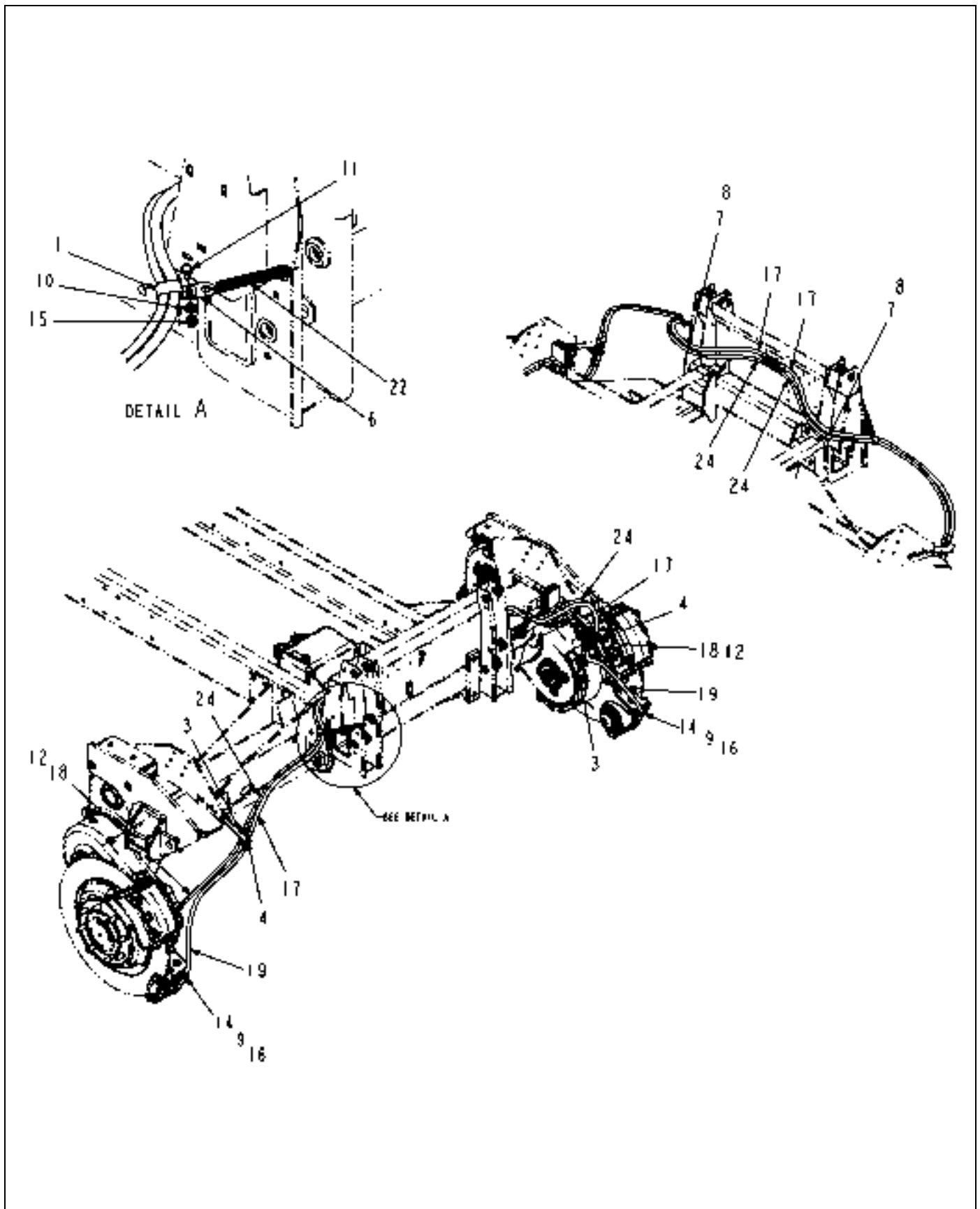
**Please refer to the
Bill Of Material
on the opposite page
for related Installations,
Assemblies, or Parts**



524051D1.tif

HYD-INSTALL,REAR AXLE,120 SPR,2009

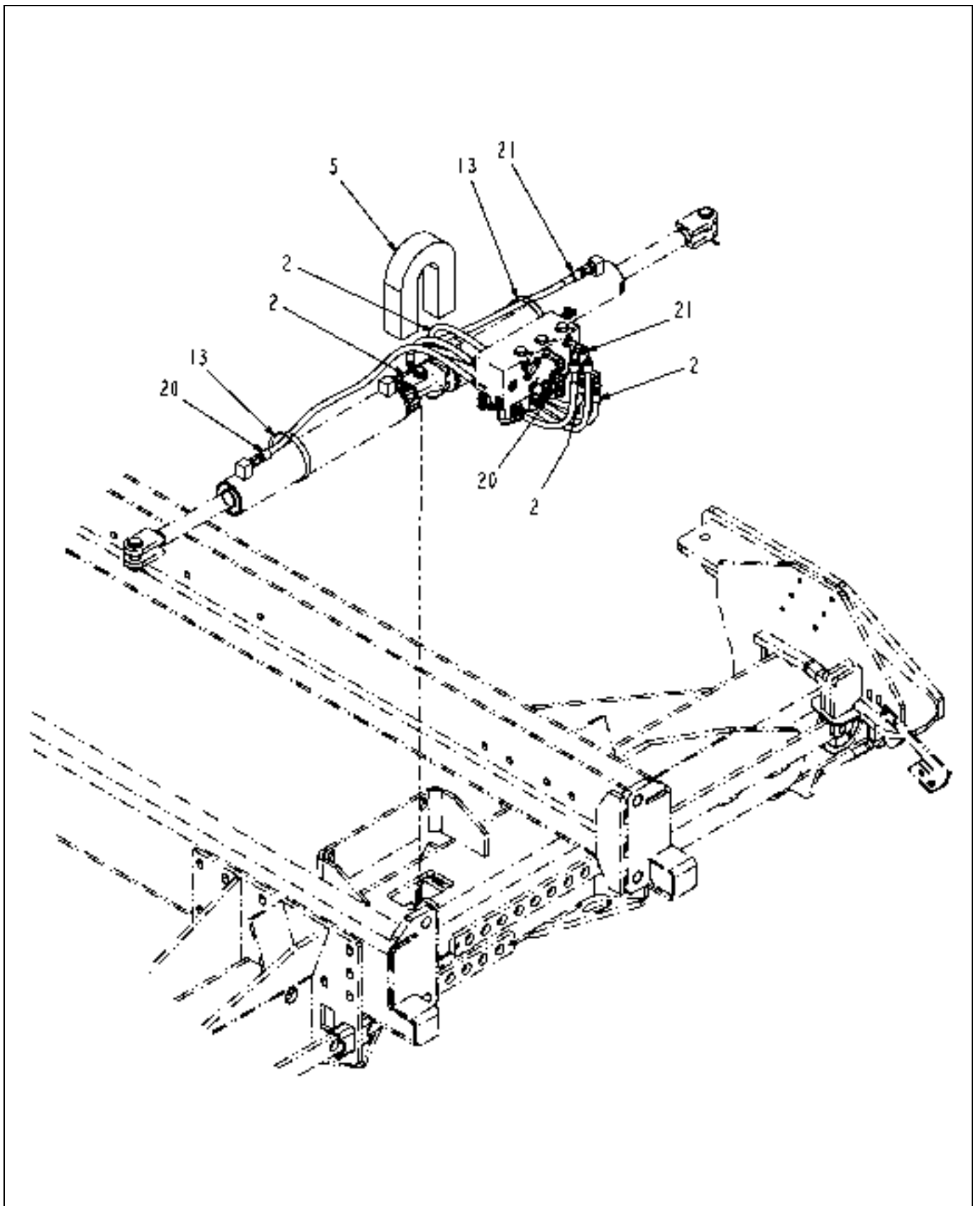
ITEM	PART #	QTY	DESCRIPTION	COMMENTS
1	518393D1	1	CYL-INSTL,REAR AXLE,120	SEE PAGE 6-51
2	524057D1	1	HOSE-INSTL,REAR AXLE,120	SEE PAGE 6-116
3	524058D1	1	HOSE-KIT,REAR AXLE,120	



524057D1-01-T311-01.TIF

HOSE-INSTALL,REAR AXLE,120,2009

ITEM	PART #	QTY	DESCRIPTION	COMMENTS
1	WR55247	2	CLAMP-SUPPORT CUSHION DBL	
3	WR129997	2	NUT-HEX,.438-20UN2B,ZINC	
4	WR129998	2	NUT-HEX,.563-18UN2B,ZINC	
6	AG263132	2	WASHER-DOUBLE HOLE,.50	
7	AG519861	AR	PROTECTOR HOSE 6.00 IN EPHA	
8	AG519862	AR	PROTECTOR HOSE 4 IN EPHA	
9	AG550671	2	WASHER 0.25 FL ZN SAE TYPE-A	
10	AG550981	2	WASHER 0.37 FL ZN NAR TYPE-B	
11	AG551503	2	BOLT 0.37-16NCX 0.75 G5 ZN HHD	
12	AG553557	AR	TIE CABLE 7.37 .06-1.37 BLACK	
14	AG562237	2	CLAMP CTD 0.75IDX0.75WIDE	
15	AG601411	2	NUT 0.37-16NC HEX ZN REG NY	
16	400152X1	2	BOLT-M6X1X16MM ZNDI HHD 10.9	
17	518531D1	-	HOSE ASM,-6X72 FJS(2)	
18	518533D1	-	HOSE ASM,-4X26 FJS45/MJ(BH)	
19	518534D1	-	HOSE ASM,-6X42 4FJS/MJ(BH)	
22	521617D1	2	SPRING-EXTENSION,.63X5.5	
23	524058D1	-	HOSE-KIT,REAR AXLE,120	
24	524060D1	-	HOSE ASM,-4X72 FJS(2)	

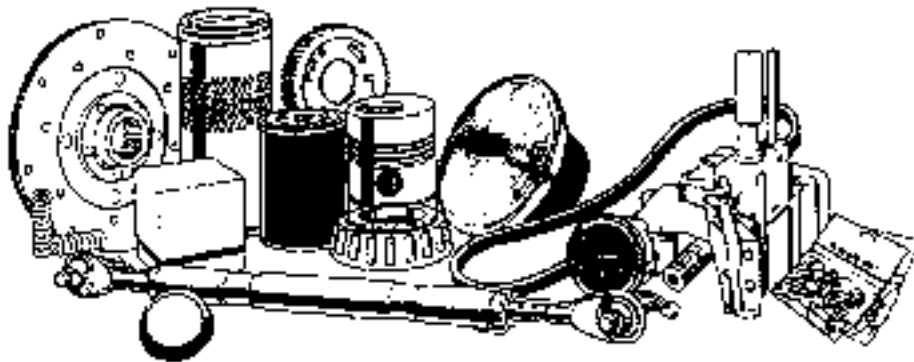


524057D1-01-T311-02.TIF

HOSE-INSTALL,REAR AXLE,120,2009

ITEM	PART #	QTY	DESCRIPTION	COMMENTS
2	WR128678	-	HOSE ASM -4X38.00 6FJS/4FJS90	
5	WR134416	1	INSL-FOAM,2.00X2.00X14.00	[A]
13	AG561237	2	CLAMP 3.56-4.50 HOSE 64HS	
20	518535D1	-	HOSE ASM,-4X59 6FJS(2)	
21	518536D1	-	HOSE ASM,-4X59 6FJS/6FJS90	
	FOOTNOTE [A]		REFRENCE S.B.#0631	

**Please refer to the
Bill Of Material
on the opposite page
for related Installations,
Assemblies, or Parts**



524052D1.tif

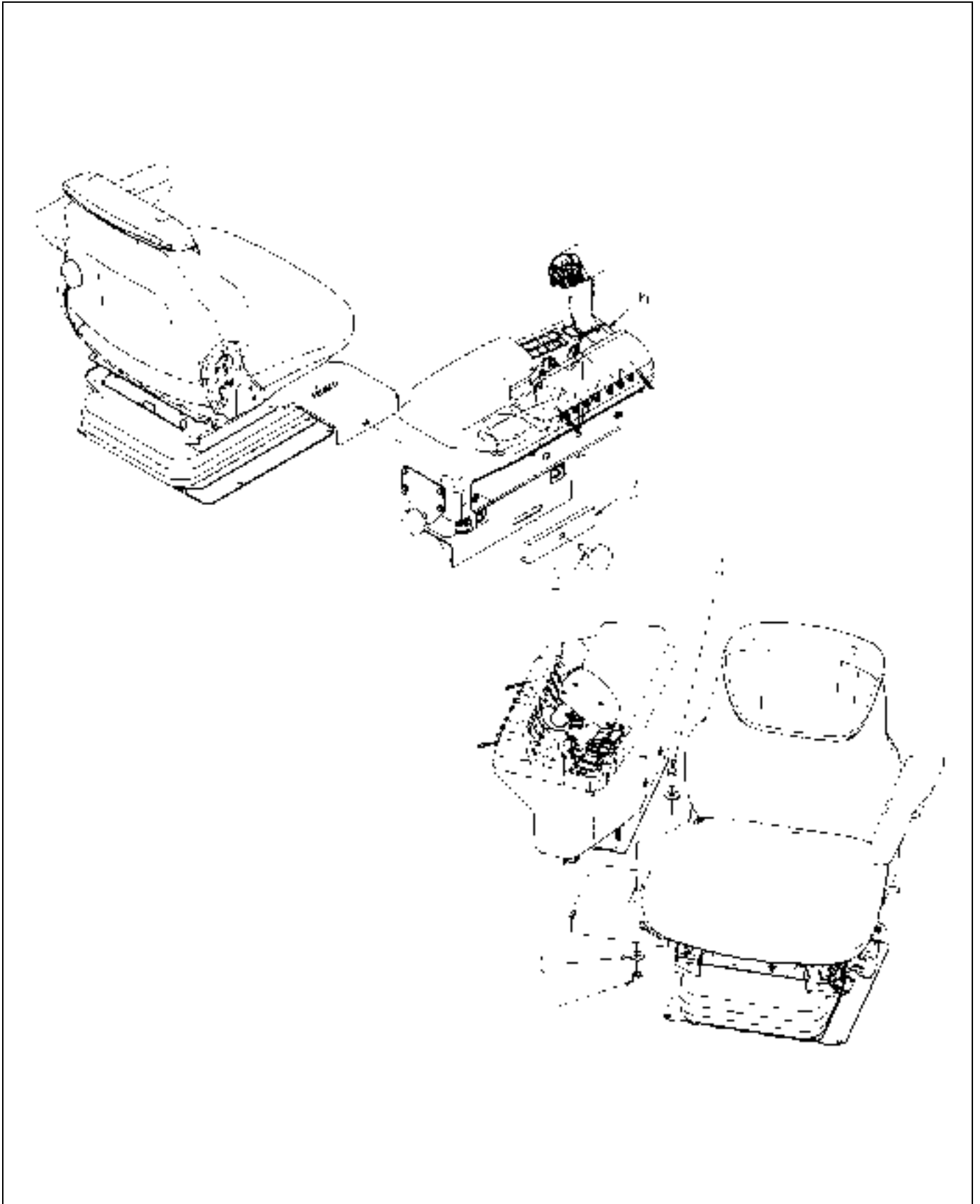
HYD-INSTALL,REAR AXLE,120 HYD,2009

ITEM	PART #	QTY	DESCRIPTION	COMMENTS
1	518393D1	1	CYL-INSTL,REAR AXLE,120	SEE PAGE 6-51
2	518400D1	1	HYD-INSTL, HYD SUSPENSION	SEE PAGE 6-6
3	524057D1	1	HOSE-INSTL,REAR AXLE,120	SEE PAGE 6-116
4	524058D1	1	HOSE-KIT,REAR AXLE,120	

CONSOLE INSTALL-SEAT,RH	7-1
CONSOLE ASM-SEAT,RH	7-2
PANEL ASM-FNR,CONSOLE	7-3
VALVE INSTALL-PARK BRAKE	7-4
VALVE ASM-PARK BRAKE	7-5
CONSOLE-ARMREST RH	7-6
FIREWALL INSTALL	7-7
PANEL INSTALL-INSTRUMENT CLUSTER	7-8
PANEL ASM-INSTRUMENT CLUSTER	7-9
PANEL ASM-INSTRUMENT CLUSTER	7-10
PEDAL INSTALL-BRAKE/THROTTLE	7-11
PEDAL-THROTTLE	7-12
VALVE ASM-BRAKE	7-13
SEAT INSTALL-DELUXE	7-14
SEAT ASM-DELUXE, SEMI ACTIVE	7-15
KIT-CUSHION,SEAT,SST	7-16
KIT-SUSPENSION	7-17
SEAT INSTALL-BASIC	7-18
SEAT ASM-BASIC, AIR	7-19
KIT-SUSP,AIR,LOW PROFILE	7-20
FLOORMAT INSTALL-CAB	7-21
STORAGE INSTALL	7-22
INSULATION INSTALL	7-23
KIT-RADIO,XM	7-24
KIT-RADIO,SIRIUS	7-25
GR-RADIO,DELUXE	7-26
CONSOLE INSTALL-GTA,SC7000	7-27
CONSOLE INSTALL-GTA,SC7000	7-28
INSTALL-ANTENNA,SAT	7-29
KIT-RADIO,AM/FM STEREO W/CD	7-30
GROUP-CAB,CHAL,STD HVAC	7-31
GROUP-CAB,CHAL,ATC	7-32
GROUP-CAB,CHAL,EURO,STD HVAC	7-33
GROUP-CAB,CHAL,EURO,ATC	7-34
KIT-ARM REST AS. (LH)	7-35
CAB-MIDSIZE,7X60,STD HVAC	7-36
CAB-MIDSIZE,7X60,WITH ATC	7-37
DOOR INSTALLATION	7-38
CAB GLASS GROUP	7-39
CAB GLASS GROUP	7-40
OUTER ROOF ASY	7-41
WIPER GROUP ASY	7-42
FLOORMATS/COVERS ASY	7-43
ROOF ELECTRIC ASY	7-44
INNER ROOF ASM	7-45
CONTROLS FRONT ASY	7-46
STEERING COLUMN COVER ASY	7-47
HVAC GROUP ASY	7-48
INTERIOR TRIM GROUP ASY	7-49
CAB ELECTRIC ASY	7-50
KEY,CAM ASM	7-51
GLASS DOOR ASM	7-52
A/C GROUP	7-53
RECEIVER DEHYDRATOR	7-54

HVAC/W/AND W/O ATC	7-55
HVAC/W/AND W/O ATC	7-56
HVAC/W/AND W/O ATC	7-57
COVER-ASM	7-58
GASKETS / KIT	7-59
MOTOR BLOWER ASM PRESSURE	7-60
CONTROL INSTALL-SMARTRAX,7X60 CAB	7-61
CONTROL INSTALL-SMARTRAX,7X60 CAB	7-62
VALVE INSTALL-SMARTRAX,7X60	7-63
VALVE INSTALL-SMARTRAX,7X60	7-64
VALVE INSTALL-SMARTRAX,7X60	7-65
KIT-CHASSIS,SMARTRAX,7X60	7-66
OPT-SMARTRAX,SC 7X60	7-67
INSTALL,AUTOGUIDE-READY SC7460	7-68
TERMINAL KIT	7-69
INSTALL-BRACKET,TERMINAL	7-70
ASM,ROOF-BRACKET,B4-TOPDOCK	7-71
INSTALL-WAS,AUTOGUIDE,7460	7-72
INSTALL-WAS,AUTOGUIDE,7660	7-73
BRKT INSTALL-SMARTRAX,PHX 200,SC	7-74
CAB GROUP-7X60,STD HVAC,CH, 2009	7-75
CONSOLE INSTALL-SEAT,RH,NA	7-76
CONSOLE ASM-SEAT,RH,NA	7-77
CONSOLE-ARMREST,RH	7-78
PANEL ASM-FNR,CONSOLE,NA	7-79
SWITCH-IGN,KEYED DIFFERENT	7-80
CONTROL ASM-FNR	7-81
HANDLE-MULTIFUNCTION,SC,7000	7-82
MODULE-HANDLE,SC,7000	7-83
CAB GROUP-7X60,ATC,CH, 2009	7-84
CAB ASM-CHAL,ATC	7-85
CAB GROUP-7X60,EURO,STD HVAC,CH, 2009	7-86
CAB ASM-CHAL,EURO,STD HVAC,2009	7-87
PEDAL INSTALL-BRAKE/THROTTLE,2009	7-88
PEDAL INSTALL-BRAKE/THROTTLE,2009	7-89
PEDAL ASM,SERVICE BRAKE,2009	7-90
CONSOLE INSTALL-SEAT,RH,2009	7-91
CONSOLE ASM-SEAT,RH,2009	7-92
PANEL ASM-FNR,CONSOLE,2009	7-93
CAB GROUP-7X60,EURO,ATC,CH,2009	7-94
CAB ASM-CHAL,EURO,ATC,2009	7-95

CONSOLE INSTALL-SEAT,RH

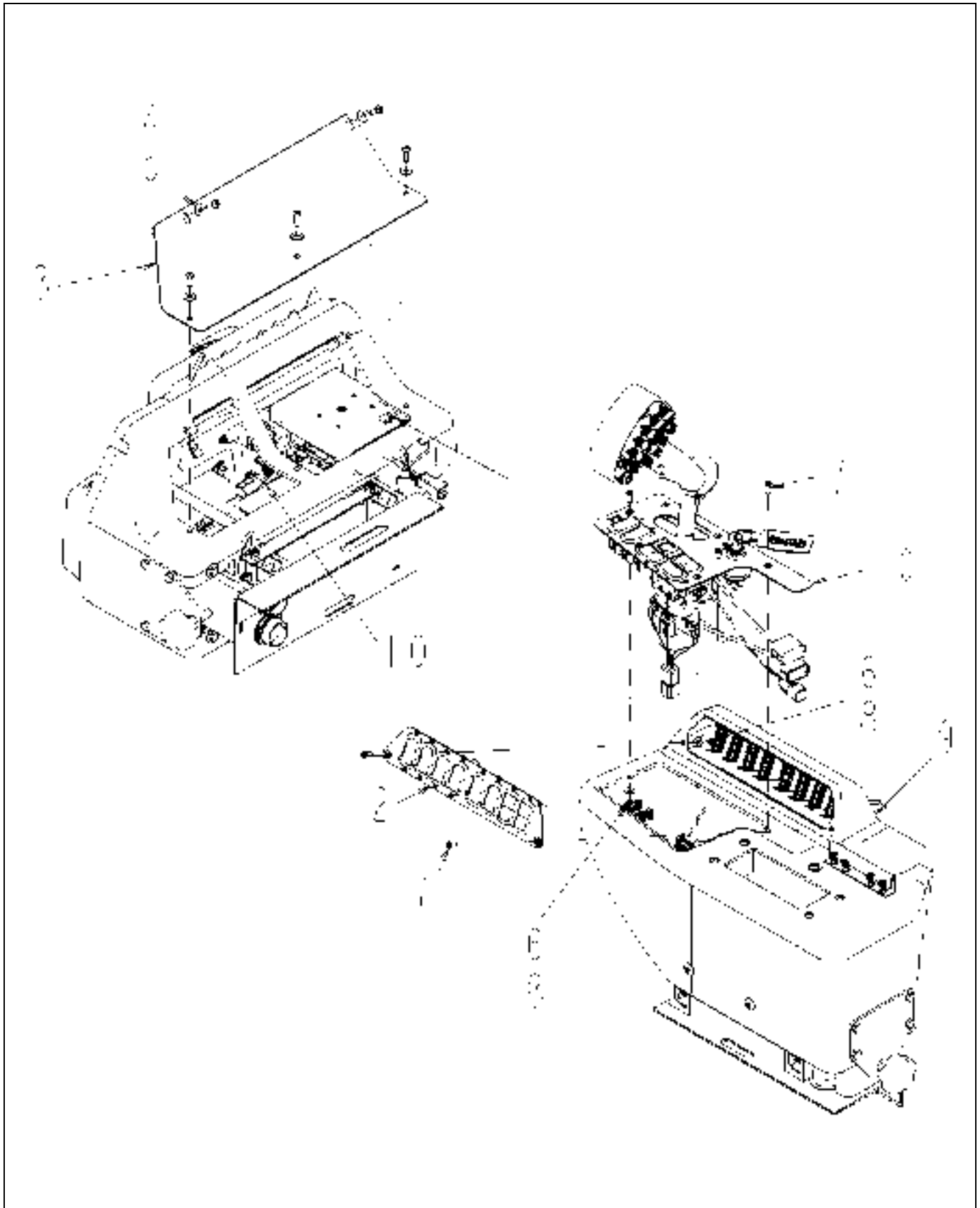


525080D1-01-T048-.TIF

CONSOLE INSTALL-SEAT,RH

ITEM	PART #	QTY	DESCRIPTION	COMMENTS
1	WR11528	1	NUT-TOPLOCK, 1/2-13UNC G5	
2	WR128024	1	KNOB-.50-13UNC X 2.00	
3	WR128027	1	BAR WLDMT-STABILIZER	
4	AG550256	1	BOLT.50-13NCX1.25 G5 ZN HHD	
5	AG550353	2	WASHER 0.50 FL ZN REG TYPE-B	
6	525081D1	1	CONSOLE ASM-SEAT, RH	SEE PAGE 7-2

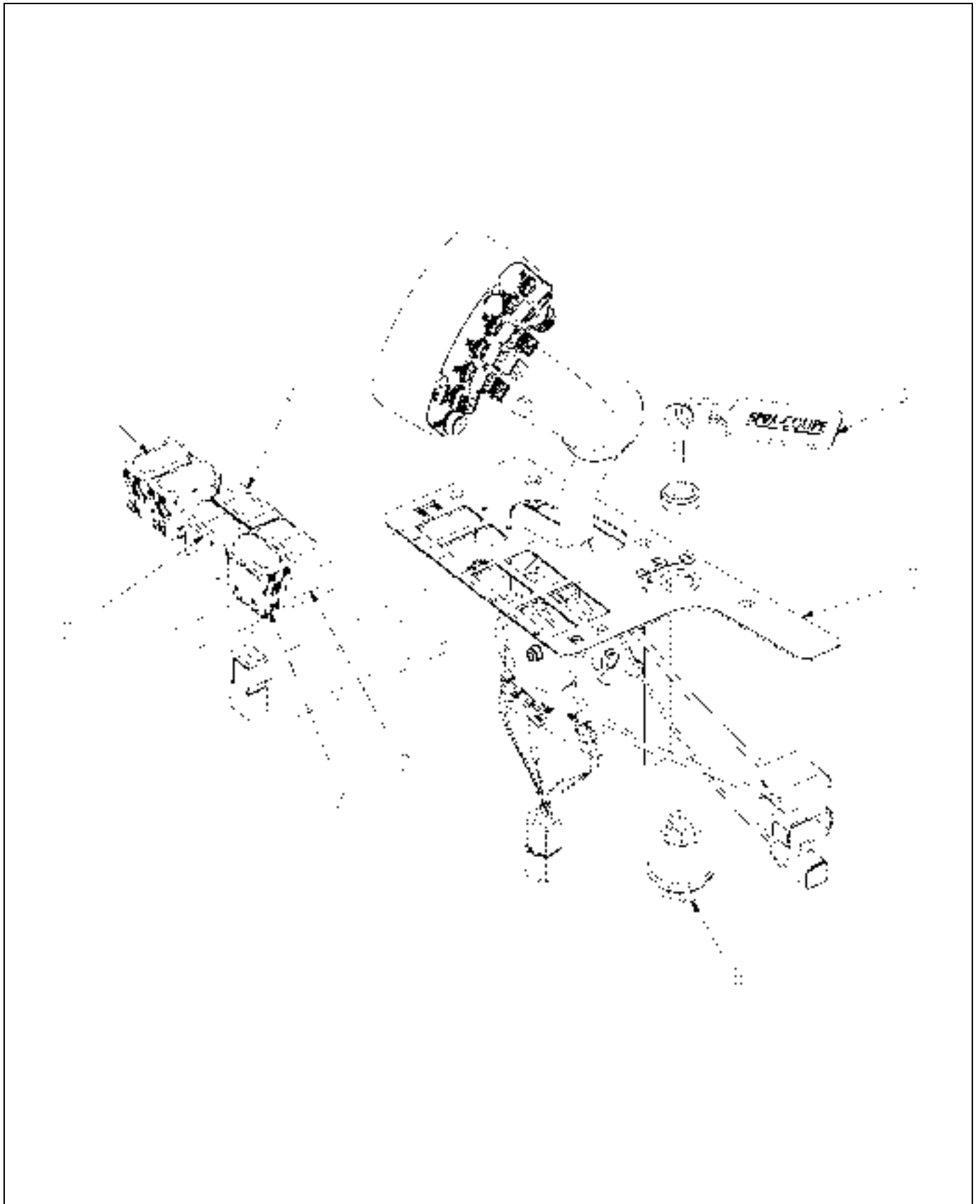
CONSOLE ASM-SEAT,RH



525081D1-01-T048-.TIF

CONSOLE ASM-SEAT,RH

ITEM	PART #	QTY	DESCRIPTION	COMMENTS
1	WR50851	4	NUT-SPEED,1/4-20	
2	WR127121	1	PANEL ASM-SWITCH,CONSOLE	SEE PAGE 8-2
3	WR128025	1	COVER-ACCESS,RH CONSOLE	
4	AG134415	5	WASHER-FLAT,.25 USS BLK OXIDE	
5	AG515457	5	SCREW BUTTON HEAD .25-20X0.75	
6	AG522231	5	NUT-M5-0.8,CL8.0,H,LK	
7	AG523508	5	SCR-M5-0.8X16,CL10.9,BLK,BHHS	
8	AG553670	5	WASHER #10 FL ZN REG TYPE-B	
9	507123D1	1	CONSOLE-ARMREST RH	SEE PAGE 7-6
10	516474D1	1	PANEL ASM-FNR,CONSOLE	SEE PAGE 7-3
11	525082D1	1	HARNES INSTL-RH CONSOLE,SC	

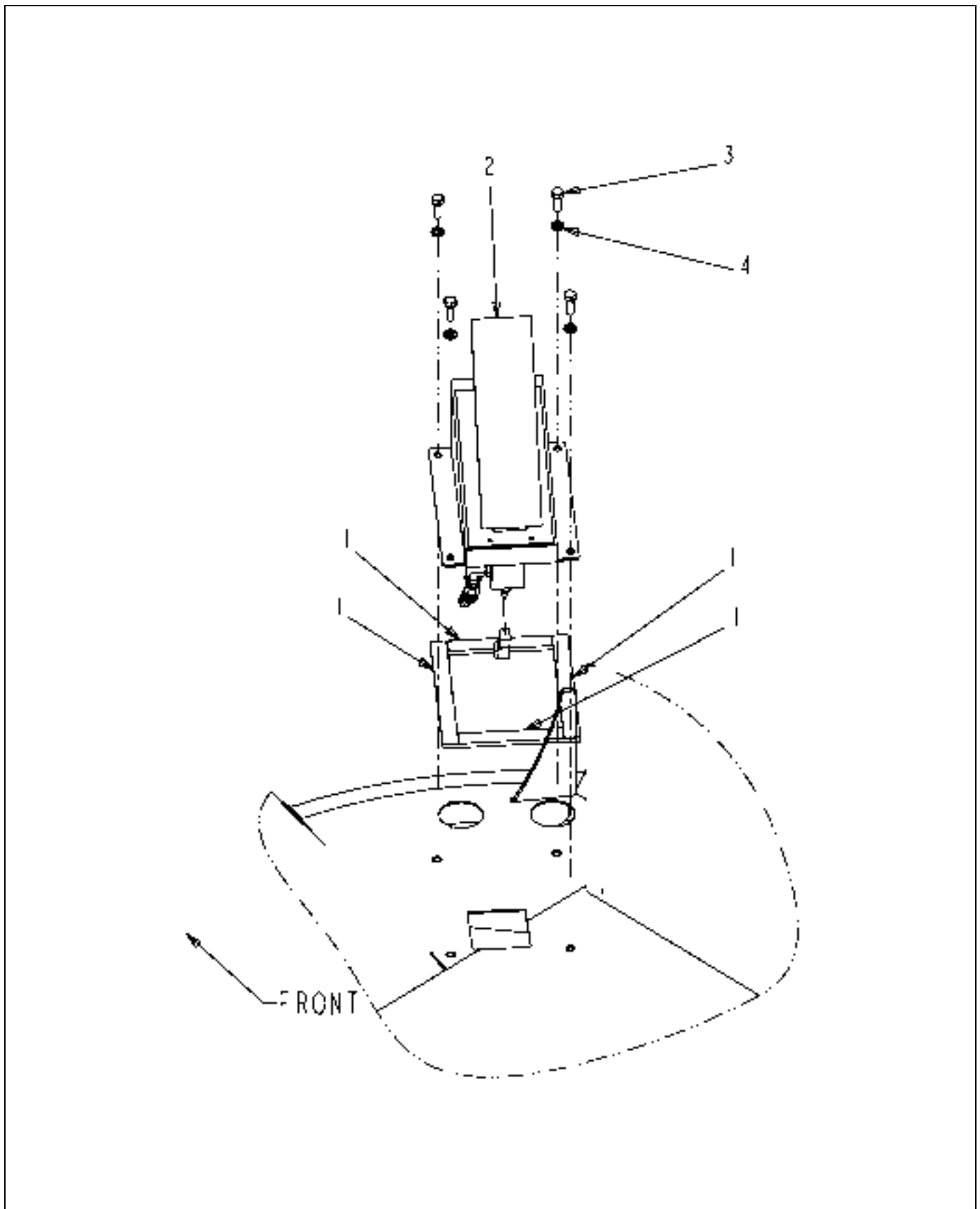


516474D1-01-N899-.TIF

PANEL ASM-FNR,CONSOLE

ITEM	PART #	QTY	DESCRIPTION	COMMENTS
1	AG124432	2	SWITCH-RKR,(ON)-OFF-(ON),CS-L	
2	AG124437	2	PLUG-HOLE,SWITCH,CS-L	
3	WR126925	1	DISPLAY-GEAR,TCU	
4	AG127131	1	SWITCH-RKR,ON-ON,CS-L	
5	WR129807	1	KEYCHAIN-LEATHER,SC	
6	AG520862	1	SWITCH-IGN,KEYED DIFFERENT	SEE PAGE 7-80
7	515352D1	1	CONTROL ASM-FNR	SEE PAGE 8-3

VALVE INSTALL-PARK BRAKE

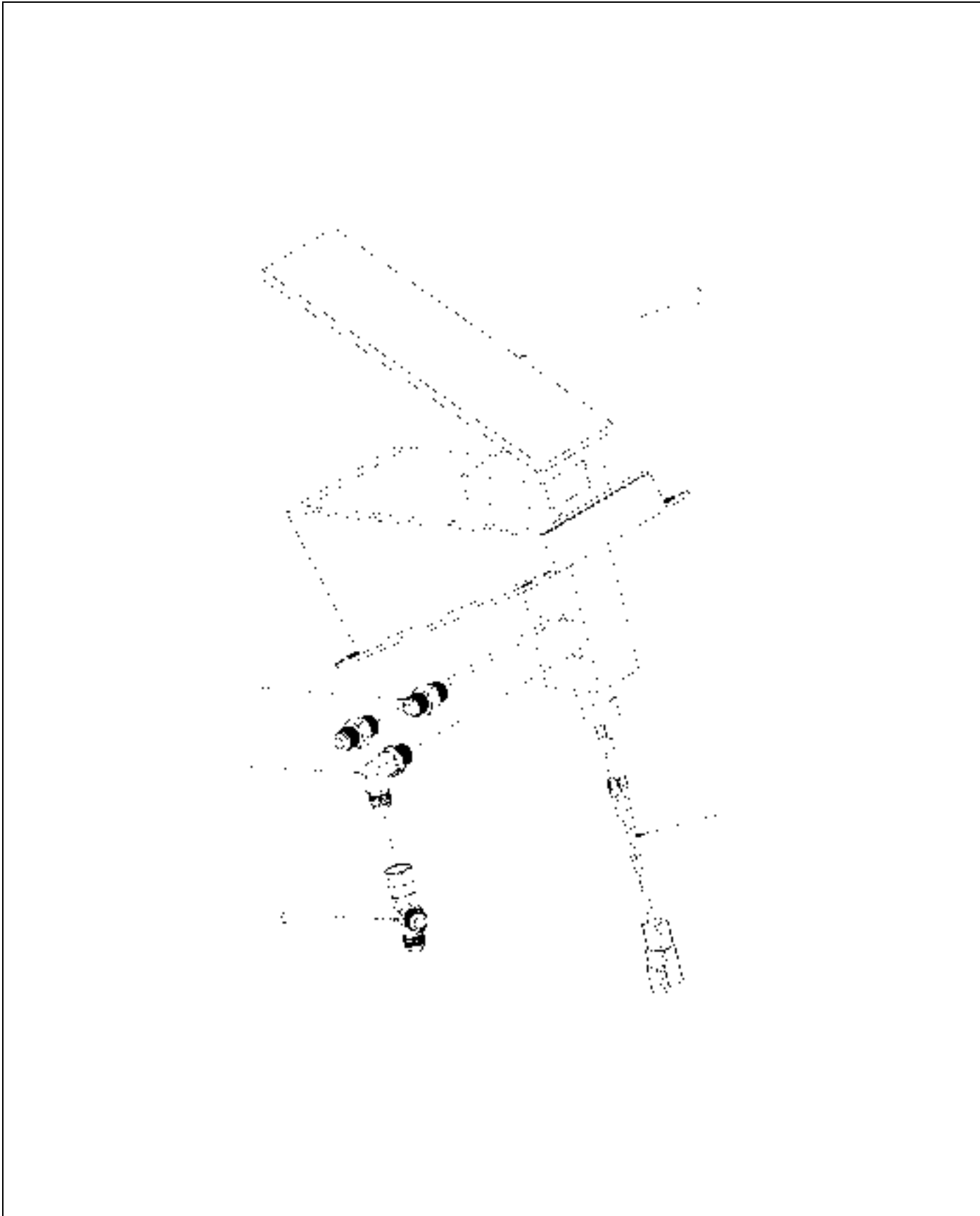


129182-B.TIF

VALVE INSTALL-PARK BRAKE

ITEM	PART #	QTY	DESCRIPTION	COMMENTS
1	WR17335	-	PAD-PVC FOAM BULK 1/4 X 3/4 [BULK: 2.080 FT]	
2	WR129181	1	VALVE ASM-PARK BRAKE	SEE PAGE 7-5
3	AG561255	4	BOLT M8 1.25X 25MM G8.8 ZN HH	
4	AG561679	4	WASHER LOCK M8 ZN	

VALVE ASM-PARK BRAKE

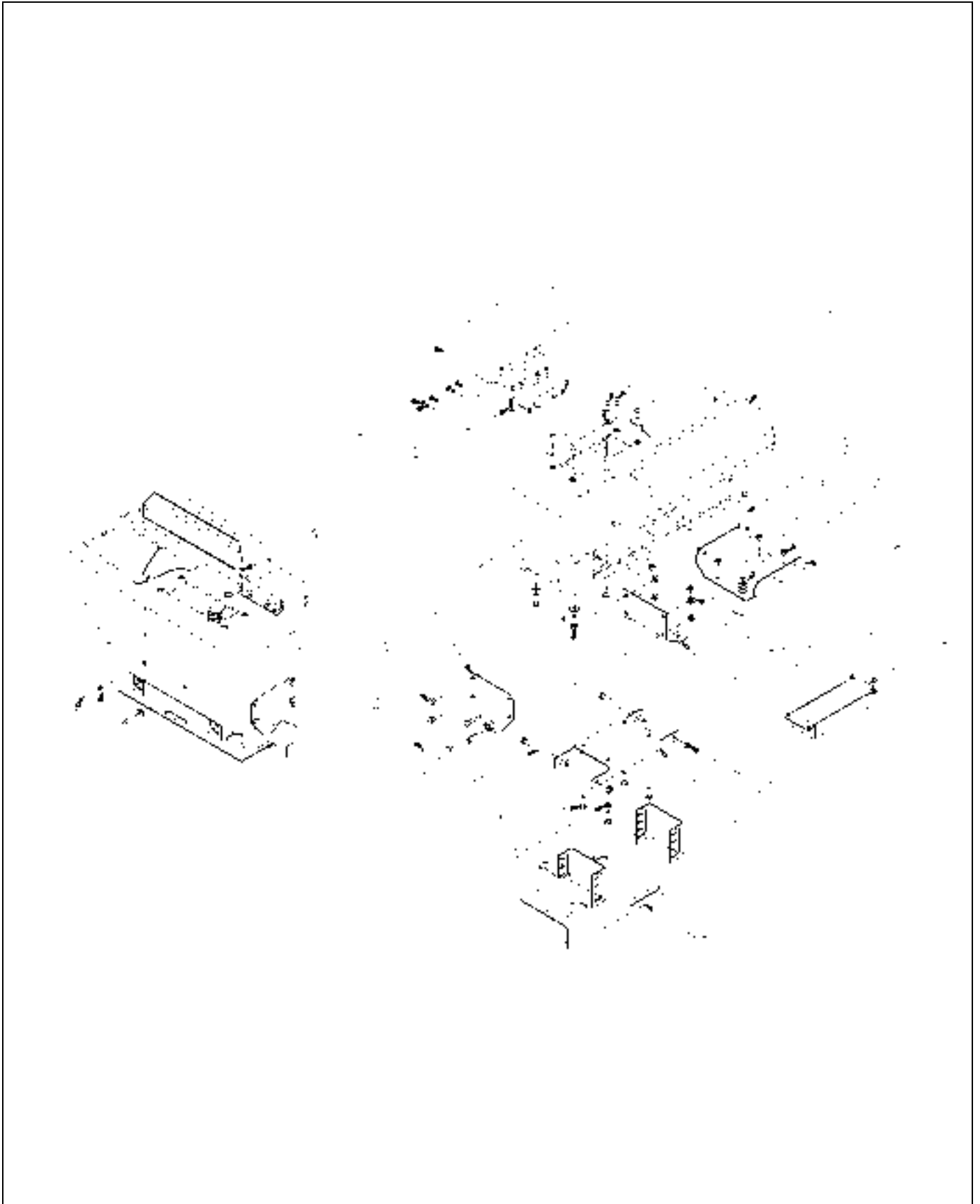


129181-03-N606-.TIF

VALVE ASM-PARK BRAKE

ITEM	PART #	QTY	DESCRIPTION	COMMENTS
1	WR132424	1	HARNES-EXTENSION,SWITCH	
2	AG518989	AR	SEALANT NONCORROSIVE 10.3 OZ	
3	AG560693	2	ADAP STR 0.37MO-R X 0.37MJIC	SEE PAGE 6-104
4	AG561391	1	TEE 0.37FJIC SW X 0.37MJIC(2)	
5	AG562401	1	ELBOW -6MB90X-6MJ	
6	512906D1	1	VALVE-PARK BRAKE	SEE PAGE 6-1

CONSOLE-ARMREST RH

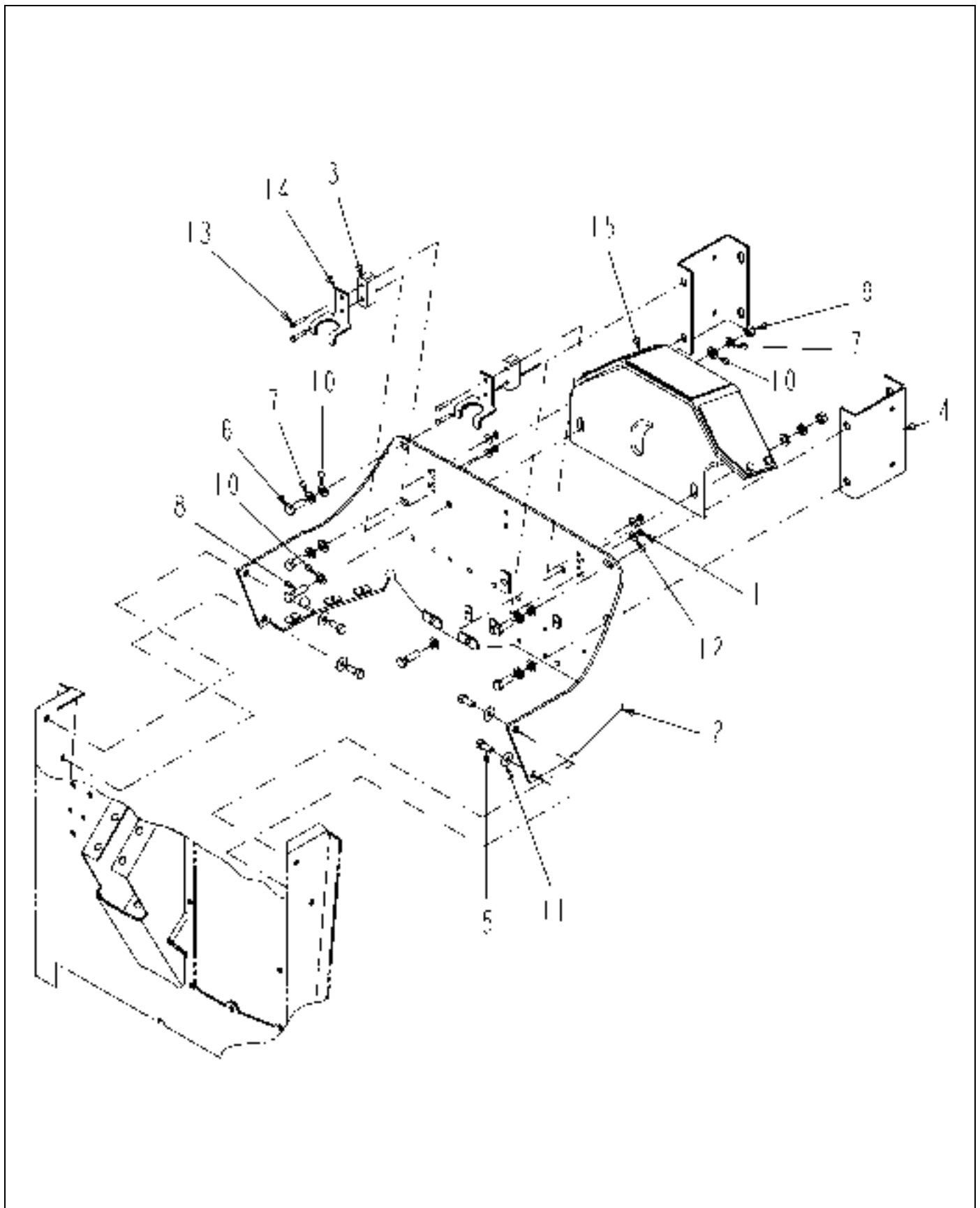


507123D1-01-K960-.TIF

CONSOLE-ARMREST RH

ITEM	PART #	QTY	DESCRIPTION	COMMENTS
1	WR128020	1	ARMREST	
2	WR128021	1	BASEPLATE	
3	WR128022	1	PLATE WLDMT-SUPPORT,KNOB	
4	WR128024	1	KNOB-.50-13UNC X 2.00	
5	WR128026	1	HINGE-ARMREST	
6	WR128030	1	STIFFENER-BOTTOM	
7	WR128031	1	STIFFENER-REAR	
8	WR128032	1	BRKT WLDMT-RH CONSOLE	
9	WR128037	1	ROD-STIFFENER,VERTICAL	
10	WR130585	1	BRKT WLDMT-TRAY	
11	AG134415	3	WASHER-FLAT,.25 USS BLK OXIDE	
12	AG515457	3	SCREW BUTTON HEAD .25-20X0.75	
13	AG520911	4	SCR-M6-1.0X16,CL10.9,BLK,BHHS	
14	AG550205	1	WASHER 0.31 LK ZN REG	
15	AG551015	5	WASHER 0.31 FL ZN REG TYPE-B	
16	AG551252	10	BOLT 0.31-18NCX 1.00 G5 ZN HHD	
17	AG551317	8	NUT 10-32NF HEX ZN REG	
18	AG553182	8	WASHER #10 LK ZN REG	
19	AG562285	8	SCREW 10-32X0.50MA SL RHD ZN	
20	AG601888	11	NUT 0.31-18NC HEX ZN REG NY	
21	AG704467	2	BOLT 0.31-18NCX 5.00 G5 ZN HHD	
22	507124D1	1	CONSOLE-MOLDED	

FIREWALL INSTALL

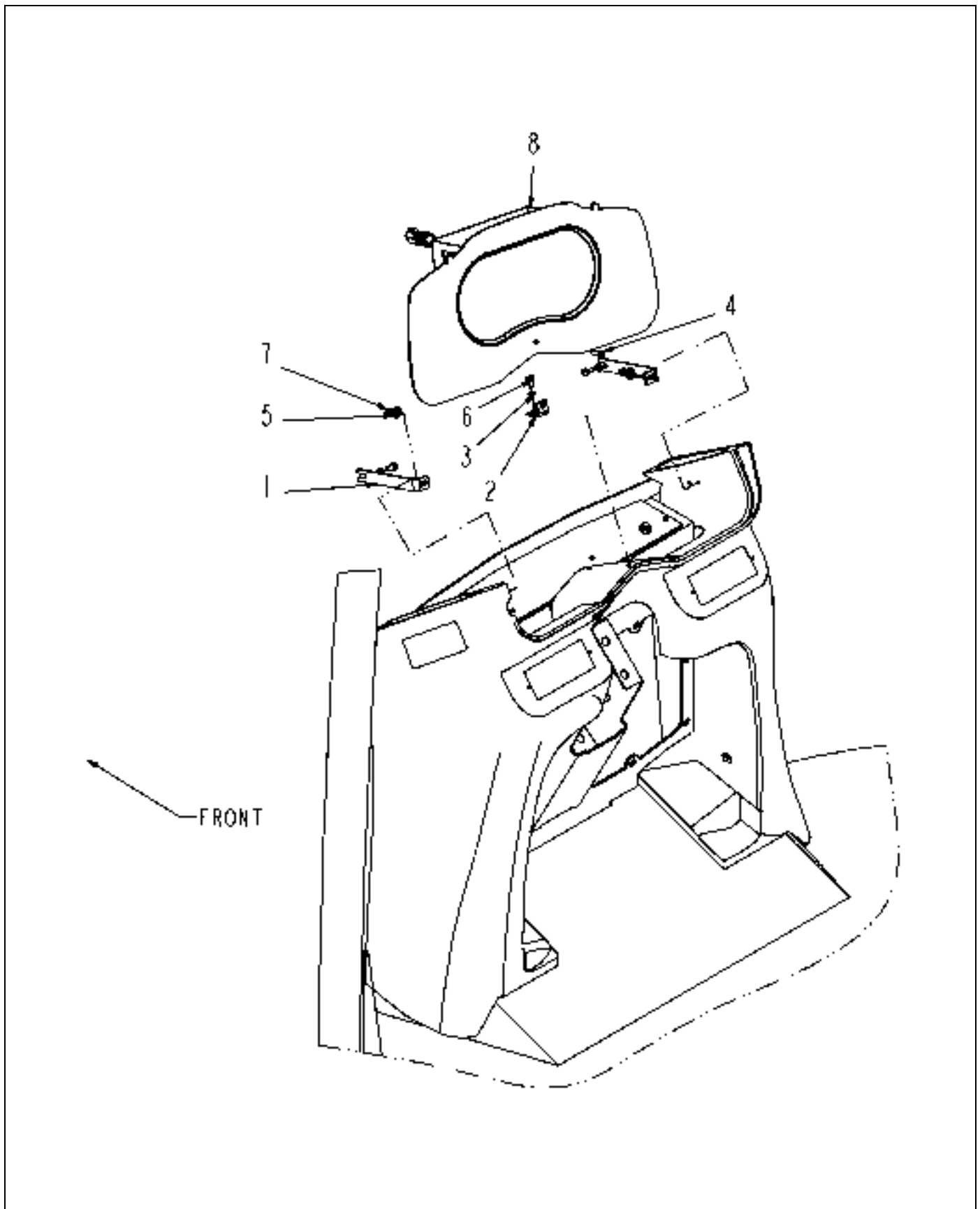


129238-05-N839-.TIF

FIREWALL INSTALL

ITEM	PART #	QTY	DESCRIPTION	COMMENTS
1	AG027274	4	NUT #10-24NC HEX SS REG NY	
2	AG123910	1	BRACKET WLDMT-HOOD SUPPORT	
3	AG126418	2	SPACER-HOOD LATCH	
4	AG237820	2	BRACKET WLDMT-DEAERATION TANK	
5	WR522279	4	BOLT-M8-1.25X20,CL10.9,ZN,HHD	
6	AG550175	4	BOLT 0.37-16NCX 1.00 G5 ZN HHD	
7	AG550191	6	WASHER 0.37 LK ZN REG	
8	AG550515	2	BOLT 0.37-16NCX 1.25 G5 ZN HHD	
9	AG550825	2	NUT 0.37-16NC HEX ZN REG	
10	AG550981	8	WASHER 0.37 FL ZN NAR TYPE-B	
11	AG551015	4	WASHER 0.31 FL ZN REG TYPE-B	
12	AG562082	4	WASHER #10 FL SS REG TYPE-B	
13	AG562086	4	SCREW 10-24X 1.50 MA SS SL RHD	
14	AG600016	2	BRACKET HOOD 510327 (P)	
15	511487D1	1	SUPPORT ASM-HOOD REAR	SEE PAGE 10-1

PANEL INSTALL-INSTRUMENT CLUSTER

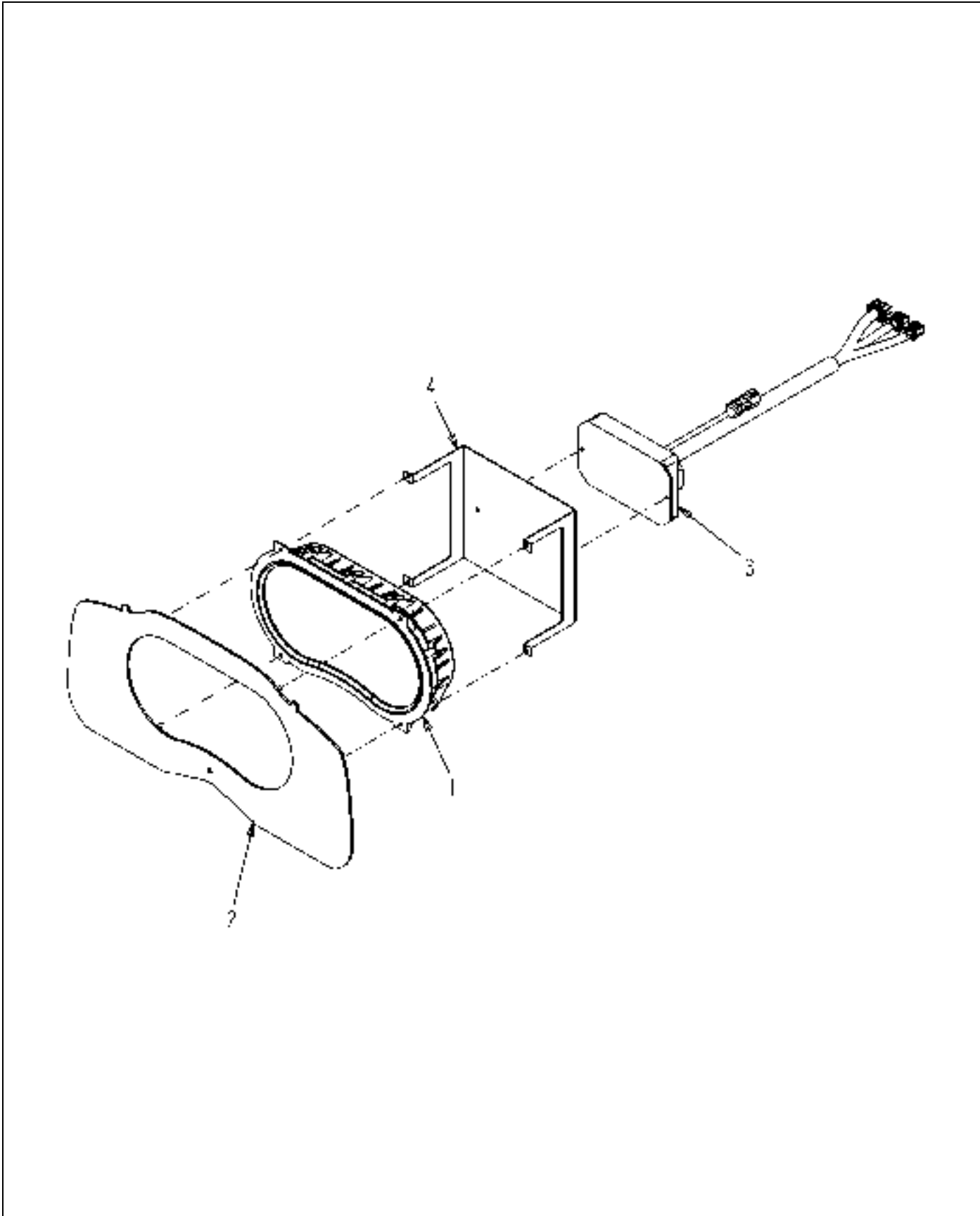


525384D1-01-T079-.TIF

PANEL INSTALL-INSTRUMENT CLUSTER

ITEM	PART #	QTY	DESCRIPTION	COMMENTS
1	WR127139	2	BRKT-MTG,PANEL,GAUGE	
2	AG134911	1	BRKT WLDMT-MTG,PANEL,CNTR	
3	AG520879	3	WASHER-FLAT,M6,ZN,REG	
4	AG521730	1	SCR-M6-1.0X20,CL10.9,BLK,BHHS	
5	AG550671	2	WASHER 0.25 FL ZN SAE TYPE-A	
6	AG562639	3	BOLT M6 1.00X12MM G8.8 ZN HHD	
7	AG713398	2	LOCK NUT M6	
8	525210D1	1	PANEL ASM-INSTRUMENT CLUSTER	SEE PAGE 7-10

PANEL ASM-INSTRUMENT CLUSTER

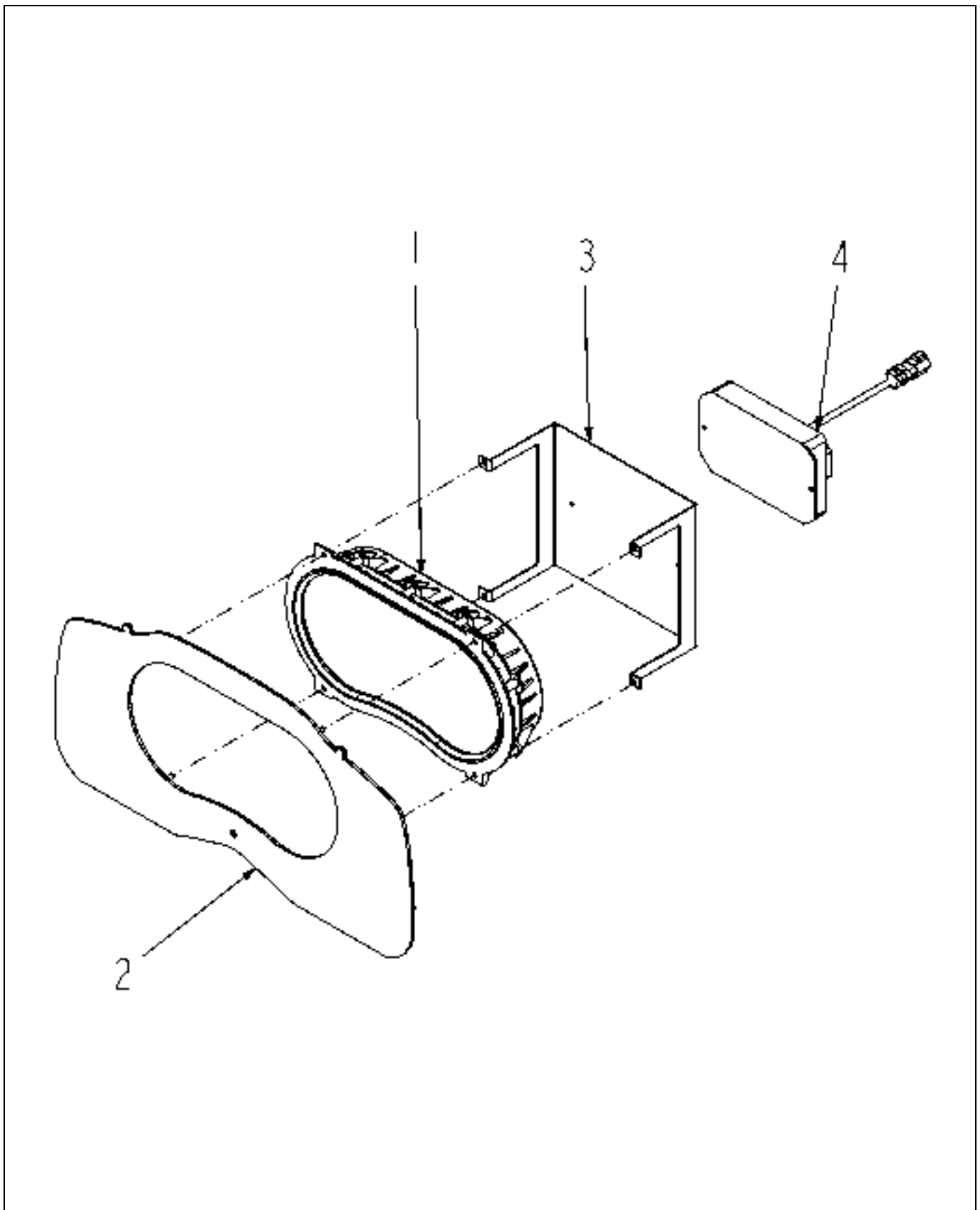


131484-01-M002-.TIF

PANEL ASM-INSTRUMENT CLUSTER

ITEM	PART #	QTY	DESCRIPTION	COMMENTS
1	AG131482	1	INSTRUMENT CLUSTER-WHITE	
2	AG131483	1	PANEL-MTG,INSTRUMENT CLUSTER	
3	AG132671	1	DRIVER-GAUGE,CAN,PRICOL	
4	AG134073	1	PLATE-MTG,DRIVER,GAUGE	

PANEL ASM-INSTRUMENT CLUSTER

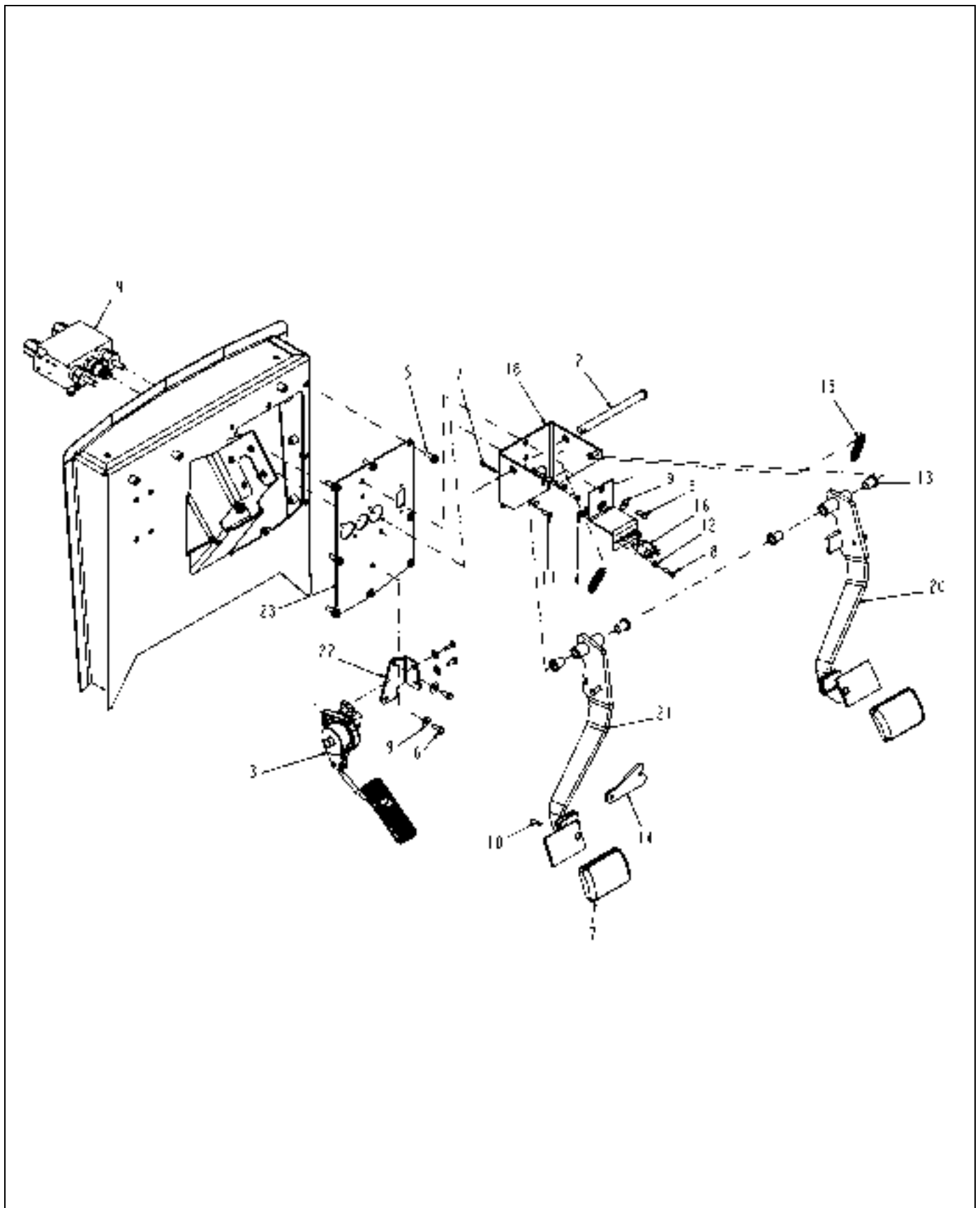


525210D1-01-T079-.TIF

PANEL ASM-INSTRUMENT CLUSTER

ITEM	PART #	QTY	DESCRIPTION	COMMENTS
1	AG131482	1	INSTRUMENT CLUSTER-WHITE	
2	AG131483	1	PANEL-MTG,INSTRUMENT CLUSTER	
3	AG134073	1	PLATE-MTG,DRIVER,GAUGE	
4	525211D1	1	DRIVER-GUAGE, CAN, PRICOL	

PEDAL INSTALL-BRAKE/THROTTLE



520664D1-01-R451-.TIF

PEDAL INSTALL-BRAKE/THROTTLE

ITEM	PART #	QTY	DESCRIPTION	COMMENTS
1	WR126599	1	PLATE-ACTUATOR	
2	WR126604	1	PIN-CLEVIS,.619DIA X 7.25LG	
3	WR126892	1	PEDAL-THROTTLE	SEE PAGE 7-12
4	AG520327	2	NUT-.47-32UNS,HEX,BLK	
5	AG520967	8	BOLT-M8-1.25X25,CL8.8,ZN FLG	
6	AG550183	4	BOLT 0.31-18NCX 0.75 G5 ZN HHD	
7	AG550337	1	PIN COTTER 0.18X1.25 ZN (D)	
8	AG550698	2	BOLT 0.25-20NCX 1.00 G5 ZN HHD	
9	AG551015	4	WASHER 0.31 FL ZN REG TYPE-B	
10	AG558214	1	PIN-SPRING .25X1.00LG ZN	
11	AG562327	4	BOLT M6-1.00X20MM G8.8 ZN HHD	
12	AG562945	2	NUT 0.25-20NC HEX ZN JAM	
13	AG605371	4	BUSHING BRAKE CLUTCH (P)	
14	6617524	1	ARM-LOCKING	
15	6627054	2	SPRING-EXTENSION	
16	6661516	2	SWITCH	
17	6800419	2	PAD-PEDAL,BRAKE	
18	504041D1	1	BRACKET-PEDAL, BRAKE	
19	511984D1	1	VALVE ASM-BRAKE	SEE PAGE 7-13
20	513994D1	1	PEDAL WLDMT-RH	
21	513995D1	1	PEDAL WLDMT-LH	
22	513996D1	1	BRKT-THROTTLE PEDAL	
23	520663D1	1	PLATE ASM.-MTG,BRAKE PEDAL	

PEDAL-THROTTLE

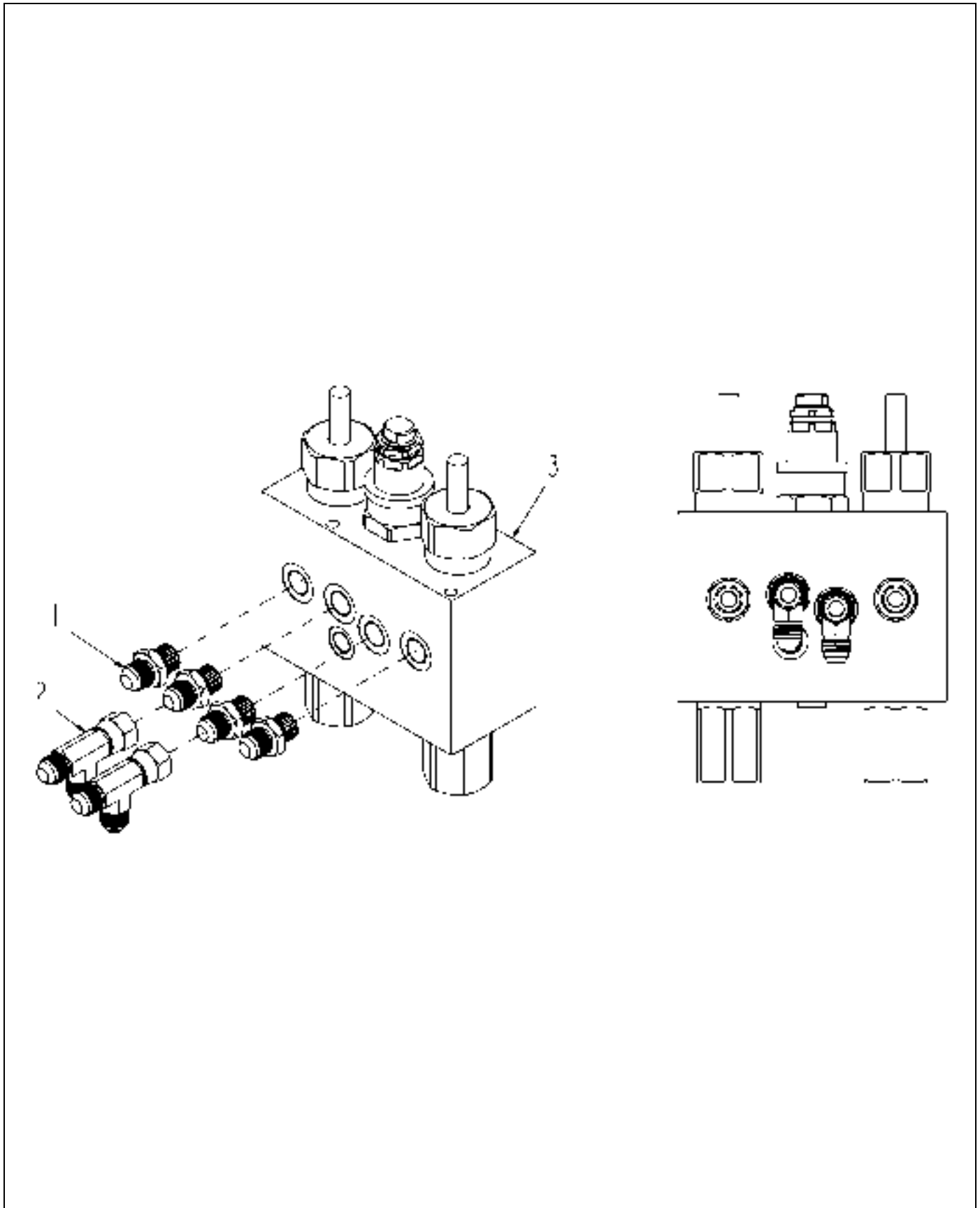


126892-04-K960-.TIF

PEDAL-THROTTLE

ITEM	PART #	QTY	DESCRIPTION	COMMENTS
REF	WR425679	1	SENSOR/THROTTLE	
1	WR139397	2	SCREW	
1	WR425857	1	SCREW/TRUSS 10.32X1.25 WM097	
2	AG330428	1	SENSOR/INTEGRATED	
3	WR139395	1	GRIP RING	
4	WR139394	2	BUSHING	
5	WR139393	1	GEAR/PINION	
6	WR425858	1	BODY/THROTTLE	
6	WR139392	1	BASE/THROTTLE	
7	WR139391	1	WASHER/SPACER	
8	WR139390	2	SPRING/THROTTLE	
9	WR139389	1	HOUSING	
10	AG721301	1	PEDAL GEAR DRIVE 519400	
11	AG722409	1	PIN-GAS PEDAL	
12	AG722408	1	SPRING-GAS PEDAL	
13	WR139387	1	LEVER/PEDAL	
14	WR139386	1	CLAMP/SADDLE	
15	WR139385	2	SCREW	
16	WR139384	1	WASHER/SPACER	
17	AG330427	2	SCREW	

VALVE ASM-BRAKE



511984D1-01-N494-.TIF

VALVE ASM-BRAKE

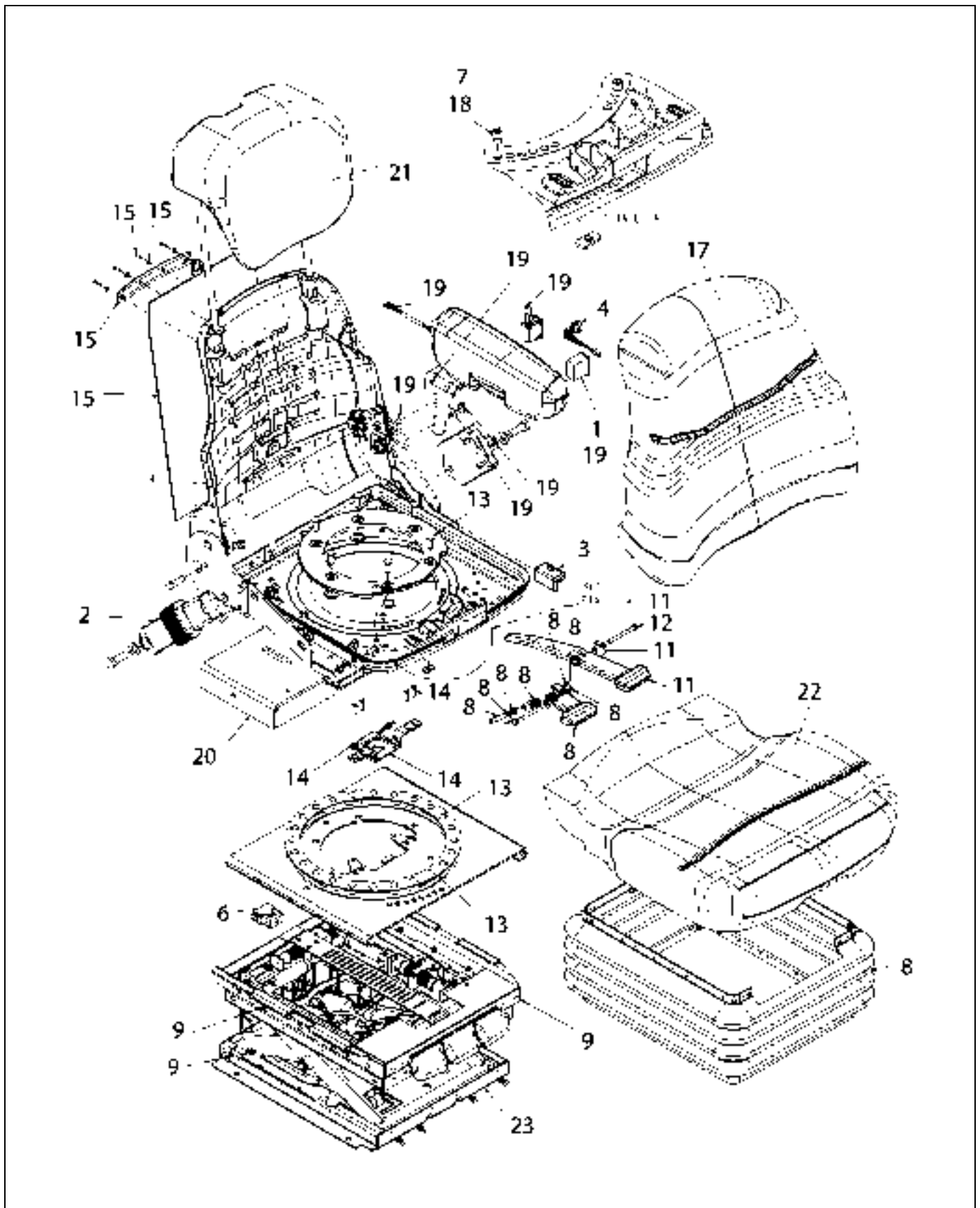
ITEM	PART #	QTY	DESCRIPTION	COMMENTS
1	AG516580	4	ADAP STR M14-1.5 OR X 0.37MJIC	
2	AG561391	2	TEE 0.37FJIC SW X 0.37MJIC(2)	
3	511983D1	1	VALVE-BRAKE,L/R,DUAL SLOPE	SEE PAGE 6-100



503035D1-03-M866-.TIF

SEAT INSTALL-DELUXE

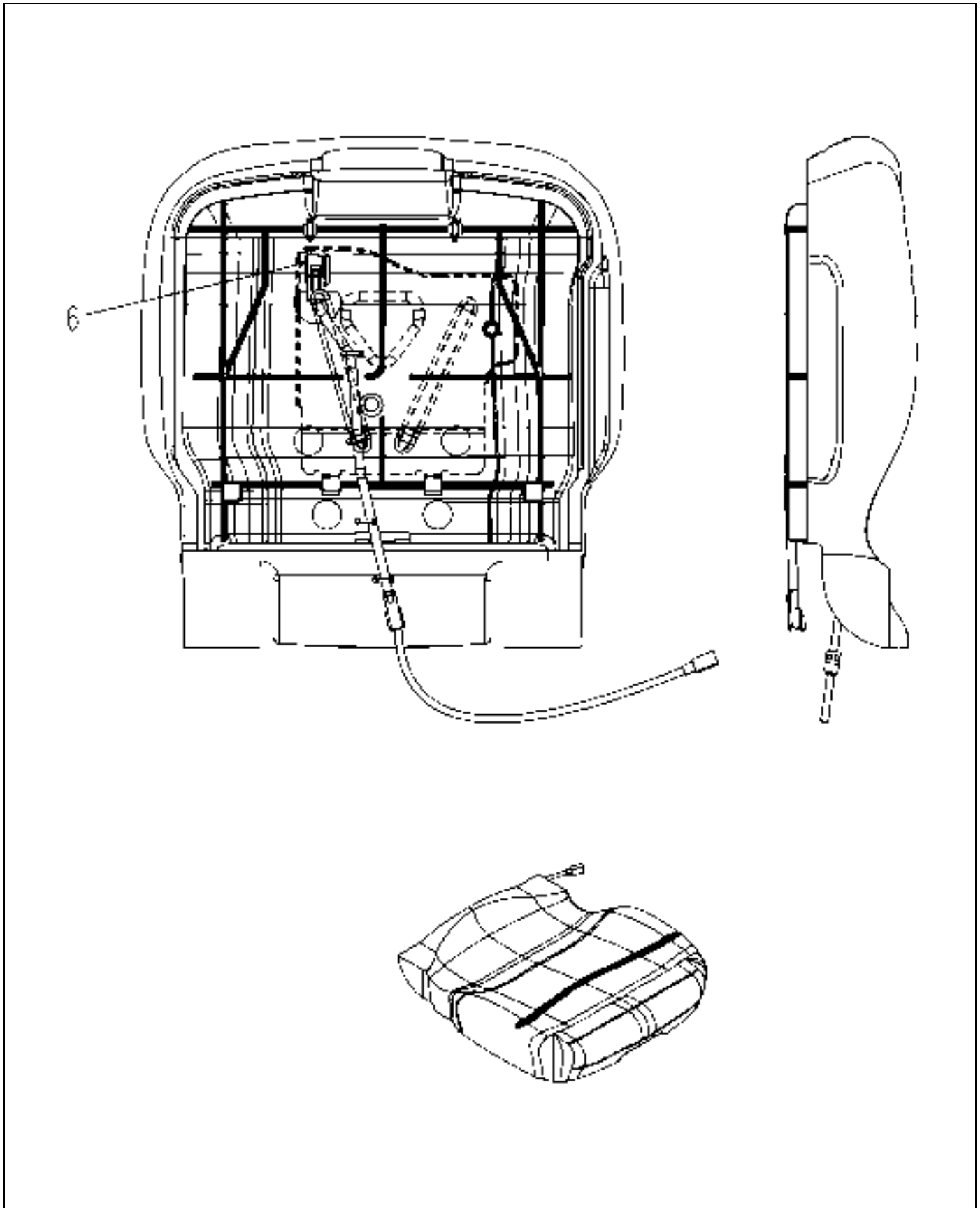
ITEM	PART #	QTY	DESCRIPTION	COMMENTS
1	400167X1	4	BOLT-M10X1.5X20 PH&O HHD 10.9	
2	503036D2	1	SEAT ASM-DELUXE, SEMI ACTIVE	SEE PAGE 7-15
3	CH6V-5839	4	WASHER-HARD 11IDX21ODX2.5MM	



503036D2-05-R977-.TIF

SEAT ASM-DELUXE, SEMI ACTIVE

ITEM	PART #	QTY	DESCRIPTION	COMMENTS
1	197-4519	-	KIT - SWITCH AS.	
2	197-4527	-	KIT - SEAT BELT	
3	197-4521	-	KIT-RECLINER KNOB	
4	502929D1	-	KIT-SWITCH AS. (HEATER)	
5	514387D1	1	KIT-WIRE HARNESS	
6	501902D1	-	KIT-HARNESS (SUSPENSION)	
7	508229D1	-	KIT-BOLT, STOP, SWIVEL	
8	197-4546	-	KIT-BOOT	
9	197-4544	-	KIT-BOOT BUTTONS	
10	197-4520	-	KIT-RECLINER AS.	
11	197-4525	-	KIT-LEVER AS.	
12	197-4526	-	KIT-LEVER AS.	
13	197-4550	-	KIT - SWIVEL AS.	
14	197-4529	-	KIT-SLIDE LATCH AS.	
15	501899D1	-	KIT-MANUAL HOLDER	
16	508230D1	-	KIT-SEAT TOP, SST	
17	501911D1	-	KIT-BACK CUSHION AS.	
18	502925D1	-	KIT-SEAT AS. UPPER	
19	502928D1	-	KIT-ARM REST AS. (LH)	SEE PAGE 7-35
20	508231D1	-	KIT-W/MNT,MOUNT,CONSOLE	
21	508234D1	-	KIT-BACK,UPPER	
22	508235D1	-	KIT-CUSHION,SEAT,SST	SEE PAGE 7-16
23	524649D1	-	KIT-SUSPENSION	SEE PAGE 7-17

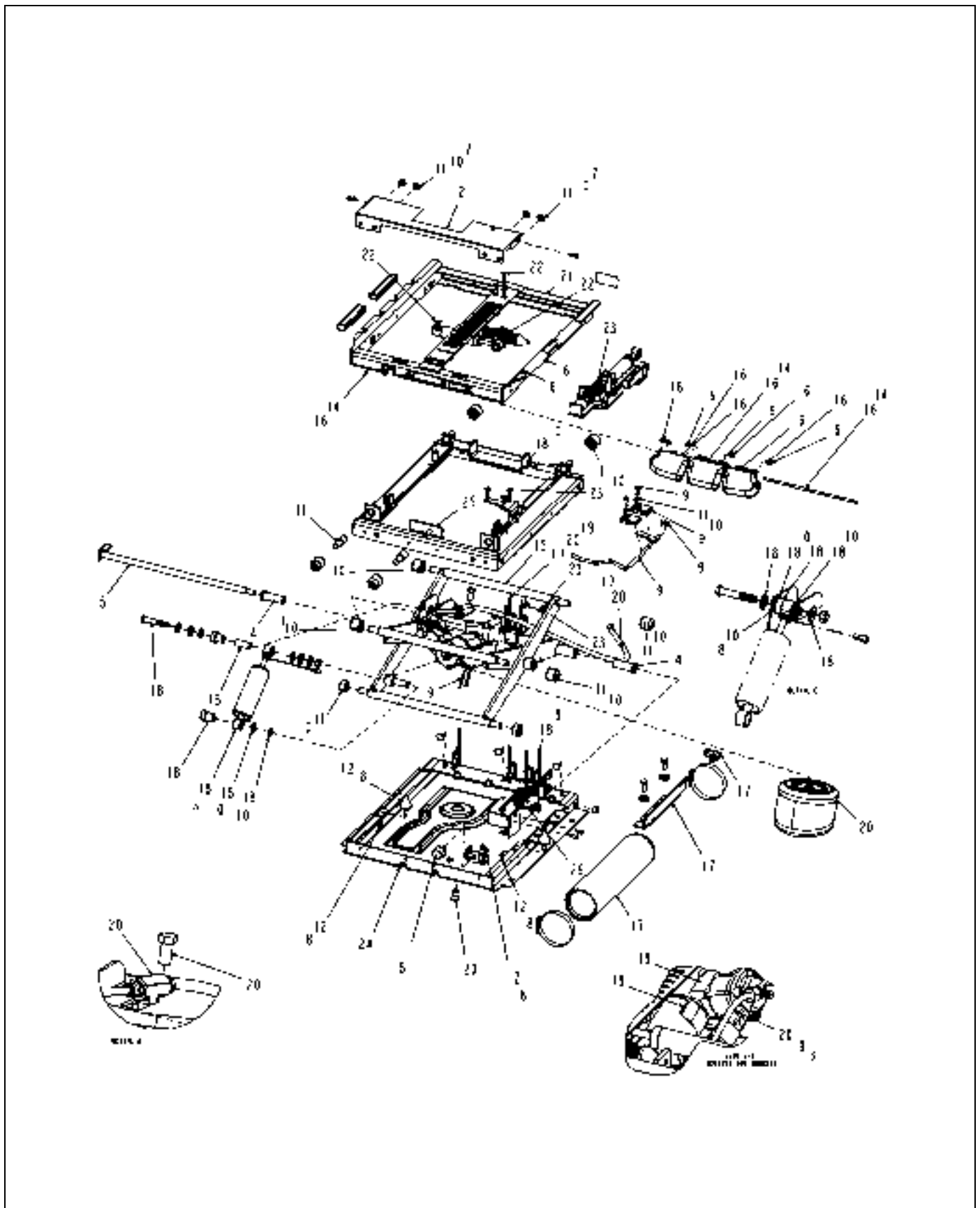


508235D1-01-M866-.TIF

KIT-CUSHION,SEAT,SST

ITEM	PART #	QTY	DESCRIPTION	COMMENTS
6	AG333405	1	SWITCH, SEAT	

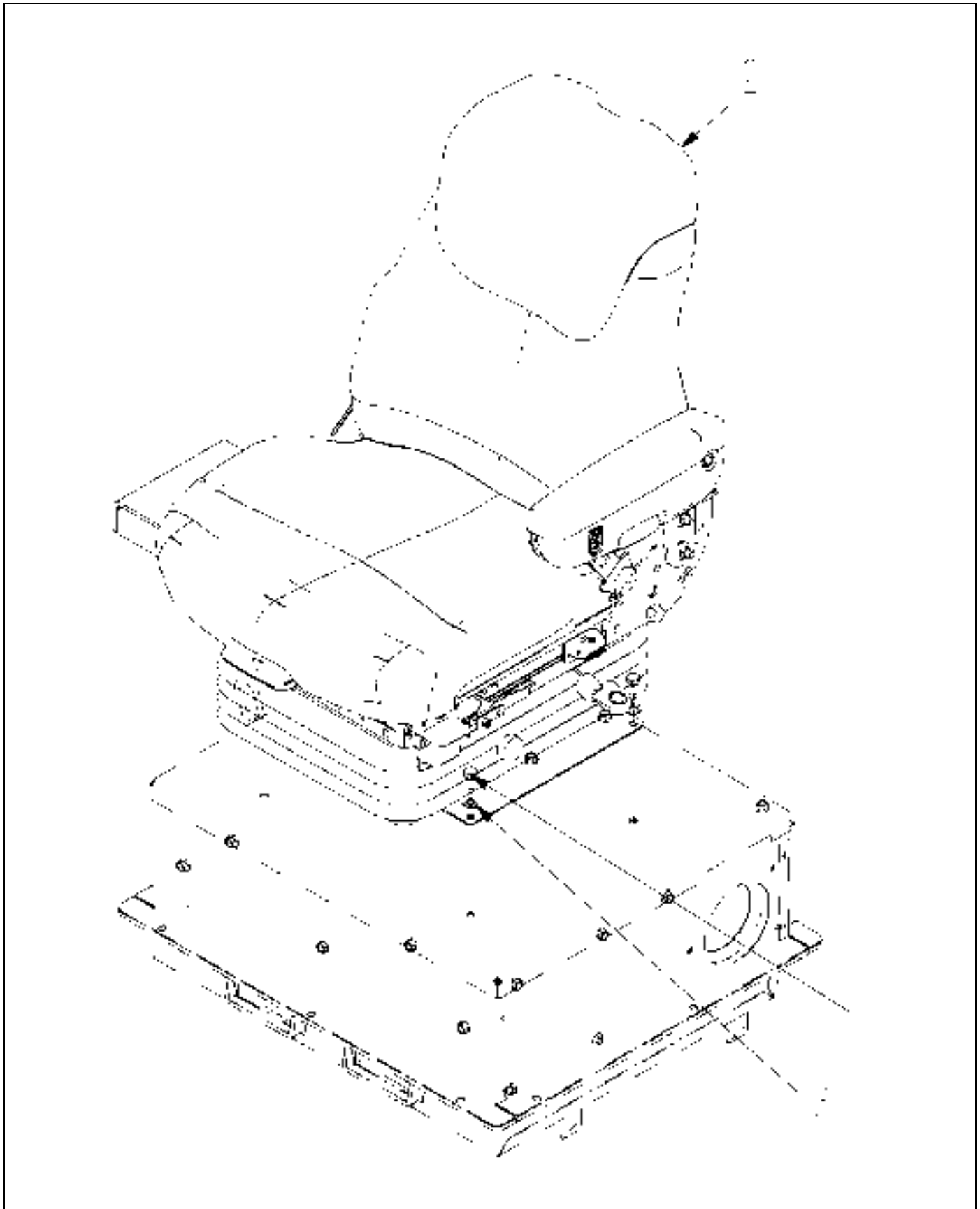
KIT-SUSPENSION



524649D1-01-R977-.TIF

KIT-SUSPENSION

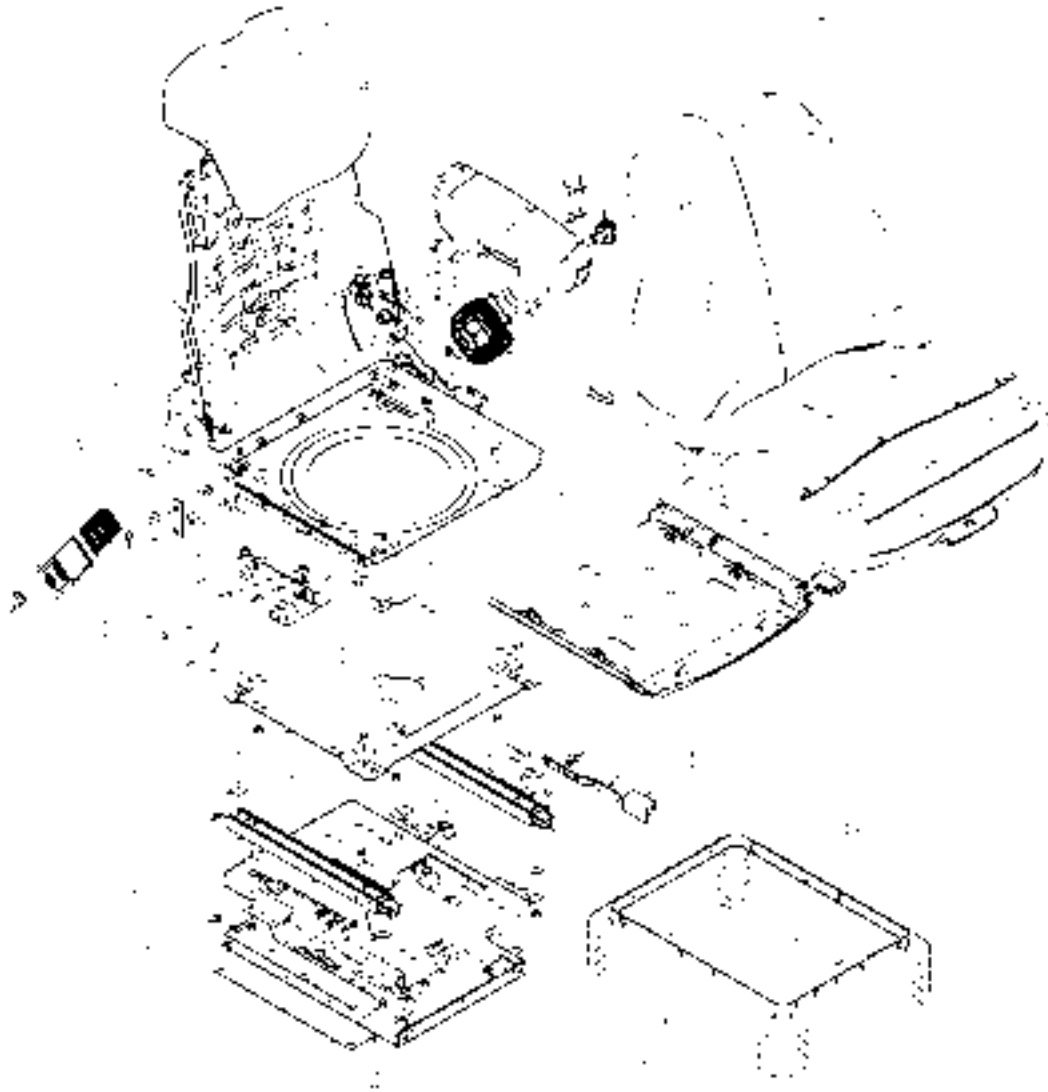
ITEM	PART #	QTY	DESCRIPTION	COMMENTS
REF	197-4538	-	KIT-AIRLINE AS.	
1	AG137812	-	BUMPER	
2	197-4531	-	KIT-COVER PLATE AS.	
3	501917D1	-	KIT-SHOCK AS. (SUSP)	
4	71323841	-	BEARINGS	
5	197-4532	-	KIT - BEARING SHAFT	
6	197-4530	-	KIT-PUCK AS. (SLIDE)	
7	197-4544	-	KIT-BOOT BUTTONS	
8	524550D1	-	KIT-SUSP. BUMPER	
9	197-4547	-	KIT - FORE/AFT	
10	197-4533	-	KIT-ROLLER BEARINGS	
11	197-4534	-	KIT-ISOLATOR ROLLER	
12	197-4537	-	KIT-BUMPER AS. (SUSP)	
14	197-4548	-	KIT-CONTROL(LATERAL	
15	AG137799	-	WLDMT/ARM SUSP	
16	501919D1	-	KIT-KNOB AS. (SUSP)	
17	501918D1	-	KIT-AIR TANK	
18	501920D1	-	KIT-CONTROL AS. (SHOCK)	
19	524551D1	-	KIT-COMPRESSOR	
20	524552D1	-	KIT-AIR SPRING	
21	501903D1	-	KIT-HOUSING AS.	
22	501906D1	-	KIT-SPRING & SHOCK AS.	
23	501907D2	-	KIT-SPRING & SHOCK AS.	
24	AG137792	-	WLDMT/HOUSING LOWER	
25	524553D1	-	KIT-WELDMT. HOUSING, UPPER	
26	501922D1	-	KIT-CONTROL DAMPER	



503078D1-04-N355-.TIF

SEAT INSTALL-BASIC

ITEM	PART #	QTY	DESCRIPTION	COMMENTS
1	400167X1	4	BOLT-M10X1.5X20 PH&O HHD 10.9	
2	503079D2	1	SEAT ASM-BASIC, AIR	SEE PAGE 7-19
3	CH6V-5839	4	WASHER-HARD 11IDX21ODX2.5MM	



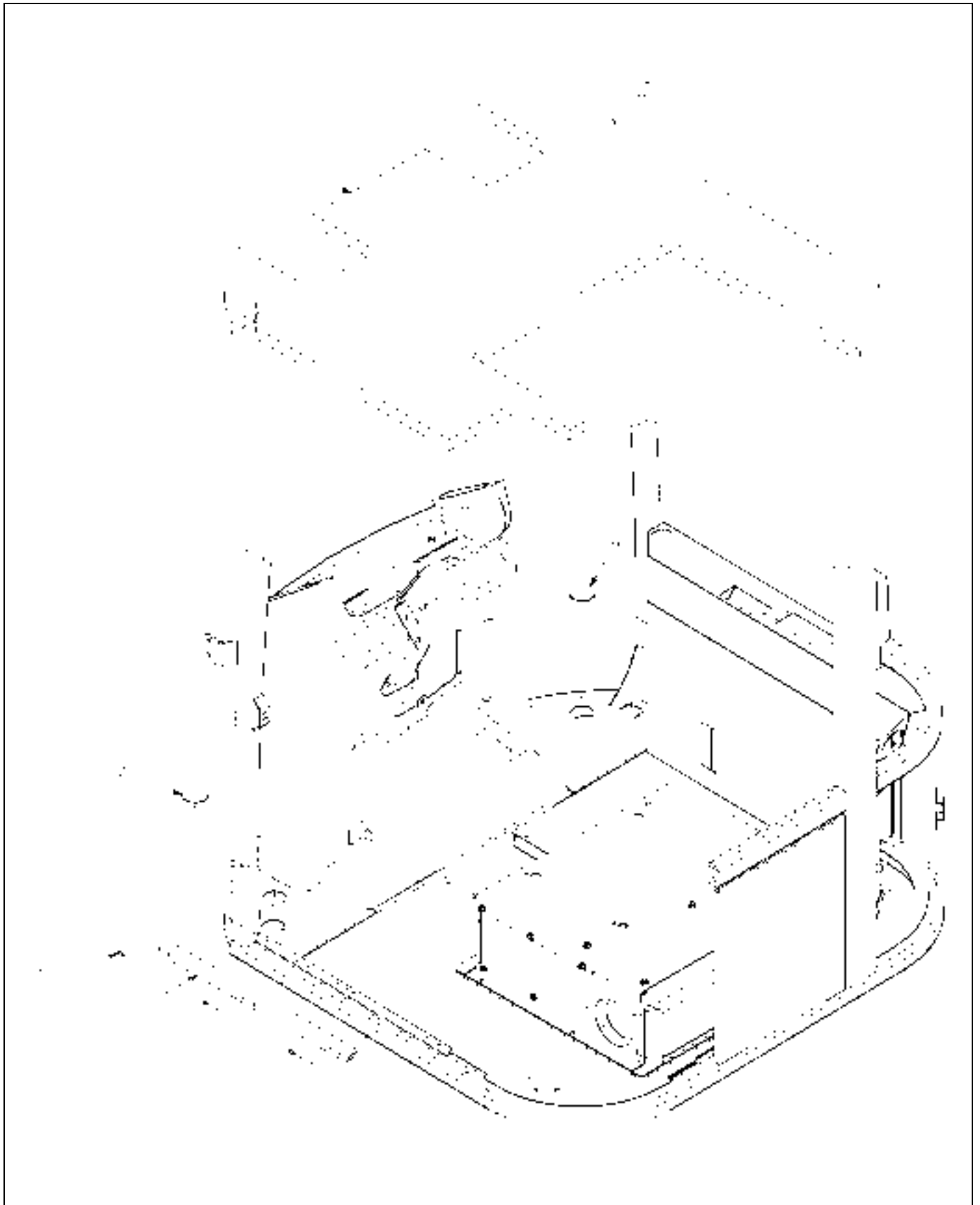
503079D2-01-M866-01.TIF

SEAT ASM-BASIC, AIR

ITEM	PART #	QTY	DESCRIPTION	COMMENTS
1	508261D1	1	KIT-CUSHION,SEAT,SST DLX,W/OPS	
2	508234D1	1	KIT-BACK,UPPER	
3	508260D1	1	KIT-SEAT TOP,SST DLX	
4	508259D1	1	KIT-SUSP,AIR,LOW PROFILE	SEE PAGE 7-20
5	508231D1	1	KIT-W/MNT,MOUNT,CONSOLE	
6	508239D1	1	KIT-ARM & BRKT,L.H.	
7	NS	-	NON-SERVICEABLE PART	
8	508258D1	1	KIT-CUSHION,BACK,SST	
9	508262D1	1	KIT-SERVICE,SLIDES	
10	NS	-	NON-SERVICEABLE PART	
11	508257D1	1	KIT-SWITCH,VALVE W/90 ELBOW	
12	508264D1	1	KIT-SERVICE,BELT,SEAT	
13	NS	-	NON-SERVICEABLE PART	
14	NS	-	NON-SERVICEABLE PART	
15	508262D1	-	KIT-SERVICE,SLIDES	
16	508262D1	-	KIT-SERVICE,SLIDES	
17	508262D1	-	KIT-SERVICE,SLIDES	
18	508264D1	-	KIT-SERVICE,BELT,SEAT	
19	508263D1	1	KIT-SERVICE,BOOT,LP AIR	
19	508256D1	1	KIT-BOOT, SUSPENSION	
20	508264D1	-	KIT-SERVICE,BELT,SEAT	
21	508262D1	-	KIT-SERVICE,SLIDES	
22	NS	-	NON-SERVICEABLE PART	
23	NS	-	NON-SERVICEABLE PART	
24	NS	-	NON-SERVICEABLE PART	
25	508263D1	-	KIT-SERVICE,BOOT,LP AIR	
26	508263D1	-	KIT-SERVICE,BOOT,LP AIR	
27	AG550825	1	NUT 0.37-16NC HEX ZN REG	
28	AG550213	12	NUT 0.31-18NC HEX ZN REG	
29	NS	-	NON-SERVICEABLE PART	
30	NS	-	NON-SERVICEABLE PART	
31	NS	-	NON-SERVICEABLE PART	
32	NS	-	NON-SERVICEABLE PART	
33	NS	-	NON-SERVICEABLE PART	
34	WR55036	2	SCREW-CAP HEX M8 X 25	
35	AG550183	4	BOLT 0.31-18NCX 0.75 G5 ZN HHD	
36	WR55035	4	SCREW-CAP HEX M8 X 20	
37	AG550183	4	BOLT 0.31-18NCX 0.75 G5 ZN HHD	
38	AG561187	1	BOLT 0.37-16NCX 1.25 G5 PL HHD	

KIT-SUSP,AIR,LOW PROFILE

ITEM	PART #	QTY	DESCRIPTION	COMMENTS
1	508274D1	1	KIT-LATCH,ISOLATOR	
5	508272D1	-	KIT-SERVICE,COMPRESSOR,	
6	508269D1	1	KIT-SUSPENSION BEARING/ROLLER	
7	508269D1	2	KIT-SUSPENSION BEARING/ROLLER	
8	508271D1	1	KIT-AIR SPRING	
9	508275D1	1	KIT-FORE-AFT ISOLATOR SHOCK	
10	508269D1	-	KIT-SUSPENSION BEARING/ROLLER	
11	508273D1	1	KIT-SERVICE,SHOCK,ADJUSTABLE	
12	508269D1	-	KIT-SUSPENSION BEARING/ROLLER	
13	508275D1	-	KIT-FORE-AFT ISOLATOR SHOCK	
14	508275D1	-	KIT-FORE-AFT ISOLATOR SHOCK	
15	508268D1	1	KIT-SHAFT,BEARING	
16	508269D1	-	KIT-SUSPENSION BEARING/ROLLER	
17	508267D1	-	KIT-BUMPER	
17	508270D1	1	KIT-BUMPER SERVICE	
18	508266D1	-	KIT-WIRE HARNESS,SEAT	
19	508272D1	-	KIT-SERVICE,COMPRESSOR,	
21	508273D1	-	KIT-SERVICE,SHOCK,ADJUSTABLE	
22	508269D1	-	KIT-SUSPENSION BEARING/ROLLER	
24	508275D1	-	KIT-FORE-AFT ISOLATOR SHOCK	
25	508270D1	-	KIT-BUMPER SERVICE	
26	508269D1	-	KIT-SUSPENSION BEARING/ROLLER	
28	508265D1	-	KIT-BUMPER	
30	508272D1	-	KIT-SERVICE,COMPRESSOR,	
31	508271D1	-	KIT-AIR SPRING	
39	508271D1	-	KIT-AIR SPRING	
40	508270D1	-	KIT-BUMPER SERVICE	
41	508272D1	-	KIT-SERVICE,COMPRESSOR,	

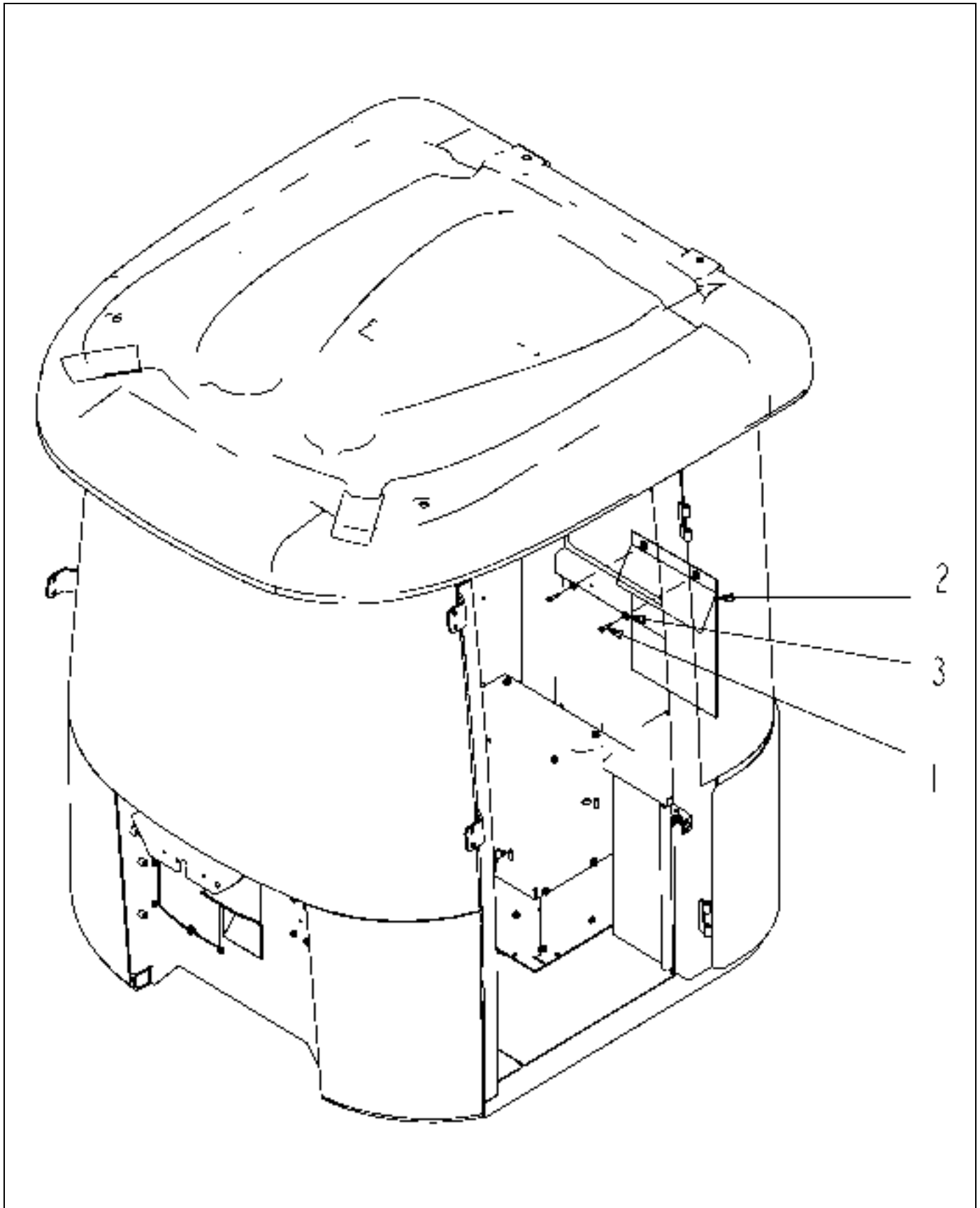


127687-04-K960-.TIF

FLOORMAT INSTALL-CAB

ITEM	PART #	QTY	DESCRIPTION	COMMENTS
1	508116D1	1	FLOOR MAT	
2	WR128019	1	PLATE-THRESHOLD	
3	AG521792	3	SCR-10-24X.63,SS,PNH,TC,SLFTPG	
4	WR29674	4	PLUG-HOLE, PLASTIC	

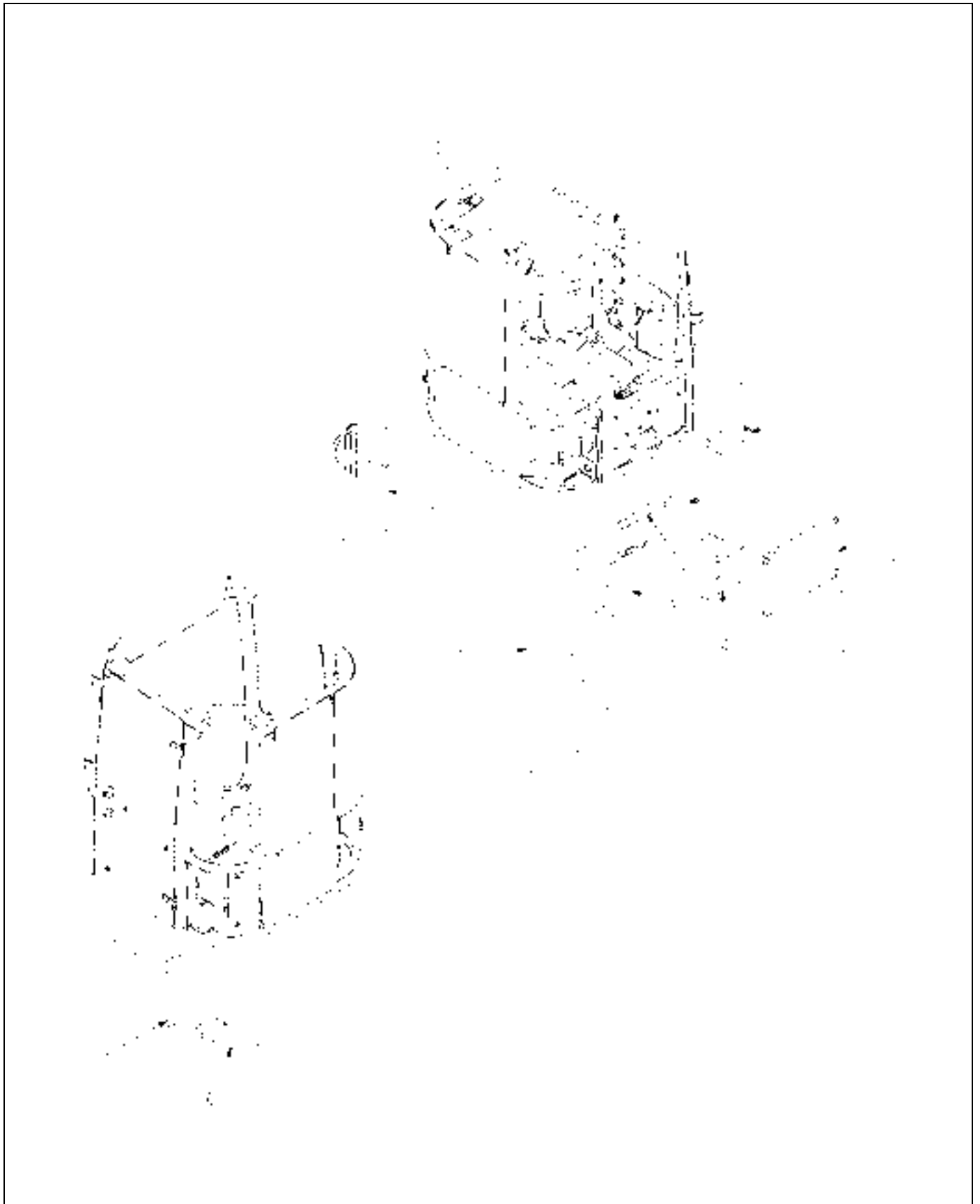
STORAGE INSTALL



507125D1-02-N397-.TIF

STORAGE INSTALL

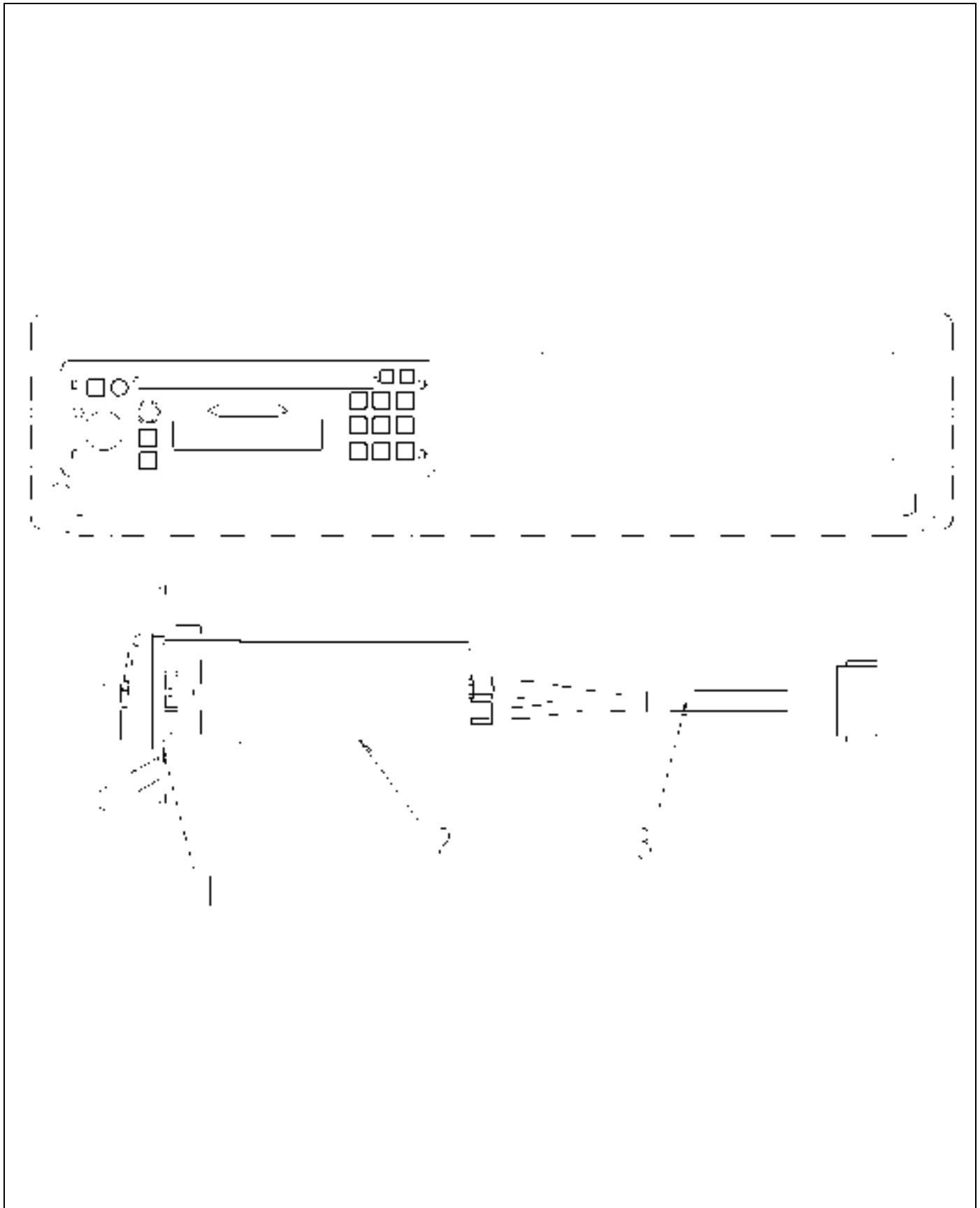
ITEM	PART #	QTY	DESCRIPTION	COMMENTS
1	WR34612	2	SCREW-SELF DRILLING 1/4 X	
2	WR129191	1	DOCUMENT HOLDER	
3	AG550507	2	WASHER 0.25 FL ZN REG TYPE-B	



508130D1-01-K960-.TIF

INSULATION INSTALL

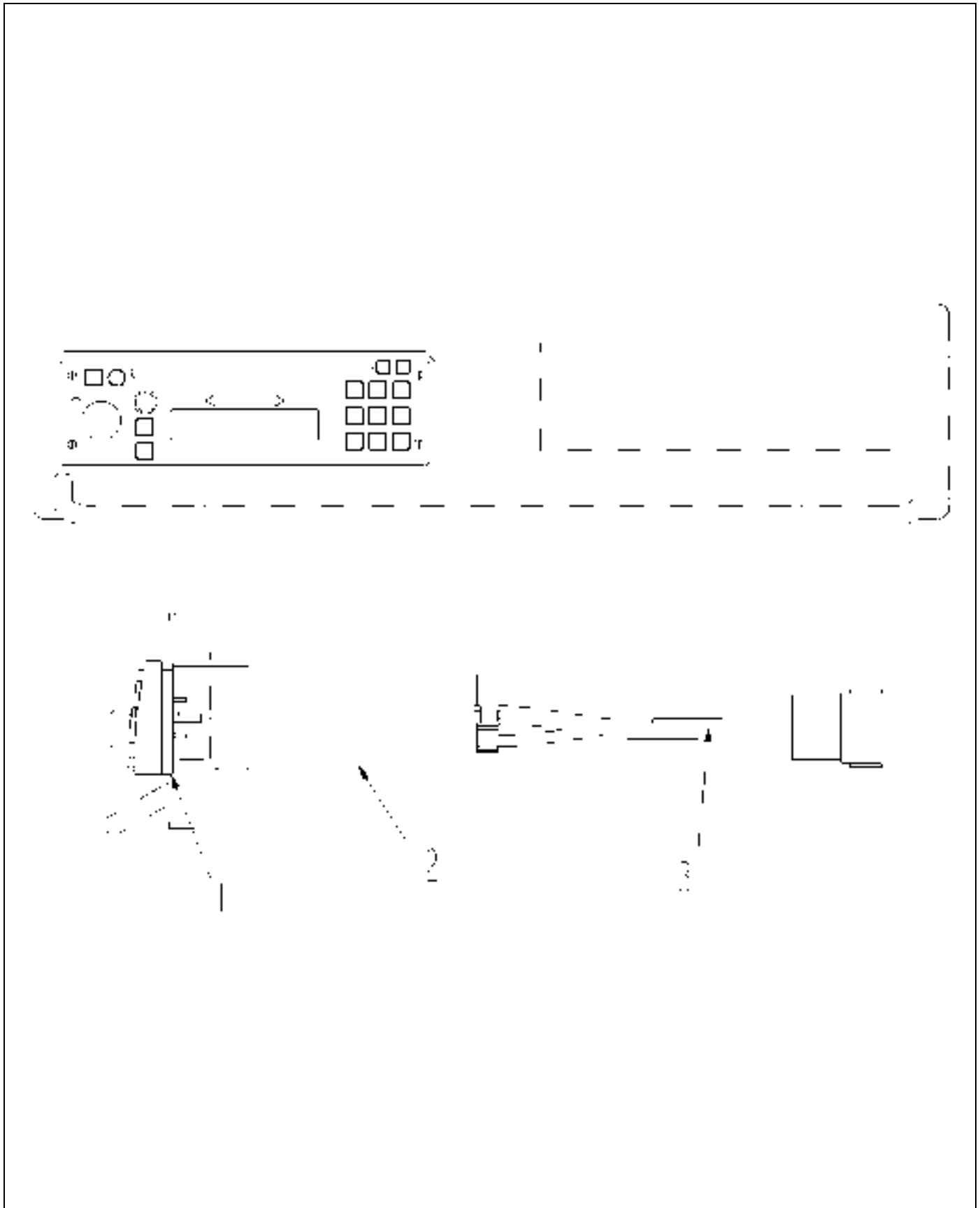
ITEM	PART #	QTY	DESCRIPTION	COMMENTS
1	508099D1	1	PANEL-RH ELEC DOOR COVER	
2	508100D1	1	PANEL,ELEC HOUSING BLOCK 1	
3	508101D1	1	PANEL,ELEC HOUSING BLOCK 2	
4	508102D1	1	PANEL,ELEC HOUSING BLOCK 3	
5	508103D1	1	PANEL,ELEC HOUSING BLOCK 4	
6	508104D1	1	PANEL,LH CAB CORNER TOP	
7	508105D1	1	PANEL,LH CAB CORNER BLOCK 1	
8	508106D1	1	PANEL,LH CAB CORNER ACCESS	
9	508107D1	1	PANEL,RH CAB CORNER BACK WALL	
10	508108D1	1	PANEL,RH CAB CORNER ACCESS	
11	508112D1	1	PANEL,INTERIOR FIREWALL	
12	508113D1	1	PANEL,INTERIOR FIREWALL	



514381D1-02-R530-.TIF

KIT-RADIO, XM

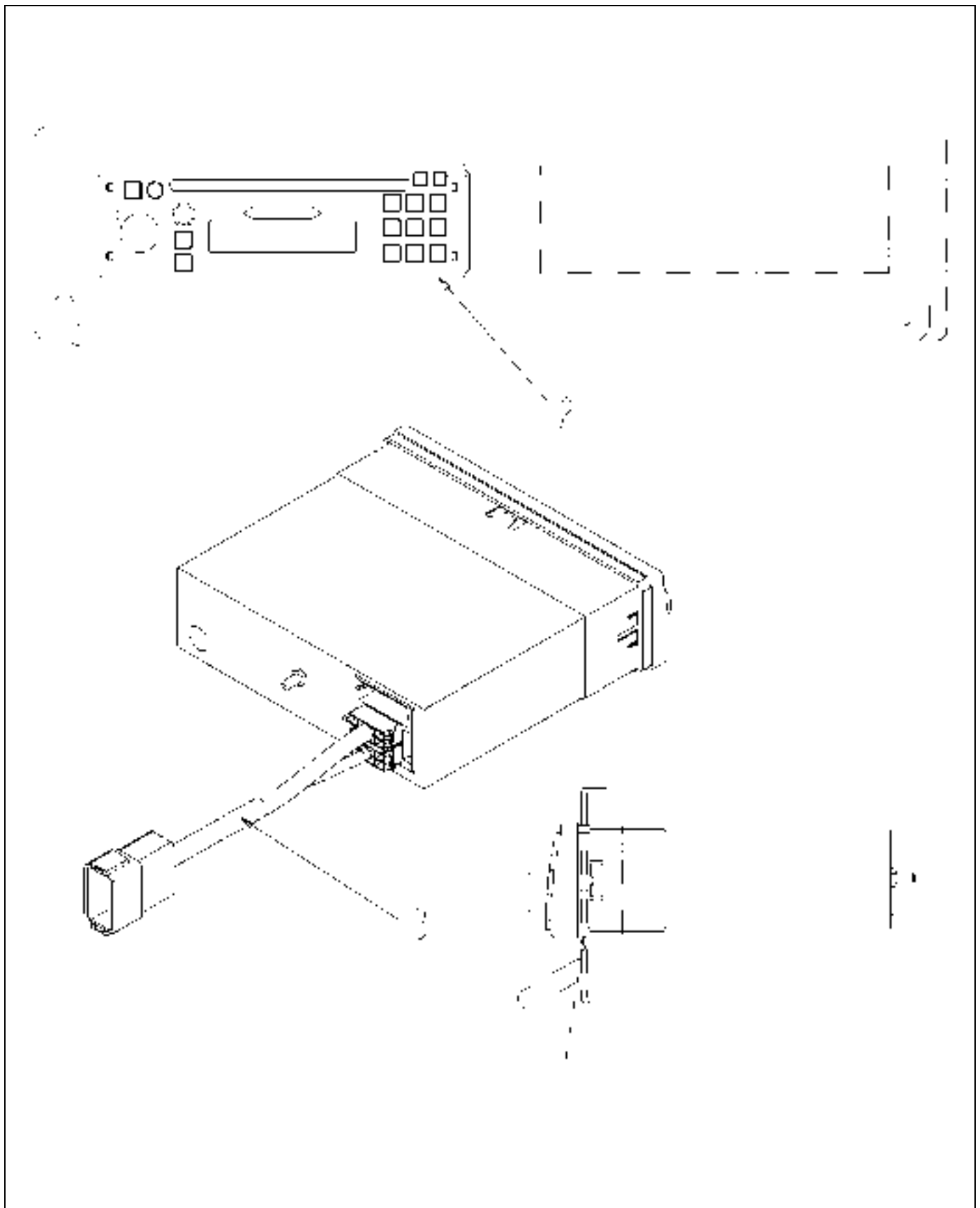
ITEM	PART #	QTY	DESCRIPTION	COMMENTS
1	506596D1	1	SPACER - RADIO	
2	509630D1	1	RADIO-CD (XM)	
3	514906D1	1	HARNES AS.-RADIO ADAPTER	



514382D1-02-R530-.TIF

KIT-RADIO,SIRIUS

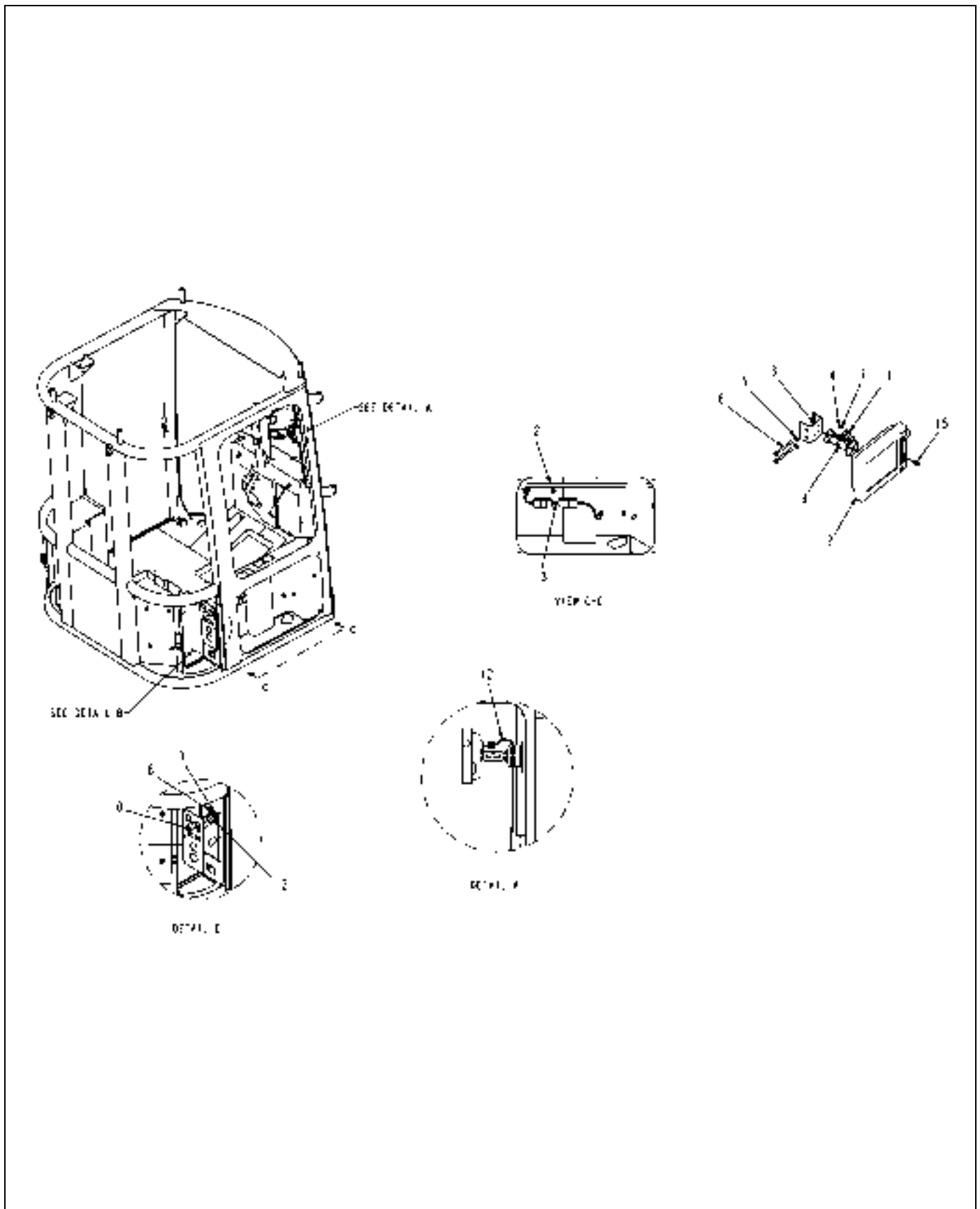
ITEM	PART #	QTY	DESCRIPTION	COMMENTS
1	506596D1	1	SPACER - RADIO	
2	509631D1	1	RADIO-CD (SIRIUS)	
3	514906D1	1	HARNES AS.-RADIO ADAPTER	



515487D1-02-R530-.TIF

GR-RADIO,DELUXE

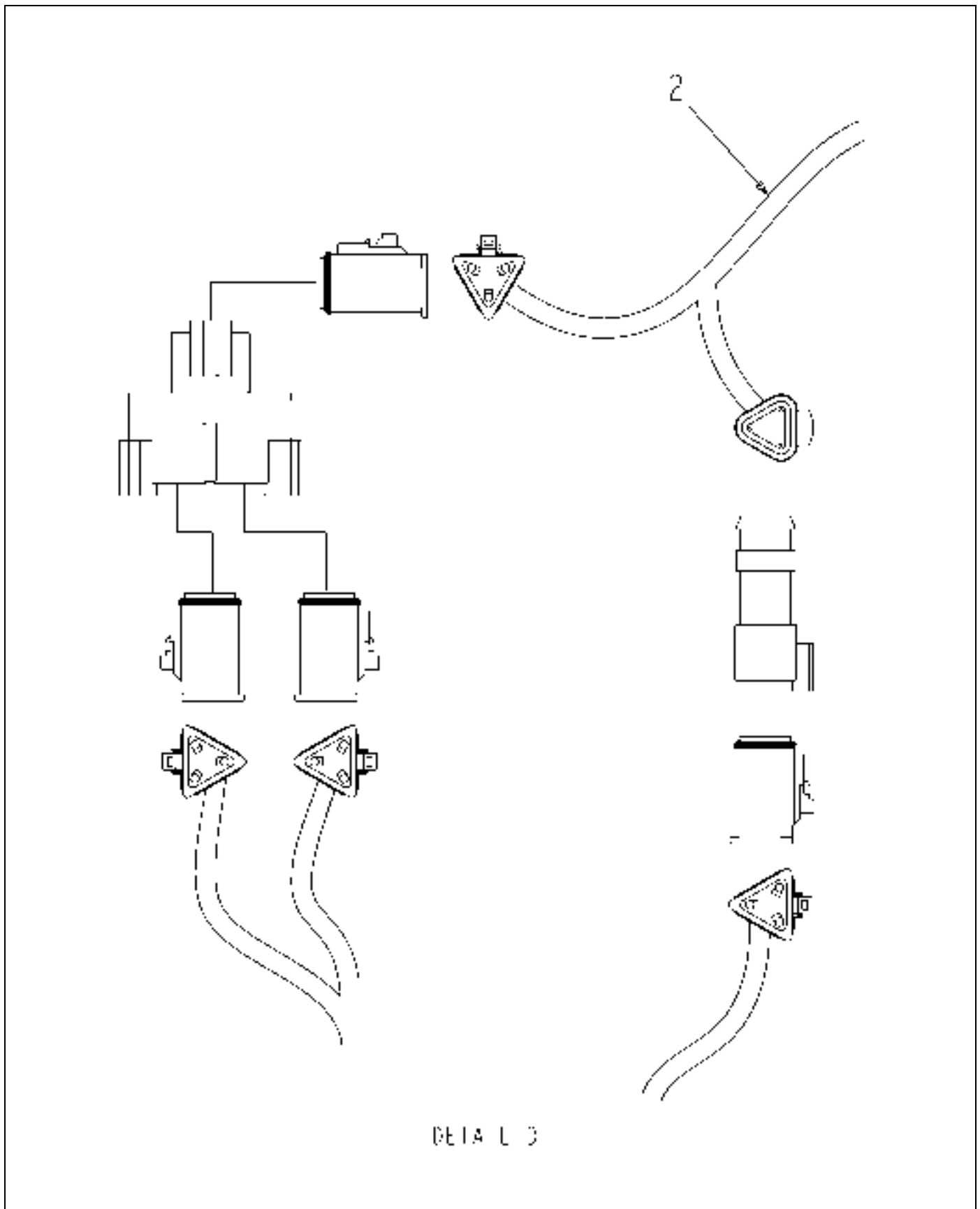
ITEM	PART #	QTY	DESCRIPTION	COMMENTS
1	506596D1	1	SPACER - RADIO	
2	509632D1	1	RADIO-CD	
3	514906D1	1	HARNES AS.-RADIO ADAPTER	



509488D1-05-R014-01.TIF

CONSOLE INSTALL-GTA,SC7000

ITEM	PART #	QTY	DESCRIPTION	COMMENTS
1	WR127138	-	PLATE-BULKHEAD	
2	AG131503	1	DISPLAY-VIRTUAL TERMINAL	
3	AG326925	1	CLAMP WLDMT-MTG,CTRL/MONITOR	
4	AG520879	8	WASHER-FLAT,M6,ZN,REG	
5	AG551007	2	WASHER 0.37 FL ZN REG TYPE-B	
6	AG562364	2	BOLT M10-1.5X100MM G8.8 ZN HHD	
7	AG562792	8	WASHER LOCK M6 SPRING ZN	
8	AG563174	4	WASHER #4 FL SS NAR TYPE-B	
9	AG563175	4	NUT #4-40NC HEX SS REG NY	
10	AG710181	4	SCREW #4-40 X .50LG PAN HD SS	
11	400221X1	8	BOLT-M6X1X20MM ZNDI HHD 10.9	
12	505696D1	1	HARNESS-CONSOLE II,GTA	
13	511798D1	1	HARNESS-ADAPTER,PWR,CONSOLE	
14	513214D1	1	CLAMP ASM-MTG,BALL,4.00,GTA	
15	516698D1	1	SOFTWARE INSTL-FALCON VT	

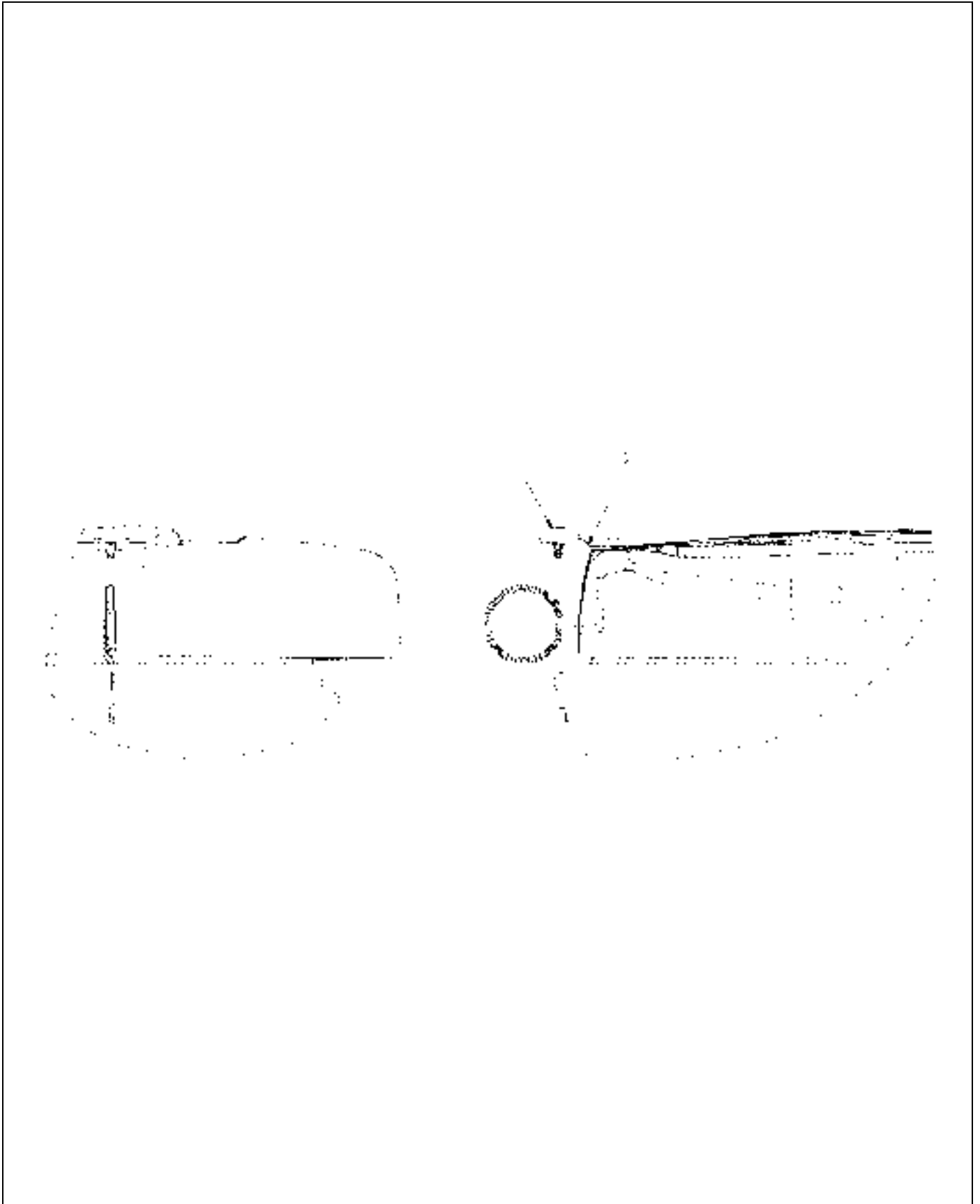


509488D1-05-R014-02.TIF

CONSOLE INSTALL-GTA,SC7000

ITEM	PART #	QTY	DESCRIPTION	COMMENTS
12	505696D1	1	HARNES-CONSOLE II,GTA	

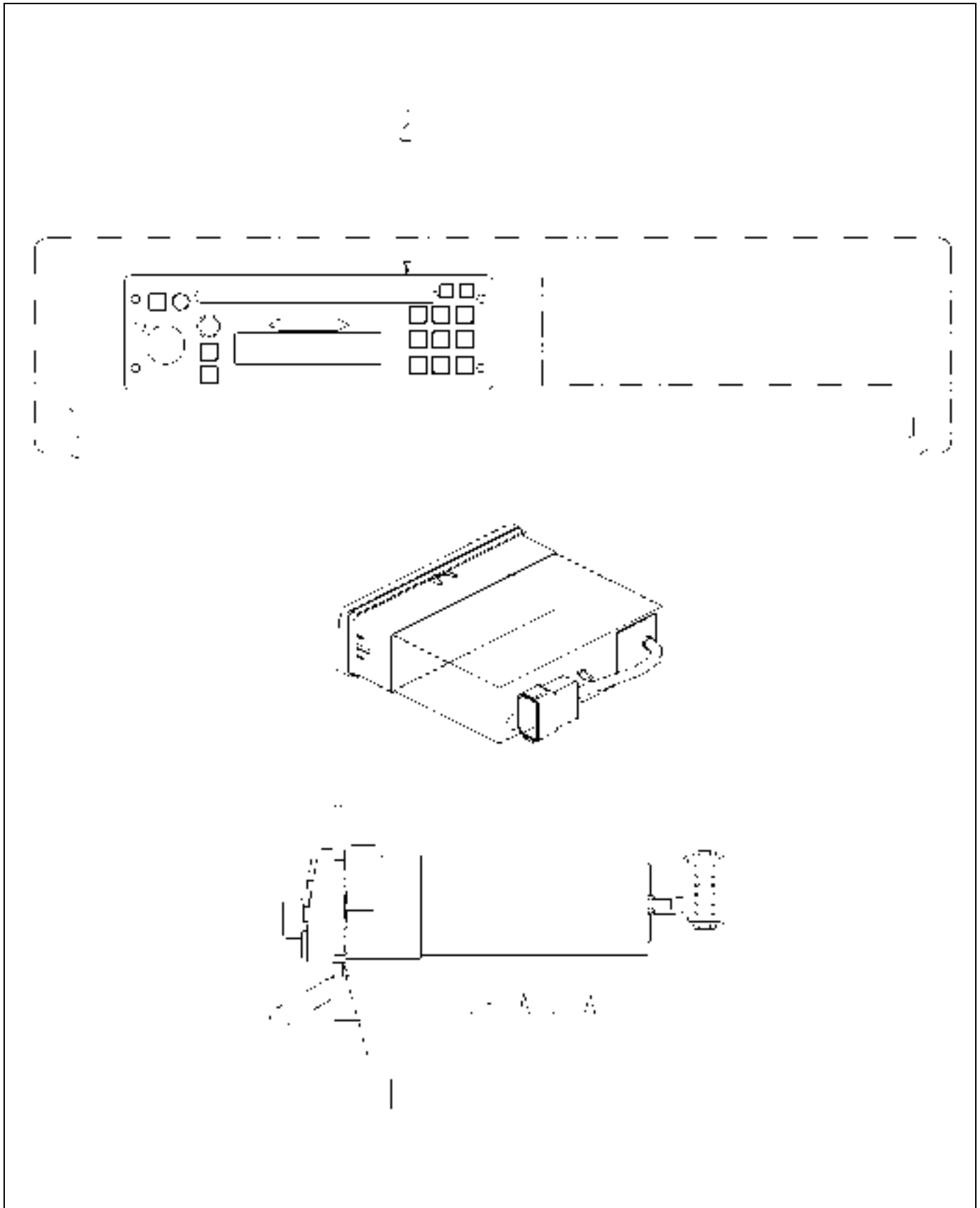
INSTALL-ANTENNA,SAT



514383D1-01-N899-.TIF

INSTALL-ANTENNA,SAT

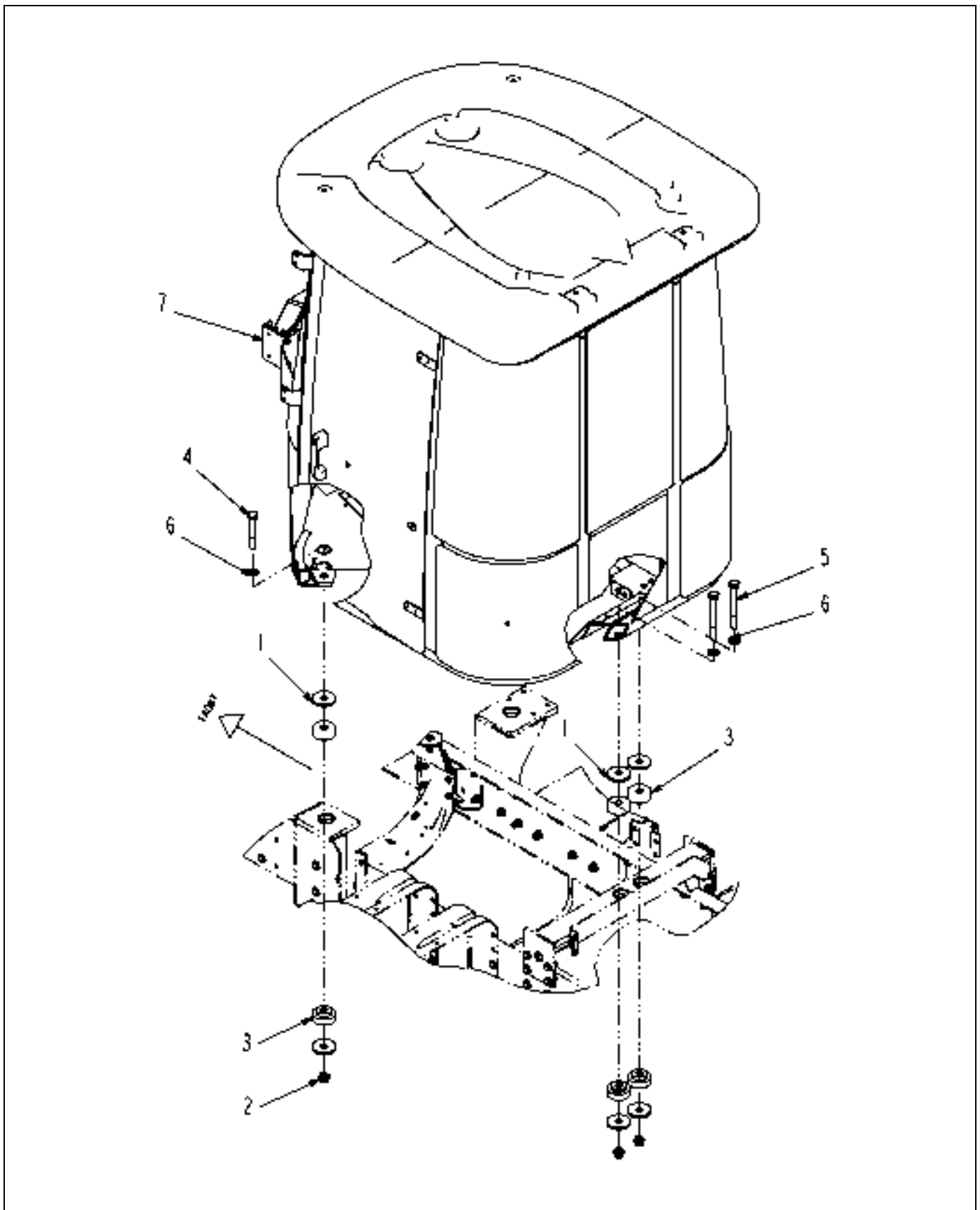
ITEM	PART #	QTY	DESCRIPTION	COMMENTS
1	509637D1	1	SATELLITE-RADIO ANTENNA	
2	514384D1	1	BRKT-MNT,ANTENNA,SAT	



514911D1-03-T173-.TIF

KIT-RADIO,AM/FM STEREO W/CD

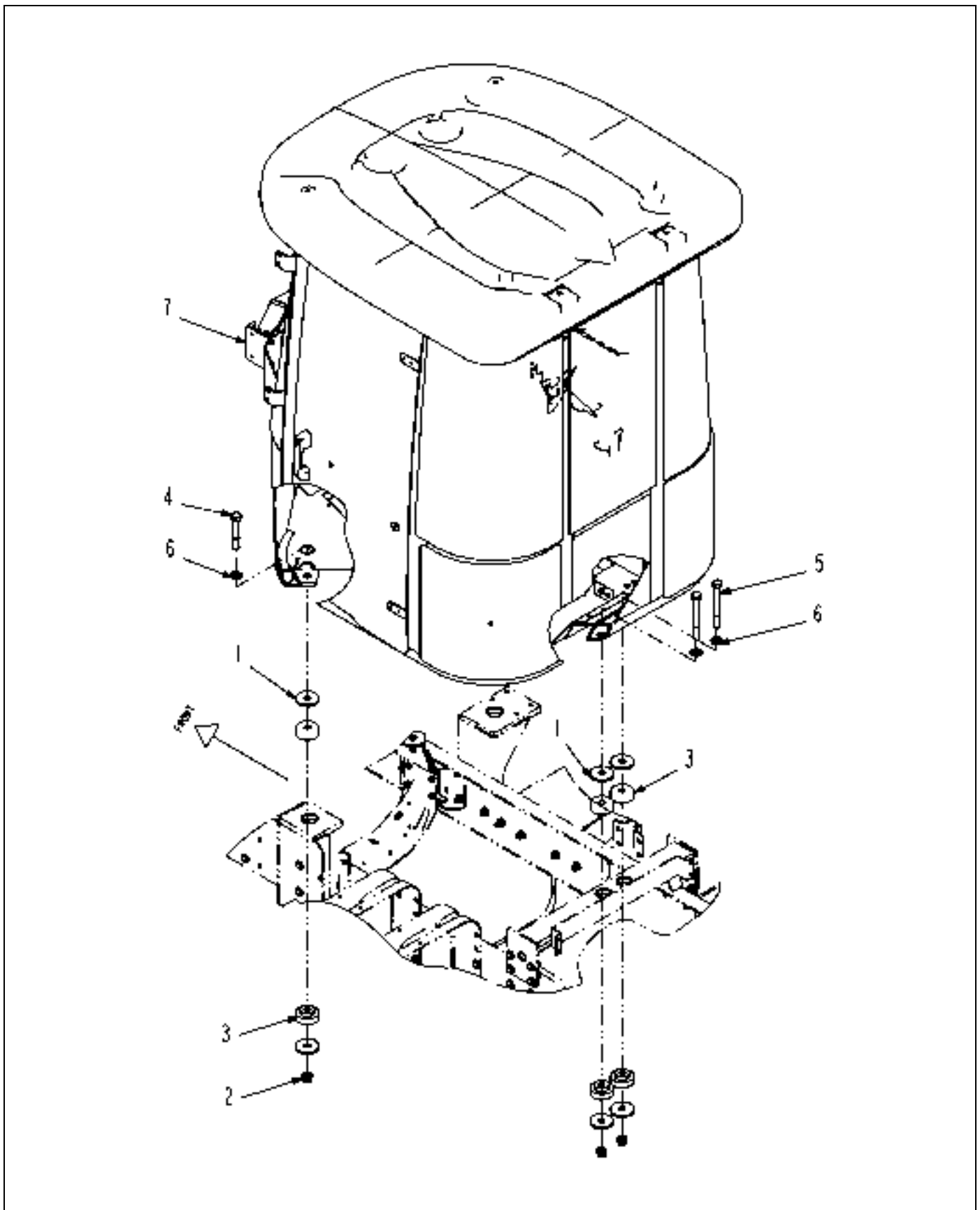
ITEM	PART #	QTY	DESCRIPTION	COMMENTS
1	506596D1	1	SPACER - RADIO	
2	525861D1	1	RADIO-AM/FM STEREO W/CD	



520045D1-02-R624-.TIF

GROUP-CAB,CHAL,STD HVAC

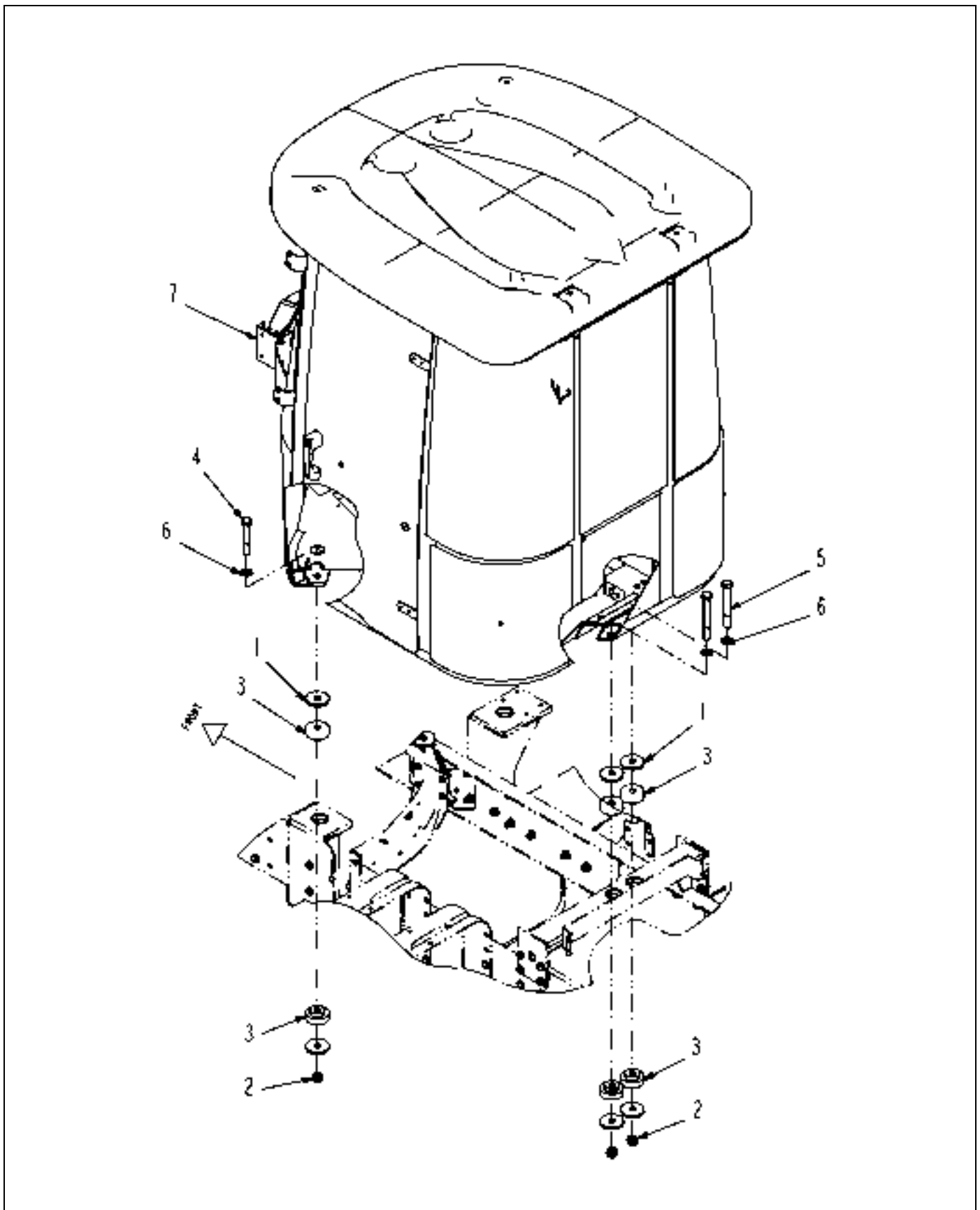
ITEM	PART #	QTY	DESCRIPTION	COMMENTS
1	AG236575	8	SLUG-ISOLATOR,CAB MT	
2	AG516176	4	NUT 0.87-9NC HVY HX FLEX LK PL	
3	AG520640	8	ISOLATOR-SHOCK	
4	AG522710	2	BOLT .87-9UNCX 5.50 G8 ZN HHD	
5	AG561699	2	BOLT 0.87- 9NCX 7.50 G8 ZN HHD	
6	AG606258	4	WASHER 1.75ODX0.93ID G8 ZN	
7	520179D1	1	CAB ASM,CHAL STD HVAC	



520046D1-02-R624-.TIF

GROUP-CAB,CHAL,ATC

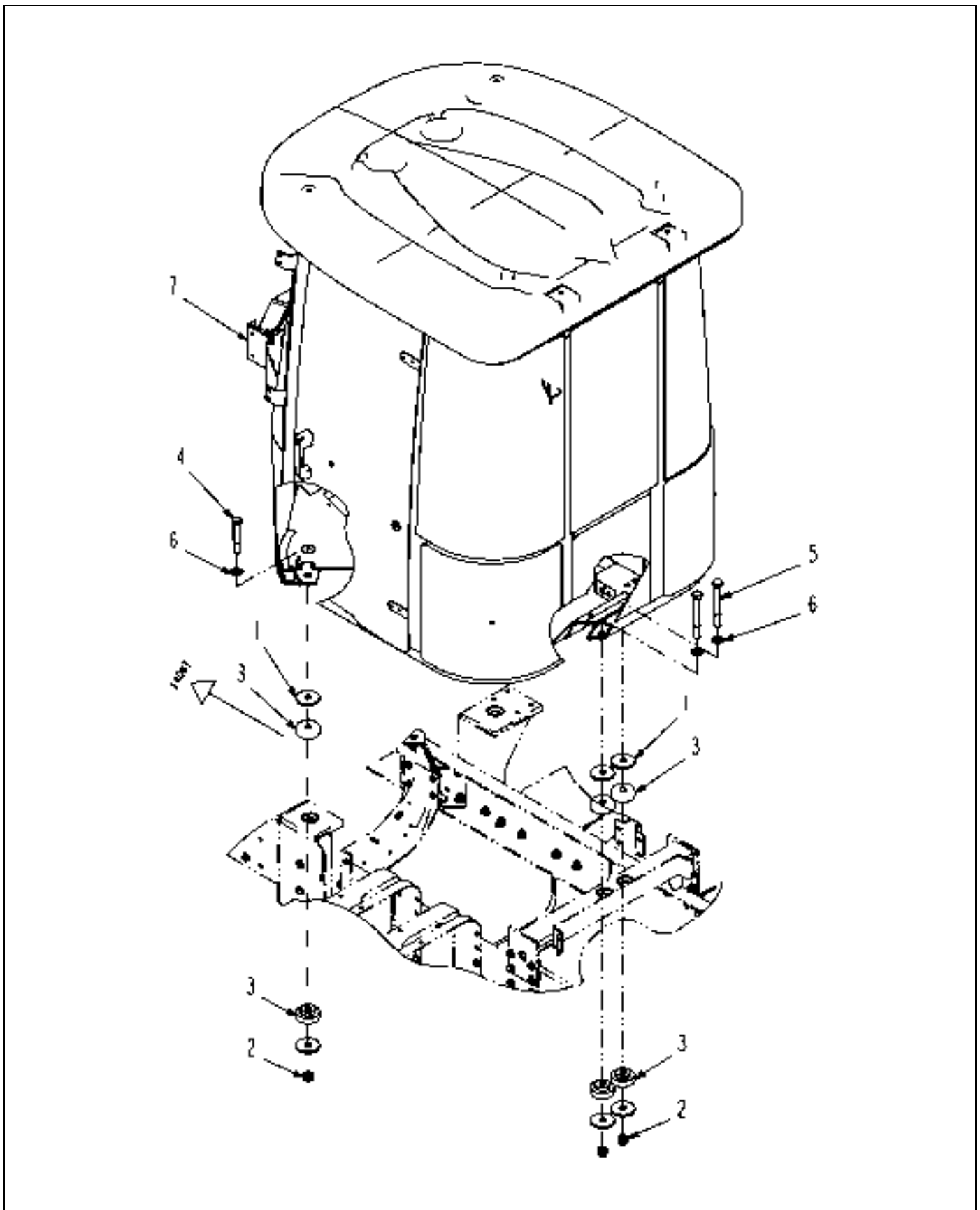
ITEM	PART #	QTY	DESCRIPTION	COMMENTS
1	AG236575	8	SLUG-ISOLATOR,CAB MT	
2	AG516176	4	NUT 0.87-9NC HVY HX FLEX LK PL	
3	AG520640	8	ISOLATOR-SHOCK	
4	AG522710	2	BOLT .87-9UNCX 5.50 G8 ZN HHD	
5	AG561699	2	BOLT 0.87- 9NCX 7.50 G8 ZN HHD	
6	AG606258	4	WASHER 1.75ODX0.93ID G8 ZN	
7	520180D1	1	CAB ASM,CHAL W/ATC	



520047D1-02-R624-.TIF

GROUP-CAB,CHAL,EURO,STD HVAC

ITEM	PART #	QTY	DESCRIPTION	COMMENTS
1	AG236575	8	SLUG-ISOLATOR,CAB MT	
2	AG516176	4	NUT 0.87-9NC HVY HX FLEX LK PL	
3	AG520640	8	ISOLATOR-SHOCK	
4	AG522710	2	BOLT .87-9UNCX 5.50 G8 ZN HHD	
5	AG561699	2	BOLT 0.87- 9NCX 7.50 G8 ZN HHD	
6	AG606258	4	WASHER 1.75ODX0.93ID G8 ZN	
7	520181D1	1	CAB ASM,EURO,CHAL,STD HVAC	

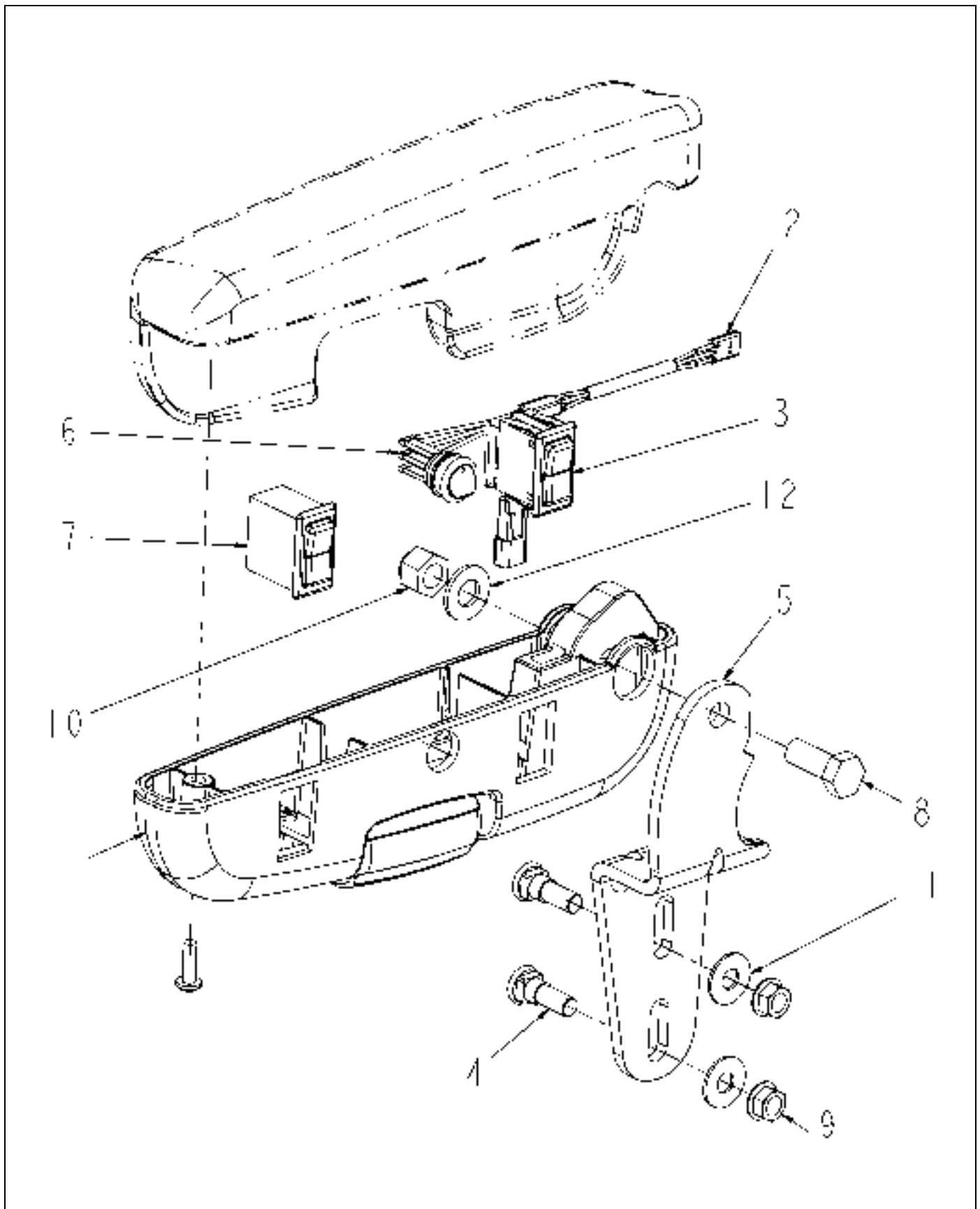


520048D1-02-R624-.TIF

GROUP-CAB,CHAL,EURO,ATC

ITEM	PART #	QTY	DESCRIPTION	COMMENTS
1	AG236575	8	SLUG-ISOLATOR,CAB MT	
2	AG516176	4	NUT 0.87-9NC HVY HX FLEX LK PL	
3	AG520640	8	ISOLATOR-SHOCK	
4	AG522710	2	BOLT .87-9UNCX 5.50 G8 ZN HHD	
5	AG561699	2	BOLT 0.87- 9NCX 7.50 G8 ZN HHD	
6	AG606258	4	WASHER 1.75ODX0.93ID G8 ZN	
7	520182D1	1	CAB ASM,EURO,CHAL W/ATC	

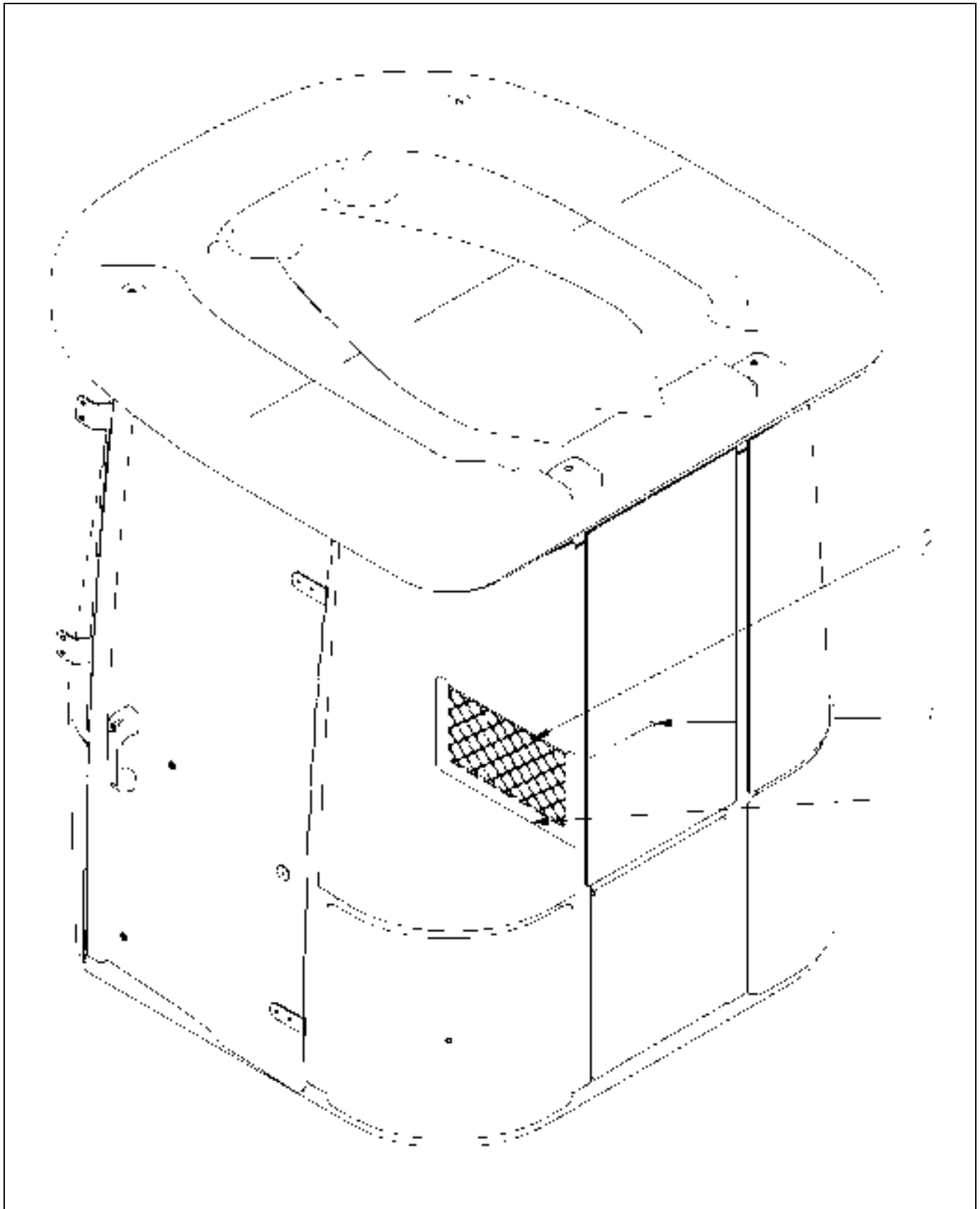
KIT-ARM REST AS. (LH)



502928D1-01-K791.TIF

KIT-ARM REST AS. (LH)

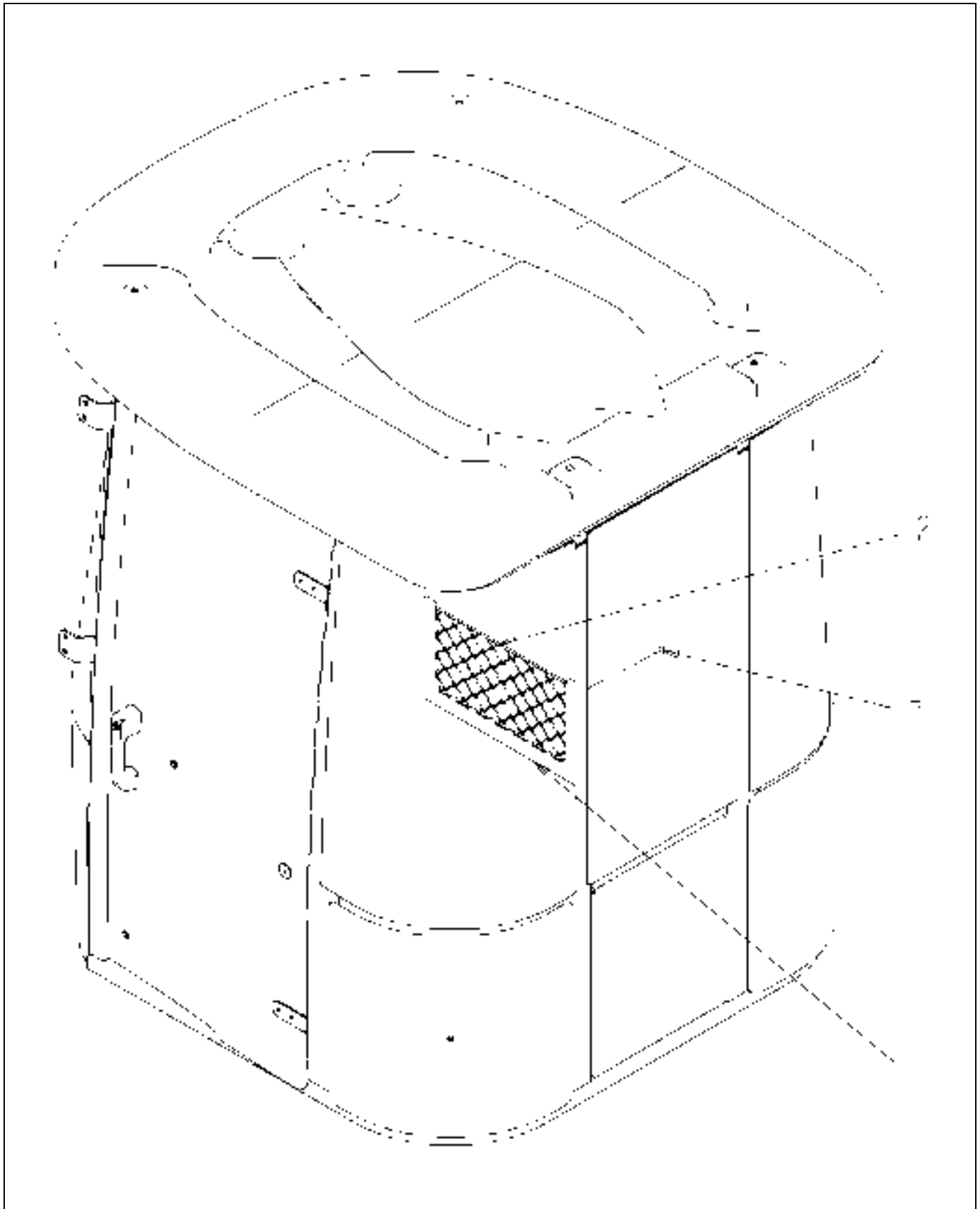
ITEM	PART #	QTY	DESCRIPTION	COMMENTS
1	AG330813	1	ARMREST/ASSY LH	
2	AG330578	1	HARNESS/WIRE	
3	AG137735	1	SWITCH/ROCKER	
4	NS	-	NON-SERVICEABLE PART	
5	AG330815	1	ARMREST/BRKT LH	
6	AG330816	1	HEATER/SWITCH	
7	AG137722	1	SWITCH/ROCKER	
8	AG330817	1	BOLT/FLANGE - M12 X 1.75	
9	AG330818	2	NUT/FLANGE 3/8 - 16	
10	AG330819	1	LOCKNUT/NYLOC INS M12 X 1.75	
11	AG330820	2	WASHER/FLAT .4061D	
12	AG330821	1	WASHER/FLAT .5311D	



520050D1-01-R451-.TIF

CAB-MIDSIZE,7X60,STD HVAC

ITEM	PART #	QTY	DESCRIPTION	COMMENTS
REF	WR139281	-	CONTROLS FRONT ASM	SEE PAGE 7-46
REF	WR139280	-	INNER ROOF ASM	SEE PAGE 7-45
REF	WR139279	-	ROOF ELECTRIC ASM	SEE PAGE 7-44
REF	WR139282	-	STEERING COLUMN COVER ASM	SEE PAGE 7-47
REF	WR139285	-	CAB ELECTRICAL ASM	SEE PAGE 7-50
REF	WR139284	-	INTERIOR TRIM GROUP ASM	SEE PAGE 7-49
REF	WR139283	-	HVAC GROUP ASM	SEE PAGE 7-48
REF	WR139278	-	FLOORMATS/COVERS ASM	SEE PAGE 7-43
REF	WR130525	-	GLASS DOOR ASM	SEE PAGE 7-52
REF	WR139299	-	KEY,CAM ASM	SEE PAGE 7-51
REF	AG330738	-	HVAC/W/AND W/O ATC	SEE PAGE 7-55
REF	WR139274	-	DOOR INSTALLATION	SEE PAGE 7-38
REF	WR139277	-	WIPER GROUP ASM	SEE PAGE 7-42
REF	WR139276	-	OUTER ROOF ASM	SEE PAGE 7-41
REF	WR139275	-	CAB GLASS GROUP	SEE PAGE 7-39
1	180-2825	1	RETAINER (CARGO NET)	
2	184-1704	1	HOLDER-NET	
3	AG523347	1	FILTER-AIR,NEW CAB,RECIRC	
4	AG523348	1	FILTER-AIR,NEW CAB,VAPOR/DUST	
5	513965D1	1	ANTENNA-RADIO	
6	520184D1	1	STEERING COLUMN	
7	CH5V-1496	5	RETAINER-6.4 DIA STUD 13.5 OD	
8	WR127688	1	HARNES-ROOF,INNER	
9	516694D1	1	HARNES-ROOF,MAIN	

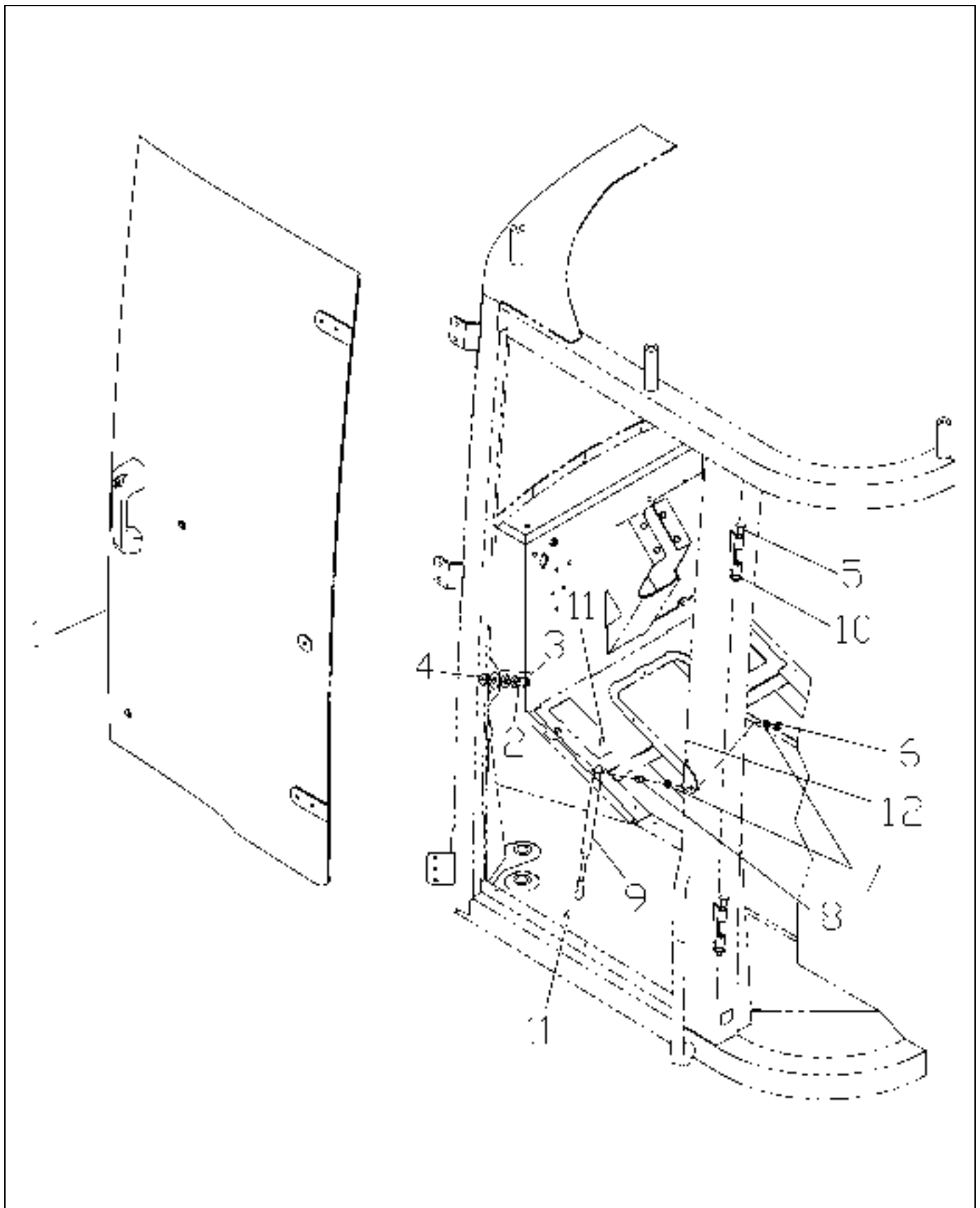


520052D1-01-R451-.TIF

CAB-MIDSIZE,7X60,WITH ATC

ITEM	PART #	QTY	DESCRIPTION	COMMENTS
REF	WR139281	-	CONTROLS FRONT ASM	SEE PAGE 7-46
REF	WR139280	-	INNER ROOF ASM	SEE PAGE 7-45
REF	WR139278	-	FLOORMATS/COVERS ASM	SEE PAGE 7-43
REF	WR139282	-	STEERING COLUMN COVER ASM	SEE PAGE 7-47
REF	WR139285	-	CAB ELECTRICAL ASM	SEE PAGE 7-50
REF	WR139284	-	INTERIOR TRIM GROUP ASM	SEE PAGE 7-49
REF	WR139283	-	HVAC GROUP ASM	SEE PAGE 7-48
REF	WR130525	-	GLASS DOOR ASM	SEE PAGE 7-52
REF	WR139299	-	KEY,CAM ASM	SEE PAGE 7-51
REF	AG330738	-	HVAC/W/AND W/O ATC	SEE PAGE 7-55
REF	WR139274	-	DOOR INSTALLATION	SEE PAGE 7-38
REF	WR139277	-	WIPER GROUP ASM	SEE PAGE 7-42
REF	WR139276	-	OUTER ROOF ASM	SEE PAGE 7-41
REF	WR139275	-	CAB GLASS GROUP	SEE PAGE 7-39
1	180-2825	1	RETAINER (CARGO NET)	
2	184-1704	1	HOLDER-NET	
3	AG523347	1	FILTER-AIR,NEW CAB,RECIRC	
4	AG523348	1	FILTER-AIR,NEW CAB,VAPOR/DUST	
5	513965D1	1	ANTENNA-RADIO	
6	520184D1	1	STEERING COLUMN	
7	CH5V-1496	5	RETAINER-6.4 DIA STUD 13.5 OD	
8	WR127688	1	HARNES-ROOF,INNER	
9	516693D1	1	HARNES-ROOF,MAIN	

DOOR INSTALLATION

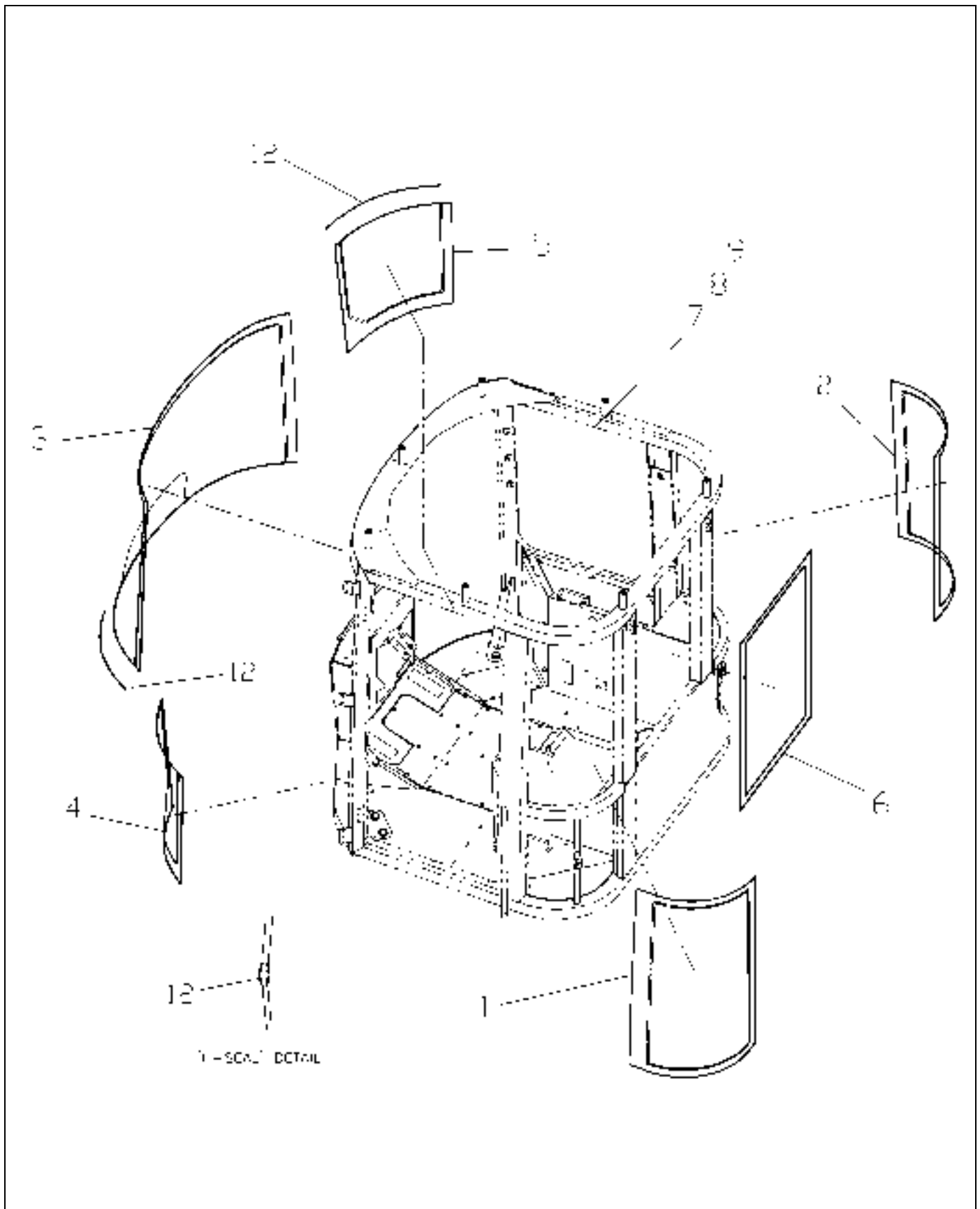


139274.TIF

DOOR INSTALLATION

ITEM	PART #	QTY	DESCRIPTION	COMMENTS
1	WR130525	1	GLASS DOOR ASM	SEE PAGE 7-52
2	WR130718	1	STRIKER, DOOR	
3	WR130550	1	GUARD	
4	WR139286	1	NUT	
5	WR139287	2	PIN	
6	WR139288	1	NUT/HEX,M8XA.25 DIN 985	
7	WR139289	2	WASHER/FLAT	
8	WR130714	2	STUD	
9	WR130713	1	SPRING	
10	WR139290	2	RING,SNAP	
11	WR130715	2	CLIP GAS SPRING	
12	AG130720	1	SWITCH	

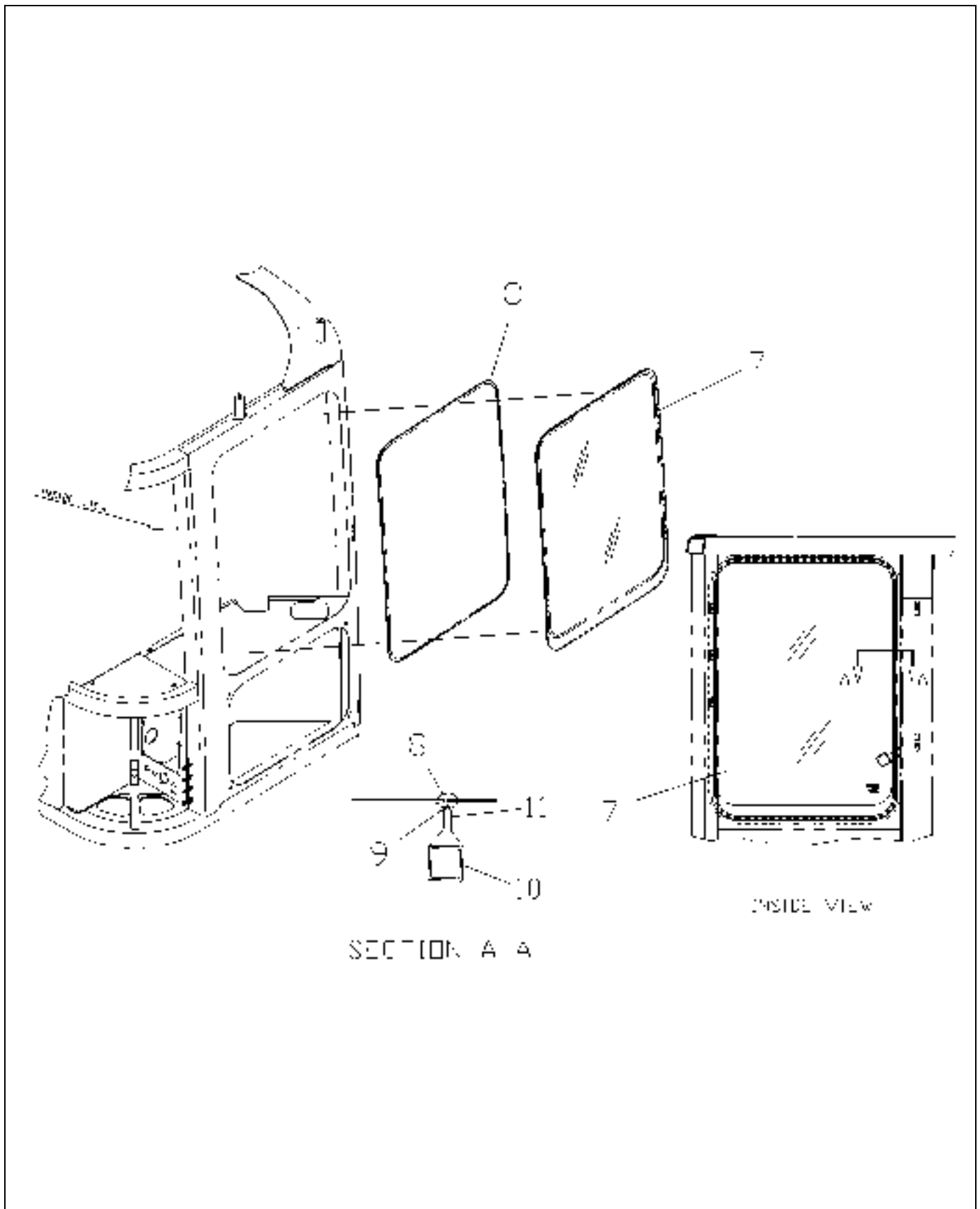
CAB GLASS GROUP



139275-1.TIF

CAB GLASS GROUP

ITEM	PART #	QTY	DESCRIPTION	COMMENTS
REF	WR139292	1	PRIMER/GLASS	
REF	WR139291	1	CLEANER/GLASS	
REF	AG139295	1	ADHESIVE/GLASS	
REF	AG139297	1	SPACER/BLACK WINDSHIELD	
REF	AG139296	1	PRIMER/PRD METAL	
1	AG718367	1	GLASS-LH,REAR	
2	AG718368	1	GLASS-RH,REAR	
3	WR130700	1	GLASS	
4	WR130701	1	GLASS	
5	WR130702	1	GLASS	
6	WR130703	1	GLASS	
7	WR130704	1	GLASS	
8	WR130722	10	RUBBER	
9	WR130723	10	STRIP	
12	AG139298	1	EXTRUSION/GLASS	

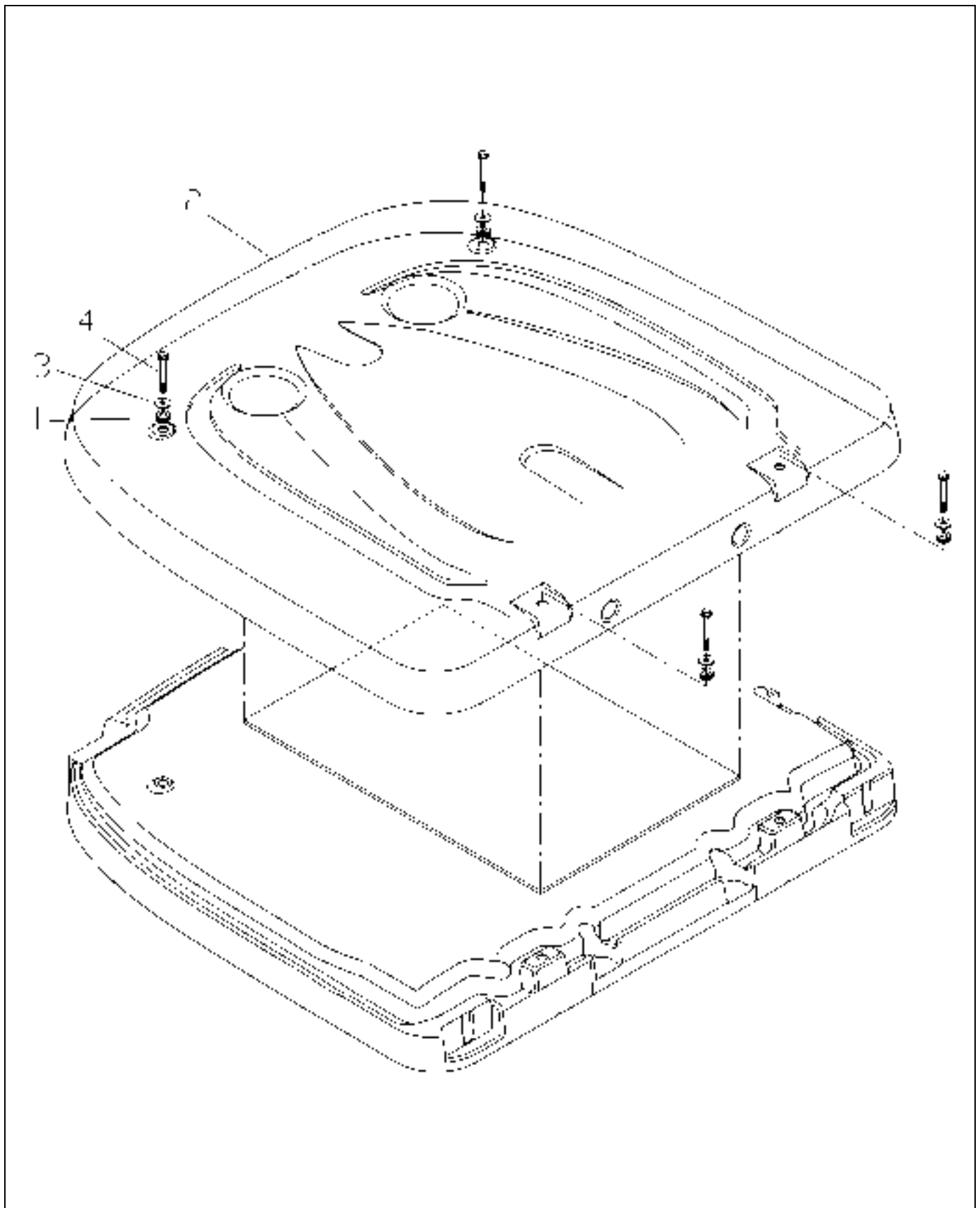


139275-2.TIF

CAB GLASS GROUP

ITEM	PART #	QTY	DESCRIPTION	COMMENTS
7	WR130704	1	GLASS	
8	WR130722	10	RUBBER	
9	WR130723	10	STRIP	
10	WR139293	1	LABEL/RH WINDOW EXIT	
11	WR139294	1	TIE/BAND	

OUTER ROOF ASY

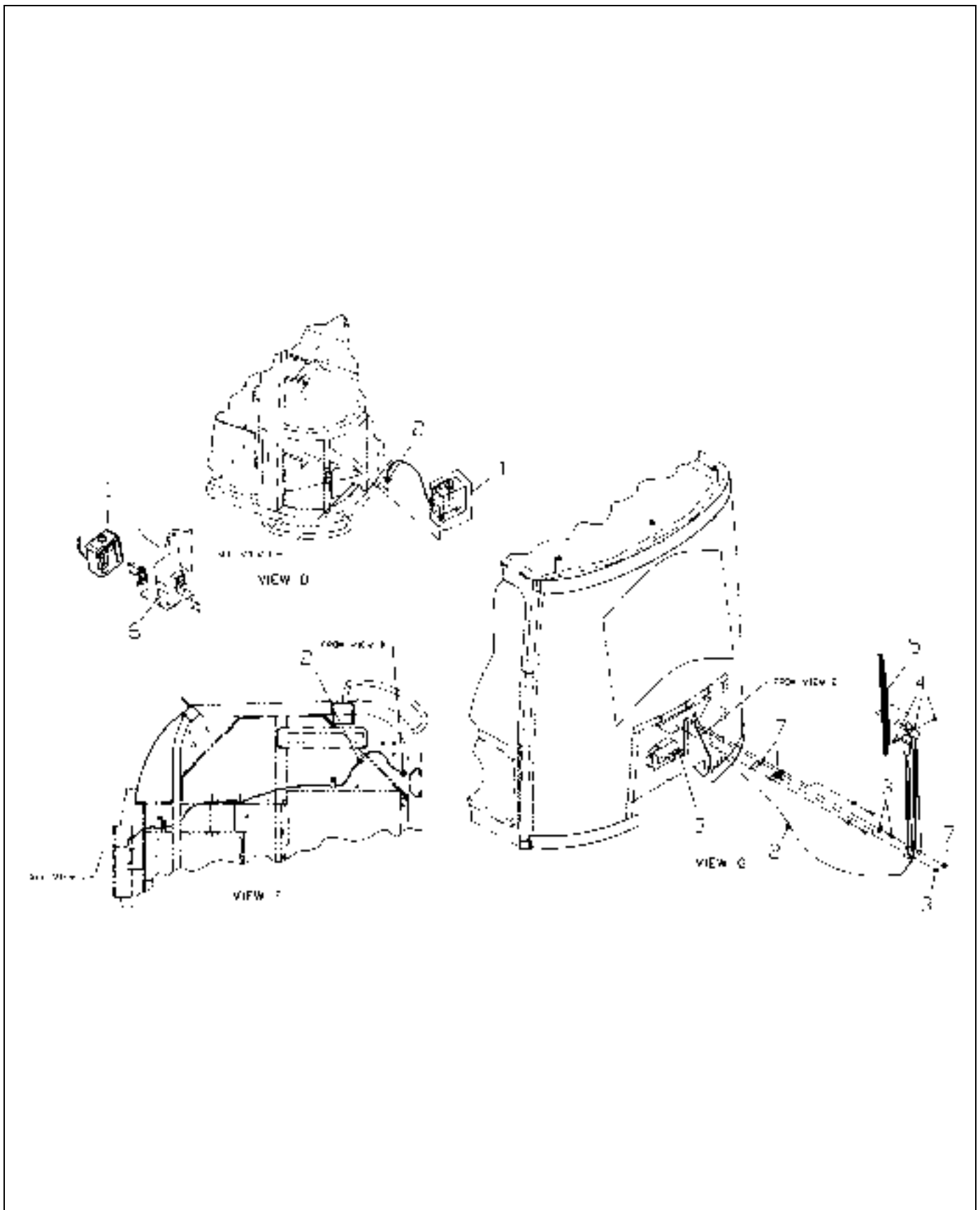


139276.TIF

OUTER ROOF ASY

ITEM	PART #	QTY	DESCRIPTION	COMMENTS
1	WR133797	4	BUSHING	
2	WR130709	1	ROOF	
3	WR133793	4	WASHER	
4	WR139301	4	SCREW M12X	

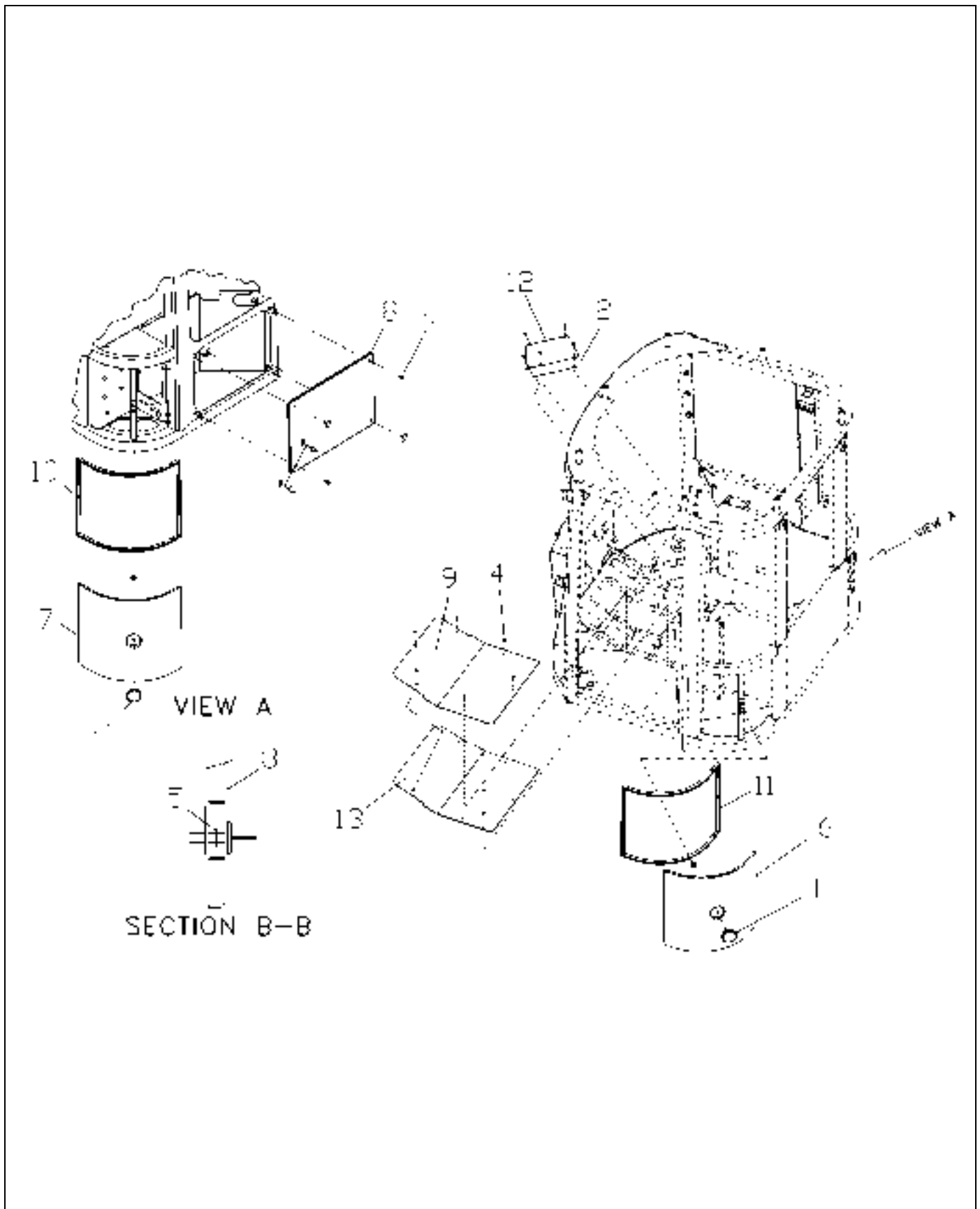
WIPER GROUP ASY



139277.TIF

WIPER GROUP ASY

ITEM	PART #	QTY	DESCRIPTION	COMMENTS
REF	WR130727	1	FLUID	
REF	WR130729	1	CONNECTOR	
REF	WR139302	3	SCREW 1/4-28X.88 HEX SEMS DOG	
REF	AG723374	4	PULL TAB EMERGENCY	
REF	WR130593	1	TERMINAL	
REF	WR139304	5	SCREW HXFL M6X1.00X12 10.9 ZN	
1	WR130712	1	BOTTLE	
2	WR139303	3	GROMMET	
3	AG718455	1	MOTOR-WIPER,1IN	
4	AG718289	1	WIPER ARM-PANTO	
5	AG718290	1	WIPER BLADE ASM	[A]
6	WR130514	1	WELDMENT	
7	AG718288	1	KIT-PANTOGRAPH	
	FOOTNOTE [A]		NOZZLE KIT - AG606844	

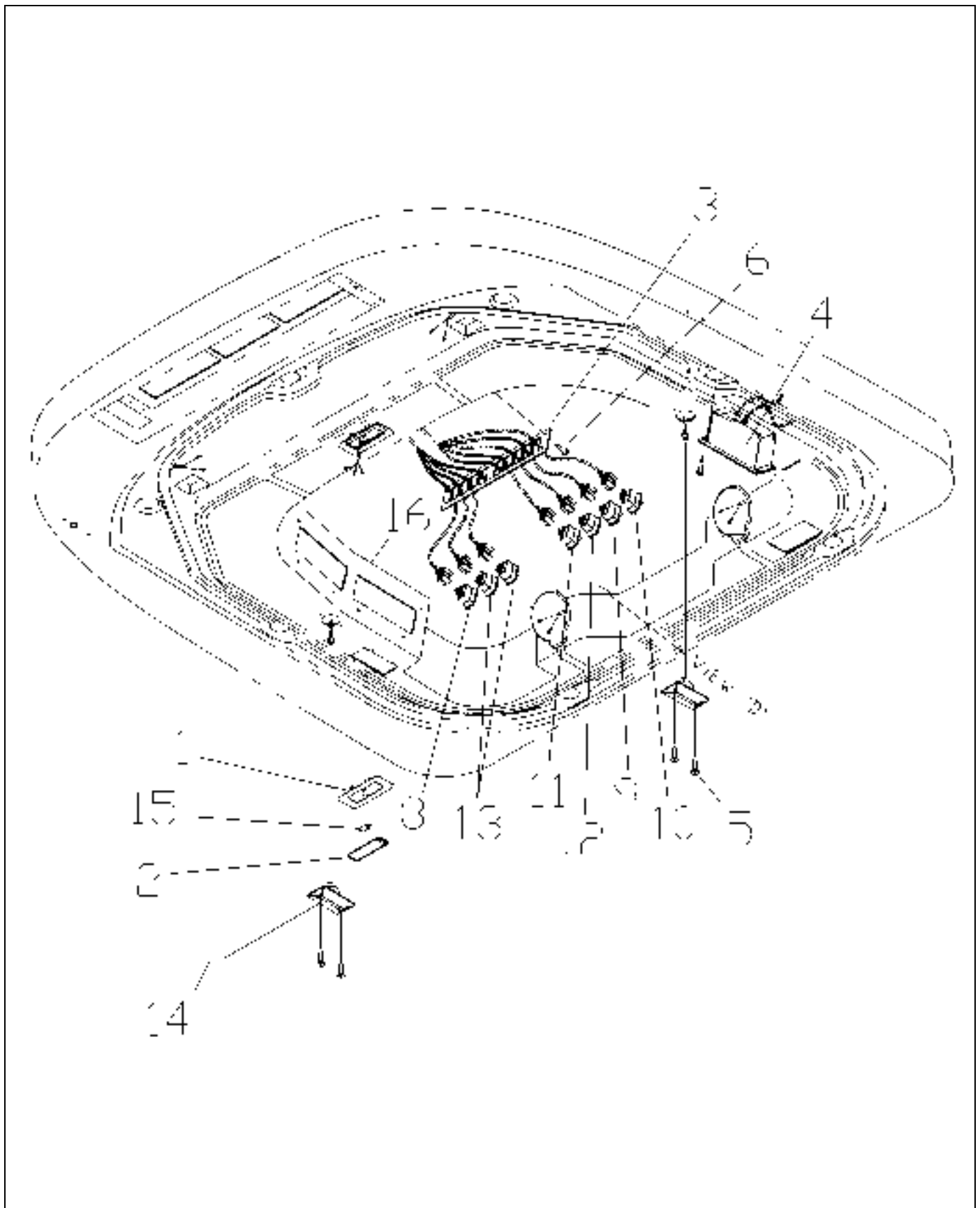


139278.TIF

FLOORMATS/COVERS ASY

ITEM	PART #	QTY	DESCRIPTION	COMMENTS
1	AG723805	2	KNOB FLATED W/.37-16 STUD	
2	AG718320	1	GASKET-RH,ACCESS	
3	WR139331	4	SCREW WING HEAD SS RUB WASHER	
4	WR139304	6	SCREW HXFL M6X1.00X12 10.9 ZN	
5	AG121110	6	CHANNEL-SCREEN EDGE,9.47	
6	AG718319	1	DOOR-REAR,LH	
7	AG718322	1	DOOR-REAR,RH	
8	WR139305	1	WELDMENT DOOR ACCESS RH	
9	WR130659	1	PANEL	
10	AG718328	1	GASKET-RH,REAR	[A]
11	AG718329	1	GASKET-LH,REAR	[B]
12	WR130659	1	PANEL	
13	WR130733	1	SEAL	
	FOOTNOTE [A]		REPLACED BY AG718381	
	FOOTNOTE [B]		REPLACED BY AG718381	

ROOF ELECTRIC ASY

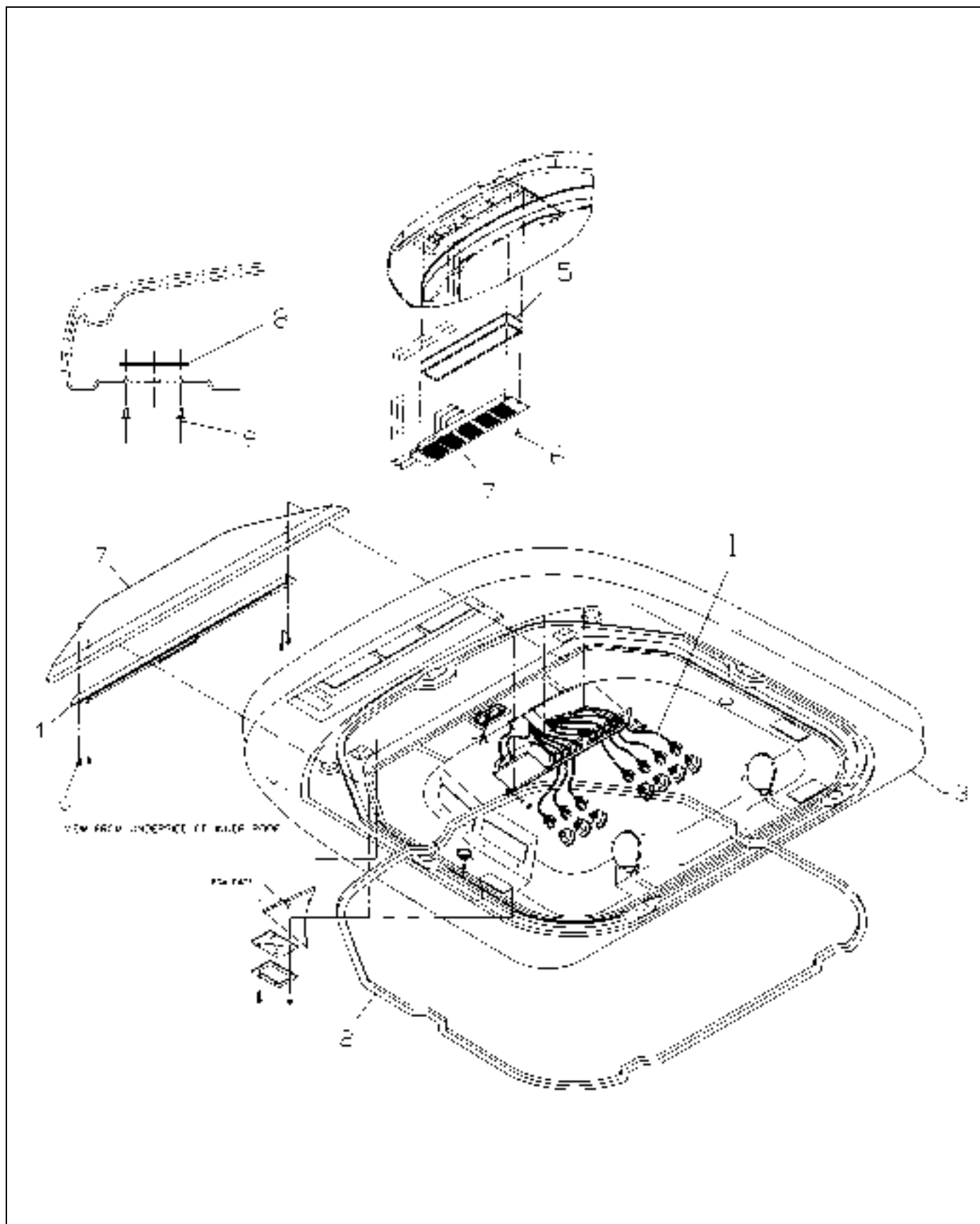


139279.TIF

ROOF ELECTRIC ASY

ITEM	PART #	QTY	DESCRIPTION	COMMENTS
REF	AG719984	1	DECAL GROUP LIGHT PANEL	
1	AG722838	1	HOUSING-DOME LAMP	
2	WR130629	1	BEZEL	
3	WR130680	1	PANEL	
4	AG330507	1	CONTROL PANEL HVAC ATC	
4	WR130728	1	CONTROL PANEL HVAC NON ATC	
5	WR130747	4	SCREW	
6	WR130738	12	SCREW	
7	AG725237	1	DOME LIGHT ASSY	
8	WR139306	1	SWITCH/ROCKER ON-ONON,LTS,CS-L	
9	WR139307	1	SWITCH/ROCKER ON-ONON,WPR,CS-L	
10	WR139308	1	SWITCH/ROCKER OFF-ON,WSHR,CS-L	
11	WR139309	1	SWITCH/ROCKER OFF-ON,HAZ,CS-L	
12	WR139310	1	SWITCH/ROCKER OFF-ON,BCN,CS-L	
13	WR139311	1	SWITCH/ROCKER OFF-ON,WRKLT,CS-	
14	AG721040	1	BULB FRONT #1156 TURN SIGNAL	
15	AG721357	1	BULB-DOME LIGHT 8103	
16	AG334010	1	WLDMT-RADIO BEZEL W/ ATC	
16	AG334011	1	WLDMT-RADIO BEZEL W/ O ATC	

INNER ROOF ASM

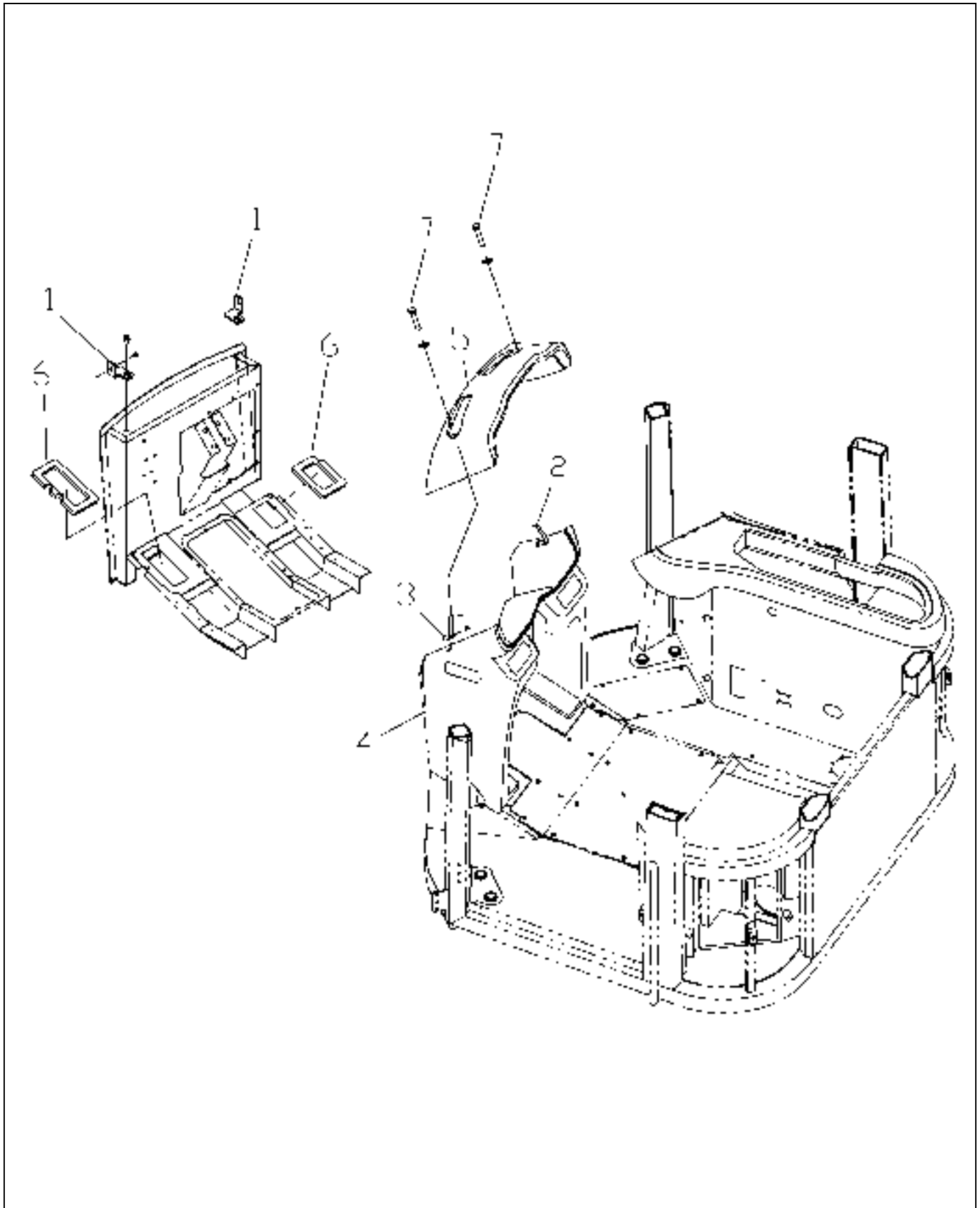


139280.TIF

INNER ROOF ASM

ITEM	PART #	QTY	DESCRIPTION	COMMENTS
REF	WR130747	2	SCREW	
REF	WR130730	1	PLUG	
REF	AG718297	1	RETAINER-PUSH ON	
REF	WR139304	3	SCREW HXFL M6X1.00X12 10.9 ZN	
1	WR126888	1	HARNES-ROOF,MAIN	
2	WR130739	1	SEAL	
3	WR130708	1	ROOF	
4	WR130719	1	BLIND, WINDOW	
5	WR130711	1	FILTER	
6	AG139312	1	SCREW/WING HEAD SS RUB WASHER	
7	AG130512	1	WELDMENT	
8	AG718296	1	RECEPTACLE-FLAT	
9	WR130746	1	RIVET	

CONTROLS FRONT ASY

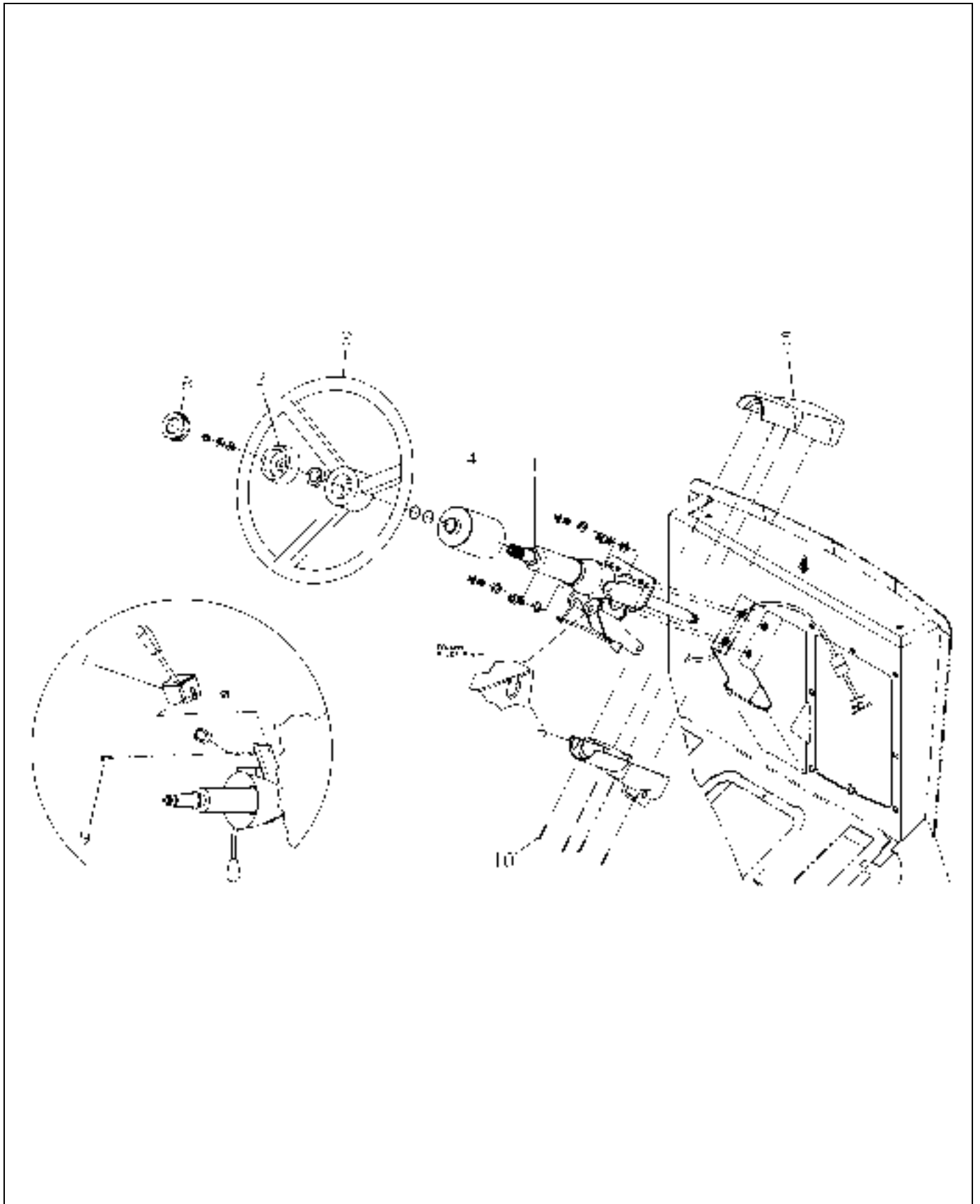


139281.TIF

CONTROLS FRONT ASY

ITEM	PART #	QTY	DESCRIPTION	COMMENTS
REF	WR139304	6	SCREW HXFL M6X1.00X12 10.9 ZN	
REF	WR139314	1	NUT/TINNERMAN M6X1	
REF	AG139316	1	SCREW/M6X140	
REF	AG139317	1	SCREW/M6X100	
REF	WR139321	4	WASHER/FLAT 6.4AAX18X	
REF	WR139319	2	SCREW/HXFL M8X1.25X16	
REF	AG139318	1	CLIP/X-MAS TREE	
1	WR130690	2	BRACKET	
2	WR130675	1	BRACKET	
3	WR130674	1	BRACKET	
4	AG060814	1	CONSOLE/BASE	
5	AG719992	1	CONSOLE TOP CENTER	
6	WR139515	1	LINE/LUBRICATION OIL ASM	
7	WR139320	2	SCREW/HXFL M6X1.00X70	

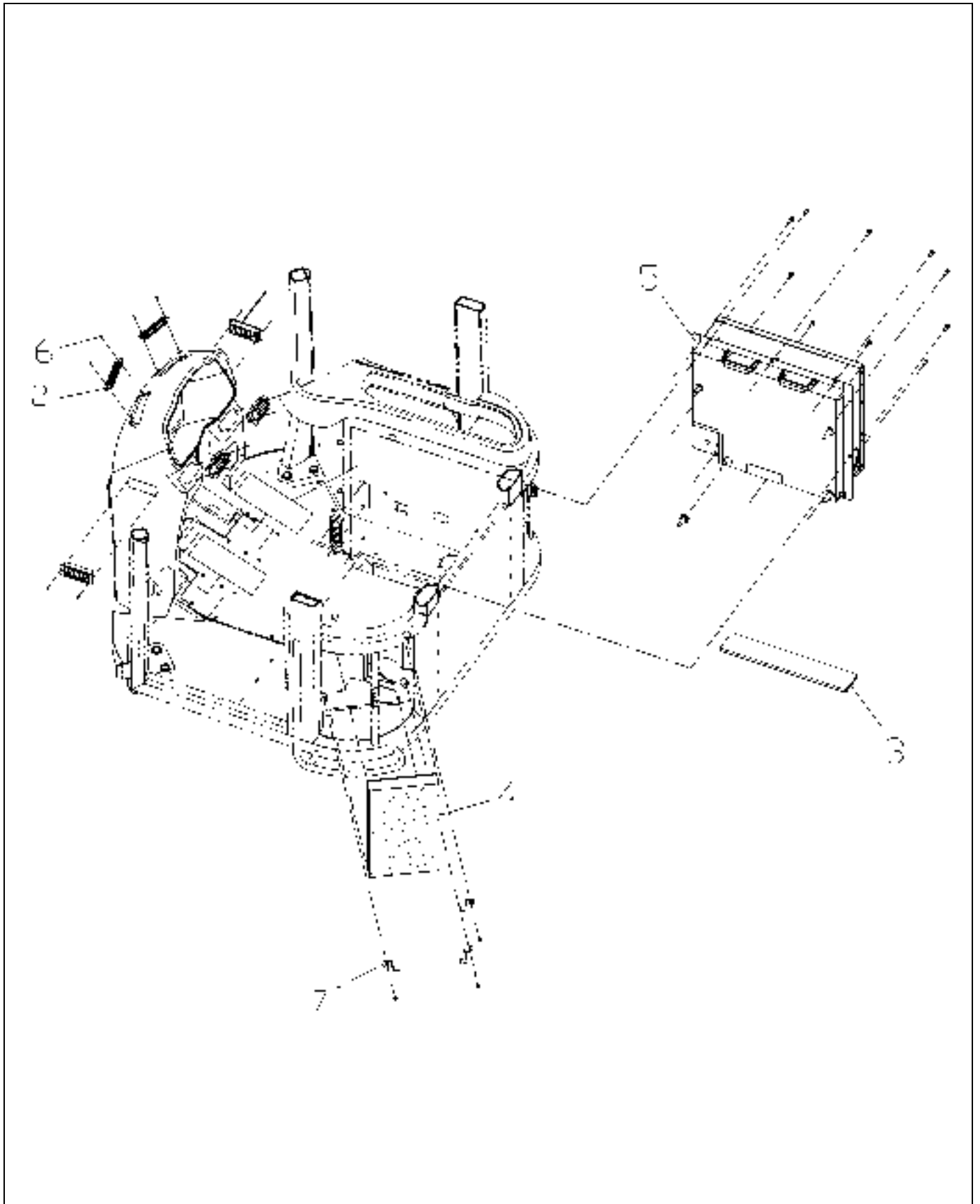
STEERING COLUMN COVER ASY



139282.TIF

STEERING COLUMN COVER ASY

ITEM	PART #	QTY	DESCRIPTION	COMMENTS
REF	WR139325	4	SCREW/HEX SCKT CAP M10X1.50X30	
REF	AG722182	1	PLUG-COLD SWITCH	
REF	WR139327	4	WASHER/FLAT 10.5X18X1.6ZN	
REF	WR139324	2	NUT/HEX M4X0.70 DIN985	
REF	AG725549	2	WASHER 8.4X16X16MM	
REF	WR139288	1	NUT/HEX,M8XA.25 DIN 985	
REF	WR139322	3	O-RING	
1	AG721714	1	STEERING COLUMN ASM	
2	AG721717	1	STEERING WHEEL	
3	AG721719	1	KNOB-STEERING WHEEL ADJ	
4	AG721720	1	COVER-TELESCOPE	
5	AG721721	1	COLUMN COVER,UPPER	
6	AG721723	1	COLUMN COVER,LOWER	
7	AG719075	1	SWITCH-TURN SIGNAL	
8	AG721722	1	HUB CAP	
9	WR139326	2	SCREW/PANHD M4X0.70X12 4.8ZN	
10	WR130745	4	SCREW	

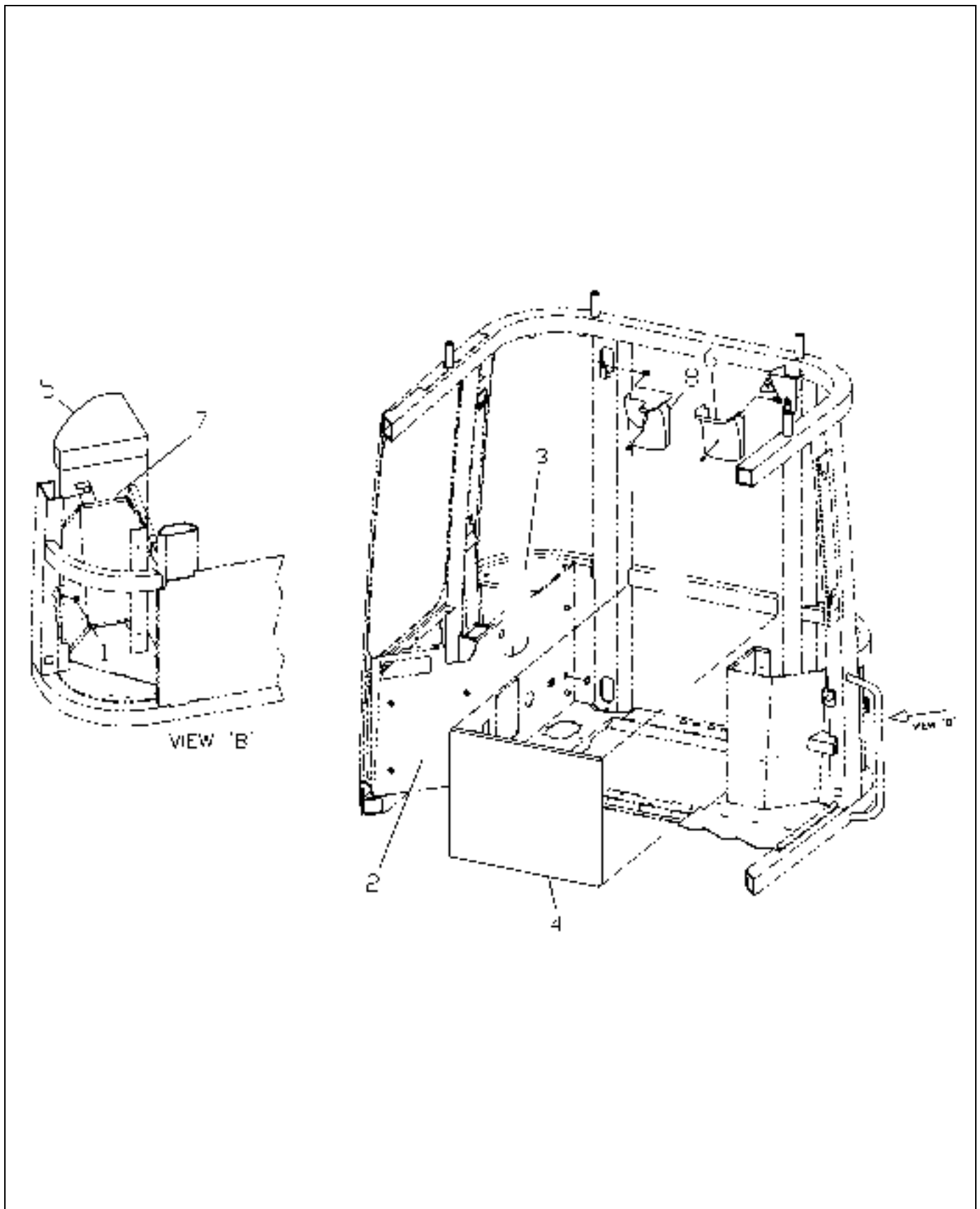


139283.TIF

HVAC GROUP ASY

ITEM	PART #	QTY	DESCRIPTION	COMMENTS
REF	WR130737	1	SEAL	
REF	WR139304	7	SCREW HXFL M6X1.00X12 10.9 ZN	
REF	WR130732	1	SEAL	
REF	WR139329	10	SCREW/HXFL M8X1.25X25	
REF	WR130515	1	WELDMENT	
1	AG718279	1	LOUVER-HVAC	
2	AG718280	1	LOUVER-AIR	
3	AG718303	1	FILTER-RECIRCUL	
4	AG523348	1	FILTER-AIR,NEW CAB,VAPOR/DUST	
5	AG126272	1	HVAC UNIT	
6	WR130738	16	SCREW	
7	AG332771	3	BRACKET INTAKE/FILTER RETAINER	

INTERIOR TRIM GROUP ASY



139284.TIF

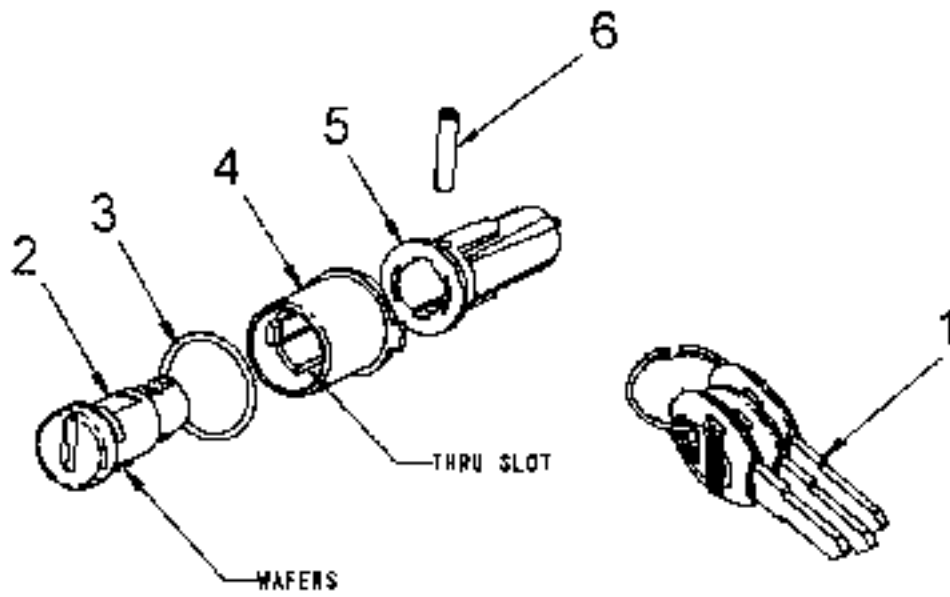
INTERIOR TRIM GROUP ASY

ITEM	PART #	QTY	DESCRIPTION	COMMENTS
REF	WR130747	4	SCREW	
REF	WR133795	1	NUT	
1	WR139303	1	GROMMET	
2	WR130752	1	PANEL	
3	WR130751	1	PANEL	
4	WR130726	1	FOAM	
5	WR130740	1	COVER	
6	WR130742	2	COVER	
7	WR130749	1	PANEL	
8	WR130741	1	COVER	

CAB ELECTRIC ASY

ITEM	PART #	QTY	DESCRIPTION	COMMENTS
REF	WR139336	1	WASHER/LOCK .164 INT TOOTH ZN	
REF	WR139335	1	WASHER/SPRING	
REF	WR139334	1	SPACER	
REF	WR139304	1	SCREW HXFL M6X1.00X12 10.9 ZN	
REF	WR139337	1	NUT/HEX 8MM	
REF	WR130738	1	SCREW	
REF	WR130745	1	SCREW	
1	WR139332	1	SIGNAL/HORN ZSB	
2	WR139333	1	LIGHTER	
3	AG717883	1	LIGHTER-CIGAR	
4	WR139338	1	JUMPER WIRE/LIGHTER	
5	NS	-	NON-SERVICEABLE PART	

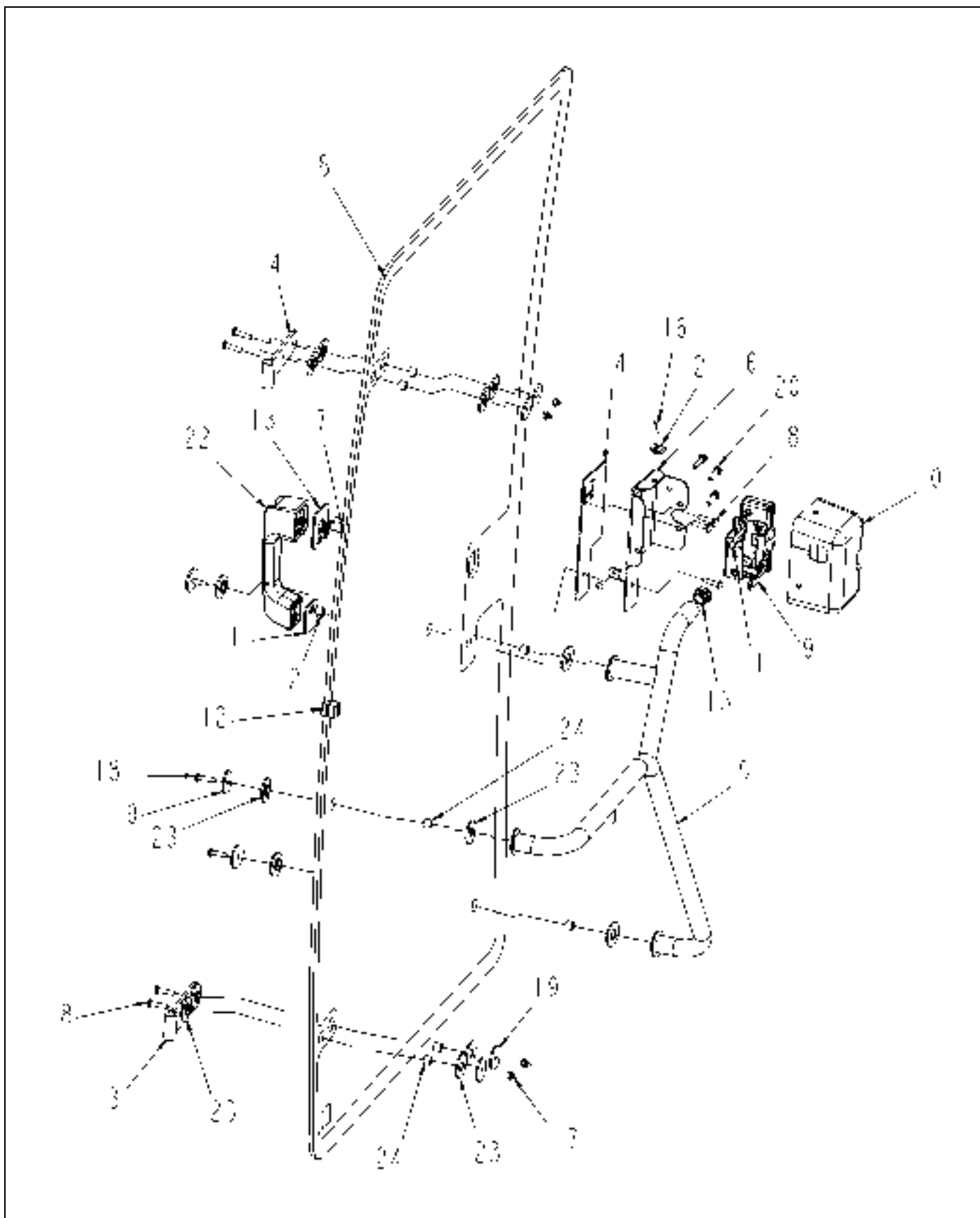
KEY,CAM ASM



139299-A.TIF

KEY,CAM ASM

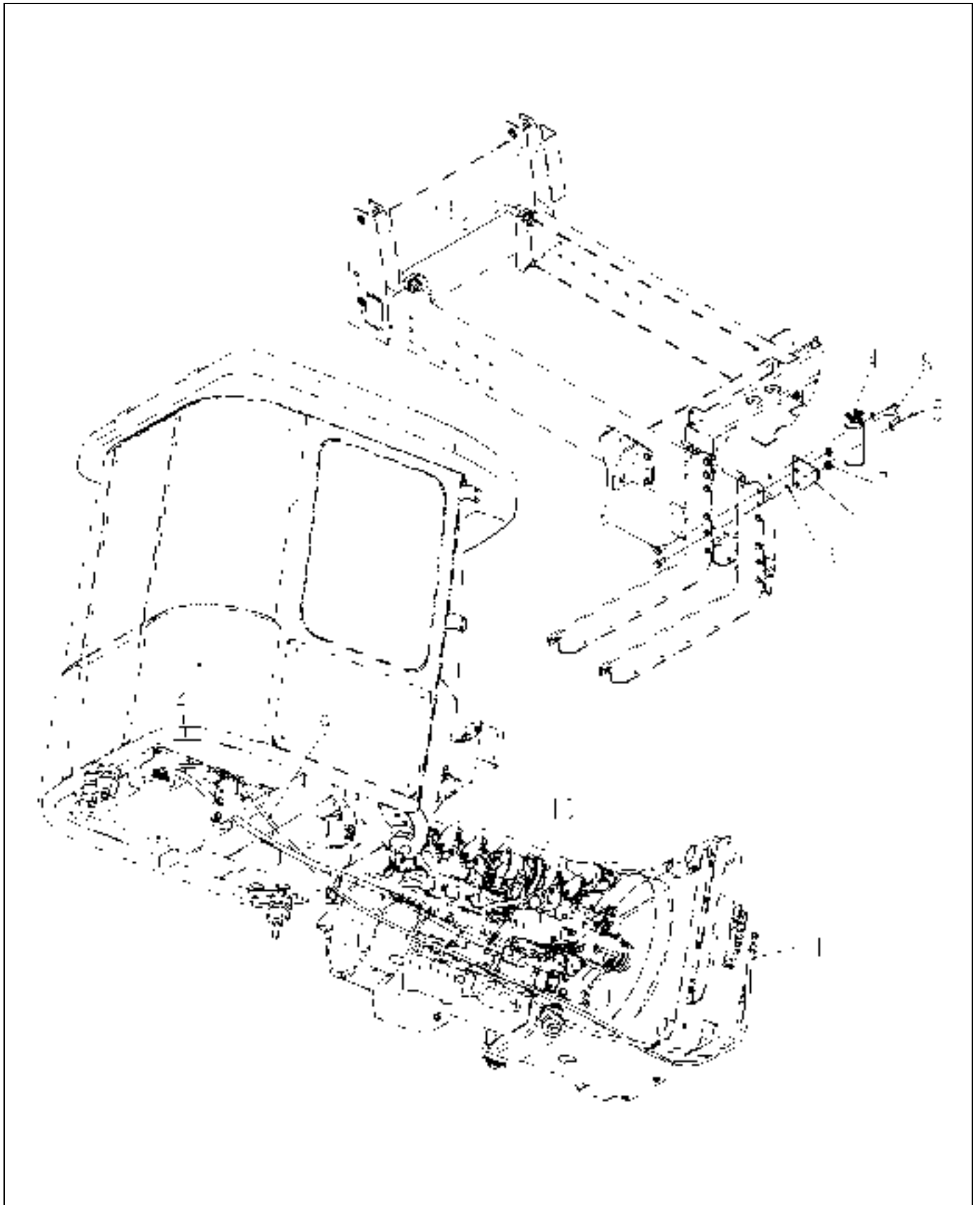
ITEM	PART #	QTY	DESCRIPTION	COMMENTS
1	WR139313	1	KEY/SET	
2	WR139339	1	LKCYL,SS,KS900,CH751	
3	WR139340	1	O-RING	
4	WR139330	1	PUSHBUTTON	
5	WR139300	1	ACTUATOR	
6	WR139341	1	PIN,RL.133X.625	



130525.TIF

GLASS DOOR ASM

ITEM	PART #	QTY	DESCRIPTION	COMMENTS
1	AG718348	1	GASKET-DOOR HANDLE	
2	AG718403	3	SPACER-WINDOW DO	
3	AG130506	1	WELDMENT	
4	WR130507	1	WELDMENT	
5	WR130508	1	WELDMENT	
6	WR130635	1	BRACKET	
7	WR130673	1	PAWL	
8	WR130705	1	GLASS	
9	WR130707	1	LATCH	
10	WR130710	1	COVER, DOOR LATCH	
11	WR130721	1	SLEEVE	
12	WR130724	1	SEAL	
13	WR130734	1	GASKET	
14	WR130735	1	GASKET	
15	WR130736	1	CAP	
16	WR130747	2	SCREW	
17	WR133791	4	NUT/LOCK	
18	WR133792	10	SCREW	
19	WR133793	7	WASHER	
20	WR133794	3	BOLT	
21	WR133795	2	NUT	
22	WR133796	1	BUTTON/PUSH	
23	WR133797	14	BUSHING	
24	WR133798	7	BUSHING	

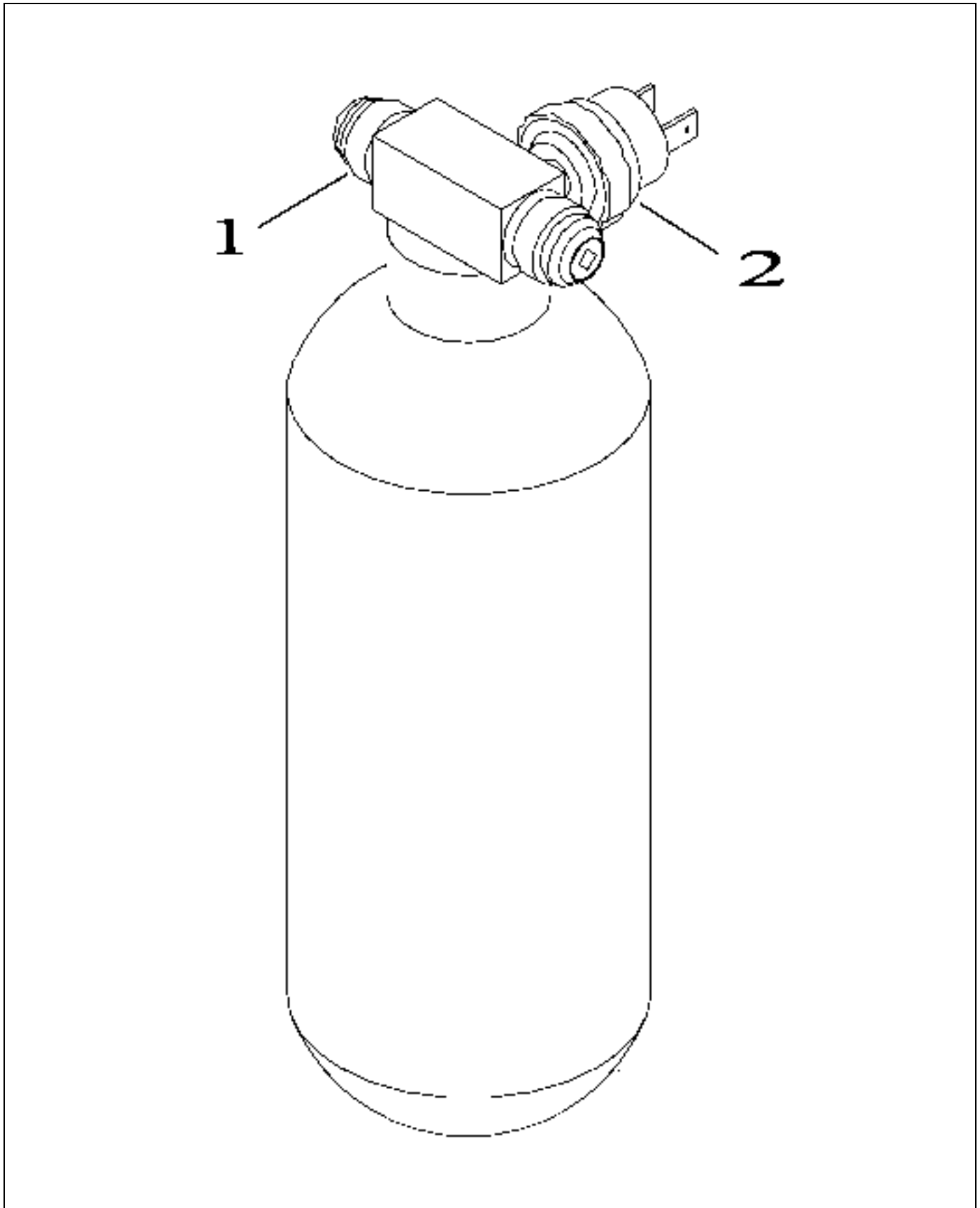


522328D1-02-T074-.TIF

A/C GROUP

ITEM	PART #	QTY	DESCRIPTION	COMMENTS
1	WR126829	1	BRACKET-A/C DRYER	
2	WR129633	1	HOSE ASM A/C (R134A) -8	
3	AG515123	2	NUT .25-20NC HEX SS REG	
4	AG519278	1	RECEIVER DEHYDRATOR	SEE PAGE 7-54
5	AG562054	2	BOLT 0.25-20NCX 0.75 SS HHD	
6	AG609312	2	BOLT 0.62-18 X 1.50 G8 HXFLG	
7	AG609313	2	NUT HX FLG 0.62-18NF	
8	AG704540	1	CLAMP BRACKET DRIER	
9	522326D1	1	HOSE ASM A/C (R134A)-8	
10	525213D1	1	HOSE ASM A/C (R134A)-12	
11	525214D1	1	HOSE ASM A/C (R134A)-8	

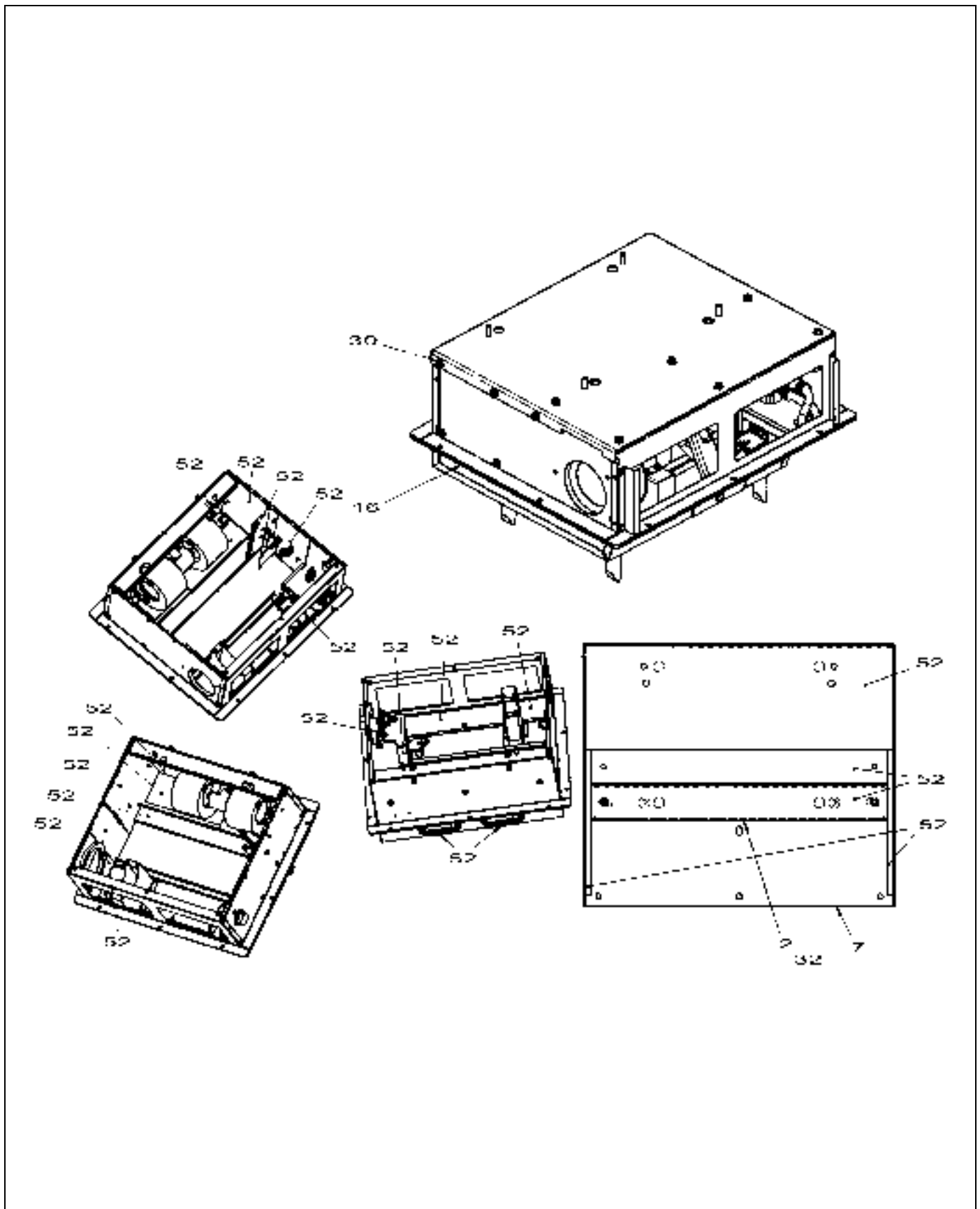
RECEIVER DEHYDRATOR



519278.TIF

RECEIVER DEHYDRATOR

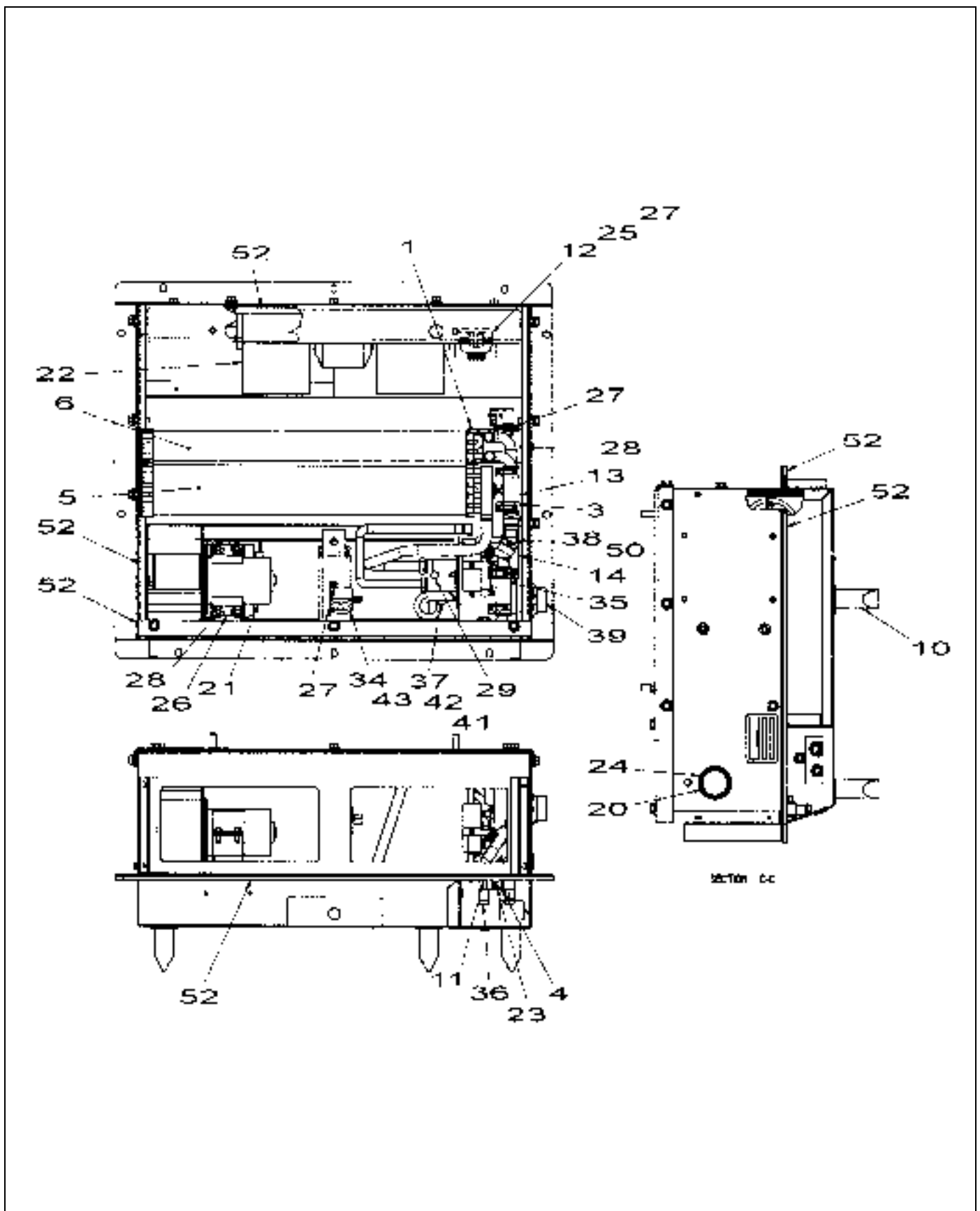
ITEM	PART #	QTY	DESCRIPTION	COMMENTS
1	AG518524	2	O-RING -06	
2	AG607237	1	SWITCH FREON PRESSURE (514632)	



330738-A-01.tif

HVAC/W/AND W/O ATC

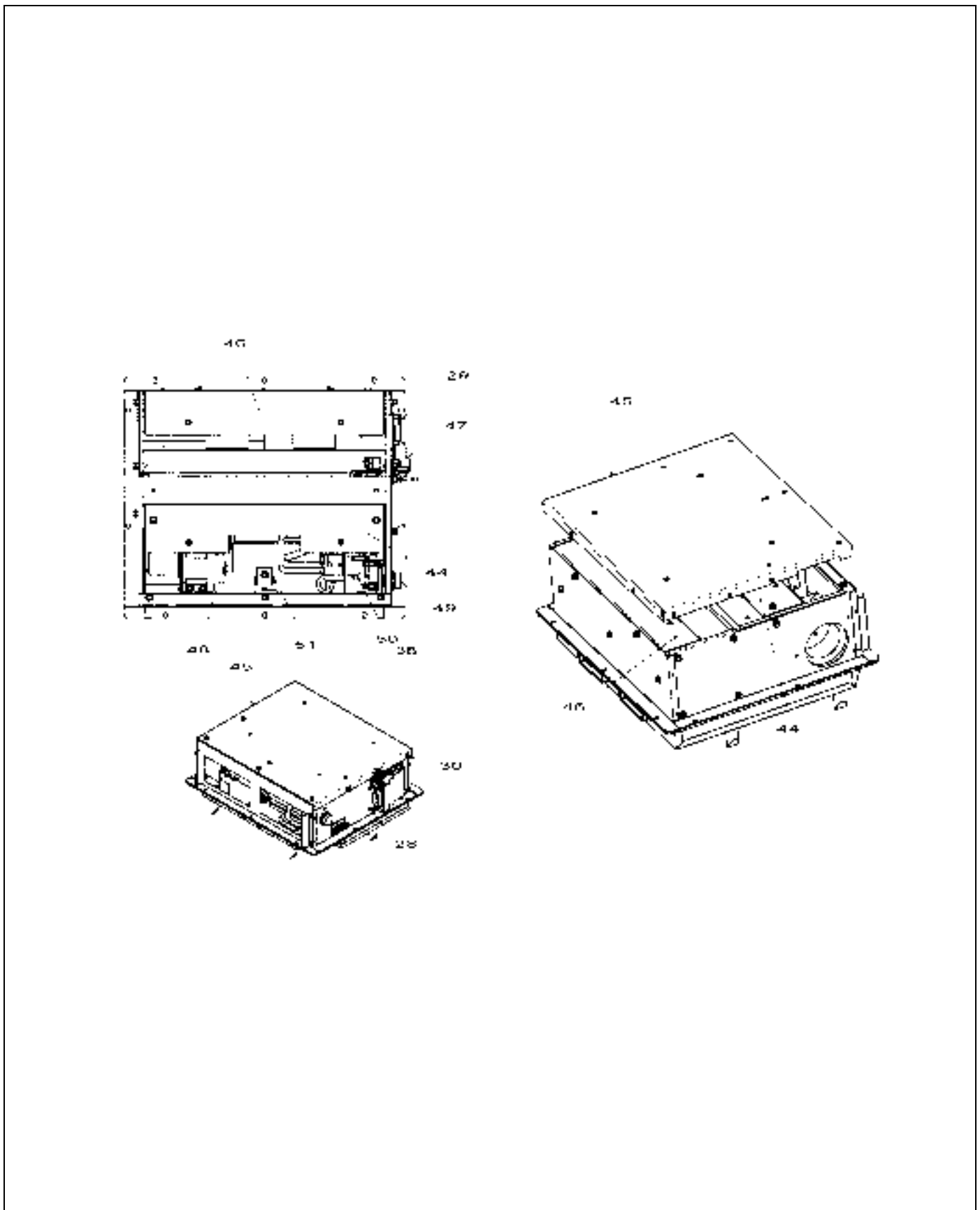
ITEM	PART #	QTY	DESCRIPTION	COMMENTS
REF	AG330742	AR	SEALANT/TAMPER PROOF	
2	AG132143	1	BRACKET	
7	AG330762	1	COVER/HOUSING	
16	AG330739	1	KIT/GASKET	
30	AG330747	18	SCREW/M8X1.25 HEX WSHR HEAD	
32	AG330741	AR	SEALANT/ADHESIVE	
52	AG330739	AR	KIT/GASKET	



330738-A-02.tif

HVAC/W/AND W/O ATC

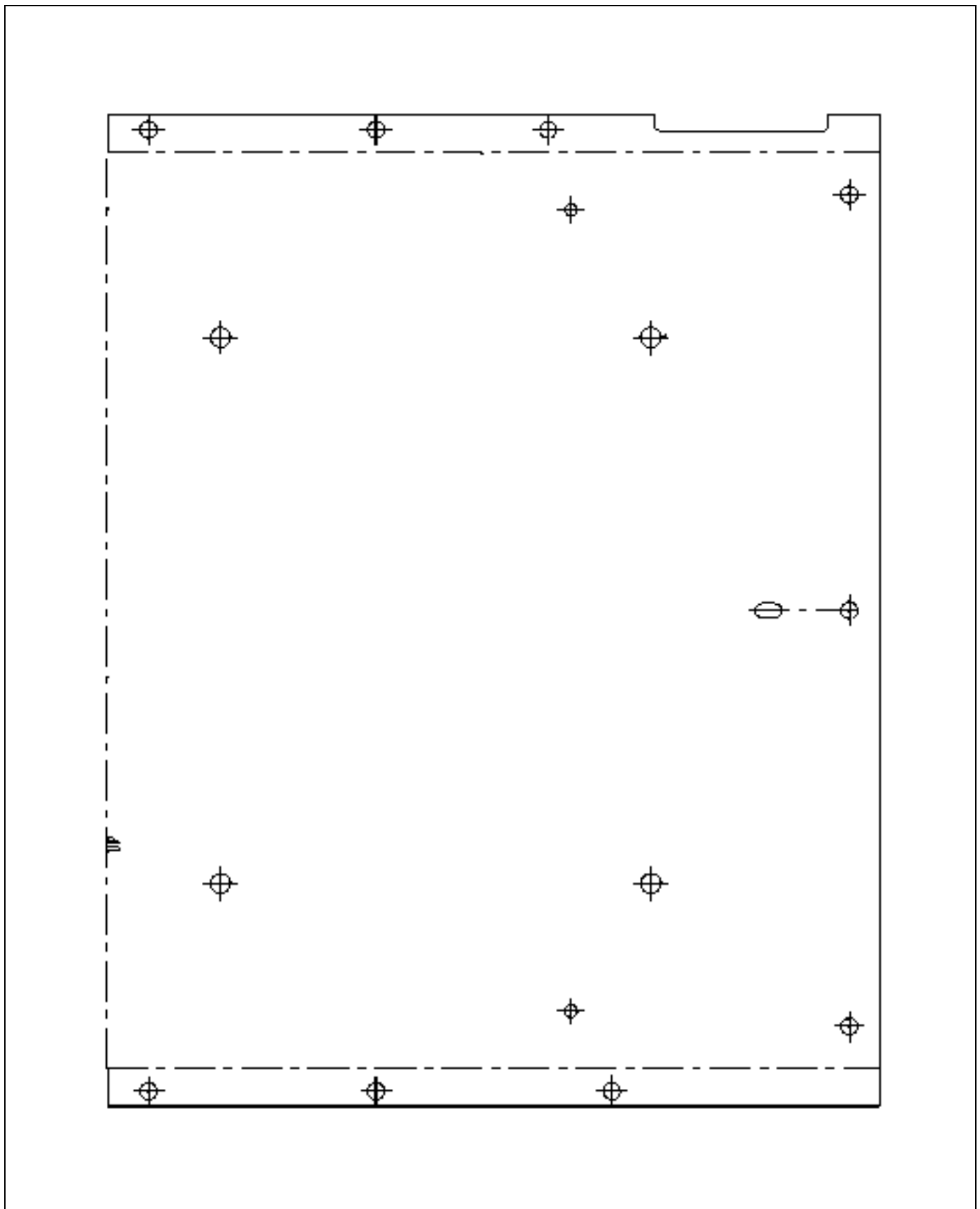
ITEM	PART #	QTY	DESCRIPTION	COMMENTS
1	AG330767	1	ANGLE/CORE SEAL ASM	
3	AG330766	6	CLAMP/SPRING BAND	
4	AG719303	2	CLAMP TUBE .62 DIA	
5	AG330764	1	EVAPORATOR/CORE	
6	AG727097	1	CORE/HEATER R4460	
10	AG330759	4	FITTING/DRAIN-DUCK BILL	
11	AG727096	2	GROMMET	
12	502269D1	1	RELAY GUARD	
13	AG330757	2	HOSE/HEATER 5/8 ID X .94	
14	AG330756	1	HOSE/HEATER 8/8 ID X .94	
20	AG330754	1	WASHER/LOCK	
21	AG332162	1	WHEEL/BLOWER-CW	
21	AG718805	1	MOTOR BLOWER ASM PRESSURE	SEE PAGE 7-60
21	AG332161	1	MOTOR/PRESSURE-BLOWER	
22	AG330576	1	MOTOR/BLOWER FAN	[A]
23	AG330753	2	NUT/M8 W/CONICAL WASHER	
24	AG330752	1	NUT/PANEL	
25	AG718806	1	RESISTOR-SPEED CONTROL	
26	AG330751	1	RETAINER/MOTOR	
27	AG330750	6	SCREW/M5X.86G HEX WSHR HD	
28	AG330749	12	SCREW/M6X1.0-6G	
29	AG330748	1	SCREW/M8X1.00 5G METRIC HEX HD	
34	AG718798	1	THERMOSTAT	
35	AG718788	1	TUBE-HEATER,INLET	
36	AG718789	1	TUBE-HEATER,OUTLET	
37	AG718801	1	VALVE-EXPANSION	
38	AG718787	1	VALVE-WATER,ELECTRONIC	
39	AG727094	1	HARNES/WIRE	
41	AG330221	1	O-RING/#8	
42	AG330220	1	O-RING/#10	
43	AG330744	1	TUBE/1/8 ID	
50	AG330209	1	VALVE/WATER ELECTRONIC	
52	AG330739	AR	KIT/GASKET	
	FOOTNOTE [A]		2006 AND NEWER	



330738-A-03.tif

HVAC/W/AND W/O ATC

ITEM	PART #	QTY	DESCRIPTION	COMMENTS
28	AG330749	12	SCREW/M6X1.0-6G	
29	AG330748	1	SCREW/M8X1.00 5G METRIC HEX HD	
30	AG330747	18	SCREW/M8X1.25 HEX WSHR HEAD	
38	AG718787	1	VALVE-WATER,ELECTRONIC	
44	507159D1	1	CHANNEL ASM-COVER	
45	507158D1	1	COVER-ASM	SEE PAGE 7-58
46	507160D1	1	SUPPORT-ASM	
47	AG330743	1	CONTROL/AUTO TEMP ECU MODULE	
48	AG330219	1	THERMOSTAT/PROBE	
49	AG330218	1	HARNES/WIRE ASM ATC	
50	AG330209	1	VALVE/WATER ELECTRONIC	
51	AG330740	1	COVER ASM/SUPPORT	

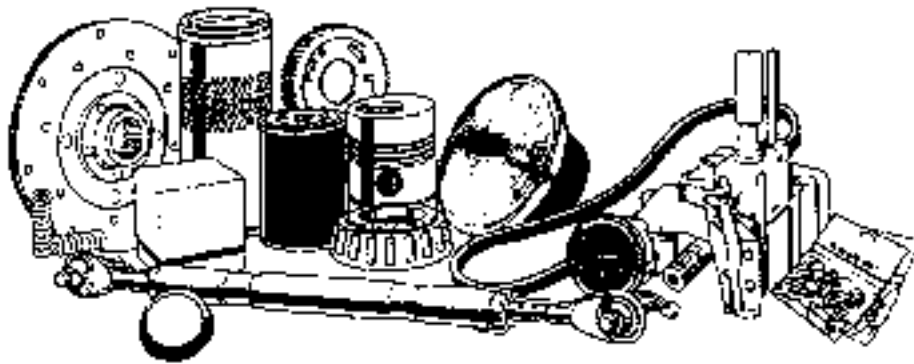


507158D1-02-N068-.TIF

COVER-ASM

ITEM	PART #	QTY	DESCRIPTION	COMMENTS
REF	AG727095	1	GASKETS /KIT	SEE PAGE 7-59

**Please refer to the
Bill Of Material
on the opposite page
for related Installations,
Assemblies, or Parts**

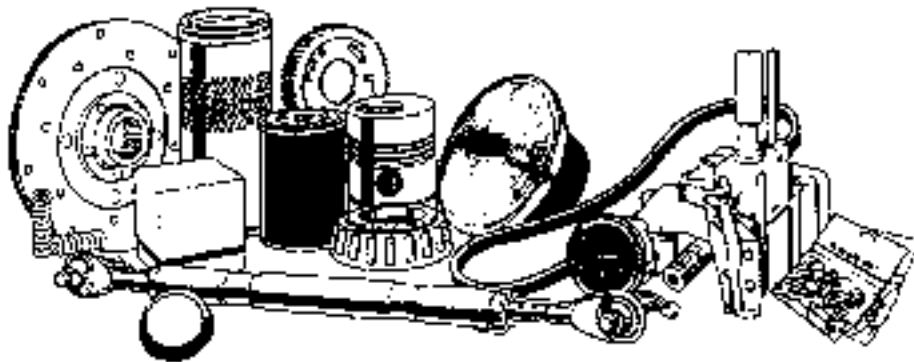


727095.tif

GASKETS / KIT

ITEM	PART #	QTY	DESCRIPTION	COMMENTS
REF	AG330426	2	GASKET	
REF	AG330425	1	GASKET	
REF	AG330424	1	GASKET	

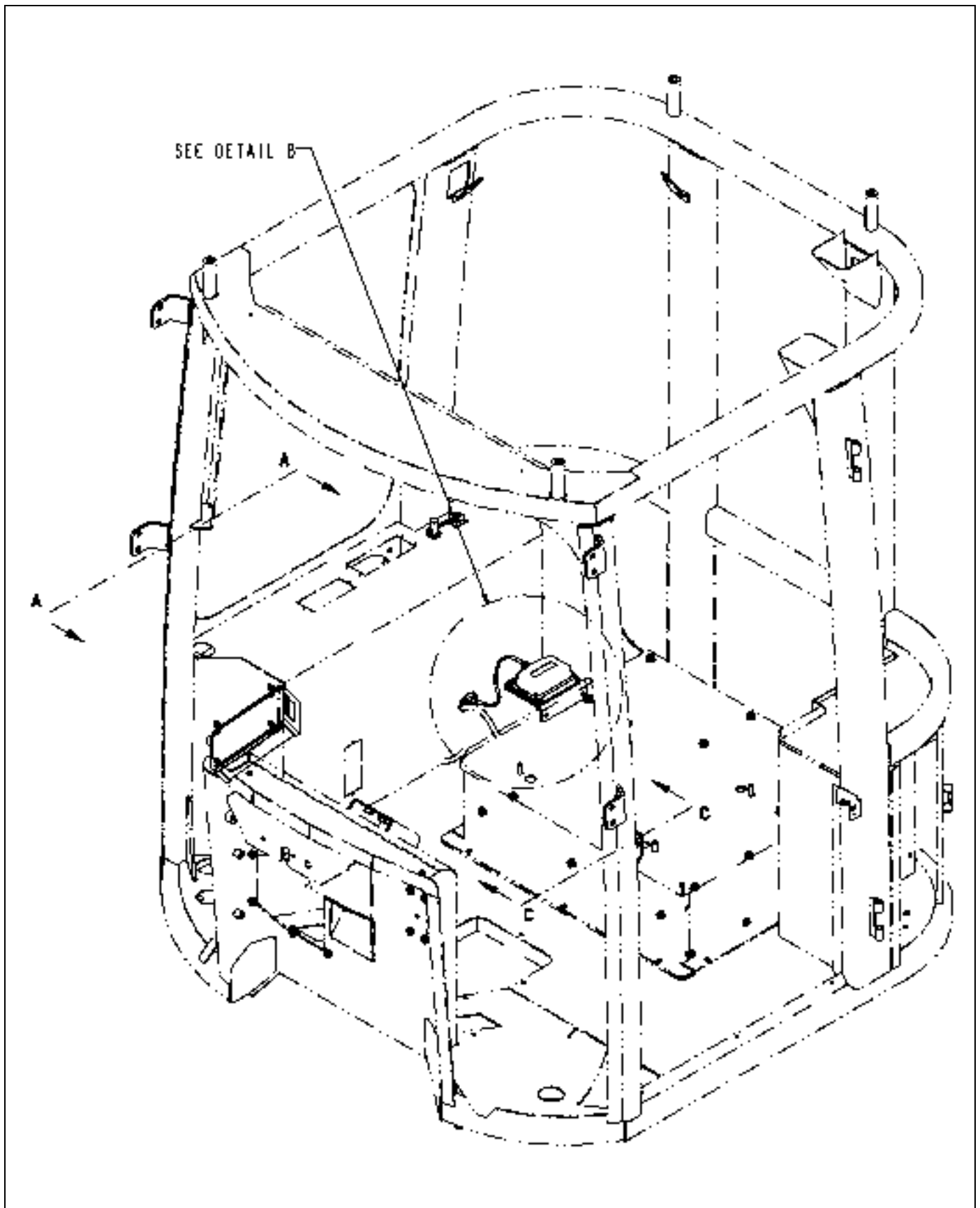
**Please refer to the
Bill Of Material
on the opposite page
for related Installations,
Assemblies, or Parts**



718805.tif

MOTOR BLOWER ASM PRESSURE

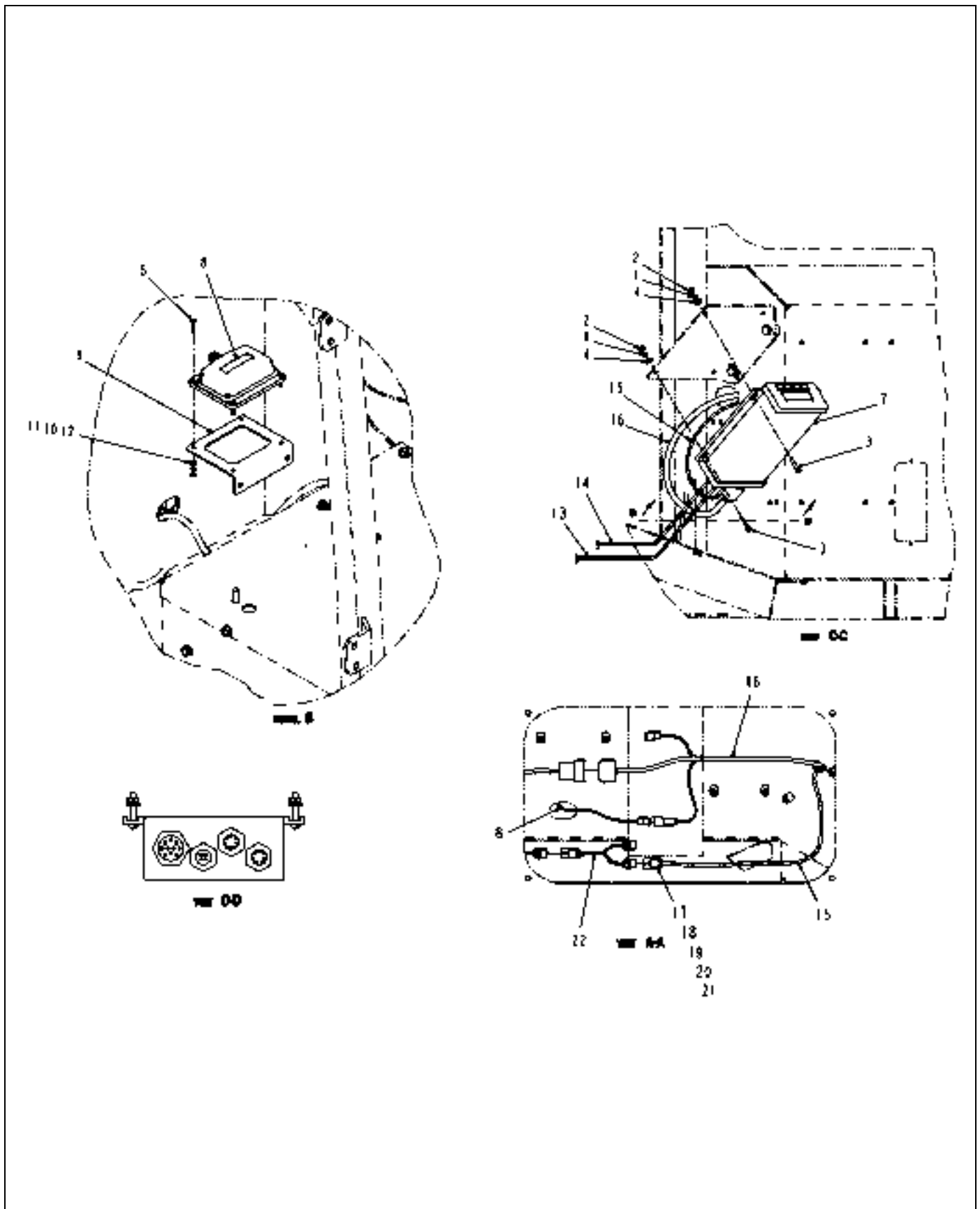
ITEM	PART #	QTY	DESCRIPTION	COMMENTS
REF	AG332162	1	WHEEL/BLOWER-CW	
REF	AG332161	1	MOTOR/PRESSURE-BLOWER	



523121D1-01-R784-01.TIF

CONTROL INSTALL-SMARTRAX,7X60 CAB

ITEM	PART #	QTY	DESCRIPTION	COMMENTS
6	523114D1	1	KIT-CAB,SMARTRAX,TG	

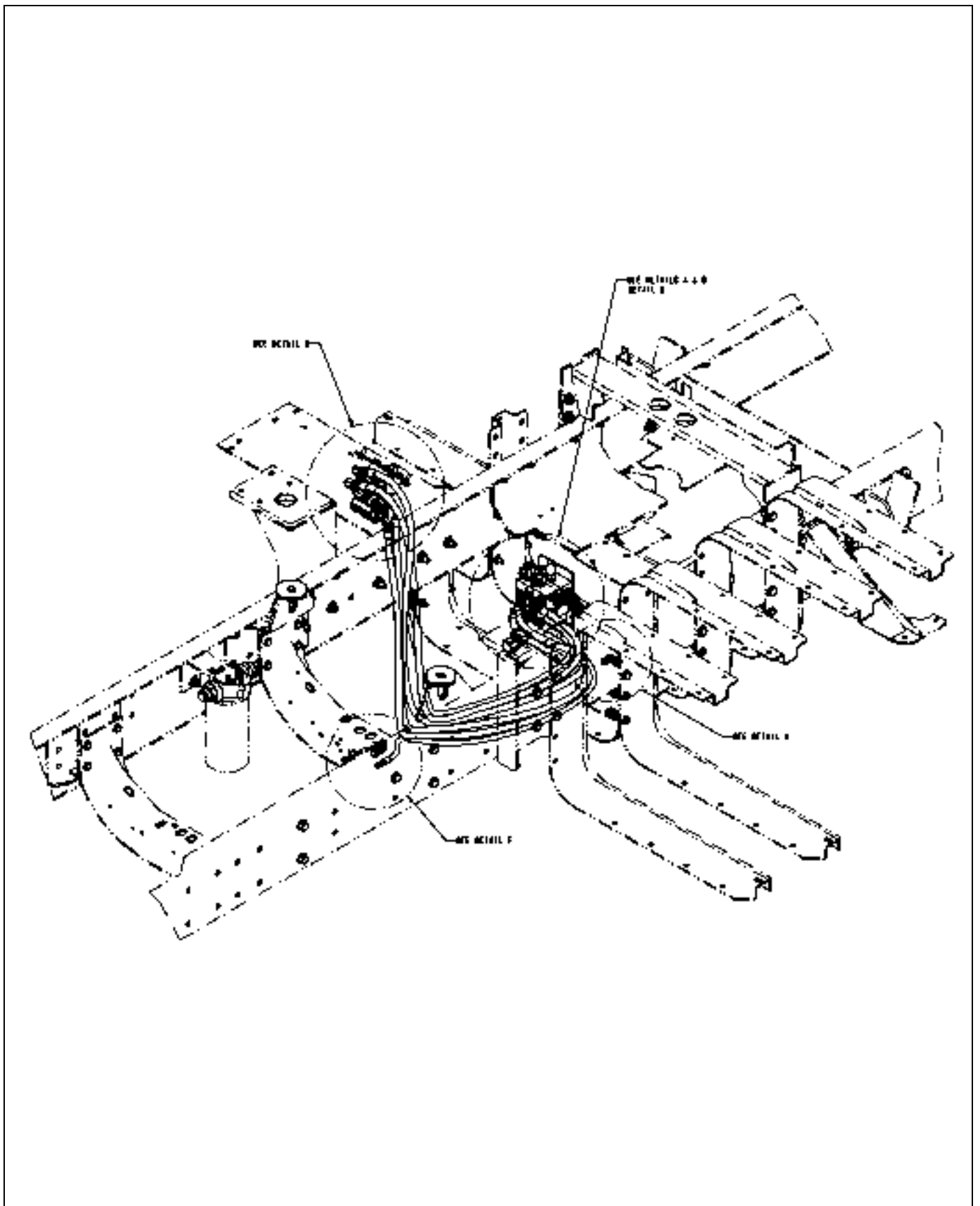


523121D1-01-R784-02.TIF

CONTROL INSTALL-SMARTRAX,7X60 CAB

ITEM	PART #	QTY	DESCRIPTION	COMMENTS
1	AG550914	-	WASHER #8 LK ZN REG	
2	AG550922	-	NUT #8-32NC HEX ZN REG	
3	AG550957	4	SCREW 8-32X 1 MA ZN SL RHD (D)	
4	AG562196	-	WASHER #8 FL ZN SAE TYPE-A	
5	401658X1	4	SCREW-M4X20	
7	523125D1	-	CONTROLLER-SMARTRAX	
8	523127D1	-	SENSOR-YAW,SMARTRAX	
9	524286D1	1	BRKT-YAW SENSOR	
10	CH3B-4501	4	WASHER LOCK SPLIT 4.4IDX1.02	
11	CH5C-8312	4	NUT-M4X0.7 THD HEX	
12	CH8T-0328	4	WASHER-HARD 5.5IDX10ODX1MM	
13	524291D1	-	CABLE-LIGHTBAR,SMARTRAX	
14	524292D1	-	CABLE-GPS,SMARTRAX	
15	524289D1	-	CABLE-PWR,SMARTRAX	
16	524801D1	-	CABLE-SMARTRAX,CAB	
17	AG515764	2	SEAL CABLE GREEN REEL 18-16 GA	
18	AG515766	1	CAVITY PLUG	
19	AG517618	1	CONNECTOR MA 3 WAY 280 SEALED	
20	AG519288	2	TERM METRI-PACK M280/20-16 GA	
21	AG520270	1	LOCK-METRIPACK,280/3 WAY	
22	AG134156	1	HARNESS-ADAPTOR,T,GPS	

VALVE INSTALL-SMARTRAX,7X60

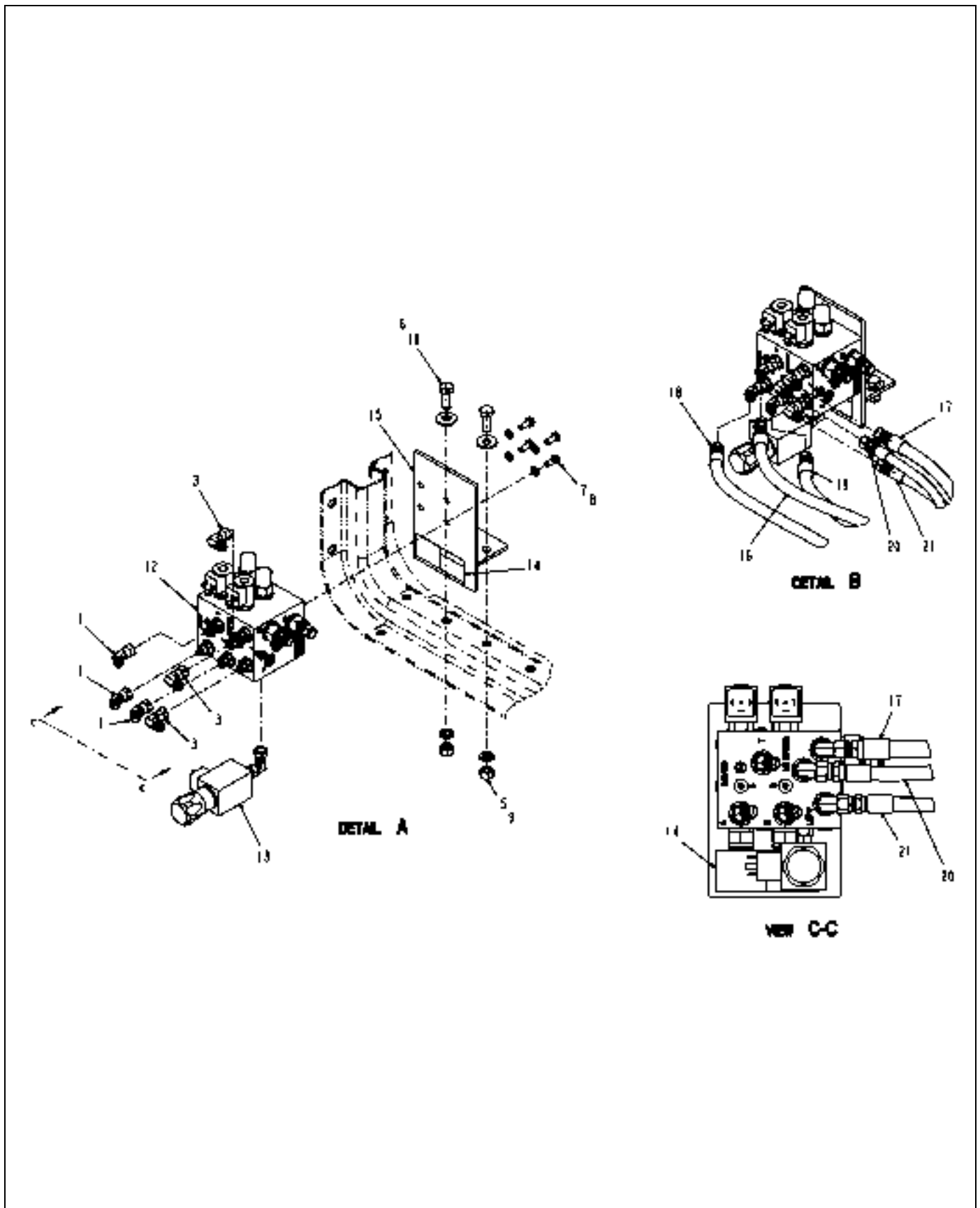


523124D1-01-R784-01.TIF

VALVE INSTALL-SMARTRAX,7X60

ITEM	PART #	QTY	DESCRIPTION	COMMENTS
11	523116D1	1	KIT-CHASSIS,SMARTRAX,7X60	SEE PAGE 7-66

VALVE INSTALL-SMARTRAX,7X60

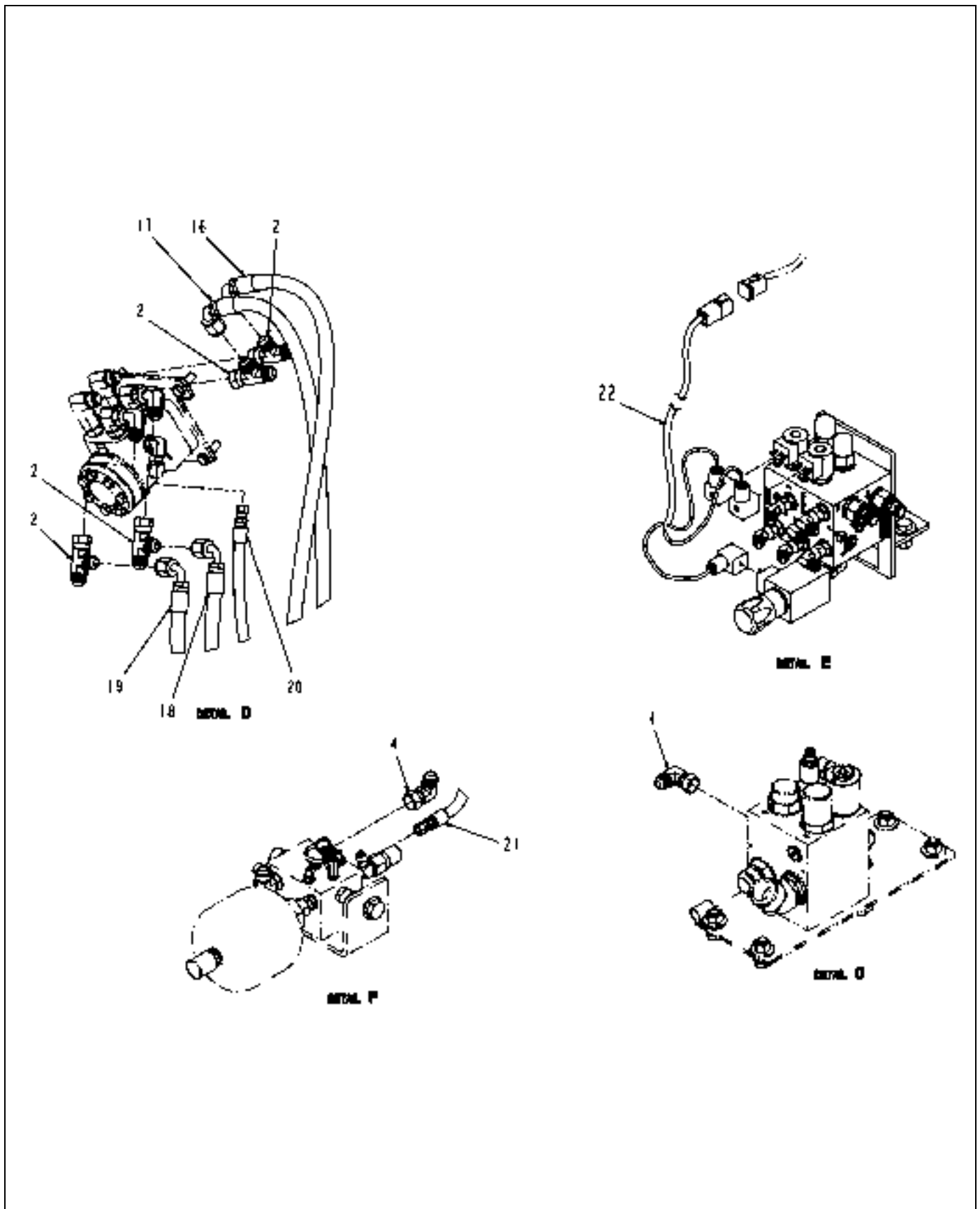


523124D1-01-R784-02.TIF

VALVE INSTALL-SMARTRAX,7X60

ITEM	PART #	QTY	DESCRIPTION	COMMENTS
1	AG523227	3	ADAPTER-45D,-6FJIC SWX-6MJIC	
3	AG561629	3	ELBOW -6FJS90X -6MJ	
5	AG562045	2	NUT 0.50-13NC HEX SS REG	
6	AG562046	2	WASHER 0.50 FL SS REG TYPE-B	
7	AG562049	4	BOLT 0.31-18NCX 0.75 SS HHD	
8	AG562051	4	WASHER 0.31 LK SS REG	
9	AG562053	2	WASHER 0.50 LK SS REG	
10	AG562115	2	BOLT 0.50-13NCX 1.25 S.S. HHD	
12	523126D1	-	VALVE ASM-HYD,SMARTRAX	
13	523129D1	-	SWITCH-PRESSURE,ADJ,15-100 BAR	
14	524287D1	-	LABEL-WARNING,TAMPERING	
15	524290D1	-	MTG WLDMT-VLV ASM,SMARTRAX	
16	524298D1	-	HOSE ASM-HYD,-8 90DX-6 FJIC,82	
17	524298D1	-	HOSE ASM-HYD,-8 90DX-6 FJIC,82	
18	524298D1	-	HOSE ASM-HYD,-8 90DX-6 FJIC,82	
19	524298D1	-	HOSE ASM-HYD,-8 90DX-6 FJIC,82	
20	524299D1	-	HOSE ASM-HYD,-4X-6 FJIC,70 IN	
21	524300D1	-	HOSE ASM-HYD,-4X-6 FJIC,55 IN	

VALVE INSTALL-SMARTRAX,7X60

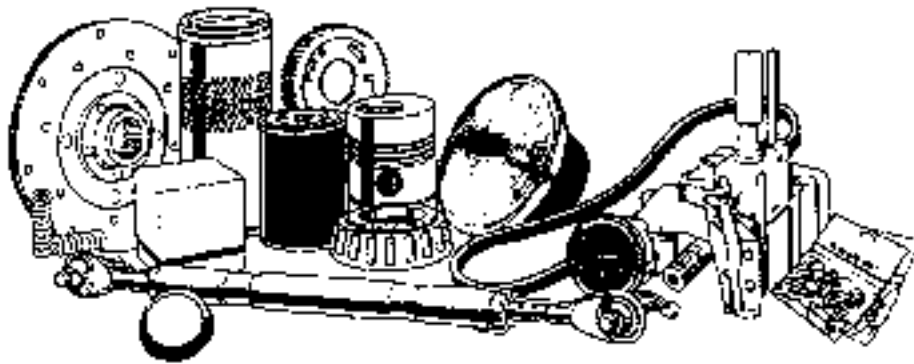


523124D1-01-R784-03.TIF

VALVE INSTALL-SMARTRAX,7X60

ITEM	PART #	QTY	DESCRIPTION	COMMENTS
2	AG560278	4	TEE 0.50JIC SWIVELX0.50 JIC(2)	
4	AG561941	2	ELBOW -8FJS90 X-8MJ	
16	524298D1	-	HOSE ASM-HYD,-8 90DX-6 FJIC,82	
17	524298D1	-	HOSE ASM-HYD,-8 90DX-6 FJIC,82	
18	524298D1	-	HOSE ASM-HYD,-8 90DX-6 FJIC,82	
19	524298D1	-	HOSE ASM-HYD,-8 90DX-6 FJIC,82	
20	524299D1	-	HOSE ASM-HYD,-4X-6 FJIC,70 IN	
21	524300D1	-	HOSE ASM-HYD,-4X-6 FJIC,55 IN	
22	524802D1	-	CABLE-SMARTRAX,CHASSIS	

**Please refer to the
Bill Of Material
on the opposite page
for related Installations,
Assemblies, or Parts**

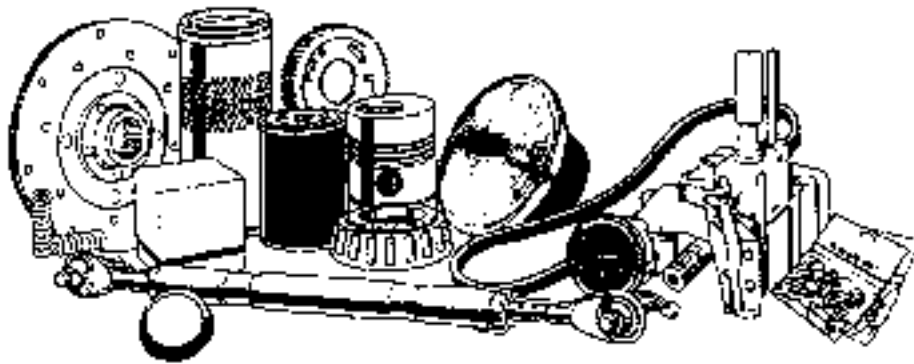


523116D1.tif

KIT-CHASSIS,SMARTRAX,7X60

ITEM	PART #	QTY	DESCRIPTION	COMMENTS
REF	524299D1	1	HOSE ASM-HYD,-4X-6 FJIC,70 IN	
REF	524298D1	1	HOSE ASM-HYD,-8 90DX-6 FJIC,82	
REF	524802D1	1	CABLE-SMARTRAX,CHASSIS	
REF	524300D1	1	HOSE ASM-HYD,-4X-6 FJIC,55 IN	
REF	523129D1	1	SWITCH-PRESSURE,ADJ,15-100 BAR	
REF	523126D1	1	VALVE ASM-HYD,SMARTRAX	
REF	524290D1	1	MTG WLDMT-VLV ASM,SMARTRAX	
REF	524287D1	1	LABEL-WARNING,TAMPERING	

**Please refer to the
Bill Of Material
on the opposite page
for related Installations,
Assemblies, or Parts**

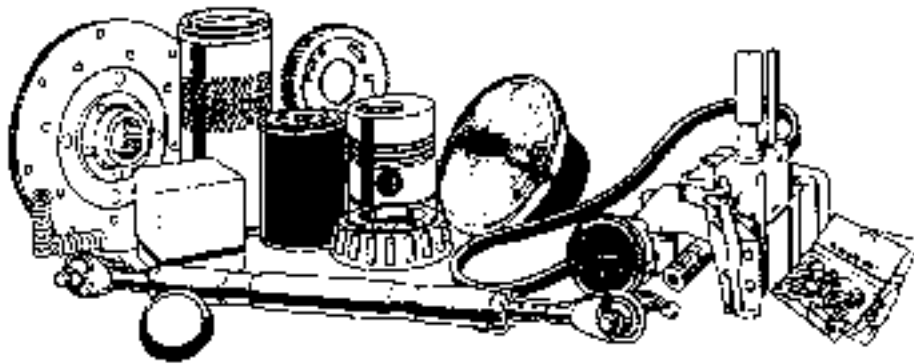


523113D1.tif

OPT-SMARTRAX,SC 7X60

ITEM	PART #	QTY	DESCRIPTION	COMMENTS
1	523121D1	1	CTRL INSTL-SMARTRAX,7X60 CAB	SEE PAGE 7-61
2	523124D1	1	VALVE INSTL-SMARTRAX,7X60	SEE PAGE 7-63
3	520283D1	1	STEERING UNIT INSTL	SEE PAGE 4-20

**Please refer to the
Bill Of Material
on the opposite page
for related Installations,
Assemblies, or Parts**

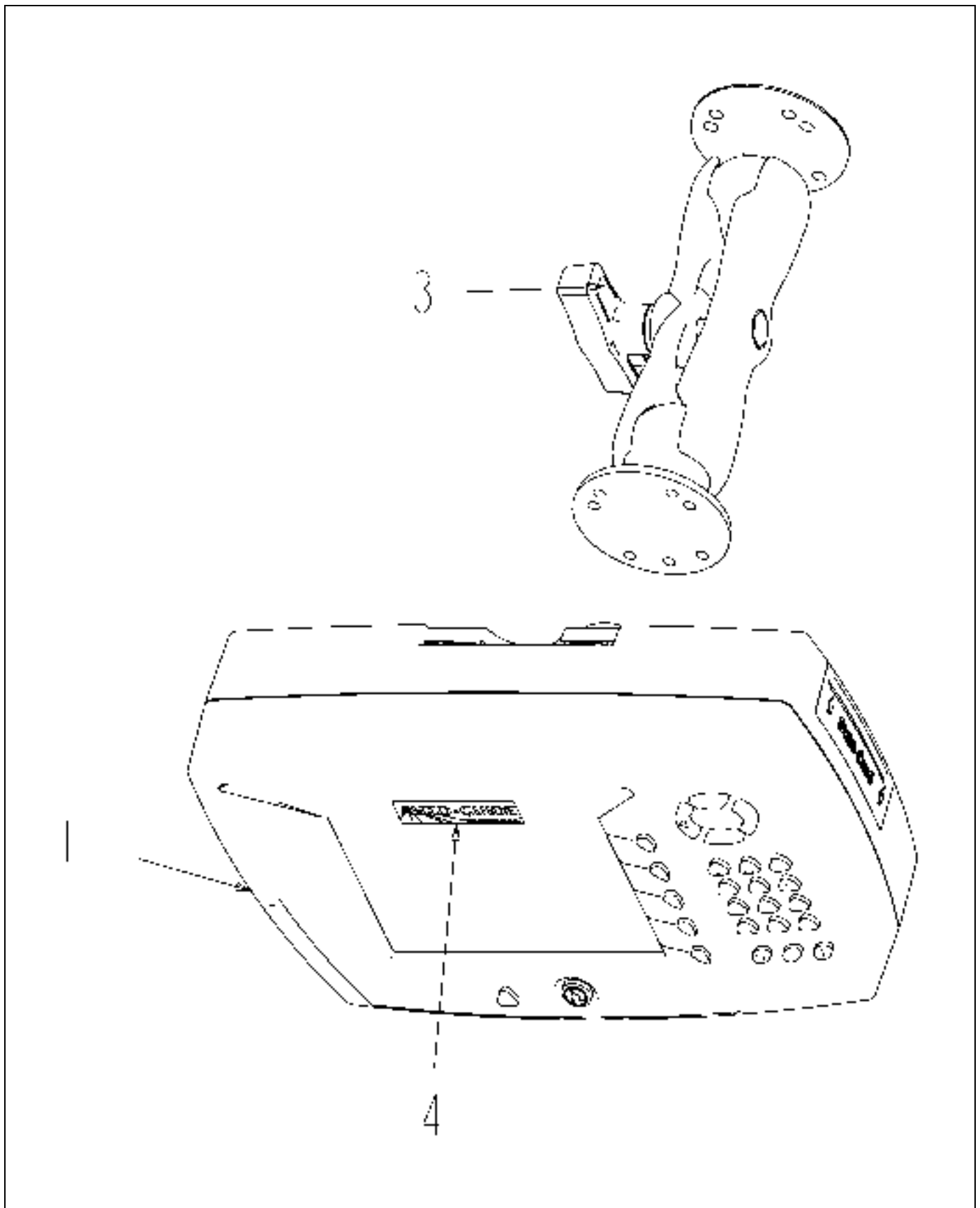


523659D1.tif

INSTALL,AUTOGUIDE-READY SC7460

ITEM	PART #	QTY	DESCRIPTION	COMMENTS
1	503365D1	1	INSL-BRACKET,TERMINAL	SEE PAGE 7-70
2	508703D1	1	INSL-ELECTRICAL,AUTOGUIDE	SEE PAGE 8-67
3	515149D1	1	ASM,ROOF-BRACKET,B4-TOPDOCK	SEE PAGE 7-71
4	523617D1	1	INSL-WAS,AUTOGUIDE,7460	SEE PAGE 7-72
5	523657D1	1	SWITCH-INSL,AUTOGUIDE	SEE PAGE 8-66

TERMINAL KIT

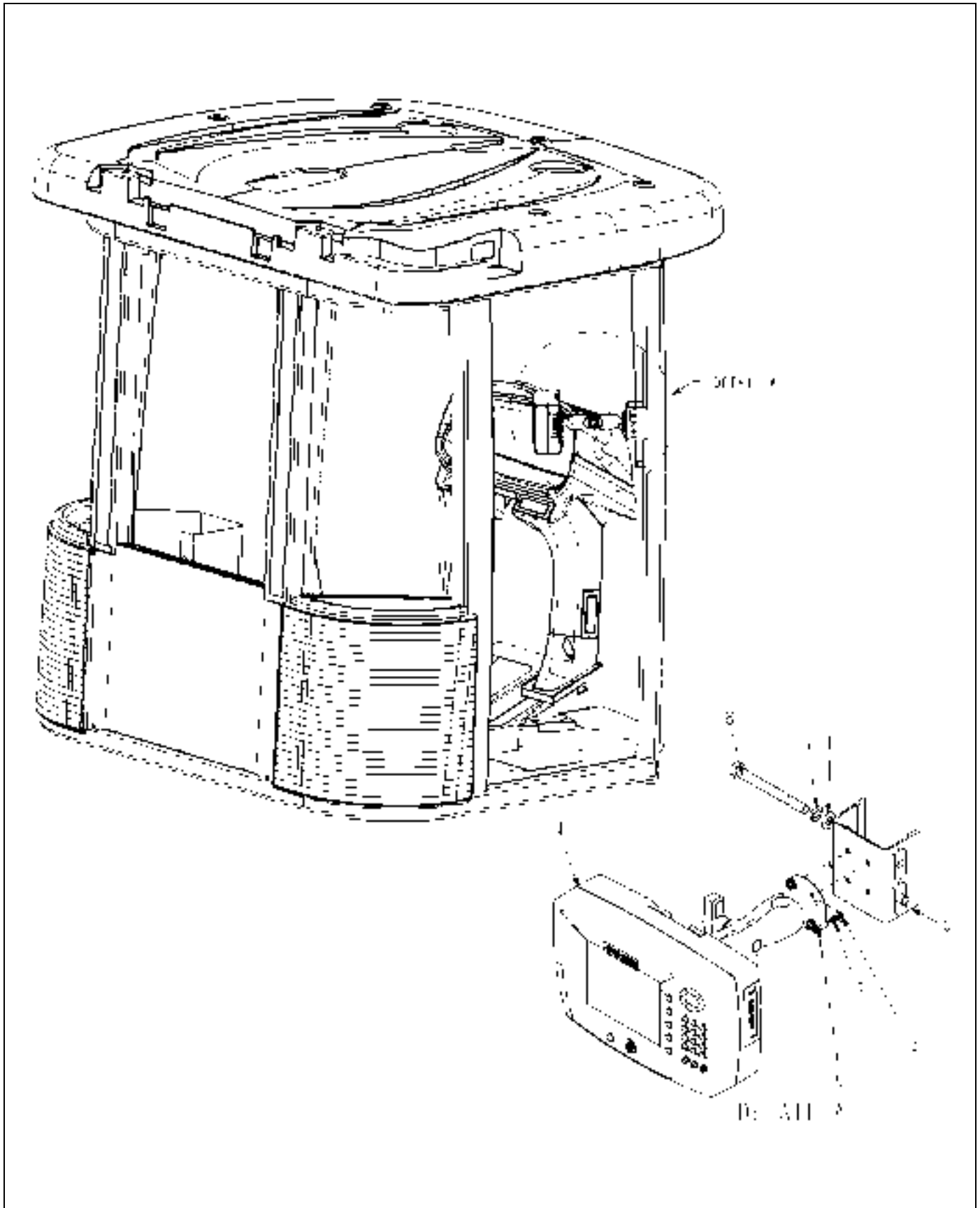


133891-04-N844-.TIF

TERMINAL KIT

ITEM	PART #	QTY	DESCRIPTION	COMMENTS
REF	AG132498	1	SOFTWARE,TERMINAL,AG	
1	AG129560	1	AUTO-GUIDE TERMINAL	
3	AG523464	1	CLAMP ASM-MTG,BALL,7.50	
4	72571170	1	DECAL - AUTO GUIDE	

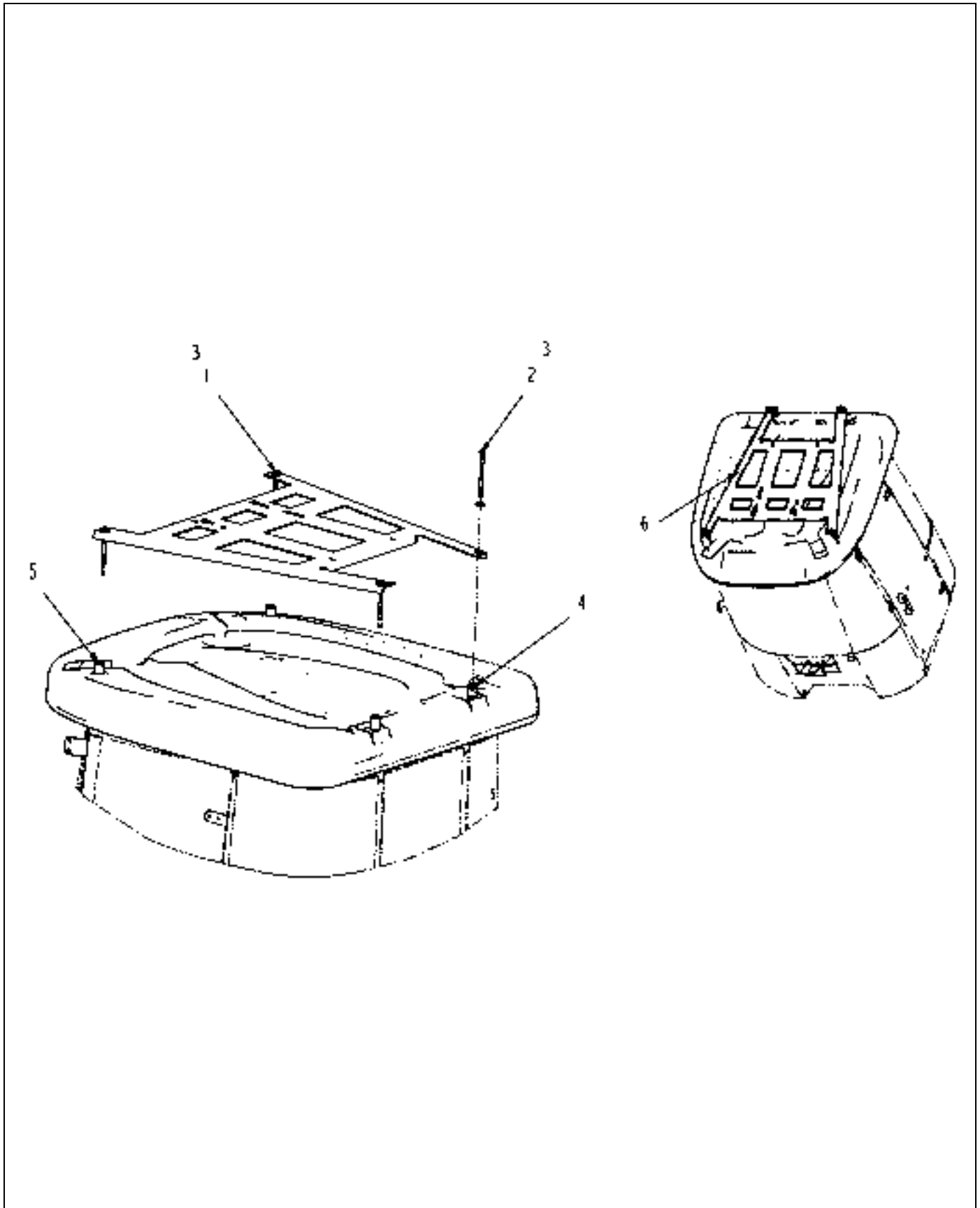
INSTALL-BRACKET, TERMINAL



503365D1-03-N975-.TIF

INSTALL-BRACKET,TERMINAL

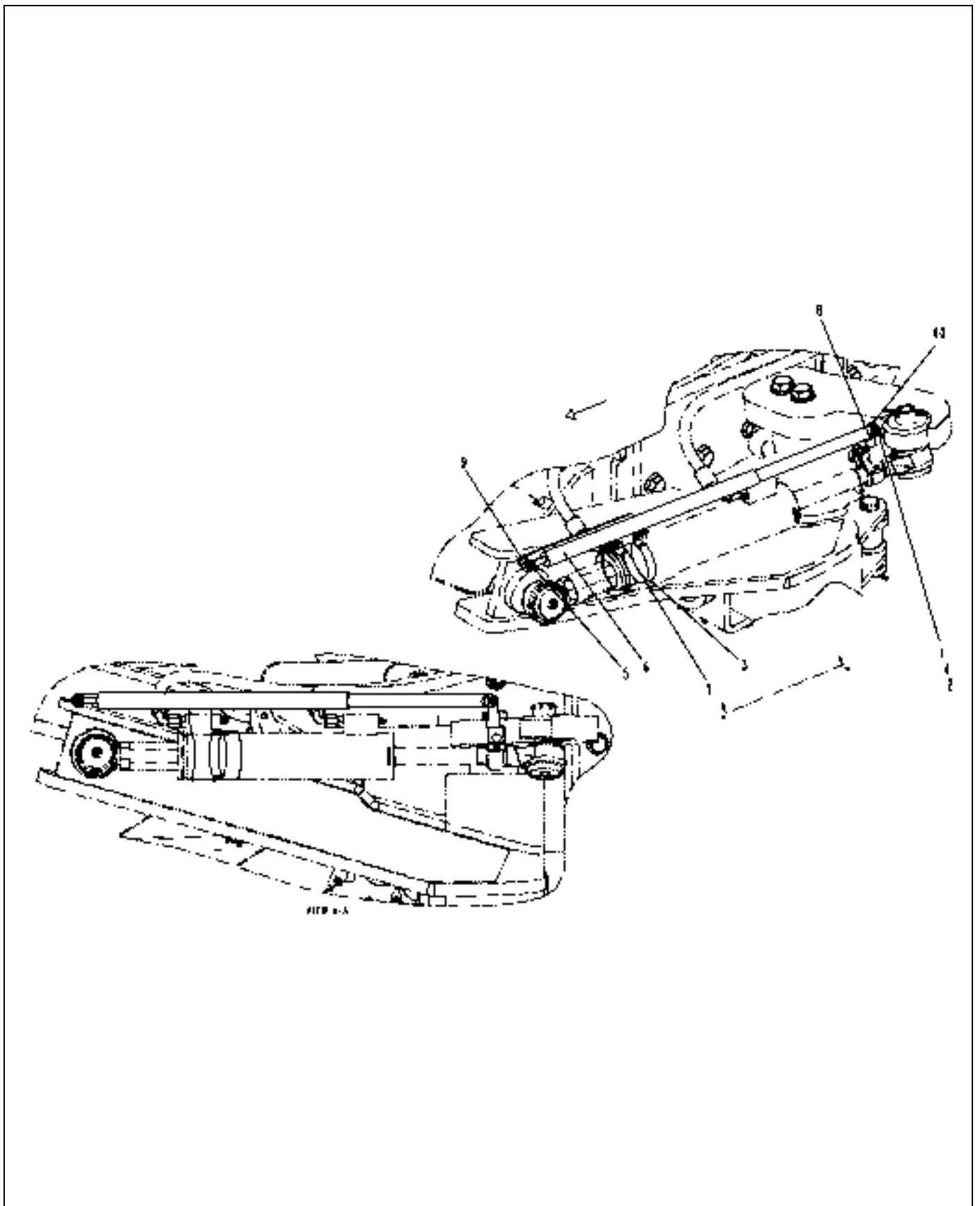
ITEM	PART #	QTY	DESCRIPTION	COMMENTS
1	WR55075	2	WASHER-FL,M10,ZN,REG	
2	AG125889	4	WASHER-SPRING,M5,ZINC	
3	AG125890	4	WASHER FLAT,M5X100ODX1THK,ZINC	
4	AG133891	1	TERMINAL KIT	SEE PAGE 7-69
5	AG326925	1	CLAMP WLDMT-MTG,CTRL/MONITOR	
6	AG523508	4	SCR-M5-0.8X16,CL10.9,BLK,BHHS	
7	AG550191	2	WASHER 0.37 LK ZN REG	
8	AG562364	2	BOLT M10-1.5X100MM G8.8 ZN HDD	



515149D1-01-T026-.TIF

ASM,ROOF-BRACKET,B4-TOPDOCK

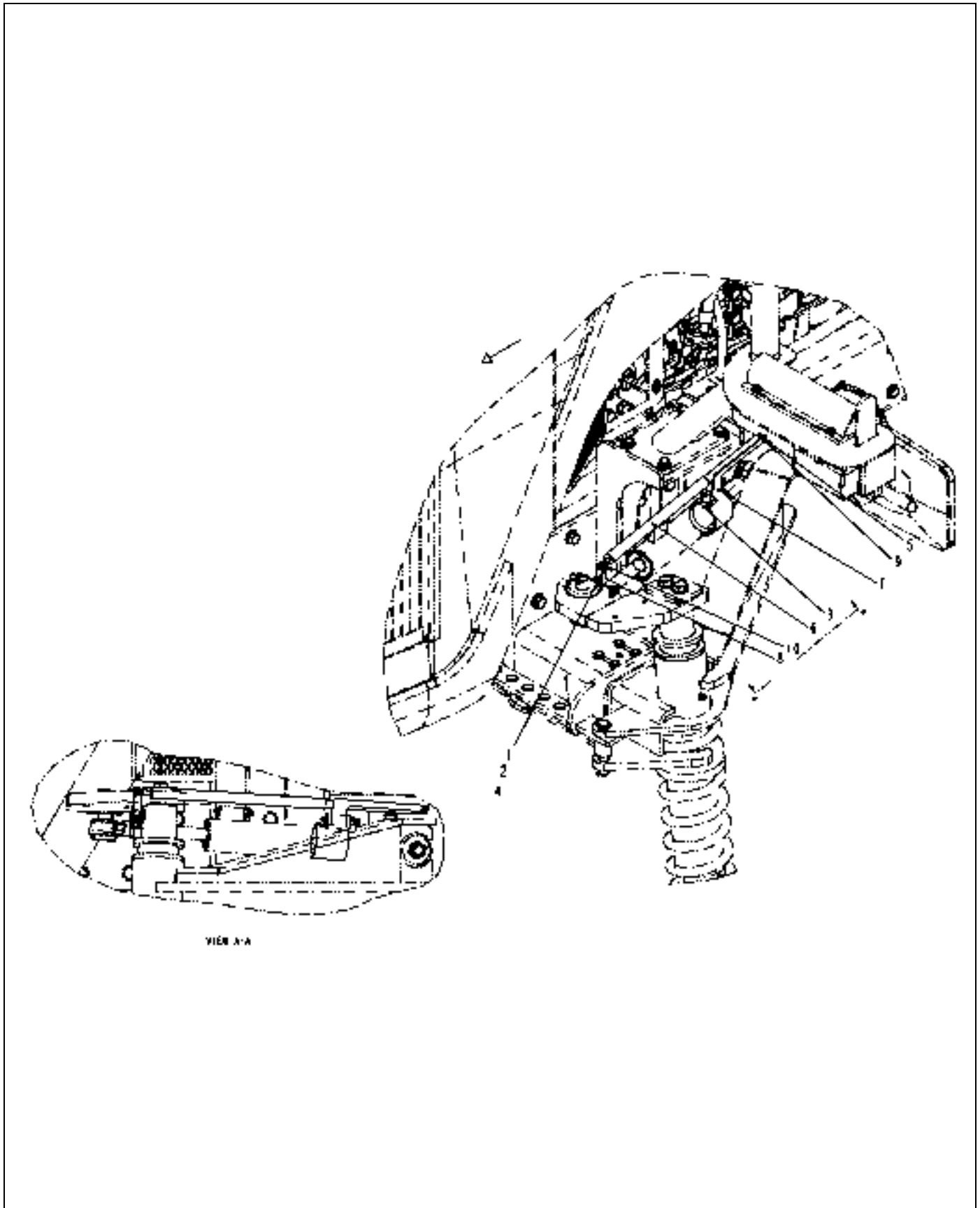
ITEM	PART #	QTY	DESCRIPTION	COMMENTS
1	WR55063	2	SCREW-CAP HEX M12 X 130	
2	WR55064	2	SCREW-CAP HEX M12 X 140	
3	AG562790	4	WASHER FL METRIC#12 GEN PUR ZN	
4	515093D1	2	BOSS,ROUND 1.25 IN X.37X1.9 IN	
5	515094D1	2	BOSS,ROUND 1.25 IN X.37 IN X1.4 IN	
6	515148D1	1	WLDMT-TOPDOCK,B4,SC7X60	



523617D1-01-T026-.TIF

INSTALL-WAS,AUTOGUIDE,7460

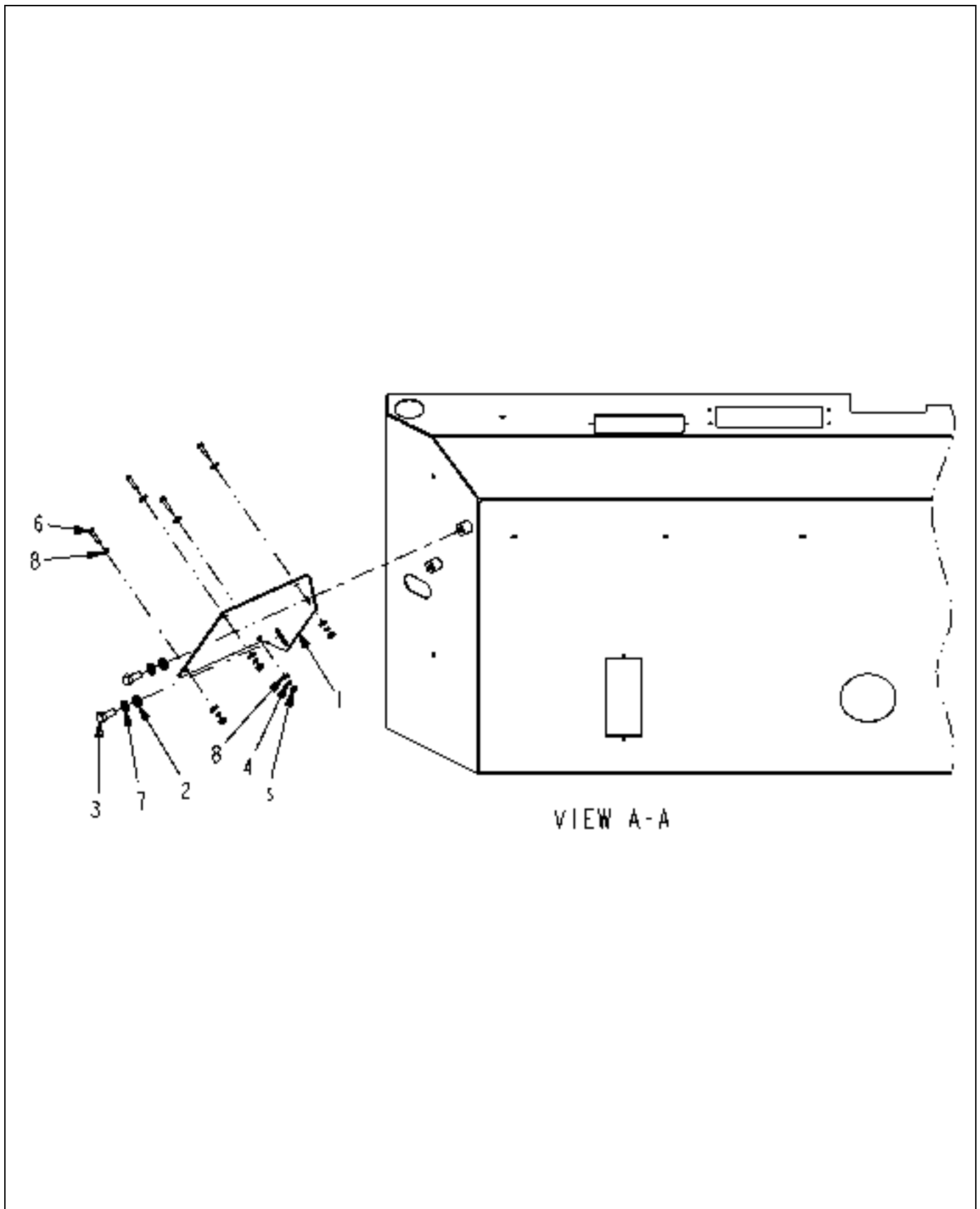
ITEM	PART #	QTY	DESCRIPTION	COMMENTS
1	AG550914	2	WASHER #8 LK ZN REG	
2	AG550922	2	NUT #8-32NC HEX ZN REG	
3	AG561234	1	CLAMP 2.06-3.00 HOSE 40HS	
4	AG562196	2	WASHER #8 FL ZN SAE TYPE-A	
5	AG562199	2	SCREW 8-32X1.25 ZN RD HD	
6	523605D1	1	SENSOR-LINEAR,EXT,300MM,7X60	
7	523614D1	1	BRKT-AUTOGUIDE,WAS,MAIN,7X60	
8	523615D1	1	BRKT-AUTOGUIDE,WAS,2ND,7X60	
9	524600D1	1	SPACER,SENSOR,SC 7X60	
10	524601D1	1	SPACER,SENSOR,SC 7X60	



523616D1-01-T026-.TIF

INSTALL-WAS,AUTOGUIDE,7660

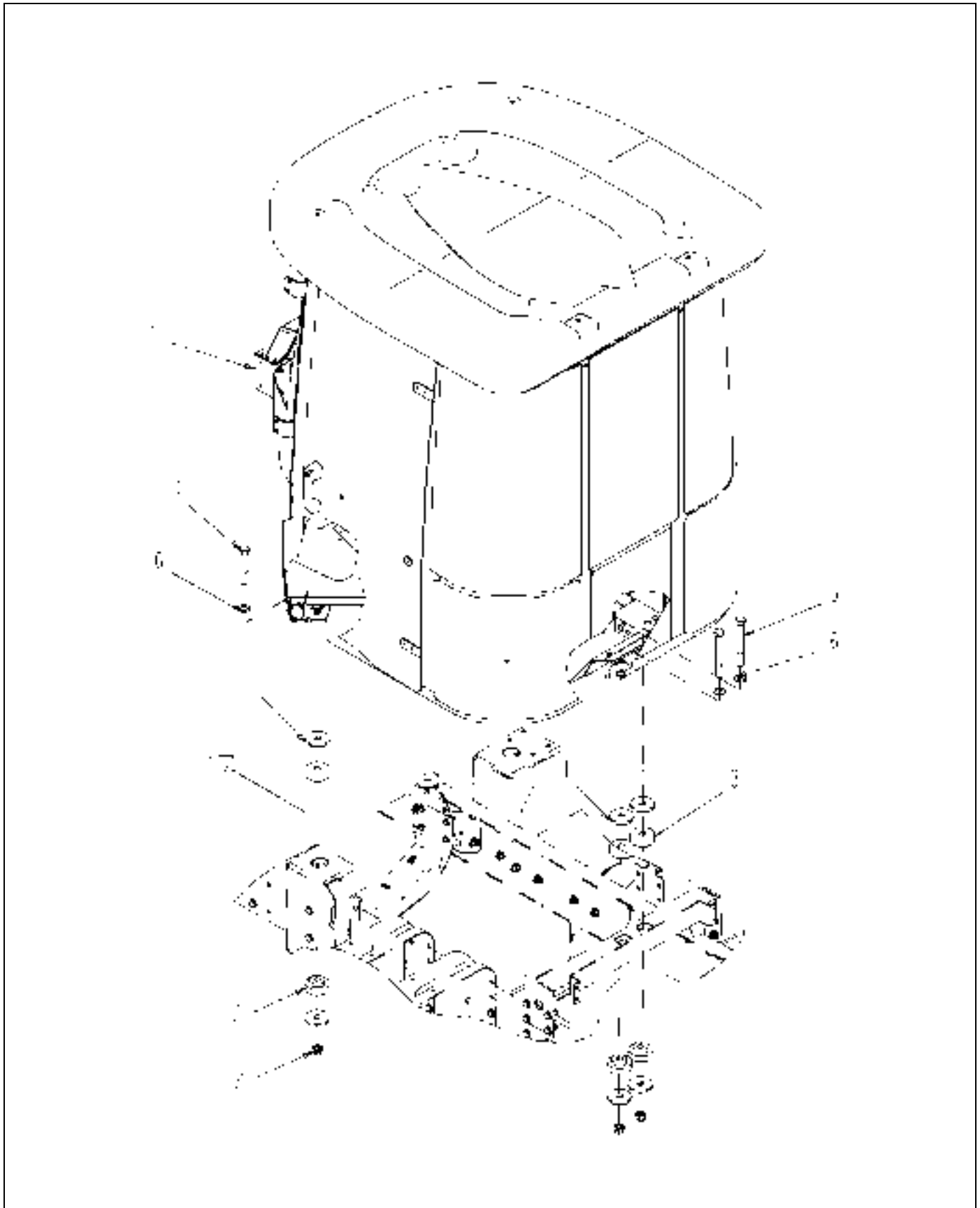
ITEM	PART #	QTY	DESCRIPTION	COMMENTS
1	AG550914	2	WASHER #8 LK ZN REG	
2	AG550922	2	NUT #8-32NC HEX ZN REG	
3	AG561234	1	CLAMP 2.06-3.00 HOSE 40HS	
4	AG562196	2	WASHER #8 FL ZN SAE TYPE-A	
5	AG562199	2	SCREW 8-32X1.25 ZN RD HD	
6	523605D1	1	SENSOR-LINEAR,EXT,300MM,7X60	
7	523614D1	1	BRKT-AUTOGUIDE,WAS,MAIN,7X60	
8	523615D1	1	BRKT-AUTOGUIDE,WAS,2ND,7X60	
9	524600D1	1	SPACER,SENSOR,SC 7X60	
10	524601D1	1	SPACER,SENSOR,SC 7X60	



524910D1-01-R784-.TIF

BRKT INSTALL-SMARTRAX,PHX 200,SC

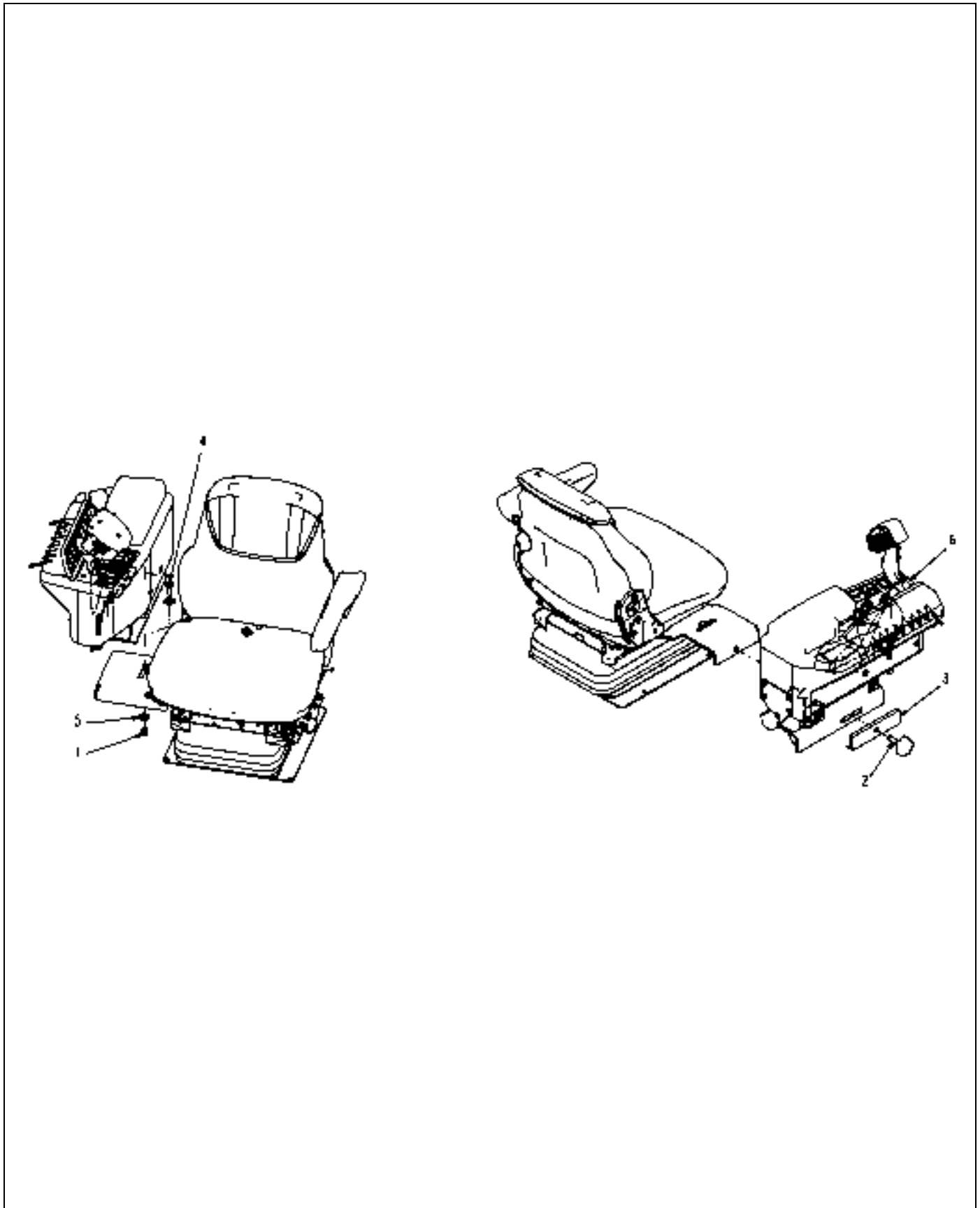
ITEM	PART #	QTY	DESCRIPTION	COMMENTS
1	WR129240	1	BRKT-MTG,RCVR,GPS	
2	AG520880	2	WASHER-FL,M8,ZN,REG	
3	WR522279	2	BOLT-M8-1.25X20,CL10.9,ZN,HHD	
4	AG550914	4	WASHER #8 LK ZN REG	
5	AG550922	4	NUT #8-32NC HEX ZN REG	
6	AG550930	4	SCREW 8-32 X.75 MA ZN SL RD HD	
7	AG561679	2	WASHER LOCK M8 ZN	
8	AG562196	8	WASHER #8 FL ZN SAE TYPE-A	



523716D1-01-T041-.TIF

CAB GROUP-7X60,STD HVAC,CH, 2009

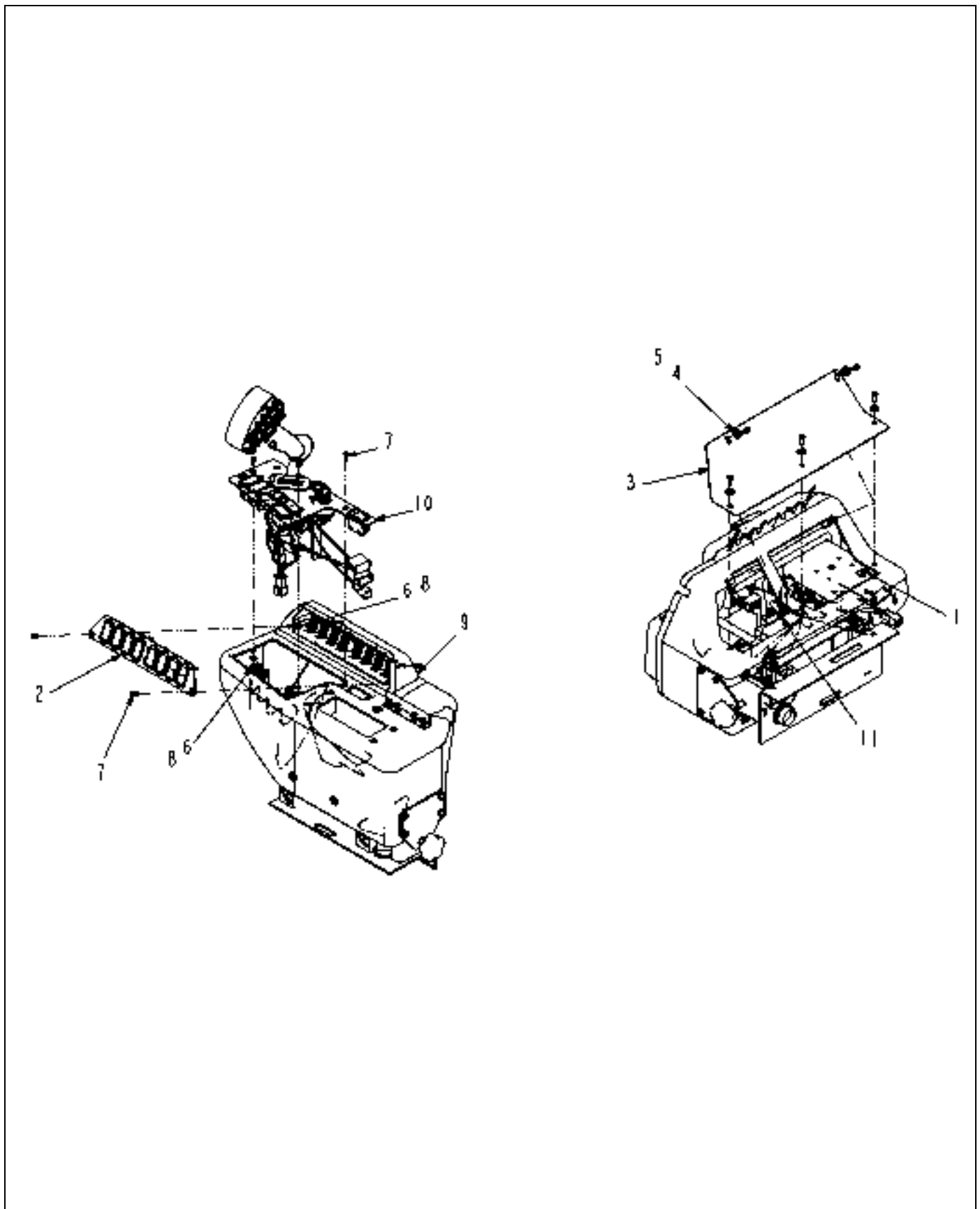
ITEM	PART #	QTY	DESCRIPTION	COMMENTS
1	AG236575	8	SLUG-ISOLATOR,CAB MT	
2	AG516176	4	NUT 0.87-9NC HVY HX FLEX LK PL	
3	AG520640	8	ISOLATOR-SHOCK	
4	AG522710	2	BOLT .87-9UNCX 5.50 G8 ZN HHD	
5	AG561699	2	BOLT 0.87- 9NCX 7.50 G8 ZN HHD	
6	AG606258	4	WASHER 1.75ODX0.93ID G8 ZN	
7	523736D1	1	CAB ASM-CHAL,STD HVAC	



523759D1-01-T041-.TIF

CONSOLE INSTALL-SEAT,RH,NA

ITEM	PART #	QTY	DESCRIPTION	COMMENTS
1	WR11528	1	NUT-TOPLOCK, 1/2-13UNC G5	
2	WR128024	1	KNOB-.50-13UNC X 2.00	
3	WR128027	1	BAR WLDMT-STABILIZER	
4	AG550256	1	BOLT.50-13NCX1.25 G5 ZN HHD	
5	AG550353	2	WASHER 0.50 FL ZN REG TYPE-B	
6	523760D1	1	CONSOLE ASM-SEAT,RH,NA	SEE PAGE 7-77

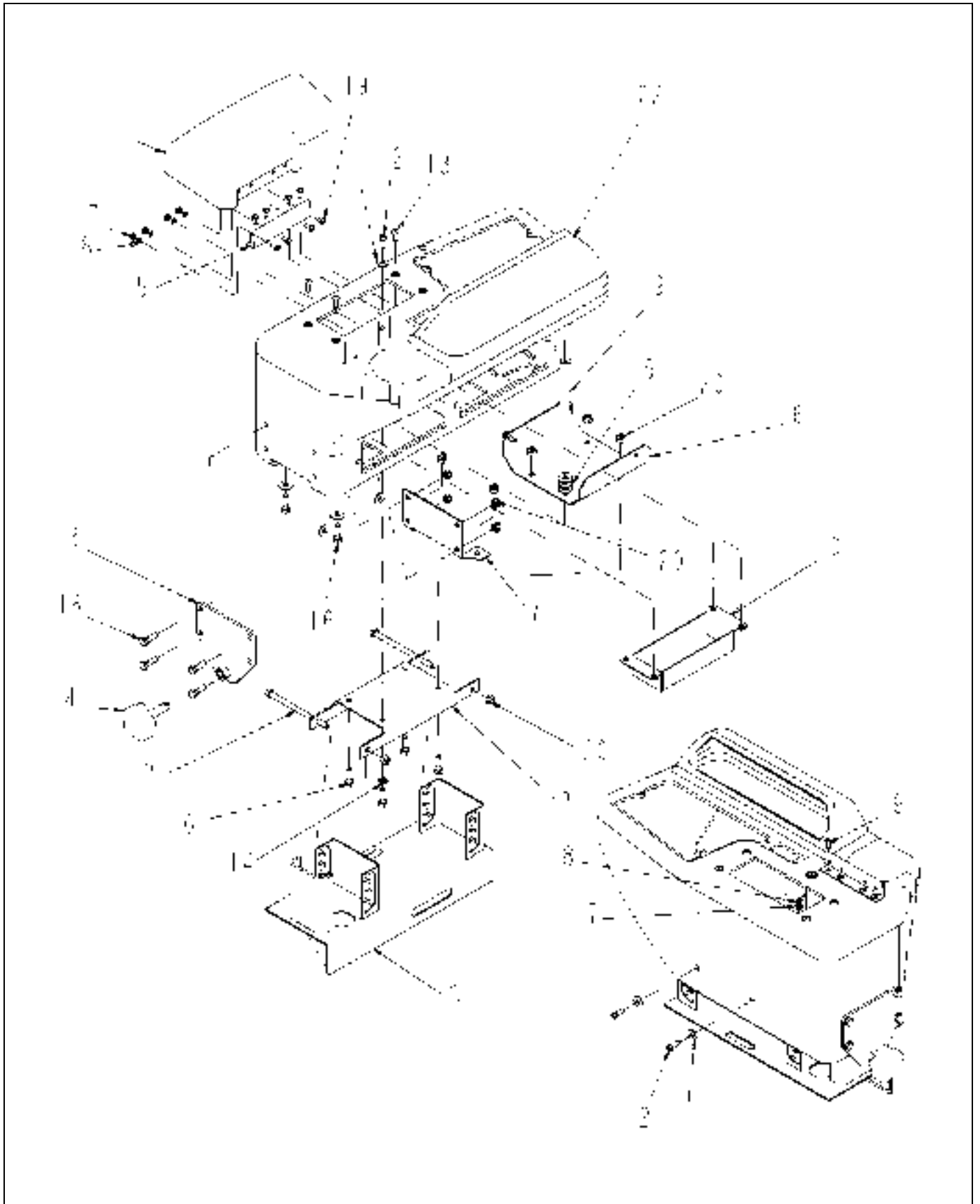


523760D1-01-T041-.TIF

CONSOLE ASM-SEAT,RH,NA

ITEM	PART #	QTY	DESCRIPTION	COMMENTS
1	WR50851	4	NUT-SPEED,1/4-20	
2	WR127121	1	PANEL ASM-SWITCH,CONSOLE	SEE PAGE 8-2
3	WR128025	1	COVER-ACCESS,RH CONSOLE	
4	AG134415	5	WASHER-FLAT,.25 USS BLK OXIDE	
5	AG515457	5	SCREW BUTTON HEAD .25-20X0.75	
6	AG522231	5	NUT-M5-0.8,CL8.0,H,LK	
7	AG523508	5	SCR-M5-0.8X16,CL10.9,BLK,BHHS	
8	AG553670	5	WASHER #10 FL ZN REG TYPE-B	
9	523761D1	1	CONSOLE-ARMREST,RH	SEE PAGE 7-78
10	523763D1	1	PANEL ASM-FNR,CONSOLE,NA	SEE PAGE 7-79
11	523994D1	1	HARNESS INSTL-RH CONSOLE,SC	SEE PAGE 8-70

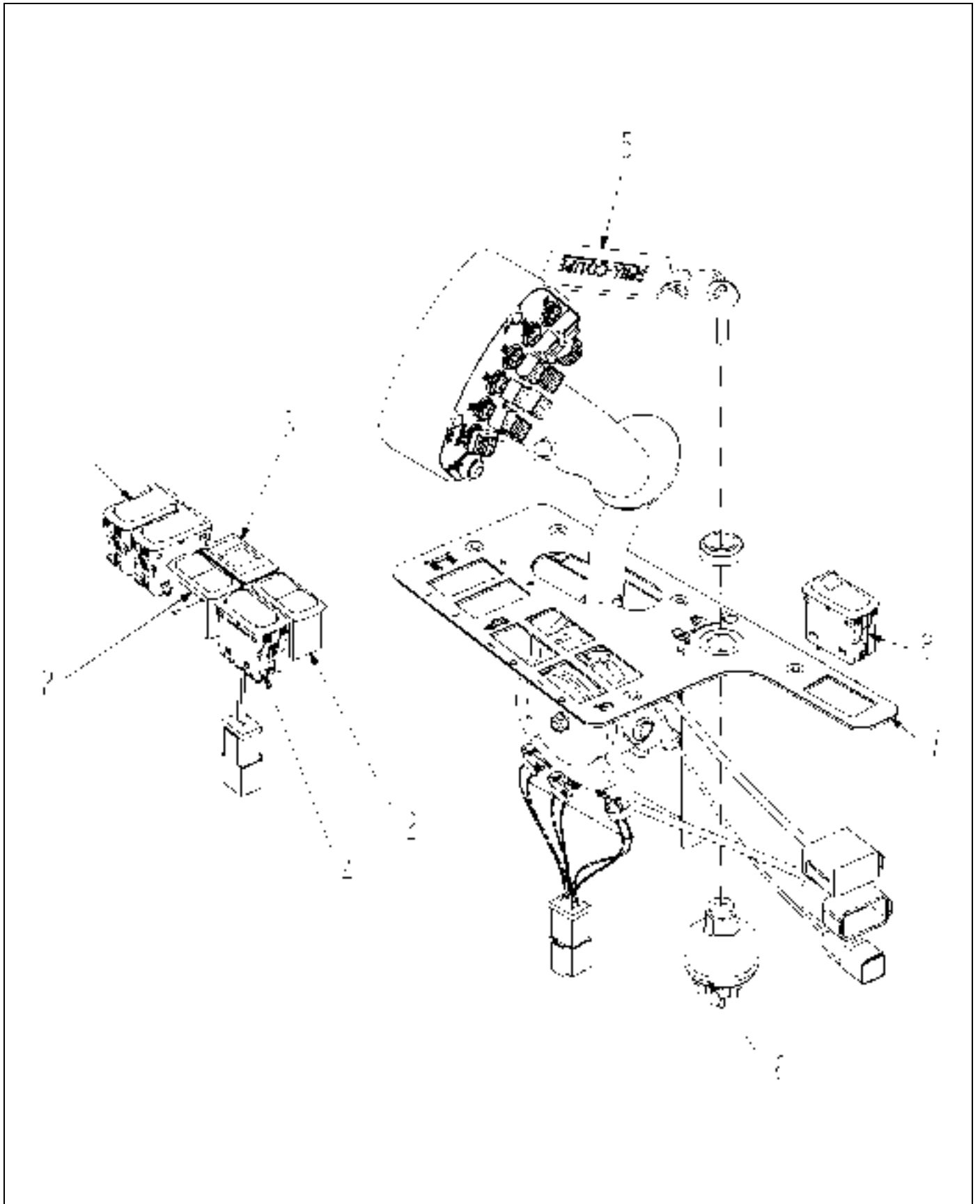
CONSOLE-ARMREST,RH



523761D1-01-T041-.TIF

CONSOLE-ARMREST,RH

ITEM	PART #	QTY	DESCRIPTION	COMMENTS
1	WR128020	1	ARMREST	
2	WR128021	1	BASEPLATE	
3	WR128022	1	PLATE WLDMT-SUPPORT,KNOB	
4	WR128024	1	KNOB-.50-13UNC X 2.00	
5	WR128026	1	HINGE-ARMREST	
6	WR128030	1	STIFFENER-BOTTOM	
7	WR128031	1	STIFFENER-REAR	
8	WR128032	1	BRKT WLDMT-RH CONSOLE	
9	WR128037	1	ROD-STIFFENER,VERTICAL	
10	WR130585	1	BRKT WLDMT-TRAY	
11	AG134415	3	WASHER-FLAT,.25 USS BLK OXIDE	
12	AG515457	3	SCREW BUTTON HEAD .25-20X0.75	
13	AG520911	4	SCR-M6-1.0X16,CL10.9,BLK,BHHS	
14	AG550205	1	WASHER 0.31 LK ZN REG	
15	AG551015	5	WASHER 0.31 FL ZN REG TYPE-B	
16	AG551252	10	BOLT 0.31-18NCX 1.00 G5 ZN HHD	
17	AG551317	8	NUT 10-32NF HEX ZN REG	
18	AG553182	8	WASHER #10 LK ZN REG	
19	AG562285	8	SCREW 10-32X0.50MA SL RHD ZN	
20	AG601888	11	NUT 0.31-18NC HEX ZN REG NY	
21	AG704467	2	BOLT 0.31-18NCX 5.00 G5 ZN HHD	
22	523762D1	1	CONSOLE-MOLDED	

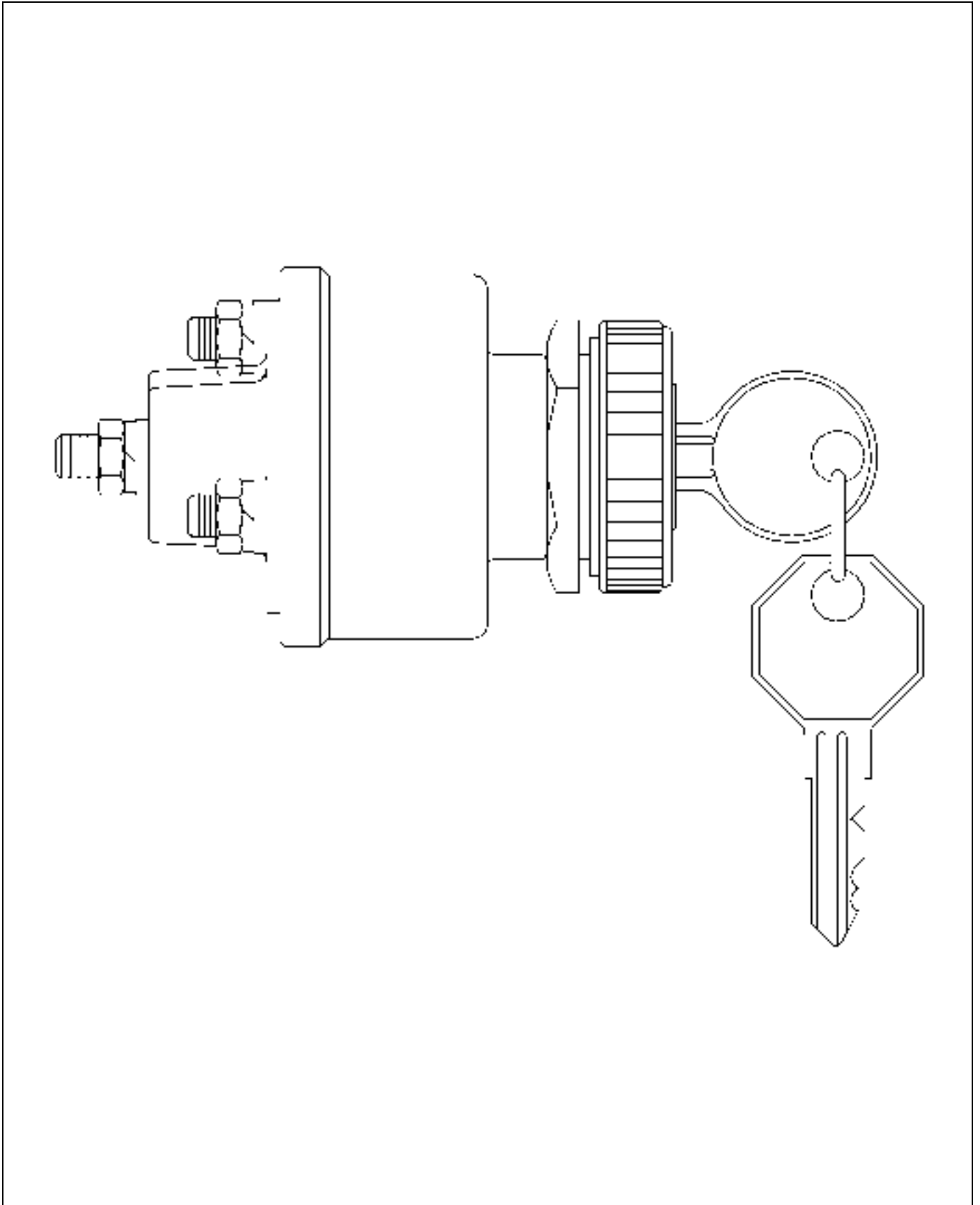


523763D1-02-T373-.TIF

PANEL ASM-FNR,CONSOLE,NA

ITEM	PART #	QTY	DESCRIPTION	COMMENTS
1	AG124432	2	SWITCH-RKR,(ON)-OFF-(ON),CS-L	
2	AG124437	2	PLUG-HOLE,SWITCH,CS-L	
3	WR126925	1	DISPLAY-GEAR,TCU	
4	AG127131	1	SWITCH-RKR,ON-ON,CS-L	
5	WR129807	1	KEYCHAIN-LEATHER,SC	
6	AG520862	1	SWITCH-IGN,KEYED DIFFERENT	SEE PAGE 7-80
7	523764D1	1	CONTROL ASM-FNR	SEE PAGE 7-81
8	527287D1	1	SWITCH ASM-ROCKER (PARK BRAKE)	

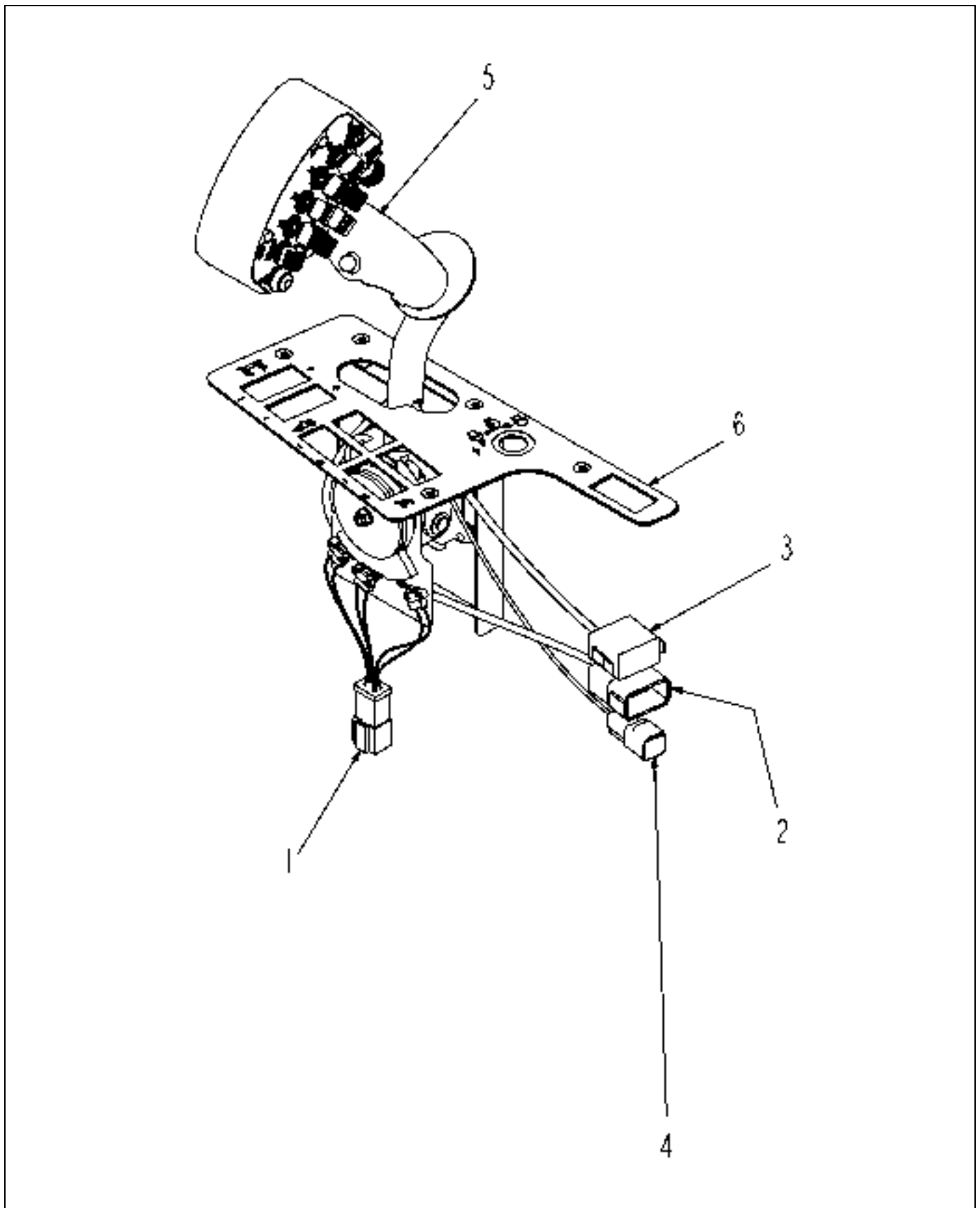
SWITCH-IGN,KEYED DIFFERENT



520862-A.TIF

SWITCH-IGN,KEYED DIFFERENT

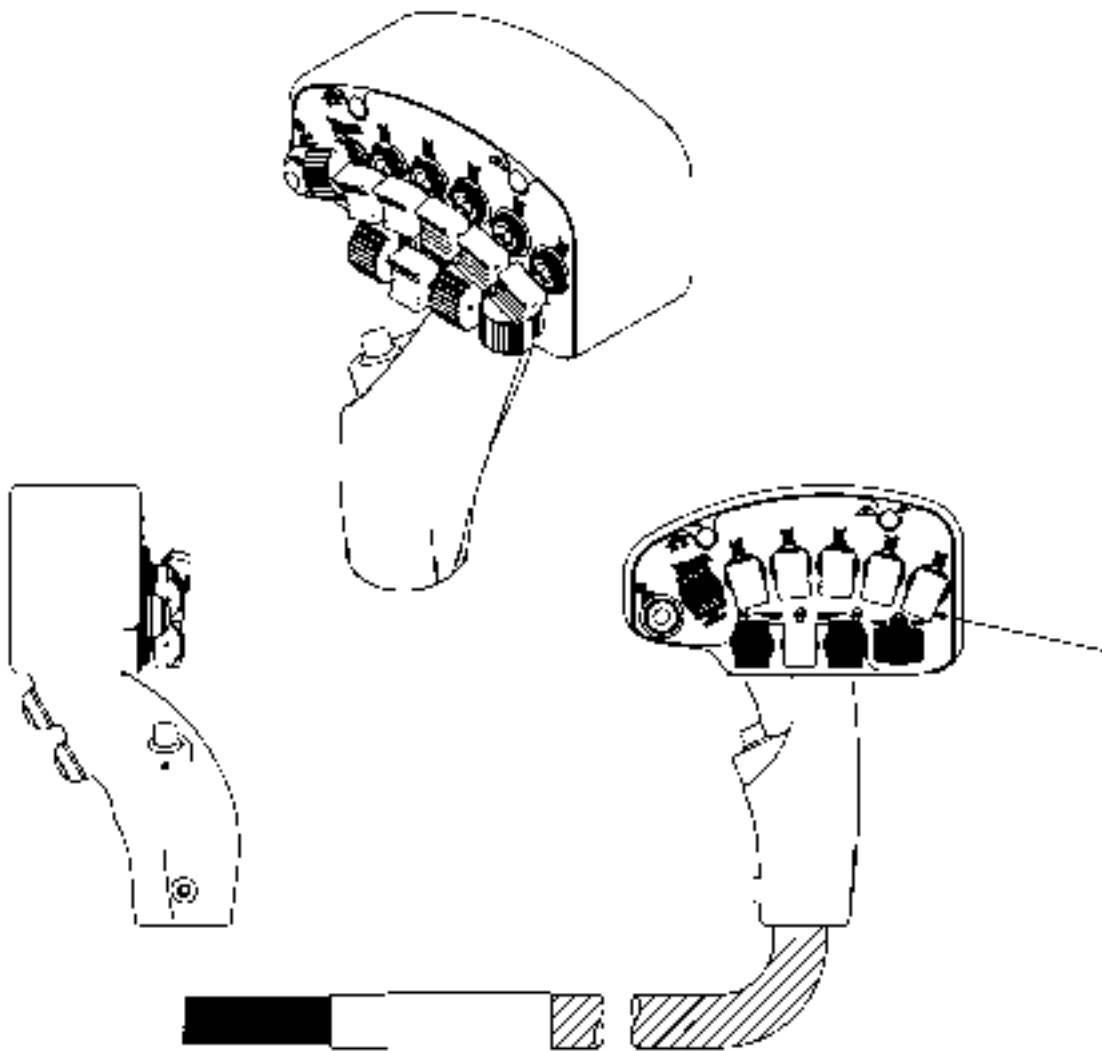
ITEM	PART #	QTY	DESCRIPTION	COMMENTS
REF	AG524244	1	KEY-BLANK	



523764D1-01-T041-.TIF

CONTROL ASM-FNR

ITEM	PART #	QTY	DESCRIPTION	COMMENTS
1	AG523074	1	CONN-RCPT,4 WAY,18-14 GA	
2	AG523785	1	CONN-RCPT,12 WAY,20-16 GA	
3	AG523786	1	CONN-PLUG,12 WAY,20-16 GA	
4	AG523787	1	CONN-PLUG,4 WAY,20-16 GA	
5	514620D1	1	HANDLE-MULTIFUNTION,SC,7000	SEE PAGE 7-82
6	523951D1	1	DECAL-PLATE,FNR	



514620D1-01-N899-.TIF

HANDLE-MULTIFUNCTION,SC,7000

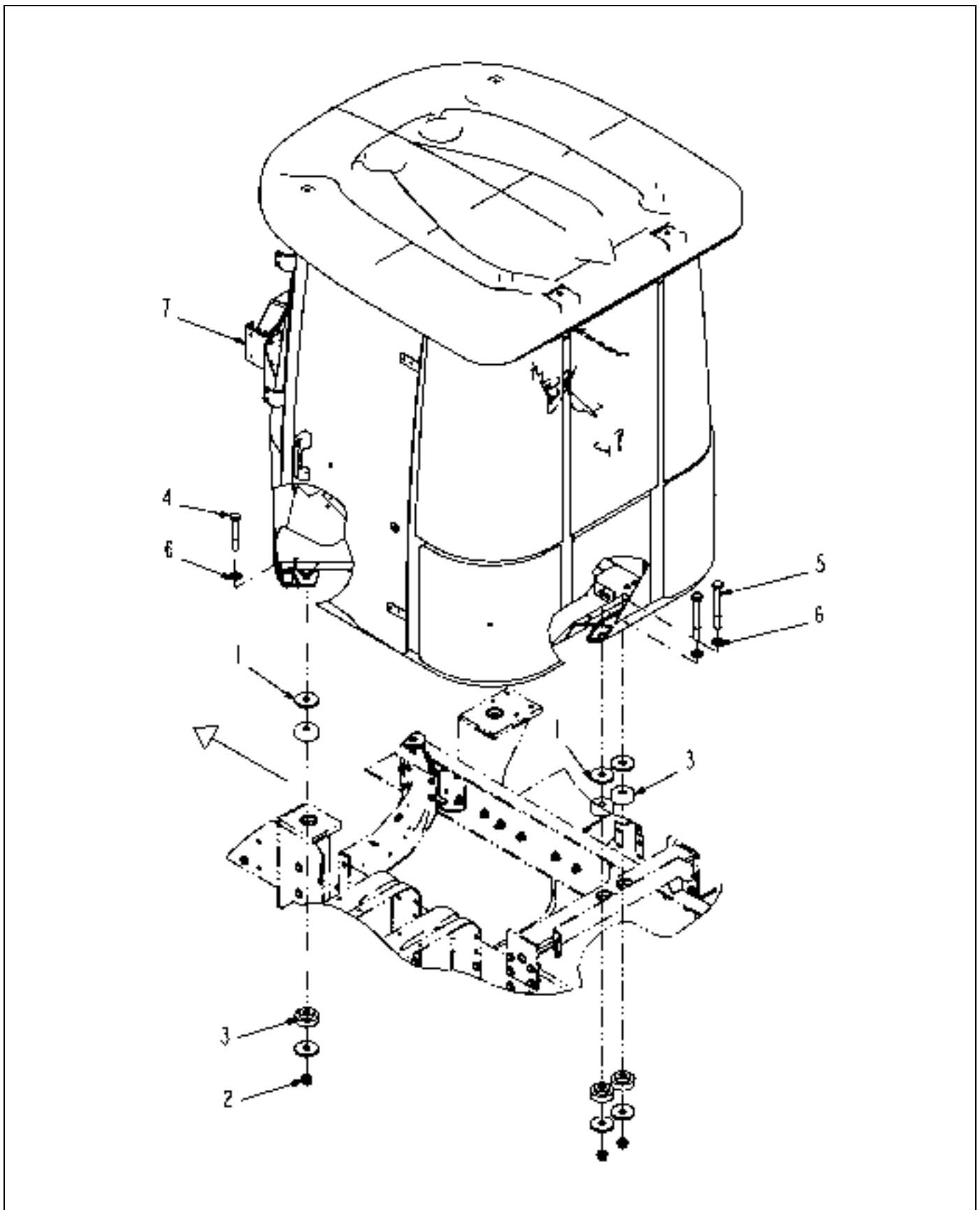
ITEM	PART #	QTY	DESCRIPTION	COMMENTS
REF	AG610767	AR	SCR-10-32X1.75,SH (424068)	
REF	AG610774	1	GRIP-HANDLE,HYDRO (424008)	
REF	AG610766	1	SWITCH-PRODUCT MASTER (424068)	
REF	AG610775	1	SWITCH-RANGE SELECT (424068)	
REF	AG610765	1	LED-PRODUCT MASTER (424068)	
1	516596D1	1	MODULE-HANDLE,SC,7000	SEE PAGE 7-83



516596D1-01-N899-.TIF

MODULE-HANDLE,SC,7000

ITEM	PART #	QTY	DESCRIPTION	COMMENTS
REF	AG610762	5	SWITCH-BOOM SECTION (424068)	
REF	AG610763	5	BUTTON-SWITCH,BM SECT (424068)	
REF	AG610761	11	PIN-ROLL,SWITCH (424068)	
REF	AG610892	3	SWITCH-BOOM TILT (424068)	
REF	AG610760	2	BUTTON-SWITCH,BM TILT (424068)	
1	514600D1	1	DECAL-MULTIFUNCTION,SC,7000	

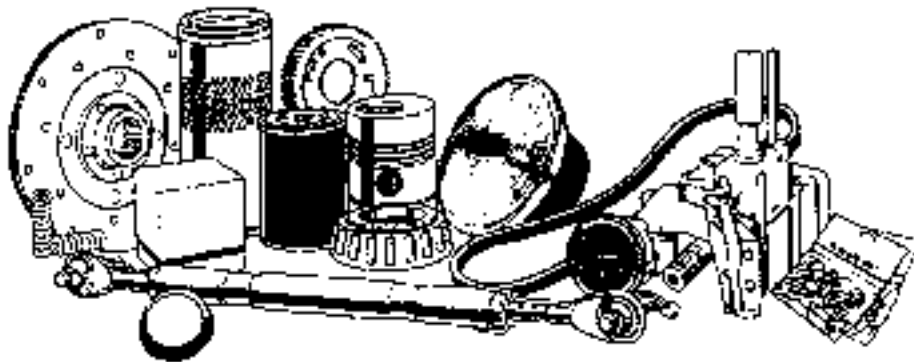


523717D1-01-T041-.TIF

CAB GROUP-7X60,ATC,CH, 2009

ITEM	PART #	QTY	DESCRIPTION	COMMENTS
1	AG236575	8	SLUG-ISOLATOR,CAB MT	
2	AG516176	4	NUT 0.87-9NC HVY HX FLEX LK PL	
3	AG520640	8	ISOLATOR-SHOCK	
4	AG522710	2	BOLT .87-9UNCX 5.50 G8 ZN HHD	
5	AG561699	2	BOLT 0.87- 9NCX 7.50 G8 ZN HHD	
6	AG606258	4	WASHER 1.75ODX0.93ID G8 ZN	
7	523737D1	1	CAB ASM-CHAL,ATC	SEE PAGE 7-85

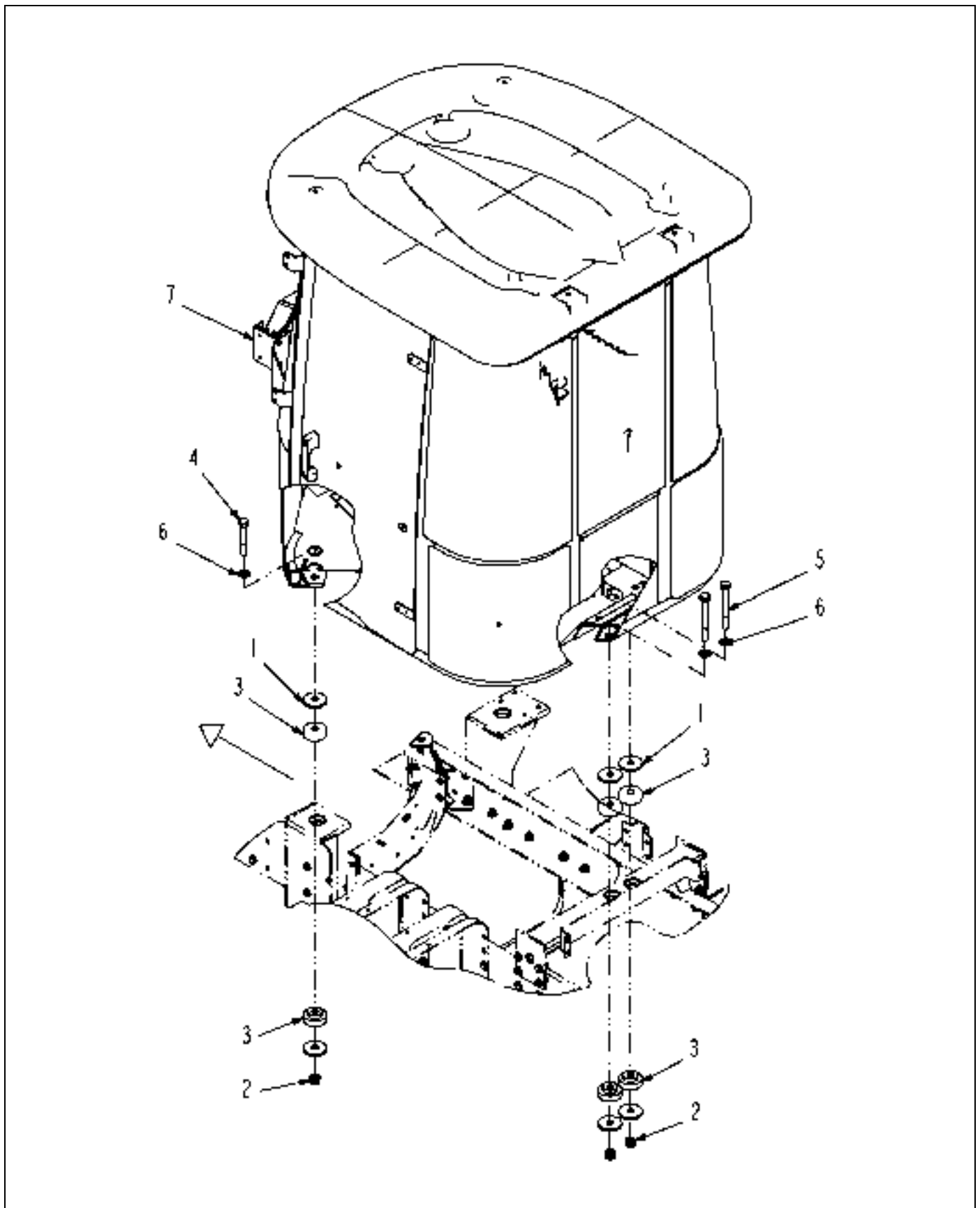
**Please refer to the
Bill Of Material
on the opposite page
for related Installations,
Assemblies, or Parts**



523737D1.tif

CAB ASM-CHAL,ATC

ITEM	PART #	QTY	DESCRIPTION	COMMENTS
1	AG129238	1	FIREWALL INSTL	SEE PAGE 7-7
2	507125D1	1	STORAGE INSTL	SEE PAGE 7-22
3	508130D1	1	INSULATION INSTL	SEE PAGE 7-23
4	520052D1	1	CAB-MIDSIZE,7X60,WITH ATC	SEE PAGE 7-37
5	523759D1	1	CONSOLE INSTL-SEAT,RH,NA	SEE PAGE 7-76
6	523765D1	1	PEDAL INSTL-BRAKE/THROTTLE	SEE PAGE 7-88
7	523767D1	1	FLOORMAT INSTL-CAB	
8	523858D1	1	PEDAL ASM-PARK BRAKE	
9	525384D1	1	PANEL INSTL-INSTRUMENT CLUSTER	SEE PAGE 7-8
10	523985D1	1	ELEC INSTL-CAB,ATC,7X60	
11	523970D1	1	HARNES INSTL-CENTER CONSOLE	SEE PAGE 8-71

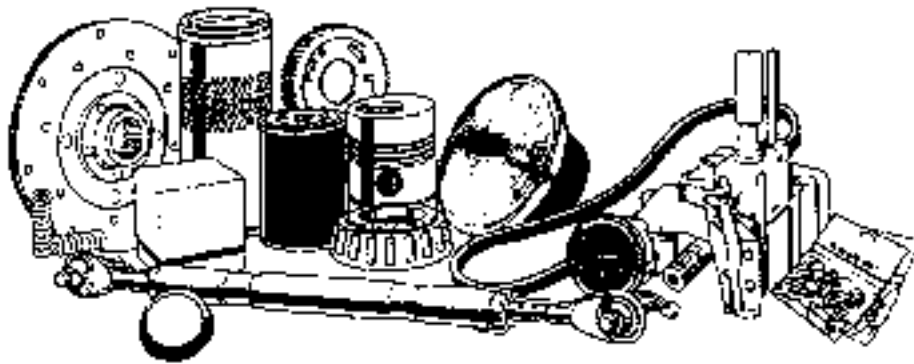


523718D1-01-T041-.TIF

CAB GROUP-7X60,EURO,STD HVAC,CH, 2009

ITEM	PART #	QTY	DESCRIPTION	COMMENTS
1	AG236575	8	SLUG-ISOLATOR,CAB MT	
2	AG516176	4	NUT 0.87-9NC HVY HX FLEX LK PL	
3	AG520640	8	ISOLATOR-SHOCK	
4	AG522710	2	BOLT .87-9UNCX 5.50 G8 ZN HHD	
5	AG561699	2	BOLT 0.87- 9NCX 7.50 G8 ZN HHD	
6	AG606258	4	WASHER 1.75ODX0.93ID G8 ZN	
7	523738D1	1	CAB ASM-CHAL,EURO,STD HVAC	SEE PAGE 7-87

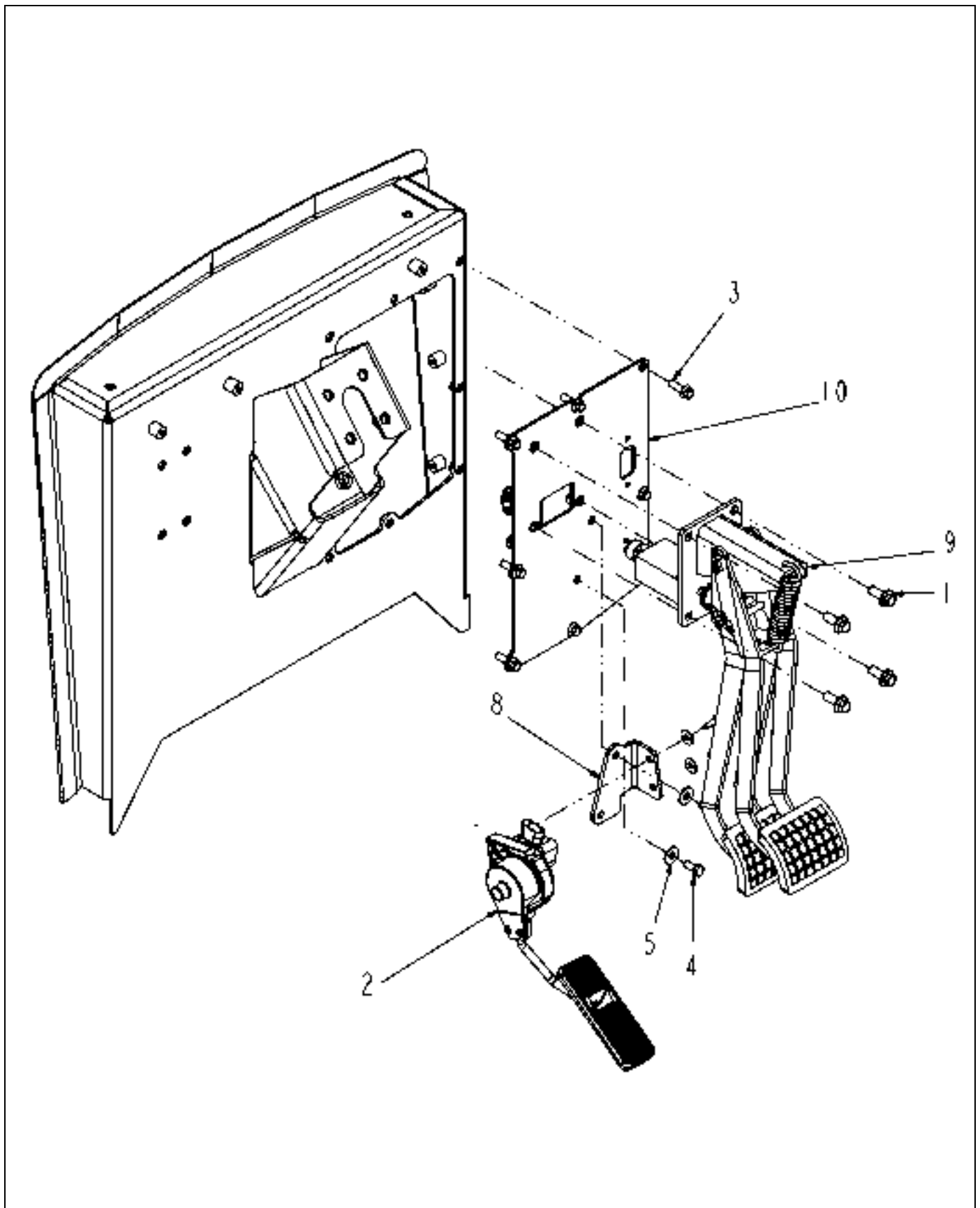
**Please refer to the
Bill Of Material
on the opposite page
for related Installations,
Assemblies, or Parts**



523738D1.tif

CAB ASM-CHAL,EURO,STD HVAC,2009

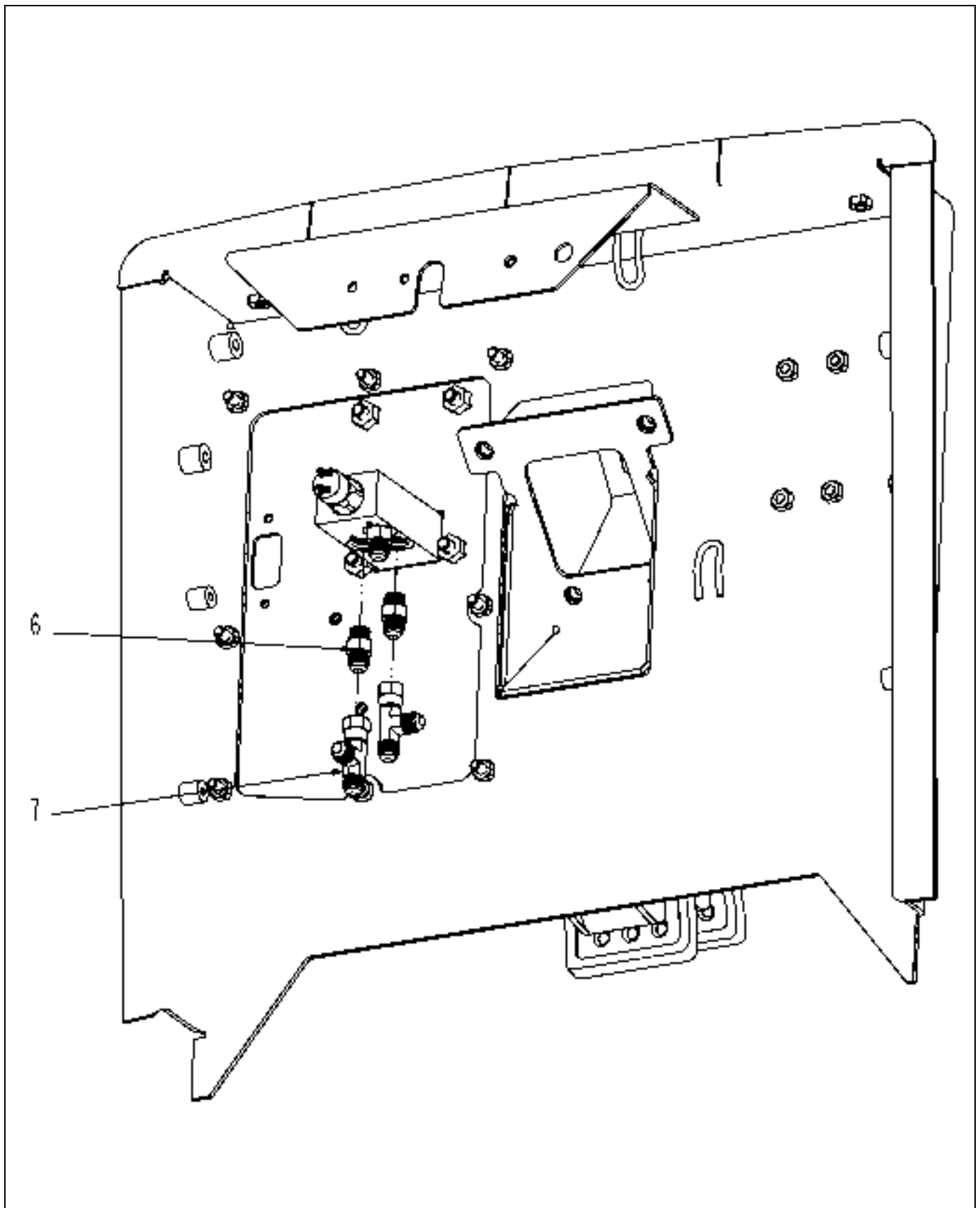
ITEM	PART #	QTY	DESCRIPTION	COMMENTS
1	AG129182	1	VALVE INSTL-PARK BRAKE	SEE PAGE 7-4
2	AG129238	1	FIREWALL INSTL	SEE PAGE 7-7
3	507125D1	1	STORAGE INSTL	SEE PAGE 7-22
4	508130D1	1	INSULATION INSTL	SEE PAGE 7-23
5	520050D1	1	CAB-MIDSIZE,CHAL,STD HVAC	SEE PAGE 7-36
6	523765D1	1	PEDAL INSTL-BRAKE/THROTTLE	SEE PAGE 7-88
7	523955D1	1	CONSOLE INSTL-SEAT,RH	SEE PAGE 7-91
8	525384D1	1	PANEL INSTL-INSTRUMENT CLUSTER	SEE PAGE 7-8
9	AG127687	1	FLOORMAT INSTL-CAB	SEE PAGE 7-21
10	523972D1	1	ELEC INSTL-CAB, 7X60, EURO	SEE PAGE 8-73
11	523970D1	1	HARNESS INSTL-CENTER CONSOLE	SEE PAGE 8-71



523765D1-01-T041-01.TIF

PEDAL INSTALL-BRAKE/THROTTLE,2009

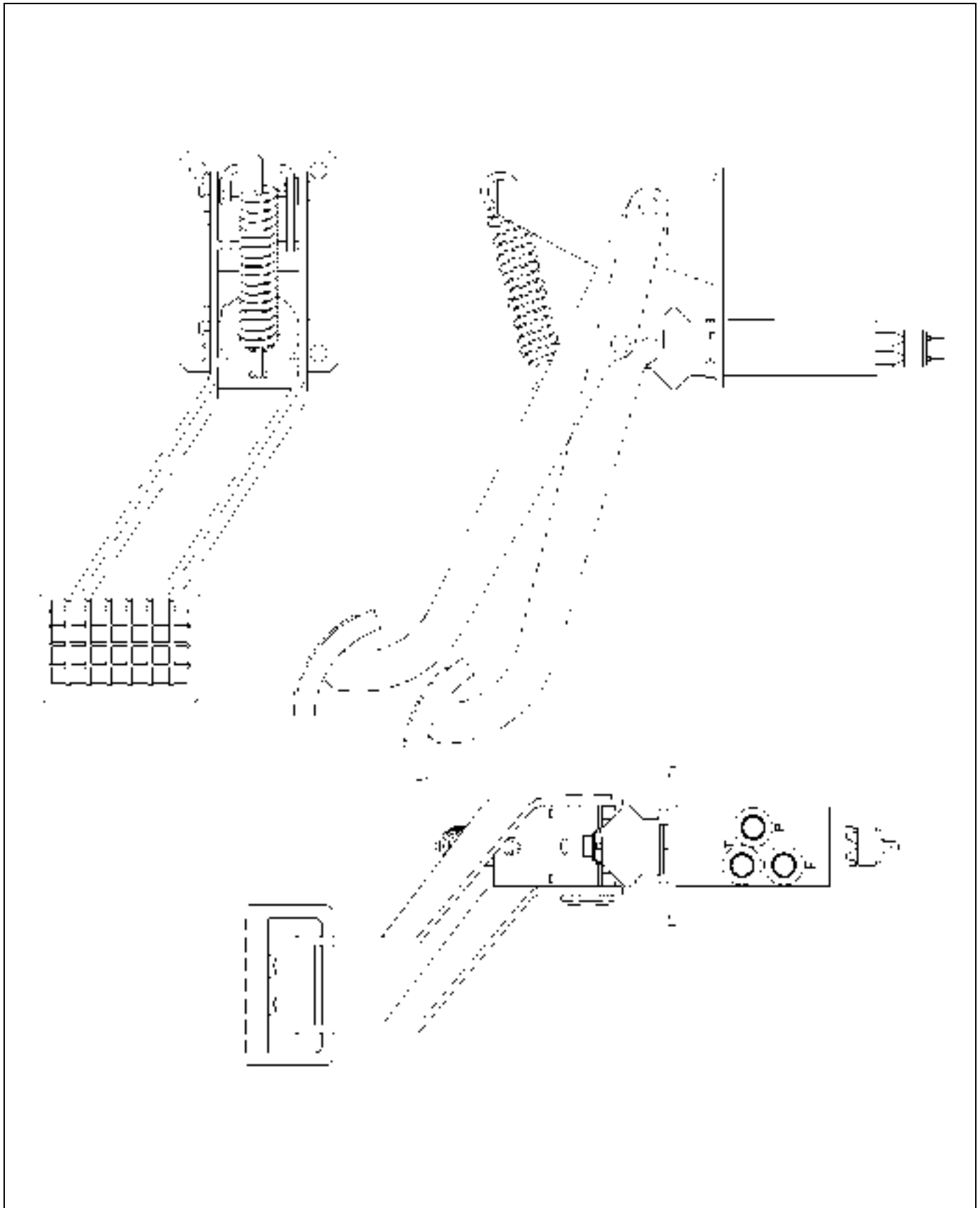
ITEM	PART #	QTY	DESCRIPTION	COMMENTS
1	WR55215	4	SCREW-HEX FLG,M10X1.5X25 CL8.8	
2	WR126892	1	PEDAL-THROTTLE	SEE PAGE 7-12
3	AG520967	8	BOLT-M8-1.25X25,CL8.8,ZN FLG	
4	AG550183	2	BOLT 0.31-18NCX 0.75 G5 ZN HHD	
5	AG551015	2	WASHER 0.31 FL ZN REG TYPE-B	
8	513996D1	1	BRKT-THROTTLE PEDAL	
9	523745D1	1	PEDAL ASM,SERVICE BRAKE	SEE PAGE 7-90
10	523766D1	1	PLATE ASM.- MTG, BRAKE PEDAL	



523765D1-01-T041-02.TIF

PEDAL INSTALL-BRAKE/THROTTLE,2009

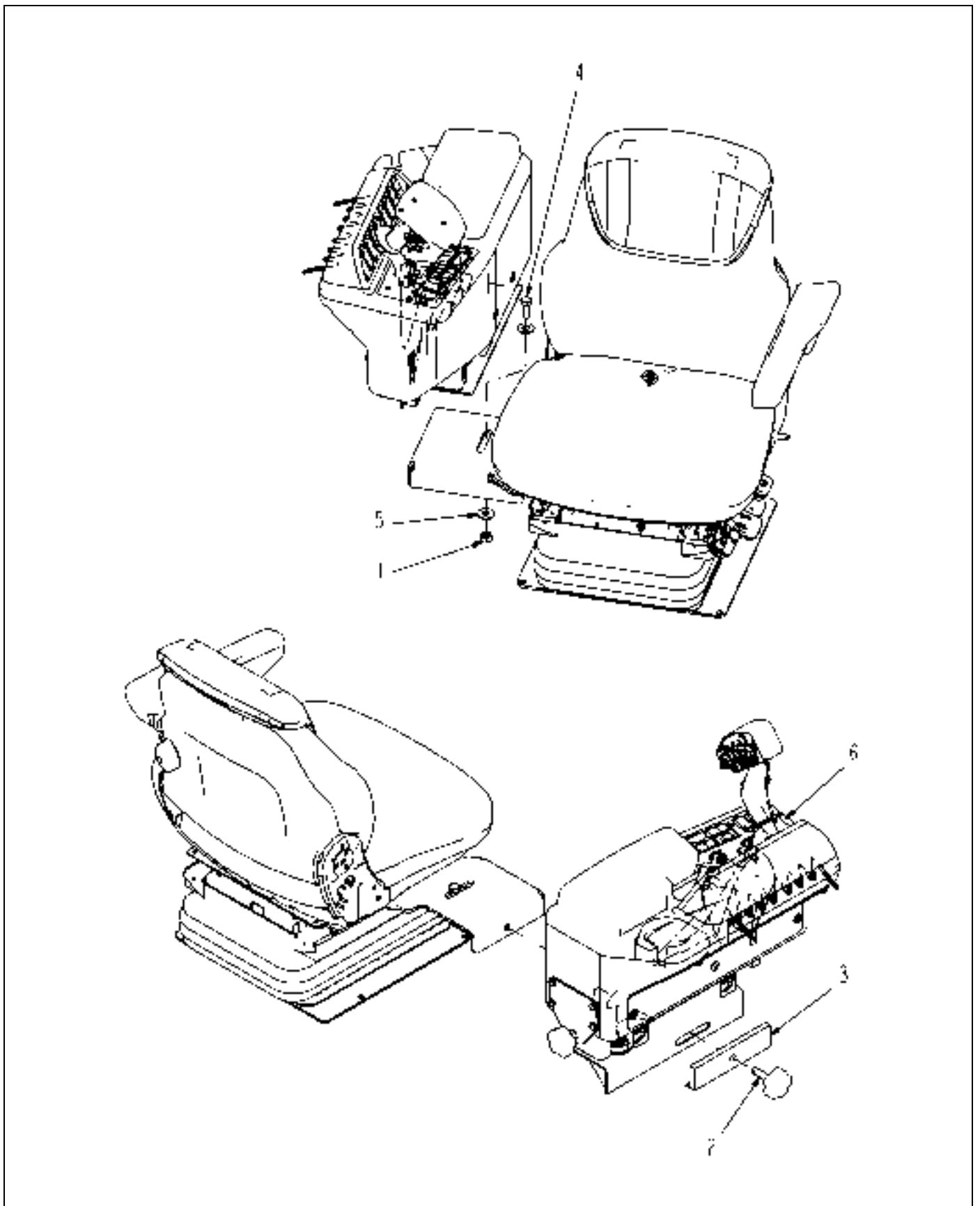
ITEM	PART #	QTY	DESCRIPTION	COMMENTS
6	AG560693	3	ADAP STR 0.37MO-R X 0.37MJIC	SEE PAGE 6-104
7	AG561391	2	TEE 0.37FJIC SW X 0.37MJIC(2)	



523745D1-01-T041-.TIF

PEDAL ASM,SERVICE BRAKE,2009

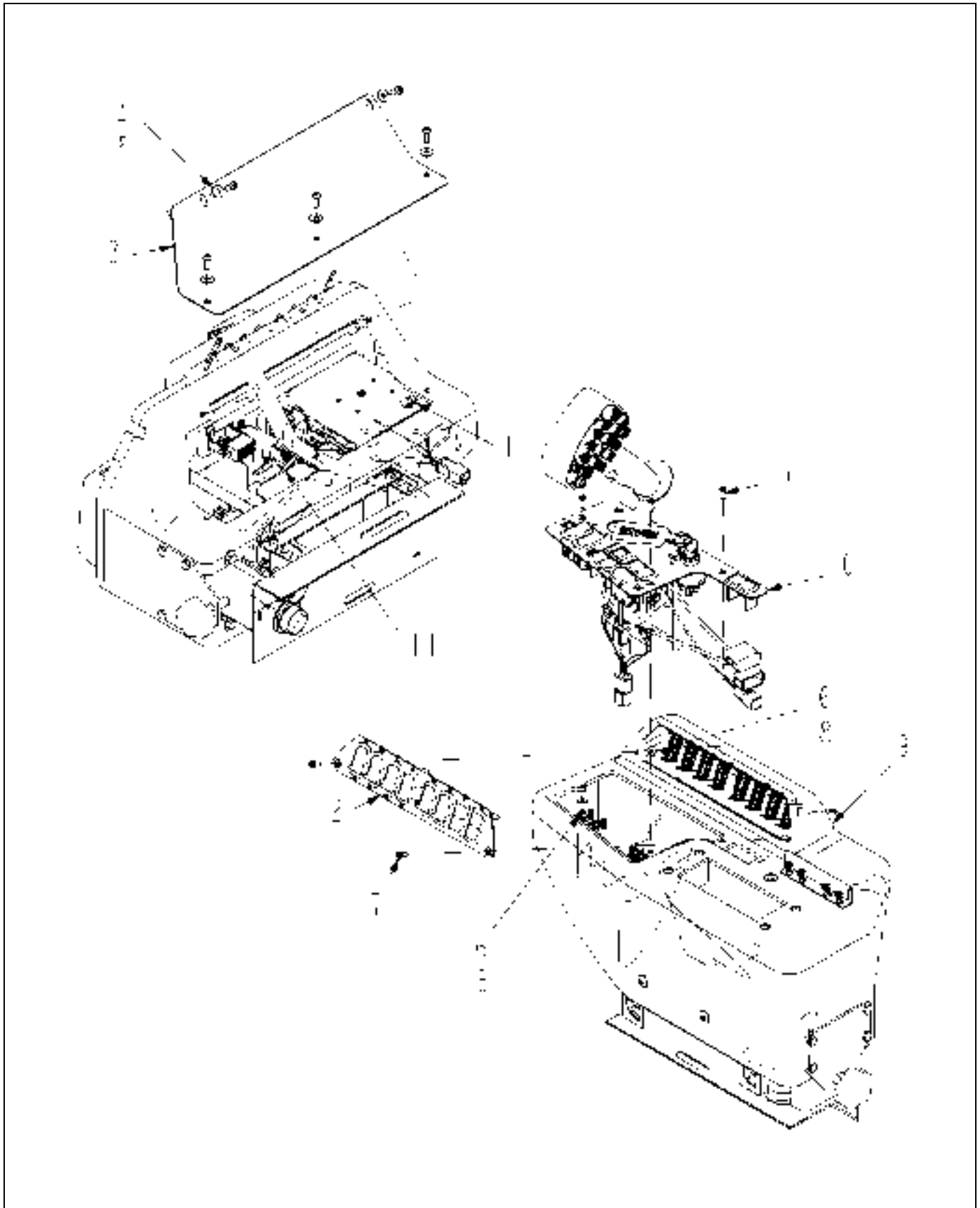
ITEM	PART #	QTY	DESCRIPTION	COMMENTS
REF	524068D1	-	VALVE,SERVICE BRAKE W/O PEDAL	
REF	524069D1	-	VALVE,SERVICE BRAKE W/O PEDAL	
REF	524066D1	-	PEDAL COVER, RUBBER	
REF	524067D1	1	SWITCH,PRESSURE,5 BAR,NO	



523955D1-01-T041-.TIF

CONSOLE INSTALL-SEAT,RH,2009

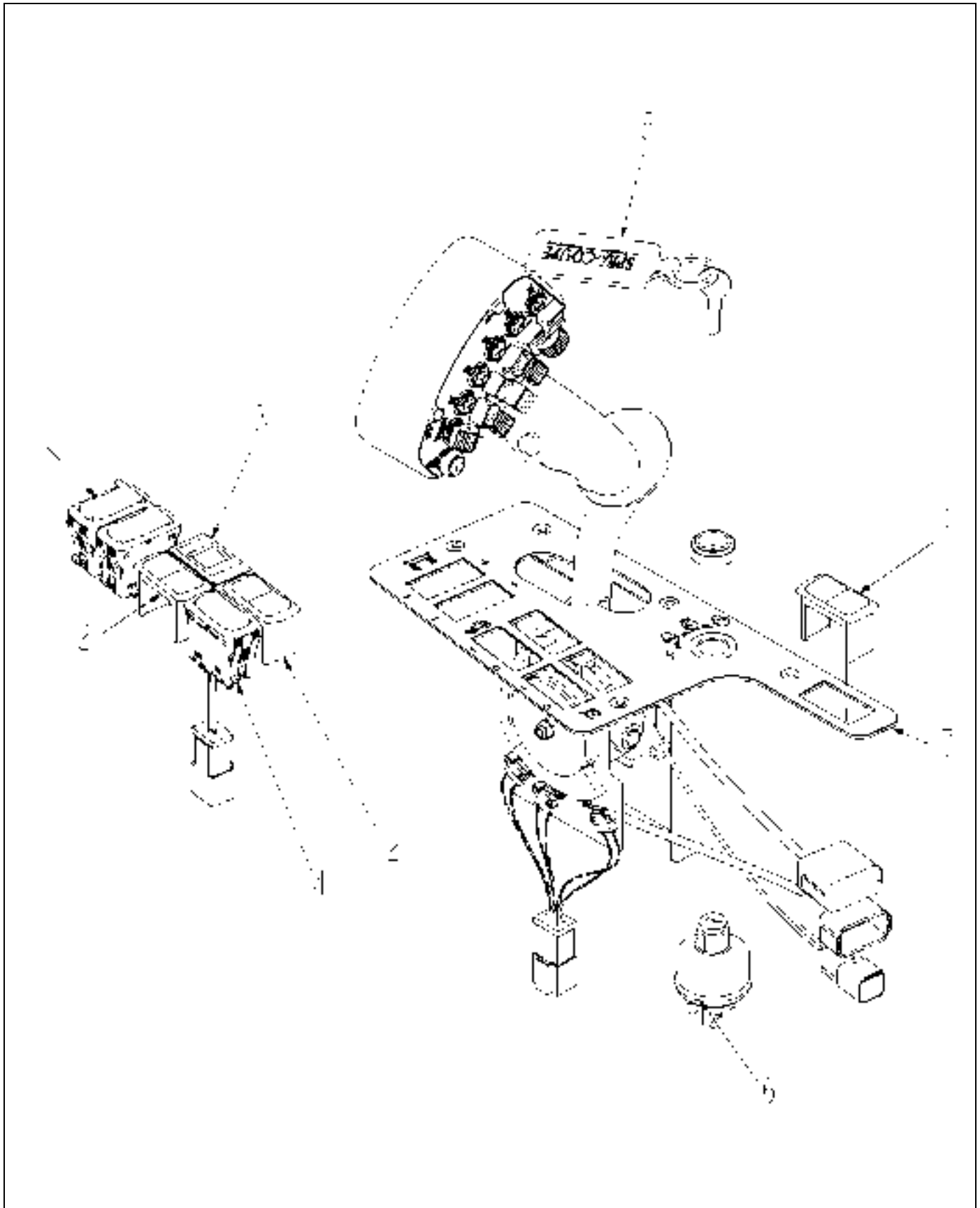
ITEM	PART #	QTY	DESCRIPTION	COMMENTS
1	WR11528	1	NUT-TOPLOCK, 1/2-13UNC G5	
2	WR128024	1	KNOB-.50-13UNC X 2.00	
3	WR128027	1	BAR WLDMT-STABILIZER	
4	AG550256	1	BOLT.50-13NCX1.25 G5 ZN HHD	
5	AG550353	2	WASHER 0.50 FL ZN REG TYPE-B	
6	523956D1	1	CONSOLE ASM-SEAT,RH	SEE PAGE 7-92



523956D1-01-T041-.TIF

CONSOLE ASM-SEAT,RH,2009

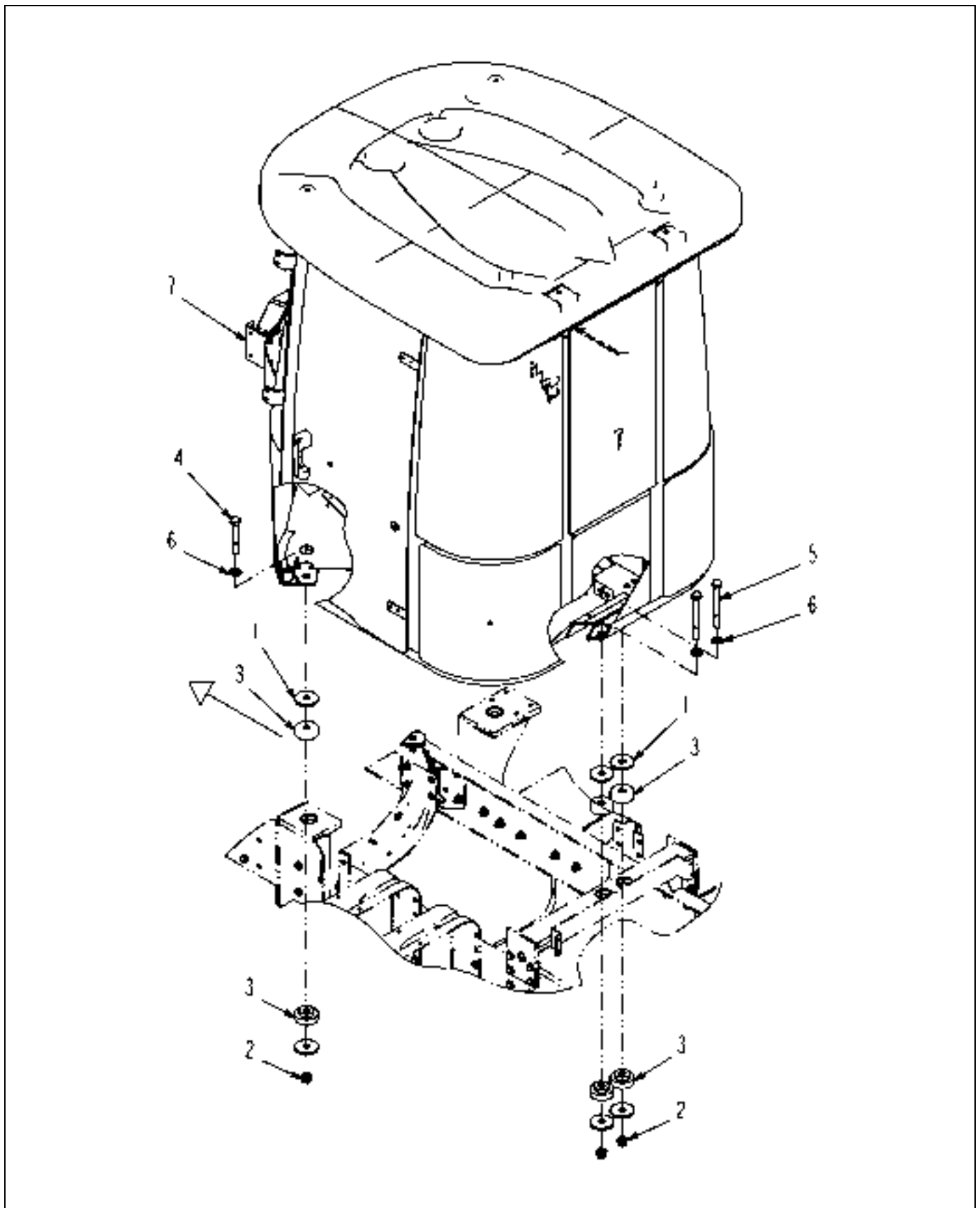
ITEM	PART #	QTY	DESCRIPTION	COMMENTS
1	WR50851	4	NUT-SPEED,1/4-20	
2	WR127121	1	PANEL ASM-SWITCH,CONSOLE	SEE PAGE 8-2
3	WR128025	1	COVER-ACCESS,RH CONSOLE	
4	AG134415	5	WASHER-FLAT,.25 USS BLK OXIDE	
5	AG515457	5	SCREW BUTTON HEAD .25-20X0.75	
6	AG522231	5	NUT-M5-0.8,CL8.0,H,LK	
7	AG523508	5	SCR-M5-0.8X16,CL10.9,BLK,BHHS	
8	AG553670	5	WASHER #10 FL ZN REG TYPE-B	
9	523761D1	1	CONSOLE-ARMREST,RH	SEE PAGE 7-78
10	523957D1	1	PANEL ASM-FNR,CONSOLE	SEE PAGE 7-93
11	523994D1	1	HARNES INSTL-RH CONSOLE,SC	SEE PAGE 8-70



523957D1-01-T041-.TIF

PANEL ASM-FNR,CONSOLE,2009

ITEM	PART #	QTY	DESCRIPTION	COMMENTS
1	AG124432	2	SWITCH-RKR,(ON)-OFF-(ON),CS-L	
2	AG124437	3	PLUG-HOLE,SWITCH,CS-L	
3	WR126925	1	DISPLAY-GEAR,TCU	
4	AG127131	1	SWITCH-RKR,ON-ON,CS-L	
5	WR129807	1	KEYCHAIN-LEATHER,SC	
6	AG520862	1	SWITCH-IGN,KEYED DIFFERENT	SEE PAGE 7-80
7	523764D1	1	CONTROL ASM-FNR	SEE PAGE 7-81

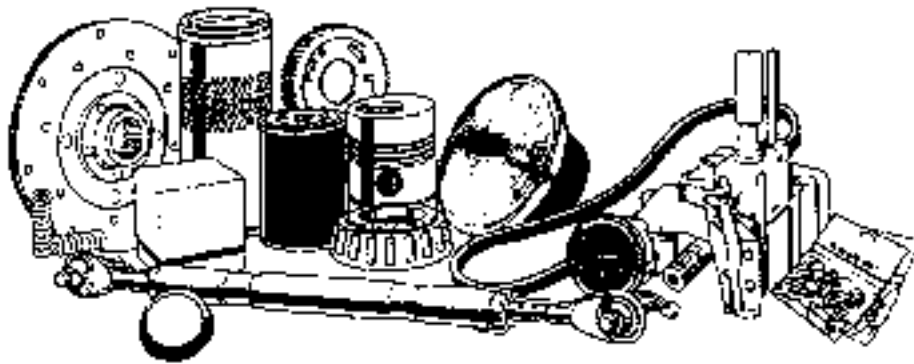


523719D1-01-T041-.TIF

CAB GROUP-7X60,EURO,ATC,CH,2009

ITEM	PART #	QTY	DESCRIPTION	COMMENTS
1	AG236575	8	SLUG-ISOLATOR,CAB MT	
2	AG516176	4	NUT 0.87-9NC HVY HX FLEX LK PL	
3	AG520640	8	ISOLATOR-SHOCK	
4	AG522710	2	BOLT .87-9UNCX 5.50 G8 ZN HHD	
5	AG561699	2	BOLT 0.87- 9NCX 7.50 G8 ZN HHD	
6	AG606258	4	WASHER 1.75ODX0.93ID G8 ZN	
7	523739D1	1	CAB ASM-CHAL,EURO,ATC	SEE PAGE 7-95

**Please refer to the
Bill Of Material
on the opposite page
for related Installations,
Assemblies, or Parts**



523739D1.tif

CAB ASM-CHAL,EURO,ATC,2009

ITEM	PART #	QTY	DESCRIPTION	COMMENTS
1	AG129182	1	VALVE INSTL-PARK BRAKE	SEE PAGE 7-4
2	AG129238	1	FIREWALL INSTL	SEE PAGE 7-7
3	507125D1	1	STORAGE INSTL	SEE PAGE 7-22
4	508130D1	1	INSULATION INSTL	SEE PAGE 7-23
5	520052D1	1	CAB-MIDSIZE,7X60,WITH ATC	SEE PAGE 7-37
6	523765D1	1	PEDAL INSTL-BRAKE/THROTTLE	SEE PAGE 7-88
7	523955D1	1	CONSOLE INSTL-SEAT,RH	SEE PAGE 7-91
8	525384D1	1	PANEL INSTL-INSTRUMENT CLUSTER	SEE PAGE 7-8
9	AG127687	1	FLOORMAT INSTL-CAB	SEE PAGE 7-21
10	523986D1	1	ELEC INSTAL-CAB, ATC, EURO	SEE PAGE 8-79
11	523970D1	1	HARNES INSTL-CENTER CONSOLE	SEE PAGE 8-71

HARNESS INSTALL-RH CONSOLE,SC	8-1
PANEL ASM-SWITCH,CONSOLE	8-2
CONTROL ASM-FNR	8-3
HARNESS-INSTALL,CHASSIS,7X60, 2008	8-4
HARNESS-INSTALL,CHASSIS,7X60, 2008	8-5
HARNESS-INSTALL,CHASSIS,7X60, 2008	8-6
HARNESS-INSTALL,CHASSIS,7X60, 2008	8-7
HARNESS-INSTALL,CHASSIS,7X60, 2008	8-8
HARN-INSTALL,CHASSIS,7X60,EURO, 2008	8-9
HARN-INSTALL,CHASSIS,7X60,EURO, 2008	8-10
HARN-INSTALL,CHASSIS,7X60,EURO, 2008	8-11
HARN-INSTALL,CHASSIS,7X60,EURO, 2008	8-12
HARN-INSTALL,CHASSIS,7X60,EURO, 2008	8-13
HARNESS-INSTALL,CHASSIS,7X50, 2009	8-14
HARNESS-INSTALL,CHASSIS,7X50, 2009	8-15
HARNESS-INSTALL,CHASSIS,7X50, 2009	8-16
HARNESS-INSTALL,CHASSIS,7X50, 2009	8-17
HARNESS-INSTALL,CHASSIS,7X50, 2009	8-18
HARNESS INSTALL, CHASSIS, 7X60, 2009	8-19
HARNESS INSTALL, CHASSIS, 7X60, 2009	8-20
HARNESS INSTALL, CHASSIS, 7X60, 2009	8-21
HARNESS INSTALL, CHASSIS, 7X60, 2009	8-22
HARNESS INSTALL, CHASSIS, 7X60, 2009	8-23
ELEC INSTALL-CAB, 7X60	8-24
ELEC INSTALL-CAB, 7X60	8-25
ELEC INSTALL-CAB, 7X60	8-26
ELEC INSTALL-CAB, 7X60	8-27
INSTALL-MASTER MODULE,AED	8-28
ELEC INSTALL-JUMPER,STD HVAC	8-29
ELEC INSTALL-CAB, ATC, 7X60	8-30
ELEC INSTALL-CAB, ATC, 7X60	8-31
ELEC INSTALL-CAB, ATC, 7X60	8-32
ELEC INSTALL-CAB, ATC, 7X60	8-33
ELEC INSTALL-JUMPER,ATC HVAC	8-34
ELEC INSTALL-CAB, 7X60,EURO	8-35
ELEC INSTALL-CAB, 7X60,EURO	8-36
ELEC INSTALL-CAB, 7X60,EURO	8-37
ELEC INSTALL-CAB, 7X60,EURO	8-38
ELEC INSTALL-CAB, ATC, 7X60,EURO	8-39
ELEC INSTALL-CAB, ATC, 7X60,EURO	8-40
ELEC INSTALL-CAB, ATC, 7X60,EURO	8-41
ELEC INSTALL-CAB, ATC, 7X60,EURO	8-42
ELEC INSTALL-RADAR/PROD CONT	8-43
ELEC INSTALL-RADAR/PROD CONT	8-44
ELEC INSTALL-RADAR/PROD CONT	8-45
ASM-I/O,HIGH CURRENT,REAR	8-46
BATTERY-INSTALL,7X60	8-47
ASM-MAG SW.BREAKER,80 AMP	8-48
ASM-I/O,HIGH CURRENT	8-49
ASM-I/O,HIGH CURRENT	8-50
ASM-I/O,HIGH CURRENT,REAR	8-51
HARNESS INSTALL-CENTER CONSOLE	8-52
HARNESS INSTALL-CENTER CONSOLE	8-53
SENSOR INSTALL-TILT,SC	8-54

SENSOR INSTALL-TILT,SC	8-55
BATTERY CABLE-INSTALL,7X60	8-56
BATTERY CABLE-INSTALL,7X60	8-57
BATTERY CABLE-INSTALL,7X60	8-58
INSTALL-ELEC,BACKUP ALARM,7X50	8-59
HARNESS-INSTALL,FWA	8-60
HARNESS-INSTALL,FWA	8-61
ELEC GROUP-INSTALL,2WD	8-62
ELEC INSTALL-BEACON,AMBER,7X50	8-63
VALVE-BALL,1.00FP FLGXNPT,ELEC	8-64
LAMP-ROTATING,AMBER	8-65
SWITCH-INSTALL,AUTOGUIDE	8-66
INSTALL-ELECTRICAL,AUTOGUIDE	8-67
INSTALL-ELECTRICAL,AUTOGUIDE	8-68
INSTALL-ELECTRICAL,AUTOGUIDE	8-69
HARNESS INSTALL-RH CONSOLE,SC	8-70
HARNESS INSTALL-CENTER CONSOLE	8-71
HARNESS INSTALL-CENTER CONSOLE	8-72
ELEC INSTALL-CAB, 7X60, EURO	8-73
ELEC INSTALL-CAB, 7X60, EURO	8-74
ELEC INSTALL-CAB, 7X60, EURO	8-75
ELEC INSTALL-CAB, 7X60, EURO	8-76
MODULE-POWER DIST,11 FUSE	8-77
MODULE-POWER DIST,HI CURRENT	8-78
ELEC INSTAL-CAB, ATC, EURO,2009	8-79
ELEC INSTAL-CAB, ATC, EURO,2009	8-80
ELEC INSTAL-CAB, ATC, EURO,2009	8-81
ELEC INSTAL-CAB, ATC, EURO,2009	8-82

HARNESS INSTALL-RH CONSOLE,SC

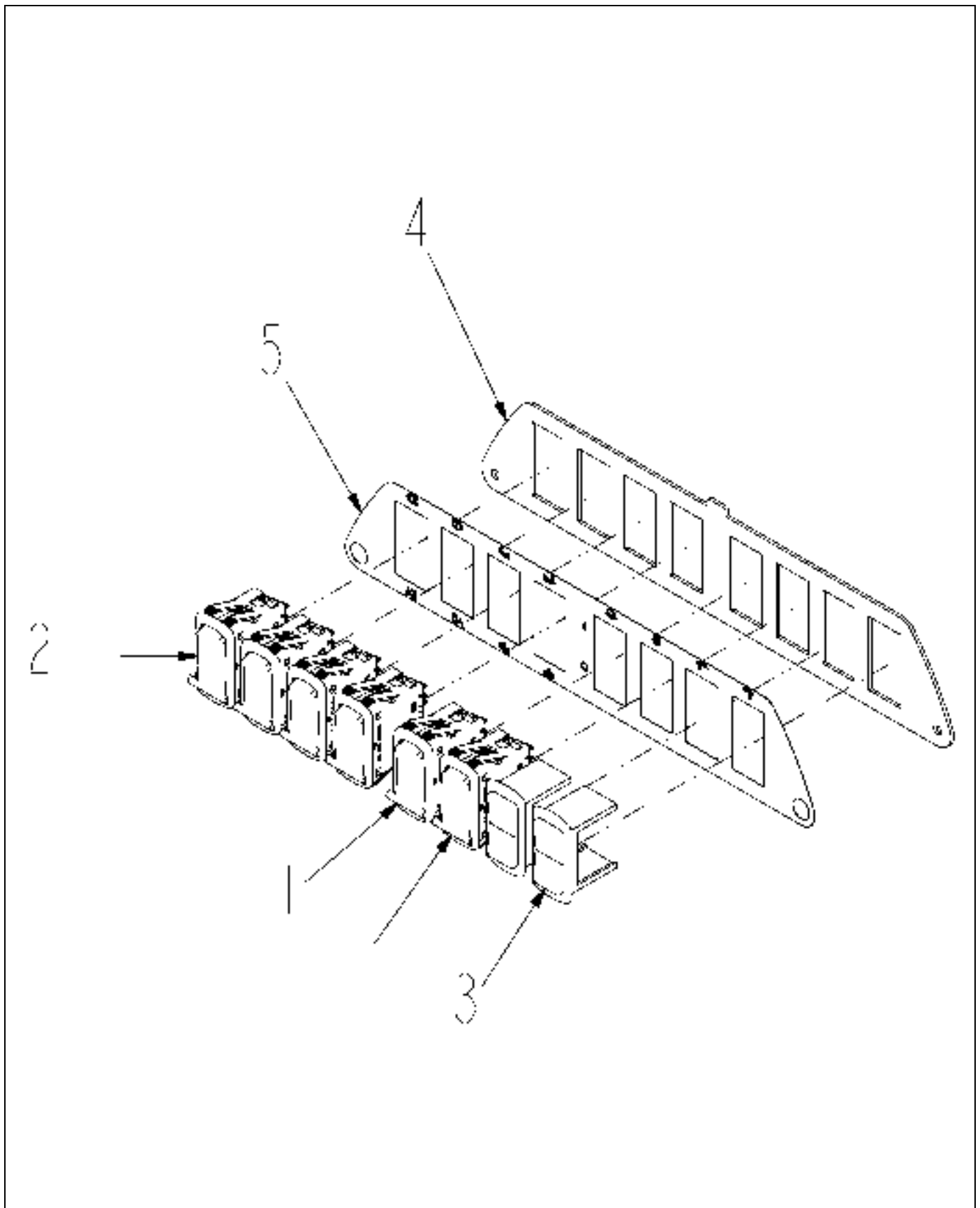


515522D1-01-N899-.TIF

HARNESS INSTALL-RH CONSOLE,SC

ITEM	PART #	QTY	DESCRIPTION	COMMENTS
1	WR127121	-	PANEL ASM-SWITCH,CONSOLE	SEE PAGE 8-2
2	AG515697	2	NUT PANEL ELEC CONNECTOR	
3	AG515698	2	WASHER LOCK ELEC CONNECTOR	
4	515520D1	1	HARNESS-RH CONSOLE,SC	
5	515521D1	1	HARNESS-SWITCHES,RH CONSOLE,SC	
6	516474D1	-	PANEL ASM-FNR,CONSOLE	SEE PAGE 7-3

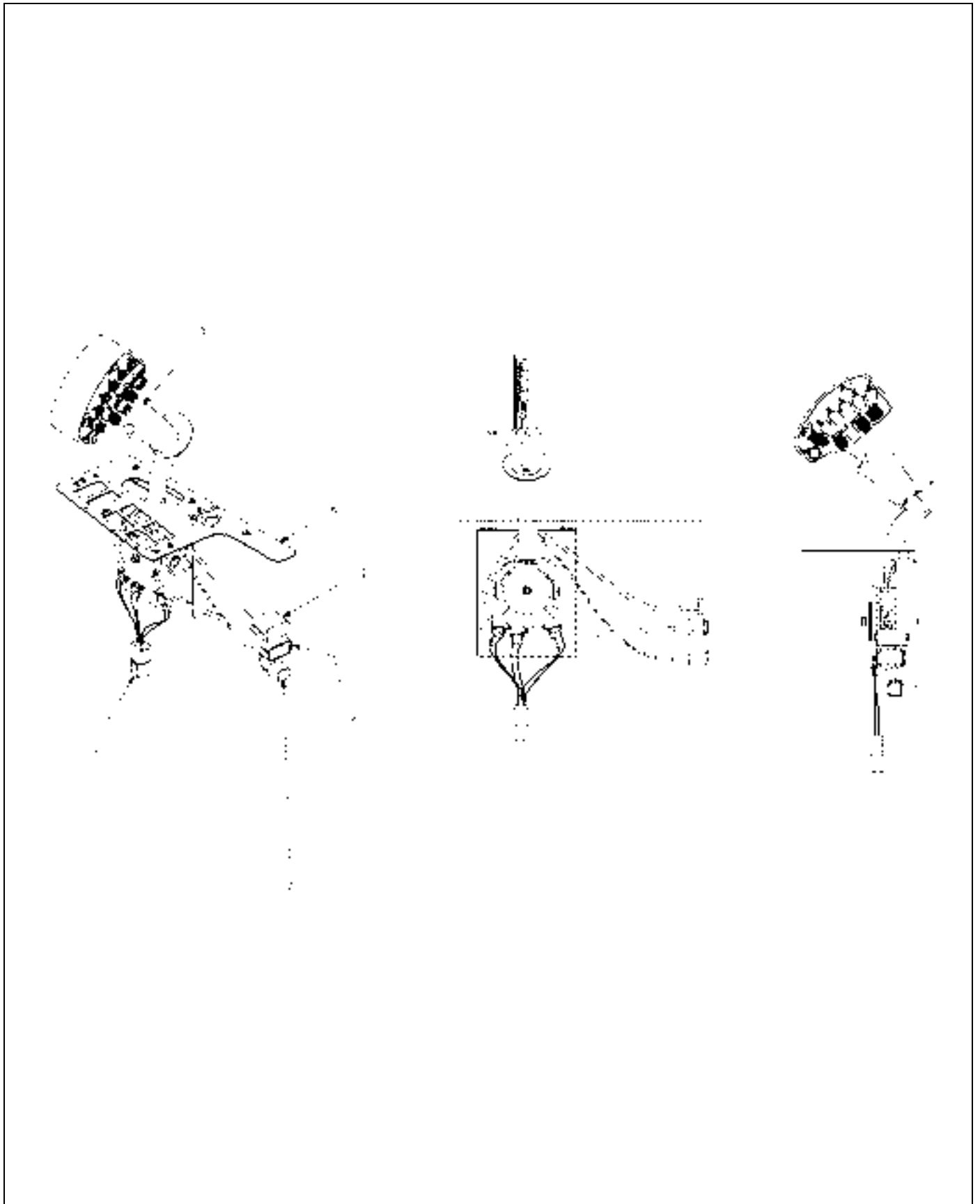
PANEL ASM-SWITCH,CONSOLE



127121-03-N398-.TIF

PANEL ASM-SWITCH,CONSOLE

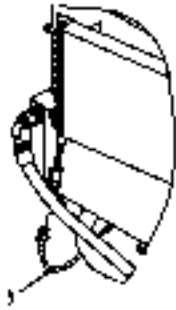
ITEM	PART #	QTY	DESCRIPTION	COMMENTS
1	AG124431	2	SWITCH-RKR,OFF-ON,W/LT,CS-L	
2	AG124432	4	SWITCH-RKR,(ON)-OFF-(ON),CS-L	
3	AG124437	2	PLUG-HOLE,SWITCH,CS-L	
4	WR125983	1	PLATE-MTG,SWITCHES	
5	WR127119	1	DECAL-PLATE,SWITCHES	



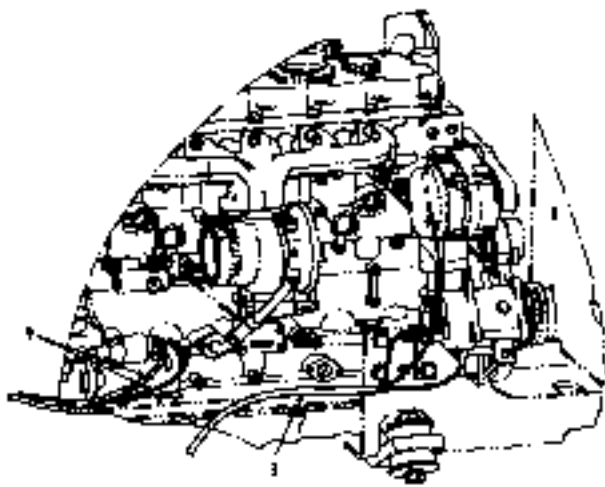
515352D1-01-N899-.TIF

CONTROL ASM-FNR

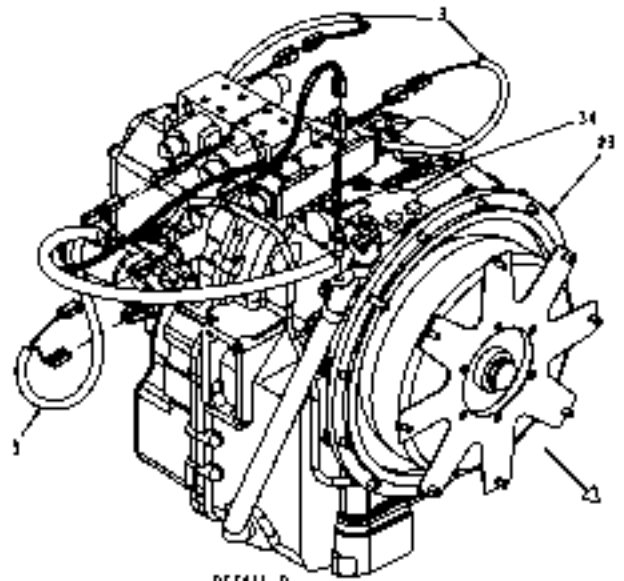
ITEM	PART #	QTY	DESCRIPTION	COMMENTS
1	AG523074	1	CONN-RCPT,4 WAY,18-14 GA	
2	AG523785	1	CONN-RCPT,12 WAY,20-16 GA	
3	AG523786	1	CONN-PLUG,12 WAY,20-16 GA	
4	AG523787	1	CONN-PLUG,4 WAY,20-16 GA	
5	514620D1	1	HANDLE-MULTIFUNTION,SC,7000	SEE PAGE 7-82
6	516588D1	1	DECAL-PLATE,FNR	



DETAIL A



DETAIL C

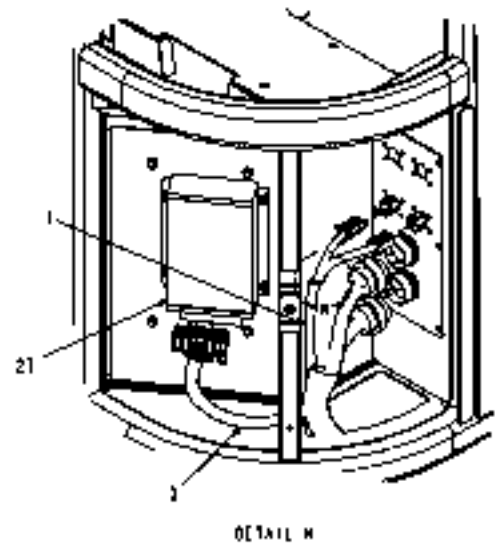
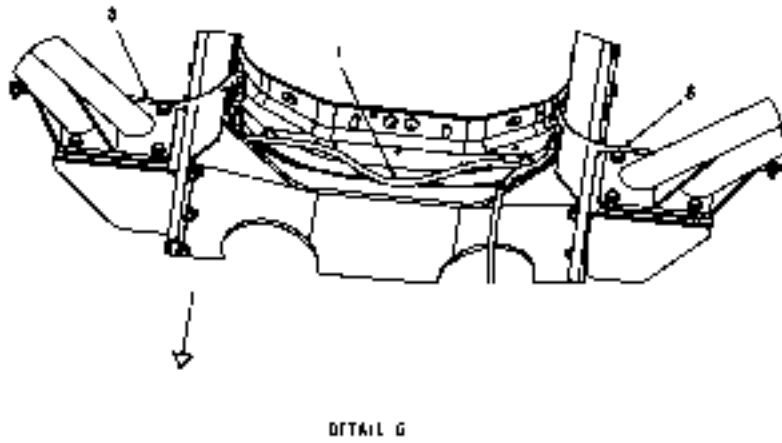
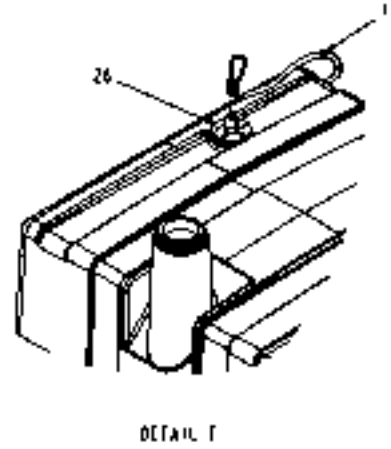
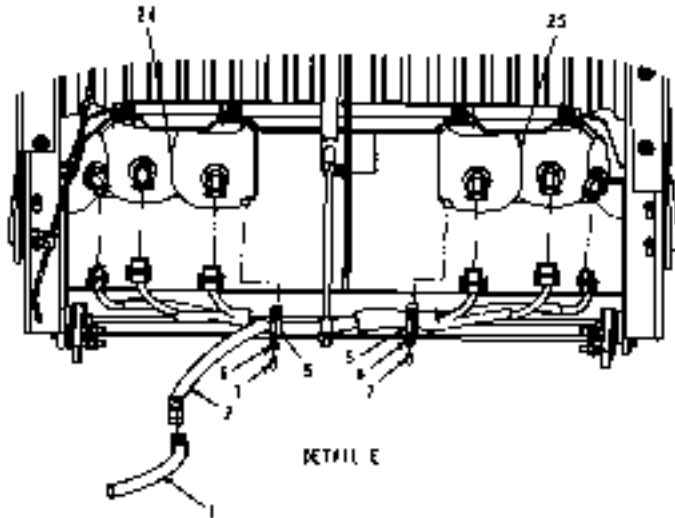


DETAIL D

517976D1-02-T353-01.TIF

HARNES-INSTALL,CHASSIS,7X60, 2008

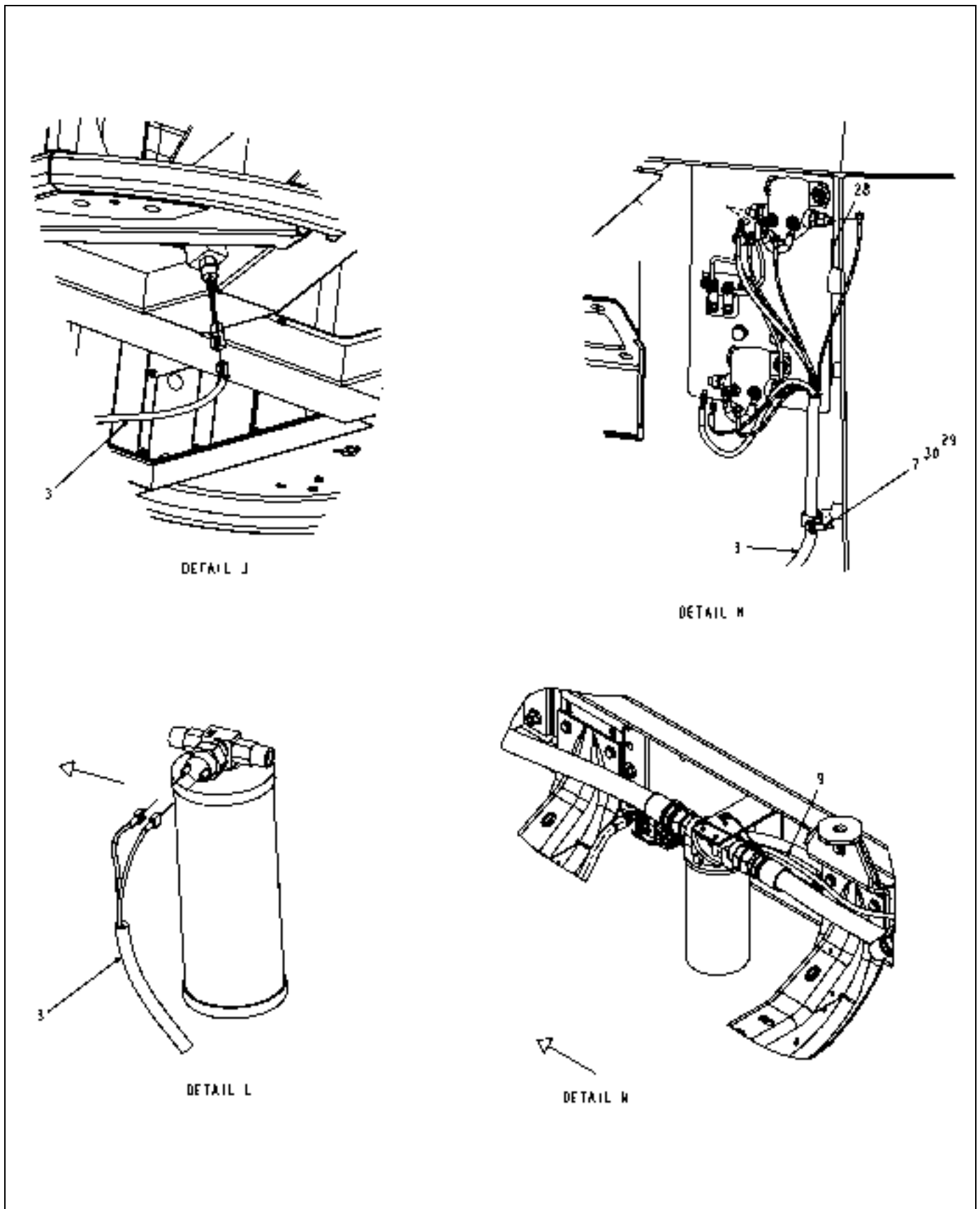
ITEM	PART #	QTY	DESCRIPTION	COMMENTS
3	513044D1	1	HARNES-CHASSIS,ENGINE,TRANS	
4	AG518989	AR	SEALANT NONCORROSIVE 10.3 OZ	
9	512671D1	1	HARNES-I/O,TRACK ADJUST,TLLT	[A]
21	AG553557	AR	TIE CABLE 7.37 .06-1.37 BLACK	
22	AG123758	-	ENGINE,174HP,PERKINS 1106E,PS	
22	513772D1	-	ENGINE-PERKINS 1106D,174HP T3	
23	AG136436	-	TRANS-POWERSHIFT,6SP 1.94TC	SEE PAGE 2-1
34	AG131763	-	SWITCH-TEMP,120DC,-6 O-RING	
37	525203D1	-	HARNES-MAG SWITCH, PWR	
	FOOTNOTE [A]		1ST USED ON S/N 7650VNS8P1011	



517976D1-02-T353-02.TIF

HARNES-INSTALL,CHASSIS,7X60, 2008

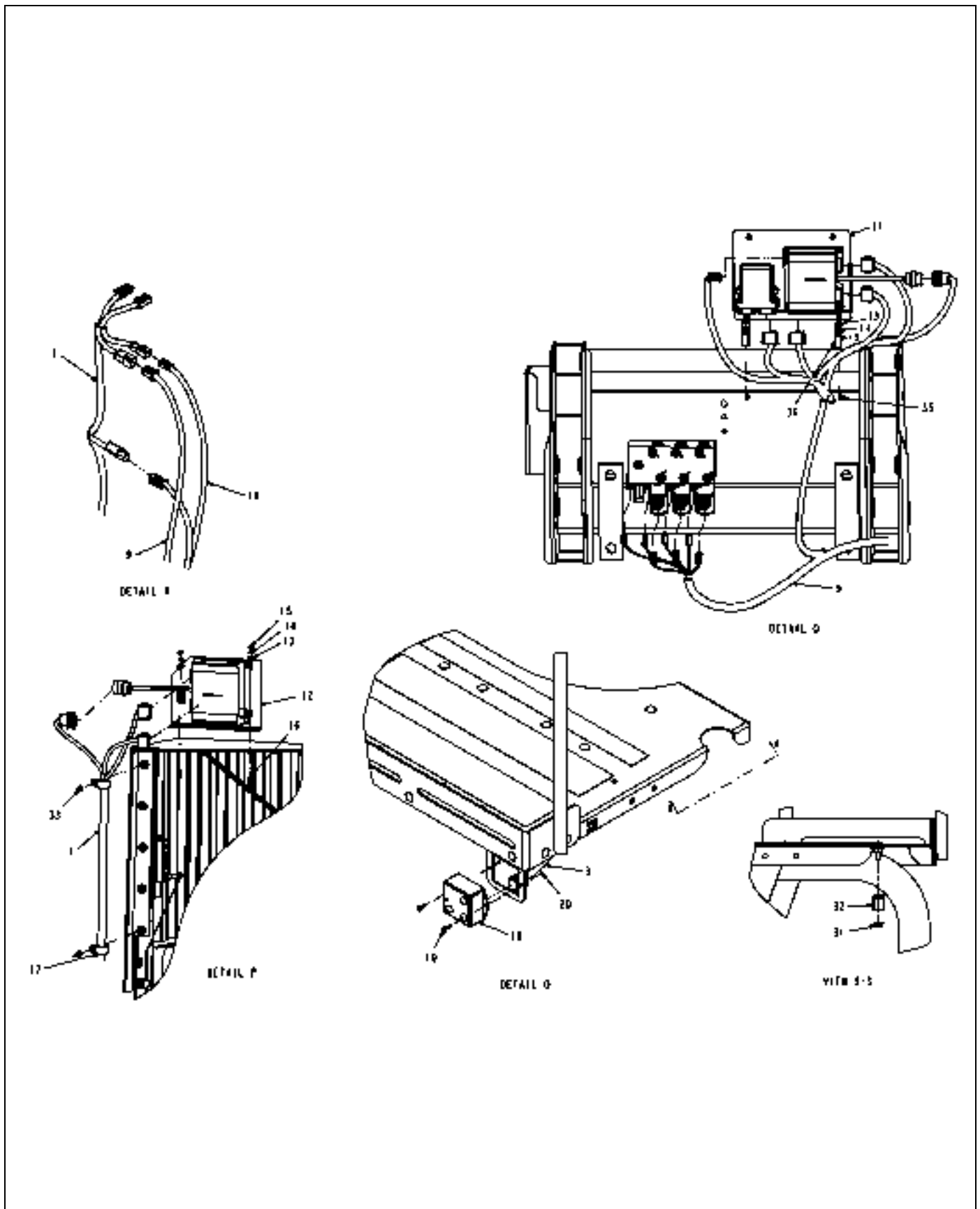
ITEM	PART #	QTY	DESCRIPTION	COMMENTS
1	512670D1	1	HARNES-I/O,LIGHTS,FRONT	[A]
2	WR126891	1	HARNES-LGIHTS,ROAD,WL	
3	513044D1	1	HARNES-CHASSIS,ENGINE,TRANS	
5	AG561489	2	CLAMP 0.75 COATED HOSE	
6	AG522242	2	WASHER-LK,M6,SS	
7	AG521728	3	BOLT-M6-1.0X16,,SS,HHD	
8	517950D1	-	HARNES-BOOM REST	
24	AG421135	-	HEADLIGHT-HALOGEN,WRAPPING,LH	SEE PAGE 10-12
25	AG421136	-	HEADLIGHT-HALOGEN,WRAPPING,RH	SEE PAGE 10-13
26	AG122986	-	FUEL SENDER-TUBE TYPE	
27	505565D1	-	TCU-TURNER,SPRA-COUPE	
	FOOTNOTE [A]		1ST USED ON S/N S7450PNS7P1005 AND S7650CNS8P1007	



517976D1-02-T353-03.TIF

HARNESS-INSTALL,CHASSIS,7X60, 2008

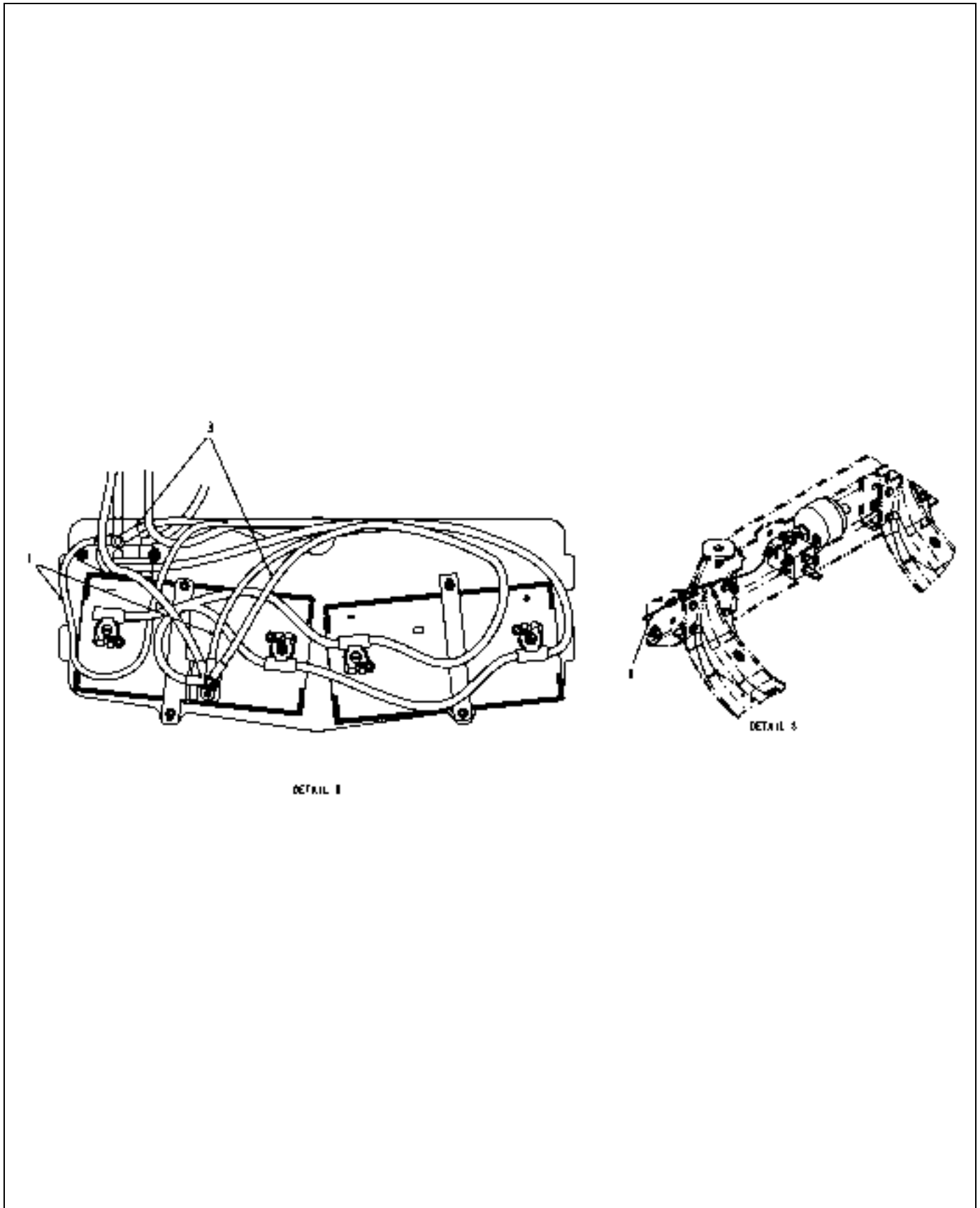
ITEM	PART #	QTY	DESCRIPTION	COMMENTS
3	513044D1	1	HARNESS-CHASSIS,ENGINE,TRANS	
7	AG521728	3	BOLT-M6-1.0X16,,SS,HHD	
9	512671D1	1	HARNESS-I/O,TRACK ADJUST,TLLT	[A]
28	513764D1	-	ASM-MAG SW.BREAKER,80 AMP	SEE PAGE 8-48
29	AG521359	1	CLAMP-HOSE,COATED,.687 IDX.50	
30	AG562792	1	WASHER LOCK M6 SPRING ZN	
	FOOTNOTE [A]		1ST USED ON S/N 7650VNS8P1011	



517976D1-02-T353-04.TIF

HARNESS-INSTALL,CHASSIS,7X60, 2008

ITEM	PART #	QTY	DESCRIPTION	COMMENTS
1	512670D1	1	HARNESS-I/O,LIGHTS,FRONT	[A]
3	513044D1	1	HARNESS-CHASSIS,ENGINE,TRANS	
9	512671D1	1	HARNESS-I/O,TRACK ADJUST,TLLT	[B]
10	AG127321	-	HARNESS-PUMP/RADAR/FOAM MRKR	
11	WR132177	1	ASM-I/O,HIGH CURRENT,REAR	SEE PAGE 8-51
12	WR132176	1	ASM-I/O,HIGH CURRENT	SEE PAGE 8-49
13	AG515121	4	WASHER 0.25 FL SS REG TYPE-B	
14	AG515122	4	WASHER 0.25 LK SS REG	
15	AG515123	4	NUT .25-20NC HEX SS REG	
16	AG562054	2	BOLT 0.25-20NCX 0.75 SS HHD	
17	AG010359	2	CLAMP LOOM 1.25 PER DWG	
18	AG121751	1	MODULE-REMOTE THROTTLE	
19	AG562067	2	SCREW 8-32X 0.75 MA SS SL RHD	
20	AG563176	2	NUT #8-32NC HEX SS REG NY	
31	AG522562	1	NUT-.38-16,SS,SFLG,H	
32	AG562821	1	CLAMP 1.12-COATED HOSE	
33	AG601888	2	NUT 0.31-18NC HEX ZN REG NY	
35	AG562064	2	BOLT 0.25-20NCX 1.00 SS HHD	
36	AG554898	2	CLAMP 1.12-COATED HOSE	
	FOOTNOTE [A]		1ST USED ON S/N S7450PNS7P1005 AND S7650CNS8P1007	
	FOOTNOTE [B]		1ST USED ON S/N 7650VNS8P1011	



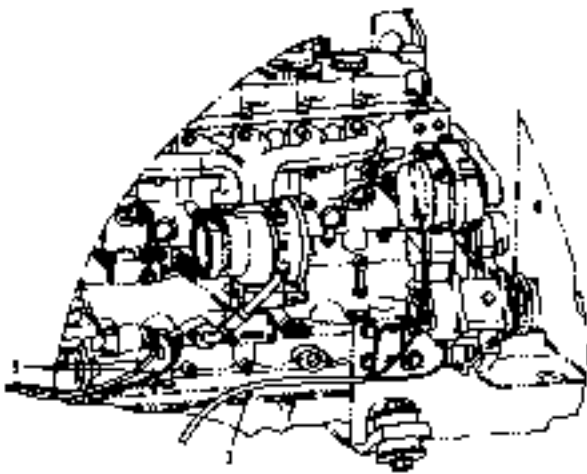
517976D1-02-T353-05.TIF

HARNESS-INSTALL,CHASSIS,7X60, 2008

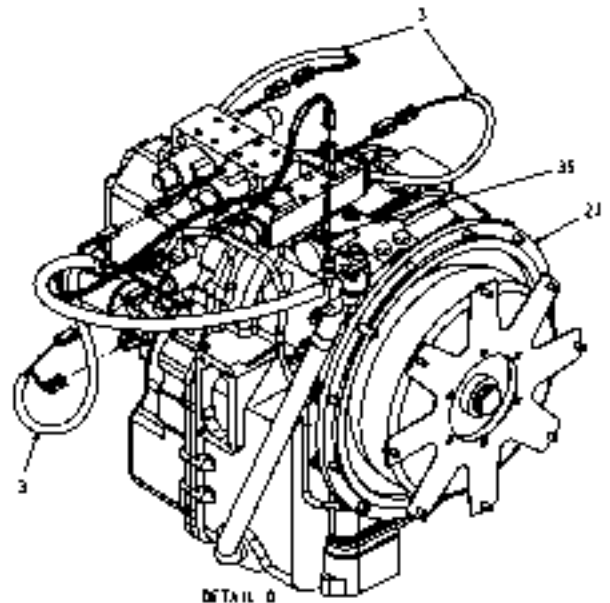
ITEM	PART #	QTY	DESCRIPTION	COMMENTS
1	512670D1	1	HARNESS-I/O,LIGHTS,FRONT	[A]
3	513044D1	1	HARNESS-CHASSIS,ENGINE,TRANS	
	FOOTNOTE [A]		1ST USED ON S/N S7450PNS7P1005 AND S7650CNS8P1007	



DETAIL A



DETAIL C

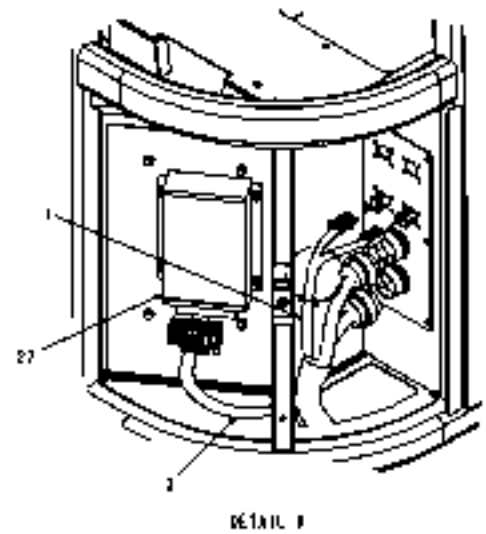
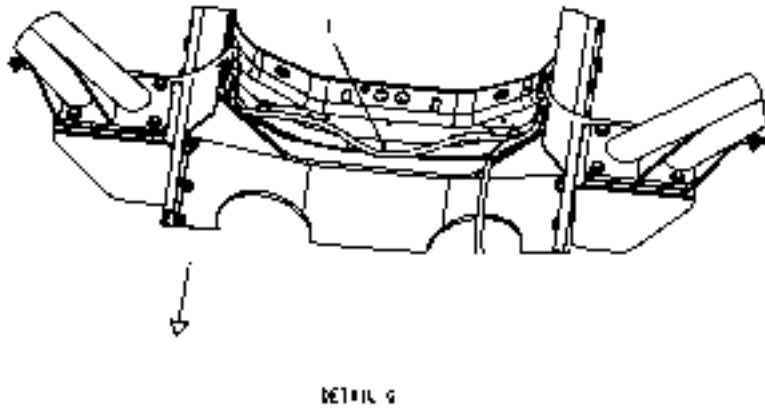
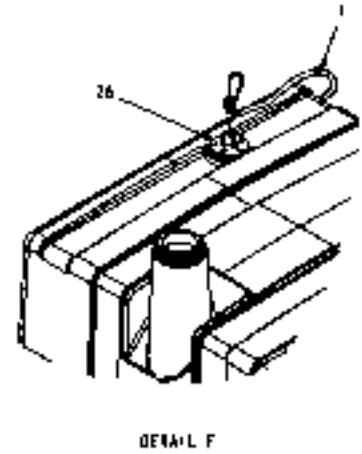
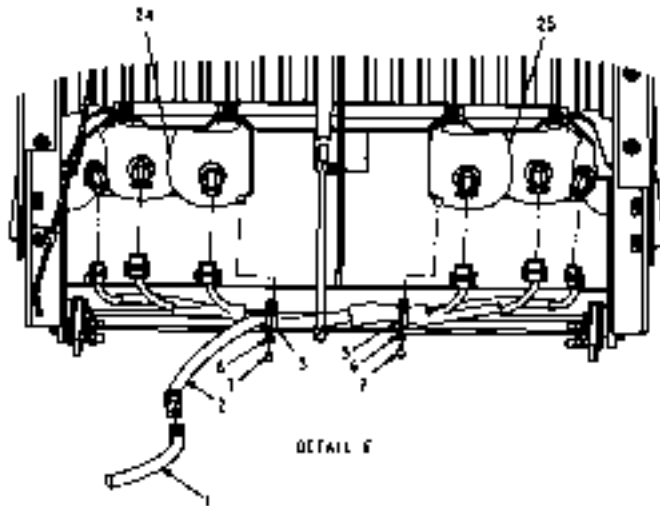


DETAIL D

517977D1-02-T353-01.TIF

HARN-INSTALL,CHASSIS,7X60,EURO, 2008

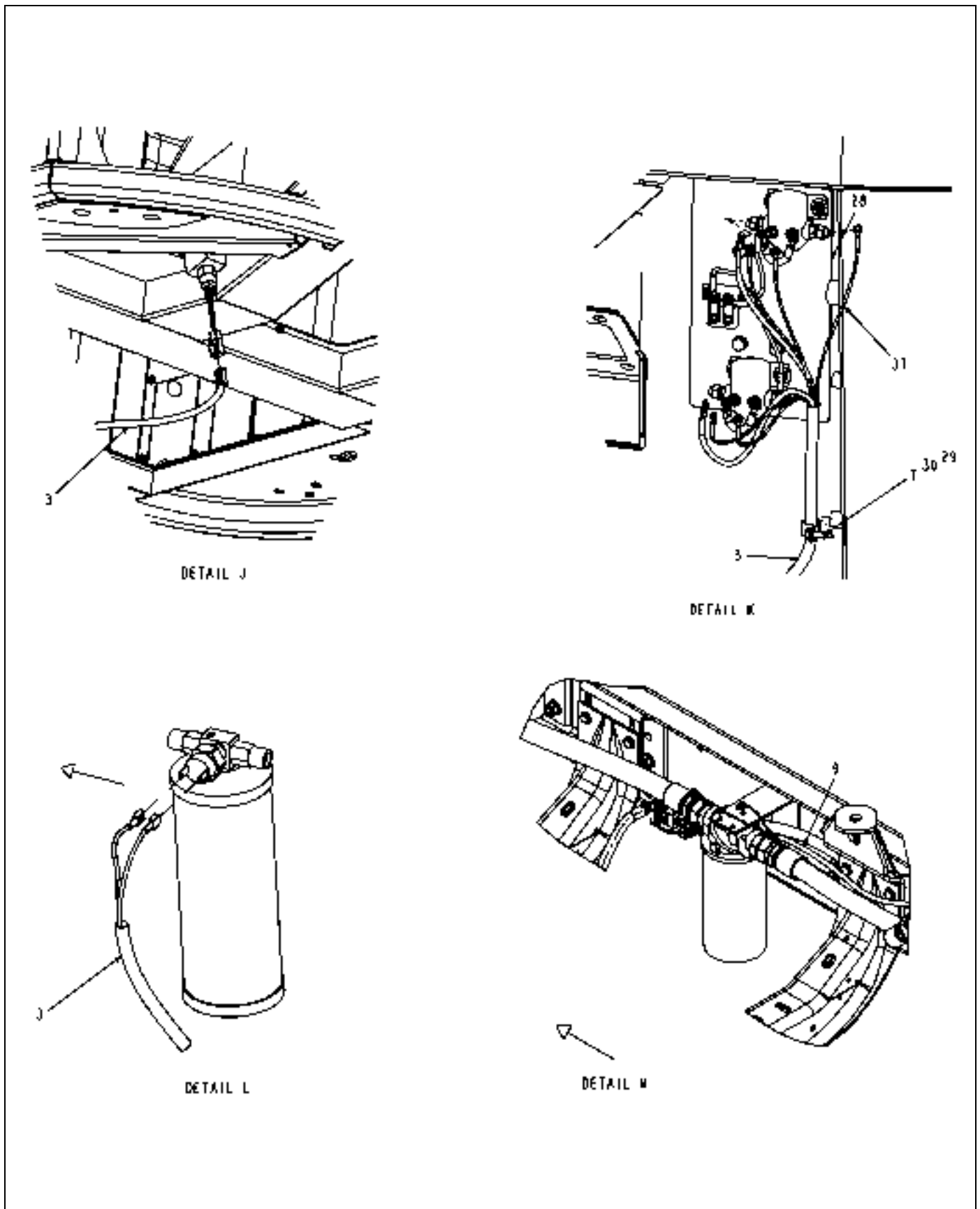
ITEM	PART #	QTY	DESCRIPTION	COMMENTS
3	513044D1	1	HARNES-CHASSIS,ENGINE,TRANS	
4	AG518989	AR	SEALANT NONCORROSIVE 10.3 OZ	
8	517950D1	-	HARNES-BOOM REST	
9	512671D1	1	HARNES-I/O,TRACK ADJUST,TLLT	[A]
21	AG553557	AR	TIE CABLE 7.37 .06-1.37 BLACK	
22	513772D1	-	ENGINE-PERKINS 1106D,174HP T3	
22	AG123758	-	ENGINE,174HP,PERKINS 1106E,PS	
23	AG136436	-	TRANS-POWERSHIFT,6SP 1.94TC	SEE PAGE 2-1
35	AG562064	2	BOLT 0.25-20NCX 1.00 SS HHD	
36	AG554898	2	CLAMP 1.12-COATED HOSE	
	FOOTNOTE [A]		1ST USED ON S/N 7650VNS8P1011	



517977D1-02-T353-02.TIF

HARN-INSTALL,CHASSIS,7X60,EURO, 2008

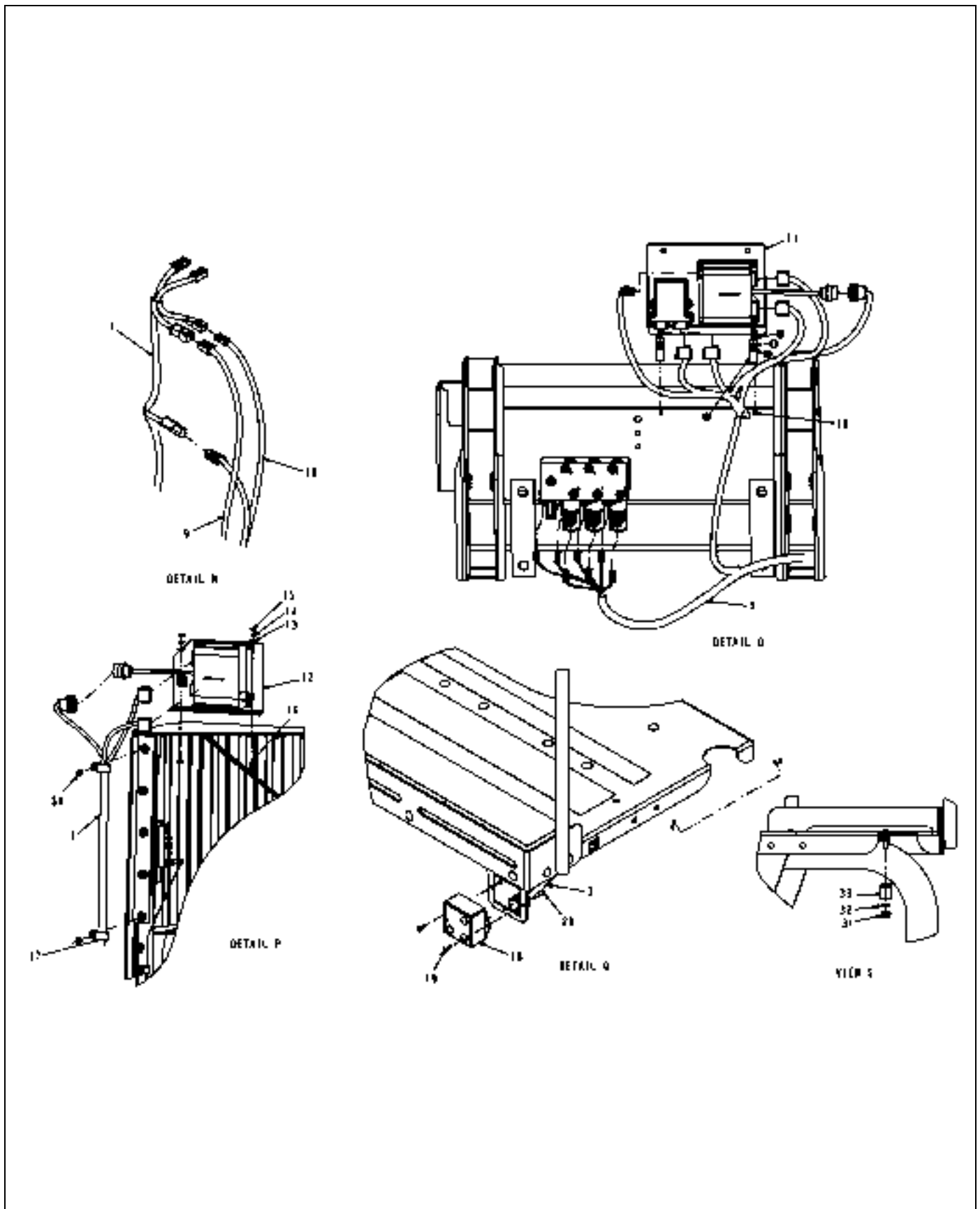
ITEM	PART #	QTY	DESCRIPTION	COMMENTS
1	512670D1	1	HARNES-I/O,LIGHTS,FRONT	[A]
2	WR126891	1	HARNES-LGIHTS,ROAD,WL	
3	513044D1	1	HARNES-CHASSIS,ENGINE,TRANS	
5	AG561489	2	CLAMP 0.75 COATED HOSE	
6	AG522242	2	WASHER-LK,M6,SS	
7	AG521728	3	BOLT-M6-1.0X16,,SS,HHD	
24	AG421135	-	HEADLIGHT-HALOGEN,WRAPPING,LH	SEE PAGE 10-12
25	AG421136	-	HEADLIGHT-HALOGEN,WRAPPING,RH	SEE PAGE 10-13
26	AG122986	-	FUEL SENDER-TUBE TYPE	
27	505565D1	-	TCU-TURNER,SPRA-COUPE	
	FOOTNOTE [A]		1ST USED ON S/N S7450PNS7P1005 AND S7650CNS8P1007	



517977D1-02-T353-03.TIF

HARN-INSTALL,CHASSIS,7X60,EURO, 2008

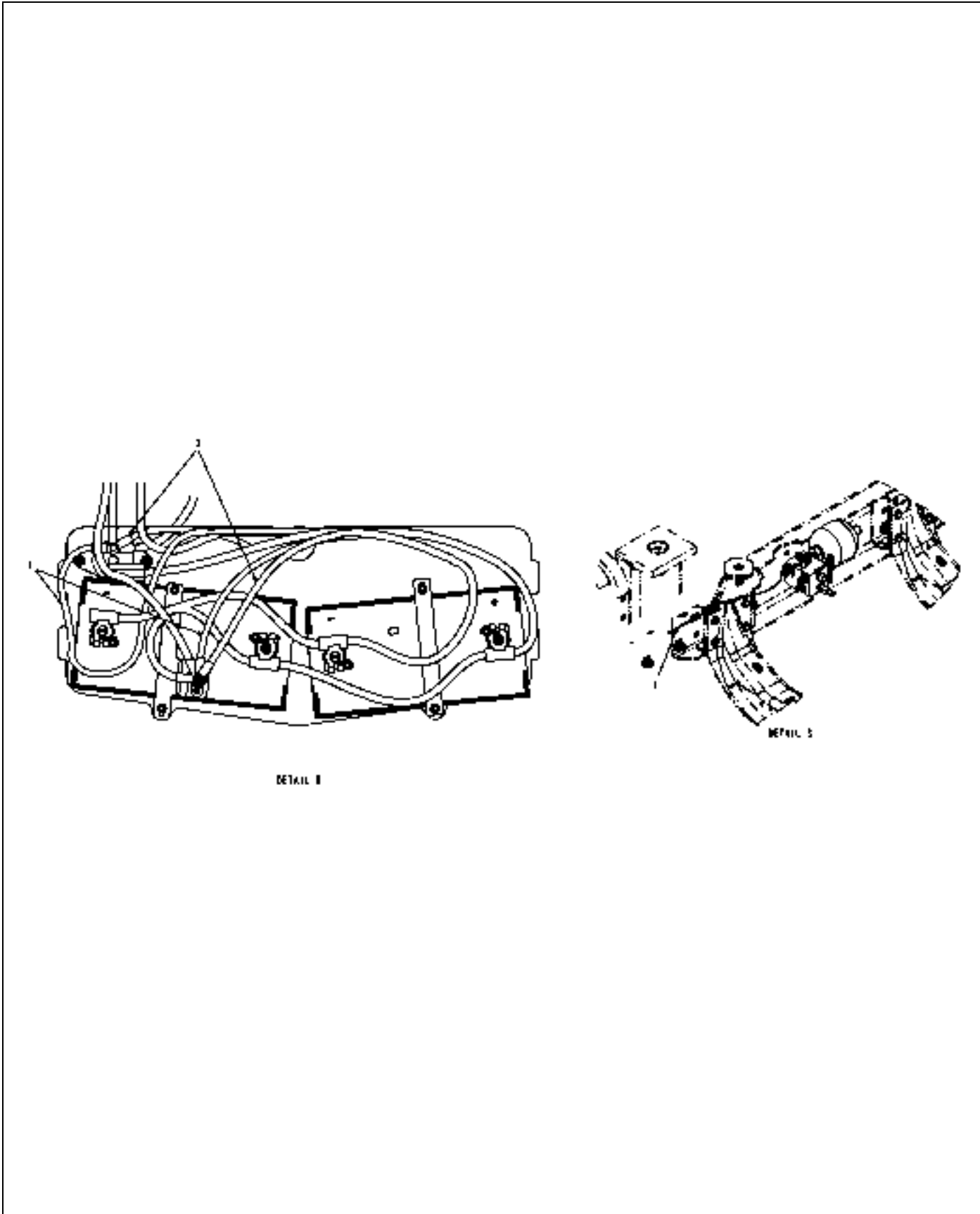
ITEM	PART #	QTY	DESCRIPTION	COMMENTS
3	513044D1	1	HARNES-CHASSIS,ENGINE,TRANS	
7	AG521728	3	BOLT-M6-1.0X16,,SS,HHD	
9	512671D1	1	HARNES-I/O,TRACK ADJUST,TLLT	[A]
28	513764D1	-	ASM-MAG SW.BREAKER,80 AMP	SEE PAGE 8-48
29	AG521359	1	CLAMP-HOSE,COATED,.687 IDX.50	
30	AG562792	1	WASHER LOCK M6 SPRING ZN	
37	525203D1	-	HARNES-MAG SWITCH, PWR	
	FOOTNOTE [A]		1ST USED ON S/N 7650VNS8P1011	



517977D1-02-T353-04.TIF

HARN-INSTALL,CHASSIS,7X60,EURO, 2008

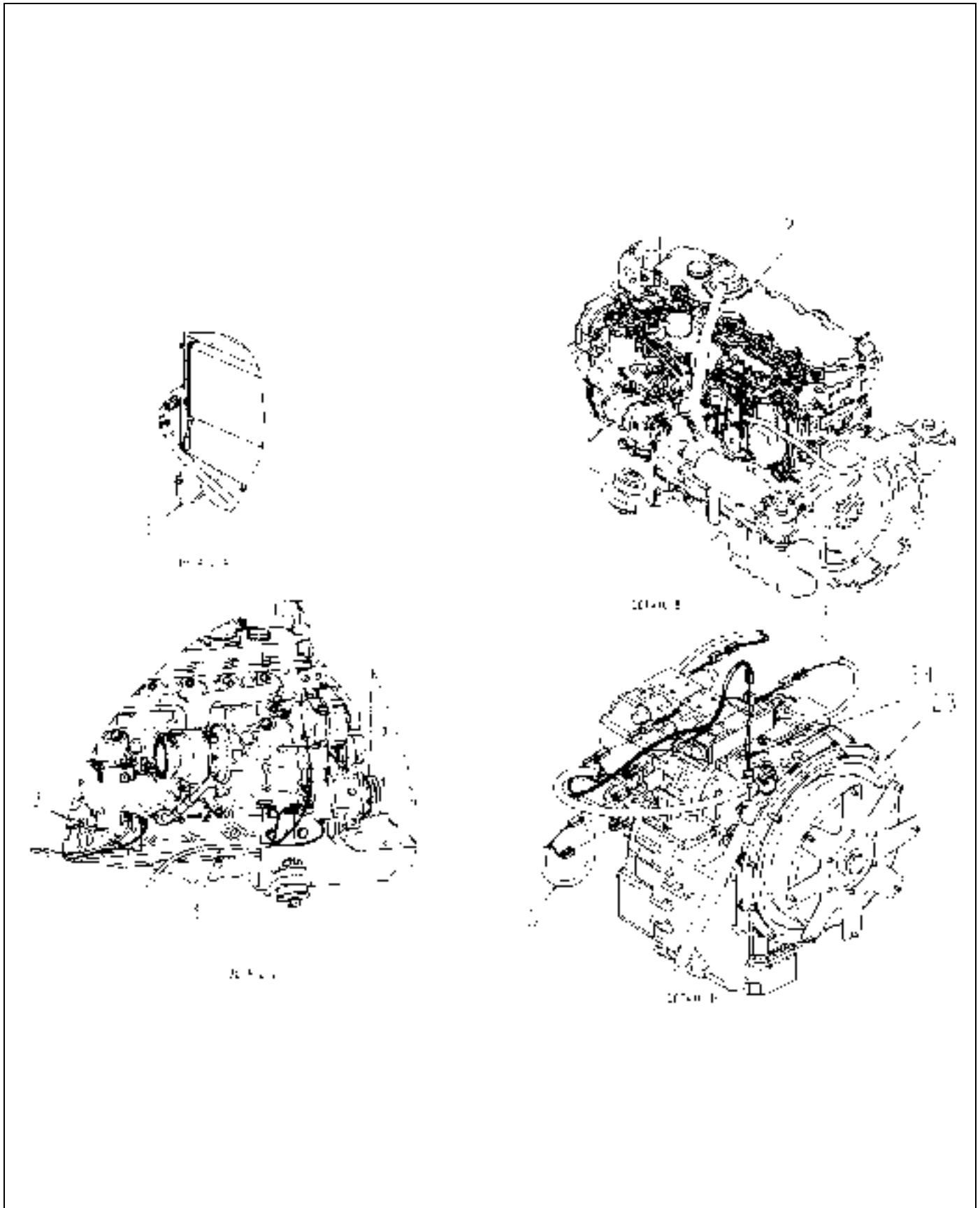
ITEM	PART #	QTY	DESCRIPTION	COMMENTS
1	512670D1	1	HARNESS-I/O,LIGHTS,FRONT	[A]
3	513044D1	1	HARNESS-CHASSIS,ENGINE,TRANS	
9	512671D1	1	HARNESS-I/O,TRACK ADJUST,TLLT	[B]
10	AG127321	-	HARNESS-PUMP/RADAR/FOAM MRKR	
11	WR132177	1	ASM-I/O,HIGH CURRENT,REAR	SEE PAGE 8-51
12	WR132176	1	ASM-I/O,HIGH CURRENT	SEE PAGE 8-49
13	AG515121	4	WASHER 0.25 FL SS REG TYPE-B	
14	AG515122	4	WASHER 0.25 LK SS REG	
15	AG515123	4	NUT .25-20NC HEX SS REG	
16	AG562054	2	BOLT 0.25-20NCX 0.75 SS HHD	
17	AG010359	2	CLAMP LOOM 1.25 PER DWG	
18	AG121751	1	MODULE-REMOTE THROTTLE	
19	AG562067	2	SCREW 8-32X 0.75 MA SS SL RHD	
20	AG563176	2	NUT #8-32NC HEX SS REG NY	
31	AG522562	1	NUT-.38-16,SS,SFLG,H	
32	AG562821	1	CLAMP 1.12-COATED HOSE	
33	AG601888	2	NUT 0.31-18NC HEX ZN REG NY	
34	AG131763	-	SWITCH-TEMP,120DC,-6 O-RING	
	FOOTNOTE [A]		1ST USED ON S/N S7450PNS7P1005 AND S7650CNS8P1007	
	FOOTNOTE [B]		1ST USED ON S/N 7650VNS8P1011	



517977D1-02-T353-05.TIF

HARN-INSTALL,CHASSIS,7X60,EURO, 2008

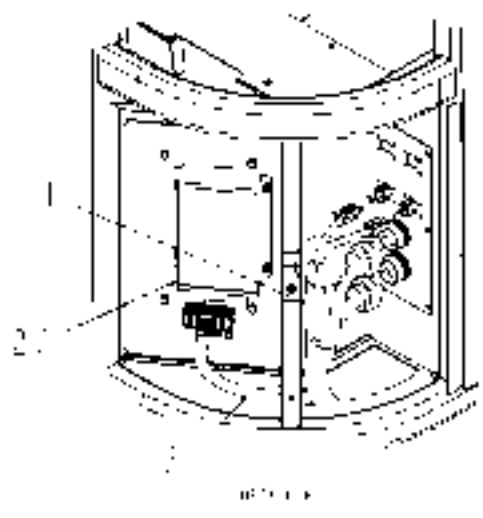
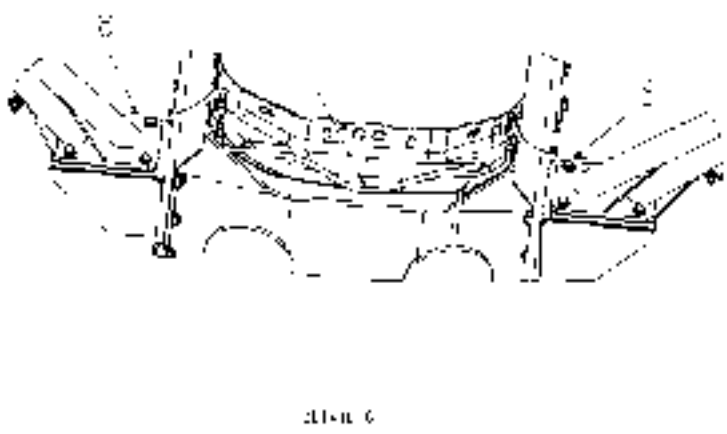
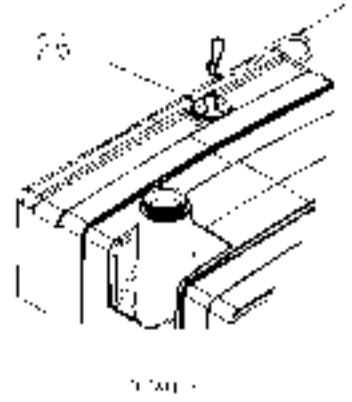
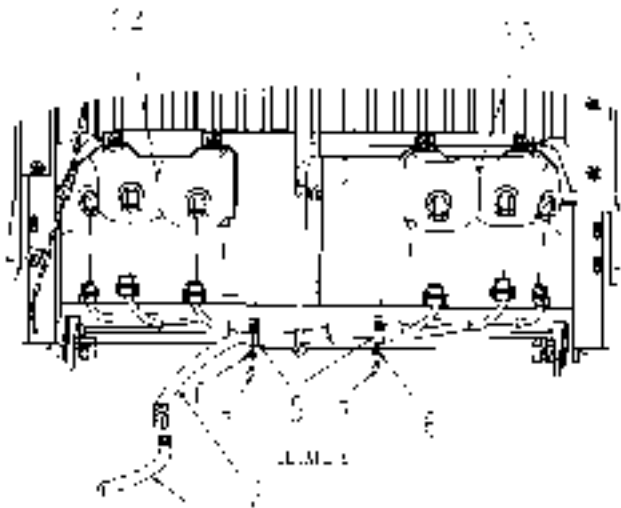
ITEM	PART #	QTY	DESCRIPTION	COMMENTS
1	512670D1	1	HARNES-I/O,LIGHTS,FRONT	[A]
3	513044D1	1	HARNES-CHASSIS,ENGINE,TRANS	
	FOOTNOTE [A]		1ST USED ON S/N S7450PNS7P1005 AND S7650CNS8P1007	



523978D1-03-T499-01.TIF

HARNES-INSTALL,CHASSIS,7X50, 2009

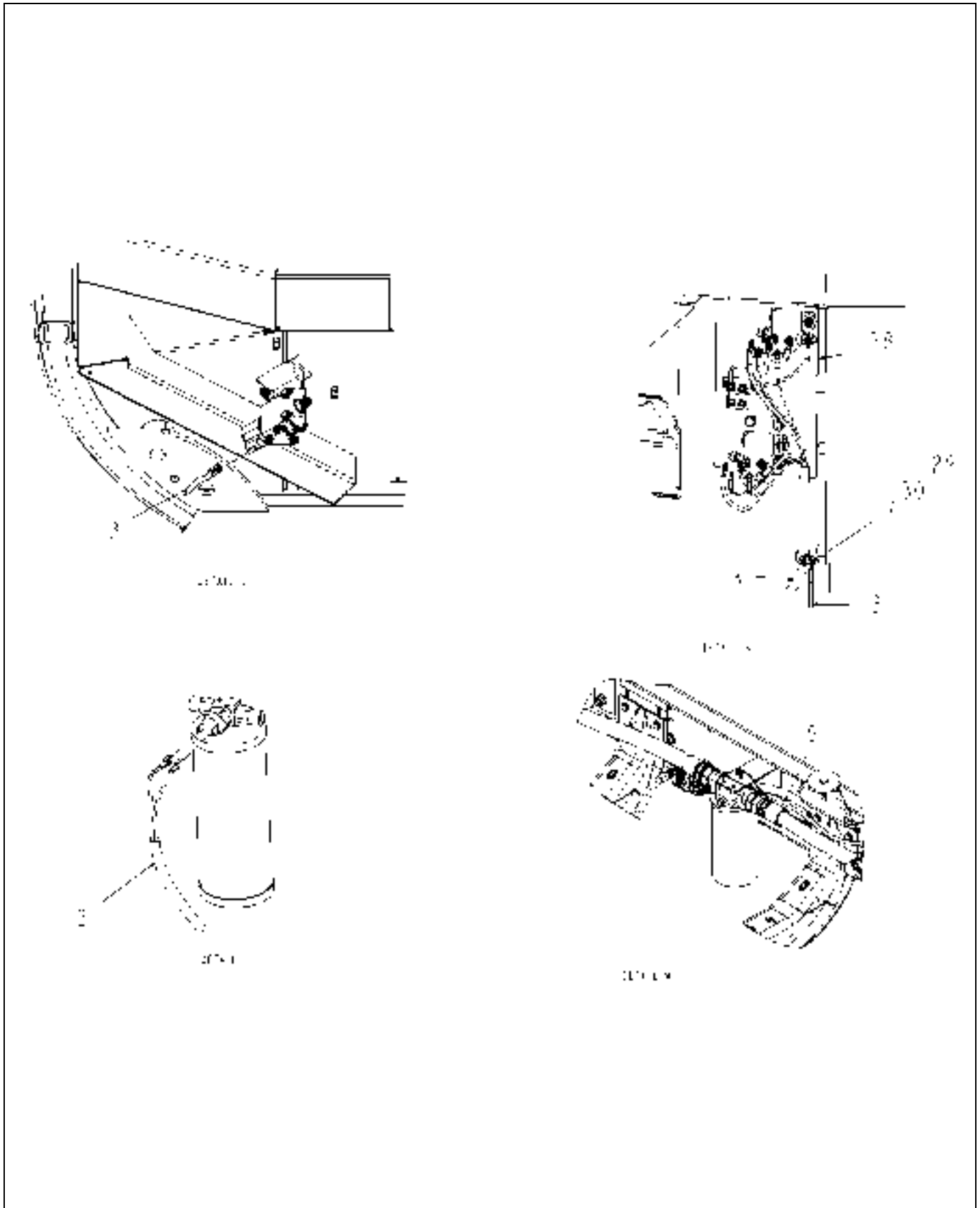
ITEM	PART #	QTY	DESCRIPTION	COMMENTS
3	523977D1	1	HARNES-CHASSIS,ENG TRANS	
4	AG518989	AR	SEALANT NONCORROSIVE 10.3 OZ	
9	512671D1	1	HARNES-I/O,TRACK ADJUST,TLLT	[A]
21	AG553557	AR	TIE CABLE 7.37 .06-1.37 BLACK	
22	513772D1	-	ENGINE-PERKINS 1106D,174HP T3	
23	AG136436	-	TRANS-POWERSHIFT,6SP 1.94TC	SEE PAGE 2-1
34	AG131763	-	SWITCH-TEMP,120DC,-6 O-RING	
	FOOTNOTE [A]		1ST USED ON S/N 7650VNS8P1011	



523978D1-03-T499-02.TIF

HARNES-INSTALL,CHASSIS,7X50, 2009

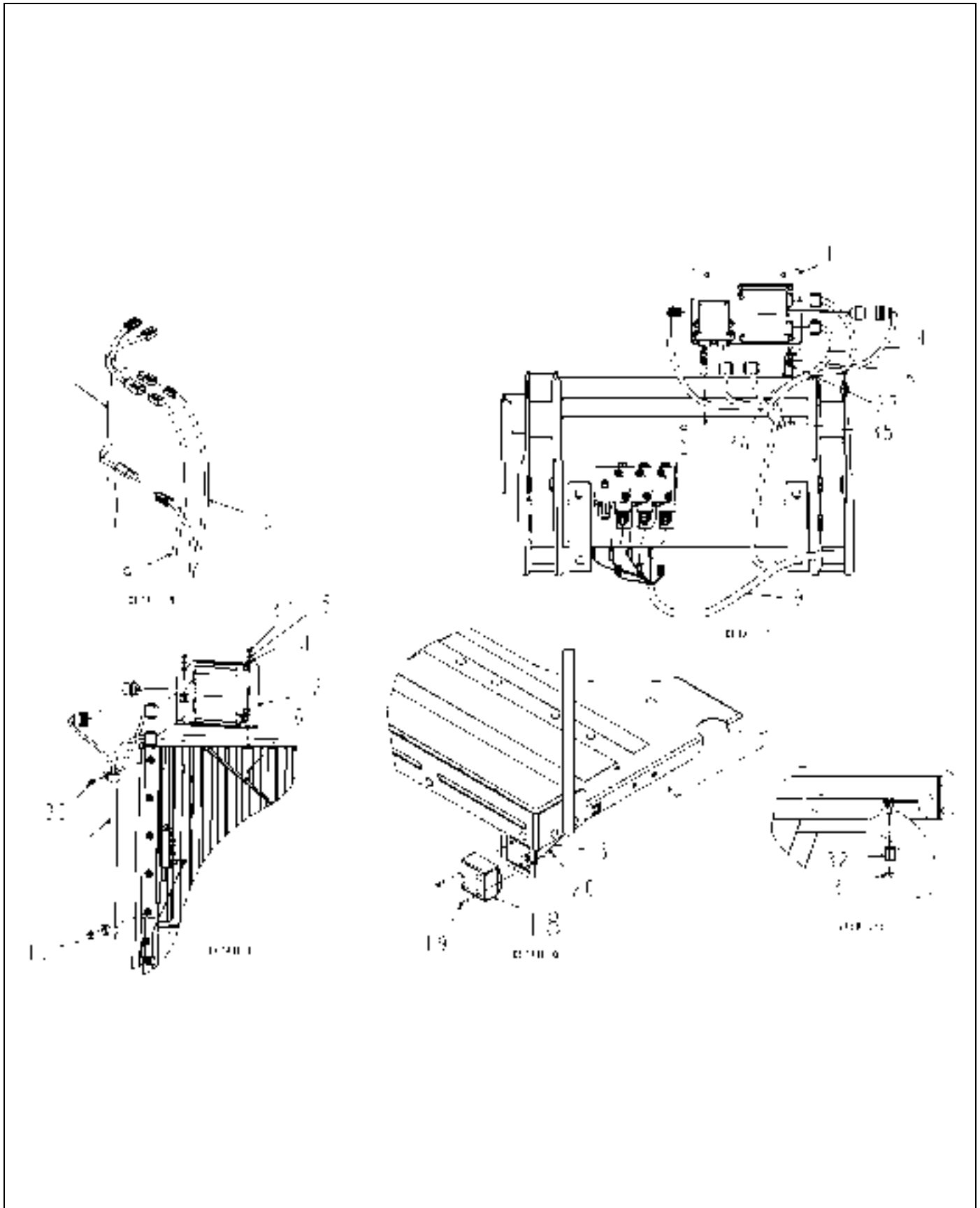
ITEM	PART #	QTY	DESCRIPTION	COMMENTS
1	512670D1	1	HARNES-I/O,LIGHTS,FRONT	[A]
2	WR126891	1	HARNES-LGIHTS,ROAD,WL	
3	523977D1	1	HARNES-CHASSIS,ENG TRANS	
5	AG561489	2	CLAMP 0.75 COATED HOSE	
6	AG522242	2	WASHER-LK,M6,SS	
7	AG521728	3	BOLT-M6-1.0X16,,SS,HHD	
8	517950D1	-	HARNES-BOOM REST	
24	AG421135	-	HEADLIGHT-HALOGEN,WRAPPING,LH	SEE PAGE 10-12
25	AG421136	-	HEADLIGHT-HALOGEN,WRAPPING,RH	SEE PAGE 10-13
26	AG122986	-	FUEL SENDER-TUBE TYPE	
27	505565D1	-	TCU-TURNER,SPRA-COUPÉ	
	FOOTNOTE [A]		1ST USED ON S/N S7450PNS7P1005 AND S7650CNS8P1007	



523978D1-03-T499-03.TIF

HARNESS-INSTALL,CHASSIS,7X50, 2009

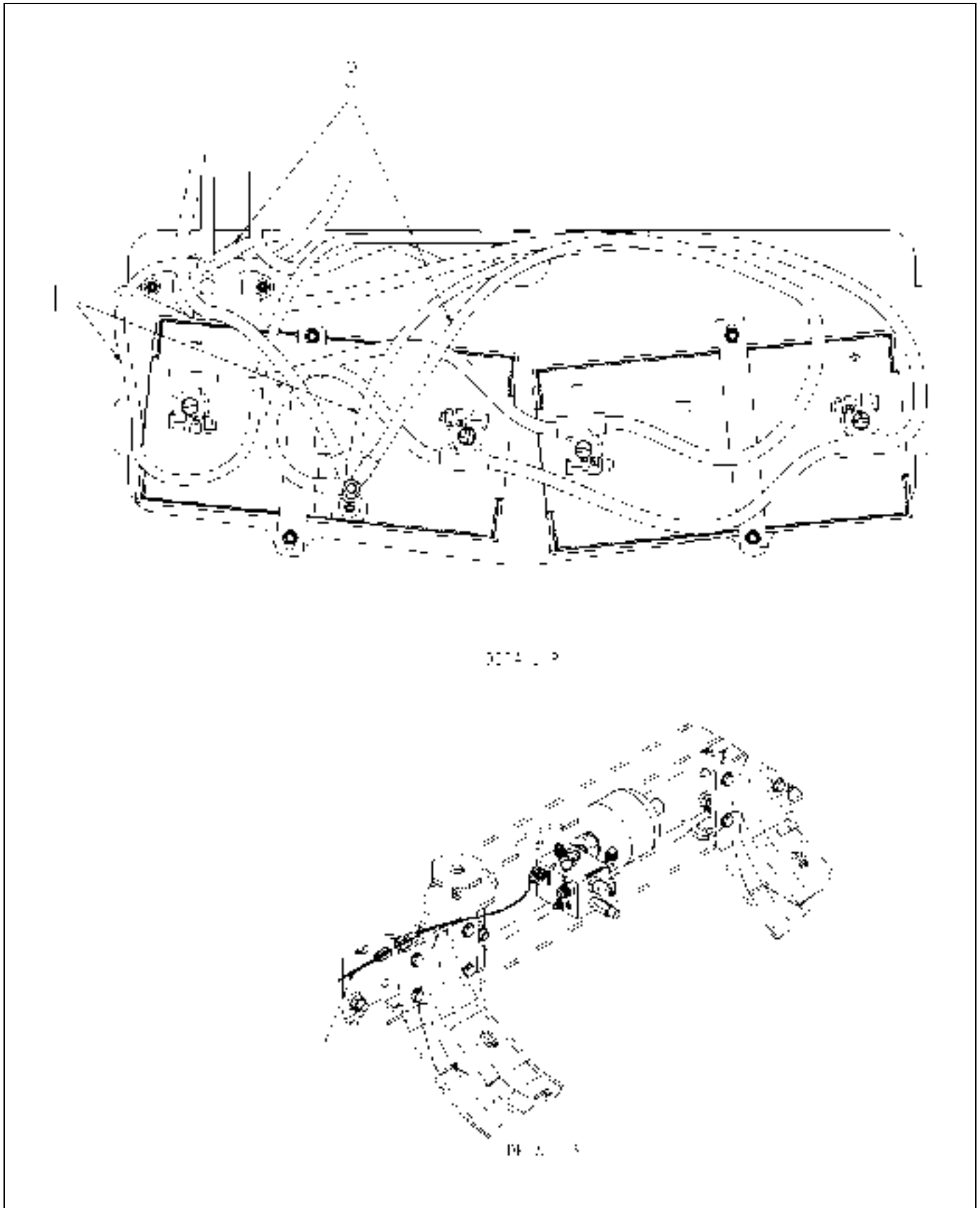
ITEM	PART #	QTY	DESCRIPTION	COMMENTS
3	523977D1	1	HARNESS-CHASSIS,ENG TRANS	
7	AG521728	3	BOLT-M6-1.0X16,,SS,HHD	
9	512671D1	1	HARNESS-I/O,TRACK ADJUST,TLLT	[A]
13	WR129305	1	CABLE-GND,CAB	
28	513764D1	-	ASM-MAG SW.BREAKER,80 AMP	SEE PAGE 8-48
29	AG521359	1	CLAMP-HOSE,COATED,.687 IDX.50	
30	AG562792	1	WASHER LOCK M6 SPRING ZN	
	FOOTNOTE [A]		1ST USED ON S/N 7650VNS8P1011	



523978D1-03-T499-04.TIF

HARNESS-INSTALL,CHASSIS,7X50, 2009

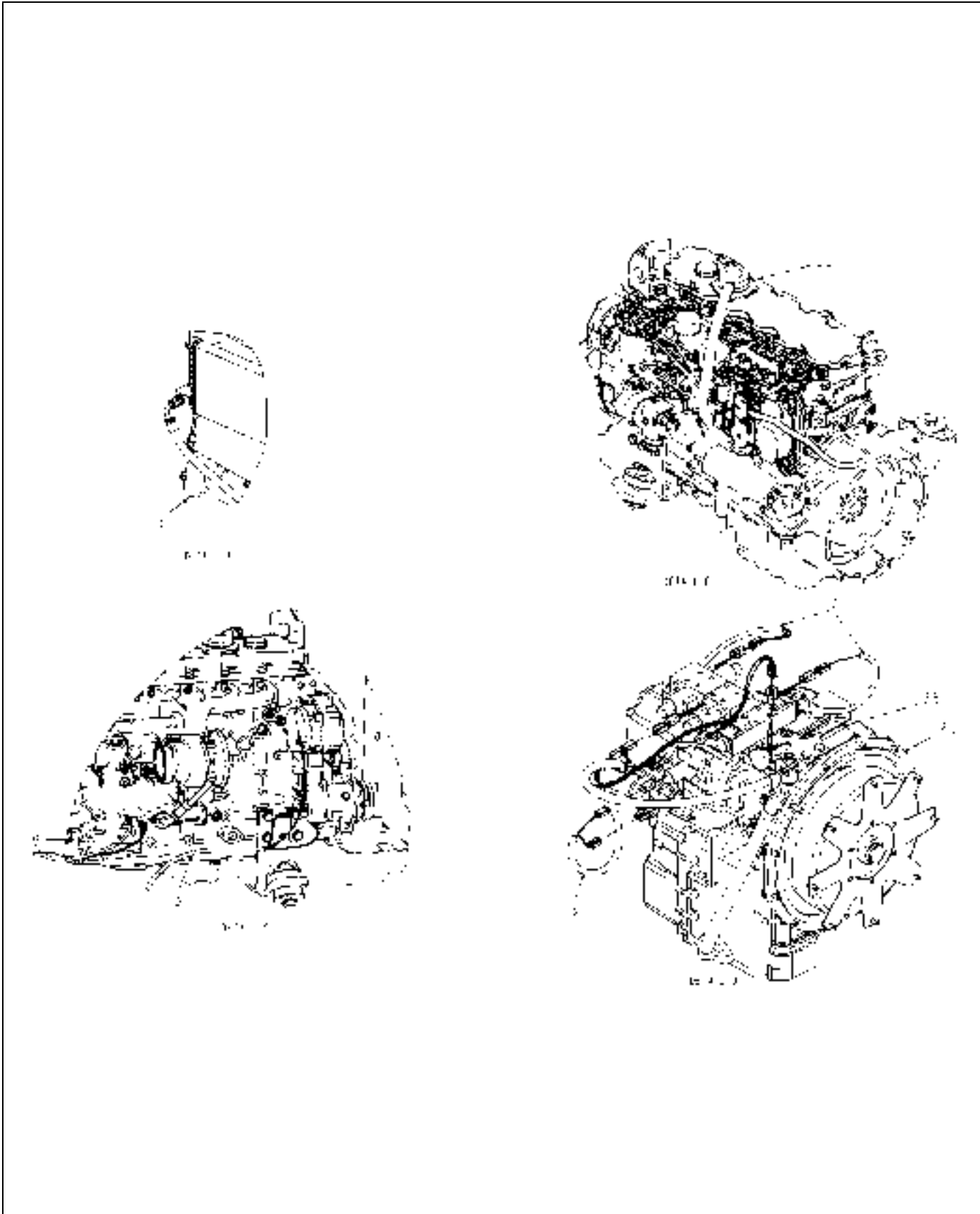
ITEM	PART #	QTY	DESCRIPTION	COMMENTS
1	512670D1	1	HARNESS-I/O,LIGHTS,FRONT	[A]
3	523977D1	1	HARNESS-CHASSIS,ENG TRANS	
9	512671D1	1	HARNESS-I/O,TRACK ADJUST,TLLT	[B]
10	AG127321	-	HARNESS-PUMP/RADAR/FOAM MRKR	
11	WR132177	1	ASM-I/O,HIGH CURRENT,REAR	SEE PAGE 8-51
12	WR132176	1	ASM-I/O,HIGH CURRENT	SEE PAGE 8-49
14	AG515121	4	WASHER 0.25 FL SS REG TYPE-B	
15	AG515122	4	WASHER 0.25 LK SS REG	
16	AG562054	2	BOLT 0.25-20NCX 0.75 SS HHD	
17	AG010359	2	CLAMP LOOM 1.25 PER DWG	
18	AG121751	1	MODULE-REMOTE THROTTLE	
19	AG562067	2	SCREW 8-32X 0.75 MA SS SL RHD	
20	AG563176	2	NUT #8-32NC HEX SS REG NY	
31	AG522562	1	NUT-.38-16,SS,SFLG,H	
32	AG561793	1	CLAMP-HOSE,2,.75 WIDE,RUB-COAT	
33	AG601888	2	NUT 0.31-18NC HEX ZN REG NY	
35	AG562064	2	BOLT 0.25-20NCX 1.00 SS HHD	
36	AG554898	2	CLAMP 1.12-COATED HOSE	
37	AG515123	4	NUT .25-20NC HEX SS REG	
	FOOTNOTE [A]		1ST USED ON S/N S7450PNS7P1005 AND S7650CNS8P1007	
	FOOTNOTE [B]		1ST USED ON S/N 7650VNS8P1011	



523978D1-03-T499-05.TIF

HARNES-INSTALL,CHASSIS,7X50, 2009

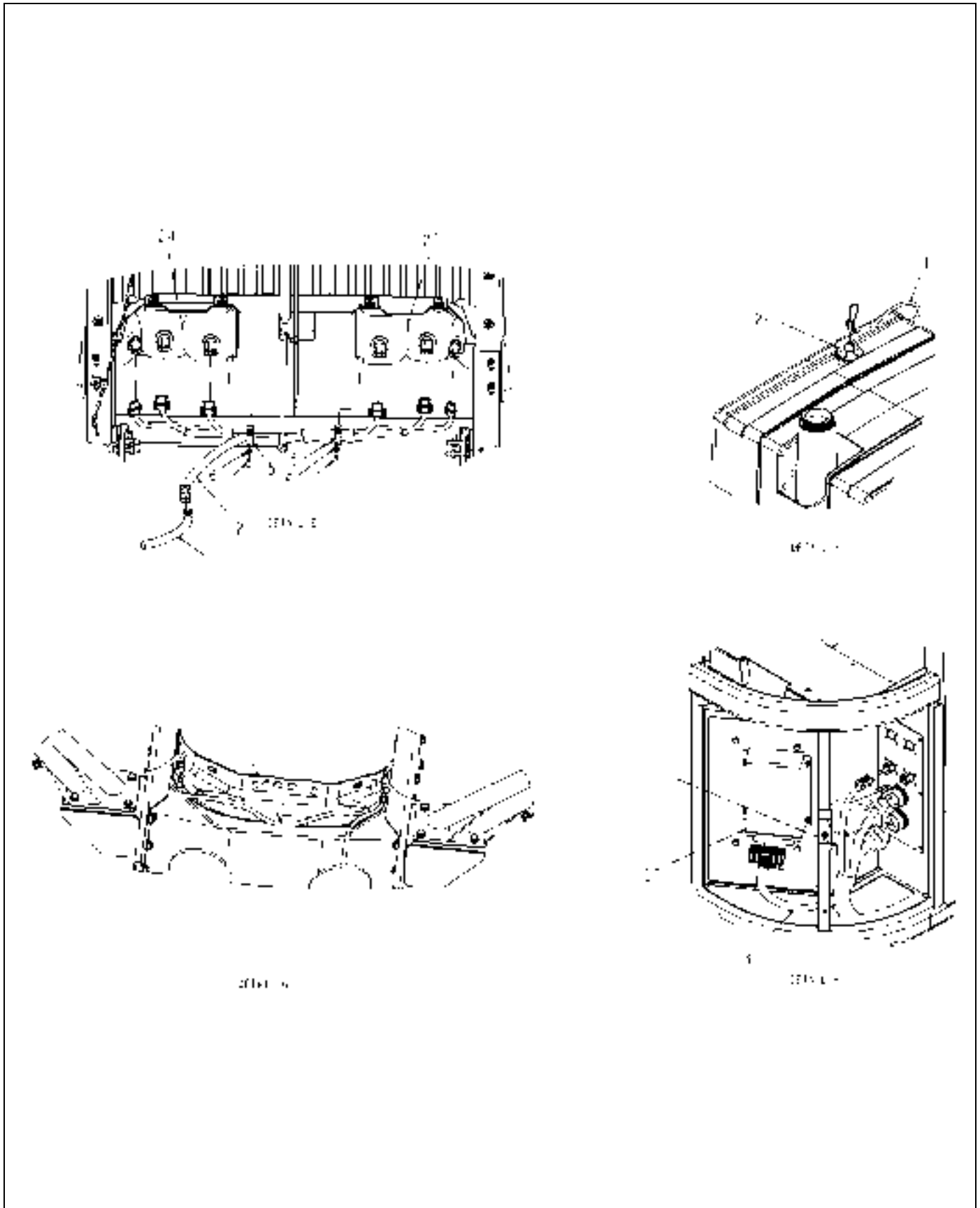
ITEM	PART #	QTY	DESCRIPTION	COMMENTS
1	512670D1	1	HARNES-I/O,LIGHTS,FRONT	[A]
3	523977D1	1	HARNES-CHASSIS,ENG TRANS	
	FOOTNOTE [A]		1ST USED ON S/N S7450PNS7P1005 AND S7650CNS8P1007	



523979D1-03-T499-01.TIF

HARNESS INSTALL, CHASSIS, 7X60, 2009

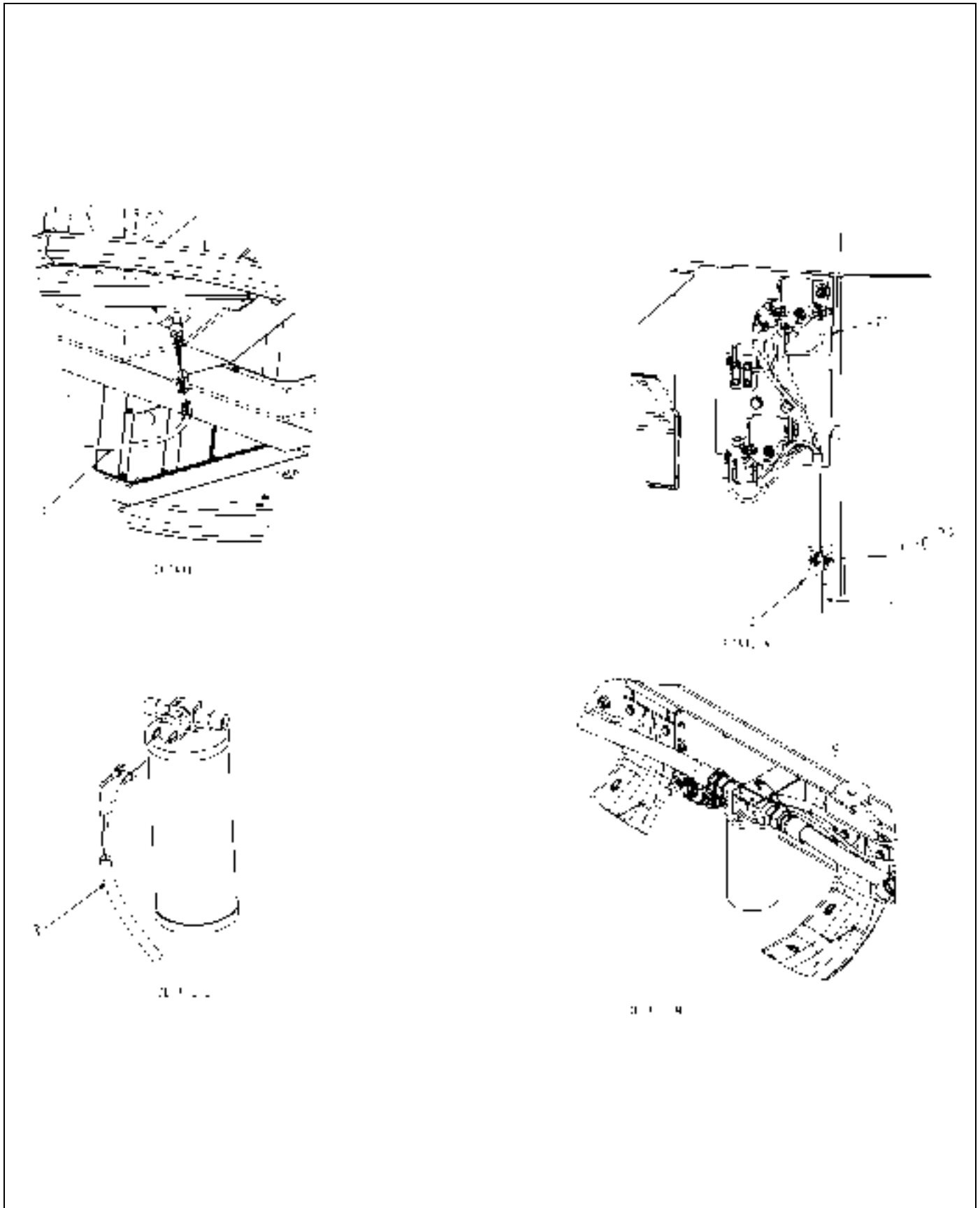
ITEM	PART #	QTY	DESCRIPTION	COMMENTS
3	524622D1	1	HARNESS-CHASSIS, ENG TRANS, EUR	
4	AG518989	AR	SEALANT NONCORROSIVE 10.3 OZ	
9	512671D1	1	HARNESS-I/O, TRACK ADJUST, TLLT	[A]
21	AG553557	AR	TIE CABLE 7.37 .06-1.37 BLACK	
22	513772D1	-	ENGINE-PERKINS 1106D, 174HP T3	
23	AG136436	-	TRANS-POWERSHIFT, 6SP 1.94TC	SEE PAGE 2-1
35	AG562064	2	BOLT 0.25-20NCX 1.00 SS HHD	
35	AG131763	-	SWITCH-TEMP, 120DC, -6 O-RING	
	FOOTNOTE [A]		1ST USED ON S/N 7650VNS8P1011	



523979D1-03-T499-02.TIF

HARNESS INSTALL, CHASSIS, 7X60, 2009

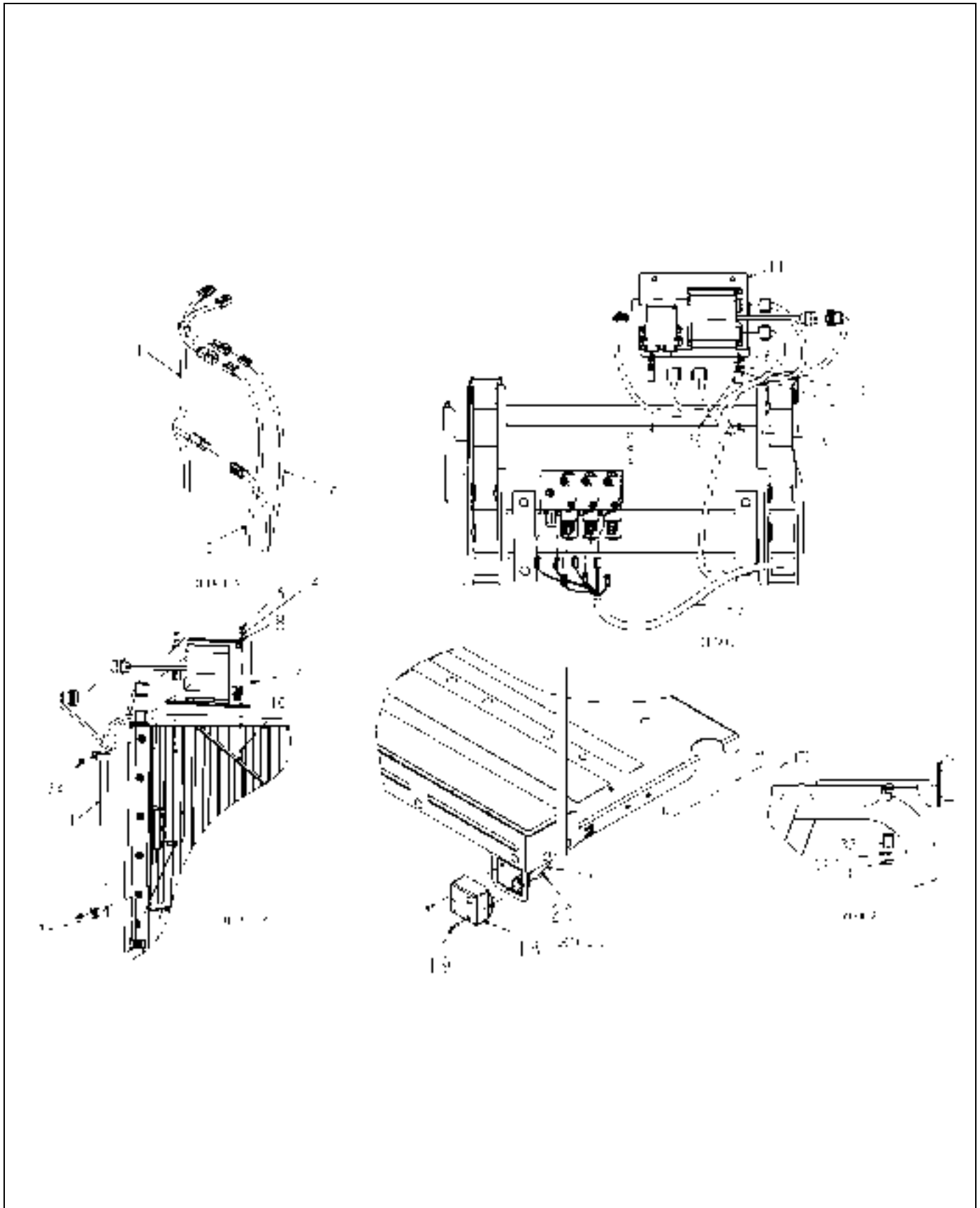
ITEM	PART #	QTY	DESCRIPTION	COMMENTS
1	512672D1	1	HARNESS-I/O, LIGHTS,FRONT,EURO	
2	WR126891	1	HARNESS-LGIHTS,ROAD,WL	
3	524622D1	1	HARNESS-CHASSIS, ENG TRANS,EUR	
5	AG561489	2	CLAMP 0.75 COATED HOSE	
6	AG522242	2	WASHER-LK,M6,SS	
7	AG521728	3	BOLT-M6-1.0X16,,SS,HHD	
24	AG421135	-	HEADLIGHT-HALOGEN,WRAPPING,LH	SEE PAGE 10-12
25	AG421136	-	HEADLIGHT-HALOGEN,WRAPPING,RH	SEE PAGE 10-13
26	AG122986	-	FUEL SENDER-TUBE TYPE	
27	505565D1	-	TCU-TURNER,SPRA-COUCPE	



523979D1-03-T499-03.TIF

HARNESS INSTALL, CHASSIS, 7X60, 2009

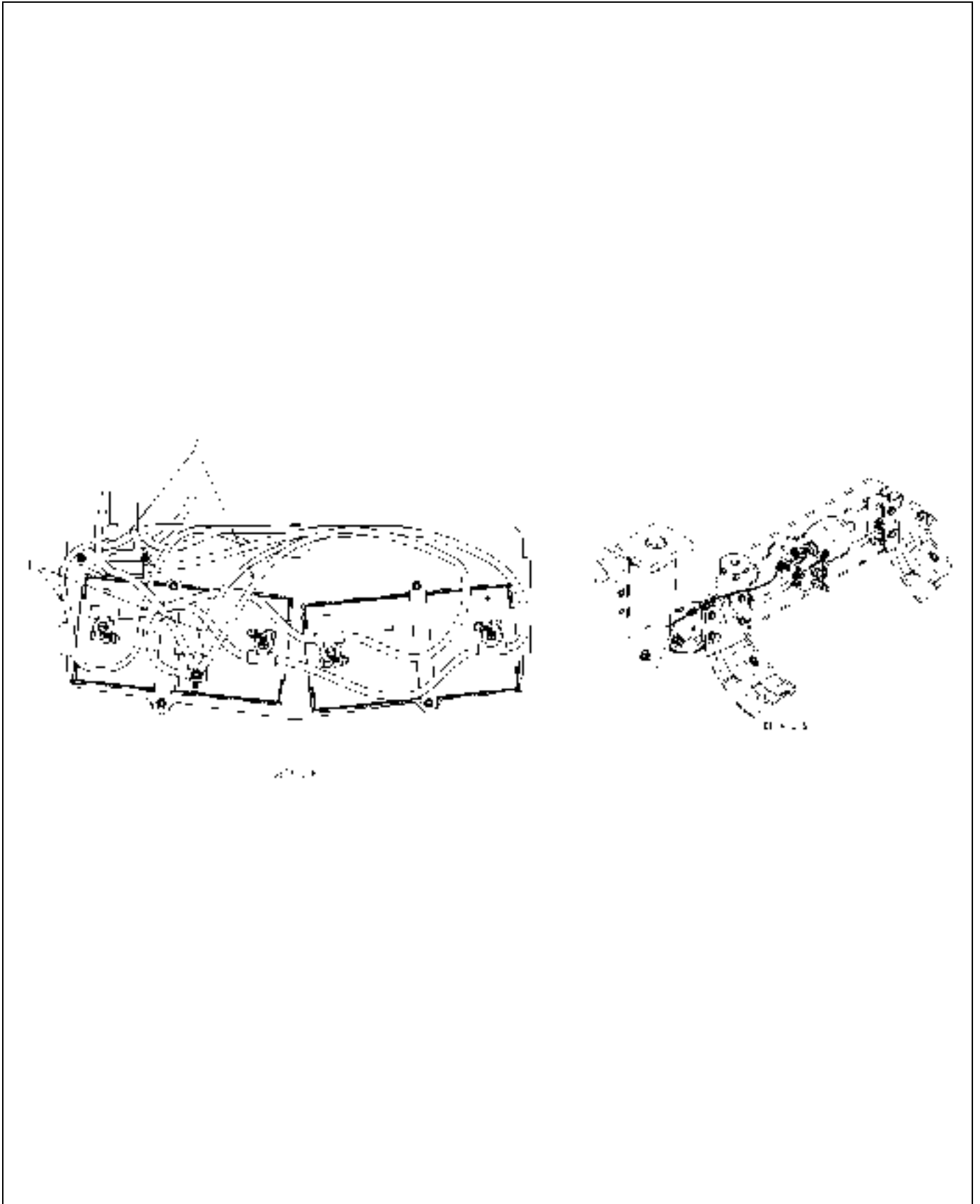
ITEM	PART #	QTY	DESCRIPTION	COMMENTS
3	524622D1	1	HARNESS-CHASSIS, ENG TRANS, EUR	
7	AG521728	3	BOLT-M6-1.0X16,,SS,HHD	
9	512671D1	1	HARNESS-I/O, TRACK ADJUST, TLLT	[A]
13	WR129305	1	CABLE-GND, CAB	
28	513764D1	-	ASM-MAG SW.BREAKER, 80 AMP	SEE PAGE 8-48
29	AG521359	1	CLAMP-HOSE, COATED, .687 IDX.50	
30	AG562792	1	WASHER LOCK M6 SPRING ZN	
	FOOTNOTE [A]		1ST USED ON S/N 7650VNS8P1011	



523979D1-03-T499-04.TIF

HARNESS INSTALL, CHASSIS, 7X60, 2009

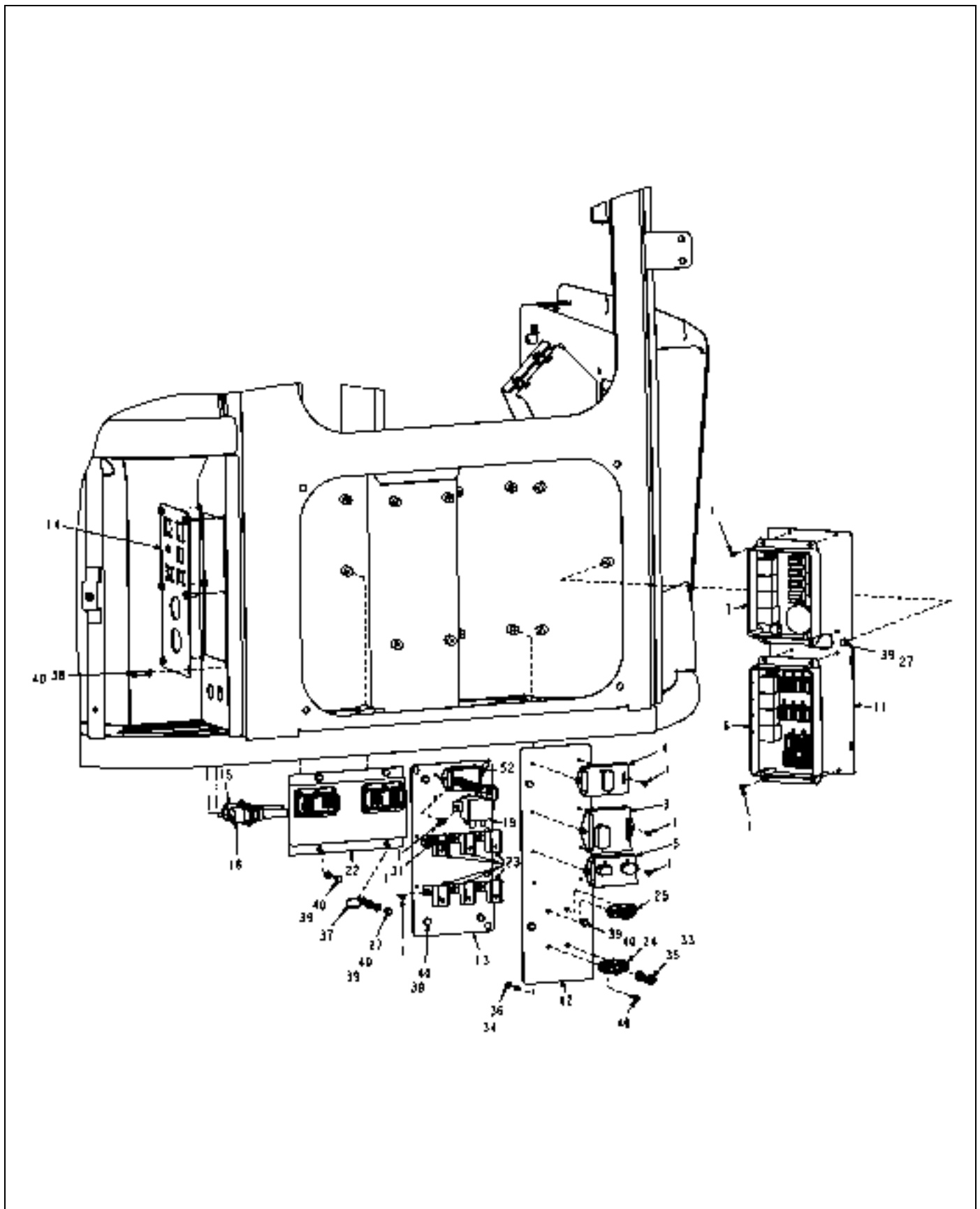
ITEM	PART #	QTY	DESCRIPTION	COMMENTS
1	512672D1	1	HARNESS-I/O, LIGHTS,FRONT,EURO	
3	524622D1	1	HARNESS-CHASSIS, ENG TRANS,EUR	
8	AG515121	4	WASHER 0.25 FL SS REG TYPE-B	
9	512671D1	1	HARNESS-I/O,TRACK ADJUST,TLT	[A]
10	AG127321	-	HARNESS-PUMP/RADAR/FOAM MRKR	
11	WR132177	1	ASM-I/O,HIGH CURRENT,REAR	SEE PAGE 8-51
12	WR132176	1	ASM-I/O,HIGH CURRENT	SEE PAGE 8-49
14	AG515122	4	WASHER 0.25 LK SS REG	
15	AG515123	4	NUT .25-20NC HEX SS REG	
16	AG562054	2	BOLT 0.25-20NCX 0.75 SS HHD	
17	AG010359	2	CLAMP LOOM 1.25 PER DWG	
18	AG121751	1	MODULE-REMOTE THROTTLE	
19	AG562067	2	SCREW 8-32X 0.75 MA SS SL RHD	
20	AG563176	2	NUT #8-32NC HEX SS REG NY	
31	AG522562	1	NUT-.38-16,SS,SFLG,H	
32	AG562050	1	WASHER 0.37 LK SS REG	
33	AG561793	1	CLAMP-HOSE,2,.75 WIDE,RUB-COAT	
34	AG601888	2	NUT 0.31-18NC HEX ZN REG NY	
36	AG554898	2	CLAMP 1.12-COATED HOSE	
	FOOTNOTE [A]		1ST USED ON S/N 7650VNS8P1011	



523979D1-03-T499-05.TIF

HARNESS INSTALL, CHASSIS, 7X60, 2009

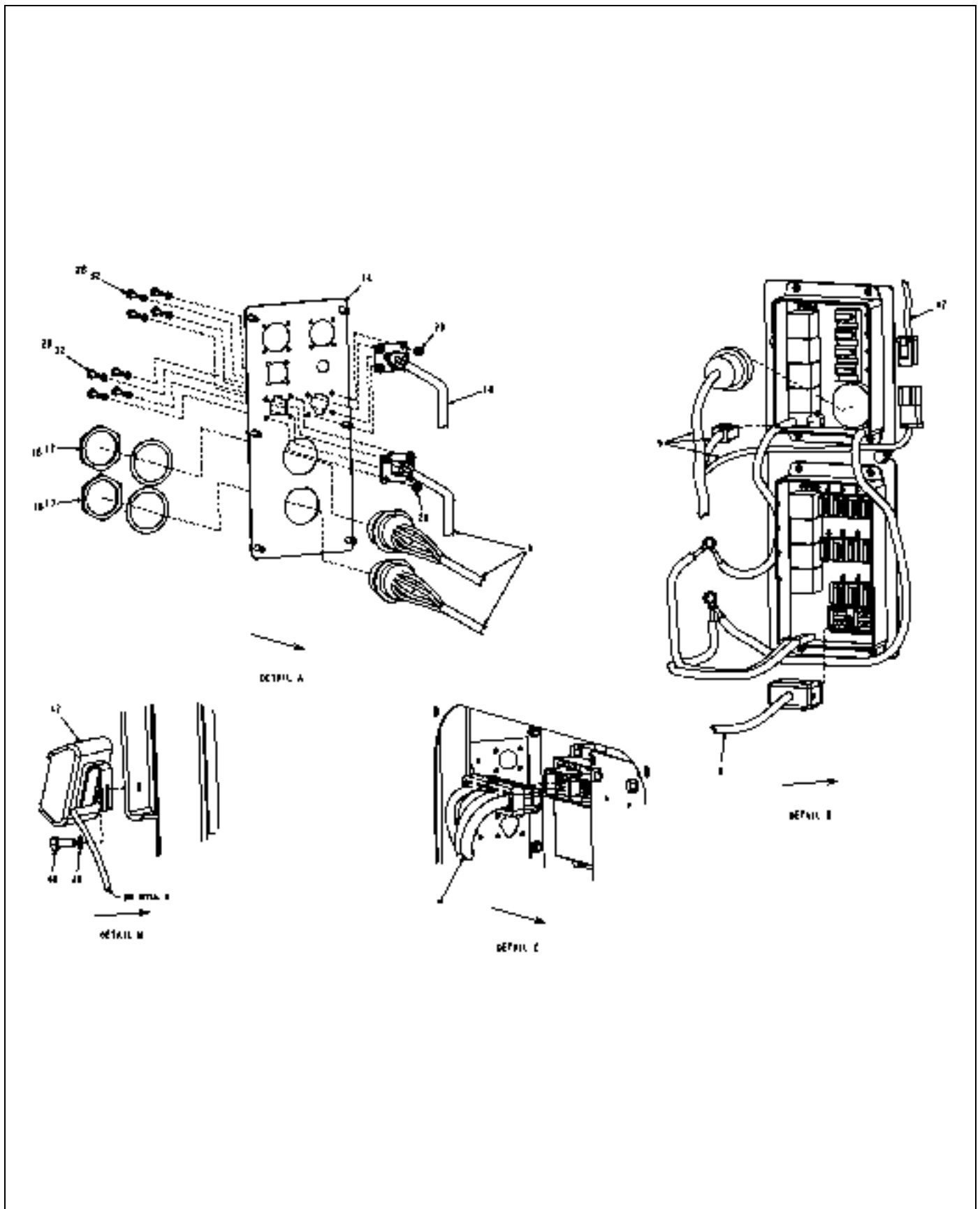
ITEM	PART #	QTY	DESCRIPTION	COMMENTS
1	512672D1	1	HARNESS-I/O, LIGHTS,FRONT,EURO	
3	524622D1	1	HARNESS-CHASSIS, ENG TRANS,EUR	



517972D1-02-R703-01.TIF

ELEC INSTALL-CAB, 7X60

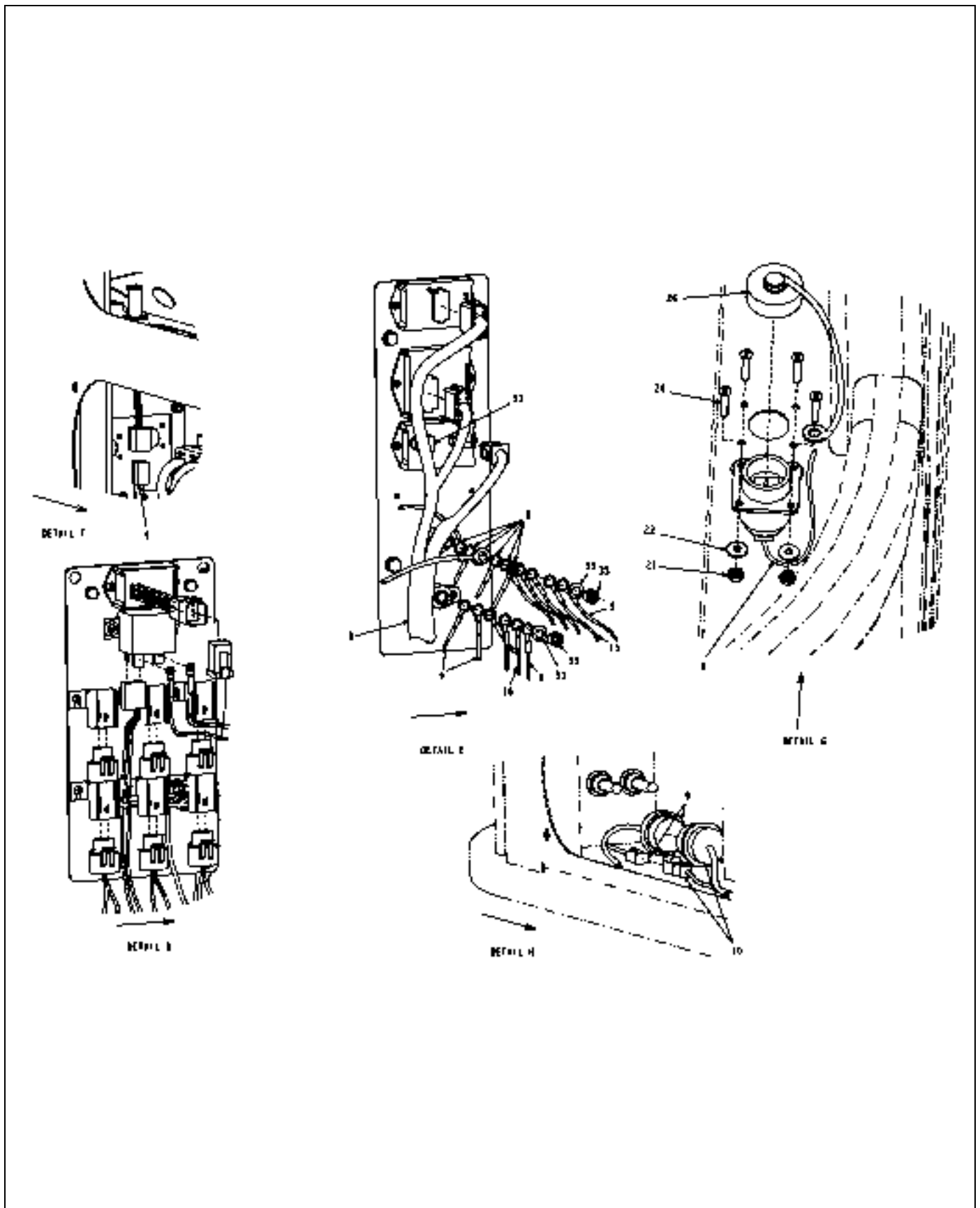
ITEM	PART #	QTY	DESCRIPTION	COMMENTS
1	AG029293	27	SCREW 10-24X0.50 TAP IWHHH	
2	515100D1	1	INSTL-MASTER MODULE,AED	SEE PAGE 8-28
3	AG121748	1	MODULE-FLASHER,DUAL RATE	
4	AG121749	1	MODULE-RELAY,4 PACK,NO	[A]
5	AG121750	1	MODULE-RELAY,2 PACK	
6	AG124451	1	MODULE-POWER DIST,11 FUSE	SEE PAGE 8-77
7	AG124452	1	MODULE-POWER DIST,HI CURRENT	SEE PAGE 8-78
11	WR126905	1	PLATE-PDM,MINI CAB	
12	WR126906	1	PLATE-RELAY,MINI CAB	
13	513766D1	1	PLATE-AUX,MINI CAB	
14	517403D1	1	PLATE-BULKHEAD	
15	WR133978	1	CABLE-PWR STUD,CAB BLKHD	
16	WR133979	1	CABLE-GND STUD,CAB BLKHD	
19	AG516864	1	RELAY-ELEC,12VDC,75AMP	
22	AG517158	4	WASHER #6 FL ZN REG TYPE-B	
23	AG520052	6	CAP METRI PACK 630 P2S 2-WAY	
24	AG520092	1	JUNCTION BLOCK-STUD TYPE,BLK	
25	AG520093	1	JUNCTION BLOCK-STUD TYPE,RED	
27	AG520879	2	WASHER-FLAT,M6,ZN,REG	
30	AG553557	-	TIE CABLE 7.37 .06-1.37 BLACK	
31	AG553670	2	WASHER #10 FL ZN REG TYPE-B	
33	AG562050	2	WASHER 0.37 LK SS REG	
34	AG562061	4	NUT #10-24NC HEX SS REG	
35	AG562065	2	NUT 0.37-16NC HEX SS REG	
36	AG562081	4	WASHER #10 LK SS REG	
37	AG562238	1	CLAMP CTD 1.50IDX 0.75WIDE	
38	AG562327	6	BOLT M6-1.00X20MM G8.8 ZN HHD	
39	AG562639	15	BOLT M6 1.00X12MM G8.8 ZN HHD	
40	AG562792	20	WASHER LOCK M6 SPRING ZN	
41	AG562925	1	FUSE BLADE 30A ATC	
42	AG562929	1	FUSE 20A BLADE ATC	
43	AG562930	5	FUSE 15A BLADE ATC	
44	AG562931	5	FUSE 10A BLADE ATC	
45	AG562933	2	FUSE 5A BLADE ATC	
46	AG563094	4	SCREW 10-24X0.75 PH PHS SS	
50	AG562928	2	FUSE 25A BLADE ATC	
51	508170D1	1	ELEC INSTL-JUMPER,STD HVAC	SEE PAGE 8-29
52	513016D1	1	MODULE-RELAY,3 SECOND DELAY	
	FOOTNOTE [A]		AG719617 - RELAYS (4)	



517972D1-02-R703-02.TIF

ELEC INSTALL-CAB, 7X60

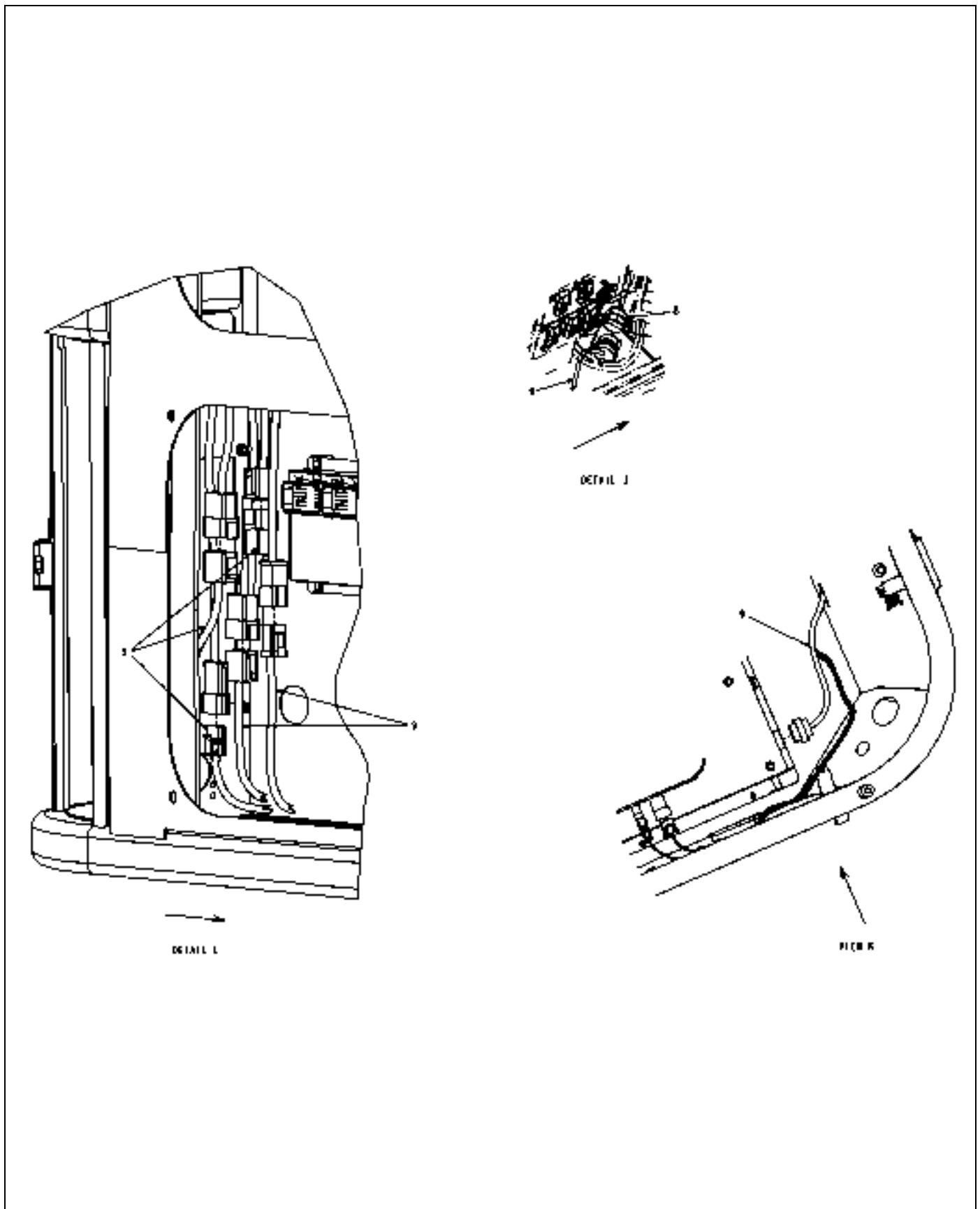
ITEM	PART #	QTY	DESCRIPTION	COMMENTS
9	513775D1	1	HARNES-ADAPTER,7X60	
10	515523D1	1	HARNES-MASTER MODULE	
14	517403D1	1	PLATE-BULKHEAD	
17	AG515697	2	NUT PANEL ELEC CONNECTOR	
18	AG515698	2	WASHER LOCK ELEC CONNECTOR	
28	AG550914	8	WASHER #8 LK ZN REG	
29	AG550922	8	NUT #8-32NC HEX ZN REG	
32	AG560227	8	SCREW 8-32X 0.75 MA ZN SL PHD	
47	WR134754	1	MODULE-LCD,CAN	
48	WR522279	1	BOLT-M8-1.25X20,CL10.9,ZN,HHD	
49	AG561679	1	WASHER LOCK M8 ZN	



517972D1-02-R703-03.TIF

ELEC INSTALL-CAB, 7X60

ITEM	PART #	QTY	DESCRIPTION	COMMENTS
9	513775D1	1	HARNES-ADAPTER,7X60	
10	515523D1	1	HARNES-MASTER MODULE	
15	WR133978	1	CABLE-PWR STUD,CAB BLKHD	
16	WR133979	1	CABLE-GND STUD,CAB BLKHD	
20	AG517156	4	SCREW #6-32X.75 MA RDHD SLOZLN	
21	AG517157	4	NUT #6-32NC HEX ZN REG	
22	AG517158	4	WASHER #6 FL ZN REG TYPE-B	
26	AG520318	1	CAP-SEALING,SIZE 17	
33	AG562050	2	WASHER 0.37 LK SS REG	
35	AG562065	2	NUT 0.37-16NC HEX SS REG	
53	AG520746	1	CONN-PLUG,6 WAY,18-14 GA	

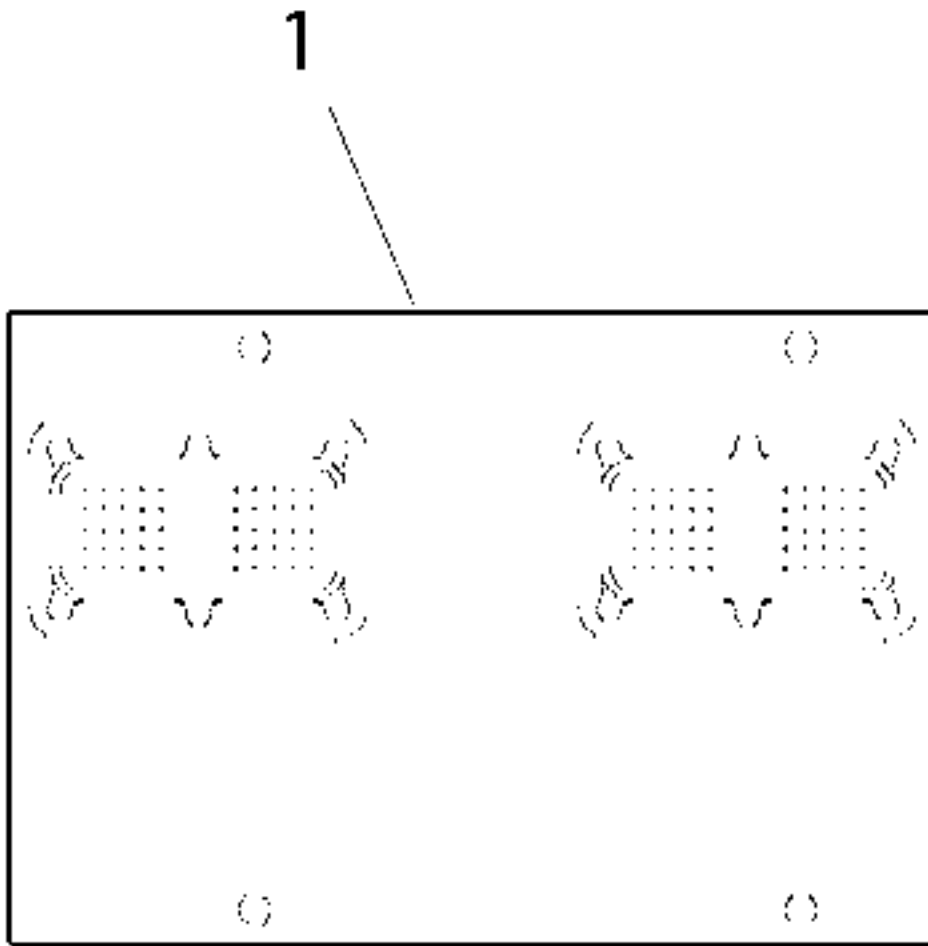


517972D1-02-R703-04.TIF

ELEC INSTALL-CAB, 7X60

ITEM	PART #	QTY	DESCRIPTION	COMMENTS
8	507952D1	-	HARNES-CONSOLE,CENTER	
9	513775D1	1	HARNES-ADAPTER,7X60	

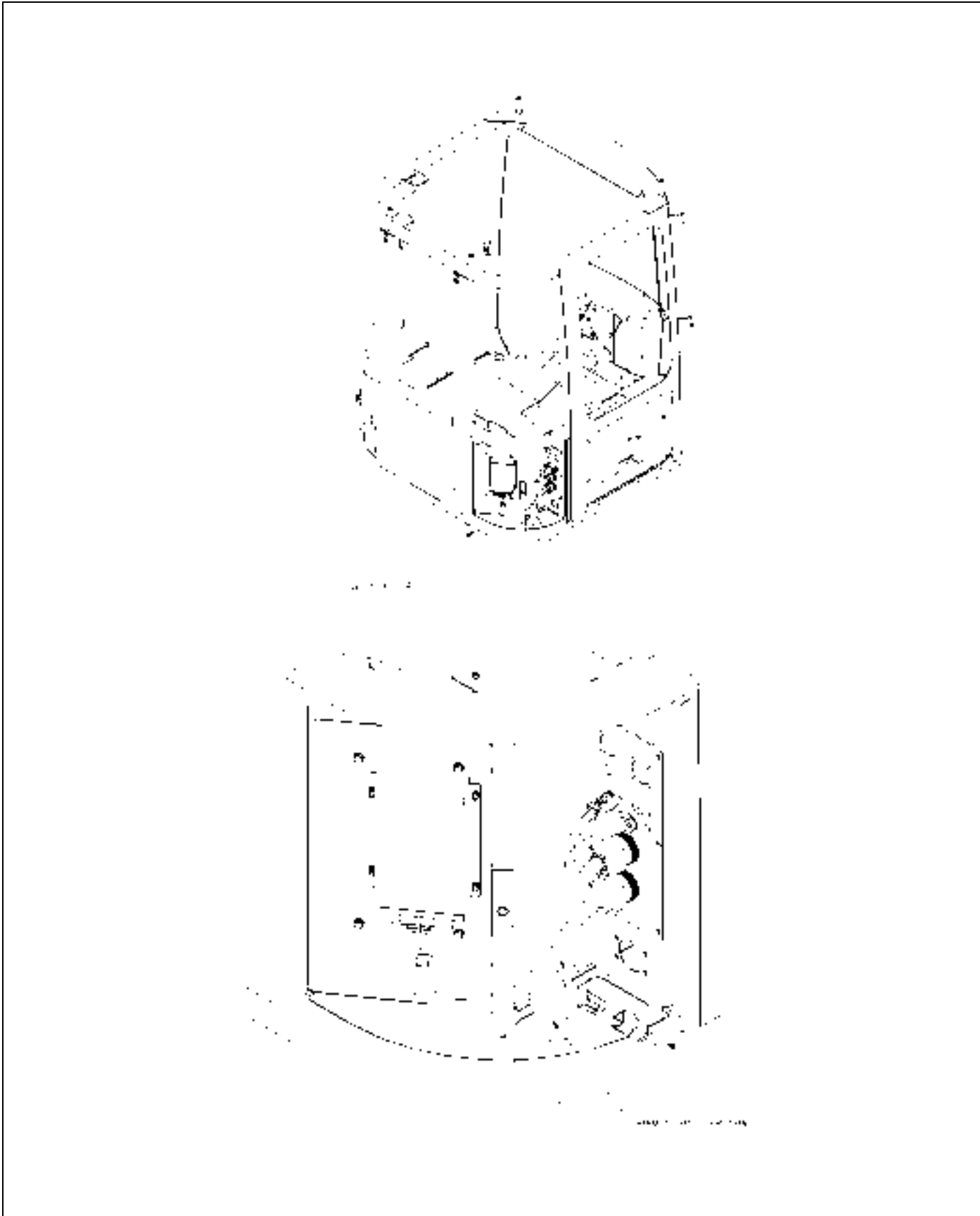
INSTALL-MASTER MODULE,AED



515100D1.TIF

INSTALL-MASTER MODULE,AED

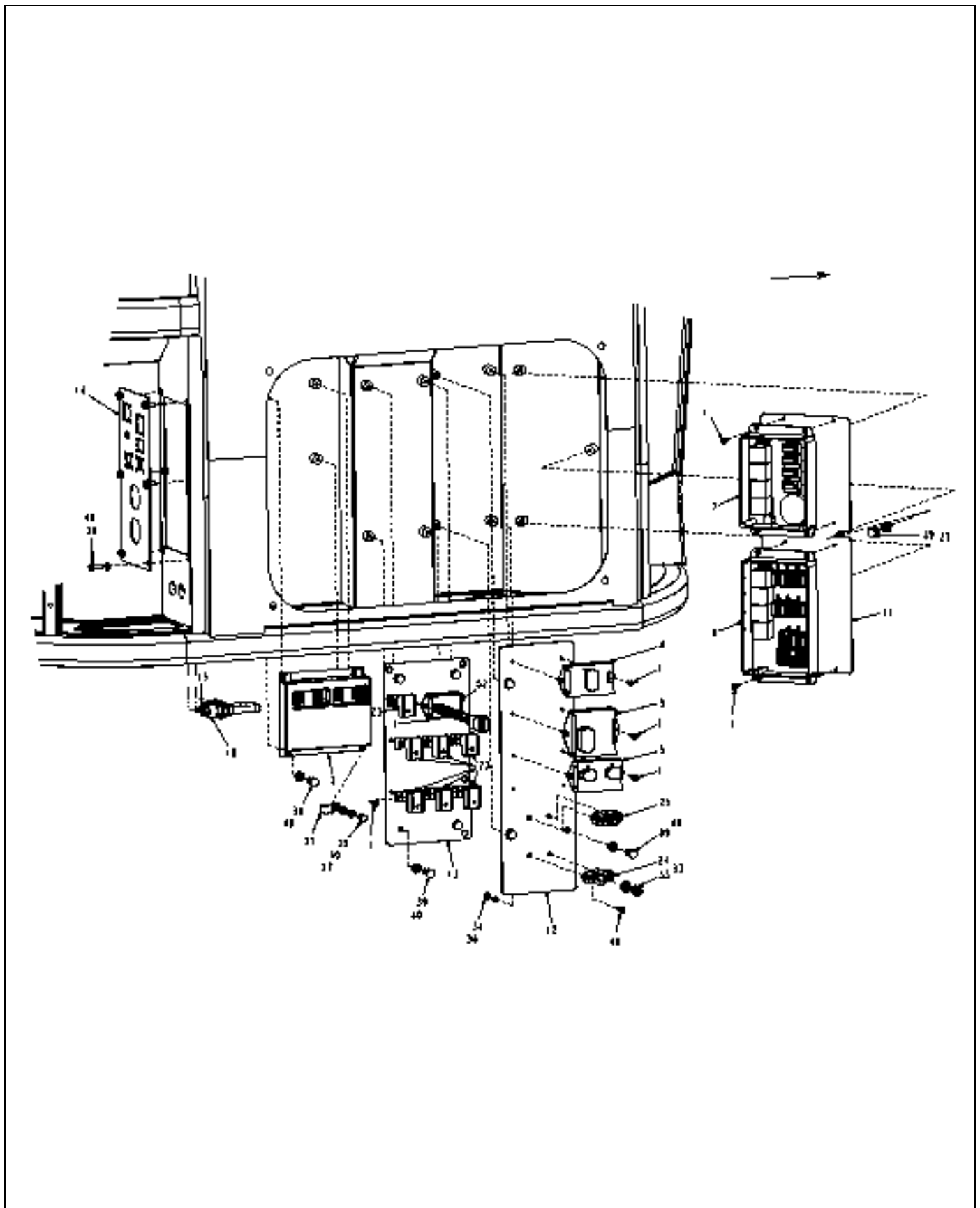
ITEM	PART #	QTY	DESCRIPTION	COMMENTS
1	527134D1	1	MODULE-MASTER,CAN,VER 2.2,DMR	



508170D1-01-K960-.TIF

ELEC INSTALL-JUMPER,STD HVAC

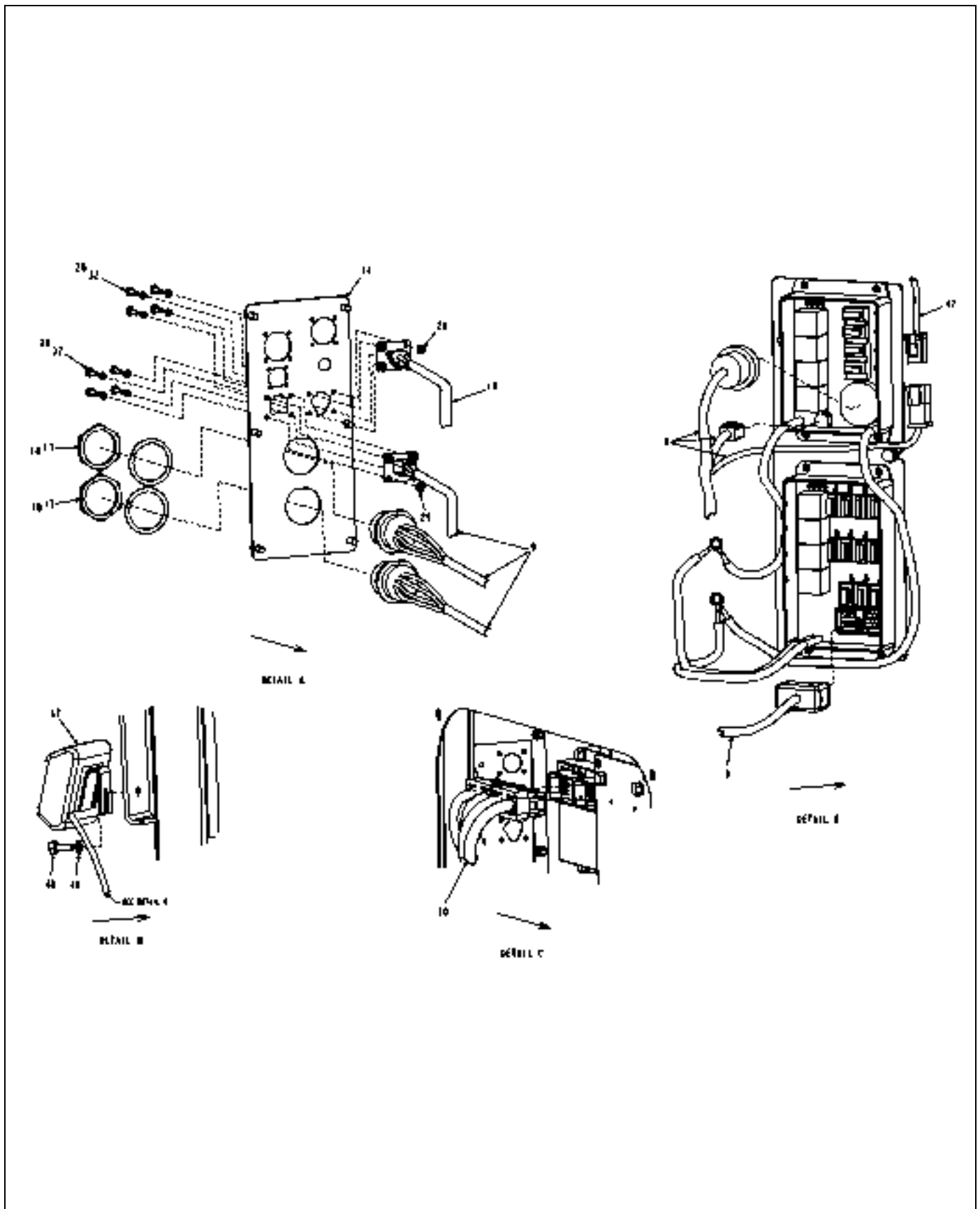
ITEM	PART #	QTY	DESCRIPTION	COMMENTS
1	507951D1	1	HARNES-JUMPER,HVAC,STD	



517974D1-02-R694-01.TIF

ELEC INSTALL-CAB, ATC, 7X60

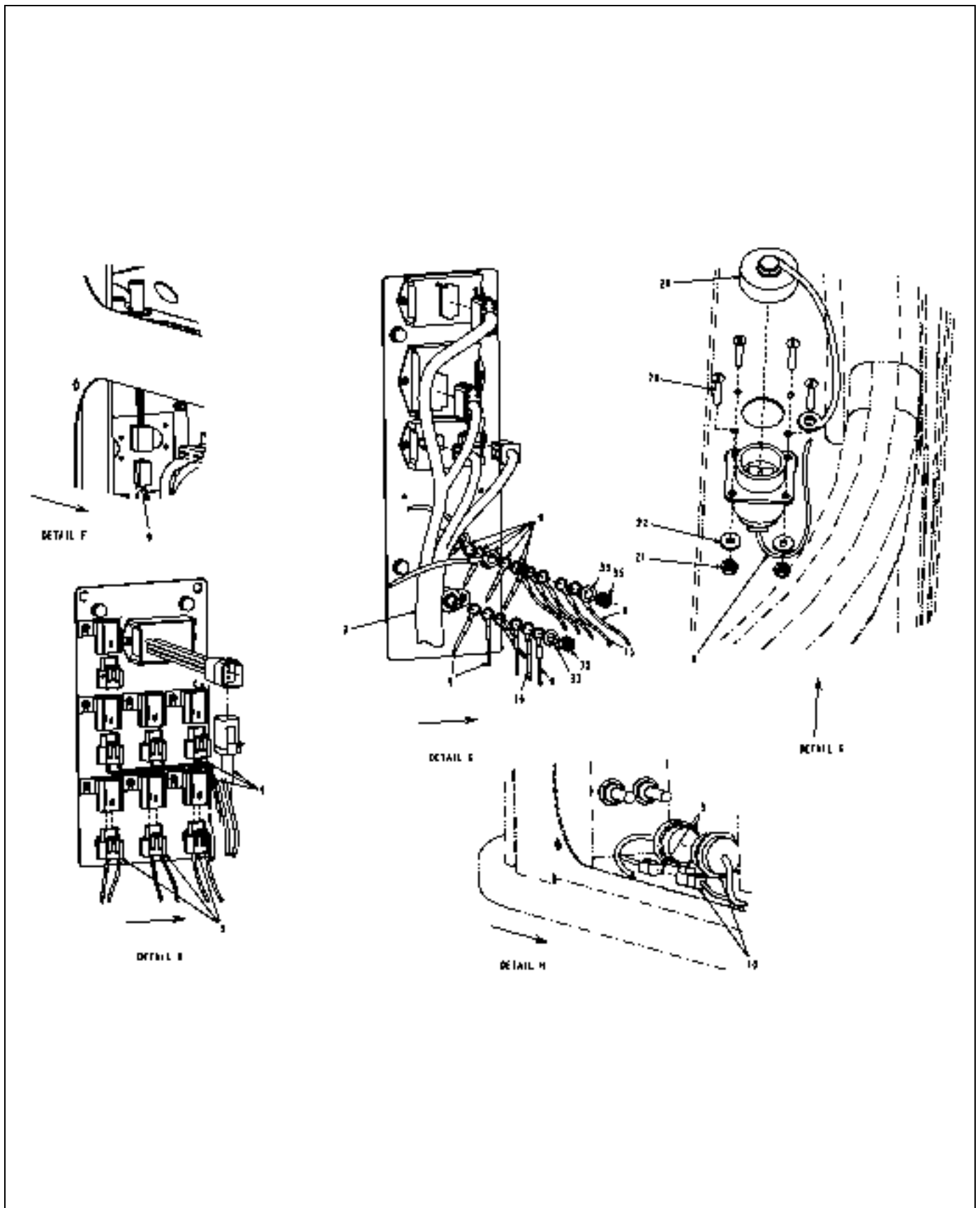
ITEM	PART #	QTY	DESCRIPTION	COMMENTS
1	AG029293	23	SCREW 10-24X0.50 TAP IWHHH	
2	515100D1	1	INSTL-MASTER MODULE,AED	SEE PAGE 8-28
3	AG121748	1	MODULE-FLASHER,DUAL RATE	
4	AG121749	1	MODULE-RELAY,4 PACK,NO	[A]
5	AG121750	1	MODULE-RELAY,2 PACK	
6	AG124451	1	MODULE-POWER DIST,11 FUSE	SEE PAGE 8-77
7	AG124452	1	MODULE-POWER DIST,HI CURRENT	SEE PAGE 8-78
11	WR126905	1	PLATE-PDM,MINI CAB	
12	WR126906	1	PLATE-RELAY,MINI CAB	
13	515778D1	1	PLATE-AUX,MINI CAB,ATC	
14	517403D1	1	PLATE-BULKHEAD	
15	WR133978	1	CABLE-PWR STUD,CAB BLKHD	
16	WR133979	1	CABLE-GND STUD,CAB BLKHD	
19	AG515669	6	PLUG-SEAL,SIZE 16 CONTACT	
23	AG520052	7	CAP METRI PACK 630 P2S 2-WAY	
24	AG520092	1	JUNCTION BLOCK-STUD TYPE,BLK	
25	AG520093	1	JUNCTION BLOCK-STUD TYPE,RED	
27	AG520879	2	WASHER-FLAT,M6,ZN,REG	
30	AG553557	AR	TIE CABLE 7.37 .06-1.37 BLACK	
33	AG562050	2	WASHER 0.37 LK SS REG	
34	AG562061	4	NUT #10-24NC HEX SS REG	
35	AG562065	2	NUT 0.37-16NC HEX SS REG	
36	AG562081	4	WASHER #10 LK SS REG	
37	AG562238	1	CLAMP CTD 1.50IDX 0.75WIDE	
38	AG562327	6	BOLT M6-1.00X20MM G8.8 ZN HHD	
39	AG562639	15	BOLT M6 1.00X12MM G8.8 ZN HHD	
40	AG562792	20	WASHER LOCK M6 SPRING ZN	
41	AG562925	1	FUSE BLADE 30A ATC	
42	AG562929	1	FUSE 20A BLADE ATC	
43	AG562930	5	FUSE 15A BLADE ATC	
44	AG562931	5	FUSE 10A BLADE ATC	
45	AG562933	2	FUSE 5A BLADE ATC	
46	AG563094	4	SCREW 10-24X0.75 PH PHS SS	
50	AG562928	2	FUSE 25A BLADE ATC	
51	508171D1	1	ELEC INSTL-JUMPER,ATC HVAC	SEE PAGE 8-34
52	513016D1	1	MODULE-RELAY,3 SECOND DELAY	
	FOOTNOTE [A]		AG719617 - RELAYS (4)	



517974D1-02-R694-02.TIF

ELEC INSTALL-CAB, ATC, 7X60

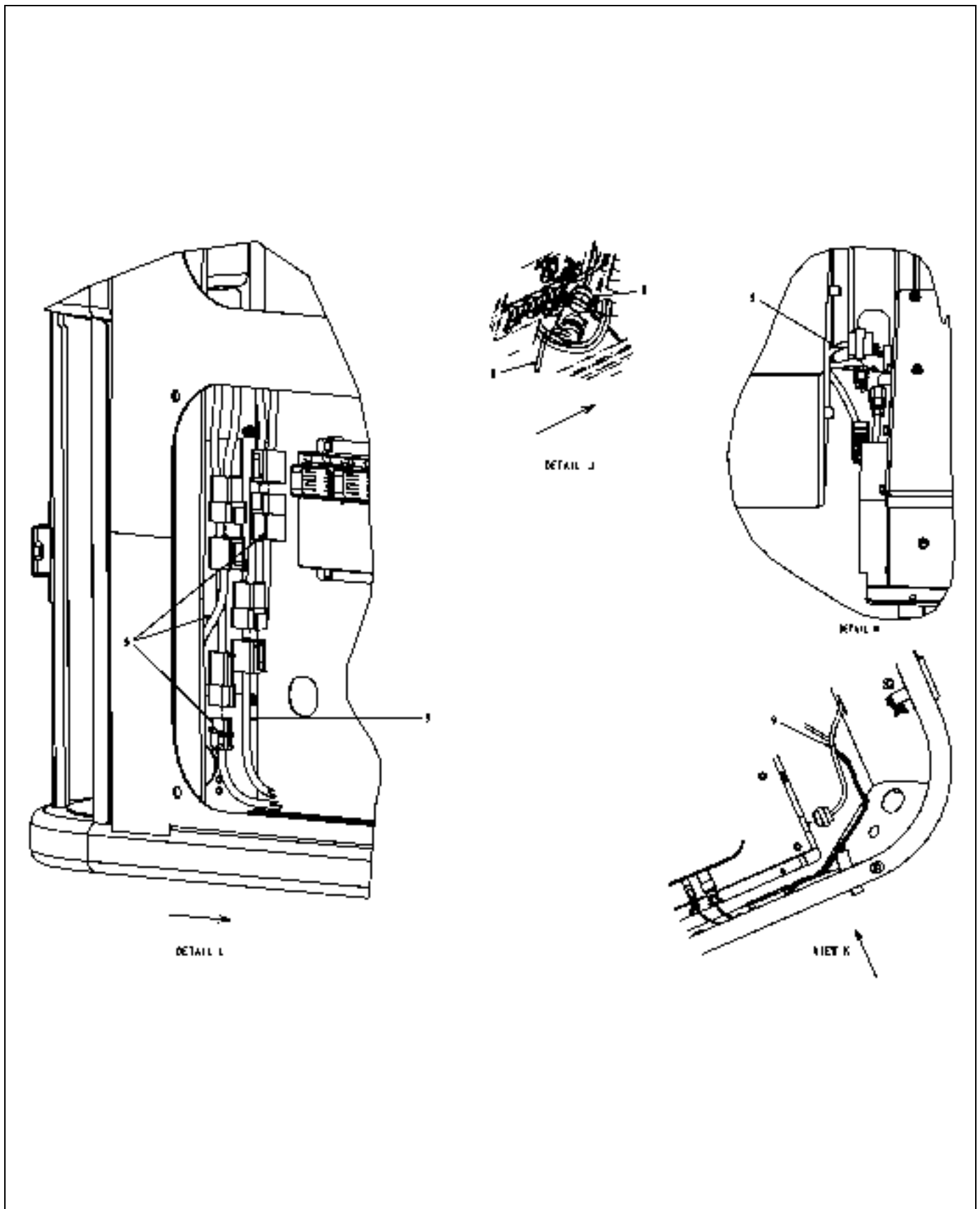
ITEM	PART #	QTY	DESCRIPTION	COMMENTS
9	513765D1	1	HARNES-ADAPTER,ATC,7X60	
10	515523D1	1	HARNES-MASTER MODULE	
14	517403D1	1	PLATE-BULKHEAD	
17	AG515697	2	NUT PANEL ELEC CONNECTOR	
18	AG515698	2	WASHER LOCK ELEC CONNECTOR	
28	AG550914	8	WASHER #8 LK ZN REG	
29	AG550922	8	NUT #8-32NC HEX ZN REG	
32	AG560227	8	SCREW 8-32X 0.75 MA ZN SL PHD	
47	WR134754	1	MODULE-LCD,CAN	
48	WR522279	1	BOLT-M8-1.25X20,CL10.9,ZN,HHD	
49	AG561679	1	WASHER LOCK M8 ZN	



517974D1-02-R694-03.TIF

ELEC INSTALL-CAB, ATC, 7X60

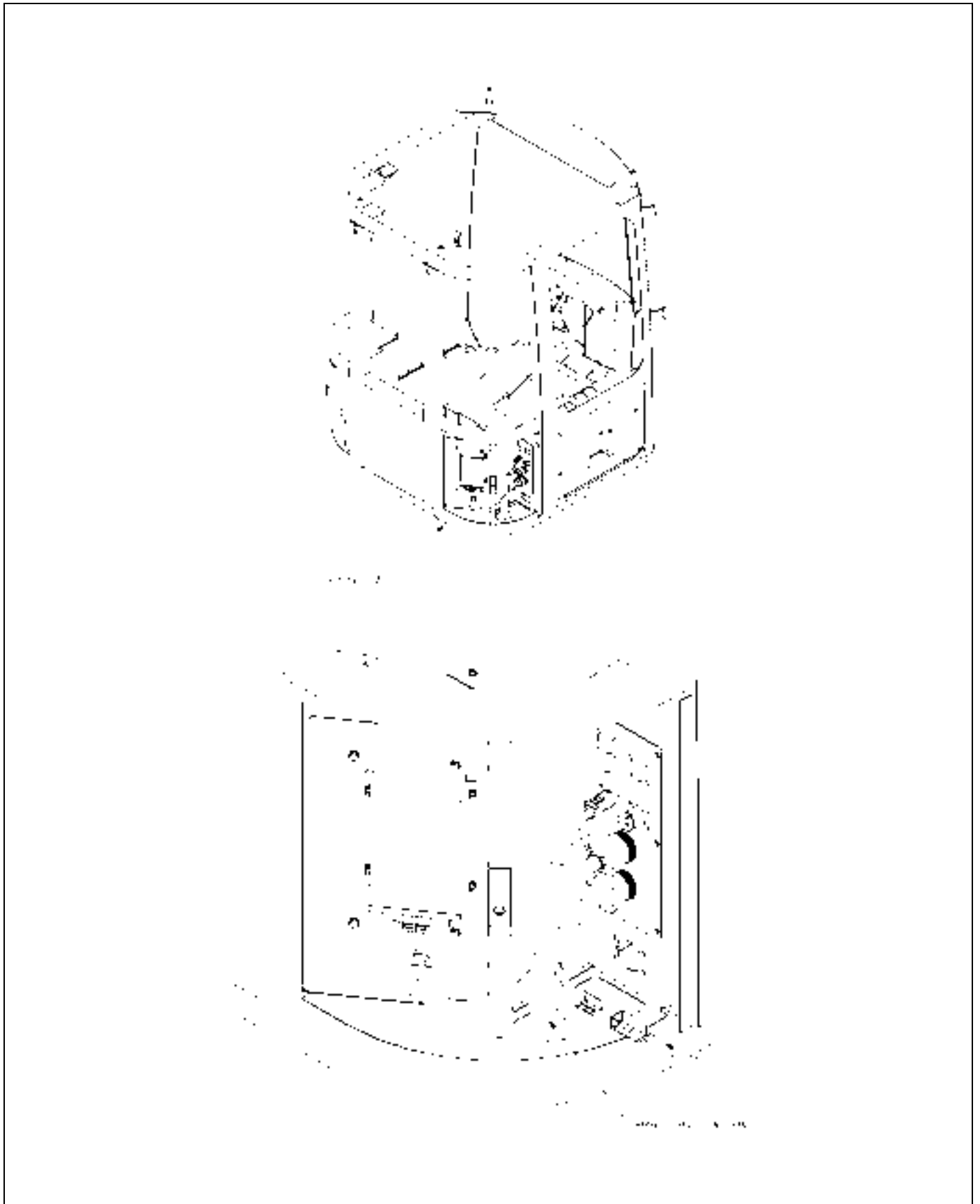
ITEM	PART #	QTY	DESCRIPTION	COMMENTS
1	AG029293	23	SCREW 10-24X0.50 TAP IWHTD	
9	513765D1	1	HARNESS-ADAPTER,ATC,7X60	
10	515523D1	1	HARNESS-MASTER MODULE	
15	WR133978	1	CABLE-PWR STUD,CAB BLKHD	
16	WR133979	1	CABLE-GND STUD,CAB BLKHD	
20	AG517156	4	SCREW #6-32X.75 MA RDHD SLOTZN	
21	AG517157	4	NUT #6-32NC HEX ZN REG	
22	AG517158	4	WASHER #6 FL ZN REG TYPE-B	
26	AG520318	1	CAP-SEALING,SIZE 17	
33	AG562050	2	WASHER 0.37 LK SS REG	
35	AG562065	2	NUT 0.37-16NC HEX SS REG	



517974D1-02-R694-04.TIF

ELEC INSTALL-CAB, ATC, 7X60

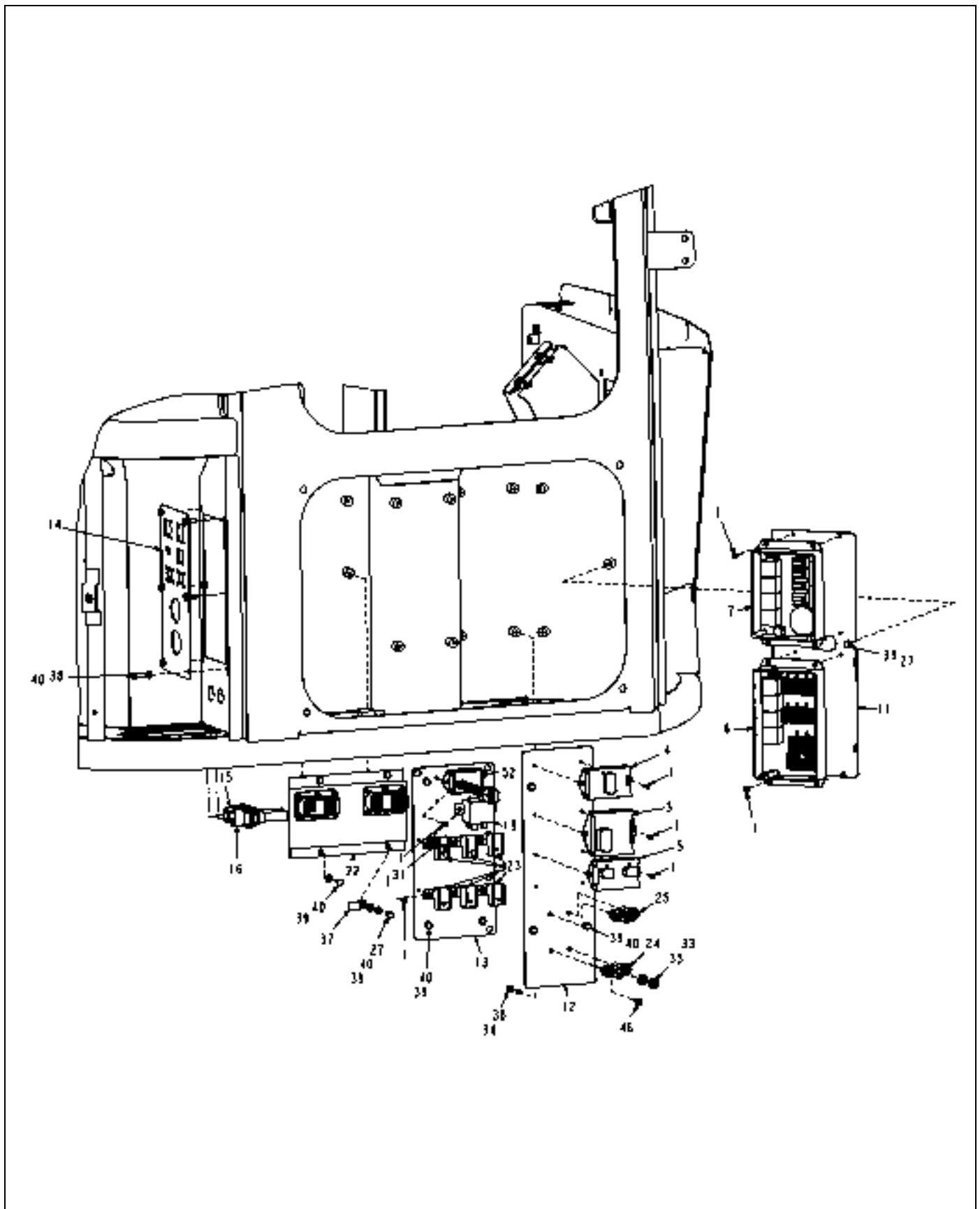
ITEM	PART #	QTY	DESCRIPTION	COMMENTS
8	507952D1	-	HARNES-CONSOLE,CENTER	
9	513765D1	1	HARNES-ADAPTER,ATC,7X60	



508171D1-01-K960-.TIF

ELEC INSTALL-JUMPER,ATC HVAC

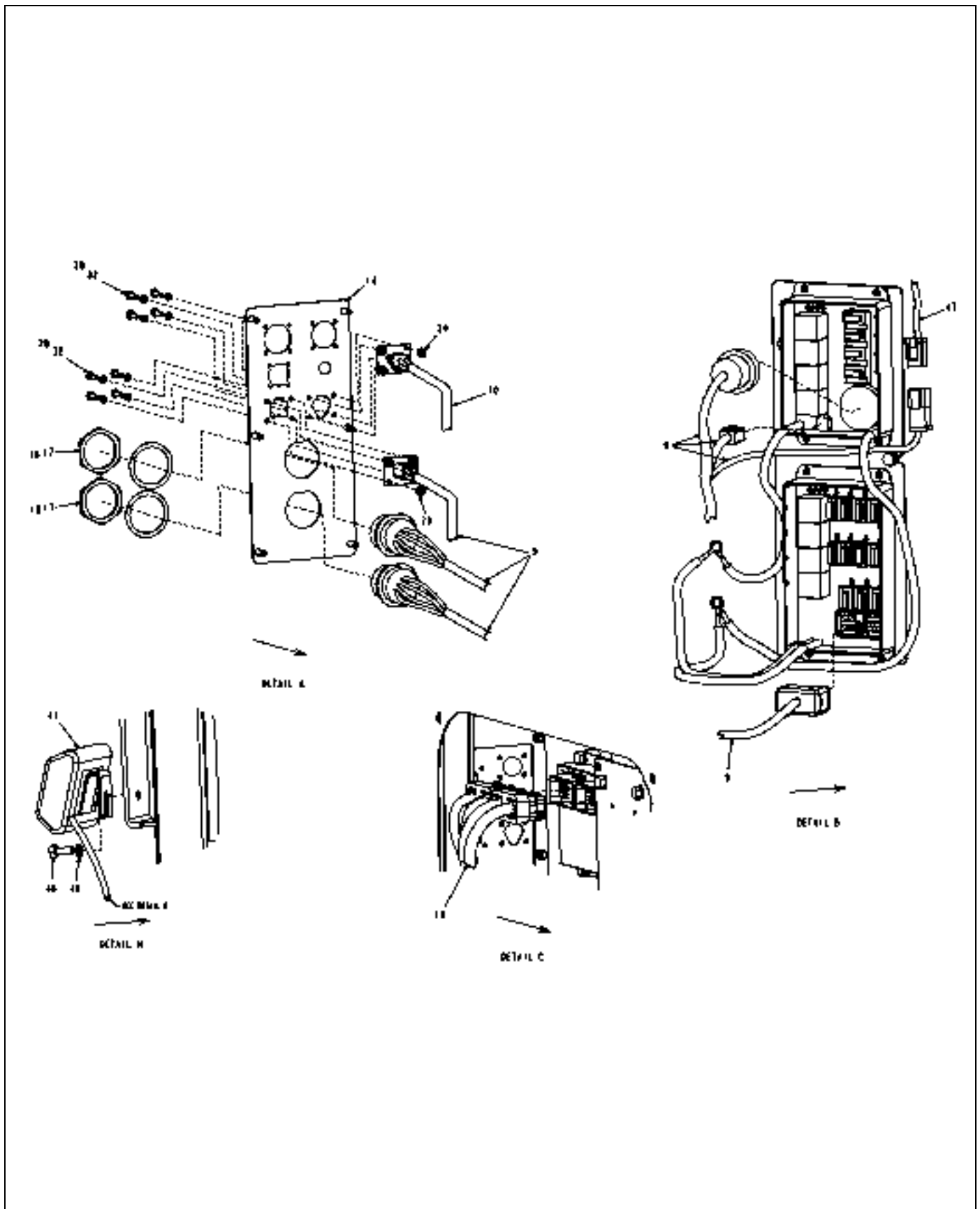
ITEM	PART #	QTY	DESCRIPTION	COMMENTS
1	507955D1	1	HARNES-JUMPER,HVAC,ATC	



517973D1-02-R703-01.TIF

ELEC INSTALL-CAB, 7X60,EURO

ITEM	PART #	QTY	DESCRIPTION	COMMENTS
1	AG029293	24	SCREW 10-24X0.50 TAP IWHHH	
2	515100D1	1	INSTL-MASTER MODULE,AED	SEE PAGE 8-28
3	AG129242	1	MODULE-FLASHER,EURO	
4	AG121749	1	MODULE-RELAY,4 PACK,NO	[A]
5	AG121750	1	MODULE-RELAY,2 PACK	
6	AG124451	1	MODULE-POWER DIST,11 FUSE	SEE PAGE 8-77
7	AG124452	1	MODULE-POWER DIST,HI CURRENT	SEE PAGE 8-78
11	WR126905	1	PLATE-PDM,MINI CAB	
12	WR126906	1	PLATE-RELAY,MINI CAB	
13	513766D1	1	PLATE-AUX,MINI CAB	
14	517403D1	1	PLATE-BULKHEAD	
15	WR133978	1	CABLE-PWR STUD,CAB BLKHD	
16	WR133979	1	CABLE-GND STUD,CAB BLKHD	
19	AG516864	1	RELAY-ELEC,12VDC,75AMP	
22	AG517158	4	WASHER #6 FL ZN REG TYPE-B	
23	AG520052	6	CAP METRI PACK 630 P2S 2-WAY	
24	AG520092	1	JUNCTION BLOCK-STUD TYPE,BLK	
25	AG520093	1	JUNCTION BLOCK-STUD TYPE,RED	
27	AG520879	2	WASHER-FLAT,M6,ZN,REG	
30	AG553557	AR	TIE CABLE 7.37 .06-1.37 BLACK	
31	AG553670	2	WASHER #10 FL ZN REG TYPE-B	
33	AG562050	2	WASHER 0.37 LK SS REG	
34	AG562061	4	NUT #10-24NC HEX SS REG	
35	AG562065	2	NUT 0.37-16NC HEX SS REG	
36	AG562081	4	WASHER #10 LK SS REG	
37	AG562238	1	CLAMP CTD 1.50IDX 0.75WIDE	
38	AG562327	6	BOLT M6-1.00X20MM G8.8 ZN HHD	
39	AG562639	15	BOLT M6 1.00X12MM G8.8 ZN HHD	
40	AG562792	20	WASHER LOCK M6 SPRING ZN	
41	AG562925	1	FUSE BLADE 30A ATC	
42	AG562929	1	FUSE 20A BLADE ATC	
43	AG562930	5	FUSE 15A BLADE ATC	
44	AG562931	5	FUSE 10A BLADE ATC	
45	AG562933	2	FUSE 5A BLADE ATC	
46	AG563094	4	SCREW 10-24X0.75 PH PHS SS	
50	AG562928	2	FUSE 25A BLADE ATC	
51	508170D1	1	ELEC INSTL-JUMPER,STD HVAC	SEE PAGE 8-29
52	513016D1	1	MODULE-RELAY,3 SECOND DELAY	
	FOOTNOTE [A]		AG719617 - RELAYS (4)	



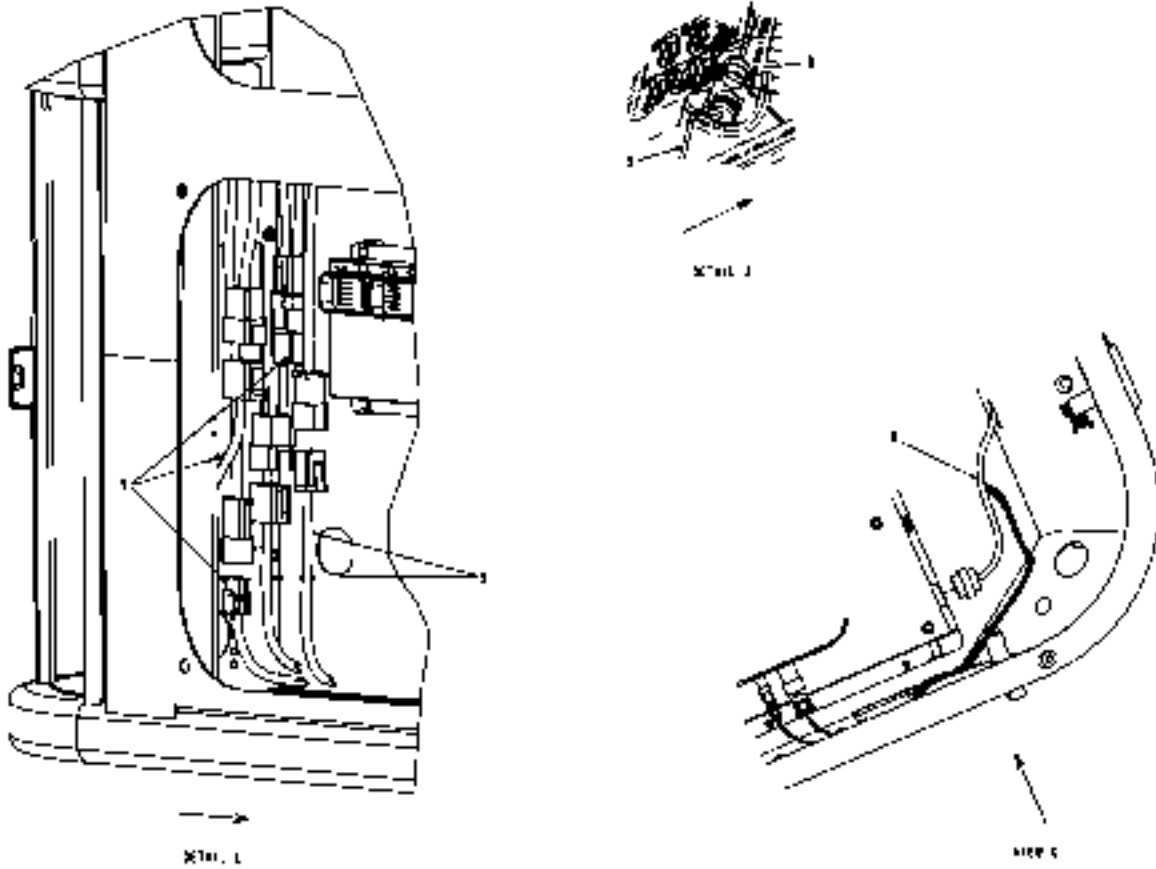
517973D1-02-R703-02.TIF

ELEC INSTALL-CAB, 7X60,EURO

ITEM	PART #	QTY	DESCRIPTION	COMMENTS
9	513775D1	1	HARNES-ADAPTER,7X60	
10	515523D1	1	HARNES-MASTER MODULE	
14	517403D1	1	PLATE-BULKHEAD	
17	AG515697	2	NUT PANEL ELEC CONNECTOR	
18	AG515698	2	WASHER LOCK ELEC CONNECTOR	
28	AG550914	8	WASHER #8 LK ZN REG	
29	AG550922	8	NUT #8-32NC HEX ZN REG	
32	AG560227	8	SCREW 8-32X 0.75 MA ZN SL PHD	
47	WR134754	1	MODULE-LCD,CAN	
48	WR522279	1	BOLT-M8-1.25X20,CL10.9,ZN,HHD	
49	AG561679	1	WASHER LOCK M8 ZN	

ELEC INSTALL-CAB, 7X60,EURO

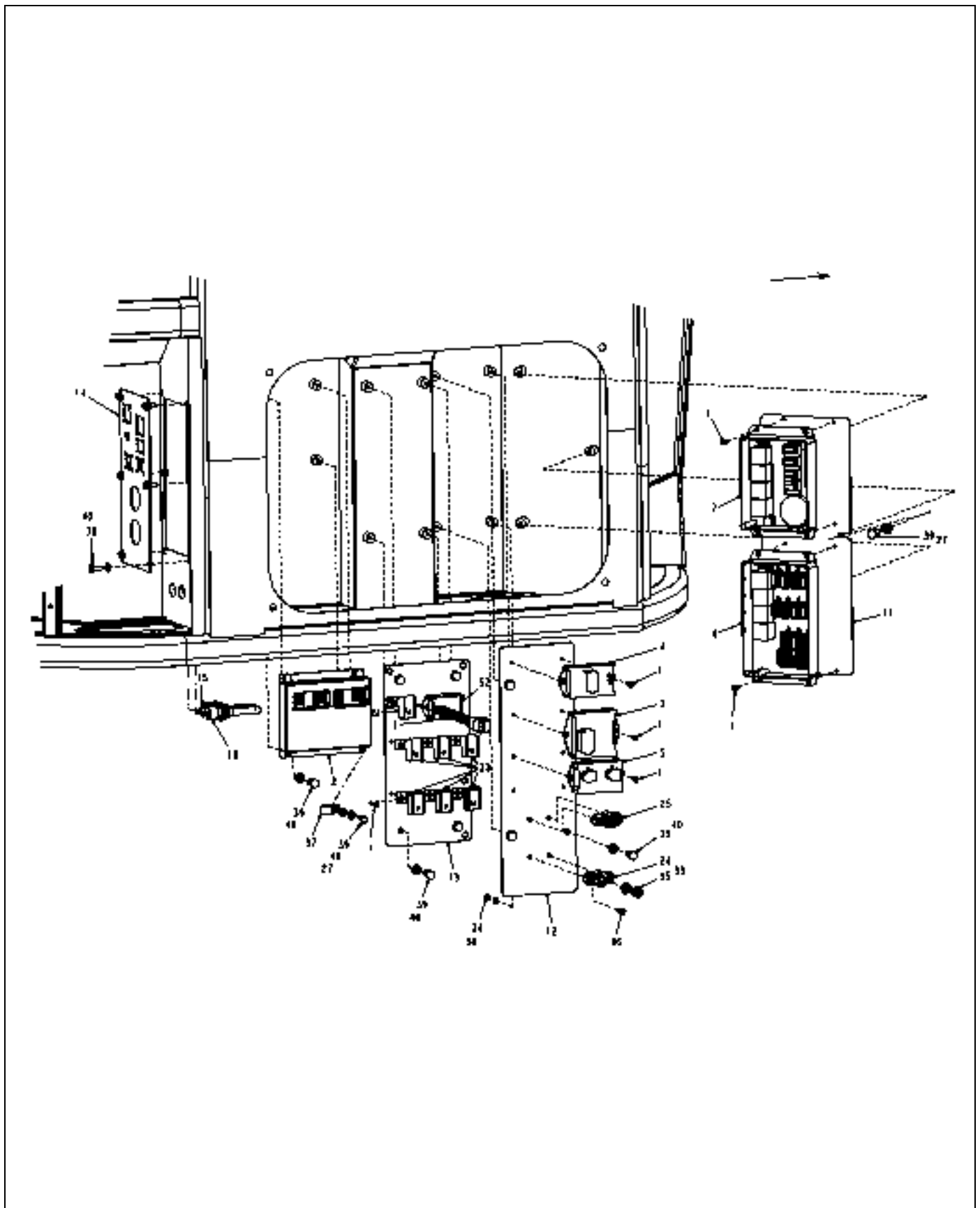
ITEM	PART #	QTY	DESCRIPTION	COMMENTS
9	513775D1	1	HARNESS-ADAPTER,7X60	
10	515523D1	1	HARNESS-MASTER MODULE	
15	WR133978	1	CABLE-PWR STUD,CAB BLKHD	
16	WR133979	1	CABLE-GND STUD,CAB BLKHD	
20	AG517156	4	SCREW #6-32X.75 MA RDHD SLOTZN	
21	AG517157	4	NUT #6-32NC HEX ZN REG	
22	AG517158	4	WASHER #6 FL ZN REG TYPE-B	
26	AG520318	1	CAP-SEALING,SIZE 17	
33	AG562050	2	WASHER 0.37 LK SS REG	
35	AG562065	2	NUT 0.37-16NC HEX SS REG	
53	AG520746	1	CONN-PLUG,6 WAY,18-14 GA	



517973D1-02-R703-04.TIF

ELEC INSTALL-CAB, 7X60,EURO

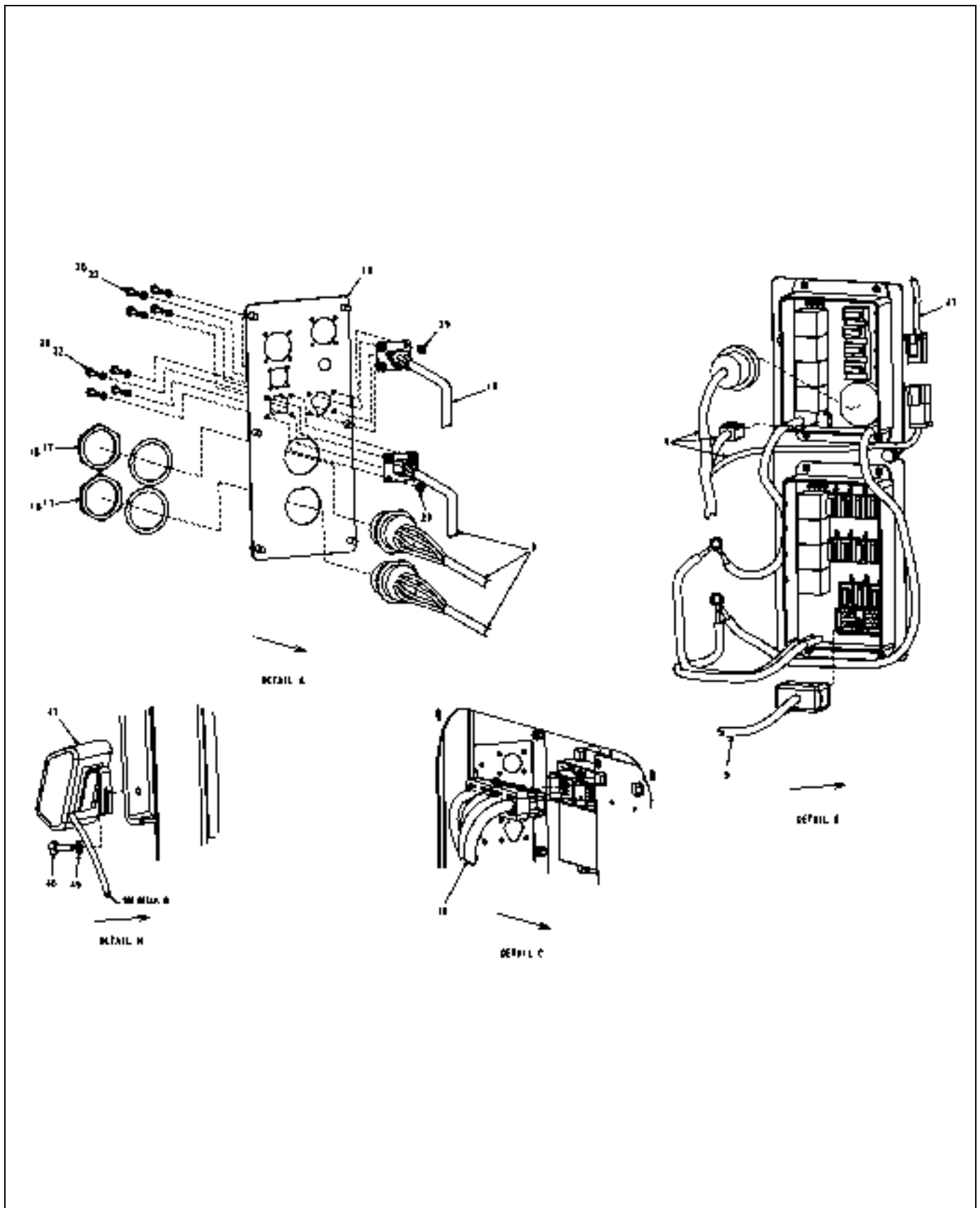
ITEM	PART #	QTY	DESCRIPTION	COMMENTS
8	507952D1	-	HARNES-CONSOLE,CENTER	
9	513775D1	1	HARNES-ADAPTER,7X60	



517975D1-02-R694-01.TIF

ELEC INSTALL-CAB, ATC, 7X60,EURO

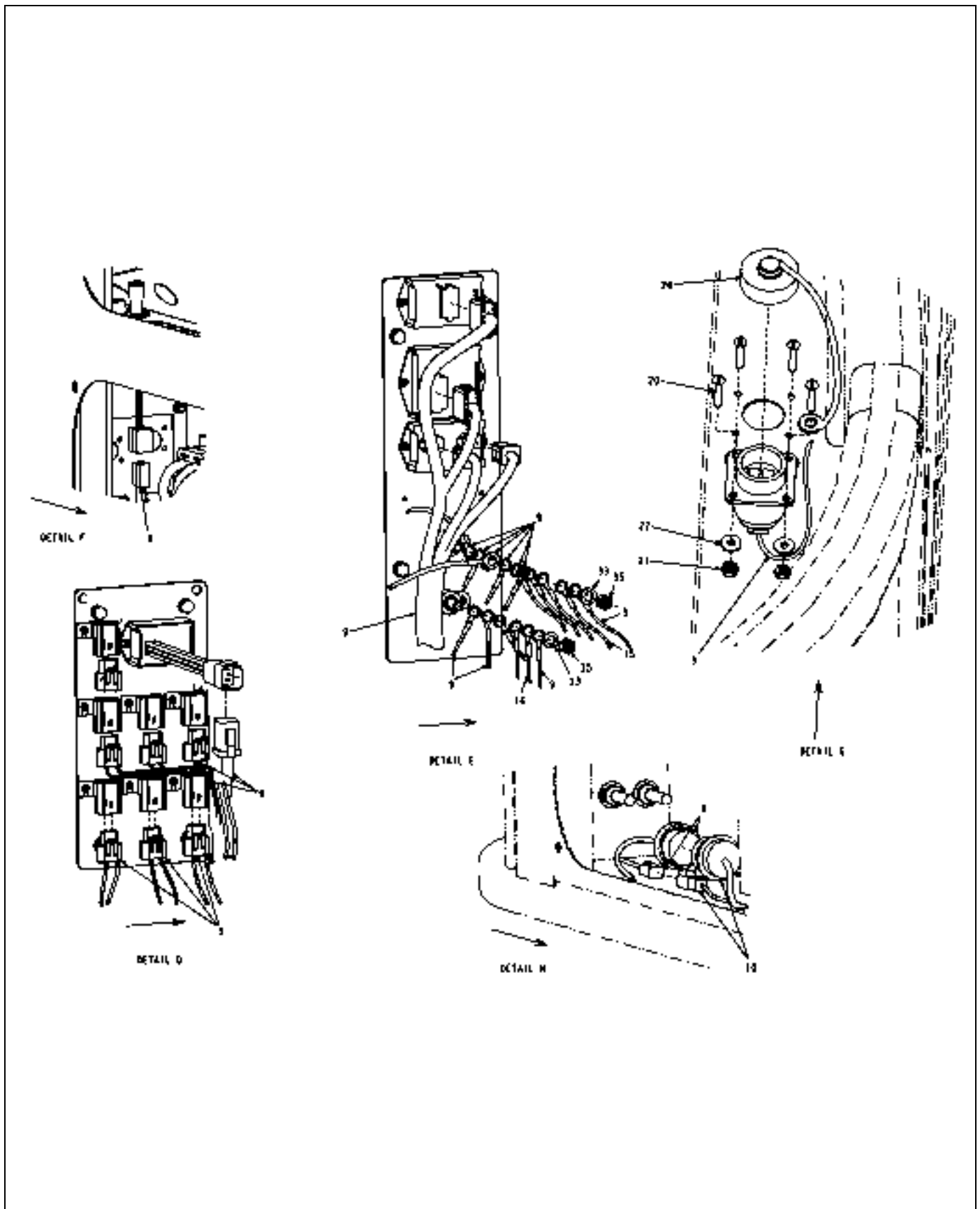
ITEM	PART #	QTY	DESCRIPTION	COMMENTS
1	AG029293	23	SCREW 10-24X0.50 TAP IWHHH	
2	515100D1	1	INSTL-MASTER MODULE,AED	SEE PAGE 8-28
3	AG129242	1	MODULE-FLASHER,EURO	
4	AG121749	1	MODULE-RELAY,4 PACK,NO	[A]
5	AG121750	1	MODULE-RELAY,2 PACK	
6	AG124451	1	MODULE-POWER DIST,11 FUSE	SEE PAGE 8-77
7	AG124452	1	MODULE-POWER DIST,HI CURRENT	SEE PAGE 8-78
11	WR126905	1	PLATE-PDM,MINI CAB	
12	WR126906	1	PLATE-RELAY,MINI CAB	
13	515778D1	1	PLATE-AUX,MINI CAB,ATC	
14	517403D1	1	PLATE-BULKHEAD	
15	WR133978	1	CABLE-PWR STUD,CAB BLKHD	
16	WR133979	1	CABLE-GND STUD,CAB BLKHD	
19	AG515669	6	PLUG-SEAL,SIZE 16 CONTACT	
23	AG520052	7	CAP METRI PACK 630 P2S 2-WAY	
24	AG520092	1	JUNCTION BLOCK-STUD TYPE,BLK	
25	AG520093	1	JUNCTION BLOCK-STUD TYPE,RED	
27	AG520879	2	WASHER-FLAT,M6,ZN,REG	
30	AG553557	AR	TIE CABLE 7.37 .06-1.37 BLACK	
33	AG562050	2	WASHER 0.37 LK SS REG	
34	AG562061	4	NUT #10-24NC HEX SS REG	
35	AG562065	2	NUT 0.37-16NC HEX SS REG	
36	AG562081	4	WASHER #10 LK SS REG	
37	AG562238	1	CLAMP CTD 1.50IDX 0.75WIDE	
38	AG562327	6	BOLT M6-1.00X20MM G8.8 ZN HHD	
39	AG562639	15	BOLT M6 1.00X12MM G8.8 ZN HHD	
40	AG562792	20	WASHER LOCK M6 SPRING ZN	
41	AG562925	1	FUSE BLADE 30A ATC	
42	AG562929	1	FUSE 20A BLADE ATC	
43	AG562930	5	FUSE 15A BLADE ATC	
44	AG562931	5	FUSE 10A BLADE ATC	
45	AG562933	2	FUSE 5A BLADE ATC	
46	AG563094	4	SCREW 10-24X0.75 PH PHS SS	
50	AG562928	2	FUSE 25A BLADE ATC	
51	508171D1	1	ELEC INSTL-JUMPER,ATC HVAC	SEE PAGE 8-34
52	513016D1	1	MODULE-RELAY,3 SECOND DELAY	
	FOOTNOTE [A]		AG719617 - RELAYS (4)	



517975D1-02-R694-02.TIF

ELEC INSTALL-CAB, ATC, 7X60,EURO

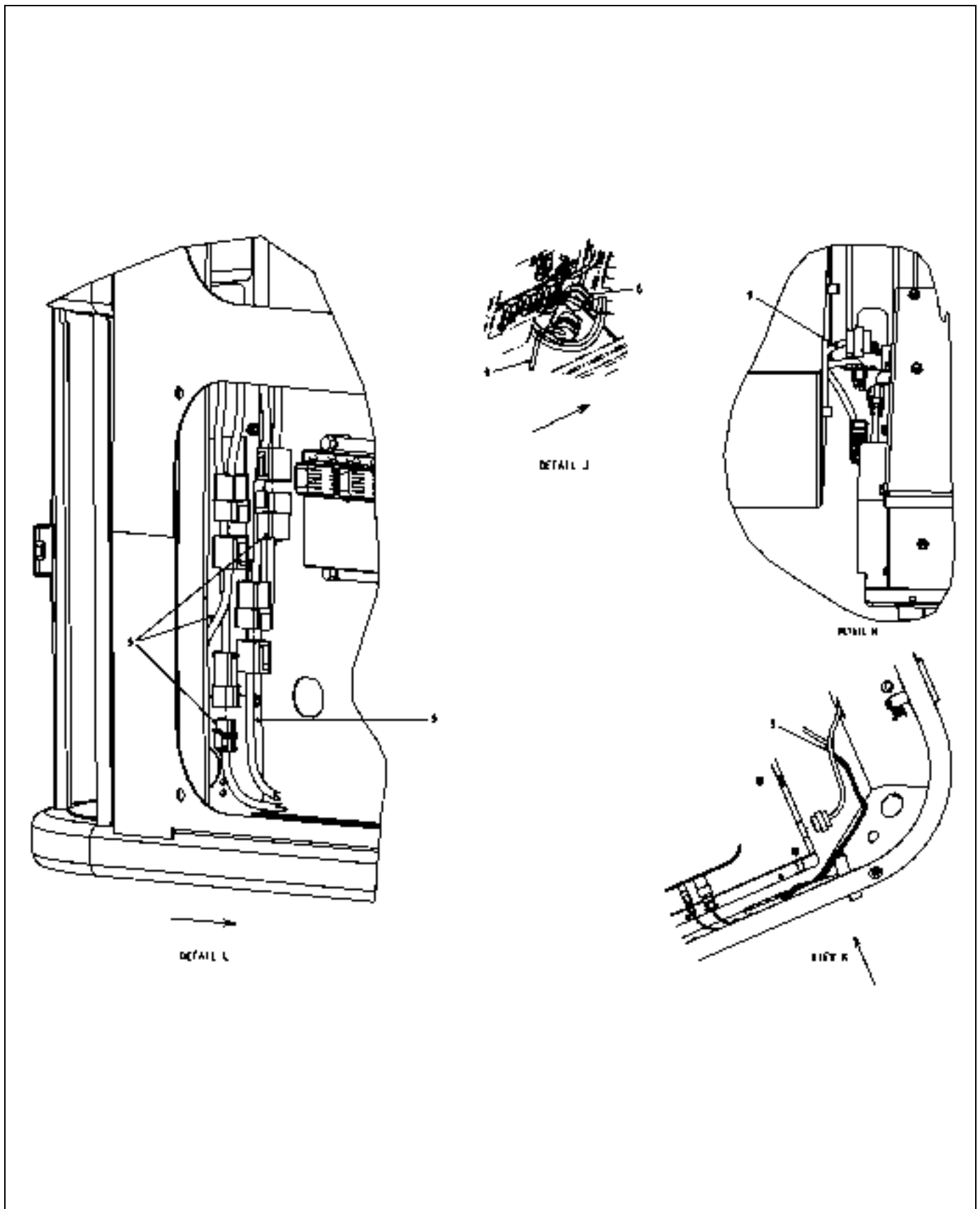
ITEM	PART #	QTY	DESCRIPTION	COMMENTS
9	513765D1	1	HARNES-ADAPTER,ATC,7X60	
10	515523D1	1	HARNES-MASTER MODULE	
14	517403D1	1	PLATE-BULKHEAD	
17	AG515697	2	NUT PANEL ELEC CONNECTOR	
18	AG515698	2	WASHER LOCK ELEC CONNECTOR	
28	AG550914	8	WASHER #8 LK ZN REG	
29	AG550922	8	NUT #8-32NC HEX ZN REG	
32	AG560227	8	SCREW 8-32X 0.75 MA ZN SL PHD	
47	WR134754	1	MODULE-LCD,CAN	
48	WR522279	1	BOLT-M8-1.25X20,CL10.9,ZN,HHD	
49	AG561679	1	WASHER LOCK M8 ZN	



517975D1-02-R694-03.TIF

ELEC INSTALL-CAB, ATC, 7X60,EURO

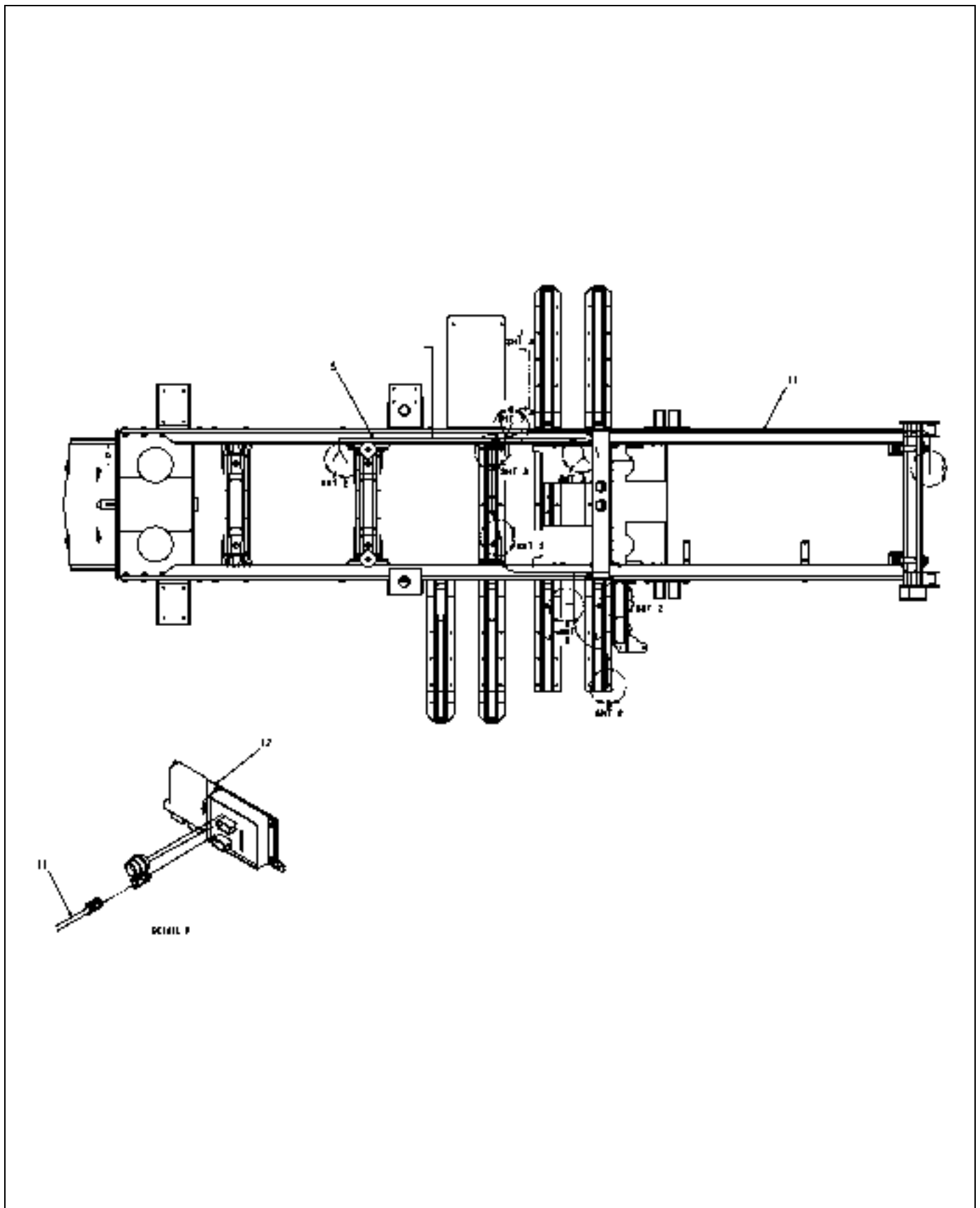
ITEM	PART #	QTY	DESCRIPTION	COMMENTS
9	513765D1	1	HARNES-ADAPTER,ATC,7X60	
10	515523D1	1	HARNES-MASTER MODULE	
15	WR133978	1	CABLE-PWR STUD,CAB BLKHD	
16	WR133979	1	CABLE-GND STUD,CAB BLKHD	
20	AG517156	4	SCREW #6-32X.75 MA RDHD SLOTZN	
21	AG517157	4	NUT #6-32NC HEX ZN REG	
22	AG517158	4	WASHER #6 FL ZN REG TYPE-B	
26	AG520318	1	CAP-SEALING,SIZE 17	
33	AG562050	2	WASHER 0.37 LK SS REG	
35	AG562065	2	NUT 0.37-16NC HEX SS REG	



517975D1-02-R694-04.TIF

ELEC INSTALL-CAB, ATC, 7X60,EURO

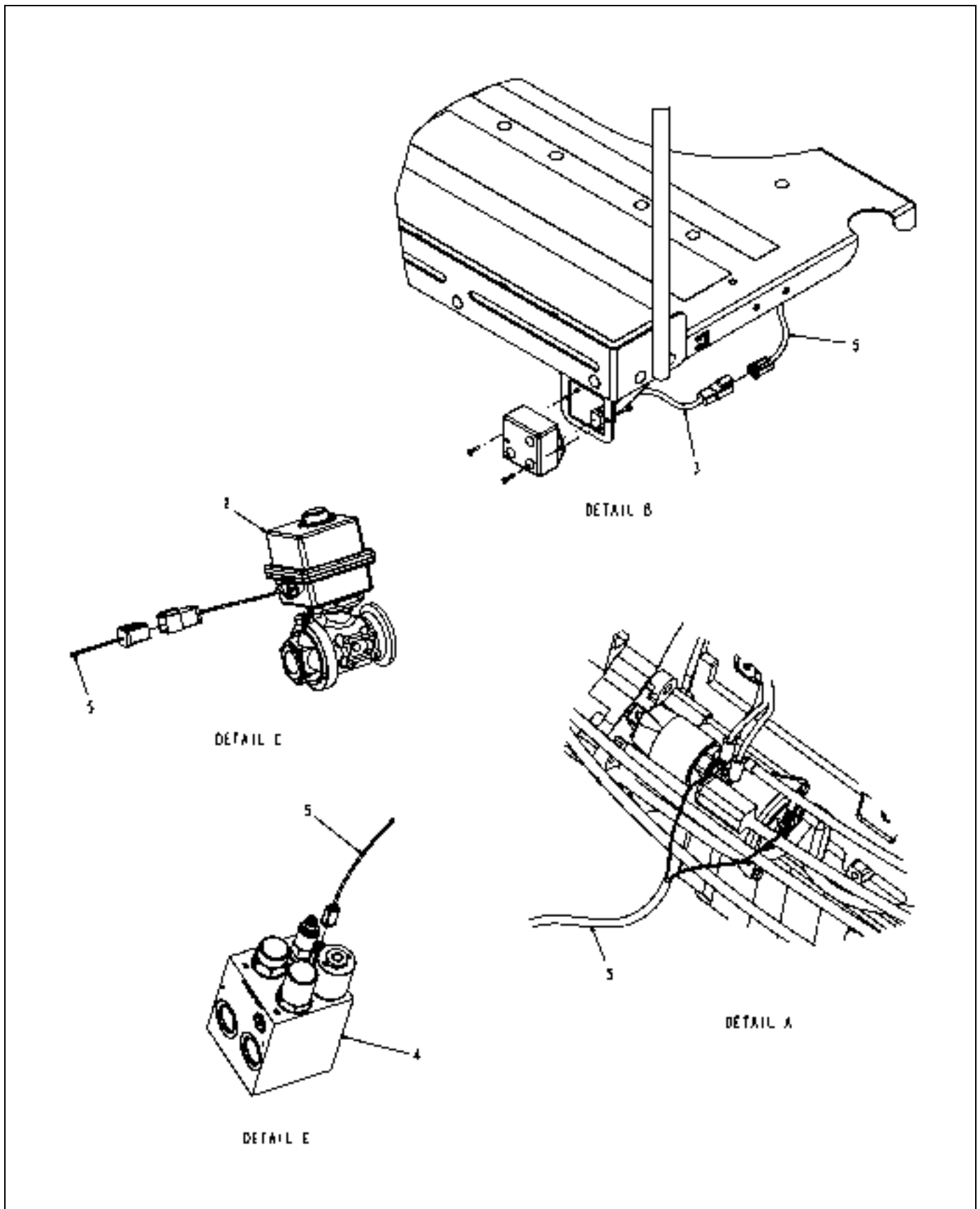
ITEM	PART #	QTY	DESCRIPTION	COMMENTS
8	507952D1	-	HARNES-CONSOLE,CENTER	
9	513765D1	1	HARNES-ADAPTER,ATC,7X60	



509112D1-05-R776-01.TIF

ELEC INSTALL-RADAR/PROD CONT

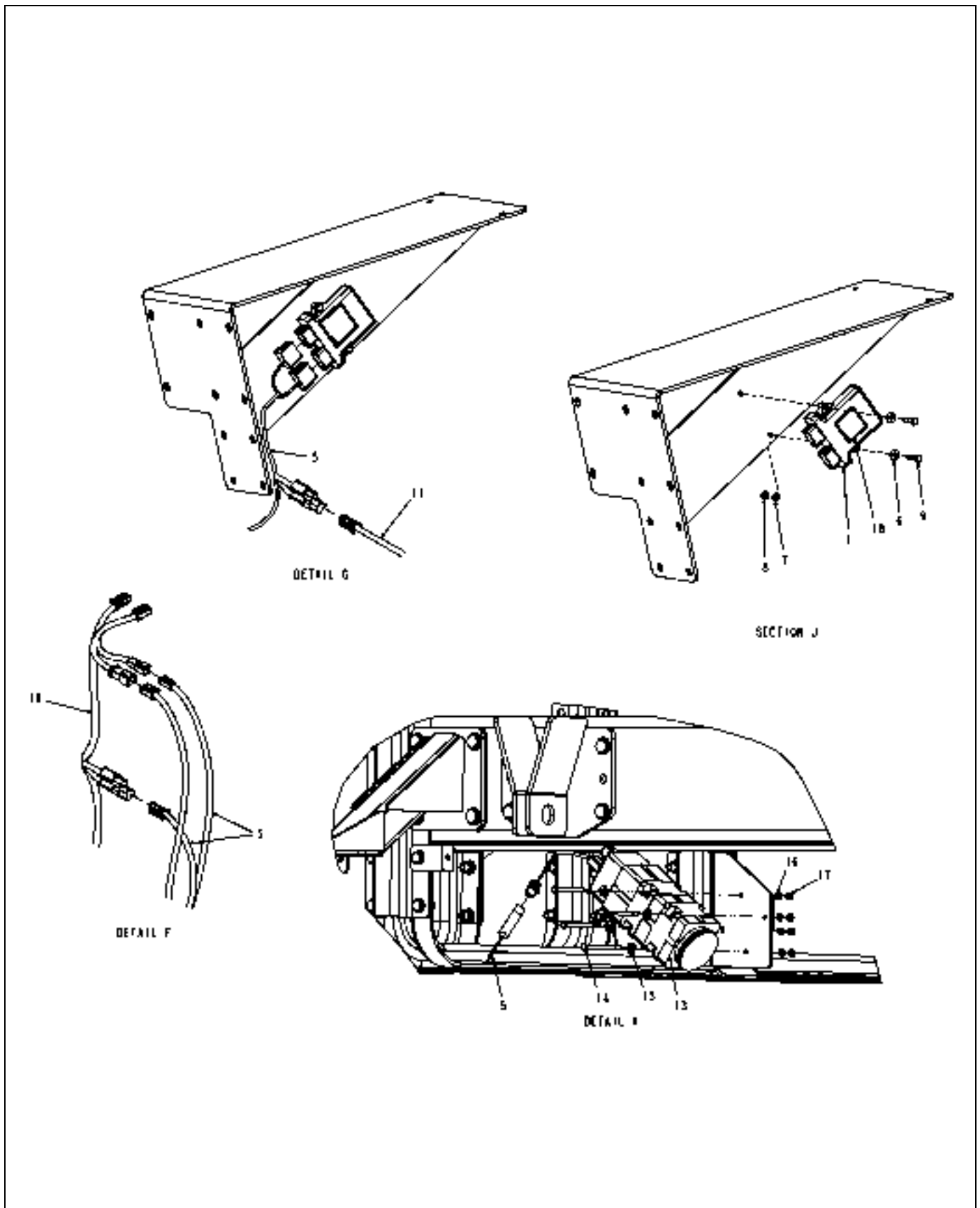
ITEM	PART #	QTY	DESCRIPTION	COMMENTS
5	509111D1	1	HARNES-PUMP/RADAR/FOAM MRKR	
11	WR126927	1	HARNES-BACKBONE,CAN	
12	AG128727	-	ASM-I/O,HIGH CURRENT,REAR	SEE PAGE 8-46



509112D1-05-R776-02.TIF

ELEC INSTALL-RADAR/PROD CONT

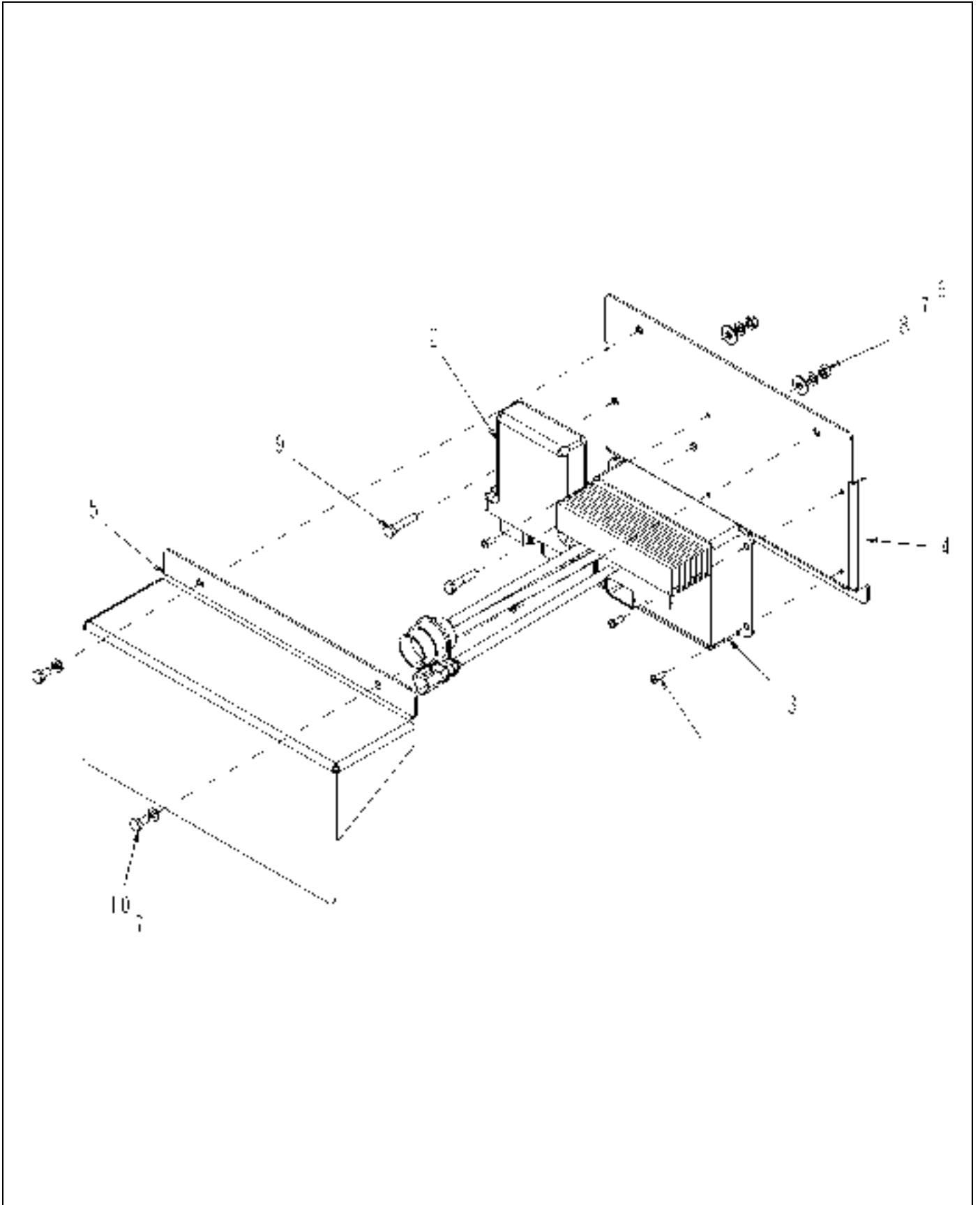
ITEM	PART #	QTY	DESCRIPTION	COMMENTS
2	AG121883	-	VALVE-BALL,1.00FP FLGXNPT,ELEC	SEE PAGE 8-64
3	AG126910	-	HARNES-CHASSIS,ENG,TRANS	
4	WR128478	-	VALVE-PRODUCT/BOOM PRIORITY	SEE PAGE 6-10
5	509111D1	1	HARNES-PUMP/RADAR/FOAM MRKR	



509112D1-05-R776-03.TIF

ELEC INSTALL-RADAR/PROD CONT

ITEM	PART #	QTY	DESCRIPTION	COMMENTS
1	516006D1	1	MODULE ASM-I/O,CAN	
5	509111D1	1	HARNESS-PUMP/RADAR/FOAM MRKR	
6	AG515121	2	WASHER 0.25 FL SS REG TYPE-B	
7	AG515122	2	WASHER 0.25 LK SS REG	
8	AG515123	2	NUT .25-20NC HEX SS REG	
9	AG562068	2	BOLT 0.25-20NCX 1.50 SS HHD	
10	WR126889	-	HARNESS-I/O,LIGHTS-FRONT	
11	WR126927	1	HARNESS-BACKBONE,CAN	
13	AG520859	1	RADAR-DJ,7.5FT	
14	AG562148	4	BOLT 0.25-20NCX 4.00 G5 ZN HHD	
15	AG550507	4	WASHER 0.25 FL ZN REG TYPE-B	
16	AG550493	4	WASHER 0.25 LK ZN REG	
17	AG550612	4	NUT 0.25-20NC HEX ZN REG	
18	520330D1	1	DECAL-DO NOT PRESSURE WASH	

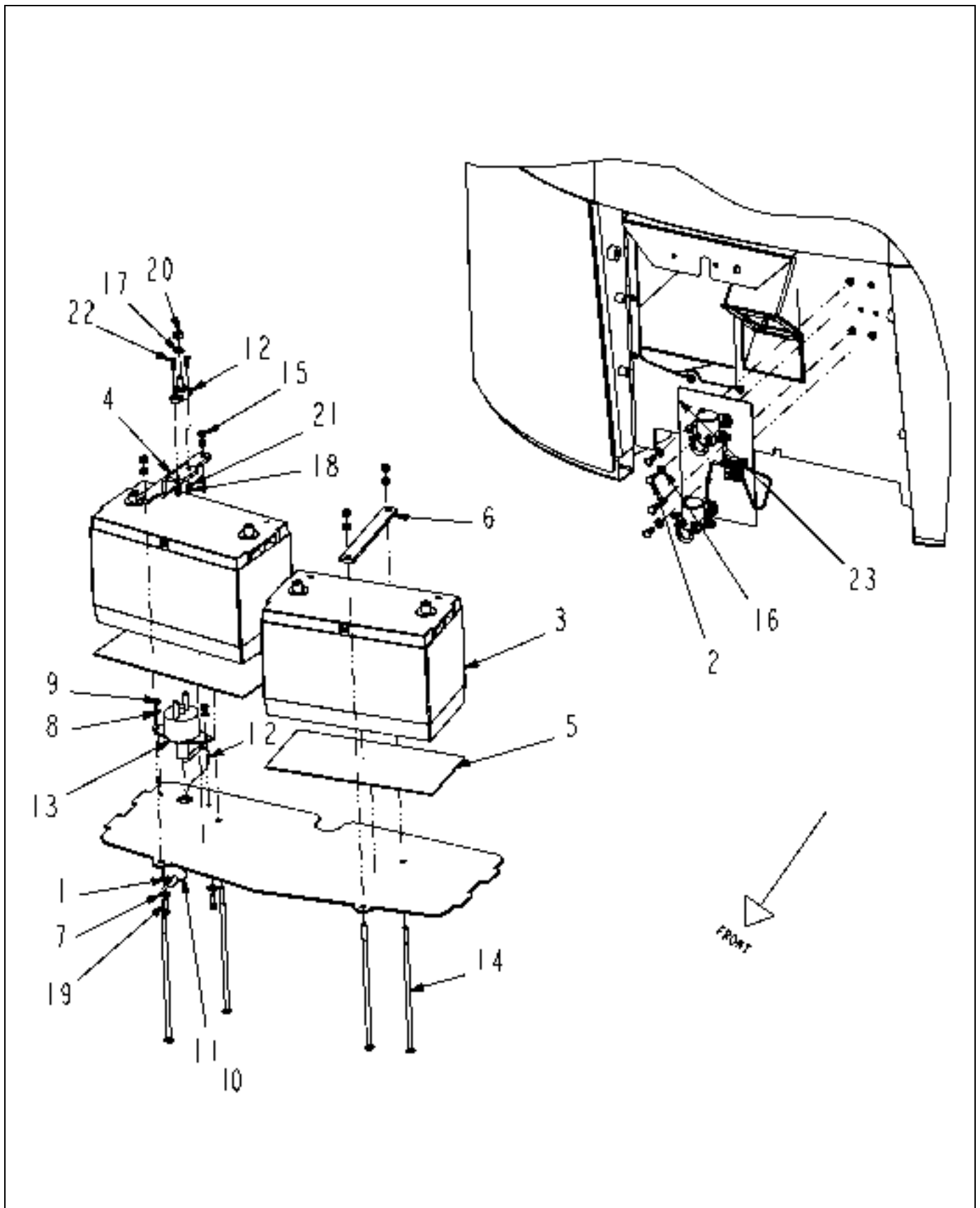


128727-B-01.tif

ASM-I/O,HIGH CURRENT,REAR

ITEM	PART #	QTY	DESCRIPTION	COMMENTS
1	AG029293	4	SCREW 10-24X0.50 TAP IWHHD	
2	AG121198	1	MODULE-I/O,CAN R/B 136734	
3	AG128285	1	MODULE-I/O,HIGH,CURRENT	
4	WR129476	1	BRKT WLDMT-I/O,HIGH CURRENT	
5	WR129477	1	PLATE-COVER,I/O,REAR	
6	AG515121	2	WASHER 0.25 FL SS REG TYPE-B	
7	AG515122	4	WASHER 0.25 LK SS REG	
8	AG515123	2	NUT .25-20NC HEX SS REG	
9	AG561952	2	BOLT 0.25-20NCX 1.25 SS HHD	
10	AG562047	2	BOLT 0.25-20NCX 0.50 SS HHD	

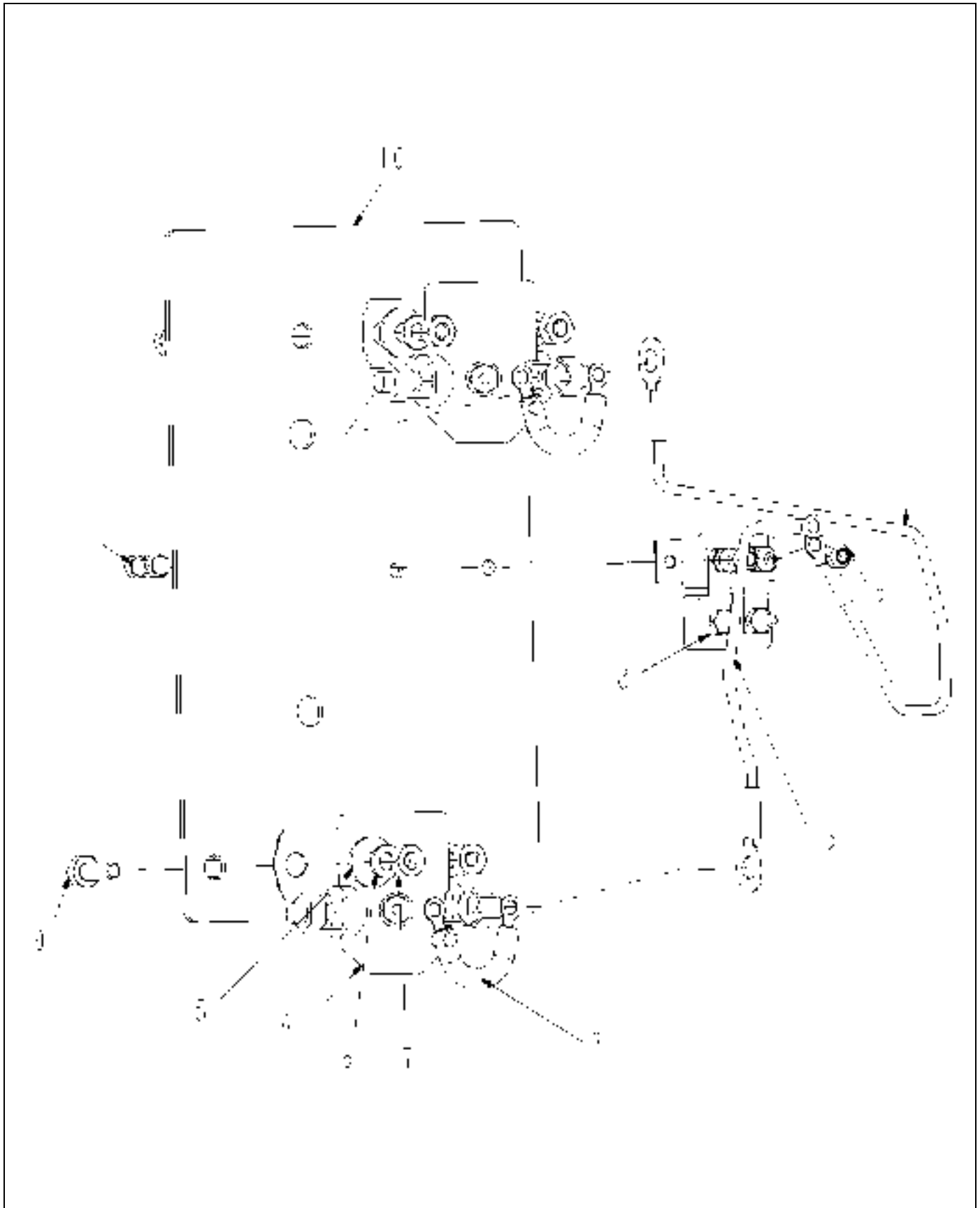
BATTERY-INSTALL,7X60



515781D1-02-T048-.TIF

BATTERY-INSTALL,7X60

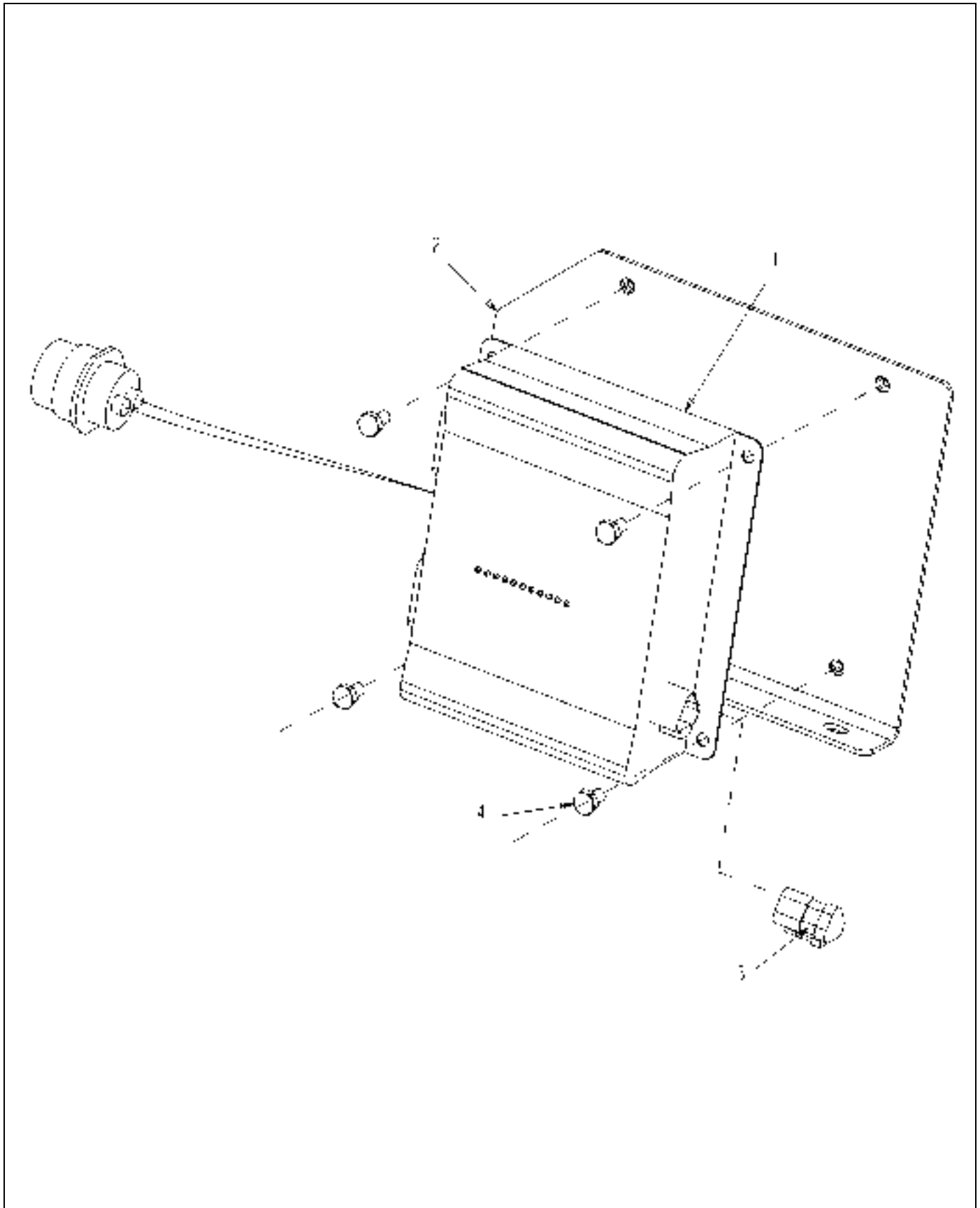
ITEM	PART #	QTY	DESCRIPTION	COMMENTS
1	AG010350	1	CLAMP LOOM 0.25 PER DWG	
2	WR25752	4	SCREW-CAP HEX M8 X 16,	
3	AG123761	2	BATTERY-GROUP 31	
4	WR128788	1	STRAP-HOLD DOWN,BATTERY	
5	AG223413	2	MAT BATTERY	
6	AG223415	1	STRAP HOLD DOWN	
7	AG515121	2	WASHER 0.25 FL SS REG TYPE-B	
8	AG515122	2	WASHER 0.25 LK SS REG	
9	AG515123	2	NUT .25-20NC HEX SS REG	
10	AG515981	2	COMPRESSION SLEEVE	
11	AG516060	-	CABLE NYLON COATED [BULK: 15 FT]	
12	AG520093	1	JUNCTION BLOCK-STUD TYPE,RED	
13	AG520910	1	SWITCH-BATTERY,SHUTOFF	
14	AG523581	4	BOLT .31-18NCX 10.00 SS CRG	
15	AG550213	8	NUT 0.31-18NC HEX ZN REG	
16	AG561679	4	WASHER LOCK M8 ZN	
17	AG562050	1	WASHER 0.37 LK SS REG	
18	AG562061	2	NUT #10-24NC HEX SS REG	
19	AG562064	2	BOLT 0.25-20NCX 1.00 SS HHD	
20	AG562065	1	NUT 0.37-16NC HEX SS REG	
21	AG562081	2	WASHER #10 LK SS REG	
22	AG563094	2	SCREW 10-24X0.75 PH PHS SS	
23	513764D1	1	ASM-MAG SW.BREAKER,80 AMP	SEE PAGE 8-48



513764D1-04-T353-.TIF

ASM-MAG SW.BREAKER,80 AMP

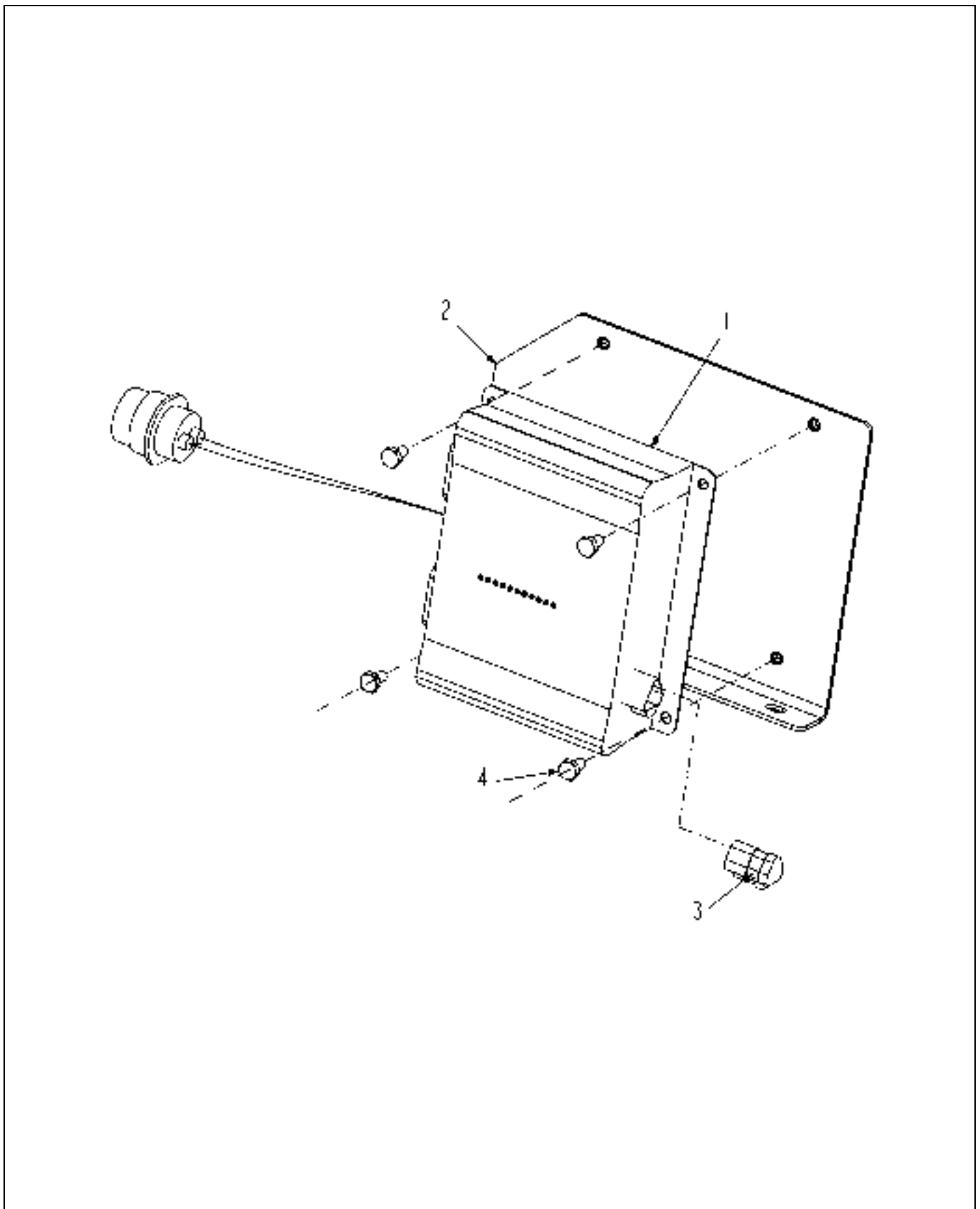
ITEM	PART #	QTY	DESCRIPTION	COMMENTS
1	WR55026	2	SCREW-CAP HEX M5 X 12	
2	WR55412	2	NUT-LOCK,M5 X .8,PREV	
3	AG232490	2	SUPPRESSOR DIODE	
4	AG510734	2	SWITCH MAGNETIC	
5	AG515121	4	WASHER 0.25 FL SS REG TYPE-B	
6	AG515122	4	WASHER 0.25 LK SS REG	
7	AG515123	4	NUT .25-20NC HEX SS REG	
8	AG515263	1	CIRCUIT BREAKER 80 AMP	
9	AG562054	4	BOLT 0.25-20NCX 0.75 SS HHD	
10	513763D1	1	PLATE-BLKHD,BKR/MAG SW,MNT	
11	515779D1	1	CABLE-MAG SW/ CKT BRKR	
12	515780D1	1	CABLE-MAG SW/ CKT BRKR	



132176.TIF

ASM-I/O,HIGH CURRENT

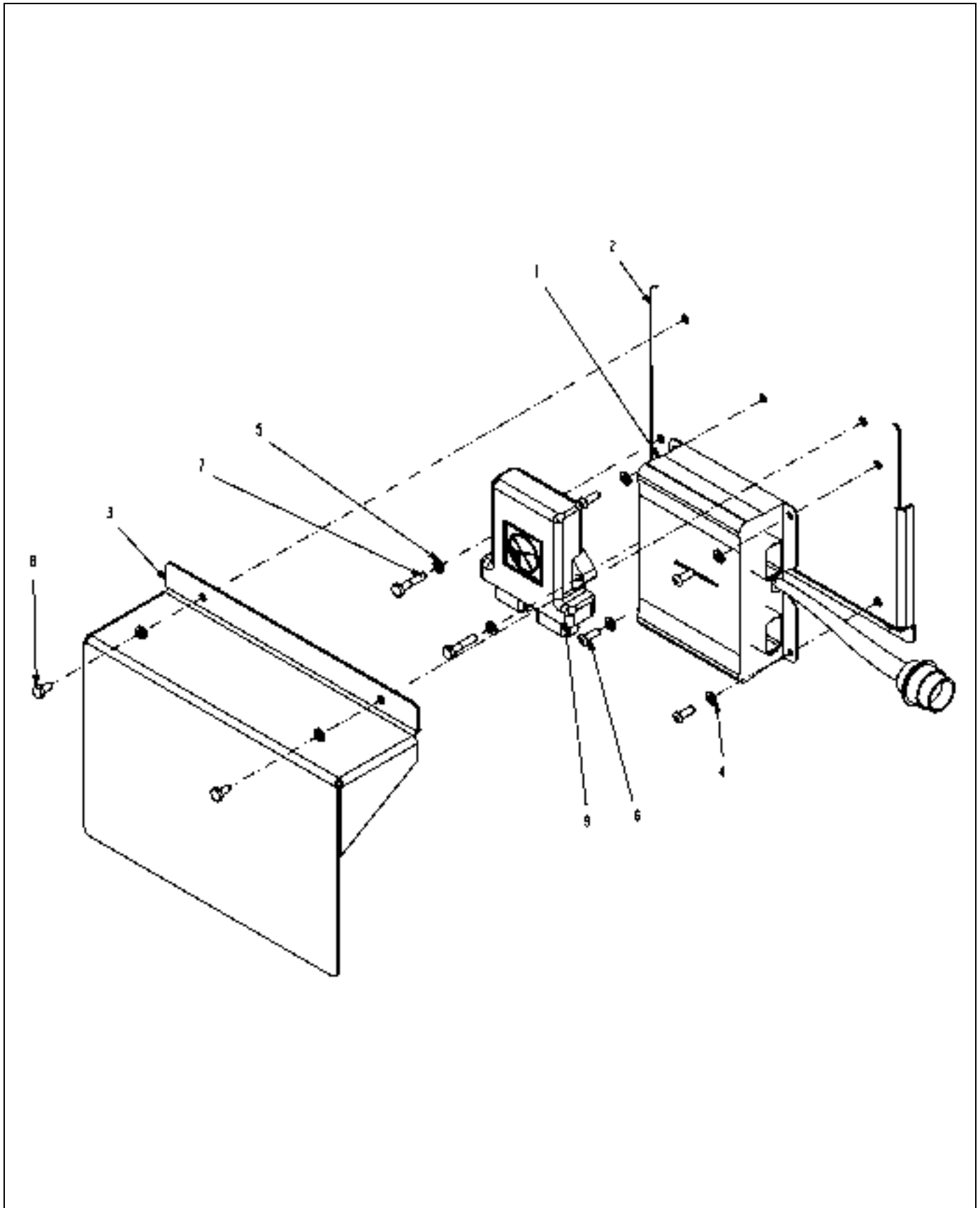
ITEM	PART #	QTY	DESCRIPTION	COMMENTS
1	AG128285	1	MODULE-I/O,HIGH,CURRENT	
2	WR132246	1	BRKT WLDMT-I/O,HC,FRONT	
3	AG521048	4	SCR-.25-20NCX.75,SS,BTN HD,SKT	
4	AG522410	1	TERMINATOR-PLUG,3WAY,J1939	



132176-A.TIF

ASM-I/O,HIGH CURRENT

ITEM	PART #	QTY	DESCRIPTION	COMMENTS
1	AG128285	1	MODULE-I/O,HIGH,CURRENT	
2	WR132246	1	BRKT WLDMT-I/O,HC,FRONT	
3	AG521048	4	SCR-.25-20NCX.75,SS,BTN HD,SKT	
4	AG522410	1	TERMINATOR-PLUG,3WAY,J1939	

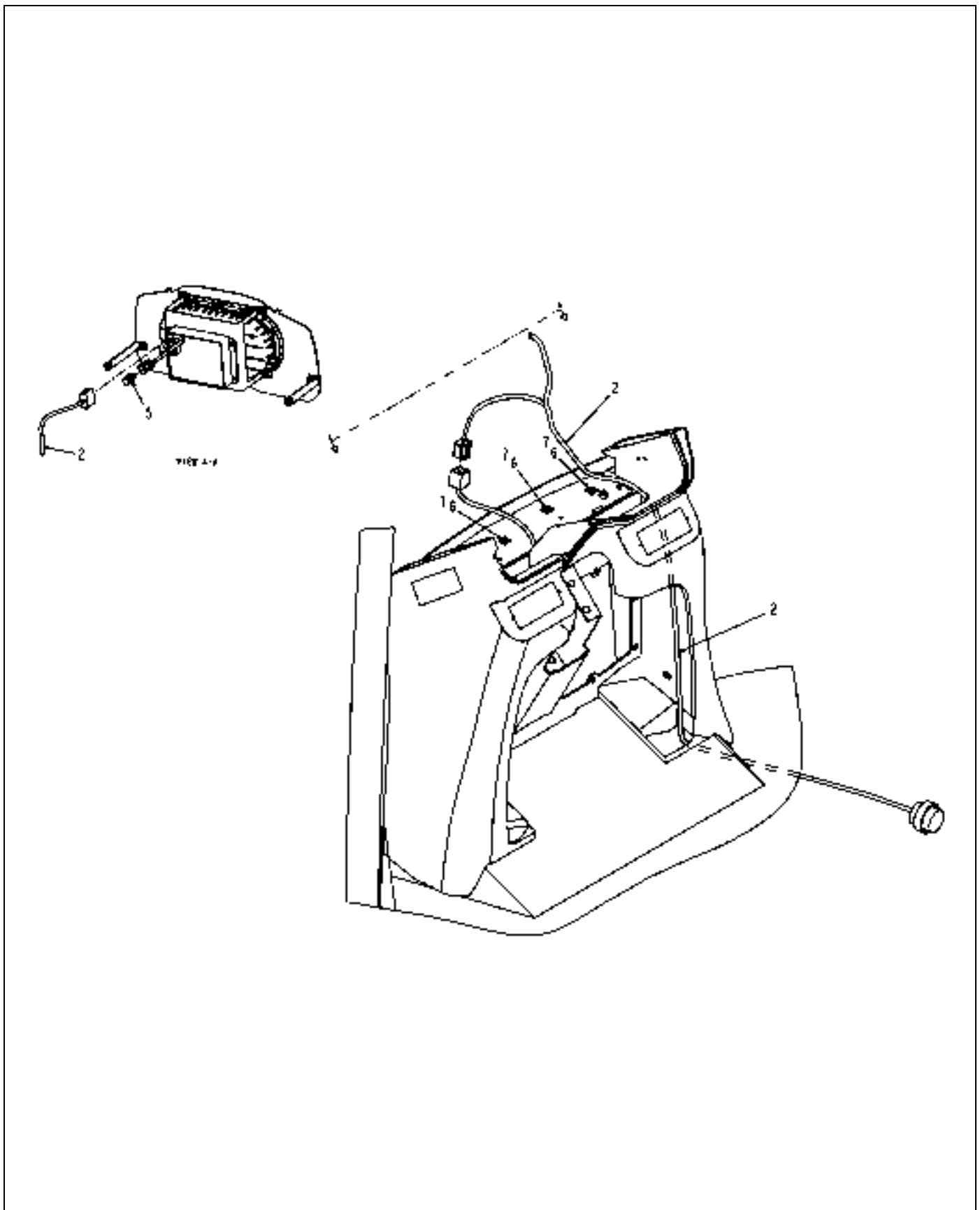


132177-07-T541-.TIF

ASM-I/O,HIGH CURRENT,REAR

ITEM	PART #	QTY	DESCRIPTION	COMMENTS
1	AG128285	1	MODULE-I/O,HIGH,CURRENT	
2	WR132179	1	BRKT WLDMT-I/O,HIGH CURRENT	
3	WR132180	1	PLATE-COVER,I/O,REAR	
4	AG515122	6	WASHER 0.25 LK SS REG	
5	AG517724	2	WASHER FLAT NARROW	
6	AG521048	4	SCR-.25-20NCX.75,SS,BTN HD,SKT	
7	AG561952	2	BOLT 0.25-20NCX 1.25 SS HHD	
8	AG562047	2	BOLT 0.25-20NCX 0.50 SS HHD	
9	516006D1	1	MODULE ASM-I/O,CAN	

HARNESS INSTALL-CENTER CONSOLE

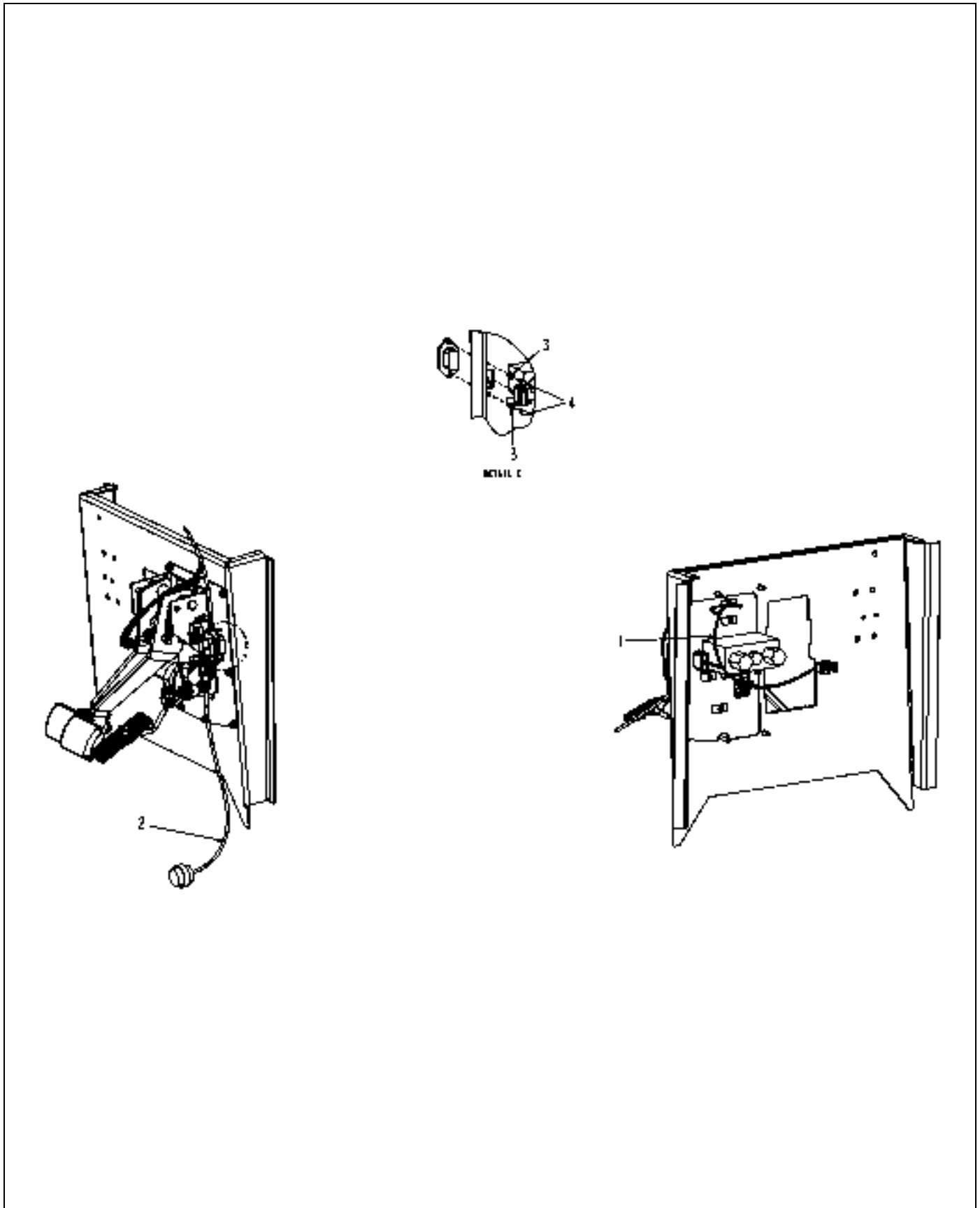


508063D1-02-R703-01.TIF

HARNESS INSTALL-CENTER CONSOLE

ITEM	PART #	QTY	DESCRIPTION	COMMENTS
2	507952D1	1	HARNESS-CONSOLE,CENTER	
5	AG522410	1	TERMINATOR-PLUG,3WAY,J1939	
6	AG517942	3	MOUNT WIRE TIE ADHESIVE B 4WAY	
7	AG553557	3	TIE CABLE 7.37 .06-1.37 BLACK	

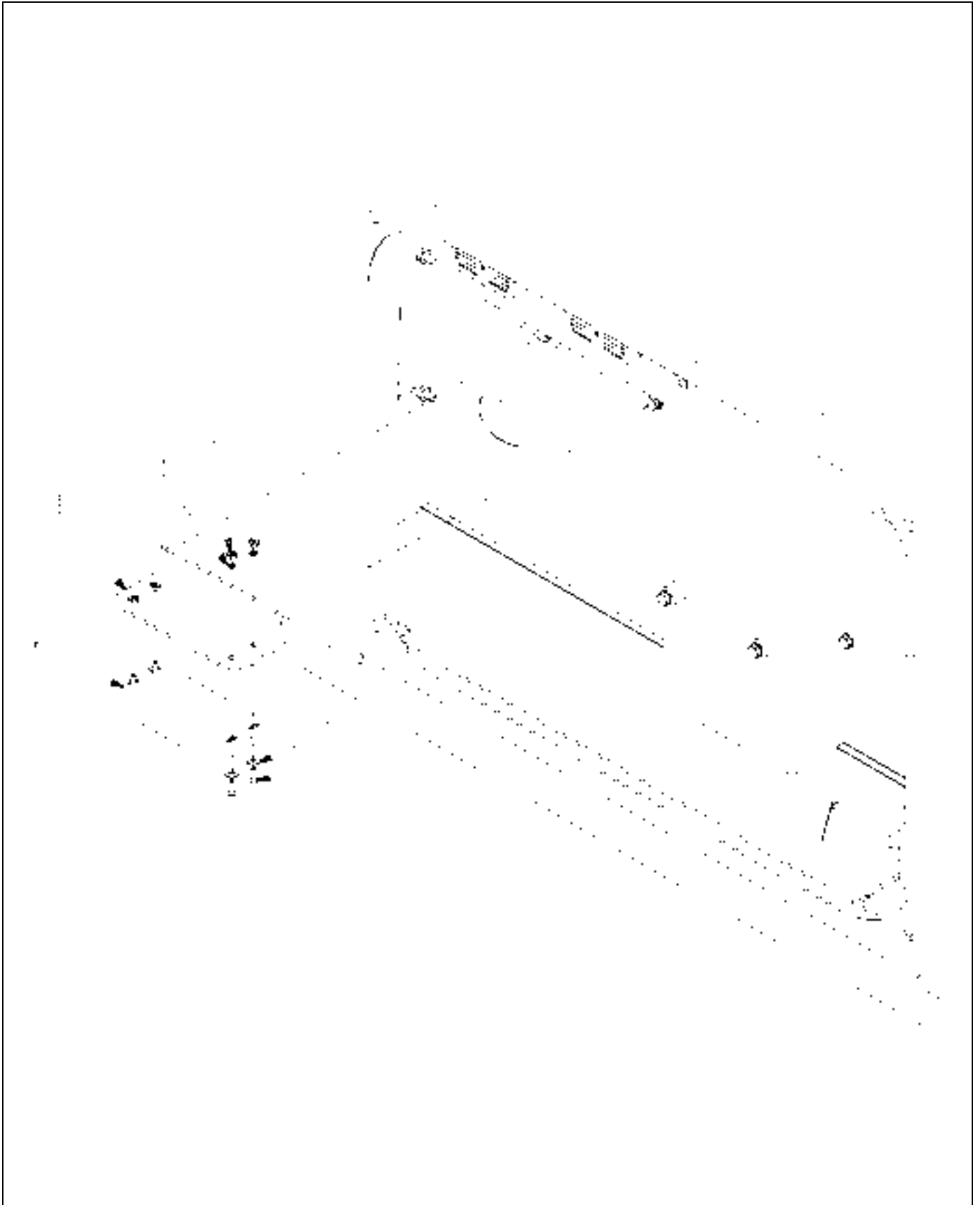
HARNESS INSTALL-CENTER CONSOLE



508063D1-02-R703-02.TIF

HARNES INSTALL-CENTER CONSOLE

ITEM	PART #	QTY	DESCRIPTION	COMMENTS
1	507953D1	1	HARNES-WIPER/HORN	
2	507952D1	1	HARNES-CONSOLE,CENTER	
3	AG515122	2	WASHER 0.25 LK SS REG	
4	AG521728	2	BOLT-M6-1.0X16,,SS,HHD	



517892D1-01-N828-01.TIF

SENSOR INSTALL-TILT,SC

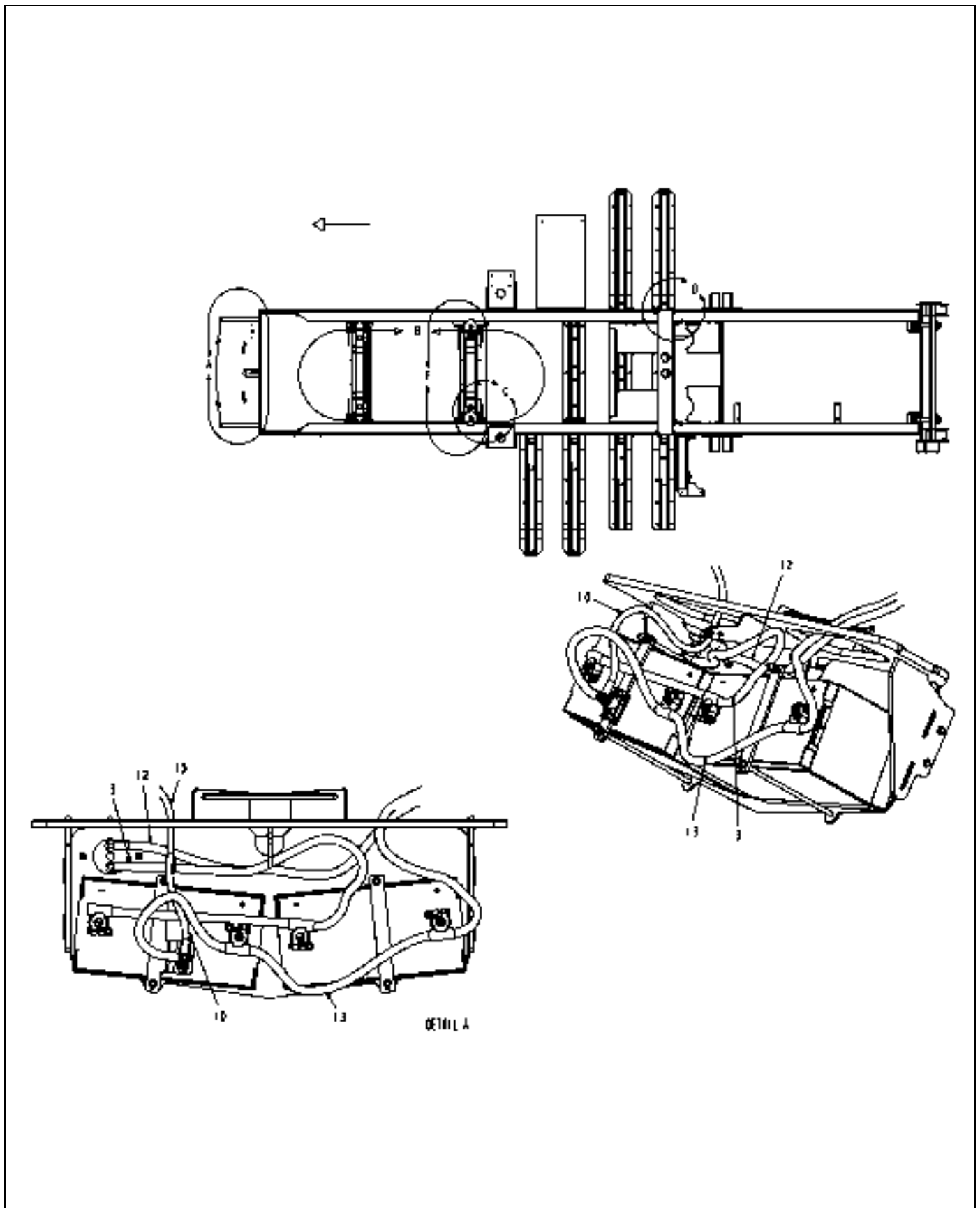
ITEM	PART #	QTY	DESCRIPTION	COMMENTS
1	AG000748	4	SCREW #6-32X.50 MA RDHD SS	
2	AG517157	4	NUT #6-32NC HEX ZN REG	
3	AG517158	4	WASHER #6 FL ZN REG TYPE-B	
4	AG517159	4	WASHER #6 LK ZN REG	
5	517803D1	1	KIT-SENSOR,TILT	SEE PAGE 13-2
6	517804D1	-	SENSOR-TILT	
8	517960D1	1	BRKT-MTG,TILT SENSOR,SC	



517892D1-01-N828-02.TIF

SENSOR INSTALL-TILT,SC

ITEM	PART #	QTY	DESCRIPTION	COMMENTS
7	517805D1	-	CABLE-SENSOR,TILT	
9	AG134156	1	HARNESS-ADAPTOR,T,GPS	
10	AG515764	2	SEAL CABLE GREEN REEL 18-16 GA	
11	AG515766	1	CAVITY PLUG	
12	AG517618	1	CONNECTOR MA 3 WAY 280 SEALED	
13	AG519288	2	TERM METRI-PACK M280/20-16 GA	
14	AG520270	1	LOCK-METRIPACK,280/3 WAY	

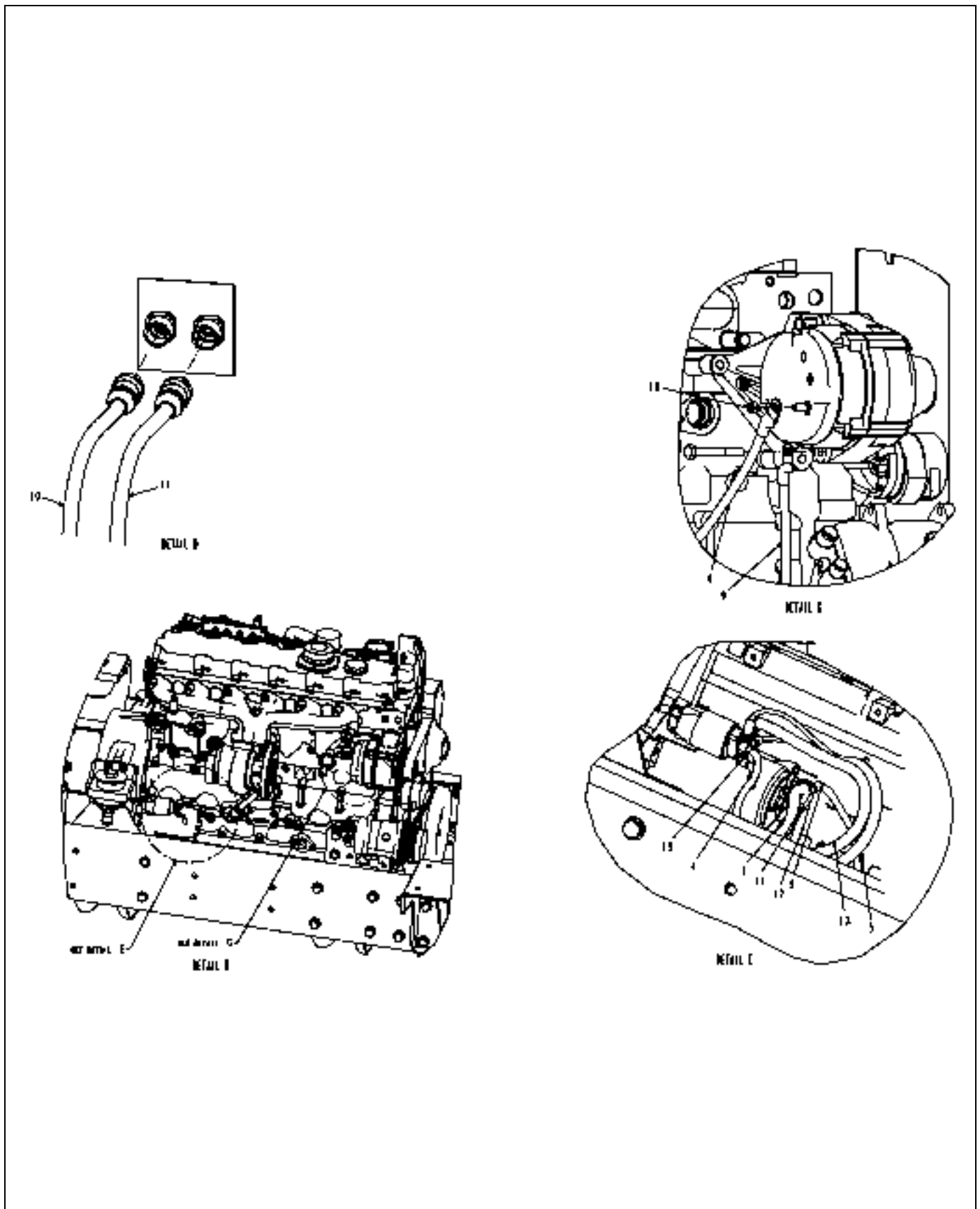


517971D1-03-T048-01.TIF

BATTERY CABLE-INSTALL,7X60

ITEM	PART #	QTY	DESCRIPTION	COMMENTS
2	512671D1	-	HARNES-I/O,TRACK ADJUST,TLLT	[A]
3	WR126918	1	CABLE-BATTERY,NEGATIVE	
6	WR126321	-	SCHMATIC-HYDRAULIC,3000	
10	WR133976	1	CABLE-BATTERY,POS,CAB	
12	WR134369	1	CABLE-BATTERY,NEG,START,DISC	
13	WR134370	1	CABLE-BATTERY,POSITIVE	
20	AG521359	-	CLAMP-HOSE,COATED,.687 IDX.50	
21	AG521728	-	BOLT-M6-1.0X16,,SS,HHD	
34	AG562821	1	CLAMP 1.12-COATED HOSE	
35	AG562792	-	WASHER LOCK M6 SPRING ZN	
	FOOTNOTE [A]		1ST USED ON S/N 7650VNS8P1011	

BATTERY CABLE-INSTALL,7X60

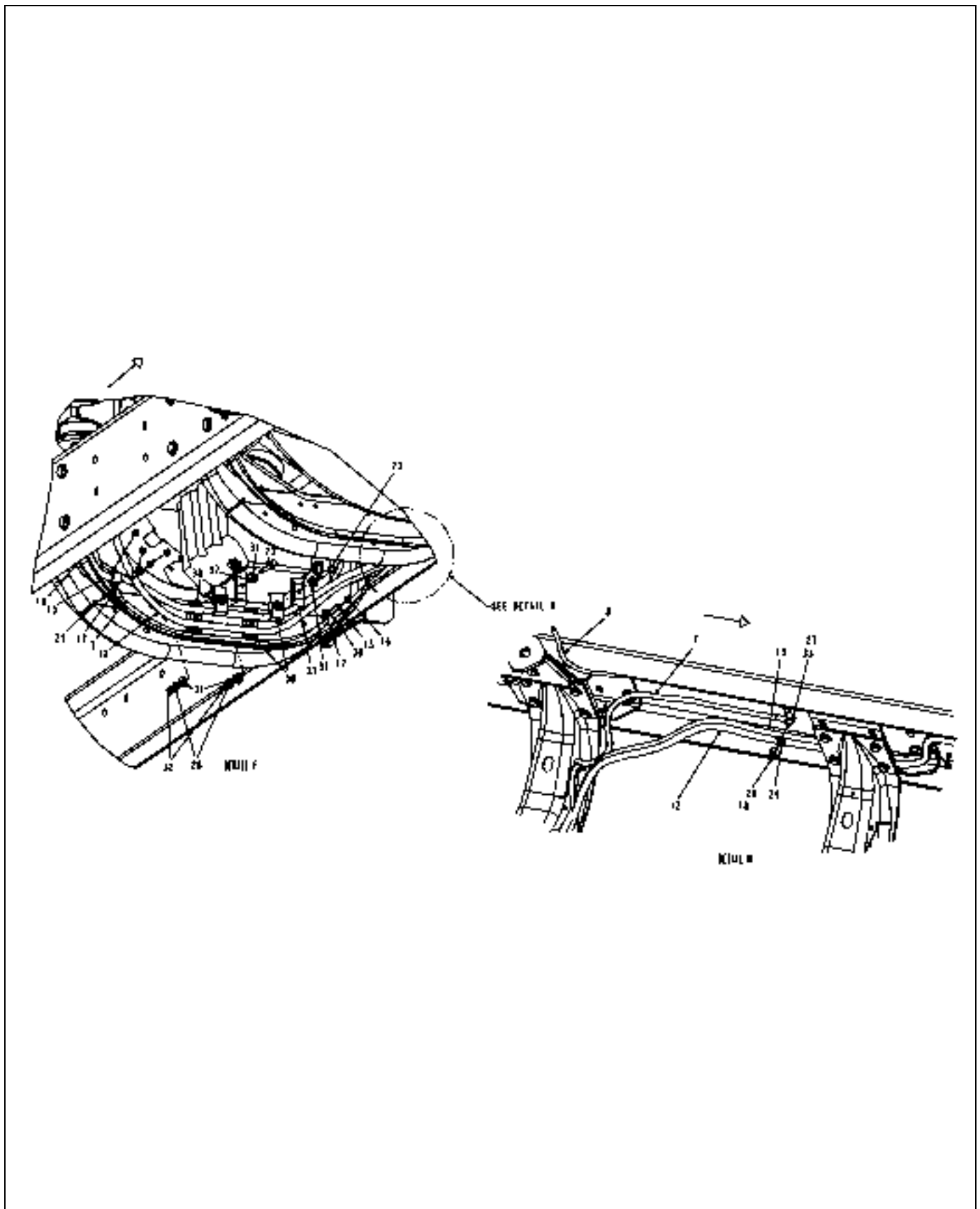


517971D1-03-T048-02.TIF

BATTERY CABLE-INSTALL,7X60

ITEM	PART #	QTY	DESCRIPTION	COMMENTS
4	WR126920	1	CABLE-BATTERY,STARTER,ALT	
5	525203D1	1	HARNESS-MAG SWITCH, PWR	
7	WR128273	1	CABLE-BATTERY,FRAME,GND	
9	525514D1	1	CABLE-GND,ALT,STARTER	
10	WR133976	1	CABLE-BATTERY,POS,CAB	
11	WR133977	1	CABLE-BATTERY,NEG,CAB	
12	WR134369	1	CABLE-BATTERY,NEG,START,DISC	
13	WR134370	1	CABLE-BATTERY,POSITIVE	
19	AG520772	3	NUT-M8-1.25,,SS,HHD	

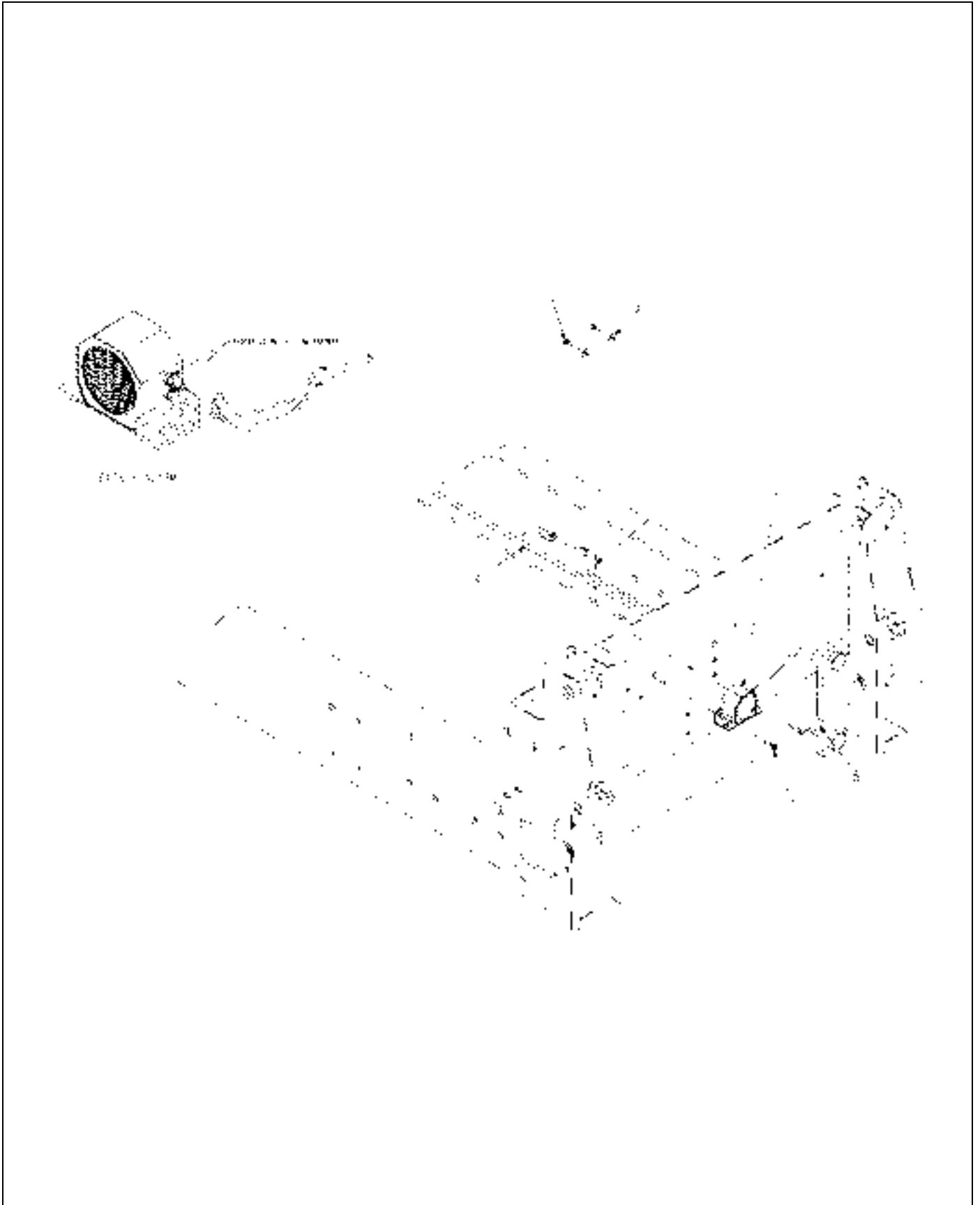
BATTERY CABLE-INSTALL,7X60



517971D1-03-T048-03.TIF

BATTERY CABLE-INSTALL,7X60

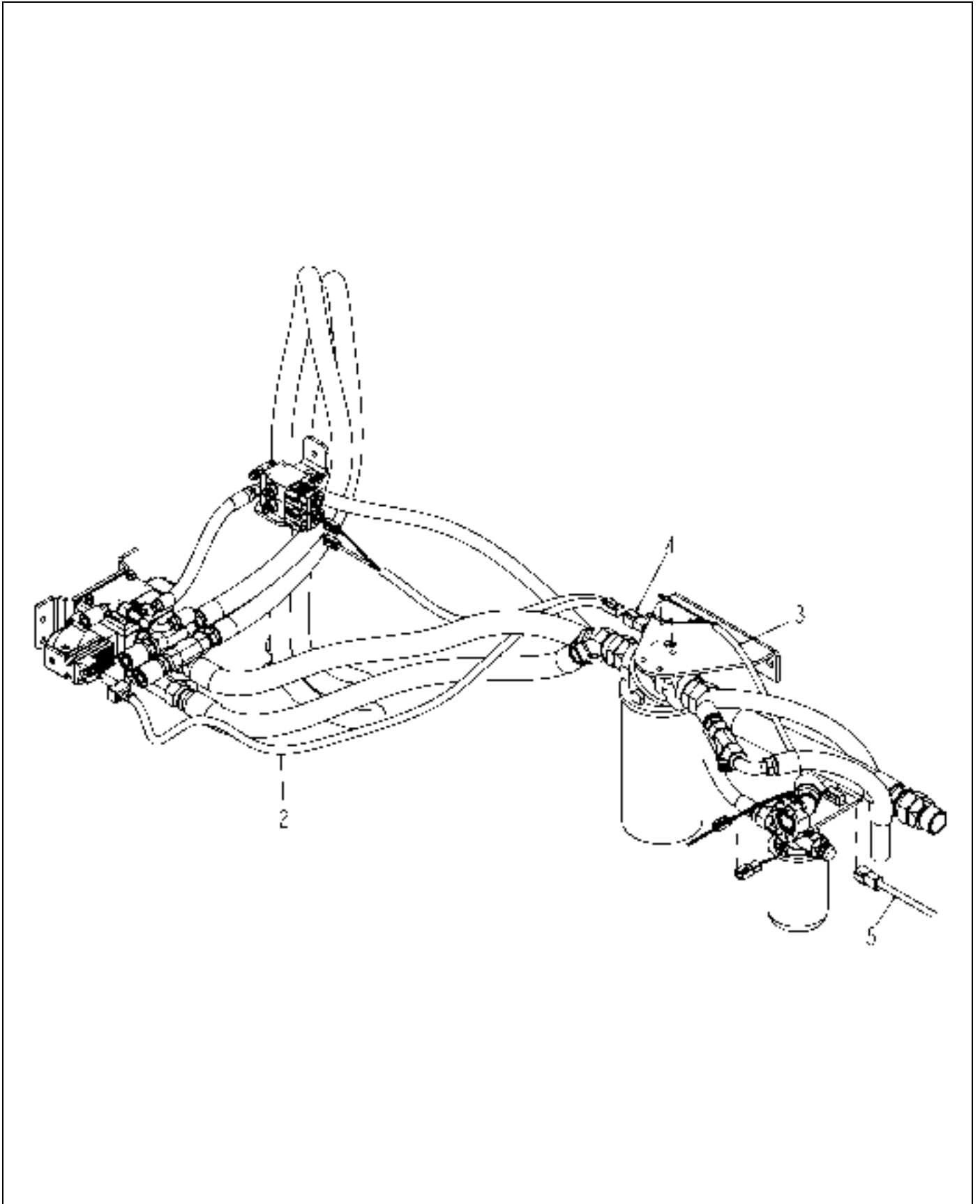
ITEM	PART #	QTY	DESCRIPTION	COMMENTS
7	WR128273	1	CABLE-BATTERY,FRAME,GND	
8	WR129305	1	CABLE-GND,CAB	
10	WR133976	1	CABLE-BATTERY,POS,CAB	
12	WR134369	1	CABLE-BATTERY,NEG,START,DISC	
13	WR134370	1	CABLE-BATTERY,POSITIVE	
15	AG515122	2	WASHER 0.25 LK SS REG	
16	AG515123	2	NUT .25-20NC HEX SS REG	
17	AG515373	2	CLIP,WIRING	
18	AG518989	-	SEALANT NONCORROSIVE 10.3 OZ	
23	AG561384	2	BOLT 0.31-18NCX 2.50 G5 ZN HHD	
25	AG561952	1	BOLT 0.25-20NCX 1.25 SS HHD	
26	AG562045	1	NUT 0.50-13NC HEX SS REG	
27	AG562046	1	WASHER 0.50 FL SS REG TYPE-B	
28	AG562051	3	WASHER 0.31 LK SS REG	
29	AG562053	1	WASHER 0.50 LK SS REG	
30	AG562064	2	BOLT 0.25-20NCX 1.00 SS HHD	
31	AG562074	4	WASHER 0.31 FL SS REG TYPE-B	
32	AG562090	2	NUT 0.31-18NC HEX SS REG	
33	AG562115	1	BOLT 0.50-13NCX 1.25 S.S. HHD	
37	AG608535	2	TWIN COVER PLATE-TCP-T3	
38	AG608580	4	CLAMP 1.00 TWIN PP	



505701D1-02-N547-.TIF

INSTALL-ELEC, BACKUP ALARM, 7X50

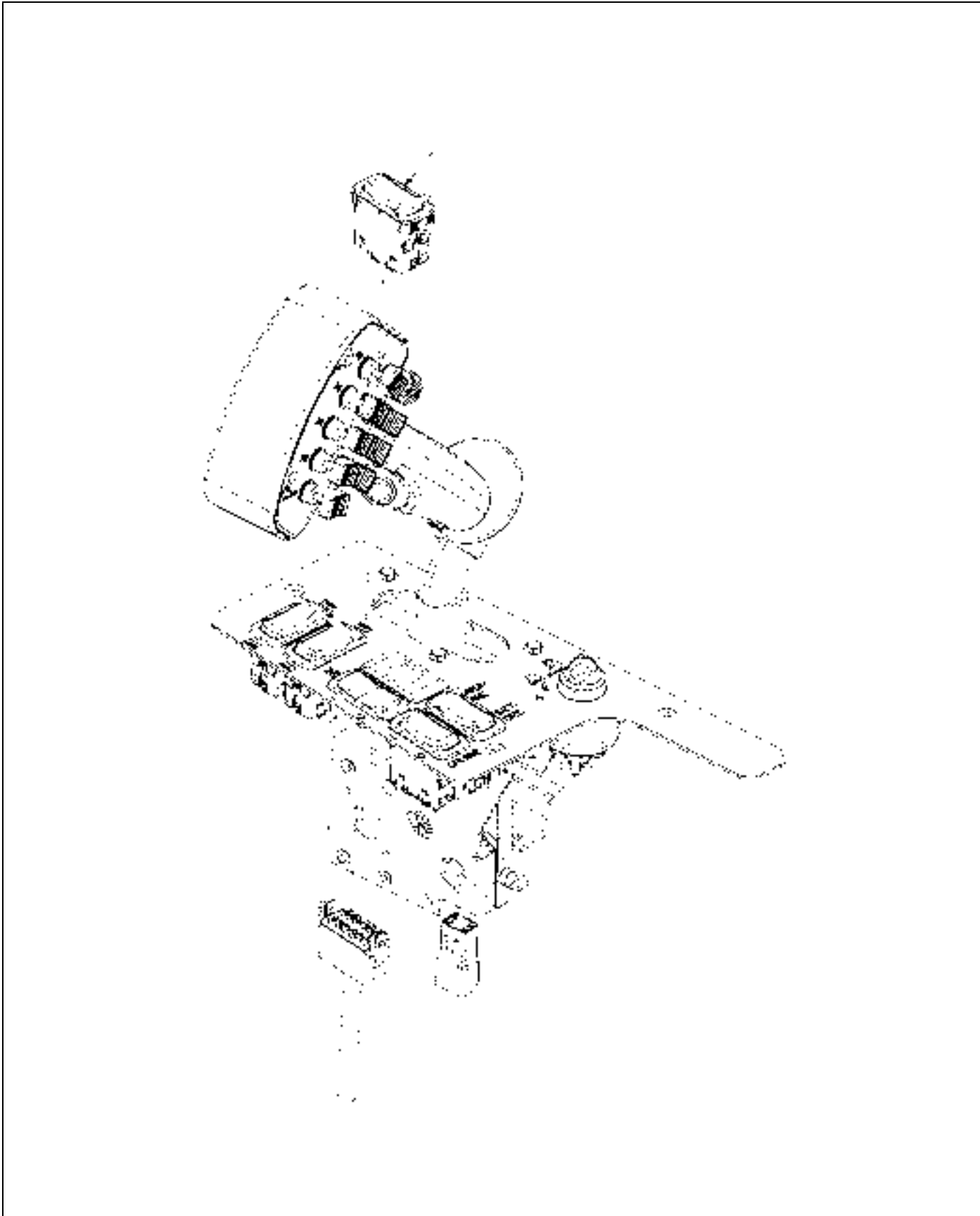
ITEM	PART #	QTY	DESCRIPTION	COMMENTS
1	WR11494	2	NUT-CENTERLOCK, 1/4	
2	AG550507	2	WASHER 0.25 FL ZN REG TYPE-B	
3	AG550698	2	BOLT 0.25-20NCX 1.00 G5 ZN HHD	
4	512671D1	-	HARNES-I/O, TRACK ADJUST, TLLT	[A]
5	505561D1	1	HARNES-BACKUP, 7X50	
6	6579858	1	ALARM-BACKUP	
	FOOTNOTE [A]		1ST USED ON S/N 7650VNS8P1011	



128250-02-N547-01.TIF

HARNES-INSTALL,FWA

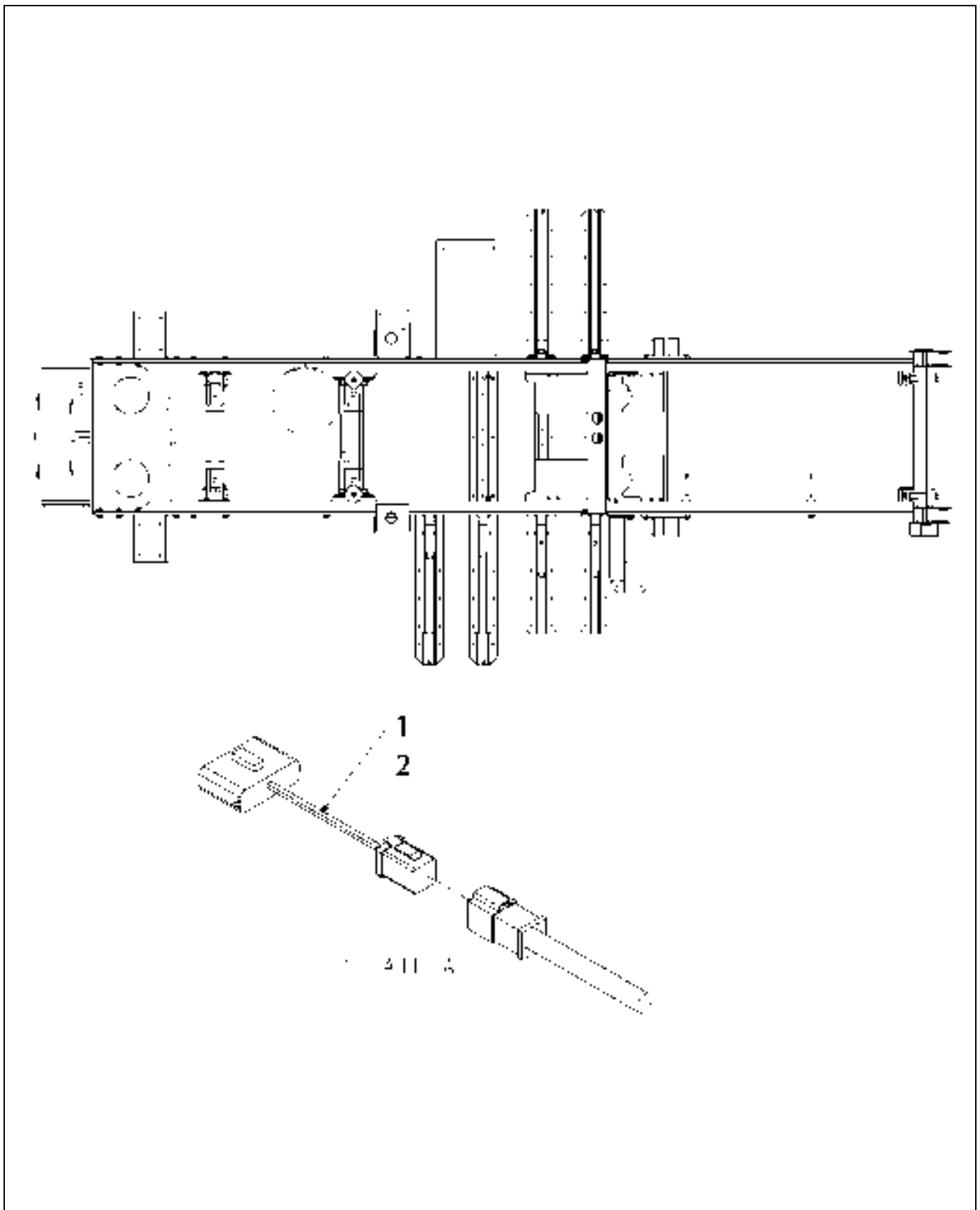
ITEM	PART #	QTY	DESCRIPTION	COMMENTS
2	WR128251	1	HARNES-FRONT,WHEEL,ASSIST	
3	WR129082	1	HARNES-FILTERS,FWA	
4	AG126910	-	HARNES-CHASSIS,ENG,TRANS	
5	512671D1	-	HARNES-I/O,TRACK ADJUST,TLLT	[A]
6	AG518989	AR	SEALANT NONCORROSIVE 10.3 OZ	
	FOOTNOTE [A]		1ST USED ON S/N 7650VNS8P1011	



128250-02-N547-02.TIF

HARNESS-INSTALL,FWA

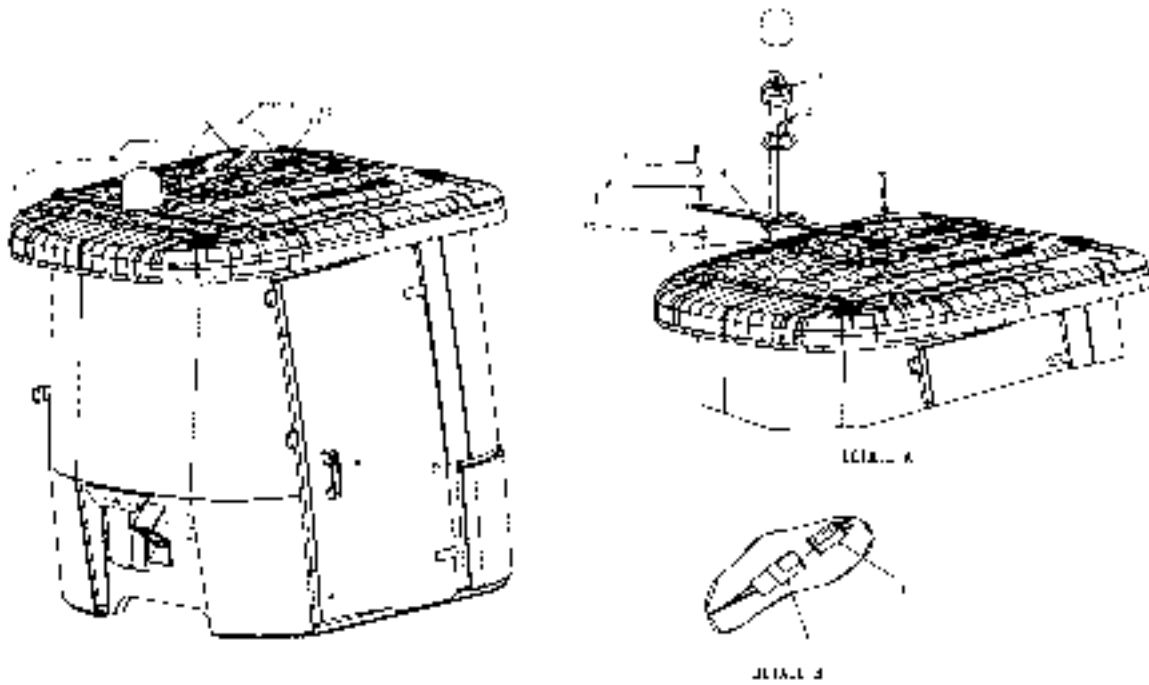
ITEM	PART #	QTY	DESCRIPTION	COMMENTS
1	AG124431	1	SWITCH-RKR,OFF-ON,W/LT,CS-L	



135439-02-T387-.TIF

ELEC GROUP-INSTALL,2WD

ITEM	PART #	QTY	DESCRIPTION	COMMENTS
1	WR135437	1	HARNES-LOAD,FWA	
2	AG553557	1	TIE CABLE 7.37 .06-1.37 BLACK	

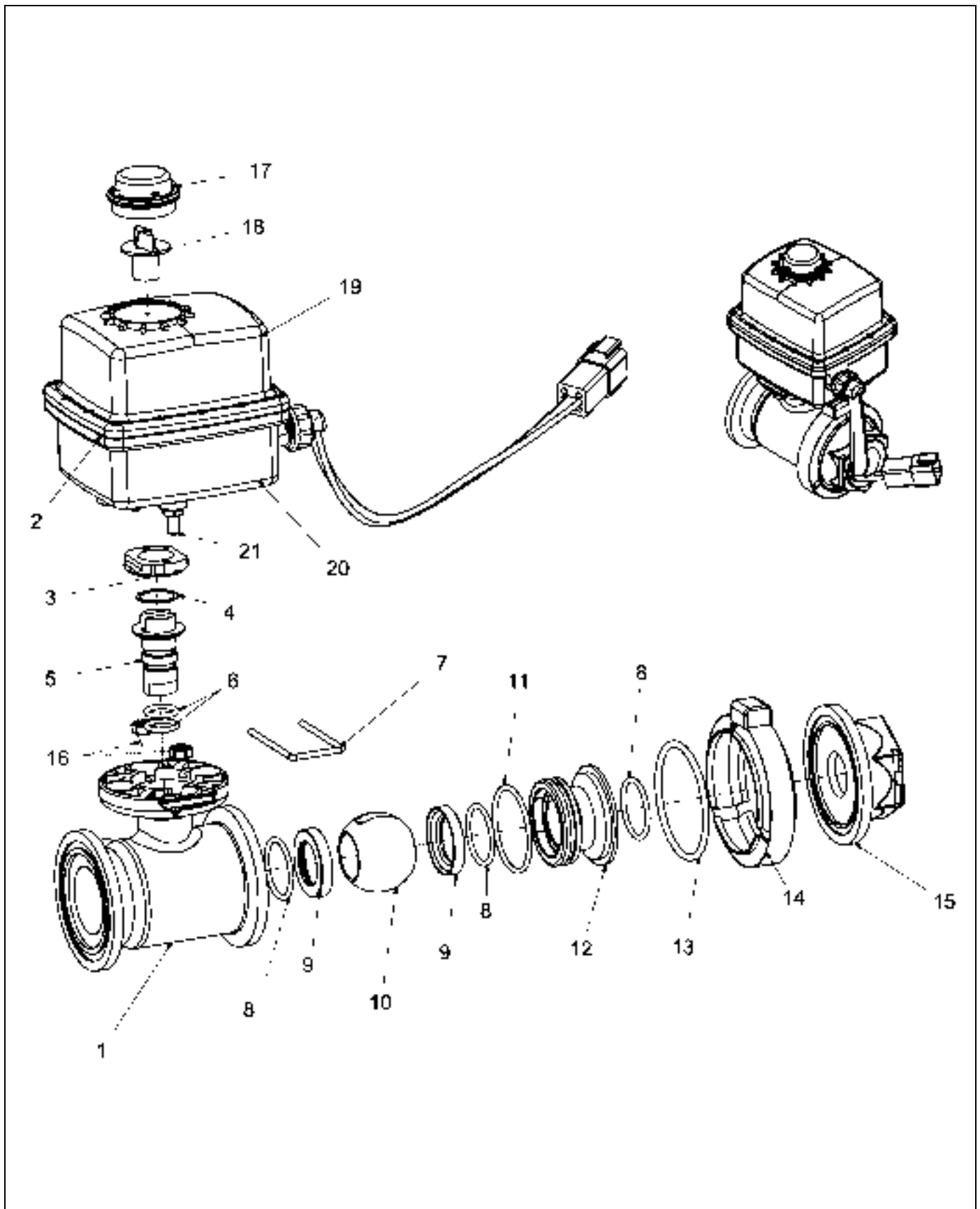


505737D1-03-N276-.TIF

ELEC INSTALL-BEACON,AMBER,7X50

ITEM	PART #	QTY	DESCRIPTION	COMMENTS
1	WR126888	-	HARNES-ROOF,MAIN	
2	AG518989	AR	SEALANT NONCORROSIVE 10.3 OZ	
3	AG522715	1	LAMP-ROTATING,AMBER	SEE PAGE 8-65
4	AG522717	3	WASHER #8 FL SS REG TYPE-B	
5	AG522753	3	SCR-#8 X .75,SS,HWH,TPG	
6	AG553557	AR	TIE CABLE 7.37 .06-1.37 BLACK	
7	400231X1	2	BOLT-M12X1.75X120 ZNDI HHD10.9	
8	400381X1	2	WASHER-HARD-13.5IDX30 ODX4THK	
9	508718D1	1	WLDMT-LAMP,ROTATING,RG	
10	505671D1	2	TUBE-ROUND,1.25 DIA X 1.00	
11	505802D1	1	HARNES-BEACON,7X50	
12	AG517942	4	MOUNT WIRE TIE ADHESIVE B 4WAY	

VALVE-BALL,1.00FP FLGXNPT,ELEC

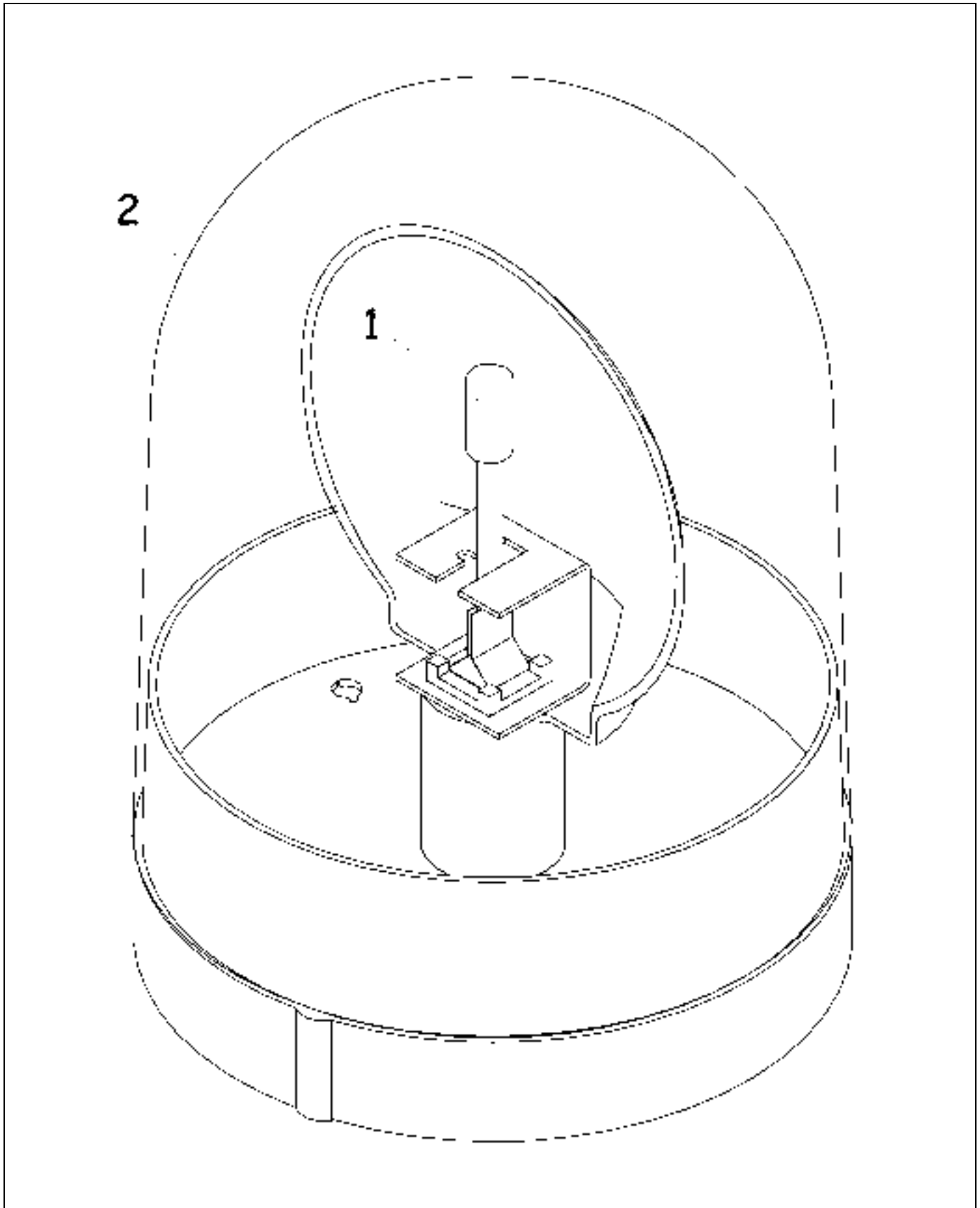


121883-A.TIF

VALVE-BALL,1.00FP FLGXNPT,ELEC

ITEM	PART #	QTY	DESCRIPTION	COMMENTS
REF	AG131748	-	MOTOR, GEAR ASM	
REF	AG131739	-	BOARD, CIRCUIT W/CABLE	
REF	AG060921	1	KIT/REPAIR,KZ VALVE 121924	
REF	AG331436	-	SEAL/KIT-VITON	
1	AG121924	1	BODY-VALVE,FLG OUTLET,1.00,2W	
2	AG121929	1	ACTUATOR-000-60-M-9	
3	AG131731	1	RETAINER, STEM	
4	AG131732	1	WASHER, THRUST	
5	AG131733	1	STEM, SS	
6	AG131734	2	O-RING, STEM	
7	AG726981	1	PIN / HAIR	
8	AG131735	3	O-RING, SEAT	
9	AG131776	2	COLLECTOR, OIL	
10	AG726982	1	BALL / 2-WAY	
11	AG131737	1	O-RING	
12	AG131738	1	FLANGE	
13	WR35020	1	ORING-SEAL,VALVE,QC3	
14	AG121922	1	CLAMP-V BAND,QX4	
15	AG121925	1	CAP-END,1.00 FNPT	
16	AG121926	2	NUT-KEP"S,50-20NC	
17	AG131743	1	DOME, CLEAR	
18	AG131744	1	FLAG	
19	AG131745	1	DOME, LID	
20	AG131746	2	CASE, BOTTOM	
21	AG131747	2	STUD, MOUNTING	

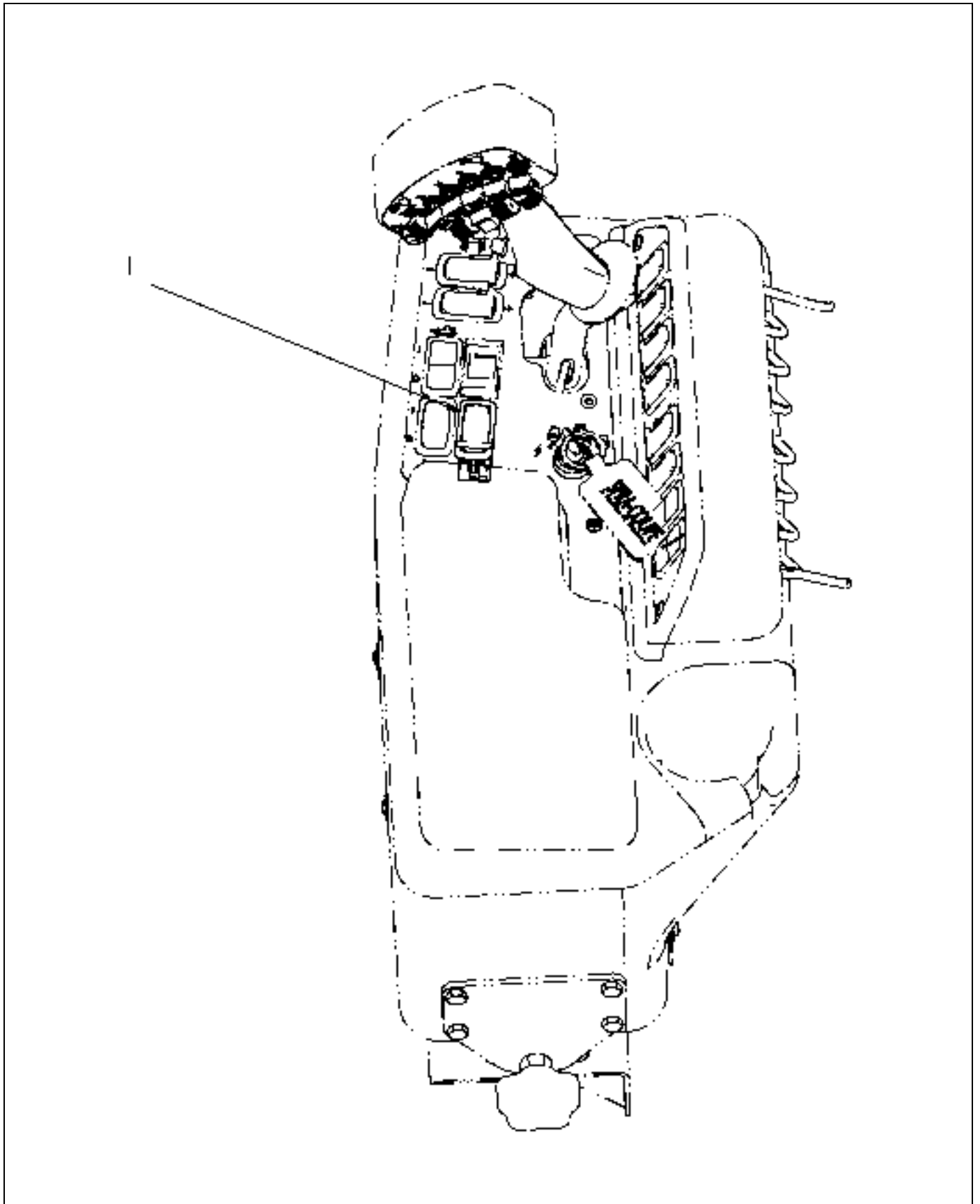
LAMP-ROTATING,AMBER



522715-A.TIF

LAMP-ROTATING,AMBER

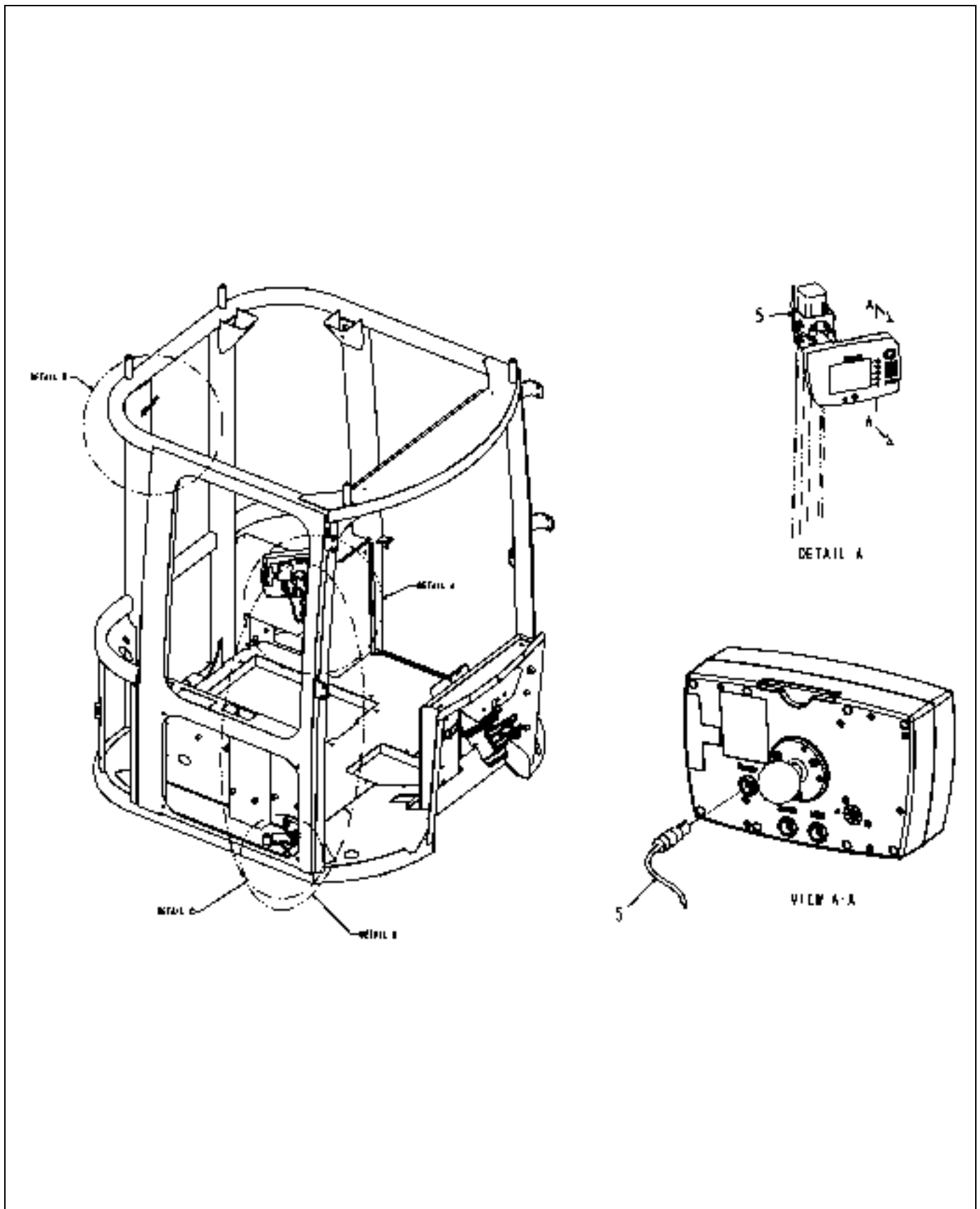
ITEM	PART #	QTY	DESCRIPTION	COMMENTS
1	AG331620	1	BULB	
2	AG425755	1	LENS/AMBER-522715	



523657D1-01-T026-.TIF

SWITCH-INSTALL,AUTOGUIDE

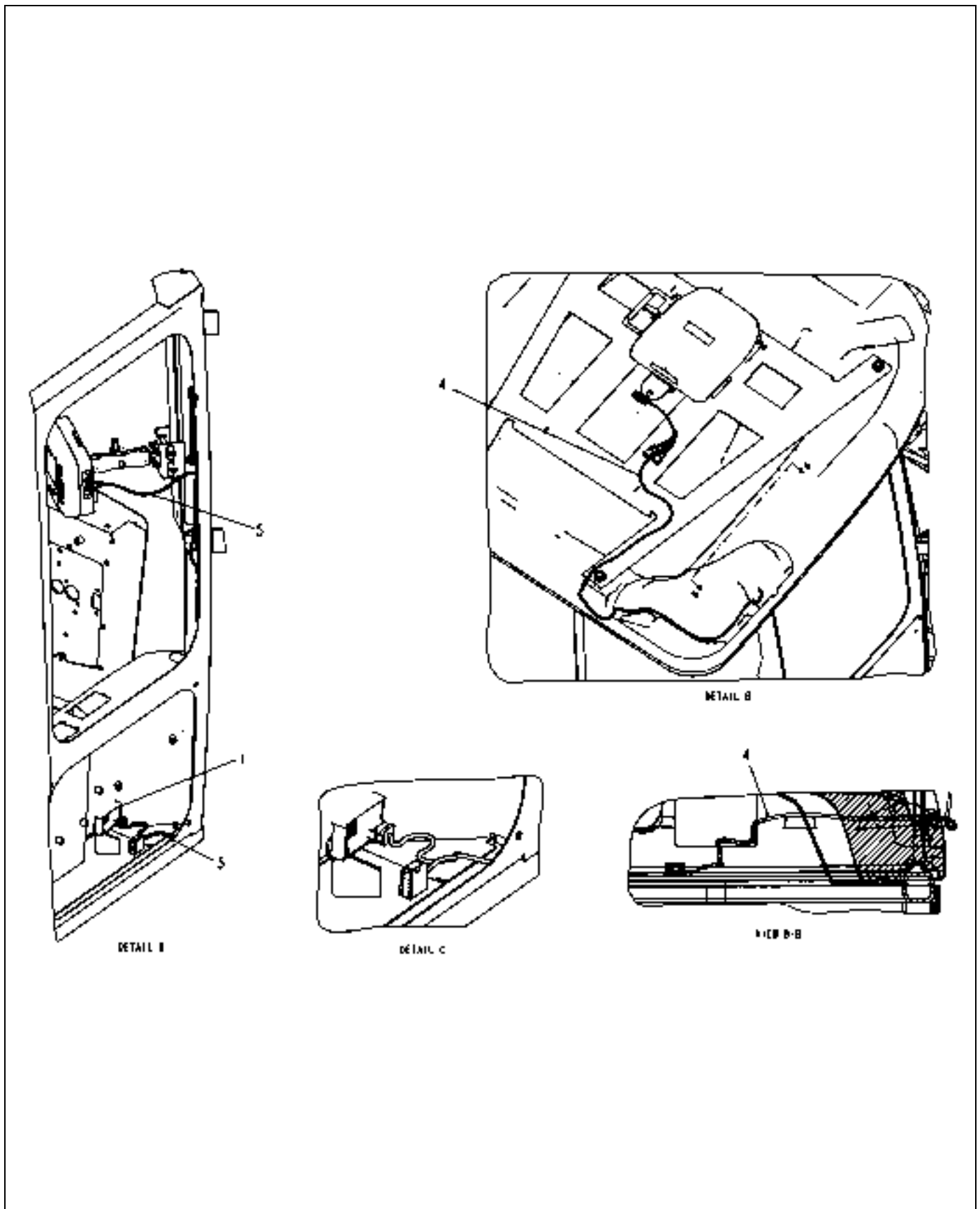
ITEM	PART #	QTY	DESCRIPTION	COMMENTS
1	AG129570	1	SWITCH-RKR,OFF-ON-ON,AS,CS-L	



508703D1-02-T387-01.TIF

INSTALL-ELECTRICAL,AUTOGUIDE

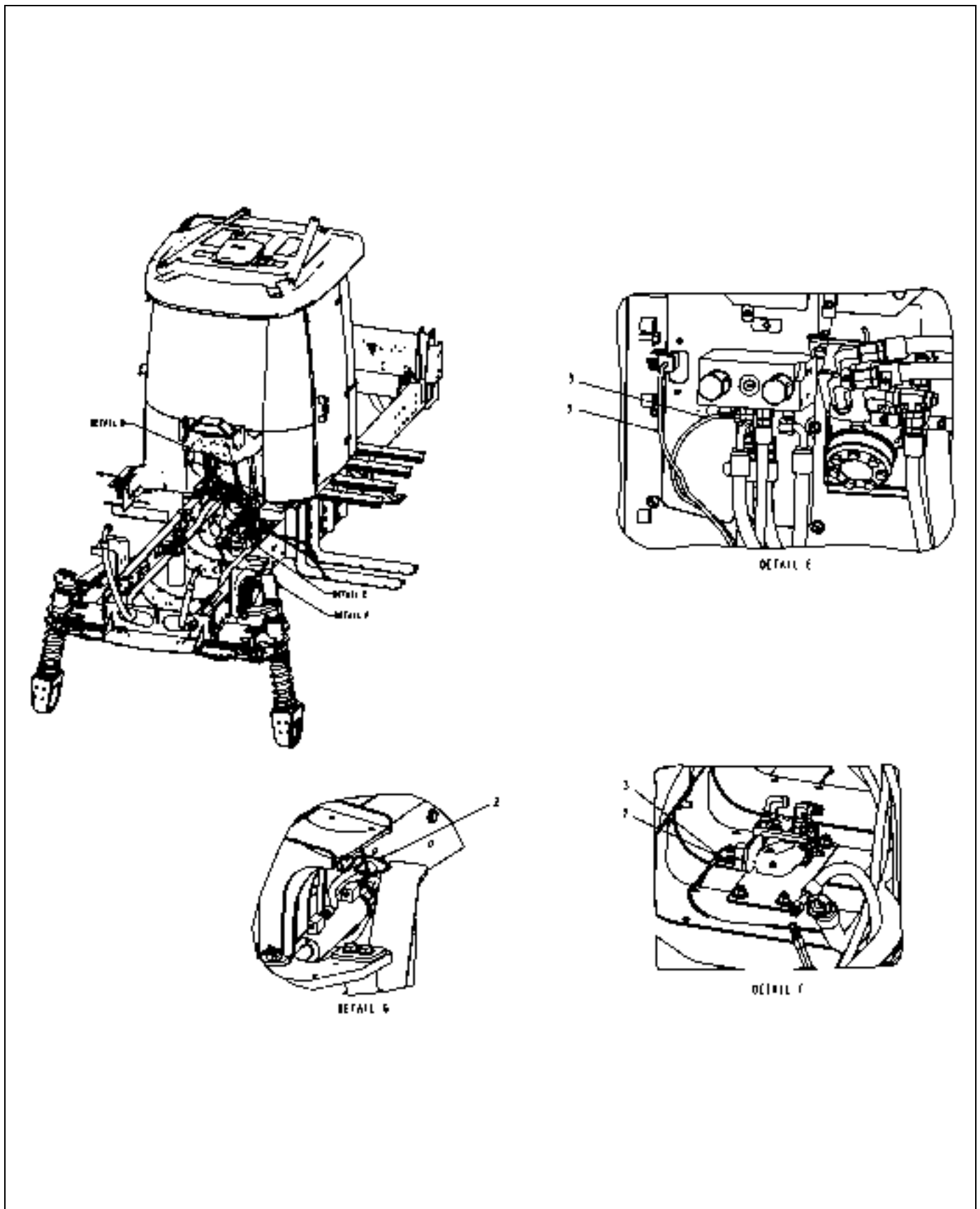
ITEM	PART #	QTY	DESCRIPTION	COMMENTS
5	524390D1	1	HARNES-TERMINAL,MITRON,AG	



508703D1-02-T387-02.TIF

INSTALL-ELECTRICAL,AUTOGUIDE

ITEM	PART #	QTY	DESCRIPTION	COMMENTS
1	515784D1	1	MODULE-CAN,AUTOGUIDE	
4	524389D1	1	HARNESSTOPDOCK,CAB,AG	
5	524390D1	1	HARNESSTERMINAL,MITRON,AG	

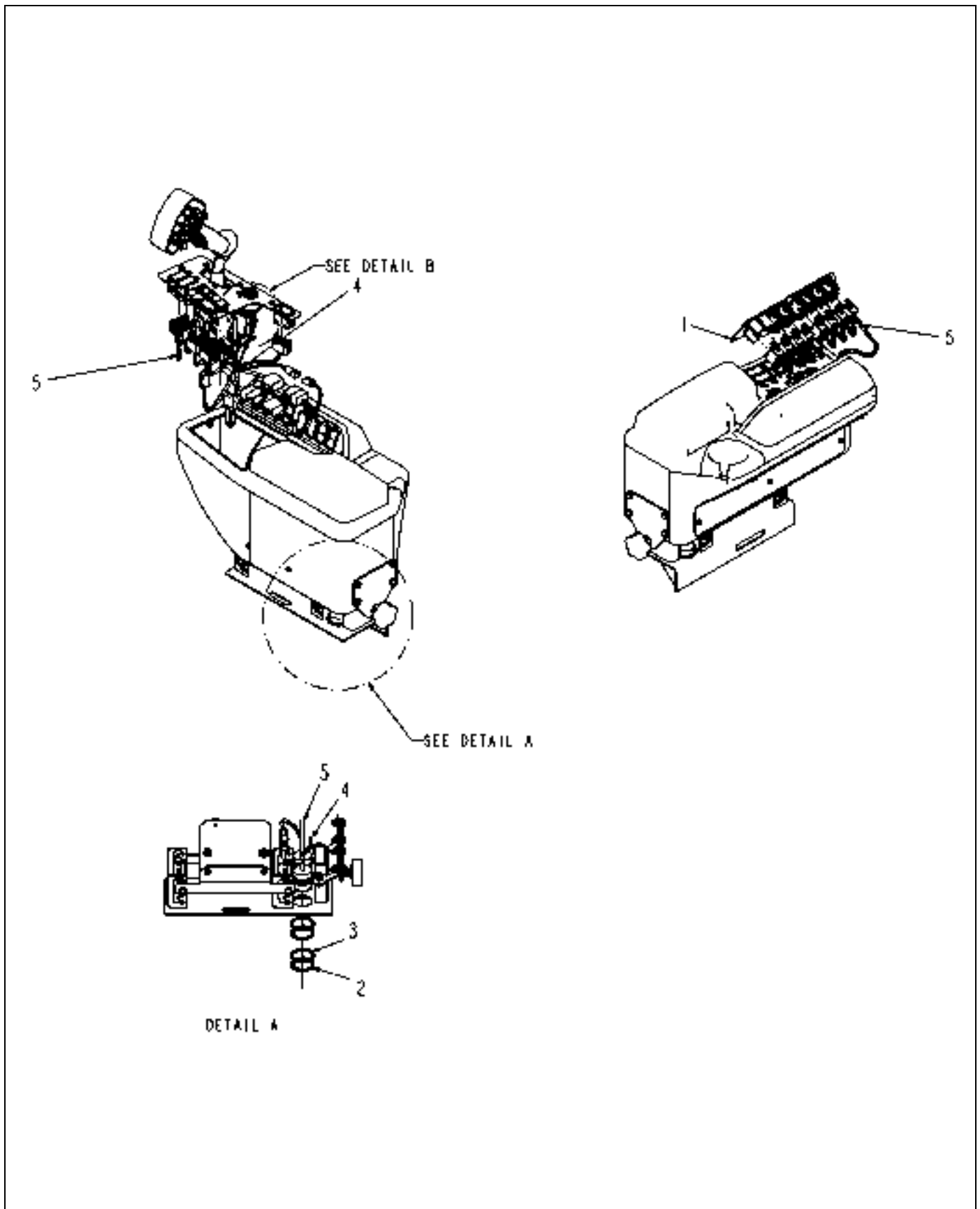


508703D1-02-T387-03.TIF

INSTALL-ELECTRICAL,AUTOGUIDE

ITEM	PART #	QTY	DESCRIPTION	COMMENTS
2	524387D1	1	HARNES-WAS,7X60	
3	524388D1	1	HARNES-VALVE,AUTOGUIDE	

HARNESS INSTALL-RH CONSOLE,SC

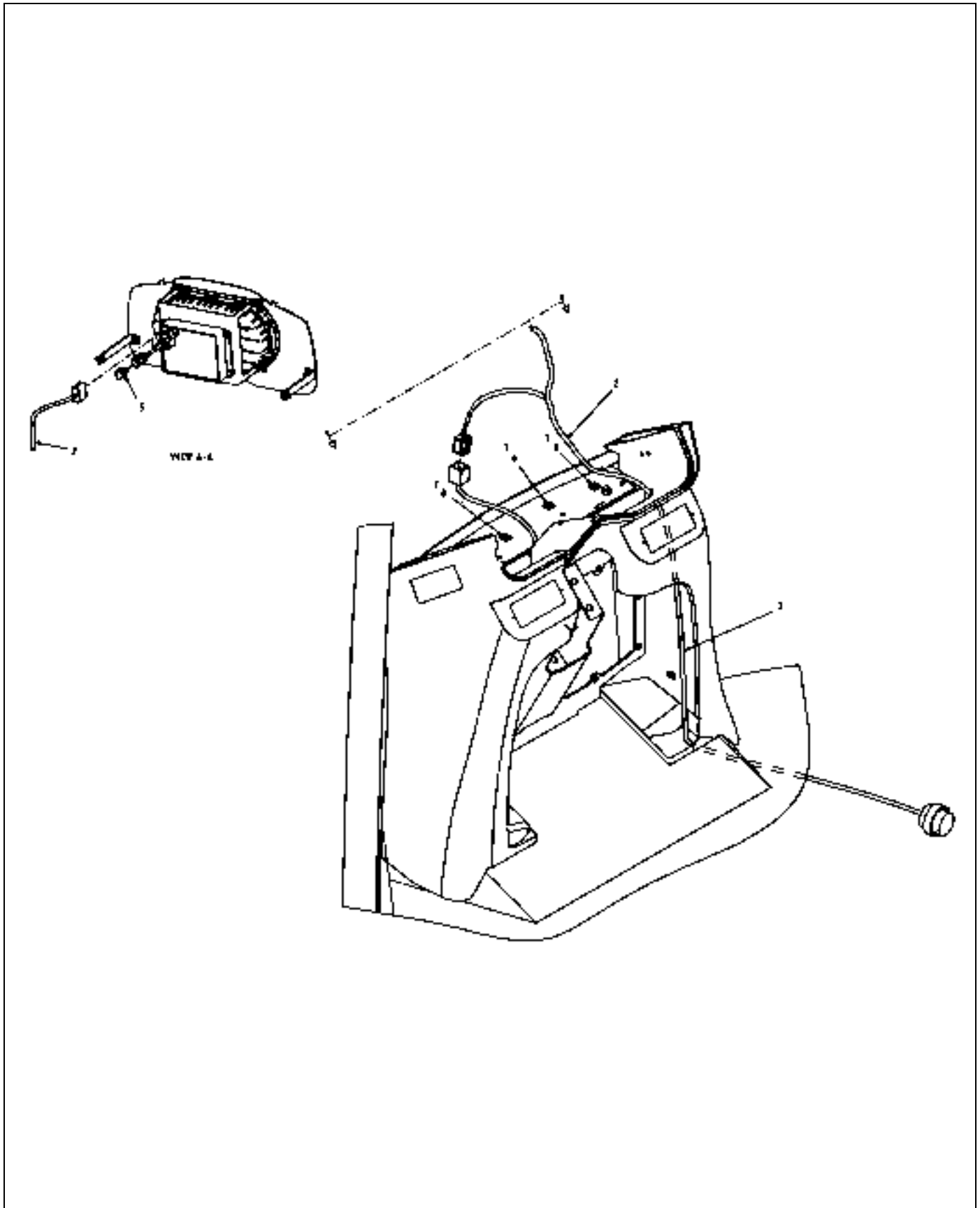


523994D1-01-R993-.TIF

HARNESS INSTALL-RH CONSOLE,SC

ITEM	PART #	QTY	DESCRIPTION	COMMENTS
1	WR127121	-	PANEL ASM-SWITCH,CONSOLE	SEE PAGE 8-2
2	AG515697	2	NUT PANEL ELEC CONNECTOR	
3	AG515698	2	WASHER LOCK ELEC CONNECTOR	
4	515520D1	1	HARNESS-RH CONSOLE,SC	
5	523975D1	1	HARNESS-SWITCHES,RH CONSOLE,SC	

HARNESS INSTALL-CENTER CONSOLE

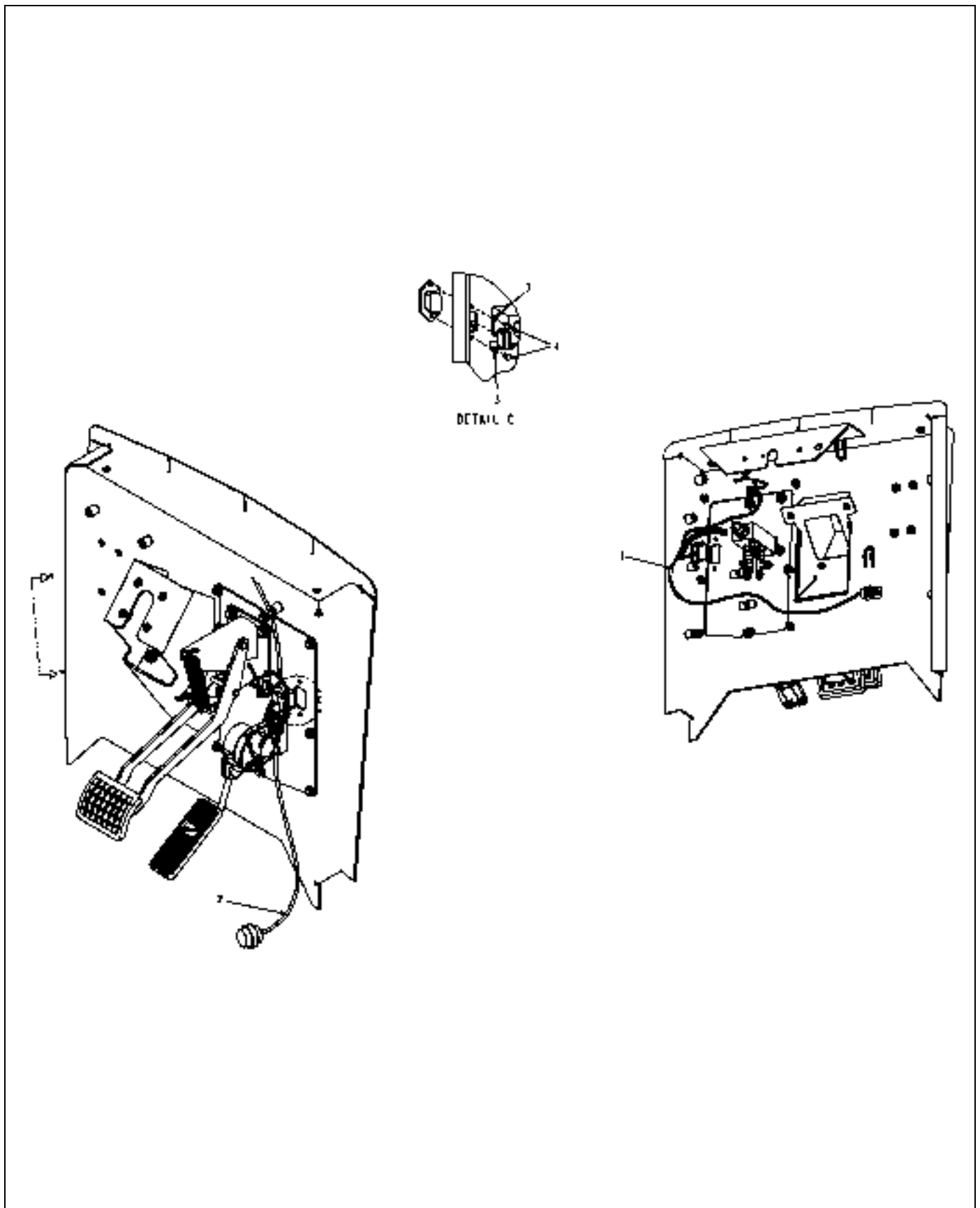


523970D1-01-R993-01.TIF

HARNESS INSTALL-CENTER CONSOLE

ITEM	PART #	QTY	DESCRIPTION	COMMENTS
2	524072D1	1	HARNESS-CONSOLE,CENTER	
5	AG522410	1	TERMINATOR-PLUG,3WAY,J1939	
6	AG517942	3	MOUNT WIRE TIE ADHESIVE B 4WAY	
7	AG553557	3	TIE CABLE 7.37 .06-1.37 BLACK	

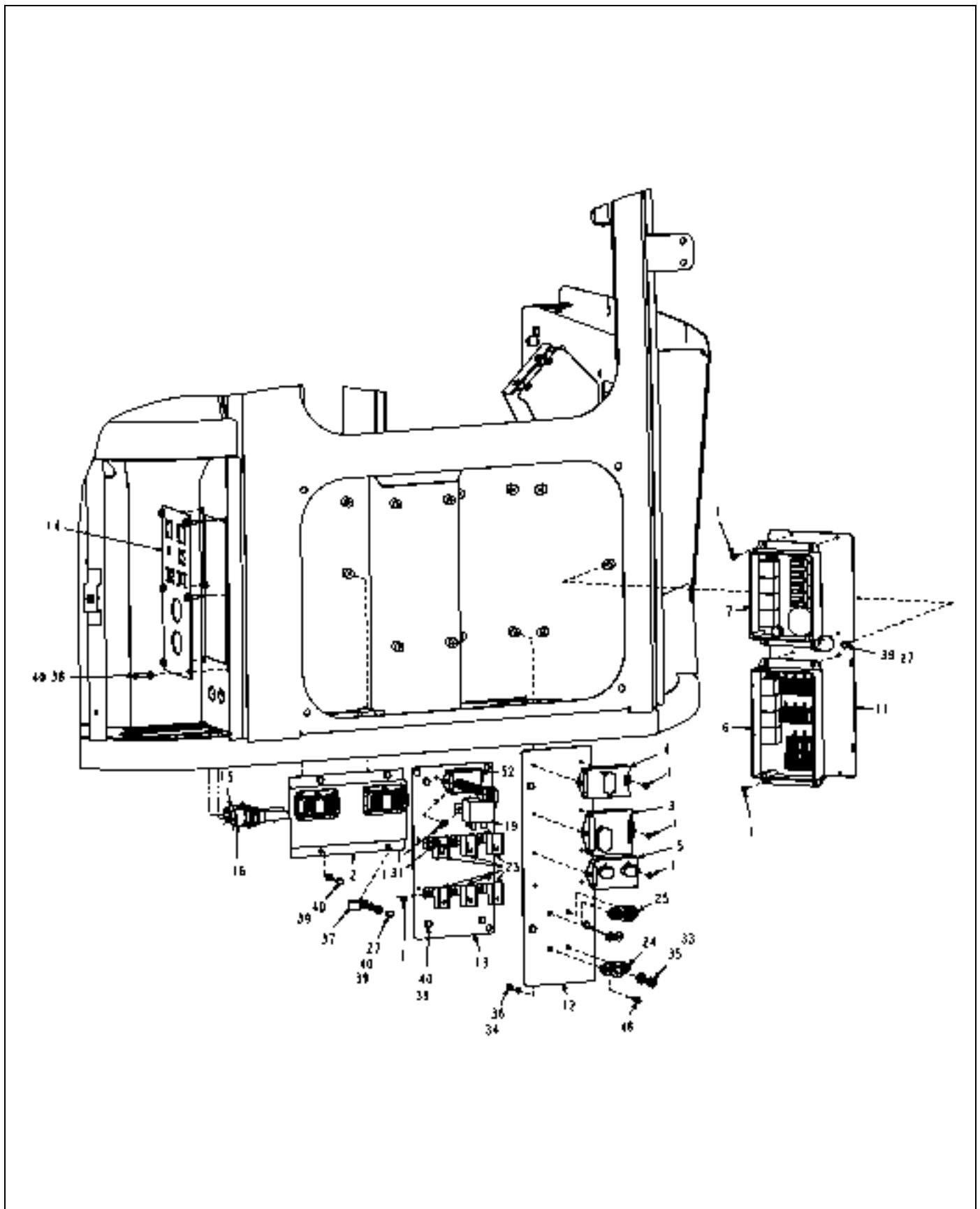
HARNES INSTALL-CENTER CONSOLE



523970D1-01-R993-02.TIF

HARNESS INSTALL-CENTER CONSOLE

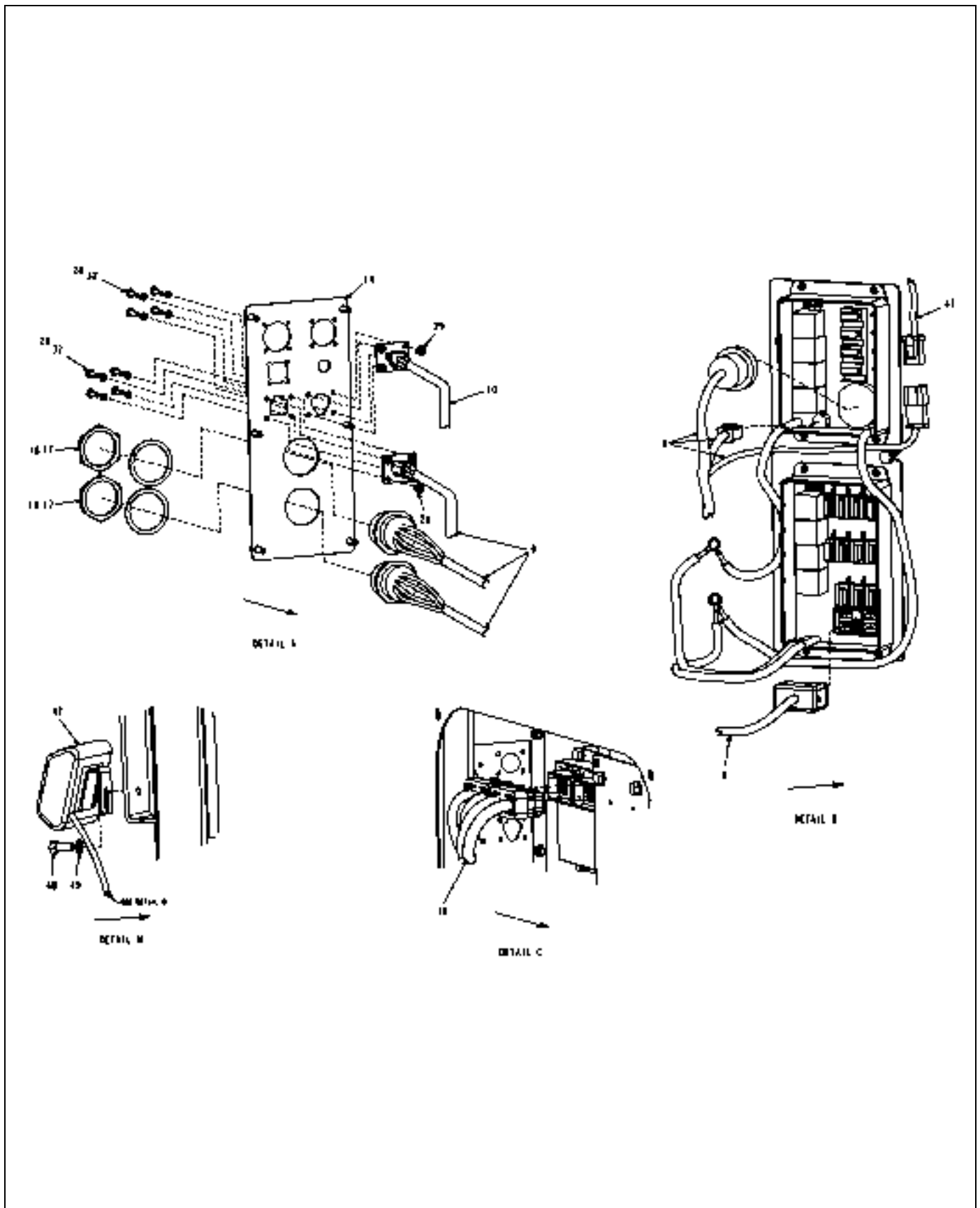
ITEM	PART #	QTY	DESCRIPTION	COMMENTS
1	524073D1	1	HARNESS-WIPER/HORN	
2	524072D1	1	HARNESS-CONSOLE,CENTER	
3	AG515122	2	WASHER 0.25 LK SS REG	
4	AG521728	2	BOLT-M6-1.0X16,,SS,HHD	



523972D1-02-T216-01.TIF

ELEC INSTALL-CAB, 7X60, EURO

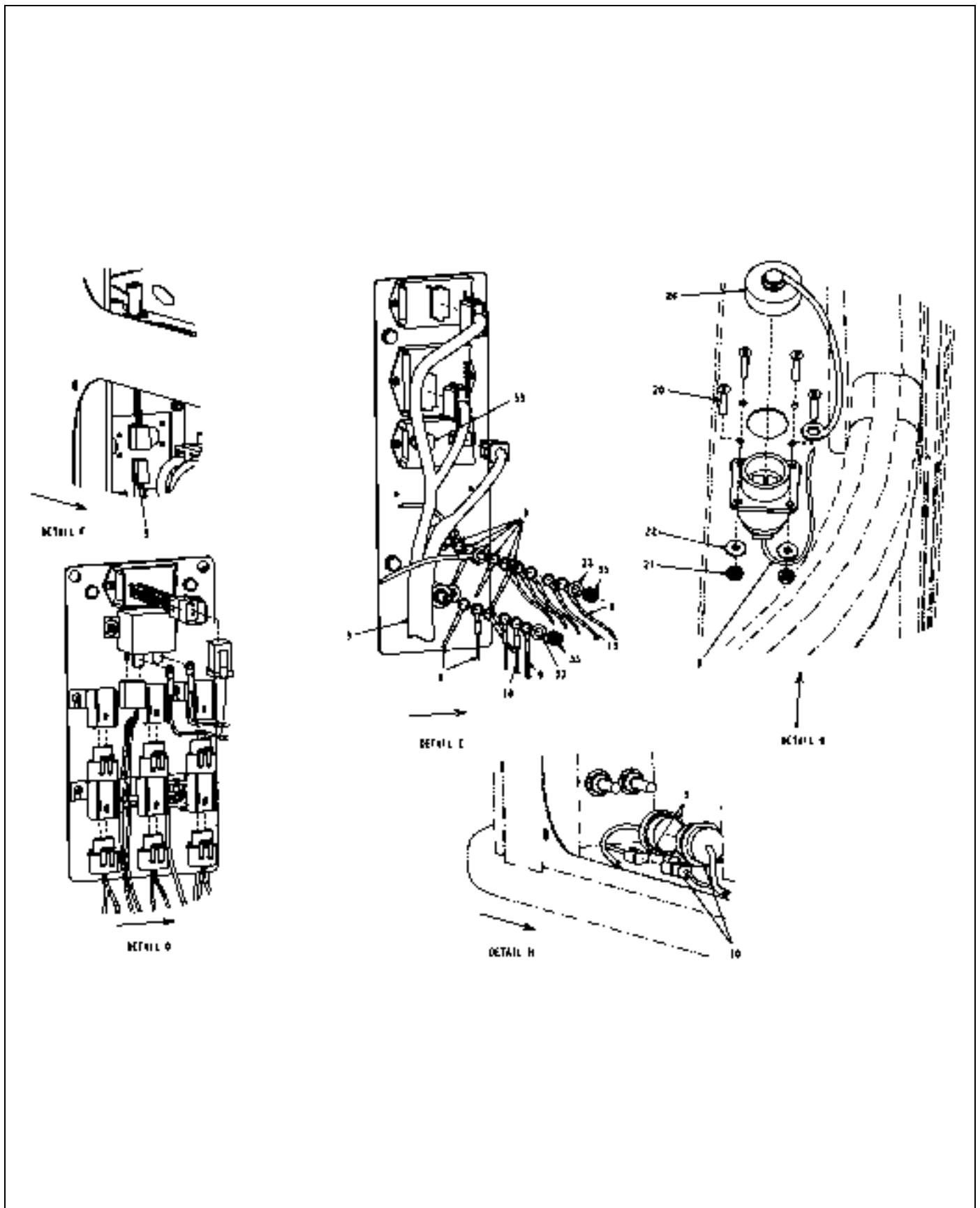
ITEM	PART #	QTY	DESCRIPTION	COMMENTS
1	AG029293	24	SCREW 10-24X0.50 TAP IWHHH	
2	515100D1	1	INSTL-MASTER MODULE,AED	SEE PAGE 8-28
3	AG129242	1	MODULE-FLASHER,EURO	
4	AG121749	1	MODULE-RELAY,4 PACK,NO	[A]
5	AG121750	1	MODULE-RELAY,2 PACK	
6	AG124451	1	MODULE-POWER DIST,11 FUSE	SEE PAGE 8-77
7	AG124452	1	MODULE-POWER DIST,HI CURRENT	SEE PAGE 8-78
11	WR126905	1	PLATE-PDM,MINI CAB	
12	WR126906	1	PLATE-RELAY,MINI CAB	
13	513766D1	1	PLATE-AUX,MINI CAB	
14	517403D1	1	PLATE-BULKHEAD	
15	WR133978	1	CABLE-PWR STUD,CAB BLKHD	
16	WR133979	1	CABLE-GND STUD,CAB BLKHD	
19	AG516864	1	RELAY-ELEC,12VDC,75AMP	
23	AG520052	6	CAP METRI PACK 630 P2S 2-WAY	
24	AG520092	1	JUNCTION BLOCK-STUD TYPE,BLK	
25	AG520093	1	JUNCTION BLOCK-STUD TYPE,RED	
27	AG520879	2	WASHER-FLAT,M6,ZN,REG	
30	AG553557	-	TIE CABLE 7.37 .06-1.37 BLACK	
31	AG553670	2	WASHER #10 FL ZN REG TYPE-B	
33	AG562050	2	WASHER 0.37 LK SS REG	
34	AG562061	4	NUT #10-24NC HEX SS REG	
35	AG562065	2	NUT 0.37-16NC HEX SS REG	
36	AG562081	4	WASHER #10 LK SS REG	
37	AG562238	1	CLAMP CTD 1.50IDX 0.75WIDE	
38	AG562327	6	BOLT M6-1.00X20MM G8.8 ZN HHD	
39	AG562639	15	BOLT M6 1.00X12MM G8.8 ZN HHD	
40	AG562792	20	WASHER LOCK M6 SPRING ZN	
41	AG562925	1	FUSE BLADE 30A ATC	
42	AG562929	1	FUSE 20A BLADE ATC	
43	AG562930	5	FUSE 15A BLADE ATC	
44	AG562931	5	FUSE 10A BLADE ATC	
45	AG562933	2	FUSE 5A BLADE ATC	
46	AG563094	4	SCREW 10-24X0.75 PH PHS SS	
50	AG562928	2	FUSE 25A BLADE ATC	
51	508170D1	1	ELEC INSTL-JUMPER,STD HVAC	SEE PAGE 8-29
52	513016D1	1	MODULE-RELAY,3 SECOND DELAY	
	FOOTNOTE [A]		AG719617 - RELAYS (4)	



523972D1-02-T216-02.TIF

ELEC INSTALL-CAB, 7X60, EURO

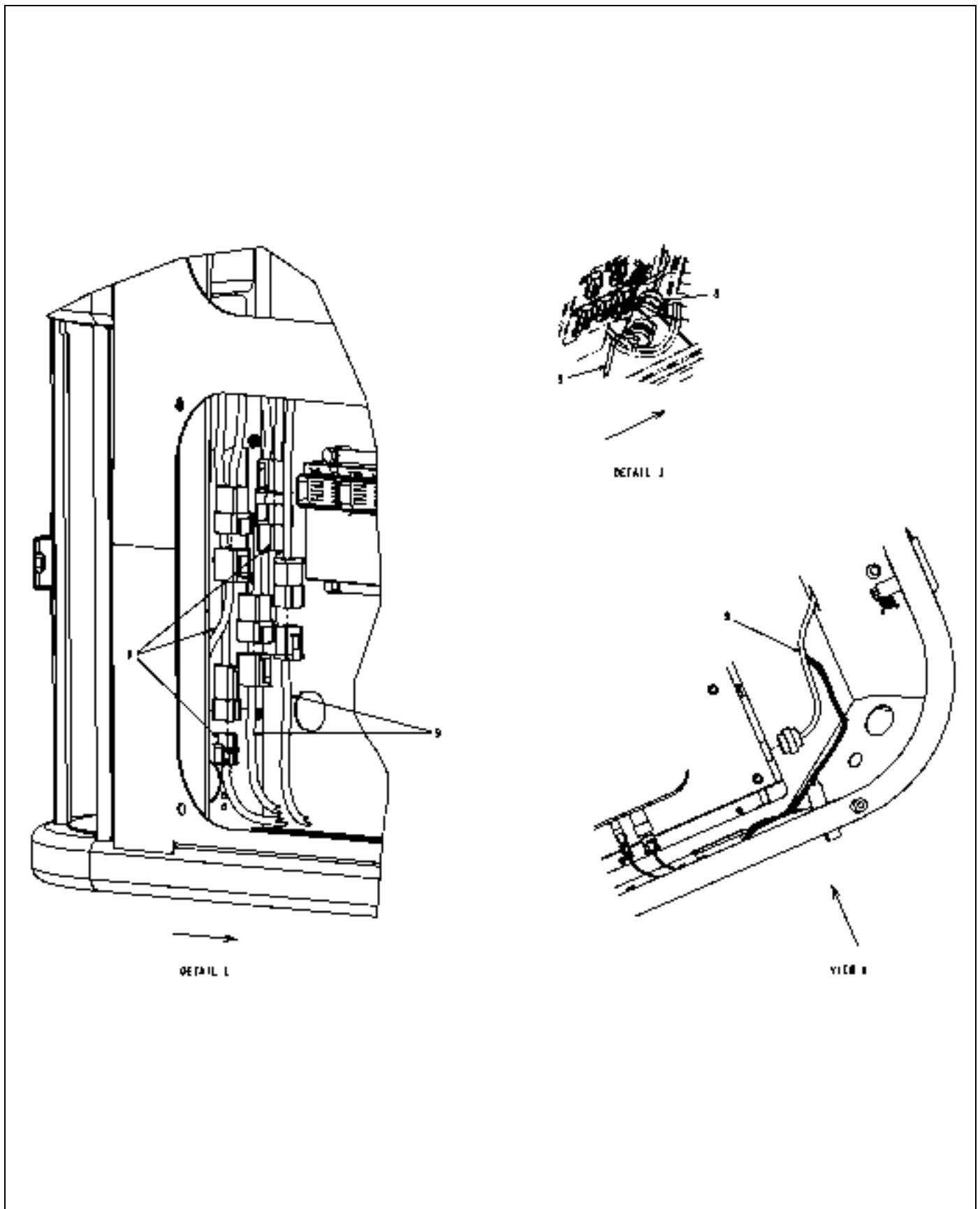
ITEM	PART #	QTY	DESCRIPTION	COMMENTS
9	524624D1	1	HARNES-ADAPTER, 7X60,EURO	
10	524625D1	1	HARNES-MASTER MODULE,SC,EURO	
14	517403D1	1	PLATE-BULKHEAD	
17	AG515697	2	NUT PANEL ELEC CONNECTOR	
18	AG515698	2	WASHER LOCK ELEC CONNECTOR	
28	AG550914	8	WASHER #8 LK ZN REG	
29	AG550922	8	NUT #8-32NC HEX ZN REG	
32	AG560227	8	SCREW 8-32X 0.75 MA ZN SL PHD	
47	WR134754	1	MODULE-LCD,CAN	
48	WR522279	1	BOLT-M8-1.25X20,CL10.9,ZN,HHD	
49	AG561679	1	WASHER LOCK M8 ZN	



523972D1-02-T216-03.TIF

ELEC INSTALL-CAB, 7X60, EURO

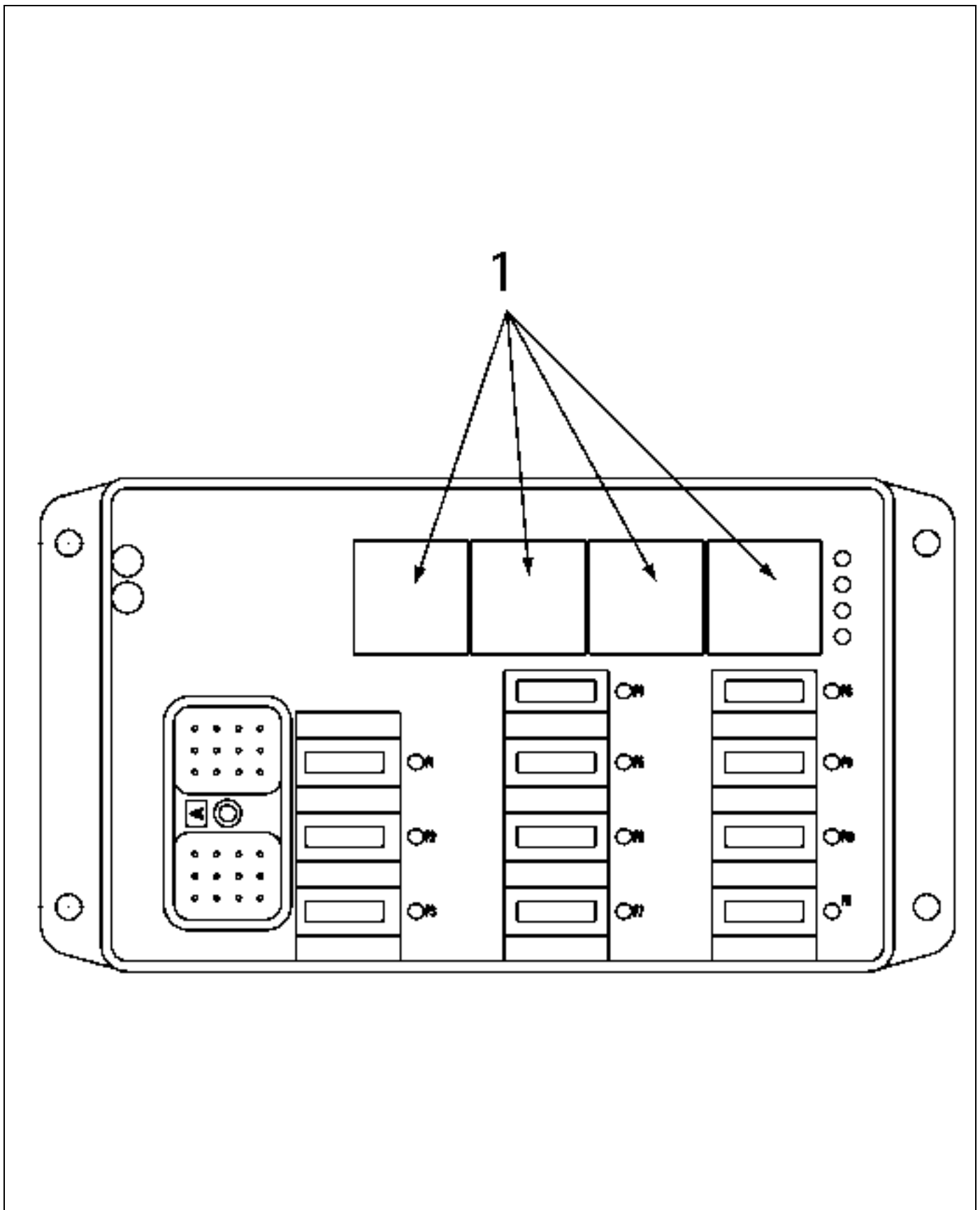
ITEM	PART #	QTY	DESCRIPTION	COMMENTS
9	524624D1	1	HARNESS-ADAPTER, 7X60,EURO	
10	524625D1	1	HARNESS-MASTER MODULE,SC,EURO	
15	WR133978	1	CABLE-PWR STUD,CAB BLKHD	
16	WR133979	1	CABLE-GND STUD,CAB BLKHD	
20	AG517156	4	SCREW #6-32X.75 MA RDHD SLOTZN	
21	AG517157	4	NUT #6-32NC HEX ZN REG	
22	AG517158	4	WASHER #6 FL ZN REG TYPE-B	
26	AG520318	1	CAP-SEALING,SIZE 17	
33	AG562050	2	WASHER 0.37 LK SS REG	
35	AG562065	2	NUT 0.37-16NC HEX SS REG	
53	AG520746	1	CONN-PLUG,6 WAY,18-14 GA	



523972D1-02-T216-04.TIF

ELEC INSTALL-CAB, 7X60, EURO

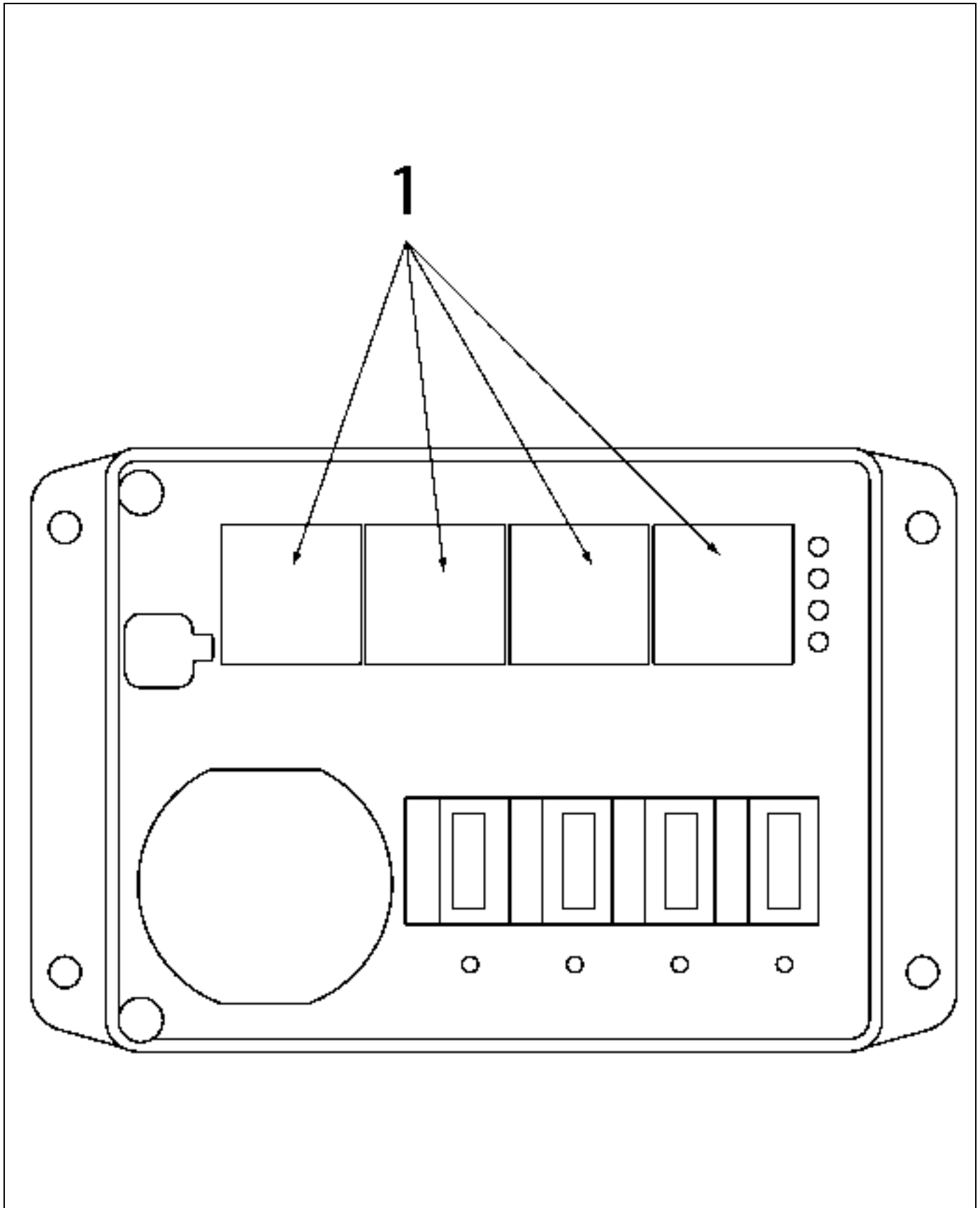
ITEM	PART #	QTY	DESCRIPTION	COMMENTS
8	524072D1	-	HARNES-CONSOLE,CENTER	
9	524624D1	1	HARNES-ADAPTER, 7X60,EURO	



124451.TIF

MODULE-POWER DIST,11 FUSE

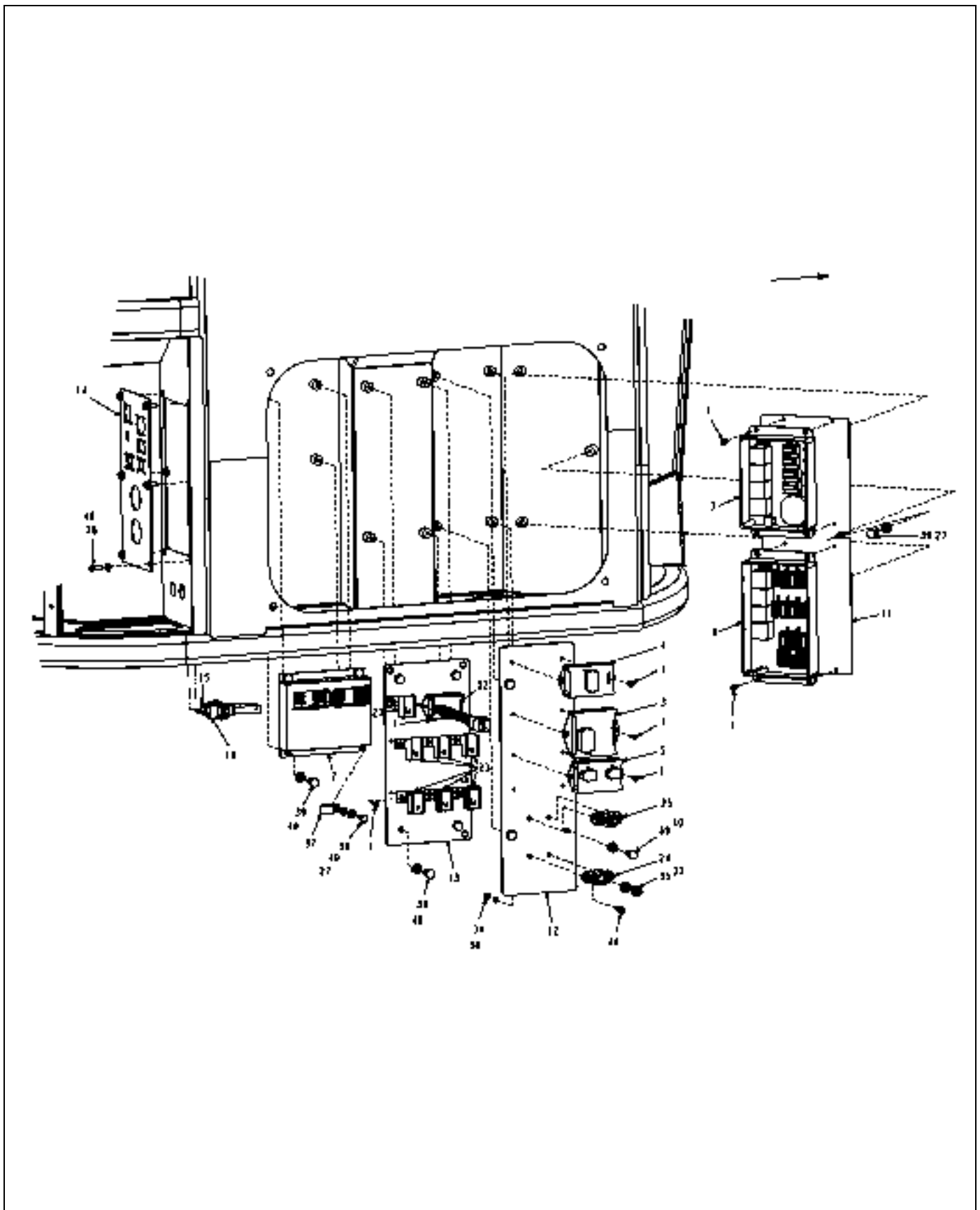
ITEM	PART #	QTY	DESCRIPTION	COMMENTS
1	AG719617	4	RELAY 40/30A	



124452.TIF

MODULE-POWER DIST,HI CURRENT

ITEM	PART #	QTY	DESCRIPTION	COMMENTS
1	AG719617	4	RELAY 40/30A	



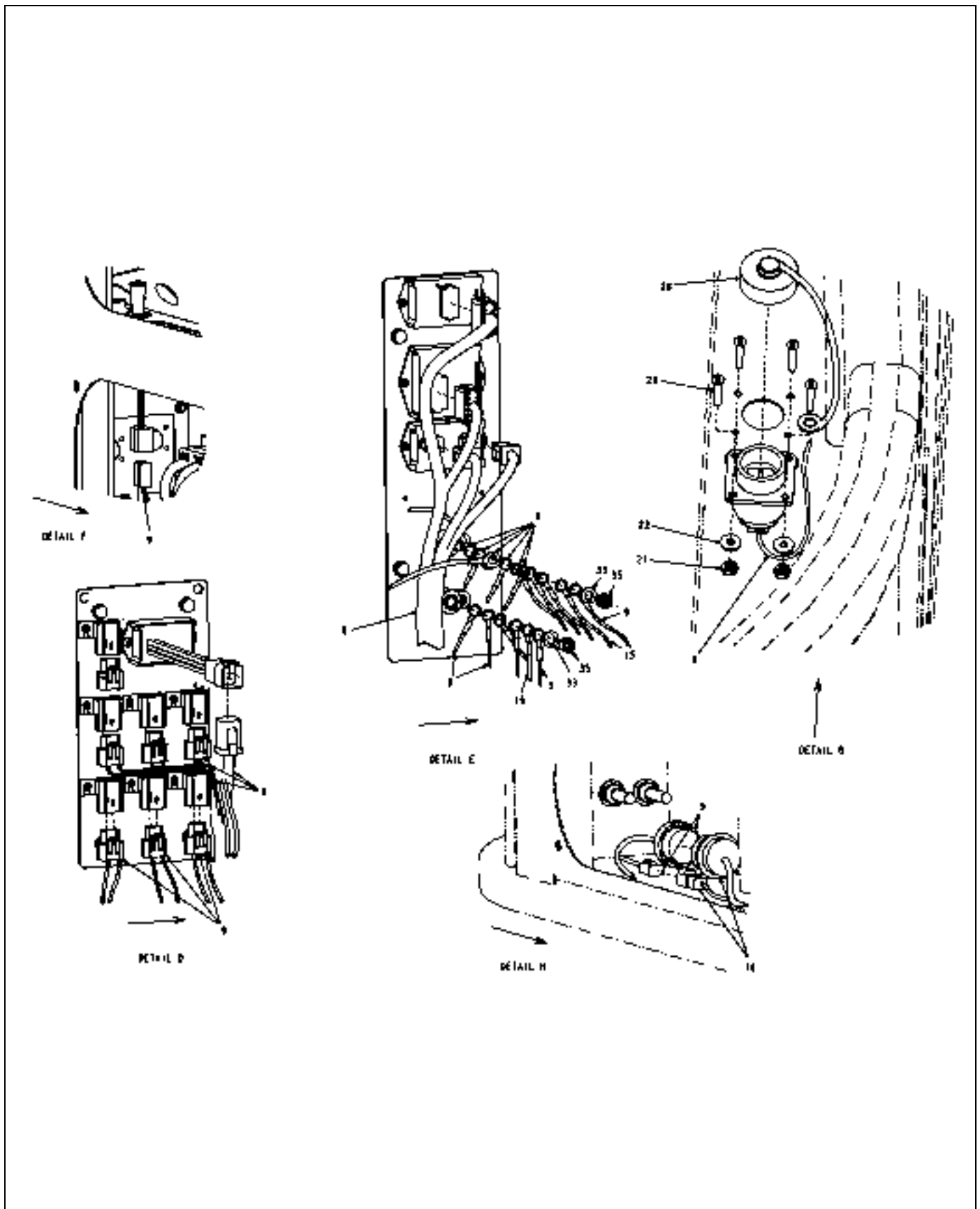
523986D1-02-T216-01.TIF

ELEC INSTAL-CAB, ATC, EURO,2009

ITEM	PART #	QTY	DESCRIPTION	COMMENTS
1	AG029293	23	SCREW 10-24X0.50 TAP IWHHH	
2	515100D1	1	INSTL-MASTER MODULE,AED	SEE PAGE 8-28
3	AG129242	1	MODULE-FLASHER,EURO	
4	AG121749	1	MODULE-RELAY,4 PACK,NO	[A]
5	AG121750	1	MODULE-RELAY,2 PACK	
6	AG124451	1	MODULE-POWER DIST,11 FUSE	SEE PAGE 8-77
7	AG124452	1	MODULE-POWER DIST,HI CURRENT	SEE PAGE 8-78
11	WR126905	1	PLATE-PDM,MINI CAB	
12	WR126906	1	PLATE-RELAY,MINI CAB	
13	515778D1	1	PLATE-AUX,MINI CAB,ATC	
14	517403D1	1	PLATE-BULKHEAD	
15	WR133978	1	CABLE-PWR STUD,CAB BLKHD	
16	WR133979	1	CABLE-GND STUD,CAB BLKHD	
19	AG515669	6	PLUG-SEAL,SIZE 16 CONTACT	
23	AG520052	7	CAP METRI PACK 630 P2S 2-WAY	
24	AG520092	1	JUNCTION BLOCK-STUD TYPE,BLK	
25	AG520093	1	JUNCTION BLOCK-STUD TYPE,RED	
27	AG520879	2	WASHER-FLAT,M6,ZN,REG	
30	AG553557	-	TIE CABLE 7.37 .06-1.37 BLACK	
33	AG562050	2	WASHER 0.37 LK SS REG	
34	AG562061	4	NUT #10-24NC HEX SS REG	
35	AG562065	2	NUT 0.37-16NC HEX SS REG	
36	AG562081	4	WASHER #10 LK SS REG	
37	AG562238	1	CLAMP CTD 1.50IDX 0.75WIDE	
38	AG562327	6	BOLT M6-1.00X20MM G8.8 ZN HHD	
39	AG562639	15	BOLT M6 1.00X12MM G8.8 ZN HHD	
40	AG562792	20	WASHER LOCK M6 SPRING ZN	
41	AG562925	1	FUSE BLADE 30A ATC	
42	AG562929	1	FUSE 20A BLADE ATC	
43	AG562930	5	FUSE 15A BLADE ATC	
44	AG562931	5	FUSE 10A BLADE ATC	
45	AG562933	2	FUSE 5A BLADE ATC	
46	AG563094	4	SCREW 10-24X0.75 PH PHS SS	
50	AG562928	1	FUSE 25A BLADE ATC	
51	508171D1	1	ELEC INSTL-JUMPER,ATC HVAC	SEE PAGE 8-34
52	513016D1	1	MODULE-RELAY,3 SECOND DELAY	
	FOOTNOTE [A]		AG719617 - RELAYS (4)	

ELEC INSTAL-CAB, ATC, EURO,2009

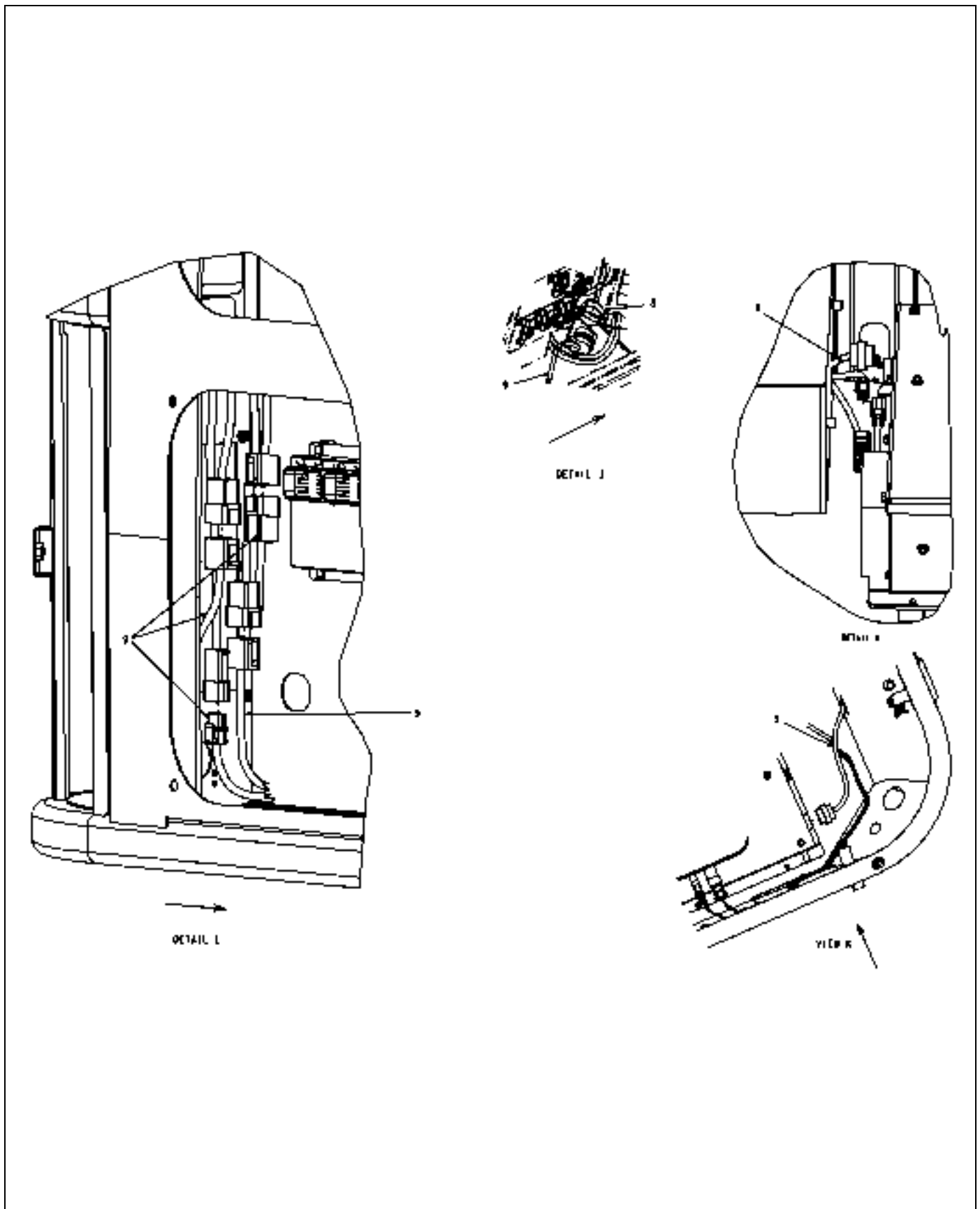
ITEM	PART #	QTY	DESCRIPTION	COMMENTS
9	524623D1	1	HARNES-ADAPTER, ATC, 7X60,EUR	
10	524625D1	1	HARNES-MASTER MODULE,SC,EURO	
14	517403D1	1	PLATE-BULKHEAD	
17	AG515697	2	NUT PANEL ELEC CONNECTOR	
18	AG515698	2	WASHER LOCK ELEC CONNECTOR	
28	AG550914	8	WASHER #8 LK ZN REG	
29	AG550922	8	NUT #8-32NC HEX ZN REG	
32	AG560227	8	SCREW 8-32X 0.75 MA ZN SL PHD	
47	WR134754	1	MODULE-LCD,CAN	
48	WR522279	1	BOLT-M8-1.25X20,CL10.9,ZN,HHD	
49	AG561679	1	WASHER LOCK M8 ZN	



523986D1-02-T216-03.TIF

ELEC INSTAL-CAB, ATC, EURO,2009

ITEM	PART #	QTY	DESCRIPTION	COMMENTS
9	524623D1	1	HARNES-ADAPTER, ATC, 7X60,EUR	
10	524625D1	1	HARNES-MASTER MODULE,SC,EURO	
15	WR133978	1	CABLE-PWR STUD,CAB BLKHD	
16	WR133979	1	CABLE-GND STUD,CAB BLKHD	
20	AG517156	4	SCREW #6-32X.75 MA RDHD SLOTZN	
21	AG517157	4	NUT #6-32NC HEX ZN REG	
22	AG517158	4	WASHER #6 FL ZN REG TYPE-B	
26	AG520318	1	CAP-SEALING,SIZE 17	
33	AG562050	2	WASHER 0.37 LK SS REG	
35	AG562065	2	NUT 0.37-16NC HEX SS REG	

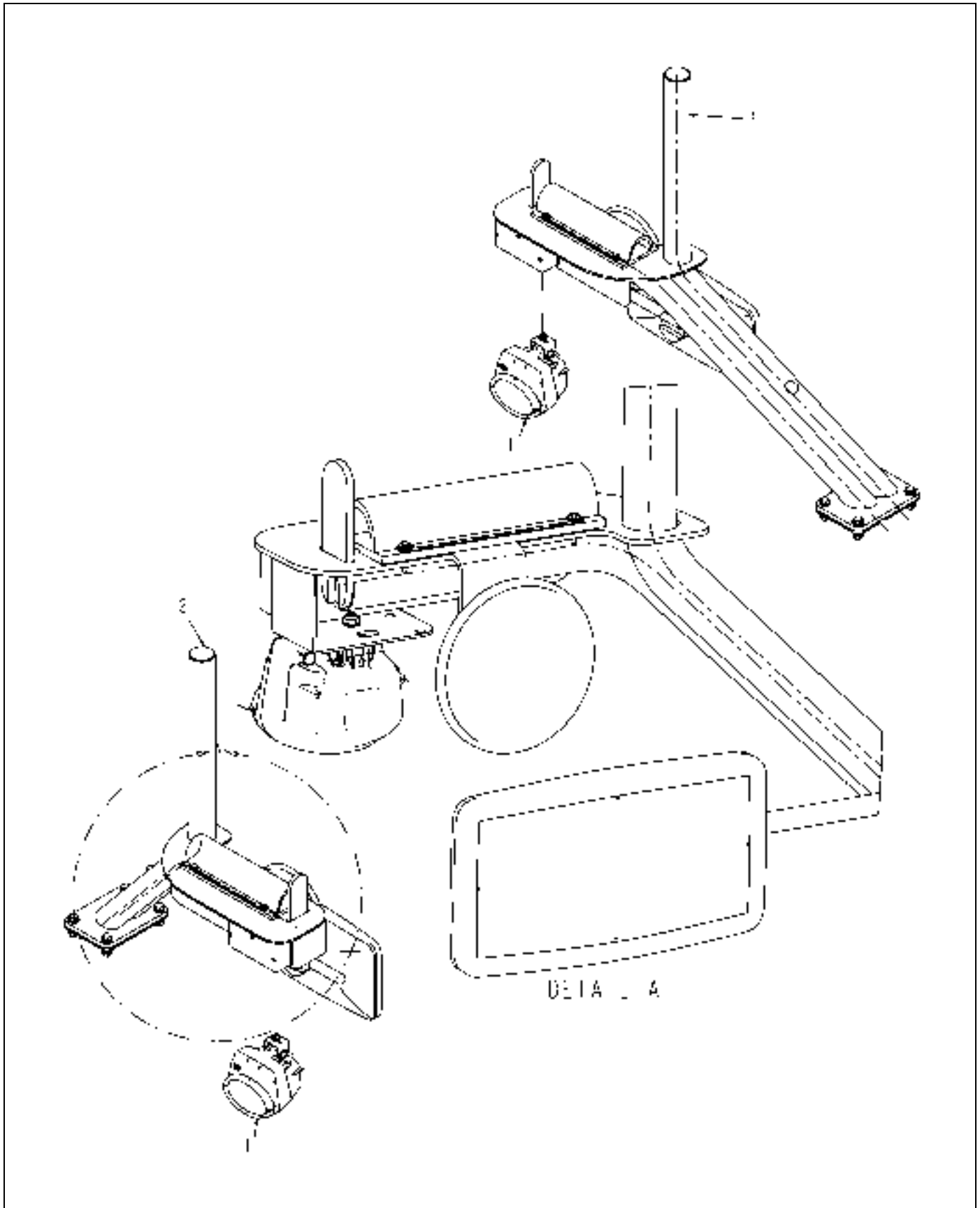


523986D1-02-T216-04.TIF

ELEC INSTAL-CAB, ATC, EURO,2009

ITEM	PART #	QTY	DESCRIPTION	COMMENTS
8	524072D1	-	HARNES-CONSOLE,CENTER	
9	524623D1	1	HARNES-ADAPTER, ATC, 7X60,EUR	

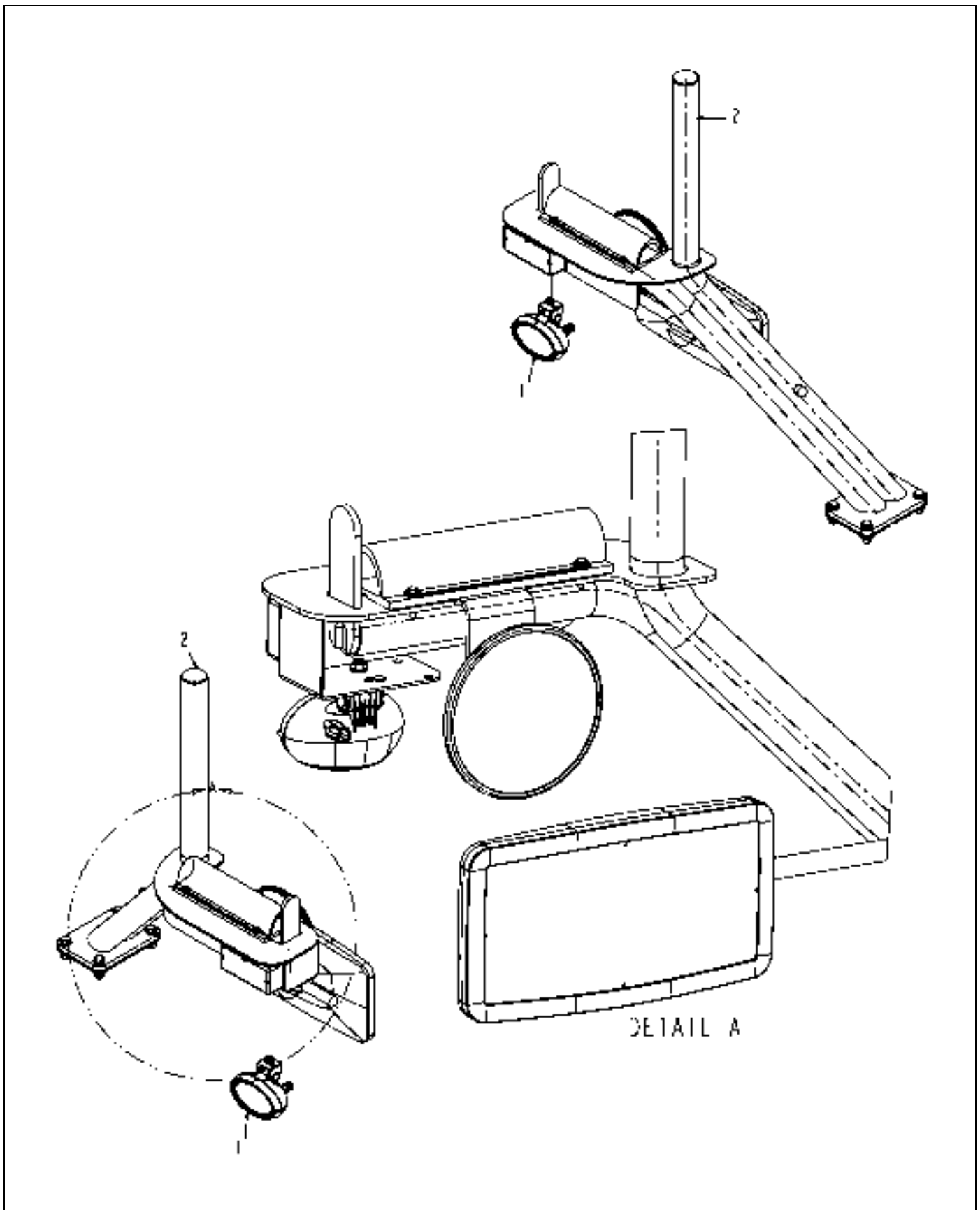
LIGHT INSTALL-WORK,BOOMREST	9-1
LIGHT INSTALL-WORK,BOOMREST	9-2
LIGHT INSTALL-WORK,BOOMREST	9-3
F/A LIGHT INSTALL-WORK,CAB,MINI	9-4
F/A LIGHT INSTALL-WORK,CAB,MINI	9-5
F/A LIGHT INSTALL-HID,CAB,MINI	9-6
LIGHT-WORK,HID	9-7
LIGHT INSTALL-WORK,CAB,MINI	9-8
LIGHT INSTALL-WORK,CAB,MINI	9-9
LIGHT INSTALL-HID,CAB,MINI	9-10
OPTION-TUV LIGHTING	9-11
HEADLIGHT ASM-WIRING,LH	9-12
OPTION-TUV LIGHTING	9-13
HEADLIGHT ASM-WIRING, RH	9-14
F/A LIGHT INSTALL-HID, BOOM REST	9-15
F/A LIGHT INSTALL-WORK,BOOM REST	9-16
LIGHTBAR INSTALL-7X50	9-17
LIGHTBAR INSTALL-7X50	9-18
WORK LIGHT	9-19
WORK LIGHT	9-20
LIGHT-WORK,HID,PENDENT MOUNT	9-21
LIGHT-WORK,DUAL BEAM,PENDENT MNT	9-22



517844D1-01-R164-.TIF

LIGHT INSTALL-WORK,BOOMREST

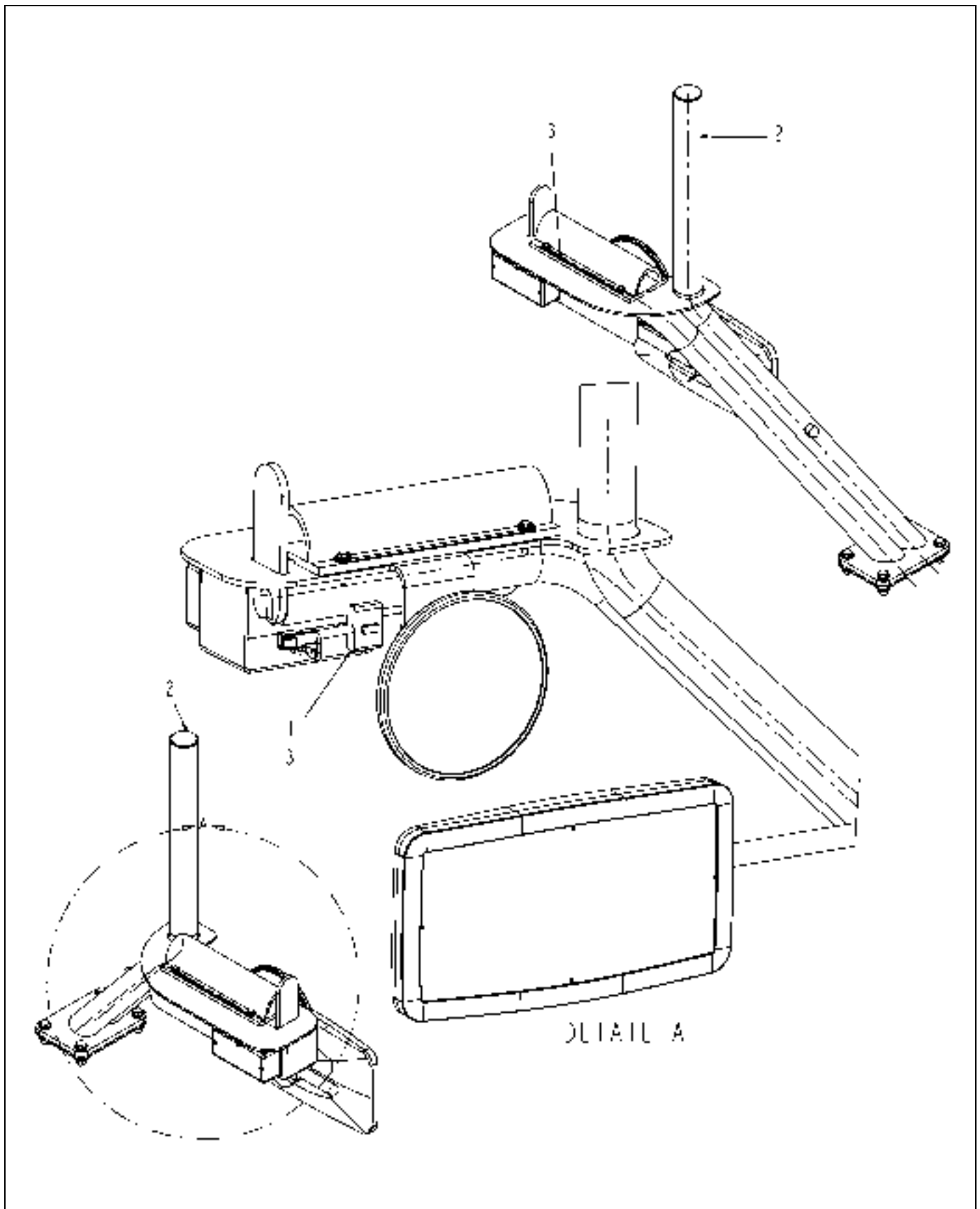
ITEM	PART #	QTY	DESCRIPTION	COMMENTS
1	515468D1	2	LIGHT-WORK,HID,PENDENT MOUNT	SEE PAGE 9-21
2	517863D1	-	BOOM REST INSTL-DOM	SEE PAGE 3-4



517845D1-01-R164-.TIF

LIGHT INSTALL-WORK,BOOMREST

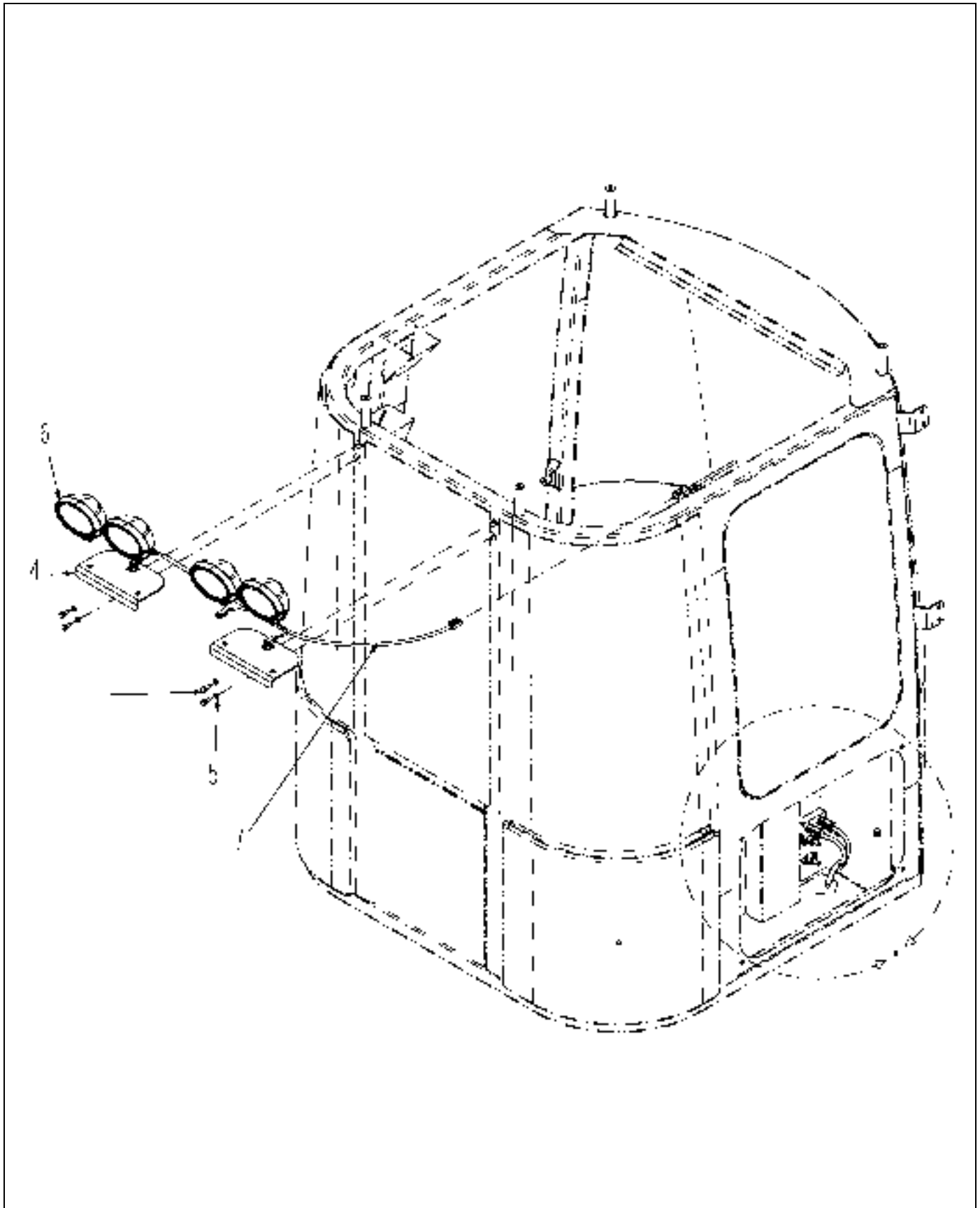
ITEM	PART #	QTY	DESCRIPTION	COMMENTS
1	515469D1	2	LGT-WORK,DUAL BEAM,PENDENT MNT	SEE PAGE 9-22
2	517863D1	-	BOOM REST INSTL-DOM	SEE PAGE 3-4



517846D1-01-R164-.TIF

LIGHT INSTALL-WORK,BOOMREST

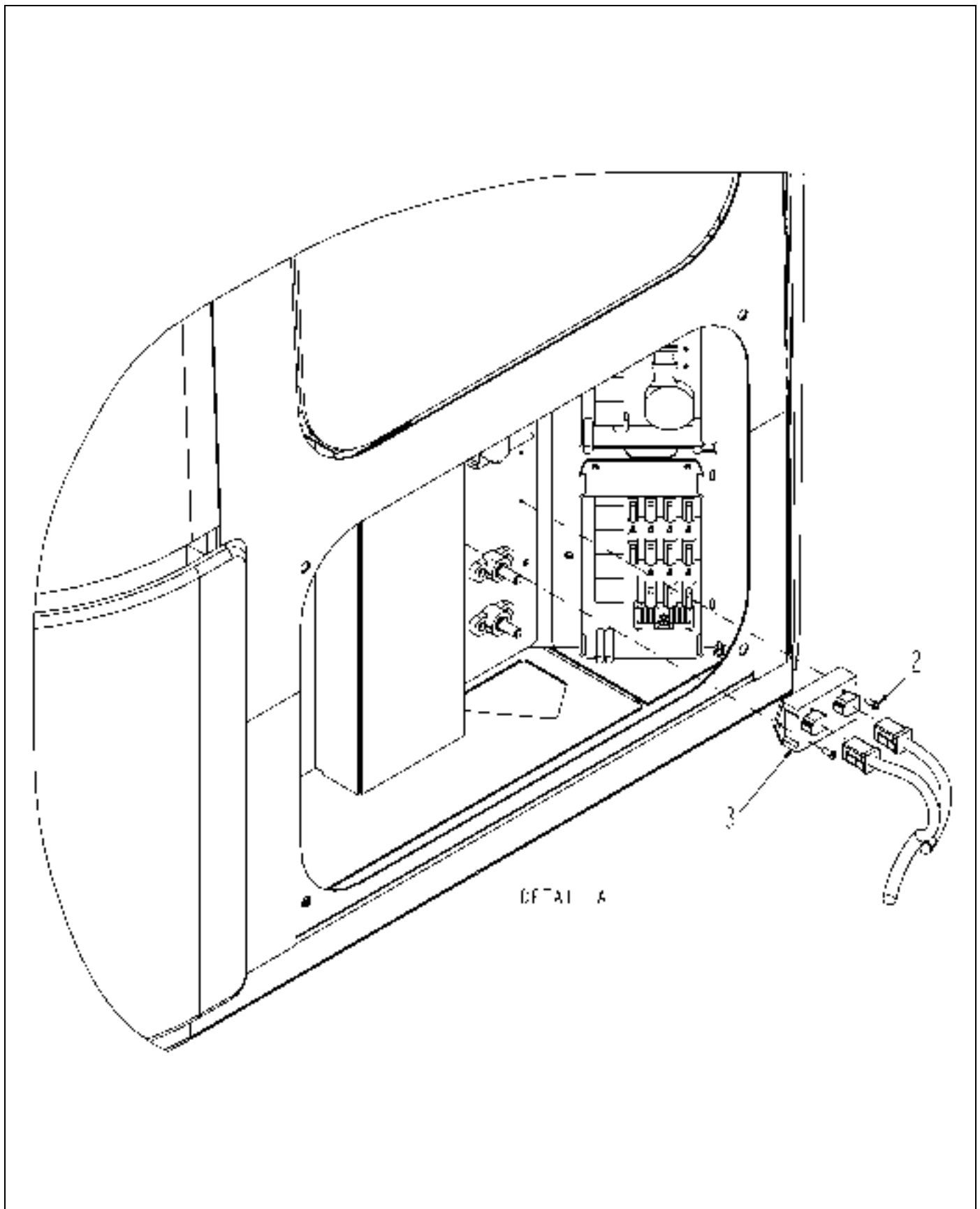
ITEM	PART #	QTY	DESCRIPTION	COMMENTS
1	515894D1	2	HARNES-I/O, LOAD STIMULATOR	
2	517863D1	-	BOOM REST INSTL-DOM	SEE PAGE 3-4
3	CH7K-1181	2	STRAP - CABLE 0.19-4.00	



517847D1-01-R164-01.TIF

F/A LIGHT INSTALL-WORK,CAB,MINI

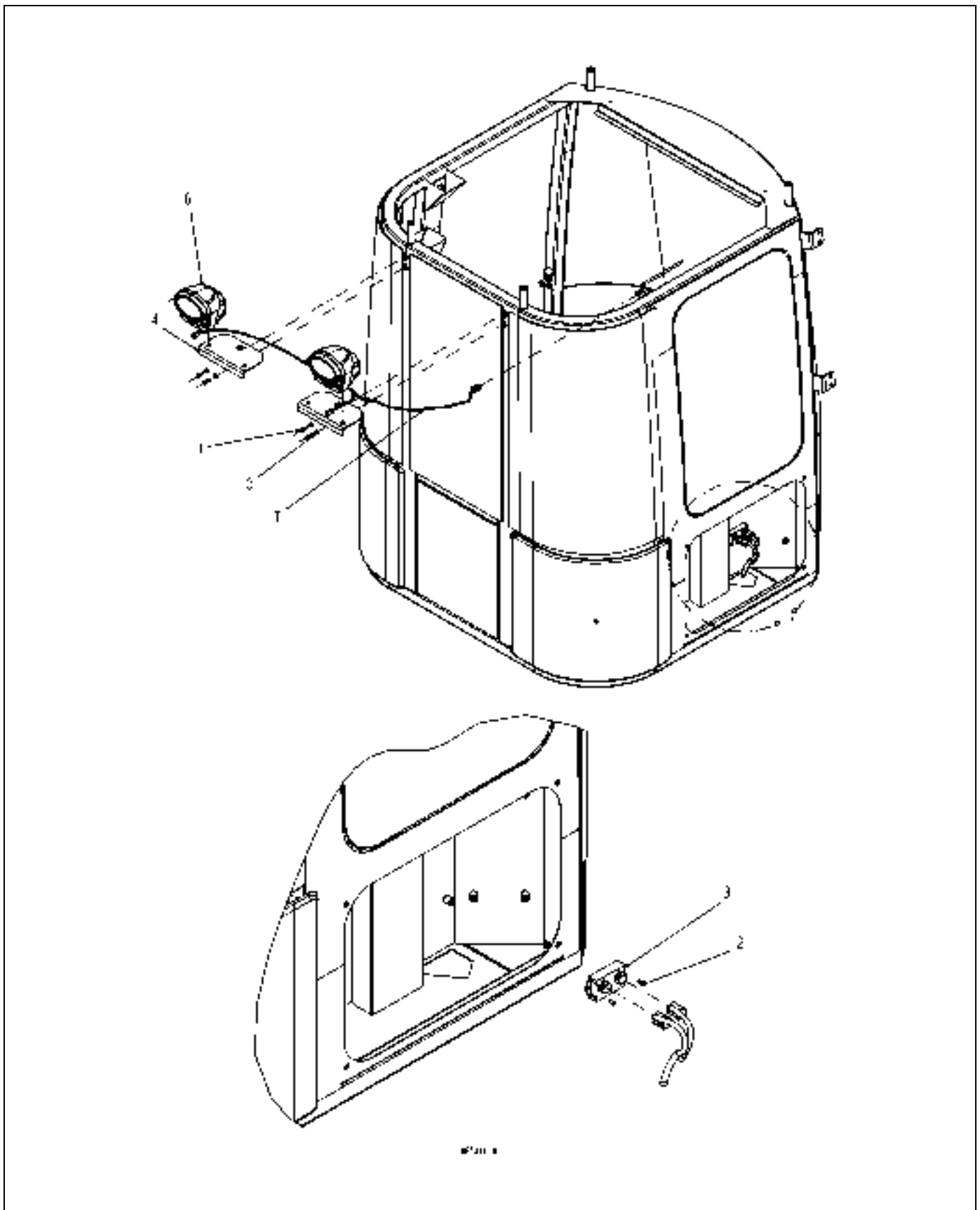
ITEM	PART #	QTY	DESCRIPTION	COMMENTS
1	AG028995	4	BOLT,M8-1.25 X 20 CL8.8	
4	AG128276	2	WLDMT-WL,CAB,MINI	
5	AG561679	4	WASHER LOCK M8 ZN	
6	505081D1	4	WORK LIGHT	SEE PAGE 9-19
7	517949D1	1	HARNES-REAR,CAB,LIGHTS	
8	517852D1	1	PACKAGING	
9	517851D1	1	INSTALL INSTRUCTIONS	



517847D1-01-R164-02.TIF

F/A LIGHT INSTALL-WORK,CAB,MINI

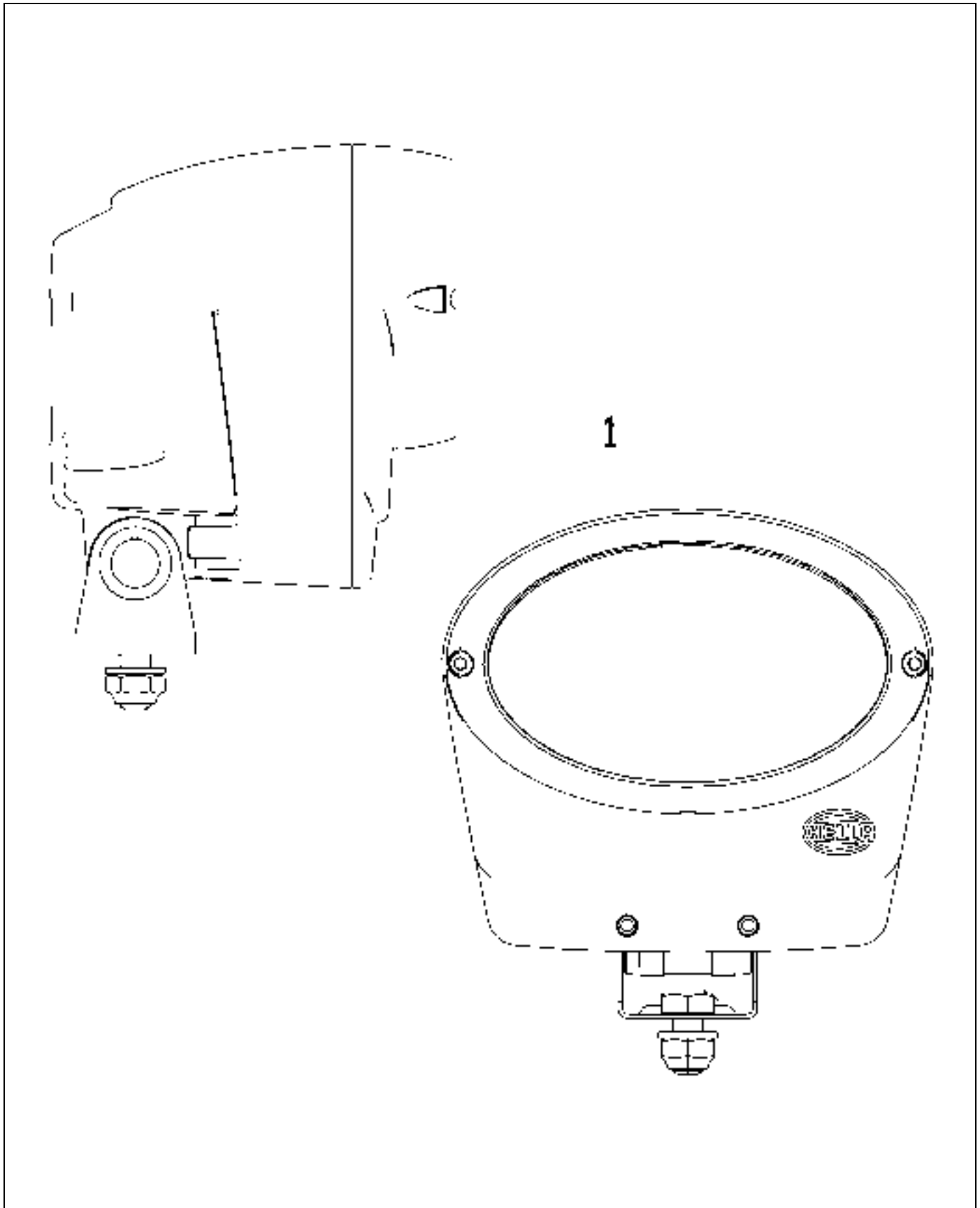
ITEM	PART #	QTY	DESCRIPTION	COMMENTS
2	AG029293	2	SCREW 10-24X0.50 TAP IWHHH	
3	AG121750	1	MODULE-RELAY,2 PACK	



517848D1-02-R940-.TIF

F/A LIGHT INSTALL-HID,CAB,MINI

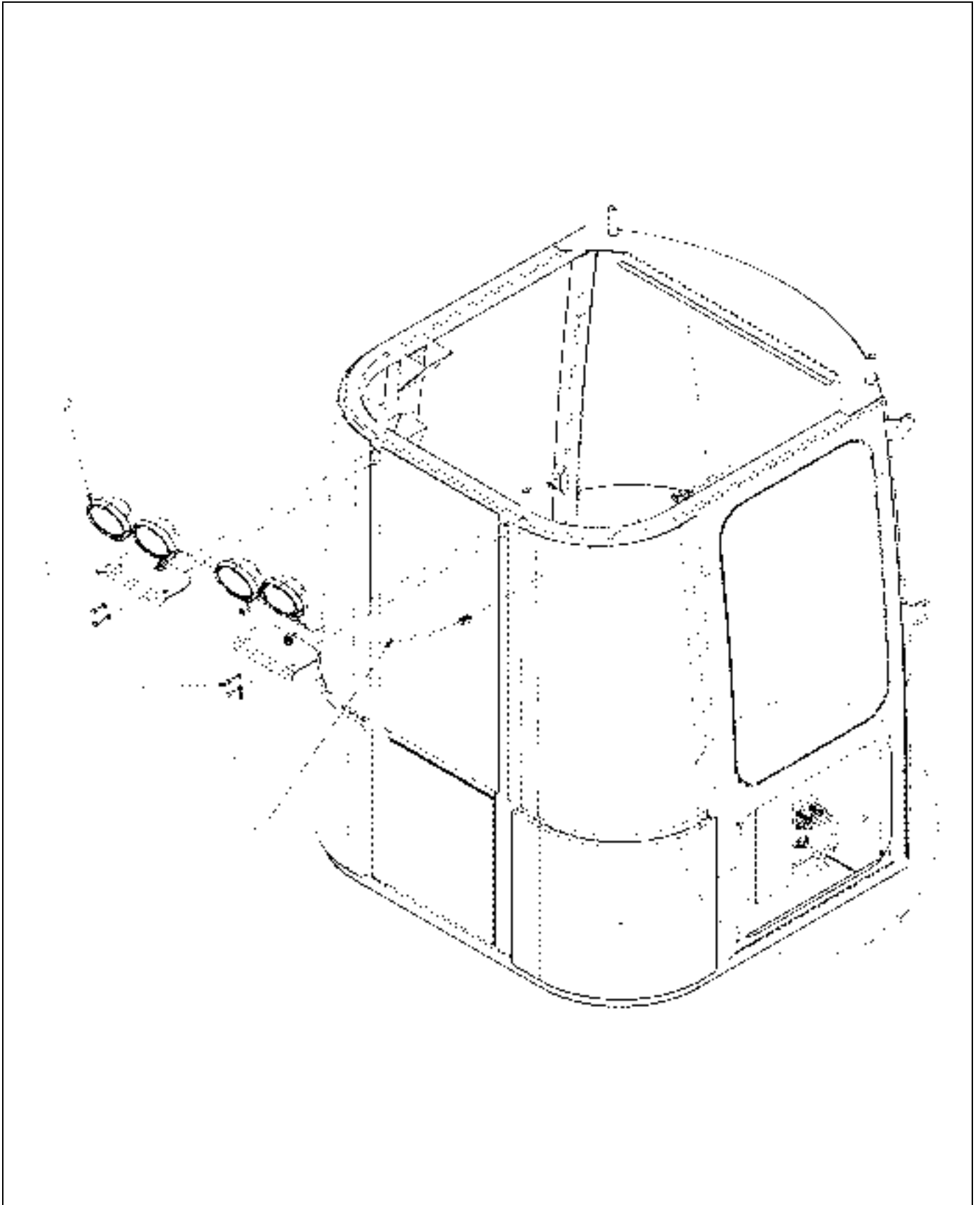
ITEM	PART #	QTY	DESCRIPTION	COMMENTS
1	AG028995	4	BOLT,M8-1.25 X 20 CL8.8	
2	AG029293	2	SCREW 10-24X0.50 TAP IWHHH	
3	AG121750	1	MODULE-RELAY,2 PACK	
4	AG128276	2	WLDMT-WL,CAB,MINI	
5	AG561679	4	WASHER LOCK M8 ZN	
6	509644D1	2	LIGHT-WORK,HID	SEE PAGE 9-7
7	517948D1	1	HARNES-REAR CAB,HID	
8	517850D1	1	PACKAGING	
9	517849D1	1	INSTALL INSTRUCTIONS	



509644D1-02-N441-.TIF

LIGHT-WORK,HID

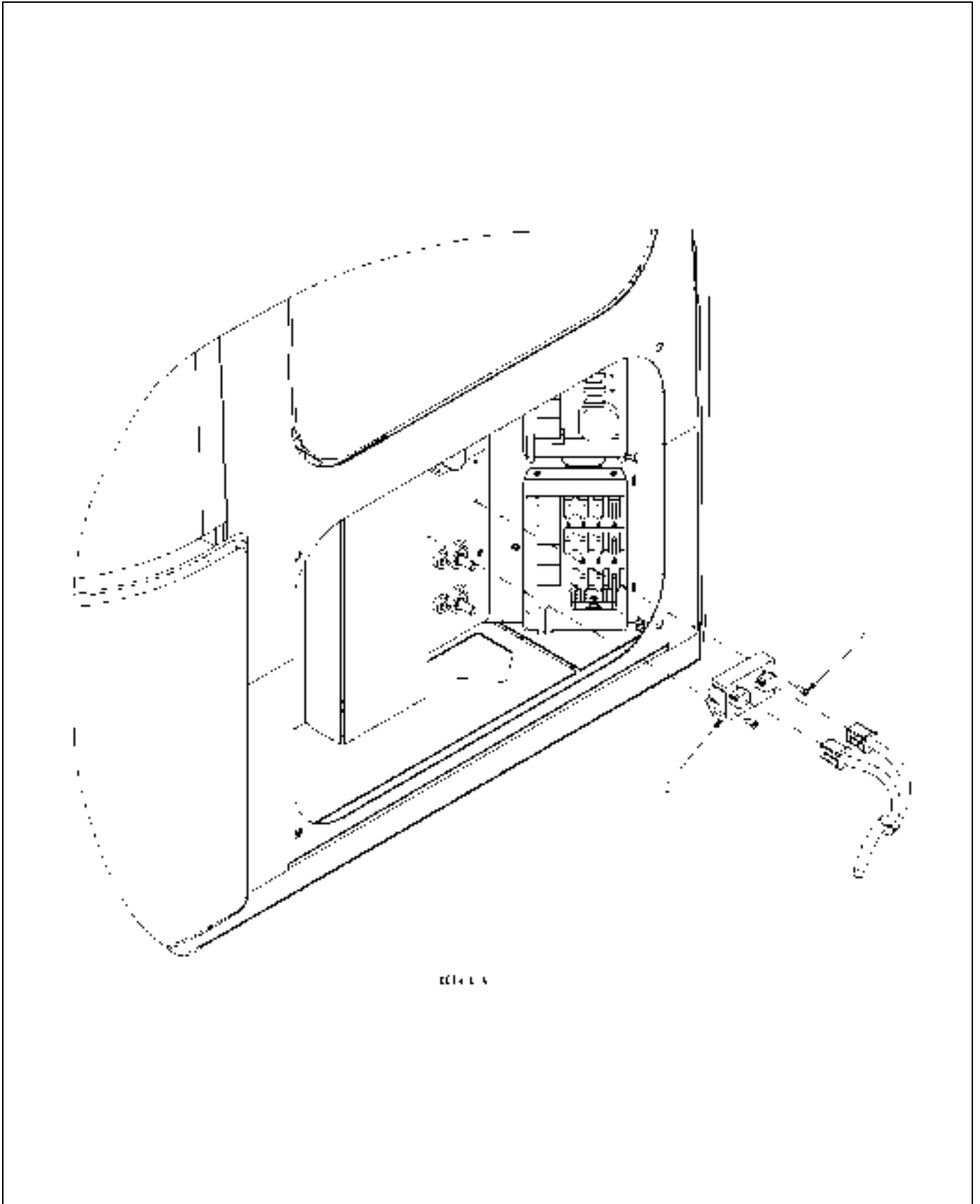
ITEM	PART #	QTY	DESCRIPTION	COMMENTS
1	136-5598	1	BULB-HID	



517946D1-01-R164-01.TIF

LIGHT INSTALL-WORK,CAB,MINI

ITEM	PART #	QTY	DESCRIPTION	COMMENTS
1	AG028995	4	BOLT,M8-1.25 X 20 CL8.8	
4	AG128276	2	WLDMT-WL,CAB,MINI	
5	AG561679	4	WASHER LOCK M8 ZN	
6	505081D1	4	WORK LIGHT	SEE PAGE 9-19
7	517949D1	1	HARNES-REAR,CAB,LIGHTS	

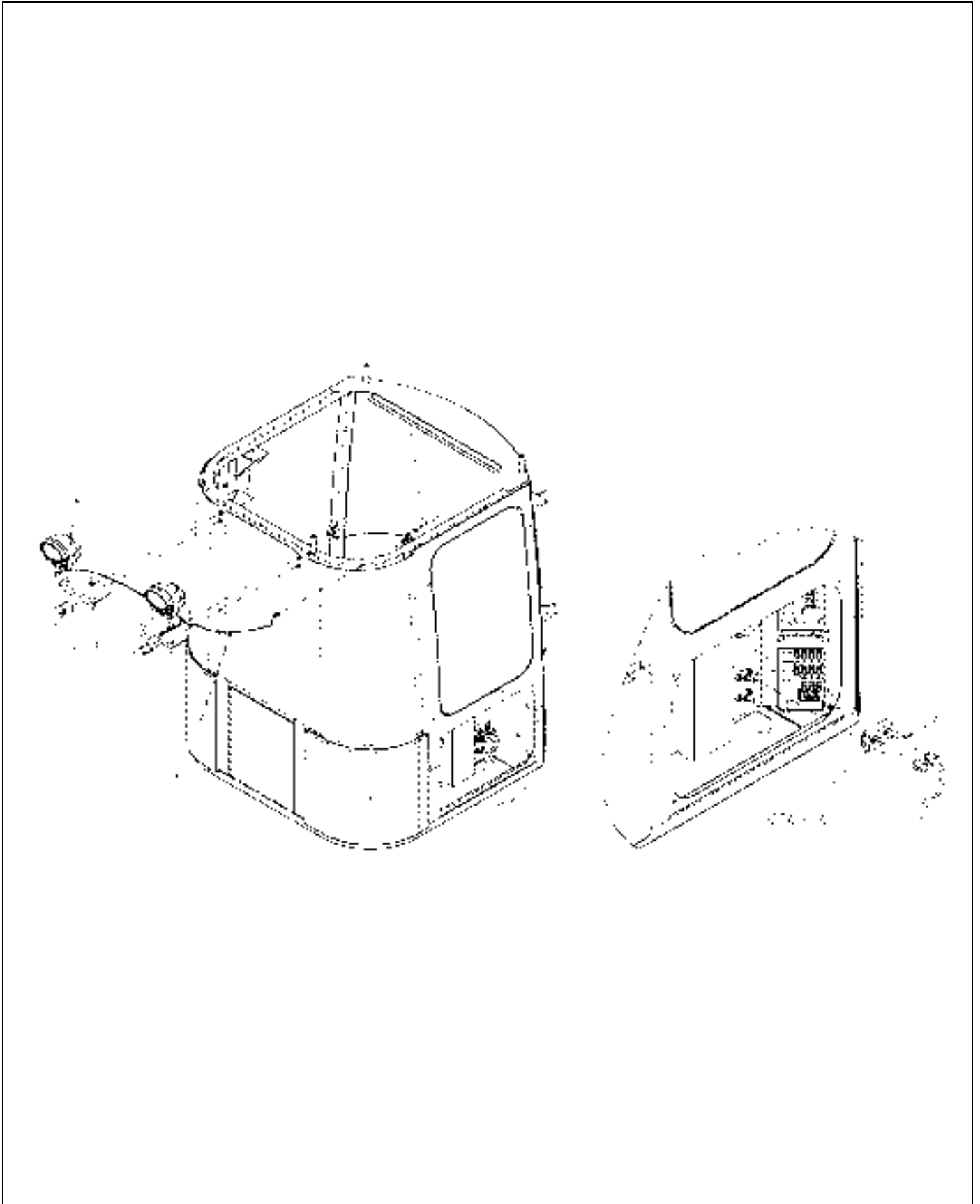


EFF L 4

517946D1-01-R164-02.TIF

LIGHT INSTALL-WORK,CAB,MINI

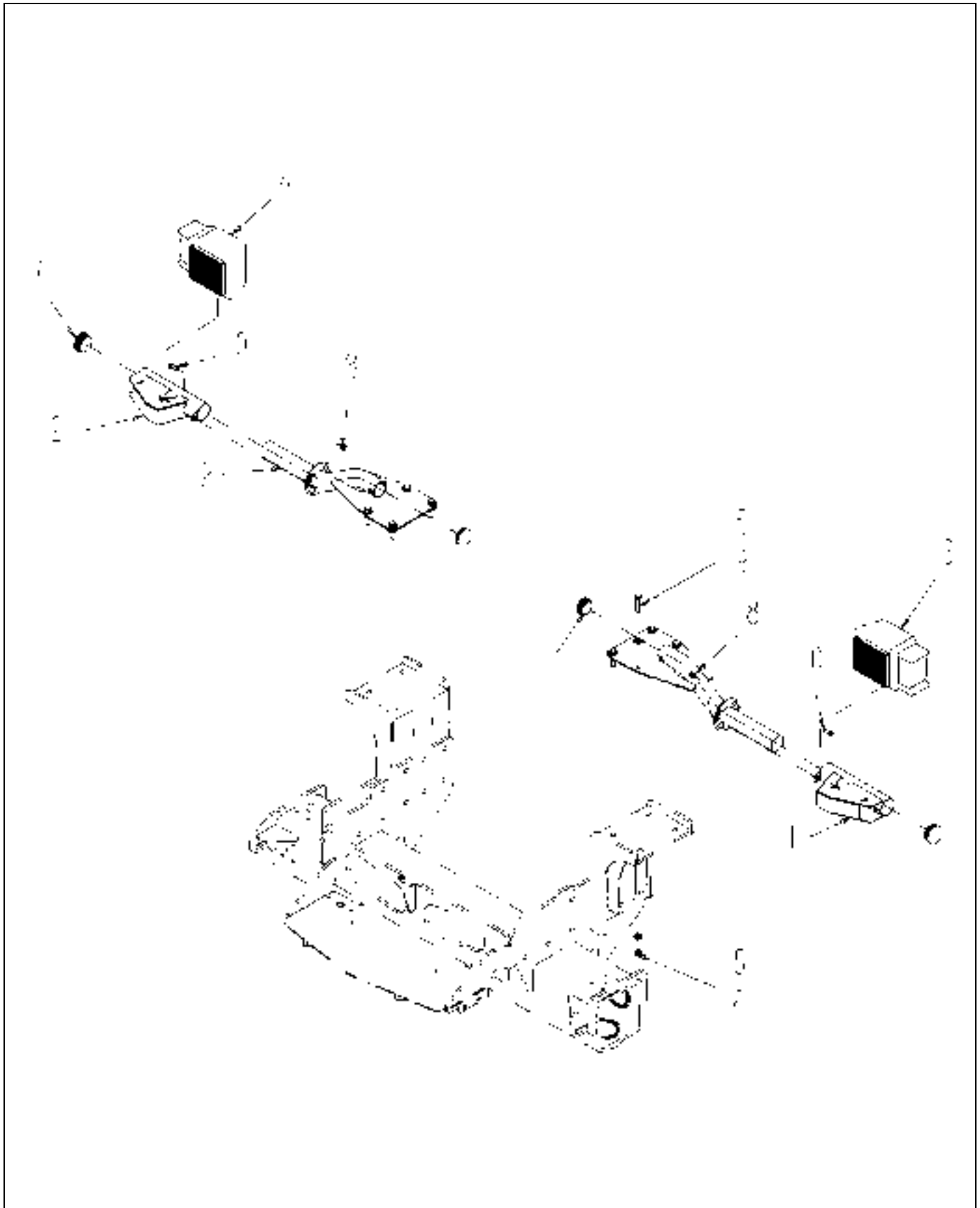
ITEM	PART #	QTY	DESCRIPTION	COMMENTS
2	AG029293	2	SCREW 10-24X0.50 TAP IWHHH	
3	AG121750	1	MODULE-RELAY,2 PACK	



517947D1-01-R164-.TIF

LIGHT INSTALL-HID,CAB,MINI

ITEM	PART #	QTY	DESCRIPTION	COMMENTS
1	AG028995	4	BOLT,M8-1.25 X 20 CL8.8	
2	AG029293	2	SCREW 10-24X0.50 TAP IWHHHD	
3	AG121750	1	MODULE-RELAY,2 PACK	
4	AG128276	2	WLDMT-WL,CAB,MINI	
5	AG561679	4	WASHER LOCK M8 ZN	
6	509644D1	2	LIGHT-WORK,HID	SEE PAGE 9-7
7	517948D1	1	HARNES-REAR CAB,HID	

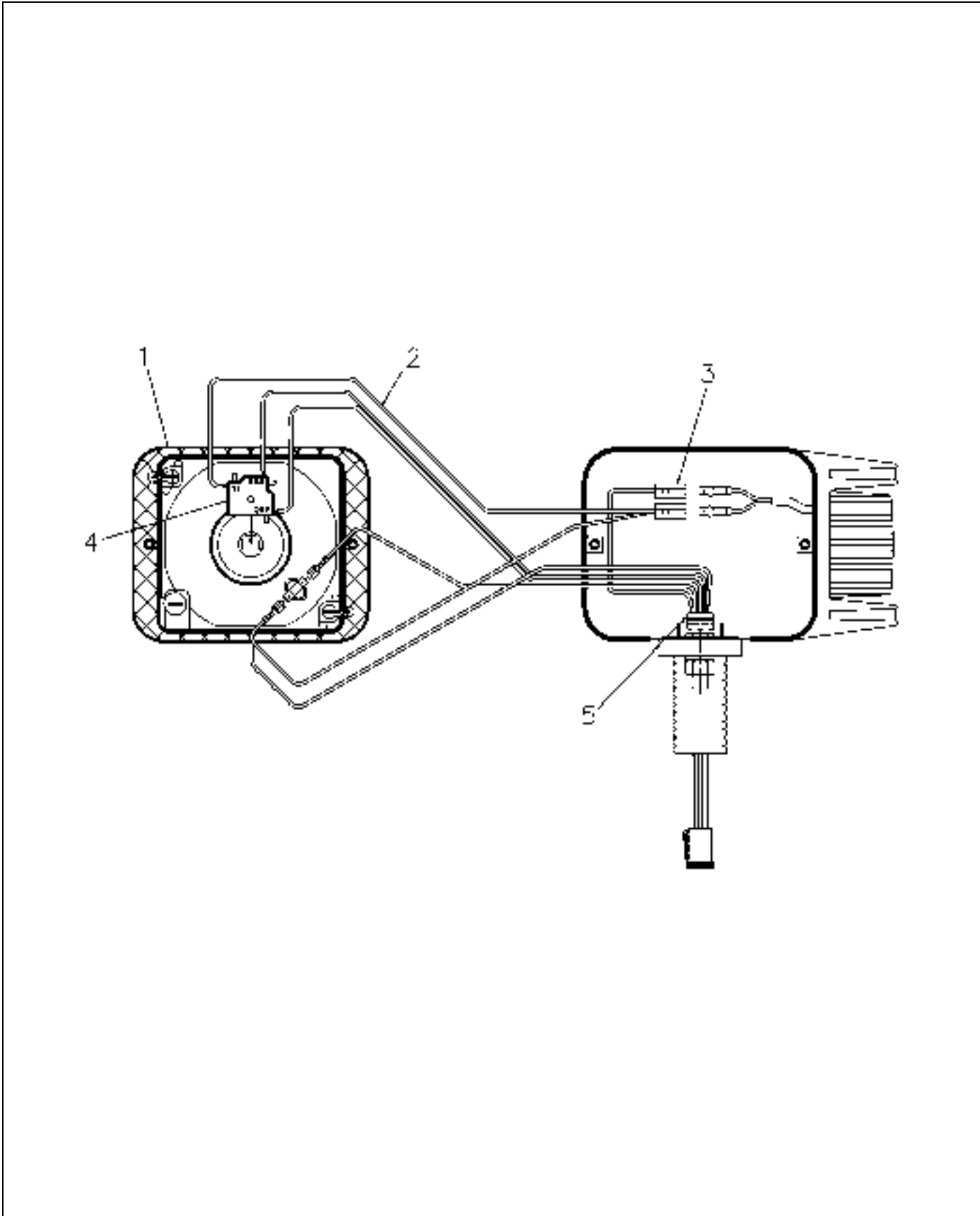


519280D1-01-R536-.TIF

OPTION-TUV LIGHTING

ITEM	PART #	QTY	DESCRIPTION	COMMENTS
1	WR132227	1	BRACKET WLDMT-MTG,LIGHT,LH	
2	WR132231	1	BRACKET WLDMT-MTG,LIGHT,RH	
3	AG420939	1	HEADLIGHT ASM-WIRING,LH	SEE PAGE 9-12
4	AG420940	1	HEADLIGHT ASM-WIRING, RH	SEE PAGE 9-14
5	AG514554	16	WASHER 0.50 FL ZN SAE TYP-A G8	
6	AG520614	8	NUT-.50-13,G8,ZN,HH,C-LK	
7	AG521891	2	PLUG-PLASTIC,2.50,14-18GA	
8	AG522562	2	NUT-.38-16,SS,SFLG,H	
9	AG561665	8	BOLT 0.50-13NCX 2.00 G8 ZN HDD	
10	AG562048	2	BOLT 0.37-16NCX 1.00 S.S. HDD	
11	401559X1	2	PLUG-PLASTIC,2.25,10-14GA	
12	519275D1	2	WLDMT-TUV MOUNT	

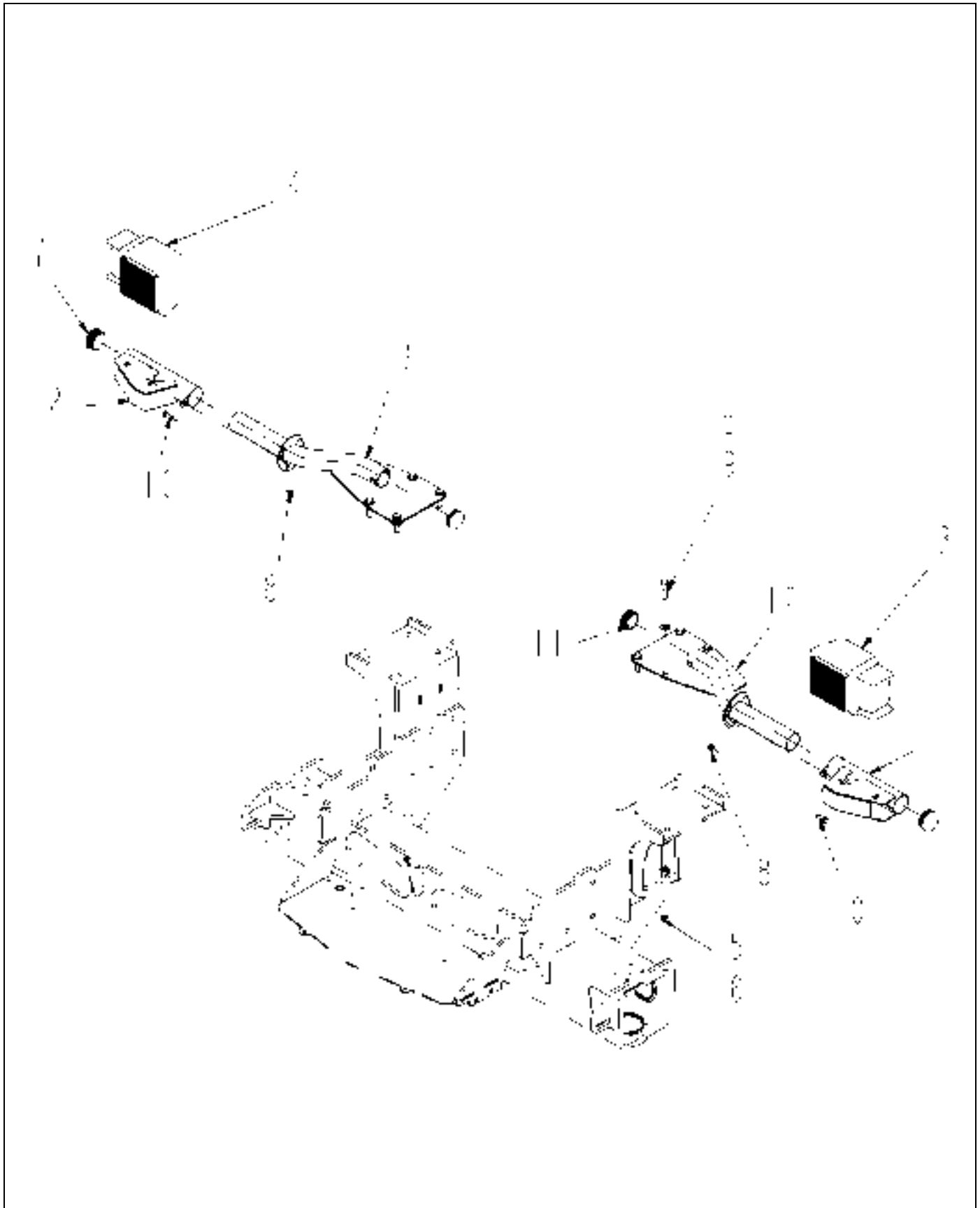
HEADLIGHT ASM-WIRING,LH



420939-B.TIF

HEADLIGHT ASM-WIRING,LH

ITEM	PART #	QTY	DESCRIPTION	COMMENTS
1	AG519211	1	HEADLIGHT-LEFT,HELLA	
2	AG420779	1	HARNES-HEADLIGHT	
3	AG515203	2	BODY CONNECTOR MALE 1-CONTACT	
4	AG609486	1	HEADLAMP CONNECTOR 517372	
5	AG518038	1	GROMMET INSULATION 0.50 ID	

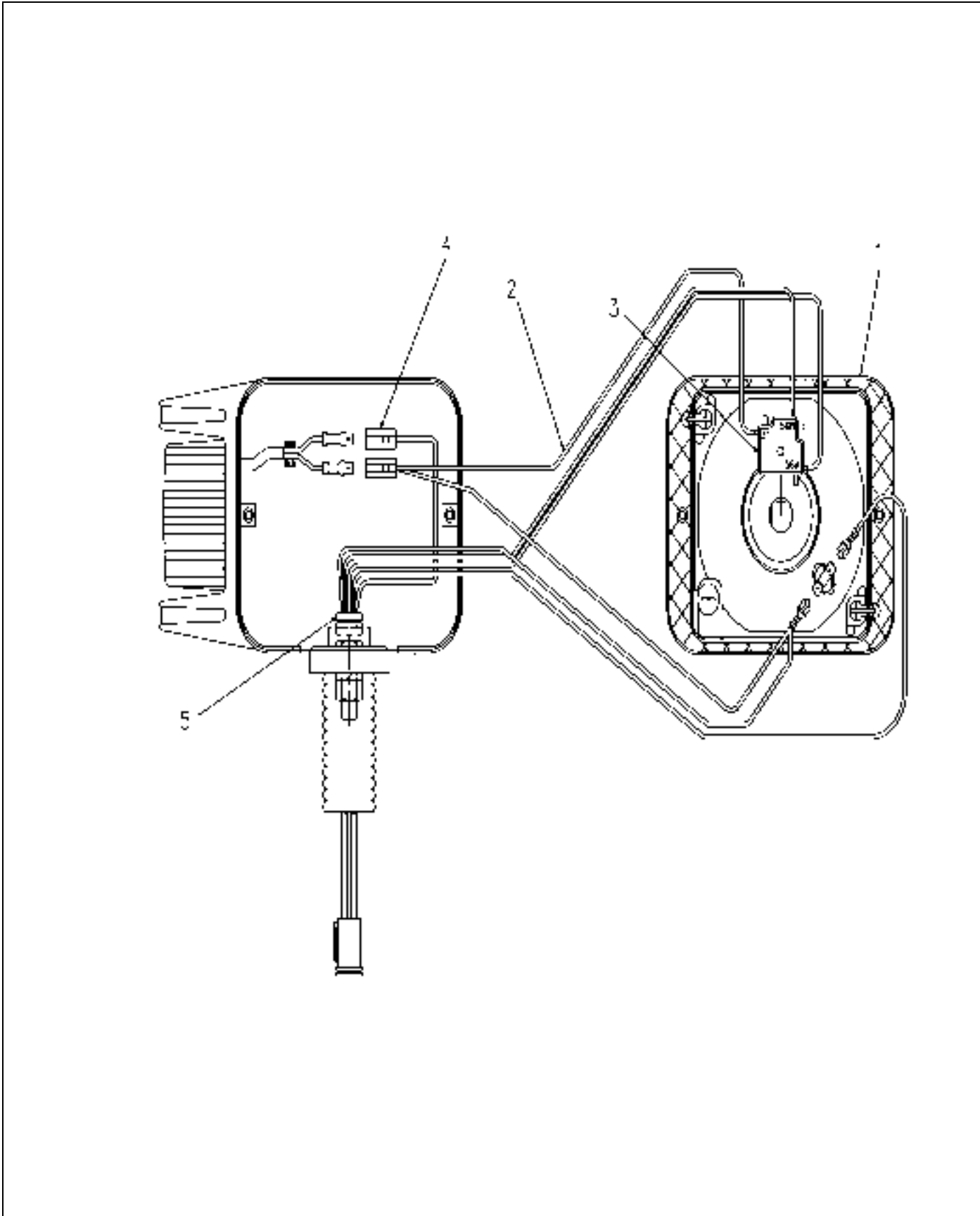


520954D1-01-R525-.TIF

OPTION-TUV LIGHTING

ITEM	PART #	QTY	DESCRIPTION	COMMENTS
1	WR132227	1	BRACKET WLDMT-MTG,LIGHT,LH	
2	WR132231	1	BRACKET WLDMT-MTG,LIGHT,RH	
3	AG420939	1	HEADLIGHT ASM-WIRING,LH	SEE PAGE 9-12
4	AG420940	1	HEADLIGHT ASM-WIRING, RH	SEE PAGE 9-14
5	AG514554	16	WASHER 0.50 FL ZN SAE TYP-A G8	
6	AG520614	8	NUT-.50-13,G8,ZN,HH,C-LK	
7	AG521891	2	PLUG-PLASTIC,2.50,14-18GA	
8	AG522562	2	NUT-.38-16,SS,SFLG,H	
9	AG561665	8	BOLT 0.50-13NCX 2.00 G8 ZN HDD	
10	AG562048	2	BOLT 0.37-16NCX 1.00 S.S. HDD	
11	401559X1	2	PLUG-PLASTIC,2.25,10-14GA	
12	521189D1	1	WLDMT-TUV, MOUNT,LH	
13	521190D1	1	WLDMT-TUV, MOUNT,RH	

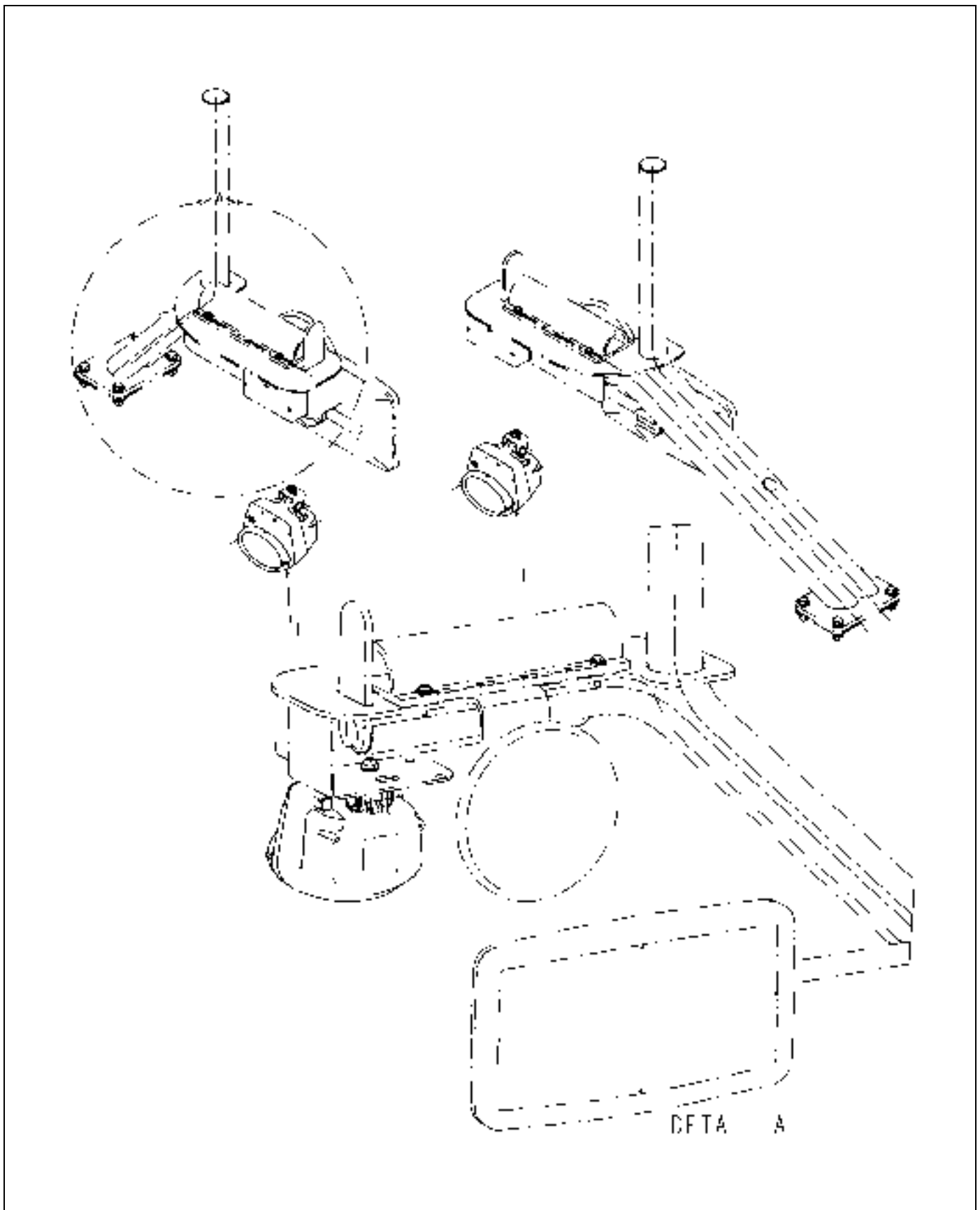
HEADLIGHT ASM-WIRING, RH



420940-B.TIF

HEADLIGHT ASM-WIRING, RH

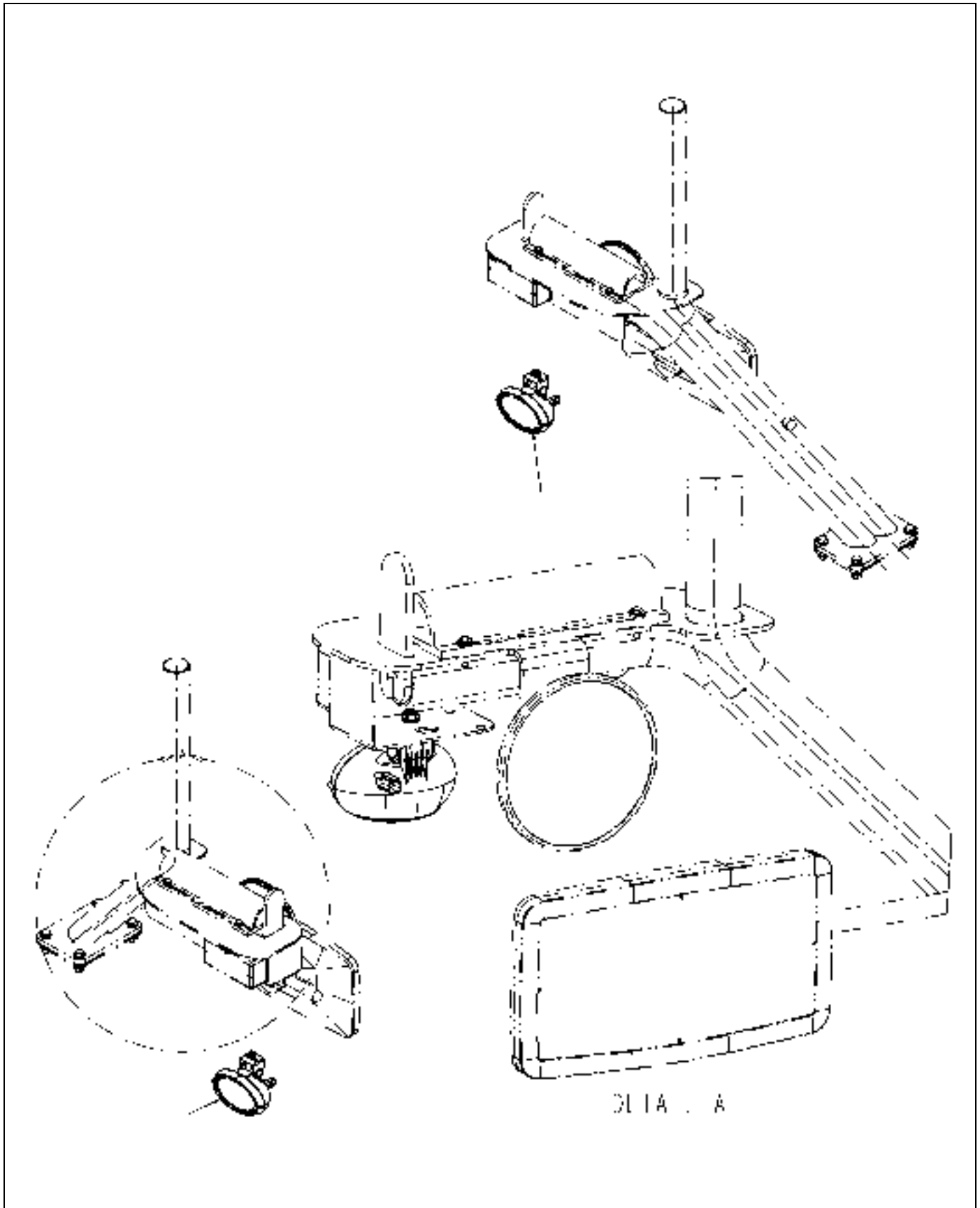
ITEM	PART #	QTY	DESCRIPTION	COMMENTS
1	AG519210	1	HEADLIGHT-RIGHT,HELLA	
2	AG420779	1	HARNES-HEADLIGHT	
3	AG609486	1	HEADLAMP CONNECTOR 517372	
4	AG515203	2	BODY CONNECTOR MALE 1-CONTACT	
5	AG518038	1	GROMMET INSULATION 0.50 ID	



517853D1-01-R164-.TIF

F/A LIGHT INSTALL-HID, BOOM REST

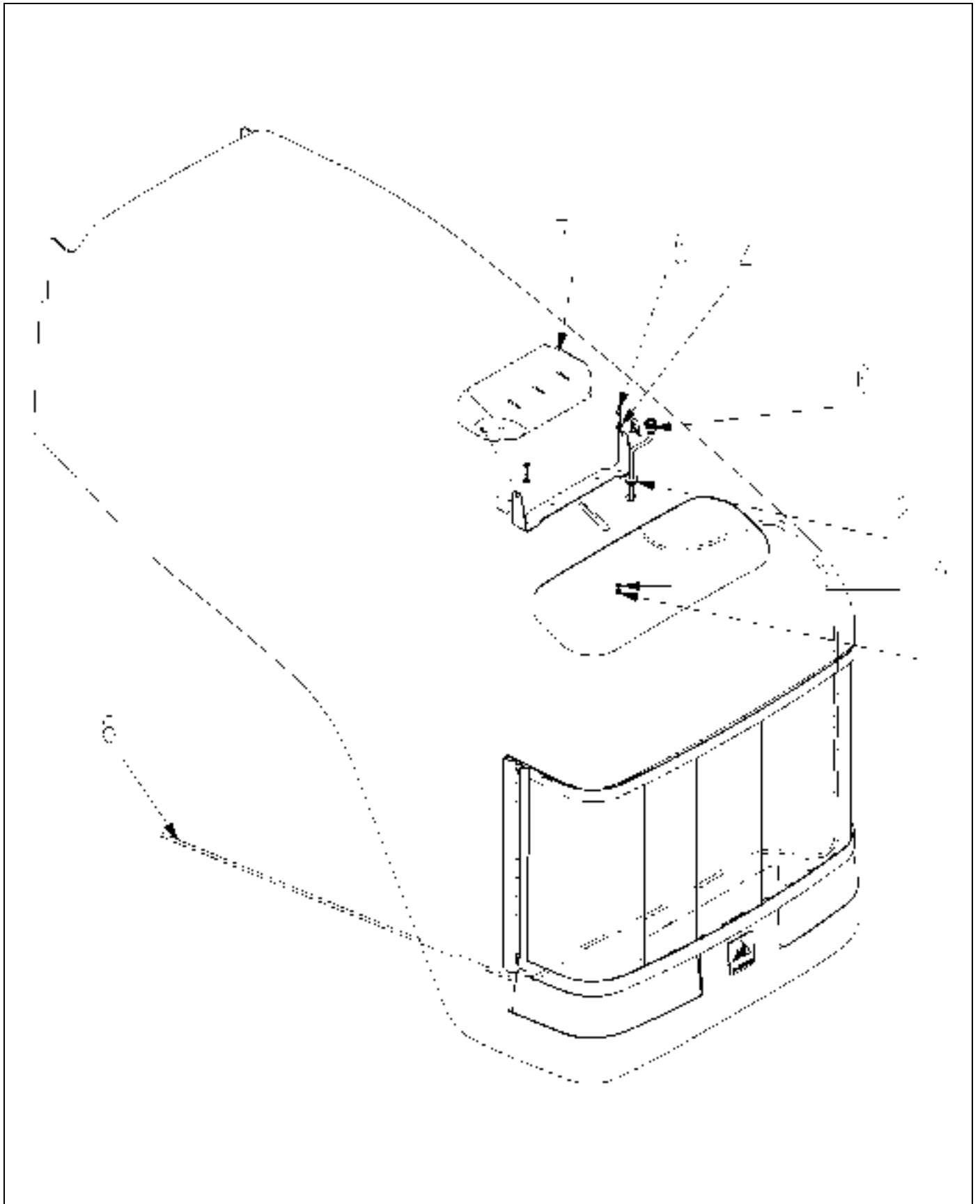
ITEM	PART #	QTY	DESCRIPTION	COMMENTS
1	515468D1	2	LIGHT-WORK,HID,PENDENT MOUNT	SEE PAGE 9-21
2	517856D1	1	PACKAGING	
3	517855D1	1	INSTALL INSTRUCTIONS	



517854D1-01-R164-.TIF

F/A LIGHT INSTALL-WORK,BOOM REST

ITEM	PART #	QTY	DESCRIPTION	COMMENTS
1	515469D1	2	LGT-WORK,DUAL BEAM,PENDENT MNT	SEE PAGE 9-22
2	517858D1	1	PACKAGING	
3	517857D1	1	INSTALL INSTRUCTIONS	

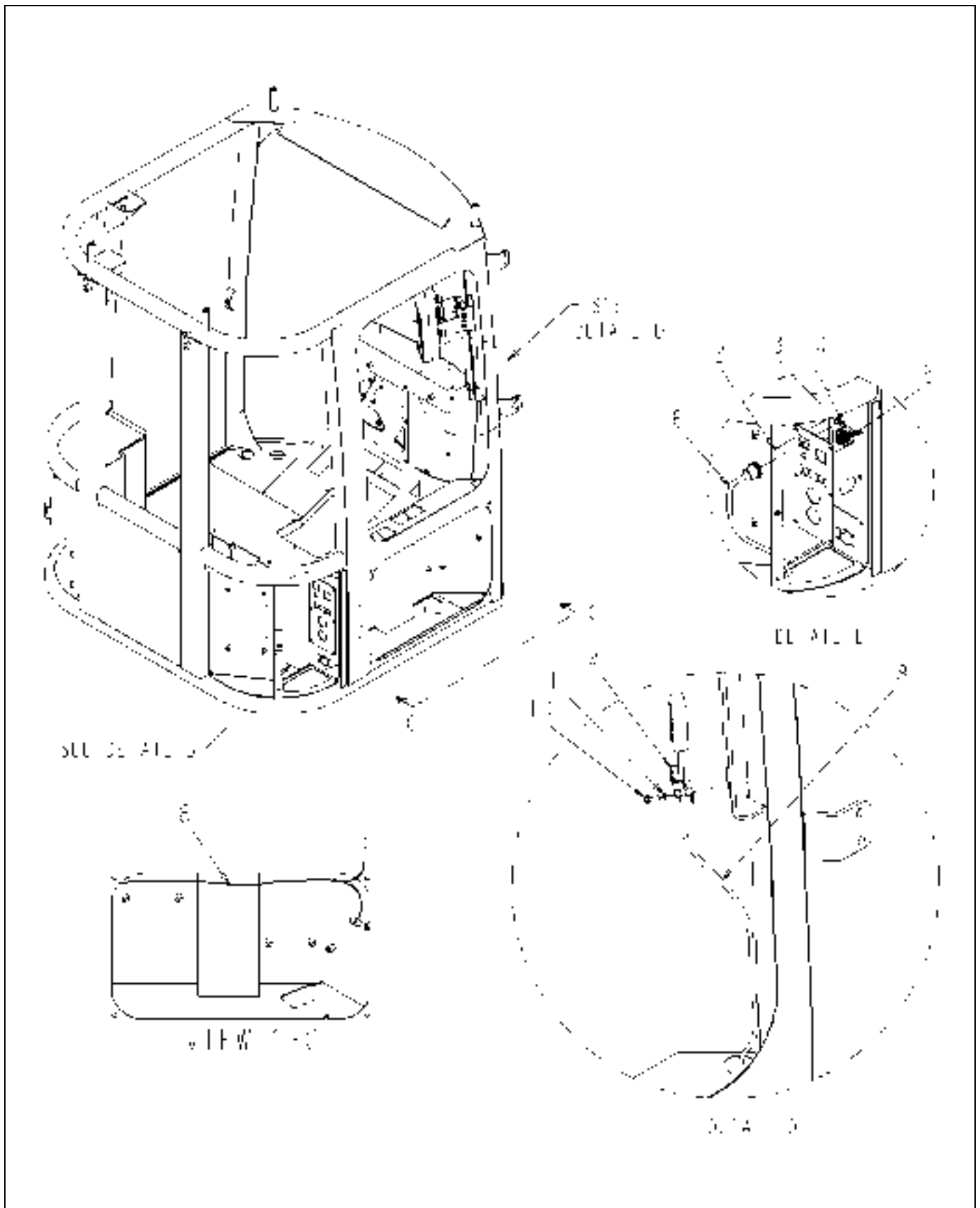


517862D1-02-T066-01.TIF

LIGHTBAR INSTALL-7X50

ITEM	PART #	QTY	DESCRIPTION	COMMENTS
1	AG027274	2	NUT #10-24NC HEX SS REG NY	
2	AG522907	1	GROMMET-RUBBER	
3	517815D1	1	KIT-LIGHTBAR,RGL600	
4	AG562082	4	WASHER #10 FL SS REG TYPE-B	
5	AG562127	2	SCREW 10-24X1.00 MACH HHD SS	
6	AG610787	-	CABLE-LIGHTBAR,28 FT	
7	517817D1	-	LIGHTBAR-RGL 600	

LIGHTBAR INSTALL-7X50

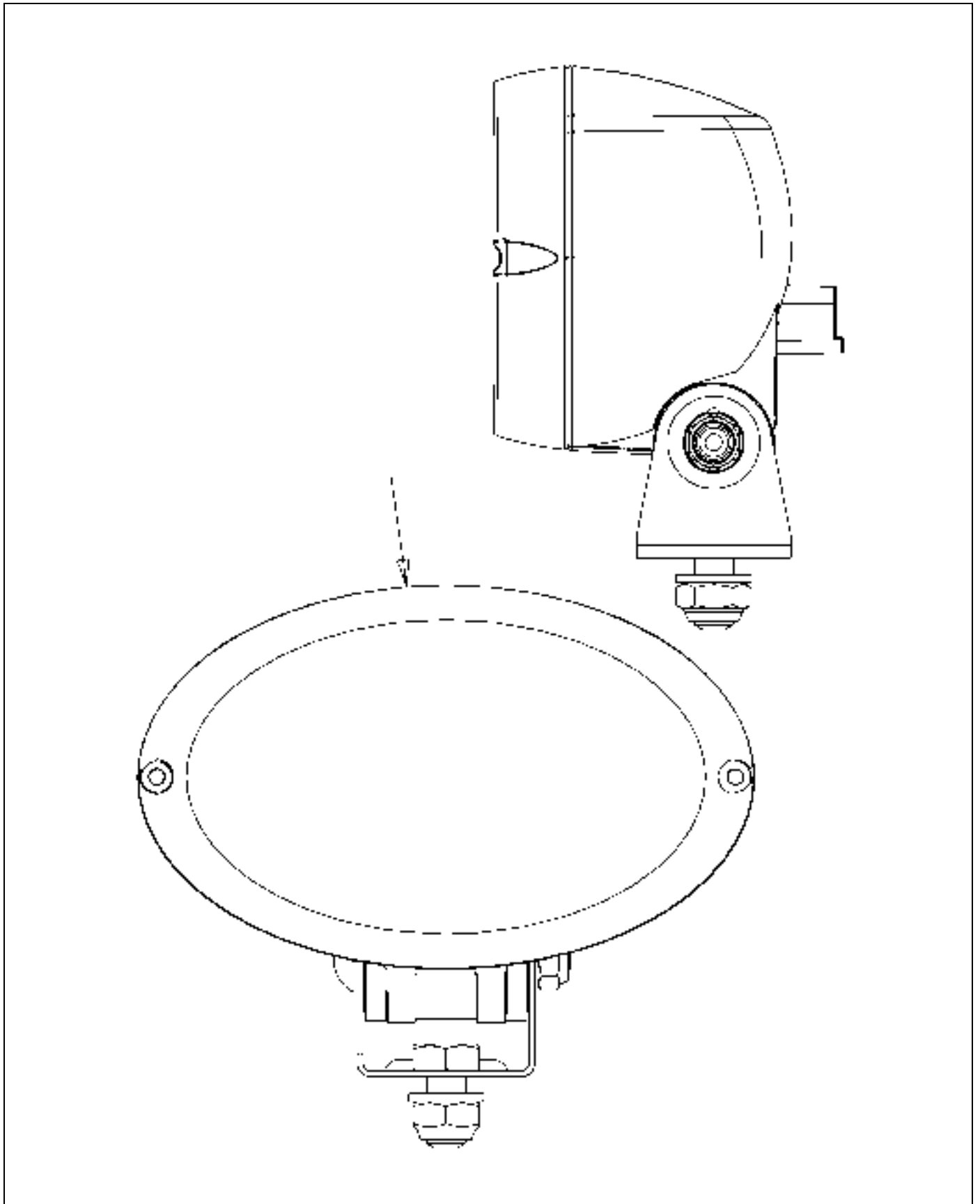


517862D1-02-T066-02.TIF

LIGHTBAR INSTALL-7X50

ITEM	PART #	QTY	DESCRIPTION	COMMENTS
6	AG610787	-	CABLE-LIGHTBAR,28 FT	
8	517816D1	-	CABLE-ADAPTER,CONXALL TO DB9	
9	WR129339	1	BRK-MTG,BUTTON BOX,LIGHTBAR	
10	AG561905	1	SCREW .25-20X 0.75 TAP ZN IWHD	
11	AG550493	1	WASHER 0.25 LK ZN REG	
12	AG560227	4	SCREW 8-32X 0.75 MA ZN SL PHD	
13	AG550914	4	WASHER #8 LK ZN REG	
14	AG550922	4	NUT #8-32NC HEX ZN REG	

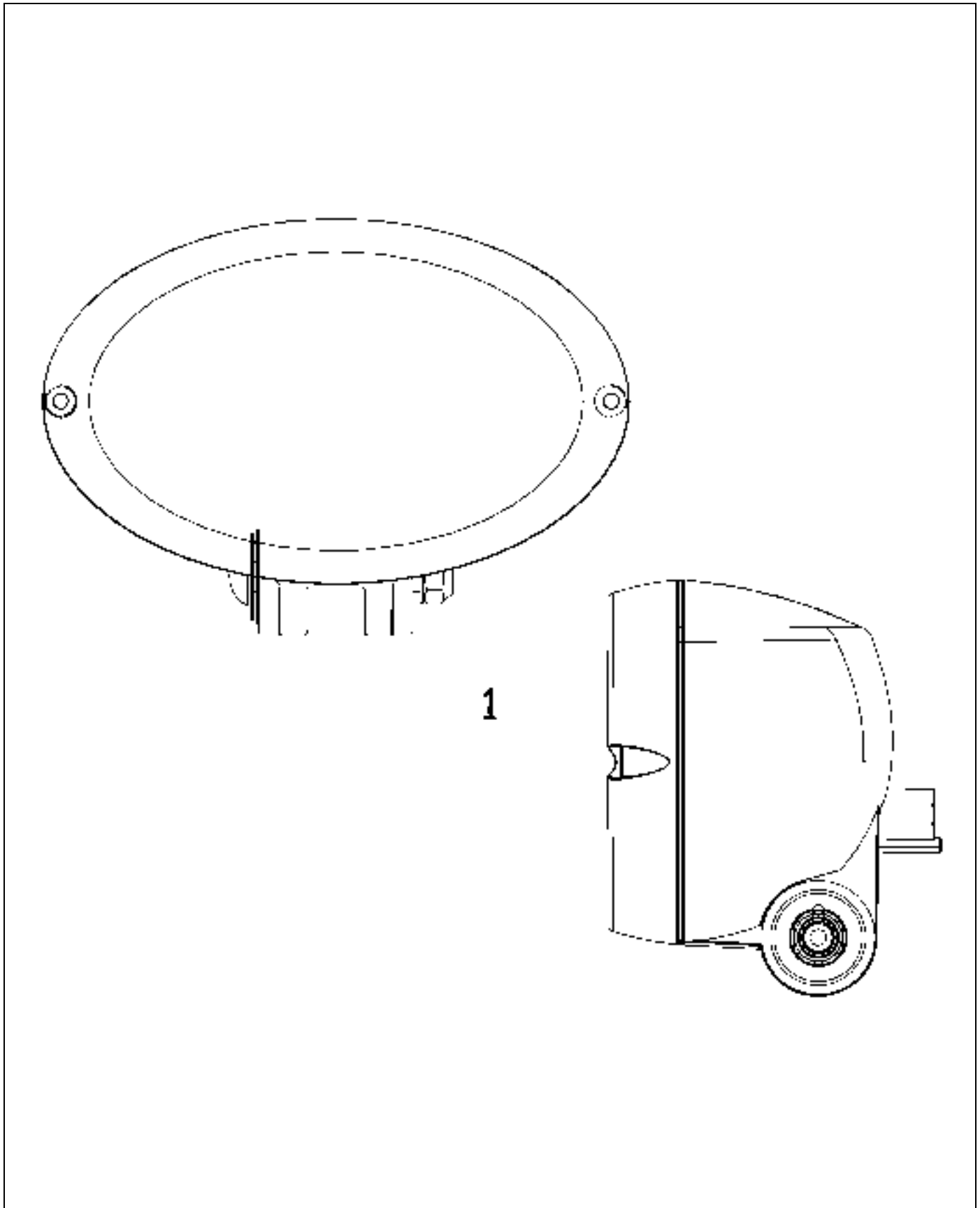
WORK LIGHT



505081D1-03-N296-.TIF

WORK LIGHT

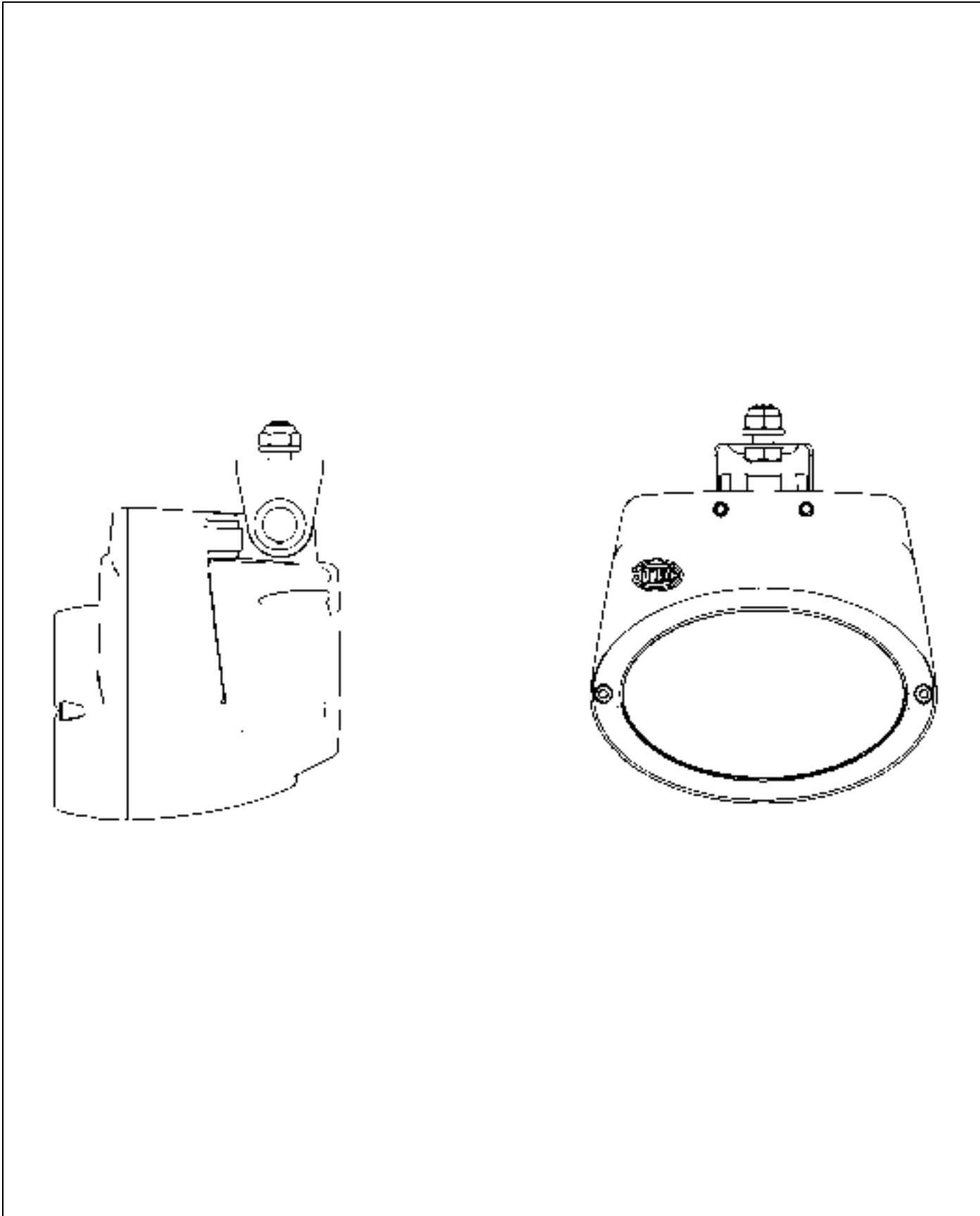
ITEM	PART #	QTY	DESCRIPTION	COMMENTS
1	505082D1	1	WORK LIGHT	SEE PAGE 9-20



505082D1-02-N440-.TIF

WORK LIGHT

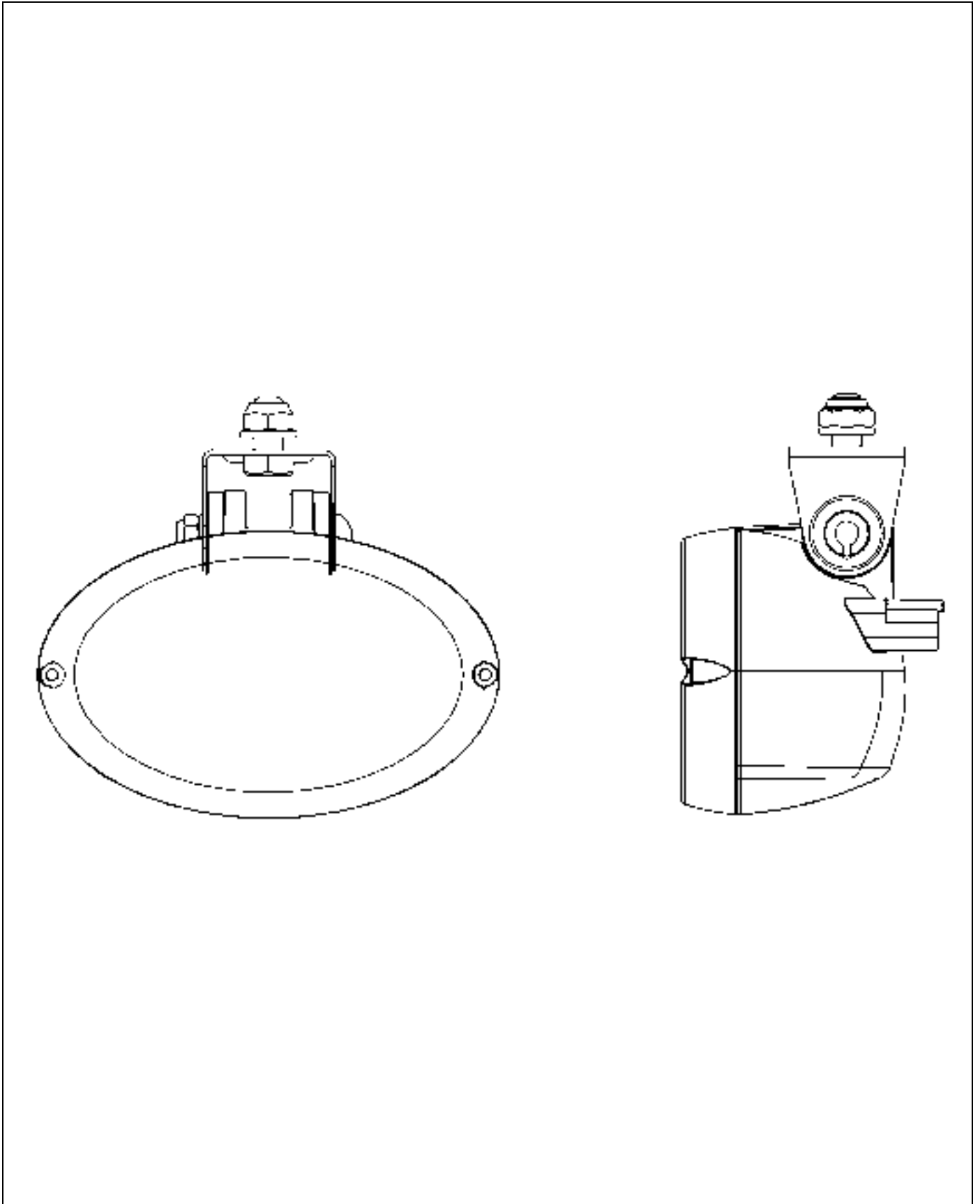
ITEM	PART #	QTY	DESCRIPTION	COMMENTS
1	AG331695	1	BULB (505081D1)	



515468D1-01-N770-.TIF

LIGHT-WORK,HID,PENDENT MOUNT

ITEM	PART #	QTY	DESCRIPTION	COMMENTS
REF	136-5598	1	BULB-HID	



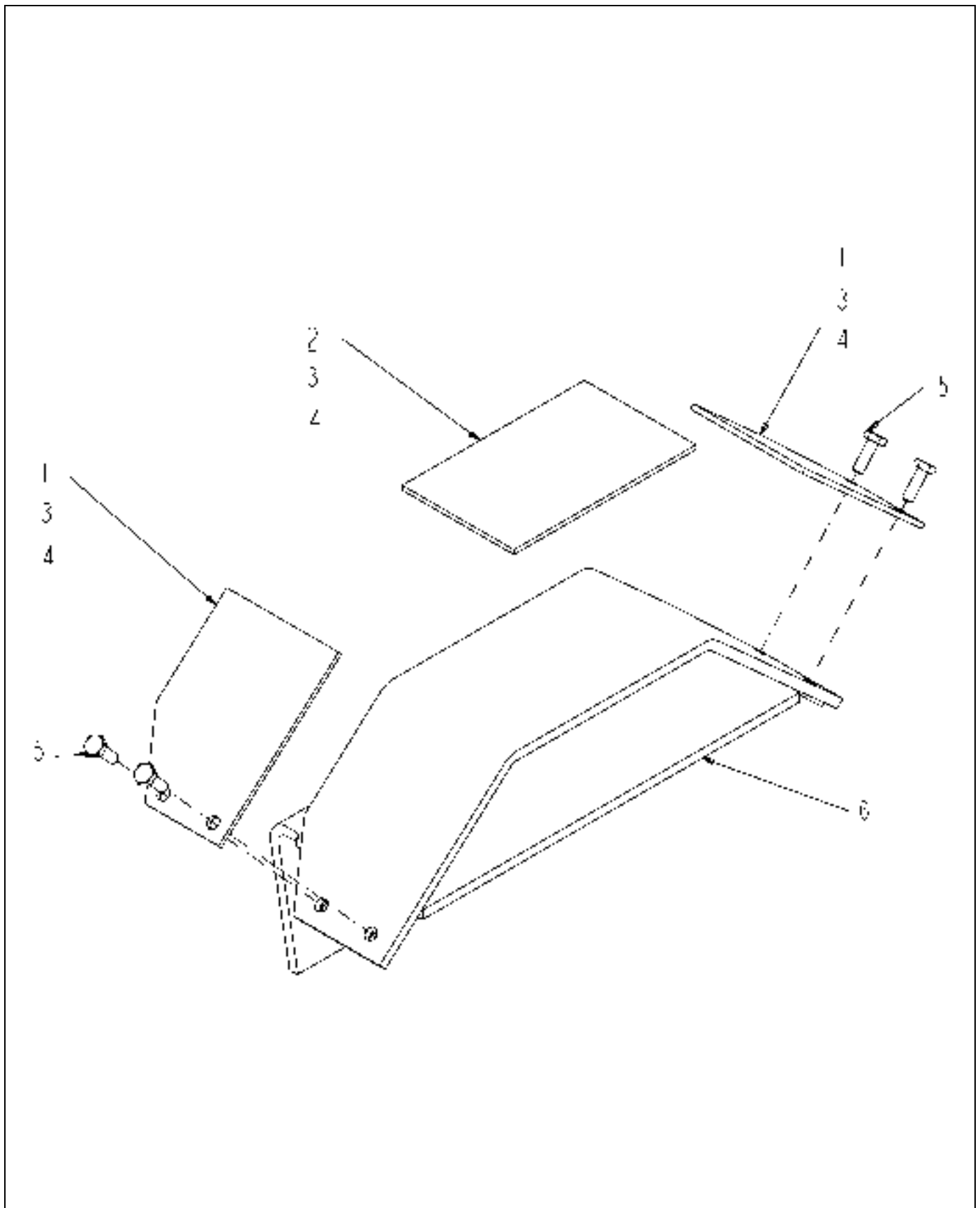
515469D1-01-N770-.TIF

LIGHT-WORK,DUAL BEAM,PENDENT MNT

ITEM	PART #	QTY	DESCRIPTION	COMMENTS
REF	AG332714	-	BULB/HEAVY DUTY H3	
REF	AG133566	-	12V 55W H3 BULB	

SUPPORT ASM-HOOD REAR	10-1
INSTALL-REAR,FENDER,COUPE	10-2
INSTALL-FRONT,FENDER,COUPE,7450	10-3
F/A-FRONT,FENDER,COUPE,7450	10-4
HANDRAIL INSTALL,7650,SS	10-5
HANDRAIL INSTALL,7650,POLY	10-6
INSTALL-REAR,FENDER,COUPE	10-7
F/A-FENDER,7460,REAR,SPRING	10-8
HOOD GROUP INSTALL-CHAL	10-9
HOOD GROUP INSTALL-CHAL	10-10
HOOD GROUP INSTALL-CHAL	10-11
HEADLIGHT-HALOGEN,WRAPPING,LH	10-12
HEADLIGHT-HALOGEN,WRAPPING,RH	10-13

SUPPORT ASM-HOOD REAR

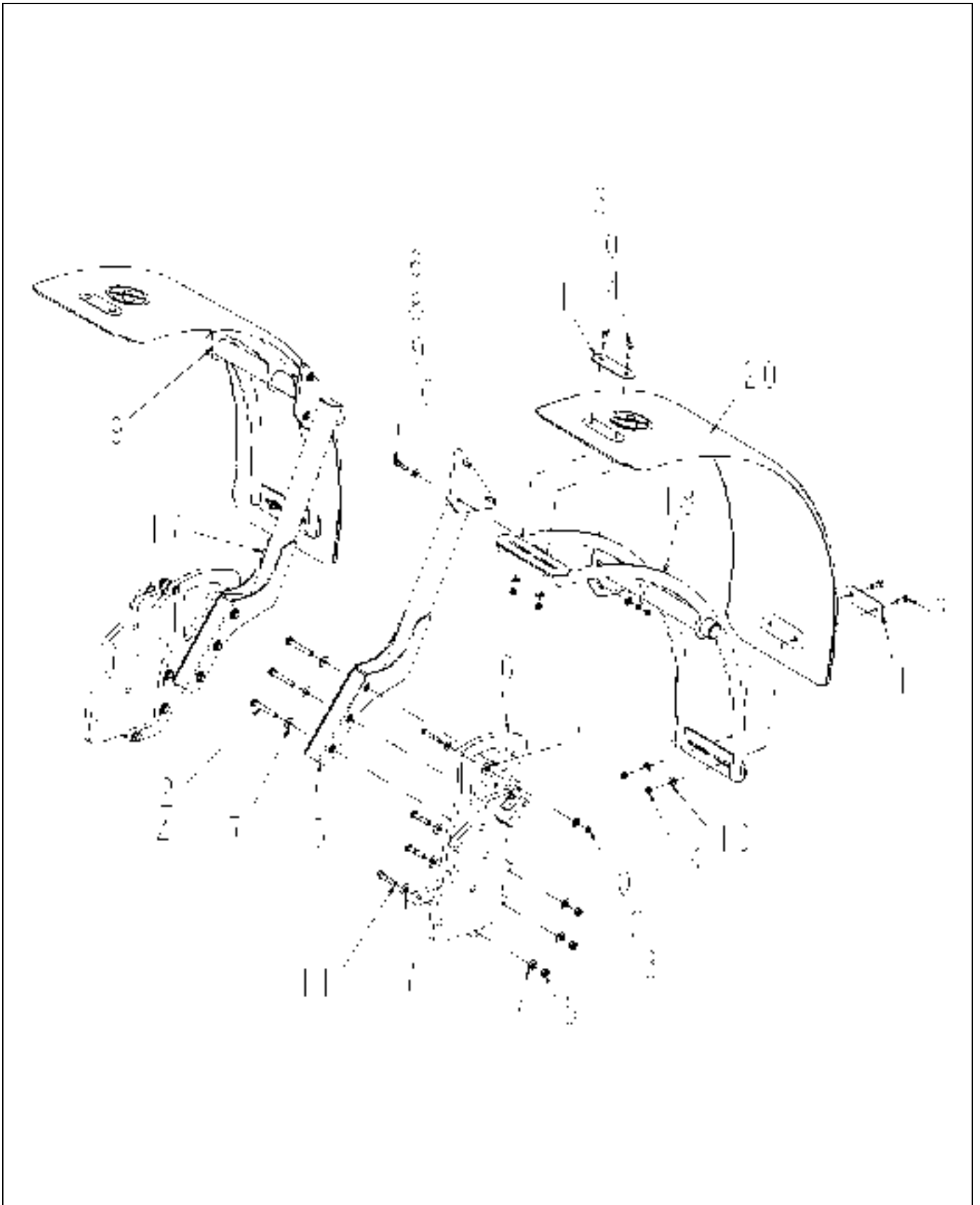


511487D1-01-N389.TIF

SUPPORT ASM-HOOD REAR

ITEM	PART #	QTY	DESCRIPTION	COMMENTS
1	AG261591	2	PLATE-WEAR,HOOD,SIDE	
2	AG261592	1	PLATE-WEAR,HOOD,TOP	
3	AG523200	AR	3M 94 1/2 PT TAPE PRIMER	
4	AG523201	-	TAPE-ADHESIVE,4.00,HIGH BOND [BULK: 1.330 FT]	
5	AG550485	4	BOLT 0.25-20NCX 0.75 G5 ZN HHD	
6	511486D1	1	SUPPORT WLDMT-HOOD,REAR	

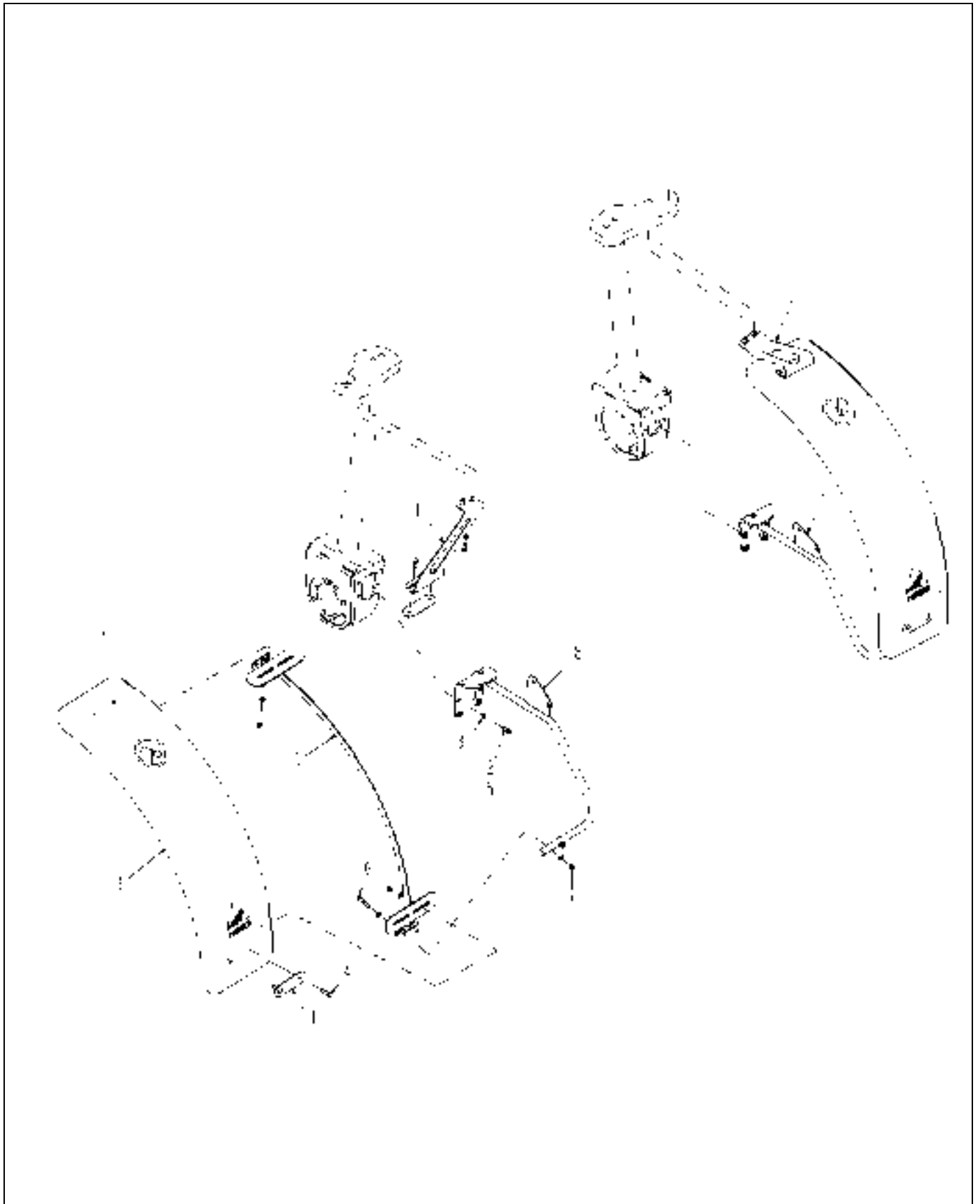
INSTALL-REAR,FENDER,COUPE



524364D1-01-R911-.TIF

INSTALL-REAR,FENDER,COUPE

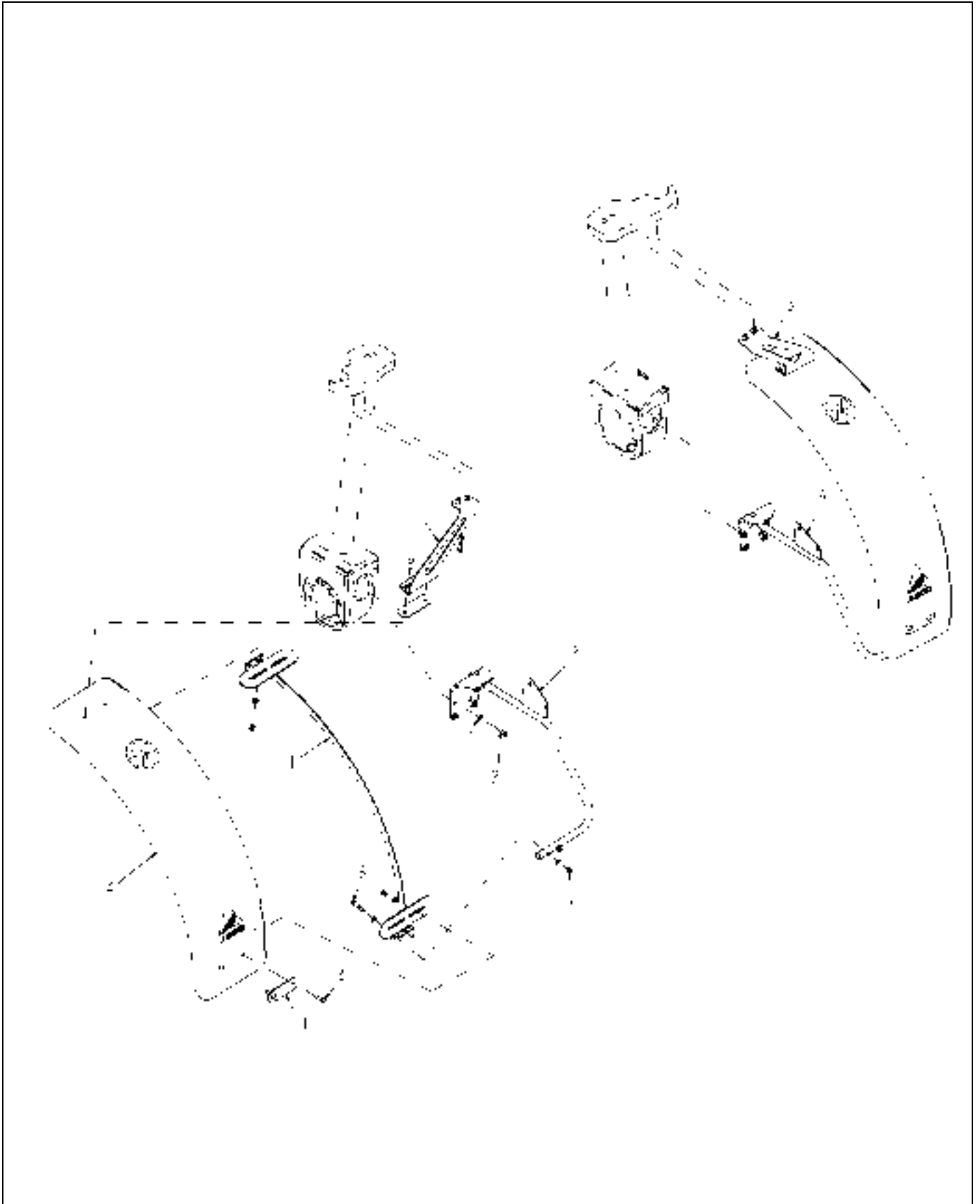
ITEM	PART #	QTY	DESCRIPTION	COMMENTS
1	AG236763	4	PLATE-MOUNTING,FENDER	
2	AG512885	AR	LOCTITE ADHESIVE SEALANT BLUE	
3	AG520944	8	BOLT-.38-16X1.5,G5,BLK,CRG	
4	AG524262	6	BOLT-.50-20X4.00,G8,ZN,HHD	
5	AG550124	6	NUT 0.50-13NC HEX ZN REG	
6	AG550191	6	WASHER 0.37 LK ZN REG	
7	AG550353	20	WASHER 0.50 FL ZN REG TYPE-B	
8	AG550779	6	BOLT 0.37-16NCX 1.50 G5 ZN HHD	
9	AG550825	6	NUT 0.37-16NC HEX ZN REG	
10	AG551007	24	WASHER 0.37 FL ZN REG TYPE-B	
11	AG551244	6	BOLT.50-13NCX 2.25G5 ZN HHD	
12	AG556203	2	BOLT 0.37-16NCX 2.50 G8 ZN HHD	
13	AG557676	2	NUT 0.37-16NC HEX ZN C-LK	
14	AG601411	8	NUT 0.37-16NC HEX ZN REG NY	
15	512058D1	1	WLDMT-MNT,FENDER,LH	
16	512061D1	2	PLATE-REAR,FENDER MOUNT	
17	512063D1	1	WLDMT-MNT,FENDER,RH	
18	522259D1	1	WLDMT-FENDER,SUPPORT,REAR	
19	522260D1	1	WLDMT-FENDER,SUPPORT,REAR	
20	524194D1	2	FENDER-AGCO,POLY	



524360D1-01-R911-.TIF

INSTALL-FRONT,FENDER,COUPE,7450

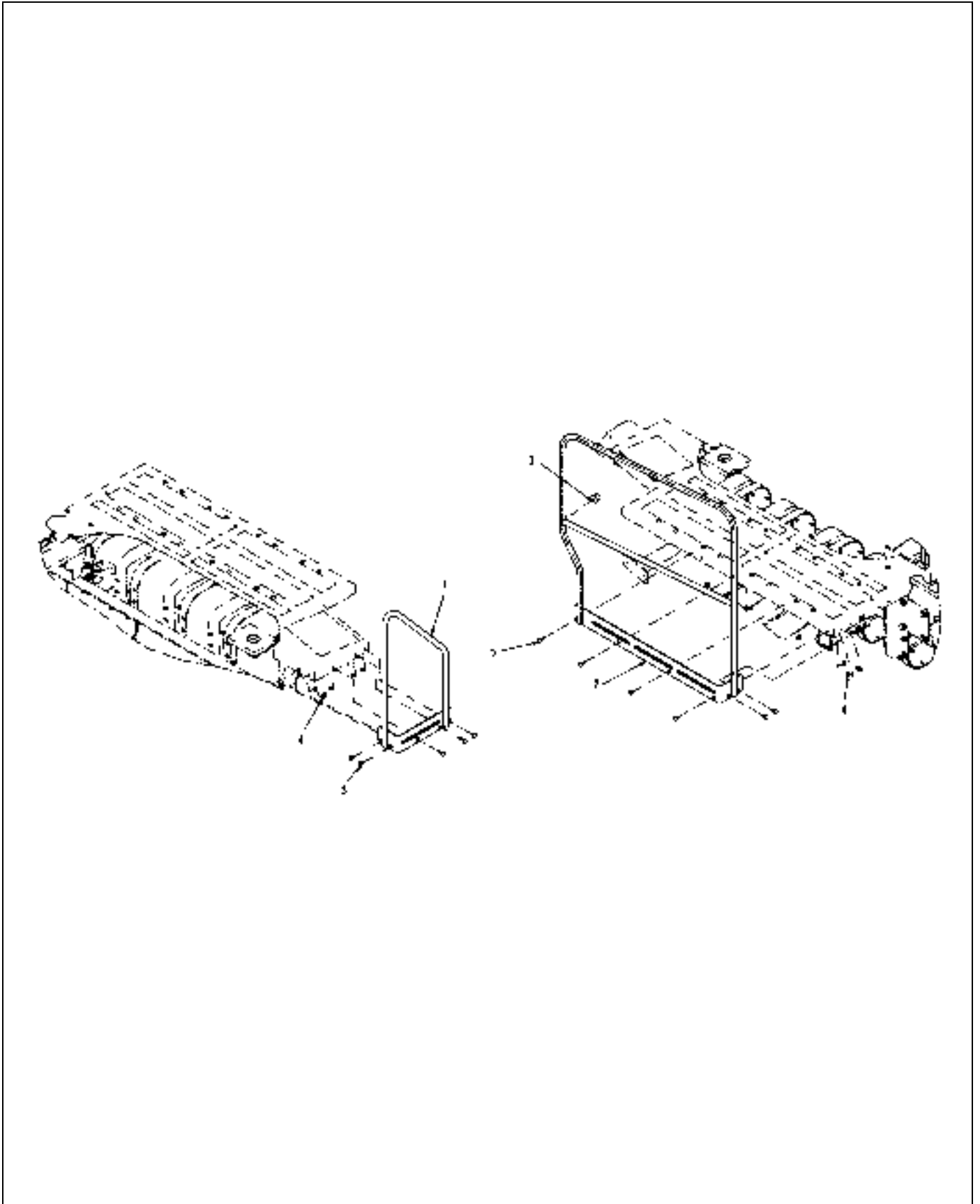
ITEM	PART #	QTY	DESCRIPTION	COMMENTS
1	AG236763	4	PLATE-MOUNTING,FENDER	
2	AG512885	AR	LOCTITE ADHESIVE SEALANT BLUE	
3	AG514559	28	WASHER 0.37 FL ZN SAE TYP-A G8	
4	AG520944	8	BOLT-.38-16X1.5,G5,BLK,CRG	
5	AG550175	12	BOLT 0.37-16NCX 1.00 G5 ZN HHD	
6	AG552240	4	BOLT 0.37-16NCX 2.00 G5 ZN HHD	
7	AG601411	12	NUT 0.37-16NC HEX ZN REG NY	
8	507634D1	1	WLDMT-FENDER,MOUNT,LH	
9	509054D1	1	WLDMT-FENDER,MOUNT,RH	
10	522061D1	2	WLDMT-FENDER BRKT,MAIN,FRONT	
11	523260D1	1	PLATE-FENDER MNT, TOP,LH	
12	523261D1	1	PLATE-FENDER MNT, TOP,RH	
13	524195D1	2	FENDER-AGCO,POLY	



524361D1-01-R911-.TIF

F/A-FRONT,FENDER,COUPE,7450

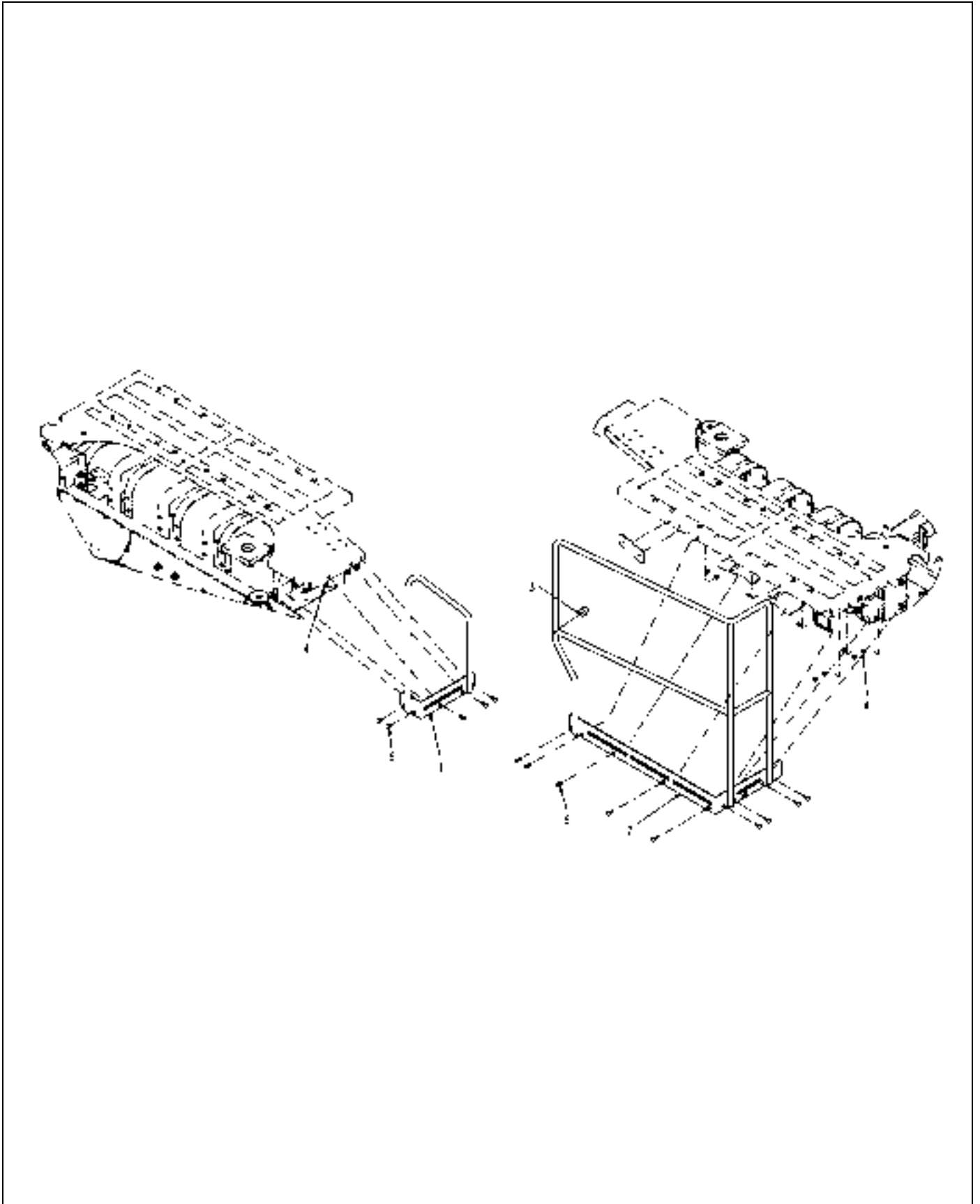
ITEM	PART #	QTY	DESCRIPTION	COMMENTS
1	AG236763	4	PLATE-MOUNTING,FENDER	
2	AG512885	AR	LOCTITE ADHESIVE SEALANT BLUE	
3	AG514559	28	WASHER 0.37 FL ZN SAE TYP-A G8	
4	AG520944	8	BOLT-.38-16X1.5,G5,BLK,CRG	
5	AG550175	12	BOLT 0.37-16NCX 1.00 G5 ZN HHD	
6	AG552240	4	BOLT 0.37-16NCX 2.00 G5 ZN HHD	
7	AG601411	12	NUT 0.37-16NC HEX ZN REG NY	
8	507634D1	1	WLDMT-FENDER,MOUNT,LH	
9	509054D1	1	WLDMT-FENDER,MOUNT,RH	
10	519210D1	1	PKG-FRONT,FENDER,COUPE	
11	522061D1	2	WLDMT-FENDER BRKT,MAIN,FRONT	
12	523260D1	1	PLATE-FENDER MNT, TOP,LH	
13	523261D1	1	PLATE-FENDER MNT, TOP,RH	
14	524195D1	2	FENDER-AGCO,POLY	
15	524370D1	1	INSTR-FRONT,FENDER,7460	



128749-04-M472-.TIF

HANDRAIL INSTALL,7650,SS

ITEM	PART #	QTY	DESCRIPTION	COMMENTS
1	WR127201	1	HANDRAIL-WLDMT,FRONT	
2	WR135374	1	WLDMT-HANDRAIL,SIDE,SS	
3	AG519802	1	BUMPER, RUBBER VIBRATION	
4	AG522562	11	NUT-.38-16,SS,SFLG,H	
5	AG609084	11	BOLT 0.37-16NCX 1.00 SS CRG	

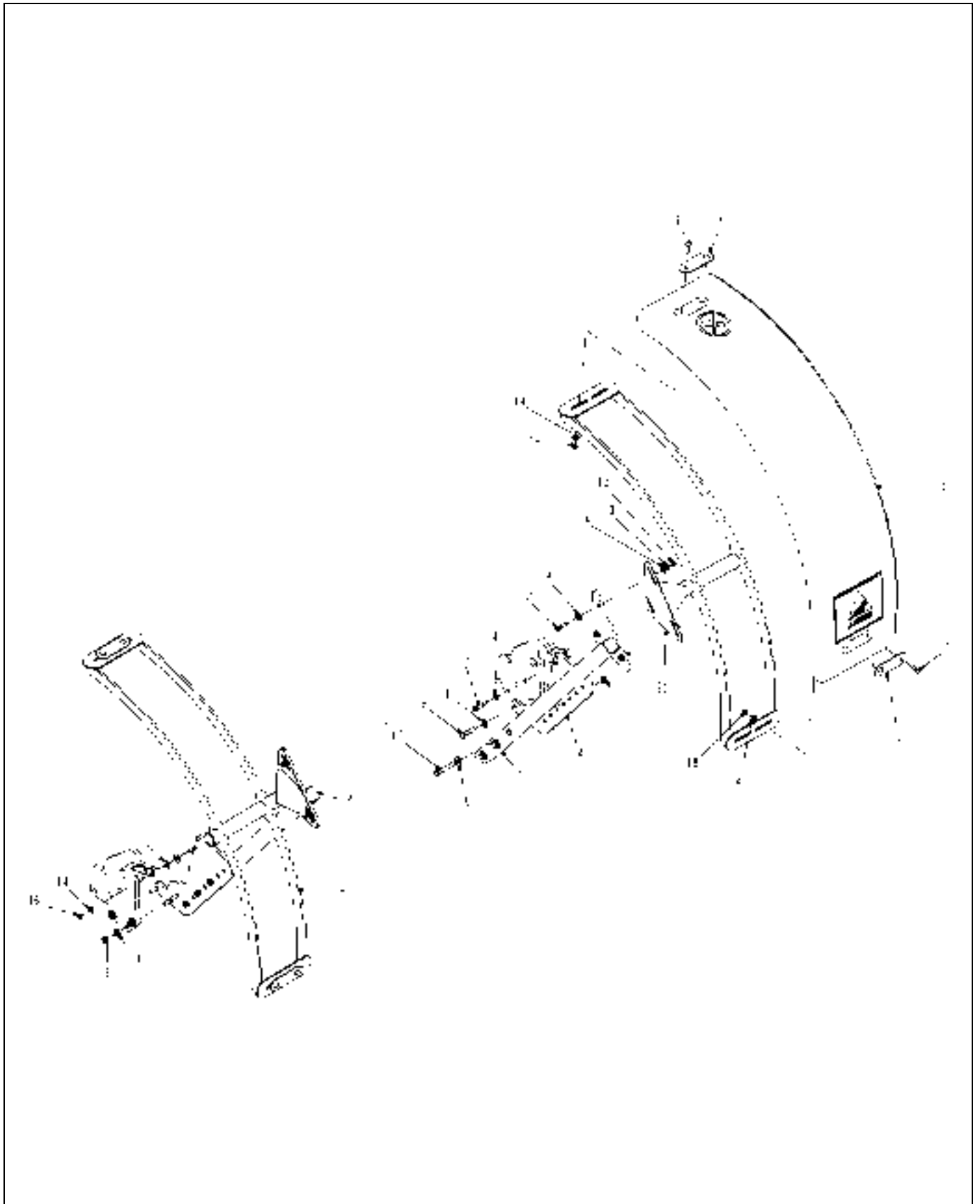


128750-D-M320-.TIF

HANDRAIL INSTALL,7650,POLY

ITEM	PART #	QTY	DESCRIPTION	COMMENTS
1	WR127201	1	HANDRAIL-WLDMT,FRONT	
2	WR135376	1	WLDMT-HANDRAIL,SIDE,POLY	
3	AG519802	1	BUMPER, RUBBER VIBRATION	
4	AG522562	13	NUT-.38-16,SS,SFLG,H	
5	AG609084	13	BOLT 0.37-16NCX 1.00 SS CRG	

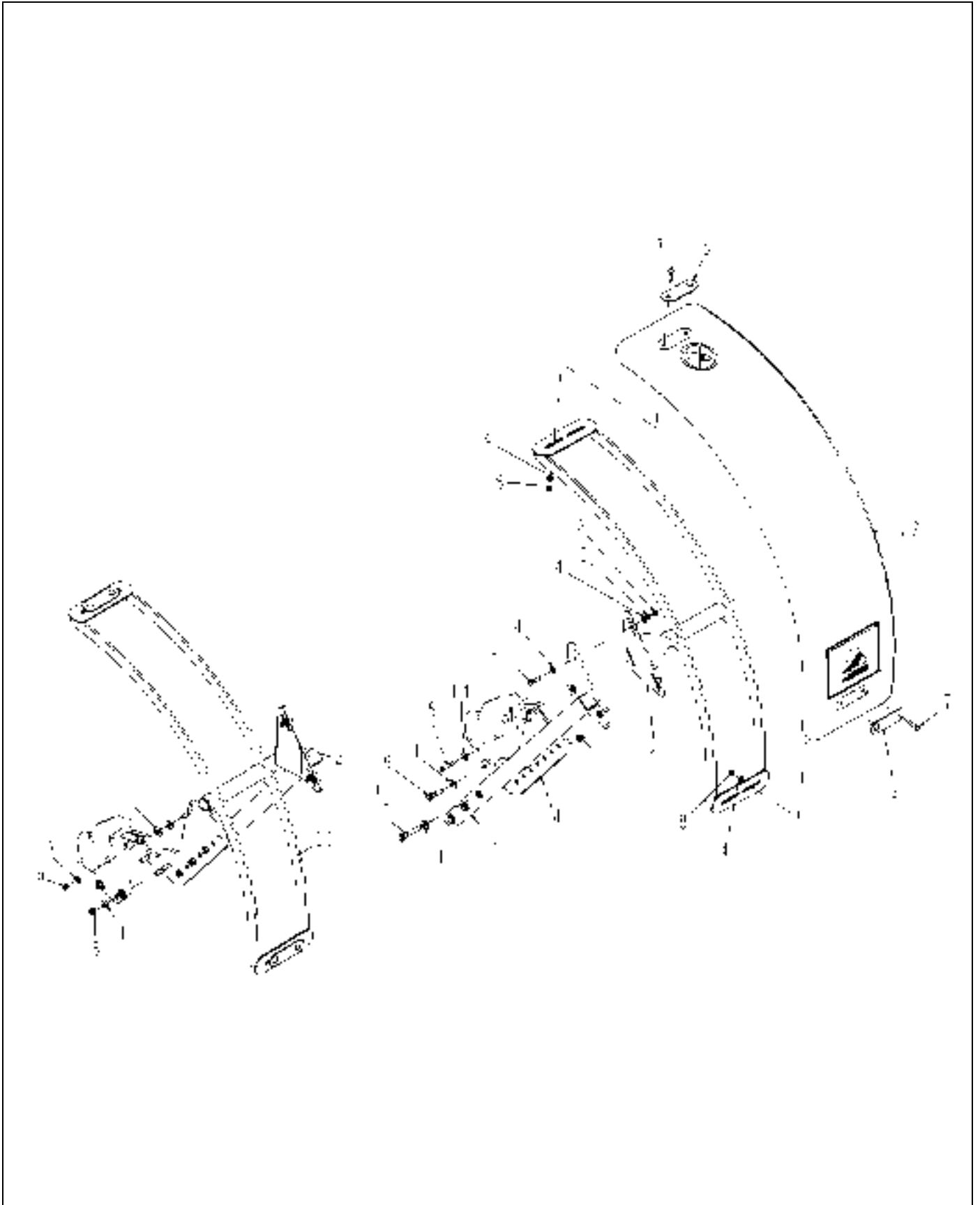
INSTALL-REAR,FENDER,COUPE



524362D1-01-R911-.TIF

INSTALL-REAR,FENDER,COUPE

ITEM	PART #	QTY	DESCRIPTION	COMMENTS
1	WR55330	6	NUT-HEX,1/2-20UNF G8	
2	WR135931	1	WLDMT-BRKT ATTACH,REAR,LH	
3	WR135932	1	WLDMT-BRKT ATTACH,REAR,RH	
4	WR135933	2	PLATE-REAR,FENDER MOUNT	
5	AG236763	4	PLATE-MOUNTING,FENDER	
6	AG512885	AR	LOCTITE ADHESIVE SEALANT BLUE	
7	AG520944	8	BOLT-.38-16X1.5,G5,BLK,CRG	
8	AG550124	6	NUT 0.50-13NC HEX ZN REG	
9	AG550132	6	BOLT .50-13NCX 2 G5 ZN HHD	
10	AG550191	6	WASHER 0.37 LK ZN REG	
11	AG550353	22	WASHER 0.50 FL ZN REG TYPE-B	
12	AG550779	6	BOLT 0.37-16NCX 1.50 G5 ZN HHD	
13	AG550825	6	NUT 0.37-16NC HEX ZN REG	
14	AG551007	24	WASHER 0.37 FL ZN REG TYPE-B	
15	AG552127	2	BOLT 0.37-16NCX 2.25 G5 ZN HHD	
16	AG557676	2	NUT 0.37-16NC HEX ZN C-LK	
17	AG561058	6	BOLT 0.50-20NFX 3.25 G8 ZN HHD	
18	AG601411	8	NUT 0.37-16NC HEX ZN REG NY	
19	522259D1	1	WLDMT-FENDER,SUPPORT,REAR	
20	522260D1	1	WLDMT-FENDER,SUPPORT,REAR	
21	524194D1	2	FENDER-AGCO,POLY	

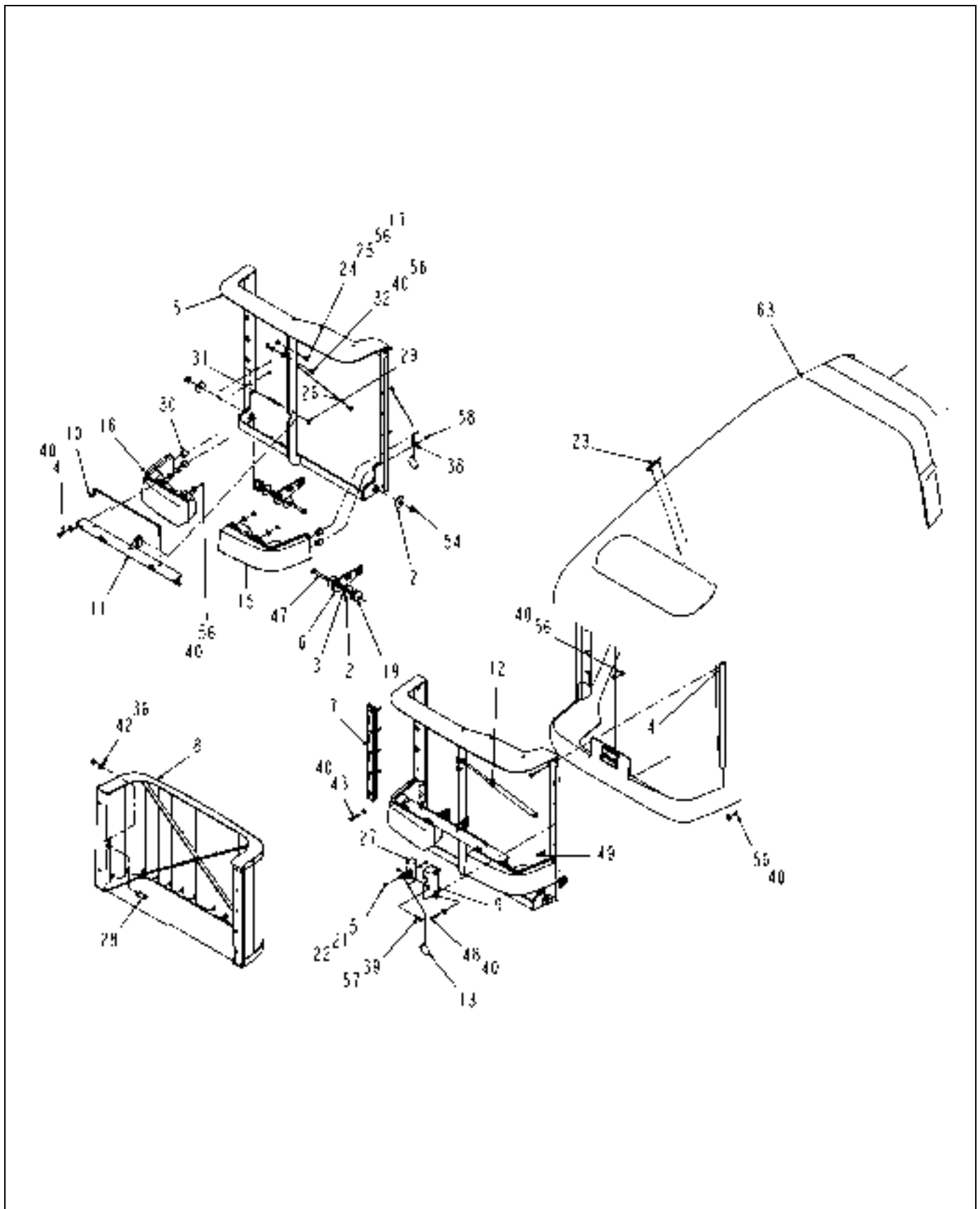


524363D1-01-R911-.TIF

F/A-FENDER,7460,REAR,SPRING

ITEM	PART #	QTY	DESCRIPTION	COMMENTS
1	WR55330	6	NUT-HEX,1/2-20UNF G8	
2	WR135931	1	WLDMT-BRKT ATTACH,REAR,LH	
3	WR135932	1	WLDMT-BRKT ATTACH,REAR,RH	
4	WR135933	2	PLATE-REAR,FENDER MOUNT	
5	AG236763	4	PLATE-MOUNTING,FENDER	
6	AG512885	AR	LOCTITE ADHESIVE SEALANT BLUE	
7	AG520944	8	BOLT-.38-16X1.5,G5,BLK,CRG	
8	AG550124	6	NUT 0.50-13NC HEX ZN REG	
9	AG550132	6	BOLT .50-13NCX 2 G5 ZN HHD	
10	AG550191	6	WASHER 0.37 LK ZN REG	
11	AG550353	22	WASHER 0.50 FL ZN REG TYPE-B	
12	AG550779	6	BOLT 0.37-16NCX 1.50 G5 ZN HHD	
13	AG550825	6	NUT 0.37-16NC HEX ZN REG	
14	AG551007	24	WASHER 0.37 FL ZN REG TYPE-B	
15	AG552127	2	BOLT 0.37-16NCX 2.25 G5 ZN HHD	
16	AG557676	2	NUT 0.37-16NC HEX ZN C-LK	
17	AG561058	6	BOLT 0.50-20NFX 3.25 G8 ZN HHD	
18	AG601411	8	NUT 0.37-16NC HEX ZN REG NY	
19	519212D1	1	PKG-REAR,FENDER,COUPE	
20	522259D1	1	WLDMT-FENDER,SUPPORT,REAR	
21	522260D1	1	WLDMT-FENDER,SUPPORT,REAR	
22	524194D1	2	FENDER-AGCO,POLY	
23	524371D1	1	INSTR-REAR,FENDER,7460,SPRING	

HOOD GROUP INSTALL-CHAL

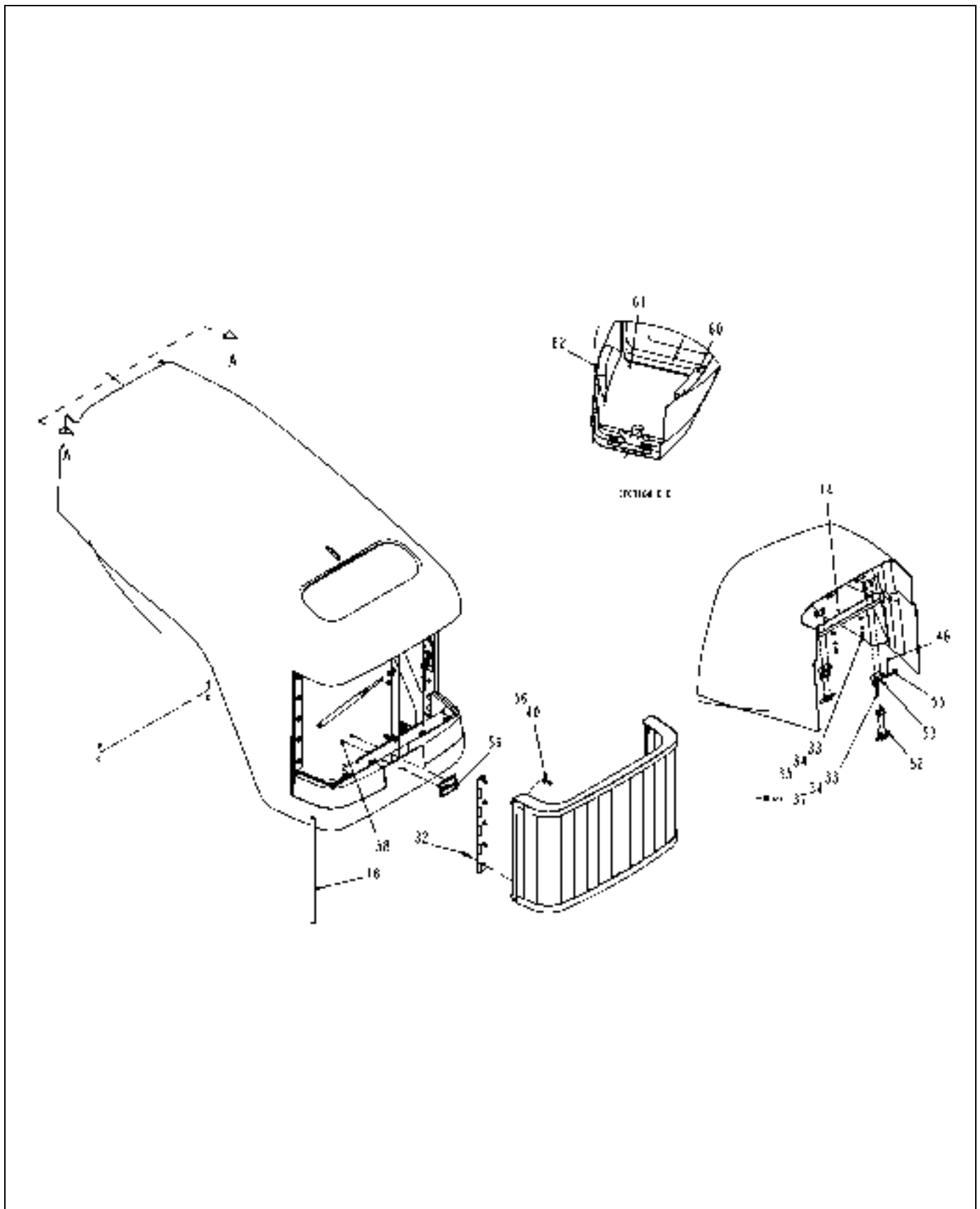


523721D1-02-R949-01.TIF

HOOD GROUP INSTALL-CHAL

ITEM	PART #	QTY	DESCRIPTION	COMMENTS
2	AG109445	6	WASHER-SHOCK MOUNT	
3	AG120283	2	BUSHING-HOOD HINGE	
4	AG123817	2	NUT-M5 PALNUT, SELF TAP	
5	WR126297	1	FRAME-GRILL	
6	WR126298	2	PLATE-HINGE	
7	WR127811	1	HINGE-GRILL	
8	WR127841	1	WLDMT-GRILL ASM	
9	WR127883	1	PLATE-LATCH MTG	
10	WR128278	1	ROD-GRILL,STAND OUT	
11	WR128650	1	BRKT WLDMT-HEADLIGHT,ADJ	
12	WR128654	1	SPRING-GAS,100LB,10.00 STROKE	
13	WR128680	1	CABLE-LATCH PULL	
15	AG421135	1	HEADLIGHT-HALOGEN,WRAPPING,LH	SEE PAGE 10-12
16	AG421136	1	HEADLIGHT-HALOGEN,WRAPPING,RH	SEE PAGE 10-13
17	AG512885	AR	LOCTITE ADHESIVE SEALANT BLUE	
19	AG519742	2	MOUNT-CENTER BONDED	
21	AG520879	1	WASHER-FLAT,M6,ZN,REG	
22	AG520905	1	NUT-M6-1.0,CL10.9,ZN,H,LK	
23	AG521283	1	SIGHT-HOOD	
24	AG521557	2	STUD-BALL,,.31-18NC	
25	AG521558	2	CLIP-RETAINING,BALL STUD	
26	AG521657	1	TETHER-HOOD,.06DIAx26.50,SS	
27	AG521943	1	LATCH-GRILLE	
28	AG521944	1	STRIKER-LATCH	
29	AG522562	1	NUT-.38-16,SS,SFLG,H	
30	AG523877	4	MOUNT-STUD,CYLINDRICAL,M6-1.00	
31	AG550175	1	BOLT 0.37-16NCX 1.00 G5 ZN HHD	
32	AG550183	7	BOLT 0.31-18NCX 0.75 G5 ZN HHD	
36	AG550566	1	NUT 0.43-14NC HEX ZN REG	
38	AG550892	1	CLAMP 0.31 COATED HOSE CO	
39	AG550949	4	BOLT 0.25-20NCX 1.50 G5 ZN HHD	
40	AG551015	32	WASHER 0.31 FL ZN REG TYPE-B	
41	AG551252	4	BOLT 0.31-18NCX 1.00 G5 ZN HHD	
42	AG551406	1	WASHER 0.43 FL ZN REG TYPE-B	
43	AG552275	5	BOLT 0.31-18NCX 2.00 G5 ZN HHD	
47	AG556103	2	BOLT 0.50-13NCX 3.00 G5 ZN HHD	
48	AG559105	3	BOLT 0.31-18NCX 1.25 G5 ZN HHD	
49	AG559911	2	BOLT 0.31-18NCX 1.50 G5 ZN HHD	
51	AG562639	1	BOLT M6 1.00x12MM G8.8 ZN HHD	
54	AG601152	2	NUT 0.50-13NC HEX ZN REG NY	
56	AG601888	16	NUT 0.31-18NC HEX ZN REG NY	
57	AG604216	4	NUT 0.25-20NC HEX ZN REG NY	
58	AG713398	4	LOCK NUT M6	
63	523387D1	1	HOOD ASM-SC7X, CHAL	

HOOD GROUP INSTALL-CHAL

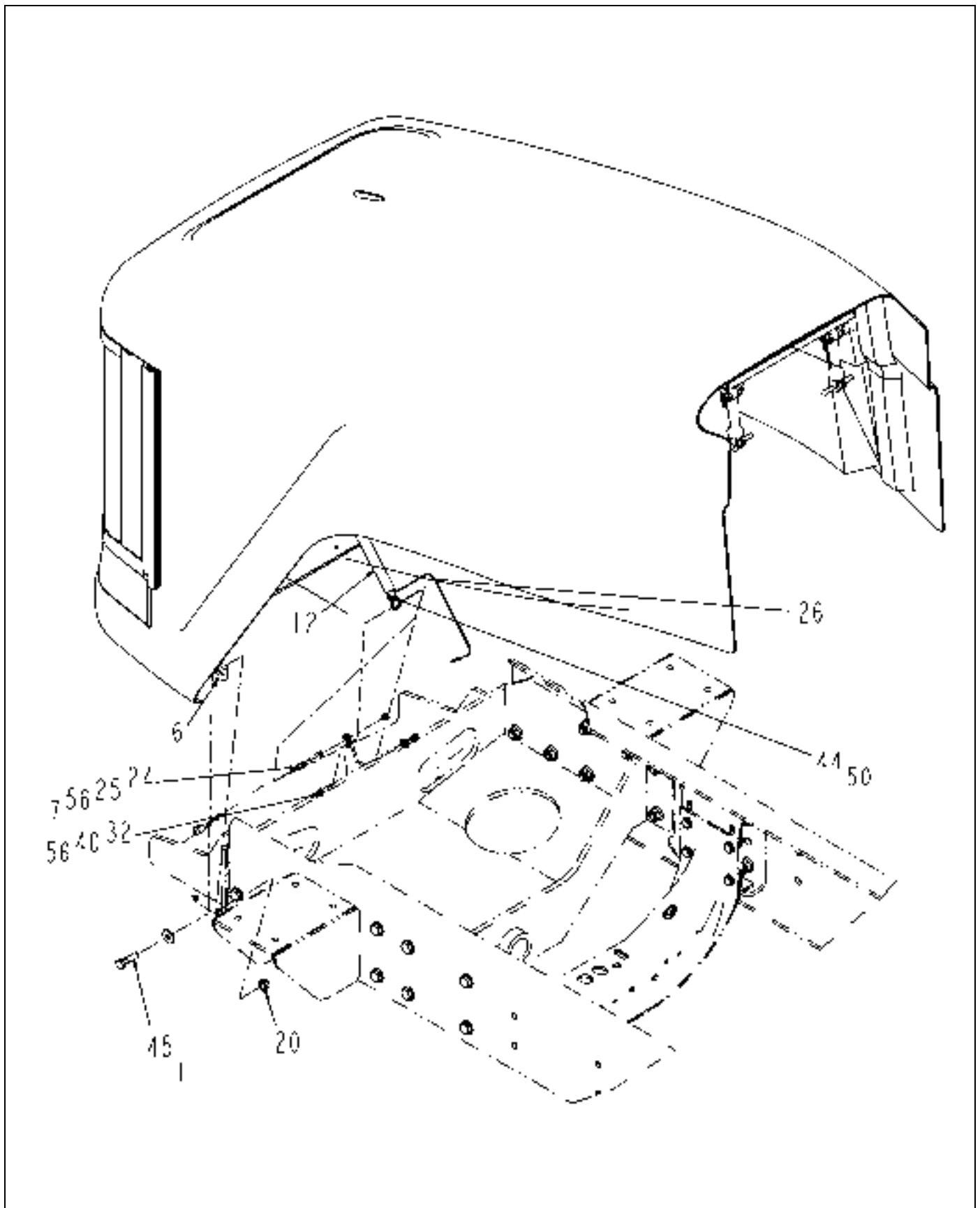


523721D1-02-R949-02.TIF

HOOD GROUP INSTALL-CHAL

ITEM	PART #	QTY	DESCRIPTION	COMMENTS
14	AG260905	1	CHANNEL-TIEDOWN,HOOD	
18	AG513654	-	EDGE LINER .19 IN TK MAT PVC [BULK: 3.730 FT]	
32	AG550183	7	BOLT 0.31-18NCX 0.75 G5 ZN HHD	
33	AG550485	6	BOLT 0.25-20NCX 0.75 G5 ZN HHD	
34	AG550493	6	WASHER 0.25 LK ZN REG	
35	AG550507	2	WASHER 0.25 FL ZN REG TYPE-B	
37	AG550612	4	NUT 0.25-20NC HEX ZN REG	
40	AG551015	32	WASHER 0.31 FL ZN REG TYPE-B	
46	AG554855	2	PIN COTTER 0.12X1.00 ZN	
52	AG600008	2	HOOK RUBBER 510327 (P)	
53	AG600024	2	BRACKET ANCHOR 510327 (P)	
55	AG601225	2	PIN ANCHOR 510327 W/O CTKEY(P)	
56	AG601888	16	NUT 0.31-18NC HEX ZN REG NY	
58	AG713398	4	LOCK NUT M6	
59	4274275M91	1	LOGO CHALLENGER	
60	508109D1	1	PANEL,LHS HOOD FOAM	
61	508110D1	1	PANEL,CENTER HOOD FOAM	
62	508111D1	1	PANEL,RHS HOOD FOAM	

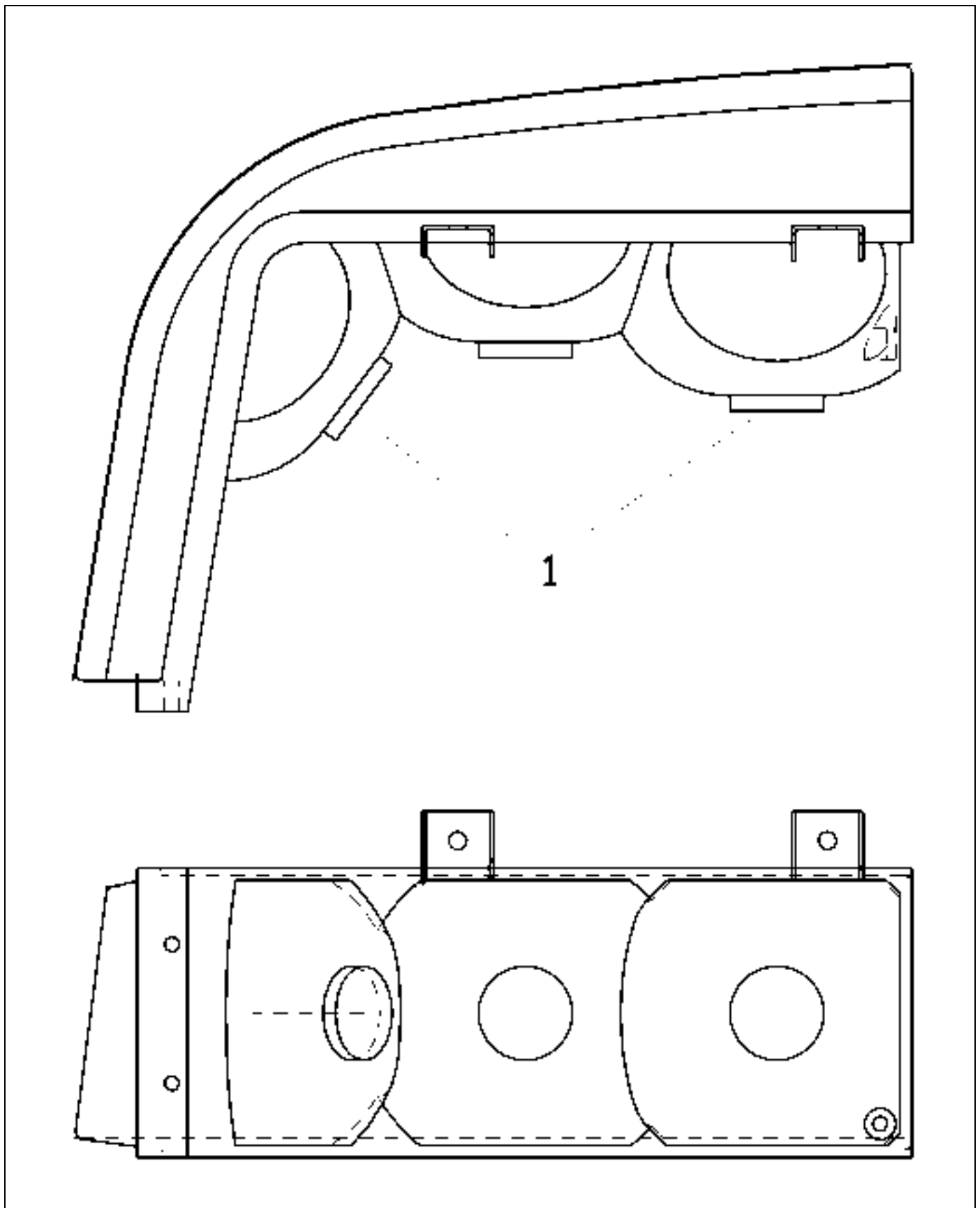
HOOD GROUP INSTALL-CHAL



523721D1-02-R949-03.TIF

HOOD GROUP INSTALL-CHAL

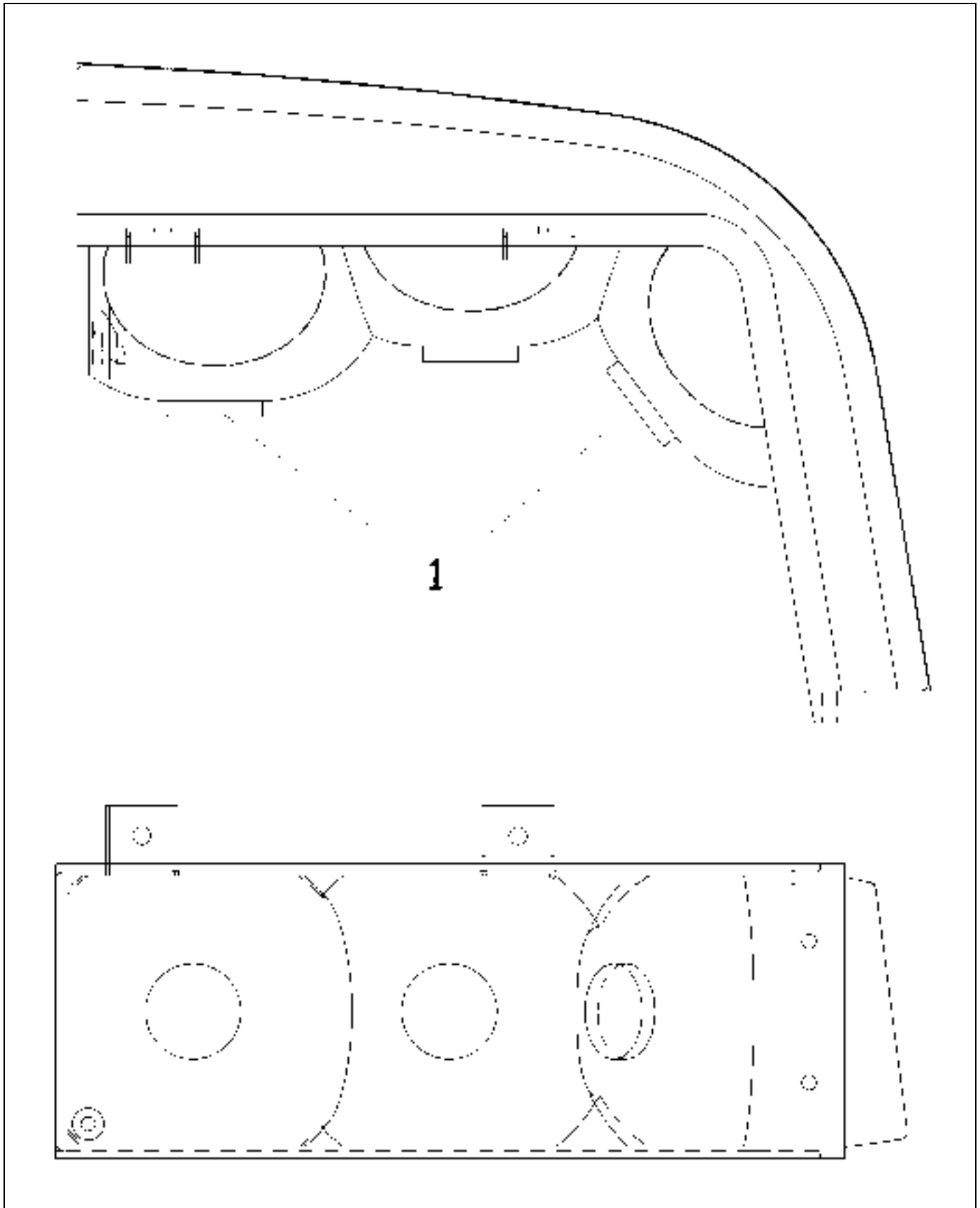
ITEM	PART #	QTY	DESCRIPTION	COMMENTS
1	WR31555	4	WASHER-FLAT,STD, 1/2 ID,	
6	WR126298	2	PLATE-HINGE	
12	WR128654	1	SPRING-GAS,100LB,10.00 STROKE	
17	AG512885	AR	LOCTITE ADHESIVE SEALANT BLUE	
20	AG520628	4	NUT-.50-13,G5,ZN,FLG,HHD	
24	AG521557	2	STUD-BALL,,31-18NC	
25	AG521558	2	CLIP-RETAINING,BALL STUD	
26	AG521657	1	TETHER-HOOD,.06DIAX26.50,SS	
32	AG550183	7	BOLT 0.31-18NCX 0.75 G5 ZN HHD	
40	AG551015	32	WASHER 0.31 FL ZN REG TYPE-B	
44	AG553557	AR	TIE CABLE 7.37 .06-1.37 BLACK	
45	AG553956	4	BOLT 0.50-13NCX 1.75 G5 ZN HHD	
50	AG562330	-	FLEX GUARD .250 [BULK: 1 FT]	
56	AG601888	16	NUT 0.31-18NC HEX ZN REG NY	



421135.TIF

HEADLIGHT-HALOGEN,WRAPPING,LH

ITEM	PART #	QTY	DESCRIPTION	COMMENTS
1	AG520989	3	LAMP-HALOGEN,3.90 AMPS	

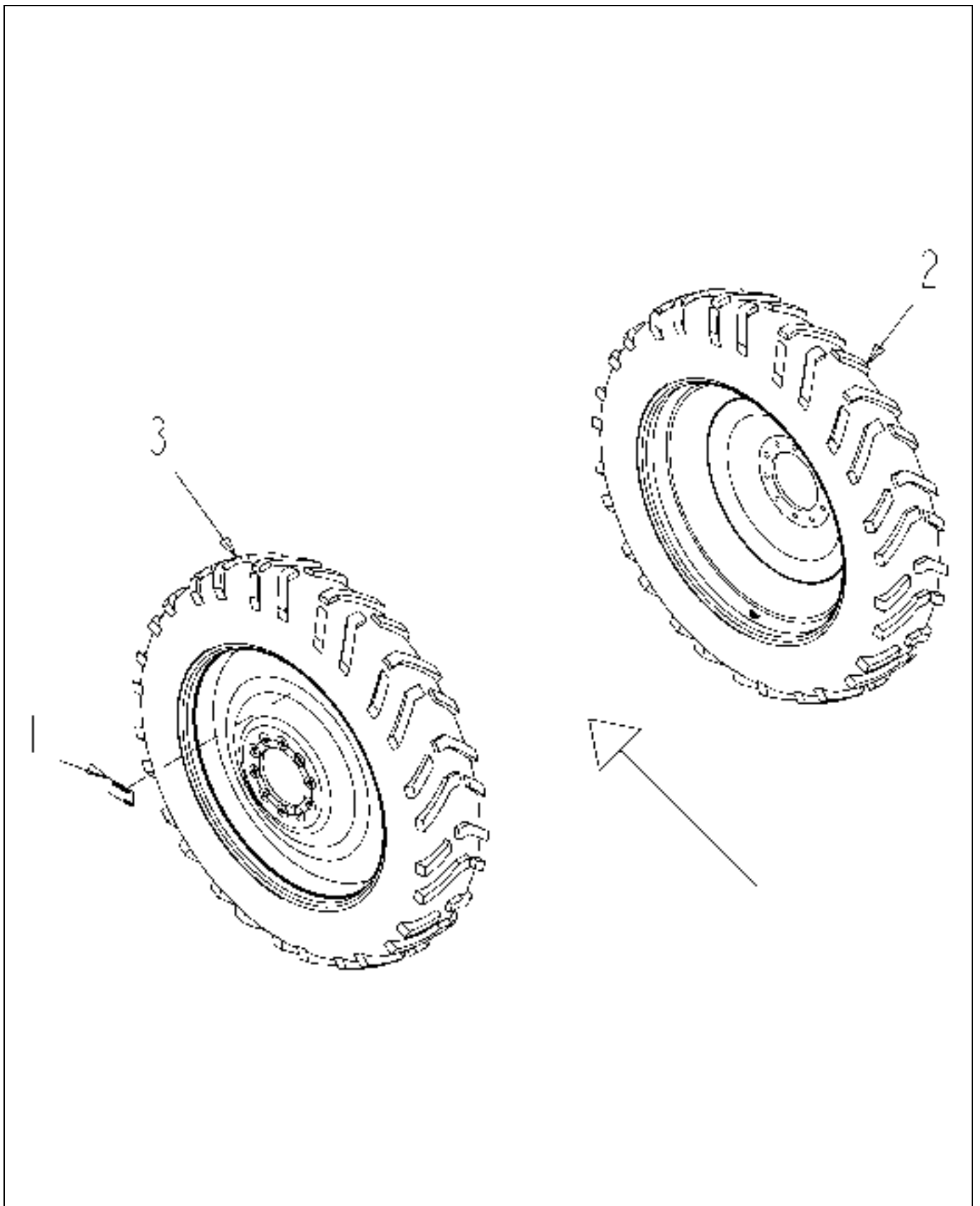


421136.TIF

HEADLIGHT-HALOGEN,WRAPPING,RH

ITEM	PART #	QTY	DESCRIPTION	COMMENTS
1	AG520989	3	LAMP-HALOGEN,3.90 AMPS	

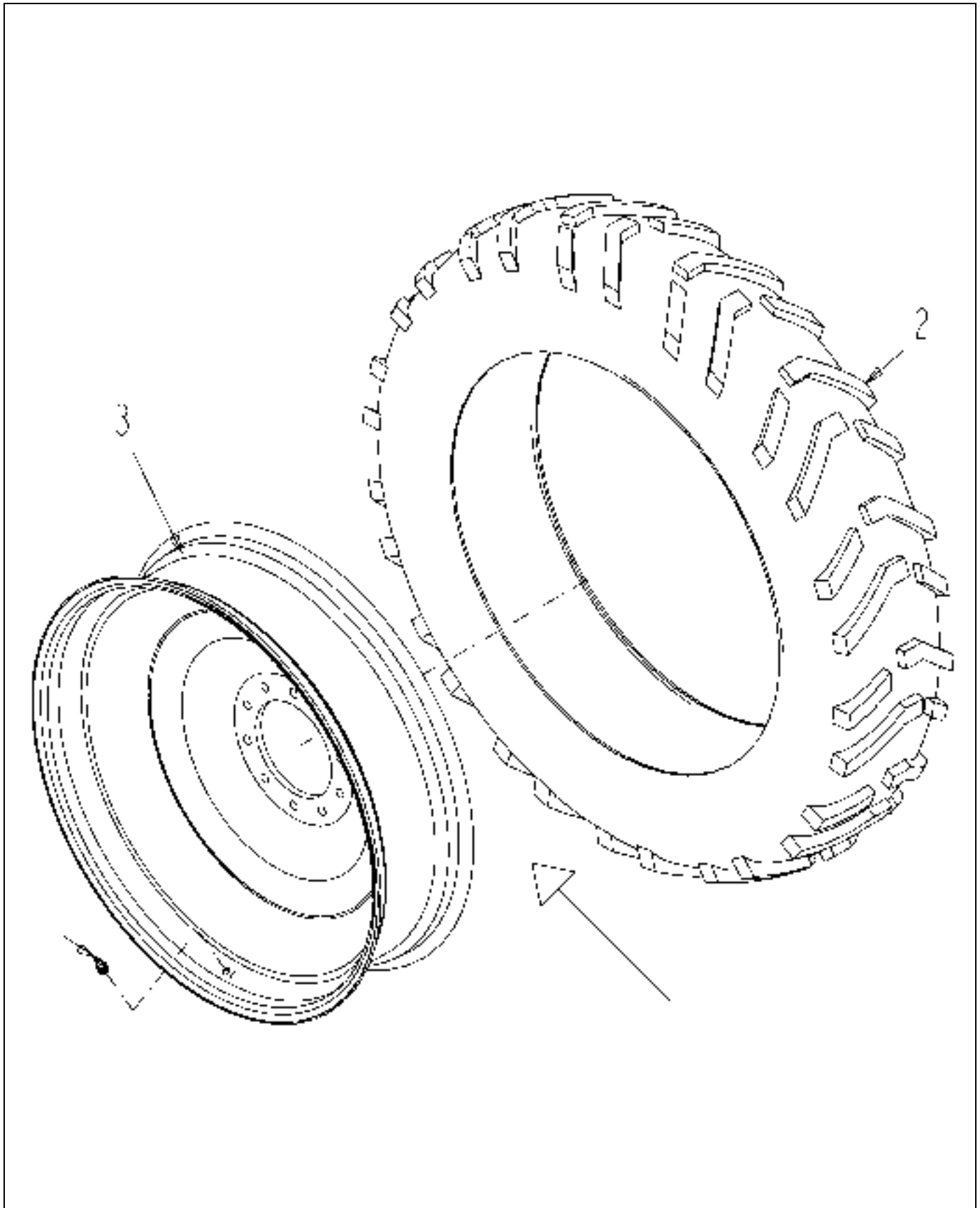
OPT-TIRE,320/85R38,GY,CHAL	11-1
WHEEL/TIRE-320/85R38,RH,CHAL	11-2
WHEEL/TIRE-320/85R38,LH,CHAL	11-3
OPT-TIRE,380/80R38,GY,CHAL	11-4
WHEEL/TIRE-380/80R38,RH,CHAL	11-5
WHEEL/TIRE-380/80R38,LH,CHAL	11-6
OPTION-TIRE,620/70R42,CHAL	11-7
WHEEL/TIRE-620/70R42,RH,CHAL	11-8
WHEEL/TIRE-620/70R42,LH,CHAL	11-9
OPTION-TIRE,320/85R38,CHAL	11-10
WHEEL/TIRE-320/85R38,RH,CHAL	11-11
WHEEL/TIRE-320/85R38,LH,CHAL	11-12
OPTION-TIRE,380/80R38,CHAL	11-13
WHEEL/TIRE-380/80R38,RH,CHAL	11-14
WHEEL/TIRE-380/80R38,LH,CHAL	11-15
FA-TIRE,GY 620/70R42,CHAL	11-16
F/A-TIRE,GY 320/85R38 2WD,CHAL	11-17
F/A-TIRE,GY 380/80R38 2WD,CHAL	11-18
F/A-TIRE,FWA,GY,320/85R38,CHAL	11-19
F/A-TIRE,FWA,GY,380/80R38,CHAL	11-20
DEFLECTOR INSTALL-CROP,7X50 SC	11-21
DEFLECTOR ASM-CROP,7X50,SC	11-22
MOUNTING HARDWARE	11-23
HARDWARE-FRONT, WHEEL,28 IN	11-24
HARDWARE-FRONT, WHEEL,38 IN	11-25
OPTION-TIRE,GY,320/90R46,CHAL	11-26
OPTION-TIRE,GY,380/90R46,CHAL	11-27
OPTION-TIRE,GY,480/80R46,CHAL	11-28
INSTALL-REAR,FENDER,COUPE	11-29
F/A-TIRE,GY 320/90R46,CHAL	11-30
F/A-TIRE,GY 380/90R46,CHAL	11-31
F/A-TIRE,GY 480/80R46,CHAL	11-32
INSTALL-FRONT,FENDER,COUPE	11-33
F/A-FRONT,FENDER,COUPE	11-34
F/A-REAR,FENDER,COUPE	11-35
OPT-TIRE,12.4X28-8,GY,5.5,CHAL	11-36
OPTION-TIRE,12.4 X 28-8,CHAL	11-37
OPT-TIRE,540/65R34,GY,10 HOLE	11-38
F/A-TIRE,540/65R34,GY,10 HOLE	11-39
TIRE/RIM ASM-540/65R34 R1W,LH	11-40
TIRE/RIM ASM-540/65R34 R1W,RH	11-41



514646D1-01-R189-.TIF

OPT-TIRE,320/85R38,GY,CHAL

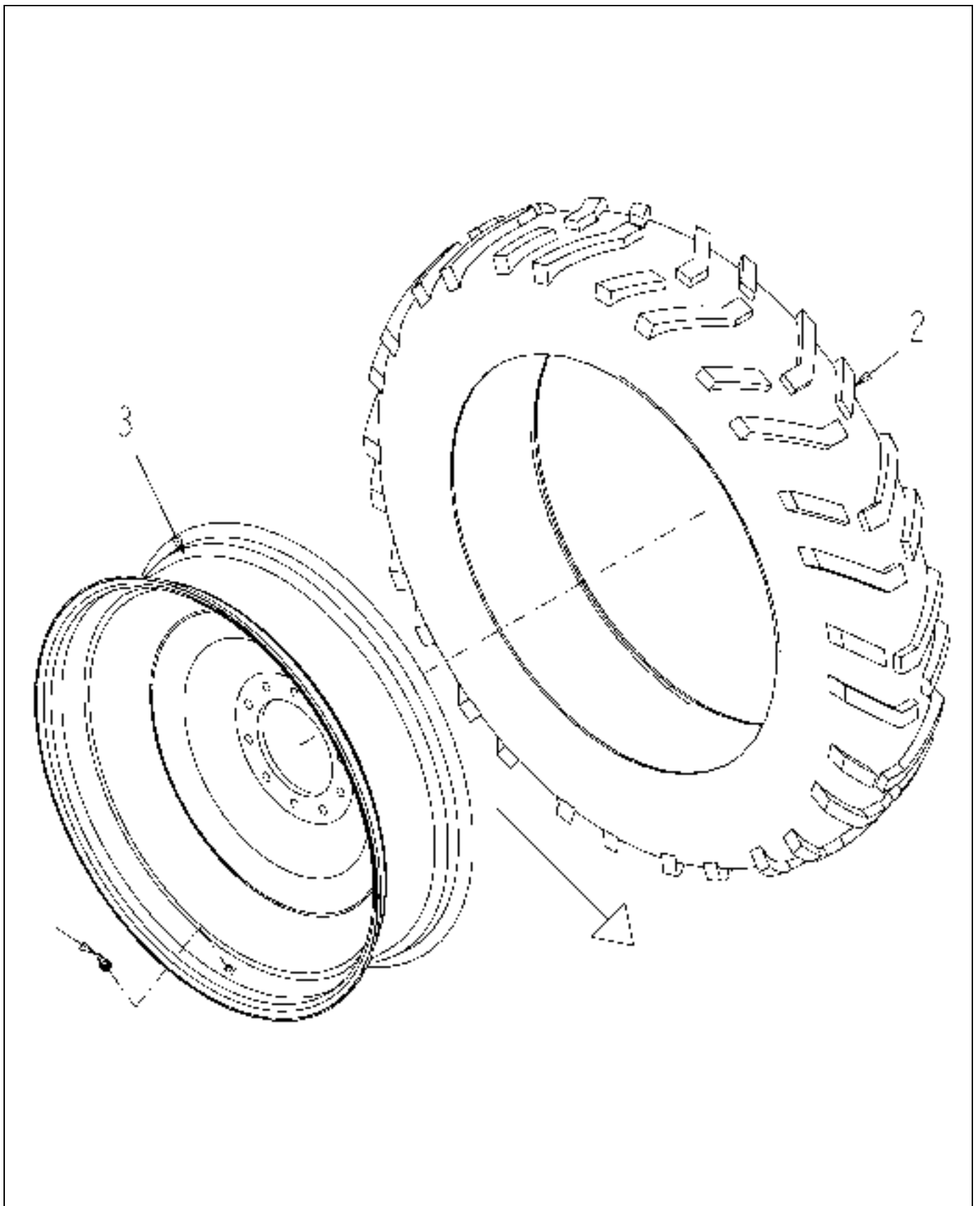
ITEM	PART #	QTY	DESCRIPTION	COMMENTS
1	AG262948	2	DECAL-WARNING,REPL TIRE,ENG	
2	514647D1	1	WHEEL/TIRE-320/85R38,RH,CHAL	SEE PAGE 11-2
3	514648D1	1	WHEEL/TIRE-320/85R38,LH,CHAL	SEE PAGE 11-3



514647D1-01-R189-.TIF

WHEEL/TIRE-320/85R38,RH,CHAL

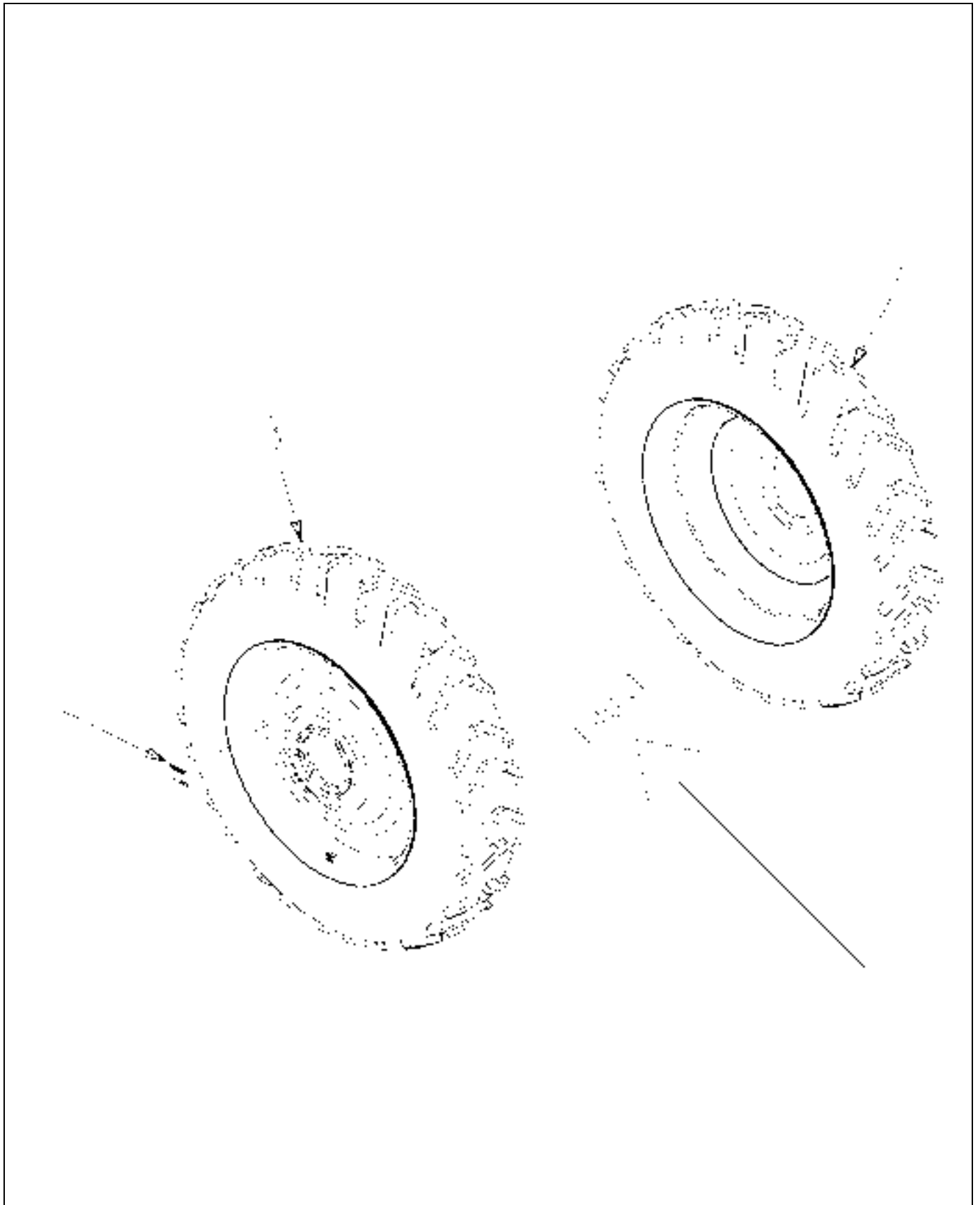
ITEM	PART #	QTY	DESCRIPTION	COMMENTS
1	AG517766	1	VALVE TIRE	
2	512328D1	1	TIRE-320/85R38,R1W,138A8/B,GY	
3	514649D1	1	WHEEL-38XW10,4.73 IN,GRAY	



514648D1-01-R189-.TIF

WHEEL/TIRE-320/85R38,LH,CHAL

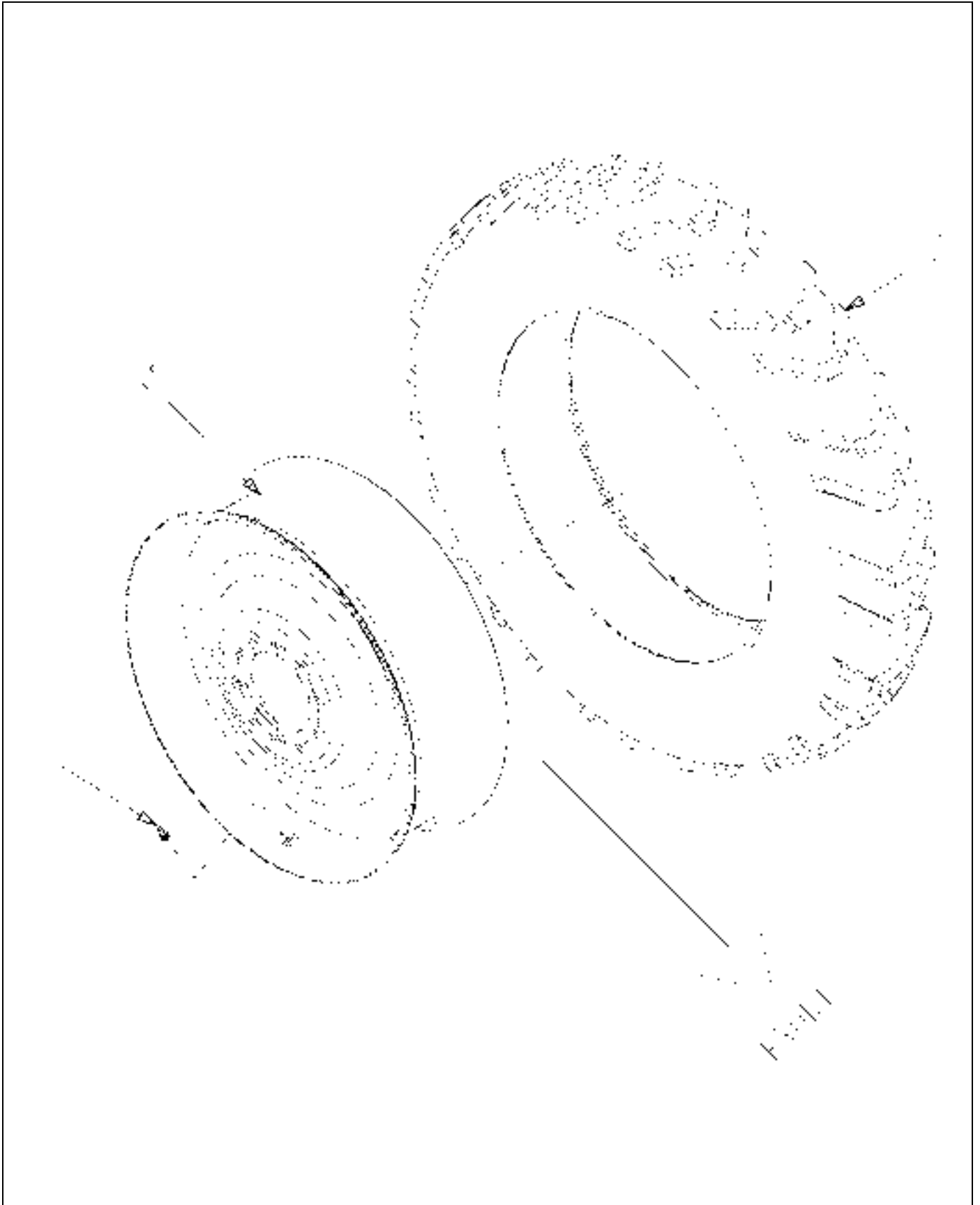
ITEM	PART #	QTY	DESCRIPTION	COMMENTS
1	AG517766	1	VALVE TIRE	
2	512328D1	1	TIRE-320/85R38,R1W,138A8/B,GY	
3	514649D1	1	WHEEL-38XW10,4.73 IN,GRAY	



514650D1-01-R189-.TIF

OPT-TIRE,380/80R38,GY,CHAL

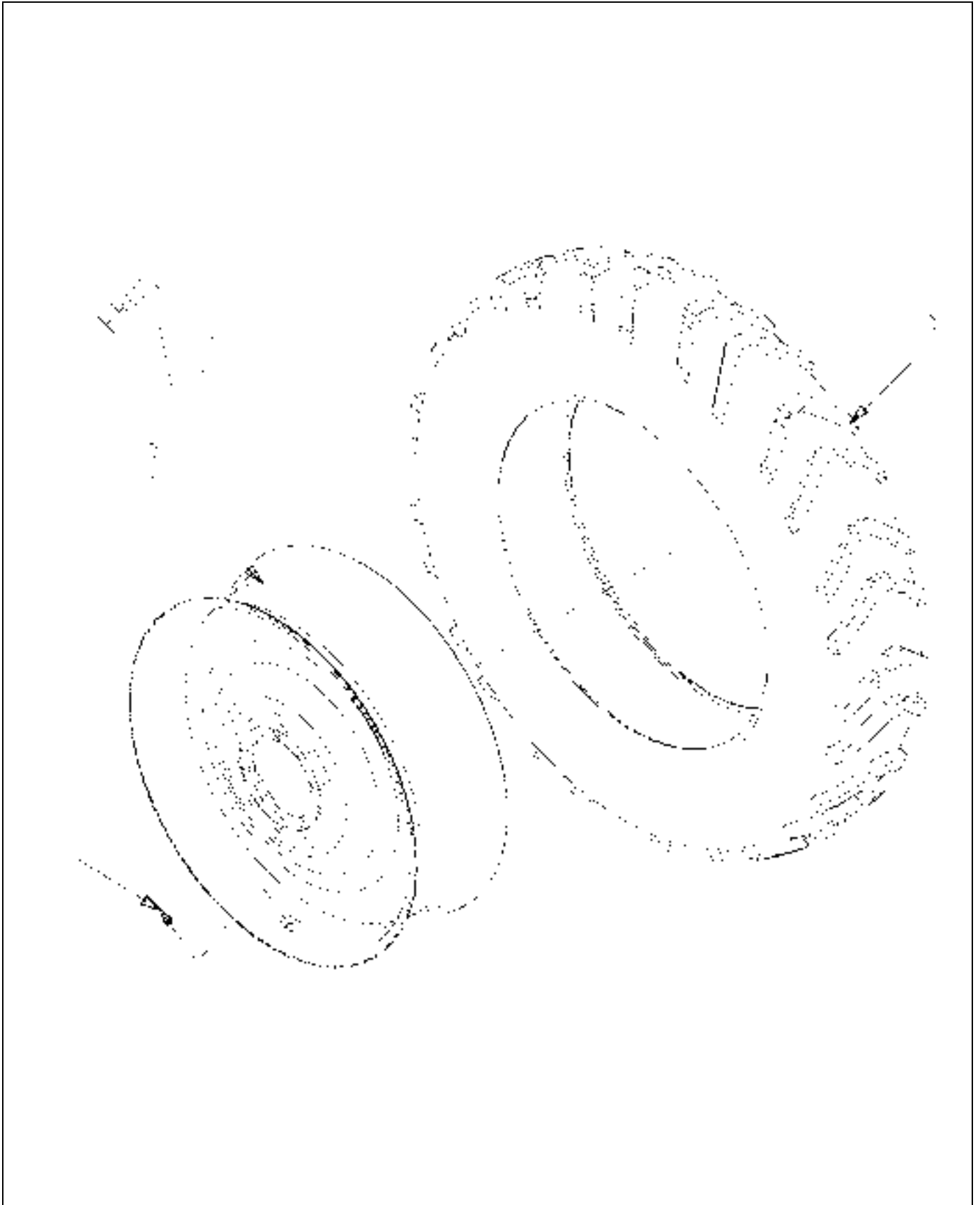
ITEM	PART #	QTY	DESCRIPTION	COMMENTS
1	AG262948	2	DECAL-WARNING,REPL TIRE,ENG	
2	514651D1	1	WHEEL/TIRE-380/80R38,RH,CHAL	SEE PAGE 11-5
3	514652D1	1	WHEEL/TIRE-380/80R38,LH,CHAL	SEE PAGE 11-6



514651D1-01-R189-.TIF

WHEEL/TIRE-380/80R38,RH,CHAL

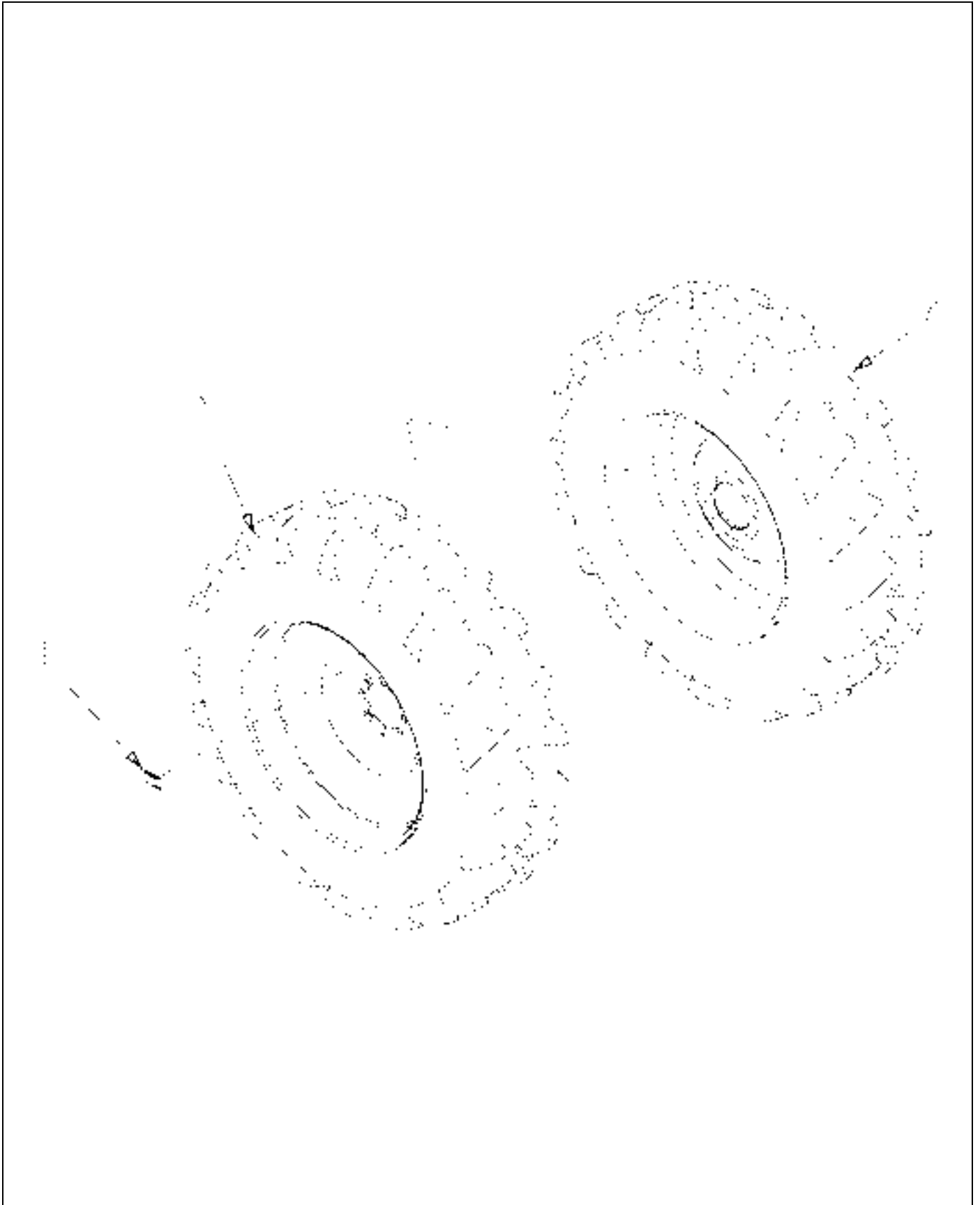
ITEM	PART #	QTY	DESCRIPTION	COMMENTS
1	AG517766	1	VALVE TIRE	
2	511890D1	1	TIRE-380/80R38,R1W,142A8/B,GY	
3	514653D1	1	WHEEL-38XW12,4.73 IN,GRAY	



514652D1-01-R189-.TIF

WHEEL/TIRE-380/80R38,LH,CHAL

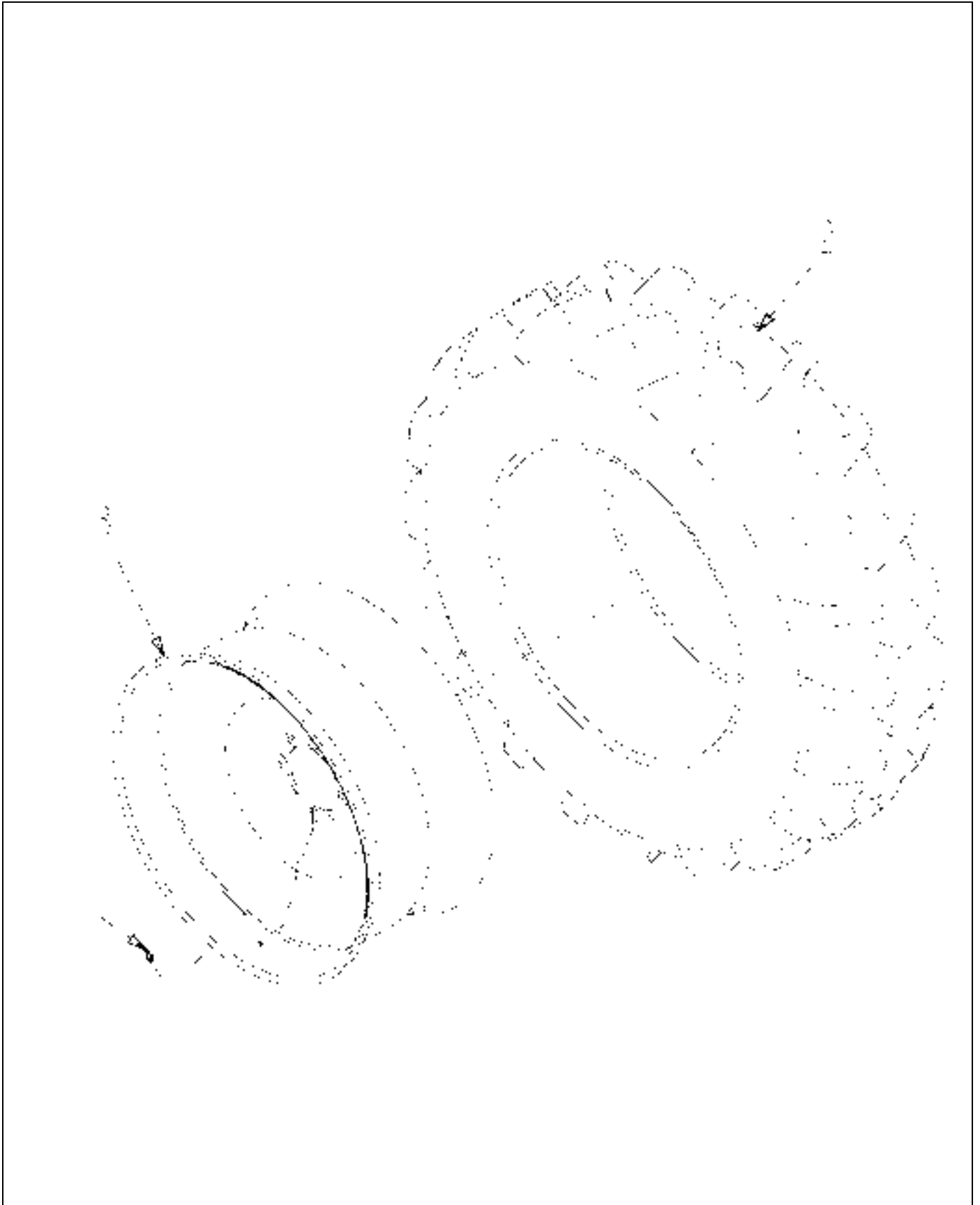
ITEM	PART #	QTY	DESCRIPTION	COMMENTS
1	AG517766	1	VALVE TIRE	
2	511890D1	1	TIRE-380/80R38,R1W,142A8/B,GY	
3	514653D1	1	WHEEL-38XW12,4.73 IN,GRAY	



515003D1-01-N946-.TIF

OPTION-TIRE,620/70R42,CHAL

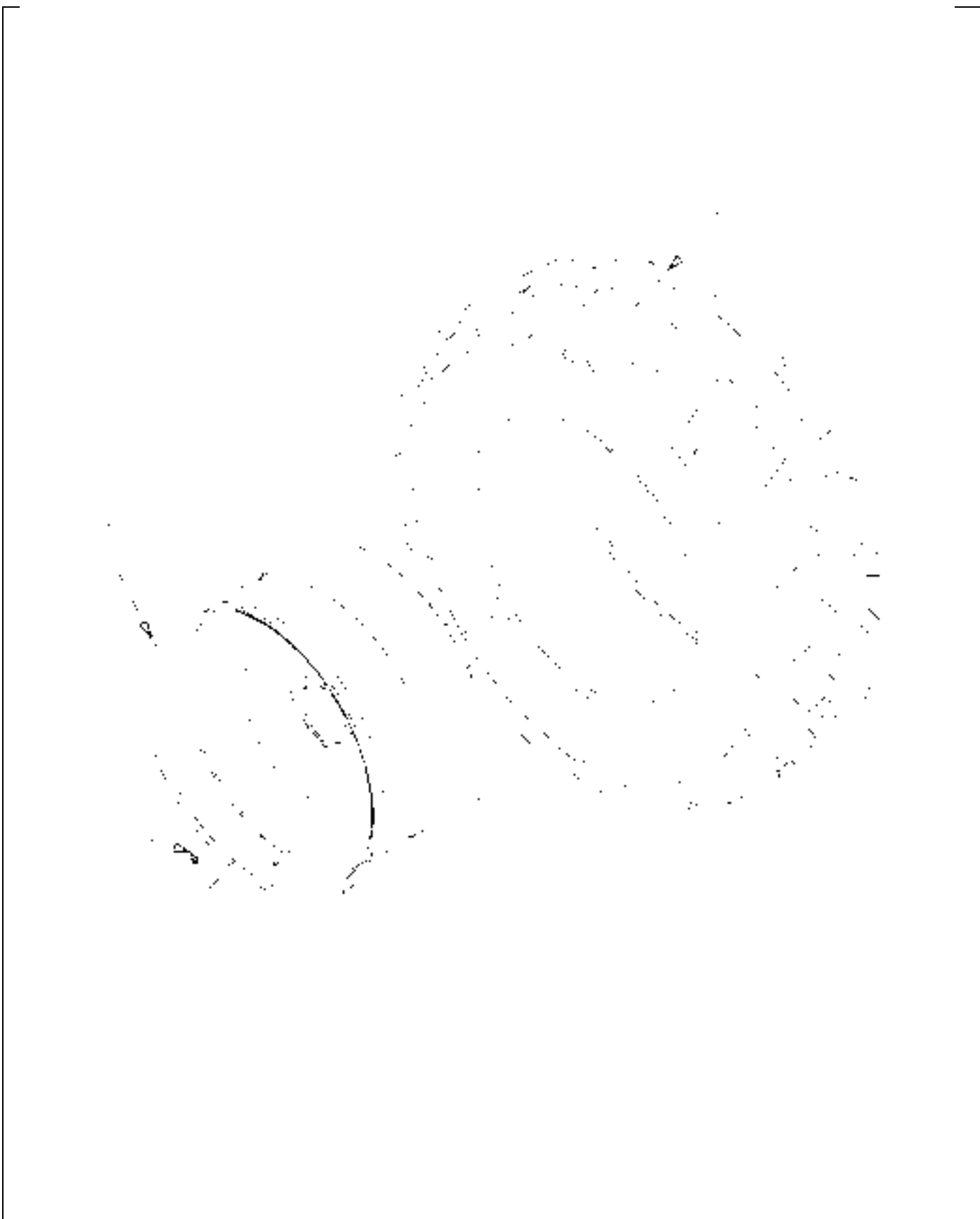
ITEM	PART #	QTY	DESCRIPTION	COMMENTS
1	AG262948	2	DECAL-WARNING,REPL TIRE,ENG	
2	515004D1	1	WHEEL/TIRE-620/70R42,RH,CHAL	SEE PAGE 11-8
3	515005D1	1	WHEEL/TIRE-620/70R42,LH,CHAL	SEE PAGE 11-9



515004D1-01-N946-.TIF

WHEEL/TIRE-620/70R42,RH,CHAL

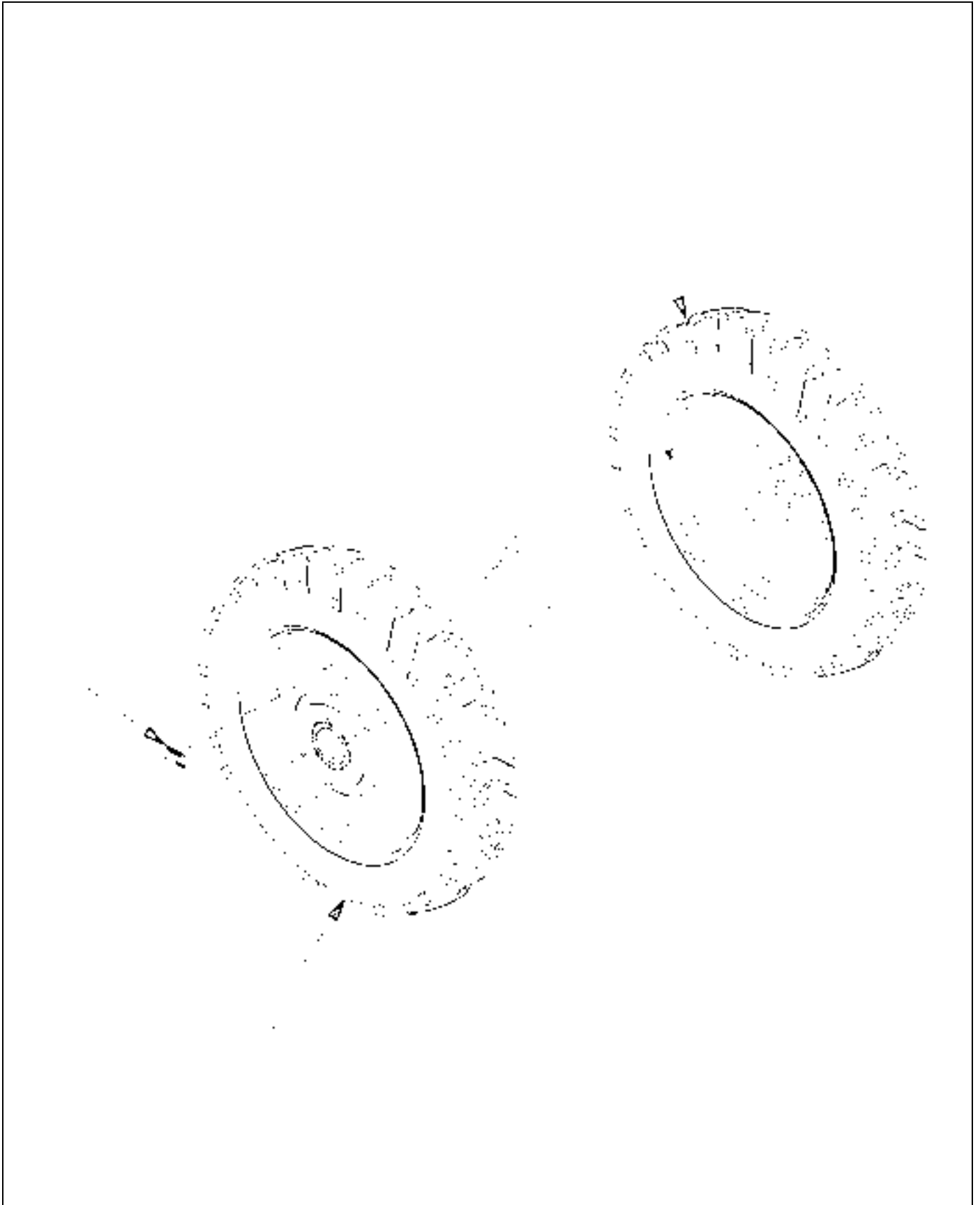
ITEM	PART #	QTY	DESCRIPTION	COMMENTS
1	AG517766	1	VALVE TIRE	
2	511920D1	1	TIRE-620/70R42,R1W,160A8/B,GY	
3	515006D1	1	WHEEL-42XMW20A,2.18 OUT,GRAY	



515005D1-01-N946-.TIF

WHEEL/TIRE-620/70R42,LH,CHAL

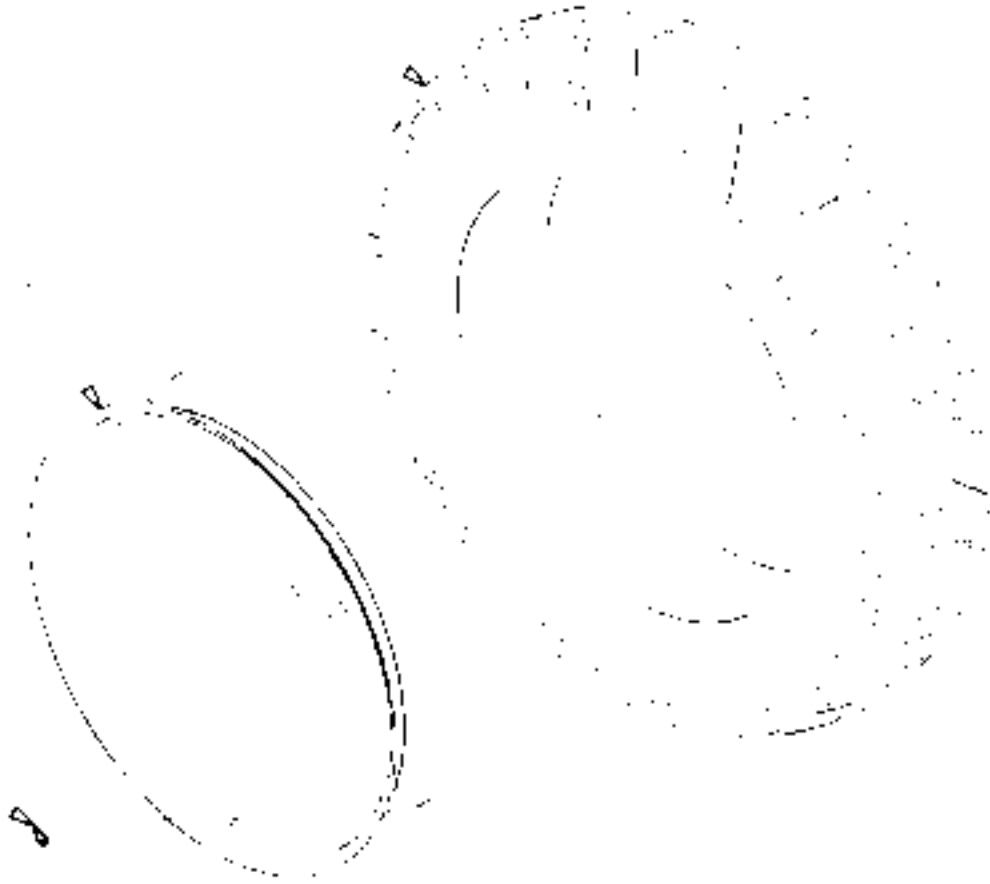
ITEM	PART #	QTY	DESCRIPTION	COMMENTS
1	AG517766	1	VALVE TIRE	
2	511920D1	1	TIRE-620/70R42,R1W,160A8/B,GY	
3	515006D1	1	WHEEL-42XMW20A,2.18 OUT,GRAY	



515007D1-01-R282-.TIF

OPTION-TIRE,320/85R38,CHAL

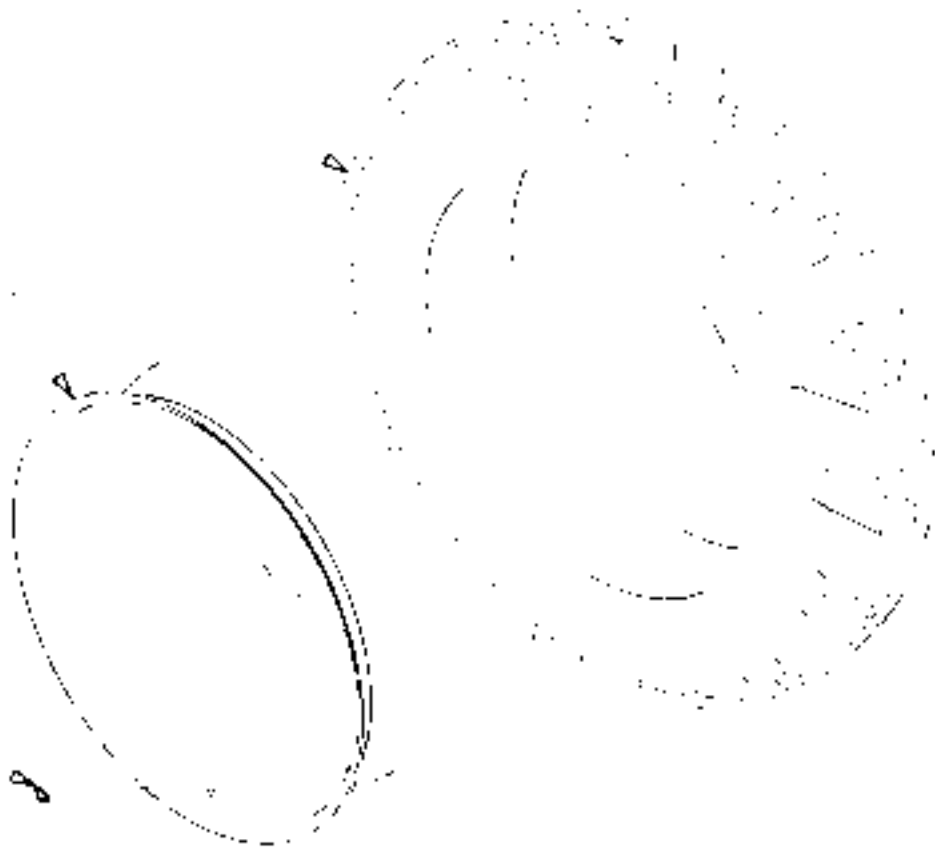
ITEM	PART #	QTY	DESCRIPTION	COMMENTS
1	AG262948	2	DECAL-WARNING,REPL TIRE,ENG	
2	515008D1	1	WHEEL/TIRE-320/85R38,RH,CHAL	SEE PAGE 11-11
3	515009D1	1	WHEEL/TIRE-320/85R38,LH,CHAL	SEE PAGE 11-12



515008D1-01-R282-.TIF

WHEEL/TIRE-320/85R38,RH,CHAL

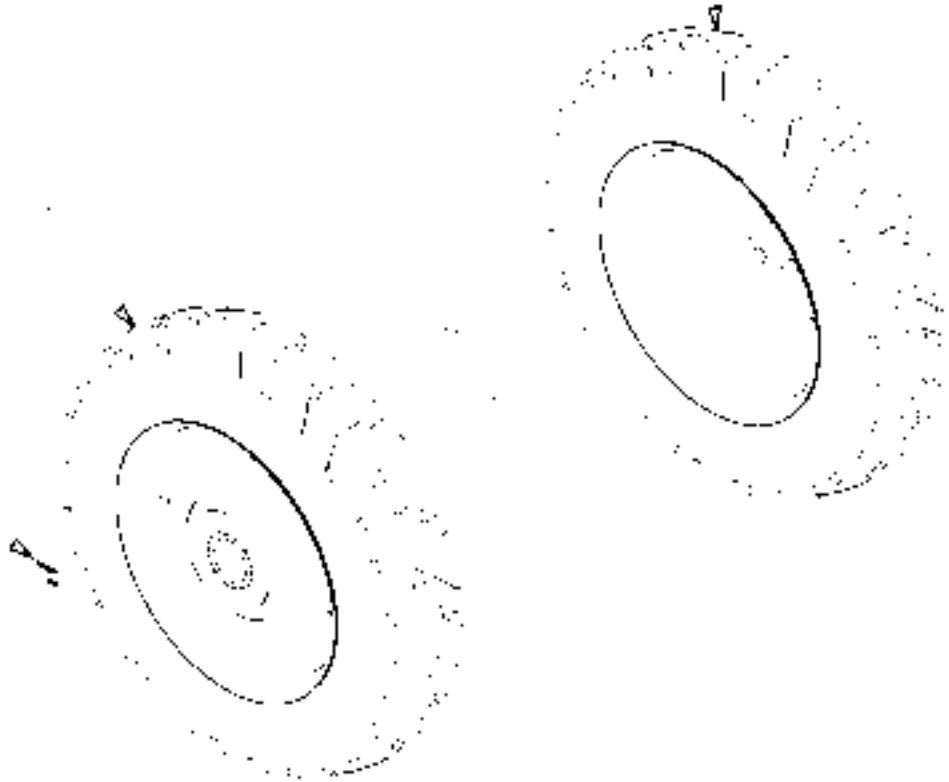
ITEM	PART #	QTY	DESCRIPTION	COMMENTS
1	AG517766	1	VALVE TIRE	
2	512328D1	1	TIRE-320/85R38,R1W,138A8/B,GY	
3	515010D1	1	WHEEL-38XW10,4.73 OFS,GRAY	



515009D1-01-R282-.TIF

WHEEL/TIRE-320/85R38,LH,CHAL

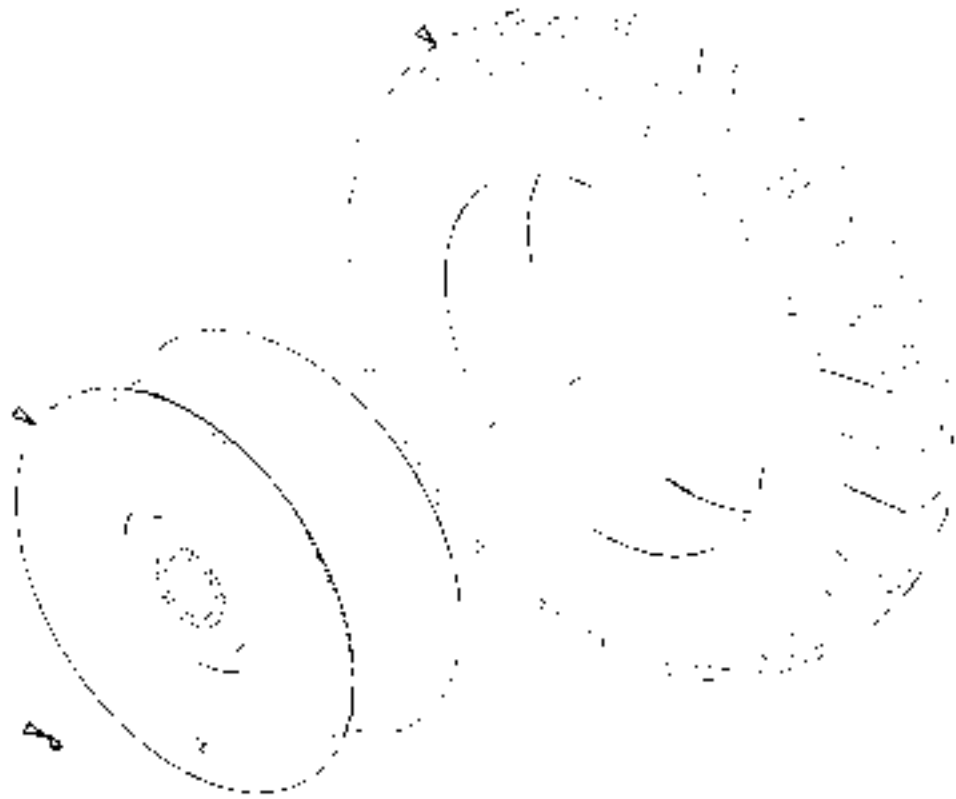
ITEM	PART #	QTY	DESCRIPTION	COMMENTS
1	AG517766	1	VALVE TIRE	
2	512328D1	1	TIRE-320/85R38,R1W,138A8/B,GY	
3	515010D1	1	WHEEL-38XW10,4.73 OFS,GRAY	



515011D1-01-R282-.TIF

OPTION-TIRE,380/80R38,CHAL

ITEM	PART #	QTY	DESCRIPTION	COMMENTS
1	AG262948	2	DECAL-WARNING,REPL TIRE,ENG	
2	515012D1	1	WHEEL/TIRE-380/80R38,RH,CHAL	SEE PAGE 11-14
3	515013D1	1	WHEEL/TIRE-380/80R38,LH,CHAL	SEE PAGE 11-15



515012D1-01-R282-.TIF

WHEEL/TIRE-380/80R38,RH,CHAL

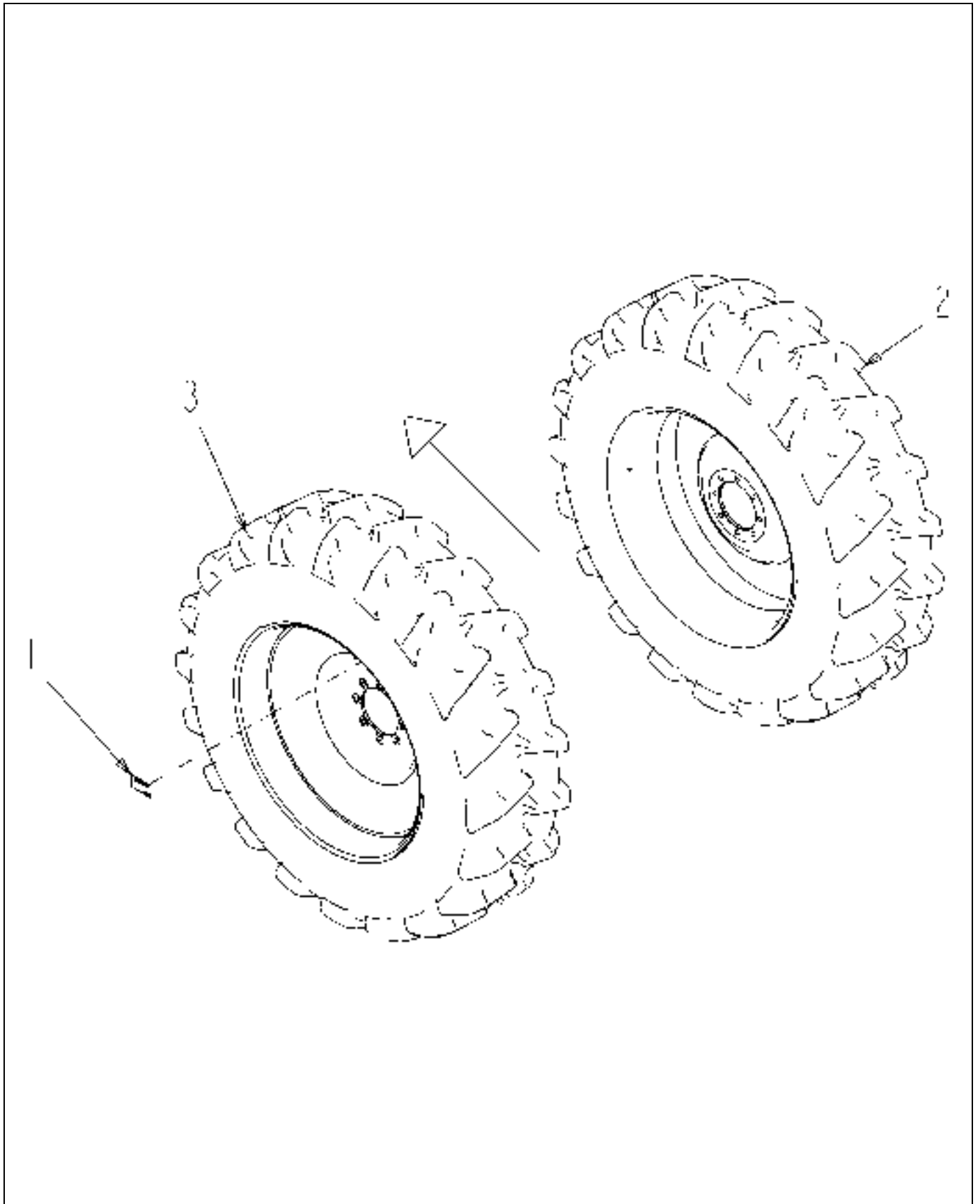
ITEM	PART #	QTY	DESCRIPTION	COMMENTS
1	AG517766	1	VALVE TIRE	
2	511890D1	1	TIRE-380/80R38,R1W,142A8/B,GY	
3	515014D1	1	WHEEL-38XW12,4.73 OFS,GRAY	



515013D1-01-R282-.TIF

WHEEL/TIRE-380/80R38,LH,CHAL

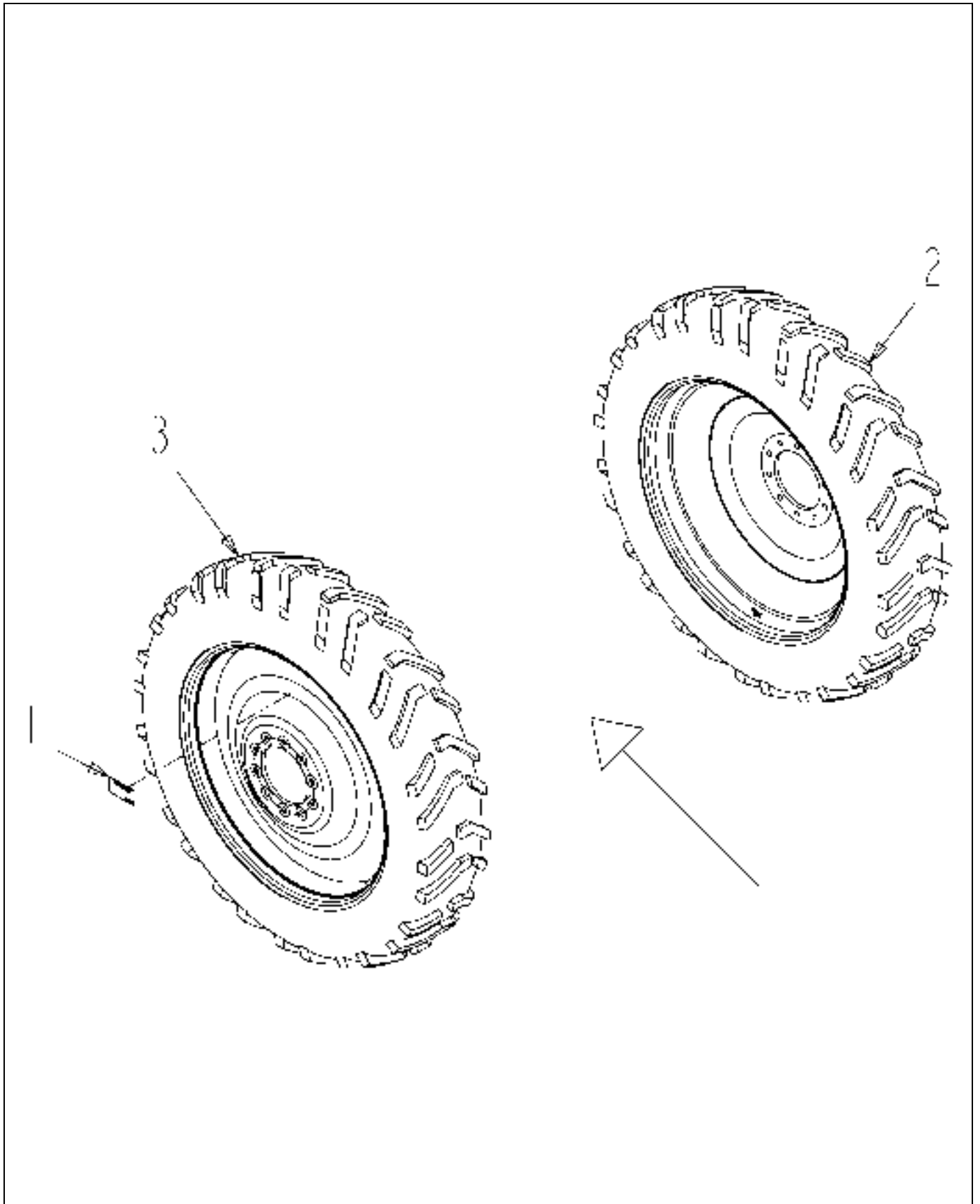
ITEM	PART #	QTY	DESCRIPTION	COMMENTS
1	AG517766	1	VALVE TIRE	
2	511890D1	1	TIRE-380/80R38,R1W,142A8/B,GY	
3	515014D1	1	WHEEL-38XW12,4.73 OFS,GRAY	



516616D1-01-R023-.TIF

FA-TIRE,GY 620/70R42,CHAL

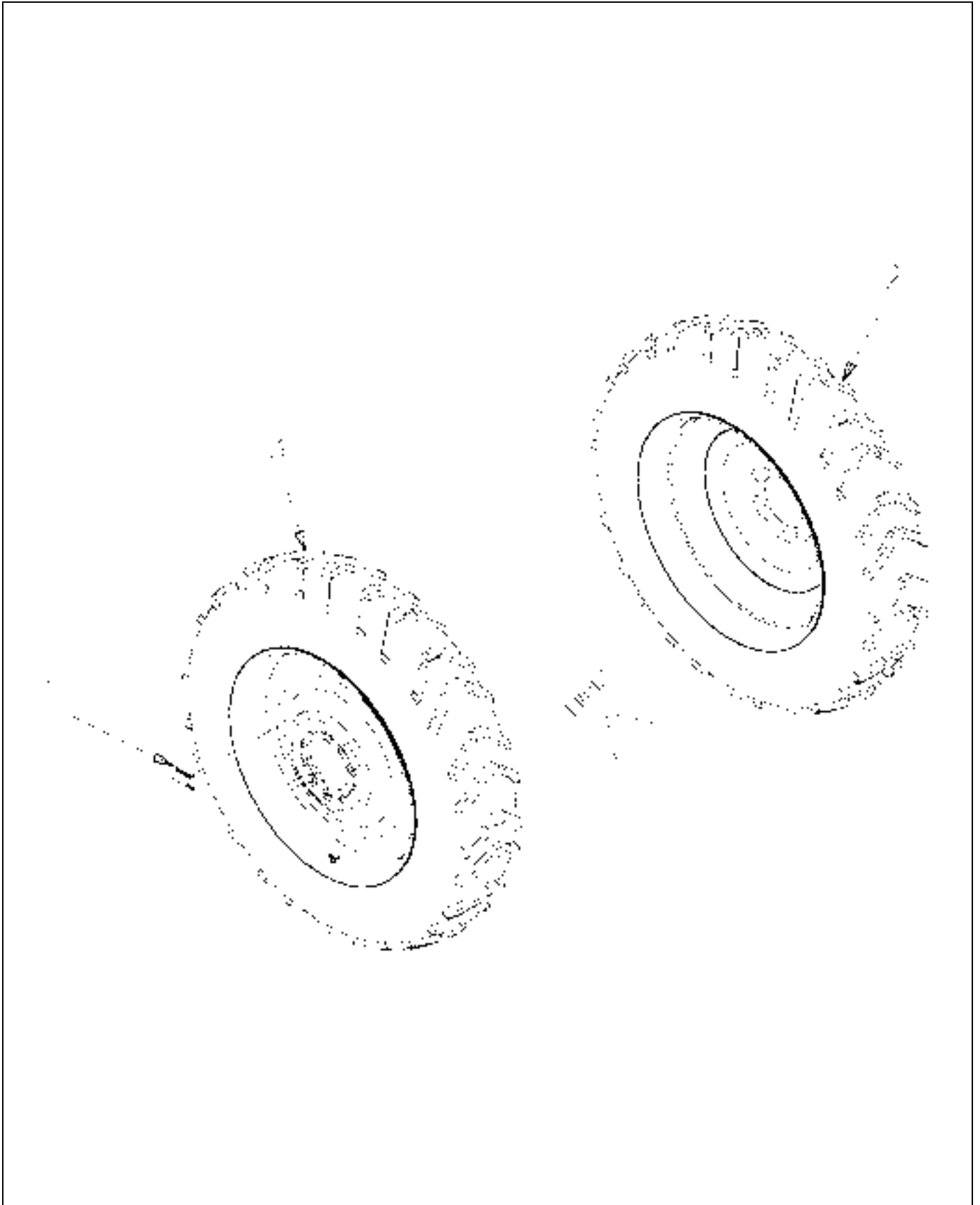
ITEM	PART #	QTY	DESCRIPTION	COMMENTS
1	AG262948	2	DECAL-WARNING,REPL TIRE,ENG	
2	515004D1	1	WHEEL/TIRE-620/70R42,RH,CHAL	SEE PAGE 11-8
3	515005D1	1	WHEEL/TIRE-620/70R42,LH,CHAL	SEE PAGE 11-9



518217D1-01-R189-.TIF

F/A-TIRE,GY 320/85R38 2WD,CHAL

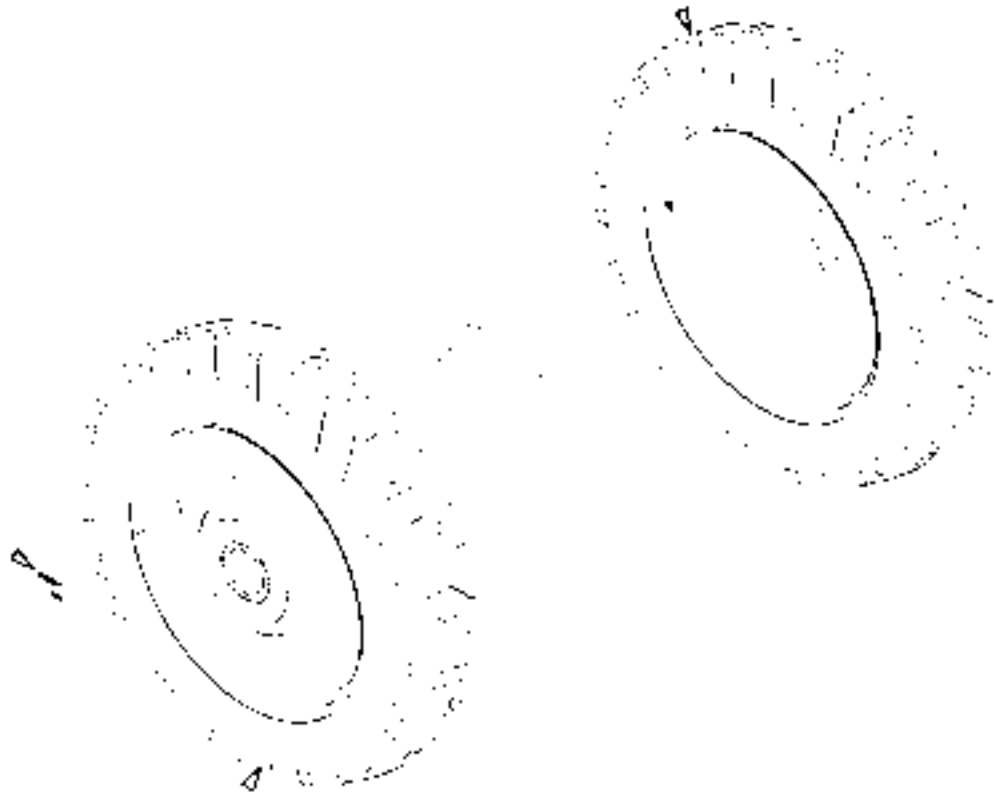
ITEM	PART #	QTY	DESCRIPTION	COMMENTS
1	AG262948	2	DECAL-WARNING,REPL TIRE,ENG	
2	514647D1	1	WHEEL/TIRE-320/85R38,RH,CHAL	SEE PAGE 11-2
3	514648D1	1	WHEEL/TIRE-320/85R38,LH,CHAL	SEE PAGE 11-3



518218D1-01-R189-.TIF

F/A-TIRE,GY 380/80R38 2WD,CHAL

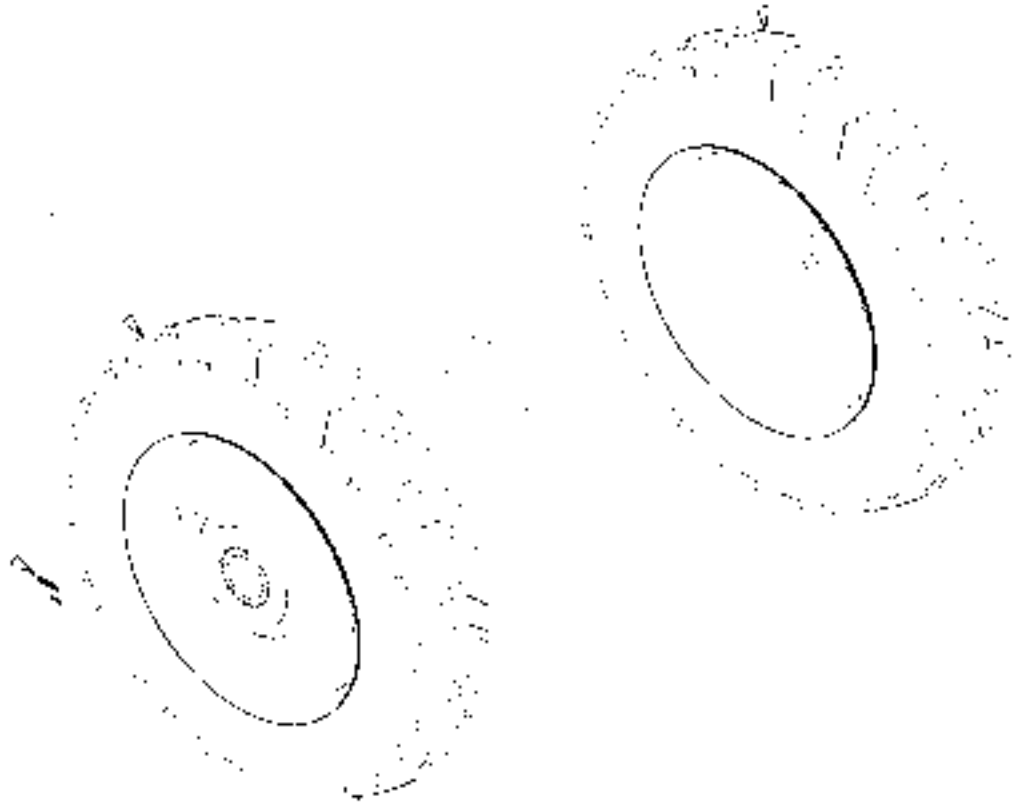
ITEM	PART #	QTY	DESCRIPTION	COMMENTS
1	AG262948	2	DECAL-WARNING,REPL TIRE,ENG	
2	514651D1	1	WHEEL/TIRE-380/80R38,RH,CHAL	SEE PAGE 11-5
3	514652D1	1	WHEEL/TIRE-380/80R38,LH,CHAL	SEE PAGE 11-6



519084D1-01-R282-.TIF

F/A-TIRE,FWA,GY,320/85R38,CHAL

ITEM	PART #	QTY	DESCRIPTION	COMMENTS
1	AG262948	2	DECAL-WARNING,REPL TIRE,ENG	
2	515008D1	1	WHEEL/TIRE-320/85R38,RH,CHAL	SEE PAGE 11-11
3	515009D1	1	WHEEL/TIRE-320/85R38,LH,CHAL	SEE PAGE 11-12

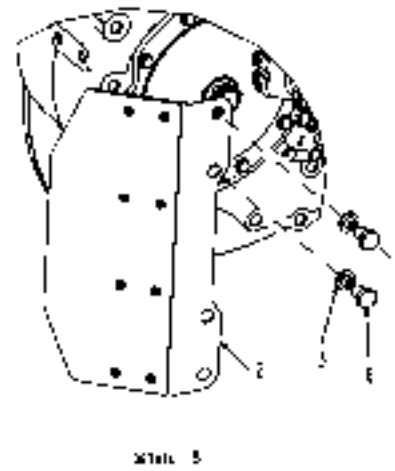
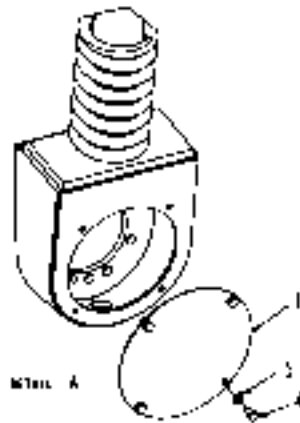


519085D1-01-R282-.TIF

F/A-TIRE,FWA,GY,380/80R38,CHAL

ITEM	PART #	QTY	DESCRIPTION	COMMENTS
1	AG262948	2	DECAL-WARNING,REPL TIRE,ENG	
2	515012D1	1	WHEEL/TIRE-380/80R38,RH,CHAL	SEE PAGE 11-14
3	515013D1	1	WHEEL/TIRE-380/80R38,LH,CHAL	SEE PAGE 11-15

DEFLECTOR INSTALL-CROP,7X50 SC

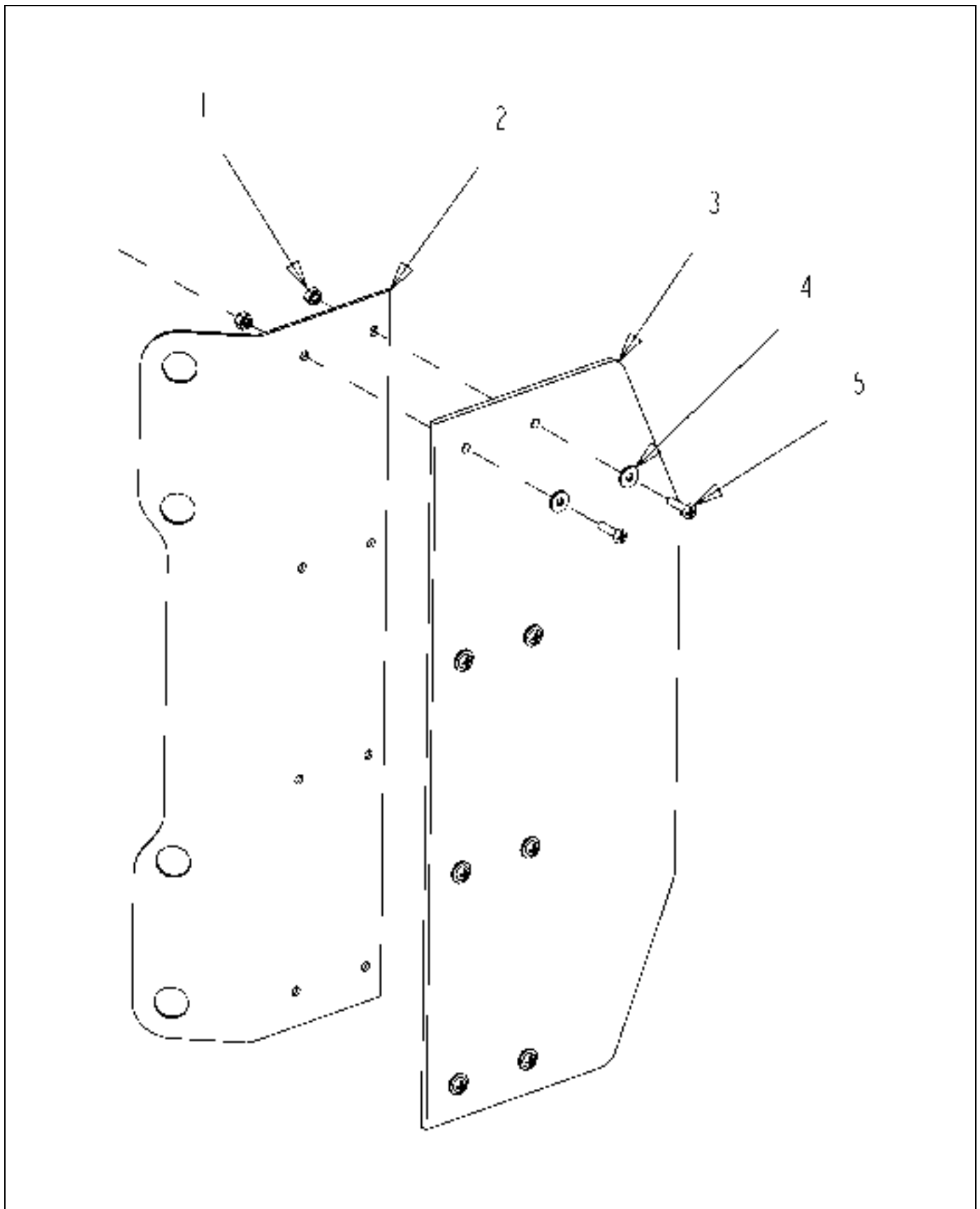


128327-02-M461-.TIF

DEFLECTOR INSTALL-CROP,7X50 SC

ITEM	PART #	QTY	DESCRIPTION	COMMENTS
1	WR128328	2	PLATE-COVER WHEEL LEG	
2	WR128331	2	DEFLECTOR ASM-CROP,7X50,SC	SEE PAGE 11-22
3	AG550108	4	WASHER 0.75 LK ZN REG	
4	AG550167	8	BOLT 0.37-16NCX 0.62 G5 ZN HDD	
5	AG550191	8	WASHER 0.37 LK ZN REG	
6	AG561419	4	BOLT 0.75-10NCX 1.00 G5 ZN HDD	

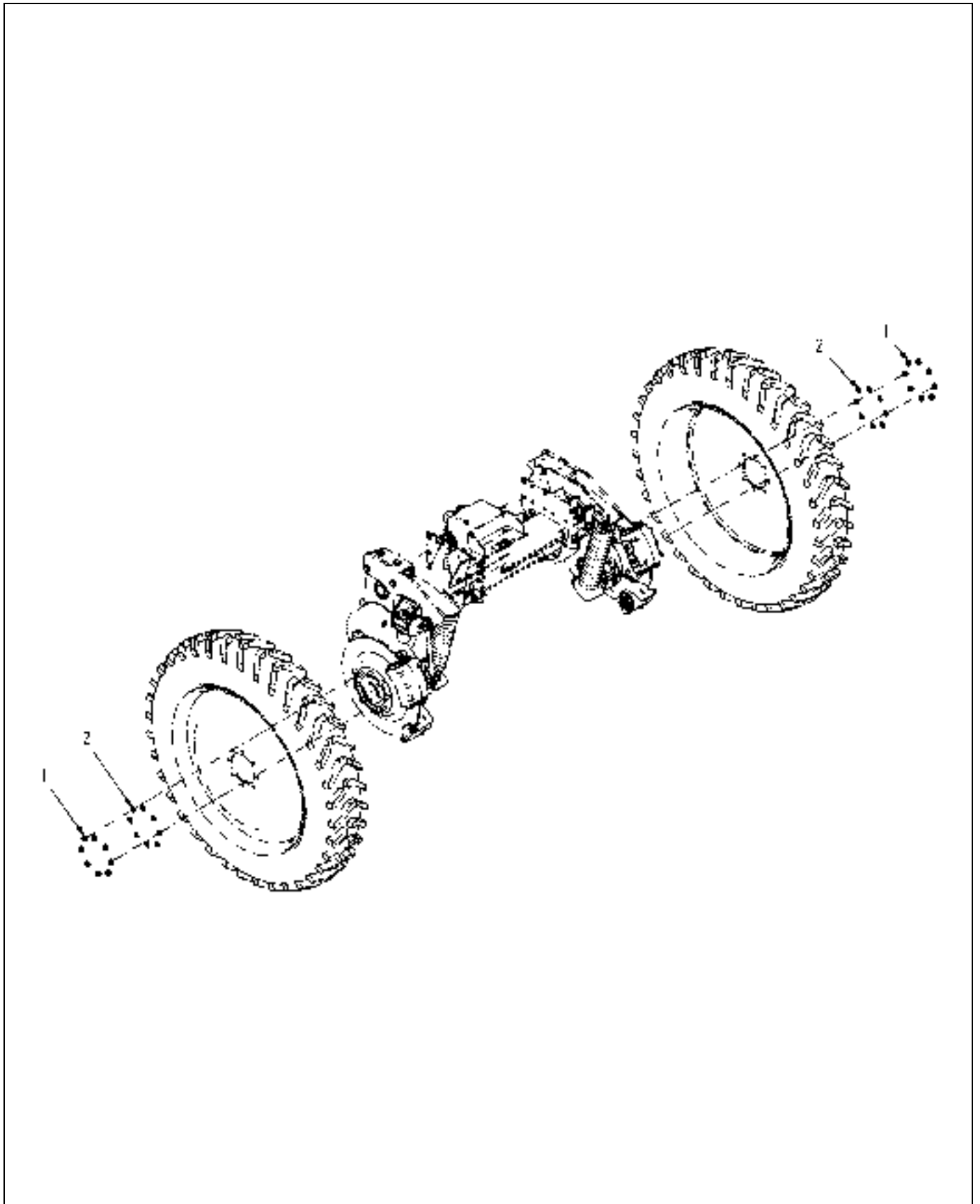
DEFLECTOR ASM-CROP,7X50,SC



128331-A-1.TIF

DEFLECTOR ASM-CROP,7X50,SC

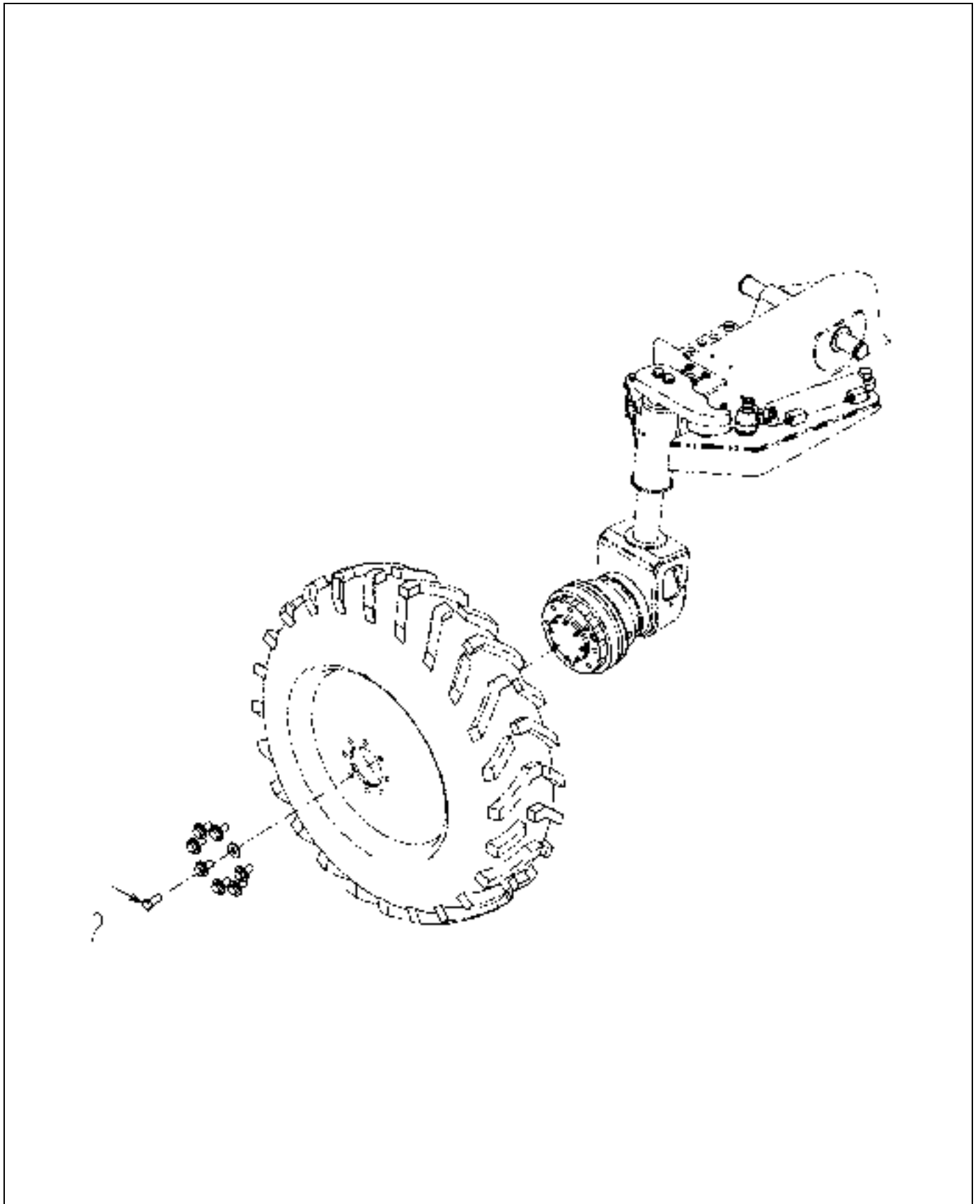
ITEM	PART #	QTY	DESCRIPTION	COMMENTS
1	AG027274	8	NUT #10-24NC HEX SS REG NY	
2	WR128329	1	BRACKET-CROP DEFLECTOR	
3	WR128330	1	PLATE-DEFLECTOR,CROP,POLY	
4	AG562082	8	WASHER #10 FL SS REG TYPE-B	
5	AG563094	8	SCREW 10-24X0.75 PH PHS SS	



128627-02-M596-.TIF

MOUNTING HARDWARE

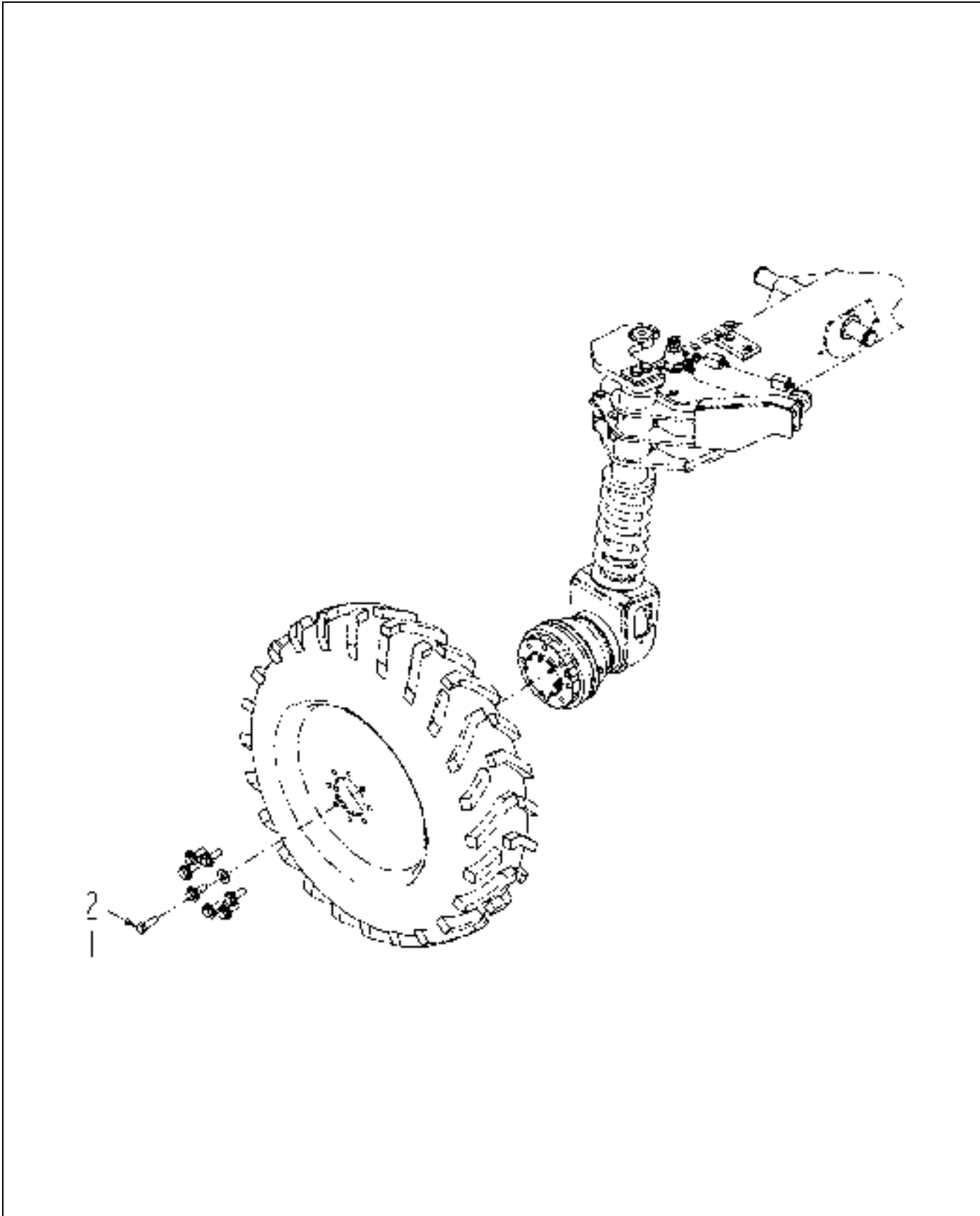
ITEM	PART #	QTY	DESCRIPTION	COMMENTS
1	WR124130	16	NUT-M22-1.5,DIN P34-10	
2	WR124131	16	WASHER-M22,DIN 6919	



133903-A.TIF

HARDWARE-FRONT,WHEEL,28 IN

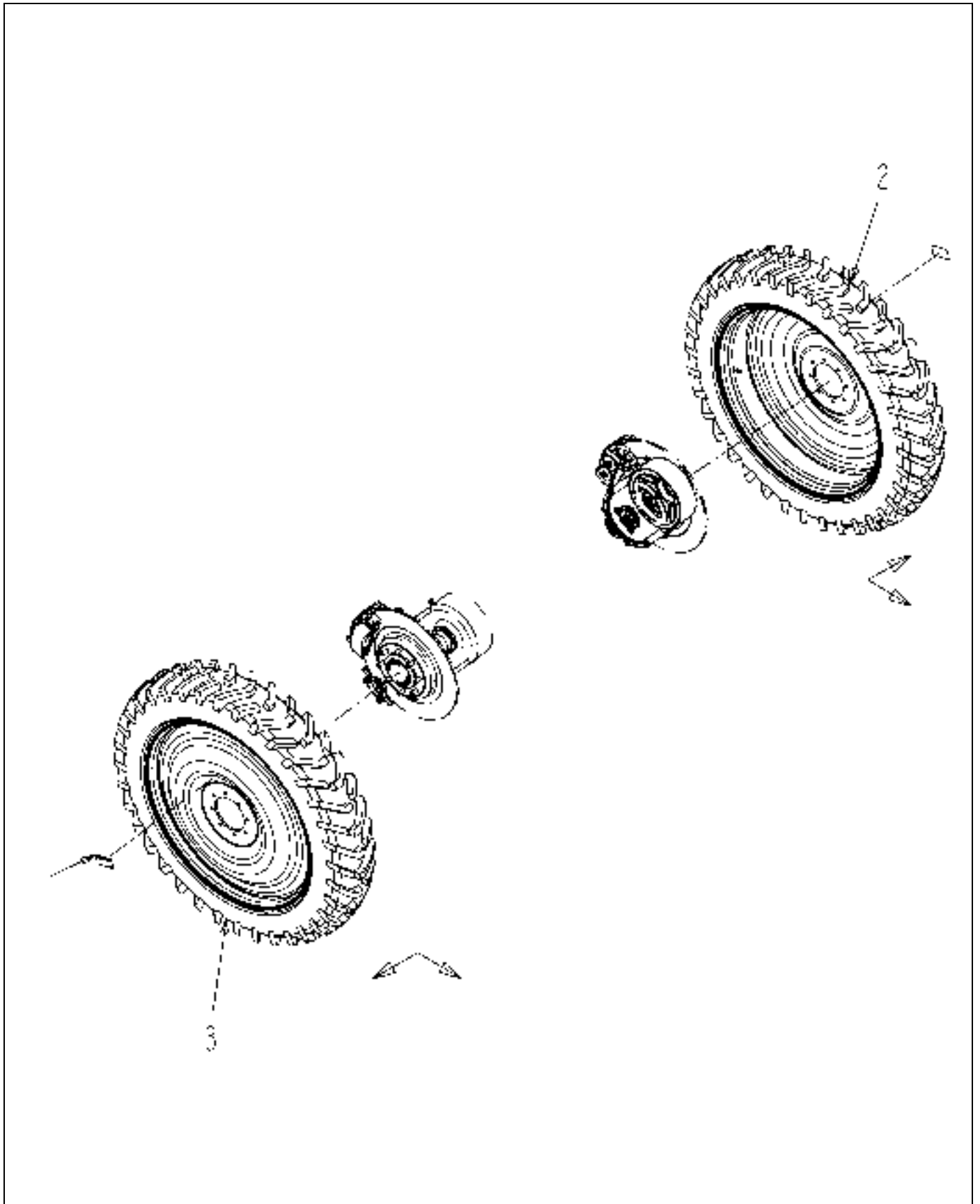
ITEM	PART #	QTY	DESCRIPTION	COMMENTS
1	WR133906	16	BOLT-M20-1.5X45,10.9,S,HHD,BLK	
2	AG521690	16	WSHR-FLT,1.88X.81X.25,BLK,HARD	



133904-A.TIF

HARDWARE-FRONT,WHEEL,38 IN

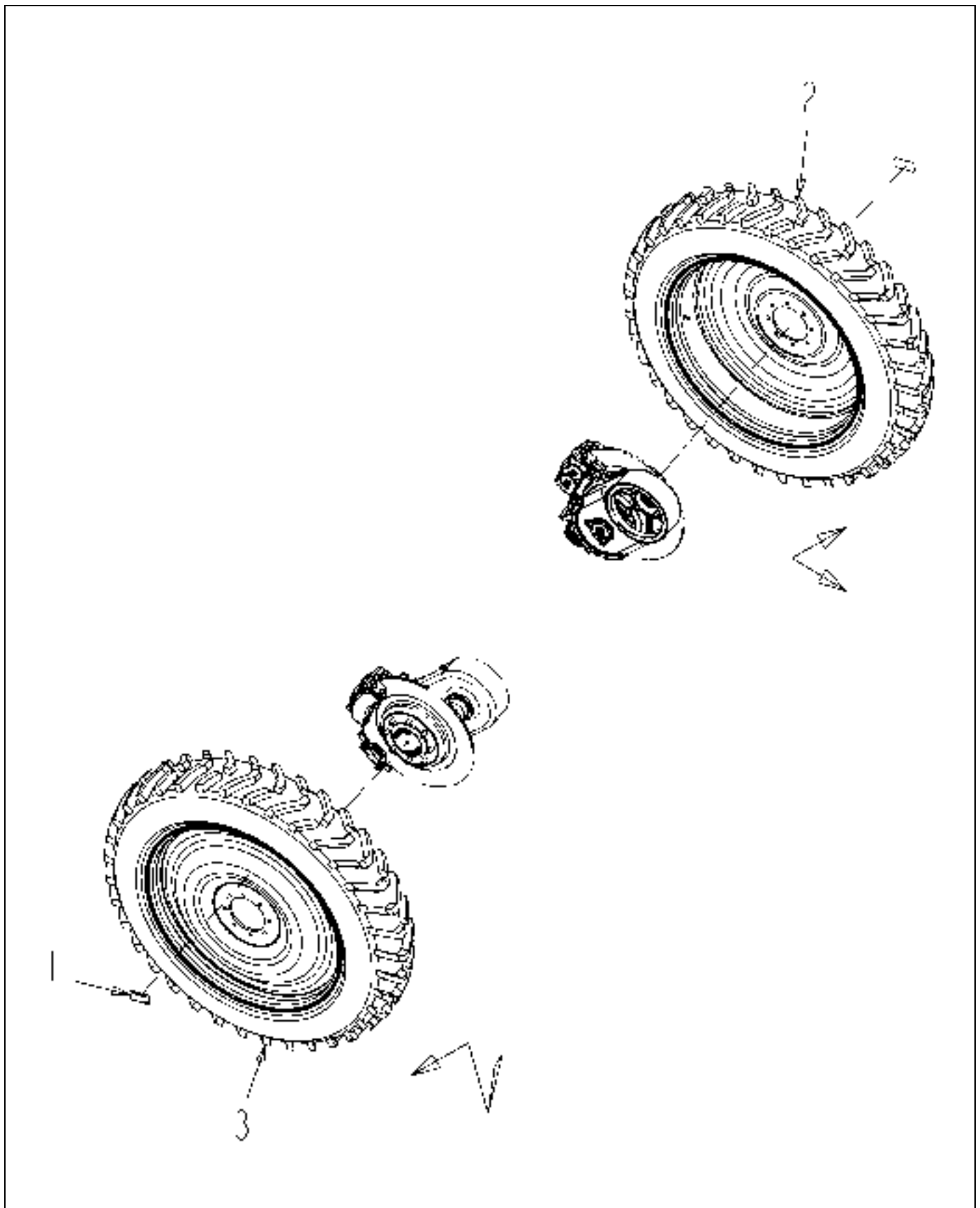
ITEM	PART #	QTY	DESCRIPTION	COMMENTS
1	AG521690	16	WSHR-FLT,1.88X.81X.25,BLK,HARD	
2	AG523111	16	BOLT-M20-1.5X60,10.9,S,HHD,BLK	



514608D1-01-R189-.TIF

OPTION-TIRE,GY,320/90R46,CHAL

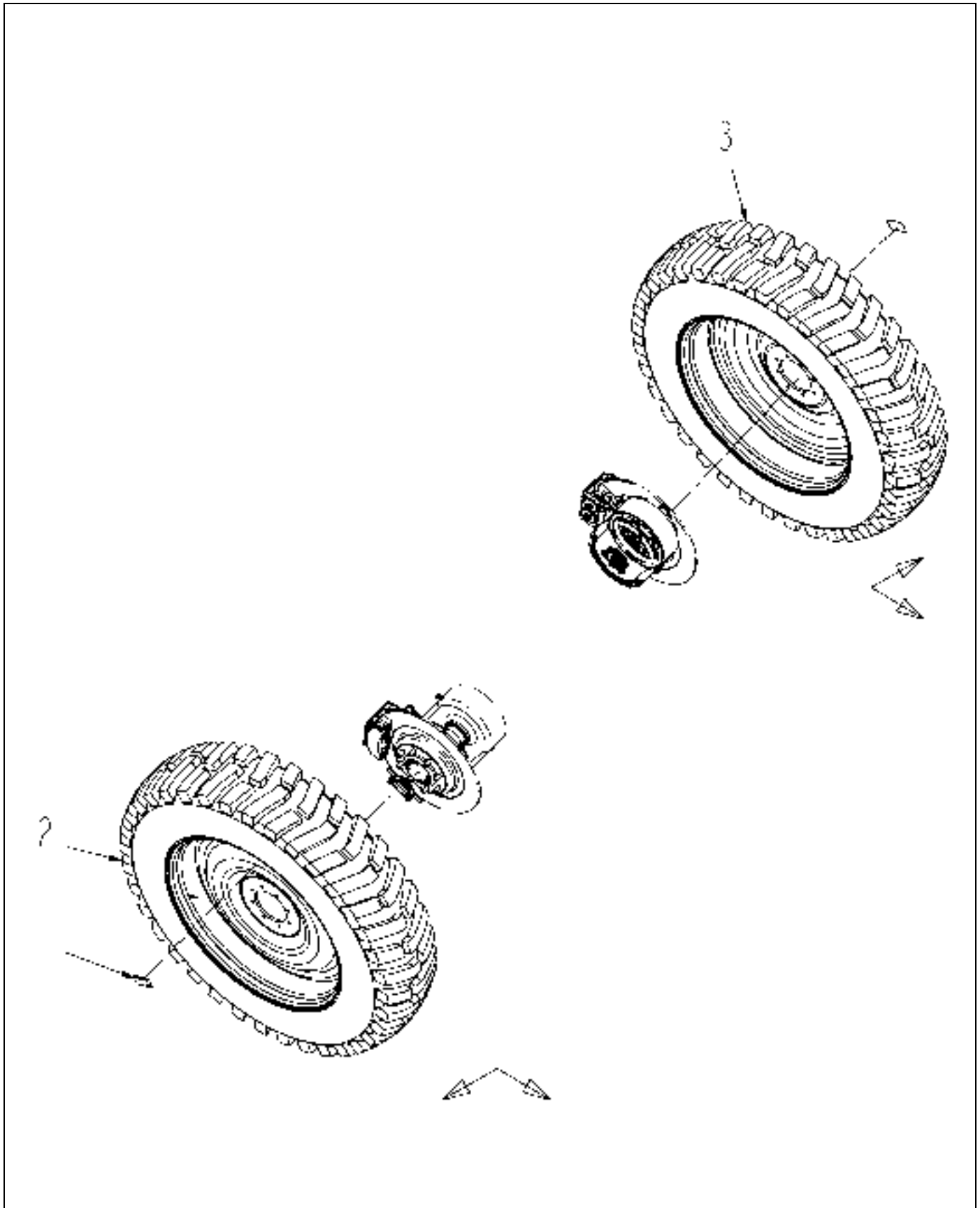
ITEM	PART #	QTY	DESCRIPTION	COMMENTS
1	AG262948	2	DECAL-WARNING,REPL TIRE,ENG	
2	514613D1	1	WHEEL/TIRE-320/90R46,LH,CHAL	
3	514614D1	1	WHEEL/TIRE-320/90R46,RH,CHAL	



514615D1-01-R189-.TIF

OPTION-TIRE,GY,380/90R46,CHAL

ITEM	PART #	QTY	DESCRIPTION	COMMENTS
1	AG262948	2	DECAL-WARNING,REPL TIRE,ENG	
2	514616D1	1	WHEEL/TIRE-380/90R46,LH,CHAL	
3	514617D1	1	WHEEL/TIRE-380/90R46,RH,CHAL	

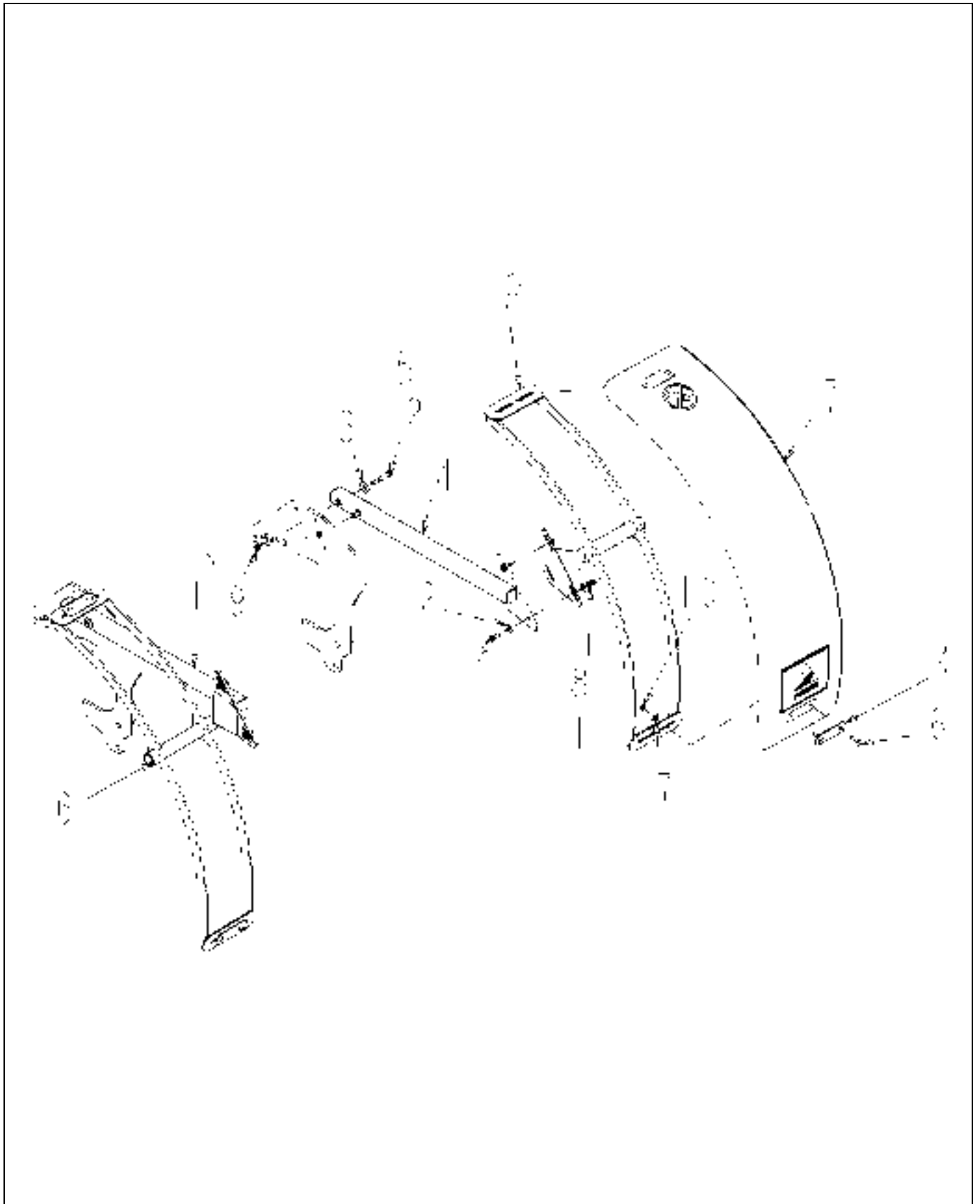


514624D1-01-R189-.TIF

OPTION-TIRE,GY,480/80R46,CHAL

ITEM	PART #	QTY	DESCRIPTION	COMMENTS
1	AG262948	2	DECAL-WARNING,REPL TIRE,ENG	
2	514618D1	1	WHEEL/TIRE-480/80R46,RH,CHAL	
3	514619D1	1	WHEEL/TIRE-480/80R46,LH,CHAL	

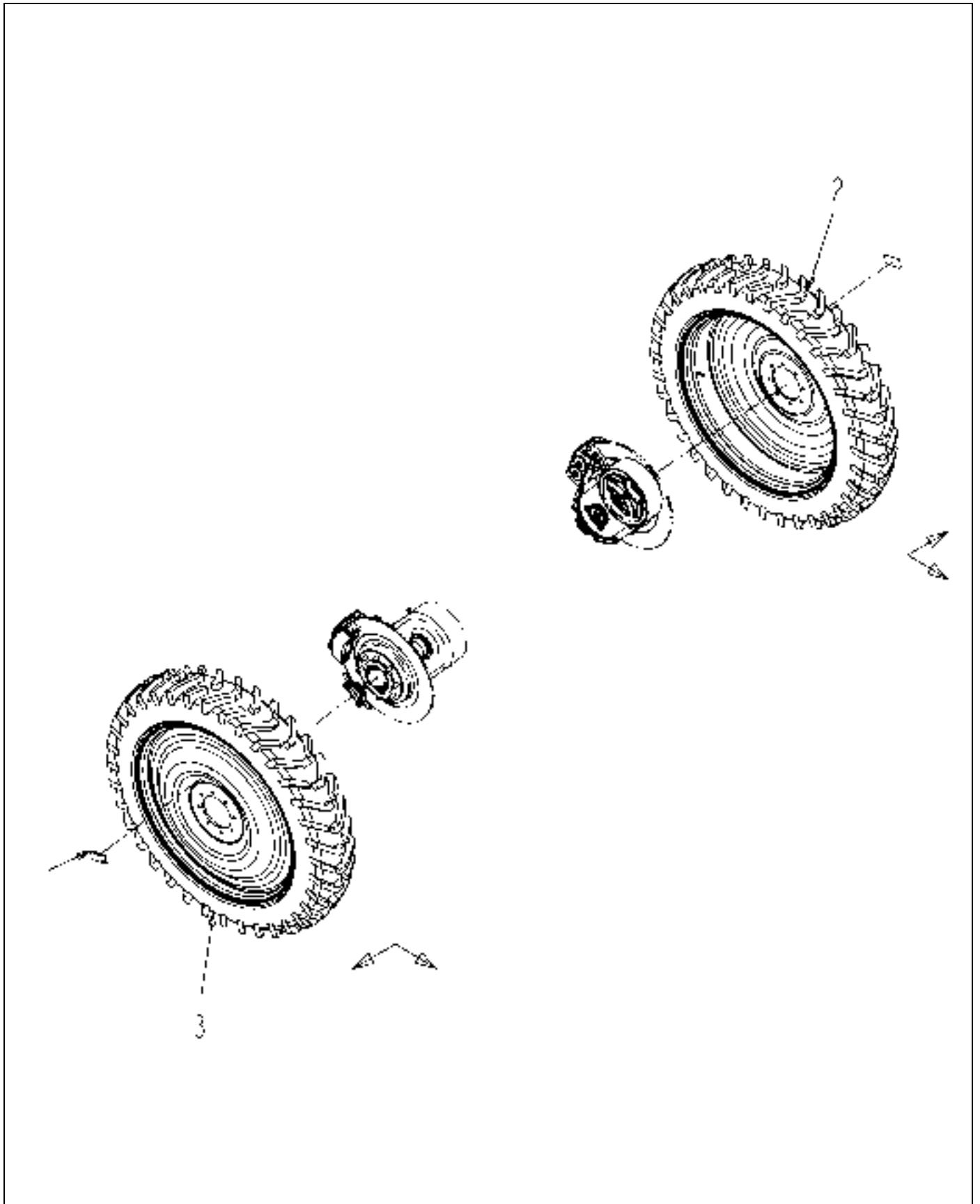
INSTALL-REAR,FENDER,COUPE



524368D1-01-R911-.TIF

INSTALL-REAR,FENDER,COUPE

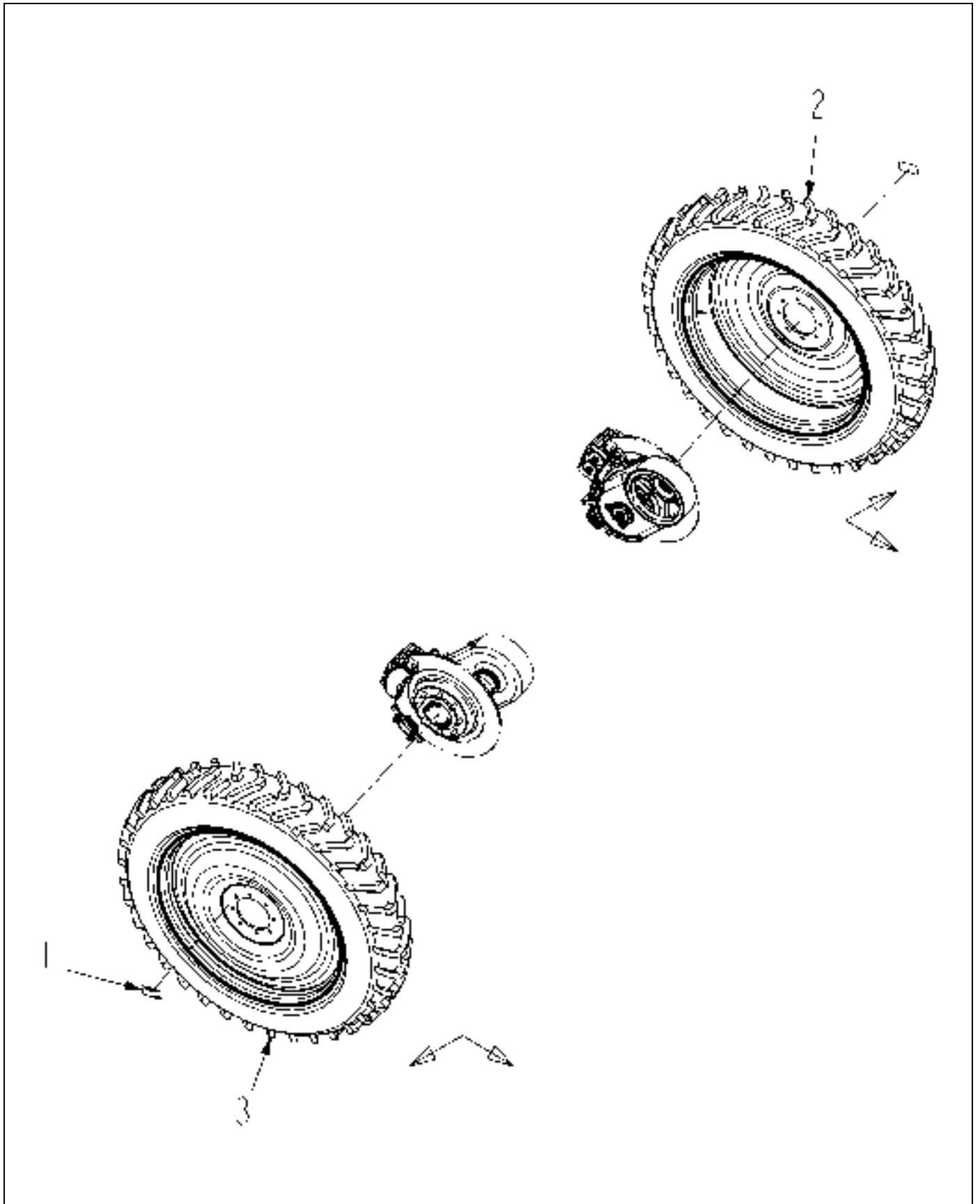
ITEM	PART #	QTY	DESCRIPTION	COMMENTS
1	WR50838	6	NUT-HEX,METRIC M10-1.5	
2	WR55158	12	WASHER-FLAT,10MM ID,	
3	WR55159	4	WASHER-FLAT,12MM ID,	
4	AG236763	4	PLATE-MOUNTING,FENDER	
5	AG512885	AR	LOCTITE ADHESIVE SEALANT BLUE	
6	AG520944	8	BOLT-.38-16X1.5,G5,BLK,CRG	
7	AG551007	8	WASHER 0.37 FL ZN REG TYPE-B	
8	AG562271	6	WASHER M10 LK ZN REG	
9	AG562797	4	NUT HEX M12 X 1.75	
10	AG601411	8	NUT 0.37-16NC HEX ZN REG NY	
11	400059X1	6	BOLT-M10X1.5X35 ZNDI HHD 10.9	
12	400241X1	4	BOLT-M12X1.75X80 ZNDI HHD 10.9	
13	514801D1	1	WLDMT-BRKT ATTACH,REAR,LH	
14	514802D1	1	WLDMT-BRKT ATTACH,REAR,RH	
15	522259D1	1	WLDMT-FENDER,SUPPORT,REAR	
16	522260D1	1	WLDMT-FENDER,SUPPORT,REAR	
17	524194D1	2	FENDER-AGCO,POLY	



518219D1-01-R189-.TIF

F/A-TIRE,GY 320/90R46,CHAL

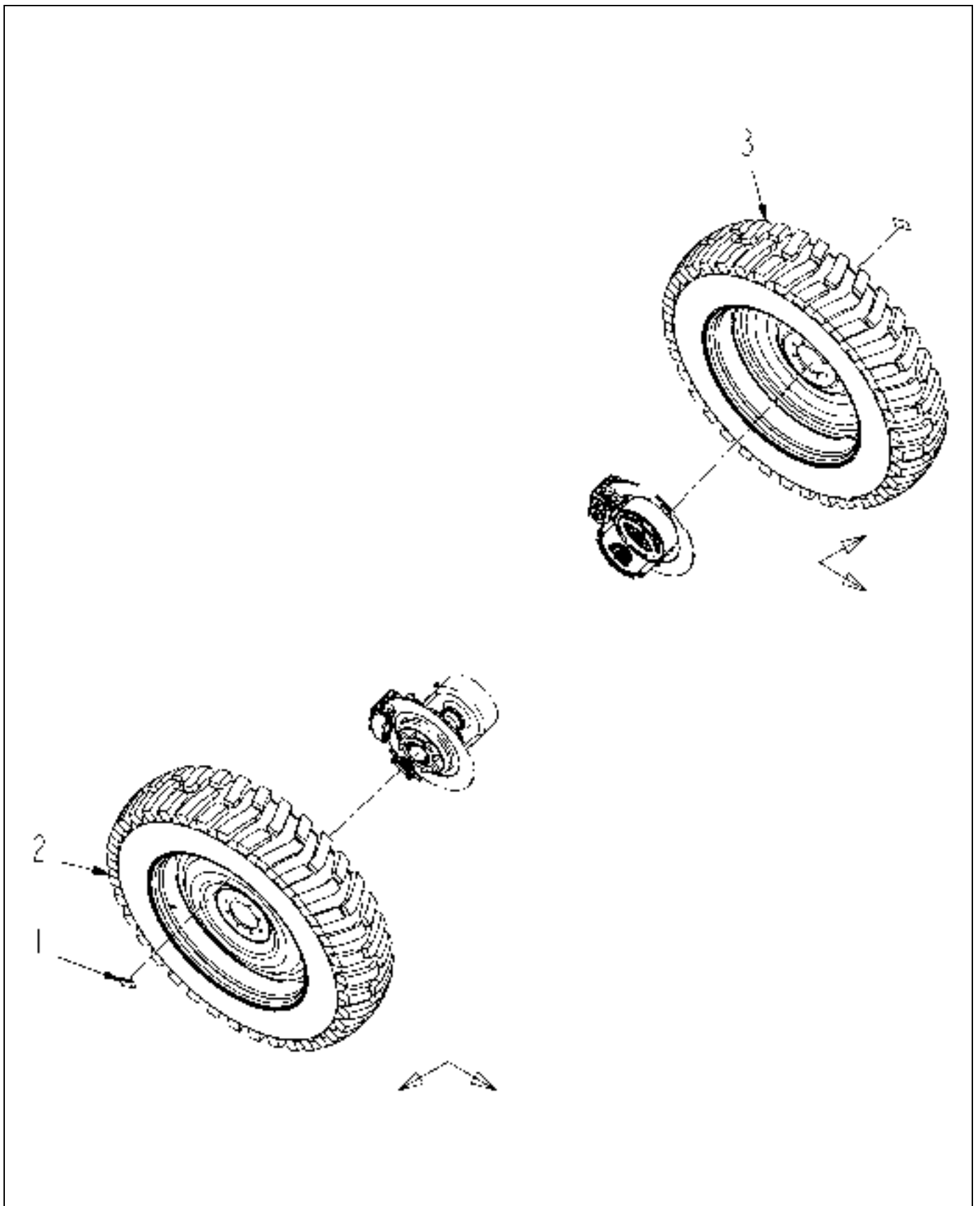
ITEM	PART #	QTY	DESCRIPTION	COMMENTS
1	AG262948	2	DECAL-WARNING,REPL TIRE,ENG	
2	514613D1	1	WHEEL/TIRE-320/90R46,LH,CHAL	
3	514614D1	1	WHEEL/TIRE-320/90R46,RH,CHAL	



518220D1-01-R189-.TIF

F/A-TIRE,GY 380/90R46,CHAL

ITEM	PART #	QTY	DESCRIPTION	COMMENTS
1	AG262948	2	DECAL-WARNING,REPL TIRE,ENG	
2	514616D1	1	WHEEL/TIRE-380/90R46,LH,CHAL	
3	514617D1	1	WHEEL/TIRE-380/90R46,RH,CHAL	

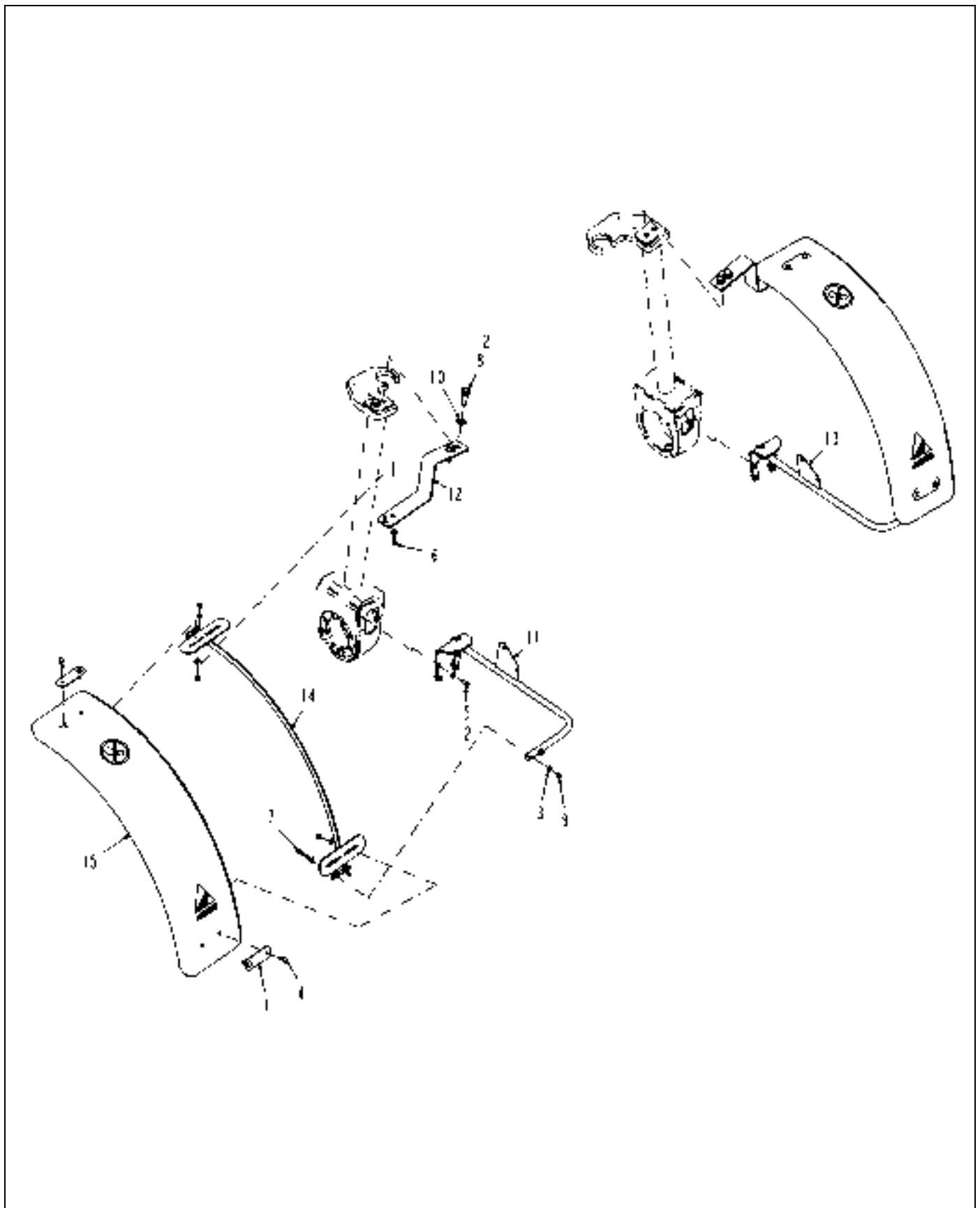


518221D1-01-R189-.TIF

F/A-TIRE,GY 480/80R46,CHAL

ITEM	PART #	QTY	DESCRIPTION	COMMENTS
1	AG262948	2	DECAL-WARNING,REPL TIRE,ENG	
2	514618D1	1	WHEEL/TIRE-480/80R46,RH,CHAL	
3	514619D1	1	WHEEL/TIRE-480/80R46,LH,CHAL	

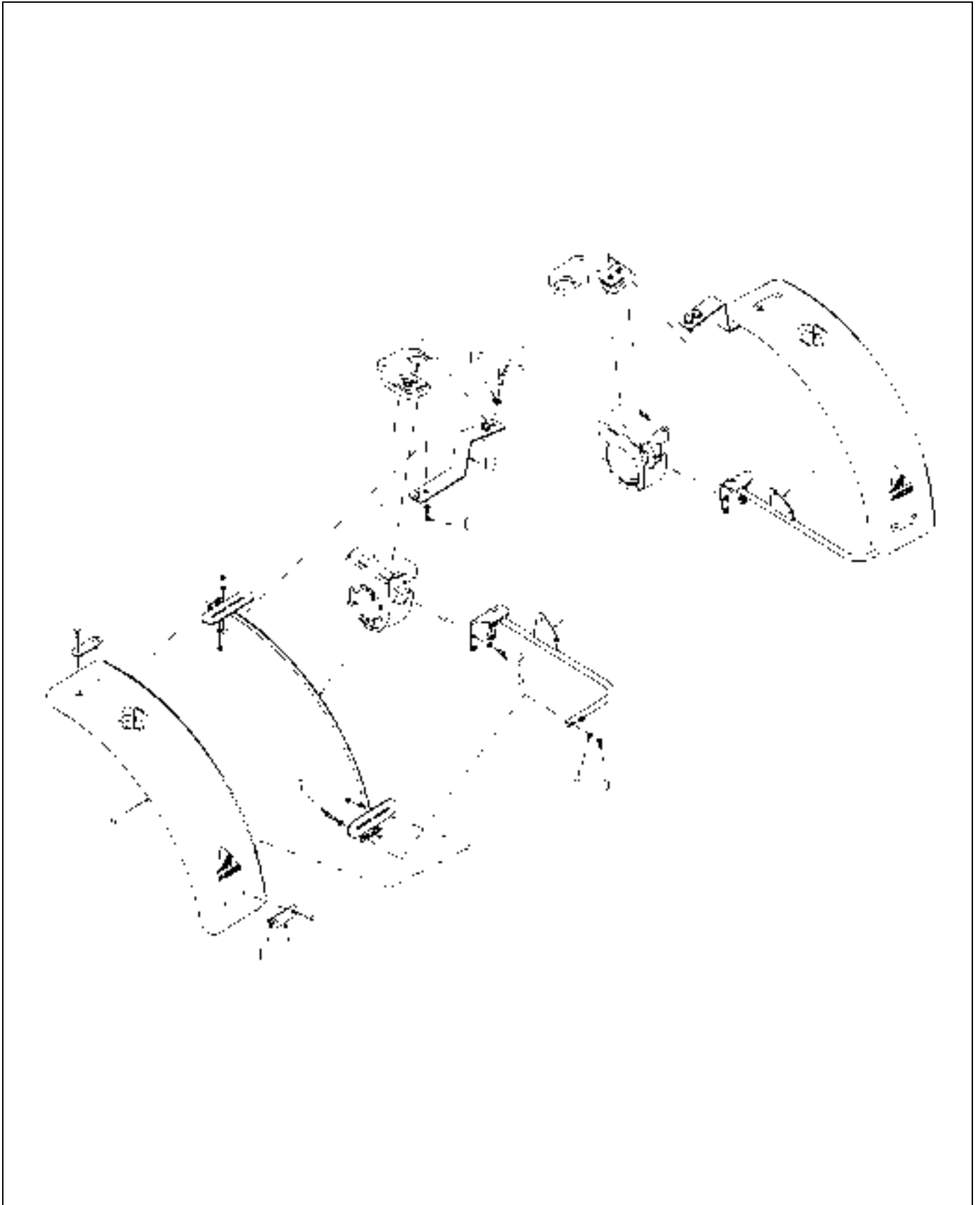
INSTALL-FRONT,FENDER,COUPE



524366D1-02-T555-.TIF

INSTALL-FRONT,FENDER,COUPE

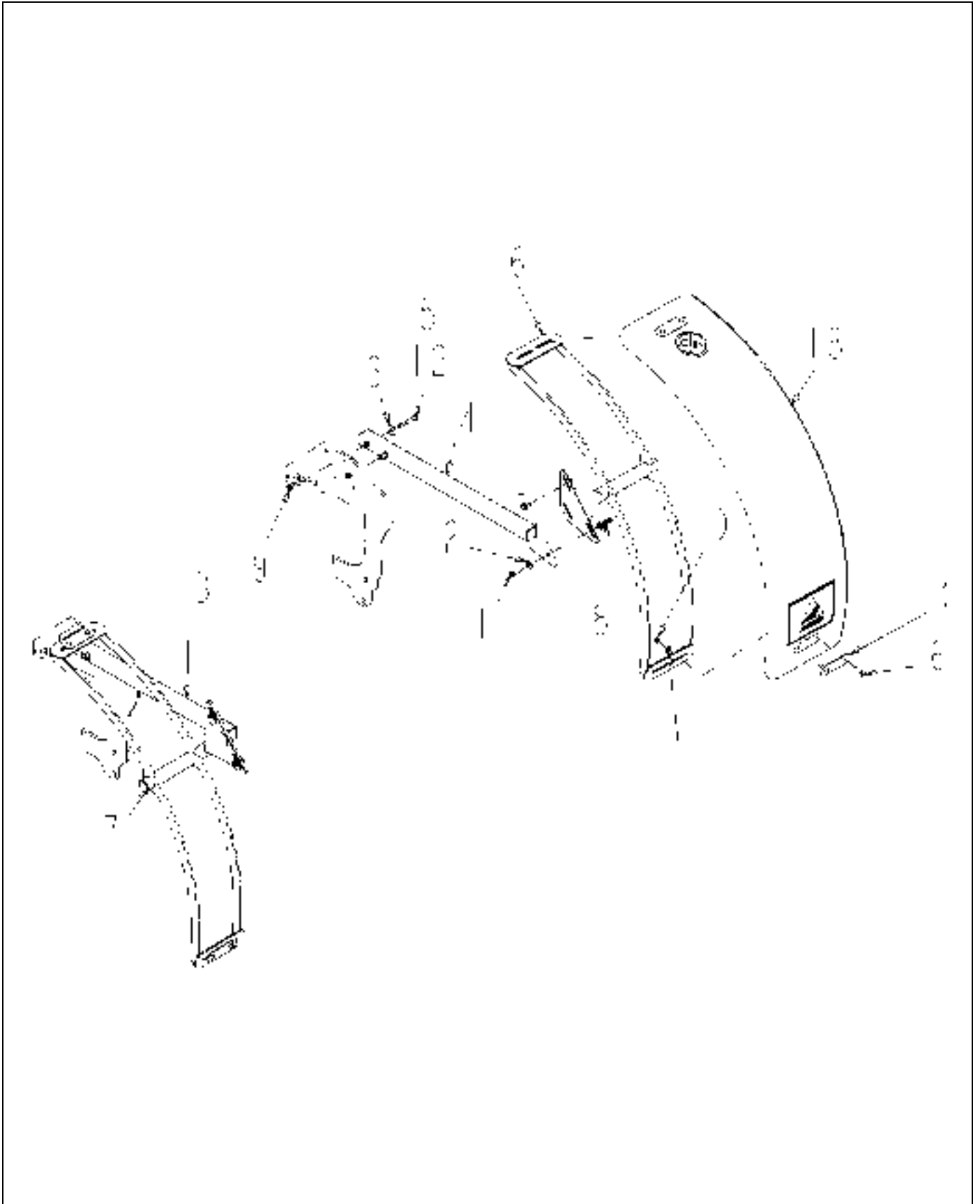
ITEM	PART #	QTY	DESCRIPTION	COMMENTS
1	AG236763	4	PLATE-MOUNTING,FENDER	
2	AG512885	AR	LOCTITE ADHESIVE SEALANT BLUE	
3	AG514559	32	WASHER 0.37 FL ZN SAE TYP-A G8	
4	AG520944	8	BOLT-.38-16X1.5,G5,BLK,CRG	
5	AG550175	8	BOLT 0.37-16NCX 1.00 G5 ZN HHD	
6	AG550515	4	BOLT 0.37-16NCX 1.25 G5 ZN HHD	
7	AG552240	4	BOLT 0.37-16NCX 2.00 G5 ZN HHD	
8	AG561124	4	BOLT 0.75-10NCX 2.00 G8 ZN HHD	
9	AG601411	16	NUT 0.37-16NC HEX ZN REG NY	
10	AG604203	-	WASHER 0.75 FL ZN SAE TYP-A G8	
11	516443D1	1	WLDMT-FENDER BRKT,FRONT,LH	
12	516446D1	2	PLATE-FENDER SUPPORT, TOP	
13	517470D1	1	WLDMT-FENDER BRKT,FRONT,RH	
14	522061D1	2	WLDMT-FENDER BRKT,MAIN,FRONT	
15	524195D1	2	FENDER-AGCO,POLY	



524367D1-01-R911-.TIF

F/A-FRONT,FENDER,COUPE

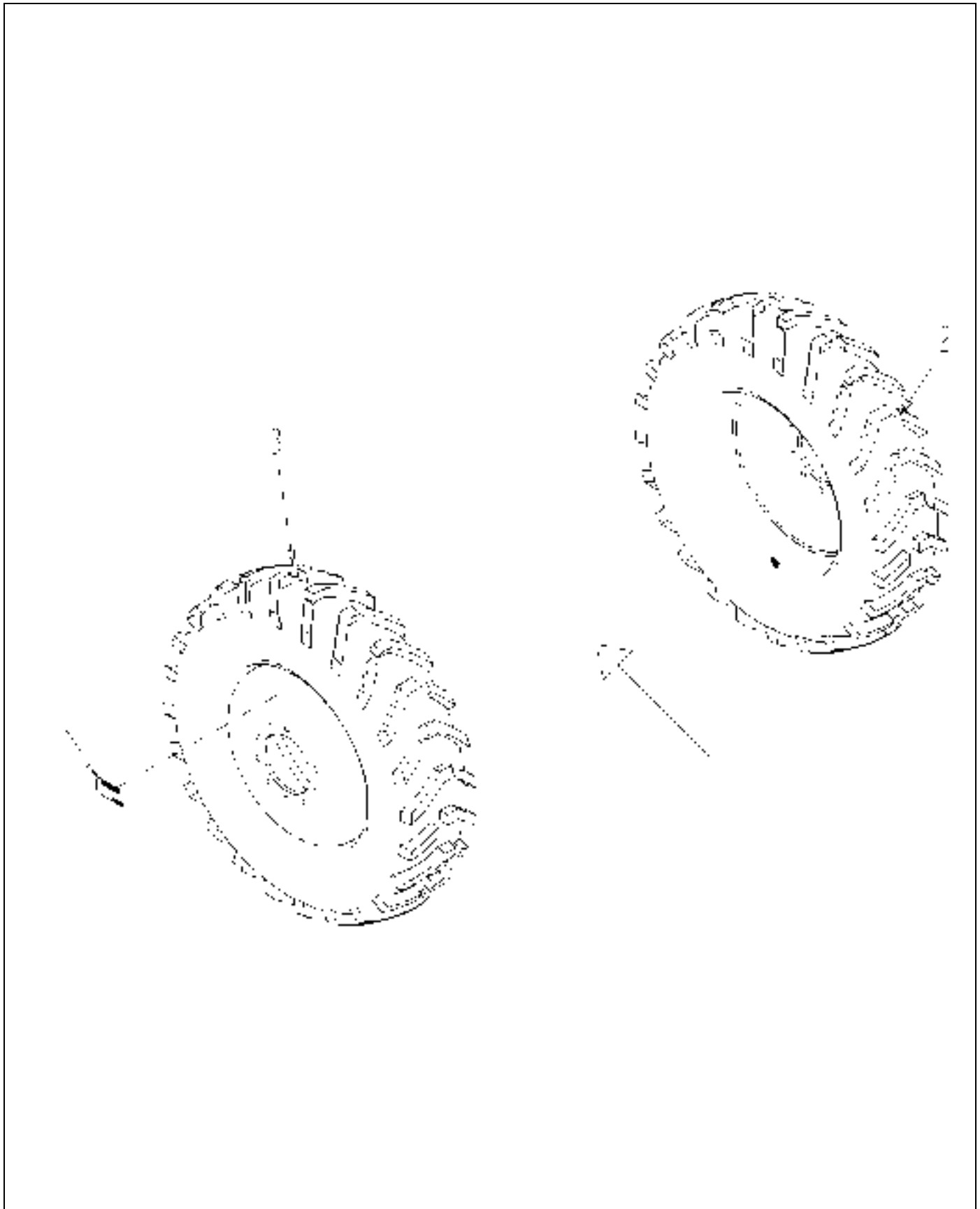
ITEM	PART #	QTY	DESCRIPTION	COMMENTS
1	AG236763	4	PLATE-MOUNTING,FENDER	
2	AG512885	AR	LOCTITE ADHESIVE SEALANT BLUE	
3	AG514559	32	WASHER 0.37 FL ZN SAE TYP-A G8	
4	AG520944	8	BOLT-.38-16X1.5,G5,BLK,CRG	
5	AG550175	8	BOLT 0.37-16NCX 1.00 G5 ZN HHD	
6	AG550515	4	BOLT 0.37-16NCX 1.25 G5 ZN HHD	
7	AG552240	4	BOLT 0.37-16NCX 2.00 G5 ZN HHD	
8	AG561124	4	BOLT 0.75-10NCX 2.00 G8 ZN HHD	
9	AG601411	16	NUT 0.37-16NC HEX ZN REG NY	
10	AG604203	-	WASHER 0.75 FL ZN SAE TYP-A G8	
11	516443D1	1	WLDMT-FENDER BRKT,FRONT,LH	
12	516446D1	2	PLATE-FENDER SUPPORT, TOP	
13	517470D1	1	WLDMT-FENDER BRKT,FRONT,RH	
14	519210D1	1	PKG-FRONT,FENDER,COUPE	
15	522061D1	2	WLDMT-FENDER BRKT,MAIN,FRONT	
16	524195D1	2	FENDER-AGCO,POLY	
17	524373D1	1	INSTR-FRONT,FENDER,76XX	



524369D1-01-R911-.TIF

F/A-REAR,FENDER,COUPE

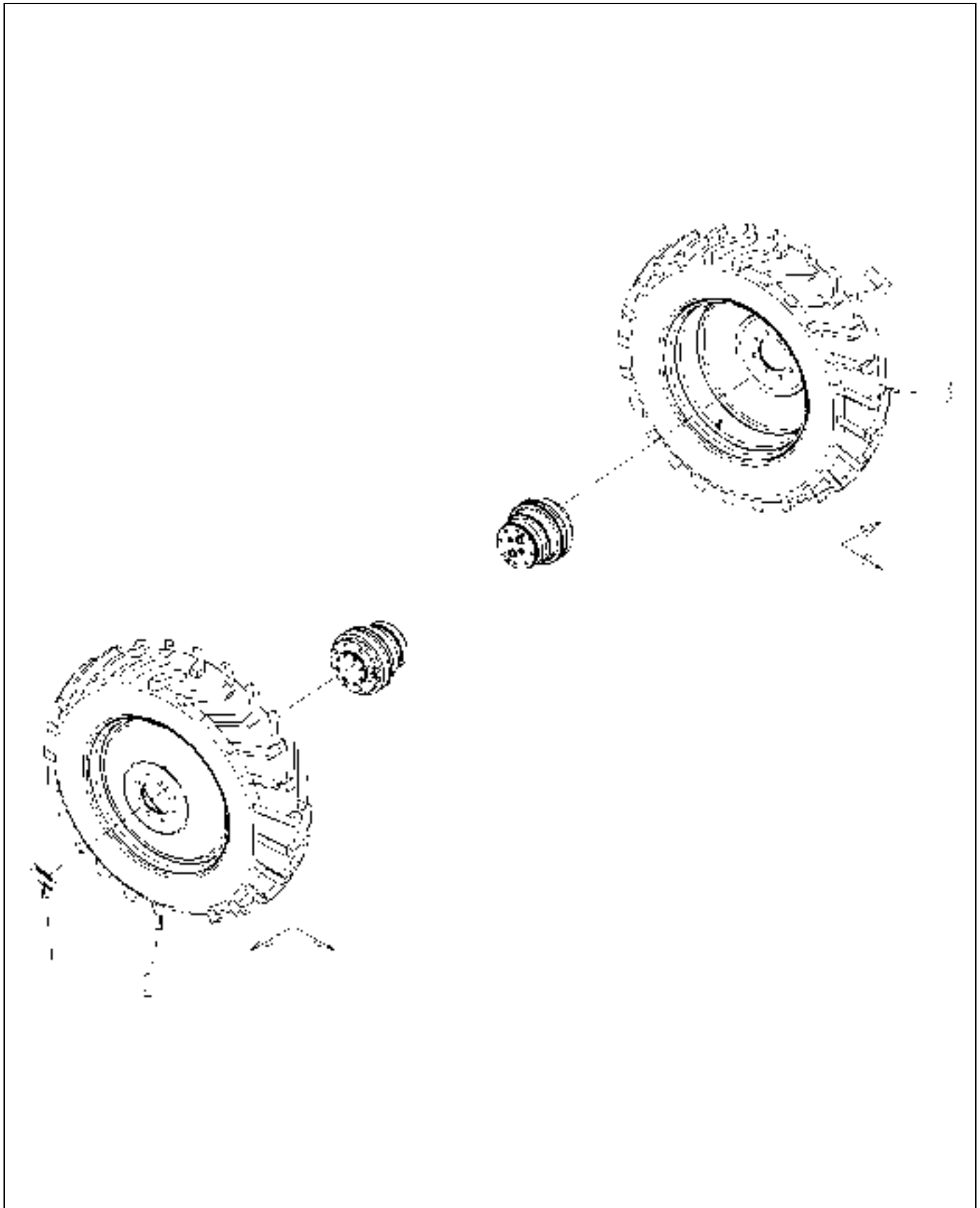
ITEM	PART #	QTY	DESCRIPTION	COMMENTS
1	WR50838	6	NUT-HEX,METRIC M10-1.5	
2	WR55158	12	WASHER-FLAT,10MM ID,	
3	WR55159	4	WASHER-FLAT,12MM ID,	
4	AG236763	4	PLATE-MOUNTING,FENDER	
5	AG512885	AR	LOCTITE ADHESIVE SEALANT BLUE	
6	AG520944	8	BOLT-.38-16X1.5,G5,BLK,CRG	
7	AG551007	8	WASHER 0.37 FL ZN REG TYPE-B	
8	AG562271	6	WASHER M10 LK ZN REG	
9	AG562797	4	NUT HEX M12 X 1.75	
10	AG601411	8	NUT 0.37-16NC HEX ZN REG NY	
11	400059X1	6	BOLT-M10X1.5X35 ZNDI HHD 10.9	
12	400241X1	4	BOLT-M12X1.75X80 ZNDI HHD 10.9	
13	514801D1	1	WLDMT-BRKT ATTACH,REAR,LH	
14	514802D1	1	WLDMT-BRKT ATTACH,REAR,RH	
15	519212D1	1	PKG-REAR,FENDER,COUPE	
16	522259D1	1	WLDMT-FENDER,SUPPORT,REAR	
17	522260D1	1	WLDMT-FENDER,SUPPORT,REAR	
18	524194D1	2	FENDER-AGCO,POLY	
19	524374D1	1	INSTR-REAR,FENDER,76XX	



515016D1-01-R525-.TIF

OPT-TIRE,12.4X28-8,GY,5.5,CHAL

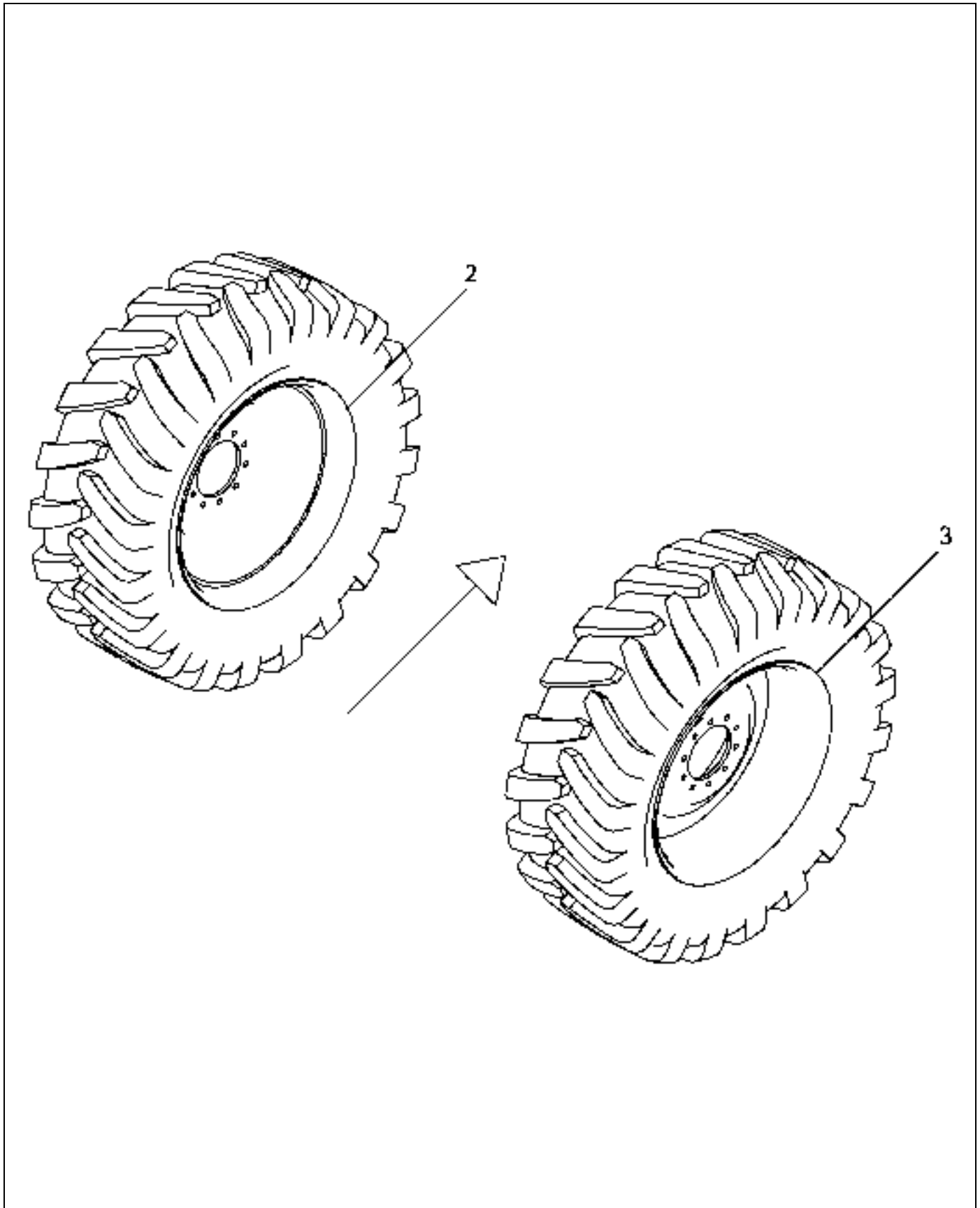
ITEM	PART #	QTY	DESCRIPTION	COMMENTS
1	AG262948	2	DECAL-WARNING,REPL TIRE,ENG	
2	515017D1	1	WHEEL/TIRE-12.4X28-8,RH,CHAL	
3	515018D1	1	WHEEL/TIRE-12.4X28-8,LH,CHAL	



514977D1-01-R525-.TIF

OPTION-TIRE,12.4 X 28-8,CHAL

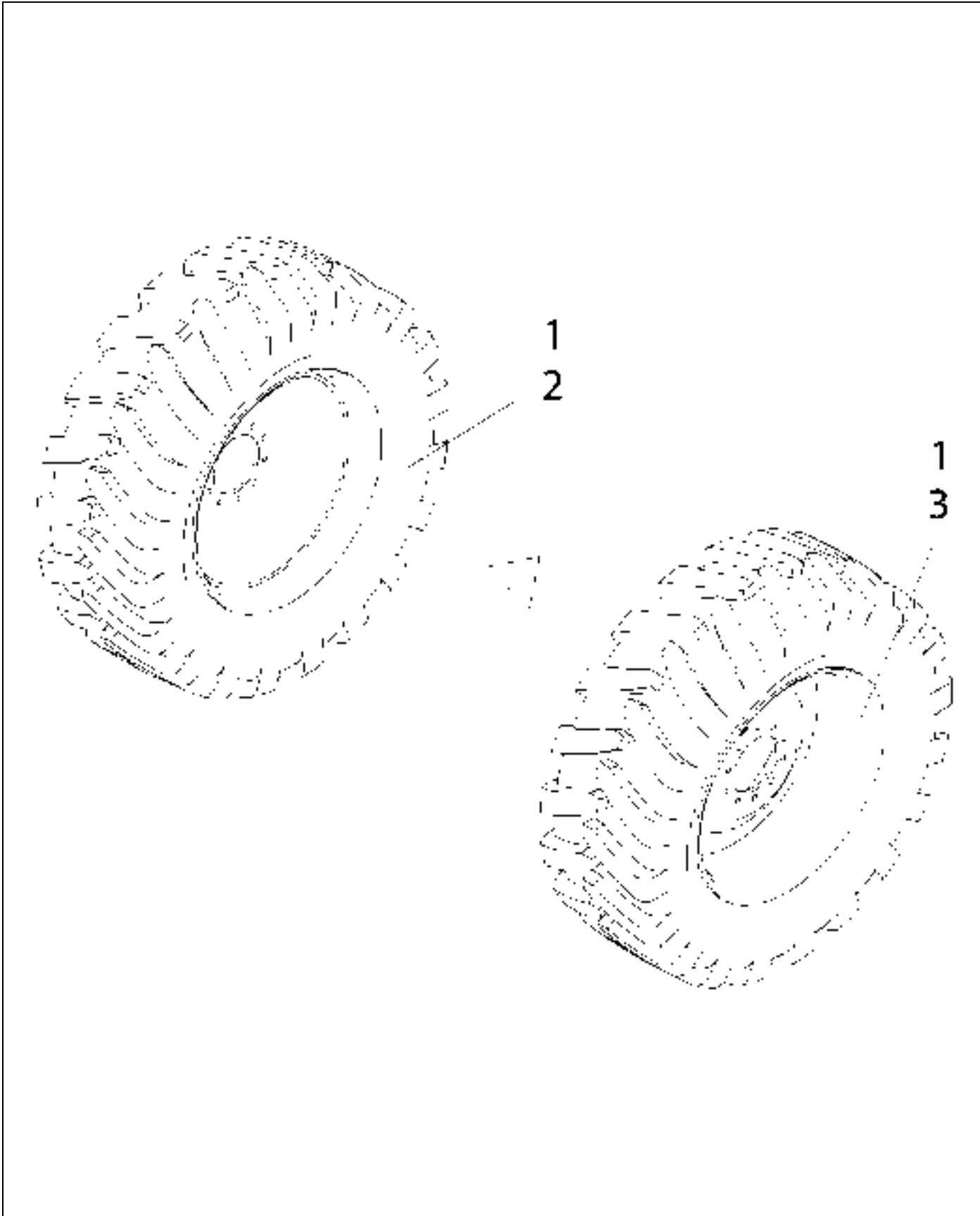
ITEM	PART #	QTY	DESCRIPTION	COMMENTS
1	AG262948	2	DECAL-WARNING,REPL TIRE,ENG	
2	514978D1	1	WHEEL/TIRE-12.4 X 28.8,RH,CHAL	
3	514979D1	1	WHEEL/TIRE-12.4 X 28.8,RH,CHAL	



528003D1-01-T461-.TIF

OPT-TIRE,540/65R34,GY,10 HOLE

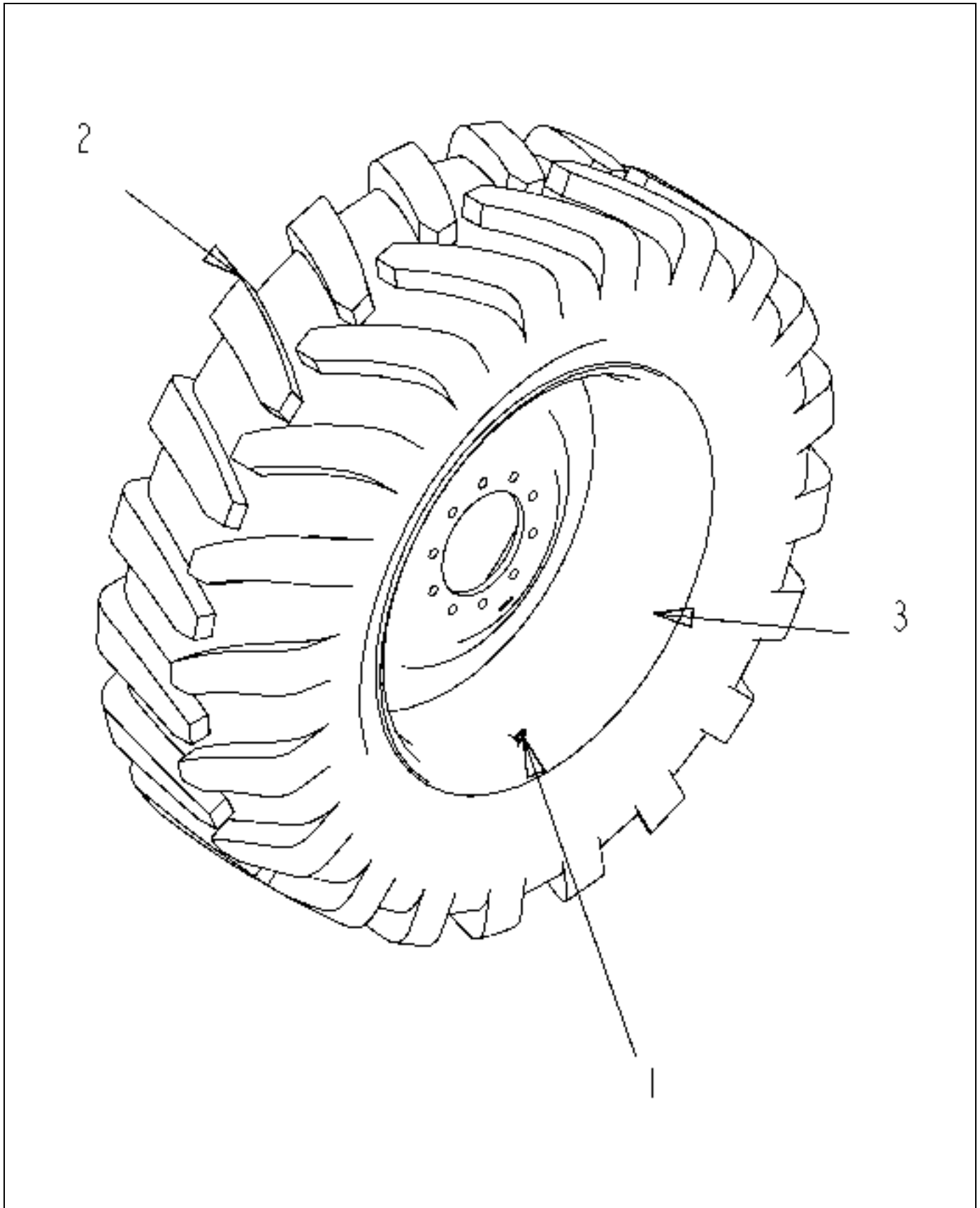
ITEM	PART #	QTY	DESCRIPTION	COMMENTS
1	AG262948	2	DECAL-WARNING,REPL TIRE,ENG	
2	528004D1	1	TIRE/RIM ASM-540/65R34 R1W,LH	SEE PAGE 11-40
3	528005D1	1	TIRE/RIM ASM-540/65R34 R1W,RH	SEE PAGE 11-41



528316D1-01-T461-.TIF

F/A-TIRE,540/65R34,GY,10 HOLE

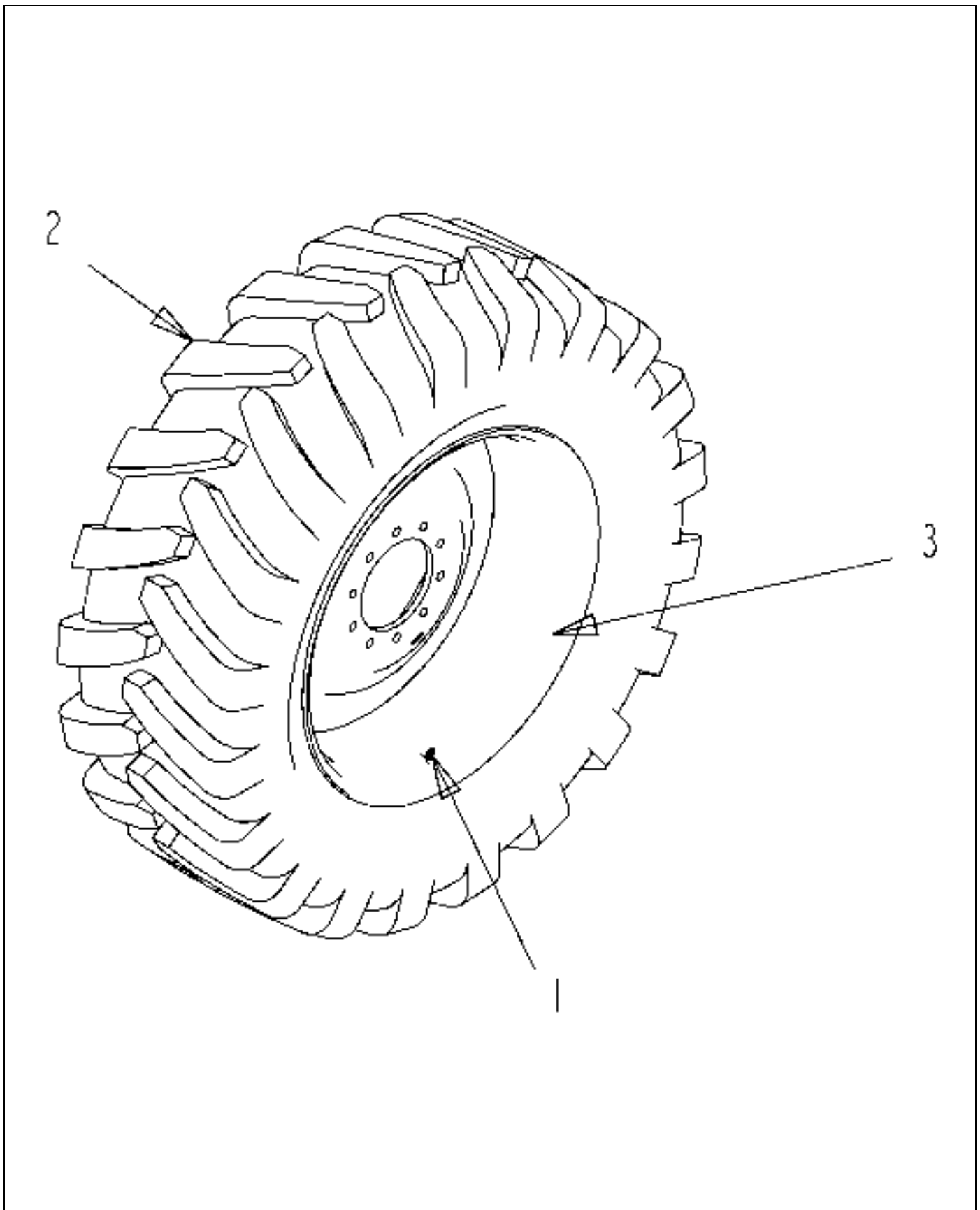
ITEM	PART #	QTY	DESCRIPTION	COMMENTS
1	AG262948	2	DECAL-WARNING,REPL TIRE,ENG	
2	528004D1	1	TIRE/RIM ASM-540/65R34 R1W,LH	SEE PAGE 11-40
3	528005D1	1	TIRE/RIM ASM-540/65R34 R1W,RH	SEE PAGE 11-41



528004D1-01-T461-.TIF

TIRE/RIM ASM-540/65R34 R1W,LH

ITEM	PART #	QTY	DESCRIPTION	COMMENTS
1	AG517766	1	VALVE TIRE	
2	520794D1	1	TIRE-540/65R34,R1W,145A8/B,GY	
3	528006D1	1	WHEEL-34XWH16A,1.25OFF,GRAY	



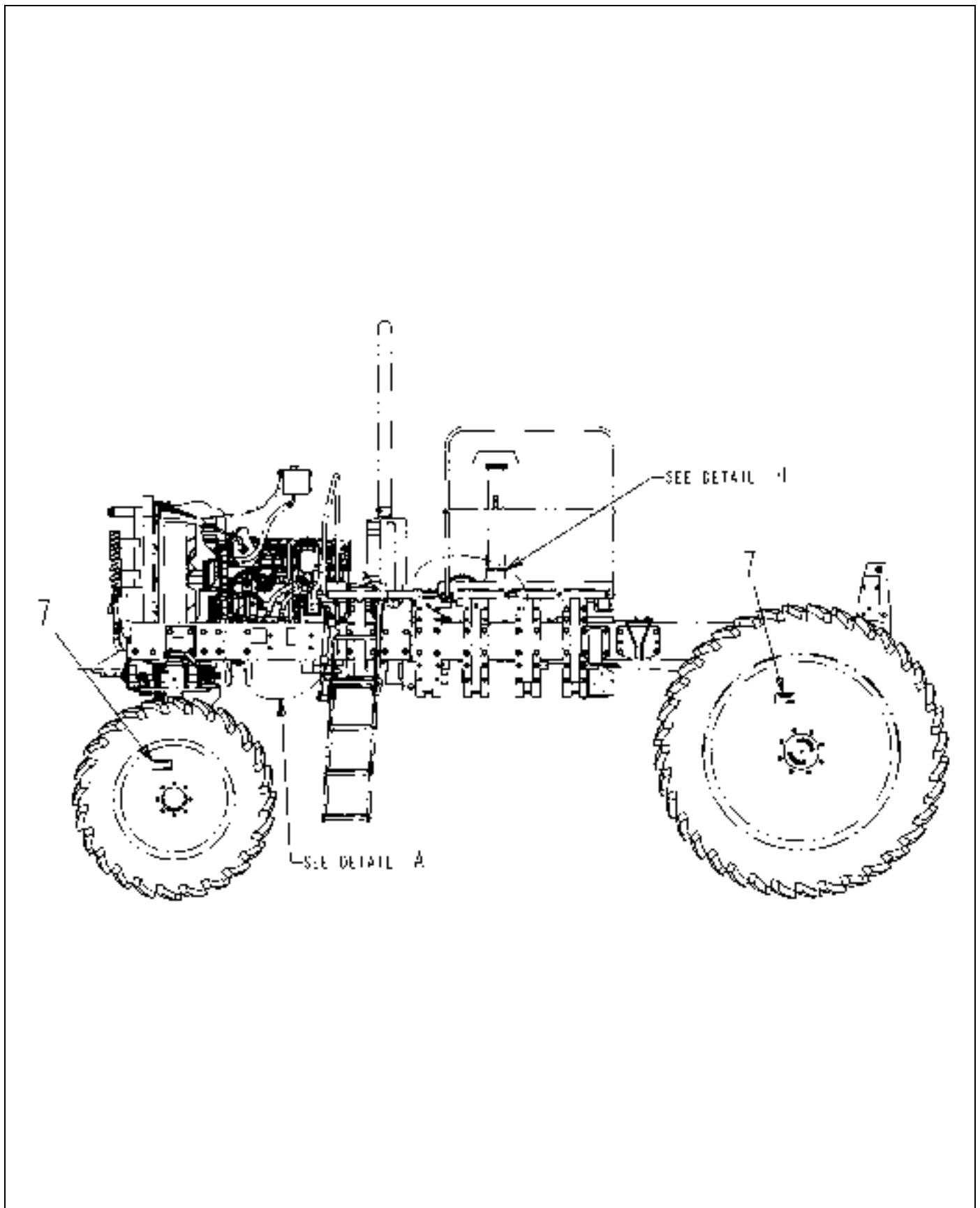
528005D1-01-T461-.TIF

TIRE/RIM ASM-540/65R34 R1W,RH

ITEM	PART #	QTY	DESCRIPTION	COMMENTS
1	AG517766	1	VALVE TIRE	
2	520794D1	1	TIRE-540/65R34,R1W,145A8/B,GY	
3	528006D1	1	WHEEL-34XWH16A,1.25OFF,GRAY	

DECAL-FRAME/CHASSIS INSTALL	12-1
DECAL-FRAME/CHASSIS INSTALL	12-2
DECAL-FRAME/CHASSIS INSTALL	12-3
DECAL-HOOD INSTALL,CHAL	12-4
DECAL-CAB INSTALL,7460,CHAL	12-5
DECAL-CAB INSTALL,7460,CHAL,ATC	12-6
DECAL-CAB INSTALL,7660,CHAL	12-7
DECAL-CAB INSTALL,7660,CHAL,ATC	12-8
DECAL INSTALL-7460,CHAL, 2009	12-9
DECAL INSTALL-7660, 2009	12-10
DECAL INSTALL-SC7XXX,NA,STD HVAC	12-11
DECAL INSTALL-SC7XXX,NA,STD HVAC	12-12
DECAL INSTALL-SC7XXX,NA,STD HVAC	12-13
DECAL INSTALL-SC7XXX,NA,STD HVAC	12-14
DECAL INSTALL-SC7XXX,INT,STD HVA	12-15
DECAL INSTALL-SC7XXX,INT,STD HVA	12-16
DECAL INSTALL-SC7XXX,INT,STD HVA	12-17
DECAL INSTALL-SC7XXX,INT,STD HVA	12-18
DECAL INSTALL-SC7XXX,NA,ATC HVAC	12-19
DECAL INSTALL-SC7XXX,NA,ATC HVAC	12-20
DECAL INSTALL-SC7XXX,NA,ATC HVAC	12-21
DECAL INSTALL-SC7XXX,NA,ATC HVAC	12-22
DECAL INSTALL-SC7XXX,INT,ATC HVA	12-23
DECAL INSTALL-SC7XXX,INT,ATC HVA	12-24
DECAL INSTALL-SC7XXX,INT,ATC HVA	12-25
DECAL INSTALL-SC7XXX,INT,ATC HVA	12-26

DECAL-FRAME/CHASSIS INSTALL

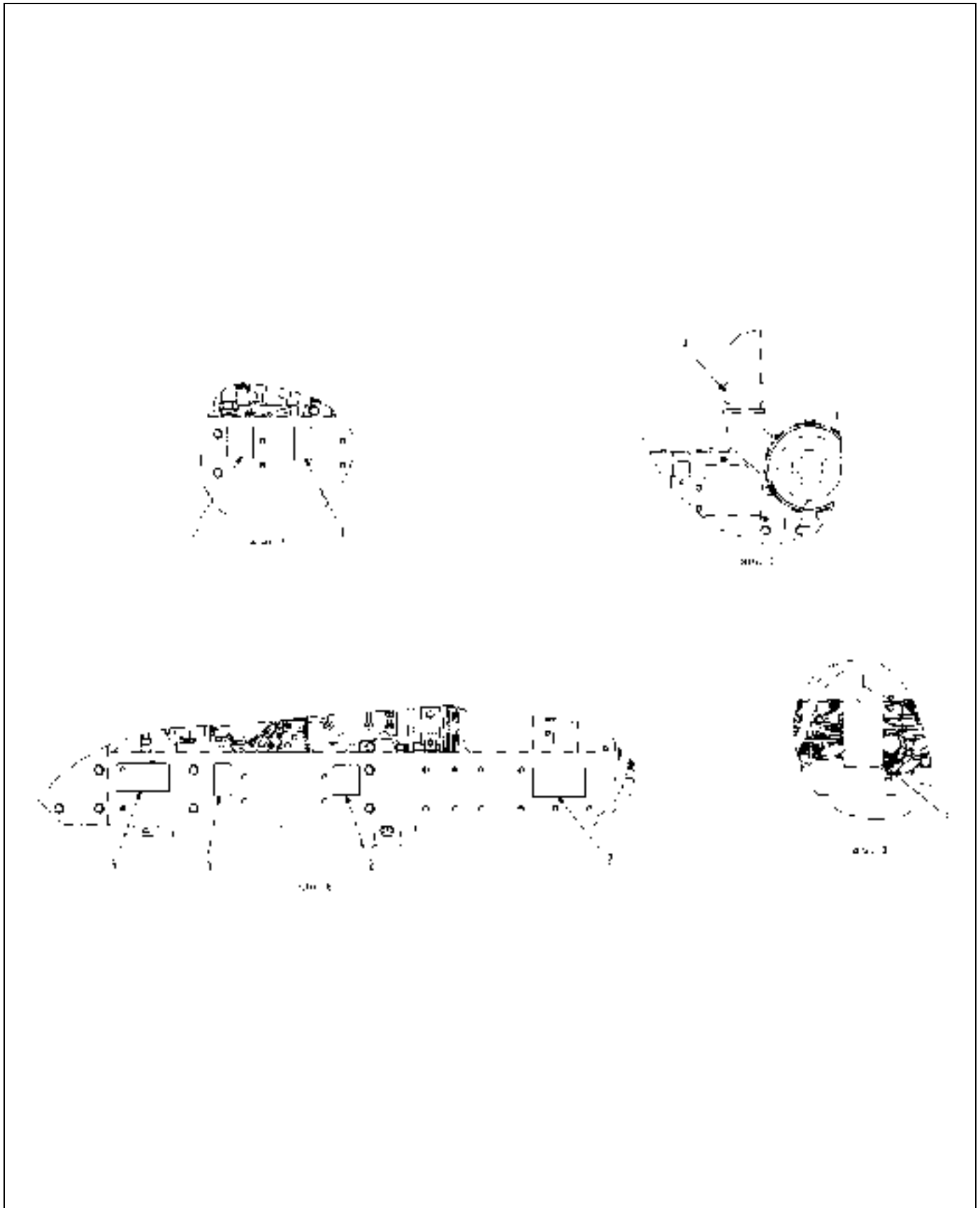


129169-04-R609-01.TIF

DECAL-FRAME/CHASSIS INSTALL

ITEM	PART #	QTY	DESCRIPTION	COMMENTS
7	AG262948	-	DECAL-WARNING,REPL TIRE,ENG	

DECAL-FRAME/CHASSIS INSTALL



129169-04-R609-02.TIF

DECAL-FRAME/CHASSIS INSTALL

ITEM	PART #	QTY	DESCRIPTION	COMMENTS
2	WR50955	1	DECAL-WARNING,BATTERY	
4	AG235004	1	DECAL WARNING ETHER	
6	AG238366	1	DECAL-HAZARD,HOT SURF,MUF,SYM	
9	3808561M2	1	DECAL-WARNING, STEAM	
10	WR37159	1	DECAL-DANGER,BY-PASS,	
11	WR37164	1	DECAL-WARNING,HIGH	
12	WR38199	2	DECAL-WARNING,ENGINE	

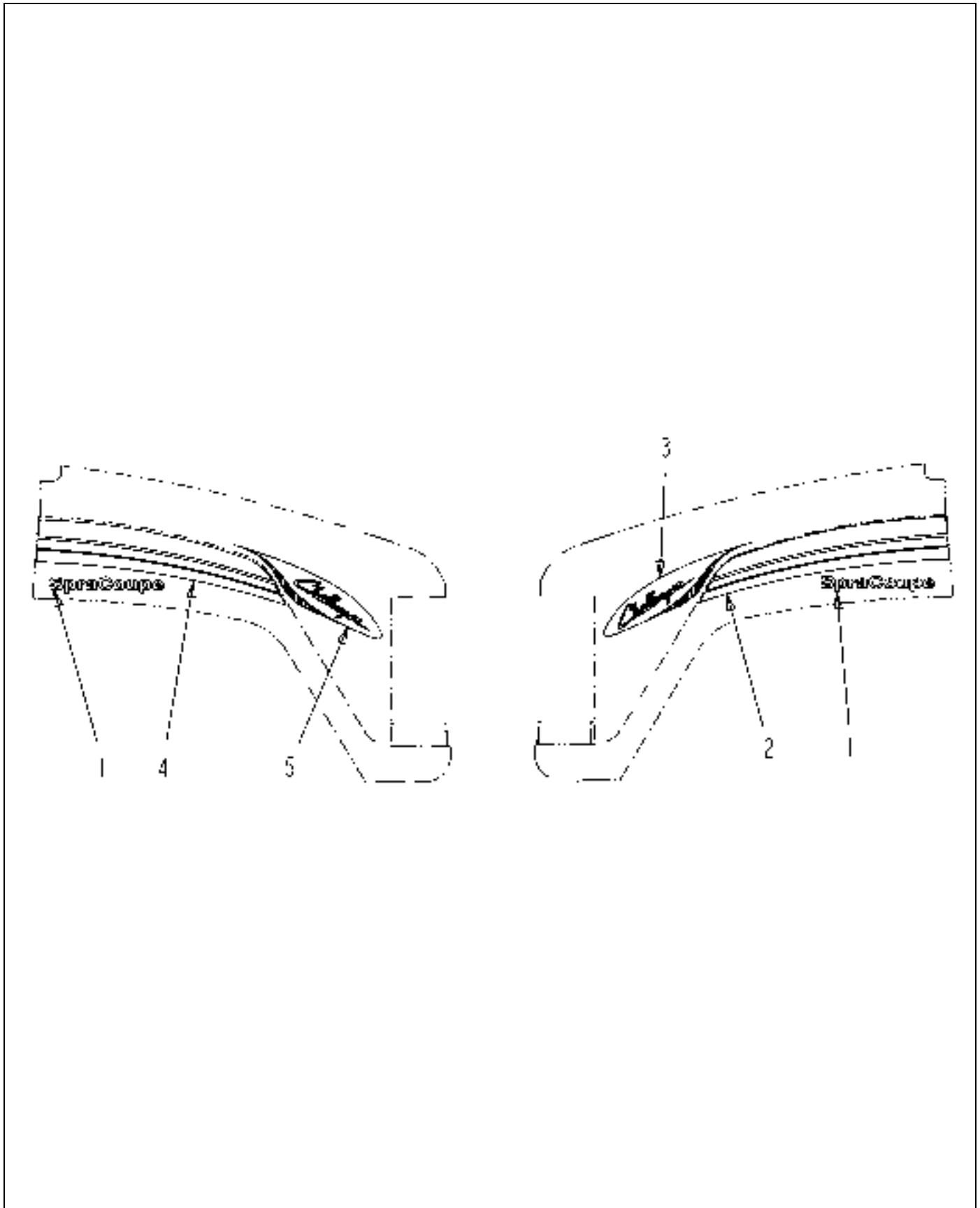
DECAL-FRAME/CHASSIS INSTALL



129169-04-R609-03.TIF

DECAL-FRAME/CHASSIS INSTALL

ITEM	PART #	QTY	DESCRIPTION	COMMENTS
1	WR33284	1	DECAL-DIESEL FUEL ONLY	
3	WR125524	1	DECAL-WARNING,RADAR	
5	AG237562	1	DECAL-FRESH WATER RELOAD	
8	AG263013	1	DECAL-CAUTION,LADDER,FOLD	



504163D1-01-M567-.TIF

DECAL-HOOD INSTALL,CHAL

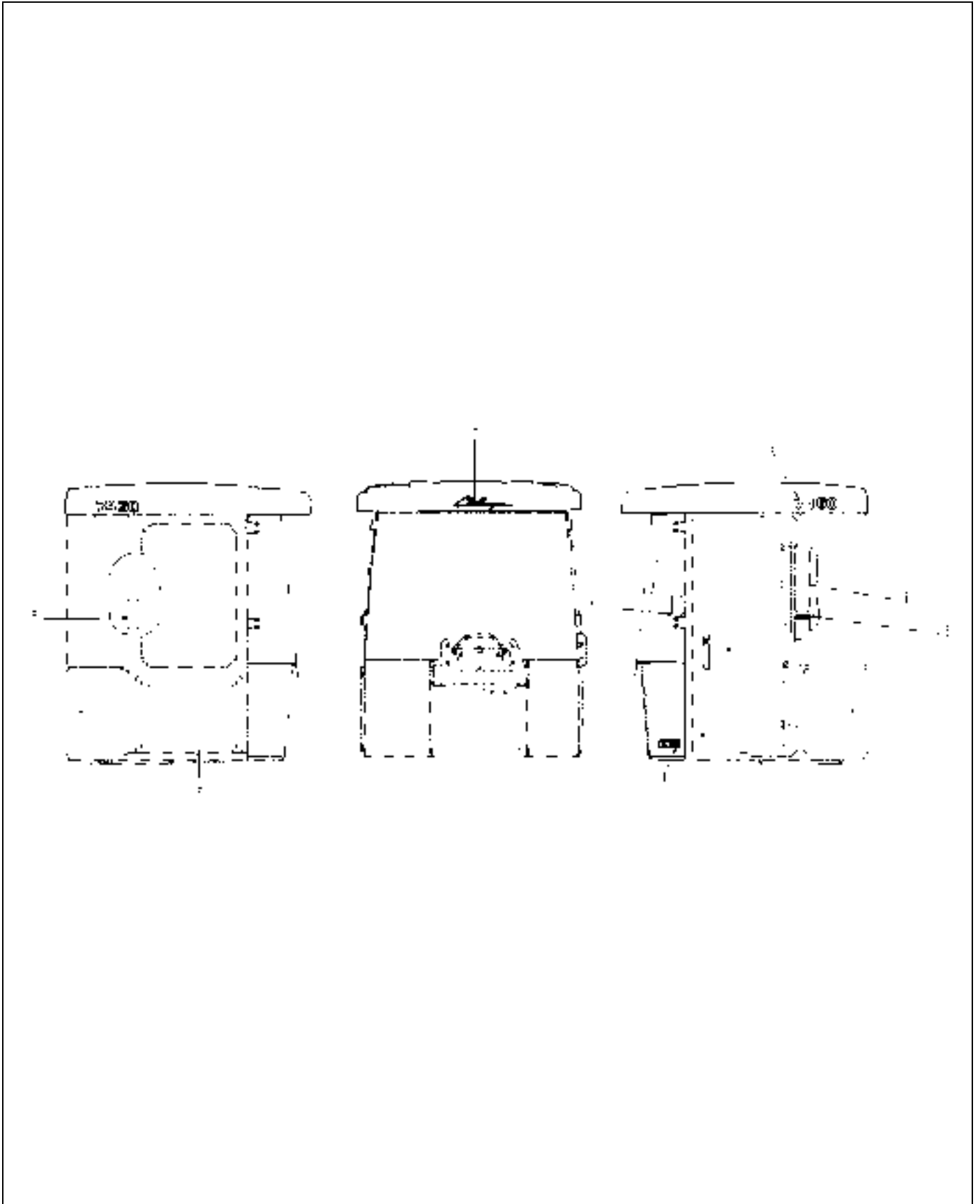
ITEM	PART #	QTY	DESCRIPTION	COMMENTS
1	504038D1	1	DECAL-SPRA COUPE, CHAL	
2	504166D1	1	DECAL-HOOD,REAR,LH,7000,CHAL	
3	504167D1	1	DECAL-HOOD,FRONT,LH,7000,CHAL	
4	504168D1	1	DECAL-HOOD,REAR,RH,7000,CHAL	
5	504169D1	1	DECAL-HOOD,FRONT,RH,7000,CHAL	



517250D1-01-R085-.TIF

DECAL-CAB INSTALL,7460,CHAL

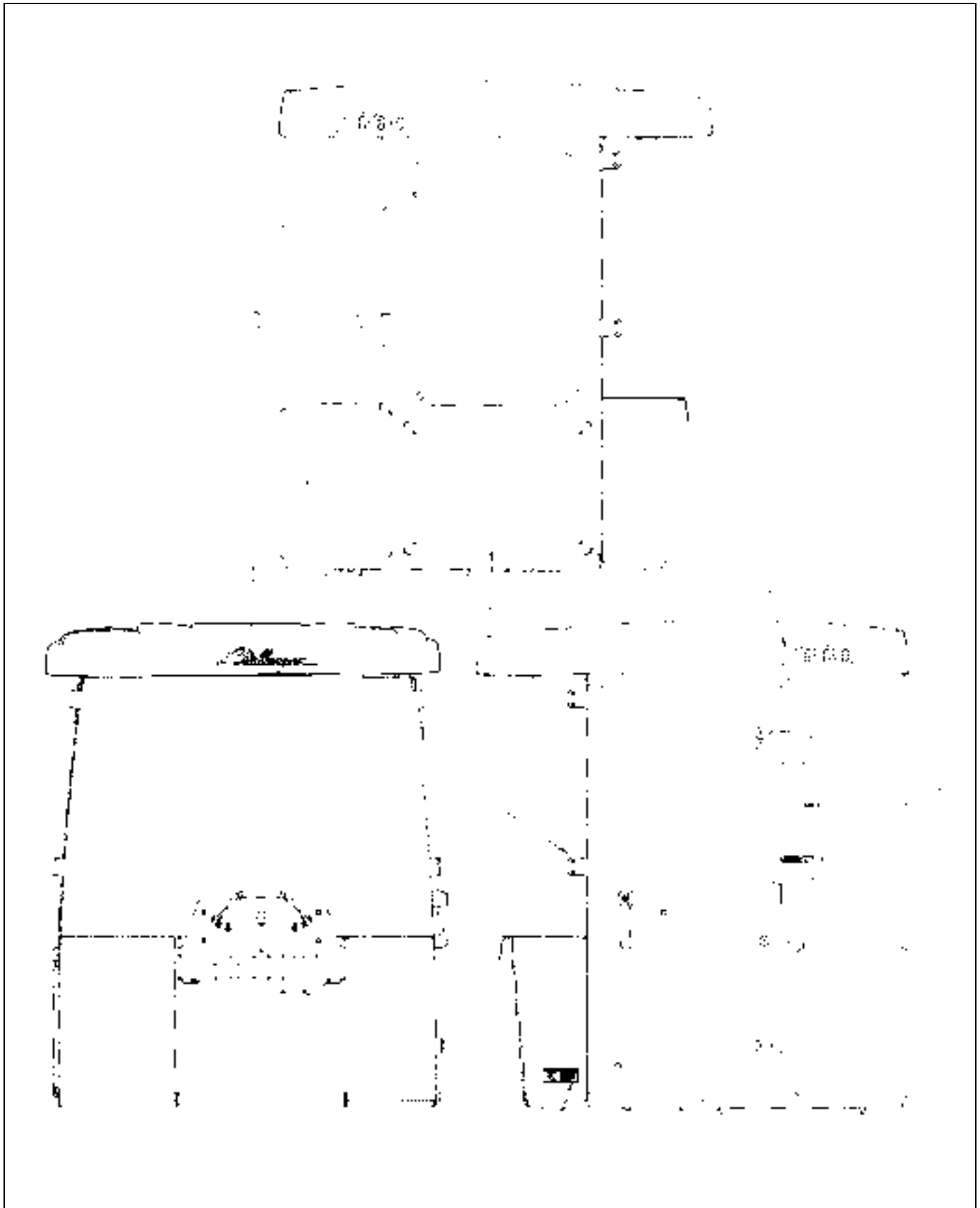
ITEM	PART #	QTY	DESCRIPTION	COMMENTS
1	WR129172	1	DECAL-WARNING,OVERHEAD HAZARD	
2	AG238783	1	DECAL-WARNING,BOOM MOTION	
3	AG239436	1	DECAL-IMPORTANT,ELEC EQUIPMENT	
4	500749D1	1	FILM-CHALLENGER	
5	503052D1	1	DECAL-FUSE PANEL,7X50,06	
6	517254D1	2	DECAL-7460	
7	WR36453	1	DECAL-HAZARD,SHOCK/READ	
8	WR38841	1	DECAL-WARNING,CHEMICAL	



517251D1-02-T499-.TIF

DECAL-CAB INSTALL,7460,CHAL,ATC

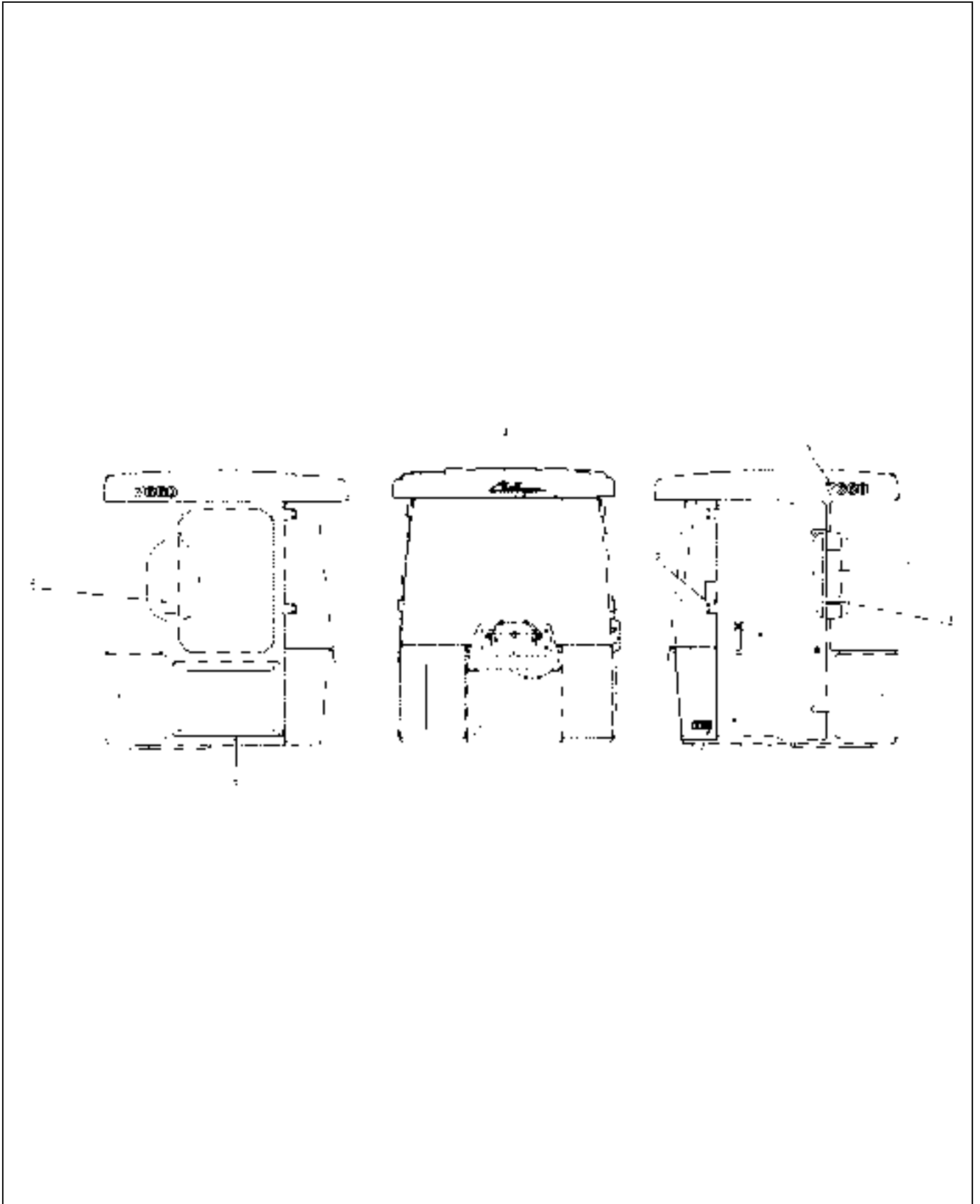
ITEM	PART #	QTY	DESCRIPTION	COMMENTS
1	WR129172	1	DECAL-WARNING,OVERHEAD HAZARD	
2	AG238783	1	DECAL-WARNING,BOOM MOTION	
3	AG239436	1	DECAL-IMPORTANT,ELEC EQUIPMENT	
4	500749D1	1	FILM-CHALLENGER	
5	517254D1	2	DECAL-7460	
6	528431D1	1	DECAL-FUSE PANEL,7X60,ATC	
7	WR36453	1	DECAL-HAZARD,SHOCK/READ	
8	WR38841	1	DECAL-WARNING,CHEMICAL	



517252D1-01-R085-.TIF

DECAL-CAB INSTALL,7660,CHAL

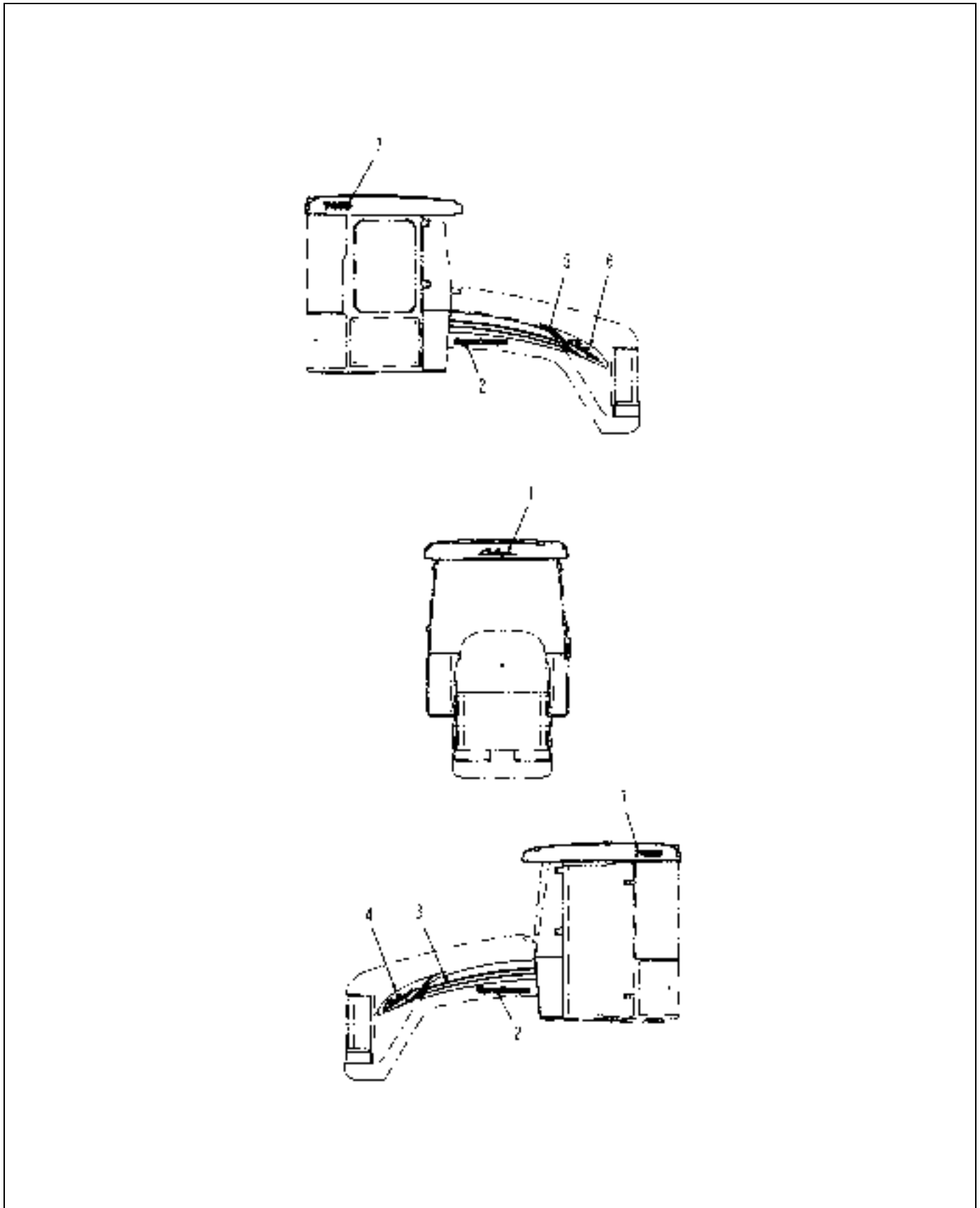
ITEM	PART #	QTY	DESCRIPTION	COMMENTS
1	WR129172	1	DECAL-WARNING,OVERHEAD HAZARD	
2	AG238783	1	DECAL-WARNING,BOOM MOTION	
3	AG239436	1	DECAL-IMPORTANT,ELEC EQUIPMENT	
4	500749D1	1	FILM-CHALLENGER	
5	503052D1	1	DECAL-FUSE PANEL,7X50,06	
6	517255D1	2	DECAL-7660	
7	WR36453	1	DECAL-HAZARD,SHOCK/READ	
8	WR38841	1	DECAL-WARNING,CHEMICAL	



517253D1-02-T499-.TIF

DECAL-CAB INSTALL,7660,CHAL,ATC

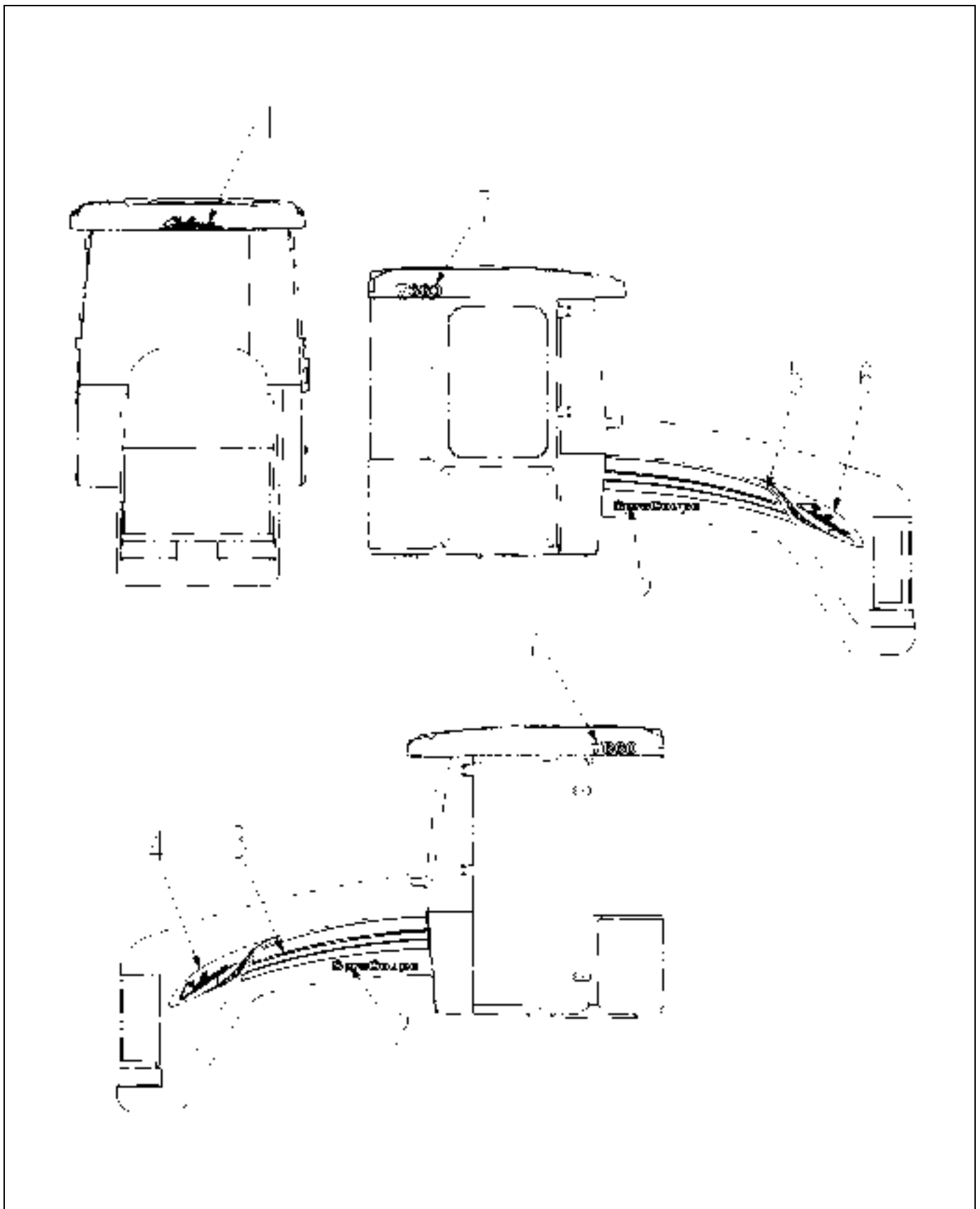
ITEM	PART #	QTY	DESCRIPTION	COMMENTS
1	WR129172	1	DECAL-WARNING,OVERHEAD HAZARD	
2	AG238783	1	DECAL-WARNING,BOOM MOTION	
3	AG239436	1	DECAL-IMPORTANT,ELEC EQUIPMENT	
4	500749D1	1	FILM-CHALLENGER	
5	517255D1	2	DECAL-7660	
6	528431D1	1	DECAL-FUSE PANEL,7X60,ATC	
7	WR36453	1	DECAL-HAZARD,SHOCK/READ	
8	WR38841	1	DECAL-WARNING,CHEMICAL	



523244D1-01-R860-.TIF

DECAL INSTALL-7460,CHAL, 2009

ITEM	PART #	QTY	DESCRIPTION	COMMENTS
1	500749D1	1	FILM-CHALLENGER	
2	504038D1	2	DECAL-SPRA COUPE, CHAL	
3	504166D1	1	DECAL-HOOD,REAR,LH,7000,CHAL	
4	504167D1	1	DECAL-HOOD,FRONT,LH,7000,CHAL	
5	504168D1	1	DECAL-HOOD,REAR,RH,7000,CHAL	
6	504169D1	1	DECAL-HOOD,FRONT,RH,7000,CHAL	
7	517254D1	2	DECAL-7460	

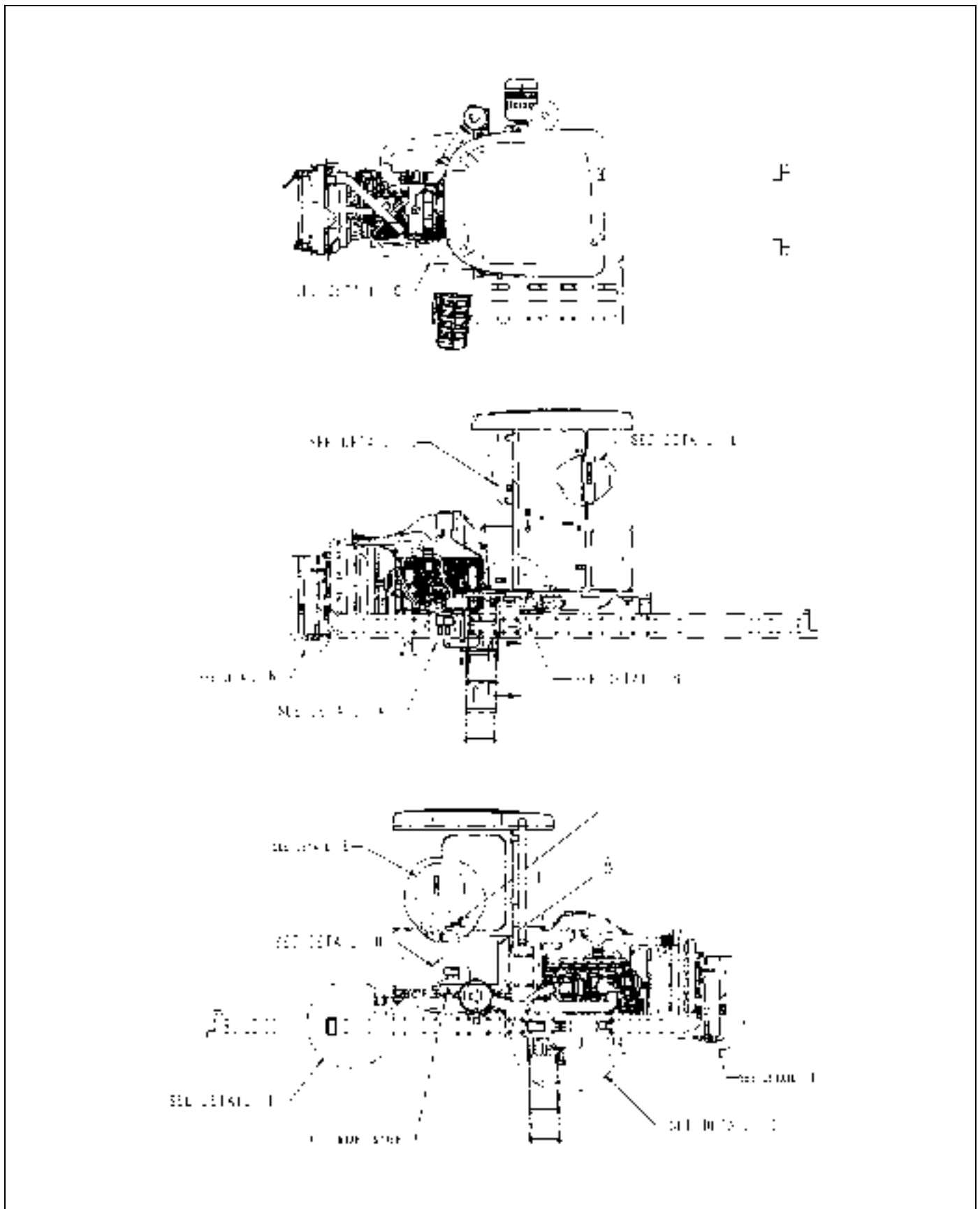


523245D1-01-R860-.TIF

DECAL INSTALL-7660, 2009

ITEM	PART #	QTY	DESCRIPTION	COMMENTS
1	500749D1	1	FILM-CHALLENGER	
2	504038D1	2	DECAL-SPRA COUPE, CHAL	
3	504166D1	1	DECAL-HOOD,REAR,LH,7000,CHAL	
4	504167D1	1	DECAL-HOOD,FRONT,LH,7000,CHAL	
5	504168D1	1	DECAL-HOOD,REAR,RH,7000,CHAL	
6	504169D1	1	DECAL-HOOD,FRONT,RH,7000,CHAL	
7	517255D1	2	DECAL-7660	

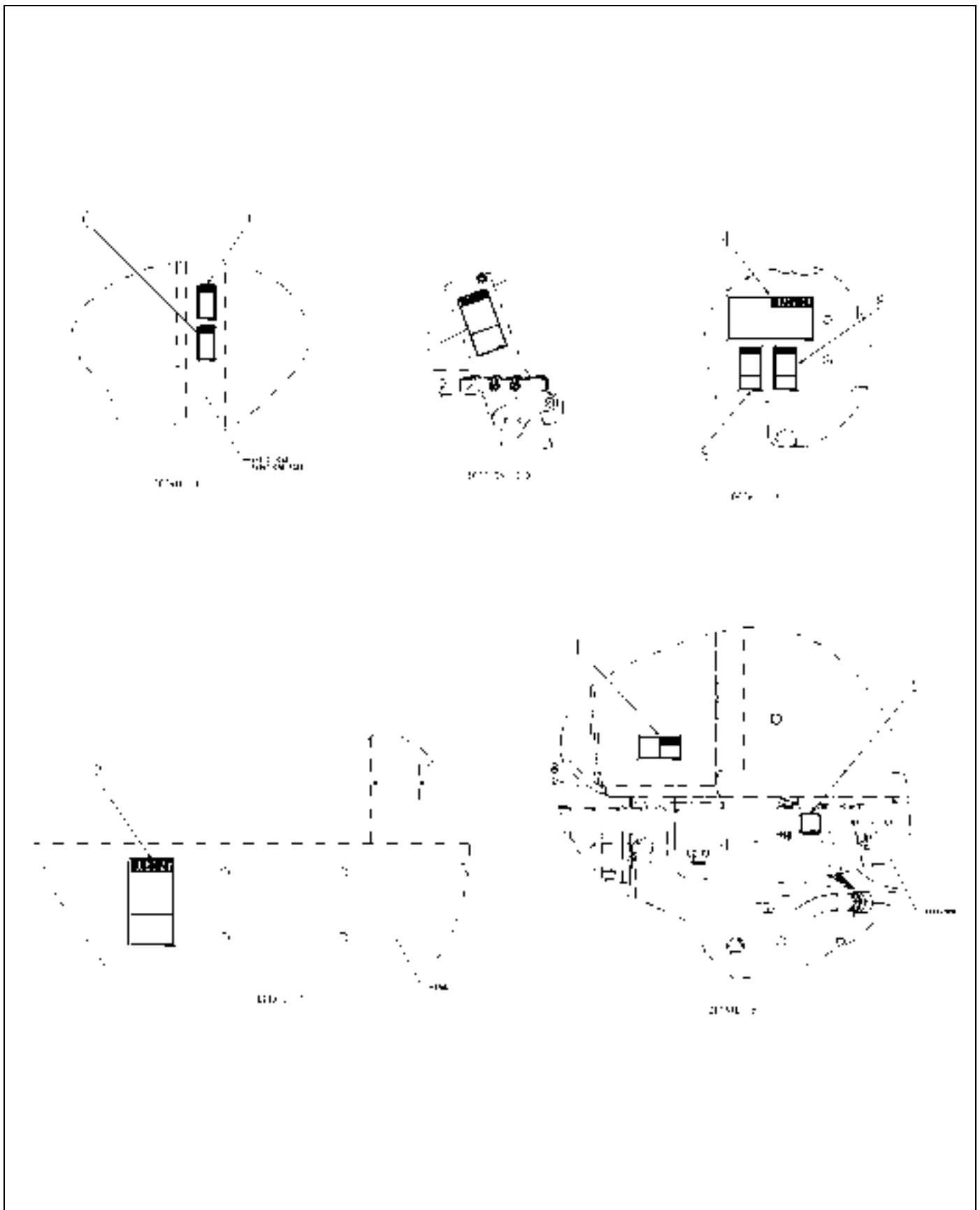
DECAL INSTALL-SC7XXX,NA,STD HVAC



523240D1-03-T562-01.TIF

DECAL INSTALL-SC7XXX,NA,STD HVAC

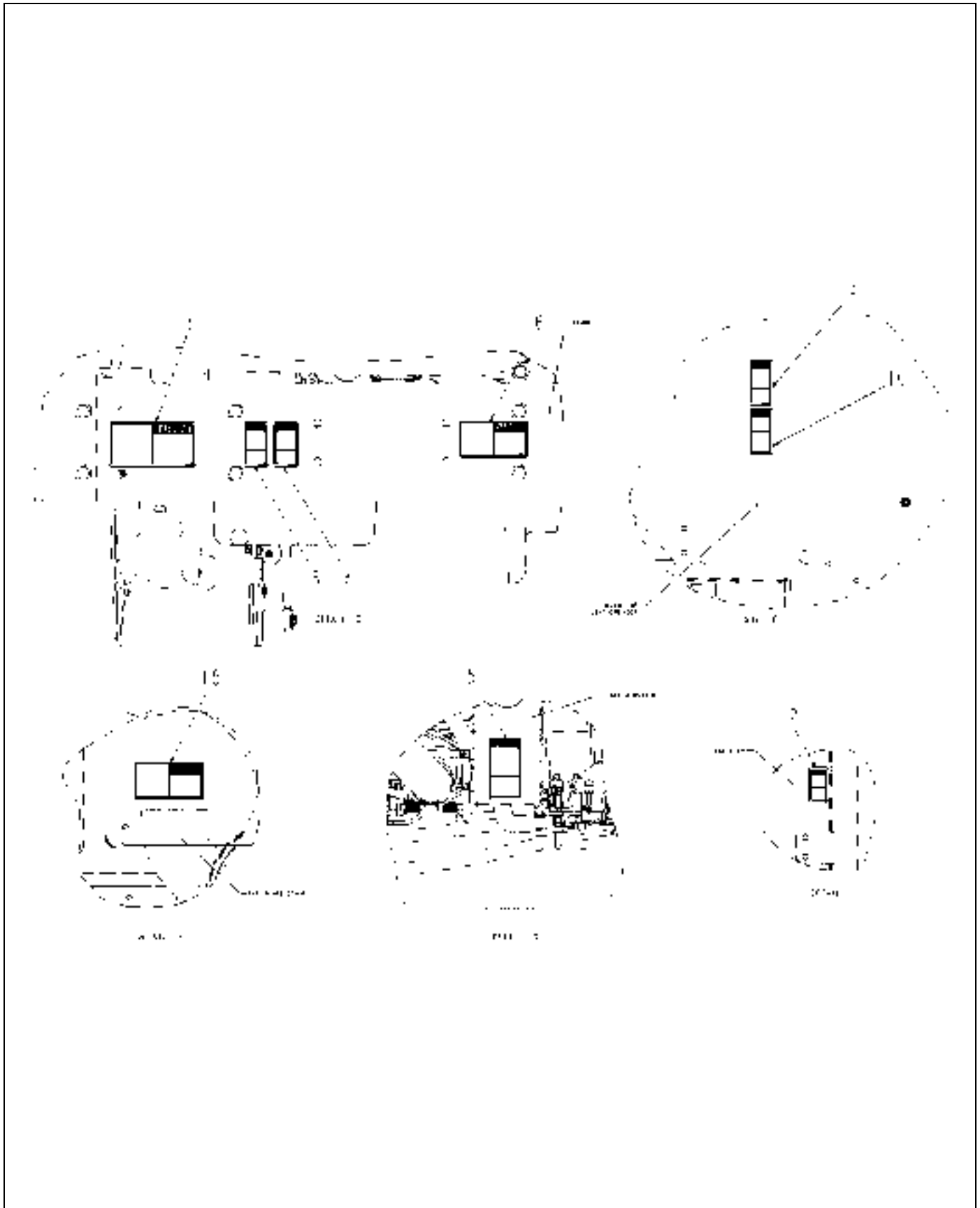
ITEM	PART #	QTY	DESCRIPTION	COMMENTS
1	501272D1	1	FILM-ATERNATE EXIT	
18	528432D1	1	DECAL-FUSE PANEL,7X60	



523240D1-03-T562-02.TIF

DECAL INSTALL-SC7XXX,NA,STD HVAC

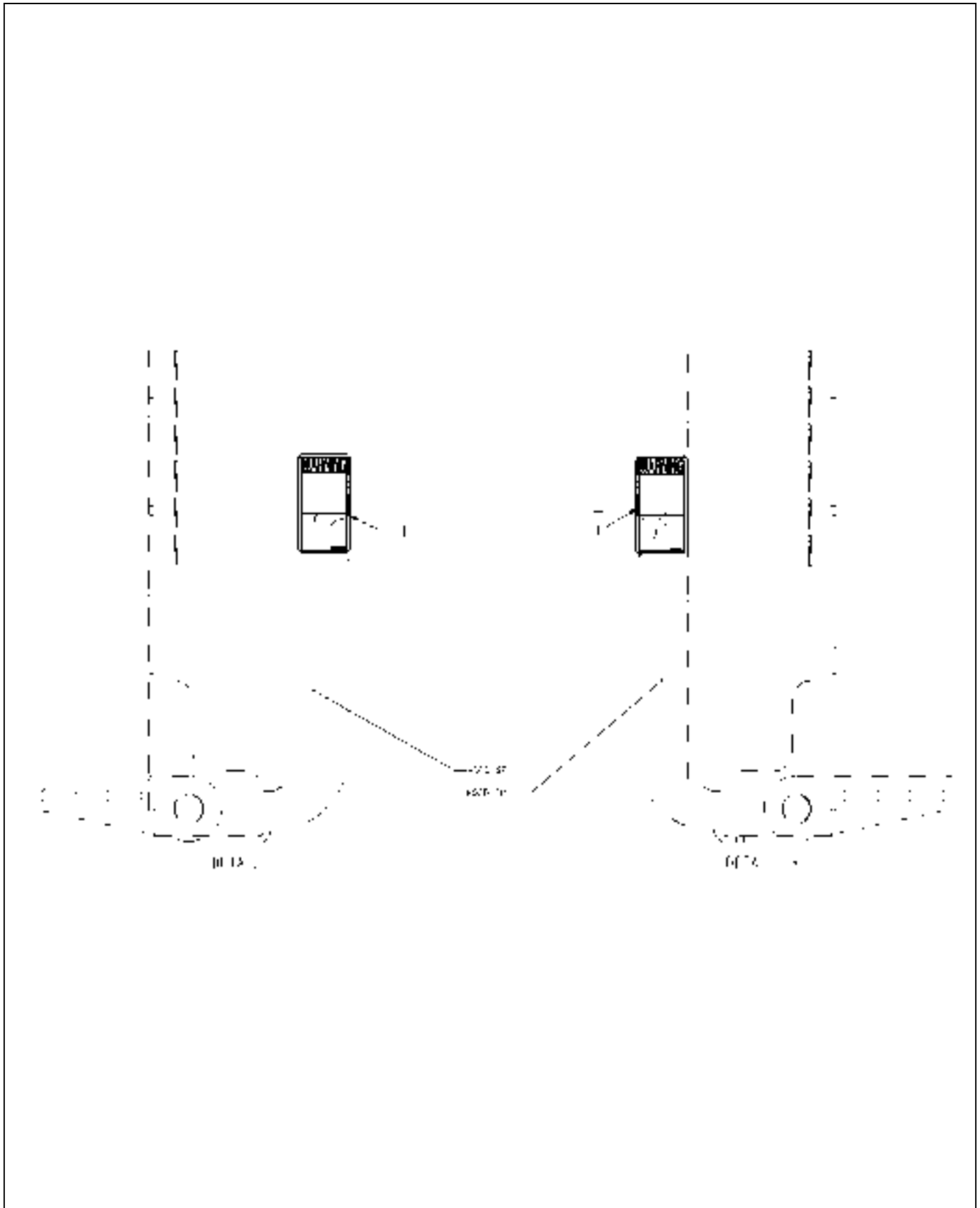
ITEM	PART #	QTY	DESCRIPTION	COMMENTS
2	511089D1	1	WARNING - RADAR HAZARD (NA)	
4	511127D1	2	WARNING - BURN HAZARD (NA)	
6	511199D1	1	WARNING - WEAR SEATBELT	
7	511201D1	1	DANGER - ELECTROCUTION	
8	511205D1	2	WARNING - TURN OFF ENGINE	
9	511207D1	2	WARNING - TURN OFF ENGINE	
11	511412D1	1	CRUSH HAZARD (NA)	
13	519608D1	1	DECAL-PINCH (NA)	
14	520100D1	1	DECAL-DIESEL FUEL	



523240D1-03-T562-03.TIF

DECAL INSTALL-SC7XXX,NA,STD HVAC

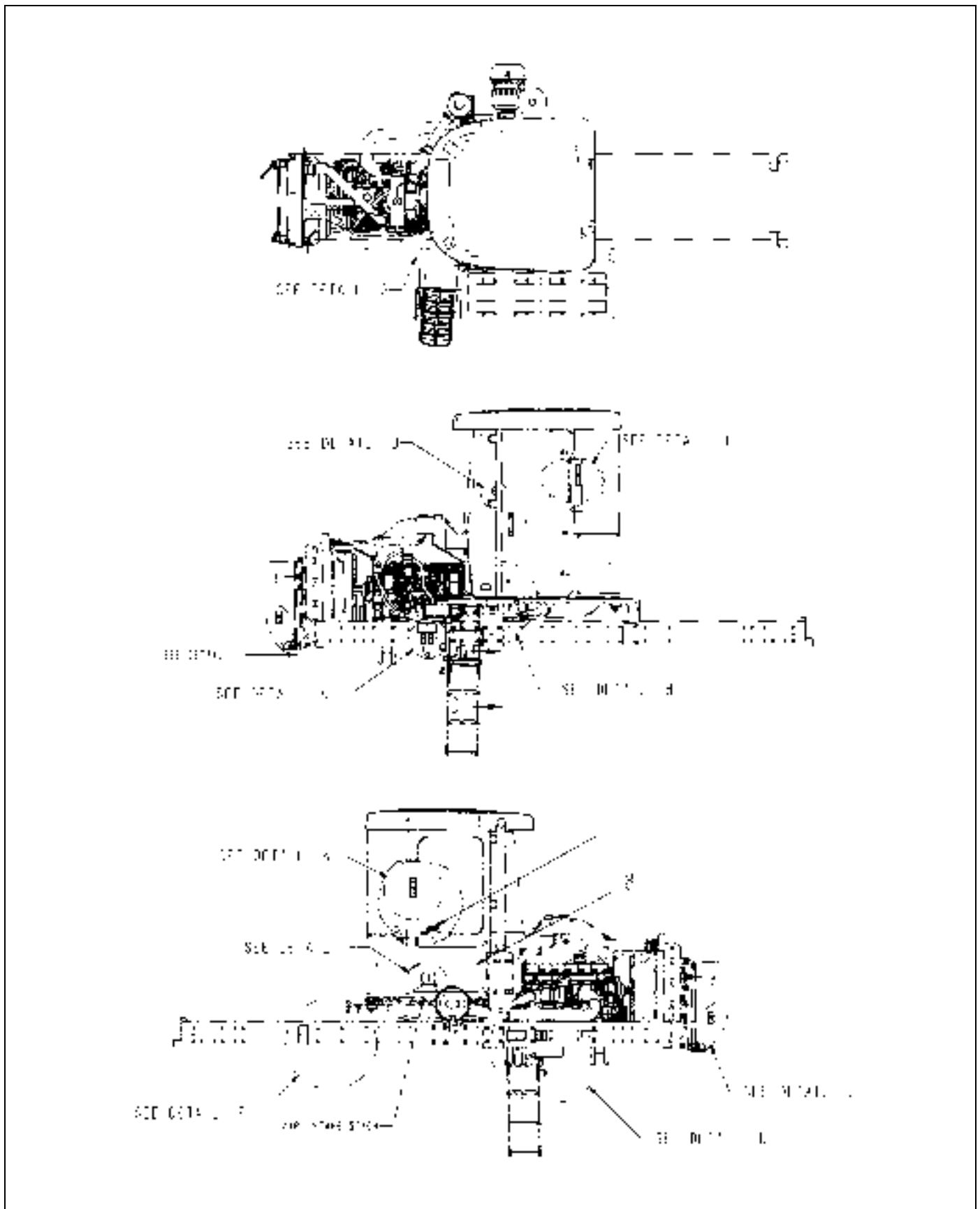
ITEM	PART #	QTY	DESCRIPTION	COMMENTS
3	511107D1	1	WARNING - READ MANUAL	
4	511127D1	2	WARNING - BURN HAZARD (NA)	
5	511133D1	1	DECAL-PRESSURIZED/ HOT FLUID	
8	511205D1	2	WARNING - TURN OFF ENGINE	
9	511207D1	2	WARNING - TURN OFF ENGINE	
10	511209D1	1	WARNING - INHALATION	
12	511415D1	1	WARNING - FALL HAZARD (NA)	
15	523250D1	1	DECAL-ETHER (NA)	
16	523252D1	1	DECAL-STARTER BYPASS (NA)	



523240D1-03-T562-04.TIF

DECAL INSTALL-SC7XXX,NA,STD HVAC

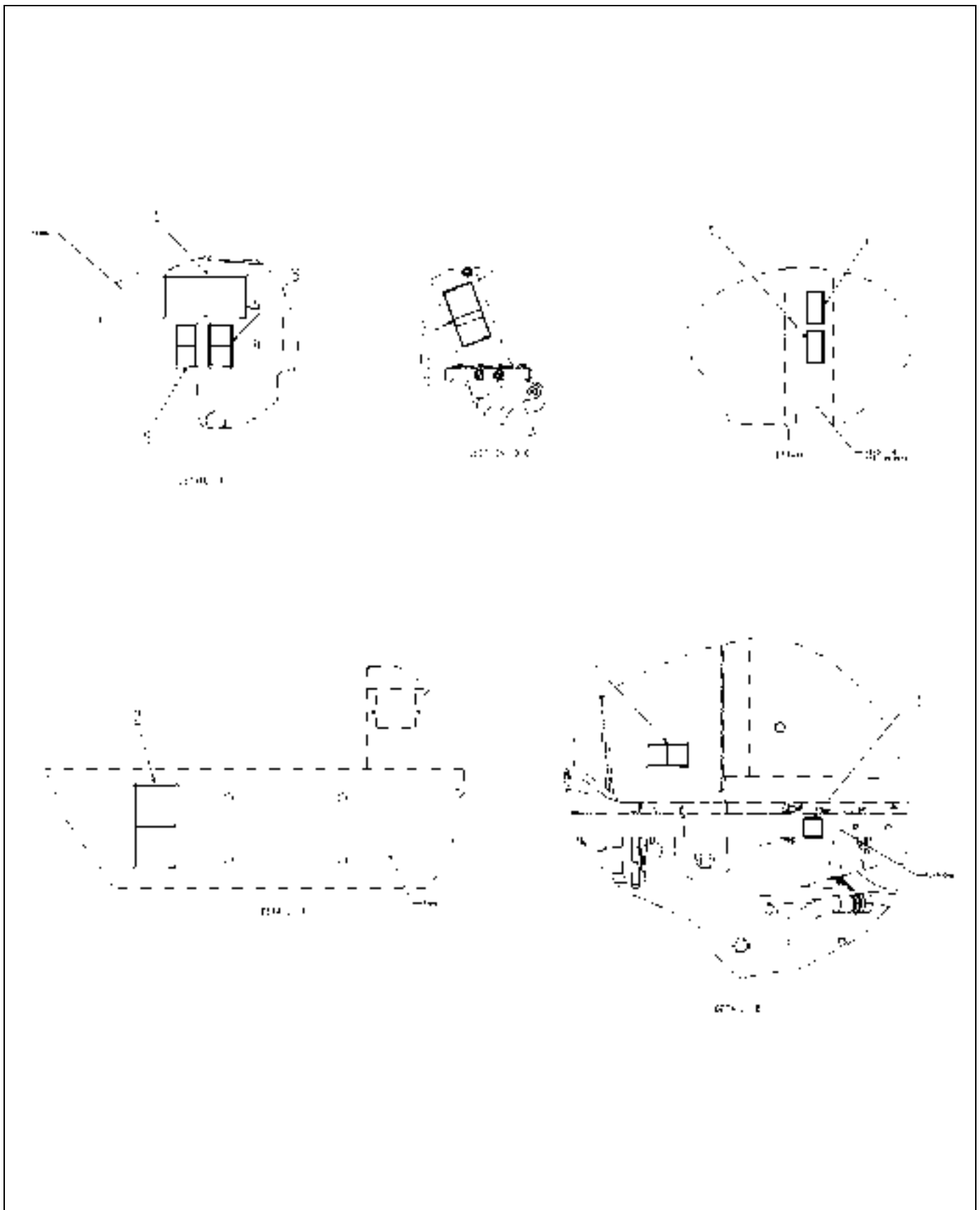
ITEM	PART #	QTY	DESCRIPTION	COMMENTS
17	524806D1	2	DECAL-EXPLOSION HAZARD(NA)	



523241D1-03-T562-01.TIF

DECAL INSTALL-SC7XXX,INT,STD HVA

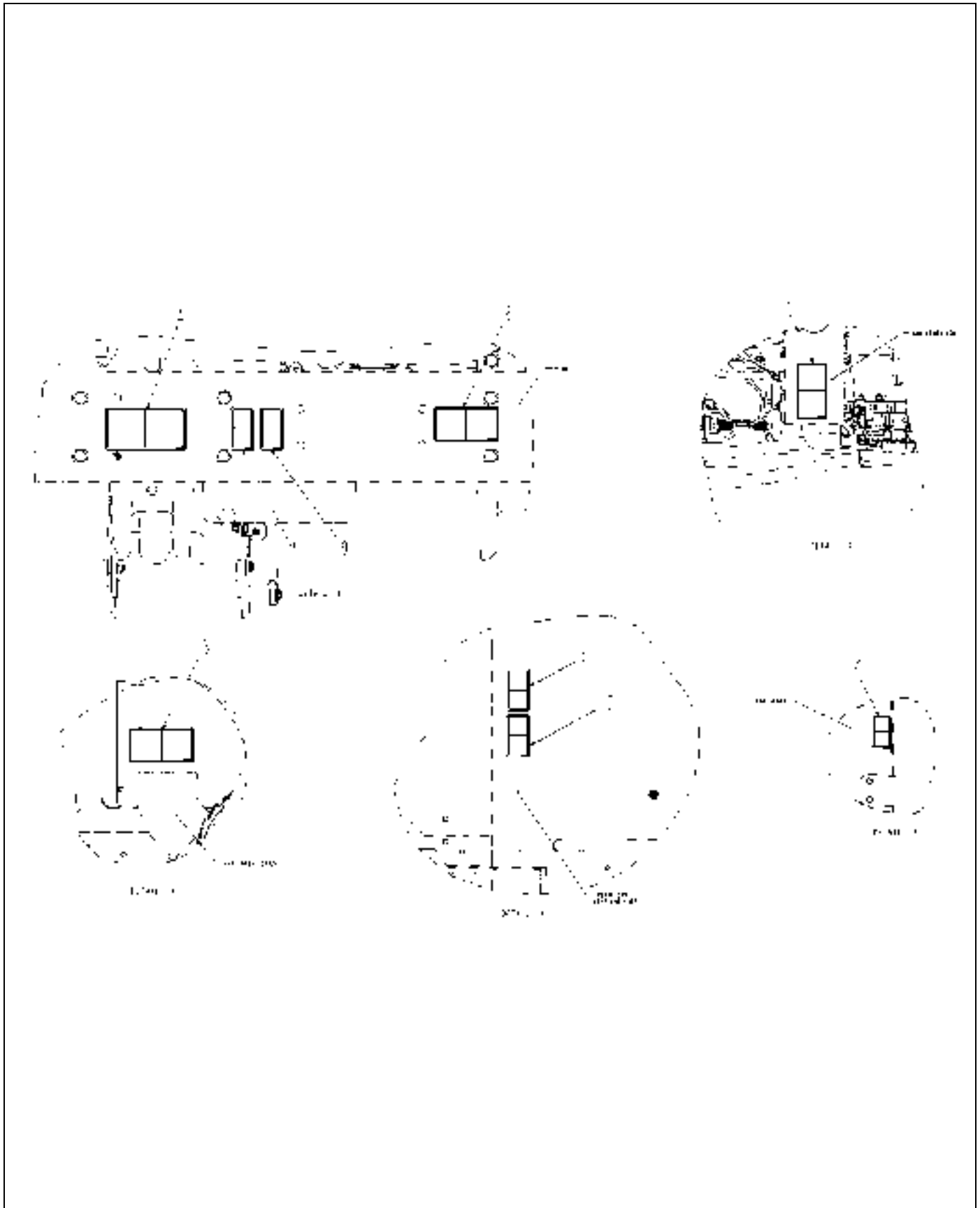
ITEM	PART #	QTY	DESCRIPTION	COMMENTS
1	501272D1	1	FILM-ATERNATE EXIT	
18	528432D1	1	DECAL-FUSE PANEL,7X60	



523241D1-03-T562-02.TIF

DECAL INSTALL-SC7XXX,INT,STD HVA

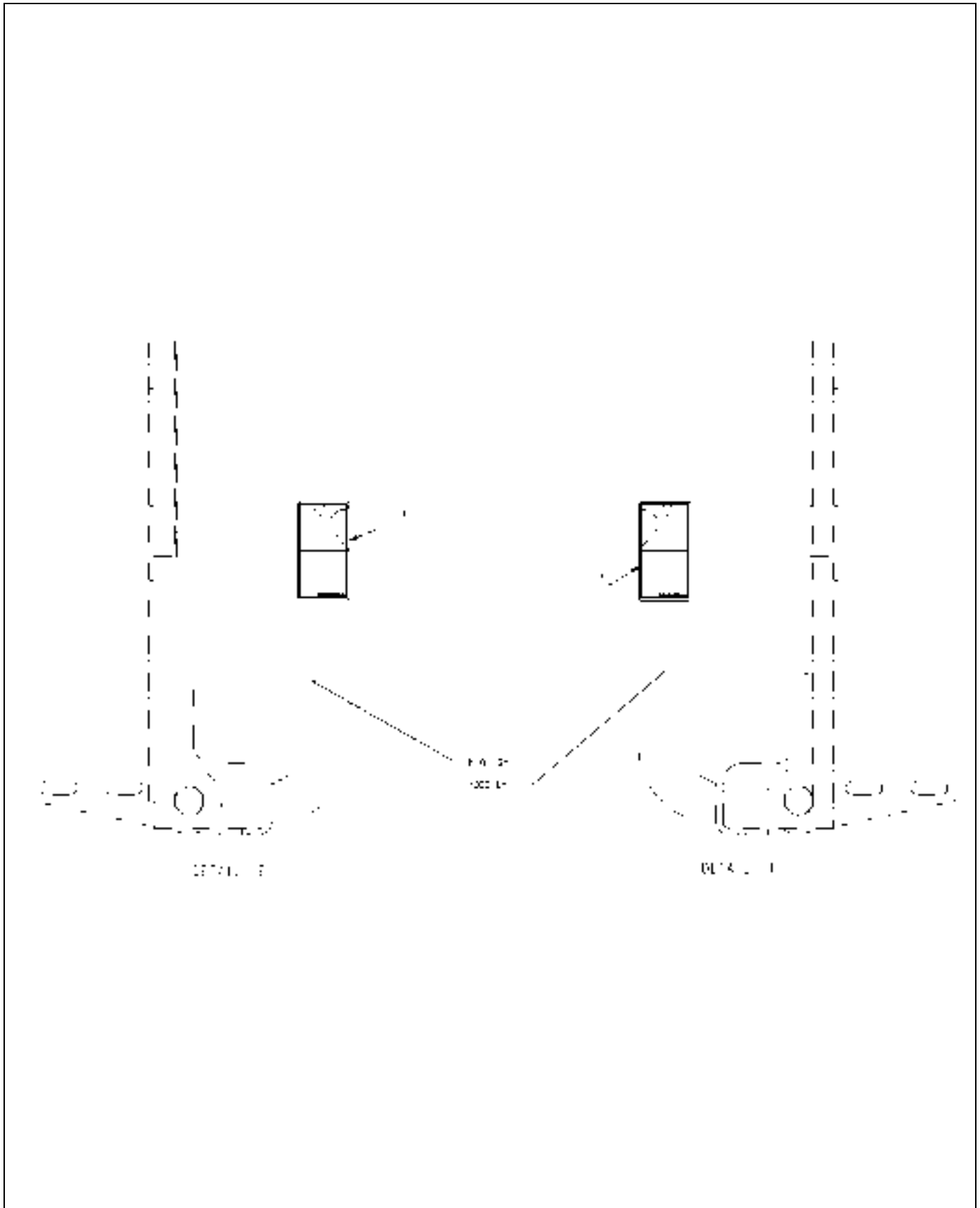
ITEM	PART #	QTY	DESCRIPTION	COMMENTS
2	511090D1	1	WARNING - RADAR HAZARD (INT)	
4	511128D1	2	WARNING - BURN HAZARD (INT)	
6	511200D1	1	WARNING - WEAR SEATBELT	
7	511202D1	1	DANGER - ELECTROCUTION	
8	511206D1	2	WARNING - TURN OFF ENGINE	
9	511208D1	2	WARNING - TURN OFF ENGINE	
11	511413D1	1	CRUSH HAZARD (INT)	
13	519609D1	1	DECAL-PINCH (INT)	
14	520100D1	1	DECAL-DIESEL FUEL	



523241D1-03-T562-03.TIF

DECAL INSTALL-SC7XXX,INT,STD HVA

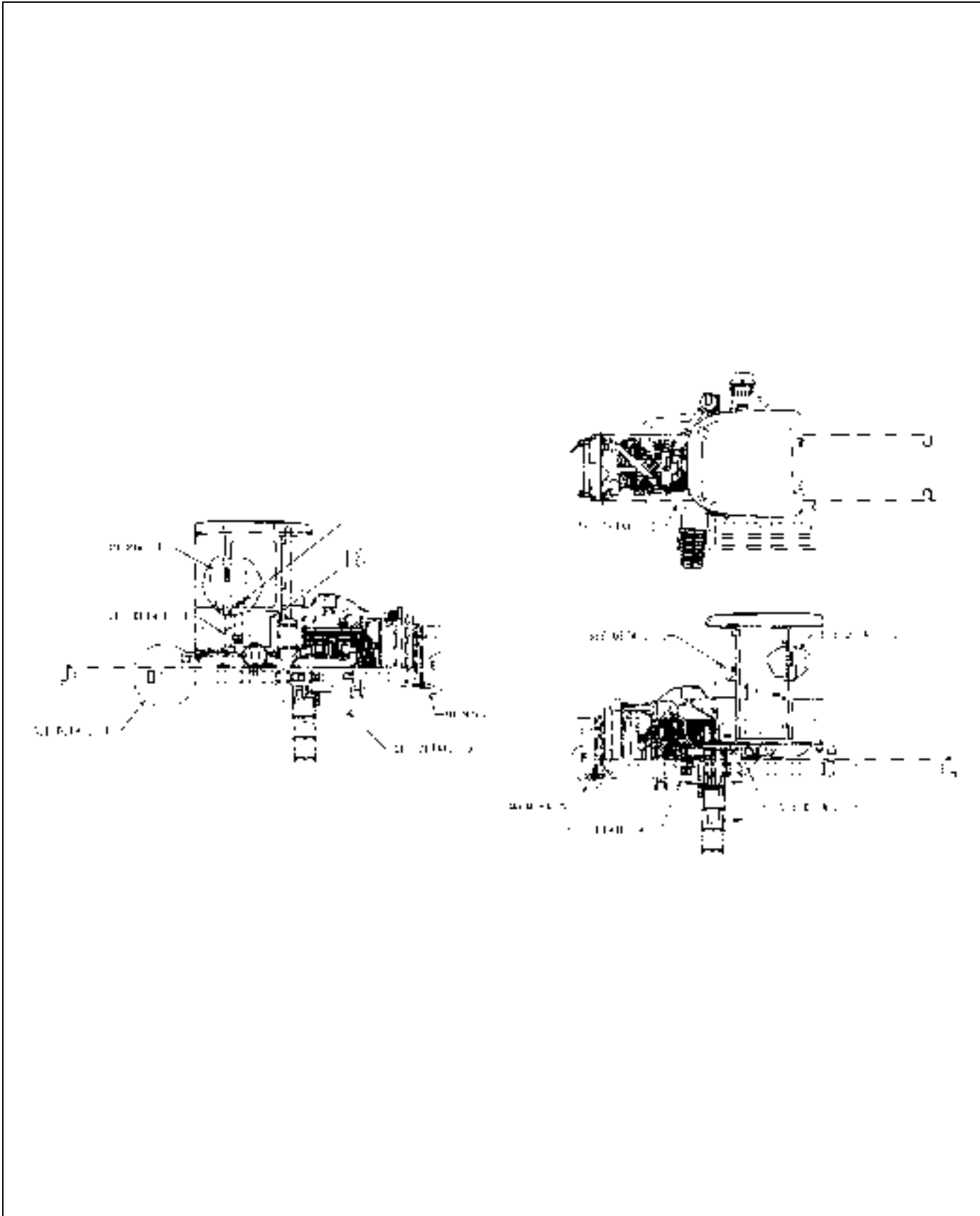
ITEM	PART #	QTY	DESCRIPTION	COMMENTS
3	511108D1	1	WARNING - READ MANUAL	
4	511128D1	2	WARNING - BURN HAZARD (INT)	
5	511134D1	1	DECAL-PRESSURIZED/ HOT FLUID	
8	511206D1	2	WARNING - TURN OFF ENGINE	
9	511208D1	2	WARNING - TURN OFF ENGINE	
10	511210D1	1	WARNING - INHALATION	
12	511416D1	1	WARNING - FALL HAZARD (INT)	
15	523251D1	1	DECAL-ETHER (INT)	
16	523253D1	1	DECAL-STARTER BYPASS (INT)	



523241D1-03-T562-04.TIF

DECAL INSTALL-SC7XXX,INT,STD HVA

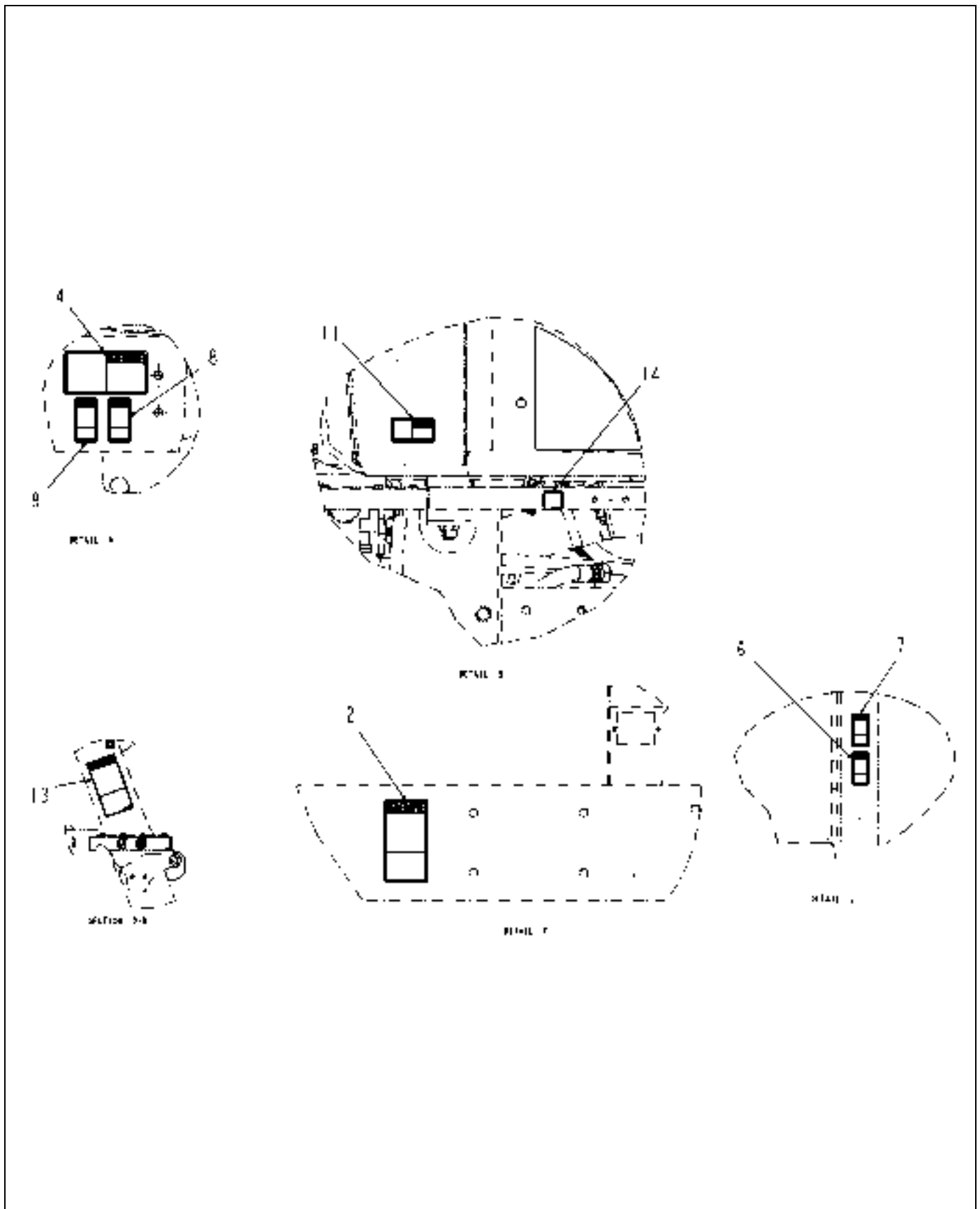
ITEM	PART #	QTY	DESCRIPTION	COMMENTS
17	524807D1	2	DECAL-EXPLOSION HAZARD(INT)	



523246D1-03-T562-01.TIF

DECAL INSTALL-SC7XXX,NA,ATC HVAC

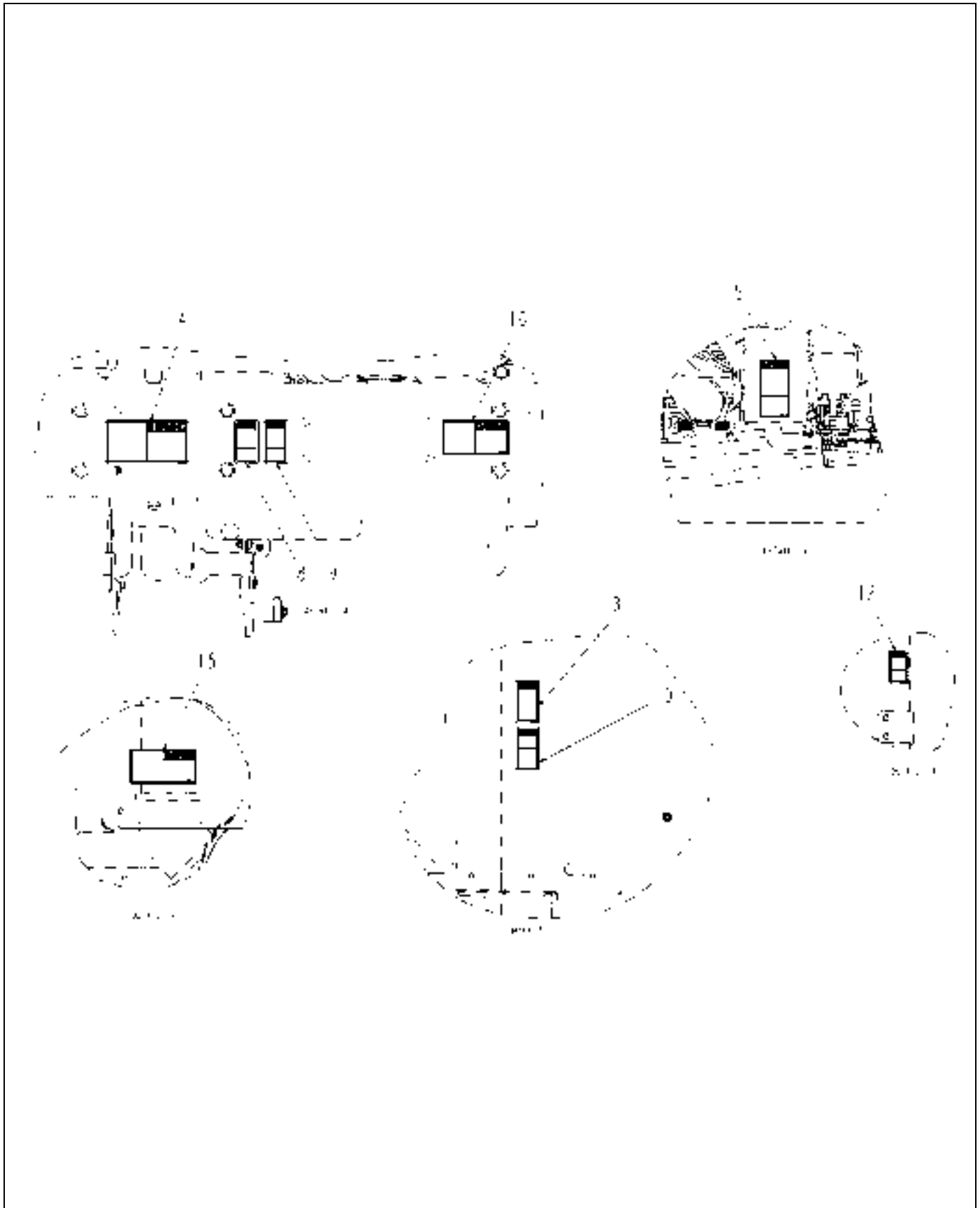
ITEM	PART #	QTY	DESCRIPTION	COMMENTS
1	501272D1	1	FILM-ATERNATE EXIT	
18	528431D1	1	DECAL-FUSE PANEL,7X60,ATC	



523246D1-03-T562-02.TIF

DECAL INSTALL-SC7XXX,NA,ATC HVAC

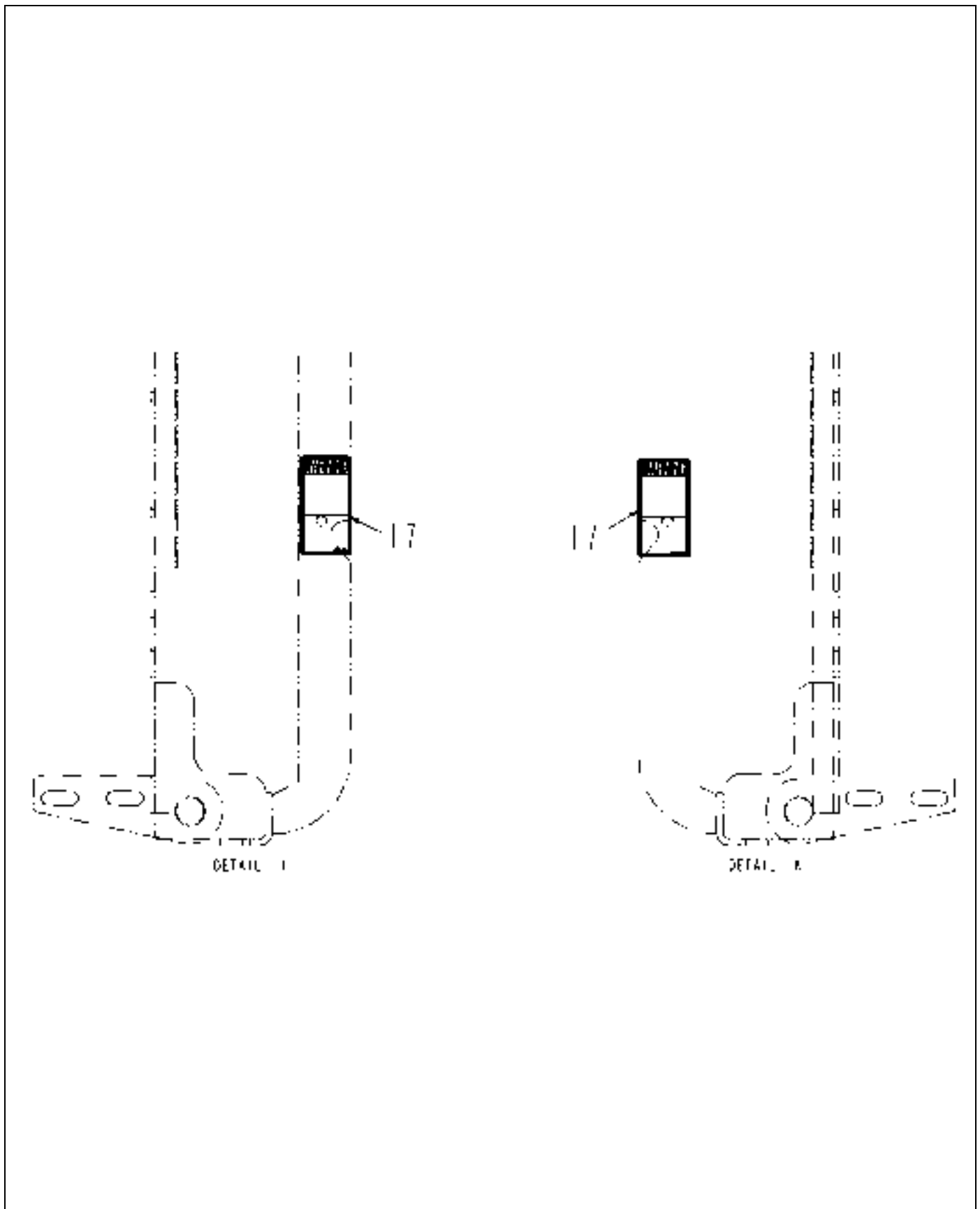
ITEM	PART #	QTY	DESCRIPTION	COMMENTS
2	511089D1	1	WARNING - RADAR HAZARD (NA)	
4	511127D1	2	WARNING - BURN HAZARD (NA)	
6	511199D1	1	WARNING - WEAR SEATBELT	
7	511201D1	1	DANGER - ELECTROCUTION	
8	511205D1	2	WARNING - TURN OFF ENGINE	
9	511207D1	2	WARNING - TURN OFF ENGINE	
11	511412D1	1	CRUSH HAZARD (NA)	
13	519608D1	1	DECAL-PINCH (NA)	
14	520100D1	1	DECAL-DIESEL FUEL	



523246D1-03-T562-03.TIF

DECAL INSTALL-SC7XXX,NA,ATC HVAC

ITEM	PART #	QTY	DESCRIPTION	COMMENTS
3	511107D1	1	WARNING - READ MANUAL	
4	511127D1	2	WARNING - BURN HAZARD (NA)	
5	511133D1	1	DECAL-PRESSURIZED/ HOT FLUID	
8	511205D1	2	WARNING - TURN OFF ENGINE	
9	511207D1	2	WARNING - TURN OFF ENGINE	
10	511209D1	1	WARNING - INHALATION	
12	511415D1	1	WARNING - FALL HAZARD (NA)	
15	523250D1	1	DECAL-ETHER (NA)	
16	523252D1	1	DECAL-STARTER BYPASS (NA)	



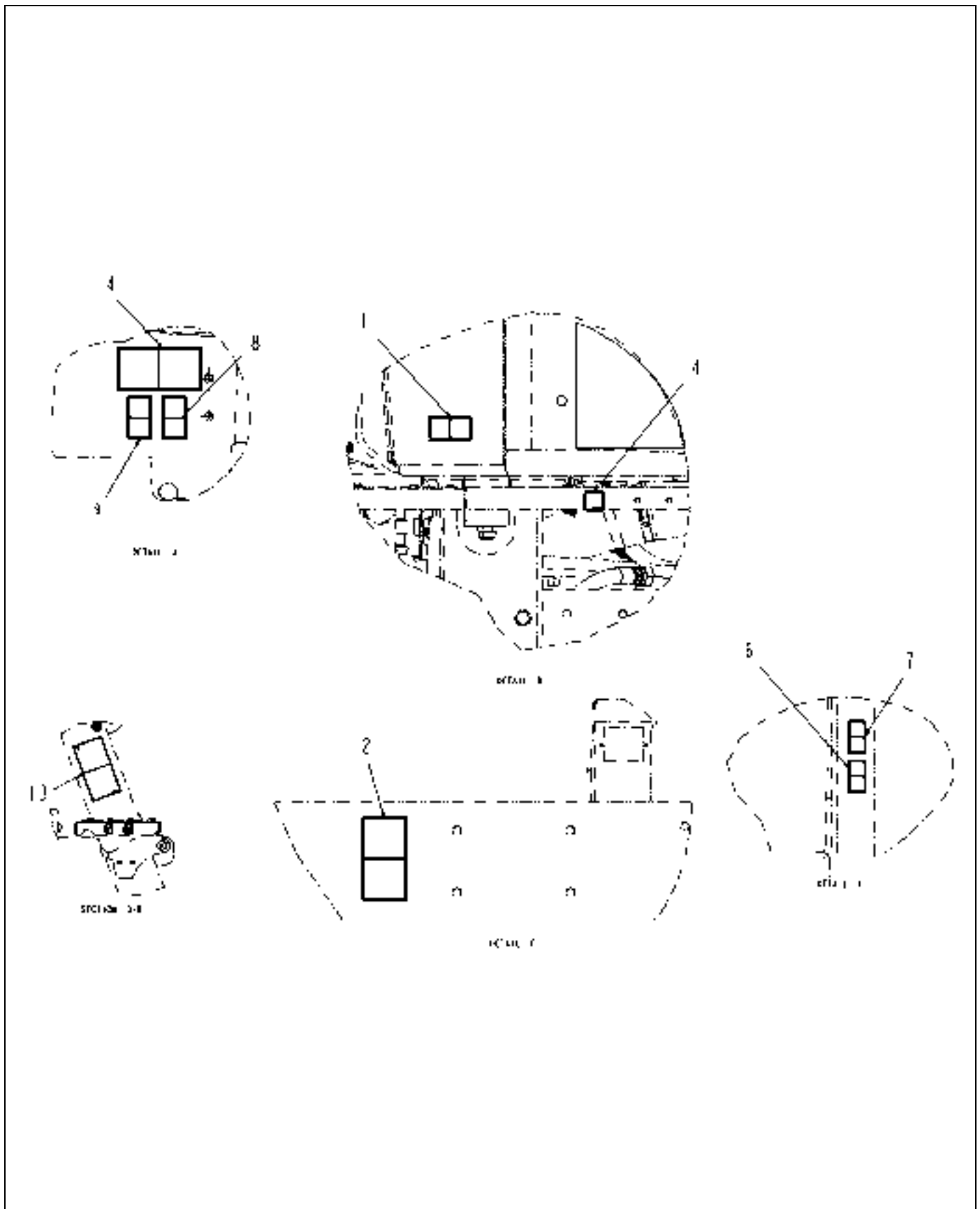
523246D1-03-T562-04.TIF

DECAL INSTALL-SC7XXX,NA,ATC HVAC

ITEM	PART #	QTY	DESCRIPTION	COMMENTS
17	524806D1	2	DECAL-EXPLOSION HAZARD(NA)	

DECAL INSTALL-SC7XXX,INT,ATC HVA

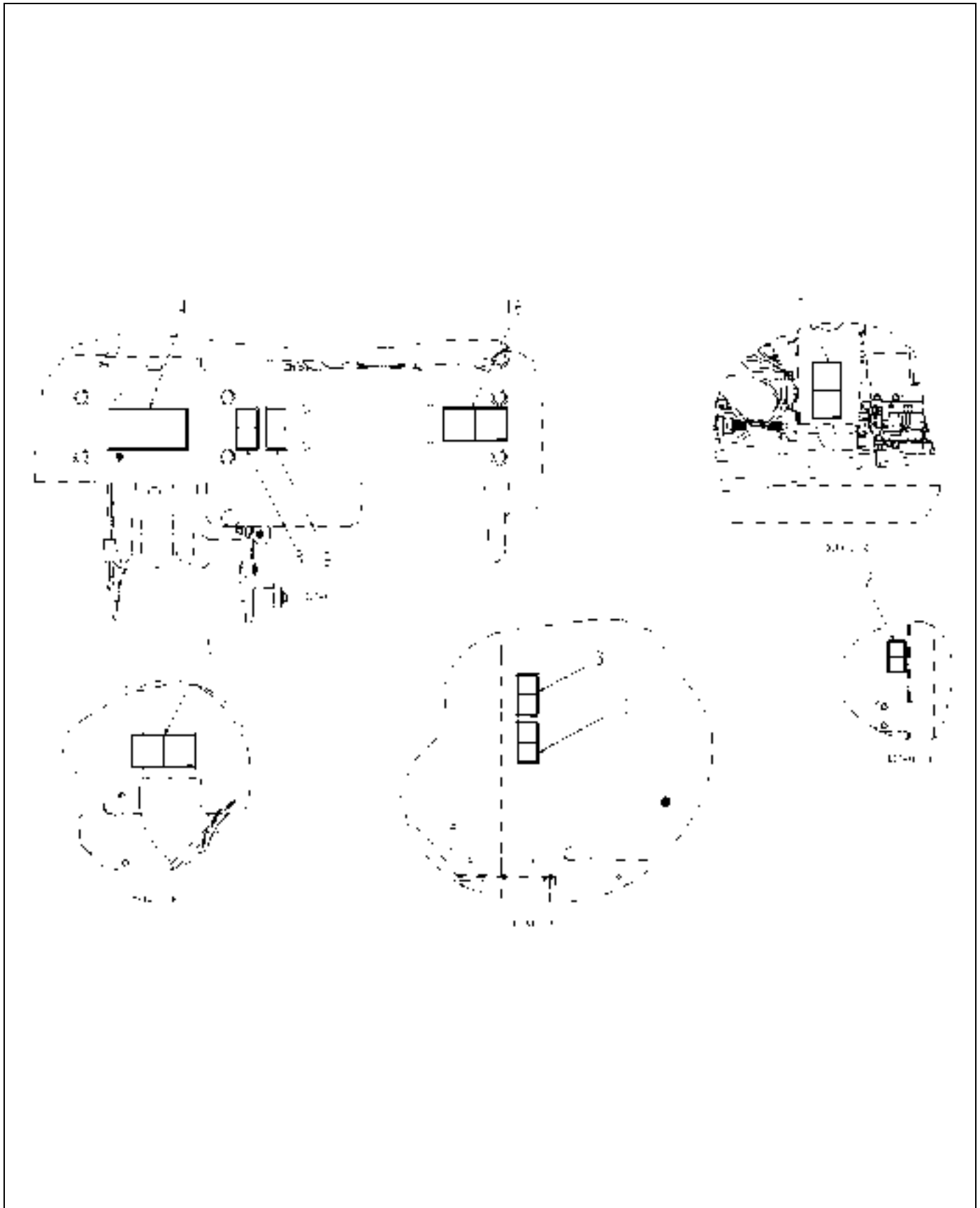
ITEM	PART #	QTY	DESCRIPTION	COMMENTS
1	501272D1	1	FILM-ATERNATE EXIT	
18	528431D1	1	DECAL-FUSE PANEL,7X60,ATC	



523247D1-03-T562-02.TIF

DECAL INSTALL-SC7XXX,INT,ATC HVA

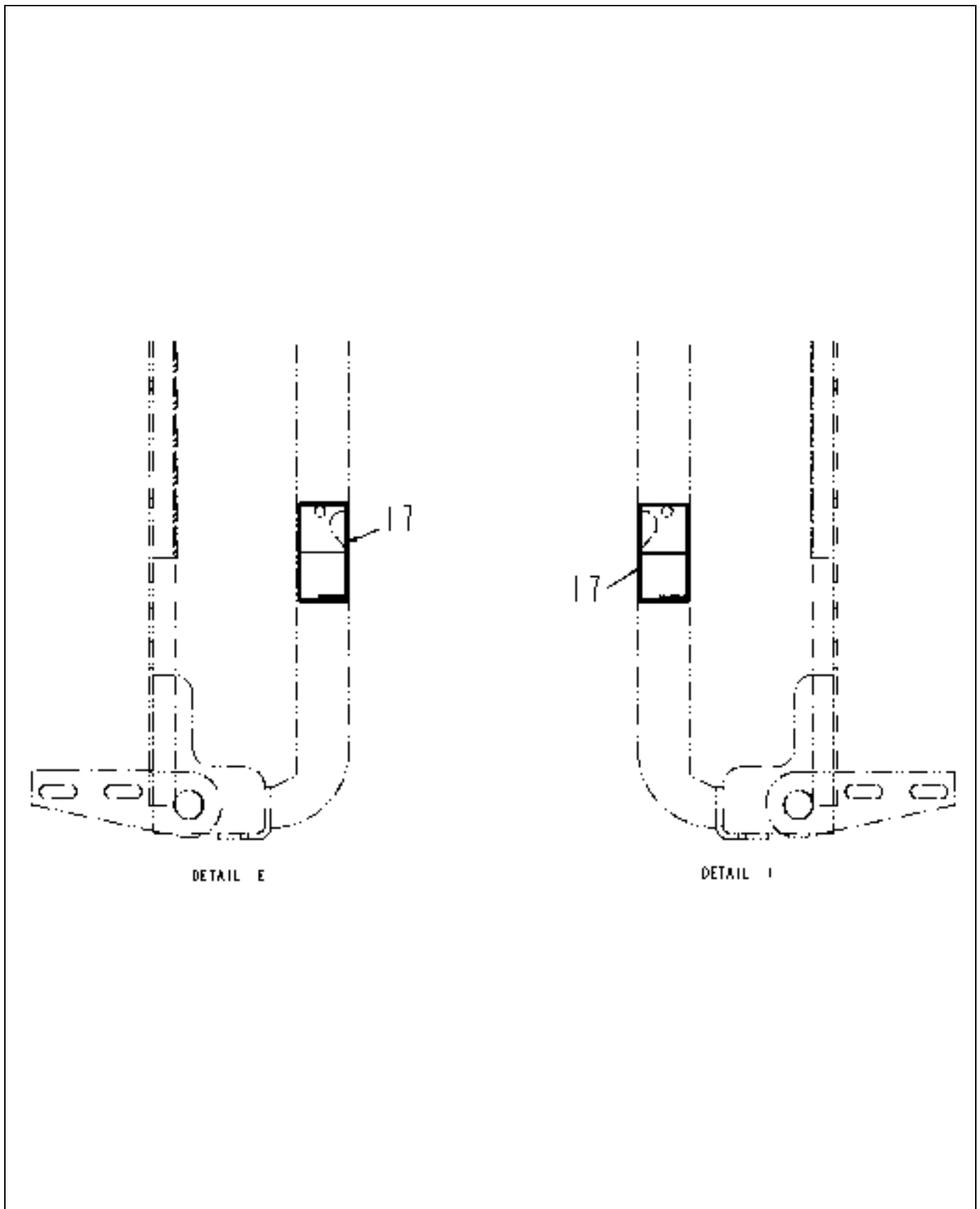
ITEM	PART #	QTY	DESCRIPTION	COMMENTS
2	511090D1	1	WARNING - RADAR HAZARD (INT)	
4	511128D1	2	WARNING - BURN HAZARD (INT)	
6	511200D1	1	WARNING - WEAR SEATBELT	
7	511202D1	1	DANGER - ELECTROCUTION	
8	511206D1	2	WARNING - TURN OFF ENGINE	
9	511208D1	2	WARNING - TURN OFF ENGINE	
11	511413D1	1	CRUSH HAZARD (INT)	
13	519609D1	1	DECAL-PINCH (INT)	
14	520100D1	1	DECAL-DIESEL FUEL	



523247D1-03-T562-03.TIF

DECAL INSTALL-SC7XXX,INT,ATC HVA

ITEM	PART #	QTY	DESCRIPTION	COMMENTS
3	511108D1	1	WARNING - READ MANUAL	
4	511128D1	2	WARNING - BURN HAZARD (INT)	
5	511134D1	1	DECAL-PRESSURIZED/ HOT FLUID	
8	511206D1	2	WARNING - TURN OFF ENGINE	
9	511208D1	2	WARNING - TURN OFF ENGINE	
10	511210D1	1	WARNING - INHALATION	
12	511416D1	1	WARNING - FALL HAZARD (INT)	
15	523251D1	1	DECAL-ETHER (INT)	
16	523253D1	1	DECAL-STARTER BYPASS (INT)	

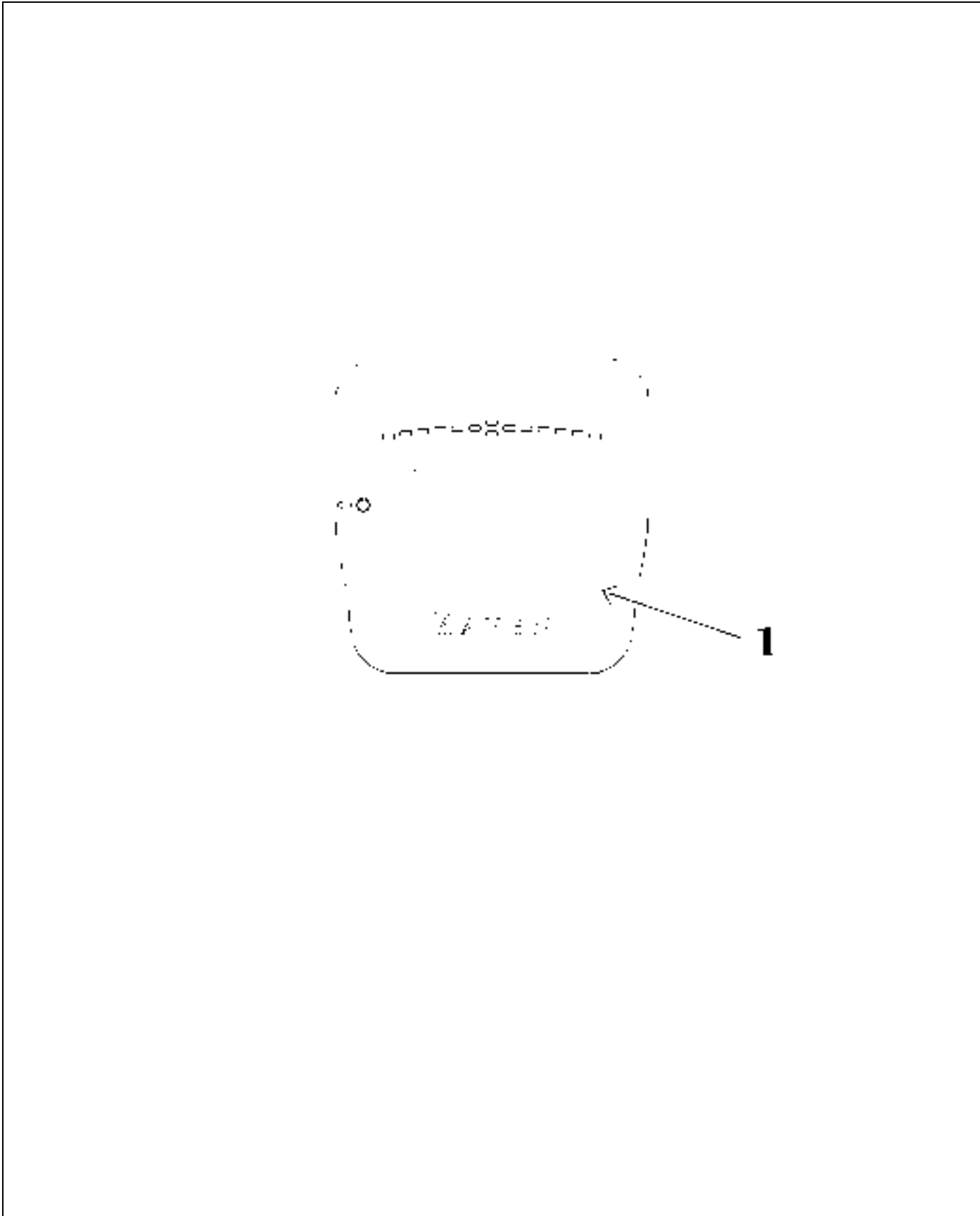


523247D1-03-T562-04.TIF

DECAL INSTALL-SC7XXX,INT,ATC HVA

ITEM	PART #	QTY	DESCRIPTION	COMMENTS
17	524807D1	2	DECAL-EXPLOSION HAZARD(INT)	

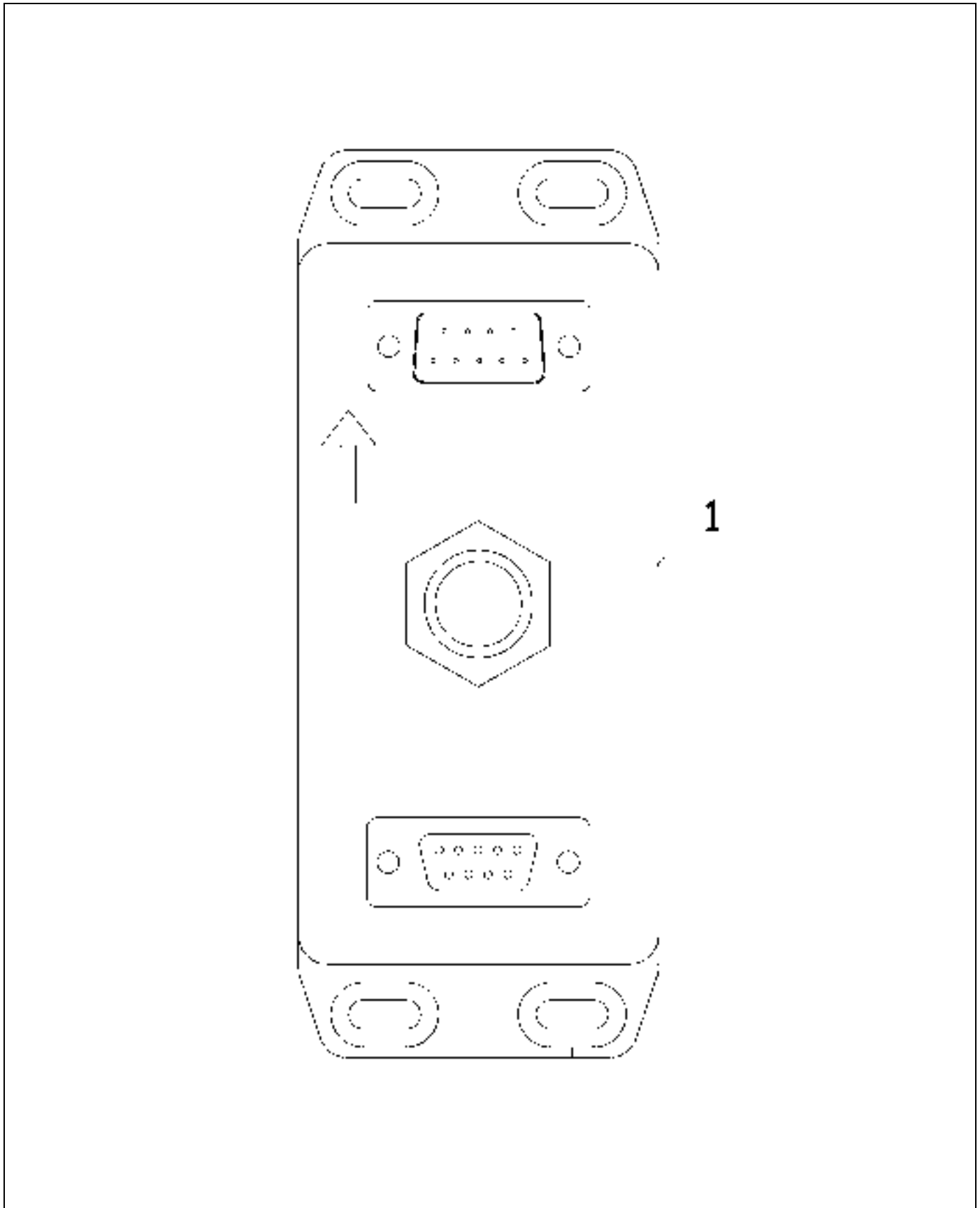
KIT-ENVISIO PLUS,RAVEN	13-1
KIT-SENSOR,TILT	13-2
CONSOLE INSTALL-RAVEN 4000	13-3



514592D1-01-N828-.TIF

KIT-ENVISIO PLUS,RAVEN

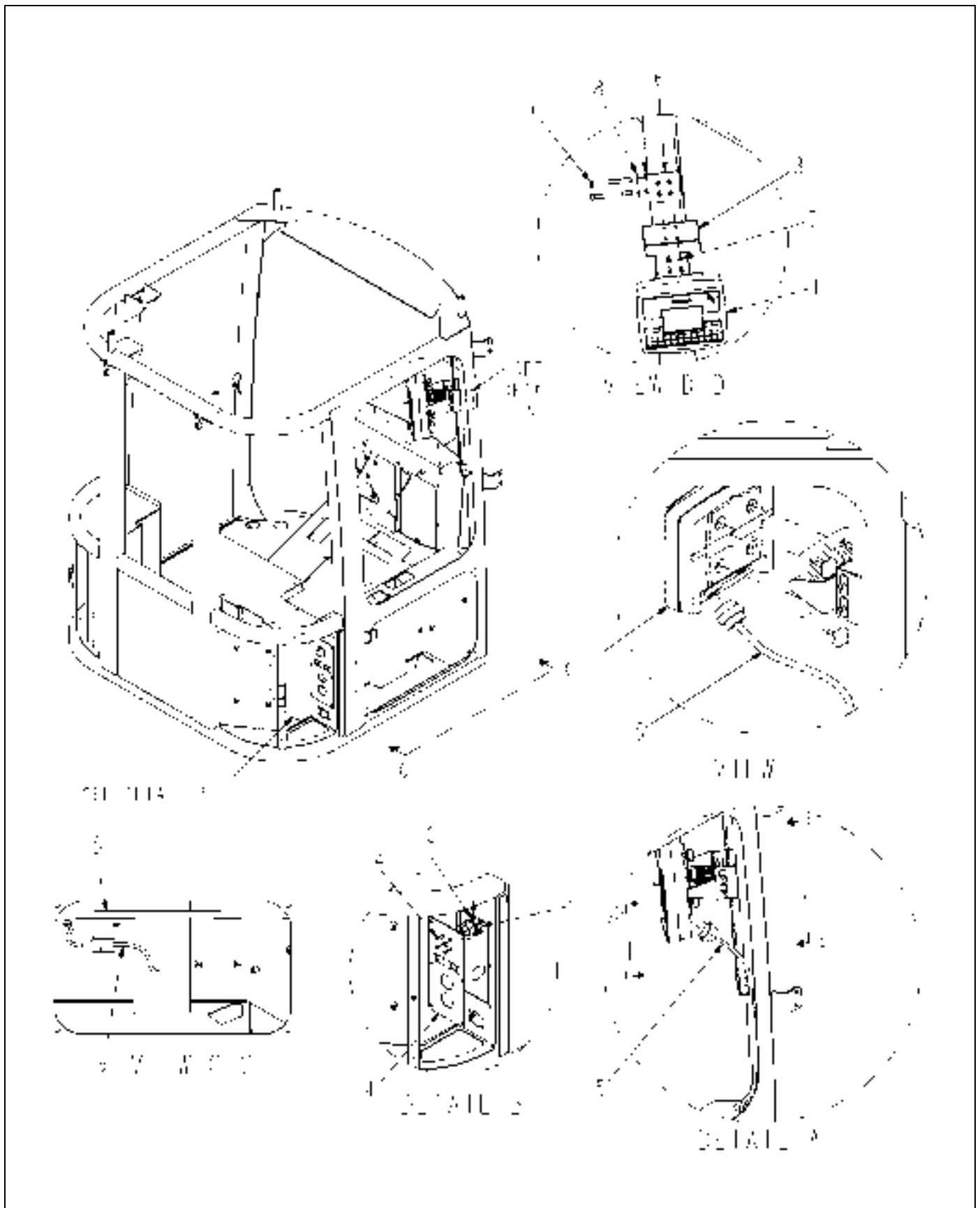
ITEM	PART #	QTY	DESCRIPTION	COMMENTS
REF	514596D1	1	CABLE-CAN,6 FT ,W/TEE	
REF	514823D1	1	MANUAL-ENVISIO	
REF	514594D1	1	CABLE-CONSOLE,ENVISIO	
REF	AG058428	1	CABLE PC INTERFACE 210 M/S	
REF	523064D1	1	CABLE-ENVISIO TO LIGHTBAR	
1	514593D1	1	CONSOLE-ENVIZIO PLUS	



517803D1-01-N828-.TIF

KIT-SENSOR,TILT

ITEM	PART #	QTY	DESCRIPTION	COMMENTS
REF	523007D1	-	MANUAL-TILT SENSOR, TM-1	
REF	523008D1	-	CABLE-INTERFACE, TILT SENSOR	
1	517804D1	-	SENSOR-TILT	

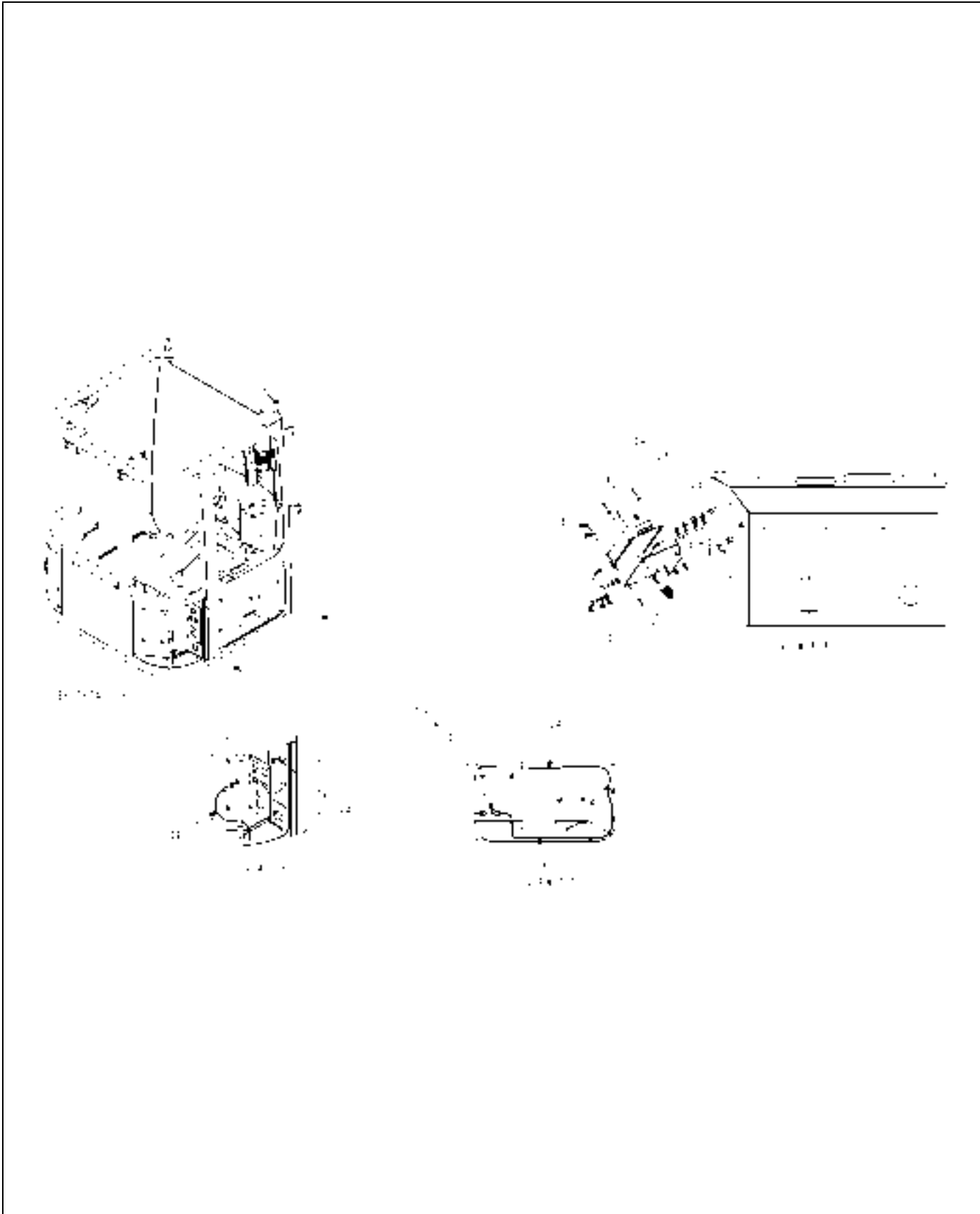


127649-03-R516-.TIF

CONSOLE INSTALL-RAVEN 4000

ITEM	PART #	QTY	DESCRIPTION	COMMENTS
1	518447D1	1	CONSOLE-RAVEN 5000	
2	WR126886	-	HARNES-ADAPTER	
3	AG127137	1	BRKT WLDMT-CONSOLE MOUNT	
4	WR127138	-	PLATE-BULKHEAD	
5	AG127341	1	HARNES-PWR,RVN 4000	
6	AG326925	1	CLAMP WLDMT-MTG,CTRL/MONITOR	
7	AG523508	4	SCR-M5-0.8X16,CL10.9,BLK,BHHS	
8	AG551007	2	WASHER 0.37 FL ZN REG TYPE-B	
9	AG562364	2	BOLT M10-1.5X100MM G8.8 ZN HHD	
10	AG563174	4	WASHER #4 FL SS NAR TYPE-B	
11	AG563175	4	NUT #4-40NC HEX SS REG NY	
12	AG710181	4	SCREW #4-40 X .50LG PAN HD SS	

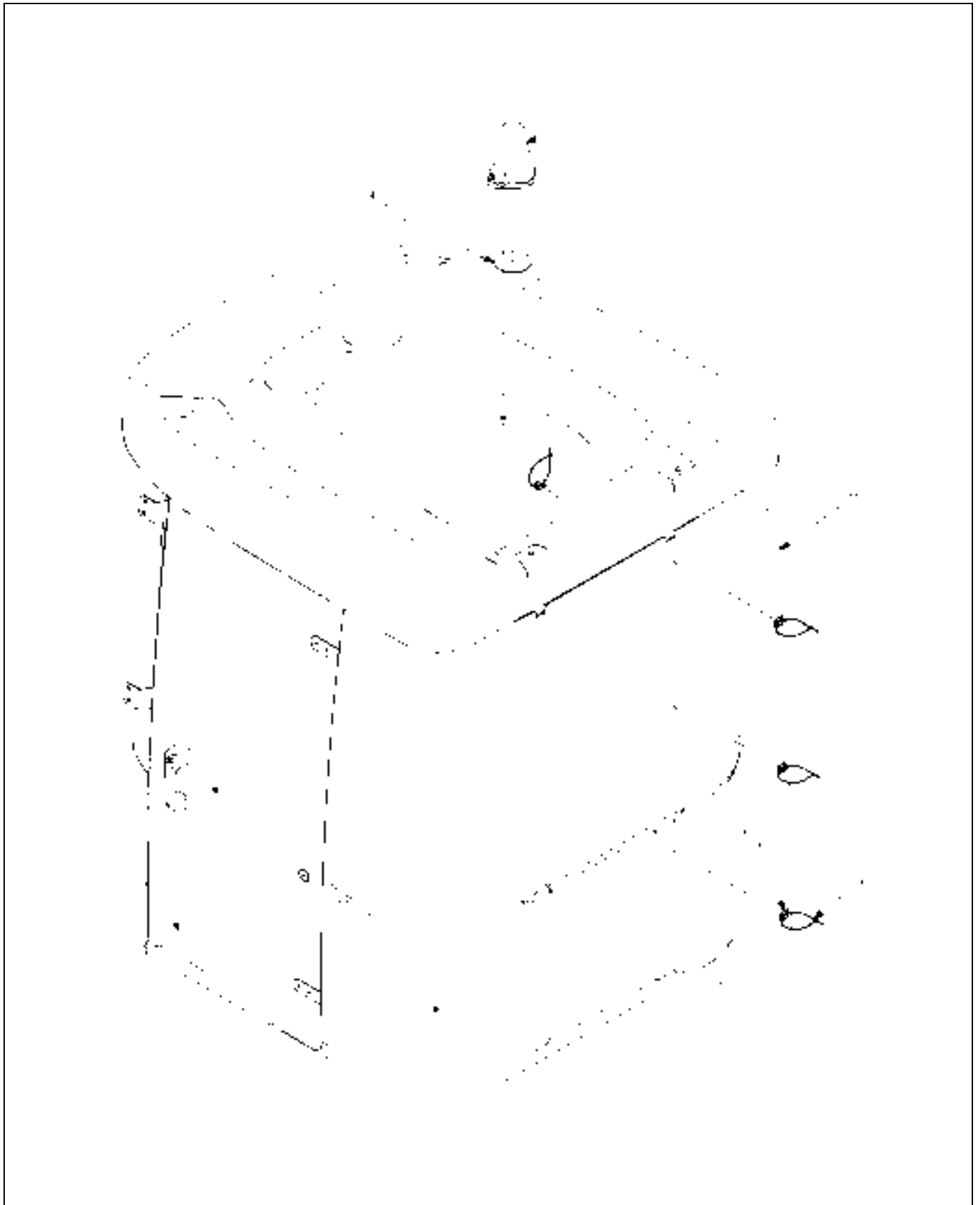
OPT-GPS,PHOENIX 300,SC7000	14-1
OPT-GPS,PHOENIX 300,SC7000	14-2
OPT-GPS,PHOENIX 200,SC7000	14-3
OPT-GPS,PHOENIX 200,SC7000	14-4
OPT-GPS,RPR 100S,SC7000	14-5
OPT-GPS,RPR 100S,SC7000	14-6
CONTROLLER INSTALL-VIPER PRO,SC	14-7



515147D1-03-N828-01.TIF

OPT-GPS,PHOENIX 300,SC7000

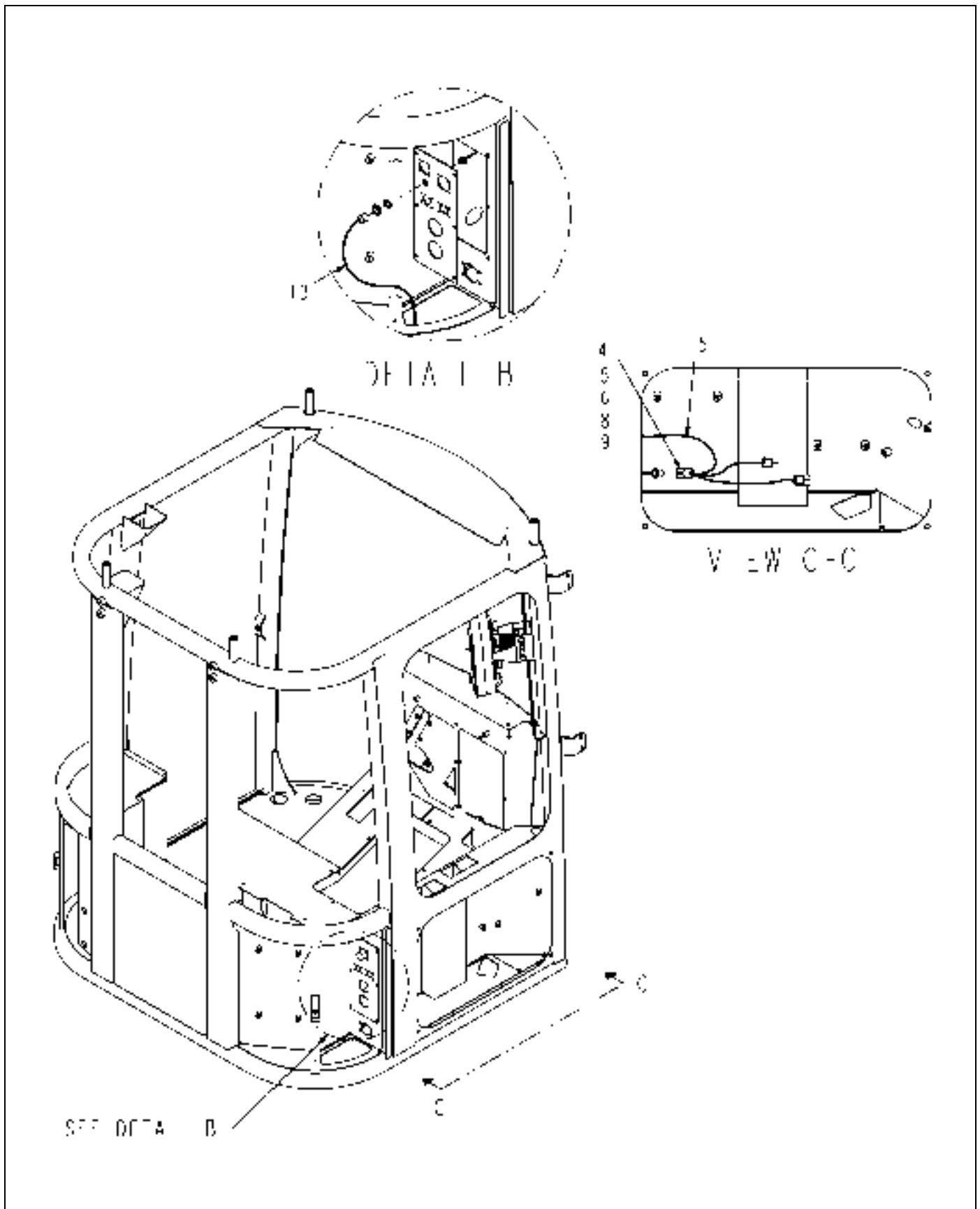
ITEM	PART #	QTY	DESCRIPTION	COMMENTS
1	AG120615	1	DISC-MTG,ANTENNA,GPS	
2	WR129240	1	BRKT-MTG,RCVR,GPS	
3	514824D1	1	KIT-GPS,PHOENIX 300	
4	514825D1	-	RECEIVER-GPS,PHOENIX 300	
6	AG515764	2	SEAL CABLE GREEN REEL 18-16 GA	
7	AG515766	1	CAVITY PLUG	
8	AG517618	1	CONNECTOR MA 3 WAY 280 SEALED	
10	AG519288	2	TERM METRI-PACK M280/20-16 GA	
11	AG520270	1	LOCK-METRIPACK,280/3 WAY	
12	AG520880	2	WASHER-FL,M8,ZN,REG	
13	WR522279	2	BOLT-M8-1.25X20,CL10.9,ZN,HHD	
16	AG550914	4	WASHER #8 LK ZN REG	
17	AG550922	4	NUT #8-32NC HEX ZN REG	
18	AG550930	4	SCREW 8-32 X.75 MA ZN SL RD HD	
20	AG561679	2	WASHER LOCK M8 ZN	
21	AG562196	8	WASHER #8 FL ZN SAE TYPE-A	
22	AG610620	-	CABLE-ANTENNA,15FT (523335)	
23	AG610624	-	CABLE-POWER,RCVR (523353)	
24	WR129373	1	CABLE-ANTENNA,CAB	
25	AG058428	-	CABLE PC INTERFACE 210 M/S	
26	AG123946	-	CABLE-DATA,7 FT	



515147D1-03-N828-02.TIF

OPT-GPS,PHOENIX 300,SC7000

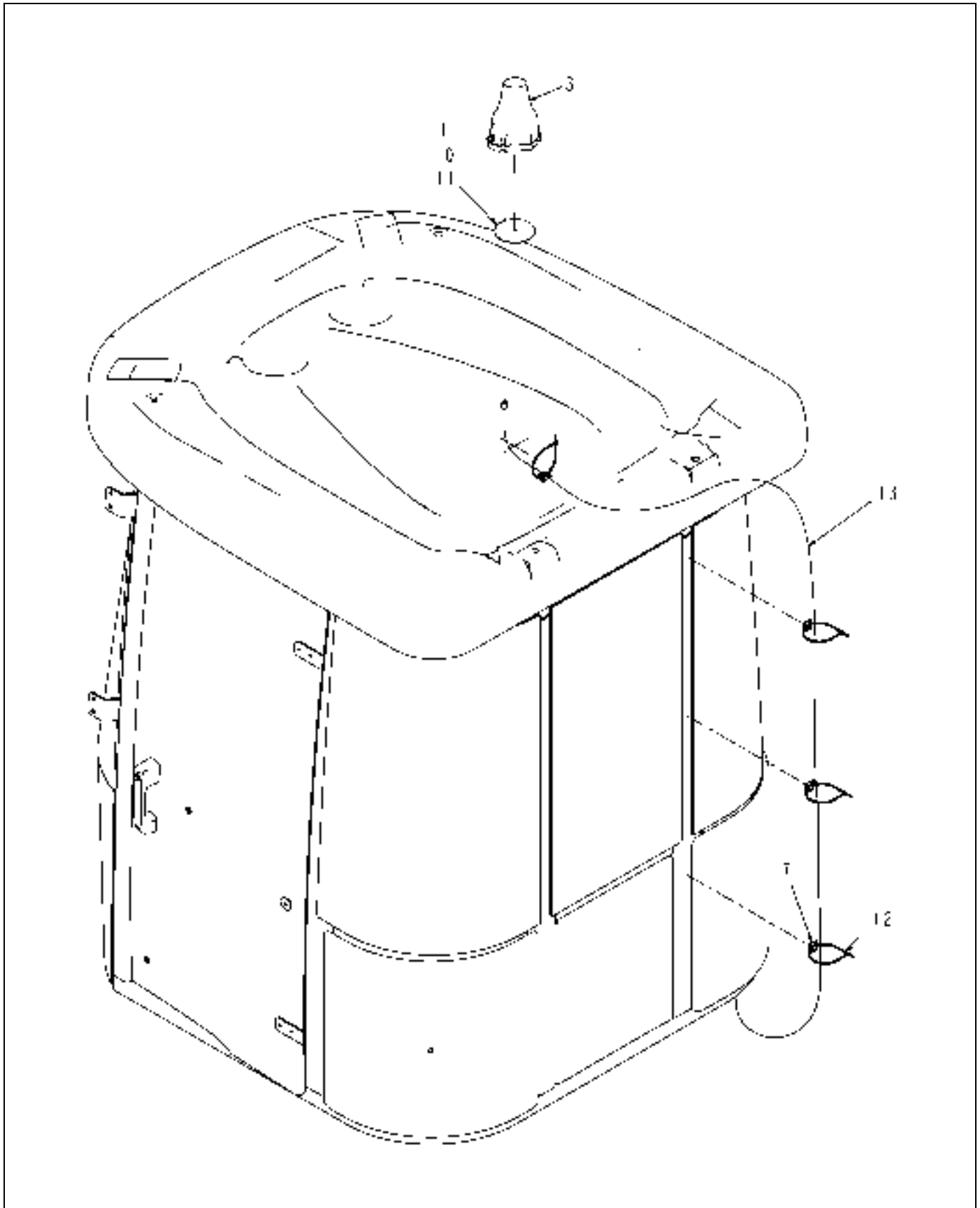
ITEM	PART #	QTY	DESCRIPTION	COMMENTS
5	514826D1	-	ANTENNA-GPS,PHOENIX 300	
9	AG517942	AR	MOUNT WIRE TIE ADHESIVE B 4WAY	
14	AG523200	AR	3M 94 1/2 PT TAPE PRIMER	
15	AG523201	-	TAPE-ADHESIVE,4.00,HIGH BOND [BULK: 0.330 FT]	
19	AG553557	AR	TIE CABLE 7.37 .06-1.37 BLACK	
22	AG610620	-	CABLE-ANTENNA,15FT (523335)	



516413D1-01-R107-01.TIF

OPT-GPS,PHOENIX 200,SC7000

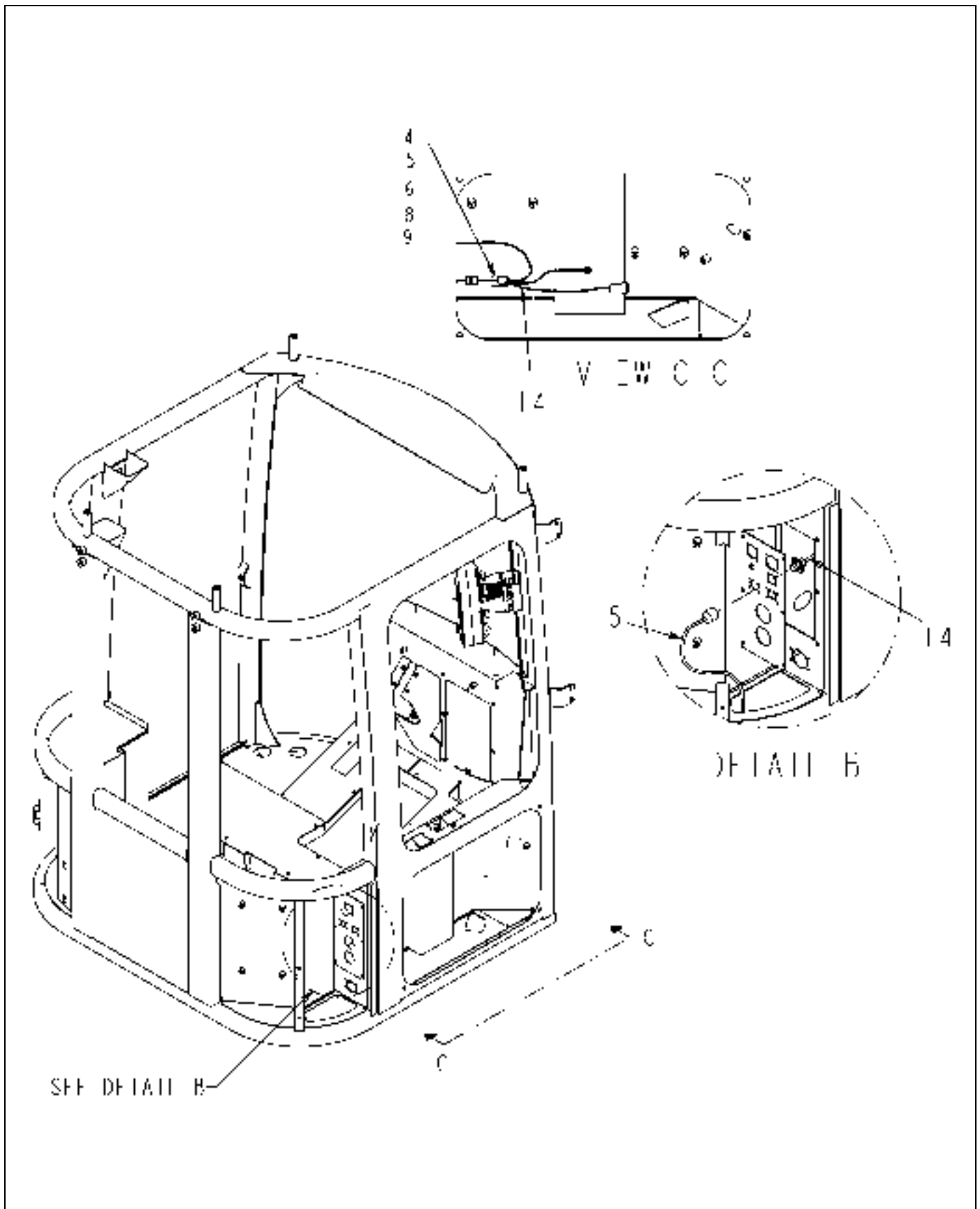
ITEM	PART #	QTY	DESCRIPTION	COMMENTS
2	516993D1	1	KIT-GPS,PHOENIX 200	
4	AG515764	2	SEAL CABLE GREEN REEL 18-16 GA	
5	AG515766	1	CAVITY PLUG	
6	AG517618	1	CONNECTOR MA 3 WAY 280 SEALED	
8	AG519288	2	TERM METRI-PACK M280/20-16 GA	
9	AG520270	1	LOCK-METRI-PACK,280/3 WAY	
13	AG610620	-	CABLE-ANTENNA,15FT (523335)	
14	514831D1	-	MANUAL-GPS,PHOENIX 200	
15	516949D1	-	CABLE-GPS,INTERIOR,PHOENIX 200	
16	516950D1	-	CABLE-GPS,EXTERIOR,PHOENIX 200	



516413D1-01-R107-02.TIF

OPT-GPS,PHOENIX 200,SC7000

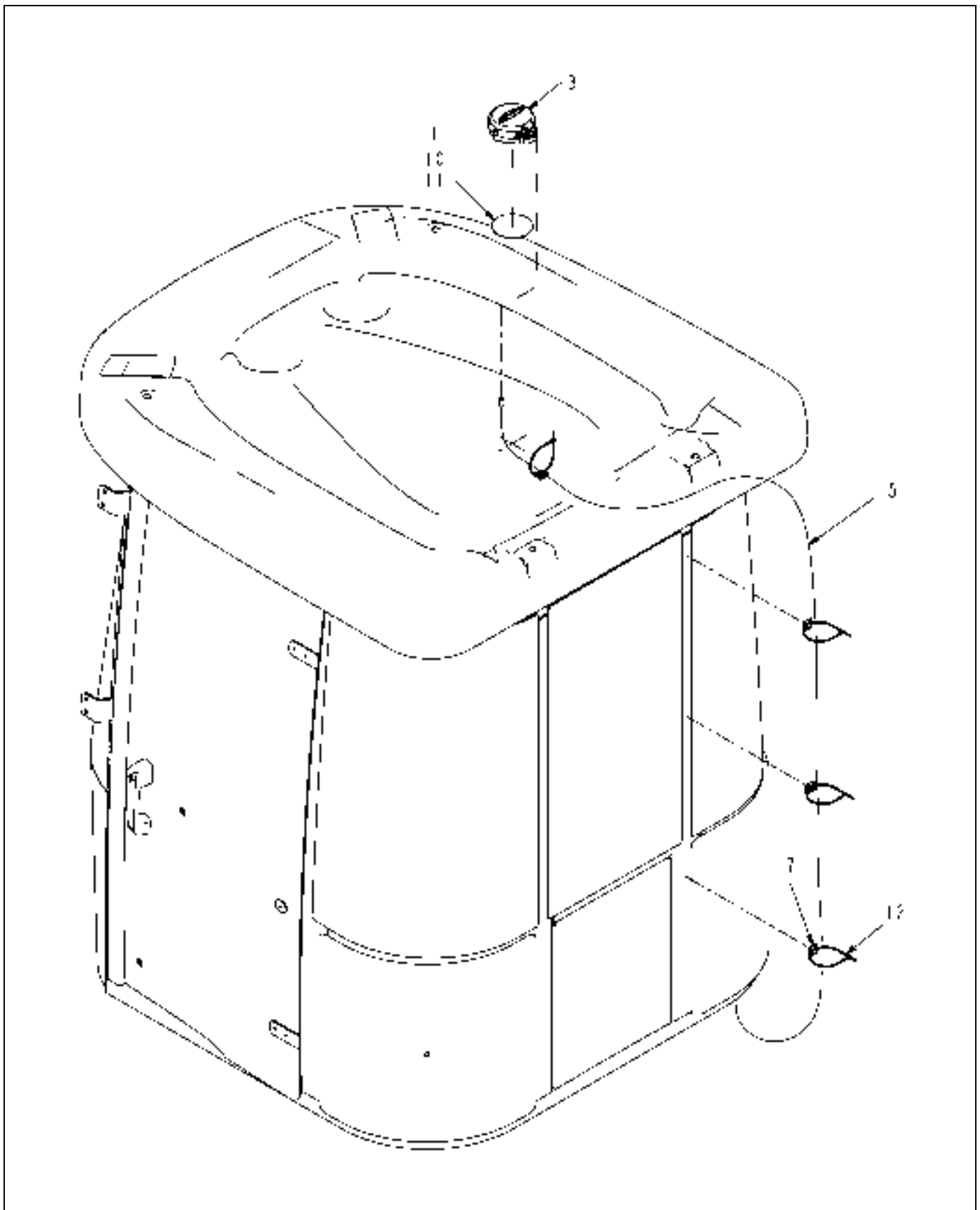
ITEM	PART #	QTY	DESCRIPTION	COMMENTS
1	AG120615	1	DISC-MTG,ANTENNA,GPS	
3	514829D1	-	ANTENNA-GPS,PHOENIX 200	
7	AG517942	AR	MOUNT WIRE TIE ADHESIVE B 4WAY	
10	AG523200	AR	3M 94 1/2 PT TAPE PRIMER	
11	AG523201	-	TAPE-ADHESIVE,4.00,HIGH BOND [BULK: 0.330 FT]	
12	AG553557	AR	TIE CABLE 7.37 .06-1.37 BLACK	
13	AG610620	-	CABLE-ANTENNA,15FT (523335)	



516947D1-01-R107-01.TIF

OPT-GPS,RPR 100S,SC7000

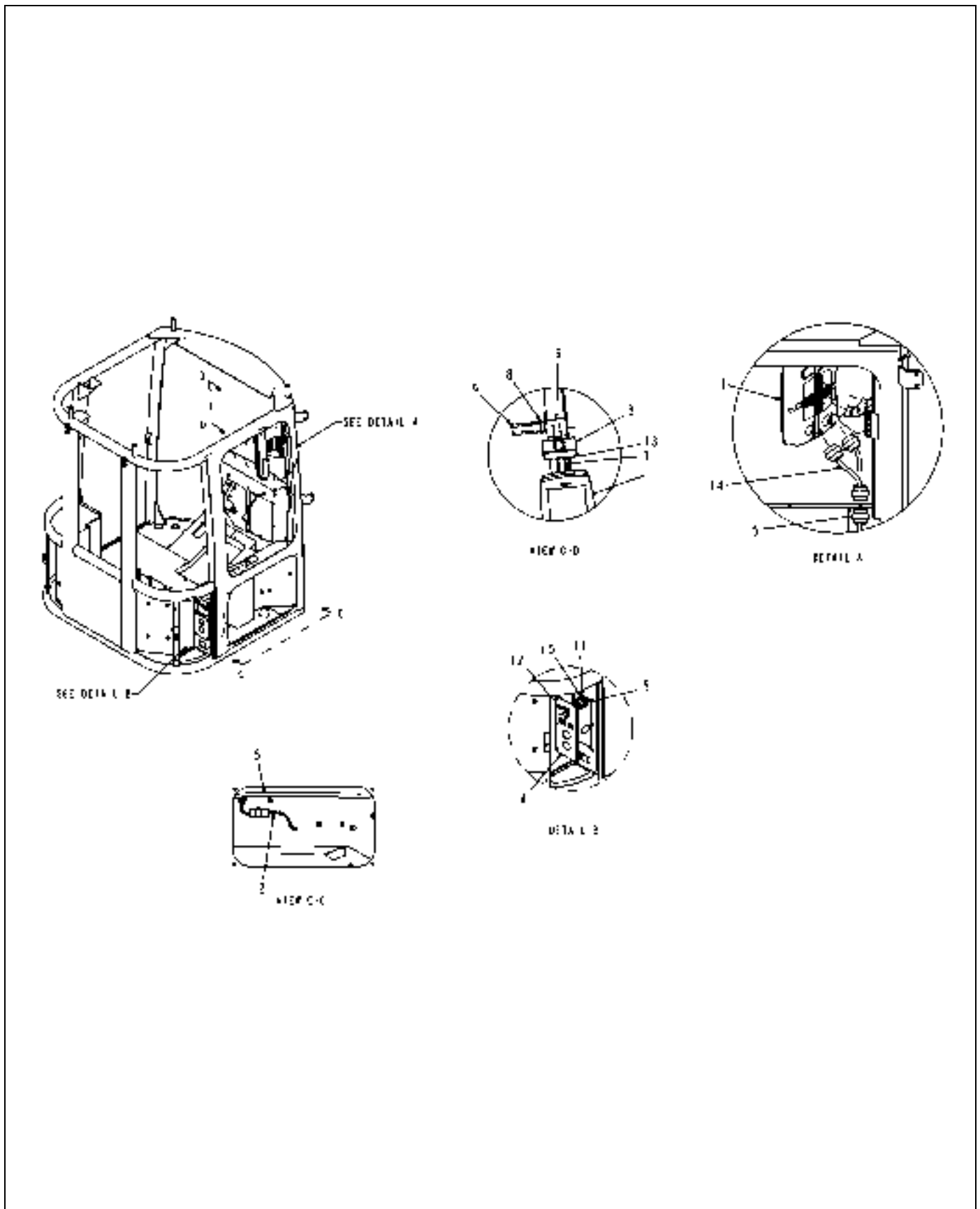
ITEM	PART #	QTY	DESCRIPTION	COMMENTS
2	517400D1	1	KIT-GPS,RPR 100S,SC7000	
4	AG515764	2	SEAL CABLE GREEN REEL 18-16 GA	
5	AG515766	1	CAVITY PLUG	
6	AG517618	1	CONNECTOR MA 3 WAY 280 SEALED	
8	AG519288	2	TERM METRI-PACK M280/20-16 GA	
9	AG520270	1	LOCK-METRIPACK,280/3 WAY	
13	514835D1	-	MANUAL-GPS,RPR 100S	
14	517401D1	-	CABLE-GPS,INTERIOR,RPR 100S	
15	517402D1	-	CABLE-GPS,EXTERIOR,RPR 100S	



516947D1-01-R107-02.TIF

OPT-GPS,RPR 100S,SC7000

ITEM	PART #	QTY	DESCRIPTION	COMMENTS
1	AG120615	1	DISC-MTG,ANTENNA,GPS	
3	514833D1	-	ANTENNA-GPS,RPR 100S	
7	AG517942	AR	MOUNT WIRE TIE ADHESIVE B 4WAY	
10	AG523200	AR	3M 94 1/2 PT TAPE PRIMER	
11	AG523201	-	TAPE-ADHESIVE,4.00,HIGH BOND [BULK: 0.330 FT]	
12	AG553557	AR	TIE CABLE 7.37 .06-1.37 BLACK	
15	517402D1	-	CABLE-GPS,EXTERIOR,RPR 100S	



522519D1-01-R712-.TIF

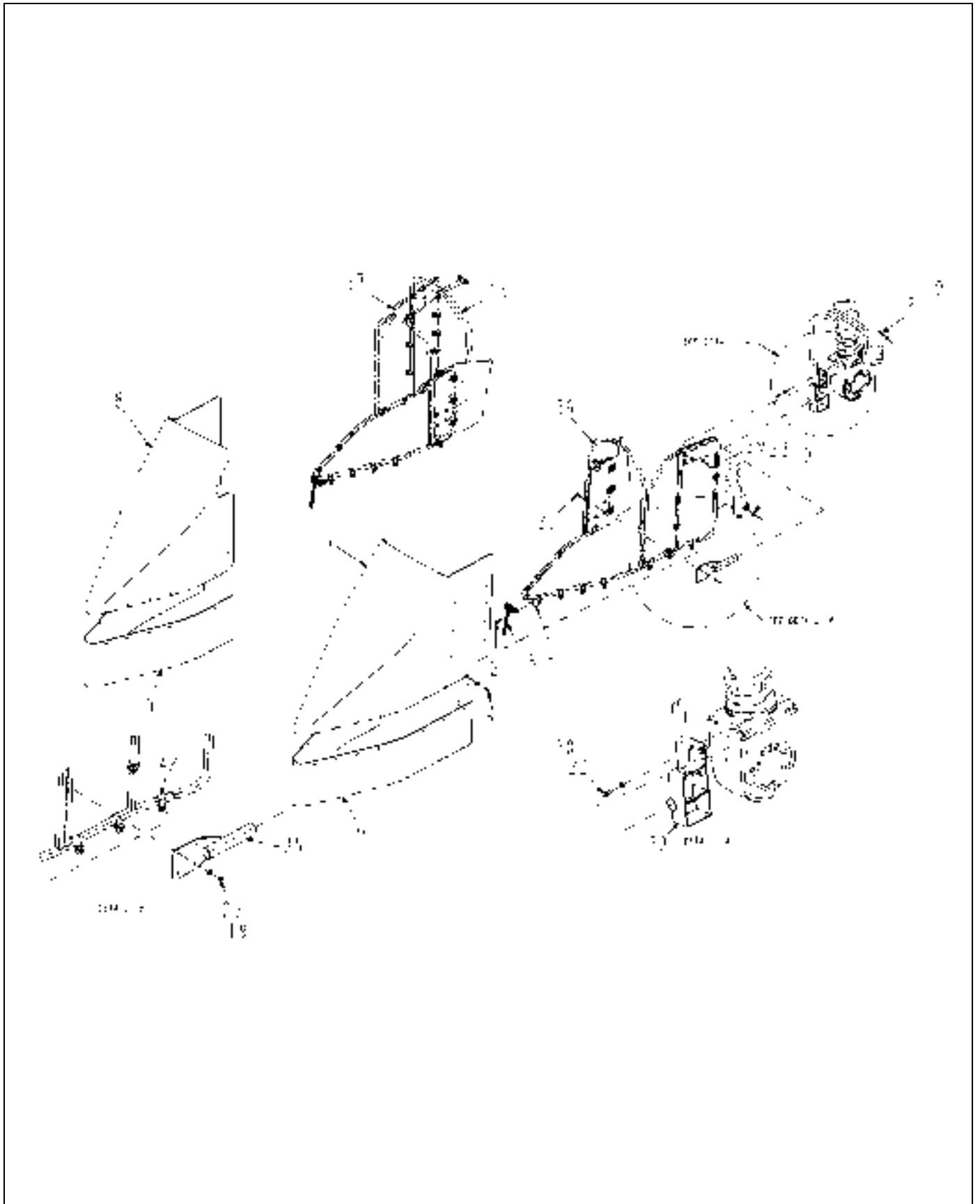
CONTROLLER INSTALL-VIPER PRO,SC

ITEM	PART #	QTY	DESCRIPTION	COMMENTS
1	522496D1	1	KIT-CONSOLE,VIPER PRO	
2	WR134739	-	HARNESS-ADAPTER,7X50	
3	AG127137	1	BRKT WLDMT-CONSOLE MOUNT	
4	WR127138	-	PLATE-BULKHEAD	
5	AG127341	1	HARNESS-PWR,RVN 4000	
6	AG326925	1	CLAMP WLDMT-MTG,CTRL/MONITOR	
7	AG523508	4	SCR-M5-0.8X16,CL10.9,BLK,BHHS	
8	AG551007	2	WASHER 0.37 FL ZN REG TYPE-B	
9	AG562364	2	BOLT M10-1.5X100MM G8.8 ZN HHD	
10	AG563174	4	WASHER #4 FL SS NAR TYPE-B	
11	AG563175	4	NUT #4-40NC HEX SS REG NY	
12	AG710181	4	SCREW #4-40 X .50LG PAN HD SS	
13	AG522247	4	WASHER-LK,M5,SS,REG	
14	522498D1	-	CABLE-CONSOLE,VIPER PRO	

OPT-ENVISIO,SC7000	15-1
F/A-CROP SHIELDS,COUPE	15-2
F/A-CROP SHIELDS,COUPE	15-3
F/A-CROP SHIELDS,COUPE	15-4
OPT-KEY,OVERSEAS	15-5
OPT-500 HR FWA FILTER KIT	15-6
BELLYPAN-INSTALL,FRONT,7000	15-7
BELLYPAN-INSTALL,MIDDLE,7000	15-8
BELLYPAN-INSTAL,REAR,7000	15-9
BELLYPAN-INSTALL,TANK SHIELDS	15-10
BELTING INSTAL-BELLYPAN	15-11
F/A-CROP SHIELDS,COUPE	15-12
F/A-CROP SHIELDS,COUPE	15-13
F/A-CROP SHIELDS,COUPE	15-14
F/A-50 HR FILTER KIT	15-15
F/A-500 HR FILTER KIT	15-16
F/A-FENDER,7460,REAR,HYD	15-17
COVER-I/O ASM FIELD INSTALL	15-18

OPT-ENVISIO,SC7000

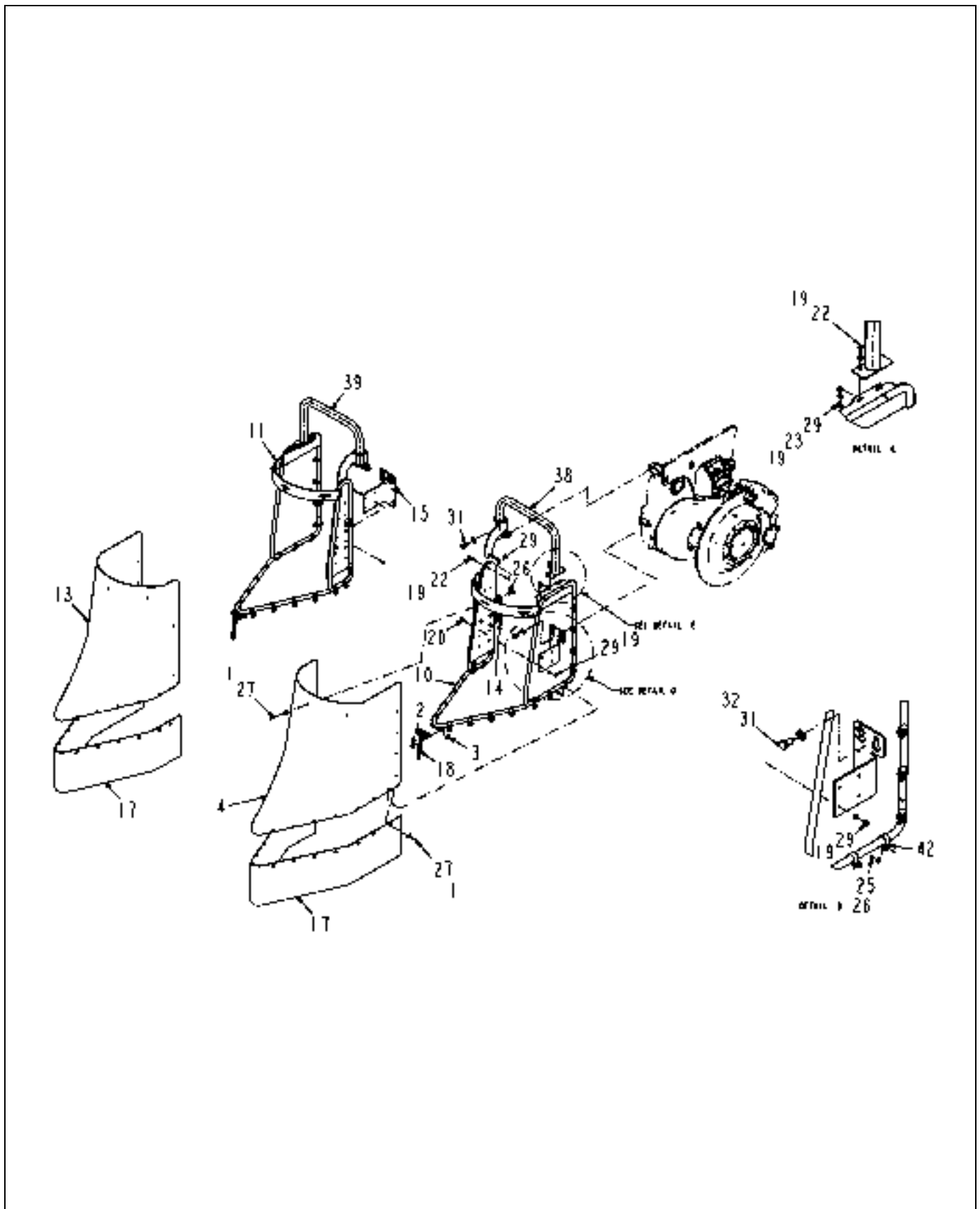
ITEM	PART #	QTY	DESCRIPTION	COMMENTS
1	AG058428	-	CABLE PC INTERFACE 210 M/S	
2	514592D1	1	KIT-ENVISIO PLUS,RAVEN	SEE PAGE 13-1
3	514593D1	-	CONSOLE-ENVIZIO PLUS	
4	514594D1	-	CABLE-CONSOLE,ENVISIO	
5	514596D1	-	CABLE-CAN,6 FT ,W/TEE	
6	514823D1	-	MANUAL-ENVISIO	
7	517898D1	1	MOUNT-SUCTION CUP,RAM	
8	518015D1	1	HARNES-ADAPT,PWR,ENVISIO,SC	



520036D1-02-R616-01.TIF

F/A-CROP SHIELDS,COUPE

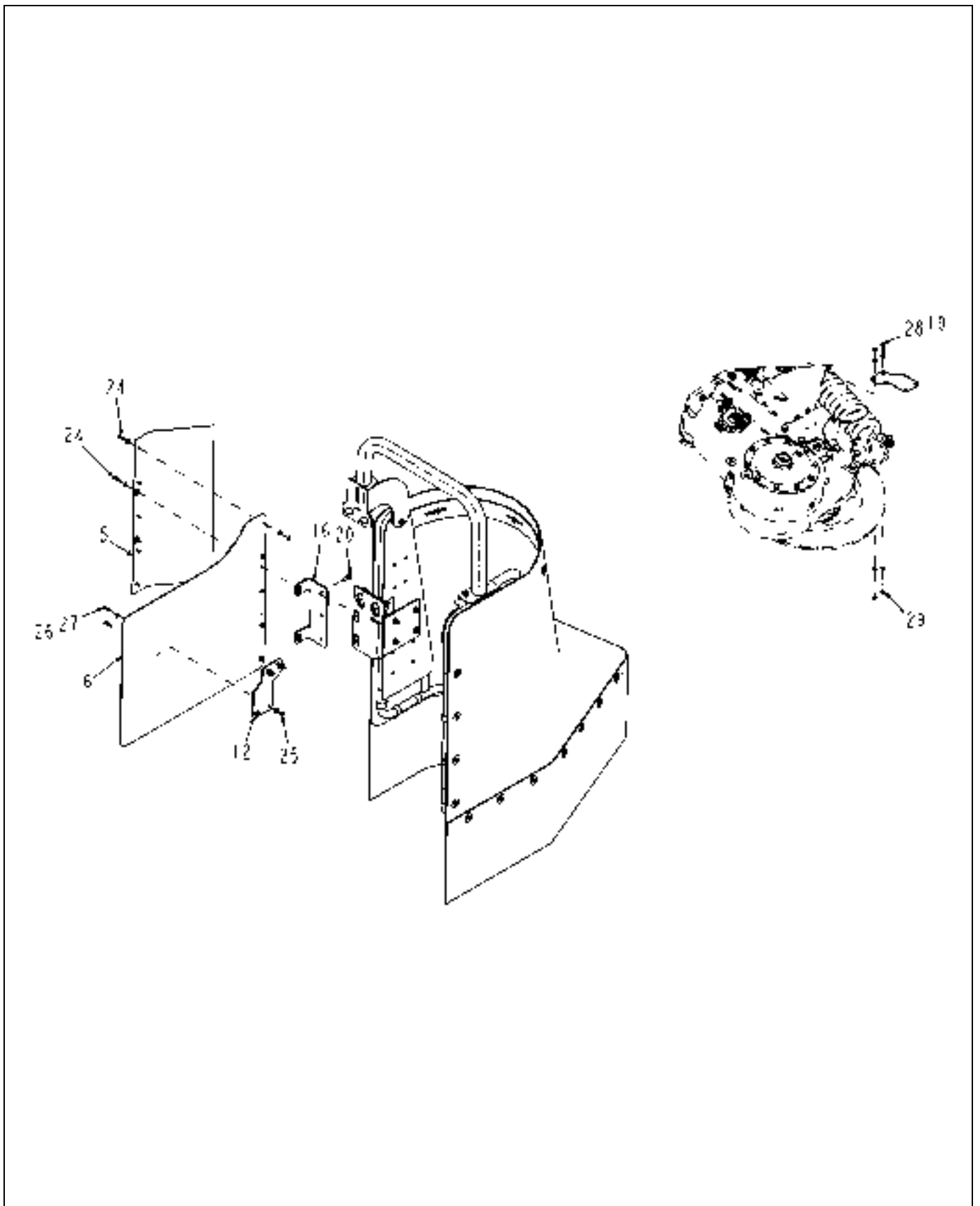
ITEM	PART #	QTY	DESCRIPTION	COMMENTS
1	WR10436	90	WASHER-FENDER, 1/4 ID	
2	WR55215	8	SCREW-HEX FLG,M10X1.5X25 CL8.8	
3	WR55272	8	NUT-LOCK,M10 X 1.5,PREV	
7	WR133938	1	SHIELD-CROP,POLY,FRONT,LH	
8	WR133941	1	SHIELD-CROP,POLY,FRONT,RH	
9	WR133942	2	APRON-CROP SHIELD,FRONT	
18	WR134447	4	SPRING-APRON	
19	AG514559	56	WASHER 0.37 FL ZN SAE TYP-A G8	
20	AG520602	20	BOLT-.38-16X1.00,G5,S,FLG,HHD	
21	AG522905	24	BOLT .37-16NCX 1.50 G5 ZN FTD	
22	AG550175	12	BOLT 0.37-16NCX 1.00 G5 ZN HHD	
23	AG550191	12	WASHER 0.37 LK ZN REG	
25	AG550612	104	NUT 0.25-20NC HEX ZN REG	
26	AG550671	122	WASHER 0.25 FL ZN SAE TYPE-A	
27	AG550698	94	BOLT 0.25-20NCX 1.00 G5 ZN HHD	
29	AG550825	34	NUT 0.37-16NC HEX ZN REG	
30	AG550981	6	WASHER 0.37 FL ZN NAR TYPE-B	
33	511375D1	1	WLDMT-SHIELD,MOUNT,LH	
34	511872D1	1	WLDMT-SHIELD,MOUNT,RH	
35	514951D1	2	WLDMT-BOTTOM,MOUNT,SLIDE	
36	515938D1	1	WLDMT-SHIELD FRAME,LH	
37	516407D1	1	WLDMT-SHIELD FRAME,RH	
40	519228D1	1	PKG-CROP SHIELDS,COUPE	
41	523660D1	1	INSTR-CROP SHIELD,COUPE	
42	WR55665	84	CLAMP-COATED 1.0 ID X .62W	



520036D1-02-R616-02.TIF

F/A-CROP SHIELDS,COUPE

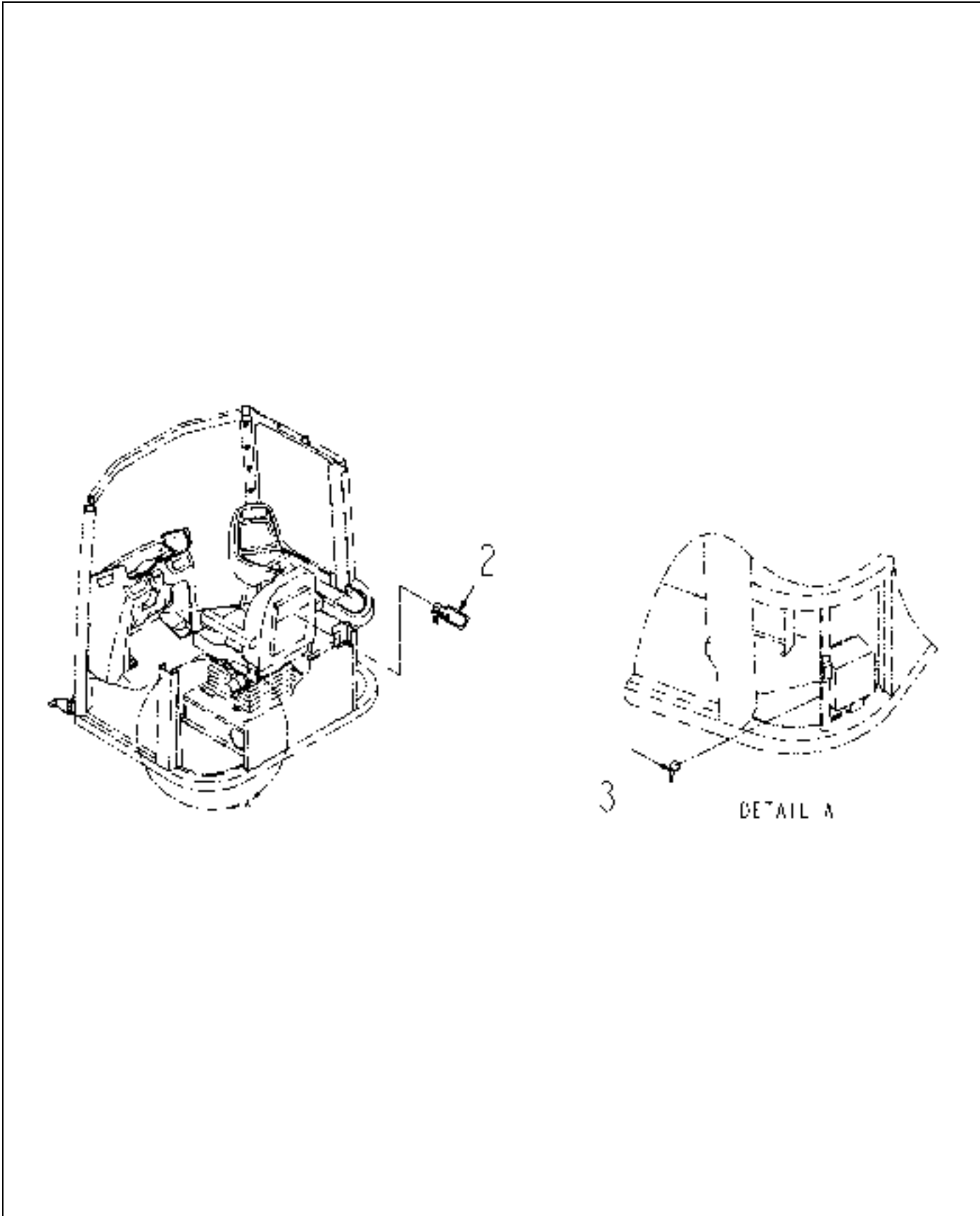
ITEM	PART #	QTY	DESCRIPTION	COMMENTS
1	WR10436	90	WASHER-FENDER, 1/4 ID	
2	WR55215	8	SCREW-HEX FLG,M10X1.5X25 CL8.8	
3	WR55272	8	NUT-LOCK,M10 X 1.5,PREV	
4	WR133927	1	SHIELD-CROP,POLY,REAR,LH	
10	WR134247	1	FRAME WLDMT-CROP SHLD,REAR,LH	
11	WR134258	1	FRAME WLDMT-CROP SHLD,REAR,RH	
13	WR134439	1	SHIELD-CROP,POLY,REAR,RH	
14	WR134440	1	WLDMT-BRKT,MTG,CROP SHIELD,LH	
15	WR134441	1	WLDMT-BRKT,MTG,CROP SHIELD,RH	
17	WR134445	2	APRON-CROP SHIELD,REAR	
18	WR134447	4	SPRING-APRON	
19	AG514559	56	WASHER 0.37 FL ZN SAE TYP-A G8	
20	AG520602	20	BOLT-.38-16X1.00,G5,S,FLG,HHD	
22	AG550175	12	BOLT 0.37-16NCX 1.00 G5 ZN HHD	
23	AG550191	12	WASHER 0.37 LK ZN REG	
25	AG550612	104	NUT 0.25-20NC HEX ZN REG	
26	AG550671	122	WASHER 0.25 FL ZN SAE TYPE-A	
27	AG550698	94	BOLT 0.25-20NCX 1.00 G5 ZN HHD	
29	AG550825	34	NUT 0.37-16NC HEX ZN REG	
31	AG560073	8	BOLT 0.75-10NCX 1.25 G5 ZN HHD	
32	AG604203	8	WASHER 0.75 FL ZN SAE TYP-A G8	
38	518805D1	1	WLDMT-SUPPORT,REAR SHIELD,LH	
39	518806D1	1	WLDMT-SUPPORT,REAR SHIELD,RH	
42	WR55665	84	CLAMP-COATED 1.0 ID X .62W	



520036D1-02-R616-03.TIF

F/A-CROP SHIELDS,COUPE

ITEM	PART #	QTY	DESCRIPTION	COMMENTS
5	WR133936	2	SHIELD-CROP,INNER	
6	WR133937	2	SHIELD-CROP,INNER,REAR	
12	WR134264	2	BRKT-CROP SHIELD,INNER	
16	WR134444	2	WLDMT-BRKT,CROP SHIELD,INNER	
19	AG514559	56	WASHER 0.37 FL ZN SAE TYP-A G8	
20	AG520602	20	BOLT-.38-16X1.00,G5,S,FLG,HHD	
24	AG550485	14	BOLT 0.25-20NCX 0.75 G5 ZN HHD	
25	AG550612	104	NUT 0.25-20NC HEX ZN REG	
26	AG550671	122	WASHER 0.25 FL ZN SAE TYPE-A	
27	AG550698	94	BOLT 0.25-20NCX 1.00 G5 ZN HHD	
28	AG550779	12	BOLT 0.37-16NCX 1.50 G5 ZN HHD	
29	AG550825	34	NUT 0.37-16NC HEX ZN REG	

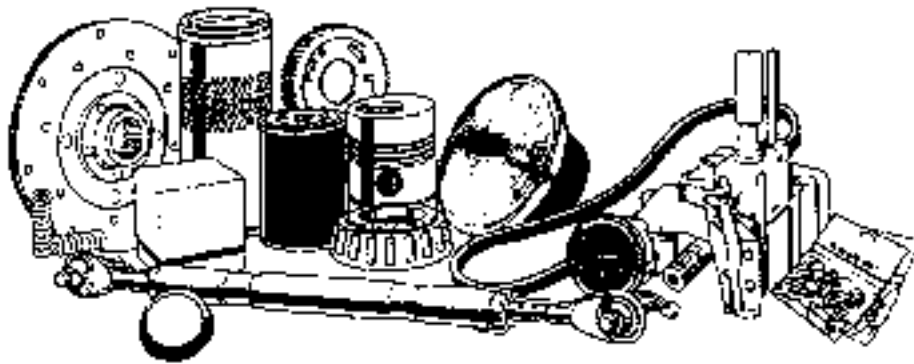


128635-A-L952-.TIF

OPT-KEY,OVERSEAS

ITEM	PART #	QTY	DESCRIPTION	COMMENTS
1	AG120354	1	KEY RWK	
2	WR129807	1	KEYCHAIN-LEATHER,SC	
3	AG559024	AR	TIE CABLE 15.0 .06-4.00 BLACK	

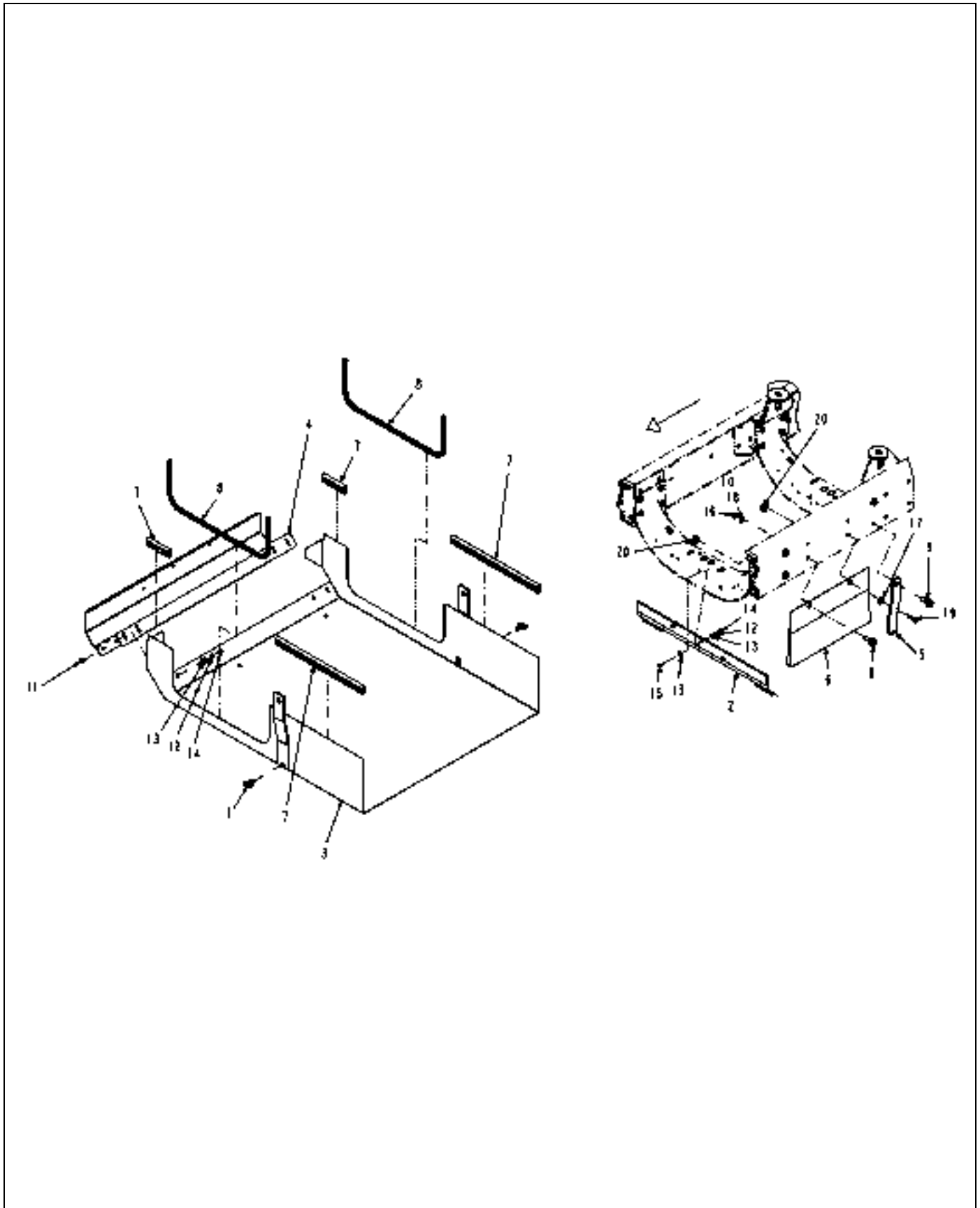
**Please refer to the
Bill Of Material
on the opposite page
for related Installations,
Assemblies, or Parts**



132403.TIF

OPT-500 HR FWA FILTER KIT

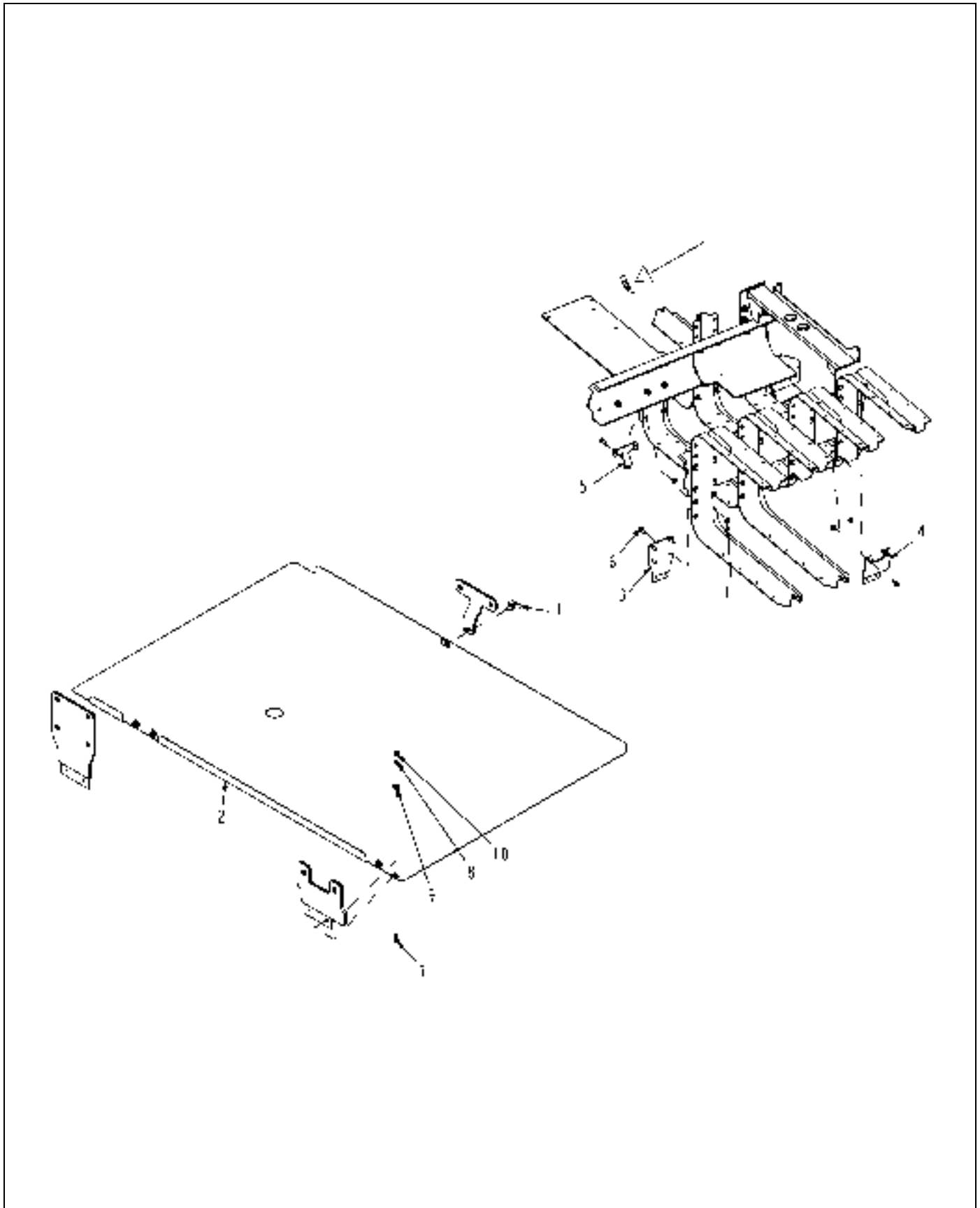
ITEM	PART #	QTY	DESCRIPTION	COMMENTS
1	WR125335	2	ELEMENT-HYD,NO-BYPASS	
2	AG715586	2	ELEMENT FILTER	



135710-05-R554-.TIF

BELLYPAN-INSTALL,FRONT,7000

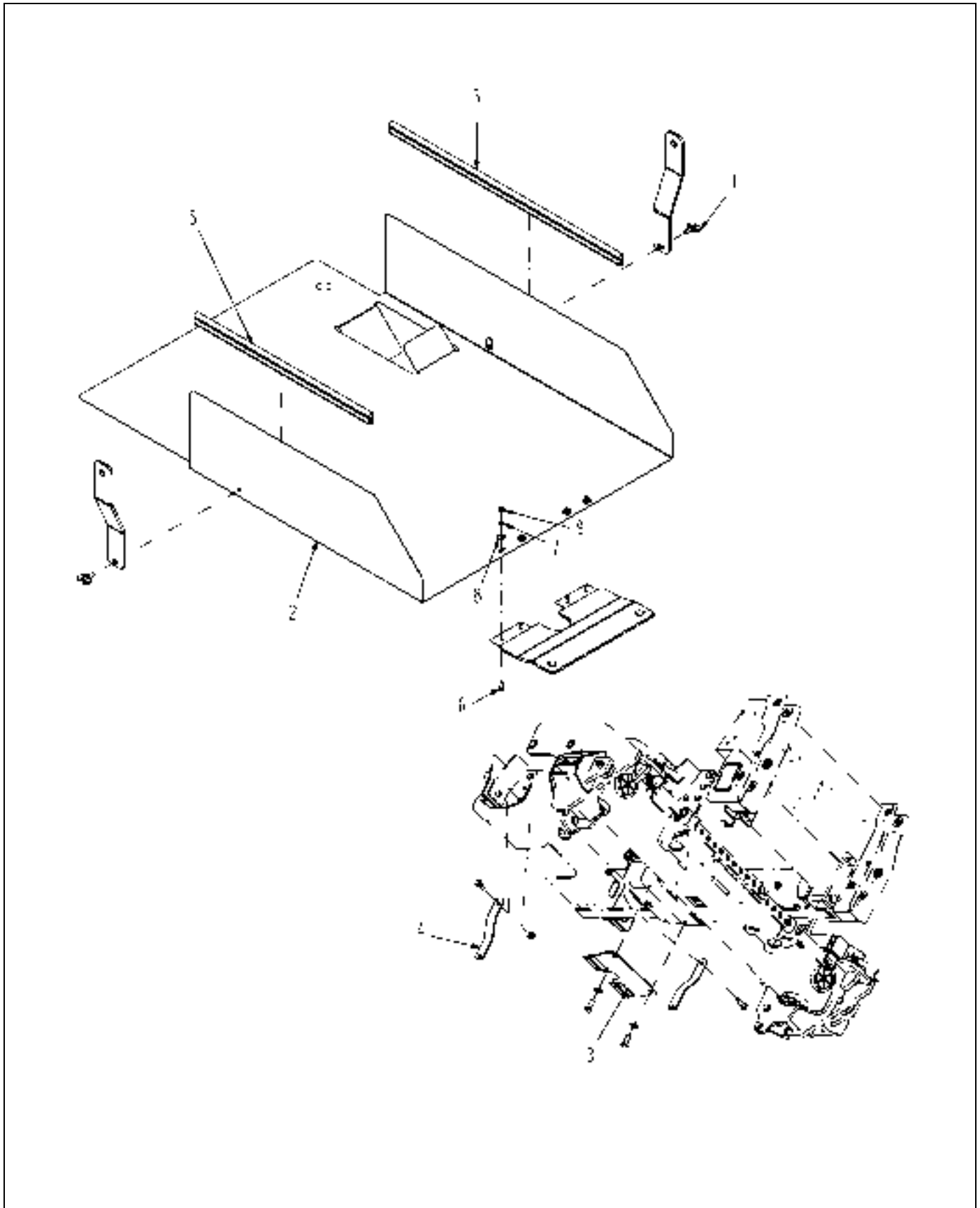
ITEM	PART #	QTY	DESCRIPTION	COMMENTS
1	AG133274	2	SCREW-THUMB, .31-18NCX.75 ZY	
2	WR135687	1	WLDMT-SHIELD,BELLY PAN,FRONT	
3	WR135688	1	WLDMT-BELLY PAN,FRONT	
4	AG135697	1	PLATE-WELD,FRONT PAN	
5	WR135705	2	PLATE-MNT,BELLY PAN,FRONT,SIDE	
6	WR135706	2	SEAL-BRUSH&HOLDER,10.0 X 19.5	
7	6513152	-	SEAL [BULK: 3.334 FT]	
8	6620417	-	RUBBER-STRIP [BULK: 5 FT]	
9	AG517556	2	BOLT 0.62-18 X 1.75 G8 HX FLG	
10	AG518989	AR	SEALANT NONCORROSIVE 10.3 OZ	
11	AG550485	4	BOLT 0.25-20NCX 0.75 G5 ZN HHD	
12	AG550493	7	WASHER 0.25 LK ZN REG	
13	AG550507	10	WASHER 0.25 FL ZN REG TYPE-B	
14	AG550612	7	NUT 0.25-20NC HEX ZN REG	
15	AG558788	3	BOLT 0.25-20NCX 1.25 G5 ZN HHD	
16	AG562045	-	NUT 0.50-13NC HEX SS REG	
17	AG562046	-	WASHER 0.50 FL SS REG TYPE-B	
18	AG562053	-	WASHER 0.50 LK SS REG	
19	AG562117	1	BOLT 0.50-13NCX 1.50 S.S. HHD	
20	AG609313	6	NUT HX FLG 0.62-18NF	



135711-01-M516.TIF

BELLYPAN-INSTALL,MIDDLE,7000

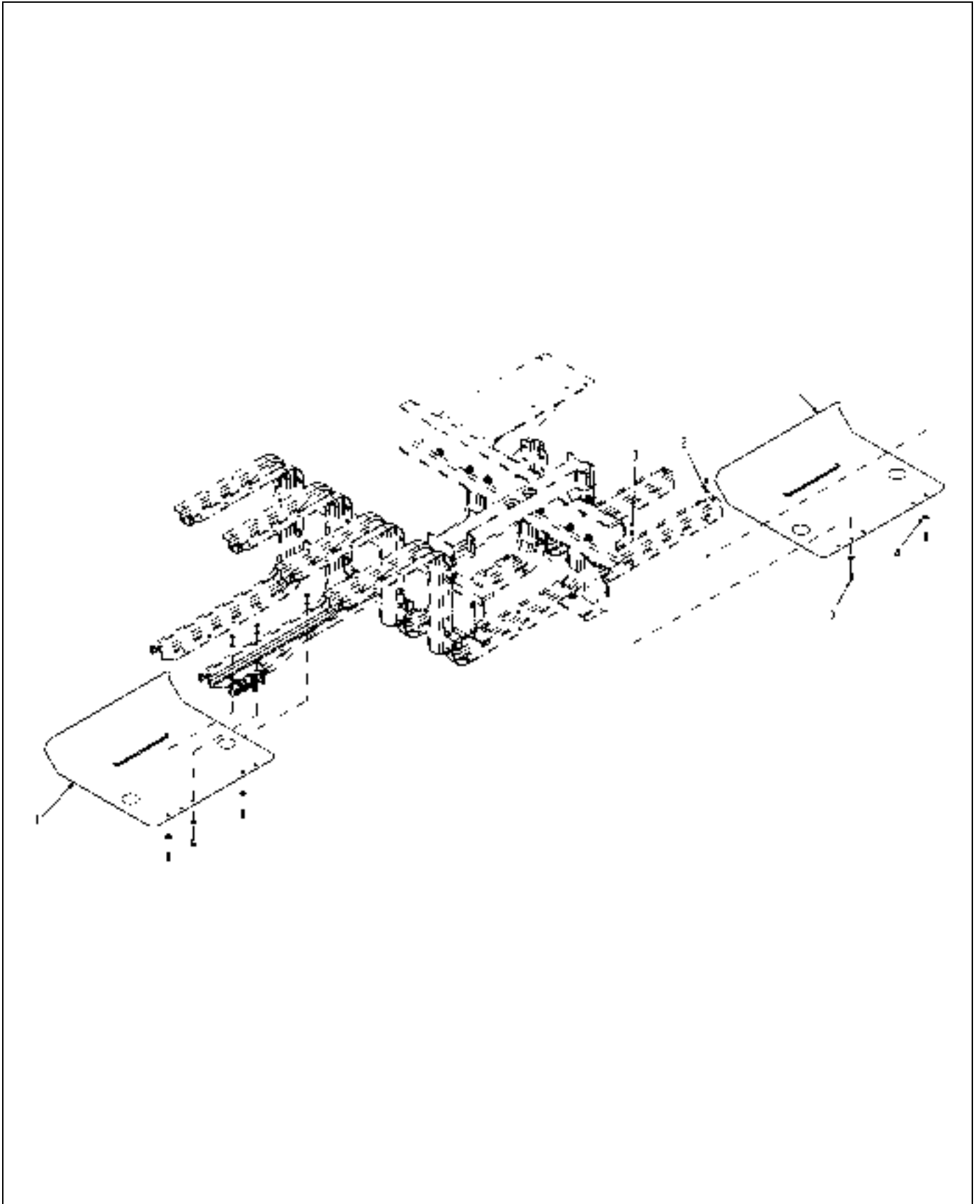
ITEM	PART #	QTY	DESCRIPTION	COMMENTS
1	AG133274	1	SCREW-THUMB,.31-18NCX.75 ZY	
2	WR135689	1	WLDMT-BELLY PAN,MID	
3	WR135691	1	WLDMT-BRKT,MOUNT,MID,FNT	
4	WR135692	1	WLDMT-BRKT,MOUNT,MID,REAR	
5	AG135704	1	PLATE-MNT,BELLY PAN,RH,MID	
6	AG514771	4	BOLT 0.50-20 X 1.50 G8 HX FLG	
7	AG550485	4	BOLT 0.25-20NCX 0.75 G5 ZN HHD	
8	AG550493	4	WASHER 0.25 LK ZN REG	
9	AG550507	4	WASHER 0.25 FL ZN REG TYPE-B	
10	AG550612	4	NUT 0.25-20NC HEX ZN REG	
11	AG606489	4	NUT HX FLG 0.50-20NF	



135712-01-M516.TIF

BELLYPAN-INSTAL,REAR,7000

ITEM	PART #	QTY	DESCRIPTION	COMMENTS
1	AG133274	2	SCREW-THUMB,.31-18NCX.75 ZY	
2	WR135690	1	WLDMT-BELLY PAN,REAR	
3	WR135693	1	WLDMT-BRKT,MOUNT,REAR	
4	WR135703	2	PLATE-MNT,BELLY PAN,REAR,SIDE	
5	6513152	-	SEAL [BULK: 4.250 FT]	
6	AG550485	4	BOLT 0.25-20NCX 0.75 G5 ZN HHD	
7	AG550493	7	WASHER 0.25 LK ZN REG	
8	AG550507	10	WASHER 0.25 FL ZN REG TYPE-B	
9	AG550612	7	NUT 0.25-20NC HEX ZN REG	

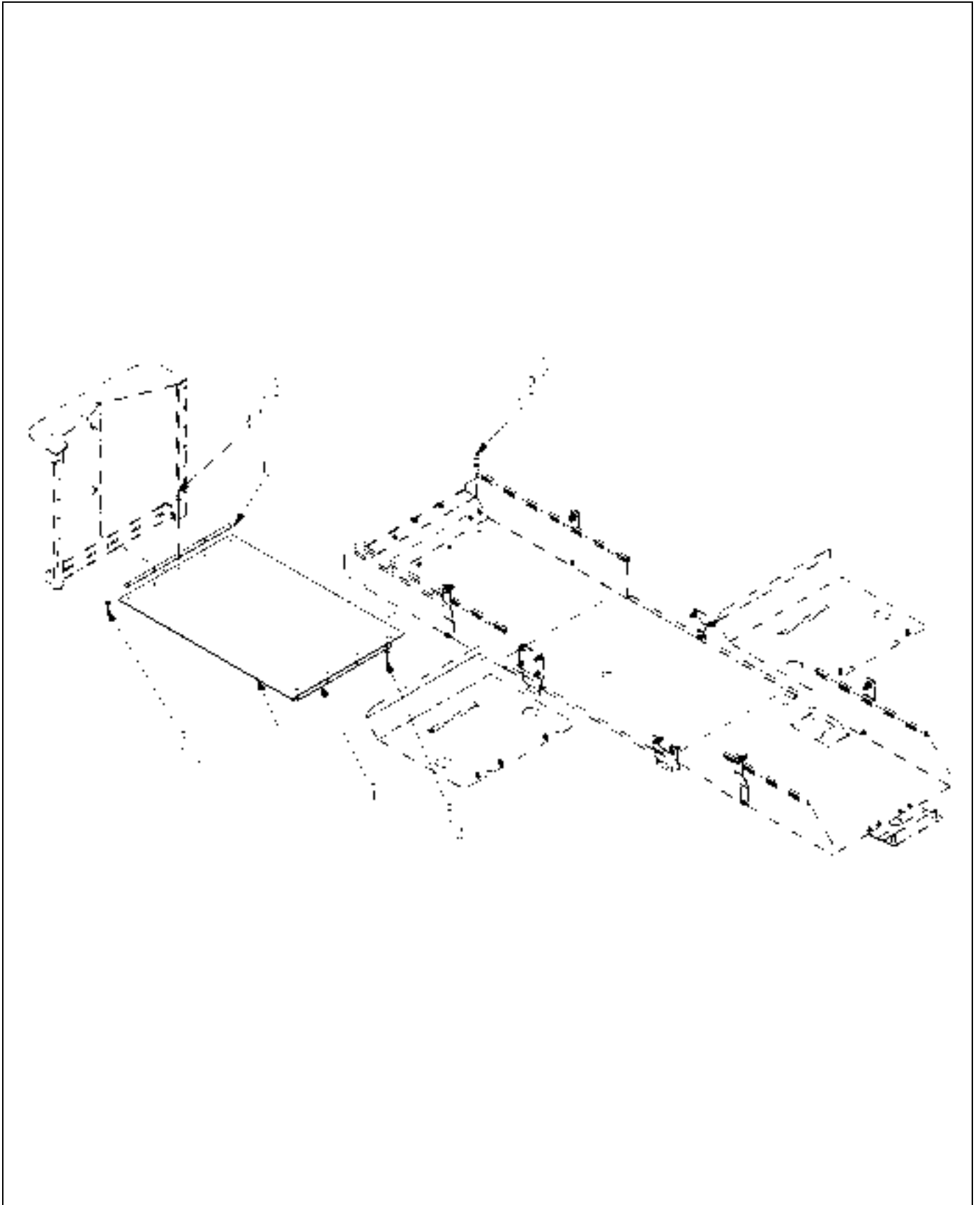


135713-01-M516.TIF

BELLYPAN-INSTALL,TANK SHIELDS

ITEM	PART #	QTY	DESCRIPTION	COMMENTS
1	WR135709	2	PLATE-BELLY PAN,TANK SHIELD	
2	AG562050	2	WASHER 0.37 LK SS REG	
3	AG562065	2	NUT 0.37-16NC HEX SS REG	
4	AG562073	2	WASHER 0.37 FL SS R/B 523061	
5	AG604167	2	BOLT 0.37-16NCX 1.25 S.S. HHD	

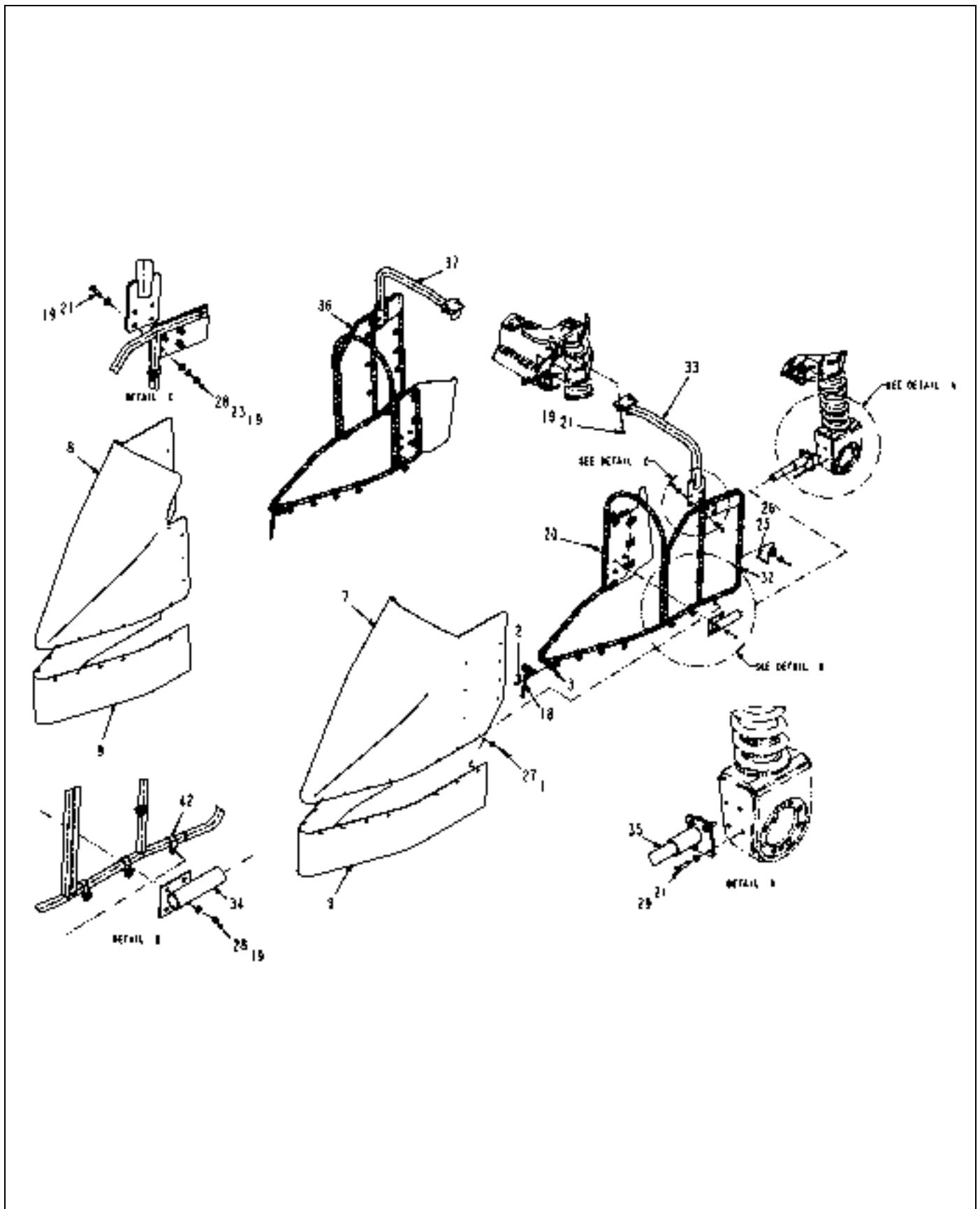
BELTING INSTAL-BELLYPAN



136377-05-R751-.TIF

BELTING INSTAL-BELLYPAN

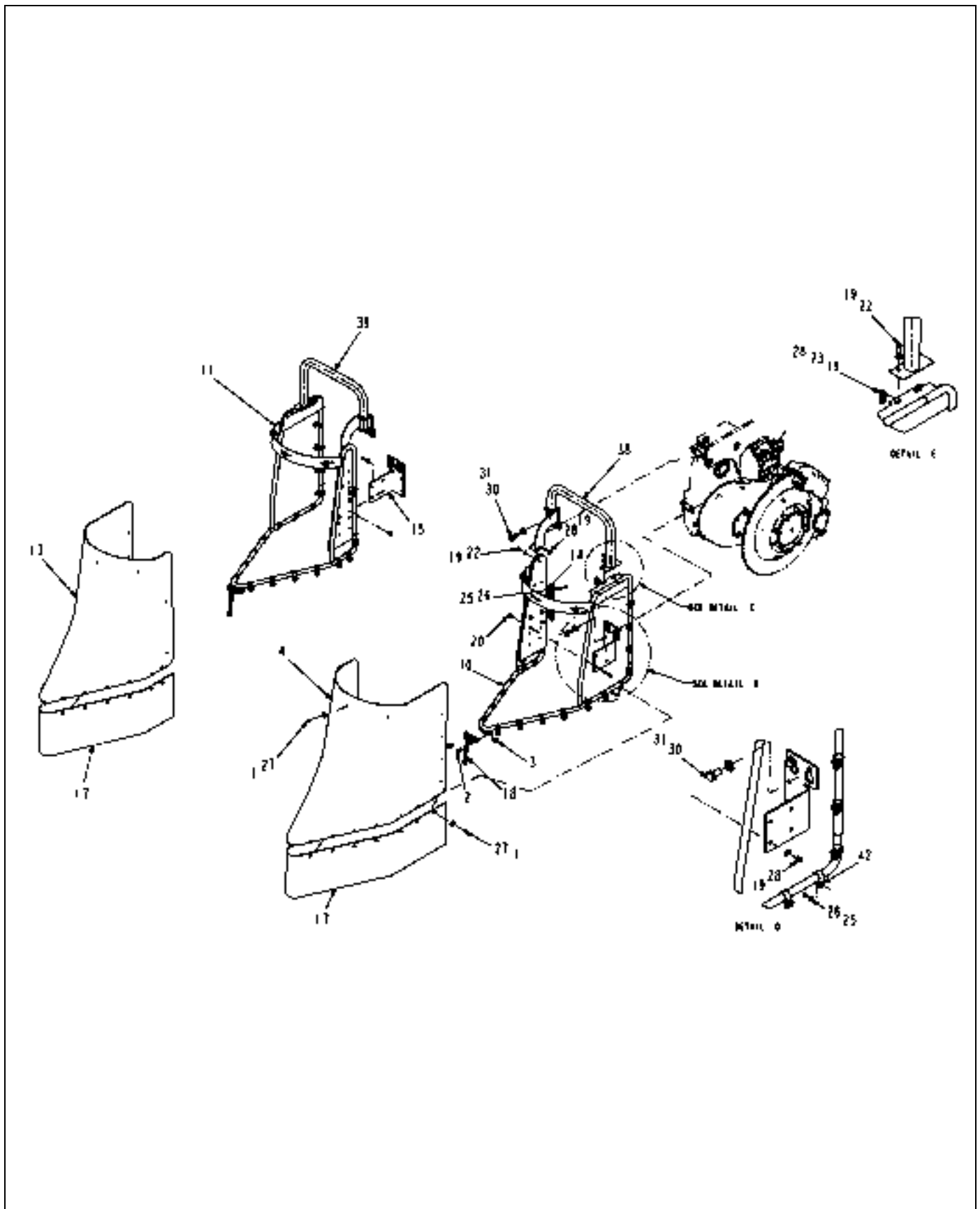
ITEM	PART #	QTY	DESCRIPTION	COMMENTS
1	WR136369	1	BELTING-RUBBER,AXLE TRANSITION	
2	AG550493	9	WASHER 0.25 LK ZN REG	
3	AG550507	18	WASHER 0.25 FL ZN REG TYPE-B	
4	AG550612	9	NUT 0.25-20NC HEX ZN REG	
5	AG550698	9	BOLT 0.25-20NCX 1.00 G5 ZN HHD	
6	511889D1	1	PLATE-REINFORCE,RUBBER	
7	522211D1	1	PLATE-REINFORCE.RUBBER,REAR	



518830D1-02-R616-01.TIF

F/A-CROP SHIELDS,COUPE

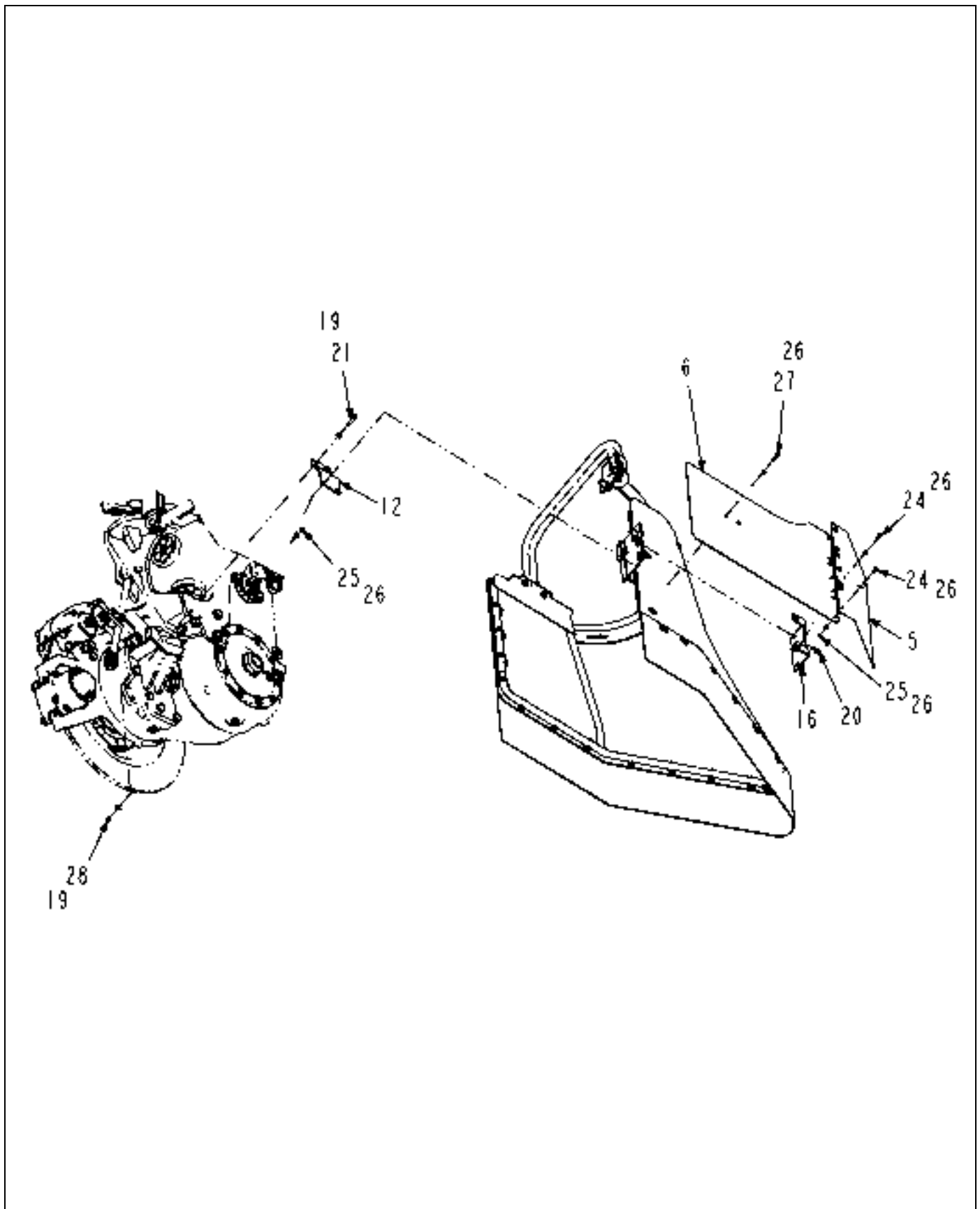
ITEM	PART #	QTY	DESCRIPTION	COMMENTS
1	WR10436	90	WASHER-FENDER, 1/4 ID	
2	WR55215	8	SCREW-HEX FLG,M10X1.5X25 CL8.8	
3	WR55272	8	NUT-LOCK,M10 X 1.5,PREV	
6	WR133937	2	SHIELD-CROP,INNER,REAR	
7	WR133938	1	SHIELD-CROP,POLY,FRONT,LH	
8	WR133941	1	SHIELD-CROP,POLY,FRONT,RH	
9	WR133942	2	APRON-CROP SHIELD,FRONT	
18	WR134447	4	SPRING-APRON	
19	AG514559	56	WASHER 0.37 FL ZN SAE TYP-A G8	
20	AG520602	20	BOLT-.38-16X1.00,G5,S,FLG,HHD	
21	AG522905	24	BOLT .37-16NCX 1.50 G5 ZN FTD	
23	AG550191	12	WASHER 0.37 LK ZN REG	
25	AG550612	104	NUT 0.25-20NC HEX ZN REG	
27	AG550698	94	BOLT 0.25-20NCX 1.00 G5 ZN HHD	
28	AG550825	34	NUT 0.37-16NC HEX ZN REG	
29	AG550981	8	WASHER 0.37 FL ZN NAR TYPE-B	
32	515938D1	1	WLDMT-SHIELD FRAME,LH	
33	515947D1	1	WLDMT-FRAME,SUPPORT,LH	
34	516009D1	2	WLDMT-SHIELD MNT,RECEIVING	
35	516011D1	2	WLDMT-WHEEL LEG,MOUNTING	
36	516407D1	1	WLDMT-SHIELD FRAME,RH	
37	518678D1	1	WLDMT-FRAME,SUPPORT,RH	
40	519227D1	1	INSTR-CROP SHIELDS,COUPE	
41	519228D1	1	PKG-CROP SHIELDS,COUPE	
42	WR55665	82	CLAMP-COATED 1.0 ID X .62W	



518830D1-02-R616-02.TIF

F/A-CROP SHIELDS,COUPE

ITEM	PART #	QTY	DESCRIPTION	COMMENTS
1	WR10436	90	WASHER-FENDER, 1/4 ID	
2	WR55215	8	SCREW-HEX FLG,M10X1.5X25 CL8.8	
3	WR55272	8	NUT-LOCK,M10 X 1.5,PREV	
4	WR133927	1	SHIELD-CROP,POLY,REAR,LH	
10	WR134247	1	FRAME WLDMT-CROP SHLD,REAR,LH	
11	WR134258	1	FRAME WLDMT-CROP SHLD,REAR,RH	
13	WR134439	1	SHIELD-CROP,POLY,REAR,RH	
14	WR134440	1	WLDMT-BRKT,MTG,CROP SHIELD,LH	
15	WR134441	1	WLDMT-BRKT,MTG,CROP SHIELD,RH	
17	WR134445	2	APRON-CROP SHIELD,REAR	
18	WR134447	4	SPRING-APRON	
19	AG514559	56	WASHER 0.37 FL ZN SAE TYP-A G8	
20	AG520602	20	BOLT-.38-16X1.00,G5,S,FLG,HHD	
22	AG550175	6	BOLT 0.37-16NCX 1.00 G5 ZN HHD	
23	AG550191	12	WASHER 0.37 LK ZN REG	
25	AG550612	104	NUT 0.25-20NC HEX ZN REG	
26	AG550671	122	WASHER 0.25 FL ZN SAE TYPE-A	
27	AG550698	94	BOLT 0.25-20NCX 1.00 G5 ZN HHD	
28	AG550825	34	NUT 0.37-16NC HEX ZN REG	
30	AG560073	8	BOLT 0.75-10NCX 1.25 G5 ZN HHD	
31	AG604203	8	WASHER 0.75 FL ZN SAE TYP-A G8	
38	518805D1	1	WLDMT-SUPPORT,REAR SHIELD,LH	
39	518806D1	1	WLDMT-SUPPORT,REAR SHIELD,RH	
42	WR55665	82	CLAMP-COATED 1.0 ID X .62W	

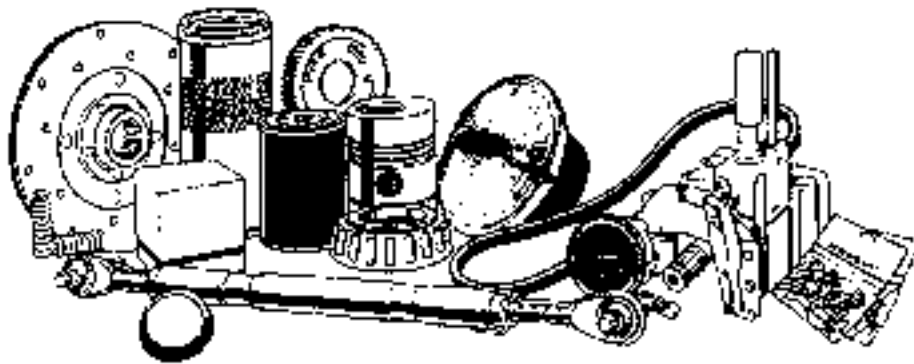


518830D1-02-R616-03.TIF

F/A-CROP SHIELDS,COUPE

ITEM	PART #	QTY	DESCRIPTION	COMMENTS
5	WR133936	2	SHIELD-CROP,INNER	
6	WR133937	2	SHIELD-CROP,INNER,REAR	
12	WR134264	2	BRKT-CROP SHIELD,INNER	
16	WR134444	2	WLDMT-BRKT,CROP SHIELD,INNER	
19	AG514559	56	WASHER 0.37 FL ZN SAE TYP-A G8	
20	AG520602	20	BOLT-.38-16X1.00,G5,S,FLG,HHD	
21	AG522905	24	BOLT .37-16NCX 1.50 G5 ZN FTD	
24	AG550485	14	BOLT 0.25-20NCX 0.75 G5 ZN HHD	
25	AG550612	104	NUT 0.25-20NC HEX ZN REG	
26	AG550671	122	WASHER 0.25 FL ZN SAE TYPE-A	
27	AG550698	94	BOLT 0.25-20NCX 1.00 G5 ZN HHD	
28	AG550825	34	NUT 0.37-16NC HEX ZN REG	

**Please refer to the
Bill Of Material
on the opposite page
for related Installations,
Assemblies, or Parts**

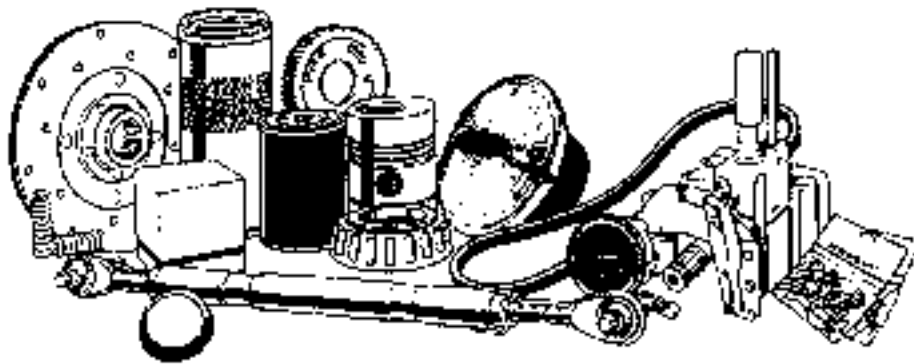


520033D1.tif

F/A-50 HR FILTER KIT

ITEM	PART #	QTY	DESCRIPTION	COMMENTS
1	521059D1	1	FILTER-FUEL,PRIMARY	
2	119-4740	1	FILTER, OIL	
3	AG715586	1	ELEMENT FILTER	
4	521058D1	2	FILTER-OIL,ENGINE	
5	521057D1	1	ELEMENT-FWS	

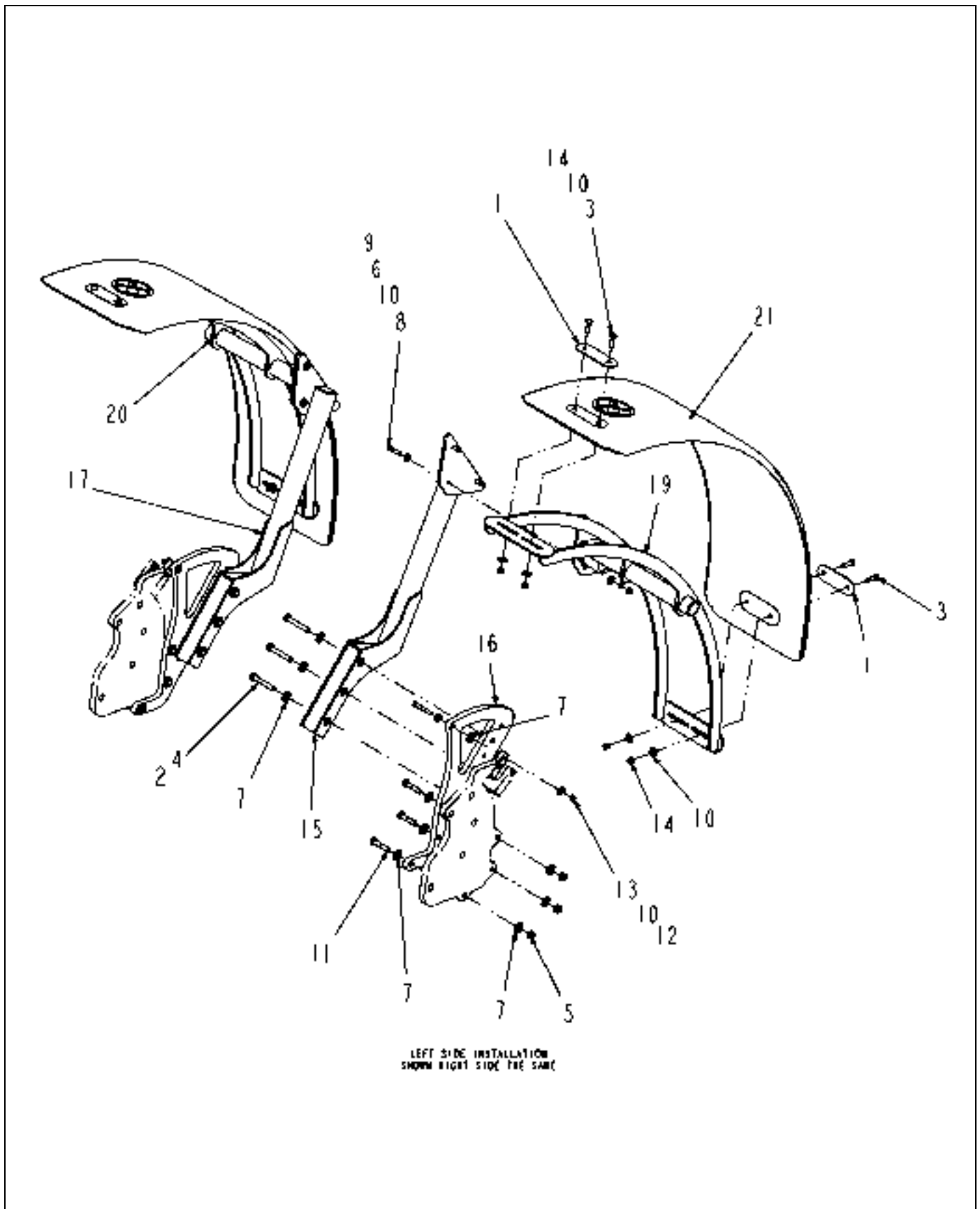
**Please refer to the
Bill Of Material
on the opposite page
for related Installations,
Assemblies, or Parts**



520034D1.tif

F/A-500 HR FILTER KIT

ITEM	PART #	QTY	DESCRIPTION	COMMENTS
1	AG121778	1	FILTER BREATHER, HYD. TANK	
2	523084D1	1	FILTER-AIR PRIMARY	
3	523085D1	1	FILTER-AIR SECONDARY	
4	521059D1	2	FILTER-FUEL, PRIMARY	
5	119-4740	1	FILTER, OIL	
6	AG523347	1	FILTER-AIR, NEW CAB, RECIRC	
7	AG523348	1	FILTER-AIR, NEW CAB, VAPOR/DUST	
8	AG715586	1	ELEMENT FILTER	
9	521058D1	4	FILTER-OIL, ENGINE	
10	521057D1	2	ELEMENT-FWS	

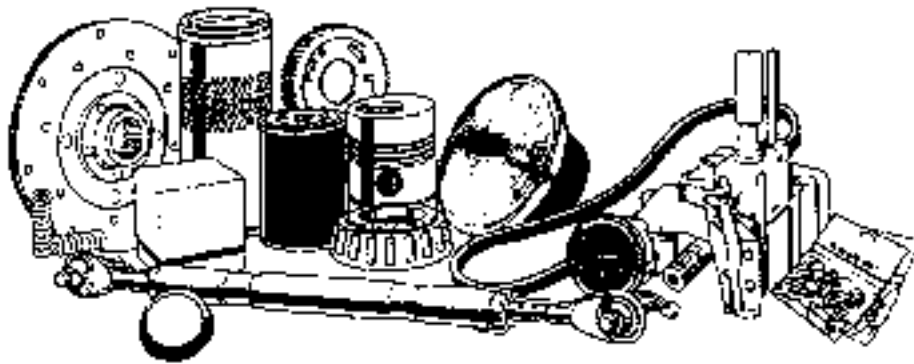


524365D1-02-T105-.TIF

F/A-FENDER,7460,REAR,HYD

ITEM	PART #	QTY	DESCRIPTION	COMMENTS
1	AG236763	4	PLATE-MOUNTING,FENDER	
2	AG512885	AR	LOCTITE ADHESIVE SEALANT BLUE	
3	AG520944	6	BOLT-.38-16X1.5,G5,BLK,CRG	
4	AG524262	6	BOLT-.50-20X4.00,G8,ZN,HHD	
5	AG550124	6	NUT 0.50-13NC HEX ZN REG	
6	AG550191	6	WASHER 0.37 LK ZN REG	
7	AG550353	20	WASHER 0.50 FL ZN REG TYPE-B	
8	AG550779	6	BOLT 0.37-16NCX 1.50 G5 ZN HHD	
9	AG550825	6	NUT 0.37-16NC HEX ZN REG	
10	AG551007	24	WASHER 0.37 FL ZN REG TYPE-B	
11	AG551244	6	BOLT.50-13NCX 2.25G5 ZN HHD	
12	AG556203	2	BOLT 0.37-16NCX 2.50 G8 ZN HHD	
13	AG557676	2	NUT 0.37-16NC HEX ZN C-LK	
14	AG601411	8	NUT 0.37-16NC HEX ZN REG NY	
15	512058D1	1	WLDMT-MNT,FENDER,LH	
16	512061D1	2	PLATE-REAR,FENDER MOUNT	
17	512063D1	1	WLDMT-MNT,FENDER,RH	
18	519212D1	1	PKG-REAR,FENDER,COUPE	
19	522259D1	1	WLDMT-FENDER,SUPPORT,REAR	
20	522260D1	1	WLDMT-FENDER,SUPPORT,REAR	
21	524194D1	2	FENDER-AGCO,POLY	
22	524372D1	1	INSTR-REAR,FENDER,7460,HYD	

**Please refer to the
Bill Of Material
on the opposite page
for related Installations,
Assemblies, or Parts**



520538D1.tif

COVER-I/O ASM FIELD INSTALL

ITEM	PART #	QTY	DESCRIPTION	COMMENTS
1	516006D1	1	MODULE ASM-I/O,CAN	
2	520539D1	1	INSTRUCTIONS	
3	520596D1	1	PACKAGING	

NUMERIC INDEX

104-3288	2-3	184-1112	2-1	400152X1	6-62
106-9861	2-1	184-1704	7-36	400152X1	6-76
117-2911	2-6	184-1704	7-37	400167X1	7-14
119-4740	15-15	189-5746	2-1	400167X1	7-18
119-4740	15-16	197-4519	7-15	400191X1	1-2
119-4740	2-2	197-4520	7-15	400221X1	7-27
120-9762	2-1	197-4521	7-15	400231X1	8-63
121-0694	2-3	197-4525	7-15	400241X1	11-29
121-0885	2-4	197-4526	7-15	400241X1	11-35
121-2059	2-3	197-4527	7-15	400287X1	1-2
121-2060	2-3	197-4529	7-15	400318X1	2-1
121-2061	2-3	197-4530	7-17	400339X1	1-2
121-2500	2-3	197-4531	7-17	400339X1	1-9
121-4036	2-1	197-4532	7-17	400340X1	1-6
121-7385	2-1	197-4533	7-17	400340X1	1-8
121-7396	2-1	197-4534	7-17	400341X1	1-2
121-7398	2-3	197-4537	7-17	400341X1	1-8
121-7399	2-3	197-4538	7-17	400341X1	1-9
121-7400	2-3	197-4544	7-15	400381X1	8-63
121-7401	2-3	197-4544	7-17	400599X1	1-6
121-7402	2-3	197-4546	7-15	400599X1	1-8
122-1877	2-3	197-4547	7-17	400611X1	2-1
122-1879	2-3	197-4548	7-17	400667X1	6-72
122-1886	2-2	197-4550	7-15	401074X1	4-52
122-1886	2-3	202-0040	2-6	401075X1	4-52
130-0013	2-5	203-8025	2-2	401076X1	4-52
130-0912	2-6	208-8240	2-1	401253X1	6-9
136-5598	9-21	216-2267	2-1	401468X1	5-1
136-5598	9-7	237-5185	2-2	401481X1	4-43
1387380	2-2	238-1968	2-1	401481X1	4-44
147-0202	2-2	238-7562	2-1	401481X1	4-48
147-0202	2-3	238-7567	2-3	401481X1	4-49
147-0202	2-4	274-4553	2-2	401559X1	9-11
147-0203	2-3	274-4553	2-3	401559X1	9-13
147-0205	2-4	274-4557	2-2	401582X1	6-7
147-0209	2-1	274-4557	2-3	401619X1	2-9
147-0211	2-2	274-4557	2-4	401658X1	7-62
147-0215	2-3	274-4559	2-7	401704X1	4-25
147-0216	2-3	274-4559	2-8	401704X1	4-30
147-0218	2-1	274-4560	2-4	401704X1	4-34
147-0224	2-3	274-4560	2-7	401704X1	4-39
147-0226	2-1	274-4575	2-1	401704X1	4-58
147-0228	2-3	274-4577	2-2	401704X1	4-62
147-0232	2-2	274-4581	2-1	4274275M91	10-10
147-0234	2-1	281-218	2-2	4F-7391	2-1
147-0236	2-1	3808561M2	12-2	4F-7952	2-1
147-0238	2-3	3J-1907	2-2	4F-7952	2-2
147-0239	2-2	3J-9196	2-5	500749D1	12-10
147-0242	2-4	400053X1	1-9	500749D1	12-5
147-0258	2-4	400059X1	11-29	500749D1	12-6
147-0259	2-3	400059X1	11-35	500749D1	12-7
147-0260	2-4	400059X1	1-2	500749D1	12-8
147-0262	2-1	400059X1	4-21	500749D1	12-9
147-0266	2-1	400060X1	1-6	501272D1	12-11
150-7732	2-2	400127X1	1-6	501272D1	12-15
157-2088	2-4	400152X1	6-108	501272D1	12-19
178-9566	2-4	400152X1	6-112	501272D1	12-23
180-2825	7-36	400152X1	6-116	501899D1	7-15
180-2825	7-37	400152X1	2-1	501902D1	7-15

NUMERIC INDEX

501903D1	7-17	506596D1	7-24	508259D1	7-19
501906D1	7-17	506596D1	7-25	508260D1	7-19
501907D2	7-17	506596D1	7-26	508261D1	7-19
501911D1	7-15	506596D1	7-30	508262D1	7-19
501917D1	7-17	507123D1	7-2	508263D1	7-19
501918D1	7-17	507124D1	7-6	508264D1	7-19
501919D1	7-17	507125D1	7-85	508265D1	7-20
501920D1	7-17	507125D1	7-87	508266D1	7-20
501922D1	7-17	507125D1	7-95	508267D1	7-20
502269D1	7-56	507158D1	7-57	508268D1	7-20
502925D1	7-15	507159D1	7-57	508269D1	7-20
502928D1	7-15	507160D1	7-57	508270D1	7-20
502929D1	7-15	507634D1	10-3	508271D1	7-20
503036D2	7-14	507634D1	10-4	508272D1	7-20
503052D1	12-5	507951D1	8-29	508273D1	7-20
503052D1	12-7	507952D1	8-27	508274D1	7-20
503079D2	7-18	507952D1	8-33	508275D1	7-20
503365D1	7-68	507952D1	8-38	508467D1	4-43
503480D1	4-23	507952D1	8-42	508467D1	4-44
503480D1	4-32	507952D1	8-52	508467D1	4-48
503483D1	4-24	507952D1	8-53	508467D1	4-49
503484D1	4-24	507953D1	8-53	508479D1	4-42
503491D1	4-24	507955D1	8-34	508703D1	7-68
503491D1	4-33	508099D1	7-23	508718D1	8-63
503492D1	4-25	508100D1	7-23	509054D1	10-3
503492D1	4-34	508101D1	7-23	509054D1	10-4
503528D1	6-32	508102D1	7-23	509111D1	8-43
503554D1	6-32	508103D1	7-23	509111D1	8-44
503558D1	6-8	508104D1	7-23	509111D1	8-45
504038D1	12-10	508105D1	7-23	509630D1	7-24
504038D1	12-4	508106D1	7-23	509631D1	7-25
504038D1	12-9	508107D1	7-23	509632D1	7-26
504041D1	7-11	508108D1	7-23	509637D1	7-29
504166D1	12-10	508109D1	10-10	509644D1	9-10
504166D1	12-4	508110D1	10-10	509644D1	9-6
504166D1	12-9	508111D1	10-10	509945D1	6-7
504167D1	12-10	508112D1	7-23	511089D1	12-12
504167D1	12-4	508113D1	7-23	511089D1	12-20
504167D1	12-9	508116D1	7-21	511090D1	12-16
504168D1	12-10	508130D1	7-85	511090D1	12-24
504168D1	12-4	508130D1	7-87	511107D1	12-13
504168D1	12-9	508130D1	7-95	511107D1	12-21
504169D1	12-10	508170D1	8-24	511108D1	12-17
504169D1	12-4	508170D1	8-35	511108D1	12-25
504169D1	12-9	508170D1	8-73	511127D1	12-12
505081D1	9-4	508171D1	8-30	511127D1	12-13
505081D1	9-8	508171D1	8-39	511127D1	12-20
505082D1	9-19	508171D1	8-79	511127D1	12-21
505561D1	8-59	508229D1	7-15	511128D1	12-16
505565D1	2-1	508230D1	7-15	511128D1	12-17
505565D1	2-10	508231D1	7-15	511128D1	12-24
505565D1	8-10	508231D1	7-19	511128D1	12-25
505565D1	8-15	508234D1	7-15	511133D1	12-13
505565D1	8-20	508234D1	7-19	511133D1	12-21
505565D1	8-5	508235D1	7-15	511134D1	12-17
505671D1	8-63	508239D1	7-19	511134D1	12-25
505696D1	7-27	508256D1	7-19	511199D1	12-12
505696D1	7-28	508257D1	7-19	511199D1	12-20
505802D1	8-63	508257D1	7-19	511200D1	12-16

NUMERIC INDEX

511200D1	12-24	512061D1	10-2	513044D1	8-12
511201D1	12-12	512061D1	15-17	513044D1	8-13
511201D1	12-20	512063D1	10-2	513044D1	8-4
511202D1	12-16	512063D1	15-17	513044D1	8-5
511202D1	12-24	512328D1	11-11	513044D1	8-6
511205D1	12-12	512328D1	11-12	513044D1	8-7
511205D1	12-13	512328D1	11-2	513044D1	8-8
511205D1	12-20	512328D1	11-3	513044D1	8-9
511205D1	12-21	512336D1	4-58	513045D1	1-7
511206D1	12-16	512336D1	4-62	513046D1	1-9
511206D1	12-17	512337D1	4-30	513048D1	1-4
511206D1	12-24	512337D1	4-39	513049D1	1-5
511206D1	12-25	512339D1	4-47	513113D1	1-7
511207D1	12-12	512357D1	4-33	513114D1	1-6
511207D1	12-13	512670D1	8-10	513121D1	1-1
511207D1	12-20	512670D1	8-12	513122D1	1-2
511207D1	12-21	512670D1	8-13	513124D1	1-2
511208D1	12-16	512670D1	8-15	513125D1	1-4
511208D1	12-17	512670D1	8-17	513214D1	7-27
511208D1	12-24	512670D1	8-18	513763D1	8-48
511208D1	12-25	512670D1	8-5	513764D1	8-11
511209D1	12-13	512670D1	8-7	513764D1	8-16
511209D1	12-21	512670D1	8-8	513764D1	8-21
511210D1	12-17	512671D1	8-11	513764D1	8-47
511210D1	12-25	512671D1	8-12	513764D1	8-6
511364D1	4-45	512671D1	8-14	513765D1	8-31
511364D1	4-50	512671D1	8-16	513765D1	8-32
511375D1	15-2	512671D1	8-17	513765D1	8-33
511412D1	12-12	512671D1	8-19	513765D1	8-40
511412D1	12-20	512671D1	8-21	513765D1	8-41
511413D1	12-16	512671D1	8-22	513765D1	8-42
511413D1	12-24	512671D1	8-4	513766D1	8-24
511415D1	12-13	512671D1	8-56	513766D1	8-35
511415D1	12-21	512671D1	8-59	513766D1	8-73
511416D1	12-17	512671D1	8-6	513772D1	8-14
511416D1	12-25	512671D1	8-60	513772D1	8-19
511486D1	10-1	512671D1	8-7	513772D1	8-4
511487D1	7-7	512671D1	8-9	513772D1	8-9
511555D1	4-29	512672D1	8-20	513775D1	8-25
511560D1	4-29	512672D1	8-22	513775D1	8-26
511769D1	4-30	512672D1	8-23	513775D1	8-27
511769D1	4-34	512906D1	7-5	513775D1	8-36
511770D1	4-30	513016D1	8-24	513775D1	8-37
511770D1	4-34	513016D1	8-30	513775D1	8-38
511798D1	7-27	513016D1	8-35	513779D1	5-1
511813D1	1-6	513016D1	8-39	513800D1	1-1
511872D1	15-2	513016D1	8-73	513918D1	6-56
511889D1	15-11	513016D1	8-79	513965D1	7-36
511890D1	11-14	513025D1	1-1	513965D1	7-37
511890D1	11-15	513029D1	1-9	513994D1	7-11
511890D1	11-5	513030D1	1-1	513995D1	7-11
511890D1	11-6	513031D1	1-9	513996D1	7-11
511920D1	11-8	513032D1	1-9	513996D1	7-88
511920D1	11-9	513033D1	1-2	514090D1	3-4
511983D1	7-13	513038D1	1-8	514090D1	3-5
511984D1	7-11	513041D1	1-6	514096D1	3-4
512002D1	6-50	513042D1	1-6	514096D1	3-5
512058D1	10-2	513044D1	8-10	514101D1	4-42
512058D1	15-17			514101D1	4-47

NUMERIC INDEX

514345D1	6-51	514948D1	4-49	515521D1	8-1
514345D1	6-53	514951D1	15-2	515523D1	8-25
514384D1	7-29	514978D1	11-37	515523D1	8-26
514387D1	7-15	514979D1	11-37	515523D1	8-31
514592D1	15-1	515004D1	11-16	515523D1	8-32
514593D1	13-1	515004D1	11-7	515523D1	8-36
514593D1	15-1	515005D1	11-16	515523D1	8-37
514594D1	13-1	515005D1	11-7	515523D1	8-40
514594D1	15-1	515006D1	11-8	515523D1	8-41
514596D1	13-1	515006D1	11-9	515757D1	1-1
514596D1	15-1	515008D1	11-10	515758D1	1-1
514600D1	7-83	515008D1	11-19	515767D1	2-9
514613D1	11-26	515009D1	11-10	515768D1	5-1
514613D1	11-30	515009D1	11-19	515778D1	8-30
514614D1	11-26	515010D1	11-11	515778D1	8-39
514614D1	11-30	515010D1	11-12	515778D1	8-79
514616D1	11-27	515012D1	11-13	515779D1	8-48
514616D1	11-31	515012D1	11-20	515780D1	8-48
514617D1	11-27	515013D1	11-13	515782D1	1-4
514617D1	11-31	515013D1	11-20	515784D1	8-68
514618D1	11-28	515014D1	11-14	515812D1	6-52
514618D1	11-32	515014D1	11-15	515894D1	9-3
514619D1	11-28	515017D1	11-36	515938D1	15-12
514619D1	11-32	515018D1	11-36	515938D1	15-2
514620D1	7-81	515091D1	1-9	515947D1	15-12
514620D1	8-3	515093D1	7-71	516006D1	15-18
514647D1	11-1	515094D1	7-71	516006D1	8-45
514647D1	11-17	515100D1	8-24	516006D1	8-51
514648D1	11-1	515100D1	8-30	516009D1	15-12
514648D1	11-17	515100D1	8-35	516011D1	15-12
514649D1	11-2	515100D1	8-39	516407D1	15-12
514649D1	11-3	515100D1	8-73	516407D1	15-2
514651D1	11-18	515100D1	8-79	516443D1	11-33
514651D1	11-4	515148D1	7-71	516443D1	11-34
514652D1	11-18	515149D1	7-68	516446D1	11-33
514652D1	11-4	515151D1	4-41	516446D1	11-34
514653D1	11-5	515151D1	4-46	516474D1	7-2
514653D1	11-6	515156D1	4-43	516474D1	8-1
514801D1	11-29	515156D1	4-44	516585D1	6-1
514801D1	11-35	515156D1	4-48	516586D1	6-1
514802D1	11-29	515156D1	4-49	516588D1	8-3
514802D1	11-35	515157D1	6-3	516596D1	7-82
514823D1	13-1	515167D1	4-42	516693D1	7-37
514823D1	15-1	515167D1	4-47	516694D1	7-36
514824D1	14-1	515194D1	4-48	516698D1	7-27
514825D1	14-1	515195D1	4-49	516949D1	14-3
514826D1	14-2	515232D1	4-33	516950D1	14-3
514829D1	14-4	515233D1	4-33	516993D1	14-3
514831D1	14-3	515282D1	6-23	517063D1	6-89
514833D1	14-6	515282D1	6-26	517112D1	3-4
514835D1	14-5	515282D1	6-74	517254D1	12-5
514906D1	7-24	515283D1	6-3	517254D1	12-6
514906D1	7-25	515352D1	7-3	517254D1	12-9
514906D1	7-26	515468D1	9-1	517255D1	12-10
514934D1	4-43	515468D1	9-15	517255D1	12-7
514937D1	4-43	515469D1	9-16	517255D1	12-8
514937D1	4-48	515469D1	9-2	517400D1	14-5
514943D1	4-44	515520D1	8-1	517401D1	14-5
514948D1	4-44			517402D1	14-5

NUMERIC INDEX

517402D1	14-6	518398D1	6-111	519491D1	4-61
517403D1	8-24	518398D1	6-114	519493D1	4-57
517403D1	8-25	518400D1	6-110	519608D1	12-12
517403D1	8-30	518400D1	6-114	519608D1	12-20
517403D1	8-31	518400D1	6-118	519609D1	12-16
517403D1	8-35	518401D1	6-6	519609D1	12-24
517403D1	8-36	518405D1	4-38	520008D1	4-62
517403D1	8-39	518406D1	4-38	520039D1	6-7
517403D1	8-40	518447D1	13-3	520050D1	7-87
517403D1	8-73	518488D1	1-8	520052D1	7-85
517403D1	8-74	518498D1	4-29	520052D1	7-95
517403D1	8-79	518498D1	4-38	520100D1	12-12
517403D1	8-80	518531D1	6-116	520100D1	12-16
517470D1	11-33	518531D1	6-60	520100D1	12-20
517470D1	11-34	518532D1	6-60	520100D1	12-24
517527D1	2-9	518533D1	6-112	520179D1	7-31
517537D1	1-1	518533D1	6-116	520180D1	7-32
517803D1	8-54	518533D1	6-60	520181D1	7-33
517804D1	13-2	518533D1	6-62	520182D1	7-34
517804D1	8-54	518534D1	6-112	520184D1	7-36
517805D1	8-55	518534D1	6-116	520184D1	7-37
517815D1	9-17	518534D1	6-60	520186D1	4-61
517816D1	9-18	518534D1	6-62	520187D1	4-61
517817D1	9-17	518535D1	6-113	520272D1	4-21
517849D1	9-6	518535D1	6-117	520273D1	4-21
517850D1	9-6	518535D1	6-61	520274D1	4-20
517851D1	9-4	518535D1	6-63	520283D1	7-67
517852D1	9-4	518536D1	6-113	520284D1	4-20
517855D1	9-15	518536D1	6-117	520330D1	8-45
517856D1	9-15	518536D1	6-61	520465D1	3-3
517857D1	9-16	518536D1	6-63	520467D1	3-3
517858D1	9-16	518557D1	1-8	520469D1	3-1
517863D1	9-1	518678D1	15-12	520470D1	3-1
517863D1	9-2	518805D1	15-13	520471D1	3-1
517863D1	9-3	518805D1	15-3	520482D1	6-78
517898D1	15-1	518806D1	15-13	520493D1	6-78
517948D1	9-10	518806D1	15-3	520539D1	15-18
517948D1	9-6	518950D1	6-64	520587D1	6-78
517949D1	9-4	518950D1	6-69	520587D1	6-79
517949D1	9-8	518952D1	6-69	520596D1	15-18
517950D1	3-4	518953D1	6-69	520663D1	7-11
517950D1	8-15	518954D1	6-69	520782D1	6-36
517950D1	8-5	518957D1	6-67	520782D1	6-37
517950D1	8-9	518957D1	6-70	520784D1	6-33
517960D1	8-54	519005D1	6-17	520794D1	11-40
518015D1	15-1	519210D1	10-4	520794D1	11-41
518305D1	6-23	519210D1	11-34	520816D1	6-78
518305D1	6-26	519212D1	10-8	520819D1	6-80
518354D1	6-80	519212D1	11-35	520822D1	6-107
518355D1	6-80	519212D1	15-17	520822D1	6-110
518356D1	6-80	519227D1	15-12	520823D1	6-76
518356D1	6-81	519228D1	15-12	520827D1	6-72
518357D1	6-80	519228D1	15-2	520838D1	6-55
518357D1	6-81	519244D1	1-7	520847D1	6-8
518359D1	6-80	519275D1	9-11	520887D1	6-78
518392D1	6-60	519462D1	4-57	520888D1	6-78
518393D1	6-115	519463D1	4-57	520891D1	6-80
518393D1	6-118	519489D1	4-62	520892D1	6-80
518397D1	6-62			521057D1	1-3

NUMERIC INDEX

521057D1	15-15	522421D1	6-33	523764D1	7-79
521057D1	15-16	522421D1	6-38	523764D1	7-93
521058D1	1-3	522421D1	6-41	523765D1	7-85
521058D1	15-15	522496D1	14-7	523765D1	7-87
521058D1	15-16	522498D1	14-7	523765D1	7-95
521059D1	1-3	522562D1	6-8	523766D1	7-88
521059D1	15-15	522589D1	1-3	523767D1	7-85
521059D1	15-16	522871D1	4-17	523858D1	7-85
521145D1	6-73	523007D1	13-2	523921D1	6-37
521146D1	6-73	523008D1	13-2	523922D1	6-36
521151D1	6-73	523010D1	5-1	523923D1	6-37
521152D1	6-73	523011D1	5-1	523923D1	6-38
521153D1	6-72	523064D1	13-1	523924D1	6-36
521154D1	6-72	523084D1	15-16	523924D1	6-41
521155D1	6-72	523085D1	15-16	523946D1	6-39
521184D1	6-82	523114D1	7-61	523947D1	6-39
521184D1	6-83	523116D1	7-63	523951D1	7-81
521189D1	9-13	523121D1	7-67	523955D1	7-87
521190D1	9-13	523124D1	7-67	523955D1	7-95
521457D1	6-34	523125D1	7-62	523956D1	7-91
521457D1	6-39	523126D1	7-64	523957D1	7-92
521457D1	6-42	523126D1	7-66	523970D1	7-85
521457D1	6-55	523127D1	7-62	523970D1	7-87
521458D1	6-34	523129D1	7-64	523970D1	7-95
521458D1	6-39	523129D1	7-66	523972D1	7-87
521458D1	6-42	523174D1	1-9	523975D1	8-70
521458D1	6-55	523250D1	12-13	523977D1	8-14
521617D1	6-112	523250D1	12-21	523977D1	8-15
521617D1	6-116	523251D1	12-17	523977D1	8-16
521617D1	6-60	523251D1	12-25	523977D1	8-17
521617D1	6-62	523252D1	12-13	523977D1	8-18
521617D1	6-86	523252D1	12-21	523985D1	7-85
521942D1	1-9	523253D1	12-17	523986D1	7-95
522061D1	10-3	523253D1	12-25	523994D1	7-77
522061D1	10-4	523260D1	10-3	523994D1	7-92
522061D1	11-33	523260D1	10-4	524025D1	6-112
522061D1	11-34	523261D1	10-3	524053D1	6-107
522211D1	15-11	523261D1	10-4	524053D1	6-110
522259D1	10-2	523387D1	10-9	524054D1	6-107
522259D1	10-7	523605D1	7-72	524054D1	6-108
522259D1	10-8	523605D1	7-73	524054D1	6-110
522259D1	11-29	523614D1	7-72	524055D1	6-111
522259D1	11-35	523614D1	7-73	524055D1	6-114
522259D1	15-17	523615D1	7-72	524056D1	6-111
522260D1	10-2	523615D1	7-73	524056D1	6-112
522260D1	10-7	523617D1	7-68	524056D1	6-114
522260D1	10-8	523657D1	7-68	524057D1	6-115
522260D1	11-29	523660D1	15-2	524057D1	6-118
522260D1	11-35	523736D1	7-75	524058D1	6-115
522260D1	15-17	523737D1	7-84	524058D1	6-116
522326D1	7-53	523738D1	7-86	524058D1	6-118
522329D1	1-6	523739D1	7-94	524059D1	6-108
522330D1	1-6	523745D1	7-88	524060D1	6-116
522331D1	1-6	523759D1	7-85	524066D1	7-90
522332D1	1-6	523760D1	7-76	524067D1	7-90
522333D1	1-6	523761D1	7-77	524068D1	7-90
522335D1	1-6	523761D1	7-92	524069D1	7-90
522418D1	1-8	523762D1	7-78	524072D1	8-71
522419D1	1-8			524072D1	8-72

NUMERIC INDEX

524072D1	8-76	524624D1	8-75	6630367	6-47
524072D1	8-82	524624D1	8-76	6630367	6-7
524073D1	8-72	524625D1	8-74	6630367	6-9
524194D1	10-2	524625D1	8-75	6661516	7-11
524194D1	10-7	524625D1	8-80	6662881	6-87
524194D1	10-8	524625D1	8-81	6800419	7-11
524194D1	11-29	524649D1	7-15	6A-5591	2-2
524194D1	11-35	524801D1	7-62	6T-9163	2-3
524194D1	15-17	524802D1	7-65	6T-9164	2-3
524195D1	10-3	524802D1	7-66	6T-9165	2-3
524195D1	10-4	524806D1	12-14	6T-9166	2-1
524195D1	11-33	524806D1	12-22	6T-9166	2-3
524195D1	11-34	524807D1	12-18	6T-9196	2-3
524286D1	7-62	524807D1	12-26	6T-9196	2-4
524287D1	7-64	525056D1	6-33	6T-9202	2-1
524287D1	7-66	525056D1	6-38	6V-3822	2-2
524289D1	7-62	525056D1	6-41	6V-5215	2-1
524290D1	7-64	525081D1	7-1	6V-5215	2-2
524290D1	7-66	525082D1	7-2	6V-5842	2-1
524291D1	7-62	525203D1	8-11	6V-8500	2-4
524292D1	7-62	525203D1	8-4	6Y-1192	2-3
524298D1	7-64	525203D1	8-57	6Y-1896	2-1
524298D1	7-65	525210D1	7-8	71323841	7-17
524298D1	7-66	525211D1	7-10	72571170	7-69
524299D1	7-64	525213D1	7-53	74253787	4-54
524299D1	7-65	525214D1	7-53	7M-8485	2-1
524299D1	7-66	525384D1	7-85	7T-2646	2-3
524300D1	7-64	525384D1	7-87	7T-2651	2-1
524300D1	7-65	525384D1	7-95	7T-3195	2-1
524300D1	7-66	525514D1	8-57	7T-3251	2-1
524370D1	10-4	525861D1	7-30	7T-3253	2-2
524371D1	10-8	525874D1	4-43	7T-6655	2-3
524372D1	15-17	525874D1	4-48	7X-4741	2-1
524373D1	11-34	525875D1	4-44	8E-5707	2-3
524374D1	11-35	525875D1	4-49	8L-2786	2-1
524387D1	8-69	527134D1	8-28	8T-0643	2-1
524388D1	8-69	527287D1	7-79	8T-1580	2-4
524389D1	8-68	528004D1	11-38	9P-9150	2-1
524390D1	8-67	528004D1	11-39	9S-9334	2-1
524390D1	8-68	528005D1	11-38	9U-8875	2-3
524550D1	7-17	528005D1	11-39	9U-8875	2-4
524551D1	7-17	528006D1	11-40	9U-8886	2-3
524552D1	7-17	528006D1	11-41	9W-5460	2-1
524553D1	7-17	528431D1	12-19	AG000748	8-54
524600D1	7-72	528431D1	12-23	AG010350	8-47
524600D1	7-73	528431D1	12-6	AG010359	6-34
524601D1	7-72	528431D1	12-8	AG010359	8-12
524601D1	7-73	528432D1	12-11	AG010359	8-17
524602D1	4-38	528432D1	12-15	AG010359	8-22
524603D1	4-24	5P-6718	2-1	AG010359	8-7
524622D1	8-19	6513152	15-7	AG027274	11-22
524622D1	8-20	6513152	15-9	AG027274	3-4
524622D1	8-21	6577822	1-9	AG027274	7-7
524622D1	8-22	6577822	5-1	AG027274	9-17
524622D1	8-23	6578209	6-31	AG028995	9-10
524623D1	8-80	6579858	8-59	AG028995	9-4
524623D1	8-81	6617524	7-11	AG028995	9-6
524623D1	8-82	6620417	15-7	AG028995	9-8
524624D1	8-74			AG029293	8-24

NUMERIC INDEX

AG029293	8-30	AG121748	8-30	AG124432	7-3
AG029293	8-32	AG121749	8-24	AG124432	7-79
AG029293	8-35	AG121749	8-30	AG124432	7-93
AG029293	8-39	AG121749	8-35	AG124432	8-2
AG029293	8-46	AG121749	8-39	AG124437	7-3
AG029293	8-73	AG121749	8-73	AG124437	7-79
AG029293	8-79	AG121749	8-79	AG124437	7-93
AG029293	9-10	AG121750	8-24	AG124437	8-2
AG029293	9-5	AG121750	8-30	AG124451	8-24
AG029293	9-6	AG121750	8-35	AG124451	8-30
AG029293	9-9	AG121750	8-39	AG124451	8-35
AG055178	5-3	AG121750	8-73	AG124451	8-39
AG056442	6-57	AG121750	8-79	AG124451	8-73
AG058428	13-1	AG121750	9-10	AG124451	8-79
AG058428	14-1	AG121750	9-5	AG124452	8-24
AG058428	15-1	AG121750	9-6	AG124452	8-30
AG060814	7-46	AG121750	9-9	AG124452	8-35
AG060921	8-64	AG121751	8-12	AG124452	8-39
AG100676	1-8	AG121751	8-17	AG124452	8-73
AG109445	10-9	AG121751	8-22	AG124452	8-79
AG109445	1-8	AG121751	8-7	AG125817	1-9
AG109742	5-2	AG121768	6-45	AG125889	7-70
AG109754	5-2	AG121768	6-49	AG125890	7-70
AG109902	4-25	AG121778	15-16	AG126272	7-48
AG109902	4-30	AG121778	6-45	AG126418	7-7
AG109902	4-34	AG121778	6-49	AG126910	8-44
AG109902	4-39	AG121806	6-45	AG126910	8-60
AG109902	4-58	AG121806	6-49	AG127131	7-3
AG109902	4-62	AG121826	4-22	AG127131	7-79
AG109948	4-24	AG121826	4-27	AG127131	7-93
AG109948	4-29	AG121826	4-31	AG127137	13-3
AG109948	4-33	AG121826	4-36	AG127137	14-7
AG109948	4-38	AG121826	4-55	AG127152	4-29
AG109948	4-57	AG121826	4-59	AG127152	4-33
AG109948	4-61	AG121841	1-9	AG127321	8-12
AG114698	6-66	AG121883	8-44	AG127321	8-17
AG114698	6-71	AG121922	8-64	AG127321	8-22
AG114698	6-85	AG121924	8-64	AG127321	8-7
AG114698	6-86	AG121925	8-64	AG127341	13-3
AG115052	4-54	AG121926	8-64	AG127341	14-7
AG115054	4-54	AG121929	8-64	AG127687	7-87
AG115096	6-66	AG122058	1-1	AG127687	7-95
AG120283	10-9	AG122207	6-9	AG128276	9-10
AG120354	15-5	AG122569	1-6	AG128276	9-4
AG120615	14-1	AG122807	6-16	AG128276	9-6
AG120615	14-4	AG122986	5-1	AG128276	9-8
AG120615	14-6	AG122986	8-10	AG128285	8-46
AG121110	7-43	AG122986	8-15	AG128285	8-49
AG121198	8-46	AG122986	8-20	AG128285	8-50
AG121483	6-87	AG122986	8-5	AG128285	8-51
AG121484	6-10	AG123758	8-4	AG128727	8-43
AG121484	6-87	AG123758	8-9	AG129182	7-87
AG121485	6-87	AG123761	8-47	AG129182	7-95
AG121490	6-10	AG123817	10-9	AG129238	7-85
AG121490	6-13	AG123910	7-7	AG129238	7-87
AG121551	1-9	AG123946	14-1	AG129238	7-95
AG121587	6-15	AG124041	6-7	AG129242	8-35
AG121587	6-22	AG124431	8-2	AG129242	8-39
AG121748	8-24			AG129242	8-73

NUMERIC INDEX

AG129242	8-79	AG133566	9-22	AG233052	4-56
AG129560	7-69	AG133727	6-21	AG233052	4-60
AG129570	8-66	AG133891	7-70	AG235004	12-2
AG130137	3-1	AG134073	7-10	AG235212	1-8
AG130506	7-52	AG134073	7-9	AG235277	6-33
AG130512	7-45	AG134156	7-62	AG235277	6-42
AG130720	7-38	AG134156	8-55	AG235880	6-34
AG131482	7-10	AG134415	7-2	AG235880	6-39
AG131482	7-9	AG134415	7-6	AG235880	6-42
AG131483	7-10	AG134415	7-77	AG236575	7-31
AG131483	7-9	AG134415	7-78	AG236575	7-32
AG131503	7-27	AG134415	7-92	AG236575	7-33
AG131731	8-64	AG134911	7-8	AG236575	7-34
AG131732	8-64	AG135697	15-7	AG236575	7-75
AG131733	8-64	AG135704	15-8	AG236575	7-84
AG131734	8-64	AG136436	2-9	AG236575	7-86
AG131735	8-64	AG136436	8-14	AG236575	7-94
AG131737	8-64	AG136436	8-19	AG236753	5-1
AG131738	8-64	AG136436	8-4	AG236763	10-2
AG131739	8-64	AG136436	8-9	AG236763	10-3
AG131743	8-64	AG136437	2-1	AG236763	10-4
AG131744	8-64	AG137722	7-35	AG236763	10-7
AG131745	8-64	AG137735	7-35	AG236763	10-8
AG131746	8-64	AG137792	7-17	AG236763	11-29
AG131747	8-64	AG137799	7-17	AG236763	11-33
AG131748	8-64	AG137812	7-17	AG236763	11-34
AG131763	2-9	AG139107	6-104	AG236763	11-35
AG131763	8-12	AG139295	7-39	AG236763	15-17
AG131763	8-14	AG139296	7-39	AG237062	6-35
AG131763	8-19	AG139297	7-39	AG237062	6-40
AG131763	8-4	AG139298	7-39	AG237062	6-43
AG131776	8-64	AG139312	7-45	AG237562	12-3
AG131873	4-2	AG139316	7-46	AG237820	7-7
AG131873	4-4	AG139317	7-46	AG237961	6-66
AG131979	4-15	AG139318	7-46	AG237961	6-71
AG132143	7-55	AG139365	6-99	AG237961	6-85
AG132360	6-82	AG203866	6-112	AG238315	6-66
AG132361	6-82	AG203866	6-62	AG238315	6-71
AG132362	6-82	AG220648	6-64	AG238315	6-85
AG132366	6-109	AG220648	6-65	AG238366	12-2
AG132366	6-77	AG220648	6-67	AG238783	12-5
AG132367	6-109	AG220648	6-68	AG238783	12-6
AG132367	6-77	AG220648	6-83	AG238783	12-7
AG132379	6-108	AG220648	6-84	AG238783	12-8
AG132379	6-76	AG223413	8-47	AG239436	12-5
AG132380	6-108	AG223415	8-47	AG239436	12-6
AG132380	6-76	AG229245	6-35	AG239436	12-7
AG132381	6-108	AG229245	6-40	AG239436	12-8
AG132381	6-76	AG229245	6-43	AG240932	6-64
AG132383	6-76	AG231952	6-66	AG240932	6-65
AG132498	7-69	AG231952	6-71	AG240932	6-67
AG132671	7-9	AG231952	6-85	AG240932	6-68
AG132723	4-16	AG232490	8-48	AG240932	6-83
AG132723	4-2	AG233052	4-23	AG240932	6-84
AG132723	4-4	AG233052	4-28	AG260517	6-34
AG132901	4-15	AG233052	4-32	AG260517	6-39
AG133274	15-7	AG233052	4-37	AG260517	6-42
AG133274	15-8	AG233052	4-42	AG260905	10-10
AG133274	15-9	AG233052	4-42	AG261591	10-1

NUMERIC INDEX

AG261592	10-1	AG330578	7-35	AG420779	9-14
AG262883	3-1	AG330668	4-2	AG420939	9-11
AG262948	11-1	AG330668	4-4	AG420939	9-13
AG262948	11-10	AG330738	7-36	AG420940	9-11
AG262948	11-13	AG330738	7-37	AG420940	9-13
AG262948	11-16	AG330739	7-55	AG421135	10-9
AG262948	11-17	AG330739	7-56	AG421135	8-10
AG262948	11-18	AG330740	7-57	AG421135	8-15
AG262948	11-19	AG330741	7-55	AG421135	8-20
AG262948	11-20	AG330742	7-55	AG421135	8-5
AG262948	11-26	AG330743	7-57	AG421136	10-9
AG262948	11-27	AG330744	7-56	AG421136	8-10
AG262948	11-28	AG330747	7-55	AG421136	8-15
AG262948	11-30	AG330747	7-57	AG421136	8-20
AG262948	11-31	AG330748	7-56	AG421136	8-5
AG262948	11-32	AG330748	7-57	AG425412	5-2
AG262948	11-36	AG330749	7-56	AG425755	8-65
AG262948	11-37	AG330749	7-57	AG510734	8-48
AG262948	11-38	AG330750	7-56	AG510939	5-1
AG262948	11-39	AG330751	7-56	AG510947	5-1
AG262948	11-4	AG330752	7-56	AG511021	6-57
AG262948	11-7	AG330753	7-56	AG511099	4-22
AG262948	12-1	AG330754	7-56	AG511099	4-27
AG263013	12-3	AG330756	7-56	AG511099	4-31
AG263132	6-112	AG330757	7-56	AG511099	4-36
AG263132	6-116	AG330759	7-56	AG511099	4-43
AG263132	6-60	AG330762	7-55	AG511099	4-44
AG263132	6-62	AG330764	7-56	AG511099	4-48
AG263132	6-66	AG330766	7-56	AG511099	4-49
AG263132	6-86	AG330767	7-56	AG511099	4-55
AG263371	6-59	AG330796	6-19	AG511099	4-59
AG263372	6-59	AG330813	7-35	AG511757	3-3
AG263373	6-58	AG330815	7-35	AG512346	5-2
AG263375	6-58	AG330816	7-35	AG512346	6-44
AG326925	13-3	AG330817	7-35	AG512346	6-48
AG326925	14-7	AG330818	7-35	AG512885	10-11
AG326925	7-27	AG330819	7-35	AG512885	10-2
AG326925	7-70	AG330820	7-35	AG512885	10-3
AG327247	3-4	AG330821	7-35	AG512885	10-4
AG327819	4-52	AG331436	8-64	AG512885	10-7
AG327819	4-53	AG331462	4-40	AG512885	10-8
AG327879	4-51	AG331463	4-40	AG512885	10-9
AG328690	6-56	AG331464	4-40	AG512885	1-1
AG330209	7-56	AG331620	8-65	AG512885	11-29
AG330209	7-57	AG331695	9-20	AG512885	11-33
AG330218	7-57	AG332161	7-56	AG512885	11-34
AG330219	7-57	AG332161	7-60	AG512885	11-35
AG330220	7-56	AG332162	7-56	AG512885	1-2
AG330221	7-56	AG332162	7-60	AG512885	15-17
AG330424	7-59	AG332233	4-54	AG512885	1-6
AG330425	7-59	AG332529	6-19	AG512885	1-7
AG330426	7-59	AG332714	9-22	AG512885	1-8
AG330427	7-12	AG332771	7-48	AG512885	1-9
AG330428	7-12	AG333302	4-54	AG512885	2-9
AG330507	7-44	AG333405	7-16	AG512885	4-21
AG330526	4-7	AG334010	7-44	AG512885	4-23
AG330527	4-7	AG334011	7-44	AG512885	4-28
AG330529	6-58	AG407964	4-52	AG512885	4-31
AG330576	7-56			AG512885	4-37

NUMERIC INDEX

AG512885	4-42	AG515121	8-48	AG515669	8-30
AG512885	4-43	AG515121	8-7	AG515669	8-39
AG512885	4-44	AG515122	8-12	AG515669	8-79
AG512885	4-47	AG515122	8-17	AG515697	8-1
AG512885	4-48	AG515122	8-22	AG515697	8-25
AG512885	4-49	AG515122	8-45	AG515697	8-31
AG512885	4-52	AG515122	8-46	AG515697	8-36
AG512885	4-55	AG515122	8-47	AG515697	8-40
AG512885	4-59	AG515122	8-48	AG515697	8-70
AG512885	6-50	AG515122	8-51	AG515697	8-74
AG512885	6-57	AG515122	8-53	AG515697	8-80
AG513385	1-8	AG515122	8-58	AG515698	8-1
AG513423	1-8	AG515122	8-7	AG515698	8-25
AG513654	10-10	AG515122	8-72	AG515698	8-31
AG513916	1-8	AG515123	7-53	AG515698	8-36
AG513916	1-9	AG515123	8-12	AG515698	8-40
AG513916	5-1	AG515123	8-17	AG515698	8-70
AG513916	5-2	AG515123	8-22	AG515698	8-74
AG513916	6-45	AG515123	8-45	AG515698	8-80
AG513916	6-49	AG515123	8-46	AG515764	14-1
AG513916	6-57	AG515123	8-47	AG515764	14-3
AG514554	1-9	AG515123	8-48	AG515764	14-5
AG514554	3-4	AG515123	8-58	AG515764	7-62
AG514554	3-5	AG515123	8-7	AG515764	8-55
AG514554	9-11	AG515140	6-66	AG515766	14-1
AG514554	9-13	AG515140	6-71	AG515766	14-3
AG514559	10-3	AG515140	6-85	AG515766	14-5
AG514559	10-4	AG515180	1-1	AG515766	7-62
AG514559	11-33	AG515180	1-2	AG515766	8-55
AG514559	11-34	AG515180	2-9	AG515981	8-47
AG514559	15-12	AG515180	6-50	AG515983	1-9
AG514559	15-13	AG515180	6-57	AG516060	8-47
AG514559	15-14	AG515203	9-12	AG516064	4-22
AG514559	15-2	AG515203	9-14	AG516064	4-27
AG514559	15-3	AG515263	8-48	AG516064	4-31
AG514559	15-4	AG515352	4-14	AG516064	4-36
AG514559	3-1	AG515352	4-24	AG516064	4-42
AG514559	4-23	AG515352	4-29	AG516064	4-47
AG514559	4-28	AG515352	4-33	AG516064	4-55
AG514559	4-32	AG515352	4-38	AG516064	4-59
AG514559	4-37	AG515352	4-45	AG516176	7-31
AG514559	4-42	AG515352	4-50	AG516176	7-32
AG514559	4-47	AG515352	4-57	AG516176	7-33
AG514559	4-56	AG515352	4-58	AG516176	7-34
AG514559	4-60	AG515352	4-61	AG516176	7-75
AG514771	15-8	AG515352	4-62	AG516176	7-84
AG514771	4-51	AG515352	6-23	AG516176	7-86
AG514771	4-52	AG515352	6-26	AG516176	7-94
AG514771	4-53	AG515352	6-51	AG516403	6-44
AG514777	6-8	AG515352	6-53	AG516403	6-48
AG515121	3-4	AG515352	6-6	AG516482	1-7
AG515121	3-5	AG515352	6-74	AG516517	6-66
AG515121	6-17	AG515361	3-3	AG516580	7-13
AG515121	8-12	AG515373	8-58	AG516864	8-24
AG515121	8-17	AG515457	7-2	AG516864	8-35
AG515121	8-22	AG515457	7-6	AG516864	8-73
AG515121	8-45	AG515457	7-77	AG517097	6-66
AG515121	8-46	AG515457	7-78	AG517097	6-71
AG515121	8-47			AG517097	6-85

NUMERIC INDEX

AG517156	8-26	AG517845	1-8	AG519123	6-49
AG517156	8-32	AG517845	1-9	AG519123	6-74
AG517156	8-37	AG517942	14-2	AG519123	6-75
AG517156	8-41	AG517942	14-4	AG519184	4-23
AG517156	8-75	AG517942	14-6	AG519184	4-28
AG517156	8-81	AG517942	8-52	AG519184	4-32
AG517157	8-26	AG517942	8-63	AG519184	4-37
AG517157	8-32	AG517942	8-71	AG519184	4-42
AG517157	8-37	AG518038	9-12	AG519184	4-47
AG517157	8-41	AG518038	9-14	AG519184	4-56
AG517157	8-54	AG518304	6-56	AG519184	4-60
AG517157	8-75	AG518357	6-50	AG519203	3-3
AG517157	8-81	AG518357	6-57	AG519210	9-14
AG517158	8-24	AG518361	4-51	AG519211	9-12
AG517158	8-26	AG518421	6-57	AG519278	7-53
AG517158	8-32	AG518505	4-24	AG519288	14-1
AG517158	8-35	AG518505	4-29	AG519288	14-3
AG517158	8-37	AG518505	4-33	AG519288	14-5
AG517158	8-41	AG518505	4-38	AG519288	7-62
AG517158	8-54	AG518505	4-43	AG519288	8-55
AG517158	8-75	AG518505	4-44	AG519527	6-64
AG517158	8-81	AG518505	4-48	AG519527	6-67
AG517159	8-54	AG518505	4-49	AG519527	6-83
AG517469	6-34	AG518505	4-57	AG519570	6-45
AG517469	6-39	AG518505	4-61	AG519570	6-49
AG517469	6-42	AG518511	4-24	AG519741	1-9
AG517471	6-39	AG518511	4-29	AG519742	10-9
AG517471	6-42	AG518511	4-33	AG519766	6-31
AG517556	15-7	AG518511	4-38	AG519802	10-5
AG517556	3-3	AG518511	4-43	AG519802	10-6
AG517556	4-22	AG518511	4-44	AG519802	3-1
AG517556	4-27	AG518511	4-48	AG519861	6-108
AG517556	4-31	AG518511	4-49	AG519861	6-112
AG517556	4-32	AG518511	4-57	AG519861	6-116
AG517556	4-36	AG518511	4-61	AG519861	6-60
AG517556	4-51	AG518524	7-54	AG519861	6-62
AG517556	4-52	AG518989	15-7	AG519861	6-76
AG517556	4-53	AG518989	7-5	AG519862	6-108
AG517556	4-55	AG518989	8-14	AG519862	6-112
AG517556	4-59	AG518989	8-19	AG519862	6-116
AG517618	14-1	AG518989	8-4	AG519862	6-60
AG517618	14-3	AG518989	8-58	AG519862	6-62
AG517618	14-5	AG518989	8-60	AG519862	6-76
AG517618	7-62	AG518989	8-63	AG520052	8-24
AG517618	8-55	AG518989	8-9	AG520052	8-30
AG517724	8-51	AG519113	4-25	AG520052	8-35
AG517766	11-11	AG519113	4-30	AG520052	8-39
AG517766	11-12	AG519113	4-34	AG520052	8-73
AG517766	11-14	AG519113	4-39	AG520052	8-79
AG517766	11-15	AG519113	4-58	AG520092	8-24
AG517766	11-2	AG519113	4-60	AG520092	8-30
AG517766	11-3	AG519113	4-62	AG520092	8-35
AG517766	11-40	AG519113	6-32	AG520092	8-39
AG517766	11-41	AG519123	6-23	AG520092	8-73
AG517766	11-5	AG519123	6-24	AG520092	8-79
AG517766	11-6	AG519123	6-26	AG520093	8-24
AG517766	11-8	AG519123	6-27	AG520093	8-30
AG517766	11-9	AG519123	6-31	AG520093	8-35
AG517802	6-49			AG520093	8-39

NUMERIC INDEX

AG520093	8-47	AG520879	8-35	AG521728	8-16
AG520093	8-73	AG520879	8-39	AG521728	8-20
AG520093	8-79	AG520879	8-73	AG521728	8-21
AG520209	1-9	AG520879	8-79	AG521728	8-5
AG520270	14-1	AG520880	14-1	AG521728	8-53
AG520270	14-3	AG520880	2-9	AG521728	8-56
AG520270	14-5	AG520880	7-74	AG521728	8-6
AG520270	7-62	AG520885	6-34	AG521728	8-72
AG520270	8-55	AG520885	6-35	AG521730	7-8
AG520285	6-20	AG520885	6-38	AG521792	7-21
AG520285	6-23	AG520885	6-39	AG521797	1-2
AG520285	6-24	AG520885	6-40	AG521891	9-11
AG520285	6-31	AG520885	6-42	AG521891	9-13
AG520285	6-9	AG520885	6-43	AG521943	10-9
AG520318	8-26	AG520905	10-9	AG521944	10-9
AG520318	8-32	AG520910	8-47	AG522058	6-6
AG520318	8-37	AG520911	7-6	AG522183	5-1
AG520318	8-41	AG520911	7-78	AG522193	1-2
AG520318	8-75	AG520929	3-1	AG522220	2-10
AG520318	8-81	AG520944	10-2	AG522220	2-11
AG520327	7-11	AG520944	10-3	AG522231	7-2
AG520602	15-12	AG520944	10-4	AG522231	7-77
AG520602	15-13	AG520944	10-7	AG522231	7-92
AG520602	15-14	AG520944	10-8	AG522242	8-10
AG520602	15-2	AG520944	11-29	AG522242	8-15
AG520602	15-3	AG520944	11-33	AG522242	8-20
AG520602	15-4	AG520944	11-34	AG522242	8-5
AG520614	3-4	AG520944	11-35	AG522247	14-7
AG520614	3-5	AG520944	15-17	AG522247	2-10
AG520614	6-66	AG520967	7-11	AG522247	2-11
AG520614	9-11	AG520967	7-88	AG522307	6-46
AG520614	9-13	AG520989	10-12	AG522378	1-6
AG520617	6-45	AG520989	10-13	AG522410	8-49
AG520617	6-49	AG521009	3-4	AG522410	8-50
AG520627	6-17	AG521009	3-5	AG522410	8-52
AG520628	10-11	AG521048	8-49	AG522410	8-71
AG520628	6-17	AG521048	8-50	AG522453	5-1
AG520640	7-31	AG521048	8-51	AG522562	10-5
AG520640	7-32	AG521283	10-9	AG522562	10-6
AG520640	7-33	AG521342	3-1	AG522562	10-9
AG520640	7-34	AG521359	8-11	AG522562	1-9
AG520640	7-75	AG521359	8-16	AG522562	3-1
AG520640	7-84	AG521359	8-21	AG522562	3-2
AG520640	7-86	AG521359	8-56	AG522562	3-3
AG520640	7-94	AG521359	8-6	AG522562	5-1
AG520691	4-20	AG521557	10-11	AG522562	8-12
AG520746	8-26	AG521557	10-9	AG522562	8-17
AG520746	8-37	AG521558	10-11	AG522562	8-22
AG520746	8-75	AG521558	10-9	AG522562	8-7
AG520772	8-57	AG521587	6-66	AG522562	9-11
AG520859	8-45	AG521587	6-71	AG522562	9-13
AG520862	7-3	AG521587	6-85	AG522571	3-2
AG520862	7-79	AG521657	10-11	AG522710	1-2
AG520862	7-93	AG521657	10-9	AG522710	7-31
AG520879	10-9	AG521690	11-24	AG522710	7-32
AG520879	7-27	AG521690	11-25	AG522710	7-33
AG520879	7-8	AG521728	8-10	AG522710	7-34
AG520879	8-24	AG521728	8-11	AG522710	7-75
AG520879	8-30			AG522710	7-84

NUMERIC INDEX

AG522710	7-86	AG523871	6-45	AG550191	15-3
AG522710	7-94	AG523871	6-49	AG550191	7-7
AG522715	8-63	AG523877	10-9	AG550191	7-70
AG522717	8-63	AG523910	6-8	AG550205	1-8
AG522719	1-2	AG523919	5-1	AG550205	6-17
AG522723	4-43	AG523964	6-7	AG550205	6-30
AG522723	4-44	AG524244	7-80	AG550205	6-8
AG522723	4-48	AG524262	10-2	AG550205	7-6
AG522723	4-49	AG524262	15-17	AG550205	7-78
AG522753	8-63	AG550108	11-21	AG550213	6-17
AG522877	4-18	AG550124	10-2	AG550213	6-8
AG522905	15-12	AG550124	10-7	AG550213	7-19
AG522905	15-14	AG550124	10-8	AG550213	8-47
AG522905	15-2	AG550124	15-17	AG550256	6-17
AG522905	4-57	AG550124	1-7	AG550256	7-1
AG522905	4-61	AG550124	1-8	AG550256	7-76
AG522907	9-17	AG550124	6-17	AG550256	7-91
AG522989	1-2	AG550132	10-7	AG550264	1-8
AG523074	7-81	AG550132	10-8	AG550264	6-17
AG523074	8-3	AG550132	1-9	AG550264	6-8
AG523111	11-25	AG550132	4-14	AG550280	4-23
AG523200	10-1	AG550132	6-51	AG550280	4-28
AG523200	14-2	AG550132	6-53	AG550280	4-32
AG523200	14-4	AG550167	11-21	AG550280	4-37
AG523200	14-6	AG550175	10-3	AG550280	4-42
AG523201	10-1	AG550175	10-4	AG550280	4-47
AG523201	14-2	AG550175	10-9	AG550280	4-56
AG523201	14-4	AG550175	11-33	AG550280	4-60
AG523201	14-6	AG550175	11-34	AG550337	7-11
AG523227	7-64	AG550175	1-4	AG550353	10-2
AG523347	15-16	AG550175	1-5	AG550353	10-7
AG523347	7-36	AG550175	15-13	AG550353	10-8
AG523347	7-37	AG550175	15-2	AG550353	15-17
AG523348	15-16	AG550175	15-3	AG550353	1-8
AG523348	7-36	AG550175	1-7	AG550353	4-14
AG523348	7-37	AG550175	4-53	AG550353	5-2
AG523348	7-48	AG550175	6-34	AG550353	6-17
AG523464	7-69	AG550175	6-35	AG550353	6-51
AG523508	13-3	AG550175	6-39	AG550353	6-53
AG523508	14-7	AG550175	6-40	AG550353	7-1
AG523508	2-10	AG550175	6-42	AG550353	7-76
AG523508	2-11	AG550175	6-43	AG550353	7-91
AG523508	7-2	AG550175	6-86	AG550485	10-1
AG523508	7-70	AG550175	7-7	AG550485	10-10
AG523508	7-77	AG550183	10-10	AG550485	15-14
AG523508	7-92	AG550183	10-11	AG550485	15-4
AG523533	6-35	AG550183	10-9	AG550485	15-7
AG523533	6-40	AG550183	6-17	AG550485	15-8
AG523533	6-43	AG550183	7-11	AG550485	15-9
AG523544	6-32	AG550183	7-19	AG550485	6-17
AG523581	8-47	AG550183	7-88	AG550493	10-10
AG523785	7-81	AG550191	10-2	AG550493	15-11
AG523785	8-3	AG550191	10-7	AG550493	15-7
AG523786	7-81	AG550191	10-8	AG550493	15-8
AG523786	8-3	AG550191	11-21	AG550493	15-9
AG523787	7-81	AG550191	15-12	AG550493	6-17
AG523787	8-3	AG550191	15-13	AG550493	8-45
AG523814	3-4	AG550191	15-17	AG550493	9-18
AG523871	6-32			AG550507	10-10

NUMERIC INDEX

AG550507	15-11	AG550779	10-7	AG550981	6-116
AG550507	15-7	AG550779	10-8	AG550981	6-34
AG550507	15-8	AG550779	15-17	AG550981	6-35
AG550507	15-9	AG550779	15-4	AG550981	6-39
AG550507	7-22	AG550817	1-8	AG550981	6-40
AG550507	8-45	AG550825	10-2	AG550981	6-42
AG550507	8-59	AG550825	10-7	AG550981	6-43
AG550515	11-33	AG550825	10-8	AG550981	6-60
AG550515	11-34	AG550825	1-1	AG550981	6-62
AG550515	4-24	AG550825	1-4	AG550981	6-86
AG550515	4-29	AG550825	1-5	AG550981	7-7
AG550515	4-33	AG550825	15-12	AG551007	10-2
AG550515	4-38	AG550825	15-13	AG551007	10-7
AG550515	5-1	AG550825	15-14	AG551007	10-8
AG550515	6-71	AG550825	15-17	AG551007	11-29
AG550515	6-85	AG550825	15-2	AG551007	11-35
AG550515	6-86	AG550825	15-3	AG551007	13-3
AG550515	7-7	AG550825	15-4	AG551007	14-7
AG550566	10-9	AG550825	4-53	AG551007	15-17
AG550612	10-10	AG550825	7-19	AG551007	3-1
AG550612	15-11	AG550825	7-7	AG551007	4-53
AG550612	15-12	AG550892	10-9	AG551007	6-71
AG550612	15-13	AG550914	14-1	AG551007	6-85
AG550612	15-14	AG550914	7-62	AG551007	6-86
AG550612	15-2	AG550914	7-72	AG551007	7-27
AG550612	15-3	AG550914	7-73	AG551015	10-10
AG550612	15-4	AG550914	7-74	AG551015	10-11
AG550612	15-7	AG550914	8-25	AG551015	10-9
AG550612	15-8	AG550914	8-31	AG551015	7-11
AG550612	15-9	AG550914	8-36	AG551015	7-6
AG550612	8-45	AG550914	8-40	AG551015	7-7
AG550671	15-13	AG550914	8-74	AG551015	7-78
AG550671	15-14	AG550914	8-80	AG551015	7-88
AG550671	15-2	AG550914	9-18	AG551112	6-32
AG550671	15-3	AG550922	14-1	AG551139	6-28
AG550671	15-4	AG550922	7-62	AG551139	6-32
AG550671	6-108	AG550922	7-72	AG551139	6-69
AG550671	6-112	AG550922	7-73	AG551139	6-70
AG550671	6-116	AG550922	7-74	AG551139	6-82
AG550671	6-60	AG550922	8-25	AG551139	6-9
AG550671	6-62	AG550922	8-31	AG551244	10-2
AG550671	6-72	AG550922	8-36	AG551244	15-17
AG550671	6-76	AG550922	8-40	AG551244	1-7
AG550671	6-78	AG550922	8-74	AG551244	3-5
AG550671	6-80	AG550922	8-80	AG551252	10-9
AG550671	7-8	AG550922	9-18	AG551252	6-17
AG550698	15-11	AG550930	14-1	AG551252	6-30
AG550698	15-12	AG550930	7-74	AG551252	6-8
AG550698	15-13	AG550949	10-9	AG551252	7-6
AG550698	15-14	AG550957	7-62	AG551252	7-78
AG550698	15-2	AG550981	15-12	AG551317	7-6
AG550698	15-3	AG550981	15-2	AG551317	7-78
AG550698	15-4	AG550981	4-24	AG551406	10-9
AG550698	6-72	AG550981	4-29	AG551503	6-112
AG550698	6-78	AG550981	4-33	AG551503	6-116
AG550698	6-80	AG550981	4-38	AG551503	6-60
AG550698	7-11	AG550981	4-57	AG551503	6-62
AG550698	8-59	AG550981	4-61	AG551856	6-23
AG550779	10-2	AG550981	4-61	AG551856	6-26

NUMERIC INDEX

AG551856	6-74	AG554510	6-45	AG559938	4-30
AG552127	10-7	AG554537	4-24	AG559938	4-34
AG552127	10-8	AG554537	4-38	AG559938	4-39
AG552186	1-8	AG554537	4-61	AG559938	4-58
AG552186	6-15	AG554855	10-10	AG559938	4-62
AG552186	6-22	AG554898	8-17	AG560073	15-13
AG552240	10-3	AG554898	8-22	AG560073	15-3
AG552240	10-4	AG554898	8-7	AG560227	8-25
AG552240	11-33	AG554898	8-9	AG560227	8-31
AG552240	11-34	AG555126	6-66	AG560227	8-36
AG552240	6-66	AG555126	6-71	AG560227	8-40
AG552275	10-9	AG555126	6-85	AG560227	8-74
AG553115	1-9	AG556103	10-9	AG560227	8-80
AG553174	5-1	AG556149	4-25	AG560227	9-18
AG553182	7-6	AG556149	4-30	AG560278	7-65
AG553182	7-78	AG556149	4-34	AG560693	4-14
AG553441	1-8	AG556149	4-39	AG560693	6-20
AG553514	6-69	AG556149	4-58	AG560693	6-3
AG553514	6-70	AG556149	4-62	AG560693	6-51
AG553514	6-82	AG556203	10-2	AG560693	6-53
AG553530	6-46	AG556203	15-17	AG560693	6-9
AG553557	10-11	AG556300	3-1	AG560693	7-5
AG553557	14-2	AG556475	6-57	AG560693	7-89
AG553557	14-4	AG557315	6-45	AG560899	6-49
AG553557	14-6	AG557315	6-49	AG560900	6-18
AG553557	6-108	AG557676	10-2	AG561025	1-8
AG553557	6-112	AG557676	10-7	AG561025	1-9
AG553557	6-116	AG557676	10-8	AG561025	5-1
AG553557	6-60	AG557676	15-17	AG561044	6-64
AG553557	6-62	AG557676	3-1	AG561044	6-67
AG553557	6-76	AG557676	4-24	AG561044	6-83
AG553557	8-14	AG557676	4-29	AG561058	10-7
AG553557	8-19	AG557676	4-33	AG561058	10-8
AG553557	8-24	AG557676	4-38	AG561119	2-9
AG553557	8-30	AG557676	4-57	AG561119	4-25
AG553557	8-35	AG557676	4-61	AG561119	4-30
AG553557	8-39	AG557838	6-23	AG561119	4-34
AG553557	8-4	AG557838	6-26	AG561119	4-39
AG553557	8-52	AG557838	6-74	AG561119	4-58
AG553557	8-62	AG558214	7-11	AG561119	4-62
AG553557	8-63	AG558648	1-8	AG561124	11-33
AG553557	8-71	AG558788	15-7	AG561124	11-34
AG553557	8-73	AG558877	6-9	AG561187	7-19
AG553557	8-79	AG559024	15-5	AG561215	1-8
AG553557	8-9	AG559083	4-23	AG561229	1-8
AG553662	1-1	AG559083	4-28	AG561234	7-72
AG553670	7-2	AG559083	4-32	AG561234	7-73
AG553670	7-77	AG559083	4-37	AG561237	6-109
AG553670	7-92	AG559083	4-43	AG561237	6-113
AG553670	8-24	AG559083	4-44	AG561237	6-117
AG553670	8-35	AG559083	4-48	AG561237	6-61
AG553670	8-73	AG559083	4-49	AG561237	6-63
AG553867	1-8	AG559083	4-56	AG561237	6-77
AG553891	6-45	AG559083	4-60	AG561246	6-17
AG553956	10-11	AG559105	10-9	AG561255	7-4
AG554022	4-14	AG559873	1-8	AG561288	6-28
AG554022	6-51	AG559873	1-9	AG561288	6-47
AG554022	6-53	AG559911	10-9	AG561296	6-28
AG554510	1-8			AG561296	6-45

NUMERIC INDEX

AG561296	6-49	AG561699	7-32	AG562050	8-81
AG561317	2-9	AG561699	7-33	AG562051	6-8
AG561360	6-69	AG561699	7-34	AG562051	7-64
AG561360	6-70	AG561699	7-75	AG562051	8-58
AG561360	6-82	AG561699	7-84	AG562053	15-7
AG561384	6-44	AG561699	7-86	AG562053	7-64
AG561384	6-48	AG561699	7-94	AG562053	8-58
AG561384	8-58	AG561744	4-14	AG562054	7-53
AG561391	7-13	AG561744	6-20	AG562054	8-12
AG561391	7-5	AG561744	6-32	AG562054	8-17
AG561391	7-89	AG561744	6-47	AG562054	8-22
AG561419	11-21	AG561744	6-51	AG562054	8-48
AG561454	2-9	AG561744	6-53	AG562054	8-7
AG561489	8-10	AG561793	8-17	AG562061	8-24
AG561489	8-15	AG561793	8-22	AG562061	8-30
AG561489	8-20	AG561794	6-22	AG562061	8-35
AG561489	8-5	AG561797	6-20	AG562061	8-39
AG561549	6-45	AG561867	5-1	AG562061	8-47
AG561549	6-49	AG561879	6-49	AG562061	8-73
AG561593	4-24	AG561905	9-18	AG562061	8-79
AG561593	4-29	AG561941	4-21	AG562064	8-17
AG561593	4-33	AG561941	6-55	AG562064	8-19
AG561593	4-38	AG561941	7-65	AG562064	8-47
AG561593	4-57	AG561952	3-4	AG562064	8-58
AG561593	4-61	AG561952	3-5	AG562064	8-7
AG561629	6-31	AG561952	8-46	AG562064	8-9
AG561629	7-64	AG561952	8-51	AG562065	15-10
AG561645	6-34	AG561952	8-58	AG562065	8-24
AG561665	3-4	AG562013	3-1	AG562065	8-26
AG561665	9-11	AG562045	15-7	AG562065	8-30
AG561665	9-13	AG562045	6-8	AG562065	8-32
AG561677	3-1	AG562045	7-64	AG562065	8-35
AG561677	4-25	AG562045	8-58	AG562065	8-37
AG561677	4-30	AG562046	15-7	AG562065	8-39
AG561677	4-34	AG562046	6-8	AG562065	8-41
AG561677	4-39	AG562046	7-64	AG562065	8-47
AG561677	4-58	AG562046	8-58	AG562065	8-73
AG561677	4-62	AG562047	8-46	AG562065	8-75
AG561677	6-18	AG562047	8-51	AG562065	8-79
AG561677	6-28	AG562048	3-1	AG562065	8-81
AG561679	14-1	AG562048	9-11	AG562067	8-12
AG561679	1-6	AG562048	9-13	AG562067	8-17
AG561679	1-8	AG562049	7-64	AG562067	8-22
AG561679	1-9	AG562050	1-4	AG562067	8-7
AG561679	7-4	AG562050	1-5	AG562068	8-45
AG561679	7-74	AG562050	15-10	AG562072	1-9
AG561679	8-25	AG562050	8-22	AG562073	1-4
AG561679	8-31	AG562050	8-24	AG562073	1-5
AG561679	8-36	AG562050	8-26	AG562073	15-10
AG561679	8-40	AG562050	8-30	AG562073	1-6
AG561679	8-47	AG562050	8-32	AG562073	6-66
AG561679	8-74	AG562050	8-35	AG562073	6-71
AG561679	8-80	AG562050	8-37	AG562073	6-85
AG561679	9-10	AG562050	8-39	AG562074	1-8
AG561679	9-4	AG562050	8-41	AG562074	6-44
AG561679	9-6	AG562050	8-47	AG562074	6-48
AG561679	9-8	AG562050	8-73	AG562074	8-58
AG561683	1-5	AG562050	8-75	AG562081	8-24
AG561699	7-31	AG562050	8-75	AG562081	8-30

NUMERIC INDEX

AG562081	8-35	AG562330	10-11	AG562925	8-35
AG562081	8-39	AG562346	6-69	AG562925	8-39
AG562081	8-47	AG562346	6-70	AG562925	8-73
AG562081	8-73	AG562346	6-82	AG562925	8-79
AG562081	8-79	AG562354	6-20	AG562928	8-24
AG562082	11-22	AG562354	6-23	AG562928	8-30
AG562082	3-4	AG562354	6-24	AG562928	8-35
AG562082	7-7	AG562354	6-26	AG562928	8-39
AG562082	9-17	AG562354	6-27	AG562928	8-73
AG562086	7-7	AG562354	6-74	AG562928	8-79
AG562090	8-58	AG562354	6-75	AG562929	8-24
AG562115	6-8	AG562364	13-3	AG562929	8-30
AG562115	7-64	AG562364	14-7	AG562929	8-35
AG562115	8-58	AG562364	7-27	AG562929	8-39
AG562117	15-7	AG562364	7-70	AG562929	8-73
AG562120	1-6	AG562401	6-20	AG562929	8-79
AG562120	3-1	AG562401	6-31	AG562930	8-24
AG562123	1-6	AG562401	6-32	AG562930	8-30
AG562127	9-17	AG562401	7-5	AG562930	8-35
AG562148	8-45	AG562463	1-6	AG562930	8-39
AG562159	6-66	AG562496	6-69	AG562930	8-73
AG562159	6-71	AG562496	6-70	AG562930	8-79
AG562159	6-85	AG562639	10-9	AG562931	8-24
AG562196	14-1	AG562639	2-10	AG562931	8-30
AG562196	7-62	AG562639	2-11	AG562931	8-35
AG562196	7-72	AG562639	7-8	AG562931	8-39
AG562196	7-73	AG562639	8-24	AG562931	8-73
AG562196	7-74	AG562639	8-30	AG562931	8-79
AG562199	7-72	AG562639	8-35	AG562933	8-24
AG562199	7-73	AG562639	8-39	AG562933	8-30
AG562214	6-8	AG562639	8-73	AG562933	8-35
AG562237	6-108	AG562639	8-79	AG562933	8-39
AG562237	6-112	AG562688	4-29	AG562933	8-73
AG562237	6-116	AG562688	4-33	AG562933	8-79
AG562237	6-60	AG562789	2-9	AG562945	7-11
AG562237	6-62	AG562790	6-17	AG563094	11-22
AG562237	6-76	AG562790	7-71	AG563094	8-24
AG562238	8-24	AG562792	2-10	AG563094	8-30
AG562238	8-30	AG562792	2-11	AG563094	8-35
AG562238	8-35	AG562792	7-27	AG563094	8-39
AG562238	8-39	AG562792	8-11	AG563094	8-47
AG562238	8-73	AG562792	8-16	AG563094	8-73
AG562238	8-79	AG562792	8-21	AG563094	8-79
AG562270	6-17	AG562792	8-24	AG563104	4-23
AG562271	11-29	AG562792	8-30	AG563104	4-28
AG562271	11-35	AG562792	8-35	AG563104	4-32
AG562271	1-2	AG562792	8-39	AG563104	4-37
AG562271	1-5	AG562792	8-56	AG563104	4-42
AG562272	6-17	AG562792	8-6	AG563104	4-47
AG562272	6-56	AG562792	8-73	AG563104	4-56
AG562285	7-6	AG562792	8-79	AG563104	4-60
AG562285	7-78	AG562797	11-29	AG563174	13-3
AG562327	7-11	AG562797	11-35	AG563174	14-7
AG562327	8-24	AG562817	2-9	AG563174	7-27
AG562327	8-30	AG562821	8-12	AG563175	13-3
AG562327	8-35	AG562821	8-56	AG563175	14-7
AG562327	8-39	AG562821	8-7	AG563175	7-27
AG562327	8-73	AG562925	8-24	AG563176	8-12
AG562327	8-79	AG562925	8-24	AG563176	8-17

NUMERIC INDEX

AG563176	8-22	AG604184	6-50	AG609312	6-8
AG563176	8-7	AG604203	11-33	AG609312	7-53
AG600008	10-10	AG604203	11-34	AG609313	15-7
AG600016	7-7	AG604203	15-13	AG609313	3-3
AG600024	10-10	AG604203	15-3	AG609313	4-22
AG601152	10-9	AG604203	4-24	AG609313	4-27
AG601152	4-25	AG604203	4-25	AG609313	4-31
AG601152	4-30	AG604203	4-29	AG609313	4-36
AG601152	4-34	AG604203	4-30	AG609313	4-41
AG601152	4-39	AG604203	4-33	AG609313	4-46
AG601152	4-58	AG604203	4-34	AG609313	4-51
AG601152	4-62	AG604203	4-38	AG609313	4-52
AG601152	5-2	AG604203	4-39	AG609313	4-53
AG601225	10-10	AG604203	4-43	AG609313	4-55
AG601284	1-8	AG604203	4-44	AG609313	4-59
AG601411	10-2	AG604203	4-48	AG609313	6-8
AG601411	10-3	AG604203	4-49	AG609313	7-53
AG601411	10-4	AG604203	4-58	AG609314	4-41
AG601411	10-7	AG604203	4-61	AG609314	4-46
AG601411	10-8	AG604203	4-62	AG609419	1-2
AG601411	1-1	AG604216	10-9	AG609465	6-87
AG601411	11-29	AG604216	6-17	AG609486	9-12
AG601411	11-33	AG604216	6-72	AG609486	9-14
AG601411	11-34	AG604216	6-78	AG610620	14-1
AG601411	11-35	AG604216	6-80	AG610620	14-2
AG601411	15-17	AG605371	7-11	AG610620	14-3
AG601411	1-7	AG606258	1-2	AG610620	14-4
AG601411	3-1	AG606258	7-31	AG610624	14-1
AG601411	6-112	AG606258	7-32	AG610643	3-4
AG601411	6-116	AG606258	7-33	AG610643	3-5
AG601411	6-60	AG606258	7-34	AG610760	7-83
AG601411	6-62	AG606258	7-75	AG610761	7-83
AG601411	6-66	AG606258	7-84	AG610762	7-83
AG601411	6-71	AG606258	7-86	AG610763	7-83
AG601411	6-85	AG606258	7-94	AG610765	7-82
AG601411	6-86	AG606489	15-8	AG610766	7-82
AG601888	10-10	AG606489	4-51	AG610767	7-82
AG601888	10-11	AG606489	4-52	AG610774	7-82
AG601888	10-9	AG606489	4-53	AG610775	7-82
AG601888	3-1	AG607237	7-54	AG610787	9-17
AG601888	7-6	AG608535	8-58	AG610787	9-18
AG601888	7-78	AG608580	8-58	AG610892	7-83
AG601888	8-12	AG609084	10-5	AG704467	7-6
AG601888	8-17	AG609084	10-6	AG704467	7-78
AG601888	8-22	AG609084	3-3	AG704540	7-53
AG601888	8-7	AG609311	4-22	AG705830	4-16
AG602132	6-23	AG609311	4-27	AG705830	4-2
AG602132	6-26	AG609311	4-31	AG705830	4-4
AG602132	6-74	AG609311	4-36	AG705968	4-6
AG602639	6-54	AG609311	4-41	AG707658	4-16
AG603864	4-18	AG609311	4-46	AG707658	4-3
AG603864	4-24	AG609311	4-51	AG707658	4-5
AG603864	4-29	AG609311	4-52	AG709257	6-46
AG603864	4-33	AG609311	4-53	AG710181	13-3
AG603864	4-38	AG609311	4-55	AG710181	14-7
AG603864	4-57	AG609311	4-59	AG710181	7-27
AG603864	4-61	AG609312	4-51	AG711567	1-2
AG604167	15-10	AG609312	4-52	AG712150	6-87
AG604167	1-9			AG713166	6-101

NUMERIC INDEX

AG713398	10-10	AG718788	7-56	NS	4-35
AG713398	10-9	AG718789	7-56	NS	6-99
AG713398	7-8	AG718798	7-56	NS	7-19
AG713495	6-58	AG718801	7-56	NS	7-35
AG713497	6-59	AG718805	7-56	NS	7-50
AG713517	6-59	AG718806	7-56	WR10185	4-24
AG713524	6-58	AG719075	7-47	WR10185	4-29
AG713525	6-59	AG719303	7-56	WR10185	4-33
AG713528	6-58	AG719617	8-77	WR10185	4-38
AG713670	6-102	AG719617	8-78	WR10185	4-57
AG713670	6-105	AG719984	7-44	WR10185	4-58
AG713670	6-106	AG719992	7-46	WR10185	4-61
AG713825	4-3	AG720158	4-54	WR10436	15-12
AG713825	4-5	AG721040	7-44	WR10436	15-13
AG713834	4-3	AG721301	7-12	WR10436	15-2
AG713834	4-5	AG721357	7-44	WR10436	15-3
AG714101	6-17	AG721714	7-47	WR11494	4-23
AG714101	6-56	AG721717	7-47	WR11494	4-28
AG714365	6-103	AG721719	7-47	WR11494	4-32
AG714389	6-103	AG721720	7-47	WR11494	4-37
AG714471	4-17	AG721721	7-47	WR11494	4-42
AG714471	4-3	AG721722	7-47	WR11494	4-47
AG714471	4-5	AG721723	7-47	WR11494	4-56
AG714472	4-17	AG722182	7-47	WR11494	4-60
AG714472	4-3	AG722408	7-12	WR11494	8-59
AG714472	4-5	AG722409	7-12	WR11528	7-1
AG715207	6-87	AG722838	7-44	WR11528	7-76
AG715330	6-58	AG722951	4-35	WR11528	7-91
AG715586	15-15	AG723374	7-42	WR122643	6-31
AG715586	15-16	AG723805	7-43	WR122664	6-32
AG715586	15-6	AG725237	7-44	WR122909	4-25
AG715586	6-15	AG725549	7-47	WR122909	4-39
AG715586	6-22	AG726285	6-58	WR122909	4-55
AG716811	6-87	AG726286	6-58	WR122915	4-25
AG717101	6-58	AG726290	6-58	WR122915	4-39
AG717340	6-32	AG726354	6-59	WR123065	4-25
AG717340	6-45	AG726854	6-87	WR123065	4-30
AG717340	6-49	AG726892	4-2	WR123065	4-34
AG717883	7-50	AG726892	4-4	WR123065	4-39
AG718279	7-48	AG726981	8-64	WR123065	4-58
AG718280	7-48	AG726982	8-64	WR123067	4-24
AG718288	7-42	AG727094	7-56	WR123067	4-29
AG718289	7-42	AG727095	7-58	WR123067	4-33
AG718290	7-42	AG727096	7-56	WR123067	4-38
AG718296	7-45	AG727097	7-56	WR123067	4-57
AG718297	7-45	AG727285	6-19	WR123067	4-61
AG718303	7-48	CH100-4336	6-39	WR123745	6-28
AG718319	7-43	CH100-4336	6-42	WR123746	4-21
AG718320	7-43	CH100-4336	6-86	WR123748	6-47
AG718322	7-43	CH3B-4501	7-62	WR123749	6-20
AG718328	7-43	CH4K-8864	1-8	WR123752	2-9
AG718329	7-43	CH5C-8312	7-62	WR124021	4-58
AG718348	7-52	CH5V-1496	7-36	WR124043	4-25
AG718367	7-39	CH5V-1496	7-37	WR124043	4-39
AG718368	7-39	CH6V-5839	7-14	WR124130	11-23
AG718403	7-52	CH6V-5839	7-18	WR124131	11-23
AG718455	7-42	CH7K-1181	9-3	WR124143	4-52
AG718787	7-56	CH8T-0328	7-62	WR124252	4-51
AG718787	7-57			WR124255	4-51

NUMERIC INDEX

WR124256	4-51	WR125598	4-45	WR126905	8-39
WR124290	4-53	WR125598	4-50	WR126905	8-73
WR124291	4-52	WR125609	4-24	WR126905	8-79
WR124293	4-52	WR125609	4-29	WR126906	8-24
WR124315	1-9	WR125609	4-33	WR126906	8-30
WR124316	4-52	WR125609	4-38	WR126906	8-35
WR124381	1-9	WR125609	4-45	WR126906	8-39
WR124548	4-51	WR125609	4-50	WR126906	8-73
WR124551	4-51	WR125609	4-57	WR126906	8-79
WR124555	6-44	WR125609	4-61	WR126909	2-10
WR124555	6-48	WR125758	4-24	WR126909	2-11
WR124852	6-78	WR125758	4-29	WR126918	8-56
WR124931	6-4	WR125758	4-33	WR126920	8-57
WR124932	6-2	WR125758	4-38	WR126925	7-3
WR124932	6-25	WR125758	4-57	WR126925	7-79
WR124932	6-5	WR125758	4-61	WR126925	7-93
WR124994	4-52	WR125776	6-17	WR126927	8-43
WR125158	1-7	WR125880	1-7	WR126927	8-45
WR125161	1-7	WR125983	8-2	WR127015	4-14
WR125194	4-53	WR126006	4-53	WR127015	6-51
WR125195	4-52	WR126011	6-44	WR127015	6-53
WR125256	1-2	WR126011	6-48	WR127119	8-2
WR125282	6-45	WR126139	3-1	WR127121	7-2
WR125282	6-49	WR126297	10-9	WR127121	7-77
WR125334	6-46	WR126298	10-11	WR127121	7-92
WR125335	15-6	WR126298	10-9	WR127121	8-1
WR125335	6-46	WR126321	8-56	WR127121	8-70
WR125336	6-46	WR126351	6-50	WR127138	13-3
WR125398	4-42	WR126480	3-1	WR127138	14-7
WR125398	4-43	WR126599	7-11	WR127138	7-27
WR125398	4-44	WR126604	7-11	WR127139	7-8
WR125398	4-48	WR126678	4-24	WR127157	4-53
WR125398	4-49	WR126678	4-29	WR127201	10-5
WR125503	4-29	WR126678	4-33	WR127201	10-6
WR125524	12-3	WR126678	4-38	WR127665	4-52
WR125526	4-24	WR126678	4-57	WR127688	7-36
WR125526	4-29	WR126678	4-61	WR127688	7-37
WR125526	4-33	WR126679	4-24	WR127811	10-9
WR125526	4-38	WR126679	4-29	WR127841	10-9
WR125526	4-45	WR126679	4-33	WR127883	10-9
WR125526	4-50	WR126679	4-38	WR127944	1-1
WR125526	4-57	WR126679	4-57	WR127993	2-1
WR125526	4-61	WR126679	4-61	WR127993	2-11
WR125577	4-23	WR126694	6-17	WR128007	4-56
WR125577	4-28	WR126829	7-53	WR128007	4-60
WR125577	4-32	WR126885	4-52	WR128019	7-21
WR125577	4-37	WR126886	13-3	WR128020	7-6
WR125577	4-42	WR126888	7-45	WR128020	7-78
WR125577	4-47	WR126888	8-63	WR128021	7-6
WR125577	4-56	WR126889	8-45	WR128021	7-78
WR125577	4-60	WR126891	8-10	WR128022	7-6
WR125580	4-23	WR126891	8-15	WR128022	7-78
WR125580	4-28	WR126891	8-20	WR128024	7-1
WR125580	4-32	WR126891	8-5	WR128024	7-6
WR125580	4-37	WR126892	7-11	WR128024	7-76
WR125580	4-42	WR126892	7-88	WR128024	7-78
WR125580	4-47	WR126905	8-24	WR128024	7-91
WR125580	4-56	WR126905	8-30	WR128025	7-2
WR125580	4-60			WR128025	7-77

NUMERIC INDEX

WR128025	7-92	WR128648	1-5	WR128910	6-48
WR128026	7-6	WR128650	10-9	WR128911	6-44
WR128026	7-78	WR128654	10-11	WR128911	6-48
WR128027	7-1	WR128654	10-9	WR128912	6-44
WR128027	7-76	WR128659	4-58	WR128912	6-48
WR128027	7-91	WR128661	4-14	WR128913	6-44
WR128030	7-6	WR128671	6-45	WR128913	6-48
WR128030	7-78	WR128673	6-17	WR128914	6-44
WR128031	7-6	WR128674	6-17	WR128914	6-48
WR128031	7-78	WR128678	6-109	WR129082	8-60
WR128032	7-6	WR128678	6-113	WR129148	6-44
WR128032	7-78	WR128678	6-117	WR129148	6-48
WR128037	7-6	WR128678	6-61	WR129172	12-5
WR128037	7-78	WR128678	6-63	WR129172	12-6
WR128251	8-60	WR128678	6-77	WR129172	12-7
WR128273	8-57	WR128680	10-9	WR129172	12-8
WR128273	8-58	WR128683	6-44	WR129175	4-21
WR128278	10-9	WR128753	6-22	WR129176	4-21
WR128281	5-2	WR128754	6-45	WR129181	7-4
WR128307	4-25	WR128754	6-49	WR129191	7-22
WR128307	4-30	WR128756	6-50	WR129209	6-78
WR128307	4-34	WR128759	6-64	WR129209	6-79
WR128307	4-39	WR128759	6-65	WR129213	6-34
WR128307	4-58	WR128759	6-67	WR129213	6-39
WR128307	4-62	WR128759	6-68	WR129213	6-42
WR128309	4-18	WR128759	6-83	WR129215	6-64
WR128326	4-25	WR128759	6-84	WR129215	6-65
WR128326	4-30	WR128760	6-64	WR129215	6-67
WR128326	4-34	WR128760	6-65	WR129215	6-68
WR128326	4-39	WR128760	6-67	WR129215	6-83
WR128326	4-58	WR128760	6-68	WR129215	6-84
WR128326	4-62	WR128760	6-83	WR129217	6-33
WR128328	11-21	WR128760	6-84	WR129217	6-38
WR128329	11-22	WR128762	6-70	WR129217	6-41
WR128330	11-22	WR128764	6-70	WR129218	6-33
WR128331	11-21	WR128767	6-69	WR129218	6-38
WR128334	6-74	WR128767	6-70	WR129218	6-41
WR128335	4-23	WR128767	6-82	WR129219	6-33
WR128335	4-28	WR128769	6-47	WR129219	6-38
WR128335	4-32	WR128770	6-47	WR129219	6-41
WR128335	4-37	WR128788	8-47	WR129221	6-33
WR128335	4-42	WR128874	6-30	WR129221	6-38
WR128335	4-47	WR128875	6-36	WR129221	6-41
WR128335	4-56	WR128875	6-37	WR129222	6-64
WR128335	4-60	WR128877	6-47	WR129222	6-65
WR128359	4-57	WR128878	6-47	WR129222	6-67
WR128359	4-58	WR128879	6-47	WR129222	6-68
WR128359	4-61	WR128887	6-17	WR129222	6-83
WR128359	4-62	WR128892	6-17	WR129222	6-84
WR128403	1-9	WR128893	6-17	WR129223	6-64
WR128405	6-87	WR128895	6-33	WR129223	6-65
WR128453	1-7	WR128895	6-38	WR129223	6-67
WR128461	3-1	WR128895	6-41	WR129223	6-68
WR128467	6-17	WR128904	6-64	WR129223	6-83
WR128473	5-1	WR128904	6-65	WR129223	6-84
WR128477	6-8	WR128904	6-67	WR129227	6-34
WR128478	6-9	WR128904	6-68	WR129227	6-39
WR128478	8-44	WR128904	6-83	WR129227	6-42
WR128640	3-1			WR129228	6-64

NUMERIC INDEX

WR129228	6-65	WR129646	4-61	WR130673	7-52
WR129228	6-67	WR129662	4-28	WR130674	7-46
WR129228	6-68	WR129662	4-37	WR130675	7-46
WR129228	6-83	WR129685	4-29	WR130680	7-44
WR129228	6-84	WR129685	4-38	WR130690	7-46
WR129229	6-64	WR129685	4-57	WR130700	7-39
WR129229	6-65	WR129685	4-61	WR130701	7-39
WR129229	6-67	WR129686	4-24	WR130702	7-39
WR129229	6-68	WR129686	4-29	WR130703	7-39
WR129229	6-83	WR129686	4-33	WR130704	7-39
WR129229	6-84	WR129686	4-38	WR130704	7-40
WR129232	6-34	WR129686	4-57	WR130705	7-52
WR129232	6-42	WR129686	4-61	WR130707	7-52
WR129233	6-64	WR129725	4-1	WR130708	7-45
WR129233	6-65	WR129726	4-1	WR130709	7-41
WR129233	6-67	WR129727	4-1	WR130710	7-52
WR129233	6-68	WR129759	1-6	WR130711	7-45
WR129233	6-83	WR129759	4-21	WR130712	7-42
WR129233	6-84	WR129807	15-5	WR130713	7-38
WR129234	6-64	WR129807	7-3	WR130714	7-38
WR129234	6-65	WR129807	7-79	WR130715	7-38
WR129234	6-67	WR129807	7-93	WR130718	7-38
WR129234	6-68	WR129814	4-25	WR130719	7-45
WR129234	6-83	WR129814	4-30	WR130721	7-52
WR129234	6-84	WR129814	4-34	WR130722	7-39
WR129240	14-1	WR129814	4-39	WR130722	7-40
WR129240	7-74	WR129814	4-43	WR130723	7-39
WR129282	6-64	WR129814	4-44	WR130723	7-40
WR129282	6-65	WR129814	4-48	WR130724	7-52
WR129282	6-67	WR129814	4-49	WR130726	7-49
WR129282	6-68	WR129814	4-58	WR130727	7-42
WR129282	6-83	WR129814	4-62	WR130728	7-44
WR129282	6-84	WR129929	1-8	WR130729	7-42
WR129305	8-16	WR129997	6-108	WR130730	7-45
WR129305	8-21	WR129997	6-112	WR130732	7-48
WR129305	8-58	WR129997	6-116	WR130733	7-43
WR129339	9-18	WR129997	6-60	WR130734	7-52
WR129373	14-1	WR129997	6-62	WR130735	7-52
WR129375	6-8	WR129997	6-76	WR130736	7-52
WR129397	6-3	WR129998	6-108	WR130737	7-48
WR129400	1-2	WR129998	6-112	WR130738	7-44
WR129404	6-8	WR129998	6-116	WR130738	7-48
WR129405	1-1	WR129998	6-60	WR130738	7-50
WR129406	6-34	WR129998	6-62	WR130739	7-45
WR129406	6-39	WR129998	6-76	WR130740	7-49
WR129406	6-42	WR130507	7-52	WR130741	7-49
WR129407	6-62	WR130508	7-52	WR130742	7-49
WR129425	4-52	WR130514	7-42	WR130745	7-47
WR129426	4-52	WR130515	7-48	WR130745	7-50
WR129476	8-46	WR130525	7-36	WR130746	7-45
WR129477	8-46	WR130525	7-37	WR130747	7-44
WR129586	1-8	WR130525	7-38	WR130747	7-45
WR129588	1-8	WR130550	7-38	WR130747	7-49
WR129592	2-9	WR130585	7-6	WR130747	7-52
WR129633	7-53	WR130585	7-78	WR130749	7-49
WR129637	1-6	WR130593	7-42	WR130751	7-49
WR129646	4-29	WR130629	7-44	WR130752	7-49
WR129646	4-38	WR130635	7-52	WR131495	4-35
WR129646	4-57			WR131499	4-19

NUMERIC INDEX

WR131499	4-26	WR131837	4-2	WR131865	4-4
WR131499	4-35	WR131837	4-4	WR131866	4-2
WR131499	4-40	WR131838	4-16	WR131866	4-4
WR131646	6-2	WR131838	4-2	WR131867	4-2
WR131646	6-5	WR131838	4-4	WR131867	4-4
WR131647	6-2	WR131839	4-16	WR131868	4-2
WR131647	6-5	WR131839	4-2	WR131868	4-4
WR131648	6-2	WR131839	4-4	WR131869	4-2
WR131648	6-5	WR131840	4-16	WR131869	4-4
WR131653	6-54	WR131840	4-2	WR131870	4-2
WR131654	6-54	WR131840	4-4	WR131870	4-4
WR131655	6-54	WR131841	4-16	WR131871	4-2
WR131663	6-54	WR131841	4-17	WR131871	4-4
WR131664	6-54	WR131841	4-2	WR131872	4-2
WR131667	6-54	WR131841	4-4	WR131872	4-4
WR131668	6-10	WR131842	4-2	WR131874	4-2
WR131669	6-10	WR131842	4-4	WR131874	4-4
WR131670	6-10	WR131843	4-2	WR131876	4-3
WR131671	6-10	WR131843	4-4	WR131876	4-5
WR131672	6-10	WR131844	4-2	WR131877	4-3
WR131673	6-10	WR131844	4-4	WR131877	4-5
WR131674	6-10	WR131845	4-2	WR131878	4-3
WR131675	6-11	WR131845	4-4	WR131878	4-5
WR131676	6-10	WR131846	4-2	WR131879	4-3
WR131676	6-12	WR131846	4-4	WR131879	4-5
WR131677	6-10	WR131847	4-2	WR131880	4-3
WR131677	6-14	WR131847	4-4	WR131880	4-5
WR131720	6-90	WR131848	4-2	WR131881	4-3
WR131721	6-90	WR131848	4-4	WR131881	4-5
WR131722	6-90	WR131850	4-2	WR131882	4-3
WR131723	6-90	WR131850	4-4	WR131882	4-5
WR131724	6-90	WR131852	4-16	WR131883	4-3
WR131725	6-90	WR131852	4-2	WR131883	4-5
WR131726	6-90	WR131852	4-4	WR131884	4-3
WR131726	6-92	WR131853	4-2	WR131884	4-5
WR131727	6-90	WR131853	4-4	WR131885	4-3
WR131727	6-93	WR131854	4-2	WR131885	4-5
WR131728	6-90	WR131854	4-4	WR131886	4-3
WR131728	6-91	WR131855	4-2	WR131886	4-5
WR131829	6-58	WR131855	4-4	WR131887	4-3
WR131829	6-59	WR131856	4-2	WR131887	4-5
WR131830	4-2	WR131856	4-4	WR131888	4-3
WR131830	4-4	WR131857	4-2	WR131888	4-5
WR131831	4-2	WR131857	4-4	WR131889	4-3
WR131831	4-4	WR131858	4-2	WR131889	4-5
WR131832	4-2	WR131858	4-4	WR131890	4-2
WR131832	4-4	WR131859	4-2	WR131890	4-4
WR131833	4-2	WR131859	4-4	WR131891	4-3
WR131833	4-4	WR131860	4-2	WR131891	4-5
WR131834	4-2	WR131860	4-4	WR131892	4-3
WR131834	4-4	WR131861	4-2	WR131892	4-5
WR131835	4-16	WR131861	4-4	WR131893	4-3
WR131835	4-2	WR131862	4-2	WR131893	4-5
WR131835	4-4	WR131862	4-4	WR131895	4-3
WR131836	4-16	WR131863	4-2	WR131895	4-5
WR131836	4-2	WR131863	4-4	WR131897	4-3
WR131836	4-4	WR131864	4-2	WR131897	4-5
WR131837	4-16	WR131864	4-4	WR131898	4-3
WR131837	4-17	WR131864	4-4	WR131898	4-5

NUMERIC INDEX

WR131899	4-3	WR131943	4-16	WR131984	6-58
WR131899	4-5	WR131944	4-16	WR131985	6-58
WR131900	4-3	WR131945	4-16	WR131986	6-58
WR131900	4-5	WR131946	4-16	WR131987	6-58
WR131901	4-3	WR131947	4-6	WR131988	6-58
WR131901	4-5	WR131948	4-6	WR131989	6-58
WR131902	4-3	WR131949	4-6	WR131990	6-58
WR131902	4-5	WR131950	4-6	WR131991	6-58
WR131903	4-3	WR131951	4-6	WR131992	6-58
WR131903	4-5	WR131952	4-13	WR131994	6-58
WR131904	4-3	WR131952	4-8	WR131995	6-58
WR131904	4-5	WR131953	4-13	WR131996	6-58
WR131905	4-3	WR131953	4-8	WR131997	6-58
WR131905	4-5	WR131954	4-13	WR131998	6-58
WR131906	4-3	WR131954	4-8	WR131999	6-58
WR131906	4-5	WR131955	4-8	WR132000	6-58
WR131907	4-3	WR131956	4-12	WR132001	6-58
WR131907	4-5	WR131956	4-8	WR132002	6-58
WR131908	4-3	WR131957	4-10	WR132003	6-58
WR131908	4-5	WR131957	4-8	WR132004	6-58
WR131909	4-3	WR131958	4-8	WR132005	6-58
WR131909	4-5	WR131958	4-9	WR132006	6-58
WR131910	4-3	WR131959	4-10	WR132008	6-58
WR131910	4-5	WR131959	4-8	WR132009	6-58
WR131911	4-3	WR131960	4-10	WR132010	6-58
WR131911	4-5	WR131960	4-8	WR132011	6-58
WR131912	4-3	WR131961	4-12	WR132012	6-58
WR131912	4-5	WR131961	4-8	WR132013	6-58
WR131913	4-2	WR131962	4-12	WR132014	6-58
WR131913	4-4	WR131962	4-8	WR132015	6-59
WR131914	4-2	WR131963	4-12	WR132018	6-59
WR131914	4-4	WR131963	4-8	WR132019	6-59
WR131915	4-3	WR131964	4-12	WR132020	6-59
WR131915	4-5	WR131964	4-8	WR132021	6-59
WR131916	4-17	WR131965	4-10	WR132022	6-59
WR131917	4-17	WR131965	4-8	WR132038	6-59
WR131918	4-17	WR131966	4-10	WR132040	6-59
WR131919	4-17	WR131966	4-8	WR132041	6-59
WR131920	4-17	WR131967	4-10	WR132042	6-59
WR131921	4-17	WR131967	4-8	WR132044	6-58
WR131922	4-17	WR131968	4-13	WR132160	6-19
WR131923	4-17	WR131968	4-8	WR132176	8-12
WR131924	4-17	WR131969	4-8	WR132176	8-17
WR131926	4-17	WR131970	4-11	WR132176	8-22
WR131927	4-17	WR131970	4-8	WR132176	8-7
WR131928	4-17	WR131971	4-11	WR132177	8-12
WR131929	4-17	WR131971	4-8	WR132177	8-17
WR131930	4-17	WR131972	4-8	WR132177	8-22
WR131932	4-17	WR131973	4-8	WR132177	8-7
WR131933	4-17	WR131974	4-8	WR132179	8-51
WR131934	4-17	WR131975	4-8	WR132180	8-51
WR131935	4-17	WR131976	4-8	WR132214	4-43
WR131936	4-17	WR131977	4-17	WR132214	4-44
WR131937	4-17	WR131980	4-2	WR132214	4-48
WR131938	4-17	WR131980	4-4	WR132214	4-49
WR131939	4-17	WR131981	4-2	WR132224	4-43
WR131940	4-17	WR131981	4-4	WR132224	4-44
WR131941	4-17	WR131982	6-58	WR132224	4-48
WR131942	4-16			WR132224	4-49

NUMERIC INDEX

WR132227	9-11	WR133979	8-32	WR134447	15-13
WR132227	9-13	WR133979	8-35	WR134447	15-2
WR132231	9-11	WR133979	8-37	WR134447	15-3
WR132231	9-13	WR133979	8-39	WR134529	4-18
WR132236	3-1	WR133979	8-41	WR134739	14-7
WR132246	8-49	WR133979	8-73	WR134754	8-25
WR132246	8-50	WR133979	8-75	WR134754	8-31
WR132424	7-5	WR133979	8-79	WR134754	8-36
WR132902	4-17	WR133979	8-81	WR134754	8-40
WR132988	2-3	WR134200	4-43	WR134754	8-74
WR133007	6-58	WR134200	4-44	WR134754	8-80
WR133082	6-1	WR134200	4-48	WR134869	6-70
WR133195	4-56	WR134200	4-49	WR135374	10-5
WR133195	4-60	WR134201	4-43	WR135376	10-6
WR133568	6-21	WR134201	4-44	WR135437	8-62
WR133791	7-52	WR134202	4-24	WR135687	15-7
WR133792	7-52	WR134202	4-29	WR135688	15-7
WR133793	7-41	WR134202	4-33	WR135689	15-8
WR133793	7-52	WR134202	4-38	WR135690	15-9
WR133794	7-52	WR134202	4-43	WR135691	15-8
WR133795	7-49	WR134202	4-44	WR135692	15-8
WR133795	7-52	WR134202	4-48	WR135693	15-9
WR133796	7-52	WR134202	4-49	WR135703	15-9
WR133797	7-41	WR134202	4-57	WR135705	15-7
WR133797	7-52	WR134202	4-61	WR135706	15-7
WR133798	7-52	WR134203	4-43	WR135709	15-10
WR133906	11-24	WR134203	4-44	WR135714	4-23
WR133927	15-13	WR134247	15-13	WR135714	4-27
WR133927	15-3	WR134247	15-3	WR135714	4-32
WR133936	15-14	WR134258	15-13	WR135714	4-36
WR133936	15-4	WR134258	15-3	WR135714	4-55
WR133937	15-12	WR134264	15-14	WR135714	4-59
WR133937	15-14	WR134264	15-4	WR135931	10-7
WR133937	15-4	WR134358	6-32	WR135931	10-8
WR133938	15-12	WR134369	8-56	WR135932	10-7
WR133938	15-2	WR134369	8-57	WR135932	10-8
WR133941	15-12	WR134369	8-58	WR135933	10-7
WR133941	15-2	WR134370	8-56	WR135933	10-8
WR133942	15-12	WR134370	8-57	WR136148	6-18
WR133942	15-2	WR134370	8-58	WR136369	15-11
WR133976	8-56	WR134414	1-2	WR136438	2-1
WR133976	8-57	WR134416	6-108	WR136700	6-57
WR133976	8-58	WR134416	6-109	WR136831	3-4
WR133977	8-57	WR134416	6-113	WR136831	3-5
WR133978	8-24	WR134416	6-117	WR136832	3-4
WR133978	8-26	WR134416	6-61	WR136832	3-5
WR133978	8-30	WR134416	6-63	WR137370	6-1
WR133978	8-32	WR134416	6-77	WR137609	2-1
WR133978	8-35	WR134439	15-13	WR137610	2-1
WR133978	8-37	WR134439	15-3	WR137611	2-1
WR133978	8-39	WR134440	15-13	WR137613	2-1
WR133978	8-41	WR134440	15-3	WR137614	2-1
WR133978	8-73	WR134441	15-13	WR137618	2-1
WR133978	8-75	WR134441	15-3	WR137619	2-1
WR133978	8-79	WR134444	15-14	WR137629	2-2
WR133978	8-81	WR134444	15-4	WR137631	2-2
WR133979	8-24	WR134445	15-13	WR137634	2-2
WR133979	8-26	WR134445	15-3	WR137634	2-3
WR133979	8-30			WR137634	2-4

NUMERIC INDEX

WR137635	2-2	WR139283	7-37	WR139343	6-94
WR137635	2-3	WR139284	7-36	WR139344	6-95
WR137635	2-4	WR139284	7-37	WR139345	6-95
WR137636	2-2	WR139285	7-36	WR139346	6-95
WR137636	2-3	WR139285	7-37	WR139347	6-95
WR137637	2-3	WR139286	7-38	WR139348	6-94
WR137639	2-3	WR139287	7-38	WR139349	6-96
WR137640	2-3	WR139288	7-38	WR139350	6-96
WR137643	2-3	WR139288	7-47	WR139351	6-96
WR137644	2-3	WR139289	7-38	WR139352	6-97
WR137645	2-3	WR139290	7-38	WR139353	6-97
WR137646	2-3	WR139291	7-39	WR139353	6-99
WR137646	2-4	WR139292	7-39	WR139354	6-97
WR137647	2-3	WR139293	7-40	WR139355	6-96
WR137647	2-4	WR139294	7-40	WR139355	6-99
WR137650	2-3	WR139299	7-36	WR139356	6-98
WR137651	2-4	WR139299	7-37	WR139357	6-98
WR137652	2-4	WR139300	7-51	WR139358	6-98
WR137653	2-4	WR139301	7-41	WR139359	6-98
WR137654	2-4	WR139302	7-42	WR139360	6-98
WR137655	2-4	WR139303	7-42	WR139361	6-98
WR137656	2-4	WR139303	7-49	WR139366	6-96
WR137659	2-4	WR139304	7-42	WR139380	6-100
WR137660	2-4	WR139304	7-43	WR139381	6-1
WR137661	2-4	WR139304	7-45	WR139382	6-1
WR137662	2-4	WR139304	7-46	WR139384	7-12
WR137663	2-4	WR139304	7-48	WR139385	7-12
WR137665	2-4	WR139304	7-50	WR139386	7-12
WR137666	2-4	WR139305	7-43	WR139387	7-12
WR137667	2-4	WR139306	7-44	WR139389	7-12
WR137670	2-4	WR139307	7-44	WR139390	7-12
WR137676	2-4	WR139308	7-44	WR139391	7-12
WR137678	2-3	WR139309	7-44	WR139392	7-12
WR138066	6-29	WR139310	7-44	WR139393	7-12
WR139110	6-94	WR139311	7-44	WR139394	7-12
WR139110	6-99	WR139313	7-51	WR139395	7-12
WR139111	6-94	WR139314	7-46	WR139397	7-12
WR139112	6-94	WR139319	7-46	WR139407	4-7
WR139113	6-94	WR139320	7-46	WR139408	4-7
WR139114	6-94	WR139321	7-46	WR139414	4-7
WR139115	6-95	WR139322	7-47	WR139416	4-7
WR139274	7-36	WR139324	7-47	WR139417	4-7
WR139274	7-37	WR139325	7-47	WR139418	4-7
WR139275	7-36	WR139326	7-47	WR139419	4-7
WR139275	7-37	WR139327	7-47	WR139515	7-46
WR139276	7-36	WR139329	7-48	WR17335	7-4
WR139276	7-37	WR139330	7-51	WR19092	1-9
WR139277	7-36	WR139331	7-43	WR232770	6-71
WR139277	7-37	WR139332	7-50	WR25752	2-9
WR139278	7-36	WR139333	7-50	WR25752	8-47
WR139278	7-37	WR139334	7-50	WR26528	6-87
WR139279	7-36	WR139335	7-50	WR27671	6-88
WR139280	7-36	WR139336	7-50	WR28659	1-6
WR139280	7-37	WR139337	7-50	WR29674	7-21
WR139281	7-36	WR139338	7-50	WR31555	10-11
WR139281	7-37	WR139339	7-51	WR31675	6-10
WR139282	7-36	WR139340	7-51	WR32723	6-7
WR139282	7-37	WR139341	7-51	WR32723	6-9
WR139283	7-36			WR33284	12-3

NUMERIC INDEX

WR33994	6-50	WR55215	7-88
WR34265	4-18	WR55247	6-112
WR34612	7-22	WR55247	6-116
WR35020	8-64	WR55247	6-60
WR36453	12-5	WR55247	6-62
WR36453	12-6	WR55248	6-72
WR36453	12-7	WR55248	6-78
WR36453	12-8	WR55248	6-80
WR37159	12-2	WR55261	1-1
WR37164	12-2	WR55272	15-12
WR38199	12-2	WR55272	15-13
WR38762	6-87	WR55272	15-2
WR38768	6-90	WR55272	15-3
WR38841	12-5	WR55330	10-7
WR38841	12-6	WR55330	10-8
WR38841	12-7	WR55412	8-48
WR38841	12-8	WR55665	15-12
WR41013	4-21	WR55665	15-13
WR41777	6-47	WR55665	15-2
WR41777	6-9	WR55665	15-3
WR41967	6-87	WR55840	1-8
WR425679	7-12	WR55974	4-24
WR425857	7-12	WR55974	4-29
WR425858	7-12	WR55974	4-33
WR425871	6-58	WR55974	4-38
WR425872	6-58	WR606610	6-2
WR425873	6-58	WR606610	6-5
WR425874	6-58	WR70899	2-7
WR50838	11-29	WR70899	2-8
WR50838	11-35		
WR50851	7-2		
WR50851	7-77		
WR50851	7-92		
WR50955	12-2		
WR51770	4-57		
WR522279	14-1		
WR522279	7-7		
WR522279	7-74		
WR522279	8-25		
WR522279	8-31		
WR522279	8-36		
WR522279	8-40		
WR522279	8-74		
WR522279	8-80		
WR55026	8-48		
WR55035	7-19		
WR55036	7-19		
WR55062	1-8		
WR55063	7-71		
WR55064	7-71		
WR55075	7-70		
WR55158	11-29		
WR55158	11-35		
WR55159	11-29		
WR55159	11-35		
WR55215	15-12		
WR55215	15-13		
WR55215	15-2		
WR55215	15-3		



AGCO Corporation
4205 River Green Parkway
Duluth, GA 30096-2568

©AGCO Corporation, 2008
Printed in U.S.A.