

Challenger

Parts Manual

MT700B SERIES TRACK TRACTORS

MT745B (ALA6-UP)
MT755B (ALM6-UP)
MT765B (AMS6-UP)
7PY1-UP (TRANSMISSION)
8AY1-UP (TRANSMISSION)
AZA1-UP (AXLE)
AZE1-UP (AXLE)
AZT1-UP (AXLE)

ALPHABETICAL INDEX

The complete alphabetical index appears at the beginning of this publication. It is used to locate major groups, assemblies and components.

NUMERICAL INDEX

The numerical index of this publication follows the Alphabetical Index at the beginning of the publication and indicates at which grid location and page number a part number appears.

ILLUSTRATIONS

All illustrations are located on the left hand page with the text on the right. Except for some common hardware, all parts are identified with an item number which corresponds to the item column on the text page. This is followed by the parts number, quantity and description.

HARDWARE

Common hardware not identified such as bolts, nuts, cotter pins and lube fittings, are listed indented in the text beneath the item to which they attach or fit. Common hardware listed indented beneath an item is NOT included unless specified. Example: (Incl. BOLT, LOCKWASHER AND NUT).

ORDERING PARTS

Be sure to refer to both the text and the illustration to assure ordering the correct part.

RECOMMENDED DEALER STOCK

A recommended dealer stock listing appears at the end of this publication.



MT700B SERIES TRACTORS

BASIC ENGINE

AIR COMPRESSOR GP - 501652D1	67
COMPRESSOR GP - CH178-9570	85
COMPRESSOR GP-AIR - 501651D1 EAME ONLY	69
COUPLING GP-FLEXIBLE - 163-0450 MT765B	73
COUPLING GP-FLEXIBLE - 168-5077 MT745B & MT755B	75
DRIVE GP-ACCESSORY - 202-2070	77
MOUNTING GP - ENGINE-FLEXIBLE - 169-4228	81
MOUNTING GP-ALTERNATOR - 501650D1	79
MOUNTING GP-REFRIGERANT COMPR - 202-2027	83

BRAKING SYSTEM

ACCUMULATOR & MTG GP-BRAKE - 200-4358	667
BRAKE AR - 200-4370 SERVICE	669
BRAKE AR-HYD TRAILER - 180-9999 EAME ONLY	677
BRAKE AR-HYD TRAILER - 227-5263 ITALIAN MARKET EAME ONLY	679
BRAKE GP-PARKING - 210-7485 ROW ONLY	683
CONTROL GP-BRAKE - 200-4360 EAME ONLY	687
CONTROL GP-PARK BRAKE 200-4350	681
CONTROL GP-PARKING BRAKE - 172-6857 EAME ONLY	685
CYLINDER GP-MASTER - 165-8558 BRAKE	693
HEAD GP-MOTOR - 192-8865 EAME	739
HEAD GP-PUMP - 196-4234 ROW	709
HEAD GP-PUMP - 204-6515 ROW	707
KIT-BRAKE-AIR TRAILER - 502356D1 EAME ONLY	675
KIT-LINES GP - 179-7089 CONTROL VALVE & BRAKE (A) EAME ONLY	689
KIT-TANK AR-AIR - 502355D1 EAME ONLY	673
KIT-TANK AR-AIR - 502766D1 ROW ONLY	671
LINES GP-SERV BRAKE - 189-8685	701
LINES GP-SERV BRAKE(B) - 178-9024 EAME ONLY	697
LINES GP-SERVICE BRAKE (B)- 165-8559 ROW ONLY	695
LINES GP-STEERING - 500575D1 WIDE GAUGE ROW	713
LINES GP-STEERING - 500576D1 STANDARD GAUGE	711
MOTOR & MTG GP-STEERING - 158-2402 STANDARD GAUGE ROW ONLY	715
MOTOR & MTG GP-STEERING - 158-2403 WIDE & ULTRA WIDE ROW	717
MOTOR & MTG GP-STEERING - 165-7899 STANDARD GAUGE EAME	719
MOTOR GP-PISTON - CH162-9597 ROW	721
MOTOR GP-PISTON - CH162-9598 EAME	725
MOTOR GP-PISTON - CH177-0463 LINK ROW	723
PUMP GP-PISTON - 500525D1 SLIPPER WIDE GUAGE ROW	727
PUMP GP-PISTON - 500526D1 SLIPPER STD GUAGE ROW	729
ROTATING GP-MOTOR - 189-9384 ROW	731
ROTATING GP-MOTOR - 192-8863	733
ROTATING GP-PUMP - CH196-4232 ROW	735
ROTATING GP-PUMP - 196-4623 ROW	737
TANK & LINES GP-AIR - 179-8300	705
VALVE GP-FLUSHING - CH133-8740 ROW	743
VALVE GP-INLET FLOW - 226-5657 IMPLEMENT	741

COOLING SYSTEM

AIR CLEANER GP - 201-2497	111
AIR CLEANER GP - 202-2155	109
COMPLETING AR - 178-4958 ITALIAN MARKET EAME ONLY	121
COOLER GP-MTG - 501645D1	89
COOLER GP-OIL - 502065D1	87
CORE GP & MOUNTING - 501646D1 PAGE 1 OF 3	91
CORE GP & MOUNTING - 501646D1 PAGE 2 OF 3	93
CORE GP & MOUNTING - 501646D1 PAGE 3 OF 3	95
FAN GP-SUCTION - 201-4665 MT745B	97
FAN GP-SUCTION - 208-5962 MT755B & MT765B	99
GUARD GP-FAN - 502273D1	105

COOLING SYSTEM (CONTINUED)

LINES GP EXHAUST - 201-0709	117
LINES GP-A/C - 501647D1	101
LINES GP-AIR - 502271D1	115
LINES GP-COOLANT - 501648D1	103
LINES GP-EJECTOR - 502272D1	113
MUFFLER GP - 501644D1 ROW ONLY	119
SHIELD GP-EXHAUST - 215-4259 ITALIAN MARKET EAME ONLY	123
TANK GP-EXPANSION - 501649D1	107

DRAWBAR, THREE POINT HITCH AND PTO

COUPLER GP-QUICK - 170-2316 CATEGORY III NARROW	869
CYLINDER & SEAL GP - 177-0665 HITCH LIFT	871
CYLINDER & SEAL GP - 177-0666 STEERABLE	873
CYLINDER & SEAL GP - 204-9024	875
CYLINDER GP-HITCH LIFT - CH171-1243 120MM X 250MM (4.72 X 9.84IN)	877
CYLINDER GP-STEERING - CH171-1242 76.2MM X 132.5MM (3.0IN X 5.22IN) STEERABLE HITCH	879
DRAWBAR GP-SWINGING - 157-1708 38MM (1.5IN) PIN	881
DRAWBAR GP-SWINGING - 169-0070 WIDE SWING ROW ONLY	883
DRAWBAR GP-SWINGING - 186-0984 EAME ONLY	885
DRAWBAR GP-SWINGING - 186-0985 (32 CLAAS) EAME ONLY	887
HITCH AR - STEERABLE - 169-0063 7,200 KG (16,000 LB) LIFT CAPACITY HOOK ENDS EAME ONLY	897
HITCH AR - 157-1710 STANDARD 7,200 KG (16,000 LB) LIFT CAPACITY BALL ENDS ROW ONLY	889
HITCH AR - 170-2287 WIDE SWING DRAWBAR ROW ONLY	899
HITCH AR-STANDARD - 177-0678 7,200 KG (16,000 LB) LIFT-BALL ENDS EAME ONLY	891
HITCH AR-STEERABLE - 157-1715 7,200 KG (16,000 LB) LIFT - BALL ENDS ROW ONLY	895
HITCH AR-STEERABLE - 177-0679 7,200 KG (16,000 LB) LIFT - BALL ENDS EAME ONLY	893
HITCH GP-IMPLEMENT - 200-0004 EAME ONLY	913
HITCH GP-IMPLEMENT - 200-0005 EAME ONLY	915
HITCH GP-TOW (REAR) - 202-7591 43MM DIA PIN EAME ONLY (ITALIAN MARKET)	943
HITCH GP-TOW (REAR) - 202-7592 50MM DIAMETER PIN EAME ONLY (ITALIAN MARKET)	945
HITCH GP-3 POINT - 157-1714 STANDARD-BALL ENDS	901
HITCH GP-3 POINT - 157-1719 STEERABLE-BALL ENDS ROW ONLY	905
HITCH GP-3 POINT - 170-2285 STANDARD-HOOK ENDS EAME ONLY	909
HOOK AS-LOWER LINK - CH200-0002 CLAAS EAME ONLY	917
HOOK GP-TOW (REAR) - 186-0980 EAME ONLY	941
KIT-SUPPORT BRACE-DRAWBAR - 184-5059 ROW ONLY	949
KIT-SUPPORT-DRAWBAR - 200-8769 EAME ONLY	951
LINES GP-HITCH	929
LINES GP-HITCH (A) - 158-2362 3 POINT LIFT	919
LINES GP-HITCH - 205-5819 4 IMPLEMENTS, HITCH & STEERABLE HITCH (1 OF 2)	921
LINES GP-HITCH - 205-5819 4 IMPLEMENTS, HITCH & STEERABLE HITCH (2 OF 2)	923
LINES GP-HITCH - 205-5824 5 VALVES & STEERABLE HITCH	925
LINK GP-LIFT - 200-0007	933
LINK GP-UPPER - 197-5030 37MM DIAMETER PIN	935
LINK GP-UPPER - 197-5032 32MM DIAMETER PIN EAME ONLY	937
PLUG GP-HITCH - 173-6500 DRAWBAR HITCH APPLICATIONS ROW ONLY	939
SHAFT GP-SPLINED - 169-0077	947
SUPPORT AR-DRAWBAR (UK) - 200-0006 EAME ONLY	957
SUPPORT AR-WITH PITON - 186-0986 EAME ONLY	953
SUPPORT AR-WITHOUT PITON - 186-0987 EAME ONLY	955

ELECTRICAL AND STARTING SYSTEM

ANTENNA GP-DATA RADIO - 501124D1 GPS BASE STATION	273
BATTERY GP - 136-5661 ROW ONLY	165
BATTERY GP - 167-2182 DISCONNECT	167
BLOCK AS-FUSE 501831D1	301
BLOCK AS-FUSE 501832D1	305
BLOCK AS-FUSE 501833D1	303
BLOCK AS-FUSE 501834D1	299
BLOCK AS-FUSE 501835D1	307
CH161-9932 SENSOR GP-PRESSURE	253
CONTROL & WIRING GP - 168-1944 STEERABLE REAR HITCH	181

ELECTRICAL AND STARTING SYSTEM (CONTINUED)

CONTROL & WIRING GP - 168-1947 IMPLEMENTS 5 & 6	171
CONTROL & WIRING GP-HITCH - 136-5317 LIFT CIRCUIT EAME ONLY	173
CONTROL & WIRING GP-HITCH - 168-1919 LIFT CIRCUIT	179
CONTROL AR-AUTOGUIDE FACTORY & FIELD INSTALLED	189
CONTROL AR-MACHINE - 216-0874 ISO READY UPGRADE	185
CONTROL AR-MACHINE - 219-8737 ISO COMPATIBLE	187
CONTROL GP-ELECTRONIC 501033D1	241
CONTROL GP-HITCH - 152-0445 REAR 3 POINT	183
CONTROL GP-UNPROGRAMMED 216-0658	177
CONTROL GP-UNPROGRAMMED - CH192-1590	191
ELECTRONICS GP-MACHINE - ISO 216-0614	195
FUSE GP - 169-6380	295
FUSE GP-CLAAS - 172-6841 EAME ONLY	297
HEATER GP-JACKET WATER - CH218-9739 REAR 120 VOLT ROW ONLY	197
HEATER GP-JACKET WATER - 218-9738 REAR 240 VOLT EAME ONLY	199
HEATER GP-TRANSMISSION - 163-0380 120 VOLT ROW ONLY	201
HEATER GP-TRANSMISSION - 163-0381 240 VOLT	203
KIT-GPS BASE STATION - 502609D1	271
LAMP GP-HOOD - 500773D1 HALOGEN	213
LAMP GP-HOOD - 500774D1 HALOGEN	215
LIGHT AS - COURTESY - 12V 501935D1	193
LIGHTING GP (DELUXE) - 500641D1	209
LIGHTING GP (HID) - 500642D1	211
LIGHTING GP (STANDARD) - 500640D1 ROW ONLY	207
LIGHTING GP - SIGNAL - 168-1948	217
LIGHTING GP-EXTREMITY WARNING - 136-5212 MACHINE WIDTH EXCEEDING 12 FEET ROW ONLY	221
LIGHTING GP-ROAD (LH TRAFFIC) 168-6580 FIELD INSTALLED EAME ONLY	229
LIGHTING GP-ROAD (RH TRAFFIC) 168-6581 FIELD INSTALLED EAME ONLY	231
LIGHTING GP-SIGNAL - 136-5664 ROW ONLY	219
LIGHTING GP-WARNING - 12V 162-4101	239
LIGHTING GP-WARNING - 205-4631 EXTREMITY WITH ULTRA WIDE GAUGE	223
LIGHTING GP-WARNING - 502773D1 ROW ONLY	237
MOTOR GP-WINDOW WIPER - CH170-5696 12 VOLT	243
MOUNTING GP-BATTERY - 173-2745	245
MOUNTING GP-GPS - 500478D1 AUTOGUIDE SYSTEM	267
MOUNTING GP-PDA - 501168D1 AUTOGUIDE SYSTEM	269
PANEL GP-FUSE 501829D1	247
RADIO GP-AUTOGUIDE - 232-0869	261
RECEIVER GP-TRANSMITTER & GPS - 500607D1 AUTOGUIDE CONTROL	275
RECEIVER KIT-TRANSMITTER - 162-4099	205
REFLECTOR GP-REAR - 169-0013 (EAME ONLY)	233
SENSOR & MTG GP-GROUND SPEED - 136-5213 EAME ONLY	235
SENSOR & MTG GP-GROUND SPEED - 173-6510	249
SENSOR GP-POSITION - CH215-6495	251
SENSOR GP-PRESSURE - CH194-6725	255
STARTING MOTOR - 501978D1 12 VOLT	259
STARTING MOTOR GP-ELECTRIC - 169-3646	257
SWITCH GP-GUIDANCE - 500606D1 AUTOGUIDE SYSTEM	263
SWITCH GP-GUIDANCE - 500616D1 AUTOGUIDE SYSTEM	265
WARNING GP-BACKUP - 173-6509	277
WARNING GP-WIDE VEHICLE - 222-4835 WITH WARNING PLATES EAME ONLY	225
WARNING GP-WIDE VEHICLE - 222-4943 WITHOUT WARNING PLATES EAME ONLY	227
WIRING GP - 173-6505 STEERING WHEEL MOUNTED RADIO CONTROLS ROW ONLY	279
WIRING GP - 214-3504 AUTOGUIDE ISO COMPATIBLE	281
WIRING GP-AUXILIARY - 162-4097 DELUXE CAB ROW ONLY	283
WIRING GP-CAB - 152-0005 EAME ONLY 1 OF 2	291
WIRING GP-CAB - 152-0005 EAME ONLY 2 OF 2	293
WIRING GP-CAB - 152-0420A ROW ONLY	285
WIRING GP-CAB - 152-0420B ROW ONLY	289
WIRING GP-COMPACT DISC CHANGER 195-9532	309

ELECTRICAL AND STARTING SYSTEM (CONTINUED)

WIRING GP-CONSOLE - 166-1211 ARMREST	311
WIRING GP-CONSOLE - 168-1946 EAME ONLY	313
WIRING GP-SHUTOFF - 162-4096 ENGINE	323
WIRING GP-SHUTOFF - 173-6501 TIME DELAY LIGHTING SHUTOFF DELUXE	325
WIRING GP-TRAILER - 162-4102 CONNECTOR SWITCHES ROW ONLY	327
WIRING GP-TRAILER - 168-1945 EAME ONLY	329
WIRING GP-TRAILER - 227-5268 EAME ONLY	331
WIRING GP-TRAILER JUMPER 501940D1	333
WIRING GP-VEHICLE - 136-5667 ROW ONLY	315
WIRING GP-VEHICLE - 167-2181 EAME ONLY	319

ENGINE ARRANGEMENT

INSTALLATION AR - 501640D1 MT745B	61
INSTALLATION AR - 501641D1 MT755B	63
INSTALLATION AR - 501642D1 MT765B	65

FRAME AND BODY

CHASSIS AR - 159-9486 ROW ONLY	511
CHASSIS AR - 174-4614 EAME ONLY	513
COUNTERWEIGHT GP - 165-7159 FRONT BRACKET ROW ONLY	515
COUNTERWEIGHT GP-FRONT - 156-1358 20 WEIGHTS (1188KG/2614 LB) ROW ONLY	523
COUNTERWEIGHT GP-FRONT - 184-5357 32 WEIGHTS (2000KG/4409LB) ROW ONLY	525
COUNTERWEIGHT GP-FRONT - 191-3096 14 WEIGHTS (908KG/2002 LB) ROW ONLY	519
COUNTERWEIGHT GP-FRONT - 500715D1 MOUNTING & 32 WEIGHTS ROW ONLY	527
COUNTERWEIGHT GP-FRONT - 502114D1 10 WEIGHTS (871KG/1920 LB) EAME ONLY	517
COUNTERWEIGHT GP-FRONT - 502115D1 16 WEIGHTS (1151KG/2537 LB) EAME ONLY	521
COUNTERWEIGHT GP-IDLER - 177-4586 455 KG (1000 LBS.)	529
COUNTERWEIGHT GP-IDLER - 177-4588 (909 KG/2000 LB)	531
COUNTERWEIGHT GP-IDLER - 178-8046 1350 KG (3000 LB) EAME ONLY	533
COUNTERWEIGHT GP-IDLER - 178-8047 1575 KG (3500 LB) ROW ONLY	535
ENCLOSURE GP - 217-0904 ITALIAN MARKET EAME ONLY	577
ENCLOSURE GP - 502672D1	575
EXTENSION GP-FENDER - 162-4110	545
FENDER GP - 156-1319	543
FRAME GP - 156-1323	541
GRILL GP-RADIATOR - 197-4774 ROW ONLY	571
GRILL GP-RADIATOR - 202-2359 EAME ONLY	573
GUARD GP - 201-9925 TENSIONER WIRE ROW	551
GUARD GP - 201-9926 TENSIONER WIRE	553
GUARD GP-AXLE - 208-3021 EAME ONLY	549
GUARD GP-POWER TRAIN - 500898D1 ROW ONLY	557
GUARD GP-POWER TRAIN - 500899D1 EAME ONLY	559
GUARD GP-SPECTATOR - 179-3241 EAME ONLY	547
GUARD KIT-BOTTOM - 174-6313	555
HANDHOLD GP - 502772D1 INNER	563
HANDRAIL GP-OUTER - 203-9178 BASIC	561
HOOD & GUARD GP - 502670D1 ROW ONLY	565
HOOD & GUARD GP - 502671D1 EAME ONLY	569
HOUSING GP - 201-5074	539
MOUNTING GP-BODY - 158-5925 LICENSE PLATE EAME ONLY	579
MOUNTING GP-CAB - 152-0430 ROW ONLY	583
MOUNTING GP-MONITOR - 222-7965	581
PLUG GP-COUNTERWEIGHT - 180-3992	537
STEP GP - 156-1325	585
SUPPORT GP-FUEL TANK - 190-5600 (1 OF 2) ROW ONLY	587
SUPPORT GP-FUEL TANK - 190-5600 (2 OF 2) ROW ONLY	589
SUPPORT GP-HOOD - 217-7762 BRACE EAME ONLY	591
WARNING GP-SLOW MOVING VEHICLE 172-8886 ROW ONLY	593

FUEL SYSTEM

CONTROL GP-DECELERATOR - 152-0447	125
CONTROL GP-GOVERNOR - 207-2031	127
FILTER GP-PRIMARY FUEL - 203-2619	129
KIT-FUEL TANK - 199-3432 113.7 LITERS (30 GALLONS)	149
KIT-FUEL TANK - 210-1382 DUAL TANK STANDARD GAUGE	153
LINES GP-FUEL - 156-1317 ROW	131
LINES GP-FUEL - 203-2618	133
LINES GP-FUEL - 206-4714 SIDE	135
LINES GP-FUEL - 206-4715 SIDE	137
MOUNTING GP-FUEL TANK - 171-3737 REAR ROW	139
MOUNTING GP-FUEL TANK - 197-8133 SIDE	141
MOUNTING GP-FUEL TANK - 199-3433 DUAL TANK SIDE	143
MOUNTING GP-FUEL TANK - 203-7082 FRONT ROW	145
TANK AR-FUEL - 165-8506	147
TANK AR-FUEL - 199-3440 WITH WIDE GAUGE ROW	157
TANK AR-FUEL - 210-1381 SINGLE TANK STANDARD GAUGE	151
TANK AR-FUEL - 500100D1 WITH STD/WIDE GAUGE ROW	155
TANK GP-FUEL - 171-3721 REAR ROW	159
TANK GP-FUEL - 171-3738 REAR 345 LITERS (91 GALLONS) ROW	161
TANK GP-FUEL - 197-8132 SIDE 113.7 LITERS (30 GALLONS)	163

HYDRAULIC SYSTEM

ACTUATOR GP-SWASHPLATE - CH196-4233 ROW	745
CASE DRAIN GP-FLAT FACE - 502681D1 WITHOUT WIDE SWING DRAWBAR	757
CASE DRAIN GP-PIONEER - 502673D1 WITHOUT WIDE SWING DRAWBAR	753
CONNECTOR GP-VALVE - 178-7162 0 TO 60 LITERS PER MINUTE HYDRAULIC POWER BEYOND ROW ONLY	747
CONNECTOR GP-VALVE - 180-7174 ABOVE 60 LITERS PER MINUTE HYDRAULIC POWER BEYOND ROW ONLY	749
COUPLING GP - 180-9998 HYDRAULIC POWER BEYOND EAME ONLY	751
FILTER GP-MOUNTING - 158-2348	761
FILTER GP-OIL - 501765D1 IMPLEMENT	763
FILTER GP-OIL - 501768D1 TRANSMISSION	765
HYDRAULIC AR - 158-2341	767
KIT-HYD CASE DRAIN-FLAT FACE - 502675D1 WIDE SWING DRAWBAR ROW ONLY	759
KIT-HYD CASE DRAIN-PIONEER - 502677D1 WITH WIDE SWING DRAWBAR ROW ONLY	755
KIT-HYDRAULIC VALVE - 189-5906 CONVERT 4 REMOTE TO 5 REMOTE VALVES NON-STEERABLE HITCH	811
KIT-VALVE - 172-4504 5 VALVE TO 6 VALVE UPGRADE WITH STANDARD HITCH	833
KIT-VALVE - 180-4827 4 TO 5 VALVE UPGRADE WITH STANDARD HITCH	769
KIT-VALVE - 180-4828 4 VALVE TO 5 VALVE UPGRADE WITH STEERABLE HITCH ROW ONLY	771
KIT-VALVE - 183-1215 5 VALVE TO 6 VALVE UPGRADE WITH STEERABLE HITCH	773
LINES GP-COUPLER - 179-7090 EAME ONLY	775
LINES GP-COUPLER - 192-6380 ROW ONLY	777
LINES GP-HYD OIL - 223-4989 ITALIAN MARKET EAME ONLY	783
LINES GP-HYD OIL - 500585D1	779
LINES GP-HYDRAULIC - 165-8563 TRAILER BRAKE EAME ONLY	781
LINES GP-IMPLEMENT - 165-7902	791
LINES GP-IMPLEMENT - 173-1982 EAME ONLY	789
LINES GP-IMPLEMENT - 500598D1	785
MOUNTING GP-VALVE - 158-2338	793
PLUG GP-IMPLEMENT VALVE - 158-2359 WITHOUT 3 POINT HITCH ROW ONLY	795
PUMP & LINES AR-IMPLEMENT - 178-7157 63 CC EAME ONLY	797
PUMP & MOUNTING GP - 158-2344 63CC IMPLEMENT	801
PUMP & MOUNTING GP - 500573D1 71CC	803
PUMP & MOUNTING GP - 500574D1 90CC	805
PUMP AR-HYDRAULIC - 178-7160 63 CC WITH TRAILER BRAKES EAME ONLY	799
PUMP GP-PISTON - CH205-5980 63 CC IMPLEMENT ROW ONLY	807
ROTATING GP-PUMP - 190-6501 63CC IMPLEMENT PUMP	809
VALVE & MOUNTING GP - 189-5907	817
VALVE & MTG GP-BRAKE - 183-7177 HYDRAULIC TRAILER BRAKE EAME ONLY	813
VALVE & MTG GP-BRAKE - 227-5264 HYDRAULIC TRAILER BRAKE ITALIAN MARKET EAME ONLY	815
VALVE & MTG GP-CONTROL - 189-5910	819

HYDRAULIC SYSTEM (CONTINUED)

VALVE & MTG GP-CONTROL - 189-5911 5 VALVE STEERABLE HITCH TUBE ASY	821
VALVE AR - 172-4499 4 IMPL W/STD HITCH OR WS DRAWBAR	823
VALVE AR - 172-4500 4 IMPLEMENTS & STEERABLE HITCH	825
VALVE AR - 172-4501 5 IMPL W/STD HITCH OR WS DRAWBAR	827
VALVE AR - 172-4502 5 IMPLEMENTS & STEERABLE HITCH	829
VALVE AR-IMPL (6) - 500789D1 6 IMPLEMENTS & STANDARD HITCH	831
VALVE AR-IMPL - 500790D1 6 IMPLEMENTS & STEERABLE HITCH	835
VALVE GP-BANK 6 - 223-5933 3 PT HITCH & W/5 REMOTES	841
VALVE GP-BANK 6 - 223-5935 4 IMPLEMENTS & STEERABLE HITCH	843
VALVE GP-BANK 6 - 500750D1 3 PT HITCH & W/4 REMOTES	839
VALVE GP-BANK 7 - 223-5936 5 IMPLEMENTS & STEERABLE HITCH	845
VALVE GP-BANK 8 - 500751D1 3 PT-STEERING HITCH W/5 REMOTES	847
VALVE GP-BANK-5 - 223-5932 3 PT HITCH W/4 REMOTES	837
VALVE GP-BRAKE CONTROL - 175-7450 EAME ONLY	849
VALVE GP-BRAKE CONTROL - 192-6368	853
VALVE GP-BRAKE CONTROL - 500543D1 EAME ONLY	851
VALVE GP-CONTROL - 162-9816 IMPLEMENT	855
VALVE GP-CONTROL-2-20 - 224-7237 3 POINT HITCH	857
VALVE GP-CONTROL-3-20 - 224-4211 STEERABLE 3 POINT HITCH	859
VALVE GP-ELECTRIC SERVO - 196-4235 ROW	861
VALVE GP-PRESS & FLOW CMPNSTR - 201-9105 ROW	865
VALVE GP-PRESS & FLOW COMPENSATOR 214-9379	863
VALVE GP-RELIEF - CH123-7557 ROW	867

MACHINE ARRANGEMENT

BASE COMMON AR - 502668D1 ROW ONLY	57
BASE COMMON AR - 502669D1 EAME ONLY	59
BASE UNIT AR - 501627D1 MT745B ROW ONLY	45
BASE UNIT AR - 501628D1 MT755B ROW ONLY	47
BASE UNIT AR - 501629D1 MT765B ROW ONLY	49
BASE UNIT AR - 501630D1 MT745B EAME ONLY	51
BASE UNIT AR - 501631D1 MT755B EAME ONLY	53
BASE UNIT AR - 501632D1 MT765B EAME ONLY	55

MAINTENANCE PARTS

RECOMMENDED DEALER STOCK	1169
--------------------------------	------

MARKINGS AND PAINT

DECAL SHEET - 501508D1 FRENCH	1157
DECAL SHEET-501506D1 ENGLISH ROW ONLY	1153
DECAL SHEET-501507D1 DUTCH	1155
DECAL SHEET-501509D1 JAPANESE	1159
DECAL SHEET-501510D1 PORTUGUESE	1161
DECAL SHEET-501511D1 RUSSIAN	1163
DECAL SHEET-501512D1 SPANISH	1165
FILM & PLATE GP - 174-4480 1 OF 7 EAME ONLY	1139
FILM & PLATE GP - 174-4480 2 OF 7 EAME ONLY	1141
FILM & PLATE GP - 174-4480 3 OF 7 EAME ONLY	1143
FILM & PLATE GP - 174-4480 4 OF 7 EAME ONLY	1145
FILM & PLATE GP - 174-4480 5 OF 7 EAME ONLY	1147
FILM & PLATE GP - 174-4480 6 OF 7 EAME ONLY	1149
FILM & PLATE GP - 174-4480 7 OF 7 EAME ONLY	1151
FILM GP - PAINT - 173-4472 1 OF 7 ROW ONLY	1125
FILM GP - PAINT - 173-4472 2 OF 7 ROW ONLY	1127
FILM GP - PAINT - 173-4472 3 OF 7 ROW ONLY	1129
FILM GP - PAINT - 173-4472 4 OF 7 ROW ONLY	1131
FILM GP - PAINT - 173-4472 5 OF 7 ROW ONLY	1133
FILM GP - PAINT - 173-4472 6 OF 7 ROW ONLY	1135
FILM GP - PAINT - 173-4472 7 OF 7 ROW ONLY	1137
FILM GP-CAT - 502923D1 ROW ONLY	1123
FILM GP-CHALLENGER - 500726D1	1121
FILM-MODEL - 501633D1 MT745B	1115
FILM-MODEL - 501634D1 MT755B	1117

MARKINGS AND PAINT (CONTINUED)

FILM-MODEL - 501635D1 MT765B	1119
PAINT PAINT	1167

OPERATOR STATION

ADAPTOR KIT-FIRE EXTINGUISHER 500018D1 EAME ONLY	1049
AIR CONDITIONER & MOUNTING GP - BASIC 502502D1	977
AIR CONDITIONER & MOUNTING GP - DELUXE 502501D1	979
AIR CONDITIONER GP - BASIC 502500D1	981
AIR CONDITIONER GP-DELUXE 502499D1	983
ANTENNA GP-RADIO - 168-1951	991
ANTENNA GP-RADIO - 210-1570 BUSINESS BAND	993
ARMREST GP - 500484D2 4 IMP W/PTO-W/O HTCH ROW ONLY	999
ARMREST GP - 500485D2 4 IMP W/PTO-W/HTCH	1001
ARMREST GP - 500488D2 5 IMP W/PTO-W/O HITCH ROW ONLY	1003
ARMREST GP - 500489D2 5 IMP W/PTO-W/HTCH	1005
ARMREST GP - 500791D2 6 IMP W/PTO-W/O HITCH ROW ONLY	1007
ARMREST GP - 500792D2 6 IMP W/PTO-W/HTCH	1009
CAB AR-BASIC - 500847D1 EAME ONLY	961
CAB AR-BASIC - 502664D1 ROW ONLY	959
CAB AR-DELUXE - 500848D1 EAME ONLY	965
CAB AR-DELUXE - 502663D1 ROW ONLY	963
CAB GP - 152-0001 ROW ONLY	967
CAB GP - 152-0002 EAME ONLY	969
CHANGER GP-COMPACT DISC - 173-6507 ROW	995
CONSOLE GP - 500768D1	973
CONSOLE GP-MTG - 500839D1	971
CONSOLE GP-OPERATOR - 152-0434	1011
CONTROL GP - BRAKE & CLUTCH 152-0438	997
CONTROL GP-AIR & TEMPERATURE 166-4586	989
CONTROL GP-HITCH - 152-0445 REAR 3 POINT	1013
CONTROL GP-IMPLEMENT 209-8704	1023
CONTROL GP-IMPLEMENT - 136-5355 4TH HANDLE	1015
CONTROL GP-IMPLEMENT - 4 HANDLES 152-0443	1017
CONTROL GP-IMPLEMENT - 5 HANDLES 166-4590	1019
CONTROL GP-IMPLEMENT-6TH HANDLE 152-0448	1021
CONTROL GP-MOUNTING - 166-4623 EAME ONLY	1079
CONTROL GP-SECONDARY - 197-3000	1081
CONTROL GP-TRANSMISSION 169-6346	1025
CONTROL GP-TRANSMISSION 169-6347	1027
COVER GP - 500761D1	975
DOOR GP-CAB (LH) 500927D1	1029
DUCT GP-CAB AIR 166-4556	985
GLASS GP-WINDSHIELD - 151-9995 EAME ONLY	1099
HEADLINER GP - 152-0418 EAME ONLY	1033
HEADLINER GP - 502658D1 ROW ONLY	1031
INSULATION GP-WEATHER - 217-2214	1059
KIT-BAFFLE (AIR RECIRCULATION) 501817D1 FIELD INSTALLED	987
KIT-EXTRA WIDE MIRRORS - 501557D1 MANUAL ADJUSTMENT ROW ONLY	1045
KIT-MOUNTING-FIRE EXTINGUISHER 167-0090 ROW ONLY	1047
LINES GP-HEATER - 208-2879	1035
LINES GP-HEATER - 208-2882 DELUXE	1037
MIRROR GP - 206-0588 SIDE AREA VIEW EAME ONLY	1043
MIRROR GP-REAR VIEW - 192-5590 POWER ADJUSTMENT & HEATED DELUXE	1041
MIRROR GP-REAR VIEW - 192-5592 MANUAL ADJUSTMENT ROW ONLY	1039
MOUNTING GP-WITH FIRE EXTINGUISHER 501785D1 EAME ONLY	1051
RACK & MOUNTING GP - 187-4896 GLOBAL POSITION SENSOR	1053
RADIO GP-DELUXE - 168-1970 12V HD AM/FM/WB/CAS/REMOTE/GRN BACKLIGHT ROW	1069
RADIO GP-DELUXE CD - 170-5739 12V HD AM/FM/WB/CD/REMOTE/GRN BACKLIGHT ROW	1071
RADIO GP-STD - 168-1952 12V HD, AM/FM/WB/CASS W/GREEN BACKLIGHT ROW	1067
ROOF GP-CAB - 152-0417 ROW	1055
ROOF GP-CAB - 152-0444 EAME ONLY	1057

OPERATOR STATION (CONTINUED)

SEAT GP - DELUXE 500853D1	1063
SEAT GP-BASIC 500840D1	1061
SEAT GP-COMPANION - 152-0433	1065
SPEAKER GP-RADIO 152-0419	1073
SPEAKER GP-RADIO - SUBWOOFER 173-6506	1075
STEERING COLUMN GP - CH166-3611	1077
SWITCH GP-WIPER - CH135-9967 INTERMITTENT 12 VOLT	1107
TRIM GP-CAB - 152-0450 EAME ONLY	1087
TRIM GP-CAB - 502656D1 ROW ONLY	1083
VISOR GP-CAB (SUN VISOR) - FRONT 152-0424	1091
VISOR GP-CAB (SUN VISOR) - REAR 162-4095	1093
VISOR GP-CAB (SUN VISOR) - SIDE 501886D1	1095
WINDOW GP-CAB - 151-9994 ROW ONLY	1097
WIPER GP - 152-0425 DELUXE	1103
WIPER GP-WINDOW - 152-0422	1101
WIPER GP-WINDOW - 162-4103 RH	1105

POWER TRAIN

152-5241 TRANSMISSION AR-STANDARD S/N: 7PY1-UP	471
155-9583 CLUTCH GP-INPUT SHAFT S/N: 7PY1-1722; 8AY1-885	361
155-9586 CLUTCH GP-INTERMEDIATE SHAFT S/N: 7PY1-1722; 8AY1-885	363
155-9589 CLUTCH GP-REVERSE SHAFT S/N: 7PY1-1722; 8AY1-885	365
155-9590 CLUTCH GP-OUTPUT SHAFT S/N: 7PY1-1722; 8AY1-885	367
155-9593 CASE & PARTS GP-PLANETARY	347
155-9593 CASE & PARTS GP-PLANETARY S/N: 7PY1-1504	345
155-9593 CASE & PARTS GP-PLANETARY S/N: 7PY1505-UP	349
155-9594 CONTROL GP-TRANSMISSION HYD S/N: 7PY1-1768; 8AY1-888	383
155-9594 CONTROL GP-TRANSMISSION HYD S/N: 7PY1769-UP; 8AY889-UP	385
161-8212 BRAKE GP-PARKING S/N: AZA1-UP; AZE1-UP; AZT1-UP	487
161-8857 DRIVE GP-PUMP S/N: 7PY1-UP; 8AY1-UP	439
165-0414 CASE & PARTS GP-PLANETARY S/N: 8AY1-879	353
165-0414 CASE & PARTS GP-PLANETARY S/N: 8AY880-UP	357
166-0668 CLUTCH GP-OUTPUT PLANETARY S/N: 7PY1-UP; 8AY1-UP	371
166-5880 VALVE GP-MODULATING S/N: AZA1-985; AZE1-1108; AZT1-870 12 VOLT. CLUTCH PACK HYDRAULIC OIL	475
168-3454 HOUSING AS-DIFFERENTIAL S/N: AZA1-947; AZE1-1010	449
169-8568 DRIVE GP-CREEPER S/N: 8AY1-UP	435
170-5152 VALVE GP-CREEPER S/N: 8AY1-UP TYPE 1	489
170-5152 VALVE GP-CREEPER S/N: 8AY1-UP TYPE 2	491
171-4005 AXLE AR S/N: AZA1-UP STANDARD GAUGE WITH TYPE 3 PTO	481
171-4010 AXLE AR S/N: AZE1-UP WIDE GAUGE WITH TYPE 3 PTO	483
173-2462 TRANSMISSION AR S/N: 8AY1-UP	473
187-3065 VALVE GP-RELIEF S/N: 7PY1-UP; 8AY1-UP CHARGE PRESSURE	479
189-8658 VALVE GP-SOLENOID-CREEPER ENGAGE, DISENGAGE S/N: 8AY1-UP 12-VOLT	493
194-7086 FINAL DRIVE GP S/N: AZA1-UP	441
194-7086 FINAL DRIVE GP-STANDARD GAUGE S/N: AZA1-UP	443
195-3950 FINAL DRIVE GP-WIDE GAUGE S/N: AZE1-UP	445
195-4531 POWER TAKE-OFF GP S/N: AZA1-985; AZE1-1108; AZT1-870	495
195-4531 POWER TAKE-OFF GP S/N: AZA1308-1365	503
195-4531 POWER TAKE-OFF GP S/N: AZA1366-UP	507
195-4531 POWER TAKE-OFF GP S/N: AZA986-1307	499
199-8159 DIFFERENTIAL GP S/N: AZA1-947; AZE1-1010	391
199-8159 DIFFERENTIAL GP S/N: AZA1231-UP; AZE1513-UP; AZT954-UP (2 OF 3)	431
199-8159 DIFFERENTIAL GP-STEERING S/N: AZA1-947; AZE1-1010	387
199-8159 DIFFERENTIAL GP-STEERING S/N: AZA1025-1060; AZE1129-1174; (1 OF 3)	403
199-8159 DIFFERENTIAL GP-STEERING S/N: AZA1061-1214; AZE1175-1433; (1 OF 3)	411
199-8159 DIFFERENTIAL GP-STEERING S/N: AZA1061-1214; AZE1175-1433; (2 OF 3)	413
199-8159 DIFFERENTIAL GP-STEERING S/N: AZA1061-1214; AZE1175-1433; (3 OF 3)	417
199-8159 DIFFERENTIAL GP-STEERING S/N: AZA1215-1230; AZE1434-1512; (1 OF 3)	419
199-8159 DIFFERENTIAL GP-STEERING S/N: AZA1215-1230; AZE1434-1512; (2 OF 3)	421
199-8159 DIFFERENTIAL GP-STEERING S/N: AZA1215-1230; AZE1434-1512; (3 OF 3)	425
199-8159 DIFFERENTIAL GP-STEERING S/N: AZA1231-UP; AZE1513-UP; AZT954-UP (1 OF 3)	427

POWER TRAIN (CONTINUED)

199-8159 DIFFERENTIAL GP-STEERING S/N: AZA1231-UP; AZE1513-UP; AZT954-UP (2 OF 3)	429
199-8159 DIFFERENTIAL GP-STEERING S/N: AZA1231-UP; AZE1513-UP; AZT954-UP (3 OF 3)	433
199-8159 DIFFERENTIAL GP-STEERING S/N: AZA948-1024; AZE1011-1128 (1 OF 3)	395
199-8159 DIFFERENTIAL GP-STEERING S/N: AZA948-1024; AZE1011-1128 (2 OF 3)	397
199-8159 DIFFERENTIAL GP-STEERING S/N: AZA948-1024; AZE1011-1128 (3 OF 3)	401
199-8159A DIFFERENTIAL GP-STEERING S/N: AZA1025-1060; AZE1129-1174; (2 OF 3)	405
199-8159A DIFFERENTIAL GP-STEERING S/N: AZA1025-1060; AZE1129-1174; (3 OF 3)	409
199-9217 FINAL DRIVE GP-ULTRA WIDE GAUGE S/N: AZT1-UP	447
200-5011 POWER TRAIN AR-STANDARD GAUGE WITH STANDARD TRANSMISSION & TYPE 3 PTO	459
200-5013 POWER TRAIN AR-WIDE GAUGE WITH STANDARD TRANSMISSION & TYPE 3 PTO	461
200-5015 POWER TRAIN AR-STANDARD GAUGE W/ CREEPER TRANSMISSION & TYPE 3 PTO	463
200-5017 POWER TRAIN AR-WIDE GAUGE W/ CREEPER TRANSMISSION & TYPE 3 PTO	465
213-8788 POWER TRAIN AR-ULTRA WIDE GAUGE W/ STANDARD TRANSMISSION & TYPE 3 PTO	467
213-8789 POWER TRAIN AR-ULTRA WIDE GAUGE W/ CREEPER TRANSMISSION & TYPE 3 PTO	469
213-8802 AXLE AR S/N: AZT1-UP ULTRA WIDE GAUGE WITH TYPE 3 PTO	485
216-5343 VALVE GP-MODULATING S/N: AZA986-UP; 7PY1-UP; 8AY1-UP 12V ELECTRONIC CLUTCH PRESSURE CONTROL	477
219-7219 HOUSING GP-DIFFERENTIAL S/N: AZA1025-1060; AZE1129-1174;	451
223-3486 HOUSING GP-DIFFERENTIAL S/N: AZA948-1024; AZE1011-1128	453
225-1452 HOUSING GP-DIFFERENTIAL S/N: AZA1061-1214; AZE1175-1433;	455
232-1773 CLUTCH GP-TRANSMISSION INPUT SHAFT CLUTCH GP S/N: 7PY1723-UP; 8AY886-UP	375
232-1773 CLUTCH GP-TRANSMISSION INTERMEDIATE SHAFT CLUTCH GP S/N: 7PY1723-UP; 8AY886-UP	377
232-1773 CLUTCH GP-TRANSMISSION OUTPUT SHAFT CLUTCH GP (PAGE 1 OF 2) S/N: 7PY1723-UP; 8AY886-UP	379
232-1773 CLUTCH GP-TRANSMISSION OUTPUT SHAFT CLUTCH GP (PAGE 2 OF 2) S/N: 7PY1723-UP; 8AY886-UP	381
232-1773 CLUTCH GP-TRANSMISSION REVERSE SHAFT CLUTCH GP S/N: 7PY1723-UP; 8AY886-UP	373
233-9766 HOUSING GP-DIFFERENTIAL S/N: AZA1215-UP; AZE1434-UP; AZT943-UP	457

POWER TRAIN ATTACHING

DRAIN GP-ECOLOGY - CH163-0397	337
FASTENER GP-FINAL DRIVE - 164-3905	339
FILLER GP - 163-0395	335
PLUG GP-SHIPPIING - 157-1709	341
SHAFT GP-INPUT - 151-6970	343

SERVICE EQUIPMENT AND SUPPLIES

CHOCK GP-WHEEL - 189-8931 EAME ONLY	1109
PROTECTION GP-VANDALISM - 180-3725	1111
TOOL GP-AXLE GAUGE CHANGE - 203-9712	1113

TRACK BELTS

BELT AR - EXTREME AG	601
BELT AR - EXTREME APPLICATIONS	603
BELT AR - GENERAL AG	597
BELT AR - GENERAL AG & LOW PROFILE	595
BELT AR - LOW PROFILE	599
KIT-GUIDE BLOCK GENERAL AG & EXTREME APPLICATIONS	607

UNDERCARRIAGE

ARM GP - 155-5611 ROW	613
BELT TENSIONER GP - 500837D1 LH ROW	615
BELT TENSIONER GP - 500838D1 RH ROW	617
BOGIE GP - 155-5614	619
FRAME AR LH - 163-0548	611
FRAME AR RH - 163-0547	609
FRAME GP-TRACK ROLLER - 163-0677	621
GAUGE AR-STANDARD - 178-2338 WITHOUT CREEPER TRANSMISSION (1524-2235MM/60-88IN) ROW ONLY	623
GAUGE AR-STANDARD - 178-2341 WITHOUT CREEPER TRANSMISSION (1524-2235MM/60-88IN) EAME	625
GAUGE AR-STANDARD - 200-6232 WITH CREEPER TRANSMISSION (1524-2235MM/60-88IN) ROW ONLY	629
GAUGE AR-STANDARD - 206-0515 WITH CREEPER TRANSMISSION (1524-2235MM/60-88 IN)	631
GAUGE AR-ULTRA WIDE - 213-4079 WITHOUT CREEPER TRANSMISSION (3048-4064MM/120-160IN) ROW ONLY	635
GAUGE AR-ULTRA WIDE - 213-4080 WITH CREEPER TRANSMISSION (3048-4064MM/120-160IN)	
ROW	637
GAUGE AR-WIDE - 178-2339 WITHOUT CREEPER TRANSMISSION (2032-3048MM/80-120IN) ROW ONLY	627
GAUGE AR-WIDE - 200-6233 WITH CREEPER TRANSMISSION (2032-3048MM/80-120IN) ROW	633
GUARD GP-WIRING - 213-6920 TENSIONER WIRE WITH ULTRA WIDE GAUGE	641
IDLER GP - 156-4859	643
LEVER AS-IDLER - 160-7164	645
MIDROLLER WHL AR	651
MOUNTING GP-BELT TENSIONER - 184-6717	647
MOUNTING GP-IDLER - 177-4589	649
SUPPORT GP - 156-4887 WITH STANDARD GAUGE ROW ONLY	653
SUPPORT GP - 156-4888 WITH WIDE GAUGE ROW	655
SUPPORT GP - 208-0560 WITH ULTRA WIDE GAUGE	657
SUPPORT GP-DRIVE WHEEL - 162-2415 RH	661
SUPPORT GP-DRIVE WHEEL - 162-2416 LH	659
UNDERCARRIAGE AR - 213-6921 ULTRA WIDE GAGE	639
WHEEL AR-DRIVE NARROW, MEDIUM & WIDE	663
WHEEL AR-IDLER	665

INDEX

Part No.	Page	Grid	Part No.	Page	Grid	Part No.	Page	Grid	Part No.	Page	Grid
AG522130	93	1-B 11	CH1J-9671	615	1-D 15	CH110-6349	617	1-D 15	CH121-9755	229	1-B 24
CHCH9R-261	589	1-D 12	CH1J-9671	617	1-D 15	CH110-6349	711	1-E 1	CH121-9755	231	1-C 1
CH0T-0200	933	1-E 23	CH1J-9671	619	1-D 15	CH110-6349	713	1-E 1	CH121-9870	1083	1-F 14
CH0T-0200	935	1-E 23	CH1J-9671	643	1-D 18	CH111-4627	1083	1-F 14	CH121-9870	1087	1-F 14
CH0T-0200	937	1-E 23	CH1J-9671	659	1-D 19	CH111-4627	1087	1-F 14	CH122-8352	107	1-B 12
CH001-5600	997	1-F 5	CH1J-9671	661	1-D 20	CH112-4718	867	1-E 16	CH122-9250	689	1-D 22
CH003-7764	107	1-B 12	CH1K-6985	615	1-D 15	CH112-6174	1101	1-F 16	CH123-0707	287	1-C 6
CH004-1964	745	1-E 4	CH1K-6985	617	1-D 15	CH113-0899	183	1-B 20	CH123-0707	291	1-C 7
CH006-5490	107	1-B 12	CH1N-4403	111	1-B 13	CH113-0899	1013	1-F 7	CH123-2017	707	1-D 24
CH006-6586	335	1-C 11	CH1N-5970	613	1-D 15	CH113-4417	733	1-E 3	CH123-2017	709	1-D 24
CH030-7937	133	1-B 15	CH1N-5970	619	1-D 15	CH113-4419	731	1-E 3	CH123-3299	733	1-E 3
CH030-7947	133	1-B 15	CH1P-3702	713	1-E 1	CH113-8490	247	1-C 2	CH123-4748	643	1-D 18
CH030-9613	1105	1-F 16	CH1P-3703	711	1-E 1	CH113-8490	301	1-C 8	CH123-4950	565	1-D 10
CH032-1339	161	1-B 18	CH1P-3703	713	1-E 1	CH113-8490	303	1-C 8	CH123-4950	569	1-D 10
CH032-9882	181	1-B 20	CH1P-4278	107	1-B 12	CH113-8490	305	1-C 8	CH123-7544	745	1-E 4
CH033-1097	883	1-E 18	CH1P-4278	129	1-B 14	CH113-8490	1169	1-F 22	CH123-7547	745	1-E 4
CH033-5879	741	1-E 4	CH1P-4278	131	1-B 15	CH113-8491	247	1-C 2	CH123-7556	707	1-D 24
CH033-6032	855	1-E 15	CH1P-4278	155	1-B 17	CH113-8491	299	1-C 7	CH123-7557	707	1-D 24
CH033-6032	859	1-E 15	CH1P-4278	615	1-D 15	CH113-8491	303	1-C 8	CH123-7557	867	1-E 16
CH033-6033	131	1-B 15	CH1P-4278	617	1-D 15	CH113-8491	305	1-C 8	CH123-7559	709	1-D 24
CH033-6043	863	1-E 16	CH1P-4278	785	1-E 8	CH113-8491	307	1-C 8	CH123-7560	709	1-D 24
CH033-7291	571	1-D 11	CH1P-5419	643	1-D 18	CH113-8491	1169	1-F 22	CH123-7575	727	1-E 2
CH033-7291	573	1-D 11	CH1P-5420	643	1-D 18	CH113-8492	247	1-C 2	CH123-7575	729	1-E 2
CH033-8248	165	1-B 18	CH1R-0762	133	1-B 15	CH113-8492	299	1-C 7	CH123-7575	867	1-E 16
CH033-8248	167	1-B 18	CH1R-0762	1169	1-F 22	CH113-8492	301	1-C 8	CH123-7583	727	1-E 2
CH077-3241	337	1-C 11	CH1R-0770	129	1-B 14	CH113-8492	307	1-C 8	CH123-7583	729	1-E 2
CH077-5261	803	1-E 10	CH1R-0770	1169	1-F 22	CH113-8492	1169	1-F 22	CH123-7589	867	1-E 16
CH077-5261	805	1-E 10	CH1S-0994	131	1-B 15	CH113-8880	565	1-D 10	CH123-7590	867	1-E 16
CH084-4348	225	1-B 24	CH1S-0994	785	1-E 8	CH113-8880	569	1-D 10	CH123-7591	867	1-E 16
CH084-4348	227	1-B 24	CH1S-0996	131	1-B 15	CH114-3349	317	1-C 9	CH124-3548	247	1-C 2
CH084-4348	1169	1-F 22	CH1S-0996	165	1-B 18	CH114-3349	319	1-C 9	CH124-3548	301	1-C 8
CH085-7539	861	1-E 16	CH1S-0996	167	1-B 18	CH114-3469	83	1-B 10	CH124-3548	303	1-C 8
CH090-9554	1029	1-F 8	CH100-4036	565	1-D 10	CH114-3469	85	1-B 10	CH124-3548	305	1-C 8
CH090-9555	1083	1-F 14	CH100-4036	569	1-D 10	CH114-4231	107	1-B 12	CH124-3548	1169	1-F 22
CH090-9555	1087	1-F 14	CH101-2867	1031	1-F 9	CH114-4270	737	1-E 3	CH124-4653	283	1-C 6
CH092-6629	335	1-C 11	CH101-2867	1033	1-F 9	CH114-5333	315	1-C 9	CH124-4653	285	1-C 6
CH095-0687	807	1-E 10	CH101-3129	551	1-D 9	CH114-5333	319	1-C 9	CH124-7346	997	1-F 5
CH095-0736	279	1-C 5	CH101-3129	553	1-D 9	CH114-5785	881	1-E 18	CH126-1400	737	1-E 3
CH095-0741	593	1-D 13	CH101-3129	641	1-D 18	CH114-5785	957	1-F 1	CH126-1401	737	1-E 3
CH095-0741	1139	1-F 19	CH102-8802	83	1-B 10	CH114-5786	685	1-D 22	CH126-1403	735	1-E 3
CH095-0759	1065	1-F 12	CH102-8802	85	1-B 10	CH114-5793	565	1-D 10	CH126-1403	737	1-E 3
CH095-0845	687	1-D 22	CH102-8802	277	1-C 5	CH114-5793	569	1-D 10	CH126-1405	737	1-E 3
CH095-0845	933	1-E 23	CH102-8802	285	1-C 6	CH115-6433	145	1-B 16	CH126-1406	737	1-E 3
CH095-0845	935	1-E 23	CH102-8802	763	1-E 6	CH116-5728	125	1-B 14	CH126-1407	737	1-E 3
CH095-0845	937	1-E 23	CH102-8804	179	1-B 19	CH116-5763	555	1-D 9	CH126-1408	737	1-E 3
CH095-0912	317	1-C 9	CH102-8804	221	1-B 24	CH116-7471	289	1-C 6	CH126-1409	737	1-E 3
CH095-0912	319	1-C 9	CH102-8804	285	1-C 6	CH116-7471	293	1-C 7	CH126-1410	737	1-E 3
CH095-0915	125	1-B 14	CH102-8805	243	1-C 2	CH117-0754	883	1-E 18	CH126-1413	737	1-E 3
CH095-0974	1081	1-F 14	CH102-8805	1041	1-F 10	CH117-2311	289	1-C 6	CH126-1415	737	1-E 3
CH095-1715	849	1-E 14	CH102-8805	1103	1-F 16	CH117-2311	293	1-C 7	CH126-1416	737	1-E 3
CH095-1715	851	1-E 15	CH102-8805	1105	1-F 16	CH117-7316	861	1-E 16	CH126-1419	737	1-E 3
CH095-9230	933	1-E 23	CH102-8806	1107	1-F 16	CH117-8801	807	1-E 10	CH126-1420	737	1-E 3
CH095-9230	935	1-E 23	CH103-2529	131	1-B 15	CH117-8929	985	1-F 4	CH126-1597	707	1-D 24
CH095-9230	937	1-E 23	CH103-8089	585	1-D 12	CH118-0772	585	1-D 12	CH126-1598	707	1-D 24
CH096-2323	855	1-E 15	CH104-2091	973	1-F 3	CH119-1329	901	1-E 20	CH126-1638	727	1-E 2
CH096-5968	861	1-E 16	CH104-2091	985	1-F 4	CH119-1329	905	1-E 20	CH126-1638	729	1-E 2
CH096-6166	287	1-C 6	CH105-2145	863	1-E 16	CH119-1329	909	1-E 20	CH126-1645	727	1-E 2
CH096-6166	289	1-C 6	CH105-8034	289	1-C 6	CH119-5026	211	1-B 23	CH126-1645	729	1-E 2
CH096-6166	291	1-C 7	CH105-8034	293	1-C 7	CH119-5026	283	1-C 6	CH126-1773	171	1-B 19
CH096-6166	293	1-C 7	CH106-7532	745	1-E 4	CH119-5026	313	1-C 9	CH126-1773	175	1-B 19
CH096-6166	1083	1-F 14	CH107-5591	979	1-F 3	CH119-5026	973	1-F 3	CH126-1773	179	1-B 19
CH096-6166	1087	1-F 14	CH108-5985	615	1-D 15	CH119-5026	1031	1-F 9	CH127-1647	69	1-B 8
CH099-3649	771	1-E 7	CH108-5985	617	1-D 15	CH119-5026	1033	1-F 9	CH127-2170	125	1-B 14
CH1A-5919	643	1-D 18	CH108-6194	615	1-D 15	CH119-5026	1073	1-F 13	CH128-0331	1035	1-F 9
CH1B-0676	997	1-F 5	CH108-6194	617	1-D 15	CH119-6110	743	1-E 4	CH128-2162	979	1-F 3
CH1B-4202	693	1-D 23	CH109-2356	179	1-B 19	CH119-9708	615	1-D 15	CH128-4249	187	1-B 20
CH1F-5403	997	1-F 5	CH109-9685	857	1-E 15	CH119-9708	617	1-D 15	CH128-4249	281	1-C 6
CH1F-7567	785	1-E 8	CH110-2028	205	1-B 22	CH120-4394	707	1-D 24	CH129-3178	183	1-B 20
CH1F-7567	789	1-E 8	CH110-2028	287	1-C 6	CH120-4394	709	1-D 24	CH129-3178	321	1-C 10
CH1G-3174	739	1-E 3	CH110-2028	291	1-C 7	CH120-4897	177	1-B 19	CH129-3178	545	1-D 8
CH1G-7407	707	1-D 24	CH110-2028	1055	1-F 11	CH120-9048	681	1-D 22	CH129-3178	565	1-D 10
CH1G-7407	709	1-D 24	CH110-2028	1057	1-F 11	CH121-9753	229	1-B 24	CH129-3178	569	1-D 10
CH1H-8289	585	1-D 12	CH110-2028	1073	1-F 13	CH121-9753	231	1-C 1	CH129-3178	571	1-D 11
CH1J-6474	883	1-E 18	CH110-2446	877	1-E 17	CH121-9754	229	1-B 24	CH129-3178	573	1-D 11
CH1J-9671	613	1-D 15	CH110-6349	615	1-D 15	CH121-9754	231	1-C 1	CH129-3178	1013	1-F 7

MT700B SERIES TRACTORS

13
INDEX

Part No.	Page	Grid	Part No.	Page	Grid	Part No.	Page	Grid	Part No.	Page	Grid
CH129-3178	1083	1-F 14	CH142-2304	685	1-D 22	CH148-8364	713	1-E 1	CH155-2260	255	1-C 3
CH129-3178	1087	1-F 14	CH142-2304	1029	1-F 8	CH148-8364	753	1-E 5	CH156-0283	207	1-B 22
CH129-6457	285	1-C 6	CH142-2304	1097	1-F 15	CH148-8364	755	1-E 5	CH156-0283	209	1-B 22
CH129-6457	287	1-C 6	CH142-2304	1099	1-F 15	CH148-8364	757	1-E 5	CH156-0283	211	1-B 23
CH129-6457	291	1-C 7	CH142-9425	735	1-E 3	CH148-8364	759	1-E 5	CH156-0283	683	1-D 22
CH129-6457	293	1-C 7	CH142-9426	735	1-E 3	CH148-8364	919	1-E 21	CH156-0283	685	1-D 22
CH130-1916	567	1-D 10	CH142-9427	735	1-E 3	CH148-8370	695	1-D 23	CH156-4897	643	1-D 18
CH130-1916	569	1-D 10	CH142-9429	735	1-E 3	CH148-8372	701	1-D 24	CH156-4900	643	1-D 18
CH130-5742	989	1-F 4	CH142-9430	735	1-E 3	CH148-8372	711	1-E 1	CH156-6175	277	1-C 5
CH130-7806	735	1-E 3	CH142-9431	735	1-E 3	CH148-8372	783	1-E 8	CH157-0217	989	1-F 4
CH130-7806	737	1-E 3	CH142-9432	735	1-E 3	CH148-8374	781	1-E 8	CH157-0449	1011	1-F 7
CH131-3093	979	1-F 3	CH142-9433	735	1-E 3	CH148-8374	783	1-E 8	CH159-5890	749	1-E 4
CH131-3540	565	1-D 10	CH142-9434	735	1-E 3	CH148-8375	921	1-E 22	CH159-5893	747	1-E 4
CH131-3540	569	1-D 10	CH142-9435	735	1-E 3	CH148-8375	925	1-E 22	CH159-5893	749	1-E 4
CH131-3540	921	1-E 22	CH142-9436	735	1-E 3	CH148-8375	929	1-E 22	CH159-5897	747	1-E 4
CH131-3540	925	1-E 22	CH142-9437	735	1-E 3	CH148-8377	921	1-E 22	CH159-5897	749	1-E 4
CH131-3540	929	1-E 22	CH142-9438	735	1-E 3	CH148-8377	925	1-E 22	CH159-9854	735	1-E 3
CH131-3540	977	1-F 3	CH142-9439	735	1-E 3	CH148-8377	929	1-E 22	CH159-9854	737	1-E 3
CH131-3540	979	1-F 3	CH142-9439	737	1-E 3	CH148-8378	689	1-D 22	CH160-5223	643	1-D 18
CH131-3540	985	1-F 4	CH142-9440	735	1-E 3	CH148-8378	697	1-D 23	CH160-8756	1097	1-F 15
CH132-5789	165	1-B 18	CH142-9681	1067	1-F 12	CH148-8378	785	1-E 8	CH160-8756	1099	1-F 15
CH132-5789	167	1-B 18	CH142-9681	1069	1-F 12	CH148-8378	791	1-E 9	CH161-9932	253	1-C 3
CH132-5789	317	1-C 9	CH142-9681	1071	1-F 13	CH148-8383	687	1-D 22	CH161-9932	315	1-C 9
CH133-8739	733	1-E 3	CH144-0590	731	1-E 3	CH148-8388	779	1-E 7	CH161-9932	319	1-C 9
CH133-8740	733	1-E 3	CH144-1636	333	1-C 11	CH148-8420	781	1-E 8	CH162-0177	741	1-E 4
CH133-8740	743	1-E 4	CH145-0834	745	1-E 4	CH148-8420	783	1-E 8	CH162-0177	813	1-E 11
CH133-8742	733	1-E 3	CH145-0838	745	1-E 4	CH148-8424	687	1-D 22	CH162-0177	815	1-E 11
CH133-8743	733	1-E 3	CH145-0846	289	1-C 6	CH148-8431	779	1-E 7	CH162-6555	1023	1-F 8
CH133-8744	743	1-E 4	CH145-0846	293	1-C 7	CH148-8433	783	1-E 8	CH162-6660	973	1-F 3
CH133-8745	743	1-E 4	CH145-0847	289	1-C 6	CH148-8435	785	1-E 8	CH162-8550	1077	1-F 13
CH133-8747	743	1-E 4	CH145-0847	293	1-C 7	CH148-8435	789	1-E 8	CH162-9597	715	1-E 1
CH133-8753	939	1-E 23	CH145-0905	707	1-D 24	CH148-8436	687	1-D 22	CH162-9597	721	1-E 2
CH134-1935	1103	1-F 16	CH146-4350	855	1-E 15	CH148-8436	919	1-E 21	CH162-9598	719	1-E 1
CH134-4126	177	1-B 19	CH146-4351	855	1-E 15	CH148-8443	687	1-D 22	CH162-9598	725	1-E 2
CH134-4126	191	1-B 21	CH146-9439	209	1-B 22	CH148-8444	697	1-D 23	CH162-9799	855	1-E 15
CH134-4640	233	1-C 1	CH146-9439	211	1-B 23	CH148-8444	701	1-D 24	CH162-9821	855	1-E 15
CH135-9819	69	1-B 8	CH146-9439	239	1-C 1	CH148-8444	921	1-E 22	CH163-0393	201	1-B 22
CH135-9967	1103	1-F 16	CH146-9439	247	1-C 2	CH148-8444	925	1-E 22	CH163-0397	59	1-B 7
CH135-9967	1107	1-F 16	CH146-9439	283	1-C 6	CH148-8444	929	1-E 22	CH163-0397	337	1-C 11
CH136-5252	207	1-B 22	CH146-9439	299	1-C 7	CH149-2758	245	1-C 2	CH163-2657	285	1-C 6
CH136-5252	209	1-B 22	CH146-9439	301	1-C 8	CH149-6371	315	1-C 9	CH163-2657	293	1-C 7
CH136-5252	211	1-B 23	CH146-9439	303	1-C 8	CH149-6371	319	1-C 9	CH163-8002	883	1-E 18
CH136-5254	239	1-C 1	CH146-9439	305	1-C 8	CH149-7369	131	1-B 15	CH163-8002	885	1-E 18
CH136-5268	283	1-C 6	CH146-9439	307	1-C 8	CH150-3065	697	1-D 23	CH163-8002	887	1-E 18
CH136-5268	313	1-C 9	CH146-9439	313	1-C 9	CH150-3065	701	1-D 24	CH164-0908	615	1-D 15
CH136-5314	165	1-B 18	CH146-9439	325	1-C 10	CH150-3065	785	1-E 8	CH164-0908	617	1-D 15
CH136-5314	167	1-B 18	CH146-9439	1041	1-F 10	CH150-3068	87	1-B 10	CH164-4180	115	1-B 13
CH136-5414	1073	1-F 13	CH146-9439	1103	1-F 16	CH150-8763	881	1-E 18	CH164-5624	703	1-D 24
CH136-5415	1073	1-F 13	CH148-7017	785	1-E 8	CH150-8763	883	1-E 18	CH164-5624	921	1-E 22
CH136-5434	1075	1-F 13	CH148-8305	615	1-D 15	CH150-8763	885	1-E 18	CH164-5624	925	1-E 22
CH136-5490	1067	1-F 12	CH148-8305	617	1-D 15	CH150-8764	887	1-E 18	CH164-5624	929	1-E 22
CH136-5490	1069	1-F 12	CH148-8307	783	1-E 8	CH150-8849	881	1-E 18	CH164-7057	1029	1-F 8
CH136-5490	1071	1-F 13	CH148-8326	785	1-E 8	CH150-8849	883	1-E 18	CH164-7070	1029	1-F 8
CH136-5511	285	1-C 6	CH148-8327	711	1-E 1	CH150-8849	885	1-E 18	CH164-8478	985	1-F 4
CH136-5511	291	1-C 7	CH148-8327	713	1-E 1	CH150-8849	887	1-E 18	CH165-5694	751	1-E 5
CH136-5546	215	1-B 23	CH148-8327	779	1-E 7	CH151-6030	1109	1-F 16	CH165-5975	263	1-C 4
CH136-7226	71	1-B 9	CH148-8333	785	1-E 8	CH151-9989	1097	1-F 15	CH165-5975	265	1-C 4
CH136-8423	807	1-E 10	CH148-8334	785	1-E 8	CH151-9989	1099	1-F 15	CH165-5975	285	1-C 6
CH137-9775	517	1-D 5	CH148-8335	779	1-E 7	CH152-4386	903	1-E 20	CH165-5975	289	1-C 6
CH137-9775	521	1-D 6	CH148-8335	785	1-E 8	CH152-4386	911	1-E 21	CH165-5975	293	1-C 7
CH139-6911	177	1-B 19	CH148-8335	789	1-E 8	CH152-4386	913	1-E 21	CH165-5975	629	1-D 16
CH140-5181	1029	1-F 8	CH148-8340	71	1-B 9	CH152-9144	707	1-D 24	CH165-5975	631	1-D 17
CH141-0247	733	1-E 3	CH148-8340	697	1-D 23	CH152-9144	709	1-D 24	CH165-5975	633	1-D 17
CH141-0248	733	1-E 3	CH148-8340	711	1-E 1	CH153-2782	745	1-E 4	CH165-5975	637	1-D 17
CH141-0249	733	1-E 3	CH148-8340	713	1-E 1	CH153-4061	747	1-E 4	CH165-5975	1011	1-F 7
CH141-0250	733	1-E 3	CH148-8340	919	1-E 21	CH153-4061	749	1-E 4	CH165-6966	731	1-E 3
CH141-0251	733	1-E 3	CH148-8356	785	1-E 8	CH153-6225	747	1-E 4	CH166-3611	973	1-F 3
CH141-0252	733	1-E 3	CH148-8359	779	1-E 7	CH153-6225	749	1-E 4	CH166-3611	1077	1-F 13
CH141-1762	1101	1-F 16	CH148-8360	711	1-E 1	CH153-6227	749	1-E 4	CH166-4573	1029	1-F 8
CH141-1762	1103	1-F 16	CH148-8360	713	1-E 1	CH153-6228	749	1-E 4	CH166-4574	1029	1-F 8
CH141-2759	299	1-C 7	CH148-8361	689	1-D 22	CH154-5428	277	1-C 5	CH166-4596	1103	1-F 16
CH141-2759	303	1-C 8	CH148-8361	785	1-E 8	CH154-9989	543	1-D 8	CH166-4615	991	1-F 5
CH141-2759	307	1-C 8	CH148-8364	695	1-D 23	CH154-9989	1085	1-F 14	CH166-7408	733	1-E 3
CH141-2759	1169	1-F 22	CH148-8364	697	1-D 23	CH154-9989	1089	1-F 14	CH166-7409	733	1-E 3
CH142-2304	683	1-D 22	CH148-8364	701	1-D 24	CH155-2255	1027	1-F 8	CH166-7410	733	1-E 3

INDEX

Part No.	Page	Grid	Part No.	Page	Grid	Part No.	Page	Grid	Part No.	Page	Grid
CH166-7411	739	1-E 3	CH171-1243	871	1-E 17	CH178-3711	655	1-D 19	CH185-9763	775	1-E 7
CH166-7413	739	1-E 3	CH171-1243	877	1-E 17	CH178-3711	657	1-D 19	CH185-9768	689	1-D 22
CH166-7414	739	1-E 3	CH171-2045	879	1-E 17	CH178-3888	1101	1-F 16	CH185-9772	689	1-D 22
CH167-2186	879	1-E 17	CH171-2054	879	1-E 17	CH178-7955	1099	1-F 15	CH185-9773	689	1-D 22
CH167-2201	615	1-D 15	CH171-2056	879	1-E 17	CH178-7962	1011	1-F 7	CH185-9773	705	1-D 24
CH167-2201	617	1-D 15	CH171-2057	879	1-E 17	CH178-7963	1011	1-F 7	CH185-9773	775	1-E 7
CH167-2294	879	1-E 17	CH171-2795	877	1-E 17	CH178-7965	973	1-F 3	CH185-9773	777	1-E 7
CH167-2312	615	1-D 15	CH171-4047	985	1-F 4	CH178-9570	83	1-B 10	CH186-0341	855	1-E 15
CH167-2312	617	1-D 15	CH171-5990	733	1-E 3	CH178-9570	85	1-B 10	CH186-0347	855	1-E 15
CH167-2334	877	1-E 17	CH171-5991	731	1-E 3	CH179-2959	1083	1-F 14	CH186-0348	855	1-E 15
CH167-2450	879	1-E 17	CH171-6858	731	1-E 3	CH179-2959	1087	1-F 14	CH186-0364	855	1-E 15
CH167-2485	877	1-E 17	CH171-6859	731	1-E 3	CH179-3160	1055	1-F 11	CH186-0365	855	1-E 15
CH167-6805	727	1-E 2	CH171-6860	731	1-E 3	CH179-3160	1057	1-F 11	CH186-0367	855	1-E 15
CH167-6805	729	1-E 2	CH171-6861	731	1-E 3	CH179-4206	1021	1-F 8	CH186-0368	855	1-E 15
CH167-8022	917	1-E 21	CH171-6862	731	1-E 3	CH179-4209	1105	1-F 16	CH186-0368	859	1-E 15
CH168-2197	807	1-E 10	CH171-6863	731	1-E 3	CH179-4217	1099	1-F 15	CH186-0369	855	1-E 15
CH168-2198	807	1-E 10	CH172-3511	321	1-C 10	CH179-4265	249	1-C 2	CH186-0369	859	1-E 15
CH168-2200	807	1-E 10	CH172-4620	751	1-E 5	CH179-4324	95	1-B 11	CH186-0370	855	1-E 15
CH168-2203	807	1-E 10	CH172-4621	747	1-E 4	CH179-4324	127	1-B 14	CH186-0370	859	1-E 15
CH168-2206	807	1-E 10	CH172-4621	751	1-E 5	CH179-4324	183	1-B 20	CH186-0371	855	1-E 15
CH168-2309	1097	1-F 15	CH172-4622	751	1-E 5	CH179-4324	289	1-C 6	CH186-0371	859	1-E 15
CH168-2309	1099	1-F 15	CH172-6129	879	1-E 17	CH179-4324	291	1-C 7	CH186-0375	855	1-E 15
CH168-2333	1011	1-F 7	CH172-6130	879	1-E 17	CH179-4324	1013	1-F 7	CH186-0376	855	1-E 15
CH168-3378	809	1-E 10	CH172-6847	995	1-F 5	CH179-5818	905	1-E 20	CH186-1013	953	1-F 1
CH168-3379	809	1-E 10	CH172-6862	1097	1-F 15	CH179-6898	685	1-D 22	CH186-1013	955	1-F 1
CH168-3380	809	1-E 10	CH172-6862	1099	1-F 15	CH179-8665	785	1-E 8	CH186-1017	933	1-E 23
CH168-3381	809	1-E 10	CH173-0566	337	1-C 11	CH180-0613	301	1-C 8	CH186-1021	953	1-F 1
CH168-3382	809	1-E 10	CH173-3175	307	1-C 8	CH180-0613	305	1-C 8	CH186-1069	933	1-E 23
CH168-3384	809	1-E 10	CH173-7126	129	1-B 14	CH180-1120	667	1-D 20	CH186-1069	935	1-E 23
CH168-3385	809	1-E 10	CH173-7223	317	1-C 9	CH180-2826	739	1-E 3	CH186-1069	937	1-E 23
CH168-3504	807	1-E 10	CH173-7223	319	1-C 9	CH180-6054	905	1-E 20	CH186-1080	935	1-E 23
CH168-4599	747	1-E 4	CH173-7639	751	1-E 5	CH180-6213	807	1-E 10	CH186-1080	937	1-E 23
CH168-7317	807	1-E 10	CH173-9685	879	1-E 17	CH180-7317	235	1-C 1	CH186-1081	933	1-E 23
CH168-7319	807	1-E 10	CH174-4874	659	1-D 19	CH180-9339	253	1-C 3	CH186-1081	935	1-E 23
CH168-7709	621	1-D 16	CH174-4874	661	1-D 20	CH180-9340	255	1-C 3	CH186-1081	937	1-E 23
CH168-8389	1149	1-F 20	CH174-5200	877	1-E 17	CH183-3009	785	1-E 8	CH186-1083	953	1-F 1
CH169-0453	165	1-B 18	CH174-5747	127	1-B 14	CH183-3010	785	1-E 8	CH186-1087	341	1-C 12
CH169-0453	167	1-B 18	CH174-5747	183	1-B 20	CH183-3724	749	1-E 4	CH186-1682	973	1-F 3
CH169-3261	1077	1-F 13	CH174-5747	1013	1-F 7	CH183-3725	747	1-E 4	CH186-3735	285	1-C 6
CH169-3561	181	1-B 20	CH174-5789	1083	1-F 14	CH183-4236	689	1-D 22	CH186-3735	1103	1-F 16
CH169-6324	1067	1-F 12	CH174-5789	1087	1-F 14	CH183-4403	181	1-B 20	CH186-5862	155	1-B 17
CH169-6325	1069	1-F 12	CH174-6381	1055	1-F 11	CH183-4567	567	1-D 10	CH187-4706	923	1-E 22
CH169-6326	1071	1-F 13	CH174-6381	1057	1-F 11	CH183-4567	569	1-D 10	CH187-4706	925	1-E 22
CH169-6352	1083	1-F 14	CH174-7599	133	1-B 15	CH183-4584	317	1-C 9	CH187-4706	929	1-E 22
CH169-6352	1087	1-F 14	CH174-9061	313	1-C 9	CH183-4584	319	1-C 9	CH187-4902	967	1-F 2
CH169-6367	285	1-C 6	CH174-9994	807	1-E 10	CH183-5008	869	1-E 16	CH187-4902	969	1-F 2
CH169-6377	1097	1-F 15	CH175-1323	213	1-B 23	CH183-9298	139	1-B 15	CH187-4917	183	1-B 20
CH169-6377	1099	1-F 15	CH175-1323	215	1-B 23	CH184-2472	191	1-B 21	CH187-4917	1013	1-F 7
CH169-6392	1029	1-F 8	CH175-1323	1169	1-F 22	CH184-5339	693	1-D 23	CH187-6297	689	1-D 22
CH169-6397	1091	1-F 15	CH175-2851	615	1-D 15	CH184-5394	115	1-B 13	CH187-6297	775	1-E 7
CH169-6397	1093	1-F 15	CH175-2851	617	1-D 15	CH184-5394	131	1-B 15	CH187-6297	777	1-E 7
CH170-0964	747	1-E 4	CH175-3135	855	1-E 15	CH184-5394	133	1-B 15	CH187-8001	707	1-D 24
CH170-0964	749	1-E 4	CH175-3244	315	1-C 9	CH184-8029	71	1-B 9	CH187-9012	689	1-D 22
CH170-0964	751	1-E 5	CH175-3244	319	1-C 9	CH185-1512	135	1-B 15	CH187-9018	775	1-E 7
CH170-1198	285	1-C 6	CH175-4966	337	1-C 11	CH185-1512	149	1-B 16	CH187-9018	777	1-E 7
CH170-1198	1169	1-F 22	CH175-7057	291	1-C 7	CH185-1512	151	1-B 17	CH187-9630	855	1-E 15
CH170-1445	1097	1-F 15	CH175-7057	1169	1-F 22	CH185-1512	153	1-B 17	CH188-1336	197	1-B 21
CH170-1445	1099	1-F 15	CH175-7514	613	1-D 15	CH185-1512	155	1-B 17	CH188-1588	199	1-B 21
CH170-1501	1037	1-F 9	CH175-7514	619	1-D 15	CH185-1512	157	1-B 17	CH188-2481	905	1-E 20
CH170-2237	211	1-B 23	CH175-7515	901	1-E 20	CH185-2789	909	1-E 20	CH188-3640	837	1-E 13
CH170-2237	247	1-C 2	CH175-7515	905	1-E 20	CH185-3886	1077	1-F 13	CH188-3640	839	1-E 13
CH170-2237	301	1-C 8	CH175-7515	909	1-E 20	CH185-3959	781	1-E 8	CH188-3640	841	1-E 14
CH170-2237	305	1-C 8	CH175-7896	879	1-E 17	CH185-3959	783	1-E 8	CH188-3640	843	1-E 14
CH170-2320	947	1-E 24	CH176-4546	321	1-C 10	CH185-5755	903	1-E 20	CH188-3640	845	1-E 14
CH170-5696	243	1-C 2	CH177-0378	125	1-B 14	CH185-5755	909	1-E 20	CH188-3640	847	1-E 14
CH170-5696	1101	1-F 16	CH177-0463	717	1-E 1	CH185-7141	205	1-B 22	CH188-7568	745	1-E 4
CH170-5696	1103	1-F 16	CH177-0463	723	1-E 2	CH185-9481	903	1-E 20	CH188-7569	745	1-E 4
CH170-7251	995	1-F 5	CH177-0662	871	1-E 17	CH185-9481	909	1-E 20	CH188-7789	745	1-E 4
CH170-7251	1069	1-F 12	CH177-0663	875	1-E 17	CH185-9753	689	1-D 22	CH188-7789	849	1-E 14
CH170-7251	1071	1-F 13	CH177-1872	653	1-D 19	CH185-9753	705	1-D 24	CH188-7789	851	1-E 15
CH171-1105	689	1-D 22	CH177-1872	655	1-D 19	CH185-9753	775	1-E 7	CH188-7790	745	1-E 4
CH171-1106	689	1-D 22	CH177-1872	657	1-D 19	CH185-9753	777	1-E 7	CH188-7791	745	1-E 4
CH171-1107	689	1-D 22	CH177-3405	869	1-E 16	CH185-9759	689	1-D 22	CH188-7792	745	1-E 4
CH171-1242	875	1-E 17	CH177-9778	129	1-B 14	CH185-9761	689	1-D 22	CH188-7793	745	1-E 4
CH171-1242	879	1-E 17	CH178-3711	653	1-D 19	CH185-9762	689	1-D 22	CH188-7794	745	1-E 4

MT700B SERIES TRACTORS

15
INDEX

Part No.	Page	Grid	Part No.	Page	Grid	Part No.	Page	Grid	Part No.	Page	Grid
CH188-7795	745	1-E 4	CH193-5917	955	1-F 1	CH2A-3211	1011	1-F 7	CH202-2595	805	1-E 10
CH188-7796	745	1-E 4	CH193-7727	913	1-E 21	CH2A-3211	1111	1-F 17	CH202-6546	901	1-E 20
CH188-7797	745	1-E 4	CH193-7727	915	1-E 21	CH2B-2404	689	1-D 22	CH202-6546	905	1-E 20
CH188-7798	745	1-E 4	CH194-4650	863	1-E 16	CH2D-9454	643	1-D 18	CH202-6546	909	1-E 20
CH188-7799	745	1-E 4	CH194-4651	863	1-E 16	CH2D-9455	643	1-D 18	CH202-8632	643	1-D 18
CH188-7800	745	1-E 4	CH194-6725	255	1-C 3	CH2H-3429	175	1-B 19	CH202-9222	517	1-D 5
CH188-9915	925	1-E 22	CH194-6725	705	1-D 24	CH2H-3429	179	1-B 19	CH202-9222	519	1-D 5
CH188-9915	929	1-E 22	CH194-8478	923	1-E 22	CH2H-3920	1107	1-F 16	CH202-9222	521	1-D 6
CH189-2957	803	1-E 10	CH194-8478	925	1-E 22	CH2H-3928	733	1-E 3	CH202-9222	523	1-D 6
CH189-2957	805	1-E 10	CH194-8478	929	1-E 22	CH2H-3934	801	1-E 10	CH202-9222	525	1-D 6
CH189-8610	1105	1-F 16	CH195-2600	1055	1-F 11	CH2H-4145	739	1-E 3	CH202-9701	643	1-D 18
CH189-9389	731	1-E 3	CH195-2600	1057	1-F 11	CH2H-6184	723	1-E 2	CH203-4026	905	1-E 20
CH190-0430	689	1-D 22	CH195-2601	1055	1-F 11	CH2J-6356	125	1-B 14	CH203-4027	905	1-E 20
CH190-0430	775	1-E 7	CH195-2601	1057	1-F 11	CH2J-6356	685	1-D 22	CH203-7080	145	1-B 16
CH190-0430	777	1-E 7	CH195-2602	1055	1-F 11	CH2J-6356	693	1-D 23	CH204-3538	155	1-B 17
CH190-0431	775	1-E 7	CH195-2602	1057	1-F 11	CH2K-8199	337	1-C 11	CH204-9247	135	1-B 15
CH190-0431	777	1-E 7	CH195-2607	1055	1-F 11	CH2K-8199	749	1-E 4	CH204-9247	149	1-B 16
CH190-2584	869	1-E 16	CH195-2607	1057	1-F 11	CH2L-6726	175	1-B 19	CH204-9247	153	1-B 17
CH190-2585	881	1-E 18	CH195-2608	1055	1-F 11	CH2L-6726	179	1-B 19	CH204-9247	157	1-B 17
CH190-2585	957	1-F 1	CH195-2608	1057	1-F 11	CH2L-8075	191	1-B 21	CH204-9260	557	1-D 9
CH190-3391	659	1-D 19	CH195-2609	1055	1-F 11	CH2L-8078	191	1-B 21	CH204-9260	559	1-D 9
CH190-3391	661	1-D 20	CH195-2609	1057	1-F 11	CH2P-2717	1111	1-F 17	CH205-1398	137	1-B 15
CH190-3580	647	1-D 18	CH195-2614	1055	1-F 11	CH2R-2376	985	1-F 4	CH205-1399	137	1-B 15
CH190-3582	647	1-D 18	CH195-2614	1057	1-F 11	CH2R-6806	133	1-B 15	CH205-1862	711	1-E 1
CH190-5448	149	1-B 16	CH195-2626	1017	1-F 7	CH2S-4078	859	1-E 15	CH205-5371	119	1-B 13
CH190-5448	151	1-B 17	CH195-2626	1019	1-F 7	CH2S-8418	1081	1-F 14	CH205-5974	807	1-E 10
CH190-5448	153	1-B 17	CH195-7925	977	1-F 3	CH200-0002	909	1-E 20	CH205-5980	801	1-E 10
CH190-5448	155	1-B 17	CH196-0420	225	1-B 24	CH200-0002	917	1-E 21	CH205-5980	807	1-E 10
CH190-5448	157	1-B 17	CH196-0420	227	1-B 24	CH200-0010	869	1-E 16	CH205-8451	277	1-C 5
CH190-6069	877	1-E 17	CH196-0420	233	1-C 1	CH200-0010	901	1-E 20	CH205-8770	203	1-B 22
CH190-6230	159	1-B 17	CH196-2881	1055	1-F 11	CH200-0010	905	1-E 20	CH205-9948	713	1-E 1
CH190-6507	807	1-E 10	CH196-2881	1057	1-F 11	CH200-2797	905	1-E 20	CH206-0325	131	1-B 15
CH190-6508	809	1-E 10	CH196-3698	1077	1-F 13	CH200-3758	711	1-E 1	CH206-0598	785	1-E 8
CH190-7634	129	1-B 14	CH196-3699	1077	1-F 13	CH200-3758	713	1-E 1	CH206-0622	781	1-E 8
CH190-7634	133	1-B 15	CH196-4232	727	1-E 2	CH200-4321	691	1-D 23	CH206-0623	789	1-E 8
CH191-1780	973	1-F 3	CH196-4232	735	1-E 3	CH200-4328	69	1-B 8	CH206-0626	791	1-E 9
CH191-2276	289	1-C 6	CH196-4233	727	1-E 2	CH200-4349	689	1-D 22	CH206-2491	1023	1-F 8
CH191-2276	291	1-C 7	CH196-4233	729	1-E 2	CH200-4359	689	1-D 22	CH206-4708	141	1-B 16
CH191-3701	1077	1-F 13	CH196-4233	745	1-E 4	CH200-4384	693	1-D 23	CH206-4708	143	1-B 16
CH191-8010	1111	1-F 17	CH196-4238	735	1-E 3	CH200-8649	101	1-B 12	CH206-4709	141	1-B 16
CH191-9311	775	1-E 7	CH196-4248	861	1-E 16	CH200-8649	107	1-B 12	CH206-4709	143	1-B 16
CH191-9311	777	1-E 7	CH196-4250	861	1-E 16	CH200-8649	165	1-B 18	CH206-4718	147	1-B 16
CH192-1590	191	1-B 21	CH196-4251	861	1-E 16	CH200-8649	167	1-B 18	CH206-5823	1105	1-F 16
CH192-1590	769	1-E 6	CH196-4252	861	1-E 16	CH200-8708	869	1-E 16	CH206-7813	873	1-E 17
CH192-1590	771	1-E 7	CH196-4253	861	1-E 16	CH200-8743	883	1-E 18	CH207-2021	1011	1-F 7
CH192-4765	979	1-F 3	CH196-4254	861	1-E 16	CH200-8747	883	1-E 18	CH207-2021	1017	1-F 7
CH192-4767	997	1-F 5	CH196-5064	737	1-E 3	CH200-8749	881	1-E 18	CH207-2021	1019	1-F 7
CH192-7054	1067	1-F 12	CH196-7341	239	1-C 1	CH200-8749	883	1-E 18	CH207-2023	183	1-B 20
CH192-7054	1069	1-F 12	CH196-9444	861	1-E 16	CH200-8749	953	1-F 1	CH207-2023	1013	1-F 7
CH192-7054	1071	1-F 13	CH196-9445	861	1-E 16	CH200-8749	955	1-F 1	CH207-2024	183	1-B 20
CH192-7111	741	1-E 4	CH197-5854	1083	1-F 14	CH200-8749	957	1-F 1	CH207-2024	1013	1-F 7
CH192-8857	731	1-E 3	CH197-5854	1087	1-F 14	CH200-8767	875	1-E 17	CH207-2032	127	1-B 14
CH192-8858	731	1-E 3	CH197-7422	901	1-E 20	CH200-8768	905	1-E 20	CH207-2039	1011	1-F 7
CH192-8862	723	1-E 2	CH197-7422	905	1-E 20	CH200-8771	881	1-E 18	CH207-2834	69	1-B 8
CH193-1036	863	1-E 16	CH197-7422	909	1-E 20	CH200-8771	957	1-F 1	CH207-2912	785	1-E 8
CH193-4754	913	1-E 21	CH197-7431	901	1-E 20	CH201-0780	863	1-E 16	CH207-6797	205	1-B 22
CH193-4754	915	1-E 21	CH197-7431	905	1-E 20	CH201-4113	1083	1-F 14	CH207-9575	785	1-E 8
CH193-5914	341	1-C 12	CH197-7431	909	1-E 20	CH201-5382	735	1-E 3	CH208-1664	615	1-D 15
CH193-5914	551	1-D 9	CH197-8803	869	1-E 16	CH201-6700	881	1-E 18	CH208-1664	617	1-D 15
CH193-5914	553	1-D 9	CH197-8803	901	1-E 20	CH201-6700	883	1-E 18	CH208-2404	1029	1-F 8
CH193-5914	585	1-D 12	CH197-8803	905	1-E 20	CH201-6700	953	1-F 1	CH208-2404	1097	1-F 15
CH193-5914	641	1-D 18	CH197-8803	909	1-E 20	CH201-6700	955	1-F 1	CH208-2404	1099	1-F 15
CH193-5914	823	1-E 12	CH197-8804	901	1-E 20	CH201-6700	957	1-F 1	CH208-5521	1085	1-F 14
CH193-5914	827	1-E 12	CH197-8804	905	1-E 20	CH201-7614	749	1-E 4	CH208-5521	1089	1-F 14
CH193-5914	831	1-E 13	CH197-8804	909	1-E 20	CH201-7615	747	1-E 4	CH208-6110	135	1-B 15
CH193-5914	901	1-E 20	CH198-2388	901	1-E 20	CH201-9105	709	1-D 24	CH208-6662	989	1-F 4
CH193-5914	911	1-E 21	CH198-2388	909	1-E 20	CH201-9105	865	1-E 16	CH208-9482	279	1-C 5
CH193-5914	1083	1-F 14	CH199-2912	921	1-E 22	CH201-9691	239	1-C 1	CH208-9635	1103	1-F 16
CH193-5914	1087	1-F 14	CH199-2912	925	1-E 22	CH201-9692	239	1-C 1	CH209-3394	71	1-B 9
CH193-5914	1101	1-F 16	CH199-2912	929	1-E 22	CH202-0805	117	1-B 13	CH209-4578	131	1-B 15
CH193-5915	341	1-C 12	CH199-2913	921	1-E 22	CH202-2592	803	1-E 10	CH209-6417	205	1-B 22
CH193-5915	901	1-E 20	CH199-2913	925	1-E 22	CH202-2592	805	1-E 10	CH209-7451	741	1-E 4
CH193-5915	907	1-E 20	CH199-2913	929	1-E 22	CH202-2593	803	1-E 10	CH209-7452	741	1-E 4
CH193-5915	911	1-E 21	CH2A-3211	225	1-B 24	CH202-2593	805	1-E 10	CH209-7498	811	1-E 11
CH193-5916	585	1-D 12	CH2A-3211	227	1-B 24	CH202-2595	803	1-E 10	CH209-7499	847	1-E 14

INDEX

Part No.	Page	Grid	Part No.	Page	Grid	Part No.	Page	Grid	Part No.	Page	Grid
CH209-8296	855	1-E 15	CH215-9463	619	1-D 15	CH3B-4611	885	1-E 18	CH3K-0360	701	1-D 24
CH209-9233	1039	1-F 9	CH215-9464	643	1-D 18	CH3B-4611	887	1-E 18	CH3K-0360	711	1-E 1
CH209-9680	855	1-E 15	CH216-2628	977	1-F 3	CH3B-4615	997	1-F 5	CH3K-0360	713	1-E 1
CH209-9921	849	1-E 14	CH216-2628	979	1-F 3	CH3B-4617	685	1-D 22	CH3K-0360	723	1-E 2
CH209-9927	849	1-E 14	CH216-2628	1101	1-F 16	CH3B-4617	883	1-E 18	CH3K-0360	753	1-E 5
CH209-9945	849	1-E 14	CH216-2628	1103	1-F 16	CH3B-4629	901	1-E 20	CH3K-0360	755	1-E 5
CH209-9947	849	1-E 14	CH216-4098	857	1-E 15	CH3B-4629	911	1-E 21	CH3K-0360	757	1-E 5
CH209-9955	849	1-E 14	CH216-5335	575	1-D 11	CH3B-8486	615	1-D 15	CH3K-0360	759	1-E 5
CH209-9957	849	1-E 14	CH216-6389	919	1-E 21	CH3B-8486	617	1-D 15	CH3K-0360	781	1-E 8
CH209-9961	849	1-E 14	CH216-6390	919	1-E 21	CH3C-6969	239	1-C 1	CH3K-0360	783	1-E 8
CH209-9962	849	1-E 14	CH216-6428	93	1-B 11	CH3C-6969	283	1-C 6	CH3K-0360	795	1-E 9
CH210-0083	97	1-B 11	CH216-7616	1055	1-F 11	CH3C-6969	287	1-C 6	CH3K-0360	837	1-E 13
CH210-0202	99	1-B 11	CH216-7617	237	1-C 1	CH3C-6969	289	1-C 6	CH3K-0360	839	1-E 13
CH210-1993	849	1-E 14	CH216-7617	1055	1-F 11	CH3C-6969	293	1-C 7	CH3K-0360	841	1-E 14
CH210-1993	851	1-E 15	CH216-8275	593	1-D 13	CH3C-6969	313	1-C 9	CH3K-0360	843	1-E 14
CH210-4352	571	1-D 11	CH216-9085	287	1-C 6	CH3D-9133	659	1-D 19	CH3K-0360	845	1-E 14
CH210-4352	573	1-D 11	CH216-9085	293	1-C 7	CH3D-9133	661	1-D 20	CH3K-0360	847	1-E 14
CH210-4352	985	1-F 4	CH216-9085	997	1-F 5	CH3E-3363	241	1-C 2	CH3K-0360	859	1-E 15
CH211-3586	69	1-B 8	CH216-9138	541	1-D 8	CH3E-3364	83	1-B 10	CH3K-0360	877	1-E 17
CH211-3792	69	1-B 8	CH216-9165	985	1-F 4	CH3E-3364	85	1-B 10	CH3K-0360	919	1-E 21
CH211-3792	87	1-B 10	CH217-4206	131	1-B 15	CH3E-3365	83	1-B 10	CH3K-0360	1081	1-F 14
CH211-3792	93	1-B 11	CH217-5909	565	1-D 10	CH3E-3365	85	1-B 10	CH3K-0715	803	1-E 10
CH211-4423	543	1-D 8	CH217-5909	569	1-D 10	CH3E-3365	285	1-C 6	CH3K-0715	805	1-E 10
CH211-4837	1105	1-F 16	CH217-5909	983	1-F 4	CH3E-3368	255	1-C 3	CH3K-9089	585	1-D 12
CH211-8713	119	1-B 13	CH217-5909	1055	1-F 11	CH3E-3369	241	1-C 2	CH3P-1210	807	1-E 10
CH212-3416	1017	1-F 7	CH217-5909	1057	1-F 11	CH3E-3370	253	1-C 3	CH3P-3547	183	1-B 20
CH212-3416	1019	1-F 7	CH217-7182	155	1-B 17	CH3E-3371	253	1-C 3	CH3P-3547	1013	1-F 7
CH212-3416	1021	1-F 8	CH217-8744	141	1-B 16	CH3E-3371	315	1-C 9	CH3S-5096	575	1-D 11
CH212-4443	309	1-C 8	CH217-8744	143	1-B 16	CH3E-3377	221	1-B 24	CH3S-5096	977	1-F 3
CH212-4443	687	1-D 22	CH218-9739	197	1-B 21	CH3E-3377	285	1-C 6	CH3S-5096	979	1-F 3
CH212-4443	997	1-F 5	CH219-0664	281	1-C 6	CH3E-3382	333	1-C 11	CH3S-8664	101	1-B 12
CH212-4481	779	1-E 7	CH219-1429	139	1-B 15	CH3E-3383	243	1-C 2	CH3S-8664	131	1-B 15
CH212-6998	285	1-C 6	CH219-3511	779	1-E 7	CH3E-3383	333	1-C 11	CH3S-8664	133	1-B 15
CH212-6998	291	1-C 7	CH219-4673	289	1-C 6	CH3E-3383	1105	1-F 16	CH3S-9233	751	1-E 5
CH212-7771	923	1-E 22	CH219-4673	293	1-C 7	CH3E-3389	1107	1-F 16	CH3S-9557	217	1-B 23
CH212-7771	925	1-E 22	CH219-7254	779	1-E 7	CH3E-4296	855	1-E 15	CH3T-8607	285	1-C 6
CH212-7771	929	1-E 22	CH221-0145	711	1-E 1	CH3E-4297	775	1-E 7	CH3T-8607	291	1-C 7
CH212-8262	923	1-E 22	CH221-0145	713	1-E 1	CH3E-4297	777	1-E 7	CH4B-0418	71	1-B 9
CH212-8262	925	1-E 22	CH221-2003	161	1-B 18	CH3E-4352	221	1-B 24	CH4B-0418	921	1-E 22
CH212-8262	929	1-E 22	CH221-3265	161	1-B 18	CH3E-4352	223	1-B 24	CH4B-0418	923	1-E 22
CH212-8796	703	1-D 24	CH222-0527	785	1-E 8	CH3E-4352	1029	1-F 8	CH4B-0418	925	1-E 22
CH212-8811	785	1-E 8	CH222-4435	543	1-D 8	CH3E-4353	967	1-F 2	CH4B-0418	931	1-E 23
CH212-8892	779	1-E 7	CH222-4435	1055	1-F 11	CH3E-4353	969	1-F 2	CH4B-2047	321	1-C 10
CH213-4790	919	1-E 21	CH223-8435	785	1-E 8	CH3E-4356	139	1-B 15	CH4B-4274	127	1-B 14
CH213-4791	919	1-E 21	CH223-9031	785	1-E 8	CH3E-4898	583	1-D 12	CH4B-4274	175	1-B 19
CH213-6336	103	1-B 12	CH223-9254	781	1-E 8	CH3E-6600	979	1-F 3	CH4B-4274	179	1-B 19
CH213-6946	69	1-B 8	CH223-9254	783	1-E 8	CH3E-6762	689	1-D 22	CH4B-4274	211	1-B 23
CH213-9822	115	1-B 13	CH223-9804	901	1-E 20	CH3E-6762	705	1-D 24	CH4B-4274	213	1-B 23
CH213-9822	131	1-B 15	CH223-9804	909	1-E 20	CH3E-6762	775	1-E 7	CH4B-4274	215	1-B 23
CH214-1071	939	1-E 23	CH224-0790	909	1-E 20	CH3E-6762	777	1-E 7	CH4B-4274	321	1-C 10
CH214-1085	155	1-B 17	CH224-0792	909	1-E 20	CH3E-8008	707	1-D 24	CH4D-0298	615	1-D 15
CH214-1086	155	1-B 17	CH225-5206	785	1-E 8	CH3E-8008	709	1-D 24	CH4D-0298	617	1-D 15
CH214-1088	155	1-B 17	CH225-6215	967	1-F 2	CH3E-8020	89	1-B 10	CH4D-2619	1079	1-F 13
CH214-1118	985	1-F 4	CH225-8027	711	1-E 1	CH3E-8020	971	1-F 3	CH4D-7388	131	1-B 15
CH214-2184	183	1-B 20	CH225-8027	713	1-E 1	CH3E-8020	1083	1-F 14	CH4D-7388	779	1-E 7
CH214-2184	1013	1-F 7	CH226-0372	683	1-D 22	CH3E-8020	1087	1-F 14	CH4D-7388	971	1-F 3
CH214-4661	621	1-D 16	CH226-0372	685	1-D 22	CH3E-9860	207	1-B 22	CH4D-7733	107	1-B 12
CH214-9441	125	1-B 14	CH226-2711	683	1-D 22	CH3E-9860	209	1-B 22	CH4E-1251	125	1-B 14
CH215-1382	225	1-B 24	CH226-2711	685	1-D 22	CH3E-9860	211	1-B 23	CH4E-1251	685	1-D 22
CH215-1382	227	1-B 24	CH227-5266	785	1-E 8	CH3E-9865	1111	1-F 17	CH4E-1384	571	1-D 11
CH215-1382	1169	1-F 22	CH227-8809	857	1-E 15	CH3F-2617	689	1-D 22	CH4E-1384	573	1-D 11
CH215-3035	139	1-B 15	CH227-8917	331	1-C 11	CH3F-3442	869	1-E 16	CH4E-2229	289	1-C 6
CH215-4780	697	1-D 23	CH3A-3692	779	1-E 7	CH3F-9556	243	1-C 2	CH4E-2229	293	1-C 7
CH215-4781	697	1-D 23	CH3B-0551	161	1-B 18	CH3F-9556	1103	1-F 16	CH4E-7808	997	1-F 5
CH215-4782	697	1-D 23	CH3B-4501	287	1-C 6	CH3G-0785	857	1-E 15	CH4H-2558	221	1-B 24
CH215-4783	697	1-D 23	CH3B-4501	289	1-C 6	CH3G-9194	871	1-E 17	CH4H-2558	223	1-B 24
CH215-4784	697	1-D 23	CH3B-4501	291	1-C 7	CH3G-9194	875	1-E 17	CH4H-2558	225	1-B 24
CH215-4785	697	1-D 23	CH3B-4501	293	1-C 7	CH3F-8538	687	1-D 22	CH4H-2558	227	1-B 24
CH215-4786	697	1-D 23	CH3B-4501	1027	1-F 8	CH3K-0360	67	1-B 8	CH4H-7655	1043	1-F 10
CH215-6489	131	1-B 15	CH3B-4503	127	1-B 14	CH3K-0360	71	1-B 9	CH4H-8380	881	1-E 18
CH215-6489	1039	1-F 9	CH3B-4605	985	1-F 4	CH3K-0360	107	1-B 12	CH4H-8380	883	1-E 18
CH215-6489	1041	1-F 10	CH3B-4610	585	1-D 12	CH3K-0360	615	1-D 15	CH4H-8380	957	1-F 1
CH215-6495	181	1-B 20	CH3B-4611	869	1-E 16	CH3K-0360	617	1-D 15	CH4I-3038	239	1-C 1
CH215-6495	251	1-C 3	CH3B-4611	881	1-E 18	CH3K-0360	695	1-D 23	CH4J-2701	693	1-D 23
CH215-9463	613	1-D 15	CH3B-4611	883	1-E 18	CH3K-0360	697	1-D 23	CH4K-1388	71	1-B 9

MT700B SERIES TRACTORS

17
INDEX

Part No.	Page	Grid	Part No.	Page	Grid	Part No.	Page	Grid	Part No.	Page	Grid
CH4K-8341	127	1-B 14	CH5P-0801	587	1-D 12	CH5P-9651	613	1-D 15	CH6L-1698	165	1-B 18
CH4K-8341	183	1-B 20	CH5P-1420	107	1-B 12	CH5P-9651	619	1-D 15	CH6L-1698	167	1-B 18
CH4K-8341	1013	1-F 7	CH5P-1420	787	1-E 8	CH5P-9652	613	1-D 15	CH6L-1698	881	1-E 18
CH4K-8864	165	1-B 18	CH5P-1442	107	1-B 12	CH5P-9652	619	1-D 15	CH6L-1698	883	1-E 18
CH4K-8864	167	1-B 18	CH5P-1442	335	1-C 11	CH5R-5676	751	1-E 5	CH6L-1698	957	1-F 1
CH4K-8864	317	1-C 9	CH5P-1838	107	1-B 12	CH5R-5718	751	1-E 5	CH6L-3966	685	1-D 22
CH4K-8864	321	1-C 10	CH5P-2230	113	1-B 13	CH5R-5780	751	1-E 5	CH6N-1604	197	1-B 21
CH4K-8864	769	1-E 6	CH5P-2230	151	1-B 17	CH5R-6304	751	1-E 5	CH6N-1604	199	1-B 21
CH4K-8864	771	1-E 7	CH5P-2230	153	1-B 17	CH5R-6868	751	1-E 5	CH6N-6984	561	1-D 10
CH4L-3641	107	1-B 12	CH5P-2230	157	1-B 17	CH5V-1496	1083	1-F 14	CH6N-6984	563	1-D 10
CH4P-5524	111	1-B 13	CH5P-2230	163	1-B 18	CH5V-1496	1087	1-F 14	CH6R-7943	807	1-E 10
CH4P-7428	317	1-C 9	CH5P-3424	1139	1-F 19	CH6B-0924	1081	1-F 14	CH6S-3002	709	1-D 24
CH4P-7428	319	1-C 9	CH5P-4115	175	1-B 19	CH6D-3025	175	1-B 19	CH6S-6031	613	1-D 15
CH4P-7429	317	1-C 9	CH5P-4115	179	1-B 19	CH6D-3025	179	1-B 19	CH6S-6031	619	1-D 15
CH4P-7429	319	1-C 9	CH5P-4115	207	1-B 22	CH6D-4246	165	1-B 18	CH6S-6032	613	1-D 15
CH4P-7429	1103	1-F 16	CH5P-4115	209	1-B 22	CH6D-4246	167	1-B 18	CH6S-6032	619	1-D 15
CH4P-7581	217	1-B 23	CH5P-4115	211	1-B 23	CH6D-4246	711	1-E 1	CH6T-3764	199	1-B 21
CH4P-7581	287	1-C 6	CH5P-4115	321	1-C 10	CH6D-4246	713	1-E 1	CH6T-7298	193	1-B 21
CH4P-7581	291	1-C 7	CH5P-4115	539	1-D 7	CH6D-4246	779	1-E 7	CH6T-7298	285	1-C 6
CH4P-7581	317	1-C 9	CH5P-4115	565	1-D 10	CH6E-1607	865	1-E 16	CH6V-0301	747	1-E 4
CH4P-7581	321	1-C 10	CH5P-4115	567	1-D 10	CH6E-1607	867	1-E 16	CH6V-0301	751	1-E 5
CH4P-7581	1103	1-F 16	CH5P-4115	569	1-D 10	CH6E-3268	863	1-E 16	CH6V-0400	711	1-E 1
CH4P-8134	165	1-B 18	CH5P-4115	571	1-D 11	CH6E-3269	863	1-E 16	CH6V-0400	713	1-E 1
CH4P-8134	167	1-B 18	CH5P-4115	573	1-D 11	CH6E-3272	863	1-E 16	CH6V-0484	701	1-D 24
CH4P-8134	287	1-C 6	CH5P-4115	579	1-D 11	CH6E-3273	863	1-E 16	CH6V-0894	175	1-B 19
CH4P-8134	289	1-C 6	CH5P-4115	977	1-F 3	CH6E-3274	863	1-E 16	CH6V-0894	179	1-B 19
CH4P-8134	291	1-C 7	CH5P-4115	979	1-F 3	CH6E-3275	863	1-E 16	CH6V-0894	181	1-B 20
CH4P-8134	317	1-C 9	CH5P-4115	1055	1-F 11	CH6E-3276	863	1-E 16	CH6V-1230	131	1-B 15
CH4P-8134	321	1-C 10	CH5P-4115	1057	1-F 11	CH6E-4102	743	1-E 4	CH6V-1506	905	1-E 20
CH4P-8134	1103	1-F 16	CH5P-4829	977	1-F 3	CH6E-4350	727	1-E 2	CH6V-1506	933	1-E 23
CH4S-1936	129	1-B 14	CH5P-5777	615	1-D 15	CH6E-4396	867	1-E 16	CH6V-1506	935	1-E 23
CH4S-1962	135	1-B 15	CH5P-5777	617	1-D 15	CH6E-4399	867	1-E 16	CH6V-1506	937	1-E 23
CH4V-2264	1031	1-F 9	CH5P-6129	979	1-F 3	CH6E-4400	867	1-E 16	CH6V-1520	787	1-E 8
CH4V-2264	1033	1-F 9	CH5P-6416	71	1-B 9	CH6E-4401	865	1-E 16	CH6V-1572	1039	1-F 9
CH5B-1133	881	1-E 18	CH5P-6442	129	1-B 14	CH6E-4401	867	1-E 16	CH6V-1572	1041	1-F 10
CH5B-1133	883	1-E 18	CH5P-6442	615	1-D 15	CH6E-6528	863	1-E 16	CH6V-1573	1039	1-F 9
CH5B-1133	885	1-E 18	CH5P-6442	617	1-D 15	CH6E-6536	863	1-E 16	CH6V-1573	1041	1-F 10
CH5B-1133	887	1-E 18	CH5P-7464	791	1-E 9	CH6E-6537	863	1-E 16	CH6V-1657	615	1-D 15
CH5C-2874	211	1-B 23	CH5P-7465	791	1-E 9	CH6E-6538	863	1-E 16	CH6V-1657	617	1-D 15
CH5C-2874	225	1-B 24	CH5P-7803	1101	1-F 16	CH6E-6539	863	1-E 16	CH6V-1874	713	1-E 1
CH5C-2874	227	1-B 24	CH5P-7958	1125	1-F 18	CH6E-6540	863	1-E 16	CH6V-2235	787	1-E 8
CH5C-2874	287	1-C 6	CH5P-7958	1139	1-F 19	CH6F-0253	321	1-C 10	CH6V-2405	1125	1-F 18
CH5C-2874	291	1-C 7	CH5P-8119	681	1-D 22	CH6F-8146	787	1-E 8	CH6V-2405	1139	1-F 19
CH5C-8312	289	1-C 6	CH5P-8247	971	1-F 3	CH6H-4006	1105	1-F 16	CH6V-3833	779	1-E 7
CH5C-8312	293	1-C 7	CH5P-8440	551	1-D 9	CH6I-0273	111	1-B 13	CH6V-3922	849	1-E 14
CH5C-8312	997	1-F 5	CH5P-8440	553	1-D 9	CH6I-0273	1169	1-F 22	CH6V-3922	851	1-E 15
CH5D-6539	855	1-E 15	CH5P-8440	641	1-D 18	CH6I-0274	111	1-B 13	CH6V-4367	1081	1-F 14
CH5D-8159	901	1-E 20	CH5P-8444	711	1-E 1	CH6I-0274	1169	1-F 22	CH6V-5049	131	1-B 15
CH5D-8159	907	1-E 20	CH5P-8500	285	1-C 6	CH6I-1418	171	1-B 19	CH6V-5049	1081	1-F 14
CH5D-8159	911	1-E 21	CH5P-8500	293	1-C 7	CH6I-1418	175	1-B 19	CH6V-5100	1081	1-F 14
CH5D-8159	933	1-E 23	CH5P-8500	1029	1-F 8	CH6I-1418	179	1-B 19	CH6V-5201	735	1-E 3
CH5D-8159	935	1-E 23	CH5P-8500	1111	1-F 17	CH6I-1418	185	1-B 20	CH6V-5201	737	1-E 3
CH5D-8159	937	1-E 23	CH5P-8500	1125	1-F 18	CH6I-1418	187	1-B 20	CH6V-5210	213	1-B 23
CH5D-8159	953	1-F 1	CH5P-8500	1129	1-F 18	CH6I-1418	317	1-C 9	CH6V-5210	215	1-B 23
CH5E-7045	861	1-E 16	CH5P-8500	1139	1-F 19	CH6I-1418	321	1-C 10	CH6V-5586	865	1-E 16
CH5H-3193	917	1-E 21	CH5P-8500	1151	1-F 21	CH6I-1418	769	1-E 6	CH6V-5839	67	1-B 8
CH5H-4856	875	1-E 17	CH5P-8500	1169	1-F 22	CH6I-1418	771	1-E 7	CH6V-5839	581	1-D 12
CH5H-4905	917	1-E 21	CH5P-8502	1111	1-F 17	CH6J-2245	317	1-C 9	CH6V-5839	971	1-F 3
CH5J-3079	685	1-D 22	CH5P-8837	517	1-D 5	CH6J-3134	861	1-E 16	CH6V-5839	1083	1-F 14
CH5K-5068	317	1-C 9	CH5P-8837	521	1-D 6	CH6J-5731	879	1-E 17	CH6V-5839	1087	1-F 14
CH5K-5068	321	1-C 10	CH5P-9085	551	1-D 9	CH6K-3274	585	1-D 12	CH6V-6757	615	1-D 15
CH5K-5288	643	1-D 18	CH5P-9085	553	1-D 9	CH6K-6307	615	1-D 15	CH6V-6757	617	1-D 15
CH5L-4758	747	1-E 4	CH5P-9085	641	1-D 18	CH6K-6307	617	1-D 15	CH6V-7723	809	1-E 10
CH5M-2894	685	1-D 22	CH5P-9186	741	1-E 4	CH6K-6361	979	1-F 3	CH6V-7744	615	1-D 15
CH5M-5689	165	1-B 18	CH5P-9186	811	1-E 11	CH6K-8178	71	1-B 9	CH6V-7744	617	1-D 15
CH5M-5689	167	1-B 18	CH5P-9186	819	1-E 11	CH6K-8179	683	1-D 22	CH6V-8183	687	1-D 22
CH5M-8034	221	1-B 24	CH5P-9186	821	1-E 12	CH6K-8987	541	1-D 8	CH6V-8183	997	1-F 5
CH5M-8034	1169	1-F 22	CH5P-9186	855	1-E 15	CH6K-8987	659	1-D 19	CH6V-8225	263	1-C 4
CH5M-8429	919	1-E 21	CH5P-9186	857	1-E 15	CH6K-8987	661	1-D 20	CH6V-8225	265	1-C 4
CH5P-0370	909	1-E 20	CH5P-9186	859	1-E 15	CH6K-8987	881	1-E 18	CH6V-8351	865	1-E 16
CH5P-0537	1011	1-F 7	CH5P-9262	863	1-E 16	CH6K-8987	883	1-E 18	CH6V-8352	863	1-E 16
CH5P-0763	113	1-B 13	CH5P-9517	785	1-E 8	CH6K-8987	885	1-E 18	CH6V-8362	989	1-F 4
CH5P-0767	103	1-B 12	CH5P-9617	103	1-B 12	CH6K-8987	887	1-E 18	CH6V-8369	1107	1-F 16
CH5P-0767	169	1-B 18	CH5P-9617	615	1-D 15	CH6K-9070	947	1-E 24	CH6V-8376	285	1-C 6
CH5P-0767	1037	1-F 9	CH5P-9617	617	1-D 15	CH6K-9632	1105	1-F 16	CH6V-8376	287	1-C 6

INDEX

Part No.	Page	Grid	Part No.	Page	Grid	Part No.	Page	Grid	Part No.	Page	Grid
CH6V-8376	289	1-C 6	CH7K-1181	187	1-B 20	CH7X-6315	177	1-B 19	CH8J-1256	165	1-B 18
CH6V-8376	291	1-C 7	CH7K-1181	235	1-C 1	CH7X-6315	191	1-B 21	CH8J-1256	167	1-B 18
CH6V-8376	293	1-C 7	CH7K-1181	249	1-C 2	CH7X-7729	101	1-B 12	CH8L-2777	741	1-E 4
CH6V-8398	71	1-B 9	CH7K-1181	261	1-C 4	CH7X-7729	109	1-B 12	CH8L-2777	811	1-E 11
CH6V-8398	695	1-D 23	CH7K-1181	263	1-C 4	CH7X-7729	129	1-B 14	CH8L-2777	819	1-E 11
CH6V-8398	697	1-D 23	CH7K-1181	265	1-C 4	CH7X-7729	235	1-C 1	CH8L-2777	821	1-E 12
CH6V-8398	701	1-D 24	CH7K-1181	277	1-C 5	CH7X-7729	245	1-C 2	CH8L-2777	855	1-E 15
CH6V-8398	703	1-D 24	CH7K-1181	287	1-C 6	CH7X-7729	249	1-C 2	CH8L-2777	857	1-E 15
CH6V-8398	711	1-E 1	CH7K-1181	291	1-C 7	CH7X-7729	551	1-D 9	CH8L-2777	859	1-E 15
CH6V-8398	713	1-E 1	CH7K-1181	317	1-C 9	CH7X-7729	553	1-D 9	CH8L-2786	131	1-B 15
CH6V-8398	753	1-E 5	CH7K-1181	321	1-C 10	CH7X-7729	577	1-D 11	CH8M-2770	131	1-B 15
CH6V-8398	755	1-E 5	CH7K-1181	551	1-D 9	CH7X-7729	615	1-D 15	CH8M-2770	165	1-B 18
CH6V-8398	757	1-E 5	CH7K-1181	553	1-D 9	CH7X-7729	617	1-D 15	CH8M-2770	169	1-B 18
CH6V-8398	759	1-E 5	CH7K-1181	641	1-D 18	CH7X-7729	641	1-D 18	CH8M-2770	317	1-C 9
CH6V-8398	781	1-E 8	CH7K-1181	769	1-E 6	CH7X-7729	659	1-D 19	CH8M-2770	321	1-C 10
CH6V-8398	783	1-E 8	CH7K-1181	771	1-E 7	CH7X-7729	661	1-D 20	CH8M-2770	703	1-D 24
CH6V-8398	859	1-E 15	CH7K-1181	1085	1-F 14	CH7X-7729	761	1-E 6	CH8N-0869	565	1-D 10
CH6V-8398	919	1-E 21	CH7K-1181	1089	1-F 14	CH7X-7729	881	1-E 18	CH8N-4617	111	1-B 13
CH6V-8398	921	1-E 22	CH7K-1181	1103	1-F 16	CH7X-7729	923	1-E 22	CH8S-0948	131	1-B 15
CH6V-8398	925	1-E 22	CH7K-4129	133	1-B 15	CH7X-7729	927	1-E 22	CH8S-0948	165	1-B 18
CH6V-8398	927	1-E 22	CH7K-9211	947	1-E 24	CH7X-7729	931	1-E 23	CH8S-0948	169	1-B 18
CH6V-8398	929	1-E 22	CH7M-8485	879	1-E 17	CH7X-7729	957	1-F 1	CH8S-0948	787	1-E 8
CH6V-8398	931	1-E 23	CH7S-1912	787	1-E 8	CH7X-7729	977	1-F 3	CH8S-7169	335	1-C 11
CH6V-8548	239	1-C 1	CH7T-1099	179	1-B 19	CH7X-7729	979	1-F 3	CH8S-8820	921	1-E 22
CH6V-8554	695	1-D 23	CH7T-1099	221	1-B 24	CH7X-7729	1053	1-F 11	CH8S-8820	923	1-E 22
CH6V-8554	701	1-D 24	CH7T-1099	235	1-C 1	CH7X-7744	131	1-B 15	CH8S-8820	927	1-E 22
CH6V-8625	71	1-B 9	CH7T-1099	249	1-C 2	CH7Y-3173	1075	1-F 13	CH8S-8820	931	1-E 23
CH6V-8625	859	1-E 15	CH7T-1099	541	1-D 8	CH7Y-4941	877	1-E 17	CH8T-0119	877	1-E 17
CH6V-8635	789	1-E 8	CH7T-1099	543	1-D 8	CH7Y-7256	287	1-C 6	CH8T-0249	131	1-B 15
CH6V-8637	711	1-E 1	CH7T-1099	547	1-D 8	CH7Y-7256	291	1-C 7	CH8T-0255	1079	1-F 13
CH6V-8639	711	1-E 1	CH7T-1099	583	1-D 12	CH7Y-7388	995	1-F 5	CH8T-0269	745	1-E 4
CH6V-8639	919	1-E 21	CH7T-1099	585	1-D 12	CH8B-1312	905	1-E 20	CH8T-0276	967	1-F 2
CH6V-8928	1083	1-F 14	CH7T-1099	587	1-D 12	CH8B-7614	613	1-D 15	CH8T-0276	969	1-F 2
CH6V-8928	1087	1-F 14	CH7T-1099	589	1-D 12	CH8B-7614	619	1-D 15	CH8T-0285	539	1-D 7
CH6V-8931	185	1-B 20	CH7T-1099	653	1-D 19	CH8C-3206	787	1-E 8	CH8T-0318	1029	1-F 8
CH6V-8931	187	1-B 20	CH7T-1099	655	1-D 19	CH8C-3206	789	1-E 8	CH8T-0328	181	1-B 20
CH6V-8978	727	1-E 2	CH7T-1099	657	1-D 19	CH8C-3206	791	1-E 9	CH8T-0328	317	1-C 9
CH6V-8978	729	1-E 2	CH7T-1099	713	1-E 1	CH8C-3348	1129	1-F 18	CH8T-0328	321	1-C 10
CH6V-9002	71	1-B 9	CH7T-1099	967	1-F 2	CH8C-3348	1151	1-F 21	CH8T-0328	997	1-F 5
CH6V-9168	921	1-E 22	CH7T-1099	969	1-F 2	CH8C-5200	689	1-D 22	CH8T-0328	1139	1-F 19
CH6V-9169	921	1-E 22	CH7T-4532	83	1-B 10	CH8C-5607	175	1-B 19	CH8T-0337	219	1-B 23
CH6V-9492	1027	1-F 8	CH7T-4532	85	1-B 10	CH8C-5607	179	1-B 19	CH8T-0337	287	1-C 6
CH6V-9671	289	1-C 6	CH7T-6799	285	1-C 6	CH8C-5608	175	1-B 19	CH8T-0337	291	1-C 7
CH6V-9671	293	1-C 7	CH7T-6799	293	1-C 7	CH8C-5608	179	1-B 19	CH8T-0389	567	1-D 10
CH6V-9673	1021	1-F 8	CH7T-9793	977	1-F 3	CH8C-6354	289	1-C 6	CH8T-0389	569	1-D 10
CH6V-9828	691	1-D 23	CH7T-9793	979	1-F 3	CH8C-6354	293	1-C 7	CH8T-0389	923	1-E 22
CH6V-9829	687	1-D 22	CH7V-0445	585	1-D 12	CH8C-6416	695	1-D 23	CH8T-0389	927	1-E 22
CH6V-9872	71	1-B 9	CH7W-1890	107	1-B 12	CH8C-6416	697	1-D 23	CH8T-0389	931	1-E 23
CH6W-5698	155	1-B 17	CH7X-0515	141	1-B 16	CH8C-6416	701	1-D 24	CH8T-0389	973	1-F 3
CH6Y-0473	613	1-D 15	CH7X-0515	143	1-B 16	CH8C-6802	1029	1-F 8	CH8T-0389	1043	1-F 10
CH6Y-0473	619	1-D 15	CH7X-0517	127	1-B 14	CH8C-7323	803	1-E 10	CH8T-1031	747	1-E 4
CH6Y-0473	645	1-D 18	CH7X-0533	1113	1-F 17	CH8C-7323	805	1-E 10	CH8T-1031	749	1-E 4
CH6Y-2349	751	1-E 5	CH7X-0561	551	1-D 9	CH8C-8422	335	1-C 11	CH8T-1031	751	1-E 5
CH7B-0863	883	1-E 18	CH7X-0561	553	1-D 9	CH8C-8422	659	1-D 19	CH8T-1757	585	1-D 12
CH7D-7496	933	1-E 23	CH7X-0561	641	1-D 18	CH8C-8422	661	1-D 20	CH8T-2444	1097	1-F 15
CH7F-3400	1125	1-F 18	CH7X-0579	105	1-B 12	CH8C-8514	287	1-C 6	CH8T-2444	1099	1-F 15
CH7F-3400	1139	1-F 19	CH7X-0579	335	1-C 11	CH8C-8514	291	1-C 7	CH8T-2658	287	1-C 6
CH7G-4332	613	1-D 15	CH7X-0579	557	1-D 9	CH8C-8533	335	1-C 11	CH8T-2658	293	1-C 7
CH7G-4332	619	1-D 15	CH7X-0579	559	1-D 9	CH8C-8585	1041	1-F 10	CH8T-2658	997	1-F 5
CH7G-4332	645	1-D 18	CH7X-0583	517	1-D 5	CH8C-8585	1097	1-F 15	CH8T-2659	229	1-B 24
CH7G-8839	141	1-B 16	CH7X-0583	519	1-D 5	CH8C-8585	1099	1-F 15	CH8T-2659	231	1-C 1
CH7G-8839	143	1-B 16	CH7X-0583	521	1-D 6	CH8C-9660	125	1-B 14	CH8T-2659	573	1-D 11
CH7H-1177	177	1-B 19	CH7X-0583	523	1-D 6	CH8C-9660	229	1-B 24	CH8T-2659	1075	1-F 13
CH7H-7055	921	1-E 22	CH7X-0583	525	1-D 6	CH8C-9660	231	1-C 1	CH8T-2922	861	1-E 16
CH7H-7055	923	1-E 22	CH7X-0590	89	1-B 10	CH8C-9660	573	1-D 11	CH8T-3016	1023	1-F 8
CH7H-7055	927	1-E 22	CH7X-0618	643	1-D 18	CH8C-9660	1075	1-F 13	CH8T-3282	879	1-E 17
CH7H-7055	931	1-E 23	CH7X-0618	881	1-E 18	CH8C-9987	1113	1-F 17	CH8T-3490	141	1-B 16
CH7K-1181	101	1-B 12	CH7X-0618	883	1-E 18	CH8D-9558	1111	1-F 17	CH8T-3490	143	1-B 16
CH7K-1181	133	1-B 15	CH7X-0618	901	1-E 20	CH8F-7702	693	1-D 23	CH8T-3490	145	1-B 16
CH7K-1181	165	1-B 18	CH7X-0618	907	1-E 20	CH8H-2262	613	1-D 15	CH8T-3490	235	1-C 1
CH7K-1181	167	1-B 18	CH7X-0618	911	1-E 21	CH8H-2262	619	1-D 15	CH8T-3490	249	1-C 2
CH7K-1181	171	1-B 19	CH7X-0618	957	1-F 1	CH8I-4256	229	1-B 24	CH8T-3490	587	1-D 12
CH7K-1181	175	1-B 19	CH7X-1434	973	1-F 3	CH8I-4256	231	1-C 1	CH8T-3490	589	1-D 12
CH7K-1181	179	1-B 19	CH7X-2560	949	1-E 24	CH8I-4256	1169	1-F 22	CH8T-3490	659	1-D 19
CH7K-1181	185	1-B 20	CH7X-3374	693	1-D 23	CH8J-0412	807	1-E 10	CH8T-3490	705	1-D 24

MT700B SERIES TRACTORS

19
INDEX

Part No.	Page	Grid	Part No.	Page	Grid	Part No.	Page	Grid	Part No.	Page	Grid
CH8T-3490	779	1-E 7	CH8T-4222	957	1-F 1	CH9H-6673	685	1-D 22	CH9W-2109	807	1-E 10
CH8T-3490	967	1-F 2	CH8T-4226	267	1-C 4	CH9J-4782	877	1-E 17	CH9W-2110	807	1-E 10
CH8T-3490	969	1-F 2	CH8T-4226	1045	1-F 10	CH9M-1974	67	1-B 8	CH9W-3326	225	1-B 24
CH8T-3490	1011	1-F 7	CH8T-4226	1055	1-F 11	CH9M-1974	125	1-B 14	CH9W-3326	227	1-B 24
CH8T-3597	139	1-B 15	CH8T-4226	1057	1-F 11	CH9M-2904	161	1-B 18	CH9W-3326	285	1-C 6
CH8T-3597	141	1-B 16	CH8T-4244	105	1-B 12	CH9M-7175	777	1-E 7	CH9W-3326	291	1-C 7
CH8T-3597	143	1-B 16	CH8T-4244	589	1-D 12	CH9N-0869	171	1-B 19	CH9W-6582	81	1-B 10
CH8T-3597	541	1-D 8	CH8T-4244	1029	1-F 8	CH9N-0869	175	1-B 19	CH9W-6583	81	1-B 10
CH8T-3597	557	1-D 9	CH8T-4896	803	1-E 10	CH9N-0869	179	1-B 19	CH9W-6584	81	1-B 10
CH8T-3597	559	1-D 9	CH8T-4896	805	1-E 10	CH9N-0869	185	1-B 20	CH9W-8072	81	1-B 10
CH8T-3597	883	1-E 18	CH8T-4986	115	1-B 13	CH9N-0869	187	1-B 20	CH9W-9300	643	1-D 18
CH8T-3612	139	1-B 15	CH8T-4987	115	1-B 13	CH9N-0869	317	1-C 9	CH9W-9915	81	1-B 10
CH8T-3612	141	1-B 16	CH8T-4994	693	1-D 23	CH9N-0869	321	1-C 10	CH9W-9920	81	1-B 10
CH8T-3612	143	1-B 16	CH8T-4994	775	1-E 7	CH9N-0869	569	1-D 10	CH9W-9952	81	1-B 10
CH8T-3612	221	1-B 24	CH8T-4994	777	1-E 7	CH9N-0869	769	1-E 6	CH9W-9953	81	1-B 10
CH8T-3612	225	1-B 24	CH8T-5400	1103	1-F 16	CH9N-0869	771	1-E 7	CH9W-9955	81	1-B 10
CH8T-3612	287	1-C 6	CH8T-5400	1105	1-F 16	CH9N-1941	117	1-B 13	CH9W-9957	81	1-B 10
CH8T-3612	289	1-C 6	CH8T-5439	583	1-D 12	CH9N-2061	1103	1-F 16	CH9X-0261	317	1-C 9
CH8T-3612	557	1-D 9	CH8T-5668	615	1-D 15	CH9P-0356	343	1-C 12	CH9X-1046	125	1-B 14
CH8T-3612	559	1-D 9	CH8T-5668	617	1-D 15	CH9R-2613	587	1-D 12	CH9X-1046	287	1-C 6
CH8T-3612	567	1-D 10	CH8T-6431	687	1-D 22	CH9R-2613	589	1-D 12	CH9X-1046	573	1-D 11
CH8T-3612	569	1-D 10	CH8T-6693	127	1-B 14	CH9R-2613	779	1-E 7	CH9X-1046	973	1-F 3
CH8T-3612	585	1-D 12	CH8T-6693	1011	1-F 7	CH9R-2821	589	1-D 12	CH9X-1046	979	1-F 3
CH8T-3612	587	1-D 12	CH8T-6703	103	1-B 12	CH9R-7941	313	1-C 9	CH9X-1046	1011	1-F 7
CH8T-3612	589	1-D 12	CH8T-6703	135	1-B 15	CH9R-7980	313	1-C 9	CH9X-1046	1083	1-F 14
CH8T-3612	923	1-E 22	CH8T-6703	137	1-B 15	CH9S-1315	883	1-E 18	CH9X-1046	1087	1-F 14
CH8T-3612	1039	1-F 9	CH8T-7525	807	1-E 10	CH9S-1347	1027	1-F 8	CH9X-1386	253	1-C 3
CH8T-3612	1041	1-F 10	CH8T-7525	849	1-E 14	CH9S-4167	129	1-B 14	CH9X-2038	1091	1-F 15
CH8T-3851	139	1-B 15	CH8T-7525	851	1-E 15	CH9S-4185	795	1-E 9	CH9X-2038	1093	1-F 15
CH8T-4122	263	1-C 4	CH8T-7525	857	1-E 15	CH9S-4185	1081	1-F 14	CH9X-2038	1095	1-F 15
CH8T-4122	265	1-C 4	CH8T-7567	731	1-E 3	CH9S-8002	707	1-D 24	CH9X-2039	971	1-F 3
CH8T-4122	615	1-D 15	CH8T-7963	1065	1-F 12	CH9S-8002	709	1-D 24	CH9X-2040	581	1-D 12
CH8T-4122	617	1-D 15	CH8T-8729	175	1-B 19	CH9S-8002	727	1-E 2	CH9X-2040	1083	1-D 14
CH8T-4122	653	1-D 19	CH8T-8729	221	1-B 24	CH9S-8002	729	1-E 2	CH9X-2040	1087	1-F 14
CH8T-4122	655	1-D 19	CH8T-8737	243	1-C 2	CH9S-8002	807	1-E 10	CH9X-2041	581	1-D 12
CH8T-4122	657	1-D 19	CH8T-8737	1101	1-F 16	CH9S-8002	863	1-E 16	CH9X-2042	579	1-D 11
CH8T-4122	873	1-E 17	CH8T-8737	1103	1-F 16	CH9S-8002	1081	1-F 14	CH9X-2042	967	1-F 2
CH8T-4127	165	1-B 18	CH8T-8737	1105	1-F 16	CH9S-8004	129	1-B 14	CH9X-2042	969	1-F 2
CH8T-4127	169	1-B 18	CH8T-8737	1107	1-F 16	CH9S-8004	133	1-B 15	CH9X-2043	1097	1-F 15
CH8T-4132	615	1-D 15	CH8T-8874	295	1-C 7	CH9S-8004	727	1-E 2	CH9X-2043	1099	1-F 15
CH8T-4132	617	1-D 15	CH8T-8874	297	1-C 7	CH9S-8004	729	1-E 2	CH9X-2044	287	1-C 6
CH8T-4205	165	1-B 18	CH8T-8932	693	1-D 23	CH9S-8004	863	1-E 16	CH9X-2044	289	1-C 6
CH8T-4205	169	1-B 18	CH8T-9102	693	1-D 23	CH9S-8004	1081	1-F 14	CH9X-2044	291	1-C 7
CH8T-4205	175	1-B 19	CH8T-9403	713	1-E 1	CH9S-8005	67	1-B 8	CH9X-2044	293	1-C 7
CH8T-4205	179	1-B 19	CH8T-9501	205	1-B 22	CH9S-8005	723	1-E 2	CH9X-2044	971	1-F 3
CH8T-4205	183	1-B 20	CH8T-9501	543	1-D 8	CH9S-8005	837	1-E 13	CH9X-2044	973	1-F 3
CH8T-4205	205	1-B 22	CH8T-9501	1105	1-F 16	CH9S-8005	839	1-E 13	CH9X-2044	985	1-F 4
CH8T-4205	207	1-B 22	CH8T-9655	171	1-B 19	CH9S-8005	841	1-E 14	CH9X-2044	1011	1-F 7
CH8T-4205	209	1-B 22	CH8T-9655	175	1-B 19	CH9S-8005	843	1-E 14	CH9X-2044	1031	1-F 9
CH8T-4205	211	1-B 23	CH8T-9655	179	1-B 19	CH9S-8005	845	1-E 14	CH9X-2044	1033	1-F 9
CH8T-4205	217	1-B 23	CH8T-9655	187	1-B 20	CH9S-8005	847	1-E 14	CH9X-2044	1065	1-F 12
CH8T-4205	219	1-B 23	CH8T-9655	317	1-C 9	CH9S-8008	727	1-E 2	CH9X-2044	1083	1-F 14
CH8T-4205	221	1-B 24	CH8T-9655	321	1-C 10	CH9S-8008	729	1-E 2	CH9X-2044	1087	1-F 14
CH8T-4205	223	1-B 24	CH8T-9655	769	1-E 6	CH9S-8010	727	1-E 2	CH9X-2045	971	1-F 3
CH8T-4205	235	1-C 1	CH8T-9655	771	1-E 7	CH9S-8010	729	1-E 2	CH9X-2045	995	1-F 5
CH8T-4205	249	1-C 2	CH8U-6014	917	1-E 21	CH9S-8010	859	1-E 15	CH9X-2045	1029	1-F 8
CH8T-4205	261	1-C 4	CH8U-7381	849	1-E 14	CH9S-9334	879	1-E 17	CH9X-2045	1031	1-F 9
CH8T-4205	263	1-C 4	CH8U-7381	851	1-E 15	CH9T-2281	985	1-F 4	CH9X-2045	1033	1-F 9
CH8T-4205	265	1-C 4	CH8X-3212	131	1-B 15	CH9T-2558	733	1-E 3	CH9X-2045	1083	1-F 14
CH8T-4205	287	1-C 6	CH8X-6167	687	1-D 22	CH9T-2559	733	1-E 3	CH9X-2045	1087	1-F 14
CH8T-4205	289	1-C 6	CH8Y-5737	977	1-F 3	CH9T-2560	733	1-E 3	CH9X-2045	1097	1-F 15
CH8T-4205	291	1-C 7	CH8Y-5896	539	1-D 7	CH9T-2581	733	1-E 3	CH9X-2045	1099	1-F 15
CH8T-4205	293	1-C 7	CH8Y-8794	1111	1-F 17	CH9T-2582	733	1-E 3	CH9X-2046	985	1-F 4
CH8T-4205	571	1-D 11	CH9B-2596	111	1-B 13	CH9T-2584	733	1-E 3	CH9X-2092	1083	1-F 14
CH8T-4205	573	1-D 11	CH9B-7233	285	1-C 6	CH9T-2901	731	1-E 3	CH9X-2092	1087	1-F 14
CH8T-4205	579	1-D 11	CH9B-7233	287	1-C 6	CH9T-2903	731	1-E 3	CH9X-2606	997	1-F 5
CH8T-4205	881	1-E 18	CH9B-7233	289	1-C 6	CH9T-2904	731	1-E 3	CH9X-2616	1029	1-F 8
CH8T-4205	883	1-E 18	CH9B-7233	291	1-C 7	CH9T-2906	731	1-E 3	CH9X-2857	735	1-E 3
CH8T-4205	885	1-E 18	CH9B-7233	293	1-C 7	CH9T-2908	731	1-E 3	CH9X-2858	1081	1-F 14
CH8T-4205	887	1-E 18	CH9B-7233	989	1-F 4	CH9T-2912	731	1-E 3	CH9X-3994	969	1-F 2
CH8T-4205	1013	1-F 7	CH9F-2167	877	1-E 17	CH9T-2914	731	1-E 3	CH9X-4611	731	1-E 3
CH8T-4205	1055	1-F 11	CH9G-3695	333	1-C 11	CH9T-3928	707	1-D 24	CH9X-6165	101	1-B 12
CH8T-4205	1057	1-F 11	CH9G-6655	197	1-B 21	CH9T-3928	727	1-E 2	CH9X-6165	971	1-F 3
CH8T-4205	1113	1-F 17	CH9H-1958	165	1-B 18	CH9T-3928	729	1-E 2	CH9X-6165	1011	1-F 7
CH8T-4222	881	1-E 18	CH9H-1958	169	1-B 18	CH9T-4057	705	1-D 24	CH9X-6165	1065	1-F 12

INDEX

Part No.	Page	Grid	Part No.	Page	Grid	Part No.	Page	Grid	Part No.	Page	Grid
CH9X-7337	879	1-E 17	0S-0519	355	1-C 13	1P-8362	357	1-C 13	111-7077	389	1-C 16
CH9X-7378	83	1-B 10	0S-0519	357	1-C 13	1R-1233	663	1-D 20	111-7077	397	1-C 17
CH9X-7378	85	1-B 10	0T-0386	451	1-C 23	1R-1234	663	1-D 20	111-7077	405	1-C 18
CH9X-7378	101	1-B 12	0T-0386	453	1-C 23	1R-1235	663	1-D 20	111-7077	413	1-C 19
CH9X-7380	101	1-B 12	0T-0386	455	1-C 23	1R-1237	665	1-D 20	111-7077	421	1-C 20
CH9X-7381	101	1-B 12	0T-0386	457	1-C 23	1R-1248	663	1-D 20	111-7077	429	1-C 20
CH9X-7382	101	1-B 12	008-3178	495	1-D 3	1R-1249	663	1-D 20	111-7078	389	1-C 16
CH9X-7383	101	1-B 12	008-3178	499	1-D 3	1R-1250	663	1-D 20	111-7078	397	1-C 17
CH9X-7680	807	1-E 10	008-3178	503	1-D 4	1R-1258	599	1-D 13	111-7078	405	1-C 18
CH9X-8118	239	1-C 1	008-3178	507	1-D 4	1R-1259	597	1-D 13	111-7078	413	1-C 19
CH9X-8118	1169	1-F 22	030-0060	495	1-D 3	1R-1260	597	1-D 13	111-7078	421	1-C 20
CH9X-8250	101	1-B 12	030-0060	499	1-D 3	1R-1261	599	1-D 13	111-7078	429	1-C 20
CH9X-8250	131	1-B 15	030-0060	503	1-D 4	1R-1262	597	1-D 13	111-7079	389	1-C 16
CH9X-8259	883	1-E 18	030-0060	507	1-D 4	1R-1263	597	1-D 13	111-7079	397	1-C 17
CH9X-8267	977	1-F 3	030-0061	495	1-D 3	1R-1320	605	1-D 14	111-7079	405	1-C 18
CH9X-8979	807	1-E 10	030-0061	499	1-D 3	1R-1321	605	1-D 14	111-7079	413	1-C 19
WR513654	585	1-D 12	030-0061	503	1-D 4	1R-1380	603	1-D 14	111-7079	421	1-C 20
WR514360	1103	1-F 16	030-0061	507	1-D 4	1R-1381	603	1-D 14	111-7079	429	1-C 20
WR514360	1105	1-F 16	031-1119	107	1-B 12	1R-1382	595	1-D 13	112-5282	383	1-C 16
WR518622	1103	1-F 16	036-9823	259	1-C 3	1R-1383	595	1-D 13	112-5282	385	1-C 16
WR520610	615	1-D 15	061-7540	393	1-C 17	1R-1384	595	1-D 13	113-0694	391	1-C 17
WR520610	617	1-D 15	061-7540	395	1-C 17	1R-1385	595	1-D 13	113-0694	399	1-C 17
WR520867	1065	1-F 12	061-7540	403	1-C 18	1R-1386	603	1-D 14	113-0694	407	1-C 18
WR522218	87	1-B 10	061-7540	411	1-C 19	1R-1387	603	1-D 14	113-0694	415	1-C 19
WR522218	107	1-B 12	061-7540	419	1-C 19	1S-9593	493	1-D 3	113-0694	423	1-C 20
WR522218	113	1-B 13	061-7540	427	1-C 20	1T-0043	393	1-C 17	113-0694	431	1-C 21
WR522218	131	1-B 15	095-7930	259	1-C 3	1T-0043	401	1-C 18	115-2134	387	1-C 16
WR522218	133	1-B 15	096-6166	259	1-C 3	1T-0043	409	1-C 18	115-2134	395	1-C 17
WR522218	165	1-B 18	1A-3284	437	1-C 21	1T-0043	417	1-C 19	115-2134	403	1-C 18
WR522218	169	1-B 18	1B-6161	389	1-C 16	1T-0043	425	1-C 20	115-2134	411	1-C 19
WR522218	217	1-B 23	1B-6161	397	1-C 17	1T-0043	433	1-C 21	115-2134	419	1-C 19
WR522218	551	1-D 9	1B-6161	405	1-C 18	1U-8846	345	1-C 12	115-2134	427	1-C 20
WR522218	553	1-D 9	1B-6161	413	1-C 19	1U-8846	351	1-C 13	115-4550	479	1-D 1
WR522218	577	1-D 11	1B-6161	421	1-C 20	1U-8846	353	1-C 13	117-1385	383	1-C 16
WR522218	587	1-D 12	1B-6161	429	1-C 20	1U-8846	359	1-C 13	117-1385	385	1-C 16
WR522218	615	1-D 15	1F-2771	439	1-C 21	1U-8846	393	1-C 17	117-8131	583	1-D 12
WR522218	617	1-D 15	1F-7567	449	1-C 22	1U-8846	395	1-C 17	121-7958	497	1-D 3
WR522218	641	1-D 18	1G-3174	721	1-E 2	1U-8846	403	1-C 18	121-7958	501	1-D 4
WR522218	683	1-D 22	1H-8171	391	1-C 17	1U-8846	411	1-C 19	121-7958	505	1-D 4
WR522218	687	1-D 22	1H-8171	401	1-C 18	1U-8846	419	1-C 19	121-7958	509	1-D 4
WR522218	691	1-D 23	1H-8171	409	1-C 18	1U-8846	427	1-C 20	123-0380	1029	1-F 8
WR522218	695	1-D 23	1H-8171	417	1-C 19	1U-8846	439	1-C 21	124-0492	495	1-D 3
WR522218	699	1-D 23	1H-8171	425	1-C 20	1U-8846	441	1-C 22	124-0492	499	1-D 3
WR522218	705	1-D 24	1H-8171	433	1-C 21	1U-8846	443	1-C 22	124-0492	503	1-D 4
WR522218	779	1-E 7	1J-3628	391	1-C 17	1U-8846	445	1-C 22	124-0492	507	1-D 4
WR522218	787	1-E 8	1J-3628	399	1-C 17	1U-8846	447	1-C 22	124-9398	389	1-C 16
WR522218	789	1-E 8	1J-3628	407	1-C 18	1U-8846	497	1-D 3	124-9398	397	1-C 17
WR522218	791	1-E 9	1J-3628	415	1-C 19	1U-8846	501	1-D 4	124-9398	405	1-C 18
WR522218	811	1-E 11	1J-3628	423	1-C 20	1U-8846	505	1-D 4	124-9398	413	1-C 19
WR522218	813	1-E 11	1J-3628	431	1-C 21	1U-8846	509	1-D 4	124-9398	421	1-C 20
WR522218	815	1-E 11	1J-4757	389	1-C 16	101-9565	389	1-C 16	124-9398	429	1-C 20
WR522218	819	1-E 11	1J-4757	397	1-C 17	101-9565	397	1-C 17	125-3297	949	1-E 24
WR522218	821	1-E 12	1J-4757	405	1-C 18	101-9565	405	1-C 18	126-7260	391	1-C 17
WR522218	837	1-E 13	1J-4757	413	1-C 19	101-9565	413	1-C 19	126-7260	399	1-C 17
WR522218	839	1-E 13	1J-4757	421	1-C 20	101-9565	421	1-C 20	126-7260	407	1-C 18
WR522218	841	1-E 14	1J-4757	429	1-C 20	101-9565	429	1-C 20	126-7260	415	1-C 19
WR522218	843	1-E 14	1J-6472	393	1-C 17	102-3046	389	1-C 16	126-7260	423	1-C 20
WR522218	845	1-E 14	1J-6472	401	1-C 18	102-3046	397	1-C 17	126-7260	431	1-C 21
WR522218	847	1-E 14	1J-6472	409	1-C 18	102-3046	405	1-C 18	127-2170	1031	1-F 9
WR522218	921	1-E 22	1J-6472	417	1-C 19	102-3046	413	1-C 19	130-5300	435	1-C 21
WR522218	923	1-E 22	1J-6472	425	1-C 20	102-3046	421	1-C 20	130-9811	383	1-C 16
WR522218	927	1-E 22	1J-6472	433	1-C 21	102-3046	429	1-C 20	130-9811	385	1-C 16
WR522218	931	1-E 23	1J-8695	495	1-D 3	102-8802	493	1-D 3	131-2293	389	1-C 16
WR523361	221	1-B 24	1J-8695	499	1-D 3	102-8803	175	1-B 19	131-2293	397	1-C 17
WR523361	223	1-B 24	1J-8695	503	1-D 4	102-8804	173	1-B 19	131-2293	405	1-C 18
WR523590	221	1-B 24	1J-8695	507	1-D 4	102-8806	1101	1-F 16	131-2293	413	1-C 19
WR523590	223	1-B 24	1L-3162	497	1-D 3	104-3947	493	1-D 3	131-2293	421	1-C 20
WR523591	221	1-B 24	1L-3162	501	1-D 4	108-7808	257	1-C 3	131-2293	429	1-C 20
WR523591	223	1-B 24	1L-3162	505	1-D 4	109-2356	543	1-D 8	131-2295	389	1-C 16
WR550205	1045	1-F 10	1L-3162	509	1-D 4	111-7068	393	1-C 17	131-2295	397	1-C 17
WR55026	95	1-B 11	1N-5999	419	1-C 19	111-7068	401	1-C 18	131-2295	405	1-C 18
WR560847	95	1-B 11	1N-5999	427	1-C 20	111-7068	409	1-C 18	131-2295	413	1-C 19
WR562990	95	1-B 11	1P-8362	345	1-C 12	111-7068	417	1-C 19	131-2295	421	1-C 20
0S-0519	347	1-C 12	1P-8362	349	1-C 12	111-7068	425	1-C 20	131-2295	429	1-C 20
0S-0519	349	1-C 12	1P-8362	353	1-C 13	111-7068	433	1-C 21	131-3718	439	1-C 21

MT700B SERIES TRACTORS

21
INDEX

Part No.	Page	Grid	Part No.	Page	Grid	Part No.	Page	Grid	Part No.	Page	Grid
134-4126	315	1-C 9	148-8395	505	1-D 4	152-0433	1065	1-F 12	155-4426	475	1-D 1
134-4126	319	1-C 9	148-8395	509	1-D 4	152-0434	971	1-F 3	155-4426	477	1-D 1
134-8360	367	1-C 14	148-8407	387	1-C 16	152-0434	999	1-F 5	155-5611	609	1-D 14
134-8360	377	1-C 15	148-8407	401	1-C 18	152-0434	1001	1-F 6	155-5611	611	1-D 15
134-8361	367	1-C 14	148-8407	409	1-C 18	152-0434	1003	1-F 6	155-5611	613	1-D 15
134-8361	377	1-C 15	148-8407	417	1-C 19	152-0434	1005	1-F 6	155-5612	613	1-D 15
135-4483	285	1-C 6	148-8407	425	1-C 20	152-0434	1007	1-F 6	155-5614	609	1-D 14
136-5207	235	1-C 1	148-8407	433	1-C 21	152-0434	1009	1-F 6	155-5614	611	1-D 15
136-5207	249	1-C 2	148-8421	457	1-C 23	152-0434	1011	1-F 7	155-5614	619	1-D 15
136-5212	221	1-B 24	151-4059	1109	1-F 16	152-0438	959	1-F 1	155-9583	361	1-C 14
136-5212	627	1-D 16	151-6970	61	1-B 8	152-0438	961	1-F 2	155-9583	471	1-D 1
136-5212	633	1-D 17	151-6970	63	1-B 8	152-0438	963	1-F 2	155-9583	473	1-D 1
136-5213	235	1-C 1	151-6970	65	1-B 8	152-0438	965	1-F 2	155-9586	363	1-C 14
136-5218	125	1-B 14	151-6970	343	1-C 12	152-0438	997	1-F 5	155-9586	471	1-D 1
136-5221	125	1-B 14	151-8541	1097	1-F 15	152-0441	1055	1-F 11	155-9586	473	1-D 1
136-5224	125	1-B 14	151-8541	1099	1-F 15	152-0441	1057	1-F 11	155-9589	365	1-C 14
136-5288	215	1-B 23	151-8545	1097	1-F 15	152-0443	999	1-F 5	155-9589	471	1-D 1
136-5289	215	1-B 23	151-8545	1099	1-F 15	152-0443	1001	1-F 6	155-9589	473	1-D 1
136-5295	315	1-C 9	151-8559	967	1-F 2	152-0443	1017	1-F 7	155-9590	367	1-C 14
136-5295	319	1-C 9	151-8559	969	1-F 2	152-0444	961	1-F 2	155-9590	369	1-C 14
136-5317	173	1-B 19	151-9961	967	1-F 2	152-0444	965	1-F 2	155-9590	471	1-D 1
136-5317	175	1-B 19	151-9961	969	1-F 2	152-0444	1057	1-F 11	155-9590	473	1-D 1
136-5317	891	1-E 19	151-9979	1097	1-F 15	152-0445	183	1-B 20	155-9593	345	1-C 12
136-5317	893	1-E 19	151-9979	1099	1-F 15	152-0445	889	1-E 18	155-9593	347	1-C 12
136-5317	897	1-E 19	151-9984	1097	1-F 15	152-0445	891	1-E 19	155-9593	349	1-C 12
136-5330	991	1-F 5	151-9990	1097	1-F 15	152-0445	893	1-E 19	155-9593	351	1-C 13
136-5355	769	1-E 6	151-9990	1099	1-F 15	152-0445	895	1-E 19	155-9593	471	1-D 1
136-5355	771	1-E 7	151-9991	1099	1-F 15	152-0445	897	1-E 19	155-9594	383	1-C 16
136-5355	1015	1-F 7	151-9994	967	1-F 2	152-0445	1001	1-F 6	155-9594	385	1-C 16
136-5459	329	1-C 10	151-9994	1097	1-F 15	152-0445	1005	1-F 6	155-9594	471	1-D 1
136-5509	211	1-B 23	151-9995	969	1-F 2	152-0445	1009	1-F 6	155-9594	473	1-D 1
136-5514	223	1-B 24	151-9995	1099	1-F 15	152-0445	1013	1-F 7	156-1317	131	1-B 15
136-5535	327	1-C 10	152-0001	959	1-F 1	152-0447	125	1-B 14	156-1317	147	1-B 16
136-5537	171	1-B 19	152-0001	963	1-F 2	152-0447	961	1-F 2	156-1317	157	1-B 17
136-5537	769	1-E 6	152-0001	967	1-F 2	152-0447	965	1-F 2	156-1319	57	1-B 7
136-5566	125	1-B 14	152-0002	961	1-F 2	152-0448	773	1-E 7	156-1319	59	1-B 7
136-5597	211	1-B 23	152-0002	965	1-F 2	152-0448	833	1-E 13	156-1319	543	1-D 8
136-5597	215	1-B 23	152-0002	969	1-F 2	152-0448	1007	1-F 6	156-1323	511	1-D 5
136-5598	215	1-B 23	152-0005	291	1-C 7	152-0448	1009	1-F 6	156-1323	513	1-D 5
136-5600	165	1-B 18	152-0005	293	1-C 7	152-0448	1021	1-F 8	156-1323	541	1-D 8
136-5600	167	1-B 18	152-0005	961	1-F 2	152-0450	961	1-F 2	156-1325	511	1-D 5
136-5600	1169	1-F 22	152-0005	965	1-F 2	152-0450	965	1-F 2	156-1325	513	1-D 5
136-5661	165	1-B 18	152-0417	959	1-F 1	152-0450	1087	1-F 14	156-1325	585	1-D 12
136-5664	57	1-B 7	152-0417	963	1-F 2	152-0450	1089	1-F 14	156-1334	881	1-E 18
136-5664	219	1-B 23	152-0417	1055	1-F 11	152-5241	459	1-C 23	156-1334	883	1-E 18
136-5667	57	1-B 7	152-0418	961	1-F 2	152-5241	461	1-C 24	156-1334	957	1-F 1
136-5667	315	1-C 9	152-0418	965	1-F 2	152-5241	467	1-C 24	156-1358	523	1-D 6
136-5667	317	1-C 9	152-0418	1033	1-F 9	152-5241	471	1-D 1	156-4859	609	1-D 14
138-1820	643	1-D 18	152-0419	961	1-F 2	153-6237	451	1-C 23	156-4859	611	1-D 15
138-7099	389	1-C 16	152-0419	963	1-F 2	153-6237	453	1-C 23	156-4859	643	1-D 18
138-7099	397	1-C 17	152-0419	965	1-F 2	153-6237	455	1-C 23	156-4887	623	1-D 16
138-7099	405	1-C 18	152-0419	1073	1-F 13	153-6237	457	1-C 23	156-4887	625	1-D 16
138-7099	413	1-C 19	152-0420	285	1-C 6	154-8264	613	1-D 15	156-4887	629	1-D 16
138-7099	421	1-C 20	152-0420	287	1-C 6	154-8264	619	1-D 15	156-4887	631	1-D 17
138-7099	429	1-C 20	152-0420	289	1-C 6	155-0014	217	1-B 23	156-4887	653	1-D 19
139-5802	345	1-C 12	152-0420	959	1-F 1	155-0014	1169	1-F 22	156-4888	627	1-D 16
139-5802	349	1-C 12	152-0420	963	1-F 2	155-0020	225	1-B 24	156-4888	633	1-D 17
139-5802	353	1-C 13	152-0422	1101	1-F 16	155-0020	227	1-B 24	156-4888	655	1-D 19
139-5802	357	1-C 13	152-0424	961	1-F 2	155-0020	1169	1-F 22	156-4889	651	1-D 19
142-9826	79	1-B 9	152-0424	963	1-F 2	155-0027	221	1-B 24	156-4890	651	1-D 19
142-9831	205	1-B 22	152-0424	965	1-F 2	155-0027	223	1-B 24	156-4892	651	1-D 19
142-9836	185	1-B 20	152-0424	1091	1-F 15	155-0027	1169	1-F 22	156-4901	643	1-D 18
146-0850	613	1-D 15	152-0425	961	1-F 2	155-0029	221	1-B 24	156-4902	643	1-D 18
146-0850	619	1-D 15	152-0425	963	1-F 2	155-0031	165	1-B 18	156-6057	603	1-D 14
146-0851	619	1-D 15	152-0425	965	1-F 2	155-0031	167	1-B 18	156-6059	595	1-D 13
146-3173	347	1-C 12	152-0425	1103	1-F 16	155-0032	165	1-B 18	156-6060	595	1-D 13
146-3173	349	1-C 12	152-0430	511	1-D 5	155-0032	167	1-B 18	156-6061	597	1-D 13
146-3173	355	1-C 13	152-0430	513	1-D 5	155-0035	165	1-B 18	156-6062	599	1-D 13
146-3173	357	1-C 13	152-0430	583	1-D 12	155-0035	167	1-B 18	156-6063	597	1-D 13
146-3504	259	1-C 3	152-0431	1083	1-F 14	155-0037	167	1-B 18	156-6065	597	1-D 13
148-1925	383	1-C 16	152-0431	1087	1-F 14	155-0038	165	1-B 18	156-6066	599	1-D 13
148-1925	385	1-C 16	152-0433	959	1-F 1	155-0038	167	1-B 18	156-6072	597	1-D 13
148-8395	447	1-C 22	152-0433	961	1-F 2	155-0042	229	1-B 24	156-6084	613	1-D 15
148-8395	497	1-D 3	152-0433	963	1-F 2	155-0043	231	1-C 1	156-6084	619	1-D 15
148-8395	501	1-D 4	152-0433	965	1-F 2	155-3624	395	1-C 17	156-8343	659	1-D 19

INDEX

Part No.	Page	Grid	Part No.	Page	Grid	Part No.	Page	Grid	Part No.	Page	Grid
156-8343	661	1-D 20	160-6789	495	1-D 3	161-8757	389	1-C 16	162-6655	1055	1-F 11
157-0202	901	1-E 20	160-6789	499	1-D 3	161-8757	397	1-C 17	162-6687	1031	1-F 9
157-0202	909	1-E 20	160-6789	503	1-D 4	161-8757	405	1-C 18	162-6687	1033	1-F 9
157-0203	233	1-C 1	160-6789	507	1-D 4	161-8757	413	1-C 19	162-6688	1031	1-F 9
157-1351	653	1-D 19	160-7164	643	1-D 18	161-8757	421	1-C 20	162-6688	1033	1-F 9
157-1708	881	1-E 18	160-7164	645	1-D 18	161-8757	429	1-C 20	162-6689	1031	1-F 9
157-1708	889	1-E 18	161-8212	393	1-C 17	161-8762	449	1-C 22	162-6689	1033	1-F 9
157-1708	895	1-E 19	161-8212	401	1-C 18	161-8765	439	1-C 21	162-6690	1031	1-F 9
157-1709	341	1-C 12	161-8212	409	1-C 18	161-8848	495	1-D 3	162-6690	1033	1-F 9
157-1709	899	1-E 19	161-8212	417	1-C 19	161-8848	499	1-D 3	162-6691	985	1-F 4
157-1710	889	1-E 18	161-8212	425	1-C 20	161-8848	503	1-D 4	162-6692	1031	1-F 9
157-1714	889	1-E 18	161-8212	433	1-C 21	161-8848	507	1-D 4	162-6692	1033	1-F 9
157-1714	891	1-E 19	161-8212	487	1-D 2	161-8851	439	1-C 21	162-6693	1055	1-F 11
157-1714	901	1-E 20	161-8215	487	1-D 2	161-8852	439	1-C 21	162-6693	1057	1-F 11
157-1714	903	1-E 20	161-8218	367	1-C 14	161-8857	439	1-C 21	162-6696	219	1-B 23
157-1715	895	1-E 19	161-8218	369	1-C 14	161-8857	471	1-D 1	162-6697	219	1-B 23
157-1719	893	1-E 19	161-8218	377	1-C 15	161-8857	473	1-D 1	162-6698	219	1-B 23
157-1719	895	1-E 19	161-8218	381	1-C 16	162-0177	347	1-C 12	162-6699	219	1-B 23
157-1719	905	1-E 20	161-8220	367	1-C 14	162-0177	349	1-C 12	162-6734	985	1-F 4
157-1719	907	1-E 20	161-8220	377	1-C 15	162-0177	355	1-C 13	162-6737	1011	1-F 7
158-1984	615	1-D 15	161-8229	345	1-C 12	162-0177	357	1-C 13	162-6738	1011	1-F 7
158-1984	617	1-D 15	161-8229	349	1-C 12	162-0177	403	1-C 18	162-6751	1083	1-F 14
158-2338	767	1-E 6	161-8229	355	1-C 13	162-0177	411	1-C 19	162-6751	1087	1-F 14
158-2338	793	1-E 9	161-8229	357	1-C 13	162-0177	419	1-C 19	162-6752	1083	1-F 14
158-2341	57	1-B 7	161-8240	437	1-C 21	162-0177	427	1-C 20	162-6752	1087	1-F 14
158-2341	59	1-B 7	161-8269	361	1-C 14	162-0177	497	1-D 3	162-6757	1065	1-F 12
158-2341	767	1-E 6	161-8269	363	1-C 14	162-0177	501	1-D 4	162-6758	1065	1-F 12
158-2344	797	1-E 9	161-8269	365	1-C 14	162-0177	505	1-D 4	162-6759	1065	1-F 12
158-2344	799	1-E 9	161-8269	373	1-C 15	162-0177	509	1-D 4	162-9122	437	1-C 21
158-2344	801	1-E 10	161-8269	375	1-C 15	162-0251	361	1-C 14	162-9816	811	1-E 11
158-2348	761	1-E 6	161-8269	379	1-C 15	162-0251	363	1-C 14	162-9816	817	1-E 11
158-2348	767	1-E 6	161-8281	345	1-C 12	162-0251	365	1-C 14	162-9816	819	1-E 11
158-2359	795	1-E 9	161-8281	349	1-C 12	162-0251	367	1-C 14	162-9816	821	1-E 12
158-2359	899	1-E 19	161-8281	353	1-C 13	162-0251	369	1-C 14	162-9816	837	1-E 13
158-2362	889	1-E 18	161-8281	357	1-C 13	162-0251	373	1-C 15	162-9816	839	1-E 13
158-2362	891	1-E 19	161-8284	495	1-D 3	162-0251	375	1-C 15	162-9816	841	1-E 14
158-2362	893	1-E 19	161-8284	499	1-D 3	162-0251	377	1-C 15	162-9816	843	1-E 14
158-2362	895	1-E 19	161-8284	503	1-D 4	162-0251	379	1-C 15	162-9816	845	1-E 14
158-2362	897	1-E 19	161-8284	507	1-D 4	162-0251	381	1-C 16	162-9816	847	1-E 14
158-2362	919	1-E 21	161-8309	361	1-C 14	162-0267	613	1-D 15	162-9816	855	1-E 15
158-2402	623	1-D 16	161-8309	363	1-C 14	162-0287	655	1-D 19	162-9822	859	1-E 15
158-2402	629	1-D 16	161-8309	365	1-C 14	162-2415	609	1-D 14	163-0267	653	1-D 19
158-2402	715	1-E 1	161-8309	367	1-C 14	162-2415	661	1-D 20	163-0267	655	1-D 19
158-2403	627	1-D 16	161-8309	369	1-C 14	162-2416	611	1-D 15	163-0267	657	1-D 19
158-2403	633	1-D 17	161-8309	373	1-C 15	162-2416	659	1-D 19	163-0268	653	1-D 19
158-2403	635	1-D 17	161-8309	375	1-C 15	162-4091	217	1-B 23	163-0268	655	1-D 19
158-2403	637	1-D 17	161-8309	377	1-C 15	162-4091	219	1-B 23	163-0268	657	1-D 19
158-2403	717	1-E 1	161-8309	379	1-C 15	162-4091	1169	1-F 22	163-0272	653	1-D 19
158-5923	565	1-D 10	161-8309	381	1-C 16	162-4092	217	1-B 23	163-0272	655	1-D 19
158-5923	569	1-D 10	161-8313	361	1-C 14	162-4092	219	1-B 23	163-0272	657	1-D 19
158-5924	565	1-D 10	161-8313	363	1-C 14	162-4092	1169	1-F 22	163-0380	201	1-B 22
158-5924	569	1-D 10	161-8313	365	1-C 14	162-4095	1093	1-F 15	163-0381	203	1-B 22
158-5925	59	1-B 7	161-8313	369	1-C 14	162-4096	323	1-C 10	163-0395	57	1-B 7
158-5925	579	1-D 11	161-8313	373	1-C 15	162-4096	963	1-F 2	163-0395	59	1-B 7
158-5932	565	1-D 10	161-8313	375	1-C 15	162-4097	283	1-C 6	163-0395	335	1-C 11
158-5932	569	1-D 10	161-8313	379	1-C 15	162-4097	963	1-F 2	163-0438	343	1-C 12
158-5933	565	1-D 10	161-8313	381	1-C 16	162-4099	205	1-B 22	163-0450	65	1-B 8
158-5933	569	1-D 10	161-8338	345	1-C 12	162-4101	237	1-C 1	163-0450	73	1-B 9
158-5934	565	1-D 10	161-8338	349	1-C 12	162-4101	239	1-C 1	163-0546	627	1-D 16
158-5934	569	1-D 10	161-8338	353	1-C 13	162-4101	961	1-F 2	163-0546	633	1-D 17
158-5935	565	1-D 10	161-8338	357	1-C 13	162-4101	965	1-F 2	163-0547	609	1-D 14
158-5935	569	1-D 10	161-8339	361	1-C 14	162-4102	327	1-C 10	163-0547	623	1-D 16
158-5948	543	1-D 8	161-8339	363	1-C 14	162-4103	1105	1-F 16	163-0547	625	1-D 16
158-5949	543	1-D 8	161-8339	365	1-C 14	162-4104	629	1-D 16	163-0547	627	1-D 16
158-5958	543	1-D 8	161-8339	367	1-C 14	162-4104	631	1-D 17	163-0547	629	1-D 16
159-1043	437	1-C 21	161-8339	369	1-C 14	162-4104	633	1-D 17	163-0547	631	1-D 17
159-1236	335	1-C 11	161-8339	373	1-C 15	162-4104	637	1-D 17	163-0547	633	1-D 17
159-7242	615	1-D 15	161-8339	375	1-C 15	162-4105	1011	1-F 7	163-0547	639	1-D 17
159-7242	617	1-D 15	161-8339	377	1-C 15	162-4110	59	1-B 7	163-0548	611	1-D 15
159-9486	57	1-B 7	161-8339	379	1-C 15	162-4110	545	1-D 8	163-0548	623	1-D 16
159-9486	511	1-D 5	161-8339	381	1-C 16	162-4111	1057	1-F 11	163-0548	625	1-D 16
160-6785	497	1-D 3	161-8739	495	1-D 3	162-6448	419	1-C 19	163-0548	627	1-D 16
160-6785	501	1-D 4	161-8739	499	1-D 3	162-6448	427	1-C 20	163-0548	629	1-D 16
160-6785	505	1-D 4	161-8739	503	1-D 4	162-6654	1055	1-F 11	163-0548	631	1-D 17
160-6785	509	1-D 4	161-8739	507	1-D 4	162-6654	1057	1-F 11	163-0548	633	1-D 17

MT700B SERIES TRACTORS

23
INDEX

Part No.	Page	Grid	Part No.	Page	Grid	Part No.	Page	Grid	Part No.	Page	Grid
163-0548	639	1-D 17	164-3973	397	1-C 17	164-5619	357	1-C 13	165-0384	365	1-C 14
163-0554	623	1-D 16	164-3973	405	1-C 18	164-7013	1029	1-F 8	165-0384	373	1-C 15
163-0554	625	1-D 16	164-3973	413	1-C 19	164-7014	1029	1-F 8	165-0390	383	1-C 16
163-0554	629	1-D 16	164-3973	421	1-C 20	164-7017	967	1-F 2	165-0390	385	1-C 16
163-0554	631	1-D 17	164-3973	429	1-C 20	164-7017	969	1-F 2	165-0391	489	1-D 2
163-0589	839	1-E 13	164-3974	389	1-C 16	164-7017	1083	1-F 14	165-0391	491	1-D 3
163-0592	393	1-C 17	164-3974	397	1-C 17	164-7017	1087	1-F 14	165-0393	489	1-D 2
163-0592	395	1-C 17	164-3974	405	1-C 18	164-7023	985	1-F 4	165-0393	491	1-D 3
163-0592	403	1-C 18	164-3974	413	1-C 19	164-7040	183	1-B 20	165-0394	347	1-C 12
163-0592	411	1-C 19	164-3974	421	1-C 20	164-7040	1013	1-F 7	165-0394	349	1-C 12
163-0592	419	1-C 19	164-3974	429	1-C 20	164-7041	1027	1-F 8	165-0394	355	1-C 13
163-0592	427	1-C 20	164-3975	389	1-C 16	164-7042	1011	1-F 7	165-0394	357	1-C 13
163-0677	609	1-D 14	164-3975	397	1-C 17	164-7044	973	1-F 3	165-0401	361	1-C 14
163-0677	611	1-D 15	164-3975	405	1-C 18	164-7062	1065	1-F 12	165-0401	363	1-C 14
163-0677	621	1-D 16	164-3975	413	1-C 19	164-7067	1029	1-F 8	165-0401	375	1-C 15
163-8002	881	1-E 18	164-3975	421	1-C 20	164-7069	1083	1-F 14	165-0401	379	1-C 15
164-2108	475	1-D 1	164-3975	429	1-C 20	164-7069	1087	1-F 14	165-0403	361	1-C 14
164-2108	477	1-D 1	164-3977	389	1-C 16	164-7926	543	1-D 8	165-0403	363	1-C 14
164-3902	443	1-C 22	164-3977	397	1-C 17	164-7927	543	1-D 8	165-0403	365	1-C 14
164-3902	445	1-C 22	164-3977	405	1-C 18	165-0268	361	1-C 14	165-0403	373	1-C 15
164-3902	447	1-C 22	164-3977	413	1-C 19	165-0268	363	1-C 14	165-0403	375	1-C 15
164-3903	443	1-C 22	164-3977	421	1-C 20	165-0268	365	1-C 14	165-0403	379	1-C 15
164-3903	445	1-C 22	164-3977	429	1-C 20	165-0268	369	1-C 14	165-0404	365	1-C 14
164-3903	447	1-C 22	164-3978	389	1-C 16	165-0268	373	1-C 15	165-0404	373	1-C 15
164-3904	389	1-C 16	164-3978	397	1-C 17	165-0268	375	1-C 15	165-0414	353	1-C 13
164-3904	397	1-C 17	164-3978	405	1-C 18	165-0268	379	1-C 15	165-0414	355	1-C 13
164-3904	405	1-C 18	164-3978	413	1-C 19	165-0268	381	1-C 16	165-0414	357	1-C 13
164-3904	413	1-C 19	164-3978	421	1-C 20	165-0269	367	1-C 14	165-0414	359	1-C 13
164-3904	421	1-C 20	164-3978	429	1-C 20	165-0269	377	1-C 15	165-0414	473	1-D 1
164-3904	429	1-C 20	164-3982	389	1-C 16	165-0270	361	1-C 14	165-0419	367	1-C 14
164-3905	339	1-C 11	164-3982	397	1-C 17	165-0270	363	1-C 14	165-0419	369	1-C 14
164-3905	459	1-C 23	164-3982	405	1-C 18	165-0270	365	1-C 14	165-0419	377	1-C 15
164-3905	461	1-C 24	164-3982	413	1-C 19	165-0270	367	1-C 14	165-0419	381	1-C 16
164-3905	463	1-C 24	164-3982	421	1-C 20	165-0270	369	1-C 14	165-0420	367	1-C 14
164-3905	465	1-C 24	164-3982	429	1-C 20	165-0270	373	1-C 15	165-0420	377	1-C 15
164-3905	467	1-C 24	164-3983	389	1-C 16	165-0270	375	1-C 15	165-0427	361	1-C 14
164-3905	469	1-C 24	164-3983	397	1-C 17	165-0270	377	1-C 15	165-0427	375	1-C 15
164-3907	443	1-C 22	164-3983	405	1-C 18	165-0270	379	1-C 15	165-0429	363	1-C 14
164-3907	445	1-C 22	164-3983	413	1-C 19	165-0270	381	1-C 16	165-0429	379	1-C 15
164-3907	447	1-C 22	164-3983	421	1-C 20	165-0271	347	1-C 12	165-0430	363	1-C 14
164-3912	443	1-C 22	164-3983	429	1-C 20	165-0271	349	1-C 12	165-0430	379	1-C 15
164-3912	445	1-C 22	164-3984	389	1-C 16	165-0271	355	1-C 13	165-0434	363	1-C 14
164-3912	447	1-C 22	164-3984	397	1-C 17	165-0271	357	1-C 13	165-0434	379	1-C 15
164-3926	443	1-C 22	164-3984	405	1-C 18	165-0272	361	1-C 14	165-0435	363	1-C 14
164-3926	445	1-C 22	164-3984	413	1-C 19	165-0272	363	1-C 14	165-0435	367	1-C 14
164-3926	447	1-C 22	164-3984	421	1-C 20	165-0272	375	1-C 15	165-0435	377	1-C 15
164-3944	495	1-D 3	164-3984	429	1-C 20	165-0272	379	1-C 15	165-0435	379	1-C 15
164-3944	499	1-D 3	164-3985	389	1-C 16	165-0273	361	1-C 14	165-0441	437	1-C 21
164-3944	503	1-D 4	164-3985	397	1-C 17	165-0273	363	1-C 14	165-0463	361	1-C 14
164-3944	507	1-D 4	164-3985	405	1-C 18	165-0273	365	1-C 14	165-0463	363	1-C 14
164-3949	495	1-D 3	164-3985	413	1-C 19	165-0273	373	1-C 15	165-0463	365	1-C 14
164-3949	499	1-D 3	164-3985	421	1-C 20	165-0273	375	1-C 15	165-0463	369	1-C 14
164-3949	503	1-D 4	164-3985	429	1-C 20	165-0273	379	1-C 15	165-0463	373	1-C 15
164-3949	507	1-D 4	164-3987	449	1-C 22	165-0274	367	1-C 14	165-0463	375	1-C 15
164-3950	495	1-D 3	164-3987	451	1-C 23	165-0274	377	1-C 15	165-0463	379	1-C 15
164-3950	499	1-D 3	164-3987	453	1-C 23	165-0275	369	1-C 14	165-0463	381	1-C 16
164-3950	503	1-D 4	164-3987	455	1-C 23	165-0275	381	1-C 16	165-0469	367	1-C 14
164-3950	507	1-D 4	164-3987	457	1-C 23	165-0363	345	1-C 12	165-0469	377	1-C 15
164-3951	495	1-D 3	164-4056	495	1-D 3	165-0363	349	1-C 12	165-0488	361	1-C 14
164-3951	499	1-D 3	164-4056	499	1-D 3	165-0363	353	1-C 13	165-0488	363	1-C 14
164-3951	503	1-D 4	164-4056	503	1-D 4	165-0363	357	1-C 13	165-0488	365	1-C 14
164-3951	507	1-D 4	164-4056	507	1-D 4	165-0365	361	1-C 14	165-0488	367	1-C 14
164-3971	389	1-C 16	164-4057	495	1-D 3	165-0365	375	1-C 15	165-0488	369	1-C 14
164-3971	397	1-C 17	164-4057	499	1-D 3	165-0366	361	1-C 14	165-0488	373	1-C 15
164-3971	405	1-C 18	164-4057	503	1-D 4	165-0366	365	1-C 14	165-0488	375	1-C 15
164-3971	413	1-C 19	164-4057	507	1-D 4	165-0366	373	1-C 15	165-0488	377	1-C 15
164-3971	421	1-C 20	164-4180	345	1-C 12	165-0366	375	1-C 15	165-0488	379	1-C 15
164-3971	429	1-C 20	164-4180	349	1-C 12	165-0367	361	1-C 14	165-0488	381	1-C 16
164-3972	389	1-C 16	164-4180	355	1-C 13	165-0367	363	1-C 14	165-0492	437	1-C 21
164-3972	397	1-C 17	164-4180	357	1-C 13	165-0367	365	1-C 14	165-0496	371	1-C 15
164-3972	405	1-C 18	164-5567	349	1-C 12	165-0367	369	1-C 14	165-0497	367	1-C 14
164-3972	413	1-C 19	164-5567	357	1-C 13	165-0367	373	1-C 15	165-0497	369	1-C 14
164-3972	421	1-C 20	164-5619	345	1-C 12	165-0367	375	1-C 15	165-0497	377	1-C 15
164-3972	429	1-C 20	164-5619	349	1-C 12	165-0367	379	1-C 15	165-0497	381	1-C 16
164-3973	389	1-C 16	164-5619	353	1-C 13	165-0367	381	1-C 16	165-0498	367	1-C 14

INDEX

Part No.	Page	Grid	Part No.	Page	Grid	Part No.	Page	Grid	Part No.	Page	Grid
165-0498	369	1-C 14	166-0670	355	1-C 13	168-1947	831	1-E 13	169-5496	175	1-B 19
165-0498	377	1-C 15	166-0670	357	1-C 13	168-1947	835	1-E 13	169-5496	179	1-B 19
165-0498	381	1-C 16	166-0672	355	1-C 13	168-1948	59	1-B 7	169-5497	175	1-B 19
165-0501	367	1-C 14	166-0672	357	1-C 13	168-1948	217	1-B 23	169-5497	179	1-B 19
165-0501	369	1-C 14	166-0673	371	1-C 15	168-1951	959	1-F 1	169-6323	1101	1-F 16
165-0501	377	1-C 15	166-0673	437	1-C 21	168-1951	961	1-F 2	169-6323	1103	1-F 16
165-0501	381	1-C 16	166-0674	371	1-C 15	168-1951	963	1-F 2	169-6328	1097	1-F 15
165-0504	371	1-C 15	166-0675	371	1-C 15	168-1951	965	1-F 2	169-6328	1099	1-F 15
165-0504	437	1-C 21	166-0675	437	1-C 21	168-1951	991	1-F 5	169-6337	985	1-F 4
165-0507	371	1-C 15	166-1211	311	1-C 9	168-1952	1067	1-F 12	169-6342	1083	1-F 14
165-0507	437	1-C 21	166-1211	959	1-F 1	168-1970	1069	1-F 12	169-6342	1087	1-F 14
165-0508	371	1-C 15	166-1211	961	1-F 2	168-2284	1055	1-F 11	169-6343	1083	1-F 14
165-0508	437	1-C 21	166-1211	963	1-F 2	168-2284	1057	1-F 11	169-6343	1087	1-F 14
165-0510	367	1-C 14	166-1211	965	1-F 2	168-2291	1053	1-F 11	169-6344	1083	1-F 14
165-0510	377	1-C 15	166-1211	999	1-F 5	168-2305	1031	1-F 9	169-6344	1087	1-F 14
165-0511	369	1-C 14	166-1211	1001	1-F 6	168-2305	1033	1-F 9	169-6345	1083	1-F 14
165-0511	381	1-C 16	166-1211	1003	1-F 6	168-2334	1027	1-F 8	169-6345	1087	1-F 14
165-0512	361	1-C 14	166-1211	1005	1-F 6	168-3454	449	1-C 22	169-6346	311	1-C 9
165-0512	363	1-C 14	166-1211	1007	1-F 6	168-4558	495	1-D 3	169-6346	1025	1-F 8
165-0512	365	1-C 14	166-1211	1009	1-F 6	168-4558	499	1-D 3	169-6347	1025	1-F 8
165-0512	367	1-C 14	166-3754	973	1-F 3	168-4558	503	1-D 4	169-6347	1027	1-F 8
165-0512	369	1-C 14	166-3755	973	1-F 3	168-4558	507	1-D 4	169-6351	1065	1-F 12
165-0512	373	1-C 15	166-4553	1027	1-F 8	168-5062	439	1-C 21	169-6362	1017	1-F 7
165-0512	375	1-C 15	166-4555	973	1-F 3	168-5077	61	1-B 8	169-6362	1019	1-F 7
165-0512	377	1-C 15	166-4556	977	1-F 3	168-5077	63	1-B 8	169-6373	985	1-F 4
165-0512	379	1-C 15	166-4556	979	1-F 3	168-5077	75	1-B 9	169-6380	289	1-C 6
165-0512	381	1-C 16	166-4556	985	1-F 4	168-6580	229	1-B 24	169-6380	295	1-C 7
165-0513	361	1-C 14	166-4558	967	1-F 2	168-6581	231	1-C 1	169-6383	1083	1-F 14
165-0513	363	1-C 14	166-4558	969	1-F 2	168-8390	495	1-D 3	169-6383	1087	1-F 14
165-0513	365	1-C 14	166-4568	1097	1-F 15	168-8390	499	1-D 3	169-6384	1021	1-F 8
165-0513	367	1-C 14	166-4570	1097	1-F 15	168-8390	503	1-D 4	169-6385	973	1-F 3
165-0513	369	1-C 14	166-4586	977	1-F 3	168-8390	507	1-D 4	169-6386	973	1-F 3
165-0513	373	1-C 15	166-4586	989	1-F 4	168-8391	495	1-D 3	169-6390	1011	1-F 7
165-0513	375	1-C 15	166-4590	1003	1-F 6	168-8391	499	1-D 3	169-6391	183	1-B 20
165-0513	377	1-C 15	166-4590	1005	1-F 6	168-8391	503	1-D 4	169-6391	1013	1-F 7
165-0513	379	1-C 15	166-4590	1007	1-F 6	168-8391	507	1-D 4	169-6399	1097	1-F 15
165-0513	381	1-C 16	166-4590	1009	1-F 6	169-0013	233	1-C 1	169-6399	1099	1-F 15
165-5973	207	1-B 22	166-4590	1019	1-F 7	169-0017	775	1-E 7	169-8222	263	1-C 4
165-5973	209	1-B 22	166-4595	985	1-F 4	169-0018	775	1-E 7	169-8222	265	1-C 4
165-5973	211	1-B 23	166-4603	977	1-F 3	169-0019	777	1-E 7	169-8223	239	1-C 1
165-7159	515	1-D 5	166-4603	979	1-F 3	169-0034	881	1-E 18	169-8224	629	1-D 16
165-7899	625	1-D 16	166-4608	1011	1-F 7	169-0034	883	1-E 18	169-8224	631	1-D 17
165-7899	631	1-D 17	166-4616	207	1-B 22	169-0034	953	1-F 1	169-8224	633	1-D 17
165-7899	719	1-E 1	166-4616	209	1-B 22	169-0034	955	1-F 1	169-8224	637	1-D 17
165-7902	791	1-E 9	166-4616	211	1-B 23	169-0034	957	1-F 1	169-8225	323	1-C 10
165-7902	797	1-E 9	166-4617	985	1-F 4	169-0063	897	1-E 19	169-8227	183	1-B 20
165-8506	147	1-B 16	166-4623	59	1-B 7	169-0070	883	1-E 18	169-8227	1013	1-F 7
165-8506	623	1-D 16	166-4623	1079	1-F 13	169-0070	899	1-E 19	169-8228	311	1-C 9
165-8506	625	1-D 16	166-5880	475	1-D 1	169-0075	881	1-E 18	169-8229	283	1-C 6
165-8506	629	1-D 16	166-7415	721	1-E 2	169-0075	883	1-E 18	169-8229	313	1-C 9
165-8506	631	1-D 17	166-8055	543	1-D 8	169-0075	885	1-E 18	169-8230	327	1-C 10
165-8537	855	1-E 15	166-8056	543	1-D 8	169-0076	881	1-E 18	169-8230	329	1-C 10
165-8537	857	1-E 15	167-0090	1047	1-F 10	169-0076	957	1-F 1	169-8231	289	1-C 6
165-8537	859	1-E 15	167-1258	1105	1-F 16	169-0077	901	1-E 20	169-8231	293	1-C 7
165-8558	669	1-D 20	167-2181	59	1-B 7	169-0077	905	1-E 20	169-8568	435	1-C 21
165-8558	693	1-D 23	167-2181	319	1-C 9	169-0077	909	1-E 20	169-8568	437	1-C 21
165-8559	57	1-B 7	167-2181	321	1-C 10	169-0077	947	1-E 24	169-8568	473	1-D 1
165-8559	695	1-D 23	167-2182	167	1-B 18	169-0078	947	1-E 24	170-2204	285	1-C 6
165-8563	677	1-D 21	167-2182	169	1-B 18	169-0079	901	1-E 20	170-2204	291	1-C 7
165-8563	781	1-E 8	167-2182	963	1-F 2	169-0079	905	1-E 20	170-2274	881	1-E 18
165-8622	365	1-C 14	167-9524	475	1-D 1	169-0079	909	1-E 20	170-2274	957	1-F 1
165-8622	373	1-C 15	167-9524	477	1-D 1	169-3559	181	1-B 20	170-2285	897	1-E 19
165-8626	367	1-C 14	168-1919	179	1-B 19	169-3560	181	1-B 20	170-2285	909	1-E 20
165-8626	369	1-C 14	168-1919	889	1-E 18	169-3562	175	1-B 19	170-2285	911	1-E 21
165-8626	377	1-C 15	168-1919	895	1-E 19	169-3562	179	1-B 19	170-2287	899	1-E 19
165-8626	381	1-C 16	168-1944	181	1-B 20	169-3562	755	1-E 5	170-2316	869	1-E 16
165-8631	345	1-C 12	168-1944	893	1-E 19	169-3562	759	1-E 5	170-2316	889	1-E 18
165-8631	351	1-C 13	168-1944	895	1-E 19	169-3646	61	1-B 8	170-2316	891	1-E 19
165-8699	371	1-C 15	168-1945	329	1-C 10	169-3646	63	1-B 8	170-2316	893	1-E 19
165-8699	437	1-C 21	168-1946	313	1-C 9	169-3646	65	1-B 8	170-2316	895	1-E 19
166-0668	371	1-C 15	168-1946	961	1-F 2	169-3646	257	1-C 3	170-2330	905	1-E 20
166-0668	471	1-D 1	168-1946	965	1-F 2	169-4228	61	1-B 8	170-2331	905	1-E 20
166-0668	473	1-D 1	168-1947	171	1-B 19	169-4228	63	1-B 8	170-5152	435	1-C 21
166-0670	347	1-C 12	168-1947	827	1-E 12	169-4228	65	1-B 8	170-5152	489	1-D 2
166-0670	349	1-C 12	168-1947	829	1-E 12	169-4228	81	1-B 10	170-5152	491	1-D 3

MT700B SERIES TRACTORS

25
INDEX

Part No.	Page	Grid	Part No.	Page	Grid	Part No.	Page	Grid	Part No.	Page	Grid
170-5739	1071	1-F 13	172-4317	431	1-C 21	173-7718	617	1-D 15	175-3097	449	1-C 22
170-5765	585	1-D 12	172-4499	823	1-E 12	173-7833	437	1-C 21	175-3706	873	1-E 17
170-7252	309	1-C 8	172-4500	825	1-E 12	173-8603	617	1-D 15	175-7450	813	1-E 11
170-7253	995	1-F 5	172-4501	827	1-E 12	173-8604	615	1-D 15	175-7450	849	1-E 14
170-7255	1075	1-F 13	172-4502	829	1-E 12	173-8816	207	1-B 22	175-7513	613	1-D 15
170-7275	437	1-C 21	172-4504	833	1-E 13	173-8816	209	1-B 22	175-7513	619	1-D 15
170-7283	437	1-C 21	172-5559	905	1-E 20	173-8816	211	1-B 23	175-7513	1169	1-F 22
170-7284	437	1-C 21	172-5562	905	1-E 20	173-8817	567	1-D 10	176-0379	213	1-B 23
170-7286	437	1-C 21	172-5563	905	1-E 20	173-8817	569	1-D 10	176-0380	213	1-B 23
170-7287	437	1-C 21	172-6841	293	1-C 7	173-8818	1011	1-F 7	176-0997	543	1-D 8
170-7290	439	1-C 21	172-6841	297	1-C 7	173-8819	567	1-D 10	176-0998	543	1-D 8
170-7291	437	1-C 21	172-6842	1075	1-F 13	173-8819	569	1-D 10	176-0999	543	1-D 8
170-8727	437	1-C 21	172-6844	995	1-F 5	174-1754	115	1-B 13	176-1001	543	1-D 8
171-1229	173	1-B 19	172-6845	995	1-F 5	174-4480	59	1-B 7	176-1002	543	1-D 8
171-1229	179	1-B 19	172-6851	183	1-B 20	174-4480	1139	1-F 19	176-1377	393	1-C 17
171-1576	991	1-F 5	172-6851	1013	1-F 7	174-4480	1141	1-F 20	176-1377	401	1-C 18
171-3721	147	1-B 16	172-6852	183	1-B 20	174-4480	1143	1-F 20	176-1377	409	1-C 18
171-3721	157	1-B 17	172-6852	1013	1-F 7	174-4480	1145	1-F 20	176-1377	417	1-C 19
171-3721	159	1-B 17	172-6853	183	1-B 20	174-4480	1147	1-F 20	176-1377	425	1-C 20
171-3737	139	1-B 15	172-6853	1013	1-F 7	174-4480	1149	1-F 20	176-1377	433	1-C 21
171-3737	147	1-B 16	172-6857	685	1-D 22	174-4480	1151	1-F 21	176-6480	493	1-D 3
171-3737	157	1-B 17	172-6857	961	1-F 2	174-4614	59	1-B 7	176-7118	907	1-E 20
171-3738	159	1-B 17	172-6857	965	1-F 2	174-4614	513	1-D 5	176-7118	915	1-E 21
171-3738	161	1-B 18	172-6858	183	1-B 20	174-5770	977	1-F 3	176-7202	605	1-D 14
171-4001	497	1-D 3	172-6858	1013	1-F 7	174-5770	979	1-F 3	177-0381	287	1-C 6
171-4001	501	1-D 4	172-6863	183	1-B 20	174-5774	1083	1-F 14	177-0381	291	1-C 7
171-4001	503	1-D 4	172-6863	1013	1-F 7	174-5774	1087	1-F 14	177-0385	287	1-C 6
171-4001	507	1-D 4	172-6864	183	1-B 20	174-5788	1083	1-F 14	177-0385	289	1-C 6
171-4004	497	1-D 3	172-6864	1013	1-F 7	174-5788	1087	1-F 14	177-0385	291	1-C 7
171-4004	501	1-D 4	172-6865	183	1-B 20	174-6121	437	1-C 21	177-0388	221	1-B 24
171-4004	503	1-D 4	172-6865	1013	1-F 7	174-6313	555	1-D 9	177-0633	901	1-E 20
171-4004	507	1-D 4	172-6869	1027	1-F 8	174-6318	555	1-D 9	177-0633	905	1-E 20
171-4005	459	1-C 23	172-7968	479	1-D 1	174-6582	437	1-C 21	177-0633	909	1-E 20
171-4005	463	1-C 24	172-8035	279	1-C 5	174-7449	479	1-D 1	177-0639	881	1-E 18
171-4005	481	1-D 2	172-8886	57	1-B 7	174-7872	1105	1-F 16	177-0639	883	1-E 18
171-4010	461	1-C 24	172-8886	593	1-D 13	174-8153	175	1-B 19	177-0639	885	1-E 18
171-4010	465	1-C 24	173-1982	789	1-E 8	174-8153	179	1-B 19	177-0656	869	1-E 16
171-4010	483	1-D 2	173-1982	799	1-E 9	174-8153	755	1-E 5	177-0657	869	1-E 16
171-6135	389	1-C 16	173-2462	463	1-C 24	174-8153	759	1-E 5	177-0658	869	1-E 16
171-6135	397	1-C 17	173-2462	465	1-C 24	174-8822	705	1-D 24	177-0661	869	1-E 16
171-6135	405	1-C 18	173-2462	469	1-C 24	174-9379	443	1-C 22	177-0665	871	1-E 17
171-6135	413	1-C 19	173-2462	473	1-D 1	174-9379	445	1-C 22	177-0665	889	1-E 18
171-6135	421	1-C 20	173-2743	585	1-D 12	174-9379	447	1-C 22	177-0665	891	1-E 19
171-6135	431	1-C 21	173-2744	585	1-D 12	174-9383	391	1-C 17	177-0665	893	1-E 19
171-6138	389	1-C 16	173-2745	165	1-B 18	174-9383	397	1-C 17	177-0665	895	1-E 19
171-6138	397	1-C 17	173-2745	167	1-B 18	174-9383	405	1-C 18	177-0665	897	1-E 19
171-6138	405	1-C 18	173-2745	245	1-C 2	174-9383	413	1-C 19	177-0666	873	1-E 17
171-6138	413	1-C 19	173-4060	1167	1-F 22	174-9383	421	1-C 20	177-0666	893	1-E 19
171-6138	421	1-C 20	173-4472	57	1-B 7	174-9383	431	1-C 21	177-0666	895	1-E 19
171-6138	431	1-C 21	173-4472	1125	1-F 18	174-9389	391	1-C 17	177-0671	881	1-E 18
171-6688	585	1-D 12	173-4472	1127	1-F 18	174-9389	397	1-C 17	177-0671	883	1-E 18
171-6689	585	1-D 12	173-4472	1129	1-F 18	174-9389	407	1-C 18	177-0679	893	1-E 19
171-9687	217	1-B 23	173-4472	1131	1-F 19	174-9389	415	1-C 19	177-3663	665	1-D 20
171-9687	219	1-B 23	173-4472	1133	1-F 19	174-9389	423	1-C 20	177-3664	665	1-D 20
171-9687	1169	1-F 22	173-4472	1135	1-F 19	174-9389	431	1-C 21	177-3666	663	1-D 20
171-9688	217	1-B 23	173-4472	1137	1-F 19	174-9394	435	1-C 21	177-3667	663	1-D 20
171-9688	219	1-B 23	173-5385	437	1-C 21	174-9395	435	1-C 21	177-3668	663	1-D 20
171-9688	1169	1-F 22	173-5386	437	1-C 21	174-9396	435	1-C 21	177-3863	245	1-C 2
171-9773	1167	1-F 22	173-5389	437	1-C 21	174-9397	435	1-C 21	177-4586	529	1-D 6
171-9774	1167	1-F 22	173-5391	437	1-C 21	174-9398	435	1-C 21	177-4588	531	1-D 7
172-1619	443	1-C 22	173-6500	899	1-E 19	174-9399	391	1-C 17	177-4589	649	1-D 18
172-1619	445	1-C 22	173-6500	939	1-E 23	174-9399	397	1-C 17	177-5194	335	1-C 11
172-1619	447	1-C 22	173-6501	325	1-C 10	174-9399	407	1-C 18	177-5244	369	1-C 14
172-1619	1169	1-F 22	173-6501	963	1-F 2	174-9399	415	1-C 19	177-5244	381	1-C 16
172-4316	391	1-C 17	173-6501	965	1-F 2	174-9399	423	1-C 20	177-5251	361	1-C 14
172-4316	397	1-C 17	173-6505	279	1-C 5	174-9399	431	1-C 21	177-5251	375	1-C 15
172-4316	405	1-C 18	173-6506	1075	1-F 13	174-9404	391	1-C 17	177-6776	363	1-C 14
172-4316	413	1-C 19	173-6507	995	1-F 5	174-9404	397	1-C 17	177-6777	365	1-C 14
172-4316	421	1-C 20	173-6509	277	1-C 5	174-9404	407	1-C 18	177-6777	373	1-C 15
172-4316	431	1-C 21	173-6510	249	1-C 2	174-9404	415	1-C 19	177-6797	367	1-C 14
172-4317	391	1-C 17	173-7444	437	1-C 21	174-9404	423	1-C 20	177-6797	377	1-C 15
172-4317	397	1-C 17	173-7504	437	1-C 21	174-9404	431	1-C 21	177-6804	367	1-C 14
172-4317	405	1-C 18	173-7505	437	1-C 21	174-9405	437	1-C 21	177-6804	377	1-C 15
172-4317	413	1-C 19	173-7708	333	1-C 11	175-0198	1105	1-F 16	177-7103	573	1-D 11
172-4317	421	1-C 20	173-7717	615	1-D 15	175-0334	547	1-D 8	177-7104	573	1-D 11

INDEX

Part No.	Page	Grid	Part No.	Page	Grid	Part No.	Page	Grid	Part No.	Page	Grid
177-7107	579	1-D 11	179-6901	685	1-D 22	185-9356	503	1-D 4	189-5907	817	1-E 11
177-9555	705	1-D 24	179-7089	675	1-D 21	185-9356	507	1-D 4	189-5910	769	1-E 6
177-9754	443	1-C 22	179-7089	689	1-D 22	185-9754	705	1-D 24	189-5910	819	1-E 11
177-9754	445	1-C 22	179-7089	691	1-D 23	185-9756	705	1-D 24	189-5911	771	1-E 7
177-9754	447	1-C 22	179-7090	673	1-D 21	185-9771	705	1-D 24	189-5911	821	1-E 12
178-2338	623	1-D 16	179-7090	675	1-D 21	185-9774	705	1-D 24	189-8658	489	1-D 2
178-2339	627	1-D 16	179-7090	775	1-E 7	186-0342	855	1-E 15	189-8658	491	1-D 3
178-2341	625	1-D 16	179-8220	973	1-F 3	186-0342	1169	1-F 22	189-8658	493	1-D 3
178-4950	1153	1-F 21	179-8300	671	1-D 21	186-0346	855	1-E 15	189-8685	57	1-B 7
178-4951	1157	1-F 21	179-8300	673	1-D 21	186-0346	859	1-E 15	189-8685	59	1-B 7
178-4952	1165	1-F 22	179-8300	675	1-D 21	186-0372	855	1-E 15	189-8685	701	1-D 24
178-4953	1161	1-F 22	179-8300	705	1-D 24	186-0372	859	1-E 15	189-8685	703	1-D 24
178-4954	1155	1-F 21	179-8664	785	1-E 8	186-0373	855	1-E 15	189-8931	1109	1-F 16
178-4955	1159	1-F 21	180-0500	837	1-E 13	186-0373	859	1-E 15	189-9384	723	1-E 2
178-4956	1163	1-F 22	180-0500	839	1-E 13	186-0377	855	1-E 15	189-9384	731	1-E 3
178-4958	121	1-B 14	180-0500	841	1-E 14	186-0465	583	1-D 12	189-9386	723	1-E 2
178-6238	1083	1-F 14	180-0500	843	1-E 14	186-0980	941	1-E 24	189-9922	1075	1-F 13
178-6238	1087	1-F 14	180-0500	845	1-E 14	186-0982	903	1-E 20	190-0429	691	1-D 23
178-7157	57	1-B 7	180-0500	847	1-E 14	186-0982	907	1-E 20	190-0434	705	1-D 24
178-7157	797	1-E 9	180-1667	689	1-D 22	186-0982	933	1-E 23	190-0446	705	1-D 24
178-7160	799	1-E 9	180-2519	689	1-D 22	186-0982	937	1-E 23	190-4949	487	1-D 2
178-7162	747	1-E 4	180-2825	1083	1-F 14	186-0983	935	1-E 23	190-5600	147	1-B 16
178-7197	705	1-D 24	180-2825	1087	1-F 14	186-0983	937	1-E 23	190-5600	157	1-B 17
178-7574	605	1-D 14	180-2826	721	1-E 2	186-0984	885	1-E 18	190-5600	587	1-D 12
178-7925	81	1-B 10	180-3725	1111	1-F 17	186-0985	887	1-E 18	190-5600	589	1-D 12
178-7945	221	1-B 24	180-3992	537	1-D 7	186-0986	953	1-F 1	190-5601	587	1-D 12
178-7952	971	1-F 3	180-4827	769	1-E 6	186-0987	955	1-F 1	190-6229	159	1-B 17
178-7953	1097	1-F 15	180-4828	771	1-E 7	186-0988	935	1-E 23	190-6501	807	1-E 10
178-7953	1099	1-F 15	180-5237	1011	1-F 7	186-0991	933	1-E 23	190-6501	809	1-E 10
178-7954	1097	1-F 15	180-5239	985	1-F 4	186-0991	937	1-E 23	190-8326	1083	1-F 14
178-7954	1099	1-F 15	180-5244	287	1-C 6	186-0992	933	1-E 23	190-8326	1087	1-F 14
178-7955	1097	1-F 15	180-5244	291	1-C 7	186-0993	933	1-E 23	190-8423	159	1-B 17
178-7957	287	1-C 6	180-5485	705	1-D 24	186-1005	953	1-F 1	190-8424	159	1-B 17
178-7957	291	1-C 7	180-5572	395	1-C 17	186-1011	955	1-F 1	190-8425	159	1-B 17
178-7974	985	1-F 4	180-5932	583	1-D 12	186-1012	953	1-F 1	190-8754	1083	1-F 14
178-8046	533	1-D 7	180-6240	1029	1-F 8	186-1012	955	1-F 1	190-8754	1087	1-F 14
178-8047	535	1-D 7	180-7174	749	1-E 4	186-1019	935	1-E 23	191-1912	391	1-C 17
178-9024	59	1-B 7	180-9959	1081	1-F 14	186-1019	937	1-E 23	191-1912	397	1-C 17
178-9024	697	1-D 23	180-9966	967	1-F 2	186-1020	933	1-E 23	191-1912	407	1-C 18
178-9024	699	1-D 23	180-9966	969	1-F 2	186-1020	935	1-E 23	191-1912	415	1-C 19
178-9090	315	1-C 9	180-9998	751	1-E 5	186-1020	937	1-E 23	191-1912	423	1-C 20
178-9090	319	1-C 9	180-9999	677	1-D 21	186-3604	587	1-D 12	191-1912	431	1-C 21
178-9244	1065	1-F 12	183-1215	773	1-E 7	186-3735	493	1-D 3	191-3096	519	1-D 5
178-9245	1065	1-F 12	183-4241	691	1-D 23	186-3735	1101	1-F 16	191-5319	345	1-C 12
179-0090	1081	1-F 14	183-7177	677	1-D 21	187-3065	383	1-C 16	191-5319	353	1-C 13
179-2957	1083	1-F 14	183-7177	813	1-E 11	187-3065	385	1-C 16	191-6944	751	1-E 5
179-2957	1087	1-F 14	184-0790	615	1-D 15	187-3065	479	1-D 1	191-8006	1111	1-F 17
179-3241	513	1-D 5	184-0790	617	1-D 15	187-3185	705	1-D 24	191-8007	1111	1-F 17
179-3241	547	1-D 8	184-1704	1083	1-F 14	187-3369	487	1-D 2	191-8303	383	1-C 16
179-4203	1055	1-F 11	184-1704	1087	1-F 14	187-4896	1053	1-F 11	191-8303	385	1-C 16
179-4203	1057	1-F 11	184-2472	315	1-C 9	187-4906	985	1-F 4	191-8304	383	1-C 16
179-4204	291	1-C 7	184-2472	319	1-C 9	187-4921	985	1-F 4	191-8304	385	1-C 16
179-4206	1011	1-F 7	184-4353	659	1-D 19	187-5245	705	1-D 24	192-0976	585	1-D 12
179-4207	565	1-D 10	184-4353	661	1-D 20	187-5246	705	1-D 24	192-4336	659	1-D 19
179-4207	1011	1-F 7	184-5056	949	1-E 24	187-8001	727	1-E 2	192-4336	661	1-D 20
179-4217	1097	1-F 15	184-5056	951	1-F 1	187-8001	729	1-E 2	192-4761	539	1-D 7
179-4221	985	1-F 4	184-5059	949	1-E 24	187-9017	705	1-D 24	192-4776	127	1-B 14
179-4223	985	1-F 4	184-5063	933	1-E 23	187-9020	691	1-D 23	192-4777	127	1-B 14
179-4225	985	1-F 4	184-5063	935	1-E 23	188-1155	1111	1-F 17	192-5590	961	1-F 2
179-4227	183	1-B 20	184-5063	937	1-E 23	188-2616	593	1-D 13	192-5590	963	1-F 2
179-4227	1013	1-F 7	184-5352	693	1-D 23	188-3642	741	1-E 4	192-5590	965	1-F 2
179-5810	901	1-E 20	184-5356	525	1-D 6	188-6257	139	1-B 15	192-5590	1041	1-F 10
179-5810	909	1-E 20	184-5357	525	1-D 6	188-6258	139	1-B 15	192-5592	1039	1-F 9
179-5811	901	1-E 20	184-5357	527	1-D 6	188-9759	487	1-D 2	192-5602	391	1-C 17
179-5811	909	1-E 20	184-6717	609	1-D 14	188-9915	923	1-E 22	192-5602	401	1-C 18
179-5812	887	1-E 18	184-6717	611	1-D 15	189-1711	615	1-D 15	192-5602	409	1-C 18
179-5813	887	1-E 18	184-6717	647	1-D 18	189-1711	617	1-D 15	192-5602	417	1-C 19
179-5820	905	1-E 20	184-7045	543	1-D 8	189-3164	615	1-D 15	192-5602	425	1-C 20
179-5822	873	1-E 17	185-1512	147	1-B 16	189-3164	617	1-D 15	192-5602	433	1-C 21
179-5822	1169	1-F 22	185-2151	1065	1-F 12	189-3296	933	1-E 23	192-6366	689	1-D 22
179-5830	905	1-E 20	185-2151	1169	1-F 22	189-3296	935	1-E 23	192-6367	103	1-B 12
179-5849	873	1-E 17	185-7408	437	1-C 21	189-3296	937	1-E 23	192-6368	669	1-D 20
179-5851	905	1-E 20	185-8617	549	1-D 8	189-5906	811	1-E 11	192-6368	853	1-E 15
179-6897	685	1-D 22	185-9356	497	1-D 3	189-5906	833	1-E 13	192-6371	687	1-D 22
179-6899	685	1-D 22	185-9356	501	1-D 4	189-5907	773	1-E 7	192-6372	687	1-D 22

MT700B SERIES TRACTORS

27
INDEX

Part No.	Page	Grid	Part No.	Page	Grid	Part No.	Page	Grid	Part No.	Page	Grid
192-6374	101	1-B 12	194-9563	407	1-C 18	196-4623	729	1-E 2	198-5376	623	1-D 16
192-6380	671	1-D 21	194-9563	415	1-C 19	196-4623	737	1-E 3	198-5376	629	1-D 16
192-6380	777	1-E 7	194-9563	423	1-C 20	196-5063	737	1-E 3	198-5377	625	1-D 16
192-7900	621	1-D 16	194-9563	431	1-C 21	196-5065	737	1-E 3	198-5377	631	1-D 17
192-7901	621	1-D 16	194-9564	393	1-C 17	197-1341	785	1-E 8	198-5378	627	1-D 16
192-8859	731	1-E 3	194-9564	401	1-C 18	197-2996	1079	1-F 13	198-5378	633	1-D 17
192-8863	721	1-E 2	194-9564	409	1-C 18	197-2997	1079	1-F 13	198-5378	635	1-D 17
192-8863	725	1-E 2	194-9564	417	1-C 19	197-2998	1079	1-F 13	198-5378	637	1-D 17
192-8863	733	1-E 3	194-9564	425	1-C 20	197-2999	1079	1-F 13	198-7441	921	1-E 22
192-8864	721	1-E 2	194-9564	433	1-C 21	197-3000	1079	1-F 13	198-7441	925	1-E 22
192-8864	725	1-E 2	194-9565	393	1-C 17	197-3000	1081	1-F 14	198-7441	929	1-E 22
192-8865	725	1-E 2	194-9565	401	1-C 18	197-3001	1081	1-F 14	198-7445	921	1-E 22
192-8865	739	1-E 3	194-9565	409	1-C 18	197-3003	1081	1-F 14	198-7445	925	1-E 22
192-8870	733	1-E 3	194-9565	417	1-C 19	197-3006	1081	1-F 14	198-7445	929	1-E 22
192-8871	739	1-E 3	194-9565	425	1-C 20	197-3007	1081	1-F 14	199-2914	921	1-E 22
192-9017	973	1-F 3	194-9565	433	1-C 21	197-3012	1081	1-F 14	199-2914	925	1-E 22
192-9242	391	1-C 17	195-1101	659	1-D 19	197-3013	1081	1-F 14	199-2914	929	1-E 22
192-9242	399	1-C 17	195-1101	661	1-D 20	197-3018	1081	1-F 14	199-2915	921	1-E 22
192-9242	407	1-C 18	195-1102	659	1-D 19	197-3023	1081	1-F 14	199-2915	925	1-E 22
192-9242	415	1-C 19	195-1102	661	1-D 20	197-3083	985	1-F 4	199-2915	929	1-E 22
192-9242	423	1-C 20	195-2612	1073	1-F 13	197-3738	497	1-D 3	199-3432	149	1-B 16
192-9242	431	1-C 21	195-3333	497	1-D 3	197-3738	501	1-D 4	199-3433	143	1-B 16
193-1701	345	1-C 12	195-3333	501	1-D 4	197-3738	505	1-D 4	199-3433	153	1-B 17
193-1701	349	1-C 12	195-3333	505	1-D 4	197-3738	509	1-D 4	199-3433	157	1-B 17
193-1701	353	1-C 13	195-3333	509	1-D 4	197-4523	1061	1-F 12	199-3440	157	1-B 17
193-1701	357	1-C 13	195-3335	497	1-D 3	197-4524	1061	1-F 12	199-3440	627	1-D 16
193-4059	347	1-C 12	195-3335	501	1-D 4	197-4527	1061	1-F 12	199-3440	633	1-D 17
193-4059	349	1-C 12	195-3335	505	1-D 4	197-4527	1063	1-F 12	199-3440	635	1-D 17
193-5915	541	1-D 8	195-3335	509	1-D 4	197-4529	1061	1-F 12	199-3440	637	1-D 17
193-8505	615	1-D 15	195-3949	437	1-C 21	197-4529	1063	1-F 12	199-7107	393	1-C 17
193-8505	617	1-D 15	195-3950	445	1-C 22	197-4550	1061	1-F 12	199-7107	401	1-C 18
193-8506	615	1-D 15	195-3950	483	1-D 2	197-4550	1063	1-F 12	199-7107	409	1-C 18
193-8506	617	1-D 15	195-3951	445	1-C 22	197-4762	583	1-D 12	199-7107	417	1-C 19
194-0546	497	1-D 3	195-3953	445	1-C 22	197-4764	583	1-D 12	199-7107	425	1-C 20
194-0546	501	1-D 4	195-4531	481	1-D 2	197-4766	583	1-D 12	199-7107	433	1-C 21
194-0546	503	1-D 4	195-4531	483	1-D 2	197-4774	565	1-D 10	199-7178	443	1-C 22
194-0546	507	1-D 4	195-4531	485	1-D 2	197-4774	571	1-D 11	199-7178	445	1-C 22
194-0633	443	1-C 22	195-4531	495	1-D 3	197-5030	901	1-E 20	199-7178	447	1-C 22
194-0635	443	1-C 22	195-4531	497	1-D 3	197-5030	905	1-E 20	199-8159	387	1-C 16
194-0635	445	1-C 22	195-4531	499	1-D 3	197-5030	935	1-E 23	199-8159	389	1-C 16
194-0635	447	1-C 22	195-4531	501	1-D 4	197-5032	909	1-E 20	199-8159	391	1-C 17
194-0636	443	1-C 22	195-4531	503	1-D 4	197-5032	937	1-E 23	199-8159	393	1-C 17
194-0636	445	1-C 22	195-4531	505	1-D 4	197-5033	905	1-E 20	199-8159	395	1-C 17
194-0636	447	1-C 22	195-4531	507	1-D 4	197-5034	905	1-E 20	199-8159	397	1-C 17
194-0637	443	1-C 22	195-4531	509	1-D 4	197-5852	1083	1-F 14	199-8159	399	1-C 17
194-0638	443	1-C 22	195-4773	443	1-C 22	197-5852	1087	1-F 14	199-8159	401	1-C 18
194-3507	445	1-C 22	195-4773	445	1-C 22	197-7314	391	1-C 17	199-8159	403	1-C 18
194-3690	587	1-D 12	195-4773	447	1-C 22	197-7314	399	1-C 17	199-8159	405	1-C 18
194-4163	723	1-E 2	195-4773	451	1-C 23	197-7314	407	1-C 18	199-8159	407	1-C 18
194-4426	941	1-E 24	195-4773	453	1-C 23	197-7314	415	1-C 19	199-8159	409	1-C 18
194-4427	941	1-E 24	195-4773	455	1-C 23	197-7314	423	1-C 20	199-8159	411	1-C 19
194-4428	941	1-E 24	195-4773	457	1-C 23	197-7314	431	1-C 21	199-8159	413	1-C 19
194-4428	943	1-E 24	195-4773	497	1-D 3	197-7315	391	1-C 17	199-8159	415	1-C 19
194-4428	945	1-E 24	195-4773	501	1-D 4	197-7315	399	1-C 17	199-8159	417	1-C 19
194-4429	941	1-E 24	195-4773	505	1-D 4	197-7315	407	1-C 18	199-8159	419	1-C 19
194-4429	943	1-E 24	195-4773	509	1-D 4	197-7315	415	1-C 19	199-8159	421	1-C 20
194-4429	945	1-E 24	195-5227	973	1-F 3	197-8132	149	1-B 16	199-8159	423	1-C 20
194-4430	941	1-E 24	195-5228	973	1-F 3	197-8132	151	1-B 17	199-8159	425	1-C 20
194-4431	941	1-E 24	195-5228	975	1-F 3	197-8132	153	1-B 17	199-8159	427	1-C 20
194-4432	941	1-E 24	195-5229	973	1-F 3	197-8132	157	1-B 17	199-8159	429	1-C 20
194-4433	941	1-E 24	195-5230	973	1-F 3	197-8132	163	1-B 18	199-8159	431	1-C 21
194-4434	941	1-E 24	195-9532	309	1-C 8	197-8133	141	1-B 16	199-8159	433	1-C 21
194-4435	941	1-E 24	195-9633	529	1-D 6	197-8133	149	1-B 16	199-8159	481	1-D 2
194-4436	941	1-E 24	195-9633	531	1-D 7	197-8133	151	1-B 17	199-8159	483	1-D 2
194-4437	941	1-E 24	195-9633	533	1-D 7	197-8661	497	1-D 3	199-8159	485	1-D 2
194-4438	941	1-E 24	195-9633	535	1-D 7	197-8661	501	1-D 4	199-9214	447	1-C 22
194-7086	441	1-C 22	195-9633	1169	1-F 22	197-8661	505	1-D 4	199-9215	447	1-C 22
194-7086	443	1-C 22	196-4234	709	1-D 24	197-8661	509	1-D 4	199-9216	447	1-C 22
194-7086	481	1-D 2	196-4234	727	1-E 2	197-9466	445	1-C 22	199-9217	447	1-C 22
194-7768	497	1-D 3	196-4235	727	1-E 2	197-9466	447	1-C 22	199-9217	485	1-D 2
194-7768	501	1-D 4	196-4235	729	1-E 2	198-3152	541	1-D 8	199-9254	103	1-B 12
194-7768	503	1-D 4	196-4235	861	1-E 16	198-4070	979	1-F 3	199-9256	103	1-B 12
194-7768	507	1-D 4	196-4236	727	1-E 2	198-4474	1113	1-F 17	199-9259	101	1-B 12
194-9563	391	1-C 17	196-4244	709	1-D 24	198-4475	1113	1-F 17	199-9260	101	1-B 12
194-9563	399	1-C 17	196-4249	861	1-E 16	198-4477	1113	1-F 17	199-9261	101	1-B 12

INDEX

Part No.	Page	Grid	Part No.	Page	Grid	Part No.	Page	Grid	Part No.	Page	Grid
2A-3746	393	1-C 17	2P-8987	377	1-C 15	200-5013	627	1-D 16	201-6701	883	1-E 18
2A-3746	401	1-C 18	2P-8987	379	1-C 15	200-5015	463	1-C 24	201-6701	953	1-F 1
2A-3746	409	1-C 18	2P-8987	381	1-C 16	200-5015	629	1-D 16	201-6701	955	1-F 1
2A-3746	417	1-C 19	2S-2978	391	1-C 17	200-5015	631	1-D 17	201-6701	957	1-F 1
2A-3746	425	1-C 20	2S-2978	399	1-C 17	200-5017	465	1-C 24	201-8282	165	1-B 18
2A-3746	433	1-C 21	2S-2978	407	1-C 18	200-5017	633	1-D 17	201-8282	167	1-B 18
2A-3746	449	1-C 22	2S-2978	415	1-C 19	200-6160	89	1-B 10	201-8320	1081	1-F 14
2A-3746	453	1-C 23	2S-2978	423	1-C 20	200-6232	629	1-D 16	201-8321	1081	1-F 14
2A-4576	389	1-C 16	2S-2978	431	1-C 21	200-6233	633	1-D 17	201-8343	881	1-E 18
2A-4576	397	1-C 17	2S-4078	383	1-C 16	200-6376	263	1-C 4	201-8343	957	1-F 1
2A-4576	405	1-C 18	2S-4078	385	1-C 16	200-6376	265	1-C 4	201-8438	1079	1-F 13
2A-4576	413	1-C 19	2S-4663	479	1-D 1	200-6476	567	1-D 10	201-9041	195	1-B 21
2A-4576	421	1-C 20	2S-5835	479	1-D 1	200-6476	569	1-D 10	201-9789	973	1-F 3
2A-4576	429	1-C 20	2W-9533	437	1-C 21	200-8706	881	1-E 18	201-9925	551	1-D 9
2D-6642	437	1-C 21	200-0004	913	1-E 21	200-8706	957	1-F 1	201-9925	627	1-D 16
2D-6642	1169	1-F 22	200-0005	915	1-E 21	200-8720	883	1-E 18	201-9925	633	1-D 17
2D-9190	495	1-D 3	200-0006	957	1-F 1	200-8730	883	1-E 18	201-9926	553	1-D 9
2D-9190	499	1-D 3	200-0007	901	1-E 20	200-8739	883	1-E 18	201-9926	623	1-D 16
2D-9190	503	1-D 4	200-0007	905	1-E 20	200-8740	883	1-E 18	201-9926	625	1-D 16
2D-9190	507	1-D 4	200-0007	909	1-E 20	200-8746	883	1-E 18	201-9926	629	1-D 16
2H-3920	1101	1-F 16	200-0007	933	1-E 23	200-8748	883	1-E 18	201-9926	631	1-D 17
2H-4145	721	1-E 2	200-0009	901	1-E 20	200-8750	883	1-E 18	201-9929	551	1-D 9
2J-2152	445	1-C 22	200-0010	909	1-E 20	200-8757	881	1-E 18	201-9929	553	1-D 9
2J-2152	447	1-C 22	200-1770	973	1-F 3	200-8757	957	1-F 1	201-9929	641	1-D 18
2J-2476	445	1-C 22	200-1771	973	1-F 3	200-8758	881	1-E 18	201-9930	551	1-D 9
2J-2476	447	1-C 22	200-4193	443	1-C 22	200-8758	957	1-F 1	201-9931	553	1-D 9
2J-7227	389	1-C 16	200-4193	445	1-C 22	200-8764	901	1-E 20	201-9933	361	1-C 14
2J-7227	397	1-C 17	200-4193	447	1-C 22	200-8764	907	1-E 20	201-9933	363	1-C 14
2J-7227	405	1-C 18	200-4193	451	1-C 23	200-8764	909	1-E 20	201-9933	365	1-C 14
2J-7227	413	1-C 19	200-4193	453	1-C 23	200-8769	951	1-F 1	201-9933	367	1-C 14
2J-7227	421	1-C 20	200-4193	455	1-C 23	201-0030	567	1-D 10	201-9933	369	1-C 14
2J-7227	429	1-C 20	200-4193	457	1-C 23	201-0030	569	1-D 10	201-9933	373	1-C 15
2K-1381	391	1-C 17	200-4194	443	1-C 22	201-0486	239	1-C 1	201-9933	375	1-C 15
2K-1381	399	1-C 17	200-4194	445	1-C 22	201-0487	239	1-C 1	201-9933	377	1-C 15
2K-1381	407	1-C 18	200-4194	447	1-C 22	201-0709	61	1-B 8	201-9933	379	1-C 15
2K-1381	415	1-C 19	200-4194	451	1-C 23	201-0709	63	1-B 8	201-9933	381	1-C 16
2K-1381	423	1-C 20	200-4194	453	1-C 23	201-0709	65	1-B 8	202-0844	311	1-C 9
2K-1381	431	1-C 21	200-4194	455	1-C 23	201-0709	117	1-B 13	202-0848	985	1-F 4
2M-4453	345	1-C 12	200-4194	457	1-C 23	201-1186	985	1-F 4	202-0951	77	1-B 9
2M-4453	355	1-C 13	200-4322	693	1-D 23	201-2440	167	1-B 18	202-0951	1169	1-F 22
2M-5685	389	1-C 16	200-4325	681	1-D 22	201-2497	109	1-B 12	202-2027	61	1-B 8
2M-5685	397	1-C 17	200-4327	681	1-D 22	201-2497	111	1-B 13	202-2027	63	1-B 8
2M-5685	405	1-C 18	200-4329	681	1-D 22	201-3705	163	1-B 18	202-2027	65	1-B 8
2M-5685	413	1-C 19	200-4335	667	1-D 20	201-3710	161	1-B 18	202-2027	83	1-B 10
2M-5685	421	1-C 20	200-4337	689	1-D 22	201-4113	973	1-F 3	202-2070	61	1-B 8
2M-5685	429	1-C 20	200-4350	57	1-B 7	201-4114	973	1-F 3	202-2070	63	1-B 8
2M-9780	345	1-C 12	200-4350	59	1-B 7	201-4653	107	1-B 12	202-2070	65	1-B 8
2M-9780	347	1-C 12	200-4350	681	1-D 22	201-4665	61	1-B 8	202-2070	77	1-B 9
2M-9780	349	1-C 12	200-4351	681	1-D 22	201-4665	97	1-B 11	202-2155	61	1-B 8
2M-9780	351	1-C 13	200-4353	693	1-D 23	201-5067	567	1-D 10	202-2155	63	1-B 8
2M-9780	353	1-C 13	200-4357	853	1-E 15	201-5067	569	1-D 10	202-2155	65	1-B 8
2M-9780	355	1-C 13	200-4358	667	1-D 20	201-5068	583	1-D 12	202-2155	109	1-B 12
2M-9780	357	1-C 13	200-4358	669	1-D 20	201-5073	213	1-B 23	202-2354	689	1-D 22
2M-9780	359	1-C 13	200-4360	59	1-B 7	201-5073	215	1-B 23	202-2355	575	1-D 11
2M-9780	721	1-E 2	200-4360	687	1-D 22	201-5074	539	1-D 7	202-2359	569	1-D 10
2N-2138	345	1-C 12	200-4362	689	1-D 22	201-5074	565	1-D 10	202-2359	573	1-D 11
2N-2138	349	1-C 12	200-4365	775	1-E 7	201-5074	569	1-D 10	202-4400	109	1-B 12
2N-2138	353	1-C 13	200-4366	775	1-E 7	201-5075	539	1-D 7	202-4870	587	1-D 12
2N-2138	357	1-C 13	200-4369	775	1-E 7	201-5076	539	1-D 7	202-7319	567	1-D 10
2N-2139	361	1-C 14	200-4370	57	1-B 7	201-5077	539	1-D 7	202-7319	569	1-D 10
2N-2139	375	1-C 15	200-4370	59	1-B 7	201-5078	539	1-D 7	202-7320	211	1-B 23
2P-1692	383	1-C 16	200-4370	669	1-D 20	201-5084	567	1-D 10	202-7591	943	1-E 24
2P-1692	385	1-C 16	200-4375	681	1-D 22	201-5084	569	1-D 10	202-7592	945	1-E 24
2P-1692	435	1-C 21	200-4376	689	1-D 22	201-5085	567	1-D 10	202-7601	943	1-E 24
2P-8986	345	1-C 12	200-4377	687	1-D 22	201-5085	569	1-D 10	202-7602	945	1-E 24
2P-8986	349	1-C 12	200-4378	687	1-D 22	201-5090	567	1-D 10	202-8043	567	1-D 10
2P-8986	353	1-C 13	200-4381	687	1-D 22	201-5090	569	1-D 10	202-8043	569	1-D 10
2P-8986	357	1-C 13	200-4383	687	1-D 22	201-5093	575	1-D 11	202-9219	515	1-D 5
2P-8987	361	1-C 14	200-4391	689	1-D 22	201-5094	575	1-D 11	202-9219	519	1-D 5
2P-8987	363	1-C 14	200-4398	683	1-D 22	201-5096	1123	1-F 18	202-9219	523	1-D 6
2P-8987	365	1-C 14	200-4398	687	1-D 22	201-5513	165	1-B 18	202-9220	517	1-D 5
2P-8987	367	1-C 14	200-5011	459	1-C 23	201-5513	167	1-B 18	202-9220	519	1-D 5
2P-8987	369	1-C 14	200-5011	623	1-D 16	201-5743	115	1-B 13	202-9220	521	1-D 6
2P-8987	373	1-C 15	200-5011	625	1-D 16	201-5744	115	1-B 13	202-9220	523	1-D 6
2P-8987	375	1-C 15	200-5013	461	1-C 24	201-6701	881	1-E 18	202-9220	525	1-D 6

MT700B SERIES TRACTORS

29
INDEX

Part No.	Page	Grid	Part No.	Page	Grid	Part No.	Page	Grid	Part No.	Page	Grid
202-9220	1169	1-F 22	204-7472	587	1-D 12	205-5833	929	1-E 22	207-0745	785	1-E 8
202-9223	517	1-D 5	204-7872	589	1-D 12	205-5834	773	1-E 7	207-1608	99	1-B 11
202-9223	519	1-D 5	204-7873	589	1-D 12	205-5834	817	1-E 11	207-2021	1011	1-F 7
202-9223	521	1-D 6	204-9024	873	1-E 17	205-5834	929	1-E 22	207-2022	1011	1-F 7
202-9223	523	1-D 6	204-9024	875	1-E 17	205-6009	921	1-E 22	207-2031	127	1-B 14
202-9223	525	1-D 6	204-9733	613	1-D 15	205-6009	925	1-E 22	207-2031	1011	1-F 7
202-9223	1169	1-F 22	204-9733	619	1-D 15	205-6009	929	1-E 22	207-2036	1097	1-F 15
202-9724	115	1-B 13	204-9922	585	1-D 12	205-6297	117	1-B 13	207-2036	1099	1-F 15
202-9981	557	1-D 9	205-0984	921	1-E 22	205-6399	729	1-E 2	207-2038	1041	1-F 10
202-9981	559	1-D 9	205-0984	925	1-E 22	205-7243	705	1-D 24	207-2041	1083	1-F 14
202-9982	557	1-D 9	205-0984	929	1-E 22	205-7384	487	1-D 2	207-2041	1087	1-F 14
202-9982	559	1-D 9	205-1090	921	1-E 22	205-8334	549	1-D 8	207-5346	555	1-D 9
202-9985	557	1-D 9	205-1090	925	1-E 22	205-8771	201	1-B 22	207-7534	1139	1-F 19
202-9985	559	1-D 9	205-1090	929	1-E 22	205-8771	1169	1-F 22	207-7573	909	1-E 20
202-9986	139	1-B 15	205-1746	451	1-C 23	205-8772	203	1-B 22	207-8218	351	1-C 13
202-9987	139	1-B 15	205-1746	453	1-C 23	205-8772	1169	1-F 22	207-8218	353	1-C 13
202-9991	557	1-D 9	205-1746	455	1-C 23	205-8790	1113	1-F 17	207-8218	357	1-C 13
202-9991	559	1-D 9	205-1747	451	1-C 23	205-8795	555	1-D 9	207-8227	1139	1-F 19
202-9993	139	1-B 15	205-1747	453	1-C 23	206-0489	101	1-B 12	208-0384	589	1-D 12
202-9994	557	1-D 9	205-1747	455	1-C 23	206-0491	101	1-B 12	208-0559	657	1-D 19
202-9994	559	1-D 9	205-1747	457	1-C 23	206-0515	631	1-D 17	208-0560	639	1-D 17
203-2483	115	1-B 13	205-1748	451	1-C 23	206-0578	1039	1-F 9	208-0560	657	1-D 19
203-2618	61	1-B 8	205-1748	453	1-C 23	206-0579	1041	1-F 10	208-2405	587	1-D 12
203-2618	63	1-B 8	205-1748	455	1-C 23	206-0580	1041	1-F 10	208-2406	587	1-D 12
203-2618	65	1-B 8	205-1751	451	1-C 23	206-0581	1039	1-F 9	208-2879	959	1-F 1
203-2618	133	1-B 15	205-1751	453	1-C 23	206-0581	1041	1-F 10	208-2879	961	1-F 2
203-2619	61	1-B 8	205-1751	455	1-C 23	206-0582	1039	1-F 9	208-2879	1035	1-F 9
203-2619	63	1-B 8	205-1752	451	1-C 23	206-0582	1041	1-F 10	208-2882	963	1-F 2
203-2619	65	1-B 8	205-1752	453	1-C 23	206-0583	1041	1-F 10	208-2882	965	1-F 2
203-2619	129	1-B 14	205-1752	455	1-C 23	206-0584	1041	1-F 10	208-2882	1037	1-F 9
203-2783	923	1-E 22	205-1752	457	1-C 23	206-0585	1039	1-F 9	208-2984	347	1-C 12
203-2783	925	1-E 22	205-1755	443	1-C 22	206-0586	1039	1-F 9	208-2984	351	1-C 13
203-2783	929	1-E 22	205-1756	443	1-C 22	206-0588	961	1-F 2	208-2984	353	1-C 13
203-2792	603	1-D 14	205-4631	223	1-B 24	206-0588	965	1-F 2	208-2984	357	1-C 13
203-2793	605	1-D 14	205-4631	635	1-D 17	206-0588	1043	1-F 10	208-3021	513	1-D 5
203-2794	605	1-D 14	205-4631	637	1-D 17	206-0589	1043	1-F 10	208-3021	549	1-D 8
203-5506	97	1-B 11	205-4632	223	1-B 24	206-0591	1039	1-F 9	208-3048	587	1-D 12
203-5564	1047	1-F 10	205-4633	223	1-B 24	206-0591	1041	1-F 10	208-3930	165	1-B 18
203-5564	1049	1-F 10	205-4634	223	1-B 24	206-0594	813	1-E 11	208-3930	167	1-B 18
203-5796	141	1-B 16	205-4636	589	1-D 12	206-0594	815	1-E 11	208-5962	63	1-B 8
203-5796	143	1-B 16	205-4637	589	1-D 12	206-0596	695	1-D 23	208-5962	65	1-B 8
203-5799	141	1-B 16	205-5368	117	1-B 13	206-0601	789	1-E 8	208-5962	99	1-B 11
203-5799	143	1-B 16	205-5819	825	1-E 12	206-0603	791	1-E 9	208-6110	131	1-B 15
203-6604	1113	1-F 17	205-5819	921	1-E 22	206-0604	791	1-E 9	208-6931	217	1-B 23
203-6716	905	1-E 20	205-5819	923	1-E 22	206-0616	701	1-D 24	208-6931	219	1-B 23
203-6965	985	1-F 4	205-5820	921	1-E 22	206-0617	701	1-D 24	208-9495	539	1-D 7
203-6966	985	1-F 4	205-5821	921	1-E 22	206-0631	701	1-D 24	208-9496	539	1-D 7
203-7081	145	1-B 16	205-5822	921	1-E 22	206-1475	921	1-E 22	209-0893	315	1-C 9
203-7082	145	1-B 16	205-5823	921	1-E 22	206-1475	925	1-E 22	209-0893	319	1-C 9
203-7082	147	1-B 16	205-5824	829	1-E 12	206-1475	929	1-E 22	209-3396	69	1-B 8
203-7082	157	1-B 17	205-5824	925	1-E 22	206-2941	781	1-E 8	209-4481	1103	1-F 16
203-7787	1113	1-F 17	205-5824	927	1-E 22	206-2941	783	1-E 8	209-4482	1103	1-F 16
203-8646	545	1-D 8	205-5825	771	1-E 7	206-4639	105	1-B 12	209-4577	115	1-B 13
203-8647	545	1-D 8	205-5825	821	1-E 12	206-4642	105	1-B 12	209-6295	541	1-D 8
203-9178	511	1-D 5	205-5825	925	1-E 22	206-4643	105	1-B 12	209-7359	857	1-E 15
203-9178	561	1-D 10	205-5826	771	1-E 7	206-4650	883	1-E 18	209-7496	837	1-E 13
203-9179	513	1-D 5	205-5826	821	1-E 12	206-4650	1169	1-F 22	209-7497	819	1-E 11
203-9179	563	1-D 10	205-5826	925	1-E 22	206-4706	141	1-B 16	209-7497	841	1-E 14
203-9183	563	1-D 10	205-5827	771	1-E 7	206-4706	143	1-B 16	209-7497	843	1-E 14
203-9184	561	1-D 10	205-5827	821	1-E 12	206-4707	141	1-B 16	209-7498	821	1-E 12
203-9200	561	1-D 10	205-5827	925	1-E 22	206-4707	143	1-B 16	209-7499	817	1-E 11
203-9200	563	1-D 10	205-5828	771	1-E 7	206-4714	135	1-B 15	209-7599	857	1-E 15
203-9200	587	1-D 12	205-5828	821	1-E 12	206-4714	149	1-B 16	209-8430	993	1-F 5
203-9200	1169	1-F 22	205-5828	925	1-E 22	206-4714	151	1-B 17	209-8704	1015	1-F 7
203-9712	1113	1-F 17	205-5830	835	1-E 13	206-4714	153	1-B 17	209-8704	1017	1-F 7
204-0221	541	1-D 8	205-5830	929	1-E 22	206-4714	157	1-B 17	209-8704	1019	1-F 7
204-0428	779	1-E 7	205-5830	931	1-E 23	206-4715	137	1-B 15	209-8704	1021	1-F 8
204-2660	901	1-E 20	205-5831	773	1-E 7	206-4715	149	1-B 16	209-8704	1023	1-F 8
204-2660	909	1-E 20	205-5831	817	1-E 11	206-4715	153	1-B 17	209-9680	857	1-E 15
204-5034	587	1-D 12	205-5831	929	1-E 22	206-4715	157	1-B 17	209-9680	1169	1-F 22
204-6515	707	1-D 24	205-5832	773	1-E 7	206-7166	779	1-E 7	209-9919	849	1-E 14
204-6515	729	1-E 2	205-5832	817	1-E 11	206-7172	217	1-B 23	209-9919	851	1-E 15
204-6516	729	1-E 2	205-5832	929	1-E 22	206-8789	259	1-C 3	209-9920	849	1-E 14
204-6819	873	1-E 17	205-5833	773	1-E 7	207-0510	1039	1-F 9	209-9936	849	1-E 14
204-6819	1169	1-F 22	205-5833	817	1-E 11	207-0511	1041	1-F 10	209-9936	851	1-E 15

INDEX

Part No.	Page	Grid	Part No.	Page	Grid	Part No.	Page	Grid	Part No.	Page	Grid
209-9949	849	1-E 14	212-8815	785	1-E 8	215-4789	697	1-D 23	217-0110	557	1-D 9
209-9949	851	1-E 15	212-8816	789	1-E 8	215-4797	697	1-D 23	217-0110	559	1-D 9
210-1381	151	1-B 17	212-8817	789	1-E 8	215-6884	557	1-D 9	217-0902	577	1-D 11
210-1382	153	1-B 17	212-8882	701	1-D 24	215-6884	559	1-D 9	217-0903	577	1-D 11
210-1570	963	1-F 2	212-8890	779	1-E 7	215-7301	393	1-C 17	217-0904	121	1-B 14
210-1570	993	1-F 5	212-8891	779	1-E 7	215-7301	401	1-C 18	217-0904	577	1-D 11
210-1975	499	1-D 3	212-9536	589	1-D 12	215-7301	409	1-C 18	217-1584	785	1-E 8
210-1975	503	1-D 4	213-1160	589	1-D 12	215-7301	417	1-C 19	217-2130	1059	1-F 11
210-1975	507	1-D 4	213-2229	779	1-E 7	215-7301	425	1-C 20	217-2131	1059	1-F 11
210-2478	439	1-C 21	213-3662	761	1-E 6	215-7301	433	1-C 21	217-2214	1055	1-F 11
210-2654	993	1-F 5	213-3932	779	1-E 7	215-8018	575	1-D 11	217-2214	1057	1-F 11
210-3258	985	1-F 4	213-4077	779	1-E 7	215-8020	575	1-D 11	217-2214	1059	1-F 11
210-3292	985	1-F 4	213-4079	635	1-D 17	215-8364	581	1-D 12	217-3513	985	1-F 4
210-4351	571	1-D 11	213-4080	637	1-D 17	216-0614	185	1-B 20	217-3514	985	1-F 4
210-4351	573	1-D 11	213-4434	79	1-B 9	216-0614	187	1-B 20	217-5039	589	1-D 12
210-4390	565	1-D 10	213-4446	107	1-B 12	216-0614	195	1-B 21	217-5232	67	1-B 8
210-4390	569	1-D 10	213-4795	919	1-E 21	216-0658	171	1-B 19	217-5237	67	1-B 8
210-4393	565	1-D 10	213-4902	543	1-D 8	216-0658	175	1-B 19	217-5240	67	1-B 8
210-4393	569	1-D 10	213-5066	779	1-E 7	216-0658	177	1-B 19	217-7762	59	1-B 7
210-4395	565	1-D 10	213-5067	779	1-E 7	216-0658	179	1-B 19	217-7762	591	1-D 13
210-4396	565	1-D 10	213-6196	391	1-C 17	216-0924	591	1-D 13	217-8426	387	1-C 16
210-7473	589	1-D 12	213-6196	399	1-C 17	216-0941	557	1-D 9	217-8426	389	1-C 16
210-7483	683	1-D 22	213-6196	407	1-C 18	216-0941	559	1-D 9	217-8426	399	1-C 17
210-7485	57	1-B 7	213-6196	415	1-C 19	216-2579	105	1-B 12	217-9779	285	1-C 6
210-7485	683	1-D 22	213-6196	423	1-C 20	216-3028	289	1-C 6	217-9780	291	1-C 7
210-7511	683	1-D 22	213-6196	431	1-C 21	216-3028	293	1-C 7	217-9780	293	1-C 7
210-8405	393	1-C 17	213-6198	391	1-C 17	216-3458	857	1-E 15	218-2806	775	1-E 7
210-8405	401	1-C 18	213-6198	399	1-C 17	216-3461	857	1-E 15	218-2806	777	1-E 7
210-8405	409	1-C 18	213-6198	407	1-C 18	216-3462	857	1-E 15	218-5153	1123	1-F 18
210-8405	417	1-C 19	213-6198	415	1-C 19	216-3475	857	1-E 15	218-5154	1123	1-F 18
210-8405	425	1-C 20	213-6198	423	1-C 20	216-3478	857	1-E 15	218-9738	199	1-B 21
210-8405	433	1-C 21	213-6198	431	1-C 21	216-3479	857	1-E 15	219-4775	263	1-C 4
210-8406	393	1-C 17	213-6337	107	1-B 12	216-3480	857	1-E 15	219-4775	265	1-C 4
210-8406	401	1-C 18	213-6367	785	1-E 8	216-3481	857	1-E 15	219-4779	261	1-C 4
210-8406	409	1-C 18	213-6920	639	1-D 17	216-3569	857	1-E 15	219-4796	261	1-C 4
210-8406	417	1-C 19	213-6920	641	1-D 18	216-3570	857	1-E 15	219-6719	761	1-E 6
210-8406	425	1-C 20	213-6921	635	1-D 17	216-4303	141	1-B 16	219-6722	589	1-D 12
210-8406	433	1-C 21	213-6921	637	1-D 17	216-4303	143	1-B 16	219-7219	451	1-C 23
210-8407	391	1-C 17	213-6921	639	1-D 17	216-4304	141	1-B 16	219-8737	187	1-B 20
210-8407	399	1-C 17	213-8075	701	1-D 24	216-4304	143	1-B 16	219-9656	971	1-F 3
210-8407	407	1-C 18	213-8771	443	1-C 22	216-5333	575	1-D 11	220-0138	165	1-B 18
210-8407	415	1-C 19	213-8771	445	1-C 22	216-5334	575	1-D 11	220-0138	167	1-B 18
210-8407	423	1-C 20	213-8771	447	1-C 22	216-5336	105	1-B 12	220-2329	1061	1-F 12
210-8407	431	1-C 21	213-8788	467	1-C 24	216-5336	575	1-D 11	220-3349	165	1-B 18
210-8408	391	1-C 17	213-8788	635	1-D 17	216-5343	383	1-C 16	220-3349	167	1-B 18
210-8408	399	1-C 17	213-8789	469	1-C 24	216-5343	385	1-C 16	221-1403	165	1-B 18
210-8408	407	1-C 18	213-8789	637	1-D 17	216-5343	477	1-D 1	221-1403	167	1-B 18
210-8408	415	1-C 19	213-8802	467	1-C 24	216-5343	495	1-D 3	221-2642	261	1-C 4
210-8408	423	1-C 20	213-8802	469	1-C 24	216-5343	499	1-D 3	221-5389	261	1-C 4
210-8408	431	1-C 21	213-8802	485	1-D 2	216-5343	503	1-D 4	221-5433	1011	1-F 7
210-8411	391	1-C 17	214-2361	641	1-D 18	216-5343	507	1-D 4	221-7640	579	1-D 11
210-8411	399	1-C 17	214-2438	781	1-E 8	216-6388	919	1-E 21	221-9655	225	1-B 24
210-8411	407	1-C 18	214-2438	783	1-E 8	216-6977	849	1-E 14	221-9655	227	1-B 24
210-8411	415	1-C 19	214-3504	281	1-C 6	216-6977	851	1-E 15	221-9742	225	1-B 24
210-8411	423	1-C 20	214-4304	919	1-E 21	216-6980	849	1-E 14	221-9749	225	1-B 24
210-8411	431	1-C 21	214-4667	985	1-F 4	216-6980	851	1-E 15	222-0366	225	1-B 24
211-1817	113	1-B 13	214-7161	165	1-B 18	216-6981	849	1-E 14	222-0366	227	1-B 24
211-1817	133	1-B 15	214-7161	167	1-B 18	216-6981	851	1-E 15	222-1887	579	1-D 11
211-9448	135	1-B 15	214-9379	807	1-E 10	216-6991	849	1-E 14	222-2457	311	1-C 9
212-4475	779	1-E 7	214-9379	863	1-E 16	216-6991	851	1-E 15	222-4774	985	1-F 4
212-4484	779	1-E 7	214-9383	557	1-D 9	216-7694	1025	1-F 8	222-4835	225	1-B 24
212-4742	101	1-B 12	214-9383	559	1-D 9	216-7835	275	1-C 5	222-4943	227	1-B 24
212-4748	101	1-B 12	214-9425	497	1-D 3	216-7836	275	1-C 5	222-7965	581	1-D 12
212-6034	587	1-D 12	214-9425	501	1-D 4	216-7837	275	1-C 5	222-9156	217	1-B 23
212-6035	587	1-D 12	214-9425	505	1-D 4	216-7839	275	1-C 5	223-1637	401	1-C 18
212-6184	711	1-E 1	215-2080	497	1-D 3	216-7841	275	1-C 5	223-1637	409	1-C 18
212-6184	713	1-E 1	215-2080	501	1-D 4	216-8278	105	1-B 12	223-1637	417	1-C 19
212-7772	921	1-E 22	215-4259	121	1-B 14	216-8436	557	1-D 9	223-1637	425	1-C 20
212-7772	925	1-E 22	215-4259	123	1-B 14	216-8436	559	1-D 9	223-1637	433	1-C 21
212-7772	929	1-E 22	215-4260	123	1-B 14	216-8851	139	1-B 15	223-2480	653	1-D 19
212-7773	921	1-E 22	215-4261	123	1-B 14	216-8860	263	1-C 4	223-2480	655	1-D 19
212-7773	925	1-E 22	215-4262	123	1-B 14	216-8860	265	1-C 4	223-2480	657	1-D 19
212-7773	929	1-E 22	215-4263	123	1-B 14	216-9823	237	1-C 1	223-3485	449	1-C 22
212-8797	701	1-D 24	215-4787	697	1-D 23	216-9829	557	1-D 9	223-3486	453	1-C 23
212-8806	695	1-D 23	215-4788	697	1-D 23	216-9829	559	1-D 9	223-4989	679	1-D 21

MT700B SERIES TRACTORS

31
INDEX

Part No.	Page	Grid	Part No.	Page	Grid	Part No.	Page	Grid	Part No.	Page	Grid
223-4989	783	1-E 8	229-2952	95	1-B 11	3E-4356	351	1-C 13	3S-2708	415	1-C 19
223-5929	697	1-D 23	229-2953	93	1-B 11	3E-4356	353	1-C 13	3S-2708	419	1-C 19
223-5932	823	1-E 12	229-7275	457	1-C 23	3E-4356	359	1-C 13	3S-2708	423	1-C 20
223-5932	837	1-E 13	229-7276	451	1-C 23	3E-4356	441	1-C 22	3S-2708	427	1-C 20
223-5933	827	1-E 12	229-7276	453	1-C 23	3E-7775	259	1-C 3	3S-2708	431	1-C 21
223-5933	841	1-E 14	229-7276	455	1-C 23	3F-0379	259	1-C 3	3S-2708	437	1-C 21
223-5935	825	1-E 12	229-7276	457	1-C 23	3F-3442	449	1-C 22	3S-2708	439	1-C 21
223-5935	843	1-E 14	229-7277	457	1-C 23	3F-3442	451	1-C 23	3T-3422	259	1-C 3
223-5936	829	1-E 12	229-7278	457	1-C 23	3F-3442	453	1-C 23	4B-0418	435	1-C 21
223-5936	845	1-E 14	232-0869	261	1-C 4	3F-3442	455	1-C 23	4B-1127	389	1-C 16
223-8241	785	1-E 8	232-0879	271	1-C 5	3F-3442	457	1-C 23	4B-1127	397	1-C 17
224-0776	901	1-E 20	232-1247	779	1-E 7	3H-0703	367	1-C 14	4B-1127	405	1-C 18
224-0777	909	1-E 20	232-1773	373	1-C 15	3H-0703	377	1-C 15	4B-1127	413	1-C 19
224-0778	909	1-E 20	232-1773	375	1-C 15	3J-1907	345	1-C 12	4B-1127	421	1-C 20
224-3912	1103	1-F 16	232-1773	377	1-C 15	3J-1907	347	1-C 12	4B-1127	429	1-C 20
224-3913	1103	1-F 16	232-1773	379	1-C 15	3J-1907	349	1-C 12	4B-4909	495	1-D 3
224-4211	843	1-E 14	232-1773	381	1-C 16	3J-1907	351	1-C 13	4B-8108	495	1-D 3
224-4211	845	1-E 14	232-1773	471	1-D 1	3J-1907	353	1-C 13	4B-8108	499	1-D 3
224-4211	847	1-E 14	232-1773	473	1-D 1	3J-1907	355	1-C 13	4B-8108	503	1-D 4
224-4211	859	1-E 15	233-0690	131	1-B 15	3J-1907	357	1-C 13	4B-8108	507	1-D 4
224-4850	635	1-D 17	233-6580	261	1-C 4	3J-1907	359	1-C 13	4B-9783	401	1-C 18
224-4850	637	1-D 17	233-9623	423	1-C 20	3J-1907	387	1-C 16	4B-9783	409	1-C 18
224-6771	555	1-D 9	233-9623	431	1-C 21	3J-1907	401	1-C 18	4B-9783	417	1-C 19
224-7237	837	1-E 13	233-9766	387	1-C 16	3J-1907	403	1-C 18	4B-9783	425	1-C 20
224-7237	839	1-E 13	233-9766	395	1-C 17	3J-1907	409	1-C 18	4B-9783	433	1-C 21
224-7237	841	1-E 14	233-9766	403	1-C 18	3J-1907	411	1-C 19	4B-9783	1169	1-F 22
224-7237	843	1-E 14	233-9766	411	1-C 19	3J-1907	417	1-C 19	4B-9880	479	1-D 1
224-7237	845	1-E 14	233-9766	419	1-C 19	3J-1907	419	1-C 19	4C-4184	1167	1-F 22
224-7237	847	1-E 14	233-9766	427	1-C 20	3J-1907	425	1-C 20	4C-4189	1167	1-F 22
224-7237	857	1-E 15	233-9766	457	1-C 23	3J-1907	427	1-C 20	4C-4190	1167	1-F 22
224-8865	115	1-B 13	234-6666	493	1-D 3	3J-1907	433	1-C 21	4C-4191	1167	1-F 22
225-1406	985	1-F 4	235-1065	393	1-C 17	3J-1907	449	1-C 22	4C-4192	1167	1-F 22
225-1452	455	1-C 23	235-1065	401	1-C 18	3J-1907	475	1-D 1	4C-4193	1167	1-F 22
225-1527	539	1-D 7	235-1065	409	1-C 18	3J-1907	477	1-D 1	4C-4196	1167	1-F 22
225-1528	539	1-D 7	235-1065	417	1-C 19	3J-1907	479	1-D 1	4C-4197	1167	1-F 22
225-2649	107	1-B 12	235-1065	425	1-C 20	3J-1907	489	1-D 2	4C-4198	1167	1-F 22
225-5207	785	1-E 8	235-1065	433	1-C 21	3J-1907	491	1-D 3	4C-4199	1167	1-F 22
225-5208	697	1-D 23	236-2541	497	1-D 3	3J-1907	497	1-D 3	4C-4200	1167	1-F 22
225-5222	67	1-B 8	236-2541	501	1-D 4	3J-1907	501	1-D 4	4C-4205	1167	1-F 22
226-4754	315	1-C 9	236-2541	505	1-D 4	3J-1907	505	1-D 4	4C-4206	1167	1-F 22
226-4754	319	1-C 9	236-2541	509	1-D 4	3J-1907	509	1-D 4	4C-4207	1167	1-F 22
226-5657	741	1-E 4	240-5527	379	1-C 15	3J-7354	395	1-C 17	4C-4210	1167	1-F 22
226-5657	837	1-E 13	241-6205	479	1-D 1	3K-0360	345	1-C 12	4C-4211	1167	1-F 22
226-5657	839	1-E 13	243-5252	509	1-D 4	3K-0360	349	1-C 12	4C-5843	1167	1-F 22
226-5657	841	1-E 14	254-5743	505	1-D 4	3K-0360	353	1-C 13	4C-6122	1167	1-F 22
226-5657	843	1-E 14	254-5744	509	1-D 4	3K-0360	357	1-C 13	4C-6123	1167	1-F 22
226-5657	845	1-E 14	256-0173	315	1-C 9	3K-0360	401	1-C 18	4C-6126	1167	1-F 22
226-5657	847	1-E 14	256-0173	319	1-C 9	3K-0360	409	1-C 18	4C-6127	1167	1-F 22
226-6510	391	1-C 17	256-0176	175	1-B 19	3K-0360	417	1-C 19	4C-6129	1167	1-F 22
226-6510	397	1-C 17	256-0176	179	1-B 19	3K-0360	425	1-C 20	4C-6130	1167	1-F 22
226-6510	407	1-C 18	256-0184	171	1-B 19	3K-0360	433	1-C 21	4C-6133	1167	1-F 22
226-6510	415	1-C 19	256-0187	195	1-B 21	3K-0360	435	1-C 21	4C-6134	1167	1-F 22
226-6510	423	1-C 20	261-2719	443	1-C 22	3K-0360	443	1-C 22	4C-6135	1167	1-F 22
226-6510	431	1-C 21	261-2719	445	1-C 22	3K-0360	445	1-C 22	4D-7889	367	1-C 14
226-7257	391	1-C 17	261-2719	447	1-C 22	3K-0360	447	1-C 22	4D-7889	377	1-C 15
226-7257	399	1-C 17	267-5582	443	1-C 22	3K-0360	479	1-D 1	4D-7889	437	1-C 21
226-7257	407	1-C 18	267-5582	445	1-C 22	3K-0360	489	1-D 2	4D-7953	389	1-C 16
226-7257	415	1-C 19	267-5582	447	1-C 22	3K-0360	491	1-D 3	4D-7953	397	1-C 17
226-7257	423	1-C 20	267-5583	443	1-C 22	3P-0898	437	1-C 21	4D-7953	405	1-C 18
226-7257	431	1-C 21	267-5583	445	1-C 22	3P-3441	487	1-D 2	4D-7953	413	1-C 19
226-9441	331	1-C 11	267-5583	447	1-C 22	3P-7009	487	1-D 2	4D-7953	421	1-C 20
227-4313	1087	1-F 14	3D-2824	451	1-C 23	3S-2093	383	1-C 16	4D-7953	429	1-C 20
227-5263	679	1-D 21	3D-2824	453	1-C 23	3S-2093	385	1-C 16	4E-2250	175	1-B 19
227-5264	679	1-D 21	3D-2824	455	1-C 23	3S-2093	435	1-C 21	4E-2250	179	1-B 19
227-5264	815	1-E 11	3D-2824	457	1-C 23	3S-2708	367	1-C 14	4F-4097	345	1-C 12
227-5268	331	1-C 11	3D-8317	479	1-D 1	3S-2708	369	1-C 14	4F-4097	351	1-C 13
227-5268	679	1-D 21	3E-3365	493	1-D 3	3S-2708	377	1-C 15	4F-4097	353	1-C 13
227-8726	741	1-E 4	3E-3371	175	1-B 19	3S-2708	381	1-C 16	4F-4097	359	1-C 13
227-8727	741	1-E 4	3E-3389	1101	1-F 16	3S-2708	387	1-C 16	4H-7655	449	1-C 22
227-9819	1103	1-F 16	3E-4353	497	1-D 3	3S-2708	391	1-C 17	4J-5140	391	1-C 17
228-4279	383	1-C 16	3E-4353	501	1-D 4	3S-2708	395	1-C 17	4J-5140	401	1-C 18
228-4279	385	1-C 16	3E-4353	505	1-D 4	3S-2708	399	1-C 17	4J-5140	409	1-C 18
229-0888	171	1-B 19	3E-4353	509	1-D 4	3S-2708	403	1-C 18	4J-5140	417	1-C 19
229-0891	175	1-B 19	3E-4356	339	1-C 11	3S-2708	407	1-C 18	4J-5140	425	1-C 20
229-0891	179	1-B 19	3E-4356	345	1-C 12	3S-2708	411	1-C 19	4J-5140	433	1-C 21

INDEX

Part No.	Page	Grid	Part No.	Page	Grid	Part No.	Page	Grid	Part No.	Page	Grid
4J-5267	495	1-D 3	400022X1	167	1-B 18	400039X1	711	1-E 1	400043X1	883	1-E 18
4J-5267	499	1-D 3	400022X1	545	1-D 8	400039X1	713	1-E 1	400043X1	957	1-F 1
4J-5267	503	1-D 4	400022X1	977	1-F 3	400039X1	755	1-E 5	400044X1	71	1-B 9
4J-5267	507	1-D 4	400022X1	979	1-F 3	400039X1	759	1-E 5	400044X1	681	1-D 22
4J-5477	391	1-C 17	400022X1	981	1-F 4	400039X1	761	1-E 6	400044X1	1053	1-F 11
4J-5477	393	1-C 17	400022X1	983	1-F 4	400039X1	779	1-E 7	400045X1	81	1-B 10
4J-5477	399	1-C 17	400022X1	1029	1-F 8	400039X1	883	1-E 18	400045X1	885	1-E 18
4J-5477	401	1-C 18	400023X1	551	1-D 9	400039X1	919	1-E 21	400045X1	887	1-E 18
4J-5477	407	1-C 18	400023X1	553	1-D 9	400039X1	921	1-E 22	400046X1	315	1-C 9
4J-5477	409	1-C 18	400023X1	641	1-D 18	400039X1	927	1-E 22	400046X1	319	1-C 9
4J-5477	415	1-C 19	400026X1	881	1-E 18	400039X1	931	1-E 23	400046X1	753	1-E 5
4J-5477	417	1-C 19	400026X1	883	1-E 18	400039X1	953	1-F 1	400046X1	755	1-E 5
4J-5477	423	1-C 20	400027X1	903	1-E 20	400039X1	955	1-F 1	400046X1	757	1-E 5
4J-5477	425	1-C 20	400027X1	911	1-E 21	400039X1	997	1-F 5	400046X1	759	1-E 5
4J-5477	431	1-C 21	400028X1	83	1-B 10	400039X1	1043	1-F 10	400047X1	73	1-B 9
4J-5477	433	1-C 21	400030X1	81	1-B 10	400040X1	69	1-B 8	400047X1	643	1-D 18
4J-7533	489	1-D 2	400030X1	139	1-B 15	400040X1	75	1-B 9	400047X1	711	1-E 1
4J-7533	491	1-D 3	400030X1	653	1-D 19	400040X1	91	1-B 11	400047X1	713	1-E 1
4J-8996	339	1-C 11	400030X1	655	1-D 19	400040X1	95	1-B 11	400047X1	779	1-E 7
4J-8996	345	1-C 12	400030X1	657	1-D 19	400040X1	101	1-B 12	400048X1	1055	1-F 11
4J-8996	351	1-C 13	400031X1	529	1-D 6	400040X1	103	1-B 12	400048X1	1057	1-F 11
4J-8996	353	1-C 13	400031X1	531	1-D 7	400040X1	129	1-B 14	400049X1	133	1-B 15
4J-8996	359	1-C 13	400031X1	533	1-D 7	400040X1	131	1-B 15	400049X1	713	1-E 1
4J-8996	441	1-C 22	400031X1	535	1-D 7	400040X1	139	1-B 15	400049X1	787	1-E 8
4K-2039	393	1-C 17	400031X1	659	1-D 19	400040X1	165	1-B 18	400049X1	941	1-E 24
4K-2039	401	1-C 18	400031X1	661	1-D 20	400040X1	169	1-B 18	400049X1	977	1-F 3
4K-2039	409	1-C 18	400031X1	907	1-E 20	400040X1	187	1-B 20	400049X1	979	1-F 3
4K-2039	417	1-C 19	400034X1	515	1-D 5	400040X1	315	1-C 9	400050X1	87	1-B 10
4K-2039	425	1-C 20	400034X1	519	1-D 5	400040X1	575	1-D 11	400050X1	93	1-B 11
4K-2039	433	1-C 21	400034X1	523	1-D 6	400040X1	589	1-D 12	400050X1	139	1-B 15
4K-3892	387	1-C 16	400034X1	881	1-E 18	400040X1	693	1-D 23	400050X1	555	1-D 9
4K-3892	395	1-C 17	400034X1	883	1-E 18	400040X1	697	1-D 23	400050X1	691	1-D 23
4K-3892	403	1-C 18	400034X1	949	1-E 24	400040X1	779	1-E 7	400050X1	779	1-E 7
4K-3892	411	1-C 19	400034X1	951	1-F 1	400040X1	787	1-E 8	400050X1	787	1-E 8
4K-3892	419	1-C 19	400034X1	953	1-F 1	400040X1	853	1-E 15	400050X1	803	1-E 10
4K-3892	427	1-C 20	400034X1	955	1-F 1	400040X1	881	1-E 18	400050X1	805	1-E 10
4K-6804	439	1-C 21	400034X1	957	1-F 1	400040X1	921	1-E 22	400051X1	589	1-D 12
4M-1831	259	1-C 3	400035X1	643	1-D 18	400040X1	923	1-E 22	400051X1	711	1-E 1
4M-2381	479	1-D 1	400035X1	649	1-D 18	400040X1	927	1-E 22	400051X1	713	1-E 1
4M-5905	479	1-D 1	400035X1	659	1-D 19	400040X1	931	1-E 23	400051X1	779	1-E 7
4P-7428	383	1-C 16	400035X1	661	1-D 20	400040X1	957	1-F 1	400052X1	165	1-B 18
4P-7428	385	1-C 16	400036X1	541	1-D 8	400040X1	997	1-F 5	400052X1	169	1-B 18
4P-7581	383	1-C 16	400038X1	783	1-E 8	400040X1	1039	1-F 9	400052X1	543	1-D 8
4P-7581	385	1-C 16	400038X1	787	1-E 8	400040X1	1041	1-F 10	400052X1	561	1-D 10
4P-8134	383	1-C 16	400039X1	87	1-B 10	400040X1	1055	1-F 11	400052X1	563	1-D 10
4P-8134	385	1-C 16	400039X1	101	1-B 12	400040X1	1057	1-F 11	400052X1	567	1-D 10
4P-8134	435	1-C 21	400039X1	107	1-B 12	400040X1	1101	1-F 16	400052X1	569	1-D 10
4T-2201	371	1-C 15	400039X1	109	1-B 12	400040X1	1103	1-F 16	400052X1	587	1-D 12
4T-2201	437	1-C 21	400039X1	131	1-B 15	400040X1	1105	1-F 16	400052X1	659	1-D 19
4T-2200	495	1-D 3	400039X1	133	1-B 15	400041X1	139	1-B 15	400052X1	661	1-D 20
4T-2200	499	1-D 3	400039X1	145	1-B 16	400041X1	335	1-C 11	400052X1	923	1-E 22
4T-2200	503	1-D 4	400039X1	165	1-B 18	400041X1	517	1-D 5	400052X1	927	1-E 22
4T-2200	507	1-D 4	400039X1	169	1-B 18	400041X1	519	1-D 5	400052X1	931	1-E 23
400001X1	175	1-B 19	400039X1	175	1-B 19	400041X1	521	1-D 6	400053X1	93	1-B 11
400001X1	315	1-C 9	400039X1	179	1-B 19	400041X1	523	1-D 6	400053X1	95	1-B 11
400001X1	319	1-C 9	400039X1	185	1-B 20	400041X1	525	1-D 6	400053X1	103	1-B 12
400001X1	769	1-E 6	400039X1	187	1-B 20	400041X1	557	1-D 9	400053X1	131	1-B 15
400003X1	621	1-D 16	400039X1	217	1-B 23	400041X1	559	1-D 9	400053X1	181	1-B 20
400004X1	125	1-B 14	400039X1	277	1-C 5	400041X1	589	1-D 12	400053X1	221	1-B 24
400004X1	997	1-F 5	400039X1	289	1-C 6	400041X1	653	1-D 19	400053X1	223	1-B 24
400005X1	245	1-C 2	400039X1	293	1-C 7	400041X1	655	1-D 19	400053X1	335	1-C 11
400006X1	283	1-C 6	400039X1	315	1-C 9	400041X1	657	1-D 19	400053X1	543	1-D 8
400006X1	287	1-C 6	400039X1	319	1-C 9	400041X1	687	1-D 22	400053X1	557	1-D 9
400006X1	313	1-C 9	400039X1	541	1-D 8	400041X1	703	1-D 24	400053X1	559	1-D 9
400007X1	873	1-E 17	400039X1	543	1-D 8	400041X1	761	1-E 6	400053X1	571	1-D 11
400008X1	527	1-D 6	400039X1	565	1-D 10	400041X1	791	1-E 9	400053X1	573	1-D 11
400010X1	145	1-B 16	400039X1	569	1-D 10	400041X1	813	1-E 11	400053X1	589	1-D 12
400011X1	705	1-D 24	400039X1	587	1-D 12	400041X1	815	1-E 11	400053X1	667	1-D 20
400012X1	643	1-D 18	400039X1	589	1-D 12	400041X1	901	1-E 20	400053X1	703	1-D 24
400015X1	585	1-D 12	400039X1	683	1-D 22	400041X1	907	1-E 20	400053X1	753	1-E 5
400015X1	591	1-D 13	400039X1	687	1-D 22	400041X1	911	1-E 21	400053X1	755	1-E 5
400017X1	285	1-C 6	400039X1	691	1-D 23	400042X1	1055	1-F 11	400053X1	757	1-E 5
400017X1	291	1-C 7	400039X1	693	1-D 23	400042X1	1057	1-F 11	400053X1	759	1-E 5
400018X1	977	1-F 3	400039X1	697	1-D 23	400043X1	869	1-E 16	400053X1	921	1-E 22
400020X1	643	1-D 18	400039X1	703	1-D 24	400043X1	881	1-E 18	400053X1	923	1-E 22

MT700B SERIES TRACTORS

33
INDEX

Part No.	Page	Grid	Part No.	Page	Grid	Part No.	Page	Grid	Part No.	Page	Grid
400053X1	927	1-E 22	400058X1	1055	1-F 11	400076X1	1031	1-F 9	400087X1	213	1-B 23
400053X1	931	1-E 23	400058X1	1057	1-F 11	400076X1	1033	1-F 9	400087X1	215	1-B 23
400053X1	977	1-F 3	400059X1	101	1-B 12	400078X1	869	1-E 16	400090X1	529	1-D 6
400053X1	979	1-F 3	400059X1	107	1-B 12	400078X1	901	1-E 20	400093X1	341	1-C 12
400053X1	985	1-F 4	400059X1	119	1-B 13	400078X1	907	1-E 20	400094X1	221	1-B 24
400053X1	1029	1-F 8	400059X1	577	1-D 11	400078X1	911	1-E 21	400096X1	901	1-E 20
400053X1	1047	1-F 10	400059X1	587	1-D 12	400080X1	81	1-B 10	400097X1	947	1-E 24
400053X1	1079	1-F 13	400059X1	775	1-E 7	400080X1	515	1-D 5	400098X1	659	1-D 19
400053X1	1083	1-F 14	400059X1	787	1-E 8	400080X1	517	1-D 5	400100X1	785	1-E 8
400053X1	1085	1-F 14	400059X1	789	1-E 8	400080X1	519	1-D 5	400100X1	789	1-E 8
400053X1	1087	1-F 14	400059X1	791	1-E 9	400080X1	521	1-D 6	400100X1	791	1-E 9
400053X1	1089	1-F 14	400059X1	919	1-E 21	400080X1	523	1-D 6	400101X1	715	1-E 1
400053X1	1103	1-F 16	400060X1	171	1-B 19	400080X1	525	1-D 6	400101X1	717	1-E 1
400054X1	135	1-B 15	400060X1	179	1-B 19	400080X1	527	1-D 6	400101X1	719	1-E 1
400054X1	165	1-B 18	400060X1	703	1-D 24	400080X1	529	1-D 6	400101X1	803	1-E 10
400054X1	169	1-B 18	400060X1	1039	1-F 9	400080X1	531	1-D 7	400101X1	805	1-E 10
400054X1	315	1-C 9	400061X1	101	1-B 12	400080X1	533	1-D 7	400102X1	787	1-E 8
400054X1	319	1-C 9	400061X1	103	1-B 12	400080X1	535	1-D 7	400106X1	1085	1-F 14
400054X1	541	1-D 8	400061X1	165	1-B 18	400080X1	541	1-D 8	400106X1	1089	1-F 14
400054X1	697	1-D 23	400061X1	169	1-B 18	400080X1	583	1-D 12	400108X1	103	1-B 12
400054X1	881	1-E 18	400062X1	71	1-B 9	400080X1	613	1-D 15	400108X1	131	1-B 15
400054X1	953	1-F 1	400063X1	141	1-B 16	400080X1	619	1-D 15	400108X1	555	1-D 9
400054X1	955	1-F 1	400063X1	143	1-B 16	400080X1	643	1-D 18	400108X1	1035	1-F 9
400054X1	957	1-F 1	400063X1	343	1-C 12	400080X1	659	1-D 19	400108X1	1037	1-F 9
400055X1	141	1-B 16	400063X1	557	1-D 9	400080X1	661	1-D 20	400109X1	107	1-B 12
400055X1	143	1-B 16	400063X1	559	1-D 9	400080X1	869	1-E 16	400109X1	131	1-B 15
400055X1	165	1-B 18	400064X1	105	1-B 12	400080X1	881	1-E 18	400109X1	335	1-C 11
400055X1	169	1-B 18	400064X1	139	1-B 15	400080X1	883	1-E 18	400109X1	983	1-F 4
400055X1	315	1-C 9	400064X1	165	1-B 18	400080X1	885	1-E 18	400110X1	1011	1-F 7
400055X1	319	1-C 9	400064X1	169	1-B 18	400080X1	887	1-E 18	400110X1	1015	1-F 7
400055X1	555	1-D 9	400064X1	547	1-D 8	400080X1	907	1-E 20	400110X1	1021	1-F 8
400055X1	589	1-D 12	400064X1	585	1-D 12	400080X1	949	1-E 24	400110X1	1083	1-F 14
400055X1	613	1-D 15	400064X1	647	1-D 18	400080X1	951	1-F 1	400110X1	1087	1-F 14
400055X1	697	1-D 23	400064X1	653	1-D 19	400080X1	953	1-F 1	400111X1	1039	1-F 9
400055X1	761	1-E 6	400064X1	655	1-D 19	400080X1	955	1-F 1	400111X1	1041	1-F 10
400055X1	921	1-E 22	400064X1	657	1-D 19	400080X1	957	1-F 1	400112X1	791	1-E 9
400055X1	927	1-E 22	400064X1	705	1-D 24	400080X1	1047	1-F 10	400113X1	1083	1-F 14
400055X1	931	1-E 23	400064X1	791	1-E 9	400080X1	1049	1-F 10	400113X1	1087	1-F 14
400055X1	1065	1-F 12	400064X1	801	1-E 10	400081X1	529	1-D 6	400114X1	683	1-D 22
400057X1	89	1-B 10	400064X1	803	1-E 10	400081X1	531	1-D 7	400114X1	1105	1-F 16
400057X1	343	1-C 12	400064X1	805	1-E 10	400081X1	533	1-D 7	400115X1	565	1-D 10
400057X1	787	1-E 8	400064X1	881	1-E 18	400081X1	535	1-D 7	400115X1	569	1-D 10
400058X1	69	1-B 8	400064X1	883	1-E 18	400081X1	541	1-D 8	400117X1	693	1-D 23
400058X1	101	1-B 12	400064X1	957	1-F 1	400081X1	583	1-D 12	400118X1	165	1-B 18
400058X1	105	1-B 12	400065X1	101	1-B 12	400081X1	621	1-D 16	400118X1	167	1-B 18
400058X1	107	1-B 12	400065X1	1029	1-F 8	400081X1	643	1-D 18	400118X1	775	1-E 7
400058X1	109	1-B 12	400066X1	813	1-E 11	400081X1	649	1-D 18	400119X1	1055	1-F 11
400058X1	129	1-B 14	400066X1	815	1-E 11	400081X1	659	1-D 19	400119X1	1057	1-F 11
400058X1	131	1-B 15	400066X1	1055	1-F 11	400081X1	661	1-D 20	400120X1	997	1-F 5
400058X1	133	1-B 15	400066X1	1057	1-F 11	400081X1	869	1-E 16	400121X1	997	1-F 5
400058X1	141	1-B 16	400067X1	529	1-D 6	400081X1	997	1-F 5	400122X1	527	1-D 6
400058X1	143	1-B 16	400067X1	531	1-D 7	400082X1	81	1-B 10	400122X1	541	1-D 8
400058X1	235	1-C 1	400067X1	533	1-D 7	400082X1	343	1-C 12	400122X1	881	1-E 18
400058X1	249	1-C 2	400067X1	535	1-D 7	400082X1	567	1-D 10	400122X1	883	1-E 18
400058X1	289	1-C 6	400067X1	659	1-D 19	400082X1	569	1-D 10	400122X1	953	1-F 1
400058X1	293	1-C 7	400067X1	661	1-D 20	400082X1	613	1-D 15	400122X1	955	1-F 1
400058X1	315	1-C 9	400068X1	1039	1-F 9	400082X1	619	1-D 15	400122X1	957	1-F 1
400058X1	319	1-C 9	400068X1	1041	1-F 10	400082X1	643	1-D 18	400123X1	87	1-B 10
400058X1	587	1-D 12	400068X1	1079	1-F 13	400082X1	659	1-D 19	400123X1	779	1-E 7
400058X1	589	1-D 12	400070X1	183	1-B 20	400082X1	661	1-D 20	400123X1	789	1-E 8
400058X1	615	1-D 15	400070X1	1013	1-F 7	400082X1	881	1-E 18	400123X1	791	1-E 9
400058X1	617	1-D 15	400071X1	183	1-B 20	400082X1	883	1-E 18	400124X1	997	1-F 5
400058X1	659	1-D 19	400071X1	1013	1-F 7	400082X1	885	1-E 18	400125X1	135	1-B 15
400058X1	661	1-D 20	400072X1	127	1-B 14	400082X1	887	1-E 18	400125X1	137	1-B 15
400058X1	687	1-D 22	400073X1	1027	1-F 8	400082X1	907	1-E 20	400125X1	1037	1-F 9
400058X1	691	1-D 23	400074X1	127	1-B 14	400082X1	949	1-E 24	400126X1	103	1-B 12
400058X1	693	1-D 23	400074X1	183	1-B 20	400082X1	951	1-F 1	400126X1	785	1-E 8
400058X1	705	1-D 24	400074X1	1013	1-F 7	400083X1	1113	1-F 17	400127X1	985	1-F 4
400058X1	779	1-E 7	400075X1	613	1-D 15	400084X1	285	1-C 6	400128X1	991	1-F 5
400058X1	783	1-E 8	400075X1	619	1-D 15	400084X1	291	1-C 7	400129X2	593	1-D 13
400058X1	881	1-E 18	400076X1	287	1-C 6	400084X1	973	1-F 3	400132X1	229	1-B 24
400058X1	919	1-E 21	400076X1	289	1-C 6	400084X1	985	1-F 4	400132X1	231	1-C 1
400058X1	957	1-F 1	400076X1	291	1-C 7	400085X1	973	1-F 3	400133X1	643	1-D 18
400058X1	967	1-F 2	400076X1	539	1-D 7	400085X1	985	1-F 4	400135X1	1111	1-F 17
400058X1	969	1-F 2	400076X1	573	1-D 11	400086X1	1073	1-F 13	400136X1	873	1-E 17

INDEX

Part No.	Page	Grid	Part No.	Page	Grid	Part No.	Page	Grid	Part No.	Page	Grid
400137X1	997	1-F 5	400209X1	315	1-C 9	400245X1	175	1-B 19	400287X1	165	1-B 18
400137X1	1045	1-F 10	400209X1	319	1-C 9	400245X1	179	1-B 19	400287X1	169	1-B 18
400139X1	239	1-C 1	400211X1	211	1-B 23	400245X1	1039	1-F 9	400287X1	175	1-B 19
400140X1	93	1-B 11	400212X1	615	1-D 15	400245X1	1041	1-F 10	400287X1	179	1-B 19
400141X1	715	1-E 1	400212X1	617	1-D 15	400245X1	1045	1-F 10	400287X1	185	1-B 20
400141X1	717	1-E 1	400217X1	723	1-E 2	400245X1	1109	1-F 16	400287X1	187	1-B 20
400141X1	719	1-E 1	400221X1	579	1-D 11	400246X1	807	1-E 10	400287X1	217	1-B 23
400143X1	113	1-B 13	400221X1	981	1-F 4	400248X1	79	1-B 9	400287X1	221	1-B 24
400152X1	165	1-B 18	400221X1	983	1-F 4	400251X1	287	1-C 6	400287X1	223	1-B 24
400152X1	167	1-B 18	400221X1	985	1-F 4	400251X1	289	1-C 6	400287X1	277	1-C 5
400152X1	217	1-B 23	400221X1	1083	1-F 14	400251X1	291	1-C 7	400287X1	289	1-C 6
400152X1	219	1-B 23	400221X1	1087	1-F 14	400251X1	293	1-C 7	400287X1	293	1-C 7
400152X1	221	1-B 24	400221X1	1103	1-F 16	400251X1	315	1-C 9	400287X1	315	1-C 9
400152X1	223	1-B 24	400223X1	165	1-B 18	400251X1	319	1-C 9	400287X1	319	1-C 9
400152X1	261	1-C 4	400223X1	169	1-B 18	400254X1	1017	1-F 7	400287X1	541	1-D 8
400152X1	263	1-C 4	400223X1	207	1-B 22	400254X1	1019	1-F 7	400287X1	543	1-D 8
400152X1	265	1-C 4	400223X1	209	1-B 22	400256X1	183	1-B 20	400287X1	561	1-D 10
400152X1	277	1-C 5	400223X1	211	1-B 23	400256X1	1013	1-F 7	400287X1	563	1-D 10
400152X1	331	1-C 11	400224X1	643	1-D 18	400256X1	1029	1-F 8	400287X1	565	1-D 10
400152X1	539	1-D 7	400224X1	911	1-E 21	400258X1	165	1-B 18	400287X1	567	1-D 10
400152X1	987	1-F 4	400225X1	131	1-B 15	400258X1	167	1-B 18	400287X1	569	1-D 10
400152X1	1055	1-F 11	400226X1	131	1-B 15	400258X1	779	1-E 7	400287X1	575	1-D 11
400152X1	1057	1-F 11	400227X1	181	1-B 20	400259X1	613	1-D 15	400287X1	587	1-D 12
400152X1	1113	1-F 17	400227X1	221	1-B 24	400259X1	619	1-D 15	400287X1	589	1-D 12
400156X1	79	1-B 9	400227X1	223	1-B 24	400262X1	643	1-D 18	400287X1	591	1-D 13
400160X1	175	1-B 19	400227X1	225	1-B 24	400264X1	793	1-E 9	400287X1	681	1-D 22
400160X1	179	1-B 19	400227X1	289	1-C 6	400266X1	539	1-D 7	400287X1	683	1-D 22
400160X1	181	1-B 20	400227X1	291	1-C 7	400267X1	521	1-D 6	400287X1	687	1-D 22
400161X1	971	1-F 3	400227X1	613	1-D 15	400267X1	523	1-D 6	400287X1	691	1-D 23
400162X1	565	1-D 10	400227X1	619	1-D 15	400267X1	525	1-D 6	400287X1	693	1-D 23
400162X1	569	1-D 10	400227X1	643	1-D 18	400268X1	517	1-D 5	400287X1	695	1-D 23
400172X1	263	1-C 4	400227X1	691	1-D 23	400268X1	519	1-D 5	400287X1	699	1-D 23
400172X1	265	1-C 4	400227X1	967	1-F 2	400269X1	953	1-F 1	400287X1	703	1-D 24
400179X1	263	1-C 4	400227X1	969	1-F 2	400269X1	955	1-F 1	400287X1	705	1-D 24
400179X1	265	1-C 4	400227X1	1055	1-F 11	400272X1	659	1-D 19	400287X1	711	1-E 1
400183X1	881	1-E 18	400227X1	1057	1-F 11	400272X1	661	1-D 20	400287X1	713	1-E 1
400183X1	883	1-E 18	400227X1	1113	1-F 17	400273X1	869	1-E 16	400287X1	755	1-E 5
400185X1	983	1-F 4	400228X1	615	1-D 15	400276X1	607	1-D 14	400287X1	759	1-E 5
400186X1	183	1-B 20	400228X1	617	1-D 15	400277X1	71	1-B 9	400287X1	761	1-E 6
400186X1	1013	1-F 7	400229X1	869	1-E 16	400278X1	607	1-D 14	400287X1	779	1-E 7
400188X1	233	1-C 1	400230X1	235	1-C 1	400282X1	1103	1-F 16	400287X1	783	1-E 8
400189X1	97	1-B 11	400230X1	249	1-C 2	400282X1	1105	1-F 16	400287X1	787	1-E 8
400190X1	315	1-C 9	400232X1	615	1-D 15	400286X1	613	1-D 15	400287X1	789	1-E 8
400190X1	319	1-C 9	400232X1	617	1-D 15	400286X1	619	1-D 15	400287X1	791	1-E 9
400190X1	967	1-F 2	400236X1	81	1-B 10	400286X1	643	1-D 18	400287X1	813	1-E 11
400190X1	969	1-F 2	400236X1	515	1-D 5	400286X1	881	1-E 18	400287X1	815	1-E 11
400191X1	81	1-B 10	400236X1	517	1-D 5	400286X1	883	1-E 18	400287X1	853	1-E 15
400191X1	139	1-B 15	400236X1	519	1-D 5	400286X1	885	1-E 18	400287X1	869	1-E 16
400191X1	141	1-B 16	400236X1	521	1-D 6	400286X1	887	1-E 18	400287X1	881	1-E 18
400191X1	143	1-B 16	400236X1	523	1-D 6	400286X1	901	1-E 20	400287X1	883	1-E 18
400191X1	585	1-D 12	400236X1	525	1-D 6	400286X1	907	1-E 20	400287X1	919	1-E 21
400191X1	613	1-D 15	400236X1	901	1-E 20	400286X1	911	1-E 21	400287X1	921	1-E 22
400191X1	619	1-D 15	400236X1	903	1-E 20	400286X1	949	1-E 24	400287X1	923	1-E 22
400191X1	659	1-D 19	400237X1	951	1-F 1	400286X1	951	1-F 1	400287X1	927	1-E 22
400191X1	661	1-D 20	400239X1	115	1-B 13	400286X1	1113	1-F 17	400287X1	929	1-E 22
400191X1	869	1-E 16	400239X1	131	1-B 15	400287X1	69	1-B 8	400287X1	933	1-E 23
400191X1	907	1-E 20	400240X1	267	1-C 4	400287X1	75	1-B 9	400287X1	935	1-E 23
400193X1	541	1-D 8	400241X1	141	1-B 16	400287X1	87	1-B 10	400287X1	937	1-E 23
400193X1	907	1-E 20	400241X1	143	1-B 16	400287X1	91	1-B 11	400287X1	941	1-E 24
400194X1	517	1-D 5	400241X1	921	1-E 22	400287X1	95	1-B 11	400287X1	953	1-F 1
400194X1	521	1-D 6	400241X1	927	1-E 22	400287X1	101	1-B 12	400287X1	955	1-F 1
400194X1	525	1-D 6	400241X1	931	1-E 23	400287X1	103	1-B 12	400287X1	957	1-F 1
400195X1	951	1-F 1	400242X1	225	1-B 24	400287X1	105	1-B 12	400287X1	967	1-F 2
400203X1	699	1-D 23	400242X1	691	1-D 23	400287X1	107	1-B 12	400287X1	969	1-F 2
400204X1	79	1-B 9	400242X1	921	1-E 22	400287X1	113	1-B 13	400287X1	973	1-F 3
400205X1	175	1-B 19	400242X1	927	1-E 22	400287X1	115	1-B 13	400287X1	997	1-F 5
400205X1	179	1-B 19	400242X1	931	1-E 23	400287X1	119	1-B 13	400287X1	1039	1-F 9
400206X1	885	1-E 18	400243X1	71	1-B 9	400287X1	129	1-B 14	400287X1	1041	1-F 10
400206X1	887	1-E 18	400244X1	343	1-C 12	400287X1	131	1-B 15	400287X1	1043	1-F 10
400207X1	853	1-E 15	400244X1	901	1-E 20	400287X1	133	1-B 15	400287X1	1055	1-F 11
400208X1	185	1-B 20	400244X1	907	1-E 20	400287X1	135	1-B 15	400287X1	1057	1-F 11
400208X1	187	1-B 20	400245X1	99	1-B 11	400287X1	139	1-B 15	400287X1	1101	1-F 16
400208X1	295	1-C 7	400245X1	105	1-B 12	400287X1	141	1-B 16	400287X1	1103	1-F 16
400208X1	297	1-C 7	400245X1	165	1-B 18	400287X1	143	1-B 16	400287X1	1105	1-F 16
400209X1	67	1-B 8	400245X1	169	1-B 18	400287X1	145	1-B 16	400289X1	551	1-D 9

MT700B SERIES TRACTORS

35
INDEX

Part No.	Page	Grid	Part No.	Page	Grid	Part No.	Page	Grid	Part No.	Page	Grid
400289X1	553	1-D 9	400310X1	1055	1-F 11	400326X1	1047	1-F 10	400340X1	175	1-B 19
400289X1	641	1-D 18	400310X1	1057	1-F 11	400326X1	1049	1-F 10	400340X1	179	1-B 19
400289X1	901	1-E 20	400310X1	1073	1-F 13	400330X1	1029	1-F 8	400340X1	185	1-B 20
400289X1	907	1-E 20	400310X1	1083	1-F 14	400330X1	1097	1-F 15	400340X1	187	1-B 20
400289X1	911	1-E 21	400310X1	1087	1-F 14	400330X1	1099	1-F 15	400340X1	221	1-B 24
400290X1	905	1-E 20	400310X1	1103	1-F 16	400331X1	1029	1-F 8	400340X1	223	1-B 24
400290X1	933	1-E 23	400311X1	905	1-E 20	400332X1	1029	1-F 8	400340X1	225	1-B 24
400290X1	935	1-E 23	400313X1	967	1-F 2	400333X1	1029	1-F 8	400340X1	243	1-C 2
400290X1	937	1-E 23	400313X1	969	1-F 2	400333X1	1097	1-F 15	400340X1	571	1-D 11
400292X1	331	1-C 11	400313X1	1053	1-F 11	400333X1	1099	1-F 15	400340X1	573	1-D 11
400292X1	981	1-F 4	400313X1	1097	1-F 15	400334X1	127	1-B 14	400340X1	591	1-D 13
400292X1	983	1-F 4	400313X1	1099	1-F 15	400334X1	183	1-B 20	400340X1	753	1-E 5
400292X1	1105	1-F 16	400318X1	103	1-B 12	400334X1	1013	1-F 7	400340X1	755	1-E 5
400293X1	983	1-F 4	400318X1	315	1-C 9	400335X1	583	1-D 12	400340X1	757	1-E 5
400294X1	981	1-F 4	400318X1	317	1-C 9	400337X1	221	1-B 24	400340X1	759	1-E 5
400295X1	187	1-B 20	400318X1	319	1-C 9	400337X1	223	1-B 24	400340X1	911	1-E 21
400295X1	281	1-C 6	400318X1	615	1-D 15	400339X1	69	1-B 8	400340X1	923	1-E 22
400295X1	983	1-F 4	400318X1	617	1-D 15	400339X1	83	1-B 10	400340X1	927	1-E 22
400296X1	981	1-F 4	400318X1	687	1-D 22	400339X1	91	1-B 11	400340X1	931	1-E 23
400296X1	983	1-F 4	400318X1	689	1-D 22	400339X1	93	1-B 11	400340X1	977	1-F 3
400297X1	983	1-F 4	400318X1	695	1-D 23	400339X1	95	1-B 11	400340X1	979	1-F 3
400298X1	981	1-F 4	400318X1	697	1-D 23	400339X1	97	1-B 11	400340X1	985	1-F 4
400298X1	983	1-F 4	400318X1	701	1-D 24	400339X1	99	1-B 11	400340X1	1029	1-F 8
400299X1	981	1-F 4	400318X1	703	1-D 24	400339X1	103	1-B 12	400340X1	1051	1-F 11
400300X1	167	1-B 18	400318X1	727	1-E 2	400339X1	141	1-B 16	400340X1	1097	1-F 15
400300X1	175	1-B 19	400318X1	729	1-E 2	400339X1	143	1-B 16	400340X1	1099	1-F 15
400300X1	179	1-B 19	400318X1	741	1-E 4	400339X1	149	1-B 16	400340X1	1103	1-F 16
400300X1	207	1-B 22	400318X1	747	1-E 4	400339X1	165	1-B 18	400340X1	1109	1-F 16
400300X1	209	1-B 22	400318X1	749	1-E 4	400339X1	169	1-B 18	400341X1	141	1-B 16
400300X1	211	1-B 23	400318X1	751	1-E 5	400339X1	175	1-B 19	400341X1	143	1-B 16
400300X1	221	1-B 24	400318X1	763	1-E 6	400339X1	179	1-B 19	400341X1	149	1-B 16
400300X1	223	1-B 24	400318X1	765	1-E 6	400339X1	181	1-B 20	400341X1	225	1-B 24
400300X1	261	1-C 4	400318X1	779	1-E 7	400339X1	221	1-B 24	400341X1	227	1-B 24
400300X1	263	1-C 4	400318X1	781	1-E 8	400339X1	223	1-B 24	400341X1	315	1-C 9
400300X1	265	1-C 4	400318X1	783	1-E 8	400339X1	225	1-B 24	400341X1	319	1-C 9
400300X1	277	1-C 5	400318X1	785	1-E 8	400339X1	227	1-B 24	400341X1	543	1-D 8
400300X1	539	1-D 7	400318X1	791	1-E 9	400339X1	233	1-C 1	400341X1	555	1-D 9
400300X1	567	1-D 10	400318X1	863	1-E 16	400339X1	315	1-C 9	400341X1	565	1-D 10
400300X1	569	1-D 10	400318X1	921	1-E 22	400339X1	319	1-C 9	400341X1	567	1-D 10
400300X1	579	1-D 11	400318X1	925	1-E 22	400339X1	543	1-D 8	400341X1	569	1-D 10
400300X1	971	1-F 3	400318X1	929	1-E 22	400339X1	555	1-D 9	400341X1	571	1-D 11
400300X1	981	1-F 4	400319X1	69	1-B 8	400339X1	585	1-D 12	400341X1	573	1-D 11
400300X1	983	1-F 4	400319X1	701	1-D 24	400339X1	589	1-D 12	400341X1	589	1-D 12
400300X1	985	1-F 4	400319X1	711	1-E 1	400339X1	591	1-D 13	400341X1	787	1-E 8
400300X1	1065	1-F 12	400319X1	725	1-E 2	400339X1	613	1-D 15	400341X1	903	1-E 20
400300X1	1097	1-F 15	400319X1	727	1-E 2	400339X1	619	1-D 15	400341X1	907	1-E 20
400300X1	1099	1-F 15	400319X1	729	1-E 2	400339X1	643	1-D 18	400341X1	911	1-E 21
400300X1	1103	1-F 16	400319X1	779	1-E 7	400339X1	667	1-D 20	400341X1	977	1-F 3
400301X1	981	1-F 4	400319X1	783	1-E 8	400339X1	691	1-D 23	400341X1	979	1-F 3
400301X1	983	1-F 4	400319X1	807	1-E 10	400339X1	703	1-D 24	400341X1	1051	1-F 11
400302X1	981	1-F 4	400320X1	69	1-B 8	400339X1	753	1-E 5	400347X1	703	1-D 24
400305X1	981	1-F 4	400320X1	701	1-D 24	400339X1	755	1-E 5	400347X1	927	1-E 22
400305X1	983	1-F 4	400322X1	69	1-B 8	400339X1	757	1-E 5	400347X1	931	1-E 23
400306X1	981	1-F 4	400322X1	313	1-C 9	400339X1	759	1-E 5	400348X1	927	1-E 22
400307X1	981	1-F 4	400322X1	701	1-D 24	400339X1	787	1-E 8	400348X1	931	1-E 23
400307X1	983	1-F 4	400322X1	859	1-E 15	400339X1	911	1-E 21	400352X1	689	1-D 22
400308X1	981	1-F 4	400323X1	615	1-D 15	400339X1	921	1-E 22	400352X1	775	1-E 7
400308X1	983	1-F 4	400323X1	617	1-D 15	400339X1	923	1-E 22	400352X1	777	1-E 7
400309X1	981	1-F 4	400323X1	687	1-D 22	400339X1	927	1-E 22	400354X1	1113	1-F 17
400309X1	983	1-F 4	400323X1	695	1-D 23	400339X1	931	1-E 23	400356X1	1011	1-F 7
400310X1	101	1-B 12	400323X1	697	1-D 23	400339X1	1029	1-F 8	400357X1	73	1-B 9
400310X1	127	1-B 14	400323X1	701	1-D 24	400339X1	1047	1-F 10	400357X1	79	1-B 9
400310X1	165	1-B 18	400323X1	711	1-E 1	400339X1	1051	1-F 11	400357X1	87	1-B 10
400310X1	169	1-B 18	400323X1	713	1-E 1	400339X1	1055	1-F 11	400357X1	93	1-B 11
400310X1	277	1-C 5	400323X1	761	1-E 6	400339X1	1057	1-F 11	400357X1	105	1-B 12
400310X1	311	1-C 9	400323X1	779	1-E 7	400339X1	1065	1-F 12	400357X1	127	1-B 14
400310X1	331	1-C 11	400323X1	785	1-E 8	400339X1	1079	1-F 13	400357X1	139	1-B 15
400310X1	539	1-D 7	400323X1	853	1-E 15	400339X1	1103	1-F 16	400357X1	141	1-B 16
400310X1	545	1-D 8	400324X1	687	1-D 22	400340X1	69	1-B 8	400357X1	143	1-B 16
400310X1	593	1-D 13	400324X1	697	1-D 23	400340X1	91	1-B 11	400357X1	165	1-B 18
400310X1	699	1-D 23	400324X1	761	1-E 6	400340X1	99	1-B 11	400357X1	169	1-B 18
400310X1	783	1-E 8	400324X1	779	1-E 7	400340X1	105	1-B 12	400357X1	315	1-C 9
400310X1	787	1-E 8	400324X1	785	1-E 8	400340X1	131	1-B 15	400357X1	319	1-C 9
400310X1	981	1-F 4	400324X1	853	1-E 15	400340X1	165	1-B 18	400357X1	517	1-D 5
400310X1	983	1-F 4	400325X1	779	1-E 7	400340X1	167	1-B 18	400357X1	519	1-D 5

INDEX

Part No.	Page	Grid	Part No.	Page	Grid	Part No.	Page	Grid	Part No.	Page	Grid
400357X1	521	1-D 6	400372X1	929	1-E 22	400417X1	695	1-D 23	400599X1	1039	1-F 9
400357X1	523	1-D 6	400373X1	701	1-D 24	400417X1	697	1-D 23	400599X1	1041	1-F 10
400357X1	525	1-D 6	400374X1	725	1-E 2	400417X1	701	1-D 24	400599X1	1083	1-F 14
400357X1	547	1-D 8	400374X1	727	1-E 2	400428X1	701	1-D 24	400599X1	1085	1-F 14
400357X1	555	1-D 9	400374X1	729	1-E 2	400429X1	131	1-B 15	400599X1	1087	1-F 14
400357X1	557	1-D 9	400374X1	807	1-E 10	400429X1	701	1-D 24	400599X1	1089	1-F 14
400357X1	559	1-D 9	400375X1	615	1-D 15	400453X1	263	1-C 4	400599X1	1097	1-F 15
400357X1	585	1-D 12	400375X1	617	1-D 15	400453X1	265	1-C 4	400599X1	1099	1-F 15
400357X1	589	1-D 12	400375X1	741	1-E 4	400453X1	629	1-D 16	400599X1	1109	1-F 16
400357X1	613	1-D 15	400376X1	69	1-B 8	400453X1	631	1-D 17	400606X1	703	1-D 24
400357X1	653	1-D 19	400376X1	115	1-B 13	400453X1	633	1-D 17	400607X1	695	1-D 23
400357X1	655	1-D 19	400376X1	337	1-C 11	400453X1	637	1-D 17	400607X1	697	1-D 23
400357X1	657	1-D 19	400376X1	615	1-D 15	400455X1	1067	1-F 12	400607X1	701	1-D 24
400357X1	687	1-D 22	400376X1	617	1-D 15	400455X1	1069	1-F 12	400608X1	701	1-D 24
400357X1	691	1-D 23	400376X1	711	1-E 1	400455X1	1071	1-F 13	400610X1	701	1-D 24
400357X1	699	1-D 23	400376X1	713	1-E 1	400472X1	939	1-E 23	400612X1	687	1-D 22
400357X1	703	1-D 24	400376X1	741	1-E 4	400472X1	1027	1-F 8	400612X1	701	1-D 24
400357X1	705	1-D 24	400376X1	747	1-E 4	400484X1	315	1-C 9	400614X1	695	1-D 23
400357X1	711	1-E 1	400376X1	751	1-E 5	400484X1	765	1-E 6	400614X1	701	1-D 24
400357X1	713	1-E 1	400376X1	779	1-E 7	400486X1	995	1-F 5	400615X1	703	1-D 24
400357X1	715	1-E 1	400376X1	789	1-E 8	400500X1	251	1-C 3	400616X1	703	1-D 24
400357X1	717	1-E 1	400377X1	689	1-D 22	400511X1	241	1-C 2	400618X1	703	1-D 24
400357X1	719	1-E 1	400377X1	701	1-D 24	400511X1	277	1-C 5	400620X1	101	1-B 12
400357X1	753	1-E 5	400378X1	69	1-B 8	400511X1	315	1-C 9	400620X1	687	1-D 22
400357X1	755	1-E 5	400378X1	687	1-D 22	400511X1	765	1-E 6	400620X1	697	1-D 23
400357X1	757	1-E 5	400378X1	689	1-D 22	400553X1	255	1-C 3	400620X1	703	1-D 24
400357X1	759	1-E 5	400378X1	697	1-D 23	400553X1	997	1-F 5	400621X1	687	1-D 22
400357X1	761	1-E 6	400378X1	699	1-D 23	400555X1	765	1-E 6	400621X1	689	1-D 22
400357X1	779	1-E 7	400378X1	701	1-D 24	400561X1	243	1-C 2	400621X1	699	1-D 23
400357X1	787	1-E 8	400378X1	703	1-D 24	400561X1	321	1-C 10	400621X1	703	1-D 24
400357X1	791	1-E 9	400378X1	727	1-E 2	400561X1	1103	1-F 16	400622X1	703	1-D 24
400357X1	803	1-E 10	400378X1	729	1-E 2	400561X1	1105	1-F 16	400623X1	695	1-D 23
400357X1	805	1-E 10	400378X1	745	1-E 4	400562X1	193	1-B 21	400624X1	697	1-D 23
400357X1	813	1-E 11	400378X1	781	1-E 8	400562X1	241	1-C 2	400625X1	697	1-D 23
400357X1	815	1-E 11	400378X1	783	1-E 8	400562X1	293	1-C 7	400628X1	687	1-D 22
400357X1	921	1-E 22	400378X1	785	1-E 8	400562X1	311	1-C 9	400628X1	697	1-D 23
400357X1	927	1-E 22	400378X1	787	1-E 8	400562X1	315	1-C 9	400630X1	697	1-D 23
400357X1	931	1-E 23	400378X1	791	1-E 9	400562X1	763	1-E 6	400632X1	697	1-D 23
400357X1	1065	1-F 12	400378X1	921	1-E 22	400562X1	765	1-E 6	400634X1	687	1-D 22
400358X1	607	1-D 14	400378X1	925	1-E 22	400562X1	1107	1-F 16	400634X1	697	1-D 23
400360X1	763	1-E 6	400378X1	929	1-E 22	400564X1	753	1-E 5	400638X1	697	1-D 23
400360X1	765	1-E 6	400379X1	95	1-B 11	400564X1	755	1-E 5	400640X1	697	1-D 23
400361X1	69	1-B 8	400381X1	139	1-B 15	400568X1	753	1-E 5	400642X1	697	1-D 23
400361X1	103	1-B 12	400381X1	557	1-D 9	400568X1	755	1-E 5	400644X1	165	1-B 18
400361X1	317	1-C 9	400381X1	559	1-D 9	400569X1	753	1-E 5	400644X1	167	1-B 18
400361X1	335	1-C 11	400381X1	643	1-D 18	400569X1	755	1-E 5	400644X1	699	1-D 23
400361X1	689	1-D 22	400381X1	647	1-D 18	400576X1	997	1-F 5	400645X1	699	1-D 23
400361X1	701	1-D 24	400381X1	761	1-E 6	400580X1	779	1-E 7	400646X1	699	1-D 23
400361X1	707	1-D 24	400381X1	801	1-E 10	400580X1	789	1-E 8	400648X1	67	1-B 8
400361X1	709	1-D 24	400381X1	803	1-E 10	400581X1	789	1-E 8	400651X1	101	1-B 12
400361X1	727	1-E 2	400381X1	805	1-E 10	400590X1	779	1-E 7	400652X1	101	1-B 12
400361X1	729	1-E 2	400382X1	185	1-B 20	400593X1	201	1-B 22	400653X1	103	1-B 12
400361X1	765	1-E 6	400403X1	193	1-B 21	400593X1	203	1-B 22	400655X1	103	1-B 12
400361X1	785	1-E 8	400404X1	193	1-B 21	400593X1	727	1-E 2	400660X1	67	1-B 8
400361X1	807	1-E 10	400405X1	193	1-B 21	400593X1	729	1-E 2	400663X1	101	1-B 12
400361X1	863	1-E 16	400406X1	193	1-B 21	400595X1	779	1-E 7	400663X1	779	1-E 7
400361X1	1081	1-F 14	400407X1	193	1-B 21	400599X1	69	1-B 8	400665X1	133	1-B 15
400362X1	765	1-E 6	400408X1	289	1-C 6	400599X1	123	1-B 14	400669X1	103	1-B 12
400363X1	765	1-E 6	400408X1	293	1-C 7	400599X1	131	1-B 15	400670X1	67	1-B 8
400364X1	765	1-E 6	400409X1	289	1-C 6	400599X1	141	1-B 16	400671X1	101	1-B 12
400366X1	711	1-E 1	400414X1	753	1-E 5	400599X1	143	1-B 16	400673X1	67	1-B 8
400366X1	713	1-E 1	400414X1	755	1-E 5	400599X1	565	1-D 10	400675X1	69	1-B 8
400366X1	753	1-E 5	400414X1	757	1-E 5	400599X1	567	1-D 10	400677X1	67	1-B 8
400366X1	755	1-E 5	400414X1	759	1-E 5	400599X1	569	1-D 10	400679X1	101	1-B 12
400366X1	757	1-E 5	400415X1	69	1-B 8	400599X1	571	1-D 11	400680X1	101	1-B 12
400366X1	759	1-E 5	400416X1	69	1-B 8	400599X1	573	1-D 11	400683X1	69	1-B 8
400366X1	779	1-E 7	400416X1	711	1-E 1	400599X1	907	1-E 20	400684X1	69	1-B 8
400367X1	701	1-D 24	400416X1	713	1-E 1	400599X1	911	1-E 21	400685X1	69	1-B 8
400367X1	785	1-E 8	400416X1	727	1-E 2	400599X1	921	1-E 22	400686X1	69	1-B 8
400367X1	789	1-E 8	400416X1	729	1-E 2	400599X1	923	1-E 22	400688X1	87	1-B 10
400367X1	925	1-E 22	400416X1	751	1-E 5	400599X1	927	1-E 22	400688X1	103	1-B 12
400367X1	929	1-E 22	400416X1	753	1-E 5	400599X1	931	1-E 23	400688X1	107	1-B 12
400368X1	701	1-D 24	400416X1	755	1-E 5	400599X1	977	1-F 3	400688X1	315	1-C 9
400372X1	701	1-D 24	400416X1	757	1-E 5	400599X1	979	1-F 3	400688X1	319	1-C 9
400372X1	925	1-E 22	400416X1	759	1-E 5	400599X1	985	1-F 4	400688X1	691	1-D 23

MT700B SERIES TRACTORS

37
INDEX

Part No.	Page	Grid	Part No.	Page	Grid	Part No.	Page	Grid	Part No.	Page	Grid
400688X1	779	1-E 7	400948X1	977	1-F 3	5P-3114	363	1-C 14	500372D1	1147	1-F 20
400689X1	69	1-B 8	400961X1	757	1-E 5	5P-3114	365	1-C 14	500372D1	1149	1-F 20
400689X1	113	1-B 13	400961X1	759	1-E 5	5P-3114	367	1-C 14	500372D1	1151	1-F 21
400690X1	101	1-B 12	400963X1	753	1-E 5	5P-3114	369	1-C 14	500375D1	693	1-D 23
400690X1	165	1-B 18	400963X1	755	1-E 5	5P-3114	373	1-C 15	500378D1	997	1-F 5
400690X1	167	1-B 18	400968X1	753	1-E 5	5P-3114	375	1-C 15	500382D1	183	1-B 20
400691X1	101	1-B 12	400968X1	755	1-E 5	5P-3114	377	1-C 15	500382D1	1013	1-F 7
400700X1	101	1-B 12	400968X1	757	1-E 5	5P-3114	379	1-C 15	500393D2	659	1-D 19
400700X1	779	1-E 7	400968X1	759	1-E 5	5P-3114	381	1-C 16	500393D2	661	1-D 20
400701X1	69	1-B 8	5B-5821	347	1-C 12	5P-3723	389	1-C 16	500394D2	659	1-D 19
400701X1	107	1-B 12	5B-5821	349	1-C 12	5P-3723	397	1-C 17	500394D2	661	1-D 20
400702X1	69	1-B 8	5B-5821	355	1-C 13	5P-3723	405	1-C 18	500398D1	165	1-B 18
400702X1	103	1-B 12	5B-5821	357	1-C 13	5P-3723	413	1-C 19	500398D1	167	1-B 18
400702X1	693	1-D 23	5B-5821	439	1-C 21	5P-3723	421	1-C 20	500413D1	779	1-E 7
400705X1	69	1-B 8	5B-5821	449	1-C 22	5P-3723	429	1-C 20	500419D1	1075	1-F 13
400708X1	225	1-B 24	5B-5821	451	1-C 23	5P-3863	345	1-C 12	500441D2	585	1-D 12
400708X1	227	1-B 24	5B-5821	453	1-C 23	5P-3863	351	1-C 13	500442D1	997	1-F 5
400708X1	293	1-C 7	5B-5821	455	1-C 23	5P-3863	353	1-C 13	500445D1	985	1-F 4
400709X1	939	1-E 23	5B-5821	457	1-C 23	5P-3863	359	1-C 13	500446D1	285	1-C 6
400715X1	251	1-C 3	5C-7261	123	1-B 14	5P-3930	367	1-C 14	500446D1	291	1-C 7
400715X1	1027	1-F 8	5D-4116	903	1-E 20	5P-3930	369	1-C 14	500450D1	997	1-F 5
400717X1	241	1-C 2	5H-3182	489	1-D 2	5P-3930	377	1-C 15	500454D1	783	1-E 8
400717X1	939	1-E 23	5H-3182	491	1-D 3	5P-3930	381	1-C 16	500456D1	783	1-E 8
400718X1	987	1-F 4	5H-3252	497	1-D 3	5P-4298	445	1-C 22	500467D1	321	1-C 10
400753X1	239	1-C 1	5H-3252	501	1-D 4	5P-4298	447	1-C 22	500473D1	977	1-F 3
400754X1	321	1-C 10	5H-3252	505	1-D 4	5P-6254	393	1-C 17	500475D1	267	1-C 4
400780X1	983	1-F 4	5H-3252	509	1-D 4	5P-6254	401	1-C 18	500476D1	267	1-C 4
400781X1	293	1-C 7	5H-8038	345	1-C 12	5P-6254	409	1-C 18	500477D1	267	1-C 4
400782X1	311	1-C 9	5H-8038	351	1-C 13	5P-6254	417	1-C 19	500478D1	263	1-C 4
400825X1	697	1-D 23	5H-8038	355	1-C 13	5P-6254	425	1-C 20	500478D1	265	1-C 4
400825X1	703	1-D 24	5H-8038	359	1-C 13	5P-6254	433	1-C 21	500478D1	267	1-C 4
400831X1	335	1-C 11	5H-8985	363	1-C 14	5P-7684	347	1-C 12	500483D1	971	1-F 3
400832X1	165	1-B 18	5H-8985	367	1-C 14	5P-7684	351	1-C 13	500484D2	999	1-F 5
400832X1	167	1-B 18	5H-8985	377	1-C 15	5P-7684	353	1-C 13	500485D2	1001	1-F 6
400832X1	1169	1-F 22	5H-8985	379	1-C 15	5P-7684	357	1-C 13	500488D2	1003	1-F 6
400834X1	311	1-C 9	5J-2974	497	1-D 3	5P-9171	437	1-C 21	500489D2	1005	1-F 6
400834X1	1015	1-F 7	5J-2974	501	1-D 4	5P-9186	817	1-E 11	500493D1	997	1-F 5
400835X1	311	1-C 9	5J-2974	505	1-D 4	5S-7349	259	1-C 3	500494D1	679	1-D 21
400836X1	311	1-C 9	5J-2974	509	1-D 4	500013D1	315	1-C 9	500500D1	541	1-D 8
400837X1	107	1-B 12	5K-0461	451	1-C 23	500013D1	319	1-C 9	500501D1	541	1-D 8
400837X1	131	1-B 15	5K-0461	453	1-C 23	500018D1	1047	1-F 10	500505D1	1047	1-F 10
400837X1	165	1-B 18	5K-0461	455	1-C 23	500018D1	1049	1-F 10	500512D1	187	1-B 20
400837X1	167	1-B 18	5K-0461	457	1-C 23	500019D1	155	1-B 17	500512D1	315	1-C 9
400837X1	171	1-B 19	5K-5129	643	1-D 18	500019D1	1169	1-F 22	500512D1	319	1-C 9
400837X1	201	1-B 22	5K-9660	451	1-C 23	500061D1	665	1-D 20	500513D1	997	1-F 5
400837X1	203	1-B 22	5K-9660	453	1-C 23	500100D1	147	1-B 16	500519D1	79	1-B 9
400837X1	205	1-B 22	5K-9660	455	1-C 23	500100D1	155	1-B 17	500525D1	727	1-E 2
400837X1	221	1-B 24	5K-9660	457	1-C 23	500100D1	157	1-B 17	500525D1	803	1-E 10
400837X1	223	1-B 24	5M-0578	389	1-C 16	500101D1	155	1-B 17	500526D1	729	1-E 2
400837X1	283	1-C 6	5M-0578	397	1-C 17	500102D1	149	1-B 16	500526D1	805	1-E 10
400837X1	285	1-C 6	5M-0578	405	1-C 18	500102D1	151	1-B 17	500528D1	679	1-D 21
400837X1	289	1-C 6	5M-0578	413	1-C 19	500102D1	153	1-B 17	500529D1	225	1-B 24
400837X1	291	1-C 7	5M-0578	421	1-C 20	500102D1	157	1-B 17	500530D1	225	1-B 24
400837X1	293	1-C 7	5M-0578	429	1-C 20	500102D1	163	1-B 18	500531D1	225	1-B 24
400837X1	311	1-C 9	5M-0578	437	1-C 21	500251D1	77	1-B 9	500531D1	227	1-B 24
400837X1	313	1-C 9	5M-2051	439	1-C 21	500251D1	1169	1-F 22	500531D1	233	1-C 1
400837X1	323	1-C 10	5M-7937	347	1-C 12	500317D1	125	1-B 14	500533D1	783	1-E 8
400837X1	327	1-C 10	5M-7937	349	1-C 12	500317D1	127	1-B 14	500535D1	783	1-E 8
400837X1	329	1-C 10	5M-7937	355	1-C 13	500317D1	287	1-C 6	500537D1	783	1-E 8
400837X1	331	1-C 11	5M-7937	357	1-C 13	500361D1	261	1-C 4	500538D1	783	1-E 8
400837X1	977	1-F 3	5M-7937	449	1-C 22	500362D1	261	1-C 4	500539D1	783	1-E 8
400837X1	979	1-F 3	5M-7937	451	1-C 23	500363D1	261	1-C 4	500540D1	783	1-E 8
400837X1	1103	1-F 16	5M-7937	453	1-C 23	500364D1	261	1-C 4	500541D1	783	1-E 8
400860X1	541	1-D 8	5M-7937	455	1-C 23	500367D1	269	1-C 4	500543D1	815	1-E 11
400861X1	1107	1-F 16	5M-7937	457	1-C 23	500371D1	1127	1-F 18	500543D1	851	1-E 15
400862X1	207	1-B 22	5M-7937	497	1-D 3	500371D1	1133	1-F 19	500544D1	851	1-E 15
400862X1	209	1-B 22	5M-7937	501	1-D 4	500371D1	1135	1-F 19	500545D1	851	1-E 15
400862X1	211	1-B 23	5M-7937	505	1-D 4	500371D1	1141	1-F 20	500573D1	627	1-D 16
400862X1	1169	1-F 22	5M-7937	509	1-D 4	500371D1	1147	1-F 20	500573D1	633	1-D 17
400864X1	219	1-B 23	5P-0995	901	1-E 20	500371D1	1149	1-F 20	500573D1	635	1-D 17
400864X1	1169	1-F 22	5P-1404	347	1-C 12	500371D1	1151	1-F 21	500573D1	637	1-D 17
400899X1	185	1-B 20	5P-1404	351	1-C 13	500372D1	1127	1-F 18	500573D1	803	1-E 10
400932X1	981	1-F 4	5P-1404	355	1-C 13	500372D1	1133	1-F 19	500574D1	623	1-D 16
400932X1	983	1-F 4	5P-1404	359	1-C 13	500372D1	1135	1-F 19	500574D1	625	1-D 16
400941X1	185	1-B 20	5P-3114	361	1-C 14	500372D1	1141	1-F 20	500574D1	629	1-D 16

INDEX

Part No.	Page	Grid	Part No.	Page	Grid	Part No.	Page	Grid	Part No.	Page	Grid
500574D1	631	1-D 17	500686D1	617	1-D 15	500927D1	1029	1-F 8	501210D1	985	1-F 4
500574D1	805	1-E 10	500714D1	527	1-D 6	500929D1	1029	1-F 8	501213D1	607	1-D 14
500575D1	627	1-D 16	500715D1	527	1-D 6	500931D1	1029	1-F 8	501214D1	607	1-D 14
500575D1	633	1-D 17	500716D1	787	1-E 8	500933D1	703	1-D 24	501241D1	985	1-F 4
500575D1	635	1-D 17	500717D1	997	1-F 5	500934D1	695	1-D 23	501250D1	1125	1-F 18
500575D1	637	1-D 17	500719D1	1121	1-F 18	500949D1	703	1-D 24	501250D1	1131	1-F 19
500575D1	713	1-E 1	500719D1	1123	1-F 18	500950D1	703	1-D 24	501250D1	1137	1-F 19
500576D1	623	1-D 16	500724D1	1121	1-F 18	500957D1	1029	1-F 8	501251D1	1103	1-F 16
500576D1	625	1-D 16	500726D1	1121	1-F 18	500969D1	79	1-B 9	501251D1	1131	1-F 19
500576D1	629	1-D 16	500727D1	1121	1-F 18	500972D1	101	1-B 12	501251D1	1143	1-F 20
500576D1	631	1-D 17	500728D1	1121	1-F 18	500978D1	101	1-B 12	501252D1	1131	1-F 19
500576D1	711	1-E 1	500729D1	1121	1-F 18	500980D1	69	1-B 8	501252D1	1143	1-F 20
500585D1	767	1-E 6	500748D2	1121	1-F 18	500981D1	69	1-B 8	501253D1	1125	1-F 18
500585D1	779	1-E 7	500749D1	1121	1-F 18	500984D1	69	1-B 8	501253D1	1129	1-F 18
500586D1	779	1-E 7	500749D1	1123	1-F 18	501025D1	693	1-D 23	501253D1	1131	1-F 19
500598D1	767	1-E 6	500750D1	831	1-E 13	501026D1	1083	1-F 14	501253D1	1139	1-F 19
500598D1	785	1-E 8	500751D1	835	1-E 13	501026D1	1087	1-F 14	501253D1	1143	1-F 20
500598D1	787	1-E 8	500751D1	847	1-E 14	501030D1	853	1-E 15	501253D1	1151	1-F 21
500602D1	91	1-B 11	500759D1	101	1-B 12	501031D1	869	1-E 16	501254D1	1147	1-F 20
500602D1	95	1-B 11	500761D1	961	1-F 2	501032D1	869	1-E 16	501254D1	1149	1-F 20
500606D1	189	1-B 20	500761D1	965	1-F 2	501033D1	241	1-C 2	501256D1	1101	1-F 16
500606D1	263	1-C 4	500761D1	975	1-F 3	501033D1	311	1-C 9	501257D1	1145	1-F 20
500607D1	189	1-B 20	500768D1	959	1-F 1	501063D1	115	1-B 13	501258D1	1133	1-F 19
500607D1	275	1-C 5	500768D1	961	1-F 2	501064D1	115	1-B 13	501258D1	1149	1-F 20
500610D1	263	1-C 4	500768D1	963	1-F 2	501067D1	703	1-D 24	501259D1	1145	1-F 20
500611D1	189	1-B 20	500768D1	965	1-F 2	501068D1	703	1-D 24	501260D1	1147	1-F 20
500611D1	265	1-C 4	500768D1	973	1-F 3	501069D1	703	1-D 24	501261D1	1145	1-F 20
500616D1	189	1-B 20	500773D1	207	1-B 22	501073D1	271	1-C 5	501262D1	1139	1-F 19
500616D1	265	1-C 4	500773D1	209	1-B 22	501073D1	273	1-C 5	501262D1	1147	1-F 20
500619D1	175	1-B 19	500773D1	213	1-B 23	501074D1	271	1-C 5	501262D1	1149	1-F 20
500619D1	179	1-B 19	500774D1	211	1-B 23	501074D1	273	1-C 5	501263D1	1147	1-F 20
500619D1	997	1-F 5	500774D1	215	1-B 23	501075D1	271	1-C 5	501263D1	1149	1-F 20
500624D1	1029	1-F 8	500789D1	831	1-E 13	501075D1	273	1-C 5	501264D1	1141	1-F 20
500625D1	1029	1-F 8	500790D1	835	1-E 13	501081D1	703	1-D 24	501265D1	1151	1-F 21
500629D1	189	1-B 20	500791D2	1007	1-F 6	501082D1	703	1-D 24	501266D1	1137	1-F 19
500630D1	189	1-B 20	500792D2	1009	1-F 6	501083D1	703	1-D 24	501266D1	1147	1-F 20
500634D2	211	1-B 23	500834D1	615	1-D 15	501084D1	703	1-D 24	501267D1	1125	1-F 18
500635D2	211	1-B 23	500834D1	617	1-D 15	501085D1	703	1-D 24	501267D1	1139	1-F 19
500636D1	207	1-B 22	500837D1	611	1-D 15	501086D1	703	1-D 24	501268D1	1131	1-F 19
500636D1	209	1-B 22	500837D1	615	1-D 15	501087D1	703	1-D 24	501270D1	1131	1-F 19
500636D1	211	1-B 23	500838D1	609	1-D 14	501102D1	695	1-D 23	501271D1	1143	1-F 20
500637D1	211	1-B 23	500838D1	617	1-D 15	501103D1	1137	1-F 19	501272D1	1129	1-F 18
500638D1	211	1-B 23	500839D1	959	1-F 1	501103D1	1147	1-F 20	501272D1	1151	1-F 21
500639D1	211	1-B 23	500839D1	961	1-F 2	501104D1	1125	1-F 18	501273D1	1151	1-F 21
500640D1	207	1-B 22	500839D1	963	1-F 2	501104D1	1139	1-F 19	501274D1	1133	1-F 19
500641D1	209	1-B 22	500839D1	965	1-F 2	501105D1	1131	1-F 19	501274D1	1149	1-F 20
500642D1	211	1-B 23	500839D1	971	1-F 3	501105D1	1143	1-F 20	501274D1	1151	1-F 21
500650D1	209	1-B 22	500840D1	1061	1-F 12	501106D1	1137	1-F 19	501275D1	1133	1-F 19
500651D1	211	1-B 23	500847D1	961	1-F 2	501106D1	1147	1-F 20	501275D1	1137	1-F 19
500652D1	211	1-B 23	500847D1	963	1-F 2	501107D1	1133	1-F 19	501276D1	1131	1-F 19
500653D2	207	1-B 22	500848D1	965	1-F 2	501108D1	1137	1-F 19	501276D1	1143	1-F 20
500653D2	209	1-B 22	500853D1	1063	1-F 12	501108D1	1147	1-F 20	501277D1	1131	1-F 19
500653D2	211	1-B 23	500854D1	971	1-F 3	501117D2	315	1-C 9	501277D1	1145	1-F 20
500654D2	207	1-B 22	500882D1	263	1-C 4	501117D2	319	1-C 9	501279D1	1133	1-F 19
500654D2	209	1-B 22	500882D1	265	1-C 4	501120D1	1103	1-F 16	501279D1	1149	1-F 20
500654D2	211	1-B 23	500896D1	557	1-D 9	501124D1	273	1-C 5	501280D1	1137	1-F 19
500658D1	1029	1-F 8	500896D1	559	1-D 9	501144D1	977	1-F 3	501280D1	1147	1-F 20
500660D1	1029	1-F 8	500897D1	557	1-D 9	501144D1	979	1-F 3	501281D1	1131	1-F 19
500671D1	763	1-E 6	500898D1	557	1-D 9	501145D1	977	1-F 3	501281D1	1143	1-F 20
500671D1	765	1-E 6	500898D1	623	1-D 16	501145D1	979	1-F 3	501282D1	1139	1-F 19
500674D1	211	1-B 23	500898D1	627	1-D 16	501146D1	983	1-F 4	501284D1	1137	1-F 19
500676D2	207	1-B 22	500898D1	629	1-D 16	501147D1	977	1-F 3	501285D1	1133	1-F 19
500676D2	209	1-B 22	500898D1	633	1-D 17	501147D1	979	1-F 3	501286D1	1131	1-F 19
500676D2	211	1-B 23	500898D1	635	1-D 17	501153D1	985	1-F 4	501286D1	1143	1-F 20
500677D2	207	1-B 22	500898D1	637	1-D 17	501153D1	1169	1-F 22	501287D1	1131	1-F 19
500677D2	209	1-B 22	500899D1	559	1-D 9	501168D1	269	1-C 4	501287D1	1143	1-F 20
500677D2	211	1-B 23	500899D1	625	1-D 16	501169D1	269	1-C 4	501288D1	1133	1-F 19
500678D1	207	1-B 22	500899D1	631	1-D 17	501170D1	269	1-C 4	501288D1	1137	1-F 19
500678D1	209	1-B 22	500910D1	187	1-B 20	501171D1	269	1-C 4	501288D1	1149	1-F 20
500678D1	211	1-B 23	500910D1	281	1-C 6	501180D1	607	1-D 14	501289D1	1131	1-F 19
500678D1	1169	1-F 22	500926D1	613	1-D 15	501181D1	607	1-D 14	501290D1	1147	1-F 20
500679D1	205	1-B 22	500926D1	619	1-D 15	501195D1	1045	1-F 10	501290D1	1149	1-F 20
500680D1	205	1-B 22	500926D1	645	1-D 18	501199D1	901	1-E 20	501291D1	1143	1-F 20
500682D1	205	1-B 22	500927D1	967	1-F 2	501199D1	911	1-E 21	501292D1	1143	1-F 20
500686D1	615	1-D 15	500927D1	969	1-F 2	501209D1	643	1-D 18	501293D1	1147	1-F 20

MT700B SERIES TRACTORS

39
INDEX

Part No.	Page	Grid	Part No.	Page	Grid	Part No.	Page	Grid	Part No.	Page	Grid
501294D1	1147	1-F 20	501378D1	1155	1-F 21	501510D1	1161	1-F 22	501649D1	107	1-B 12
501294D1	1149	1-F 20	501379D1	1157	1-F 21	501511D1	1163	1-F 22	501650D1	61	1-B 8
501295D1	1139	1-F 19	501380D1	1159	1-F 21	501512D1	1165	1-F 22	501650D1	63	1-B 8
501296D1	1139	1-F 19	501381D1	1161	1-F 22	501521D1	1011	1-F 7	501650D1	65	1-B 8
501297D1	1143	1-F 20	501382D1	1163	1-F 22	501522D1	1011	1-F 7	501650D1	79	1-B 9
501298D1	1151	1-F 21	501383D1	1165	1-F 22	501523D1	183	1-B 20	501651D1	69	1-B 8
501299D1	1151	1-F 21	501384D1	1153	1-F 21	501523D1	1013	1-F 7	501651D1	71	1-B 9
501300D1	1151	1-F 21	501385D1	1157	1-F 21	501524D1	1011	1-F 7	501651D1	671	1-D 21
501301D1	1151	1-F 21	501386D1	1165	1-F 22	501525D1	1017	1-F 7	501651D1	673	1-D 21
501302D1	1143	1-F 20	501387D1	1161	1-F 22	501525D1	1019	1-F 7	501651D1	675	1-D 21
501303D1	1149	1-F 20	501388D1	1155	1-F 21	501526D1	1017	1-F 7	501652D1	67	1-B 8
501304D1	1137	1-F 19	501389D1	1159	1-F 21	501526D1	1019	1-F 7	501652D1	69	1-B 8
501305D1	1137	1-F 19	501390D1	1163	1-F 22	501527D1	1017	1-F 7	501681D1	61	1-B 8
501305D1	1147	1-F 20	501398D1	1157	1-F 21	501527D1	1019	1-F 7	501682D1	63	1-B 8
501306D1	1137	1-F 19	501399D1	1165	1-F 22	501528D1	1017	1-F 7	501683D1	65	1-B 8
501306D1	1147	1-F 20	501400D1	1161	1-F 22	501528D1	1019	1-F 7	501688D1	1101	1-F 16
501307D1	1125	1-F 18	501401D1	1155	1-F 21	501529D1	1019	1-F 7	501688D1	1103	1-F 16
501307D1	1139	1-F 19	501402D1	1159	1-F 21	501530D1	1011	1-F 7	501692D1	87	1-B 10
501314D1	1153	1-F 21	501403D1	1163	1-F 22	501530D1	1021	1-F 8	501693D1	87	1-B 10
501315D1	1157	1-F 21	501404D1	1153	1-F 21	501531D1	1011	1-F 7	501697D1	979	1-F 3
501316D1	1165	1-F 22	501405D1	635	1-D 17	501532D1	1011	1-F 7	501697D1	983	1-F 4
501317D1	1161	1-F 22	501405D1	637	1-D 17	501557D1	1045	1-F 10	501700D1	983	1-F 4
501318D1	1163	1-F 22	501406D1	1103	1-F 16	501563D1	1045	1-F 10	501701D2	981	1-F 4
501319D1	1155	1-F 21	501407D1	1115	1-F 17	501564D1	1103	1-F 16	501701D2	983	1-F 4
501320D1	1159	1-F 21	501408D1	1117	1-F 17	501565D1	1103	1-F 16	501702D1	981	1-F 4
501321D1	1153	1-F 21	501409D1	1119	1-F 17	501566D1	1103	1-F 16	501702D1	983	1-F 4
501322D1	1155	1-F 21	501481D1	1123	1-F 18	501603D1	1105	1-F 16	501703D1	981	1-F 4
501323D1	1157	1-F 21	501486D1	1123	1-F 18	501604D1	1103	1-F 16	501703D1	983	1-F 4
501324D1	1159	1-F 21	501487D1	1123	1-F 18	501627D1	45	1-B 6	501704D1	981	1-F 4
501325D1	1161	1-F 22	501500D1	1125	1-F 18	501628D1	47	1-B 6	501704D1	983	1-F 4
501326D1	1163	1-F 22	501500D1	1127	1-F 18	501629D1	49	1-B 6	501705D1	981	1-F 4
501327D1	1165	1-F 22	501500D1	1129	1-F 18	501630D1	51	1-B 7	501705D1	983	1-F 4
501335D1	1153	1-F 21	501500D1	1131	1-F 19	501631D1	53	1-B 7	501706D1	981	1-F 4
501336D1	1155	1-F 21	501500D1	1133	1-F 19	501632D1	55	1-B 7	501706D1	983	1-F 4
501337D1	1157	1-F 21	501500D1	1135	1-F 19	501633D1	45	1-B 6	501707D2	983	1-F 4
501338D1	1159	1-F 21	501500D1	1137	1-F 19	501633D1	51	1-B 7	501708D1	983	1-F 4
501339D1	1161	1-F 22	501501D1	1139	1-F 19	501633D1	1115	1-F 17	501709D1	981	1-F 4
501340D1	1163	1-F 22	501501D1	1141	1-F 20	501634D1	47	1-B 6	501709D1	983	1-F 4
501341D1	1165	1-F 22	501501D1	1143	1-F 20	501634D1	53	1-B 7	501710D1	981	1-F 4
501342D1	1153	1-F 21	501501D1	1145	1-F 20	501634D1	1117	1-F 17	501711D2	981	1-F 4
501343D1	1155	1-F 21	501501D1	1147	1-F 20	501635D1	49	1-B 6	501712D1	983	1-F 4
501344D1	1157	1-F 21	501501D1	1149	1-F 20	501635D1	55	1-B 7	501713D1	981	1-F 4
501345D1	1161	1-F 22	501501D1	1151	1-F 21	501635D1	1119	1-F 17	501713D1	983	1-F 4
501346D1	1163	1-F 22	501502D1	1125	1-F 18	501640D1	45	1-B 6	501714D1	981	1-F 4
501347D1	1165	1-F 22	501502D1	1127	1-F 18	501640D1	51	1-B 7	501714D1	983	1-F 4
501348D1	1159	1-F 21	501502D1	1129	1-F 18	501640D1	61	1-B 8	501716D1	981	1-F 4
501349D1	1153	1-F 21	501502D1	1131	1-F 19	501641D1	47	1-B 6	501716D1	983	1-F 4
501350D1	1155	1-F 21	501502D1	1133	1-F 19	501641D1	53	1-B 7	501717D1	983	1-F 4
501351D1	1157	1-F 21	501502D1	1135	1-F 19	501641D1	63	1-B 8	501718D1	981	1-F 4
501352D1	1159	1-F 21	501502D1	1137	1-F 19	501642D1	49	1-B 6	501718D1	983	1-F 4
501353D1	1161	1-F 22	501502D1	1139	1-F 19	501642D1	55	1-B 7	501719D1	981	1-F 4
501354D1	1163	1-F 22	501502D1	1141	1-F 20	501642D1	65	1-B 8	501719D1	983	1-F 4
501355D1	1165	1-F 22	501502D1	1143	1-F 20	501644D1	61	1-B 8	501720D2	981	1-F 4
501356D1	1153	1-F 21	501502D1	1145	1-F 20	501644D1	63	1-B 8	501720D2	983	1-F 4
501357D1	1155	1-F 21	501502D1	1147	1-F 20	501644D1	65	1-B 8	501721D2	981	1-F 4
501358D1	1157	1-F 21	501502D1	1149	1-F 20	501644D1	119	1-B 13	501721D2	983	1-F 4
501359D1	1159	1-F 21	501502D1	1151	1-F 21	501645D1	61	1-B 8	501722D2	981	1-F 4
501360D1	1161	1-F 22	501504D1	1125	1-F 18	501645D1	63	1-B 8	501722D2	983	1-F 4
501361D1	1163	1-F 22	501504D1	1127	1-F 18	501645D1	65	1-B 8	501723D2	981	1-F 4
501362D1	1165	1-F 22	501504D1	1129	1-F 18	501645D1	89	1-B 10	501723D2	983	1-F 4
501363D1	1153	1-F 21	501504D1	1131	1-F 19	501646D1	89	1-B 10	501724D2	981	1-F 4
501364D1	1157	1-F 21	501504D1	1133	1-F 19	501646D1	91	1-B 11	501724D2	983	1-F 4
501365D1	1165	1-F 22	501504D1	1135	1-F 19	501646D1	93	1-B 11	501725D1	981	1-F 4
501366D1	1161	1-F 22	501504D1	1137	1-F 19	501646D1	95	1-B 11	501725D1	983	1-F 4
501367D1	1155	1-F 21	501505D1	1139	1-F 19	501647D1	61	1-B 8	501726D1	981	1-F 4
501368D1	1159	1-F 21	501505D1	1141	1-F 20	501647D1	63	1-B 8	501726D1	983	1-F 4
501369D1	1163	1-F 22	501505D1	1143	1-F 20	501647D1	65	1-B 8	501727D1	981	1-F 4
501370D1	1153	1-F 21	501505D1	1145	1-F 20	501647D1	101	1-B 12	501728D1	981	1-F 4
501371D1	1157	1-F 21	501505D1	1147	1-F 20	501648D1	61	1-B 8	501729D1	981	1-F 4
501372D1	1165	1-F 22	501505D1	1149	1-F 20	501648D1	63	1-B 8	501730D1	981	1-F 4
501373D1	1161	1-F 22	501505D1	1151	1-F 21	501648D1	65	1-B 8	501730D1	983	1-F 4
501374D1	1155	1-F 21	501506D1	1153	1-F 21	501648D1	103	1-B 12	501731D1	981	1-F 4
501375D1	1159	1-F 21	501507D1	1155	1-F 21	501649D1	61	1-B 8	501731D1	983	1-F 4
501376D1	1163	1-F 22	501508D1	1157	1-F 21	501649D1	63	1-B 8	501732D1	981	1-F 4
501377D1	1153	1-F 21	501509D1	1159	1-F 21	501649D1	65	1-B 8	501733D1	981	1-F 4

INDEX

Part No.	Page	Grid	Part No.	Page	Grid	Part No.	Page	Grid	Part No.	Page	Grid
501734D1	981	1-F 4	501839D1	299	1-C 7	502064D1	1011	1-F 7	502273D1	65	1-B 8
501735D1	981	1-F 4	501840D1	301	1-C 8	502065D1	87	1-B 10	502273D1	105	1-B 12
501737D1	981	1-F 4	501841D1	247	1-C 2	502065D1	93	1-B 11	502279D1	1137	1-F 19
501738D1	317	1-C 9	501842D1	307	1-C 8	502066D1	95	1-B 11	502279D1	1147	1-F 20
501738D1	321	1-C 10	501845D1	93	1-B 11	502069D1	1045	1-F 10	502317D1	69	1-B 8
501738D1	983	1-F 4	501846D1	95	1-B 11	502070D1	107	1-B 12	502318D1	119	1-B 13
501738D1	1037	1-F 9	501847D1	95	1-B 11	502094D1	207	1-B 22	502319D1	119	1-B 13
501739D1	595	1-D 13	501848D1	95	1-B 11	502112D1	517	1-D 5	502320D1	119	1-B 13
501739D1	597	1-D 13	501849D1	87	1-B 10	502112D1	521	1-D 6	502321D1	1055	1-F 11
501739D1	599	1-D 13	501850D1	95	1-B 11	502113D1	517	1-D 5	502321D1	1057	1-F 11
501739D1	601	1-D 14	501851D1	91	1-B 11	502113D1	521	1-D 6	502322D1	1055	1-F 11
501739D1	603	1-D 14	501853D1	87	1-B 10	502114D1	517	1-D 5	502322D1	1057	1-F 11
501739D1	605	1-D 14	501854D1	95	1-B 11	502115D1	521	1-D 6	502329D1	611	1-D 15
501740D1	979	1-F 3	501859D1	91	1-B 11	502120D1	1027	1-F 8	502330D1	609	1-D 14
501742D1	595	1-D 13	501861D1	93	1-B 11	502121D1	1027	1-F 8	502339D1	101	1-B 12
501742D1	597	1-D 13	501862D1	93	1-B 11	502122D1	1027	1-F 8	502355D1	673	1-D 21
501742D1	599	1-D 13	501863D1	93	1-B 11	502123D1	603	1-D 14	502356D1	675	1-D 21
501742D1	601	1-D 14	501868D1	91	1-B 11	502124D1	603	1-D 14	502361D1	113	1-B 13
501742D1	603	1-D 14	501869D1	95	1-B 11	502129D1	603	1-D 14	502420D1	103	1-B 12
501742D1	605	1-D 14	501872D1	91	1-B 11	502130D1	603	1-D 14	502431D1	103	1-B 12
501743D1	595	1-D 13	501874D1	91	1-B 11	502132D1	599	1-D 13	502432D1	107	1-B 12
501743D1	597	1-D 13	501877D1	305	1-C 8	502133D1	605	1-D 14	502433D1	103	1-B 12
501743D1	599	1-D 13	501881D1	985	1-F 4	502134D1	597	1-D 13	502434D1	185	1-B 20
501743D1	601	1-D 14	501881D1	1169	1-F 22	502135D1	605	1-D 14	502434D1	187	1-B 20
501743D1	603	1-D 14	501883D1	79	1-B 9	502136D1	597	1-D 13	502435D1	185	1-B 20
501743D1	605	1-D 14	501884D1	79	1-B 9	502137D1	599	1-D 13	502471D1	753	1-E 5
501745D1	979	1-F 3	501885D1	1095	1-F 15	502138D1	605	1-D 14	502471D1	755	1-E 5
501765D1	761	1-E 6	501886D1	1095	1-F 15	502139D1	597	1-D 13	502472D1	757	1-E 5
501765D1	763	1-E 6	501887D1	295	1-C 7	502140D1	605	1-D 14	502472D1	759	1-E 5
501766D1	763	1-E 6	501887D1	297	1-C 7	502171D1	289	1-C 6	502473D1	757	1-E 5
501766D1	1169	1-F 22	501898D1	1061	1-F 12	502173D1	293	1-C 7	502473D1	759	1-E 5
501768D1	761	1-E 6	501908D1	1063	1-F 12	502175D1	313	1-C 9	502475D1	757	1-E 5
501768D1	765	1-E 6	501909D1	1063	1-F 12	502176D1	205	1-B 22	502475D1	759	1-E 5
501769D1	765	1-E 6	501910D1	1063	1-F 12	502177D1	211	1-B 23	502486D1	185	1-B 20
501769D1	1169	1-F 22	501911D1	1063	1-F 12	502178D1	771	1-E 7	502486D1	187	1-B 20
501771D1	753	1-E 5	501912D1	1063	1-F 12	502179D1	239	1-C 1	502487D1	185	1-B 20
501771D1	755	1-E 5	501928D1	73	1-B 9	502180D1	283	1-C 6	502499D1	979	1-F 3
501771D1	757	1-E 5	501930D1	75	1-B 9	502181D1	331	1-C 11	502499D1	983	1-F 4
501771D1	759	1-E 5	501934D1	193	1-B 21	502182D1	1103	1-F 16	502500D1	977	1-F 3
501771D1	1169	1-F 22	501935D1	193	1-B 21	502185D1	595	1-D 13	502500D1	981	1-F 4
501775D1	1051	1-F 11	501935D1	285	1-C 6	502185D1	597	1-D 13	502501D1	963	1-F 2
501785D1	1051	1-F 11	501935D1	291	1-C 7	502185D1	599	1-D 13	502501D1	965	1-F 2
501812D1	89	1-B 10	501936D1	193	1-B 21	502185D1	601	1-D 14	502501D1	979	1-F 3
501813D1	91	1-B 11	501940D1	287	1-C 6	502185D1	603	1-D 14	502502D1	959	1-F 1
501814D1	89	1-B 10	501940D1	333	1-C 11	502185D1	605	1-D 14	502502D1	961	1-F 2
501815D1	89	1-B 10	501941D1	289	1-C 6	502188D1	287	1-C 6	502502D1	977	1-F 3
501816D1	91	1-B 11	501941D1	293	1-C 7	502188D1	291	1-C 7	502509D1	1039	1-F 9
501817D1	987	1-F 4	501944D1	997	1-F 5	502190D1	239	1-C 1	502509D1	1041	1-F 10
501818D1	987	1-F 4	501949D1	285	1-C 6	502191D1	1075	1-F 13	502510D1	1039	1-F 9
501826D1	985	1-F 4	501949D1	291	1-C 7	502194D1	315	1-C 9	502510D1	1041	1-F 10
501829D1	185	1-B 20	501953D1	703	1-D 24	502194D1	319	1-C 9	502517D1	977	1-F 3
501829D1	187	1-B 20	501962D1	193	1-B 21	502195D1	317	1-C 9	502517D1	979	1-F 3
501829D1	247	1-C 2	501962D1	315	1-C 9	502195D1	319	1-C 9	502523D1	609	1-D 14
501830D1	295	1-C 7	501962D1	319	1-C 9	502196D1	317	1-C 9	502523D1	611	1-D 15
501831D1	297	1-C 7	501968D1	69	1-B 8	502196D1	319	1-C 9	502526D1	901	1-E 20
501831D1	301	1-C 8	501969D1	69	1-B 8	502197D1	317	1-C 9	502526D1	909	1-E 20
501832D1	295	1-C 7	501971D1	69	1-B 8	502197D1	319	1-C 9	502528D1	981	1-F 4
501832D1	297	1-C 7	501972D1	69	1-B 8	502224D1	317	1-C 9	502528D1	983	1-F 4
501832D1	305	1-C 8	501978D1	257	1-C 3	502224D1	319	1-C 9	502554D1	589	1-D 12
501833D1	295	1-C 7	501978D1	259	1-C 3	502242D1	185	1-B 20	502554D1	91	1-B 11
501833D1	297	1-C 7	501998D1	315	1-C 9	502244D1	279	1-C 5	502597D1	601	1-D 14
501833D1	303	1-C 8	501998D1	319	1-C 9	502245D1	217	1-B 23	502600D1	869	1-E 16
501834D1	295	1-C 7	502005D1	311	1-C 9	502265D1	105	1-B 12	502609D1	271	1-C 5
501834D1	297	1-C 7	502006D1	311	1-C 9	502267D1	981	1-F 4	502610D1	271	1-C 5
501834D1	299	1-C 7	502009D1	311	1-C 9	502267D1	1169	1-F 22	502611D1	271	1-C 5
501835D1	295	1-C 7	502010D1	1029	1-F 8	502271D1	61	1-B 8	502612D1	271	1-C 5
501835D1	297	1-C 7	502011D1	1029	1-F 8	502271D1	63	1-B 8	502615D1	601	1-D 14
501835D1	307	1-C 8	502021D1	101	1-B 12	502271D1	65	1-B 8	502616D1	601	1-D 14
501836D1	247	1-C 2	502026D1	1095	1-F 15	502271D1	115	1-B 13	502634D1	133	1-B 15
501836D1	299	1-C 7	502033D1	983	1-F 4	502272D1	61	1-B 8	502640D1	1027	1-F 8
501836D1	301	1-C 8	502035D1	311	1-C 9	502272D1	63	1-B 8	502642D1	613	1-D 15
501836D1	303	1-C 8	502036D1	983	1-F 4	502272D1	65	1-B 8	502642D1	619	1-D 15
501836D1	305	1-C 8	502044D1	101	1-B 12	502272D1	113	1-B 13	502642D1	643	1-D 18
501836D1	307	1-C 8	502057D1	605	1-D 14	502273D1	61	1-B 8	502653D1	1083	1-F 14
501838D1	303	1-C 8	502058D1	605	1-D 14	502273D1	63	1-B 8	502654D1	1031	1-F 9

MT700B SERIES TRACTORS

41
INDEX

Part No.	Page	Grid	Part No.	Page	Grid	Part No.	Page	Grid	Part No.	Page	Grid
502656D1	959	1-F 1	502794D1	1073	1-F 13	6V-0852	357	1-C 13	6V-8154	407	1-C 18
502656D1	963	1-F 2	502795D1	283	1-C 6	6V-0852	383	1-C 16	6V-8154	415	1-C 19
502656D1	1083	1-F 14	502796D1	975	1-F 3	6V-0852	385	1-C 16	6V-8154	423	1-C 20
502656D1	1085	1-F 14	502797D1	125	1-B 14	6V-0852	489	1-D 2	6V-8154	431	1-C 21
502658D1	959	1-F 1	502798D1	581	1-D 12	6V-0852	491	1-D 3	6V-8188	259	1-C 3
502658D1	963	1-F 2	502799D1	545	1-D 8	6V-0852	495	1-D 3	6V-8369	1101	1-F 16
502658D1	1031	1-F 9	502900D1	221	1-B 24	6V-0852	499	1-D 3	6V-8378	259	1-C 3
502668D1	45	1-B 6	502901D1	337	1-C 11	6V-0852	503	1-D 4	6V-8397	393	1-C 17
502668D1	47	1-B 6	502922D1	1123	1-F 18	6V-0852	507	1-D 4	6V-8397	401	1-C 18
502668D1	49	1-B 6	502923D1	1123	1-F 18	6V-0852	1169	1-F 22	6V-8397	409	1-C 18
502668D1	57	1-B 7	502930D1	651	1-D 19	6V-1197	439	1-C 21	6V-8397	417	1-C 19
502669D1	51	1-B 7	502931D1	651	1-D 19	6V-1586	361	1-C 14	6V-8397	449	1-C 22
502669D1	53	1-B 7	502932D1	651	1-D 19	6V-1586	363	1-C 14	6V-8397	457	1-C 23
502669D1	55	1-B 7	502933D1	221	1-B 24	6V-1586	365	1-C 14	6V-8398	435	1-C 21
502669D1	59	1-B 7	502933D1	223	1-B 24	6V-1586	369	1-C 14	6V-8490	367	1-C 14
502670D1	57	1-B 7	502934D1	221	1-B 24	6V-1586	373	1-C 15	6V-8490	377	1-C 15
502670D1	565	1-D 10	502934D1	223	1-B 24	6V-1586	375	1-C 15	6V-8632	435	1-C 21
502670D1	567	1-D 10	503026D1	659	1-D 19	6V-1586	379	1-C 15	6V-8722	435	1-C 21
502671D1	59	1-B 7	503026D1	661	1-D 20	6V-1586	381	1-C 16	6V-8724	449	1-C 22
502671D1	569	1-D 10	503061D1	659	1-D 19	6V-2483	345	1-C 12	6V-8782	435	1-C 21
502672D1	57	1-B 7	503061D1	661	1-D 20	6V-2483	351	1-C 13	6V-8934	393	1-C 17
502672D1	59	1-B 7	503954D1	69	1-B 8	6V-2483	353	1-C 13	6V-8934	401	1-C 18
502672D1	575	1-D 11	6C-9149	339	1-C 11	6V-2483	359	1-C 13	6V-8934	409	1-C 18
502673D1	753	1-E 5	6C-9149	441	1-C 22	6V-2832	345	1-C 12	6V-8934	417	1-C 19
502674D1	757	1-E 5	6D-7690	389	1-C 16	6V-2832	351	1-C 13	6V-8934	425	1-C 20
502675D1	759	1-E 5	6D-7690	397	1-C 17	6V-3508	367	1-C 14	6V-8934	433	1-C 21
502676D1	753	1-E 5	6D-7690	405	1-C 18	6V-3508	369	1-C 14	6V-9002	435	1-C 21
502676D1	755	1-E 5	6D-7690	413	1-C 19	6V-3508	377	1-C 15	6V-9004	451	1-C 23
502676D1	757	1-E 5	6D-7690	421	1-C 20	6V-3508	381	1-C 16	6V-9004	453	1-C 23
502676D1	759	1-E 5	6D-7690	429	1-C 20	6V-3532	391	1-C 17	6V-9004	455	1-C 23
502677D1	755	1-E 5	6F-7044	285	1-C 6	6V-3532	399	1-C 17	6V-9004	457	1-C 23
502678D1	753	1-E 5	6F-7044	291	1-C 7	6V-3532	407	1-C 18	6V-9189	435	1-C 21
502678D1	755	1-E 5	6I-4464	111	1-B 13	6V-3532	415	1-C 19	6V-9189	443	1-C 22
502678D1	757	1-E 5	6I-8197	389	1-C 16	6V-3532	423	1-C 20	6V-9189	445	1-C 22
502678D1	759	1-E 5	6I-8197	397	1-C 17	6V-3532	431	1-C 21	6V-9189	447	1-C 22
502679D1	753	1-E 5	6I-8197	405	1-C 18	6V-3940	479	1-D 1	6V-9189	497	1-D 3
502679D1	755	1-E 5	6I-8197	413	1-C 19	6V-3965	345	1-C 12	6V-9189	501	1-D 4
502679D1	757	1-E 5	6I-8197	421	1-C 20	6V-3965	349	1-C 12	6V-9189	505	1-D 4
502679D1	759	1-E 5	6I-8197	429	1-C 20	6V-3965	353	1-C 13	6V-9189	509	1-D 4
502680D1	753	1-E 5	6I-8200	389	1-C 16	6V-3965	357	1-C 13	6V-9632	973	1-F 3
502681D1	757	1-E 5	6I-8200	397	1-C 17	6V-3965	475	1-D 1	6V-9632	1057	1-F 11
502684D1	753	1-E 5	6I-8200	405	1-C 18	6V-3965	477	1-D 1	6V-9746	451	1-C 23
502684D1	755	1-E 5	6I-8200	413	1-C 19	6V-3965	489	1-D 2	6V-9746	453	1-C 23
502684D1	757	1-E 5	6I-8200	421	1-C 20	6V-3965	491	1-D 3	6V-9746	455	1-C 23
502684D1	759	1-E 5	6I-8200	429	1-C 20	6V-4249	347	1-C 12	6V-9746	457	1-C 23
502686D1	753	1-E 5	6I-8390	495	1-D 3	6V-4249	351	1-C 13	6Y-1223	439	1-C 21
502686D1	755	1-E 5	6I-8390	499	1-D 3	6V-4249	355	1-C 13	6Y-5631	495	1-D 3
502686D1	757	1-E 5	6I-8390	503	1-D 4	6V-4249	359	1-C 13	6Y-5631	499	1-D 3
502686D1	759	1-E 5	6I-8390	507	1-D 4	6V-5215	497	1-D 3	6Y-5631	503	1-D 4
502691D1	565	1-D 10	6I-8566	389	1-C 16	6V-5215	501	1-D 4	6Y-5631	507	1-D 4
502691D1	569	1-D 10	6I-8566	397	1-C 17	6V-5215	505	1-D 4	6Y-7922	495	1-D 3
502692D1	567	1-D 10	6I-8566	405	1-C 18	6V-5215	509	1-D 4	6Y-7922	499	1-D 3
502692D1	569	1-D 10	6I-8566	413	1-C 19	6V-5218	479	1-D 1	6Y-7922	503	1-D 4
502693D1	567	1-D 10	6I-8566	421	1-C 20	6V-5684	371	1-C 15	6Y-7922	507	1-D 4
502693D1	569	1-D 10	6I-8566	429	1-C 20	6V-5684	437	1-C 21	6Y-7932	361	1-C 14
502694D1	565	1-D 10	6K-6307	347	1-C 12	6V-5815	365	1-C 14	6Y-7932	363	1-C 14
502694D1	569	1-D 10	6K-6307	351	1-C 13	6V-5815	373	1-C 15	6Y-7932	365	1-C 14
502695D1	565	1-D 10	6K-6307	353	1-C 13	6V-5842	497	1-D 3	6Y-7932	369	1-C 14
502695D1	569	1-D 10	6K-6307	357	1-C 13	6V-5842	501	1-D 4	6Y-7932	373	1-C 15
502696D1	575	1-D 11	6N-3827	259	1-C 3	6V-5842	505	1-D 4	6Y-7932	375	1-C 15
502697D1	575	1-D 11	6S-3002	345	1-C 12	6V-5842	509	1-D 4	6Y-7932	379	1-C 15
502739D1	133	1-B 15	6S-3002	351	1-C 13	6V-6317	387	1-C 16	6Y-7932	381	1-C 16
502762D1	563	1-D 10	6S-3002	353	1-C 13	6V-6317	391	1-C 17	6Y-7968	495	1-D 3
502763D1	1113	1-F 17	6S-3002	359	1-C 13	6V-6317	395	1-C 17	6Y-7968	499	1-D 3
502765D1	237	1-C 1	6V-0473	495	1-D 3	6V-6317	399	1-C 17	6Y-7968	503	1-D 4
502766D1	671	1-D 21	6V-0473	499	1-D 3	6V-6317	403	1-C 18	6Y-7968	507	1-D 4
502772D1	563	1-D 10	6V-0473	503	1-D 4	6V-6317	411	1-C 19	6Y-8512	495	1-D 3
502773D1	237	1-C 1	6V-0473	507	1-D 4	6V-6317	419	1-C 19	6Y-8512	499	1-D 3
502775D1	1039	1-F 9	6V-0484	347	1-C 12	6V-6317	427	1-C 20	6Y-8512	503	1-D 4
502777D1	1095	1-F 15	6V-0484	349	1-C 12	6V-6609	497	1-D 3	6Y-8512	507	1-D 4
502778D1	581	1-D 12	6V-0484	355	1-C 13	6V-6609	501	1-D 4	6Y-8514	495	1-D 3
502791D1	1103	1-F 16	6V-0484	357	1-C 13	6V-6609	505	1-D 4	6Y-8514	499	1-D 3
502792D1	167	1-B 18	6V-0852	347	1-C 12	6V-6609	509	1-D 4	6Y-8514	503	1-D 4
502792D1	169	1-B 18	6V-0852	349	1-C 12	6V-8154	391	1-C 17	6Y-8514	507	1-D 4
502793D1	1091	1-F 15	6V-0852	353	1-C 13	6V-8154	399	1-C 17	7C-6467	339	1-C 11

INDEX

Part No.	Page	Grid	Part No.	Page	Grid	Part No.	Page	Grid	Part No.	Page	Grid
7C-6467	441	1-C 22	7X-2569	447	1-C 22	8E-8313	495	1-D 3	8T-4121	453	1-C 23
7C-6467	443	1-C 22	7X-3373	259	1-C 3	8E-8313	499	1-D 3	8T-4121	455	1-C 23
7C-6467	445	1-C 22	7X-6315	315	1-C 9	8E-8313	503	1-D 4	8T-4121	457	1-C 23
7C-6467	447	1-C 22	7X-6315	319	1-C 9	8E-8313	507	1-D 4	8T-4123	443	1-C 22
7C-6467	495	1-D 3	7X-7816	393	1-C 17	8E-8653	495	1-D 3	8T-4123	445	1-C 22
7C-6467	499	1-D 3	7X-7816	401	1-C 18	8E-8653	499	1-D 3	8T-4123	447	1-C 22
7C-6467	503	1-D 4	7X-7816	409	1-C 18	8E-8653	503	1-D 4	8T-4123	497	1-D 3
7C-6467	507	1-D 4	7X-7816	417	1-C 19	8E-8653	507	1-D 4	8T-4123	501	1-D 4
7G-4822	361	1-C 14	7X-7816	425	1-C 20	8F-1434	259	1-C 3	8T-4123	505	1-D 4
7G-4822	363	1-C 14	7X-7816	433	1-C 21	8F-3469	371	1-C 15	8T-4123	509	1-D 4
7G-4822	365	1-C 14	72571001	275	1-C 5	8F-3469	437	1-C 21	8T-4133	817	1-E 11
7G-4822	367	1-C 14	72571006	271	1-C 5	8F-3469	443	1-C 22	8T-4136	123	1-B 14
7G-4822	373	1-C 15	72571008	275	1-C 5	8F-3469	445	1-C 22	8T-4137	449	1-C 22
7G-4822	375	1-C 15	79019518B	189	1-B 20	8F-3469	447	1-C 22	8T-4139	497	1-D 3
7G-4822	377	1-C 15	79019518B	195	1-B 21	8H-1141	259	1-C 3	8T-4139	501	1-D 4
7G-4822	379	1-C 15	8B-6375	449	1-C 22	8L-2777	391	1-C 17	8T-4139	505	1-D 4
7G-5670	389	1-C 16	8B-6375	451	1-C 23	8L-2777	401	1-C 18	8T-4139	509	1-D 4
7G-5670	397	1-C 17	8B-6375	453	1-C 23	8L-2777	409	1-C 18	8T-4140	347	1-C 12
7G-5670	405	1-C 18	8B-6375	455	1-C 23	8L-2777	417	1-C 19	8T-4140	351	1-C 13
7G-5670	413	1-C 19	8B-6375	457	1-C 23	8L-2777	425	1-C 20	8T-4140	353	1-C 13
7G-5670	421	1-C 20	8C-0572	543	1-D 8	8L-2777	433	1-C 21	8T-4140	359	1-C 13
7G-5670	429	1-C 20	8C-3290	583	1-D 12	8L-2777	817	1-E 11	8T-4170	339	1-C 11
7G-6945	371	1-C 15	8C-3428	383	1-C 16	8M-5253	479	1-D 1	8T-4170	441	1-C 22
7G-6945	437	1-C 21	8C-3428	385	1-C 16	8M-7160	393	1-C 17	8T-4176	497	1-D 3
7J-0204	347	1-C 12	8C-5224	443	1-C 22	8M-7160	401	1-C 18	8T-4176	501	1-D 4
7J-0204	351	1-C 13	8C-5224	445	1-C 22	8M-7160	409	1-C 18	8T-4176	505	1-D 4
7J-0204	353	1-C 13	8C-5224	447	1-C 22	8M-7160	417	1-C 19	8T-4176	509	1-D 4
7J-0204	357	1-C 13	8C-6865	389	1-C 16	8M-7160	425	1-C 20	8T-4179	383	1-C 16
7J-0204	419	1-C 19	8C-6865	397	1-C 17	8M-7160	433	1-C 21	8T-4179	385	1-C 16
7J-0204	427	1-C 20	8C-6865	405	1-C 18	8P-7898	439	1-C 21	8T-4179	393	1-C 17
7J-9108	435	1-C 21	8C-6865	413	1-C 19	8S-0768	383	1-C 16	8T-4179	395	1-C 17
7K-1181	383	1-C 16	8C-6865	421	1-C 20	8S-0768	385	1-C 16	8T-4179	403	1-C 18
7K-1181	385	1-C 16	8C-6865	429	1-C 20	8S-0768	495	1-D 3	8T-4179	411	1-C 19
7L-2894	259	1-C 3	8C-8422	339	1-C 11	8S-0768	499	1-D 3	8T-4179	419	1-C 19
7M-8485	345	1-C 12	8C-8478	497	1-D 3	8S-0768	503	1-D 4	8T-4179	427	1-C 20
7M-8485	349	1-C 12	8C-8478	501	1-D 4	8S-0768	507	1-D 4	8T-4183	393	1-C 17
7M-8485	355	1-C 13	8C-8478	505	1-D 4	8T-0100	443	1-C 22	8T-4183	401	1-C 18
7M-8485	357	1-C 13	8C-8478	509	1-D 4	8T-0100	445	1-C 22	8T-4183	409	1-C 18
7T-1099	973	1-F 3	8C-8778	497	1-D 3	8T-0100	447	1-C 22	8T-4183	417	1-C 19
7T-3267	259	1-C 3	8C-8778	501	1-D 4	8T-0251	495	1-D 3	8T-4183	425	1-C 20
7T-3268	259	1-C 3	8C-8778	503	1-D 4	8T-0251	499	1-D 3	8T-4183	433	1-C 21
7T-3271	259	1-C 3	8C-8778	507	1-D 4	8T-0251	503	1-D 4	8T-4187	583	1-D 12
7T-3275	259	1-C 3	8D-3266	437	1-C 21	8T-0251	507	1-D 4	8T-4189	123	1-B 14
7T-3279	259	1-C 3	8E-0401	361	1-C 14	8T-0282	391	1-C 17	8T-4189	347	1-C 12
7T-3451	259	1-C 3	8E-0401	363	1-C 14	8T-0282	399	1-C 17	8T-4189	351	1-C 13
7T-3454	259	1-C 3	8E-0401	365	1-C 14	8T-0282	407	1-C 18	8T-4189	353	1-C 13
7T-4515	493	1-D 3	8E-0401	369	1-C 14	8T-0282	415	1-C 19	8T-4189	359	1-C 13
7T-9356	497	1-D 3	8E-0401	373	1-C 15	8T-0282	423	1-C 20	8T-4195	347	1-C 12
7T-9356	501	1-D 4	8E-0401	375	1-C 15	8T-0282	431	1-C 21	8T-4195	351	1-C 13
7T-9356	503	1-D 4	8E-0401	379	1-C 15	8T-0328	259	1-C 3	8T-4195	353	1-C 13
7T-9356	507	1-D 4	8E-0401	381	1-C 16	8T-0646	371	1-C 15	8T-4195	359	1-C 13
7X-0562	259	1-C 3	8E-1143	479	1-D 1	8T-2659	287	1-C 6	8T-4195	387	1-C 16
7X-2465	583	1-D 12	8E-8298	367	1-C 14	8T-2883	451	1-C 23	8T-4195	395	1-C 17
7X-2488	497	1-D 3	8E-8298	369	1-C 14	8T-2883	453	1-C 23	8T-4195	403	1-C 18
7X-2488	501	1-D 4	8E-8298	377	1-C 15	8T-2883	455	1-C 23	8T-4195	411	1-C 19
7X-2488	505	1-D 4	8E-8298	381	1-C 16	8T-2883	457	1-C 23	8T-4195	419	1-C 19
7X-2488	509	1-D 4	8E-8308	389	1-C 16	8T-3490	101	1-B 12	8T-4195	427	1-C 20
7X-2537	347	1-C 12	8E-8308	397	1-C 17	8T-3490	449	1-C 22	8T-4195	439	1-C 21
7X-2537	351	1-C 13	8E-8308	405	1-C 18	8T-3490	451	1-C 23	8T-4195	449	1-C 22
7X-2537	353	1-C 13	8E-8308	413	1-C 19	8T-3490	453	1-C 23	8T-4195	451	1-C 23
7X-2537	359	1-C 13	8E-8308	421	1-C 20	8T-3490	455	1-C 23	8T-4195	453	1-C 23
7X-2554	339	1-C 11	8E-8308	429	1-C 20	8T-3490	457	1-C 23	8T-4195	455	1-C 23
7X-2554	441	1-C 22	8E-8308	437	1-C 21	8T-3597	557	1-D 9	8T-4195	457	1-C 23
7X-2556	339	1-C 11	8E-8310	393	1-C 17	8T-3597	559	1-D 9	8T-4200	383	1-C 16
7X-2556	441	1-C 22	8E-8310	401	1-C 18	8T-4121	123	1-B 14	8T-4200	385	1-C 16
7X-2557	339	1-C 11	8E-8310	409	1-C 18	8T-4121	387	1-C 16	8T-4200	435	1-C 21
7X-2557	441	1-C 22	8E-8310	417	1-C 19	8T-4121	391	1-C 17	8T-4205	259	1-C 3
7X-2559	339	1-C 11	8E-8310	425	1-C 20	8T-4121	395	1-C 17	8T-4223	383	1-C 16
7X-2559	441	1-C 22	8E-8310	433	1-C 21	8T-4121	399	1-C 17	8T-4223	385	1-C 16
7X-2565	497	1-D 3	8E-8311	389	1-C 16	8T-4121	403	1-C 18	8T-4223	393	1-C 17
7X-2565	501	1-D 4	8E-8311	397	1-C 17	8T-4121	411	1-C 19	8T-4223	395	1-C 17
7X-2565	505	1-D 4	8E-8311	405	1-C 18	8T-4121	419	1-C 19	8T-4223	401	1-C 18
7X-2565	509	1-D 4	8E-8311	413	1-C 19	8T-4121	427	1-C 20	8T-4223	403	1-C 18
7X-2569	443	1-C 22	8E-8311	421	1-C 20	8T-4121	449	1-C 22	8T-4223	409	1-C 18
7X-2569	445	1-C 22	8E-8311	429	1-C 20	8T-4121	451	1-C 23	8T-4223	411	1-C 19

MT700B SERIES TRACTORS

Part No.	Page	Grid	Part No.	Page	Grid	Part No.	Page	Grid	Part No.	Page	Grid
8T-4223	417	1-C 19	9S-4185	491	1-D 3	9X-4609	383	1-C 16			
8T-4223	419	1-C 19	9S-4191	387	1-C 16	9X-4609	385	1-C 16			
8T-4223	425	1-C 20	9S-4191	401	1-C 18	9X-4824	259	1-C 3			
8T-4223	427	1-C 20	9S-4191	409	1-C 18	9X-6163	437	1-C 21			
8T-4223	433	1-C 21	9S-4191	417	1-C 19	9X-7424	389	1-C 16			
8T-4223	497	1-D 3	9S-4191	425	1-C 20	9X-7424	397	1-C 17			
8T-4223	501	1-D 4	9S-4191	433	1-C 21	9X-7424	405	1-C 18			
8T-4223	505	1-D 4	9S-8001	489	1-D 2	9X-7424	413	1-C 19			
8T-4223	509	1-D 4	9S-8001	491	1-D 3	9X-7424	421	1-C 20			
8T-4224	383	1-C 16	9S-8004	347	1-C 12	9X-7424	429	1-C 20			
8T-4224	385	1-C 16	9S-8004	349	1-C 12	9X-7426	389	1-C 16			
8T-4224	435	1-C 21	9S-8004	355	1-C 13	9X-7426	397	1-C 17			
8T-4224	497	1-D 3	9S-8004	357	1-C 13	9X-7426	405	1-C 18			
8T-4224	501	1-D 4	9S-8004	403	1-C 18	9X-7426	413	1-C 19			
8T-4224	505	1-D 4	9S-8004	411	1-C 19	9X-7426	421	1-C 20			
8T-4224	509	1-D 4	9S-8004	419	1-C 19	9X-7426	429	1-C 20			
8T-4956	439	1-C 21	9S-8004	427	1-C 20	9X-9510	259	1-C 3			
8T-5001	435	1-C 21	9S-8004	479	1-D 1						
8T-5001	437	1-C 21	9S-8004	497	1-D 3						
8T-5030	363	1-C 14	9S-8004	501	1-D 4						
8T-5030	367	1-C 14	9S-8004	505	1-D 4						
8T-5030	377	1-C 15	9S-8004	509	1-D 4						
8T-5030	379	1-C 15	9S-8005	345	1-C 12						
8T-5878	583	1-D 12	9S-8005	349	1-C 12						
8T-6869	383	1-C 16	9S-8005	353	1-C 13						
8T-6869	385	1-C 16	9S-8005	357	1-C 13						
8T-6869	435	1-C 21	9S-8005	443	1-C 22						
8T-6870	383	1-C 16	9S-8005	445	1-C 22						
8T-6870	385	1-C 16	9S-8005	447	1-C 22						
8T-7547	345	1-C 12	9S-8005	497	1-D 3						
8T-7547	355	1-C 13	9S-8005	501	1-D 4						
8T-8566	259	1-C 3	9S-8005	505	1-D 4						
8T-8568	259	1-C 3	9S-8005	509	1-D 4						
8T-8569	259	1-C 3	9S-8006	345	1-C 12						
8T-8570	259	1-C 3	9S-8006	349	1-C 12						
8T-9082	615	1-D 15	9S-8006	353	1-C 13						
8T-9082	617	1-D 15	9S-8006	357	1-C 13						
8T-9515	387	1-C 16	9S-8006	721	1-E 2						
8T-9515	395	1-C 17	9S-8007	347	1-C 12						
8T-9515	403	1-C 18	9S-8007	351	1-C 13						
8T-9515	411	1-C 19	9S-8007	353	1-C 13						
8T-9515	419	1-C 19	9S-8007	357	1-C 13						
8T-9515	427	1-C 20	9S-8010	383	1-C 16						
8T-9884	259	1-C 3	9S-8010	385	1-C 16						
8T-9885	259	1-C 3	9U-7725	1167	1-F 22						
9B-0453	285	1-C 6	9U-8669	479	1-D 1						
9B-0453	291	1-C 7	9U-8875	497	1-D 3						
9B-7233	259	1-C 3	9U-8875	501	1-D 4						
9F-2247	259	1-C 3	9U-8875	505	1-D 4						
9F-2547	259	1-C 3	9U-8875	509	1-D 4						
9H-5545	371	1-C 15	9W-0717	497	1-D 3						
9H-5545	437	1-C 21	9W-0717	501	1-D 4						
9M-1974	479	1-D 1	9W-0717	503	1-D 4						
9M-2110	479	1-D 1	9W-0717	507	1-D 4						
9M-2457	389	1-C 16	9W-0719	497	1-D 3						
9M-2457	397	1-C 17	9W-0719	501	1-D 4						
9M-2457	405	1-C 18	9W-0719	503	1-D 4						
9M-2457	413	1-C 19	9W-0719	507	1-D 4						
9M-2457	421	1-C 20	9W-1454	345	1-C 12						
9M-2457	429	1-C 20	9W-1454	349	1-C 12						
9M-6166	437	1-C 21	9W-1454	353	1-C 13						
9P-2343	369	1-C 14	9W-1454	357	1-C 13						
9P-2343	381	1-C 16	9W-9399	495	1-D 3						
9R-2613	583	1-D 12	9W-9399	499	1-D 3						
9S-1343	449	1-C 22	9W-9399	503	1-D 4						
9S-1343	451	1-C 23	9W-9399	507	1-D 4						
9S-1343	453	1-C 23	9W-9436	495	1-D 3						
9S-1343	455	1-C 23	9W-9436	499	1-D 3						
9S-1343	457	1-C 23	9W-9436	503	1-D 4						
9S-4181	345	1-C 12	9W-9436	507	1-D 4						
9S-4181	349	1-C 12	9X-1813	175	1-B 19						
9S-4181	355	1-C 13	9X-1813	1169	1-F 22						
9S-4181	357	1-C 13	9X-1813	1169	1-F 22						
9S-4182	395	1-C 17	9X-2041	1083	1-F 14						
9S-4185	489	1-D 2	9X-2041	1087	1-F 14						

**MT700B SERIES TRACK TRACTOR
MACHINE ARRANGEMENT**

**BASE UNIT AR - 501627D1
MT745B
ROW ONLY**

NO ILLUSTRATION

NOTIF

**MT700B SERIES TRACK TRACTOR
MACHINE ARRANGEMENT**

45

**BASE UNIT AR - 501627D1
MT745B
ROW ONLY**

ITEM	NUMBER	QTY	DESCRIPTION
-	501627D1	--	BASE UNIT AR (NOT SERVICED)
1	501633D1	1	FILM GP (MT745B) (NOT SERVICED) (SEE BREAKDOWN FOR COMPONENTS)
2	501640D1	1	INSTALLATION AR-ENGINE (NOT SERVICED) (SEE BREAKDOWN FOR COMPONENTS)
3	502668D1	1	BASE COMMON AR (NOT SERVICED) (SEE BREAKDOWN FOR COMPONENTS)

NOTIF
PR: t05c24o40d0001

**MT700B SERIES TRACK TRACTOR
MACHINE ARRANGEMENT**

**BASE UNIT AR - 501628D1
MT755B
ROW ONLY**

NO ILLUSTRATION

NOTIF

**MT700B SERIES TRACK TRACTOR
MACHINE ARRANGEMENT**

47

**BASE UNIT AR - 501628D1
MT755B
ROW ONLY**

ITEM	NUMBER	QTY	DESCRIPTION
-	501628D1	--	BASE UNIT AR (NOT SERVICED)
1	501634D1	1	FILM GP (MT755B) (NOT SERVICED) (SEE BREAKDOWN FOR COMPONENTS)
2	501641D1	1	INSTALLATION AR-ENGINE (NOT SERVICED) (SEE BREAKDOWN FOR COMPONENTS)
3	502668D1	1	BASE COMMON AR (NOT SERVICED) (SEE BREAKDOWN FOR COMPONENTS)

NOTIF
PR: t05c24o40d0002

**MT700B SERIES TRACK TRACTOR
MACHINE ARRANGEMENT**

**BASE UNIT AR - 501629D1
MT765B
ROW ONLY**

NO ILLUSTRATION

NOTIF

**MT700B SERIES TRACK TRACTOR
MACHINE ARRANGEMENT**

49

**BASE UNIT AR - 501629D1
MT765B
ROW ONLY**

ITEM	NUMBER	QTY	DESCRIPTION
-	501629D1	--	BASE UNIT AR (NOT SERVICED)
1	501635D1	1	FILM GP (MT765B) (NOT SERVICED) (SEE BREAKDOWN FOR COMPONENTS)
2	501642D1	1	INSTALLATION AR-ENGINE (NOT SERVICED) (SEE BREAKDOWN FOR COMPONENTS)
3	502668D1	1	BASE COMMON AR (NOT SERVICED) (SEE BREAKDOWN FOR COMPONENTS)

NOTIF
PR: t05c24o40d0003

**MT700B SERIES TRACK TRACTOR
MACHINE ARRANGEMENT**

**BASE UNIT AR - 501630D1
MT745B
EAME ONLY**

NO ILLUSTRATION

NOTIF

**MT700B SERIES TRACK TRACTOR
MACHINE ARRANGEMENT**

51

**BASE UNIT AR - 501630D1
MT745B
EAME ONLY**

ITEM	NUMBER	QTY	DESCRIPTION
-	501630D1	--	BASE UNIT AR (NOT SERVICED)
1	501633D1	1	FILM GP (MT745B) (NOT SERVICED) (SEE BREAKDOWN FOR COMPONENTS)
2	501640D1	1	INSTALLATION AR-ENGINE (NOT SERVICED) (SEE BREAKDOWN FOR COMPONENTS)
3	502669D1	1	BASE COMMON AR (NOT SERVICED) (SEE BREAKDOWN FOR COMPONENTS)

NOTIF
PR: t05c24o40d0004

**MT700B SERIES TRACK TRACTOR
MACHINE ARRANGEMENT**

**BASE UNIT AR - 501631D1
MT755B
EAME ONLY**

NO ILLUSTRATION

NOTIF

**MT700B SERIES TRACK TRACTOR
MACHINE ARRANGEMENT**

53

**BASE UNIT AR - 501631D1
MT755B
EAME ONLY**

ITEM	NUMBER	QTY	DESCRIPTION
-	501631D1	--	BASE UNIT AR (NOT SERVICED)
1	501634D1	1	FILM GP (MT755B) (NOT SERVICED) (SEE BREAKDOWN FOR COMPONENTS)
2	501641D1	1	INSTALLATION AR-ENGINE (NOT SERVICED) (SEE BREAKDOWN FOR COMPONENTS)
3	502669D1	1	BASE COMMON AR (NOT SERVICED) (SEE BREAKDOWN FOR COMPONENTS)

NOTIF
PR: t05c24o40d0005

**MT700B SERIES TRACK TRACTOR
MACHINE ARRANGEMENT**

**BASE UNIT AR - 501632D1
MT765B
EAME ONLY**

NO ILLUSTRATION

NOTIF

**MT700B SERIES TRACK TRACTOR
MACHINE ARRANGEMENT**

55

**BASE UNIT AR - 501632D1
MT765B
EAME ONLY**

ITEM	NUMBER	QTY	DESCRIPTION
-	501632D1	--	BASE UNIT AR (NOT SERVICED)
1	501635D1	1	FILM GP (MT765B) (NOT SERVICED) (SEE BREAKDOWN FOR COMPONENTS)
2	501642D1	1	INSTALLATION AR-ENGINE (NOT SERVICED) (SEE BREAKDOWN FOR COMPONENTS)
3	502669D1	1	BASE COMMON AR (NOT SERVICED) (SEE BREAKDOWN FOR COMPONENTS)

NOTIF
PR: t05c24o40d0006

**MT700B SERIES TRACK TRACTOR
MACHINE ARRANGEMENT**

**BASE COMMON AR - 502668D1
ROW ONLY**

NO ILLUSTRATION

NOTIF

**MT700B SERIES TRACKTRACTOR
MACHINE ARRANGEMENT**

57

**BASE COMMON AR - 502668D1
ROW ONLY**

ITEM	NUMBER	QTY	DESCRIPTION
-	502668D1	--	BASE COMMON AR [A] (NOT SERVICED)
1	136-5664	1	LIGHTING GP-SIGNAL (NOT SERVICED) (SEE BREAKDOWN FOR COMPONENTS)
2	136-5667	1	WIRING GP-VEHICLE (NOT SERVICED) (SEE BREAKDOWN FOR COMPONENTS)
3	502670D1	1	HOOD GP-GUARD (NOT SERVICED) (SEE BREAKDOWN FOR COMPONENTS)
4	156-1319	1	FENDER GP (NOT SERVICED) (SEE BREAKDOWN FOR COMPONENTS)
5	158-2341	1	HYDRAULIC AR-COM (NOT SERVICED) (SEE BREAKDOWN FOR COMPONENTS)
6	159-9486	1	CHASSIS AR (NOT SERVICED) (SEE BREAKDOWN FOR COMPONENTS)
7	163-0395	1	FILLER GP (NOT SERVICED) (SEE BREAKDOWN FOR COMPONENTS)
8	165-8559	1	LINES GP-SERVICE BRAKE (NOT SERVICED) (SEE BREAKDOWN FOR COMPONENTS)
9	172-8886	1	WARNING GP-SMV (NOT SERVICED) (SEE BREAKDOWN FOR COMPONENTS)
10	173-4472	1	FILM GP-PAINT (NOT SERVICED) (SEE BREAKDOWN FOR COMPONENTS)
11	178-7157	1	PUMP AR-(63CC) (NOT SERVICED) (SEE BREAKDOWN FOR COMPONENTS)
12	189-8685	1	LINES GP-SERV BRAKE (NOT SERVICED) (SEE BREAKDOWN FOR COMPONENTS)
13	200-4350	1	CONTROL GP-BRAKE (NOT SERVICED) (SEE BREAKDOWN FOR COMPONENTS)
14	200-4370	1	BRAKE CONTROL AR (NOT SERVICED) (SEE BREAKDOWN FOR COMPONENTS)
15	502672D1	1	ENCLOSURE GP (NOT SERVICED) (SEE BREAKDOWN FOR COMPONENTS)
16	210-7485	1	BRAKE GP-PARKING (NOT SERVICED) (SEE BREAKDOWN FOR COMPONENTS)

[A] PART OF 501627D1; 501628D1; 501629D1
BASE UNIT AR

NOTIF
PR: t05c24o40d0007

BASE COMMON AR - 502669D1
EAME ONLY

NO ILLUSTRATION

NOTIF

**MT700B SERIES TRACKTRACTOR
MACHINE ARRANGEMENT**

59

**BASE COMMON AR - 502669D1
EAME ONLY**

ITEM	NUMBER	QTY	DESCRIPTION
-	502669D1	--	BASE COMMON AR [A] (NOT SERVICED)
1	156-1319	1	FENDER GP (NOT SERVICED) (SEE BREAKDOWN FOR COMPONENTS)
2	158-2341	1	HYDRAULIC AR-COM (NOT SERVICED) (SEE BREAKDOWN FOR COMPONENTS)
3	158-5925	1	MOUNTING GP-BODY (NOT SERVICED) (SEE BREAKDOWN FOR COMPONENTS)
4	502671D1	1	HOOD GP-GUARD (NOT SERVICED) (SEE BREAKDOWN FOR COMPONENTS)
5	162-4110	1	EXTENSION GP (FENDER) (NOT SERVICED) (SEE BREAKDOWN FOR COMPONENTS)
6	163-0395	1	FILLER GP (NOT SERVICED) (SEE BREAKDOWN FOR COMPONENTS)
7	CH163-0397	1	DRAIN GP (ECOLOGY) (NOT SERVICED) (SEE BREAKDOWN FOR COMPONENTS)
8	166-4623	1	CONTROL GP MOUNTING (NOT SERVICED) (SEE BREAKDOWN FOR COMPONENTS)
9	167-2181	1	WIRING GP-VEHICLE (EAME) (NOT SERVICED) (SEE BREAKDOWN FOR COMPONENTS)
10	168-1948	1	LIGHTING GP-SIGNAL (NOT SERVICED) (SEE BREAKDOWN FOR COMPONENTS)
11	174-4480	1	FILM GP-PAINT (NOT SERVICED) (SEE BREAKDOWN FOR COMPONENTS)
12	174-4614	1	CHASSIS AR (NOT SERVICED) (SEE BREAKDOWN FOR COMPONENTS)
13	178-9024	1	LINES GP-SERV BRAKE (NOT SERVICED) (SEE BREAKDOWN FOR COMPONENTS)
14	189-8685	1	LINES GP-SERV BRAKE (NOT SERVICED) (SEE BREAKDOWN FOR COMPONENTS)
15	200-4350	1	CONTROL GP-BRAKE (NOT SERVICED) (SEE BREAKDOWN FOR COMPONENTS)
16	200-4360	1	CONTROL GP-BRAKE (NOT SERVICED) (SEE BREAKDOWN FOR COMPONENTS)
17	200-4370	1	BRAKE CONTROL AR (NOT SERVICED) (SEE BREAKDOWN FOR COMPONENTS)
18	502672D1	1	ENCLOSURE GP (NOT SERVICED) (SEE BREAKDOWN FOR COMPONENTS)
19	217-7762	1	BRACE GP-SAFETY (NOT SERVICED) (SEE BREAKDOWN FOR COMPONENTS)

[A] PART OF 501630D1; 501631D1; 501632D1
BASE UNIT AR

NOTIF
PR: t05c24o40d0008

MT700B SERIES TRACK TRACTOR
ENGINE ARRANGEMENT

INSTALLATION AR - 501640D1
MT745B

NO ILLUSTRATION

NOTIF

**MT700B SERIES TRACKTRACTOR
ENGINE ARRANGEMENT**

61

**INSTALLATION AR - 501640D1
MT745B**

ITEM	NUMBER	QTY	DESCRIPTION
-	501640D1	--	INSTALLATION AR [A] (NOT SERVICED)
1	151-6970	1	SHAFT GP-INPUT (NOT SERVICED) (SEE BREAKDOWN FOR COMPONENTS)
2	502271D1	1	LINES GP-AIR (NOT SERVICED) (SEE BREAKDOWN FOR COMPONENTS)
3	168-5077	1	COUPLING GP-FLEXIBLE (NOT SERVICED) (SEE BREAKDOWN FOR COMPONENTS)
4	169-3646	1	MOTOR GP-ELECTRIC (NOT SERVICED) (SEE BREAKDOWN FOR COMPONENTS)
5	169-4228	1	MOUNTING GP-ENGINE (NOT SERVICED) (SEE BREAKDOWN FOR COMPONENTS)
6	501681D1	1	ENGINE AR-COMPL (278HP) (NOT SERVICED) (ORDER COMPONENTS THRU CAT ENG DIV.)
7	501644D1	1	MUFFLER GP (NOT SERVICED) (SEE BREAKDOWN FOR COMPONENTS)
8	201-0709	1	LINES GP-EXHAUST (NOT SERVICED) (SEE BREAKDOWN FOR COMPONENTS)
9	502272D1	1	LINES GP-EJECTOR (NOT SERVICED) (SEE BREAKDOWN FOR COMPONENTS)
10	201-4665	1	FAN GP-SUCTION (NOT SERVICED) (SEE BREAKDOWN FOR COMPONENTS)
11	502273D1	1	GUARD GP-FAN (NOT SERVICED) (SEE BREAKDOWN FOR COMPONENTS)
12	501645D1	1	COOLER GP-MTG & (NOT SERVICED) (SEE BREAKDOWN FOR COMPONENTS)
13	202-2027	1	MOUNTING GP-REFRIGERANT (NOT SERVICED) (SEE BREAKDOWN FOR COMPONENTS)
14	202-2070	1	DRIVE GP-ACCESSORY (NOT SERVICED) (SEE BREAKDOWN FOR COMPONENTS)
15	501650D1	1	MOUNTING GP-ALTERNATOR (NOT SERVICED) (SEE BREAKDOWN FOR COMPONENTS)
16	202-2155	1	CLEANER GP-AIR (NOT SERVICED) (SEE BREAKDOWN FOR COMPONENTS)
17	203-2618	1	LINES GP-FUEL (NOT SERVICED) (SEE BREAKDOWN FOR COMPONENTS)
18	203-2619	1	FILTER GP-PRIMARY FUEL (NOT SERVICED) (SEE BREAKDOWN FOR COMPONENTS)
19	501647D1	1	LINES GP-A/C (NOT SERVICED) (SEE BREAKDOWN FOR COMPONENTS)
20	501648D1	1	LINES GP-COOLANT (NOT SERVICED) (SEE BREAKDOWN FOR COMPONENTS)
21	501649D1	1	TANK GP-EXPANSION & (NOT SERVICED) (SEE BREAKDOWN FOR COMPONENTS)

[A] PART OF 501627D1; 501630D1
BASE UNIT AR

NOTIF
PR: t05c24o40d0009

INSTALLATION AR - 501641D1
MT755B

NO ILLUSTRATION

NOTIF

**MT700B SERIES TRACKTRACTOR
ENGINE ARRANGEMENT**

63

**INSTALLATION AR - 501641D1
MT755B**

ITEM	NUMBER	QTY	DESCRIPTION
-	501641D1	--	INSTALLATION AR [A] (NOT SERVICED)
1	151-6970	1	SHAFT GP-INPUT (NOT SERVICED) (SEE BREAKDOWN FOR COMPONENTS)
2	502271D1	1	LINES GP-AIR (NOT SERVICED) (SEE BREAKDOWN FOR COMPONENTS)
3	168-5077	1	COUPLING GP-FLEXIBLE (NOT SERVICED) (SEE BREAKDOWN FOR COMPONENTS)
4	169-3646	1	MOTOR GP-ELECTRIC (NOT SERVICED) (SEE BREAKDOWN FOR COMPONENTS)
5	169-4228	1	MOUNTING GP-ENGINE (NOT SERVICED) (SEE BREAKDOWN FOR COMPONENTS)
6	501682D1	1	ENGINE AR-COMPL (311HP) (NOT SERVICED) (ORDER COMPONENTS THRU CAT ENG DIV.)
7	501644D1	1	MUFFLER GP (NOT SERVICED) (SEE BREAKDOWN FOR COMPONENTS)
8	201-0709	1	LINES GP-EXHAUST (NOT SERVICED) (SEE BREAKDOWN FOR COMPONENTS)
9	502272D1	1	LINES GP-EJECTOR (NOT SERVICED) (SEE BREAKDOWN FOR COMPONENTS)
10	208-5962	1	FAN GP-SUCTION (NOT SERVICED) (SEE BREAKDOWN FOR COMPONENTS)
11	502273D1	1	GUARD GP-FAN (NOT SERVICED) (SEE BREAKDOWN FOR COMPONENTS)
12	501645D1	1	COOLER GP-MTG & (NOT SERVICED) (SEE BREAKDOWN FOR COMPONENTS)
13	202-2027	1	MOUNTING GP-REFRIGERANT (NOT SERVICED) (SEE BREAKDOWN FOR COMPONENTS)
14	202-2070	1	DRIVE GP-ACCESSORY (NOT SERVICED) (SEE BREAKDOWN FOR COMPONENTS)
15	501650D1	1	MOUNTING GP-ALTERNATOR (NOT SERVICED) (SEE BREAKDOWN FOR COMPONENTS)
16	202-2155	1	CLEANER GP-AIR (NOT SERVICED) (SEE BREAKDOWN FOR COMPONENTS)
17	203-2618	1	LINES GP-FUEL (NOT SERVICED) (SEE BREAKDOWN FOR COMPONENTS)
18	203-2619	1	FILTER GP-PRIMARY FUEL (NOT SERVICED) (SEE BREAKDOWN FOR COMPONENTS)
19	501647D1	1	LINES GP-A/C (NOT SERVICED) (SEE BREAKDOWN FOR COMPONENTS)
20	501648D1	1	LINES GP-COOLANT (NOT SERVICED) (SEE BREAKDOWN FOR COMPONENTS)
21	501649D1	1	TANK GP-EXPANSION & (NOT SERVICED) (SEE BREAKDOWN FOR COMPONENTS)

[A] PART OF 501628D1; 501631D1
BASE UNIT AR

NOTIF
PR: t05c24o40d0010

MT700B SERIES TRACK TRACTOR
ENGINE ARRANGEMENT

INSTALLATION AR - 501642D1
MT765B

NO ILLUSTRATION

NOTIF

**MT700B SERIES TRACKTRACTOR
ENGINE ARRANGEMENT**

65

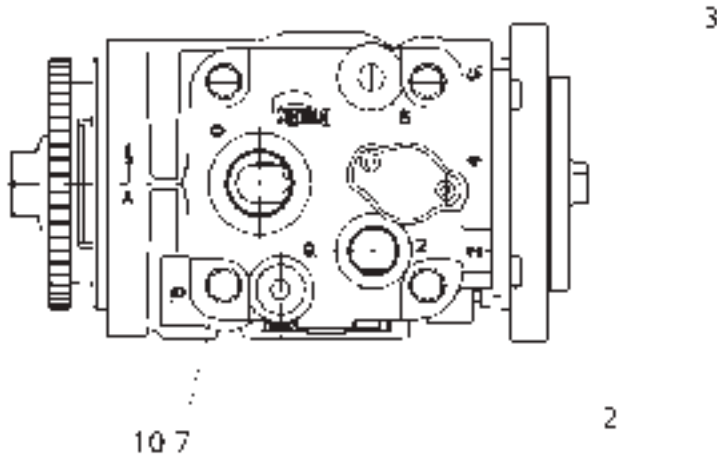
**INSTALLATION AR - 501642D1
MT765B**

ITEM	NUMBER	QTY	DESCRIPTION
-	501642D1	--	INSTALLATION AR [A] (NOT SERVICED)
1	151-6970	1	SHAFT GP-INPUT (NOT SERVICED) (SEE BREAKDOWN FOR COMPONENTS)
2	502271D1	1	LINES GP-AIR (NOT SERVICED) (SEE BREAKDOWN FOR COMPONENTS)
3	163-0450	1	COUPLING GP-FLEXIBLE (NOT SERVICED) (SEE BREAKDOWN FOR COMPONENTS)
4	169-3646	1	MOTOR GP-ELECTRIC (NOT SERVICED) (SEE BREAKDOWN FOR COMPONENTS)
5	169-4228	1	MOUNTING GP-ENGINE (NOT SERVICED) (SEE BREAKDOWN FOR COMPONENTS)
6	501683D1	1	ENGINE AR-COMPL (330HP) (NOT SERVICED) (ORDER COMPONENTS THRU CAT ENG DIV.)
7	501644D1	1	MUFFLER GP (NOT SERVICED) (SEE BREAKDOWN FOR COMPONENTS)
8	201-0709	1	LINES GP-EXHAUST (NOT SERVICED) (SEE BREAKDOWN FOR COMPONENTS)
9	502272D1	1	LINES GP-EJECTOR (NOT SERVICED) (SEE BREAKDOWN FOR COMPONENTS)
10	208-5962	1	FAN GP-SUCTION (NOT SERVICED) (SEE BREAKDOWN FOR COMPONENTS)
11	502273D1	1	GUARD GP-FAN (NOT SERVICED) (SEE BREAKDOWN FOR COMPONENTS)
12	501645D1	1	COOLER GP-MTG & (NOT SERVICED) (SEE BREAKDOWN FOR COMPONENTS)
13	202-2027	1	MOUNTING GP-REFRIGERANT (NOT SERVICED) (SEE BREAKDOWN FOR COMPONENTS)
14	202-2070	1	DRIVE GP-ACCESSORY (NOT SERVICED) (SEE BREAKDOWN FOR COMPONENTS)
15	501650D1	1	MOUNTING GP-ALTERNATOR (NOT SERVICED) (SEE BREAKDOWN FOR COMPONENTS)
16	202-2155	1	CLEANER GP-AIR (NOT SERVICED) (SEE BREAKDOWN FOR COMPONENTS)
17	203-2618	1	LINES GP-FUEL (NOT SERVICED) (SEE BREAKDOWN FOR COMPONENTS)
18	203-2619	1	FILTER GP-PRIMARY FUEL (NOT SERVICED) (SEE BREAKDOWN FOR COMPONENTS)
19	501647D1	1	LINES GP-A/C (NOT SERVICED) (SEE BREAKDOWN FOR COMPONENTS)
20	501648D1	1	LINES GP-COOLANT (NOT SERVICED) (SEE BREAKDOWN FOR COMPONENTS)
21	501649D1	1	TANK GP-EXPANSION & (NOT SERVICED) (SEE BREAKDOWN FOR COMPONENTS)

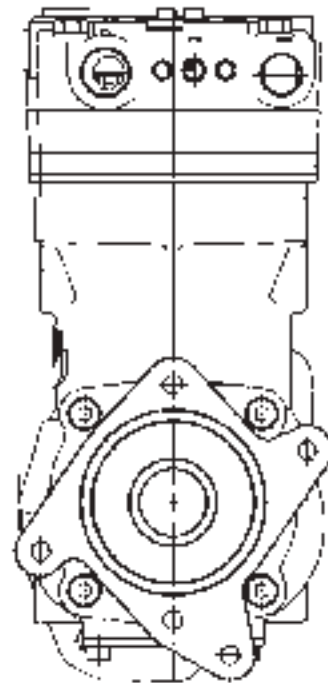
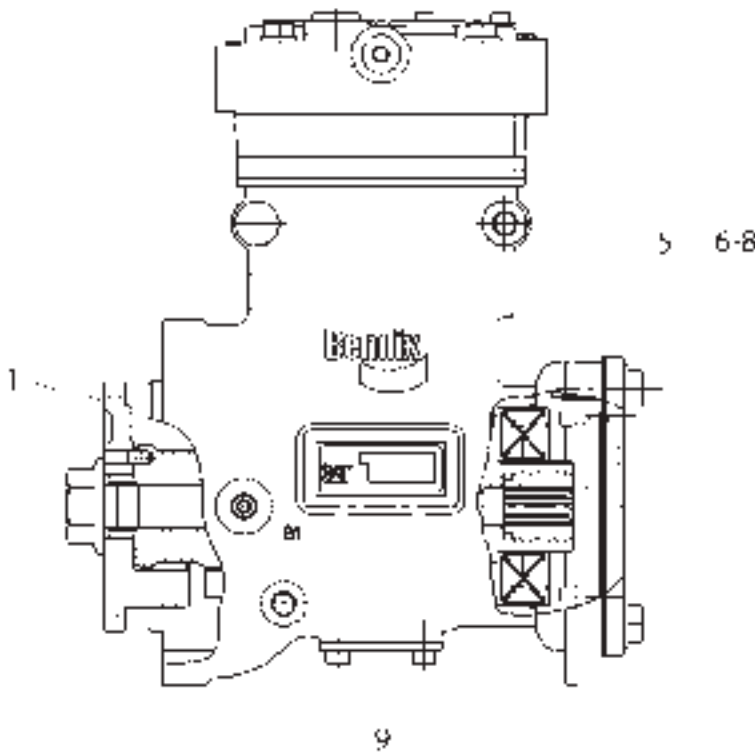
[A] PART OF 501629D1; 501632D1
BASE UNIT AR

NOTIF
PR: t05c24o40d0011

AIR COMPRESSOR GP - 501652D1



4-11



VIEW SHOWING REAR FLANGE
WITH END COVER REMOVED

501652DA

**MT700B SERIES TRACKTRACTOR
BASIC ENGINE**

67

AIR COMPRESSOR GP - 501652D1

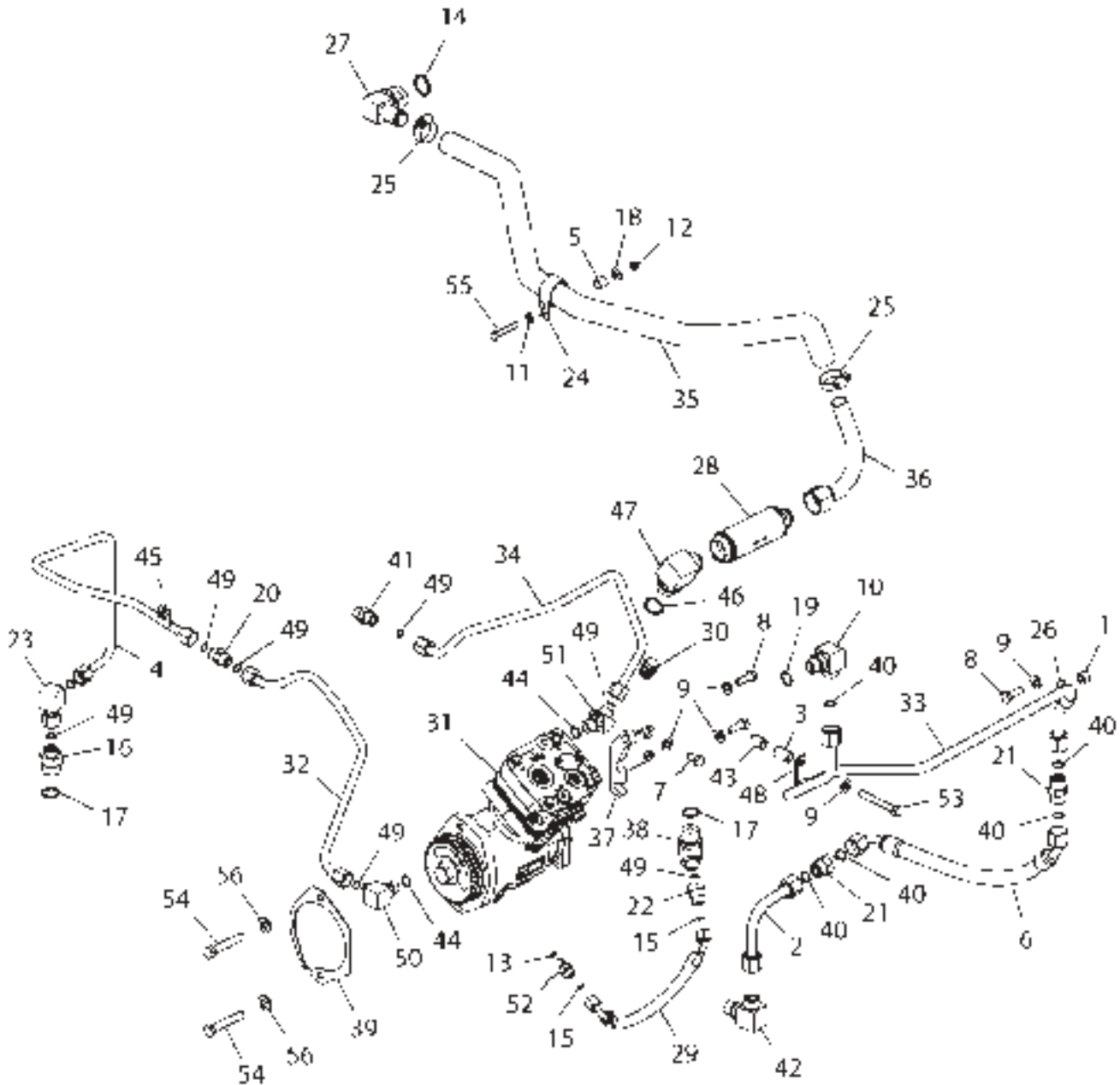
ITEM	NUMBER	QTY	DESCRIPTION
-	501652D1	--	AIR COMPRESSOR GP [A]
1		1	GEAR-AIR COMP (NOT SERVICED)
2	400648X1	2	BOLT-HEX SOCKET M5X0.8
3	400660X1	1	FLANGE
4	CH3K-0360	1	O-RING
5	400670X1	1	GASKET
6	400673X1	2	BOLT (M10X1.50X30MM)
7	400677X1	4	BOLT (M8X1.25X80MM)
8	CH6V-5839	2	WASHER (11X21X2.5MM THK)
9	400209X1	4	BOLT-SOCKET HEAD (M6X1X12)
10	CH9M-1974	4	WASHER-HARD (8.8X16X2MM THK)
11	CH9S-8005	1	PLUG (3/4-16-2A)
-	217-5232	1	GASKET KIT-HEAD (SERVICED COMPLETE) (ORDER FROM CAT)
		1	GASKET-INLET REED VALVE
		2	GASKET-CYLINDER HEAD
-	217-5237	1	UNLOADED KIT (SERVICED COMPLETE) (ORDER FROM CAT)
		1	GASKET-UNLOADER CAP
		1	ESS BALANCE PISTON
		1	ESS SPRING
		1	ESS PISTON
		1	SEAL-O-RING (BOTTOM)
		1	SEAL-O-RING (MID)
		1	SEAL-O-RING (TOP)
-	217-5240	1	SEAL KIT (SERVICED COMPLETE) (ORDER FROM CAT)
		1	SEAL-O-RING
		2	GASKET-CRANKCASE COVER
		1	GASKET-REAR COVER
		1	INSTRUCTION SHEET
-	225-5222	1	VALVE AS

[A] PART OF 501651D1 COMPRESSOR GP

501652DA
PR: t05c24o40d0012

MT700B SERIES TRACK TRACTOR
BASIC ENGINE

COMPRESSOR GP-AIR - 501651D1
EAME ONLY



501651DA

**MT700B SERIES TRACK TRACTOR
BASIC ENGINE**

69

**COMPRESSOR GP-AIR - 501651D1
EAME ONLY**

ITEM	NUMBER	QTY	DESCRIPTION
-	501651D1	--	COMPRESSOR GP-AIR [A] (NOT SERVICED)
1	CH200-4328	1	SPACER 11 ID
2	CH207-2834	1	TUBE AS.
3	209-3396	1	SPACER
4	CH211-3586	1	TUBE AS.
5	CH211-3792	1	SPACER
6	CH213-6946	1	HOSE AS.-12.7 ID (CMS 5758A
7	400040X1	1	BOLT-M10X1.5X20 ZNDI HDD 10.9
8	400058X1	3	BOLT-M10X1.5X30 ZNDI HDD 10.9
9	400287X1	5	WASHER-HARD 11IDX21ODX2.5 ZND1
10	400320X1	1	ELBOW AS-10PORT-ORFS 90DEG.&ORING
	400319X1	1	SEAL-O-RING
	400322X1	1	SEAL-O-RING
11	400339X1	1	WASHER-HARD
12	400340X1	1	NUT-M8X1.25X13 HEX ZND1
13	400361X1	1	SEAL-O-RING 8.92 IDX1.83 DIA
14	400376X1	1	SEAL-O-RING 29.74 IDX2.95 DIA
15	400378X1	2	SEAL-O-RING (12.83ODX1.78DIA)
16	400415X1	1	CONNECTOR-STR-12STOR-8ORFS
17	400416X1	2	SEAL-O-RING 23.47IDX2.95DIA
18	400599X1	1	WASHER-HARD,M8X20.5ODX2THK
19	400675X1	1	SEAL-O-RING 19.18IDX2.46DIA
20	400683X1	1	UNION-8 ORFS
21	400684X1	2	UNION- 10 ORFS
22	400685X1	1	REDUCER-8 ORFS X 6 ORFS
23	400686X1	1	ELBOW-90DEG 8 ORFS SWVL
24	400689X1	1	CLIP LOOP 38.1ID
25	400701X1	2	CLAMP-HOSE SST22.2-44.5IDX13.5
26	400702X1	1	CLIP-ONE TUBE COATED
27	400705X1	1	CONN-90DEG 16 STORX25.4 OD BARB
28	500980D1	1	VALVE AS.
29	500981D1	1	HOSE AS. (FOR 6.35 ID SAE)
30	500984D1	1	VALVE AS.-PRESSURE RLF
	400319X1	1	SEAL-O-RING (19.18IDX2.46DIA)
31	501652D1	1	COMPRESSOR GP-AIR (SEE BREAKDOWN FOR COMPONENTS)
32	501968D1	1	TUBE AS.
33	501969D1	1	TUBE AS.
34	501971D1	1	TUBE AS.
35	501972D1	1	HOSE-AIR INLET
36	503954D1	1	TUBE AS.
37	502317D1	1	BRACKET AS.
38	CH127-1647	1	ELBOW 45 DEG STOR TO ORFS
39	CH135-9819	1	SEAL-INTEGRAL

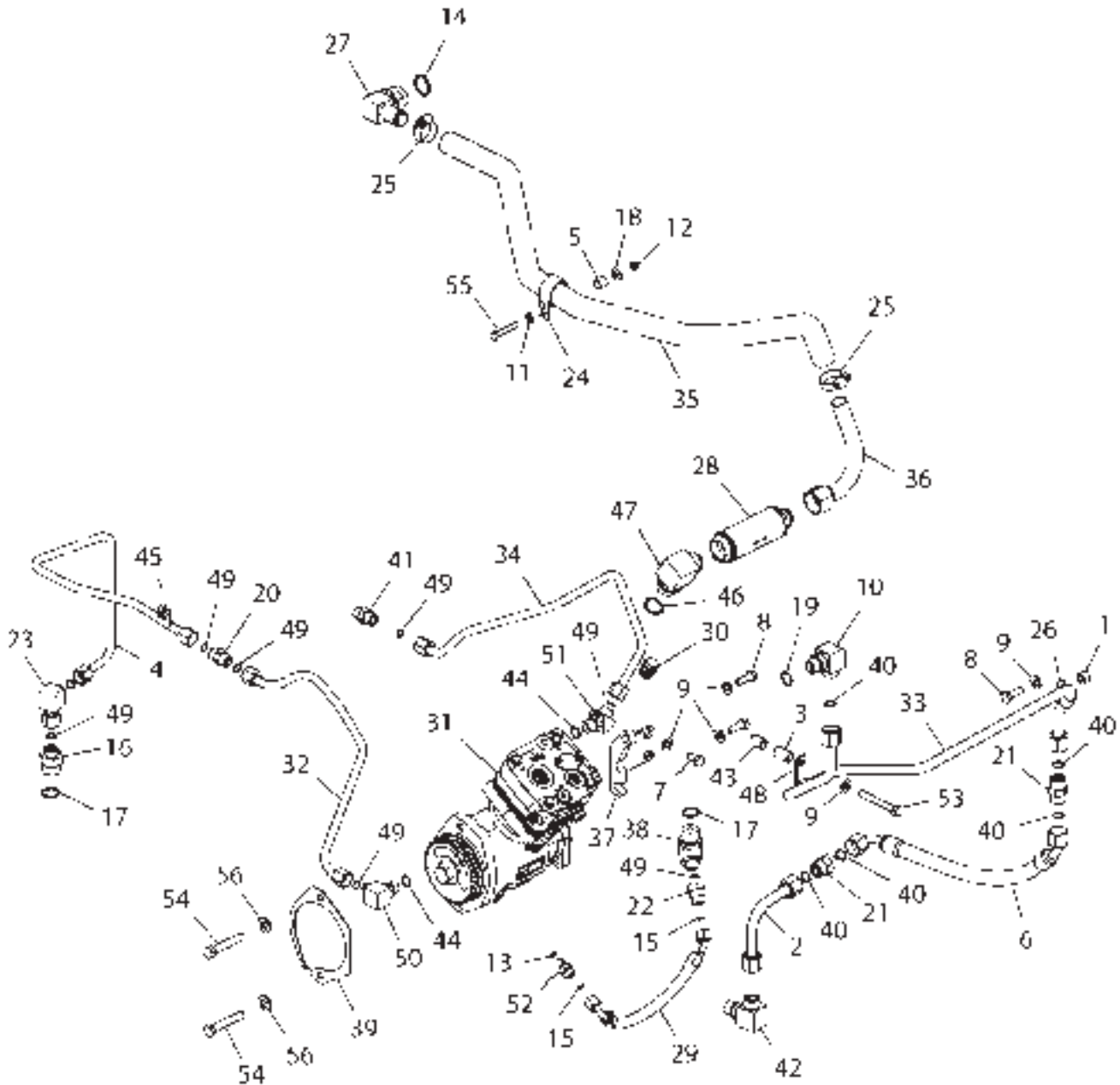
CONTINUED

[A] PART OF 502356D1

501651DA
PR: t05c24o40d0013

MT700B SERIES TRACK TRACTOR
BASIC ENGINE

COMPRESSOR GP-AIR - 501651D1
EAME ONLY



501651DA

**MT700B SERIES TRACK TRACTOR
BASIC ENGINE**

71

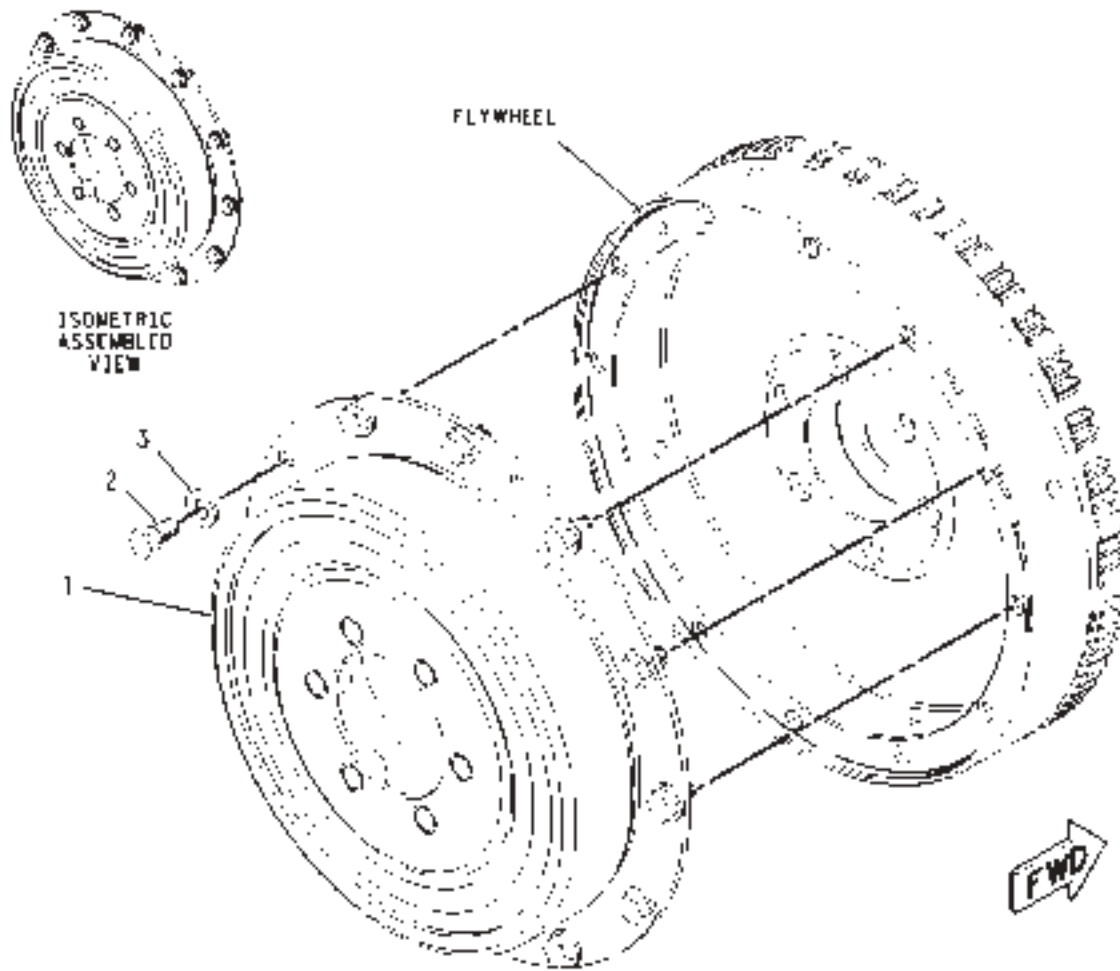
**COMPRESSOR GP-AIR - 501651D1
EAME ONLY**

ITEM	NUMBER	QTY	DESCRIPTION
-	501651D1	--	COMPRESSOR GP-AIR [A] (NOT SERVICED)
40	CH136-7226	5	SEAL-O-RING 19.28 ID
41	CH148-8340	1	CONNECTOR AS -8ORFS-8STOR
42	CH184-8029	1	ELBOW AS.-90DEG 10 ORFS X M22
43	CH209-3394	1	SPACER-17.14ODX12.52IDX22.4 ZN
44	CH3K-0360	2	SEAL-O-RING 16.36IDX2.21DIA
45	CH4B-0418	1	CLIP-LOOP 12.7 ID
46	CH4K-1388	1	SEAL-O-RING 26.59 ID
47	CH5P-6416	1	ELBOW 90 DEG O-RING PORT 37
48	CH6K-8178	1	CLIP-LOOP 15ID
49	CH6V-8398	7	SEAL-O-RING-16.03ODX1.78DIA
50	CH6V-8625	1	ELBOW-90DEG -8 STOR -10 BARB
51	CH6V-9002	1	ELBOW 45 DEG O-RING PORT
52	CH6V-9872	1	CONNECTOR-6 ORFS X 4 STOR
53	400044X1	1	BOLT-M10X1.5X80 ZNDI HHD 10.9
54	400062X1	2	BOLT-M12X1.75X70 ZNDI HHD 10.9
55	400243X1	1	BOLT-M8X1.25X50 ZNDI HHD 10.9
56	400277X1	2	WASHER-HARD 13.51DX250DX3 PH&O

[A] PART OF 502356D1

501651DA
PR: t05c24o40d0013

COUPLING GP-FLEXIBLE - 163-0450
MT765B



00799474

**MT700B SERIES TRACK TRACTOR
BASIC ENGINE**

73

**COUPLING GP-FLEXIBLE - 163-0450
MT765B**

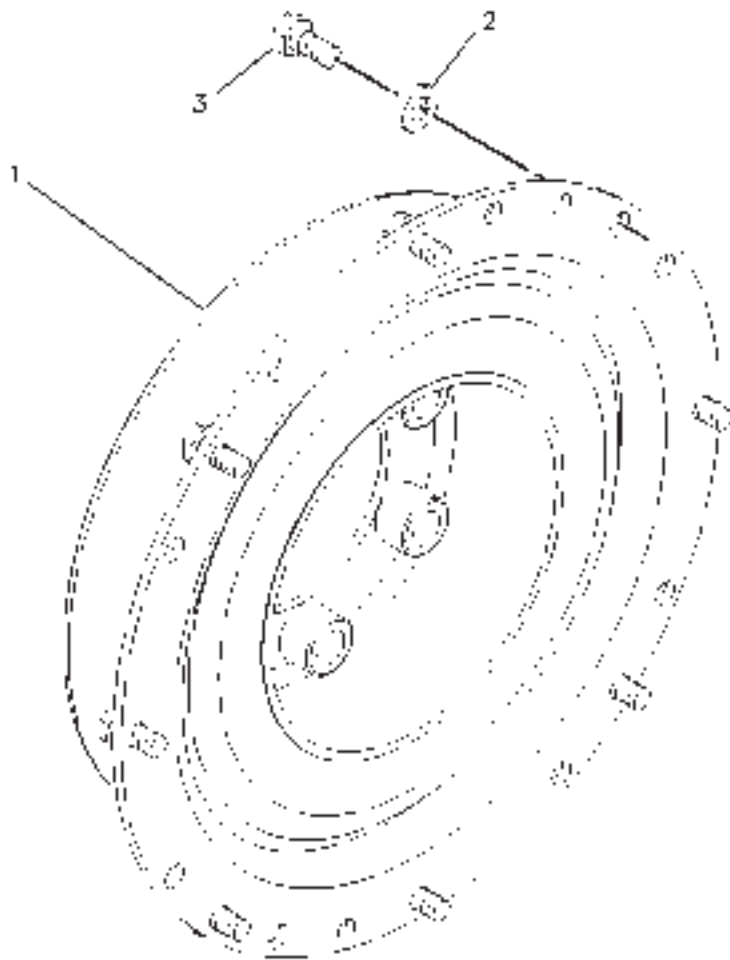
ITEM	NUMBER	QTY	DESCRIPTION
-	163-0450	--	COUPLING GP-FLEXIBLE [A] (NOT SERVICED)
1	501928D1	1	COUPLING AS. (INCLUDES THE FOLLOWING)
	400047X1	12	BOLT-M12X1.75X20 ZND1 HHD 10.9
	501928D1	1	CPLG ASM-FLYWHL, 755/765
	400357X1	12	WASHER-HARD-M12X25.50DX3THK
2	400047X1	12	BOLT (M12X1.75X20MM)
3	400357X1	12	WASHER-HARD (M12X25.5X3MM THK)

[A] PART OF:
501642D1 INSTALLATION AR-ENGINE

00799474
PR: t05c24o40d0014

MT700B SERIES TRACK TRACTOR
BASIC ENGINE

COUPLING GP-FLEXIBLE - 168-5077
MT745B & MT755B



00674492

MT700B SERIES TRACK TRACTOR
BASIC ENGINE

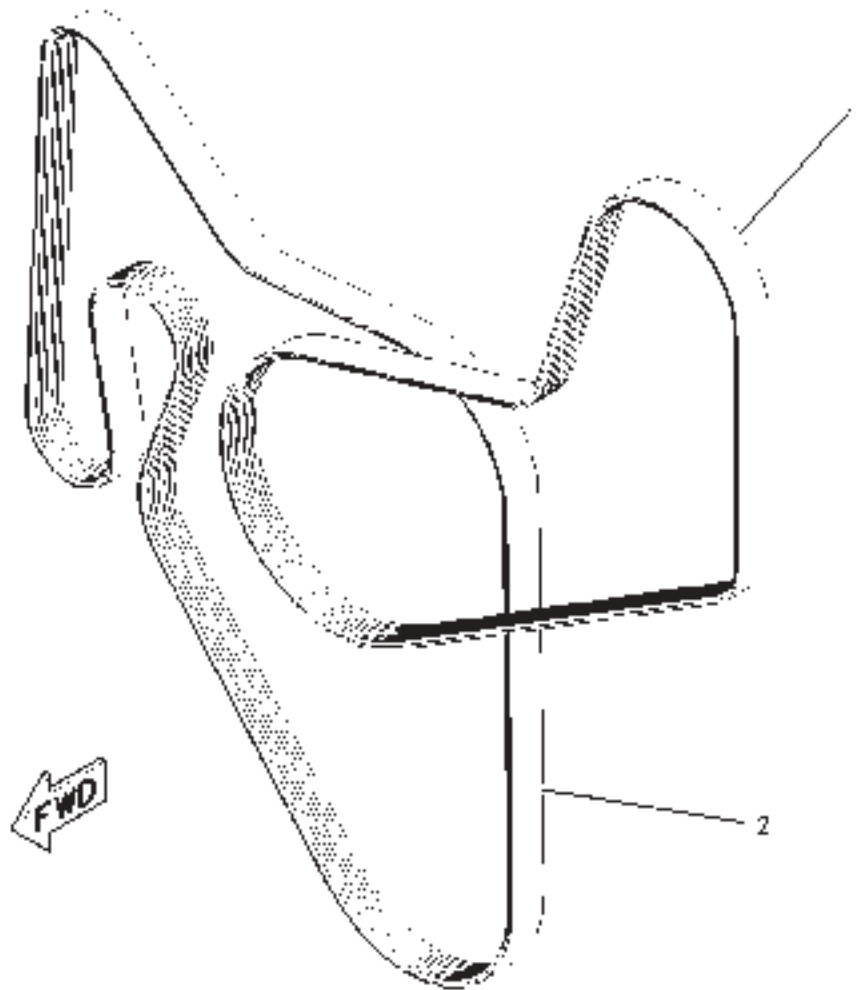
75

COUPLING GP-FLEXIBLE - 168-5077
MT745B & MT755B

ITEM	NUMBER	QTY	DESCRIPTION
-	168-5077	--	COUPLING GP-FLEXIBLE [A] (NOT SERVICED)
1	501930D1	1	COUPLING AS.
2	400287X1	8	WASHER-HARD (2.5MM THK)
3	400040X1	8	BOLT (M10X1.50X20MM)

[A] PART OF 501640D1; 501641D1
INSTALLATION AR-ENGINE

00674492
PR: t05c24o40d0015



00794300

MT700B SERIES TRACK TRACTOR
BASIC ENGINE

77

DRIVE GP-ACCESSORY - 202-2070

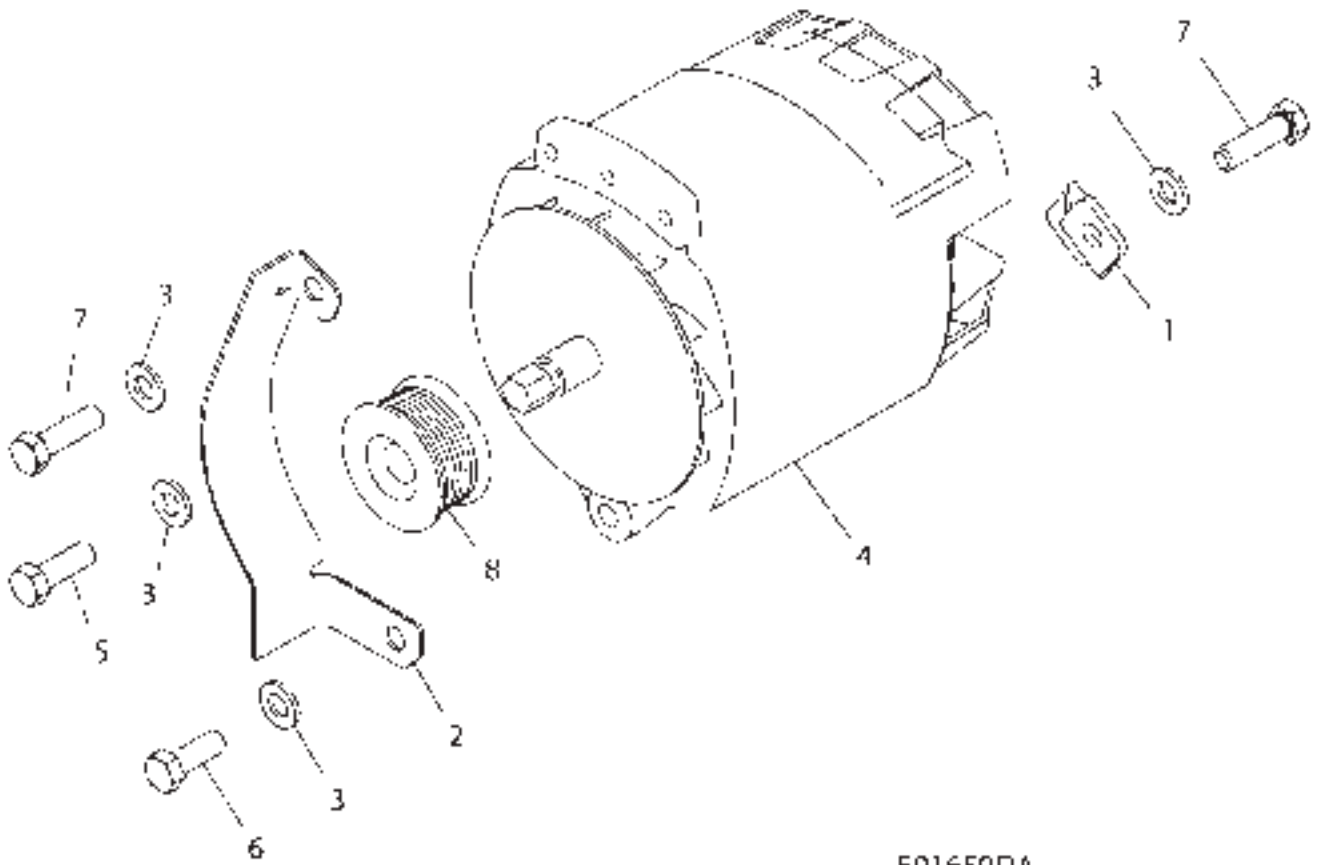
ITEM	NUMBER	QTY	DESCRIPTION
-	202-2070	--	DRIVE GP-ACCESSORY [A] (NOT SERVICED)
1	202-0951	1	BELT
2	500251D1	1	BELT

[A] PART OF 501640D1; 501641D1; 501642D1
INSTALLATION AR-ENGINE

00794300
PR: t05c24o40d0016

MT700B SERIES TRACK TRACTOR
BASIC ENGINE

MOUNTING GP-ALTERNATOR - 501650D1



501650DA

MT700B SERIES TRACK TRACTOR
BASIC ENGINE

79

MOUNTING GP-ALTERNATOR - 501650D1

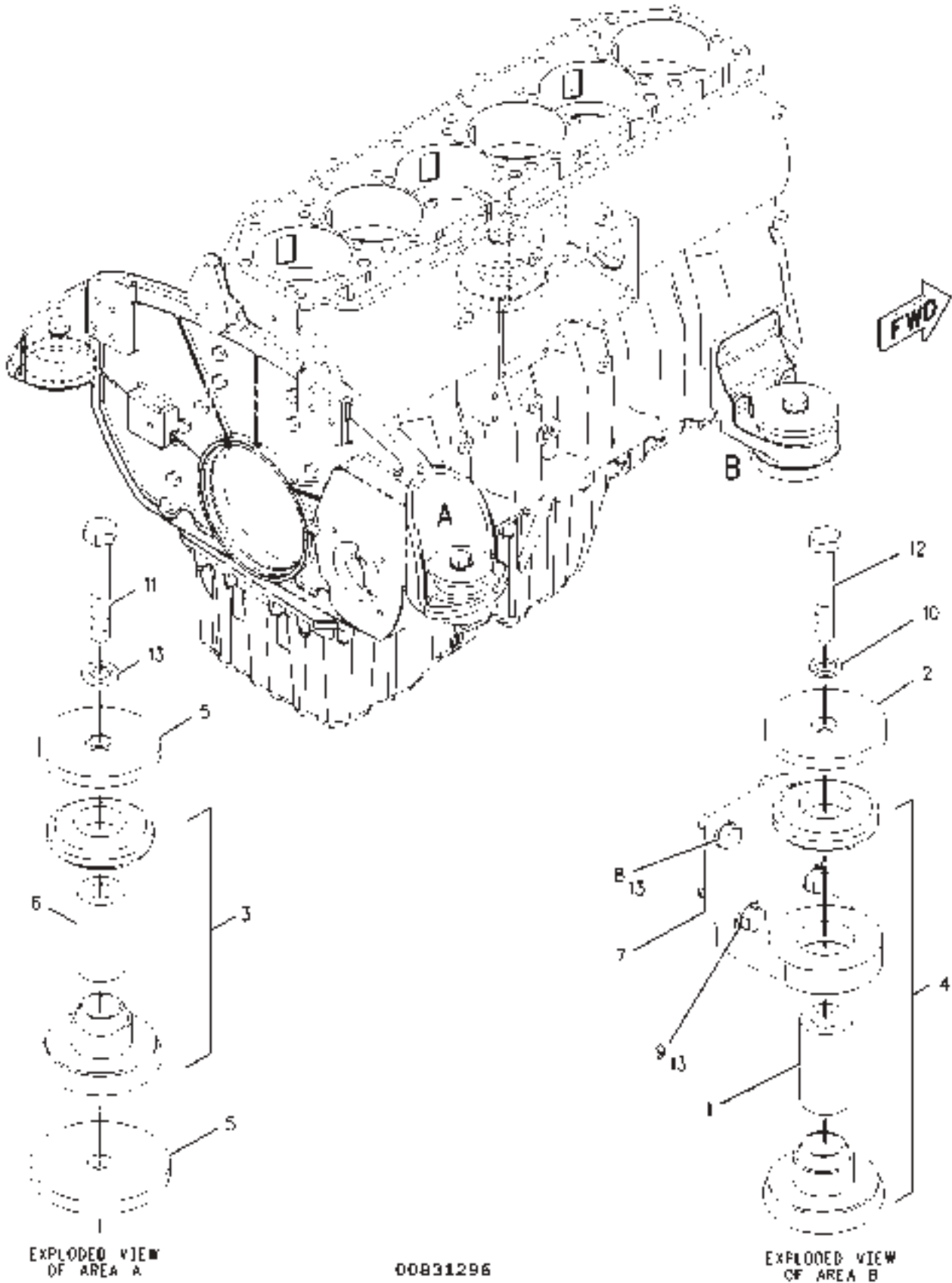
ITEM	NUMBER	QTY	DESCRIPTION
-	501650D1	--	MOUNTING GP-ALT [A] (NOT SERVICED)
1	142-9826	1	BRACKET
2	213-4434	1	SHIELD
3	400357X1	4	WASHER-HARD-M12X25.50DX3THK
4	500969D1	1	ALTERNATOR-12 VOLTS 185 AMPS
	501884D1	1	REGULATOR
	501883D1	1	GUARD-ALTERNATOR
5	400156X1	1	BOLT-.50-13X38MM G8,ZN,HHD
6	400204X1	1	BOLT-.50-13X34.9MM G8,ZN,HHD
7	400248X1	2	BOLT-.50-13X44.4MM G8,ZN,HHD
8	500519D1	1	PULLEY

[A] PART OF 501640D1; 501641D1; 501642D1
INSTALLATION AR

501650DA
PR: t05c24o40d0017

MT700B SERIES TRACK TRACTOR
BASIC ENGINE

MOUNTING GP - ENGINE-FLEXIBLE - 169-4228



**MT700B SERIES TRACK TRACTOR
BASIC ENGINE**

81

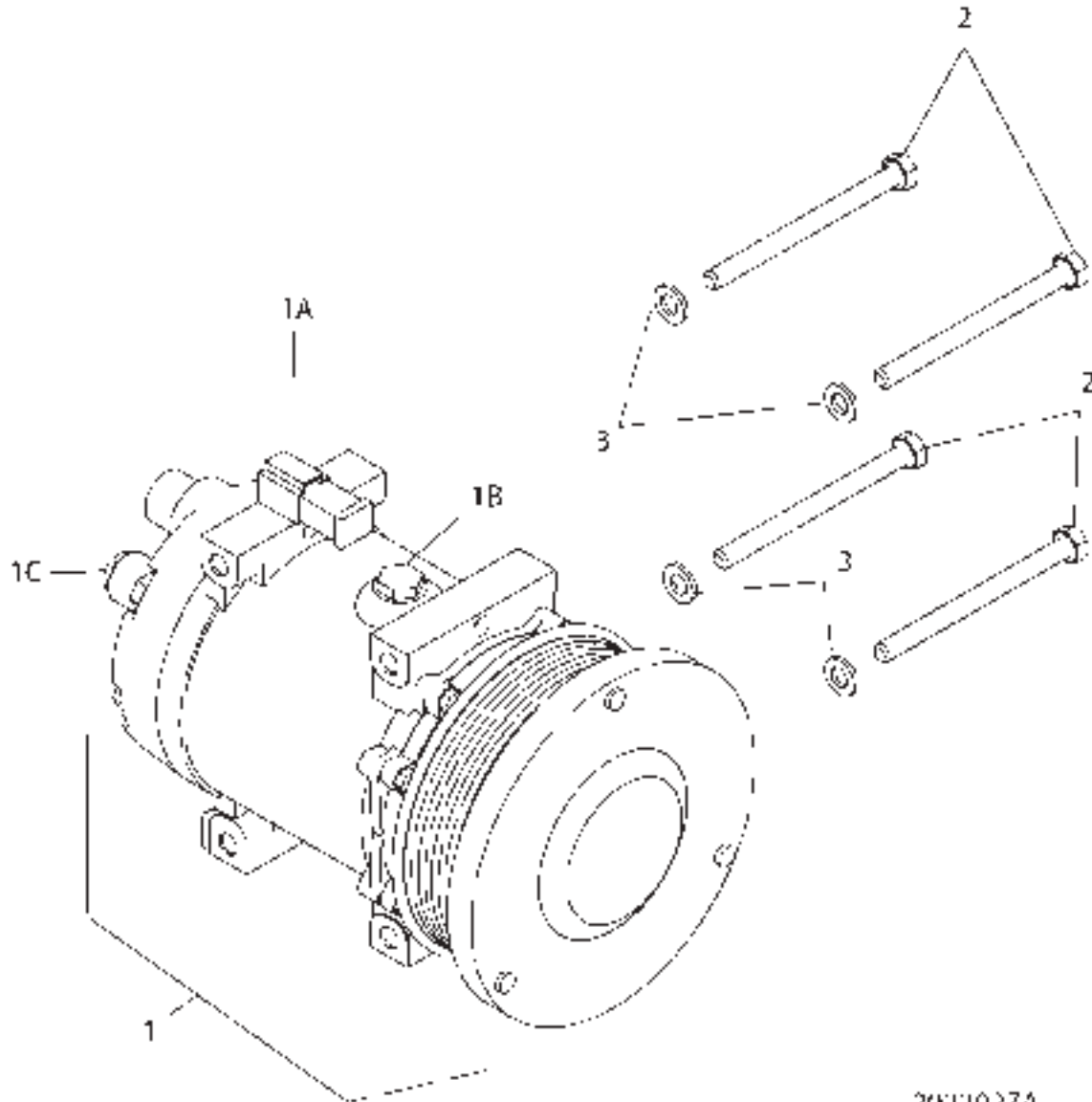
MOUNTING GP - ENGINE-FLEXIBLE - 169-4228

ITEM	NUMBER	QTY	DESCRIPTION
-	169-4228	--	MOUNTING GP ENGINE [A] (NOT SERVICED)
1	CH9W-6582	2	SLEEVE
2	CH9W-6584	2	WASHER (20.5X114X10MM THK)
3	CH9W-9915	2	MOUNT AS. (INCLUDES THE FOLLOWING)
	CH9W-9955	1	PAD
	CH9W-9957	1	MOUNT
4	CH9W-9920	2	MOUNT AS. (INCLUDES THE FOLLOWING)
	CH9W-8072	1	MOUNT AS
	CH9W-6583	1	PAD-REBOUND
5	CH9W-9952	4	WASHER (16.75X86X8MM THK)
6	CH9W-9953	2	SLEEVE
7	178-7925	2	SUPPORT-ENGINE
8	400191X1	4	BOLT (M16X2X40MM)
9	400030X1	4	BOLT (M16X2X70MM)
10	400080X1	2	WASHER-PLATED (22X35X3.5MM THK)
11	400045X1	2	BOLT (M16X2.0X110MM)
12	400236X1	2	BOLT (M20X2.5X120MM)
13	400082X1	10	WASHER (17.5X30X3.5MM THK)

[A] PART OF 165-7006;165-7007;165-7008;
169-6836; 501640D1; 501641D1;
501642D1 INSTALLATION AR-ENGINE

00831296
PR: t05c24o40d0018

MOUNTING GP-REFRIGERANT COMPR - 202-2027



2022027A

**MT700B SERIES TRACK TRACTOR
BASIC ENGINE**

83

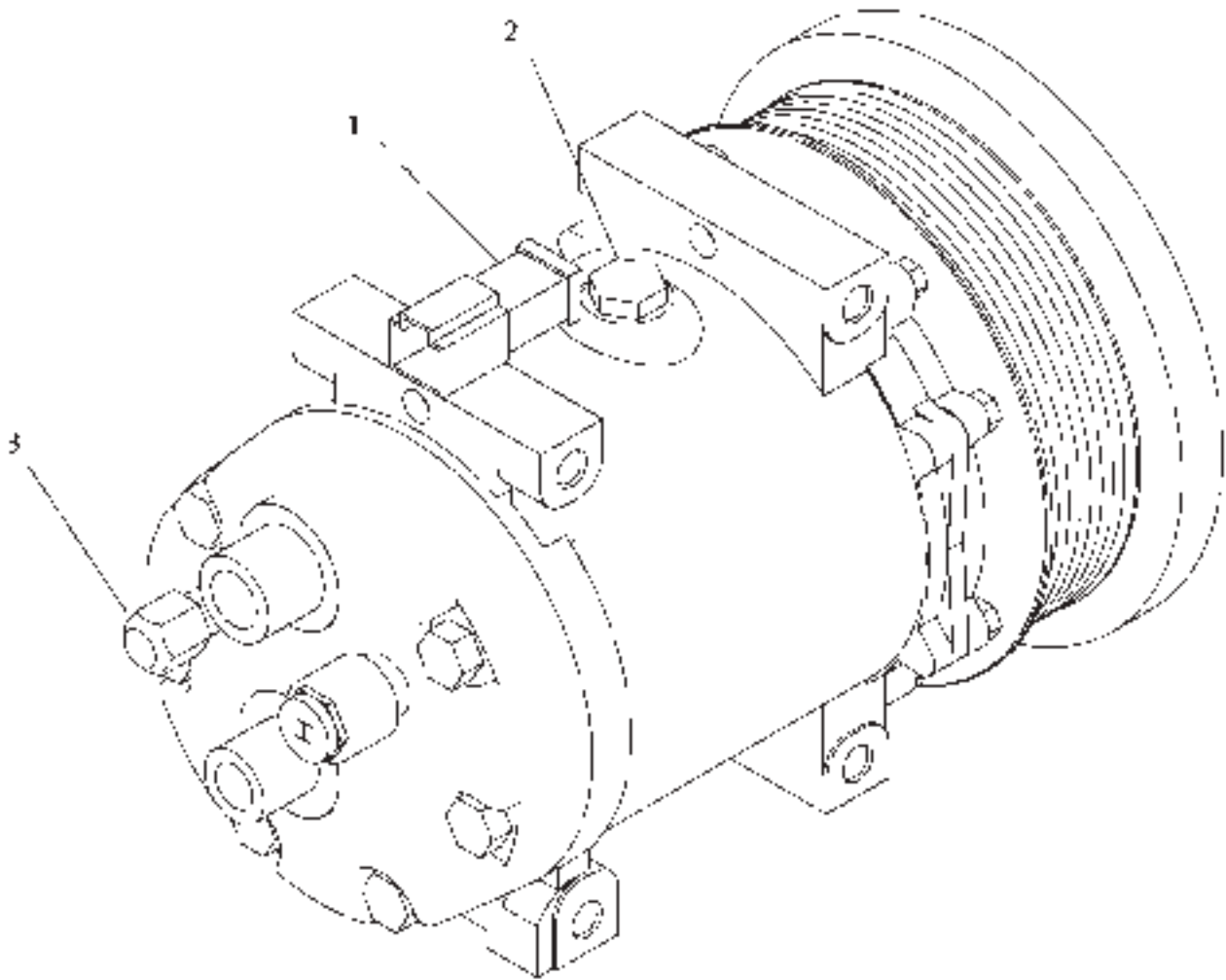
MOUNTING GP-REFRIGERANT COMPR - 202-2027

ITEM	NUMBER	QTY	DESCRIPTION
-	202-2027	--	MOUNTING GP-REFRIGERANT COMPR [A] (NOT SERVICED)
1	CH178-9570	1	COMPRESSOR GP-REFRIG. (INCL ITEMS 1A-1C)
1A	CH102-8802	1	RECEPTACLE KIT-CONNECTOR
	CH3E-3364	1	RECEPTACLE AS
	CH3E-3365	1	WEDGE
1B	CH7T-4532	1	PLUG AS-3STOR
1C	CH114-3469	1	VALVE AS-RELIEF 3STOR THD
	CH9X-7378	1	SEAL-O-RING (8.921 DX1.83DIA)
2	400028X1	4	BOLT (M8X1.25X100MM)
3	400339X1	4	WASHER-HARD (8.8X16X2MM THK)

[A] PART OF 501640D1; 501641D1; 501642D1
INSTALLATION AR-ENGINE

2022027A
PR: t05c24o40d0019

COMPRESSOR GP - CH178-9570



1789570A

**MT700B SERIES TRACK TRACTOR
BASIC ENGINE**

85

COMPRESSOR GP - CH178-9570

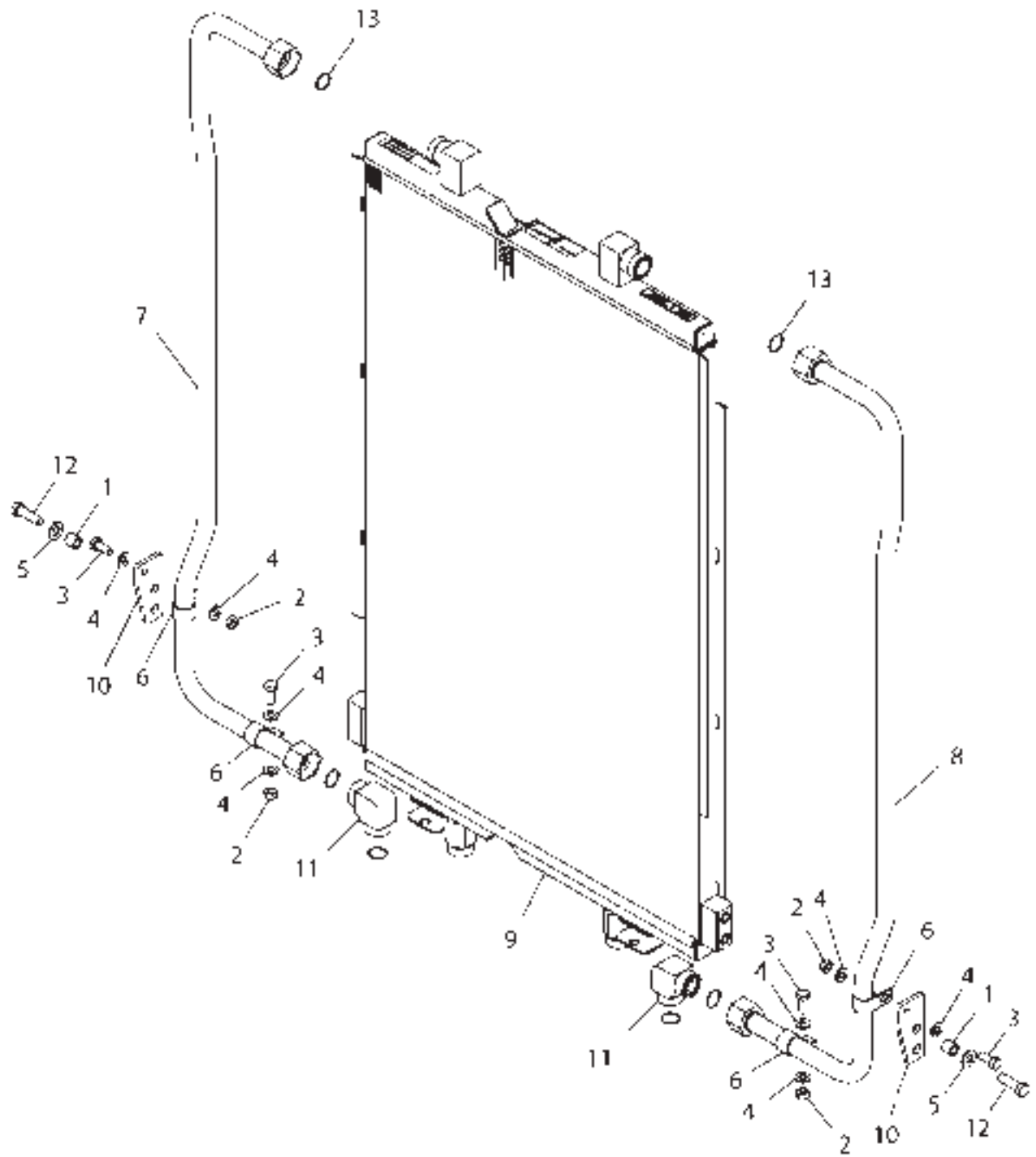
ITEM	NUMBER	QTY	DESCRIPTION
-	CH178-9570	--	COMPRESSOR GP [A] (NOT SERVICED)
1	CH102-8802	1	RECEPTACLE KIT-CONNECTOR
	CH3E-3364		RECEPTACLE AS
	CH3E-3365		WEDGE
2	CH7T-4532	1	PLUG AS-3STOR
3	CH114-3469	1	VALVE AS-RELIEF 3STOR THD
	CH9X-7378	1	SEAL-O-RING (8.921 DX1.83DIA)

[A] PART OF 501640D1; 501641D1; 501642D1
INSTALLATION AR

1789570A
PR: t05c24o40d0020

MT700B SERIES TRACK TRACTOR
COOLING SYSTEM

COOLER GP-OIL - 502065D1



502065DA

**MT700B SERIES TRACK TRACTOR
COOLING SYSTEM**

87

COOLER GP-OIL - 502065D1

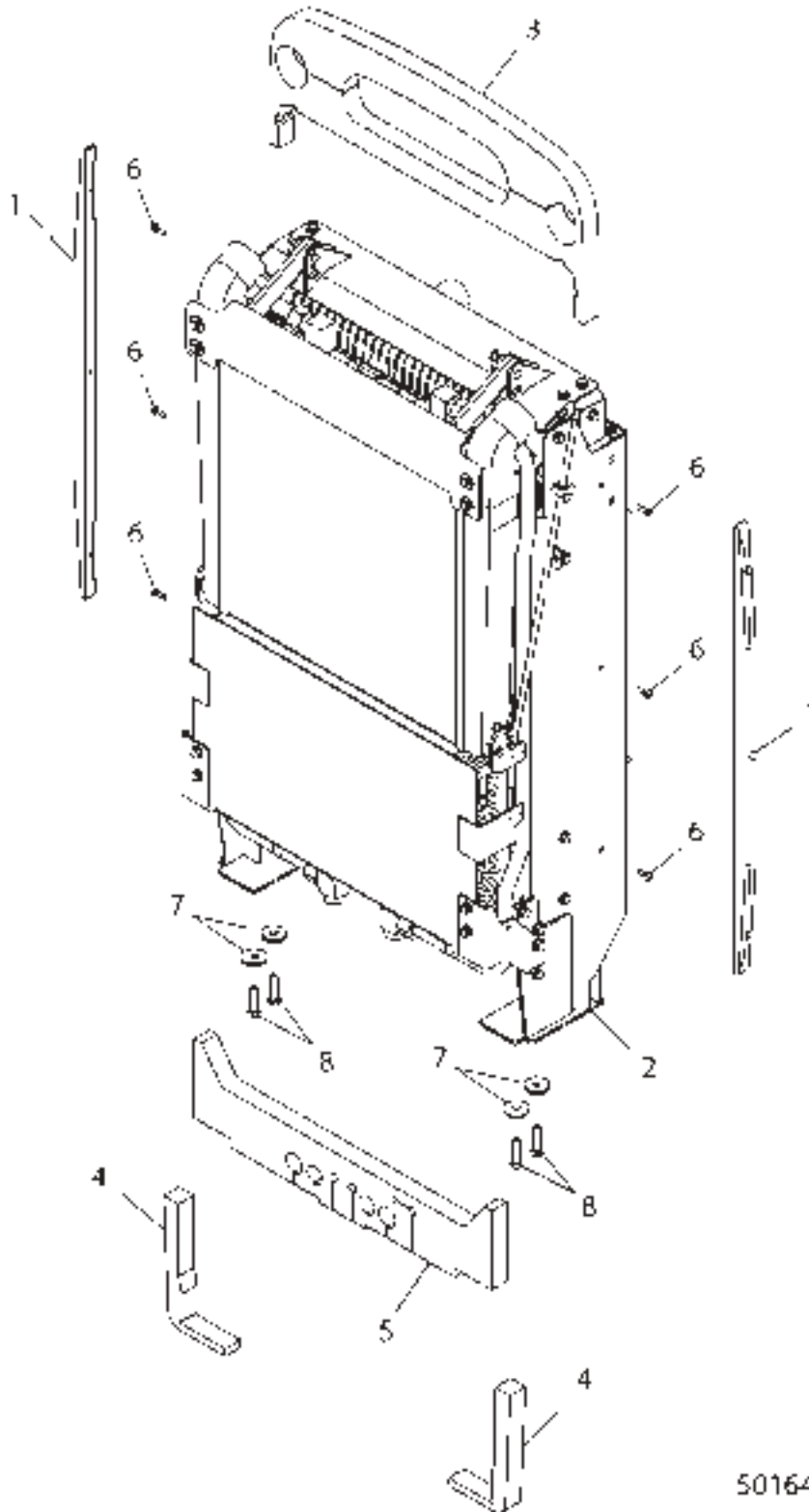
ITEM	NUMBER	QTY	DESCRIPTION
-	502065D1	--	COOLER GP-OIL [A] (NOT SERVICED)
1	CH211-3792	2	SPACER
2	WR522218	4	NUT-M10-1.5,CL10.9,ZN,H,REG
3	400039X1	4	BOLT-M10X1.5X25 ZNDI HHD 10.9
4	400287X1	8	WASHER-HARD 11IDX21ODX2.5 ZND1
5	400357X1	2	WASHER-HARD-M12X25.50DX3THK
6	400688X1	4	CLIP LOOP 25.4ID
7	501692D1	1	TUBE AS-RH
8	501693D1	1	TUBE AS-LH
9	501849D1	1	CORE AS-OIL COOLER
10	501853D1	2	PLATE
11	CH150-3068	2	UNION AS-90 DEG 16 ORFS
12	400050X1	2	BOLT-M12X1.75X40 ZNDI HHD 10.9
13	400123X1	2	SEAL-O RING-27.22ODX1.78 DIA

[A] PART OF 501640D1; 501641D1; 501642D1
INSTALLATION AR

502065DA
PR: t05c24o40d0021

MT700B SERIES TRACK TRACTOR
COOLING SYSTEM

COOLER GP-MTG - 501645D1



501645DA

**MT700B SERIES TRACK TRACTOR
COOLING SYSTEM**

89

COOLER GP-MTG - 501645D1

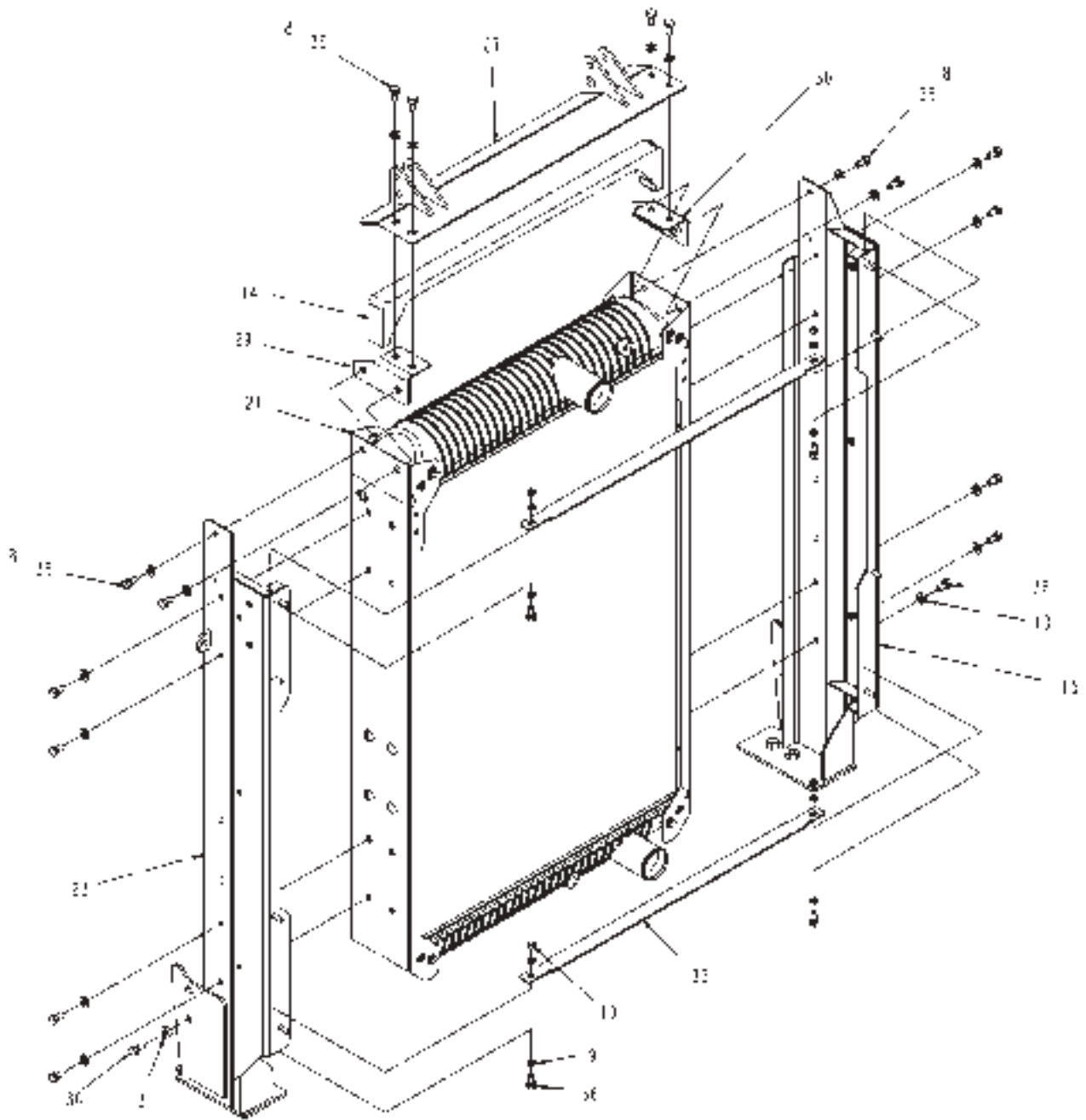
ITEM	NUMBER	QTY	DESCRIPTION
-	501645D1	--	COOLER GP-MTG [A] (NOT SERVICED)
1	200-6160	2	GUIDE
2	501646D1	1	CORE GP-MOUNTING (NOT SERVICED) (SEE BREAKDOWN FOR COMPONENTS)
3	501812D1	1	BAFFLE-TOP
4	501814D1	2	BAFFLE-SIDE
5	501815D1	1	BAFFLE-BOTTOM
6	CH3E-8020	6	SCREW-M6X1X25 ORG TORX
7	CH7X-0590	4	WASHER-HARD 13.5IDX44.5ODX6
8	400057X1	4	BOLT-M12X1.75X50 ZNDI HHD 10.9

[A] PART OF 501640D1; 501641D1;
501642D1 INSTALLATION AR

501645DA
PR: t05c24o40d0022

MT700B SERIES TRACK TRACTOR
COOLING SYSTEM

CORE GP & MOUNTING - 501646D1
PAGE 1 OF 3



501646DA

**MT700B SERIES TRACK TRACTOR
COOLING SYSTEM**

91

**CORE GP & MOUNTING - 501646D1
PAGE 1 OF 3**

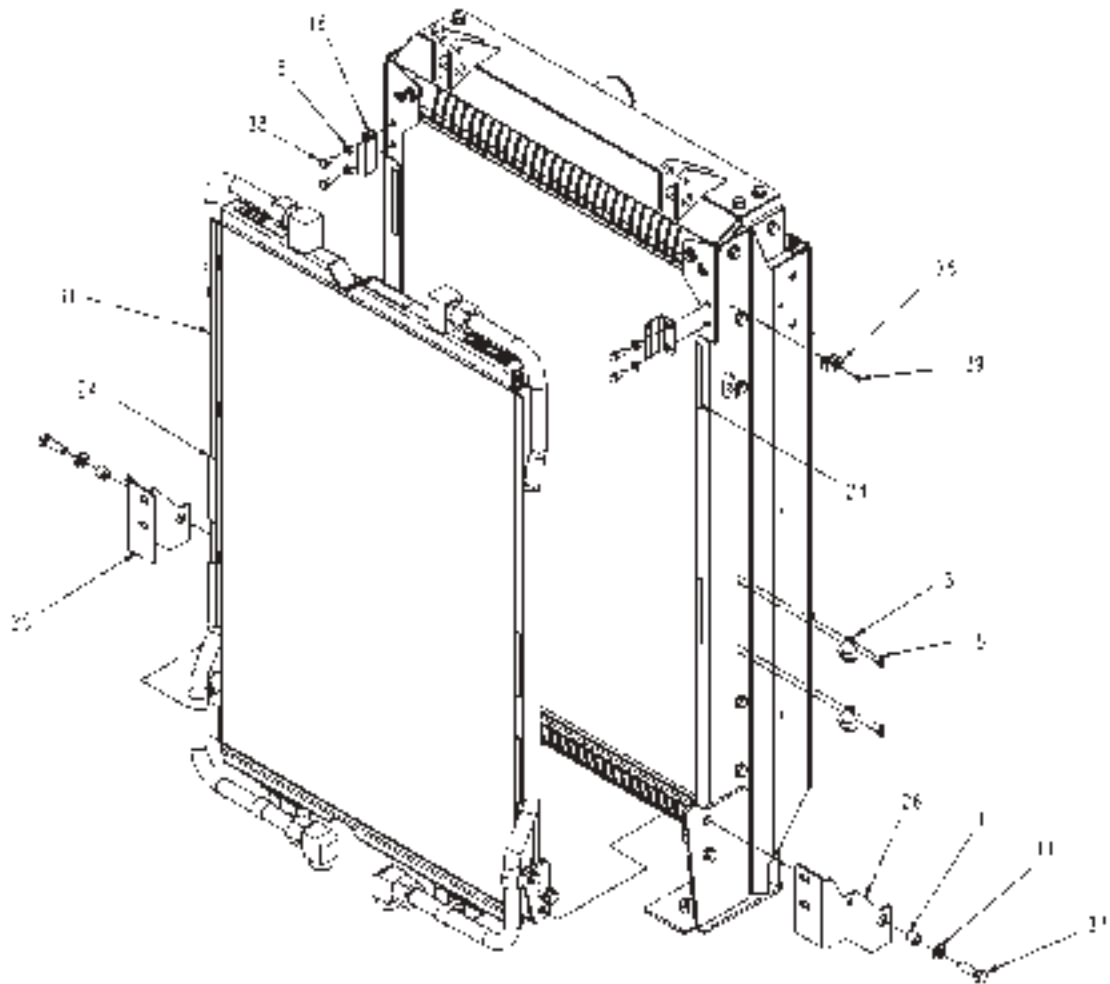
ITEM	NUMBER	QTY	DESCRIPTION
-	501646D1	--	CORE GP-MOUNTING [A] (NOT SERVICED)
8	400287X1	21	WASHER-HARD 11IDX21ODX2.5 ZND1
9	400339X1	16	WASHER-HARD
10	400340X1	4	NUT-M8X1.25X13 HEX ZND1
13	500602D1	4	SPACER-10.3 ID X 20.5OD X 6 ZN
14	501813D1	1	BAFFLE-INTERMEDIATE
15	501816D1	1	SUPPORT AS.-RH
21	501851D1	1	CORE AS.-RADIATOR
23	501859D1	1	SUPPORT AS.-LH
27	501868D1	1	SUPPORT AS.
29	501872D1	1	BRACKET AS.-LH
30	501874D1	1	BRACKET AS.-RH
33	502564D1	2	BRACKET
36	400040X1	30	BOLT-M10X1.5X20 ZNDI HHD 10.9

[A] PART OF 501640D1; 501641D1;
501642D1 INSTALLATION AR

501646DA
PR: t05c24o40d0023

MT700B SERIES TRACK TRACTOR
COOLING SYSTEM

CORE GP & MOUNTING - 501646D1
PAGE 2 OF 3



501646DB

**MT700B SERIES TRACK TRACTOR
COOLING SYSTEM**

93

**CORE GP & MOUNTING - 501646D1
PAGE 2 OF 3**

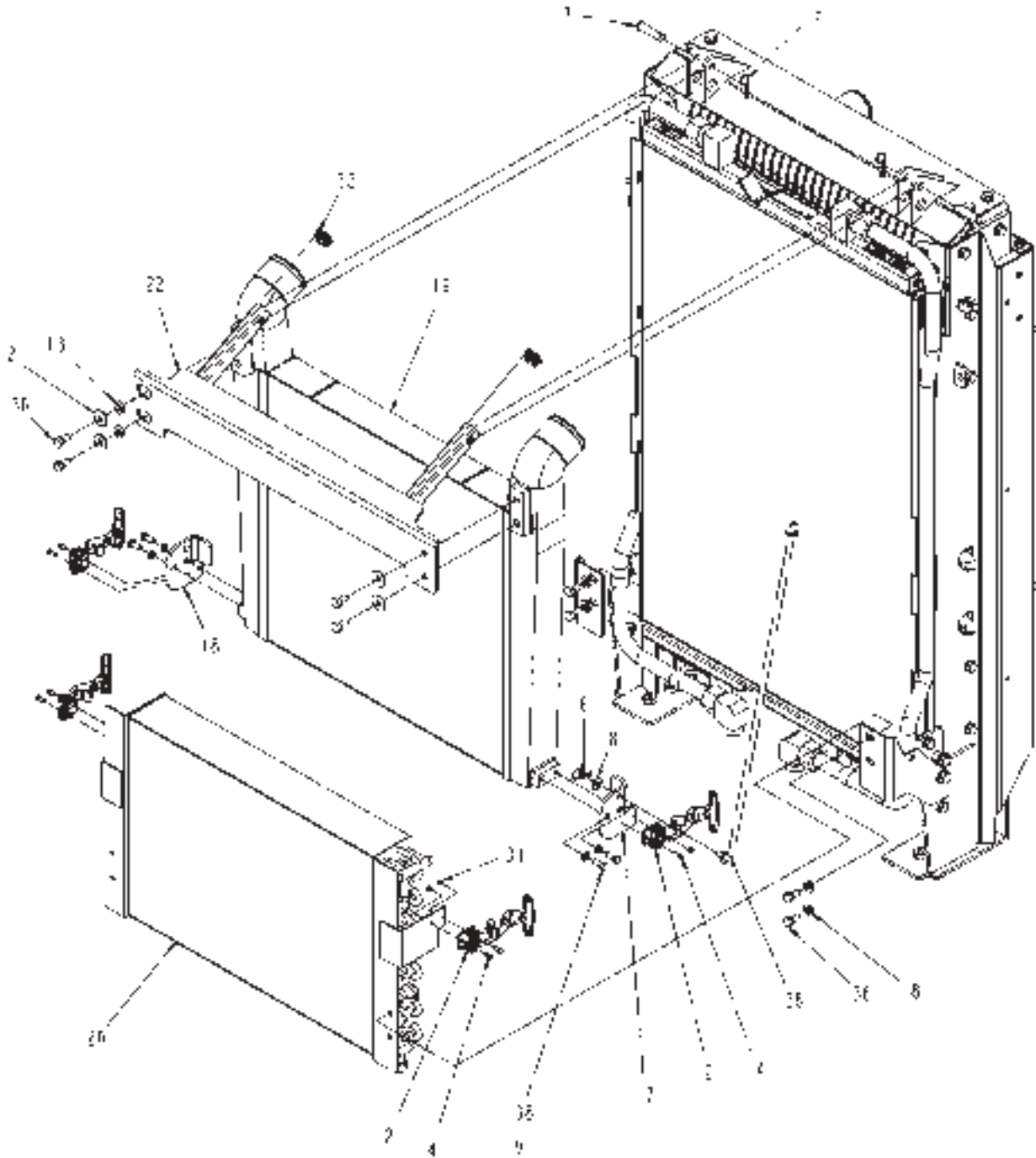
ITEM	NUMBER	QTY	DESCRIPTION
-	501646D1	--	CORE GP-MOUNTING [A] (NOT SERVICED)
1	CH211-3792	2	SPACER
3	229-2953	4	KEEPER
5	AG522130	8	RIVET-POP (.18X.45DOME-HD,SS)
9	400339X1	16	WASHER-HARD
11	400357X1	2	WASHER-HARD-M12X25.50DX3THK
16	501845D1	2	BRACKET
24	501861D1	8	STRIP-MASTICATED RUBBER
25	501862D1	1	BRACKET-RH
26	501863D1	1	BRACKET-LH
31	502065D1	1	COOLER GP-OIL (NOT SERVICED) (SEE BREAKDOWN FOR COMPONENTS)
35	CH216-6428	1	CLIP-TUBE
37	400050X1	2	BOLT-M12X1.75X40 ZNDI HHD 10.9
38	400053X1	8	BOLT-M8X1.25X20 ZNDI HHD 10.9
39	400140X1	1	BOLT-M4X0.7X10 ZN LK HSHD 12.9

[A] PART OF 501640D1; 501641D1;
501642D1 INSTALLATION AR

501646DB
PR: t05c24o40d0024

MT700B SERIES TRACK TRACTOR
COOLING SYSTEM

CORE GP & MOUNTING - 501646D1
PAGE 3 OF 3



501646DC

MT700B SERIES TRACK TRACTOR
COOLING SYSTEM

95

CORE GP & MOUNTING - 501646D1
PAGE 3 OF 3

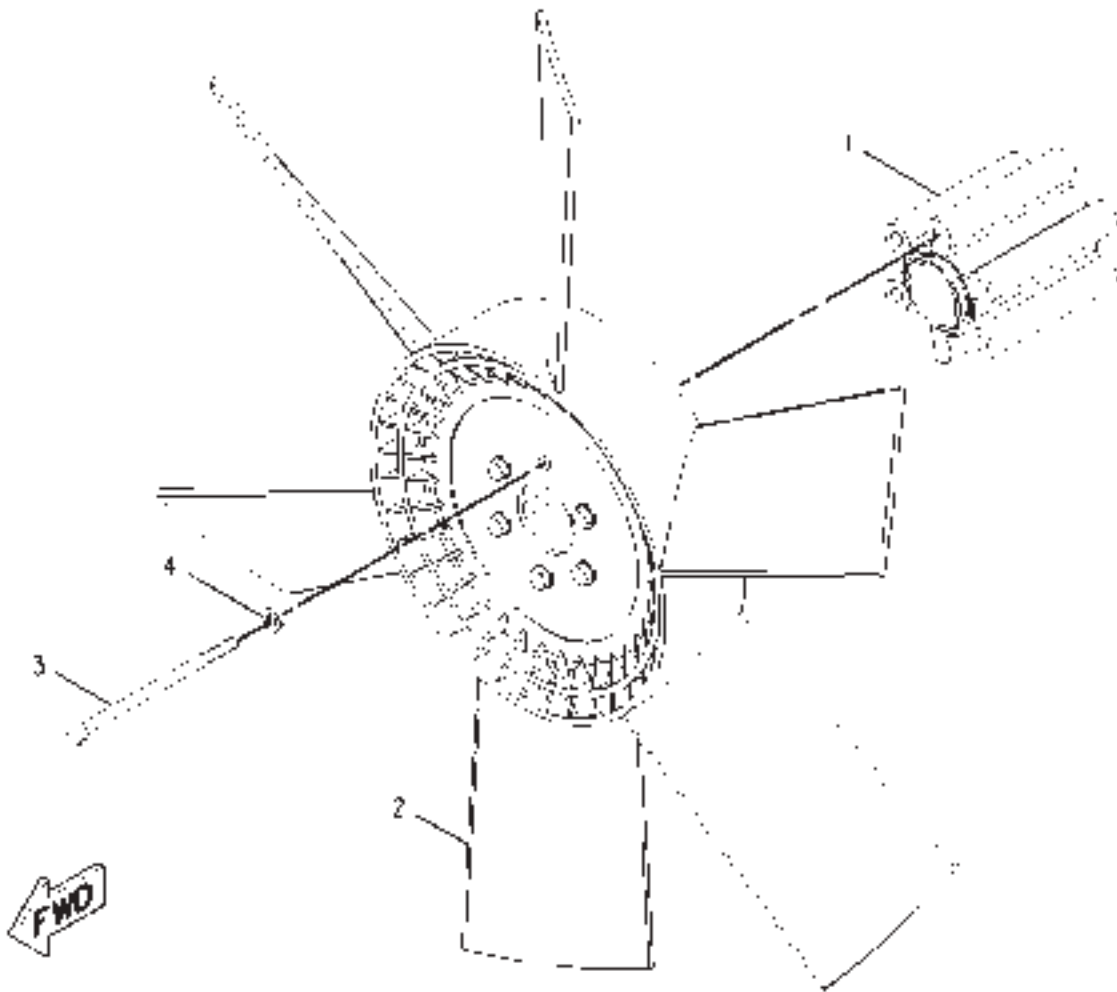
ITEM	NUMBER	QTY	DESCRIPTION
-	501646D1	--	CORE GP-MOUNTING [A] (NOT SERVICED)
2	229-2952	4	LATCH ASSEMBLY
4	WR55026	8	SCREW-CAP HEX M5 X 12
6	WR560847	3	COTTER-HAIRPIN, 10-12MM SHAFT
7	WR562990	2	PIN CLEVIS, .50X2.00 ZN
8	400287X1	21	WASHER-HARD 11IDX21ODX2.5 ZND1
9	400339X1	16	WASHER-HARD
12	400379X1	4	WASHER-10.5IDX30ODX2.5MM ZND1
13	500602D1	4	SPACER-10.3 ID X 20.5OD X 6 ZN
17	501846D1	1	BRACKET-LH
18	501847D1	1	BRACKET-RH
19	501848D1	1	CORE AS.-CAC
20	501850D1	1	CORE-CONDENSER
22	501854D1	1	SUPPORT AS.-CAC
28	501869D1	1	ROD AS.-PROP
32	502066D1	2	PLUG-1.0 SQTUBE
34	CH179-4324	4	LOCKNUT-M5X0.8 NYLON INSERT
36	400040X1	30	BOLT-M10X1.5X20 ZNDI HHD 10.9
38	400053X1	8	BOLT-M8X1.25X20 ZNDI HHD 10.9

[A] PART OF 501640D1; 501641D1;
501642D1 INSTALLATION AR

501646DC
PR: t05c24o40d0025

MT700B SERIES TRACK TRACTOR
COOLING SYSTEM

FAN GP-SUCTION - 201-4665
MT745B



00856227

**MT700B SERIES TRACK TRACTOR
COOLING SYSTEM**

97

**FAN GP-SUCTION - 201-4665
MT745B**

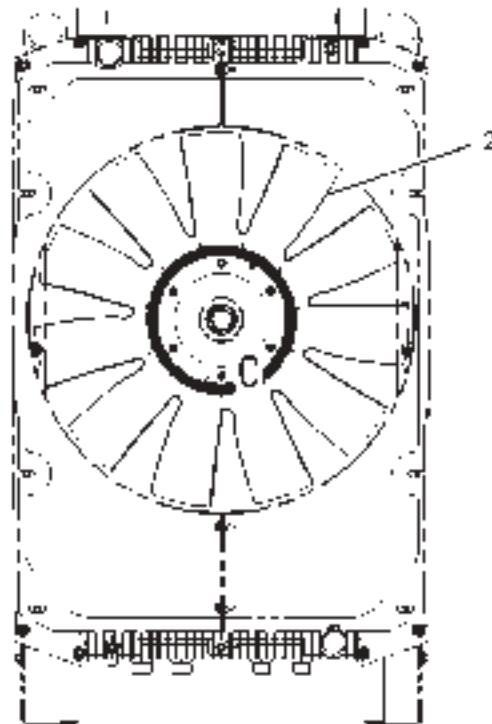
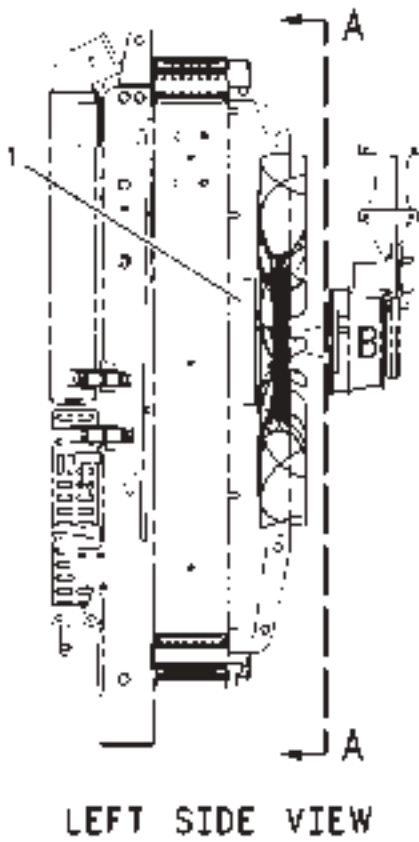
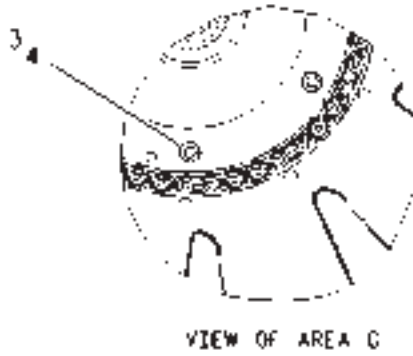
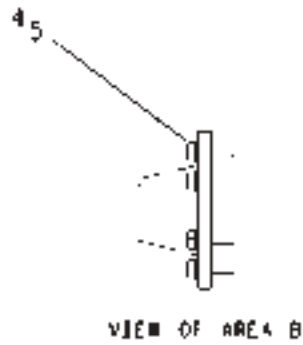
ITEM	NUMBER	QTY	DESCRIPTION
-	201-4665	--	FAN GP-SUCTION [A] (NOT SERVICED)
1	203-5506	1	SPACER-FAN
2	CH210-0083	1	SPIDER FAN-FAN
3	400189X1	6	BOLT (M8X1.25X140MM)
4	400339X1	6	WASHER-HARD (8.8X16X2MM THK)

[A] PART OF 165-7006;169-6836;501640D1
INSTALLATION AR ENGINE

00856227
PR: t05c24o40d0026

MT700B SERIES TRACK TRACTOR
COOLING SYSTEM

FAN GP-SUCTION - 208-5962
MT755B & MT765B



00632685

**MT700B SERIES TRACK TRACTOR
COOLING SYSTEM**

99

**FAN GP-SUCTION - 208-5962
MT755B & MT765B**

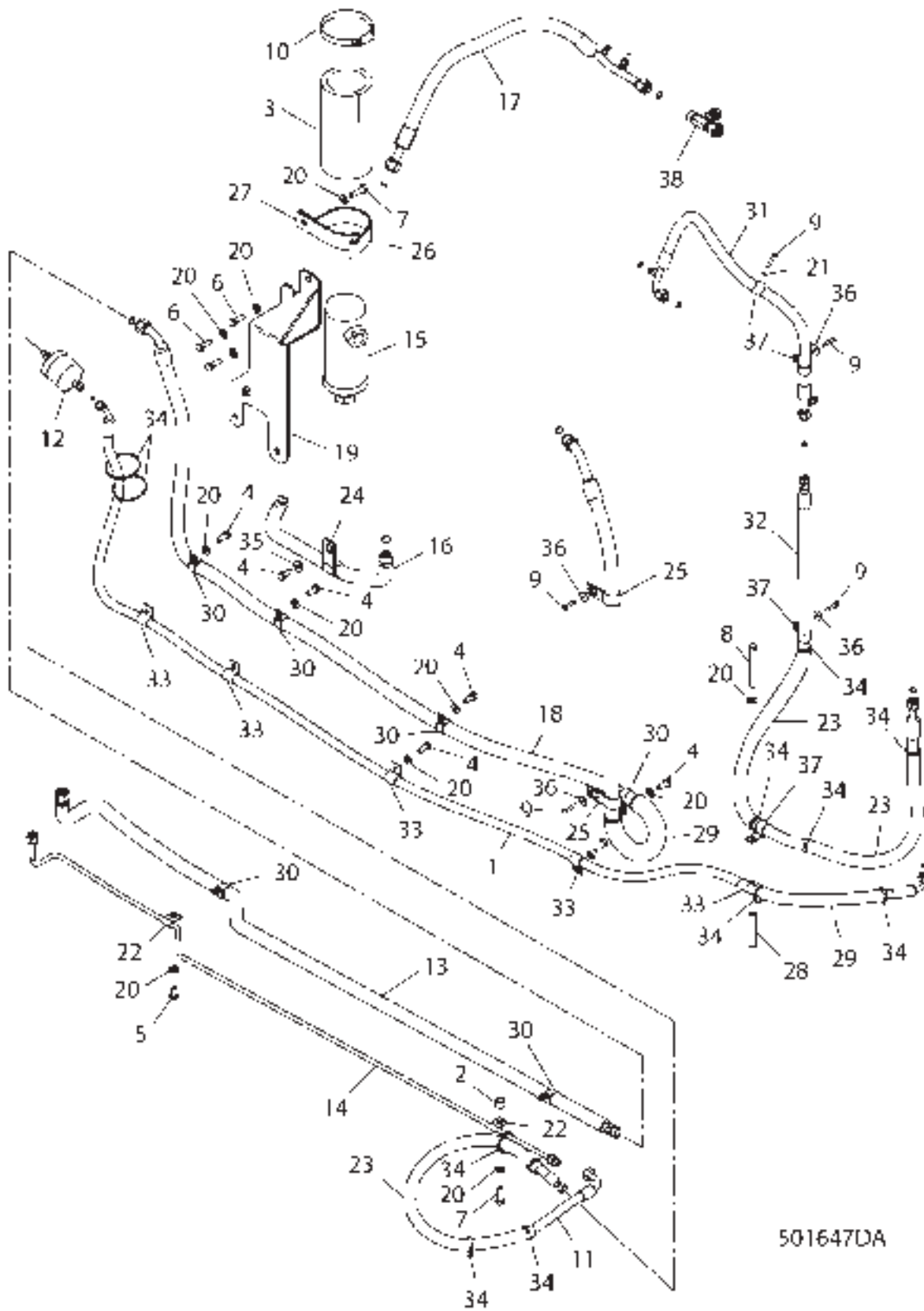
ITEM	NUMBER	QTY	DESCRIPTION
-	208-5962	--	FAN GP-SUCTION [A] (NOT SERVICED)
1	207-1608	1	DRIVE FAN-FAN
2	CH210-0202	1	SPIDER FAN-FAN
3	400340X1	6	NUT (M8X1.25 THD)
4	400339X1	12	WASHER-HARD (8.8X16X2MM THK)
5	400245X1	6	BOLT (M8X1.25X30MM)

[A] PART OF 165-7007;165-7008;501641D1;
501642D1 INSTALLATION AR ENGINE

00832885
PR: t05c24o40d0027

MT700B SERIES TRACK TRACTOR
COOLING SYSTEM

LINES GP-A/C - 501647D1



501647DA

**MT700B SERIES TRACK TRACTOR
COOLING SYSTEM**

101

LINES GP-A/C - 501647D1

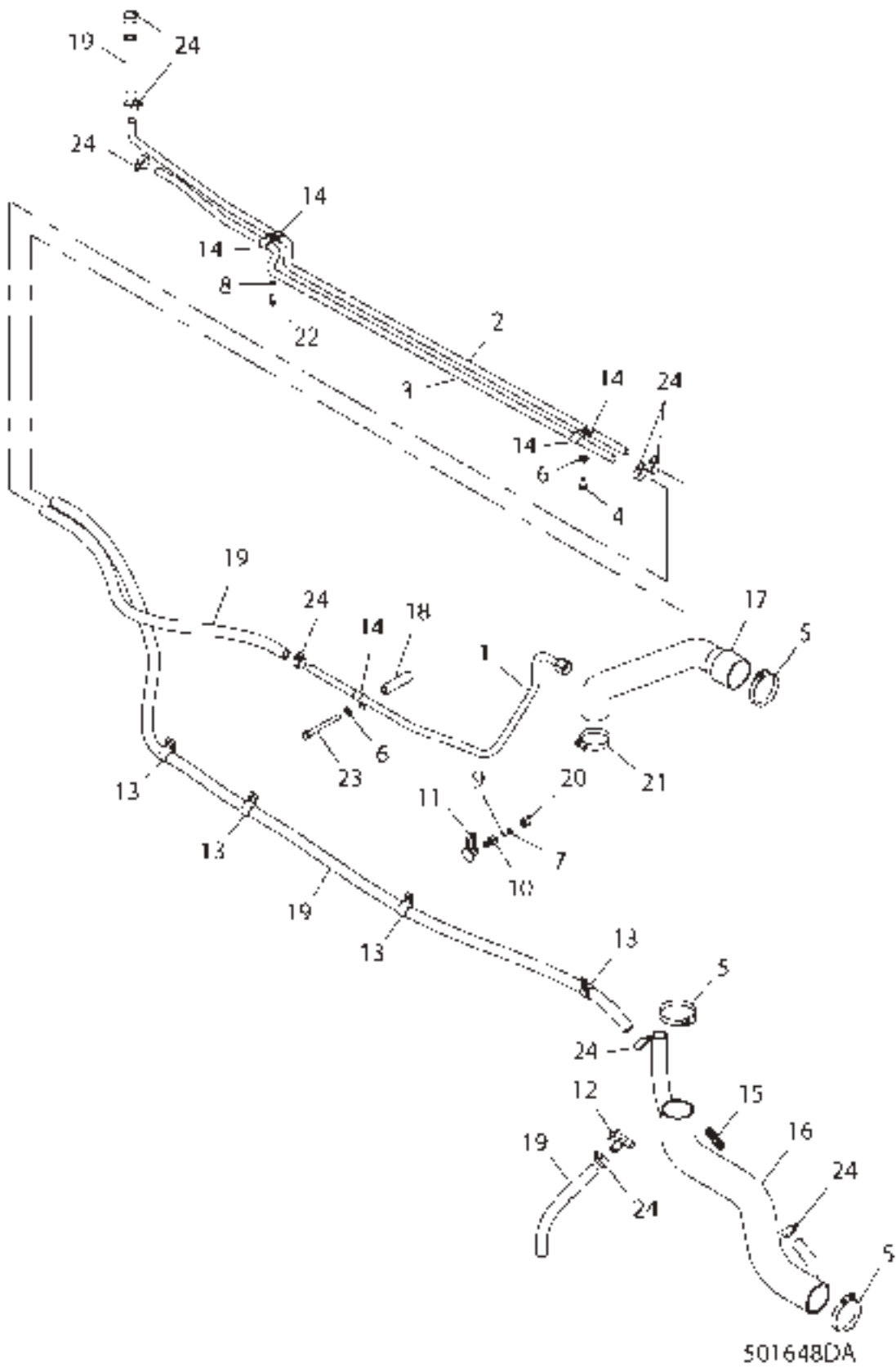
ITEM	NUMBER	QTY	DESCRIPTION
-	501647D1	--	LINES GP-A/C [A] (NOT SERVICED)
1	199-9259	1	HOSE AS
	CH9X-7380	2	SEAL-O-RING
2	CH200-8649	1	SPACER-19ODX12.7IDX14.3MM
3	212-4748	1	INSULATION
4	400039X1	7	BOLT-M10X1.5X25 ZNDI HHD 10.9
5	400040X1	1	BOLT-M10X1.5X20 ZNDI HHD 10.9
6	400058X1	3	BOLT-M10X1.5X30 ZNDI HHD 10.9
7	400059X1	2	BOLT-M10X1.5X35 ZNDI HHD 10.9
8	400061X1	1	BOLT-M10X1.5X100 ZNDI HHD 10.9
9	400065X1	5	BOLT-M6X1X30MM ZNDI HHD 10.9
10	400671X1	1	CLAMP-HOSE SST 76.8-120.6X15
11	500972D1	1	HOSE AS.
	CH9X-7380	2	SEAL-O-RING SEAL
12	500978D1	1	FILTER-A/C
13	199-9260	1	TUBE AS
	CH9X-7382	1	SEAL-O-RING
14	199-9261	1	TUBE AS
	CH9X-7381	1	SEAL-O-RING SEAL
15	500759D1	1	ACCUMULATOR DRYER-A/C
16	192-6374	1	TUBE AS
	CH9X-7383	1	SEAL-O-RING
17	206-0489	1	HOSE AS (FOR 15.9 ID SAE J2064)
	CH9X-7382	2	SEAL-O-RING
	CH9X-7378	1	SEAL-O-RING
18	206-0491	1	HOSE AS
	CH9X-7382	2	SEAL-O-RING
19	212-4742	1	BRACKET AS.
	8T-3490	2	NUT-WELD M10.X1.5
20	400287X1	13	WASHER-HARD 11IDX21ODX2.5 ZND1
21	400310X1	1	WASHER
22	400620X1	2	CLIP-9.52 ID, M10 OR 3/8
23	400651X1	AR	SLEEVE-ABRASION BULK 25.4ID (166cm)
24	400652X1	1	CLIP-LOOP 28.58 ID
25	400663X1	2	CLIP-LOOP 28.58 ID
26	400679X1	1	CLIP-2 PIECE TOP 101.6 ID
27	400680X1	1	CLIP-2 PIECE BOTTOM 101.6 ID
28	400690X1	1	SPACER-9.51ID X 80.3
29	400691X1	AR	SLEEVE-ABRASION BULK 31.75ID (90cm)
30	400700X1	6	CLIP LOOP 28.58ID
31	502021D1	1	HOSE AS
	CH9X-7381	2	SEAL-O-RING
	CH9X-7378	1	SEAL-O-RING 8.92DX1.83DIA
32	502339D1	1	HOSE AS
	CH9X-7381	2	SEAL-O-RING
33	CH3S-8664	5	CLIP-LOOP 19.05 ID
34	CH7K-1181	14	STRAP-CABLE 0.19-4.00
35	CH7X-7729	1	WASHER-11IDX5ODX3MM
36	CH9X-6165	4	WASHER-6.5IDX22ODX2.5MM
37	CH9X-8250	4	CLIP-LOOP 23.8 ID
38	502044D1	1	FITTING-A/C
	CH9X-7380	1	SEAL-O-RING SEAL

[A] PART OF 501640D1; 501641D1; 501642D1
INSTALLATION AR

501647DA
PR: t05c24o40d0028

MT700B SERIES TRACK TRACTOR
COOLING SYSTEM

LINES GP-COOLANT - 501648D1



**MT700B SERIES TRACK TRACTOR
COOLING SYSTEM**

103

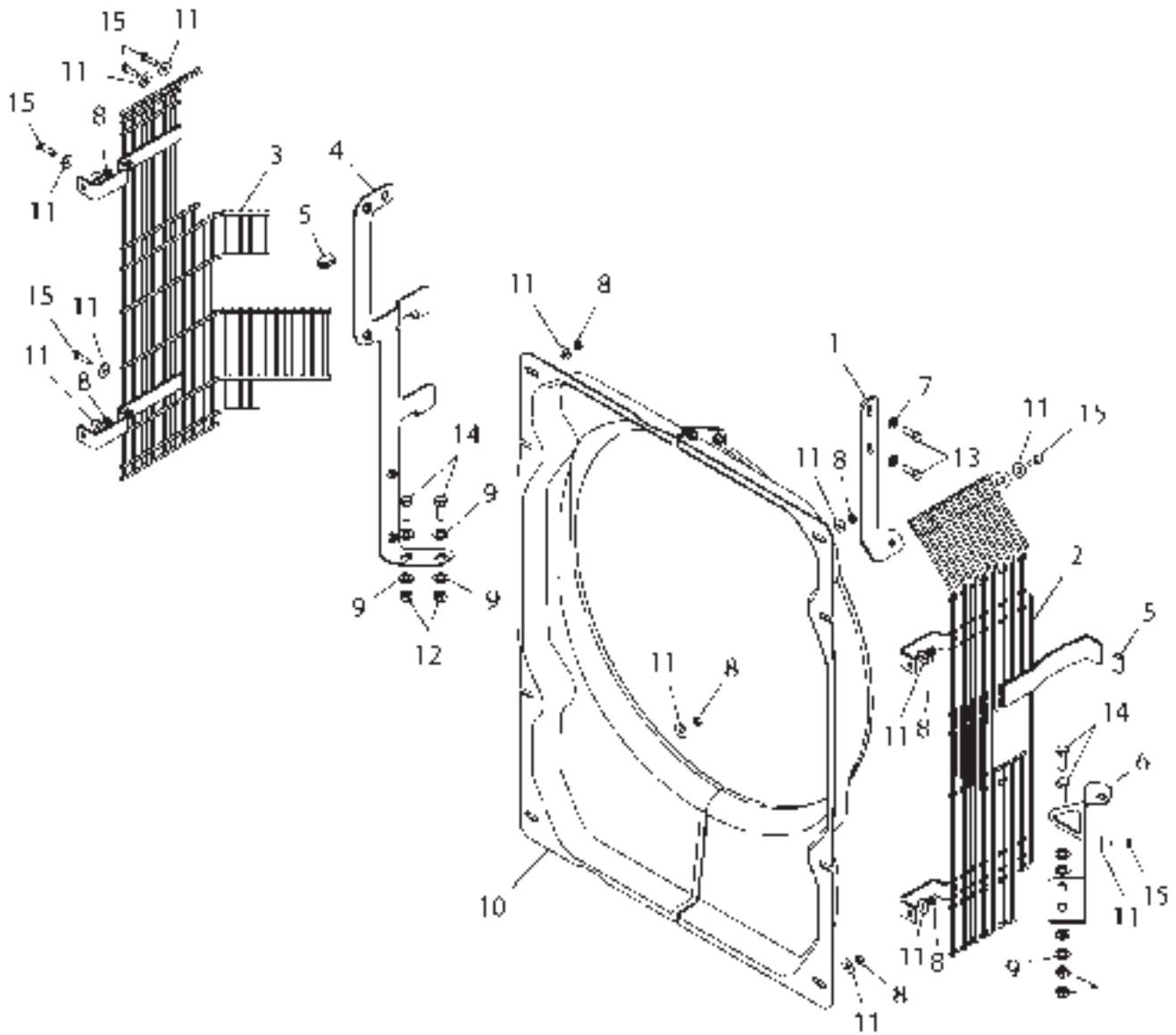
LINES GP-COOLANT - 501648D1

ITEM	NUMBER	QTY	DESCRIPTION
-	501648D1	--	LINES GP-COOLANT [A] (NOT SERVICED)
1	192-6367	1	TUBE AS.
2	199-9254	1	TUBE
3	199-9256	1	TUBE
4	400040X1	1	BOLT-M10X1.5X20 ZNDI HHD 10.9
5	400126X1	3	CLAMP-HOSE CT SST 57-79X16
6	400287X1	2	WASHER-HARD 11IDX21ODX2.5 ZND1
7	400318X1	1	SEAL-O-RING 11.89IDX DIA1.98
8	400339X1	1	WASHER-HARD
9	400361X1	1	SEAL-O-RING 8.92 IDX1.83 DIA
10	400653X1	1	VALVE-FLUID SAMPLING 4 STOR
11	400655X1	1	CAP-DUST (ENGINE COOLANT)
12	400669X1	1	COCK-SHUT OFF
13	400688X1	4	CLIP LOOP 25.4ID
14	400702X1	5	CLIP-ONE TUBE COATED
15	502420D1	1	BRASS HOSE FITTING
16	502431D1	1	HOSE-RADIATOR (OUTLET)
17	502433D1	1	HOSE-RADIATOR (INLET)
18	CH213-6336	1	SPACER-21.34OCX13.86IDX80 ZN
19	CH5P-0767	AR	HOSE-BULK 15.88 ID (345cm)
20	CH5P-9617	1	ADAPTER-6 STOR X 4 STOR
21	CH8T-6703	1	CLAMP-HOSE 45-67X16 CONST LD
22	400053X1	1	BOLT-M8X1.25X20 ZNDI HHD 10.9
23	400061X1	1	BOLT-M10X1.5X100 ZNDI HHD 10.9
24	400108X1	9	CLAMP-HOSE SST 15.9-26.9X13.5

[A] PART OF 501640D1; 501641D1; 501642D1
INSTALLATION AR

501648DA
PR: t05c24o40d0029

GUARD GP-FAN - 502273D1



502273DA

MT700B SERIES TRACK TRACTOR
COOLING SYSTEM

105

GUARD GP-FAN - 502273D1

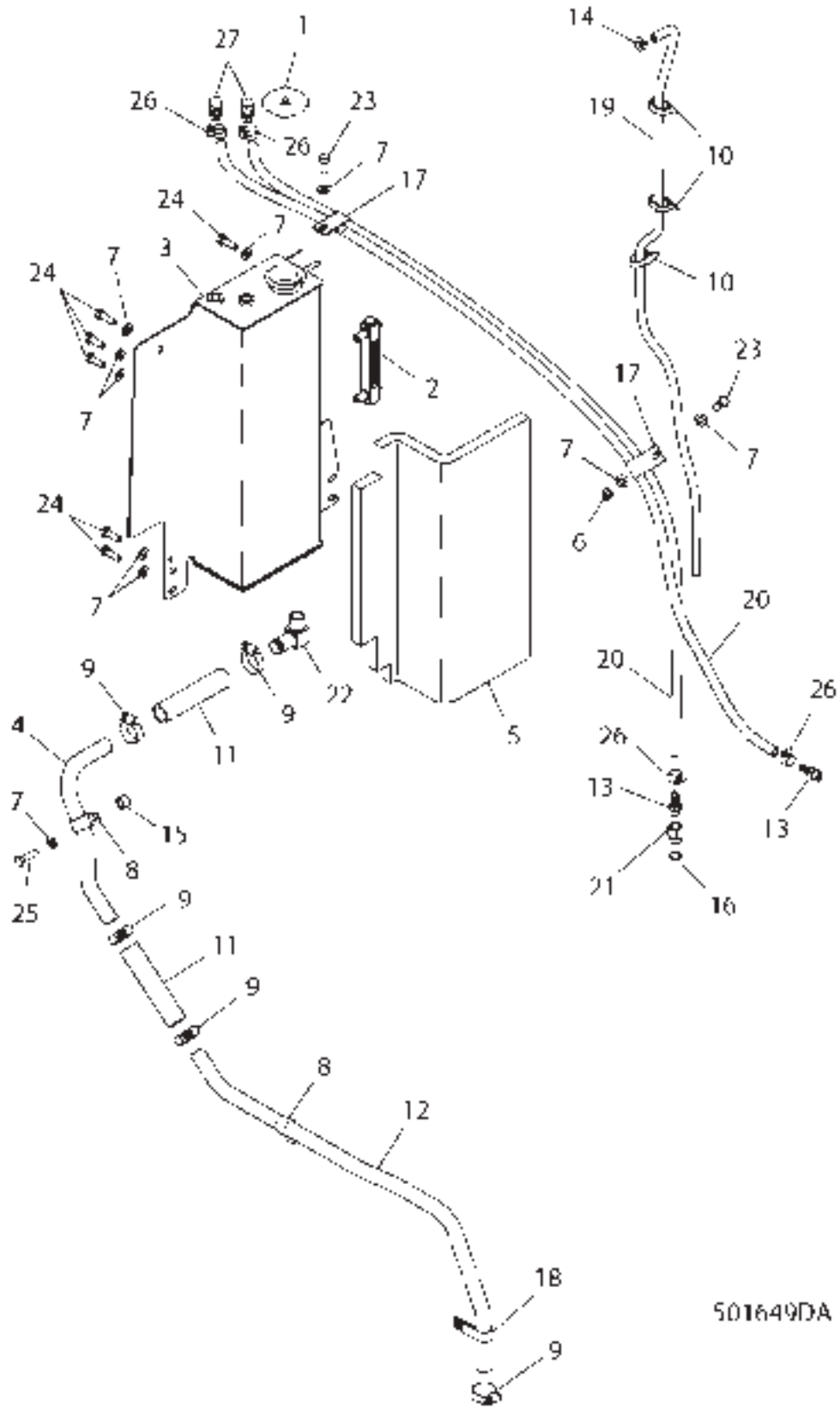
ITEM	NUMBER	QTY	DESCRIPTION
-	502273D1	--	GUARD GP-FAN [A] (NOT SERVICED)
1	206-4639	1	BRACKET AS
2	206-4642	1	GUARD AS.-LH
3	206-4643	1	GUARD AS.-RH
4	216-2579	1	BRACKET AS.
5	216-5336	2	SEAL
6	216-8278	1	PLATE
7	400287X1	2	WASHER-HARD 11IDX21ODX2.5 ZND1
8	400340X1	9	NUT-M8X1.25X13 HEX ZND1
9	400357X1	8	WASHER-HARD-M12X25.5ODX3THK
10	502265D1	1	SHROUD AS-FAN [S]
11	CH7X-0579	15	WASHER-HARD 8.8IDX25.5ODX2
12	CH8T-4244	4	NUT-M12X1.75 HEX ZN
13	400058X1	2	BOLT-M10X1.5X30 ZNDI HDD 10.9
14	400064X1	4	BOLT-M12X1.75X35 ZNDI HDD 10.9
15	400245X1	6	BOLT-M8X1.25X30 ZNDI HDD 10.9

[A] PART OF 501640D1; 501641D1; 501642D1
INSTALLATION AR
[S] SERVICED AS COMPLETE ASSEMBLY

502273DA
PR: t05c24o40d0030

MT700B SERIES TRACK TRACTOR
COOLING SYSTEM

TANK GP-EXPANSION - 501649D1



501649DA

**MT700B SERIES TRACK TRACTOR
COOLING SYSTEM**

107

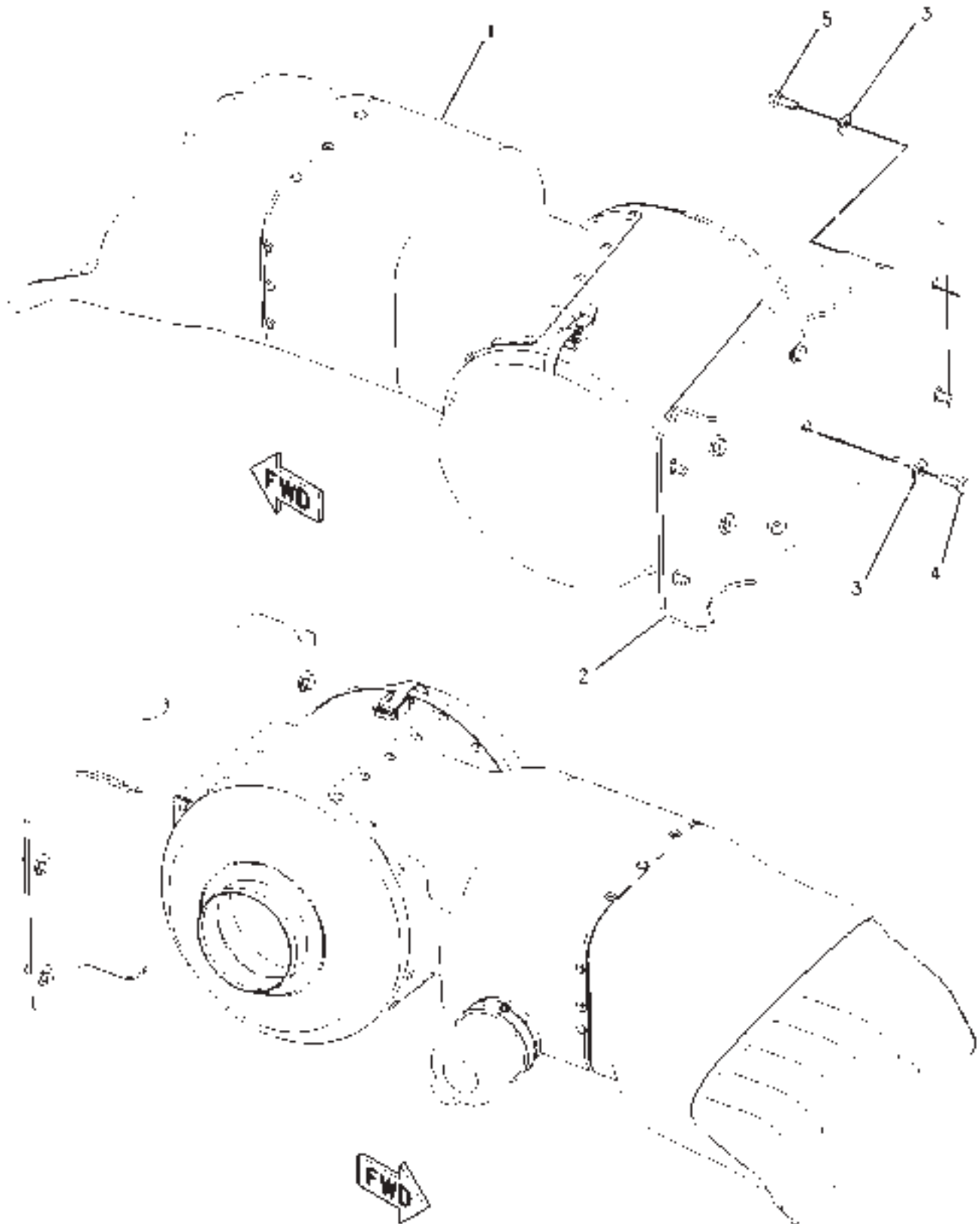
TANK GP-EXPANSION - 501649D1

ITEM	NUMBER	QTY	DESCRIPTION
-	501649D1	--	TANK GP-EXPANSION [A] (NOT SERVICED)
1	031-1119	1	CAP AS-RADIATOR
2	201-4653	1	GAGE-SIGHT
	CH114-4231	2	BOLT-MTG 1/2-20-2AX45.30MM
	CH122-8352	4	SEAL-RING 15.54ID X 2.62DIA
3	213-4446	1	TANK WLMT
4	213-6337	1	TUBE
5	225-2649	1	INSULATION
6	WR522218	1	NUT-M10-1.5,CL10.9,ZN,H,REG
7	400287X1	10	WASHER-HARD 11IDX21ODX2.5 ZND1
8	400688X1	2	CLIP LOOP 25.4ID
9	400701X1	5	CLAMP-HOSE SST22.2-44.5IDX13.5
10	400837X1	3	STRAP-CABLE (PLASTIC)
11	502070D1	AR	HOSE-COOLANT 25.4MM (30cm)
12	502432D1	1	TUBE
13	CH003-7764	2	CONNECTOR-6 NPTFX9.52 OD BARB
14	CH1P-4278	1	CLAMP-HOSE 5.5-15.88 ID X 8
15	CH200-8649	1	SPACER-19ODX12.7IDX14.3MM
16	CH3K-0360	1	SEAL-O-RING 16.36IDX2.21DIA
17	CH4D-7733	2	CLIP-LOOP 17.46ID
18	CH4L-3641	1	CLIP-LOOP 25.4 ID
19	CH5P-1420	AR	HOSE (BULK) 7.92 DIA (132cm)
20	CH5P-1442	AR	HOSE-BULK 9.52ID HI TEMP (331cm)
21	CH5P-1838	1	ADAPTER-8 STOR X 6 NPTF
22	CH7W-1890	1	ELBOW-90DEG.12NPTFX25.4OD BARB
23	400039X1	2	BOLT-M10X1.5X25 ZNDI HDD 10.9
24	400058X1	6	BOLT-M10X1.5X30 ZNDI HDD 10.9
25	400059X1	1	BOLT-M10X1.5X35 ZNDI HDD 10.9
26	400109X1	4	CLAMP-HOSE SST 11.1-19.8X13.5
27	CH006-5490	2	ELBOW-90DEG. 6MPTF X 9.52 BARB

[A] PART OF 50140D1; 501641D1; 501642D1
INSTALLATION AR

501649DA
PR: t05c24o40d0031

AIR CLEANER GP - 202-2155



00832237

**MT700B SERIES TRACK TRACTOR
COOLING SYSTEM**

109

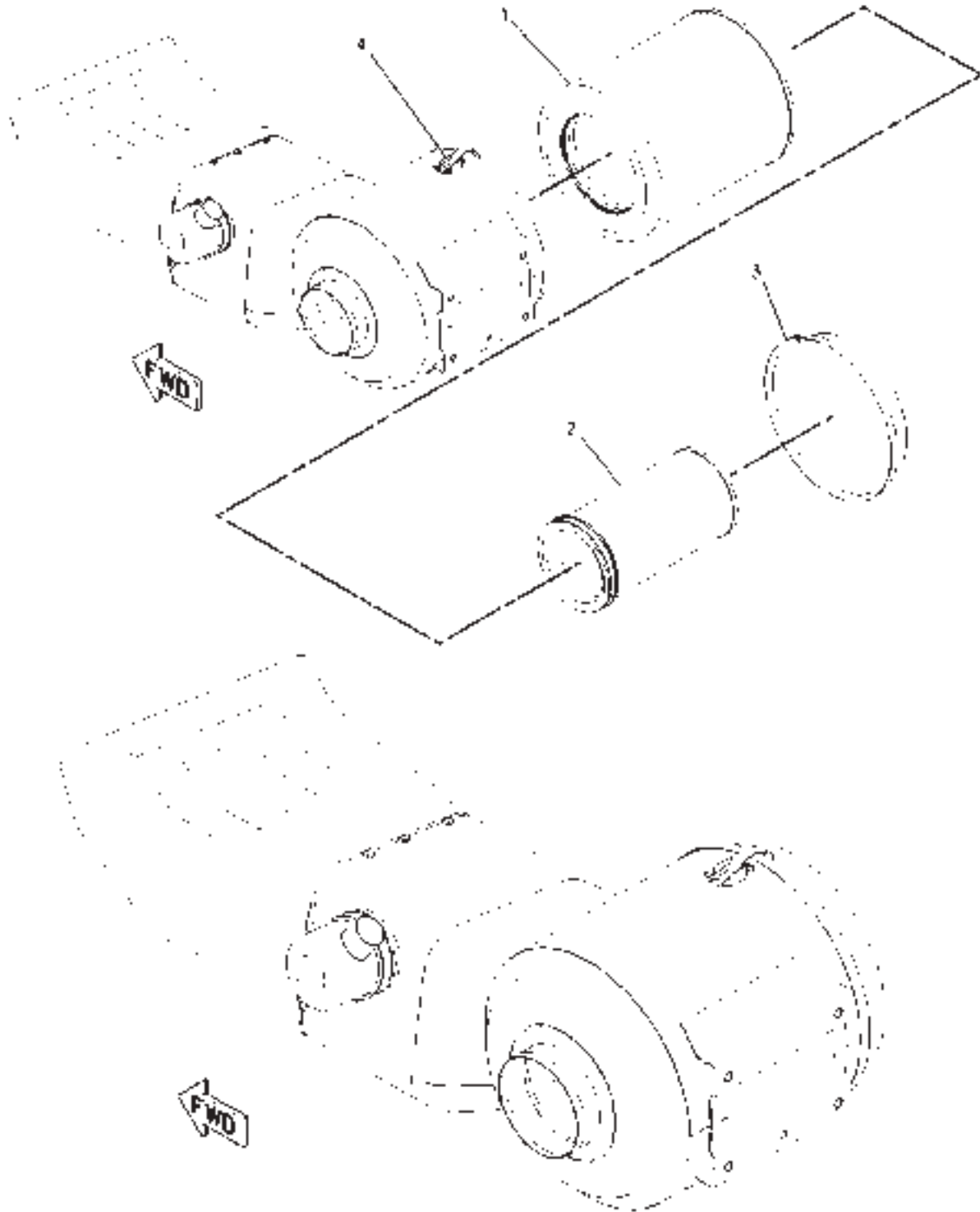
AIR CLEANER GP - 202-2155

ITEM	NUMBER	QTY	DESCRIPTION
-	202-2155	--	AIR CLEANER GP (NOT SERVICED)
1	201-2497	1	AIR CLEANER GP (SEE BREAKDOWN FOR COMPONENTS)
2	202-4400	1	SUPPORT
3	CH7X-7729	8	WASHER (11X25X3MM THK)
4	400039X1	4	BOLT (M10X1.5X25MM)
5	400058X1	4	BOLT (M10X1.5X30MM)

[A] PART OF 501640D1; 501641D1; 501642D1
INSTALLATION AR-ENGINE

00832237
PR: t05c24o40d0032

AIR CLEANER GP - 201-2497



00794263

**MT700B SERIES TRACK TRACTOR
COOLING SYSTEM**

111

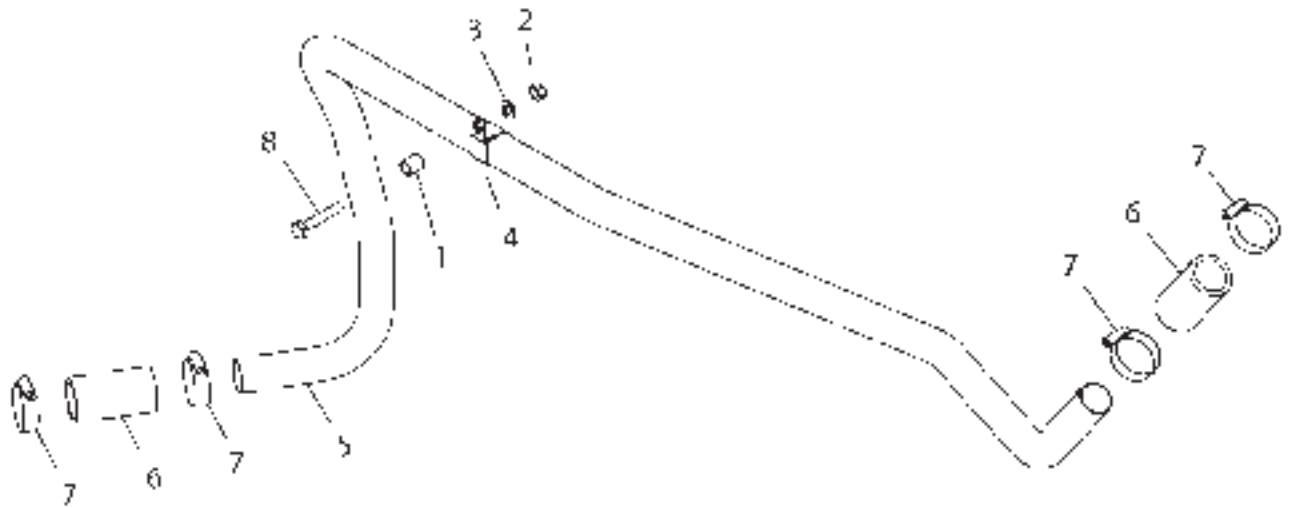
AIR CLEANER GP - 201-2497

ITEM	NUMBER	QTY	DESCRIPTION
-	201-2497	--	AIR CLEANER GP [A]
1	CH6I-0273	1	ELEMENT PRIMARY-PRIMARY
2	CH6I-0274	1	ELEMENT SECONDARY-SECONDARY
3	6I-4464	1	COVER AIR-AIR CLEANER
	CH4P-5524	1	O-RING
4	CH8N-4617	2	KIT-AIR CLEANER CLAMP
	CH1N-4403	1	CLIP AS.
	CH9B-2596	1	RIVET

[A] PART OF 202-2155 AIR CLEANER GP

00794263
PR: t05c24o40d0033

LINES GP-EJECTOR - 502272D1



502272DA

**MT700B SERIES TRACK TRACTOR
COOLING SYSTEM**

113

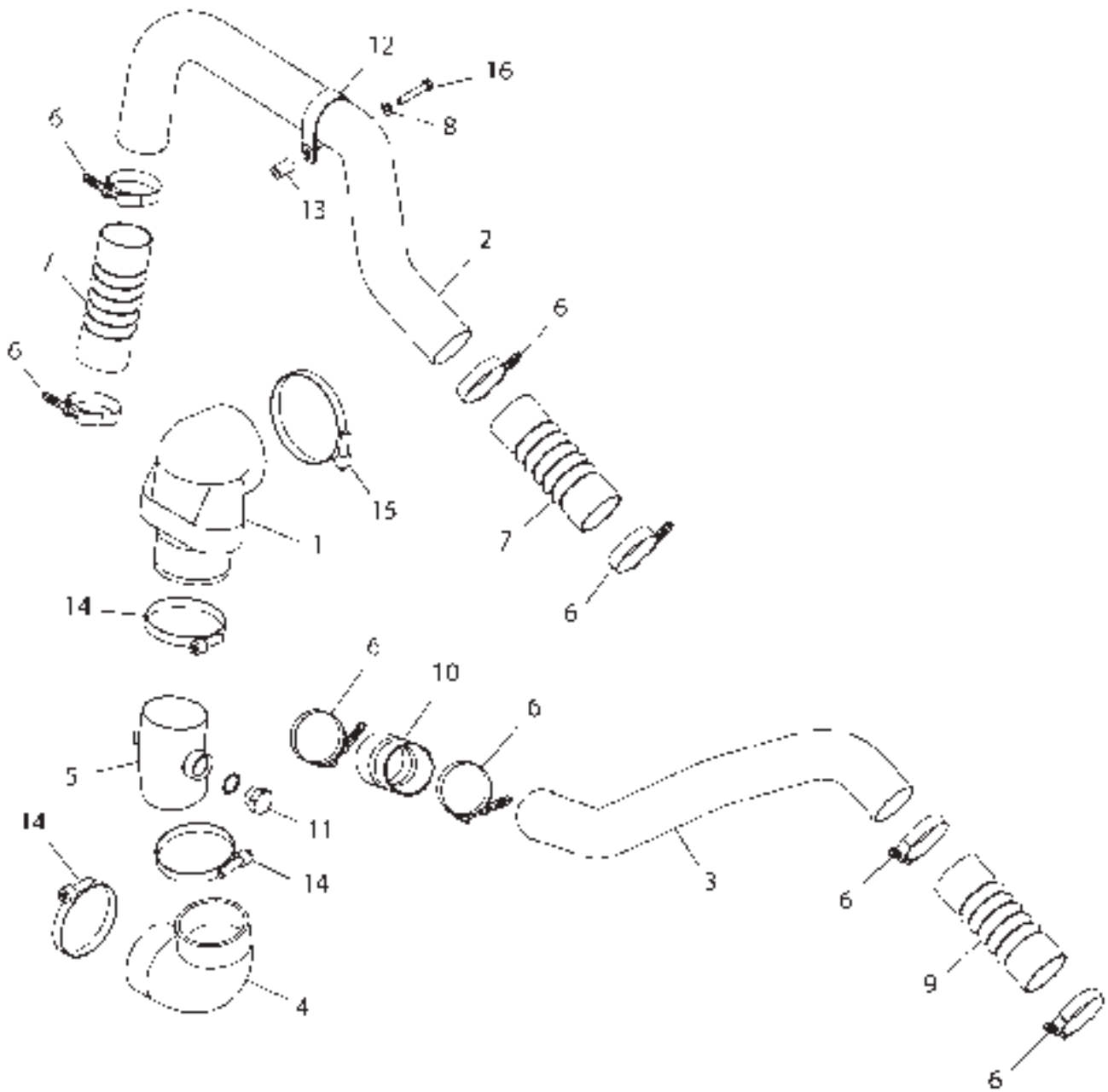
LINES GP-EJECTOR - 502272D1

ITEM	NUMBER	QTY	DESCRIPTION
-	502272D1	--	LINES GP-EJECTOR [A] (NOT SERVICED)
1	211-1817	1	SPACER-17.14ODX12.52IDX20 ZN
2	WR522218	1	NUT-M10-1.5,CL10.9,ZN,H,REG
3	400287X1	1	WASHER-HARD 11IDX21ODX2.5 ZND1
4	400689X1	1	CLIP LOOP 38.1ID
5	502361D1	1	TUBE-DUST EJECTOR
6	CH5P-0763	18	HOSE-BULK 38.1 ID
7	CH5P-2230	4	CLAMP-HOSE 32.54ID15.9 HI TRQ
8	400143X1	1	BOLT-M10X1.5X60 ZNDI HHD 10.9

[A] PART OF 501640D1; 501641D1; 501642D1
INSTALLATION AR - ENGINE

502272DA
PR: t05c24o40d0034

LINES GP-AIR - 502271D1



502271DA

**MT700B SERIES TRACK TRACTOR
COOLING SYSTEM**

115

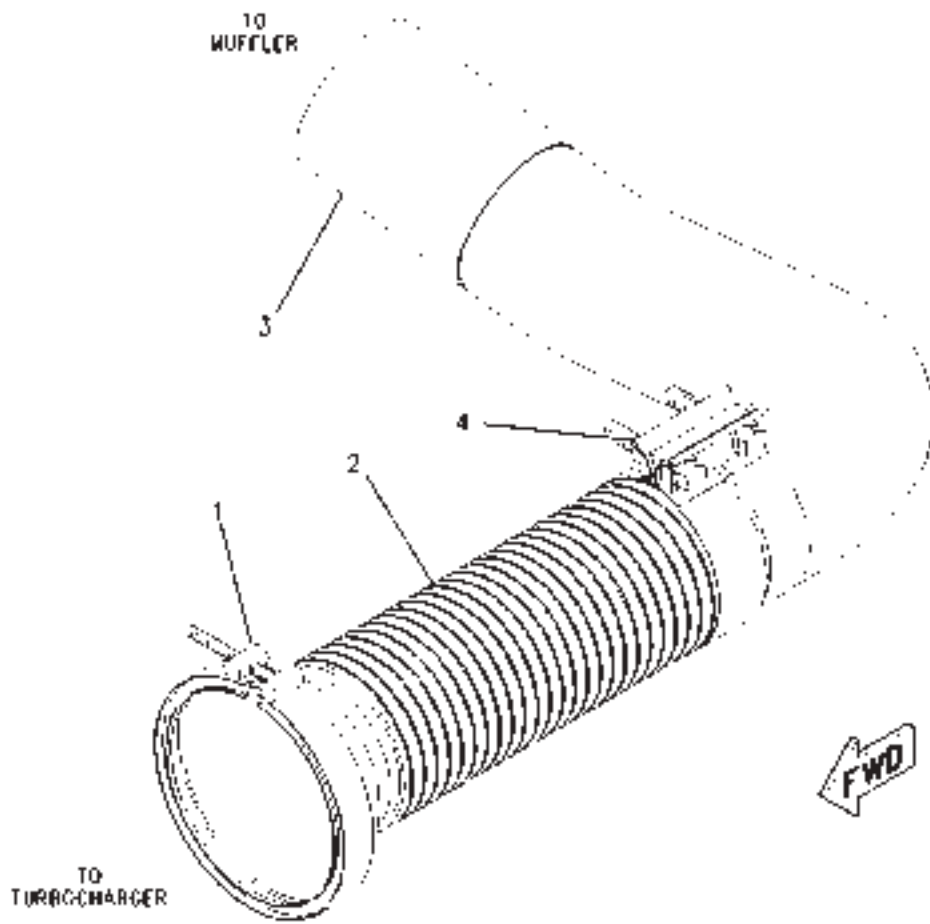
LINES GP-AIR - 502271D1

ITEM	NUMBER	QTY	DESCRIPTION
-	502271D1	--	LINES GP-AIR [A] (NOT SERVICED)
1	174-1754	1	HOSE-AIR INLET
2	201-5743	1	TUBE
3	201-5744	1	TUBE
4	202-9724	1	HOSE
5	203-2483	1	TUBE AS.
6	209-4577	8	CLAMP-T-BOLT
7	224-8865	2	HOSE-HUMP
8	400287X1	1	WASHER-HARD (11X21X2.5MM THK)
9	501063D1	1	HOSE-HUMP
10	501064D1	1	HOSE-HUMP
11	CH164-4180	1	PLUG AS
	400376X1	1	SEAL-O-RING
12	CH184-5394	1	CLIP
13	CH213-9822	1	SPACER
14	CH8T-4986	3	CLAMP-HOSE
15	CH8T-4987	1	CLAMP-HOSE
16	400239X1	1	BOLT (M10X1.50X60MM)

[A] PART OF 501640D1; 501641D1;
501642D1 INSTALLATION AR-ENGINE

502271DA
PR: t05c24o40d0035

LINES GP EXHAUST - 201-0709



00792547

**MT700B SERIES TRACK TRACTOR
COOLING SYSTEM**

117

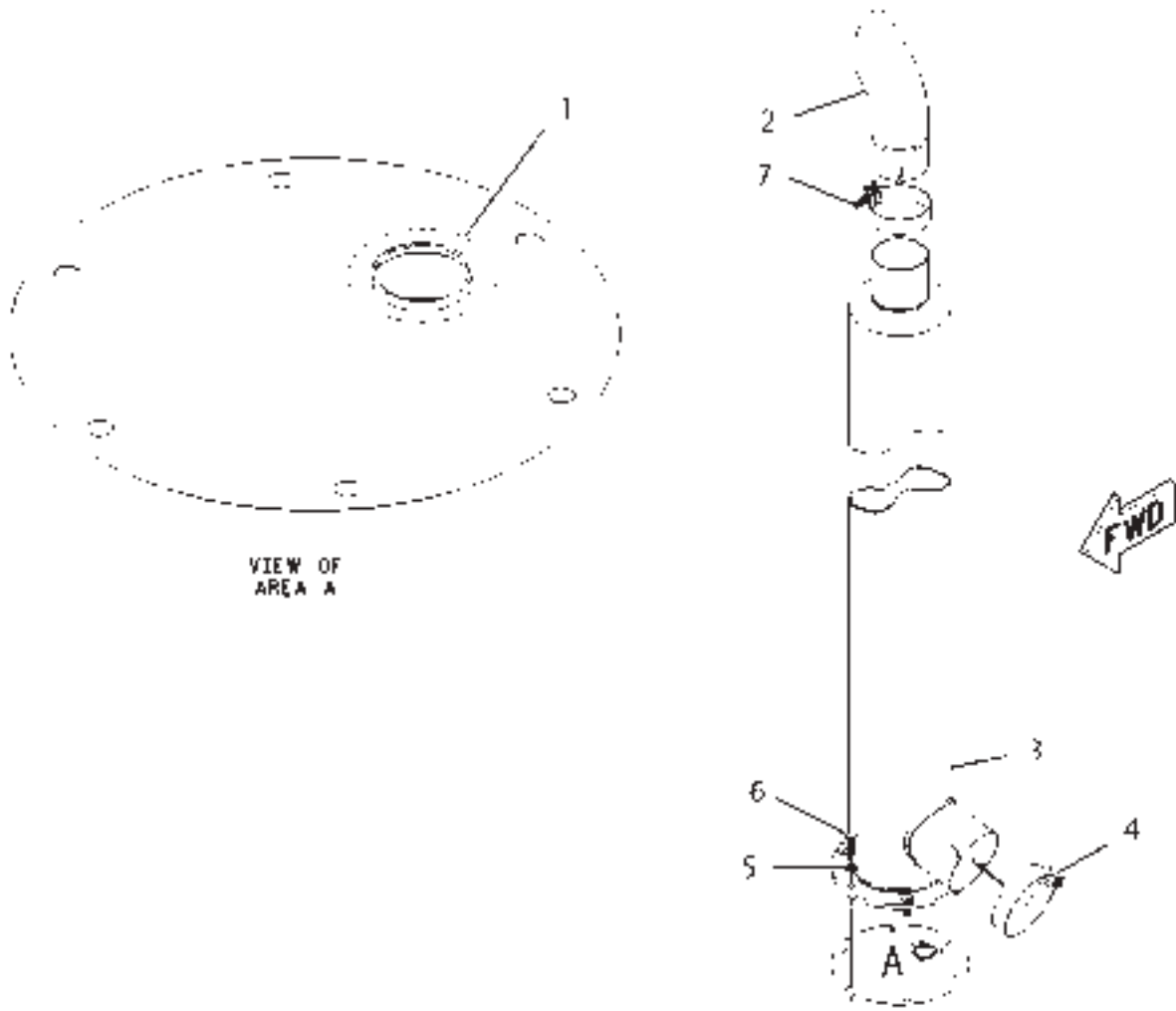
LINES GP EXHAUST - 201-0709

ITEM	NUMBER	QTY	DESCRIPTION
-	201-0709	--	LINES GP-EXHAUST (NOT SERVICED)
1	CH9N-1941	1	CLAMP-V-BAND
2	205-6297	1	TUBE-FLEXIBLE
3	205-5368	1	TUBE EXHAUST-EXHAUST
4	CH202-0805	1	CLAMP

[A] PART OF 501640D1; 501641D1;
501642D1 INSTALLATION AR-ENGINE

00792547
PR: t05c24o40d0036

MUFFLER GP - 501644D1
ROW ONLY



501644DA

**MT700B SERIES TRACK TRACTOR
COOLING SYSTEM**

119

**MUFFLER GP - 501644D1
ROW ONLY**

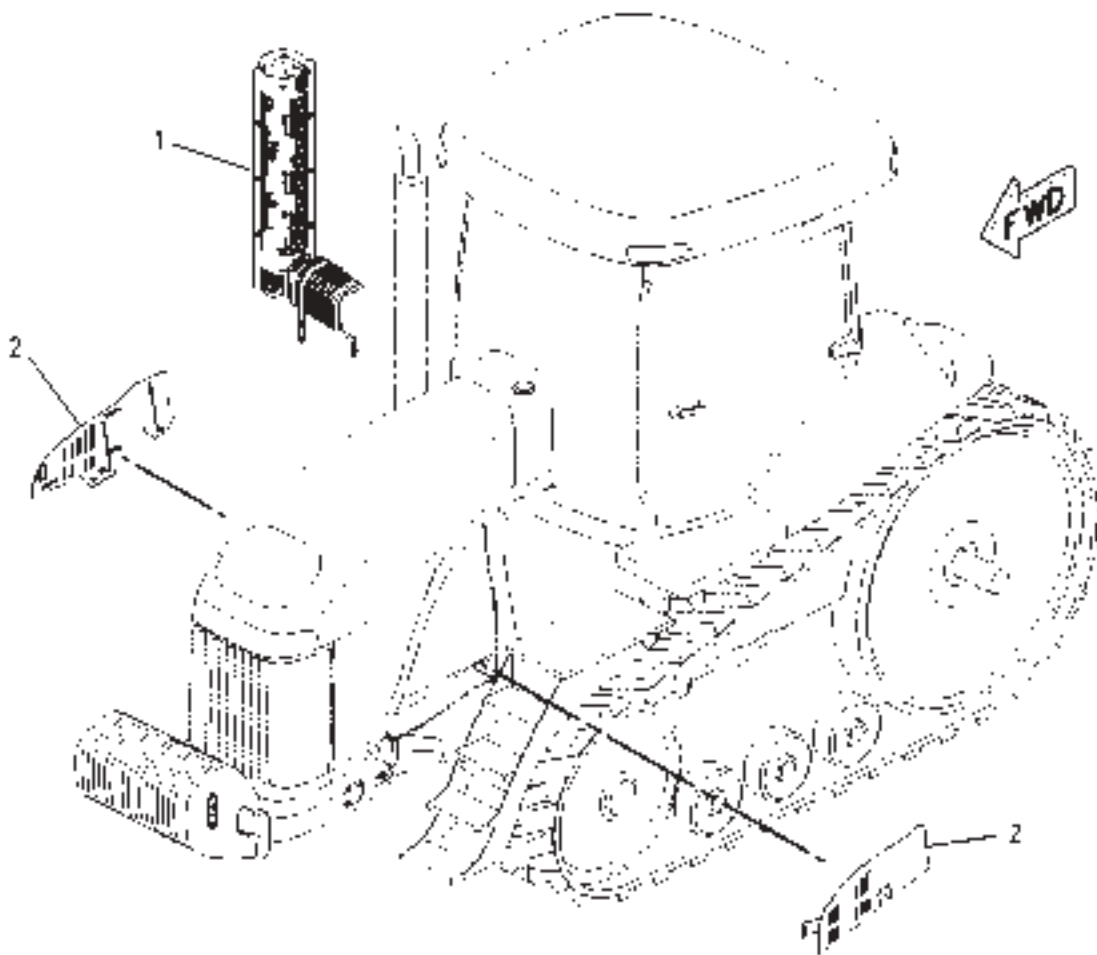
ITEM	NUMBER	QTY	DESCRIPTION
-	501644D1	--	MUFFLER GP [A] (NOT SERVICED)
1	CH211-8713	20	SEALANT (BULK)
2	502320D1	1	EXHAUST STACK
3	502318D1	1	MUFFLER AS.
4	CH205-5371	1	CLAMP (108.7ID)
5	400287X1	6	WASHER-HARD (11X21X2.5MM THK)
6	400059X1	6	BOLT (M10X1.5X35MM)
7	502319D1	1	CLAMP (4.5IN)

[A] PART OF 501640D1; 501641D1;
501642D1 INSTALLATION AR-ENGINE

501644DA
PR: t05c24o40d0037

MT700B SERIES TRACK TRACTOR
COOLING SYSTEM

COMPLETING AR - 178-4958
ITALIAN MARKET
EAME ONLY



00873489

**MT700B SERIES TRACK TRACTOR
COOLING SYSTEM**

121

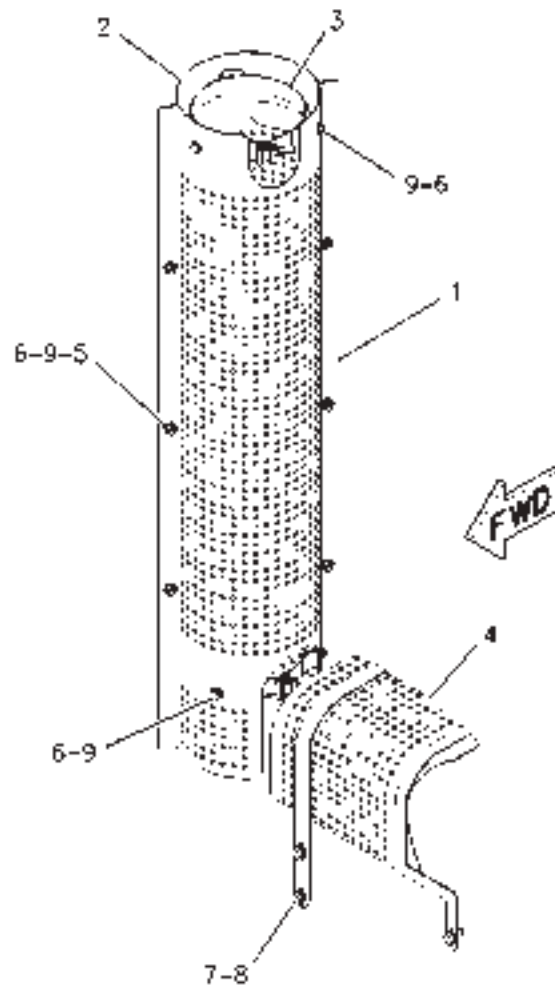
**COMPLETING AR - 178-4958
ITALIAN MARKET
EAME ONLY**

ITEM	NUMBER	QTY	DESCRIPTION
-	178-4958	--	COMPLETING AR (NOT SERVICED)
1	215-4259	1	SHIELD GP-EXHAUST (NOT SERVICED) (SEE BREAKDOWN FOR COMPONENTS)
2	217-0904	1	ENCLOSURE GP (NOT SERVICED) (SEE BREAKDOWN FOR COMPONENTS)

00873489
PR: t05c24o40d0038

MT700B SERIES TRACK TRACTOR
COOLING SYSTEM

SHIELD GP-EXHAUST - 215-4259
ITALIAN MARKET
EAME ONLY



00879821

**MT700B SERIES TRACK TRACTOR
COOLING SYSTEM**

123

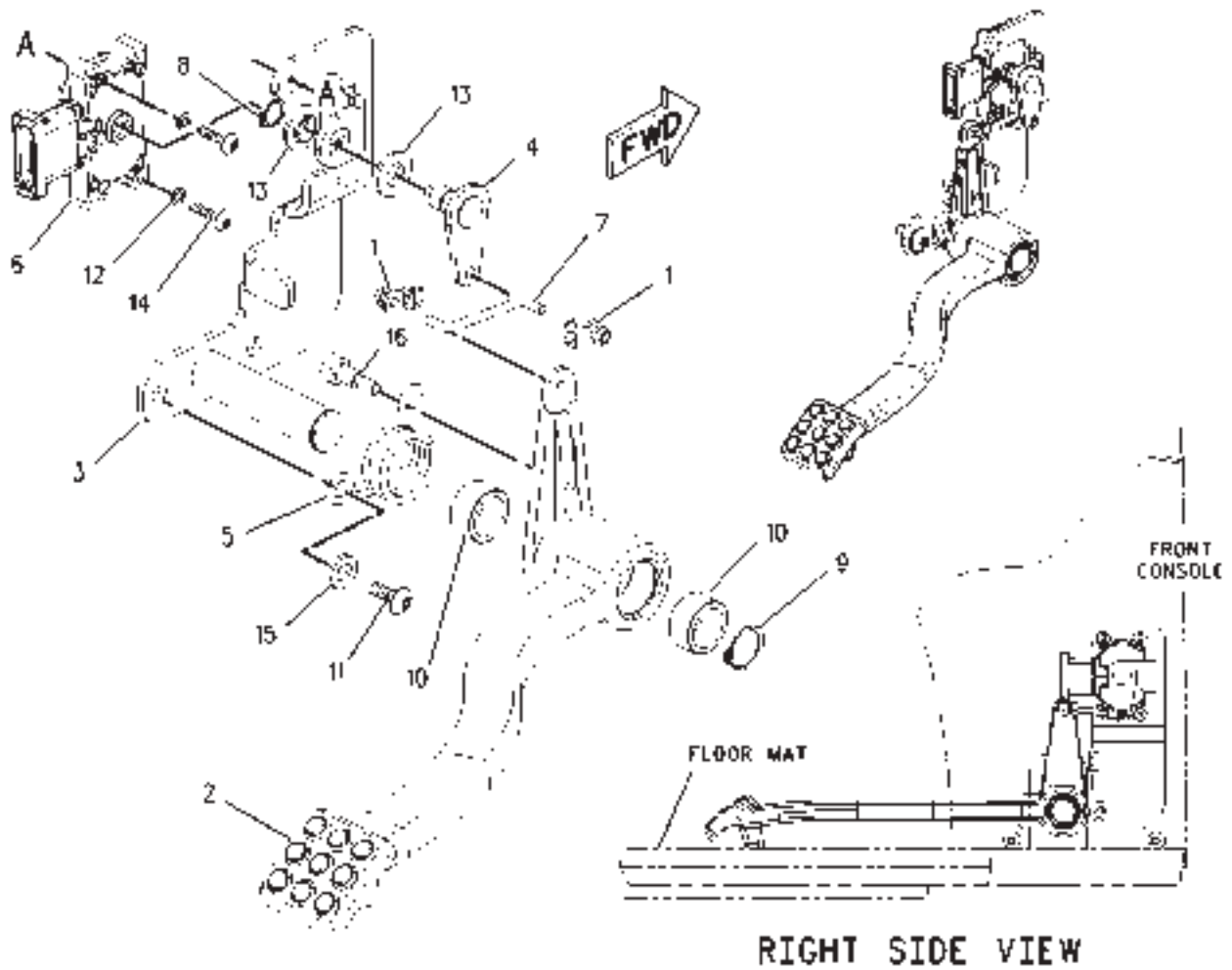
**SHIELD GP-EXHAUST - 215-4259
ITALIAN MARKET
EAME ONLY**

ITEM	NUMBER	QTY	DESCRIPTION
-	215-4259	--	SHIELD GP-EXHAUST (NOT SERVICED)
1	215-4260	1	SHIELD
2	215-4261	1	SHIELD
3	215-4262	2	CLAMP
4	215-4263	1	SHIELD AS
5	5C-7261	6	NUT (M8X1.25 THD)
6	400599X1	18	WASHER-HARD (8.8X20.5X2MM THK)
7	8T-4121	3	WASHER-HARD (11X21X2.5MM THK)
8	8T-4136	3	BOLT (M10X1.5X25MM)
9	8T-4189	12	BOLT (M8X1.25X20MM)

[A] PART OF 178-4958 COMPLETING AR

00879821
PR: t05c24o40d0039

CONTROL GP-DECELERATOR - 152-0447



00850574

MT700B SERIES TRACK TRACTOR
FUEL SYSTEM

125

CONTROL GP-DECELERATOR - 152-0447

ITEM	NUMBER	QTY	DESCRIPTION
-	152-0447	--	CONTROL GP-DECELERATOR [A] (NOT SERVICED)
-	502797D1	--	CONTROL GP-DECELERATOR (REF ONLY) (NOT SERVICED)
1	CH116-5728	2	CLIP-ROD END
2	136-5218	1	PEDAL-DECELERATOR
3	136-5221	1	BRACKET AS (INCLUDES BRACKET & SHAFT)
4	136-5224	1	ARM AS (INCLUDES SHAFT & PLATE)
5	CH214-9441	1	SPRING
6	500317D1	1	SENSOR POSITION
7	136-5566	1	LINK
8	CH095-0915	1	RING-RETAINING
9	CH2J-6356	1	RING-RETAINING
10	CH4E-1251	2	BEARING-SLEEVE
11	CH127-2170	2	SCREW-TRUSS HEAD (M8X1.25X20MM)
12	CH8C-9660	2	WASHER (4.6X7.9X0.8)
13	CH177-0378	2	BUSHING
14	CH9X-1046	2	SCREW (M4X0.7X18MM)
15	CH9M-1974	2	WASHER-HARD (8.8X16X2)
16	400004X1	1	BOLT-SHOULDER (M6X1X23.25MM)

[A] PART OF 500847D1; 500848D1 CAB AR

00850574
PR: t05c24o40d0040

MT700B SERIES TRACK TRACTOR
FUEL SYSTEM

127

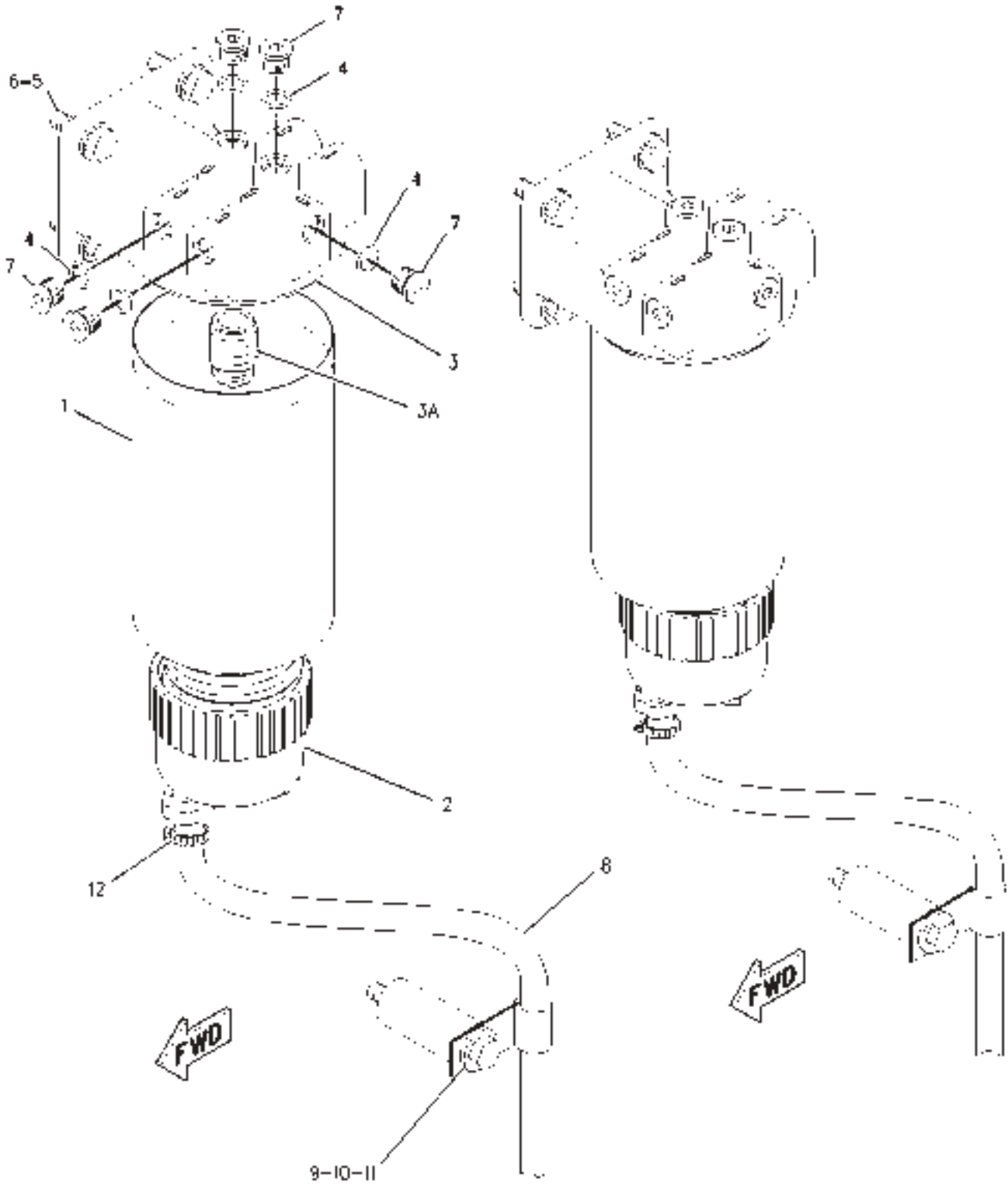
CONTROL GP-GOVERNOR - 207-2031

ITEM	NUMBER	QTY	DESCRIPTION
-	207-2031	--	CONTROL GP-GOVERNOR [A] (NOT SERVICED)
1	CH174-5747	1	BUSHING
2	400334X1	2	WASHER (16.5X37X1.5)
3	192-4776	1	SHAFT ASM(INCLUDES PIN, PLATE & SHAFT)
4	192-4777	1	BRACKET
5	500317D1	1	SENSOR-POSITION (SENSOR A)
6	CH207-2032	1	HANDLE
7	400072X1	2	BOLT-HX SCKT HD (M5X0.8X25MM)
8	CH3B-4503	2	LOCKWASHER
9	CH179-4324	3	LOCKNUT-NYLON INSRT (M5X.8)
10	CH4B-4274	1	WASHER (5.5X13X1.2)
11	CH4K-8341	1	LOCKNUT (1/2-20)
12	CH7X-0517	1	WASHER-HARD (17X38X2.5)
13	400357X1	1	WASHER-HARD (M12X25.5X3)
14	CH8T-6693	2	SCREW-MACHINE (M5X0.8X16MM)
15	400074X1	1	WASHER-BELLVILLE
16	400310X1	2	WASHER (6.6X12X2)

[A] PART OF 152-0434 CONSOLE
GP-OPERATOR

00867630
PR: t05k14m40c0001

FILTER GP-PRIMARY FUEL - 203-2619



00872302

**MT700B SERIES TRACK TRACTOR
FUEL SYSTEM**

129

FILTER GP-PRIMARY FUEL - 203-2619

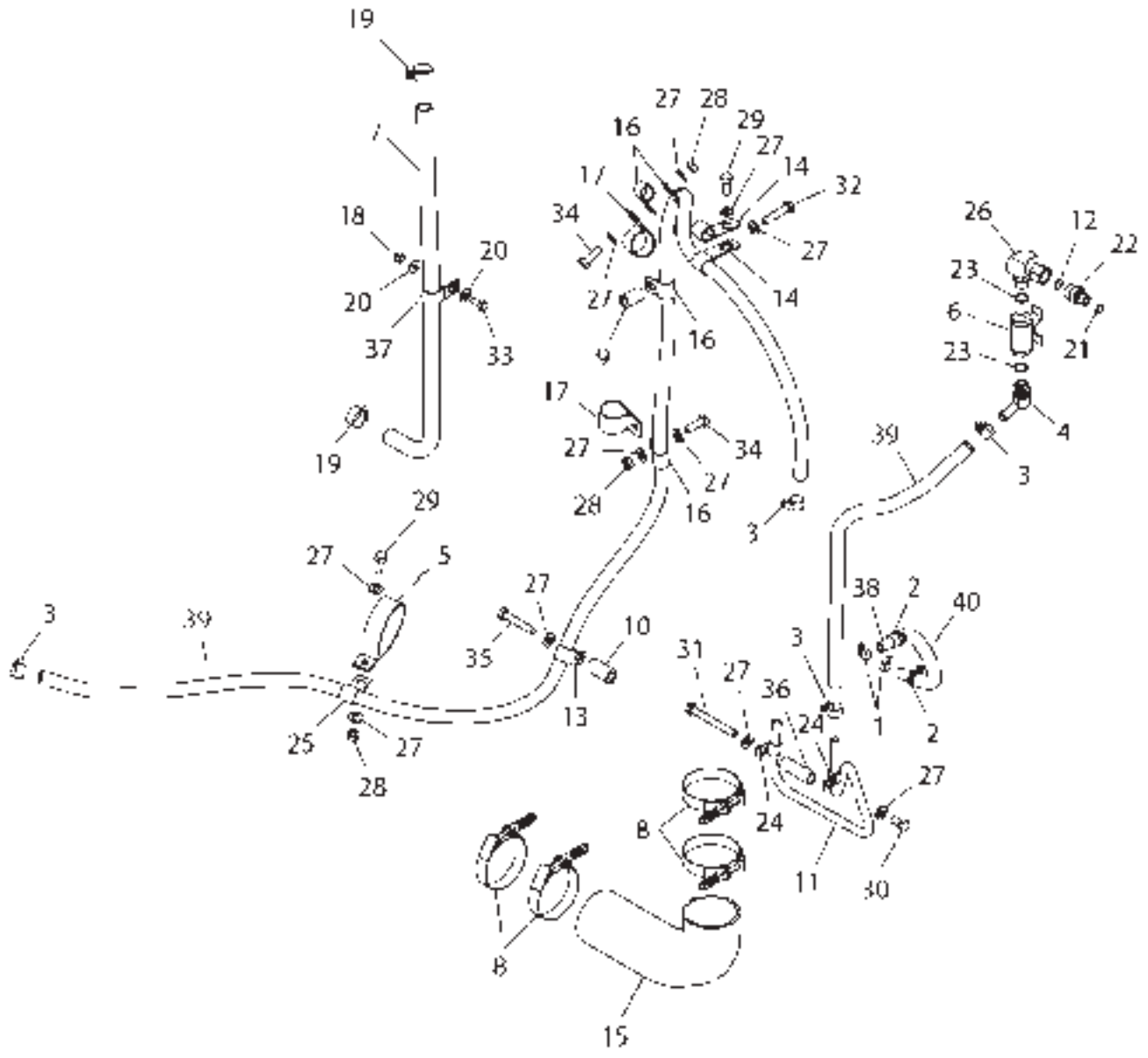
ITEM	NUMBER	QTY	DESCRIPTION
-	203-2619	--	FILTER GP-PRIMARY FUEL [A] (NOT SERVICED)
1	CH1R-0770	1	FILTER AS-WATER SEP & FUEL
2	CH173-7126	1	BOWL AS.
3	CH177-9778	1	BASE AS., FUEL FILTER
3A	CH9S-4167	1	STUD-HOLLOW
4	CH190-7634	5	O-RING
5	400287X1	4	WASHER-HARD (11X21X2.5MM THK)
6	400058X1	4	BOLT (M10X1.5X30MM)
7	CH9S-8004	5	PLUG
8	CH5P-6442	AR	HOSE (100CM)
9	CH4S-1936	1	CLIP
10	CH7X-7729	1	WASHER (11X25X3MM THK)
11	400040X1	1	BOLT (M10X1.5X20MM)
12	CH1P-4278	1	CLAMP-HOSE

[A] PART OF 501627D1; 501628D1; 501629D1
501630D1; 501631D1; 501632D1
INSTALLATION AR-ENGINE

00872302
PR: t05c24o40d0041

MT700B SERIES TRACK TRACTOR
FUEL SYSTEM

LINES GP-FUEL - 156-1317
ROW



1561317A

**MT700B SERIES TRACKTRACTOR
FUEL SYSTEM**

131

**LINES GP-FUEL - 156-1317
ROW**

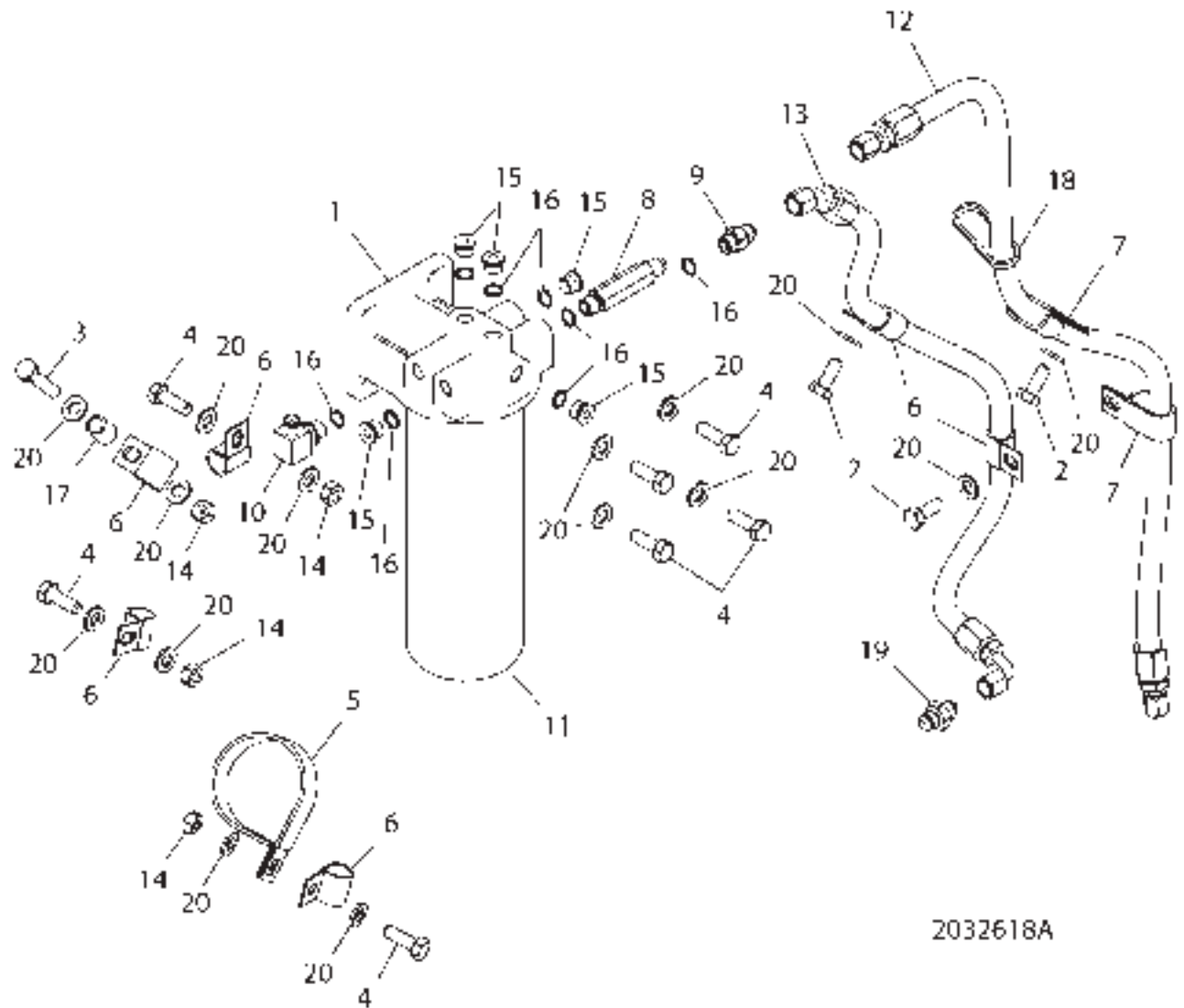
ITEM	NUMBER	QTY	DESCRIPTION
-	156-1317	--	LINES GP-FUEL [A] (NOT SERVICED)
1	CH1P-4278	2	CLAMP-HOSE
2	400837X1	2	STRAP-CABLE (PLASTIC)
3	400109X1	4	CLAMP-HOSE
4	CH6V-1230	1	ELBOW
5	CH184-5394	1	CLIP (LOOP)
6	CH206-0325	1	VALVE
7	208-6110	1	HOSE
8	CH209-4578	4	CLAMP-T-BOLT 81-87 ID CONST TRQ
9	CH213-9822	1	SPACER 11IDX20ODX31MM
10	CH215-6489	1	SPACER (12X22X40MM THK)
11	CH217-4206	1	TUBE-12.7 ODX1.24 THK
12	CH033-6033	1	O-RING
13	CH1S-0994	1	CLIP (SLOT)
14	CH1S-0996	2	CLIP-LOOP 20.64 ID
15	233-0690	1	HOSE-FUEL TRANSFER
16	CH3S-8664	4	CLIP-LOOP 19.05 ID
17	CH4D-7388	2	CLIP-LOOP 34.9 ID
18	400340X1	1	NUT-M8X1.25X13 HEX ZND1
19	400108X1	2	CLAMP-HOSE SST 15.9-26.9X13.5
20	400599X1	2	WASHER-HARD,M8X20.5ODX2THK
21	CH6V-5049	1	O-RING
22	400429X1	1	CONNECTOR-SEAL
23	CH8L-2786	2	O-RING
24	CH8M-2770	2	CLIP (SLOT)
25	CH8S-0948	1	CLIP (SLOT)
26	CH8T-0249	1	ELBOW-SWIVEL
27	400287X1	11	WASHER-HARD (11X21X2.5MM THK)
28	WR522218	3	NUT (M10X1.5 THD)
29	400039X1	2	BOLT (M10X1.5X25MM)
30	400040X1	1	BOLT (M10X1.5X20MM)
31	400225X1	1	BOLT-M10X1.5X90 ZNDI HHD 10.9
32	400226X1	1	BOLT-M10X1.5X50 ZNDI HHD 10.9
33	400053X1	1	BOLT-M8X1.25X20 ZNDI HHD 10.9
34	400058X1	2	BOLT-M10X1.5X30 ZNDI HHD 10.9
35	400239X1	1	BOLT (M10X1.50X60MM)
36	CH8X-3212	1	SPACER-13IDX19ODX58MM
37	CH9X-8250	1	CLIP (SLOT)
38	CH103-2529	AR	HOSE (31CM)
39	CH7X-7744	AR	HOSE (305CM)
40	CH149-7369	AR	SLEEVE-ABRASION BULK 18.03 ID (26CM)

[A] PART OF 165-8506; 199-3440
TANK AR-FUEL

1561317A
PR: t05c24o40d0042

MT700B SERIES TRACK TRACTOR
FUEL SYSTEM

LINES GP-FUEL - 203-2618



**MT700B SERIES TRACK TRACTOR
FUEL SYSTEM**

133

LINES GP-FUEL - 203-2618

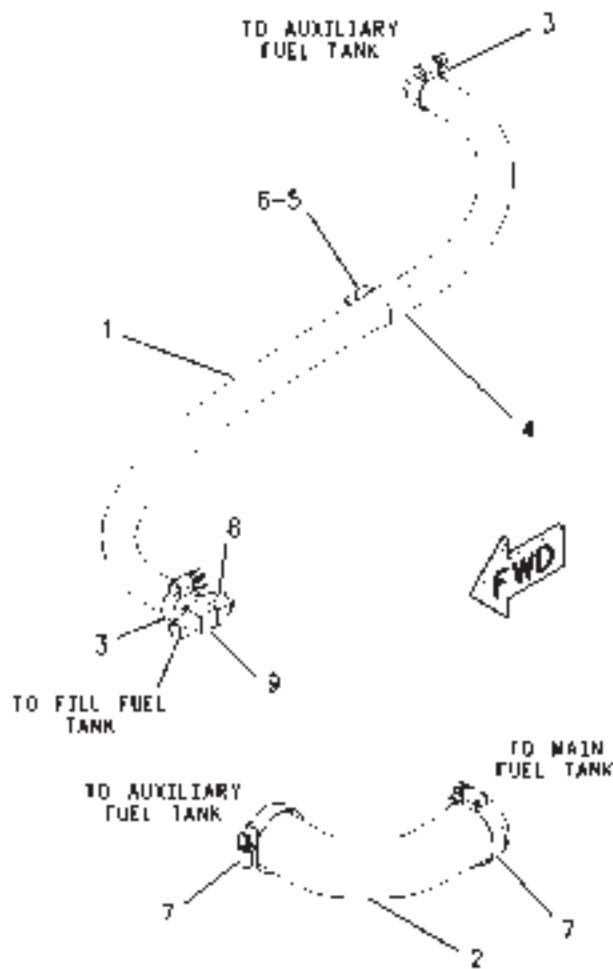
ITEM	NUMBER	QTY	DESCRIPTION
-	203-2618	--	LINES GP-FUEL [A] (NOT SERVICED)
1	CH174-7599	1	BASE AS-FUEL FILTER
2	400039X1	3	BOLT-M10X1.5X25 ZNDI HHD 10.9
3	400049X1	1	BOLT-M10X1.5X45 ZNDI HHD 10.9
4	400058X1	7	BOLT-M10X1.5X30 ZNDI HHD 10.9
5	CH184-5394	1	CLIP LOOP 77.8 ID
6	CH3S-8664	6	CLIP-LOOP 19.05 ID
7	400665X1	2	CLIP-LOOP 19ID X 2
8	CH030-7937	1	CONNECTOR-6FLAR37 X 6STOR
9	CH2R-6806	1	CONNECTOR-6FLAR37X6STOR
10	CH030-7947	1	ELBOW-90DEG 6FLAR37 X 6STOR
11	CH1R-0762	1	FILTER AS.-FUEL
12	502739D1	1	HOSE AS-9.52 ID 100R1AT 905MM
13	502634D1	1	HOSE AS-9.52 ID,100R1AT
14	WR522218	4	NUT-M10-1.5,CL10.9,ZN,H,REG
15	CH9S-8004	5	PLUG-9/16-18-2A THD HSHD
16	CH190-7634	8	SEAL-O RING 11.89IDX1.98DIA
17	211-1817	1	SPACER-17.14ODX12.52IDX20 ZN
18	CH7K-1181	1	STRAP-CABLE 0.19-4.00
19	CH7K-4129	1	UNION-6 FLARED 37DEG
20	400287X1	15	WASHER-HARD 11IDX21ODX2.5 ZND1

[A] PART OF 501640D1; 501641D1; 501642D1
INSTALLATION AR

2032618A
PR: t05c24o40d0043

MT700B SERIES TRACK TRACTOR
FUEL SYSTEM

LINES GP-FUEL - 206-4714
SIDE



00849157

**MT700B SERIES TRACK TRACTOR
FUEL SYSTEM**

135

**LINES GP-FUEL - 206-4714
SIDE**

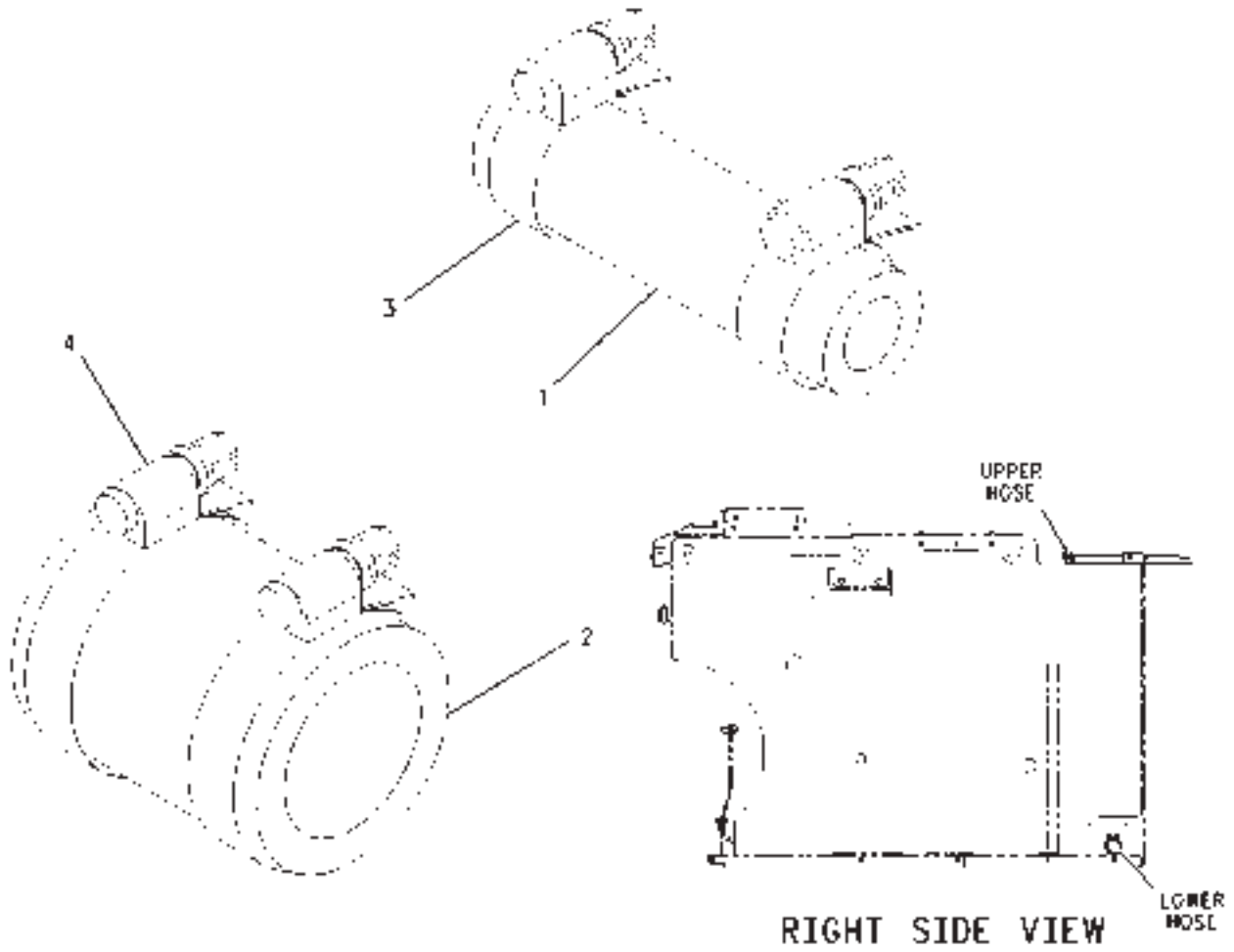
ITEM	NUMBER	QTY	DESCRIPTION
-	206-4714	--	LINES GP-FUEL [A] (NOT SERVICED)
1	CH208-6110	1	HOSE (15.88X87CM)
2	211-9448	1	HOSE (TRANSFER)
3	400125X1	2	CLAMP-HOSE
4	CH4S-1962	1	CLIP
5	400054X1	1	BOLT (M10X1.5X16MM)
6	400287X1	1	WASHER-HARD (11IDX21ODX2.5MM)
7	CH8T-6703	2	CLAMP-HOSE
8	CH185-1512	1	GROMMET
9	CH204-9247	1	TEE

[A] PART OF 199-3432;199-3440;210-1381;
210-1382 TANK AR-FUEL

00849157
PR: t05c24o40d0044

MT700B SERIES TRACK TRACTOR
FUEL SYSTEM

LINES GP-FUEL - 206-4715
SIDE



00818535

**MT700B SERIES TRACK TRACTOR
FUEL SYSTEM**

137

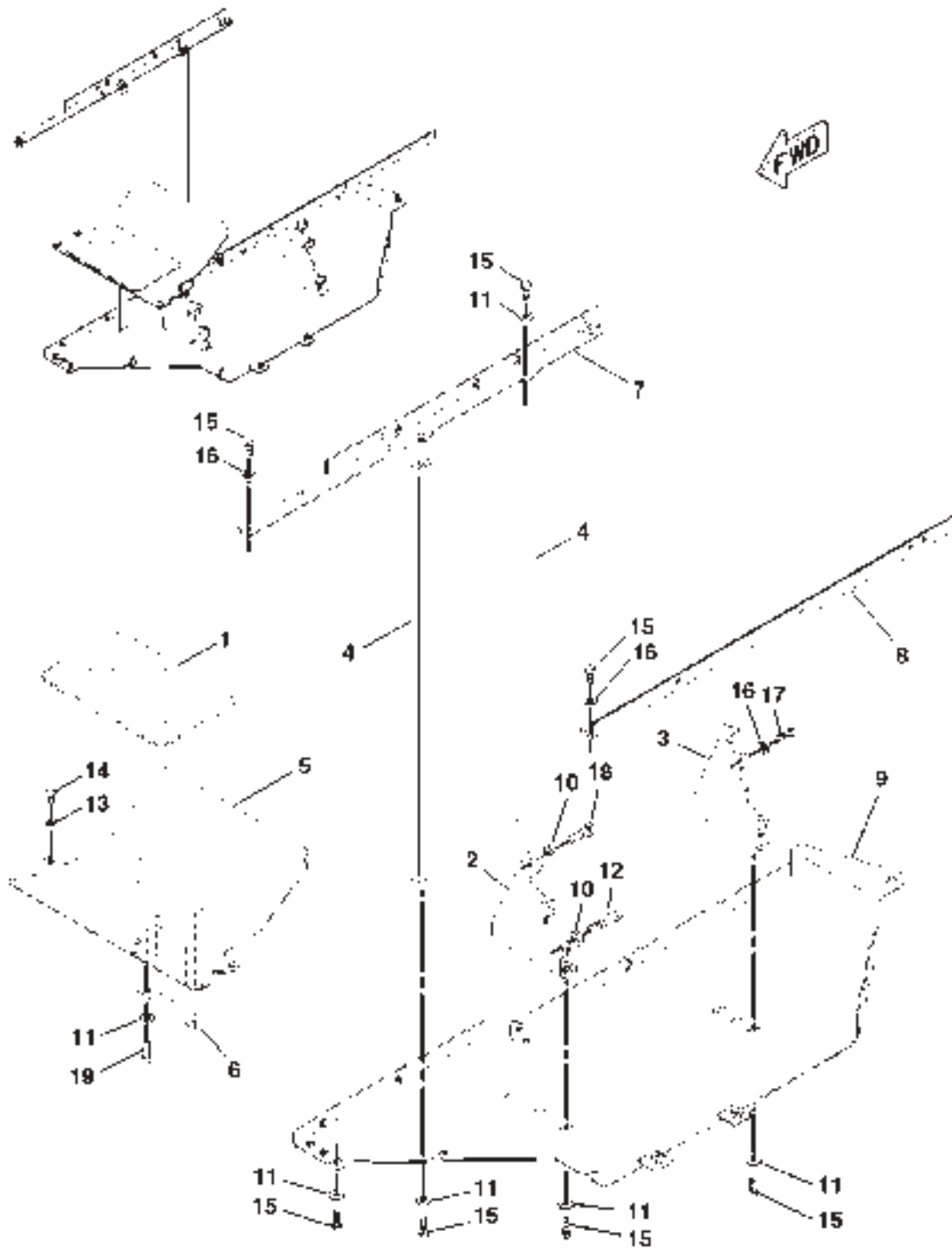
**LINES GP-FUEL - 206-4715
SIDE**

ITEM	NUMBER	QTY	DESCRIPTION
-	206-4715	--	LINES GP-FUEL [A] (NOT SERVICED)
1	CH205-1398	1	HOSE (15.88IDX10CM)
2	CH205-1399	1	HOSE (38.1IDX7CM)
3	400125X1	2	CLAMP-HOSE
4	CH8T-6703	2	CLAMP-HOSE

[A] PART OF 199-3432;199-3440;210-1382
TANK AR-FUEL

00818535
PR: t05c24o40d0045

MOUNTING GP-FUEL TANK - 171-3737
REAR
ROW



1713737F

**MT700B SERIES TRACK TRACTOR
FUEL SYSTEM**

139

**MOUNTING GP-FUEL TANK - 171-3737
REAR
ROW**

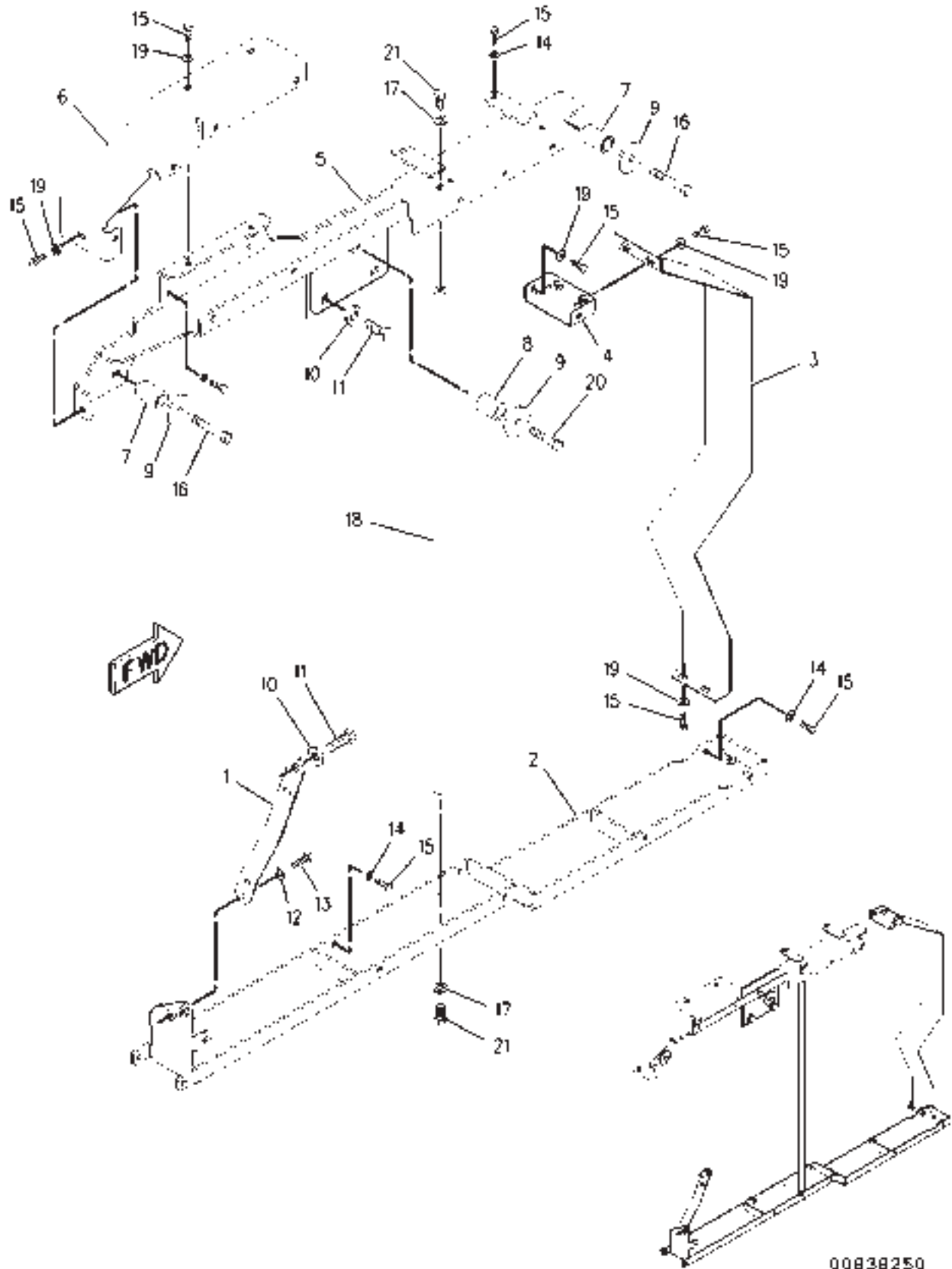
ITEM	NUMBER	QTY	DESCRIPTION
-	171-3737	--	MOUNTING GP-FUEL TANK [A] (NOT SERVICED)
1	CH183-9298	1	INSULATION
2	188-6257	1	BRACKET AS.
	CH8T-3597	3	NUT-WELD (M12X1.75 THD)
3	188-6258	1	BRACKET AS.
	CH8T-3597	3	NUT-WELD (M12X1.75 THD)
4	CH219-1429	2	BAR
5	216-8851	1	SUPPORT AS.
	CH8T-3851	2	BOSS-WELD (M10X1.5MM)
6	CH215-3035	1	BAR
7	202-9986	1	SUPPORT AS. (RH)
	CH8T-3612	4	NUT-WELD (M8X1.25 THD)
8	202-9987	1	SUPPORT AS. (LH)
	CH8T-3612	4	NUT-WELD (M8X1.25 THD)
9	202-9993	1	SUPPORT AS. (TANK)
	CH8T-3597	2	NUT-WELD (M12X1.75 THD)
	CH8T-3612	7	NUT-WELD (M8X1.25 THD)
10	CH3E-4356	3	WASHER-HARD (30X17.5X6MM THK)
11	400381X1	16	WASHER-HARD (13.5X30X4MM THK)
12	400030X1	1	BOLT (M16X2X70MM)
13	400287X1	4	WASHER-HARD (11X21X2.5MM THK)
14	400040X1	4	BOLT (M10X1.5X20MM)
15	400041X1	18	BOLT (M12X1.75X30MM)
16	400357X1	7	WASHER-HARD (M12X25.5X3MM THK)
17	400064X1	3	BOLT (M12X1.75X35MM)
18	400191X1	2	BOLT (M16X2X40MM)
19	400050X1	2	BOLT (M12X1.75X40MM)

[A] PART OF 165-8506; 199-3440
TANK AR-FUEL

1713737F
PR: t05c24o40d0046

MT700B SERIES TRACK TRACTOR
FUEL SYSTEM

MOUNTING GP-FUEL TANK - 197-8133
SIDE



00838250

**MT700B SERIES TRACK TRACTOR
FUEL SYSTEM**

141

**MOUNTING GP-FUEL TANK - 197-8133
SIDE**

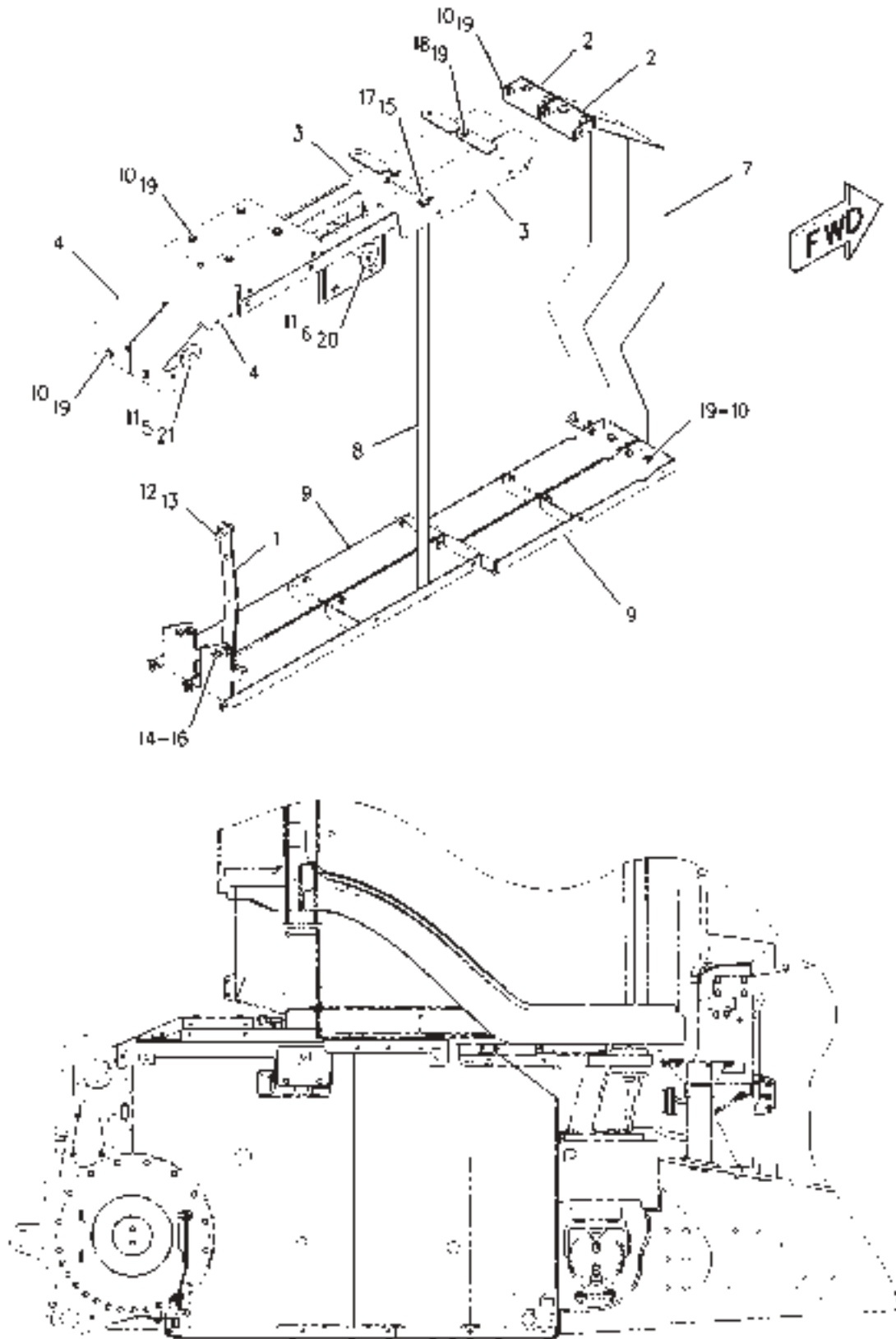
ITEM	NUMBER	QTY	DESCRIPTION
-	197-8133	--	MOUNTING GP-FUEL TANK [A] (NOT SERVICED)
1	203-5796	1	STRAP
2	216-4304	1	SUPPORT AS.
	CH8T-3490	2	NUT-WELD (M10X1.5 THD)
	CH8T-3612	8	NUT-WELD (M8X1.25 THD)
3	216-4303	1	SHIELD
4	203-5799	1	BRACKET AS.
	CH8T-3612	3	NUT-WELD (M8X1.25 THD)
5	206-4706	1	BRACKET AS.
	CH8T-3597	2	NUT-WELD (M12X1.75 THD)
	CH8T-3612	10	NUT-WELD (M8X1.25 THD)
6	206-4707	1	COVER AS.
	CH8T-3612	4	NUT-WELD (M8X1.25 THD)
7	CH206-4708	2	SPACER (22.2X31.8X50MM THK)
8	CH206-4709	1	SPACER (22.2X31.8X44MM THK)
9	CH7G-8839	3	SPACER (13.5X57X6MM THK)
10	CH7X-0515	3	WASHER-HARD (17X35X5MM THK)
11	400191X1	3	BOLT (M16X2X40MM)
12	400287X1	1	WASHER-HARD (11X21X2.5MM THK)
13	400058X1	1	BOLT (M10X1.5X30MM)
14	400339X1	10	WASHER-HARD (8.8X16X2MM THK)
15	400341X1	18	BOLT (M8X1.25X25MM)
16	400241X1	2	BOLT (M12X1.75X80MM)
17	400357X1	2	WASHER-HARD (M12X25.5X3MM THK)
18	CH217-8744	1	BAR
19	400599X1	8	WASHER-HARD (M8X20.5X2MM THK)
20	400063X1	1	BOLT (M12X1.75X60MM)
21	400055X1	2	BOLT (M12X1.75X25MM)

[A] PART OF 199-3432; 210-1381
TANK AR-FUEL

00838250
PR: t05c24o40d0047

MT700B SERIES TRACK TRACTOR
FUEL SYSTEM

MOUNTING GP-FUEL TANK - 199-3433
DUAL TANK
SIDE



RIGHT SIDE VIEW

00839394

**MT700B SERIES TRACK TRACTOR
FUEL SYSTEM**

143

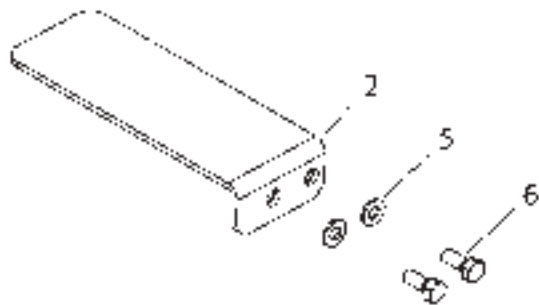
**MOUNTING GP-FUEL TANK - 199-3433
DUAL TANK
SIDE**

ITEM	NUMBER	QTY	DESCRIPTION
-	199-3433	--	MOUNTING GP-FUEL TANK [A] (NOT SERVICED)
1	203-5796	1	STRAP
2	203-5799	2	BRACKET ASY. (INCL. 2A)
	CH8T-3612	3	NUT-WELD (M8X1.25 THD)
3	206-4706	2	BRACKET ASY. (INCL. 3A & 3B)
	CH8T-3597	3	NUT-WELD (M12X1.75 THD)
	CH8T-3612	10	NUT-WELD (M8X1.25 THD)
4	206-4707	2	COVER ASY. (INCL. 4A)
	CH8T-3612	4	NUT-WELD (M8X1.25 THD)
5	CH206-4708	4	SPACER (22.2X31.8X50MM THK)
6	CH206-4709	2	SPACER (22.2X31.8X44MM THK)
7	216-4303	2	SHIELD
8	CH217-8744	1	BAR
9	216-4304	2	SUPPORT ASY. (INCL. 9A & 9B)
	CH8T-3490	2	NUT-WELD (M10X1.5 THD)
	CH8T-3612	8	NUT-WELD (M8X1.25 THD)
10	400599X1	16	WASHER-HARD (M8X20.5X2MM THK)
11	CH7G-8839	6	SPACER (13.5X57X6MM THK)
12	CH7X-0515	3	WASHER-HARD (17X35X5MM THK)
13	400191X1	3	BOLT (M16X2X40MM)
14	400287X1	1	WASHER-HARD (11X21X2.5MM THK)
15	400055X1	2	BOLT (M12X1.75X25MM)
16	400058X1	1	BOLT (M10X1.5X30MM)
17	400357X1	2	WASHER-HARD (M12X25.5X3MM THK)
18	400339X1	20	WASHER-HARD (8.8X16X2MM THK)
19	400341X1	36	BOLT (M8X1.25X25MM)
20	400063X1	2	BOLT (M12X1.75X60MM)
21	400241X1	4	BOLT (M12X1.75X80MM)

[A] PART OF 199-3440; 210-1382
TANK AR-FUEL

00839394
PR: t05c24o40d0048

MOUNTING GP-FUEL TANK - 203-7082
FRONT
ROW



2037082A

**MT700B SERIES TRACK TRACTOR
FUEL SYSTEM**

145

**MOUNTING GP-FUEL TANK - 203-7082
FRONT
ROW**

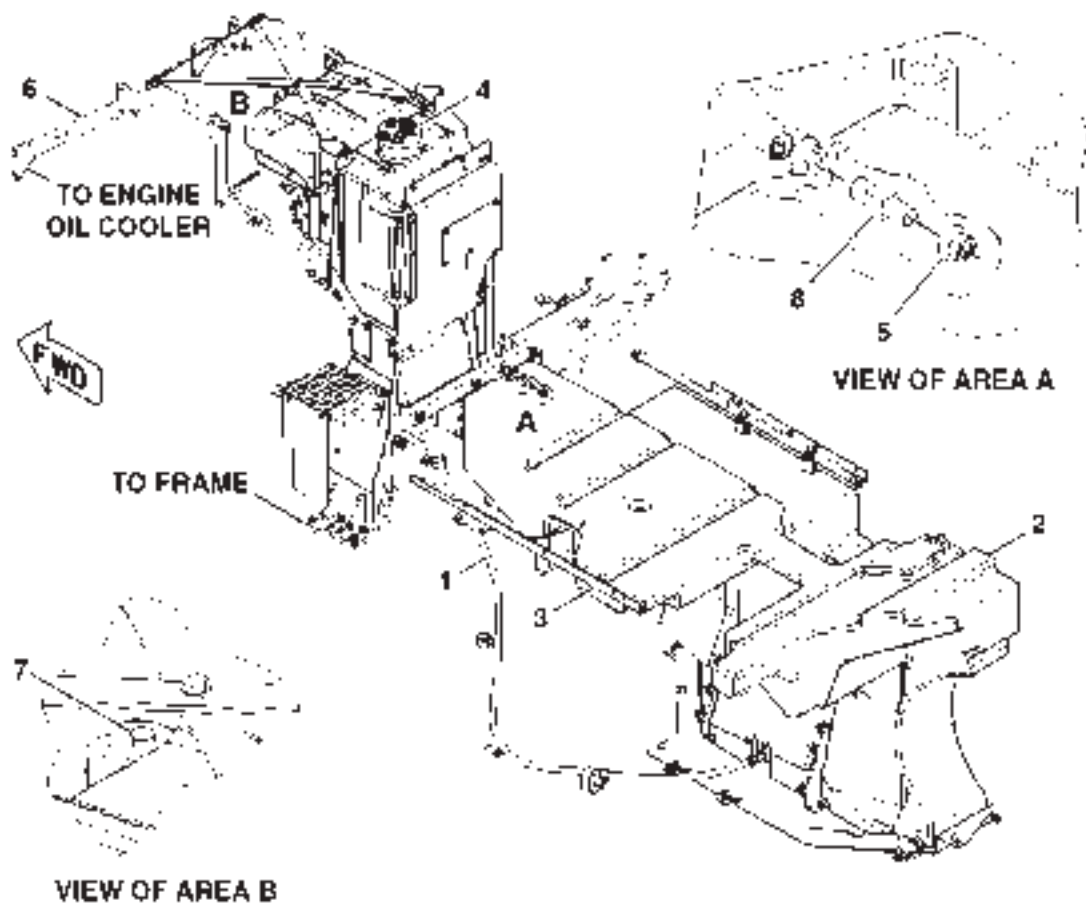
ITEM	NUMBER	QTY	DESCRIPTION
-	203-7082	--	MOUNTING GP-FUEL TANK [A] (NOT SERVICED)
1	CH203-7080	1	SPACER (15.9X21.4X265MM THK)
2	203-7081	1	PLATE AS.
	CH8T-3490	2	NUT-WELD (M10X1.5 THD)
3	CH115-6433	1	WASHER (11X50X6MM THK)
4	400010X1	1	BOLT (M10X1.5X295MM)
5	400287X1	2	WASHER-HARD (11X21X2.5MM THK)
6	400039X1	2	BOLT (M10X1.5X25MM)

[A] PART OF 165-8506; 199-3440
TANK AR-FUEL

2037082A
PR: t05c24o40d0049

MT700B SERIES TRACK TRACTOR
FUEL SYSTEM

TANK AR-FUEL - 165-8506



1658506G

**MT700B SERIES TRACK TRACTOR
FUEL SYSTEM**

147

TANK AR-FUEL - 165-8506

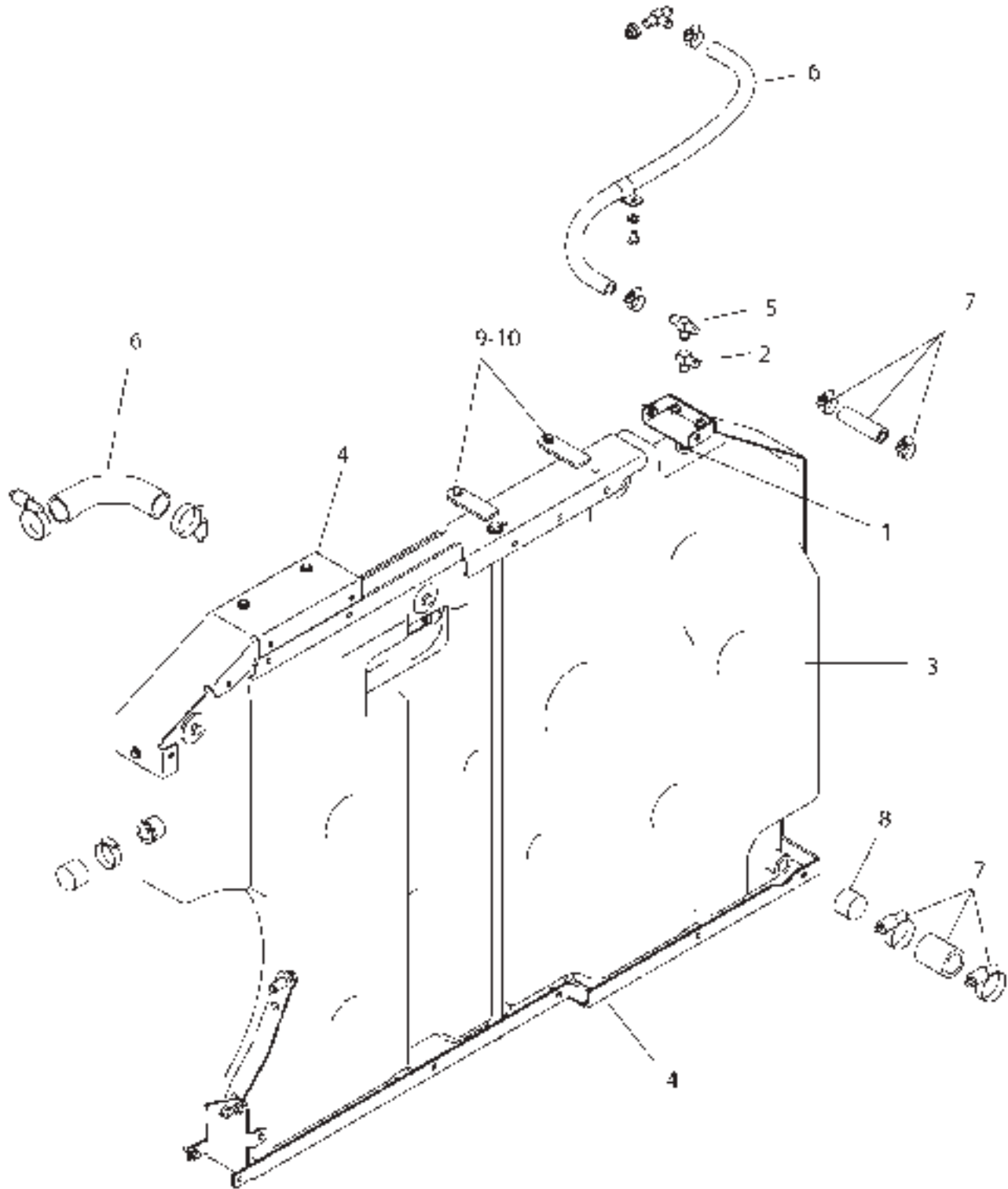
ITEM	NUMBER	QTY	DESCRIPTION
-	165-8506	--	TANK AR-FUEL [A] (NOT SERVICED)
1	156-1317	1	LINES GP-FUEL (NOT SERVICED) (SEE BREAKDOWN FOR COMPONENTS)
2	171-3721	1	TANK GP-FUEL (REAR) (NOT SERVICED) (SEE BREAKDOWN FOR COMPONENTS)
3	171-3737	1	MOUNTING GP-FUEL TANK (REAR) (NOT SERVICED) (SEE BREAKDOWN FOR COMPONENTS)
4	500100D1	1	TANK GP-FUEL (FRONT) (SEE BREAKDOWN FOR COMPONENTS)
5	185-1512	1	GROMMET
6	203-7082	1	MOUNTING GP-FUEL TANK (FRONT) (NOT SERVICED) (SEE BREAKDOWN FOR COMPONENTS)
7	190-5600	1	SUPPORT GP-FUEL TANK (FRONT) (NOT SERVICED) (SEE BREAKDOWN FOR COMPONENTS)
8	CH206-4718	1	FITTING

[A] PART OF 178-2338; 178-2341; 200-6232
206-0515 GAUGE AR-STANDARD

1658506G
PR: t05c24o40d0050

MT700B SERIES TRACK TRACTOR
FUEL SYSTEM

KIT-FUEL TANK - 199-3432
113.7 LITERS (30 GALLONS)



1993432A

**MT700B SERIES TRACK TRACTOR
FUEL SYSTEM**

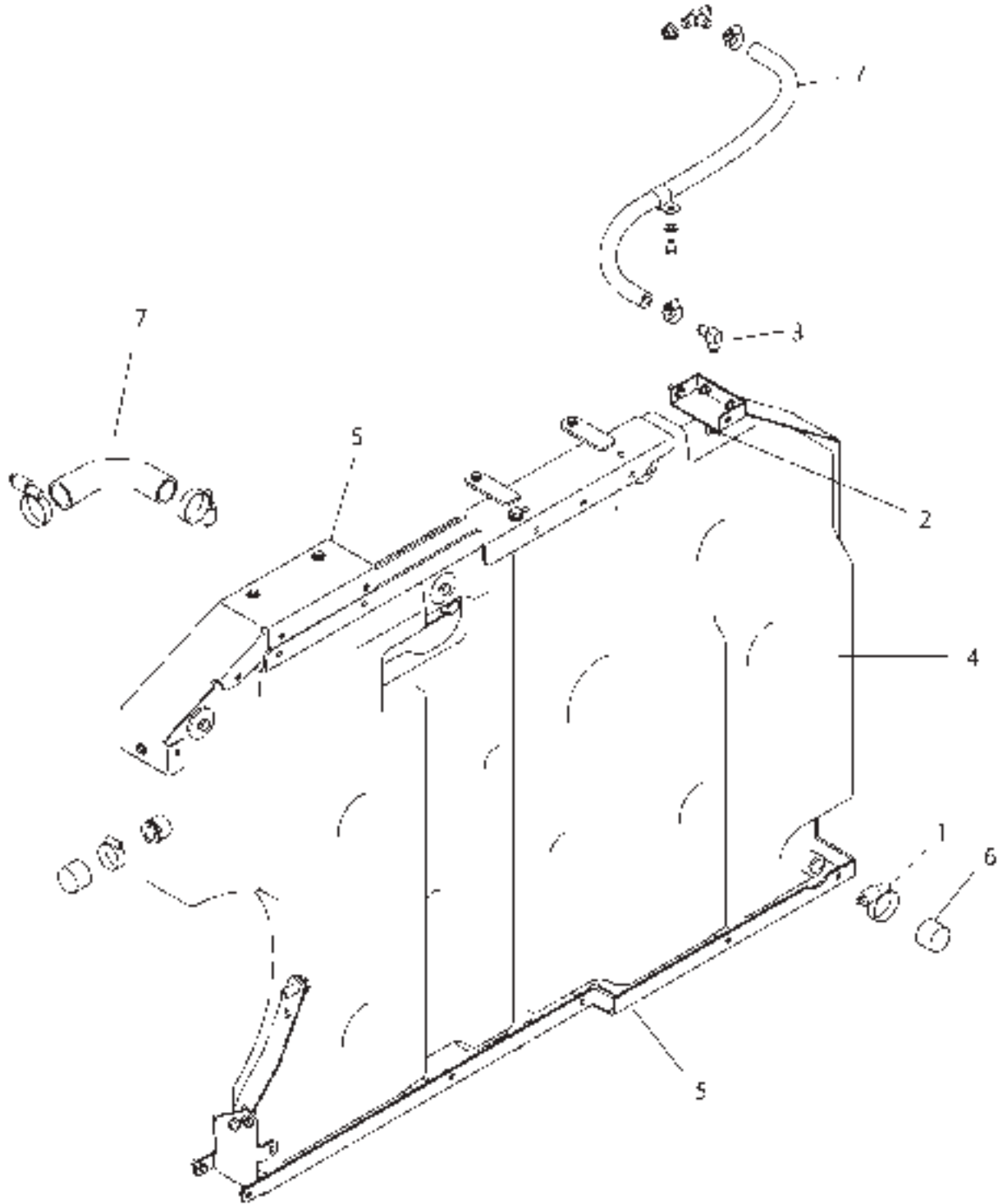
149

**KIT-FUEL TANK - 199-3432
113.7 LITERS (30 GALLONS)**

ITEM	NUMBER	QTY	DESCRIPTION
-	199-3432	--	KIT-FUEL TANK
1	CH185-1512	2	GROMMET
2	CH190-5448	1	ELBOW
3	197-8132	1	TANK GP-FUEL (SEE BREAKDOWN FOR COMPONENTS)
4	197-8133	1	MOUNTING GP-FUEL TANK (NOT SERVICED) (SEE BREAKDOWN FOR COMPONENTS)
5	CH204-9247	1	TEE (15.7OD BARB)
6	206-4714	1	LINES GP-FUEL (NOT SERVICED) (SEE BREAKDOWN FOR COMPONENTS)
7	206-4715	1	LINES GP-FUEL (NOT SERVICED) (SEE BREAKDOWN FOR COMPONENTS)
8	500102D1	1	CAP
9	400339X1	2	WASHER-HARD
10	400341X1	2	BOLT-HEX HD

1993432A
PR: t05c24o40d0051

TANK AR-FUEL - 210-1381
SINGLE TANK
STANDARD GAUGE



2101381A

**MT700B SERIES TRACK TRACTOR
FUEL SYSTEM**

151

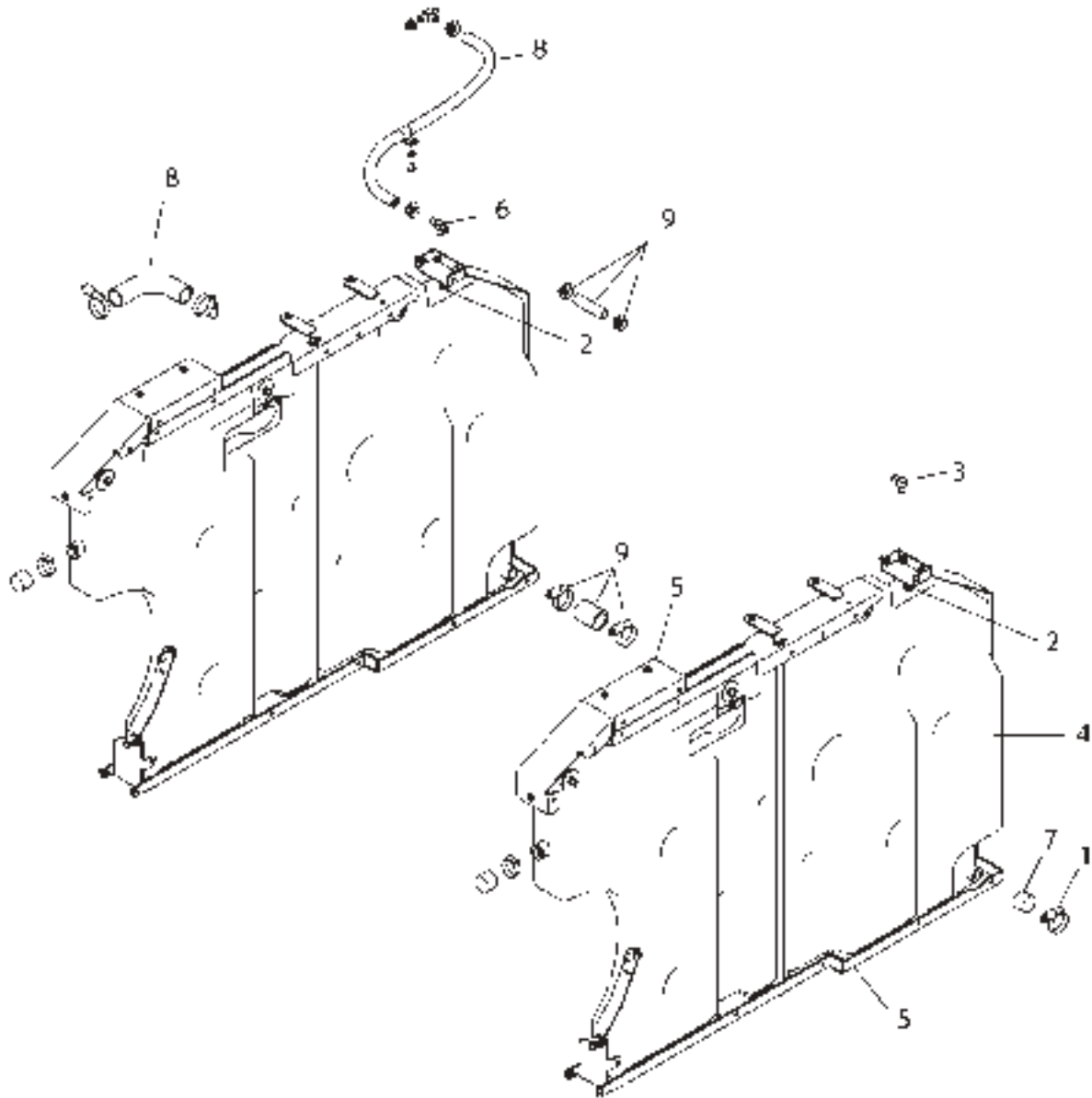
**TANK AR-FUEL - 210-1381
SINGLE TANK
STANDARD GAUGE**

ITEM	NUMBER	QTY	DESCRIPTION
-	210-1381	--	TANK AR-FUEL [A] (NOT SERVICED)
1	CH5P-2230	1	CLAMP-HOSE
2	CH185-1512	1	GROMMET
3	CH190-5448	1	ELBOW
4	197-8132	1	TANK GP-FUEL (SEE BREAKDOWN FOR COMPONENTS)
5	197-8133	1	MOUNTING GP-FUEL TANK (NOT SERVICED) (SEE BREAKDOWN FOR COMPONENTS)
6	500102D1	1	CAP
7	206-4714	1	LINES GP-FUEL (NOT SERVICED) (SEE BREAKDOWN FOR COMPONENTS)

2101381A
PR: t05c24o40d0052

MT700B SERIES TRACK TRACTOR
FUEL SYSTEM

KIT-FUEL TANK - 210-1382
DUAL TANK
STANDARD GAUGE



2101382A

**MT700B SERIES TRACK TRACTOR
FUEL SYSTEM**

153

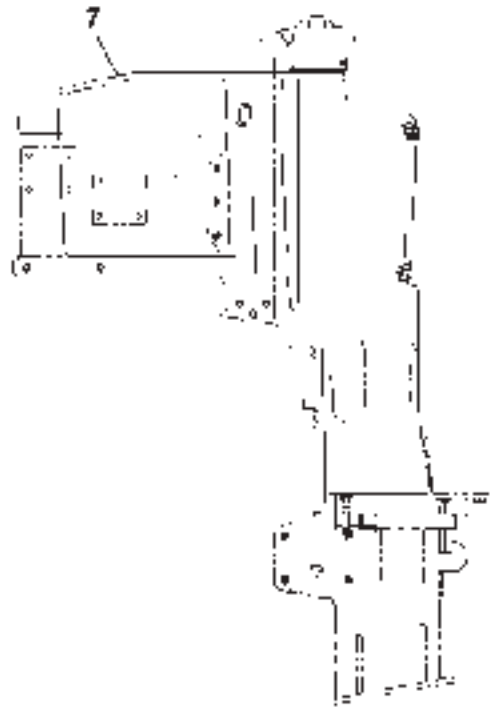
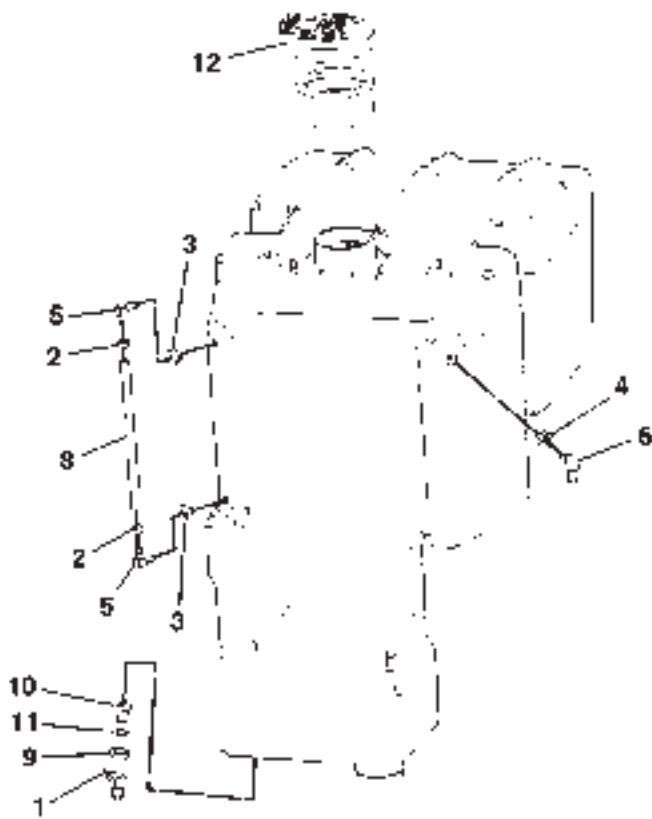
**KIT-FUEL TANK - 210-1382
DUAL TANK
STANDARD GAUGE**

ITEM	NUMBER	QTY	DESCRIPTION
-	210-1382	--	KIT-FUEL TANK (NOT SERVICED)
1	CH5P-2230	1	CLAMP-HOSE
2	CH185-1512	2	GROMMET
3	CH190-5448	1	ELBOW
4	197-8132	2	TANK GP-FUEL (SEE BREAKDOWN FOR COMPONENTS)
5	199-3433	1	MOUNTING GP-FUEL TANK (NOT SERVICED) (SEE BREAKDOWN FOR COMPONENTS)
6	CH204-9247	1	TEE (15.7OD BARB)
7	500102D1	1	CAP
8	206-4714	1	LINES GP-FUEL (NOT SERVICED) (SEE BREAKDOWN FOR COMPONENTS)
9	206-4715	1	LINES GP-FUEL (NOT SERVICED) (SEE BREAKDOWN FOR COMPONENTS)

2101382A
PR: t05c24o40d0053

MT700B SERIES TRACK TRACTOR
FUEL SYSTEM

TANK AR-FUEL - 500100D1
WITH STD/WIDE GAUGE
ROW



LEFT SIDE VIEW

500100DA

**MT700B SERIES TRACK TRACTOR
FUEL SYSTEM**

155

**TANK AR-FUEL - 500100D1
WITH STD/WIDE GAUGE
ROW**

ITEM	NUMBER	QTY	DESCRIPTION
-	500100D1	--	TANK AR-FUEL [A]
1	CH217-7182	1	ELBOW
2	CH1P-4278	2	CLAMP-HOSE
3	CH6W-5698	2	GROMMET
4	CH185-1512	1	GROMMET
5	CH186-5862	2	ELBOW
6	CH190-5448	1	ELBOW
7	500101D1	1	TANK-FUEL
8	CH204-3538	1	HOSE
9	CH214-1088	1	NUT-3/4-16 NPTF BRASS
10	CH214-1085	1	BOLT-3/4-16 NPTF
11	CH214-1086	1	O-RING
12	500019D1	1	CAP-FUEL

[A] PART OF 165-8506; 199-3440
TANK AR-FUEL

500100DA
PR: t05c24o40d0054

156

**MT700B SERIES TRACK TRACTOR
FUEL SYSTEM**

**TANK AR-FUEL - 199-3440
WITH WIDE GAUGE
ROW**

NO ILLUSTRATION

NOTIF

**MT700B SERIES TRACK TRACTOR
FUEL SYSTEM**

157

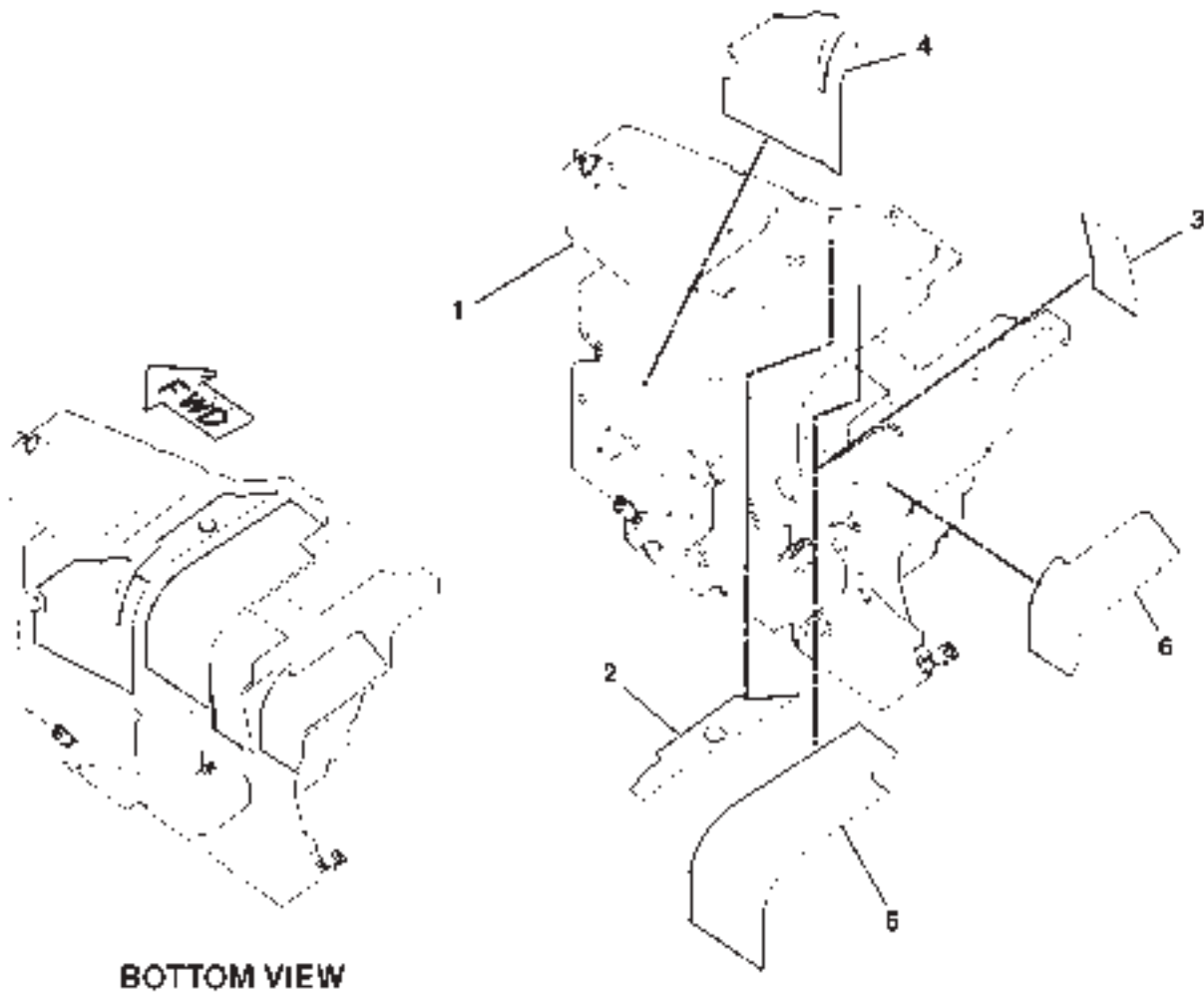
**TANK AR-FUEL - 199-3440
WITH WIDE GAUGE
ROW**

ITEM	NUMBER	QTY	DESCRIPTION
-	199-3440	--	TANK AR-FUEL [A] (NOT SERVICED)
1	171-3737	1	MOUNTING GP-FUEL TANK (REAR) (NOT SERVICED) (SEE BREAKDOWN FOR COMPONENTS)
2	190-5600	1	SUPPORT GP-FUEL TANK (NOT SERVICED) (SEE BREAKDOWN FOR COMPONENTS)
3	500100D1	1	TANK GP-FUEL (FRONT) (SEE BREAKDOWN FOR COMPONENTS)
4	203-7082	1	MOUNTING GP-FUEL TANK (FRONT) (NOT SERVICED) (SEE BREAKDOWN FOR COMPONENTS)
5	197-8132	2	TANK GP-FUEL (SIDE) (NOT SERVICED) (SEE BREAKDOWN FOR COMPONENTS)
6	156-1317	1	LINES GP-FUEL (NOT SERVICED) (SEE BREAKDOWN FOR COMPONENTS)
7	199-3433	1	MOUNTING GP-FUEL TANK (SIDE) (NOT SERVICED) (SEE BREAKDOWN FOR COMPONENTS)
8	206-4714	1	LINES GP-FUEL (SIDE) (NOT SERVICED) (SEE BREAKDOWN FOR COMPONENTS)
9	206-4715	1	LINES GP-FUEL (SIDE) (NOT SERVICED) (SEE BREAKDOWN FOR COMPONENTS)
10	171-3721	1	TANK GP-FUEL (REAR) (NOT SERVICED) (SEE BREAKDOWN FOR COMPONENTS)
11	CH185-1512	2	GROMMET-20ODX14IDX15.7 (NOT ILL.)
12	CH190-5448	1	ELBOW-90 DEG 15.7 BARB (NOT ILL.)
13	CH204-9247	1	TEE-15.7 OD BARB STL (NOT ILL.)
14	CH5P-2230	1	CLAMP-HOSE 32.54ID15.9 HI TRQ (NOT ILL.)
15	500102D1	1	CAP-PIPE (FUEL) (NOT ILL.)

[A] PART OF 178-2339; 200-6233; 213-4079
GAUGE AR WIDE

NOTIF
PR: i05c24o40d0055

TANK GP-FUEL - 171-3721
REAR
ROW



BOTTOM VIEW

1713721C

**MT700B SERIES TRACK TRACTOR
FUEL SYSTEM**

159

**TANK GP-FUEL - 171-3721
REAR
ROW**

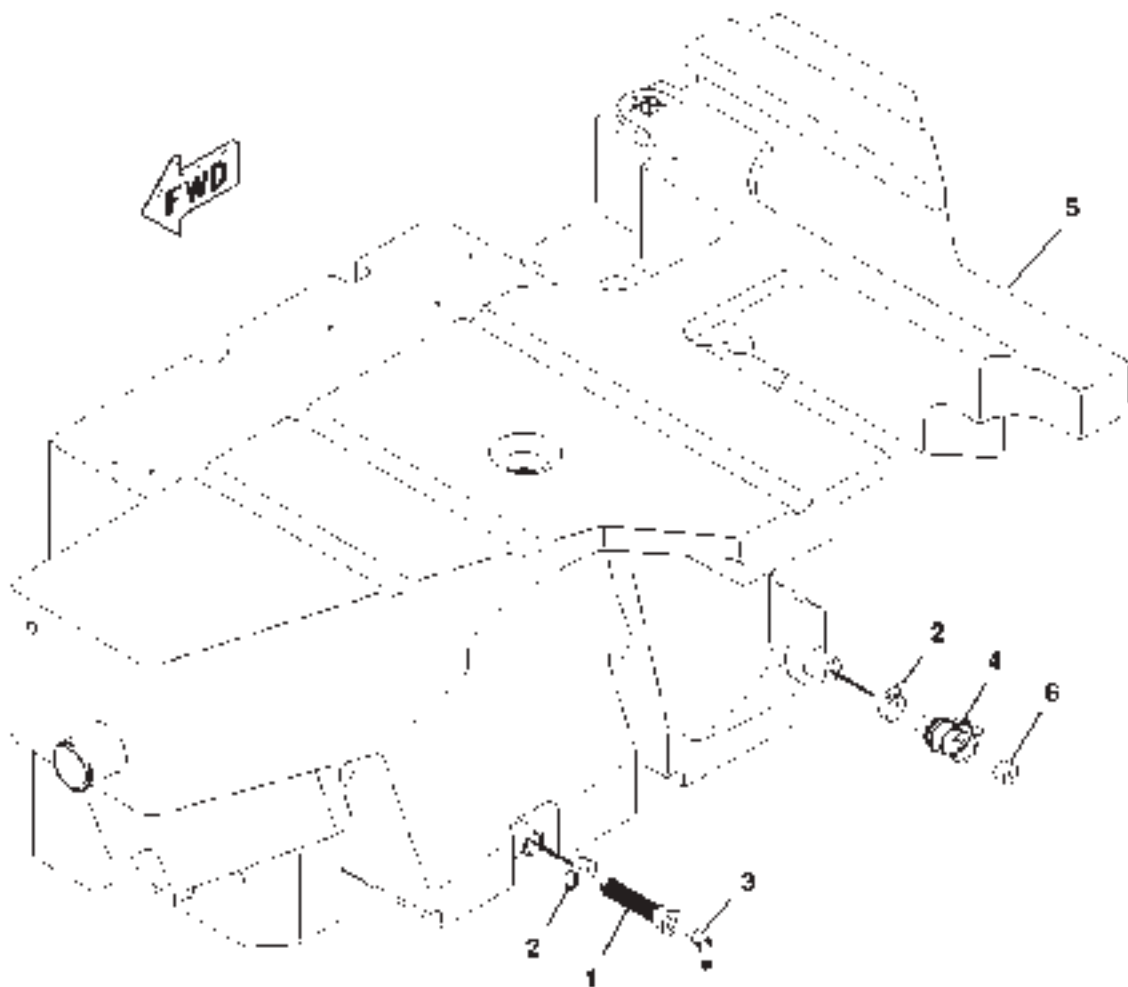
ITEM	NUMBER	QTY	DESCRIPTION
-	171-3721	--	TANK GP-FUEL [A] (NOT SERVICED)
1	171-3738	1	TANK GP-FUEL (REAR) (NOT SERVICED) (SEE BREAKDOWN FOR COMPONENTS)
2	190-6229	1	INSULATION
3	CH190-6230	1	INSULATION
4	190-8423	1	INSULATION
5	190-8424	1	INSULATION
6	190-8425	1	INSULATION

[A] PART OF 165-8506; 199-3440
TANK AR-FUEL

1713721C
PR: t05c24o40d0056

MT700B SERIES TRACK TRACTOR
FUEL SYSTEM

TANK GP-FUEL - 171-3738
REAR 345 LITERS (91 GALLONS)
ROW



1713738F

**MT700B SERIES TRACK TRACTOR
FUEL SYSTEM**

161

TANK GP-FUEL - 171-3738
REAR 345 LITERS (91 GALLONS)
ROW

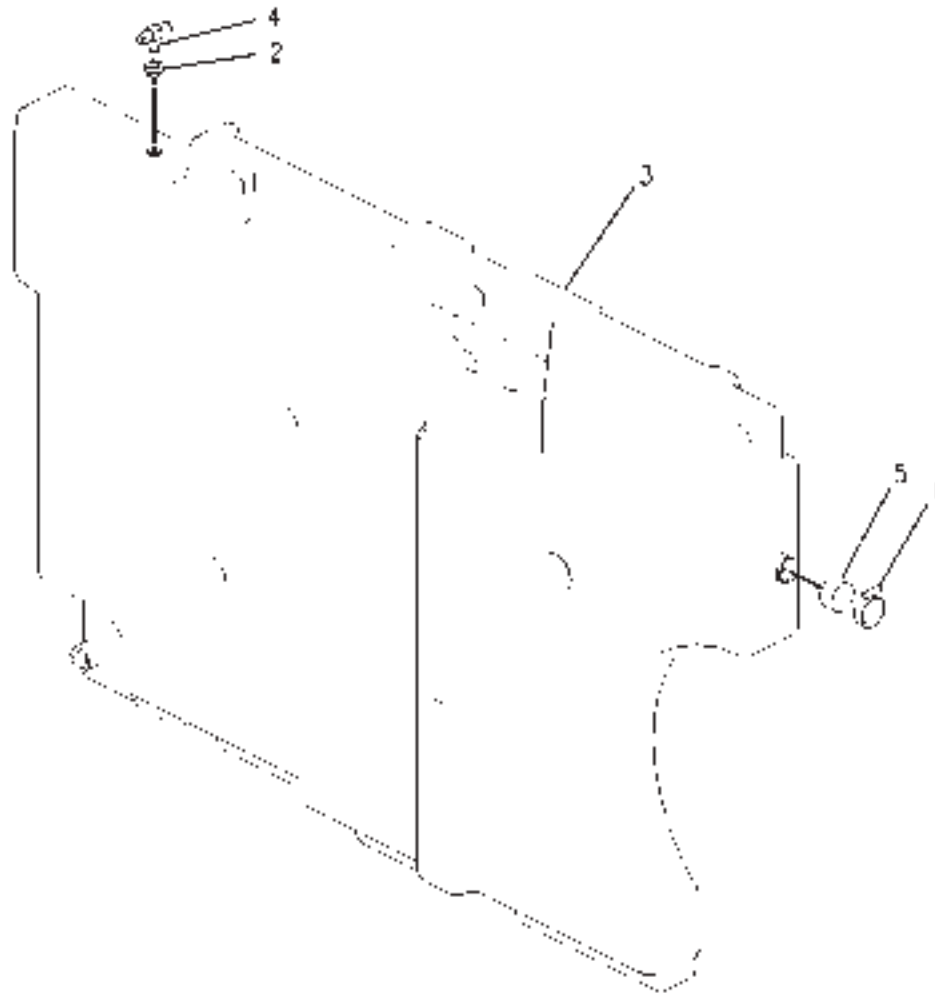
ITEM	NUMBER	QTY	DESCRIPTION
-	171-3738	--	TANK GP-FUEL [A] (NOT SERVICED)
1	CH221-3265	1	STRAINER
2	CH9M-2904	2	CLAMP-HOSE
3	CH032-1339	1	ELBOW
4	CH221-2003	1	VALVE-BALL
5	201-3710	1	TANK-FUEL
6	CH3B-0551	1	PLUG-PIPE

[A] PART OF 171-3721 TANK GP-FUEL

1713738F
PR: t05c24o40d0057

MT700B SERIES TRACK TRACTOR
FUEL SYSTEM

TANK GP-FUEL - 197-8132
SIDE 113.7 LITERS (30 GALLONS)



00814973

**MT700B SERIES TRACK TRACTOR
FUEL SYSTEM**

163

**TANK GP-FUEL - 197-8132
SIDE 113.7 LITERS (30 GALLONS)**

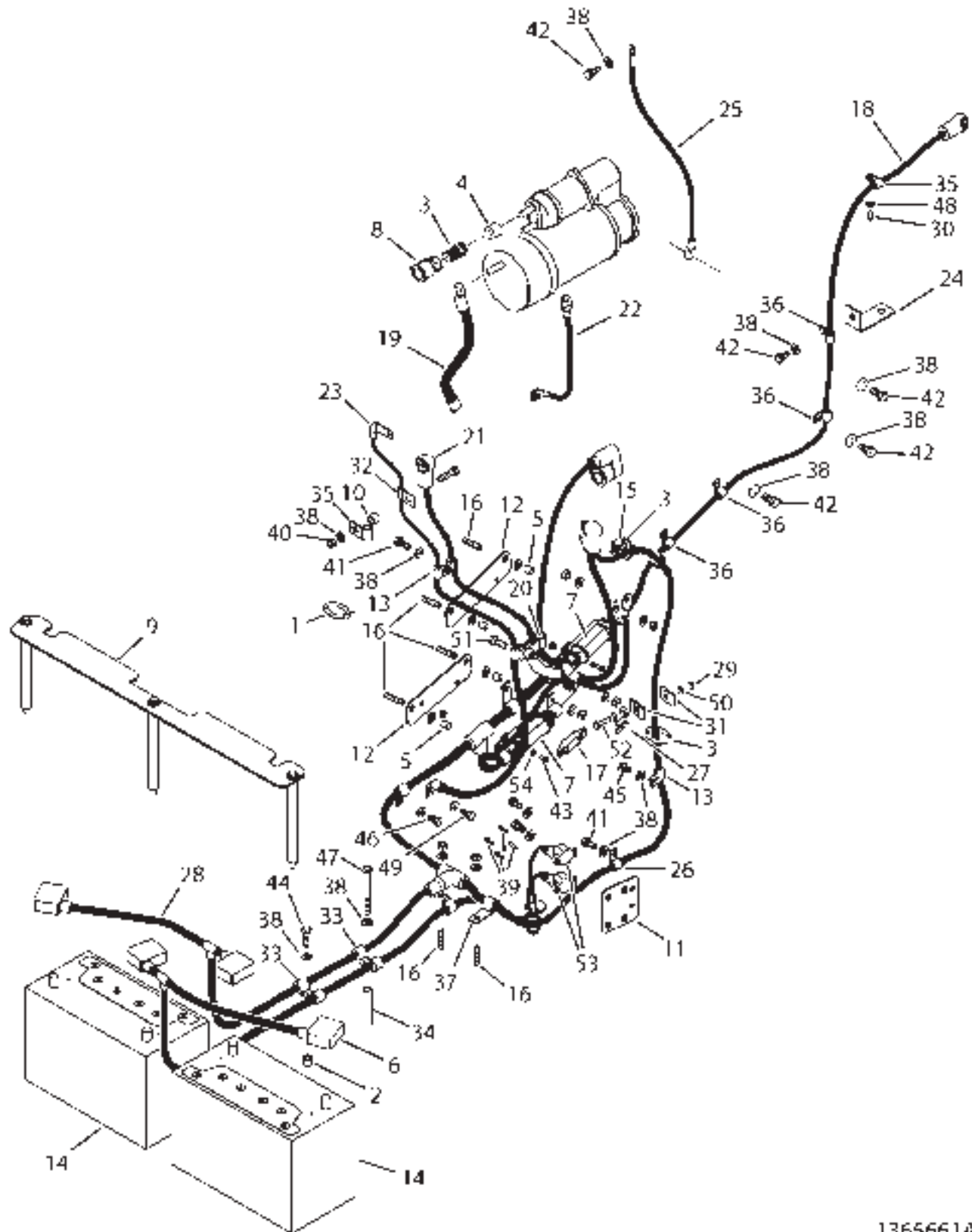
ITEM	NUMBER	QTY	DESCRIPTION
-	197-8132	--	TANK GP-FUEL [A]
1	CH5P-2230	1	CLAMP-HOSE
2			NOT IN THIS GROUP
3	201-3705	1	TANK-FUEL
4		1	NOT IN THIS GROUP
5	500102D1	1	CAP

[A] PART OF 199-3432;199-3440;210-1381;
210-1381 TANK AR-FUEL

00814973
PR: t05c24o40d0058

MT700B SERIES TRACK TRACTOR
ELECTRICAL AND STARTING SYSTEM

BATTERY GP - 136-5661
ROW ONLY



1365661A

**MT700B SERIES TRACK TRACTOR
ELECTRICAL AND STARTING SYSTEM**

165

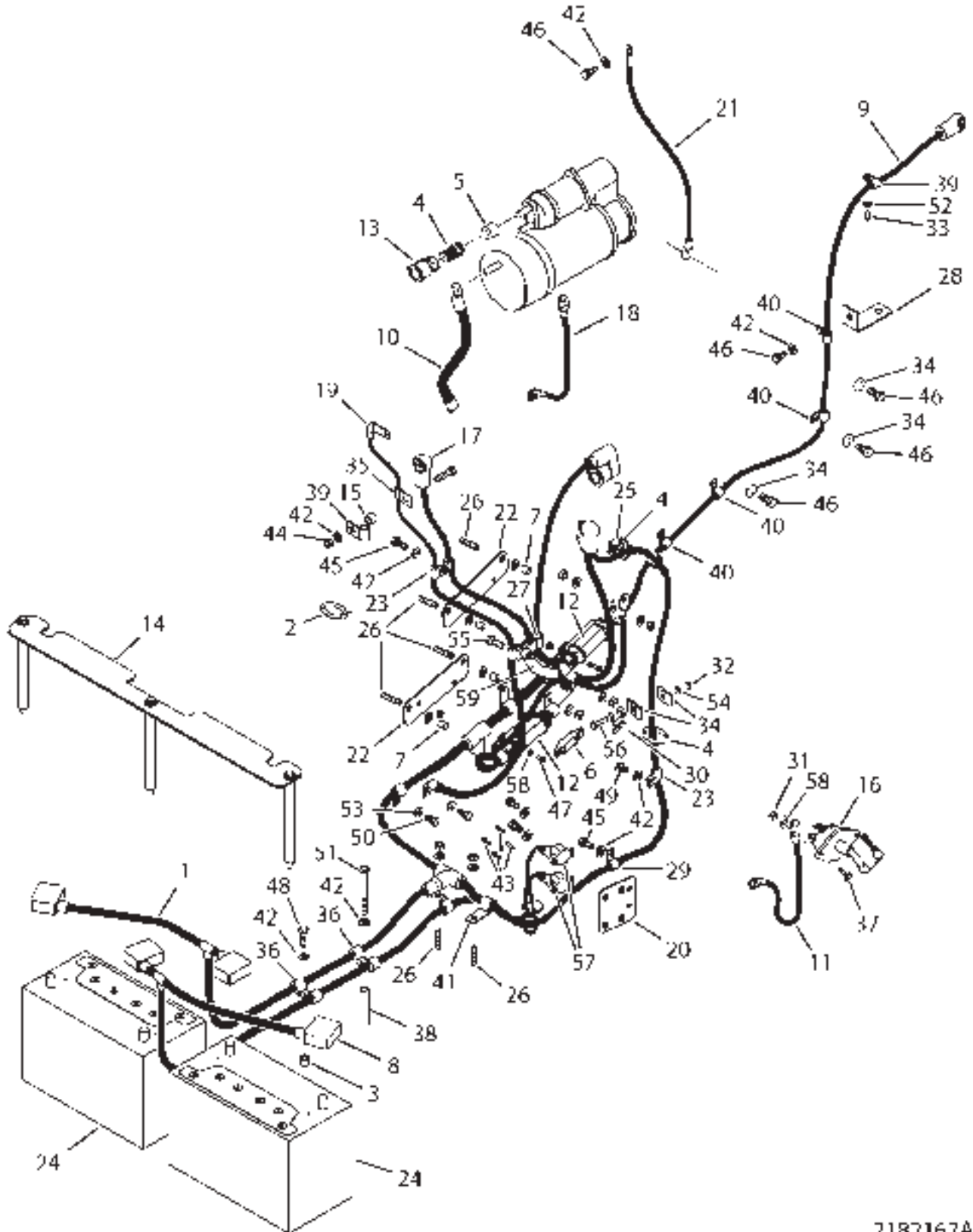
**BATTERY GP - 136-5661
ROW ONLY**

ITEM	NUMBER	QTY	DESCRIPTION
-	136-5661	--	BATTERY GP (NOT SERVICED)
1	400837X1	7	STRAP-CABLE (PLASTIC)
2	CH6L-1698	1	SPACER 13.8 IDX41.3 ODX12.7 ZN
3	CH7K-1181	4	STRAP-CABLE 0.19-4.00
4	CH136-5314	1	POST-JUMP START
5	400118X1	4	SPACER-13.7ODX11.5IDX14 ZN
6	155-0031	1	CABLE AS-NEG
7	155-0038	2	FUSE-HOLDER
8	CH169-0453	1	COVER-TERMINAL 25.4 ID RED
9	173-2745	1	MOUNTING GP-BATTERY (NOT SERVICED) (SEE BREAKDOWN FOR COMPONENTS)
10	CH200-8649	2	SPACER-19ODX12.7IDX14.3MM
11	214-7161	1	PLATE AS
12	221-1403	2	BRACKET AS
13	CH033-8248	5	CLIP-LOOP 11.11ID W/COATING
14	400832X1	2	BATTERY MAINT FREE-12V WET
15	CH132-5789	1	CLIP-LADDER 90DEGX47.5MM V COAT
16	400258X1	6	STUD-TAPERLOCK M10X1.5X45
17	136-5600	2	FUSE-MAIN
18	155-0032	1	CABLE AS-POS
19	155-0035	1	CABLE AS-NEG
20	CH1S-0996	1	CLIP-LOOP 20.64 ID
21	201-5513	1	CABLE AS-POS
22	201-8282	1	CABLE AS-NEG
23	208-3930	1	CABLE AS-NEG
24	220-0138	1	BRACKET AS
25	220-3349	1	CABLE AS.-GRD
26	CH4K-8864	1	CLIP-LOOP 14.29ID
27	CH4P-8134	1	CLIP-LADDER 75DEGX48MM V COAT
28	500398D1	1	CABLE AS-POS
29	400340X1	1	NUT-M8X1.25X13 HEX ZND1
30	400152X1	1	BOLT-M6X1X16MM ZNDI HDD 10.9
31	CH5M-5689	2	CLIP-M8 X R5.0 DBL
32	400644X1	2	CLIP-14.29 ID, M10 OR 3/8
33	CH6D-4246	11	CLIP-LOOP 19.05ID
34	400690X1	1	SPACER-9.51ID X 80.3
35	CH8J-1256	1	CLIP-LOOP 12.7ID W/COATING
36	CH8M-2770	4	CLIP-LOOP 12.7 ID
37	CH8S-0948	6	CLIP-LOOP-20.64 ID
38	400287X1	28	WASHER-HARD 11IDX21ODX2.5 ZND1
39	CH8T-4127	4	SCREW-PAN M5X0.8X20 CROSS
40	WR522218	8	NUT-M10-1.5,CL10.9,ZN,H,REG
41	400039X1	4	BOLT-M10X1.5X25 ZNDI HDD 10.9
42	400040X1	7	BOLT-M10X1.5X20 ZNDI HDD 10.9
43	400223X1	4	BOLT-M6X1X12MM ZNDI HDD 10.9
44	400052X1	2	BOLT-M10X1.5X40 ZNDI HDD 10.9
45	400054X1	1	BOLT-M10X1.5X16 ZNDI HDD 10.9
46	400055X1	3	BOLT-M12X1.75X25 ZNDI HDD 10.9
47	400061X1	1	BOLT-M10X1.5X100 ZNDI HDD 10.9
48	CH8T-4205	1	WASHER-HARD 7.2IDX14.5ODX2MM
49	400357X1	4	WASHER-HARD-M12X25.5ODX3THK
50	400339X1	2	WASHER-HARD
51	400064X1	1	BOLT-M12X1.75X35 ZNDI HDD 10.9
52	400245X1	1	BOLT-M8X1.25X30 ZNDI HDD 10.9
53	CH9H-1958	2	BREAKER AS-CIRCUIT 20 A
54	400310X1	4	WASHER

1365661A
PR: t05c24o40d0059

MT700B SERIES TRACK TRACTOR
ELECTRICAL AND STARTING SYSTEM

BATTERY GP - 167-2182
DISCONNECT



2182167A

**MT700B SERIES TRACKTRACTOR
ELECTRICAL AND STARTING SYSTEM**

167

**BATTERY GP - 167-2182
DISCONNECT**

ITEM	NUMBER	QTY	DESCRIPTION
-	167-2182	--	BATTERY GP [A] (NOT SERVICED)
-	502792D1	--	BATTERY GP (REF ONLY) (NOT SERVICED)
1	500398D1	1	CABLE AS-POS
2	400837X1	7	STRAP-CABLE (PLASTIC)
3	CH6L-1698	1	SPACER 13.8 IDX41.3 ODX12.7 ZN
4	CH7K-1181	4	STRAP-CABLE 0.19-4.00
5	CH136-5314	1	POST-JUMP START
6	136-5600	2	FUSE-MAIN
7	400118X1	4	SPACER-13.7ODX11.5IDX14 ZN
8	155-0031	1	CABLE AS-NEG
9	155-0032	1	CABLE AS-POS
10	155-0035	1	CABLE AS-NEG
11	155-0037	1	CABLE AS-NEG
12	155-0038	2	FUSE-HOLDER
13	CH169-0453	1	COVER-TERMINAL 25.4 ID RED
14	173-2745	1	MOUNTING GP-BATTERY (NOT SERVICED) (SEE BREAKDOWN FOR COMPONENTS)
15	CH200-8649	2	SPACER-19ODX12.7IDX14.3MM
16	201-2440	1	SWITCH AS.-MASTER
17	201-5513	1	CABLE AS-POS
18	201-8282	1	CABLE AS-NEG
19	208-3930	1	CABLE AS-NEG
20	214-7161	1	PLATE AS
21	220-3349	1	CABLE AS.-GRD
22	221-1403	2	BRACKET AS
23	CH033-8248	5	CLIP-LOOP 11.11ID W/COATING
24	400832X1	2	BATTERY MAINT FREE-12V WET
25	CH132-5789	1	CLIP-LADDER 90DEGX47.5MM V COAT
26	400258X1	6	STUD-TAPERLOCK M10X1.5X45
27	CH1S-0996	1	CLIP-LOOP 20.64 ID
28	220-0138	1	BRACKET AS
29	CH4K-8864	1	CLIP-LOOP 14.29ID
30	CH4P-8134	1	CLIP-LADDER 75DEGX48MM V COAT
31	400300X1	2	NUT M6X1
32	400340X1	1	NUT-M8X1.25X13 HEX ZND1
33	400152X1	1	BOLT-M6X1X16MM ZND1 HHD 10.9
34	CH5M-5689	2	CLIP-M8 X R5.0 DBL
35	400644X1	2	CLIP-14.29 ID, M10 OR 3/8
36	CH6D-4246	14	CLIP-LOOP 19.05ID
37	400022X1	2	BOLT-M6X1X25MM ZND1 HHD 10.9
38	400690X1	1	SPACER-9.51ID X 80.3
39	CH8J-1256	1	CLIP-LOOP 12.7ID W/COATING

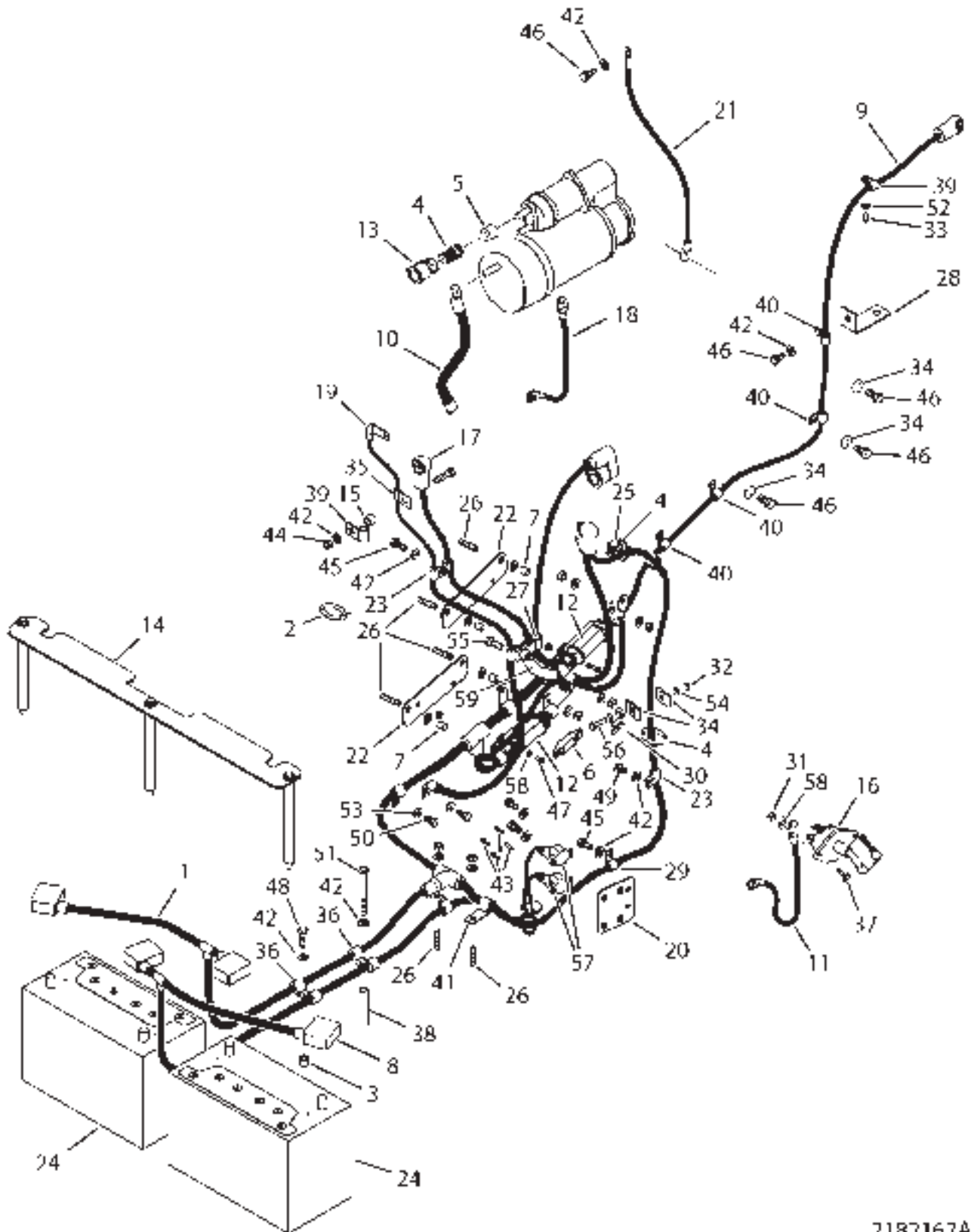
CONTINUED

[A] PART OF 502663D1 CAB AR-DELUXE;
502792D1 BATTERY GP

2182167A
PR: t05c24o40d0060

MT700B SERIES TRACK TRACTOR
ELECTRICAL AND STARTING SYSTEM

BATTERY GP - 167-2182
DISCONNECT



2182167A

**MT700B SERIES TRACKTRACTOR
ELECTRICAL AND STARTING SYSTEM**

169

**BATTERY GP - 167-2182
DISCONNECT**

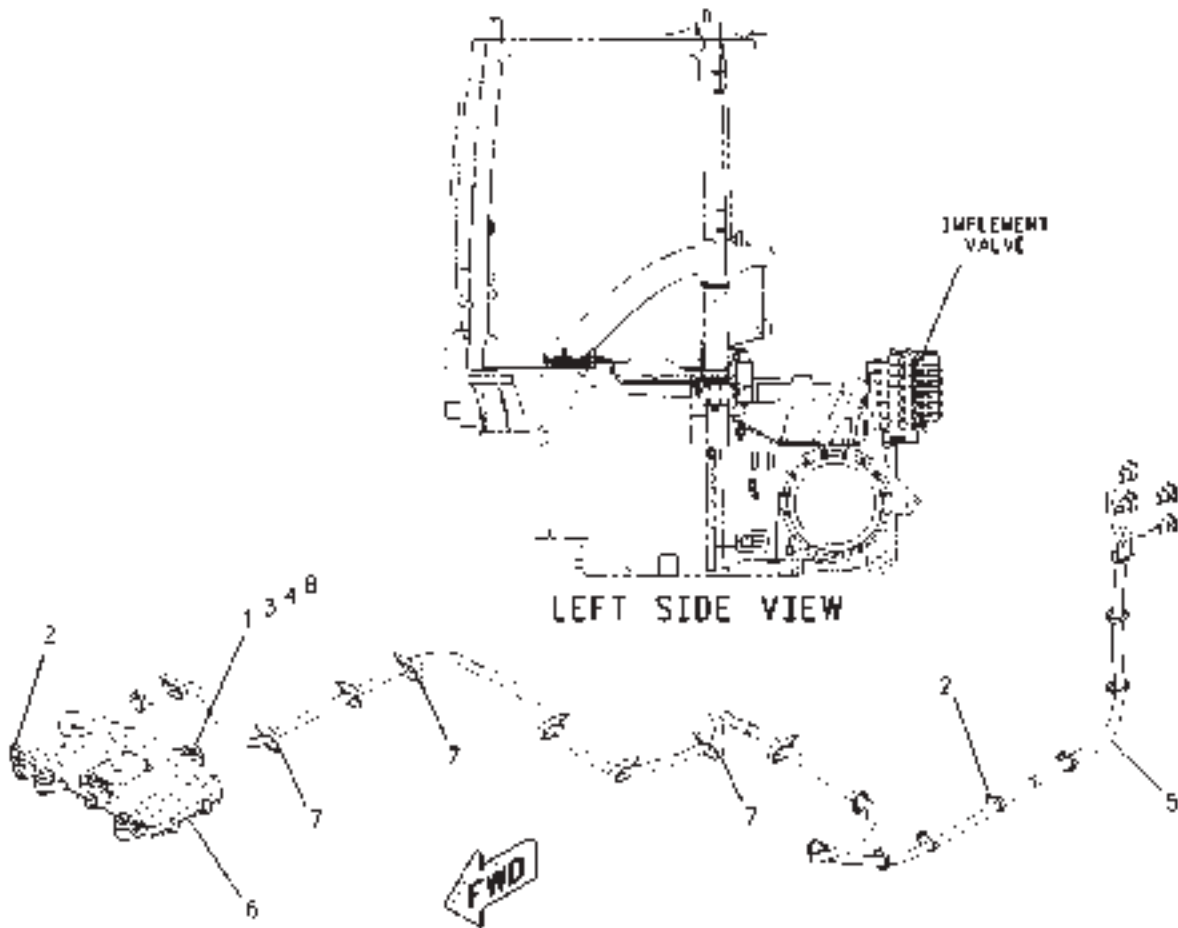
ITEM	NUMBER	QTY	DESCRIPTION
-	167-2182	--	BATTERY GP [A] (NOT SERVICED)
-	502792D1	--	BATTERY GP (REF ONLY) (NOT SERVICED)
40	CH8M-2770	4	CLIP-LOOP 12.7 ID
41	CH8S-0948	3	CLIP-LOOP-20.64 ID
42	400287X1	29	WASHER-HARD 11IDX21ODX2.5 ZND1
43	CH8T-4127	4	SCREW-PAN M5X0.8X20 CROSS
44	WR522218	8	NUT-M10-1.5,CL10.9,ZN,H,REG
45	400039X1	5	BOLT-M10X1.5X25 ZNDI HHD 10.9
46	400040X1	7	BOLT-M10X1.5X20 ZNDI HHD 10.9
47	400223X1	4	BOLT-M6X1X12MM ZNDI HHD 10.9
48	400052X1	2	BOLT-M10X1.5X40 ZNDI HHD 10.9
49	400054X1	1	BOLT-M10X1.5X16 ZNDI HHD 10.9
50	400055X1	3	BOLT-M12X1.75X25 ZNDI HHD 10.9
51	400061X1	1	BOLT-M10X1.5X100 ZNDI HHD 10.9
52	CH8T-4205	1	WASHER-HARD 7.2IDX14.5ODX2MM
53	400357X1	4	WASHER-HARD-M12X25.5ODX3THK
54	400339X1	2	WASHER-HARD
55	400064X1	1	BOLT-M12X1.75X35 ZNDI HHD 10.9
56	400245X1	1	BOLT-M8X1.25X30 ZNDI HHD 10.9
57	CH9H-1958	2	BREAKER AS-CIRCUIT 20 A
58	400310X1	8	WASHER
59	CH5P-0767	AR	HOSE-BULK (15.88ID) (15CM)

[A] PART OF 502663D1 CAB AR-DELUXE;
502792D1 BATTERY GP

2182167A
PR: t05c24o40d0060

MT700B SERIES TRACK TRACTOR
ELECTRICAL AND STARTING SYSTEM

CONTROL & WIRING GP - 168-1947
IMPLEMENTS 5 & 6



C0903810

**MT700B SERIES TRACK TRACTOR
ELECTRICAL AND STARTING SYSTEM**

171

**CONTROL & WIRING GP - 168-1947
IMPLEMENTS 5 & 6**

ITEM	NUMBER	QTY	DESCRIPTION
-	168-1947	--	CONTROL & WIRING GP [A] (NOT SERVICED)
1	CH6I-1418	3	SPACER (8.2X12.7X28.7MM THK)
2	CH7K-1181	11	STRAP-CABLE
3	CH8T-9655	6	MOUNT (ISOLATION)
4	400060X1	3	BOLT (M8X1.25X40MM)
5	136-5537	1	HARNESS AS. (IMPLEMENT 5 & 6)
6	229-0888	1	ELECTRONICS GP-IMPLEMENT (5/6) (NOT SERVICED) (INCLS ITEMS 6A & 6B)
6A	216-0658	1	CONTROL GP-ELEK (NOT SHOWN) (SEE BREAKDOWN FOR COMPONENTS)
	CH126-1773	1	CAP-CONNECTOR (SEALED)
6B	256-0184	1	SOFTWARE GP-IMPL (NOT SHOWN) (CALL SERVICE/WARRANTY 507-847-7222)
7	400837X1	8	STRAP-CABLE
8	CH9N-0869	3	WASHER-HARD (8.8X25.5X2MM THK)

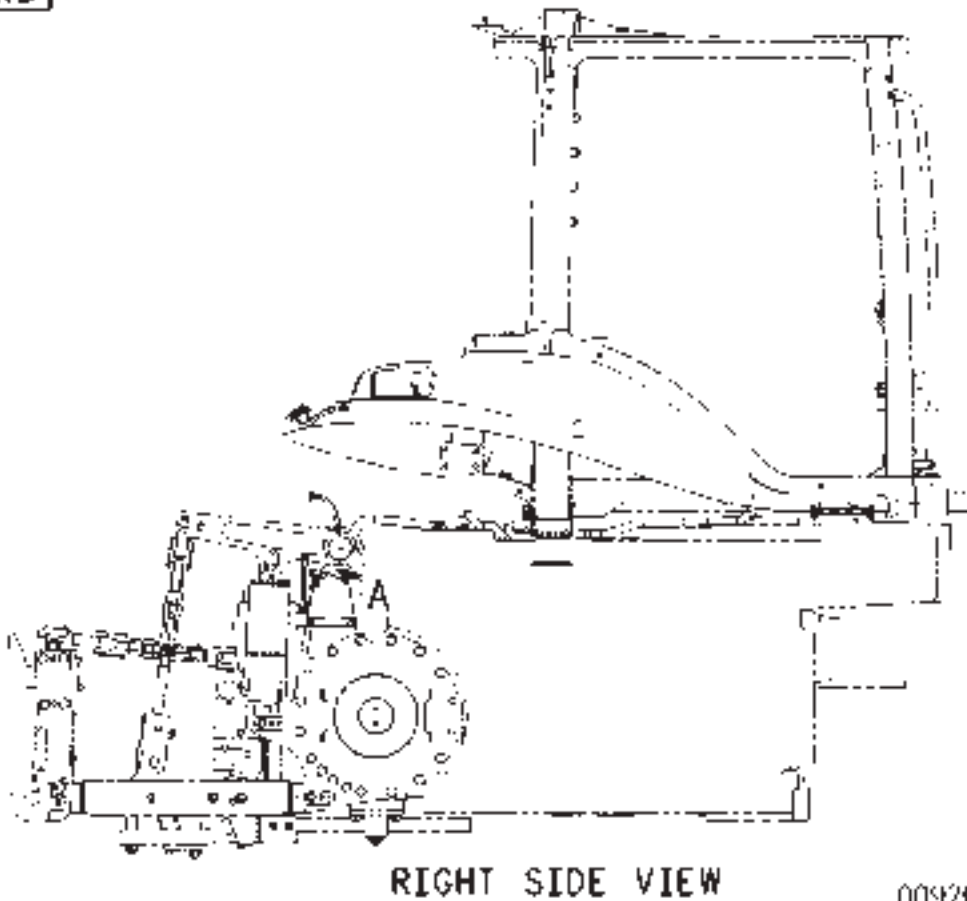
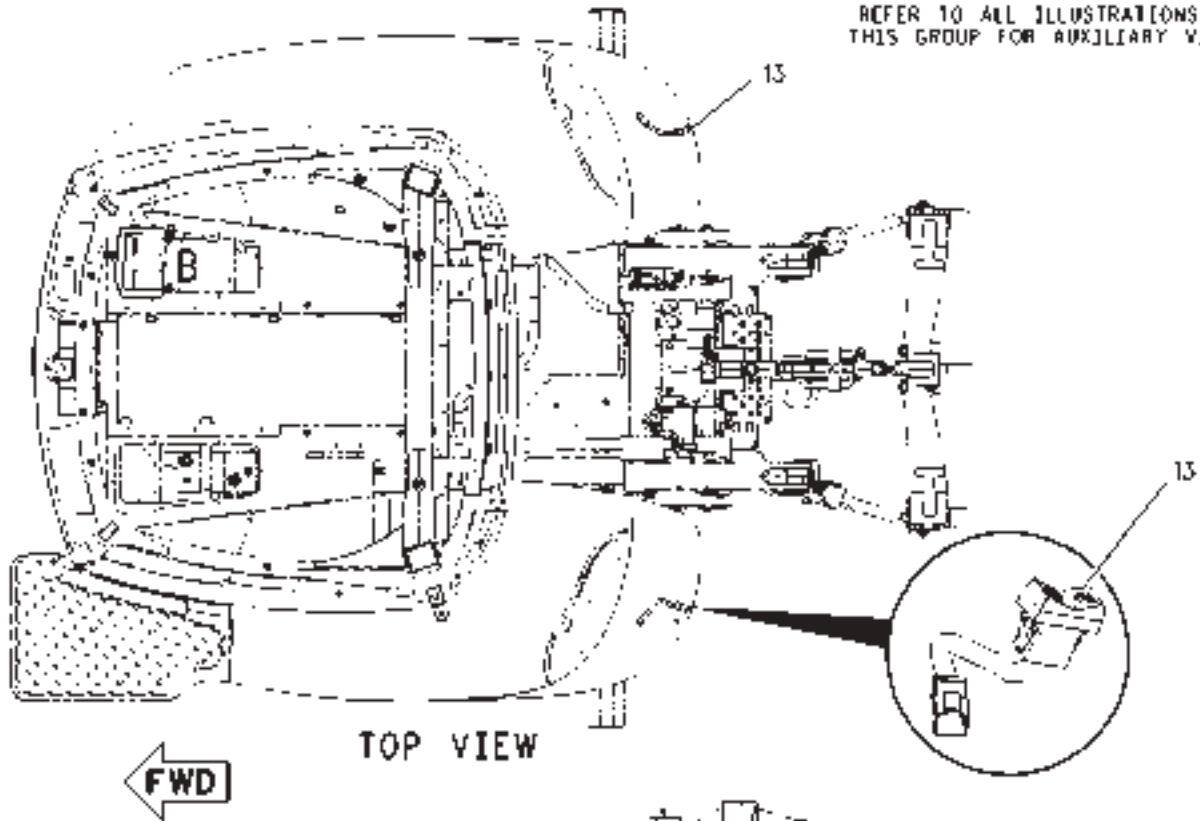
[A] PART OF 500789D1 VALVE AR

00903610
PR: t05c24o40d0061

MT700B SERIES TRACK TRACTOR
ELECTRICAL AND STARTING SYSTEM

CONTROL & WIRING GP-HITCH - 136-5317
LIFT CIRCUIT
EAME ONLY

REFER TO ALL ILLUSTRATIONS OF
THIS GROUP FOR AUXILIARY VIEWS



00920997

**MT700B SERIES TRACK TRACTOR
ELECTRICAL AND STARTING SYSTEM**

173

**CONTROL & WIRING GP-HITCH - 136-5317
LIFT CIRCUIT
EAME ONLY**

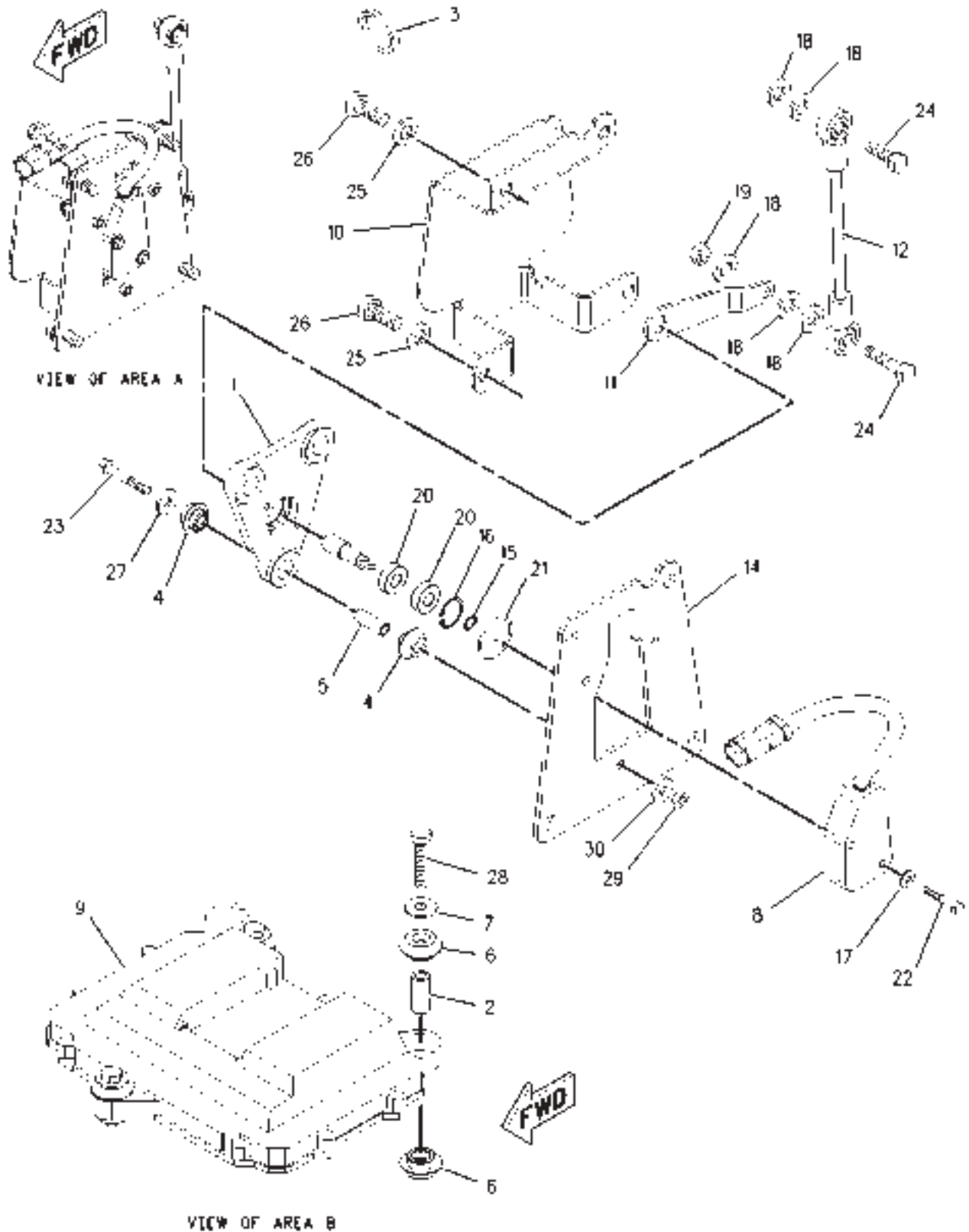
ITEM	NUMBER	QTY	DESCRIPTION
-	136-5317	--	CONTROL & WIRING GP-HITCH [A] (NOT SERVICED)
13	171-1229	2	SWITCH AS (REAR HITCH RAISE/LOWER)
	102-8804	1	KIT-RECEPTACLE (4 PIN) (INCLUDES RECEPTACLE AS & WEDGE)

PART OF 169-0063; 169-0064; 177-0678;
177-0679 HITCH AR

00902997
PR: t05c24o40d0062

MT700B SERIES TRACK TRACTOR
ELECTRICAL AND STARTING SYSTEM

CONTROL & WIRING GP-HITCH - 136-5317
LIFT CIRCUIT
EAME ONLY



00863049

**MT700B SERIES TRACK TRACTOR
ELECTRICAL AND STARTING SYSTEM**

175

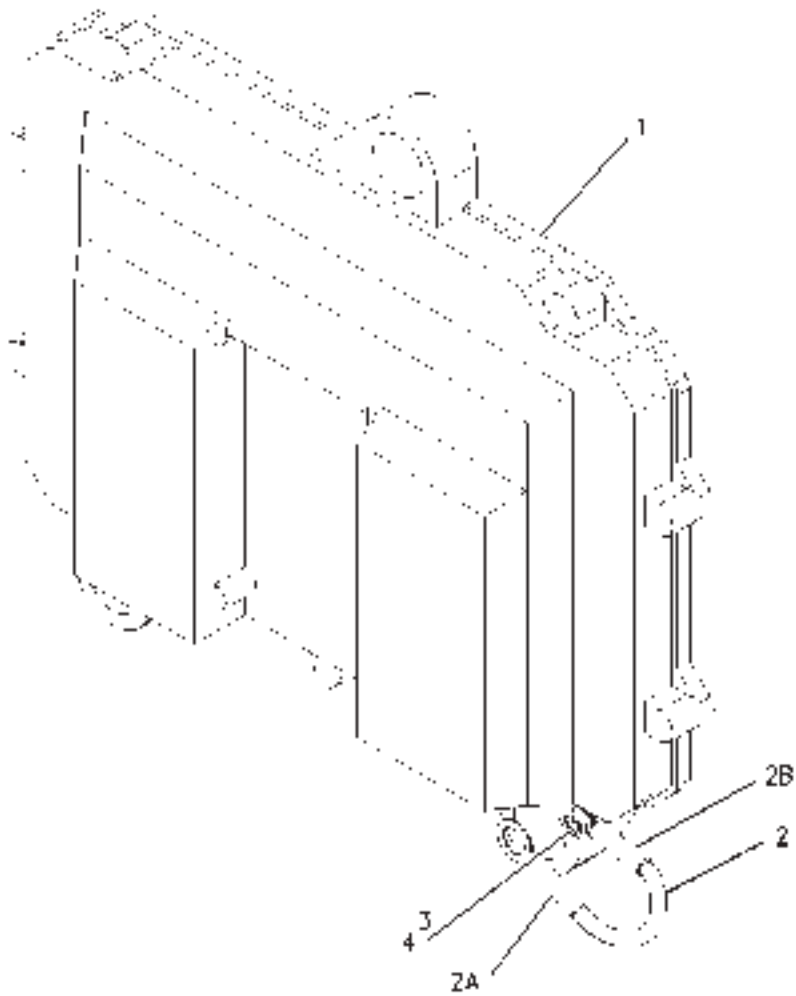
**CONTROL & WIRING GP-HITCH - 136-5317
LIFT CIRCUIT
EAME ONLY**

ITEM	NUMBER	QTY	DESCRIPTION
-	136-5317	--	CONTROL & WIRING GP-HITCH [A] (NOT SERVICED)
1	4E-2250	1	HOUSING
2	CH6I-1418	3	SPACER (8.2X12.7X28.7MM THK)
3	CH7K-1181	1	STRAP-CABLE
4	CH8C-5607	6	MOUNT (ISOLATION)
5	CH8C-5608	3	SPACER (6.5X9.5X25.4MM THK)
6	CH8T-9655	6	MOUNT (ISOLATION)
7	CH9N-0869	3	WASHER-HARD (8.8X25.5X2MM THK)
8	500619D1	1	SENSOR AS-POSITION (REAR HITCH)
	102-8803	1	KIT-RECEPTACLE (3 PIN) INCLUDES RECEPTACLE AS & WEDGE)
	3E-3371	1	WEDGE-RECEPTACLE LOCK (3 PIN)
	CH8T-8729	3	PIN-CONNECTOR
	9X-1813	AR	SLEEVE (13CM LG)
9	229-0891	1	ELECTRONICS GP-IMPL (NOT SERVICED) (SEE 9A & 9B)
9A	216-0658	1	CONTROL GP-ELEK (NOT SHOWN) (SEE BREAKDOWN FOR COMPONENTS)
	CH126-1773	1	CAP-CONNECTOR (SEALED)
9B	256-0176	1	SOFTWARE GP-IMPL (NOT SHOWN) (CALL SERVICE/WARRANTY 507-847-7222)
10	169-3562	1	SHIELD-SENSOR
11	169-5496	1	ARM AS-SENSOR
12	169-5497	1	ROD AS
14	174-8153	1	PLATE-MOUNTING
15	CH2H-3429	1	RING-RETAINING
16	CH2L-6726	1	RING-RETAINING
17	CH4B-4274	2	WASHER (5.5X13X1.2MM THK)
18	400339X1	5	WASHER-HARD (8.8X16X2MM THK)
19	400340X1	1	NUT (M8X1.25 THD)
20	CH6D-3025	2	BALL BEARING
21	CH6V-0894	1	SEAL-O-RING
22	400160X1	2	BOLT (M5X0.8X30MM)
23	400205X1	3	BOLT (M6X1X40MM)
24	400245X1	2	BOLT (M8X1.25X30MM)
25	400287X1	3	WASHER-HARD (11X21X2.5MM THK)
26	400039X1	3	BOLT (M10X1.5X25MM)
27	CH5P-4115	3	WASHER-HARD (7.2X19X2MM THK)
28	400001X1	3	BOLT (M8X1.25X40MM)
29	400300X1	3	NUT (M6X1 THD)
30	CH8T-4205	3	WASHER-HARD (7.2X14.5X2MM THK)

PART OF 169-0063; 169-0064; 177-0678;
177-0679 HITCH AR

00863049
PR: t05c24o40d0063

CONTROL GP-UNPROGRAMMED
216-0658



00818553

**MT700B SERIES TRACK TRACTOR
ELECTRICAL AND STARTING SYSTEM**

177

**CONTROL GP-UNPROGRAMMED
216-0658**

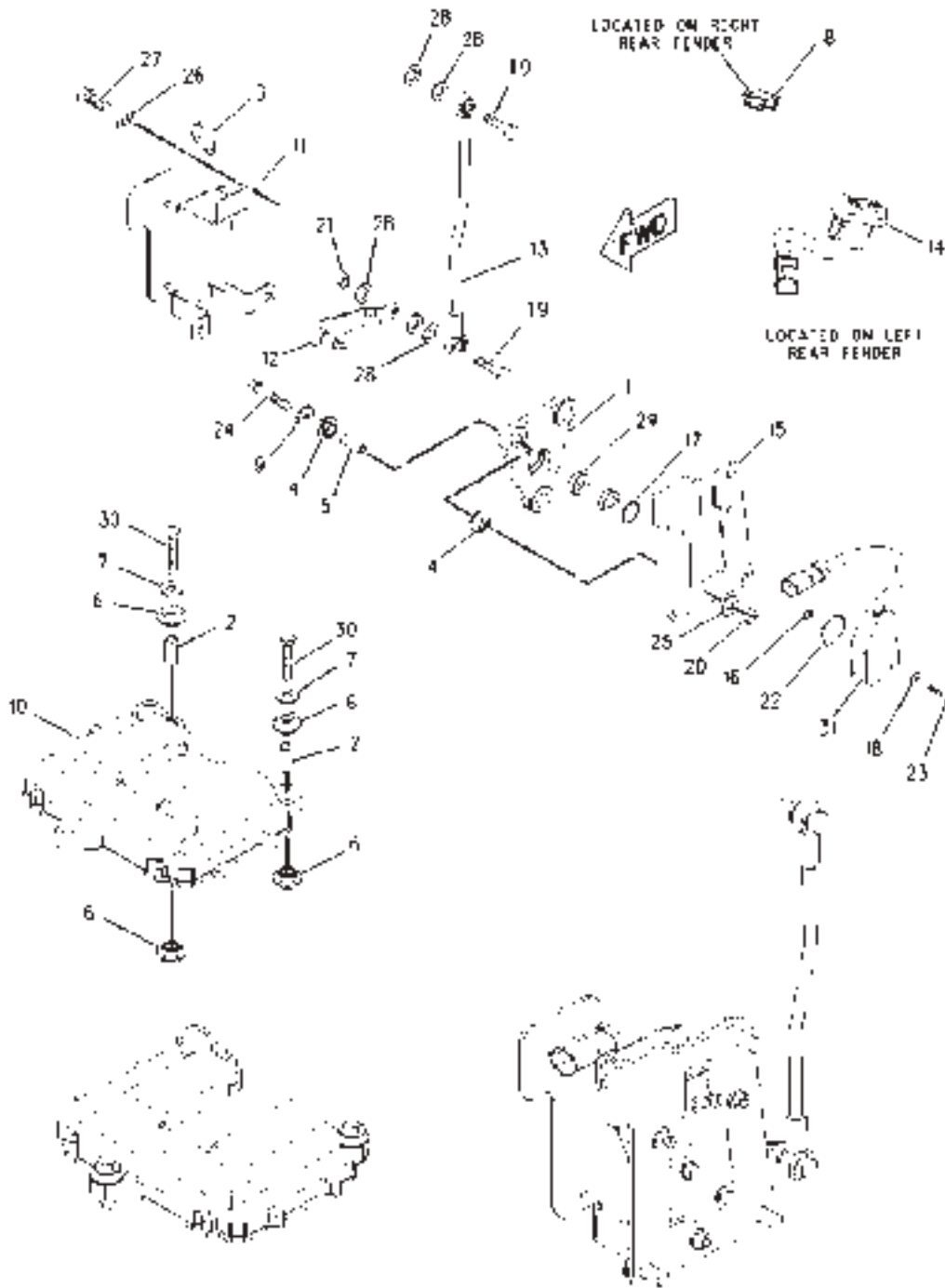
ITEM	NUMBER	QTY	DESCRIPTION
-	216-0658	--	CONTROL GP-UNPROGRAMMED [A] (NOT SERVICED)
1		1	CONTROL AS (NOT SERVICED SEPARATELY)
2	CH7X-6315	1	STRAP AS
2A	CH139-6911	1	TERMINAL-RING
2B	CH7H-1177	1	TERMINAL-RING
3	CH120-4897	1	SCREW-PAN HEAD (M4X0.7X9.5)
4	CH134-4126	1	WASHER (4.52X8.28X.76)

[A] PART OF 168-1947
ELECTRONICS GP-IMPLEMENT

00818553
PR: t05c24o40d0064

MT700B SERIES TRACK TRACTOR
ELECTRICAL AND STARTING SYSTEM

CONTROL & WIRING GP-HITCH - 168-1919
LIFT CIRCUIT



00903105

**MT700B SERIES TRACK TRACTOR
ELECTRICAL AND STARTING SYSTEM**

179

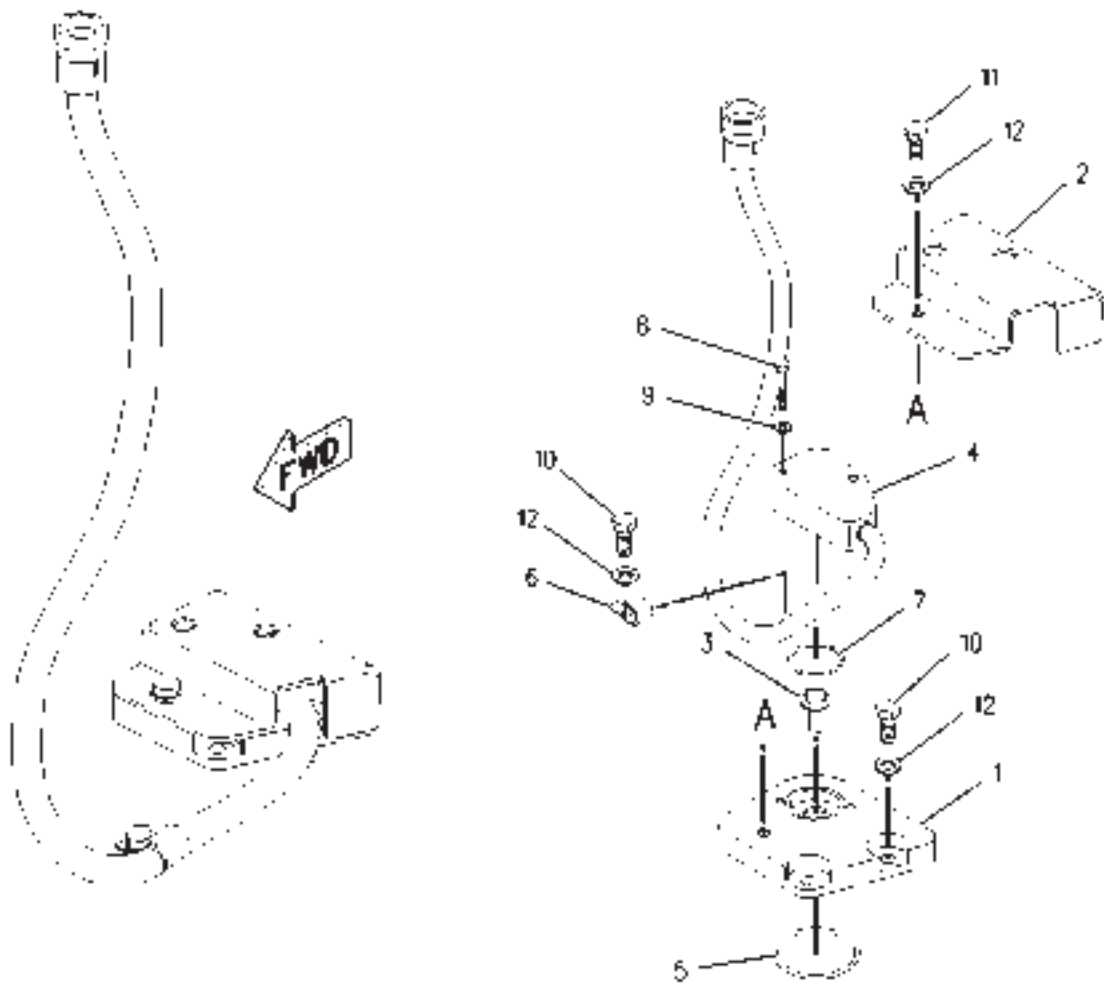
**CONTROL & WIRING GP-HITCH - 168-1919
LIFT CIRCUIT**

ITEM	NUMBER	QTY	DESCRIPTION
-	168-1919	--	CONTROL & WIRING GP-HITCH [A] (NOT SERVICED)
1	4E-2250	1	HOUSING
2	CH6I-1418	3	SPACER (8.2X12.7X28.7MM THK)
3	CH7K-1181	1	STRAP-CABLE
4	CH8C-5607	6	MOUNT (ISOLATION)
5	CH8C-5608	3	SPACER (6.5X9.5X25.4MM THK)
6	CH8T-9655	6	MOUNT (ISOLATION)
7	CH9N-0869	3	WASHER-HARD (8.8X25.5X2MM THK)
8	CH109-2356	1	PLUG
9	CH5P-4115	3	WASHER-HARD (7.2X19X2MM THK)
10	229-0891	1	ELECTRONICS GP-IMPL (NOT SERVICED) (SEE 10A & 10B)
10A	216-0658	1	CONTROL GP-ELEK (NOT SHOWN) (SEE BREAKDOWN FOR COMPONENTS)
	CH126-1773	1	CAP-CONNECTOR (SEALED)
10B	256-0176	1	SOFTWARE GP-IMPL (NOT SHOWN) (CALL SERVICE/WARRANTY 507-847-7222)
11	169-3562	1	SHIELD-SENSOR
12	169-5496	1	ARM AS-SENSOR
13	169-5497	1	ROD AS
14	171-1229	1	SWITCH AS (REAR HITCH RAISE/LOWER)
	CH102-8804	1	KIT-RECEPTACLE (4 PIN)
15	174-8153	1	PLATE-MOUNTING
	CH7T-1099	1	LINK
16	CH2H-3429	1	RING-RETAINING
17	CH2L-6726	1	RING-RETAINING
18	CH4B-4274	2	WASHER (5.5X13X1.2MM THK)
19	400245X1	2	BOLT (M8X1.25X30MM)
20	400300X1	3	NUT (M6X1 THD)
21	400340X1	1	NUT (M8X1.25 THD)
22	CH6V-0894	1	O-RING
23	400160X1	2	BOLT (M5X0.8X30MM)
24	400205X1	3	BOLT (M6X1X40MM)
25	CH8T-4205	3	WASHER-HARD (7.2X14.5X2MM THK)
26	400287X1	3	WASHER-HARD (11X21X2.5MM THK)
27	400039X1	3	BOLT (M10X1.5X25MM)
28	400339X1	5	WASHER-HARD (8.8X16X2MM THK)
29	CH6D-3025	2	BALL BEARING
30	400060X1	3	BOLT (M8X1.25X40MM)
31	500619D1	1	SENSOR-POSITION (REAR HITCH)

[A] PART OF 157-1710;157-1715 HITCH AR

00903105
PR: t05c24o40d0065

CONTROL & WIRING GP - 168-1944
STEERABLE REAR HITCH



00854395

**MT700B SERIES TRACK TRACTOR
ELECTRICAL AND STARTING SYSTEM**

181

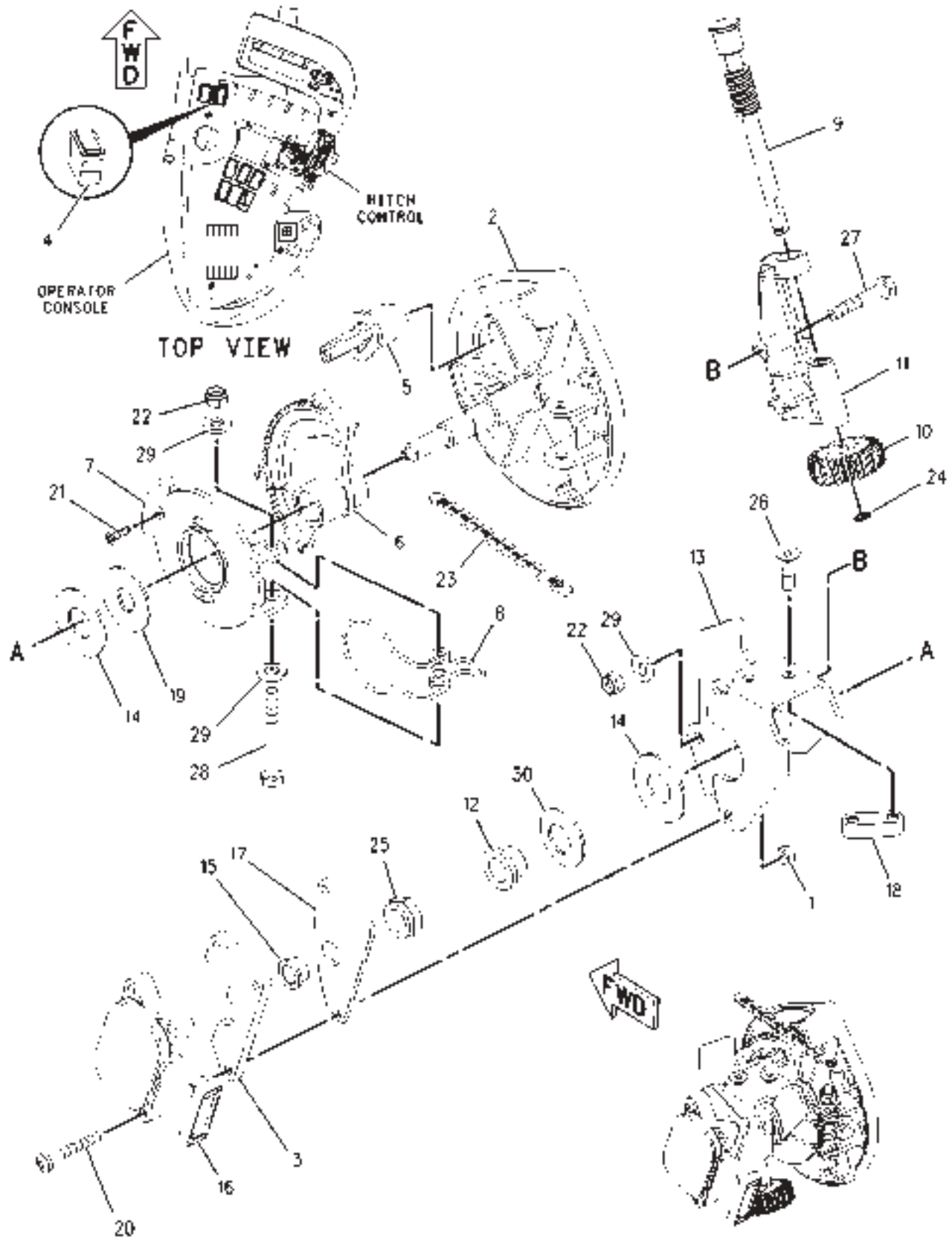
**CONTROL & WIRING GP - 168-1944
STEERABLE REAR HITCH**

ITEM	NUMBER	QTY	DESCRIPTION
-	168-1944	--	CONTROL & WIRING GP-HITCH [A] (NOT SERVICED)
1	169-3559	1	MOUNTING
2	169-3560	1	COVER
3	CH169-3561	1	COUPLING
4	CH215-6495	1	SENSOR (STEERABLE REAR HITCH) (SEE BREAKDOWN FOR COMPONENTS)
5	CH032-9882	1	O-RING
6	CH183-4403	1	CLIP
7	CH6V-0894	1	O-RING
8	400160X1	2	BOLT (M5X0.8X30MM)
9	CH8T-0328	2	WASHER-HARD (5.5X10X1MM THK)
10	400053X1	2	BOLT (M8X1.25X20MM)
11	400227X1	1	BOLT (M8X1.25X16MM)
12	400339X1	3	WASHER-HARD (8.8X16X2MM THK)

[A] PART OF 157-1715; 169-0064;
177-0679 HITCH AR;
500772D1 KIT-HITCH 3PT

00854395
PR: t05c24o40d0066

CONTROL GP-HITCH - 152-0445
REAR 3 POINT



00902355

**MT700B SERIES TRACK TRACTOR
ELECTRICAL AND STARTING SYSTEM**

183

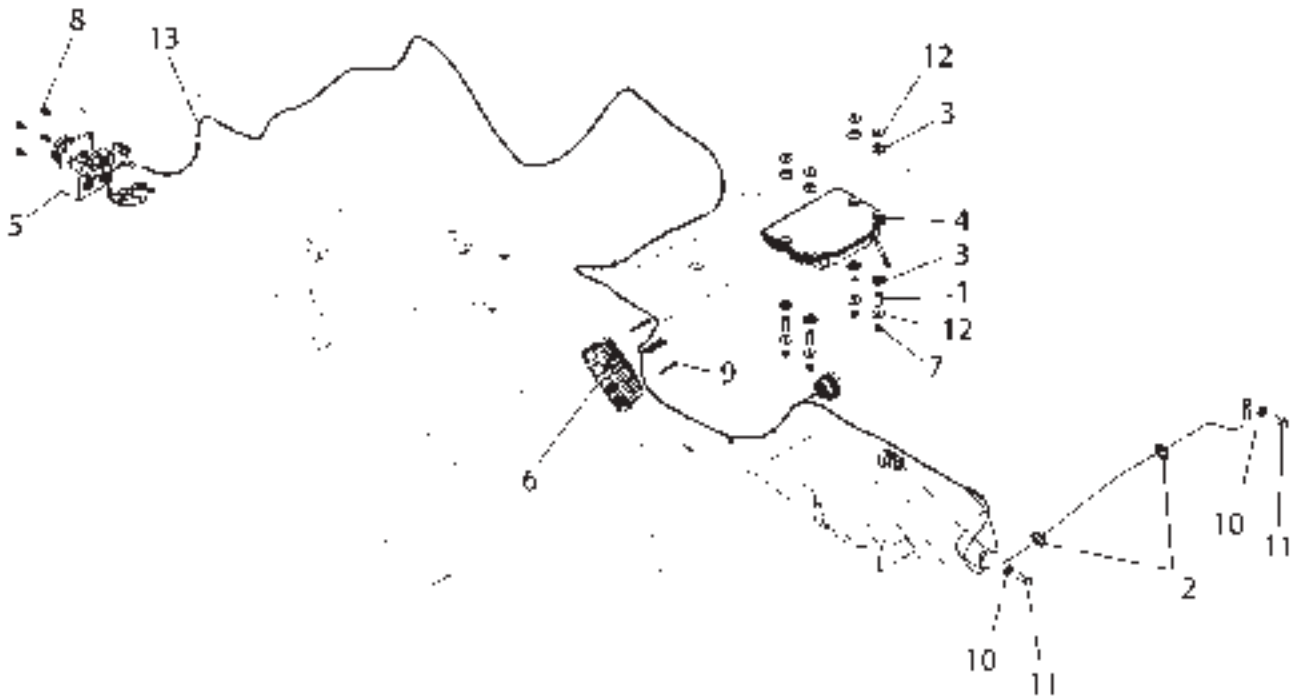
**CONTROL GP-HITCH - 152-0445
REAR 3 POINT**

ITEM	NUMBER	QTY	DESCRIPTION
-	152-0445	--	CONTROL GP-HITCH [A]
1	CH179-4324	2	LOCKNUT (M5X.8 THD)
2	164-7040	1	HANDLE
3	169-6391	1	SPACER-RUBBER
4	169-8227	1	SWITCH AS-ROCKER (3 POINT HITCH CONTROL)
5	172-6851	1	BUTTON
6	172-6852	1	GEAR
7	172-6853	1	STOP
8	172-6858	1	SPRING
9	172-6863	1	GEAR
10	172-6864	1	KNOB (HEIGHT ADJ-3 POINT HITCH CONT)
11	172-6865	1	BRACKET
12	CH174-5747	1	BUSHING
13	179-4227	1	BRACKET
14	400334X1	2	WASHER (16.5X37X1.5MM THK)
15	CH187-4917	1	BUSHING
16	500382D1	1	SENSOR GP-POSITION (3 POINT HITCH)
17	CH207-2023	1	PLATE
18	CH207-2024	1	PLATE
19	CH214-2184	1	WASHER
20	400071X1	2	BOLT-HEX SOCKET
21	CH113-0899	1	SCREW-FLAT HEAD (6-20X0.5IN)
22	CH129-3178	3	LOCKNUT (M6X1 THD)
23	501523D1	1	FILM-INSTRUCTION (3 POINT HITCH)
24	CH3P-3547	1	RING-RETAINING
25	CH4K-8341	1	LOCKNUT (1/2-20 THD)
26	400256X1	2	BOLT-HEX SOCKET (M6X1X20MM)
27	400070X1	2	BOLT-HEX SOCKET (M6X1X35MM)
28	400186X1	1	BOLT (M6X1X50MM)
29	CH8T-4205	4	WASHER-HARD (7.2X14.5X2MM THK)
30	400074X1	1	WASHER-SPRING

[A] PART OF 169-0063;169-0064;177-0678;
177-0679 HITCH AR
500485D2; 500489D2 ARMREST GP

00902355
PR: t05c24o40d0067

CONTROL AR-MACHINE - 216-0874
ISO READY UPGRADE



2160874F

**MT700B SERIES TRACK TRACTOR
ELECTRICAL AND STARTING SYSTEM**

185

**CONTROL AR-MACHINE - 216-0874
ISO READY UPGRADE**

ITEM	NUMBER	QTY	DESCRIPTION
-	142-9836	--	CONTROL AR-MACHINE
1	CH6I-1418	4	SPACER
2	CH7K-1181	22	STRAP-CABLE
3	400941X1	8	MOUNT-ISO
4	216-0614	1	ELECTRONICS GP-MACHINE (COMMUNICATION) (NOT SERVICED) (SEE BREAKDOWN FOR COMPONENTS)
5	502486D1	1	HARNESS ISO-ISO
	502242D1	1	HARNESS AS
	502487D1	1	CONNECTOR AS (REPLACEMENT PINS LISTED BELOW)
	400382X1	2	PIN-CONNECTOR (12-14AWG)
	400899X1	2	PIN-CONNECTOR (8-10AWG)
6	501829D1	1	PANEL GP-FUSE (SEE BREAKDOWN FOR COMPONENTS)
7	400340X1	4	NUT (M8X1.25)
8	CH6V-8931	4	SCREW-WASHER HEAD (M6X1X16)
9	400208X1	4	BOLT-SOCKET HEAD (M5X0.8X40MM)
10	400287X1	2	WASHER-HARD
11	400039X1	2	BOLT (M10X1.5X25)
12	CH9N-0869	8	WASHER-HARD (8.8X25.5X2)
13	502434D1	1	HARNESS AS (W/TERMINATOR)
	502435D1	1	TERMINATOR-ACTIVE

2160874F
PR: t05c24o40d0068

**MT700B SERIES TRACKTRACTOR
ELECTRICAL AND STARTING SYSTEM**

187

**CONTROL AR-MACHINE - 219-8737
ISO COMPATIBLE**

ITEM	NUMBER	QTY	DESCRIPTION
-	219-8737	--	CONTROL AR-MACHINE (NOT SERVICED)
1	CH6I-1418	4	SPACER (8.2X12.7X28.7MM THK)
2	CH7K-1181	22	STRAP-CABLE
3	500910D1	1	HARNESS AS (ISO INTERNAL)
4	502434D1	1	HARNESS AS (ISO EXTERNAL)
5	500512D1	1	BRACKET
6	CH8T-9655	8	MOUNT-ISOLATION
7	400295X1	1	NUT (1 11/16-18 THD)
8	216-0614	1	ELECTRONICS GP-MACHINE (COMMUNICATION) (NOT SERVICED) (SEE BREAKDOWN FOR COMPONENTS)
9	502486D1	1	HARNESS AS (ISO)
10	CH128-4249	1	LOCKWASHER
11	501829D1	1	PANEL GP-FUSE (NOT SERVICED) (SEE BREAKDOWN FOR COMPONENTS)
12	400040X1	2	BOLT (M10X1.5X20MM)
13	400340X1	4	NUT (M8X1.25 THD)
14	CH6V-8931	4	SCREW-WASHER HEAD
15	400208X1	4	BOLT-SOCKET HEAD (M5X0.8X40MM)
16	400287X1	4	WASHER-HARD (11X21X2.5MM THK)
17	400039X1	2	BOLT (M10X1.5X25MM)
18	CH9N-0869	8	WASHER-HARD (8.8X25.5X2MM THK)

00897488
PR: t05c24o40d0069

CONTROL AR-AUTOGUIDE
FACTORY & FIELD INSTALLED

NO ILLUSTRATION

NOTIF

**MT700B SERIES TRACK TRACTOR
ELECTRICAL AND STARTING SYSTEM**

189

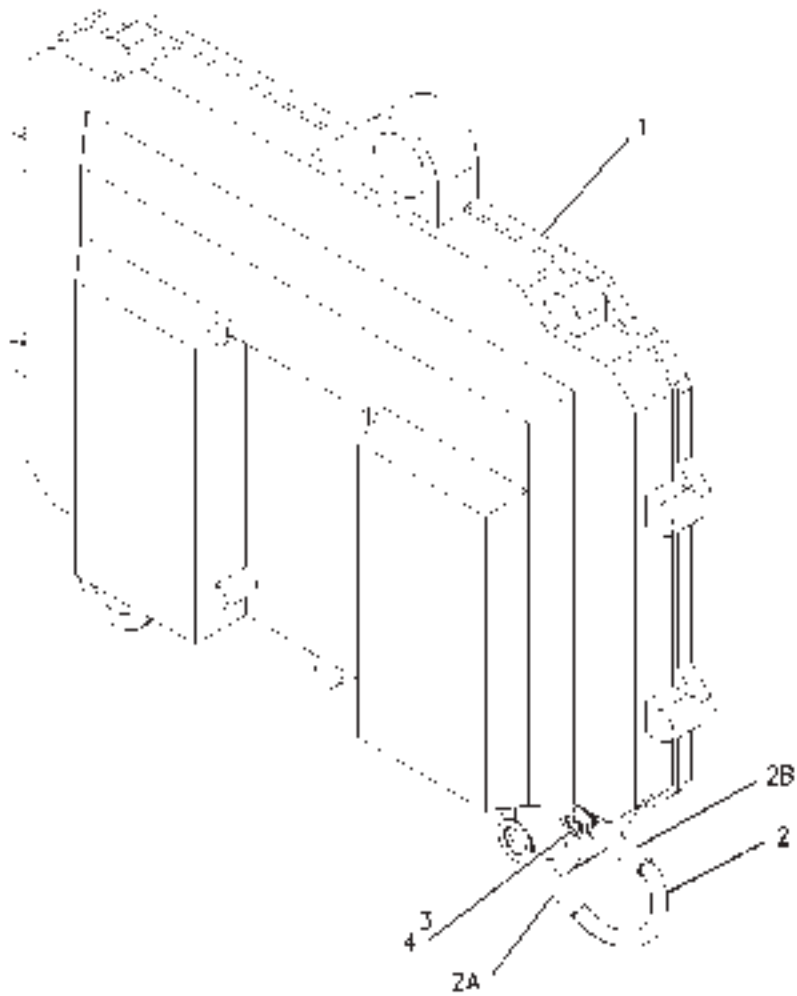
**CONTROL AR-AUTOGUIDE
FACTORY & FIELD INSTALLED**

ITEM	NUMBER	QTY	DESCRIPTION
-	500629D1	--	CONTROL AR-AUTOGUIDE (NOT SERVICED)
1	79019518B		MANUAL-AUTOGUIDE
2	500607D1	1	RECEIVER GP (NOT SERVICED) (SEE BREAKDOWN FOR COMPONENTS)
3	500616D1	1	SWITCH GP-RECEIVER (GPS) (NOT SERVICED) (SEE BREAKDOWN FOR COMPONENTS)
-	500630D1	--	KIT CONTROL AR-AUTOGUIDE SYSTEM (FIELD INSTALLED)
1	79019518B	1	MANUAL, OPERATOR'S-AUTOGUIDE
2	500606D1	1	SWITCH GP-GUIDANCE (GPS) (NOT SERVICED) (SEE BREAKDOWN FOR COMPONENTS)
3	500607D1	1	RECEIVER GP-TRANSMITTER (GPS) (SEE BREAKDOWN FOR COMPONENTS)
4	500611D1	1	GROMMET-RH (HANDRAIL) (MT700 ONLY)

NOTIF
PR: t05c24o40d0070

MT700B SERIES TRACK TRACTOR
ELECTRICAL AND STARTING SYSTEM

CONTROL GP-UNPROGRAMMED - CH192-1590



00818553

**MT700B SERIES TRACK TRACTOR
ELECTRICAL AND STARTING SYSTEM**

191

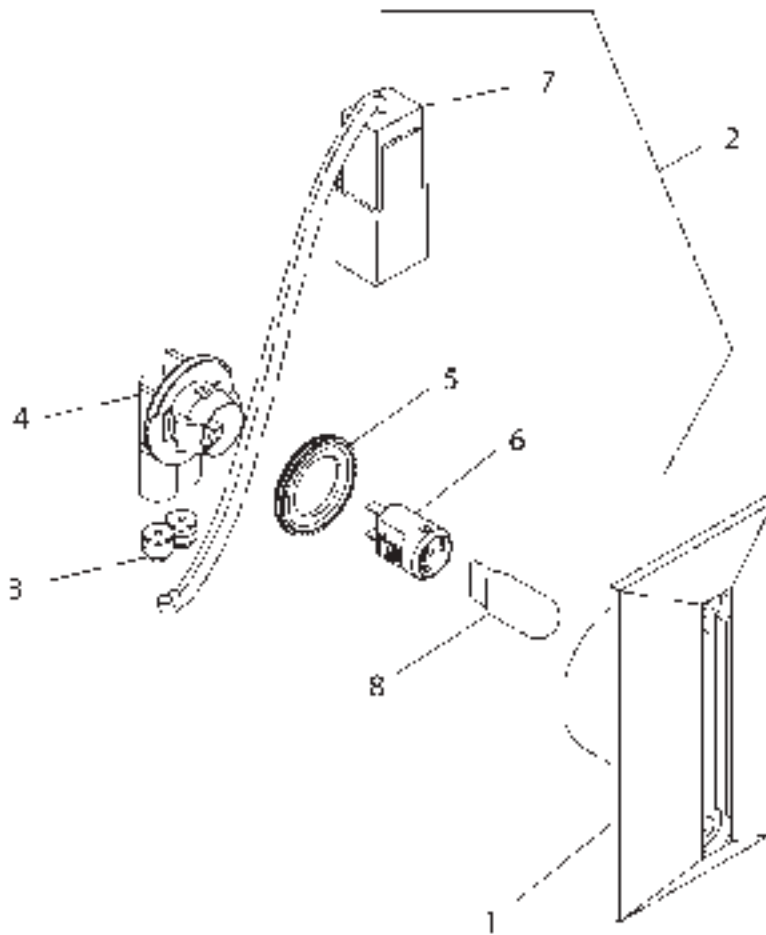
CONTROL GP-UNPROGRAMMED - CH192-1590

ITEM	NUMBER	QTY	DESCRIPTION
-	CH192-1590	--	CONTROL GP-UNPROGRAMMED [A]
1		1	CONTROL ASY. (NOT SERVICED SEPARATELY)
2	CH7X-6315	1	STRAP AS.
2A	CH2L-8078	1	CONNECTOR
2B	CH2L-8075	1	TERMINAL (14-16 GA) (4.17MM)
3	CH184-2472	1	SCREW-PAN HEAD (LUBRICATED)
4	CH134-4126	1	WASHER (4.52X8.28X.76MM THK)

[A] PART OF 209-0896;209-0899
ELECTRONICS GP-IMPLEMENT;
180-4828 KIT-VALVE

00818553
PR: t05c24o40d0071

LIGHT AS - COURTESY - 12V
501935D1



501935DB

**MT700B SERIES TRACK TRACTOR
ELECTRICAL AND STARTING SYSTEM**

193

**LIGHT AS - COURTESY - 12V
501935D1**

ITEM	NUMBER	QTY	DESCRIPTION
-	501935D1	--	LIGHT AS - COURTESY [A]
1	501936D1	1	HOUSING
2	501934D1	1	LAMP AS (INCLS 3-10)
3	400403X1	2	SEAL
4	400405X1	1	CONNECTOR
5	400406X1	1	SEAL
6	400407X1	1	LAMP SOCKET INSERT
7	501962D1	1	RECEPTACLE-CONN DEUTSCH 2 PIN
8	CH6T-7298	1	LAMP-12V BASE W-2 CLEAR
9	400404X1	2	SOCKET (NOT SHOWN)
10	400562X1	2	PIN-CONNECTOR 16-18 AWG (NOT SHOWN)

[A] PART OF 152-0420 WIRING GP

501935DB
PR: t05c24o40d0072

NO ILLUSTRATION

NOTIF

**MT700B SERIES TRACK TRACTOR
ELECTRICAL AND STARTING SYSTEM**

195

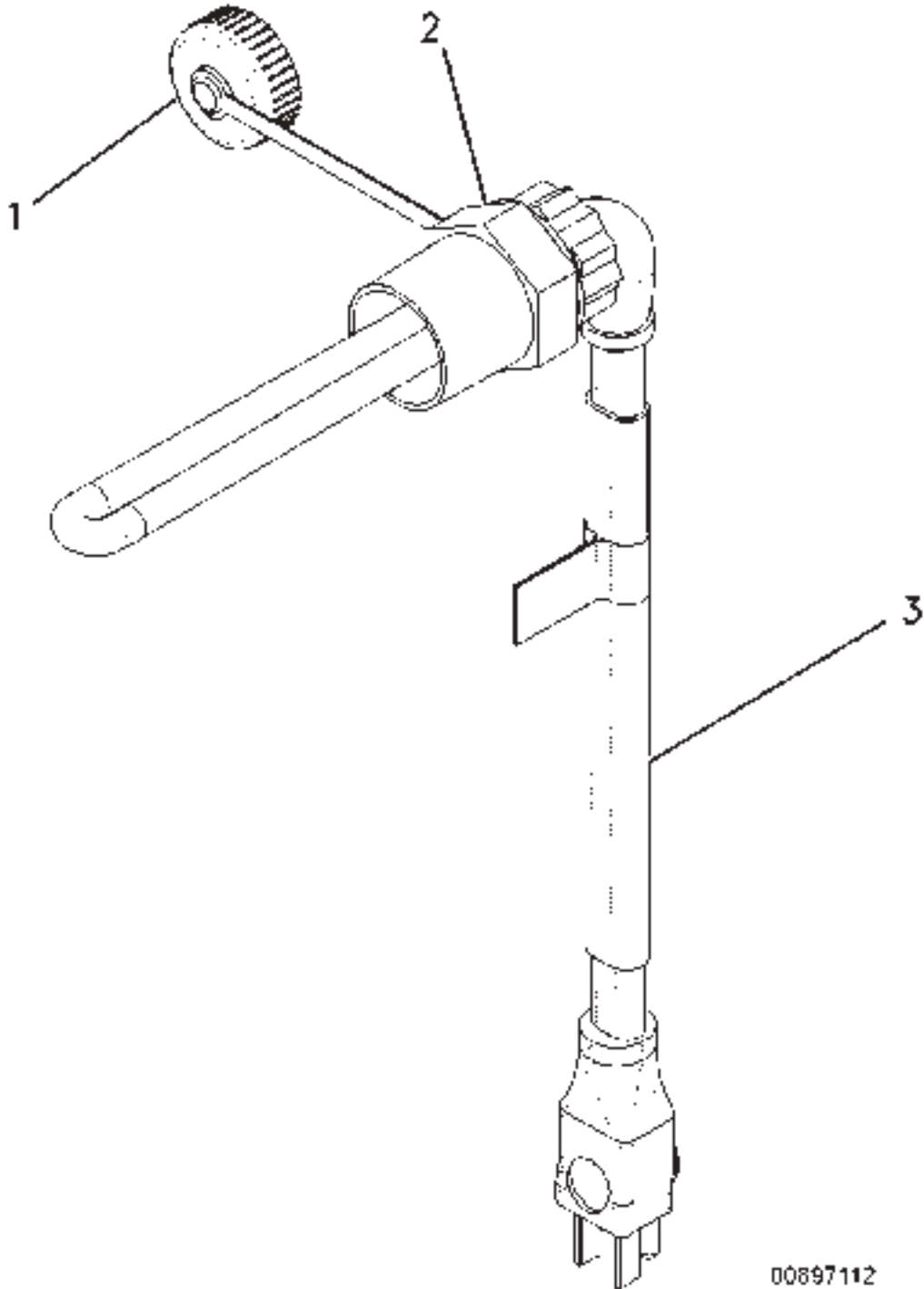
**ELECTRONICS GP-MACHINE - ISO
216-0614**

ITEM	NUMBER	QTY	DESCRIPTION
-	216-0614	--	ELECTRONICS GP-MACHINE [A] (NOT SERVICED)
	201-9041	1	CONTROL GP-ENGINE ELECTRONIC
	256-0187	1	SOFTWARE GP-COMMUNICATION (CONTACT CHALLENGER PRODUCT SUPPORT AT 507-847-7222)
	79019518B	1	MANUAL-AUTOGUIDE

[A] PART OF 142-9836; 216-0874;
219-8737 CONTROL AR-MACHINE

NOTIF
PR: t05c24o40d0073

HEATER GP-JACKET WATER - CH218-9739
REAR 120 VOLT
ROW ONLY



00897112

**MT700B SERIES TRACK TRACTOR
ELECTRICAL AND STARTING SYSTEM**

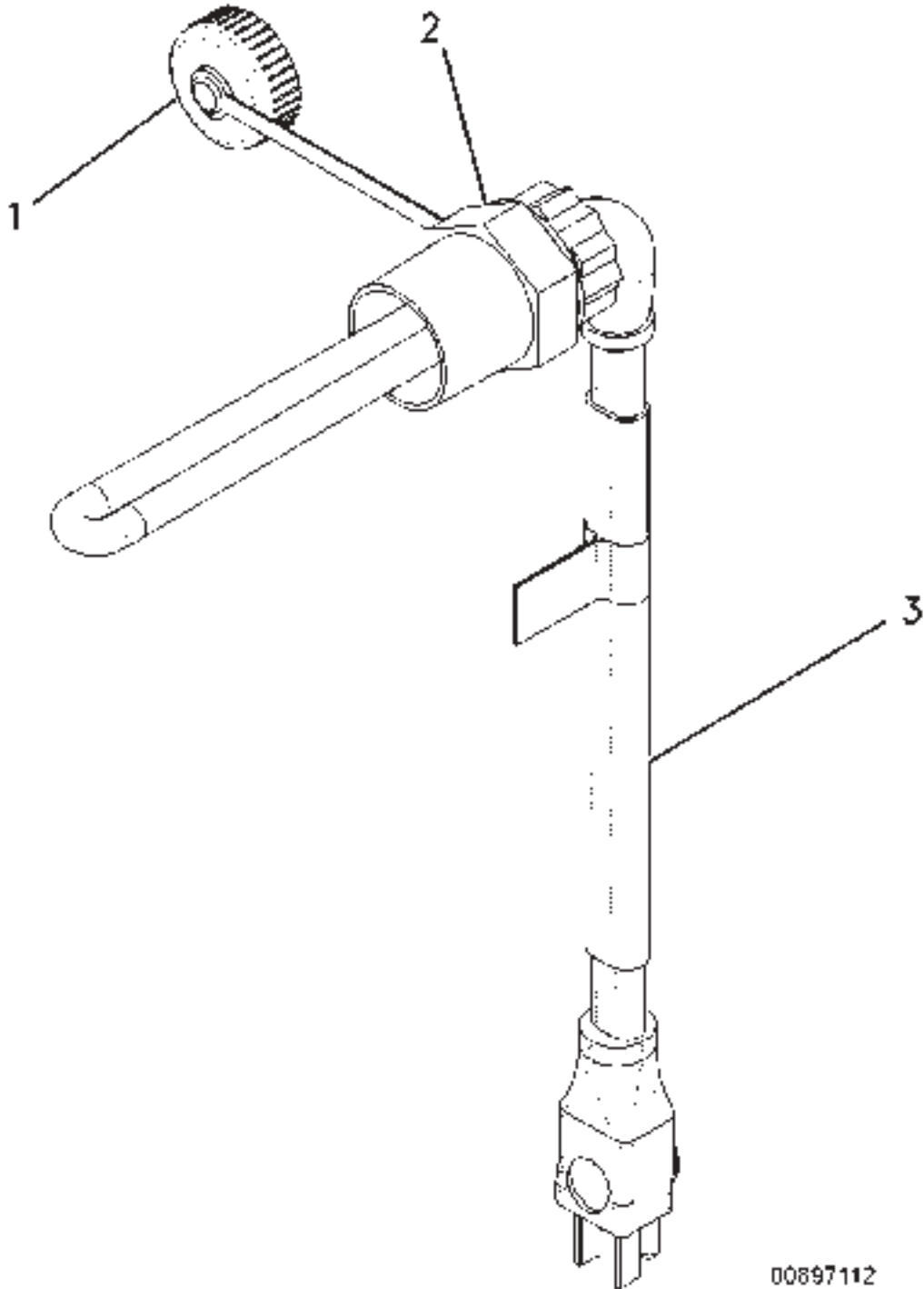
197

**HEATER GP-JACKET WATER - CH218-9739
REAR 120 VOLT
ROW ONLY**

ITEM	NUMBER	QTY	DESCRIPTION
-	CH218-9739	--	HEATER GP-JACKET WATER (NOT SERVICED)
1	CH6N-1604	1	CAP DUST-DUST
2	CH9G-6655	1	ELEMENT JACKET-JACKET WATER HEATER (120 VOLTS/1500 WATTS)
3	CH188-1336	1	CORD AS.

00897112
PR: t05c24o40d0074

HEATER GP-JACKET WATER - 218-9738
REAR 240 VOLT
EAME ONLY



00897112

MT700B SERIES TRACK TRACTOR
ELECTRICAL AND STARTING SYSTEM

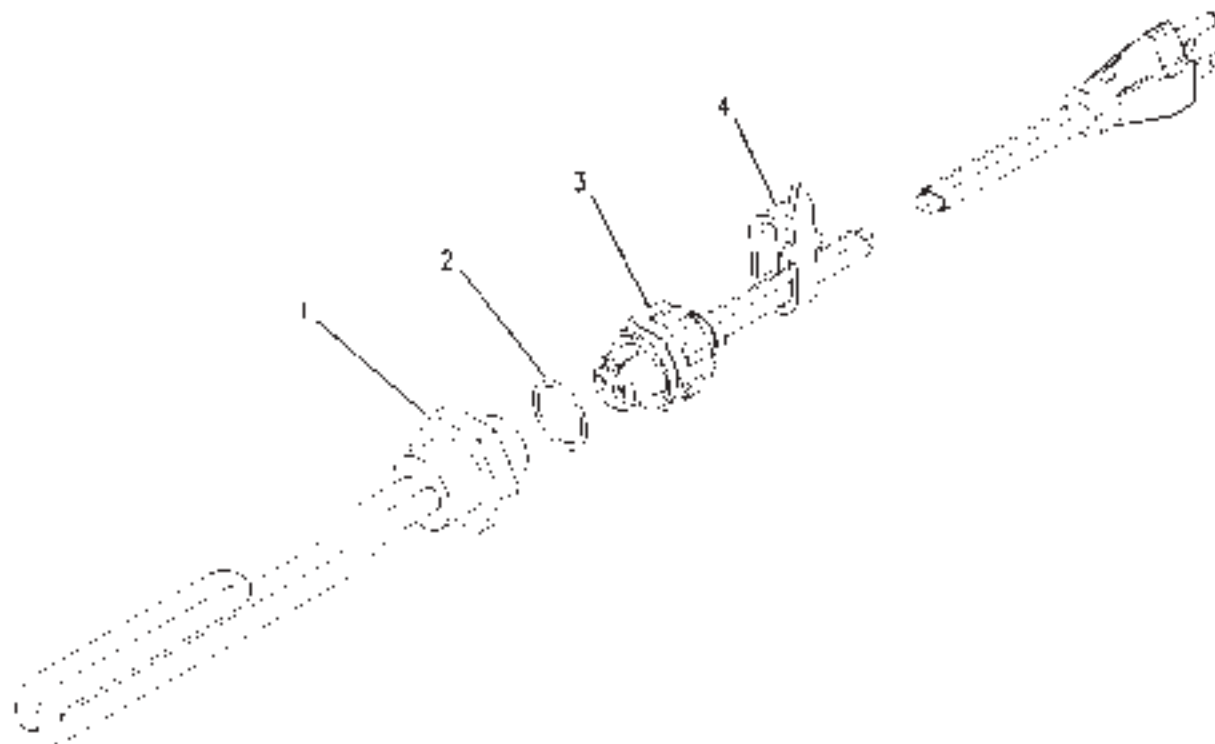
199

HEATER GP-JACKET WATER - 218-9738
REAR 240 VOLT
EAME ONLY

ITEM	NUMBER	QTY	DESCRIPTION
-	218-9738	--	HEATER GP-JACKET WATER (NOT SERVICED)
1	CH6N-1604	1	CAP DUST-DUST
2	CH6T-3764	1	ELEMENT JACKET-JACKET WATER HEATER (240 VOLTS/1500 WATTS)
3	CH188-1588	1	CORD AS.

00897112
PR: t05c24o40d0075

HEATER GP-TRANSMISSION - 163-0380
120 VOLT
ROW ONLY



00810041

**MT700B SERIES TRACK TRACTOR
ELECTRICAL AND STARTING SYSTEM**

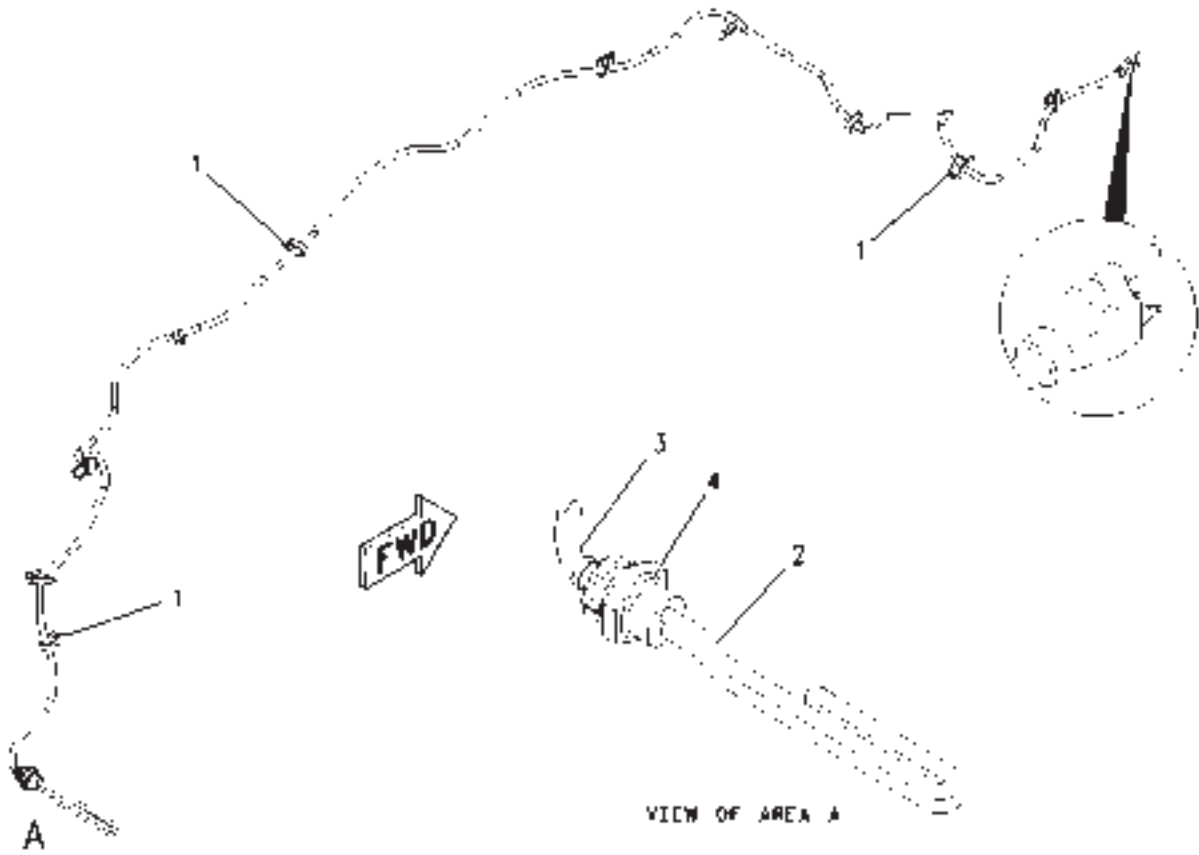
201

**HEATER GP-TRANSMISSION - 163-0380
120 VOLT
ROW ONLY**

ITEM	NUMBER	QTY	DESCRIPTION
-	163-0380	--	HEATER GP-TRANS (NOT SERVICED)
1	205-8771	1	ELEMENT AS. (120 VOLT) (TRANSMISSION HEATER)
2	400593X1	1	O-RING
3	CH163-0393	1	CORD
4	400837X1	10	STRAP-CABLE

00810041
PR: t05c24o40d0076

HEATER GP-TRANSMISSION - 163-0381
240 VOLT



00856912

MT700B SERIES TRACK TRACTOR
ELECTRICAL AND STARTING SYSTEM

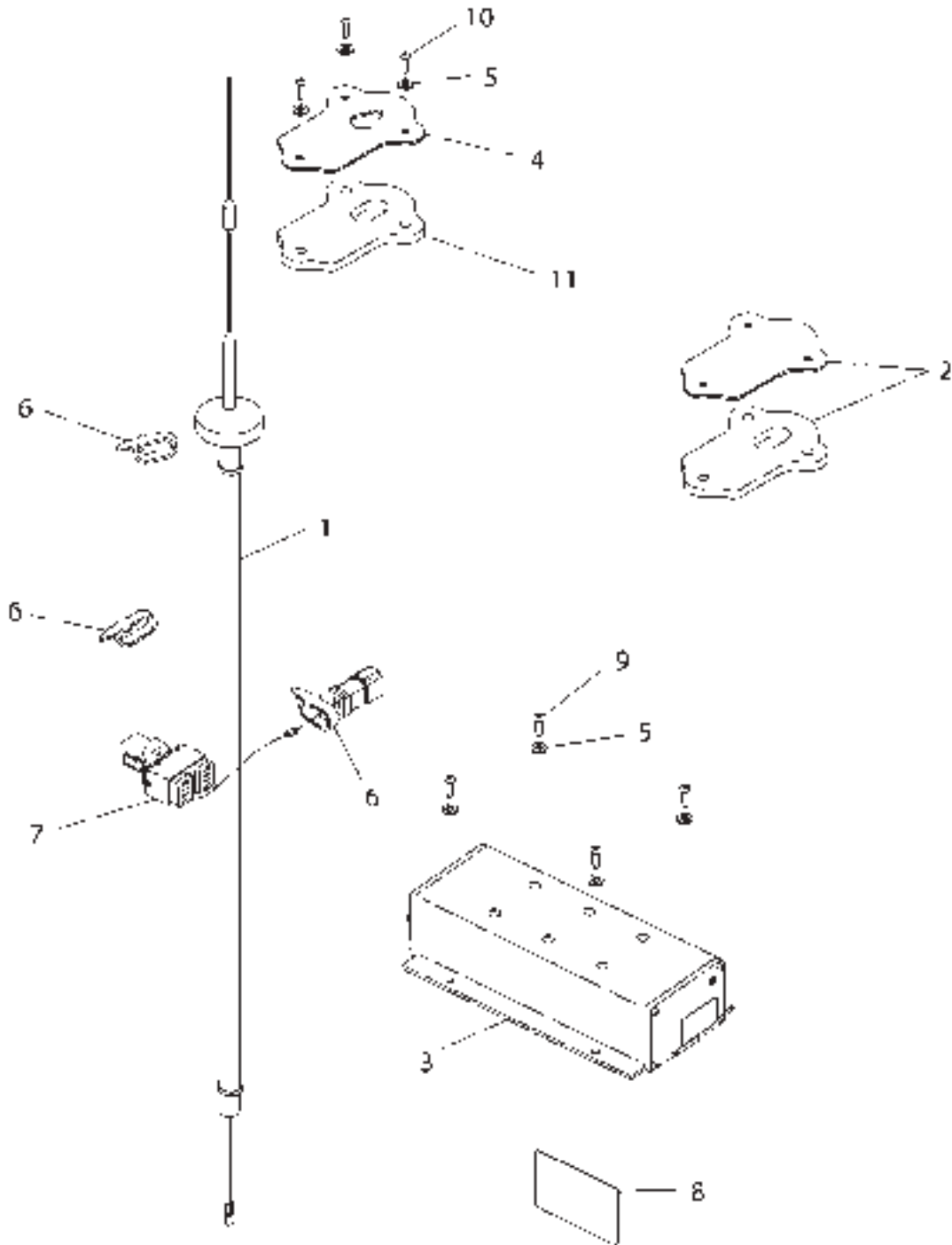
203

HEATER GP-TRANSMISSION - 163-0381
240 VOLT

ITEM	NUMBER	QTY	DESCRIPTION
-	163-0381	--	HEATER GP-TRANS (NOT SERVICED)
1	400837X1	10	STRAP-CABLE
2	205-8772	1	ELEMENT AS. (240 VOLT) (TRANSMISSION HEATER)
3	CH205-8770	1	CORD HEATER-HEATER
4	400593X1	1	O-RING

00856912
PR: t05c24o40d0077

RECEIVER KIT-TRANSMITTER - 162-4099



1624099J

**MT700B SERIES TRACK TRACTOR
ELECTRICAL AND STARTING SYSTEM**

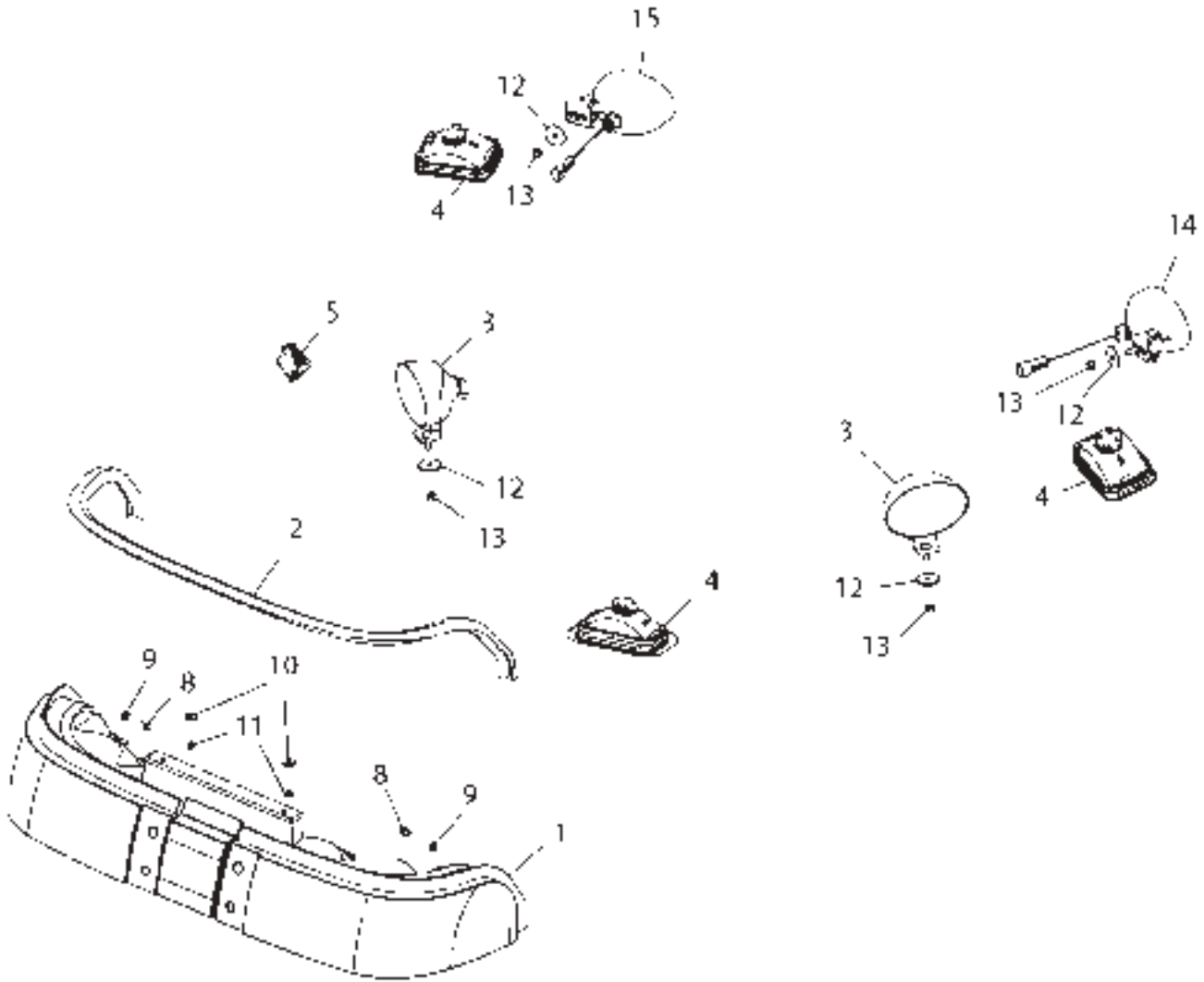
205

RECEIVER KIT-TRANSMITTER - 162-4099

ITEM	NUMBER	QTY	DESCRIPTION
	162-4099	--	RECEIVER KIT-TRANSMITTER
1	CH207-6797	1	ANTENNA AS.-ROOF (GPS/VHF)
2	142-9831	1	COVER KIT-CAB
	500679D1	1	PLATE
	500682D1	1	GASKET-COVER (PL201 ANTENNA)
3	CH209-6417	1	CONTROL GP-ELECTRONIC
4	500680D1	1	BRACKET
5	CH8T-4205	7	WASHER-HARD 7.2IDX14.5ODX2MM
6	400837X1	4	STRAP-CABLE (PLASTIC)
7	502176D1	1	HARNESS AS.
8	CH185-7141	1	FILM-WARN (LINK RADIO)
9	CH110-2028	4	SCREW-NO10-14X19MM PAN,THD CTG
10	CH8T-9501	3	SCREW-10-16X19.05 PAN,THD FMG
11	500682D1	1	GASKET-COVER (PL201 ANTENNA)

1624099J
PR: t05c24o40d0078

LIGHTING GP (STANDARD) - 500640D1
ROW ONLY



500640DA

**MT700B SERIES TRACK TRACTOR
ELECTRICAL AND STARTING SYSTEM**

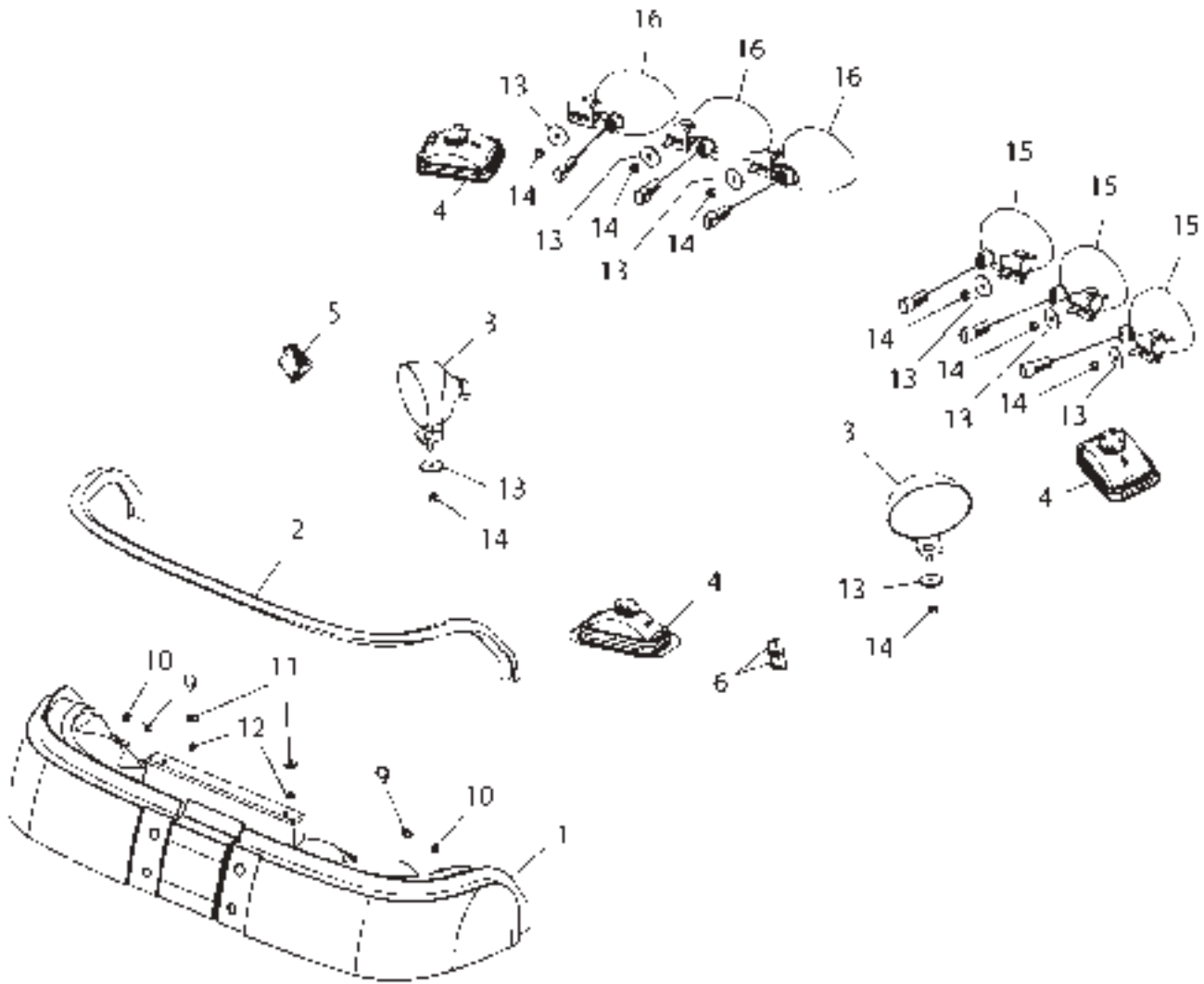
207

**LIGHTING GP (STANDARD) - 500640D1
ROW ONLY**

ITEM	NUMBER	QTY	DESCRIPTION
-	500640D1	--	LIGHTING GP (STANDARD) [A] (NOT SERVICED)
1	500773D1	1	LAMP GP (HOOD) (NOT SERVICED) (SEE BREAKDOWN FOR COMPONENTS)
2	173-8816	1	SEAL-HOOD
3	500636D1	2	WORK LIGHT
	500678D1	1	BULB 886-12.8V 50W HALOGEN
4	166-4616	3	LAMP GP-PORCH
	CH136-5252	1	LAMP-12V BASE
5	165-5973	1	SWITCH AS.-ROCKER
8	400223X1	2	BOLT-M6X1X12MM ZNDI HHD 10.9
9	CH8T-4205	2	WASHER-HARD 7.2IDX14.5ODX2MM
10	CH5P-4115	2	WASHER-7.2IDX19ODX2MM
11	400300X1	2	NUT M6X1
12	CH156-0283	4	WASHER-HARD 8.4IDX35ODX2.5 MM
13	CH3E-9860	4	LOCKNUT-5/16-18 ZNDI
14	500654D2	1	WORK LIGHT (LH)
	400862X1	1	BULB 885-12.8V 50W HALOGEN
	500677D2	1	WORK LIGHT (LH)
	502094D1	1	HARNESS AS. - JUMPER
15	500653D2	1	WORK LIGHT (RH)
	400862X1	1	BULB 885-12.8V 50W HALOGEN
	500676D2	1	WORK LIGHT (RH)
	502094D1	1	HARNESS AS. - JUMPER

500640DA
PR: t05c24o40d0079

LIGHTING GP (DELUXE) - 500641D1



500641DA

**MT700B SERIES TRACK TRACTOR
ELECTRICAL AND STARTING SYSTEM**

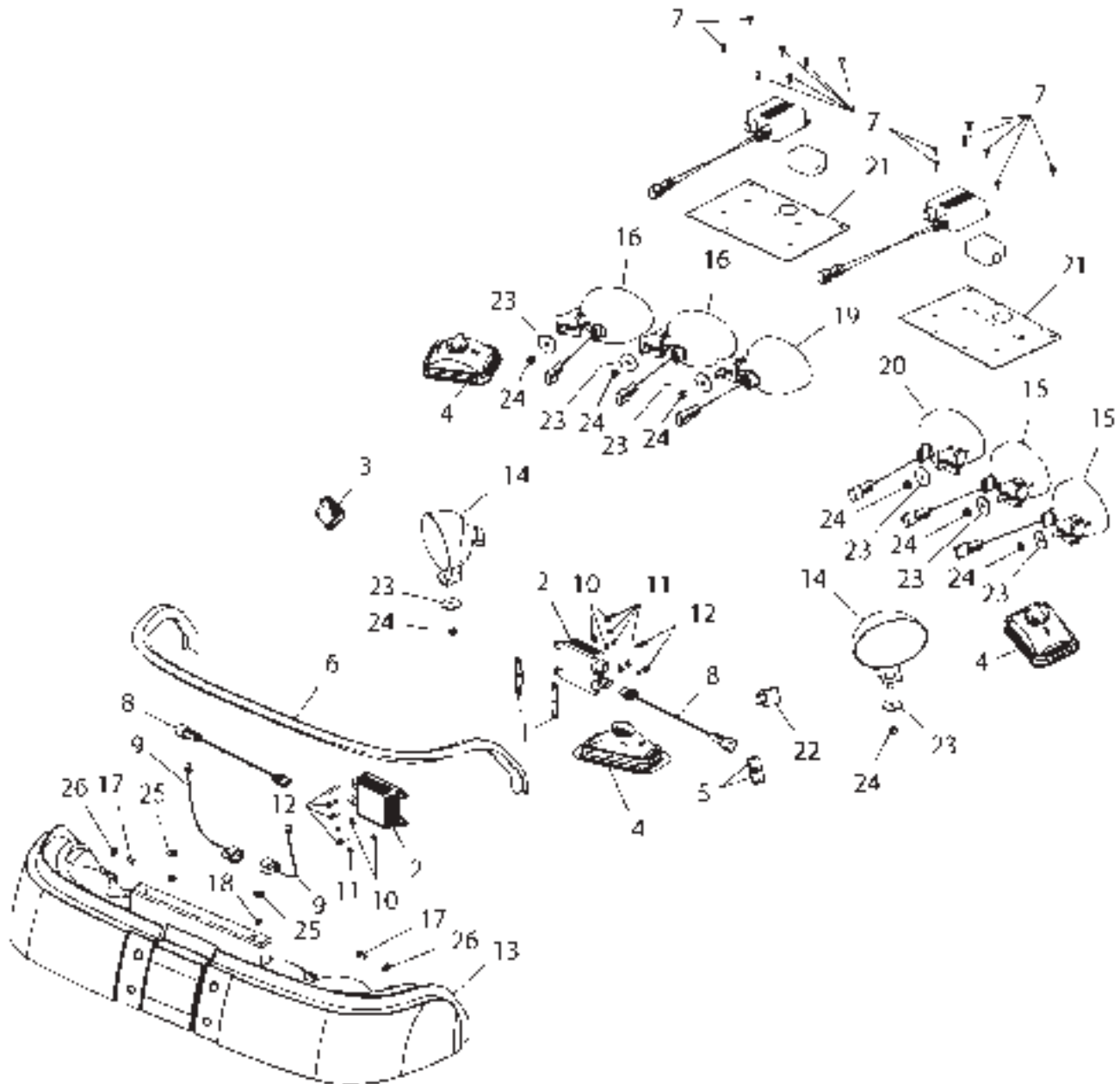
209

LIGHTING GP (DELUXE) - 500641D1

ITEM	NUMBER	QTY	DESCRIPTION
-	500641D1	--	LIGHTING GP (DELUXE) (NOT SERVICED)
-	500650D1	--	KIT-LIGHTING (CONVERT STD TO DELUXE)
1	500773D1	1	LAMP GP (HOOD) (NOT SERVICED) (SEE BREAKDOWN FOR COMPONENTS)
2	173-8816	1	SEAL-HOOD
3	500636D1	2	WORK LIGHT
	500678D1	1	BULB 886-12.8V 50W HALOGEN
4	166-4616	3	LAMP GP-PORCH
	CH136-5252	1	LAMP-MINIATURE
5	165-5973	1	SWITCH AS.-ROCKER
6	CH146-9439	2	RELAY AS.
9	400223X1	2	BOLT-M6X1X12MM ZNDI HHD 10.9
10	CH8T-4205	2	WASHER-HARD 7.2IDX14.5ODX2MM
11	CH5P-4115	2	WASHER-7.2IDX19ODX2MM
12	400300X1	2	NUT M6X1
13	CH156-0283	8	WASHER-HARD 8.4IDX35ODX2.5 MM
14	CH3E-9860	8	LOCKNUT-5/16-18 ZNDI
15	500654D2	3	WORK LIGHT (LH)
	400862X1	1	BULB 886-12.8V 50W HALOGEN
	500677D2	1	WORK LIGHT (LH)
	502094D1	1	HARNESS AS.-JUMPER
16	500653D2	3	WORK LIGHT (RH)
	400862X1	1	BULB 886-12.8V 50W HALOGEN
	500676D2	1	WORK LIGHT (RH)
	502094D1	1	HARNESS AS.-JUMPER

500641DA
PR: t05c24o40d0080

LIGHTING GP (HID) - 500642D1



**MT700B SERIES TRACK TRACTOR
ELECTRICAL AND STARTING SYSTEM**

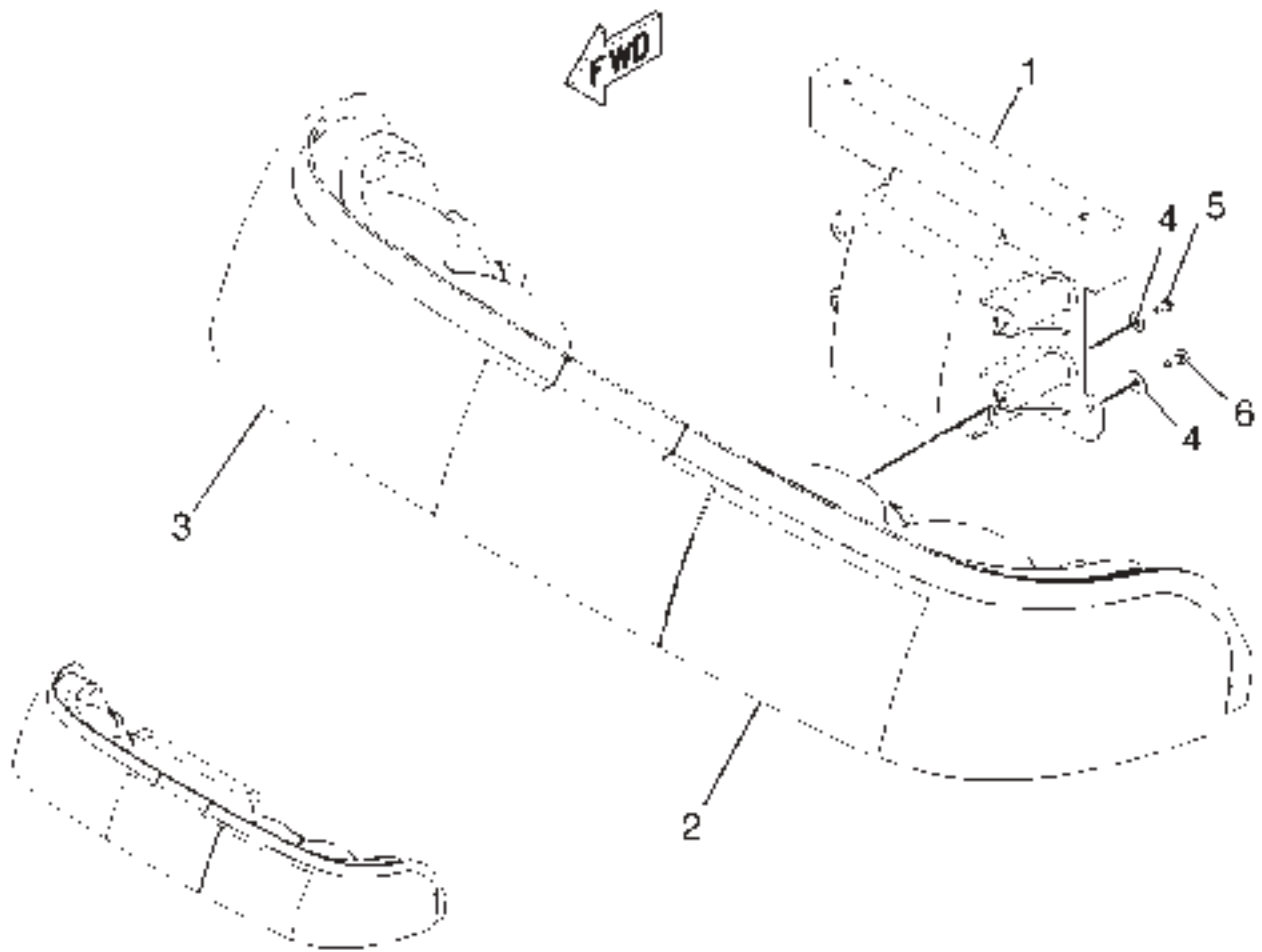
211

LIGHTING GP (HID) - 500642D1

ITEM	NUMBER	QTY	DESCRIPTION
	500642D1	--	LIGHTING GP (HID) (NOT SERVICED)
-	500651D1	--	KIT-LIGHTING (CONVERT STD TO HID)
-	500652D1	--	KIT-LIGHTING (CONVERT DELUXE TO HID)
1	136-5509	2	BRACKET-BALLAST
2	136-5597	2	BALLAST AS.-HID
3	165-5973	1	SWITCH AS.-ROCKER
4	166-4616	3	LAMP GP-PORCH
	CH136-5252	1	LAMP-MINIATURE
5	CH170-2237	1	RELAY AS.-12 VDC
6	173-8816	1	SEAL-HOOD
7	CH119-5026	14	SCREW-# 10-16X16MM PAN THD CTG
8	502177D1	2	HARNESS AS.-BALLAST
9	202-7320	2	HARNESS AS.-HID
10	CH4B-4274	6	WASHER-5.5IDX13ODX1.2MM
11	CH5C-2874	6	NUT-M5X0.8THD HEX ZNDI
12	400211X1	6	BOLT-M5X0.8-6GX20 ZN HHD 8.8
13	500774D1	1	LAMP GP (HOOD) (NOT SERVICED) (SEE BREAKDOWN FOR COMPONENTS)
14	500636D1	2	WORK LIGHT
	500678D1	1	BULB 886-12.8V 50W HALOGEN
15	500654D2	2	WORK LIGHT (LH)
	400862X1	1	BULB 886-12.8V 50W HALOGEN
	500676D2	1	WORK LIGHT (RH)
	502094D1	1	HARNESS AS. JUMPER
16	500653D2	2	WORK LIGHT (RH)
	400862X1	1	BULB 886-12.8V 50W HALOGEN
	500677D2	1	WORK LIGHT (LH)
	502094D1	1	HARNESS AS. JUMPER
17	400223X1	2	BOLT-M6X1X12MM ZNDI HHD 10.9
18	400300X1	2	NUT M6X1
19	500634D2	1	WORK LIGHT (RH)
	500676D2	1	WORK LIGHT (RH)
	500638D1	1	HARNESS AS.
	500637D1	1	BALLAST, HID LIGHT
	500674D1	1	HARNESS AS.
20	500635D2	1	WORK LIGHT (LH)
	500677D2	1	WORK LIGHT (LH)
	500638D1	1	HARNESS AS.
	500637D1	1	BALLAST, HID LIGHT
	500674D1	1	HARNESS AS.
21	500639D1	2	BRACKET, HID BALLAST
22	CH146-9439	1	RELAY AS.
23	CH156-0283	8	WASHER-HARD 8.4IDX35ODX2.5 MM
24	CH3E-9860	8	LOCKNUT-5/16-18 ZNDI
25	CH5P-4115	2	WASHER-7.2IDX19ODX2MM
26	CH8T-4205	2	WASHER-HARD 7.2IDX14.5ODX2MM

500642DA
PR: t05c24o40d0081

LAMP GP-HOOD - 500773D1
HALOGEN



500773DA

**MT700B SERIES TRACK TRACTOR
ELECTRICAL AND STARTING SYSTEM**

213

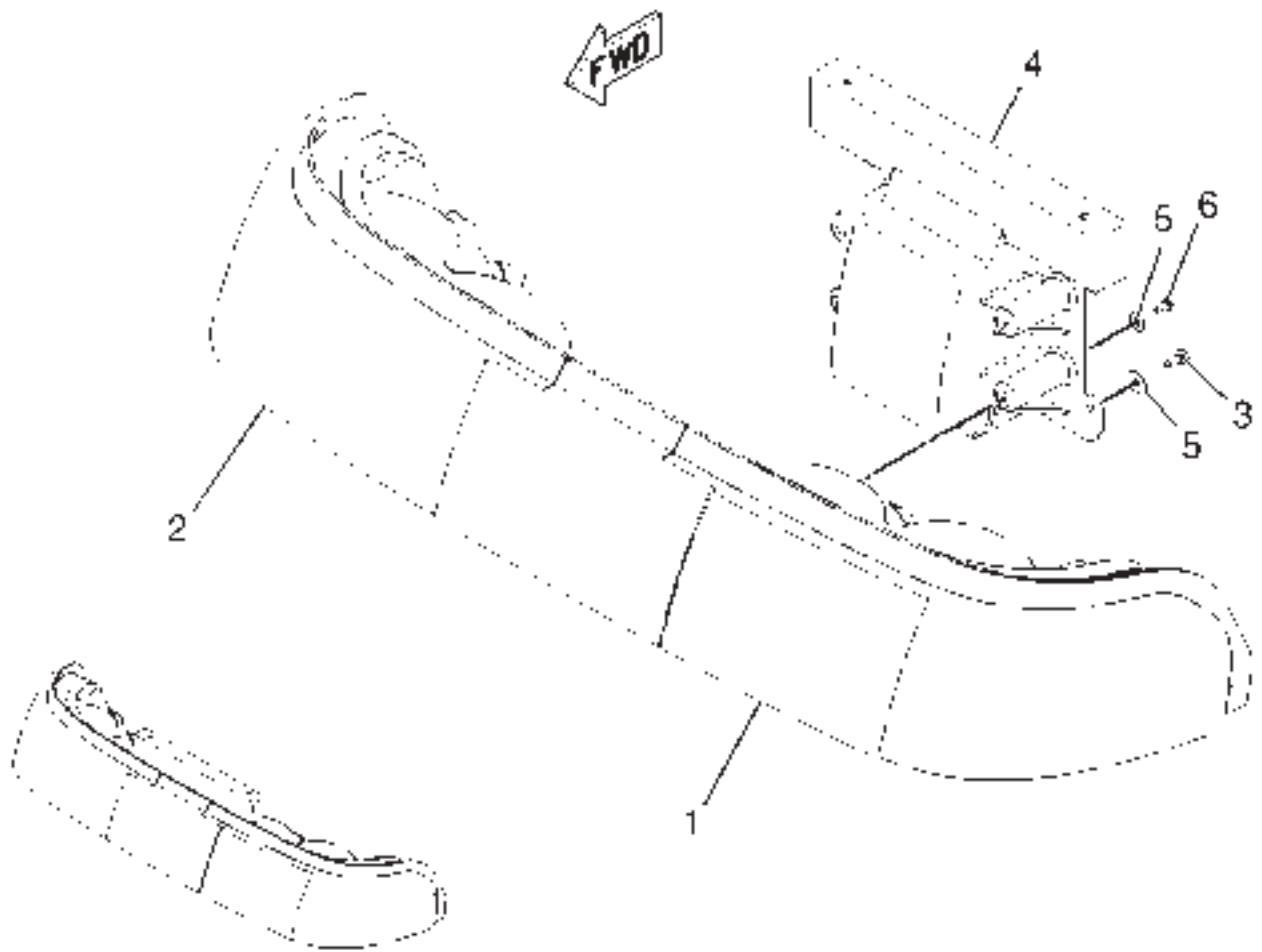
**LAMP GP-HOOD - 500773D1
HALOGEN**

ITEM	NUMBER	QTY	DESCRIPTION
-	500773D1	--	LAMP GP-HOOD (NOT SERVICED)
1	201-5073	1	BRACKET-HEADLIGHT
2	176-0379	1	HEADLAMP AS (LH)
	CH175-1323	3	BULB-HEADLAMP
3	176-0380	1	HEADLAMP AS (RH)
	CH175-1323	3	BULB-HEADLAMP
4	CH4B-4274	8	WASHER-5 (5X13X1.2MM)
5	CH6V-5210	4	SCREW-M4X1.7X10MM
6	400087X1	4	SCREW-#10-16X12.7

[A] PART OF 500640D1 LIGHTING GP

500773DA
PR: t05c24o40d0082

LAMP GP-HOOD - 500774D1
HALOGEN



500774DA

**MT700B SERIES TRACK TRACTOR
ELECTRICAL AND STARTING SYSTEM**

215

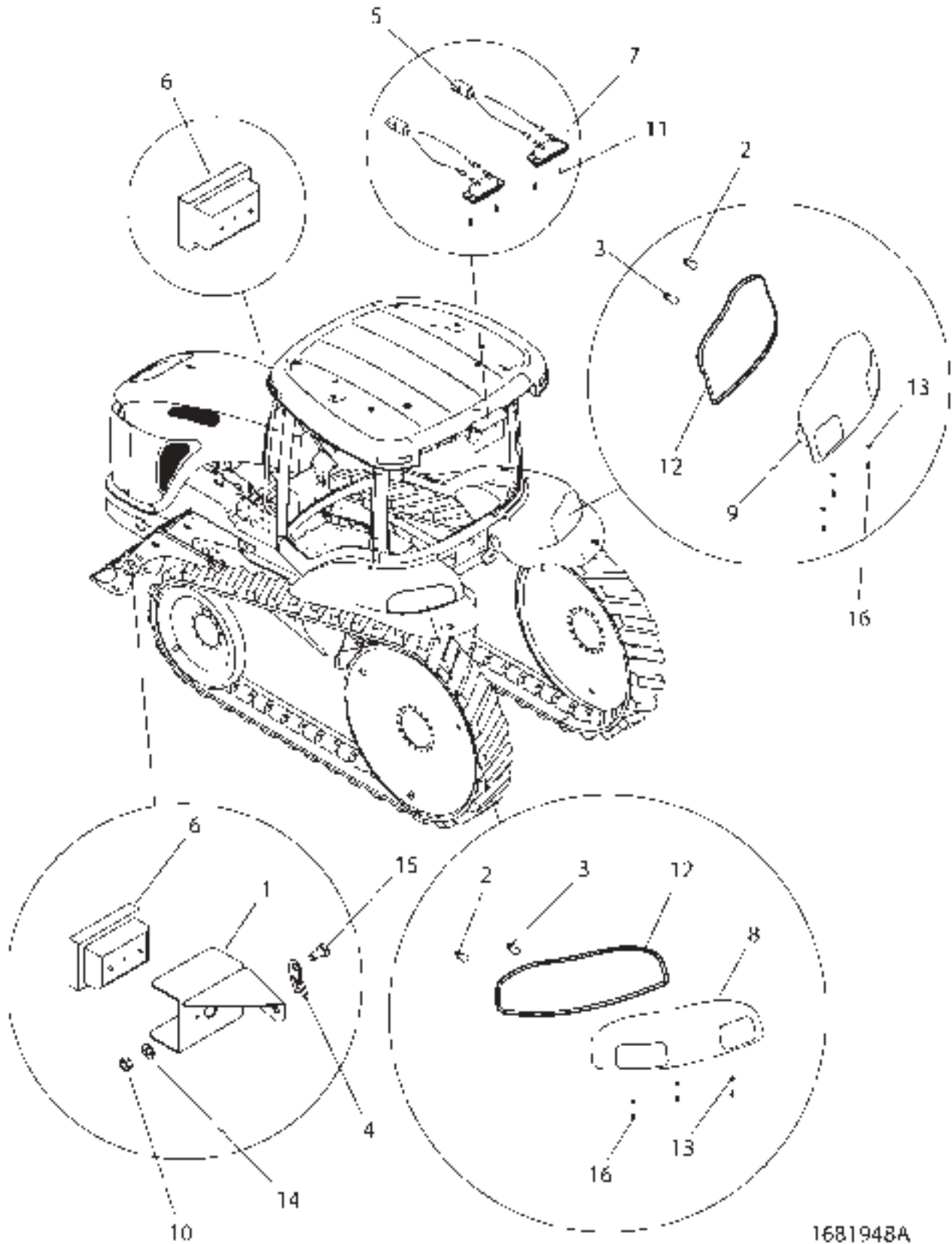
**LAMP GP-HOOD - 500774D1
HALOGEN**

ITEM	NUMBER	QTY	DESCRIPTION
-	500774D1	--	LAMP GP-HOOD (NOT SERVICED)
1	136-5288	1	HEADLAMP AS. (HID)
	CH175-1323	2	BULB-HEADLAMP
	136-5598	1	BULB-HID
	CH136-5546	1	MEMBRANE
	136-5597	1	BALLAST AS-HID
2	136-5289	1	HEADLAMP AS. (HID)
	CH175-1323	2	BULB-HEADLAMP
	136-5598	1	BULB-HID
	CH136-5546	1	MEMBRANE
	136-5597	1	BALLAST AS-HID
3	400087X1	4	SCREW #10-16X12.7
4	201-5073	1	BRACKET-HEADLIGHT
5	CH4B-4274	8	WASHER 5.5X13X1.2MM
6	CH6V-5210	4	SCREW-PAN M4X0.7X10 CROSS

[A] PART OF 500640D1; 500641D1
LIGHTING GP

500774DA
PR: t05c24o40d0083

LIGHTING GP - SIGNAL - 168-1948



1681948A

**MT700B SERIES TRACK TRACTOR
ELECTRICAL AND STARTING SYSTEM**

217

LIGHTING GP - SIGNAL - 168-1948

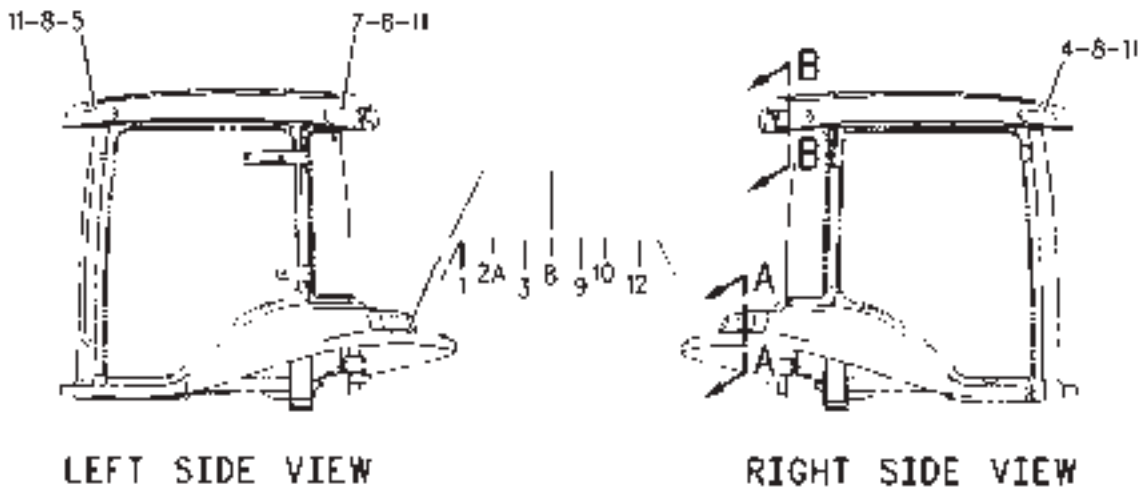
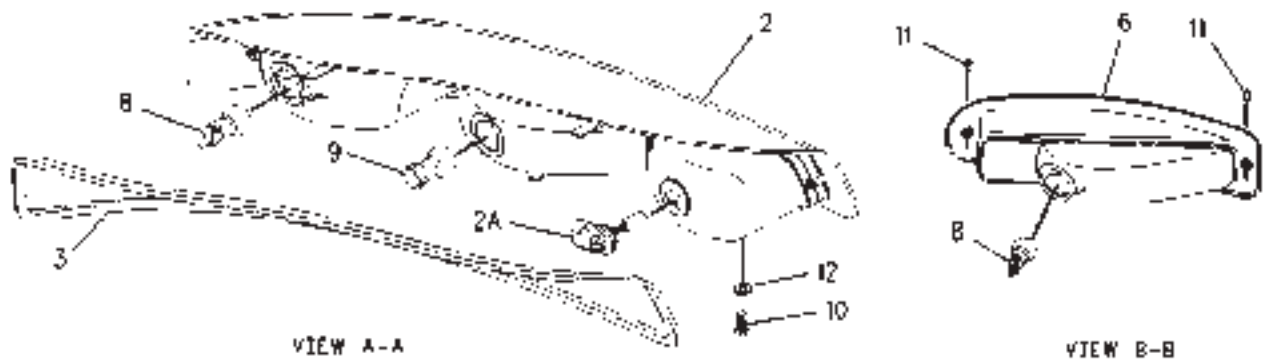
ITEM	NUMBER	QTY	DESCRIPTION
-	168-1948	--	LIGHTING GP-SIGNAL [A] (NOT SERVICED)
1	206-7172	1	BRACKET
2	171-9687	2	BULB-12V (S8)
3	171-9688	2	BULB-12V (S8)
4	CH4P-7581	2	CLIP-LADDER 15DEGX12.5MM V COAT
5	502245D1	2	HARNESS AS.
6	155-0014	2	LIGHT AS. -EXTREMITY
7	222-9156	2	LAMP AS
8	162-4091	1	LAMP AS.-FENDER (LH)
9	162-4092	1	LAMP AS.-FENDER (RH)
10	WR522218	2	NUT-M10-1.5,CL10.9,ZN,H,REG
11	CH3S-9557	4	SCREW-PAN 4-40 THD X12.7 CROSS
12	208-6931	2	SEAL
13	CH8T-4205	6	WASHER-HARD 7.2IDX14.5ODX2MM
14	400287X1	2	WASHER-HARD 11IDX21ODX2.5 ZND1
15	400039X1	2	BOLT-M10X1.5X25 ZNDI HHD 10.9
16	400152X1	6	BOLT-M6X1X16MM ZNDI HHD 10.9

[A] PART OF 502669D1 BASE COMMON

1681948A
PR: t05c24o40d0084

MT700B SERIES TRACK TRACTOR
ELECTRICAL AND STARTING SYSTEM

LIGHTING GP-SIGNAL - 136-5664
ROW ONLY



00005635

**MT700B SERIES TRACK TRACTOR
ELECTRICAL AND STARTING SYSTEM**

219

**LIGHTING GP-SIGNAL - 136-5664
ROW ONLY**

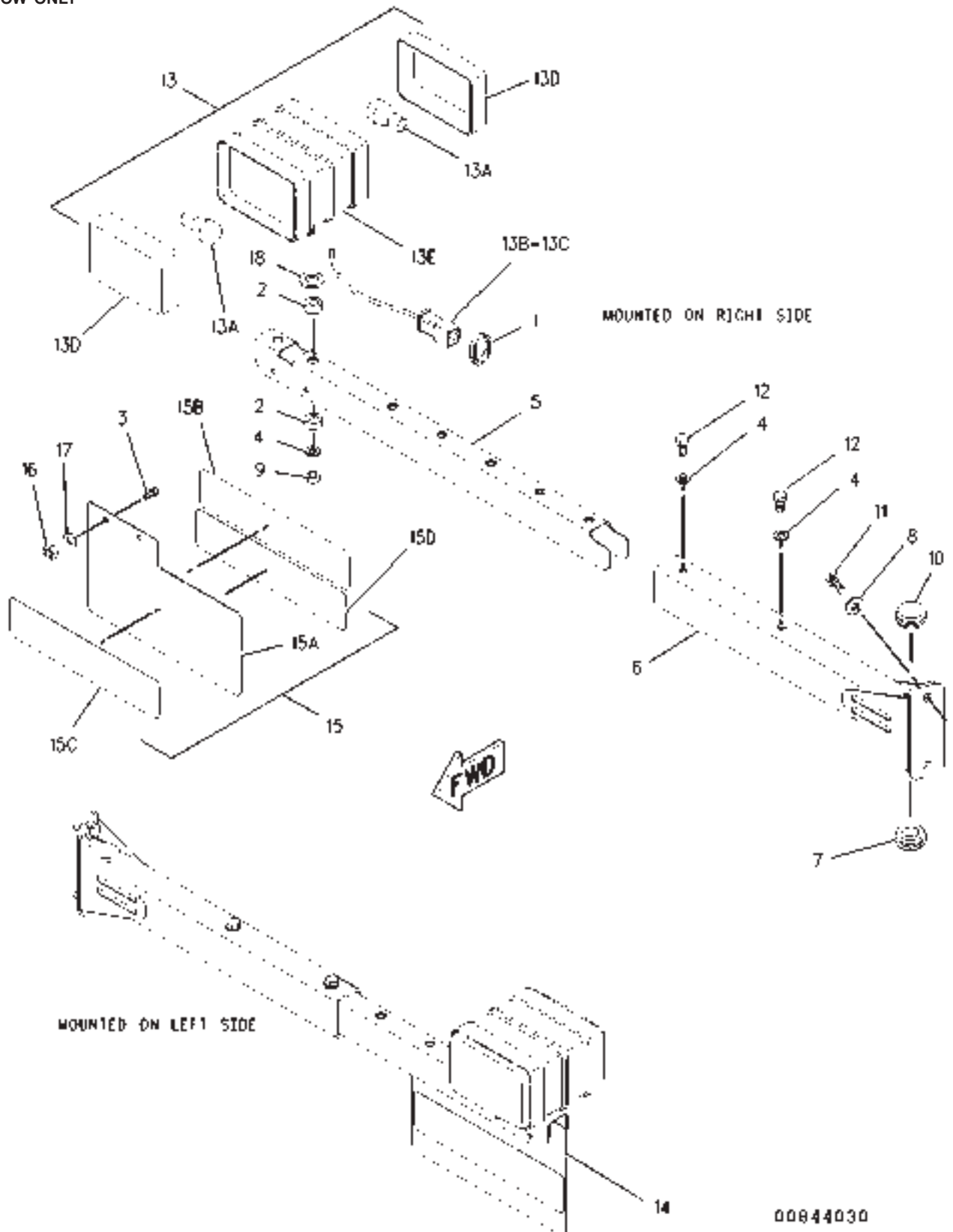
ITEM	NUMBER	QTY	DESCRIPTION
-	136-5664	--	LIGHTING GP-SIGNAL [A] (NOT SERVICED)
1	162-4091	1	LAMP AS. (LH FENDER) (INCL. 2A)
2	162-4092	1	LAMP AS. (RH FENDER) (INCL. 2A)
2A	400864X1	1	LAMP (12 VOLT)(50 WATT)
3	208-6931	2	SEAL
4	162-6696	1	LAMP (ROOF-FRONT RH)
5	162-6697	1	LAMP (ROOF-FRONT LH)
6	162-6698	1	LAMP (ROOF-REAR RH)
7	162-6699	1	LAMP (ROOF-REAR LH)
8	171-9687	6	LAMP (12 VOLT)(SINGLE FILAMENT)
9	171-9688	2	LAMP (12 VOLT)(DOUBLE FILAMENT)
10	400152X1	6	BOLT (M6X1X16MM)
11	CH8T-0337	8	SCREW-MACHINE (M4X0.7X12MM)
12	CH8T-4205	6	WASHER-HARD (7.2X14.5X2MM THK)

[A] PART OF 177-1588; 502668D1
BASE COMMON AR

00805635
PR: t05c24o40d0085

MT700B SERIES TRACK TRACTOR
ELECTRICAL AND STARTING SYSTEM

LIGHTING GP-EXTREMITY WARNING - 136-5212
MACHINE WIDTH EXCEEDING 12 FEET
ROW ONLY



00844030

**MT700B SERIES TRACK TRACTOR
ELECTRICAL AND STARTING SYSTEM**

221

**LIGHTING GP-EXTREMITY WARNING - 136-5212
MACHINE WIDTH EXCEEDING 12 FEET
ROW ONLY**

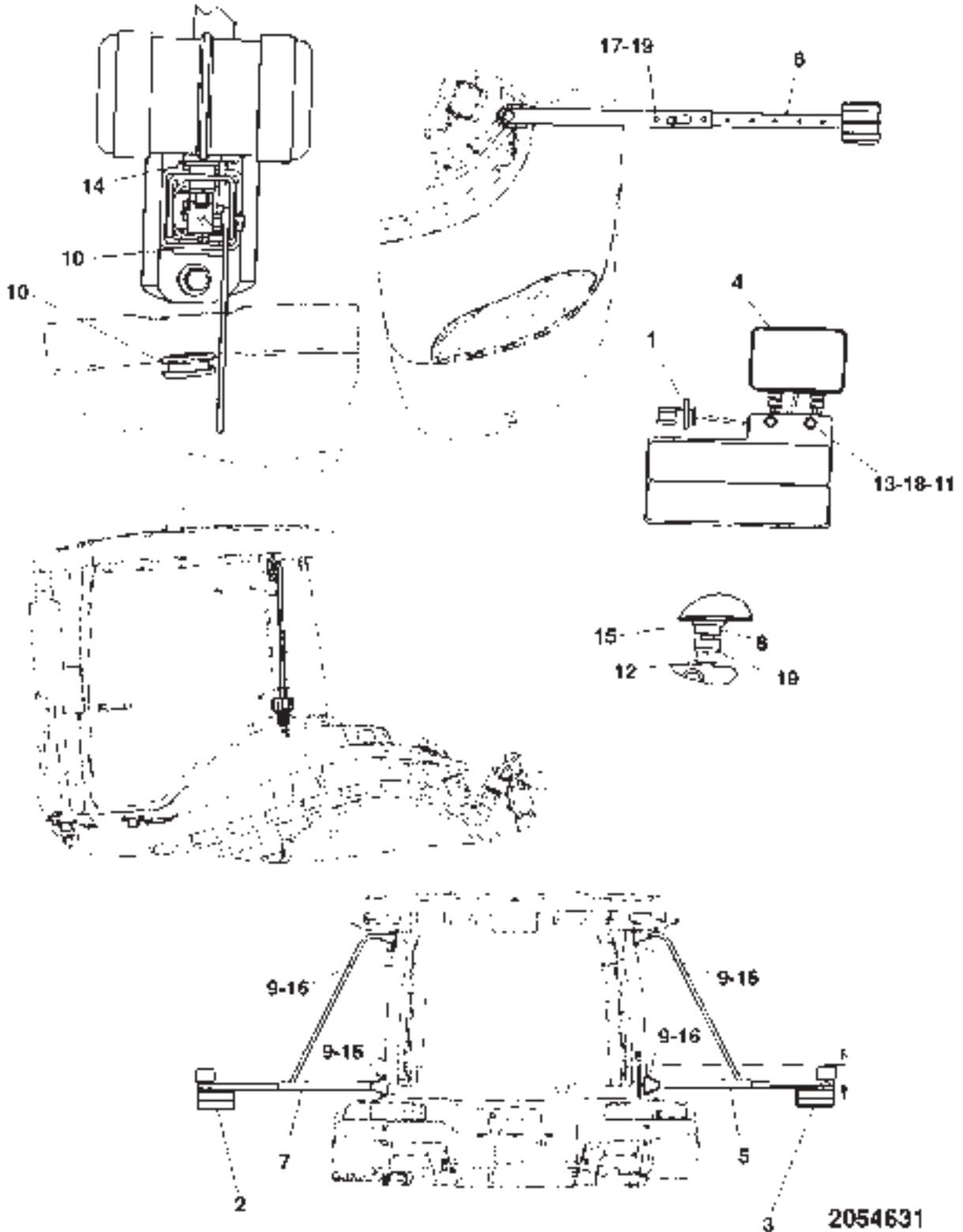
ITEM	NUMBER	QTY	DESCRIPTION
-	136-5212	--	LIGHTING GP-WARNING [A] (NOT SERVICED)
-	502900D1	--	LIGHTING GP-EXTRMY (FACT OPTION) (NOT SERVICED)
1	400837X1	4	STRAP-CABLE
2	400337X1	8	WASHER-RUBBER (8.2X16X6MM THK)
3	400152X1	4	BOLT (M6X1X16MM)
4	400339X1	8	WASHER-HARD (8.8X16X2MM THK)
5	177-0388	2	EXTENSION AS.
	CH7T-1099	2	LINK
	CH8T-3612	7	NUT-WELD (M8X1.25 THD)
6	178-7945	2	BRACKET AS.
7	CH4H-2558	4	GROMMET
8	CH3E-4352	4	WASHER-HARD (8.8X20.5X2.5MM THK)
9	400340X1	4	NUT (M8X1.25 THD)
10	400094X1	2	PLUG
11	400053X1	4	BOLT (M8X1.25X20MM)
12	400227X1	4	BOLT (M8X1.25X16MM)
13	155-0027	2	LAMP AS. (TURN SIGNAL) (EACH INCL. 13A,13B,13C,13D & 13E)
13A	CH5M-8034	2	LAMP (12 VOLT) (TURN SIGNAL)
13B	CH8T-8729	2	PIN-CONNECTOR
13C	CH102-8804	1	KIT-RECEPTACLE (4 PIN)(INCL. WEDGE)
	CH3E-3377		WEDGE
13D	155-0029	2	LENS (AMBER) (TURN SIGNAL)
13E		1	BODY-LAMP (NOT SERVICED SEPARATELY)
14	502934D1	1	PLATE LH-LH (INCL. 15A,15B,15C & 15D)
15	502933D1	1	PLATE AS-RH (INCL. 15A,15B,15C & 15D)
15A		1	PLATE (NOT SERVICED SEPARATELY)
15B	WR523361	1	FILM (RED)
15C	WR523590	1	FILM (YELLOW)
15D	WR523591	1	FILM (FLUOR RED/ORN)
16	400300X1	4	NUT (M6X1 THD)
17	CH8T-4205	8	WASHER-HARD (7.2X14.5X2MM THK)
18	400287X1	4	WASHER-HARD (11X21X2.5MM THK)

[A] PART OF 502900D1 LIGHTING GP-EXTR;
178-2339; 200-6233 GAGE AR

00844030
PR: t05c24o40d0086

MT700B SERIES TRACK TRACTOR
ELECTRICAL AND STARTING SYSTEM

LIGHTING GP-WARNING - 205-4631
EXTREMITY
WITH ULTRA WIDE GAUGE



2054631

**MT700B SERIES TRACK TRACTOR
ELECTRICAL AND STARTING SYSTEM**

223

**LIGHTING GP-WARNING - 205-4631
EXTREMITY
WITH ULTRA WIDE GAUGE**

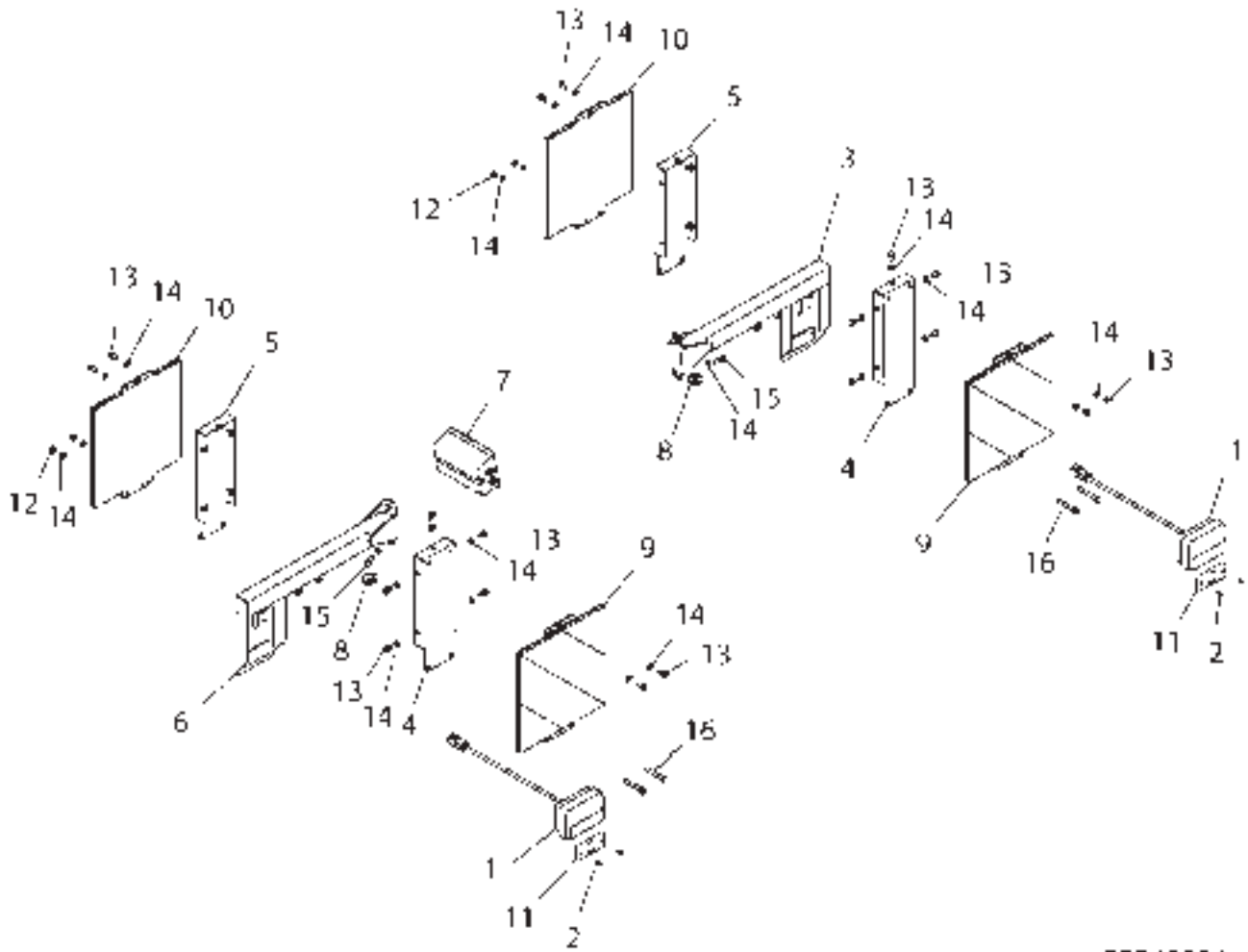
ITEM	NUMBER	QTY	DESCRIPTION
-	205-4631	--	LIGHTING GP-WARNING [A] (NOT SERVICED)
1	400837X1	6	STRAP, CABLE
2	502934D1	1	PLATE AS-LH (REFLECTOR)
	136-5514	1	PLATE - REFLECTOR
	WR523590	1	REFLECTOR-YELLOW,2.0X9.0
	WR523361	1	TAPE-REFLECTIVE,RED,DOT-C2
	WR523591	1	REFLECTOR-FLUOR RED/ORN2.0X9.0
3	502933D1	1	PLATE AS-RH (REFLECTOR)
	136-5514	1	PLATE - REFLECTOR
	WR523590	1	REFLECTOR-YELLOW,2.0X9.0
	WR523361	1	TAPE-REFLECTIVE,RED,DOT-C2
	WR523591	1	REFLECTOR-FLUOR RED/ORN2.0X9.0
4	155-0027	2	LAMP TURN.-TURN
5	205-4632	1	BRACKET ASY.-R.H.
6	205-4633	2	EXTENSION AS.
7	205-4634	1	BRACKET ASY.-L.H.
8	400337X1	8	WASHER-RUBBER
9	CH3E-4352	8	WASHER-HARD
10	CH4H-2558	4	GROMMET
11	400300X1	4	NUT, M6 X 1
12	400340X1	4	NUT, M8 X 1.25
13	400152X1	4	BOLT M6 X 1
14	400094X1	2	PLUG
15	400287X1	4	WASHER-HARD
16	400053X1	8	BOLT M8 X 1.25
17	400227X1	4	BOLT M8 X 1.25
18	CH8T-4205	8	WASHER-HARD
19	400339X1	8	WASHER-HARD

[A] PART OF 213-4079; 213-4080
GAUGE AR-WIDE

2054631
PR: t05c24o40d0087

MT700B SERIES TRACK TRACTOR
ELECTRICAL AND STARTING SYSTEM

WARNING GP-WIDE VEHICLE - 222-4835
WITH WARNING PLATES
EAME ONLY



2224835A

**MT700B SERIES TRACK TRACTOR
ELECTRICAL AND STARTING SYSTEM**

225

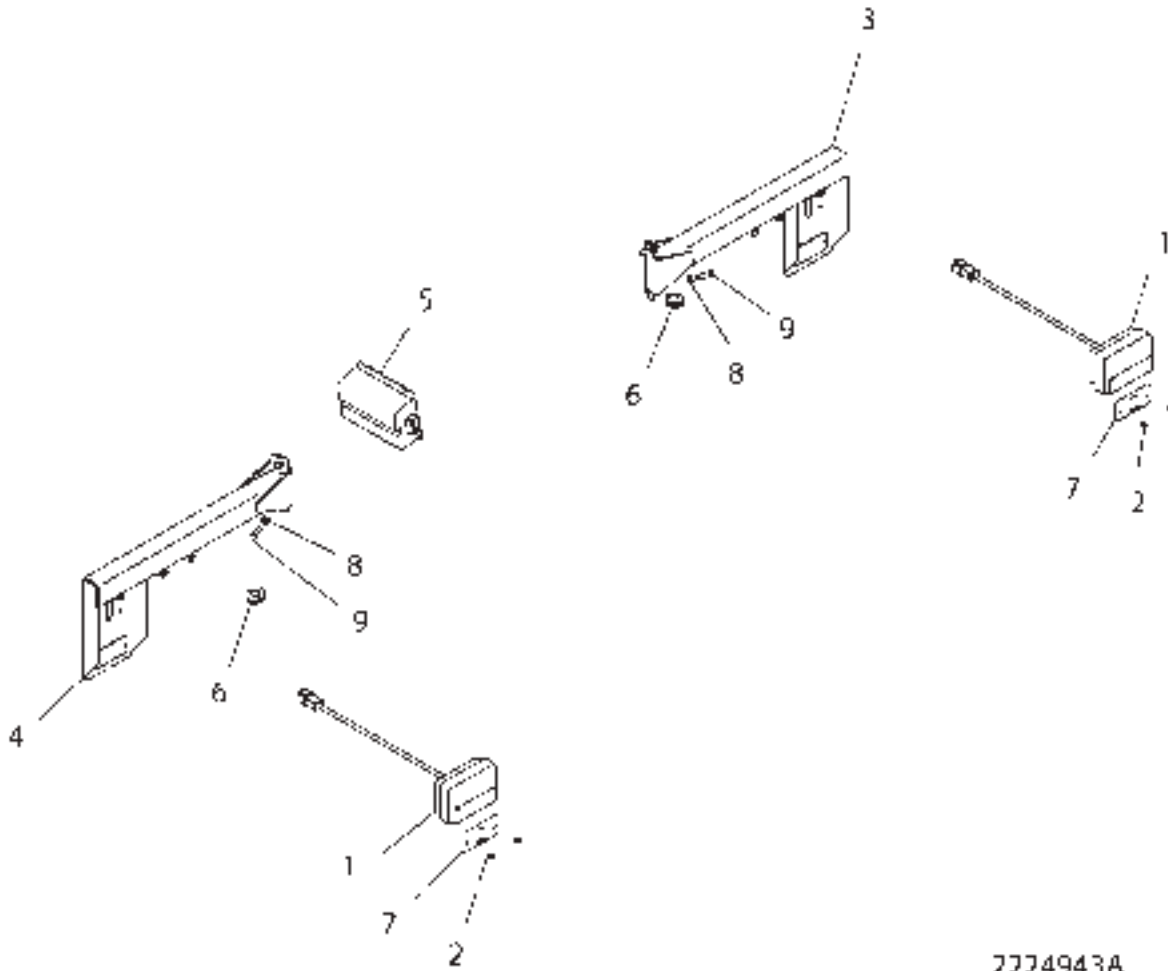
**WARNING GP-WIDE VEHICLE - 222-4835
WITH WARNING PLATES
EAME ONLY**

ITEM	NUMBER	QTY	DESCRIPTION
-	222-4835	--	WARNING GP-WIDE VEHICLE (NOT SERVICED)
1	155-0020	2	LAMP GP-WARNING (EXTREMITY)
	CH084-4348	1	LAMP-MINI (12V-P21/5W) (TAIL/STOP)
	CH9W-3326	1	LAMP (12V-21W CLEAR)
	400708X1	1	KIT-RECEPTACLE
	CH2A-3211	2	WASHER-5.5IDX12.3X0.8)
	CH5C-2874	2	NUT (M5X0.8)
2	CH196-0420	4	RIVET
3	221-9655	1	EXTREMITY AS (RH)
4	221-9742	2	BRACKET AS
	CH8T-3612	2	NUT-WELD (M8X1.25 THD)
5	221-9749	2	BRACKET AS
	CH8T-3612	7	NUT-WELD (M8X1.25 THD)
6	222-0366	1	EXTREMITY AS (LH)
7	CH215-1382	1	MODULE-FLASHER
8	CH4H-2558	6	GROMMET-RUBBER (15.8IDX25.4ODX12.7)
9	500529D1	2	PLATE-WARNING
10	500530D1	2	PLATE-WARNING
11	500531D1	2	REFLECTOR (RED)
12	400340X1	4	NUT (M8X1.25 THD)
13	400227X1	18	BOLT (M8X1.25X16MM)
14	400339X1	26	WASHER-HARD (8.8X16X2MM THK)
15	400341X1	4	BOLT (M8X1.25X25MM)
16	400242X1	4	BOLT (M8X1.25X60MM)

2224835A
PR: t05c24o40d0088

MT700B SERIES TRACK TRACTOR
ELECTRICAL AND STARTING SYSTEM

WARNING GP-WIDE VEHICLE - 222-4943
WITHOUT WARNING PLATES
EAME ONLY



2224943A

**MT700B SERIES TRACK TRACTOR
ELECTRICAL AND STARTING SYSTEM**

227

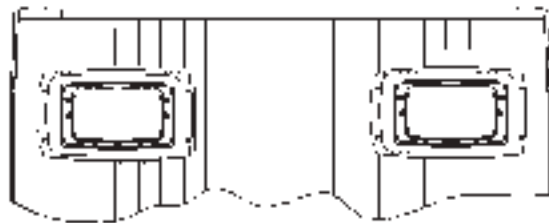
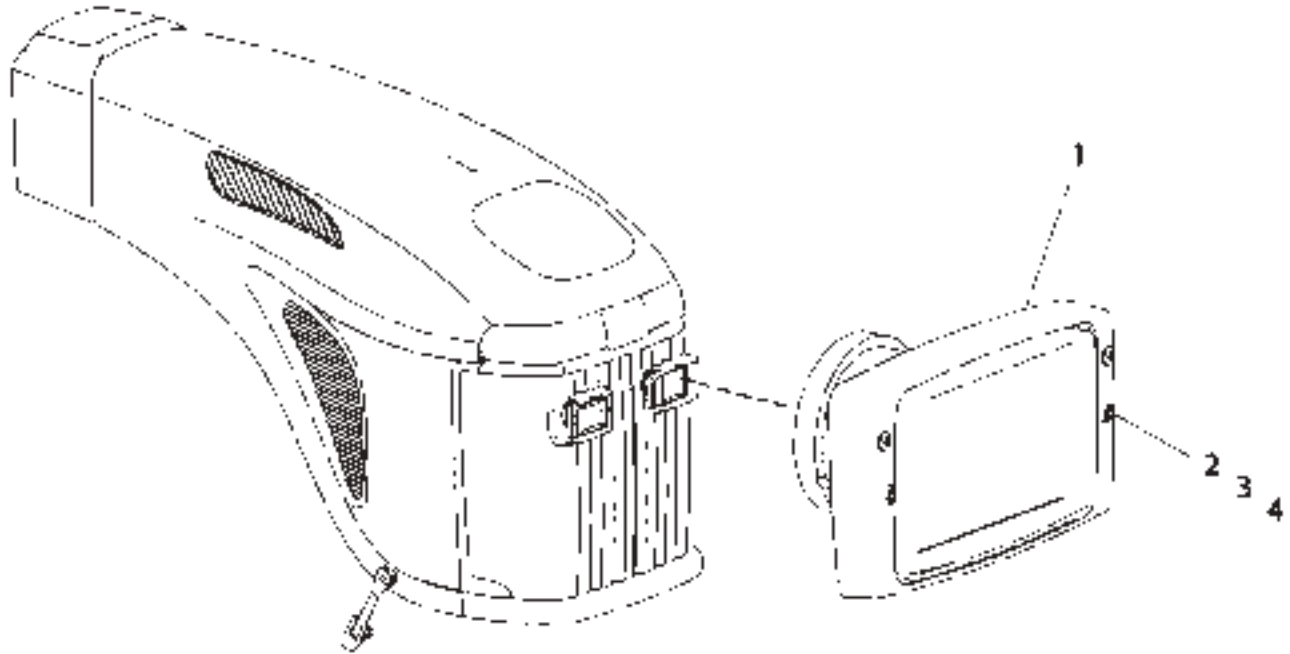
**WARNING GP-WIDE VEHICLE - 222-4943
WITHOUT WARNING PLATES
EAME ONLY**

ITEM	NUMBER	QTY	DESCRIPTION
-	222-4943	--	WARNING GP-WIDE VEHICLE (NOT SERVICED)
1	155-0020	2	LAMP GP-WARNING (EXTREMITY)
	CH084-4348	1	LAMP-MINI (12V-P21/5W) (TAIL/STOP)
	CH9W-3326	1	LAMP (12V-21W CLEAR)
	400708X1	1	KIT-RECEPTACLE
	CH2A-3211	2	WASHER-5.5IDX12.3X0.8)
	CH5C-2874	2	NUT (M5X0.8)
2	CH196-0420	4	RIVET
3	221-9655	1	EXTREMITY AS (RH)
4	222-0366	1	EXTREMITY AS (LH)
5	CH215-1382	1	MODULE-FLASHER
6	CH4H-2558	6	GROMMET-RUBBER (15.8IDX25.4ODX12.7)
7	500531D1	2	REFLECTOR (RED)
8	400339X1	4	WASHER-HARD (8.8X16X2MM THK)
9	400341X1	4	BOLT (M8X1.25X25MM)

2224943A
PR: t05c24o40d0089

LIGHTING GP-ROAD (LH TRAFFIC)

168-6580
FIELD INSTALLED
EAME ONLY



ALTERNATE CONFIGURATION
(T955, T956, T957, T958)

1686580F

**MT700B SERIES TRACK TRACTOR
ELECTRICAL AND STARTING SYSTEM**

229

LIGHTING GP-ROAD (LH TRAFFIC)

**168-6580
FIELD INSTALLED
EAME ONLY**

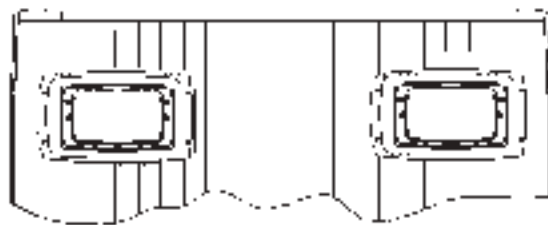
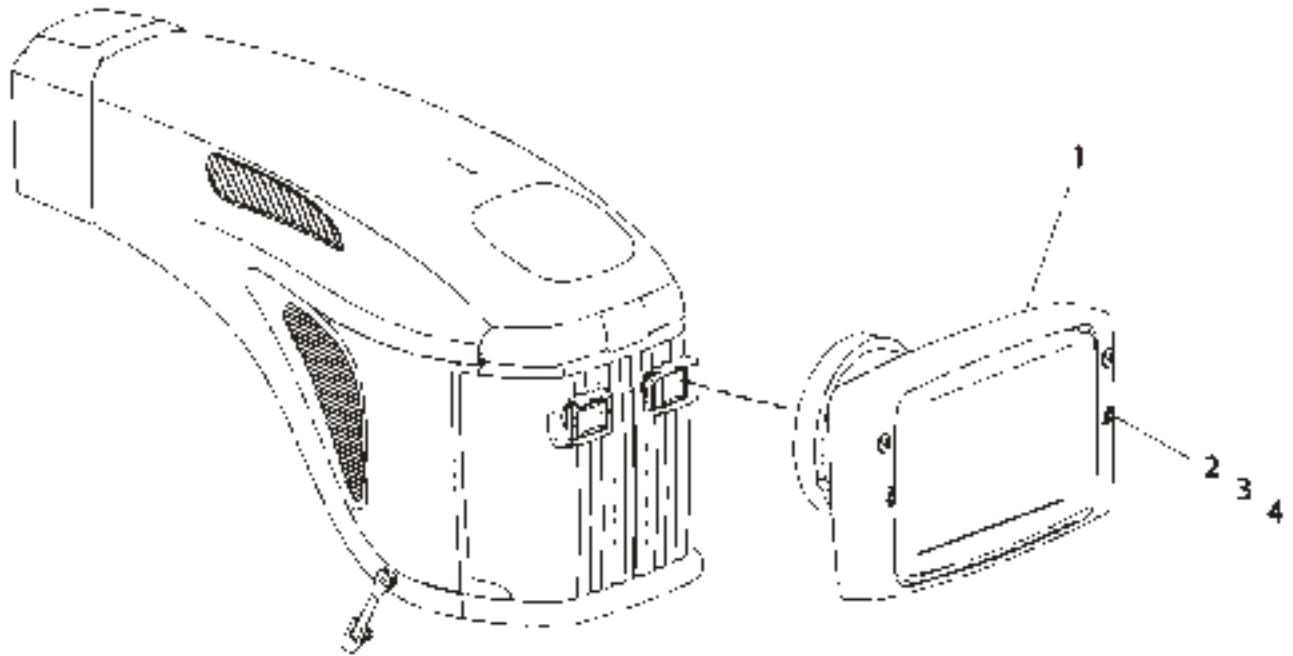
ITEM	NUMBER	QTY	DESCRIPTION
-	168-6580	--	LIGHTING GP-ROADING (LH TRAFFIC) [A]
1	155-0042	2	LAMP GP-HEAD
	CH8I-4256	1	BULB-HEADLAMP (12V-60W)
	CH121-9755	2	WASHER-SOFT (4.3IDX8ODX0.5)
	CH121-9754	1	CAP
	CH121-9753	2	WASHER-SOFT (4.3IDX9ODX0.5)
2	400132X1	4	BOLT (M4X0.7X30MM)
3	CH8C-9660	4	WASHER (4.6IDX7.9ODX0.8)
4	CH8T-2659	4	NUT (M4X0.7-6H THD SELF LOCK)

[A] KIT INSTALLED IN EUROPE ONLY

1686580F
PR: t05c24o40d0090

LIGHTING GP-ROAD (RH TRAFFIC)

168-6581
FIELD INSTALLED
EAME ONLY



ALTERNATE CONFIGURATION
(T955, T956, T957, T958)

1686580F

**MT700B SERIES TRACK TRACTOR
ELECTRICAL AND STARTING SYSTEM**

231

LIGHTING GP-ROAD (RH TRAFFIC)

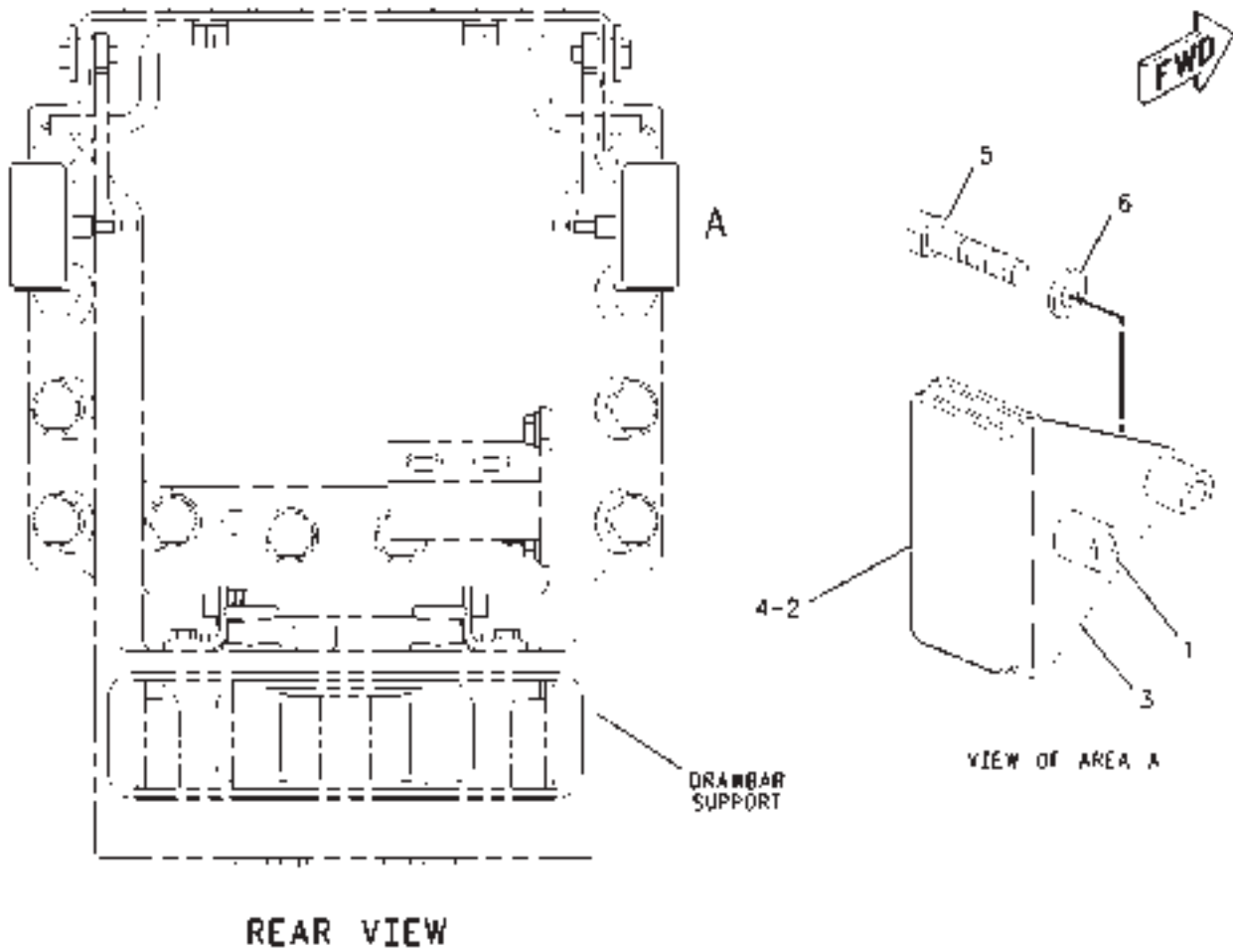
**168-6581
FIELD INSTALLED
EAME ONLY**

ITEM	NUMBER	QTY	DESCRIPTION
-	168-6581	--	LIGHTING GP-ROADING (LH TRAFFIC) [A]
1	155-0043	2	LAMP GP-HEAD
	CH8I-4256	1	BULB-HEADLAMP (12V-60W)
	CH121-9755	2	WASHER-SOFT (4.3IDX8ODX0.5)
	CH121-9754	1	CAP
	CH121-9753	2	WASHER-SOFT (4.3IDX9ODX0.5)
2	400132X1	4	BOLT (M4X0.7X30MM)
3	CH8C-9660	4	WASHER (4.6IDX7.9ODX0.8)
4	CH8T-2659	4	NUT (M4X0.7-6H THD SELF LOCK)

[A] KIT INSTALLED IN EUROPE ONLY

1686580F
PR: t05c24o40d0091

REFLECTOR GP-REAR - 169-0013
(EAME ONLY)



00884977

**MT700B SERIES TRACK TRACTOR
ELECTRICAL AND STARTING SYSTEM**

233

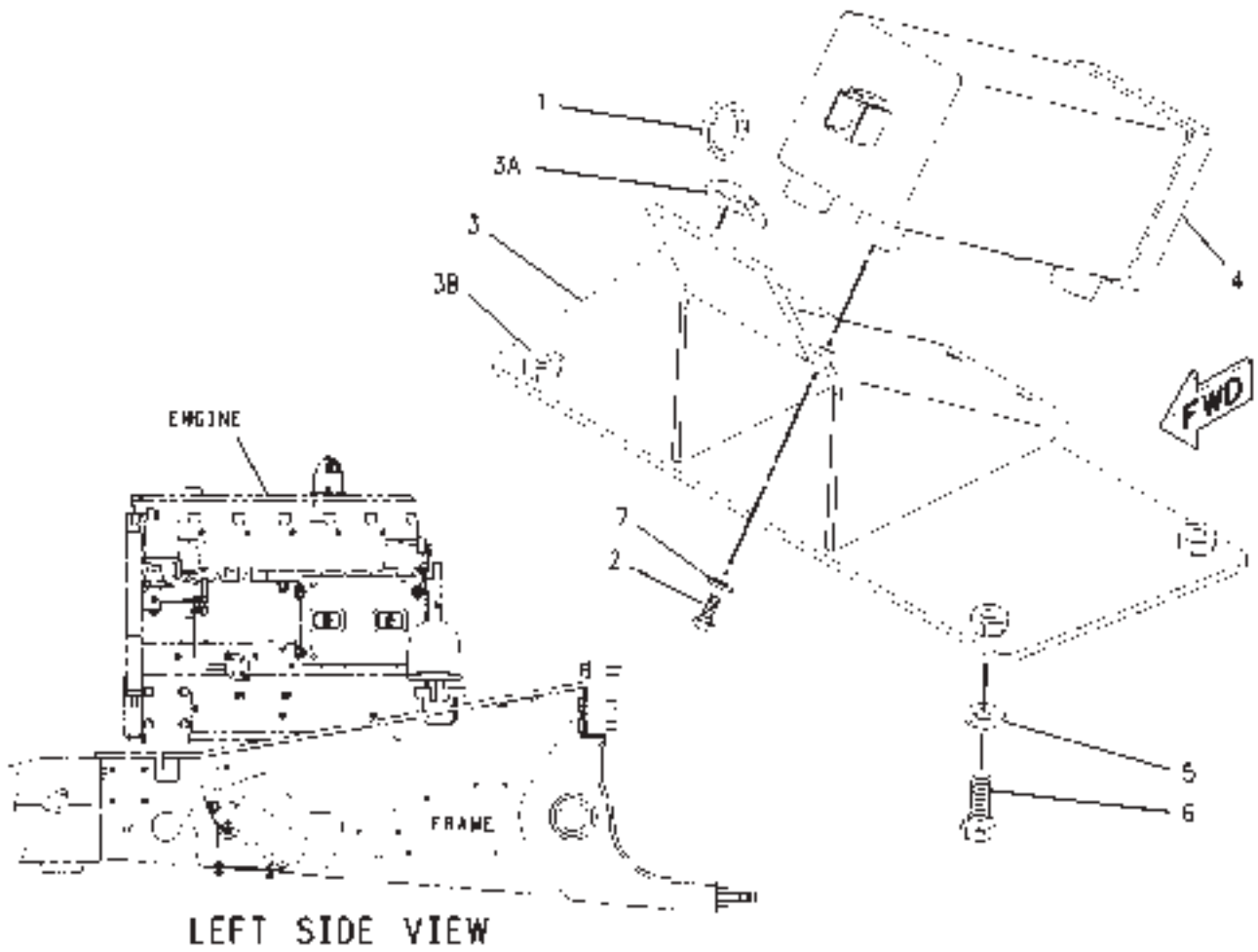
**REFLECTOR GP-REAR - 169-0013
(EAME ONLY)**

ITEM	NUMBER	QTY	DESCRIPTION
-	169-0013	--	REFLECTOR GP-REAR (NOT SERVICED)
1	CH134-4640	4	SPACER (9X15X15MM THK)
2	500531D1	2	REFLECTOR (RED)
3	157-0203	2	PLATE
4	CH196-0420	4	RIVET
5	400188X1	4	BOLT (M8X1.25X35MM)
6	400339X1	4	WASHER-HARD (8.8X16X2MM THK)

00884977
PR: t05c24o40d0092

MT700B SERIES TRACK TRACTOR
ELECTRICAL AND STARTING SYSTEM

SENSOR & MTG GP-GROUND SPEED - 136-5213
EAME ONLY



00805103

**MT700B SERIES TRACK TRACTOR
ELECTRICAL AND STARTING SYSTEM**

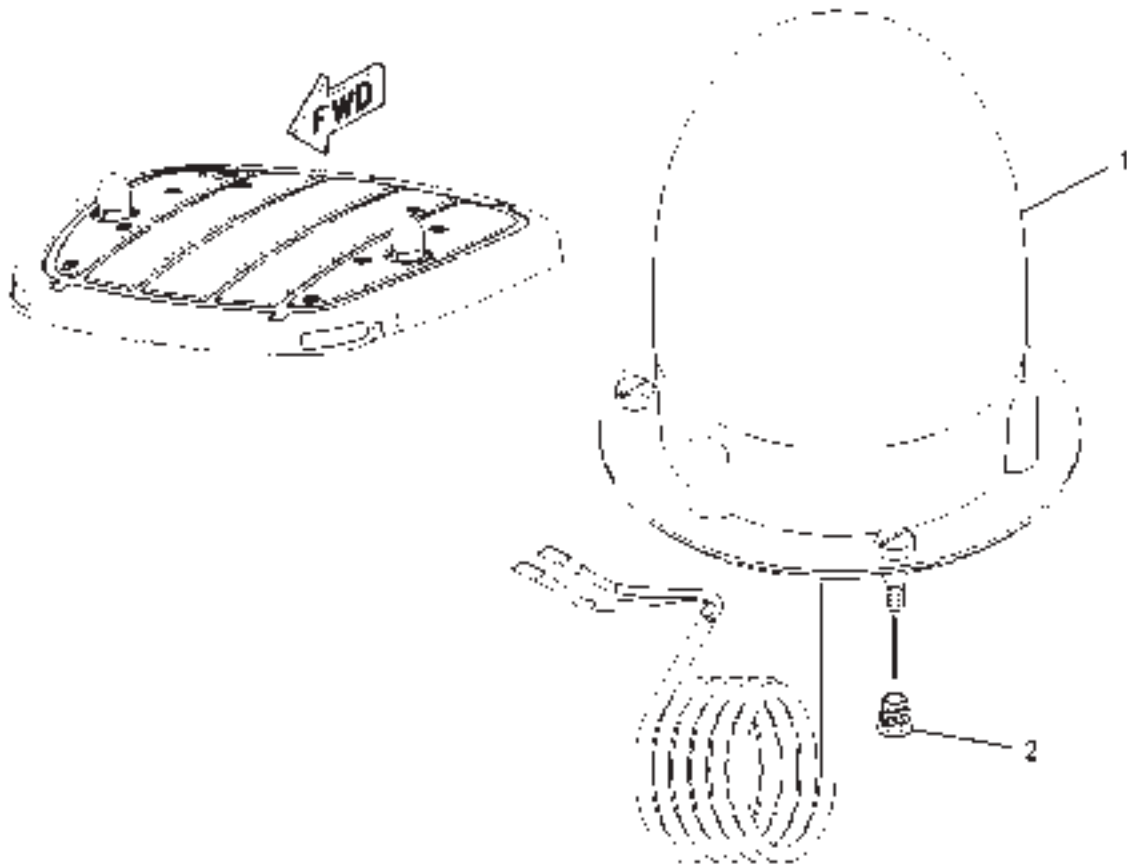
235

**SENSOR & MTG GP-GROUND SPEED - 136-5213
EAME ONLY**

ITEM	NUMBER	QTY	DESCRIPTION
-	136-5213	--	SENSOR & MTG GP (NOT SERVICED)
1	CH7K-1181	1	STRAP-CABLE
2	400230X1	4	BOLT (M6X1X14MM)
3	136-5207	1	BRACKET AS
3A	CH7T-1099	1	LINK
3B	CH8T-3490	4	NUT-WELD (M10X1.5 THD)
4	CH180-7317	1	SENSOR GP-GROUND SPEED (RADAR)
5	CH7X-7729	4	WASHER-HARD (11X25X3MM)
6	400058X1	4	BOLT (M10X1.5X30MM)
7	CH8T-4205	4	WASHER-HARD (7.2X14.5X2MM THK)

00805103
PR: t05c24o40d0093

LIGHTING GP-WARNING - 502773D1
ROW ONLY



00891621

**MT700B SERIES TRACK TRACTOR
ELECTRICAL AND STARTING SYSTEM**

237

**LIGHTING GP-WARNING - 502773D1
ROW ONLY**

ITEM	NUMBER	QTY	DESCRIPTION
-	502773D1	--	LIGHTING GP-WARNING (NOT SERVICED)
-	502765D1	--	LIGHTING GP-WARNING (FIELD INSTALLED)
-	216-9823	--	LIGHTING GP-WARNING
1	162-4101	1	LIGHTING GP-WARNING (NOT SERVICED) (SEE BREAKDOWN FOR COMPONENTS)
2	CH216-7617	6	INSERT

00891621
PR: t05c24o40d0094

**MT700B SERIES TRACK TRACTOR
ELECTRICAL AND STARTING SYSTEM**

239

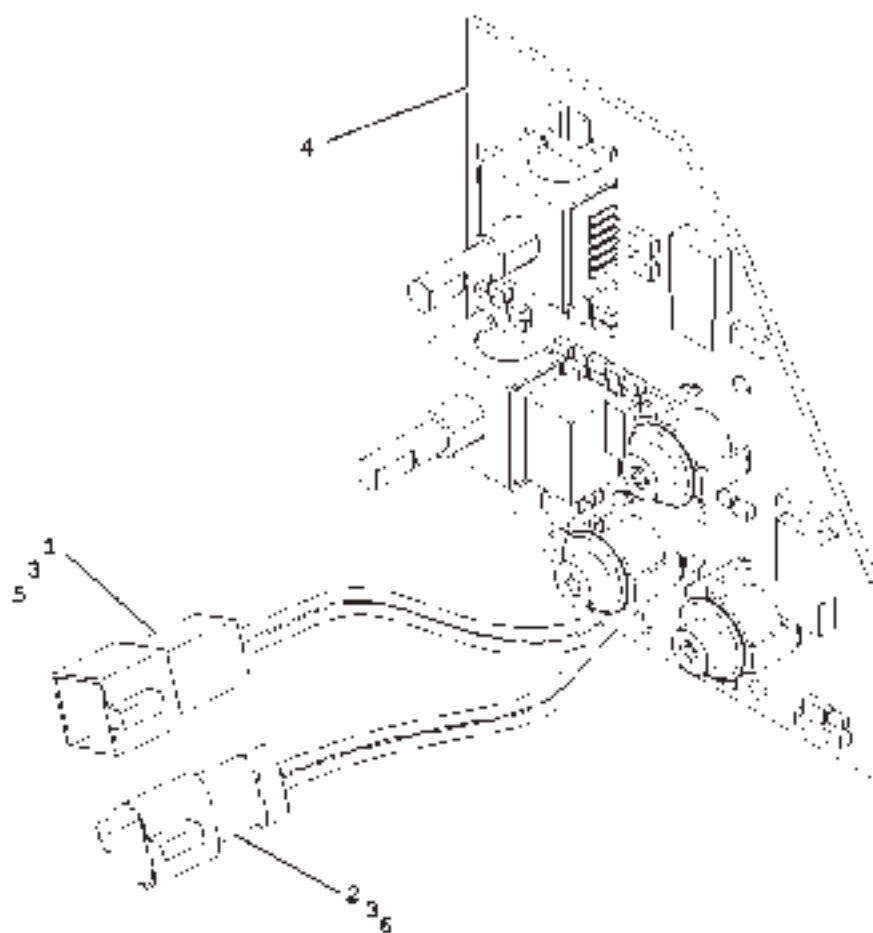
**LIGHTING GP-WARNING - 12V
162-4101**

ITEM	NUMBER	QTY	DESCRIPTION
-	162-4101	--	LIGHTING GP-WARNING [A] (NOT SERVICED)
1	CH4I-3038	16	WASHER (3.3X8X0.5)
2	169-8223	1	SWITCH-ROCKER (BEACON)
3	CH196-7341	2	LAMP GP-WARNING BEACON
	CH136-5254	1	LENS (ROTATING BEACON) (AMBER)
	CH9X-8118	1	BULB (12V 55W)
4	201-0486	2	PLATE
5	201-0487	2	GASKET
6	502190D1	2	HARNESS AS (BEACON)
7	502179D1	2	HARNESS AS
8	400753X1	2	CAP-SEALING
9	CH201-9691	6	SCREW (M6X1X26MM)
10	CH201-9692	6	RETAINER
11	400139X1	8	BOLT-SOCKET HEAD (M3X0.5X25MM)
12	CH3C-6969	8	NUT (M3X0.5)
13	CH6V-8548	6	SCREW-WASHER HEAD (8-32X.85IN)
14	CH146-9439	1	RELAY (12 VOLT)

[A] PART OF 500848D1; 500847D1 CAB AR;
502773D1 LIGHTING GP-WARNING

0842107A
PR: t05c24o40d0095

CONTROL GP-ELECTRONIC
501033D1



00759685

**MT700B SERIES TRACK TRACTOR
ELECTRICAL AND STARTING SYSTEM**

241

**CONTROL GP-ELECTRONIC
501033D1**

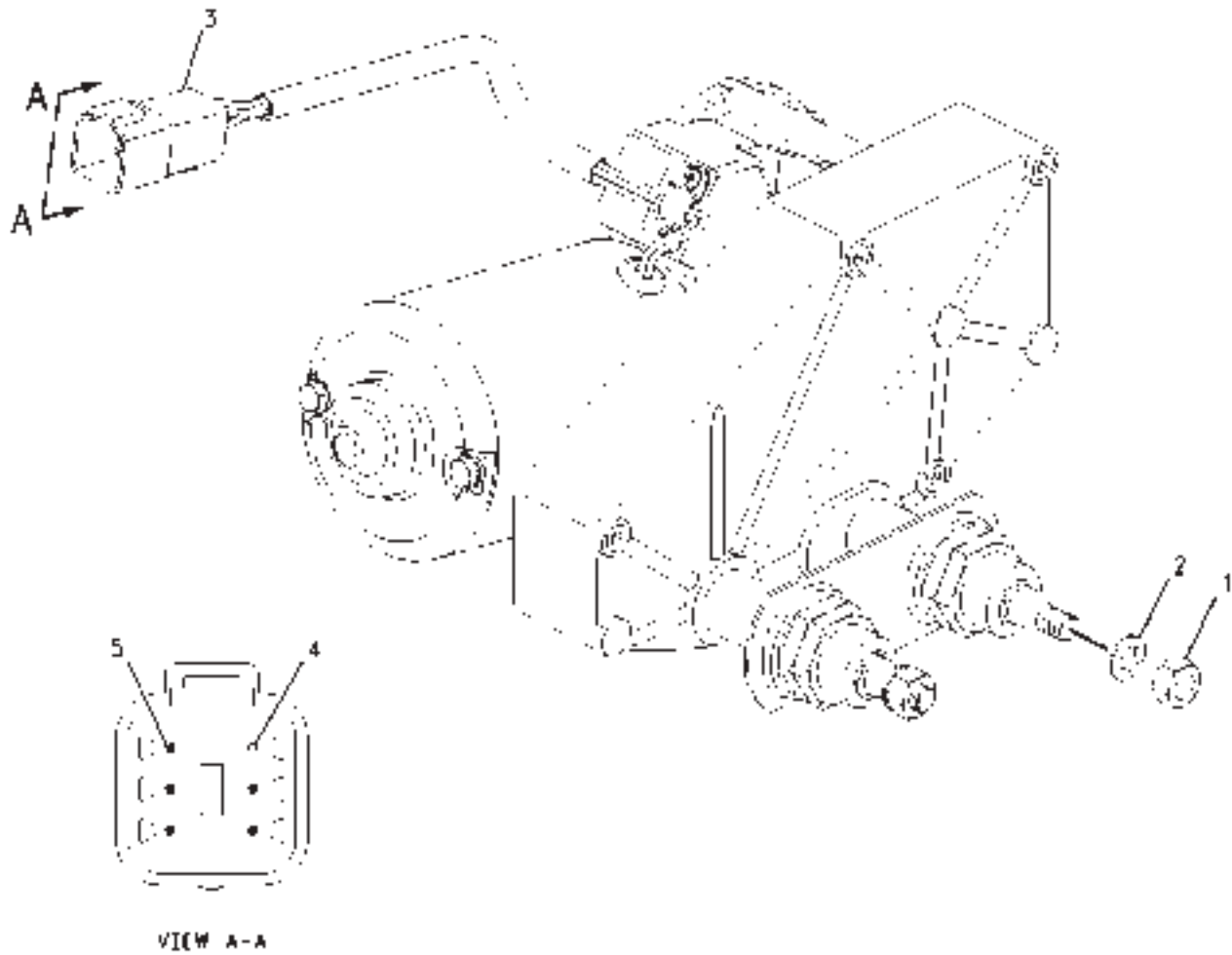
ITEM	NUMBER	QTY	DESCRIPTION
-	501033D1	--	CONTROL GP-ELECTRONIC [A]
1	400511X1	1	WEDGE-RECEPTACLE LOCK (2 PIN)
2	400717X1	1	WEDGE-RECEPTACLE LOCK (3 PIN)
3	400562X1	5	PIN-CONNECTOR
4		1	CONTROL ELECTRONIC-ELECTRONIC [B]
5	CH3E-3363	1	RECEPTACLE (2 PIN)
6	CH3E-3369	1	RECEPTACLE (3 PIN)

[A] PART OF 166-1211 WIRING GP-ARMREST
[B] NOT SERVICED SEPARATELY

00759685
PR: t05c24o40d0096

MT700B SERIES TRACK TRACTOR
ELECTRICAL AND STARTING SYSTEM

MOTOR GP-WINDOW WIPER - CH170-5696
12 VOLT



00810032

**MT700B SERIES TRACK TRACTOR
ELECTRICAL AND STARTING SYSTEM**

243

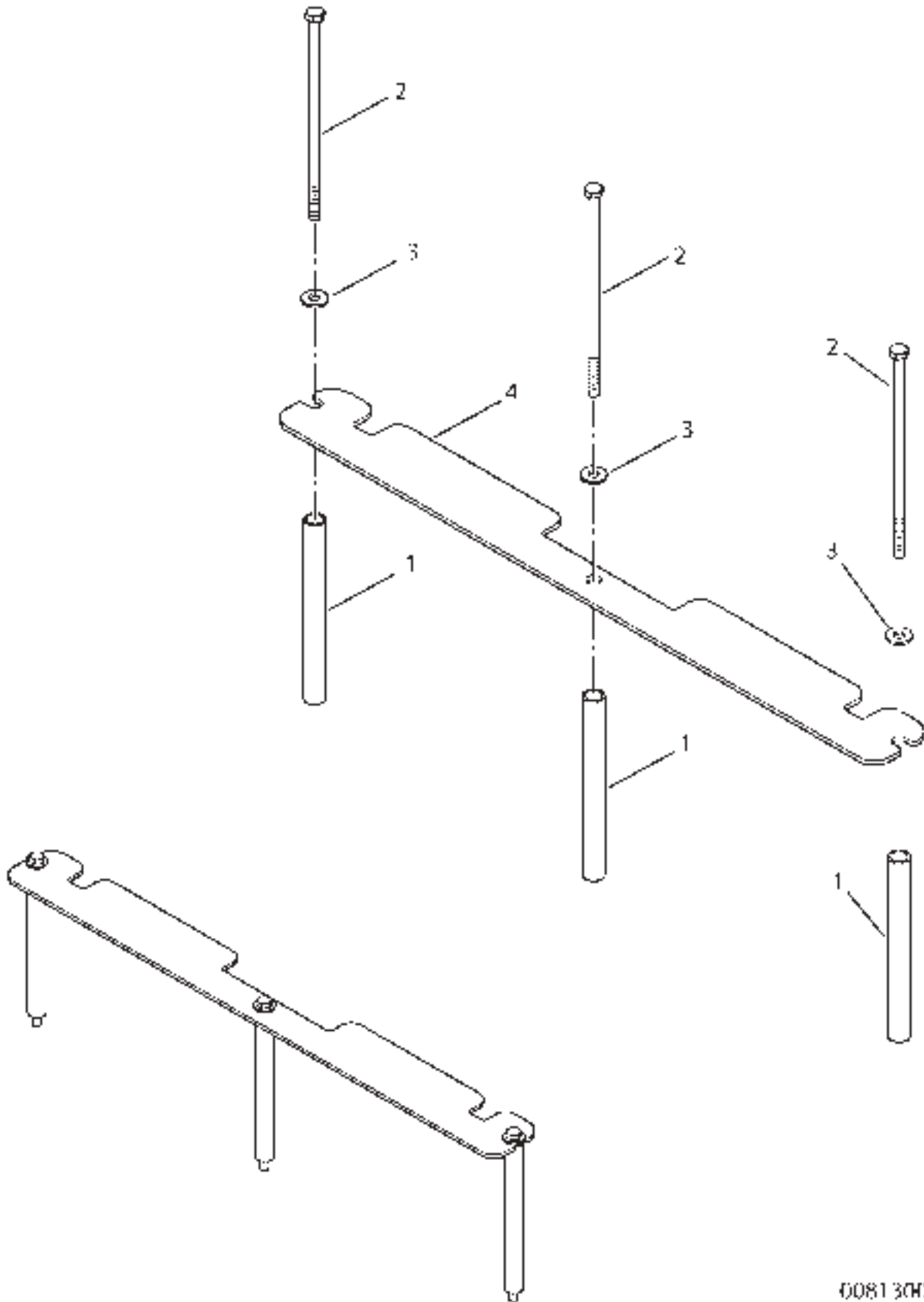
**MOTOR GP-WINDOW WIPER - CH170-5696
12 VOLT**

ITEM	NUMBER	QTY	DESCRIPTION
-	CH170-5696	--	MOTOR GP-WINDOW WIPER (SEE NOTE)
1	400340X1	2	NUT (M8X1.25 THD)
2	CH3F-9556	2	LOCKWASHER
3	CH102-8805	1	KIT-RECEPTACLE (6 PIN)(INCL. WEDGE)
	CH3E-3383		WEDGE
4	CH8T-8737	1	PLUG-SEAL
5	400561X1	5	PIN-CONNECTOR

[A] PART OF 152-0422 WIPER GP-WINDOW

00810032
PR: t05d07g39a0001

MOUNTING GP-BATTERY - 173-2745



0081 3006

**MT700B SERIES TRACK TRACTOR
ELECTRICAL AND STARTING SYSTEM**

245

MOUNTING GP-BATTERY - 173-2745

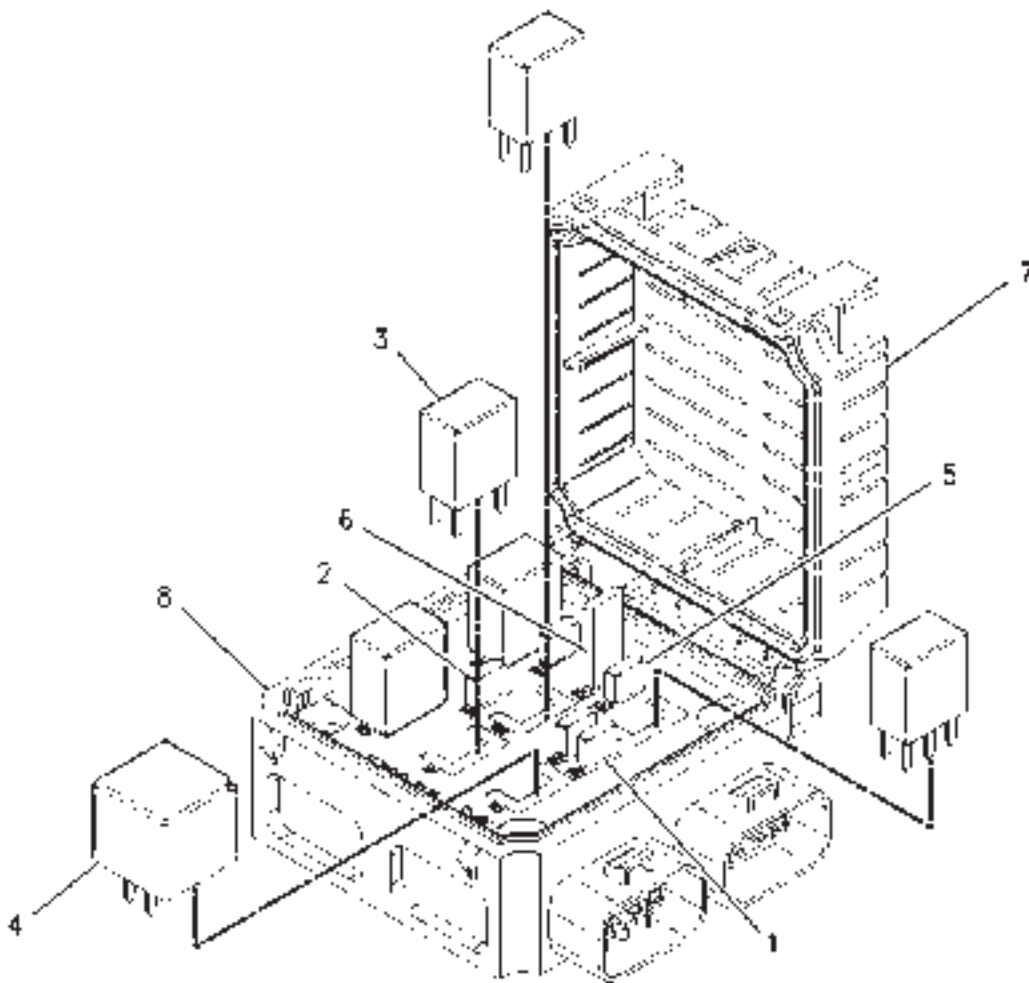
ITEM	NUMBER	QTY	DESCRIPTION
-	173-2745	--	MOUNTING GP-BATTERY [A] (NOT SERVICED)
1	CH149-2758	3	SPACER (15.9X21.4X204.22MM THK)
2	400005X1	3	BOLT-HEX HEAD (M10X1.5X230MM)
3	CH7X-7729	3	WASHER (11X25X3MM THK)
4	177-3863	1	PLATE

[A] PART OF 136-5661;167-2182 BATTERY &
WIRING GP

00813006
PR: t05c24o40d0097

MT700B SERIES TRACK TRACTOR
ELECTRICAL AND STARTING SYSTEM

PANEL GP-FUSE
501829D1



00878049

**MT700B SERIES TRACK TRACTOR
ELECTRICAL AND STARTING SYSTEM**

247

**PANEL GP-FUSE
501829D1**

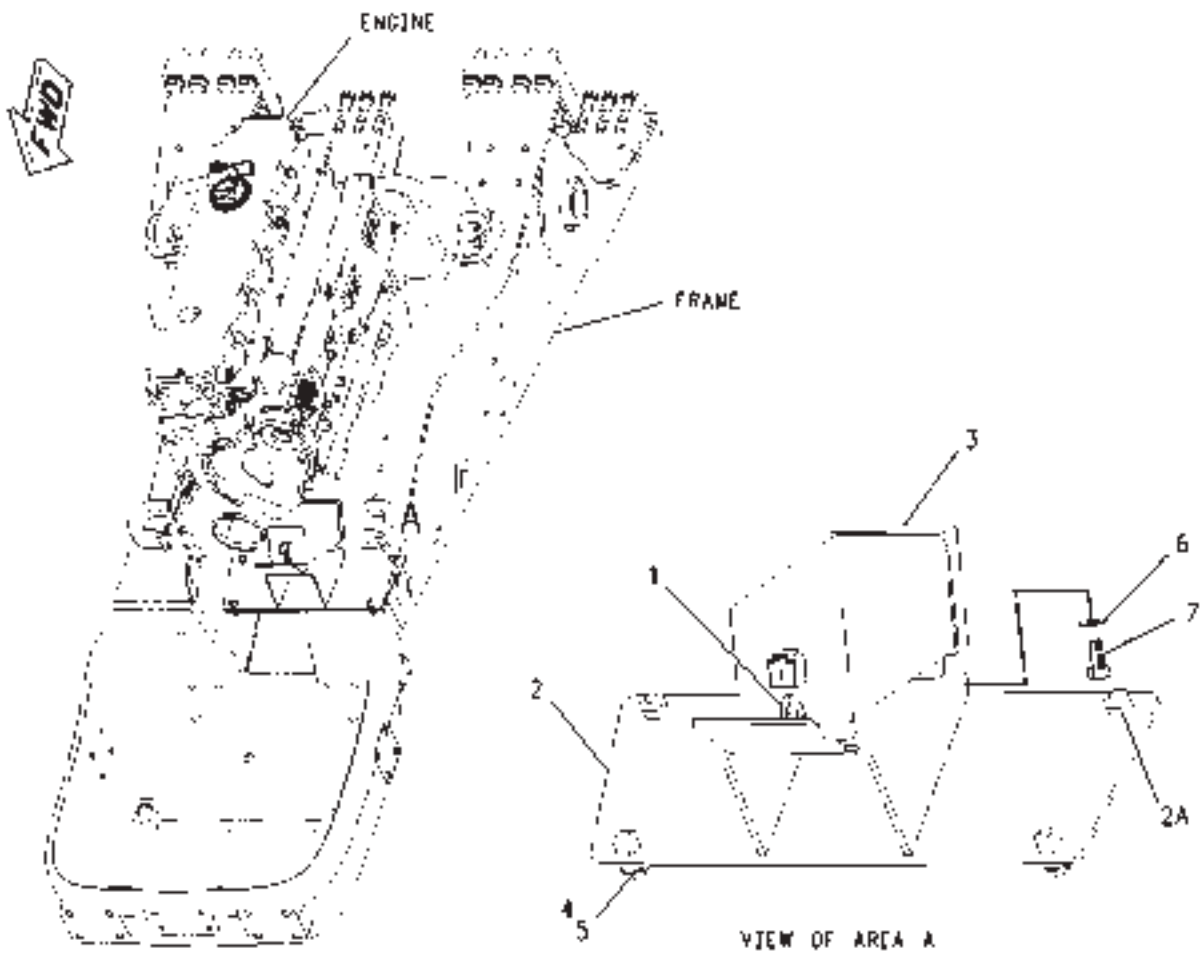
ITEM	NUMBER	QTY	DESCRIPTION
-	501829D1	--	BLOCK FUSE-FUSE (COMPLETE) [A]
1	CH113-8490	2	FUSE (10 AMP)
2	CH113-8491	2	FUSE (15 AMP)
3	CH146-9439	5	RELAY (12 VOLT)
4	CH170-2237	1	RELAY (12 VOLT)
5	CH113-8492	1	FUSE (20 AMP)
6	CH124-3548	1	FUSE (30 AMP)
7	501836D1	1	COVER
8	501841D1	1	BLOCK-FUSE

[A] PART OF 216-0852
CONTROL AR-COMMUNICATION

00878049
PR: t05c24o40d0098

MT700B SERIES TRACK TRACTOR
ELECTRICAL AND STARTING SYSTEM

SENSOR & MTG GP-GROUND SPEED - 173-6510



00931104

**MT700B SERIES TRACK TRACTOR
ELECTRICAL AND STARTING SYSTEM**

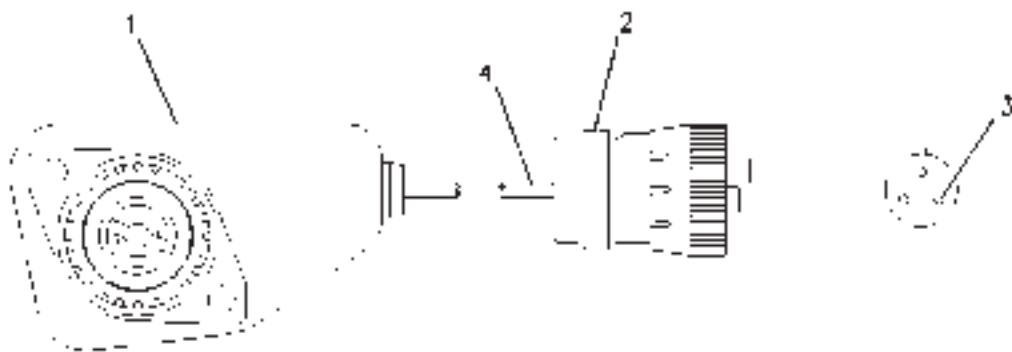
249

SENSOR & MTG GP-GROUND SPEED - 173-6510

ITEM	NUMBER	QTY	DESCRIPTION
-	173-6510	--	SENSOR & MTG GP-GROUND SPEED (NOT SERVICED)
1	CH7K-1181	1	STRAP-CABLE
2	136-5207	1	BRACKET AS.
	CH7T-1099	2	LINK
2A	CH8T-3490	4	NUT-WELD (M10X1.5 THD)
3	CH179-4265	1	SENSOR GP-GROUND SPEED
4	CH7X-7729	4	WASHER (11X25X3MM THK)
5	400058X1	4	BOLT (M10X1.5X30MM)
6	CH8T-4205	4	WASHER-HARD (7.2X14.5X2MM THK)
7	400230X1	4	BOLT (M6X1X14MM)

00831104
PR: t05c24o40d0099

SENSOR GP-POSITION - CH215-6495



00887805

**MT700B SERIES TRACK TRACTOR
ELECTRICAL AND STARTING SYSTEM**

251

SENSOR GP-POSITION - CH215-6495

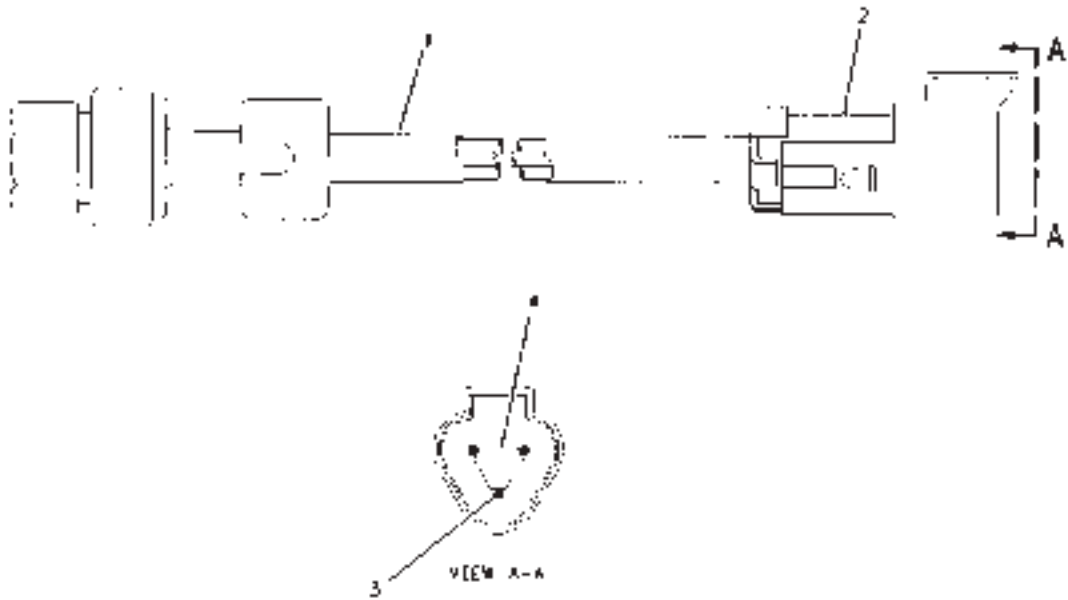
ITEM	NUMBER	QTY	DESCRIPTION
-	CH215-6495	--	SENSOR GP-POSITION [A]
1		1	SENSOR POSITION-POSITION (NOT SERVICED SEPARATELY)
2	400500X1	1	PLUG-CONNECTOR
3	400715X1	3	SOCKET-CONNECTOR
4		--	HOSE (72CM) (NOT SERVICED)

[A] PART OF 168-1944 CONTROL & WIRING
GP-HITCH

00867805
PR: t05c24o40d0100

MT700B SERIES TRACK TRACTOR
ELECTRICAL AND STARTING SYSTEM

CH161-9932 SENSOR GP-PRESSURE



00612982

**MT700B SERIES TRACK TRACTOR
ELECTRICAL AND STARTING SYSTEM**

253

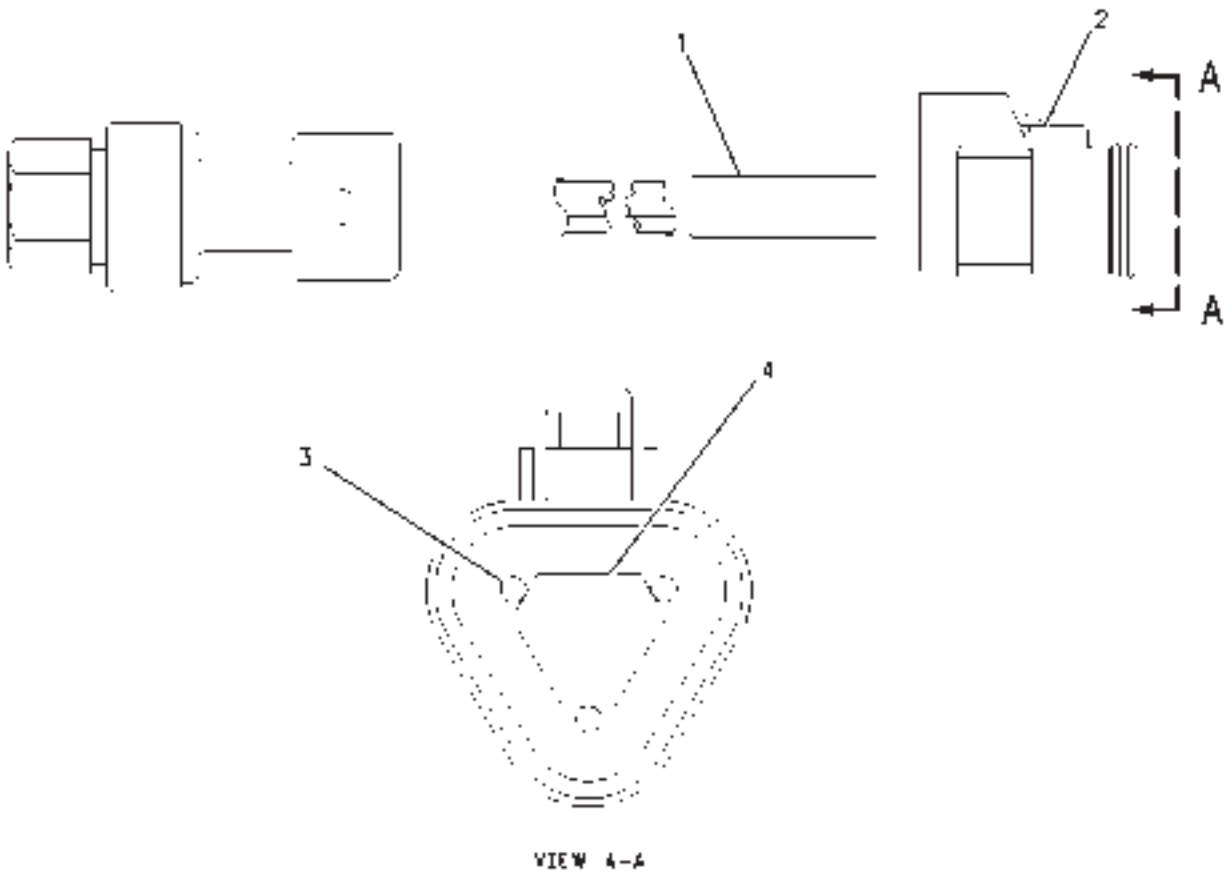
CH161-9932 SENSOR GP-PRESSURE

ITEM	NUMBER	QTY	DESCRIPTION
-	CH161-9932	--	SENSOR GP-PRESSURE [A]
1	CH9X-1386		GROMMET
2	CH3E-3370	1	RECEPTACLE AS (3 PIN)
3	CH180-9339	3	PIN-CONNECTOR (FOR 16-18 GA WIRE)
4	CH3E-3371	1	WEDGE-RECEPTACLE LOCK (3 PIN)

[A] PART OF 136-5667 WIRING GP-MACHINE

00612982
PR: t05c24o40d0101

SENSOR GP-PRESSURE - CH194-6725



00851220

**MT700B SERIES TRACK TRACTOR
ELECTRICAL AND STARTING SYSTEM**

255

SENSOR GP-PRESSURE - CH194-6725

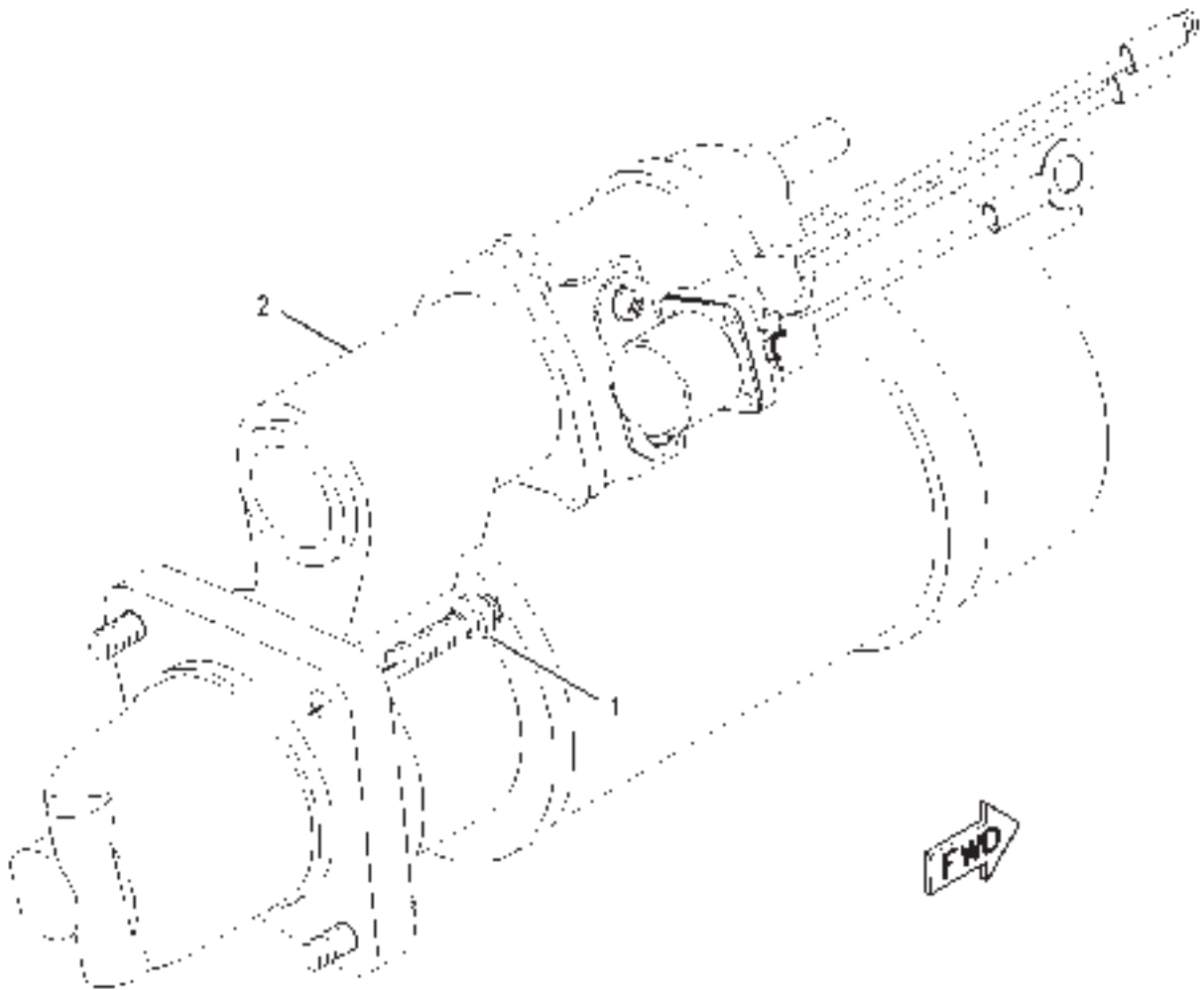
ITEM	NUMBER	QTY	DESCRIPTION
-	CH194-6725	--	SENSOR GP-PRESSURE [A]
1	400553X1		SLEEVE
2	CH155-2260	1	KIT-CONNECTING PLUG (3 PIN) (INCL. RECEPTACLE AS. & WEDGE)
3	CH180-9340	3	SOCKET-CONNECTOR
4	CH3E-3368	1	WEDGE-PLUG LOCK

[A] PART OF 179-8300
TANK & LINES GP-AIR

NOTE:
THIS SENSOR IS USED IN MULTIPLE
APPLICATIONS DO NOT USE SPN MODIFIER
YOU MUST USE APPLICATION SPECIFIC
MODIFIERS

00851220
PR: t05c24o40d0102

STARTING MOTOR GP-ELECTRIC - 169-3646



00832111

**MT700B SERIES TRACK TRACTOR
ELECTRICAL AND STARTING SYSTEM**

257

STARTING MOTOR GP-ELECTRIC - 169-3646

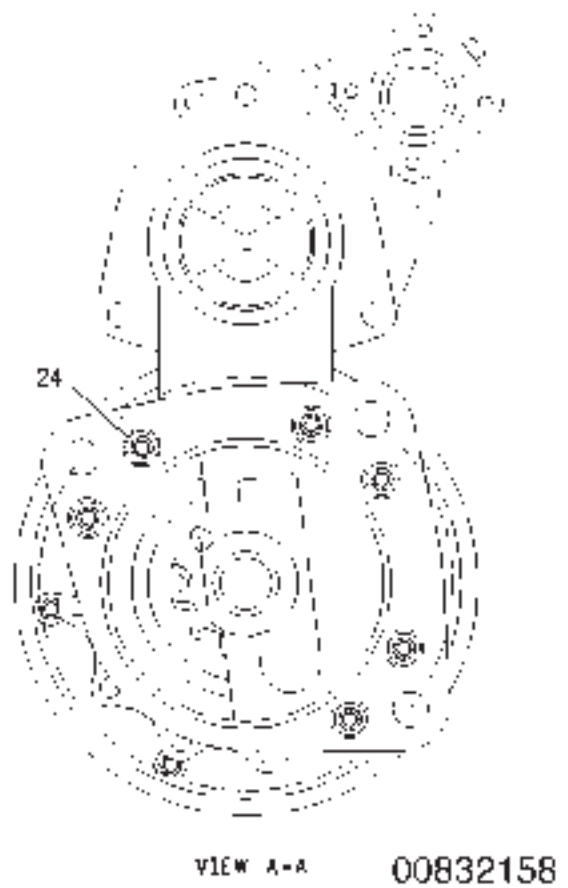
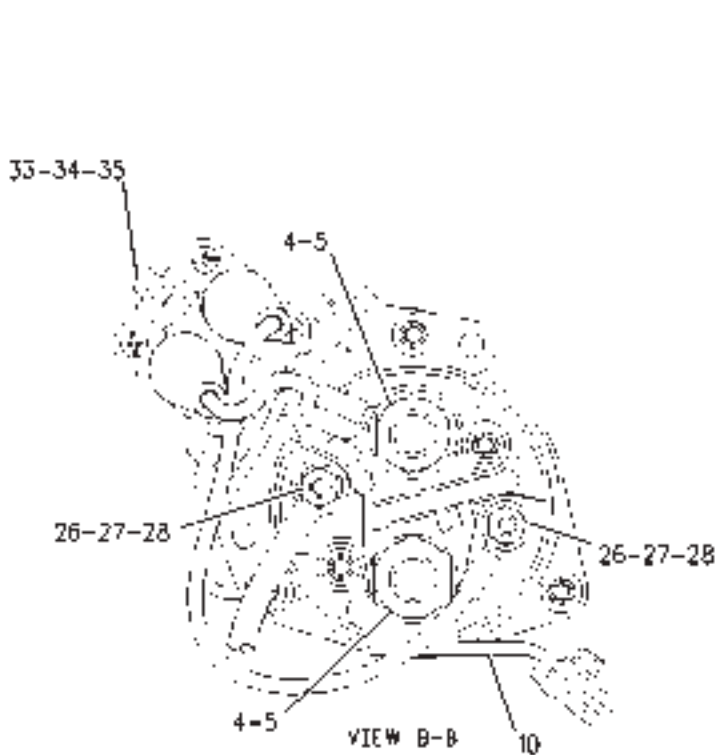
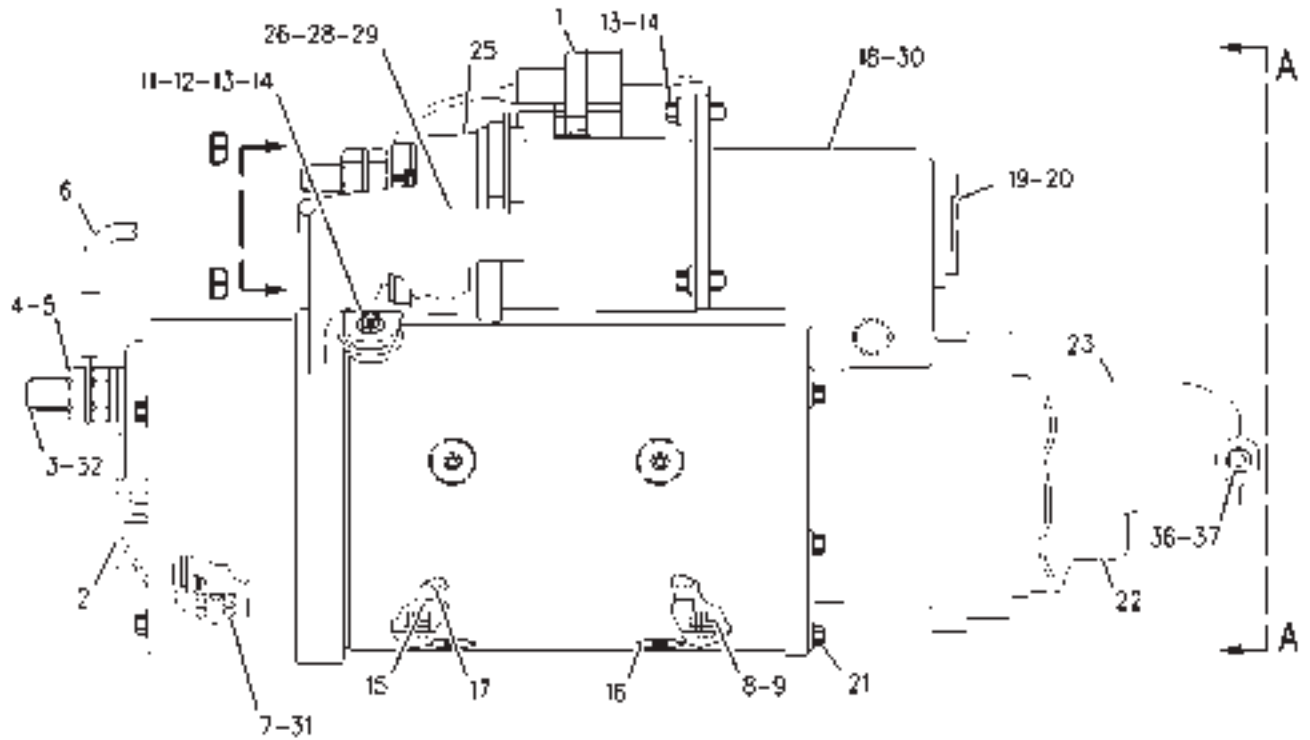
ITEM	NUMBER	QTY	DESCRIPTION
-	169-3646	--	STARTING MOTOR GP-ELECTRIC [A] (NOT SERVICED) (SEE BREAKDOWN FOR COMPONENTS)
1	108-7808	3	BOLT (M10X1.5X35MM)
2	501978D1	1	STARTING MOTOR (SEE BREAKDOWN FOR COMPONENTS)

[A] PART OF 501640D1; 501641D1; 501642D1
INSTALLATION AR-ENGINE

00832111
PR: t05c24o40d0103

MT700B SERIES TRACK TRACTOR
ELECTRICAL AND STARTING SYSTEM

STARTING MOTOR - 501978D1
12 VOLT



00832158

**MT700B SERIES TRACK TRACTOR
ELECTRICAL AND STARTING SYSTEM**

259

**STARTING MOTOR - 501978D1
12 VOLT**

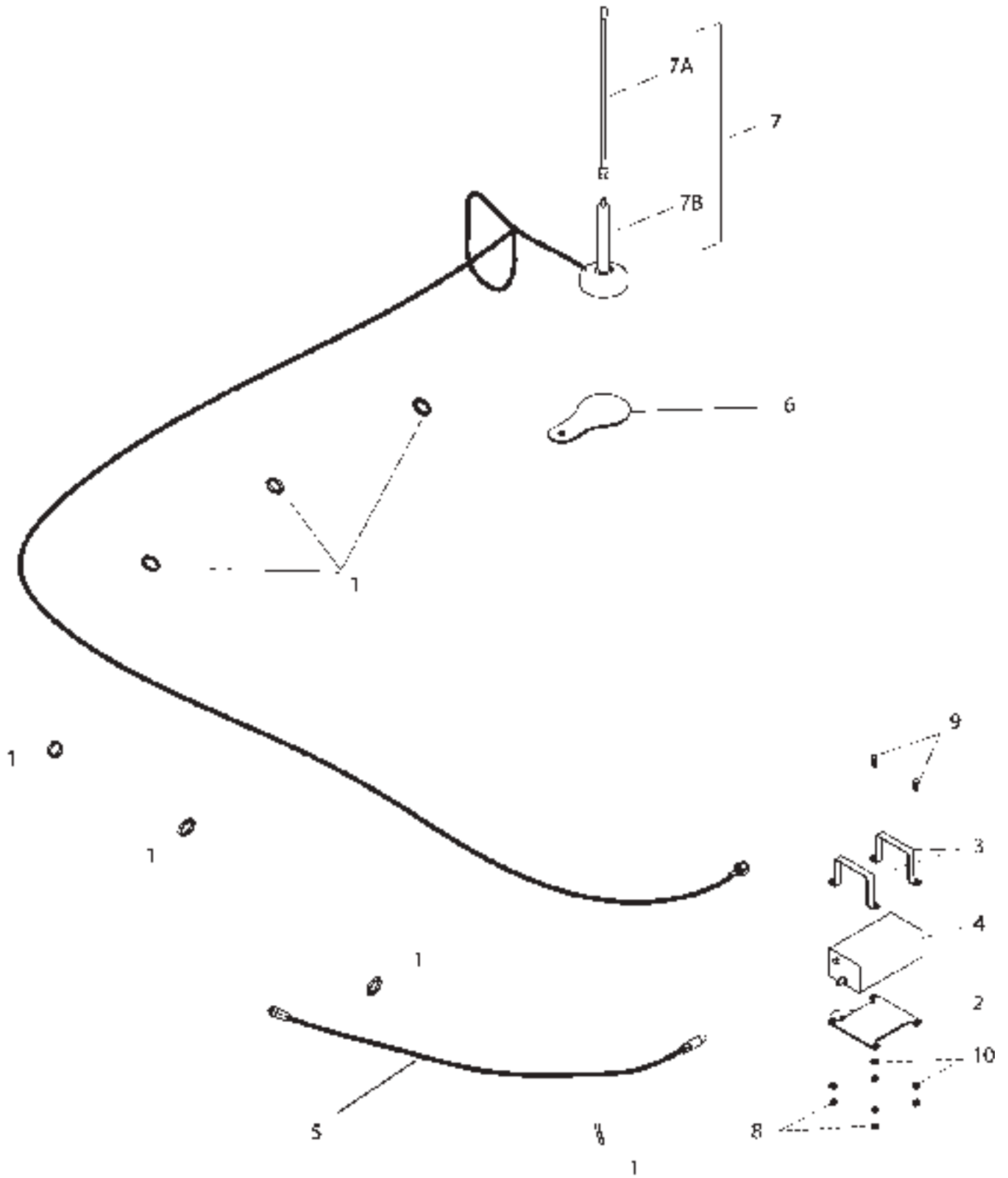
ITEM	NUMBER	QTY	DESCRIPTION
-	501978D1	--	STARTING MOTOR [A]-ELECTRIC
1	146-3504	1	SWITCH RELAY-RELAY
2	7T-3279	1	HOUSING AS.
3	8T-8566	1	TERMINAL AS.
4	6V-8188	4	NUT (1/2-13 THD)
5	7X-0562	4	WASHER-HARD (13.5X19X0.8MM THK)
6	3T-3422	1	WIRE AS.
7	8T-8570	1	HOLDER BRUSH-BRUSH
8	8T-8568	1	COIL FIELD-FIELD
9	7T-3454	1	INSULATOR
10	7T-3271	1	CONNECTOR
11	7T-3451	1	INSULATOR-TERMINAL
12	8T-8569	1	INSULATOR-TERMINAL
13	5S-7349	4	BOLT (1/4-20X0.5IN)
14	8T-4205	4	WASHER-HARD (7.2X14.5X2MM THK)
15	8H-1141	4	SHOE-POLE
16	3F-0379	8	SCREW-POLE SHOE
17	7T-3275	1	ARMATURE AS.
18	3E-7775	1	HOUSING AS.
19	4M-1831	1	PLUG-LEVER HOUSING
20	7L-2894	1	GASKET
21	036-9823	5	BOLT
22	6N-3827	1	DRIVE MOTOR-MOTOR
23	9X-9510	1	HOUSING AS.
24	7X-3373	6	BOLT (5/16-18X0.88IN)
25	206-8789	1	KIT-SOLENOID
26	6V-8378	3	NUT (10-32 THD)
27	8F-1434	2	LOCKWASHER
28	8T-0328	3	WASHER-HARD (5.5X10X1MM THK)
29	9X-4824	1	COVER-STARTING MOTOR
30	7T-3268	1	KIT-LEVER (STARTING MOTOR)
31	8T-9885	1	KIT-BRUSH
32	8T-9884	1	KIT-INSULATOR (STARTING MOTOR)
33	095-7930	1	SCREW-MACHINE
34	096-6166	1	WASHER-HARD (4.5X9X1MM THK)
35	9B-7233	1	LOCKWASHER
36	9F-2247	1	PLUG-PIPE
37	9F-2547	1	WICK
	7T-3267	1	KIT-BUSHING (STARTING MOTOR)

[A] PART OF 169-3646 STARTING MOTOR GP

00832158
PR: t05c24o40d0104

MT700B SERIES TRACK TRACTOR
ELECTRICAL AND STARTING SYSTEM

RADIO GP-AUTOGUIDE - 232-0869



2320869A

**MT700B SERIES TRACK TRACTOR
ELECTRICAL AND STARTING SYSTEM**

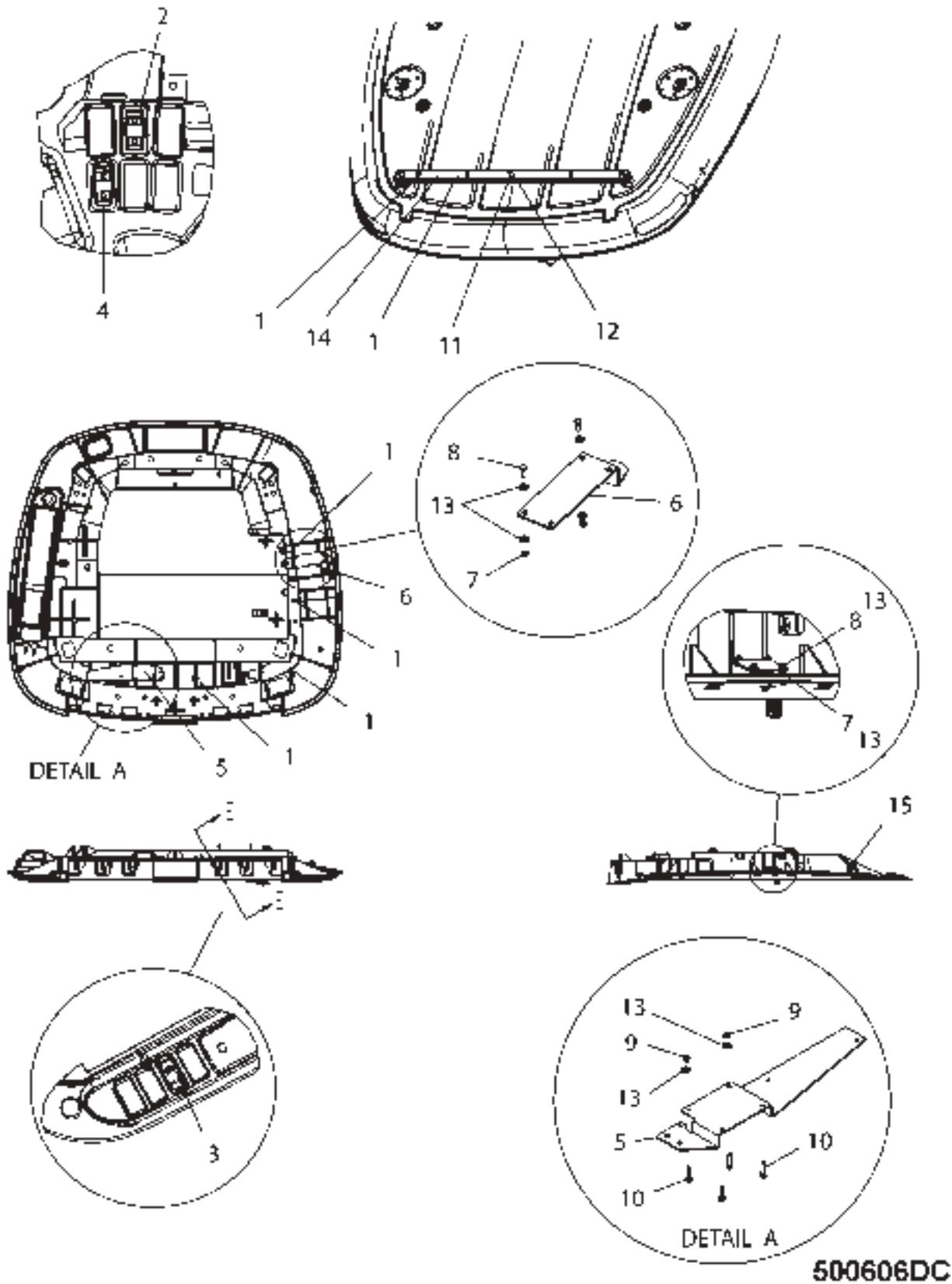
261

RADIO GP-AUTOGUIDE - 232-0869

ITEM	NUMBER	QTY	DESCRIPTION
-	232-0869	--	RADIO GP-AUTOGUIDE (NOT SERVICED)
-	233-6580	--	RADIO GP-AUTOGUIDE (FIELD INSTALLED)
1	CH7K-1181	7	STRAP-CABLE 0.19-4.00
2	219-4779	1	BRACKET
3	219-4796	2	BRACKET
4	221-2642	1	MOUNT AS.-RADIO
5	221-5389	1	HARNESS AS
6	500361D1	1	PLATE
7	500362D1	1	ANTENNA AS-FREEWAVE
7A	500364D1	1	WHIP
7B	500363D1	1	BASE
8	400300X1	4	NUT M6X1
9	400152X1	4	BOLT-M6X1X16MM ZNDI HHD 10.9
10	CH8T-4205	4	WASHER-HARD 7.2IDX14.5ODX2MM

2320869A
PR: t05c24o40d0105

SWITCH GP-GUIDANCE - 500606D1
AUTOGUIDE SYSTEM



**MT700B SERIES TRACK TRACTOR
ELECTRICAL AND STARTING SYSTEM**

263

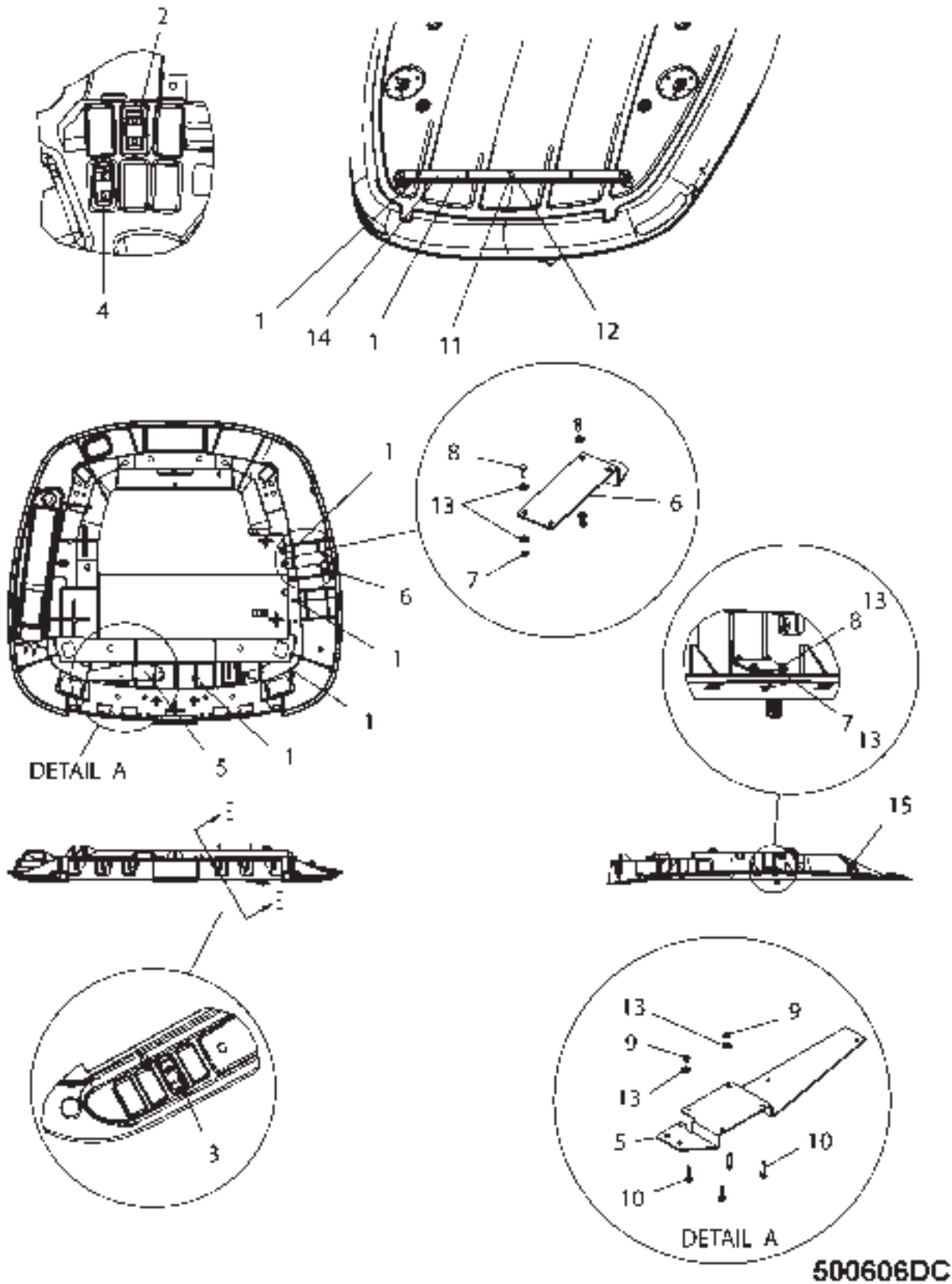
**SWITCH GP-GUIDANCE - 500606D1
AUTOGUIDE SYSTEM**

ITEM	NUMBER	QTY	DESCRIPTION
-	500606D1	--	SWITCH GP-RECEIVER [A] (NOT SERVICED)
1	CH7K-1181	6	STRAP-CABLE
2	169-8222	1	SWITCH-ROCKER [*] (AUTO GUIDE CONTROL)
	400453X1		*PLUG-CONNECTOR (MATING PART)
	CH165-5975		*PLUG-PANEL (FOR COVERING MTG HOLE)
3	500882D1	1	SWITCH-ROCKER [*] (AUTO GUIDE POWER)
	400453X1		*PLUG-CONNECTOR (MATING PART)
	CH165-5975		*PLUG-PANEL (FOR COVERING MTG HOLE)
4	200-6376	1	SWITCH-ROCKER [*] (AUTO GUIDE MARKING)
	400453X1		*PLUG-CONNECTOR (MATING PART)
	CH165-5975		*PLUG-PANEL (FOR COVERING MTG HOLE)
5	216-8860	1	BRACKET AS
6	219-4775	1	BRACKET AS
7	400300X1	4	NUT (M6X1)
8	400152X1	4	BOLT (M6X1X16MM)
9	CH6V-8225	4	NUT (M6X1)
10	400172X1	4	BOLT (M6X1X25MM)
11	400179X1	1	BOLT (5/8-11)
12	CH8T-4122	1	WASHER-HARD
13	CH8T-4205	12	WASHER-HARD (7.2X14.5X2MM)
14	500478D1	1	MOUNTING GP-GPS (SEE BREAKDOWN FOR COMPONENTS)
15	500610D1	1	GROMMET-RH (HANDRAIL) (REPLACES PART PROVIDED IN ROOF GP-CAB)

[A] PART OF 500630D1
KIT-CONTROL AR-AUTOGUIDE

500606DC
PR: t05c24o40d0106

SWITCH GP-GUIDANCE - 500616D1
AUTOGUIDE SYSTEM



**MT700B SERIES TRACK TRACTOR
ELECTRICAL AND STARTING SYSTEM**

265

**SWITCH GP-GUIDANCE - 500616D1
AUTOGUIDE SYSTEM**

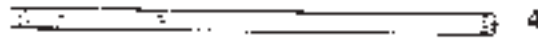
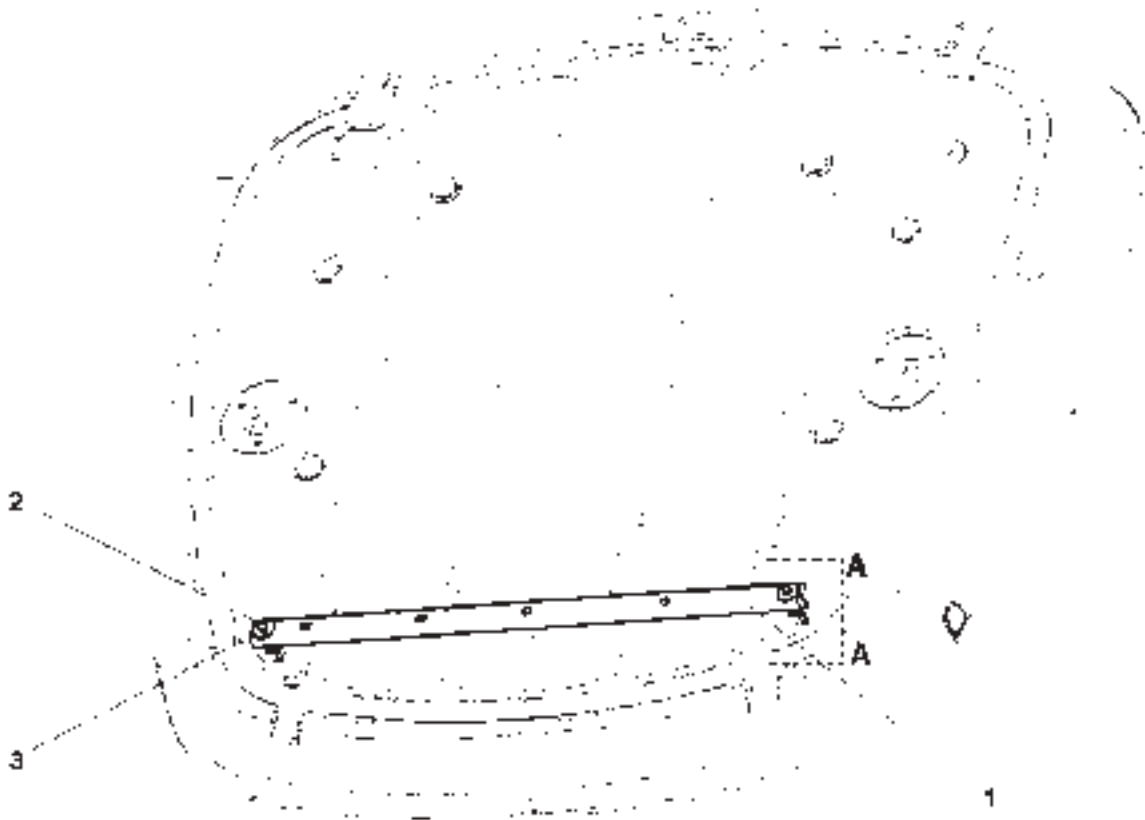
ITEM	NUMBER	QTY	DESCRIPTION
-	500616D1	--	SWITCH GP-RECEIVER [A] (NOT SERVICED)
1	CH7K-1181	6	STRAP-CABLE
2	169-8222	1	SWITCH-ROCKER [*] (AUTO GUIDE CONTROL)
	400453X1		*PLUG-CONNECTOR (MATING PART)
	CH165-5975		*PLUG-PANEL (FOR COVERING MTG HOLE)
3	500882D1	1	SWITCH-ROCKER [*] (AUTO GUIDE POWER)
	400453X1		*PLUG-CONNECTOR (MATING PART)
	CH165-5975		*PLUG-PANEL (FOR COVERING MTG HOLE)
4	200-6376	1	SWITCH-ROCKER [*] (AUTO GUIDE MARKING)
	400453X1		*PLUG-CONNECTOR (MATING PART)
	CH165-5975		*PLUG-PANEL (FOR COVERING MTG HOLE)
5	216-8860	1	BRACKET AS
6	219-4775	1	BRACKET AS
7	400300X1	4	NUT (M6X1)
8	400152X1	4	BOLT (M6X1X16MM)
9	CH6V-8225	4	NUT (M6X1)
10	400172X1	4	BOLT (M6X1X25MM)
11	400179X1	1	BOLT (5/8-11)
12	CH8T-4122	1	WASHER-HARD
13	CH8T-4205	12	WASHER-HARD (7.2X14.5X2MM)
14	500478D1	1	MOUNTING GP-GPS (SEE BREAKDOWN FOR COMPONENTS)
15	500611D1	1	GROMMET-RH (HANDRAIL) (REPLACES PART PROVIDED IN ROOF GP-CAB)

[A] PART OF 500629D1 CONTROL AR-
AUTOGUIDE

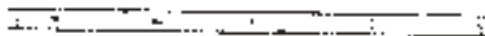
500606DC
PR: t05c24o40d0107

MT700B SERIES TRACK TRACTOR
ELECTRICAL AND STARTING SYSTEM

MOUNTING GP-GPS - 500478D1
AUTOGUIDE SYSTEM



5



SEE A-A

0890702M

**MT700B SERIES TRACK TRACTOR
ELECTRICAL AND STARTING SYSTEM**

267

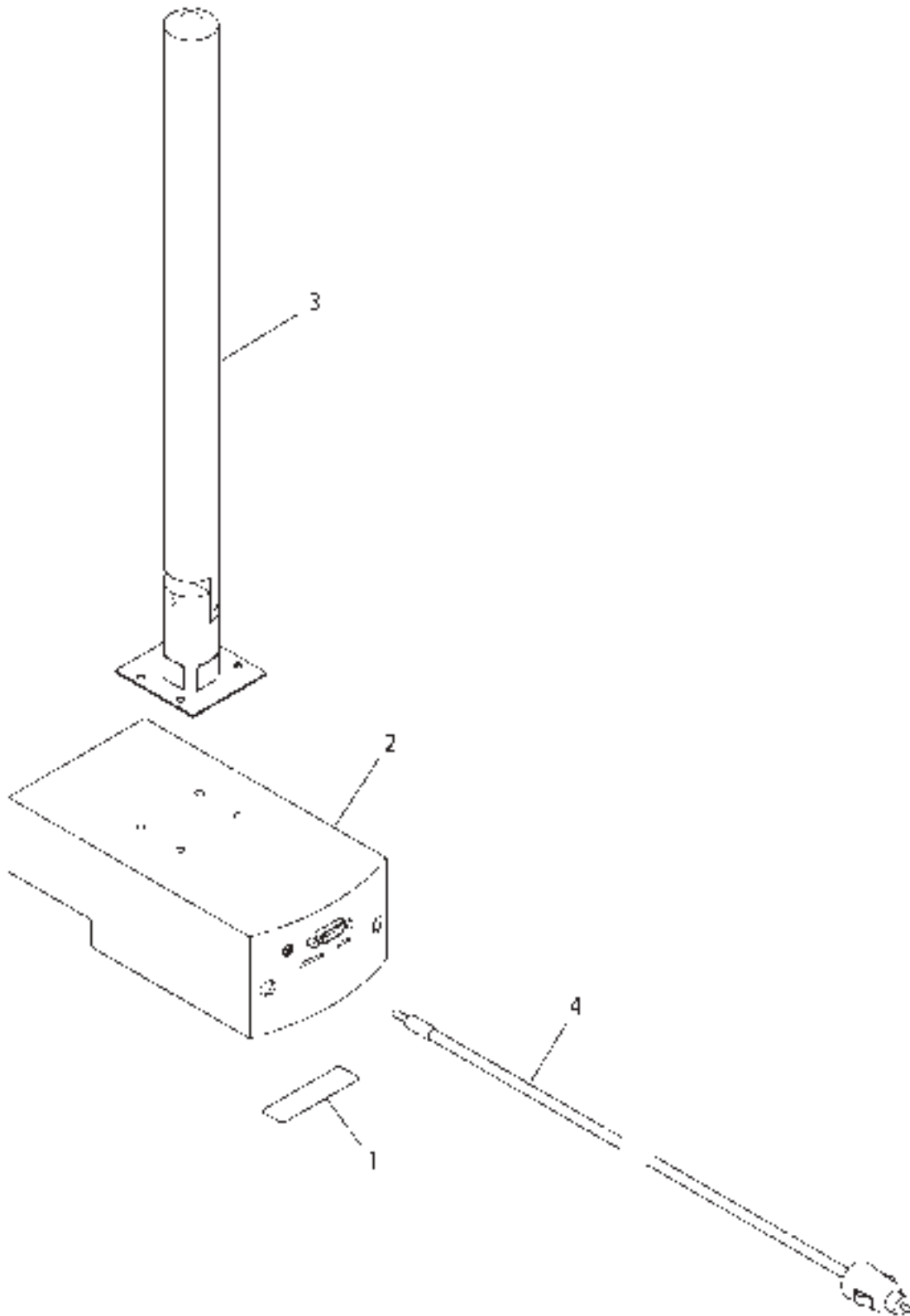
**MOUNTING GP-GPS - 500478D1
AUTOGUIDE SYSTEM**

ITEM	NUMBER	QTY	DESCRIPTION
-	500478D1	--	MOUNTING GP [A] (NOT SERVICED)
1	500477D1		BRACKET AS (INCLUDES ITEMS 4 AND 5)
2	400240X1	2	BOLT (M10X1.5X110)
3	CH8T-4226	2	WASHER-PLATED
4	500475D1	2	SPACER
5	500476D1	1	BRACKET

[A] PART OF 500616D1 SWITCH GP

0890702M
PR: t05c24o40d0108

MOUNTING GP-PDA - 501168D1
AUTOGUIDE SYSTEM



501168DA

**MT700B SERIES TRACK TRACTOR
ELECTRICAL AND STARTING SYSTEM**

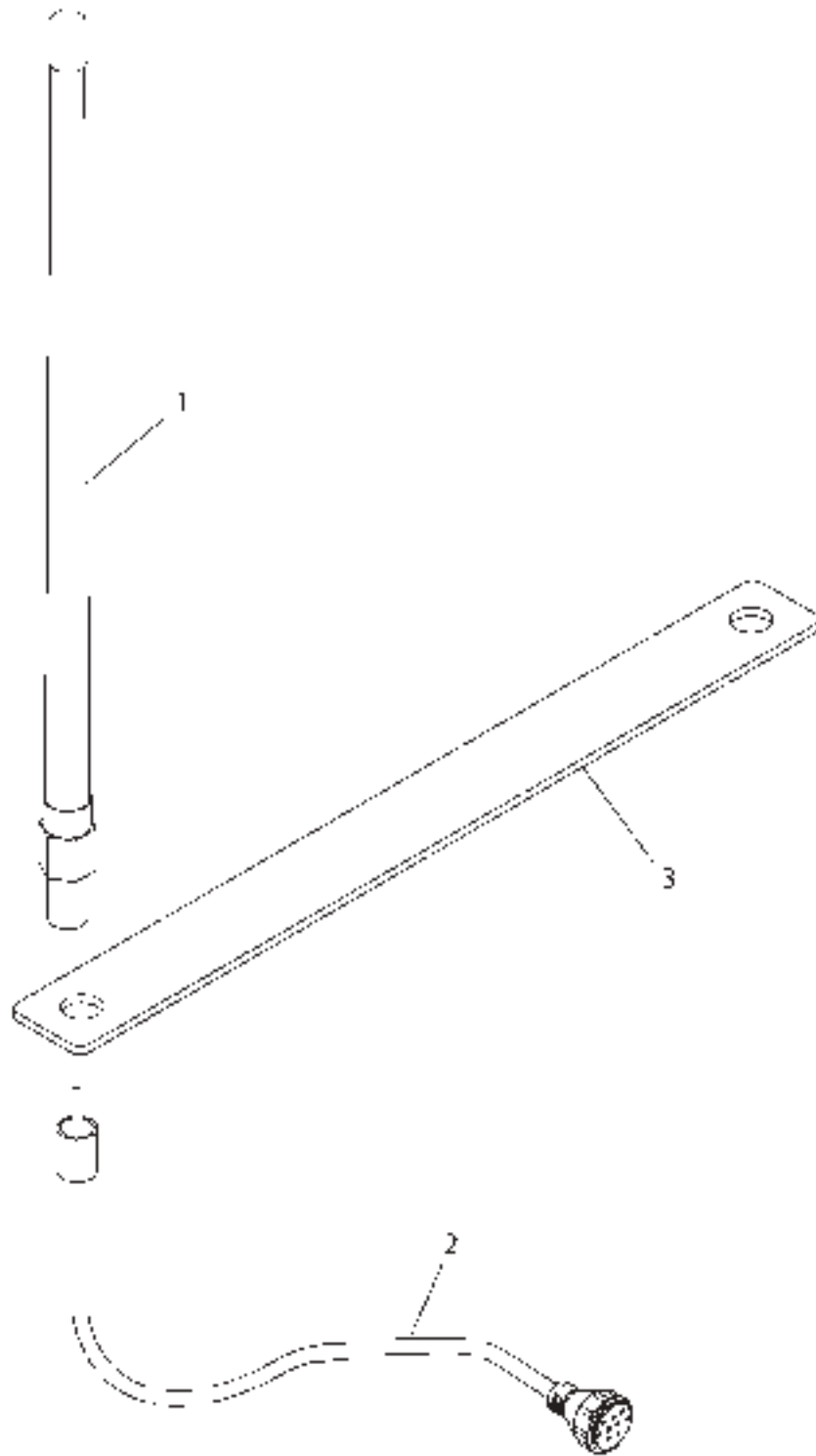
269

**MOUNTING GP-PDA - 501168D1
AUTOGUIDE SYSTEM**

ITEM	NUMBER	QTY	DESCRIPTION
-	501168D1	--	MOUNTING GP-PDA
1	500367D1	1	FILM-AUTOGUIDE
2	501169D1	1	CRADLE GP
3	501170D1	1	ARM
4	501171D1	1	CABLE-ADAPTOR PLUG

501168DA
PR: t05c24o40d0109

KIT-GPS BASE STATION - 502609D1



**MT700B SERIES TRACK TRACTOR
ELECTRICAL AND STARTING SYSTEM**

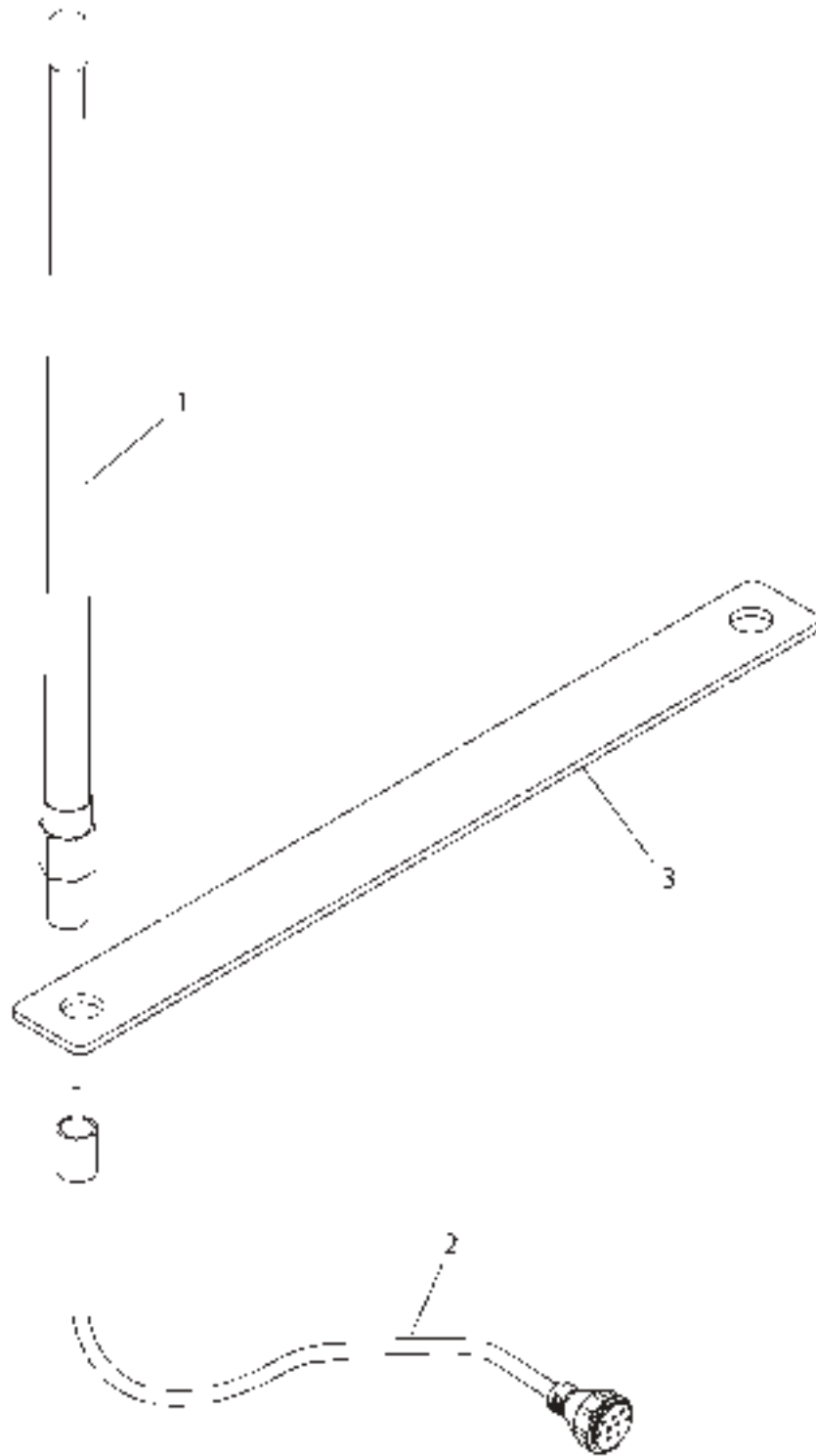
271

KIT-GPS BASE STATION - 502609D1

ITEM	NUMBER	QTY	DESCRIPTION
-	502609D1	--	KIT-GPS BASE STATION
1	501073D1	1	ANTENNA AS-DATA RADIO
2	501074D1	1	CABLE AS
3	501075D1	1	BRACKET
4	72571006	1	SOFTWARE (NOT SHOWN) (SUPPLIED VIA AGCO DEALER INFO NET)
5	502610D1	1	RECEIVER GP-GPS BASE STATION (NOT SHOWN)
6	502611D1	1	HARNESS AS-GPS BASE PWR (NOT SHOWN)
7	502612D1	1	CASE AS-GPS BASE (NOT SHOWN)
-	232-0879	1	TRIPOD AS (NOT PART OF KIT) (SERVICED AS COMPLETE AS)

501124DA
PR: t05c24o40d0110

ANTENNA GP-DATA RADIO - 501124D1
GPS BASE STATION



MT700B SERIES TRACK TRACTOR
ELECTRICAL AND STARTING SYSTEM

273

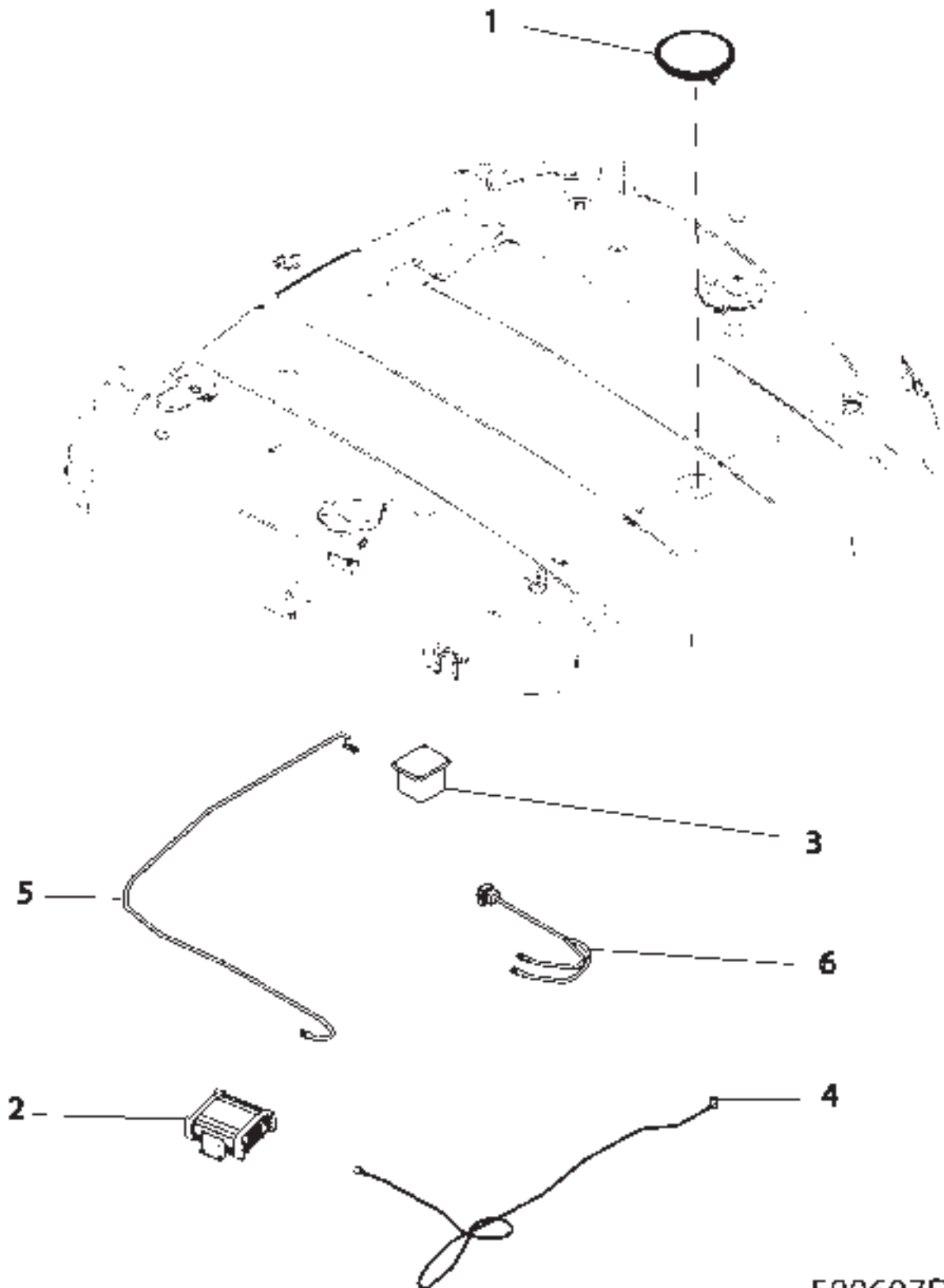
ANTENNA GP-DATA RADIO - 501124D1
GPS BASE STATION

ITEM	NUMBER	QTY	DESCRIPTION
-	501124D1	--	ANTENNA GP-DATA RADIO
1	501073D1	1	ANTENNA AS-DATA RADIO
2	501074D1	1	CABLE AS
3	501075D1	1	BRACKET

501124DA
PR: t05c24o40d0111

MT700B SERIES TRACK TRACTOR
ELECTRICAL AND STARTING SYSTEM

RECEIVER GP-TRANSMITTER & GPS - 500607D1
AUTOGUIDE CONTROL



500607DD

**MT700B SERIES TRACK TRACTOR
ELECTRICAL AND STARTING SYSTEM**

275

**RECEIVER GP-TRANSMITTER & GPS - 500607D1
AUTOGUIDE CONTROL**

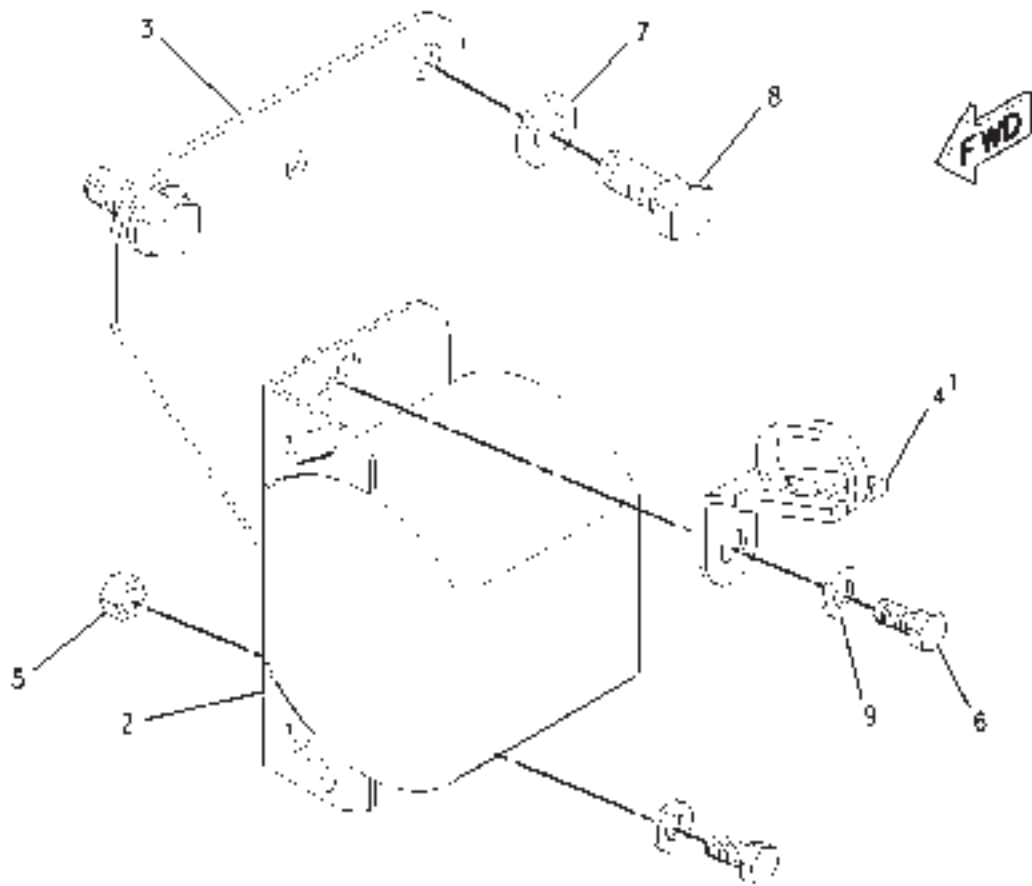
ITEM	NUMBER	QTY	DESCRIPTION
-	500607D1	--	RECEIVER GP-TRANSMITTER GPS [A]
1	216-7835	1	MOUNT (ANTENNA)
2	216-7837	1	RECEIVER MODULE
3	72571008	1	SENSOR GP-DMU (3AXIS)
4	216-7836	1	CABLE (ANTENNA)
5	216-7839	1	HARNESS (SENSOR GP-POSITION)
6	216-7841	1	HARNESS (RECEIVER-GPS)
7	72571001	1	SOFTWARE (NOT SHOWN) (ORDER FROM AGCO DEALER INFO NET)

[A] PART OF 500628D1 & 500630D1
CONTROL AR-AUTOGUIDE

500607DD
PR: t05c24o40d0112

MT700B SERIES TRACK TRACTOR
ELECTRICAL AND STARTING SYSTEM

WARNING GP-BACKUP - 173-6509



00867483

**MT700B SERIES TRACK TRACTOR
ELECTRICAL AND STARTING SYSTEM**

277

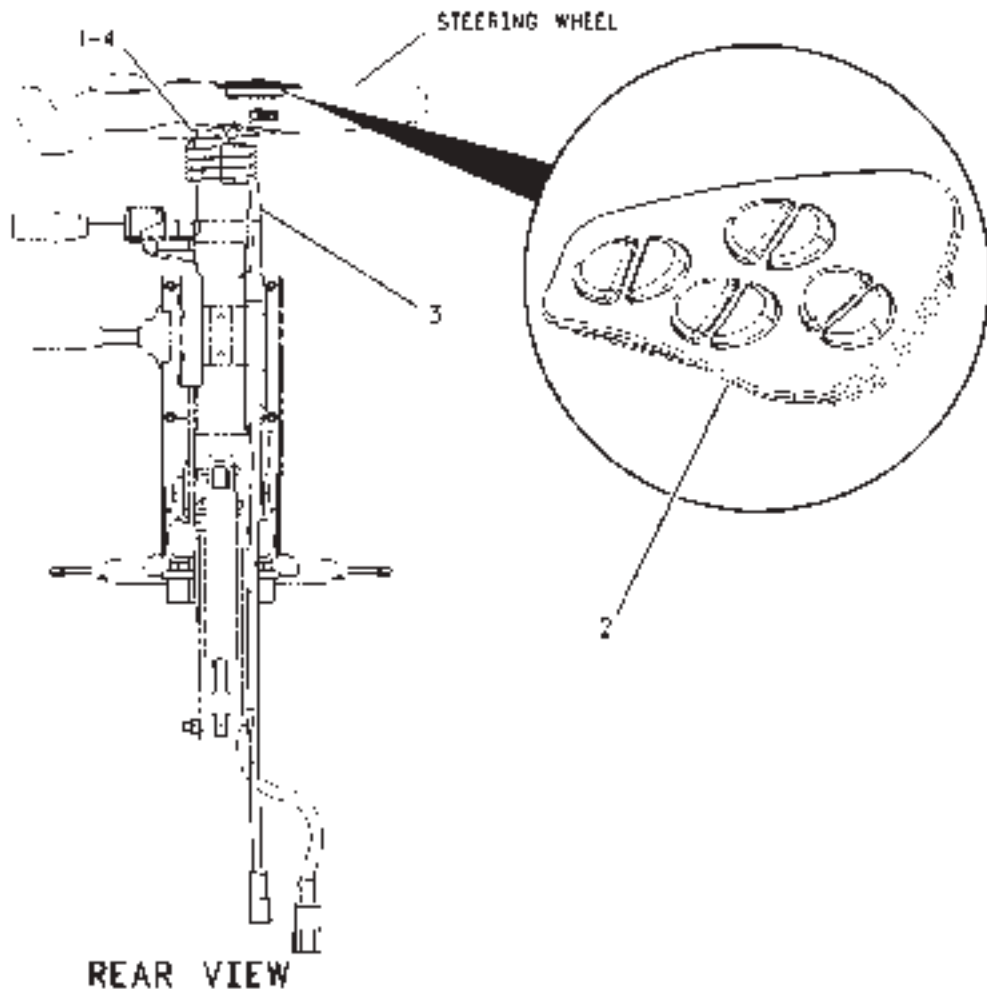
WARNING GP-BACKUP - 173-6509

ITEM	NUMBER	QTY	DESCRIPTION
-	173-6509	--	WARNING GP-BACKUP (NOT SERVICED)
1	CH7K-1181	1	STRAP-CABLE
2	CH154-5428	1	ALARM-BACK UP
	CH102-8802	1	KIT-RECEPTACLE (2 PIN) (INCL. RECEPTACLE AS. & WEDGE)
	400511X1	1	WEDGE-RECEPTACLE LOCK (2 PIN)
3	CH205-8451	1	PLATE
4	CH156-6175	1	CLIP
5	400300X1	2	NUT (M6X1 THD)
6	400152X1	2	BOLT (M6X1X16MM)
7	400287X1	3	WASHER-HARD (11X21X2.5MM THK)
8	400039X1	3	BOLT (M10X1.5X25MM)
9	400310X1	2	WASHER (6.6X12X2MM THK)

00867483
PR: t05c24o40d0113

MT700B SERIES TRACK TRACTOR
ELECTRICAL AND STARTING SYSTEM

WIRING GP - 173-6505
STEERING WHEEL MOUNTED RADIO CONTROLS
ROW ONLY



00842256

MT700B SERIES TRACK TRACTOR
ELECTRICAL AND STARTING SYSTEM

279

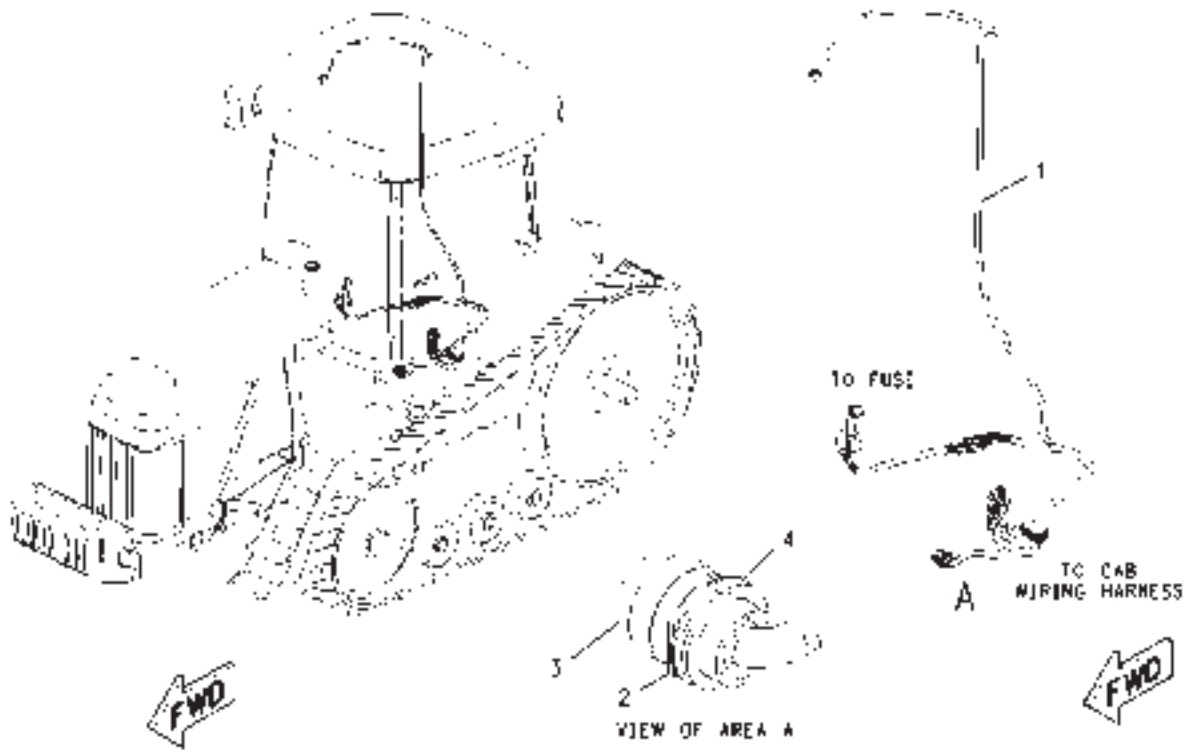
WIRING GP - 173-6505
STEERING WHEEL MOUNTED RADIO CONTROLS
ROW ONLY

ITEM	NUMBER	QTY	DESCRIPTION
-	173-6505	--	WIRING GP (NOT SERVICED)
1	CH095-0736	2	SCREW-MACHINE (M5X0.8X10MM)
2	172-8035	1	SWITCH AS. (STEERING WHEEL RADIO CONTROLS)
3	502244D1	1	HARNESS RADIO-RADIO (REMOTE CONTROL)
4	CH208-9482	2	CLIP

00842256
PR: t05c24o40d0114

MT700B SERIES TRACK TRACTOR
ELECTRICAL AND STARTING SYSTEM

WIRING GP - 214-3504
AUTOGUIDE ISO COMPATIBLE



00895779

**MT700B SERIES TRACK TRACTOR
ELECTRICAL AND STARTING SYSTEM**

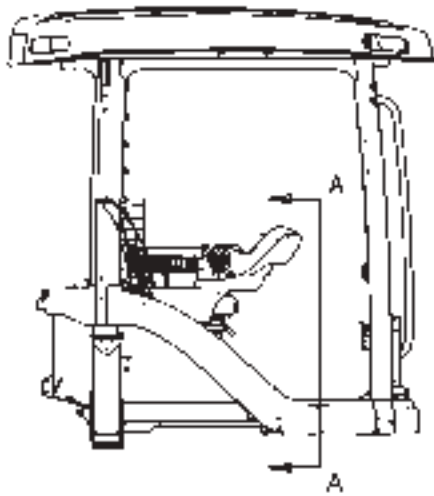
281

**WIRING GP - 214-3504
AUTOGUIDE ISO COMPATIBLE**

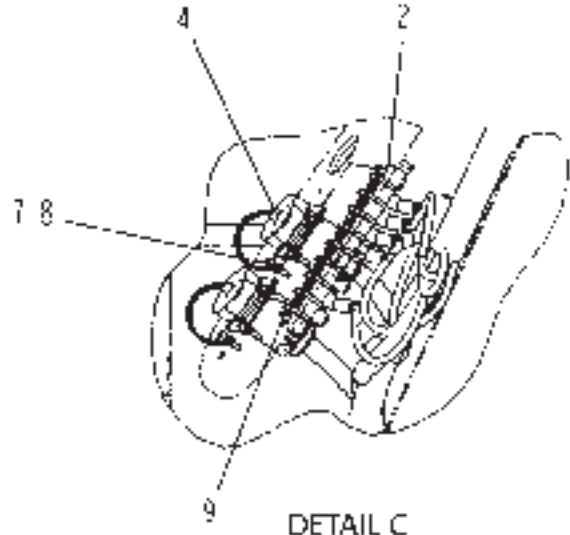
ITEM	NUMBER	QTY	DESCRIPTION
-	214-3504	--	WIRING GP (NOT SERVICED)
1	500910D1	1	HARNESS AS.
2	400295X1	1	NUT (11/16-18 THD)
3	CH219-0664	1	CAP
4	CH128-4249	1	LOCKWASHER

00895779
PR: t05c24o40d0115

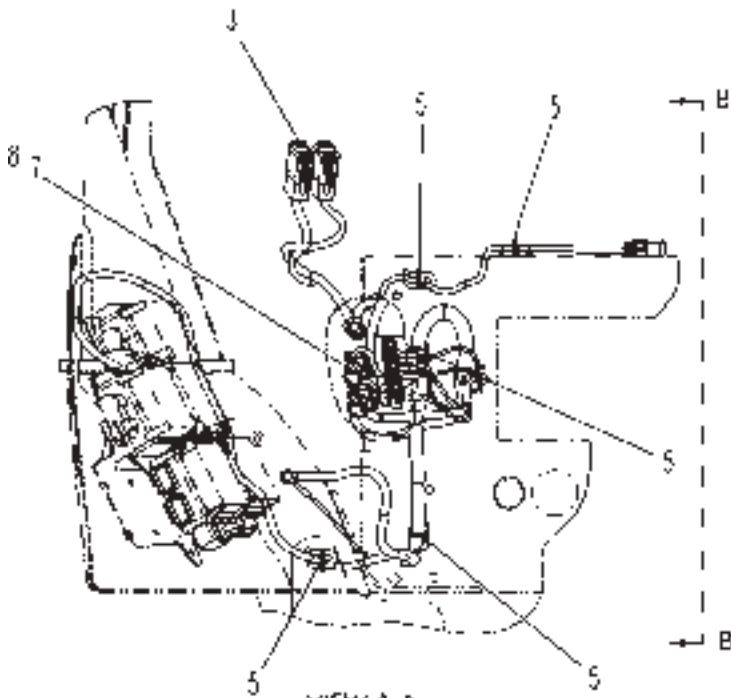
WIRING GP-AUXILIARY - 162-4097
DELUXE CAB
ROW ONLY



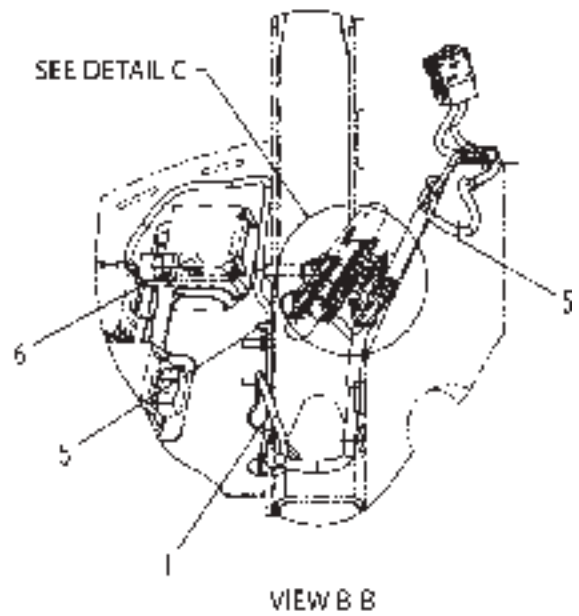
RIGHT SIDE VIEW OF CAB



DETAIL C



VIEW A-A
(SEAT NOT SHOWN)



VIEW B B

1624097F

**MT700B SERIES TRACK TRACTOR
ELECTRICAL AND STARTING SYSTEM**

283

**WIRING GP-AUXILIARY - 162-4097
DELUXE CAB
ROW ONLY**

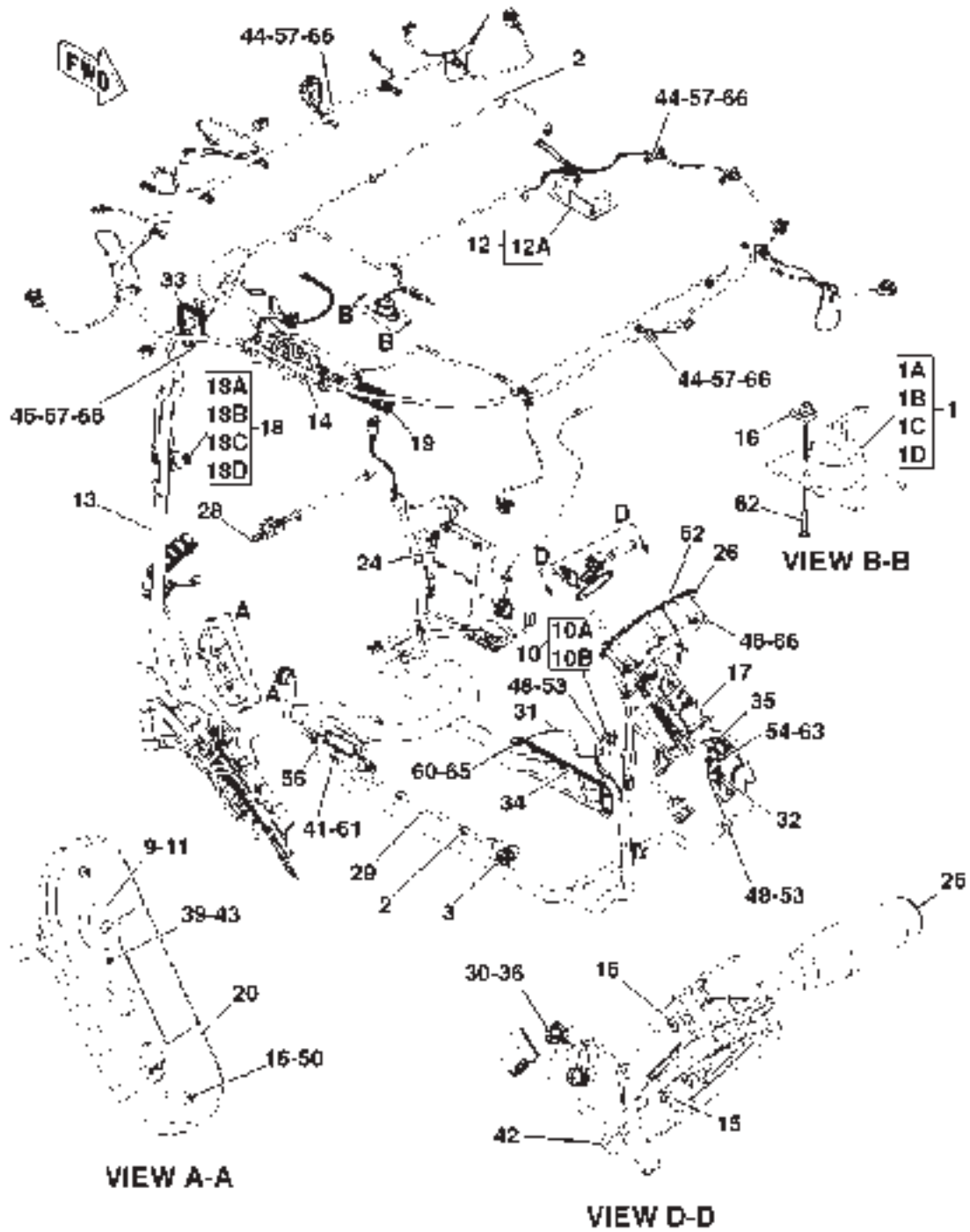
ITEM	NUMBER	QTY	DESCRIPTION
-	162-4097	--	WIRING GP-AUXILIARY [A] (NOT SERVICED)
-	502795D1	--	WIRING GP-AUX (NOT SERVICED) (REF ONLY)
1	502180D1	1	HARNESS AS (AUXILIARY POWER)
2	CH136-5268	1	STRIP
3	169-8229	2	SWITCH-ROCKER (AUXILIARY POWER)
4	CH124-4653	2	CAP
5	400837X1	7	STRAP-CABLE
6	CH146-9439	1	RELAY(12V)(AUXILIARY POWER SWITCHES)
7	400006X1	6	BOLT-SOCKET HEAD (M3X0.5X12MM)
8	CH3C-6969	6	NUT (M3X0.5)
9	CH119-5026	2	SCREW-PAN HEAD (10-16X0.63IN)

[A] PART OF 502663D1 CAB AR;
502795D1 WIRING GP-CONSOLE

1624097F
PR: t05c24o40d0116

MT700B SERIES TRACK TRACTOR
ELECTRICAL AND STARTING SYSTEM

WIRING GP-CAB - 152-0420A
ROW ONLY



0898288A

**MT700B SERIES TRACK TRACTOR
ELECTRICAL AND STARTING SYSTEM**

285

**WIRING GP-CAB - 152-0420A
ROW ONLY**

ITEM	NUMBER	QTY	DESCRIPTION
-	152-0420	--	WIRING GP-CAB [A] (NOT SERVICED)
1	501935D1	1	LAMP IMPLEMENT-IMPLEMENT CONTROL (12V) (SERVICE REPAIR ORDER 1A THRU 1D)
1A	CH102-8802	1	KIT-RECEPTACLE (2 PIN) (INCLUDES RECEPTACLE AS AND WEDGE) (SERVICED AS COMPLETE KIT ONLY)
1B	CH6T-7298	1	LAMP (12 VOLT) (IMPLEMENT CONTROL)
1C	CH186-3735	2	PIN-CONNECTOR
1D	CH3E-3365	1	WEDGE
2	400837X1	62	STRAP-CABLE
3	CH3T-8607	1	TERMINAL AS
	6F-7044	2	NUT-FULL (1/2-20)
	9B-0453	2	LOCKWASHER
9	CH124-4653	1	CAP
10	CH129-6457	1	SWITCH-LIMIT (BRAKE LIGHT) (INCLS ITEMS 10A & 10B)
10A	CH6V-8376	3	SCREW-MACHINE (8-32X0.25IN)
10B	CH9B-7233	3	LOCKWASHER
11	135-4483	4	RETAINER
12	CH136-5511	1	LAMP DOME-DOME (FOR SERVICE REPAIR ORDER 12A)
12A	CH9W-3326	1	LAMP (12 VOLT) (DOME LIGHT)
13	500446D1	1	HARNESS AS (CAB MAIN)
14	501949D1	1	HARNESS AS (ROOF)
15	400017X1	4	BOLT-SOCKET HEAD
16	400084X1	4	NUT (U-TYPE RETAINER)
17	217-9779	1	CONTROL GP-STEERING (NOT SERVICED)
18	CH163-2657	1	SWITCH GP-START [B] (INCLS ITEMS 18A THRU 18D)
18A	CH3E-3377	1	WEDGE-RECEPTACLE LOCK
18B	CH7T-6799	1	NUT-MOUNTING (1-32)
18C	CH186-3735	2	PIN-CONNECTOR
18D	CH102-8804	1	KIT-RECEPTACLE (4 PIN) (INCLUDES RECEPTACLE AS AND WEDGE) (SERVICED AS COMPLETE KIT ONLY)
-	CH5P-8500	1	KEY IGNITION
19	CH165-5975	10	PLUG-PANEL
20	CH169-6367	1	PANEL AS-SERVICE (SERVICE COMPLETE)
24	CH170-1198	1	MODULE-FLASHER
25	170-2204	1	SWITCH AS (HIGH/LOW BEAM,ROADING,TURN)
26	CH212-6998	1	MODULE GP-DISPLAY (DASH)

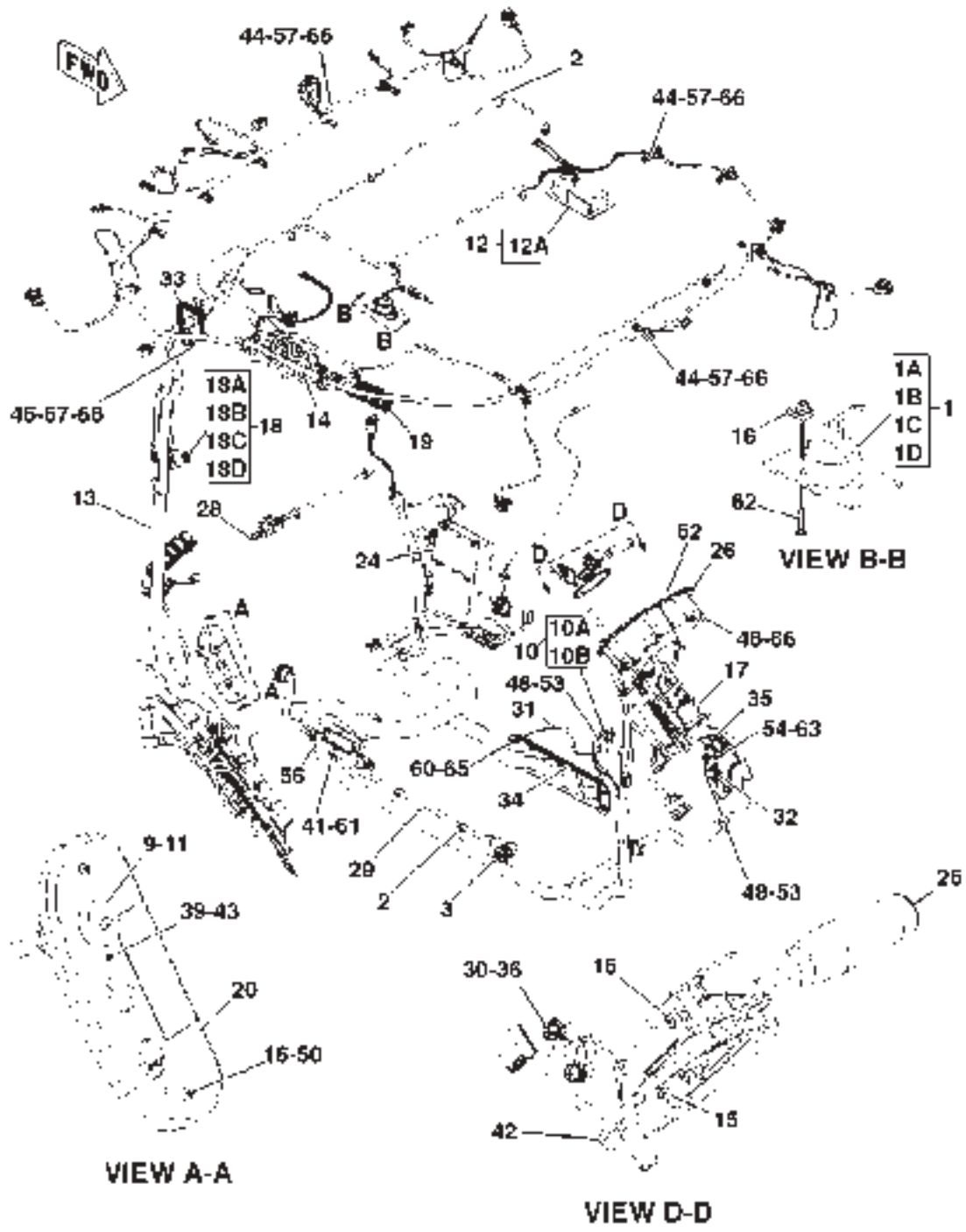
CONTINUED

[A] PART OF 502663D1;502664D1 CAB AR
[B] REQUIRES CH5P-8500 KEY

0898288A
PR: t05c24o40d0117

MT700B SERIES TRACK TRACTOR
ELECTRICAL AND STARTING SYSTEM

WIRING GP-CAB - 152-0420A
ROW ONLY



0898288A

**MT700B SERIES TRACK TRACTOR
ELECTRICAL AND STARTING SYSTEM**

287

**WIRING GP-CAB - 152-0420A
ROW ONLY**

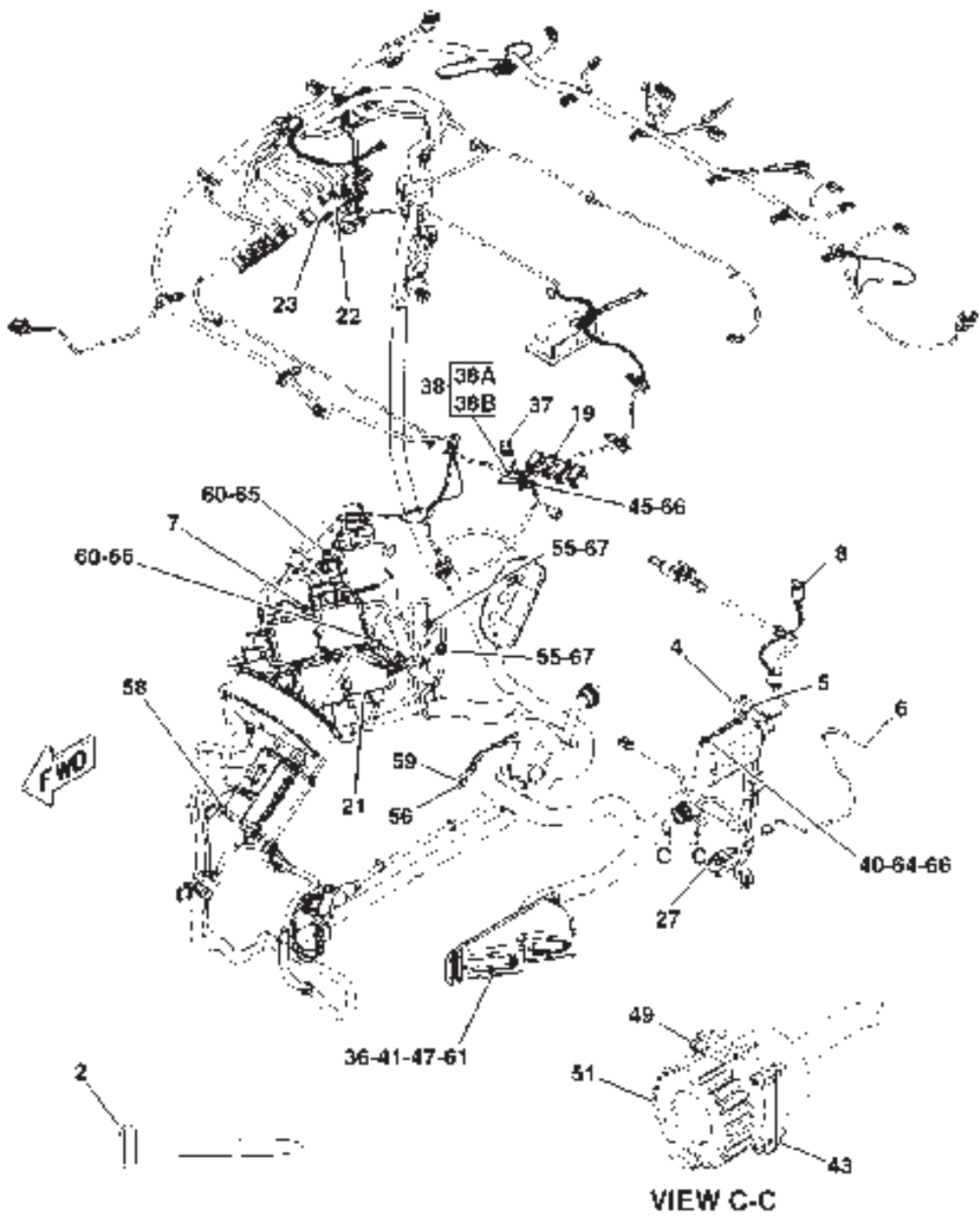
ITEM	NUMBER	QTY	DESCRIPTION
-	152-0420	--	WIRING GP-CAB [A] (NOT SERVICED)
28	501940D1	1	WIRING GP-TRAILER JUMPER (NOT SERVICED) (SEE BREAKDOWN FOR COMPONENTS)
29	502188D1	1	CABLE (CAB POWER)
30	CH8C-8514	2	SCREW-MACHINE (8-32X.375IN)
31	177-0381	1	HOUSING-CAB INTERFACE
32	CH129-6457	1	SWITCH-LIMIT (INCHING PEDAL) (FOR SERVICE REPAIR ORDER 32A & 32B)
32A	CH6V-8376	3	SCREW-MACHINE (8-32X0.25IN) (NOT SHOWN)
32B	CH9B-7233	3	LOCKWASHER (NOT SHOWN)
33	178-7957	1	GROMMET
34	180-5244	1	SEAL-CONNECTOR
35	500317D1	1	SENSOR GP-POSITION (INCHING PEDAL)
36	CH096-6166	10	WASHER-HARD (4.5X9X1)
39	400006X1	1	BOLT-SOCKET HEAD (M3X0.5X12MM)
41	CH3B-4501	12	LOCKWASHER
42	CH7K-1181	1	STRAP-CABLE
43	CH3C-6969	5	NUT (M3X0.5)
44	CH4P-7581	15	CLIP
45	CH4P-8134	2	CLIP
46	CH5C-2874	4	NUT (M5X.8)
48	CH216-9085	4	SCREW-PAN HEAD
50	CH7Y-7256	2	SCREW-TRUSS HEAD (M4X0.7X35MM)
52	CH8T-0337	6	SCREW-MACHINE (M4X0.7X12MM)
53	CH8T-2658	4	LOCKNUT (M3X0.5)
54	8T-2659	2	LOCKNUT (M4X0.7)
56	177-0385	1	PLATE AS
	CH8T-3612	2	NUT-WELD (M8X1.25)
57	CH110-2028	17	SCREW-PAN HEAD (10-14X.75IN) (10-14X.75IN)
60	CH8T-4205	7	WASHER-HARD (7.2X14.5X2MM)
61	400251X1	12	BOLT-SOCKET HEAD (M4X0.7X16MM)
62	CH123-0707	2	SCREW-HEX SOCKET (M4X0.7X20MM)
63	CH9X-1046	2	SCREW (M4X0.7X18MM)
65	CH9X-2044	7	SCREW-TRUSS HEAD (M6X1X16MM)
66	400076X1	25	WASHER (5X16X1.2)

[A] PART OF 502663D1;502664D1 CAB AR

0898288A
PR: t05c24o40d0117

MT700B SERIES TRACK TRACTOR
ELECTRICAL AND STARTING SYSTEM

WIRING GP-CAB - 152-0420B
ROW ONLY



0898293A

**MT700B SERIES TRACK TRACTOR
ELECTRICAL AND STARTING SYSTEM**

289

**WIRING GP-CAB - 152-0420B
ROW ONLY**

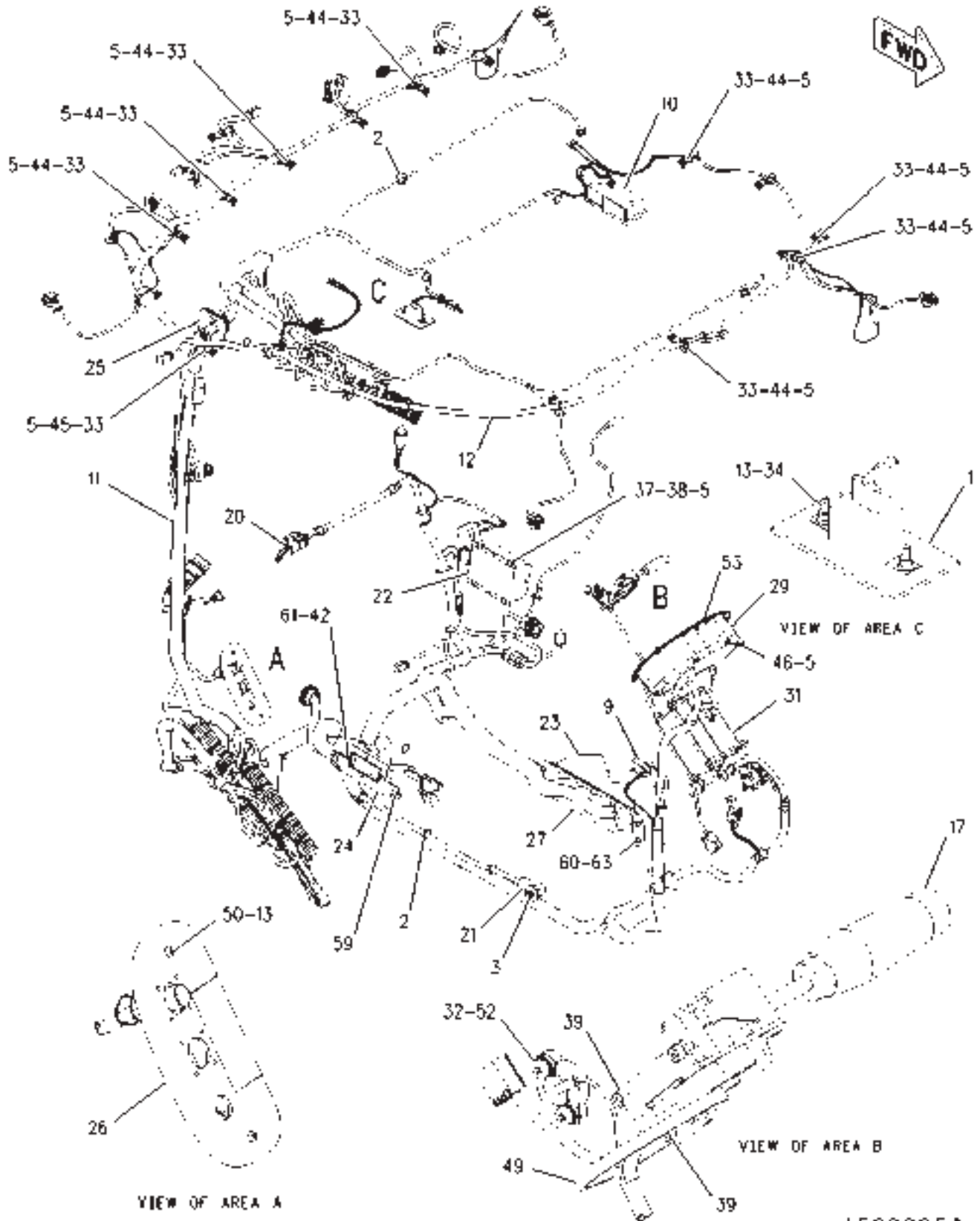
ITEM	NUMBER	QTY	DESCRIPTION
-	152-0420	--	WIRING GP-CAB [A] (NOT SERVICED)
2	400837X1	62	STRAP-CABLE
4	CH4E-2229	1	DAMPER-ALARM (VOLUME CONTROL)
5	CH219-4673	1	HORN (OPERATOR AUDIBLE ALARM)
6	CH105-8034	1	SWITCH-LIMIT (CAB DOOR)
7	CH116-7471	1	PULLER-MINIFUSE
8	CH117-2311	2	RECEPTACLE-POWER (12 VOLT)
19	CH165-5975	10	PLUG
21	169-6380	1	PANEL GP-FUSE (NOT SERVICED) (SEE BREAKDOWN FOR COMPONENTS)
22	216-3028	1	SWITCH-ROCKER (HAZARD)
23	169-8231	1	SWITCH-ROCKER (FLOOD LIGHTS)
27	502171D1	1	HARNESS (FLASHER)
36	CH096-6166	10	WASHER-HARD (4.5X9X1MM THK)
37	CH145-0846	1	KNOB-LIGHTER
38	CH145-0847	1	HOUSING AS (LIGHTER) (FOR SERVICE REPAIR ORDER 38A & 38B)
38A	CH6V-8376	1	SCREW-MACHINE (8-32X0.25IN)
38B	CH9B-7233	1	LOCKWASHER
40	CH191-2276	4	SCREW-TRUSS HEAD (M5X0.8)
41	CH3B-4501	12	LOCKWASHER
43	CH3C-6969	7	NUT (M3X0.5 THD)
45	CH4P-8134	2	CLIP
47	CH5C-8312	8	NUT (M4X0.7 THD)
49	CH6V-9671	4	SCREW-MACHINE (M3X0.5X12MM)
51	501941D1	1	CAP W/ LANYARD AS.
	CH8C-6354	1	CAP-RECEPTACLE
	400408X1	1	LANYARD
	400409X1	1	KEY RING
55	400287X1	2	WASHER-HARD (11X21X2.5MM THK)
56	177-0385	1	PLATE AS
	CH8T-3612	2	NUT-WELD (M8X1.25)
58	400058X1	4	BOLT (M10X1.5X30MM)
59	400227X1	2	BOLT (M8X1.25X16MM)
60	CH8T-4205	7	WASHER-HARD (7.2X14.5X2MM THK)
61	400251X1	12	BOLT-SOCKET HEAD (M4X0.7X16MM)
64	CH179-4324	4	LOCKNUT (M5X0.8 THD)
65	CH9X-2044	7	SCREW-TRUSS HEAD (M6X1X16MM)
66	400076X1	25	WASHER (5X16X1.2MM THK)
67	400039X1	2	BOLT (M10X1.5X25MM)

[A] PART OF 502663D1;502664D1 CAB AR

0898293A
PR: t05c24o40d0118

MT700B SERIES TRACK TRACTOR
ELECTRICAL AND STARTING SYSTEM

WIRING GP-CAB - 152-0005
EAME ONLY
1 OF 2



1520005A

**MT700B SERIES TRACK TRACTOR
ELECTRICAL AND STARTING SYSTEM**

291

**WIRING GP-CAB - 152-0005
EAME ONLY
1 OF 2**

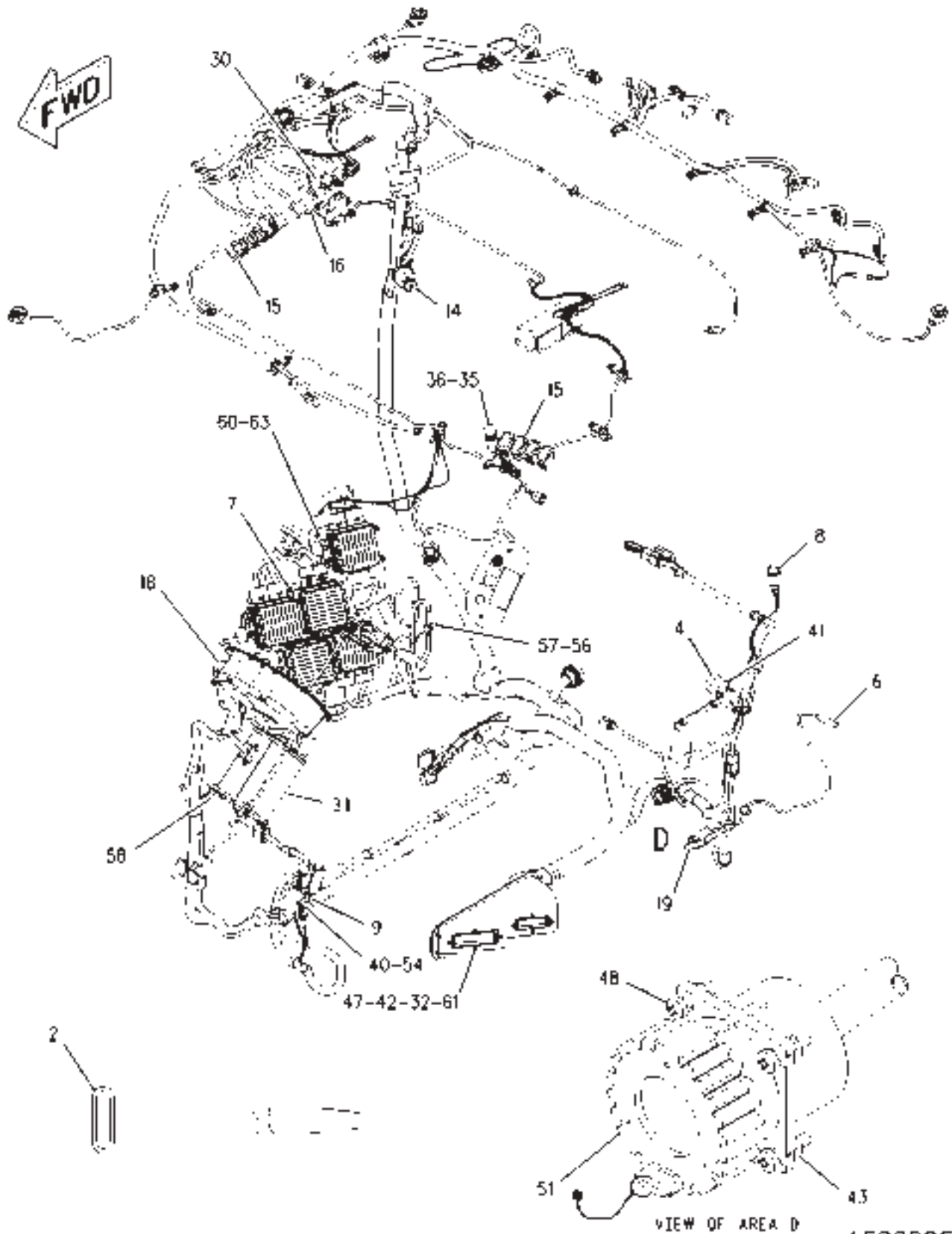
ITEM	NUMBER	QTY	DESCRIPTION
-	152-0005	--	WIRING GP-CAB [A] (NOT SERVICED)
1	501935D1	1	COURTESY LIGHT AS (12 VOLT) (SEE BREAKDOWN FOR COMPONENTS)
2	400837X1	65	STRAP-CABLE
3	CH3T-8607	1	STUD POWER-POWER TERMINAL
	6F-7044	2	NUT-FULL (1/2-20)
	9B-0453	2	LOCKWASHER
5	400076X1	25	WASHER (5X16X1.2)
9	CH129-6457	1	SWITCH AS-LIMIT (BRAKE LIGHT)
	CH6V-8376	3	SCREW-MACHINE (8-32X0.25IN)
	CH9B-7233	3	LOCKWASHER
10	CH136-5511	1	LAMP AS-DOME
	CH9W-3326	1	LAMP (12 VOLT)
11	500446D1	1	HARNESS AS (CAB MAIN)
12	501949D1	1	HARNESS AS (ROOF)
13	400084X1	4	NUT-RETAINER (M4X0.07X0.6-3.8PANEL)
17	170-2204	1	SWITCH AS (HIGH/LOW BEAM, ROADING, TURN)
20		1	HARNESS AS (NOT USED IN THIS GROUP)
21	502188D1	1	CABLE AS (CAB POWER)
22	CH175-7057	1	MODULE-FLASHER
23	177-0381	1	HOUSING-CAB INTERFACE
24	177-0385	1	PLATE AS
25	178-7957	1	GROMMET-INNER ROOF
26	179-4204	1	PANEL AS (SERVICE)
27	180-5244	1	SEAL-CONNECTOR
29	CH212-6998	1	MODULE GP-DISPLAY
31	217-9780	1	CONTROL GP-STEERING
32	CH096-6166	10	WASHER-HARD (4.5X9X1)
33	CH110-2028	17	SCREW-PAN HEAD (10-14X.75IN)
34	CH123-0707	2	SCREW-HEX SOCKET (M4X0.7X20MM)
37	CH179-4324	4	LOCKNUT
38	CH191-2276	4	SCREW-TRUSS HEAD (M5X0.8X20MM)
39	400017X1	4	BOLT-SCKT HD (M4X0.7X8)
42	CH3B-4501	12	LOCKWASHER
44	CH4P-7581	15	CLIP
45	CH4P-8134	2	CLIP
46	CH5C-2874	4	NUT (M5X.8)
49	CH7K-1181	1	STRAP-CABLE
50	CH7Y-7256	2	SCREW-TRUSS HEAD (M4X0.7X35MM)
52	CH8C-8514	2	SCREW-MACHINE (8-32X.375IN)
53	CH8T-0337	6	SCREW-MACHINE (M4X0.7X12MM)
59	400227X1	2	BOLT (M8X1.25X16MM)
60	CH8T-4205	7	WASHER-HARD (7.2X14.5X2)
61	400251X1	12	BOLT-SOCKET HEAD (M4X0.7X16MM)
63	CH9X-2044	7	SCREW-TRUSS HEAD (M6X1X16MM)

[A] PART OF 500847D1; 500848D1 CAB AR

1520005A
PR: t05c24o40d0119

MT700B SERIES TRACK TRACTOR
ELECTRICAL AND STARTING SYSTEM

WIRING GP-CAB - 152-0005
EAME ONLY
2 OF 2



VIEW OF AREA D

1520005B

**MT700B SERIES TRACK TRACTOR
ELECTRICAL AND STARTING SYSTEM**

293

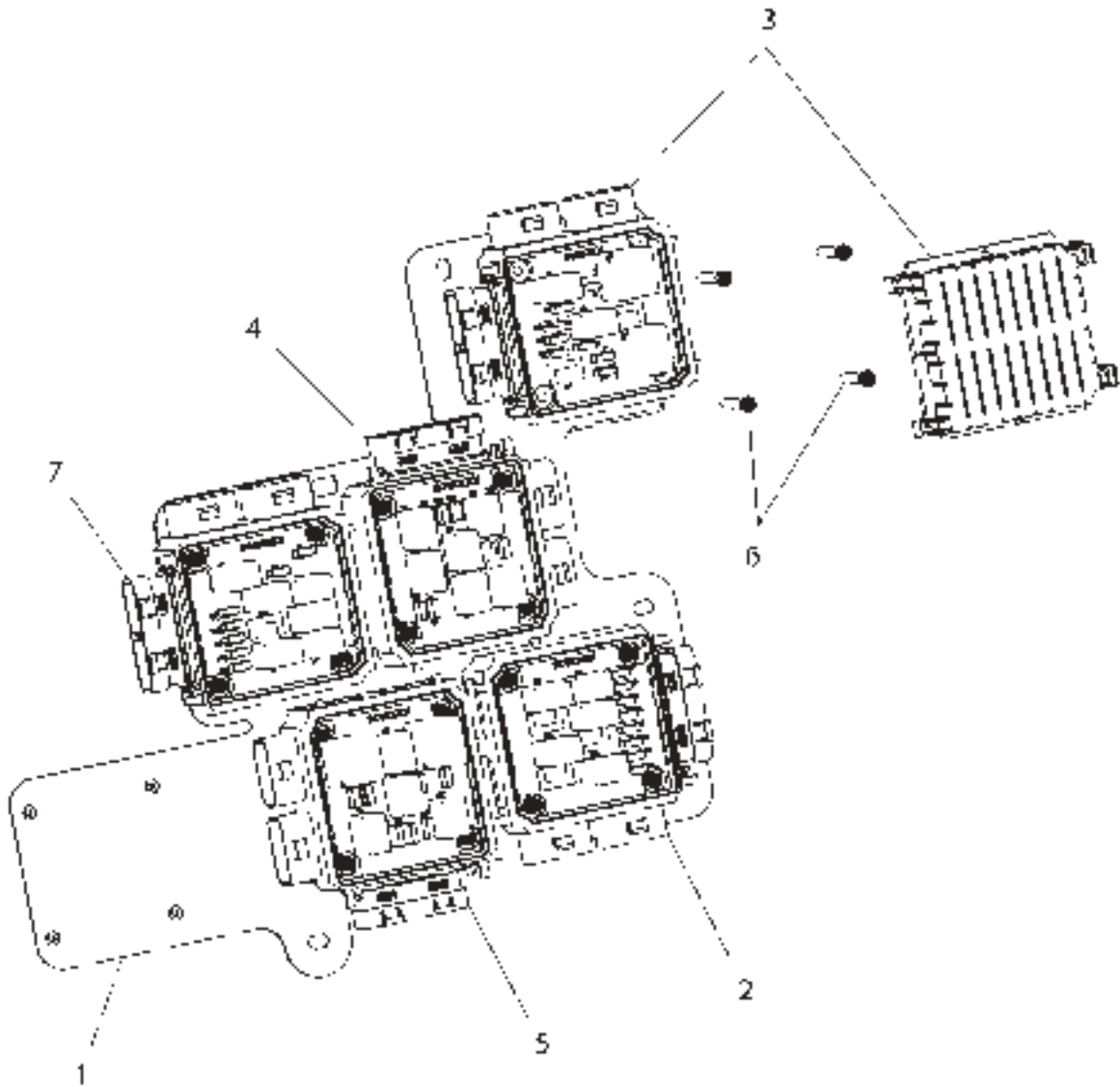
**WIRING GP-CAB - 152-0005
EAME ONLY
2 OF 2**

ITEM	NUMBER	QTY	DESCRIPTION
-	152-0005	--	WIRING GP-CAB [A] (NOT SERVICED)
2	400837X1	63	STRAP-CABLE
4	CH4E-2229	1	DAMPER AS-ALARM
6	CH105-8034	1	SWITCH AS-LIMIT (CAB DOOR)
7	CH116-7471	1	PULLER-MINIFUSE
8	CH117-2311	2	RECEPTACLE AS-POWER (12 VOLT)
9	CH129-6457	1	SWITCH AS-LIMIT
	CH6V-8376	3	SCREW-MACHINE (8-32X0.25IN)
	CH9B-7233	3	LOCKWASHER
14	CH163-2657	1	SWITCH GP-START
	400781X1	1	WEDGE-RECEPTACLE LOCK
	CH7T-6799	1	NUT-MOUNTING (1-32)
	400562X1	2	PIN-CONNECTOR
	400708X1	1	KIT-RECEPTACLE (4 PIN) (INCLUDES RECEPTACLE AS WEDGE)
	CH5P-8500	1	KEY-IGNITION
15	CH165-5975	8	PLUG
16	169-8231	1	SWITCH AS-ROCKER (FLOOD)
18	172-6841	1	PANEL GP-FUSE (CLAAS) (SEE BREAKDOWN FOR COMPONENTS)
19	502173D1	1	HARNESS AS (FLASHER)
30	216-3028	1	SWITCH AS-ROCKER (HAZARD)
31	217-9780	1	CONTROL GP-STEERING
32	CH096-6166	10	WASHER-HARD (4.5X9X1)
35	CH145-0846	1	KNOB AS-LIGHTER
36	CH145-0847	1	HOUSING AS
	CH6V-8376	1	SCREW-MACHINE (8-32X0.25IN)
	CH9B-7233	1	LOCKWASHER
40	CH216-9085	2	SCREW-PAN HEAD
41	CH219-4673	1	HORN (12 VOLT)
42	CH3B-4501	12	LOCKWASHER
43	CH3C-6969	4	NUT (M3X0.5)
47	CH5C-8312	8	NUT (M4X0.7)
48	CH6V-9671	4	SCREW-MACHINE (M3X0.5X12MM)
51	501941D1	1	CAP AS-W/LANYARD
	CH8C-6354	1	CAP-RECEPTACLE
	400408X1	1	LANYARD
54	CH8T-2658	2	LOCKNUT (M3X0.5)
56	400287X1	2	WASHER-HARD (11X21X2.5)
57	400039X1	2	BOLT (M10X1.5X25MM)
58	400058X1	4	BOLT (M10X1.5X30MM)
60	CH8T-4205	7	WASHER-HARD (7.2X14.5X2)
61	400251X1	12	BOLT-SOCKET HEAD (M4X0.7X16MM)
63	CH9X-2044	7	SCREW-TRUSS HEAD (M6X1X16MM)

[A] PART OF 500847D1; 500848D1 CAB AR

1520005B
PR: t05c24o40d0120

FUSE GP - 169-6380



1726841J

**MT700B SERIES TRACK TRACTOR
ELECTRICAL AND STARTING SYSTEM**

295

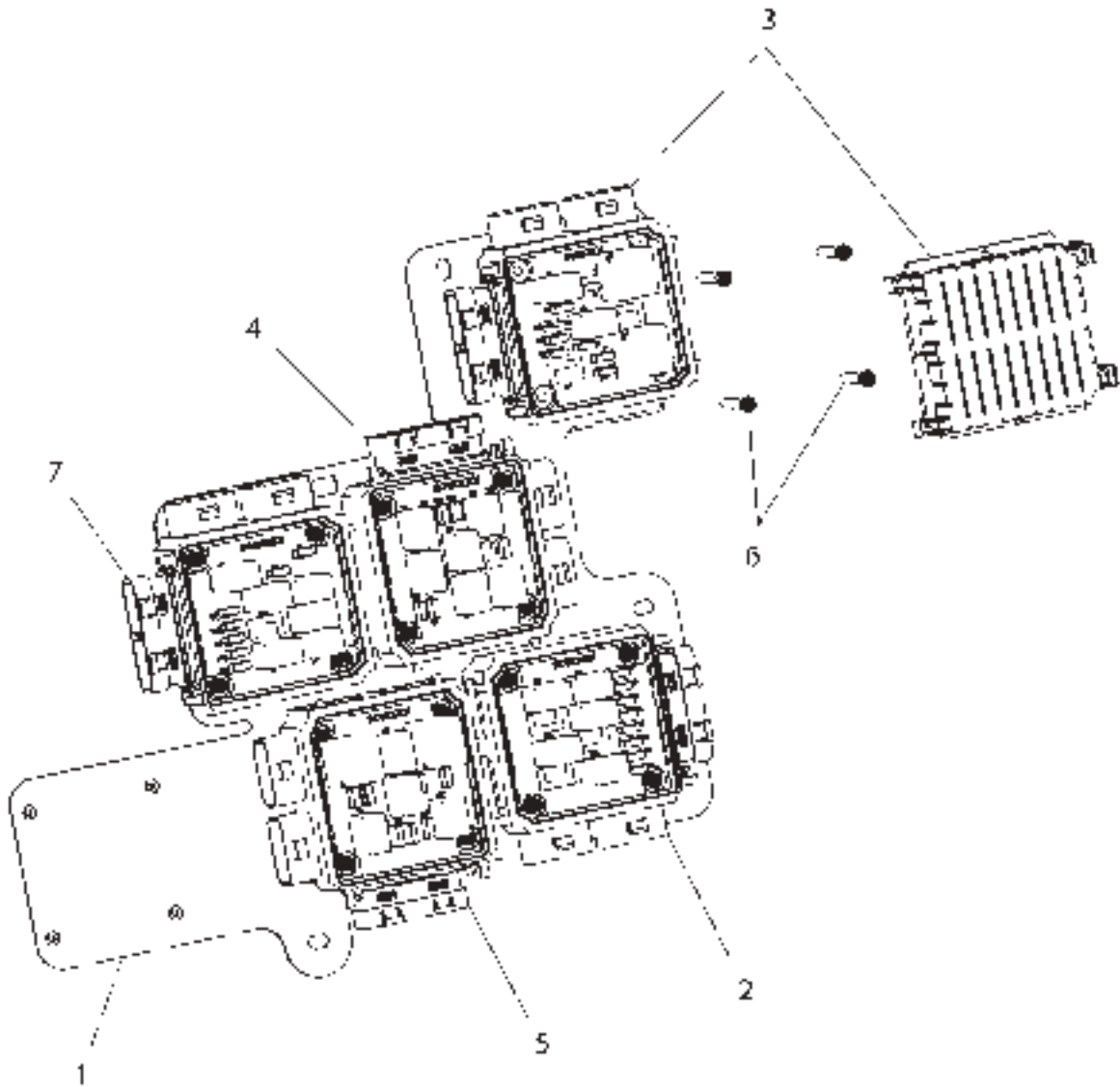
FUSE GP - 169-6380

ITEM	NUMBER	QTY	DESCRIPTION
-	169-6380	--	PANEL GP-FUSE [A] (NOT SERVICED)
1	501887D1	1	PLATE AS
	CH8T-8874	20	NUT-WELD (M5X0.8 THD)
2	501834D1	1	BLOCK AS-FUSE (SEE BREAKDOWN FOR COMPONENTS)
3	501830D1	1	BLOCK AS-FUSE (SEE BREAKDOWN (SEE BREAKDOWN FOR COMPONENTS)
4	501833D1	1	BLOCK AS-FUSE (SEE BREAKDOWN FOR COMPONENTS)
5	501832D1	1	BLOCK AS-FUSE (SEE BREAKDOWN FOR COMPONENTS)
6	400208X1	20	BOLT-SOCKET HEAD (M5X0.8X40MM)
7	501835D1	1	BLOCK AS-FUSE (SEE BREAKDOWN FOR COMPONENTS)

[A] PART OF 152-0420 WIRING GP-CAB

1726841J
PR: t05c24o40d0121

FUSE GP-CLAAS - 172-6841
EAME ONLY



1726841J

**MT700B SERIES TRACK TRACTOR
ELECTRICAL AND STARTING SYSTEM**

297

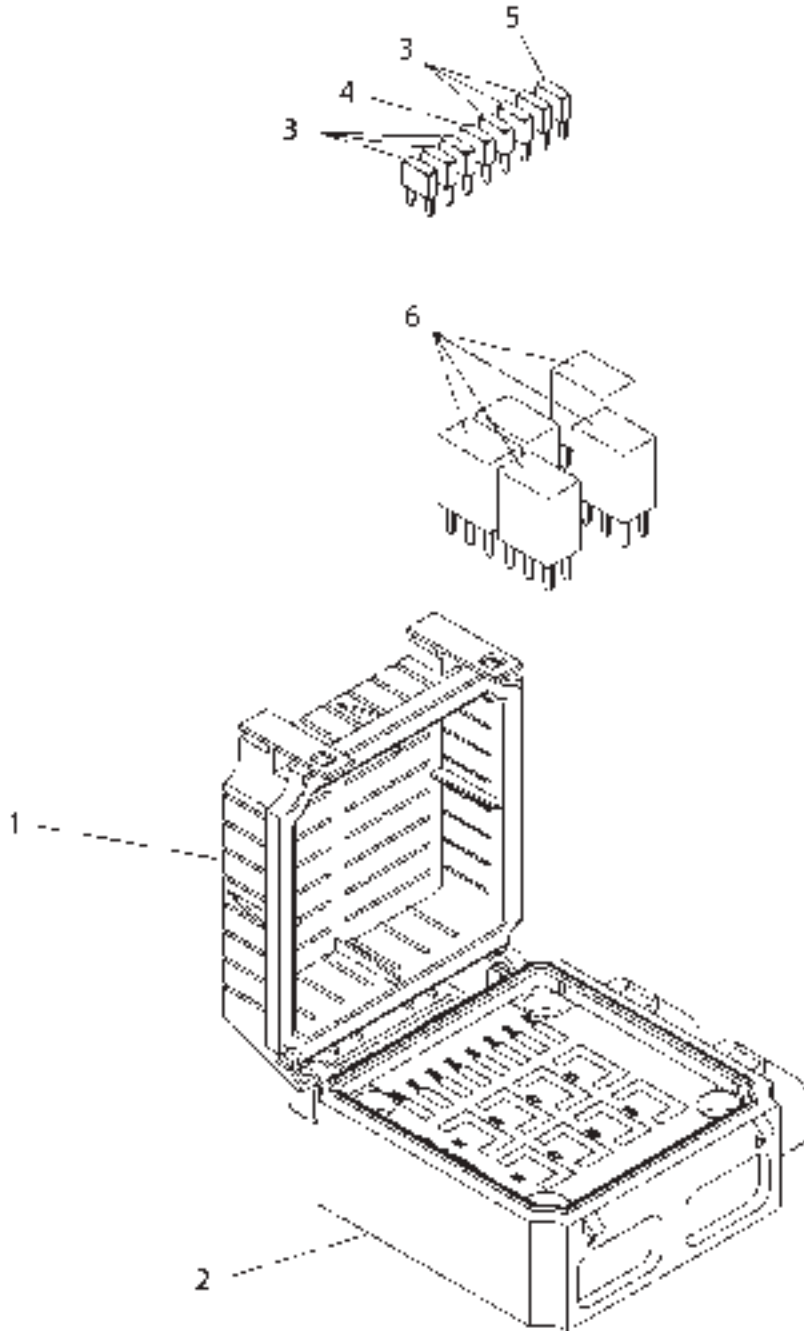
**FUSE GP-CLAAS - 172-6841
EAME ONLY**

ITEM	NUMBER	QTY	DESCRIPTION
-	172-6841	--	PANEL GP-FUSE [A]
1	501887D1	1	PLATE AS
	CH8T-8874	20	NUT-WELD (M5X0.8 THD)
2	501834D1	1	BLOCK AS-FUSE (SEE BREAKDOWN FOR COMPONENTS)
3	501831D1	1	BLOCK AS-FUSE (SEE BREAKDOWN (SEE BREAKDOWN FOR COMPONENTS)
4	501833D1	1	BLOCK AS-FUSE (SEE BREAKDOWN FOR COMPONENTS)
5	501832D1	1	BLOCK AS-FUSE (SEE BREAKDOWN FOR COMPONENTS)
6	400208X1	20	BOLT-SOCKET HEAD (M5X0.8X40MM)
7	501835D1	1	BLOCK AS-FUSE (SEE BREAKDOWN FOR COMPONENTS)

[A] PART OF 152-0005 WIRING GP-CAB

1726841J
PR: t05c24o40d0122

BLOCK AS-FUSE
501834D1



501834DC

**MT700B SERIES TRACK TRACTOR
ELECTRICAL AND STARTING SYSTEM**

299

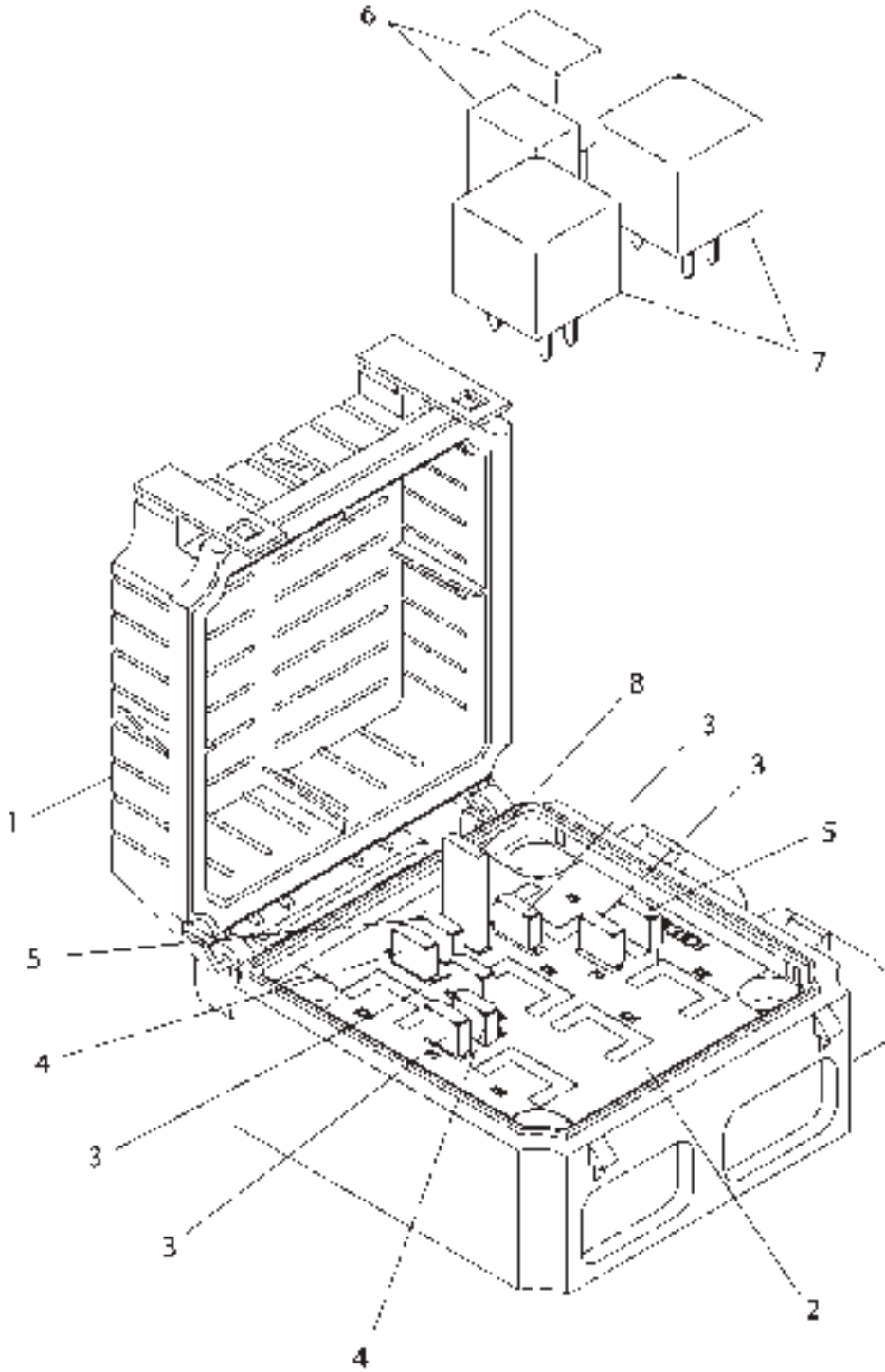
**BLOCK AS-FUSE
501834D1**

ITEM	NUMBER	QTY	DESCRIPTION
-	501834D1	--	BLOCK AS-FUSE [A]
1	501836D1	1	COVER
2	501839D1	1	BLOCK-FUSE
3	CH113-8491	6	FUSE (15A)
4	CH113-8492	1	FUSE (20V)
5	CH141-2759	1	FUSE (5A)
6	CH146-9439	5	RELAY AS (12V)

[A] PART OF 169-6380 FUSE GP

501834DC
PR: t05c24o40d0123

BLOCK AS-FUSE
501831D1



501831DC

**MT700B SERIES TRACK TRACTOR
ELECTRICAL AND STARTING SYSTEM**

301

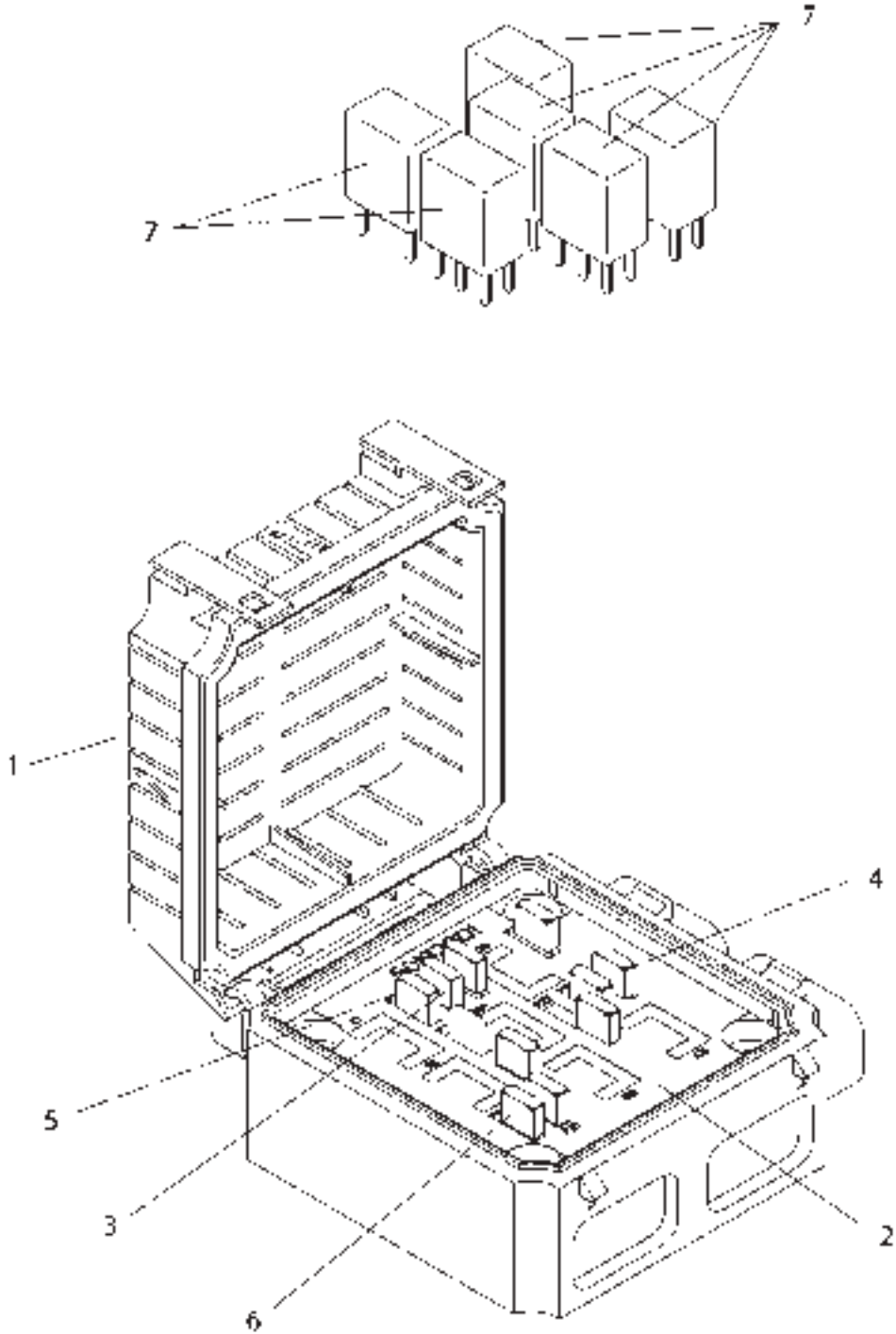
**BLOCK AS-FUSE
501831D1**

ITEM	NUMBER	QTY	DESCRIPTION
-	501831D1	--	BLOCK AS-FUSE [A]
1	501836D1	1	COVER
2	501840D1	1	BLOCK-FUSE
3	CH113-8490	4	FUSE (10A)
4	CH113-8492	2	FUSE (20A)
5	CH124-3548	2	FUSE (30A)
6	CH146-9439	2	RELAY AS (12V)
7	CH170-2237	2	RELAY AS (12V)
8	CH180-0613	1	BREAKER AS-CIRCUIT (30A)

[A] PART OF 169-6830;172-6841 FUSE GP

501831DC
PR: t05c24o40d0124

BLOCK AS-FUSE
501833D1



501833DC

**MT700B SERIES TRACK TRACTOR
ELECTRICAL AND STARTING SYSTEM**

303

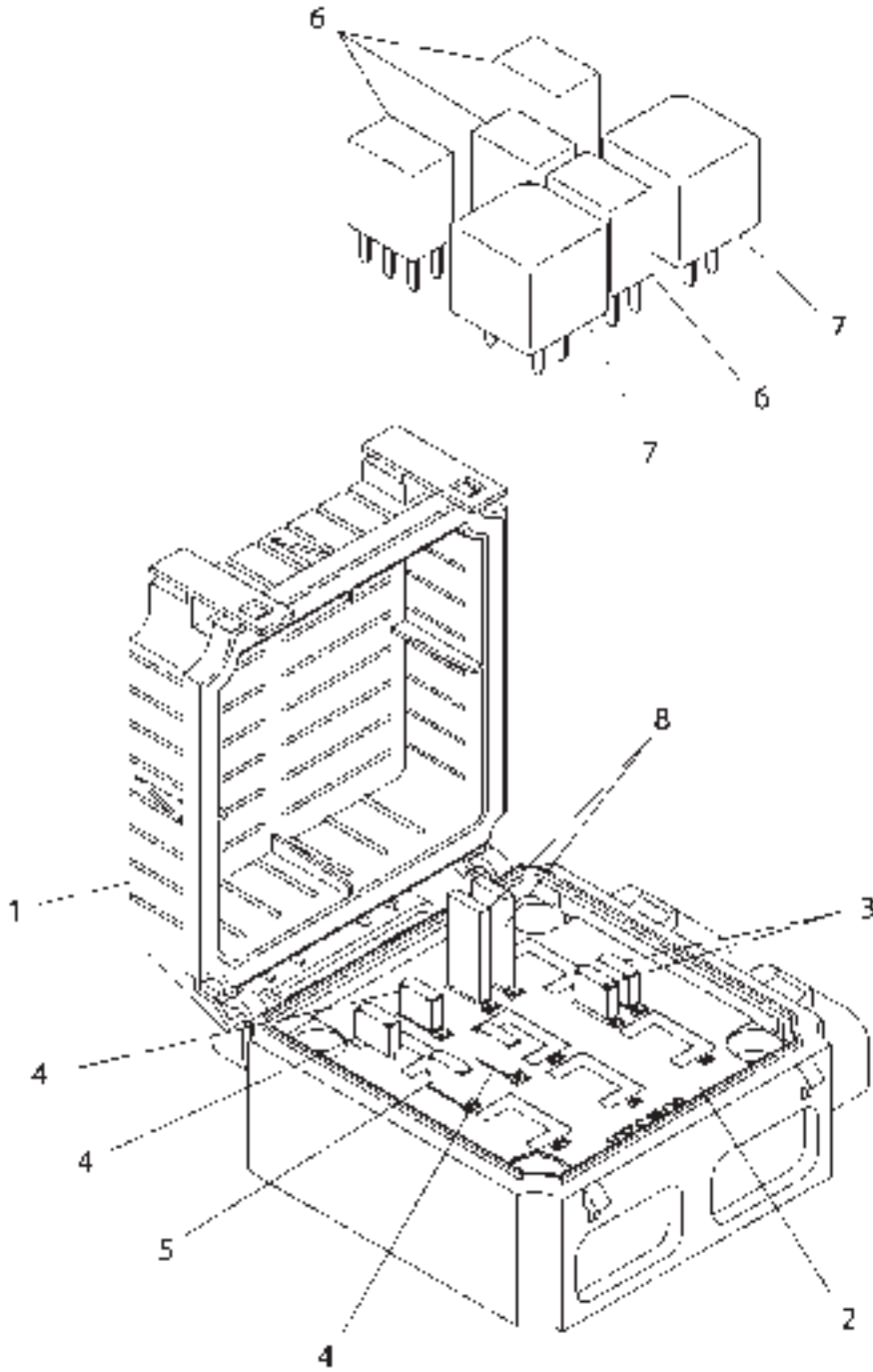
**BLOCK AS-FUSE
501833D1**

ITEM	NUMBER	QTY	DESCRIPTION
-	501833D1	--	BLOCK AS-FUSE [A]
1	501836D1	1	COVER
2	501838D1	1	BLOCK-FUSE
3	CH113-8490	3	FUSE (10V)
4	CH113-8491	4	FUSE (15A)
5	CH124-3548	2	FUSE (30A)
6	CH141-2759	2	FUSE (5A)
7	CH146-9439	6	RELAY AS (12V)

[A] PART OF 169-6380 FUSE GP

501833DC
PR: t05c24o40d0125

BLOCK AS-FUSE
501832D1



501832DC

**MT700B SERIES TRACK TRACTOR
ELECTRICAL AND STARTING SYSTEM**

305

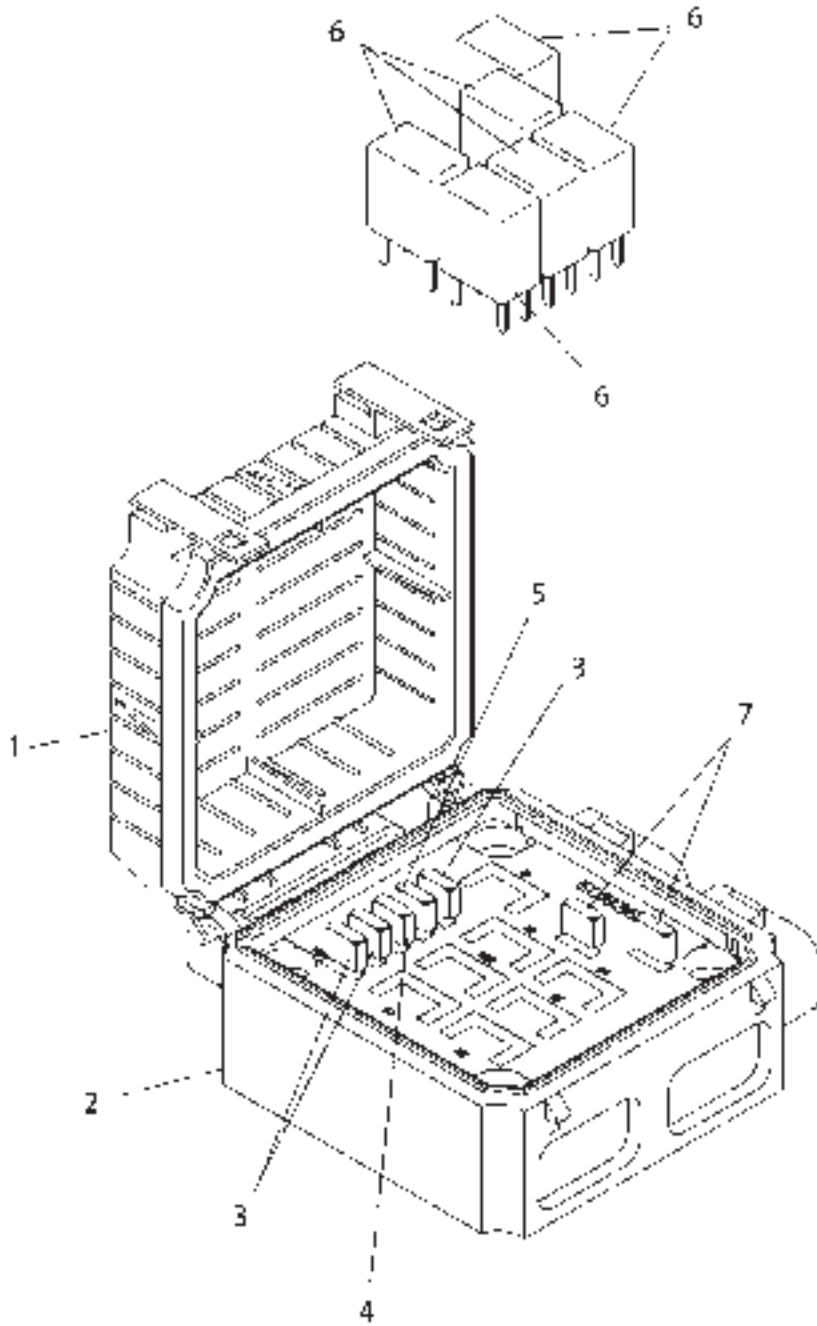
**BLOCK AS-FUSE
501832D1**

ITEM	NUMBER	QTY	DESCRIPTION
-	501832D1	--	BLOCK AS-FUSE [A]
1	501836D1	1	COVER
2	501877D1	1	BLOCK-FUSE
3	CH113-8490	2	FUSE (10A)
4	CH113-8491	3	FUSE (15A)
5	CH124-3548	1	FUSE (30A)
6	CH146-9439	4	RELAY AS (12V)
7	CH170-2237	2	RELAY AS (12V)
8	CH180-0613	2	BREAKER AS-CIRCUIT (30A)

[A] PART OF 169-6380 FUSE GP

501832DC
PR: t05c24o40d0126

BLOCK AS-FUSE
501835D1



501835D1

**MT700B SERIES TRACK TRACTOR
ELECTRICAL AND STARTING SYSTEM**

307

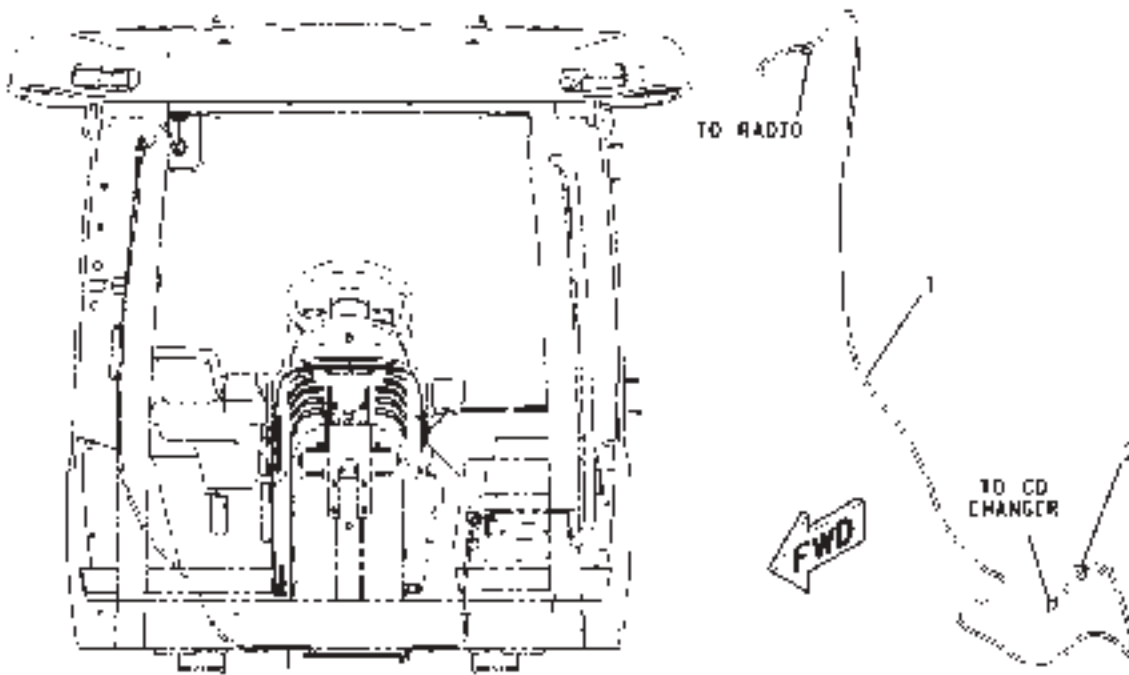
**BLOCK AS-FUSE
501835D1**

ITEM	NUMBER	QTY	DESCRIPTION
-	501835D1	--	BLOCK AS-FUSE [A]
1	501836D1	1	COVER
2	501842D1	1	BLOCK-FUSE
3	CH113-8491	3	FUSE (15A)
4	CH113-8492	1	FUSE (20V)
5	CH141-2759	1	FUSE (5A)
6	CH146-9439	6	RELAY AS (12V)
7	CH173-3175	2	BREAKER AS-CIRCUIT (20A)

[A] PART OF 169-6380 FUSE GP

501835DC
PR: t05c24o40d0127

WIRING GP-COMPACT DISC CHANGER
195-9532



FRONT VIEW

00825421

**MT700B SERIES TRACK TRACTOR
ELECTRICAL AND STARTING SYSTEM**

309

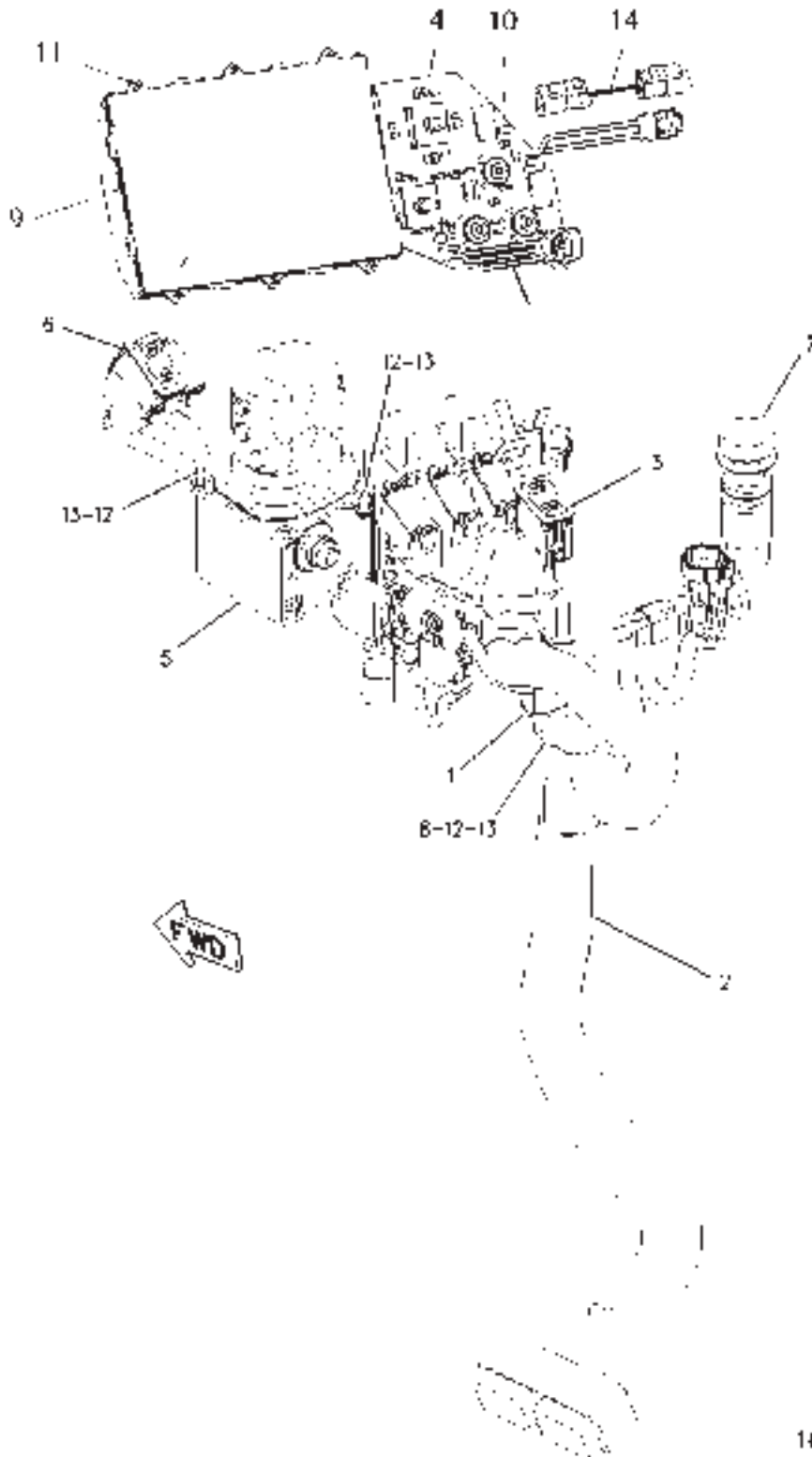
**WIRING GP-COMPACT DISC CHANGER
195-9532**

ITEM	NUMBER	QTY	DESCRIPTION
-	195-9532	--	WIRING GP-COMPACT DISC CHANGER
1	170-7252	1	HARNESS AS (COMPACT DISC CHANGER)
2	CH212-4443	1	GROMMET-RUBBER (12.5IDX32X2.5)

00825421
PR: t05c24o40d0128

MT700B SERIES TRACK TRACTOR
ELECTRICAL AND STARTING SYSTEM

WIRING GP-CONSOLE - 166-1211
ARMREST



1661211A

**MT700B SERIES TRACK TRACTOR
ELECTRICAL AND STARTING SYSTEM**

311

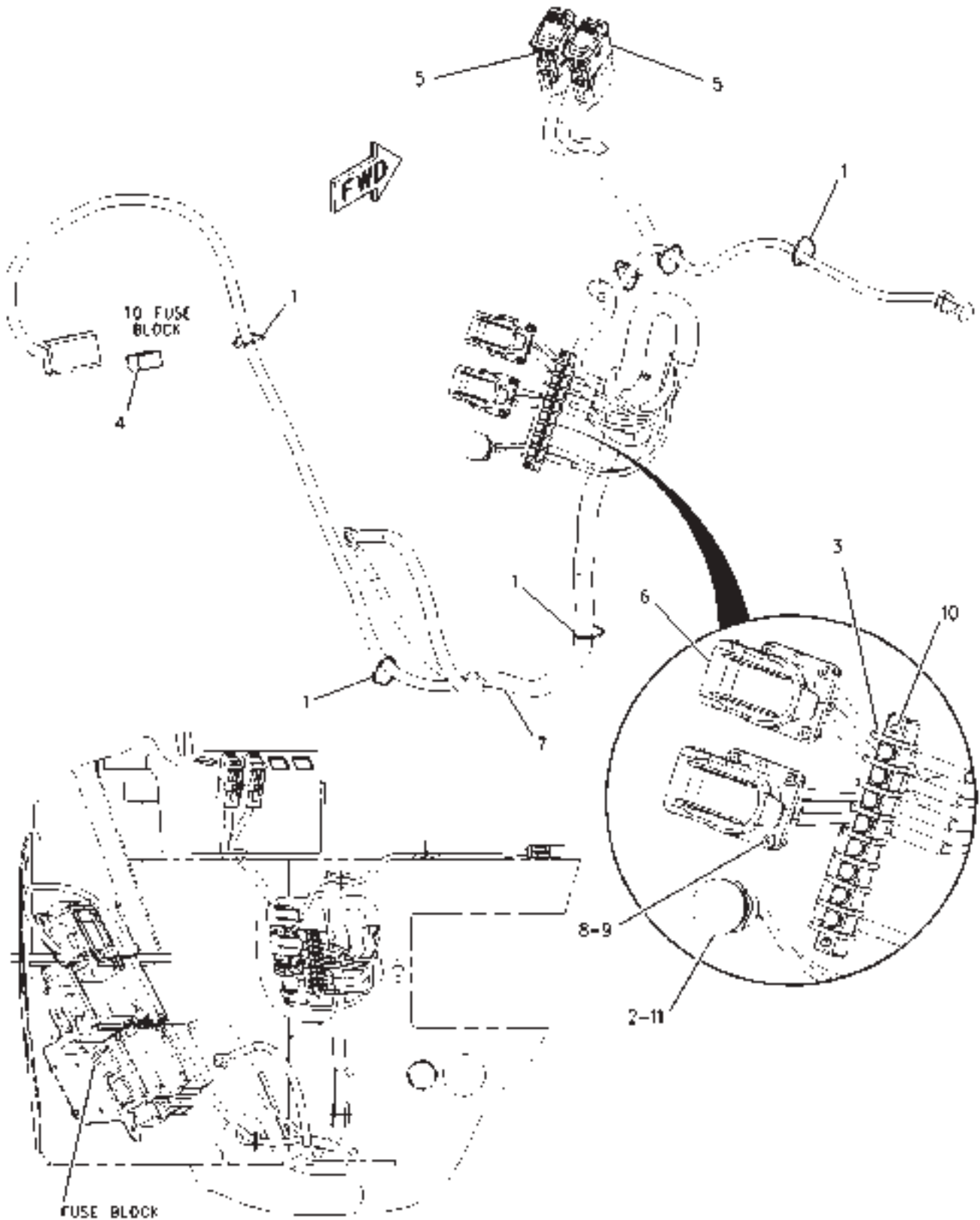
**WIRING GP-CONSOLE - 166-1211
ARMREST**

ITEM	NUMBER	QTY	DESCRIPTION
-	166-1211	--	WIRING GP-CONSOLE [A] (NOT SERVICED)
1	400837X1	4	STRAP-CABLE
2	502035D1	1	HARNESS AS. (ARMREST)
3	222-2457	1	SWITCH-ROCKER (ROADING LOCKOUT)
4	501033D1	1	MODULE GP-MONITOR KEYPAD (TR MGMT CNTR) (SEE BREAKDOWN FOR COMPONENTS)
5	169-6346	1	CONTROL GP-TRANSMISSION (NOT SERVICED) (SEE BREAKDOWN FOR COMPONENTS)
6	169-8228	1	SWITCH-ROCKER (ONE TOUCH MULTI-FUNCTION)
7	502009D1	1	SWITCH AS. (POWER TAKE-OFF)
	400782X1		CONNECTOR-RECP.
	400562X1	4	PIN-CONNECTOR
8	202-0844	1	BRACKET
9	502006D1	1	DISPLAY (TRACTOR MGMT CENTER)
10	400834X1	4	SCREW-TRUSS HD (8-16X0.5IN)
11	400835X1	6	SCREW-PAN HEAD (6-19X0.5IN)
12	400836X1	3	SCREW-MACHINE (M5X0.8 THD)
13	400310X1	3	WASHER (6.6X12X2MM THK)
14	502005D1	1	JUMPER HARNESS-SWITCH MODULE

[A] PART OF 500484D1 ARMREST GP
502663D1; 502664D1; 500847D1;
500848D1 CAB AR

1661211A
PR: t05c24o40d0129

WIRING GP-CONSOLE - 168-1946
EAME ONLY



FRONT VIEW

00883528

**MT700B SERIES TRACK TRACTOR
ELECTRICAL AND STARTING SYSTEM**

313

**WIRING GP-CONSOLE - 168-1946
EAME ONLY**

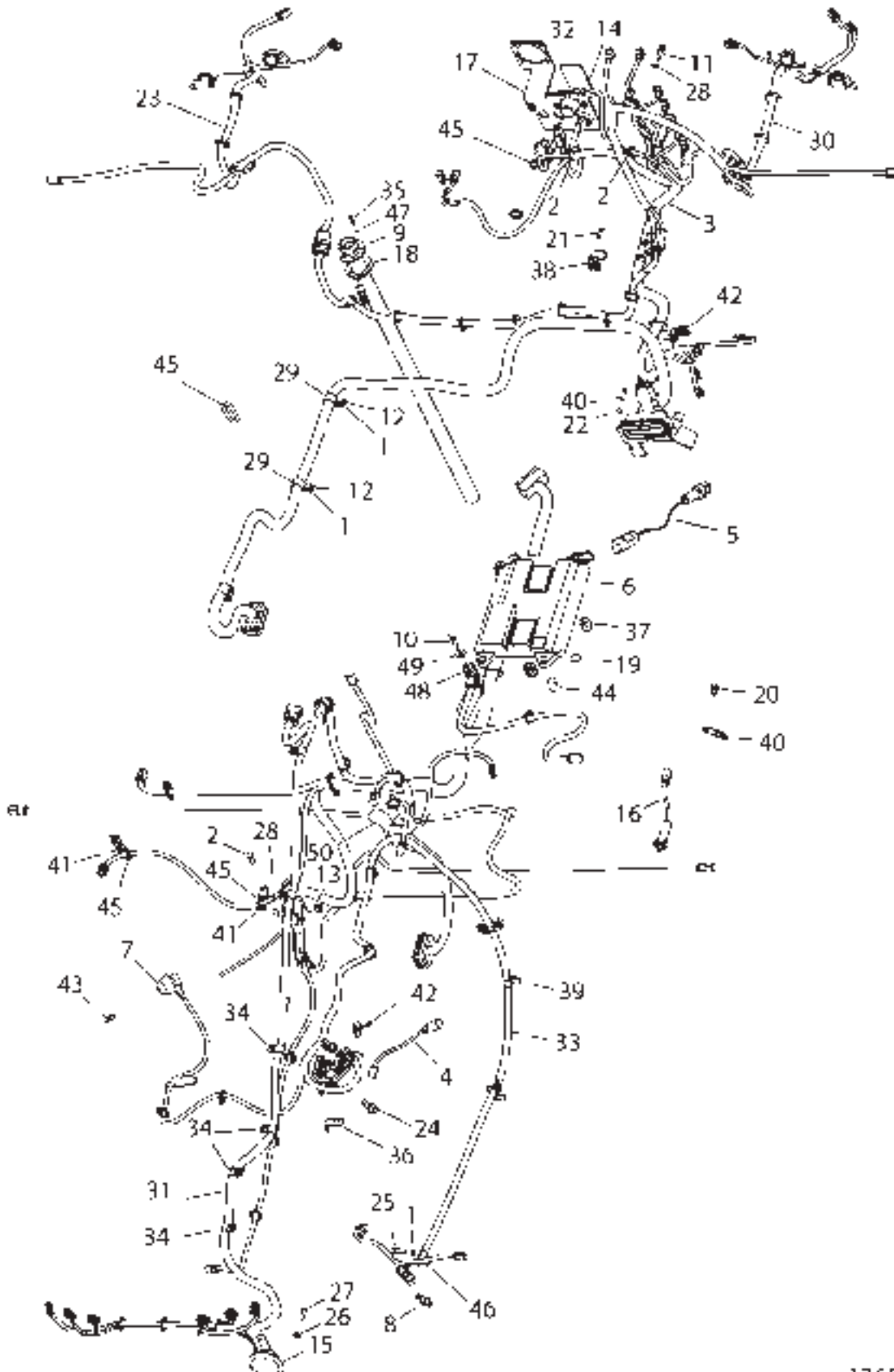
ITEM	NUMBER	QTY	DESCRIPTION
-	168-1946	--	WIRING GP-CONSOLE [A] (NOT SERVICED)
1	400837X1	7	STRAP-CABLE
2	CH9R-7941	1	RECEPTACLE AS-POWER (24 VOLTS)
	CH9R-7980	1	COVER
3	CH136-5268	1	STRIP AS
4	CH146-9439	1	RELAY AS (12 VOLT) (AUXILIARY POWER SWITCHES)
5	169-8229	2	SWITCH AS-ROCKER (AUXILIARY POWER)
6	CH174-9061	2	CONNECTOR
7	502175D1	1	HARNESS AS (AUXILIARY POWER)
8	400006X1	8	BOLT-SOCKET HEAD (M3X0.5X12MM)
9	CH3C-6969	8	NUT (M3X0.5 THD)
10	CH119-5026	2	SCREW-PAN HEAD (10-16X0.63IN)
11	400322X1	1	SEAL-O-RING

[A] PART OF 500847D1; 500848D1 CAB AR

00883528
PR: t05c24o40d0130

MT700B SERIES TRACK TRACTOR
ELECTRICAL AND STARTING SYSTEM

WIRING GP-VEHICLE - 136-5667
ROW ONLY



**MT700B SERIES TRACKTRACTOR
ELECTRICAL AND STARTING SYSTEM**

315

**WIRING GP-VEHICLE - 136-5667
ROW ONLY**

ITEM	NUMBER	QTY	DESCRIPTION
-	136-5667	--	WIRING GP-VEHICLE [A] (NOT SERVICED)
1	400287X1	11	WASHER-HARD 11IDX21ODX2.5 ZND1
2	400039X1	6	BOLT-M10X1.5X25 ZNDI HHD 10.9
3	501117D2	1	HARNESS AS-REAR
4	CH149-6371	1	SWITCH AS.-PRESSURE 103.4KPA
	400511X1	1	WEDGE
	400562X1	2	PIN-CONNECTOR
5	CH161-9932	1	SENSOR GP-PRESSURE (NOT SHOWN) (SEE BREAKDOWN FOR COMPONENTS)
6	209-0893	1	ELEK GP-A5009 (NOT SERVICED)
	256-0173	1	SOFTWARE GP-POWER TRAIN (TRANSMISSION/MACHINE) (FOR SOFTWARE INFO CALL SERVICE/WARRANTY AT 507-847-7222)
	178-9090	1	CONTROL GP-UNPROGRAMMED
	7X-6315	1	STRAP ASM-GROUND
	134-4126	1	WASHER (4.52X8.28X.76)
	184-2472	1	SCREW-PAN HEAD (LUBRICATED)
7	226-4754	1	SWITCH AS.
8	CH114-5333	1	SWITCH AS.-PRESSURE HI-LOW
	400484X1	1	RECEPTACLE-CONN-2PIN
	400511X1	1	WEDGE
	400562X1	2	PIN-CONNECTOR
9	136-5295	1	SENDER-FUEL LEVEL
10	400001X1	4	BOLT-M8X1.25X40MM ZN HHD 10.9
11	400046X1	2	BOLT-M12X1.75X90 ZNDI HHD 10.9
12	400054X1	2	BOLT-M10X1.5X16 ZNDI HHD 10.9
13	400055X1	2	BOLT-M12X1.75X25 ZNDI HHD 10.9
14	501962D1	1	RECEPTACLE AS
15	501998D1	1	HORN
16	CH175-3244	1	SWITCH AS-PRESSURE 10700 KPA
	400562X1	3	PIN-CONNECTOR
	CH3E-3371	1	WEDGE
17	500512D1	1	BRACKET AS.
18	500013D1	1	GASKET
19	400318X1	1	SEAL-O-RING 11.89IDXDA1.98
20	400190X1	1	BOLT-M12X1.75X16 ZNDI HHD 10.9
21	400209X1	2	BOLT-M6X1X12MM PL HSHD 12.9
22	400251X1	4	BOLT-M4X0.7X16MM PL HSHD 12.9
23	502194D1	1	HARNESS AS.-LH FENDER
24	400040X1	1	BOLT
25	400058X1	1	BOLT-M10X1.5X30 ZNDI HHD 10.9
26	400339X1	3	WASHER-HARD
27	400341X1	3	BOLT-HEX HEAD
28	400357X1	5	WASHER-HARD-M12X25.50DX3THK
29	400688X1	2	CLIP LOOP 25.4ID

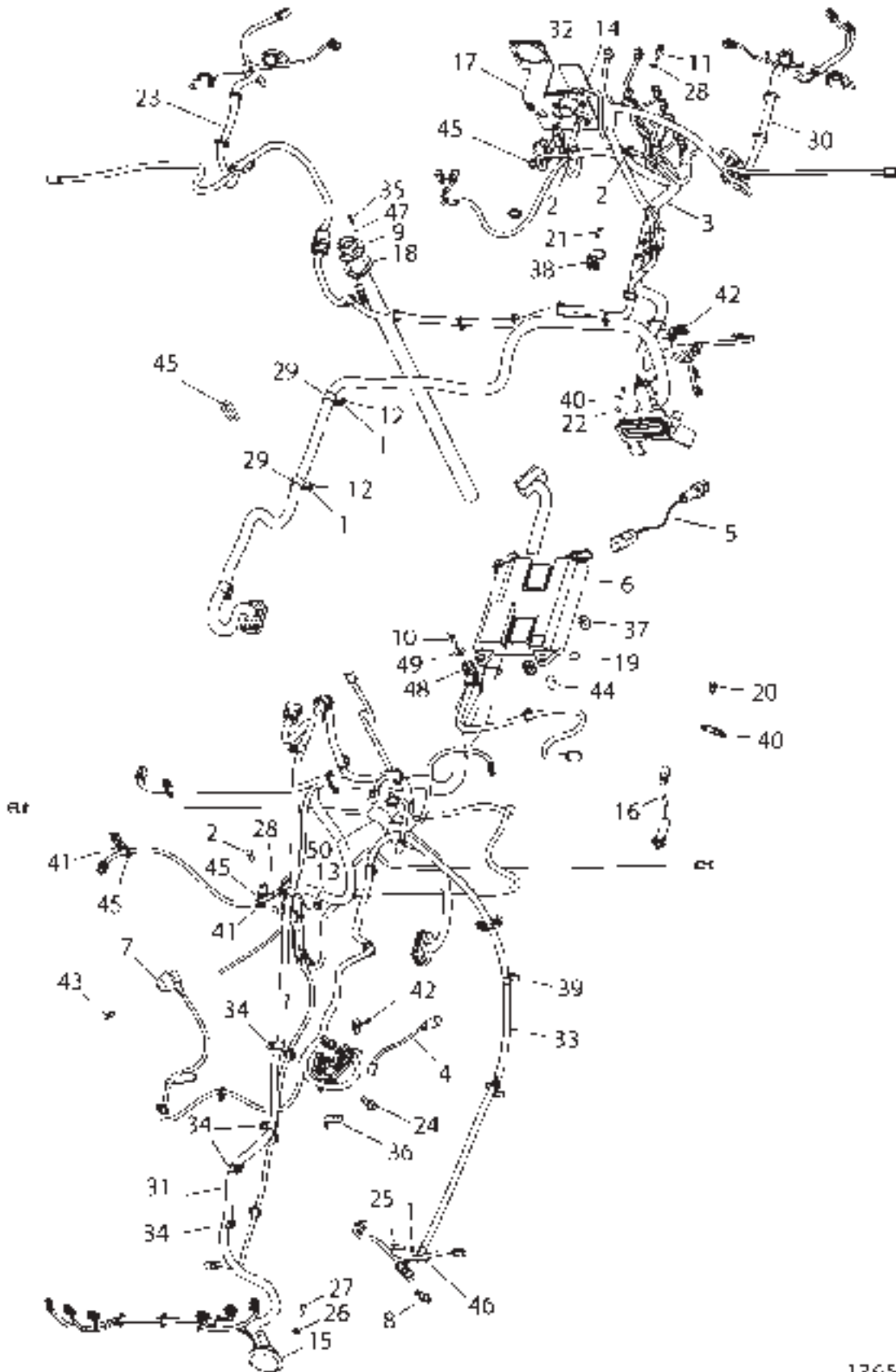
CONTINUED

[A] PART OF 177-1588; 502668D1
BASE COMMON AR

1365667A
PR: t05c24o40d0131

MT700B SERIES TRACK TRACTOR
ELECTRICAL AND STARTING SYSTEM

WIRING GP-VEHICLE - 136-5667
ROW ONLY



**MT700B SERIES TRACKTRACTOR
ELECTRICAL AND STARTING SYSTEM**

317

**WIRING GP-VEHICLE - 136-5667
ROW ONLY**

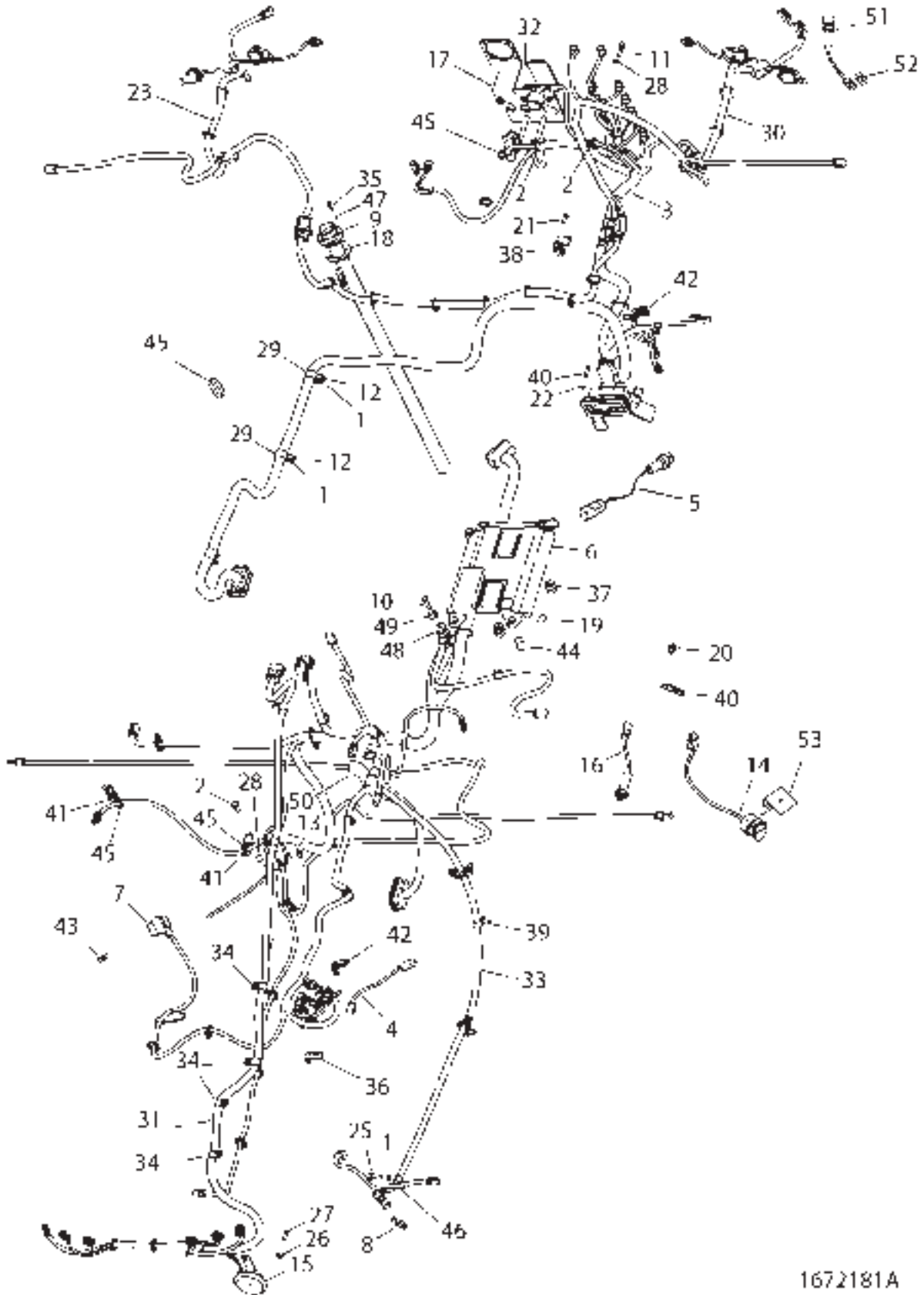
ITEM	NUMBER	QTY	DESCRIPTION
-	136-5667	--	WIRING GP-VEHICLE [A] (NOT SERVICED)
30	502195D1	1	HARNESS AS.-RH FENDER
31	502196D1	1	HARNESS AS.-HOOD
32	502197D1	1	HARNESS AS.-TRAILER
33	502224D1	1	HARNESS AS.-CHASSIS
34	CH095-0912	6	CLIP-LOOP 18 ID W/COATING
35	CH114-3349	5	SCREW-PAN M5X0.8 THD TORX
36	CH132-5789	1	CLIP-LADDER
37	CH173-7223	1	ADAPTER AS-4STOR X 6STOR (NOT SERVICED)
	400318X1	1	SEAL-O-RING (11.89IDDX1.98DIA)
	400361X1	1	O-RING
	CH9X-0261	1	ADAPTER
38	CH183-4584	1	SENSOR GP-SPEED
	CH6J-2245	1	SEAL-O-RING
39	CH4K-8864	1	CLIP-LOOP
40	CH4P-7428	3	CLIP-LADDER 15DEG X 35.5
41	CH4P-7581	5	CLIP-LADDER 15DEGX12.5MM V COAT
42	CH4P-8134	5	CLIP-LADDER 75DEGX48MM V COAT
43	CH5K-5068	1	NIPPLE-2 NPTF
44	CH6I-1418	4	SPACER-12.7ODX8.5IDX28.7MM
45	CH7K-1181	78	STRAP-CABLE 0.19-4.00
46	CH8M-2770	1	CLIP-LOOP
47	CH8T-0328	5	WASHER-HARD 5.5IDX10ODX1MM
48	CH8T-9655	8	MOUNT (ISOLATION)
49	CH9N-0869	4	WASHER HARD-8.8IDX25.5ODX2MM
50	501738D1	AR	HOSE-HEATER, 3/4 I.D.,BULK (10CM)
	CH4P-7429	1	CLIP-LADDER 75DEGX45MM V COAT

[A] PART OF 177-1588; 502668D1
BASE COMMON AR

1365667A
PR: t05c24o40d0131

MT700B SERIES TRACK TRACTOR
ELECTRICAL AND STARTING SYSTEM

WIRING GP-VEHICLE - 167-2181
EAME ONLY



1672181A

**MT700B SERIES TRACK TRACTOR
ELECTRICAL AND STARTING SYSTEM**

319

**WIRING GP-VEHICLE - 167-2181
EAME ONLY**

ITEM	NUMBER	QTY	DESCRIPTION
-	167-2181	--	WIRING GP-VEHICLE [A] (NOT SERVICED)
1	400287X1	10	WASHER-HARD 11IDX21ODX2.5 ZND1
2	400039X1	6	BOLT-M10X1.5X25 ZNDI HHD 10.9
3	501117D2	1	HARNESS AS-REAR
4	CH149-6371	1	SWITCH AS.-PRESSURE 103.4KPA
5	CH161-9932	1	SENSOR GP - PRESSURE
6	209-0893	1	ELEK GP-A5009 (NOT SERVICED)
	256-0173	1	SOFTWARE GP-POWER TRAIN (TRANSMISSION/MACHINE) (FOR SOFTWARE INFO CALL SERVICE/WARRANTY AT 507-847-7222)
	178-9090	1	CONTROL GP-UNPROGRAMMED
	7X-6315	1	STRAP ASM-GROUND
	134-4126	1	WASHER (4.52X8.28X.76)
	184-2472	1	SCREW-PAN HEAD (LUBRICATED)
7	226-4754	1	SWITCH AS.
8	CH114-5333	1	SWITCH AS.-PRESSURE HI-LOW
9	136-5295	1	SENDER-FUEL LEVEL
10	400001X1	4	BOLT-M8X1.25X40MM ZN HHD 10.9
11	400046X1	2	BOLT-M12X1.75X90 ZNDI HHD 10.9
12	400054X1	2	BOLT-M10X1.5X16 ZNDI HHD 10.9
13	400055X1	2	BOLT-M12X1.75X25 ZNDI HHD 10.9
14	501962D1	1	RECEPTACLE AS
15	501998D1	1	HORN
16	CH175-3244	1	SWITCH AS-PRESSURE 10700 KPA
17	500512D1	1	BRACKET AS.
18	500013D1	1	GASKET
19	400318X1	1	SEAL-O-RING 11.89IDX DIA1.98
20	400190X1	1	BOLT-M12X1.75X16 ZNDI HHD 10.9
21	400209X1	2	BOLT-M6X1X12MM PL HSHD 12.9
22	400251X1	4	BOLT-M4X0.7X16MM PL HSHD 12.9
23	502194D1	1	HARNESS AS.-LH FENDER
25	400058X1	1	BOLT-M10X1.5X30 ZNDI HHD 10.9
26	400339X1	1	WASHER - HARD
27	400341X1	1	BOLT - HEX HEAD
28	400357X1	5	WASHER-HARD-M12X25.50DX3THK
29	400688X1	2	CLIP LOOP 25.4ID
30	502195D1	1	HARNESS AS.-RH FENDER
31	502196D1	1	HARNESS AS.-HOOD
32	502197D1	1	HARNESS AS.-TRAILER
33	502224D1	1	HARNESS AS.-CHASSIS
34	CH095-0912	6	CLIP-LOOP 18 ID W/COATING
35	CH114-3349	5	SCREW-PAN M5X0.8 THD TORX
36	CH4P-7429	2	CLIP-LADDER 75DEGX45MM V COAT
37	CH173-7223	1	ADAPTER AS-4STOR X 6STOR
38	CH183-4584	1	SENSOR GP - SPEED
39			NOT USED
40	CH4P-7428	3	CLIP-LADDER 15DEG X 35.5

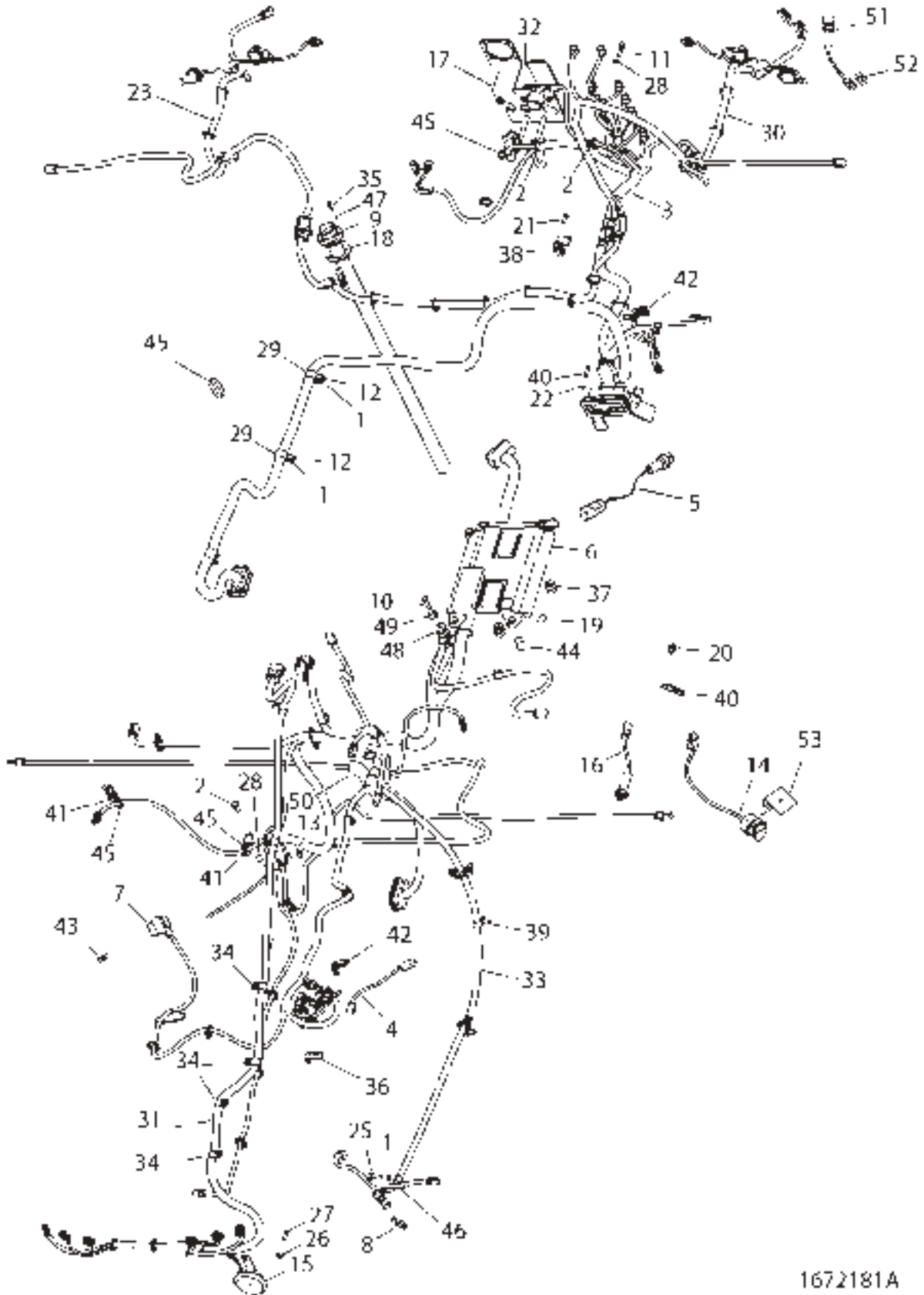
CONTINUED

[A] PART OF 502669D1 BASE COMMON AR

1672181A
PR: t05c24o40d0132

MT700B SERIES TRACK TRACTOR
ELECTRICAL AND STARTING SYSTEM

WIRING GP-VEHICLE - 167-2181
EAME ONLY



1672181A

**MT700B SERIES TRACK TRACTOR
ELECTRICAL AND STARTING SYSTEM**

321

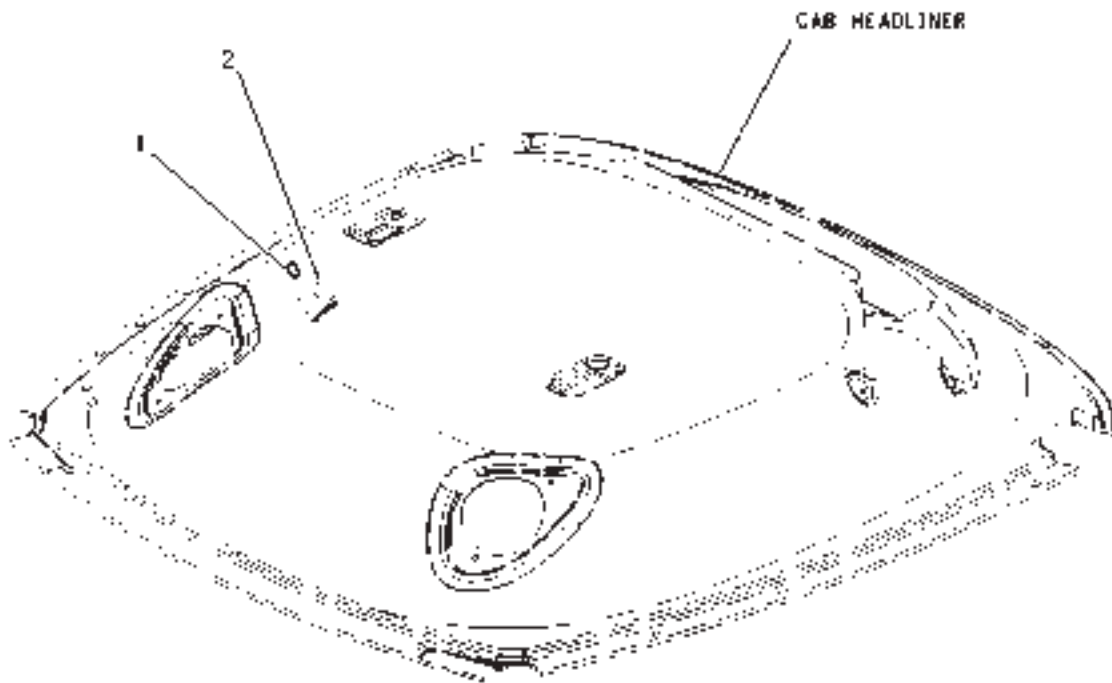
**WIRING GP-VEHICLE - 167-2181
EAME ONLY**

ITEM	NUMBER	QTY	DESCRIPTION
-	167-2181	--	WIRING GP-VEHICLE [A] (NOT SERVICED)
41	CH4P-7581	5	CLIP-LADDER 15DEGX12.5MM V COAT
42	CH4P-8134	5	CLIP-LADDER 75DEGX48 MM V COAT
43	CH5K-5068	1	NIPPLE-2 NPTF
44	CH6I-1418	4	SPACER-12.7ODX8.5IDX28.7MM
45	CH7K-1181	78	STRAP - CABLE 0.19-4.00
46	CH8M-2770	1	CLIP-LOOP
47	CH8T-0328	5	WASHER-HARD 5.5IDX10ODX1MM
48	CH8T-9655	8	MOUNT (ISOLATION)
49	CH9N-0869	4	WASHER HARD-8.8IDX25.5ODX2MM
50	501738D1	10	HOSE - HEATER, 3/4 I.D.,BULK
51	CH176-4546	1	SWITCH AS-PUSH BUTTON
	400561X1	5	PIN-CONNECTOR
	CH6F-0253	1	WASHER LOCK
	CH172-3511	1	NUT-5/8-24
52	400754X1	1	KIT-RECEPTACLE
53	500467D1	1	BRACKET (RECEPTACLE)
54	CH5P-4115	2	WASHER (NOT SHOWN)
55	CH4B-4274	3	WASHER (NOT SHOWN)
56	CH4B-2047	3	NUT (NOT SHOWN)
57	CH129-3178	2	LOCKNUT (NON METALLIC) (NOT SHOWN)
58	CH4K-8864	1	CLIP-LOOP (NOT SHOWN)

[A] PART OF 502669D1 BASE COMMON AR

1672181A
PR: t05c24o40d0132

WIRING GP-SHUTOFF - 162-4096
ENGINE



**MT700B SERIES TRACK TRACTOR
ELECTRICAL AND STARTING SYSTEM**

323

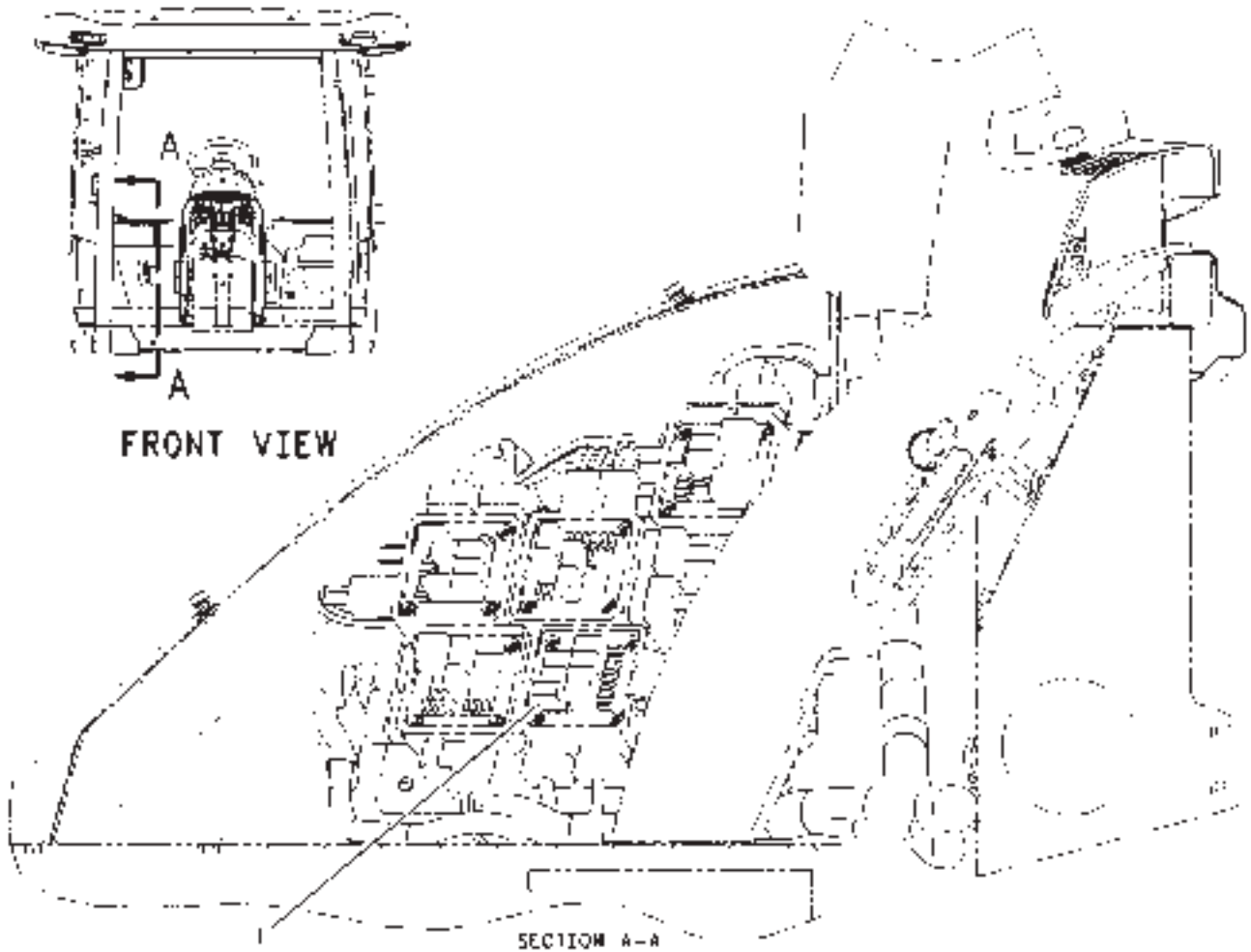
**WIRING GP-SHUTOFF - 162-4096
ENGINE**

ITEM	NUMBER	QTY	DESCRIPTION
-	162-4096	--	WIRING GP-SHUTOFF [A] (NOT SERVICED)
1	400837X1	1	STRAP-CABLE
2	169-8225	1	SWITCH AS-ROCKER (ENGINE IDLE TIMER)

[A] PART OF 502663D1 CAB AR

00664360
PR: t05c24o40d0133

WIRING GP-SHUTOFF - 173-6501
TIME DELAY LIGHTING SHUTOFF
DELUXE



00676197

**MT700B SERIES TRACK TRACTOR
ELECTRICAL AND STARTING SYSTEM**

325

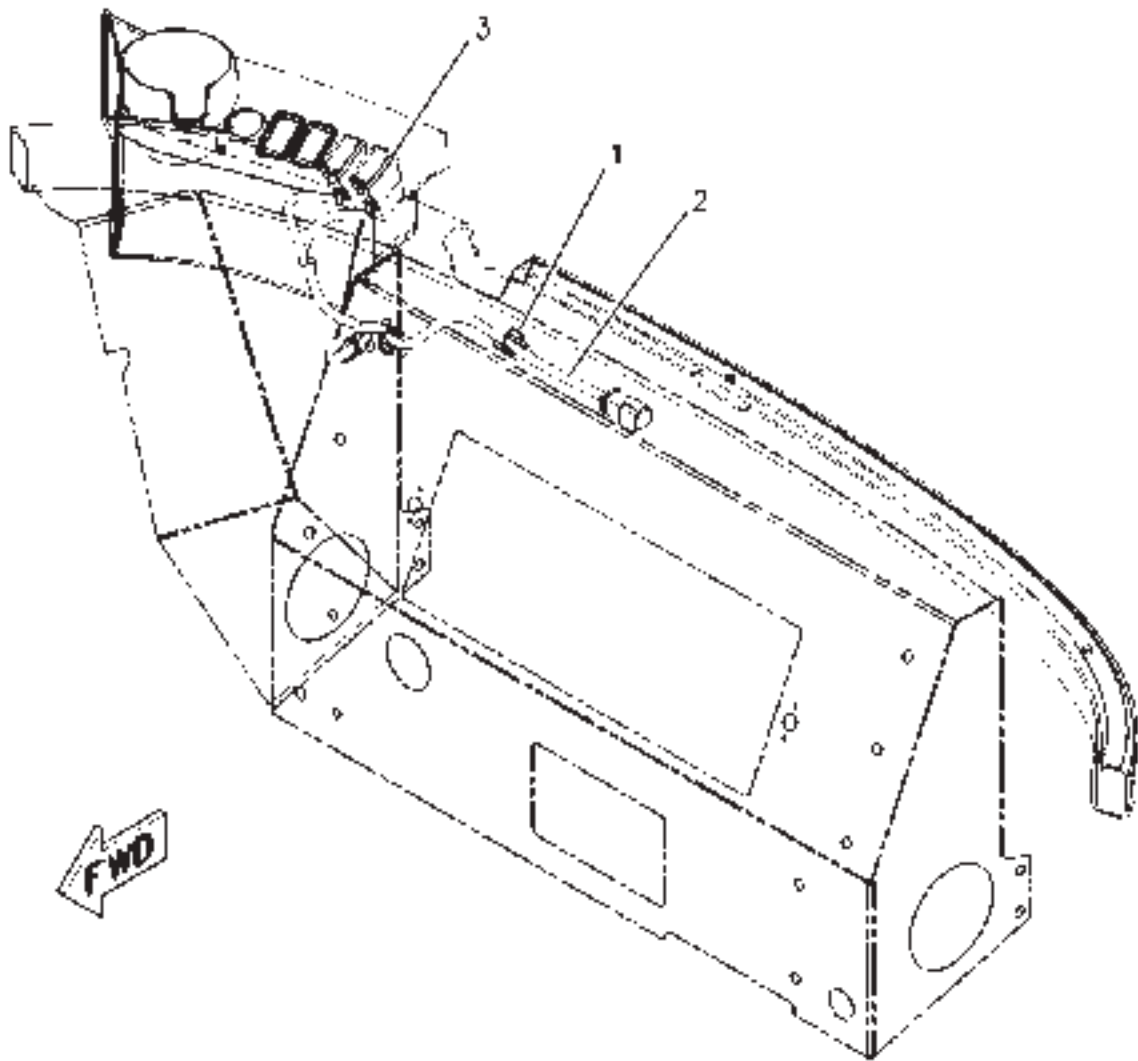
**WIRING GP-SHUTOFF - 173-6501
TIME DELAY LIGHTING SHUTOFF
DELUXE**

ITEM	NUMBER	QTY	DESCRIPTION
-	173-6501	--	WIRING GP-SHUTOFF [A] (NOT SERVICED)
1	CH146-9439	1	RELAY (12 VOLT) (WORK LIGHTS TIMER)

[A] PART OF 502663D1;500848D1 CAB AR

00676197
PR: t05c24o40d0134

WIRING GP-TRAILER - 162-4102
CONNECTOR SWITCHES
ROW ONLY



00664369

**MT700B SERIES TRACK TRACTOR
ELECTRICAL AND STARTING SYSTEM**

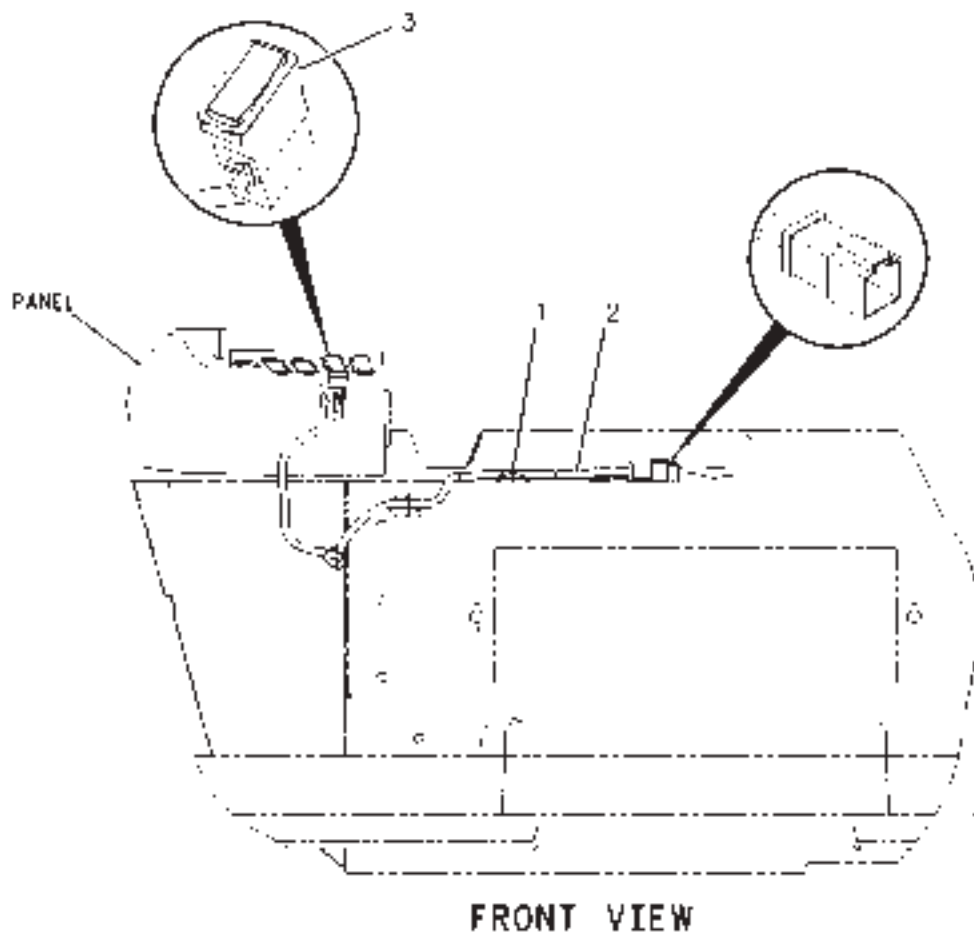
327

**WIRING GP-TRAILER - 162-4102
CONNECTOR SWITCHES
ROW ONLY**

ITEM	NUMBER	QTY	DESCRIPTION
-	162-4102	--	WIRING GP-TRAILER (NOT SERVICED)
1	400837X1	3	STRAP-CABLE
2	136-5535	1	HARNESS AS. (TRAILER SWITCHES)
3	169-8230	2	SWITCH-ROCKER (TRAILER)

00664369
PR: t05c24o40d0135

WIRING GP-TRAILER - 168-1945
EAME ONLY



**MT700B SERIES TRACK TRACTOR
ELECTRICAL AND STARTING SYSTEM**

329

**WIRING GP-TRAILER - 168-1945
EAME ONLY**

ITEM	NUMBER	QTY	DESCRIPTION
-	168-1945	--	WIRING GP-TRAILER (NOT SERVICED)
1	400837X1	3	STRAP-CABLE
2	136-5459	1	HARNESS AS (TRAILER CONNECTOR SWITCH)
3	169-8230	1	SWITCH AS-ROCKER (TRAILER)

00723129
PR: t05c24o40d0136

WIRING GP-TRAILER - 227-5268
EAME ONLY



**MT700B SERIES TRACK TRACTOR
ELECTRICAL AND STARTING SYSTEM**

331

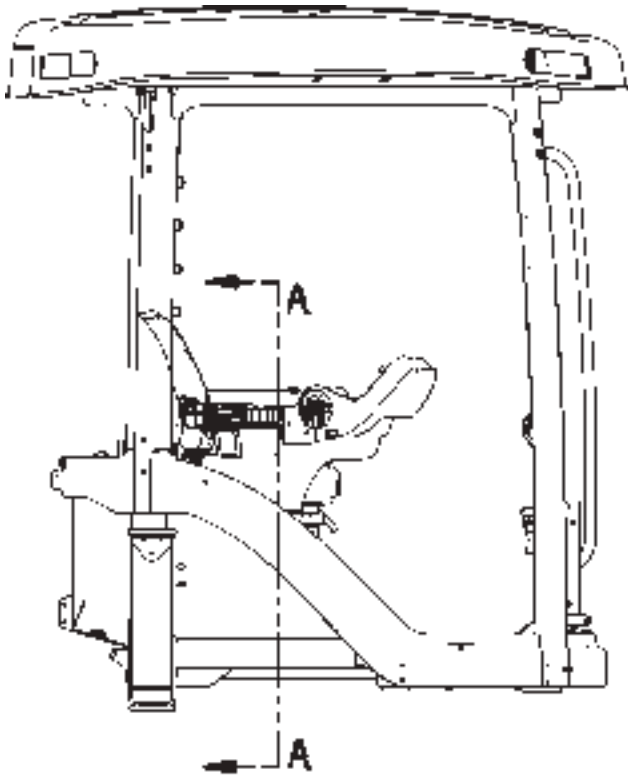
**WIRING GP-TRAILER - 227-5268
EAME ONLY**

ITEM	NUMBER	QTY	DESCRIPTION
-	227-5268	--	WIRING GP-TRAILER [A] (NOT SERVICED)
1	502181D1	1	HARNESS AS (TRAILER BRAKE)
2	400292X1	1	RELAY SWITCH
3	226-9441	1	SWITCH AS-ROCKER (TRAILER)
4	400837X1	13	STRAP-CABLE
5	CH227-8917	1	SWITCH AS-PRES 8STORX3PIN
6	400152X1	1	BOLT (M6X1X16)
7	400310X1	1	WASHER

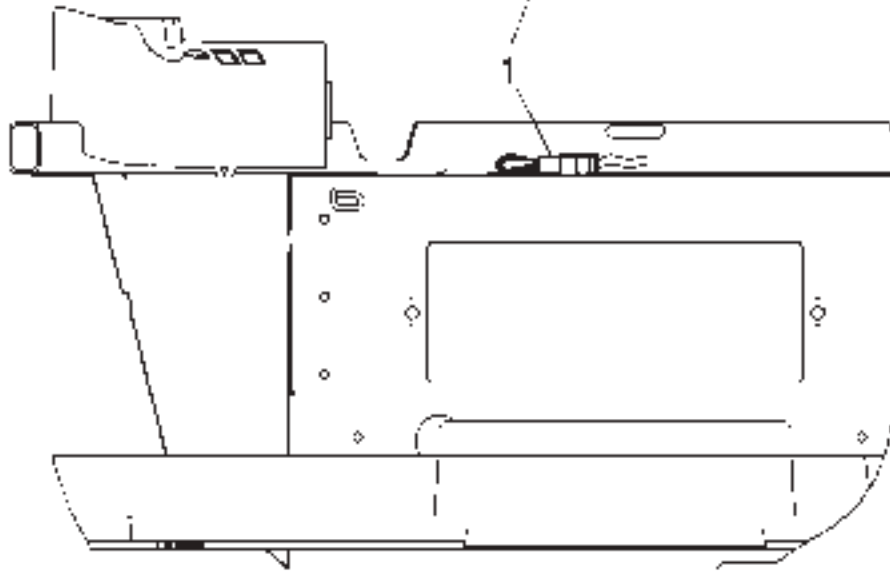
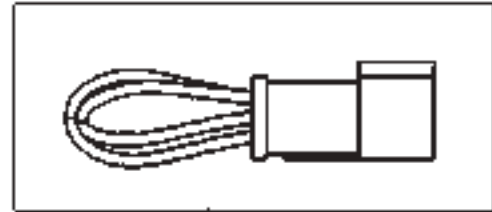
[A] PART OF 227-5263 BRAKE AR-HYD TR

2275268A
PR: t05c24o40d0137

WIRING GP-TRAILER JUMPER
501940D1



RIGHT SIDE VIEW OF CAB



SECTION A-A
(SEAT AND REAR WRAP REMOVED)

501940DC

**MT700B SERIES TRACK TRACTOR
ELECTRICAL AND STARTING SYSTEM**

333

**WIRING GP-TRAILER JUMPER
501940D1**

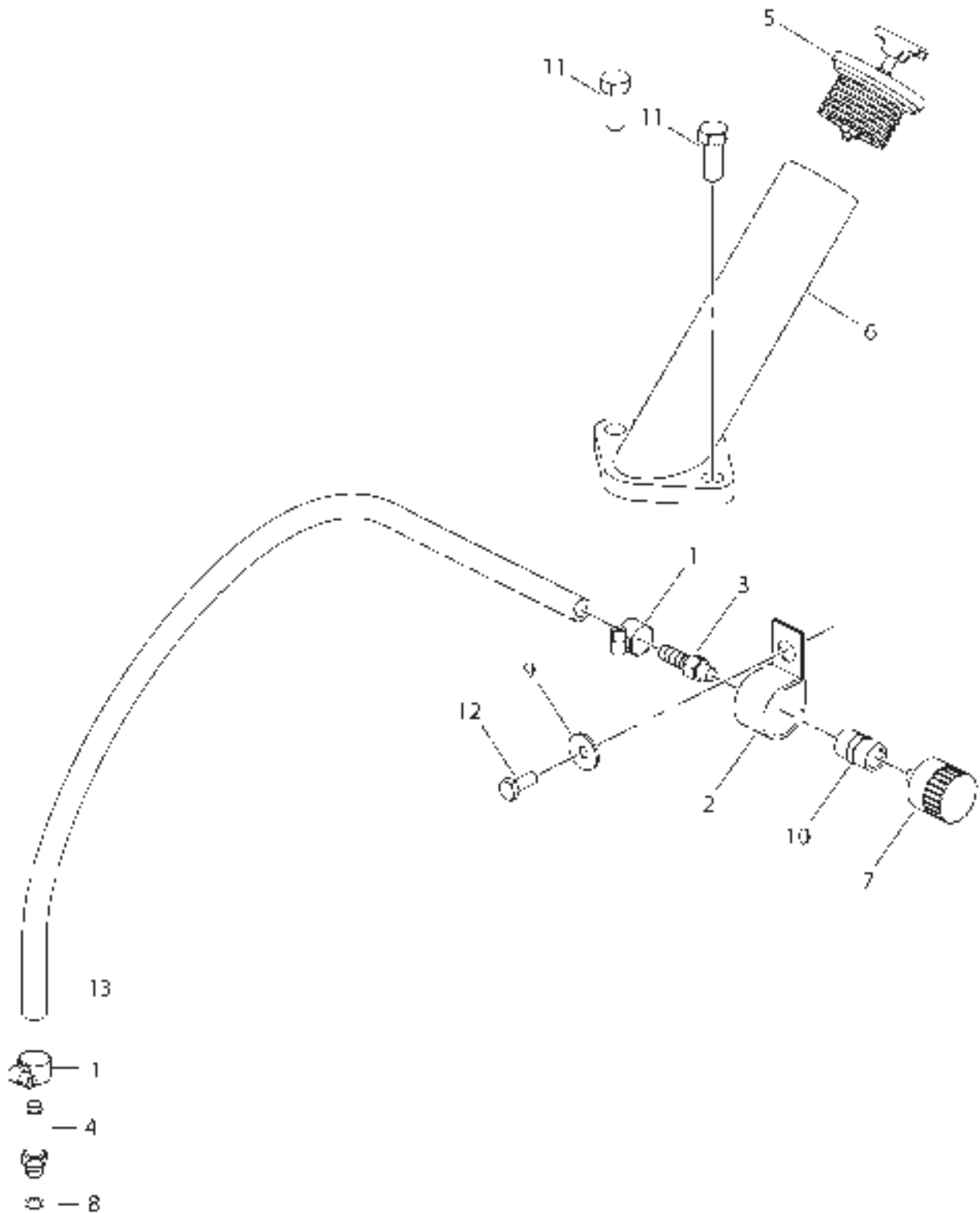
ITEM	NUMBER	QTY	DESCRIPTION
-	501940D1	--	WIRING GP-TRLR JUMPER [A] (NOT SERVICED)
1	173-7708	1	HARNESS AS-TRAILER
	CH3E-3382	1	RECEPTACLE AS
	CH9G-3695	2	PLUG
	CH144-1636	4	PIN
	CH3E-3383	1	WEDGE

[A] PART OF 152-0420 WIRING GP-CAB

501940DC
PR: t05c24o40d0138

MT700B SERIES TRACK TRACTOR
POWER TRAIN ATTACHING

FILLER GP - 163-0395



1630395A

**MT700B SERIES TRACK TRACTOR
POWER TRAIN ATTACHING**

335

FILLER GP - 163-0395

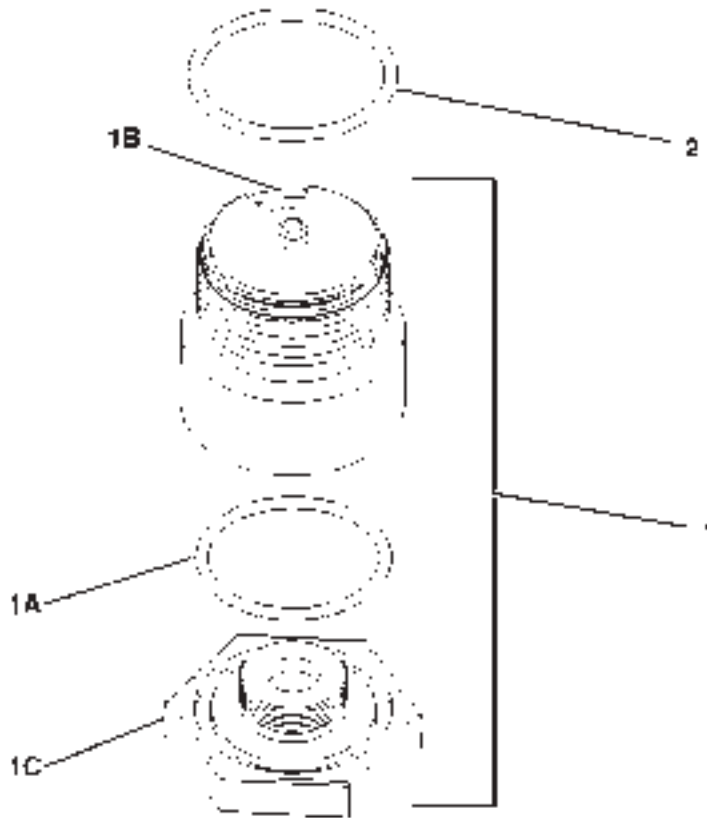
ITEM	NUMBER	QTY	DESCRIPTION
-	163-0395	--	FILLER GP [A] (NOT SERVICED)
1	400109X1	2	CLAMP-HOSE SST 11.1-19.8X13.5
2	CH8C-8533	1	CLIP-LOOP 34.93ID W/COATING
3	CH006-6586	1	CONNECTOR-4NPTFX9.52 OD BARB
4	CH092-6629	1	CONNECTOR-4STORX9.52 OD BARB
5	159-1236	1	CAP-BREATHER
6	177-5194	1	TUBE AS.
7	400831X1	1	BREATHER-1/4-18 NPTF
8	400361X1	1	SEAL-O-RING 8.92 IDX1.83 DIA
9	CH7X-0579	1	WASHER-HARD 8.8IDX25.5ODX2
10	CH8S-7169	1	COUPLING-4NPTF HEX
11	400041X1	2	BOLT-M12X1.75X30 ZNDI HHD 10.9
12	400053X1	1	BOLT-M8X1.25X20 ZNDI HHD 10.9
13	CH5P-1442	64	HOSE-BULK 9.52ID HI TEMP
14	CH8C-8422	2	SEALANT-BULK ANAEROBIC BLUE (NOT SHOWN)

[A] PART OF 502668D1; 502669D1
BASE COMMON AR

1630395A
PR: t05c24o40d0139

TO REAR TRANSMISSION
CASE ON MT800 TRACTORS

TO FRONT
TRANSMISSION CASE
ON MT700 TRACTORS



0883187A

**MT700B SERIES TRACK TRACTOR
POWER TRAIN ATTACHING**

337

DRAIN GP-ECOLOGY - CH163-0397

ITEM	NUMBER	QTY	DESCRIPTION
-	CH163-0397	--	DRAIN GP-ECOLOGY [A] (NOT SERVICED)
-	502901D1	--	DRAIN GP-ECOLOGY (FACT OPTION) (NOT SERVICED)
1	CH173-0566	1	DRAIN GP-ECOLOGY (INCLS 1A-1C)
1A	CH2K-8199	1	SEAL-O-RING
1B	CH077-3241	1	SEAL-O-RING
1C	CH175-4966	1	PLUG (TRANSMISSION DRAIN)
2	400376X1	1	SEAL-O-RING

[A] PART OF 502091D1 DRAIN GP-ECOLOGY;
506974D1 BASE COMMON AR;

0883187A
PR: t05c24o40d0140

**MT700B SERIES TRACKTRACTOR
POWER TRAIN ATTACHING**

339

FASTENER GP-FINAL DRIVE - 164-3905

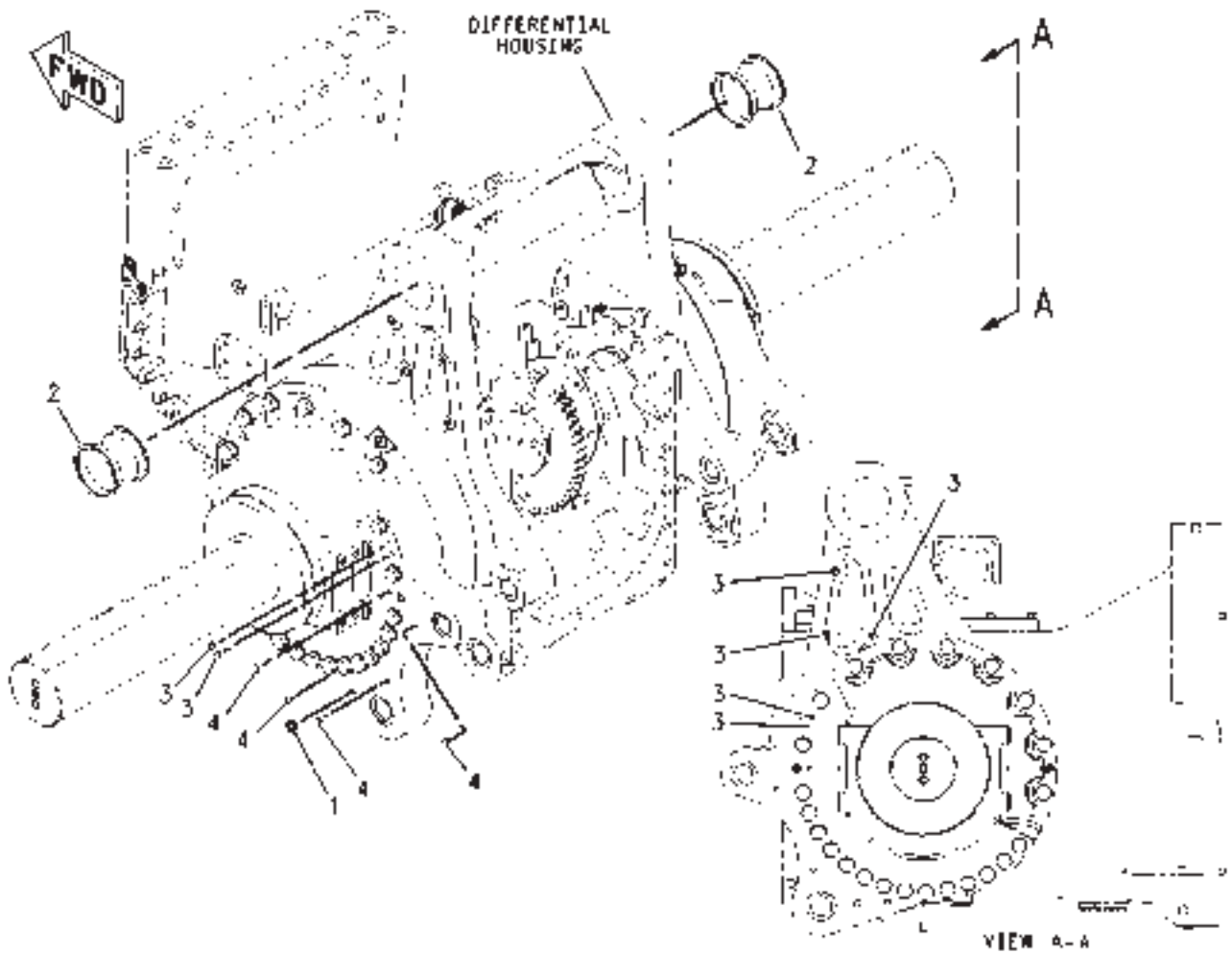
ITEM	NUMBER	QTY	DESCRIPTION
-	164-3905	--	FASTENER GP [A] (NOT SERVICED)
1	7C-6467	5	PLUG
2	3E-4356	32	WASHER-HARD (30X17.5X6MM THK)
3	4J-8996	2	SEAL-O-RING
4	6C-9149	5	WASHER (22X50X10MM THK)
5	7X-2554	15	BOLT (M16X2X70MM)
6	7X-2556	2	BOLT (M16X2X100MM)
7	7X-2557	12	BOLT (M16X2X140MM)
8	7X-2559	3	BOLT (M16X2X160MM)
9	8T-4170	5	BOLT (M20X2.5X150MM)
10	8C-8422	AR	SEALANT-GASKET (BULK)

[A] PART OF 200-5011; 200-5013;
200-5015; 200-5017; 213-8788;
213-8798 POWER TRAIN AR

00891693
PR: t05c24o40d0141

MT700B SERIES TRACK TRACTOR
POWER TRAIN ATTACHING

PLUG GP-SHIPING - 157-1709



00875271

MT700B SERIES TRACKTRACTOR
POWER TRAIN ATTACHING

341

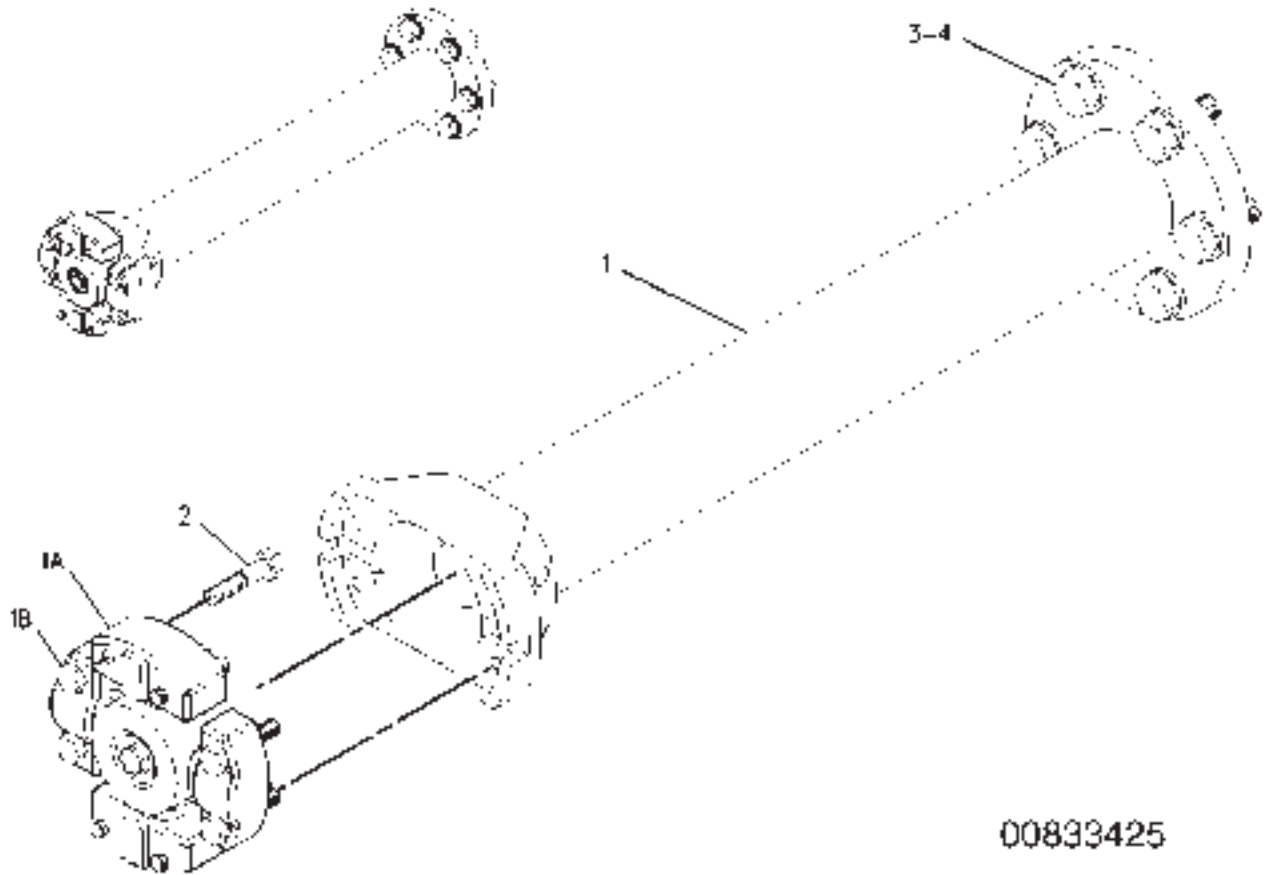
PLUG GP-SHIPPING - 157-1709

ITEM	NUMBER	QTY	DESCRIPTION
-	157-1709	--	PLUG GP-SHIPPING [A] (NOT SERVICED)
1	400093X1	2	PLUG-PROTECTIVE (M14)
2	CH186-1087	4	PLUG-PROTECTIVE (100DIA)
3	CH193-5914	7	PLUG-PROTECTIVE (M10)
4	CH193-5915	8	PLUG-PROTECTIVE (M12)

[A] PART OF 170-2287 HITCH AR

00875271
PR: t05c24o40d0142

SHAFT GP-INPUT - 151-6970



00833425

**MT700B SERIES TRACK TRACTOR
POWER TRAIN ATTACHING**

343

SHAFT GP-INPUT - 151-6970

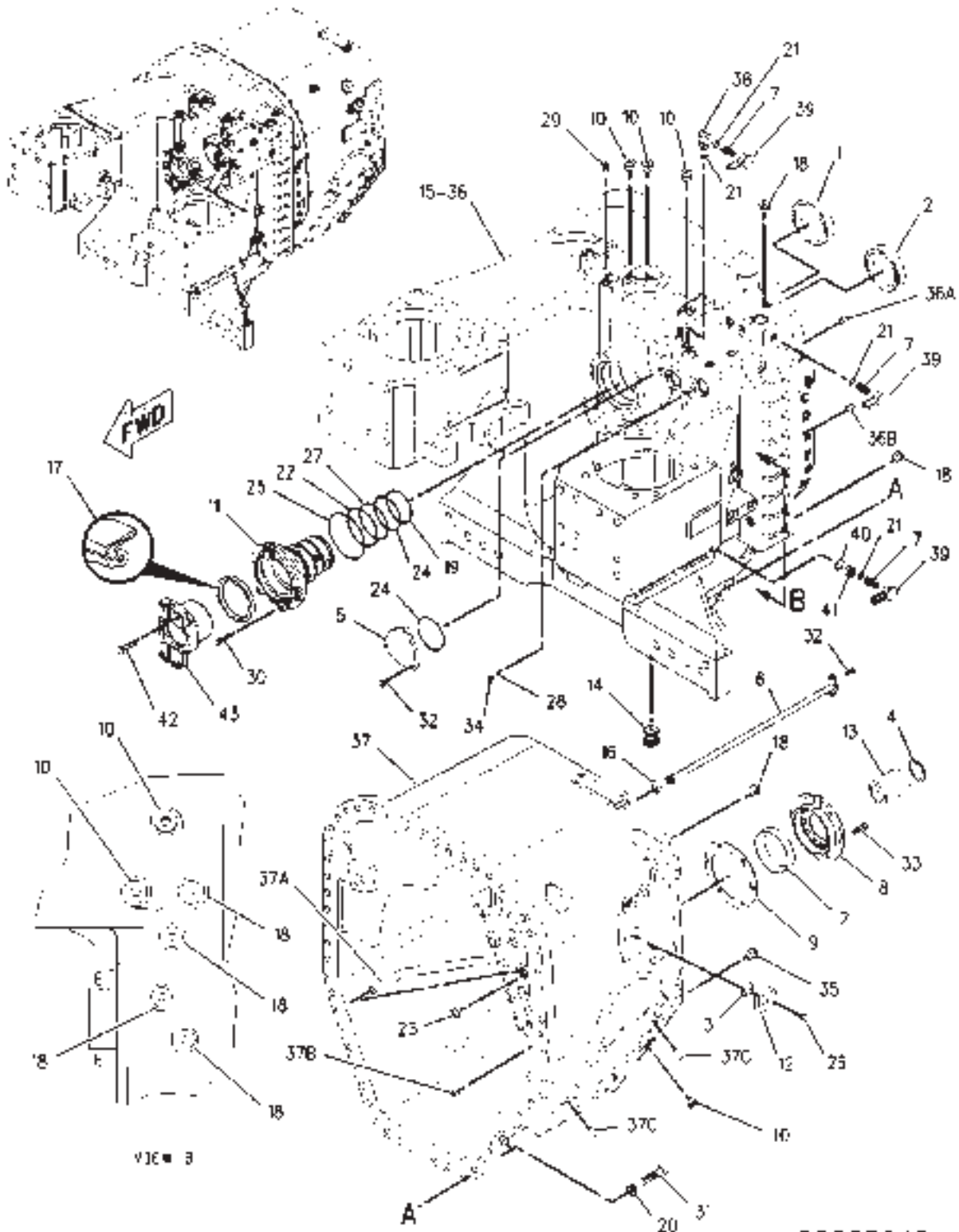
ITEM	NUMBER	QTY	DESCRIPTION
-	151-6970	--	SHAFT GP-INPUT [A] (NOT SERVICED)
1	163-0438	1	UNIVERSAL JOINT
1A	CH9P-0356	1	SPIDER & BEARING AS.
1B	400057X1	4	BOLT (M12X1.75X50MM)
2	400063X1	4	BOLT (M12X1.75X60MM)
3	400244X1	6	BOLT (M16X2.0X45MM)
4	400082X1	6	WASHER (17.5X30X3.5MM THK)

[A] PART OF 165-7006;165-7007;
165-7008;169-6836; 501640D1;
501641D1; 501642D1
INSTALLATION AR-ENGINE

00833425
PR: t05c24o40d0143

MT700B SERIES TRACK TRACTOR
POWER TRAIN

155-9593 CASE & PARTS GP-PLANETARY
S/N: 7PY1-1504



00883640

**MT700B SERIES TRACK TRACTOR
POWER TRAIN**

345

**155-9593 CASE & PARTS GP-PLANETARY
S/N: 7PY1-1504**

ITEM	NUMBER	QTY	DESCRIPTION
-	155-9593	--	CASE & PARTS GP-PLANETARY (NOT SERVICED)
1	2N-2138	1	CUP-BEARING
2	2P-8986	7	CUP-BEARING
3	2M-4453	1	SEAL-O-RING
4	6V-2832	1	RING-RETAINING
5	9W-1454	4	COVER
6	193-1701	1	TUBE AS
7	6V-3965	3	FITTING AS
8	161-8281	4	CAGE-BEARING
9	161-8338	4	SHIM PACK (INCLUDES 13-SHIMS)
10	164-5619	8	PLUG AS (NOT SERVICED)
	9S-8006	1	PLUG
	2M-9780	1	SEAL-O-RING
11	165-0363	1	HOUSING-SEAL
12	191-5319	1	COVER
13	165-8631	1	COUPLING
14	164-4180	1	PLUG AS (NOT SERVICED)
	7M-8485	1	SEAL-O-RING
	9S-4181	1	PLUG
15	1U-8846	AR	SEALANT-GASKET
16	5H-8038	2	SEAL-O-RING
17	139-5802	1	SEAL-LIP TYPE
18	9S-8005	13	PLUG
	3K-0360	13	SEAL-O-RING
19	1P-8362	1	SEAL-O-RING
20	3E-4356	50	WASHER-HARD (30X17.5X6-MM THK)
21	3J-1907	4	SEAL-O-RING
22	4F-4097	1	SEAL-O-RING
23	4J-8996	1	SEAL-O-RING
24	5P-3863	5	SEAL-O-RING
25	6S-3002	1	SEAL-O-RING
26	8T-7547	3	BOLT (M8X1.25X30-MM)
27	6V-2483	1	SEAL-O-RING
28	161-8229	1	TUBE AS

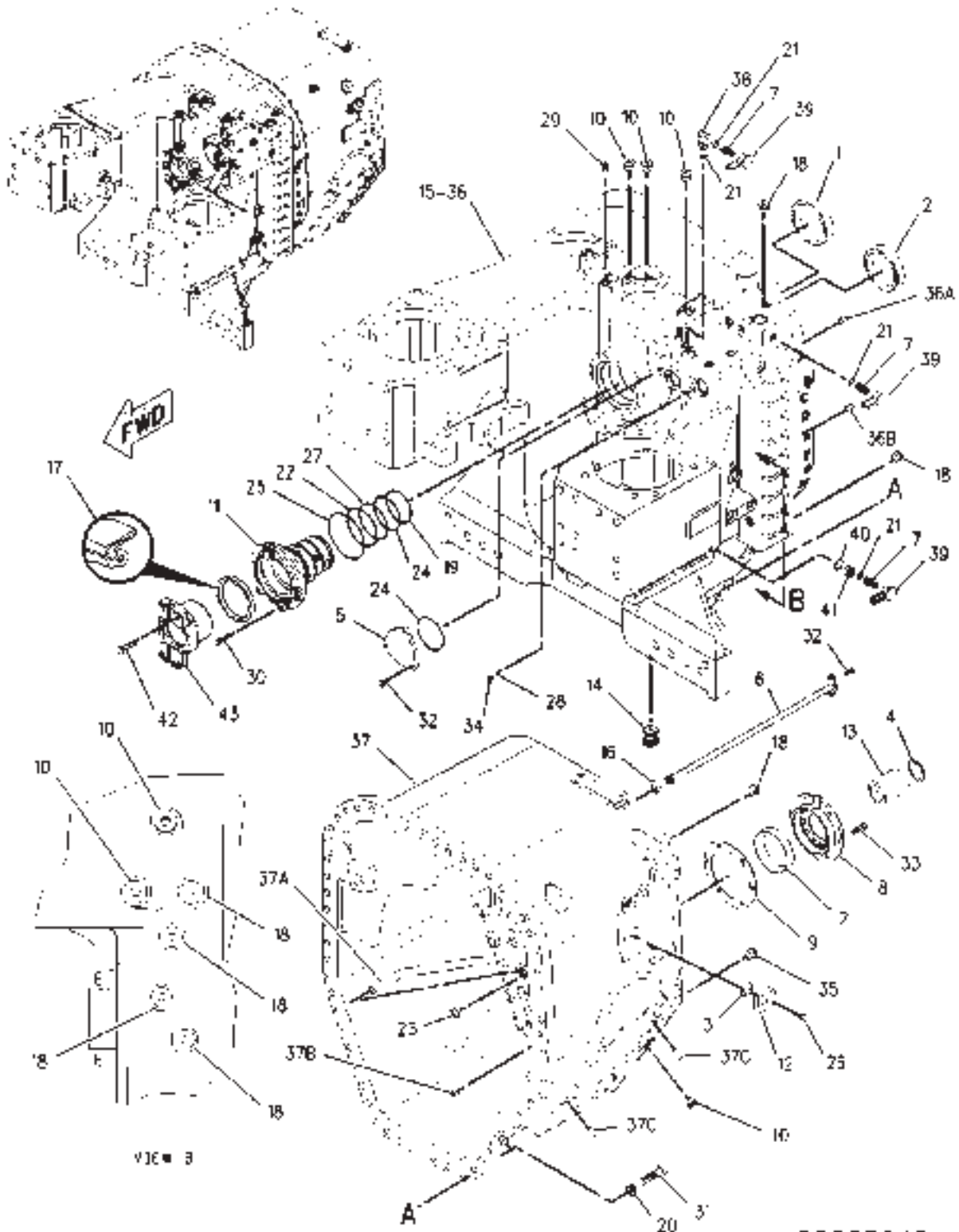
CONTINUED

[A] PART OF 152-5241 TRANSMISSION AR

00883640
PR: t05c24o40d0144

MT700B SERIES TRACK TRACTOR
POWER TRAIN

155-9593 CASE & PARTS GP-PLANETARY



00883640

**MT700B SERIES TRACK TRACTOR
POWER TRAIN**

347

155-9593 CASE & PARTS GP-PLANETARY

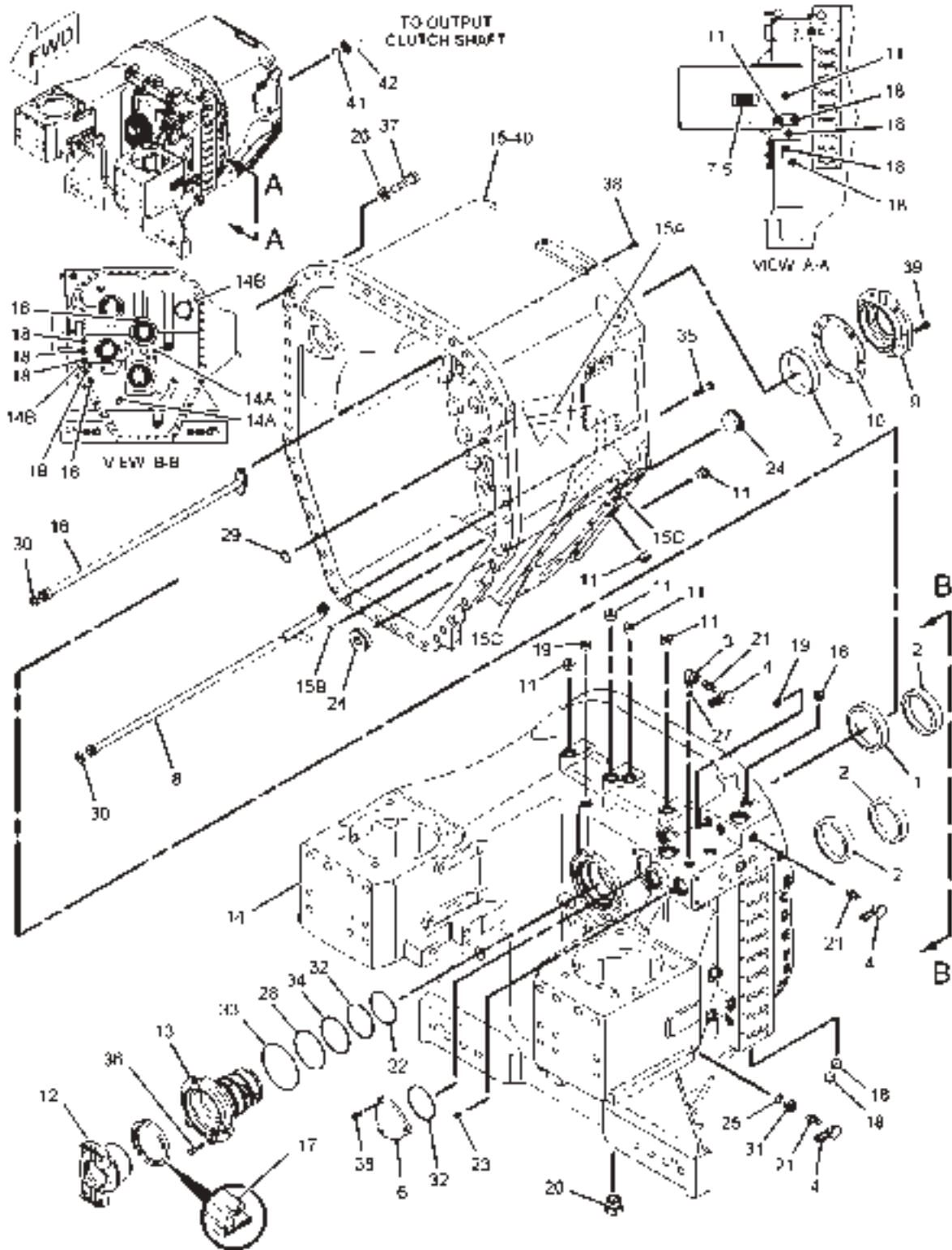
ITEM	NUMBER	QTY	DESCRIPTION
-	155-9593		CASE & PARTS GP-PLANETARY (NOT SERVICED)
29	162-0177	1	PLUG AS (NOT SERVICED)
	3J-1907	1	SEAL-O-RING
	9S-8004	1	PLUG
30	7X-2537	4	BOLT (M8X1.25X35-MM)
31	8T-4140	50	BOLT (M16X2X60-MM)
32	8T-4189	14	BOLT (M8X1.25X20-MM)
33	8T-4195	24	BOLT (M10X1.5X30-MM)
34	7J-0204	1	SEAL-O-RING
	9S-8007	1	PLUG
35	208-2984	2	PLUG AS
	5P-7684	1	PLUG (1 7/8-12-THD)
	6K-6307	1	SEAL-O-RING
36	166-0670	1	CASE AS (FRONT)
36A	146-3173	2	DOWEL
36B	5M-7937	2	DOWEL
37	193-4059	1	CASE AS (REAR)
37A	165-0394	1	TUBE
37B	146-3173	2	DOWEL
37C	5B-5821	2	DOWEL
38	6V-0484	1	ADAPTER-O-RING
39	6V-0852	3	CAP-DUST
40	2M-9780	1	SEAL-O-RING
41	5P-1404	1	ADAPTER-O-RING
42	6V-4249	1	BOLT (M10X1.5X50-MM)
43	165-0271	1	YOKE AS
	0S-0519	1	PLUG-CUP

[A] PART OF 152-5241 TRANSMISSION AR

00883640
PR: t05c24o40d0144

MT700B SERIES TRACK TRACTOR
POWER TRAIN

155-9593 CASE & PARTS GP-PLANETARY
S/N: 7PY1505-UP



01124488

**MT700B SERIES TRACK TRACTOR
POWER TRAIN**

349

**155-9593 CASE & PARTS GP-PLANETARY
S/N: 7PY1505-UP**

ITEM	NUMBER	QTY	DESCRIPTION
-	155-9593	--	CASE & PARTS GP-PLANETARY [A] (NOT SERVICED)
1	2N-2138	1	CUP-BEARING
2	2P-8986	7	CUP-BEARING
3	6V-0484	1	ADAPTER-O-RING
4	6V-0852	3	CAP-DUST
5		1	PLATE-SERIAL NUMBER (TRANSMISSION)
6	9W-1454	4	COVER
7		2	TACK
8	161-8229	1	TUBE AS
9	161-8281	4	CAGE-BEARING
10	161-8338	4	SHIM PACK (INCLUDES 13-SHIMS)
11	164-5619	8	PLUG AS (NOT SERVICED)
	2M-9780	1	SEAL-O-RING
	9S-8006	1	PLUG
12	165-0271	1	YOKE AS
	0S-0519	1	PLUG-CUP
13	165-0363	1	HOUSING-SEAL
14	166-0670	1	CASE AS (FRONT)
14A	146-3173	2	DOWEL
14B	5M-7937	2	DOWEL
15	193-4059	1	CASE AS (REAR)
15A	165-0394	1	TUBE
15B	146-3173	2	DOWEL
15C	5B-5821	2	DOWEL
16	193-1701	1	TUBE AS
17	139-5802	1	SEAL-LIP TYPE
18	9S-8005	13	PLUG
	3K-0360	13	SEAL-O-RING
19	162-0177	2	PLUG AS (NOT SERVICED) [C]
	3J-1907	1	SEAL-O-RING
	9S-8004	1	PLUG
20	164-4180	1	PLUG AS (NOT SERVICED)
	7M-8485	1	SEAL-O-RING
	9S-4181	1	PLUG
21	164-5567	3	FITTING GP-COUPLING (NOT SERVICED) [C]
	3J-1907	1	SEAL-O-RING
	6V-3965	1	FITTING AS
22	1P-8362	1	SEAL-O-RING

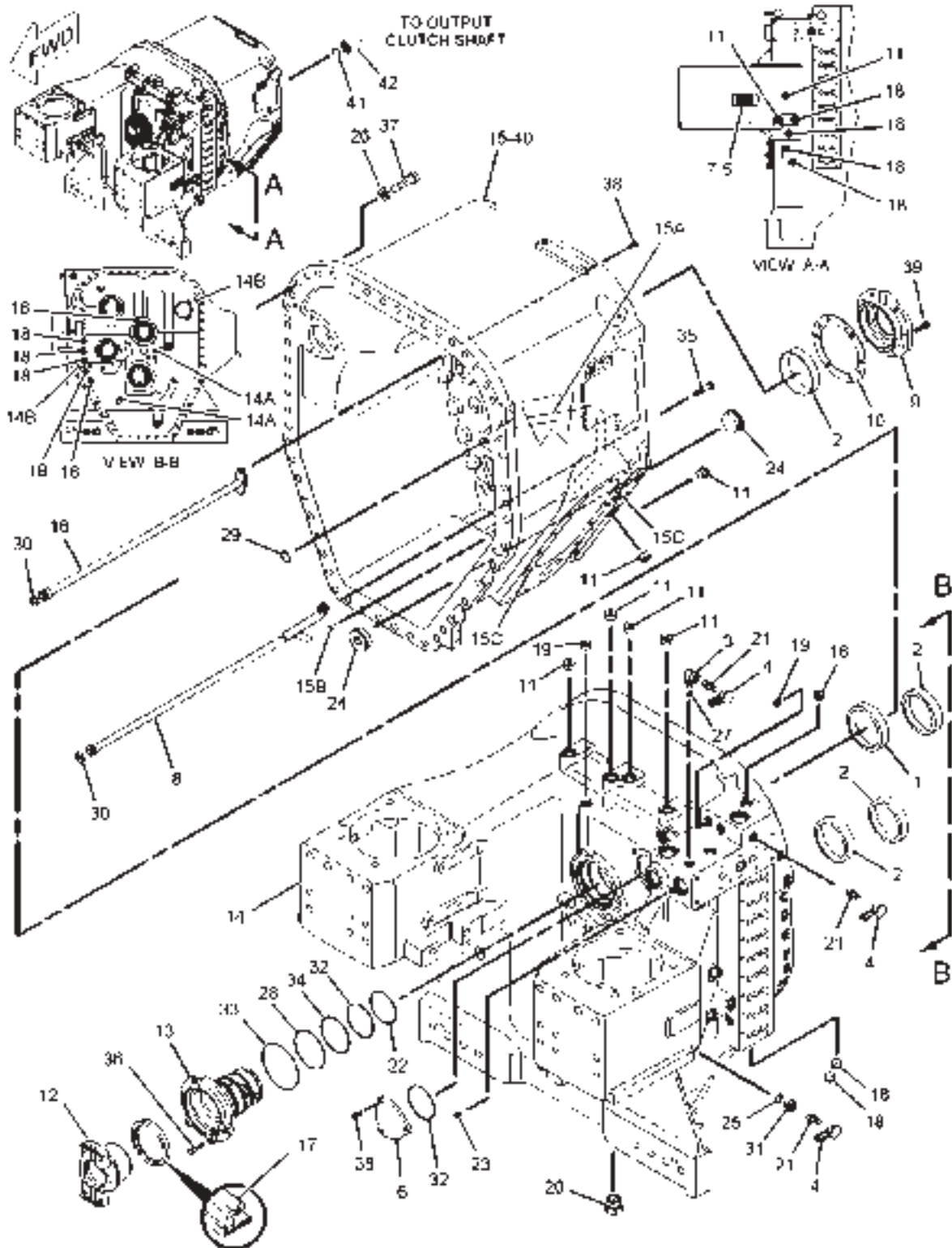
CONTINUED

[A] PART OF 152-5241 TRANSMISSION AR
[C] CHANGE FROM PREVIOUS TYPE

01124488
PR: t05c24o40d0145

MT700B SERIES TRACK TRACTOR
POWER TRAIN

155-9593 CASE & PARTS GP-PLANETARY
S/N: 7PY1505-UP



01124488

**MT700B SERIES TRACK TRACTOR
POWER TRAIN**

351

**155-9593 CASE & PARTS GP-PLANETARY
S/N: 7PY1505-UP**

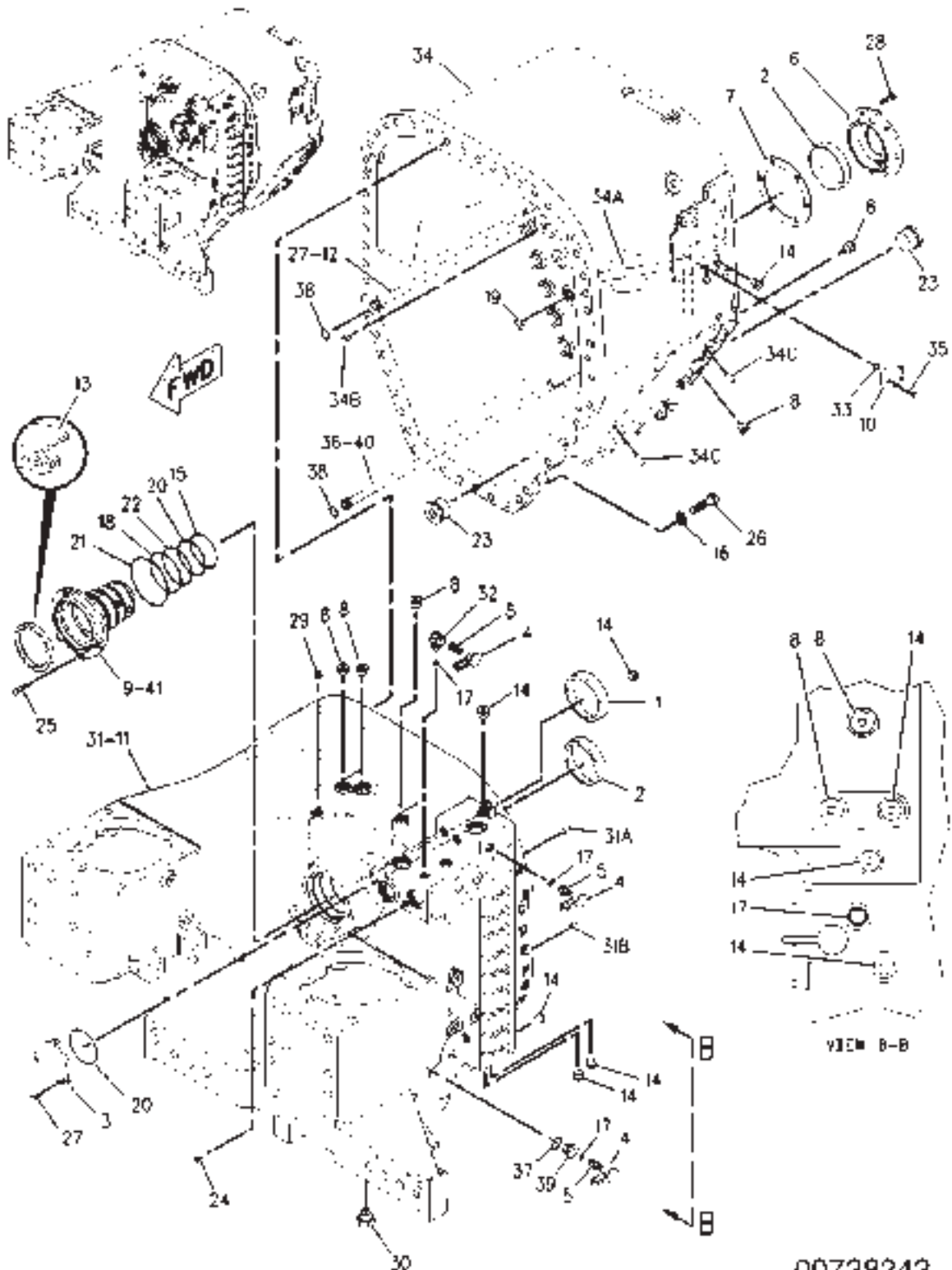
ITEM	NUMBER	QTY	DESCRIPTION
-	155-9593	--	CASE & PARTS GP-PLANETARY [A] (NOT SERVICED)
23	207-8218	1	PLUG AS (NOT SERVICED)
	7J-0204	1	SEAL-O-RING
	9S-8007	1	PLUG
24	208-2984	2	PLUG AS
	5P-7684	1	PLUG (1 7/8-12-THD)
	6K-6307	1	SEAL-O-RING
25	2M-9780	1	SEAL-O-RING
26	3E-4356	50	WASHER-HARD (30X17.5X6-MM THK)
27	3J-1907	1	SEAL-O-RING [C]
28	4F-4097	1	SEAL-O-RING
29	4J-8996	1	SEAL-O-RING
30	5H-8038	2	SEAL-O-RING
31	5P-1404	1	ADAPTER-O-RING
32	5P-3863	5	SEAL-O-RING
33	6S-3002	1	SEAL-O-RING
34	6V-2483	1	SEAL-O-RING
35	6V-4249	1	BOLT (M10X1.5X50-MM)
36	7X-2537	4	BOLT (M8X1.25X35-MM)
37	8T-4140	50	BOLT (M16X2X60-MM)
38	8T-4189	13	BOLT (M8X1.25X20-MM) [C]
39	8T-4195	24	BOLT (M10X1.5X30-MM)
40	1U-8846	AR	SEALANT-GASKET
41	6V-2832	1	RING-RETAINING
42	165-8631	1	COUPLING

[A] PART OF 152-5241 TRANSMISSION AR
[C] CHANGE FROM PREVIOUS TYPE

01124488
PR: t05c24o40d0145

MT700B SERIES TRACK TRACTOR
POWER TRAIN

165-0414 CASE & PARTS GP-PLANETARY
S/N: 8AY1-879



00738243

**MT700B SERIES TRACK TRACTOR
POWER TRAIN**

353

**165-0414 CASE & PARTS GP-PLANETARY
S/N: 8AY1-879**

ITEM	NUMBER	QTY	DESCRIPTION
-	165-0414	--	CASE & PARTS GP-PLANETARY [A] (NOT SERVICED)
1	2N-2138	1	CUP-BEARING
2	2P-8986	7	CUP-BEARING
3	9W-1454	4	COVER
4	6V-0852	3	CAP-DUST
5	6V-3965	3	FITTING AS
6	161-8281	4	CAGE-BEARING
7	161-8338	4	SHIM PACK (INCLUDES 13-SHIMS)
8	164-5619	8	PLUG AS (NOT SERVICED)
	2M-9780	1	SEAL-O-RING
	9S-8006	1	PLUG
9	165-0363	1	HOUSING-SEAL
10	191-5319	1	COVER
11	1U-8846	AR	SEALANT-GASKET
12	193-1701	1	TUBE AS
13	139-5802	1	SEAL-LIP TYPE
14	9S-8005	14	PLUG
	3K-0360	14	SEAL-O-RING
15	1P-8362	1	SEAL-O-RING
16	3E-4356	50	WASHER-HARD (30X17.5X6-MM THK)
17	3J-1907	4	SEAL-O-RING
18	4F-4097	1	SEAL-O-RING
19	4J-8996	1	SEAL-O-RING
20	5P-3863	5	SEAL-O-RING
21	6S-3002	1	SEAL-O-RING
22	6V-2483	1	SEAL-O-RING
23	208-2984	2	PLUG AS
	5P-7684	1	PLUG (1 7/8-12-THD)
	6K-6307	1	SEAL-O-RING
24	207-8218	1	PLUG AS (NOT SERVICED)
	7J-0204	1	SEAL-O-RING
	9S-8007	1	PLUG
25	7X-2537	4	BOLT (M8X1.25X35-MM)
26	8T-4140	50	BOLT (M16X2X60-MM)
27	8T-4189	14	BOLT (M8X1.25X20-MM)
28	8T-4195	24	BOLT (M10X1.5X30-MM)

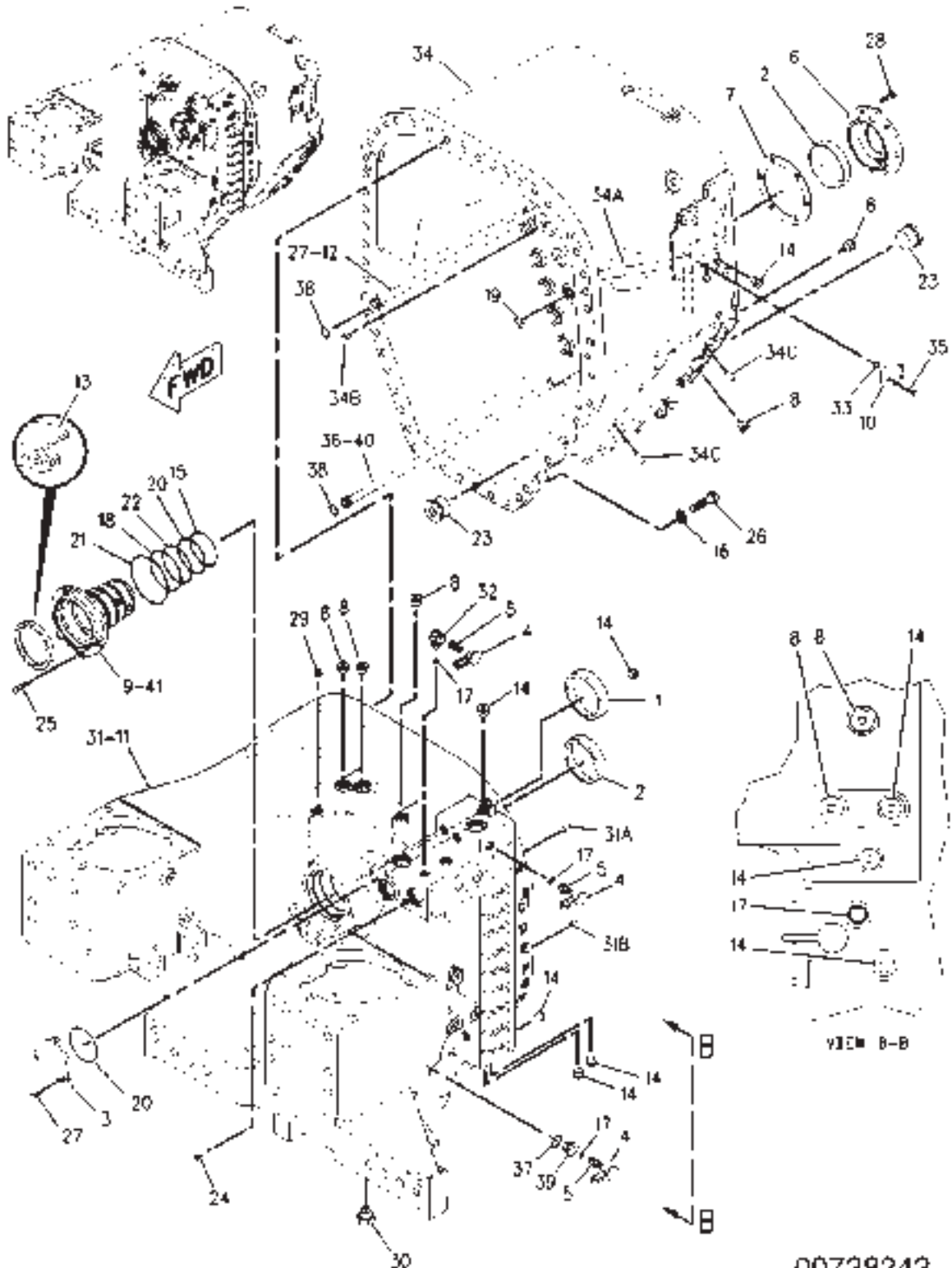
CONTINUED

[A] PART OF 173-2462 TRANSMISSION AR

00738243
PR: t05c24o40d0146

MT700B SERIES TRACK TRACTOR
POWER TRAIN

165-0414 CASE & PARTS GP-PLANETARY
S/N: 8AY1-879



00738243

MT700B SERIES TRACK TRACTOR
POWER TRAIN

355

165-0414 CASE & PARTS GP-PLANETARY
S/N: 8AY1-879

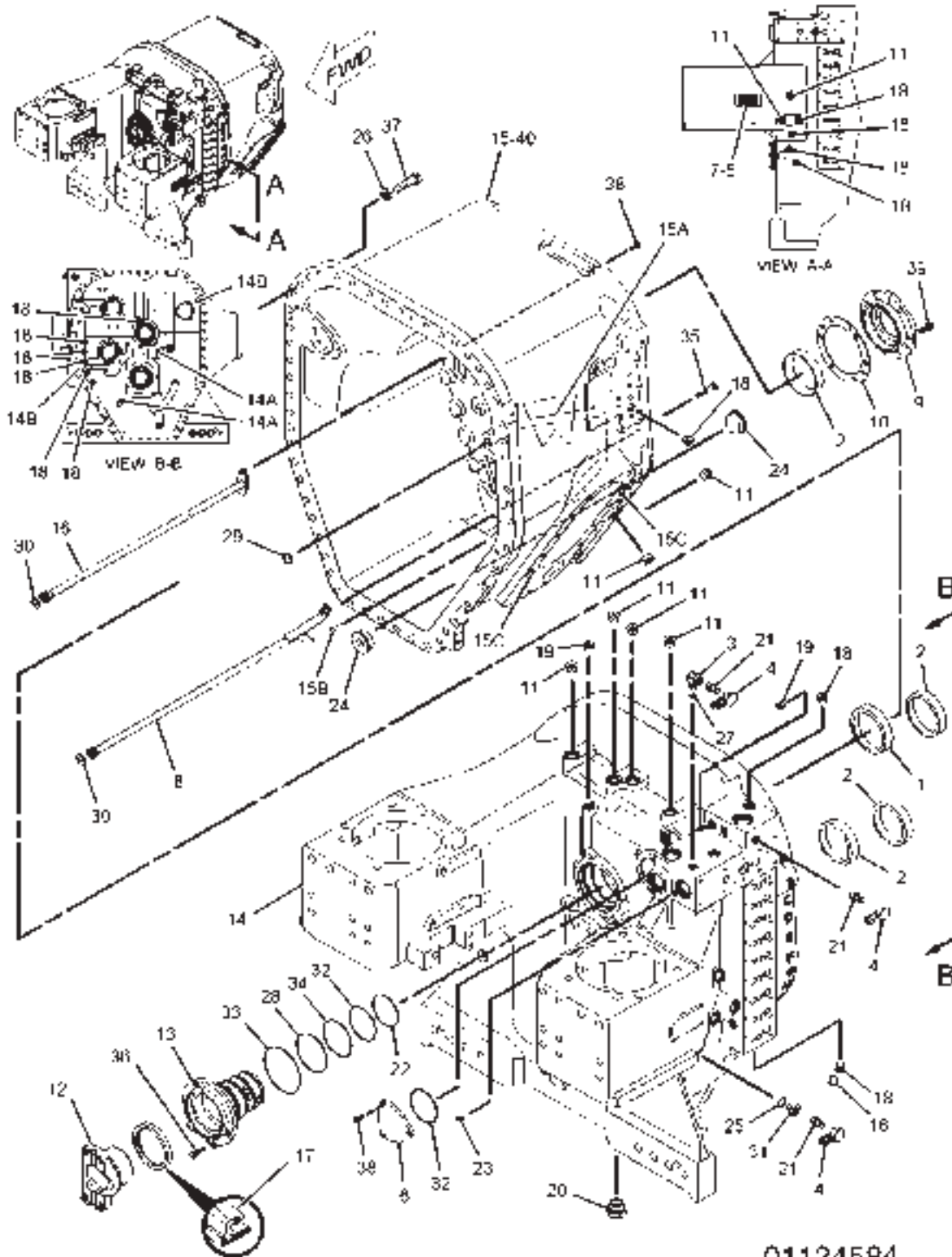
ITEM	NUMBER	QTY	DESCRIPTION
-	165-0414	--	CASE & PARTS GP-PLANETARY [A] (NOT SERVICED)
29	162-0177	1	PLUG AS (NOT SERVICED)
	3J-1907	1	SEAL-O-RING
	9S-8004	1	PLUG
30	164-4180	1	PLUG AS
	7M-8485	1	SEAL-O-RING
	9S-4181	1	PLUG
31	166-0670	1	CASE AS
31A	146-3173	2	DOWEL
31B	5M-7937	2	DOWEL
32	6V-0484	1	ADAPTER-O-RING
33	2M-4453	1	SEAL-O-RING
34	166-0672	1	CASE AS-REAR
34A	165-0394	1	TUBE
34B	146-3173	2	DOWEL
34C	5B-5821	2	DOWEL
35	8T-7547	3	BOLT (M8X1.25X30-MM)
36	6V-4249	1	BOLT (M10X1.5X50-MM)
37	2M-9780	1	SEAL-O-RING
38	5H-8038	2	SEAL-O-RING
39	5P-1404	1	ADAPTER-O-RING
40	161-8229	1	TUBE AS
41	165-0271	1	YOKE AS
	0S-0519	1	PLUG-CUP

[A] PART OF 173-2462 TRANSMISSION AR

00738243
PR: t05c24o40d0146

MT700B SERIES TRACK TRACTOR
POWER TRAIN

165-0414 CASE & PARTS GP-PLANETARY
S/N: 8AY880-UP



01124584

**MT700B SERIES TRACK TRACTOR
POWER TRAIN**

357

**165-0414 CASE & PARTS GP-PLANETARY
S/N: 8AY880-UP**

ITEM	NUMBER	QTY	DESCRIPTION
-	165-0414	--	CASE & PARTS GP-PLANETARY [A] (NOT SERVICED)
1	2N-2138	1	CUP-BEARING
2	2P-8986	7	CUP-BEARING
3	6V-0484	1	ADAPTER-O-RING
4	6V-0852	3	CAP-DUST
5		1	PLATE-SERIAL NUMBER (TRANSMISSION)
6	9W-1454	4	COVER
7		2	TACK
8	161-8229	1	TUBE AS
9	161-8281	4	CAGE-BEARING
10	161-8338	4	SHIM PACK (INCLUDES 13-SHIMS)
11	164-5619	8	PLUG AS (NOT SERVICED)
	2M-9780	1	SEAL-O-RING
	9S-8006	1	PLUG
12	165-0271	1	YOKE AS
	0S-0519	1	PLUG-CUP
13	165-0363	1	HOUSING-SEAL
14	166-0670	1	CASE AS (FRONT)
14A	146-3173	2	DOWEL
14B	5M-7937	2	DOWEL
15	166-0672	1	CASE AS-REAR
15A	165-0394	1	TUBE
15B	146-3173	2	DOWEL
15C	5B-5821	2	DOWEL
16	193-1701	1	TUBE AS
17	139-5802	1	SEAL-LIP TYPE
18	9S-8005	14	PLUG
	3K-0360	14	SEAL-O-RING
19	162-0177	2	PLUG AS (NOT SERVICED) [C]
	3J-1907	1	SEAL-O-RING
	9S-8004	1	PLUG
20	164-4180	1	PLUG AS (NOT SERVICED)
	7M-8485	1	SEAL-O-RING
	9S-4181	1	PLUG
21	164-5567	3	FITTING GP-COUPLING (NOT SERVICED) [C]
	3J-1907	1	SEAL-O-RING
	6V-3965	1	FITTING AS
22	1P-8362	1	SEAL-O-RING
23	207-8218	1	PLUG AS (NOT SERVICED)
	7J-0204	1	SEAL-O-RING
	9S-8007	1	PLUG
24	208-2984	2	PLUG AS
	5P-7684	1	PLUG (1 7/8-12-THD)
	6K-6307	1	SEAL-O-RING

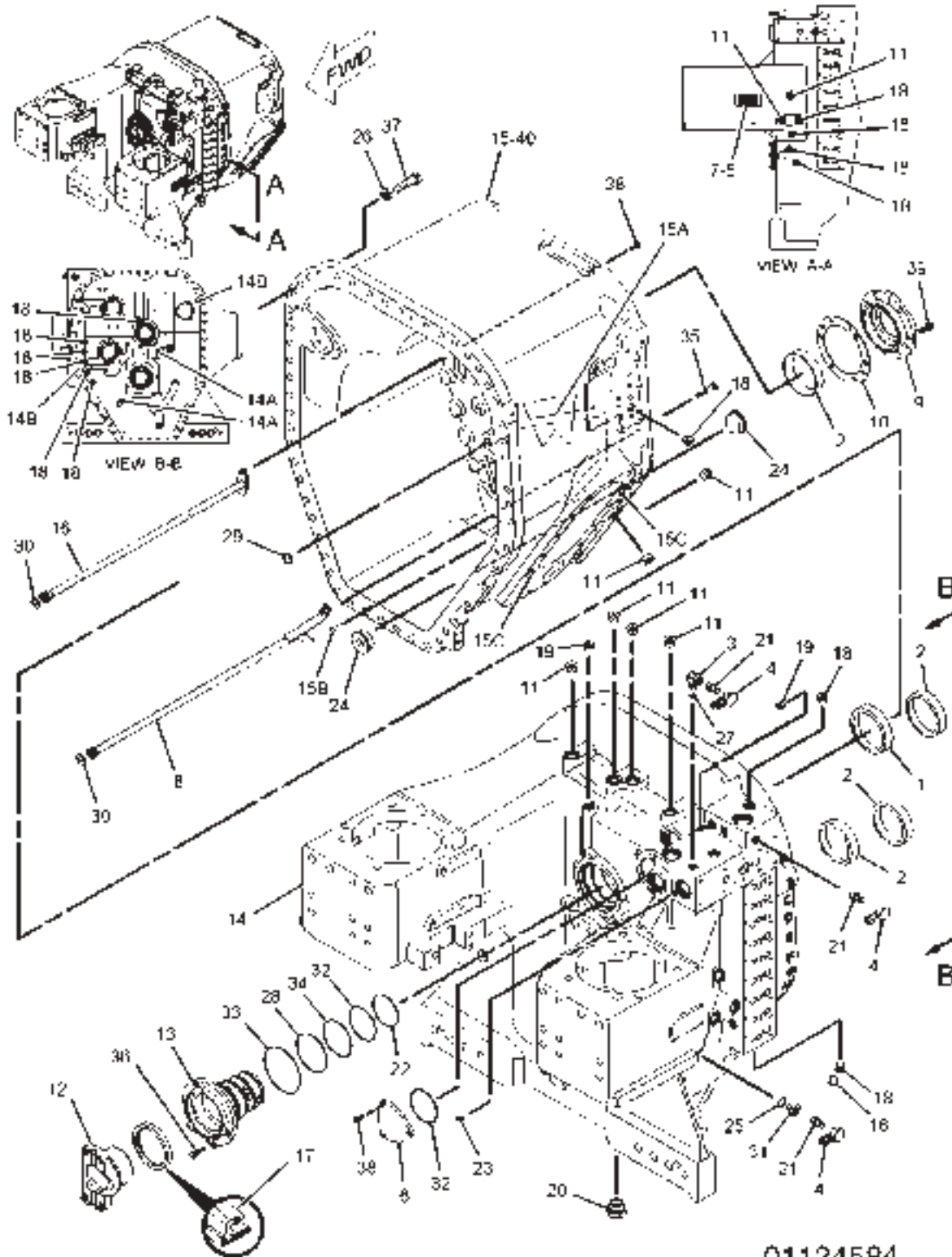
CONTINUED

[A] PART OF 173-2462 TRANSMISSION AR
[C] CHANGE FROM PREVIOUS TYPE

01124584
PR: t05c24o40d0147

MT700B SERIES TRACK TRACTOR
POWER TRAIN

165-0414 CASE & PARTS GP-PLANETARY
S/N: 8AY880-UP



01124584

MT700B SERIES TRACK TRACTOR
POWER TRAIN

359

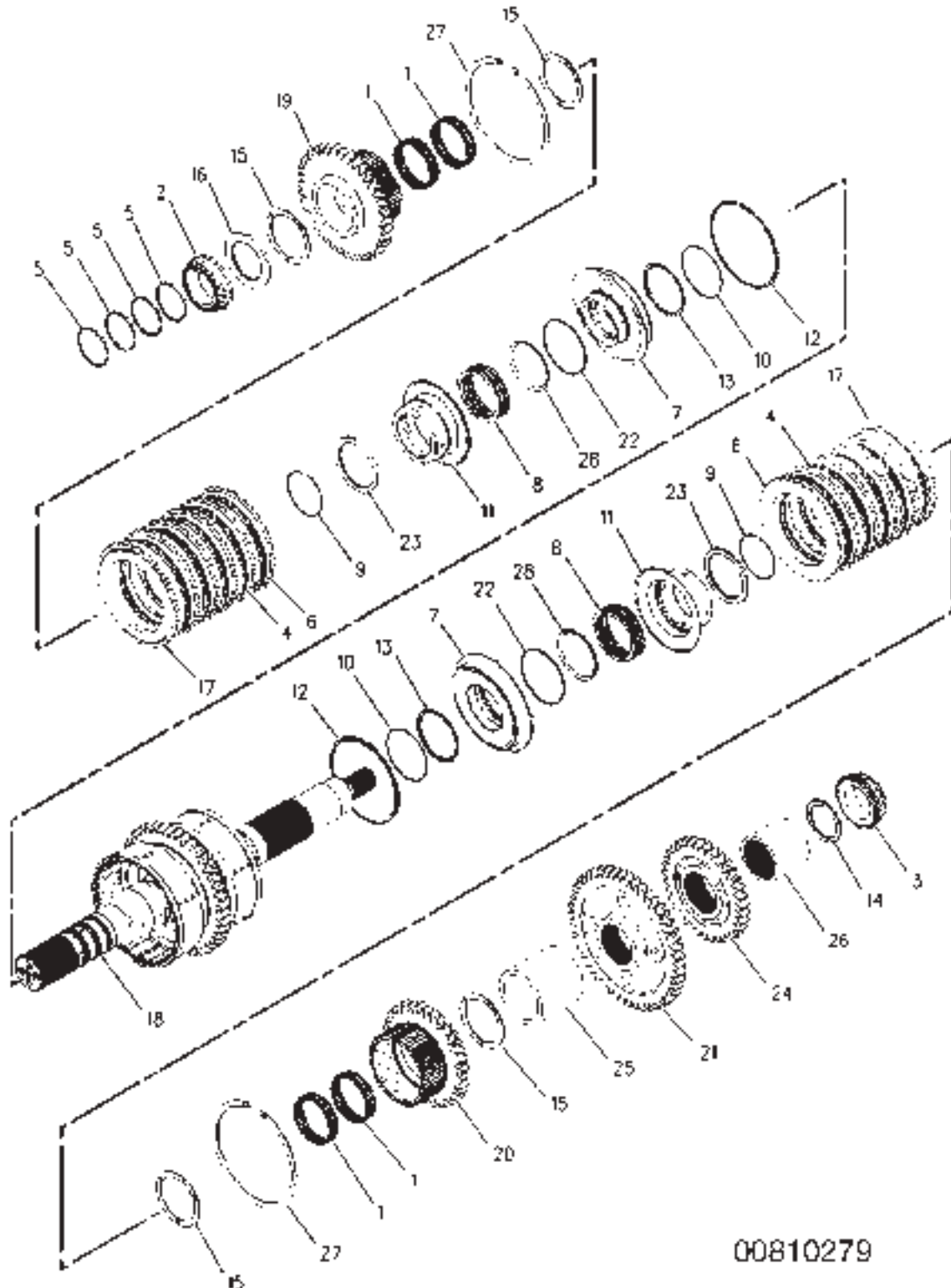
165-0414 CASE & PARTS GP-PLANETARY
S/N: 8AY880-UP

ITEM	NUMBER	QTY	DESCRIPTION
-	165-0414	--	CASE & PARTS GP-PLANETARY [A] (NOT SERVICED)
25	2M-9780	1	SEAL-O-RING
26	3E-4356	50	WASHER-HARD (30X17.5X6-MM THK)
27	3J-1907	1	SEAL-O-RING [C]
28	4F-4097	1	SEAL-O-RING
29	4J-8996	1	SEAL-O-RING
30	5H-8038	2	SEAL-O-RING
31	5P-1404	1	ADAPTER-O-RING
32	5P-3863	5	SEAL-O-RING
33	6S-3002	1	SEAL-O-RING
34	6V-2483	1	SEAL-O-RING
35	6V-4249	1	BOLT (M10X1.5X50-MM)
36	7X-2537	4	BOLT (M8X1.25X35-MM)
37	8T-4140	50	BOLT (M16X2X60-MM)
38	8T-4189	13	BOLT (M8X1.25X20-MM) [C]
39	8T-4195	24	BOLT (M10X1.5X30-MM)
40	1U-8846	AR	SEALANT-GASKET

[A] PART OF 173-2462 TRANSMISSION AR
[C] CHANGE FROM PREVIOUS TYPE

01124584
PR: t05c24o40d0147

155-9583 CLUTCH GP-INPUT SHAFT
S/N: 7PY1-1722; 8AY1-885



00810279

MT700B SERIES TRACK TRACTOR
POWER TRAIN

361

155-9583 CLUTCH GP-INPUT SHAFT
S/N: 7PY1-1722; 8AY1-885

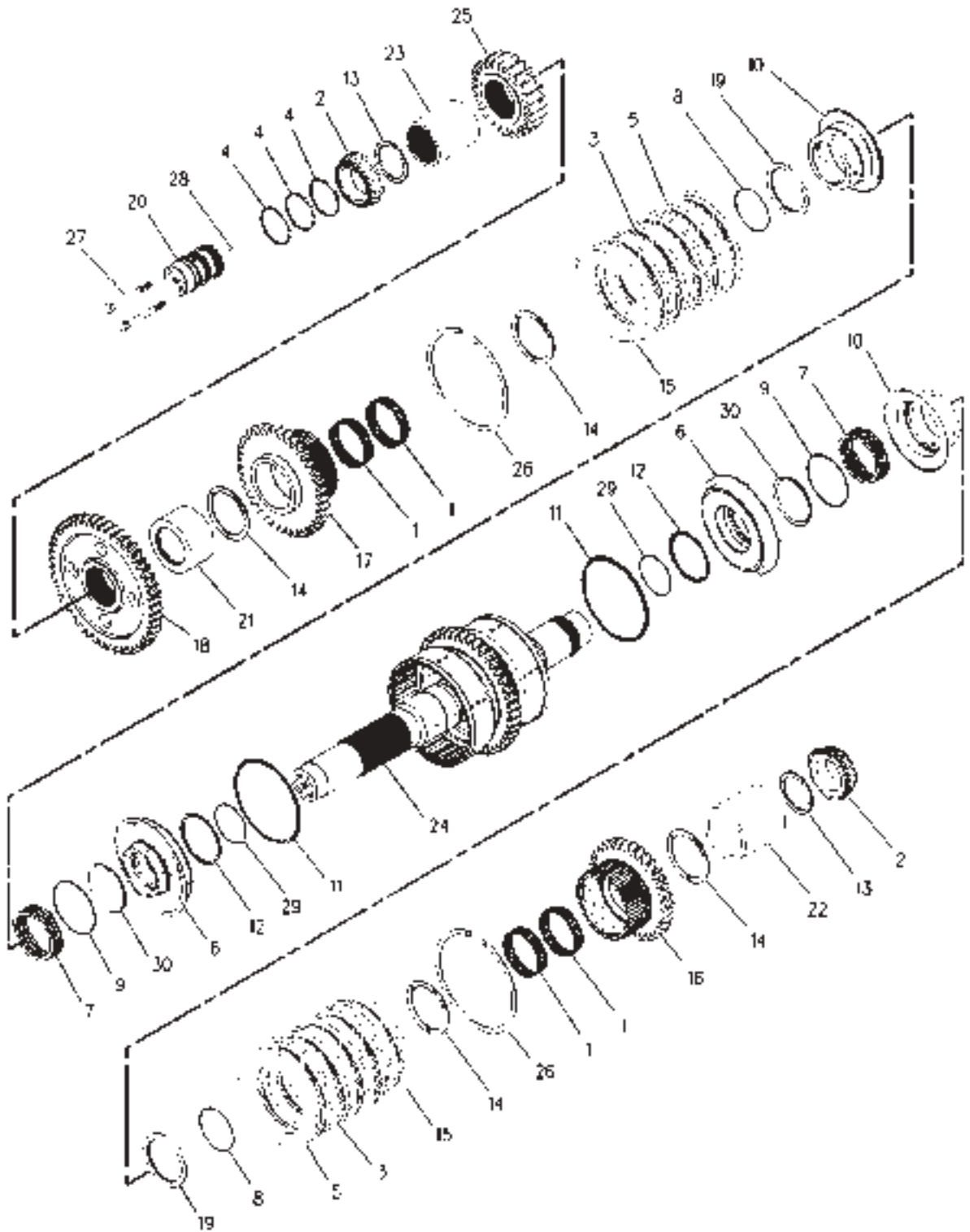
ITEM	NUMBER	QTY	DESCRIPTION
-	155-9583	--	CLUTCH GP-INPUT SHAFT [A] (NOT SERVICED)
1	161-8269	4	BEARING
2	2N-2139	1	CONE-BEARING
3	2P-8987	1	CONE-BEARING
4	6Y-7932	10	DISC-FRICTION
5	7G-4822	4	RING-SEAL
6	8E-0401	10	PLATE-CLUTCH
7	165-0268	2	PISTON
8	161-8309	2	SPRING (WAVE)
9	165-0512	2	RING-RETAINING
10	5P-3114	2	SEAL-O-RING
11	165-0463	2	SEAL AS
12	161-8313	2	RING-SEAL
13	165-0488	2	RING-SEAL
14	161-8339	1	SPACER (65.5X86.5X5MM THK)
15	162-0251	4	DISC-THRUST
16	165-0365	1	SPACER (70.5X106X5MM THK)
17	165-0367	2	PLATE-END
18	177-5251	1	SHAFT AS
19	165-0272	1	GEAR (35 TEETH)
20	165-0273	1	GEAR (40 TEETH)
21	165-0403	1	GEAR (50 TEETH)
22	165-0270	2	RING-SEAL
23	165-0513	2	RING-SPACER
24	165-0427	1	GEAR (35 TEETH)
25	165-0401	1	SPACER
26	165-0366	1	SPACER
27	6V-1586	2	RING-RETAINING
28	201-9933	2	SEAL-O-RING

[A] PART OF 152-5241,
173-2462 TRANSMISSION AR

00810279
PR: t05c24o40d0148

MT700B SERIES TRACK TRACTOR
POWER TRAIN

155-9586 CLUTCH GP-INTERMEDIATE SHAFT
S/N: 7PY1-1722; 8AY1-885



00810223

MT700B SERIES TRACK TRACTOR
POWER TRAIN

363

155-9586 CLUTCH GP-INTERMEDIATE SHAFT
S/N: 7PY1-1722; 8AY1-885

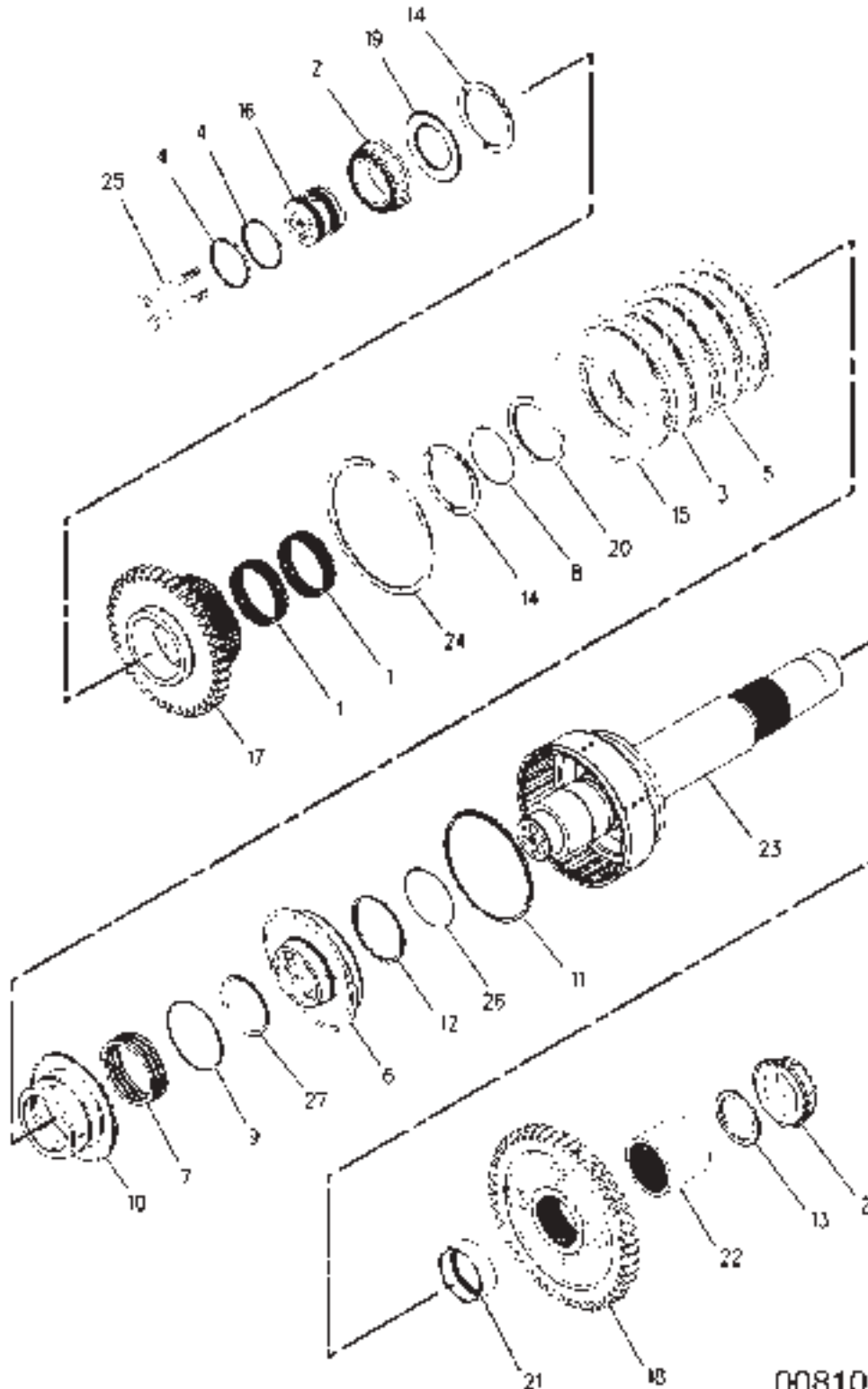
ITEM	NUMBER	QTY	DESCRIPTION
-	155-9586	--	CLUTCH GP-INTERMEDIATE SHAFT [A] (NOT SERVICED)
1	161-8269	4	BEARING
2	2P-8987	2	CONE-BEARING
3	6Y-7932	10	DISC-FRICTION
4	7G-4822	3	RING-SEAL
5	8E-0401	10	PLATE-CLUTCH
6	165-0268	2	PISTON
7	161-8309	2	SPRING (WAVE)
8	165-0512	2	RING-RETAINING
9	165-0270	2	RING-SEAL
10	165-0463	2	SEAL AS
11	161-8313	2	RING-SEAL
12	165-0488	2	RING-SEAL
13	161-8339	2	SPACER (65.5X86.5X5MM THK)
14	162-0251	4	DISC-THRUST
15	165-0367	2	PLATE-END
16	165-0272	1	GEAR (35 TEETH)
17	165-0273	1	GEAR (40 TEETH)
18	165-0403	1	GEAR (50 TEETH)
19	165-0513	2	RING-SPACER
20	165-0435	1	CARRIER-SEAL
21	165-0401	1	SPACER
22	165-0434	1	SPACER
23	165-0429	1	SPACER
24	177-6776	1	SHAFT AS
25	165-0430	1	GEAR (25 TEETH)
26	6V-1586	2	RING-RETAINING
27	8T-5030	2	BOLT (M10X1.5X120MM)
28	5H-8985	1	PIN-SPRING
29	5P-3114	2	SEAL-O-RING
30	201-9933	2	SEAL-O-RING

[A] PART OF 152-5241,
173-2462 TRANSMISSION AR

00810223
PR: t05c24o40d0149

MT700B SERIES TRACK TRACTOR
POWER TRAIN

155-9589 CLUTCH GP-REVERSE SHAFT
S/N: 7PY1-1722; 8AY1-885



00810246

MT700B SERIES TRACK TRACTOR
POWER TRAIN

365

155-9589 CLUTCH GP-REVERSE SHAFT
S/N: 7PY1-1722; 8AY1-885

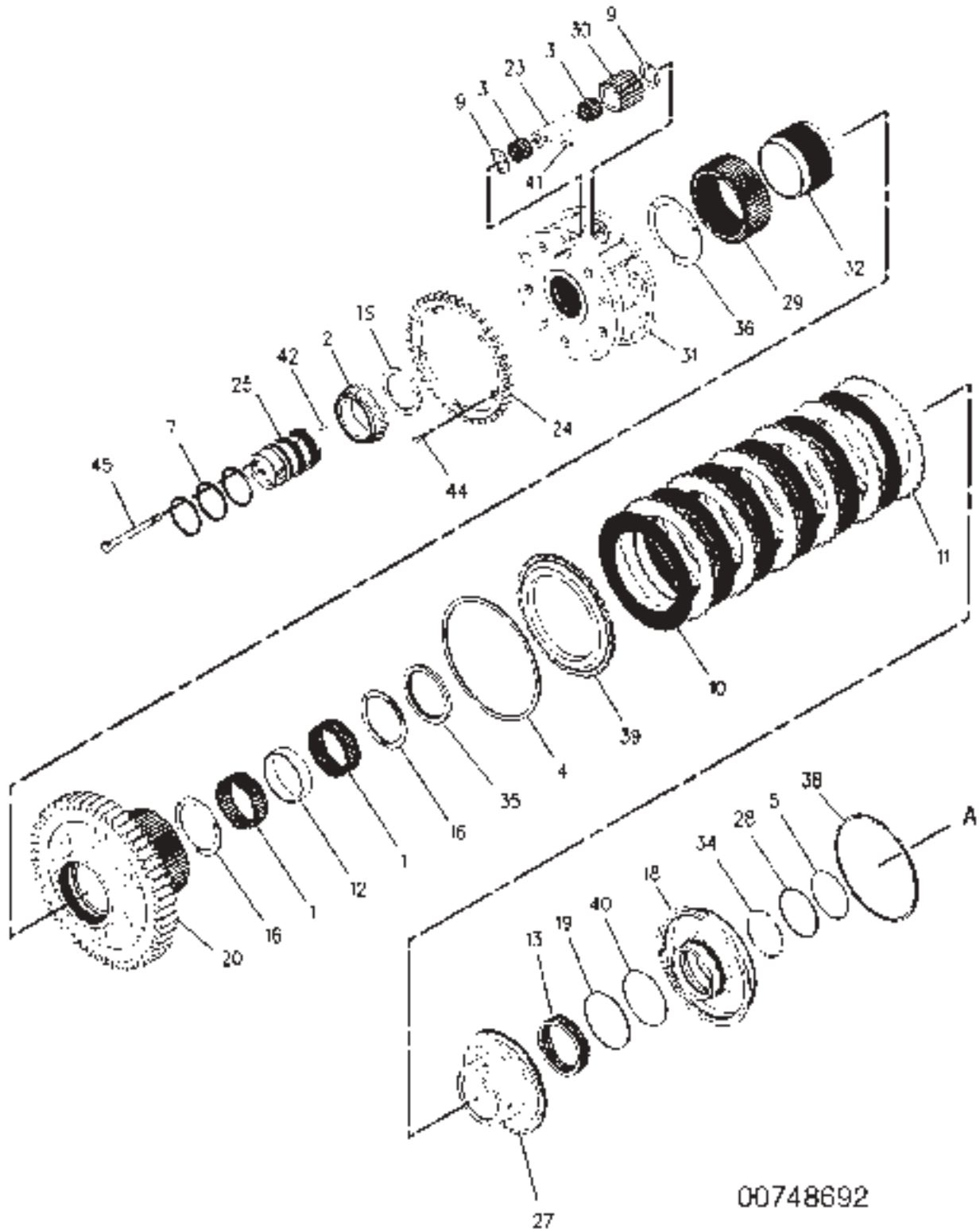
ITEM	NUMBER	QTY	DESCRIPTION
-	155-9589	--	CLUTCH GP-REVERSE SHAFT [A] (NOT SERVICED)
1	161-8269	2	BEARING
2	2P-8987	2	CONE-BEARING
3	6Y-7932	5	DISC-FRICTION
4	7G-4822	2	RING-SEAL
5	8E-0401	5	PLATE-CLUTCH
6	165-0268	1	PISTON
7	161-8309	1	SPRING (WAVE)
8	165-0512	1	RING-RETAINING
9	165-0270	1	RING-SEAL
10	165-0463	1	SEAL AS
11	161-8313	1	RING-SEAL (EXTERNAL)
12	165-0488	1	RING-SEAL
13	161-8339	1	SPACER (65.5X86.5X5MM THK)
14	162-0251	2	DISC-THRUST
15	165-0367	1	PLATE-END
16	165-0384	1	CARRIER-SEAL
17	165-0273	1	GEAR (40 TEETH)
18	165-0403	1	GEAR (50 TEETH)
19	165-0404	1	SPACER (65.5X106X5MM THK)
20	165-0513	1	RING-SPACER
21	165-8622	1	SPACER
22	165-0366	1	SPACER
23	177-6777	1	SHAFT AS
24	6V-1586	1	RING-RETAINING
25	6V-5815	2	BOLT (M10X1.5X75MM)
26	5P-3114	1	SEAL-O-RING
27	201-9933	1	SEAL-O-RING

[A] PART OF 152-5241,
173-2462 TRANSMISSION AR

00810246
PR: t05c24o40d0150

MT700B SERIES TRACK TRACTOR
POWER TRAIN

155-9590 CLUTCH GP-OUTPUT SHAFT
S/N: 7PY1-1722; 8AY1-885



00748692

**MT700B SERIES TRACK TRACTOR
POWER TRAIN**

367

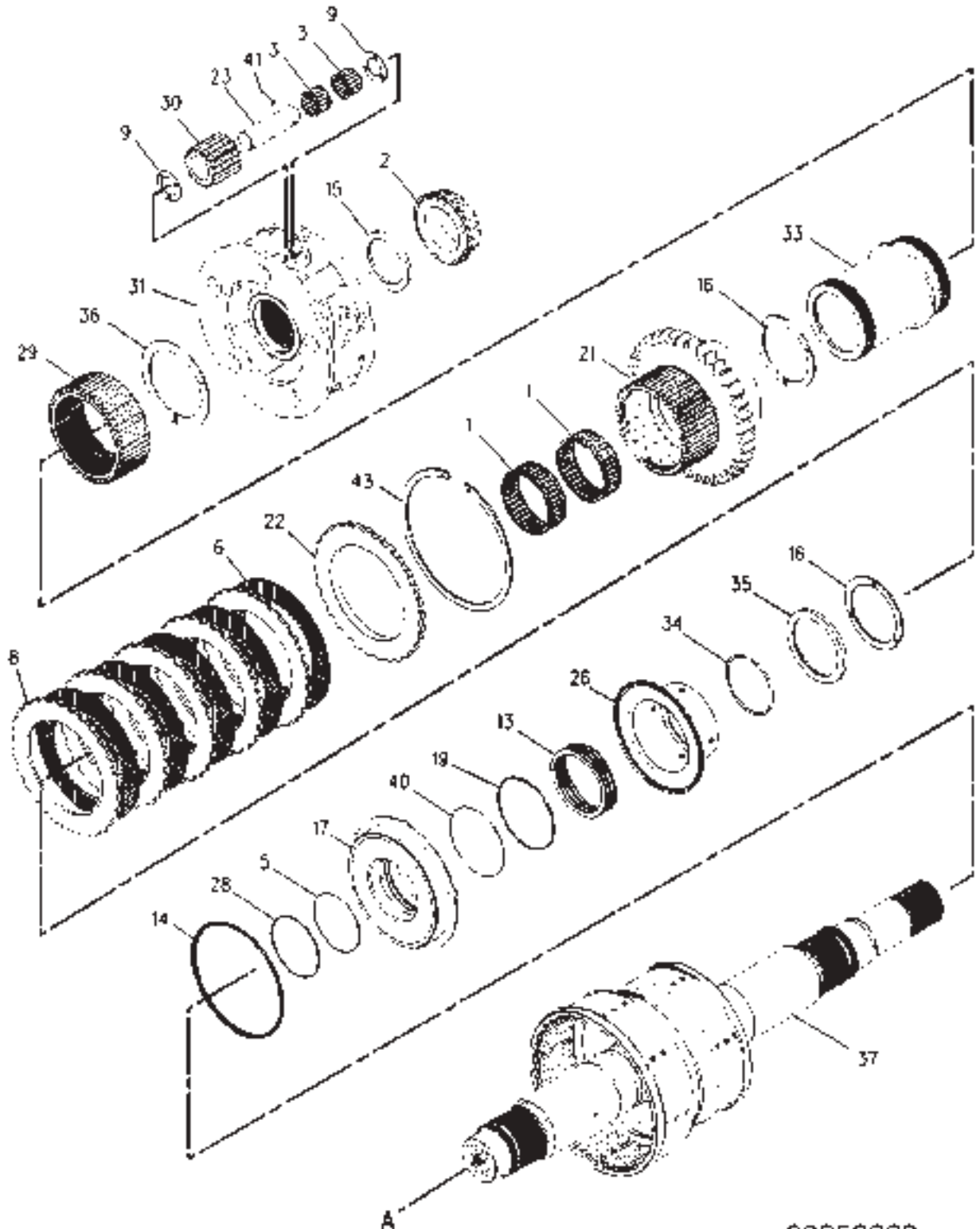
**155-9590 CLUTCH GP-OUTPUT SHAFT
S/N: 7PY1-1722; 8AY1-885**

ITEM	NUMBER	QTY	DESCRIPTION
-	155-9590	--	CLUTCH GP-OUTPUT SHAFT [A] (NOT SERVICED)
1	161-8218	4	BEARING
2	2P-8987	2	CONE-BEARING
3	5P-3930	20	BEARING AS-ROLLER
4	4D-7889	1	RING
5	5P-3114	2	SEAL-O-RING
7	7G-4822	3	RING-SEAL
9	8E-8298	20	DISC-THRUST
10	134-8360	6	DISC-FRICTION
11	134-8361	6	PLATE-CLUTCH
12	161-8220	1	SPACER (86.5X92.8X21.9-MM THK)
13	161-8309	2	SPRING (WAVE)
15	161-8339	2	SPACER (65.5X86.5X5-MM THK)
16	162-0251	4	DISC-THRUST
18	165-0269	1	PISTON
19	165-0270	2	RING-SEAL
20	165-0274	1	GEAR (54-TEETH)
23	165-0419	10	SHAFT AS-PLANET
	6V-3508	1	PLUG-CUP
24	165-0420	1	ROTOR AS
	3H-0703	2	DOWEL
25	165-0435	1	CARRIER-SEAL
27	165-0469	1	SEAL AS
28	165-0488	2	RING-SEAL (INTERNAL)
29	165-0497	2	GEAR-SUN (53-TEETH)
30	165-0498	10	GEAR-PLANETARY (20-TEETH)
31	165-0501	2	CARRIER-PLANETARY
32	165-0510	1	DRIVE TUBE-LH
34	165-0512	2	RING-RETAINING
35	165-0513	2	RING-SPACER
36	165-8626	2	DISC-THRUST
38	177-6797	1	RING-SEAL (EXTERNAL)
39	177-6804	1	PLATE-END
40	201-9933	2	SEAL-O-RING
41	3S-2708	10	PIN-SPRING
42	5H-8985	1	PIN-SPRING
44	8T-5030	2	BOLT (M10X1.5X120-MM)
45	6V-8490	3	BOLT (M6X1X25-MM)

[A] PART OF 152-5241,
173-2462 TRANSMISSION AR

00748692
PR: t05c24o40d0151

155-9590 CLUTCH GP-OUTPUT SHAFT
S/N: 7PY1-1722; 8AY1-885



00853868

**MT700B SERIES TRACK TRACTOR
POWER TRAIN**

369

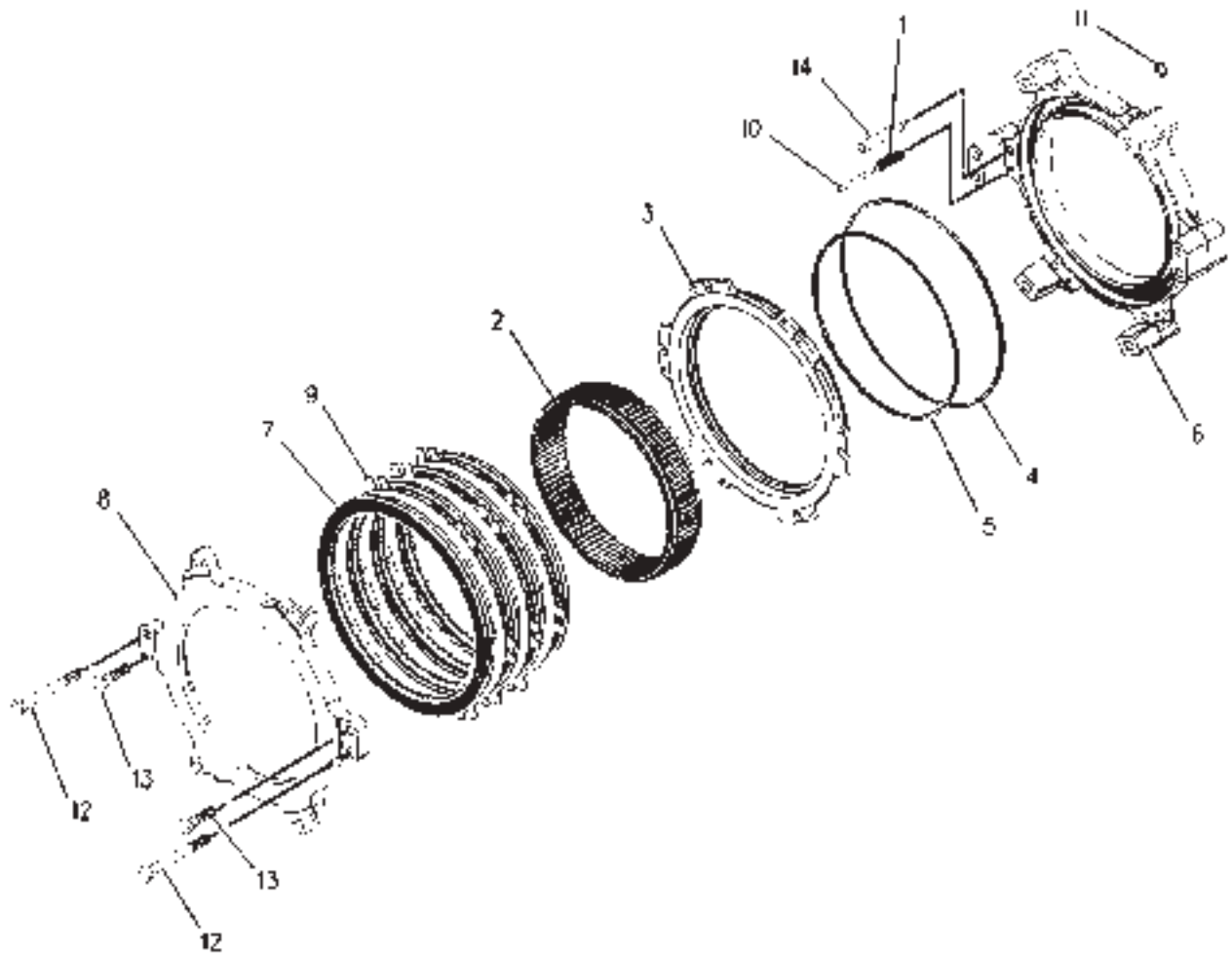
**155-9590 CLUTCH GP-OUTPUT SHAFT
S/N: 7PY1-1722; 8AY1-885**

ITEM	NUMBER	QTY	DESCRIPTION
-	155-9590	--	CLUTCH GP-OUTPUT SHAFT [A] (NOT SERVICED)
1	161-8218	4	BEARING
2	2P-8987	2	CONE-BEARING
3	5P-3930	20	BEARING AS-ROLLER
5	5P-3114	2	SEAL-O-RING
6	6Y-7932	5	DISC-FRICTION
8	8E-0401	5	PLATE-CLUTCH
9	8E-8298	20	DISC-THRUST
13	161-8309	2	SPRING (WAVE)
14	161-8313	1	RING-SEAL (EXTERNAL)
15	161-8339	2	SPACER (65.5X86.5X5-MM THK)
16	162-0251	4	DISC-THRUST
17	165-0268	1	PISTON
19	165-0270	2	RING-SEAL
21	165-0275	1	GEAR (40-TEETH)
22	165-0367	1	PLATE-END
23	165-0419	10	SHAFT AS-PLANET
	6V-3508	1	PLUG-CUP
26	165-0463	1	SEAL AS
28	165-0488	2	RING-SEAL (INTERNAL)
29	165-0497	2	GEAR-SUN (53-TEETH)
30	165-0498	10	GEAR
31	165-0501	2	CARRIER-PLANETARY
33	165-0511	1	DRIVE TUBE-RH
34	165-0512	2	RING-RETAINING
35	165-0513	2	RING-SPACER
36	165-8626	2	DISC-THRUST
37	177-5244	1	SHAFT AS
	9P-2343	1	PLUG-ORIFICE
40	201-9933	2	SEAL-O-RING
41	3S-2708	10	PIN-SPRING
43	6V-1586	1	RING-RETAINING

[A] PART OF 152-5241,
173-2462 TRANSMISSION AR

00853868
PR: t05c24o40d0152

166-0668 CLUTCH GP-OUTPUT PLANETARY
S/N: 7PY1-UP; 8AY1-UP



00735132

**MT700B SERIES TRACK TRACTOR
POWER TRAIN**

371

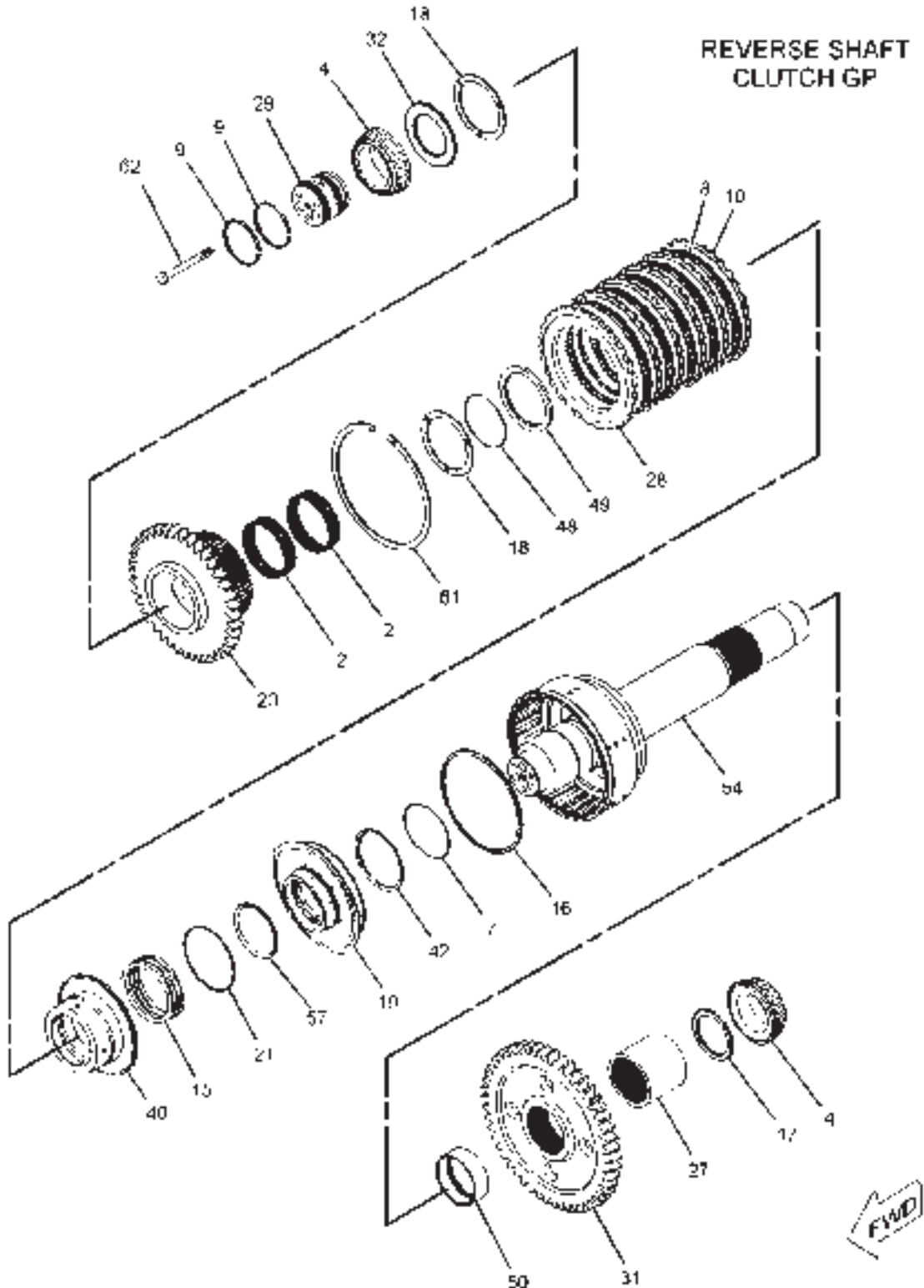
**166-0668 CLUTCH GP-OUTPUT PLANETARY
S/N: 7PY1-UP; 8AY1-UP**

ITEM	NUMBER	QTY	DESCRIPTION
-	166-0668	--	CLUTCH GP-OUTPUT PLANETARY [A] (NOT SERVICED)
1	7G-6945	6	SPRING
2	165-0496	1	GEAR-RING (92 TEETH)
3	165-0504	1	PISTON
4	165-0507	1	RING-SEAL (EXTERNAL)
5	165-0508	1	RING-SEAL (INTERNAL)
6	165-8699	1	HOUSING-CLUTCH
7	166-0673	4	DISC-FRICTION
8	166-0674	1	PLATE-END
9	166-0675	3	PLATE-CLUTCH
10	4T-2201	6	ROD
11	8F-3469	2	SEAL-O-RING
12	8T-0646	6	BOLT (M12X1.75X110MM)
13	6V-5684	2	BOLT (M12X1.75X45MM)
14	9H-5545	6	DOWEL-REACTION

[A] PART OF 152-5241,
173-2462 TRANSMISSION AR

00735132
PR: t05c24o40d0153

232-1773 CLUTCH GP-TRANSMISSION
REVERSE SHAFT CLUTCH GP
S/N: 7PY1723-UP; 8AY886-UP



01122921

**MT700B SERIES TRACK TRACTOR
POWER TRAIN**

373

**232-1773 CLUTCH GP-TRANSMISSION
REVERSE SHAFT CLUTCH GP
S/N: 7PY1723-UP; 8AY886-UP**

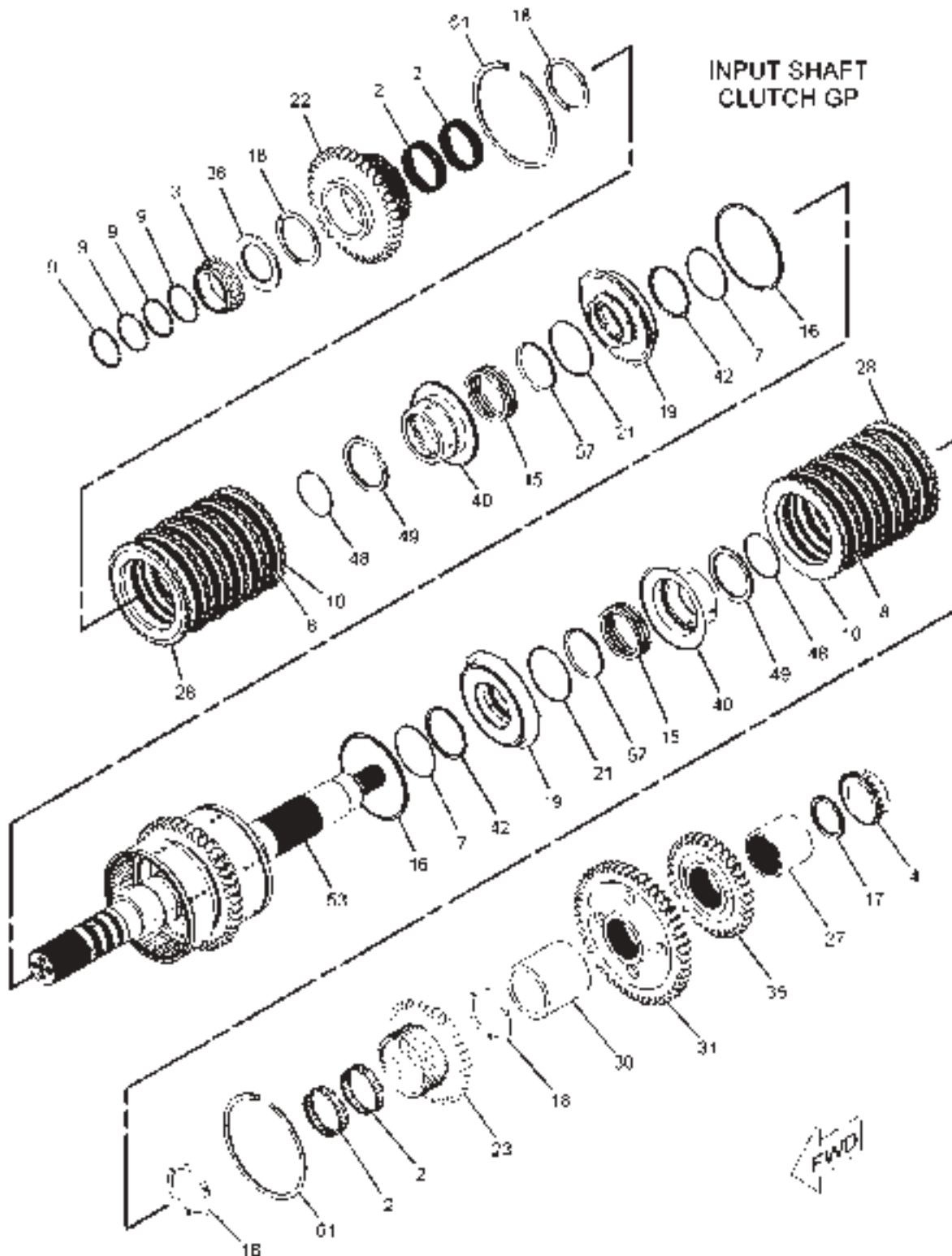
ITEM	NUMBER	QTY	DESCRIPTION
-	232-1773	--	CLUTCH GP-TRANSMISSION [A] (NOT SERVICED)
2	161-8269	10	BEARING
4	2P-8987	7	CONE-BEARING
7	5P-3114	7	SEAL-O-RING
8	6Y-7932	30	DISC-FRICTION
9	7G-4822	12	RING-SEAL
10	8E-0401	30	PLATE-CLUTCH
15	161-8309	7	SPRING (WAVE)
16	161-8313	6	RING-SEAL
17	161-8339	6	SPACER (65.5X86.5X5-MM THK)
18	162-0251	14	DISC-THRUST
19	165-0268	6	PISTON
21	165-0270	7	RING-SEAL
23	165-0273	3	GEAR (40-TEETH)
27	165-0366	2	SPACER
28	165-0367	6	PLATE-END
29	165-0384	1	CARRIER-SEAL
31	165-0403	3	GEAR (50-TEETH)
32	165-0404	1	SPACER (65.5X106X5-MM THK)
40	165-0463	6	SEAL AS
42	165-0488	7	RING-SEAL
48	165-0512	7	RING-RETAINING
49	165-0513	7	RING-SPACER
50	165-8622	1	SPACER
54	177-6777	1	SHAFT AS
57	201-9933	7	SEAL-O-RING
61	6V-1586	6	RING-RETAINING
62	6V-5815	2	BOLT (M10X1.5X75-MM)

[A] PART OF 152-5241,
173-2462 TRANSMISSION AR

01122921
PR: t05c24o40d0154

MT700B SERIES TRACK TRACTOR
POWER TRAIN

232-1773 CLUTCH GP-TRANSMISSION
INPUT SHAFT CLUTCH GP
S/N: 7PY1723-UP; 8AY886-UP



01122928

**MT700B SERIES TRACKTRACTOR
POWER TRAIN**

375

**232-1773 CLUTCH GP-TRANSMISSION
INPUT SHAFT CLUTCH GP
S/N: 7PY1723-UP; 8AY886-UP**

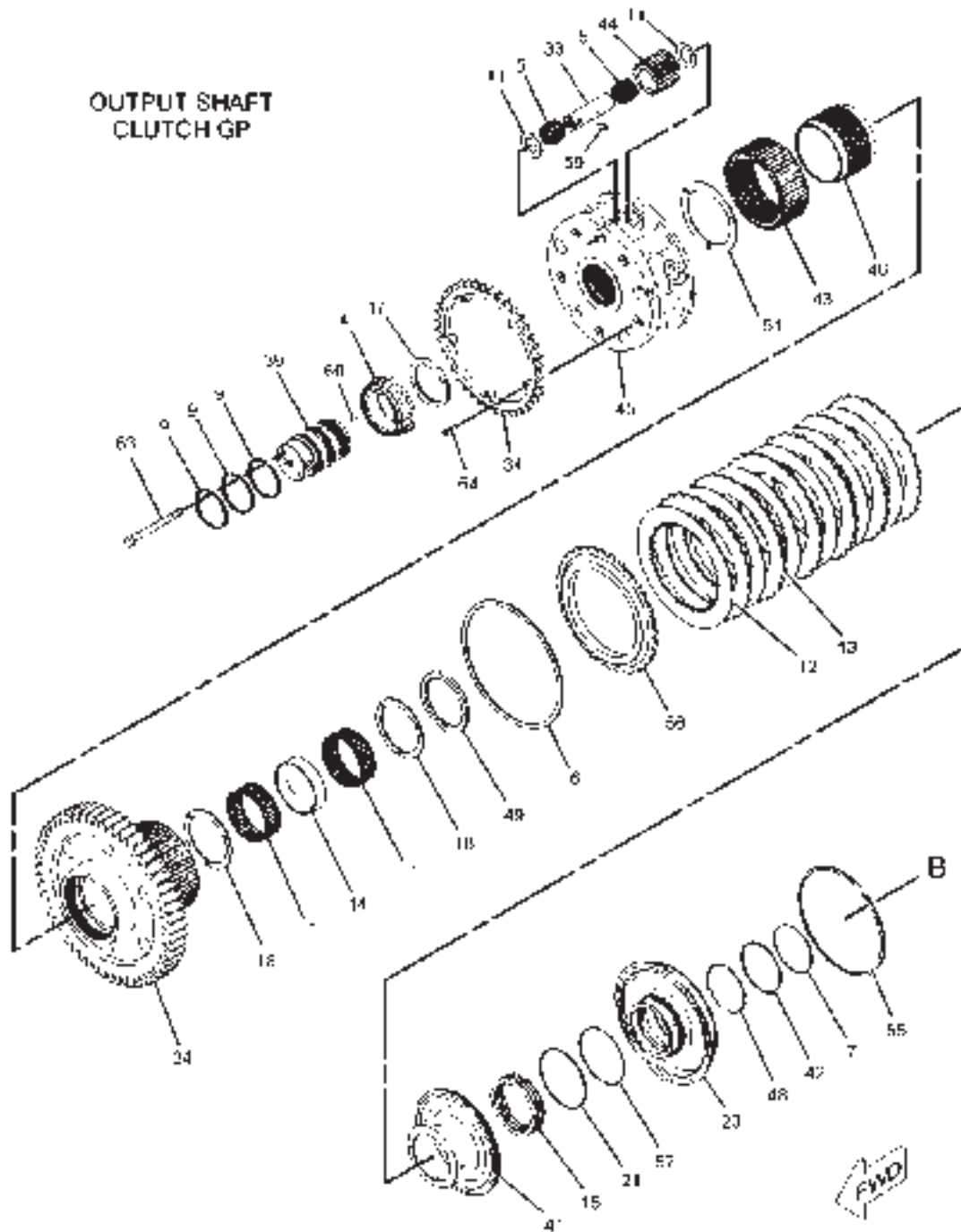
ITEM	NUMBER	QTY	DESCRIPTION
-	232-1773	--	CLUTCH GP-TRANSMISSION [A] (NOT SERVICED)
2	161-8269	10	BEARING
3	2N-2139	1	CONE-BEARING
4	2P-8987	7	CONE-BEARING
7	5P-3114	7	SEAL-O-RING
8	6Y-7932	30	DISC-FRICTION
9	7G-4822	12	RING-SEAL
10	8E-0401	30	PLATE-CLUTCH
15	161-8309	7	SPRING (WAVE)
16	161-8313	6	RING-SEAL
17	161-8339	6	SPACER (65.5X86.5X5-MM THK)
18	162-0251	14	DISC-THRUST
19	165-0268	6	PISTON
21	165-0270	7	RING-SEAL
22	165-0272	2	GEAR (35-TEETH)
23	165-0273	3	GEAR (40-TEETH)
26	165-0365	1	SPACER (70.5X106X5-MM THK)
27	165-0366	2	SPACER
28	165-0367	6	PLATE-END
30	165-0401	2	SPACER
31	165-0403	3	GEAR (50-TEETH)
35	165-0427	1	GEAR (35-TEETH)
40	165-0463	6	SEAL AS
42	165-0488	7	RING-SEAL
48	165-0512	7	RING-RETAINING
49	165-0513	7	RING-SPACER
53	177-5251	1	SHAFT AS
57	201-9933	7	SEAL-O-RING
61	6V-1586	6	RING-RETAINING

[A] PART OF 152-5241,
173-2462 TRANSMISSION AR

01122928
PR: t05c24o40d0155

MT700B SERIES TRACK TRACTOR
POWER TRAIN

232-1773 CLUTCH GP-TRANSMISSION
INTERMEDIATE SHAFT CLUTCH GP
S/N: 7PY1723-UP; 8AY886-UP



01122939

**MT700B SERIES TRACKTRACTOR
POWER TRAIN**

377

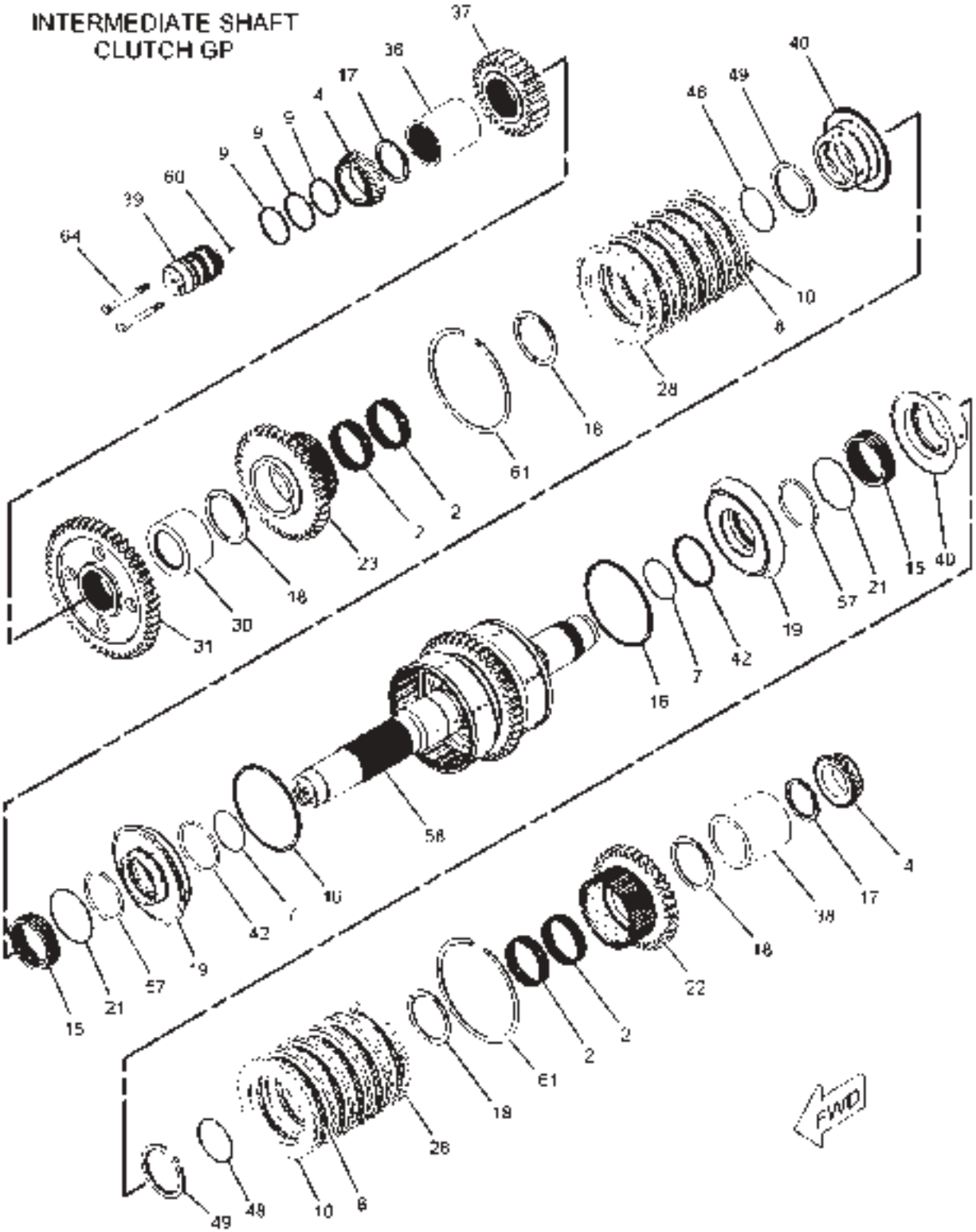
**232-1773 CLUTCH GP-TRANSMISSION
INTERMEDIATE SHAFT CLUTCH GP
S/N: 7PY1723-UP; 8AY886-UP**

ITEM	NUMBER	QTY	DESCRIPTION
-	232-1773	--	CLUTCH GP-TRANSMISSION [A] (NOT SERVICED)
2	161-8218	4	BEARING
4	2P-8987	7	CONE-BEARING
5	5P-3930	20	BEARING AS-ROLLER
6	4D-7889	1	RING
7	5P-3114	7	SEAL-O-RING
9	7G-4822	12	RING-SEAL
11	8E-8298	20	DISC-THRUST
12	134-8360	6	DISC-FRICTION
13	134-8361	6	PLATE-CLUTCH
14	161-8220	1	SPACER (86.5X92.8X21.9-MM THK)
15	161-8309	7	SPRING (WAVE)
17	161-8339	6	SPACER (65.5X86.5X5-MM THK)
18	162-0251	14	DISC-THRUST
20	165-0269	1	PISTON
21	165-0270	7	RING-SEAL
24	165-0274	1	GEAR (54-TEETH)
33	165-0419	10	SHAFT AS-PLANET
	6V-3508	1	PLUG-CUP
34	165-0420	1	ROTOR AS
	3H-0703	2	DOWEL
39	165-0435	2	CARRIER-SEAL
41	165-0469	1	SEAL AS
42	165-0488	7	RING-SEAL
43	165-0497	2	GEAR-SUN (53-TEETH)
44	165-0498	10	GEAR-PLANETARY (20-TEETH)
45	165-0501	2	CARRIER-PLANETARY
46	165-0510	1	DRIVE TUBE-LH
48	165-0512	7	RING-RETAINING
49	165-0513	7	RING-SPACER
51	165-8626	2	DISC-THRUST
55	177-6797	1	RING-SEAL
56	177-6804	1	PLATE-END
57	201-9933	7	SEAL-O-RING
59	3S-2708	10	PIN-SPRING
60	5H-8985	2	PIN-SPRING
63	6V-8490	3	BOLT (M6X1X25-MM)
64	8T-5030	4	BOLT (M10X1.5X120-MM)

[A] PART OF 152-5241,
173-2462 TRANSMISSION AR

01122939
PR: t05c24o40d0156

232-1773 CLUTCH GP-TRANSMISSION
OUTPUT SHAFT CLUTCH GP (PAGE 1 OF 2)
S/N: 7PY1723-UP; 8AY886-UP



01122935

MT700B SERIES TRACK TRACTOR
POWER TRAIN

379

232-1773 CLUTCH GP-TRANSMISSION
OUTPUT SHAFT CLUTCH GP (PAGE 1 OF 2)
S/N: 7PY1723-UP; 8AY886-UP

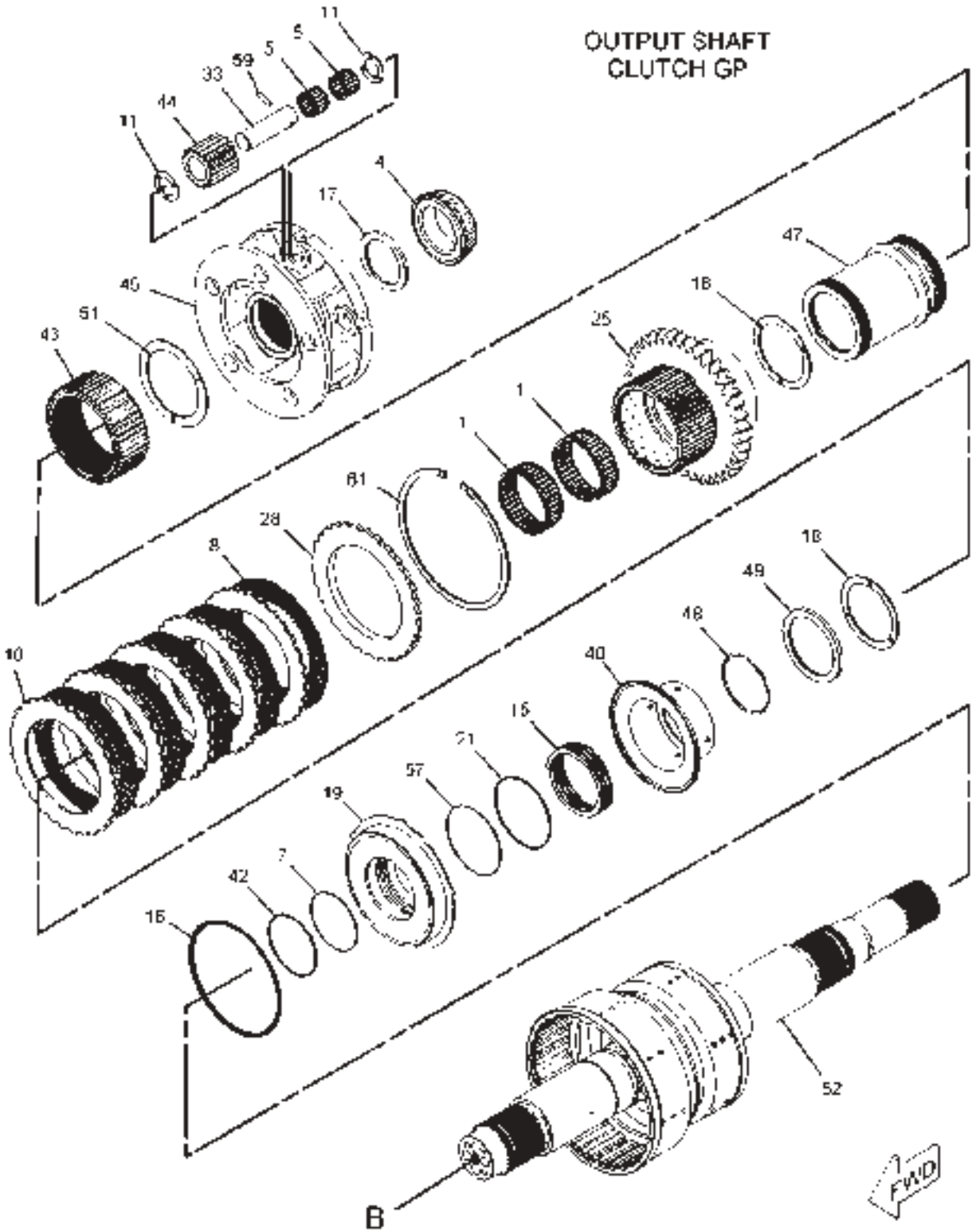
ITEM	NUMBER	QTY	DESCRIPTION
-	232-1773	--	CLUTCH GP-TRANSMISSION [A] (NOT SERVICED)
2	161-8269	10	BEARING
4	2P-8987	7	CONE-BEARING
7	5P-3114	7	SEAL-O-RING
8	6Y-7932	30	DISC-FRICTION
9	7G-4822	12	RING-SEAL
10	8E-0401	30	PLATE-CLUTCH
15	161-8309	7	SPRING (WAVE)
16	161-8313	6	RING-SEAL
17	161-8339	6	SPACER (65.5X86.5X5-MM THK)
18	162-0251	14	DISC-THRUST
19	165-0268	6	PISTON
21	165-0270	7	RING-SEAL
22	165-0272	2	GEAR (35-TEETH)
23	165-0273	3	GEAR (40-TEETH)
28	165-0367	6	PLATE-END
30	165-0401	2	SPACER
31	165-0403	3	GEAR (50-TEETH)
36	165-0429	1	SPACER
37	165-0430	1	GEAR (25-TEETH)
38	165-0434	1	SPACER
39	165-0435	2	CARRIER-SEAL
40	165-0463	6	SEAL AS
42	165-0488	7	RING-SEAL
48	165-0512	7	RING-RETAINING
49	165-0513	7	RING-SPACER
57	201-9933	7	SEAL-O-RING
58	240-5527	1	SHAFT AS
60	5H-8985	2	PIN-SPRING
61	6V-1586	6	RING-RETAINING
64	8T-5030	4	BOLT (M10X1.5X120-MM)

[A] PART OF 152-5241,
173-2462 TRANSMISSION AR

01122935
PR: t05c24o40d0157

MT700B SERIES TRACK TRACTOR
POWER TRAIN

232-1773 CLUTCH GP-TRANSMISSION
OUTPUT SHAFT CLUTCH GP (PAGE 2 OF 2)
S/N: 7PY1723-UP; 8AY886-UP



01122940

**MT700B SERIES TRACK TRACTOR
POWER TRAIN**

381

**232-1773 CLUTCH GP-TRANSMISSION
OUTPUT SHAFT CLUTCH GP (PAGE 2 OF 2)
S/N: 7PY1723-UP; 8AY886-UP**

ITEM	NUMBER	QTY	DESCRIPTION
-	232-1773	--	CLUTCH GP-TRANSMISSION [A] (NOT SERVICED)
1	161-8218	4	BEARING
4	2P-8987	7	CONE-BEARING
5	5P-3930	20	BEARING AS-ROLLER
7	5P-3114	7	SEAL-O-RING
8	6Y-7932	30	DISC-FRICTION
10	8E-0401	30	PLATE-CLUTCH
11	8E-8298	20	DISC-THRUST
15	161-8309	7	SPRING (WAVE)
16	161-8313	6	RING-SEAL
17	161-8339	6	SPACER (65.5X86.5X5-MM THK)
18	162-0251	14	DISC-THRUST
19	165-0268	6	PISTON
21	165-0270	7	RING-SEAL
25	165-0275	1	GEAR (40-TEETH)
28	165-0367	6	PLATE-END
33	165-0419	10	SHAFT AS-PLANET
	6V-3508	1	PLUG-CUP
40	165-0463	6	SEAL AS
42	165-0488	7	RING-SEAL
43	165-0497	2	GEAR-SUN (53-TEETH)
44	165-0498	10	GEAR-PLANETARY (20-TEETH)
45	165-0501	2	CARRIER-PLANETARY
47	165-0511	1	DRIVE TUBE-RH
48	165-0512	7	RING-RETAINING
49	165-0513	7	RING-SPACER
51	165-8626	2	DISC-THRUST
52	177-5244	1	SHAFT AS
	9P-2343	1	PLUG-ORIFICE
57	201-9933	7	SEAL-O-RING
59	3S-2708	10	PIN-SPRING
61	6V-1586	6	RING-RETAINING

[A] PART OF 152-5241,
173-2462 TRANSMISSION AR

01122940
PR: t05c24o40d0158

**MT700B SERIES TRACK TRACTOR
POWER TRAIN**

383

**155-9594 CONTROL GP-TRANSMISSION HYD
S/N: 7PY1-1768; 8AY1-888**

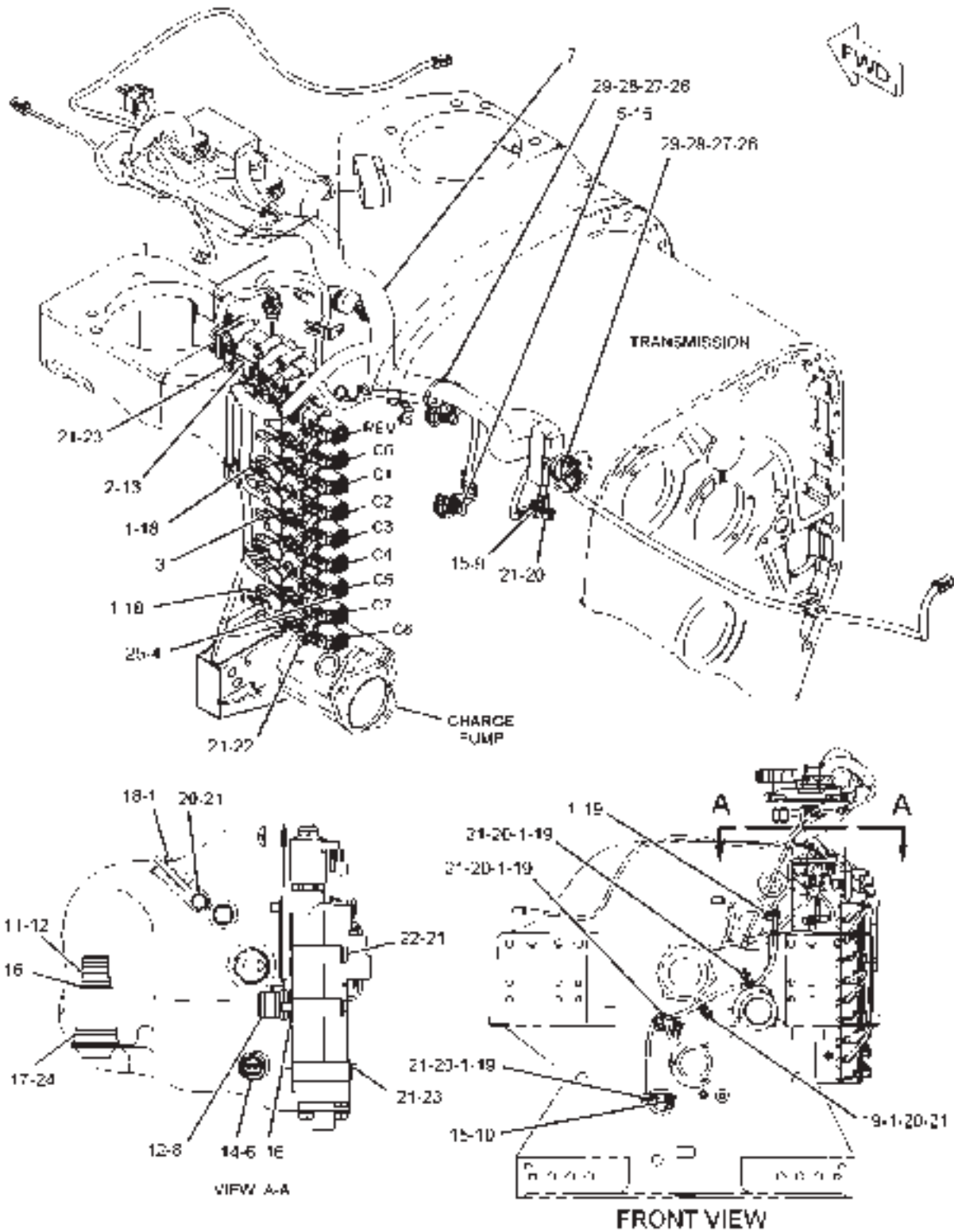
ITEM	NUMBER	QTY	DESCRIPTION
-	155-9594	--	CONTROL GP-TRANSMISSION HYD [A] (NOT SERVICED)
1	3S-2093	17	STRAP-CABLE
2	2P-1692	1	SEAL-O-RING
3	6V-0852	9	CAP-DUST
4	8S-0768	9	SEAL-O-RING
5	191-8304	1	SENSOR GP-SPEED (TRANSMISSION-OUTPUT #1)
6	130-9811	1	SENSOR GP-TEMPERATURE (HYDRAULIC OIL)
7	228-4279	1	HARNES AS-TRANSMISSION
8	148-1925	1	VALVE-RELIEF (COOLER BYPASS)
9	191-8303	1	SENSOR GP-PTO SPEED (TRANSMISSION-INPUT)
10	191-8304	1	SENSOR GP-SPEED (TRANSMISSION-OUTPUT #2)
11	165-0390	1	VALVE-RELIEF (TRANSMISSION LUBE)
12	9X-4609	2	SEAL-O-RING
13	187-3065	1	VALVE GP-RELIEF (HYDRAULIC CONTROL SYSTEM) (SEE BREAKDOWN FOR COMPONENTS)
14	112-5282	1	SEAL-O-RING
15	117-1385	3	SEAL-O-RING
16	8C-3428	2	RING-RETAINING
17	2S-4078	1	SEAL-O-RING
18	4P-7581	12	CLIP
19	4P-8134	5	CLIP
20	8T-4200	6	BOLT (M8X1.25X16-MM)
21	8T-4224	30	WASHER-HARD (8.8X16X2-MM THK)
22	8T-6869	22	BOLT (M8X1.25X60-MM)
23	8T-6870	2	BOLT (M8X1.25X70-MM)
24	9S-8010	1	PLUG
25	216-5343	9	VALVE GP-MODULATING (ELEK CLUTCH PRESS CONT) (SEE BREAKDOWN FOR COMPONENTS)
26	8T-4223	2	WASHER-HARD (13.5X25.5X3-MM THK)
27	8T-4179	2	BOLT (M12X1.75X20-MM)
28	7K-1181	2	STRAP-CABLE
29	4P-7428	2	CLIP

[A] PART OF 152-5241,
173-2462 TRANSMISSION AR

01122778
PR: t05c24o40d0159

MT700B SERIES TRACK TRACTOR
POWER TRAIN

155-9594 CONTROL GP-TRANSMISSION HYD
S/N: 7PY1769-UP; 8AY889-UP



01124661

**MT700B SERIES TRACK TRACTOR
POWER TRAIN**

385

155-9594 CONTROL GP-TRANSMISSION HYD
S/N: 7PY1769-UP; 8AY889-UP

ITEM	NUMBER	QTY	DESCRIPTION
-	155-9594	--	CONTROL GP-TRANSMISSION HYD [A] (NOT SERVICED)
1	3S-2093	17	STRAP-CABLE
2	2P-1692	1	SEAL-O-RING
3	6V-0852	9	CAP-DUST
4	8S-0768	9	SEAL-O-RING
5	191-8304	1	SENSOR GP-SPEED (TRANSMISSION-OUTPUT #1)
6	130-9811	1	SENSOR GP-TEMPERATURE (HYDRAULIC OIL)
7	228-4279	1	HARNES AS-TRANSMISSION [C]
8	148-1925	1	VALVE-RELIEF (COOLER BYPASS)
9	191-8303	1	SENSOR GP-SPEED (TRANSMISSION-INPUT)
10	191-8304	1	SENSOR GP-SPEED (TRANSMISSION-OUTPUT #2)
11	165-0390	1	VALVE-RELIEF (TRANSMISSION LUBE)
12	9X-4609	2	SEAL-O-RING
13	187-3065	1	VALVE GP-RELIEF (HYDRAULIC CONTROL SYSTEM) (SEE BREAKDOWN FOR COMPONENTS)
14	112-5282	1	SEAL-O-RING
15	117-1385	3	SEAL-O-RING
16	8C-3428	2	RING-RETAINING
17	2S-4078	1	SEAL-O-RING
18	4P-7581	12	CLIP
19	4P-8134	5	CLIP
20	8T-4200	6	BOLT (M8X1.25X16-MM)
21	8T-4224	30	WASHER-HARD (8.8X16X2-MM THK)
22	8T-6869	22	BOLT (M8X1.25X60-MM)
23	8T-6870	2	BOLT (M8X1.25X70-MM)
24	9S-8010	1	PLUG
25	216-5343	9	VALVE GP-MODULATING (ELEK CLUTCH PRESS CONT) (SEE BREAKDOWN FOR COMPONENTS)
26	8T-4223	2	WASHER-HARD (13.5X25.5X3-MM THK)
27	8T-4179	2	BOLT (M12X1.75X20-MM)
28	7K-1181	2	STRAP-CABLE
29	4P-7428	2	CLIP

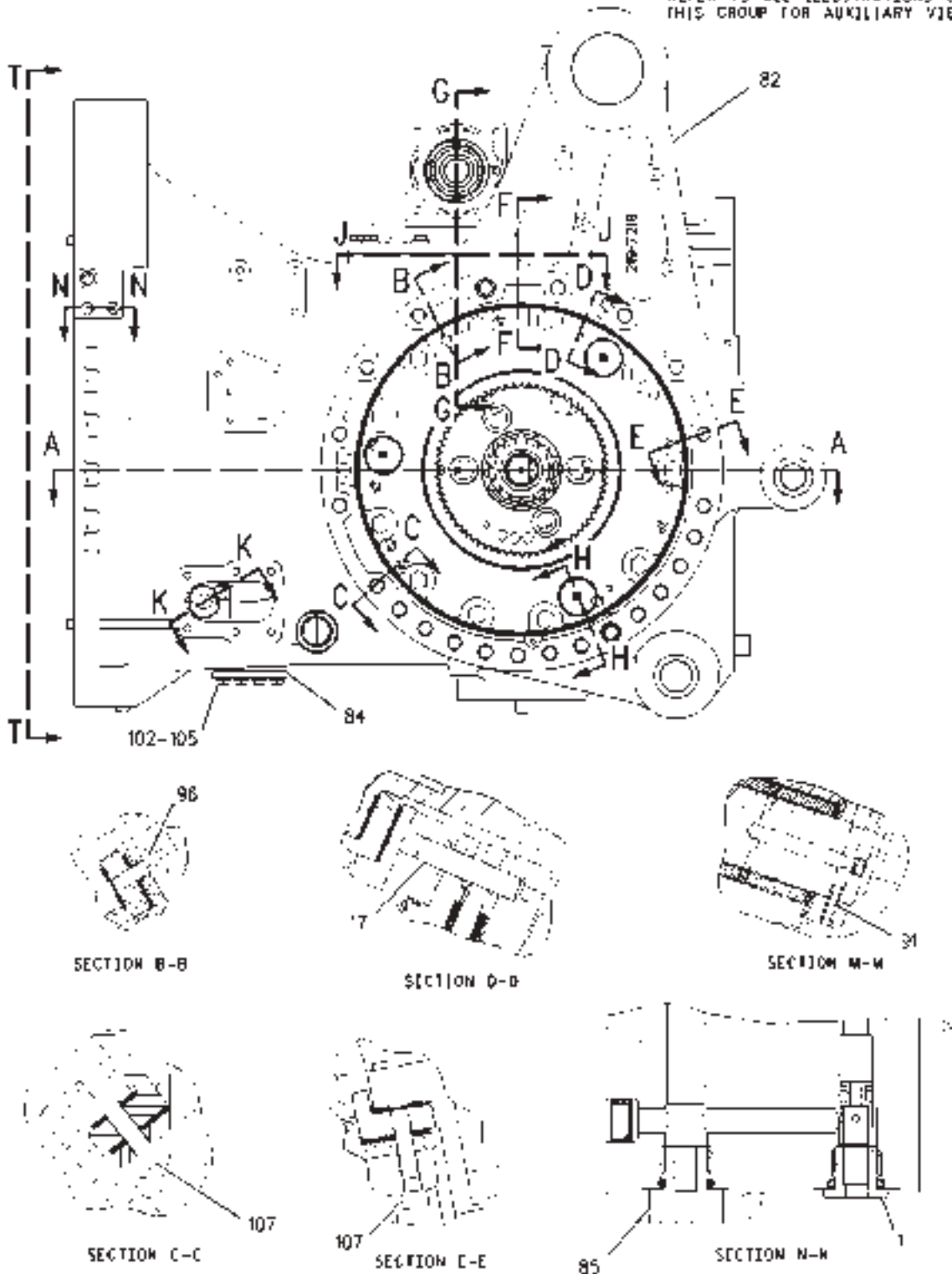
[A] PART OF 152-5241,
173-2462 TRANSMISSION AR
[C] CHANGE FROM PREVIOUS TYPE

01124661
PR: t05c24o40d0160

MT700B SERIES TRACK TRACTOR
POWER TRAIN

199-8159 DIFFERENTIAL GP-STEERING
S/N: AZA1-947; AZE1-1010

REFER TO ALL ILLUSTRATIONS OF
THIS GROUP FOR AUXILIARY VIEW



00883442

**MT700B SERIES TRACK TRACTOR
POWER TRAIN**

387

**199-8159 DIFFERENTIAL GP-STEERING
S/N: AZA1-947; AZE1-1010**

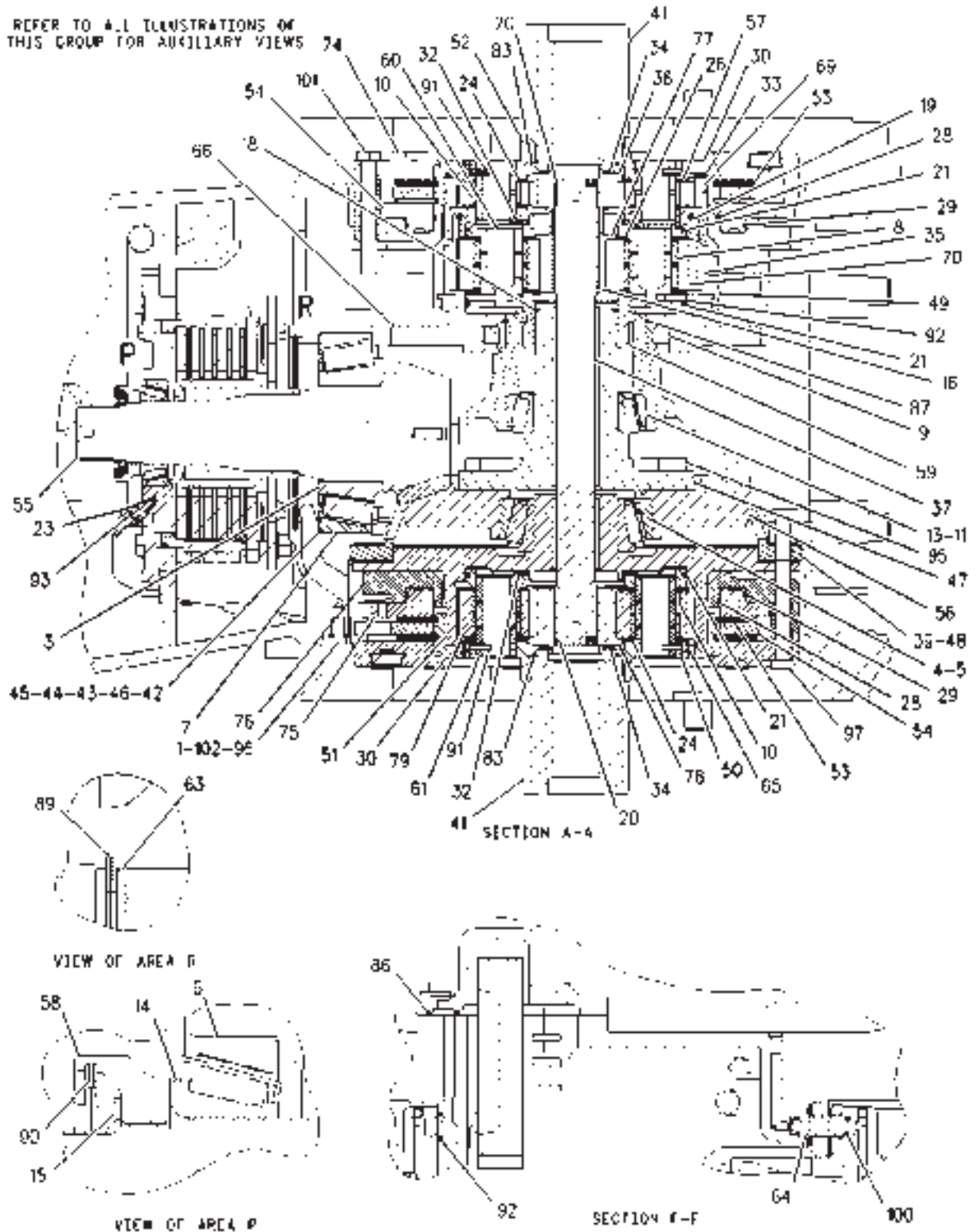
ITEM	NUMBER	QTY	DESCRIPTION
-	199-8159	--	DIFFERENTIAL GP-STEERING [A] (NOT SERVICED)
1	217-8426	1	PLATE
17	4K-3892	6	DOWEL
82	233-9766	1	HOUSING AS-DIFFERENTIAL (SEE BREAKDOWN FOR COMPONENTS)
84	115-2134	1	FLANGE
85	148-8407	1	PLUG AS (NOT SERVICED)
	3J-1907	1	SEAL-O-RING
	9S-4191	1	PLUG
91	3S-2708	13	PIN-SPRING
96	6V-6317	5	BOLT (M10X1.5X20-MM)
102	8T-4121	5	WASHER-HARD (11X21X2.5-MM THK)
105	8T-4195	4	BOLT (M10X1.5X30-MM)
107	8T-9515	5	BOLT-SOCKET HEAD (M10X1.5X40-MM)

[A] PART OF 171-4005, 171-4010 AXLE AR

00883442
PR: t05c24o40d0161

MT700B SERIES TRACK TRACTOR
POWER TRAIN

199-8159 DIFFERENTIAL GP-STEERING
S/N: AZA1-947; AZE1-1010



00904131

**MT700B SERIES TRACK TRACTOR
POWER TRAIN**

389

199-8159 DIFFERENTIAL GP-STEERING
S/N: AZA1-947; AZE1-1010

ITEM	NUMBER	QTY	DESCRIPTION
-	199-8159	--	DIFFERENTIAL GP-STEERING [A] (NOT SERVICED)
1	217-8426	1	PLATE
3	101-9565	1	CONE-BEARING
4	138-7099	1	CUP-BEARING
5	1J-4757	1	CONE-BEARING
6	2A-4576	1	CUP-BEARING
7	2J-7227	1	CUP-BEARING
8	2M-5685	8	BEARING
9	4D-7953	1	BEARING
10	5M-0578	12	BEARING AS-ROLLER
11	5P-3723	1	CONE-BEARING
13	6D-7690	1	CUP-BEARING
14	9M-2457	1	CONE-BEARING
15	1B-6161	1	LOCK-NUT
16	4B-1127	1	RING-SNAP
18	6I-8197	1	RING-RETAINING
19	6I-8200	1	RING-LOCK
20	6I-8566	2	RING-RETAINING
21	7G-5670	3	SEAL-RING
23	8C-6865	1	CONNECTOR
24	8E-8308	16	DISC-THRUST
26	8E-8311	8	DISC-THRUST
28	9X-7424	2	SEAL-RING
29	9X-7426	2	SEAL-RING
30	102-3046	2	HUB-BRAKE
32	111-7077	2	DISC-THRUST
33	111-7078	1	DISC-THRUST
34	111-7079	2	DISC-THRUST
35	124-9398	1	GEAR-RING (75-TEETH)
36	131-2293	1	GEAR-SUN (28-TEETH)
37	131-2295	1	SHAFT-SUN GEAR
39	161-8757	1	SUPPORT
41	164-3904	2	GEAR-SUN (15-TEETH)
42	164-3971	1	SHIM (0.9-MM THK)
43	164-3972	1	SHIM (0.8-MM THK)
44	164-3973	1	SHIM (0.7-MM THK)
45	164-3974	1	SHIM (0.6-MM THK)
46	164-3975	1	SHIM (0.5-MM THK)
47	164-3977	1	SHAFT-BEVEL GEAR
48	164-3978	2	SHIM PACK (INCLUDES 14-SHIMS)
49	164-3982	1	GEAR-RING (72-TEETH)
50	164-3983	1	CARRIER-PLANETARY
51	164-3984	1	GEAR-RING (72-TEETH)
52	164-3985	1	CARRIER-PLANETARY
53	171-6135	4	DISC-FRICTION
54	171-6138	2	PLATE

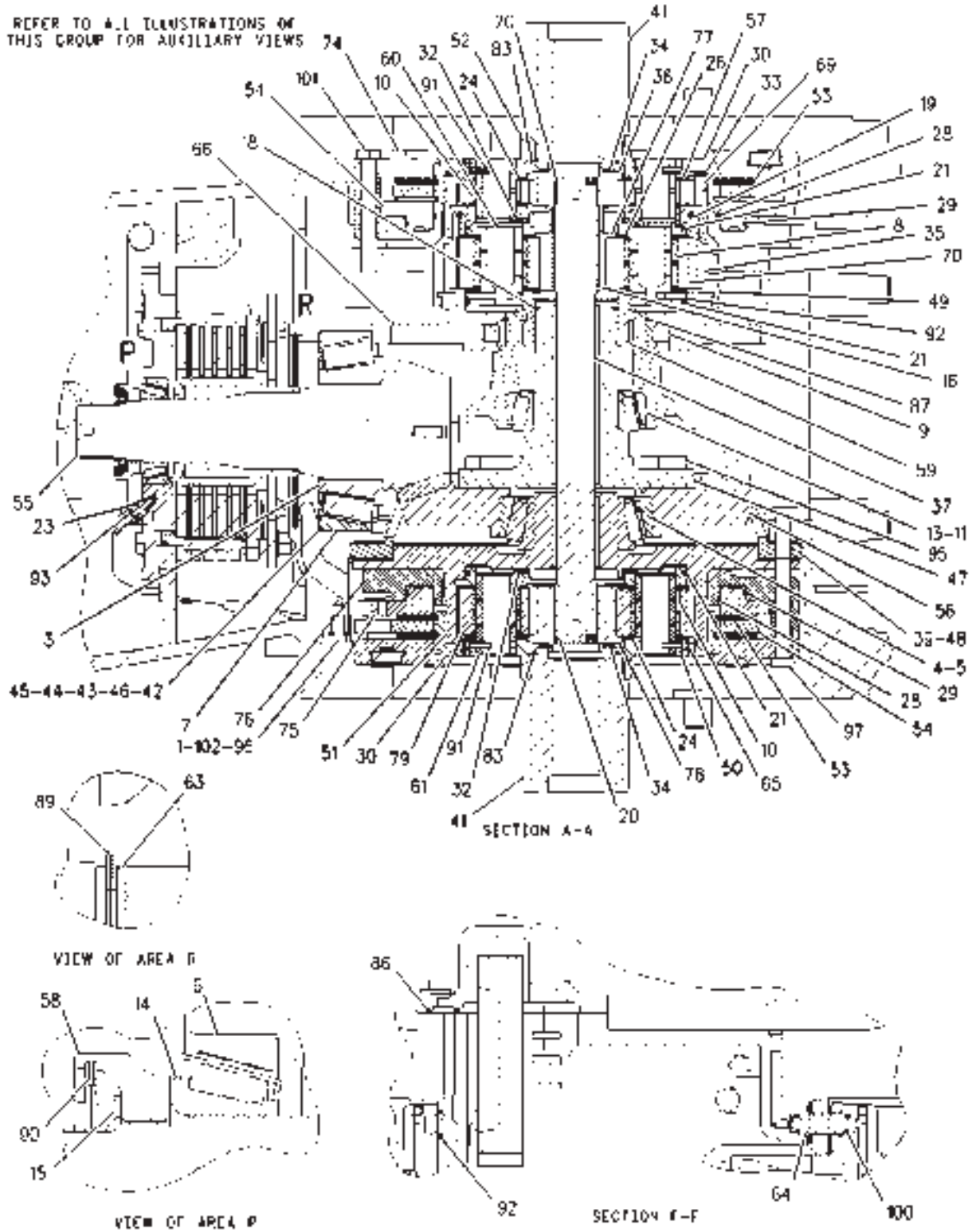
CONTINUED

[A] PART OF 171-4005, 171-4010 AXLE AR

00904131
PR: t05c24o40d0162

MT700B SERIES TRACK TRACTOR
POWER TRAIN

199-8159 DIFFERENTIAL GP
S/N: AZA1-947; AZE1-1010



00904131

**MT700B SERIES TRACK TRACTOR
POWER TRAIN**

391

199-8159 DIFFERENTIAL GP
S/N: AZA1-947; AZE1-1010

ITEM	NUMBER	QTY	DESCRIPTION
-	199-8159	--	DIFFERENTIAL GP [A] (NOT SERVICED)
55	172-4316	1	PINION-BEVEL (13 TEETH)
56	172-4317	1	GEAR-BEVEL (37 TEETH)
57	174-9383	4	SHAFT-PLANETARY
58	174-9389	1	NUT-BEARING LOCK
59	174-9399	1	CARRIER-PLANETARY
60	226-6510	4	SHAFT-PLANETARY
61	174-9404	4	SHAFT-PLANETARY
63	191-1912	1	PLATE-RETAINER
64	192-5602	2	SLEEVE
65	192-9242	2	RING-LOCK
66	194-9563	1	GEAR (61-TEETH)
69	197-7314	4	GEAR-PLANETARY (23-TEETH)
70	197-7315	4	GEAR-PLANETARY (27-TEETH)
74	210-8407	2	PLATE-REACTION
75	210-8408	2	PISTON-BRAKE
76	210-8411	2	HOUSING AS
	126-7260	2	PLUG
77	226-7257	1	GEAR-SUN (21-TEETH) (21 TEETH)
78	213-6196	1	GEAR-SUN (28-TEETH) (28 TEETH)
79	213-6198	4	GEAR-PLANETARY (23 TEETH)
83	113-0694	2	RING-RETAINING
86	1H-8171	1	SEAL-O-RING
87	1J-3628	1	RING-RETAINING
89	2K-1381	1	RING-RETAINING
90	2S-2978	1	RING-RETAINING
91	3S-2708	13	PIN-SPRING
92	4J-5140	2	SEAL-O-RING
93	4J-5477	2	SEAL-O-RING
95	6V-3532	12	BOLT (M20X2.5X60-MM)
96	6V-6317	5	BOLT (M10X1.5X20-MM)
97	6V-8154	11	BOLT (M16X2X150-MM)
100	8L-2777	4	SEAL-O-RING
101	8T-0282	11	BOLT (M16X2X120-MM)
102	8T-4121	5	WASHER-HARD (11X21X2.5-MM THK)

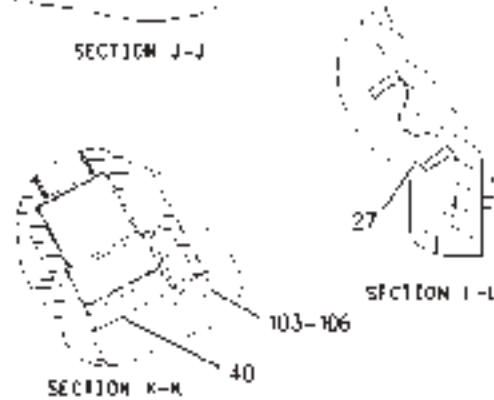
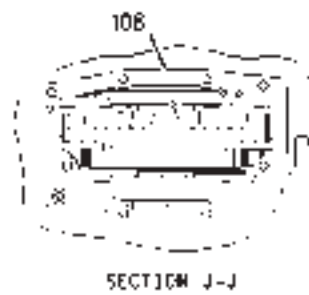
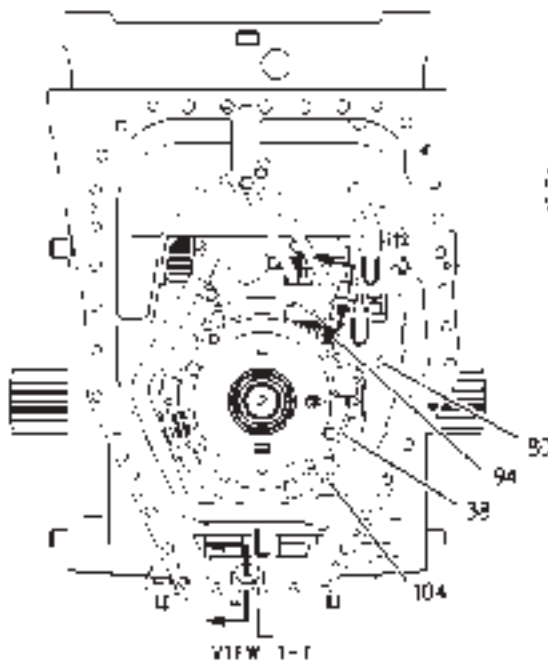
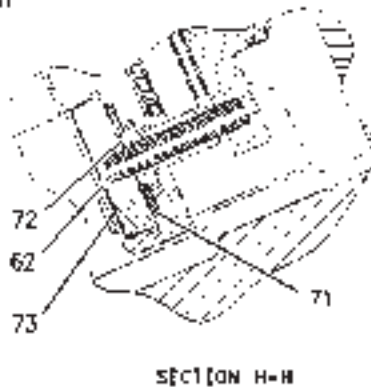
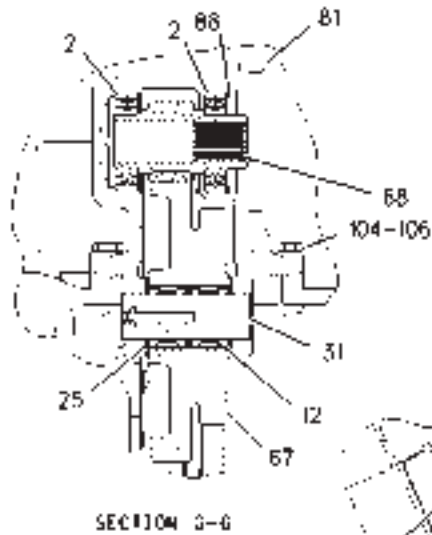
[A] PART OF 171-4005, 171-4010 AXLE AR

00904131
PR: t05c24o40d0162

MT700B SERIES TRACK TRACTOR
POWER TRAIN

199-8159 DIFFERENTIAL GP-STEERING
S/N: AZA1-947; AZE1-1010

REFER TO ALL ILLUSTRATIONS OF
THIS GROUP FOR AUXILIARY VIEWS



00883476

**MT700B SERIES TRACK TRACTOR
POWER TRAIN**

393

**199-8159 DIFFERENTIAL GP-STEERING
S/N: AZA1-947; AZE1-1010**

ITEM	NUMBER	QTY	DESCRIPTION
-	199-8159	--	DIFFERENTIAL GP-STEERING [A] (NOT SERVICED)
2	1T-0043	2	BALL BEARING
12	5P-6254	2	BEARING
22	7X-7816	1	PLATE-SERIAL NUMBER (TRANSMISSION)
25	8E-8310	2	DISC-THRUST
27	8M-7160	1	MAGNET
31	111-7068	1	SHAFT AS
	2A-3746	1	PLUG-CUP
38	161-8212	1	BRAKE GP-PARKING (SEE BREAKDOWN FOR COMPONENTS)
40	163-0592	1	VALVE GP-CHECK
	061-7540	1	SEAL-O-RING
62	176-1377	6	PIN-SPRING
67	194-9564	1	GEAR-CLUSTER (60/28-TEETH)
68	194-9565	1	GEAR (14-TEETH)
71	199-7107	6	SPRING
72	210-8405	6	BUSHING
73	210-8406	6	PLATE-SPRING
80	215-7301	1	TUBE AS
81	235-1065	1	SUPPORT AS
	2A-3746	2	PLUG-CUP
88	1J-6472	1	RING-RETAINING
93	4J-5477	2	SEAL-O-RING
94	4K-2039	1	SEAL-O-RING
98	6V-8397	1	SEAL-O-RING
99	6V-8934	1	REDUCER
103	8T-4179	1	BOLT (M12X1.75X20-MM)
104	8T-4183	12	BOLT (M12X1.75X40-MM)
106	8T-4223	9	WASHER-HARD (13.5X25.5X3-MM THK)
108	1U-8846	AR	SEALANT-GASKET

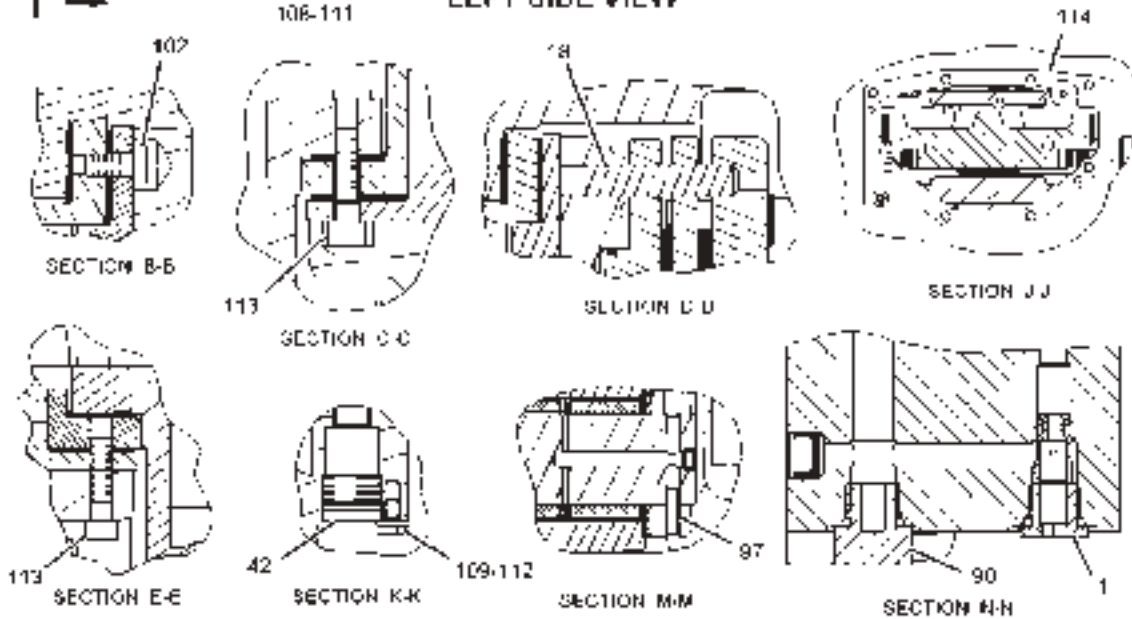
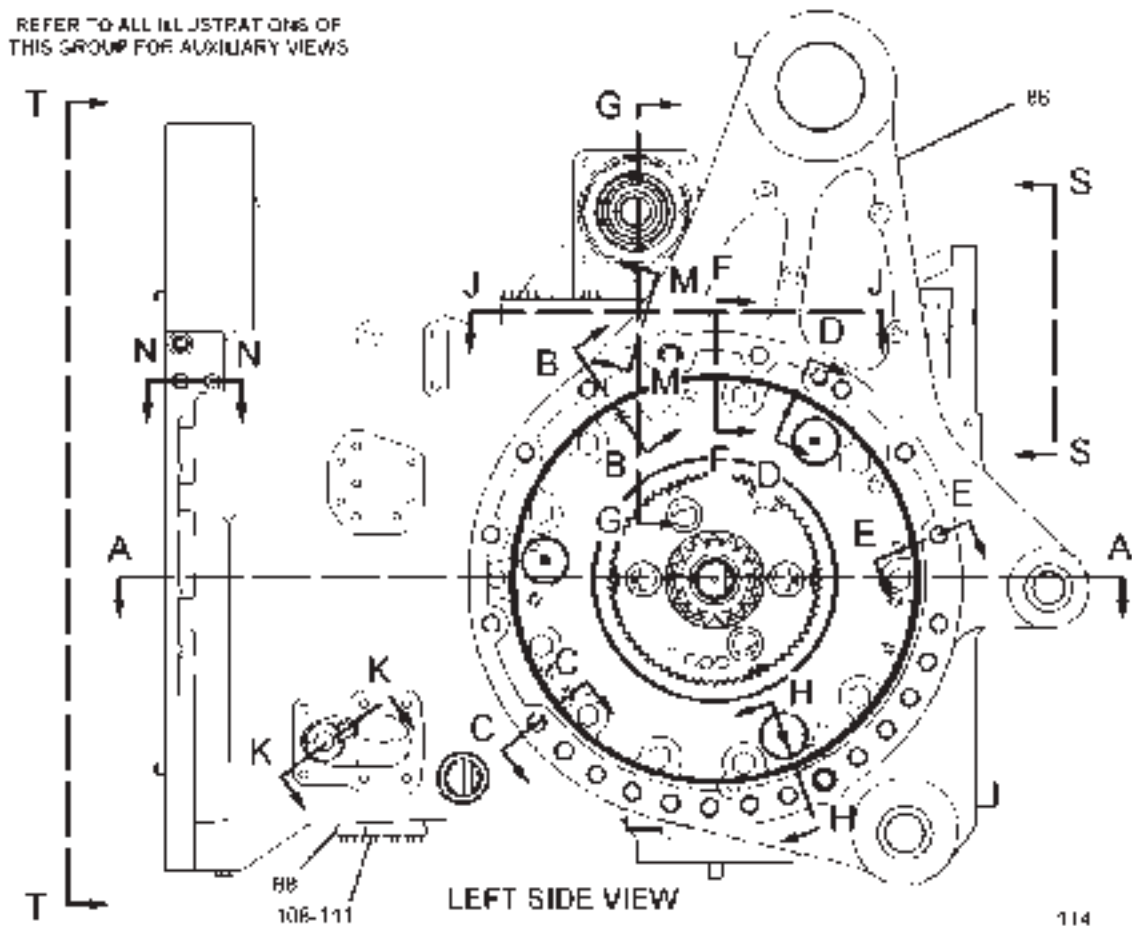
[A] PART OF 171-4005, 171-4010 AXLE AR

00883476
PR: t05c24o40d0163

MT700B SERIES TRACK TRACTOR
POWER TRAIN

199-8159 DIFFERENTIAL GP-STEERING
S/N: AZA948-1024; AZE1011-1128
(1 OF 3)

REFER TO ALL ILLUSTRATIONS OF
THIS GROUP FOR AUXILIARY VIEWS



01123703

MT700B SERIES TRACK TRACTOR
POWER TRAIN

395

199-8159 DIFFERENTIAL GP-STEERING
S/N: AZA948-1024; AZE1011-1128
(1 OF 3)

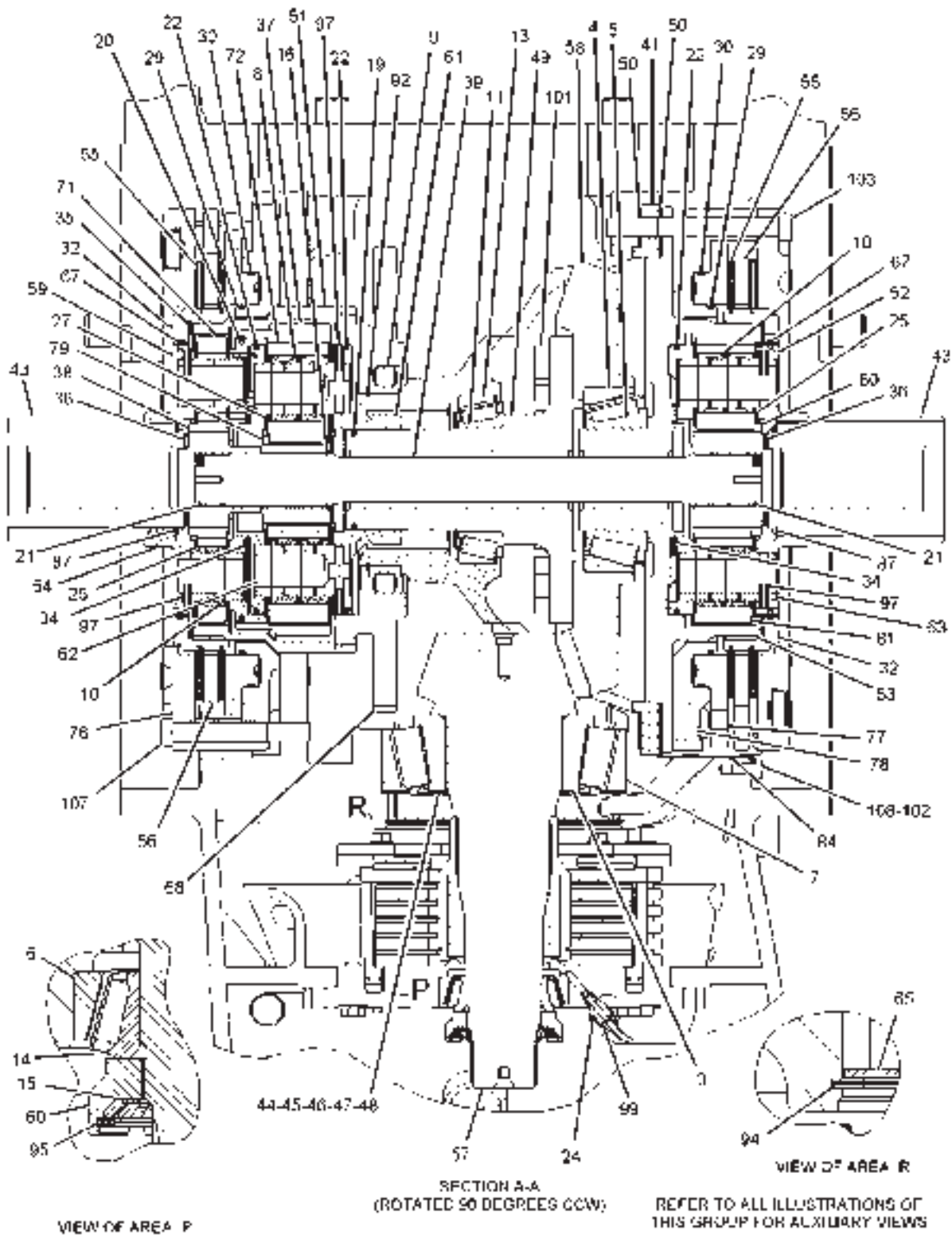
ITEM	NUMBER	QTY	DESCRIPTION
-	199-8159	--	DIFFERENTIAL GP-STEERING [A] (NOT SERVICED)
1	180-5572	1	VALVE GP-CHECK [C]
	3J-7354	1	SEAL-O-RING
18	4K-3892	6	DOWEL
42	163-0592	1	VALVE GP-CHECK
	061-7540	1	SEAL-O-RING
86	233-9766	1	HOUSING GP-DIFFERENTIAL [C] (SEE BREAKDOWN FOR COMPONENTS)
88	115-2134	1	FLANGE
90	155-3624	1	PLUG AS (NOT SERVICED) [C]
	3J-7354	1	SEAL-O-RING
	9S-4182	1	PLUG
97	3S-2708	13	PIN-SPRING
102	6V-6317	5	BOLT (M10X1.5X20-MM)
108	8T-4121	5	WASHER-HARD (11X21X2.5-MM THK)
109	8T-4179	1	BOLT (M12X1.75X20-MM)
111	8T-4195	4	BOLT (M10X1.5X30-MM)
112	8T-4223	9	WASHER-HARD (13.5X25.5X3-MM THK)
113	8T-9515	5	BOLT-SOCKET HEAD (M10X1.5X40-MM)
114	1U-8846	AR	SEALANT-GASKET

[A] PART OF 171-4005, 171-4010 AXLE AR
[C] CHANGE FROM PREVIOUS TYPE

01123703
PR: t05c24o40d0164

MT700B SERIES TRACK TRACTOR
POWER TRAIN

199-8159 DIFFERENTIAL GP-STEERING
S/N: AZA948-1024; AZE1011-1128
(2 OF 3)



01123704

**MT700B SERIES TRACK TRACTOR
POWER TRAIN**

397

199-8159 DIFFERENTIAL GP-STEERING
S/N: AZA948-1024; AZE1011-1128
(2 OF 3)

ITEM	NUMBER	QTY	DESCRIPTION
-	199-8159	--	DIFFERENTIAL GP-STRG [A] (NOT SERVICED)
3	101-9565	1	CONE-BEARING
4	138-7099	1	CUP-BEARING
5	1J-4757	1	CONE-BEARING
6	2A-4576	1	CUP-BEARING
7	2J-7227	1	CUP-BEARING
8	2M-5685	8	BEARING
9	4D-7953	1	BEARING
10	5M-0578	12	BEARING AS-ROLLER
11	5P-3723	1	CONE-BEARING
13	6D-7690	1	CUP-BEARING
14	9M-2457	1	CONE-BEARING
15	1B-6161	1	LOCK-NUT
16	4B-1127	1	RING-SNAP
19	6I-8197	1	RING-RETAINING
20	6I-8200	1	RING-LOCK
21	6I-8566	2	RING-RETAINING
22	7G-5670	3	SEAL-RING
24	8C-6865	1	CONNECTOR
25	8E-8308	16	DISC-THRUST
27	8E-8311	8	DISC-THRUST
29	9X-7424	2	SEAL-RING
30	9X-7426	2	SEAL-RING
32	102-3046	2	HUB-BRAKE
34	111-7077	2	DISC-THRUST
35	111-7078	1	DISC-THRUST
36	111-7079	2	DISC-THRUST
37	124-9398	1	GEAR-RING (75-TEETH)
38	131-2293	1	GEAR-SUN (28-TEETH)
39	131-2295	1	SHAFT-SUN GEAR
41	161-8757	1	SUPPORT
43	164-3904	2	GEAR-SUN (15-TEETH)
44	164-3971	AR	SHIM (0.9-MM THK)
45	164-3972	AR	SHIM (0.8-MM THK)
46	164-3973	AR	SHIM (0.7-MM THK)
47	164-3974	AR	SHIM (0.6-MM THK)
48	164-3975	AR	SHIM (0.5-MM THK)
49	164-3977	1	SHAFT-BEVEL GEAR
50	164-3978	2	SHIM PACK (INCLUDES 14-SHIMS)
51	164-3982	1	GEAR-RING (72-TEETH)
52	164-3983	1	CARRIER-PLANETARY
53	164-3984	1	GEAR-RING (72-TEETH)
54	164-3985	1	CARRIER-PLANETARY
55	171-6135	4	DISC-FRICTION
56	171-6138	2	PLATE
57	172-4316	1	PINION-BEVEL (13 TEETH)
58	172-4317	1	GEAR-BEVEL (37 TEETH)
59	174-9383	4	SHAFT-PLANETARY
60	174-9389	1	NUT-BEARING LOCK
61	174-9399	1	CARRIER-PLANETARY
62	226-6510	4	SHAFT-PLANETARY
63	174-9404	4	SHAFT-PLANETARY
65	191-1912	1	PLATE-RETAINER

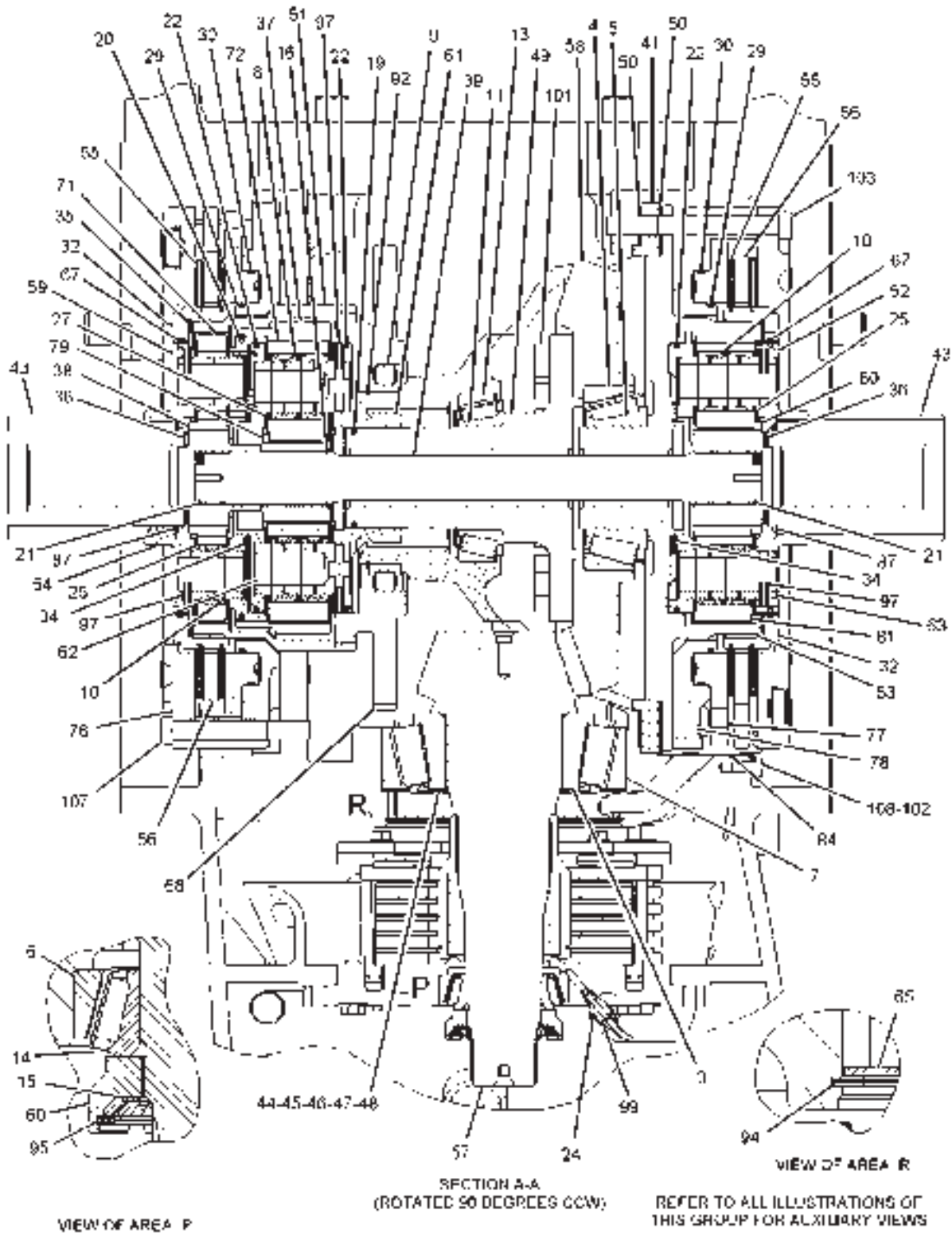
CONTINUED

[A] PART OF 171-4005, 171-4010 AXLE AR

01123704
PR: t05c24o40d0165

MT700B SERIES TRACK TRACTOR
POWER TRAIN

199-8159 DIFFERENTIAL GP-STEERING
S/N: AZA948-1024; AZE1011-1128
(2 OF 3)



01123704

MT700B SERIES TRACK TRACTOR
POWER TRAIN

399

199-8159 DIFFERENTIAL GP-STEERING
S/N: AZA948-1024; AZE1011-1128
(2 OF 3)

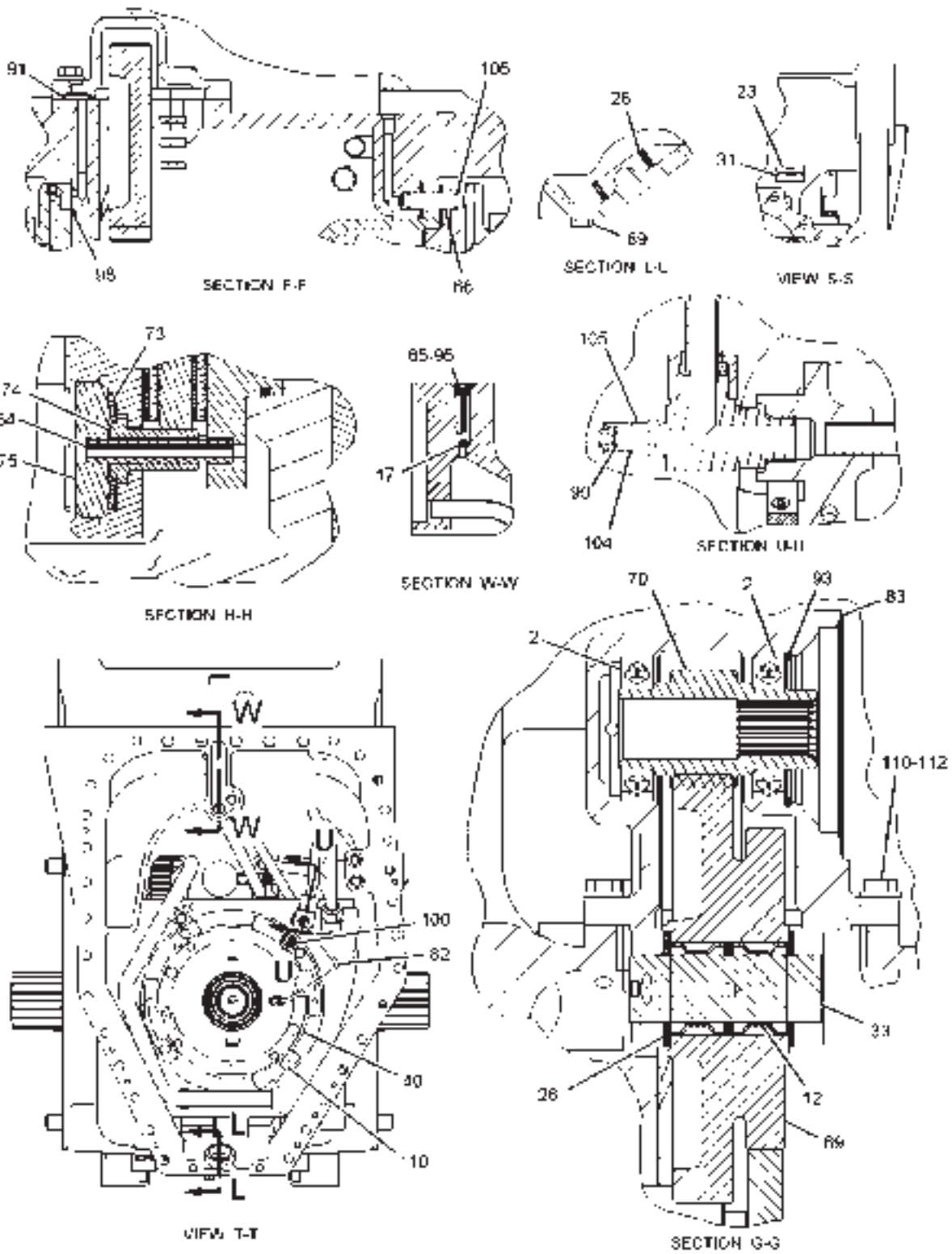
ITEM	NUMBER	QTY	DESCRIPTION
-	199-8159	--	DIFFERENTIAL GP-STEERING [A] (NOT SERVICED)
67	192-9242	2	RING-LOCK
68	194-9563	1	GEAR (61-TEETH)
71	197-7314	4	GEAR-PLANETARY (23-TEETH)
72	197-7315	4	GEAR-PLANETARY (27-TEETH)
76	210-8407	2	PLATE-REACTION
77	210-8408	2	PISTON-BRAKE
78	210-8411	2	HOUSING AS 126-7260 2 PLUG
79	226-7257	1	GEAR-SUN (21-TEETH)
80	213-6196	1	GEAR-SUN (28-TEETH)
81	213-6198	4	GEAR-PLANETARY (23 TEETH)
84	217-8426	1	PLATE
87	113-0694	2	RING-RETAINING
92	1J-3628	1	RING-RETAINING
94	2K-1381	1	RING-RETAINING
95	2S-2978	1	RING-RETAINING
97	3S-2708	13	PIN-SPRING
99	4J-5477	2	SEAL-O-RING
101	6V-3532	12	BOLT (M20X2.5X60-MM)
102	6V-6317	5	BOLT (M10X1.5X20-MM)
103	6V-8154	11	BOLT (M16X2X150-MM)
107	8T-0282	11	BOLT (M16X2X120-MM)
108	8T-4121	5	WASHER-HARD (11X21X2.5-MM THK)

[A] PART OF 171-4005, 171-4010 AXLE AR

01123704
PR: t05c24o40d0165

MT700B SERIES TRACK TRACTOR
POWER TRAIN

199-8159 DIFFERENTIAL GP-STEERING
S/N: AZA948-1024; AZE1011-1128
(3 OF 3)



01123705

**MT700B SERIES TRACKTRACTOR
POWER TRAIN**

401

199-8159 DIFFERENTIAL GP-STEERING
S/N: AZA948-1024; AZE1011-1128
(3 OF 3)

ITEM	NUMBER	QTY	DESCRIPTION
-	199-8159	--	DIFFERENTIAL GP-STEERING [A] (NOT SERVICED)
2	1T-0043	2	BALL BEARING
12	5P-6254	2	BEARING
17	4B-9783	1	BALL [C]
23	7X-7816	1	PLATE-SERIAL NUMBER (TRANSMISSION)
26	8E-8310	2	DISC-THRUST
28	8M-7160	1	MAGNET
31		2	TACK [C]
33	111-7068	1	SHAFT AS
	2A-3746	1	PLUG-CUP
40	161-8212	1	BRAKE GP-PARKING (SEE BREAKDOWN FOR COMPONENTS)
64	176-1377	6	PIN-SPRING
66	192-5602	2	SLEEVE
69	194-9564	1	GEAR-CLUSTER (60/28-TEETH)
70	194-9565	1	GEAR (14-TEETH)
73	199-7107	6	SPRING
74	210-8405	6	BUSHING
75	210-8406	6	PLATE-SPRING
82	215-7301	1	TUBE AS
83	235-1065	1	SUPPORT AS
	2A-3746	2	PLUG-CUP
85	223-1637	1	PLUG AS [C]
89	148-8407	1	PLUG AS (NOT SERVICED)
	3J-1907	1	SEAL-O-RING
	9S-4191	1	PLUG
91	1H-8171	1	SEAL-O-RING
93	1J-6472	1	RING-RETAINING
96	3K-0360	1	SEAL-O-RING [C]
98	4J-5140	2	SEAL-O-RING
99	4J-5477	2	SEAL-O-RING
100	4K-2039	1	SEAL-O-RING
104	6V-8397	1	SEAL-O-RING
105	6V-8934	1	REDUCER
106	8L-2777	4	SEAL-O-RING
110	8T-4183	12	BOLT (M12X1.75X40-MM)
112	8T-4223	9	WASHER-HARD (13.5X25.5X3-MM THK)

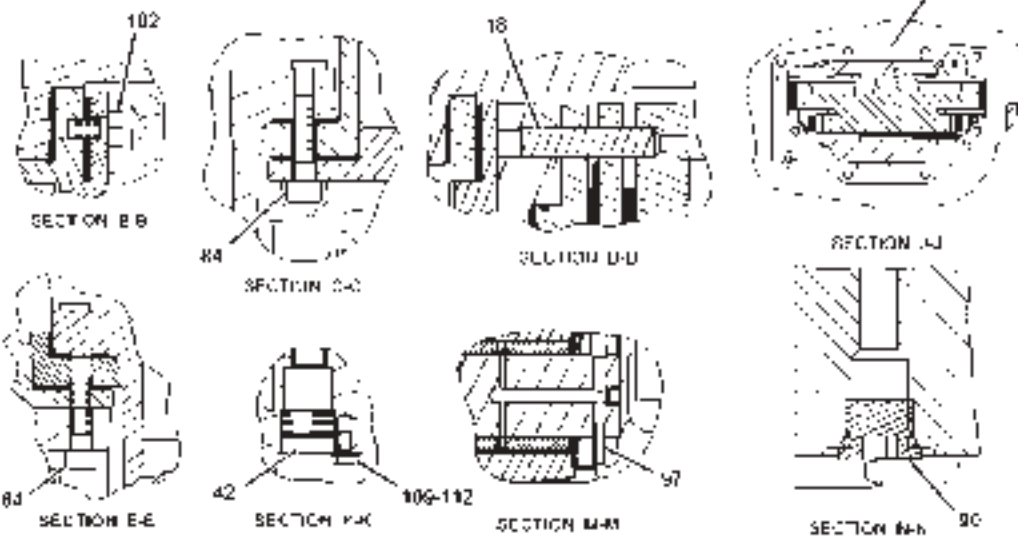
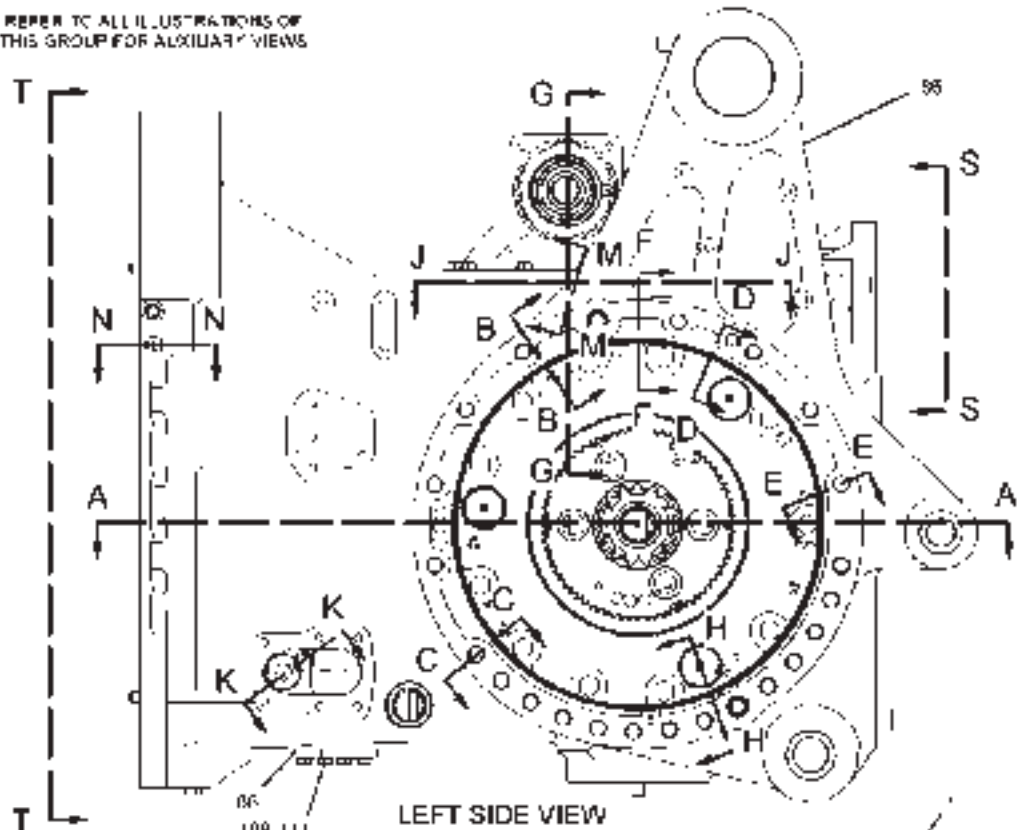
[A] PART OF 171-4005, 171-4010 AXLE AR
[C] CHANGE FROM PREVIOUS TYPE

01123705
PR: t05c24o40d0167

MT700B SERIES TRACK TRACTOR
POWER TRAIN

199-8159 DIFFERENTIAL GP-STEERING
S/N: AZA1025-1060; AZE1129-1174;
AZT1-886
(1 OF 3)

REFER TO ALL ILLUSTRATIONS OF
THIS GROUP FOR AUXILIARY VIEWS



01124536

**MT700B SERIES TRACK TRACTOR
POWER TRAIN**

403

199-8159 DIFFERENTIAL GP-STEERING
S/N: AZA1025-1060; AZE1129-1174;
AZT1-886
(1 OF 3)

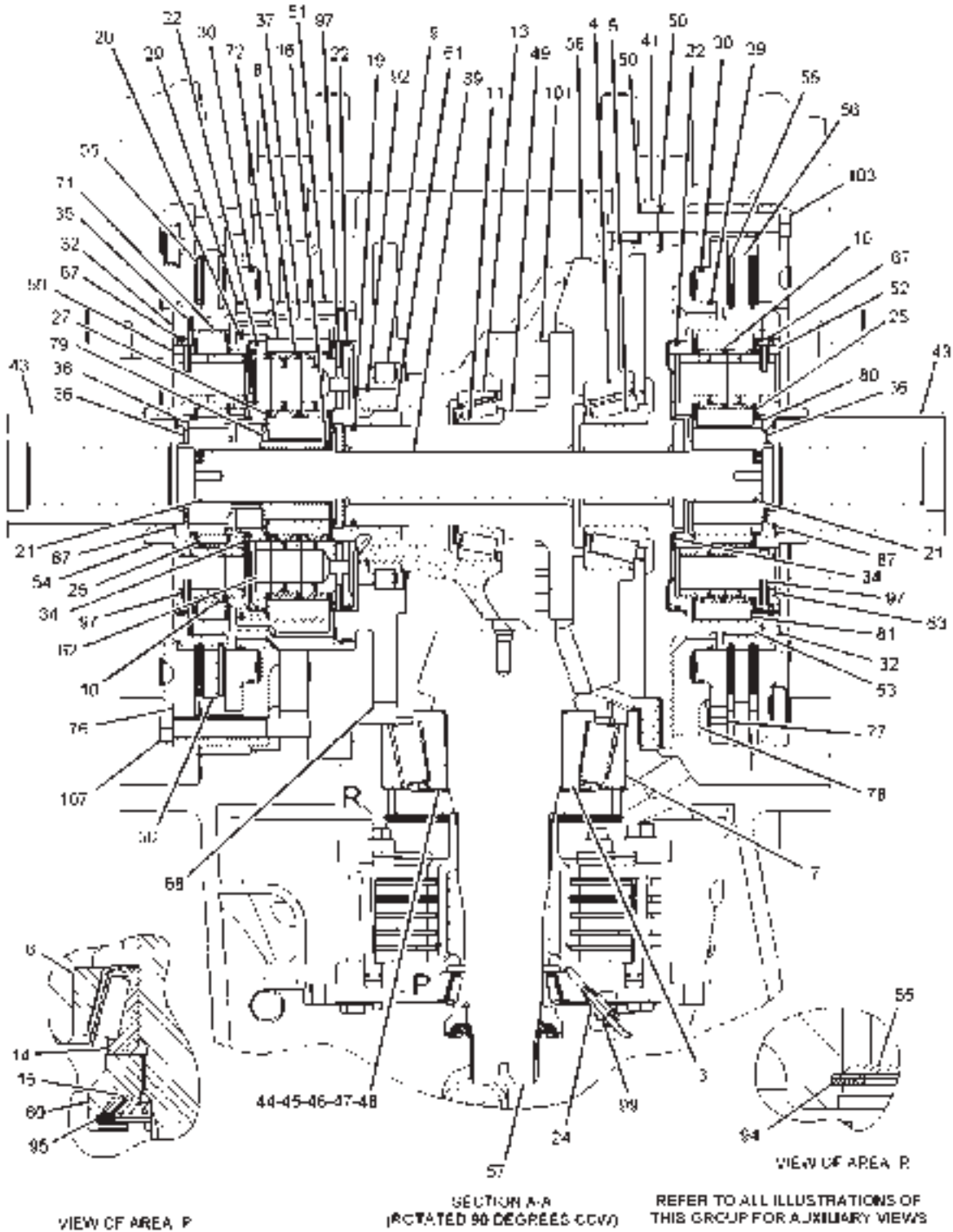
ITEM	NUMBER	QTY	DESCRIPTION
-	199-8159	--	DIFFERENTIAL GP-STEERING [A] (NOT SERVICED)
1	1U-8846	AR	SEALANT-GASKET
18	4K-3892	6	DOWEL
42	163-0592	1	VALVE GP-CHECK
	061-7540	1	SEAL-O-RING
84	8T-9515	5	BOLT-SOCKET HEAD (M10X1.5X40-MM)
86	233-9766	1	HOUSING GP-DIFFERENTIAL [C] (SEE BREAKDOWN FOR COMPONENTS)
88	115-2134	1	FLANGE
90	162-0177	1	PLUG AS (NOT SERVICED)
	3J-1907	1	SEAL-O-RING
	9S-8004	1	PLUG
97	3S-2708	13	PIN-SPRING
102	6V-6317	4	BOLT (M10X1.5X20-MM) [C]
108	8T-4121	4	WASHER-HARD (11X21X2.5-MM THK)
109	8T-4179	1	BOLT (M12X1.75X20-MM)
111	8T-4195	4	BOLT (M10X1.5X30-MM)
112	8T-4223	9	WASHER-HARD (13.5X25.5X3-MM THK)

[A] PART OF 171-4005, 171-4010,
213-8802 AXLE AR
[C] CHANGE FROM PREVIOUS TYPE

01124536
PR: t05c24o40d0168

MT700B SERIES TRACK TRACTOR
POWER TRAIN

199-8159A DIFFERENTIAL GP-STEERING
S/N: AZA1025-1060; AZE1129-1174;
AZT1-886
(2 OF 3)



01124540

**MT700B SERIES TRACK TRACTOR
POWER TRAIN**

405

199-8159A DIFFERENTIAL GP-STEERING
S/N: AZA1025-1060; AZE1129-1174;
AZT1-886
(2 OF 3)

ITEM	NUMBER	QTY	DESCRIPTION
-	199-8159	--	DIFFERENTIAL GP-STEERING [A] (NOT SERVICED)
3	101-9565	1	CONE-BEARING
4	138-7099	1	CUP-BEARING
5	1J-4757	1	CONE-BEARING
6	2A-4576	1	CUP-BEARING
7	2J-7227	1	CUP-BEARING
8	2M-5685	8	BEARING
9	4D-7953	1	BEARING
10	5M-0578	12	BEARING AS-ROLLER
11	5P-3723	1	CONE-BEARING
13	6D-7690	1	CUP-BEARING
14	9M-2457	1	CONE-BEARING
15	1B-6161	1	LOCK-NUT
16	4B-1127	1	RING-SNAP
19	6I-8197	1	RING-RETAINING
20	6I-8200	1	RING-LOCK
21	6I-8566	2	RING-RETAINING
22	7G-5670	3	SEAL-RING
24	8C-6865	1	CONNECTOR
25	8E-8308	16	DISC-THRUST
27	8E-8311	8	DISC-THRUST
29	9X-7424	2	SEAL-RING
30	9X-7426	2	SEAL-RING
32	102-3046	2	HUB-BRAKE
34	111-7077	2	DISC-THRUST
35	111-7078	1	DISC-THRUST
36	111-7079	2	DISC-THRUST
37	124-9398	1	GEAR-RING (75-TEETH)
38	131-2293	1	GEAR-SUN (28-TEETH)
39	131-2295	1	SHAFT-SUN GEAR
41	161-8757	1	SUPPORT
43	164-3904	2	GEAR-SUN (15-TEETH)
44	164-3971	AR	SHIM (0.9-MM THK)
45	164-3972	AR	SHIM (0.8-MM THK)
46	164-3973	AR	SHIM (0.7-MM THK)
47	164-3974	AR	SHIM (0.6-MM THK)
48	164-3975	AR	SHIM (0.5-MM THK)
49	164-3977	1	SHAFT-BEVEL GEAR
50	164-3978	2	SHIM PACK (INCLUDES 14-SHIMS)
51	164-3982	1	GEAR-RING (72-TEETH)
52	164-3983	1	CARRIER-PLANETARY
53	164-3984	1	GEAR-RING (72-TEETH)
54	164-3985	1	CARRIER-PLANETARY
55	171-6135	4	DISC-FRICTION
56	171-6138	2	PLATE
57	172-4316	1	PINION-BEVEL (13-TEETH)
58	172-4317	1	GEAR-BEVEL (37-TEETH)
59	174-9383	4	SHAFT-PLANETARY

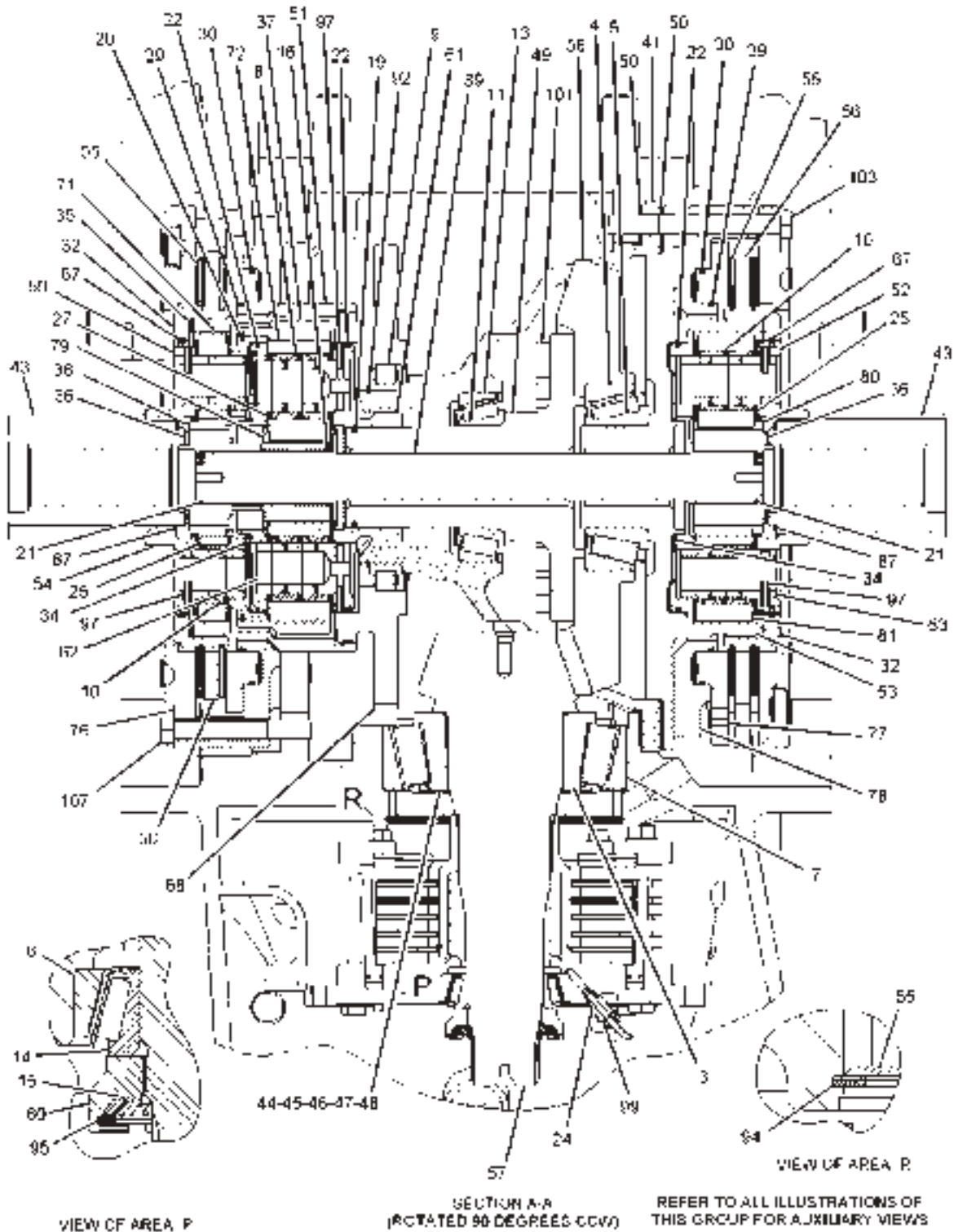
CONTINUED

[A] PART OF 171-4005, 171-4010,
213-8802 AXLE AR

01124540
PR: t05c24o40d0169

MT700B SERIES TRACK TRACTOR
POWER TRAIN

199-8159A DIFFERENTIAL GP-STEERING
S/N: AZA1025-1060; AZE1129-1174;
AZT1-886
(2 OF 3)



01124540

**MT700B SERIES TRACK TRACTOR
POWER TRAIN**

407

199-8159A DIFFERENTIAL GP-STEERING
S/N: AZA1025-1060; AZE1129-1174;
AZT1-886
(2 OF 3)

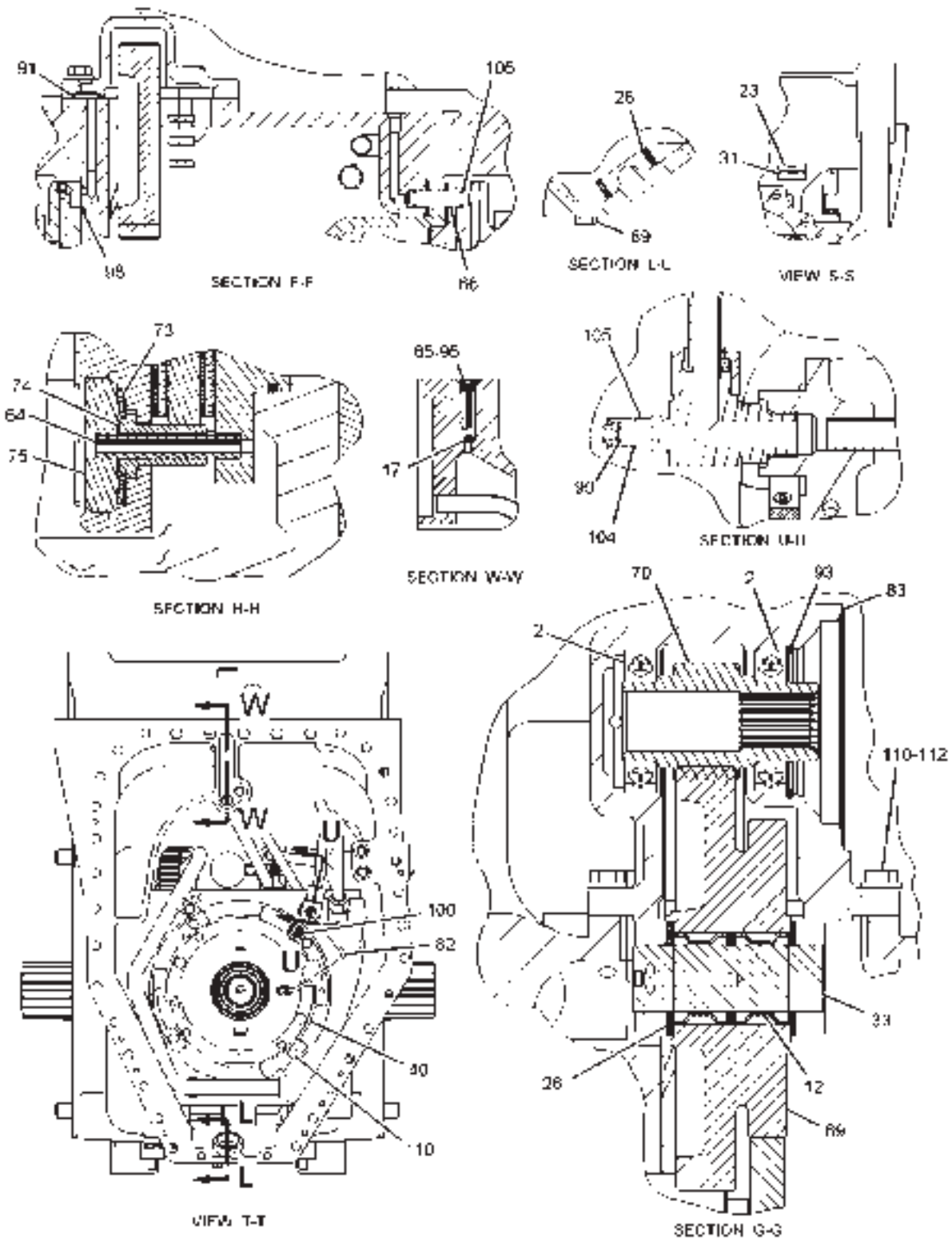
ITEM	NUMBER	QTY	DESCRIPTION
-	199-8159	--	DIFFERENTIAL GP-STEERING [A] (NOT SERVICED)
60	174-9389	1	NUT-BEARING LOCK
61	174-9399	1	CARRIER-PLANETARY
62	226-6510	4	SHAFT-PLANETARY
63	174-9404	4	SHAFT-PLANETARY
65	191-1912	1	PLATE-RETAINER
67	192-9242	2	RING-LOCK
68	194-9563	1	GEAR (61-TEETH)
71	197-7314	4	GEAR-PLANETARY (23-TEETH)
72	197-7315	4	GEAR-PLANETARY (27-TEETH)
76	210-8407	2	PLATE-REACTION
77	210-8408	2	PISTON-BRAKE
78	210-8411	2	HOUSING AS PLUG
79	226-7257	1	GEAR-SUN (21-TEETH)
80	213-6196	1	GEAR-SUN (28-TEETH)
81	213-6198	4	GEAR-PLANETARY (23 TEETH)
87	113-0694	2	RING-RETAINING
92	1J-3628	1	RING-RETAINING
94	2K-1381	1	RING-RETAINING
95	2S-2978	1	RING-RETAINING
97	3S-2708	13	PIN-SPRING
99	4J-5477	2	SEAL-O-RING
101	6V-3532	12	BOLT (M20X2.5X60-MM)
103	6V-8154	11	BOLT (M16X2X150-MM)
107	8T-0282	11	BOLT (M16X2X120-MM)

[A] PART OF 171-4005, 171-4010,
213-8802 AXLE AR

01124540
PR: t05c24o40d0169

MT700B SERIES TRACK TRACTOR
POWER TRAIN

199-8159A DIFFERENTIAL GP-STEERING
S/N: AZA1025-1060; AZE1129-1174;
AZT1-886
(3 OF 3)



01123705

**MT700B SERIES TRACK TRACTOR
POWER TRAIN**

409

199-8159A DIFFERENTIAL GP-STEERING
S/N: AZA1025-1060; AZE1129-1174;
AZT1-886
(3 OF 3)

ITEM	NUMBER	QTY	DESCRIPTION
-	199-8159	--	DIFFERENTIAL GP-STEERING [A] (NOT SERVICED)
2	1T-0043	2	BALL BEARING
12	5P-6254	2	BEARING
17	4B-9783	1	BALL
23	7X-7816	1	PLATE-SERIAL NUMBER (TRANSMISSION)
26	8E-8310	2	DISC-THRUST
28	8M-7160	1	MAGNET
31		2	TACK
33	111-7068	1	SHAFT AS
	2A-3746	1	PLUG-CUP
40	161-8212	1	BRAKE GP-PARKING (SEE BREAKDOWN FOR COMPONENTS)
64	176-1377	6	PIN-SPRING
66	192-5602	2	SLEEVE
69	194-9564	1	GEAR-CLUSTER (60/28-TEETH)
70	194-9565	1	GEAR (14-TEETH)
73	199-7107	6	SPRING
74	210-8405	6	BUSHING
75	210-8406	6	PLATE-SPRING
82	215-7301	1	TUBE AS
83	235-1065	1	SUPPORT AS
	2A-3746	2	PLUG-CUP
85	223-1637	1	PLUG AS [C]
89	148-8407	1	PLUG AS (NOT SERVICED)
	3J-1907	1	SEAL-O-RING
	9S-4191	1	PLUG
91	1H-8171	1	SEAL-O-RING
93	1J-6472	1	RING-RETAINING
96	3K-0360	1	SEAL-O-RING
98	4J-5140	2	SEAL-O-RING
99	4J-5477	2	SEAL-O-RING
100	4K-2039	1	SEAL-O-RING
104	6V-8397	1	SEAL-O-RING
105	6V-8934	1	REDUCER
106	8L-2777	4	SEAL-O-RING
110	8T-4183	12	BOLT (M12X1.75X40-MM)
112	8T-4223	9	WASHER-HARD (13.5X25.5X3-MM THK)

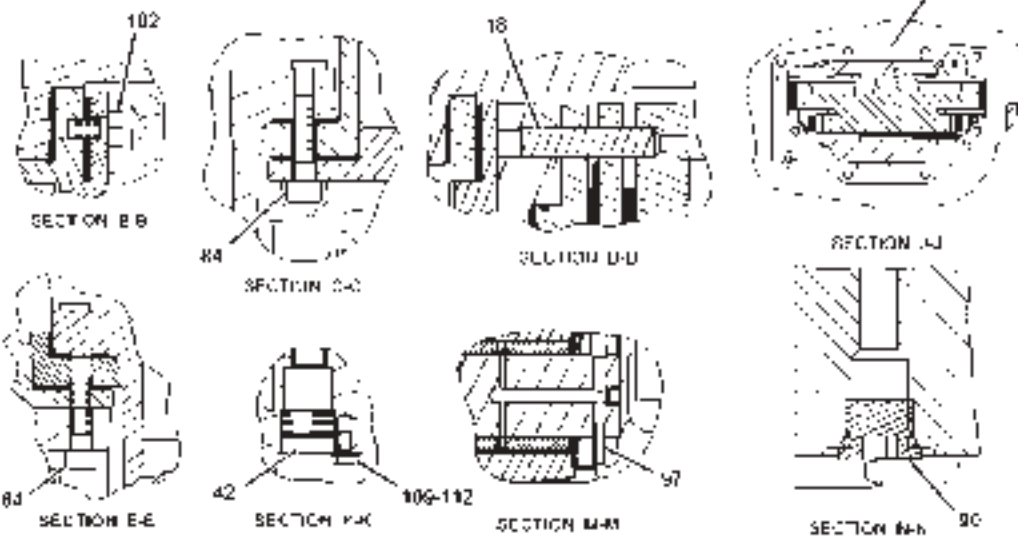
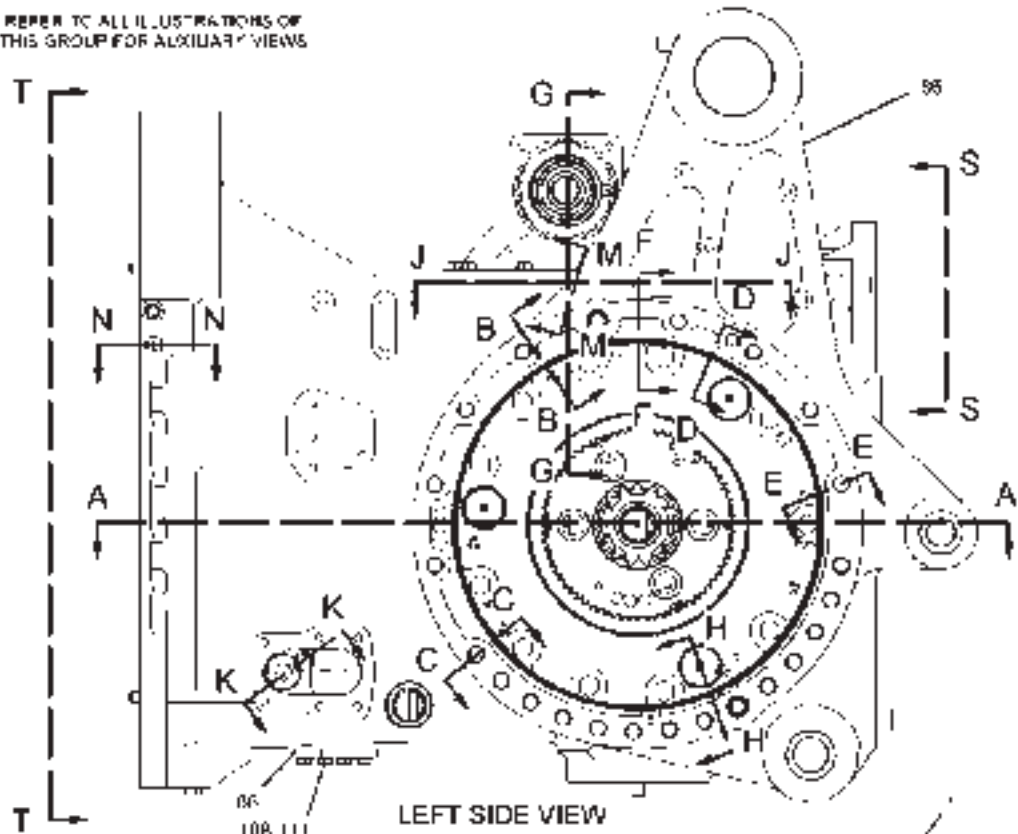
[A] PART OF 171-4005, 171-4010,
213-8802 AXLE AR

01123705
PR: t05c24o40d0171

MT700B SERIES TRACK TRACTOR
POWER TRAIN

199-8159 DIFFERENTIAL GP-STEERING
S/N: AZA1061-1214; AZE1175-1433;
AZT887-942
(1 OF 3)

REFER TO ALL ILLUSTRATIONS OF
THIS GROUP FOR AUXILIARY VIEWS



01124536

MT700B SERIES TRACK TRACTOR
POWER TRAIN

411

199-8159 DIFFERENTIAL GP-STEERING

S/N: AZA1061-1214; AZE1175-1433;

AZT887-942

(1 OF 3)

ITEM	NUMBER	QTY	DESCRIPTION
-	199-8159	--	DIFFERENTIAL GP-STEERING [A] (NOT SERVICED)
1	1U-8846	AR	SEALANT-GASKET
18	4K-3892	6	DOWEL
42	163-0592	1	VALVE GP-CHECK
	061-7540	1	SEAL-O-RING
84	8T-9515	5	BOLT-SOCKET HEAD (M10X1.5X40-MM)
86	233-9766	1	HOUSING GP-DIFFERENTIAL [C] (SEE BREAKDOWN FOR COMPONENTS)
88	115-2134	1	FLANGE
90	162-0177	1	PLUG AS (NOT SERVICED)
	3J-1907	1	SEAL-O-RING
	9S-8004	1	PLUG
97	3S-2708	13	PIN-SPRING
102	6V-6317	4	BOLT (M10X1.5X20-MM)
108	8T-4121	4	WASHER-HARD (11X21X2.5-MM THK)
109	8T-4179	1	BOLT (M12X1.75X20-MM)
111	8T-4195	4	BOLT (M10X1.5X30-MM)
112	8T-4223	9	WASHER-HARD (13.5X25.5X3-MM THK)

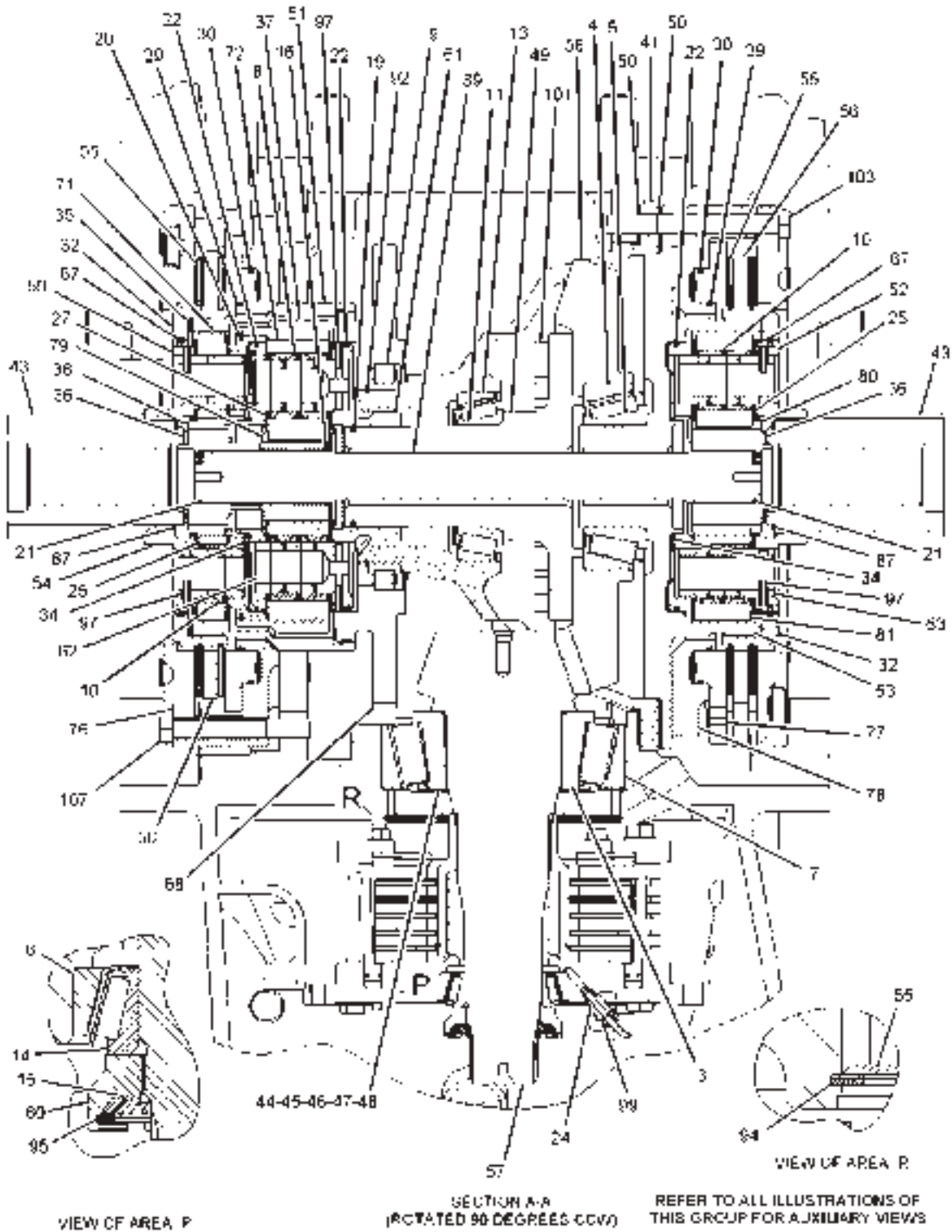
[A] PART OF 171-4005, 171-4010,
213-8802 AXLE AR

[C] CHANGE FROM PREVIOUS TYPE

01124536
PR: t05c24o40d0172

MT700B SERIES TRACK TRACTOR
POWER TRAIN

199-8159 DIFFERENTIAL GP-STEERING
S/N: AZA1061-1214; AZE1175-1433;
AZT887-942
(2 OF 3)



01124540

**MT700B SERIES TRACK TRACTOR
POWER TRAIN**

413

199-8159 DIFFERENTIAL GP-STEERING
S/N: AZA1061-1214; AZE1175-1433;
AZT887-942
(2 OF 3)

ITEM	NUMBER	QTY	DESCRIPTION
-	199-8159	--	DIFFERENTIAL GP-STEERING [A] (NOT SERVICED)
3	101-9565	1	CONE-BEARING
4	138-7099	1	CUP-BEARING
5	1J-4757	1	CONE-BEARING
6	2A-4576	1	CUP-BEARING
7	2J-7227	1	CUP-BEARING
8	2M-5685	8	BEARING
9	4D-7953	1	BEARING
10	5M-0578	12	BEARING AS-ROLLER
11	5P-3723	1	CONE-BEARING
13	6D-7690	1	CUP-BEARING
14	9M-2457	1	CONE-BEARING
15	1B-6161	1	LOCK-NUT
16	4B-1127	1	RING-SNAP
19	6I-8197	1	RING-RETAINING
20	6I-8200	1	RING-LOCK
21	6I-8566	2	RING-RETAINING
22	7G-5670	3	SEAL-RING
24	8C-6865	1	CONNECTOR
25	8E-8308	16	DISC-THRUST
27	8E-8311	8	DISC-THRUST
29	9X-7424	2	SEAL-RING
30	9X-7426	2	SEAL-RING
32	102-3046	2	HUB-BRAKE
34	111-7077	2	DISC-THRUST
35	111-7078	1	DISC-THRUST
36	111-7079	2	DISC-THRUST
37	124-9398	1	GEAR-RING (75-TEETH)
38	131-2293	1	GEAR-SUN (28-TEETH)
39	131-2295	1	SHAFT-SUN GEAR
41	161-8757	1	SUPPORT
43	164-3904	2	GEAR-SUN (15-TEETH)
44	164-3971	AR	SHIM (0.9-MM THK)
45	164-3972	AR	SHIM (0.8-MM THK)
46	164-3973	AR	SHIM (0.7-MM THK)
47	164-3974	AR	SHIM (0.6-MM THK)
48	164-3975	AR	SHIM (0.5-MM THK)
49	164-3977	1	SHAFT-BEVEL GEAR
50	164-3978	2	SHIM PACK (INCLUDES 14-SHIMS)
51	164-3982	1	GEAR-RING (72-TEETH)
52	164-3983	1	CARRIER-PLANETARY
53	164-3984	1	GEAR-RING (72-TEETH)
54	164-3985	1	CARRIER-PLANETARY
55	171-6135	4	DISC-FRICTION
56	171-6138	2	PLATE
57	172-4316	1	PINION-BEVEL (13-TEETH)
58	172-4317	1	GEAR-BEVEL (37-TEETH)
59	174-9383	4	SHAFT-PLANETARY

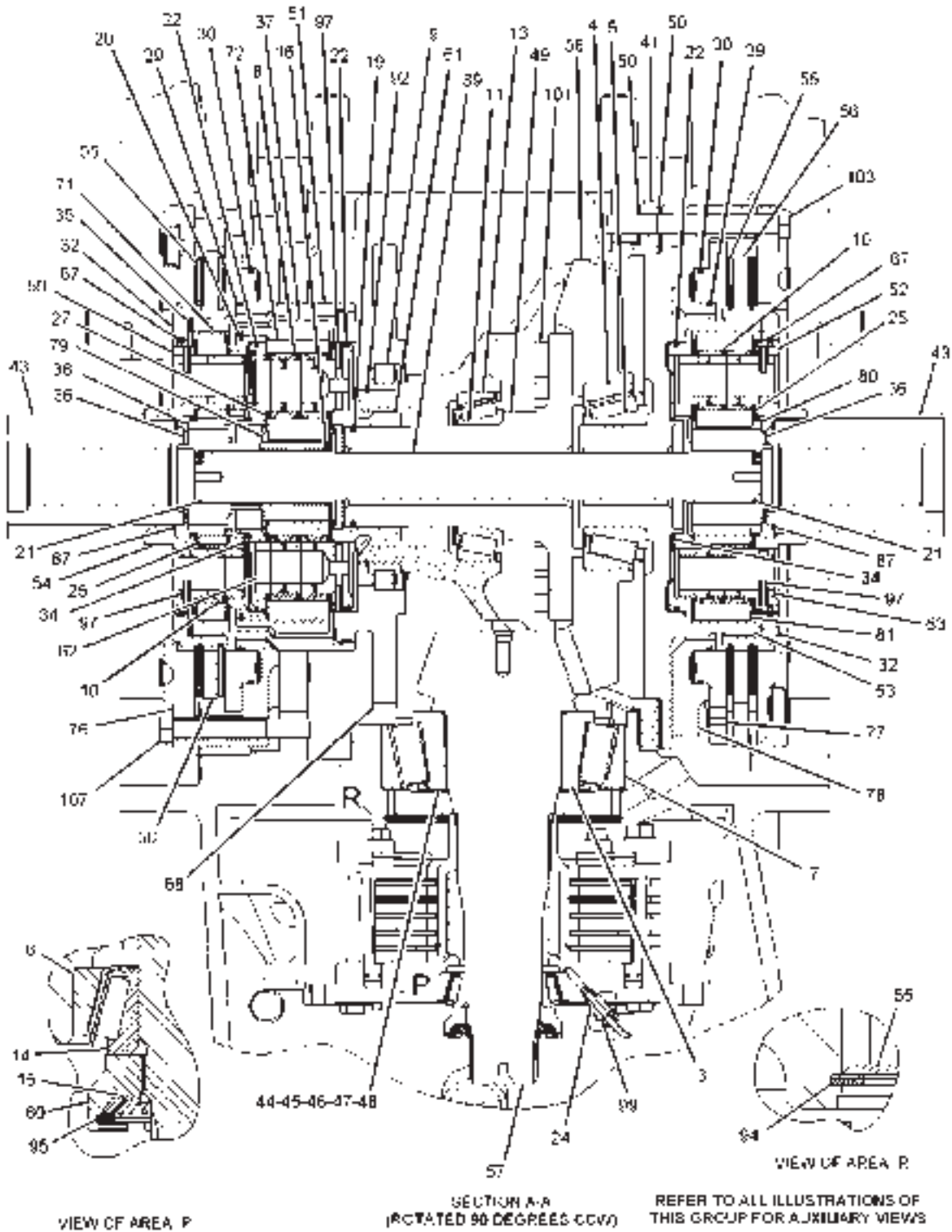
CONTINUED

[A] PART OF 171-4005, 171-4010,
213-8802 AXLE AR

01124540
PR: t05c24o40d0173

MT700B SERIES TRACK TRACTOR
POWER TRAIN

199-8159 DIFFERENTIAL GP-STEERING
S/N: AZA1061-1214; AZE1175-1433;
AZT887-942
(2 OF 3)



01124540

**MT700B SERIES TRACK TRACTOR
POWER TRAIN**

415

199-8159 DIFFERENTIAL GP-STEERING

S/N: AZA1061-1214; AZE1175-1433;

AZT887-942

(2 OF 3)

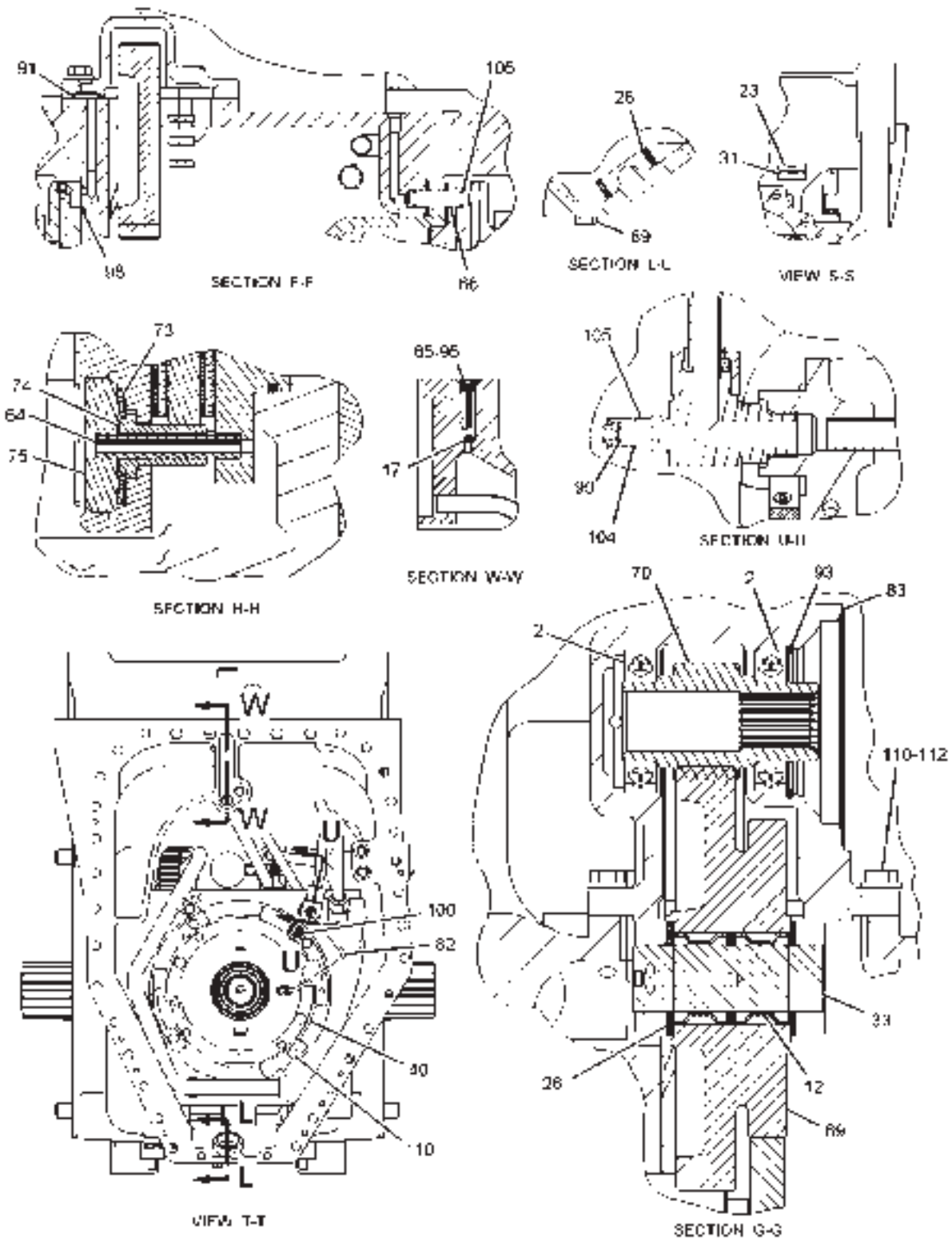
ITEM	NUMBER	QTY	DESCRIPTION
-	199-8159	--	DIFFERENTIAL GP-STEERING [A] (NOT SERVICED)
60	174-9389	1	NUT-BEARING LOCK
61	174-9399	1	CARRIER-PLANETARY
62	226-6510	4	SHAFT
63	174-9404	4	SHAFT-PLANETARY
65	191-1912	1	PLATE-RETAINER
67	192-9242	2	RING-LOCK
68	194-9563	1	GEAR (61-TEETH)
71	197-7314	4	GEAR-PLANETARY (23-TEETH)
72	197-7315	4	GEAR-PLANETARY (27-TEETH)
76	210-8407	2	PLATE-REACTION
77	210-8408	2	PISTON-BRAKE
78	210-8411	2	HOUSING AS PLUG
79	226-7257	1	GEAR-SUN (28/21-TEETH)
80	213-6196	1	GEAR-SUN (28-TEETH)
81	213-6198	4	GEAR-PLANETARY (23 TEETH)
87	113-0694	2	RING-RETAINING
92	1J-3628	1	RING-RETAINING
94	2K-1381	1	RING-RETAINING
95	2S-2978	1	RING-RETAINING
97	3S-2708	13	PIN-SPRING
99	4J-5477	2	SEAL-O-RING
101	6V-3532	12	BOLT (M20X2.5X60-MM)
103	6V-8154	11	BOLT (M16X2X150-MM)
107	8T-0282	11	BOLT (M16X2X120-MM)

[A] PART OF 171-4005, 171-4010,
213-8802 AXLE AR

01124540
PR: t05c24o40d0173

MT700B SERIES TRACK TRACTOR
POWER TRAIN

199-8159 DIFFERENTIAL GP-STEERING
S/N: AZA1061-1214; AZE1175-1433;
AZT887-942
(3 OF 3)



01123705

**MT700B SERIES TRACKTRACTOR
POWER TRAIN**

417

199-8159 DIFFERENTIAL GP-STEERING

S/N: AZA1061-1214; AZE1175-1433;

AZT887-942

(3 OF 3)

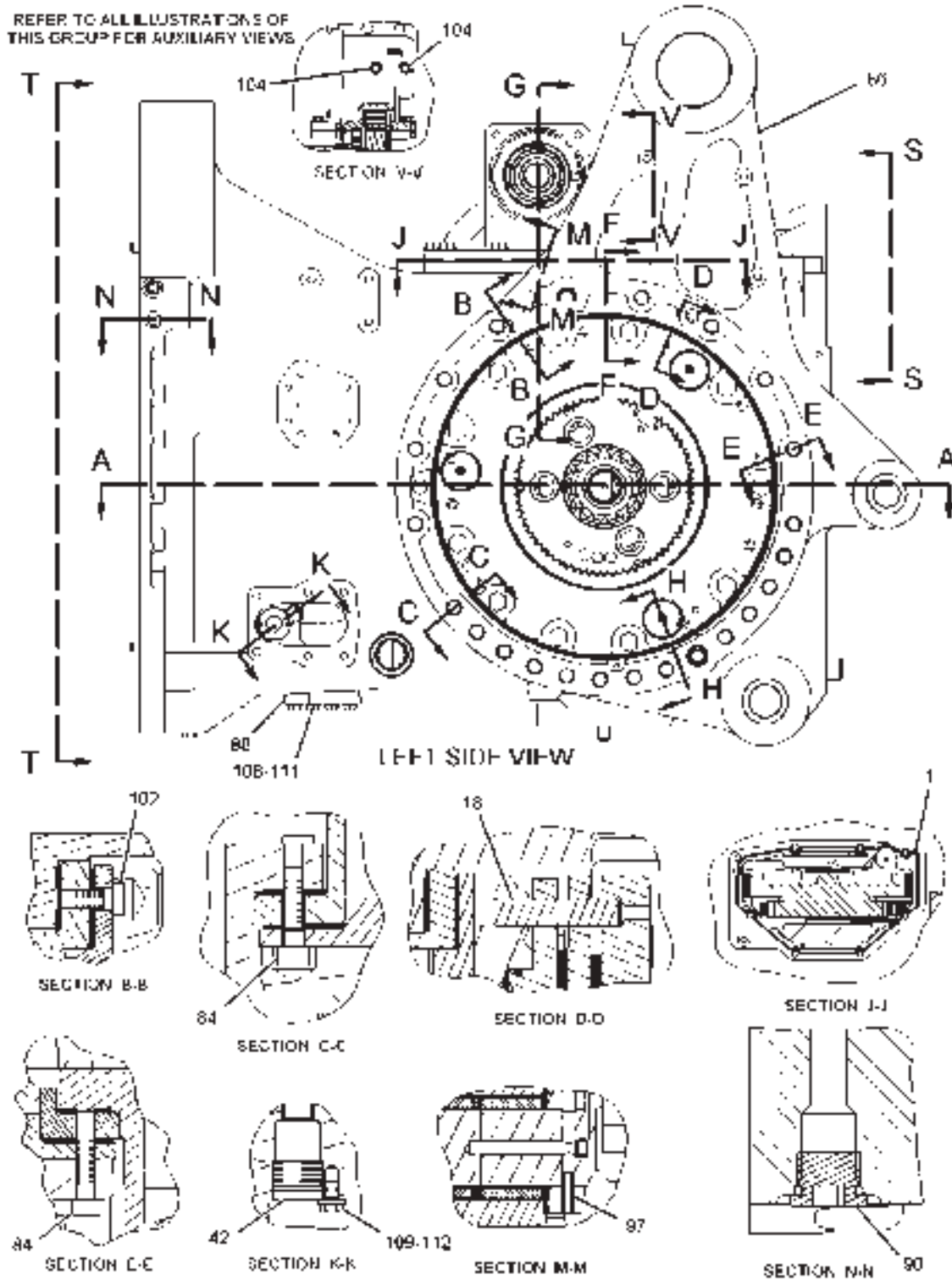
ITEM	NUMBER	QTY	DESCRIPTION
-	199-8159	--	DIFFERENTIAL GP-STEERING [A] (NOT SERVICED)
2	1T-0043	2	BALL BEARING
12	5P-6254	2	BEARING
17	4B-9783	1	BALL
23	7X-7816	1	PLATE-SERIAL NUMBER (TRANSMISSION)
26	8E-8310	2	DISC-THRUST
28	8M-7160	1	MAGNET
31		2	TACK
33	111-7068	1	SHAFT AS
	2A-3746	1	PLUG-CUP
40	161-8212	1	BRAKE GP-PARKING (SEE BREAKDOWN FOR COMPONENTS)
64	176-1377	6	PIN-SPRING
66	192-5602	2	SLEEVE
69	194-9564	1	GEAR-CLUSTER (60/28-TEETH)
70	194-9565	1	GEAR (14-TEETH)
73	199-7107	6	SPRING
74	210-8405	6	BUSHING
75	210-8406	6	PLATE-SPRING
82	215-7301	1	TUBE AS
83	235-1065	1	SUPPORT AS
	2A-3746	2	PLUG-CUP
85	223-1637	1	PLUG AS [C]
89	148-8407	1	PLUG AS (NOT SERVICED)
	3J-1907	1	SEAL-O-RING
	9S-4191	1	PLUG
91	1H-8171	1	SEAL-O-RING
93	1J-6472	1	RING-RETAINING
96	3K-0360	1	SEAL-O-RING
98	4J-5140	2	SEAL-O-RING
99	4J-5477	2	SEAL-O-RING
100	4K-2039	1	SEAL-O-RING
104	6V-8397	1	SEAL-O-RING
105	6V-8934	1	REDUCER
106	8L-2777	4	SEAL-O-RING
110	8T-4183	12	BOLT (M12X1.75X40-MM)
112	8T-4223	9	WASHER-HARD (13.5X25.5X3-MM THK)

[A] PART OF 171-4005, 171-4010,
213-8802 AXLE AR

01123705
PR: t05c24o40d0175

MT700B SERIES TRACK TRACTOR
POWER TRAIN

199-8159 DIFFERENTIAL GP-STEERING
S/N: AZA1215-1230; AZE1434-1512;
AZT943-953
(1 OF 3)



01124947

**MT700B SERIES TRACKTRACTOR
POWER TRAIN**

419

199-8159 DIFFERENTIAL GP-STEERING

S/N: AZA1215-1230; AZE1434-1512;

AZT943-953

(1 OF 3)

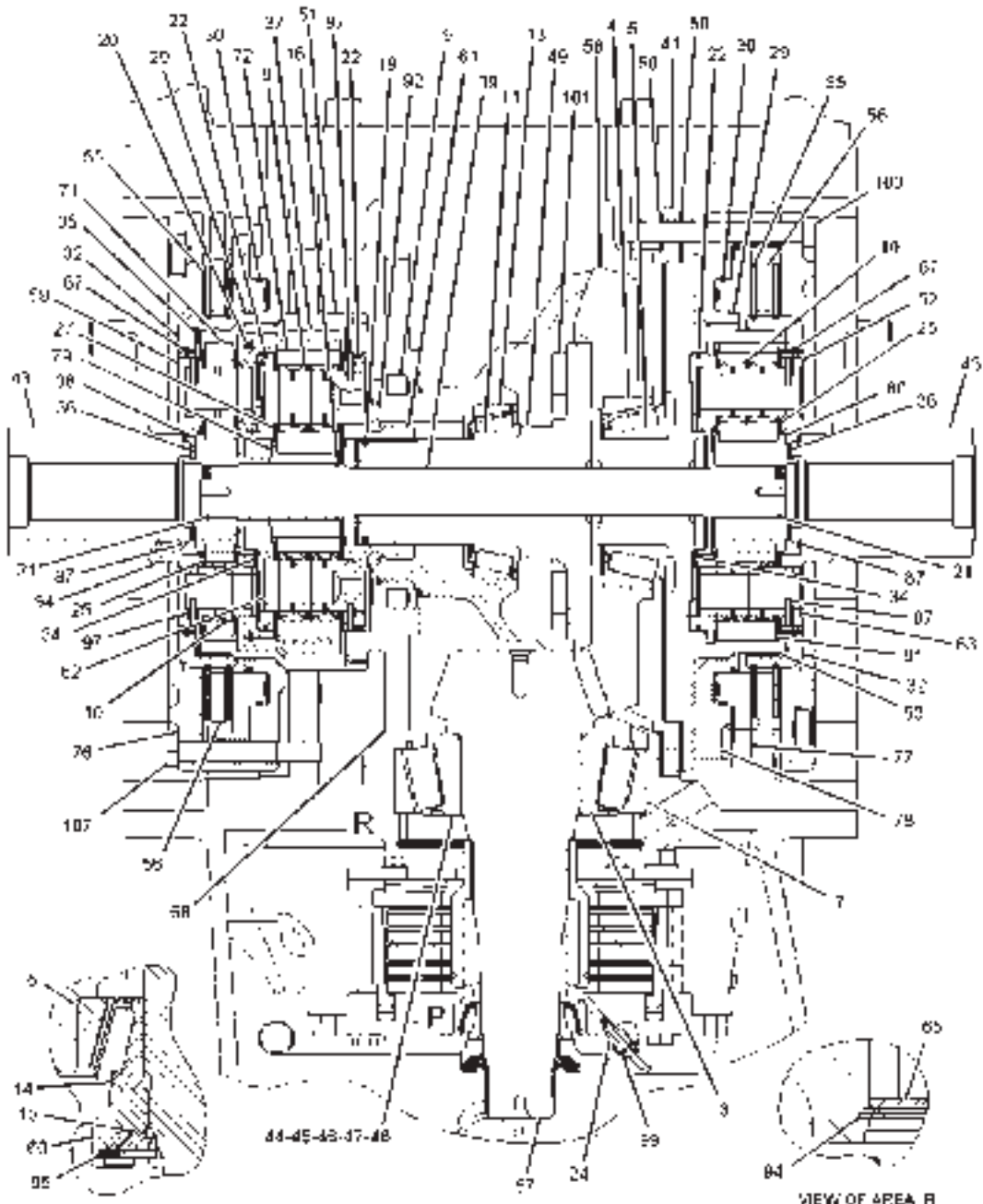
ITEM	NUMBER	QTY	DESCRIPTION
-	199-8159	--	DIFFERENTIAL GP-STEERING [A] (NOT SERVICED)
1	1U-8846	AR	SEALANT-GASKET
18	4K-3892	6	DOWEL
42	163-0592	1	VALVE GP-CHECK
	061-7540	1	SEAL-O-RING
84	8T-9515	5	BOLT-SOCKET HEAD (M10X1.5X40-MM)
86	233-9766	1	HOUSING GP-DIFFERENTIAL [C] (SEE BREAKDOWN FOR COMPONENTS)
88	115-2134	1	FLANGE
90	162-0177	1	PLUG AS (NOT SERVICED)
	3J-1907	1	SEAL-O-RING
	9S-8004	1	PLUG
97	3S-2708	13	PIN-SPRING
102	6V-6317	4	BOLT (M10X1.5X20-MM)
104	162-6448	2	PLUG AS (NOT SERVICED) [C]
	1N-5999	1	PLUG
	7J-0204	1	SEAL-O-RING
108	8T-4121	4	WASHER-HARD (11X21X2.5-MM THK)
109	8T-4179	1	BOLT (M12X1.75X20-MM)
111	8T-4195	4	BOLT (M10X1.5X30-MM)
112	8T-4223	9	WASHER-HARD (13.5X25.5X3-MM THK)

[A] PART OF 171-4005, 171-4010,
213-8802 AXLE AR
[C] CHANGE FROM PREVIOUS TYPE

01124947
PR: t05c24o40d0176

MT700B SERIES TRACK TRACTOR
POWER TRAIN

199-8159 DIFFERENTIAL GP-STEERING
S/N: AZA1215-1230; AZE1434-1512;
AZT943-953
(2 OF 3)



REF. TO ALL ILLUSTRATIONS OF THIS GROUP FOR AUXILIARY VIEWS
REF. TO ALL ILLUSTRATIONS OF THIS GROUP FOR AUXILIARY VIEWS

01124948

**MT700B SERIES TRACK TRACTOR
POWER TRAIN**

421

199-8159 DIFFERENTIAL GP-STEERING
S/N: AZA1215-1230; AZE1434-1512;
AZT943-953
(2 OF 3)

ITEM	NUMBER	QTY	DESCRIPTION
-	199-8159	--	DIFFERENTIAL GP-STEERING [A] (NOT SERVICED)
3	101-9565	1	CONE-BEARING
4	138-7099	1	CUP-BEARING
5	1J-4757	1	CONE-BEARING
6	2A-4576	1	CUP-BEARING
7	2J-7227	1	CUP-BEARING
8	2M-5685	8	BEARING
9	4D-7953	1	BEARING
10	5M-0578	12	BEARING AS-ROLLER
11	5P-3723	1	CONE-BEARING
13	6D-7690	1	CUP-BEARING
14	9M-2457	1	CONE-BEARING
15	1B-6161	1	LOCK-NUT
16	4B-1127	1	RING-SNAP
19	6I-8197	1	RING-RETAINING
20	6I-8200	1	RING-LOCK
21	6I-8566	2	RING-RETAINING
22	7G-5670	3	SEAL-RING
24	8C-6865	1	CONNECTOR
25	8E-8308	16	DISC-THRUST
27	8E-8311	8	DISC-THRUST
29	9X-7424	2	SEAL-RING
30	9X-7426	2	SEAL-RING
32	102-3046	2	HUB-BRAKE
34	111-7077	2	DISC-THRUST
35	111-7078	1	DISC-THRUST
36	111-7079	2	DISC-THRUST
37	124-9398	1	GEAR-RING (75-TEETH)
38	131-2293	1	GEAR-SUN (28-TEETH)
39	131-2295	1	SHAFT-SUN GEAR
41	161-8757	1	SUPPORT
43	164-3904	2	GEAR-SUN (15-TEETH)
44	164-3971	1	SHIM (0.9-MM THK) [AR]
45	164-3972	1	SHIM (0.8-MM THK) [AR]
46	164-3973	1	SHIM (0.7-MM THK) [AR]
47	164-3974	1	SHIM (0.6-MM THK) [AR]
48	164-3975	1	SHIM (0.5-MM THK) [AR]
49	164-3977	1	SHAFT-BEVEL GEAR
50	164-3978	2	SHIM PACK (INCLUDES 14-SHIMS)
51	164-3982	1	GEAR-RING (72-TEETH)
52	164-3983	1	CARRIER-PLANETARY
53	164-3984	1	GEAR-RING (72-TEETH)
54	164-3985	1	CARRIER-PLANETARY
55	171-6135	4	DISC-FRICTION
56	171-6138	2	PLATE
57	172-4316	1	PINION-BEVEL (13-TEETH)
58	172-4317	1	GEAR-BEVEL (37-TEETH)
59	174-9383	4	SHAFT-PLANETARY

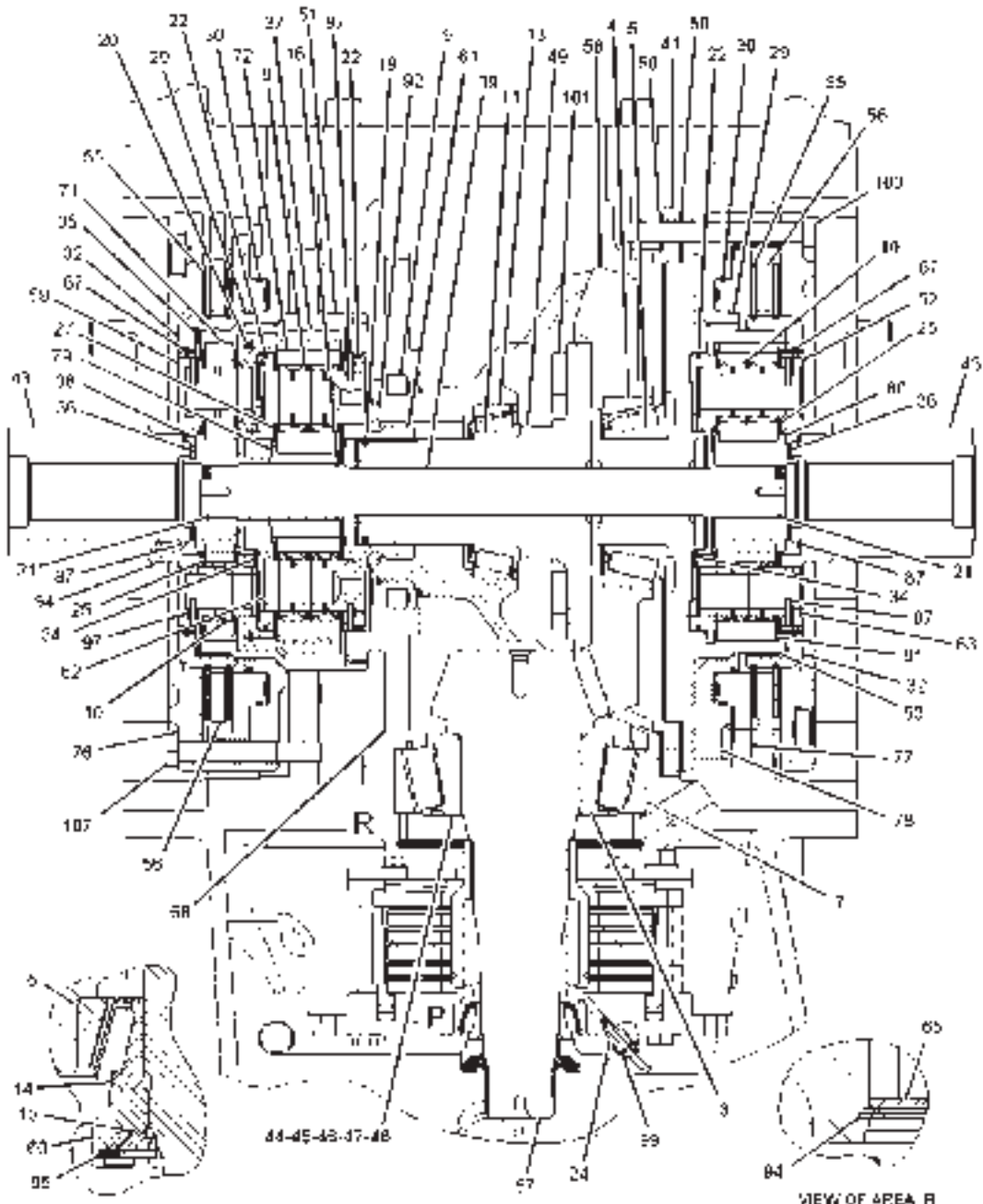
CONTINUED

[A] PART OF 171-4005, 171-4010,
213-8802 AXLE AR

01124948
PR: t05c24o40d0177

MT700B SERIES TRACK TRACTOR
POWER TRAIN

199-8159 DIFFERENTIAL GP-STEERING
S/N: AZA1215-1230; AZE1434-1512;
AZT943-953
(2 OF 3)



REF. TO ALL ILLUSTRATIONS OF THIS GROUP FOR AUXILIARY VIEWS
SFI, TK NA-P
(ROTATED 90 DEGREES CW)

01124948

MT700B SERIES TRACK TRACTOR
POWER TRAIN

423

199-8159 DIFFERENTIAL GP-STEERING
S/N: AZA1215-1230; AZE1434-1512;
AZT943-953
(2 OF 3)

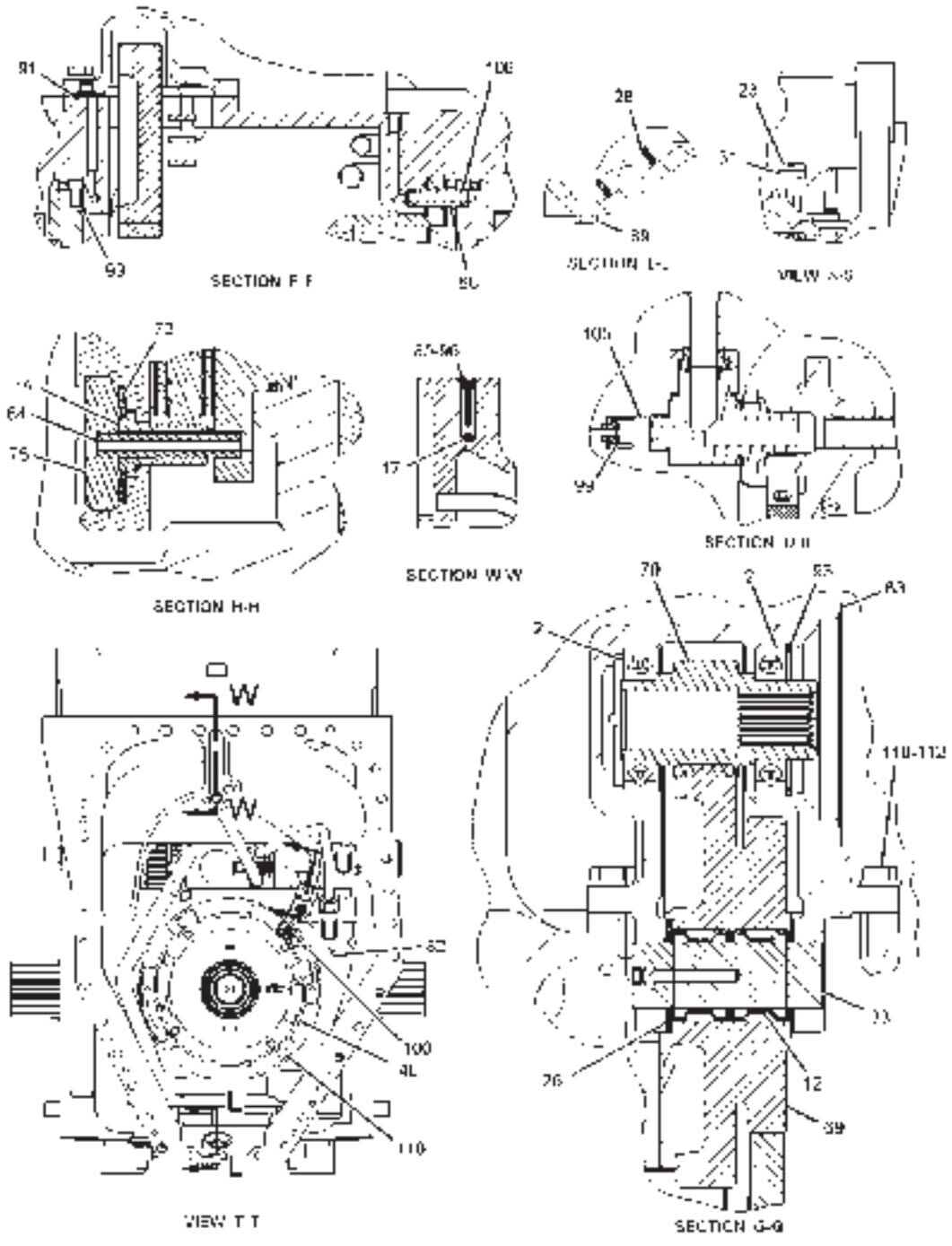
ITEM	NUMBER	QTY	DESCRIPTION
-	199-8159	--	DIFFERENTIAL GP-STEERING [A] (NOT SERVICED)
60	174-9389	1	NUT-BEARING LOCK
61	174-9399	1	CARRIER-PLANETARY
62	226-6510	4	SHAFT
63	174-9404	4	SHAFT-PLANETARY
65	191-1912	1	PLATE-RETAINER
67	192-9242	2	RING-LOCK
68	194-9563	1	GEAR (61-TEETH)
71	197-7314	4	GEAR-PLANETARY (23-TEETH)
72	233-9623	4	GEAR-PLANET (27-TEETH)[C]
76	210-8407	2	PLATE-REACTION
77	210-8408	2	PISTON-BRAKE
78	210-8411	2	HOUSING AS PLUG
79	226-7257	1	GEAR-SUN (28/21-TEETH)
80	213-6196	1	GEAR-SUN (28-TEETH)
81	213-6198	4	GEAR-PLANETARY (23 TEETH)
87	113-0694	2	RING-RETAINING
92	1J-3628	1	RING-RETAINING
94	2K-1381	1	RING-RETAINING
95	2S-2978	1	RING-RETAINING
97	3S-2708	13	PIN-SPRING
99	4J-5477	2	SEAL-O-RING
101	6V-3532	12	BOLT (M20X2.5X60-MM)
103	6V-8154	11	BOLT (M16X2X150-MM)
107	8T-0282	11	BOLT (M16X2X120-MM)

[A] PART OF 171-4005, 171-4010,
213-8802 AXLE AR
[C] CHANGE FROM PREVIOUS TYPE

01124948
PR: t05c24o40d0177

MT700B SERIES TRACK TRACTOR
POWER TRAIN

199-8159 DIFFERENTIAL GP-STEERING
S/N: AZA1215-1230; AZE1434-1512;
AZT943-953
(3 OF 3)



01124949

**MT700B SERIES TRACKTRACTOR
POWER TRAIN**

425

199-8159 DIFFERENTIAL GP-STEERING

S/N: AZA1215-1230; AZE1434-1512;
AZT943-953

(3 OF 3)

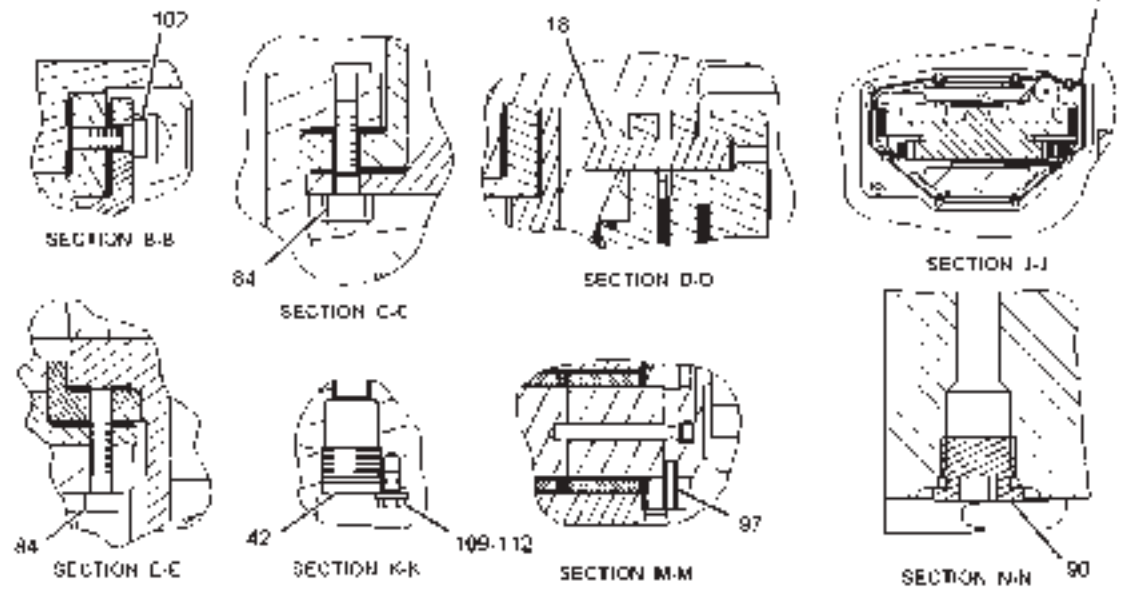
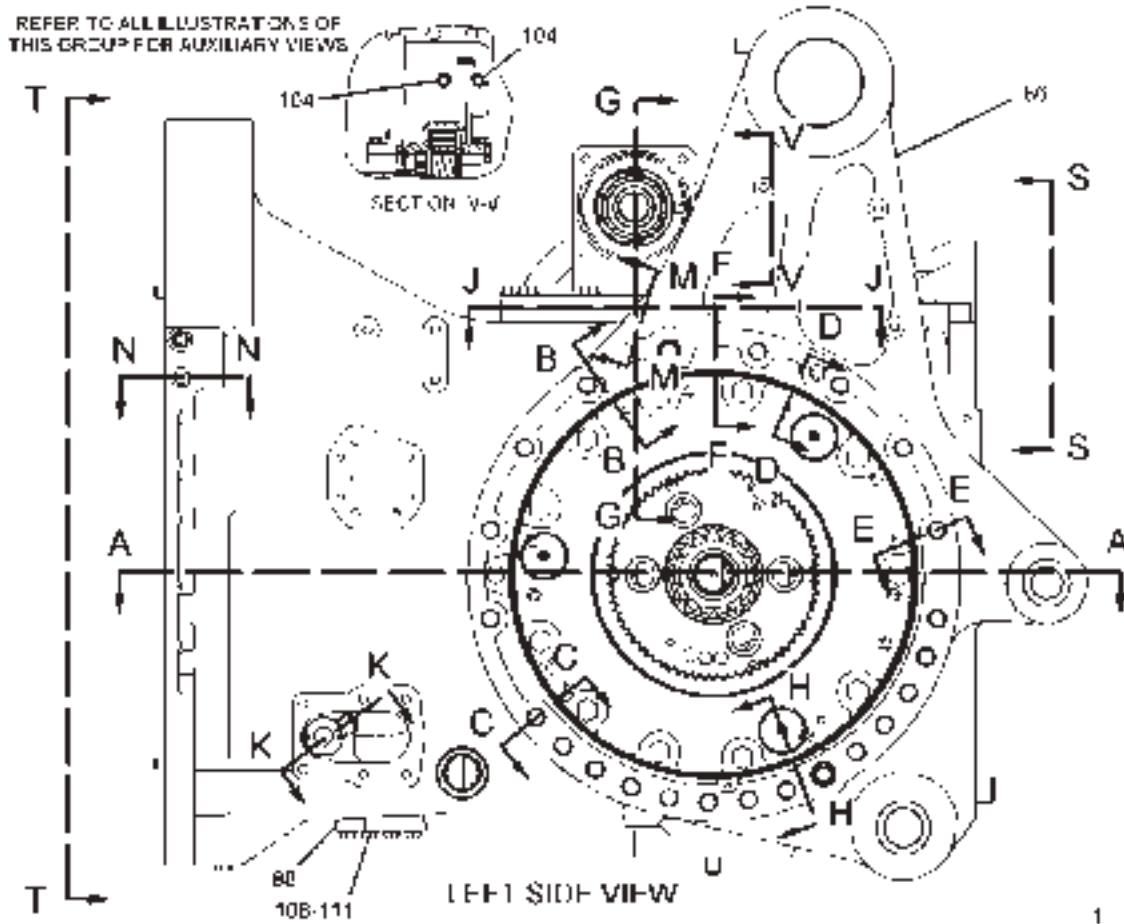
ITEM	NUMBER	QTY	DESCRIPTION
-	199-8159	--	DIFFERENTIAL GP-STEERING [A] (NOT SERVICED)
2	1T-0043	2	BALL BEARING
12	5P-6254	2	BEARING
17	4B-9783	1	BALL
23	7X-7816	1	PLATE-SERIAL NUMBER (TRANSMISSION)
26	8E-8310	2	DISC-THRUST
28	8M-7160	1	MAGNET
31		2	TACK
33	111-7068	1	SHAFT AS
	2A-3746	1	PLUG-CUP
40	161-8212	1	BRAKE GP-PARKING (SEE BREAKDOWN FOR COMPONENTS)
64	176-1377	6	PIN-SPRING
66	192-5602	2	SLEEVE
69	194-9564	1	GEAR-CLUSTER (60/28-TEETH)
70	194-9565	1	GEAR (14-TEETH)
73	199-7107	6	SPRING
74	210-8405	6	BUSHING
75	210-8406	6	PLATE-SPRING
82	215-7301	1	TUBE AS
83	235-1065	1	SUPPORT [C]
85	223-1637	1	PLUG AS [C]
89	148-8407	1	PLUG AS (NOT SERVICED)
	3J-1907	1	SEAL-O-RING
	9S-4191	1	PLUG
91	1H-8171	1	SEAL-O-RING
93	1J-6472	1	RING-RETAINING
96	3K-0360	1	SEAL-O-RING
98	4J-5140	2	SEAL-O-RING
99	4J-5477	2	SEAL-O-RING
100	4K-2039	1	SEAL-O-RING
105	6V-8934	1	REDUCER
106	8L-2777	4	SEAL-O-RING
110	8T-4183	12	BOLT (M12X1.75X40-MM)
112	8T-4223	9	WASHER-HARD (13.5X25.5X3-MM THK)

[A] PART OF 171-4005, 171-4010,
213-8802 AXLE AR
[C] CHANGE FROM PREVIOUS TYPE

01124949
PR: t05c24o40d0179

MT700B SERIES TRACK TRACTOR
POWER TRAIN

199-8159 DIFFERENTIAL GP-STEERING
S/N: AZA1231-UP; AZE1513-UP; AZT954-UP
(1 OF 3)



01124947

**MT700B SERIES TRACKTRACTOR
POWER TRAIN**

427

199-8159 DIFFERENTIAL GP-STEERING
S/N: AZA1231-UP; AZE1513-UP; AZT954-UP
(1 OF 3)

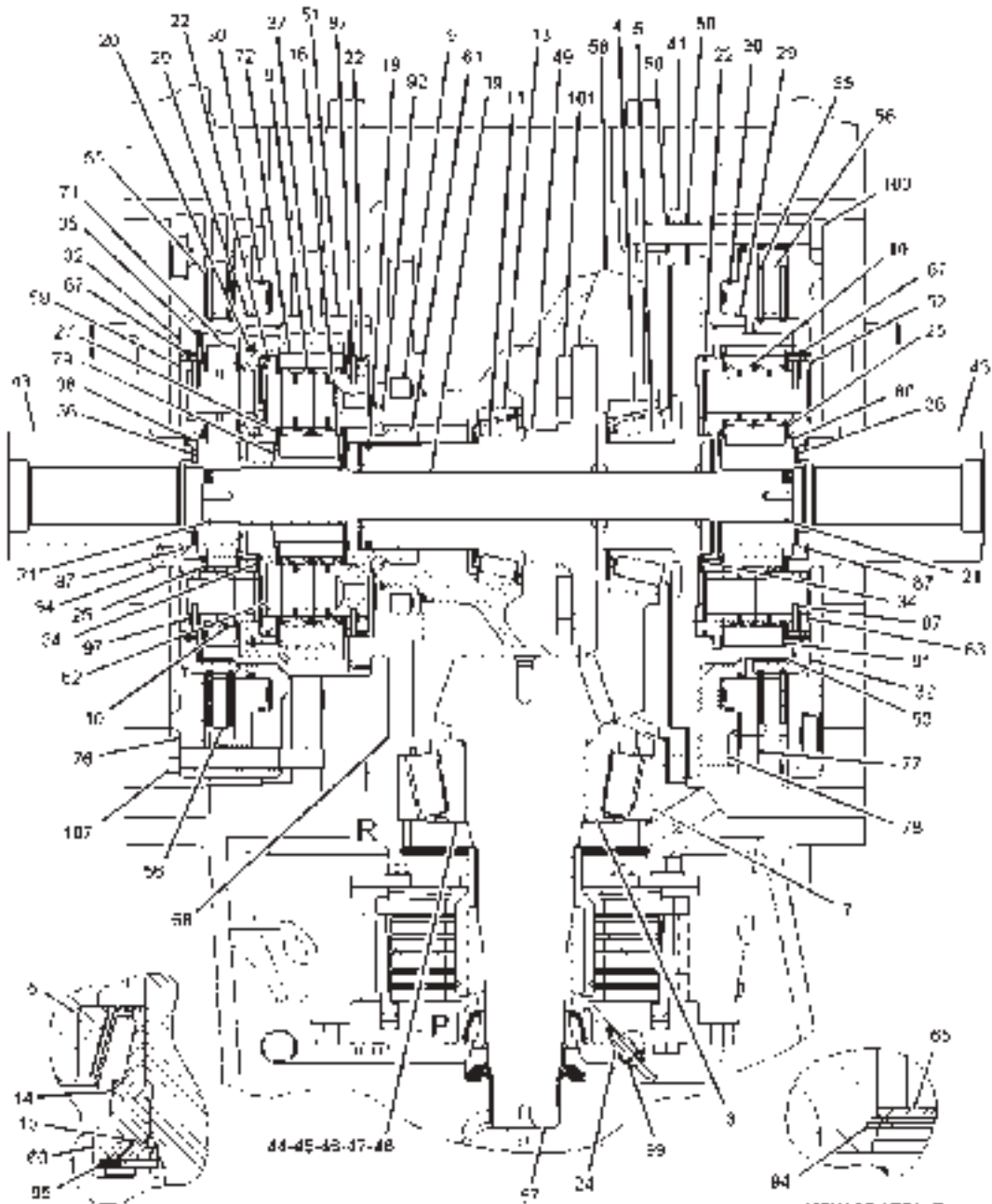
ITEM	NUMBER	QTY	DESCRIPTION
-	199-8159	--	DIFFERENTIAL GP-STEERING [A] (NOT SERVICED)
1	1U-8846	AR	SEALANT-GASKET
18	4K-3892	6	DOWEL
42	163-0592	1	VALVE GP-CHECK
	061-7540	1	SEAL-O-RING
84	8T-9515	5	BOLT-SOCKET HEAD (M10X1.5X40-MM)
86	233-9766	1	HOUSING GP-DIFFERENTIAL (SEE BREAKDOWN FOR COMPONENTS)
88	115-2134	1	FLANGE
90	162-0177	1	PLUG AS (NOT SERVICED)
	3J-1907	1	SEAL-O-RING
	9S-8004	1	PLUG
97	3S-2708	13	PIN-SPRING
102	6V-6317	4	BOLT (M10X1.5X20-MM)
104	162-6448	2	PLUG AS (NOT SERVICED) [C]
	1N-5999	1	PLUG
	7J-0204	1	SEAL-O-RING
108	8T-4121	4	WASHER-HARD (11X21X2.5-MM THK)
109	8T-4179	1	BOLT (M12X1.75X20-MM)
111	8T-4195	4	BOLT (M10X1.5X30-MM)
112	8T-4223	9	WASHER-HARD (13.5X25.5X3-MM THK)

[A] PART OF 171-4005, 171-4010,
213-8802 AXLE AR

01124947
PR: t05c24o40d0180

MT700B SERIES TRACK TRACTOR
POWER TRAIN

199-8159 DIFFERENTIAL GP-STEERING
S/N: AZA1231-UP; AZE1513-UP; AZT954-UP
(2 OF 3)



REF. TO ALL ILLUSTRATIONS OF THIS GROUP FOR AUXILIARY VIEWS
SFI, TK NA-P
(ROTATED 90 DEGREES CW)

01124948

**MT700B SERIES TRACK TRACTOR
POWER TRAIN**

429

199-8159 DIFFERENTIAL GP-STEERING
S/N: AZA1231-UP; AZE1513-UP; AZT954-UP
(2 OF 3)

ITEM	NUMBER	QTY	DESCRIPTION
-	199-8159	--	DIFFERENTIAL GP-STEERING [A] (NOT SERVICED)
3	101-9565	1	CONE-BEARING
4	138-7099	1	CUP-BEARING
5	1J-4757	1	CONE-BEARING
6	2A-4576	1	CUP-BEARING
7	2J-7227	1	CUP-BEARING
8	2M-5685	8	BEARING
9	4D-7953	1	BEARING
10	5M-0578	12	BEARING AS-ROLLER
11	5P-3723	1	CONE-BEARING
13	6D-7690	1	CUP-BEARING
14	9M-2457	1	CONE-BEARING
15	1B-6161	1	LOCK-NUT
16	4B-1127	1	RING-SNAP
19	6I-8197	1	RING-RETAINING
20	6I-8200	1	RING-LOCK
21	6I-8566	2	RING-RETAINING
22	7G-5670	3	SEAL-RING
24	8C-6865	1	CONNECTOR
25	8E-8308	16	DISC-THRUST
27	8E-8311	8	DISC-THRUST
29	9X-7424	2	SEAL-RING
30	9X-7426	2	SEAL-RING
32	102-3046	2	HUB-BRAKE
34	111-7077	2	DISC-THRUST
35	111-7078	1	DISC-THRUST
36	111-7079	2	DISC-THRUST
37	124-9398	1	GEAR-RING (75-TEETH)
38	131-2293	1	GEAR-SUN (28-TEETH)
39	131-2295	1	SHAFT-SUN GEAR
41	161-8757	1	SUPPORT
43	164-3904	2	GEAR-SUN (15-TEETH)
44	164-3971	AR	SHIM (0.9-MM THK)
45	164-3972	AR	SHIM (0.8-MM THK)
46	164-3973	AR	SHIM (0.7-MM THK)
47	164-3974	AR	SHIM (0.6-MM THK)
48	164-3975	AR	SHIM (0.5-MM THK)
49	164-3977	1	SHAFT-BEVEL GEAR
50	164-3978	2	SHIM PACK (INCLUDES 14-SHIMS)
51	164-3982	1	GEAR-RING (72-TEETH)
52	164-3983	1	CARRIER-PLANETARY
53	164-3984	1	GEAR-RING (72-TEETH)
54	164-3985	1	CARRIER-PLANETARY

CONTINUED

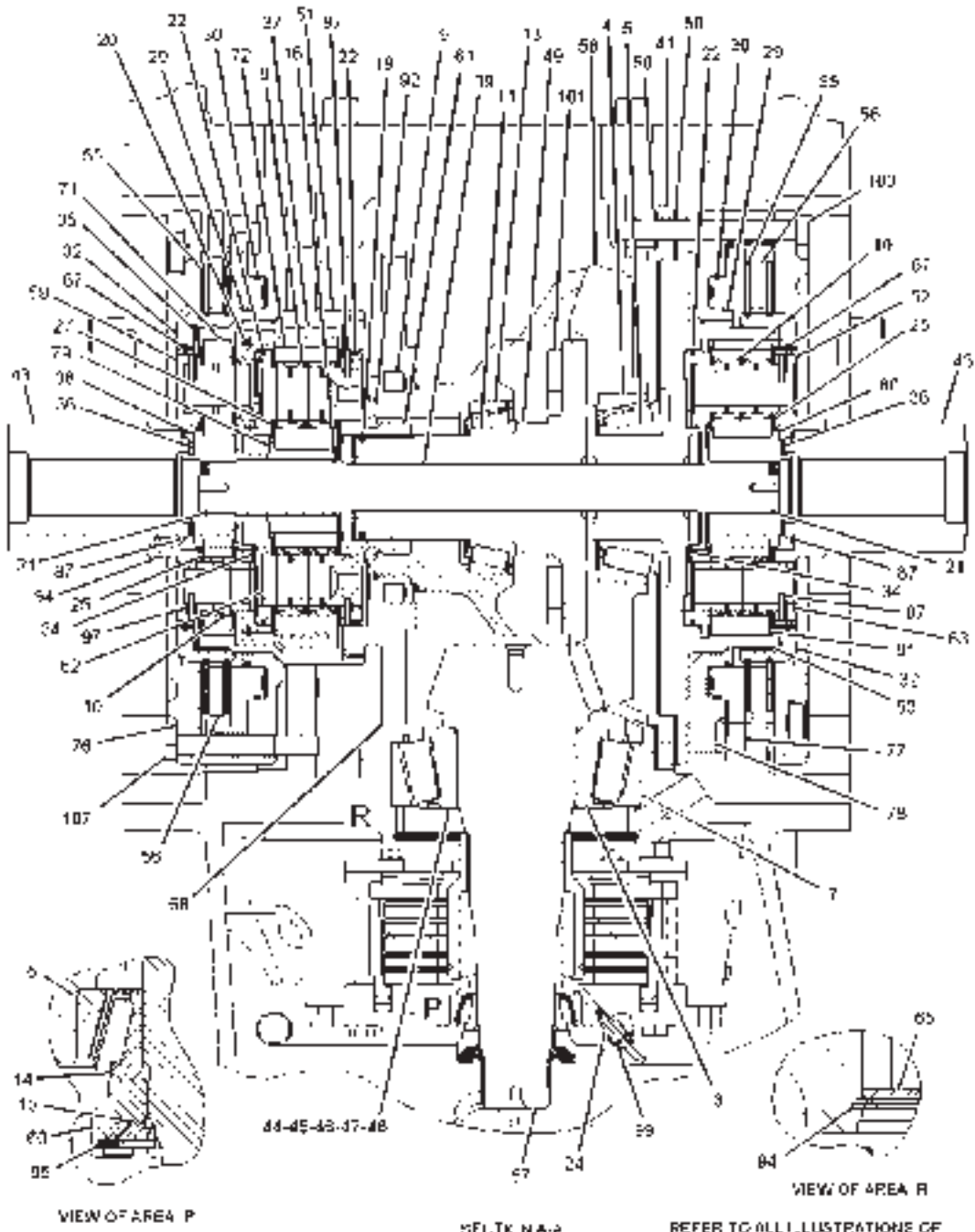
[A] PART OF 171-4005, 171-4010,
213-8802 AXLE AR

01124948
PR: t05c24o40d0181

MT700B SERIES TRACK TRACTOR
POWER TRAIN

199-8159 DIFFERENTIAL GP

S/N: AZA1231-UP; AZE1513-UP; AZT954-UP
(2 OF 3)



REF. TO NA-P
(ROTATED 90 DEGREES CW)
REFER TO ALL ILLUSTRATIONS OF
THIS GROUP FOR AUXILIARY VIEWS

01124948

**MT700B SERIES TRACKTRACTOR
POWER TRAIN**

431

199-8159 DIFFERENTIAL GP
S/N: AZA1231-UP; AZE1513-UP; AZT954-UP
(2 OF 3)

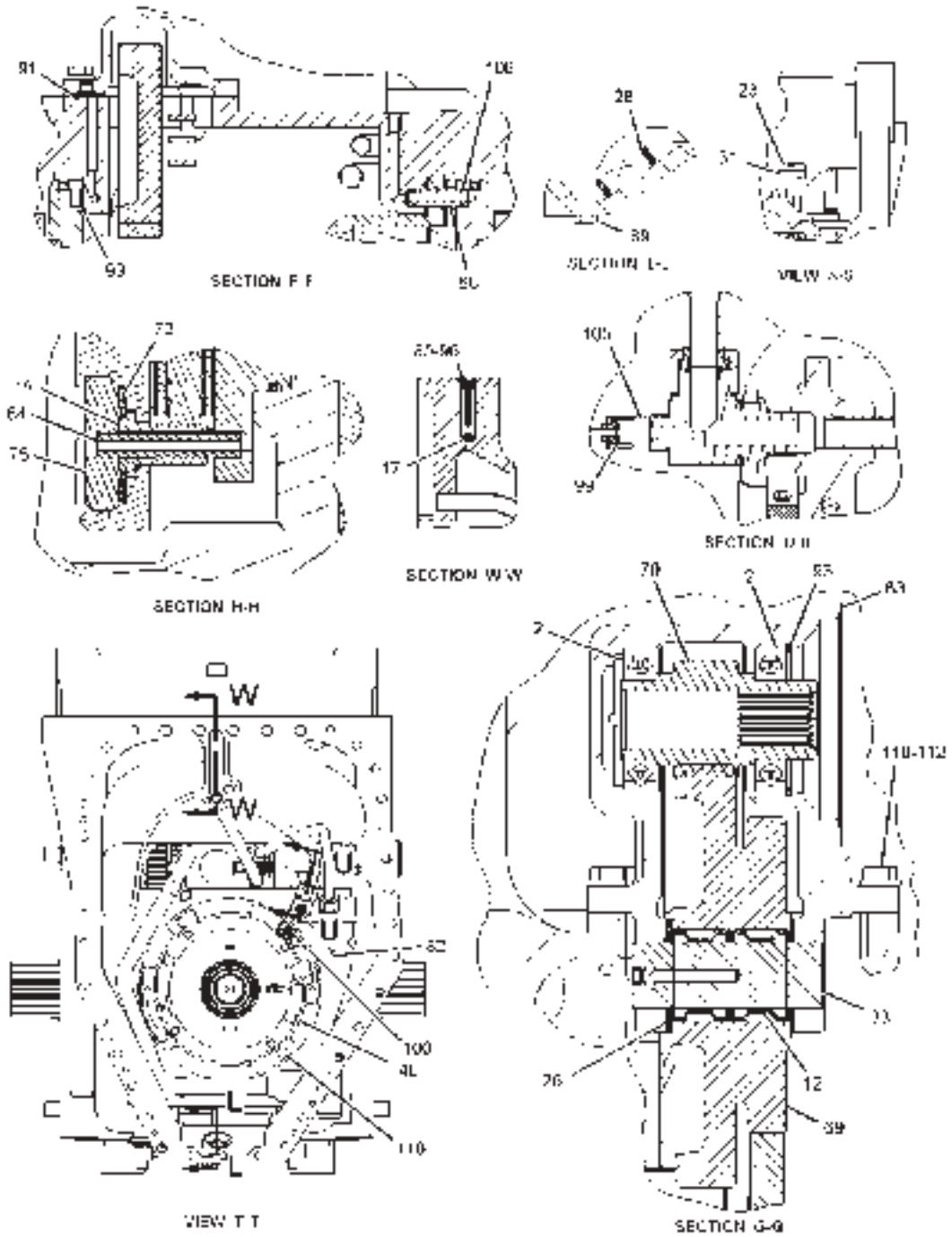
ITEM	NUMBER	QTY	DESCRIPTION
-	199-8159	--	DIFFERENTIAL GP [A] (NOT SERVICED)
55	171-6135	4	DISC-FRICTION
56	171-6138	2	PLATE
57	172-4316	1	PINION-BEVEL (13-TEETH)
58	172-4317	1	GEAR-BEVEL (37-TEETH)
59	174-9383	4	SHAFT-PLANETARY
60	174-9389	1	NUT-BEARING LOCK
61	174-9399	1	CARRIER-PLANETARY
62	226-6510	4	SHAFT
63	174-9404	4	SHAFT-PLANETARY
65	191-1912	1	PLATE-RETAINER
67	192-9242	2	RING-LOCK
68	194-9563	1	GEAR (61-TEETH)
71	197-7314	4	GEAR-PLANETARY (23-TEETH)
72	233-9623	4	GEAR-PLANET (27-TEETH)
76	210-8407	2	PLATE-REACTION
77	210-8408	2	PISTON-BRAKE
78	210-8411	2	HOUSING AS
	126-7260	2	PLUG
79	226-7257	1	GEAR-SUN (28/21-TEETH)
80	213-6196	1	GEAR-SUN (28-TEETH)
81	213-6198	4	GEAR-PLANETARY (23 TEETH)
87	113-0694	2	RING-RETAINING
92	1J-3628	1	RING-RETAINING
94	2K-1381	1	RING-RETAINING
95	2S-2978	1	RING-RETAINING
97	3S-2708	13	PIN-SPRING
99	4J-5477	2	SEAL-O-RING
101	6V-3532	12	BOLT (M20X2.5X60-MM)
103	6V-8154	11	BOLT (M16X2X150-MM)
107	8T-0282	11	BOLT (M16X2X120-MM)

[A] PART OF 171-4005, 171-4010,
213-8802 AXLE AR

01124948
PR: t05c24o40d0181

MT700B SERIES TRACK TRACTOR
POWER TRAIN

199-8159 DIFFERENTIAL GP-STEERING
S/N: AZA1231-UP; AZE1513-UP; AZT954-UP
(3 OF 3)



01124949

**MT700B SERIES TRACKTRACTOR
POWER TRAIN**

433

199-8159 DIFFERENTIAL GP-STEERING
S/N: AZA1231-UP; AZE1513-UP; AZT954-UP
(3 OF 3)

ITEM	NUMBER	QTY	DESCRIPTION
-	199-8159	--	DIFFERENTIAL GP-STEERING [A] (NOT SERVICED)
2	1T-0043	2	BALL BEARING
12	5P-6254	2	BEARING
17	4B-9783	1	BALL
23	7X-7816	1	PLATE-SERIAL NUMBER (TRANSMISSION)
26	8E-8310	2	DISC-THRUST
28	8M-7160	1	MAGNET
31		2	TACK
33	111-7068	1	SHAFT AS
	2A-3746	1	PLUG-CUP
40	161-8212	1	BRAKE GP-PARKING (SEE BREAKDOWN FOR COMPONENTS)
64	176-1377	6	PIN-SPRING
66	192-5602	2	SLEEVE
69	194-9564	1	GEAR-CLUSTER (60/28-TEETH)
70	194-9565	1	GEAR (14-TEETH)
73	199-7107	6	SPRING
74	210-8405	6	BUSHING
75	210-8406	6	PLATE-SPRING
82	215-7301	1	TUBE AS
83	235-1065	1	SUPPORT
85	223-1637	1	PLUG AS
89	148-8407	1	PLUG AS (NOT SERVICED)
	3J-1907	1	SEAL-O-RING
	9S-4191	1	PLUG
91	1H-8171	1	SEAL-O-RING
93	1J-6472	1	RING-RETAINING
96	3K-0360	1	SEAL-O-RING
98	4J-5140	2	SEAL-O-RING
99	4J-5477	2	SEAL-O-RING
100	4K-2039	1	SEAL-O-RING
105	6V-8934	1	REDUCER
106	8L-2777	4	SEAL-O-RING
110	8T-4183	12	BOLT (M12X1.75X40-MM)
112	8T-4223	9	WASHER-HARD (13.5X25.5X3-MM THK)

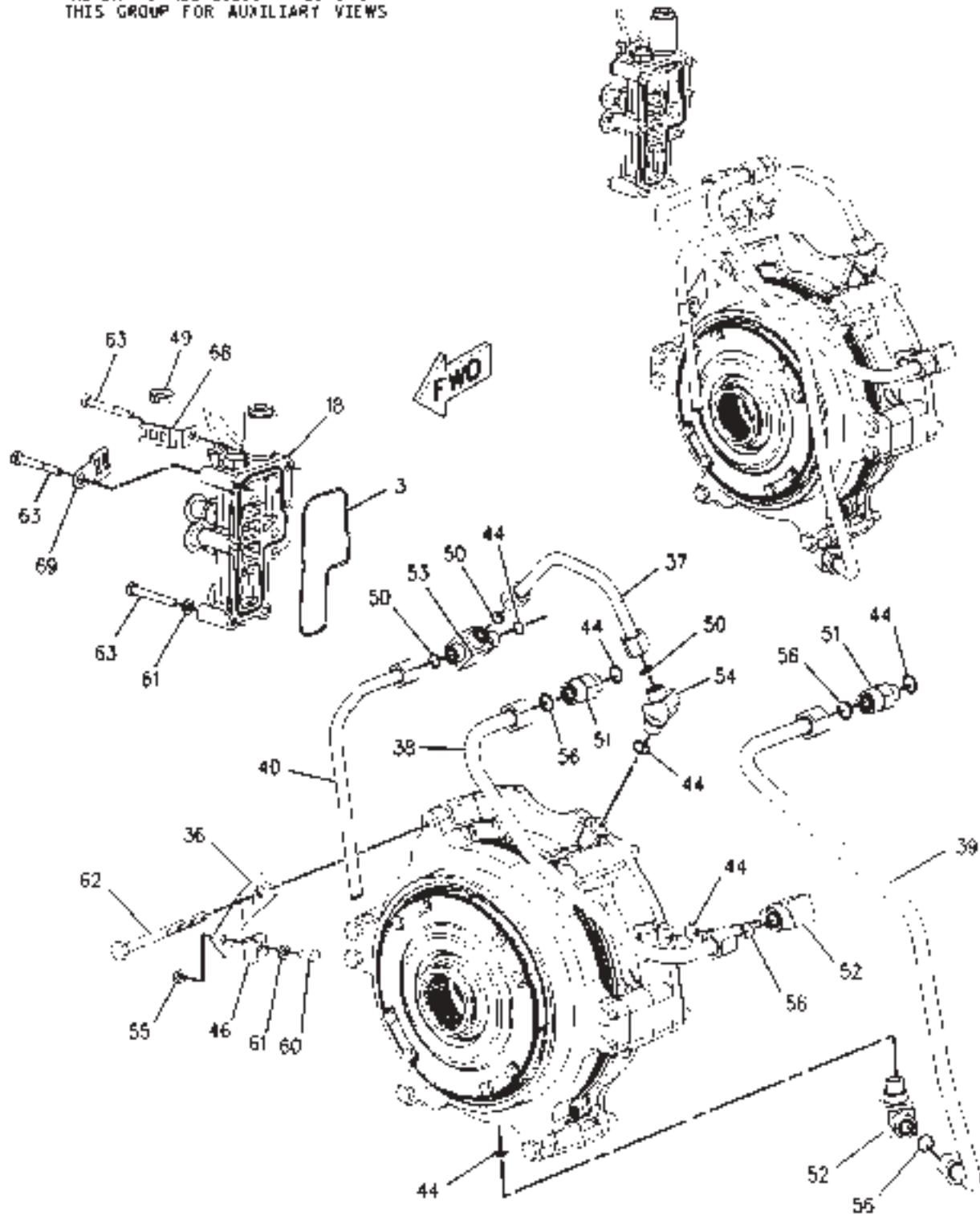
[A] PART OF 171-4005, 171-4010,
213-8802 AXLE AR
[C] CHANGE FROM PREVIOUS TYPE

01124949
PR: t05c24o40d0183

MT700B SERIES TRACKTRACTOR
POWER TRAIN

169-8568 DRIVE GP-CREEPER
S/N: 8AY1-UP

REFER TO ALL ILLUSTRATIONS OF
THIS GROUP FOR AUXILIARY VIEWS



00817818

**MT700B SERIES TRACKTRACTOR
POWER TRAIN**

435

**169-8568 DRIVE GP-CREEPER
S/N: 8AY1-UP**

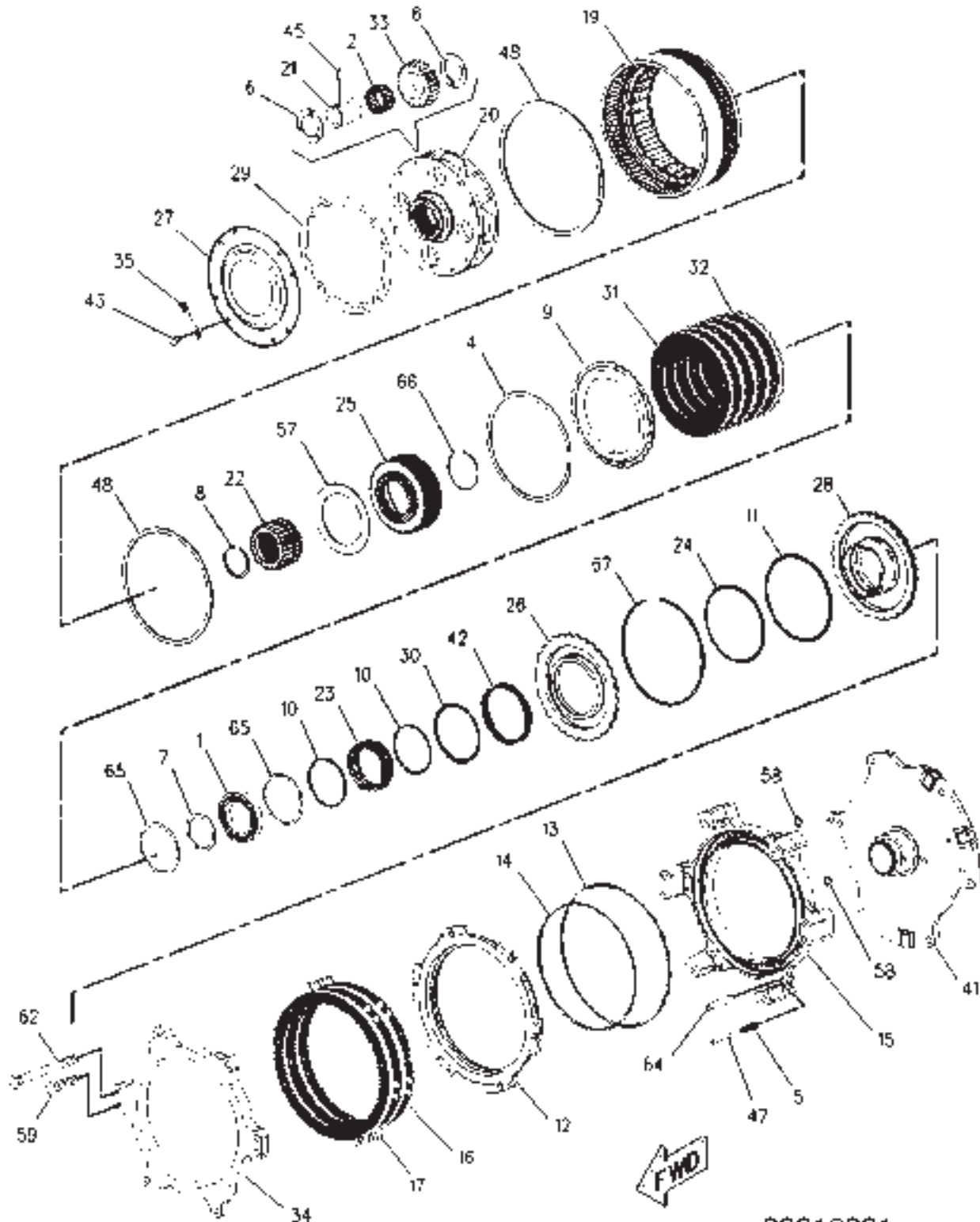
ITEM	NUMBER	QTY	DESCRIPTION
-	169-8568	--	DRIVE GP-CREEPER [A] (NOT SERVICED)
3	2P-1692	1	SEAL-O-RING
18	170-5152	1	VALVE GP (CREEPER ENGAGE/DISENGAGE) (SEE BREAKDOWN FOR COMPONENTS)
36	174-9394	1	PLATE
37	174-9395	1	TUBE AS
38	174-9396	1	TUBE AS
39	174-9397	1	TUBE AS
40	174-9398	1	TUBE AS
44	3K-0360	6	SEAL-O-RING
46	4B-0418	1	CLIP
49	3S-2093	1	STRAP-CABLE
50	6V-8398	3	SEAL-O-RING
51	6V-8632	2	CONNECTOR
52	6V-8722	2	ELBOW
53	6V-8782	1	TEE
54	6V-9002	1	ELBOW
55	6V-9189	1	LOCKNUT (M8X1.25-THD)
56	7J-9108	4	SEAL-O-RING
60	8T-4200	1	BOLT (M8X1.25X16-MM)
61	8T-4224	6	WASHER-HARD (8.8X16X2-MM THK)
62	8T-5001	6	BOLT (M12X1.75X130-MM)
63	8T-6869	7	BOLT (M8X1.25X60-MM)
68	130-5300	1	CLIP
69	4P-8134	1	CLIP

[A] PART OF 173-2462 TRANSMISSION AR

00817818
PR: t05c24o40d0184

MT700B SERIES TRACK TRACTOR
POWER TRAIN

169-8568 DRIVE GP-CREEPER
S/N: 8AY1-UP



00818001

**MT700B SERIES TRACK TRACTOR
POWER TRAIN**

437

**169-8568 DRIVE GP-CREEPER
S/N: 8AY1-UP**

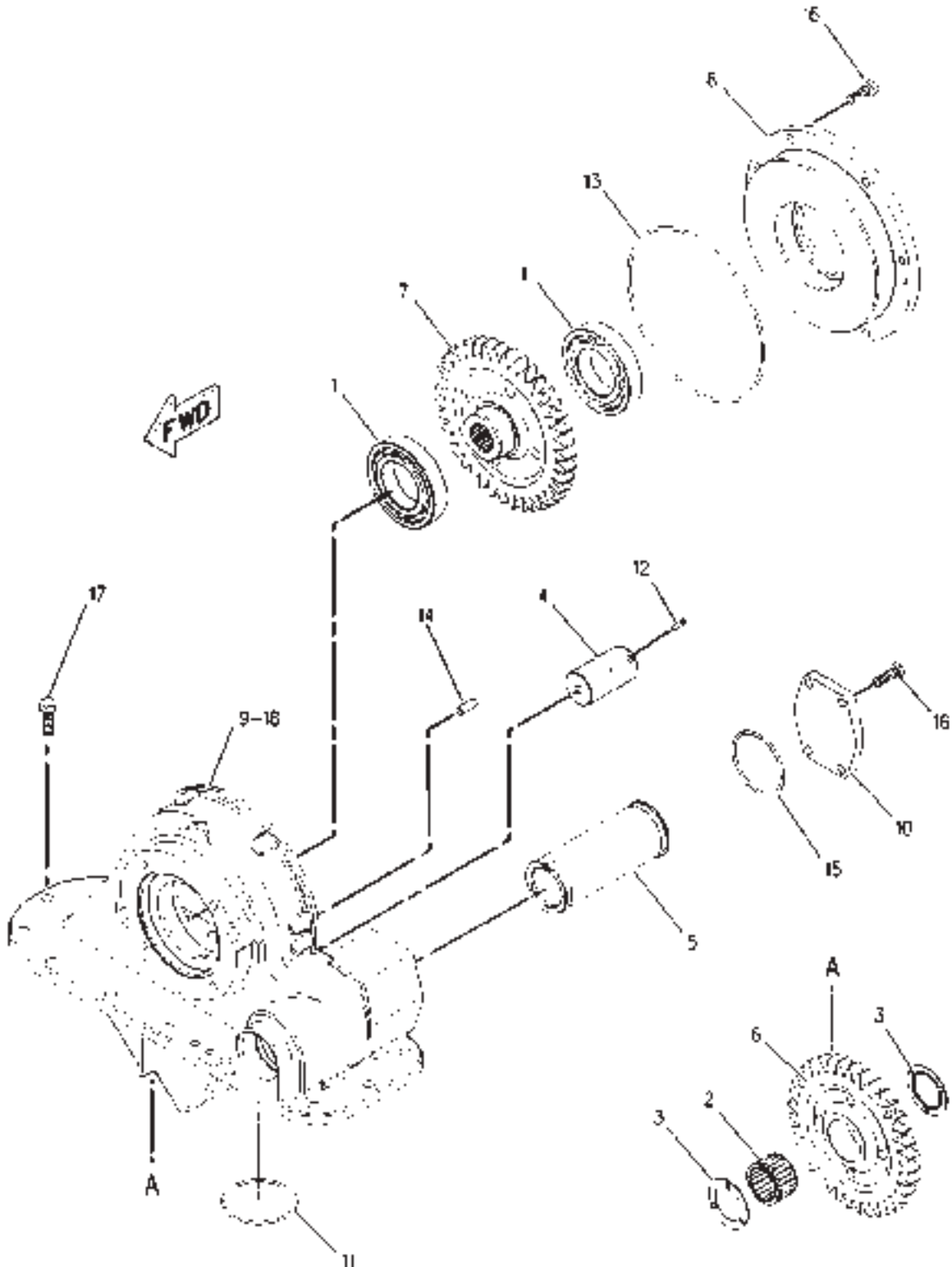
ITEM	NUMBER	QTY	DESCRIPTION
-	169-8568	--	DRIVE GP-CREEPER [A] (NOT SERVICED)
1	3P-0898	1	BALL BEARING
2	5M-0578	4	BEARING AS-ROLLER
4	4D-7889	1	RING
5	7G-6945	6	SPRING
6	8E-8308	8	DISC-THRUST
7	9X-6163	1	RING-RETAINING
8	159-1043	1	RING-RETAINING
9	161-8240	1	PLATE-END
10	165-0441	2	RING-SEAL
11	165-0492	1	RING-SEAL
12	165-0504	1	PISTON
13	165-0507	1	RING-SEAL
14	165-0508	1	RING-SEAL
15	165-8699	1	HOUSING-CLUTCH
16	166-0673	3	DISC-FRICTION
17	166-0675	2	PLATE-CLUTCH
19	170-7275	1	GEAR-RING (75-TEETH)
20	170-7283	1	CARRIER-PLANETARY
21	170-7284	4	SHAFT-PLANETARY
22	170-7286	1	GEAR-SUN (25-TEETH)
23	170-7287	1	CARRIER-RING
24	170-7291	1	RING-SEAL
25	170-8727	1	HUB-CLUTCH
26	173-5385	1	PISTON
27	173-5386	1	SLINGER
28	173-5389	1	HOUSING
29	173-5391	1	GASKET
30	173-7444	1	RETAINER-SPRING
31	173-7504	5	DISC-FRICTION
32	173-7505	5	PLATE-CLUTCH
33	173-7833	4	GEAR-PLANETARY (25-TEETH)
34	174-6121	1	PLATE-END
35	174-6582	4	LOCK
41	174-9405	1	HOUSING AS
	1A-3284	2	DOWEL
	2D-6642	2	BALL
42	185-7408	1	SPRING-WAVE
43	2W-9533	8	BOLT (M8X1.25X10-MM)
45	3S-2708	4	PIN-SPRING
47	4T-2201	6	ROD
48	5P-9171	1	RING-RETAINING
57	8D-3266	1	WASHER (109X149X2.39-MM THK)
58	8F-3469	2	SEAL-O-RING
59	6V-5684	4	BOLT (M12X1.75X45-MM)
62	8T-5001	6	BOLT (M12X1.75X130-MM)
64	9H-5545	6	DOWEL-REACTION
65	9M-6166	2	RING-RETAINING
66	162-9122	1	RING-RETAINING
67	195-3949	1	RING-RETAINING

[A] PART OF 173-2462 TRANSMISSION AR

00818001
PR: t05c24o40d0185

MT700B SERIES TRACK TRACTOR
POWER TRAIN

161-8857 DRIVE GP-PUMP
S/N: 7PY1-UP; 8AY1-UP



00838245

**MT700B SERIES TRACK TRACTOR
POWER TRAIN**

439

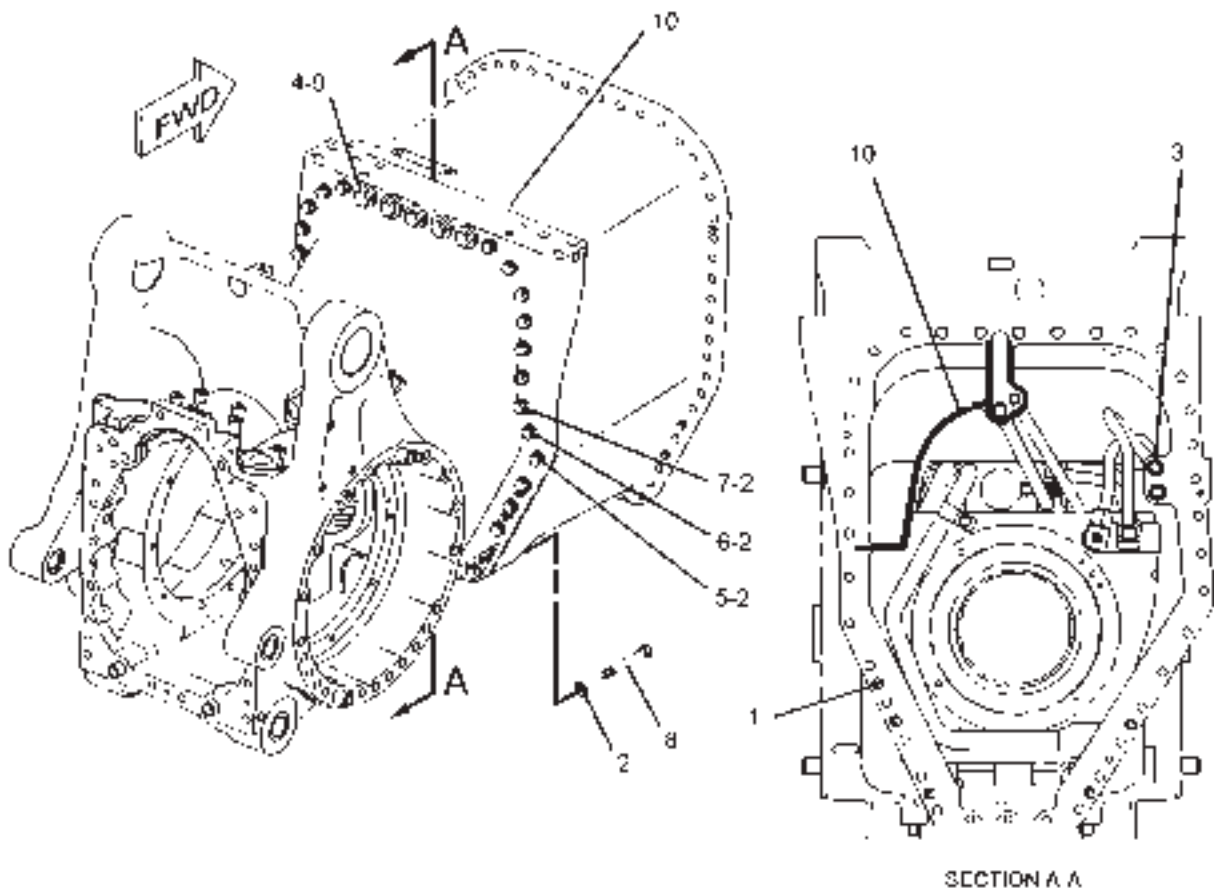
**161-8857 DRIVE GP-PUMP
S/N: 7PY1-UP; 8AY1-UP**

ITEM	NUMBER	QTY	DESCRIPTION
-	161-8857	--	DRIVE GP-PUMP [A] (NOT SERVICED)
1	1F-2771	2	BALL BEARING
2	5M-2051	1	BEARING-CAGED
3	6Y-1223	2	DISC-THRUST
4	8P-7898	1	SHAFT-PLANETARY
5	210-2478	1	SCREEN (PUMP DRIVE INLET)
6	161-8765	1	GEAR (36-TEETH)
7	161-8851	1	GEAR (39-TEETH)
8	161-8852	1	COVER
9	168-5062	1	HOUSING-PUMP DRIVE
10	170-7290	1	COVER
11	6V-1197	1	SEAL-O-RING
12	3S-2708	1	PIN-SPRING
13	4K-6804	1	SEAL-O-RING
14	5B-5821	2	DOWEL
15	131-3718	1	SEAL-O-RING
16	8T-4195	10	BOLT (M10X1.5X30-MM)
17	8T-4956	14	BOLT (M12X1.75X35-MM)
18	1U-8846	AR	SEALANT-GASKET

[A] PART OF 152-5241,
173-2462 TRANSMISSION AR

00838245
PR: t05c24o40d0186

194-7086 FINAL DRIVE GP
S/N: AZA1-UP



01122879

**MT700B SERIES TRACK TRACTOR
POWER TRAIN**

441

**194-7086 FINAL DRIVE GP
S/N: AZA1-UP**

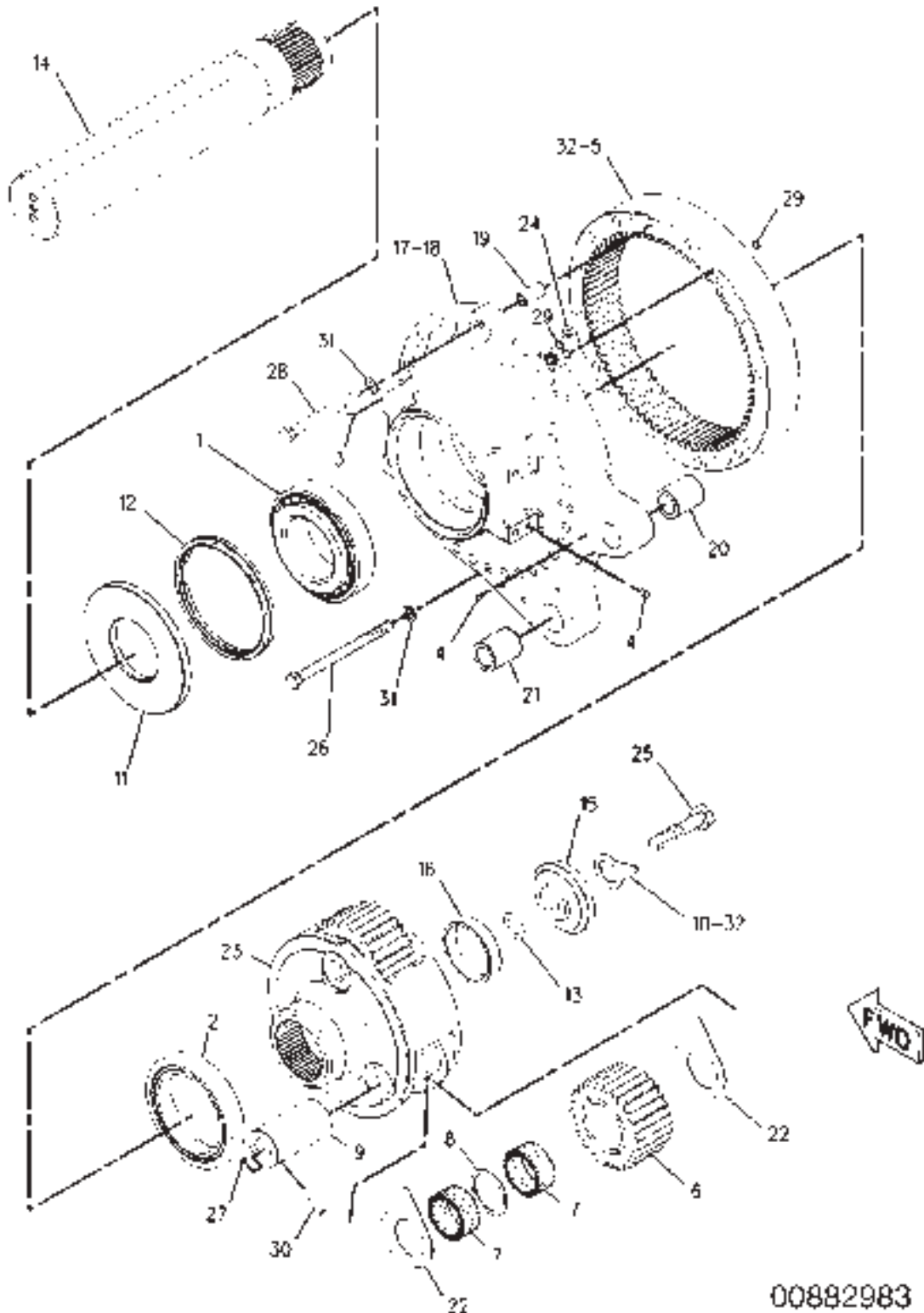
ITEM	NUMBER	QTY	DESCRIPTION
-	194-7086	--	FINAL DRIVE GP [A] (NOT SERVICED)
1	7C-6467	5	PLUG
2	3E-4356	32	WASHER-HARD (30X17.5X6-MM THK)
3	4J-8996	2	SEAL-O-RING
4	6C-9149	5	WASHER (22X50X10-MM THK)
5	7X-2554	15	BOLT (M16X2X70-MM)
6	7X-2556	2	BOLT (M16X2X100-MM)
7	7X-2557	12	BOLT (M16X2X140-MM)
8	7X-2559	3	BOLT (M16X2X160-MM)
9	8T-4170	5	BOLT (M20X2.5X150-MM)
10	1U-8846	AR	SEALANT-GASKET

[A] PART OF 200-5011, 200-5013,
200-5015, 200-5017, 213-8788,
213-8789 POWERTRAIN AR

01122879
PR: t05c24o40d0187

MT700B SERIES TRACK TRACTOR
POWER TRAIN

194-7086 FINAL DRIVE GP-STANDARD GAUGE
S/N: AZA1-UP



00882983

**MT700B SERIES TRACK TRACTOR
POWER TRAIN**

443

**194-7086 FINAL DRIVE GP-STANDARD GAUGE
S/N: AZA1-UP**

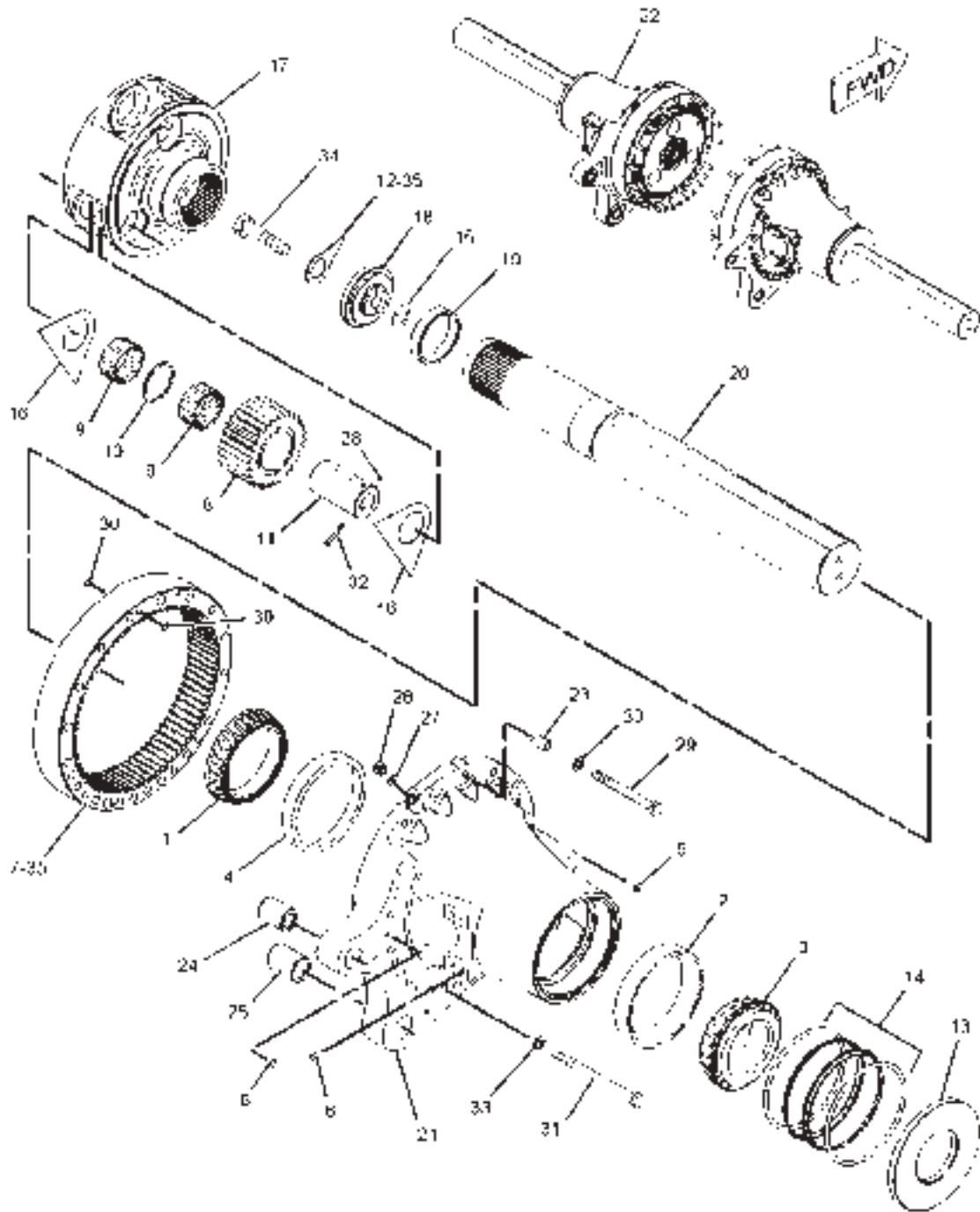
ITEM	NUMBER	QTY	DESCRIPTION
-	194-7086	--	FINAL DRIVE GP-STANDARD GAUGE [A] (NOT SERVICED)
1	205-1755	2	BEARING AS-SPECIAL
2	205-1756	2	BEARING AS-SPECIAL
3	7C-6467	2	PLUG
4	8C-5224	18	PLUG-SEAL
5	164-3902	2	GEAR-RING (78-TEETH)
6	164-3903	6	GEAR-PLANETARY (30-TEETH)
7	261-2719	372	BEARING-NEEDLE
8	164-3907	6	RACE-THRUST BEARING
9	267-5583	6	SHAFT-PLANETARY
10	164-3912	2	LOCK-BOLT
11	164-3926	2	SPACER
12	172-1619	2	SEAL GP
13	174-9379	2	SHIM PACK (INCLUDES 12-SHIMS)
14	194-0633	2	SHAFT-AXLE
15	194-0635	2	RETAINER-SHAFT
16	194-0636	2	BUSHING
17	194-0637	1	HOUSING-AXLE (LH)
18	194-0638	1	HOUSING-AXLE (RH)
19	195-4773	4	DOWEL-HOLLOW
20	200-4193	2	BEARING-SLEEVE
21	200-4194	2	BEARING-SLEEVE
22	213-8771	12	WASHER-THRUST
23	267-5582	2	CARRIER-PLANETARY
24	3K-0360	2	SEAL-O-RING
	9S-8005	2	PLUG
25	177-9754	2	BOLT (M30X3.5X130-MM)
26	199-7178	32	BOLT (M20X2.5X270-MM)
27	6V-9189	6	LOCKNUT (M8X1.25-THD)
28	7X-2569	14	BOLT (M20X2.5X200-MM)
29	8F-3469	4	SEAL-O-RING
30	8T-0100	6	BOLT (M8X1.25X60-MM)
31	8T-4123	46	WASHER-PLATED (22X35X3.5-MM THK)
32	1U-8846	AR	SEALANT-GASKET

[A] PART OF 171-4005 AXLE AR
NOTE: QUANTITIES SHOWN ARE THOSE
REQUIRED FOR BOTH LH AND RH SIDES

00882983
PR: t05c24o40d0188

MT700B SERIES TRACK TRACTOR
POWER TRAIN

195-3950 FINAL DRIVE GP-WIDE GAUGE
S/N: AZE1-UP



01122526

**MT700B SERIES TRACKTRACTOR
POWER TRAIN**

445

**195-3950 FINAL DRIVE GP-WIDE GAUGE
S/N: AZE1-UP**

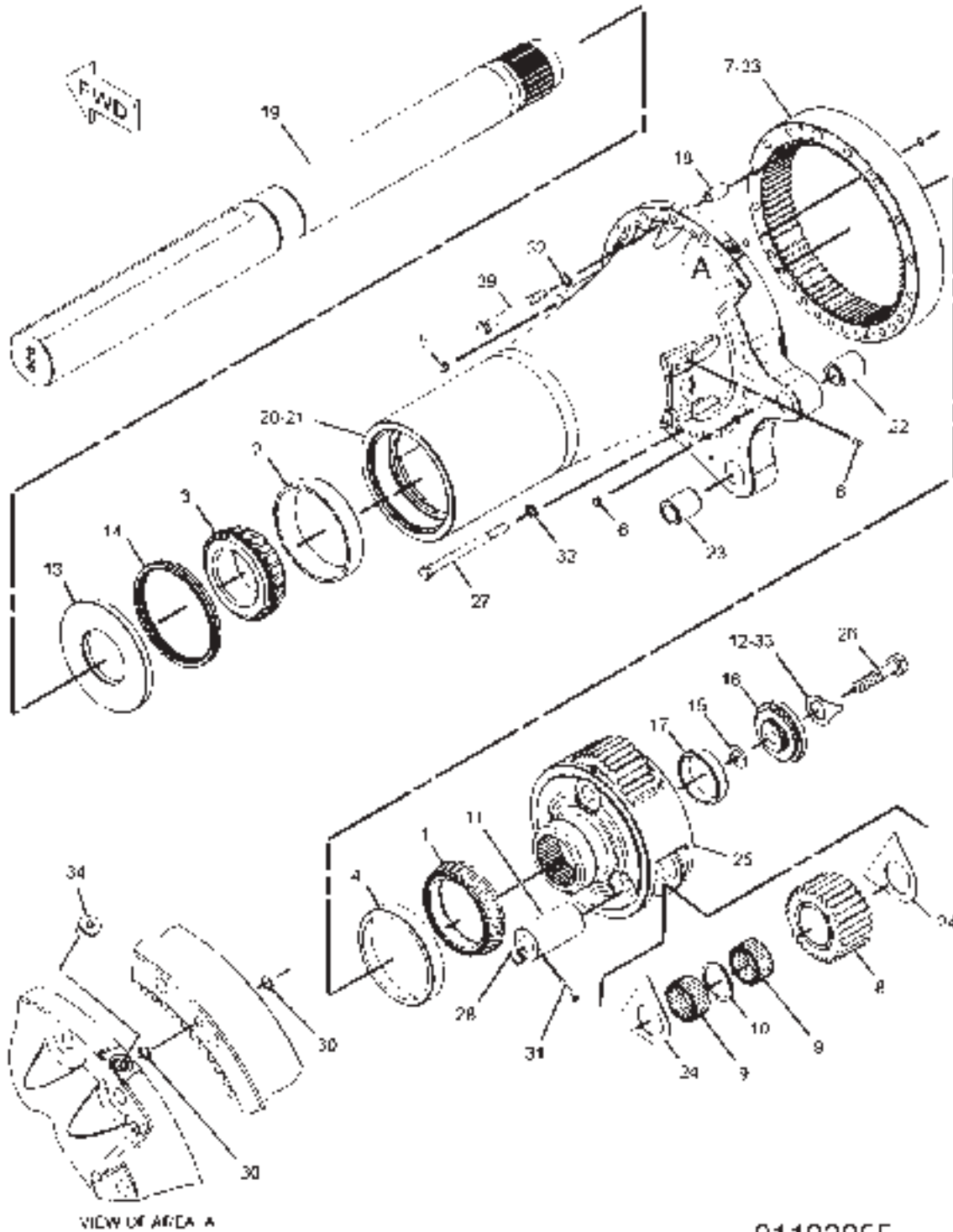
ITEM	NUMBER	QTY	DESCRIPTION
-	195-3950	--	FINAL DRIVE GP-WIDE GAUGE [A] (NOT SERVICED)
1	197-9466	2	CONE
2	2J-2152	2	CUP-BEARING
3	2J-2476	2	CONE-BEARING
4	5P-4298	2	CUP-BEARING
5	7C-6467	2	PLUG
6	8C-5224	18	PLUG-SEAL
7	164-3902	2	GEAR-RING (78-TEETH)
8	164-3903	6	GEAR-PLANETARY (30-TEETH)
9	261-2719	372	BEARING-NEEDLE
10	164-3907	6	RACE-THRUST BEARING
11	267-5583	6	SHAFT-PLANETARY
12	164-3912	2	LOCK-BOLT
13	164-3926	2	SPACER
14	172-1619	2	SEAL GP
15	174-9379	2	SHIM PACK (INCLUDES 12-SHIMS)
16	213-8771	12	WASHER-THRUST
17	267-5582	2	CARRIER-PLANETARY
18	194-0635	2	RETAINER-SHAFT
19	194-0636	2	BUSHING
20	194-3507	2	SHAFT-AXLE
21	195-3951	1	HOUSING-AXLE (RH)
22	195-3953	1	HOUSING-AXLE (LH)
23	195-4773	4	DOWEL-HOLLOW
24	200-4193	2	BEARING-SLEEVE
25	200-4194	2	BEARING-SLEEVE
26	9S-8005	1	PLUG
27	3K-0360	1	SEAL-O-RING
28	6V-9189	6	LOCKNUT (M8X1.25-THD)
29	7X-2569	14	BOLT (M20X2.5X200-MM)
30	8F-3469	4	SEAL-O-RING
31	199-7178	32	BOLT (M20X2.5X270-MM)
32	8T-0100	6	BOLT (M8X1.25X60-MM)
33	8T-4123	46	WASHER-PLATED (22X35X3.5-MM THK)
34	177-9754	2	BOLT (M30X3.5X130-MM)
35	1U-8846	AR	SEALANT-GASKET

[A] PART OF 171-4010 AXLE AR
QUANTITIES SHOWN ARE THOSE REQUIRED
FOR BOTH LH AND RH SIDES

01122526
PR: t05c24o40d0189

MT700B SERIES TRACK TRACTOR
POWER TRAIN

199-9217 FINAL DRIVE GP-ULTRA WIDE GAUGE
S/N: AZT1-UP



**MT700B SERIES TRACKTRACTOR
POWER TRAIN**

447

**199-9217 FINAL DRIVE GP-ULTRA WIDE GAUGE
S/N: AZT1-UP**

ITEM	NUMBER	QTY	DESCRIPTION
-	199-9217	--	FINAL DRIVE GP-ULTRA WIDE GAUGE [A] (NOT SERVICED)
1	197-9466	2	CONE
2	2J-2152	2	CUP-BEARING
3	2J-2476	2	CONE-BEARING
4	5P-4298	2	CUP-BEARING
5	7C-6467	2	PLUG
6	8C-5224	18	PLUG-SEAL
7	164-3902	2	GEAR-RING (78-TEETH)
8	164-3903	6	GEAR-PLANETARY (30-TEETH)
9	261-2719	372	BEARING-NEEDLE
10	164-3907	6	RACE-THRUST BEARING
11	267-5583	6	SHAFT-PLANETARY
12	164-3912	2	LOCK-BOLT
13	164-3926	2	SPACER
14	172-1619	2	SEAL GP
15	174-9379	2	SHIM PACK (INCLUDES 12-SHIMS)
16	194-0635	2	RETAINER-SHAFT
17	194-0636	2	BUSHING
18	195-4773	4	DOWEL-HOLLOW
19	199-9214	2	SHAFT-AXLE
20	199-9215	1	HOUSING-AXLE (RH)
21	199-9216	1	HOUSING-AXLE (LH)
22	200-4193	2	BEARING-SLEEVE
23	200-4194	2	BEARING-SLEEVE
24	213-8771	12	WASHER-THRUST
25	267-5582	2	CARRIER-PLANETARY
26	177-9754	2	BOLT (M30X3.5X130-MM)
27	199-7178	32	BOLT (M20X2.5X270-MM)
28	6V-9189	6	LOCKNUT (M8X1.25-THD)
29	7X-2569	14	BOLT (M20X2.5X200-MM)
30	8F-3469	4	SEAL-O-RING
31	8T-0100	6	BOLT (M8X1.25X60-MM)
32	8T-4123	46	WASHER-PLATED (22X35X3.5-MM THK)
33	1U-8846	AR	SEALANT-GASKET
34	148-8395	2	PLUG AS (NOT SERVICED)
	3K-0360	1	SEAL-O-RING
	9S-8005	1	PLUG

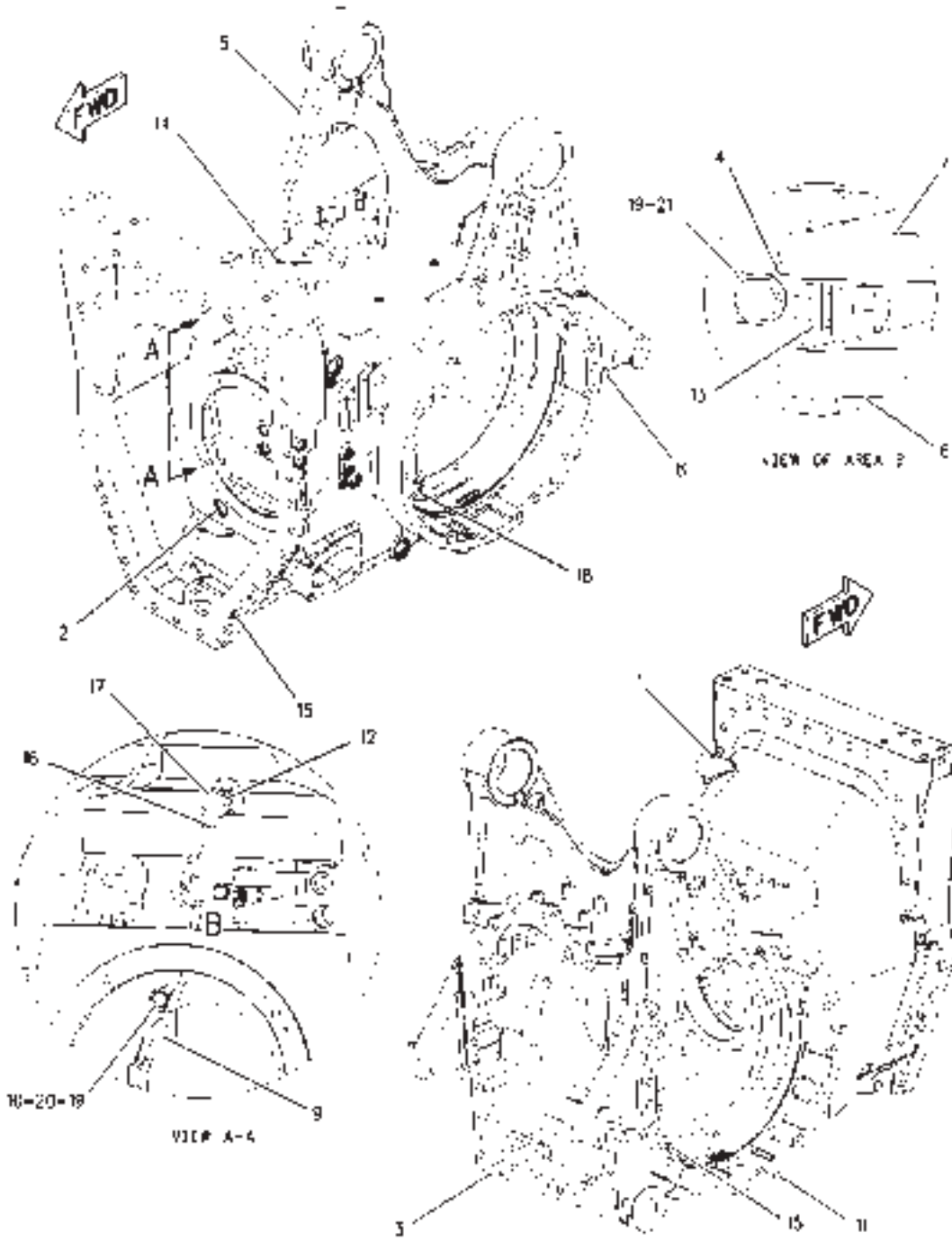
[A] PART OF 213-8802 AXLE AR

NOTE: QUANTITIES SHOWN ARE THOSE
REQUIRED FOR BOTH LH AND RH SIDES

01123855
PR: t05c24o40d0190

MT700B SERIES TRACK TRACTOR
POWER TRAIN

168-3454 HOUSING AS-DIFFERENTIAL
S/N: AZA1-947; AZE1-1010



00708500

**MT700B SERIES TRACK TRACTOR
POWER TRAIN**

449

**168-3454 HOUSING AS-DIFFERENTIAL
S/N: AZA1-947; AZE1-1010**

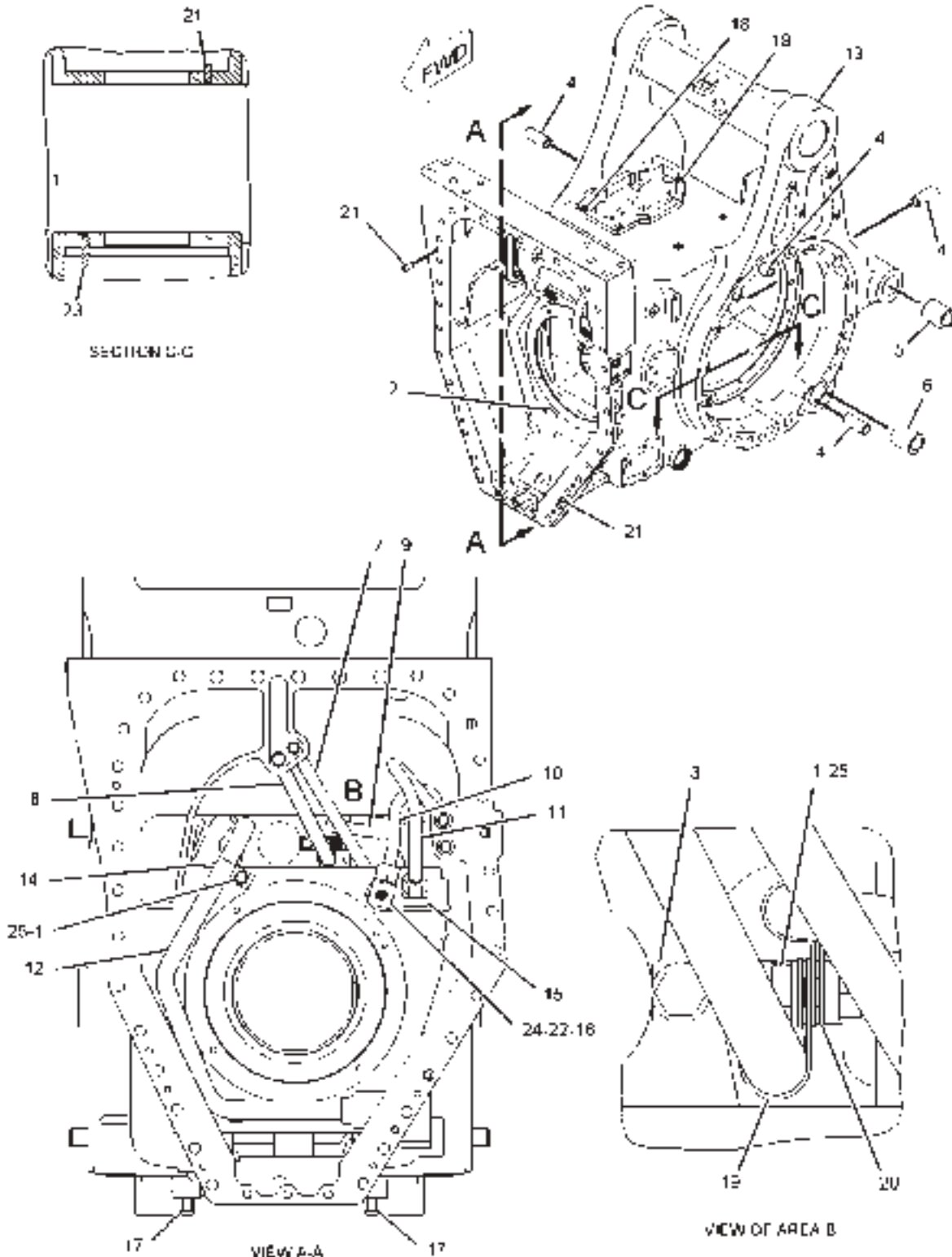
ITEM	NUMBER	QTY	DESCRIPTION
-	168-3454	--	HOUSING AS-DIFFERENTIAL [A] (NLA-ORDER 233-9766)
1	2A-3746	1	PLUG-CUP
2	9S-1343	1	PLUG-CUP
3	161-8762	2	DOWEL-HOLLOW (80-MM LGX27 DIA)
4	164-3987	1	BRACKET AS
	8T-3490	1	NUT-WELD (M10X1.5-THD)
5	223-3485	1	HOUSING
6		1	TUBE
7		1	TUBE
8	175-3097	4	DOWEL
9		1	TUBE AS (NO LONGER NEEDED)
10	1F-7567	1	CLIP
11	3F-3442	2	DOWEL
12	3J-1907	1	SEAL-O-RING
13	4H-7655	2	CLAMP-TUBE
14	5B-5821	2	DOWEL
15	5M-7937	4	DOWEL
16	6V-8397	1	SEAL-O-RING
17	6V-8724	1	ELBOW
18	8B-6375	2	DOWEL
19	8T-4121	3	WASHER-HARD (11X21X2.5-MM THK)
20	8T-4137	1	BOLT (M10X1.5X20-MM)
21	8T-4195	2	BOLT (M10X1.5X30-MM)

[A] PART OF 199-8159 DIFFERENTIAL GP

00708500
PR: t05c24o40d0191

MT700B SERIES TRACK TRACTOR
POWER TRAIN

219-7219 HOUSING GP-DIFFERENTIAL
S/N: AZA1025-1060; AZE1129-1174;
AZT1-886



01122917

MT700B SERIES TRACK TRACTOR
POWER TRAIN

451

219-7219 HOUSING GP-DIFFERENTIAL
S/N: AZA1025-1060; AZE1129-1174;
AZT1-886

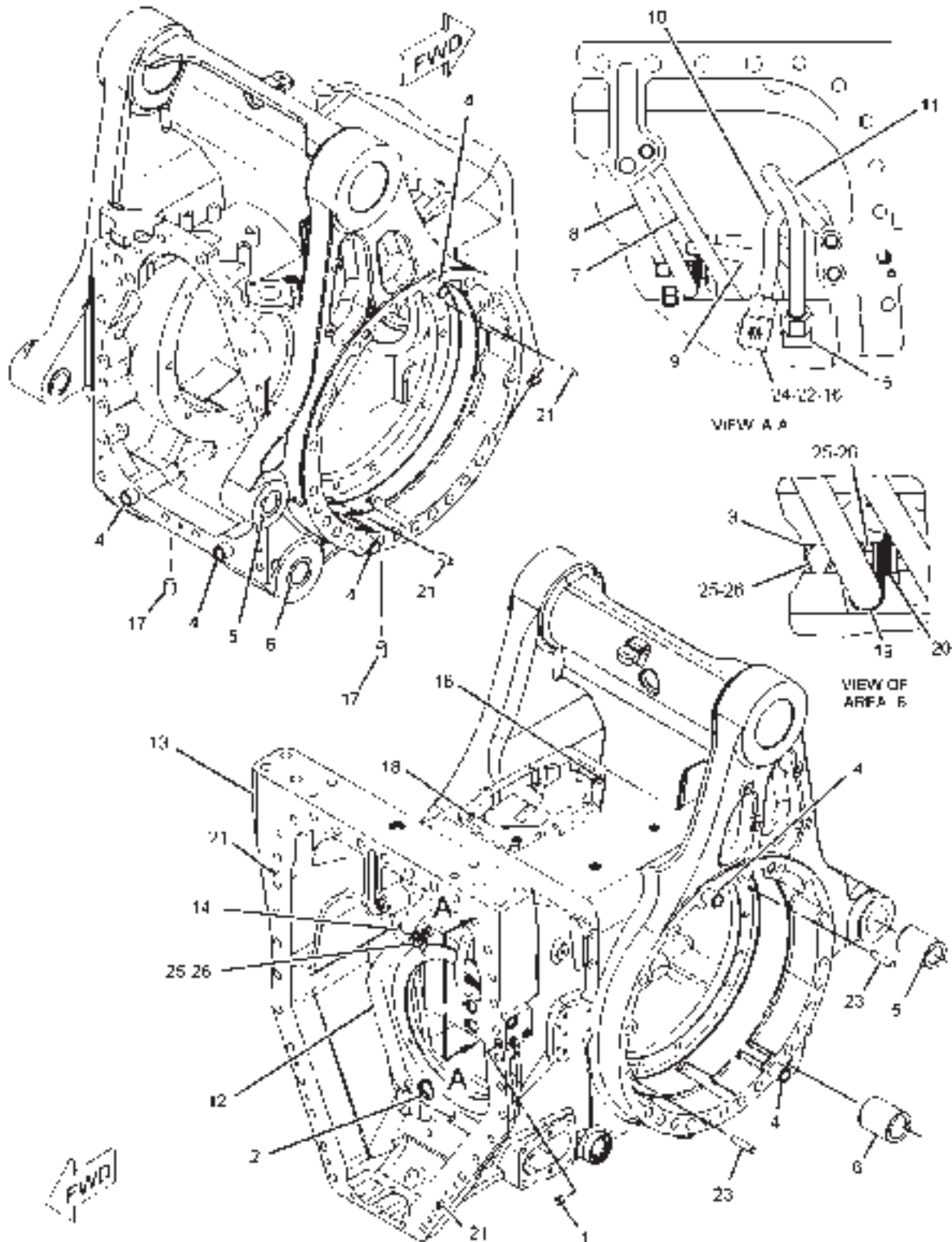
ITEM	NUMBER	QTY	DESCRIPTION
-	219-7219	--	HOUSING GP-DIFFERENTIAL [A] (NLA-ORDER 233-9766)
1	8T-4195	3	BOLT (M10X1.5X30-MM)
2	9S-1343	1	PLUG-CUP
3	164-3987	1	BRACKET AS
	8T-3490	1	NUT-WELD (M10X1.5-THD)
4	195-4773	6	DOWEL-HOLLOW
5	200-4193	2	BEARING-SLEEVE
6	200-4194	2	BEARING-SLEEVE
7	205-1746	1	TUBE
8	205-1747	1	TUBE
9	205-1748	1	TUBE
10	229-7276	1	TUBE AS
11	205-1751	1	TUBE AS
12	205-1752	1	TUBE
13		1	HOUSING-DIFFERENTIAL [Z]
14	0T-0386	1	CLIP
15	153-6237	1	ELBOW AS (NOT SERVICED)
	3D-2824	1	SEAL-O-RING
	6V-9004	1	ELBOW
	6V-9746	1	SEAL-O-RING
16	3D-2824	1	SEAL-O-RING
17	3F-3442	2	DOWEL
18	5B-5821	2	DOWEL
19	5K-0461	1	CLIP
20	5K-9660	1	CLIP
21	5M-7937	4	DOWEL
22	6V-9746	1	SEAL-O-RING
23	8B-6375	2	DOWEL
24	8T-2883	1	TEE
25	8T-4121	3	WASHER-HARD (11X21X2.5-MM THK)

[A] PART OF 199-8159 DIFFERENTIAL GP
[Z] NOT SERVICED SEPARATELY

01122917
PR: t05c24o40d0192

MT700B SERIES TRACK TRACTOR
POWER TRAIN

223-3486 HOUSING GP-DIFFERENTIAL
S/N: AZA948-1024; AZE1011-1128



01122650

**MT700B SERIES TRACK TRACTOR
POWER TRAIN**

453

223-3486 HOUSING GP-DIFFERENTIAL
S/N: AZA948-1024; AZE1011-1128

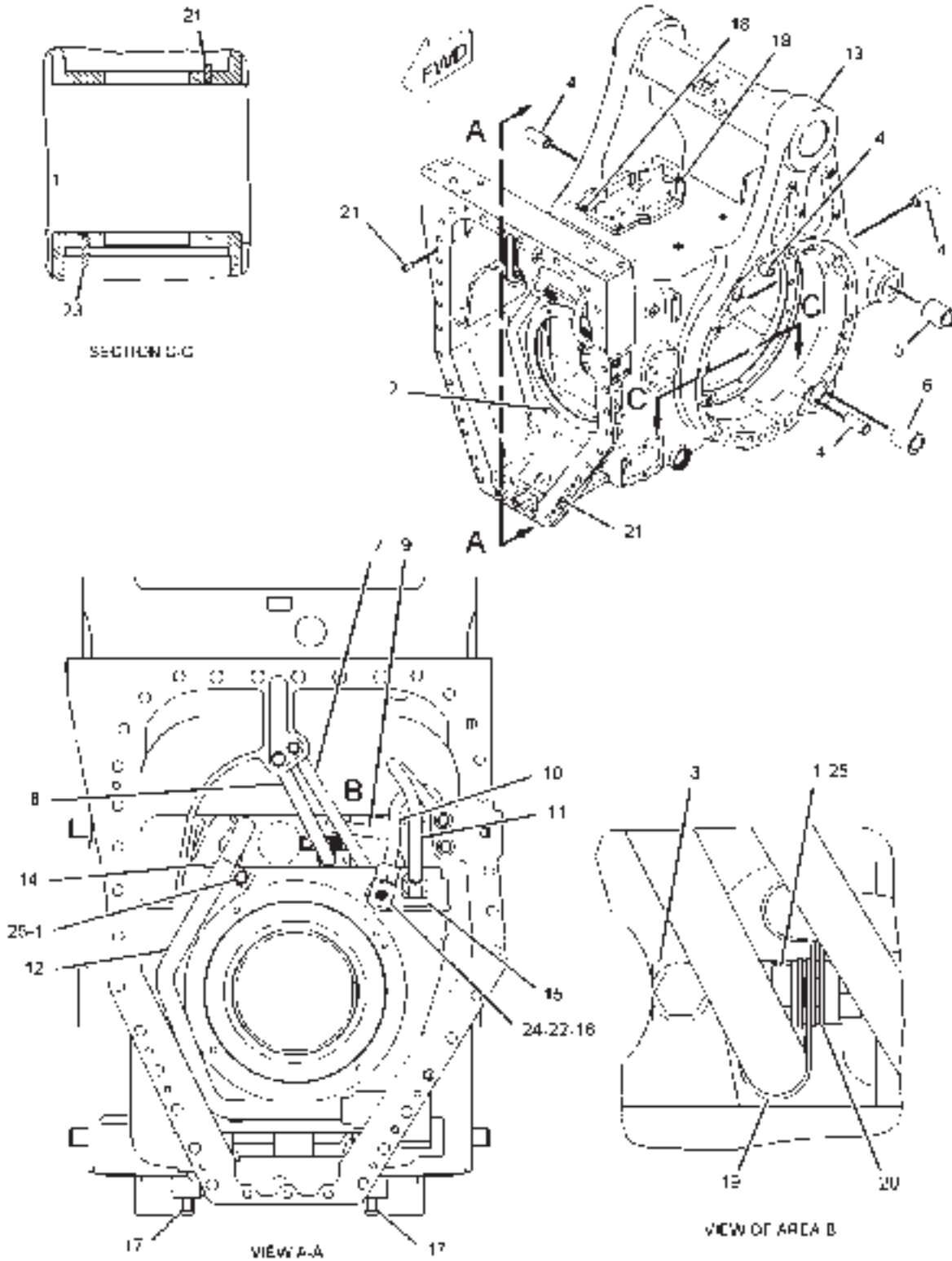
ITEM	NUMBER	QTY	DESCRIPTION
-	223-3486	--	HOUSING GP-DIFFERENTIAL [A] (NLA-ORDER 233-9766)
1	2A-3746	1	PLUG-CUP
2	9S-1343	1	PLUG-CUP
3	164-3987	1	BRACKET AS
	8T-3490	1	NUT-WELD (M10X1.5-THD)
4	195-4773	6	DOWEL-HOLLOW
5	200-4193	2	BEARING-SLEEVE
6	200-4194	2	BEARING-SLEEVE
7	205-1746	1	TUBE
8	205-1747	1	TUBE
9	205-1748	1	TUBE
10	229-7276	1	TUBE AS
11	205-1751	1	TUBE AS
12	205-1752	1	TUBE
13		1	HOUSING [Z]
14	0T-0386	1	CLIP
15	153-6237	1	ELBOW AS (NOT SERVICED)
	3D-2824	1	SEAL-O-RING
	6V-9004	1	ELBOW
	6V-9746	1	SEAL-O-RING
16	3D-2824	1	SEAL-O-RING
17	3F-3442	2	DOWEL
18	5B-5821	2	DOWEL
19	5K-0461	1	CLIP
20	5K-9660	1	CLIP
21	5M-7937	4	DOWEL
22	6V-9746	1	SEAL-O-RING
23	8B-6375	2	DOWEL
24	8T-2883	1	TEE
25	8T-4121	3	WASHER-HARD (11X21X2.5-MM THK)
26	8T-4195	3	BOLT (M10X1.5X30-MM)

[A] PART OF 199-8159 DIFFERENTIAL GP
[Z] NOT SERVICED SEPARATELY

01122650
PR: t05c24o40d0193

MT700B SERIES TRACK TRACTOR
POWER TRAIN

225-1452 HOUSING GP-DIFFERENTIAL
S/N: AZA1061-1214; AZE1175-1433;
AZT887-942



01122917

**MT700B SERIES TRACK TRACTOR
POWER TRAIN**

455

225-1452 HOUSING GP-DIFFERENTIAL
S/N: AZA1061-1214; AZE1175-1433;
AZT887-942

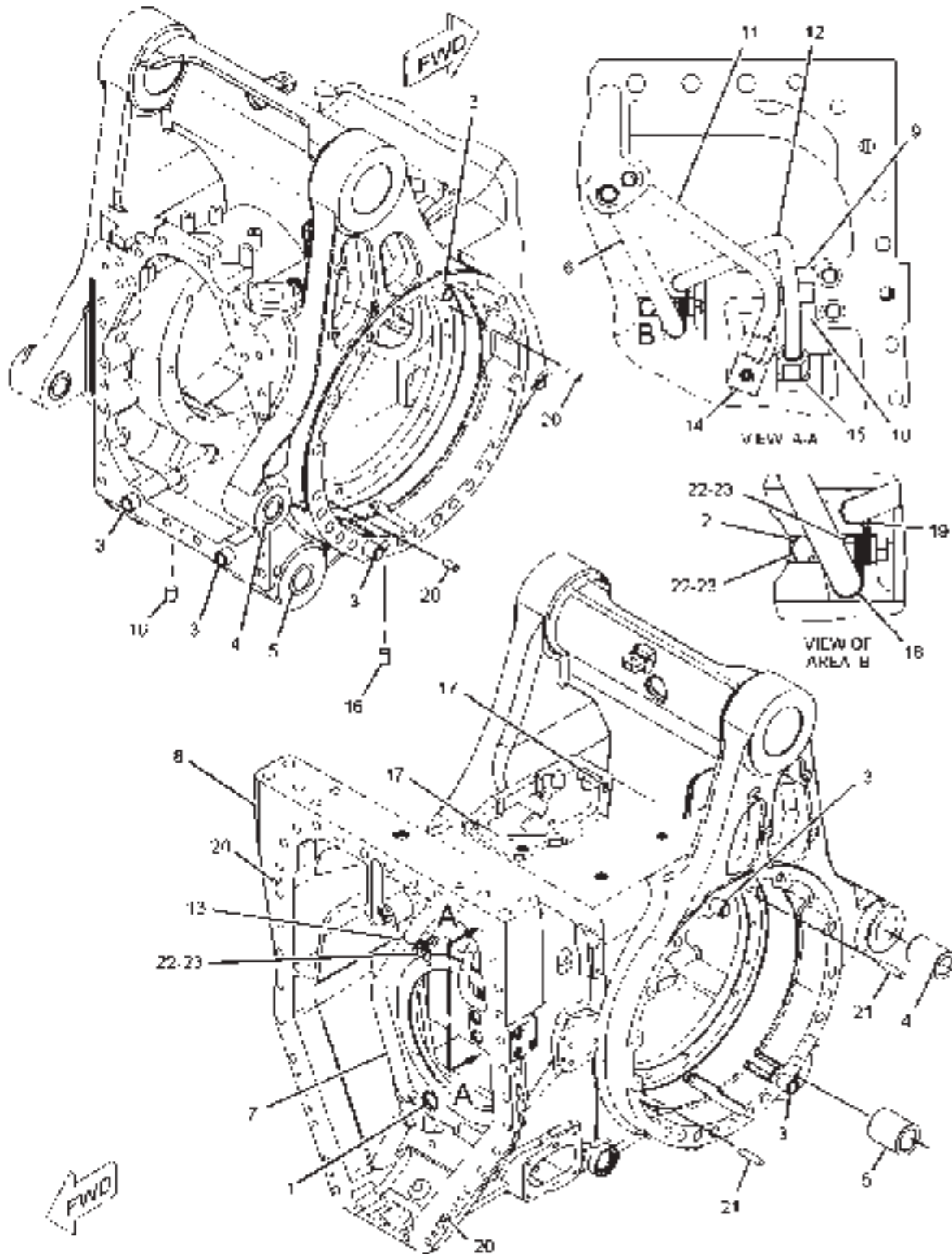
ITEM	NUMBER	QTY	DESCRIPTION
-	225-1452	--	HOUSING GP-DIFFERENTIAL [A] (NLA-ORDER 233-9766)
1	8T-4195	3	BOLT (M10X1.5X30-MM)
2	9S-1343	1	PLUG-CUP
3	164-3987	1	BRACKET AS
	8T-3490	1	NUT-WELD (M10X1.5-THD)
4	195-4773	6	DOWEL-HOLLOW
5	200-4193	2	BEARING-SLEEVE
6	200-4194	2	BEARING-SLEEVE
7	205-1746	1	TUBE
8	205-1747	1	TUBE
9	205-1748	1	TUBE
10	229-7276	1	TUBE AS
11	205-1751	1	TUBE AS
12	205-1752	1	TUBE
13		1	HOUSING [Z]
14	0T-0386	1	CLIP
15	153-6237	1	ELBOW AS (NOT SERVICED)
	3D-2824	1	SEAL-O-RING
	6V-9004	1	ELBOW
	6V-9746	1	SEAL-O-RING
16	3D-2824	1	SEAL-O-RING
17	3F-3442	2	DOWEL
18	5B-5821	2	DOWEL
19	5K-0461	1	CLIP
20	5K-9660	1	CLIP
21	5M-7937	4	DOWEL
22	6V-9746	1	SEAL-O-RING
23	8B-6375	2	DOWEL
24	8T-2883	1	TEE
25	8T-4121	3	WASHER-HARD (11X21X2.5-MM THK)

[A] PART OF 199-8159 DIFFERENTIAL GP
[Z] NOT SERVICED SEPARATELY

01122917
PR: t05c24o40d0194

MT700B SERIES TRACK TRACTOR
POWER TRAIN

233-9766 HOUSING GP-DIFFERENTIAL
S/N: AZA1215-UP; AZE1434-UP; AZT943-UP



01122705

**MT700B SERIES TRACK TRACTOR
POWER TRAIN**

457

233-9766 HOUSING GP-DIFFERENTIAL
S/N: AZA1215-UP; AZE1434-UP; AZT943-UP

ITEM	NUMBER	QTY	DESCRIPTION
-	233-9766	--	HOUSING GP-DIFFERENTIAL [A]
1	9S-1343	1	PLUG-CUP
2	164-3987	1	BRACKET AS
	8T-3490	1	NUT-WELD (M10X1.5-THD)
3	195-4773	6	DOWEL-HOLLOW
4	200-4193	2	BEARING-SLEEVE
5	200-4194	2	BEARING-SLEEVE
6	205-1747	1	TUBE
7	205-1752	1	TUBE
8		1	HOUSING [Z]
9	229-7275	1	TUBE
10	229-7276	1	TUBE
11	229-7277	1	TUBE AS
12	229-7278	1	TUBE AS
13	0T-0386	1	CLIP
14	148-8421	1	TEE AS (NOT SERVICED)
	3D-2824	1	SEAL-O-RING
	6V-8397	1	SEAL-O-RING
	6V-9746	1	SEAL-O-RING
	8T-2883	1	TEE
15	153-6237	1	ELBOW AS (NOT SERVICED)
	3D-2824	1	SEAL-O-RING
	6V-9004	1	ELBOW
	6V-9746	1	SEAL-O-RING
16	3F-3442	2	DOWEL
17	5B-5821	2	DOWEL
18	5K-0461	1	CLIP
19	5K-9660	1	CLIP
20	5M-7937	4	DOWEL
21	8B-6375	2	DOWEL
22	8T-4121	3	WASHER-HARD (11X21X2.5-MM THK)
23	8T-4195	3	BOLT (M10X1.5X30-MM)

[A] PART OF 199-8159 DIFFERENTIAL GP
[Z] NOT SERVICED SEPARATELY

01122705
PR: t05c24o40d0195

458

MT700B SERIES TRACK TRACTOR
POWER TRAIN

200-5011 POWER TRAIN AR-STANDARD GAUGE
WITH STANDARD TRANSMISSION & TYPE 3 PTO

NO ILLUSTRATION

NOTIF

MT700B SERIES TRACK TRACTOR

459

POWER TRAIN**200-5011 POWER TRAIN AR-STANDARD GAUGE
WITH STANDARD TRANSMISSION & TYPE 3 PTO**

ITEM	NUMBER	QTY	DESCRIPTION
-	200-5011	--	POWER TRAIN AR-STANDARD GAUGE [A] (NOT SERVICED)
	171-4005	1	AXLE AR (NOT SERVICED) (SEE BREAKDOWN FOR COMPONENTS)
	164-3905	1	FASTENER GP-FINAL DRIVE (NOT SERVICED) (SEE BREAKDOWN FOR COMPONENTS)
	152-5241	1	TRANSMISSION AR (SEE BREAKDOWN FOR COMPONENTS)

NOTIF
PR: t05c24o40d0196

460

MT700B SERIES TRACK TRACTOR
POWER TRAIN

200-5013 POWER TRAIN AR-WIDE GAUGE
WITH STANDARD TRANSMISSION & TYPE 3 PTO

NO ILLUSTRATION

NOTIF

MT700B SERIES TRACK TRACTOR
POWER TRAIN

461

200-5013 POWER TRAIN AR-WIDE GAUGE
WITH STANDARD TRANSMISSION & TYPE 3 PTO

ITEM	NUMBER	QTY	DESCRIPTION
-	200-5013	--	POWER TRAIN AR-WIDE GAUGE [A] (NOT SERVICED)
	171-4010	1	AXLE AR (NOT SERVICED) (SEE BREAKDOWN FOR COMPONENTS)
	164-3905	1	FASTENER GP-FINAL DRIVE (NOT SERVICED) (SEE BREAKDOWN FOR COMPONENTS)
	152-5241	1	TRANSMISSION AR (SEE BREAKDOWN FOR COMPONENTS)

NOTIF
PR: t05c24o40d0197

462

**MT700B SERIES TRACK TRACTOR
POWER TRAIN**

**200-5015 POWER TRAIN AR-STANDARD GAUGE
W/ CREEPER TRANSMISSION & TYPE 3 PTO**

NO ILLUSTRATION

NOTIF

MT700B SERIES TRACK TRACTOR
POWER TRAIN

463

200-5015 POWER TRAIN AR-STANDARD GAUGE
W/ CREEPER TRANSMISSION & TYPE 3 PTO

ITEM	NUMBER	QTY	DESCRIPTION
-	200-5015	--	POWER TRAIN AR-STANDARD GAUGE [A] (NOT SERVICED)
	171-4005	1	AXLE AR (NOT SERVICED) (SEE BREAKDOWN FOR COMPONENTS)
	164-3905	1	FASTENER GP-FINAL DRIVE (NOT SERVICED) (SEE BREAKDOWN FOR COMPONENTS)
	173-2462	1	TRANSMISSION AR (SEE BREAKDOWN FOR COMPONENTS)

NOTIF
PR: t05c24o40d0198

464

MT700B SERIES TRACK TRACTOR
POWER TRAIN

200-5017 POWER TRAIN AR-WIDE GAUGE
W/ CREEPER TRANSMISSION & TYPE 3 PTO

NO ILLUSTRATION

NOTIF

MT700B SERIES TRACK TRACTOR
POWER TRAIN

465

200-5017 POWER TRAIN AR-WIDE GAUGE
W/ CREEPER TRANSMISSION & TYPE 3 PTO

ITEM	NUMBER	QTY	DESCRIPTION
-	200-5017	--	POWER TRAIN AR-WIDE GAUGE [A] (NOT SERVICED)
	171-4010	1	AXLE AR (NOT SERVICED) (SEE BREAKDOWN FOR COMPONENTS)
	164-3905	1	FASTERN GP-FINAL DRIVE (NOT SERVICED) (SEE BREAKDOWN FOR COMPONENTS)
	173-2462	1	TRANSMISSION AR (SEE BREAKDOWN FOR COMPONENTS)

NOTIF
PR: t05c24o40d0199

466

**MT700B SERIES TRACK TRACTOR
POWER TRAIN**

**213-8788 POWER TRAIN AR-ULTRA WIDE GAUGE
W/ STANDARD TRANSMISSION & TYPE 3 PTO**

NO ILLUSTRATION

NOTIF

MT700B SERIES TRACK TRACTOR

467

POWER TRAIN**213-8788 POWER TRAIN AR-ULTRA WIDE GAUGE
W/ STANDARD TRANSMISSION & TYPE 3 PTO**

ITEM	NUMBER	QTY	DESCRIPTION
-	213-8788	--	POWER TRAIN AR-ULTRA WIDE GAUGE [A] (NOT SERVICED)
	213-8802	1	AXLE AR (NOT SERVICED) (SEE BREAKDOWN FOR COMPONENTS)
	164-3905	1	FASTENER GP-FINAL DRIVE (NOT SERVICED) (SEE BREAKDOWN FOR COMPONENTS)
	152-5241	1	TRANSMISSION AR (SEE BREAKDOWN FOR COMPONENTS)

NOTIF
PR: t05c24o40d0200

468

**MT700B SERIES TRACK TRACTOR
POWER TRAIN**

**213-8789 POWER TRAIN AR-ULTRA WIDE GAUGE
W/ CREEPER TRANSMISSION & TYPE 3 PTO**

NO ILLUSTRATION

NOTIF

MT700B SERIES TRACK TRACTOR

469

POWER TRAIN**213-8789 POWER TRAIN AR-ULTRA WIDE GAUGE
W/ CREEPER TRANSMISSION & TYPE 3 PTO**

ITEM	NUMBER	QTY	DESCRIPTION
-	213-8789	--	POWER TRAIN AR-ULTRA WIDE GAUGE [A] (NOT SERVICED)
	213-8802	1	AXLEAR (NOT SERIVED) (SEE BREAKDOWN FOR COMPONENTS)
	164-3905	1	FASTENER GP-FINAL DRIVE (NOT SERVICED) (SEE BREAKDOWN FOR COMPONENTS)
	173-2462	1	TRANSMISSION AR (SEE BREAKDOWN FOR COMPONENTS)

NOTIF
PR: t05c24o40d0201

470

MT700B SERIES TRACK TRACTOR
POWER TRAIN

152-5241 TRANSMISSION AR-STANDARD
S/N: 7PY1-UP

NO ILLUSTRATION

NOTIF

MT700B SERIES TRACK TRACTOR
POWER TRAIN

471

152-5241 TRANSMISSION AR-STANDARD
S/N: 7PY1-UP

ITEM	NUMBER	QTY	DESCRIPTION
-	152-5241	--	TRANSMISSION AR-STANDARD [A]
	155-9593	1	CASE & PARTS GP-PLANETARY (NOT SERVICED) (SEE BREAKDOWN FOR COMPONENTS)
	155-9583	1	CLUTCH GP (INPUT SHAFT) S/N: 7PY1-1722 (NOT SERVICED) (SEE BREAKDOWN FOR COMPONENTS)
	155-9586	1	CLUTCH GP (INTERMEDIATE SHAFT) (NOT SERVICED) S/N: 7PY1-1722 (SEE BREAKDOWN FOR COMPONENTS)
	155-9589	1	CLUTCH GP (REVERSE SHAFT) S/N: 7PY1-1722 (NOT SERVICED) (SEE BREAKDOWN FOR COMPONENTS)
	155-9590	1	CLUTCH GP (OUTPUT SHAFT) S/N: 7PY1-1722 (NOT SERVICED) (SEE BREAKDOWN FOR COMPONENTS)
	166-0668	2	CLUTCH GP (OUTPUT PLANETARY) (NOT SERVICED) (SEE BREAKDOWN FOR COMPONENTS)
	155-9594	1	CONTROL GP-TRANSMISSION HYD (NOT SERVICED) (SEE BREAKDOWN FOR COMPONENTS)
	161-8857	1	DRIVE GP-PUMP (NOT SERVICED) (SEE BREAKDOWN FOR COMPONENTS)
	232-1773	1	CLUTCH GP-TRANSMISSION S/N: 7PY1723-UP (NOT SERVICED) (SEE BREAKDOWN FOR COMPONENTS)

[A] PART OF 200-5011, 200-5013,
213-8788 POWER TRAIN AR

NOTIF
PR: t05c24o40d0202

472

**MT700B SERIES TRACK TRACTOR
POWER TRAIN**

**173-2462 TRANSMISSION AR
S/N: 8AY1-UP**

NO ILLUSTRATION

NOTIF

**MT700B SERIES TRACK TRACTOR
POWER TRAIN**

473

**173-2462 TRANSMISSION AR
S/N: 8AY1-UP**

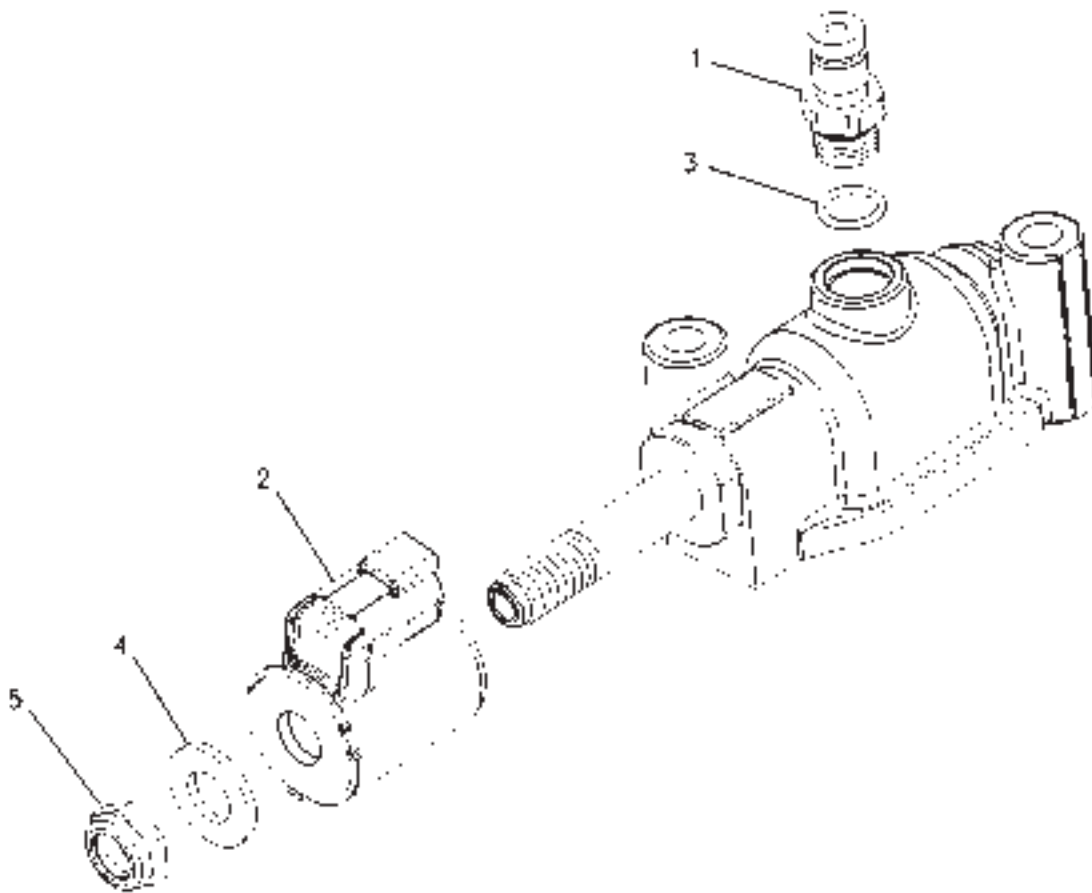
ITEM	NUMBER	QTY	DESCRIPTION
-	173-2462	--	TRANSMISSION AR [A]
	165-0414	1	CASE & PARTS GP-PLANETARY (NOT SERVICED) (SEE BREAKDOWN FOR COMPONENTS)
	155-9583	1	CLUTCH GP (INPUT SHAFT) S/N: 8AY1-885 (NOT SERVICED) (SEE BREAKDOWN FOR COMPONENTS)
	155-9590	1	CLUTCH GP (OUTPUT SHAFT) S/N: 8AY1-885 (NOT SERVICED) (SEE BREAKDOWN FOR COMPONENTS)
	166-0668	2	CLUTCH GP (OUTPUT PLANETARY) (NOT SERVICED) (SEE BREAKDOWN FOR COMPONENTS)
	155-9586	1	CLUTCH GP (INTERMEDIATE SHAFT) (NOT SERVICED) S/N: 8AY1-885 (SEE BREAKDOWN FOR COMPONENTS)
	155-9589	1	CLUTCH GP (REVERSE SHAFT) S/N: 8AY1-885 (NOT SERVICED) (SEE BREAKDOWN FOR COMPONENTS)
	155-9594	1	CONTROL GP-TRANSMISSION HYD (NOT SERVICED) (SEE BREAKDOWN FOR COMPONENTS)
	169-8568	1	DRIVE GP-CREEPER (NOT SERVICED) (SEE BREAKDOWN FOR COMPONENTS)
	161-8857	1	DRIVE GP-PUMP (NOT SERVICED) (SEE BREAKDOWN FOR COMPONENTS)
	232-1773	1	CLUTCH GP-TRANSMISSION S/N: 8AY886-UP (NOT SERVICED) (SEE BREAKDOWN FOR COMPONENTS)

[A] PART OF 200-5015, 200-5017,

NOTIF
PR: t05c24o40d0203

MT700B SERIES TRACK TRACTOR
POWER TRAIN

166-5880 VALVE GP-MODULATING
S/N: AZA1-985; AZE1-1108; AZT1-870
12 VOLT. CLUTCH PACK HYDRAULIC OIL



00672893

MT700B SERIES TRACK TRACTOR
POWER TRAIN

475

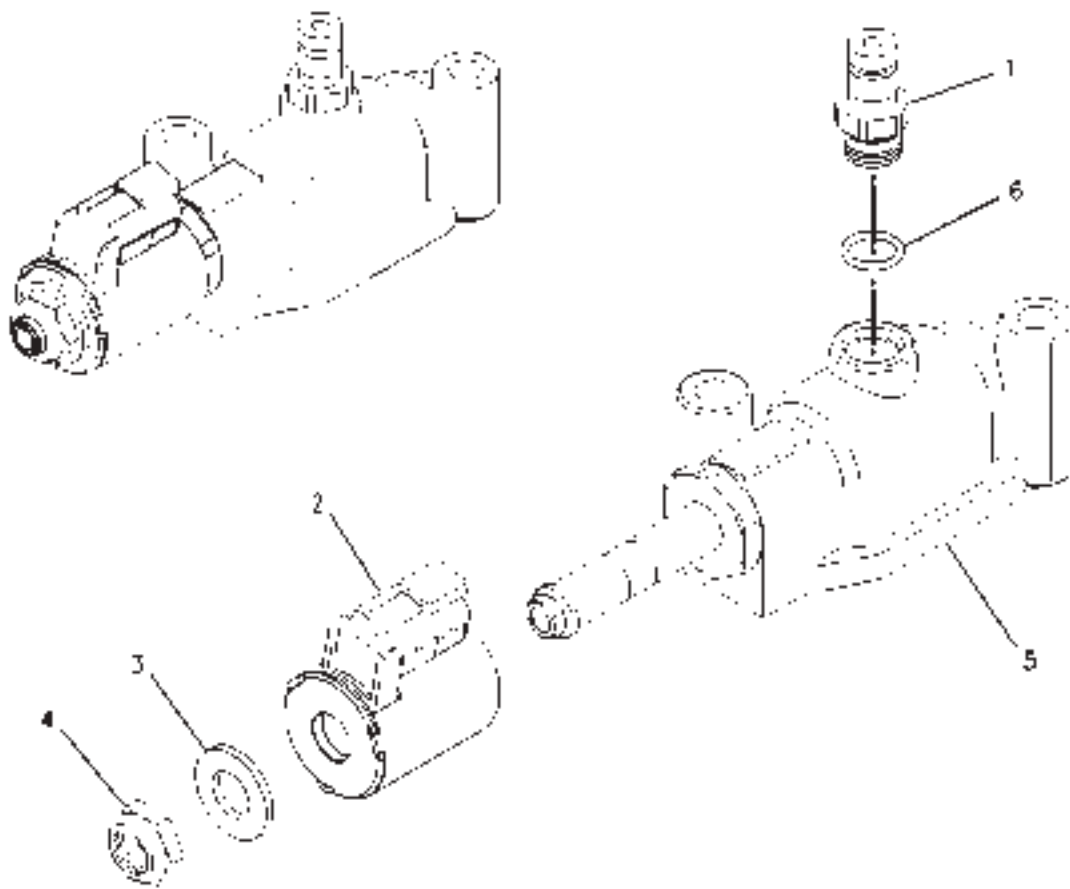
166-5880 VALVE GP-MODULATING
S/N: AZA1-985; AZE1-1108; AZT1-870
12 VOLT. CLUTCH PACK HYDRAULIC OIL

ITEM	NUMBER	QTY	DESCRIPTION
-	166-5880	--	VALVE GP-MODULATING [A] (NLA-ORDER 216-5343)
1	6V-3965	1	FITTING AS
2	155-4426	1	COIL AS
3	3J-1907	1	SEAL-O-RING
4	164-2108	1	WASHER (13.03X25.4X2.38-MM THK)
5	167-9524	1	NUT-SELF-LOCKING (1/2-28-THD)

[A] PART OF 195-4531 POWER TAKE-OFF GP

00672893
PR: t05c24o40d0218

216-5343 VALVE GP-MODULATING
S/N: AZA986-UP; 7PY1-UP; 8AY1-UP
12V ELECTRONIC CLUTCH PRESSURE CONTROL



00890963

MT700B SERIES TRACK TRACTOR
POWER TRAIN

477

216-5343 VALVE GP-MODULATING
S/N: AZA986-UP; 7PY1-UP; 8AY1-UP
12V ELECTRONIC CLUTCH PRESSURE CONTROL

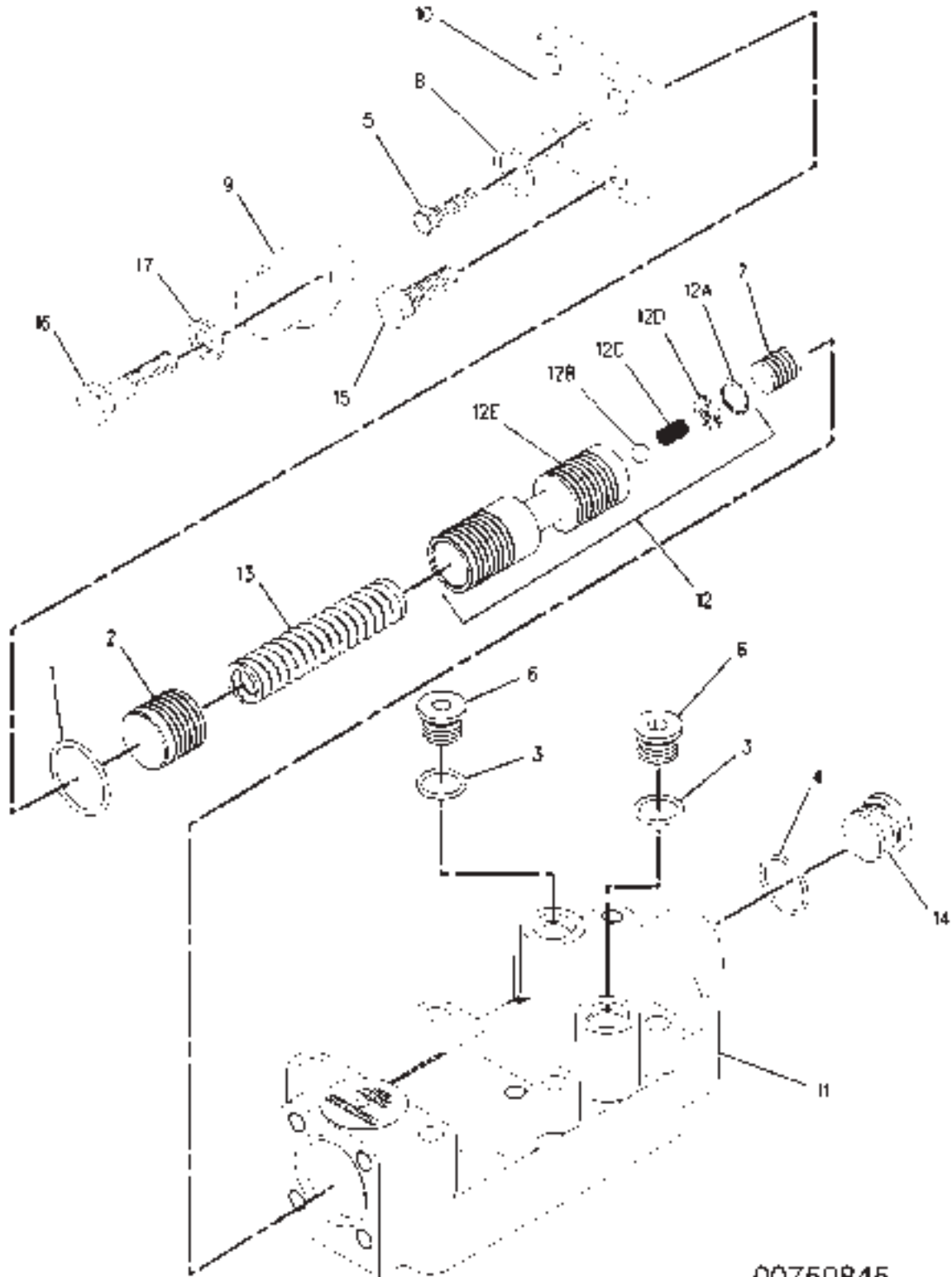
ITEM	NUMBER	QTY	DESCRIPTION
-	216-5343	--	VALVE GP-MODULATING [A]
1	6V-3965	1	FITTING AS
2	155-4426	1	COILAS
3	164-2108	1	WASHER (13.03X25.4X2.38-MM THK)
4	167-9524	1	NUT-SELF-LOCKING (1/2-28-THD)
5		1	VALVE AS [Z]
6	3J-1907	1	SEAL-O-RING

[A] PART OF 155-9594 CONTROL GP
-TRANSMISSION HYD, 195-4531 PTO GP
[Z] NOT SERVICED SEPARATELY

00890963
PR: t05c24o40d0204

MT700B SERIES TRACK TRACTOR
POWER TRAIN

187-3065 VALVE GP-RELIEF
S/N: 7PY1-UP; 8AY1-UP
CHARGE PRESSURE



00750845

**MT700B SERIES TRACKTRACTOR
POWER TRAIN**

479

187-3065 VALVE GP-RELIEF
S/N: 7PY1-UP; 8AY1-UP
CHARGE PRESSURE

ITEM	NUMBER	QTY	DESCRIPTION
-	187-3065	--	VALVE GP-RELIEF [A]
1	2S-4663	1	SEAL-O-RING
2	2S-5835	1	PISTON-LOAD
3	3J-1907	2	SEAL-O-RING
4	3K-0360	1	SEAL-O-RING
5	4M-5905	1	SCREW-ADJUSTMENT (5/16-18X1-IN)
6	9S-8004	2	PLUG
7	8E-1143	1	SLUG
8	8M-5253	1	SEAL-O-RING
9	9M-2110	1	COVER-ADJUSTMENT
10	115-4550	1	COVER
11		1	BODY [Z]
12	172-7968	1	SPOOL AS
12A	3D-8317	1	RING-RETAINING
12B	4B-9880	1	BALL
12C	4M-2381	1	SPRING
12D	9U-8669	1	RETAINER
12E		1	SPOOL [Z]
13	174-7449	1	SPRING
14	241-6205	1	PLUG
15	6V-3940	2	BOLT (M8X1.25X25-MM)
16	6V-5218	2	BOLT (M8X1.25X35-MM)
17	9M-1974	2	WASHER-HARD (8.8X16X2-MM THK)

[A] PART OF 155-9594 CONTROL GP
-TRANSMISSION HYD
[Z] NOT SERVICED SEPARATELY

00750845
PR: t05c24o40d0205

480

MT700B SERIES TRACK TRACTOR
POWER TRAIN

171-4005 AXLE AR

S/N: AZA1-UP

STANDARD GAUGE WITH TYPE 3 PTO
1524-2235 MM (60-88 IN).

NO ILLUSTRATION

NOTIF

**MT700B SERIES TRACK TRACTOR
POWER TRAIN**

481

**171-4005 AXLE AR
S/N: AZA1-UP
STANDARD GAUGE WITH TYPE 3 PTO
1524-2235 MM (60-88 IN).**

ITEM	NUMBER	QTY	DESCRIPTION
-	171-4005	--	AXLE AR [A] (NOT SERVICED)
	199-8159	1	DIFFERENTIAL GP (NOT SERVICED) (SEE BREAKDOWN FOR COMPONENTS)
	194-7086	1	FINAL DRIVE GP (NOT SERVICED) (SEE BREAKDOWN FOR COMPONENTS)
	195-4531	1	POWER TAKE-OFF GP (NOT SERVICED) (SEE BREAKDOWN FOR COMPONENTS)

[A] PART OF 200-5011,
200-5015 POWER TRAIN AR

NOTIF
PR: t05c24o40d0206

482

MT700B SERIES TRACK TRACTOR
POWER TRAIN

171-4010 AXLE AR
S/N: AZE1-UP
WIDE GAUGE WITH TYPE 3 PTO
2032-3048 MM (80-120 IN).

NO ILLUSTRATION

NOTIF

**MT700B SERIES TRACK TRACTOR
POWER TRAIN**

483

**171-4010 AXLE AR
S/N: AZE1-UP
WIDE GAUGE WITH TYPE 3 PTO
2032-3048 MM (80-120 IN).**

ITEM	NUMBER	QTY	DESCRIPTION
-	171-4010	--	AXLE AR [A] (NOT SERVICED)
	199-8159	1	DIFFERENTIAL GP (NOT SERVICED) (SEE BREAKDOWN FOR COMPONENTS)
	195-3950	1	FINAL DRIVE GP (NOT SERVICED) (SEE BREAKDOWN FOR COMPONENTS)
	195-4531	1	POWER TAKE-OFF GP (NOT SERVICED) (SEE BREAKDOWN FOR COMPONENTS)

[A] PART OF 200-5013,
200-5017 POWER TRAIN AR

NOTIF
PR: t05c24o40d0207

484

MT700B SERIES TRACK TRACTOR
POWER TRAIN

213-8802 AXLE AR

S/N: AZT1-UP

ULTRA WIDE GAUGE WITH TYPE 3 PTO
3048-4064 MM (120-160 IN).

NO ILLUSTRATION

NOTIF

**MT700B SERIES TRACKTRACTOR
POWER TRAIN**

485

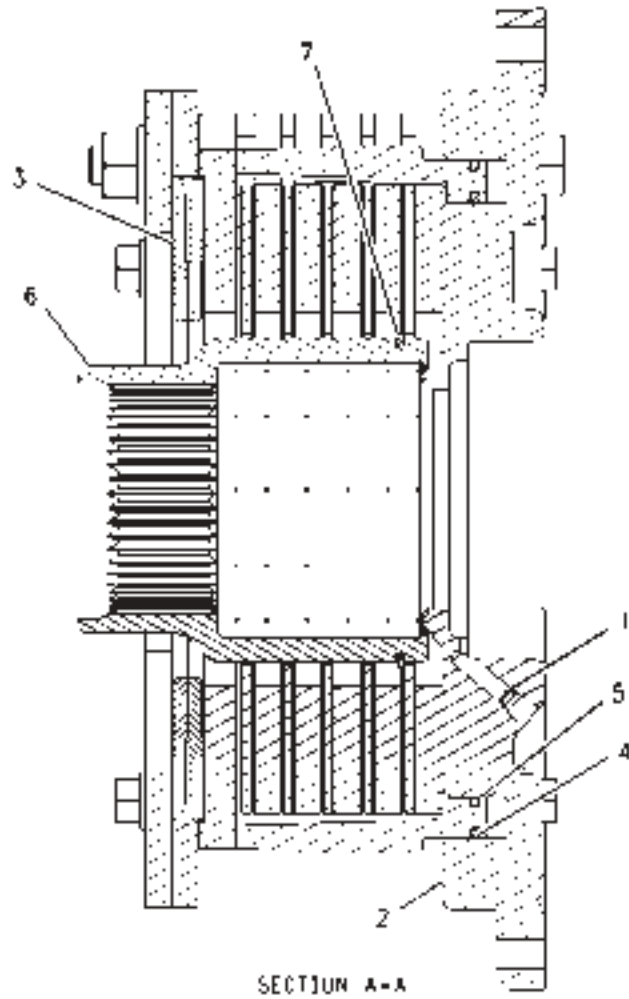
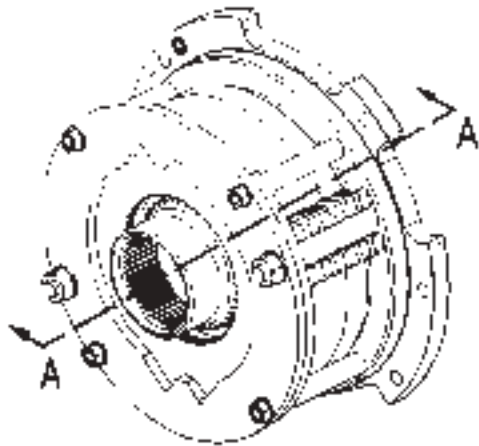
213-8802 AXLE AR
S/N: AZT1-UP
ULTRA WIDE GAUGE WITH TYPE 3 PTO
3048-4064 MM (120-160 IN).

ITEM	NUMBER	QTY	DESCRIPTION
-	213-8802	--	AXLE AR [A] (NOT SERVICED)
	199-8159	1	DIFFERENTIAL GP (NOT SERVICED) (SEE BREAKDOWN FOR COMPONENTS)
	199-9217	1	FINAL DRIVE GP (NOT SERVICED) (SEE BREAKDOWN FOR COMPONENTS)
	195-4531	1	POWER TAKE-OFF GP (NOT SERVICED) (SEE BREAKDOWN FOR COMPONENTS)

[A] PART OF 213-8788,
213-8789 POWER TRAIN AR

NOTIF
PR: t05c24o40d0208

161-8212 BRAKE GP-PARKING
S/N: AZA1-UP; AZE1-UP; AZT1-UP



00882730

MT700B SERIES TRACK TRACTOR
POWER TRAIN

487

161-8212 BRAKE GP-PARKING
S/N: AZA1-UP; AZE1-UP; AZT1-UP

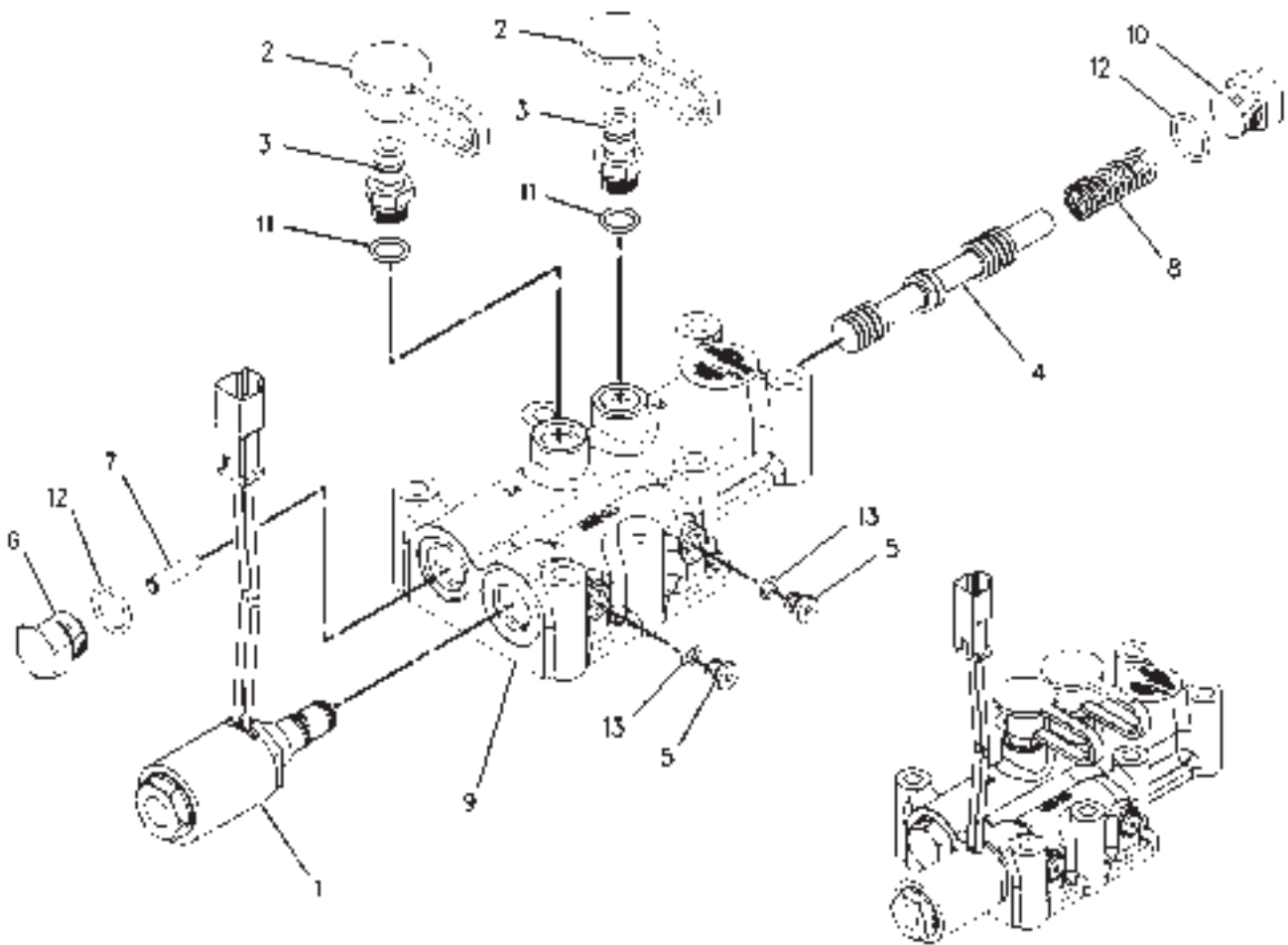
ITEM	NUMBER	QTY	DESCRIPTION
-	161-8212	--	BRAKE GP-PARKING [A]
1	3P-7009	1	PLUG-CUP
2		1	BRAKE GP-PARKING [J] (ORDER COMPLETE BRAKE GP)
3	187-3369	2	SPRING
4	188-9759	1	SEAL
5	190-4949	1	SEAL
6	205-7384	1	HUB
7	3P-3441	1	RING-RETAINING
			AVAILABLE REPAIR KIT(S):
	161-8215	1	KIT-BRAKE REPAIR (PARKING) [J] (INCLUDES FRICTION DISCS,SEPARATOR PLATES,BOLTS,NUTS,WASHERS,SLEEVES, END PLATE)

[A] PART OF 199-8159 DIFFERENTIAL GP
[J] REPAIR KIT(S) MARKED J AVAILABLE
FOR PARTS MARKED J

00882730
PR: t05c24o40d0209

MT700B SERIES TRACK TRACTOR
POWER TRAIN

170-5152 VALVE GP-CREEPER
S/N: 8AY1-UP
TYPE 1



00692910

MT700B SERIES TRACK TRACTOR
POWER TRAIN

489

170-5152 VALVE GP-CREEPER
S/N: 8AY1-UP
TYPE 1

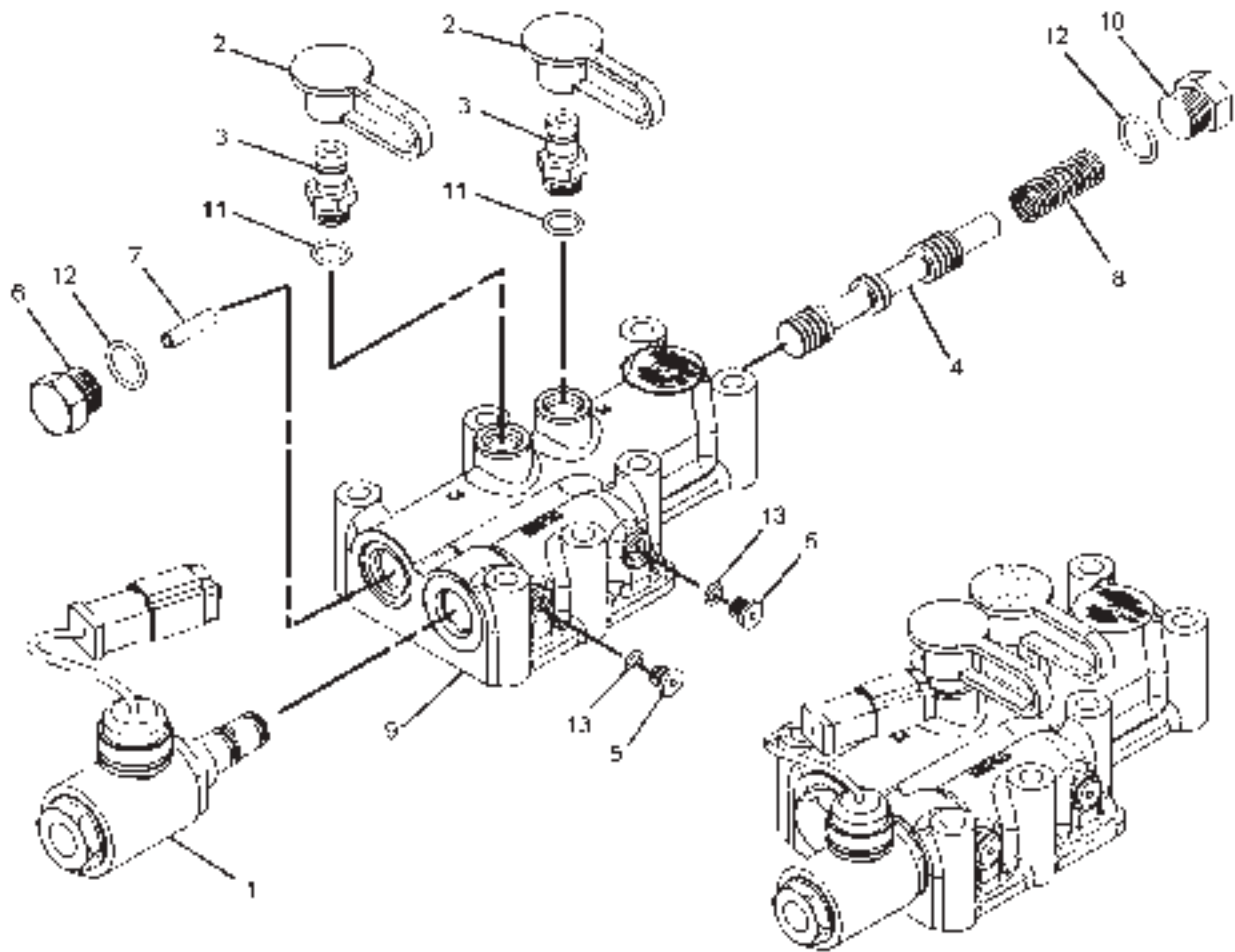
ITEM	NUMBER	QTY	DESCRIPTION
-	170-5152	--	VALVE GP-CREEPER [A]
1	189-8658	1	VALVE GP-SOLENOID (CREEPER ENGAGE/DISENGAGE) (SEE BREAKDOWN FOR COMPONENTS)
2	6V-0852	2	CAP-DUST
3	6V-3965	2	FITTING AS
4		1	SPOOL [Z]
5	9S-8001	2	PLUG
6	165-0391	1	PLUG AS
7	5H-3182	1	PIN-SPRING
8	165-0393	1	SPRING
9		1	BODY [Z]
10	9S-4185	1	PLUG
11	3J-1907	2	SEAL-O-RING
12	3K-0360	2	SEAL-O-RING
13	4J-7533	2	SEAL-O-RING

[A] PART OF 169-8568 DRIVE GP-CREEPER
[Z] NOT SERVICED SEPARATELY

00692910
PR: t05c24o40d0210

MT700B SERIES TRACKTRACTOR
POWER TRAIN

170-5152 VALVE GP-CREEPER
S/N: 8AY1-UP
TYPE 2



01122927

**MT700B SERIES TRACKTRACTOR
POWER TRAIN**

491

170-5152 VALVE GP-CREEPER
S/N: 8AY1-UP
TYPE 2

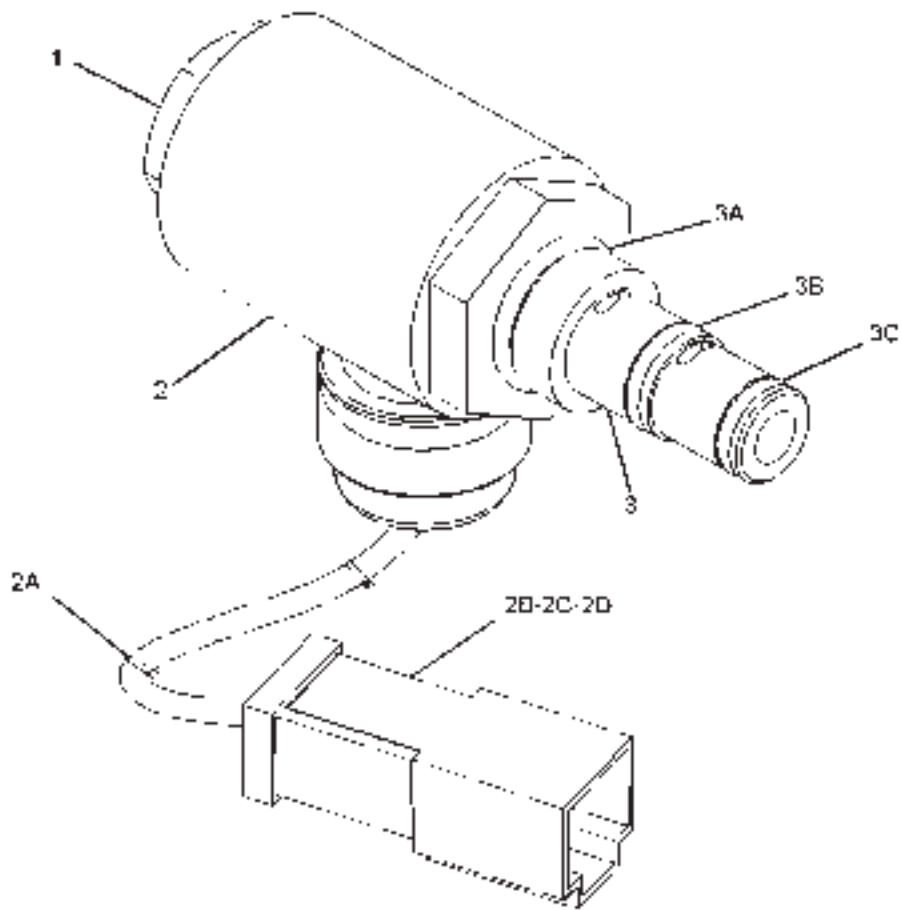
ITEM	NUMBER	QTY	DESCRIPTION
-	170-5152	--	VALVE GP-CREEPER [A]
1	189-8658	1	VALVE GP-SOLENOID (CREEPER ENGAGE/DISENGAGE) [C] (SEE BREAKDOWN FOR COMPONENTS)
2	6V-0852	2	CAP-DUST
3	6V-3965	2	FITTING AS
4		1	SPOOL [Z]
5	9S-8001	2	PLUG
6	165-0391	1	PLUG AS
7	5H-3182	1	PIN-SPRING
8	165-0393	1	SPRING
9		1	BODY [Z]
10	9S-4185	1	PLUG
11	3J-1907	2	SEAL-O-RING
12	3K-0360	2	SEAL-O-RING
13	4J-7533	2	SEAL-O-RING

[A] PART OF 169-8568 DRIVE GP-CREEPER
[C] CHANGE FROM PREVIOUS TYPE
[Z] NOT SERVICED SEPARATELY

01122927
PR: t05c24o40d0211

MT700B SERIES TRACK TRACTOR
POWER TRAIN

189-8658 VALVE GP-SOLENOID-CREEPER
ENGAGE, DISENGAGE
S/N: 8AY1-UP
12-VOLT



01123015

**MT700B SERIES TRACKTRACTOR
POWER TRAIN**

493

**189-8658 VALVE GP-SOLENOID-CREEPER
ENGAGE, DISENGAGE
S/N: 8AY1-UP
12-VOLT**

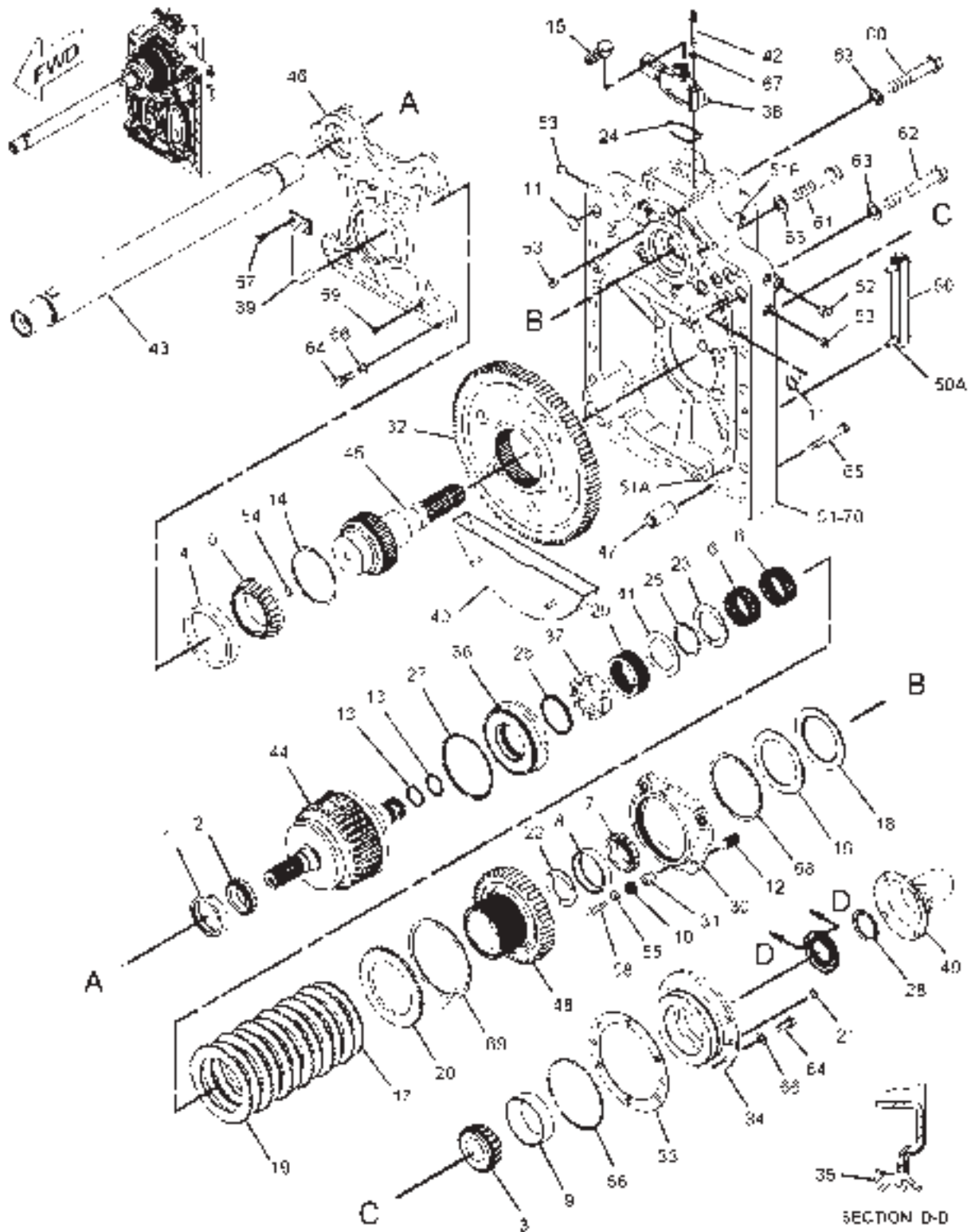
ITEM	NUMBER	QTY	DESCRIPTION
-	189-8658	--	VALVE GP-SOLENOID-CREEPER ENGAGE, DISENGAGE [A]
1	104-3947	1	LOCKNUT (5/8-11-THD)
2	176-6480	1	COIL AS
2A	1S-9593	2	STRAP-CABLE
2B	102-8802	1	KIT-RECEPTACLE (2-PIN) (INCLUDES RECEPTACLE AS & WEDGE)
2C	3E-3365	1	WEDGE-RECEPTACLE LOCK (2-PIN)
2D	186-3735	1	PIN-CONNECTOR
3	234-6666	1	CARTRIDGE AS-VALVE
3A		1	SEAL-O-RING [J] [Z]
3B		1	SEAL-O-RING [J] [Z]
3C		1	SEAL-O-RING [J] [Z]
	7T-4515	1	AVAILABLE REPAIR KIT(S): KIT-SEAL (CREEPER SOLENOID VALVE) [J]

[A] PART OF 170-5152 VALVE GP
[J] KIT MARKED J INCLUDES PARTS MARKED
[Z] NOT SERVICED SEPARATELY

01123015
PR: t05c24o40d0213

MT700B SERIES TRACK TRACTOR
POWER TRAIN

195-4531 POWER TAKE-OFF GP
S/N: AZA1-985; AZE1-1108; AZT1-870



01123499

**MT700B SERIES TRACKTRACTOR
POWER TRAIN**

495

195-4531 POWER TAKE-OFF GP
S/N: AZA1-985; AZE1-1108; AZT1-870

ITEM	NUMBER	QTY	DESCRIPTION
-	195-4531	--	POWER TAKE-OFF GP [A] (NOT SERVICED)
1	1J-8695	1	RACE-ROLLER BEARING (OUTER)
2	4B-8108	1	BEARING-INNER
3	008-3178	1	CONE-BEARING
4	030-0060	1	CUP-BEARING
5	030-0061	1	CONE-BEARING
6	124-0492	2	BEARING-CAGED
7	168-8390	1	BEARING AS
8	168-8391	1	RACE-ROLLER
9	2D-9190	1	CUP-BEARING
10	4B-4909	3	SPRING
11	4J-5267	4	SEAL-O-RING
12	4T-4200	3	SLUG
13	6I-8390	2	RING-SEAL
14	6V-0473	1	RING-RETAINING
15	6V-0852	1	CAP-DUST
16	6Y-5631	1	PLATE-CLUTCH
17	6Y-7922	6	DISC-FRICTION
18	6Y-7968	1	DISC-FRICTION
19	6Y-8512	6	PLATE-CLUTCH
20	6Y-8514	1	PLATE-END
21	7C-6467	2	PLUG
22	8E-8313	1	DISC-THRUST
23	8E-8653	1	DISC-THRUST
24	8S-0768	1	SEAL-O-RING
25	8T-0251	1	RING-RETAINING
26	9W-9399	1	RING-SEAL
27	9W-9436	1	RING-SEAL
28	160-6789	1	GUARD
29	161-8284	1	SPRING-WAVE
30	161-8739	1	PLATE-BRAKE
31	161-8848	3	BUSHING
32	164-3944	1	GEAR (99-TEETH)
33	164-3949	1	SHIM PACK (INCLUDES 13-SHIMS)
34	164-3950	1	CAGE-BEARING
35	164-3951	1	SEAL-LIP TYPE
36	164-4056	1	PISTON
37	164-4057	1	SLEEVE
38	216-5343	1	VALVE GP-MODULATING (SEE BREAKDOWN FOR COMPONENTS)
39	168-4558	1	TUBE AS

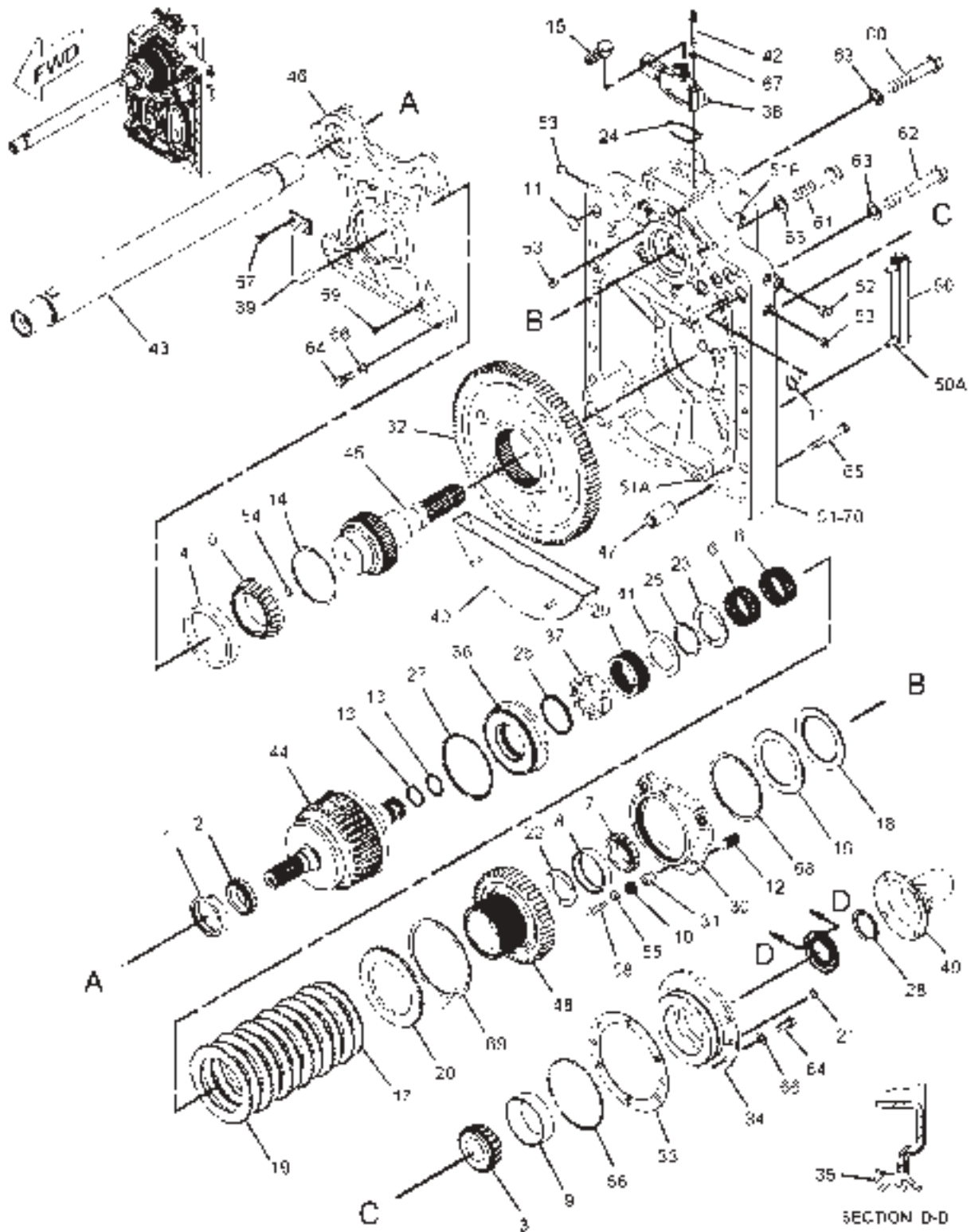
CONTINUED

[A] PART OF 171-4005, 171-4010,
213-8802 AXLE AR

01123499
PR: t05c24o40d0214

MT700B SERIES TRACK TRACTOR
POWER TRAIN

195-4531 POWER TAKE-OFF GP
S/N: AZA1-985; AZE1-1108; AZT1-870



01123499

**MT700B SERIES TRACK TRACTOR
POWER TRAIN**

497

195-4531 POWER TAKE-OFF GP
S/N: AZA1-985; AZE1-1108; AZT1-870

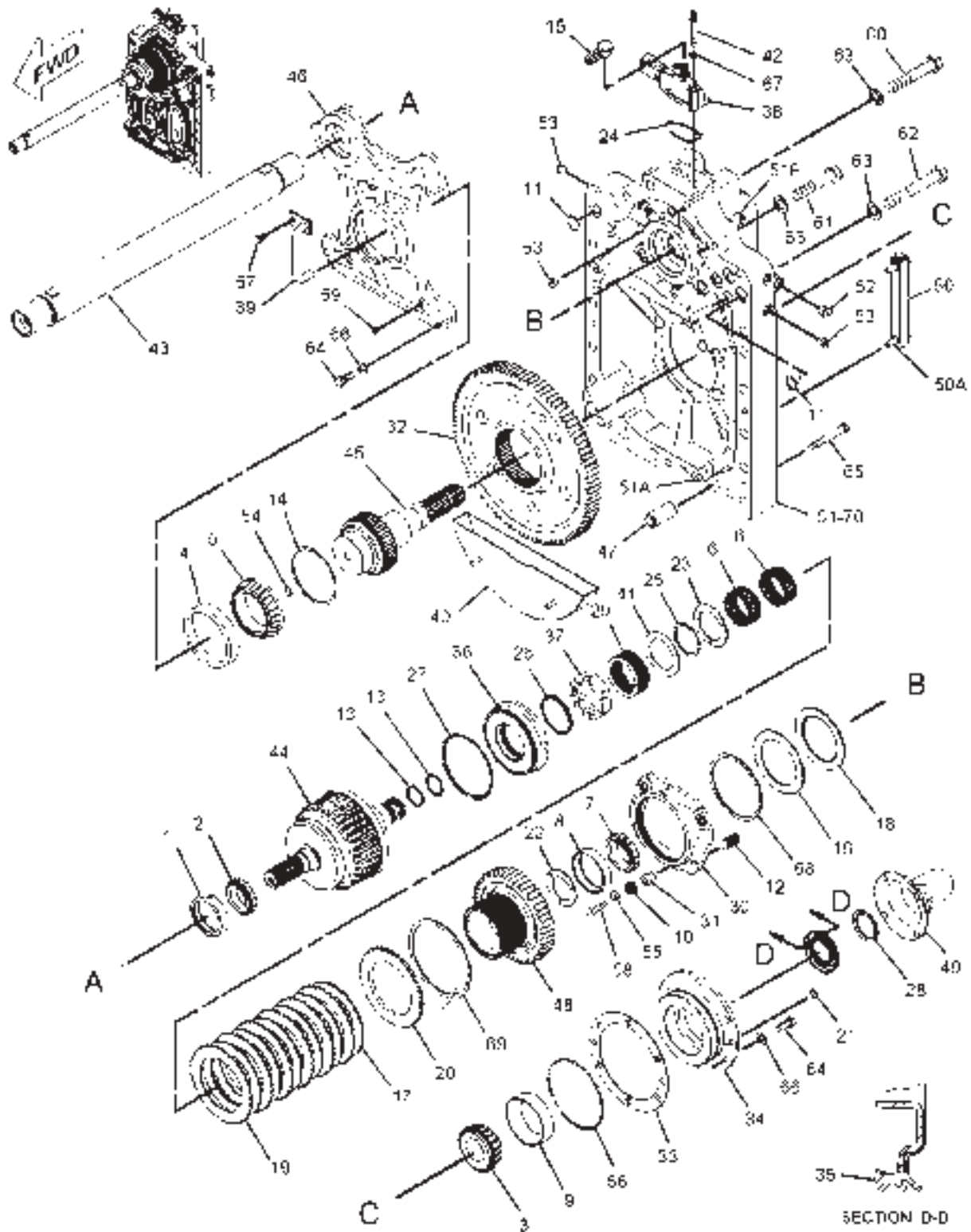
ITEM	NUMBER	QTY	DESCRIPTION
-	195-4531	--	POWER TAKE-OFF GP [A] (NOT SERVICED)
40	171-4001	1	SHIELD AS
	8C-8778	2	STUD-WELD (M8X1.25X25-MM OAL)
41	171-4004	1	RETAINER
42	185-9356	2	STUD (M8X1.25-THD)
43	194-0546	1	SHAFT AS
44	194-7768	1	SHAFT AS
	7T-9356	1	PLUG-CUP
	9W-0719	1	PLUG
	9W-0717	1	PLUG
45	195-3333	1	SHAFT
46	195-3335	1	CARRIER-BEARING
47	195-4773	2	DOWEL-HOLLOW
48	197-3738	1	GEAR (50-TEETH)
49	197-8661	1	COVER AS
50	214-9425	1	GAUGE-SIGHT (POWER TAKE-OFF)
50A	121-7958	2	BOLT-MOUNTING (1/2-20X1.75-IN)
	5J-2974	4	SEAL-O-RING
51	215-2080	1	COVER AS
51A	5M-7937	2	DOWEL
51B	160-6785	4	BEARING-SLEEVE
52	148-8395	1	PLUG AS (NOT SERVICED)
	6V-6609	1	SEAL-O-RING
	9S-8005	1	PLUG
53	162-0177	4	PLUG AS (NOT SERVICED)
	3J-1907	1	SEAL-O-RING
	9S-8004	1	PLUG
54	1L-3162	1	RING-RETAINING
55	3E-4353	3	WASHER-HARD (11X25X3-MM THK)
56	5H-3252	1	SEAL-O-RING
57	6V-5215	1	BOLT (M8X1.25X16-MM)
58	6V-5842	3	BOLT (M10X1.5X40-MM)
59	6V-9189	2	LOCKNUT (M8X1.25-THD)
60	7X-2488	2	BOLT (M20X2.5X160-MM)
61	7X-2565	7	BOLT (M20X2.5X100-MM)
62	8C-8478	1	BOLT (M20X2.5X140-MM)
63	8T-4123	10	WASHER-PLATED (22X35X3.5-MM THK)
64	8T-4139	12	BOLT (M12X1.75X30-MM)
65	8T-4176	5	BOLT (M12X1.75X90-MM)
66	8T-4223	12	WASHER-HARD (13.5X25.5X3-MM THK)
67	8T-4224	2	WASHER-HARD (8.8X16X2-MM THK)
68	9U-8875	1	RING-RETAINING
69	236-2541	1	RING-RETAINING
70	1U-8846	AR	SEALANT-GASKET

[A] PART OF 171-4005, 171-4010,
213-8802 AXLE AR

01123499
PR: t05c24o40d0214

MT700B SERIES TRACK TRACTOR
POWER TRAIN

195-4531 POWER TAKE-OFF GP
S/N: AZA986-1307



01123499

**MT700B SERIES TRACKTRACTOR
POWER TRAIN**

499

195-4531 POWER TAKE-OFF GP
S/N: AZA986-1307

ITEM	NUMBER	QTY	DESCRIPTION
-	195-4531	--	POWER TAKE-OFF GP [A] (NOT SERVICED)
1	1J-8695	1	RACE-ROLLER BEARING (OUTER)
2	4B-8108	1	BEARING-INNER
3	008-3178	1	CONE-BEARING
4	030-0060	1	CUP-BEARING
5	030-0061	1	CONE-BEARING
6	124-0492	2	BEARING-CAGED
7	168-8390	1	BEARING AS
8	168-8391	1	RACE-ROLLER
9	2D-9190	1	CUP-BEARING
10	210-1975	3	SPRING
11	4J-5267	4	SEAL-O-RING
12	4T-4200	3	SLUG
13	6I-8390	2	RING-SEAL
14	6V-0473	1	RING-RETAINING
15	6V-0852	1	CAP-DUST
16	6Y-5631	1	PLATE-CLUTCH
17	6Y-7922	6	DISC-FRICTION
18	6Y-7968	1	DISC-FRICTION
19	6Y-8512	6	PLATE-CLUTCH
20	6Y-8514	1	PLATE-END
21	7C-6467	2	PLUG
22	8E-8313	1	DISC-THRUST
23	8E-8653	1	DISC-THRUST
24	8S-0768	1	SEAL-O-RING
25	8T-0251	1	RING-RETAINING
26	9W-9399	1	RING-SEAL
27	9W-9436	1	RING-SEAL
28	160-6789	1	GUARD
29	161-8284	1	SPRING-WAVE
30	161-8739	1	PLATE-BRAKE
31	161-8848	3	BUSHING
32	164-3944	1	GEAR (99-TEETH)
33	164-3949	1	SHIM PACK (INCLUDES 13-SHIMS)
34	164-3950	1	CAGE-BEARING
35	164-3951	1	SEAL-LIP TYPE
36	164-4056	1	PISTON
37	164-4057	1	SLEEVE
38	216-5343	1	VALVE GP-MODULATING [C] (SEE BREAKDOWN FOR COMPONENTS)
39	168-4558	1	TUBE AS

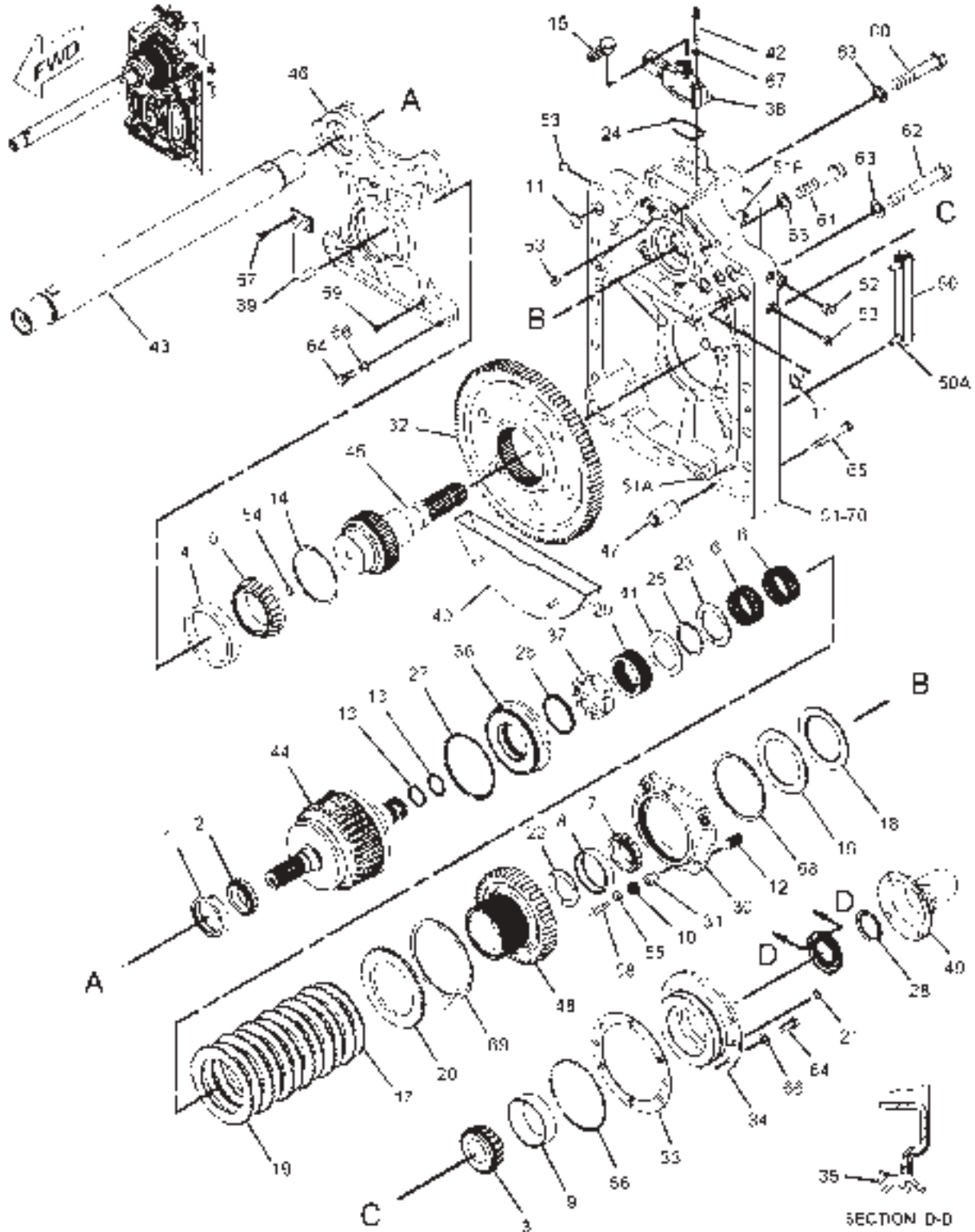
CONTINUED

[A] PART OF 171-4005 AXLE AR
[C] CHANGE FROM PREVIOUS TYPE

01123499
PR: t05c24o40d0215

MT700B SERIES TRACK TRACTOR
POWER TRAIN

195-4531 POWER TAKE-OFF GP
S/N: AZA986-1307



01123499

**MT700B SERIES TRACK TRACTOR
POWER TRAIN**

501

**195-4531 POWER TAKE-OFF GP
S/N: AZA986-1307**

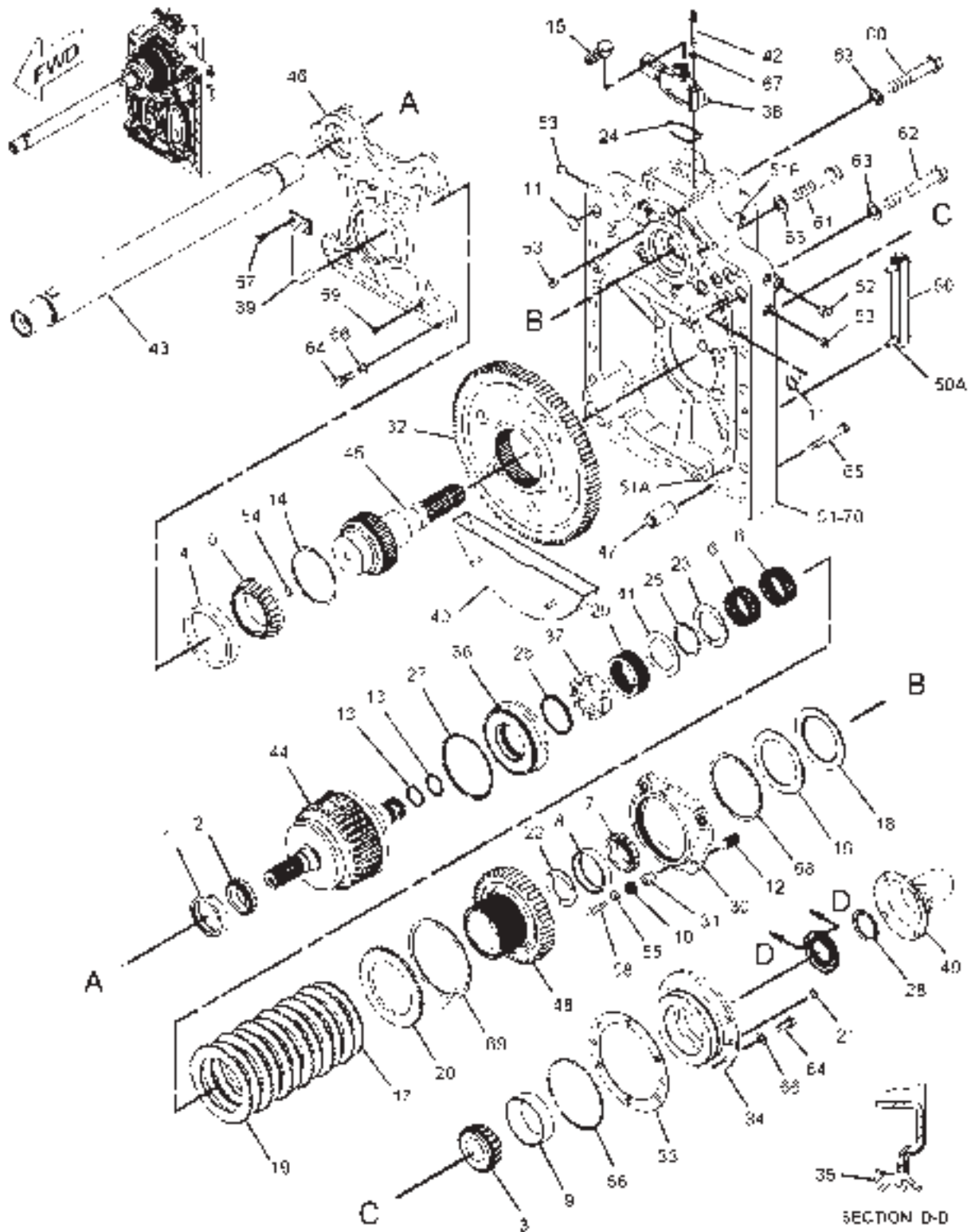
ITEM	NUMBER	QTY	DESCRIPTION
-	195-4531	--	POWER TAKE-OFF GP [A] (NOT SERVICED)
40	171-4001	1	SHIELD AS
	8C-8778	2	STUD-WELD (M8X1.25X25-MM OAL)
41	171-4004	1	RETAINER
42	185-9356	2	STUD (M8X1.25-THD)
43	194-0546	1	SHAFT AS
44	194-7768	1	SHAFT AS
	7T-9356	1	PLUG-CUP
	9W-0719	1	PLUG
	9W-0717	1	PLUG
45	195-3333	1	SHAFT
46	195-3335	1	CARRIER-BEARING
47	195-4773	2	DOWEL-HOLLOW
48	197-3738	1	GEAR (50-TEETH)
49	197-8661	1	COVER AS
50	214-9425	1	GAUGE-SIGHT (POWER TAKE-OFF)
50A	121-7958	2	BOLT-MOUNTING (1/2-20X1.75-IN)
	5J-2974	4	SEAL-O-RING
51	215-2080	1	COVER AS
51A	5M-7937	2	DOWEL
51B	160-6785	4	BEARING-SLEEVE
52	148-8395	1	PLUG AS (NOT SERVICED)
	6V-6609	1	SEAL-O-RING
	9S-8005	1	PLUG
53	162-0177	4	PLUG AS (NOT SERVICED)
	3J-1907	1	SEAL-O-RING
	9S-8004	1	PLUG
54	1L-3162	1	RING-RETAINING
55	3E-4353	3	WASHER-HARD (11X25X3-MM THK)
56	5H-3252	1	SEAL-O-RING
57	6V-5215	1	BOLT (M8X1.25X16-MM)
58	6V-5842	3	BOLT (M10X1.5X40-MM)
59	6V-9189	2	LOCKNUT (M8X1.25-THD)
60	7X-2488	2	BOLT (M20X2.5X160-MM)
61	7X-2565	7	BOLT (M20X2.5X100-MM)
62	8C-8478	1	BOLT (M20X2.5X140-MM)
63	8T-4123	10	WASHER-PLATED (22X35X3.5-MM THK)
64	8T-4139	12	BOLT (M12X1.75X30-MM)
65	8T-4176	5	BOLT (M12X1.75X90-MM)
66	8T-4223	12	WASHER-HARD (13.5X25.5X3-MM THK)
67	8T-4224	2	WASHER-HARD (8.8X16X2-MM THK)
68	9U-8875	1	RING-RETAINING
69	236-2541	1	RING-RETAINING
70	1U-8846	AR	SEALANT-GASKET

[A] PART OF 171-4005 AXLE AR

01123499
PR: t05c24o40d0215

MT700B SERIES TRACK TRACTOR
POWER TRAIN

195-4531 POWER TAKE-OFF GP
S/N: AZA1308-1365



01123499

**MT700B SERIES TRACKTRACTOR
POWER TRAIN**

503

**195-4531 POWER TAKE-OFF GP
S/N: AZA1308-1365**

ITEM	NUMBER	QTY	DESCRIPTION
-	195-4531	--	POWER TAKE-OFF GP [A] (NOT SERVICED)
1	1J-8695	1	RACE-ROLLER BEARING (OUTER)
2	4B-8108	1	BEARING-INNER
3	008-3178	1	CONE-BEARING
4	030-0060	1	CUP-BEARING
5	030-0061	1	CONE-BEARING
6	124-0492	2	BEARING-CAGED
7	168-8390	1	BEARING AS
8	168-8391	1	RACE-ROLLER
9	2D-9190	1	CUP-BEARING
10	210-1975	3	SPRING
11	4J-5267	4	SEAL-O-RING
12	4T-4200	3	SLUG
13	6I-8390	2	RING-SEAL
14	6V-0473	1	RING-RETAINING
15	6V-0852	1	CAP-DUST
16	6Y-5631	1	PLATE-CLUTCH
17	6Y-7922	6	DISC-FRICTION
18	6Y-7968	1	DISC-FRICTION
19	6Y-8512	6	PLATE-CLUTCH
20	6Y-8514	1	PLATE-END
21	7C-6467	2	PLUG
22	8E-8313	1	DISC-THRUST
23	8E-8653	1	DISC-THRUST
24	8S-0768	1	SEAL-O-RING
25	8T-0251	1	RING-RETAINING
26	9W-9399	1	RING-SEAL
27	9W-9436	1	RING-SEAL
28	160-6789	1	GUARD
29	161-8284	1	SPRING-WAVE
30	161-8739	1	PLATE-BRAKE
31	161-8848	3	BUSHING
32	164-3944	1	GEAR (99-TEETH)
33	164-3949	1	SHIM PACK (INCLUDES 13-SHIMS)
34	164-3950	1	CAGE-BEARING
35	164-3951	1	SEAL-LIP TYPE
36	164-4056	1	PISTON
37	164-4057	1	SLEEVE
38	216-5343	1	VALVE GP-MODULATING (SEE BREAKDOWN FOR COMPONENTS)
39	168-4558	1	TUBE AS
40	171-4001	1	SHIELD AS
	8C-8778	2	STUD-WELD (M8X1.25X25-MM OAL)
41	171-4004	1	RETAINER
42	185-9356	2	STUD (M8X1.25-THD)
43	194-0546	1	SHAFT AS
44	194-7768	1	SHAFT AS
	7T-9356	1	PLUG-CUP
	9W-0719	1	PLUG
	9W-0717	1	PLUG

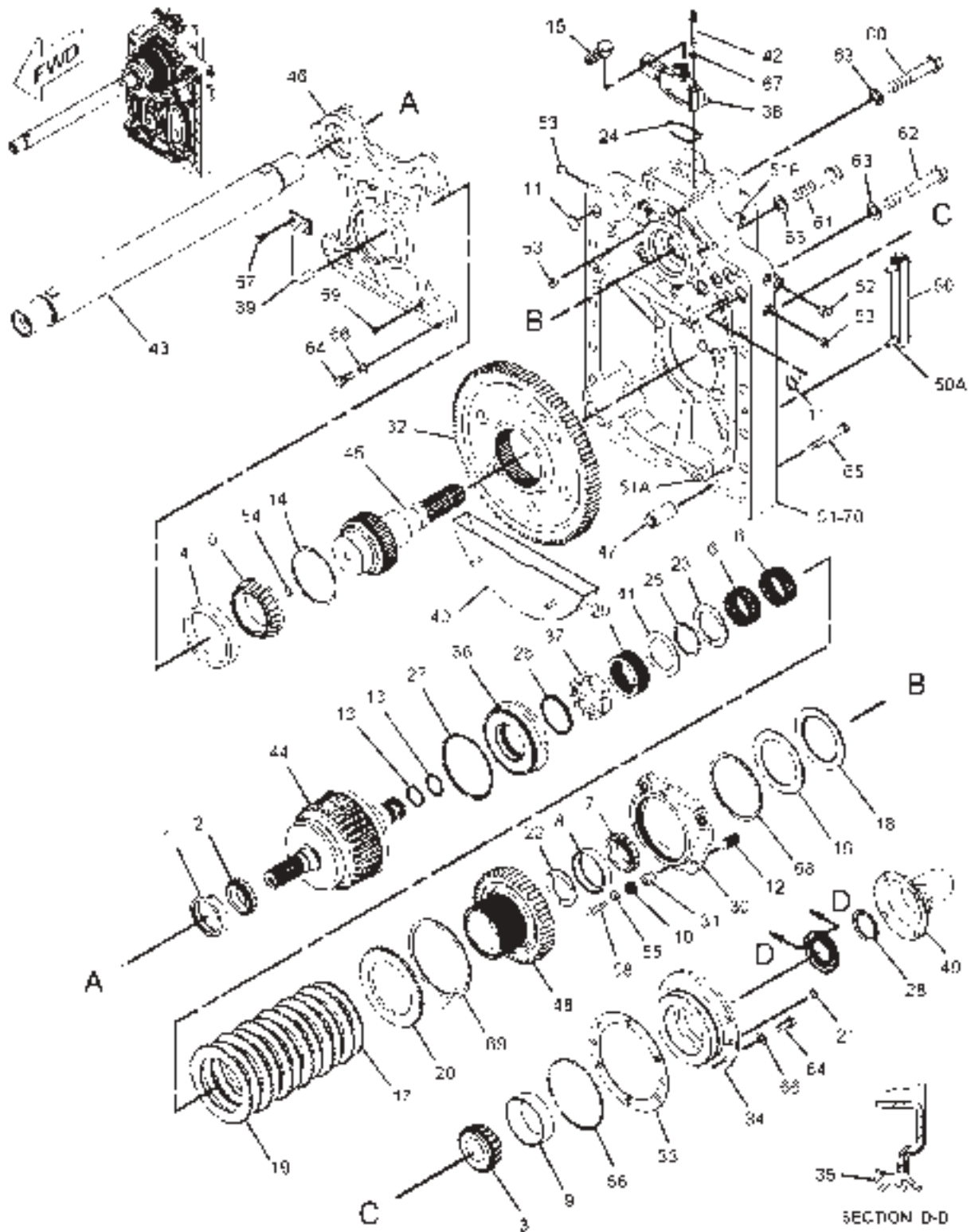
CONTINUED

[A] PART OF 171-4005 AXLE AR

01123499
PR: t05c24o40d0216

MT700B SERIES TRACK TRACTOR
POWER TRAIN

195-4531 POWER TAKE-OFF GP
S/N: AZA1308-1365



01123499

**MT700B SERIES TRACKTRACTOR
POWER TRAIN**

505

**195-4531 POWER TAKE-OFF GP
S/N: AZA1308-1365**

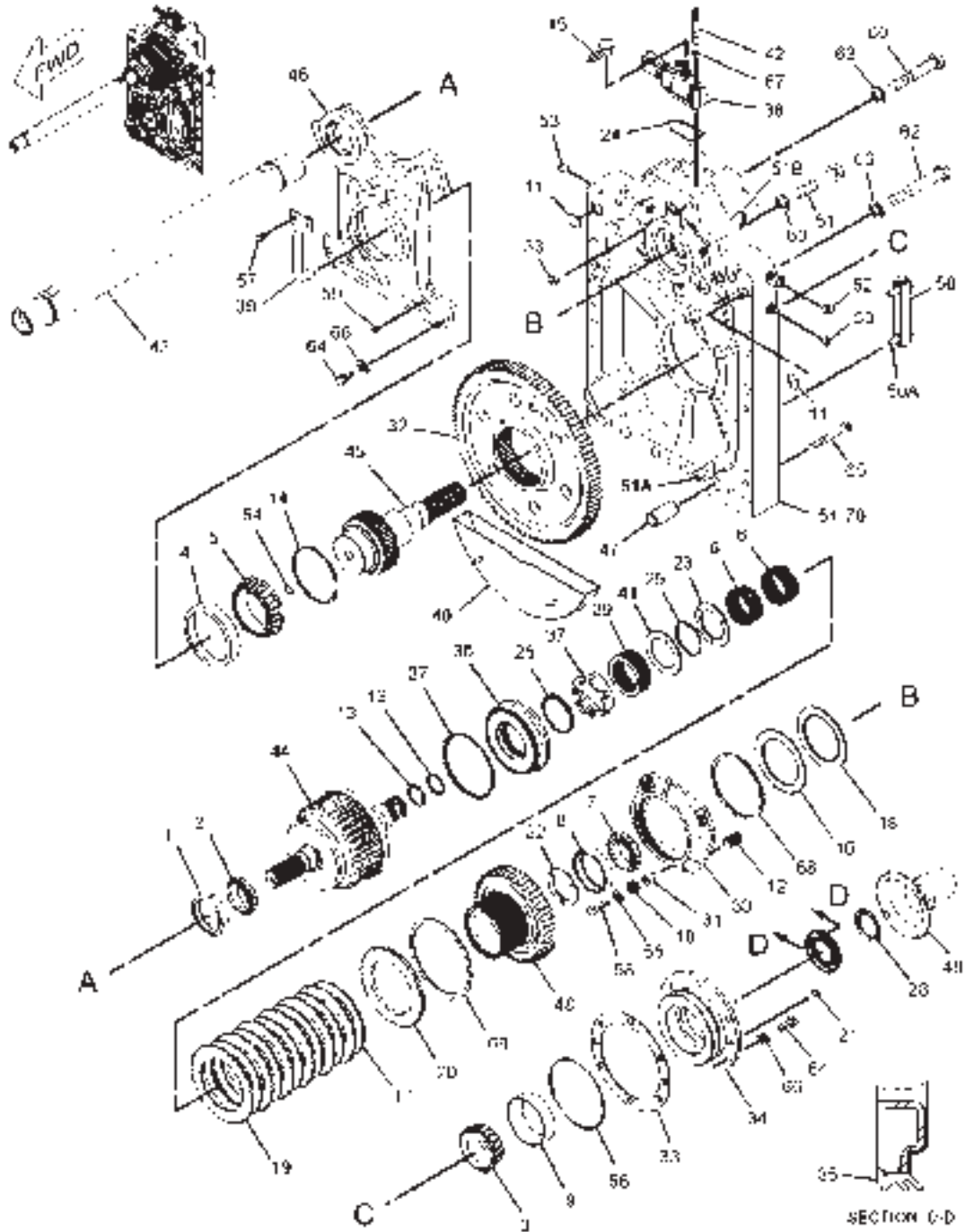
ITEM	NUMBER	QTY	DESCRIPTION
-	195-4531	--	POWER TAKE-OFF GP [A] (NOT SERVICED)
45	195-3333	1	SHAFT
46	195-3335	1	CARRIER-BEARING
47	195-4773	2	DOWEL-HOLLOW
48	197-3738	1	GEAR (50-TEETH)
49	197-8661	1	COVER AS
50	214-9425	1	GAUGE-SIGHT (POWER TAKE-OFF)
50A	121-7958	2	BOLT-MOUNTING (1/2-20X1.75-IN)
	5J-2974	4	SEAL-O-RING
51	254-5743	1	COVER AS [C]
51A	5M-7937	2	DOWEL
51B	160-6785	4	BEARING-SLEEVE
52	148-8395	1	PLUG AS (NOT SERVICED)
	6V-6609	1	SEAL-O-RING
	9S-8005	1	PLUG
53	162-0177	4	PLUG AS (NOT SERVICED)
	3J-1907	1	SEAL-O-RING
	9S-8004	1	PLUG
54	1L-3162	1	RING-RETAINING
55	3E-4353	3	WASHER-HARD (11X25X3-MM THK)
56	5H-3252	1	SEAL-O-RING
57	6V-5215	1	BOLT (M8X1.25X16-MM)
58	6V-5842	3	BOLT (M10X1.5X40-MM)
59	6V-9189	2	LOCKNUT (M8X1.25-THD)
60	7X-2488	2	BOLT (M20X2.5X160-MM)
61	7X-2565	7	BOLT (M20X2.5X100-MM)
62	8C-8478	1	BOLT (M20X2.5X140-MM)
63	8T-4123	10	WASHER-PLATED (22X35X3.5-MM THK)
64	8T-4139	12	BOLT (M12X1.75X30-MM)
65	8T-4176	5	BOLT (M12X1.75X90-MM)
66	8T-4223	12	WASHER-HARD (13.5X25.5X3-MM THK)
67	8T-4224	2	WASHER-HARD (8.8X16X2-MM THK)
68	9U-8875	1	RING-RETAINING
69	236-2541	1	RING-RETAINING
70	1U-8846	AR	SEALANT-GASKET

[A] PART OF 171-4005 AXLE AR
[C] CHANGE FROM PREVIOUS TYPE

01123499
PR: t05c24o40d0216

MT700B SERIES TRACK TRACTOR
POWER TRAIN

195-4531 POWER TAKE-OFF GP
S/N: AZA1366-UP



01123354

**MT700B SERIES TRACKTRACTOR
POWER TRAIN**

507

**195-4531 POWER TAKE-OFF GP
S/N: AZA1366-UP**

ITEM	NUMBER	QTY	DESCRIPTION
-	195-4531	--	POWER TAKE-OFF GP [A] (NOT SERVICED)
1	1J-8695	1	RACE-ROLLER BEARING (OUTER)
2	4B-8108	1	BEARING-INNER
3	008-3178	1	CONE-BEARING
4	030-0060	1	CUP-BEARING
5	030-0061	1	CONE-BEARING
6	124-0492	2	BEARING-CAGED
7	168-8390	1	BEARING AS
8	168-8391	1	RACE-ROLLER
9	2D-9190	1	CUP-BEARING
10	210-1975	3	SPRING
11	4J-5267	4	SEAL-O-RING
12	4T-4200	3	SLUG
13	6I-8390	2	RING-SEAL
14	6V-0473	1	RING-RETAINING
15	6V-0852	1	CAP-DUST
16	6Y-5631	1	PLATE-CLUTCH
17	6Y-7922	6	DISC-FRICTION
18	6Y-7968	1	DISC-FRICTION
19	6Y-8512	6	PLATE-CLUTCH
20	6Y-8514	1	PLATE-END
21	7C-6467	2	PLUG
22	8E-8313	1	DISC-THRUST
23	8E-8653	1	DISC-THRUST
24	8S-0768	1	SEAL-O-RING
25	8T-0251	1	RING-RETAINING
26	9W-9399	1	RING-SEAL
27	9W-9436	1	RING-SEAL
28	160-6789	1	GUARD
29	161-8284	1	SPRING-WAVE
30	161-8739	1	PLATE-BRAKE
31	161-8848	3	BUSHING
32	164-3944	1	GEAR (99-TEETH)
33	164-3949	1	SHIM PACK (INCLUDES 13-SHIMS)
34	164-3950	1	CAGE-BEARING
35	164-3951	1	SEAL-LIP TYPE
36	164-4056	1	PISTON
37	164-4057	1	SLEEVE
38	216-5343	1	VALVE GP-MODULATING (SEE BREAKDOWN FOR COMPONENTS)
39	168-4558	1	TUBE AS
40	171-4001	1	SHIELD AS
	8C-8778	2	STUD-WELD (M8X1.25X25-MM OAL)
41	171-4004	1	RETAINER
42	185-9356	2	STUD (M8X1.25-THD)
43	194-0546	1	SHAFT AS
44	194-7768	1	SHAFT AS
	7T-9356	1	PLUG-CUP
	9W-0719	1	PLUG
	9W-0717	1	PLUG

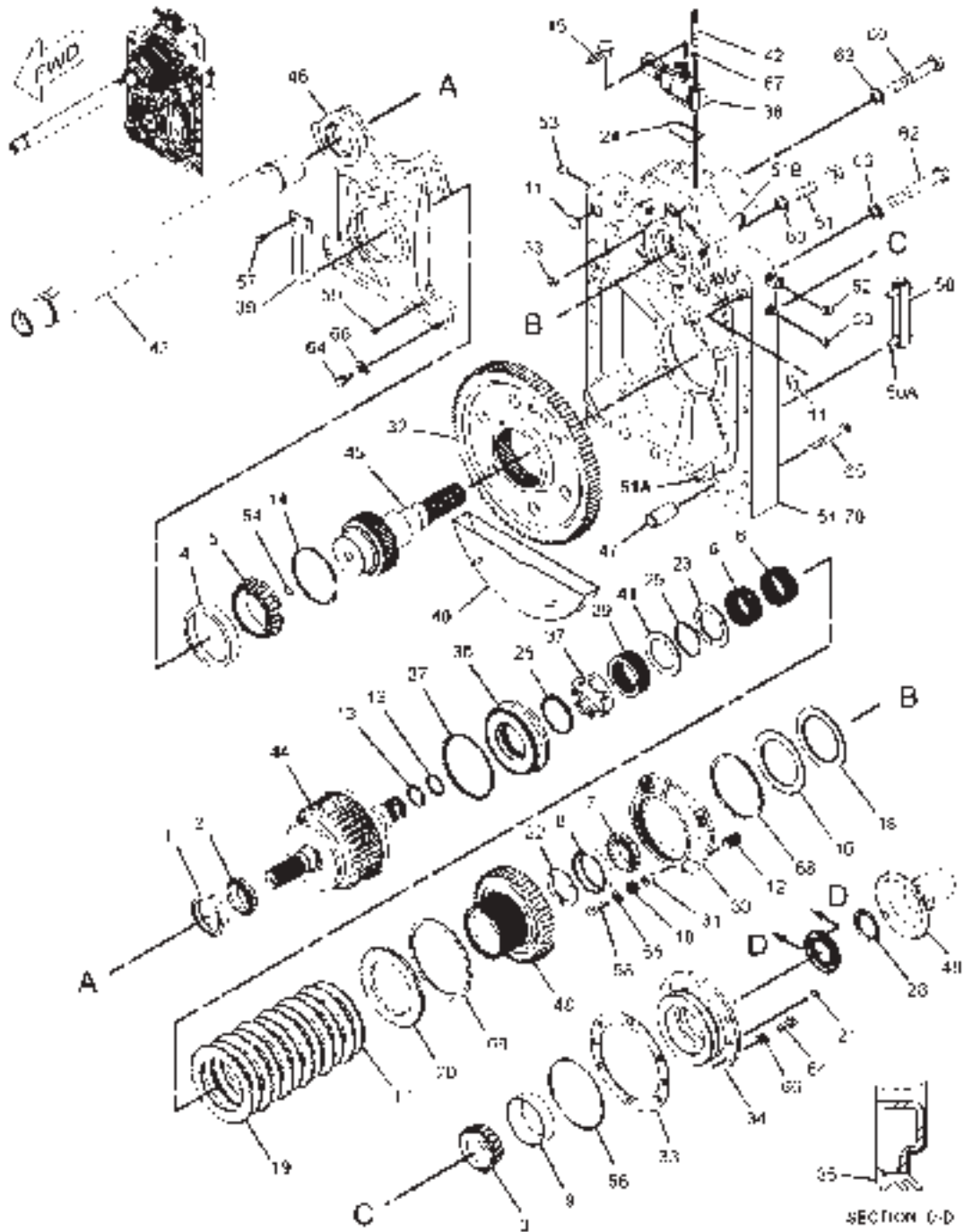
CONTINUED

[A] PART OF 171-4005 AXLE AR

01123354
PR: t05c24o40d0217

MT700B SERIES TRACK TRACTOR
POWER TRAIN

195-4531 POWER TAKE-OFF GP
S/N: AZA1366-UP



01123354

**MT700B SERIES TRACKTRACTOR
POWER TRAIN**

509

**195-4531 POWER TAKE-OFF GP
S/N: AZA1366-UP**

ITEM	NUMBER	QTY	DESCRIPTION
-	195-4531	--	POWER TAKE-OFF GP [A] (NOT SERVICED)
45	195-3333	1	SHAFT
46	195-3335	1	CARRIER-BEARING
47	195-4773	2	DOWEL-HOLLOW
48	197-3738	1	GEAR (50-TEETH)
49	197-8661	1	COVER AS
50	243-5252	1	GAUGE-SIGHT (POWER TAKE-OFF) [C]
50A	121-7958	2	BOLT-MOUNTING (1/2-20X1.75-IN)
	5J-2974	4	SEAL-O-RING
51	254-5744	1	COVER AS [C]
51A	5M-7937	2	DOWEL
51B	160-6785	4	BEARING-SLEEVE
52	148-8395	1	PLUG AS (NOT SERVICED)
	6V-6609	1	SEAL-O-RING
	9S-8005	1	PLUG
53	162-0177	4	PLUG AS (NOT SERVICED)
	3J-1907	1	SEAL-O-RING
	9S-8004	1	PLUG
54	1L-3162	1	RING-RETAINING
55	3E-4353	3	WASHER-HARD (11X25X3-MM THK)
56	5H-3252	1	SEAL-O-RING
57	6V-5215	1	BOLT (M8X1.25X16-MM)
58	6V-5842	3	BOLT (M10X1.5X40-MM)
59	6V-9189	2	LOCKNUT (M8X1.25-THD)
60	7X-2488	2	BOLT (M20X2.5X160-MM)
61	7X-2565	7	BOLT (M20X2.5X100-MM)
62	8C-8478	1	BOLT (M20X2.5X140-MM)
63	8T-4123	10	WASHER-PLATED (22X35X3.5-MM THK)
64	8T-4139	12	BOLT (M12X1.75X30-MM)
65	8T-4176	5	BOLT (M12X1.75X90-MM)
66	8T-4223	12	WASHER-HARD (13.5X25.5X3-MM THK)
67	8T-4224	2	WASHER-HARD (8.8X16X2-MM THK)
68	9U-8875	1	RING-RETAINING
69	236-2541	1	RING-RETAINING
70	1U-8846	AR	SEALANT-GASKET

[A] PART OF 171-4005 AXLE AR
[C] CHANGE FROM PREVIOUS TYPE

01123354
PR: t05c24o40d0217

510

MT700B SERIES TRACK TRACTOR
FRAME AND BODY

CHASSIS AR - 159-9486
ROW ONLY

NO ILLUSTRATION

NOTIF

**MT700B SERIES TRACK TRACTOR
FRAME AND BODY**

511

**CHASSIS AR - 159-9486
ROW ONLY**

ITEM	NUMBER	QTY	DESCRIPTION
-	159-9486	--	CHASSIS AR [A] (NOT SERVICED) (SEE BREAKDOWN FOR COMPONENTS)
1	152-0430	1	MOUNTING GP-ROPS (NOT SERVICED) (SEE BREAKDOWN FOR COMPONENTS)
2	156-1323	1	FRAME GP (NOT SERVICED) (SEE BREAKDOWN FOR COMPONENTS)
3	156-1325	1	STEP GP (NOT SERVICED) (SEE BREAKDOWN FOR COMPONENTS)
4	203-9178	1	HANDHOLD GP (NOT SERVICED) (SEE BREAKDOWN FOR COMPONENTS)

[A] PART OF 177-1588; 502668D1
BASE COMMON AR

NOTIF
PR: t05c24o40d0219

512

MT700B SERIES TRACK TRACTOR
FRAME AND BODY

CHASSIS AR - 174-4614
EAME ONLY

NO ILLUSTRATION

NOTIF

**MT700B SERIES TRACK TRACTOR
FRAME AND BODY**

513

**CHASSIS AR - 174-4614
EAME ONLY**

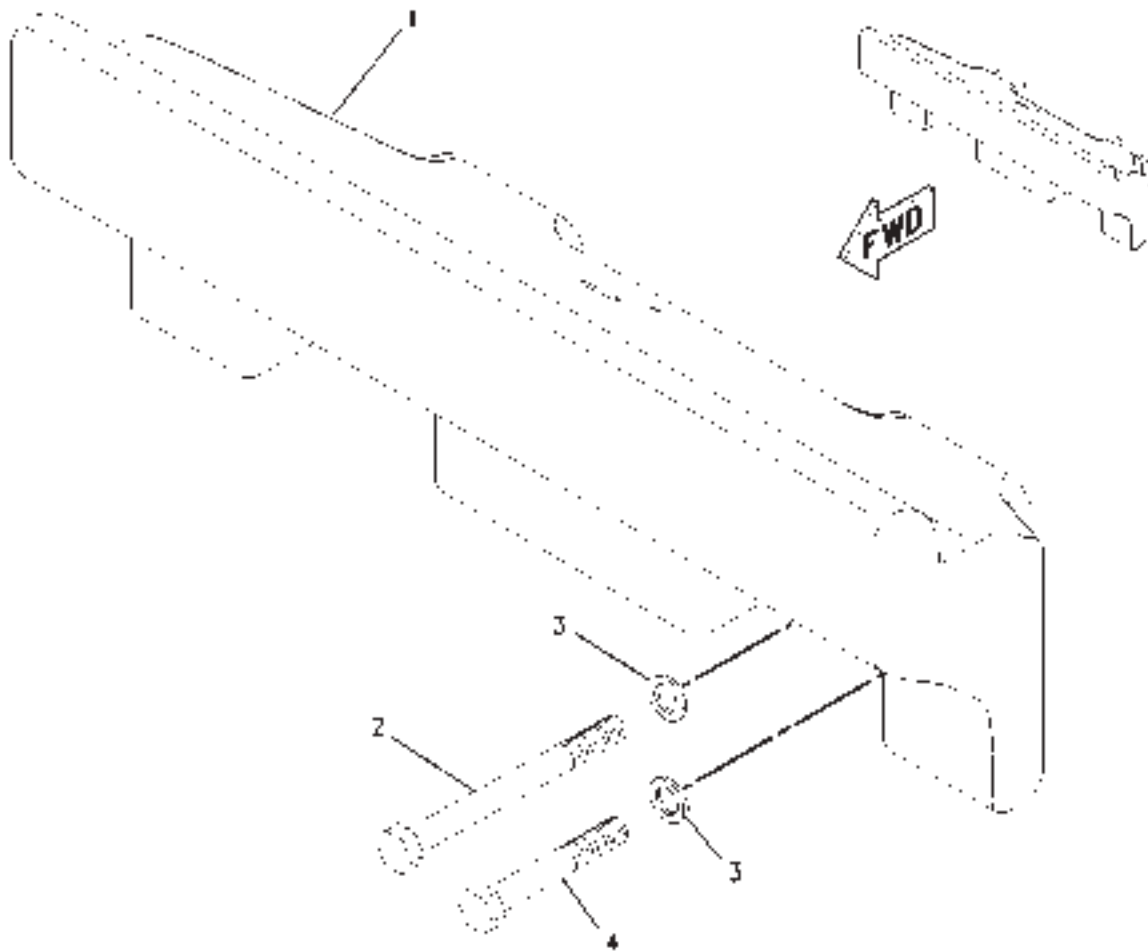
ITEM	NUMBER	QTY	DESCRIPTION
-	174-4614	--	CHASSIS AR [A] (NOT SERVICED) (SEE BREAKDOWN FOR COMPONENTS)
1	152-0430	1	MOUNTING GP-ROPS (NOT SERVICED) (SEE BREAKDOWN FOR COMPONENTS)
2	156-1323	1	FRAME GP (NOT SERVICED) (SEE BREAKDOWN FOR COMPONENTS)
3	156-1325	1	STEP GP (NOT SERVICED) (SEE BREAKDOWN FOR COMPONENTS)
4	179-3241	1	GUARD GP-SPECTATOR (NOT SERVICED) (SEE BREAKDOWN FOR COMPONENTS)
5	203-9179	1	HANDRAIL GP (NOT SERVICED) (SEE BREAKDOWN FOR COMPONENTS)
6	208-3021	1	GUARD GP-AXLE (SEE BREAKDOWN FOR COMPONENTS)

[A] PART OF 502669D1 BASE COMMON AR

NOTIF
PR: t05c24o40d0220

MT700B SERIES TRACK TRACTOR
FRAME AND BODY

COUNTERWEIGHT GP - 165-7159
FRONT BRACKET
ROW ONLY



00809703

**MT700B SERIES TRACK TRACTOR
FRAME AND BODY**

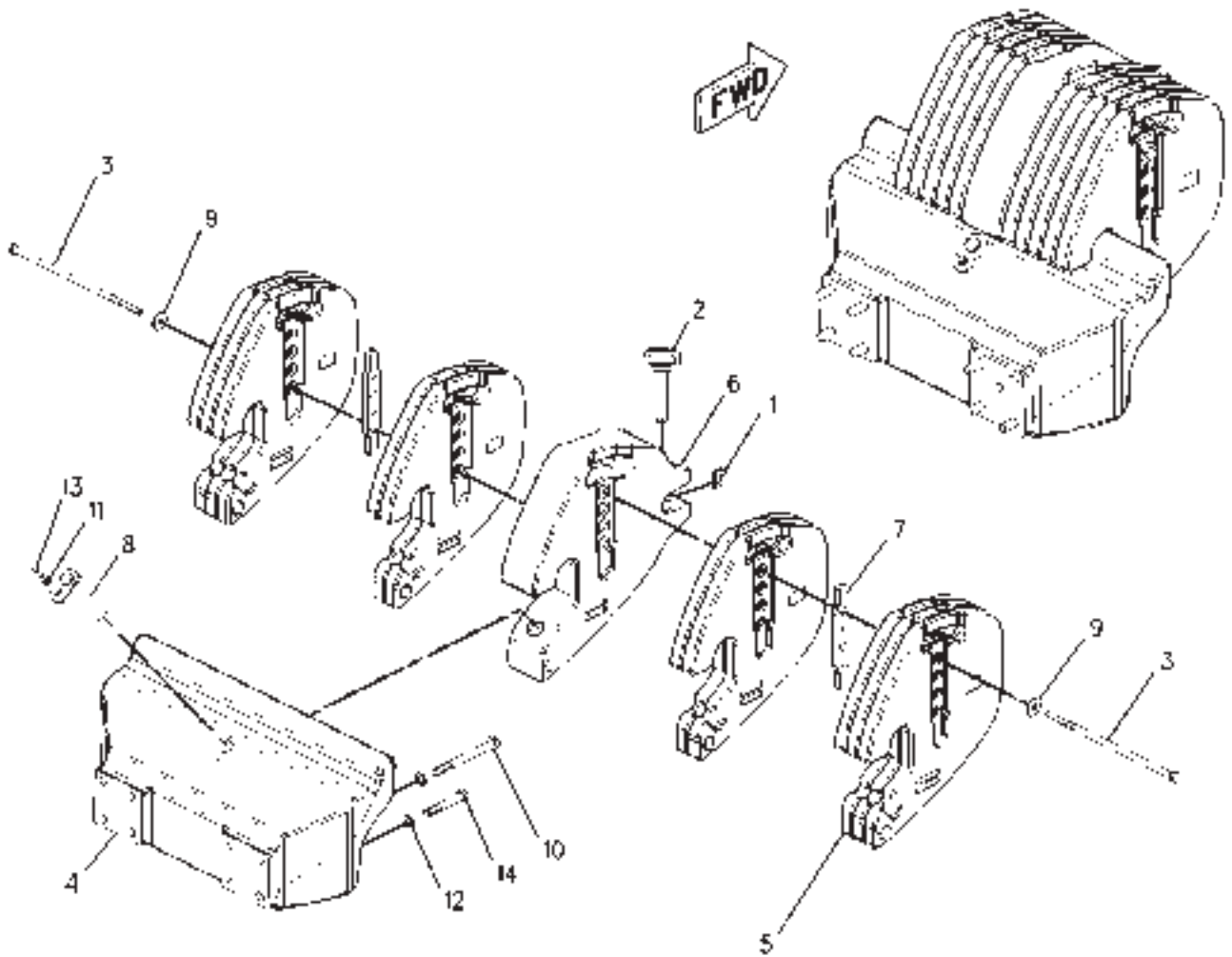
515

**COUNTERWEIGHT GP - 165-7159
FRONT BRACKET
ROW ONLY**

ITEM	NUMBER	QTY	DESCRIPTION
-	165-7159	--	BRACKET GP-FRONT COUNTERWEIGHT (NOT SERVICED)
1	202-9219	1	BRACKET
2	400034X1	4	BOLT (M20X2.5X200MM)
3	400080X1	8	WASHER-PLATED (22X35X3.5MM THK)
4	400236X1	4	BOLT (M20X2.5X120MM)

00809703
PR: t05c24o40d0221

COUNTERWEIGHT GP-FRONT - 502114D1
10 WEIGHTS (871KG/1920 LB)
EAME ONLY



**MT700B SERIES TRACK TRACTOR
FRAME AND BODY**

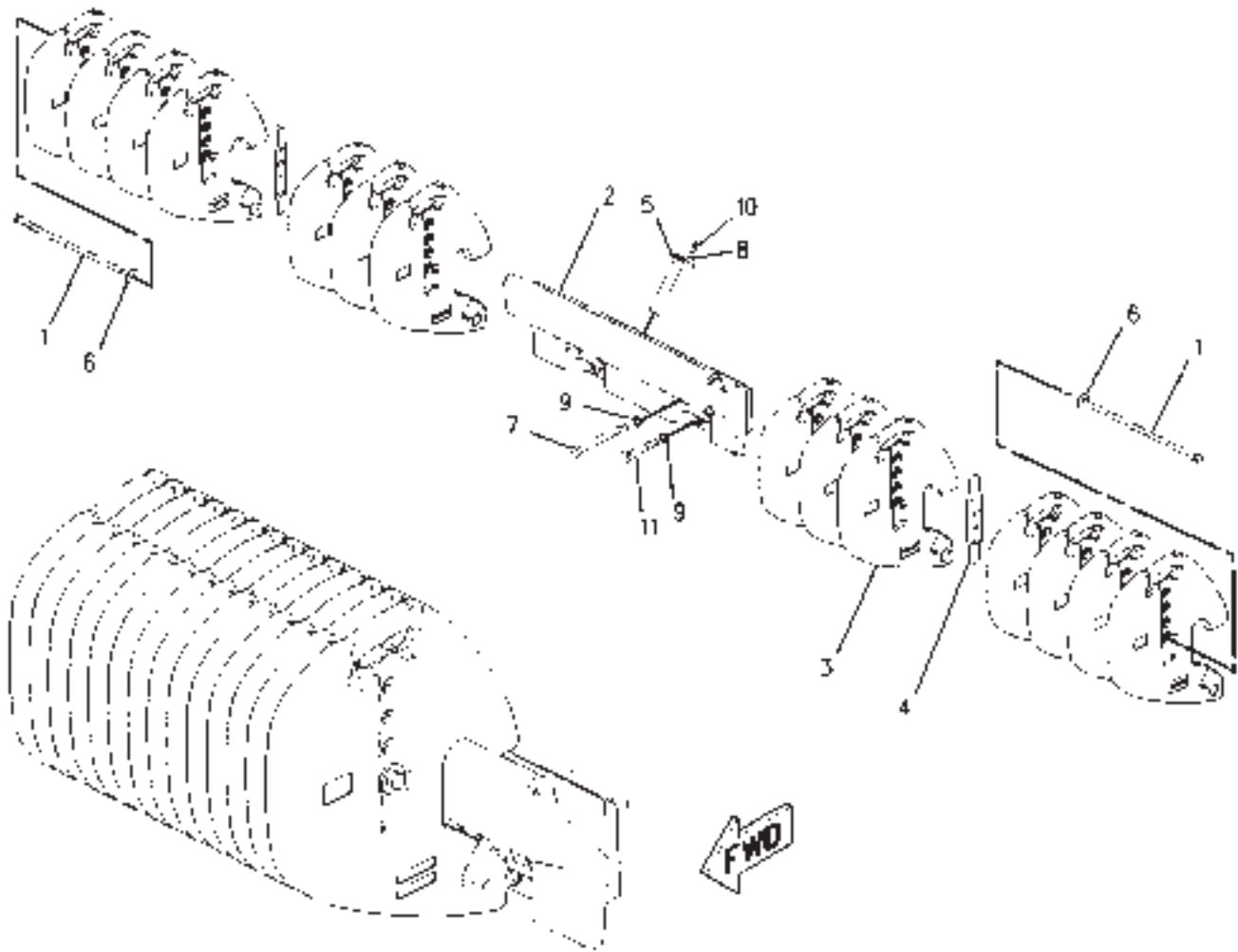
517

**COUNTERWEIGHT GP-FRONT - 502114D1
10 WEIGHTS (871KG/1920 LB)
EAME ONLY**

ITEM	NUMBER	QTY	DESCRIPTION
-	502114D1	--	COUNTERWEIGHT GP-FRONT (NOT SERVICED)
1	CH5P-8837	1	LOCK PIN
2	CH137-9775	1	PIN AS (HITCH)
3	400268X1	2	BOLT (M16X2X440MM)
4	502112D1	1	BRACKET-CTWT, FRONT
5	202-9220	10	WEIGHT
6	502113D1	1	WEIGHT (CENTER)
7	202-9223	2	PLATE
8	CH202-9222	1	PIN AS
9	CH7X-0583	2	WASHER-HARD (17X45X6MM THK)
10	400194X1	4	BOLT (M20X2.5X180MM)
11	400357X1	1	WASHER-HARD (M12X25.5X3MM THK)
12	400080X1	8	WASHER-PLATED (22X35X3.5MM THK)
13	400041X1	1	BOLT (M12X1.75X30MM)
14	400236X1	4	BOLT (M20X2.5X120MM)

00874543
PR: t05c24o40d0222

COUNTERWEIGHT GP-FRONT - 191-3096
14 WEIGHTS (908KG/2002 LB)
ROW ONLY



00874495

MT700B SERIES TRACK TRACTOR
FRAME AND BODY

519

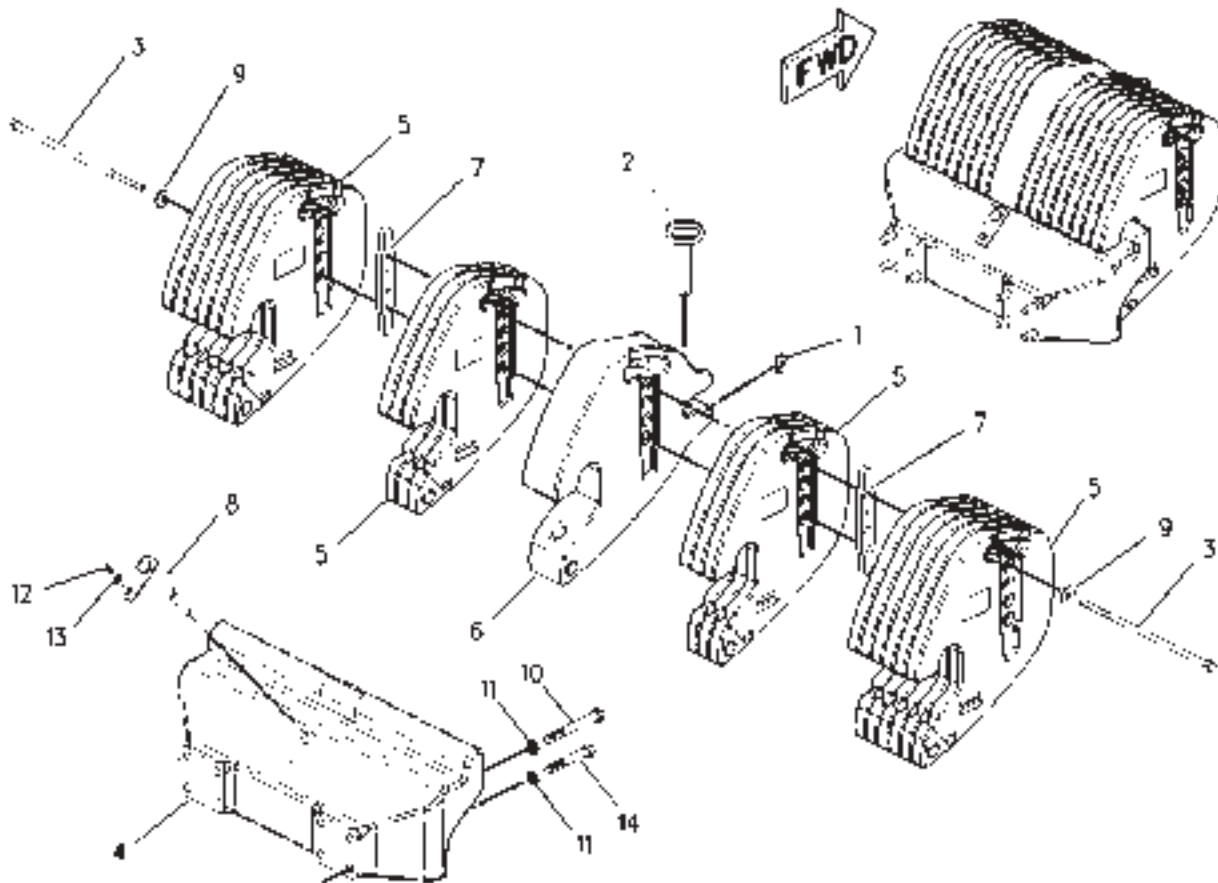
COUNTERWEIGHT GP-FRONT - 191-3096
14 WEIGHTS (908KG/2002 LB)
ROW ONLY

ITEM	NUMBER	QTY	DESCRIPTION
-	191-3096	--	COUNTERWEIGHT GP-FRONT (NOT SERVICED)
1	400268X1	2	BOLT (M16X2X440MM)
2	202-9219	1	BRACKET
3	202-9220	14	WEIGHT
4	202-9223	2	PLATE
5	CH202-9222	1	PIN AS.
6	CH7X-0583	2	WASHER-HARD (17X45X6MM THK)
7	400034X1	4	BOLT (M20X2.5X200MM)
8	400357X1	1	WASHER-HARD (M12X25.5X3MM THK)
9	400080X1	8	WASHER-PLATED (22X35X3.5MM THK)
10	400041X1	1	BOLT (M12X1.75X30MM)
11	400236X1	4	BOLT (M20X2.5X120MM)

00874495
PR: t05c24o40d0223

MT700B SERIES TRACK TRACTOR
FRAME AND BODY

COUNTERWEIGHT GP-FRONT - 502115D1
16 WEIGHTS (1151KG/2537 LB)
EAME ONLY



00831566

**MT700B SERIES TRACK TRACTOR
FRAME AND BODY**

521

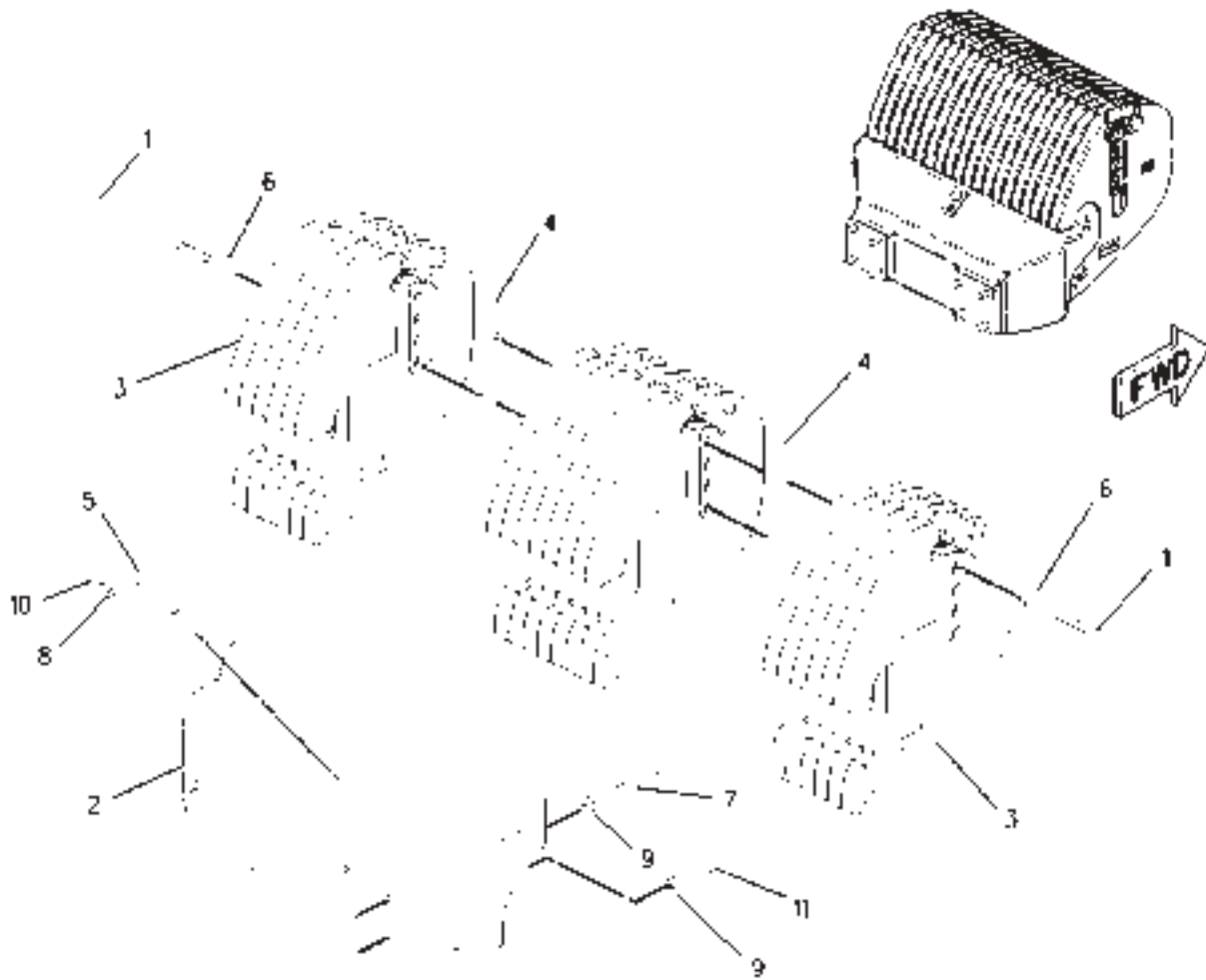
**COUNTERWEIGHT GP-FRONT - 502115D1
16 WEIGHTS (1151KG/2537 LB)
EAME ONLY**

ITEM	NUMBER	QTY	DESCRIPTION
-	502115D1	--	COUNTERWEIGHT GP-FRONT (NOT SERVICED)
1	CH5P-8837	1	LOCK PIN
2	CH137-9775	1	PIN AS (HITCH)
3	400267X1	2	BOLT (M16X2X550MM)
4	502112D1	1	BRACKET-CTWT, FRONT
5	202-9220	16	WEIGHT
6	502113D1	1	WEIGHT (CENTER)
7	202-9223	2	PLATE
8	CH202-9222	1	PIN AS
9	CH7X-0583	2	WASHER-HARD (17X45X6MM THK)
10	400194X1	4	BOLT (M20X2.5X180MM)
11	400080X1	8	WASHER-PLATED (22X35X3.5MM THK)
12	400041X1	1	BOLT (M12X1.75X30MM)
13	400357X1	1	WASHER-HARD (M12X25.5X3MM THK)
14	400236X1	4	BOLT (M20X2.5X120MM)

00831566
PR: t05c24o40d0224

MT700B SERIES TRACK TRACTOR
FRAME AND BODY

COUNTERWEIGHT GP-FRONT - 156-1358
20 WEIGHTS (1188KG/2614 LB)
ROW ONLY



00869687

**MT700B SERIES TRACK TRACTOR
FRAME AND BODY**

523

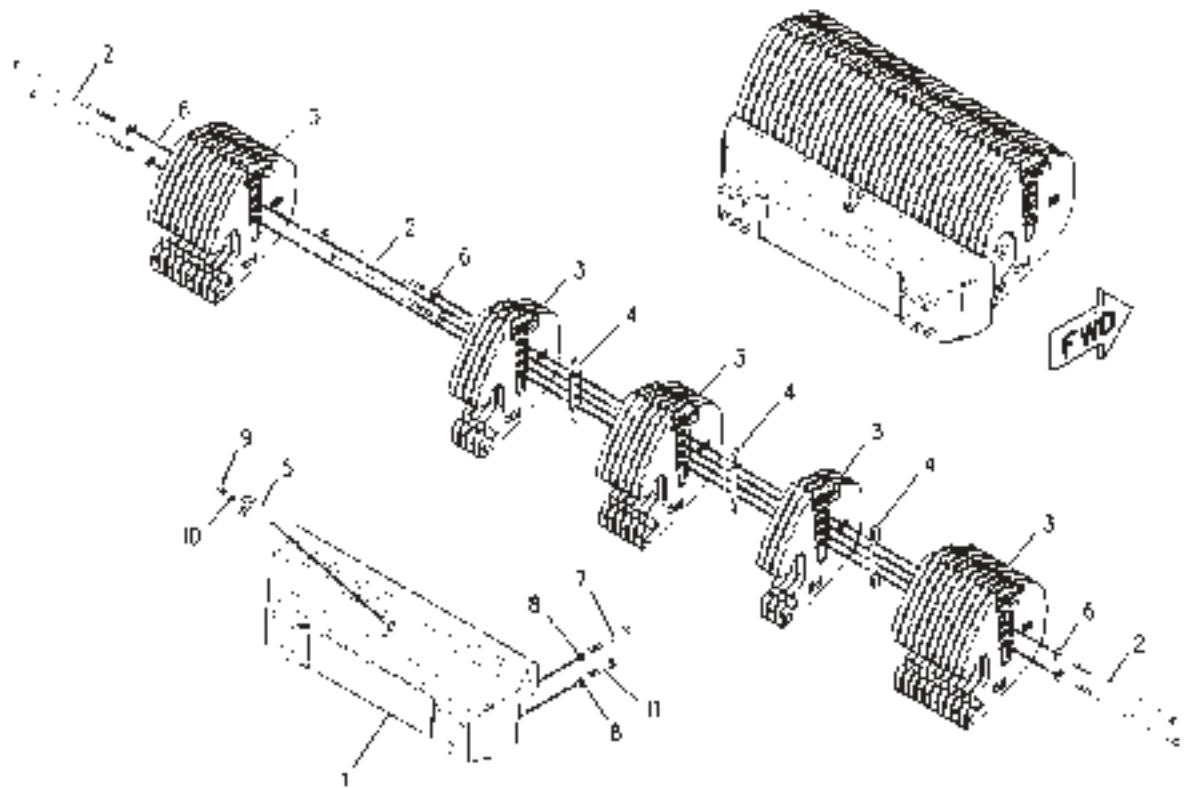
**COUNTERWEIGHT GP-FRONT - 156-1358
20 WEIGHTS (1188KG/2614 LB)
ROW ONLY**

ITEM	NUMBER	QTY	DESCRIPTION
-	156-1358	--	COUNTERWEIGHT GP-FRONT (NOT SERVICED)
1	400267X1	2	BOLT (M16X2X550MM)
2	202-9219	1	BRACKET
3	202-9220	20	WEIGHT
4	202-9223	2	PLATE
5	CH202-9222	1	PIN AS.
6	CH7X-0583	2	WASHER-HARD (17X45X6MM THK)
7	400034X1	4	BOLT (M20X2.5X200MM)
8	400357X1	1	WASHER-HARD (M12X25.5X3MM THK)
9	400080X1	8	WASHER-PLATED (22X35X3.5MM THK)
10	400041X1	1	BOLT (M12X1.75X30MM)
11	400236X1	4	BOLT (M20X2.5X120MM)

00869687
PR: t05c24o40d0225

MT700B SERIES TRACKTRACTOR
FRAME AND BODY

COUNTERWEIGHT GP-FRONT - 184-5357
32 WEIGHTS (2000KG/4409LB)
ROW ONLY



00835430

MT700B SERIES TRACK TRACTOR
FRAME AND BODY

525

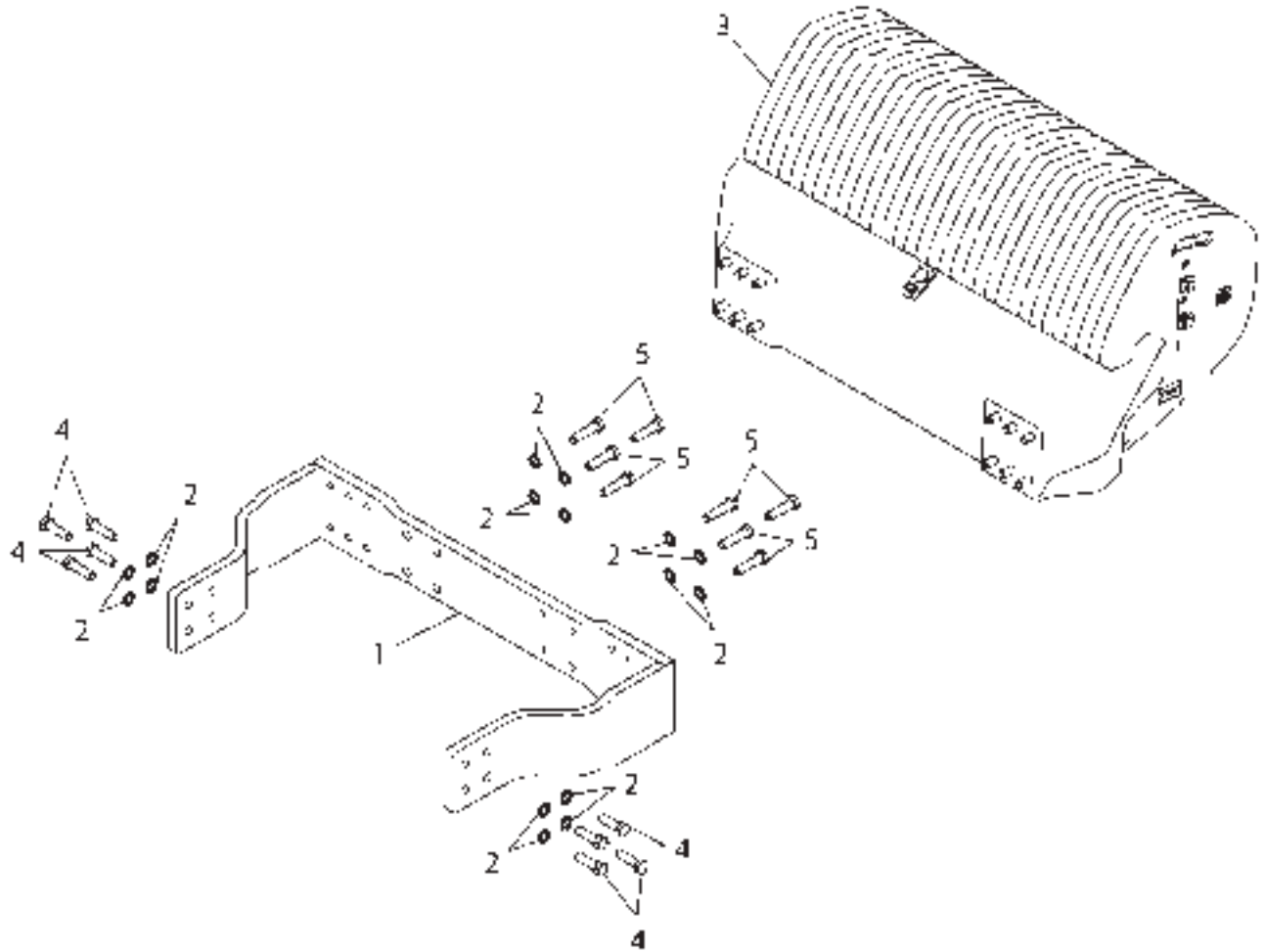
COUNTERWEIGHT GP-FRONT - 184-5357
32 WEIGHTS (2000KG/4409LB)
ROW ONLY

ITEM	NUMBER	QTY	DESCRIPTION
-	184-5357	--	COUNTERWEIGHT GP-FRONT (NOT SERVICED)
1	184-5356	1	BRACKET
2	400267X1	6	BOLT (M16X2X550MM)
3	202-9220	32	WEIGHT
4	202-9223	3	PLATE
5	CH202-9222	1	PIN AS
6	CH7X-0583	6	WASHER-HARD (17X45X6)
7	400194X1	6	BOLT (M20X2.5X180MM)
8	400080X1	12	WASHER-PLATED (22X35X3.5)
9	400041X1	1	BOLT (M12X1.75X30MM)
10	400357X1	1	WASHER-HARD (M12X25.5X3)
11	400236X1	6	BOLT (M20X2.5X120MM)

00835430
PR: t05c24o40d0226

MT700B SERIES TRACKTRACTOR
FRAME AND BODY

COUNTERWEIGHT GP-FRONT - 500715D1
MOUNTING & 32 WEIGHTS
ROW ONLY



500715DA

MT700B SERIES TRACK TRACTOR
FRAME AND BODY

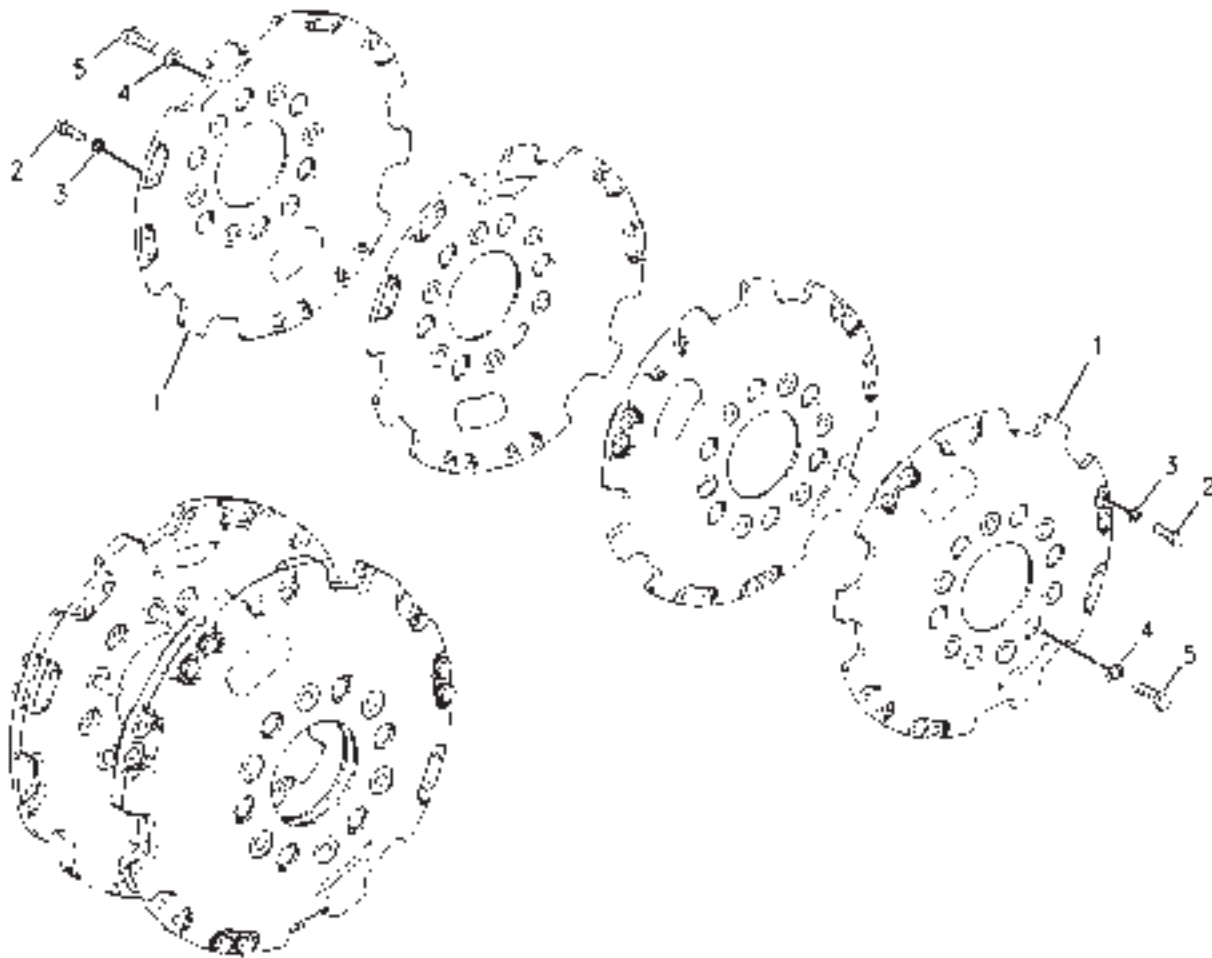
527

COUNTERWEIGHT GP-FRONT - 500715D1
MOUNTING & 32 WEIGHTS
ROW ONLY

ITEM	NUMBER	QTY	DESCRIPTION
-	500715D1	--	COUNTERWEIGHT GP-FRONT (NOT SERVICED)
1	500714D1	1	SUPPORT AS-COUNTERWEIGHT GP
2	400080X1	16	WASHER-PLATED (22X35X3.5)
3	184-5357	1	COUNTERWEIGHT GP-FRONT (NOT SERVICED) (SEE BREAKDOWN FOR COMPONENTS)
4	400122X1	8	BOLT (M20X2.5X70MM)
5	400008X1	8	BOLT (M20X2.5X80MM)

500715DA
PR: t05c24o40d0227

COUNTERWEIGHT GP-IDLER - 177-4586
455 KG (1000 LBS.)



00814021

MT700B SERIES TRACK TRACTOR
FRAME AND BODY

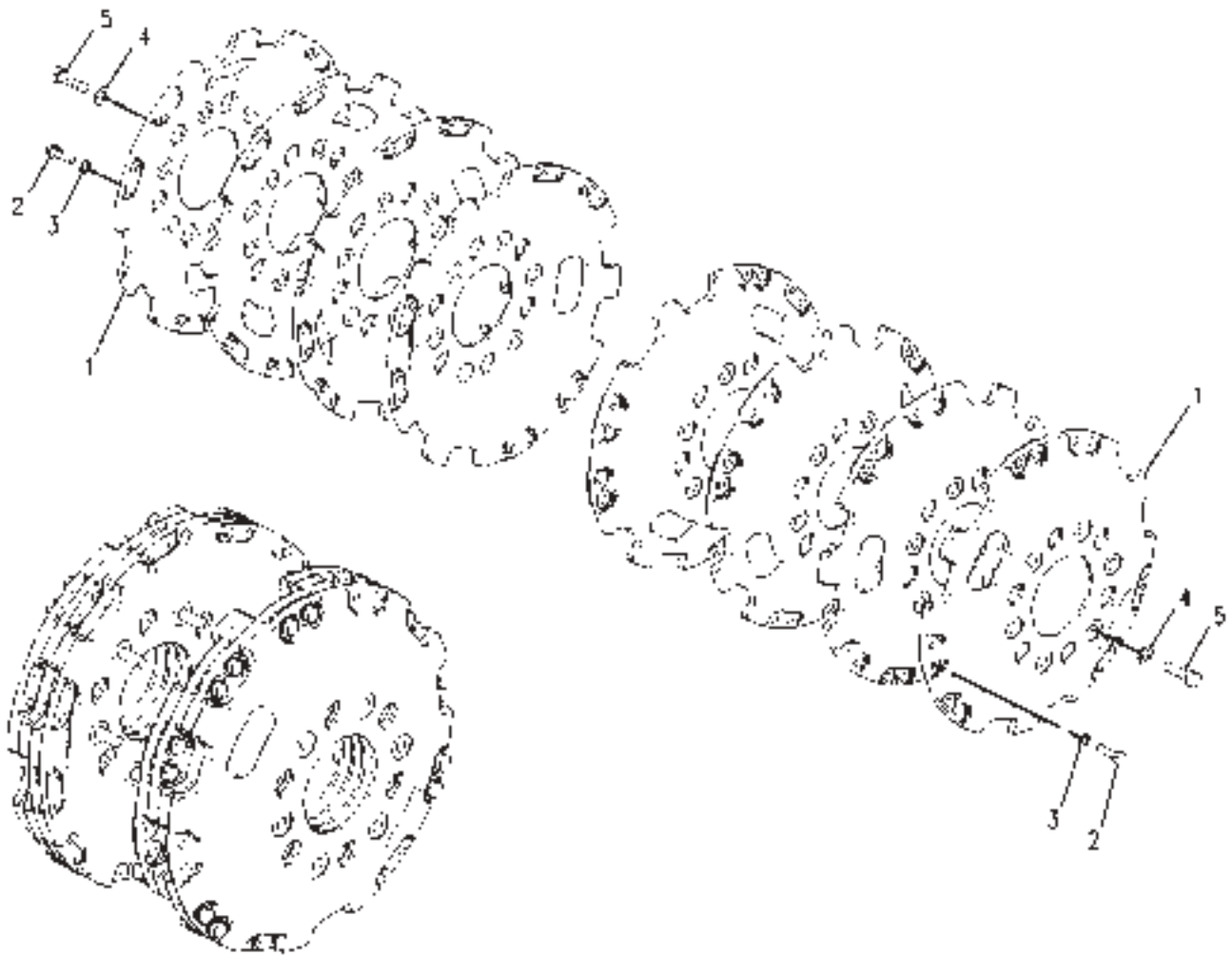
529

COUNTERWEIGHT GP-IDLER - 177-4586
455 KG (1000 LBS.)

ITEM	NUMBER	QTY	DESCRIPTION
-	177-4586	--	COUNTERWEIGHT GP-IDLER (NOT SERVICED)
1	195-9633	8	COUNTERWEIGHT
2	400031X1	24	BOLT (M20X2.5X60MM)
3	400067X1	24	BOLT (M24X3X80MM)
4	400080X1	24	WASHER-PLATED (22X35X3.5MM THK)
5	400081X1	24	WASHER-HARD (26X44X4MM THK)
6	400090X1	24	PLUG-PROTECTIVE (NOT SHOWN)

00814021
PR: t05c24o40d0228

COUNTERWEIGHT GP-IDLER - 177-4588
(909 KG/2000 LB)



00814137

MT700B SERIES TRACK TRACTOR
FRAME AND BODY

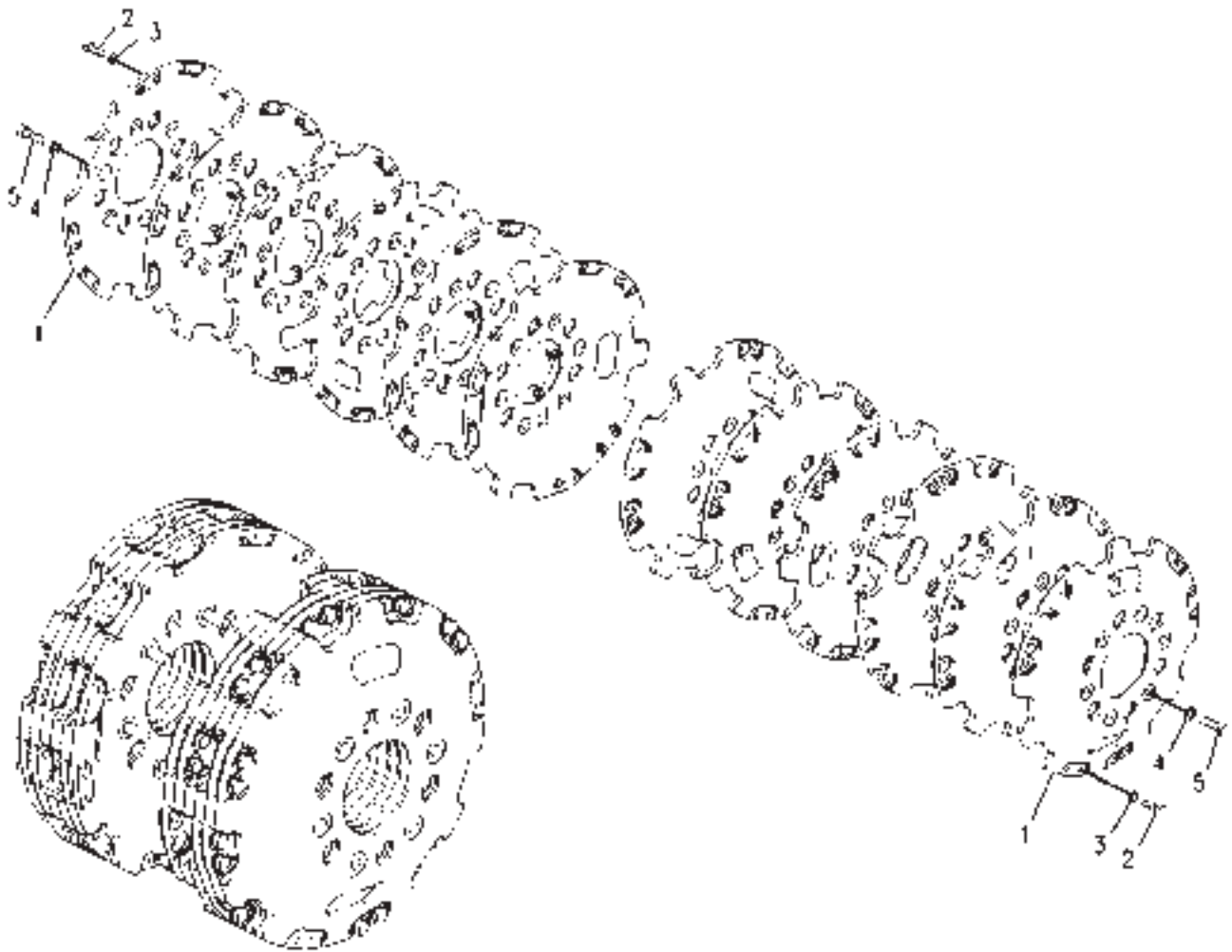
531

COUNTERWEIGHT GP-IDLER - 177-4588
(909 KG/2000 LB)

ITEM	NUMBER	QTY	DESCRIPTION
-	177-4588	--	COUNTERWEIGHT GP-IDLER (NOT SERVICED)
1	195-9633	16	COUNTERWEIGHT
2	400031X1	72	BOLT (M20X2.5X60MM)
3	400080X1	72	WASHER-PLATED (22X35X3.5MM THK)
4	400081X1	24	WASHER-HARD (26X44X4MM THK)
5	400067X1	24	BOLT (M24X3X80MM)
6	400090X1	24	PLUG-PROTECTIVE (NOT SHOWN)

00814137
PR: t05c24o40d0229

COUNTERWEIGHT GP-IDLER - 178-8046
1350 KG (3000 LB)
EAME ONLY



00814291

MT700B SERIES TRACK TRACTOR
FRAME AND BODY

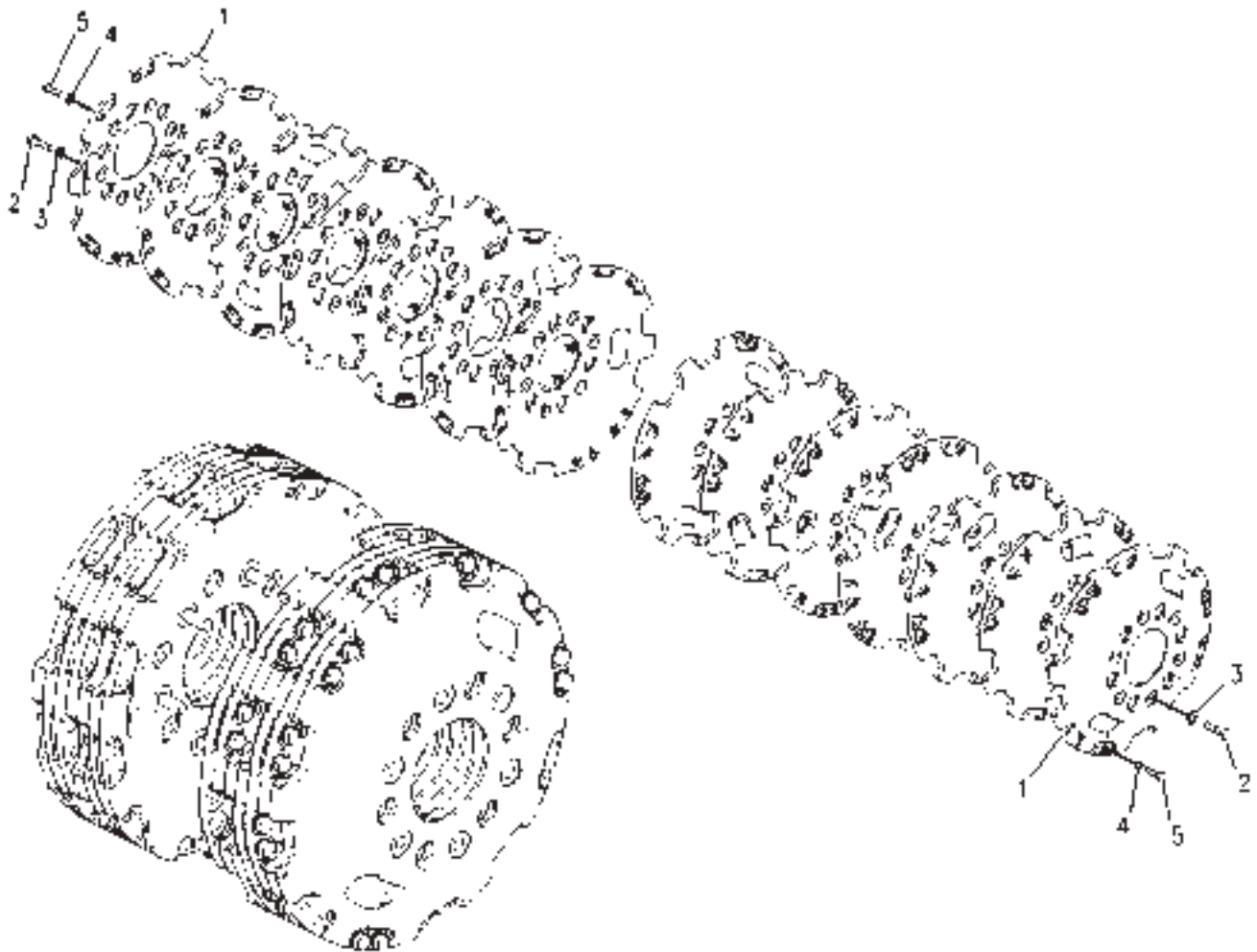
533

COUNTERWEIGHT GP-IDLER - 178-8046
1350 KG (3000 LB)
EAME ONLY

ITEM	NUMBER	QTY	DESCRIPTION
-	178-8046	--	COUNTERWEIGHT GP-IDLER
1	195-9633	24	COUNTERWEIGHT
2	400031X1	120	BOLT (M20X2.5X60MM)
3	400080X1	120	WASHER-PLATED (22X35X3.5MM THK)
4	400081X1	24	WASHER-HARD (26X44X4MM THK)
5	400067X1	24	BOLT (M24X3X80MM)
6	400090X1	24	PLUG (M20) (NOT SHOWN)

00814291
PR: t05c24o40d0230

COUNTERWEIGHT GP-IDLER - 178-8047
1575 KG (3500 LB)
ROW ONLY



00814444

MT700B SERIES TRACK TRACTOR
FRAME AND BODY

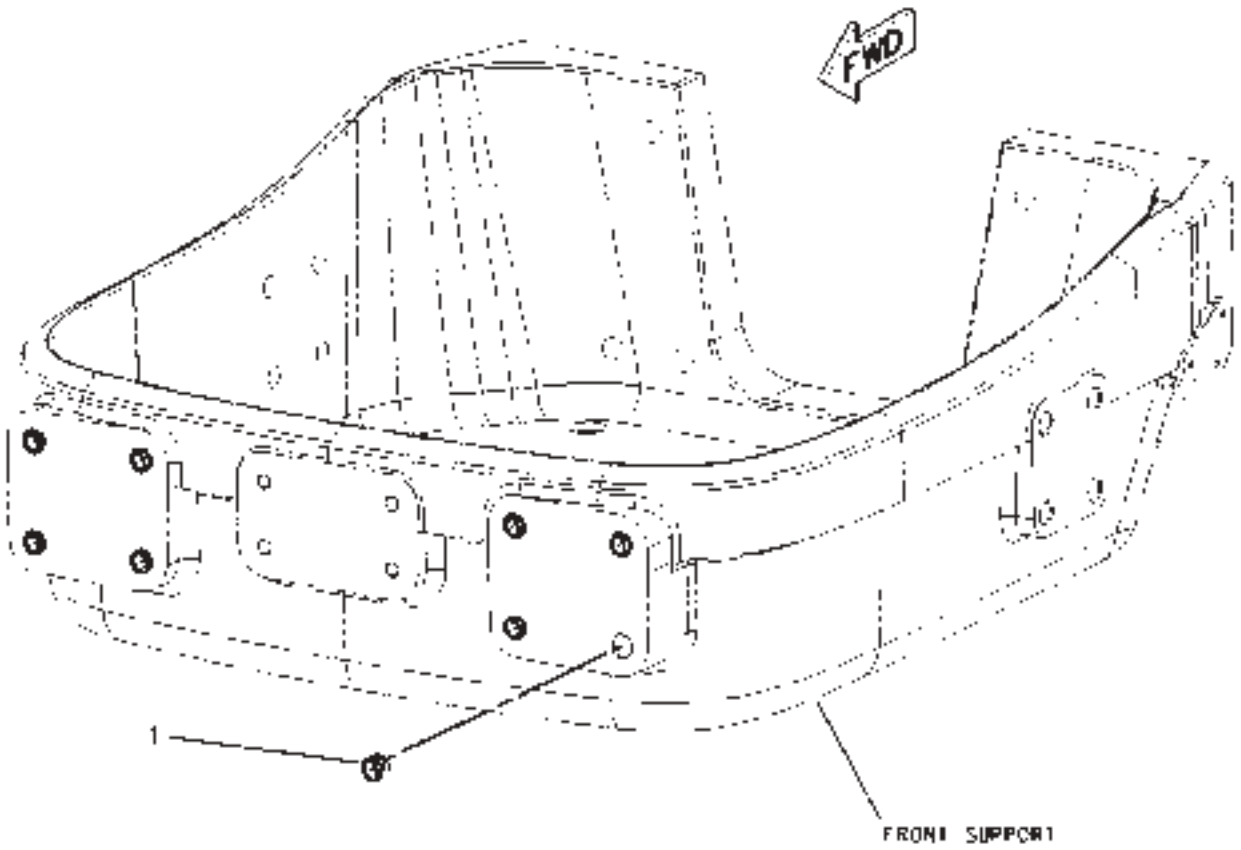
535

COUNTERWEIGHT GP-IDLER - 178-8047
1575 KG (3500 LB)
ROW ONLY

ITEM	NUMBER	QTY	DESCRIPTION
-	178-8047	--	COUNTERWEIGHT GP-IDLER (NOT SERVICED)
1	195-9633	28	COUNTERWEIGHT
2	400031X1	144	BOLT (M20X2.5X60MM)
3	400080X1	144	WASHER-PLATED (22X35X3.5MM THK)
4	400081X1	24	WASHER-HARD (26X44X4MM THK)
5	400067X1	24	BOLT (M24X3X80MM)
6	400090X1	24	PLUG (M20) (NOT SHOWN)

00814444
PR: t05c24o40d0231

PLUG GP-COUNTERWEIGHT - 180-3992



00884901

MT700B SERIES TRACK TRACTOR
FRAME AND BODY

537

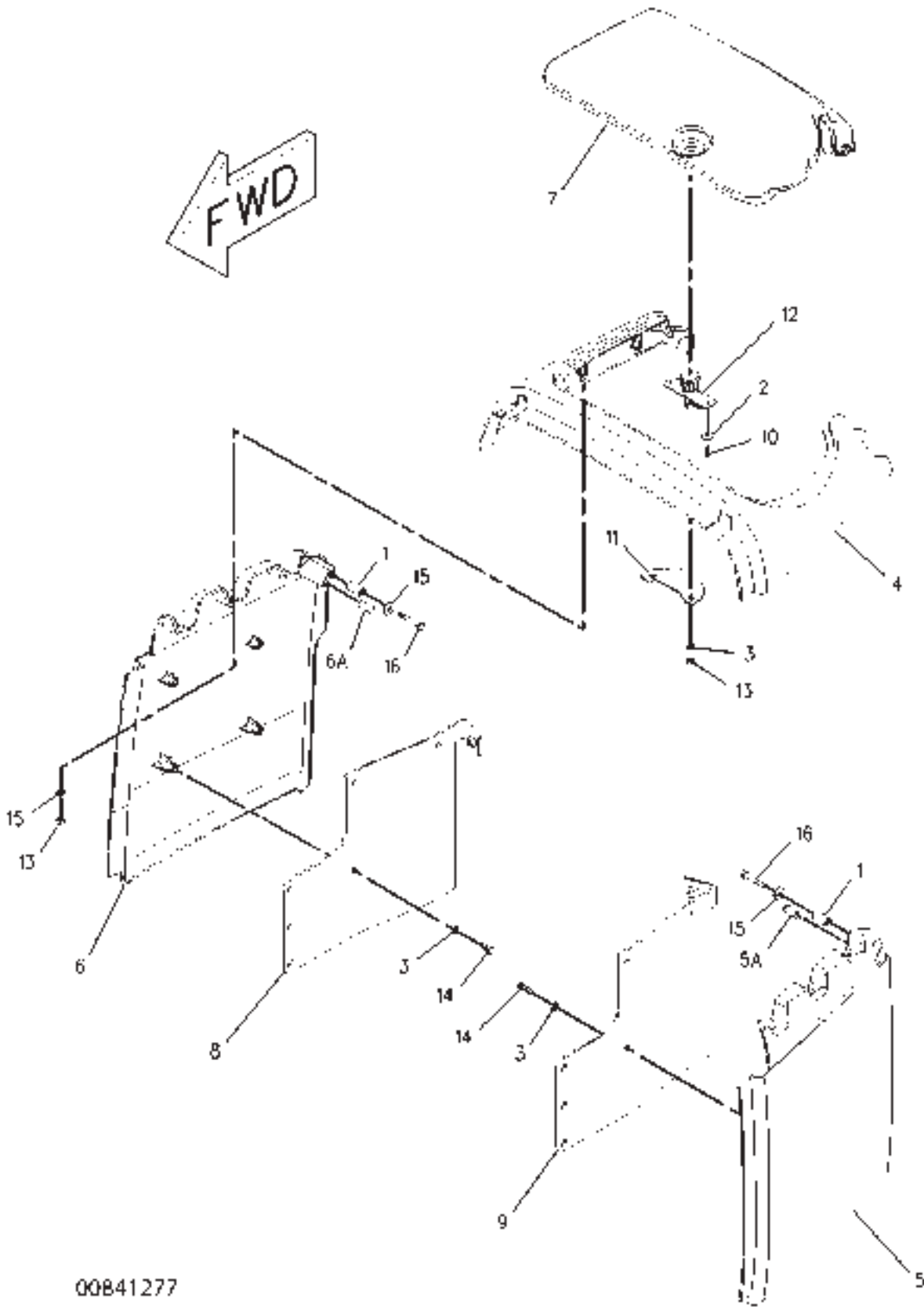
PLUG GP-COUNTERWEIGHT - 180-3992

ITEM	NUMBER	QTY	DESCRIPTION
-	180-3992	--	PLUG GP-COUNTERWEIGHT (NOT SERVICED)
1	400090X1	8	PLUG

00884901
PR: t05c24o40d0232

MT700B SERIES TRACK TRACTOR
FRAME AND BODY

HOUSING GP - 201-5074



00B41277

**MT700B SERIES TRACK TRACTOR
FRAME AND BODY**

539

HOUSING GP - 201-5074

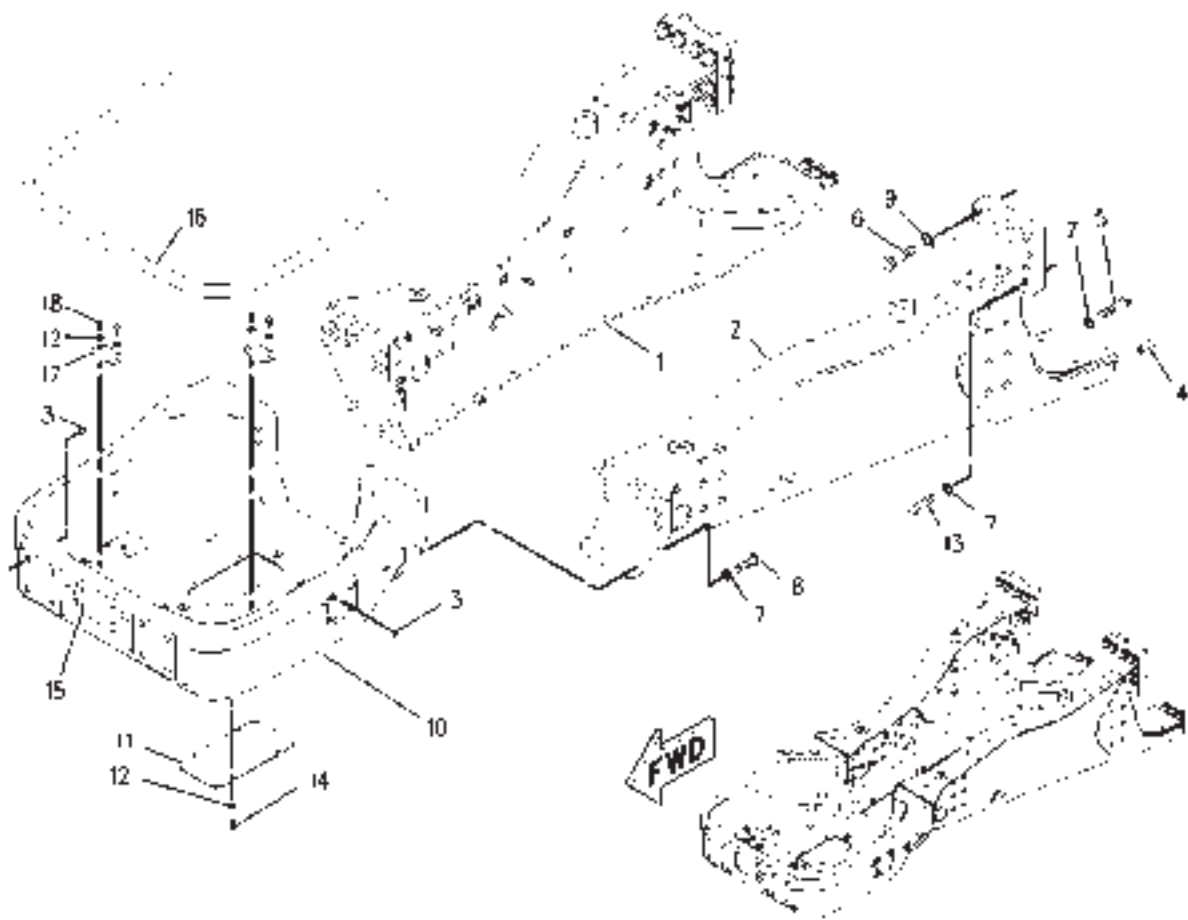
ITEM	NUMBER	QTY	DESCRIPTION
-	201-5074	--	HOUSING GP [A] (NOT SERVICED)
1	CH8Y-5896	2	BUSHING-TERMINAL
2	400076X1	2	WASHER (5X16X1.2MM THK)
3	400310X1	8	WASHER (6.6X12X2MM THK)
4	201-5075	1	PANEL ASY. (TOP)
5	201-5076	1	PANEL ASY. (LH)
5A	192-4761	1	PLUNGER-BALL
6	201-5077	1	PANEL ASY. (RH)
6A	192-4761	1	PLUNGER-BALL
7	201-5078	1	COVER ASY.
8	225-1527	1	PLATE ASY-RH
9	225-1528	1	PLATE ASY-LH
10	CH8T-0285	2	SCREW-MACHINE (M4X0.7X12MM)
11	208-9495	1	BRACKET
12	208-9496	1	LATCH ASY.
13	400300X1	8	NUT (M6X1 THD)
14	400152X1	6	BOLT (M6X1X16MM)
15	CH5P-4115	8	WASHER-HARD (7.2X19X2MM THK)
16	400266X1	2	BOLT (M6X1X35MM)

[A] PART OF 156-1312 HOOD & GUARD GP

00841277
PR: t05c24o40d0233

MT700B SERIES TRACK TRACTOR
FRAME AND BODY

FRAME GP - 156-1323



00903131

**MT700B SERIES TRACK TRACTOR
FRAME AND BODY**

541

FRAME GP - 156-1323

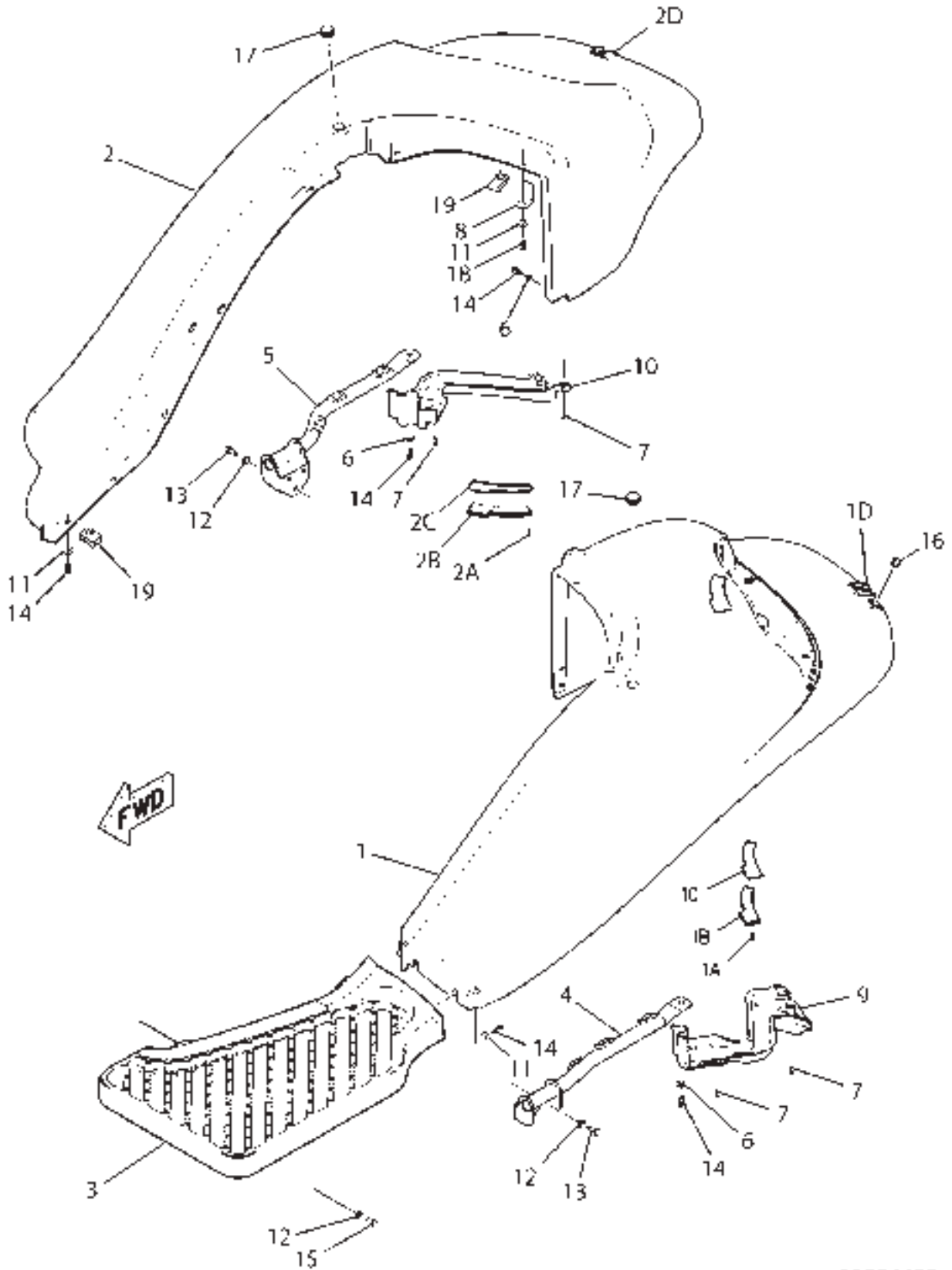
ITEM	NUMBER	QTY	DESCRIPTION
-	156-1323	--	FRAME GP [A] (NOT SERVICED)
1	500500D1	1	RAIL AS. (RH)
	CH7T-1099	6	LINK
	CH8T-3597	11	NUT-WELD (M12X1.75 THD)
2	500501D1	1	RAIL AS. (LH)
	CH7T-1099	1	LINK
	CH8T-3597	8	NUT-WELD (M12X1.75 THD)
3	400090X1	16	PLUG
4	CH6K-8987	2	DOWEL
5	400193X1	6	BOLT (M20X2.5X90MM)
6	400036X1	8	BOLT (M24X3X90MM)
7	400080X1	34	WASHER-PLATED (22X35X3.5MM THK)
8	400122X1	16	BOLT (M20X2.5X70MM)
9	400081X1	8	WASHER-HARD (26X44X4MM THK)
10	198-3152	1	SUPPORT-FRONT
11	204-0221	1	PLATE
12	400287X1	8	WASHER-HARD (11X21X2.5MM THK)
13	400860X1	12	BOLT (M20X2.5X80MM)
14	400054X1	4	BOLT (M10X1.5X16MM)
15	193-5915	8	PLUG
16	CH216-9138		SEAL
17	209-6295	2	SCREEN
18	400039X1	4	BOLT (M10X1.5X25MM)

[A] PART OF 159-9486;174-4614 CHASSIS AR

00903131
PR: t05c24o40d0234

MT700B SERIES TRACK TRACTOR
FRAME AND BODY

FENDER GP - 156-1319



00904482

**MT700B SERIES TRACK TRACTOR
FRAME AND BODY**

543

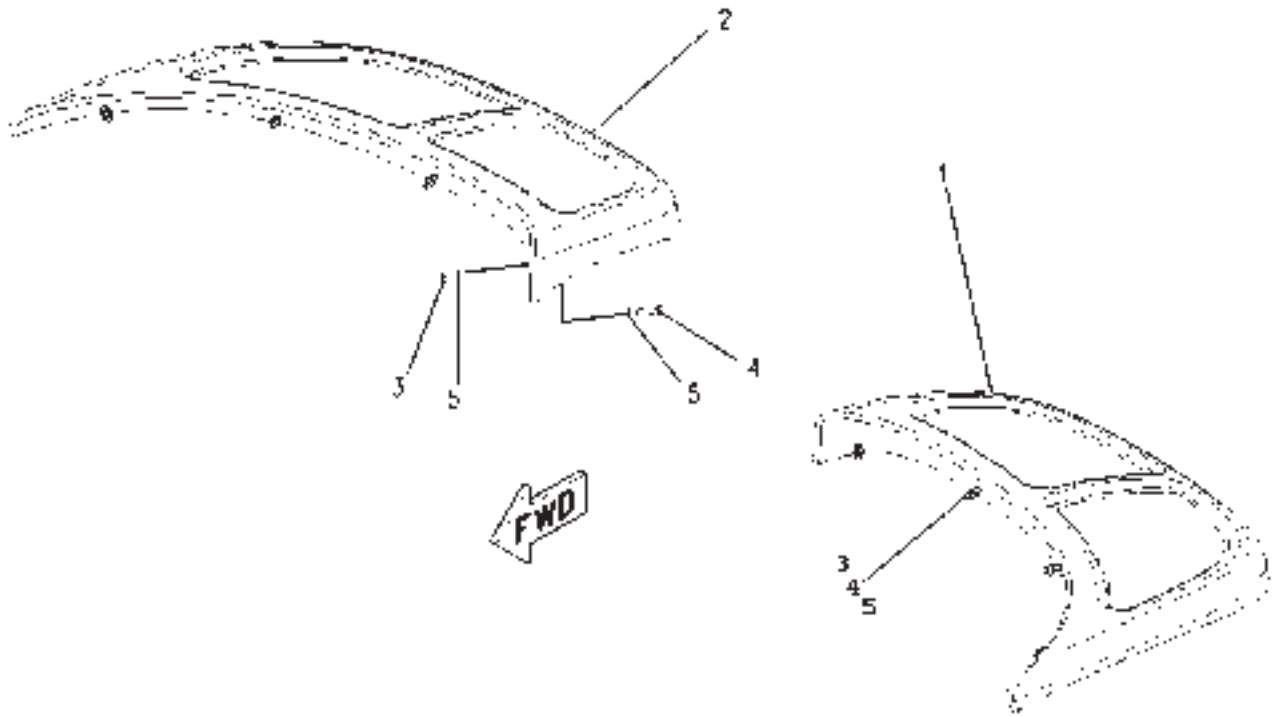
FENDER GP - 156-1319

ITEM	NUMBER	QTY	DESCRIPTION
-	156-1319		FENDER GP [A] (NOT SERVICED)
1	158-5948	1	FENDER LH-LH
1A	176-0999	3	RIVET
1B	176-0997	1	COVER-LH
1C	176-0998	1	GASKET-LH
1D	213-4902	1	GUARD
1E	CH222-4435	3	INSERT-THREADED (M8X1.25-6H) (NOT ILLUSTRATED)
2	158-5949	1	FENDER RH-RH
2A	176-0999	3	RIVET
2B	176-1001	1	COVER-RH
2C	176-1002	1	GASKET-RH
2D	213-4902	1	GUARD
2E	CH222-4435	3	INSERT-THREADED (M8X1.25-6H) (NOT ILLUSTRATED)
3	158-5958	1	STEP
4	164-7926	1	SUPPORT AS. (LH)
	CH7T-1099	3	LINK
5	164-7927	1	SUPPORT AS. (RH)
	CH7T-1099	3	LINK
6	400339X1	6	WASHER-HARD (8.8X16X2MM THK)
7	CH8T-9501	13	SCREW (10-16X.75 IN)
8	184-7045	4	CLIP AS.
9	166-8055	1	SHIELD-LH
10	166-8056	1	SHIELD-RH
11	8C-0572	14	WASHER (8.8X25.5X2MM THK)
12	400287X1	10	WASHER-HARD (11X21X2.5MM THK)
13	400039X1	6	BOLT (M10X1.5X25MM)
14	400053X1	16	BOLT (M8X1.25X20MM)
15	400052X1	4	BOLT (M10X1.5X40MM)
16	CH211-4423	1	PLUG
17	400094X1	2	PLUG
18	400341X1	4	BOLT - (M8X1.25X25)
19	CH154-9989	12	CLIP-SPRING (M8)
-	109-2356	1	COVER-BLANK (PTO SWITCH) (NOT SHOWN)

[A] PART OF 177-1588; 177-1589
BASE COMMON AR

00904482
PR: t05c24o40d0235

EXTENSION GP-FENDER - 162-4110



00629956

**MT700B SERIES TRACK TRACTOR
FRAME AND BODY**

545

EXTENSION GP-FENDER - 162-4110

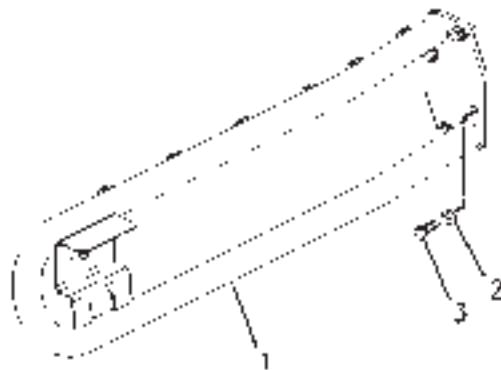
ITEM	NUMBER	QTY	DESCRIPTION
-	162-4110	--	EXTENSION GP-FENDER [A] (NOT SERVICED)
-	502799D1	--	EXTENSION GP-FENDER (NOT SERVICED) (REF ONLY)
1	203-8646	1	EXTENSION-LH
2	203-8647	1	EXTENSION-RH
3	CH129-3178	8	LOCKNUT (M6X1 THD)
4	400022X1	8	BOLT (M6X1.0X25MM)
5	400310X1	16	WASHER (6.6X12X2MM THK)

[A] PART OF 502669D1 BASE COMMON AR;
502799D1 EXTENSION GP

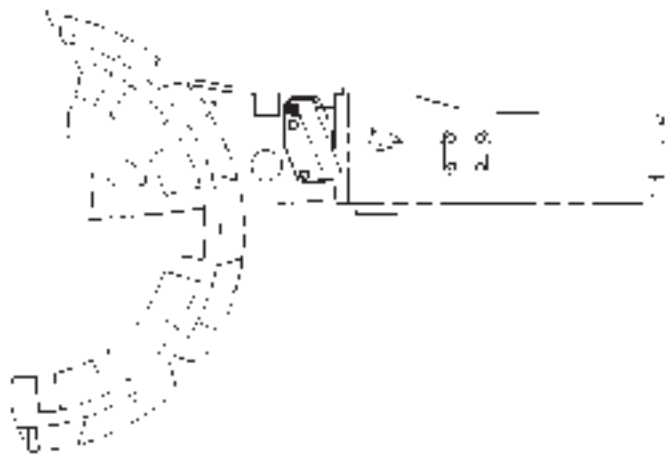
00628956
PR: t05c24o40d0236

MT700B SERIES TRACK TRACTOR
FRAME AND BODY

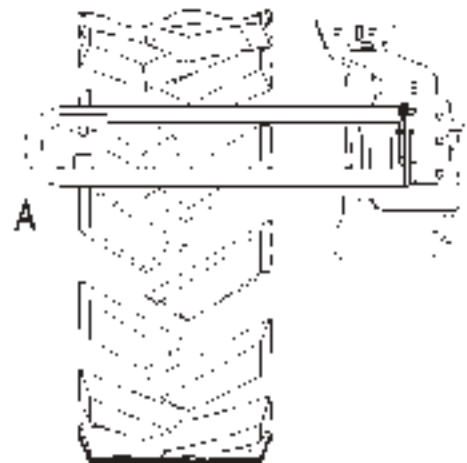
GUARD GP-SPECTATOR - 179-3241
EAME ONLY



DETAIL OF AREA A



RIGHT SIDE VIEW



FRONT VIEW

MT700B SERIES TRACK TRACTOR
FRAME AND BODY

547

GUARD GP-SPECTATOR - 179-3241
EAME ONLY

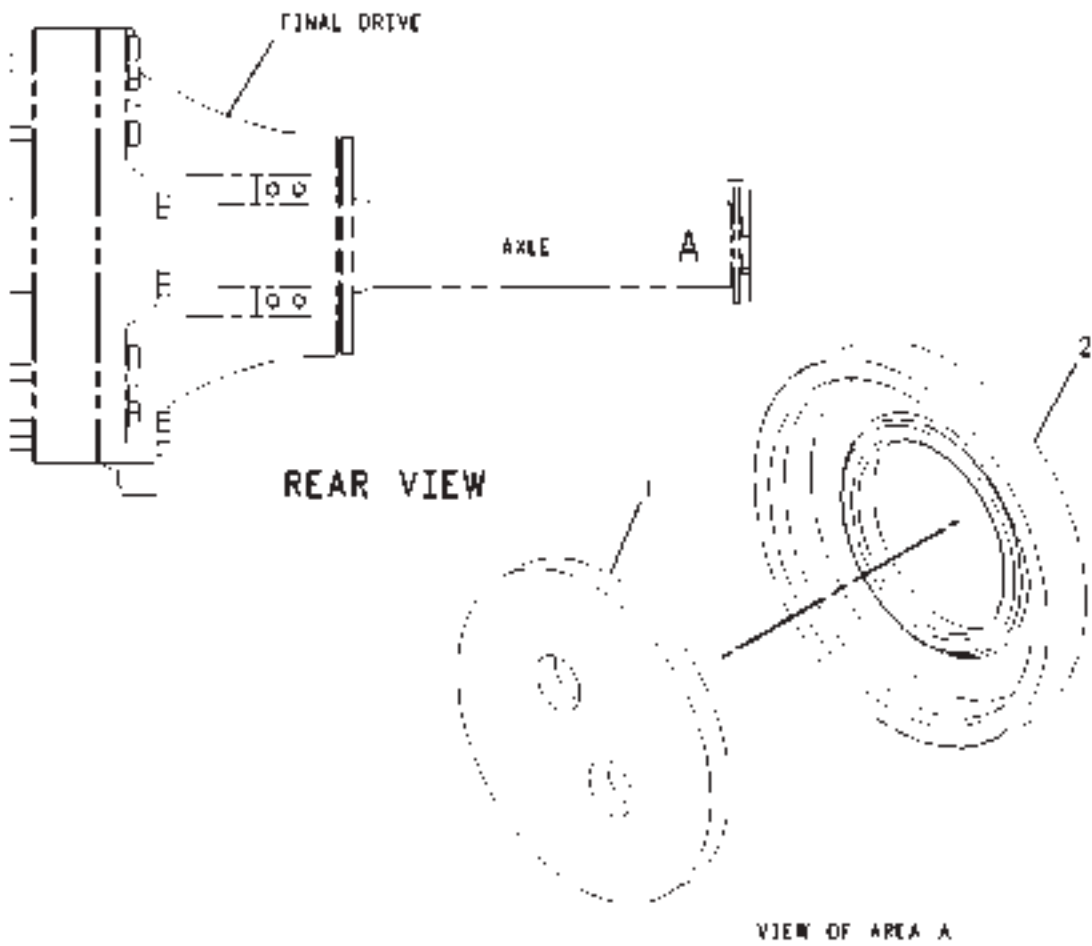
ITEM	NUMBER	QTY	DESCRIPTION
-	179-3241	--	GUARD GP-SPECTATOR [A] (NOT SERVICED)
1	175-0334	--	GUARD AS
	CH7T-1099	6	LINK
2	400357X1	4	WASHER-HARD (M12X1.75X35)
3	400064X1	4	BOLT (M12X1.75X35MM)

[A] PART OF 174-4614 CHASSIS AR

00813713
PR: t05c24o40d0237

MT700B SERIES TRACK TRACTOR
FRAME AND BODY

GUARD GP-AXLE - 208-3021
EAME ONLY



00863542

MT700B SERIES TRACK TRACTOR
FRAME AND BODY

549

GUARD GP-AXLE - 208-3021
EAME ONLY

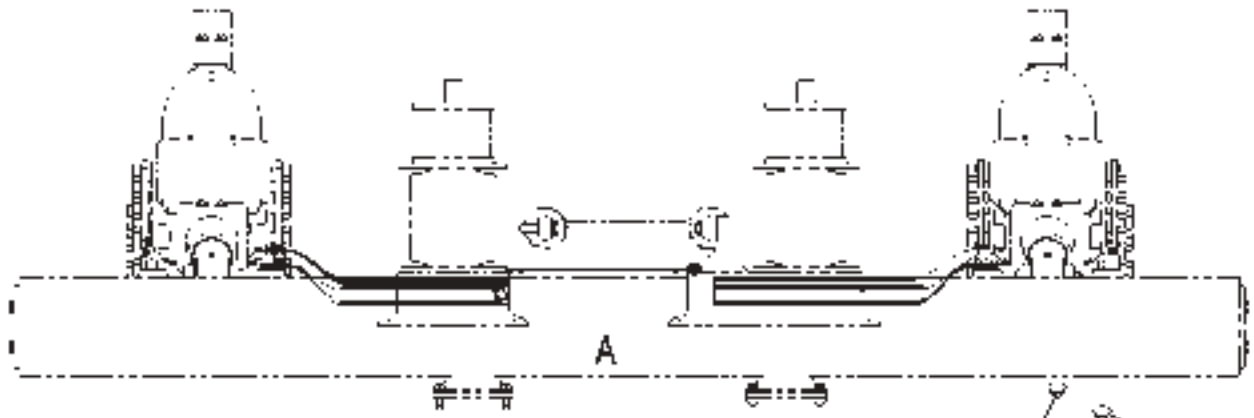
ITEM	NUMBER	QTY	DESCRIPTION
-	208-3021	--	GUARD GP-AXLE [A]
1	185-8617	2	PLATE-END
2	205-8334	2	CAP

[A] PART OF 174-4614 CHASSIS AR

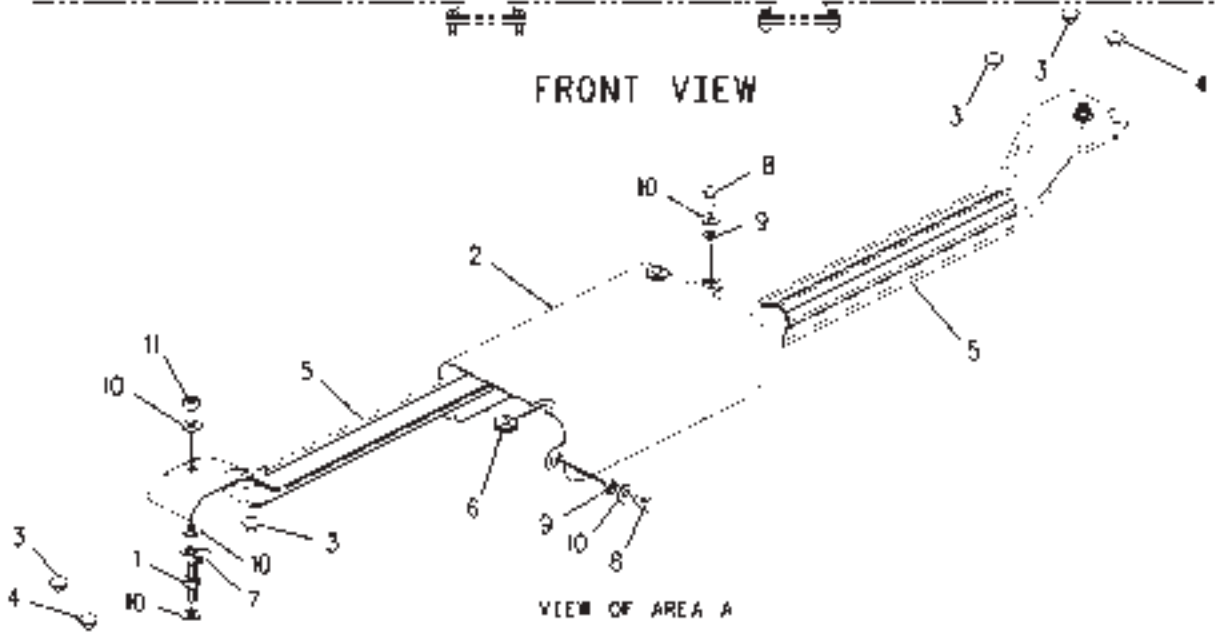
00863542
PR: t05c24o40d0238

MT700B SERIES TRACK TRACTOR
FRAME AND BODY

GUARD GP - 201-9925
TENSIONER WIRE
ROW



FRONT VIEW



VIEW OF AREA A

**MT700B SERIES TRACK TRACTOR
FRAME AND BODY**

551

**GUARD GP - 201-9925
TENSIONER WIRE
ROW**

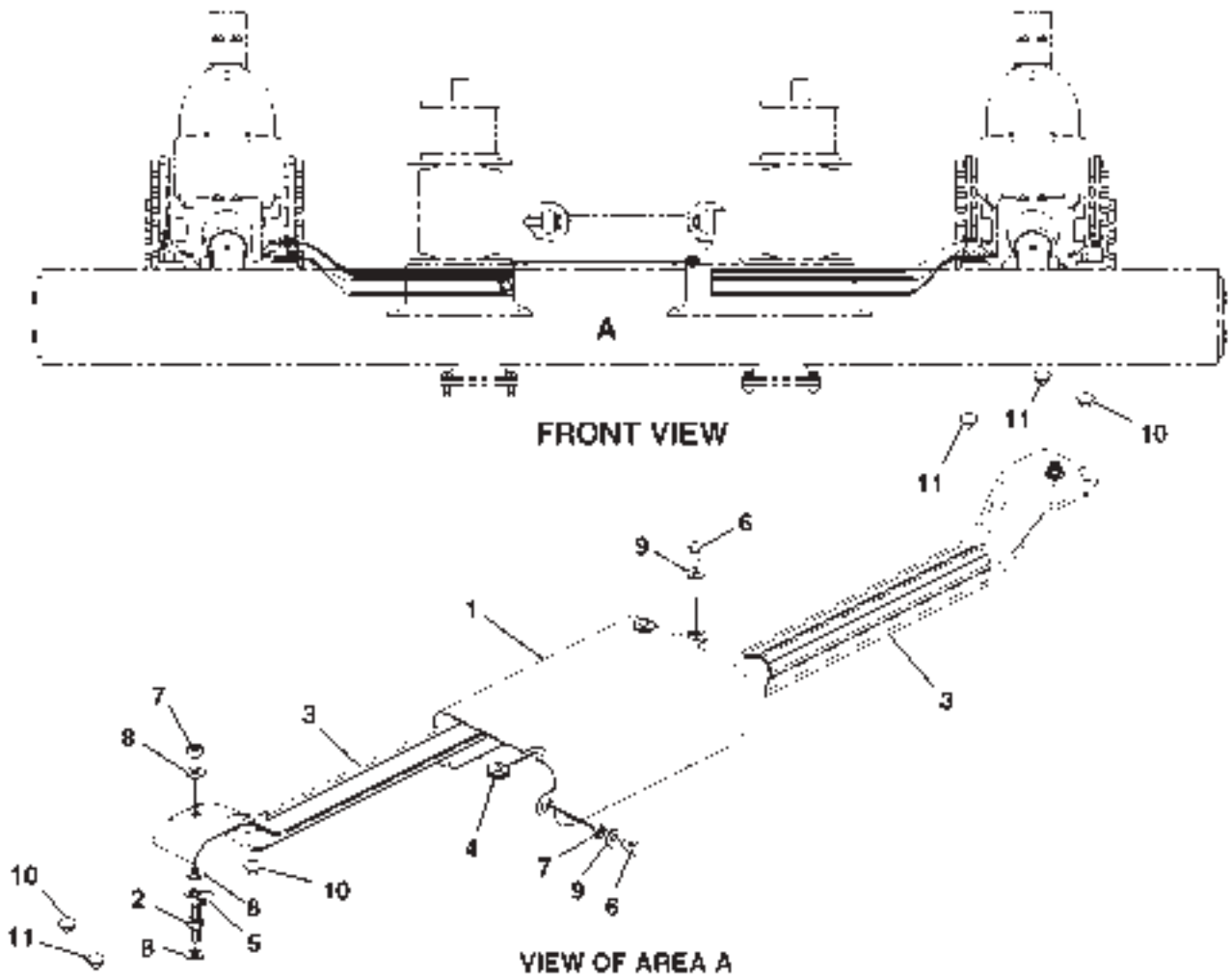
ITEM	NUMBER	QTY	DESCRIPTION
-	201-9925	--	GUARD GP [A] (NOT SERVICED)
1	CH101-3129	2	BOLT-M10X1.5X16MM
2	201-9929	1	COVER-WIRE
3	400289X1	4	PLUG
4	CH193-5914	2	PLUG
5	201-9930	2	GUARD-WIRE
6	CH5P-8440	2	GROMMET
7	CH5P-9085	2	CLIP
8	400023X1	2	BOLT (M10X1.5X16MM)
9	CH7X-0561	2	WASHER-HARD
10	CH7X-7729	8	WASHER (11X25X3MM THK)
11	WR522218	2	NUT (M10X1.5 THD)
12	CH7K-1181	4	STRAP-CABLE 0.19-4.00 (NOT SHOWN)

[A] PART OF 163-0546 UNDERCARRIAGE AR

00842411
PR: t05c24o40d0239

MT700B SERIES TRACK TRACTOR
FRAME AND BODY

GUARD GP - 201-9926
TENSIONER WIRE



2019956D

**MT700B SERIES TRACKTRACTOR
FRAME AND BODY**

553

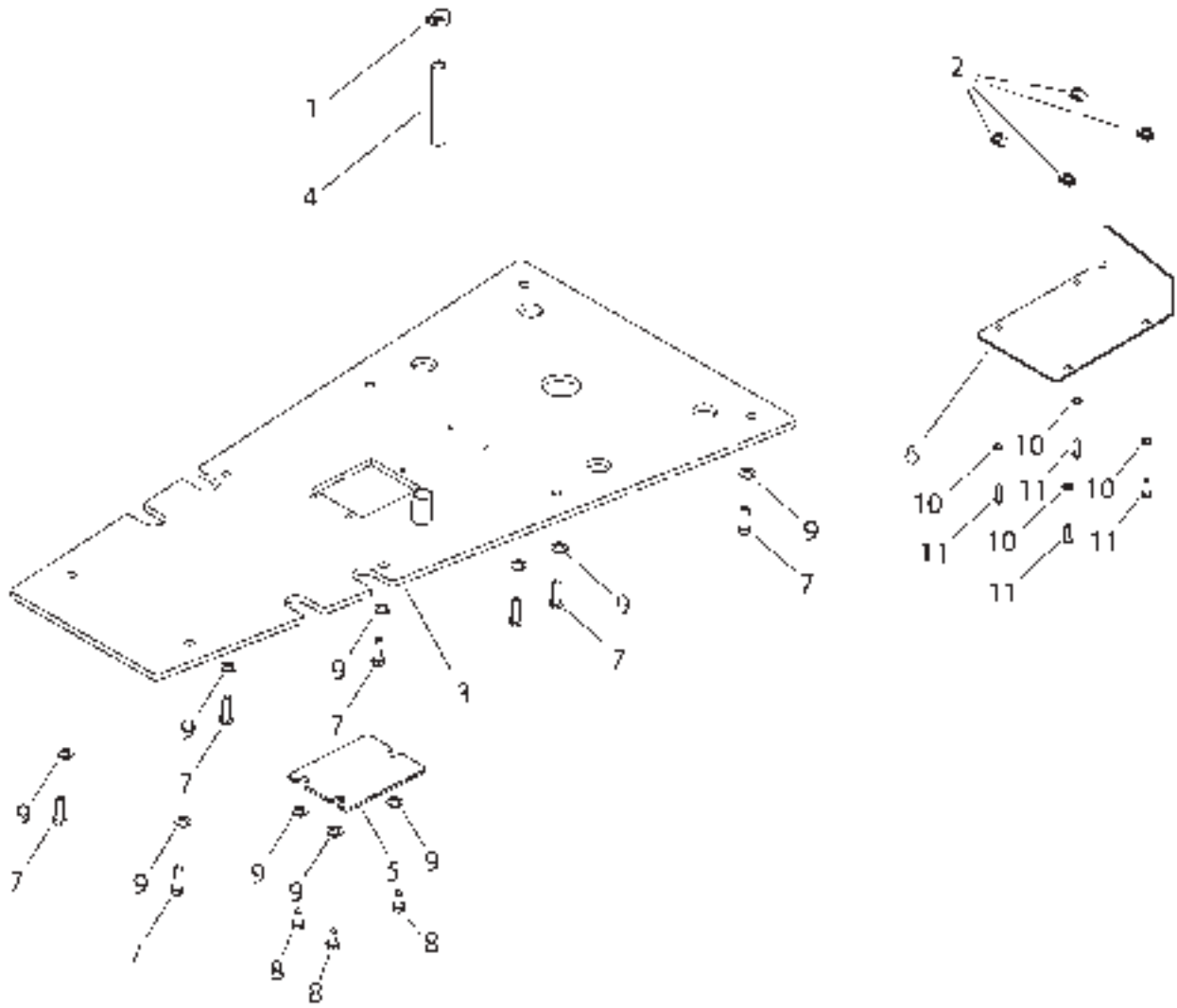
**GUARD GP - 201-9926
TENSIONER WIRE**

ITEM	NUMBER	QTY	DESCRIPTION
-	201-9926	--	GUARD GP [A] (NOT SERVICED)
1	201-9929	1	COVER-WIRE
2	CH101-3129	2	STUD (M10X1.5 THD)
3	201-9931	2	GUARD-WIRE
4	CH5P-8440	2	GROMMET
5	CH5P-9085	2	CLIP
6	400023X1	2	BOLT (M10X1.5X16MM)
7	WR522218	2	NUT (M10X1.5 THD)
8	CH7X-7729	8	WASHER (11X25X3MM THK)
9	CH7X-0561	2	WASHER-HARD
10	400289X1	4	PLUG
11	CH193-5914	2	PLUG
12	CH7K-1181	4	STRAP-CABLE 0.19-4.00 (NOT SHOWN)

[A] PART OF 163-0554 UNDERCARRIAGE AR

2019926D
PR: t05c24o40d0240

GUARD KIT-BOTTOM - 174-6313



1746313A

**MT700B SERIES TRACK TRACTOR
FRAME AND BODY**

555

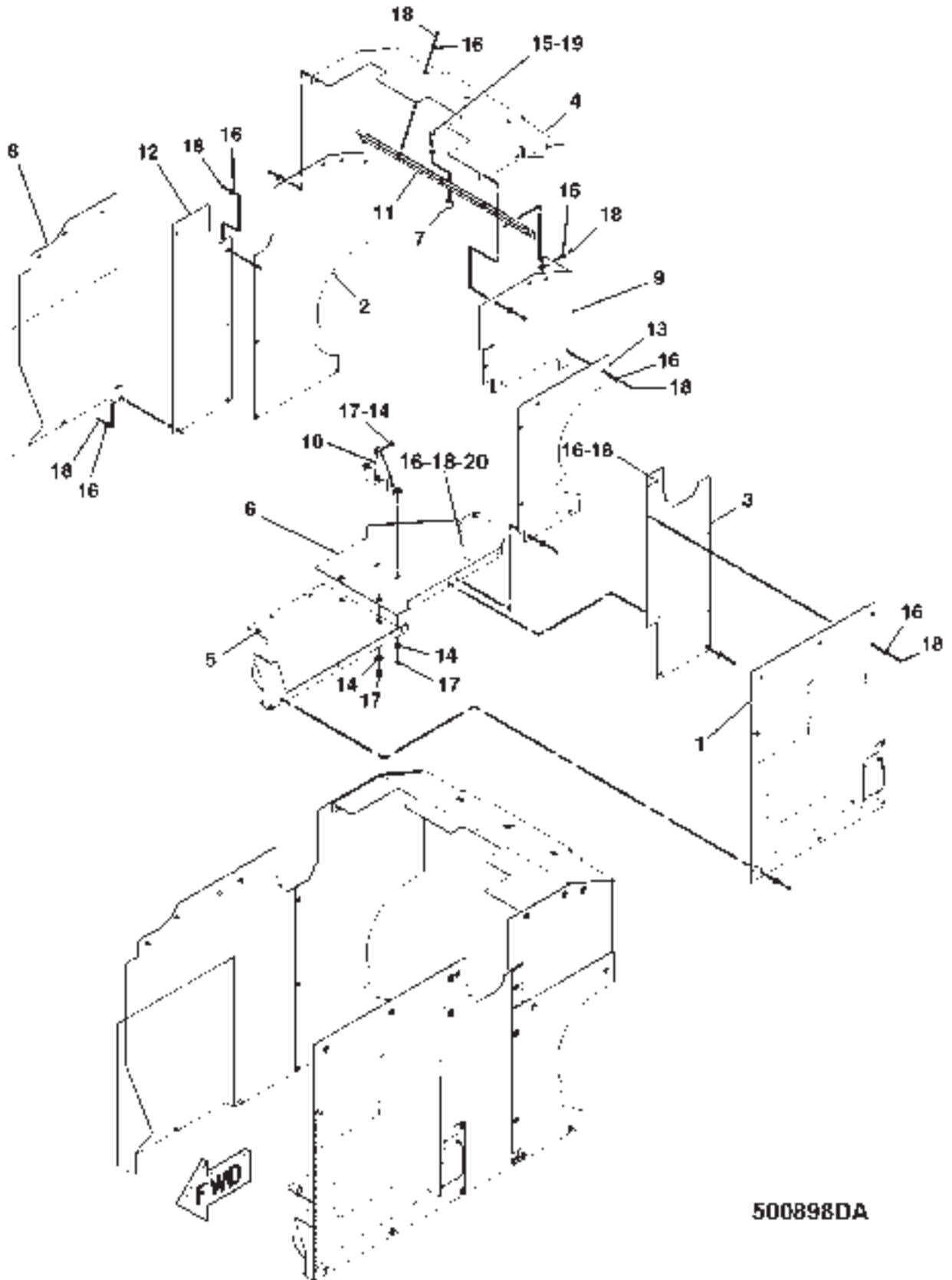
GUARD KIT-BOTTOM - 174-6313

ITEM	NUMBER	QTY	DESCRIPTION
-	174-6313	--	GUARD KIT-BOTTOM
1	400108X1	1	CLAMP-HOSE SST 15.9-26.9X13.5
2	CH116-5763	4	CLIP-SPRING 1.5-5.5 M8X1.25
3	174-6318	1	GUARD AS.
4	205-8795	1	HOSE
5	207-5346	1	COVER
6	224-6771	1	GUARD
7	400050X1	8	BOLT-M12X1.75X40 ZNDI HHD 10.9
8	400055X1	3	BOLT-M12X1.75X25 ZNDI HHD 10.9
9	400357X1	11	WASHER-HARD-M12X25.50DX3THK
10	400339X1	4	WASHER-HARD
11	400341X1	4	BOLT-HEX HEAD

1746313A
PR: t05c24o40d0241

MT700B SERIES TRACK TRACTOR
FRAME AND BODY

GUARD GP-POWER TRAIN - 500898D1
ROW ONLY



500898DA

**MT700B SERIES TRACKTRACTOR
FRAME AND BODY**

557

**GUARD GP-POWER TRAIN - 500898D1
ROW ONLY**

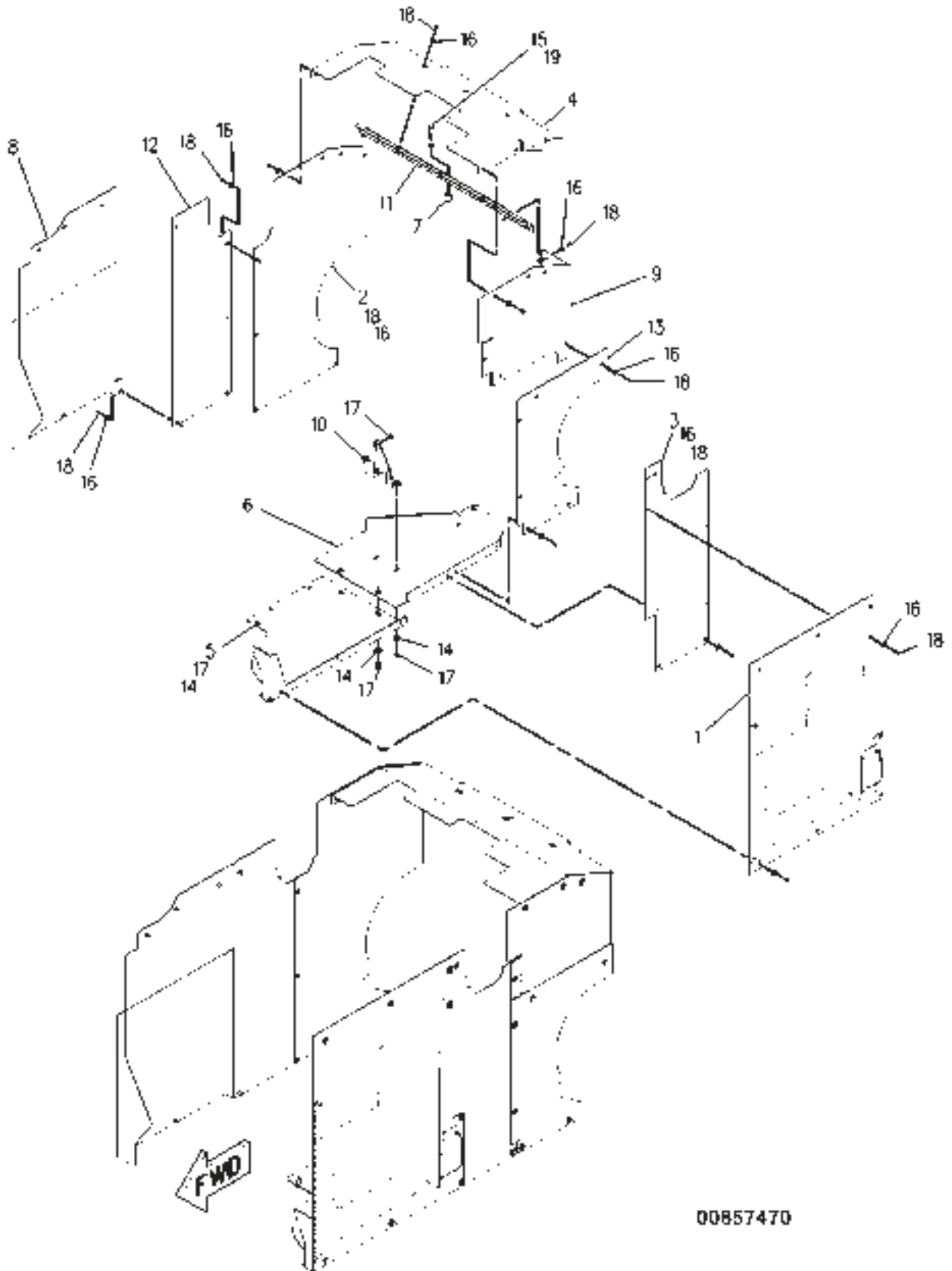
ITEM	NUMBER	QTY	DESCRIPTION
-	500898D1	--	GUARD GP-POWER TRAIN [A] (NOT SERVICED)
1	202-9981	1	GUARD-LH
2	202-9982	1	GUARD AS. (RH)
	CH8T-3612	2	NUT-WELD (M8X1.25 THD)
3	202-9985	1	GUARD AS. (LH)
	CH8T-3612	6	NUT-WELD (M8X1.25 THD)
4	202-9991	1	COVER AS.
	CH8T-3612	7	NUT-WELD (M8X1.25 THD)
5	202-9994	1	GUARD AS-FRONT
	CH8T-3612	3	NUT-WELD (M8X1.25 THD)
6	500896D1	1	GUARD REAR-REAR
	CH8T-3597	2	NUT-WELD (M12X1.75 THD)
	CH8T-3612	7	NUT-WELD (M8X1.25 THD)
7	CH204-9260	1	SPACER
8	214-9383	1	GUARD (RH)
9	216-0941	1	GUARD AS. (LH)
	CH8T-3612	2	NUT-WELD (M8X1.25 THD)
10	216-8436	1	BRACKET AS.
	8T-3597	2	NUT-WELD (M12X1.75 THD)
11	216-9829	1	BRACKET AS.
	CH8T-3612	6	NUT-WELD (M8X1.25 THD)
12	217-0110	1	GUARD (RH)
13	215-6884	1	GUARD (LH)
14	400381X1	12	WASHER-HARD (13.5X30X4MM THK)
15	400063X1	1	BOLT (M12X1.75X60MM)
16	CH7X-0579	45	WASHER-HARD (8.8X25.5X2MM THK)
17	400041X1	12	BOLT (M12X1.75X30MM)
18	400053X1	45	BOLT (M8X1.25X20MM)
19	400357X1	1	WASHER-HARD (M12X25.5X3MM THK)
20	500897D1	1	PLATE

[A] PART OF 178-2338;178-2339;200-6232;
200-6233;213-4079;213-4080 GAUGE AR

500898DA
PR: t05c24o40d0242

MT700B SERIES TRACK TRACTOR
FRAME AND BODY

GUARD GP-POWER TRAIN - 500899D1
EAME ONLY



00857470

**MT700B SERIES TRACKTRACTOR
FRAME AND BODY**

559

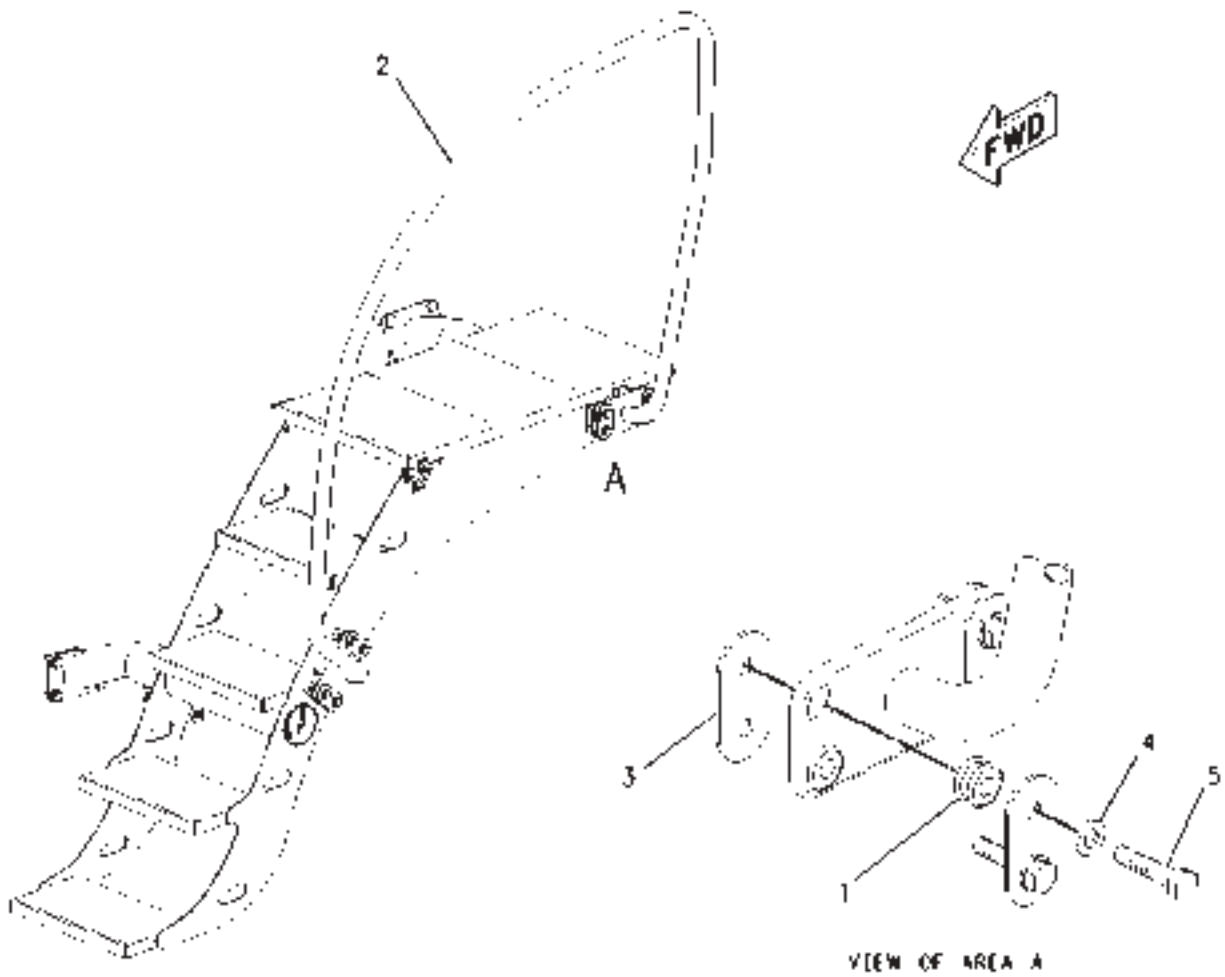
**GUARD GP-POWER TRAIN - 500899D1
EAME ONLY**

ITEM	NUMBER	QTY	DESCRIPTION
-	500899D1	--	GUARD GP-POWER TRAIN [A] (NOT SERVICED)
1	202-9981	1	GUARD-LH
2	202-9982	1	GUARD AS (RH)
	CH8T-3612	2	NUT-WELD (M8X1.25 THD)
3	202-9985	1	GUARD AS (LH)
	CH8T-3612	6	NUT-WELD (M8X1.25 THD)
4	202-9991	1	COVER AS
	CH8T-3612	7	NUT-WELD (M8X1.25 THD)
5	202-9994	1	GUARD AS-FRONT
	CH8T-3612	3	NUT-WELD (M8X1.25 THD)
6	500896D1	1	GUARD AS-REAR
	CH8T-3597	2	NUT-WELD (M12X1.75 THD)
	CH8T-3612	3	NUT-WELD (M8X1.25 THD)
7	CH204-9260	1	SPACER
8	214-9383	1	GUARD (RH)
9	216-0941	1	GUARD AS (LH)
	CH8T-3612	2	NUT-WELD (M8X1.25 THD)
10	216-8436	1	BRACKET AS
	8T-3597	2	NUT-WELD (M12X1.75 THD)
11	216-9829	1	BRACKET AS
	CH8T-3612	6	NUT-WELD (M8X1.25 THD)
12	217-0110	1	GUARD (RH)
13	215-6884	1	GUARD (LH)
14	400381X1	12	WASHER-HARD (13.5X30X4MM THK)
15	400063X1	1	BOLT (M12X1.75X60MM)
16	CH7X-0579	41	WASHER-HARD (8.8X25.5X2MM THK)
17	400041X1	12	BOLT (M12X1.75X30MM)
18	400053X1	41	BOLT (M8X1.25X20MM)
19	400357X1	1	WASHER-HARD (M12X25.5X3MM THK)

[A] PART OF 178-2341; 206-0515
GUARD GP-POWER TRAIN

00857470
PR: t05c24o40d0243

HANDRAIL GP-OUTER - 203-9178
BASIC



00880845

**MT700B SERIES TRACK TRACTOR
FRAME AND BODY**

561

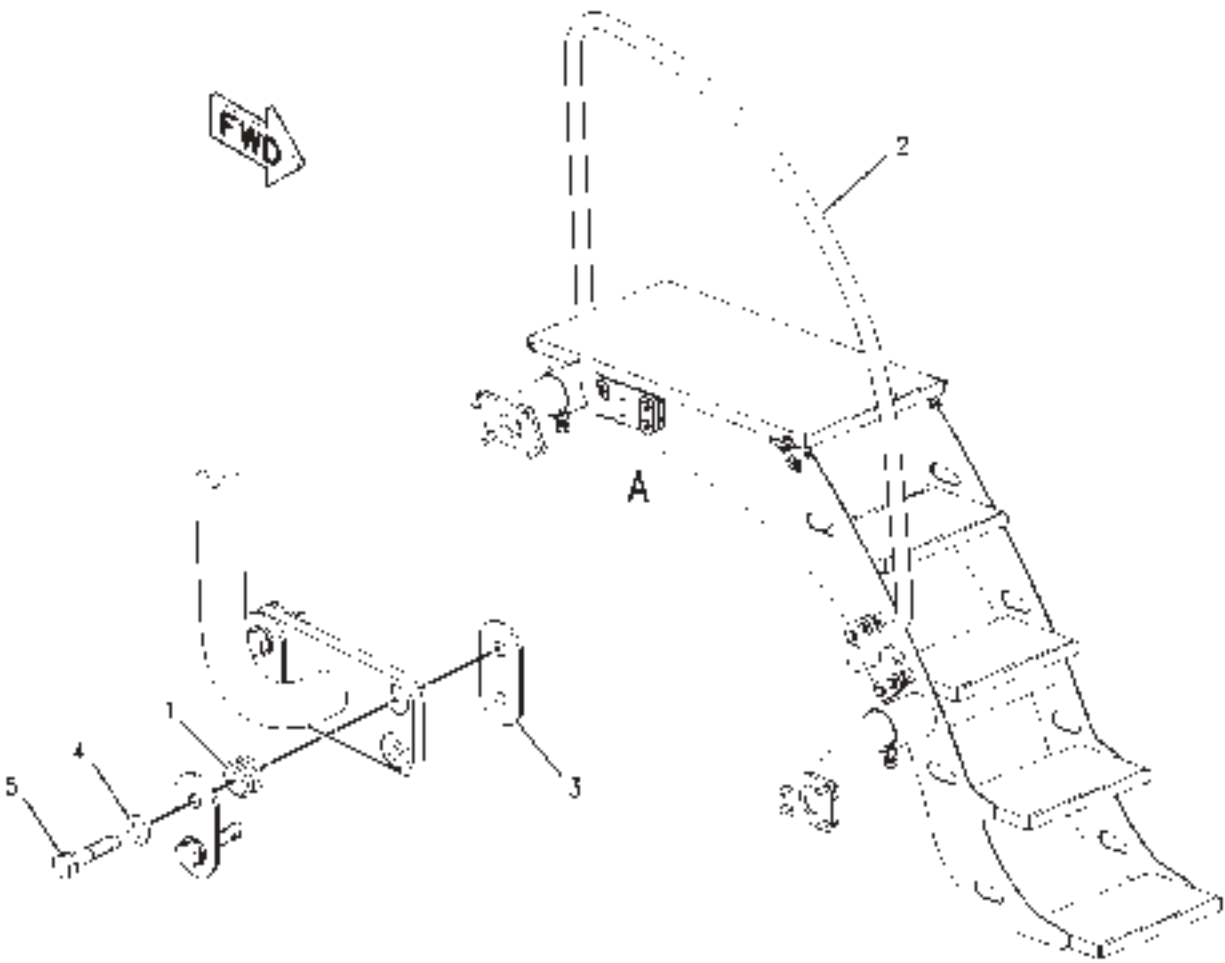
**HANDRAIL GP-OUTER - 203-9178
BASIC**

ITEM	NUMBER	QTY	DESCRIPTION
-	203-9178	--	HANDRAIL GP-OUTER [A] (NOT SERVICED)
1	CH6N-6984	8	MOUNT
2	203-9184	1	HANDHOLD AS.
3	203-9200	8	PLATE
4	400287X1	8	WASHER-HARD (11X21X2.5MM THK)
5	400052X1	8	BOLT (M10X1.5X40MM)

[A] PART OF 159-9486 CHASSIS AR

00880845
PR: t05c24o40d0244

HANDHOLD GP - 502772D1
INNER



00910595

**MT700B SERIES TRACK TRACTOR
FRAME AND BODY**

563

**HANDHOLD GP - 502772D1
INNER**

ITEM	NUMBER	QTY	DESCRIPTION
-	502772D1	--	HANDHOLD GP (NOT SERVICED)
-	502762D1	--	HANDHOLD GP (FIELD)
-	203-9179	1	HANDRAIL GP [A] (NOT SERVICED) (INCLUDES ITEMS 1-5)
1	CH6N-6984	8	MOUNT
2	203-9183	1	HANDHOLD AS
3	203-9200	8	PLATE
4	400287X1	8	WASHER-HARD (11X21X2.5)
5	400052X1	8	BOLT (M10X1.5X45MM)

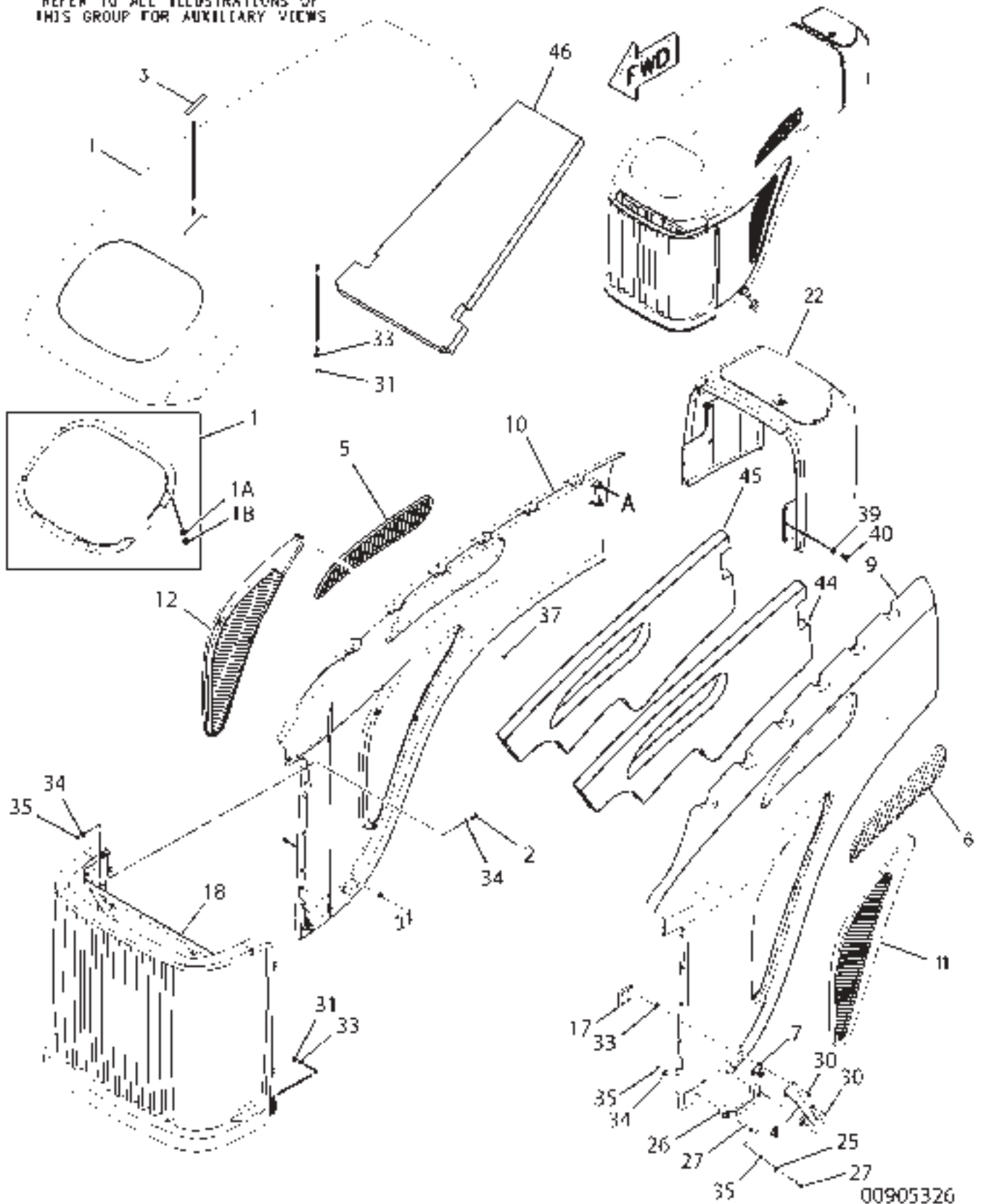
[A] PART OF 502772D1;502762D1
HANDRAIL GP; 174-4614 CHASSIS AR

00810595
PR: t05c24o40d0245

MT700B SERIES TRACK TRACTOR
FRAME AND BODY

HOOD & GUARD GP - 502670D1
ROW ONLY

REFER TO ALL ILLUSTRATIONS OF
THIS GROUP FOR AUXILIARY VIEWS



00905326

**MT700B SERIES TRACKTRACTOR
FRAME AND BODY**

565

**HOOD & GUARD GP - 502670D1
ROW ONLY**

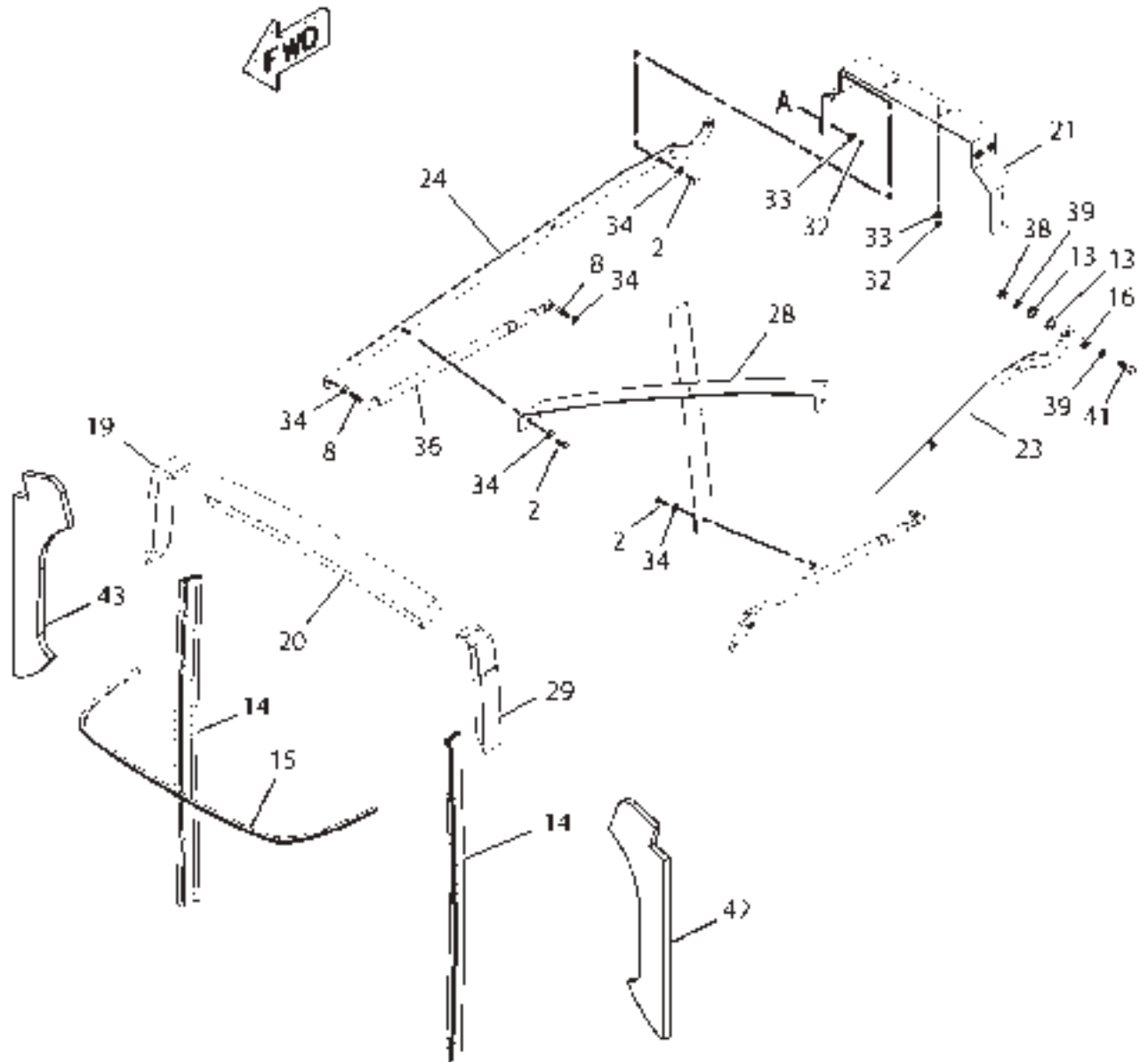
ITEM	NUMBER	QTY	DESCRIPTION
-	502670D1	--	HOOD & GUARD GP [A] (NOT SERVICED)
1	210-4390	1	HOOD AS.
1A	210-4395	4	WASHER-CONICAL
1B	210-4396	4	LOCKNUT
2	400341X1	16	BOLT (M8X1.25X25MM)
3	CH100-4036	1	MARKER-HOOD
4	CH113-8880	2	LATCH AS.
5	158-5924	1	GRILL (UPPER)(RH)
6	158-5923	1	GRILL (UPPER)(LH)
7	CH114-5793	2	KEEPER
9	158-5932	1	PANEL AS (LH)
	179-4207	1	INSERT (M6X1 THD)
10	158-5933	1	PANEL AS (RH)
	179-4207	1	INSERT (M6X1 THD)
11	158-5934	1	GRILL AS. (LOWER)(LH)
12	158-5935	1	GRILL AS. (LOWER)(RH)
17	210-4393	2	BLOCK
18	197-4774	1	GRILL GP-RADIATOR (SEE BREAKDOWN FOR COMPONENTS)
22	201-5074	1	HOUSING GP (NOT SERVICED) (SEE BREAKDOWN FOR COMPONENTS)
25	CH8N-0869	1	WASHER (8.8X25.5X2MM THK)
26	400115X1	1	HANDLE
27	400162X1	2	BOLT-SOCKET HEAD (M8X1.25X50MM)
30	CH123-4950	12	SCREW-PAN HEAD (M6X1X16MM)
31	CH129-3178	16	LOCKNUT (M6X1 THD)
33	CH5P-4115	30	WASHER-HARD (7.2X19X2MM THK)
34	400599X1	29	WASHER-HARD (M8X20.5X2MM THK)
35	CH131-3540	10	LOCKNUT
37	CH217-5909	8	SCREW-PAN HEAD (1/4-15X0.50 IN)
39	400287X1	22	WASHER-HARD (11X21X2.5MM THK)
40	400039X1	6	BOLT (M10X1.5X25MM)
44	502694D1	1	INSULATION-SIDE PANEL LH
45	502695D1	1	INSULATION-SIDE PANEL RH
46	502691D1	1	INSULATION-TOP

[A] PART OF 177-1588; 502668D1
BASE COMMON AR

00905326
PR: t05c24o40d0246

MT700B SERIES TRACK TRACTOR
FRAME AND BODY

HOOD & GUARD GP - 502670D1
ROW ONLY



**MT700B SERIES TRACK TRACTOR
FRAME AND BODY**

567

**HOOD & GUARD GP - 502670D1
ROW ONLY**

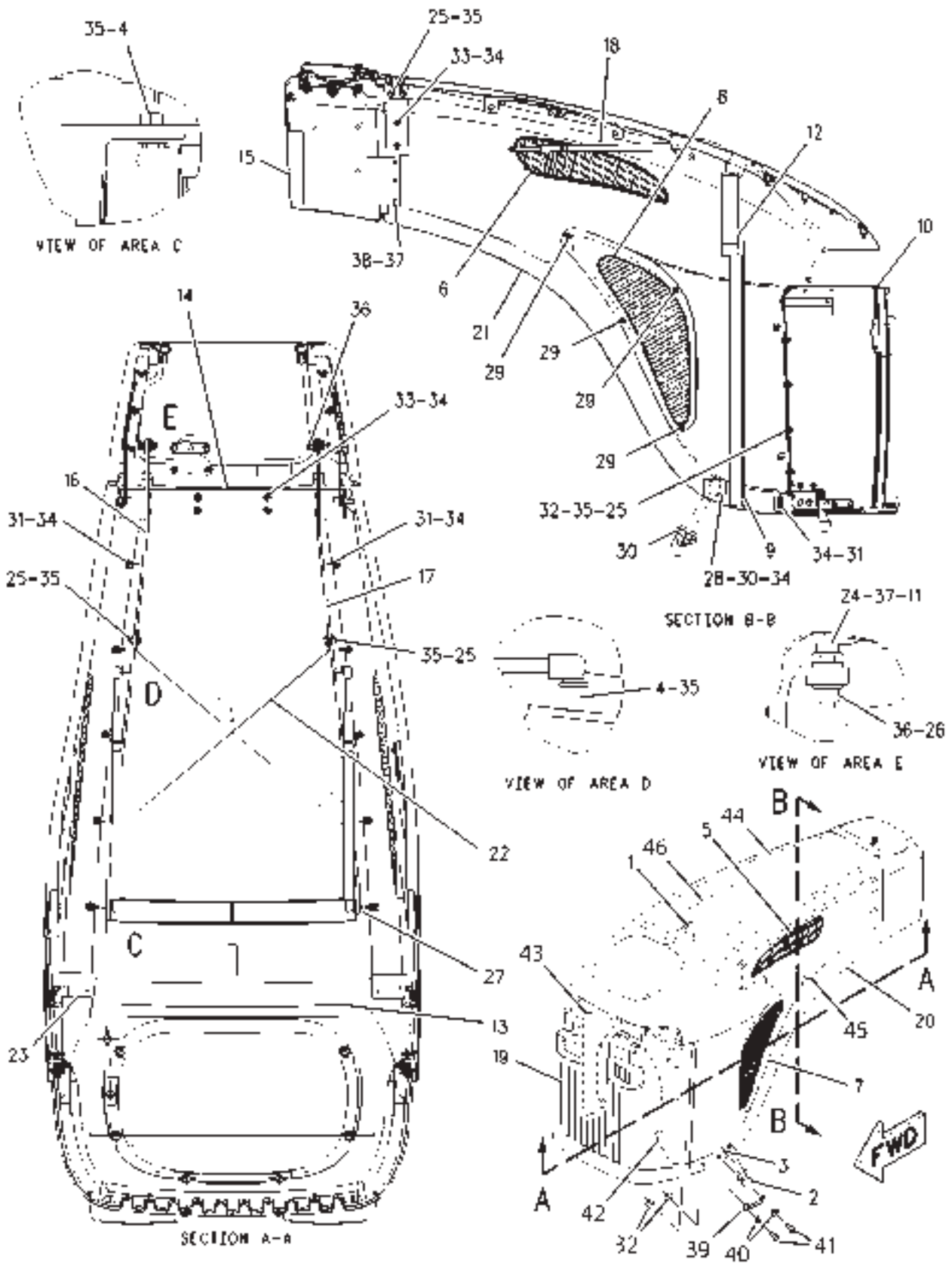
ITEM	NUMBER	QTY	DESCRIPTION
-	502670D1	--	HOOD & GUARD GP [A] (NOT SERVICED)
2	400341X1	16	BOLT (M8X1.25X25MM)
8	CH130-1916	4	STUD-BALL
13	400082X1	4	WASHER (17.5X30X3.5MM THK)
14	173-8817	2	SEAL-HOOD
15	173-8819	1	SEAL-HOOD (UPPER)
16	CH183-4567	2	BEARING
19	200-6476	1	BAFFLE
20	201-0030	1	BAFFLE
21	201-5067	1	BRACKET AS.
	CH8T-3612	4	NUT-WELD (M8X1.25 THD)
23	201-5084	1	ARM AS. (LH)
	CH8T-3612	3	NUT-WELD (M8X1.25 THD)
24	201-5085	1	ARM AS. (RH)
	CH8T-3612	3	NUT-WELD (M8X1.25 THD)
28	202-7319	1	BRACE AS.
29	202-8043	1	BAFFLE
32	400300X1	8	NUT (M6X1 THD)
33	CH5P-4115	30	WASHER-HARD (7.2X19X2MM THK)
34	400599X1	29	WASHER-HARD (M8X20.5X2MM THK)
36	201-5090	2	SPRING GAS-GAS
38	CH8T-0389	2	LOCKNUT (M10X1.5 THD)
39	400287X1	22	WASHER-HARD (11X21X2.5MM THK)
41	400052X1	2	BOLT (M10X1.5X40MM)
42	502692D1	1	INSULATION-LOWER LH
43	502693D1	1	INSULATION-LOWER RH

[A] PART OF 177-1588; 502668D1
BASE COMMON AR

00905327
PR: t05c24o40d0247

MT700B SERIES TRACK TRACTOR
FRAME AND BODY

HOOD & GUARD GP - 502671D1
EAME ONLY



00893754

**MT700B SERIES TRACK TRACTOR
FRAME AND BODY**

569

**HOOD & GUARD GP - 502671D1
EAME ONLY**

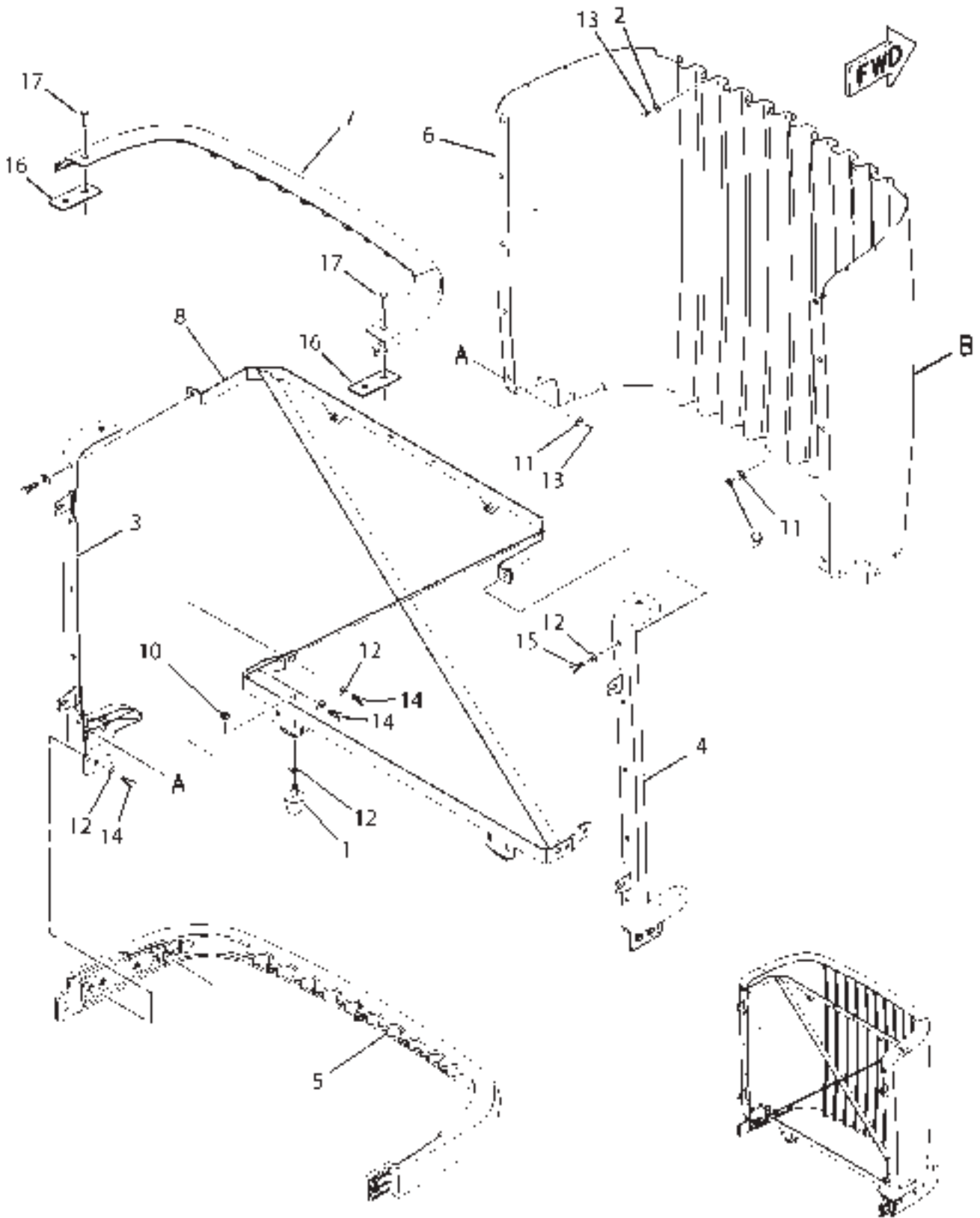
ITEM	NUMBER	QTY	DESCRIPTION
-	502671D1	--	HOOD & GUARD GP [A] (NOT SERVICED)
1	CH100-4036	1	MARKER-HOOD
2	CH113-8880	2	LATCH AS
3	CH114-5793	2	KEEPER
4	CH130-1916	4	STUD-BALL
5	158-5923	1	GRILL (UPPER-LH)
6	158-5924	1	GRILL (UPPER-RH)
7	158-5934	1	GRILL AS (LOWER-LH)
8	158-5935	1	GRILL AS (LOWER-RH)
9	173-8817	2	SEAL-HOOD
10	173-8819	1	SEAL-HOOD (UPPER)
11	CH183-4567	2	BEARING
12	200-6476	1	BAFFLE
13	201-0030	1	BAFFLE
14	201-5067	1	BRACKET AS
	CH8T-3612	4	NUT-WELD (M8X1.25 THD)
15	201-5074	1	HOUSING GP (NOT SERVICED) (SEE BREAKDOWN FOR COMPONENTS)
16	201-5084	1	ARM AS
	CH8T-3612	3	NUT-WELD (M8X1.25 THD)
17	201-5085	1	ARM AS
	CH8T-3612	3	NUT-WELD (M8X1.25 THD)
18	201-5090	2	SPRING AS-GAS
19	202-2359	1	GRILL GP-RADIATOR (SEE BREAKDOWN FOR COMPONENTS)
20	158-5932	1	PANEL AS (LH)
21	158-5933	1	PANEL AS (RH)
22	202-7319	1	BRACE AS
23	202-8043	1	BAFFLE
24	400052X1	2	BOLT (M10X1.5X40MM)
25	400341X1	16	BOLT (M8X1.25X25MM)
26	400082X1	4	WASHER (17.5X30X3.5MM THK)
27	210-4390	1	HOOD AS
28	210-4393	2	BLOCK
29	CH217-5909	8	SCREW-PAN HEAD (1/4-15X0.50 IN)
30	CH123-4950	12	SCREW-PAN HEAD (M6X1X16MM)
31	CH129-3178	16	LOCKNUT (M6X1 THD)
32	CH131-3540	10	LOCKNUT
33	400300X1	8	NUT (M6X1 THD)
34	CH5P-4115	30	WASHER-HARD (7.2X19X2MM THK)
35	400599X1	29	WASHER-HARD (M8X20.5X2MM THK)
36	CH8T-0389	2	LOCKNUT (M10X1.5 THD)
37	400287X1	22	WASHER-HARD (11X21X2.5MM THK)
38	400039X1	6	BOLT (M10X1.5X25MM)
39	400115X1	1	HANDLE-PLASTIC
40	CH9N-0869	1	WASHER-HARD 8.8X25.5
41	400162X1	2	BOLT M8X1.25X50
42	502692D1	1	INSULATION-LOWER LH
43	502693D1	1	INSULATION-LOWER RH
44	502691D1	1	INSULATION-TOP
45	502694D1	1	INSULATION-SIDE PANEL LH
46	502695D1	1	INSULATION-SIDE PANEL RH

[A] PART OF 177-1589; 502669D1
BASE COMMON AR

00893754
PR: t05c24o40d0248

MT700B SERIES TRACK TRACTOR
FRAME AND BODY

GRILL GP-RADIATOR - 197-4774
ROW ONLY



0890071A

**MT700B SERIES TRACK TRACTOR
FRAME AND BODY**

571

**GRILL GP-RADIATOR - 197-4774
ROW ONLY**

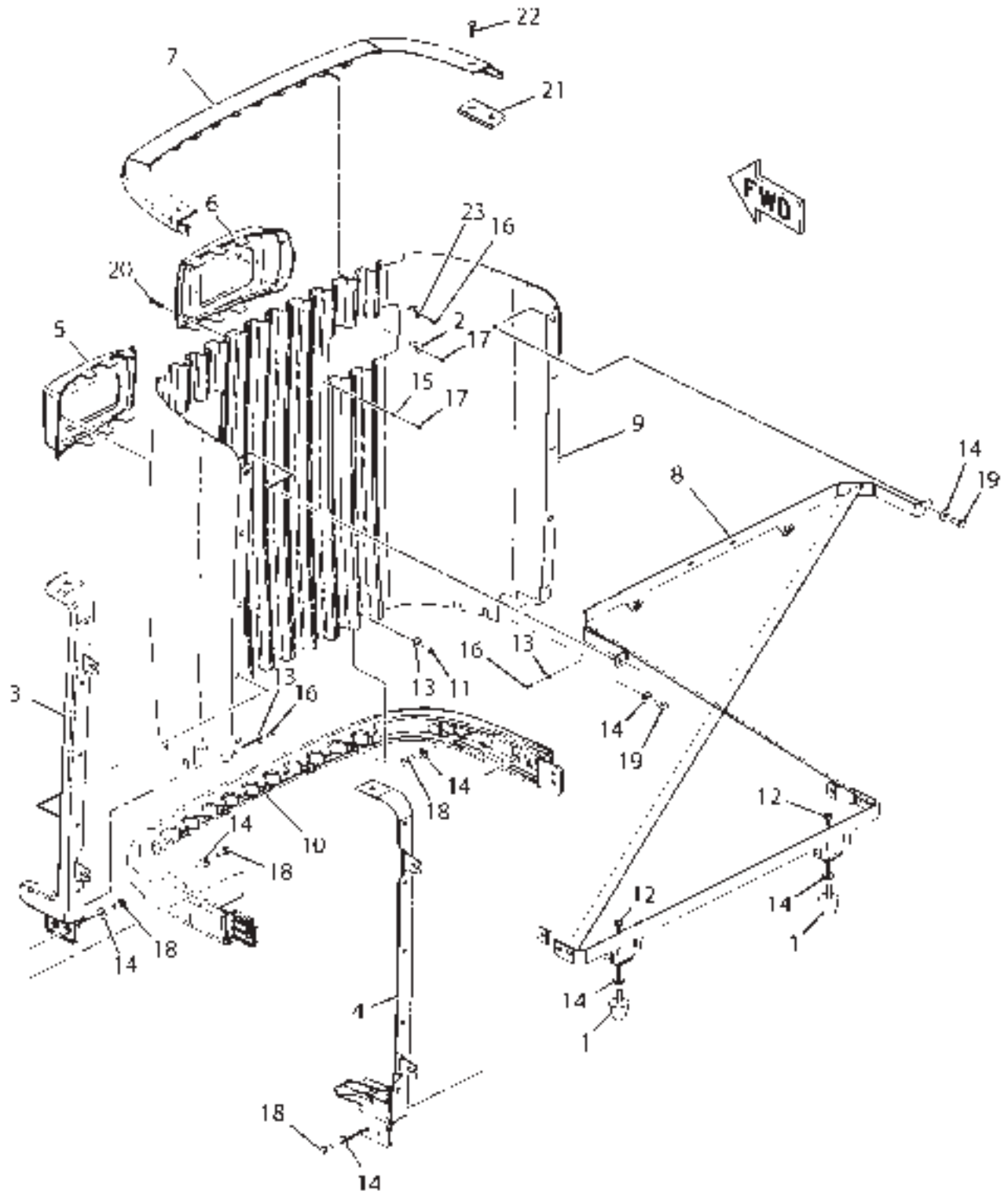
ITEM	NUMBER	QTY	DESCRIPTION
-	197-4774	--	GRILL GP-RADIATOR [A]
1	CH4E-1384	2	BUMPER-CONICAL
2	CH8T-4205	4	WASHER-HARD (7.2X14.5X2MM THK)
3		1	RETAINER-LH (ORDER COMPLETE ASY)
4		1	RETAINER-RH (ORDER COMPLETE ASY)
5		1	RETAINER ASY. (LOWER) (ORDER COMPLETE ASY)
6		1	GRILL (ORDER COMPLETE ASY)
7		1	RETAINER ASY. (UPPER) (ORDER COMPLETE ASY)
8		1	X-BAR ASY. (ORDER COMPLETE ASY)
9	CH129-3178	5	LOCKNUT (M6X1 THD)
10	400340X1	2	NUT (M8X1.25 THD)
11	CH5P-4115	9	WASHER-HARD (7.2X19X2MM THK)
12	400599X1	14	WASHER-HARD (M8X20.5X2MM THK)
13	CH210-4352	8	SCREW-PAN HEAD
14	400053X1	8	BOLT (M8X1.25X20MM)
15	400341X1	2	BOLT (M8X1.25X25MM)
16	210-4351	2	PLATE
17	CH033-7291	4	RIVET-BLIND

[A] PART OF 502670D1 HOOD & GUARD GP

0890071A
PR: t05c24o40d0249

MT700B SERIES TRACK TRACTOR
FRAME AND BODY

GRILL GP-RADIATOR - 202-2359
EAME ONLY



0853865A

**MT700B SERIES TRACK TRACTOR
FRAME AND BODY**

573

**GRILL GP-RADIATOR - 202-2359
EAME ONLY**

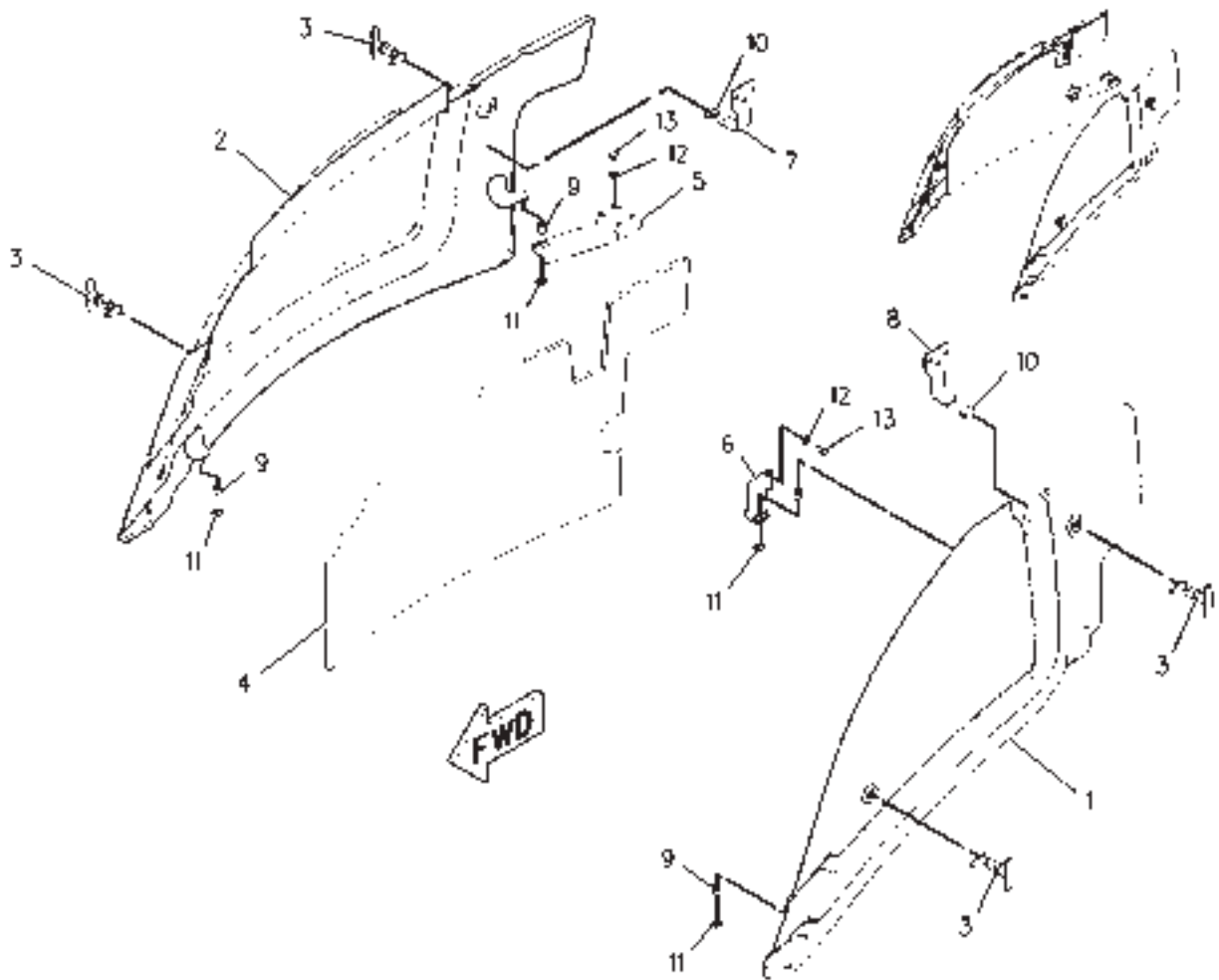
ITEM	NUMBER	QTY	DESCRIPTION
-	202-2359		GRILL GP-RADIATOR [A]
1	CH4E-1384	2	BUMPER-CONICAL
2	400076X1	4	WASHER (5X16X1.2MM THK)
3		1	RETAINER-LH (ORDER COMPLETE ASY)
4		1	RETAINER-RH (ORDER COMPLETE ASY)
5	177-7103	1	LAMP HOUSING-LH
6	177-7104	1	LAMP HOUSING-RH
7		1	RETAINER AS (UPPER) (ORDER COMPLETE ASY)
8		1	X-BAR AS (ORDER COMPLETE ASY)
9		1	GRILL (ORDER COMPLETE ASY)
10		1	RETAINER AS (LOWER) (ORDER COMPLETE ASY)
11	CH129-3178	5	LOCKNUT-NON METALLIC
12	400340X1	2	NUT (M8X1.25 THD)
13	CH5P-4115	9	WASHER-HARD (7.2X19X2MM THK)
14	400599X1	14	WASHER-HARD (8.8X20.5X2MM THK)
15	CH8C-9660	4	WASHER (4.6X7.9X0.8MM THK)
16	CH210-4352	8	SCREW (#14-15X18MM)
17	CH8T-2659	8	LOCKNUT (M4X0.7 THD)
18	400053X1	8	BOLT (M8X1.25X20MM)
19	400341X1	2	BOLT (M8X1.25X25MM)
20	CH9X-1046	8	SCREW-MACHINE (M4X0.7X18)
21	210-4351	2	PLATE
22	CH033-7291	4	RIVET-BLIND
23	CH8T-4205	4	WASHER-HARD (7.2X14.5X2MM THK)

[A] PART OF 502671D1 HOOD & GUARD GP

0853865A
PR: t05c24o40d0250

MT700B SERIES TRACK TRACTOR
FRAME AND BODY

ENCLOSURE GP - 502672D1



00841511

**MT700B SERIES TRACK TRACTOR
FRAME AND BODY**

575

ENCLOSURE GP - 502672D1

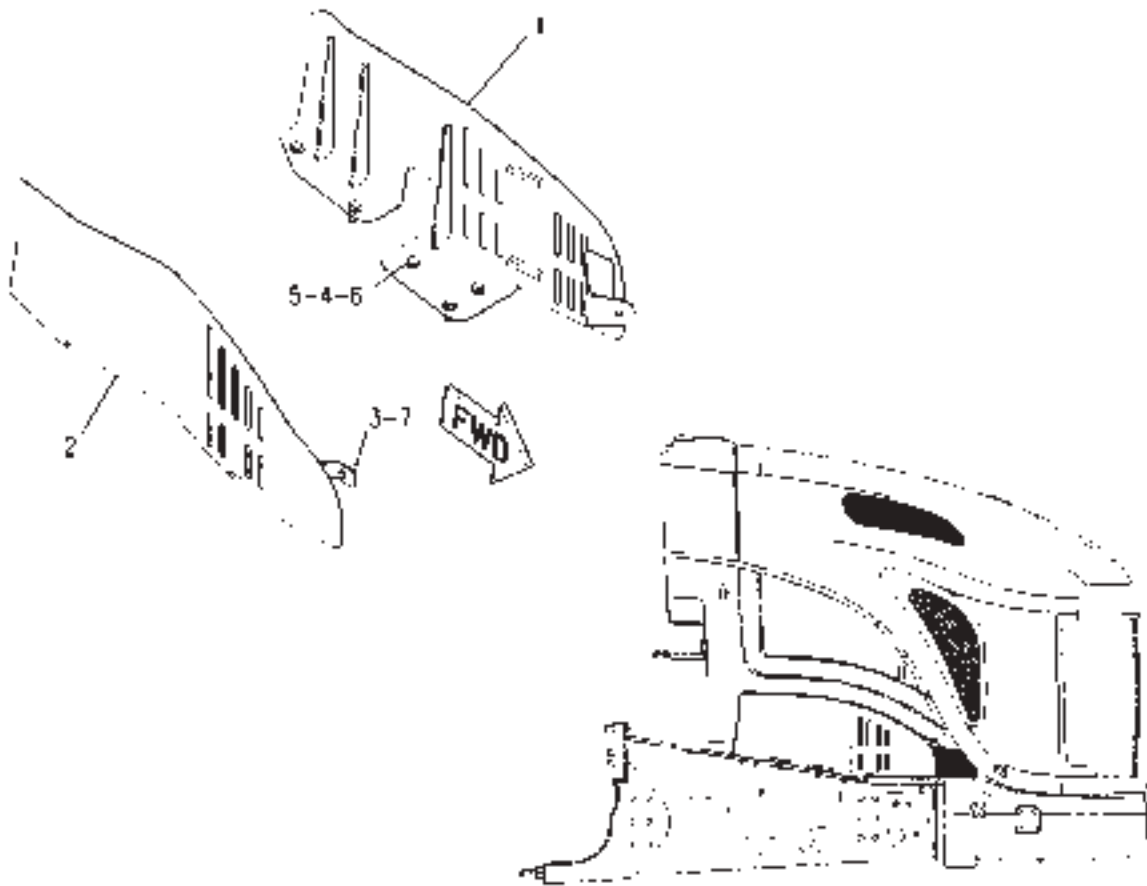
ITEM	NUMBER	QTY	DESCRIPTION
-	502672D1	--	ENCLOSURE GP [A] (NOT SERVICED)
1	201-5093	1	PANEL AS (LH)
2	201-5094	1	PANEL AS (RH)
3	202-2355	4	LATCH AS
4	502697D1	1	INSULATION-SIDE PANEL (RH)
	502696D1	1	INSULATION-SIDE PANEL (LH)
5	215-8018	1	BRACKET
6	215-8020	1	BRACKET
7	216-5333	1	PLATE
8	216-5334	1	PLATE
9	CH216-5335	4	BEARING
10	216-5336	2	SEAL
11	CH3S-5096	4	CLAMP
12	400287X1	6	WASHER-HARD (11X21X2.5MM THK)
13	400040X1	6	BOLT (M10X1.5X20MM)

[A] PART OF 502668D1;502669D1 BASE AR

00841511
PR: t05c24o40d0251

MT700B SERIES TRACK TRACTOR
FRAME AND BODY

ENCLOSURE GP - 217-0904
ITALIAN MARKET
EAME ONLY



RIGHT SIDE VIEW

00878061

**MT700B SERIES TRACK TRACTOR
FRAME AND BODY**

577

**ENCLOSURE GP - 217-0904
ITALIAN MARKET
EAME ONLY**

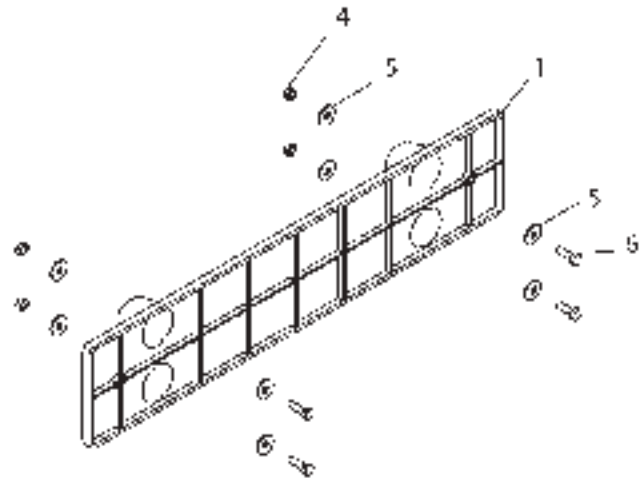
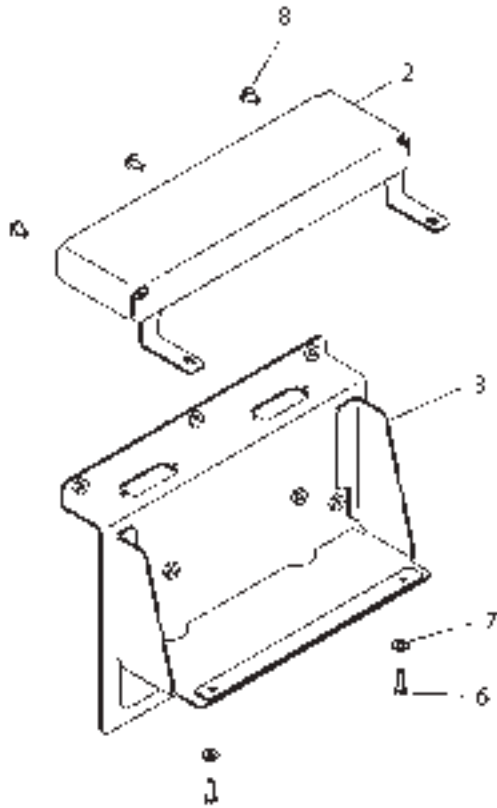
ITEM	NUMBER	QTY	DESCRIPTION
-	217-0904	--	ENCLOSURE GP [A] (NOT SERVICED)
1	217-0902	1	PANEL AS
2	217-0903	1	PANEL AS
3			NOT USED
4	CH7X-7729	16	WASHER (11X25X3MM THK)
5	WR522218	8	NUT (M10X1.5 THD)
6	400059X1	8	BOLT (M10X1.5X35MM)
7			NOT USED

[A] PART OF 178-4958 COMPLETING AR

00878061
PR: t05c24o40d0252

MT700B SERIES TRACK TRACTOR
FRAME AND BODY

MOUNTING GP-BODY - 158-5925
LICENSE PLATE
EAME ONLY



**MT700B SERIES TRACK TRACTOR
FRAME AND BODY**

579

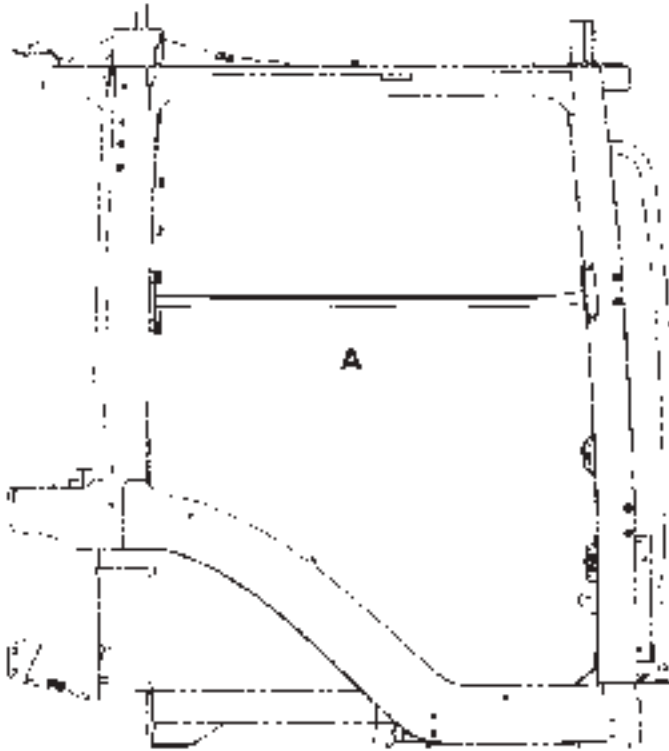
**MOUNTING GP-BODY - 158-5925
LICENSE PLATE
EAME ONLY**

ITEM	NUMBER	QTY	DESCRIPTION
-	158-5925	--	MOUNTING GP-LICENSE PLATE [A] (NOT SERVICED)
1	177-7107	1	PLATE AS.-LICENSE
2	221-7640	1	BRACKET AS.
3	222-1887	1	BRACKET AS
4	400300X1	4	NUT M6X1
5	CH5P-4115	8	WASHER-7.2IDX19ODX2MM
6	400221X1	6	BOLT-M6X1X20MM ZNDI HHD 10.9
7	CH8T-4205	2	WASHER-HARD 7.2IDX14.5ODX2MM
8	CH9X-2042	3	SCREW-M6X1X12 ORG TORX

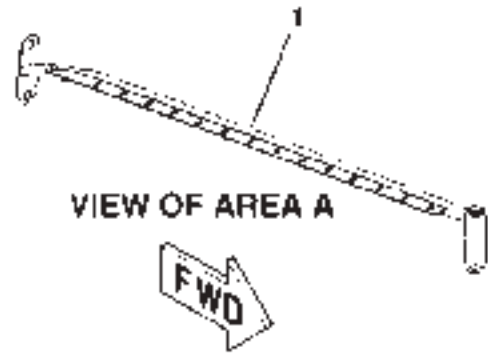
[A] 502669D1 BASE COMMON AR

1585925A
PR: t05c24o40d0253

MOUNTING GP-MONITOR - 222-7965



RIGHT SIDE VIEW



0894860A

**MT700B SERIES TRACK TRACTOR
FRAME AND BODY**

581

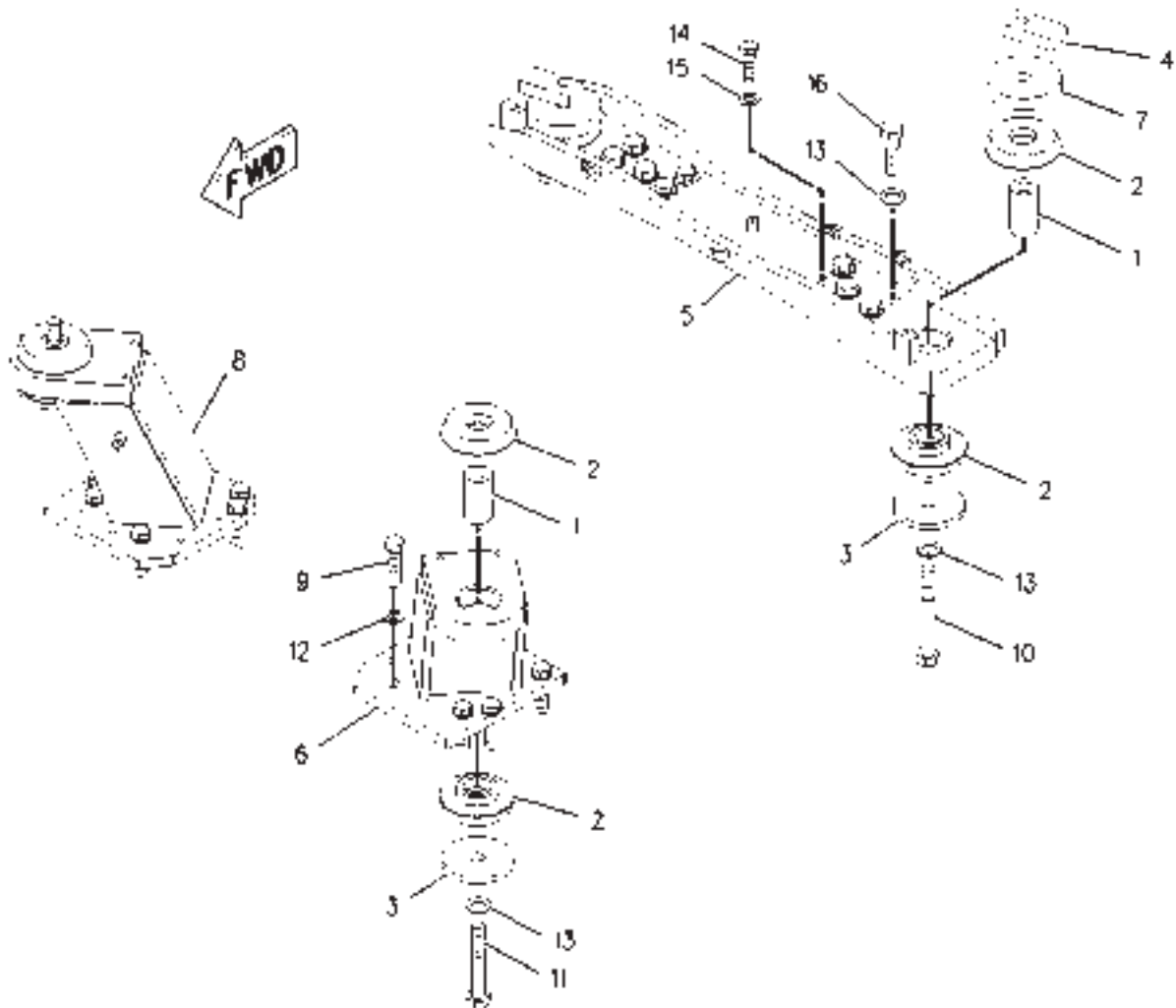
MOUNTING GP-MONITOR - 222-7965

ITEM	NUMBER	QTY	DESCRIPTION
-	222-7965	--	MOUNTING GP-MONITOR (NOT SERVICED)
-	502798D1	--	MOUNTING GP-MONITOR (REF ONLY) (NOT SERVICED)
-	502778D1	--	MOUNTING GP-MONITOR (FIELD INSTALLED)
1	215-8364	1	TUBE AS
	CH6V-5839	2	WASHER (11IDX21X2.5MM)(NOT SHOWN)
	CH9X-2040	2	SCREW-TRS HD (M10X1.5X20)(NOT SHOWN)
	CH9X-2041	2	SCREW-TRS HD (M10X1.5X25)(NOT SHOWN)

0894860A
PR: t05c24o40d0254

MT700B SERIES TRACKTRACTOR
FRAME AND BODY

MOUNTING GP-CAB - 152-0430
ROW ONLY



00B40949

**MT700B SERIES TRACK TRACTOR
FRAME AND BODY**

583

**MOUNTING GP-CAB - 152-0430
ROW ONLY**

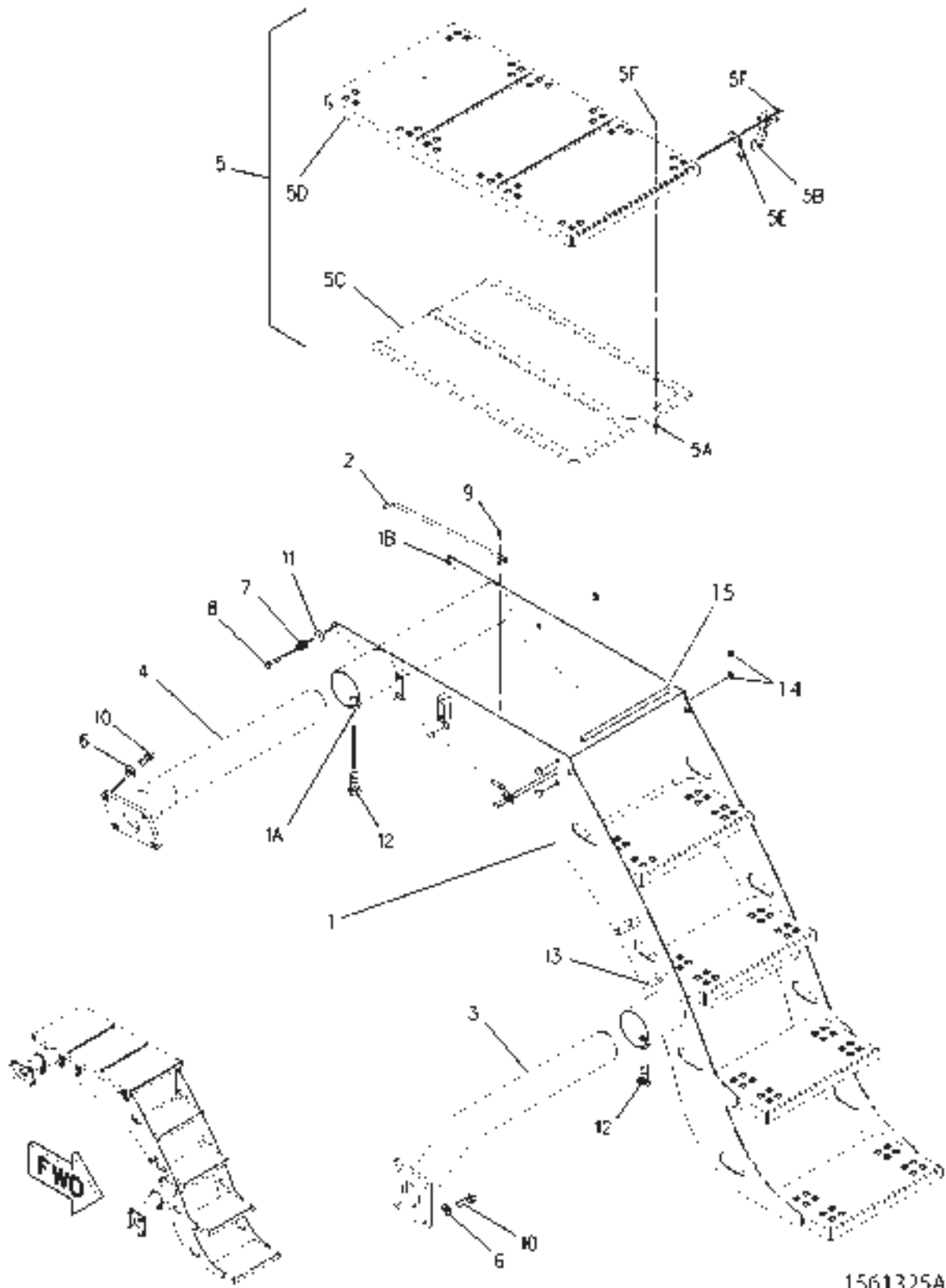
ITEM	NUMBER	QTY	DESCRIPTION
-	152-0430	--	MOUNTING GP-CAB [A] (NOT SERVICED)
1	CH3E-4898	4	SLEEVE
2	117-8131	8	MOUNT
3	400335X1	4	WASHER (26X125X12MM THK)
4	186-0465	2	BLOCK
5	197-4762	1	MOUNT AS.
	CH7T-1099	8	LINK
6	197-4764	1	BRACKET AS. (LH)
7	197-4766	2	PLATE
8	201-5068	1	BRACKET AS. (RH)
	9R-2613	1	BOSS (M10X1.5X25MM)
	CH7T-1099	1	LINK
9	180-5932	12	BOLT-HEX HEAD (M20X2.5X80MM)
10	7X-2465	2	BOLT (M24X3.0X180MM)
11	8C-3290	2	BOLT (M24X3X150MM)
12	400080X1	12	WASHER-PLATED (22X35X3.5MM THK)
13	400081X1	10	WASHER-HARD (26X44X4MM THK)
14	8T-4187	4	BOLT (M20X2.5X80MM)
15	CH8T-5439	4	WASHER (21.5X45X6MM THK)
16	8T-5878	6	BOLT (M24X3X80MM)

[A] PART OF 159-9486 CHASSIS AR

00840949
PR: t05c24o40d0255

MT700B SERIES TRACK TRACTOR
FRAME AND BODY

STEP GP - 156-1325



1561325A

**MT700B SERIES TRACK TRACTOR
FRAME AND BODY**

585

STEP GP - 156-1325

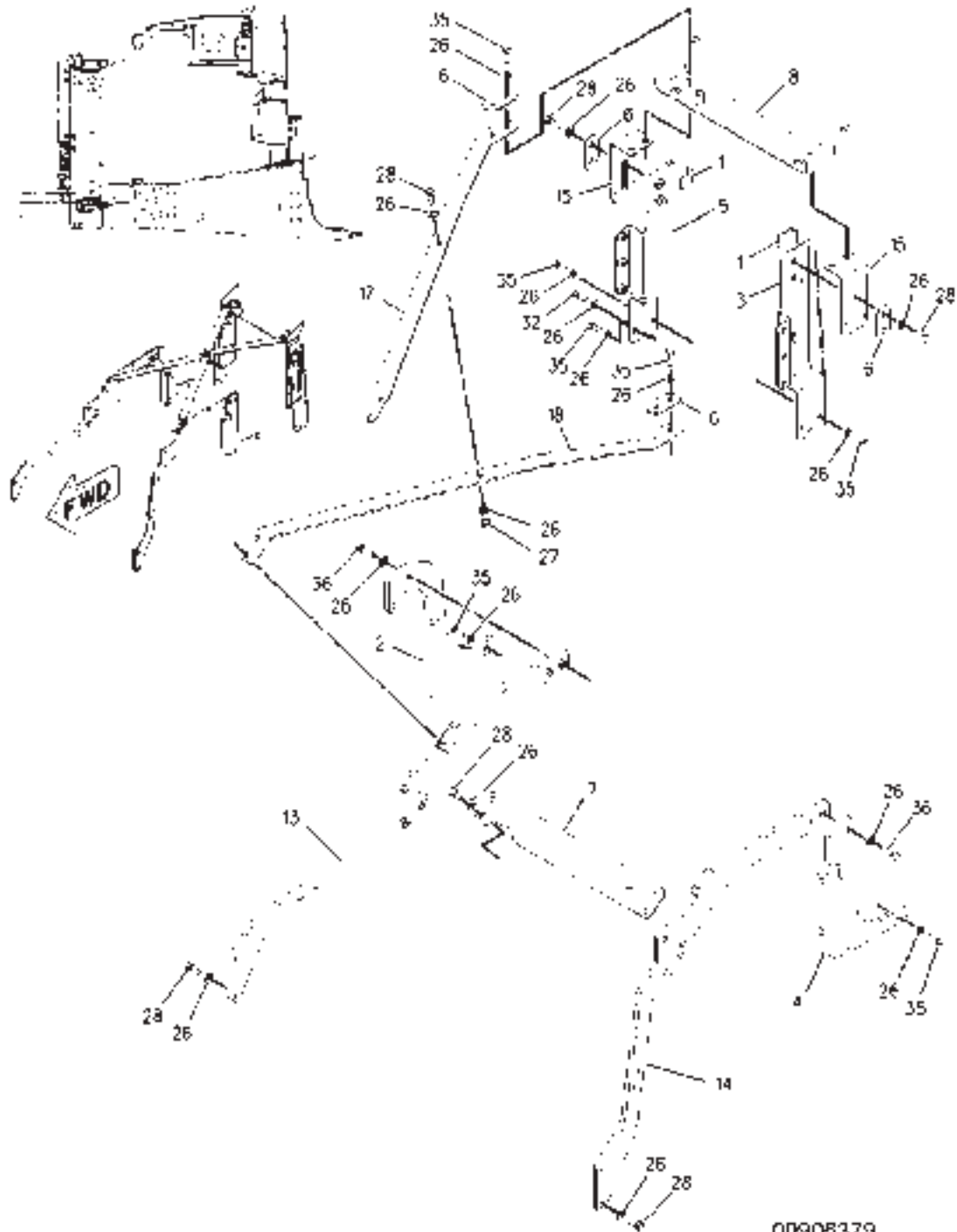
ITEM	NUMBER	QTY	DESCRIPTION
-	156-1325	--	STEP GP [A] (NOT SERVICED)
1	500441D2	1	STEP AS. (WITH INTEGRATED TOOL BOX)
	CH7T-1099	1	LINK
1A	CH8T-1757	4	NUT (M16X2 THD)
1B	CH8T-3612	2	NUT-WELD (M8X1.25 THD)
2	204-9922	1	ROD
3	171-6688	1	TUBE AS.
4	171-6689	1	TUBE AS.
5	173-2743	1	STEP GP (NOT SERVICED, ORDER 5A THRU 5H)
5A	CH6K-3274	3	PLATE-RIVET
5B	CH118-0772	2	LATCH AS.
5C	170-5765	1	SHIELD
5D	173-2744	1	STEP
5E	192-0976	1	PLATE-LOCK
5F	CH103-8089	3	RIVET-POP
5G	CH1H-8289	8	SCREW, MACHINE 5-40
5H	CH3K-9089	8	NUT, SELF LOCKING 50-40
6	400357X1	8	WASHER-HARD (M12X25.5X3MM THK)
7	CH7V-0445	2	SPRING
8	400015X1	2	BOLT-SHOULDER (M8X1.25 THD)
9	CH3B-4610	1	PIN-COTTER
10	400064X1	8	BOLT (M12X1.75X35MM)
11	400339X1	2	WASHER-HARD (8.8X16X2MM THK)
12	400191X1	4	BOLT (M16X2X40MM)
13	CH193-5914	8	PLUG
14	CH193-5916	6	PLUG
15	WR513654	AR	EDGE LINER (33CM)

[A] PART OF 159-9486;174-4614 CHASSIS AR

1561325A
PR: t05c24o40d0256

MT700B SERIES TRACK TRACTOR
FRAME AND BODY

SUPPORT GP-FUEL TANK - 190-5600
(1 OF 2)
ROW ONLY



**MT700B SERIES TRACK TRACTOR
FRAME AND BODY**

587

**SUPPORT GP-FUEL TANK - 190-5600
(1 OF 2)
ROW ONLY**

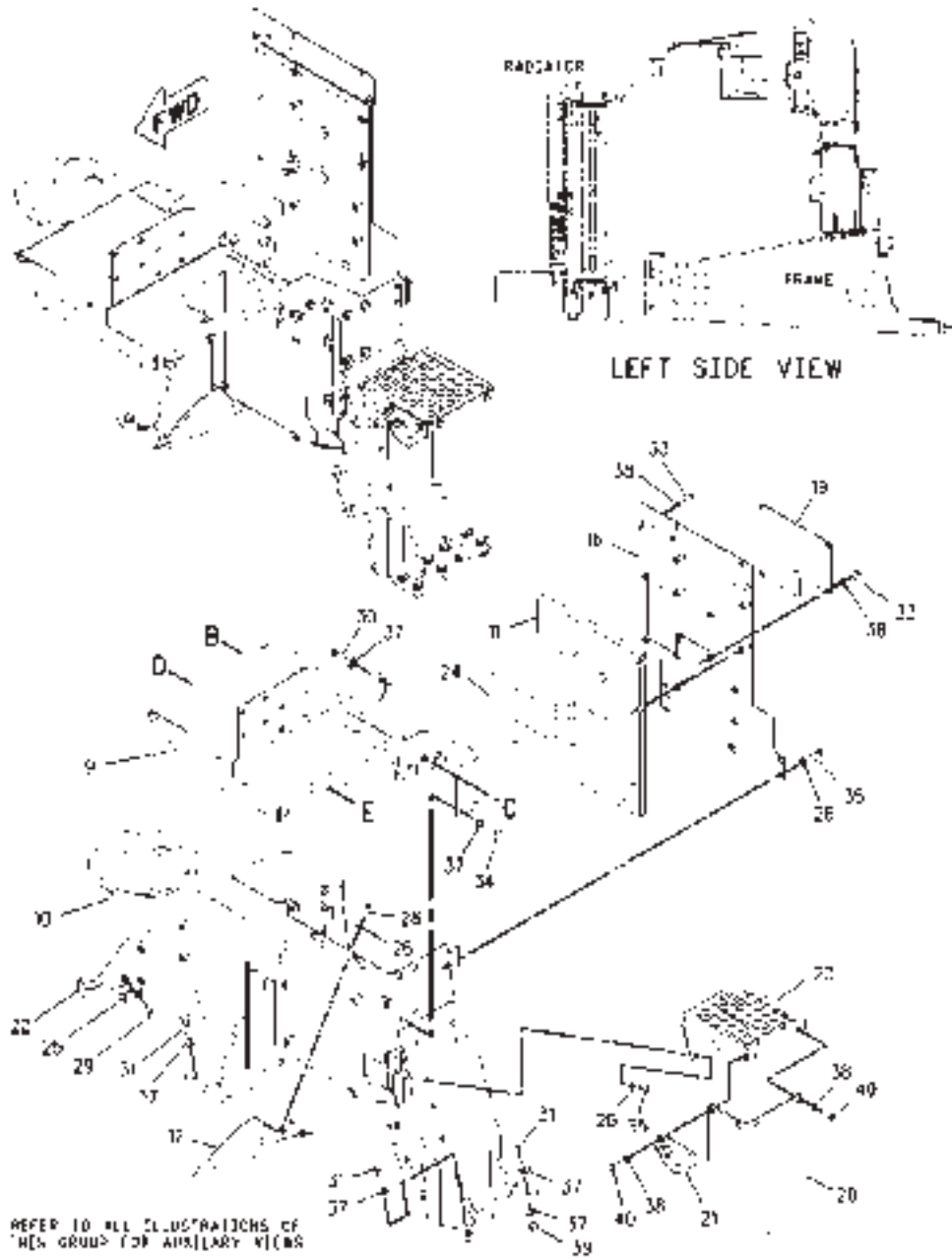
ITEM	NUMBER	QTY	DESCRIPTION
-	190-5600	--	SUPPORT GP-FUEL TANK [A] (NOT SERVICED)
1	CH5P-0801		SEAL
2	186-3604	1	BRACKET AS.
	CH8T-3490	2	NUT-WELD (M10X1.5 THD)
	CH8T-3612	1	NUT-WELD (M8X1.25 THD)
3	190-5601	1	SUPPORT AS.
	CH7T-1099	1	LINK
	CH8T-3490	5	NUT-WELD (M10X1.5 THD)
4	194-3690	1	BRACKET AS.
	CH8T-3490	2	NUT-WELD (M10X1.5 THD)
	CH8T-3612	1	NUT-WELD (M8X1.25 THD)
5	202-4870	1	SUPPORT AS.
	CH8T-3490	5	NUT-WELD (M10X1.5 THD)
6	203-9200	4	PLATE
7	204-5034	1	PLATE
8	204-7472	1	BRACKET AS.
	CH9R-2613	1	BOSS (M10X1.5X25MM)
13	208-2405	1	SUPPORT AS.
	CH8T-3490	4	NUT-WELD (M10X1.5 THD)
14	208-2406	1	SUPPORT AS.
	CH8T-3490	6	NUT-WELD (M10X1.5 THD)
15	208-3048	2	BRACKET AS.
	CH8T-3490	2	NUT-WELD (M10X1.5 THD)
17	212-6034	1	BRACE
18	212-6035	1	BRACE
26	400287X1	38	WASHER-HARD (11X21X2.5MM THK)
27	WR522218	1	NUT (M10X1.5 THD)
28	400039X1	21	BOLT (M10X1.5X25MM)
32	400052X1	1	BOLT (M10X1.5X40MM)
35	400058X1	13	BOLT (M10X1.5X30MM)
36	400059X1	4	BOLT (M10X1.5X35MM)

[A] PART OF 165-8506; 199-3440
TANK AR-FUEL

00906379
PR: t05c24o40d0257

MT700B SERIES TRACK TRACTOR
FRAME AND BODY

SUPPORT GP-FUEL TANK - 190-5600
(2 OF 2)
ROW ONLY



00905101

**MT700B SERIES TRACK TRACTOR
FRAME AND BODY**

589

**SUPPORT GP-FUEL TANK - 190-5600
(2 OF 2)
ROW ONLY**

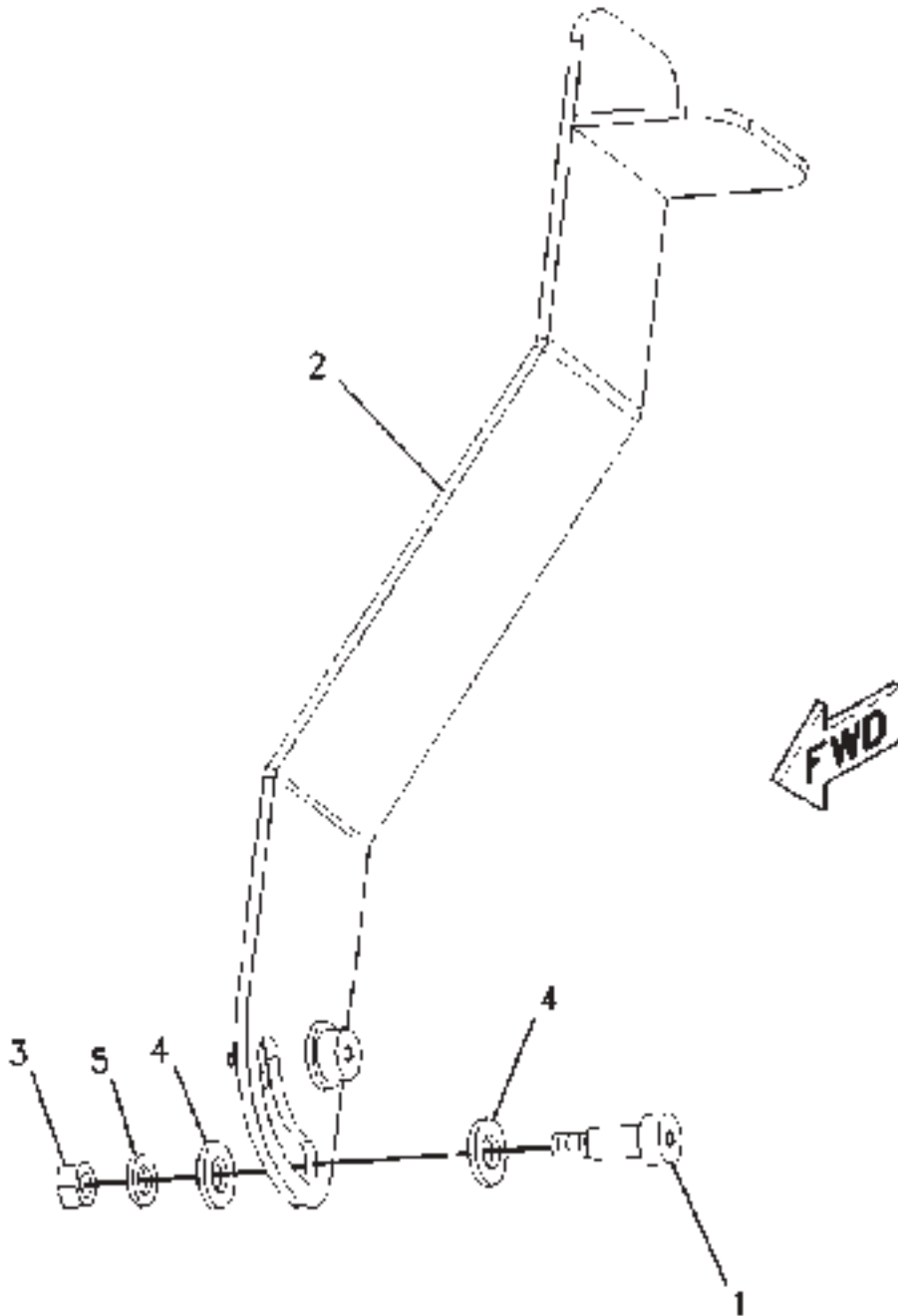
ITEM	NUMBER	QTY	DESCRIPTION
-	190-5600	--	SUPPORT GP-FUEL TANK [A] (NOT SERVICED)
9	204-7872	1	SUPPORT AS. (UPPER)
	CH7T-1099	1	LINK
	CH9R-2613	3	BOSS (M10X1.5X25MM)
10	204-7873	1	SUPPORT AS. (LOWER)
	CH7T-1099	6	LINK
	CHCH9R-261	2	BOSS (M10X1.5X25MM)
	CH9R-2821	2	BOSS
11	205-4636	1	INSULATION
12	208-0384	1	SHIELD AS.
	CH7T-1099	1	LINK
	CH8T-3490	4	NUT-WELD (M10X1.5 THD)
16	210-7473	1	BRACKET AS.
	CH8T-3612	11	NUT-WELD (M8X1.25 THD)
19	212-9536	1	PLATE
20	213-1160	1	PLATE
21	502554D1	1	BRACKET AS. (LH)
22	217-5039	1	BRACKET AS. (RH)
	CH8T-3490	1	NUT-WELD (M10X1.5 THD)
23	219-6722	1	STEP AS.
24	205-4637	1	INSULATION
25			NOT USED
26	400287X1	44	WASHER-HARD (11X21X2.5MM THK)
28	400039X1	17	BOLT (M10X1.5X25MM)
29	400040X1	1	BOLT (M10X1.5X20MM)
30	400041X1	4	BOLT (M12X1.75X30MM)
31	400051X1	15	BOLT (M12X1.75X45MM)
33	400053X1	7	BOLT (M8X1.25X20MM)
34	400055X1	4	BOLT (M12X1.75X25MM)
35	400058X1	21	BOLT (M10X1.5X30MM)
37	400357X1	24	WASHER-HARD (M12X25.5X3MM THK)
38	400339X1	11	WASHER-HARD (8.8X16X2MM THK)
39	CH8T-4244	1	NUT (M12X1.75 THD)
40	400341X1	4	BOLT (M8X1.25X25MM)

[A] PART OF 165-8506 TANK AR-FUEL

00905101
PR: t05c24o40d0258

MT700B SERIES TRACK TRACTOR
FRAME AND BODY

SUPPORT GP-HOOD - 217-7762
BRACE
FRAME ONLY



00867840

**MT700B SERIES TRACK TRACTOR
FRAME AND BODY**

591

**SUPPORT GP-HOOD - 217-7762
BRACE
EAME ONLY**

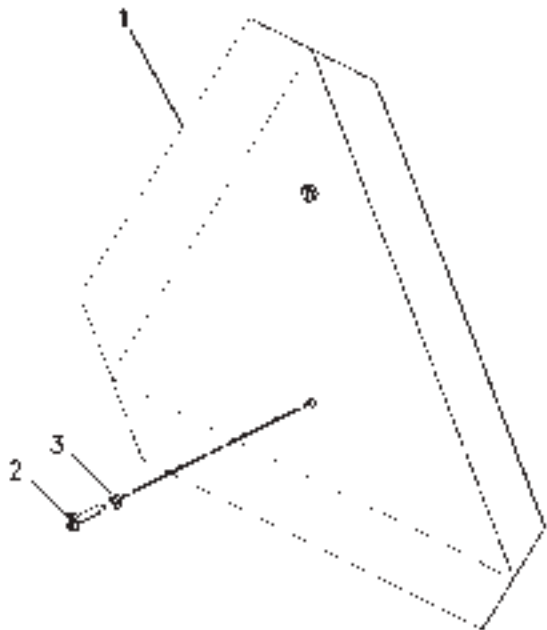
ITEM	NUMBER	QTY	DESCRIPTION
-	217-7762	--	SUPPORT GP-HOOD [A] (NOT SERVICED)
1	400015X1	2	BOLT-SHOULDER (M8X1.25x33)
2	216-0924	1	BRACE AS.
3	400340X1	2	NUT (M8X1.25 THD)
4	400287X1	4	WASHER-HARD (11X21X2.5MM THK)
5	400339X1	2	WASHER-HARD (8.8X16X2MM THK)

[A] PART OF 502669D1 BASE COMMON AR

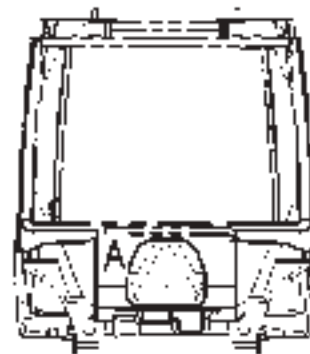
00867840
PR: t05c24o40d0259

MT700B SERIES TRACK TRACTOR
FRAME AND BODY

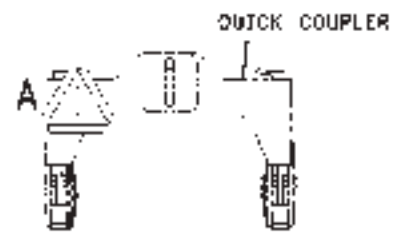
WARNING GP-SLOW MOVING VEHICLE
172-8886
ROW ONLY



DETAILS OF AREA A



REAR VIEW



REAR VIEW
(ALTERNATE PLACEMENT)

00877873

**MT700B SERIES TRACK TRACTOR
FRAME AND BODY**

593

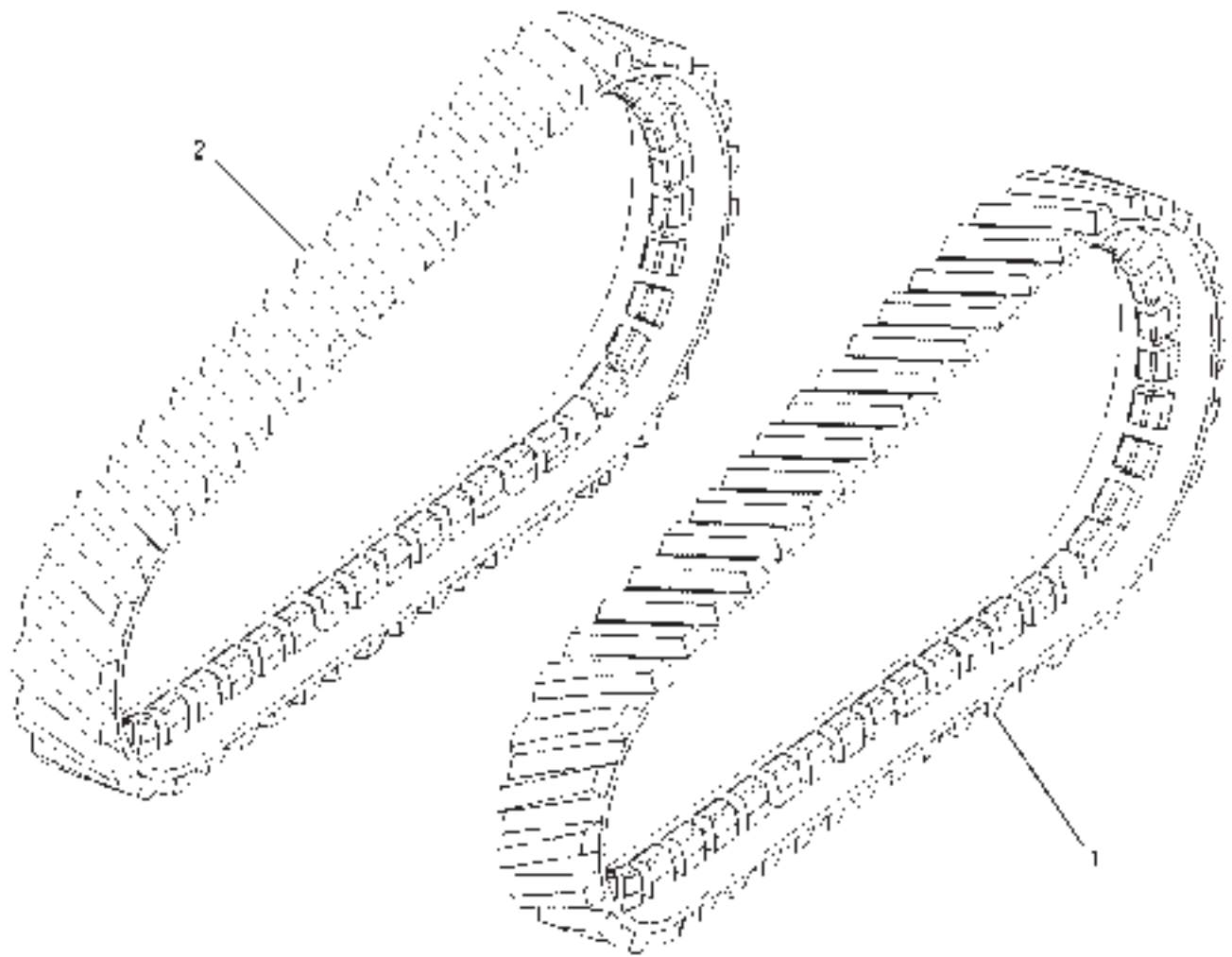
**WARNING GP-SLOW MOVING VEHICLE
172-8886
ROW ONLY**

ITEM	NUMBER	QTY	DESCRIPTION
-	172-8886	--	WARNING GP-SLOW MOVING [A] (NOT SERVICED)
1	400129X2	1	PLATE-WARNING (SLOW MOVING VEHICLE)
2	CH095-0741	2	SCREW-MACHINE (M6X1THD)
	CH216-8275	2	SCREW-PAN HEAD (12-14X1 IN)
3	400310X1	2	WASHER (6.6X12X2MM THK)
-	188-2616	--	COMPLETING AR-ENGILSH (EAME ONLY) (INCLUDES 172-8886 & OP MAN)

[A] PART OF 159-9486; 502668D1
BASE COMMON AR

00877873
PR: t05c24o40d0260

BELT AR - GENERAL AG & LOW PROFILE



00810672

MT700B SERIES TRACK TRACTOR
TRACK BELTS

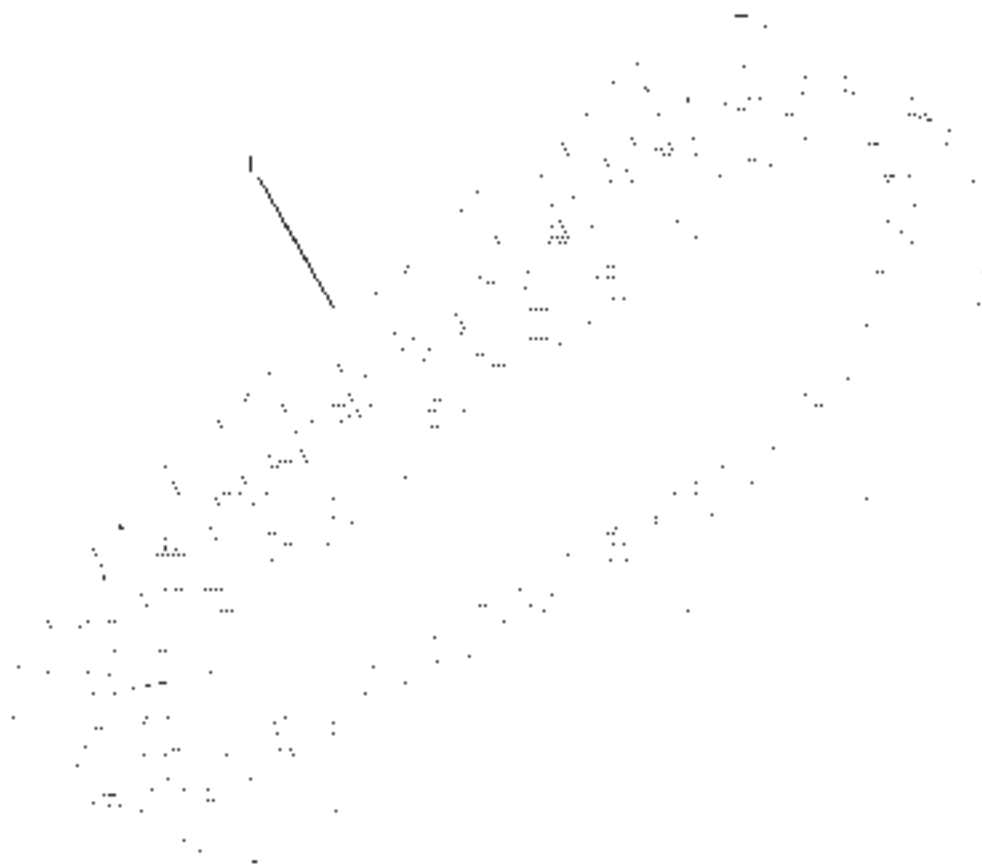
595

BELT AR - GENERAL AG & LOW PROFILE

ITEM	NUMBER	QTY	DESCRIPTION
-	156-6059	--	BELT AR-GENERAL AG (406MM / 16IN) (DIAGONAL) (ORDER ON DEALER CENTRAL)
1	1R-1383	1	BELT (LH)
2	1R-1382	1	BELT (RH)
-	156-6060	--	BELT AR-LOW PROFILE (406MM / 16IN) (ORDER ON DEALER CENTRAL)
1	1R-1385	1	BELT (LH)
2	1R-1384	1	BELT (RH)
-	501743D1	--	BELT CONDITIONER
-	502185D1	--	KIT, BELT REPAIR
	501739D1		ELASTOMER
	501742D1		SOLIDIFIER

00810672
PR: t05c24o40d0261

BELT AR - GENERAL AG



00640598

**MT700B SERIES TRACKTRACTOR
TRACK BELTS**

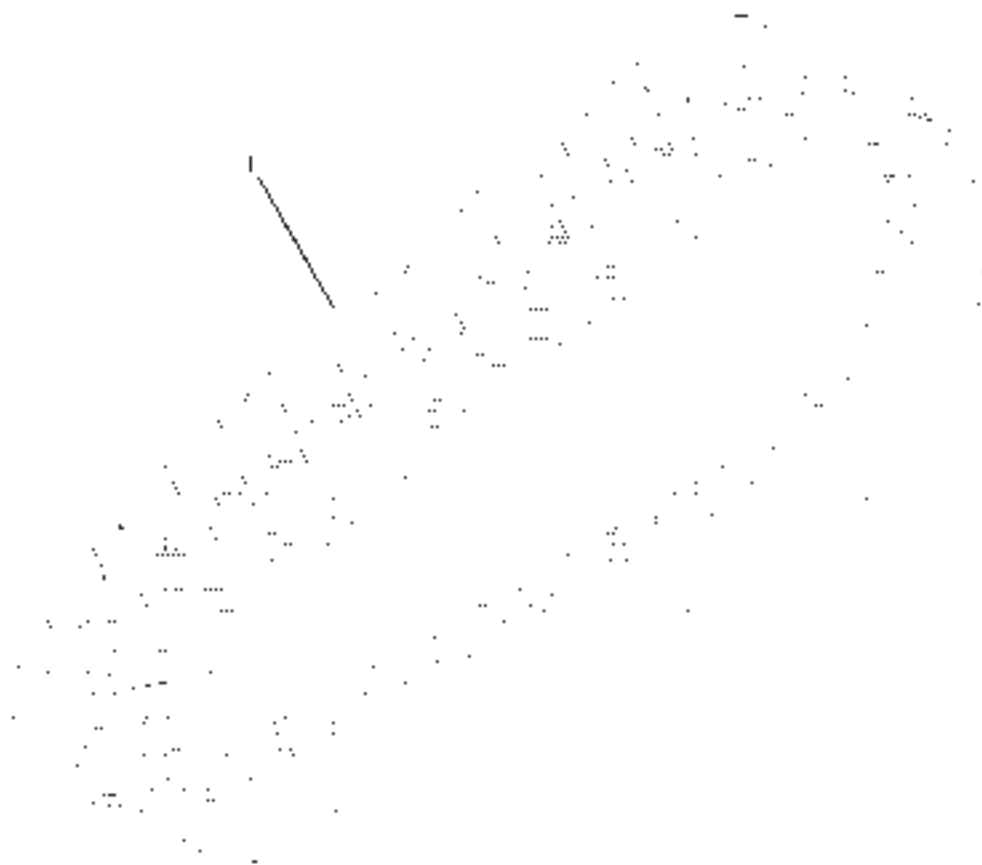
597

BELT AR - GENERAL AG

ITEM	NUMBER	QTY	DESCRIPTION
-	156-6061	--	BELT AR (457MM / 18IN) (ORDER ON DEALER CENTRAL)
1	1R-1259	2	BELT
-	156-6063	--	BELT AR (508MM / 20IN) (ORDER ON DEALER CENTRAL)
1	1R-1260	2	BELT
-	502134D1	--	BELT AR-GENERAL AG (20") (FIELD OPT) (INCLS 1 OF ITEM 1)
-	156-6065	--	BELT AR (635MM / 25IN) (ORDER ON DEALER CENTRAL)
1	1R-1262	2	BELT
-	502136D1	--	BELT AR-GENERAL AG (25") (FIELD OPT) (INCLS 1 OF ITEM 1)
-	156-6072	--	BELT AR (762MM / 30IN) (ORDER ON DEALER CENTRAL)
1	1R-1263	2	BELT
-	502139D1	--	BELT AR-GENERAL AG (30") (FIELD OPT) (INCLS 1 OF ITEM 1)
-	501743D1	--	BELT CONDITIONER
-	502185D1	--	KIT, BELT REPAIR
	501739D1		ELASTOMER
	501742D1		SOLIDIFIER

00640598
PR: t05c24o40d0262

BELT AR - LOW PROFILE



00640598

MT700B SERIES TRACK TRACTOR
TRACK BELTS

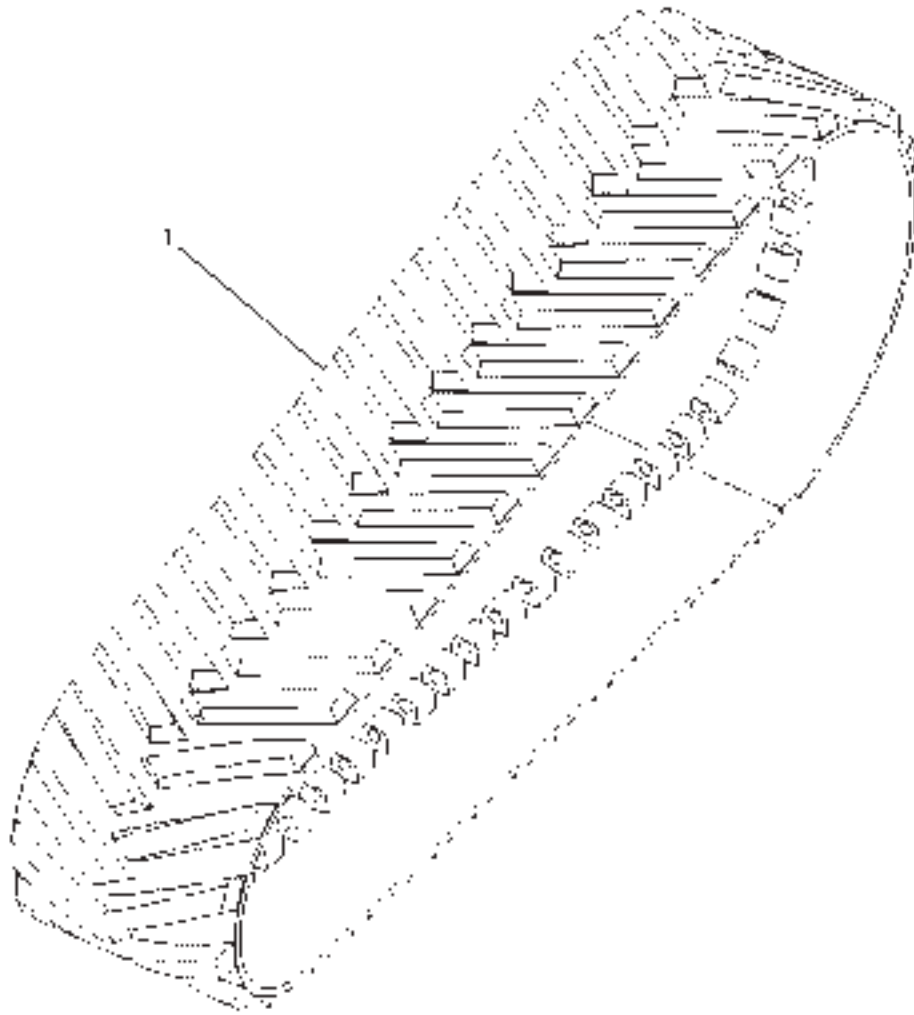
599

BELT AR - LOW PROFILE

ITEM	NUMBER	QTY	DESCRIPTION
	156-6062	--	BELT AR (457MM / 18IN) (ORDER ON DEALER CENTRAL)
1	1R-1258	2	BELT
-	502132D1	--	BELT AR-LOW PROFILE (18") (FIELD OPT) (INCLS 1 OF ITEM 1)
-	156-6066	--	BELT AR (635MM / 25IN) (ORDER ON DEALER CENTRAL)
1	1R-1261	2	BELT
-	502137D1	--	BELT AR-LOW PROFILE (25") (FIELD OPT) (INCLS 1 OF ITEM 1)
-	501743D1	--	BELT CONDITIONER
-	502185D1	--	KIT, BELT REPAIR
	501739D1		ELASTOMER
	501742D1		SOLIDIFIER

00640598
PR: t05c24o40d0263

BELT AR - EXTREME AG



00750562

**MT700B SERIES TRACK TRACTOR
TRACK BELTS**

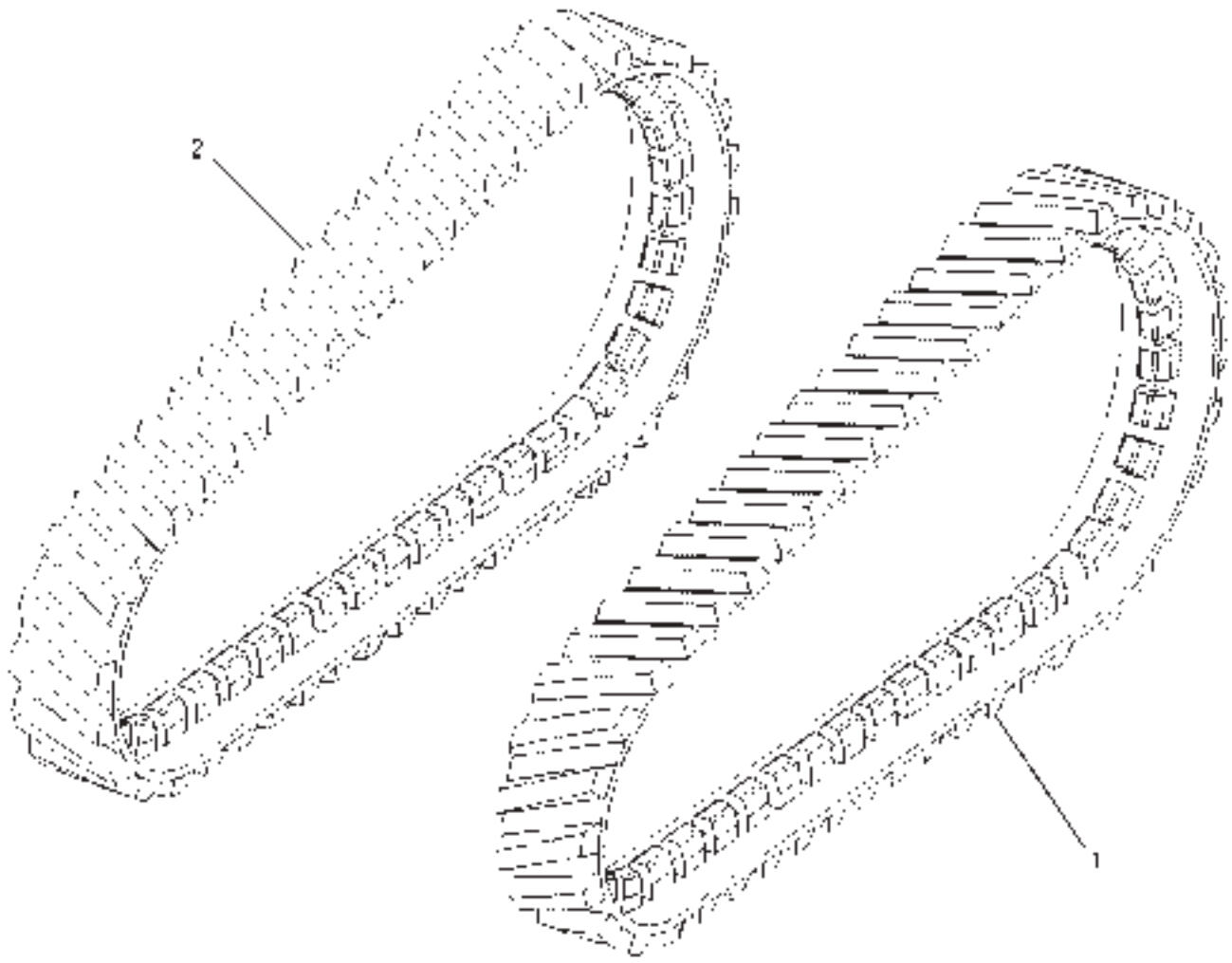
601

BELT AR - EXTREME AG

ITEM	NUMBER	QTY	DESCRIPTION
-	502615D1	--	BELT AR (635MM / 25IN) (NOT SERVICED)
1	502597D1	2	BELT
-	502616D1	--	BELT AR-EXTR APPL (25") (FIELD OPT) (INCLS 1 OF ITEM 1)
-	501743D1	--	BELT CONDITIONER
-	502185D1	--	KIT, BELT REPAIR
	501739D1		ELASTOMER
	501742D1		SOLIDIFIER

00750562
PR: t05c24o40d0264

BELT AR - EXTREME APPLICATIONS



00810672

MT700B SERIES TRACKTRACTOR
TRACK BELTS

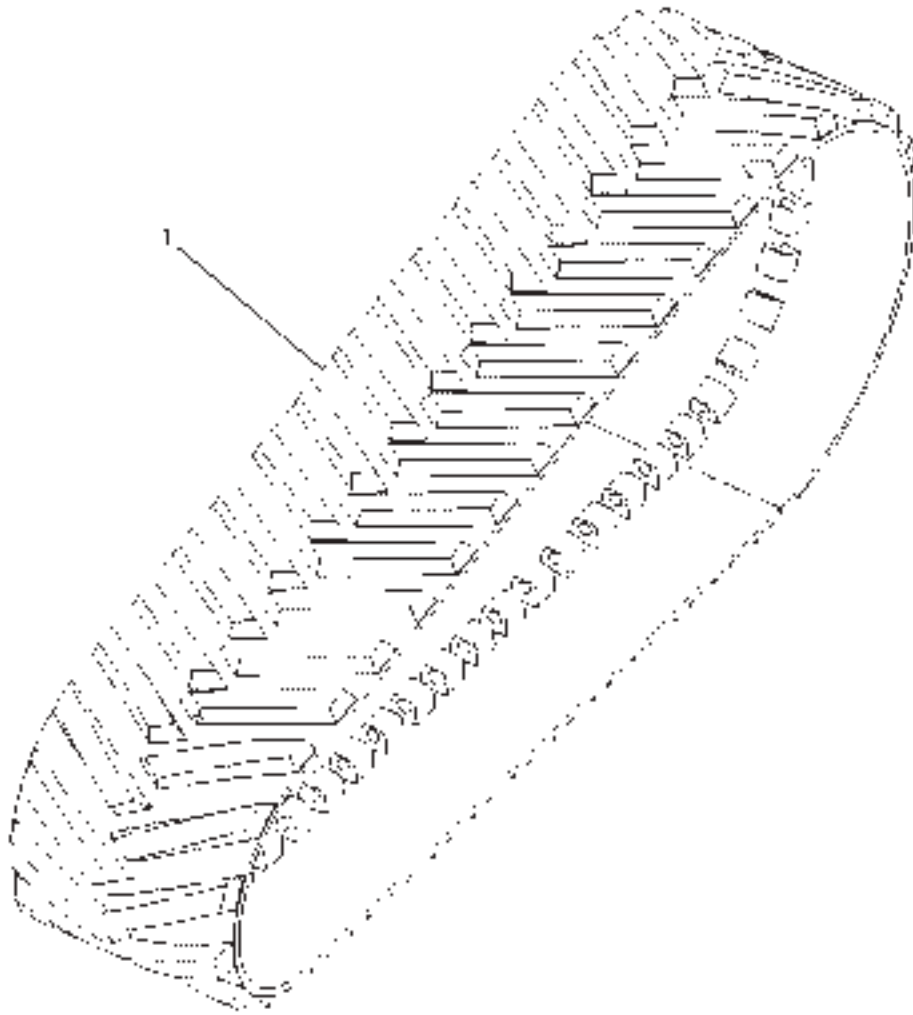
603

BELT AR - EXTREME APPLICATIONS

ITEM	NUMBER	QTY	DESCRIPTION
-	156-6057	--	BELT AR (356MM / 14IN) (DIAGONAL) (ORDER ON DEALER CENTRAL)
1	1R-1381	1	BELT (LH)
2	1R-1380	1	BELT (RH)
-	502123D1	--	BELT AR (RH) (356MM / 14IN) (FIELD OPT) (INCLS 1 OF ITEM 2)
-	502124D1	--	BELT AR (LH) (356MM / 14IN) (FIELD OPT) (INCLS 1 OF ITEM 1)
-	203-2792	--	BELT AR (406MM / 16IN) (ORDER ON DEALER CENTRAL)
1	1R-1387	1	BELT (LH)
2	1R-1386	1	BELT (RH)
-	502129D1	--	BELT AR (LH) (16IN) (FIELD OPT) (INCLS 1 OF ITEM 1)
-	502130D1	--	BELT AR (RH) (16IN) (FIELD OPT) (INCLS 1 OF ITEM 2)
-	501743D1	--	BELT CONDITIONER
-	502185D1	--	KIT, BELT REPAIR
	501739D1		ELASTOMER
	501742D1		SOLIDIFIER

00810672
PR: t05c24o40d0265

BELT AR - EXTREME APPLICATIONS



00750562

**MT700B SERIES TRACKTRACTOR
TRACK BELTS**

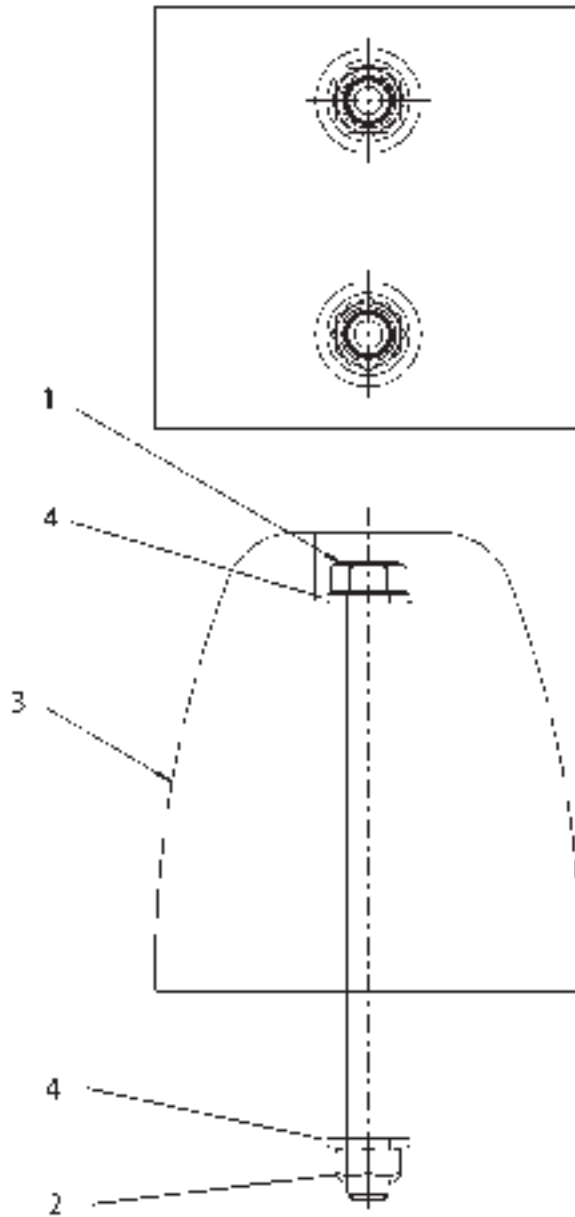
605

BELT AR - EXTREME APPLICATIONS

ITEM	NUMBER	QTY	DESCRIPTION
-	203-2793	--	BELT AR (457MM / 18IN) (ORDER ON DEALER CENTRAL)
1	502057D1	2	BELT
-	502133D1	--	BELT AR-EXTR APPL (18") (FIELD OPT) (INCLS 1 OF ITEM 1)
-	203-2794	--	BELT AR (508MM / 20IN) (ORDER ON DEALER CENTRAL)
1	502058D1	2	BELT
-	502135D1	--	BELT AR-EXTR APPL (20") (FIELD OPT) (INCLS 1 OF ITEM 1)
-	176-7202	--	BELT AR (635MM / 25IN) (ORDER ON DEALER CENTRAL)
1	1R-1320	2	BELT
-	502138D1	--	BELT AR-EXTR APPL (25") (FIELD OPT) (INCLS 1 OF ITEM 1)
-	178-7574	--	BELT AR (762MM / 30IN) (ORDER ON DEALER CENTRAL)
1	1R-1321	2	BELT
-	502140D1	--	BELT AR-EXTR APPL (30") (FIELD OPT) (INCLS 1 OF ITEM 1)
-	501743D1	--	BELT CONDITIONER
-	502185D1	--	KIT, BELT REPAIR
	501739D1		ELASTOMER
	501742D1		SOLIDIFIER

00750562
PR: t05c24o40d0266

KIT-GUIDE BLOCK
GENERAL AG & EXTREME APPLICATIONS



501213DA

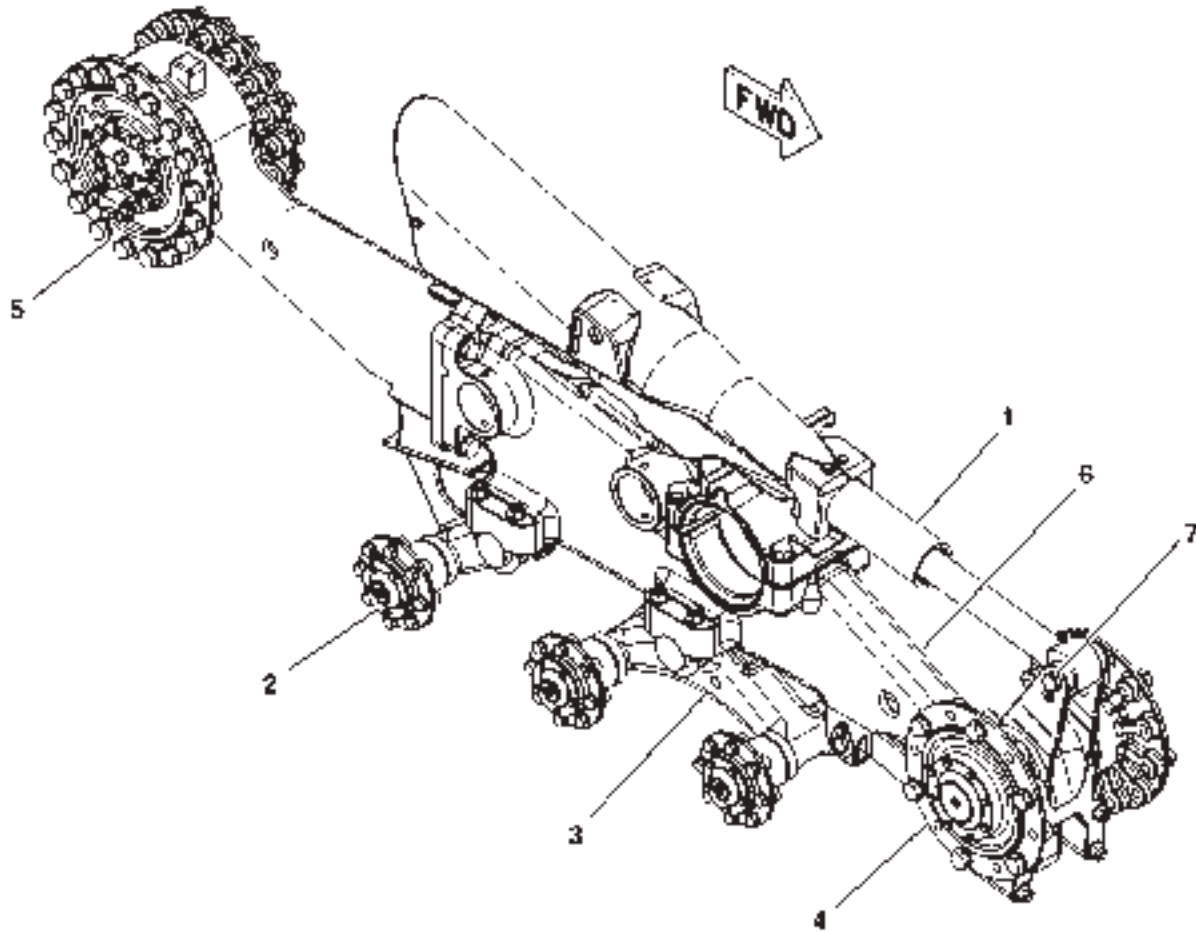
MT700B SERIES TRACK TRACTOR
TRACK BELTS

607

KIT-GUIDE BLOCK
GENERAL AG & EXTREME APPLICATIONS

ITEM	NUMBER	QTY	DESCRIPTION
-	501213D1	--	KIT-GUIDE BLOCK (GEN AG)
-	501214D1	--	KIT-GUIDE BLOCK (EXTREME AP)
1	400276X1	2	BOLT-7/16-14X165 ZNDI HHD 10.9
2	400278X1	2	NUT-LOCK 7/16-14 ZNDI&WAX HEX
3	501180D1	1	BLOCK-GUIDE (GEN AG)
	501181D1	1	BLOCK-GUIDE (EXTREME AP)
4	400358X1	4	WASHER-HARD-7/16X22.50DX2.5THK

501213DA
PR: t05c24o40d0267



1630547C

**MT700B SERIES TRACK TRACTOR
UNDERCARRIAGE**

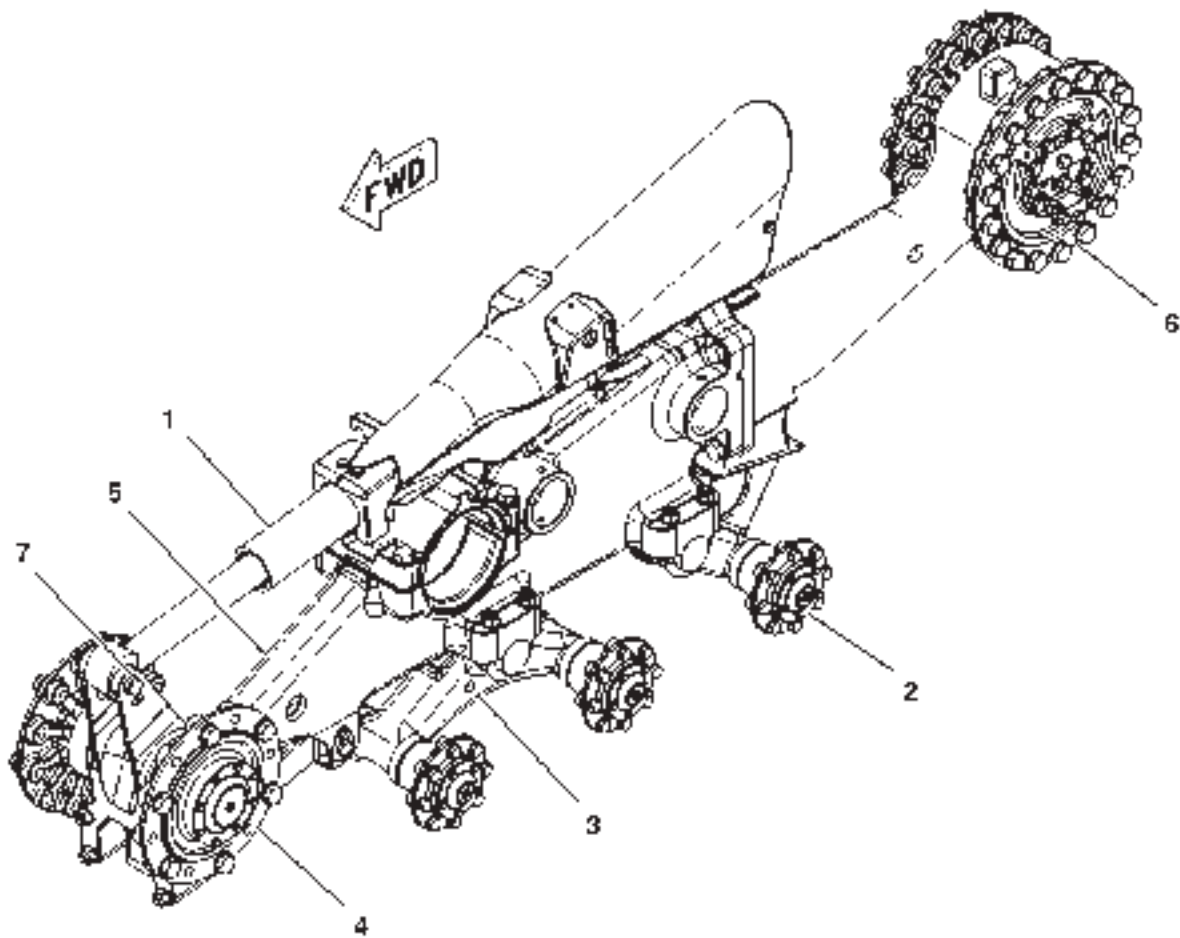
609

FRAME AR RH - 163-0547

ITEM	NUMBER	QTY	DESCRIPTION
-	163-0547	--	FRAME AR [A] (NOT SERVICED)
-	502330D1	--	KIT, FRAME RH (FIELD INSTALLED)
1	500838D1	1	BELT TENSIONER GP (NOT SERVICED) (SEE BREAKDOWN FOR COMPONENTS)
2	155-5611	1	ARM GP (NOT SERVICED) (SEE BREAKDOWN FOR COMPONENTS)
3	155-5614	1	BOGIE GP (NOT SERVICED) (SEE BREAKDOWN FOR COMPONENTS)
4	156-4859	1	IDLER GP (NOT SERVICED) (SEE BREAKDOWN FOR COMPONENTS)
5	162-2415	1	SUPPORT GP-DRIVE WHEEL (RH) (NOT SERVICED) (SEE BREAKDOWN FOR COMPONENTS)
6	163-0677	1	FRAME GP-TRACK ROLLER (NOT SERVICED) (SEE BREAKDOWN FOR COMPONENTS)
7	184-6717	1	MOUNTING GP-BELT TENSIONER (NOT SERVICED) (SEE BREAKDOWN FOR COMPONENTS)
8	502523D1	4	CAP-PLUG-LDPE, 4.33OD (NOT SHOWN)

[A] PART OF 163-0554; 163-0546; 213-6921
UNDERCARRIAGE AR

1630547C
PR: t05c24o40d0268



1630548C

**MT700B SERIES TRACK TRACTOR
UNDERCARRIAGE**

611

FRAME AR LH - 163-0548

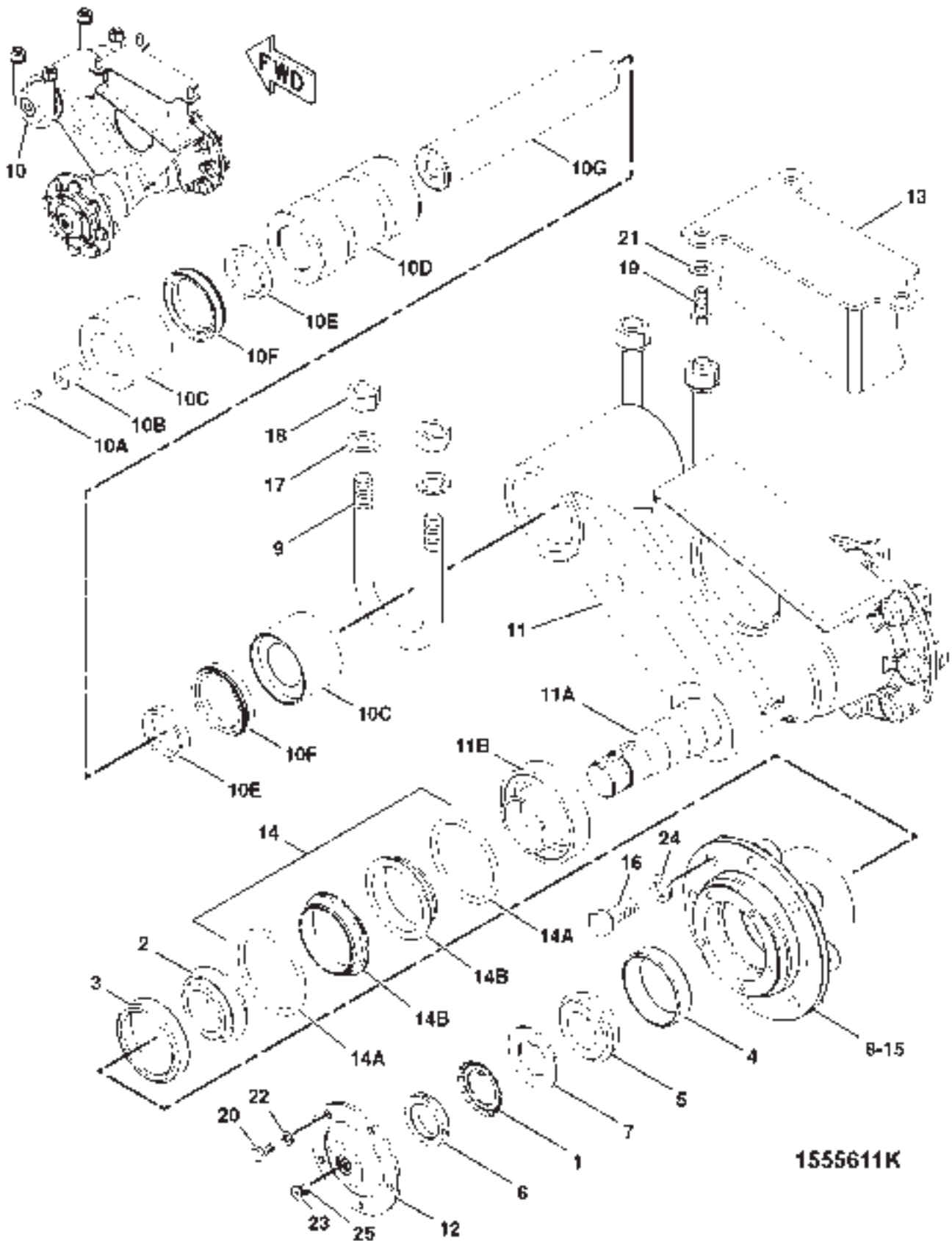
ITEM	NUMBER	QTY	DESCRIPTION
-	163-0548	--	FRAME AR [A] (NOT SERVICED)
-	502329D1	--	KIT, FRAME LH (FIELD INSTALLED)
1	500837D1	1	BELT TENSIONER GP (NOT SERVICED) (SEE BREAKDOWN FOR COMPONENTS)
2	155-5611	1	ARM GP (NOT SERVICED) (SEE BREAKDOWN FOR COMPONENTS)
3	155-5614	1	BOGIE GP (NOT SERVICED) (SEE BREAKDOWN FOR COMPONENTS)
4	156-4859	1	IDLER GP (NOT SERVICED) (SEE BREAKDOWN FOR COMPONENTS)
5	163-0677	1	FRAME GP-TRACK ROLLER (NOT SERVICED) (SEE BREAKDOWN FOR COMPONENTS)
6	162-2416	1	SUPPORT GP-DRIVE WHEEL (LH) (NOT SERVICED) (SEE BREAKDOWN FOR COMPONENTS)
7	184-6717	1	MOUNTING GP-BELT TENSIONER (NOT SERVICED) (SEE BREAKDOWN FOR COMPONENTS)
8	502523D1	4	CAP-PLUG-LDPE, 4.33OD (NOT SHOWN)

[A] PART OF 163-0554; 163-0546; 213-6921
UNDERCARRIAGE AR

1630548C
PR: t05c24o40d0269

MT700B SERIES TRACK TRACTOR
UNDERCARRIAGE

ARM GP - 155-5611
ROW



1555611K

**MT700B SERIES TRACK TRACTOR
UNDERCARRIAGE**

613

**ARM GP - 155-5611
ROW**

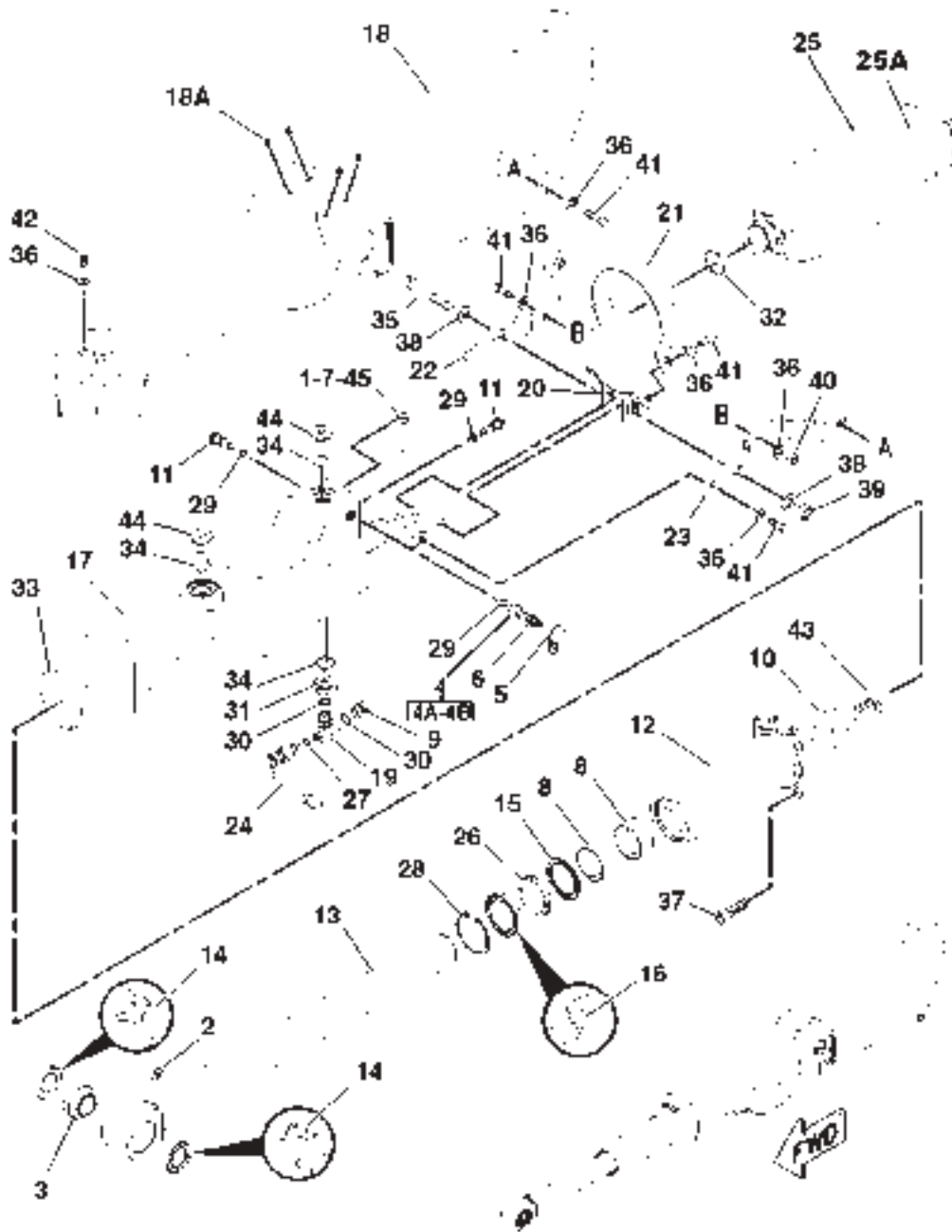
ITEM	NUMBER	QTY	DESCRIPTION
-	155-5611	--	ARM GP [A] (NOT SERVICED)
1	CH1N-5970	2	LOCKWASHER
2	CH5P-9651	2	CONE-BEARING
3	CH5P-9652	2	CUP-BEARING
4	CH6S-6031	2	CUP-BEARING
5	CH6S-6032	2	CONE-BEARING
6	CH8B-7614	2	NUT-BEARING
7	400075X1	2	WASHER
8	204-9733	2	HUB
9	400259X1	2	U-BOLT
10	500926D1	1	PIN AS. (INCLS 10A-10G)
10A	CH6Y-0473	1	PLUG-CLEAR
10B	CH7G-4332	1	STOPPER
10C		2	COLLAR (ORDER ITEM 10)
10D		1	BRG-SLEEVE (ORDER ITEM 10)
10E		2	RING-THRUST (ORDER ITEM 10)
10F		2	SEAL AS. (ORDER ITEM 10)
10G		1	PIN-TRACK (ORDER ITEM 10)
11	155-5612	1	ARM AS.
11A	146-0850	1	AXLE
11B	154-8264	2	RETAINER
12	156-6084	2	COVER
13	162-0267	1	PAD AS.
14	175-7513	2	SEAL GP-DUO-CONE
14A	CH8H-2262	2	RING-TORIC
14B	CH175-7514	2	SEAL-RING
15	CH215-9463	2	GASKET (MIDWHEEL)
16	400191X1	16	BOLT (M16X2X40MM)
17	400080X1	4	WASHER-PLATED (22X35X3.5MM THK)
18	400286X1	4	NUT (M20X2.5 THD)
19	400055X1	3	BOLT (M12X1.75X25MM)
20	400227X1	10	BOLT (M8X1.25X16MM)
21	400357X1	3	WASHER-HARD (M12X25.5X3MM THK)
22	400339X1	10	WASHER-HARD (8.8X16X2MM THK)
23	502642D1	2	PLUG (1/2-20 THD)
	CH1J-9671	2	O-RING
24	400082X1	16	WASHER (17.5X30X3.5MM THK)
25			OIL-FIN DR, SYNTH 50W

[A] PART OF 163-0547;163-0548 FRAME AR

1555611K
PR: t05c24o40d0270

MT700B SERIES TRACK TRACTOR
UNDERCARRIAGE

BELT TENSIONER GP - 500837D1
LH
ROW



500837DA

**MT700B SERIES TRACK TRACTOR
UNDERCARRIAGE**

615

**BELT TENSIONER GP - 500837D1
LH
ROW**

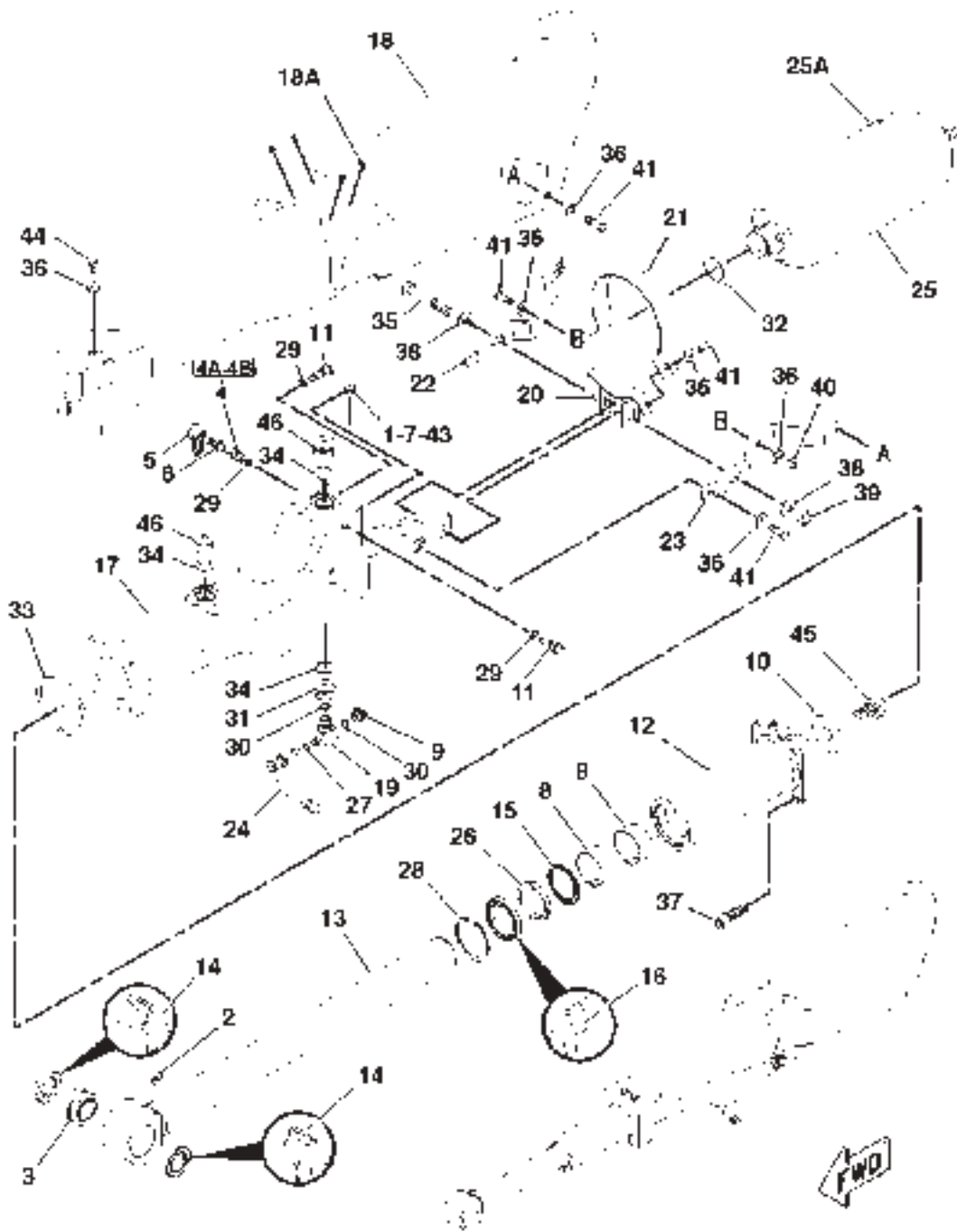
ITEM	NUMBER	QTY	DESCRIPTION
-	500837D1	--	BELT TENSIONER GP [A] (NOT SERVICED)
1	CH1P-4278	1	CLAMP-HOSE
2	CH3B-8486	1	FITTING-GREASE
3	CH4D-0298	1	BEARING
4	CH148-8305	1	ADAPTER
4A	400318X1	1	SEAL-O-RING (11.89IDDX1.98DIA)
4B	CH5P-9617	1	ADAPTOR
5	400323X1	1	CAP-DUST
6	CH110-6349	1	NIPPLE AS.
7	CH6V-6757	1	ELBOW-PIPE
8	CH8T-5668	2	RING-WEAR
9	CH108-5985	1	VALVE
10	CH108-6194	1	SPACER (24.5X73X16MM THK)
11	CH119-9708	2	VALVE-NEEDLE (TENSION CHARGE/DISCHARGE)
12	158-1984	1	GUIDE
13	159-7242	1	ROD AS.
14	CH164-0908	2	SEAL-LIP TYPE
15	CH167-2201	1	SEAL AS-BUFFER
16	500686D1	1	SEAL-WIPER
17	173-7717	1	CYLINDER-TENSIONER (LH)
18	173-8604	1	GUARD AS.
18A	8T-9082	6	RIVET-POP
19	CH175-2851	1	ADAPTER-TEE
20	184-0790	1	SUPPORT AS.
	CH6V-7744	2	LOCKNUT (M10X1.5 THD)
21	189-1711	1	CLAMP-SUPPORT
22	193-8505	1	BRACKET RH-RH
	CH6V-7744	1	LOCKNUT (M10X1.5 THD)
23	193-8506	1	BRACKET LH-LH
	CH6V-7744	1	LOCKNUT (M10X1.5 THD)
24	500834D1	1	SENSOR-PRESSURE (BELT TENSIONER)
25	189-3164	1	ACCUMULATOR AS. (BELT TENSIONER)
25A	CH208-1664	1	FILM-WARNING (BELT TENSIONER ACCUMULATOR)
26	CH167-2312	1	SEAL-U-CUP
27	CH1J-9671	1	O-RING
28	CH1K-6985	1	RING-RETAINING
29	400318X1	3	SEAL-O-RING (11.89IDDX1.98DIA)
30	CH3K-0360	2	O-RING (16.36MM ID)
31	CH5P-5777	1	ADAPTER-O-RING
32	CH6K-6307	1	O-RING
33	CH6V-1657	1	SEAL-RECTANGULAR
34	400376X1	3	O-RING
35	WR520610	1	BOLT (M16X2X100MM)
36	CH7X-7729	10	WASHER (11X25X3MM THK)
37	400212X1	4	BOLT-SOCKET HEAD (M16X2X50MM)
38	CH8T-4122	2	WASHER-HARD (17X32X3.5MM THK)
39	CH8T-4132	1	NUT (M16X2 THD)
40	WR522218	1	NUT (M10X1.5 THD)
41	400058X1	7	BOLT (M10X1.5X30MM)
42	400228X1	2	BOLT-LOCKING (M10X1.5X20MM)
43	400232X1	1	BOLT (M24X3.0X50MM)
44	400375X1	2	PLUG
45	CH5P-6442	AR	HOSE (18CM)

[A] PART OF 163-0548 FRAME AR

500837DA
PR: t05c24o40d0271

MT700B SERIES TRACK TRACTOR
UNDERCARRIAGE

BELT TENSIONER GP - 500838D1
RH
ROW



500838DA

**MT700B SERIES TRACK TRACTOR
UNDERCARRIAGE**

617

**BELT TENSIONER GP - 500838D1
RH
ROW**

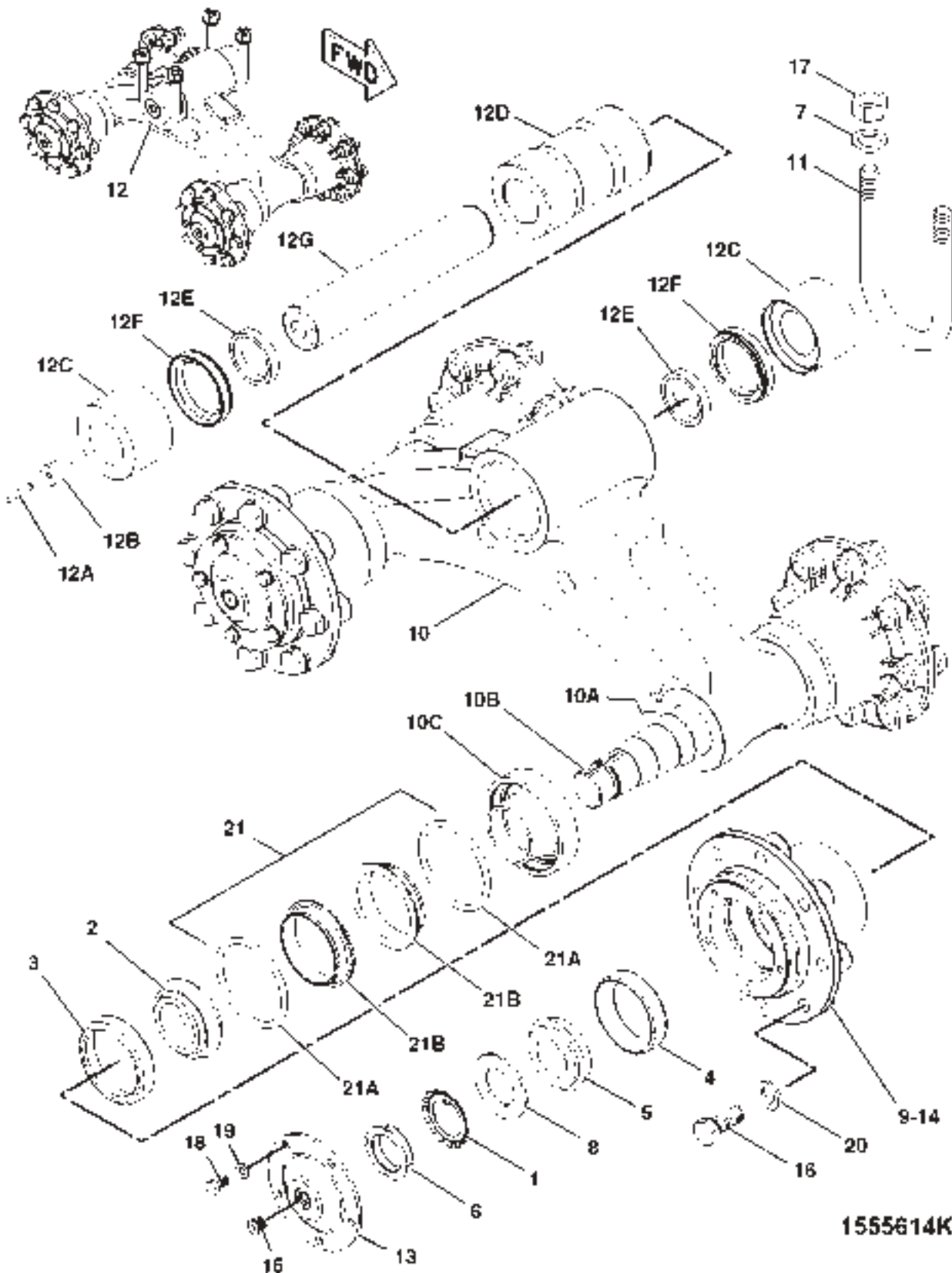
ITEM	NUMBER	QTY	DESCRIPTION
-	500838D1	--	BELT TENSIONER GP [A] (NOT SERVICED)
1	CH1P-4278	1	CLAMP-HOSE
2	CH3B-8486	1	FITTING-GREASE
3	CH4D-0298	1	BEARING
4	CH148-8305	1	ADAPTER AS
4A	400318X1	1	SEAL-O-RING (11.89IDDX1.98DIA)
4B	CH5P-9617	1	ADAPTOR
5	400323X1	1	CAP-DUST
6	CH110-6349	1	NIPPLE AS.
7	CH6V-6757	1	ELBOW-PIPE
8	CH8T-5668	2	RING-WEAR
9	CH108-5985	1	VALVE
10	CH108-6194	1	SPACER (24.5X73X16MM THK)
11	CH119-9708	2	VALVE-NEEDLE (TENSIONER CHARGE/DISCHARGE)
12	158-1984	1	GUIDE
13	159-7242	1	ROD AS.
14	CH164-0908	2	SEAL-LIP TYPE
15	CH167-2201	1	SEAL BUFFER-BUFFER
16	500686D1	1	SEAL-WIPER
17	173-7718	1	CYLINDER-TENSIONER (RH)
18	173-8603	1	GUARD AS.
18A	8T-9082	6	RIVET-POP
19	CH175-2851	1	ADAPTER-TEE
20	184-0790	1	SUPPORT AS
	CH6V-7744	2	LOCKNUT (M10X1.5 THD)
21	189-1711	1	CLAMP-SUPPORT
22	193-8505	1	BRACKET RH-RH
	CH6V-7744	1	LOCKNUT (M10X1.5 THD)
23	193-8506	1	BRACKET AS-LH
	CH6V-7744	1	LOCKNUT (M10X1.5 THD)
24	500834D1	1	SENSOR-PRESSURE (RAIL) (BELT TENSIONER)
25	189-3164	1	ACCUMULATOR AS. (BELT TENSIONER)
25A	CH208-1664	1	FILM-WARNING (BELT TENSIONER ACCUMULATOR)
26	CH167-2312	1	SEAL-U-CUP
27	CH1J-9671	1	O-RING
28	CH1K-6985	1	RING-RETAINING
29	400318X1	3	SEAL-O-RING (11.89IDDX1.98DIA)
30	CH3K-0360	2	O-RING (16.36MM ID)
31	CH5P-5777	1	ADAPTER-O-RING
32	CH6K-6307	1	O-RING
33	CH6V-1657	1	SEAL-RECTANGULAR
34	400376X1	3	O-RING
35	WR520610	1	BOLT (M16X2X100MM)
36	CH7X-7729	10	WASHER (11X25X3MM THK)
37	400212X1	4	BOLT-SOCKET HEAD (M16X2X50MM)
38	CH8T-4122	2	WASHER-HARD (17X32X3.5MM THK)
39	CH8T-4132	1	NUT (M16X2 THD)
40	WR522218	1	NUT (M10X1.5 THD)
41	400058X1	7	BOLT (M10X1.5X30MM)
43	CH5P-6442	AR	HOSE (18CM)
44	400228X1	2	BOLT-LOCKING (M10X1.5X20MM)
45	400232X1	1	BOLT (M24X3.0X50MM)
46	400375X1	2	PLUG

[A] PART OF 163-0547 FRAME AR

500838DA
PR: t05c24o40d0272

MT700B SERIES TRACK TRACTOR
UNDERCARRIAGE

BOGIE GP - 155-5614



1555614K

**MT700B SERIES TRACK TRACTOR
UNDERCARRIAGE**

619

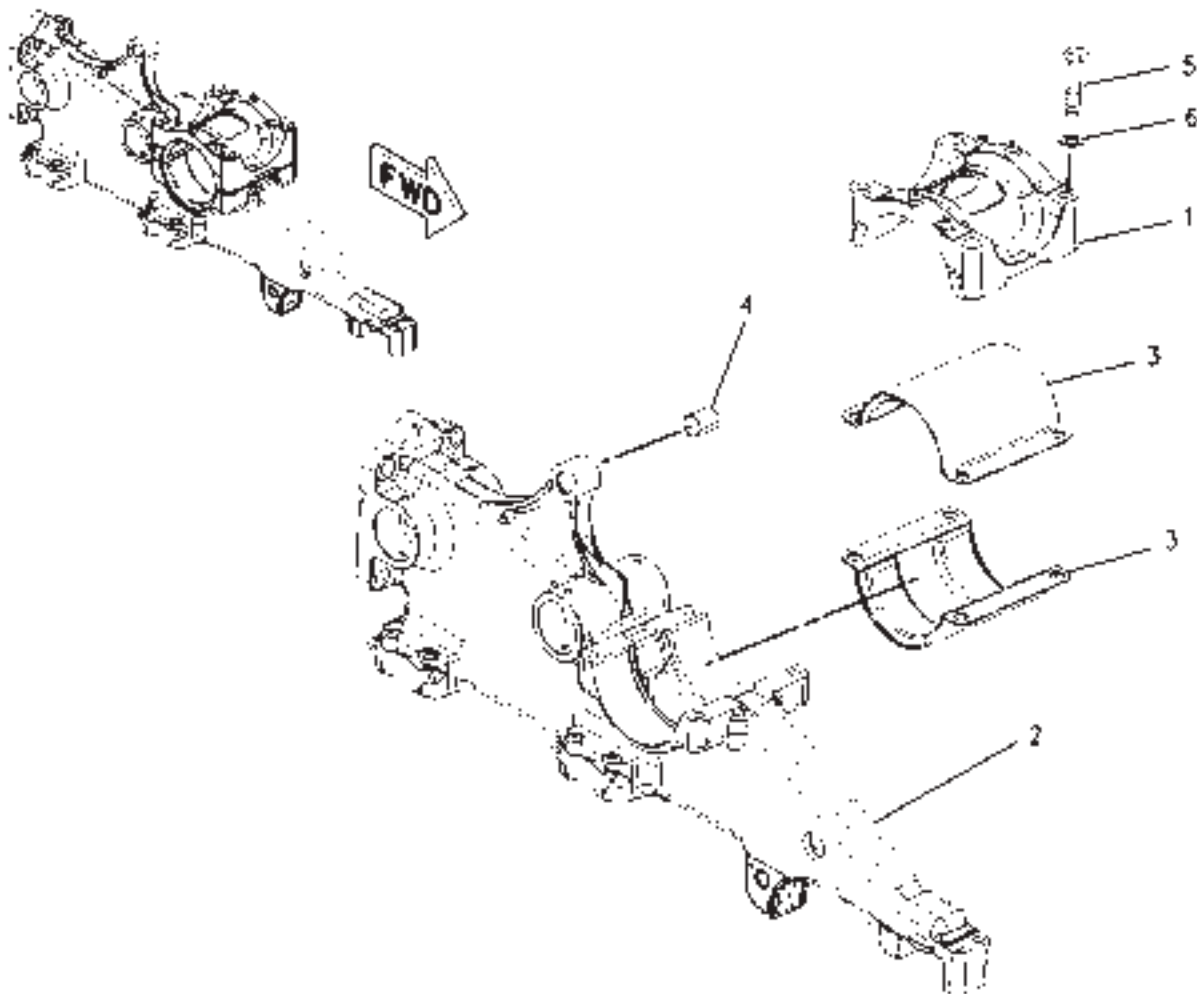
BOGIE GP - 155-5614

ITEM	NUMBER	QTY	DESCRIPTION
-	155-5614	--	BOGIE GP [A] (NOT SERVICED)
1	CH1N-5970	4	LOCKWASHER
2	CH5P-9651	4	CONE-BEARING
3	CH5P-9652	4	CUP-BEARING
4	CH6S-6031	4	CUP-BEARING
5	CH6S-6032	4	CONE-BEARING
6	CH8B-7614	4	NUT-BEARING
7	400080X1	4	WASHER-PLATED (22X35X3.5MM THK)
8	400075X1	4	WASHER
9	204-9733	4	HUB
10	146-0851	1	BOGIE AS.
10A	146-0850	2	AXLE
10B	154-8264	4	RETAINER
11	400259X1	2	U-BOLT
12	500926D1	1	PIN AS. (INCLS 10A-10G)
12A	CH6Y-0473	1	PLUG-CLEAR
12B	CH7G-4332	1	STOPPER
12C		2	COLLAR (ORDER ITEM 12)
12D		1	BRG-SLEEVE (ORDER ITEM 12)
12E		2	RING-THRUST (ORDER ITEM 12)
12F		2	SEAL AS. (ORDER ITEM 12)
12G		1	PIN-TRACK (ORDER ITEM 12)
13	156-6084	4	COVER
14	CH215-9463	4	GASKET (MIDWHEEL)
15	502642D1	4	PLUG (1/2-20 THD)
	CH1J-9671	4	O-RING
16	400191X1	32	BOLT (M16X2X40MM)
17	400286X1	4	NUT (M20X2.5 THD)
18	400227X1	20	BOLT (M8X1.25X16MM)
19	400339X1	20	WASHER-HARD (8.8X16X2MM THK)
20	400082X1	32	WASHER (17.5X30X3.5MM THK)
21	175-7513	4	SEAL GP-DUO-CONE
21A	CH8H-2262	2	RING-TORIC
21B	CH175-7514	2	SEAL-RING

[A] PART OF 163-0547;163-0548 FRAME AR

1555614K
PR: t05c24o40d0273

FRAME GP-TRACK ROLLER - 163-0677



00809990

**MT700B SERIES TRACK TRACTOR
UNDERCARRIAGE**

621

FRAME GP-TRACK ROLLER - 163-0677

ITEM	NUMBER	QTY	DESCRIPTION
-	163-0677	--	FRAME GP-TRACK ROLLER [A] (NOT SERVICED)
1	192-7901	1	CAP
2	192-7900	1	FRAME-TRACK ROLLER
3	CH214-4661	2	BEARING AS.
4	CH168-7709	1	BEARING
5	400003X1	4	BOLT-HEX HEAD (M24X3X170MM)
6	400081X1	4	WASHER-HARD (26X44X4MM THK)

[A] PART OF 163-0547;163-0548 FRAME AR

00809990
PR: t05c24o40d0274

622

**MT700B SERIES TRACK TRACTOR
UNDERCARRIAGE**

**GAUGE AR-STANDARD - 178-2338
WITHOUT CREEPER TRANSMISSION
(1524-2235MM/60-88IN)
ROW ONLY**

NO ILLUSTRATION

NOTIF

**MT700B SERIES TRACKTRACTOR
UNDERCARRIAGE**

623

**GAUGE AR-STANDARD - 178-2338
WITHOUT CREEPER TRANSMISSION
(1524-2235MM/60-88IN)
ROW ONLY**

ITEM	NUMBER	QTY	DESCRIPTION
-	178-2338	--	GAUGE AR-STANDARD (NOT SERVICED)
1	500898D1	1	GUARD GP-POWER TRAIN (NOT SERVICED) (SEE BREAKDOWN FOR COMPONENTS)
2	200-5011	1	POWER TRAIN AR (NOT SERVICED) (SEE BREAKDOWN FOR COMPONENTS)
3	198-5376	1	STEERING AR (NOT SERVICED)
	158-2402	1	MOTOR GP-MTG (NOT SERVICED) (SEE BREAKDOWN FOR COMPONENTS)
	500576D1	1	LINES GP-STEERING (NOT SERVICED) (SEE BREAKDOWN FOR COMPONENTS)
	500574D1	1	PUMP GP-MTG (NOT SERVICED) (SEE BREAKDOWN FOR COMPONENTS)
4	165-8506	1	TANK AR-FUEL (NOT SERVICED) (SEE BREAKDOWN FOR COMPONENTS)
5	163-0554	1	UNDERCARRIAGE AR (NOT SERVICED)
	163-0547	1	FRAME AR-RH (NOT SERVICED) (SEE BREAKDOWN FOR COMPONENTS)
	163-0548	1	FRAME AR-LH (NOT SERVICED) (SEE BREAKDOWN FOR COMPONENTS)
	156-4887	1	SUPPORT GP (NOT SERVICED) (SEE BREAKDOWN FOR COMPONENTS)
	201-9926	1	GUARD GP (NOT SERVICED) (SEE BREAKDOWN FOR COMPONENTS)

NOTIF
PR: t05c24o40d0275

624

**MT700B SERIES TRACK TRACTOR
UNDERCARRIAGE**

**GAUGE AR-STANDARD - 178-2341
WITHOUT CREEPER TRANSMISSION
(1524-2235MM/60-88IN)
EAME**

NO ILLUSTRATION

NOTIF

**MT700B SERIES TRACK TRACTOR
UNDERCARRIAGE**

625

**GAUGE AR-STANDARD - 178-2341
WITHOUT CREEPER TRANSMISSION
(1524-2235MM/60-88IN)
EAME**

ITEM	NUMBER	QTY	DESCRIPTION
-	178-2341	--	GAUGE AR-STANDARD (NOT SERVICED)
1	500899D1	1	GUARD GP-POWER TRAIN (NOT SERVICED)
2	200-5011	1	POWER TRAIN AR (NOT SERVICED) (SEE BREAKDOWN FOR COMPONENTS)
3	198-5377	1	STEERING AR (NOT SERVICED)
	500574D1	1	PUMP GP-MTG (NOT SERVICED) (SEE BREAKDOWN FOR COMPONENTS)
	500576D1	1	LINES GP-STEERING (NOT SERVICED) (SEE BREAKDOWN FOR COMPONENTS)
	165-7899	1	MOTOR GP-MOUNTING (NOT SERVICED) (SEE BREAKDOWN FOR COMPONENTS)
4	165-8506	1	TANK AR-FUEL (NOT SERVICED) (SEE BREAKDOWN FOR COMPONENTS)
5	163-0554	1	UNDERCARRIAGE AR (NOT SERVICED)
	163-0547	1	FRAME AR-RH (NOT SERVICED) (SEE BREAKDOWN FOR COMPONENTS)
	163-0548	1	FRAME AR-LH (NOT SERVICED) (SEE BREAKDOWN FOR COMPONENTS)
	156-4887	1	SUPPORT GP (NOT SERVICED) (SEE BREAKDOWN FOR COMPONENTS)
	201-9926	1	GUARD GP (NOT SERVICED) (SEE BREAKDOWN FOR COMPONENTS)

NOTIF
PR: t05c24o40d0276

626

**MT700B SERIES TRACK TRACTOR
UNDERCARRIAGE**

**GAUGE AR-WIDE - 178-2339
WITHOUT CREEPER TRANSMISSION
(2032-3048MM/80-120IN)
ROW ONLY**

NO ILLUSTRATION

NOTIF

**MT700B SERIES TRACK TRACTOR
UNDERCARRIAGE**

627

**GAUGE AR-WIDE - 178-2339
WITHOUT CREEPER TRANSMISSION
(2032-3048MM/80-120IN)
ROW ONLY**

ITEM	NUMBER	QTY	DESCRIPTION
-	178-2339	--	GAUGE AR-WIDE (NOT SERVICED)
1	136-5212	1	LIGHTING GP-WARNING (EXTREMITY) (NOT SERVICED) (SEE BREAKDOWN FOR COMPONENTS)
2	163-0546	1	UNDERCARRIAGE AR (NOT SERVICED) (SEE BREAKDOWN FOR COMPONENTS)
	156-4888	1	SUPPORT GP (NOT SERVICED) (SEE BREAKDOWN FOR COMPONENTS)
	163-0547	1	FRAME AR-RH (NOT SERVICED) (SEE BREAKDOWN FOR COMPONENTS)
	163-0548	1	FRAME AR-LH (NOT SERVICED) (SEE BREAKDOWN FOR COMPONENTS)
	201-9925	1	GUARD GP-LINES (NOT SERVICED) (SEE BREAKDOWN FOR COMPONENTS)
3	500898D1	1	GUARD GP-POWER TRAIN (NOT SERVICED) (SEE BREAKDOWN FOR COMPONENTS)
4	198-5378	1	STEERING AR (NOT SERVICED)
	500573D1	1	PUMP GP-MTG (NOT SERVICED) (SEE BREAKDOWN FOR COMPONENTS)
	158-2403	1	MOTOR GP-MTG (NOT SERVICED) (SEE BREAKDOWN FOR COMPONENTS)
	500575D1	1	LINES GP-STEERING (NOT SERVICED) (SEE BREAKDOWN FOR COMPONENTS)
5	199-3440	1	TANK AR-FUEL (NOT SERVICED) (SEE BREAKDOWN FOR COMPONENTS)
6	200-5013	1	POWER TRAIN AR (NOT SERVICED) (SEE BREAKDOWN FOR COMPONENTS)

NOTIF
PR: t05c24o40d0277

628

**MT700B SERIES TRACK TRACTOR
UNDERCARRIAGE**

**GAUGE AR-STANDARD - 200-6232
WITH CREEPER TRANSMISSION
(1524-2235MM/60-88IN)
ROW ONLY**

NO ILLUSTRATION

NOTIF

**MT700B SERIES TRACK TRACTOR
UNDERCARRIAGE**

629

**GAUGE AR-STANDARD - 200-6232
WITH CREEPER TRANSMISSION
(1524-2235MM/60-88IN)
ROW ONLY**

ITEM	NUMBER	QTY	DESCRIPTION
-	200-6232	--	GAUGE AR-STANDARD (NOT SERVICED)
1	162-4104	1	CONTROL GP-CREEPER (NOT SERVICED)
	169-8224	1	SWITCH AS-CREEPER (*)
	CH165-5975	1	*PLUG-COVER (ROCKER SWITCH MTG HOLE)
	400453X1	1	*PLUG-CONNECTOR (MATING PART)
2	500898D1	1	GUARD GP-POWER TRAIN (NOT SERVICED) (SEE BREAKDOWN FOR COMPONENTS)
3	200-5015	1	POWER TRAIN AR (NOT SERVICED) (SEE BREAKDOWN FOR COMPONENTS)
4	198-5376	1	STEERING AR (NOT SERVICED)
	158-2402	1	MOTOR GP-MTG (NOT SERVICED) (SEE BREAKDOWN FOR COMPONENTS)
	500576D1	1	LINES GP-STEERING (NOT SERVICED) (SEE BREAKDOWN FOR COMPONENTS)
	500574D1	1	PUMP GP-MTG (NOT SERVICED) (SEE BREAKDOWN FOR COMPONENTS)
5	165-8506	1	TANK AR-FUEL (NOT SERVICED) (SEE BREAKDOWN FOR COMPONENTS)
6	163-0554	1	UNDERCARRIAGE AR (NOT SERVICED)
	163-0547	1	FRAME AR-RH (NOT SERVICED) (SEE BREAKDOWN FOR COMPONENTS)
	163-0548	1	FRAME AR-LH (NOT SERVICED) (SEE BREAKDOWN FOR COMPONENTS)
	156-4887	1	SUPPORT GP (NOT SERVICED) (SEE BREAKDOWN FOR COMPONENTS)
	201-9926	1	GUARD GP (NOT SERVICED) (SEE BREAKDOWN FOR COMPONENTS)

NOTIF
PR: t05c24o40d0278

630

**MT700B SERIES TRACK TRACTOR
UNDERCARRIAGE**

**GAUGE AR-STANDARD - 206-0515
WITH CREEPER TRANSMISSION
(1524-2235MM/60-88 IN)**

NO ILLUSTRATION

NOTIF

**MT700B SERIES TRACK TRACTOR
UNDERCARRIAGE**

631

**GAUGE AR-STANDARD - 206-0515
WITH CREEPER TRANSMISSION
(1524-2235MM/60-88 IN)**

ITEM	NUMBER	QTY	DESCRIPTION
			EAME ONLY
-	206-0515	--	GAUGE AR-STD (NOT SERVICED)
1	162-4104	1	CONTROL GP-CREEPER (NOT SERVICED)
	169-8224	1	SWITCH AS-CREEPER (*)
	CH165-5975	1	*PLUG-COVER (ROCKER SWITCH MTG HOLE)
	400453X1	1	*PLUG-CONNECTOR (MATING PART)
2	500899D1	1	GUARD GP-POWER TRAIN (NOT SERVICED) (SEE BREAKDOWN FOR COMPONENTS)
3	200-5015	1	POWER TRAIN AR-CREEPER (NOT SERVICED) (SEE BREAKDOWN FOR COMPONENTS)
4	198-5377	1	STEERING AR (NOT SERVICED)
	500574D1	1	PUMP GP-MTG (NOT SERVICED) (SEE BREAKDOWN FOR COMPONENTS)
	500576D1	1	LINES GP-STEERING (NOT SERVICED) (SEE BREAKDOWN FOR COMPONENTS)
	165-7899	1	MOTOR GP-MOUNTING (NOT SERVICED) (SEE BREAKDOWN FOR COMPONENTS)
5	165-8506	1	TANK AR-FUEL (NOT SERVICED) (SEE BREAKDOWN FOR COMPONENTS)
6	163-0554	1	UNDERCARRIAGE AR (NOT SERVICED)
	163-0547	1	FRAME AR-RH (NOT SERVICED) (SEE BREAKDOWN FOR COMPONENTS)
	163-0548	1	FRAME AR-LH (NOT SERVICED) (SEE BREAKDOWN FOR COMPONENTS)
	156-4887	1	SUPPORT GP (NOT SERVICED) (SEE BREAKDOWN FOR COMPONENTS)
	201-9926	1	GUARD GP (NOT SERVICED) (SEE BREAKDOWN FOR COMPONENTS)

NOTIF
PR: t05c24o40d0279

632

**MT700B SERIES TRACK TRACTOR
UNDERCARRIAGE**

**GAUGE AR-WIDE - 200-6233
WITH CREEPER TRANSMISSION
(2032-3048MM/80-120IN)
ROW**

NO ILLUSTRATION

NOTIF

**MT700B SERIES TRACKTRACTOR
UNDERCARRIAGE**

633

**GAUGE AR-WIDE - 200-6233
WITH CREEPER TRANSMISSION
(2032-3048MM/80-120IN)
ROW**

ITEM	NUMBER	QTY	DESCRIPTION
-	200-6233	--	GAUGE AR-WIDE (NOT SERVICED)
1	162-4104	1	CONTROL GP-CREEPER (NOT SERVICED)
	169-8224	1	SWITCH AS-CREEPER (*)
	CH165-5975	1	*PLUG-COVER (ROCKER SWITCH MTG HOLE)
	400453X1	1	*PLUG-CONNECTOR (MATING PART)
2	500898D1	1	GUARD GP-POWER TRAIN (NOT SERVICED) (SEE BREAKDOWN FOR COMPONENTS)
3	136-5212	1	LIGHTING GP-WARNING (EXTREMITY) (NOT SERVICED) (SEE BREAKDOWN FOR COMPONENTS)
4	200-5017	1	POWER TRAIN AR (NOT SERVICED) (SEE BREAKDOWN FOR COMPONENTS)
5	198-5378	1	STEERING AR (NOT SERVICED)
	500573D1	1	PUMP GP-MTG (NOT SERVICED) (SEE BREAKDOWN FOR COMPONENTS)
	158-2403	1	MOTOR GP-MTG (NOT SERVICED) (SEE BREAKDOWN FOR COMPONENTS)
	500575D1	1	LINES GP-STEERING (NOT SERVICED) (SEE BREAKDOWN FOR COMPONENTS)
6	199-3440	1	TANK AR-FUEL (NOT SERVICED) (SEE BREAKDOWN FOR COMPONENTS)
7	163-0546	1	UNDERCARRIAGE AR (NOT SERVICED)
	156-4888	1	SUPPORT GP (NOT SERVICED) (SEE BREAKDOWN FOR COMPONENTS)
	163-0547	1	FRAME AR-RH (NOT SERVICED) (SEE BREAKDOWN FOR COMPONENTS)
	163-0548	1	FRAME AR-LH (NOT SERVICED) (SEE BREAKDOWN FOR COMPONENTS)
	201-9925	1	GUARD GP-LINES (NOT SERVICED) (SEE BREAKDOWN FOR COMPONENTS)

NOTIF
PR: t05c24o40d0280

634

**MT700B SERIES TRACK TRACTOR
UNDERCARRIAGE**

**GAUGE AR-ULTRA WIDE - 213-4079
WITHOUT CREEPER TRANSMISSION
(3048-4064MM/120-160IN)
ROW ONLY**

NO ILLUSTRATION

NOTIF

**MT700B SERIES TRACK TRACTOR
UNDERCARRIAGE**

635

**GAUGE AR-ULTRA WIDE - 213-4079
WITHOUT CREEPER TRANSMISSION
(3048-4064MM/120-160IN)
ROW ONLY**

ITEM	NUMBER	QTY	DESCRIPTION
-	213-4079	--	GAUGE AR-ULTRA WIDE (NOT SERVICED)
1	500898D1	1	GUARD GP-POWER TRAIN (NOT SERVICED) (SEE BREAKDOWN FOR COMPONENTS)
2	205-4631	1	LIGHTING GP-WARNING (NOT SERVICED) (SEE BREAKDOWN FOR COMPONENTS)
3	213-8788	1	POWER TRAIN AR (NOT SERVICED) (SEE BREAKDOWN FOR COMPONENTS)
4	198-5378	1	STEERING AR (NOT SERVICED)
	500573D1	1	PUMP GP-MTG (NOT SERVICED) (SEE BREAKDOWN FOR COMPONENTS)
	158-2403	1	MOTOR GP-MTG (NOT SERVICED) (SEE BREAKDOWN FOR COMPONENTS)
	500575D1	1	LINES GP-STEERING (NOT SERVICED) (SEE BREAKDOWN FOR COMPONENTS)
5	199-3440	1	TANK AR-FUEL (NOT SERVICED) (SEE BREAKDOWN FOR COMPONENTS)
6	213-6921	1	UNDERCARRIAGE AR (NOT SERVICED) (SEE BREAKDOWN FOR COMPONENTS)
7	224-4850	1	FILM GP (NOT SERVICED)
	501405D1	1	FILM-NOTICE

NOTIF
PR: t05c24o40d0281

636

**MT700B SERIES TRACK TRACTOR
UNDERCARRIAGE**

**GAUGE AR-ULTRA WIDE - 213-4080
WITH CREEPER TRANSMISSION
(3048-4064MM/120-160IN)
ROW**

NO ILLUSTRATION

NOTIF

**MT700B SERIES TRACKTRACTOR
UNDERCARRIAGE**

637

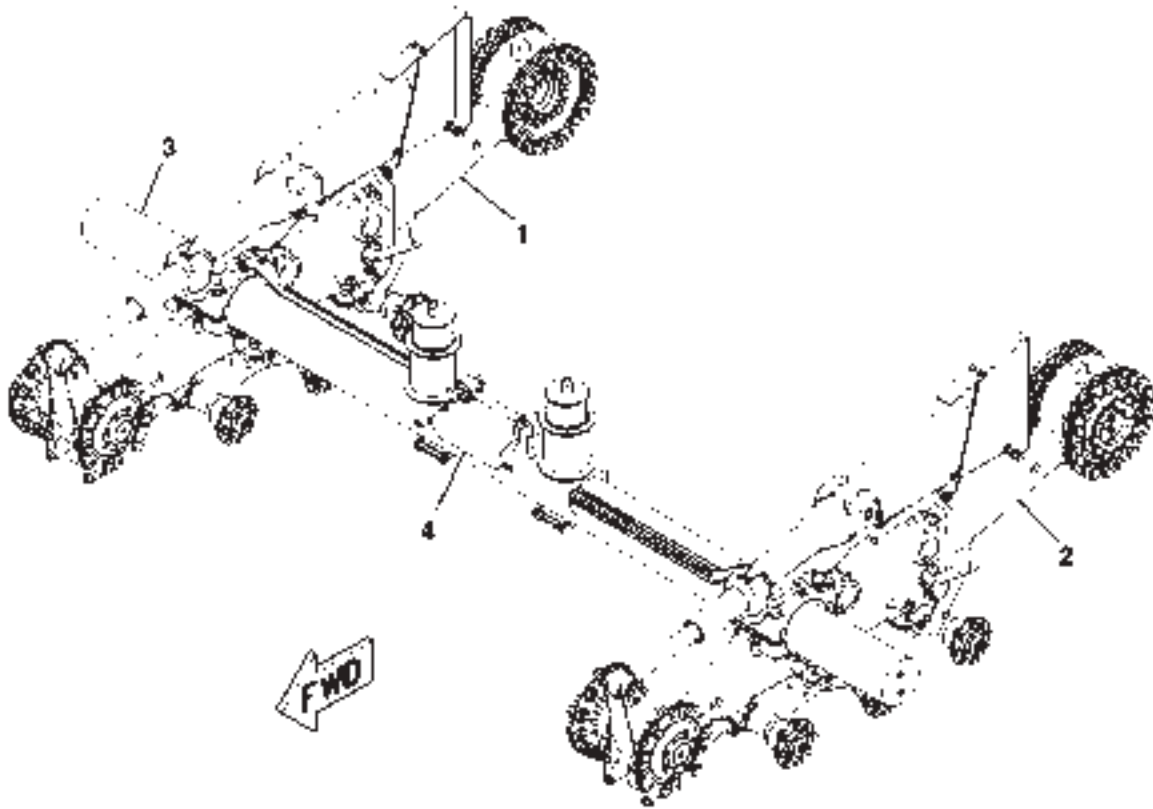
**GAUGE AR-ULTRA WIDE - 213-4080
WITH CREEPER TRANSMISSION
(3048-4064MM/120-160IN)
ROW**

ITEM	NUMBER	QTY	DESCRIPTION
-	213-4080	--	GAUGE AR-WIDE (NOT SERVICED)
1	162-4104	1	CONTROL GP-CREEPER (NOT SERVICED)
	169-8224	1	SWITCH AS-CREEPER (*)
	CH165-5975	1	*PLUG-COVER (ROCKER SWITCH MTG HOLE)
	400453X1	1	*PLUG-CONNECTOR (MATING PART)
2	500898D1	1	GUARD GP-POWER TRAIN (NOT SERVICED) (SEE BREAKDOWN FOR COMPONENTS)
3	205-4631	1	LIGHTING GP-WARNING (NOT SERVICED) (SEE BREAKDOWN FOR COMPONENTS)
4	213-8789	1	POWER TRAIN AR (NOT SERVICED) (SEE BREAKDOWN FOR COMPONENTS)
5	198-5378	1	STEERING AR (NOT SERVICED)
	500573D1	1	PUMP GP-MTG (NOT SERVICED) (SEE BREAKDOWN FOR COMPONENTS)
	158-2403	1	MOTOR GP-MTG (NOT SERVICED) (SEE BREAKDOWN FOR COMPONENTS)
	500575D1	1	LINES GP-STEERING (NOT SERVICED) (SEE BREAKDOWN FOR COMPONENTS)
6	199-3440	1	TANK AR-FUEL (NOT SERVICED) (SEE BREAKDOWN FOR COMPONENTS)
7	213-6921	1	UNDERCARRIAGE AR (NOT SERVICED) (SEE BREAKDOWN FOR COMPONENTS)
8	224-4850	1	FILM GP (NOT SERVICED)
	501405D1	1	FILM-NOTICE

NOTIF
PR: t05c24o40d0282

MT700B SERIES TRACK TRACTOR
UNDERCARRIAGE

UNDERCARRIAGE AR - 213-6921
ULTRA WIDE GAGE



2136921B

**MT700B SERIES TRACK TRACTOR
UNDERCARRIAGE**

639

**UNDERCARRIAGE AR - 213-6921
ULTRA WIDE GAGE**

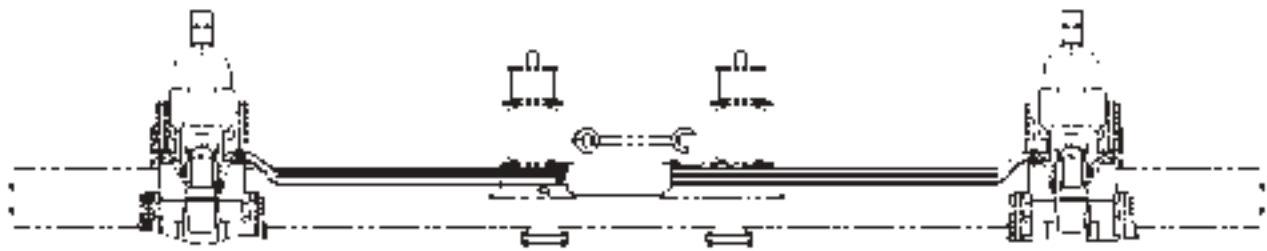
ITEM	NUMBER	QTY	DESCRIPTION
-	213-6921	--	UNDERCARRIAGE AR [A] (NOT SERVICED)
1	163-0547	1	FRAME AR-RH (NOT SERVICED) (SEE BREAKDOWN FOR COMPONENTS)
2	163-0548	1	FRAME AR-LH (NOT SERVICED) (SEE BREAKDOWN FOR COMPONENTS)
3	208-0560	1	SUPPORT GP (NOT SERVICED) (SEE BREAKDOWN FOR COMPONENTS)
4	213-6920	1	GUARD GP-LINES (NOT SERVICED) (SEE BREAKDOWN FOR COMPONENTS)

[A] PART OF 213-4079; 213-4080
GAGE AR-ULTRA WIDE

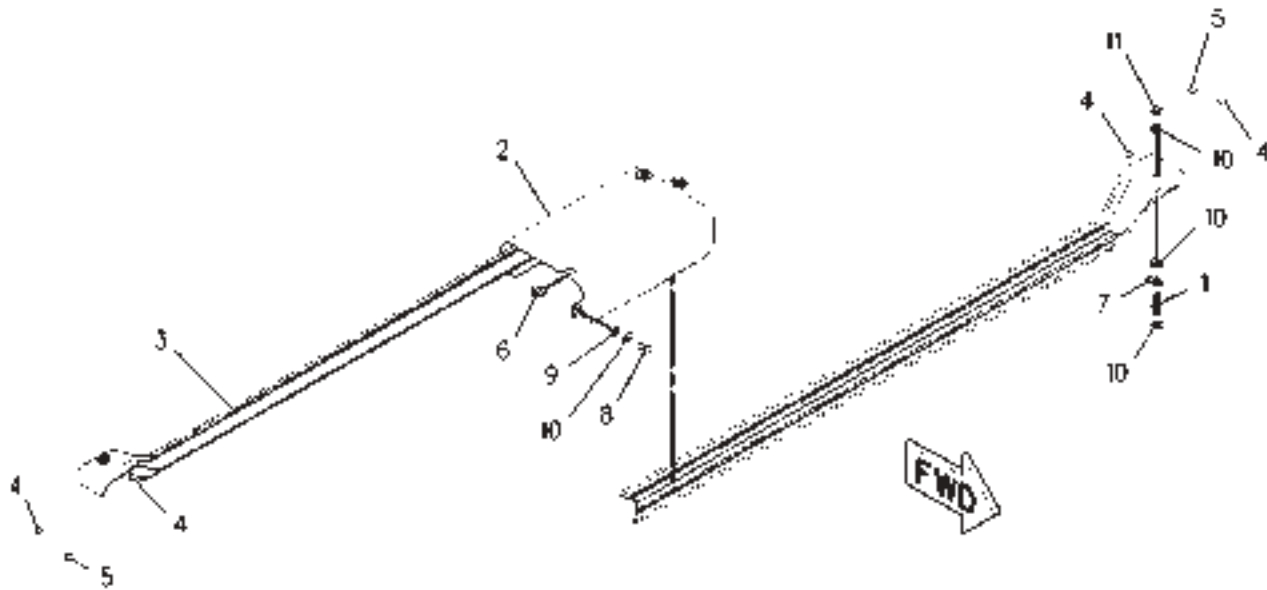
2136921B
PR: t05k14m40c0002

MT700B SERIES TRACK TRACTOR
UNDERCARRIAGE

GUARD GP-WIRING - 213-6920
TENSIONER WIRE
WITH ULTRA WIDE GAUGE



FRONT VIEW



00878145

**MT700B SERIES TRACK TRACTOR
UNDERCARRIAGE**

641

**GUARD GP-WIRING - 213-6920
TENSIONER WIRE
WITH ULTRA WIDE GAUGE**

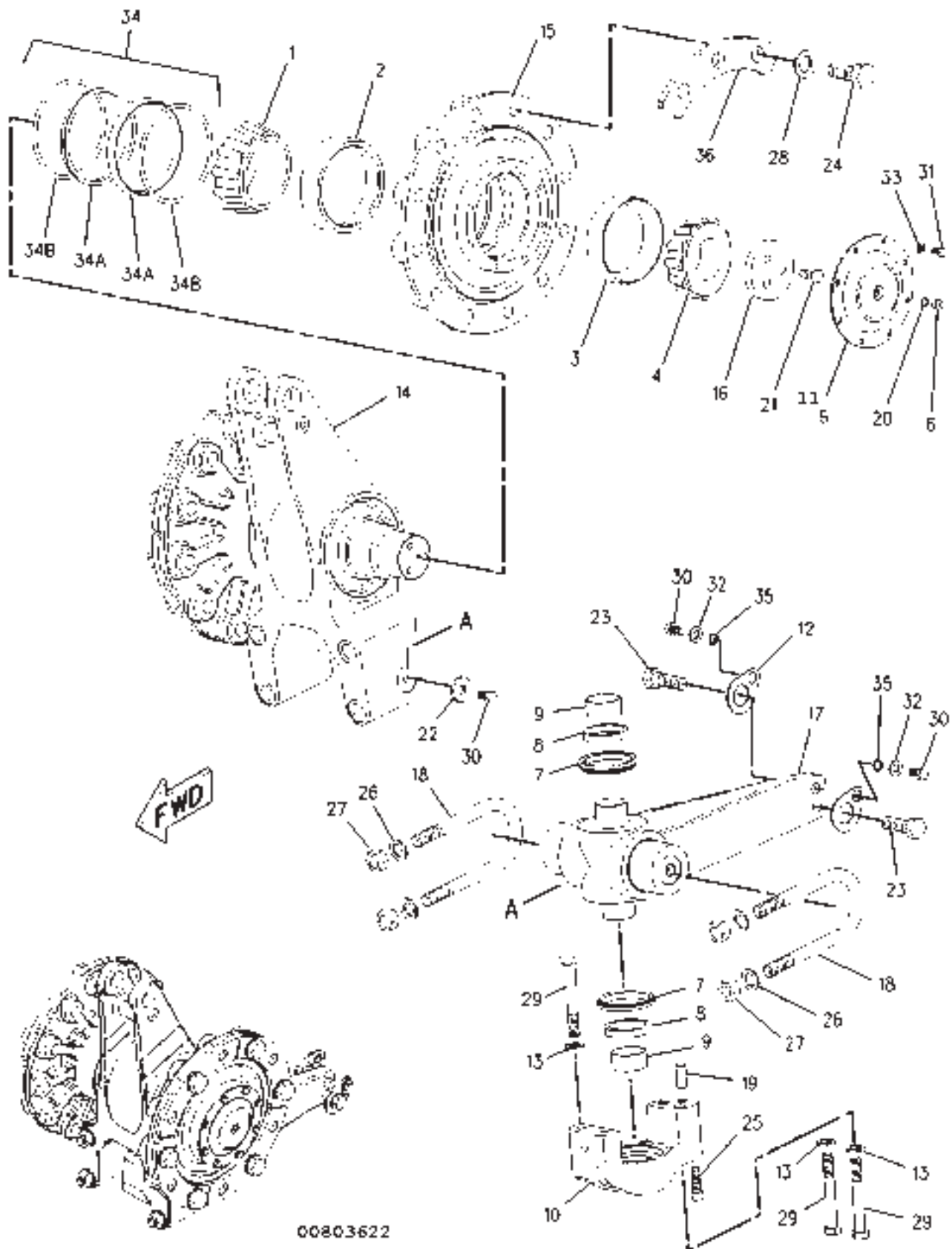
ITEM	NUMBER	QTY	DESCRIPTION
-	213-6920	--	GUARD GP-WIRING [A] (NOT SERVICED)
1	CH101-3129	2	STUD (M10X1.5 THD)
2	201-9929	1	COVER-WIRE
3	214-2361	2	GUARD
4	400289X1	4	PLUG
5	CH193-5914	2	PLUG
6	CH5P-8440	2	GROMMET
7	CH5P-9085	2	CLIP
8	400023X1	2	BOLT (M10X1.5X16MM)
9	CH7X-0561	2	WASHER-HARD
10	CH7X-7729	8	WASHER (11X25X3MM THK)
11	WR522218	2	NUT (M10X1.5 THD)
12	CH7K-1181	8	STRAP-CABLE 0.19-4.00 (NOT SHOWN)

[A] PART OF 213-6921 UNDERCARRIAGE AR

00878145
PR: t05c24o40d0283

MT700B SERIES TRACK TRACTOR
UNDERCARRIAGE

IDLER GP - 156-4859



**MT700B SERIES TRACK TRACTOR
UNDERCARRIAGE**

643

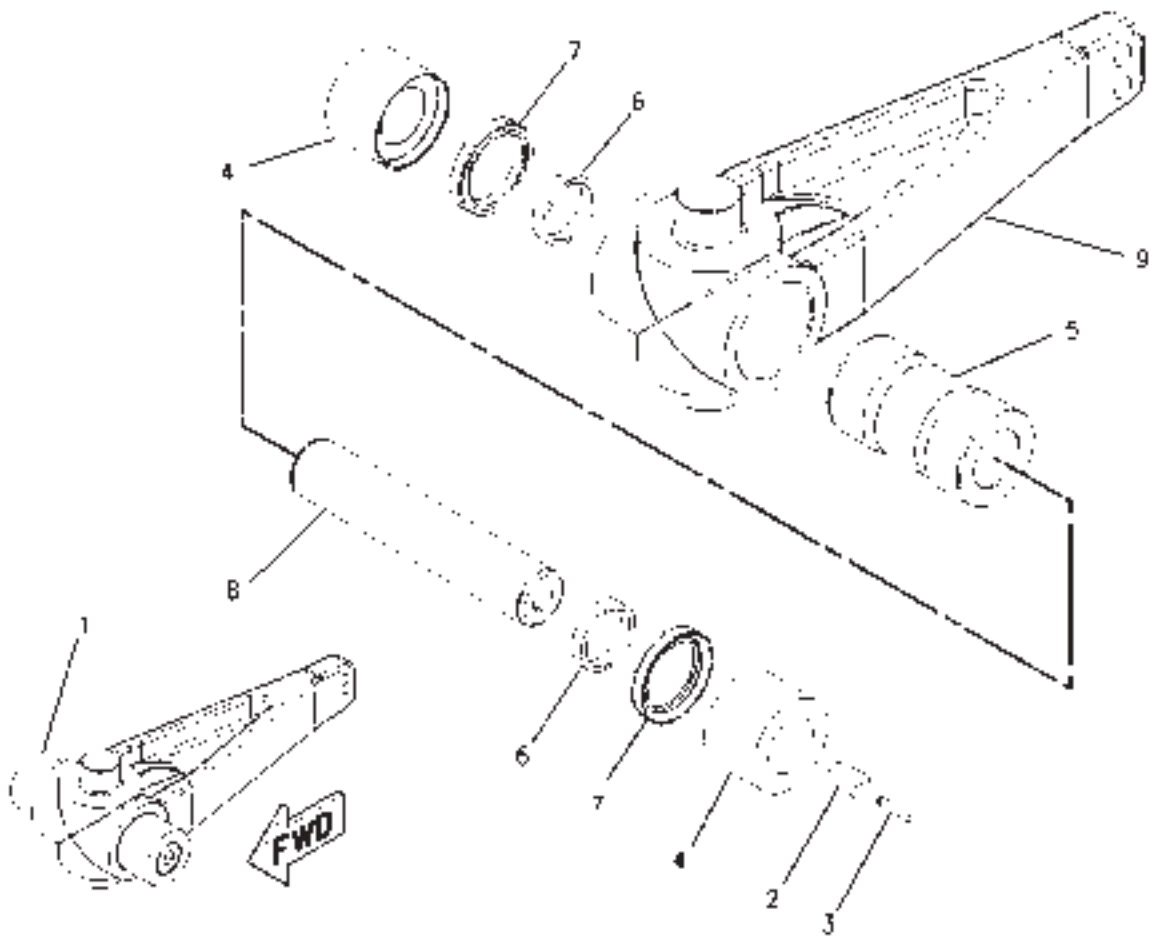
IDLER GP - 156-4859

ITEM	NUMBER	QTY	DESCRIPTION
-	156-4859	--	IDLER GP [A] (NOT SERVICED)
1	CH1P-5419	2	CONE-BEARING
2	CH1P-5420	2	CUP-BEARING
3	CH2D-9454	2	CUP-BEARING
4	CH2D-9455	2	CONE-BEARING
5	CH215-9464	2	GASKET
6	502642D1	2	PLUG (1/2-20 THD)
7	501209D1	2	SEAL AS.
8	CH9W-9300	2	RING-THRUST
9	CH123-4748	3	BEARING
10	138-1820	1	CAP
11	CH156-4897	2	COVER
12	CH202-8632	2	PLATE
13	400082X1	2	WASHER (17.5X30X3.5MM THK)
14	156-4901	1	LINK-SWING
15	156-4902	2	HUB
16	CH160-5223	2	PLATE
17	160-7164	1	LEVER AS-IDLER (SEE BREAKDOWN FOR COMPONENTS)
18	400262X1	2	U-BOLT
19	CH1A-5919	1	DOWEL
20	CH1J-9671	2	O-RING
21	400020X1	6	BOLT (M12X1.75X30MM)
22	CH7X-0618	2	WASHER-HARD (13.5X40X5MM THK)
23	400012X1	2	BOLT (M20X2.5X74MM)
24	400035X1	12	BOLT (M24X3X60MM)
25	400133X1	1	BOLT-SOCKET HEAD (M12X1.75X45MM)
26	400080X1	4	WASHER-PLATED (22X35X3.5MM THK)
27	400286X1	4	NUT (M20X2.5 THD)
28	400081X1	12	WASHER-HARD (26X44X4MM THK)
29	400224X1	4	BOLT (M16X2.0X120MM)
30	400047X1	4	BOLT (M12X1.75X20MM)
31	400227X1	16	BOLT (M8X1.25X16MM)
32	400381X1	2	WASHER-HARD (13.5X30X4MM THK)
33	400339X1	16	WASHER-HARD (8.8X16X2MM THK)
34	CH5K-5288	2	SEAL GP-DUO-CONE
34A		2	SEAL-RING (NOT SERVICED SEPARATELY)
34B	5K-5129	2	RING-SEALING
35	CH202-9701	2	SPACER (12.95X19.05X5MM THK)
36	CH156-4900	8	PLATE

[A] PART OF 163-0547;163-0548 FRAME AR

00803622
PR: t05c24o40d0284

LEVER AS-IDLER - 160-7164



00630589

**MT700B SERIES TRACK TRACTOR
UNDERCARRIAGE**

645

LEVER AS-IDLER - 160-7164

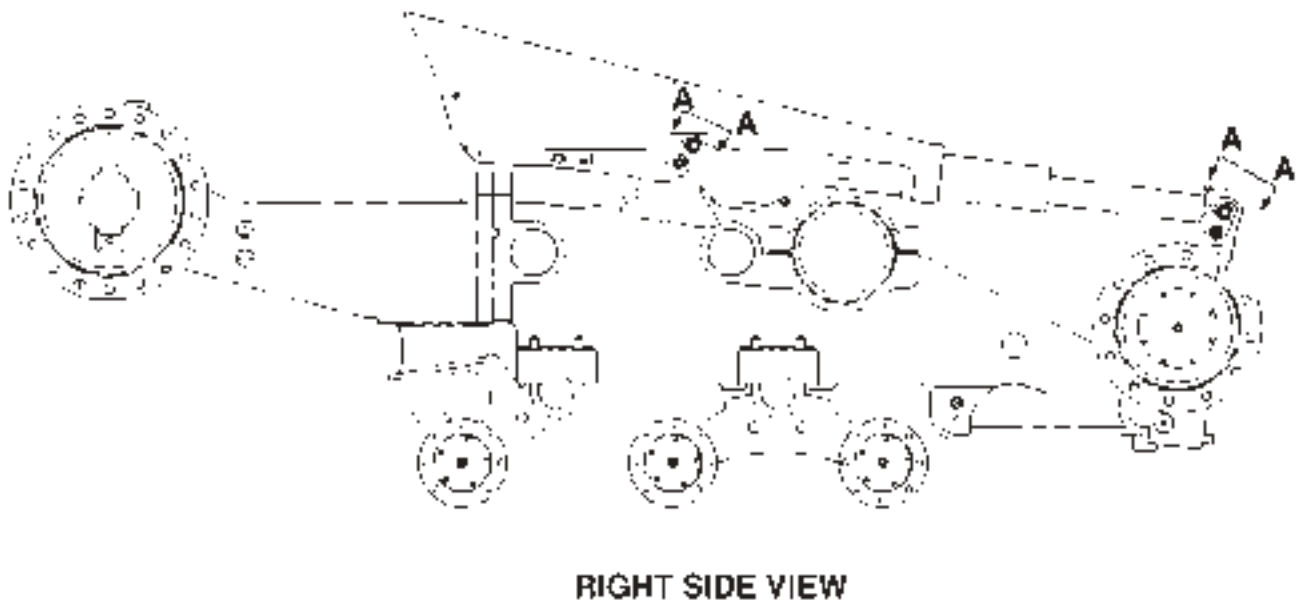
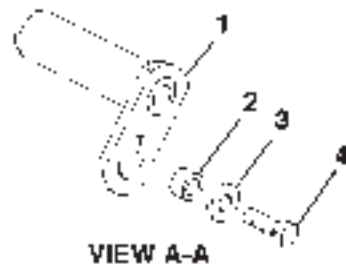
ITEM	NUMBER	QTY	DESCRIPTION
-	160-7164	--	LEVER GP-IDLER [A]
1	500926D1	1	PIN AS. (INCLS 2-8)
2	CH7G-4332	1	STOPPER
3	CH6Y-0473	1	PLUG-CLEAR (NOT SERVICED SEPARATELY)
4		2	COLLAR (NOT SERVICED SEPARATELY)
5		1	BEARING-SLEEVE (NOT SERVICED SEPARATELY)
6		2	RING-THRUST (NOT SERVICED SEPARATELY)
7		2	SEAL AS. (NOT SERVICED SEPARATELY)
8		1	PIN-TRACK (NOT SERVICED SEPARATELY)
9		1	LEVER (NOT SERVICED SEPARATELY)

[A] PART OF 156-4859 IDLER GP

00630589
PR: t05c24o40d0285

MT700B SERIES TRACK TRACTOR
UNDERCARRIAGE

MOUNTING GP-BELT TENSIONER - 184-6717



1846717C

**MT700B SERIES TRACK TRACTOR
UNDERCARRIAGE**

647

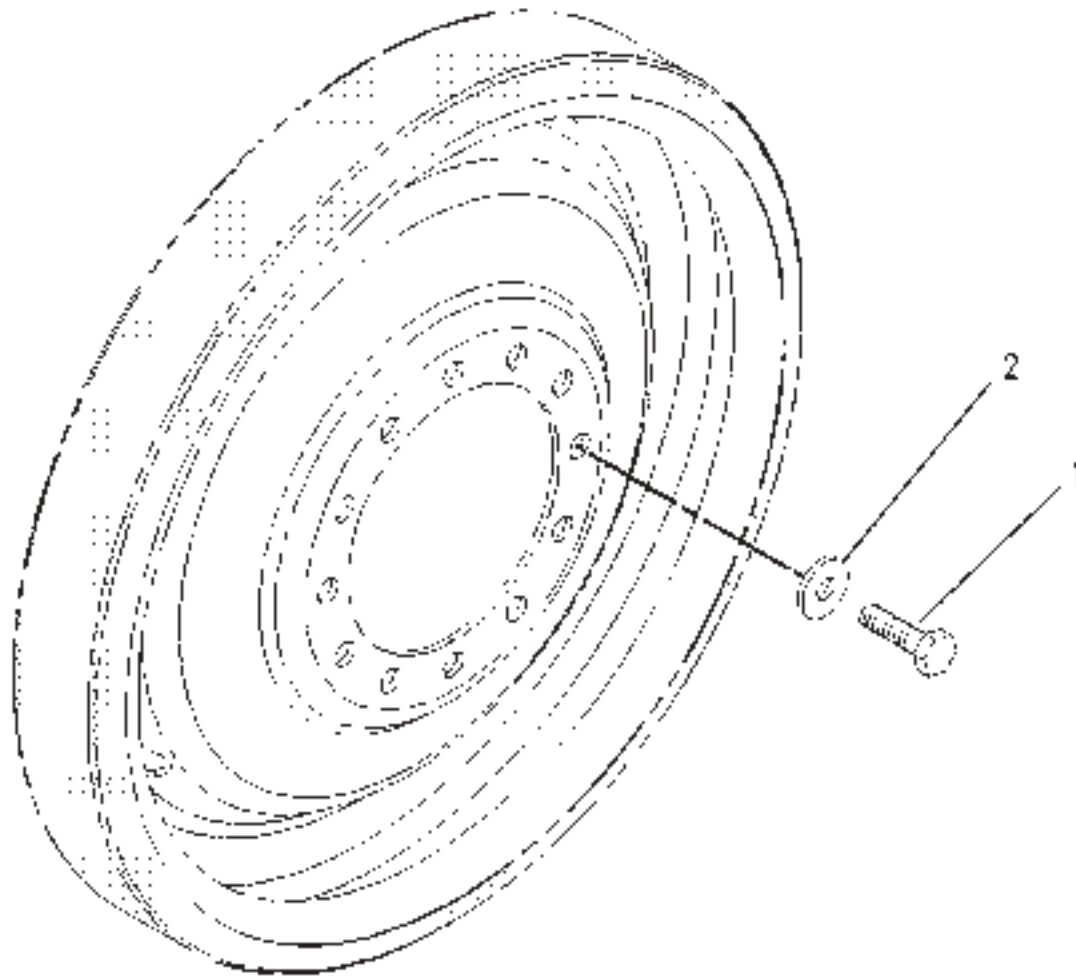
MOUNTING GP-BELT TENSIONER - 184-6717

ITEM	NUMBER	QTY	DESCRIPTION
-	184-6717	--	MOUNTING GP-BELT TENSIONER [A] (NOT SERVICED)
1	CH190-3580	2	PIN AS.
2	CH190-3582	2	SPACER (20X28.6X12.7MM THK)
3	400381X1	2	WASHER-HARD (13.5X30X4MM THK)
4	400064X1	2	BOLT (M12X1.75X35MM)

[A] PART OF 163-0547;163-0548 FRAME AR

1846717C
PR: t05c24o40d0286

MOUNTING GP-IDLER - 177-4589



00640046

**MT700B SERIES TRACK TRACTOR
UNDERCARRIAGE**

649

MOUNTING GP-IDLER - 177-4589

ITEM	NUMBER	QTY	DESCRIPTION
-	177-4589	--	MOUNTING GP-IDLER (NOT SERVICED)
1	400035X1	24	BOLT (M24X3X60MM)
2	400081X1	24	WASHER-HARD (26X44X4MM THK)

00640046
PR: t05c24o40d0287

MT700B SERIES TRACK TRACTOR
UNDERCARRIAGE

MIDROLLER WHL AR



NARROW



MEDIUM



WIDE

MIDWHEEL

**MT700B SERIES TRACK TRACTOR
UNDERCARRIAGE**

651

MIDROLLER WHL AR

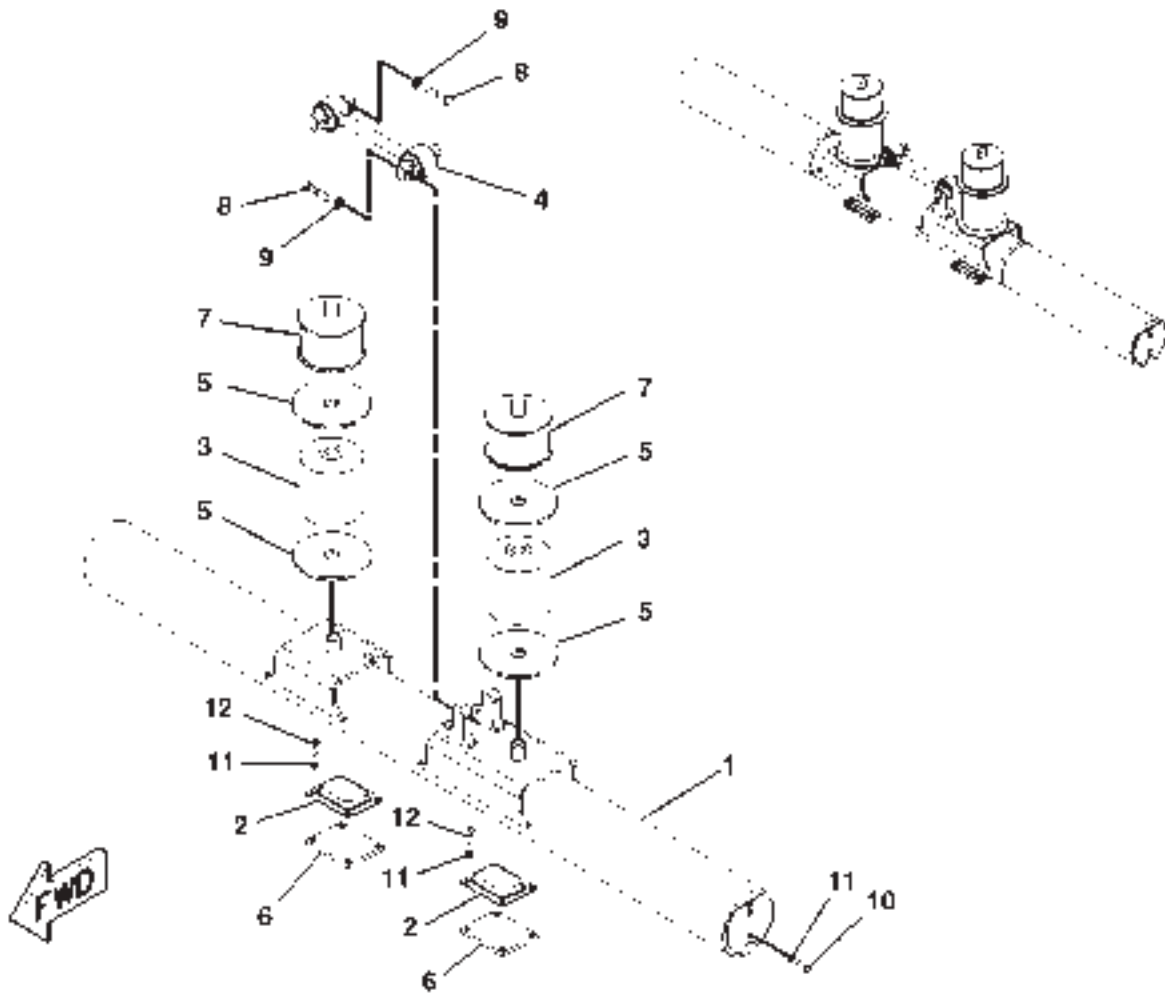
ITEM	NUMBER	QTY	DESCRIPTION
-	156-4889	--	MIDROLLER WHL AR-NARROW (89MM / 3.5IN) (NOT SERVICED)
1	502930D1	12	WHEEL NARROW.-NARROW WIDTH [S]
-	156-4890	--	MIDROLLER WHL AR-MEDIUM (112MM / 4.4IN) (NOT SERVICED)
2	502931D1	12	WHEEL MEDIUM.-MEDIUM WIDTH [S]
-	156-4892	--	MIDROLLER WHL AR-WIDE (204MM / 8IN) (NOT SERVICED)
3	502932D1	12	WHEEL WIDE.-WIDE WIDTH [S]

[S] QTY SHOWN ARE FOR LH & RH SIDES

MIDWHEEL
PR: t05c24o40d0288

MT700B SERIES TRACK TRACTOR
UNDERCARRIAGE

SUPPORT GP - 156-4887
WITH STANDARD GAUGE
ROW ONLY



1564887C

**MT700B SERIES TRACK TRACTOR
UNDERCARRIAGE**

653

**SUPPORT GP - 156-4887
WITH STANDARD GAUGE
ROW ONLY**

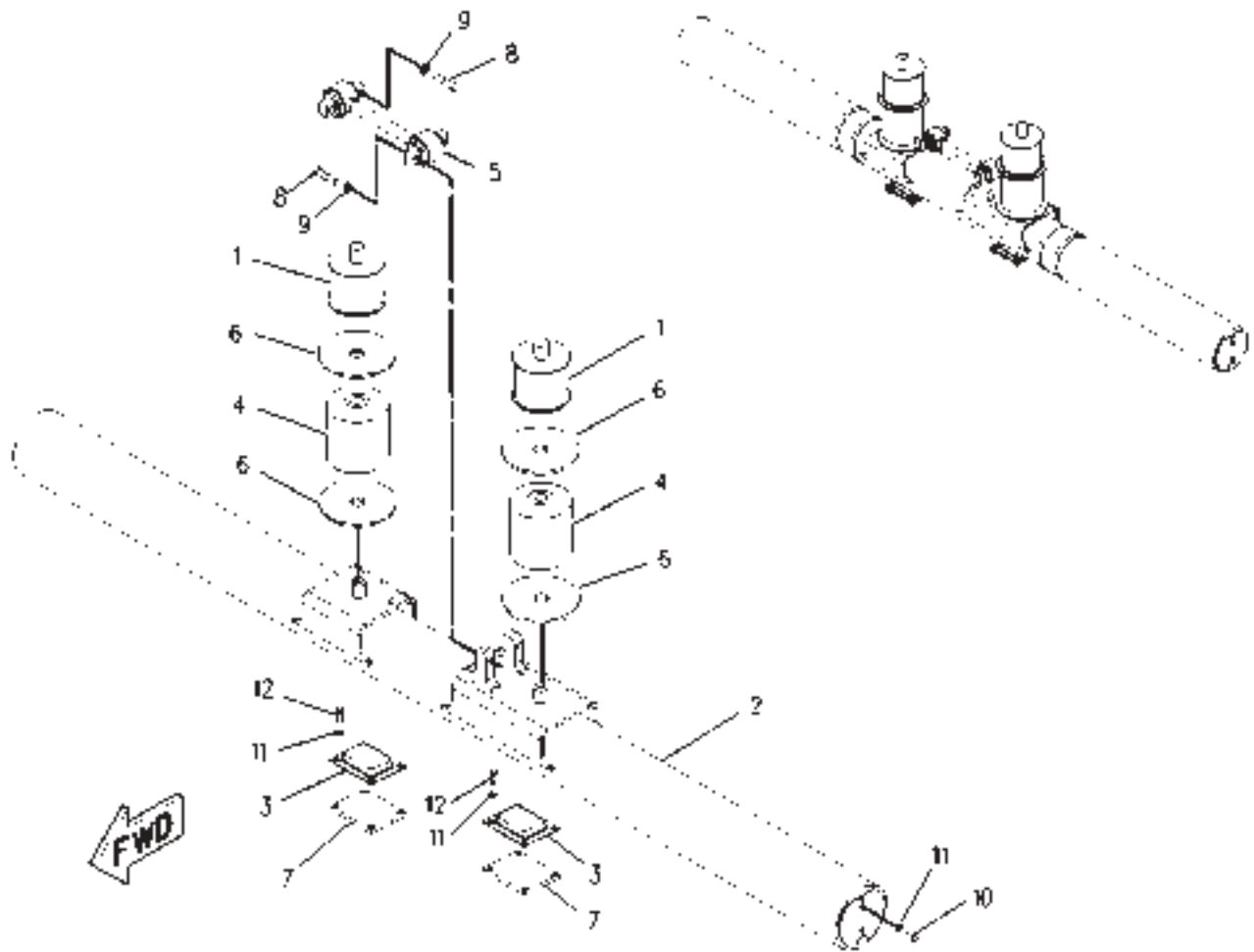
ITEM	NUMBER	QTY	DESCRIPTION
-	156-4887	--	SUPPORT GP [A] (NOT SERVICED)
1	157-1351	1	SUPPORT AS.
	CH7T-1099	2	LINK
2	163-0267	2	PAD AS.
3	163-0268	2	SPRING (RUBBER)
4	163-0272	1	ROD
5	CH177-1872	4	PLATE
6	CH178-3711	2	PLATE
7	223-2480	2	BRACKET AS.
8	400030X1	4	BOLT (M16X2X70MM)
9	CH8T-4122	4	WASHER-HARD (17X32X3.5MM THK)
10	400041X1	4	BOLT (M12X1.75X30MM)
11	400357X1	12	WASHER-HARD (M12X25.5X3MM THK)
12	400064X1	8	BOLT (M12X1.75X35MM)

[A] PART OF 163-0554 UNDERCARRIAGE AR

1564887C
PR: t05c24o40d0289

MT700B SERIES TRACK TRACTOR
UNDERCARRIAGE

SUPPORT GP - 156-4888
WITH WIDE GAUGE
ROW



00791639

**MT700B SERIES TRACK TRACTOR
UNDERCARRIAGE**

655

**SUPPORT GP - 156-4888
WITH WIDE GAUGE
ROW**

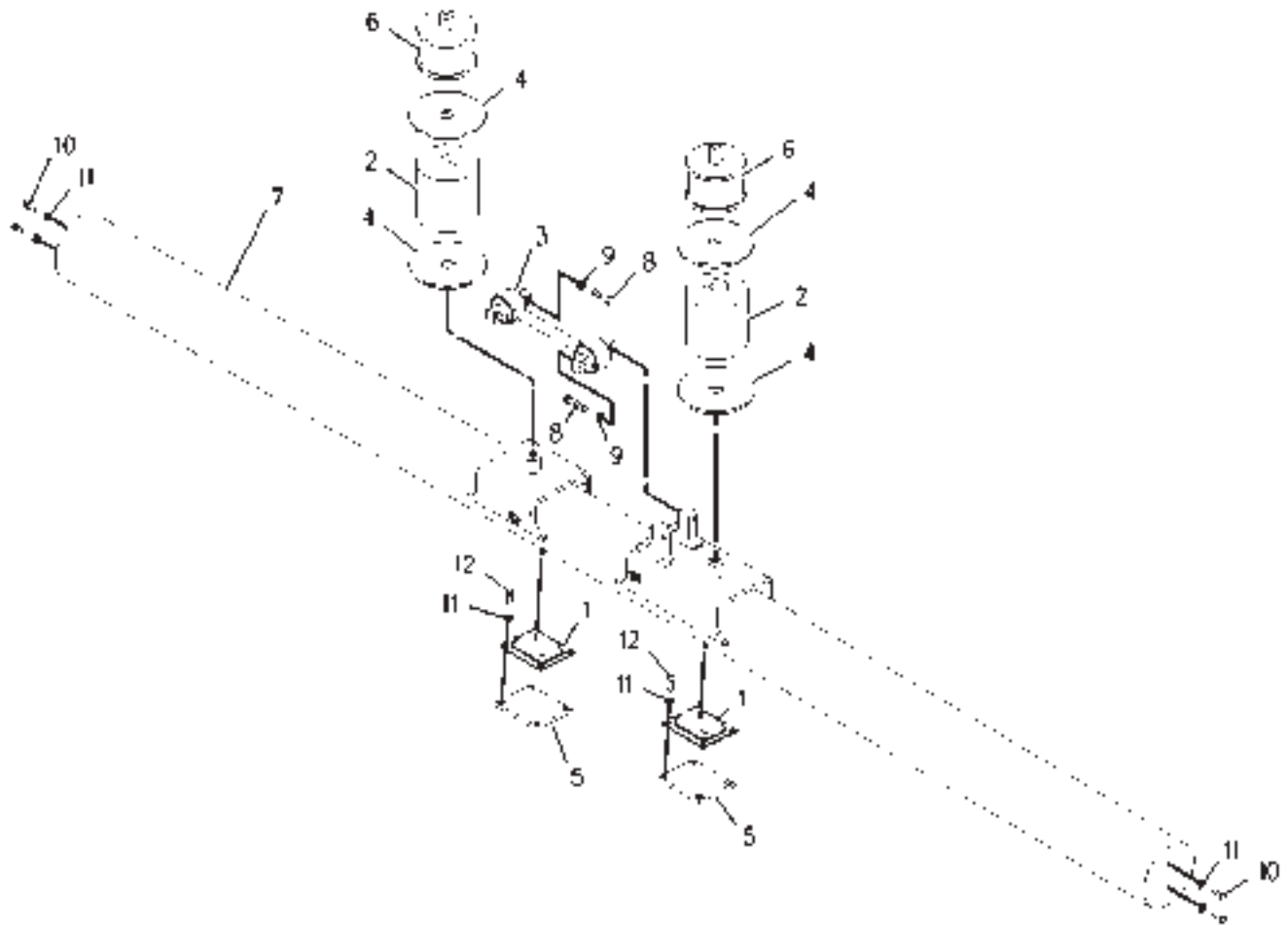
ITEM	NUMBER	QTY	DESCRIPTION
-	156-4888	--	SUPPORT GP [A] (NOT SERVICED)
1	223-2480	2	BRACKET AS.
2	162-0287	1	SUPPORT AS.
	CH7T-1099	2	LINK
3	163-0267	2	PAD AS.
4	163-0268	2	SPRING (RUBBER)
5	163-0272	1	ROD
6	CH177-1872	4	PLATE
7	CH178-3711	2	PLATE
8	400030X1	4	BOLT (M16X2X70MM)
9	CH8T-4122	4	WASHER-HARD (17X32X3.5MM THK)
10	400041X1	4	BOLT (M12X1.75X30MM)
11	400357X1	12	WASHER-HARD (M12X25.5X3MM THK)
12	400064X1	8	BOLT (M12X1.75X35MM)

[A] PART OF 163-0546 UNDERCARRIAGE AR

00791639
PR: t05c24o40d0290

MT700B SERIES TRACK TRACTOR
UNDERCARRIAGE

SUPPORT GP - 208-0560
WITH ULTRA WIDE GAUGE



00880931

**MT700B SERIES TRACK TRACTOR
UNDERCARRIAGE**

657

**SUPPORT GP - 208-0560
WITH ULTRA WIDE GAUGE**

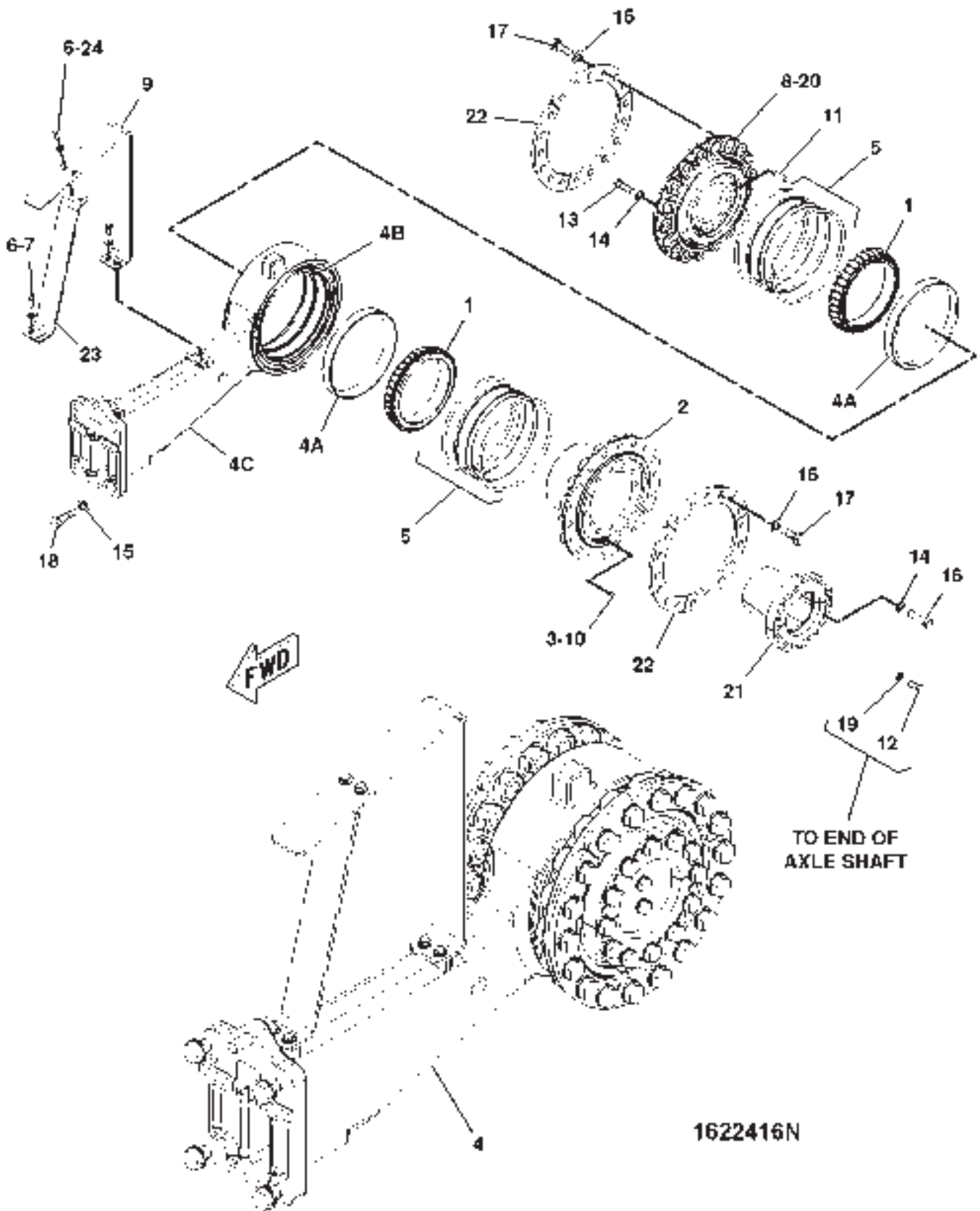
ITEM	NUMBER	QTY	DESCRIPTION
-	208-0560	--	SUPPORT GP [A] (NOT SERVICED)
1	163-0267	2	PAD AS.
2	163-0268	2	SPRING
3	163-0272	1	ROD
4	CH177-1872	4	PLATE
5	CH178-3711	2	PLATE
6	223-2480	2	BRACKET AS.
7	208-0559	1	SUPPORT AS.
	CH7T-1099	2	LINK
8	400030X1	4	BOLT (M16X2X70MM)
9	CH8T-4122	4	WASHER-HARD (17X32X3.5MM THK)
10	400041X1	4	BOLT (M12X1.75X30MM)
11	400357X1	12	WASHER-HARD (M12X25.5X3MM THK)
12	400064X1	8	BOLT (M12X1.75X35MM)

[A] PART OF 213-6921 UNDERCARRIAGE AR

00880931
PR: t05c24o40d0291

MT700B SERIES TRACK TRACTOR
UNDERCARRIAGE

SUPPORT GP-DRIVEWHEEL - 162-2416
LH



**MT700B SERIES TRACK TRACTOR
UNDERCARRIAGE**

659

**SUPPORT GP-DRIVE WHEEL - 162-2416
LH**

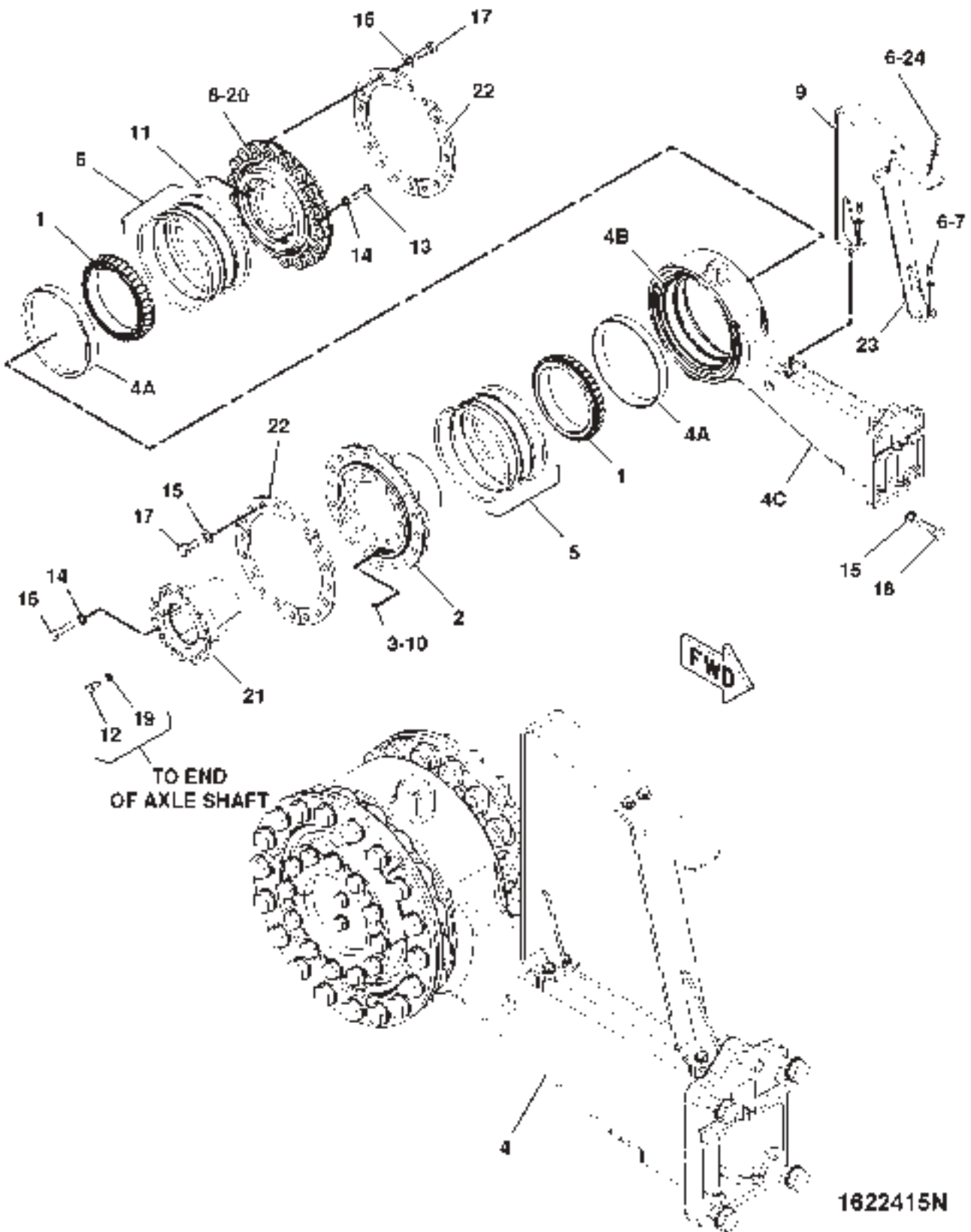
ITEM	NUMBER	QTY	DESCRIPTION
-	162-2416	--	SUPPORT GP-DRIVE WHEEL [A](NOT SERVICED)
1	503061D1	2	CONE-BEARING
2	500393D2	1	HUB-OUTER
3	503026D1	1	PLUG AS-MAGNETIC (1/2-20 HX SKT)
	CH1J-9671	1	SEAL-O-RING (10.52IDX1.83DIA)
4	192-4336	1	ARM AS.
4A	CH3D-9133	2	CUP-BEARING
4B	CH190-3391	1	HOUSING AS.
4C		--	ARM-REACTION (NOT SERVICED SEPARATELY)
	400098X1	1	RING-RETAINING
5	CH174-4874	2	SEAL GP-DUO-CONE
6	CH7X-7729	6	WASHER (11X25X3MM THK)
7	400058X1	4	BOLT (M10X1.5X30MM)
8	500394D2	1	HUB-INNER
9	195-1102	1	BRACKET-REAR
10	CH1J-9671	1	O-RING
11	CH6K-8987	2	DOWEL
12	400191X1	2	BOLT (M16X2X40MM)
13	400031X1	10	BOLT (M20X2.5X60MM)
14	400080X1	22	WASHER-PLATED (22X35X3.5MM THK)
15	400081X1	41	WASHER-HARD (26X44X4MM THK)
16	400272X1	12	BOLT (M20X2.5X80MM)
17	400035X1	36	BOLT (M24X3X60MM)
18	400067X1	5	BOLT (M24X3X80MM)
19	400082X1	2	WASHER (17.5X30X3.5MM THK)
20	CH8C-8422	AR	SEALANT-GASKET
21	184-4353	1	COLLET
22	156-8343	6	PLATE-BACKUP
23	195-1101	1	BRACKET AS.
	CH8T-3490	2	NUT-WELD (M10X1.5 THD)
24	400052X1	2	BOLT (M10X1.5X40MM)

[A] PART OF 163-0548 FRAME AR

1622416N
PR: t05c24o40d0292

MT700B SERIES TRACK TRACTOR
UNDERCARRIAGE

SUPPORT GP-DRIVEWHEEL - 162-2415
RH



**MT700B SERIES TRACK TRACTOR
UNDERCARRIAGE**

661

**SUPPORT GP-DRIVE WHEEL - 162-2415
RH**

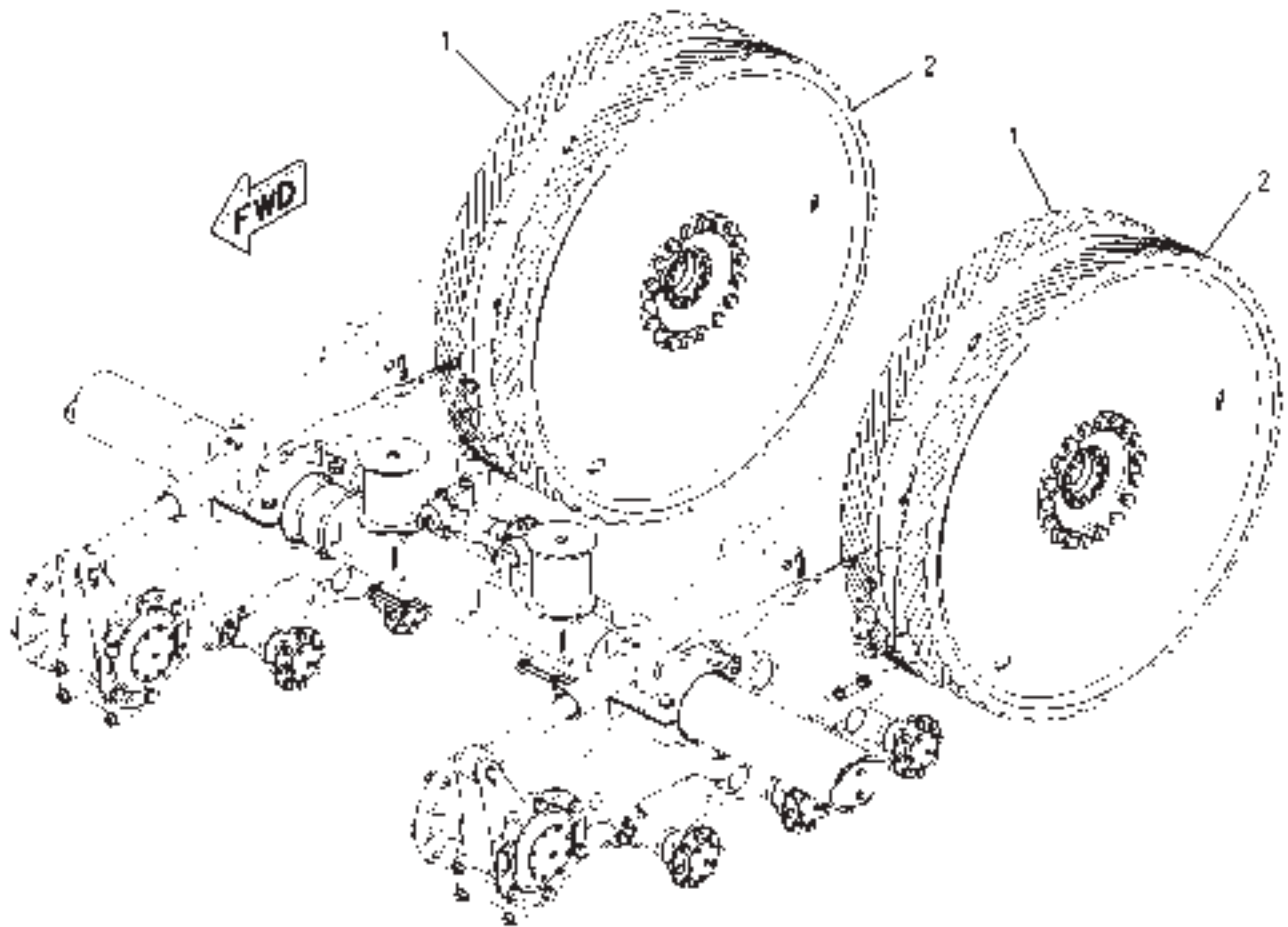
ITEM	NUMBER	QTY	DESCRIPTION
-	162-2415	--	SUPPORT GP-DRIVE WHEEL [A] (NOT SRVCD)
1	503061D1	2	CONE-BEARING
2	500393D2	1	HUB-OUTER
3	503026D1	1	PLUG AS-MAGNETIC (1/2-20 HX SKT)
	CH1J-9671	1	SEAL-O-RING (10.52IDX1.83DIA)
4	192-4336	1	ARM AS.
4A	CH3D-9133	2	CUP-BEARING
4B	CH190-3391	1	HOUSING AS.
4C		1	ARM-REACTION (NOT SERVICED SEPARATELY)
	400098X1	1	RING-RETAINING
5	CH174-4874	2	SEAL GP-DUO-CONE
6	CH7X-7729	6	WASHER (11X25X3MM THK)
7	400058X1	4	BOLT (M10X1.5X30MM)
8	500394D2	1	HUB-INNER
9	195-1102	1	BRACKET-REAR
10	CH1J-9671	1	SEAL-O-RING (10.52IDX1.83DIA)
11	CH6K-8987	2	DOWEL
12	400191X1	2	BOLT (M16X2X40MM)
13	400031X1	10	BOLT (M20X2.5X60MM)
14	400080X1	22	WASHER-PLATED (22X35X3.5MM THK)
15	400081X1	41	WASHER-HARD (26X44X4MM THK)
16	400272X1	12	BOLT (M20X2.5X80MM)
17	400035X1	36	BOLT (M24X3X60MM)
18	400067X1	5	BOLT (M24X3X80MM)
19	400082X1	2	WASHER (17.5X30X3.5MM THK)
20	CH8C-8422	AR	SEALANT-BULK ANAEROBIC BLUE
21	184-4353	1	COLLET
22	156-8343	6	PLATE-BACKUP
23	195-1101	1	BRACKET AS.
24	400052X1	2	BOLT (M10X1.5X40MM)

[A] PART OF 163-0547 FRAME AR

1622415N
PR: i05c24o40d0293

MT700B SERIES TRACK TRACTOR
UNDERCARRIAGE

WHEEL-DRIVE
NARROW, MEDIUM & WIDE



00639343

**MT700B SERIES TRACK TRACTOR
UNDERCARRIAGE**

663

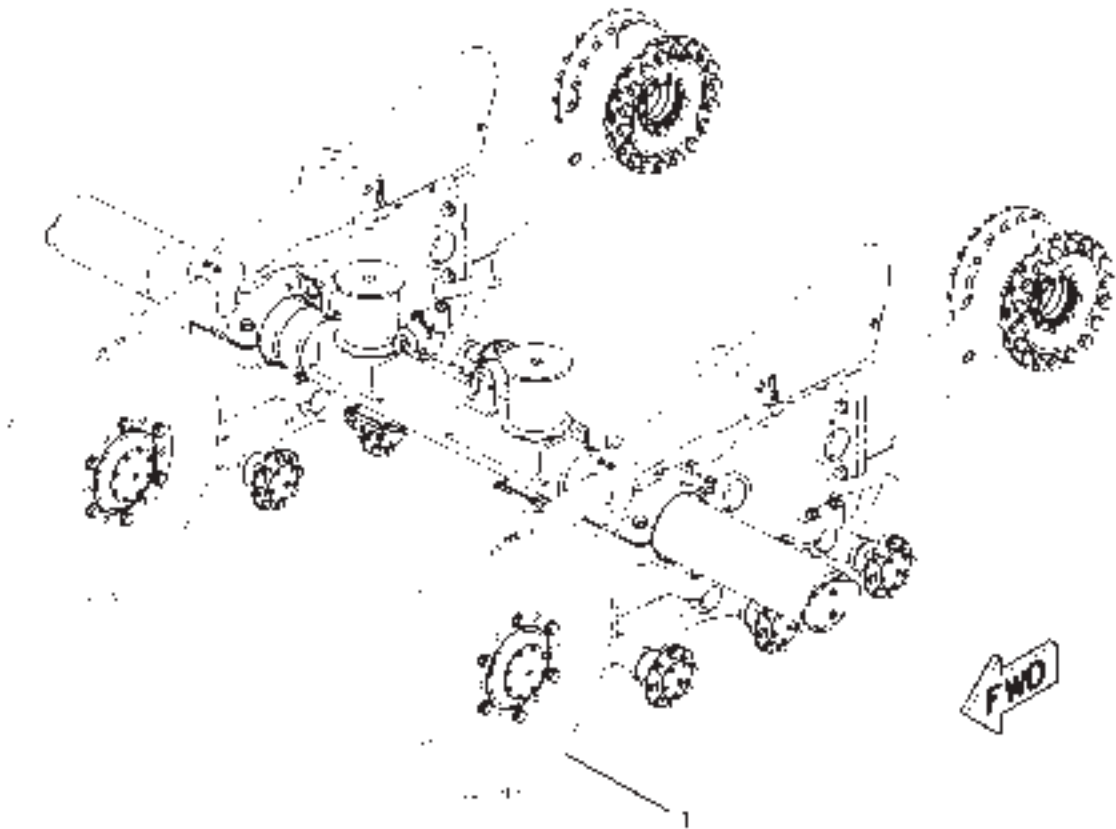
**WHEEL AR-DRIVE
NARROW, MEDIUM & WIDE**

ITEM	NUMBER	QTY	DESCRIPTION
-	177-3666	--	WHEEL AR-DRIVE (NARROW) (87MM / 3.4IN) (ORDER ON DEALER CENTRAL)
1	1R-1233	2	WHEEL AS. (RH OUTER/LH INNER)
2	1R-1248	2	WHEEL AS. (RH INNER/LH OUTER)
-	177-3667	--	WHEEL AR-DRIVE (MEDIUM) (112MM / 4.4IN) (NOT SERVICED)
1	1R-1234	2	WHEEL AS. (RH OUTER/LH INNER)
2	1R-1249	2	WHEEL AS. (RH INNER/LH OUTER)
-	177-3668	--	WHEEL AR-DRIVE (WIDE) (196MM / 7.7IN) (NOT SERVICED)
1	1R-1235	2	WHEEL AS. (RH OUTER/LH INNER)
2	1R-1250	2	WHEEL AS. (RH INNER/LH OUTER)

00639343
PR: t05c24o40d0294

MT700B SERIES TRACK TRACTOR
UNDERCARRIAGE

WHEEL AR-IDLER



00639338

**MT700B SERIES TRACK TRACTOR
UNDERCARRIAGE**

665

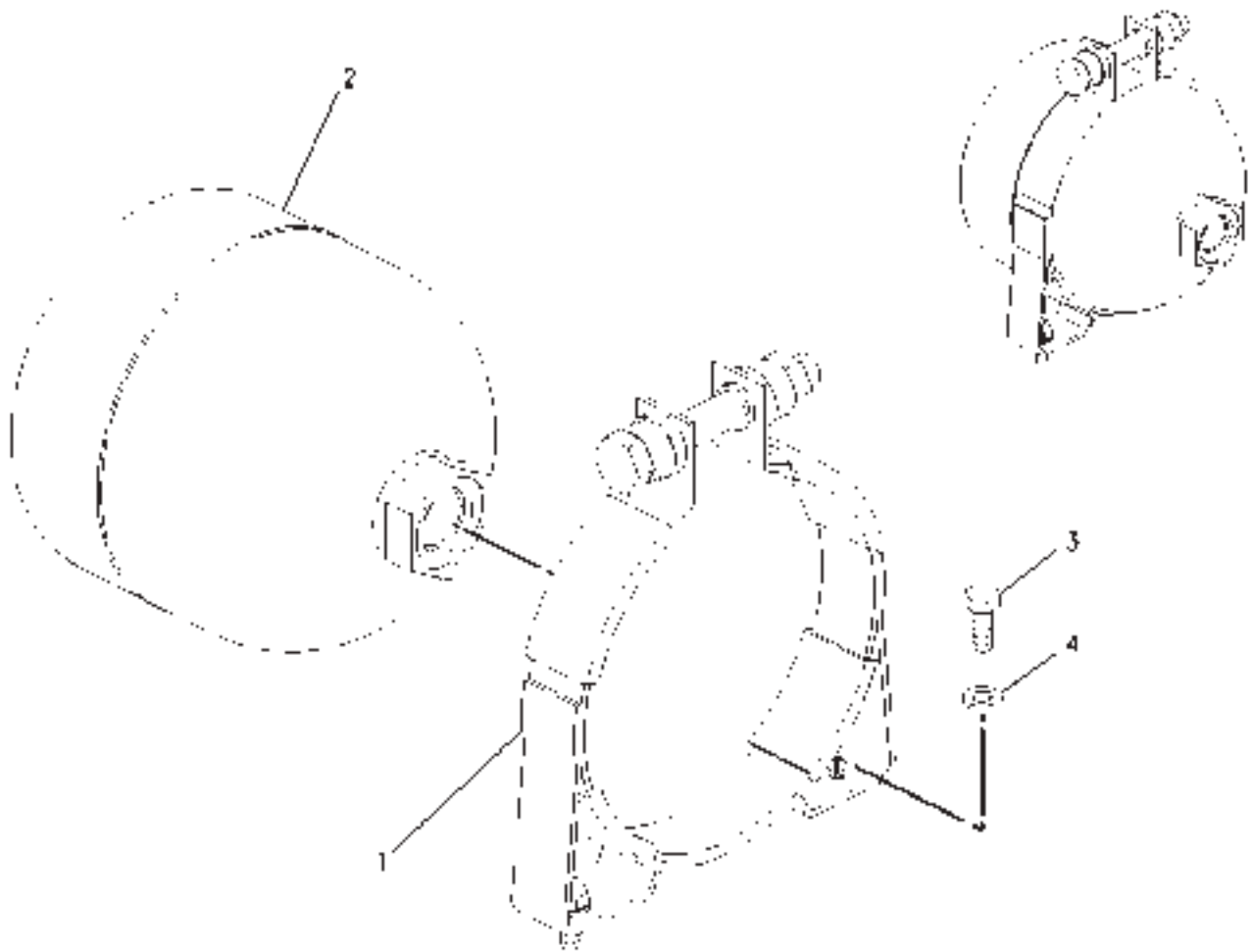
WHEEL AR-IDLER

ITEM	NUMBER	QTY	DESCRIPTION
-	177-3663	--	WHEEL AR-IDLER (NARROW) (NOT SERVICED)
1	500061D1	4	WHEEL AS-IDLER
-	177-3664	--	WHEEL AR-IDLER (MEDIUM) (NOT SERVICED)
1	1R-1237	4	WHEEL IDLER-IDLER

00639338
PR: t05c24o40d0295

MT700B SERIES TRACK TRACTOR
BRAKING SYSTEM

ACCUMULATOR & MTG GP-BRAKE - 200-4358



00910372

**MT700B SERIES TRACK TRACTOR
BRAKING SYSTEM**

667

ACCUMULATOR & MTG GP-BRAKE - 200-4358

ITEM	NUMBER	QTY	DESCRIPTION
-	200-4358	--	ACCUMULATOR & MTG GP-BRAKE [A] (NOT SERVICED)
1	CH180-1120	1	CLAMP
2	200-4335	1	ACCUMULATOR AS-BRAKE
3	400053X1	2	BOLT (M8X1.25X20MM)
4	400339X1	2	WASHER-HARD (8.8X16X2MM THK)

[A] PART OF 200-4370 BRAKE AR

00810372
PR: t05c24o40d0296

668

**MT700B SERIES TRACK TRACTOR
BRAKING SYSTEM**

**BRAKE AR - 200-4370
SERVICE**

NO ILLUSTRATION

NOTIF

**MT700B SERIES TRACK TRACTOR
BRAKING SYSTEM**

669

**BRAKE AR - 200-4370
SERVICE**

ITEM	NUMBER	QTY	DESCRIPTION
-	200-4370	--	BRAKE AR [A] (NOT SERVICED)
	200-4358	1	ACCUMULATOR & MTG GP-BRAKE (NOT SERVICED) (SEE BREAKDOWN FOR COMPONENTS)
	165-8558	1	CONTROL GP-BRAKE (NOT SERVICED) (SEE BREAKDOWN FOR COMPONENTS)
	192-6368	1	VALVE GP-BRAKE CONTROL

[A] PART OF 177-1589; 502668D1; 502669D1
BASE COMMON AR

NOTIF
PR: t05c24o40d0297

670

**MT700B SERIES TRACK TRACTOR
BRAKING SYSTEM**

**KIT-TANK AR-AIR - 502766D1
ROW ONLY**

NO ILLUSTRATION

NOTIF

**MT700B SERIES TRACK TRACTOR
BRAKING SYSTEM**

671

**KIT-TANK AR-AIR - 502766D1
ROW ONLY**

ITEM	NUMBER	QTY	DESCRIPTION
-	502766D1	--	KIT-TANK AR-AIR (NOT SERVICED)
1	179-8300	1	LINES GP-AIR TANK (NOT SERVICED) (SEE BREAKDOWN FOR COMPONENTS)
2	192-6380	1	LINES GP-COUPLER (NOT SERVICED) (SEE BREAKDOWN FOR COMPONENTS)
3	501651D1	1	COMPRESSOR GP-AIR (NOT SERVICED) (SEE BREAKDOWN FOR COMPONENTS)

NOTIF
PR: t05c24o40d0298

672

**MT700B SERIES TRACK TRACTOR
BRAKING SYSTEM**

**KIT-TANK AR-AIR - 502355D1
EAME ONLY**

NO ILLUSTRATION

NOTIF

**MT700B SERIES TRACK TRACTOR
BRAKING SYSTEM**

673

**KIT-TANK AR-AIR - 502355D1
EAME ONLY**

ITEM	NUMBER	QTY	DESCRIPTION
-	502355D1	--	KIT-TANK AR-AIR (NOT SERVICED)
1	179-7090	1	LINES GP-COUPLER (NOT SERVICED) (SEE BREAKDOWN FOR COMPONENTS)
2	179-8300	1	LINES GP-AIR TANK (NOT SERVICED) (SEE BREAKDOWN FOR COMPONENTS)
3	501651D1	1	COMPRESSOR GP-AIR (NOT SERVICED) (SEE BREAKDOWN FOR COMPONENTS)

NOTIF
PR: t05c24o40d0299

674

**MT700B SERIES TRACK TRACTOR
BRAKING SYSTEM**

**KIT-BRAKE-AIR TRAILER - 502356D1
EAME ONLY**

NO ILLUSTRATION

NOTIF

**MT700B SERIES TRACK TRACTOR
BRAKING SYSTEM**

675

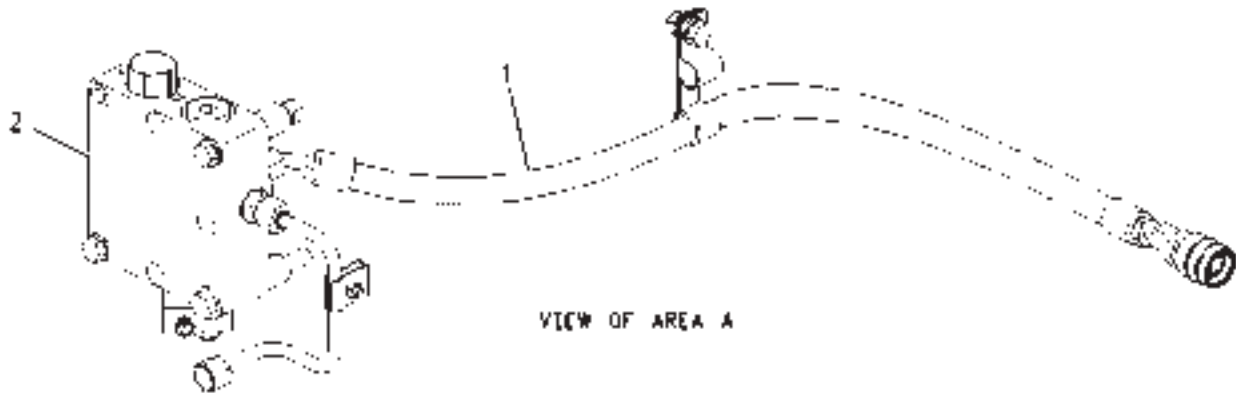
**KIT-BRAKE-AIR TRAILER - 502356D1
EAME ONLY**

ITEM	NUMBER	QTY	DESCRIPTION
-	502356D1	--	KIT-AIR TRAILER BRAKE (NOT SERVICED)
1	179-7089	1	LINES GP-CONTROL VALVE & BRAKE (A) (NOT SERVICED) (SEE BREAKDOWN FOR COMPONENTS)
2	179-7090	1	LINES GP-COUPLER (NOT SERVICED) (SEE BREAKDOWN FOR COMPONENTS)
3	179-8300	1	LINES GP-AIR TANK (NOT SERVICED) (SEE BREAKDOWN FOR COMPONENTS)
4	501651D1	1	COMPRESSOR GP-AIR (NOT SERVICED) (SEE BREAKDOWN FOR COMPONENTS)

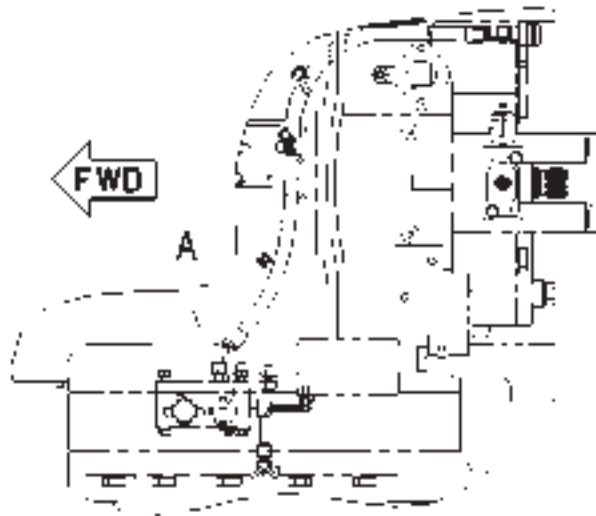
NOTIF
PR: t05c24o40d0300

MT700B SERIES TRACK TRACTOR
BRAKING SYSTEM

BRAKE AR-HYD TRAILER - 180-9999
EAME ONLY



VIEW OF AREA A



TOP VIEW

00814/88

**MT700B SERIES TRACK TRACTOR
BRAKING SYSTEM**

677

**BRAKE AR-HYD TRAILER - 180-9999
EAME ONLY**

ITEM	NUMBER	QTY	DESCRIPTION
-	180-9999	--	BRAKE AR-HYD TRAILER (NOT SERVICED)
1	165-8563	1	LINES GP-HYDRAULIC (NOT SERVICED) (SEE BREAKDOWN FOR COMPONENTS)
2	183-7177	1	VALVE & MTG GP-BRAKE (TRAILER) (NOT SERVICED) (SEE BREAKDOWN FOR COMPONENTS)

00814788
PR: t05c24o40d0301

678

**MT700B SERIES TRACK TRACTOR
BRAKING SYSTEM**

**BRAKE AR-HYD TRAILER - 227-5263
ITALIAN MARKET
EAME ONLY**

NO ILLUSTRATION

NOTIF

**MT700B SERIES TRACK TRACTOR
BRAKING SYSTEM**

679

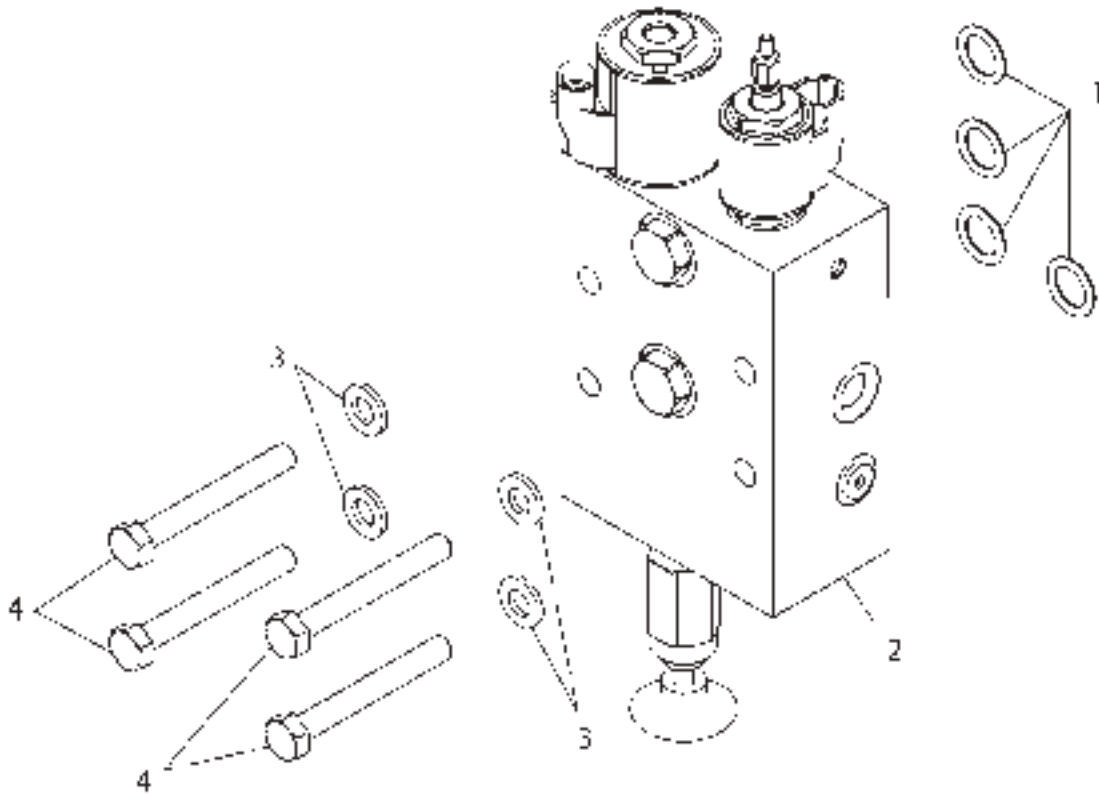
**BRAKE AR-HYD TRAILER - 227-5263
ITALIAN MARKET
EAME ONLY**

ITEM	NUMBER	QTY	DESCRIPTION
-	227-5263	--	BRAKE AR-HYD TRAILER (NOT SERVICED)
1	223-4989	1	LINES GP-HYDRAULIC (NOT SERVICED) (SEE BREAKDOWN FOR COMPONENTS)
2	227-5264	1	VALVE & MTG GP-BRAKE (TRAILER) (NOT SERVICED) (SEE BREAKDOWN FOR COMPONENTS)
3	227-5268	1	WIRING GP (NOT SERVICED) (SEE BREAKDOWN FOR COMPONENTS)
-	500494D1	--	KIT-ITALIAN HTB (TO RETROFIT MACHINES W/STD HYDRAULIC TRAILER BRAKES TO ITALIAN HYD TRAILER BRAKES)
-	500528D1	--	KIT-ITALIAN HTB RETROFIT (FOR MACHINES WITHOUT HYDRAULIC TRAILER BRAKES)

NOTIF
PR: t05c24o40d0302

MT700B SERIES TRACK TRACTOR
BRAKING SYSTEM

CONTROL GP-PARK BRAKE 200-4350



2004350A

**MT700B SERIES TRACK TRACTOR
BRAKING SYSTEM**

681

CONTROL GP-PARK BRAKE 200-4350

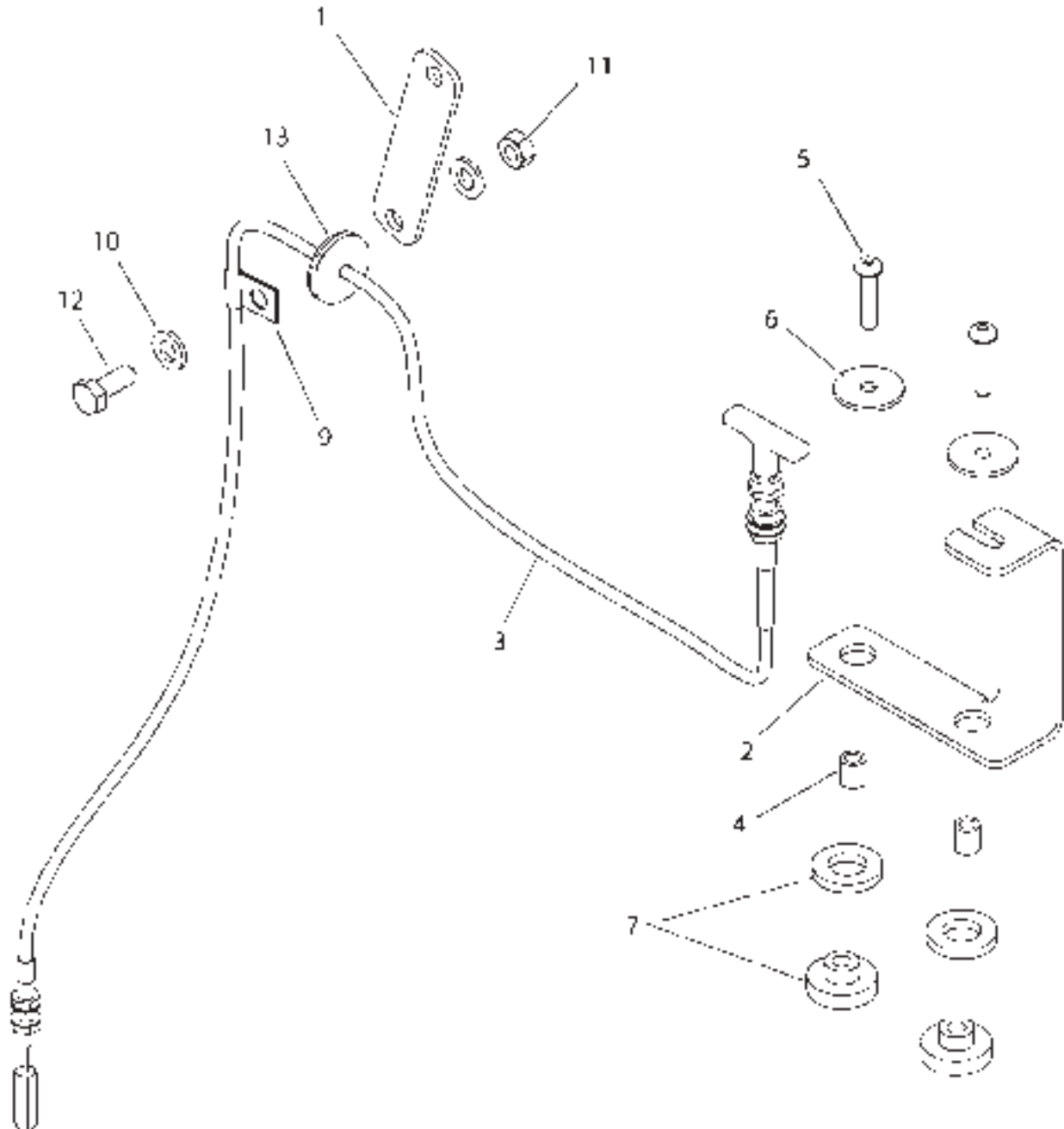
ITEM	NUMBER	QTY	DESCRIPTION
-	200-4350	--	CONTROL GP-BRAKE [A]
1	CH5P-8119	4	SEAL-O-RING
2	200-4351	1	VALVE AS. PARK BRAKE
	CH120-9048	2	VALVE-CHECK
	200-4375	1	ORIFICE DISK
	200-4329	1	VALVE-MANUAL
	200-4327	1	VALVE-SOLENOID
	200-4325	1	VALVE-SOLENOID
3	400287X1	4	WASHER-HARD (11X21X2.5MM THK)
4	400044X1	4	BOLT-M10X1.5

[A] PART OF 502668D1; 502669D1
BASE COMMON AR

2004350A
PR: t05c24o40d0303

MT700B SERIES TRACK TRACTOR
BRAKING SYSTEM

BRAKE GP-PARKING - 210-7485
ROW ONLY



2107485A

**MT700B SERIES TRACK TRACTOR
BRAKING SYSTEM**

683

**BRAKE GP-PARKING - 210-7485
ROW ONLY**

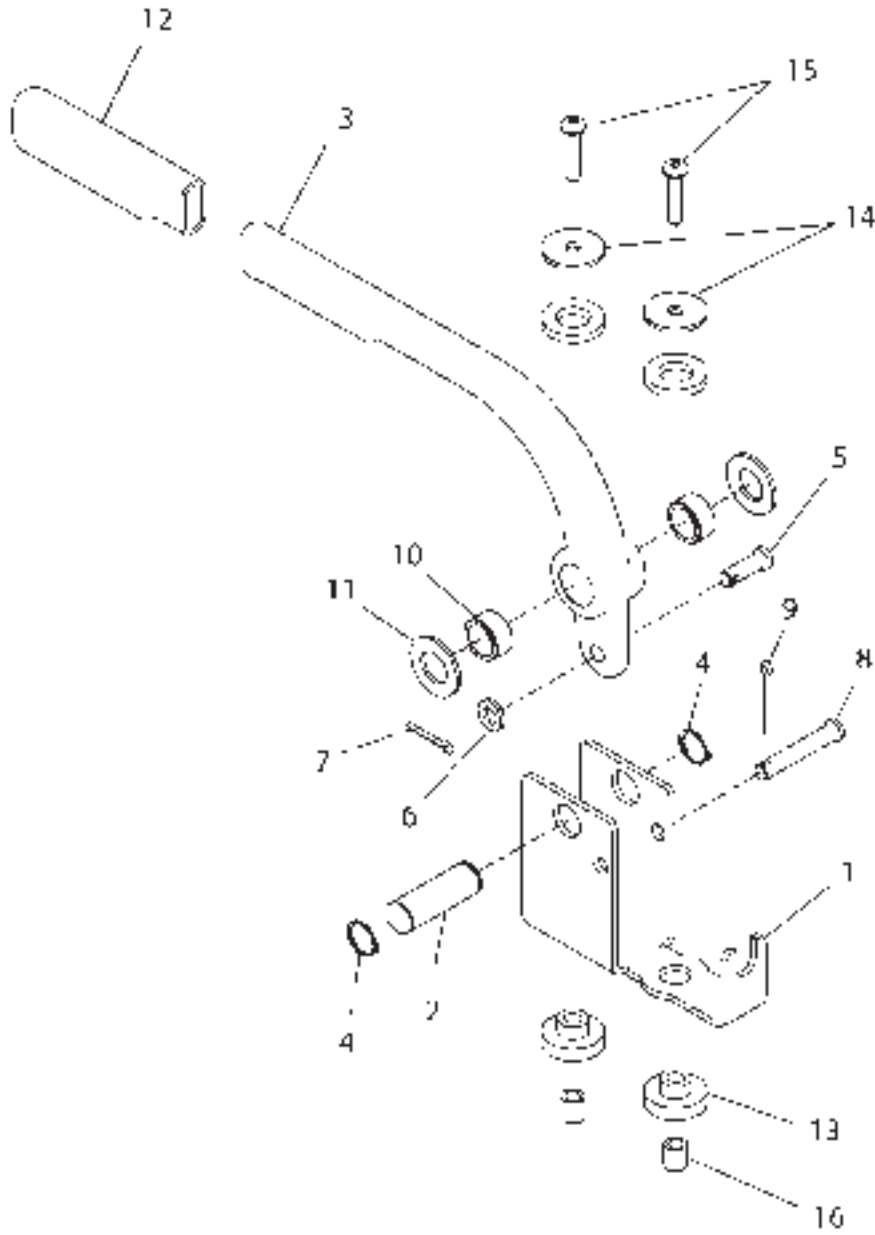
ITEM	NUMBER	QTY	DESCRIPTION
-	210-7485	--	BRAKE GP-PARKING [A] (NOT SERVICED)
1	200-4398	1	BRACKET
2	210-7483	1	BRACKET
3	210-7511	1	CABLE AS.
4	CH226-2711	2	SPACER-12.7IDX8.2ODX14 ZN
5	CH142-2304	2	SCREW-BTN HD M8X1.25X35 ZNDI
6	CH156-0283	2	WASHER-HARD 8.4IDX35ODX2.5 MM
7	CH226-0372	2	BUSHING MOUNT-34.9ODX9.5ID
9	CH6K-8179	1	CLIP-LOOP 4.76 ID W/COATING
10	400287X1	2	WASHER-HARD 11IDX21ODX2.5 ZND1
11	WR522218	1	NUT-M10-1.5,CL10.9,ZN,H,REG
12	400039X1	1	BOLT-M10X1.5X25 ZNDI HDD 10.9
13	400114X1	1	GROMMET-RUBBER 30ODX7IDX3LG

[A] PART OF 502668D1 BASE COMMON AR

2107485A
PR: t05c24o40d0304

MT700B SERIES TRACK TRACTOR
BRAKING SYSTEM

CONTROL GP-PARKING BRAKE - 172-6857
EAME ONLY



1726857F

**MT700B SERIES TRACK TRACTOR
BRAKING SYSTEM**

685

**CONTROL GP-PARKING BRAKE - 172-6857
EAME ONLY**

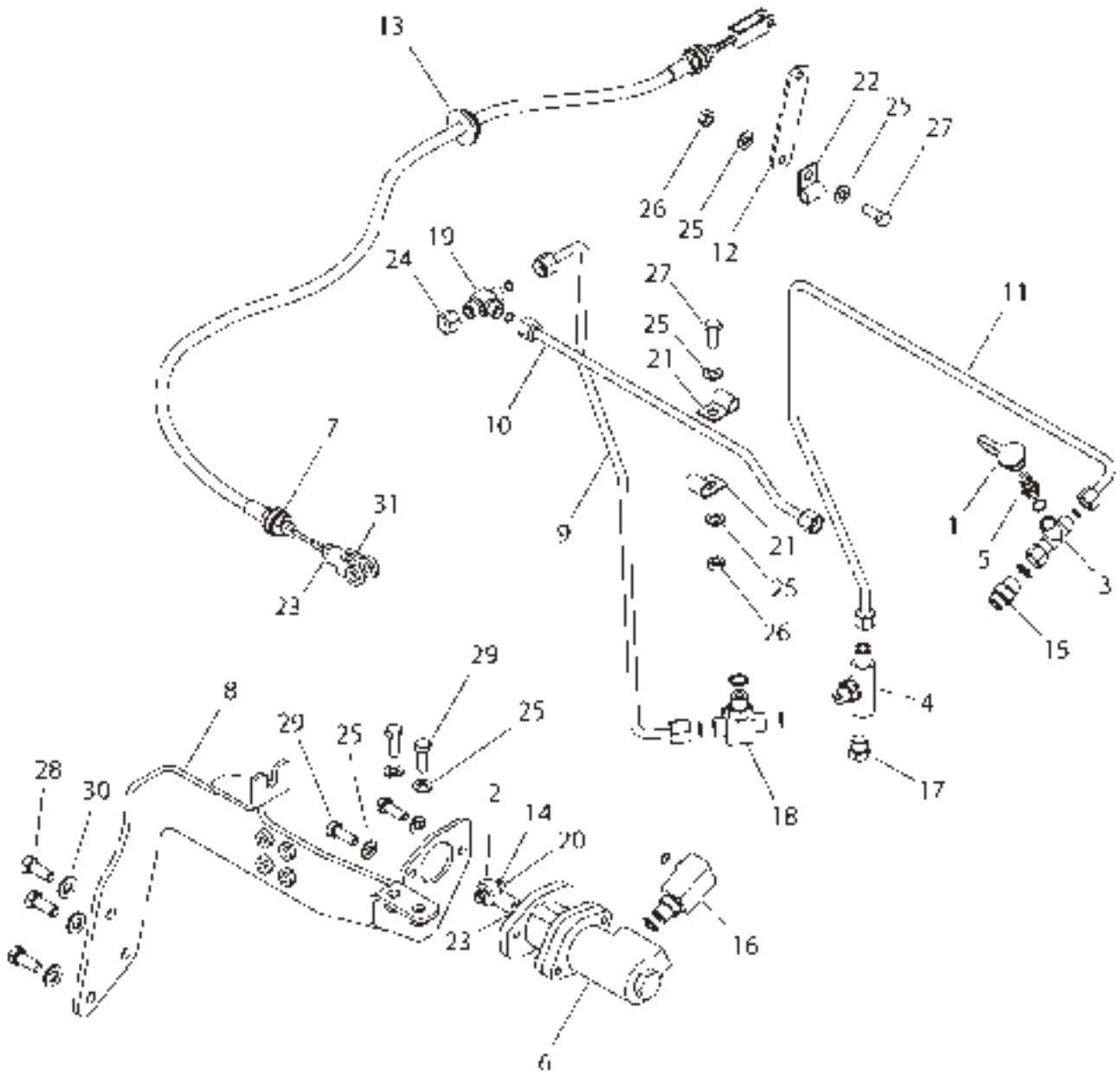
ITEM	NUMBER	QTY	DESCRIPTION
-	172-6857	--	CONTROL GP-PARK BRAKE [A] (NOT SERVICED)
1	179-6897	1	BRACKET
2	CH179-6898	1	PIN
3	179-6901	1	HANDLE
4	CH2J-6356	2	RING-RETAINING
5	CH9H-6673	1	PIN
6	CH5M-2894	1	WASHER-HARD (10.2X18.5X2.5MM THK)
7	CH3B-4617	1	PIN-COTTER
8	CH6L-3966	1	PIN
9	CH5J-3079	1	PIN-COTTER
10	CH4E-1251	2	BEARING-SLEEVE
11	CH114-5786	2	WASHER-NYLON (19.5X36.2X2.5MM THK)
12	179-6899	1	COVER
13	CH226-0372	2	BUSHING MOUNT (34.9ODX9.5ID)
14	CH156-0283	2	WASHER-HARD (8.4X35X2.5MM THK)
15	CH142-2304	2	BOLT-BTN HD (M8X1.25X35MM)
16	CH226-2711	2	SPACER (12.7IDX8.2ODX14)

[A] PART OF:
500847D1; 500848D1 CAB AR

1726857F
PR: t05c24o40d0305

MT700B SERIES TRACK TRACTOR
BRAKING SYSTEM

CONTROL GP-BRAKE - 200-4360
EAME ONLY



2004360A

**MT700B SERIES TRACK TRACTOR
BRAKING SYSTEM**

687

**CONTROL GP-BRAKE - 200-4360
EAME ONLY**

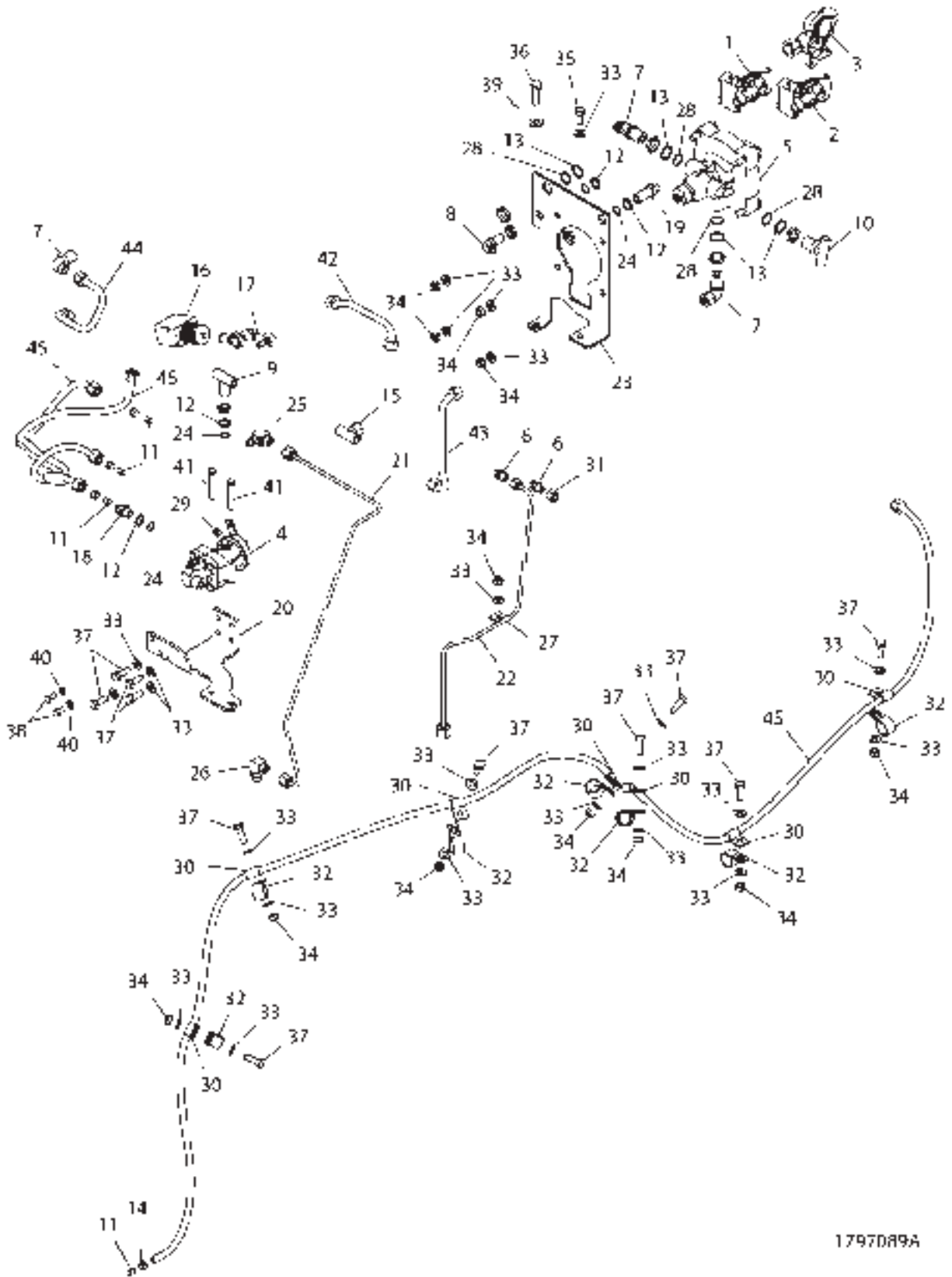
ITEM	NUMBER	QTY	DESCRIPTION
-	200-4360	--	CONTROL GP-BRAKE [A] (NOT SERVICED)
1	400323X1	1	CAP-DUST 12.6 DIA -RUBBER
2	CH8T-6431	1	ROD-END SPHERE 101D M10X1.5-6H
3	CH148-8424	1	TEE AS-6ORFSX6STORX6ORFS SWVL
	400378X1	1	SEAL-O-RING (12.83ODX1.78DIA)
4	CH148-8443	1	TEE AS-6ORFS X 6STOR X 6STOR
	400378X1	1	SEAL-O-RING (12.83ODX1.78DIA)
	400318X1	1	SEAL-O-RING (11.89IDX1.98DIA)
5	400324X1	1	NIPPLE AS-QUICK DISC-4&ORING
6	192-6371	1	VALVE AS. -BRAKE
7	192-6372	1	CABLE AS.
8	200-4377	1	BRACKET AS.
9	200-4378	1	TUBE AS.
10	200-4381	1	TUBE AS.
11	200-4383	1	TUBE AS.
12	200-4398	1	BRACKET
13	CH212-4443	1	GROMMET-RUB 12.5 IDX32 ODX2.5
14	CH095-0845	1	PIN-COTTER 2.5DIA 20 MM STL
15	400628X1	1	CONNECTOR AS-STR-8STOR-6ORFS
16	CH148-8383	1	ELBOW AS-90DEG 8STOR X 6ORFS
17	400612X1	1	PLUG AS-6 STOR
	400318X1	1	SEAL-O-RING (11.89IDX1.98DIA)
18	CH148-8436	1	TEE AS-UNION -6 ORFS & O RINGS
19	400634X1	1	TEE AS-UNION-6 ORFS
20	CH3H-8538	1	PIN-9.40DIA X 36.5
21	400620X1	2	CLIP-9.52 ID, M10 OR 3/8
22	400621X1	1	CLIP-12.7 ID, M10 OR 3/8
23	CH6V-8183	1	NUT-3/8-24 THD FULL
24	CH6V-9829	1	CAP AS-9.52 OD
25	400287X1	8	WASHER-HARD 11IDX21ODX2.5 ZND1
26	WR522218	3	NUT-M10-1.5,CL10.9,ZN,H,REG
27	400039X1	2	BOLT-M10X1.5X25 ZNDI HDD 10.9
28	400041X1	3	BOLT-M12X1.75X30 ZNDI HDD 10.9
29	400058X1	4	BOLT-M10X1.5X30 ZNDI HDD 10.9
30	400357X1	3	WASHER-HARD-M12X25.50DX3THK
31	CH8X-6167	1	ROD END-YOKE

[A] PART OF 502669D1 BASE COMMON AR

2004360A
PR: t05c24o40d0306

MT700B SERIES TRACK TRACTOR
BRAKING SYSTEM

KIT-LINES GP - 179-7089
CONTROL VALVE & BRAKE (A)
EAME ONLY



1797089A

**MT700B SERIES TRACK TRACTOR
BRAKING SYSTEM**

689

**KIT-LINES GP - 179-7089
CONTROL VALVE & BRAKE (A)
EAME ONLY**

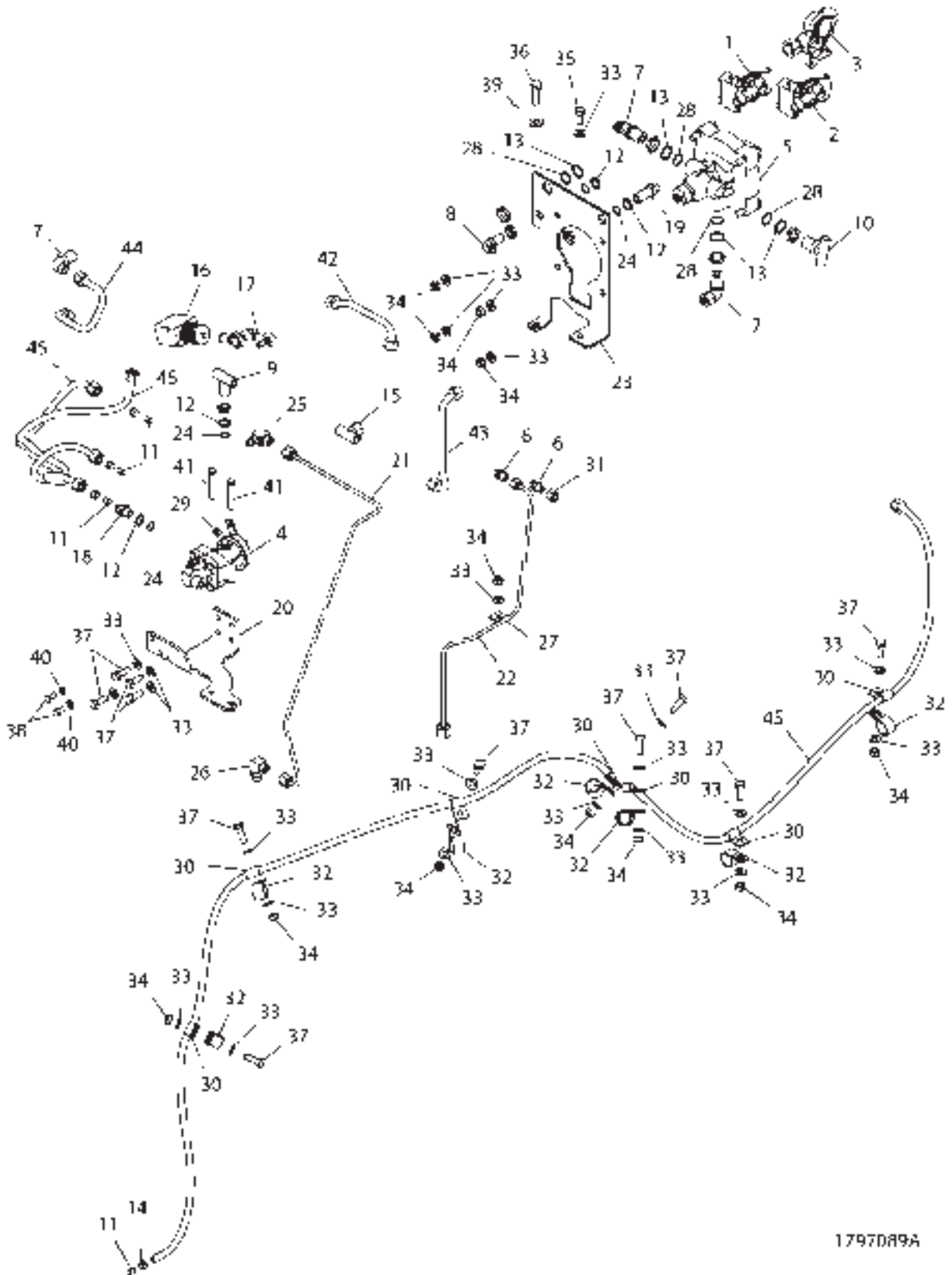
ITEM	NUMBER	QTY	DESCRIPTION
-	179-7089	--	LINES GP-CONTROL &
1	CH171-1105	1	CONNECTOR AS.-QUICK
2	CH171-1106	1	CONNECTOR AS.-QUICK
3	CH171-1107	1	CONNECTOR AS.-QUICK
4	180-1667	1	VALVE-CONTROL
5	180-2519	1	VALVE-CONTROL
6	CH183-4236	2	ADAPTER AS-4ORFS X M12
	CH8C-5200	1	SEAL (14.4ODX9.8IDX1.5)
	400377X1	1	SEAL-O-RING (11.23ODX1.78DIA)
7	CH185-9753	3	ELBOW AS-90DEG M16 X M18
8	CH185-9759	1	ELBOW AS-90DEG M16 X M18
	400352X1	1	NUT-TUBE (M16X1.5)
	CH187-6297	1	FERRULE (12IDX15X10)
	CH187-9012	1	NUT-LOCK (M16X1.5)
9	CH185-9761	1	TEE-M18 X M16 X M18
10	CH185-9762	1	TEE-M18 X M22 X M18
11	CH185-9768	6	INSERT-12 OD TUBE
12	CH185-9772	4	RING-BKUP 16IDX22ODX2.5STL
13	CH185-9773	4	RING-BKUP 22IDX27ODX2.5STL
14	CH187-6297	1	FERRULE-12 OD TUBE
15	CH190-0430	1	TEE - M18 X 3
16	192-6366	1	ACTUATOR AS.
17	200-4337	1	LINKAGE AS.
18	CH200-4349	1	ADAPTER - M18 X M16
	CH187-6297	1	FERRULE (12OD TUBE)
	400352X1	1	NUT-TUBE (M18)
19	CH200-4359	1	COUPLING-BLKHD M18 X M16
20	200-4362	1	BRACKET AS.
21	200-4376	1	TUBE AS.
22	200-4391	1	TUBE AS.
23	202-2354	1	BRACKET
24	CH122-9250	4	SEAL-O-RING 15IDX2DIA
25	CH148-8361	1	ELBOW AS-90 DEG 4 STOR X6 ORFS
	400361X1	1	SEAL-O-RING (8.92ID X 1.83DIA)
	400378X1	1	SEAL-O-RING (12.83ODX1.78DIA)
26	CH148-8378	1	ELBOW AS-90 DEG 4 STOR X6 ORFS
	400318X1	1	SEAL-O-RING (11.89IDX1.98DIA)
	400378X1	1	SEAL-O-RING (12.83ODX1.78DIA)
27	CH2B-2404	1	CLIP-LOOP 6.35ID
28	CH3E-6762	4	SEAL-O-RING 20.3IDX2.4DIA
29	CH3F-2617	1	NUT-LOCK - 4/16-24 X8.73
30	400621X1	7	CLIP-12.7 ID, M10 OR 3/8

CONTINUED

1797089A
PR: t05c24o40d0307

MT700B SERIES TRACK TRACTOR
BRAKING SYSTEM

KIT-LINES GP - 179-7089
CONTROL VALVE & BRAKE (A)
EAME ONLY



1797089A

**MT700B SERIES TRACK TRACTOR
BRAKING SYSTEM**

691

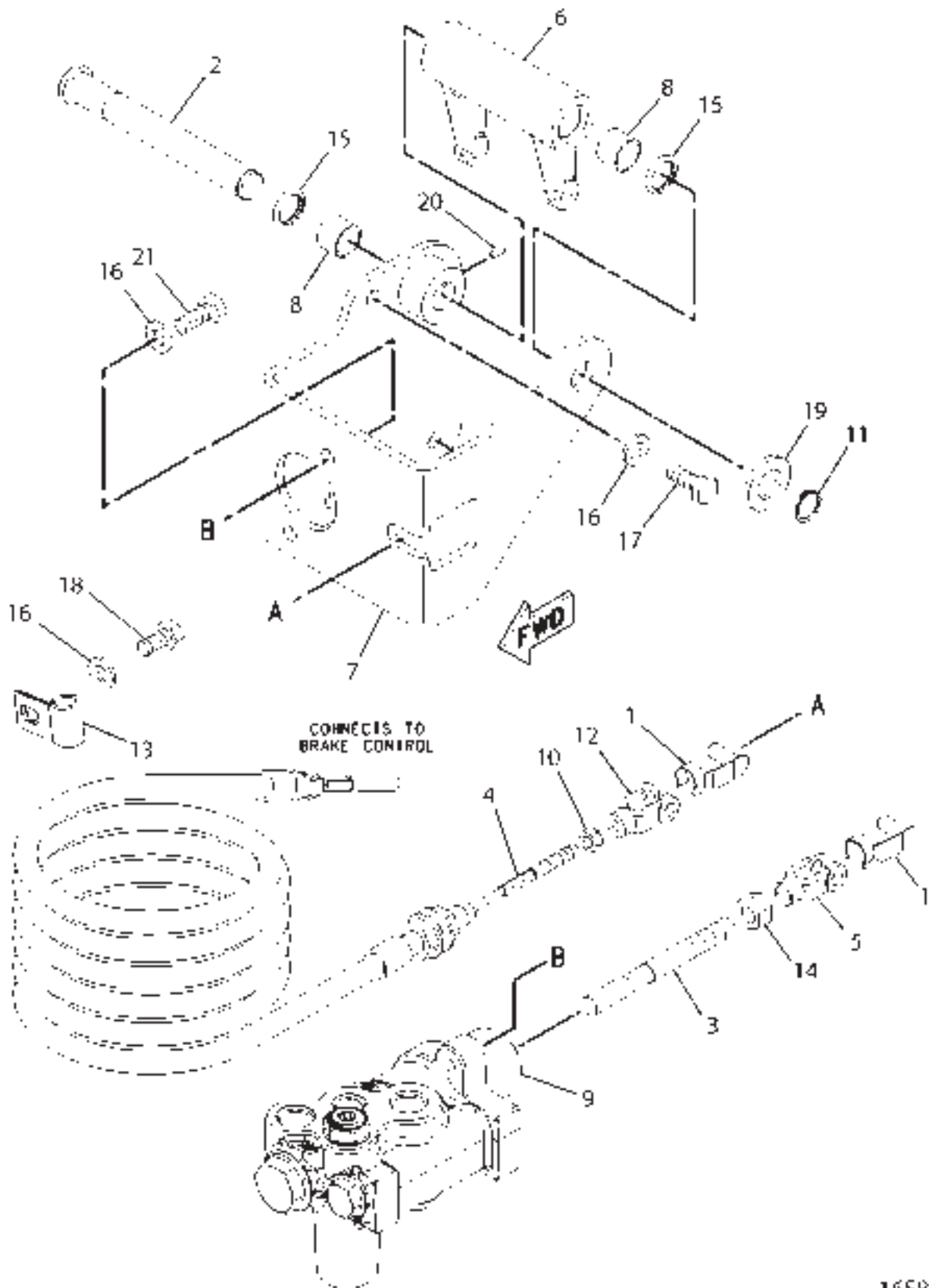
**KIT-LINES GP - 179-7089
CONTROL VALVE & BRAKE (A)
EAME ONLY**

ITEM	NUMBER	QTY	DESCRIPTION
-	179-7089	--	LINES GP-CONTROL &
31	CH6V-9828	1	CAP-ASSEMBLY
32	400688X1	7	CLIP LOOP 25.4ID
33	400287X1	24	WASHER-HARD 11IDX21ODX2.5 ZND1
34	WR522218	12	NUT-M10-1.5,CL10.9,ZN,H,REG
35	400039X1	1	BOLT-M10X1.5X25 ZNDI HDD 10.9
36	400050X1	1	BOLT-M12X1.75X40 ZNDI HDD 10.9
37	400058X1	11	BOLT-M10X1.5X30 ZNDI HDD 10.9
38	400227X1	2	BOLT-M8X1.25X16 ZNDI HDD 10.9
39	400357X1	1	WASHER-HARD-M12X25.50DX3THK
40	400339X1	2	WASHER - HARD
41	400242X1	2	BOLT-M8X1.25X60 ZNDI HDD 10.9
42	183-4241	1	TUBE AS
43	187-9020	1	TUBE AS.
44	190-0429	1	TUBE AS.
45	CH200-4321	AR	TUBE -PLASTIC 9IDX12OD (496CM)

1797089A
PR: t05c24o40d0307

MT700B SERIES TRACK TRACTOR
BRAKING SYSTEM

CYLINDER GP-MASTER - 165-8558
BRAKE



1658558A

**MT700B SERIES TRACK TRACTOR
BRAKING SYSTEM**

693

**CYLINDER GP-MASTER - 165-8558
BRAKE**

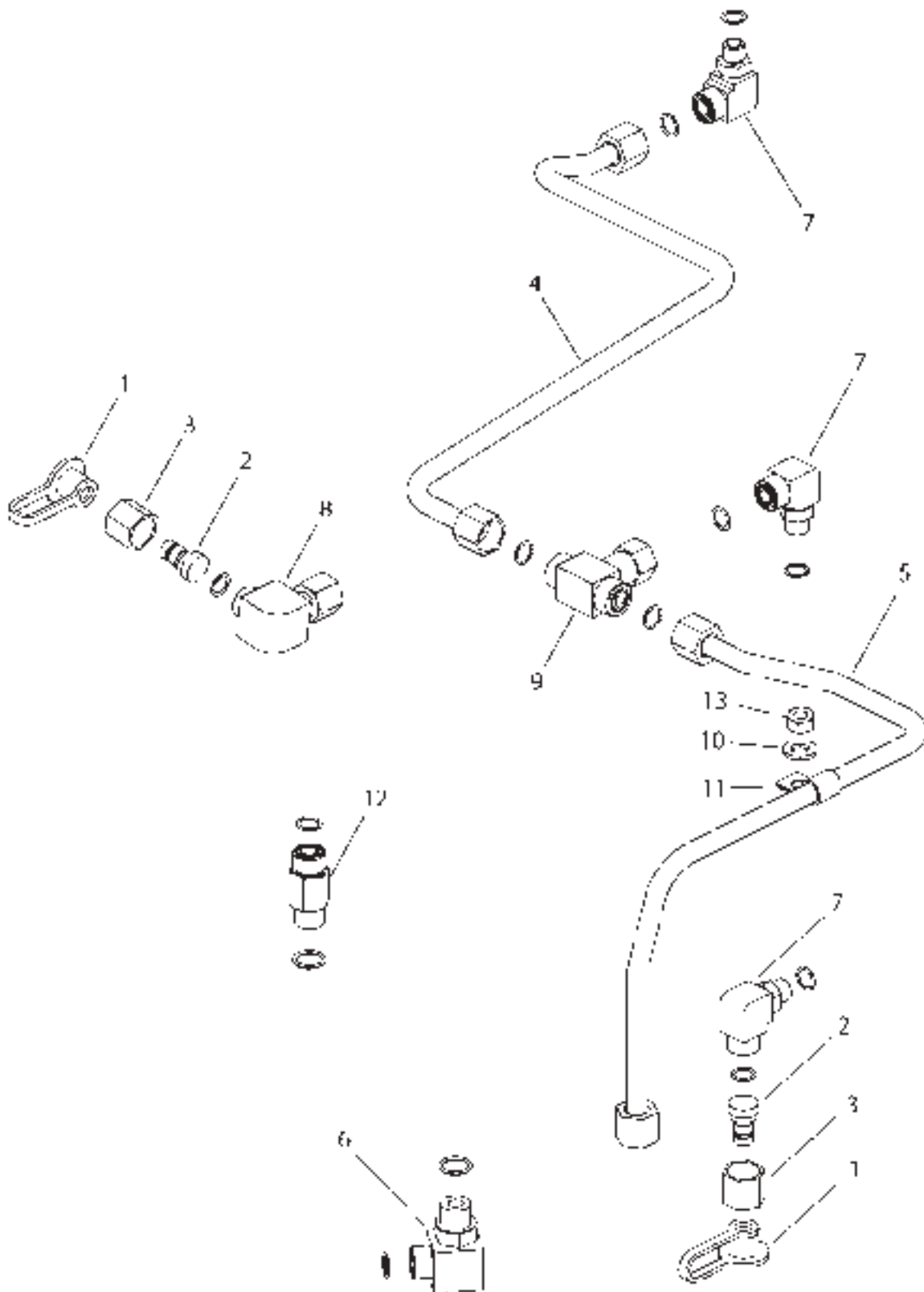
ITEM	NUMBER	QTY	DESCRIPTION
-	165-8558	--	CYLINDER GP-MASTER (NOT SERVICED)
1	CH8T-8932	2	PIN SPRING-SPRING
2	CH184-5339	1	PIN
3	184-5352	1	STEM
4	500375D1	1	CABLE AS. (SERVICE BRAKE)
5	400117X1	1	ROD END
6	200-4322	1	LEVER
7	200-4353	1	SUPPORT AS-BRAKE
8	CH200-4384	2	BEARING
9	501025D1	1	VALVE AS-BRAKE
10	CH1B-4202	1	NUT (5/16-24 THD)
11	CH2J-6356	1	RING-RETAINING
12	CH4J-2701	1	ROD END-YOKE
13	400702X1	1	CLIP (SLOT)
14	CH7X-3374	1	NUT-FULL (1/2-20 THD)
15	CH8F-7702	2	SEAL-LIP
16	400287X1	6	WASHER-HARD (11X21X2.5MM THK)
17	400039X1	3	BOLT (M10X1.5X25MM)
18	400040X1	1	BOLT (M10X1.5X20MM)
19	CH8T-4994	1	WASHER-HARD (20X36.5X3.5MM THK)
20	CH8T-9102	1	SETSCREW-SOCKET (M5X0.8X10MM)
21	400058X1	2	BOLT (M10X1.5X30)

[A] PART OF 200-4370 BRAKE AR

1658558A
PR: t05c24o40d0308

MT700B SERIES TRACK TRACTOR
BRAKING SYSTEM

LINES GP-SERVICE BRAKE (B)- 165-8559
ROW ONLY



1658559A

**MT700B SERIES TRACK TRACTOR
BRAKING SYSTEM**

695

**LINES GP-SERVICE BRAKE (B)- 165-8559
ROW ONLY**

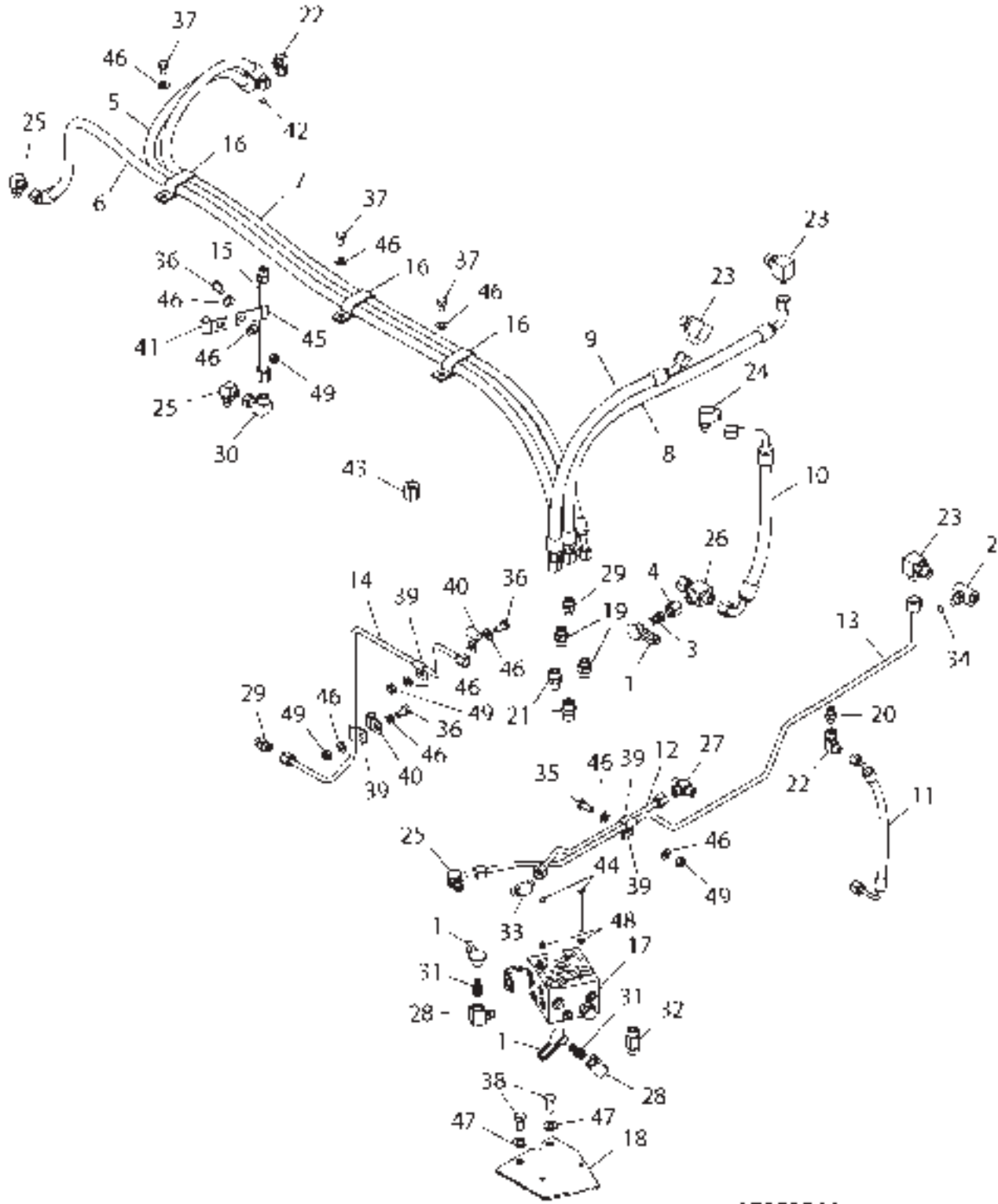
ITEM	NUMBER	QTY	DESCRIPTION
-	165-8559	--	LINES GP-SVC BR [A] (NOT SERVICED)
1	400323X1	2	CAP-DUST 12.6 DIA -RUBBER
2	CH8C-6416	2	NIPPLE AS-QUICK DISC -4 & ORNG
	CH6V-8554	1	NUT
3	400607X1	2	NUT-ORFS 13/16-16 PLATED
4	206-0596	1	TUBE AS.
5	212-8806	1	TUBE AS.
6	CH148-8364	1	ELBOW AS-90DEG (8STOR-8ORFS)
	CH3K-0360	1	SEAL-O-RING (16.36IDX2.21DIA)
	CH6V-8398	1	SEAL-O-RING (16.03ODX1.78DIA)
7	400417X1	3	ELBOW AS-90DEG-6STOR-8ORFS
	400318X1	1	SEAL-O-RING (11.89IDDX1.98DIA)
	CH6V-8398	1	SEAL-O-RING (16.03ODX1.78DIA)
8	CH148-8370	1	ELBOW AS-90DEG (8 ORFS SWVL)
	CH6V-8398	1	SEAL-O-RING (16.03ODX1.78DIA)
9	400614X1	1	TEE AS-8 ORFS
	CH6V-8398	2	SEAL-O-RING
10	400287X1	1	WASHER-HARD 11IDX21ODX2.5 ZND1
11	400623X1	1	CLIP-12.7 ID, M10 OR 3/8
12	501102D1	1	CONNECTOR AS (SPL)
	CH3K-0360	1	SEAL-O-RING
	500934D1	1	CONNECTOR-O-RING
	CH6V-8398	1	SEAL-O-RING
13	WR522218	1	NUT-M10-1.5,CL10.9,ZN,H,REG

[A] PART OF 502668D1 BASE COMMON AR

1658559A
PR: t05c24o40d0309

MT700B SERIES TRACK TRACTOR
BRAKING SYSTEM

LINES GP-SERV BRAKE(B) - 178-9024
EAME ONLY



1789024A

**MT700B SERIES TRACK TRACTOR
BRAKING SYSTEM**

697

**LINES GP-SERV BRAKE(B) - 178-9024
EAME ONLY**

ITEM	NUMBER	QTY	DESCRIPTION
-	178-9024	--	LINES GP-SERV BRAKE [A] (NOT SERVICED)
1	400323X1	3	CAP-DUST 12.6 DIA -RUBBER
2	400624X1	1	TEE-90DEG-6 STOR-PORT-SPL
3	CH8C-6416	1	NIPPLE AS-QUICK DISC -4 & ORNG
4	400607X1	1	NUT-ORFS 13/16-16 PLATED
5	CH215-4780	1	HOSE AS-9.52 SAE 100R1
6	CH215-4781	1	HOSE AS-9.52 SAE 100R1
7	CH215-4782	1	HOSE AS-9.52 SAE 100R1
8	CH215-4783	1	HOSE AS-12.70 SAE 100R1
9	CH215-4784	1	HOSE AS-12.70 SAE 100R1
10	CH215-4785	1	HOSE AS-12.70 SAE 100R1
11	CH215-4786	1	HOSE AS-6.35 ID SAE 100R1
12	215-4787	1	TUBE AS
13	215-4788	1	TUBE AS
14	215-4789	1	TUBE AS
15	215-4797	1	TUBE AS
16	400625X1	3	CLIP-19.05 ID DBL,M10 OR 3/8
17	223-5929	1	VALVE AS
18	225-5208	1	BRACKET AS
19	400628X1	2	CONNECTOR AS-STR-8STOR-6ORFS
20	400630X1	1	CONNECTOR AS-STR-6STOR-4ORFS
21	CH148-8340	2	CONNECTOR AS -8ORFS-8STOR
22	400632X1	2	ELBOW AS-4ORFS 90DEG & ORING
23	CH148-8364	3	ELBOW AS-90DEG (8STOR-8ORFS)
	CH3K-0360	1	SEAL-O-RING (16.36ID X 2.21DIA)
	CH6V-8398	1	SEAL-O-RING (16.03OD X 1.78DIA)
24	400417X1	1	ELBOW AS-90DEG-6STOR-8ORFS
	400318X1	1	SEAL-O-RING (11.89ID X 1.98DIA)
	CH6V-8398	1	SEAL-O-RING (16.03OD X 1.78DIA)
25	CH148-8378	3	ELBOW AS-90 DEG 4 STOR X6 ORFS
	400318X1	1	SEAL-O-RING (11.89ID X 1.98DIA)
	400378X1	1	SEAL-O-RING (12.83OD X 1.78DIA)
26	CH148-8444	1	TEE-SWIVEL 3X -8 ORFS
	CH6V-8398	2	SEAL-O-RING (16.03 ID X 1.78 DIA)
27	400634X1	1	TEE AS-UNION-6 ORFS
28	CH150-3065	2	ADAPTER AS-90DEG 6 STOR X 6 STOR
29	400638X1	2	CONNECTOR AS-STR-6STOR-6ORFS
30	400825X1	1	ELBOW AS-8 ORFS 90DEG & O RING
31	400324X1	2	NIPPLE AS-QUICK DISC-4&ORING
32	400640X1	1	CONNECTOR AS-STR-8STOR-8ORFS
33	400642X1	1	ELBOW AS-6 ORFS 45DEG & ORING
34	400318X1	1	SEAL-O-RING 11.89ID X DIA 1.98
35	400039X1	1	BOLT-M10X1.5X25 ZNDI HDD 10.9
36	400040X1	3	BOLT-M10X1.5X20 ZNDI HDD 10.9
37	400054X1	3	BOLT-M10X1.5X16 ZNDI HDD 10.9
38	400055X1	2	BOLT-M12X1.75X25 ZNDI HDD 10.9
39	400620X1	4	CLIP-9.52 ID, M10 OR 3/8

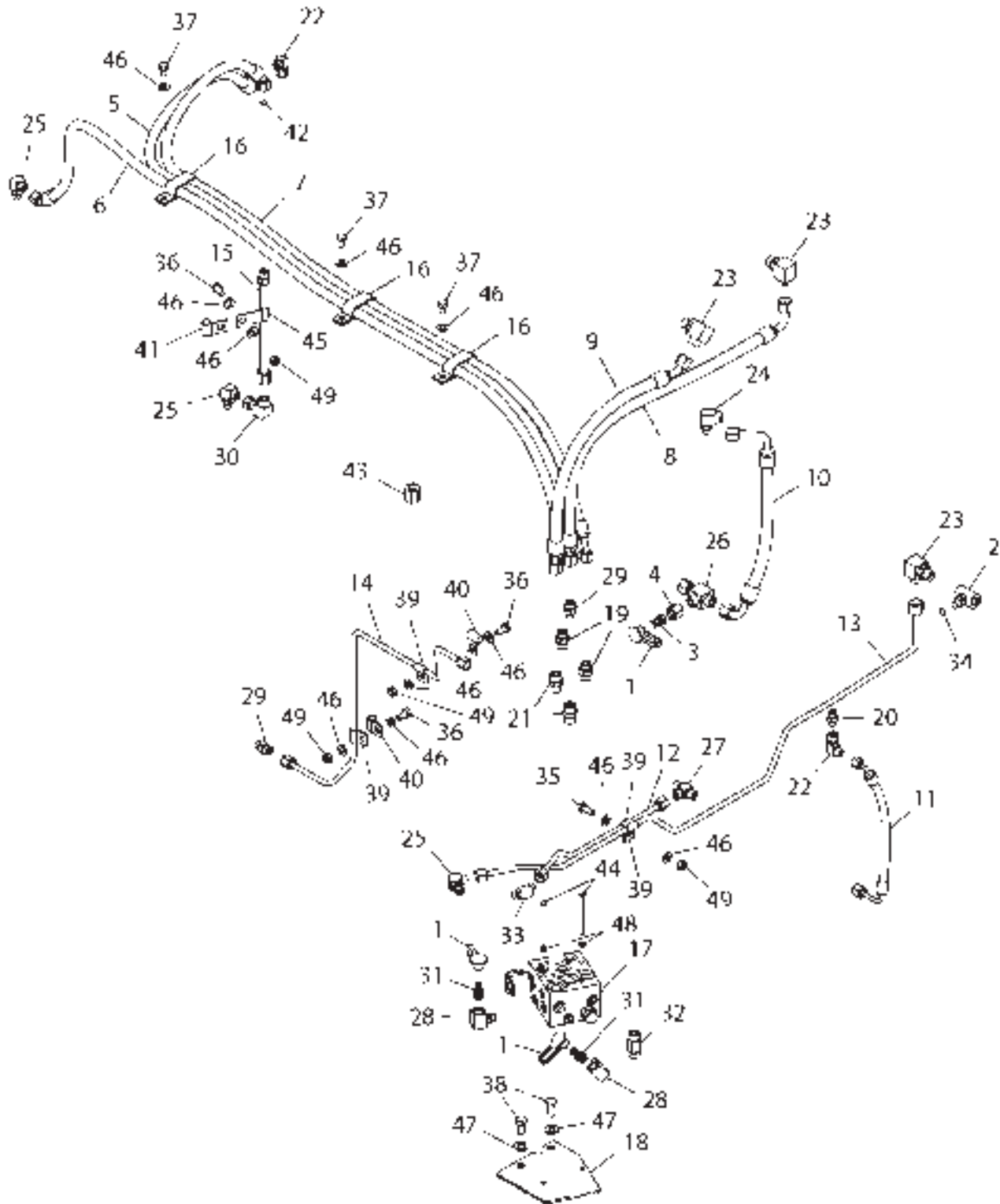
CONTINUED

[A] PART OF 502669D1 BASE COMMON AR

1789024A
PR: t05c24o40d0310

MT700B SERIES TRACK TRACTOR
BRAKING SYSTEM

LINES GP-SERV BRAKE(B) - 178-9024
EAME ONLY



1789024A

**MT700B SERIES TRACK TRACTOR
BRAKING SYSTEM**

699

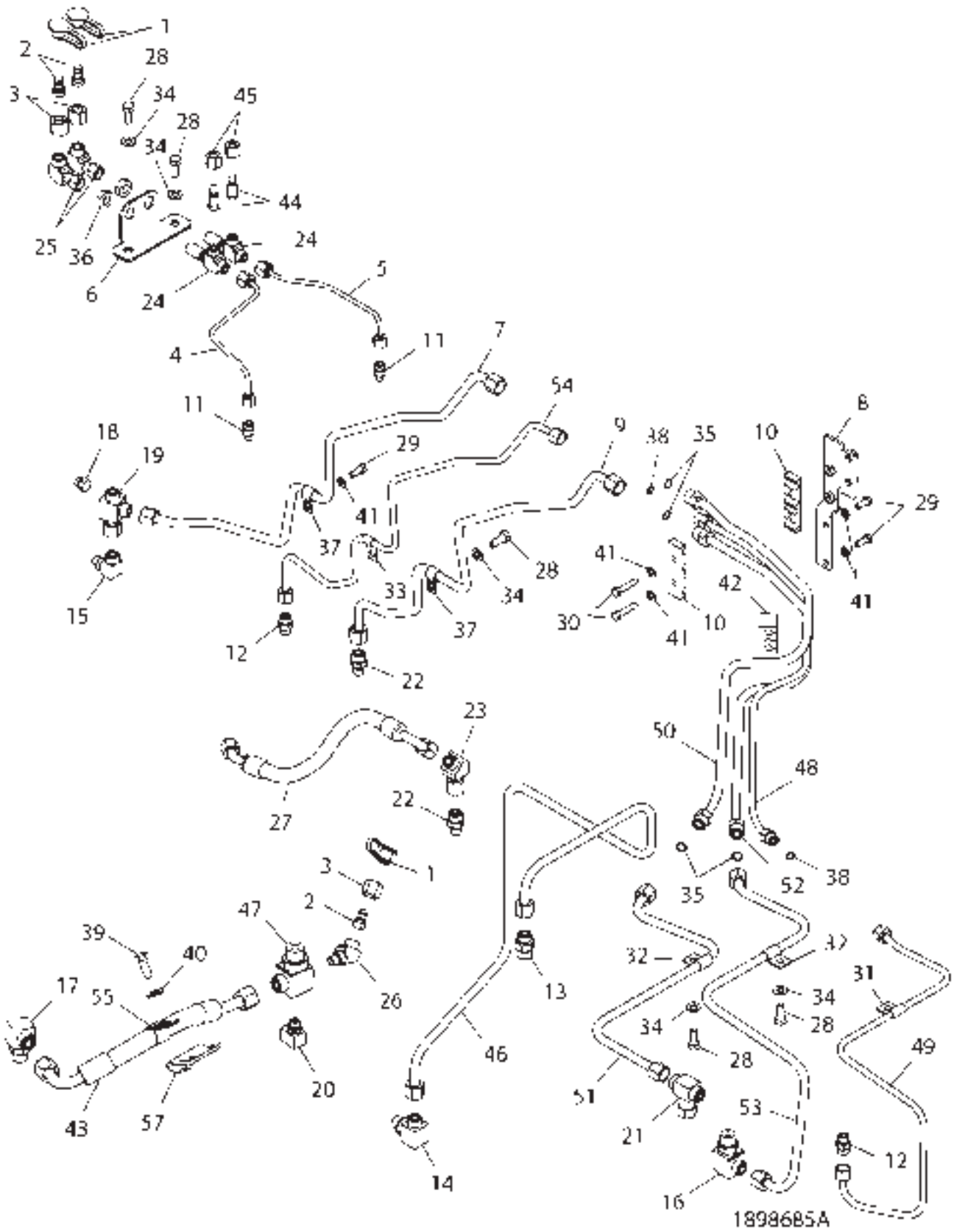
**LINES GP-SERV BRAKE(B) - 178-9024
EAME ONLY**

ITEM	NUMBER	QTY	DESCRIPTION
-	178-9024	--	LINES GP-SERV BRAKE [A] (NOT SERVICED)
40	400621X1	2	CLIP-12.7 ID, M10 OR 3/8
41	400644X1	1	CLIP-14.29 ID, M10 OR 3/8
42	400378X1	2	SEAL-O-RING (12.83ODX1.78DIA)
43	400645X1	1	CAP AS-12.7 OD-8 ORFS
44	400203X1	2	BOLT-M6X1X90MM ZND1 HHD 10.9
45	400646X1	2	CLIP-12.7 ID, M10 OR 3/8
46	400287X1	11	WASHER-HARD 11IDX21ODX2.5 ZND1
47	400357X1	2	WASHER-HARD-M12X25.5ODX3THK
48	400310X1	2	WASHER
49	WR522218	4	NUT-M10-1.5,CL10.9,ZN,H,REG

[A] PART OF 502669D1 BASE COMMON AR

1789024A
PR: t05c24o40d0310

LINES GP-SERV BRAKE - 189-8685



**MT700B SERIES TRACK TRACTOR
BRAKING SYSTEM**

701

LINES GP-SERV BRAKE - 189-8685

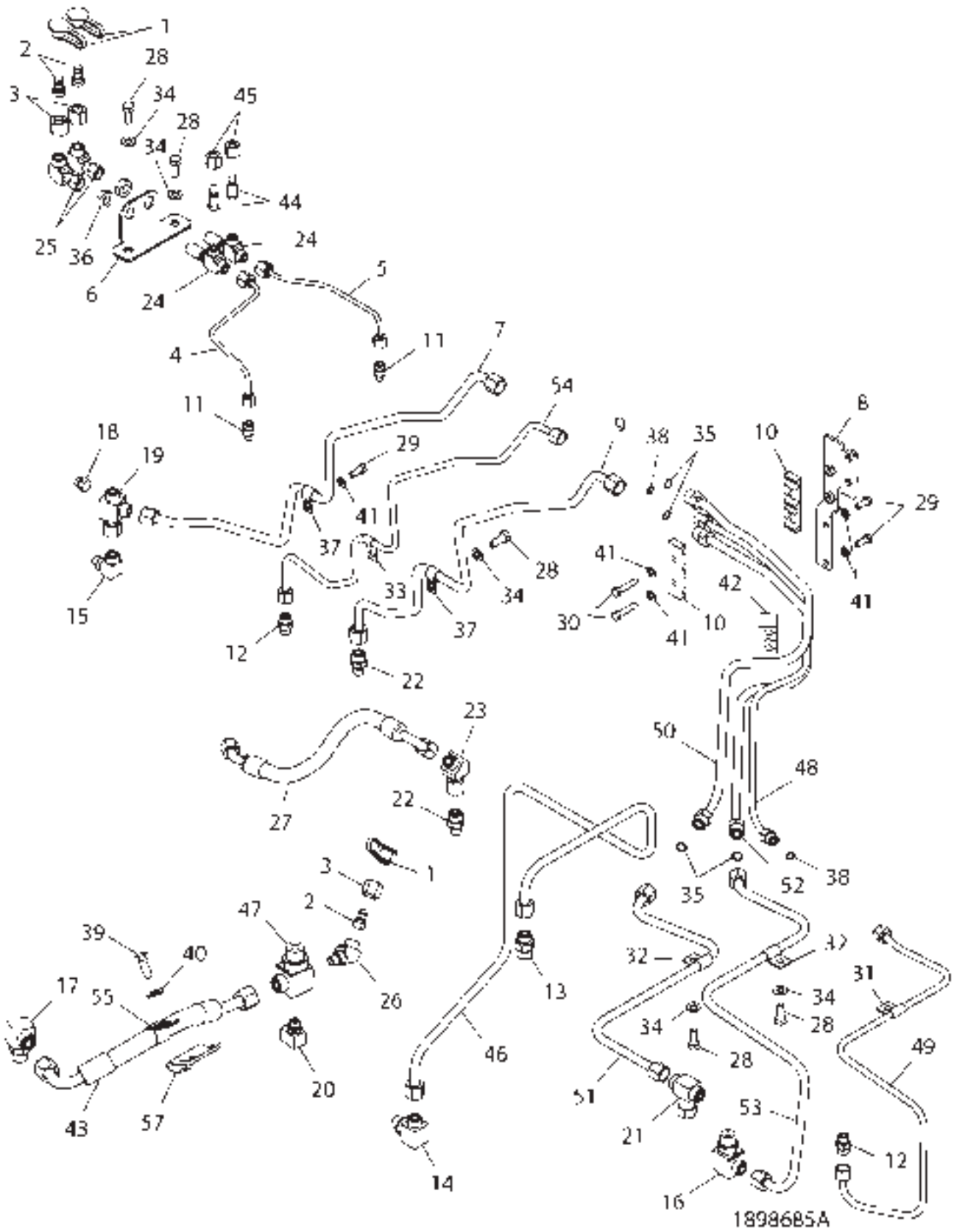
ITEM	NUMBER	QTY	DESCRIPTION
-	189-8685	--	LINES GP-SERV BRAKE [A]
1	400323X1	3	CAP-DUST 12.6 DIA -RUBBER
2	CH8C-6416	3	NIPPLE AS-QUICK DISC -4 & ORNG
	CH6V-8554	1	NUT-ORFS
3	400607X1	3	NUT-ORFS 13/16-16 PLATED
4	206-0616	1	TUBE AS.
5	206-0617	1	TUBE AS.
6	206-0631	1	BRACKET
7	212-8797	1	TUBE AS.
8	212-8882	1	BRACKET AS.
9	213-8075	1	TUBE AS.
10	400608X1	2	CLAMP
11	400368X1	2	CONNECTOR AS-STR -4STOR -4ORFS
	400361X1	1	SEAL-O-RING
	400373X1	1	CONNECTOR
	400377X1	1	SEAL-O-RING
12	400367X1	2	CONNECTOR AS-6 STOR -6 ORFS
	400318X1	1	SEAL-O-RING (11.89IDX1.98DIA)
	400372X1	1	CONNECTOR
	400378X1	1	SEAL-O-RING (12.83ODX1.78DIA)
13	400610X1	1	CONNECTOR AS.
14	CH148-8364	1	ELBOW AS-90DEG (8STOR-8ORFS)
	CH3K-0360	1	SEAL-O-RING (16.36IDX2.21DIA)
	CH6V-8398	1	SEAL-O-RING (16.03ODX1.78DIA)
15	400417X1	1	ELBOW AS-90DEG-6STOR-8ORFS
	400318X1	1	SEAL-O-RING (11.89IDX1.98DIA)
	CH6V-8398	1	SEAL-O-RING (16.03ODX1.78DIA)
16	CH148-8372	1	ELBOW AS-90DEG. 10 STOR-8 ORFS
	CH6V-8398	1	SEAL-O-RING
	400319X1	1	SEAL-O-RING
17	400320X1	1	ELBOW AS-10PORT-ORFS 90DEG.&ORING
	400319X1	1	SEAL-O-RING
	400322X1	1	SEAL-O-RING
18	400612X1	1	PLUG AS-6 STOR
	400318X1	1	SEAL-O-RING (11.89IDX1.98DIA)
19	CH148-8444	1	TEE-SWIVEL 3X -8 ORFS
	CH6V-8398	2	SEAL-O-RING (16.03 ID X 1.78 DIA)
20	CH150-3065	1	ADAPTER AS-90DEG. 6 STOR X 6 STOR
	400318X1	1	SEAL-O-RING (11.89IDX1.98DIA)
	CH6V-0484	1	ADAPTER-90DEG.
21	400614X1	1	TEE AS-8 ORFS
	CH6V-8398	2	SEAL-O-RING
22	400428X1	2	CONNECTOR AS-STR-6STOR-8ORFS
	400318X1	1	SEAL-O-RING (11.89IDX1.98DIA)
	400429X1	1	CONNECTOR
	CH6V-8398	1	SEAL-O-RING

CONTINUED

[A] PART OF 502668D1; 502669D1
BASE COMMON AR

1898685B
PR: t05c24o40d0311

LINES GP-SERV BRAKE - 189-8685



**MT700B SERIES TRACK TRACTOR
BRAKING SYSTEM**

703

LINES GP-SERV BRAKE - 189-8685

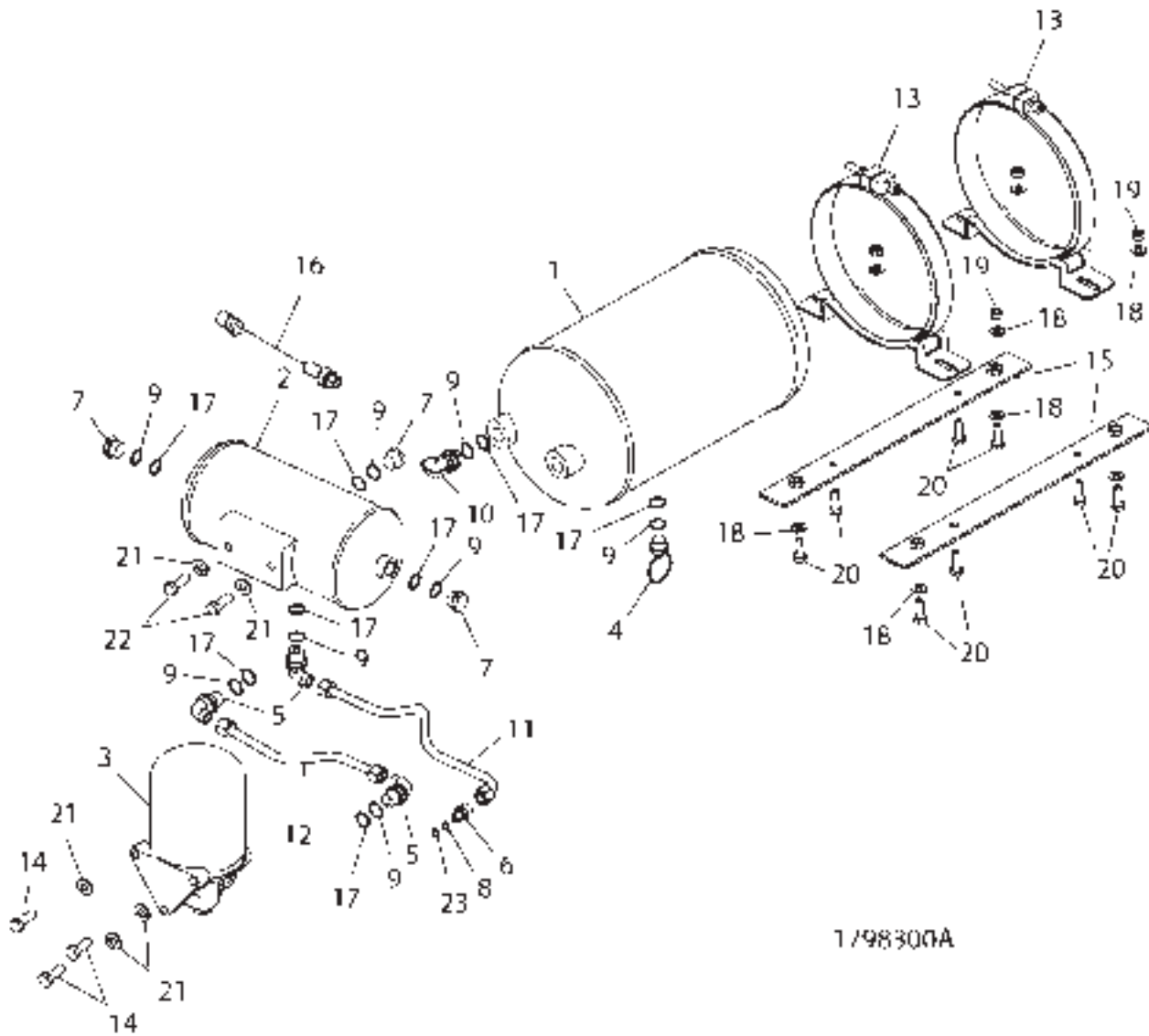
ITEM	NUMBER	QTY	DESCRIPTION
-	189-8685	--	LINES GP-SERV BRAKE [A]
23	400616X1	1	ELBOW AS-8 ORFS 45DEG
	400615X1	1	ELBOW
	CH6V-8398	1	SEAL-O-RING (16.03ODX1.78)
24	400618X1	2	TEE AS-BLKHD-6 ORFS
	400378X1	3	SEAL-O-RING (12.83ODX1.78DIA)
25	400825X1	2	ELBOW AS-8 ORFS 90DEG & ORING
26	CH164-5624	1	ELBOW-45DEG (6STORX8ORFS)
	400318X1	1	SEAL-O-RING (11.89IDXDIA1.98)
	CH6V-8398	1	SEAL-O-RING (16.03ODX1.78DIA)
27	CH212-8796	1	HOSE AS-12.7 ID SAE 100R1
28	400039X1	5	BOLT-M10X1.5X25 ZNDI HDD 10.9
29	400053X1	3	BOLT-M8X1.25X20 ZNDI HDD 10.9
30	400060X1	2	BOLT-M8X1.25X40 ZNDI HDD 10.9
31	400620X1	1	CLIP-9.52 ID, M10 OR 3/8
32	400621X1	2	CLIP-12.7 ID, M10 OR 3/8
33	400622X1	1	CLIP-9.52 ID, M10 OR 3/8
34	400287X1	5	WASHER-HARD 11IDX21ODX2.5 ZND1
35	CH6V-8398	4	SEAL-O-RING-16.03ODX1.78DIA
36	400347X1	2	NUT-BULKHEAD 11/16-16
37	CH8M-2770	2	CLIP-LOOP 12.7 ID
38	400378X1	2	SEAL-O-RING (12.83ODX1.78DIA)
39	400041X1	1	BOLT-M12X1.75X30 ZNDI HDD 10.9
40	400357X1	1	WASHER-HARD-M12X25.50DX3THK
41	400339X1	5	WASHER - HARD
42	501068D1	1	SPACER-RUBBER
43	500933D1	1	HOSE AS (FOR 15.88 ID SAE
44	500949D1	2	SCREW-BLEEDER
45	500950D1	2	NUT-TUBE
46	501067D1	1	TUBE AS
47	501069D1	1	CROSS AS-O-RING PORT TO
48	501081D1	1	TUBE AS.
49	501082D1	1	TUBE AS
50	501083D1	1	TUBE AS.
51	501084D1	1	TUBE AS.
52	501085D1	1	TUBE AS
53	501086D1	1	TUBE AS.
54	501087D1	1	TUBE AS.
55	400606X1	1	CLIP-26.98 ID-M14 OF 1/2
57	501953D1	1	BRACKET AS

[A] PART OF 502668D1; 502669D1
BASE COMMON AR

1898685B
PR: t05c24o40d0311

MT700B SERIES TRACK TRACTOR
BRAKING SYSTEM

TANK & LINES GP-AIR - 179-8300



1798300A

**MT700B SERIES TRACK TRACTOR
BRAKING SYSTEM**

705

TANK & LINES GP-AIR - 179-8300

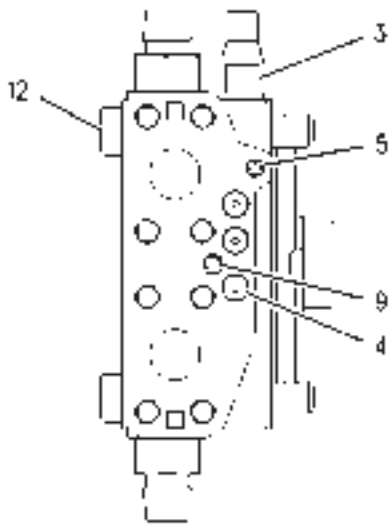
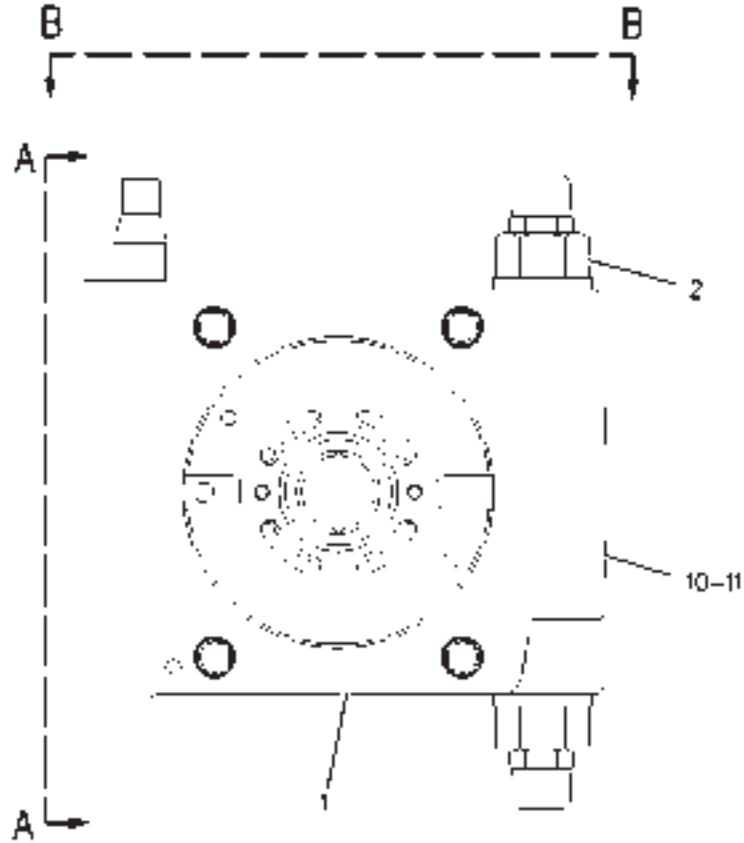
ITEM	NUMBER	QTY	DESCRIPTION
-	179-8300	--	TANK & LINES GP-AIR [A] (NOT SERVICED)
1	174-8822	1	TANK-AIR
2	177-9555	1	TANK-AIR
3	178-7197	1	AIR DRYER KIT (SERVICED AS KIT)
	187-3185	1	KIT-CARTRIDGE (DESICCANT)
	187-5245	1	KIT-VALVE
	187-5246	1	KIT-GOVERNOR
4	180-5485	1	VALVE-DRAIN
5	CH185-9753	3	ELBOW AS
6	185-9754	1	ADAPTER
7	185-9756	3	PLUG
8	185-9771	1	RING-BACKUP
9	CH185-9773	8	RING-BACKUP
10	185-9774	1	ELBOW
11	187-9017	1	TUBE AS.
12	190-0434	1	TUBE AS.
13	190-0446	2	BRACKET
14	400011X1	3	BOLT (M12X1.5X35MM)
15	205-7243	2	BRACKET AS.
	CH8T-3490	2	NUT-WELD (M10X1.5 THD)
16	CH194-6725	1	SENSOR GP-PRESSURE (AIR) (SEE BREAKDOWN FOR COMPONENTS)
17	CH3E-6762	8	O-RING
18	400287X1	12	WASHER-HARD (11X21X2.5MM THK)
19	WR522218	4	NUT (M10X1.5 THD)
20	400058X1	8	BOLT (M10X1.5X30MM)
21	400357X1	5	WASHER-HARD (M12X25.5X3MM THK)
22	400064X1	2	BOLT (M12X1.75X35MM)
23	CH9T-4057	1	O-RING

[A] PART OF 180-4854 TANK AR-AIR

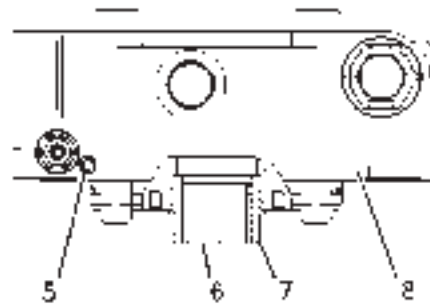
1798300A
PR: t05c24o40d0312

MT700B SERIES TRACK TRACTOR
BRAKING SYSTEM

HEAD GP-PUMP - 204-6515
ROW



VIEW A-A



VIEW B-B

00B15043

**MT700B SERIES TRACK TRACTOR
BRAKING SYSTEM**

707

**HEAD GP-PUMP - 204-6515
ROW**

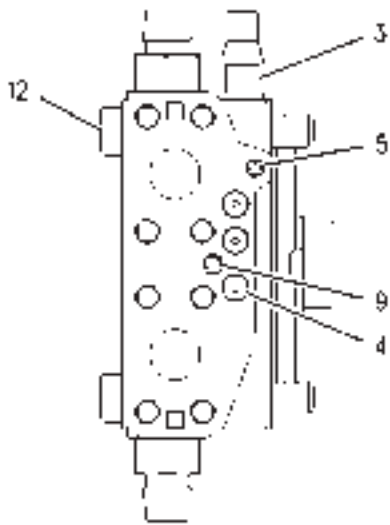
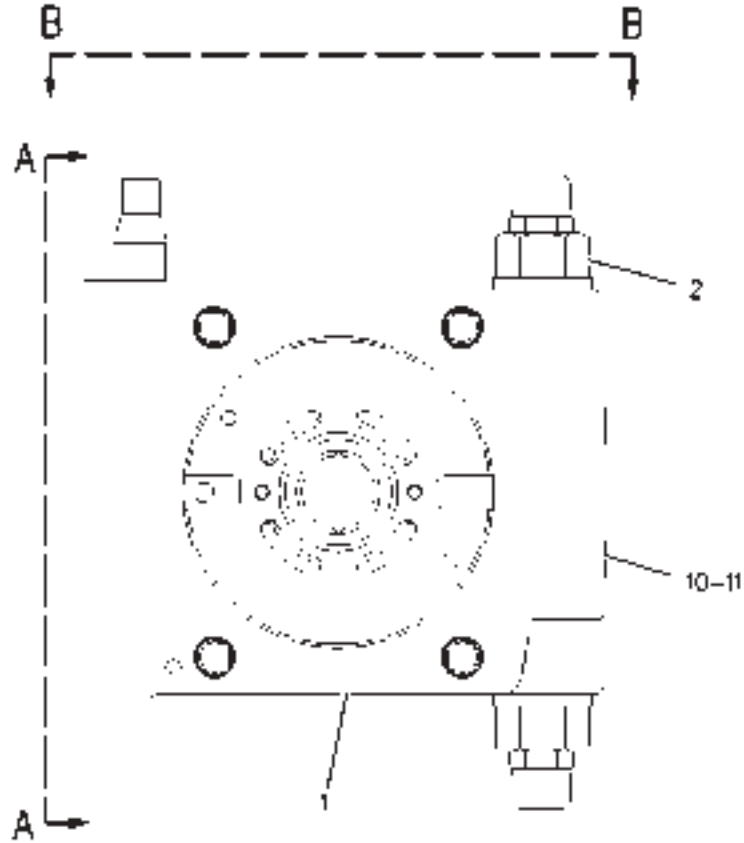
ITEM	NUMBER	QTY	DESCRIPTION
-	204-6515	--	HEAD GP-PUMP [A]
1		1	HEAD (NOT SERVICED SEPARATELY)
2	CH1G-7407	2	VALVE GP-RELIEF (INCL. CAP)
	CH123-7556	1	CAP
	CH145-0905	1	KIT-SEAL (REPAIR KIT, STEERING PUMP RELIEF VALVE)
3	CH123-7557	1	VALVE GP-RELIEF (SEE BREAKDOWN FOR COMPONENTS)
4	CH152-9144	3	PLUG
5	CH120-4394	3	PLUG-BREAK OFF
6	CH126-1597	1	BEARING
7	CH126-1598	1	BUSHING
8	CH9T-3928	1	PLUG AS.
	CH187-8001	1	SEAL
9	CH123-2017	1	PLUG
10	CH9S-8002	2	PLUG
11	400361X1	2	O-RING
12	CH3E-8008	4	BOLT-SOCKET HEAD (M16X2X90MM)

[A] PART OF 500526D1 PUMP GP-PISTON

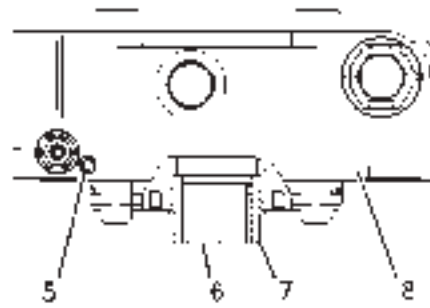
00815043
PR: t05c24o40d0313

MT700B SERIES TRACK TRACTOR
BRAKING SYSTEM

HEAD GP-PUMP - 196-4234
ROW



VIEW A-A



VIEW B-B

00B15043

**MT700B SERIES TRACK TRACTOR
BRAKING SYSTEM**

709

**HEAD GP-PUMP - 196-4234
ROW**

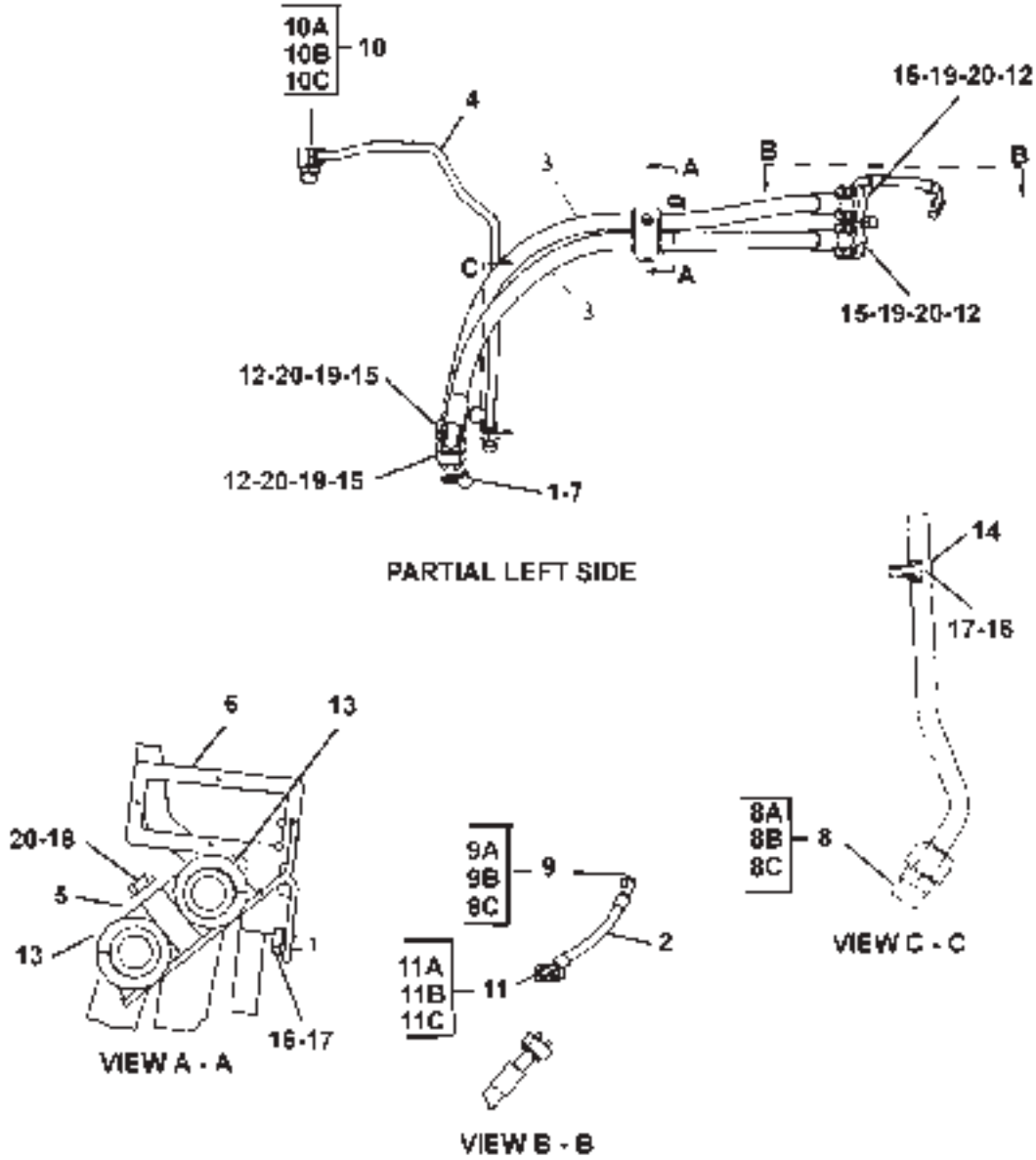
ITEM	NUMBER	QTY	DESCRIPTION
-	196-4234	--	HEAD GP-PUMP [A]
1	196-4244	1	HEAD
2	CH1G-7407	2	VALVE GP-RELIEF
3	CH201-9105	1	VALVE GP-PRESS & FLOW CMPNSTR (SEE BREAKDOWN FOR COMPONENTS)
4	CH152-9144	3	PLUG (SOCKET HEAD)
5	CH120-4394	2	PLUG-BREAK OFF
6	CH123-7560	1	BEARING-BUSHING
7	CH123-7559	1	BUSHING
8	CH6S-3002	1	O-RING
9	CH123-2017	1	PLUG
10	CH9S-8002	2	PLUG
11	400361X1	2	O-RING
12	CH3E-8008	4	BOLT-SOCKET HEAD (M16X2X90MM)

[A] PART OF 500525D1 PUMP GP-PISTON

00815043
PR: t05c24o40d0314

MT700B SERIES TRACK TRACTOR
BRAKING SYSTEM

LINES GP-STEERING - 500576D1
STANDARD GAUGE



500576DA

**MT700B SERIES TRACK TRACTOR
BRAKING SYSTEM**

711

**LINES GP-STEERING - 500576D1
STANDARD GAUGE**

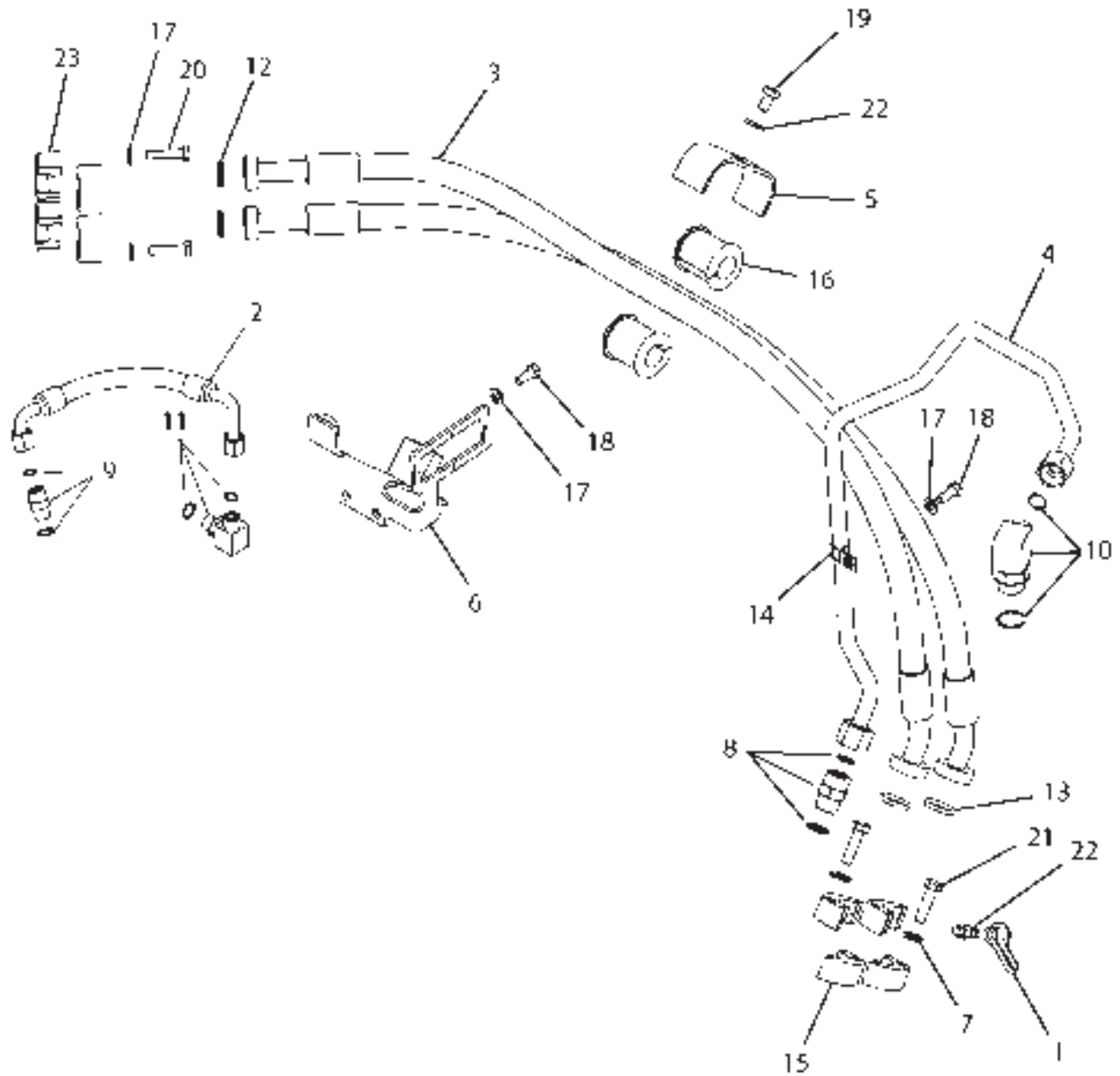
ITEM	NUMBER	QTY	DESCRIPTION
-	500576D1	--	LINES GP-STEERING [A] (NOT SERVICED)
1	400323X1	1	CAP-DUST 12.6 DIA -RUBBER
2	CH200-3758	1	HOSE AS-12.7 ID SAE 100R1 TEMP
3	CH205-1862	2	HOSE AS-25.4 ID SAE 100R15
4	212-6184	1	TUBE AS.
5	CH221-0145	1	CLAMP
6	CH225-8027	1	BRACKET AS.
7	CH110-6349	1	NIPPLE-QUICK CONNECT 4STOR
8	CH148-8327	1	CONNECTOR AS-12 ORFSX 12STOR
8A	400416X1	1	SEAL-O-RING
8B	CH6V-8637	1	CONNECTOR-SEAL
8C	400366X1	1	SEAL-O-RING
9	CH148-8340	1	CONNECTOR AS. ELEC
9A	CH3K-0360	1	SEAL-O-RING
9B	CH6V-8398	1	SEAL-O-RING
9C	CH6V-8639	1	CONNECTOR
10	CH148-8360	1	ELBOW AS-90DEG-16 STOR X 12 ORFS
10A		1	ELBOW-90DEG (ORDER ITEM 10)
10B	400366X1	1	SEAL-O-RING (22.5IDX1.78DIA)
10C	400376X1	1	SEAL-O-RING (29.74IDX2.95DIA)
11	CH148-8372	1	ELBOW AS-90DEG 10 STOR-8 ORFS
11A	400319X1	1	SEAL-O-RING
11B	CH6V-8398	1	SEAL-O-RING
11C		1	ELBOW (ORDER ITEM 11)
12	CH1P-3703	4	SEAL-RECT 38.66ODX3.4WX4.95TH.
13	CH5P-8444	2	GROMMET-RUBBER 52ODX37IDX52LG
14	CH6D-4246	1	CLIP-LOOP 19.05ID
15	CH6V-0400	8	FLANGE-HALF
16	400287X1	3	WASHER-HARD 11IDX21ODX2.5 ZND1
17	400039X1	3	BOLT-M10X1.5X25 ZNDI HHD 10.9
18	400047X1	1	BOLT-M12X1.75X20 ZNDI HHD 10.9
19	400051X1	16	BOLT-M12X1.75X45 ZNDI HHD 10.9
20	400357X1	17	WASHER-HARD-M12X25.50DX3THK

[A] PART OF 198-5376; 198-5377
STEERING AR

500576DA
PR: t05c24o40d0315

MT700B SERIES TRACK TRACTOR
BRAKING SYSTEM

LINES GP-STEERING - 500575D1
WIDE GAUGE
ROW



500575DA

**MT700B SERIES TRACK TRACTOR
BRAKING SYSTEM**

713

**LINES GP-STEERING - 500575D1
WIDE GAUGE
ROW**

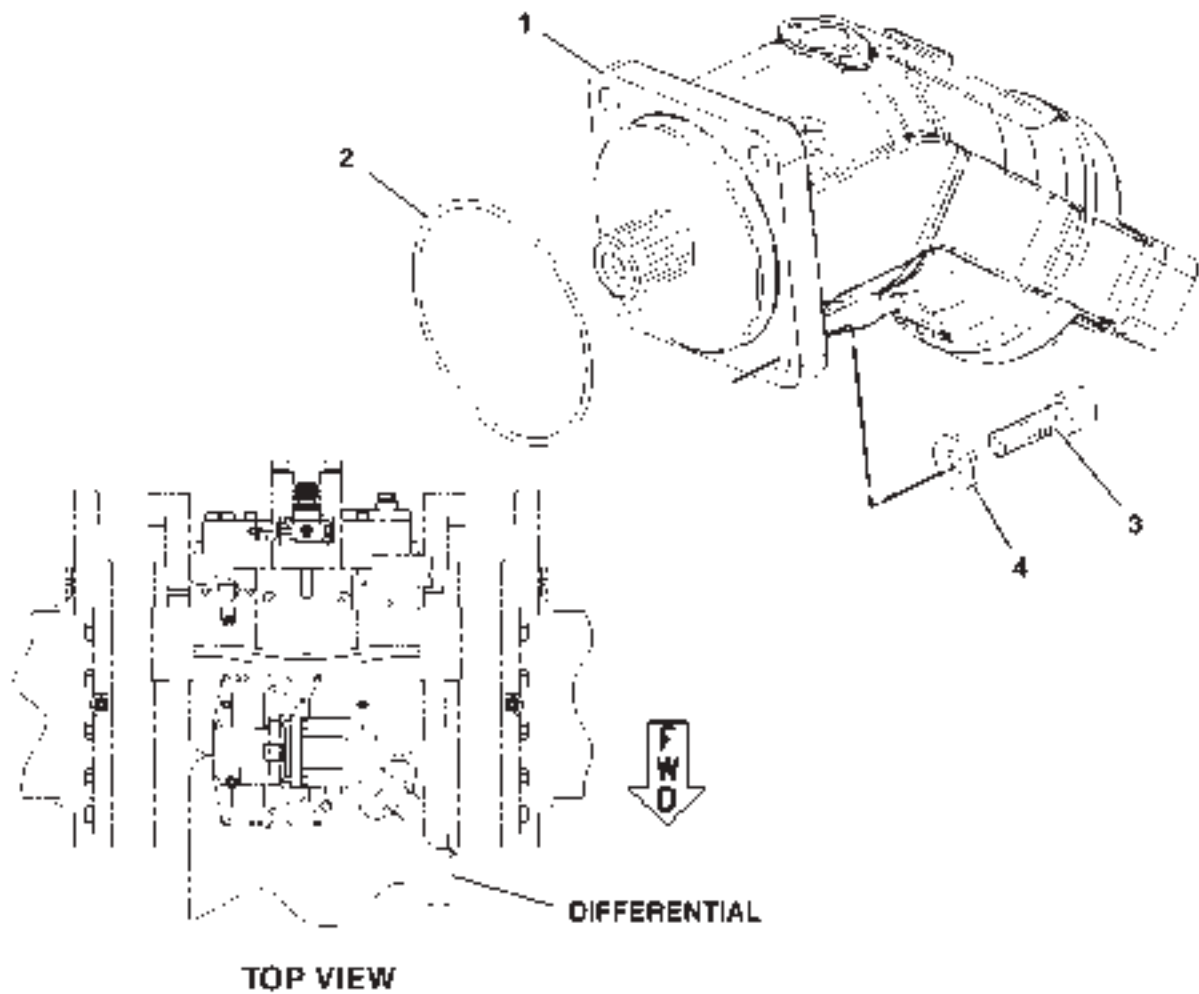
ITEM	NUMBER	QTY	DESCRIPTION
-	500575D1	--	LINES GP-STEERING [A] (NOT SERVICED)
1	400323X1	1	CAP-DUST
2	CH200-3758	1	HOSE ASY.
3	CH205-9948	2	HOSE ASY.
4	212-6184	1	TUBE ASY.
5	CH221-0145	1	CLAMP
6	CH225-8027	1	BRACKET ASY.
	CH7T-1099	1	LINK
7	CH110-6349	1	FITTING ASY.
8	CH148-8327	1	CONNECTOR AS
	400416X1	1	O-RING
	400366X1	1	O-RING
9	CH148-8340	1	CONNECTOR AS
	CH3K-0360	1	O-RING
	CH6V-8398	1	O-RING
10	CH148-8360	1	ELBOW AS
	400366X1	1	O-RING
	400376X1	1	O-RING
11	CH148-8364	1	ELBOW AS-90DEG (8STOR-8ORFS)
	CH3K-0360	1	SEAL-O-RING (16.36IDX2.21DIA)
	CH6V-8398	1	SEAL-O-RING (16.03ODX1.78DIA)
12	CH1P-3702	2	SEAL-RECTANGULAR
13	CH1P-3703	2	SEAL-RECTANGULAR
14	CH6D-4246	1	CLIP
15	CH6V-0400	4	FLANGE-HALF
16	CH6V-1874	2	GROMMET
17	400287X1	11	WASHER-HARD (11X21X2.5MM THK)
18	400039X1	3	BOLT (M10X1.5X25MM)
19	400047X1	1	BOLT (M12X1.75X20MM)
20	400049X1	8	BOLT (M10X1.5X45MM)
21	400051X1	8	BOLT (M12X1.75X45MM)
22	400357X1	9	WASHER-HARD (M12X25.5X3MM THK)
23	CH8T-9403	4	FLANGE-HALF

[A] PART OF 198-5378 STEERING AR

500575DA
PR: t05c24o40d0316

**MT700B SERIES TRACK TRACTOR
BRAKING SYSTEM**

**MOTOR & MTG GP-STEERING - 158-2402
STANDARD GAUGE
ROW ONLY**



1582402D

**MT700B SERIES TRACK TRACTOR
BRAKING SYSTEM**

715

**MOTOR & MTG GP-STEERING - 158-2402
STANDARD GAUGE
ROW ONLY**

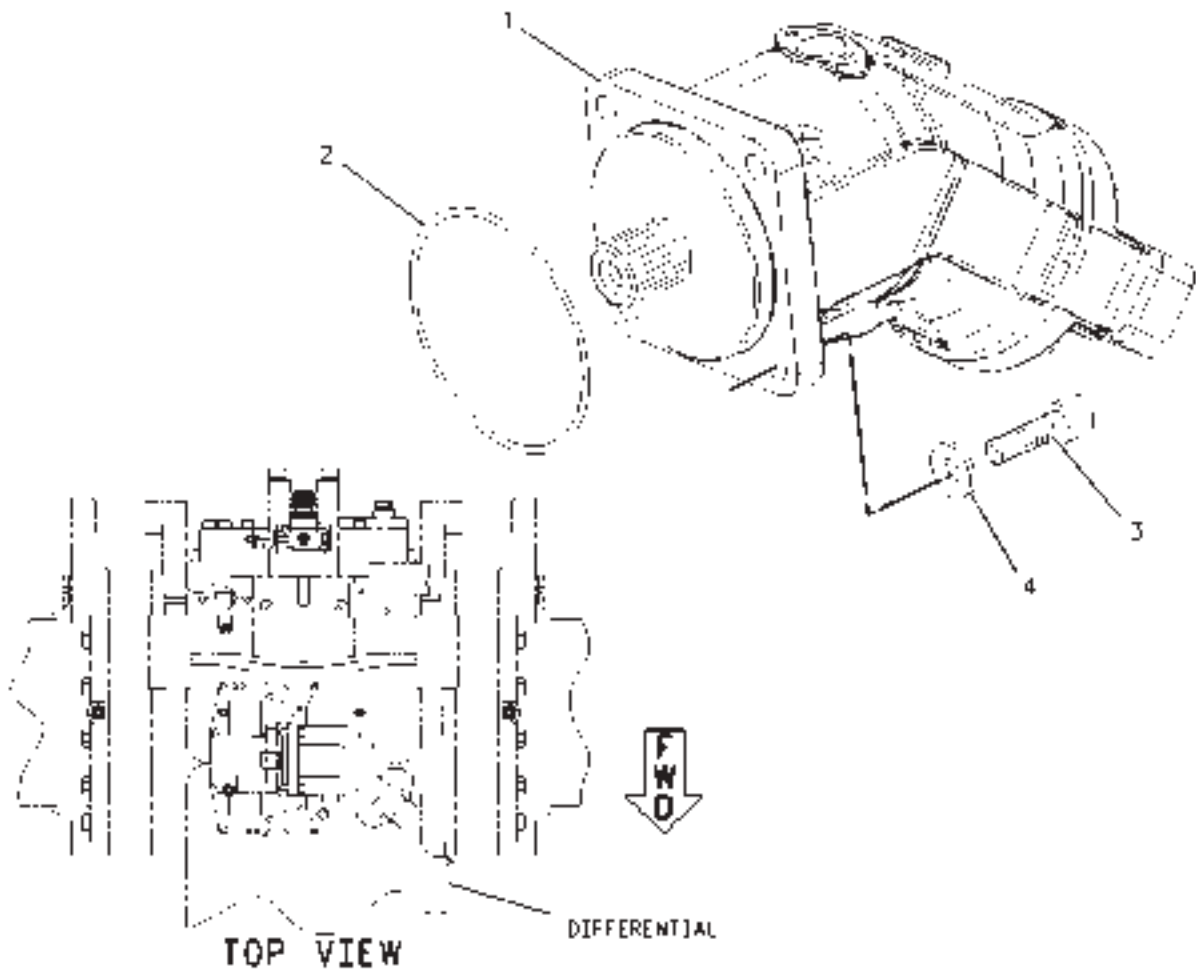
ITEM	NUMBER	QTY	DESCRIPTION
-	158-2402	--	MOTOR & MTG GP-PISTON [A] (STEERING) (NOT SERVICED)
1	CH162-9597	1	MOTOR GP-PISTON (STEERING) (SEE BREAKDOWN FOR COMPONENTS)
2	400101X1	1	O-RING
3	400141X1	4	BOLT-SOCKET HEAD (M12X1.75X40MM)
4	400357X1	4	WASHER-HARD (M12X25.5X3MM THK)

[A] PART OF 198-5376 STEERING AR

1582402D
PR: t05c24o40d0317

MT700B SERIES TRACK TRACTOR
BRAKING SYSTEM

MOTOR & MTG GP-STEERING - 158-2403
WIDE & ULTRA WIDE
ROW



00711444

**MT700B SERIES TRACK TRACTOR
BRAKING SYSTEM**

717

**MOTOR & MTG GP-STEERING - 158-2403
WIDE & ULTRA WIDE
ROW**

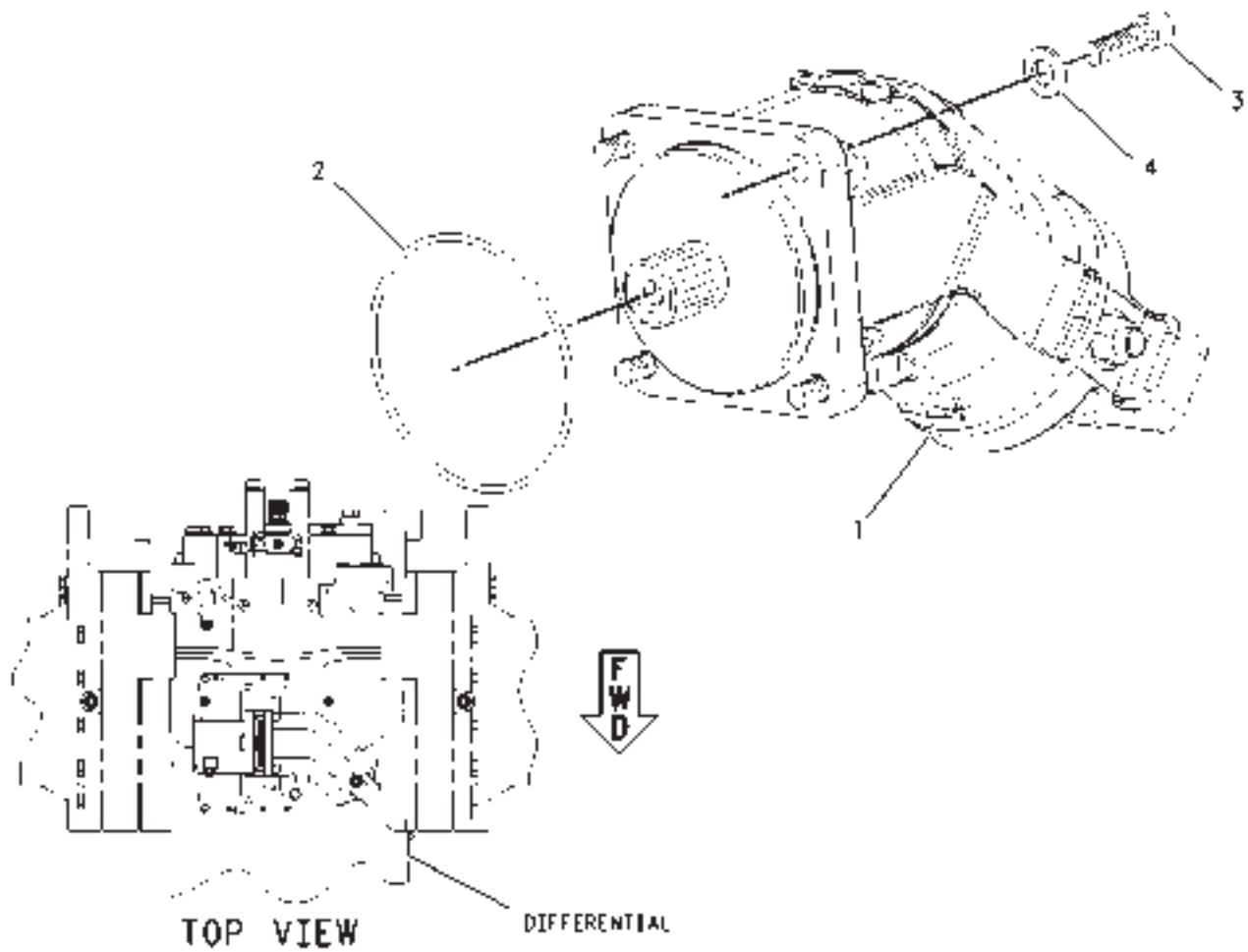
ITEM	NUMBER	QTY	DESCRIPTION
-	158-2403	--	MOTOR & MTG GP-STRG [A](NOT SERVICED)
1	CH177-0463	1	MOTOR GP-PISTON (STEERING) (SEE BREAKDOWN FOR COMPONENTS)
2	400101X1	1	O-RING
3	400141X1	4	BOLT-SOCKET HEAD (M12X1.75X40MM)
4	400357X1	4	WASHER-HARD (M12X25.5X3MM THK)

[A] PART OF 198-5378 STEERING AR

00711444
PR: t05c24o40d0318

MT700B SERIES TRACK TRACTOR
BRAKING SYSTEM

MOTOR & MTG GP-STEERING - 165-7899
STANDARD GAUGE
EAME



**MT700B SERIES TRACK TRACTOR
BRAKING SYSTEM**

719

**MOTOR & MTG GP-STEERING - 165-7899
STANDARD GAUGE
EAME**

ITEM	NUMBER	QTY	DESCRIPTION
-	165-7899	--	MOTOR & MTG GP-STRG [A] (NOT SERVICED)
1	CH162-9598	1	MOTOR GP-PISTON (STEERING) (SEE BREAKDOWN FOR COMPONENTS)
2	400101X1	1	SEAL-O-RING
3	400141X1	4	BOLT-SOCKET HEAD (M12X1.75X40MM)
4	400357X1	4	WASHER-HARD (M12X25.5X3MM THK)

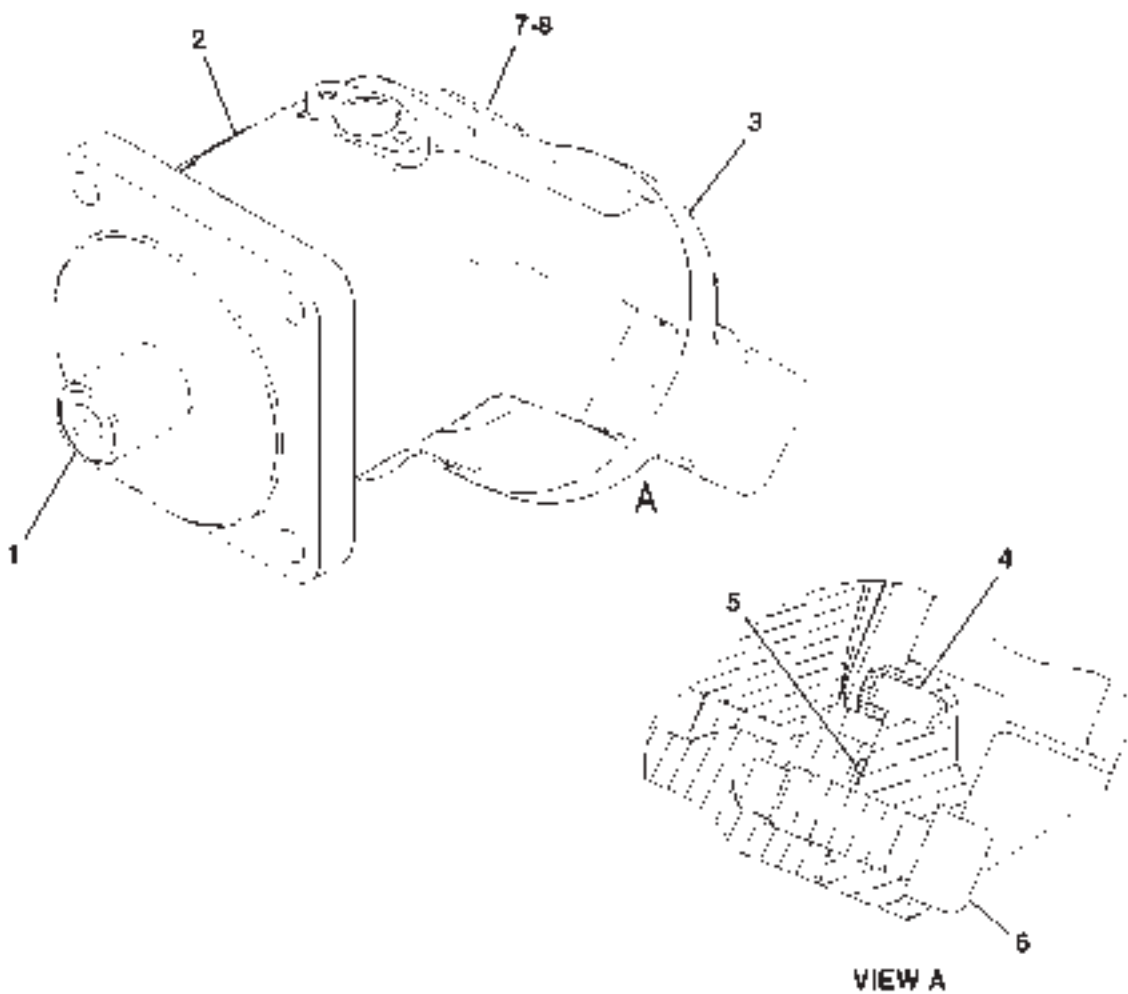
[A] PART OF 198-5377 STEERING AR

00688842
PR: t05c24o40d0319

720

MT700B SERIES TRACK TRACTOR
BRAKING SYSTEM

MOTOR GP-PISTON - CH162-9597
ROW



1629597D

**MT700B SERIES TRACK TRACTOR
BRAKING SYSTEM**

721

**MOTOR GP-PISTON - CH162-9597
ROW**

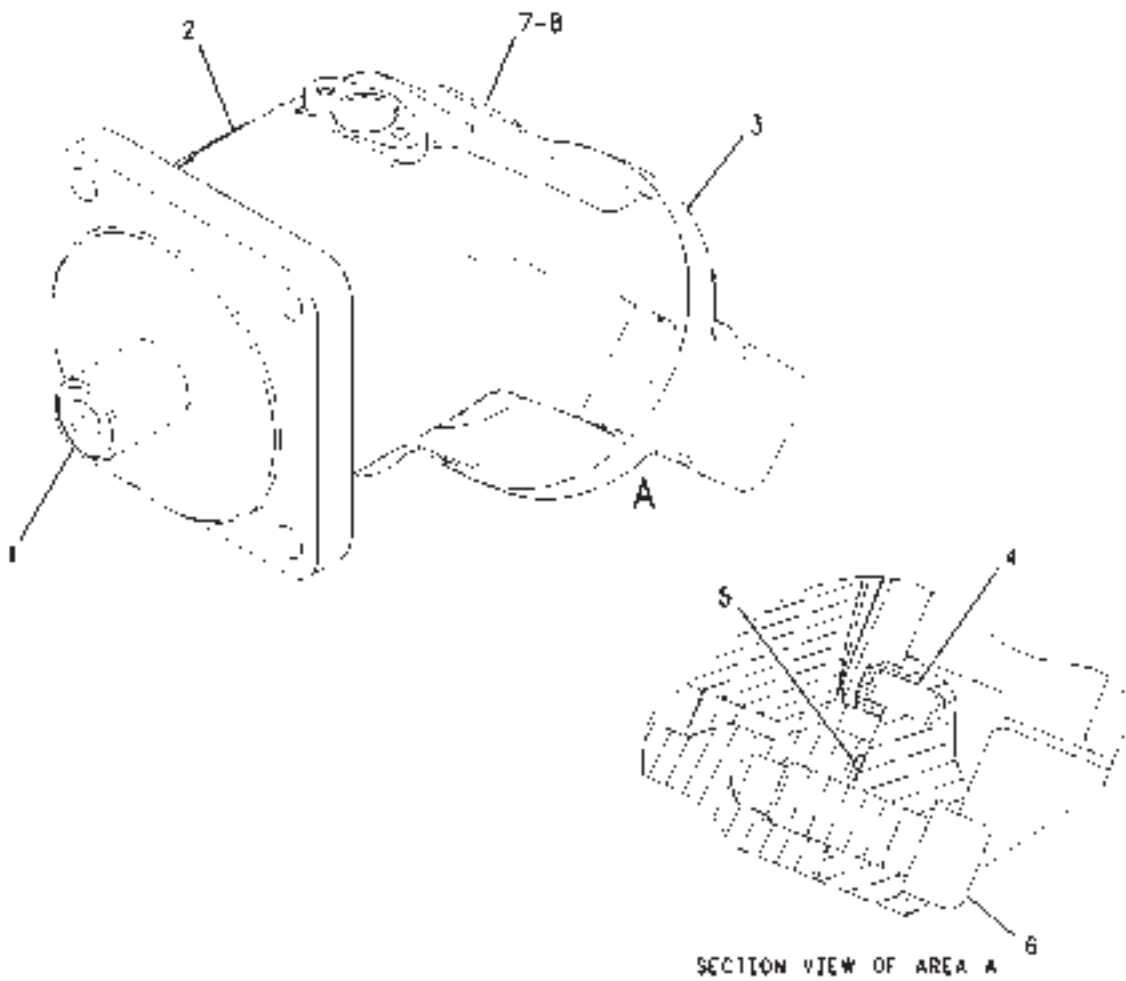
ITEM	NUMBER	QTY	DESCRIPTION
-	CH162-9597	--	MOTOR GP-PISTON [A]
1	192-8863	1	ROTATING GP-MOTOR (NOT SERVICED) (SEE BREAKDOWN FOR COMPONENTS)
2	192-8864	1	HOUSING
3	166-7415	1	HEAD
4	1G-3174	1	PIN
5	2H-4145	1	O-RING
6	180-2826	6	BOLT-SOCKET HEAD (M12X1.75X30MM)
7	9S-8006	1	PLUG
8	2M-9780	1	O-RING

[A] PART OF 158-2402 MOTOR & MTG GP-
STEERING

1629597D
PR: t05c24o40d0320

MT700B SERIES TRACK TRACTOR
BRAKING SYSTEM

MOTOR GP-PISTON - CH177-0463
LINK
ROW



**MT700B SERIES TRACK TRACTOR
BRAKING SYSTEM**

723

**MOTOR GP-PISTON - CH177-0463
LINK
ROW**

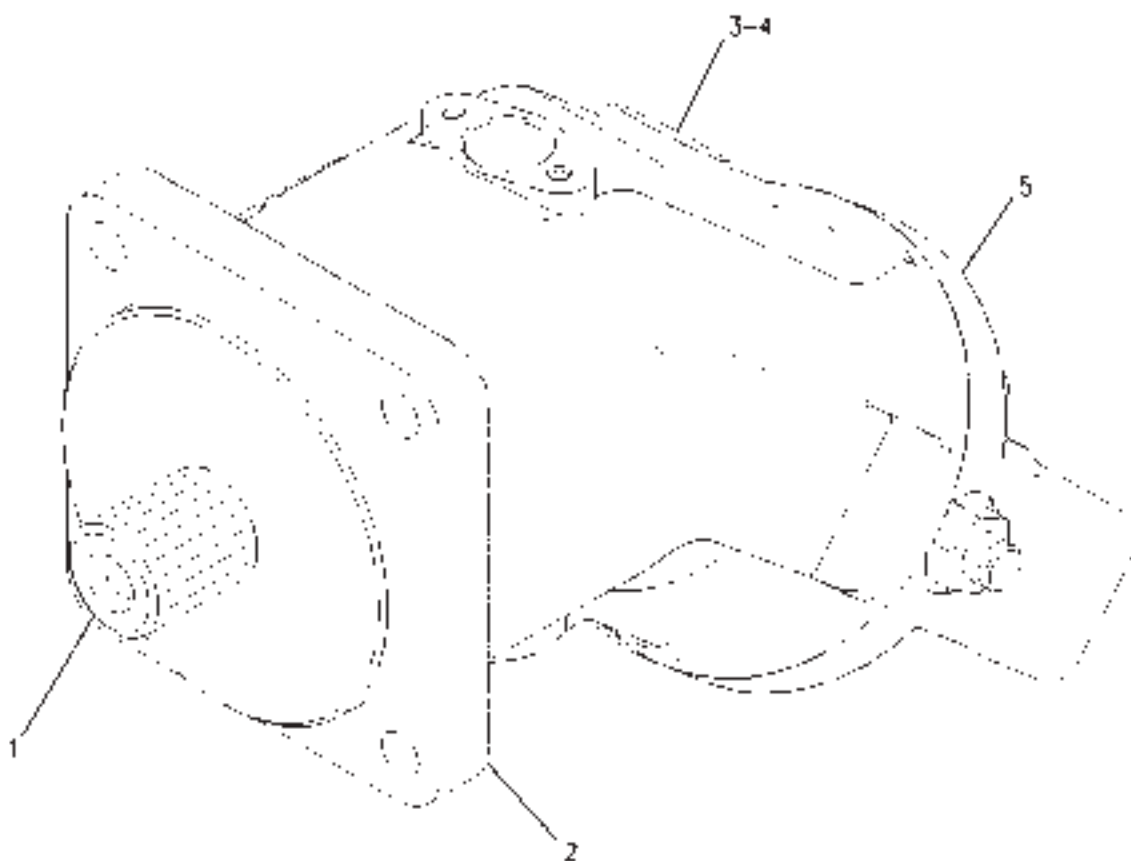
ITEM	NUMBER	QTY	DESCRIPTION
-	CH177-0463	--	MOTOR GP-PISTON [A]
1	189-9384	1	ROTATING GP-MOTOR (SEE BREAKDOWN FOR COMPONENTS)
2	189-9386	1	HOUSING
3	194-4163	1	HEAD
4	CH192-8862	1	PIN
5	CH2H-6184	1	O-RING
6	400217X1	6	BOLT-SOCKET HEAD (M10X1.5X25MM)
7	CH9S-8005	1	PLUG-O-RING
8	CH3K-0360	1	O-RING

[A] PART OF 158-2403 MOTOR & MTG GP-STRG

00819099
PR: t05c24o40d0321

MT700B SERIES TRACK TRACTOR
BRAKING SYSTEM

MOTOR GP-PISTON - CH162-9598
EAME



00819066

**MT700B SERIES TRACK TRACTOR
BRAKING SYSTEM**

725

**MOTOR GP-PISTON - CH162-9598
EAME**

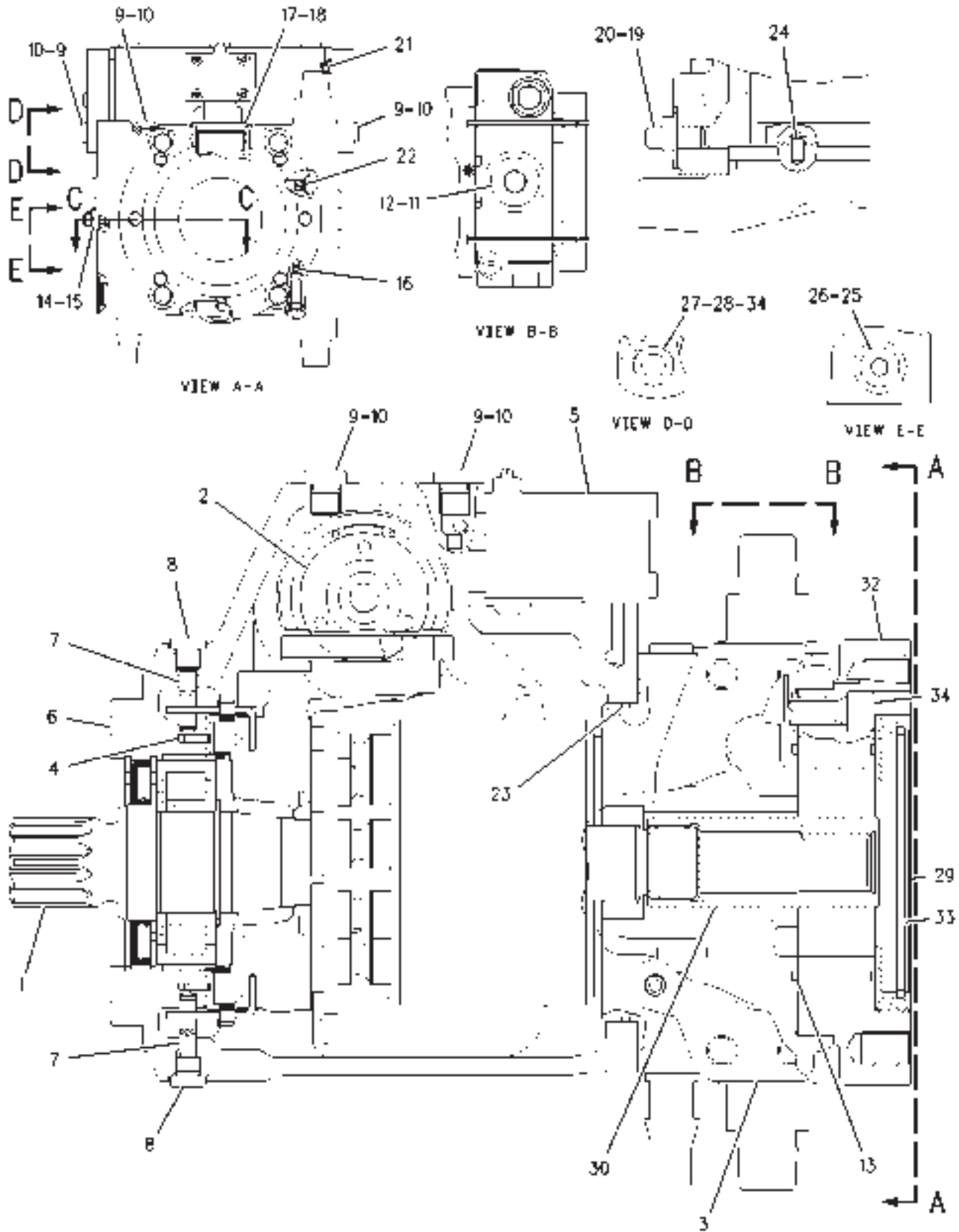
ITEM	NUMBER	QTY	DESCRIPTION
-	CH162-9598	--	MOTOR GP-PISTON [A]
1	192-8863	1	ROTATING GP-MOTOR (NOT SERVICED) (SEE BREAKDOWN FOR COMPONENTS)
2	192-8864	1	HOUSING
3	400374X1	1	PLUG
4	400319X1	1	SEAL-O-RING
5	192-8865	1	HEAD GP-MOTOR (SEE BREAKDOWN FOR COMPONENTS)

[A]PART OF 165-7899 MOTOR & MTG GP-STRG

00819066
PR: t05c24o40d0322

MT700B SERIES TRACK TRACTOR
BRAKING SYSTEM

PUMP GP-PISTON - 500525D1
SLIPPER WIDE GAUGE
ROW



00821359

**MT700B SERIES TRACK TRACTOR
BRAKING SYSTEM**

727

**PUMP GP-PISTON - 500525D1
SLIPPER WIDE GAUGE
ROW**

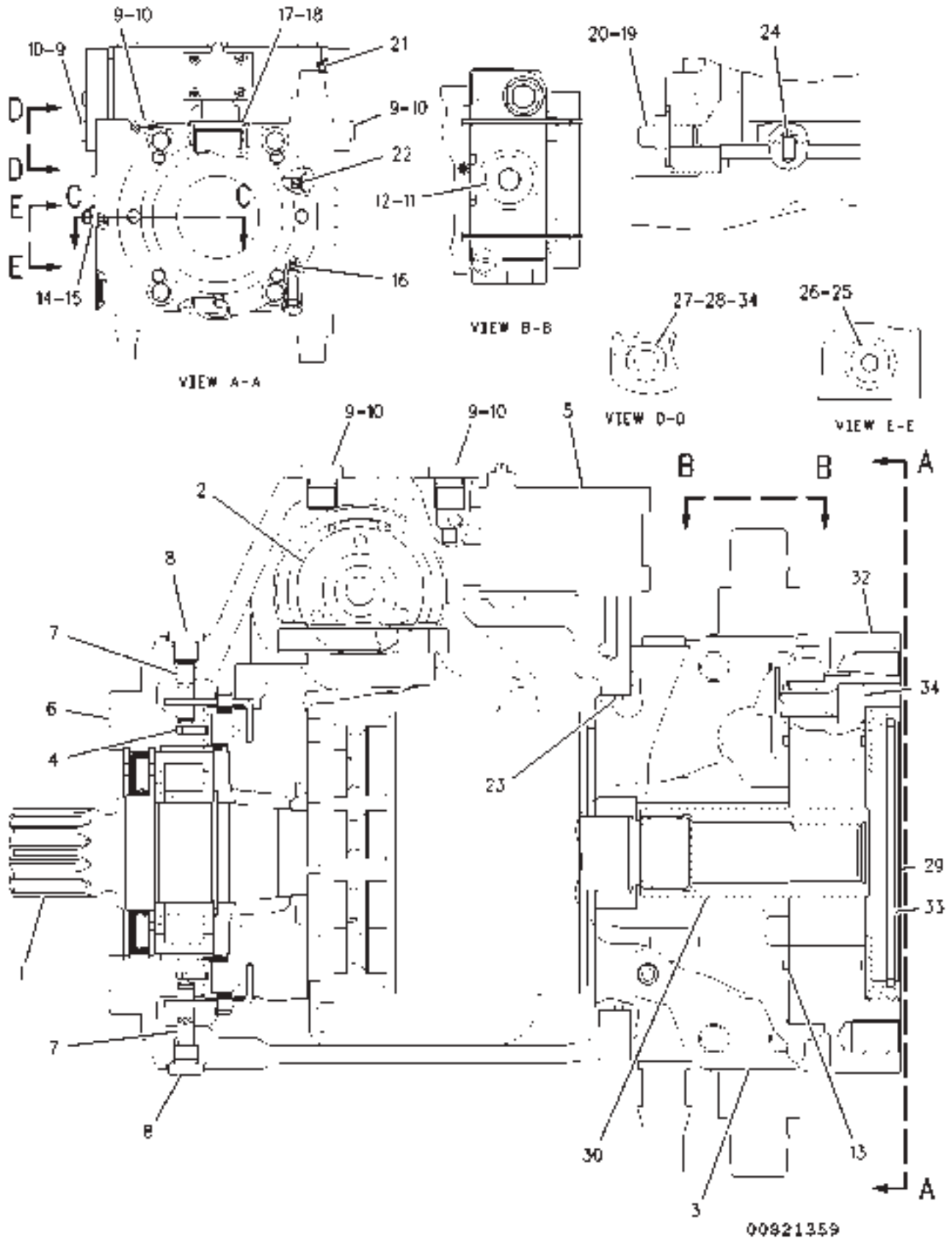
ITEM	NUMBER	QTY	DESCRIPTION
-	500525D1	--	PUMP GP-PISTON [A] (NOT SERVICED)
1	CH196-4232	1	ROTATING GP-PUMP (SEE BREAKDOWN FOR COMPONENTS)
2	CH196-4233	1	ACTUATOR GP-SWASHPLATE (SEE BREAKDOWN FOR COMPONENTS)
3	196-4234	1	HEAD GP-PUMP (SEE BREAKDOWN FOR COMPONENTS)
4	CH167-6805	2	PIN
5	196-4235	1	VALVE GP-ELECTRIC SERVO (SEE BREAKDOWN FOR COMPONENTS)
6	196-4236	1	HOUSING
7	CH126-1638	2	PIN-JOINT
8	CH9T-3928	2	PLUG ASY.
	187-8001	1	SEAL
9	CH9S-8002	4	PLUG-O-RING
10	400361X1	4	O-RING
11	CH9S-8010	1	PLUG-O-RING
12	400593X1	1	O-RING
13		--	NOT USED
14	CH6V-8978	1	O-RING
15	CH123-7575	1	LOCKSCREW
16		--	NOT USED
17	400374X1	1	PLUG
18	400319X1	1	O-RING
19		1	NOT USED
20		1	NOT USED
21		1	NOT USED
22	CH126-1645	1	ORIFICE
23	400378X1	1	SEAL-O-RING (12.83ODX1.78DIA)
24	CH6E-4350	1	PIN
25	CH9S-8008	1	PLUG-O-RING
26	400416X1	1	O-RING
27		1	NOT USED
28	400318X1	1	SEAL-O-RING (11.89IDX1.98DIA)
29		--	NOT USED
30		--	NOT USED
32		--	NOT USED
33		--	NOT USED
34	CH123-7583	1	ORIFICE
-	CH9S-8004	1	PLUG - 9/16-18-2A THD HSHD (NOT ILL.)

[A] PART OF 500573D1 PUMP & MOUNTING GP

00821359
PR: t05c24o40d0323

MT700B SERIES TRACK TRACTOR
BRAKING SYSTEM

PUMP GP-PISTON - 500526D1
SLIPPER STD GUAGE
ROW



00821359

**MT700B SERIES TRACK TRACTOR
BRAKING SYSTEM**

729

**PUMP GP-PISTON - 500526D1
SLIPPER STD GUAGE
ROW**

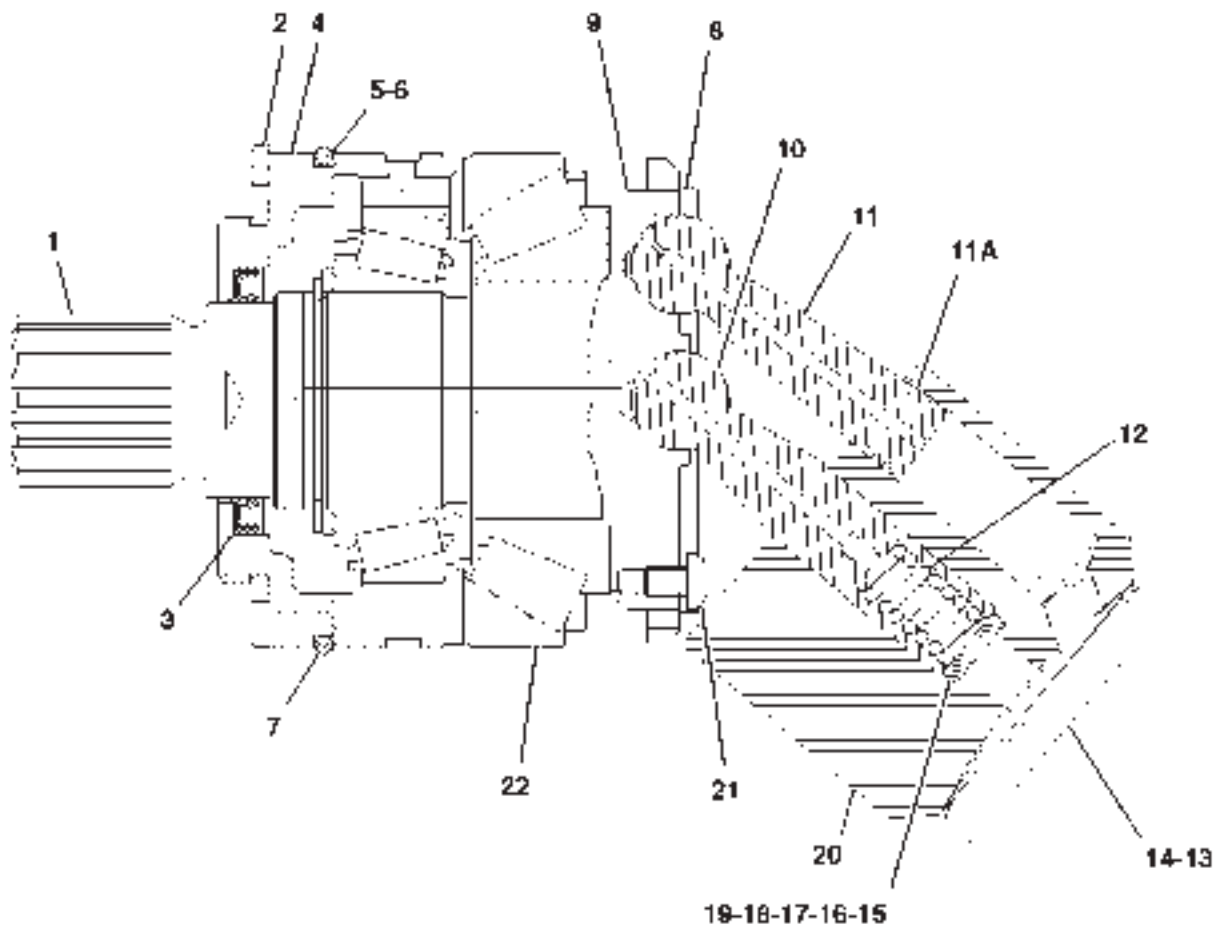
ITEM	NUMBER	QTY	DESCRIPTION
-	500526D1	--	PUMP GP-PISTON [A] (NOT SERVICED)
1	196-4623	1	ROTATING GP-PUMP (SEE BREAKDOWN FOR COMPONENTS)
2	CH196-4233	1	ACTUATOR GP-SWASHPLATE (SEE BREAKDOWN FOR COMPONENTS)
3	204-6515	1	HEAD GP-PUMP (SEE BREAKDOWN FOR COMPONENTS)
4	CH167-6805	2	PIN
5	196-4235	1	VALVE GP-ELECTRIC SERVO (SEE BREAKDOWN FOR COMPONENTS)
6	204-6516	1	HOUSING
7	CH126-1638	2	PIN-JOINT
8	CH9T-3928	2	PLUG ASY.
	187-8001	1	SEAL
9	CH9S-8002	4	PLUG-O-RING
10	400361X1	4	O-RING
11	CH9S-8010	1	PLUG-O-RING
12	400593X1	1	O-RING
13		--	NOT USED
14	CH6V-8978	1	O-RING
15	CH123-7575	1	LOCKSCREW
16		--	NOT USED
17	400374X1	1	PLUG
18	400319X1	1	O-RING
19		1	NOT USED
20		1	NOT USED
21		1	NOT USED
22	CH126-1645	1	ORIFICE
23	400378X1	1	SEAL-O-RING (12.83ODX1.78DIA)
24	205-6399	1	PIN
25	CH9S-8008	1	PLUG-O-RING
26	400416X1	1	O-RING
27		1	NOT USED
28	400318X1	1	SEAL-O-RING (11.89IDDX1.98DIA)
29		--	NOT USED
30		--	NOT USED
32		--	NOT USED
33		--	NOT USED
34	CH123-7583	1	ORIFICE
-	CH9S-8004	1	PLUG - 9/16-18-2A THD HSHD (NOT ILL.) SEAL-O-RING 139.37IDX2.62DIA

[A] PART OF 500574D1 PUMP & MOUNTING GP

00821359
PR: t05c24o40d0324

MT700B SERIES TRACK TRACTOR
BRAKING SYSTEM

ROTATING GP-MOTOR - 189-9384
ROW



1899384A

**MT700B SERIES TRACK TRACTOR
BRAKING SYSTEM**

731

**ROTATING GP-MOTOR - 189-9384
ROW**

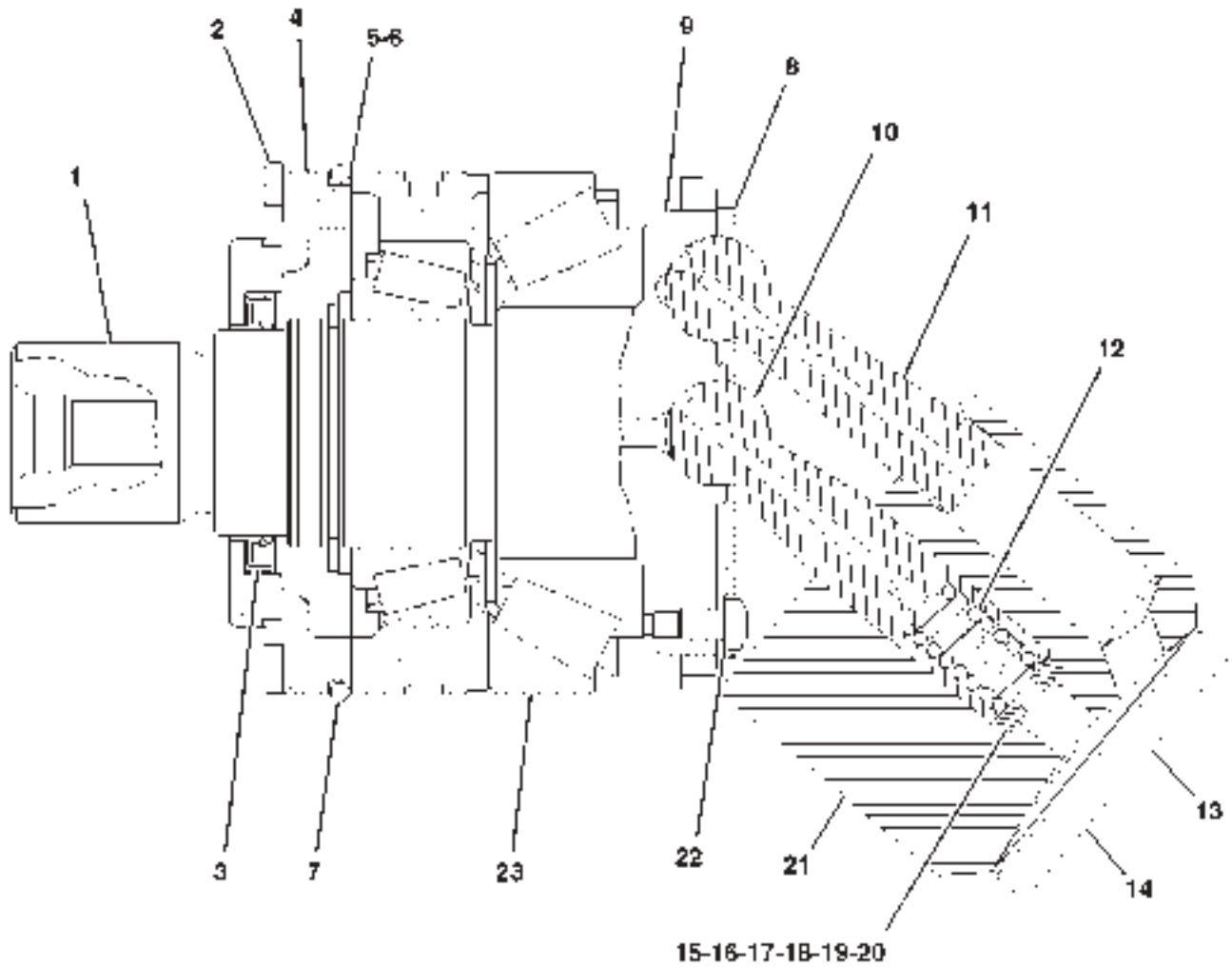
ITEM	NUMBER	QTY	DESCRIPTION
-	189-9384	--	ROTATING GP-MOTOR [A]
1	192-8859	1	SHAFT ASY-MOTOR
2	CH8T-7567	1	RING
3	CH9T-2901	1	SEAL-LIP TYPE
4	CH9T-2912	1	COVER
5	CH9T-2903	1	SHIM (0.3MM THK)
6	CH9T-2904	2	SHIM (0.1MM THK)
7	CH9X-4611	1	O-RING
8	CH144-0590	1	PLATE
9	CH9T-2908	1	DISC
10	CH171-6862	1	PIN
11	CH165-6966	7	PISTON ASY.(INCL. 11A)
11A	CH9T-2906	2	RING
12	CH171-6863	1	SPRING
13	CH192-8858	1	WASHER
14	CH189-9389	1	VALVE GP-FLUSHING
15	CH192-8857	1	SHIM (4.0MM THK)
16	CH171-6858	1	SHIM (3.9MM THK)
17	CH171-6859	1	SHIM (3.8MM THK)
18	CH171-6860	1	SHIM (3.7MM THK)
19	CH171-6861	1	SHIM (3.6MM THK)
20	CH9T-2914	1	BARREL
21	CH113-4419	7	SCREW (TORX)
22	CH171-5991	1	KIT-BEARING

[A] PART OF 177-0463 MOTOR GP-PISTON

1899384A
PR: t05c24o40d0325

MT700B SERIES TRACK TRACTOR
BRAKING SYSTEM

ROTATING GP-MOTOR - 192-8863



SECTION VIEW

1928863A

MT700B SERIES TRACK TRACTOR
BRAKING SYSTEM

733

ROTATING GP-MOTOR - 192-8863

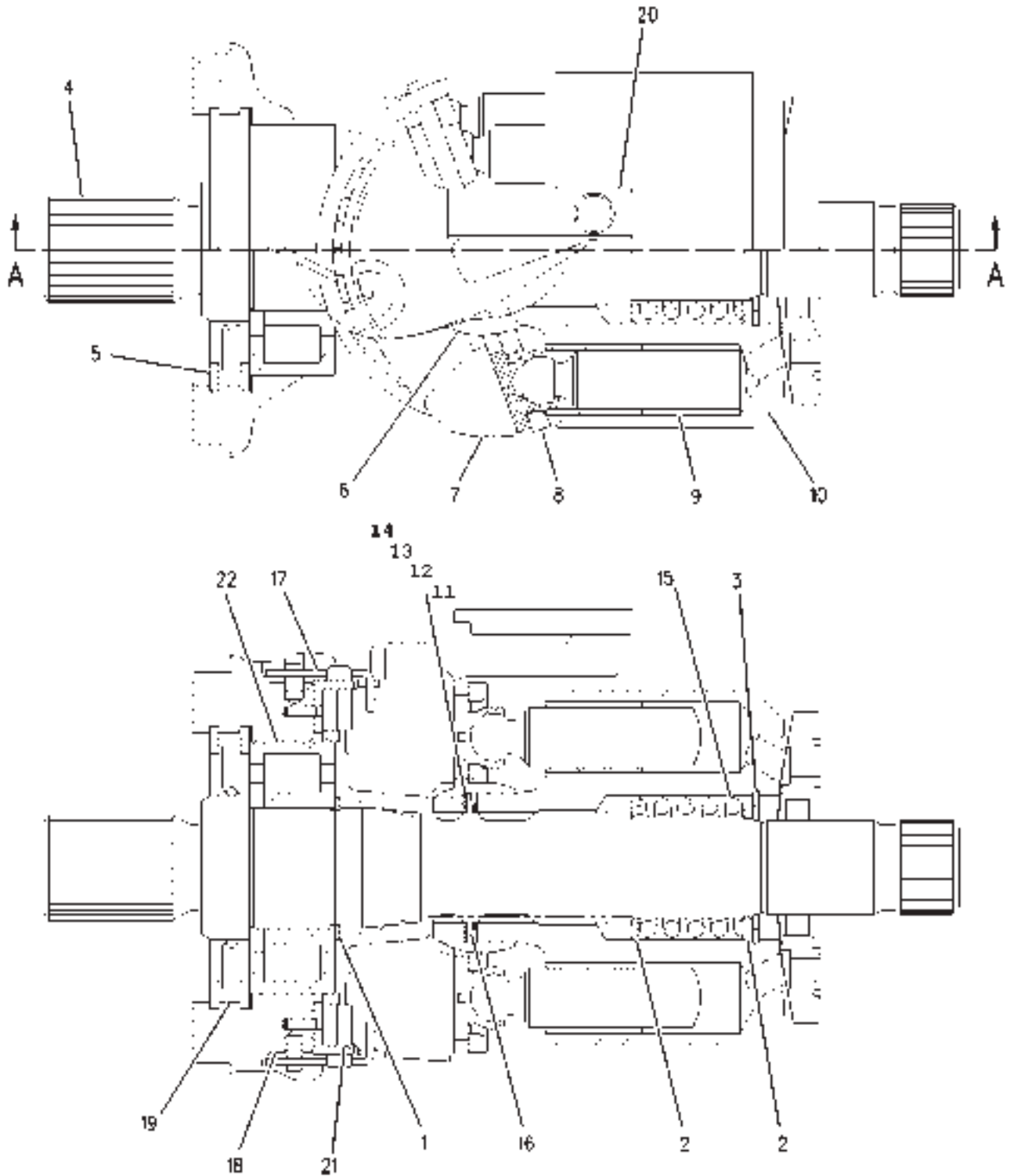
ITEM	NUMBER	QTY	DESCRIPTION
-	192-8863	--	ROTATING GP-MOTOR [A] (NOT SERVICED)
1	192-8870	1	SHAFT ASY-MOTOR
2	CH9T-2584	1	RING-RETAINING
3	CH133-8739	1	SEAL
4	CH9T-2560	1	COVER
5	CH9T-2582	1	SHIM (0.3MM THK)
6	CH9T-2581	2	SHIM (0.1MM THK)
7	CH2H-3928	1	O-RING
8	CH123-3299	1	PLATE-RETAINING
9	CH9T-2559	1	DISC-RETAINING
10	CH166-7409	1	PIN-CENTER
11	CH166-7408	7	PISTON ASY.
	CH133-8743	2	RING
12	CH166-7410	1	SPRING
13	CH133-8742	1	WASHER
14	CH133-8740	1	VALVE GP-FLUSHING (SEE BREAKDOWN FOR COMPONENTS)
15	CH141-0247	1	SHIM (3.50MM THK)
16	CH141-0248	1	SHIM (3.60MM THK)
17	CH141-0249	1	SHIM (3.70MM THK)
18	CH141-0250	1	SHIM (3.80MM THK)
19	CH141-0251	1	SHIM (3.90MM THK)
20	CH141-0252	1	SHIM (4.00MM THK)
21	CH9T-2558	1	BARREL
22	CH113-4417	7	SCREW
23	CH171-5990	1	KIT-BEARING

[A] PART OF CH162-9597; CH162-9598
MOTOR GP-PISTON

1928863A
PR: t05c24o40d0326

MT700B SERIES TRACK TRACTOR
BRAKING SYSTEM

ROTATING GP-PUMP - CH196-4232
ROW



00771245

**MT700B SERIES TRACK TRACTOR
BRAKING SYSTEM**

735

**ROTATING GP-PUMP - CH196-4232
ROW**

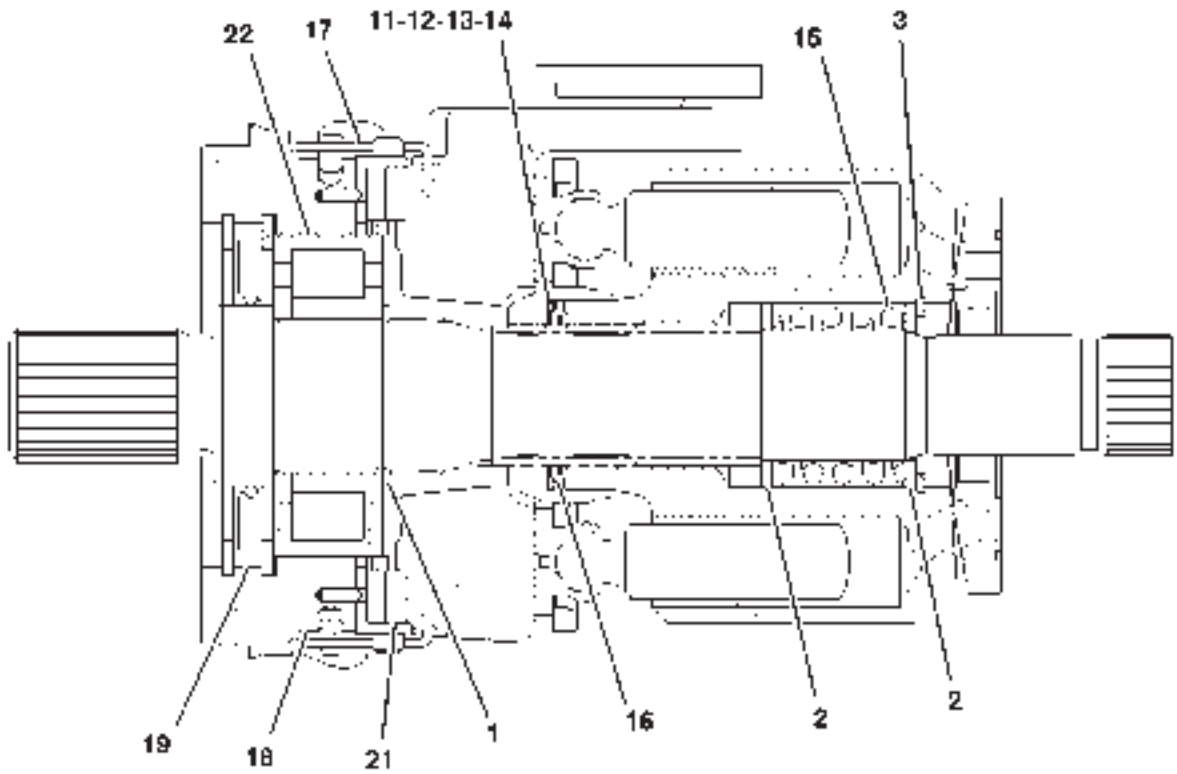
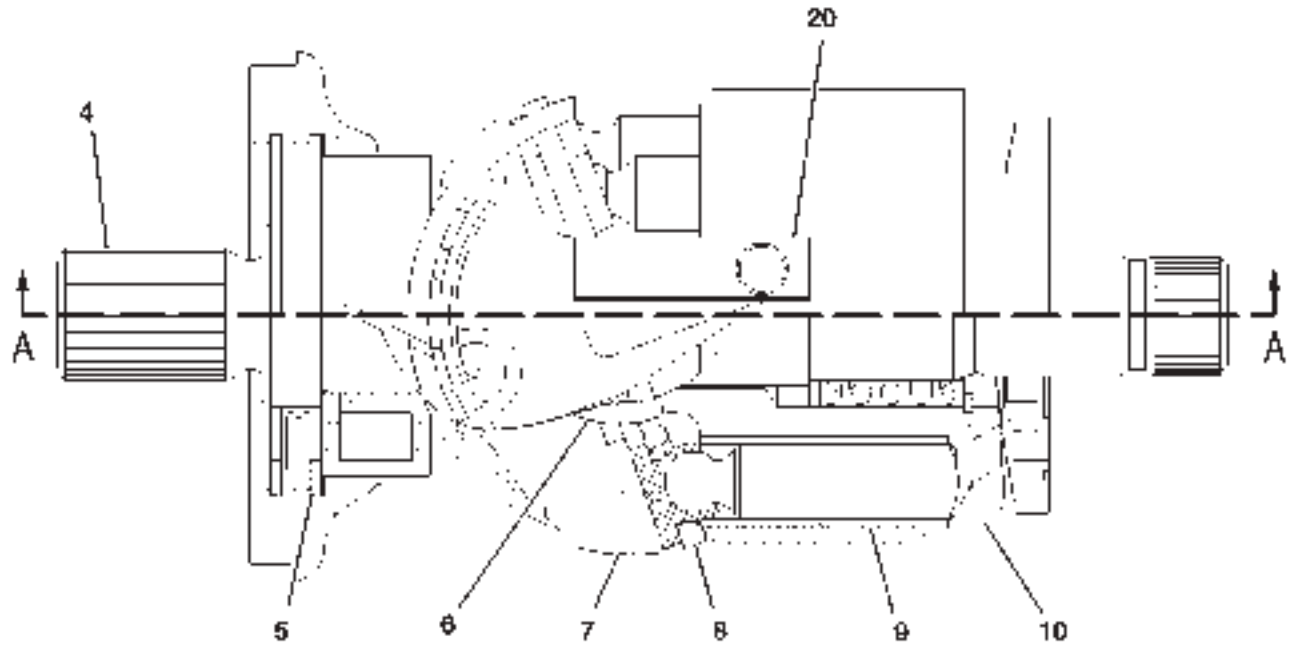
ITEM	NUMBER	QTY	DESCRIPTION
-	CH196-4232	--	ROTATING GP-PUMP [A]
1	CH6V-5201	1	RING-RETAINING (36.5X1.75MM) (EXTERNAL)
2	CH142-9437	2	WASHER
3	CH9X-2857	1	RING-RETAINING (INTERNAL)
4	CH142-9429	1	SHAFT
5	CH159-9854	2	RING-RETAINING
6	CH142-9435	1	BALL-RETAINER
7	CH142-9427	1	SWASHPLATE
8	CH142-9434	1	PLATE-RETAINER
9	CH142-9425	9	PISTON ASY.
10	CH196-4238	1	BARREL ASY.
11	CH142-9430	1	SHIM (1.2MM THK)
12	CH142-9431	1	SHIM (1.0MM THK)
13	CH142-9432	1	SHIM (0.8MM THK)
14	CH142-9433	1	SHIM (0.6MM THK)
15	CH142-9438	1	SPRING-COIL
16	CH142-9426	1	SPRING ASY.
17	CH130-7806	2	ROD
18	CH142-9436	1	BEARING ASY.
19	CH201-5382	1	SEAL-SHAFT
20	CH126-1403	1	PLATE-ADJUSTMENT
21	CH142-9440	1	BEARING ASY-SWASH
22	CH142-9439	1	BEARING ASY.

[A] PART OF 500525D1 PUMP GP-PISTON

00771245
PR: t05c24o40d0327

MT700B SERIES TRACK TRACTOR
BRAKING SYSTEM

ROTATING GP-PUMP - 196-4623
ROW



1964623A

**MT700B SERIES TRACK TRACTOR
BRAKING SYSTEM**

737

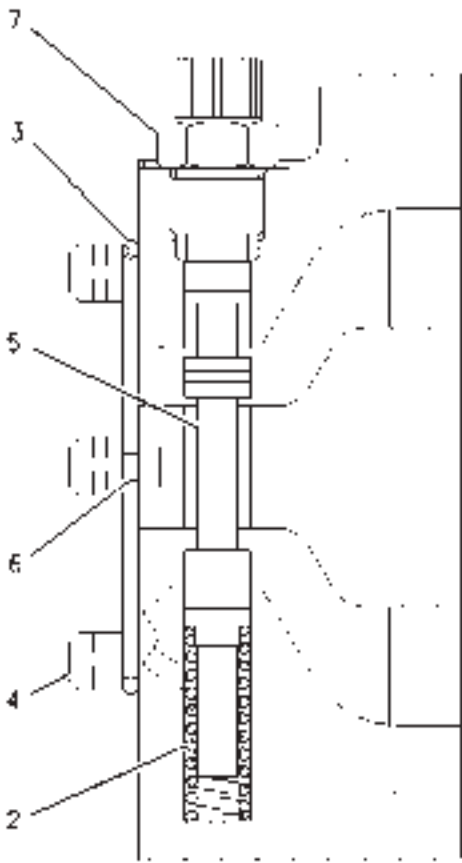
**ROTATING GP-PUMP - 196-4623
ROW**

ITEM	NUMBER	QTY	DESCRIPTION
-	196-4623	--	ROTATING GP-PUMP [A]
1	CH6V-5201	1	RING-RETAINING (36.5X1.75MM)
2	CH126-1415	2	WASHER
3	CH114-4270	1	RING-RETAINING
4	196-5065	1	SHAFT
5	CH159-9854	2	RING-RETAINING
6	CH126-1410	1	RETAINER-BALL
7	CH196-5064	1	SWASHPLATE
8	CH126-1409	1	PLATE-RETAINING
9	CH126-1400	9	PISTON ASY.
10	196-5063	1	BARREL ASY.
11	CH126-1405	1	SHIM (1.2MM THK)
12	CH126-1406	1	SHIM (1.0MM THK)
13	CH126-1407	1	SHIM (0.8MM THK)
14	CH126-1408	1	SHIM (0.6MM THK)
15	CH126-1416	1	SPRING
16	CH126-1401	1	SPRING
17	CH130-7806	2	ROD
18	CH126-1413	1	LINER-BEARING
19	CH126-1420	1	SEAL-SHAFT
20	CH126-1403	1	PLATE-ADJUSTMENT
21	CH126-1419	1	BEARING-CRADLE
22	CH142-9439	1	BEARING ASY.

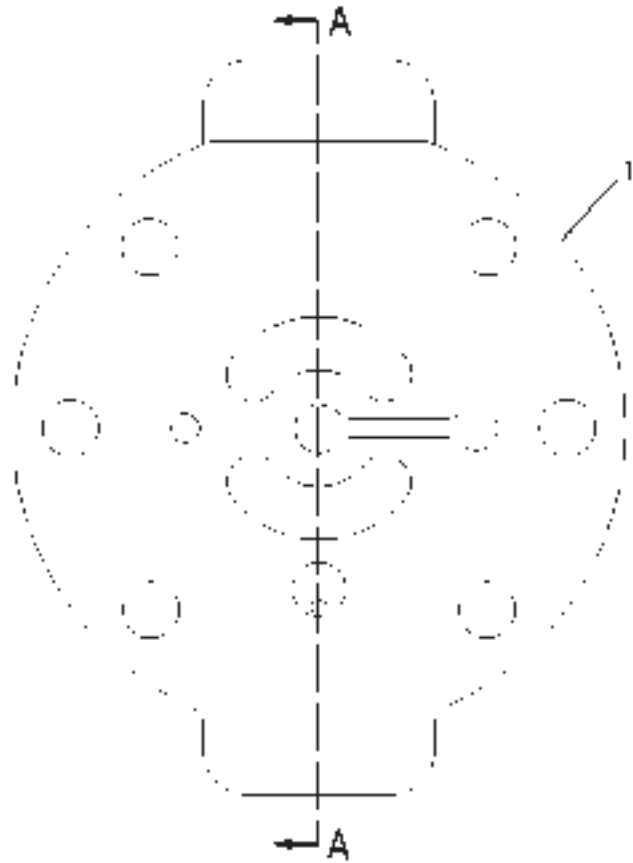
[A] PART OF 500526D1 PUMP GP-PISTON

1964623A
PR: t05c24o40d0328

HEAD GP-MOTOR - 192-8865
EAME



SECTION A-A



00819137

**MT700B SERIES TRACK TRACTOR
BRAKING SYSTEM**

739

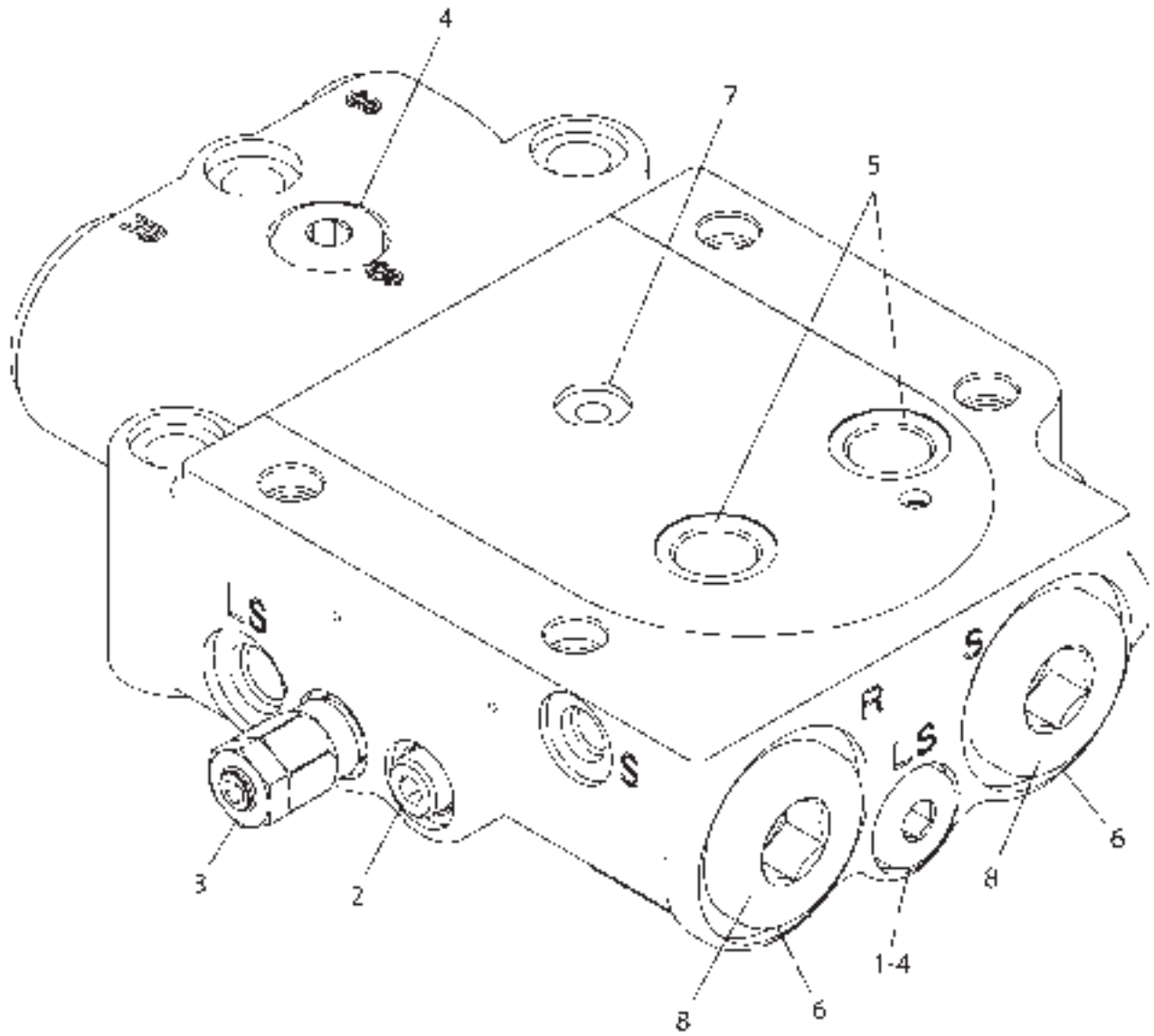
**HEAD GP-MOTOR - 192-8865
EAME**

ITEM	NUMBER	QTY	DESCRIPTION
-	192-8865	--	HEAD GP-MOTOR [A]
1	CH166-7411	1	HEAD
2	CH166-7413	1	SPRING
3	CH2H-4145	1	SEAL-O-RING
4	CH180-2826	6	BOLT-SOCKET HEAD (M12X1.75X30MM)
5	192-8871	1	SLIDER
6	CH1G-3174	1	PIN
7	CH166-7414	1	FITTING

[A] PART OF CH162-9598 MOTOR GP-PISTON

00819137
PR: t05c24o40d0329

VALVE GP-INLET FLOW - 226-5657
IMPLEMENT



2265657A

**MT700B SERIES TRACK TRACTOR
BRAKING SYSTEM**

741

**VALVE GP-INLET FLOW - 226-5657
IMPLEMENT**

ITEM	NUMBER	QTY	DESCRIPTION
-	226-5657	--	VALVE-GP-INLET FLOW [A]
1	188-3642	1	VALVE GP-CHECK (HYD POWER BEYOND LOAD SENSOR)
2	227-8726	1	VALVE GP-FLOW CONTROL
	CH033-5879	1	O-RING
	CH192-7111	1	O-RING
	CH209-7451	2	RING-BACKUP
	CH209-7452	1	RING-BACKUP
3	227-8727	1	VALVE GP-RELIEF (LOAD SENSING RELIEF)
	CH033-5879	1	O-RING
	CH192-7111	1	O-RING
	CH209-7451	2	RING-BACKUP
	CH209-7452	1	RING-BACKUP
4	CH162-0177	2	PLUG ASY.
	400318X1	1	SEAL-O-RING (11.89IDDX1.98DIA)
5	CH5P-9186	2	O-RING
6	400376X1	2	O-RING
7	CH8L-2777	1	O-RING
8	400375X1	2	PLUG

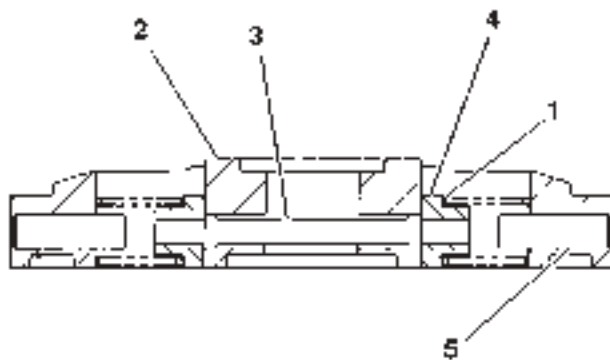
[A] PART OF 223-5935 VALVE GP-BANK 7

2265657A
PR: t05c24o40d0330

742

**MT700B SERIES TRACK TRACTOR
BRAKING SYSTEM**

**VALVE GP-FLUSHING - CH133-8740
ROW**



1338740A

**MT700B SERIES TRACK TRACTOR
BRAKING SYSTEM**

743

**VALVE GP-FLUSHING - CH133-8740
ROW**

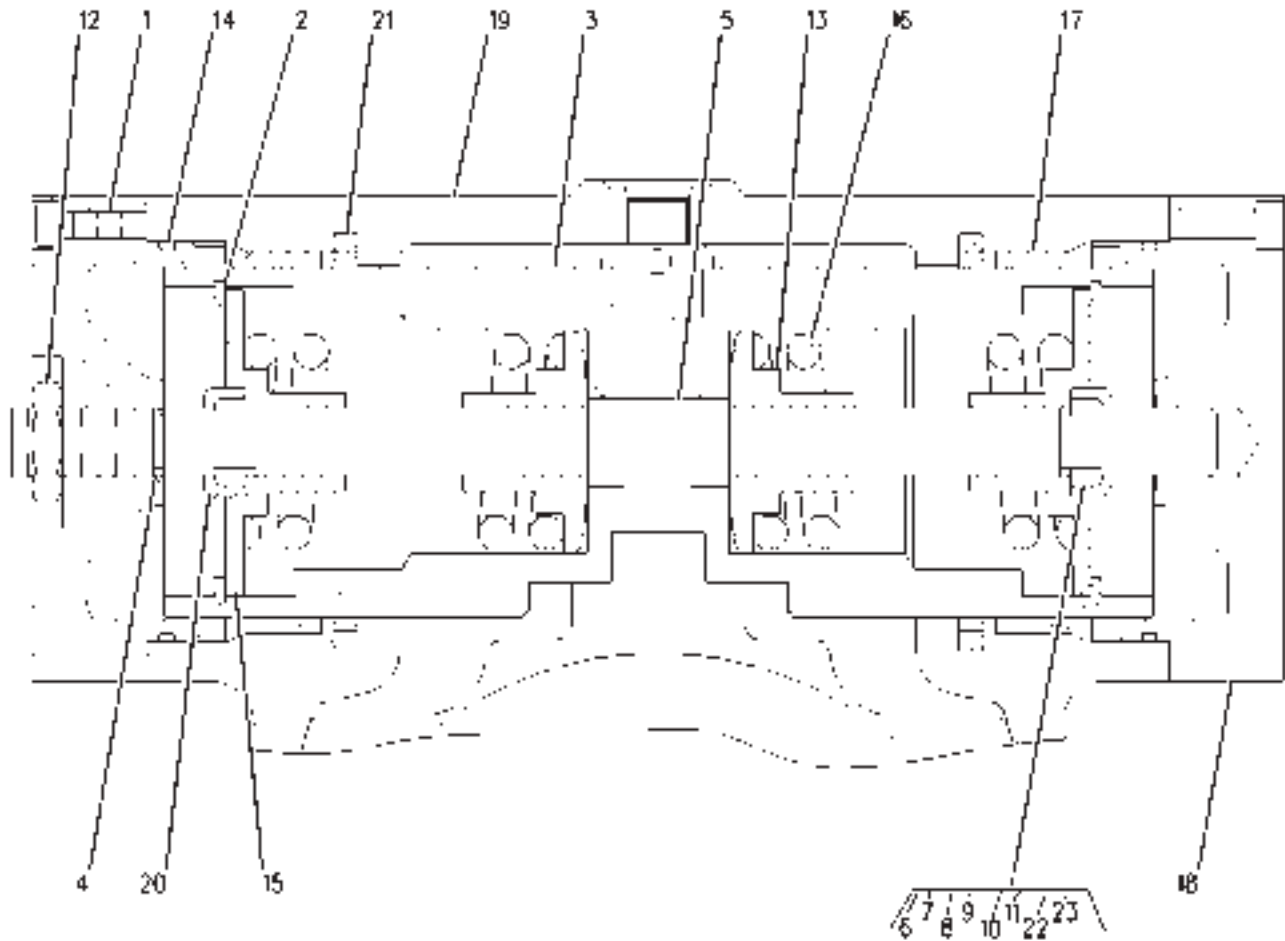
ITEM	NUMBER	QTY	DESCRIPTION
-	CH133-8740	--	VALVE GP-FLUSHING [A]
1	CH6E-4102	2	SPRING
2	CH133-8744	1	PLATE
3	CH133-8745	1	ROD
4	CH119-6110	2	RETAINER
5	CH133-8747	2	BOLT

[A] PART OF 192-8863 ROTATING GP-MOTOR

1338740A
PR: t05c24o40d0331

MT700B SERIES TRACK TRACTOR
HYDRAULIC SYSTEM

ACTUATOR GP-SWASHPLATE - CH196-4233
ROW



00016399

**MT700B SERIES TRACK TRACTOR
HYDRAULIC SYSTEM**

745

**ACTUATOR GP-SWASHPLATE - CH196-4233
ROW**

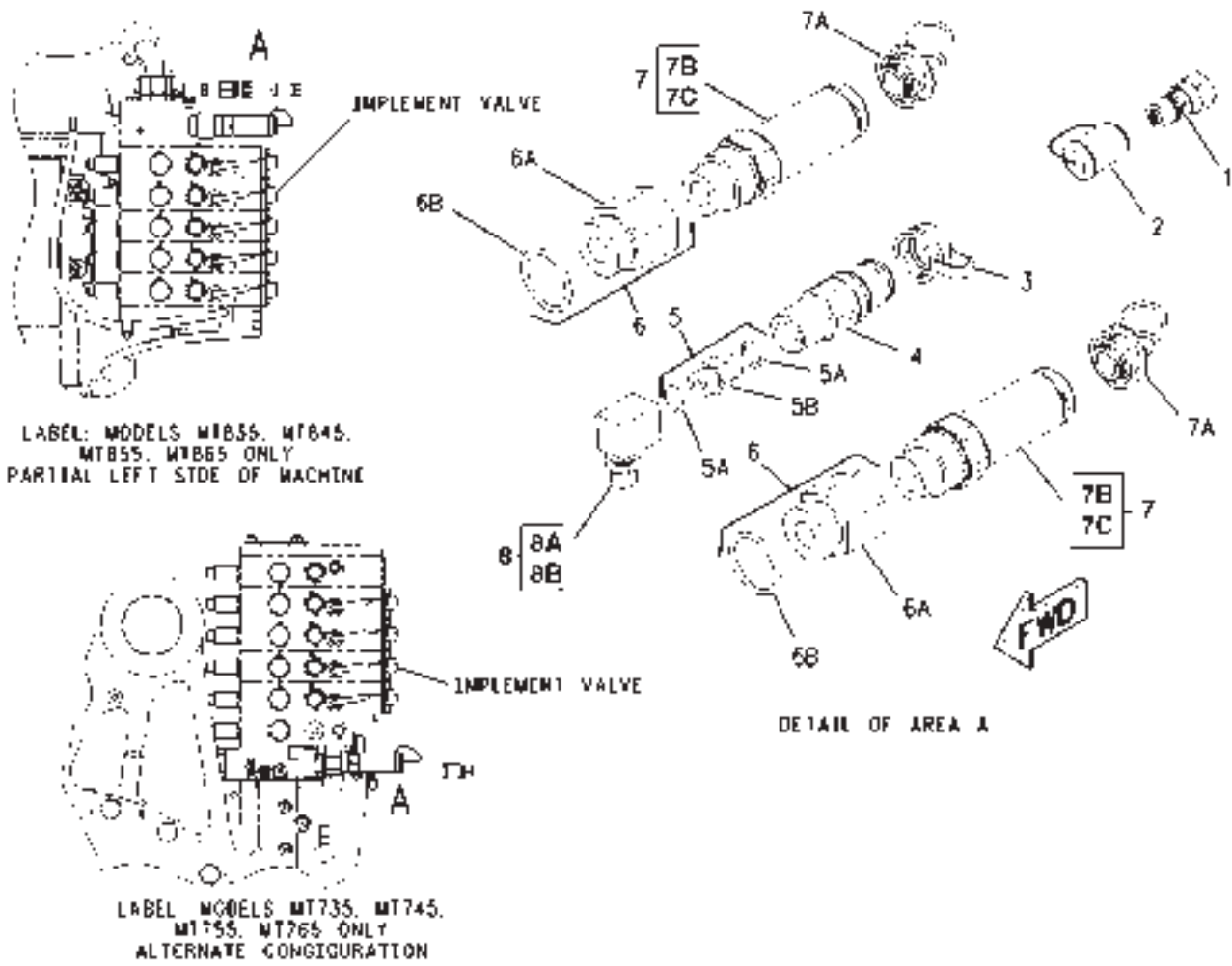
ITEM	NUMBER	QTY	DESCRIPTION
-	CH196-4233	--	ACTUATOR GP-SWASHPLATE [A]
1	CH8T-0269	8	BOLT-SOCKET HEAD (M6X1X20MM)
2	CH123-7547	2	SEAL-VALVE RING
3	CH188-7792	1	PISTON (ACTUATOR)
4	400378X1	1	SEAL-O-RING (12.83ODX1.78DIA)
5	CH145-0834	1	ROD
6	CH188-7793	2	SPACER (9.2X15.95X5.82MM THK)
7	CH188-7794	2	SPACER (9.2X15.95X5.87MM THK)
8	CH188-7795	2	SPACER (9.2X15.95X5.92MM THK)
9	CH188-7796	2	SPACER (9.2X15.95X5.97MM THK)
10	CH188-7797	2	SPACER (9.2X15.95X6.02MM THK)
11	CH188-7798	2	SPACER (9.2X15.95X5.67MM THK)
12	CH188-7789	1	NUT (M12X1.50 THD)
13	CH145-0838	2	RETAINER-SPRING
14	CH004-1964	2	O-RING
15	CH153-2782	2	RETAINER-SPRING
16	CH123-7544	2	SPRING-PRESSURE
17	CH188-7790	2	RING-GUIDE
18	CH188-7569	1	COVER
19	CH188-7568	1	COVER
20	CH188-7800	2	RING
21	CH188-7791	2	RING
22	CH188-7799	2	SPACER (9.2X15.95X5.72MM THK)
23	CH106-7532	2	SPACER (9.2X15.95X5.77MM THK)

[A] PART OF 500525D1; 500526D1
PUMP GP-PISTON

00816399
PR: t05c24o40d0332

MT700B SERIES TRACK TRACTOR
HYDRAULIC SYSTEM

CONNECTOR GP-VALVE - 178-7162
0 TO 60 LITERS PER MINUTE HYDRAULIC
POWER BEYOND
ROW ONLY



**MT700B SERIES TRACK TRACTOR
HYDRAULIC SYSTEM**

747

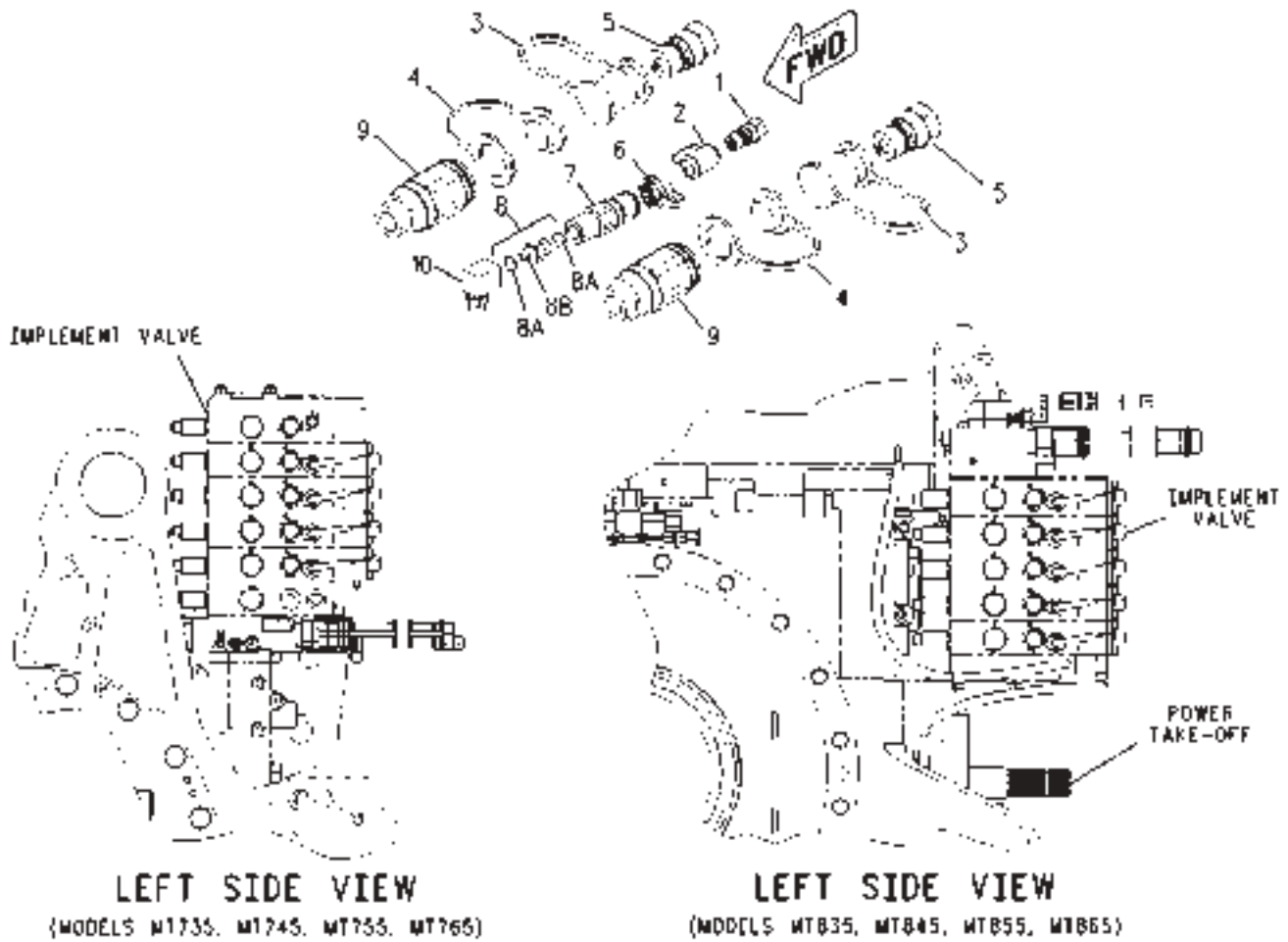
**CONNECTOR GP-VALVE - 178-7162
0 TO 60 LITERS PER MINUTE HYDRAULIC
POWER BEYOND
ROW ONLY**

ITEM	NUMBER	QTY	DESCRIPTION
-	178-7162	--	CONNECTOR GP-VALVE
1	CH153-4061	1	FITTING
2	CH153-6225	1	CAP-DUST
3	CH159-5893	1	CAP-DUST
4	CH159-5897	1	COUPLER ASY.
5	CH170-0964	1	CONNECTOR GP (SERVICE WITH COMPONENTS)
5A	400318X1	2	SEAL-O-RING (11.89IDDX1.98DIA)
5B	CH8T-1031	1	CONNECTOR
6	CH172-4621	2	ADAPTER GP (SERVICE WITH COMPONENTS)
6A	CH6V-0301	1	ADAPTER-STRAIGHT THREAD
6B	400376X1	1	O-RING
7	CH183-3725	2	COUPLER ASY.
7A	CH168-4599	1	CAP-DUST
7B	CH5L-4758	1	O-RING
7C	CH201-7615	1	RING-BACKUP
8			NOT USED ON MT700B SERIES

00885028
PR: t05c24o40d0333

MT700B SERIES TRACK TRACTOR
HYDRAULIC SYSTEM

CONNECTOR GP-VALVE - 180-7174
ABOVE 60 LITERS PER MINUTE HYDRAULIC
POWER BEYOND
ROW ONLY



**MT700B SERIES TRACK TRACTOR
HYDRAULIC SYSTEM**

749

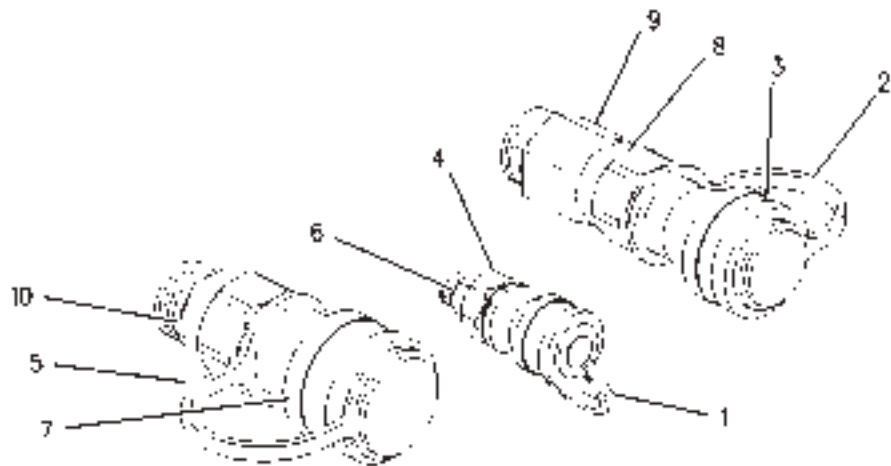
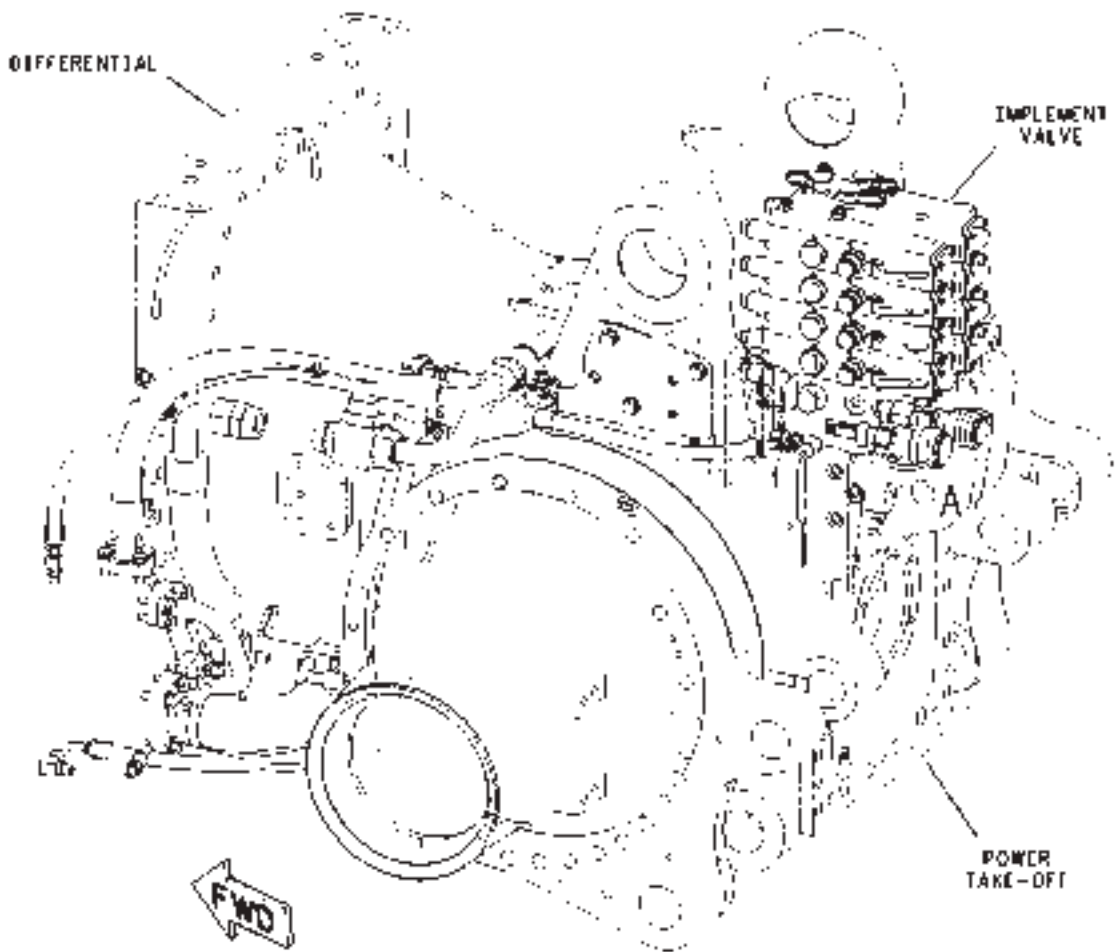
**CONNECTOR GP-VALVE - 180-7174
ABOVE 60 LITERS PER MINUTE HYDRAULIC
POWER BEYOND
ROW ONLY**

ITEM	NUMBER	QTY	DESCRIPTION
-	180-7174	--	CONNECTOR GP-VALVE
1	CH153-4061	1	FITTING
2	CH153-6225	1	CAP-DUST
3	CH153-6227	2	CAP-DUST
4	CH153-6228	2	PLUG-DUST
5	CH159-5890	2	FITTING ASY.
6	CH159-5893	1	CAP-DUST
7	CH159-5897	1	COUPLER ASY.
8	CH170-0964	1	CONNECTOR GP (SERVICE WITH COMPONENTS)
8A	400318X1	2	SEAL-O-RING (11.89IDDX1.98DIA)
8B	CH8T-1031	1	CONNECTOR
9	CH183-3724	2	COUPLER GP
	CH2K-8199	1	O-RING
	CH201-7614	1	RING-BACKUP
10		1	NOT USED ON MT700B SERIES

00824172
PR: t05c24o40d0334

MT700B SERIES TRACK TRACTOR
HYDRAULIC SYSTEM

COUPLING GP - 180-9998
HYDRAULIC POWER BEYOND
EAME ONLY



VIEW OF AREA A

00827821

**MT700B SERIES TRACK TRACTOR
HYDRAULIC SYSTEM**

751

**COUPLING GP - 180-9998
HYDRAULIC POWER BEYOND
EAME ONLY**

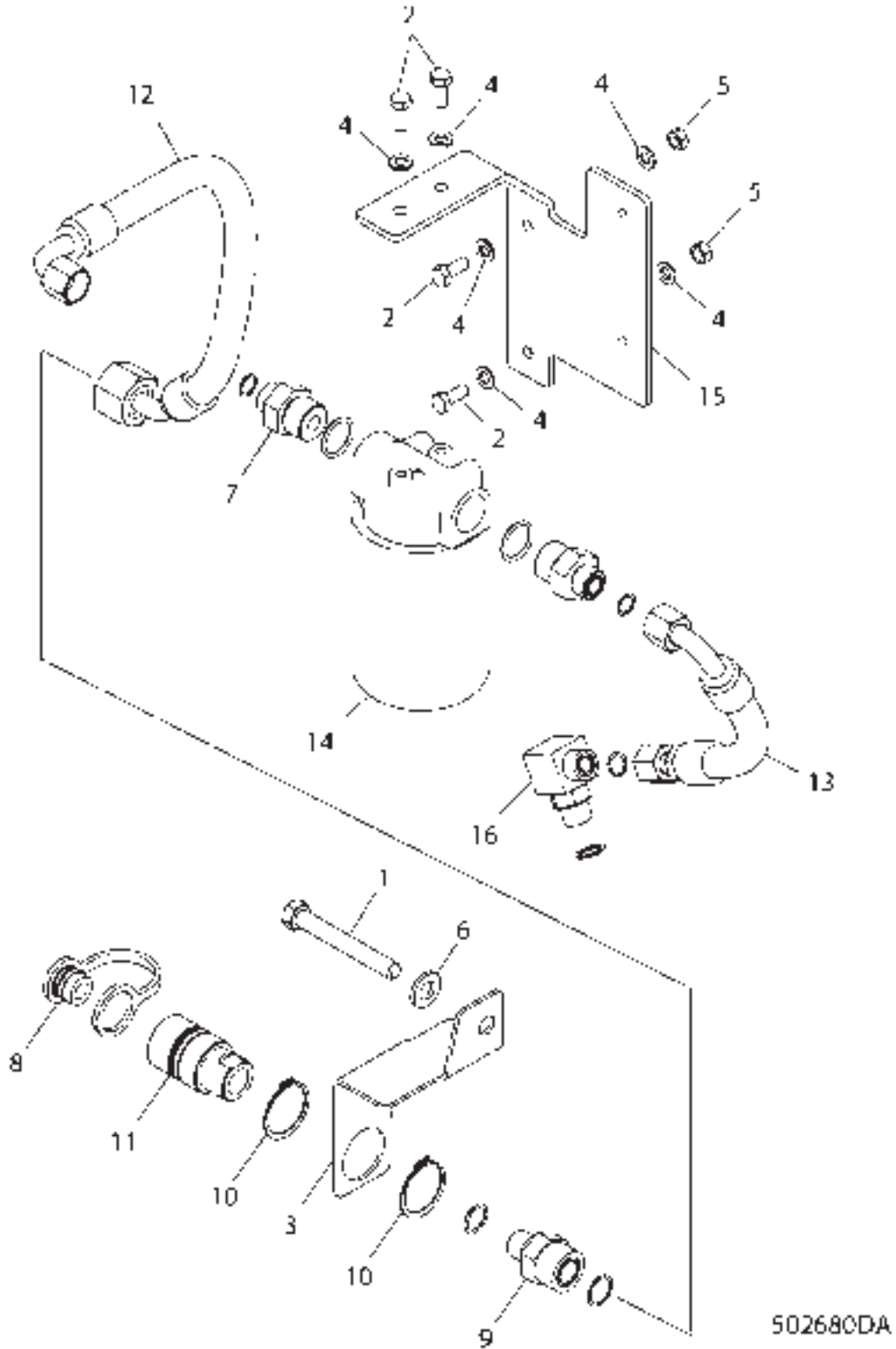
ITEM	NUMBER	QTY	DESCRIPTION
-	180-9998	--	COUPLING GP
1	CH5R-5676	1	PLUG-DUST
2	CH5R-5718	1	PLUG-DUST
3	CH5R-6304	1	COUPLING GP
	CH3S-9233	1	O-RING
	CH5R-5780	1	RETAINER
4	CH5R-6868	1	COUPLING AS
5	CH165-5694	1	PLUG-DUST
6	CH170-0964	1	CONNECTOR GP (SERVICE WITH COMPONENTS)
	400318X1	2	SEAL-O-RING (11.89IDDX1.98DIA)
	CH8T-1031	1	CONNECTOR
7	CH173-7639	1	COUPLING AS [J]
8	CH172-4620	1	CONNECTOR GP (SERVICE WITH COMPONENTS)
	400416X1	2	O-RING
	CH6Y-2349	1	CONNECTOR
9	CH172-4621	1	ADAPTER GP (NOT SERVICED)
	CH6V-0301	1	ADAPTER-STRAIGHT THREAD
	400376X1	1	O-RING
10	CH172-4622	1	UNION AS (16 STOR HEX)
	400376X1	2	SEAL-O-RING (29.74IDX2.95DIA)
-	191-6944	1	KIT-SEAL (HYD POWER BEYOND COUPLING) [J]

[J] REPAIR KIT(S) MARKED J AVAILABLE
FOR PART(S) MARKED J

00827821
PR: t05c24o40d0335

MT700B SERIES TRACK TRACTOR
HYDRAULIC SYSTEM

CASE DRAIN GP-PIONEER - 502673D1
WITHOUT WIDE SWING DRAWBAR



**MT700B SERIES TRACK TRACTOR
HYDRAULIC SYSTEM**

753

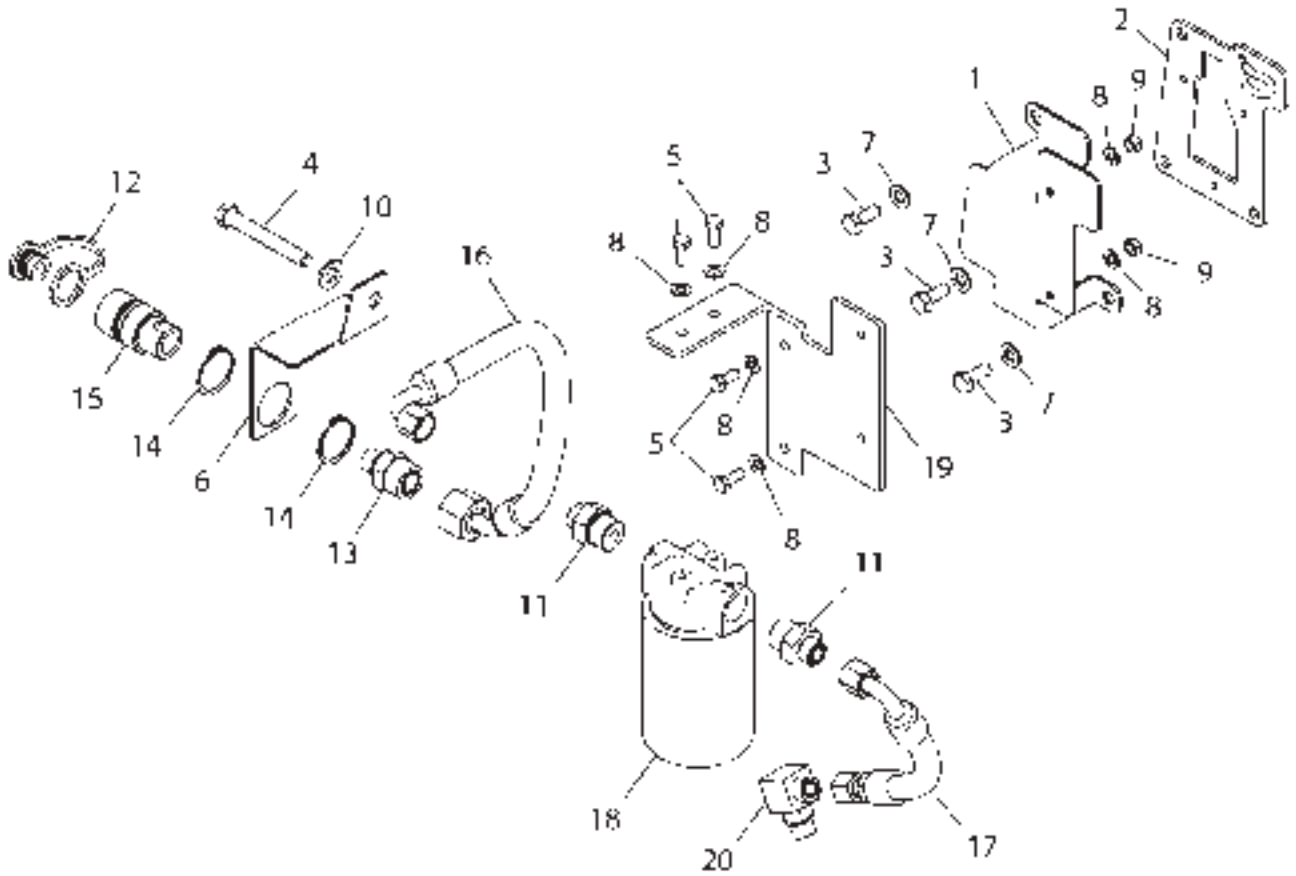
**CASE DRAIN GP-PIONEER - 502673D1
WITHOUT WIDE SWING DRAWBAR**

ITEM	NUMBER	QTY	DESCRIPTION
-	502673D1	--	CASE DRAIN GP-PIONEER (FACTORY) (NOT SERVICED)
-	502680D1	--	KIT-CASE DRAIN GP-PIONEER (FIELD INST)
1	400046X1	1	BOLT-M12X1.75X90 ZNDI HHD 10.9
2	400053X1	4	BOLT-M8X1.25X20 ZNDI HHD 10.9
3	502684D1	1	BRACKET
4	400339X1	6	WASHER - HARD
5	400340X1	2	NUT-M8X1.25X13 HEX ZND1
6	400357X1	1	WASHER-HARD-M12X25.50DX3THK
7	400414X1	2	CONNECTOR AS-STR-12STOR-8ORFS
	CH6V-8398	1	SEAL-O-RING (16.03ODX1.78DIA)
	400416X1	1	SEAL-O-RING (23.47ODX2.95DIA)
8	400564X1	1	PLUG-DUST-23.4 DIA
9	400963X1	1	CONNECTOR AS-STR -8STOR-12ORFS
	CH3K-0360	1	SEAL-O-RING
	400366X1	1	SEAL-O-RING (23.47ODX2.95DIA)
10	400968X1	2	SNAP RING EXT
11	502471D1	1	COUPLER AS-PIONEER-SIZE 8
	400569X1	1	SEAL-O-RING (20.22X3.53)
	400568X1	1	RETAINER (20.81IDX26.6ODX0.81THK)
12	502676D1	1	HOSE AS
13	502678D1	1	HOSE AS
14	502679D1	1	FILTER GP-CASE DRAIN
	501771D1	1	FILTER AS-HYD
15	502686D1	1	BRACKET
16	CH148-8364	1	ELBOW AS-90DEG (8STOR-8ORFS)
	CH3K-0360	1	SEAL-O-RING (16.36IDX2.21DIA)
	CH6V-8398	1	SEAL-O-RING (16.03ODX1.78DIA)

502680DA
PR: t05c24o40d0336

MT700B SERIES TRACK TRACTOR
HYDRAULIC SYSTEM

KIT-HYD CASE DRAIN-PIONEER - 502677D1
WITH WIDE SWING DRAWBAR
ROW ONLY



502677DA

**MT700B SERIES TRACK TRACTOR
HYDRAULIC SYSTEM**

755

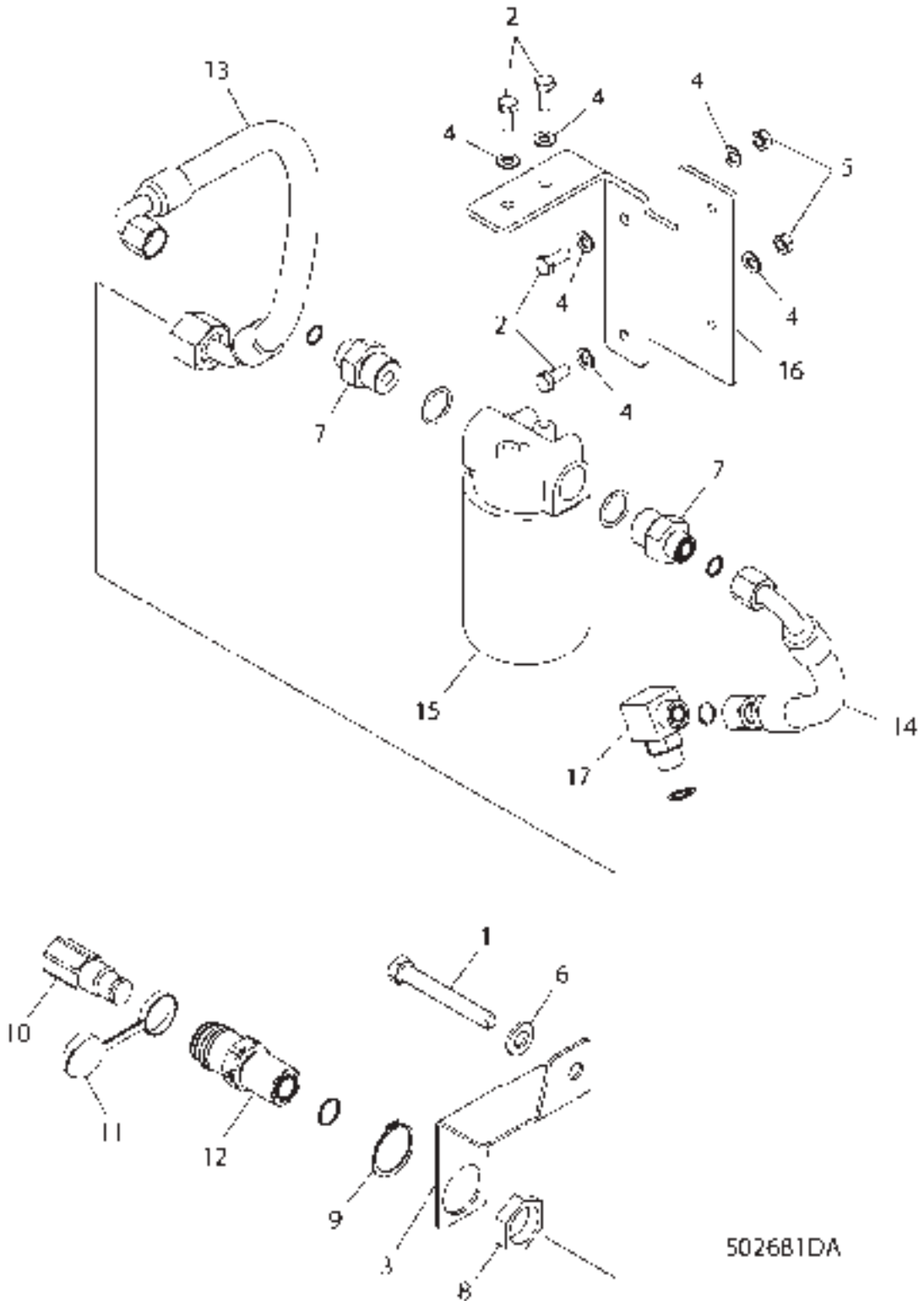
**KIT-HYD CASE DRAIN-PIONEER - 502677D1
WITH WIDE SWING DRAWBAR
ROW ONLY**

ITEM	NUMBER	QTY	DESCRIPTION
-	502677D1	--	KIT-CASE DRAIN GP-PIONEER
1	169-3562	1	SHIELD-POSITION SENSOR
2	174-8153	1	PLATE AS.-MOUNTING
3	400039X1	3	BOLT-M10X1.5X25 ZNDI HHD 10.9
4	400046X1	1	BOLT-M12X1.75X90 ZNDI HHD 10.9
5	400053X1	4	BOLT-M8X1.25X20 ZNDI HHD 10.9
6	502684D1	1	BRACKET
7	400287X1	3	WASHER-HARD 11IDX21ODX2.5 ZND1
8	400339X1	6	WASHER - HARD
9	400340X1	2	NUT-M8X1.25X13 HEX ZND1
10	400357X1	1	WASHER-HARD-M12X25.50DX3THK
11	400414X1	2	CONNECTOR AS-STR-12STOR-8ORFS
	CH6V-8398	1	SEAL-O-RING (16.03ODX1.78DIA)
	400416X1	1	SEAL-O-RING (23.47ODX2.95DIA)
12	400564X1	1	PLUG-DUST-23.4 DIA
13	400963X1	1	CONNECTOR AS-STR -8STOR-12ORFS
	CH3K-0360	1	SEAL-O-RING
	400366X1	1	SEAL-O-RING (23.47ODX2.95DIA)
14	400968X1	2	SNAP RING EXT
15	502471D1	1	COUPLER AS-PIONEER-SIZE 8
	400569X1	1	SEAL-O-RING (20.22X3.53)
	400568X1	1	RETAINER (20.81IDX26.6ODX0.81THK)
16	502676D1	1	HOSE AS
17	502678D1	1	HOSE AS
18	502679D1	1	FILTER GP-CASE DRAIN
	501771D1	1	FILTER AS-HYD
19	502686D1	1	BRACKET
20	CH148-8364	1	ELBOW AS-90DEG (8STOR-8ORFS)
	CH3K-0360	1	SEAL-O-RING (16.36IDX2.21DIA)
	CH6V-8398	1	SEAL-O-RING (16.03ODX1.78DIA)

502677DA
PR: t05c24o40d0337

MT700B SERIES TRACK TRACTOR
HYDRAULIC SYSTEM

CASE DRAIN GP-FLAT FACE - 502681D1
WITHOUT WIDE SWING DRAWBAR



502681DA

**MT700B SERIES TRACK TRACTOR
HYDRAULIC SYSTEM**

757

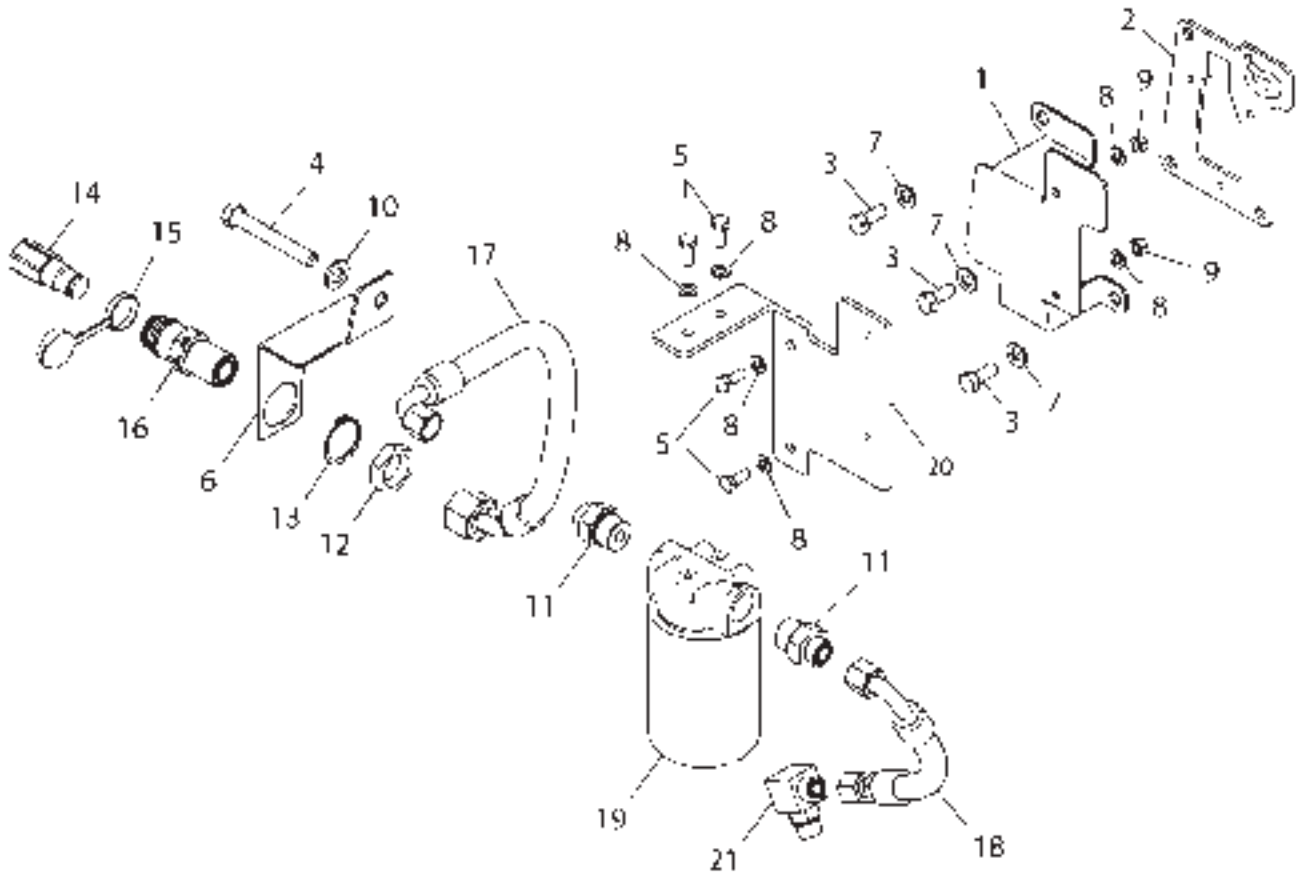
**CASE DRAIN GP-FLAT FACE - 502681D1
WITHOUT WIDE SWING DRAWBAR**

ITEM	NUMBER	QTY	DESCRIPTION
-	502674D1	--	CASE DRAIN GP-FLAT FACE (FACTORY) (NOT SERVICED)
-	502681D1	--	KIT-CASE DRAIN GP-FLAT FACE (FIELD INST)
1	400046X1	1	BOLT-M12X1.75X90 ZNDI HHD 10.9
2	400053X1	4	BOLT-M8X1.25X20 ZNDI HHD 10.9
3	502684D1	1	BRACKET
4	400339X1	6	WASHER - HARD
5	400340X1	2	NUT-M8X1.25X13 HEX ZND1
6	400357X1	1	WASHER-HARD-M12X25.50DX3THK
7	400414X1	2	CONNECTOR AS-STR-12STOR-8ORFS
	CH6V-8398	1	SEAL-O-RING (16.03ODX1.78DIA)
	400416X1	1	SEAL-O-RING (23.47ODX2.95DIA)
8	400961X1	1	BULKHEAD NUT (12ORFS)
9	400968X1	2	SNAP RING EXT
10	502472D1	1	NIPPLE AS-FLAT FACE
11	502473D1	1	PLUG-DUST
12	502475D1	1	COUPLER AS
	400366X1	1	SEAL-O-RING (22.50DX1.78)
13	502676D1	1	HOSE AS
14	502678D1	1	HOSE AS
15	502679D1	1	FILTER GP-CASE DRAIN
	501771D1	1	FILTER AS-HYD
16	502686D1	1	BRACKET
17	CH148-8364	1	ELBOW AS-90DEG (8STOR-8ORFS)
	CH3K-0360	1	SEAL-O-RING (16.36IDX2.21DIA)
	CH6V-8398	1	SEAL-O-RING (16.03ODX1.78DIA)

502681DA
PR: t05c24o40d0338

MT700B SERIES TRACK TRACTOR
HYDRAULIC SYSTEM

KIT-HYD CASE DRAIN-FLAT FACE - 502675D1
WIDE SWING DRAWBAR
ROW ONLY



502675DA

**MT700B SERIES TRACK TRACTOR
HYDRAULIC SYSTEM**

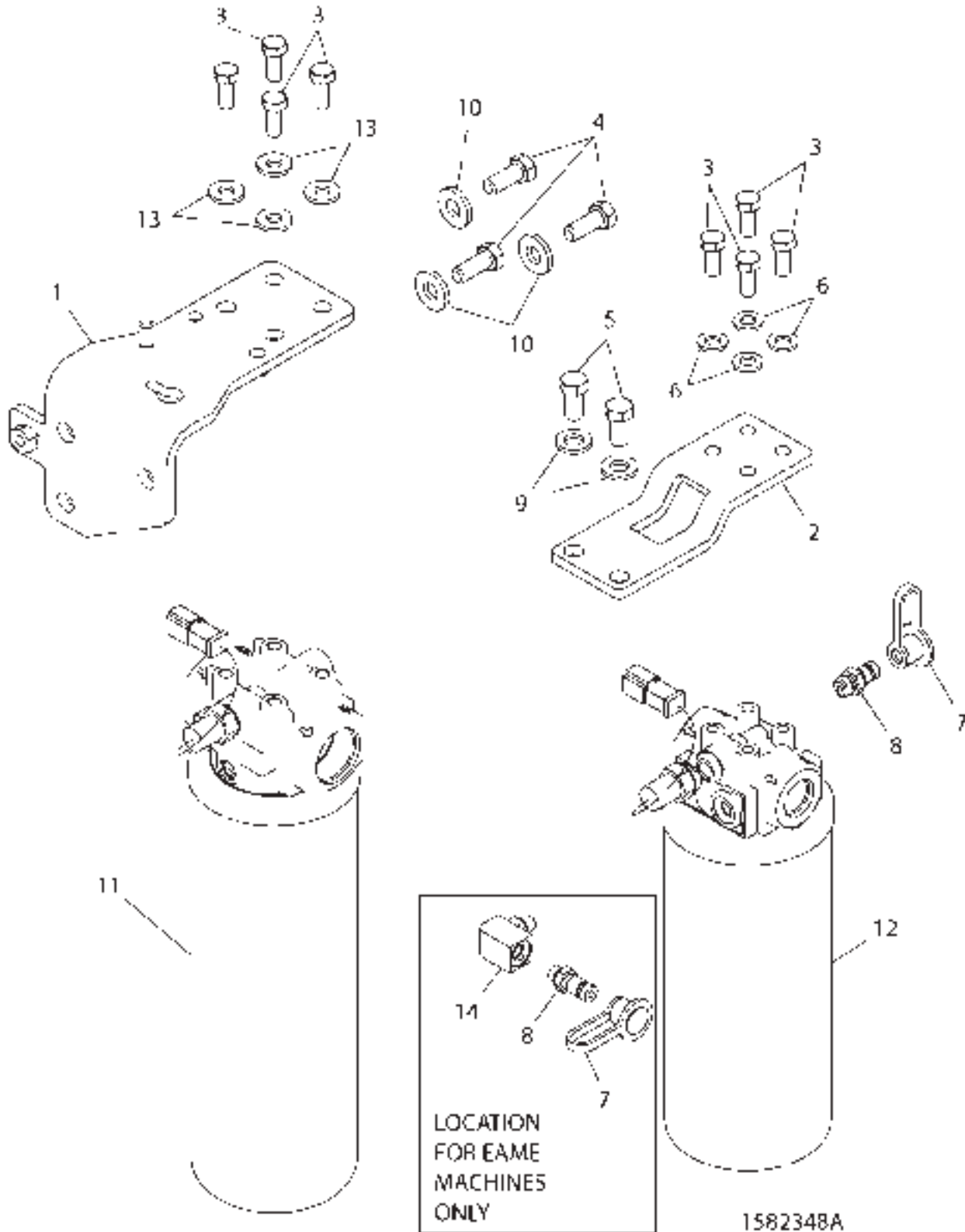
759

**KIT-HYD CASE DRAIN-FLAT FACE - 502675D1
WIDE SWING DRAWBAR
ROW ONLY**

ITEM	NUMBER	QTY	DESCRIPTION
-	502675D1	--	CASE DRAIN GP-FLAT FACE
1	169-3562	1	SHIELD-POSITION SENSOR
2	174-8153	1	PLATE AS.-MOUNTING
3	400039X1	3	BOLT-M10X1.5X25 ZNDI HHD 10.9
4	400046X1	1	BOLT-M12X1.75X90 ZNDI HHD 10.9
5	400053X1	4	BOLT-M8X1.25X20 ZNDI HHD 10.9
6	502684D1	1	BRACKET
7	400287X1	3	WASHER-HARD 11IDX21ODX2.5 ZND1
8	400339X1	6	WASHER - HARD
9	400340X1	2	NUT-M8X1.25X13 HEX ZND1
10	400357X1	1	WASHER-HARD-M12X25.50DX3THK
11	400414X1	2	CONNECTOR AS-STR-12STOR-8ORFS
	CH6V-8398	1	SEAL-O-RING (16.03ODX1.78DIA)
	400416X1	1	SEAL-O-RING (23.47ODX2.95DIA)
12	400961X1	1	BULKHEAD NUT-12ORFS
13	400968X1	1	SNAP RING EXT
14	502472D1	1	NIPPLE AS-FLAT FACE-SIZE 6
15	502473D1	1	CAP-DUST
16	502475D1	1	COUPLER AS-FLAT FACE-SIZE 6
	400366X1	1	SEAL-O-RING (22.50DX1.78)
17	502676D1	1	HOSE AS
18	502678D1	1	HOSE AS
19	502679D1	1	FILTER GP-CASE DRAIN
	501771D1	1	FILTER AS-HYD
20	502686D1	1	BRACKET
21	CH148-8364	1	ELBOW AS-90DEG (8STOR-8ORFS)
	CH3K-0360	1	SEAL-O-RING (16.36IDX2.21DIA)
	CH6V-8398	1	SEAL-O-RING (16.03ODX1.78DIA)

502675DA
PR: t05c24o40d0339

FILTER GP-MOUNTING - 158-2348



**MT700B SERIES TRACK TRACTOR
HYDRAULIC SYSTEM**

761

FILTER GP-MOUNTING - 158-2348

ITEM	NUMBER	QTY	DESCRIPTION
-	158-2348	--	FILTER GP-MOUNTING [A] (NOT SERVICED)
1	213-3662	1	BRACKET AS
2	219-6719	1	BRACKET
3	400039X1	8	BOLT-M10X1.5X25 ZNDI HHD 10.9
4	400041X1	3	BOLT-M12X1.75X30 ZNDI HHD 10.9
5	400055X1	2	BOLT-M12X1.75X25 ZNDI HHD 10.9
6	400287X1	4	WASHER-HARD 11IDX21ODX2.5 ZND1
7	400323X1	1	CAP-DUST 12.6 DIA -RUBBER
8	400324X1	1	NIPPLE AS-QUICK DISC-4&ORING
9	400357X1	2	WASHER-HARD-M12X25.5ODX3THK
10	400381X1	3	WASHER-HARD-13.5IDX30 ODX4THK
11	501765D1	1	FILTER GP-OIL (BASIC) (SEE BREAKDOWN FOR COMPONENTS)
12	501768D1	1	FILTER GP-OIL (SEE BREAKDOWN FOR COMPONENTS)
13	CH7X-7729	4	WASHER-11IDX5ODX3MM
14			NOT USED

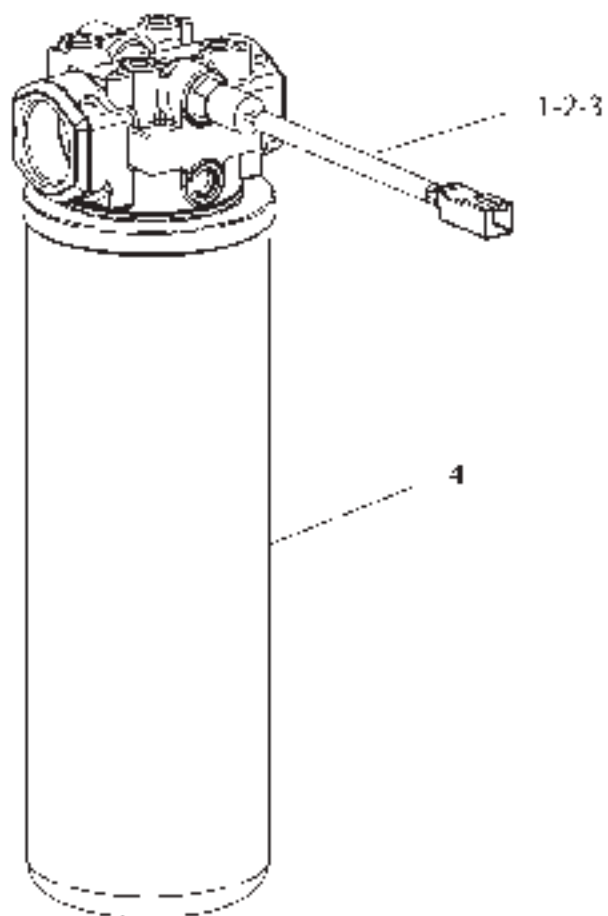
[A] PART OF 158-2341 HYDRAULIC AR

1582348A
PR: t05c24o40d0340

762

**MT700B SERIES TRACK TRACTOR
HYDRAULIC SYSTEM**

**FILTER GP-OIL - 501765D1
IMPLEMENT**



501765DA

**MT700B SERIES TRACK TRACTOR
HYDRAULIC SYSTEM**

763

**FILTER GP-OIL - 501765D1
IMPLEMENT**

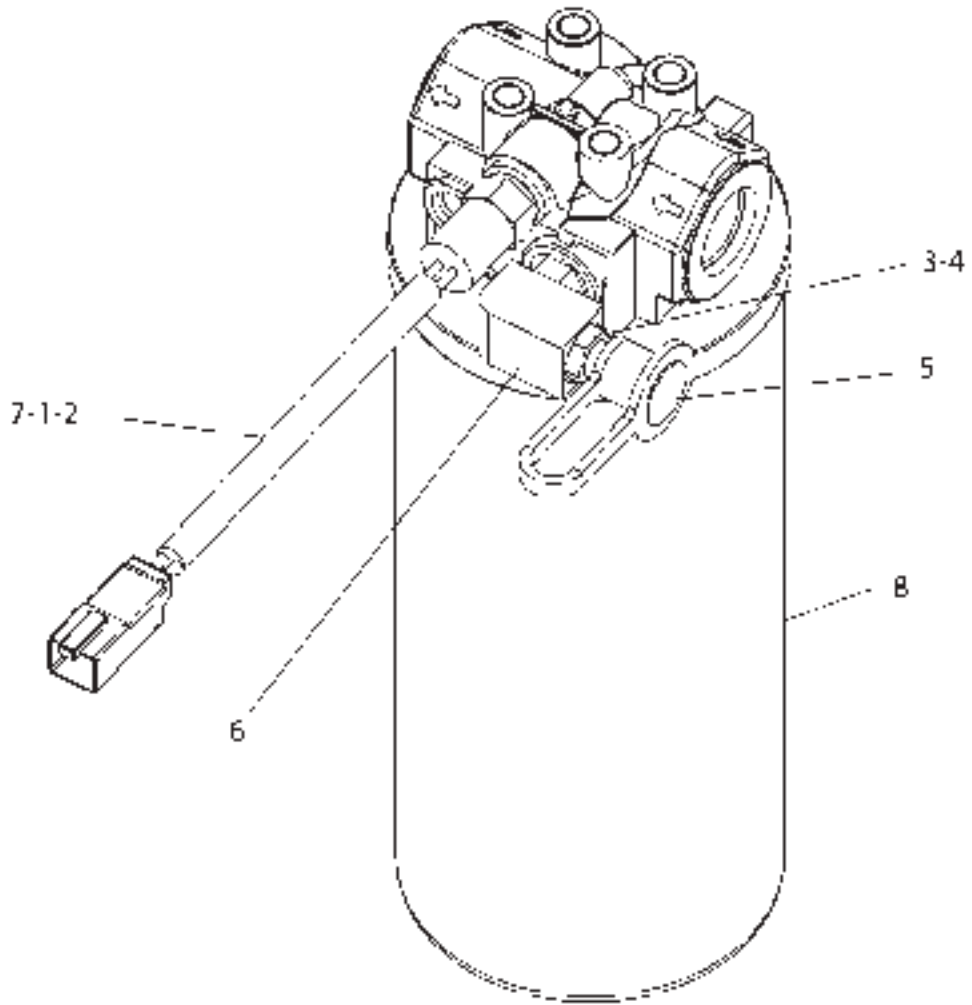
ITEM	NUMBER	QTY	DESCRIPTION
-	501765D1	--	FILTER GP-OIL [A]
1	500671D1	1	SWITCH AS-PRESSURE (IMPLEMENT/STER-FILTER BYPASS)
	CH102-8802	1	RECEPTACLE KIT-CONNECTOR
	400562X1	1	PIN-CONNECTOR 16-18 AWG
2	400360X1	1	SEAL-O-RING 7.65 IDX1.78 DIA
3	400318X1	1	SEAL-O-RING 11.89 IDX1.98 DIA
4	501766D1	1	FILTER AS-HYD

[A] PART OF 158-2348; 502668D1; 502669D1
FILTER & MTG GP HYDRAULIC

501765DA
PR: t05c24o40d0342

MT700B SERIES TRACK TRACTOR
HYDRAULIC SYSTEM

FILTER GP-OIL - 501768D1
TRANSMISSION



501768DA

**MT700B SERIES TRACK TRACTOR
HYDRAULIC SYSTEM**

765

**FILTER GP-OIL - 501768D1
TRANSMISSION**

ITEM	NUMBER	QTY	DESCRIPTION
-	501768D1	--	FILTER GP-OIL [A]
1	400318X1	1	SEAL-O-RING (11.89IDDX1.98DIA)
2	400360X1	1	SEAL-O-RING
3	400361X1	1	SEAL-O-RING
4	400362X1	1	VALVE-SAMPLING
5	400363X1	1	CAP-DUST
6	400364X1	1	ELBOW 90DEG. & O-RING
7	500671D1	1	SWITCH AS-PRESSURE
	400555X1	AR	SLEEVE 140MM (BULK)
	400562X1	2	PIN-CONNECTOR
	400511X1	1	WEDGE-RECP. LOCK
	400484X1	1	RECEPTACLE AS
8	501769D1		FILTER AS-HYD

[A] PART OF 158-2348 FILTER & MTG GP-HYD

501768DA
PR: t05c24o40d0343

766

MT700B SERIES TRACK TRACTOR
HYDRAULIC SYSTEM

HYDRAULIC AR - 158-2341

NO ILLUSTRATION

NOTIF

**MT700B SERIES TRACK TRACTOR
HYDRAULIC SYSTEM**

767

HYDRAULIC AR - 158-2341

ITEM	NUMBER	QTY	DESCRIPTION
-	158-2341	--	HYDRAULIC AR [A] (NOT SERVICED)
	158-2348	1	FILTER & MTG GP-HYDRAULIC (NOT SERVICED) (SEE BREAKDOWN FOR COMPONENTS)
	500585D1	1	LINES GP-HYDRAULIC(CHARGE)(NOT SERVICED) (SEE BREAKDOWN FOR COMPONENTS)
	500598D1	1	LINES GP-IMPLEMENT (NOT SERVICED) (SEE BREAKDOWN FOR COMPONENTS)
	158-2338	1	MOUNTING GP-VALVE (NOT SERVICED) (SEE BREAKDOWN FOR COMPONENTS)

[A] PART OF 177-1588; 502668D1
502669D1 BASE COMMON AR

NOTIF
PR: t05c24o40d0344

768

**MT700B SERIES TRACK TRACTOR
HYDRAULIC SYSTEM**

KIT-VALVE - 180-4827

4 TO 5 VALVE UPGRADE WITH STANDARD HITCH

NO ILLUSTRATION

NOTIF

**MT700B SERIES TRACK TRACTOR
HYDRAULIC SYSTEM**

769

**KIT-VALVE - 180-4827
4 TO 5 VALVE UPGRADE WITH STANDARD HITCH**

ITEM	NUMBER	QTY	DESCRIPTION
-	180-4827	--	KIT-VALVE
1	CH4K-8864	3	CLIP
2	CH6I-1418	3	SPACER (8.2X12.7X28.7MM THK)
3	CH7K-1181	14	STRAP-CABLE
4	CH8T-9655	6	MOUNT (ISOLATION)
5	CH9N-0869	3	WASHER-HARD (8.8X25.5X2MM THK)
6	400001X1	3	BOLT (M8X1.25X40MM)
7	136-5355	1	CONTROL GP-IMPLEMENT (NOT SERVICED) (SEE BREAKDOWN FOR COMPONENTS)
8	136-5537	1	HARNESS AS (IMPLEMENT VALVE 5 & 6)
9	CH192-1590	1	CONTROL GP-UNPROGRAMMED (SEE BREAKDOWN FOR COMPONENTS)
10	189-5910	1	VALVE & MTG GP-CONTROL (SEE BREAKDOWN FOR COMPONENTS)

NOTIF
PR: t05c24o40d0345

770

**MT700B SERIES TRACK TRACTOR
HYDRAULIC SYSTEM**

KIT-VALVE - 180-4828

4 VALVE TO 5 VALVE UPGRADE WITH
STEERABLE HITCH
ROW ONLY

NO ILLUSTRATION

NOTIF

**MT700B SERIES TRACK TRACTOR
HYDRAULIC SYSTEM**

771

**KIT-VALVE - 180-4828
4 VALVE TO 5 VALVE UPGRADE WITH
STEERABLE HITCH
ROW ONLY**

ITEM	NUMBER	QTY	DESCRIPTION
-	180-4828	--	KIT VALVE
1	CH4K-8864	3	CLIP
2	CH6I-1418	3	SPACER (8.2X12.7X28.7MM THK)
3	CH7K-1181	14	STRAP-CABLE
4	CH8T-9655	6	MOUNT (ISOLATION)
5	CH9N-0869	3	WASHER-HARD (8.8X25.5X2MM THK)
6	CH099-3649	3	BOLT (M8X1.25X40MM)
7	CH192-1590	1	CONTROL GP-UNPROGRAMMED (SEE BREAKDOWN FOR COMPONENTS)
8	136-5355	1	CONTROL GP-IMPLEMENT (NOT SERVICED) (SEE BREAKDOWN FOR COMPONENTS)
9	502178D1	1	HARNESS ASY. (IMPLEMENT VALVE 5 & 6)
10	189-5911	1	KIT, HYDRAULIC (SEE BREAKDOWN FOR COMPONENTS)
11	205-5825	1	TUBE ASY.
12	205-5826	1	TUBE ASY.
13	205-5827	1	TUBE ASY.
14	205-5828	1	TUBE ASY.

NOTIF
PR: t05c24o40d0346

772

**MT700B SERIES TRACK TRACTOR
HYDRAULIC SYSTEM**

**KIT-VALVE - 183-1215
5 VALVE TO 6 VALVE UPGRADE
WITH STEERABLE HITCH**

NO ILLUSTRATION

NOTIF

**MT700B SERIES TRACK TRACTOR
HYDRAULIC SYSTEM**

773

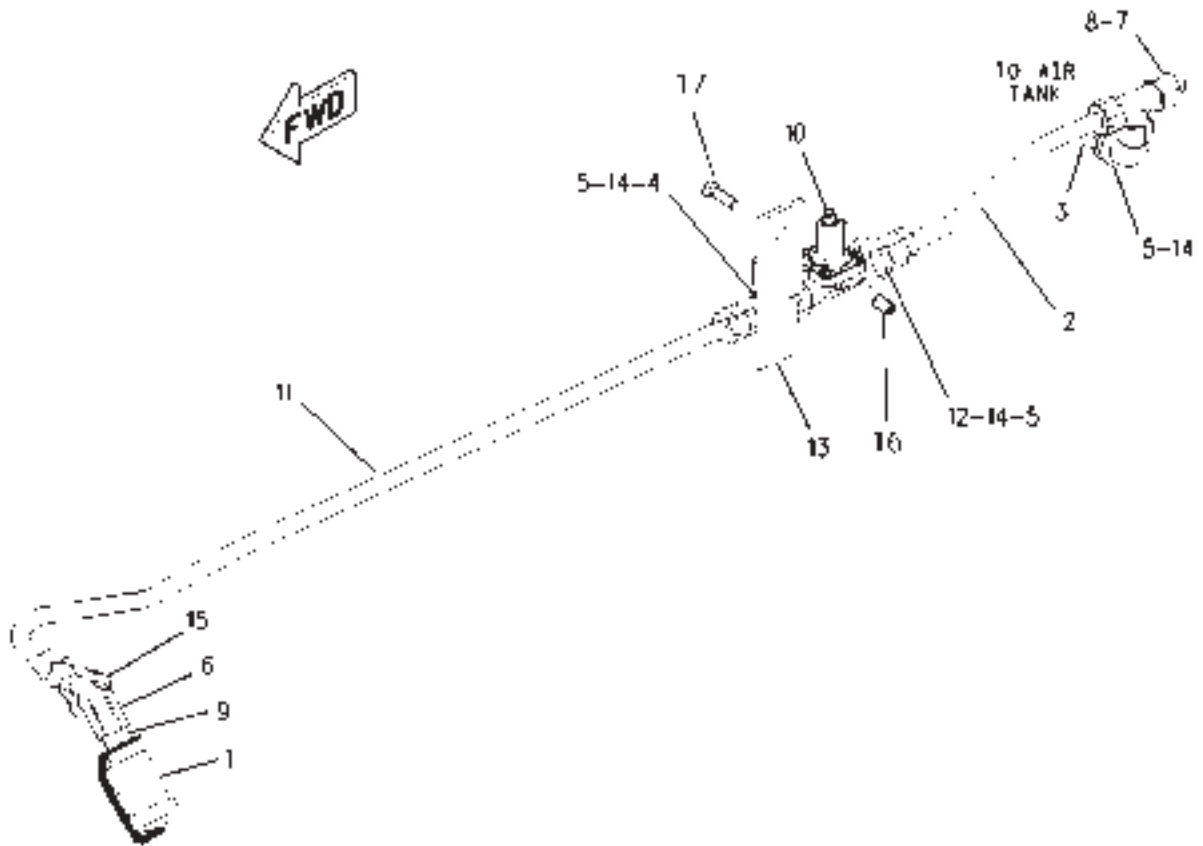
**KIT-VALVE - 183-1215
5 VALVE TO 6 VALVE UPGRADE
WITH STEERABLE HITCH**

ITEM	NUMBER	QTY	DESCRIPTION
-	183-1215	--	KIT-VALVE
1	152-0448	1	CONTROL GP-IMPLEMENT (NOT SERVICED) (SEE BREAKDOWN FOR COMPONENTS)
2	189-5907	1	KIT, HYDRAULIC (SEE BREAKDOWN FOR COMPONENTS)
3	205-5831	1	TUBE ASY.
4	205-5832	1	TUBE ASY.
5	205-5833	1	TUBE ASY.
6	205-5834	1	TUBE ASY.

NOTIF
PR: t05c24o40d0347

MT700B SERIES TRACK TRACTOR
HYDRAULIC SYSTEM

LINES GP-COUPLER - 179-7090
EAME ONLY



**MT700B SERIES TRACK TRACTOR
HYDRAULIC SYSTEM**

775

**LINES GP-COUPLER - 179-7090
EAME ONLY**

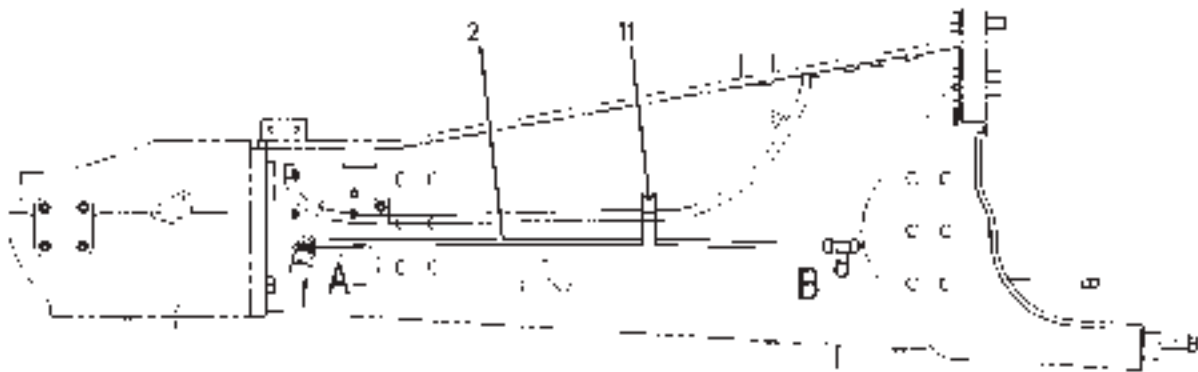
ITEM	NUMBER	QTY	DESCRIPTION
-	179-7090	--	LINES GP-COUPLER [A] (NOT SERVICED)
1	218-2806	1	CAP-DUST
2	169-0017	1	TUBE AS
3	CH185-9753	1	ELBOW AS
4	CH185-9763	1	CONNECTOR
5	CH185-9773	3	RING-BACKUP
6	CH187-9018	1	ADAPTER
7	CH190-0430	1	TEE GP (M18X3)
	CH3E-4297	1	EAL-O-RING
	CH187-6297	2	ERRULE
	400352X1	2	UT-TUBE (M18X1.5 THD)
8	CH190-0431	1	CAP
	CH3E-4297	1	EAL-O-RING
9	CH191-9311	1	COUPLING
10	200-4369	1	VALVE-CHARGING
11	169-0018	1	TUBE AS
12	200-4365	1	CONNECTOR
13	200-4366	1	BRACKET
14	CH3E-6762	3	SEAL-O-RING
15	CH8T-4994	1	WASHER-HARD (20X36.5X3.5MM THK)
16	400118X1	1	SPACER (11.5IDX13.7ODX14MM LG)
17	400059X1	1	BOLT-HEX (M10X1.5X35)

[A] PART OF 502356D1 BRAKE AR-AIR TR

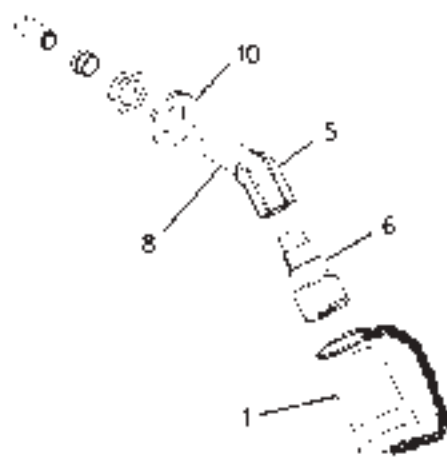
0851253A
PR: t05c24o40d0348

MT700B SERIES TRACK TRACTOR
HYDRAULIC SYSTEM

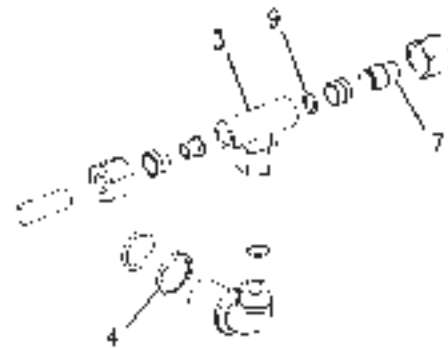
LINES GP-COUPLER - 192-6380
ROW ONLY



LEFT SIDE VIEW



DETAIL OF AREA A



DETAIL OF AREA B

00891800

**MT700B SERIES TRACK TRACTOR
HYDRAULIC SYSTEM**

777

**LINES GP-COUPLER - 192-6380
ROW ONLY**

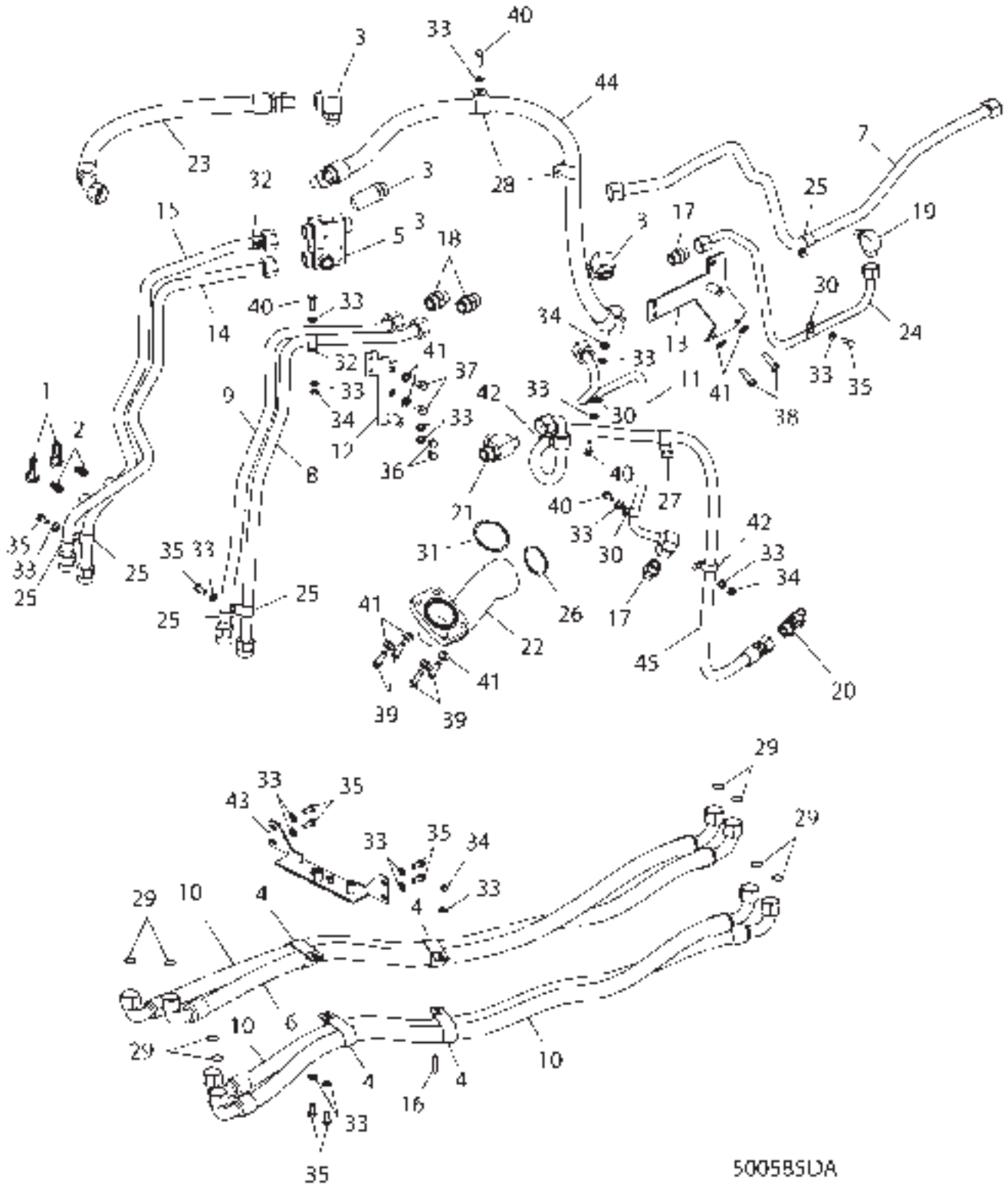
ITEM	NUMBER	QTY	DESCRIPTION
-	192-6380	--	LINE GP-COUPLER [A] (NOT SERVICED)
1	218-2806	1	CAP-DUST
2	169-0019	1	TUBE ASY.
3	CH185-9753	1	ELBOW AS
4	CH185-9773	1	RING-BACKUP
5	CH187-9018	1	ADAPTER
6	CH190-0430	1	TEE GP
	CH3E-4297	1	EAL-O-RING
	CH187-6297	2	ERRULE
	400352X1	2	UT-TUBE (M18X1.5 THD)
7	CH190-0431	1	CAP
	CH3E-4297	1	EAL-O-RING
8	CH191-9311	1	COUPLING
9	CH3E-6762	1	O-RING
10	CH8T-4994	1	WASHER-HARD (20X36.5X3.5MM THK)
11	CH9M-7175	1	CLIP

[A] PART OF 502354D1 TANK AR-AIR

00891800
PR: t05c24o40d0349

MT700B SERIES TRACK TRACTOR
HYDRAULIC SYSTEM

LINES GP-HYD OIL - 500585D1



500585DA

**MT700B SERIES TRACK TRACTOR
HYDRAULIC SYSTEM**

779

LINES GP-HYD OIL - 500585D1

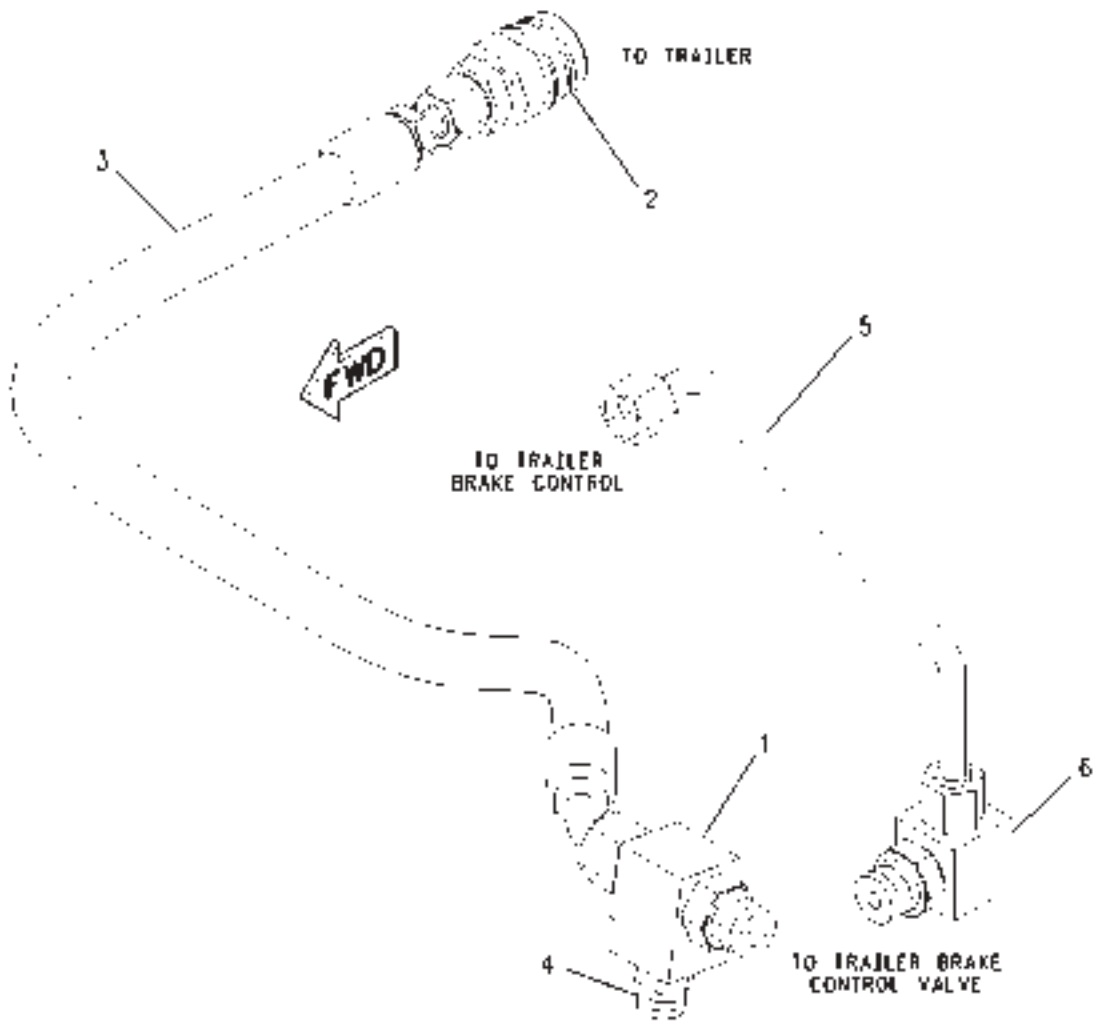
ITEM	NUMBER	QTY	DESCRIPTION
-	500585D1	--	LINES GP-HYD OIL [A] (NOT SERVICED)
1	400323X1	2	CAP-DUST 12.6 DIA -RUBBER
2	400324X1	2	NIPPLE AS-QUICK DISC-4&ORING
	400325X1	1	NIPPLE AS-QUICK DISK
	400318X1	1	SEAL-O-RING (11.89IDDX1.98DIA)
3	400580X1	3	ELBOW AS-90DEG 16STOR 16ORFS
4	400595X1	4	CLIP-38.1 ID DBL M12 OR 7/16
5	212-4475	1	MANIFOLD AS.
6	CH212-4481	1	HOSE AS 25.4 ID SAE 100R1
7	212-4484	1	TUBE AS.
8	212-8890	1	TUBE AS.
9	212-8891	1	TUBE AS.
10	CH212-8892	3	HOSE AS 25.4 ID SAE 100R1
11	213-2229	1	TUBE AS.
12	213-3932	1	BRACKET AS.
13	213-4077	1	BRACKET AS.
14	213-5066	1	TUBE AS.
15	213-5067	1	TUBE AS.
16	400258X1	1	STUD-TAPERLOCK M10X1.5X45
17	CH148-8327	2	CONNECTOR AS-12 ORFSX 12STOR
18	CH148-8335	2	CONNECTOR AS.-16 STORX16 ORFS
	400123X1	1	SEAL-O-RING
	400376X1	1	SEAL-O-RING
19	CH148-8359	1	ELBOW AS.-90DEG 8STORX12 ORFS
20	CH148-8388	1	ELBOW-90 DEG 10 STORX12 ORFS
	400319X1	1	SEAL-O-RING
	400366X1	1	SEAL-O-RING
21	CH148-8431	1	TEE AS-16 ORFS X 16 STOR
22	204-0428	1	TUBE
23	CH219-7254	1	HOSE AS 25.4 ID SAE 100R1
24	232-1247	1	TUBE AS.
25	CH3A-3692	5	CLIP-LOOP 25.4 ID
26	400590X1	1	SEAL-O-RING 66.04 IDX5.33 DIA
27	400663X1	1	CLIP-LOOP 28.58 ID
28	CH4D-7388	2	CLIP-LOOP 34.9 ID
29	400123X1	8	SEAL-O RING-27.22ODX1.78 DIA
30	CH6D-4246	3	CLIP-LOOP 19.05ID
31	CH6V-3833	1	SEAL-O-RING 78.74IDX5.33DIA
32	400688X1	2	CLIP LOOP 25.4ID
33	400287X1	20	WASHER-HARD 11IDX21ODX2.5 ZND1
34	WR522218	5	NUT-M10-1.5,CL10.9,ZN,H,REG
35	400039X1	9	BOLT-M10X1.5X25 ZNDI HDD 10.9
36	400040X1	2	BOLT-M10X1.5X20 ZNDI HDD 10.9
37	400047X1	2	BOLT-M12X1.75X20 ZNDI HDD 10.9
38	400050X1	2	BOLT-M12X1.75X40 ZNDI HDD 10.9
39	400051X1	4	BOLT-M12X1.75X45 ZNDI HDD 10.9
40	400058X1	4	BOLT-M10X1.5X30 ZNDI HDD 10.9
41	400357X1	8	WASHER-HARD-M12X25.50DX3THK
42	400700X1	1	CLIP LOOP 28.58ID
43	206-7166	1	BRACKET AS.
	500413D1	1	PLATE
	CH9R-2613	2	BOSS-M10X1.5-6HX25MM
	CH8T-3490	2	NUT-WELD M10X1.5-6H
44	CH219-3511	1	HOSE AS 25.4 ID SAE 100R1 HTEM
45	500586D1	1	HOSE AS (FOR 19.0 IDSAE

[A] PART OF 158-2341 HYDRAULIC AR

500585DA
PR: t05c24o40d0350

MT700B SERIES TRACK TRACTOR
HYDRAULIC SYSTEM

LINES GP-HYDRAULIC - 165-8563
TRAILER BRAKE
EAME ONLY



00853902

**MT700B SERIES TRACK TRACTOR
HYDRAULIC SYSTEM**

781

**LINES GP-HYDRAULIC - 165-8563
TRAILER BRAKE
EAME ONLY**

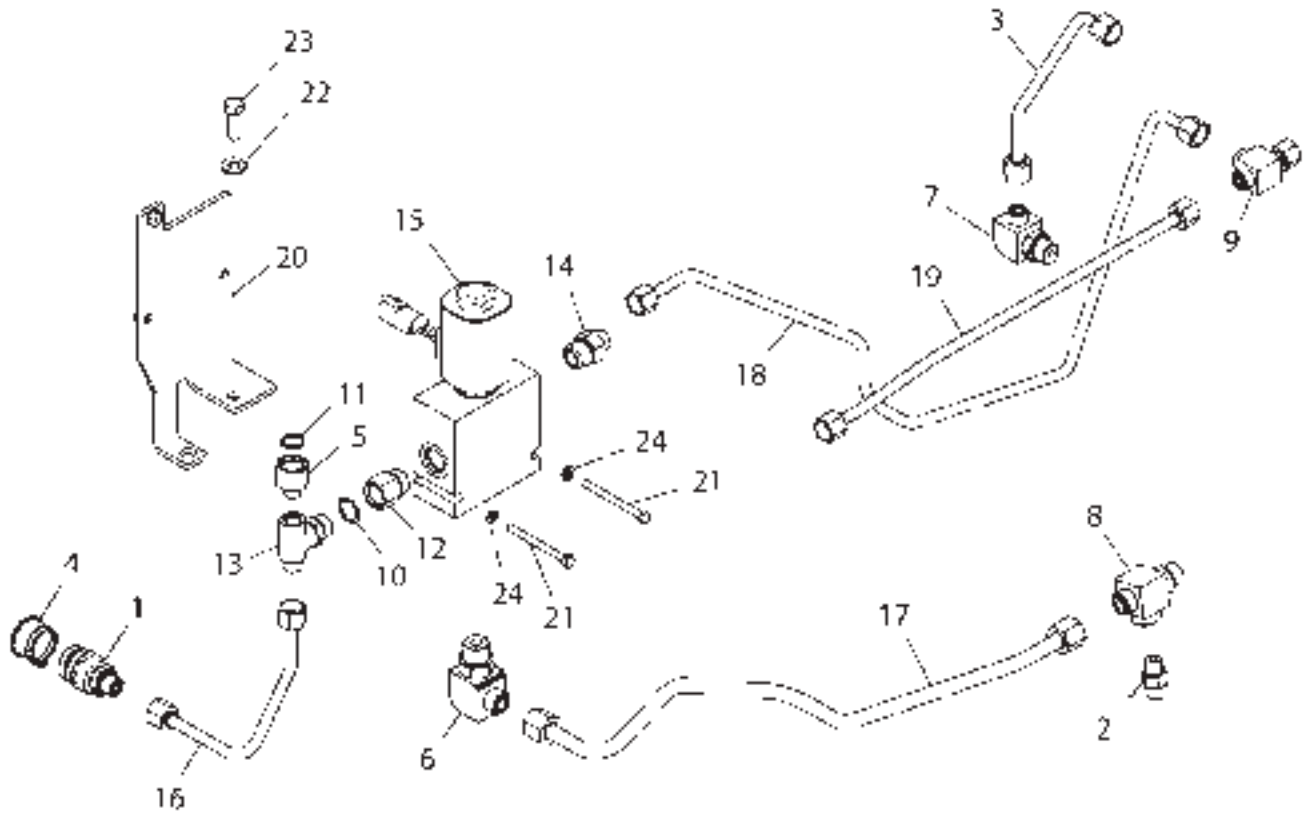
ITEM	NUMBER	QTY	DESCRIPTION
-	165-8563	--	LINES GP-HYDRAULIC (NOT SERVICED)
1	CH148-8420	1	TEE AS (8ORFS X 8STOR X 6STOR)
	CH3K-0360	1	SEAL-O-RING
	CH6V-8398	1	SEAL-O-RING
2	CH185-3959	1	COUPLER GP-QUICK
	400378X1	1	SEAL-O-RING (12.83ODX1.78DIA)
3	CH206-0622	1	HOSE AS
4	206-2941	1	VALVE GP-CHECK
	400378X1	1	SEAL-O-RING (12.83ODX1.78DIA)
	400318X1	1	SEAL-O-RING (11.89IDDX1.98DIA)
5	214-2438	1	TUBE AS
6	CH148-8374	1	ELBOW AS-90DEG 6ORFS X 8STOR
	CH3K-0360	1	SEAL-O-RING (16.36 ID X 2.21 DIA)
	400378X1	1	SEAL-O-RING (12.83ODX1.78DIA)
7	CH223-9254	1	CAP-DUST (USE W/ITEM 2)(NOT SHOWN)

[A] PART OF 180-9999 BRAKE AR

00853902
PR: t05c24o40d0351

MT700B SERIES TRACK TRACTOR
HYDRAULIC SYSTEM

LINES GP-HYD OIL - 223-4989
ITALIAN MARKET
EAME ONLY



2234989A

**MT700B SERIES TRACK TRACTOR
HYDRAULIC SYSTEM**

783

**LINES GP-HYD OIL - 223-4989
ITALIAN MARKET
EAME ONLY**

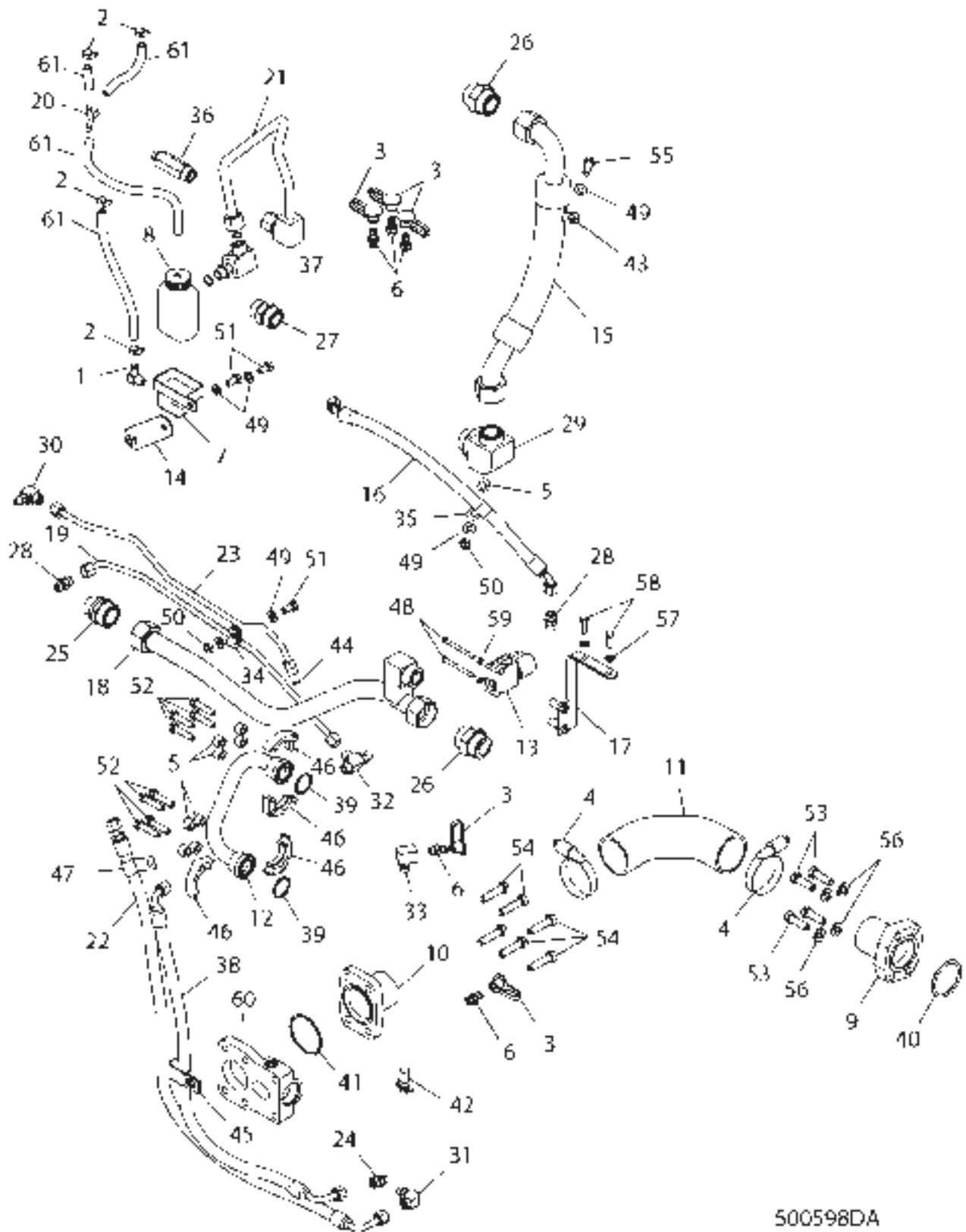
ITEM	NUMBER	QTY	DESCRIPTION
-	223-4989	--	LINES GP-HYD OIL [A] (NOT SERVICED)
1	CH185-3959	1	COUPLER-QK CONNECT 12STOR ML
2	206-2941	1	VALVE AS-CHECK 4ORFS X 6ORFS
3	214-2438	1	TUBE AS.
4	CH223-9254	1	CAP-DUST
5	CH148-8307	1	ADAPTER AS -6STOR X 8STOR
	400318X1	1	SEAL-O-RING (11.89X1.98)
6	CH148-8372	1	ELBOW AS-90DEG 10 STOR-8 ORFS
	CH6V-8398	1	SEAL-O-RING (16.03X1.78)
	400319X1	1	SEAL-O-RING (11.89X1.98)
7	CH148-8374	1	ELBOW AS-90DEG 6ORFS X 8STOR
	CH3K-0360	1	SEAL-O-RING (16.36 ID X 2.21 DIA)
	400378X1	1	SEAL-O-RING (12.83ODX1.78DIA)
8	CH148-8420	1	TEE AS (8ORFS X 8STOR X 6STOR)
	CH3K-0360	1	SEAL-O-RING
	CH6V-8398	1	SEAL-O-RING
9	CH148-8433	1	TEE AS-6 ORFS X 3
	400378X1	2	SEAL-O-RING (12.83ODX1.78DIA)
10	400319X1	1	SEAL-O-RING 19.18 IDX2.46 DIA
11	CH3K-0360	1	SEAL-O-RING 16.36IDX2.21DIA
12	500454D1	1	ADAPTER-STRAIGHT THREAD-O-RING
13	500456D1	1	TEE AS - 6STOR X 8STOR X 6ORFS
	400378X1	1	SEAL-O-RING (12.83ODX1.78DIA)
	CH3K-0360	1	SEAL-O-RING 16.36IDX2.21DIA
14	500533D1	1	CONNECTOR AS - 6ORFS X 10STOR
	400378X1	1	SEAL-O-RING (12.83ODX1.78DIA)
	400319X1	1	SEAL-O-RING (11.89X1.98)
15	500535D1	1	VALVE AS
16	500537D1	1	TUBE AS
17	500538D1	1	TUBE AS
18	500539D1	1	TUBE AS
19	500540D1	1	TUBE AS
20	500541D1	1	BRACKET AS.
21	400038X1	2	BOLT-M6X1X70MM ZNDI HHD 10.9
22	400287X1	1	WASHER-HARD 11IDX21ODX2.5 ZND1
23	400058X1	1	BOLT-M10X1.5X30 ZNDI HHD 10.9
24	400310X1	2	WASHER

[A] PART OF 227-5263 BRAKE AR-HYD

2234989A
PR: t05c24o40d0352

MT700B SERIES TRACK TRACTOR
HYDRAULIC SYSTEM

LINES GP-IMPLEMENT - 500598D1



500598DA

**MT700B SERIES TRACK TRACTOR
HYDRAULIC SYSTEM**

785

LINES GP-IMPLEMENT - 500598D1

ITEM	NUMBER	QTY	DESCRIPTION
-	500598D1	--	LINES GP-IMPLEMENT [A] (NOT SERVICED)
1	CH5P-9517	1	ELBOW-90DEG4NPTF X 7.92 OD BARB
2	CH1P-4278	4	CLAMP-HOSE 5.5-15.88 ID X 8
3	400323X1	5	CAP-DUST 12.6 DIA -RUBBER
4	400126X1	2	CLAMP-HOSE CT SST 57-79X16
5	CH148-7017	9	SPACER-19.05ODX10.2IDX13 ZN
6	400324X1	5	NIPPLE AS-QUICK DISC-4&ORING
7	179-8664	1	BRACKET
8	CH179-8665	1	BOTTLE AS
9	CH183-3009	1	TUBE AS.
10	CH183-3010	1	TUBE AS
11	197-1341	1	HOSE
12	CH206-0598	1	TUBE AS.
13	207-0745	1	VALVE GP- SOL
14	CH207-2912	1	PLATE AS.
15	CH207-9575	1	HOSE AS-31.75 ID CMS 5803A
16	CH212-8811	1	HOSE AS-9.5 ID SAE 100R2
17	212-8815	1	BRACKET AS
18	213-6367	1	TUBE AS.
19	217-1584	1	TUBE AS.
20	CH222-0527	1	COUPLING-Y 3 X 7.9 OD BARB
21	223-8241	1	TUBE AS.
22	CH225-5206	1	HOSE AS-9.52 ID SAE 100 R2
23	225-5207	1	TUBE AS.
24	CH148-8326	1	CONNECTOR AS-6 ORFS X 4 STOR
25	CH148-8333	1	CONNECTOR AS-20 ORFS X 16 STOR
26	CH148-8334	2	CONNECTOR AS-20 ORFS X 20 STOR
27	CH148-8335	1	CONNECTOR AS.-16 STORX16 ORFS
28	400367X1	2	CONNECTOR AS-6 STOR -6 ORFS
29	CH148-8356	1	ELBOW AS-90-20ORFS X 20STOR
30	CH148-8361	1	ELBOW AS-90 DEG 4 STOR X6 ORFS
	400361X1	1	SEAL-O-RING (8.92ID X 1.83DIA)
	400378X1	1	SEAL-O-RING (12.83ODX1.78DIA)
31	CH148-8378	1	ELBOW AS-90 DEG 4 STOR X6 ORFS
	400318X1	1	SEAL-O-RING (11.89IDX1.98DIA)
	400378X1	1	SEAL-O-RING (12.83ODX1.78DIA)
32	CH148-8435	1	TEE AS-6ORFS X 6ORFSX 6STOR
33	CH150-3065	1	ADAPTER AS-90DEG 6 STOR X 6 STOR
34	CH1F-7567	2	CLIP-LOOP 9.52 ID
35	CH1S-0994	1	CLIP-LOOP 20.64 ID
36	CH223-8435	1	CONNECTOR AS-10 ORFS X 8 STOR
37	CH223-9031	1	ELBOW AS-90 DEG -8STOR-10 ORFS
38	CH227-5266	1	HOSE AS-9.5 ID SAE 100R2
39	400100X1	2	SEAL-O RING-32.92IDX3.53DIA

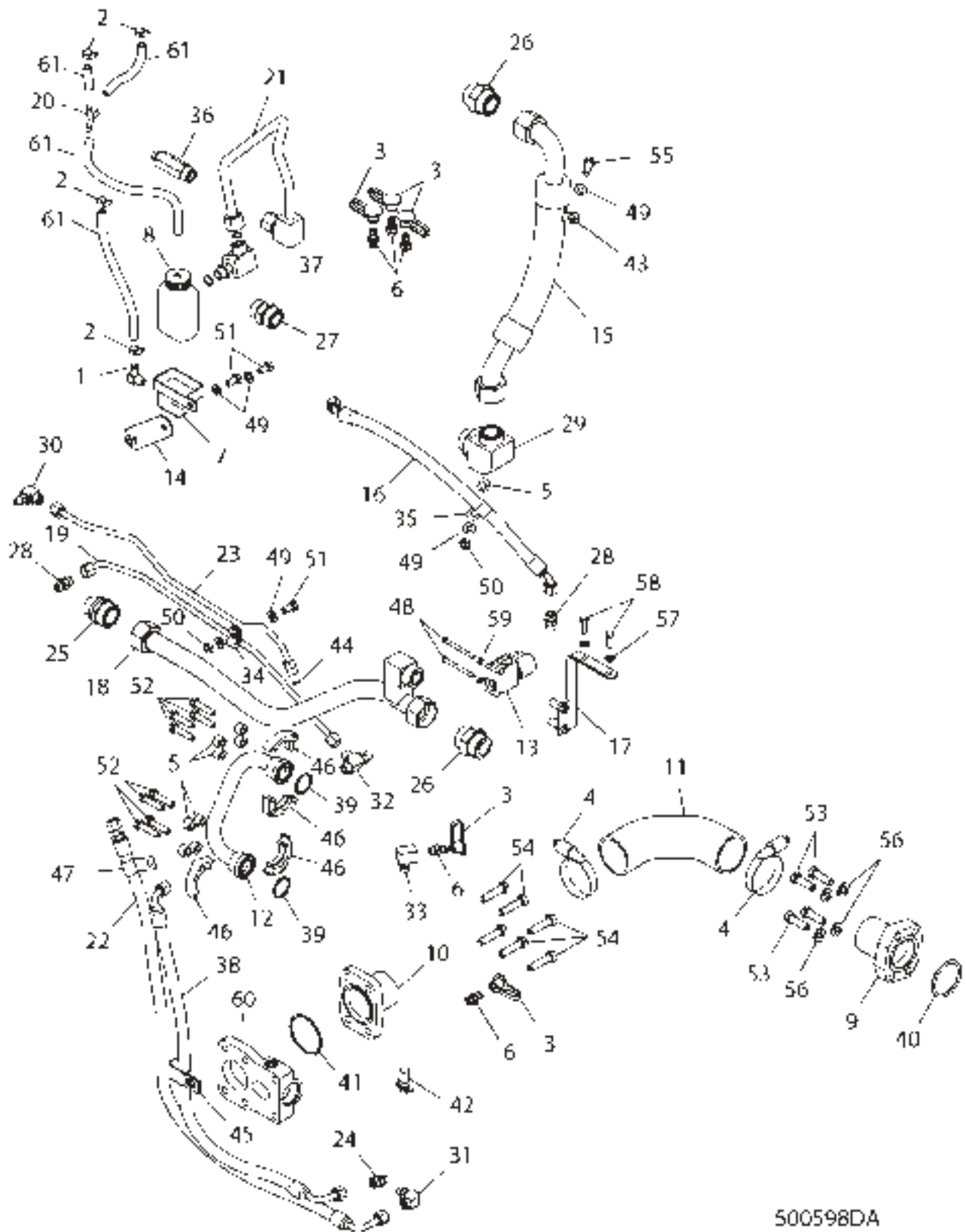
CONTINUED

[A] PART OF 158-2341 HYDRAULIC AR

500598DA
PR: t05c24o40d0353

MT700B SERIES TRACK TRACTOR
HYDRAULIC SYSTEM

LINES GP-IMPLEMENT - 500598D1



500598DA

**MT700B SERIES TRACK TRACTOR
HYDRAULIC SYSTEM**

787

LINES GP-IMPLEMENT - 500598D1

ITEM	NUMBER	QTY	DESCRIPTION
-	500598D1	--	LINES GP-IMPLEMENT [A] (NOT SERVICED)
40	CH6F-8146	1	SEAL-O-RING 59.69ID X 5.33DIA
41	400102X1	1	SEAL-O RING 69.44ID X 3.53DIA
42	CH6V-1520	1	VALVE-SHUT OFF -6 NPTF -10HOSE
43	CH6V-2235	1	CLIP-LOOP 50.8 ID
44	400378X1	1	SEAL-O-RING (12.83OD X 1.78DIA)
45	CH7S-1912	1	CLIP-LOOP 2X20.62 ID
46	CH8C-3206	4	FLANGE-HALF (-16)
47	CH8S-0948	1	CLIP-LOOP-20.64 ID
48	400038X1	2	BOLT-M6X1X70MM ZNDI HHD 10.9
49	400287X1	6	WASHER-HARD 11ID X 21OD X 2.5 ZND1
50	WR522218	2	NUT-M10-1.5, CL10.9, ZN, H, REG
51	400040X1	3	BOLT-M10X1.5X20 ZNDI HHD 10.9
52	400049X1	8	BOLT-M10X1.5X45 ZNDI HHD 10.9
53	400050X1	4	BOLT-M12X1.75X40 ZNDI HHD 10.9
54	400057X1	6	BOLT-M12X1.75X50 ZNDI HHD 10.9
55	400059X1	1	BOLT-M10X1.5X35 ZNDI HHD 10.9
56	400357X1	4	WASHER-HARD-M12X25.50DX3THK
57	400339X1	2	WASHER - HARD
58	400341X1	2	BOLT - HEX HEAD
59	400310X1	2	WASHER
60	500716D1	1	MANIFOLD
61	CH5P-1420	AR	HOSE (BULK) 7.92 DIA (77CM)

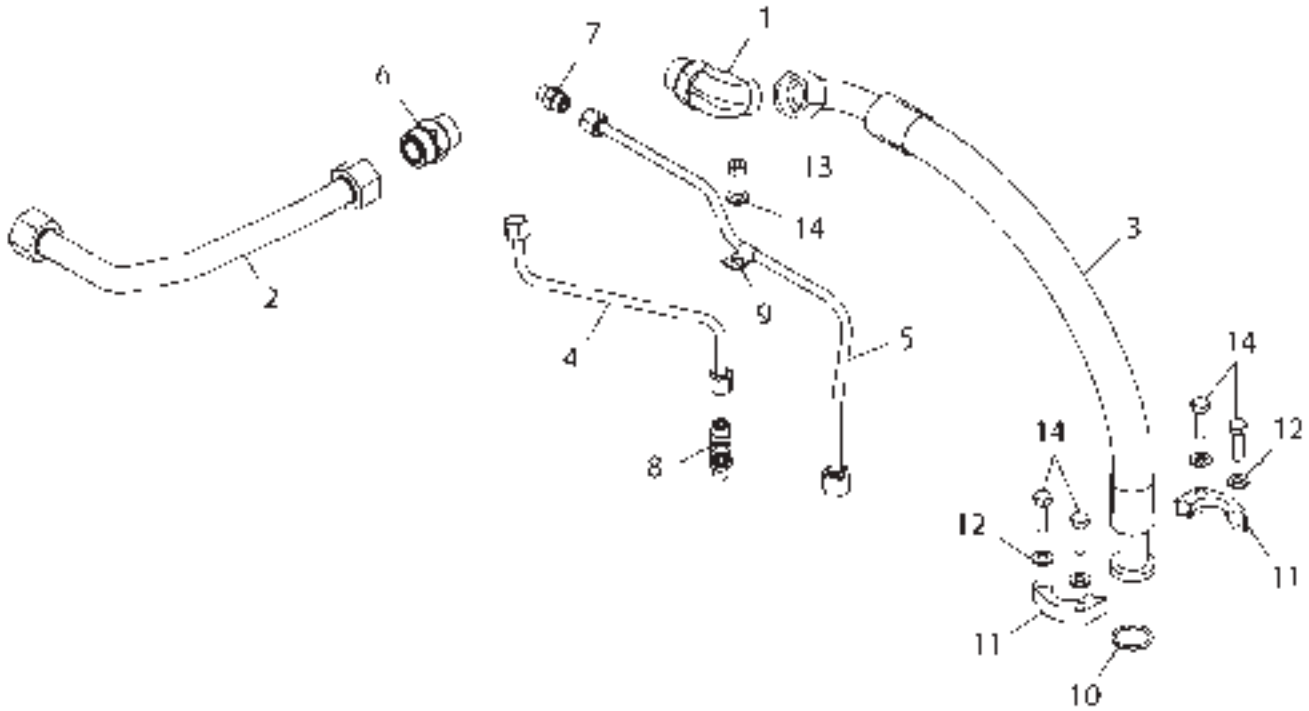
[A] PART OF 158-2341 HYDRAULIC AR

500598DA
PR: t05c24o40d0353

788

MT700B SERIES TRACK TRACTOR
HYDRAULIC SYSTEM

LINES GP-IMPLEMENT - 173-1982
EAME ONLY



1731982A

**MT700B SERIES TRACK TRACTOR
HYDRAULIC SYSTEM**

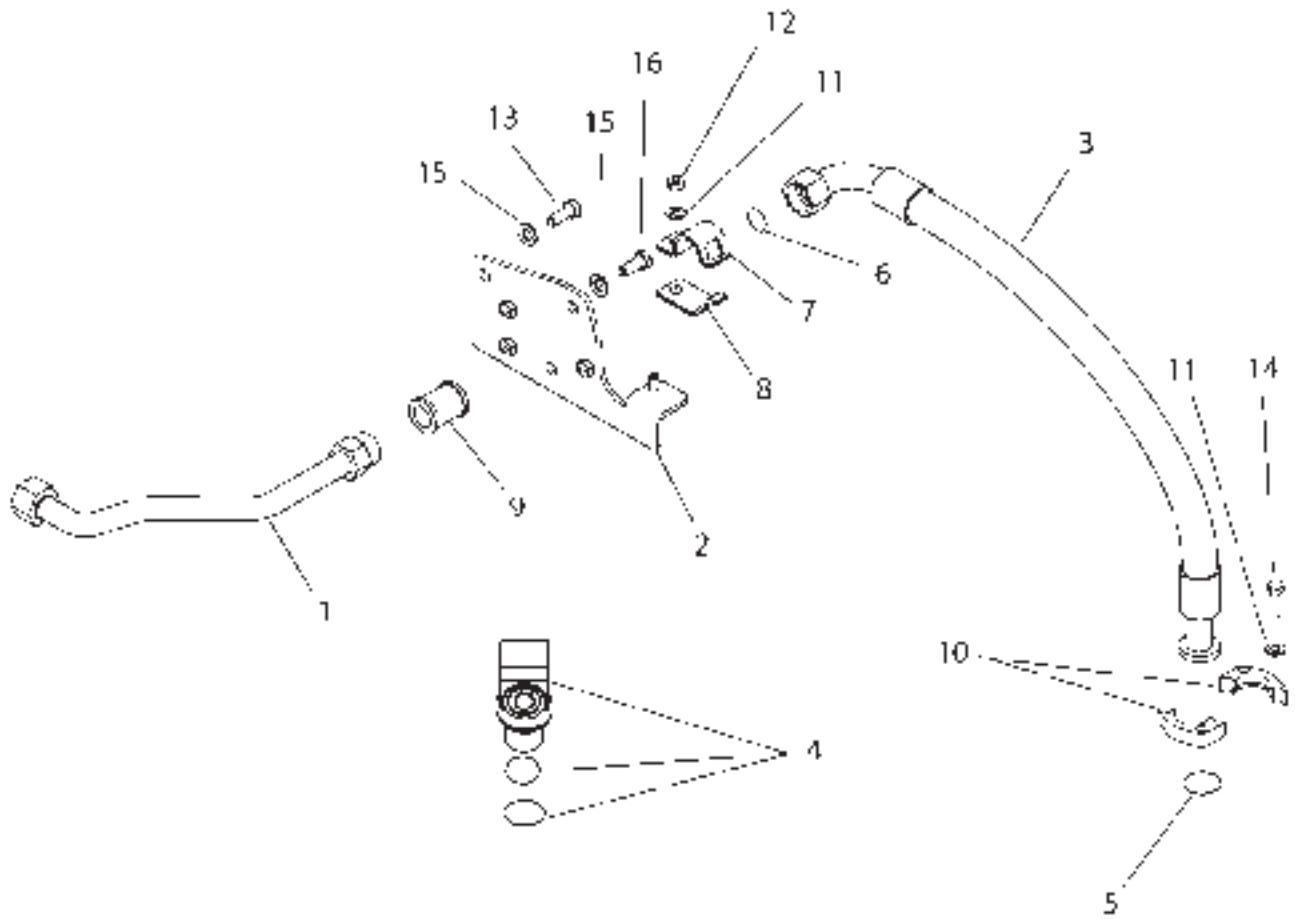
789

**LINES GP-IMPLEMENT - 173-1982
EAME ONLY**

ITEM	NUMBER	QTY	DESCRIPTION
-	173-1982	--	LINES GP-IMPLEMENT [A] (NOT SERVICED)
1	400580X1	1	ELBOW AS-90DEG 16STOR 16ORFS
	400376X1	1	SEAL-O-RING
	400581X1	1	ELBOW
	400123X1	1	SEAL-O-RING
2	206-0601	1	TUBE AS
3	CH206-0623	1	HOSE AS-25.4 ID SAE 100R12
4	212-8816	1	TUBE AS
5	212-8817	1	TUBE AS
6	CH148-8335	1	CONNECTOR AS.-16 STORX16 ORFS
	CH6V-8635	1	CONNECTOR-16
	400123X1	1	SEAL-O-RING
	400376X1	1	SEAL-O-RING
7	400367X1	1	CONNECTOR AS-6 STOR -6 ORFS
8	CH148-8435	1	TEE AS-6ORFS X 6ORFSX 6STOR
9	CH1F-7567	1	CLIP-LOOP 9.52 ID
10	400100X1	1	SEAL-O RING-32.92IDX3.53DIA
11	CH8C-3206	2	FLANGE-HALF (-16)
12	400287X1	5	WASHER-HARD 11IDX21ODX2.5 ZND1
13	WR522218	1	NUT-M10-1.5,CL10.9,ZN,H,REG
14	400059X1	4	BOLT-M10X1.5X35 ZNDI HHD 10.9

[A] PART OF 178-7160 PUMP AR

1731982A
PR: t05c24o40d0354



1657902A

**MT700B SERIES TRACK TRACTOR
HYDRAULIC SYSTEM**

791

LINES GP-IMPLEMENT - 165-7902

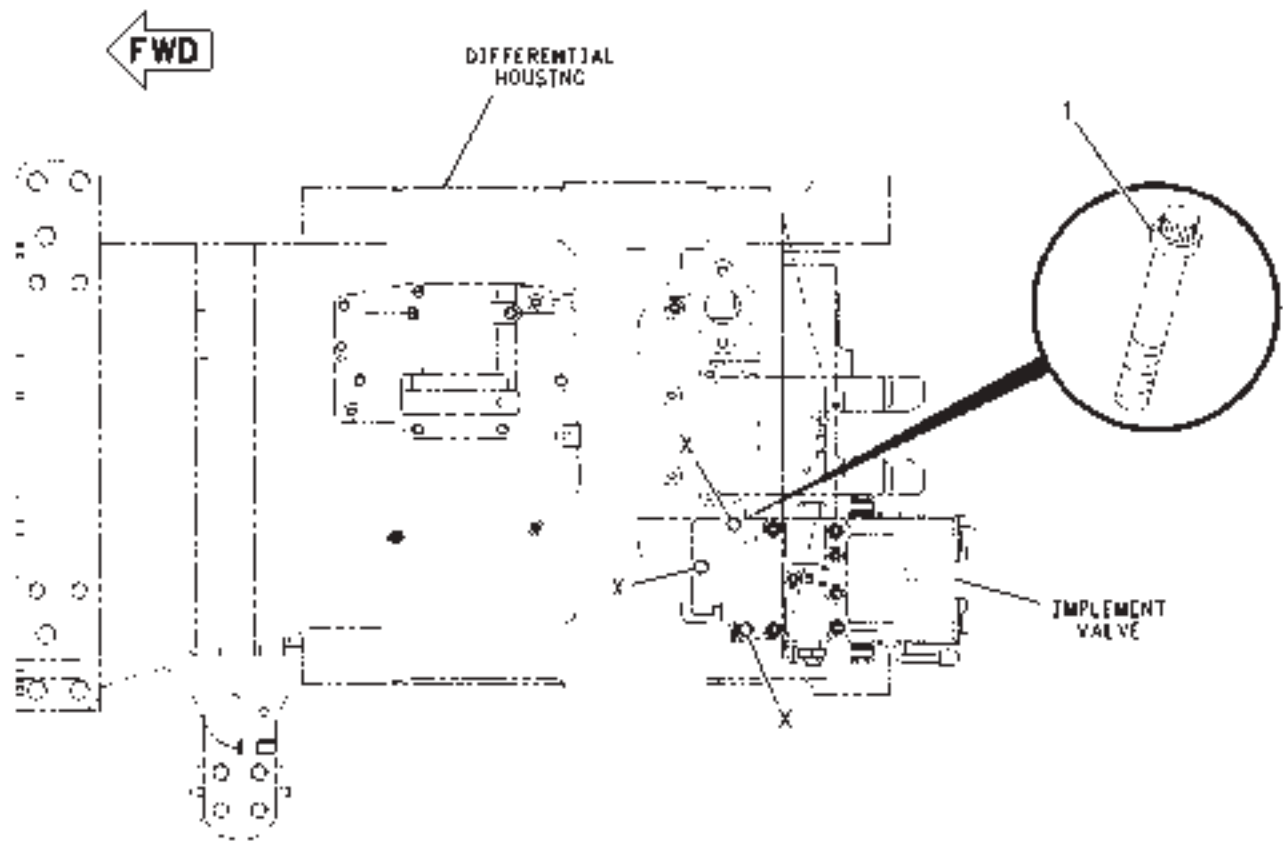
ITEM	NUMBER	QTY	DESCRIPTION
-	165-7902	--	LINES GP-IMPLEMENT [A] (NOT SERVICED)
1	206-0603	1	TUBE AS
2	206-0604	1	BRACKET AS
3	CH206-0626	1	HOSE AS-25.4 ID SAE 100R12
4	CH148-8378	1	ELBOW AS-90 DEG 4 STOR X6 ORFS
	400318X1	1	SEAL-O-RING (11.89IDX1.98DIA)
	400378X1	1	SEAL-O-RING (12.83ODX1.78DIA)
5	400100X1	1	SEAL-O RING-32.92IDX3.53DIA
6	400123X1	1	SEAL-O RING-27.22ODX1.78 DIA
7	CH5P-7464	1	CLIP-2 PC TOP 38OD
8	CH5P-7465	1	CLIP-2 PC BOTTOM 38 OD
9	400112X1	1	GROMMET-RUBBER 37ODX25IDX40LG
10	CH8C-3206	2	FLANGE-HALF (-16)
11	400287X1	5	WASHER-HARD 11IDX21ODX2.5 ZND1
12	WR522218	1	NUT-M10-1.5,CL10.9,ZN,H,REG
13	400041X1	2	BOLT-M12X1.75X30 ZNDI HHD 10.9
14	400059X1	4	BOLT-M10X1.5X35 ZNDI HHD 10.9
15	400357X1	3	WASHER-HARD-M12X25.50DX3THK
16	400064X1	1	BOLT-M12X1.75X35 ZNDI HHD 10.9

[A] PART OF 178-7157 PUMP AR

1657902A
PR: t05c24o40d0355

MT700B SERIES TRACK TRACTOR
HYDRAULIC SYSTEM

MOUNTING GP-VALVE - 158-2338



TOP VIEW

00820540

**MT700B SERIES TRACK TRACTOR
HYDRAULIC SYSTEM**

793

MOUNTING GP-VALVE - 158-2338

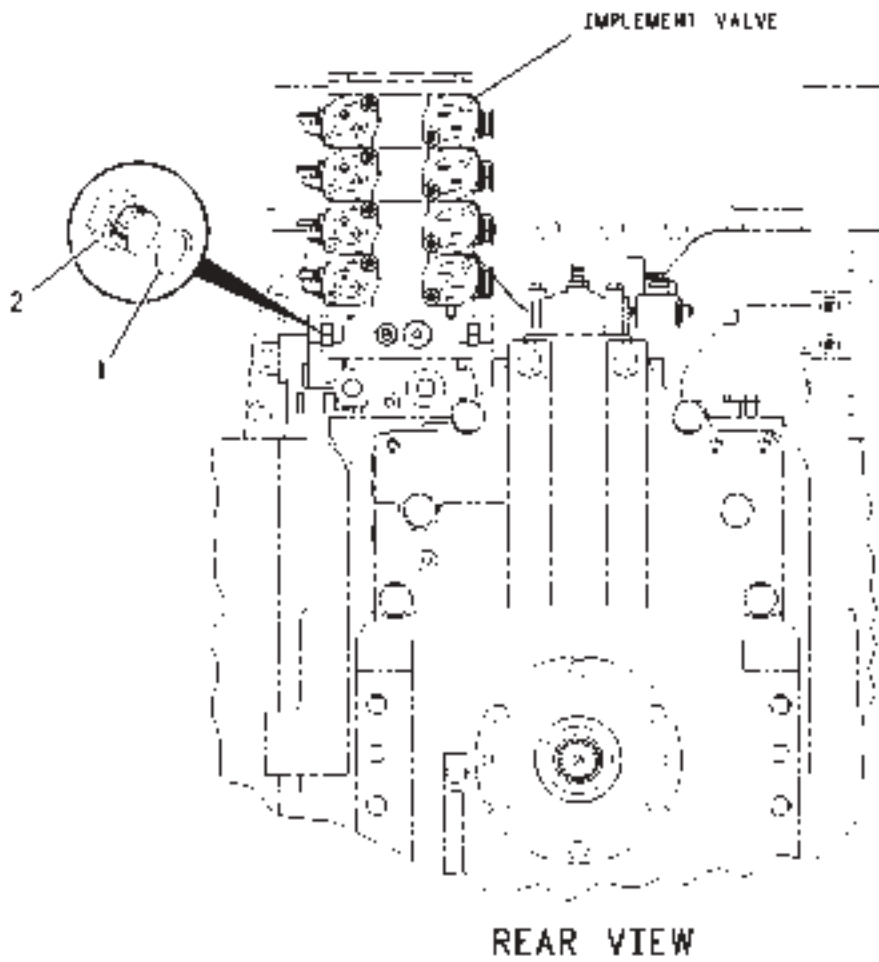
ITEM	NUMBER	QTY	DESCRIPTION
-	158-2338	--	MOUNTING GP-VALVE [A] (NOT SERVICED)
1	400264X1	3	BOLT-12 POINT HEAD (M12X1.75X70MM) [B]

[A] PART OF 158-2341; 502668D1;
502667D1 HYDRAULIC AR
[B] USE IN LOCATIONS MARKED WITH X

00820540
PR: t05c24o40d0356

MT700B SERIES TRACK TRACTOR
HYDRAULIC SYSTEM

PLUG GP-IMPLEMENT VALVE - 158-2359
WITHOUT 3 POINT HITCH
ROW ONLY



00678638

MT700B SERIES TRACK TRACTOR
HYDRAULIC SYSTEM

795

PLUG GP-IMPLEMENT VALVE - 158-2359
WITHOUT 3 POINT HITCH
ROW ONLY

ITEM	NUMBER	QTY	DESCRIPTION
-	158-2359	--	PLUG GP-IMPLEMENT VALVE [A] (NOT SERVICED)
1	CH3K-0360	2	O-RING (16.36MM ID)
2	CH9S-4185	2	PLUG-O-RING (3/4-16 THD)

[A] PART OF 170-2287 HITCH AR

00678638
PR: t05c24o40d0357

796

**MT700B SERIES TRACK TRACTOR
HYDRAULIC SYSTEM**

**PUMP & LINES AR-IMPLEMENT - 178-7157
63 CC
EAME ONLY**

NO ILLUSTRATION

NOTIF

**MT700B SERIES TRACK TRACTOR
HYDRAULIC SYSTEM**

797

**PUMP & LINES AR-IMPLEMENT - 178-7157
63 CC
EAME ONLY**

ITEM	NUMBER	QTY	DESCRIPTION
-	178-7157	--	PUMP & LINES AR-IMPLEMENT [A] (NOT SERVICED) (SEE BREAKDOWN FOR COMPONENTS)
	165-7902	1	LINES GP-IMPLEMENT (NOT SERVICED) (SEE BREAKDOWN FOR COMPONENTS)
	158-2344	1	PUMP & MOUNTING GP (NOT SERVICED) (SEE BREAKDOWN FOR COMPONENTS)

[A] PART OF 177-1588; 502668D1
BASE COMMON AR

NOTIF
PR: t05c24o40d0358

798

**MT700B SERIES TRACK TRACTOR
HYDRAULIC SYSTEM**

PUMP AR-HYDRAULIC - 178-7160
63 CC WITH TRAILER BRAKES
EAME ONLY

NO ILLUSTRATION

NOTIF

MT700B SERIES TRACK TRACTOR
HYDRAULIC SYSTEM

799

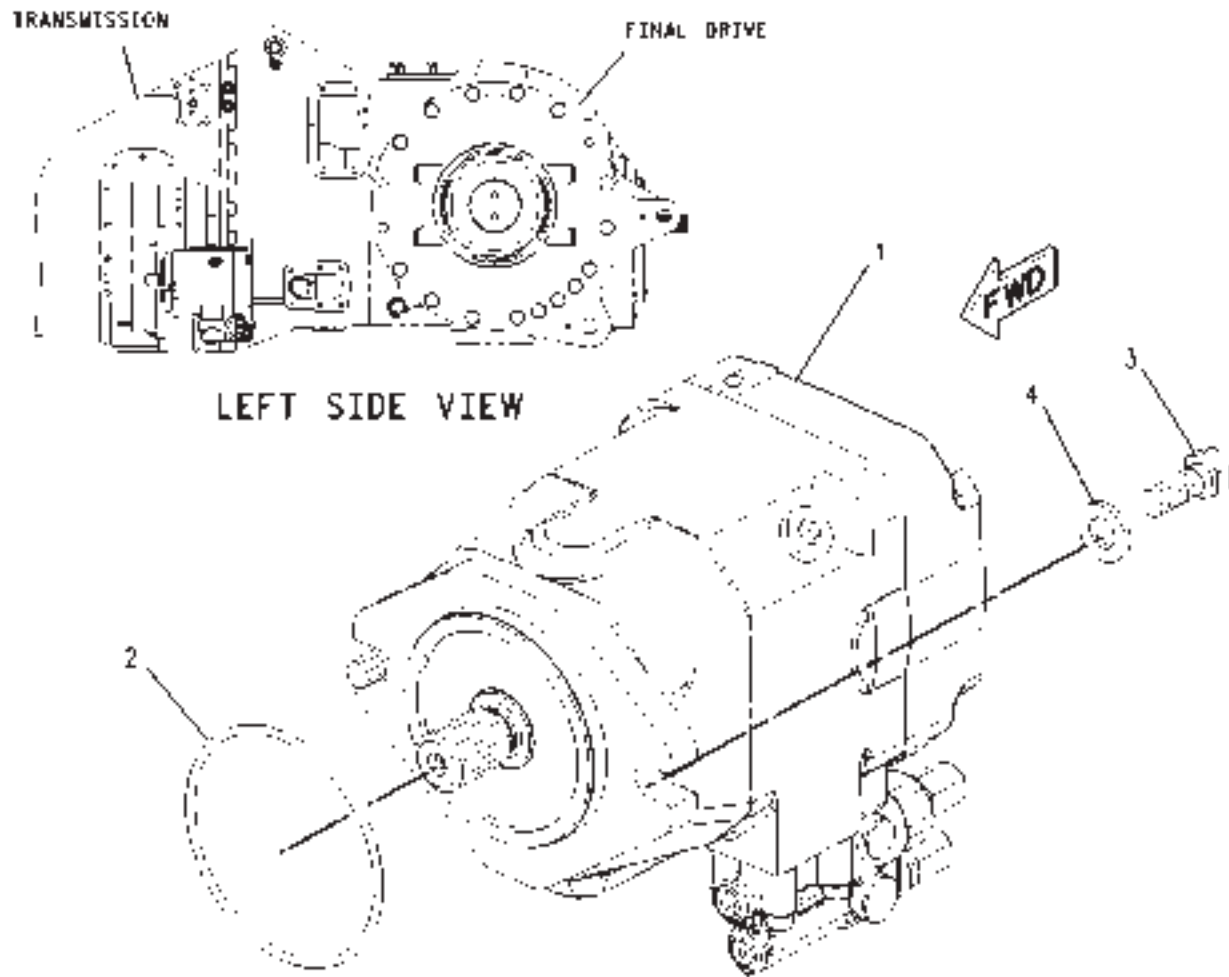
PUMP AR-HYDRAULIC - 178-7160
63 CC WITH TRAILER BRAKES
EAME ONLY

ITEM	NUMBER	QTY	DESCRIPTION
-	178-7160	--	PUMP AR-HYDRAULIC [A]
	173-1982	1	LINES GP-IMPLEMENT (NOT SERVICED) (SEE BREAKDOWN FOR COMPONENTS)
	158-2344	1	PUMP & MOUNTING GP (NOT SERVICED) (SEE BREAKDOWN FOR COMPONENTS)

NOTIF
PR: t05c24o40d0359

MT700B SERIES TRACK TRACTOR
HYDRAULIC SYSTEM

PUMP & MOUNTING GP - 158-2344
63CC IMPLEMENT



00808421

**MT700B SERIES TRACK TRACTOR
HYDRAULIC SYSTEM**

801

**PUMP & MOUNTING GP - 158-2344
63CC IMPLEMENT**

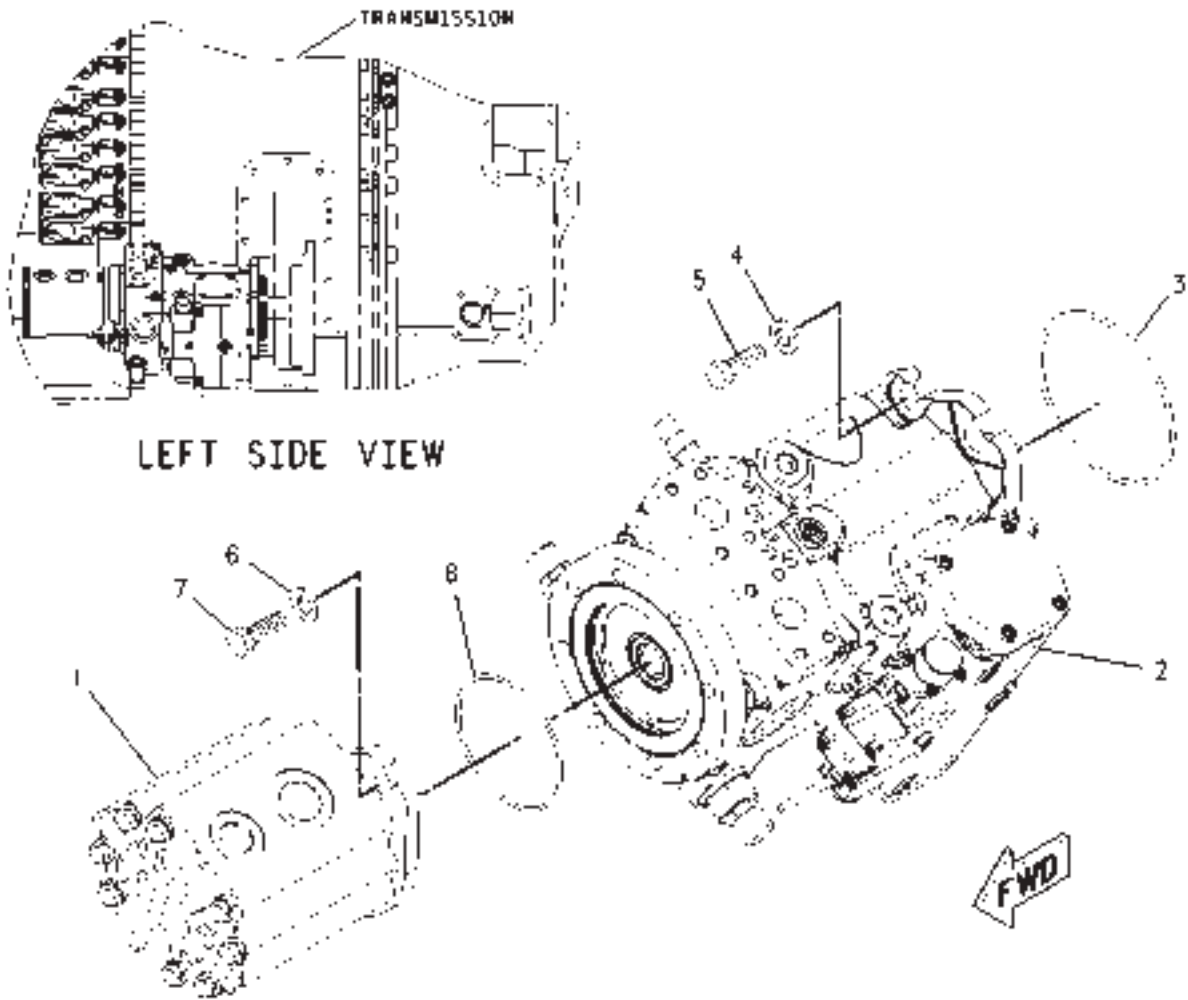
ITEM	NUMBER	QTY	DESCRIPTION
-	158-2344	--	PUMP & MOUNTING GP [A] (NOT SERVICED)
1	CH205-5980	1	PUMP GP-PISTON (63CC) (IMPLEMENT) (SEE BREAKDOWN FOR COMPONENTS)
2	CH2H-3934	1	SEAL-O-RING
3	400064X1	2	BOLT (M12X1.75X35MM)
4	400381X1	2	WASHER-HARD (13.5X30X4MM THK)

[A] PART OF 178-7157 PUMP & LINES AR
IMPLEMENT

00808421
PR: t05c24o40d0360

MT700B SERIES TRACK TRACTOR
HYDRAULIC SYSTEM

PUMP & MOUNTING GP - 500573D1
71CC



00808435

**MT700B SERIES TRACK TRACTOR
HYDRAULIC SYSTEM**

803

**PUMP & MOUNTING GP - 500573D1
71CC**

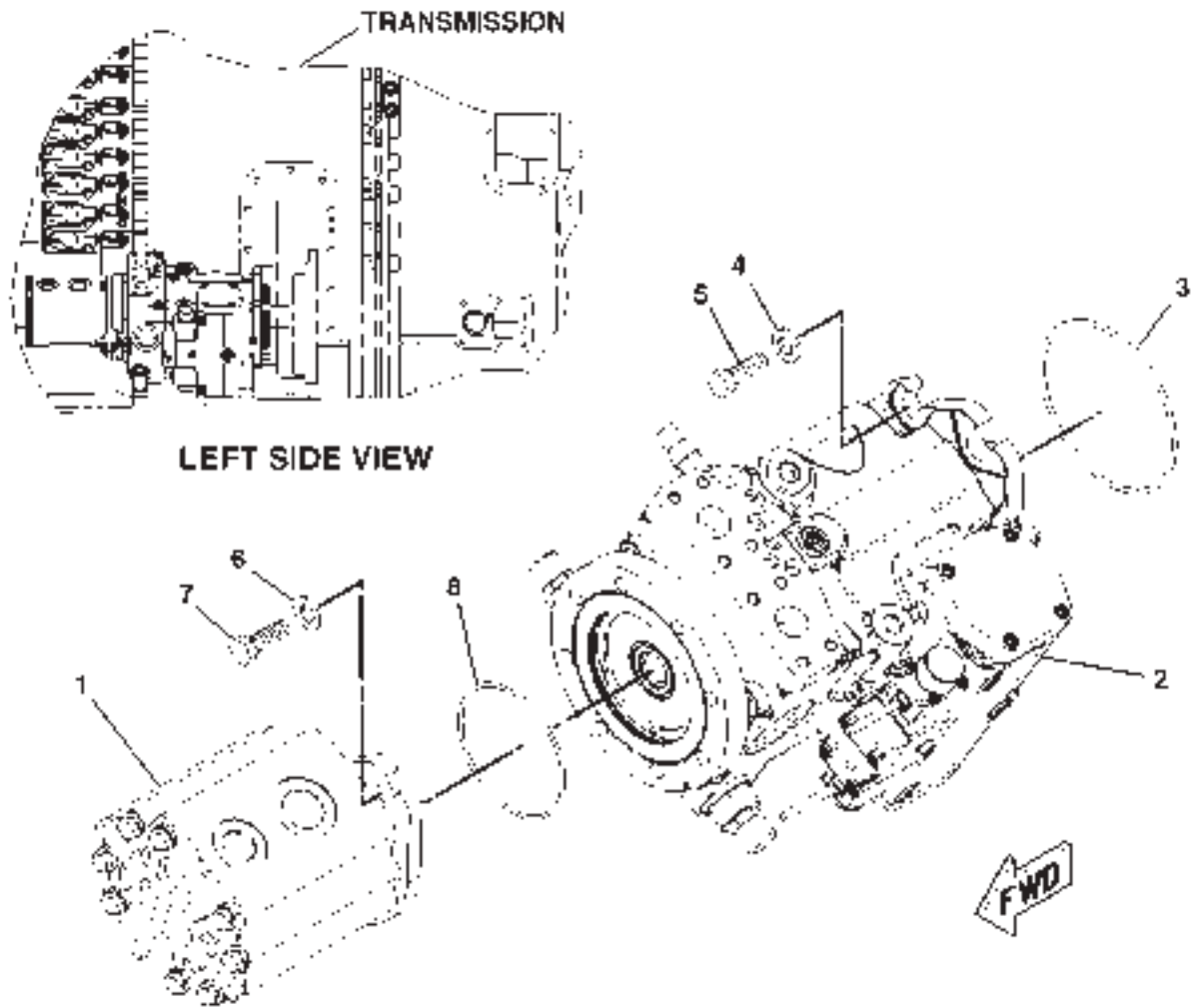
ITEM	NUMBER	QTY	DESCRIPTION
-	500573D1	--	PUMP & MOUNTING GP [A] (NOT SERVICED)
1	CH189-2957	1	PUMP GP-GEAR (CHARGE)
	CH202-2595	1	SEAL KIT
	CH8T-4896	8	WASHER-HARD 10ID
	CH8C-7323	8	BOLT 3/8-16 THDX
	CH202-2592	1	PLATE-WEAR
	CH202-2593	1	SEAL-SHAFT
	CH077-5261	1	PLATE-THRUST
2	500525D1	1	PUMP GP-PISTON (STEERING) (NOT SERVICED) (SEE BREAKDOWN FOR COMPONENTS)
3	400101X1	1	O-RING
4	400381X1	4	WASHER-HARD (13.5X30X4MM THK)
5	400050X1	4	BOLT (M12X1.75X40MM)
6	400357X1	2	WASHER-HARD (M12X25.5X3MM THK)
7	400064X1	2	BOLT (M12X1.75X35MM)
8	CH3K-0715	1	O-RING

[A] PART OF 198-5378 STEERING AR

00808435
PR: t05c24o40d0361

MT700B SERIES TRACK TRACTOR
HYDRAULIC SYSTEM

PUMP & MOUNTING GP - 500574D1
90CC



500574DA

**MT700B SERIES TRACK TRACTOR
HYDRAULIC SYSTEM**

805

**PUMP & MOUNTING GP - 500574D1
90CC**

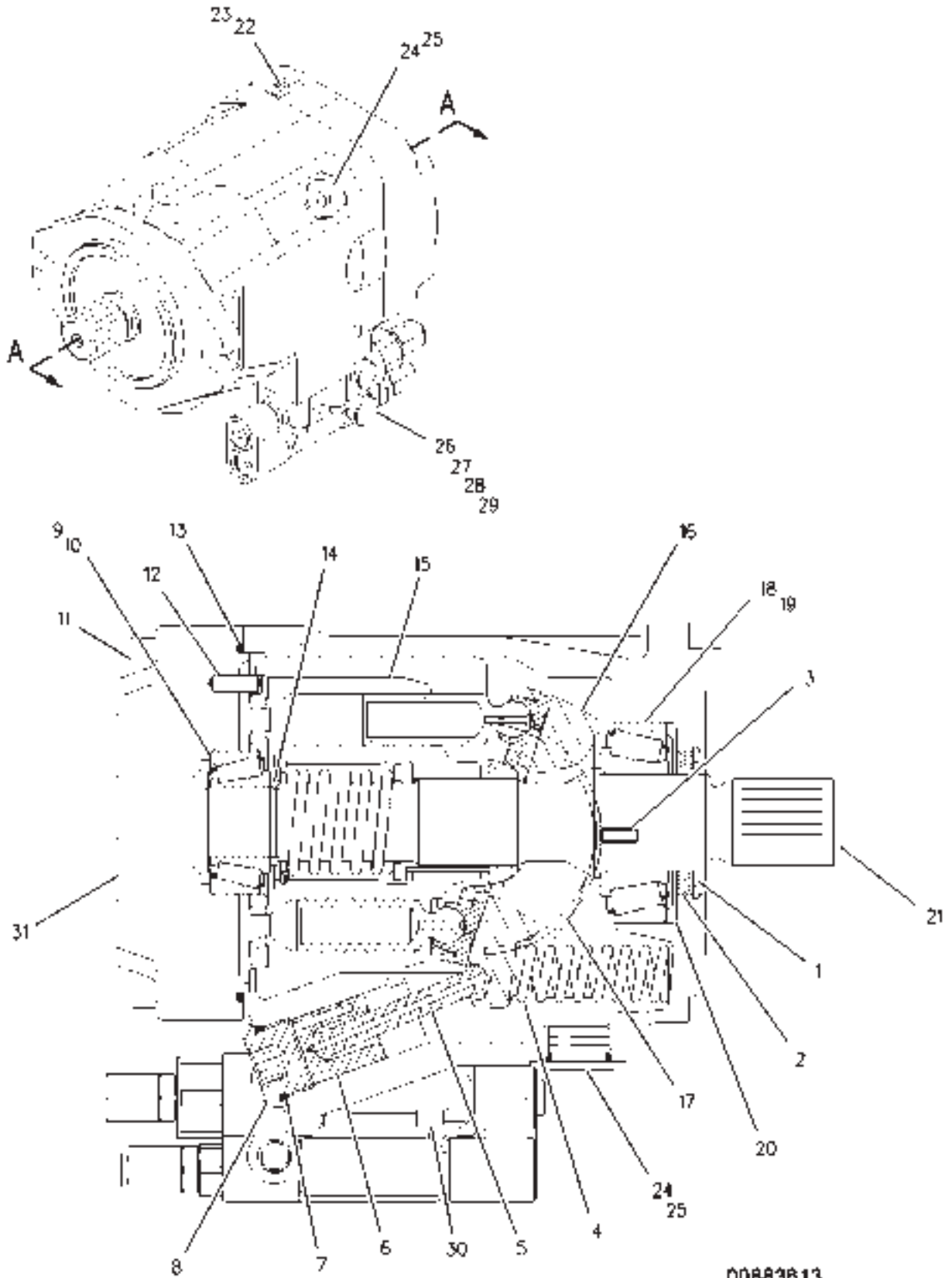
ITEM	NUMBER	QTY	DESCRIPTION
-	500574D1	--	PUMP & MOUNTING GP [A] (NOT SERVICED)
1	CH189-2957	1	PUMP GP-GEAR (CHARGE)
	CH202-2595	1	SEAL KIT
	CH8T-4896	8	WASHER-HARD 10ID
	CH8C-7323	8	BOLT 3/8-16 THDX
	CH202-2592	1	PLATE-WEAR
	CH202-2593	1	SEAL-SHAFT
	CH077-5261	1	PLATE-THRUST
2	500526D1	1	PUMP GP-PISTON (STEERING) (NOT SERVICED) (SEE BREAKDOWN FOR COMPONENTS)
3	400101X1	1	SEAL-O-RING
4	400381X1	4	WASHER-HARD (13.5X30X4MM THK)
5	400050X1	4	BOLT (M12X1.75X40MM)
6	400357X1	2	WASHER-HARD (M12X25.5X3MM THK)
7	400064X1	2	BOLT (M12X1.75X35MM)
8	CH3K-0715	1	SEAL-O-RING

[A]PART OF 198-5376;198-5377 STEERING AR

500574DA
PR: t05c24o40d0362

MT700B SERIES TRACK TRACTOR
HYDRAULIC SYSTEM

PUMP GP-PISTON - CH205-5980
63 CC IMPLEMENT
ROW ONLY



00883613

**MT700B SERIES TRACK TRACTOR
HYDRAULIC SYSTEM**

807

**PUMP GP-PISTON - CH205-5980
63 CC IMPLEMENT
ROW ONLY**

ITEM	NUMBER	QTY	DESCRIPTION
-	CH205-5980	--	PUMP G-PISTON [A]
1	CH180-6213	1	RING-RETAINING
2	CH168-7319	1	SEAL-SHAFT
3	CH6R-7943	2	SCREW (M5X15.5MM)
4	CH168-2197	1	SPRING
5	CH168-2198	1	LINK-CONTROL
6	CH174-9994	1	PISTON-CONTROL
7	CH8T-7525	1	SEAL-O-RING
8	CH168-2200	1	PLUG-CONTROL
9	CH8J-0412	1	CUP-BEARING
10	CH3P-1210	1	CONE-BEARING
11	CH095-0687	4	BOLT-SOCKET HEAD
12	CH9X-8979	1	DOWEL
13	CH117-8801	1	O-RING
14	CH168-2203	1	SHIM-SHAFT
15	190-6501	1	ROTATING GP-PUMP (SEE BREAKDOWN FOR COMPONENTS)
16	CH168-7317	1	SWASHPLATE-PUMP
17	CH168-2206	2	BEARING-CRADLE
18	CH9W-2110	1	CUP
19	CH9W-2109	1	CONE
20	CH190-6507	1	STOP
21	CH205-5974	1	SHAFT
22	CH136-8423	1	PLUG-BREAK OFF
23	CH168-3504	1	SEAL
24	400374X1	2	PLUG
25	400319X1	2	SEAL-O-RING
26	214-9379	1	VALVE GP-PRESS & FLOW CMPNSTR (SEE BREAKDOWN FOR COMPONENTS)
27	CH9X-7680	3	SEAL-O-RING
28	CH9S-8002	1	PLUG
29	400361X1	1	SEAL-O-RING
30	400246X1	4	BOLT-SOCKET HEAD (M6X1X30MM)
31		1	HEAD-PUMP (NOT SERVICED SEPARATELY)

[A] PART OF 158-2344 PUMP & MOUNTING GP

00883613
PR: t05c24o40d0363

**MT700B SERIES TRACK TRACTOR
HYDRAULIC SYSTEM**

809

**ROTATING GP-PUMP - 190-6501
63CC IMPLEMENT PUMP**

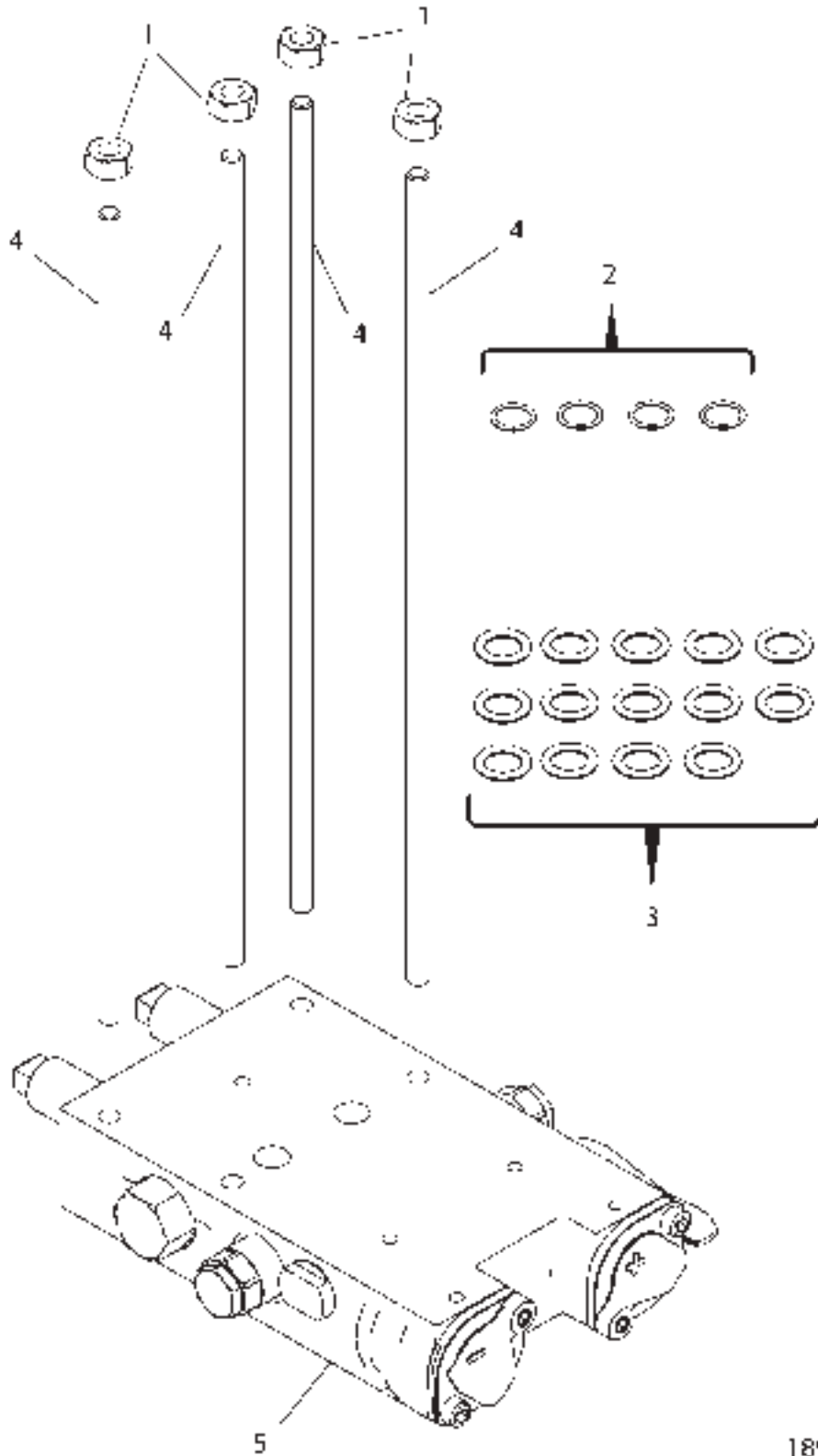
ITEM	NUMBER	QTY	DESCRIPTION
-	190-6501	--	ROTATING GP-PUMP [A]
1	CH168-3384	9	PISTON ASY-PUMP
2	CH168-3380	1	BARREL-CYLINDER
3	CH190-6508	1	PLATE
4	CH168-3385	1	PLATE-RETRACTION [B]
5	CH168-3378	1	BEARING-SPHERICAL [B]
6	CH168-3381	1	SPRING
7	CH168-3379	3	PIN
8	CH6V-7723	1	RING-RETAINING
9	CH168-3382	1	WASHER

[A] PART OF CH205-5980 PUMP GP-PISTON
[B] TO BE SERVICED TOGETHER

00750145
PR: t05c24o40d0364

MT700B SERIES TRACK TRACTOR
HYDRAULIC SYSTEM

KIT-HYDRAULIC VALVE - 189-5906
CONVERT 4 REMOTE TO 5 REMOTE VALVES
NON-STEERABLE HITCH



1895906A

**MT700B SERIES TRACK TRACTOR
HYDRAULIC SYSTEM**

811

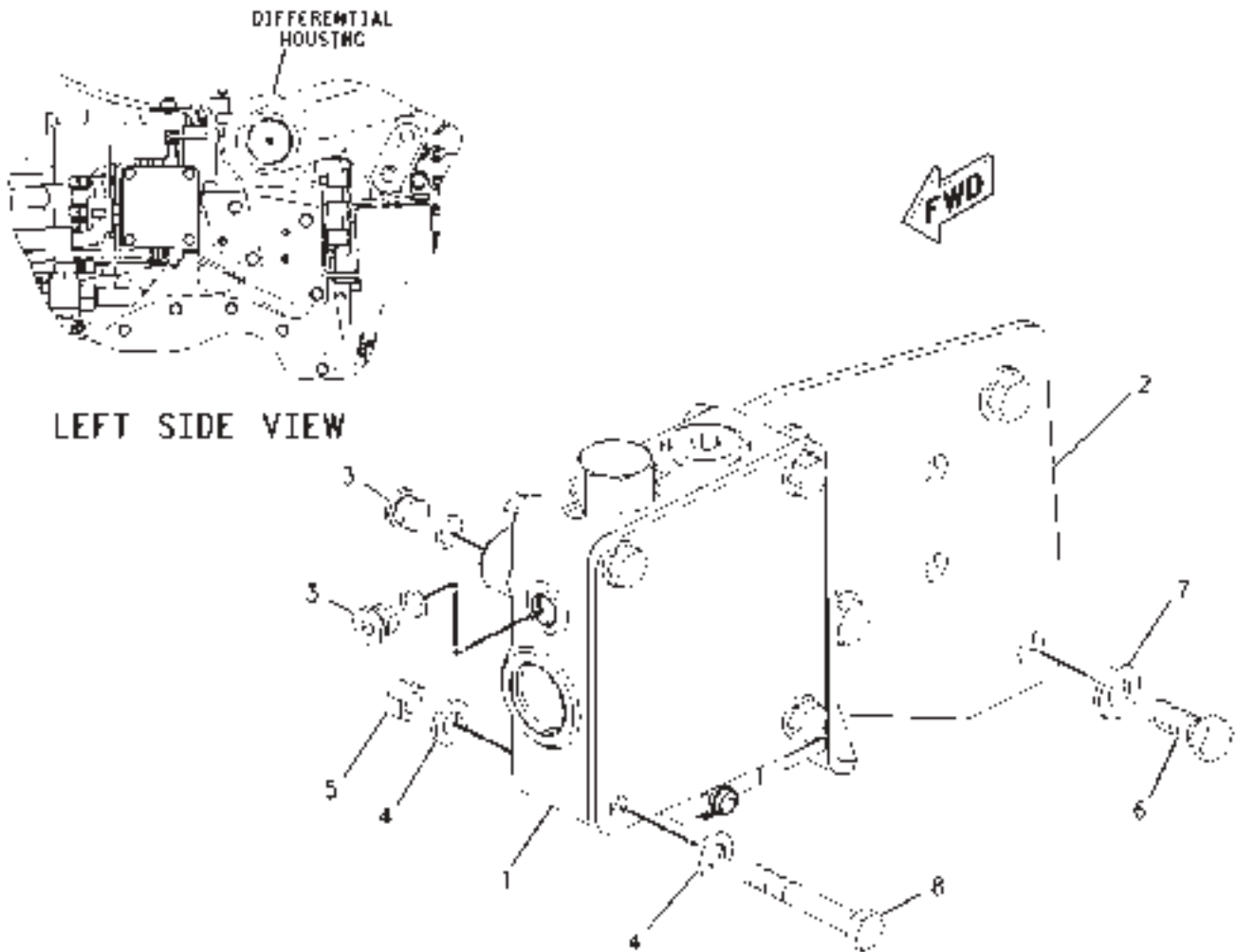
**KIT-HYDRAULIC VALVE - 189-5906
CONVERT 4 REMOTE TO 5 REMOTE VALVES
NON-STEERABLE HITCH**

ITEM	NUMBER	QTY	DESCRIPTION
-	189-5906	--	KIT, HYDRAULIC [A]
1	WR522218	4	NUT (M10X1.5 THD)
2	CH5P-9186	4	O-RING (SEE NOTE B)
3	CH8L-2777	14	O-RING (SEE NOTE B)
4	CH209-7498	4	STUD
5	162-9816	1	VALVE GP-CONTROL (IMPLEMENT) (SEE BREAKDOWN FOR COMPONENTS)

[A] PART OF 172-4504 KIT-VALVE
[B] QUANTITIES SHOWN REFLECT
REPLACEMENT SEALS FOR THE VALVE
SECTION IMMEDIATELY BELOW THE TOP
PLATE AND DUPLICATE SEALS FOR THOSE
PRESENT IN THE ADDITIONAL VALVE GP)

1895906A
PR: t05c24o40d0365

VALVE & MTG GP-BRAKE - 183-7177
HYDRAULIC TRAILER BRAKE
EAME ONLY



**MT700B SERIES TRACK TRACTOR
HYDRAULIC SYSTEM**

813

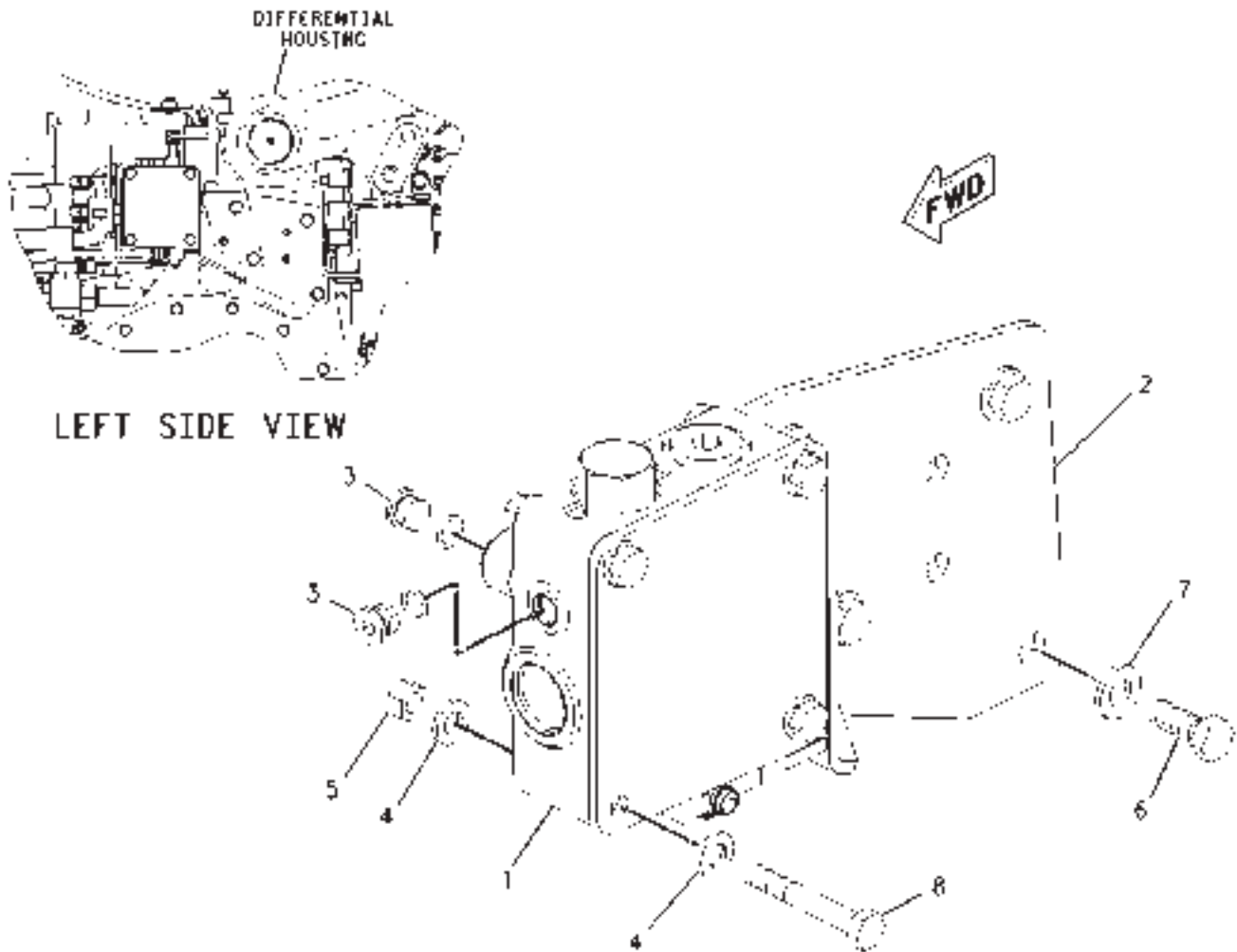
**VALVE & MTG GP-BRAKE - 183-7177
HYDRAULIC TRAILER BRAKE
EAME ONLY**

ITEM	NUMBER	QTY	DESCRIPTION
	183-7177		VALVE & MTG GP-BRAKE [A] (NOT SERVICED)
1	175-7450	1	VALVE GP-BRAKE CONTROL (SEE BREAKDOWN FOR COMPONENTS)
2	206-0594	1	BRACKET AS
3	CH162-0177	2	PLUG AS
4	400287X1	8	WASHER-HARD (11X21X2.5MM THK)
5	WR522218	4	NUT (M10X1.5 THD)
6	400041X1	2	BOLT (M12X1.75X30MM)
7	400357X1	2	WASHER-HARD (M12X25.5X3MM THK)
8	400066X1	4	BOLT (M10X1.50X70MM)

[A] PART OF 180-9999 BRAKE AR

00838177
PR: t05c24o40d0366

VALVE & MTG GP-BRAKE - 227-5264
HYDRAULIC TRAILER BRAKE
ITALIAN MARKET
EAME ONLY



**MT700B SERIES TRACK TRACTOR
HYDRAULIC SYSTEM**

815

**VALVE & MTG GP-BRAKE - 227-5264
HYDRAULIC TRAILER BRAKE
ITALIAN MARKET
EAME ONLY**

ITEM	NUMBER	QTY	DESCRIPTION
	227-5264		VALVE & MTG GP-BRAKE [A] (NOT SERVICED)
1	500543D1	1	VALVE GP-BRAKE CONTROL (SEE BREAKDOWN FOR COMPONENTS)
2	206-0594	1	BRACKET AS
3	CH162-0177	2	PLUG AS
4	400287X1	8	WASHER-HARD (11X21X2.5MM THK)
5	WR522218	4	NUT (M10X1.5 THD)
6	400041X1	2	BOLT (M12X1.75X30MM)
7	400357X1	2	WASHER-HARD (M12X25.5X3MM THK)
8	400066X1	4	BOLT (M10X1.50X70MM)

[A] PART OF 227-5263 BRAKE AR-HYD

00838177
PR: t05c24o40d0367

NO ILLUSTRATION

NOTIF

**MT700B SERIES TRACK TRACTOR
HYDRAULIC SYSTEM**

817

VALVE & MOUNTING GP - 189-5907

ITEM	NUMBER	QTY	DESCRIPTION
-	189-5907	--	KIT, HYDRAULIC [A]
1	8T-4133	4	NUT (M10X1.5 THD)
2	162-9816	1	VALVE GP-CONTROL (IMPLEMENT) (SEE BREAKDOWN FOR COMPONENTS)
3	209-7499	4	STUD
4	205-5831	1	TUBE ASY.
5	205-5832	1	TUBE ASY.
6	205-5833	1	TUBE ASY.
7	205-5834	1	TUBE ASY.
8	5P-9186	6	O-RING (SEE NOTE B)
9	8L-2777	17	O-RING (SEE NOTE B)

- A. PART OF 183-1215 KIT-VALVE
- B. QUANTITIES SHOWN REFLECT
REPLACEMENT SEALS FOR THE VALVE
SECTION IMMEDIATELY BELOW THE
STEERABLE HITCH VALVE SECTION,
DUPLICATE SEALS FOR THE ADDITIONAL
VALVE GP AND REPLACEMENT SEALS FOR
THE STEERABLE HITCH SECTION

NOTIF
PR: t05c24o40d0368

NO ILLUSTRATION

NOTIF

**MT700B SERIES TRACK TRACTOR
HYDRAULIC SYSTEM**

819

VALVE & MTG GP-CONTROL - 189-5910

ITEM	NUMBER	QTY	DESCRIPTION
-	189-5910	--	KIT, HYDRAULIC [A]
1	WR522218	4	NUT (M10X1.5 THD)
2	162-9816	1	VALVE GP-CONTROL (IMPLEMENT) (SEE BREAKDOWN FOR COMPONENTS)
3	209-7497	4	STUD
4	CH5P-9186	4	O-RING (SEE NOTE B)
5	CH8L-2777	14	O-RING (SEE NOTE B)

[A] PART OF 180-4827 KIT-VALVE

[B] QUANTITIES OF SEALS IN THIS KIT
INCLUDE REPLACEMENT SEALS FOR THE
VALVE SECTION IMMEDIATELY BELOW THE
TOP PLATE AND DUPLICATE SEALS FOR
THOSE PRESENT IN THE ADDITIONAL
VALVE GP.

NOTIF
PR: t05c24o40d0369

820

**MT700B SERIES TRACK TRACTOR
HYDRAULIC SYSTEM**

**VALVE & MTG GP-CONTROL - 189-5911
5 VALVE STEERABLE HITCH TUBE ASY.**

NO ILLUSTRATION

NOTIF

**MT700B SERIES TRACK TRACTOR
HYDRAULIC SYSTEM**

821

**VALVE & MTG GP-CONTROL - 189-5911
5 VALVE STEERABLE HITCH TUBE ASY.**

ITEM	NUMBER	QTY	DESCRIPTION
-	189-5911	--	KIT, HYDRAULIC [A]
	162-9816	1	VALVE GP-CONTROL (IMPLEMENT) (SEE BREAKDOWN FOR COMPONENTS)
	WR522218	4	NUT (M10X1.5 THD)
	CH5P-9186	6	O-RING [B]
	CH8L-2777	17	O-RING [B]
	209-7498	4	STUD (M10X1.5X446)
	205-5825	1	TUBE ASY.
	205-5826	1	TUBE ASY.
	205-5827	1	TUBE ASY.
	205-5828	1	TUBE ASY.

[A] PART OF 180-4828 KIT-VALVE
[B] QUANTITIES SHOWN REFLECT
REPLACEMENT SEALS FOR THE VALVE
SECTION IMMEDIATELY BELOW THE
STEERABLE HITCH-VALVE SECTION,
DUPLICATE SEALS FOR THE ADDITIONAL
VALVE GP AND REPLACEMENT SEALS FOR
THE STEERABLE HITCH VALVE SECTION

NOTIF
PR: t05c24o40d0370

822

**MT700B SERIES TRACK TRACTOR
HYDRAULIC SYSTEM**

**VALVE AR - 172-4499
4 IMPL W/STD HITCH OR WS DRAWBAR**

NO ILLUSTRATION

NOTIF

**MT700B SERIES TRACK TRACTOR
HYDRAULIC SYSTEM**

823

**VALVE AR - 172-4499
4 IMPL W/STD HITCH OR WS DRAWBAR**

ITEM	NUMBER	QTY	DESCRIPTION
-	172-4499	--	VALVE AR (NOT SERVICED)
1	223-5932	1	VALVE GP-BANK 5 (NOT SERVICED) (SEE BREAKDOWN FOR COMPONENTS)
2	CH193-5914	1	PLUG

NOTIF
PR: t05c24o40d0371

824

**MT700B SERIES TRACK TRACTOR
HYDRAULIC SYSTEM**

**VALVE AR - 172-4500
4 IMPLEMENTS & STEERABLE HITCH**

NO ILLUSTRATION

NOTIF

**MT700B SERIES TRACK TRACTOR
HYDRAULIC SYSTEM**

825

**VALVE AR - 172-4500
4 IMPLEMENTS & STEERABLE HITCH**

ITEM	NUMBER	QTY	DESCRIPTION
-	172-4500	--	VALVE AR (NOT SERVICED)
1	205-5819	1	LINES GP-HITCH (NOT SERVICED) (SEE BREAKDOWN FOR COMPONENTS)
2	223-5935	1	VALVE GP-BANK 6 (SEE BREAKDOWN FOR COMPONENTS)

NOTIF
PR: t05c24o40d0372

826

MT700B SERIES TRACK TRACTOR
HYDRAULIC SYSTEM

VALVE AR - 172-4501
5 IMPL W/STD HITCH OR WS DRAWBAR

NO ILLUSTRATION

NOTIF

**MT700B SERIES TRACK TRACTOR
HYDRAULIC SYSTEM**

827

**VALVE AR - 172-4501
5 IMPL W/STD HITCH OR WS DRAWBAR**

ITEM	NUMBER	QTY	DESCRIPTION
-	172-4501	--	VALVE AR (NOT SERVICED)
1	168-1947	1	CONTROL & WIRING GP (NOT SERVICED) (SEE BREAKDOWN FOR COMPONENTS)
2	223-5933	1	VALVE GP-BANK 6 (NOT SERVICED) (SEE BREAKDOWN FOR COMPONENTS)
3	CH193-5914		PLUG-PROTECTIVE

NOTIF
PR: t05c24o40d0373

828

MT700B SERIES TRACK TRACTOR
HYDRAULIC SYSTEM

VALVE AR - 172-4502
5 IMPLEMENTS & STEERABLE HITCH

NO ILLUSTRATION

NOTIF

**MT700B SERIES TRACK TRACTOR
HYDRAULIC SYSTEM**

829

**VALVE AR - 172-4502
5 IMPLEMENTS & STEERABLE HITCH**

ITEM	NUMBER	QTY	DESCRIPTION
-	172-4502	--	VALVE AR (NOT SERVICED)
1	168-1947	1	CONTROL & WIRING GP (NOT SERVICED) (SEE BREAKDOWN FOR COMPONENTS)
2	205-5824	1	LINES GP-HITCH (NOT SERVICED) (SEE BREAKDOWN FOR COMPONENTS)
3	223-5936	1	VALVE GP-BANK 7 (NOT SERVICED) (SEE BREAKDOWN FOR COMPONENTS)

NOTIF
PR: t05c24o40d0374

830

**MT700B SERIES TRACK TRACTOR
HYDRAULIC SYSTEM**

**VALVE AR-IMPL (6) - 500789D1
6 IMPLEMENTS & STANDARD HITCH**

NO ILLUSTRATION

NOTIF

**MT700B SERIES TRACK TRACTOR
HYDRAULIC SYSTEM**

831

**VALVE AR-IMPL (6) - 500789D1
6 IMPLEMENTS & STANDARD HITCH**

ITEM	NUMBER	QTY	DESCRIPTION
-	500789D1	--	VALVE AR-IMP (6) (NOT SERVICED)
1	168-1947	1	CONTROL & WIRING GP (NOT SERVICED) (SEE BREAKDOWN FOR COMPONENTS)
2	500750D1	1	VALVE GP-BANK 6 (NOT SERVICED) (SEE BREAKDOWN FOR COMPONENTS)
2	CH193-5914	1	PLUG-PROTECTIVE

NOTIF
PR: t05c24o40d0375

832

**MT700B SERIES TRACK TRACTOR
HYDRAULIC SYSTEM**

KIT-VALVE - 172-4504
5 VALVE TO 6 VALVE UPGRADE WITH
STANDARD HITCH

NO ILLUSTRATION

NOTIF

**MT700B SERIES TRACK TRACTOR
HYDRAULIC SYSTEM**

833

**KIT-VALVE - 172-4504
5 VALVE TO 6 VALVE UPGRADE WITH
STANDARD HITCH**

ITEM	NUMBER	QTY	DESCRIPTION
-	172-4504	--	KIT-VALVE (SEE BREAKDOWN FOR COMPONENTS)
1	152-0448	1	CONTROL GP-IMPLEMENT (NOT SERVICED) (SEE BREAKDOWN FOR COMPONENTS)
2	189-5906	1	KIT, HYDRAULIC VALVE (SEE BREAKDOWN FOR COMPONENTS)

NOTIF
PR: t05c24o40d0376

834

**MT700B SERIES TRACK TRACTOR
HYDRAULIC SYSTEM**

**VALVE AR-IMPL - 500790D1
6 IMPLEMENTS & STEERABLE HITCH**

NO ILLUSTRATION

NOTIF

**MT700B SERIES TRACK TRACTOR
HYDRAULIC SYSTEM**

835

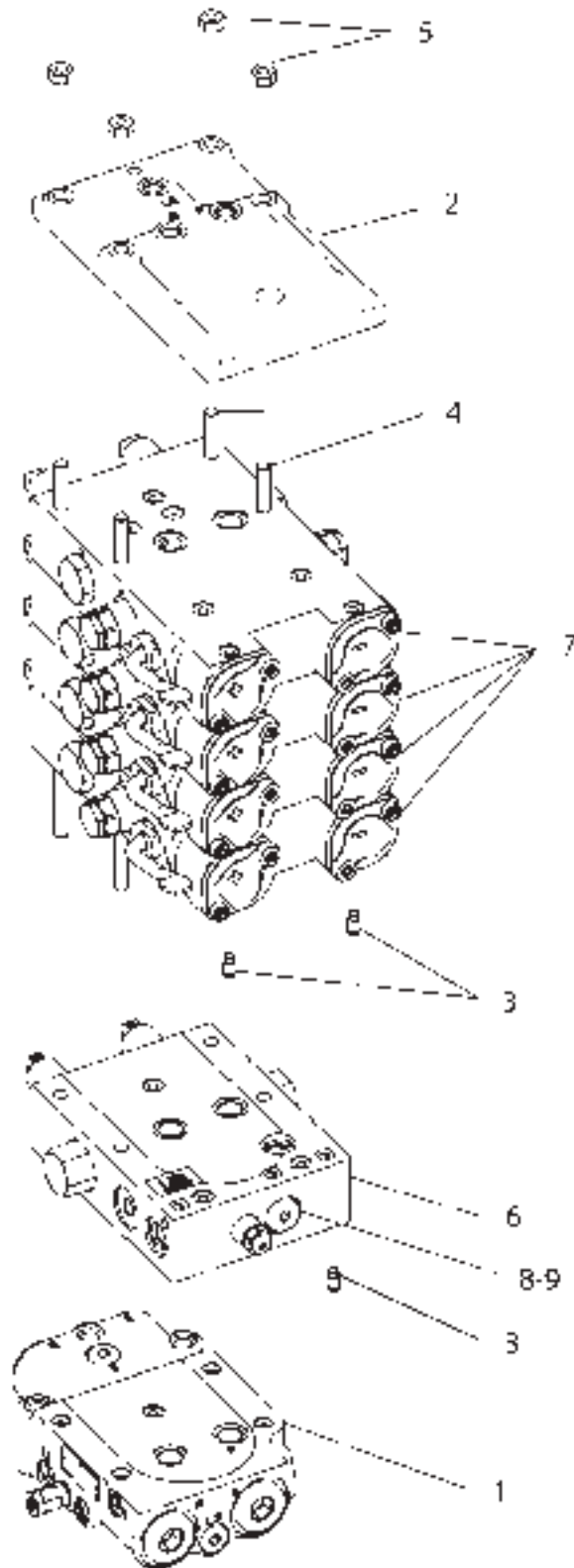
**VALVE AR-IMPL - 500790D1
6 IMPLEMENTS & STEERABLE HITCH**

ITEM	NUMBER	QTY	DESCRIPTION
-	500790D1	--	VALVE AR (NOT SERVICED)
1	168-1947	1	CONTROL & WIRING GP (NOT SERVICED) (SEE BREAKDOWN FOR COMPONENTS)
2	205-5830	1	LINES GP-HITCH (NOT SERVICED) (SEE BREAKDOWN FOR COMPONENTS)
3	500751D1	1	VALVE GP-BANK 8 (NOT SERVICED) (SEE BREAKDOWN FOR COMPONENTS)

NOTIF
PR: t05c24o40d0377

MT700B SERIES TRACK TRACTOR
HYDRAULIC SYSTEM

VALVE GP-BANK-5 - 223-5932
3 PT HITCH W/4 REMOTES



2235932A

**MT700B SERIES TRACK TRACTOR
HYDRAULIC SYSTEM**

837

**VALVE GP-BANK-5 - 223-5932
3 PT HITCH W/4 REMOTES**

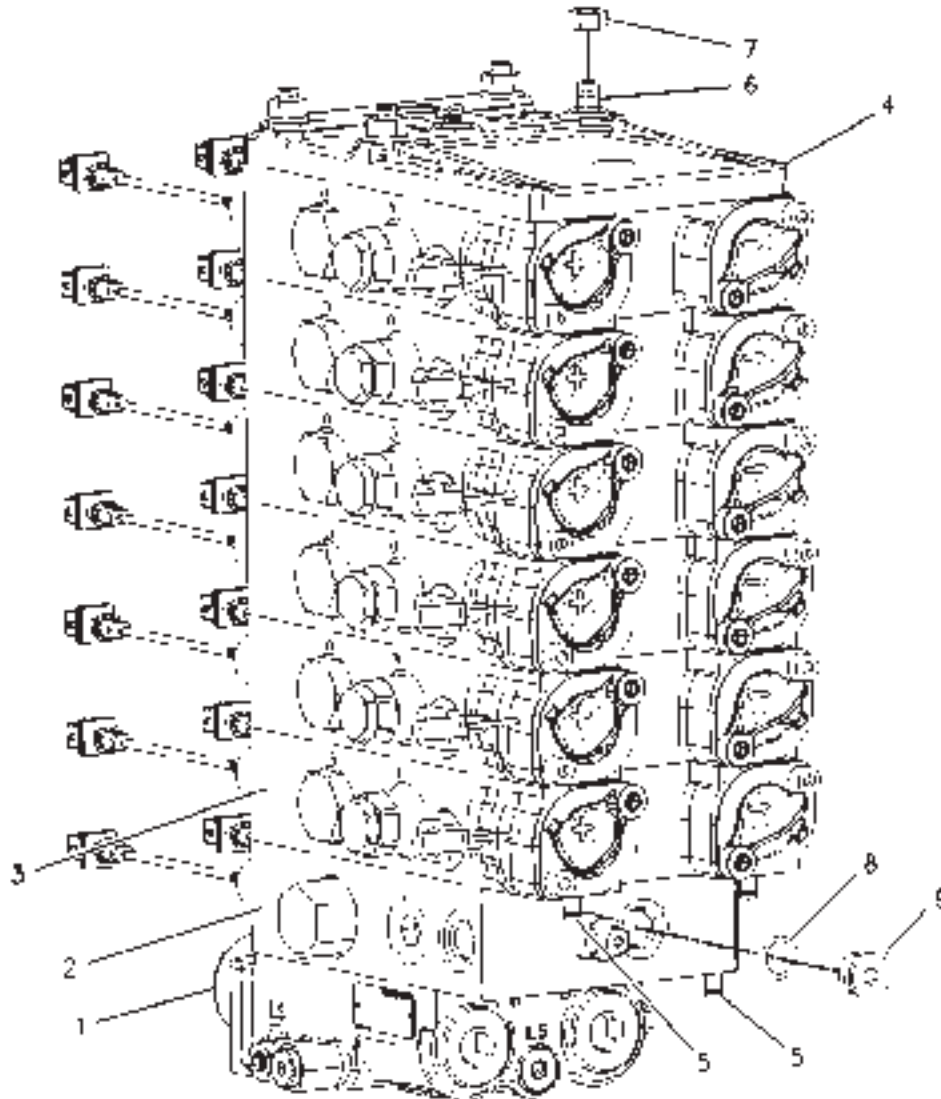
ITEM	NUMBER	QTY	DESCRIPTION
-	223-5932	--	VALVE GP-BANK-5 [A] (NOT SERVICED)
1	226-5657	1	VALVE GP-INLET FLOW (SEE BREAKDOWN FOR COMPONENTS)
2	180-0500	1	COVER-END
3	CH188-3640	3	NIPPLE
4	209-7496	4	STUD-M10X1,5-6GX327MM
5	WR522218	4	NUT-M10-1.5,CL10.9,ZN,H,REG
6	224-7237	1	VALVE GP-CONTROL-2-20 (SEE BREAKDOWN FOR COMPONENTS)
7	162-9816	4	VALVE GP-CONT-T (SEE BREAKDOWN FOR COMPONENTS)
8	CH3K-0360	1	SEAL-O-RING 16.36IDX2.21DIA
9	CH9S-8005	1	PLUG - 3/4-16-2A THD HSHD

[A] PART OF 172-4499 VALVE AR

2235932A
PR: t05c24o40d0378

MT700B SERIES TRACK TRACTOR
HYDRAULIC SYSTEM

VALVE GP-BANK 6 - 500750D1
3 PT HITCH & W/4 REMOTES



500750DA

**MT700B SERIES TRACK TRACTOR
HYDRAULIC SYSTEM**

839

**VALVE GP-BANK 6 - 500750D1
3 PT HITCH & W/4 REMOTES**

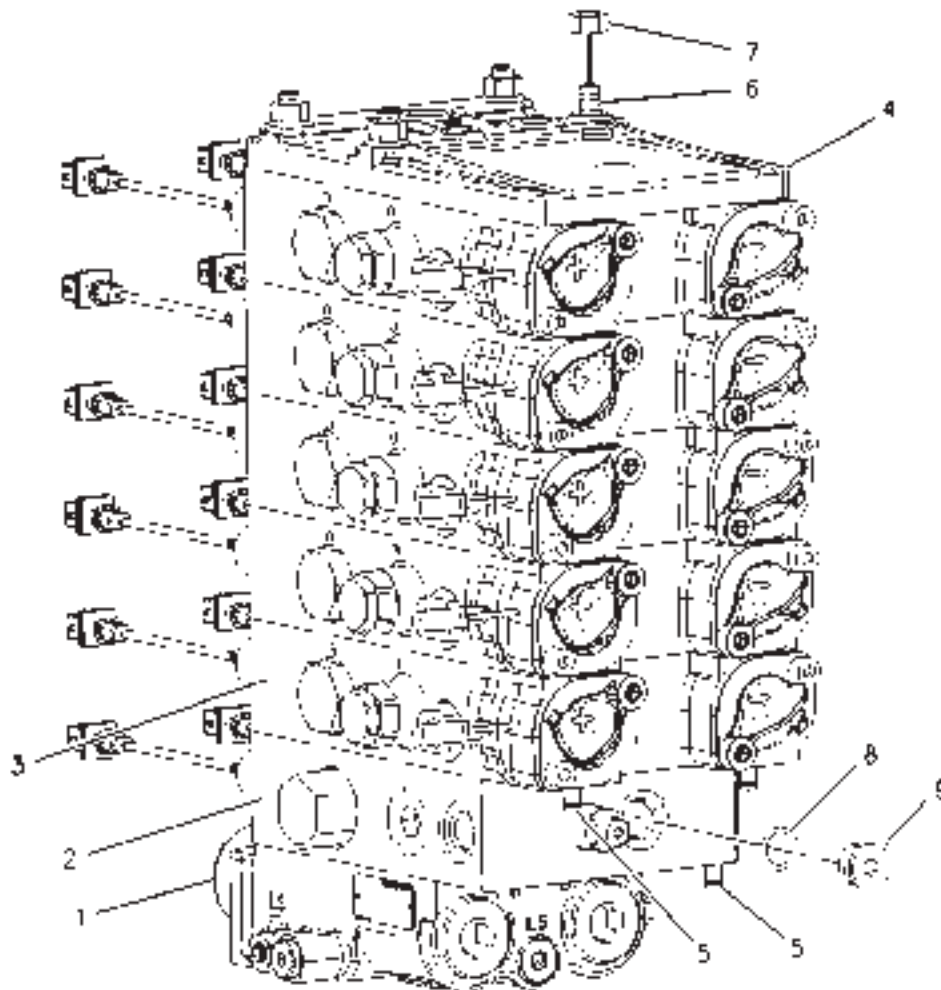
ITEM	NUMBER	QTY	DESCRIPTION
-	163-0589	--	VALVE GP-BANK 6 [A] (NOT SERVICED)
1	226-5657	1	VALVE GP-FLOW CONTROL & RELIEF (SEE BREAKDOWN FOR COMPONENTS)
2	224-7237	1	VALVE GP-CONTROL (3 POINT HITCH) (SEE BREAKDOWN FOR COMPONENTS)
3	162-9816	6	VALVE GP-CONTROL (IMPLEMENTS) (SEE BREAKDOWN FOR COMPONENTS)
4	180-0500	1	COVER-END
5	CH188-3640	3	FITTING
6	CH209-7498	4	STUD
7	WR522218	4	NUT (M10X1.5 THD)
8	CH3K-0360	1	O-RING
9	CH9S-8005	1	PLUG

PART OF 500789D1 VALVE AR

500750DA
PR: t05c24o40d0379

MT700B SERIES TRACK TRACTOR
HYDRAULIC SYSTEM

VALVE GP-BANK 6 - 223-5933
3 PT HITCH & W/5 REMOTES



**MT700B SERIES TRACK TRACTOR
HYDRAULIC SYSTEM**

841

**VALVE GP-BANK 6 - 223-5933
3 PT HITCH & W/5 REMOTES**

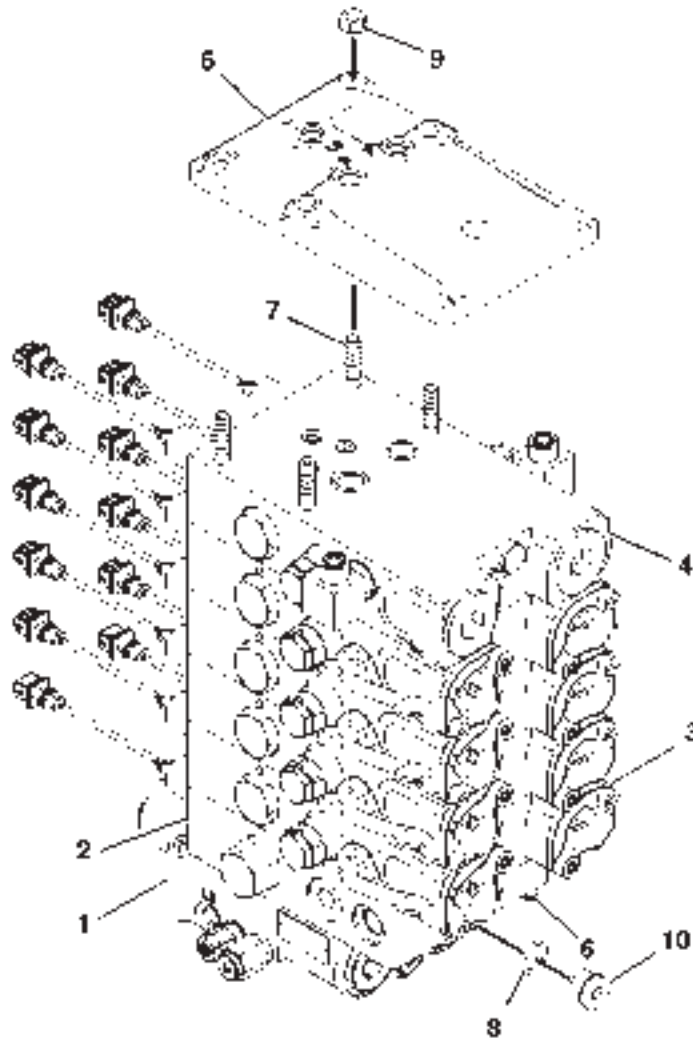
ITEM	NUMBER	QTY	DESCRIPTION
-	223-5933	--	VALVE GP-BANK 6 [A] (NOT SERVICED) (ORDER THE FOLLOWING PARTS)
1	226-5657	1	VALVE GP-FLOW CONTROL & RELIEF (SEE BREAKDOWN FOR COMPONENTS)
2	224-7237	1	VALVE GP-CONTROL (3 POINT HITCH) (SEE BREAKDOWN FOR COMPONENTS)
3	162-9816	5	VALVE GP-CONTROL (IMPLEMENTS) (SEE BREAKDOWN FOR COMPONENTS)
4	180-0500	1	COVER-END
5	CH188-3640	3	FITTING
6	209-7497	4	STUD
7	WR522218	4	NUT (M10X1.5 THD)
8	CH3K-0360	1	O-RING
9	CH9S-8005	1	PLUG

[A] PART OF 172-4501 VALVE AR

2235933A
PR: t05c24o40d0380

MT700B SERIES TRACK TRACTOR
HYDRAULIC SYSTEM

VALVE GP-BANK 6 - 223-5935
4 IMPLEMENTS & STEERABLE HITCH



00859025

**MT700B SERIES TRACK TRACTOR
HYDRAULIC SYSTEM**

843

**VALVE GP-BANK 6 - 223-5935
4 IMPLEMENTS & STEERABLE HITCH**

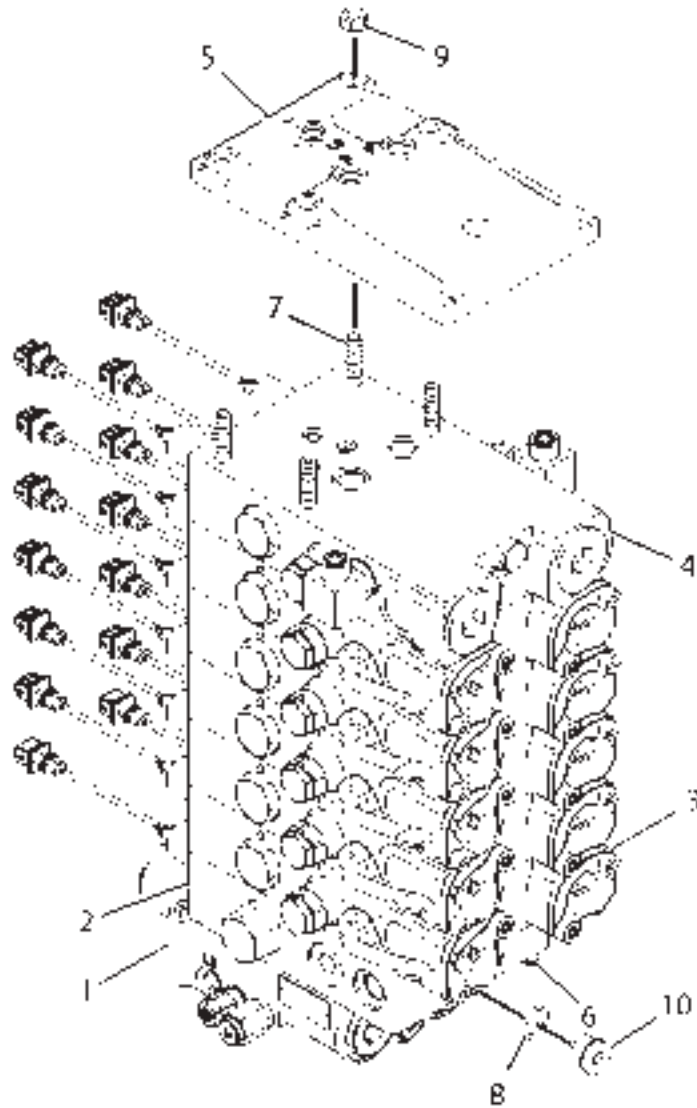
ITEM	NUMBER	QTY	DESCRIPTION
-	223-5935	--	VALVE GP-BANK 6 [A]
1	226-5657	1	VALVE GP-FLOW CONTROL & RELIEF (SEE BREAKDOWN FOR COMPONENTS)
2	224-7237	1	VALVE GP-CONTROL (3 POINT HITCH) (SEE BREAKDOWN FOR COMPONENTS)
3	162-9816	4	VALVE GP-CONTROL-T (SEE BREAKDOWN FOR COMPONENTS)
4	224-4211	1	VALVE GP-CONTROL (STEERABLE 3 PT HITCH) (SEE BREAKDOWN FOR COMPONENTS)
5	180-0500	1	COVER-END
6	CH188-3640	3	FITTING
7	209-7497	4	STUD
8	CH3K-0360	1	O-RING
9	WR522218	4	NUT (M10X1.5 THD)
10	CH9S-8005	1	PLUG

[A] PART OF 172-4500 VALVE AR

00859025
PR: t05c24o40d0381

MT700B SERIES TRACK TRACTOR
HYDRAULIC SYSTEM

VALVE GP-BANK 7 - 223-5936
5 IMPLEMENTS & STEERABLE HITCH



**MT700B SERIES TRACK TRACTOR
HYDRAULIC SYSTEM**

845

**VALVE GP-BANK 7 - 223-5936
5 IMPLEMENTS & STEERABLE HITCH**

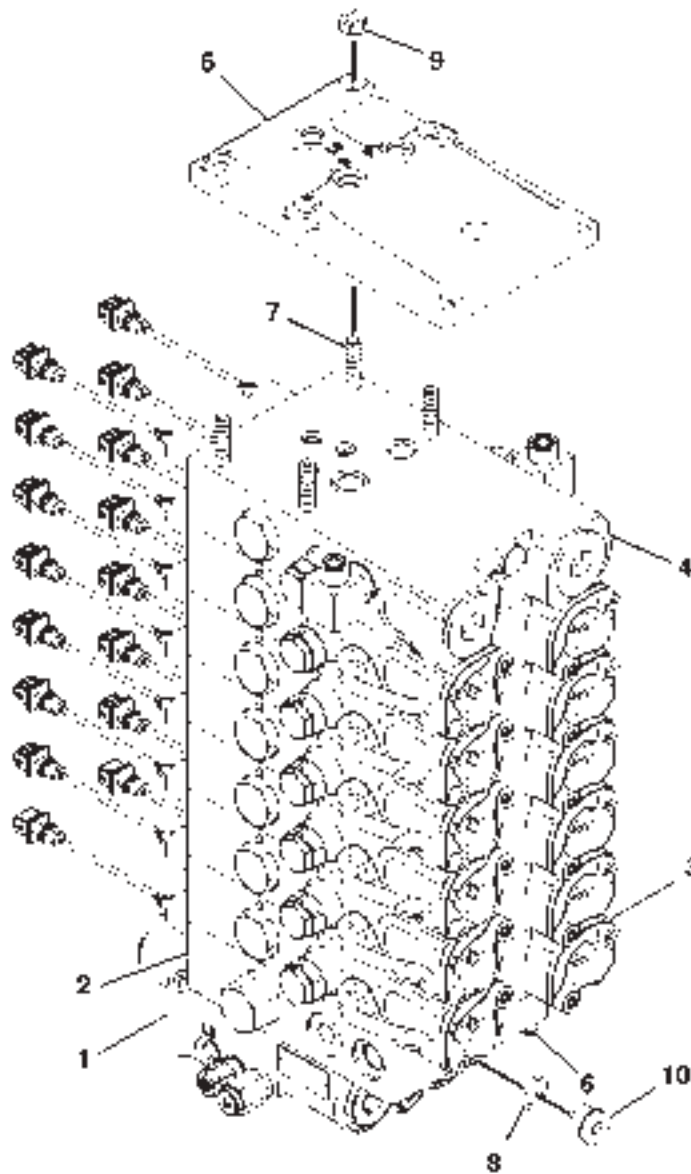
ITEM	NUMBER	QTY	DESCRIPTION
-	223-5936	--	VALVE GP-BANK 6 [A] (NOT SERVICED)
1	226-5657	1	VALVE GP-FLOW CONTROL & RELIEF (SEE BREAKDOWN FOR COMPONENTS)
2	224-7237	1	VALVE GP-CONTROL (3 POINT HITCH) (SEE BREAKDOWN FOR COMPONENTS)
3	162-9816	5	VALVE GP-CONTROL-T (SEE BREAKDOWN FOR COMPONENTS)
4	224-4211	1	VALVE GP-CONTROL (STEERABLE 3 PT HITCH) (SEE BREAKDOWN FOR COMPONENTS)
5	180-0500	1	COVER-END
6	CH188-3640	3	FITTING
7	CH209-7498	4	STUD
8	CH3K-0360	1	O-RING
9	WR522218	4	NUT (M10X1.5 THD)
10	CH9S-8005	1	PLUG

[A] PART OF 172-4502 VALVE AR

2235936A
PR: t05c24o40d0382

MT700B SERIES TRACK TRACTOR
HYDRAULIC SYSTEM

VALVE GP-BANK 8 - 500751D1
3 PT-STEERING HITCH W/5 REMOTES



**MT700B SERIES TRACK TRACTOR
HYDRAULIC SYSTEM**

847

**VALVE GP-BANK 8 - 500751D1
3 PT-STEERING HITCH W/5 REMOTES**

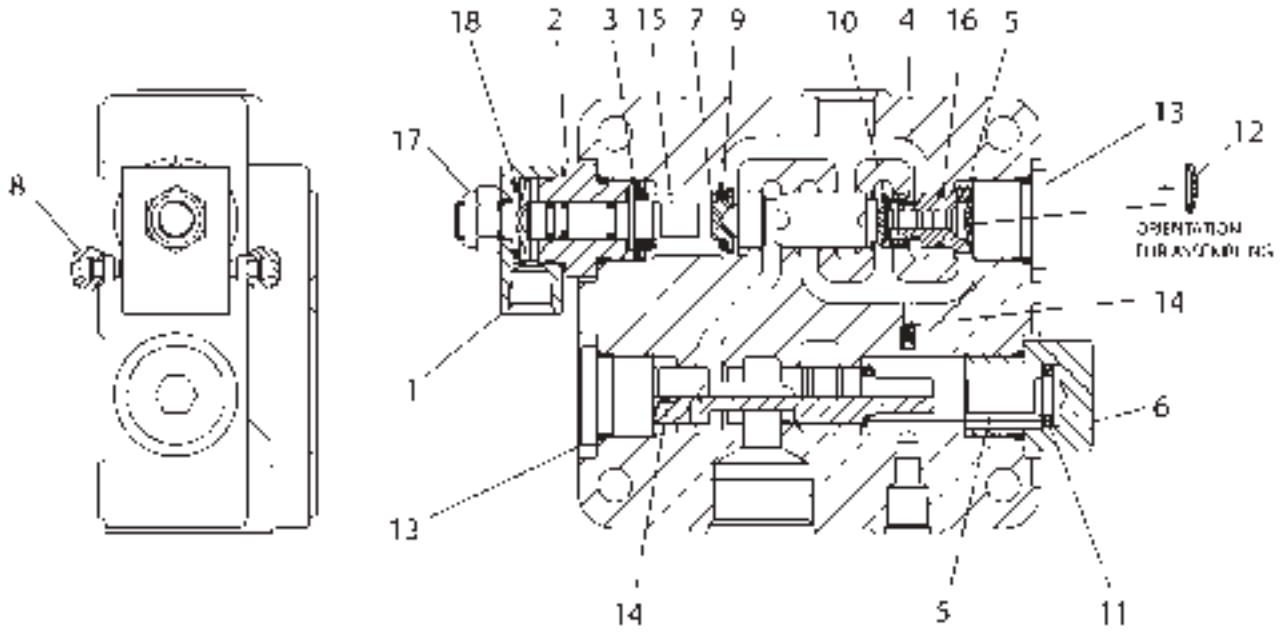
ITEM	NUMBER	QTY	DESCRIPTION
-	500751D1	--	VALVE GP-BANK 8 [A] (NOT SERVICED)
1	226-5657	1	VALVE GP-FLOW CONTROL & RELIEF (SEE BREAKDOWN FOR COMPONENTS)
2	224-7237	1	VALVE GP-CONTROL (3 POINT HITCH) (SEE BREAKDOWN FOR COMPONENTS)
3	162-9816	6	VALVE GP-CONTROL-T (SEE BREAKDOWN FOR COMPONENTS)
4	224-4211	1	VALVE GP-CONTROL (STEERABLE 3 PT HITCH) (SEE BREAKDOWN FOR COMPONENTS)
5	180-0500	1	COVER-END
6	CH188-3640	3	FITTING
7	CH209-7499	4	STUD
8	CH3K-0360	1	O-RING
9	WR522218	4	NUT (M10X1.5 THD)
10	CH9S-8005	1	PLUG

[A] PART OF 500790D1 VALVE AR

500751DA
PR: t05c24o40d0383

MT700B SERIES TRACK TRACTOR
HYDRAULIC SYSTEM

VALVE GP-BRAKE CONTROL - 175-7450
EAME ONLY



1757450A

**MT700B SERIES TRACK TRACTOR
HYDRAULIC SYSTEM**

849

**VALVE GP-BRAKE CONTROL - 175-7450
EAME ONLY**

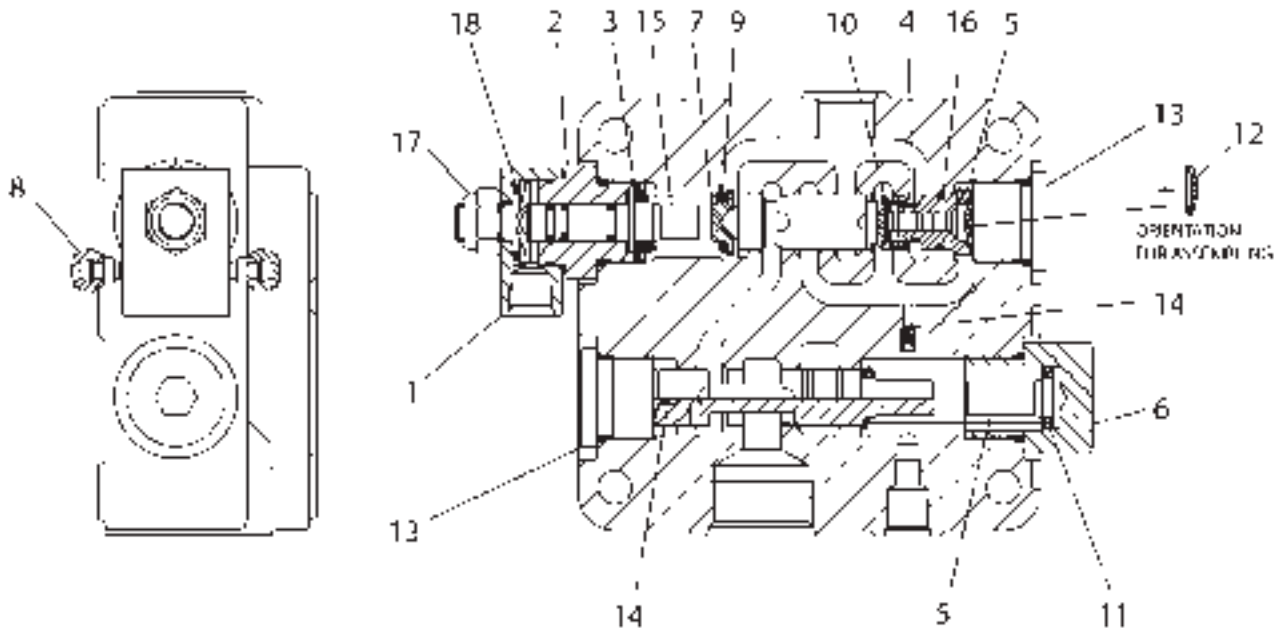
ITEM	NUMBER	QTY	DESCRIPTION
-	175-7450	--	VALVE GP-BRAKE CONTROL [A]
1	209-9919	1	MANIFOLD
2	209-9920	1	PLUG AS
	CH8U-7381	1	SEAL-O-RING
	CH209-9961	2	RING-GUIDE
	CH209-9962	1	RING-GUIDE
	CH8T-7525	1	SEAL-O-RING
3	CH209-9921	1	WASHER
4	CH209-9927	1	SLUG
5	209-9936	1	SLEEVE
6	CH209-9945	1	PLUG AS
	CH8T-7525	1	SEAL-O-RING
7	CH209-9947	1	SEAT-SPRING
8	209-9949	2	SCREW-PURGE
9	CH209-9955	1	SPRING
10	CH209-9957	1	SPRING
11	216-6991	1	SPRING
12	CH210-1993	1	WASHER
13	216-6977	2	PLUG AS
	CH8T-7525	1	SEAL-O-RING
14	216-6980	2	ORIFICE
15	216-6981	1	RETAINER
16	CH095-1715	1	SEAL-O-RING
17	CH188-7789	1	NUT (M12X1.50 THD)
18	CH6V-3922	1	SEAL-O-RING

[A] 183-7177 VALVE GP-MTG;
204-6711 KIT-HYD TR BRAKE

1757450A
PR: t05c24o40d0384

MT700B SERIES TRACK TRACTOR
HYDRAULIC SYSTEM

VALVE GP-BRAKE CONTROL - 500543D1
EAME ONLY



1757450A

**MT700B SERIES TRACK TRACTOR
HYDRAULIC SYSTEM**

851

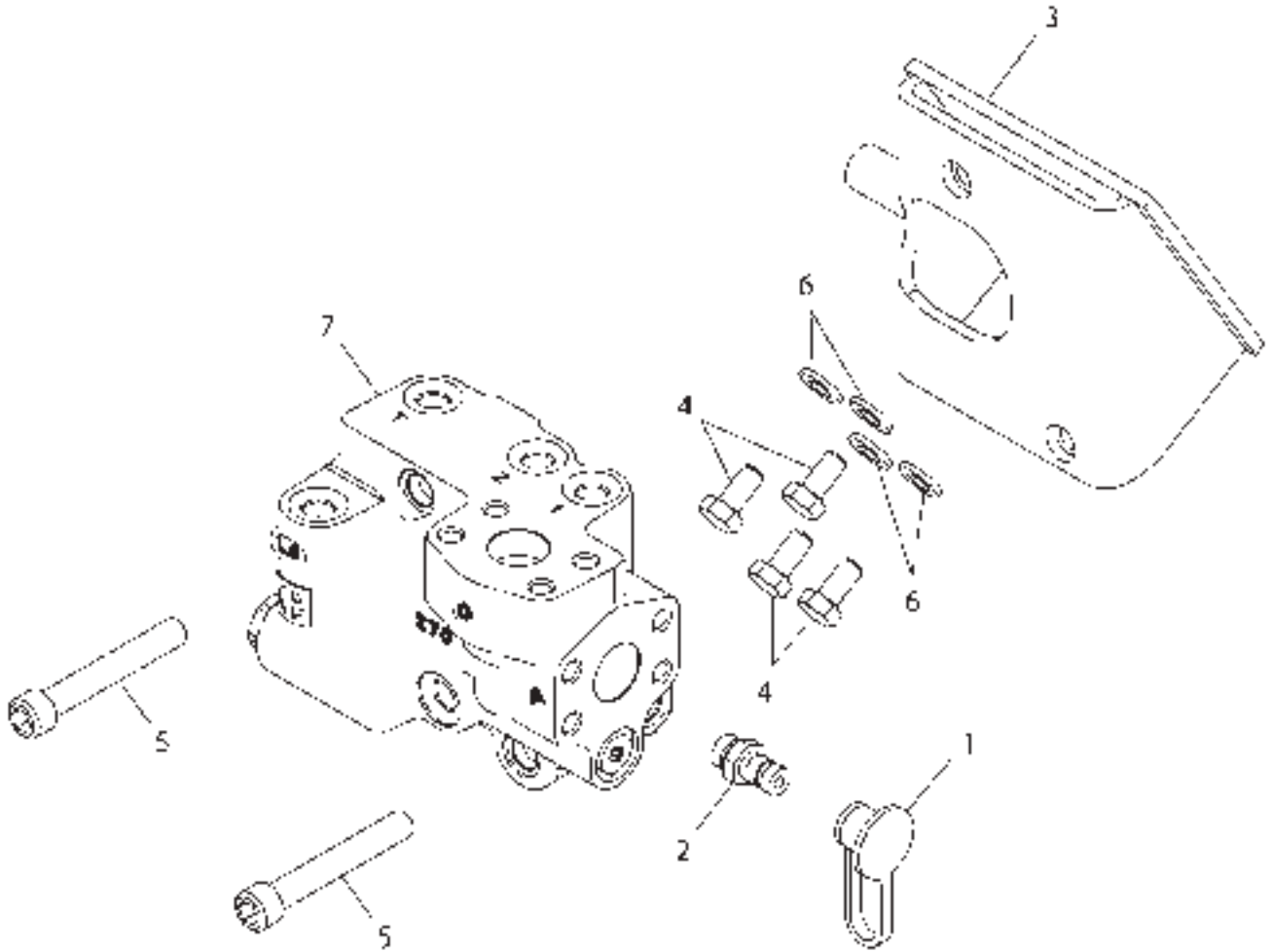
**VALVE GP-BRAKE CONTROL - 500543D1
EAME ONLY**

ITEM	NUMBER	QTY	DESCRIPTION
-	500543D1	--	VALVE GP-BRAKE CONTROL [A]
1	209-9919	1	MANIFOLD
2	500544D1	1	PLUG AS
	CH8U-7381	1	SEAL-O-RING
	CH209-9961	1	RING-GUIDE
	CH209-9962	1	RING-GUIDE
	CH8T-7525	2	SEAL-O-RING
	500545D1	1	SPRING
3	CH209-9921	1	WASHER
4	CH209-9927	1	SLUG
5	209-9936	1	SLEEVE
6	CH209-9945	1	PLUG AS
	CH8T-7525	1	SEAL-O-RING
7	CH209-9947	1	SEAT-SPRING
8	209-9949	2	SCREW-PURGE
9	CH209-9955	1	SPRING
10	CH209-9957	1	SPRING
11	216-6991	1	SPRING
12	CH210-1993	1	WASHER
13	216-6977	2	PLUG AS
	CH8T-7525	1	SEAL-O-RING
14	216-6980	2	ORIFICE
15	216-6981	1	RETAINER
16	CH095-1715	1	SEAL-O-RING
17	CH188-7789	1	NUT (M12X1.50 THD)
18	CH6V-3922	1	SEAL-O-RING

[A] PART OF 227-5264 VALVE GP-MOUNTING
500528D1 KIT-ITALIAN HTB

1757450A
PR: t05c24o40d0385

VALVE GP-BRAKE CONTROL - 192-6368



1926368A

MT700B SERIES TRACK TRACTOR
HYDRAULIC SYSTEM

853

VALVE GP-BRAKE CONTROL - 192-6368

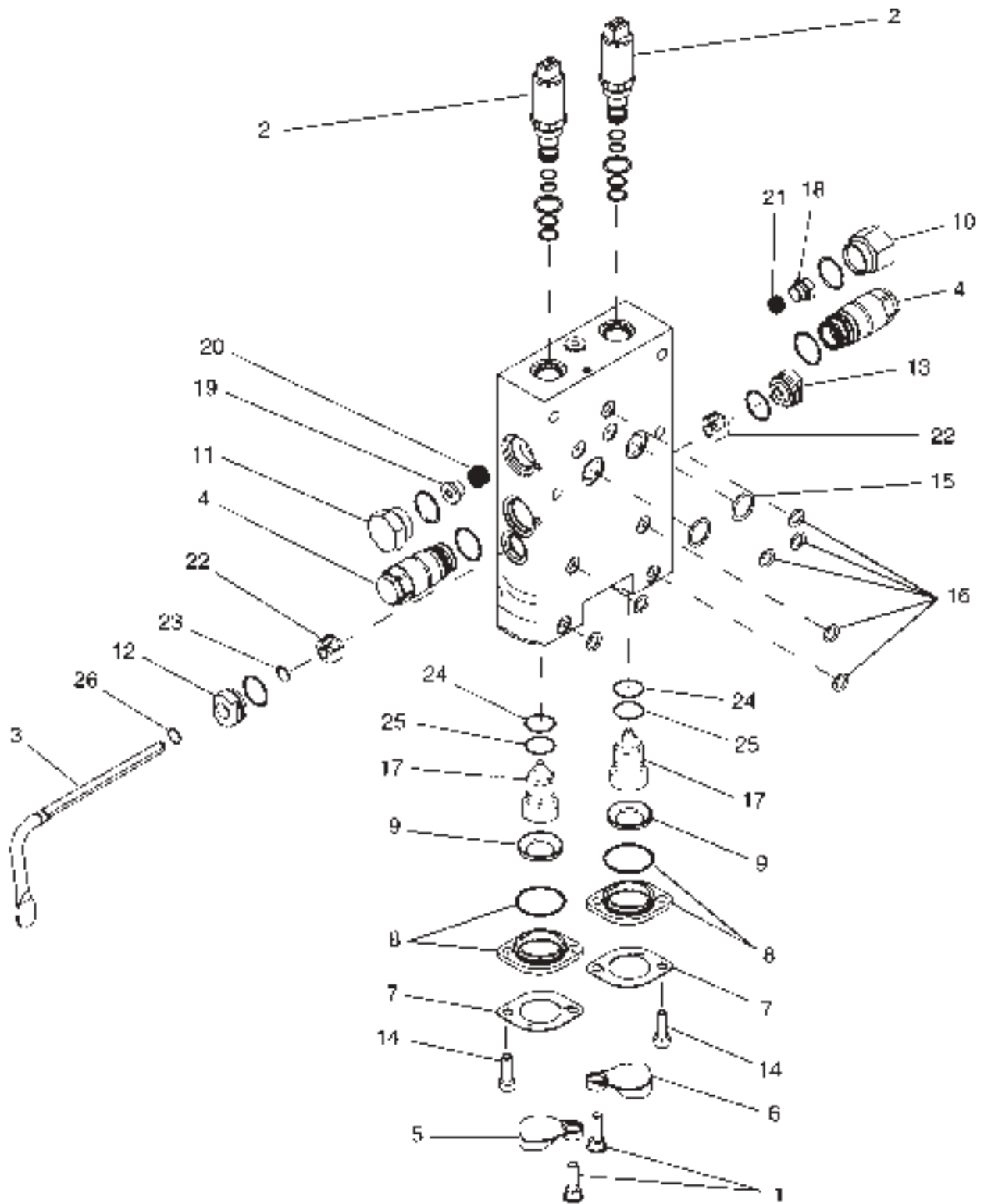
ITEM	NUMBER	QTY	DESCRIPTION
-	192-6368	--	VALVE GP-BRAKE CONTROL [A]
1	400323X1	1	CAP-DUST
2	400324X1	1	NIPPLE AS
3	200-4357	1	BRACKET AS
4	400040X1	4	BOLT (M10X1.5X20MM)
5	400207X1	2	BOLT (M12X1.75X80MM)
6	400287X1	4	WASHER-HARD (11X21X2.5MM THK)
7	501030D1	1	VALVE AS

[A] PART OF 200-4370 BRAKE AR

1926368A
PR: t05c24o40d0386

MT700B SERIES TRACK TRACTOR
HYDRAULIC SYSTEM

VALVE GP-CONTROL - 162-9816
IMPLEMENT



1629816D

**MT700B SERIES TRACKTRACTOR
HYDRAULIC SYSTEM**

855

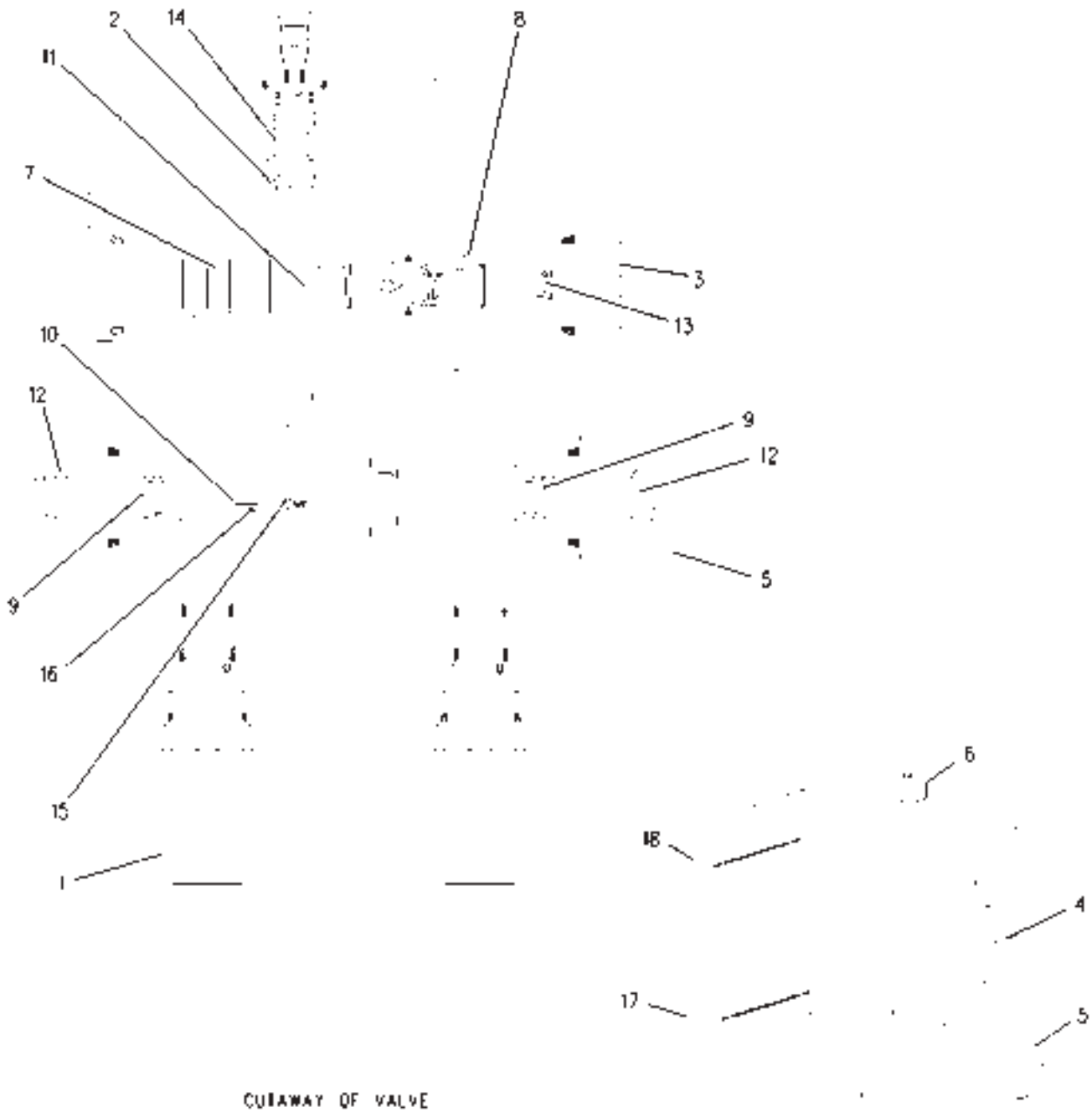
**VALVE GP-CONTROL - 162-9816
IMPLEMENT**

ITEM	NUMBER	QTY	DESCRIPTION
-	162-9816	--	VALVE GP-CONTROL (REMOTE) [A]
1	CH162-9821	2	BOLT (M8X1X25MM))
2	165-8537	2	VALVE GP-SOLENOID & PRESS REDC
	CH209-9680	1	KIT-SEAL (VALVE GP-CHECK)
3	CH186-0341	1	LEVER
4	186-0346	2	VALVE GP-CHECK (INCLUDES SEAL-O-RING)
	CH033-6032	1	SEAL-O-RING
5	CH186-0347	1	COVER-DUST
6	CH186-0348	1	COVER-DUST
7	CH186-0364	2	PLATE
8	CH186-0365	2	PLATE ASM
	CH187-9630	1	SEAL-O-RING
9	CH186-0367	2	SEAL
10	CH186-0368	1	PLUG ASM (INCLUDES SEAL-O-RING)
	CH175-3135	1	SEAL-O-RING
11	CH186-0369	1	PLUG ASM (INCLUDES SEAL-O-RING)
	CH175-3135	1	SEAL-O-RING
12	CH186-0375	1	CAP ASM (INCLUDES SEAL-O-RING)
	CH162-9799	1	SEAL-O-RING
13	CH186-0376	1	CAP ASM
	CH162-9799	1	SEAL-O-RING
14	CH209-8296	2	BOLT-SOCKET HEAD (M8X1.25X25MM)
15	CH5P-9186	2	SEAL-O-RING
16	CH8L-2777	7	SEAL-O-RING
17	186-0342	2	COUPLING GP (INCL SEAL)
	CH146-4350	1	SEAL
18	CH186-0370	1	PLUG
19	CH186-0371	1	PLUG
20	186-0372	1	SPRING
21	186-0373	1	SPRING
22	186-0377	2	CAM
23	CH096-2323	1	RING-RETAINING
24	CH146-4351	2	SEAL
25	CH5D-6539	2	SEAL-O-RING
26	CH3E-4296	1	SEAL-O-RING

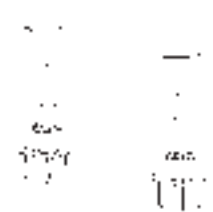
[A] PART OF 189-5907; 189-5910;
189-5911; 223-5932; 223-5933;
223-5936; 500751D1 VALVE GP

1629816D
PR: t05c24o40d0387

VALVE GP-CONTROL-2-20 - 224-7237
3 POINT HITCH



00881334



**MT700B SERIES TRACK TRACTOR
HYDRAULIC SYSTEM**

857

**VALVE GP-CONTROL-2-20 - 224-7237
3 POINT HITCH**

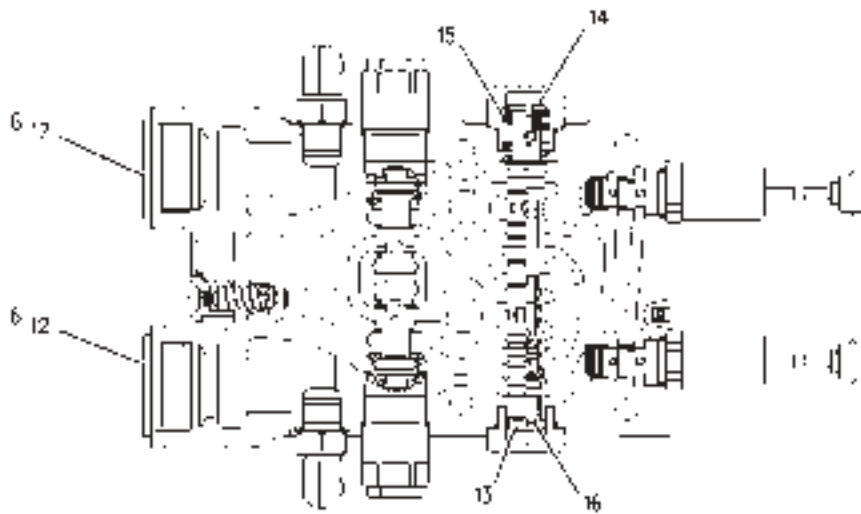
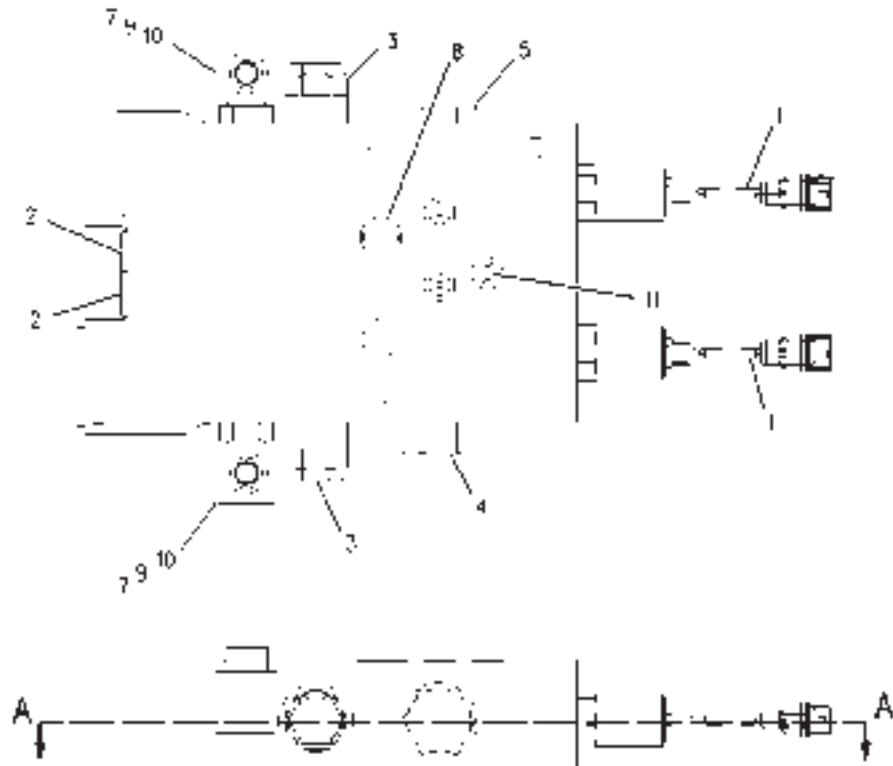
ITEM	NUMBER	QTY	DESCRIPTION
-	224-7237	--	VALVE GP-CONTROL [A]
1	165-8537	2	VALVE GP-SOLENOID
	209-9680	1	KIT-SEAL
2	209-7359	1	VALVE GP-RELIEF
3	216-3569	1	PLUG ASY.
	CH8T-7525	1	O-RING
4	216-3458	1	PLUG ASY.
	CH8T-7525	1	O-RING
5	216-3570	2	PLUG ASY.
	CH8T-7525	1	O-RING
6	209-7599	1	VALVE ASY.
7	216-3461	1	SPOOL-VALVE
8	216-3462	1	VALVE ASY-CHECK
9	216-3475	2	RETAINER
10	CH216-4098	1	PLUG
11	216-3478	1	PIN
12	216-3479	2	SPRING
13	216-3480	1	SPRING
14	216-3481	1	SPRING
15	CH3G-0785	1	BALL
16	CH109-9685	1	O-RING
17	CH5P-9186	2	O-RING
18	CH8L-2777	3	O-RING
19	CH227-8809	1	SLEEVE (NOT SHOWN)

[A] PART OF 223-5932; 223-5933;
223-5935; 223-5936; 500750D1;
500751D1 VALVE GP

00881334
PR: t05c24o40d0388

MT700B SERIES TRACK TRACTOR
HYDRAULIC SYSTEM

VALVE GP-CONTROL-3-20 - 224-4211
STEERABLE 3 POINT HITCH



00892510

**MT700B SERIES TRACK TRACTOR
HYDRAULIC SYSTEM**

859

**VALVE GP-CONTROL-3-20 - 224-4211
STEERABLE 3 POINT HITCH**

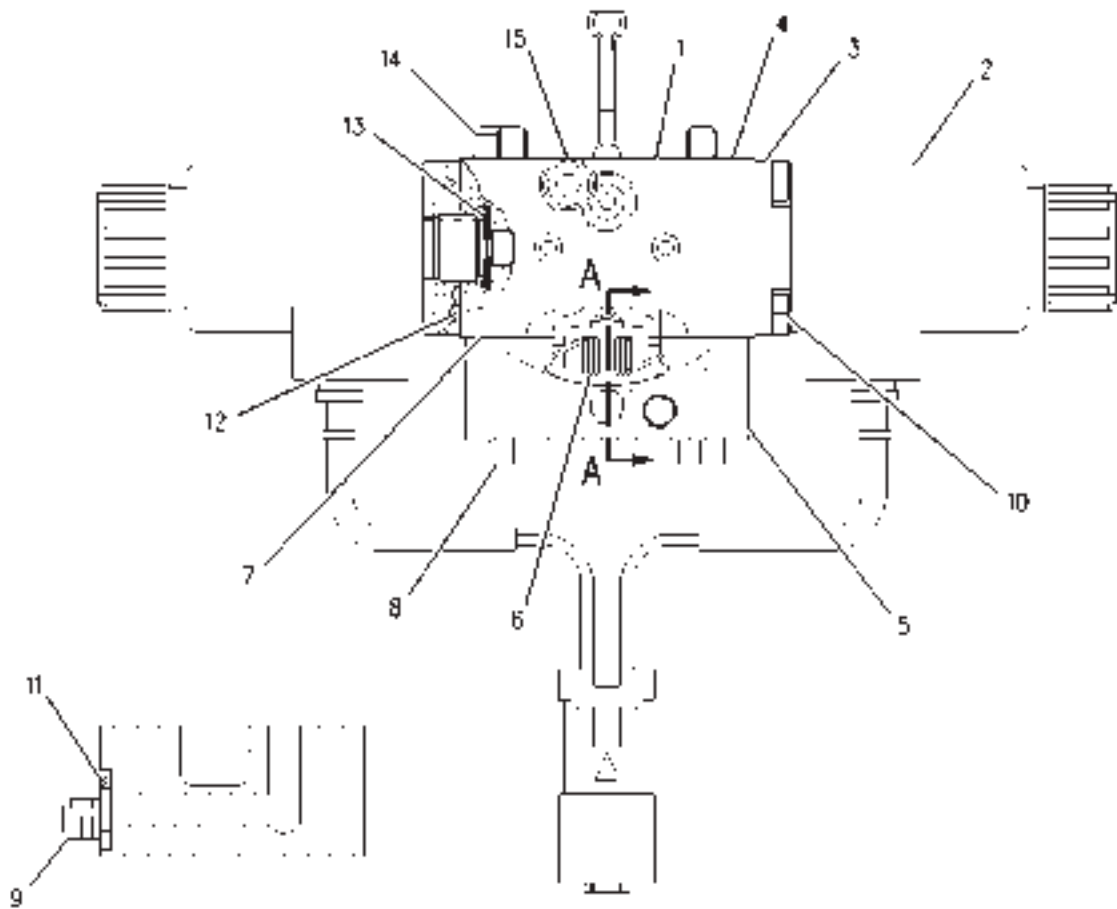
ITEM	NUMBER	QTY	DESCRIPTION
-	224-4211	--	VALVE GP-CONTROL [A]
1	165-8537	2	VALVE GP-SOLENOID (SOLENOID & PRESSURE REDUCING)
	CH209-9680	1	KIT-SEAL (REPAIR)
2	162-9822	2	VALVE GP-RELIEF (HYDRAULIC PRESSURE)
	400322X1	1	O-RING
3	186-0346	2	VALVE GP-CHECK (PILOT OPERATED)
	CH033-6032	1	O-RING
4	CH186-0368	1	PLUG ASY.
5	CH186-0369	1	PLUG ASY.
6	CH2S-4078	2	O-RING
7	CH3K-0360	2	O-RING
8	CH5P-9186	2	O-RING
9	CH6V-8398	2	O-RING
10	CH6V-8625	2	ELBOW
11	CH8L-2777	3	O-RING
12	CH9S-8010	2	PLUG
13	CH186-0370	1	PLUG
14	CH186-0371	1	PLUG
15	186-0372	1	SPRING
16	186-0373	1	SPRING

[A] PART OF 223-5935 VALVE GP-BANK 6

00892510
PR: t05c24o40d0389

MT700B SERIES TRACK TRACTOR
HYDRAULIC SYSTEM

VALVE GP-ELECTRIC SERVO - 196-4235
ROW



00842277

**MT700B SERIES TRACK TRACTOR
HYDRAULIC SYSTEM**

861

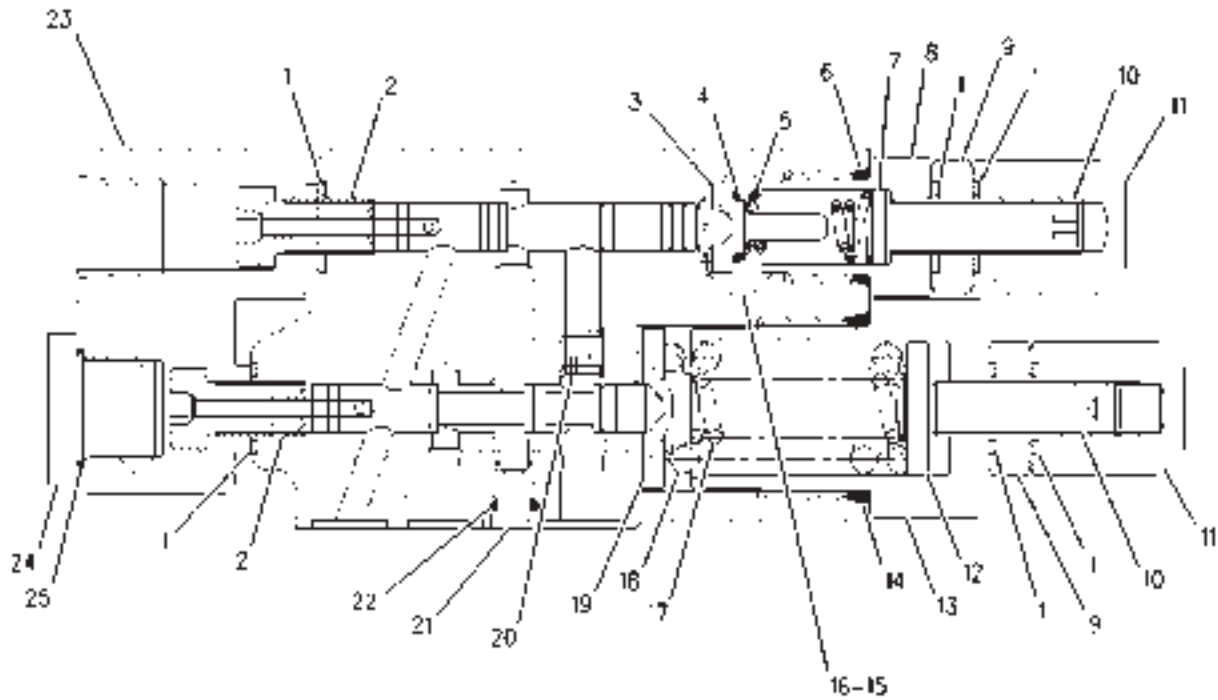
**VALVE GP-ELECTRIC SERVO - 196-4235
ROW**

ITEM	NUMBER	QTY	DESCRIPTION
-	196-4235	--	VALVE GP-ELECTRIC SERVO [A]
1	CH196-4248	1	HOUSING ASY.
2	196-4249	1	SOLENOID ASY.
3	CH196-4250	2	SPACER (37X37X13MM THK)
4	CH117-7316	1	SEAL
5	CH196-4251	1	COVER
6	CH196-4252	1	SPRING
7	CH196-4253	1	GASKET
8	CH8T-2922	4	BOLT-SOCKET HEAD (M6X1X65MM)
9	CH196-9445	1	BOLT-SOCKET HEAD (M6X1X45MM)
10	CH196-9444	8	BOLT-SOCKET HEAD (M5X0.8X10MM)
11	CH6J-3134	1	O-RING
12	CH085-7539	2	O-RING
13	CH196-4254	2	SPRING
14	CH5E-7045	1	PIN-CYLINDER
15	CH096-5968	1	BOLT-SOCKET HEAD (M5X0.8X8MM)

[A] PART OF 500525D1; 500526D1
PUMP GP-PISTON

00842277
PR: t05c24o40d0390

VALVE GP-PRESS & FLOW COMPENSATOR
214-9379



00893866

MT700B SERIES TRACK TRACTOR
HYDRAULIC SYSTEM

863

VALVE GP-PRESS & FLOW COMPENSATOR
214-9379

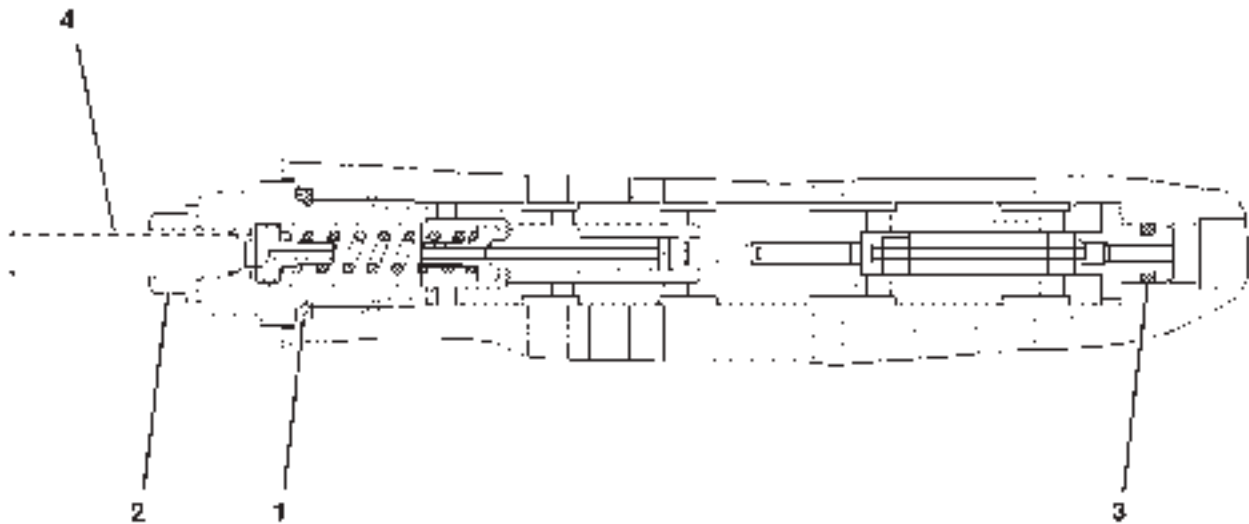
ITEM	NUMBER	QTY	DESCRIPTION
-	214-9379	--	VALVE GP-PRESS & FLOW CMPNSTR [A]
1	CH6E-6528	6	SEAL
2	CH194-4650	2	ADAPTER
3	CH6E-3268	1	RETAINER-SPRING
4	CH6E-3275	1	SPRING
5	CH6E-3274	1	SPRING
6	CH033-6043	1	SEAL-O-RING
7	CH6E-3272	1	SEAT
8	CH6E-6540	1	PLUG
9	CH6E-6538	2	NUT-ADJUSTMENT (M8X1)
10	CH6E-6537	2	SCREW-ADJUSTMENT (M8X1X28MM)
11	CH6E-6539	2	NUT-CAP (M8X1)
12	CH6E-3273	1	SEAT
13	CH6E-6536	1	PLUG
14	CH6V-8352	1	SEAL-O-RING
15	CH9S-8002	1	PLUG
16	400361X1	1	SEAL-O-RING
17	CH193-1036	1	SPRING
18	CH6E-3276	1	SPRING
19	CH6E-3269	1	RETAINER-SPRING
20	CH201-0780	1	ORIFICE
21	CH105-2145	1	VALVE-ORIFICE
22	CH5P-9262	1	SEAL-O-RING
23	CH194-4651	1	ADAPTER (HOUSING)
24	CH9S-8004	1	PLUG
25	400318X1	1	SEAL-O-RING (11.89IDDX1.98DIA)

[A] PART OF CH205-5980 PUMP GP-PISTON

00893866
PR: t05c24o40d0391

MT700B SERIES TRACK TRACTOR
HYDRAULIC SYSTEM

VALVE GP-PRESS & FLOW CMPNSTR - 201-9105
ROW



2019105B

MT700B SERIES TRACK TRACTOR
HYDRAULIC SYSTEM

865

VALVE GP-PRESS & FLOW CMPNSTR - 201-9105
ROW

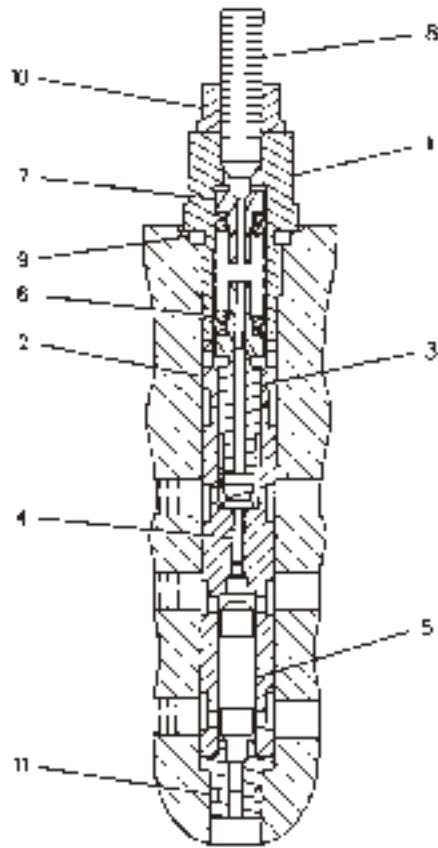
ITEM	NUMBER	QTY	DESCRIPTION
-	CH201-9105	--	VALVE GP-PRESS & FLOW CMPNSTR [A]
1	CH6V-8351	1	O-RING
2	CH6E-1607	1	LOCKNUT-SEALING
3	CH6V-5586	1	O-RING
4	CH6E-4401	1	SETSCREW-ADJUSTMENT

[A] PART OF 196-4234 HEAD GP-PUMP

2019105B
PR: t05c24o40d0392

MT700B SERIES TRACK TRACTOR
HYDRAULIC SYSTEM

VALVE GP-RELIEF - CH123-7557
ROW



00250017

**MT700B SERIES TRACK TRACTOR
HYDRAULIC SYSTEM**

867

**VALVE GP-RELIEF - CH123-7557
ROW**

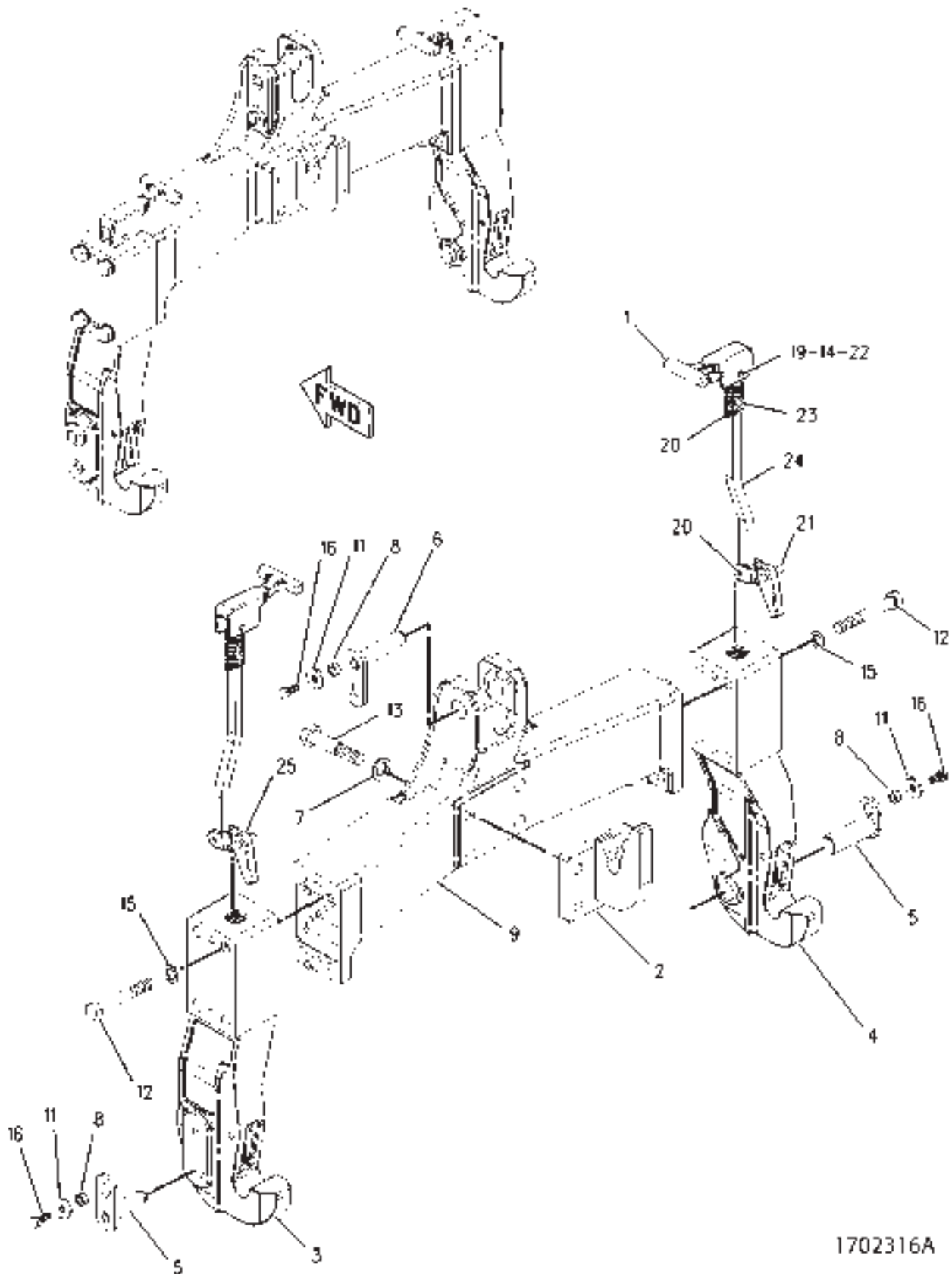
ITEM	NUMBER	QTY	DESCRIPTION
-	CH123-7557	--	VALVE GP-RELIEF [A]
1	CH123-7575	1	SCREW-LOCKING
2	CH123-7589	1	VALVE-BUSHING
3	CH123-7590	1	CONTROL-PISTON
4	CH6E-4396	1	PISTON
5		1	PISTON (ORDER COMPLETE AS)
6	CH6E-4399	1	SPRING
7	CH6E-4400	2	RETAINER-SPRING
8	CH6E-4401	1	SETSCREW-ADJUSTMENT
9	CH123-7591	1	O-RING
10	CH6E-1607	1	LOCKNUT-SEALING
11	CH112-4718	1	O-RING

[A] PART OF 204-6515 HEAD GP-PUMP

00250017
PR: t05c24o40d0393

MT700B SERIES TRACK TRACTOR
DRAWBAR, THREE POINT HITCH AND PTO

COUPLER GP-QUICK - 170-2316
CATEGORY III NARROW



1702316A

**MT700B SERIES TRACK TRACTOR
DRAWBAR, THREE POINT HITCH AND PTO**

869

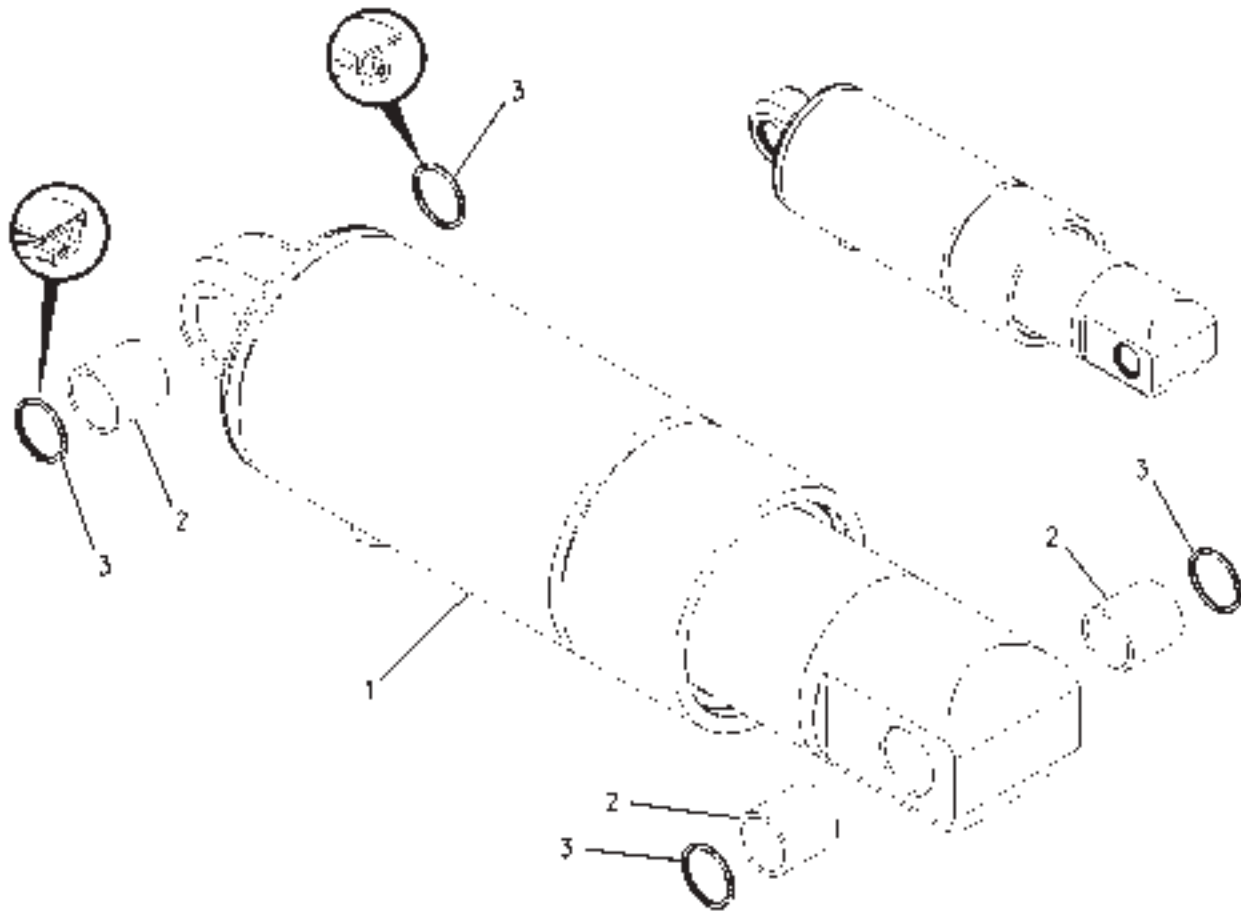
**COUPLER GP-QUICK - 170-2316
CATEGORY III NARROW**

ITEM	NUMBER	QTY	DESCRIPTION
-	170-2316	--	COUPLER GP-QUICK [A] (NOT SERVICED)
1	177-0661	2	HANDLE
2	502600D1	1	HOOK AS-TOP
3	501031D1	1	ARM-LH
4	501032D1	1	ARM-RH
5	CH197-8803	2	PIN AS
6	CH200-8708	1	PIN AS
7	400081X1	4	WASHER-HARD (26X44X4MM THK)
8	CH200-0010	3	SPACER (17.5X25.4X12.5MM THK)
9	177-0656	1	COUPLER AS
	CH3F-3442	4	DOWEL
11	400078X1	3	WASHER (16.5X50X5MM THK)
12	400043X1	8	BOLT (M20X2.5X150MM)
13	400229X1	4	BOLT (M24X3X140MM)
14	400287X1	2	WASHER-HARD (11X21X2.5MM THK)
15	400080X1	8	WASHER-PLATED (22X35X3.5MM THK)
16	400191X1	3	BOLT (M16X2X40MM)
19	CH177-3405	2	PIN
20	CH183-5008	4	PIN-SPRING
21	400273X1	2	PIN-SPRING
22	CH3B-4611	2	PIN-COTTER
23	CH190-2584	2	SPRING-RH
24	177-0657	2	ROD (LIFT)
25	177-0658	2	BLOCK-LOCK

[A] PART OF 157-1710;157-1715;177-0678;
177-0679 HITCH AR

1702316A
PR: t05c24o40d0394

CYLINDER & SEAL GP - 177-0665
HITCH LIFT



00783617

MT700B SERIES TRACK TRACTOR
DRAWBAR, THREE POINT HITCH AND PTO

871

CYLINDER & SEAL GP - 177-0665
HITCH LIFT

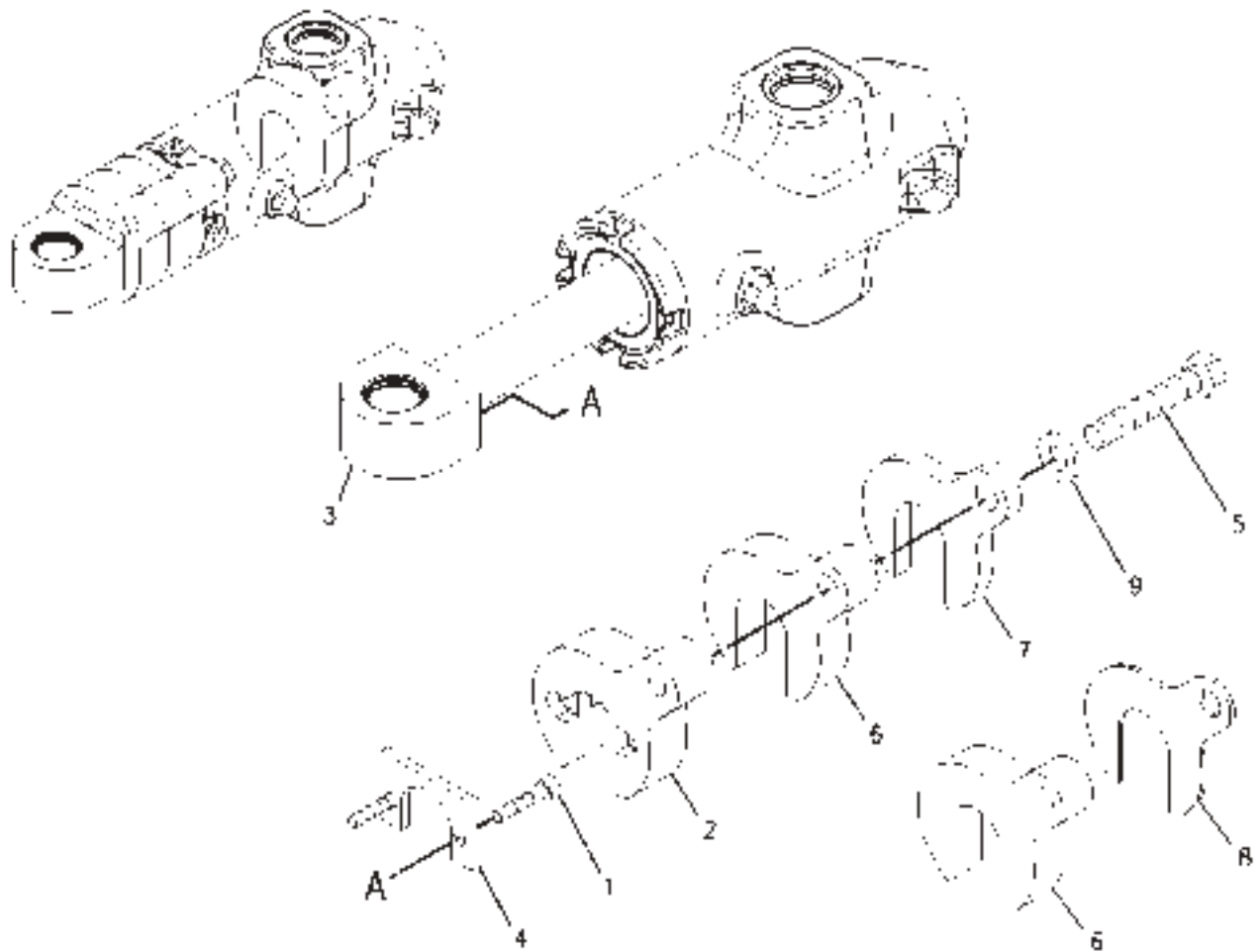
ITEM	NUMBER	QTY	DESCRIPTION
-	177-0665	--	CYLINDER & SEAL GP (COMPLETE) [A]
1	CH171-1243	1	CYLINDER GP-HITCH LIFT (NOT SERVICED) (SEE BREAKDOWN FOR COMPONENTS) (ORDER COMPLETE GP)
2	CH177-0662	3	BEARING
3	CH3G-9194	4	SEAL-LIP

[A] PART OF 157-1710;157-1715;169-0063;
169-0064;177-0678;177-0679 HITCH AR

00783617
PR: t05c24o40d0395

MT700B SERIES TRACK TRACTOR
DRAWBAR, THREE POINT HITCH AND PTO

CYLINDER & SEAL GP - 177-0666
STEERABLE



00819282

**MT700B SERIES TRACK TRACTOR
DRAWBAR, THREE POINT HITCH AND PTO**

873

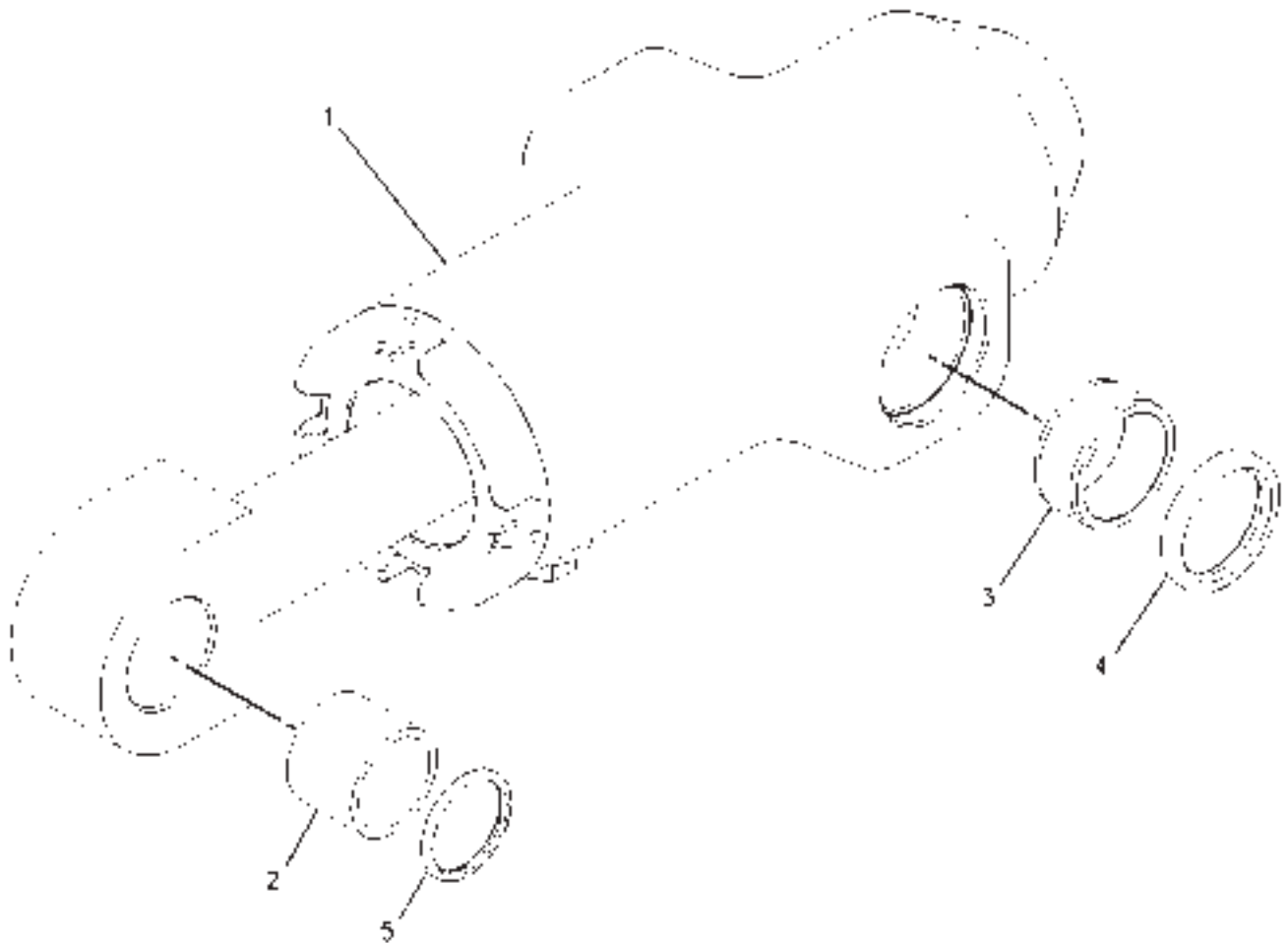
**CYLINDER & SEAL GP - 177-0666
STEERABLE**

ITEM	NUMBER	QTY	DESCRIPTION
-	177-0666	--	CYLINDER & SEAL GP [A] (NOT SERVICED)
1	400136X1	4	BOLT-SOCKET HEAD (M8X1.25X40MM)
2	175-3706	2	LIMITER (38.1MM THK)
3	204-9024	2	CYLINDER & SEAL GP (NOT SERVICED) (SEE BREAKDOWN FOR COMPONENTS)
4	CH206-7813	2	PLATE-SPACER
5	400007X1	2	BOLT-HEX HEAD (M16X2X90MM)
6	179-5822	4	LIMITER (25.4MM THK)
7	179-5849	2	LIMITER (12.7MM THK)
8	204-6819	2	LIMITER (3.2MM THK) [B]
9	CH8T-4122	2	WASHER (17.5X32X3.5MM THK)

[A] PART OF 157-1715; 169-0064;
177-0679 HITCH AR;
500772D1 KIT-HITCH 3PT STEERABLE
[B] USE ADDITIONAL 3.2 LIMITERS AS
REQUIRED TO MINIMIZE SWAY WHEN
LOCKING OUT SWAY IS DESIRED.

00819282
PR: t05c24o40d0396

CYLINDER & SEAL GP - 204-9024



00835398

MT700B SERIES TRACK TRACTOR
DRAWBAR, THREE POINT HITCH AND PTO

875

CYLINDER & SEAL GP - 204-9024

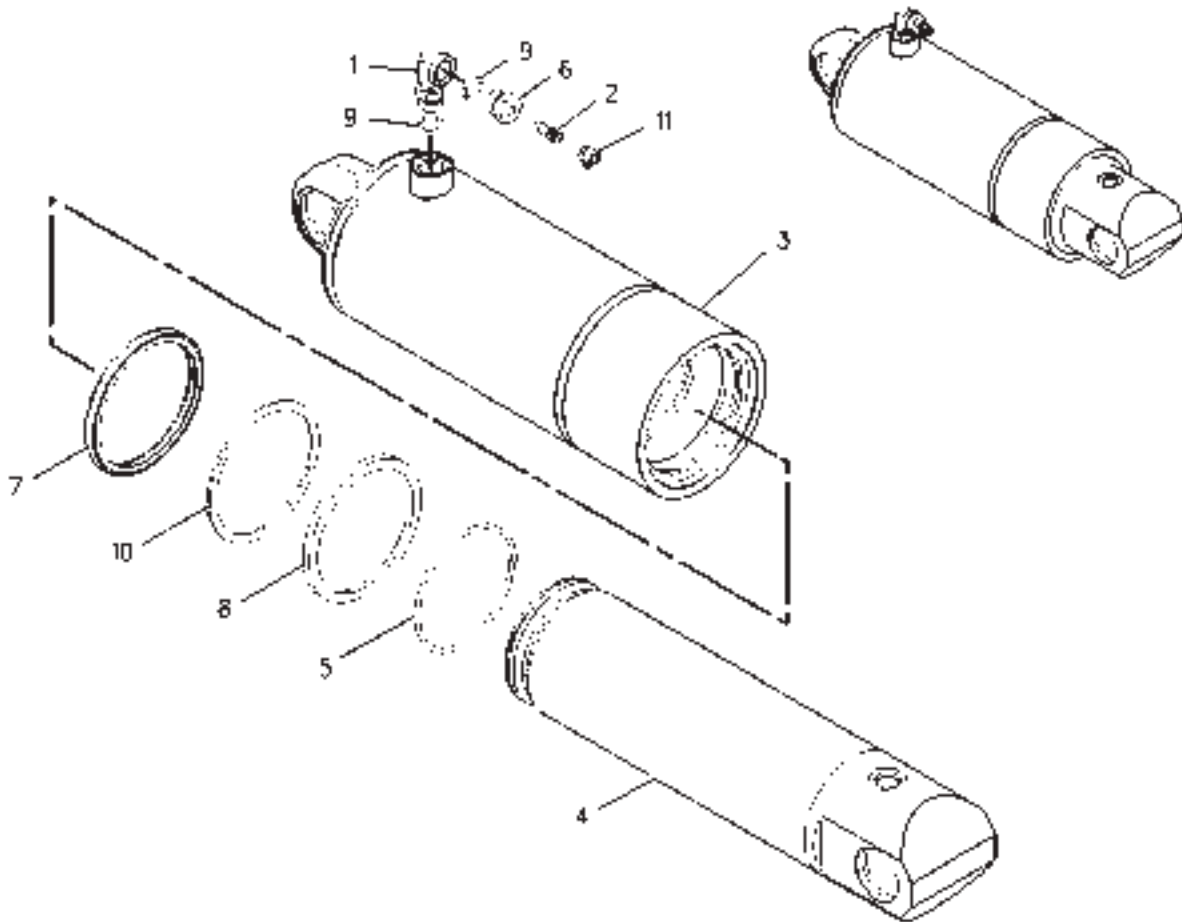
ITEM	NUMBER	QTY	DESCRIPTION
-	204-9024	--	CYLINDER & SEAL GP [A]
1	CH171-1242	1	CYLINDER GP-STEERING (SEE BREAKDOWN FOR COMPONENTS)
2	CH177-0663	1	BEARING
3	CH200-8767	2	BEARING
4	CH3G-9194	2	SEAL-LIP
5	CH5H-4856	2	SEAL-LIP

[A] PART OF 177-0666 CYLINDER & SEAL GP

00835398
PR: t05c24o40d0397

MT700B SERIES TRACK TRACTOR
DRAWBAR, THREE POINT HITCH AND PTO

CYLINDER GP-HITCH LIFT - CH171-1243
120MM X 250MM (4.72 X 9.84IN)



00857004

MT700B SERIES TRACK TRACTOR
DRAWBAR, THREE POINT HITCH AND PTO

877

CYLINDER GP-HITCH LIFT - CH171-1243
120MM X 250MM (4.72 X 9.84IN)

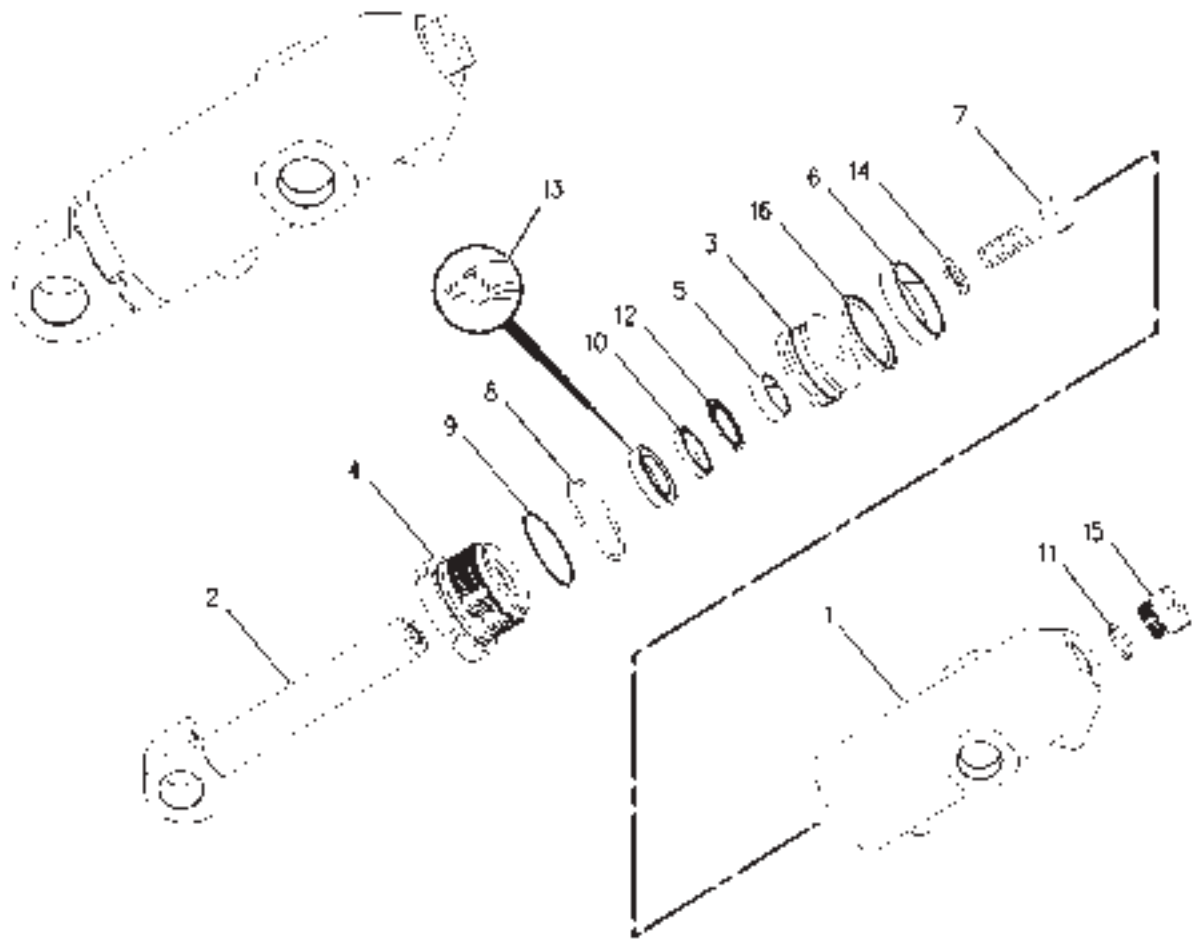
ITEM	NUMBER	QTY	DESCRIPTION
-	CH171-1243	--	CYLINDER GP-HITCH LIFT [A] (NOT SERVICED) (ORDER CYLINDER & SEAL GP)
1	CH8T-0119	1	ELBOW
2	CH9F-2167	1	SCREW-PURGE (3/8-24 THD)
3	CH171-2795	1	CYLINDER ASY.
4	CH174-5200	1	ROD ASY.
5	CH190-6069	1	RING
6	CH110-2446	1	ADAPTER
7	CH167-2334	1	SEAL-U-CUP
8	CH167-2485	1	SEAL-WIPER
9	CH3K-0360	2	O-RING
10	CH7Y-4941	1	RING-BACKUP
11	CH9J-4782	1	PROTECTOR (GREASE NIPPLE)

[A] PART OF 177-0665 CYLINDER & SEAL GP

00857004
PR: t05c24o40d0398

MT700B SERIES TRACK TRACTOR
DRAWBAR, THREE POINT HITCH AND PTO

CYLINDER GP-STEERING - CH171-1242
76.2MM X 132.5MM (3.0IN X 5.22IN)
STEERABLE HITCH



MT700B SERIES TRACK TRACTOR
DRAWBAR, THREE POINT HITCH AND PTO

879

CYLINDER GP-STEERING - CH171-1242
76.2MM X 132.5MM (3.0IN X 5.22IN)
STEERABLE HITCH

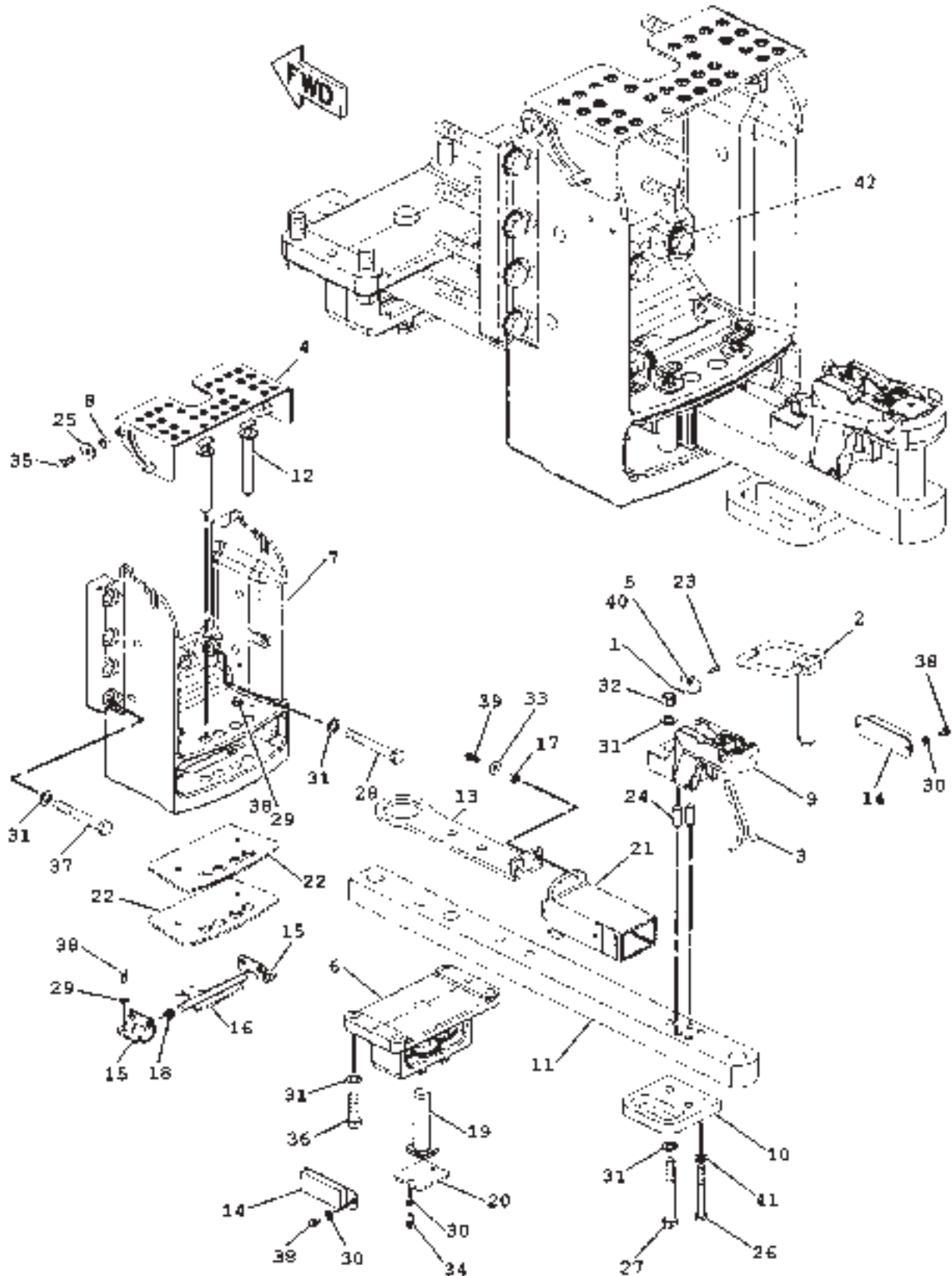
ITEM	NUMBER	QTY	DESCRIPTION
-	CH171-1242	--	CYLINDER GP-STEERING [A]
1	CH171-2045	1	CYLINDER
2	CH171-2054	1	ROD ASY.
3	CH171-2056	1	PISTON
4	CH171-2057	1	HEAD
5	CH172-6129	1	RING-WEAR
6	CH172-6130	1	RING-WEAR
7	CH173-9685	1	BOLT-HEX HEAD (M20X2.5X70MM)
8	CH175-7896	1	O-RING
9	CH6J-5731	1	RING-BACKUP
10	CH167-2294	1	SEAL-U-CUP
11	CH7M-8485	1	O-RING
12	CH167-2186	1	SEAL ASY-BUFFER
13	CH167-2450	1	SEAL-WIPER
14	CH8T-3282	1	WASHER-HARD (22X35X3.5MM THK)
15	CH9S-9334	1	PLUG
16	CH9X-7337	1	SEAL ASY.

[A] PART OF 204-9024 CYLINDER & SEAL GP

00847920
PR: t05c24o40d0399

MT700B SERIES TRACK TRACTOR
DRAWBAR, THREE POINT HITCH AND PTO

DRAWBAR GP-SWINGING - 157-1708
38MM (1.5IN) PIN



0870204A

**MT700B SERIES TRACKTRACTOR
DRAWBAR, THREE POINT HITCH AND PTO**

881

**DRAWBAR GP-SWINGING - 157-1708
38MM (1.5IN) PIN**

ITEM	NUMBER	QTY	DESCRIPTION
-	157-1708	--	DRAWBAR GP-SWINGING [A] (NOT SERVICED)
1	CH3B-4611	1	PIN-COTTER
2	CH150-8763	1	PIN AS
3	CH150-8849	1	PIN-TRIGGER
4	156-1334	1	GUARD AS-PTO (INCL PIN)
	CH4H-8380		PIN-SPRING (4.76DIA X 19.05 SST)
5	163-8002	1	LOCK-CLEVIS
6	169-0034	1	SUPPORT ASY.
7	169-0076	1	SUPPORT (DRAWBAR)
8	CH6L-1698	2	SPACER (13.87X21.34X12.7MM THK)
9	177-0639	1	CLEVIS
10	177-0671	1	PLATE
11	169-0075	1	DRAWBAR
12	CH190-2585	2	PIN
13	200-8706	1	BRACKET ASY.
14	CH200-8749	2	STOP ASY.
15	200-8757	2	BRACKET
16	200-8758	1	LATCH ASY.
17	CH114-5785	2	SPACER (10.5X19X11.5MM THK)
18	CH200-8771	1	SPRING
19	CH201-6700	1	PIN-DRAWBAR
20	201-6701	1	PLATE
21	201-8343	1	SUPPORT ASY.
22	170-2274	2	PLATE AS-WEAR
23	CH5B-1133	1	PIN-CLEVIS
24	CH6K-8987	2	DOWEL
25	CH7X-0618	2	WASHER-HARD (13.5X40X5MM THK)
26	400183X1	2	BOLT (M16X2X130MM)
27	400026X1	1	BOLT (M20X2.5X160MM)
28	400034X1	2	BOLT (M20X2.5X200MM)
29	CH7X-7729	6	WASHER (11X25X3MM THK)
30	400287X1	6	WASHER-HARD (11X21X2.5MM THK)
31	400080X1	18	WASHER-PLATED (22X35X3.5MM THK)
32	400286X1	1	NUT (M20X2.5 THD)
33	CH8T-4222	2	WASHER-PLATED (11X32X2.5MM THK)
34	400040X1	2	BOLT (M10X1.5X20MM)
35	400064X1	2	BOLT (M12X1.75X35MM)
36	400122X1	4	BOLT (M20X2.5X70MM)
37	400043X1	10	BOLT (M20X2.5X150MM)
38	400054X1	10	BOLT (M10X1.5X16MM)
39	400058X1	2	BOLT (M10X1.5X30MM)
40	CH8T-4205	1	WASHER-HARD (7.2X14.5X2MM THK)
41	400082X1	2	WASHER (17.5X30X3.5MM THK)
42	400090X1	2	PLUG-PROTECTIVE (M20)

[A] PART OF 157-1710; 157-1715 HITCH AR

0870204A
PR: t05c24o40d0400

**MT700B SERIES TRACK TRACTOR
DRAWBAR, THREE POINT HITCH AND PTO**

883

**DRAWBAR GP-SWINGING - 169-0070
WIDE SWING
ROW ONLY**

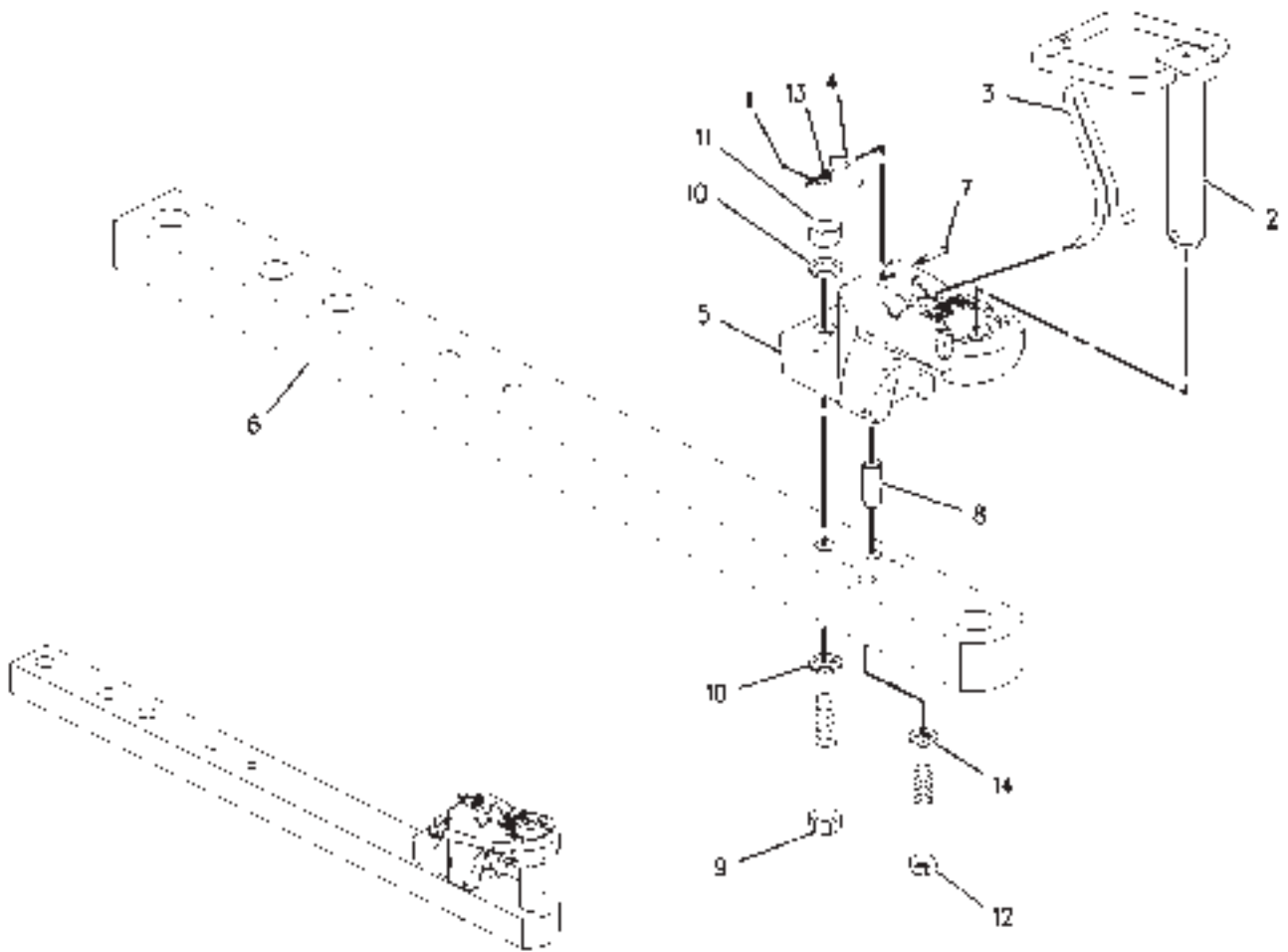
ITEM	NUMBER	QTY	DESCRIPTION
-	169-0070	--	DRAWBAR GP-SWINGING [A] (NOT SERVICED)
1	CH3B-4611	1	PIN-COTTER
2	CH6L-1698	2	SPACER (13.87X21.34X12.7MM THK)
3	CH7B-0863	2	LATCH-PIN
4	CH117-0754	2	SHIM (1MM THK)
5	CH150-8763	1	PIN ASY.
6	CH150-8849	1	PIN-TRIGGER
7	156-1334	1	GUARD AS-PTO (INCL PIN)
	CH4H-8380		PIN-SPRING (4.76DIAX19.05 SST)
8	CH163-8002	1	LOCK-CLEVIS
9	169-0034	1	SUPPORT ASY.
10	177-0639	1	CLEVIS
11	177-0671	1	PLATE
12	169-0075	1	DRAWBAR
13	200-8720	1	PLATE ASY.
	CH8T-3597	2	NUT-WELD (M12X1.75 THD)
14	200-8730	1	BRACKET ASY.
15	200-8739	1	PLATE
16	200-8740	2	ROLLER ASY.
	CH033-1097	2	BALL BEARING
17	CH200-8743	2	PIN ASY.
18	200-8746	1	PLATE
19	CH200-8747	2	PIN
20	200-8748	2	PLATE ASY.
21	CH200-8749	4	STOP ASY.
22	200-8750	2	PLATE
23	CH201-6700	1	PIN-DRAWBAR
24	201-6701	1	PLATE
25	206-4650	4	PLATE
26	CH1J-6474	2	RING-RETAINING
27	CH3B-4617	2	PIN-COTTER
28	CH5B-1133	1	PIN-CLEVIS
29	CH6K-8987	2	DOWEL
30	CH7X-0618	2	WASHER-HARD (13.5X40X5MM THK)
31	400183X1	2	BOLT (M16X2X130MM)
32	400026X1	1	BOLT (M20X2.5X160MM)
33	400034X1	2	BOLT (M20X2.5X200MM)
34	400287X1	10	WASHER-HARD (11X21X2.5MM THK)
35	400080X1	18	WASHER-PLATED (22X35X3.5MM THK)
36	400286X1	1	NUT (M20X2.5 THD)
37	400039X1	10	BOLT (M10X1.5X25MM)
38	400122X1	4	BOLT (M20X2.5X70MM)
39	400043X1	10	BOLT (M20X2.5X150MM)
40	CH8T-4205	1	WASHER-HARD (7.2X14.5X2MM THK)
41	400064X1	2	BOLT (M12X1.75X35MM)
42	CH9S-1315	2	PIN-CLEVIS
43	400082X1	2	WASHER (17.5X30X3.5MM THK)
44	CH9X-8259	4	WASHER (39X66X6MM THK)

[A] PART OF 170-2287 HITCH AR

00835191
PR: t05c24o40d0401

MT700B SERIES TRACK TRACTOR
DRAWBAR, THREE POINT HITCH AND PTO

DRAWBAR GP-SWINGING - 186-0984
EAME ONLY



MT700B SERIES TRACK TRACTOR
DRAWBAR, THREE POINT HITCH AND PTO

885

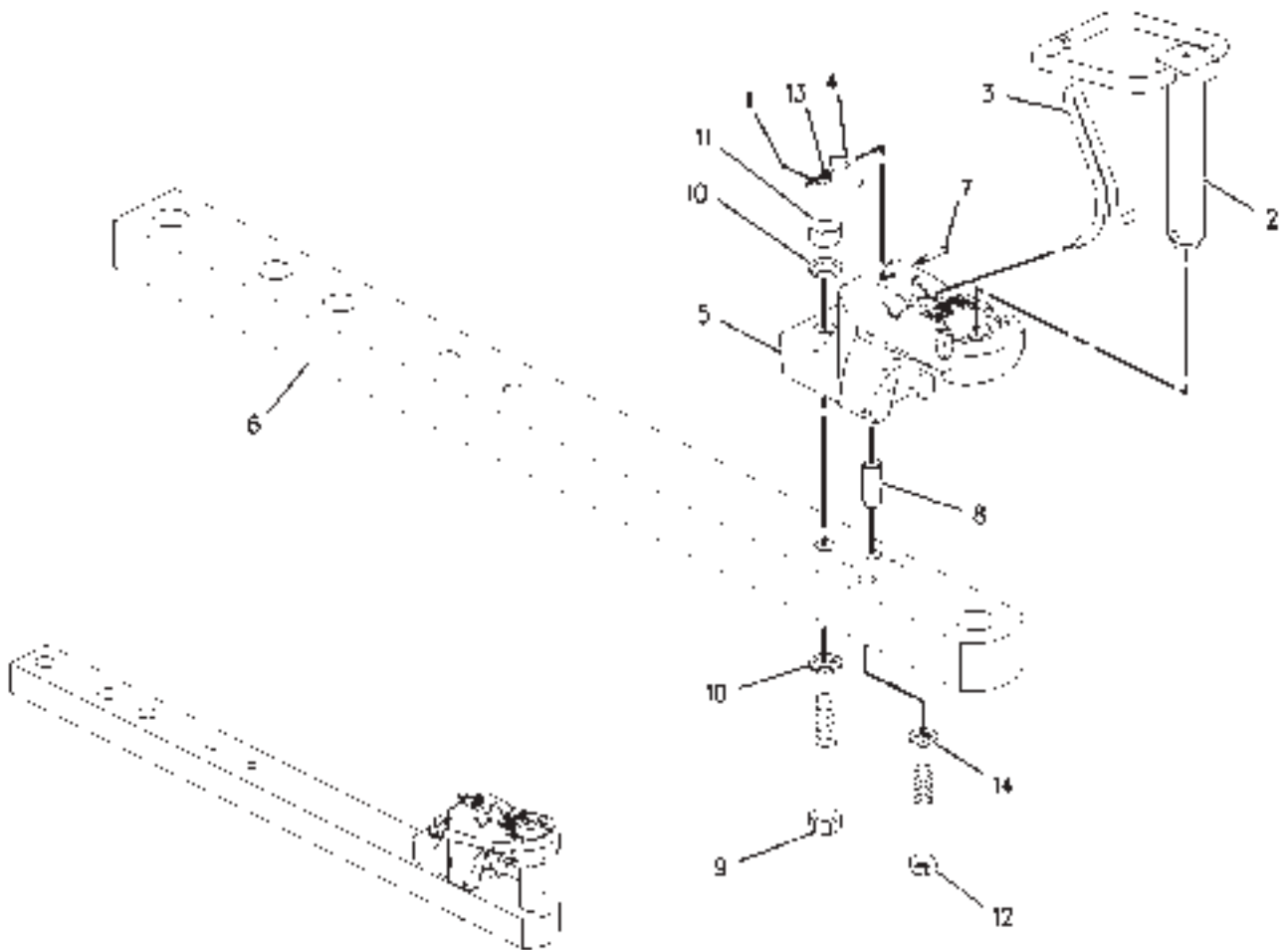
DRAWBAR GP-SWINGING - 186-0984
EAME ONLY

ITEM	NUMBER	QTY	DESCRIPTION
-	186-0984	--	DRAWBAR GP-SWINGING (NOT SERVICED)
1	CH3B-4611	1	PIN-COTTER
2	CH150-8763	1	PIN AS (38MM)
3	CH150-8849	1	PIN-TRIGGER
4	CH163-8002	1	LOCK-CLEVIS
5	177-0639	1	CLEVIS
6	169-0075	1	DRAWBAR (38MM)
7	CH5B-1133	1	PIN-CLEVIS
8	CH6K-8987	2	DOWEL
9	400206X1	1	BOLT (M20X2.5X140MM)
10	400080X1	2	WASHER-PLATED (22X35X3.5MM THK)
11	400286X1	1	NUT (M20X2.5 THD)
12	400045X1	2	BOLT (M16X2.0X110MM)
13	CH8T-4205	1	WASHER-HARD (7.2X14.5X2MM THK)
14	400082X1	2	WASHER (17.5X30X3.5MM THK)

00813700
PR: t05c24o40d0402

MT700B SERIES TRACK TRACTOR
DRAWBAR, THREE POINT HITCH AND PTO

DRAWBAR GP-SWINGING - 186-0985
(32 CLAAS)
EAME ONLY



MT700B SERIES TRACK TRACTOR
DRAWBAR, THREE POINT HITCH AND PTO

887

DRAWBAR GP-SWINGING - 186-0985
(32 CLAAS)
EAME ONLY

ITEM	NUMBER	QTY	DESCRIPTION
-	186-0985	--	DRAWBAR GP-SWINGING (NOT SERVICED)
1	CH3B-4611	1	PIN-COTTER
2	CH150-8764	1	PIN-HITCH (31.75MM)
3	CH150-8849	1	PIN-TRIGGER
4	CH163-8002	1	LOCK-CLEVIS
5	179-5813	1	CLEVIS
6	179-5812	1	DRAWBAR (32MM)
7	CH5B-1133	1	PIN-CLEVIS
8	CH6K-8987	2	DOWEL
9	400206X1	1	BOLT (M20X2.5X140MM)
10	400080X1	2	WASHER-PLATED (22X35X3.5MM THK)
11	400286X1	1	NUT (M20X2.5 THD)
12	400045X1	2	BOLT (M16X2.0X110MM)
13	CH8T-4205	1	WASHER-HARD (7.2X14.5X2MM THK)
14	400082X1	2	WASHER (17.5X30X3.5MM THK)

00813700
PR: t05c24o40d0403

888

MT700B SERIES TRACK TRACTOR
DRAWBAR, THREE POINT HITCH AND PTO

HITCH AR - 157-1710

STANDARD 7,200 KG (16,000 LB) LIFT
CAPACITY BALL ENDS
ROW ONLY

NO ILLUSTRATION

NOTIF

MT700B SERIES TRACK TRACTOR
DRAWBAR, THREE POINT HITCH AND PTO

889

HITCH AR - 157-1710
STANDARD 7,200 KG (16,000 LB) LIFT
CAPACITY BALL ENDS
ROW ONLY

ITEM	NUMBER	QTY	DESCRIPTION
-	157-1710	--	HITCH AR (NOT SERVICED)
1	152-0445	1	CONTROL GP-HITCH (SEE BREAKDOWN FOR COMPONENTS)
2	157-1708	1	DRAWBAR GP-SWINGING (NOT SERVICED) (SEE BREAKDOWN FOR COMPONENTS)
3	157-1714	1	HITCH GP-3 POINT (NOT SERVICED) (SEE BREAKDOWN FOR COMPONENTS)
4	158-2362	1	LINES GP-HITCH (NOT SERVICED) (SEE BREAKDOWN FOR COMPONENTS)
5	168-1919	1	CONTROL & WIRING GP-HITCH (LIFT CIRCUIT) (NOT SERVICED) (SEE BREAKDOWN FOR COMPONENTS)
6	170-2316	1	COUPLER GP-QUICK (NOT SERVICED) (SEE BREAKDOWN FOR COMPONENTS)
7	177-0665	2	CYLINDER & SEAL GP (NOT SERVICED) (SEE BREAKDOWN FOR COMPONENTS)

NOTIF
PR: t05c24o40d0404

890

MT700B SERIES TRACK TRACTOR
DRAWBAR, THREE POINT HITCH AND PTO

HITCH AR-STANDARD - 177-0678
7,200 KG (16,000 LB) LIFT-BALL ENDS
EAME ONLY

NO ILLUSTRATION

NOTIF

**MT700B SERIES TRACK TRACTOR
DRAWBAR, THREE POINT HITCH AND PTO**

891

**HITCH AR-STANDARD - 177-0678
7,200 KG (16,000 LB) LIFT-BALL ENDS
EAME ONLY**

ITEM	NUMBER	QTY	DESCRIPTION
1	157-1714	1	HITCH GP-3 POINT (NOT SERVICED) (SEE BREAKDOWN FOR COMPONENTS)
2	177-0665	2	CYLINDER & SEAL GP (NOT SERVICED) (SEE BREAKDOWN FOR COMPONENTS)
3	170-2316	1	COUPLER GP-QUICK (NOT SERVICED) (SEE BREAKDOWN FOR COMPONENTS)
4	136-5317	1	CONTROL & WIRING GP-HITCH (NOT SERVICED) (SEE BREAKDOWN FOR COMPONENTS)
5	158-2362	1	LINES GP-HITCH (NOT SERVICED) (SEE BREAKDOWN FOR COMPONENTS)
6	152-0445	1	CONTROL GP-HITCH (NOT SERVICED) (SEE BREAKDOWN FOR COMPONENTS)

NOTIF
PR: t05c24o40d0405

892

MT700B SERIES TRACK TRACTOR
DRAWBAR, THREE POINT HITCH AND PTO

HITCH AR-STEERABLE - 177-0679
7,200 KG (16,000 LB) LIFT - BALL ENDS
EAME ONLY

NO ILLUSTRATION

NOTIF

**MT700B SERIES TRACK TRACTOR
DRAWBAR, THREE POINT HITCH AND PTO**

893

**HITCH AR-STEERABLE - 177-0679
7,200 KG (16,000 LB) LIFT - BALL ENDS
EAME ONLY**

ITEM	NUMBER	QTY	DESCRIPTION
-	177-0679	--	HITCH AR-STEERABLE
1	157-1719	1	HITCH GP-3 POINT (NOT SERVICED) (SEE BREAKDOWN FOR COMPONENTS)
2	177-0665	2	CYLINDER & SEAL GP (LIFT) (NOT SERVICED) (SEE BREAKDOWN FOR COMPONENTS)
3	177-0666	1	CYLINDER & SEAL GP (STEERING) (NOT SERVICED) (SEE BREAKDOWN FOR COMPONENTS)
4	168-1944	1	CONTROL & WIRING GP-HITCH (STEERING) (NOT SERVICED) (SEE BREAKDOWN FOR COMPONENTS)
5	136-5317	1	CONTROL & WIRING GP-HITCH (LIFT CIRCUIT) (NOT SERVICED) (SEE BREAKDOWN FOR COMPONENTS)
6	170-2316	1	COUPLER GP-QUICK (NOT SERVICED) (SEE BREAKDOWN FOR COMPONENTS)
7	152-0445	1	CONTROL GP-HITCH (NOT SERVICED) (SEE BREAKDOWN FOR COMPONENTS)
8	158-2362	1	LINES GP-HITCH (NOT SERVICED) (SEE BREAKDOWN FOR COMPONENTS)

NOTIF
PR: t05c24o40d0406

894

MT700B SERIES TRACK TRACTOR
DRAWBAR, THREE POINT HITCH AND PTO

HITCH AR-STEERABLE - 157-1715
7,200 KG (16,000 LB) LIFT - BALL ENDS
ROW ONLY

NO ILLUSTRATION

NOTIF

**MT700B SERIES TRACK TRACTOR
DRAWBAR, THREE POINT HITCH AND PTO**

895

**HITCH AR-STEERABLE - 157-1715
7,200 KG (16,000 LB) LIFT - BALL ENDS
ROW ONLY**

ITEM	NUMBER	QTY	DESCRIPTION
-	157-1715	--	HITCH AR (NOT SERVICED)
1	157-1719	1	HITCH GP-3 POINT (NOT SERVICED) (SEE BREAKDOWN FOR COMPONENTS)
2	168-1919	1	CONTROL & WIRING GP-HITCH (LIFT CIRCUIT) (NOT SERVICED) (SEE BREAKDOWN FOR COMPONENTS)
3	157-1708	1	DRAWBAR GP-SWINGING (NOT SERVICED) (SEE BREAKDOWN FOR COMPONENTS)
4	177-0665	2	CYLINDER & SEAL GP (LIFT)(NOT SERVICED) (SEE BREAKDOWN FOR COMPONENTS)
5	177-0666	1	CYLINDER & SEAL GP (STEERING) (SEE BREAKDOWN FOR COMPONENTS)
6	168-1944	1	CONTROL & WIRING GP-HITCH (STEERING) (SEE BREAKDOWN FOR COMPONENTS)
7	170-2316	1	COUPLER GP-QUICK (NOT SERVICED) (SEE BREAKDOWN FOR COMPONENTS)
8	152-0445	1	CONTROL GP-HITCH (SEE BREAKDOWN FOR COMPONENTS)
9	158-2362	1	LINES GP-HITCH (NOT SERVICED) (SEE BREAKDOWN FOR COMPONENTS)

NOTIF
PR: t05c24o40d0407

896

MT700B SERIES TRACK TRACTOR
DRAWBAR, THREE POINT HITCH AND PTO

HITCH AR - STEERABLE - 169-0063
7,200 KG (16,000 LB) LIFT CAPACITY
HOOK ENDS
EAME ONLY

NO ILLUSTRATION

NOTIF

MT700B SERIES TRACK TRACTOR
DRAWBAR, THREE POINT HITCH AND PTO

897

HITCH AR - STEERABLE - 169-0063
7,200 KG (16,000 LB) LIFT CAPACITY
HOOK ENDS
EAME ONLY

ITEM	NUMBER	QTY	DESCRIPTION
-	169-0063	--	HITCH AR (NOT SERVICED)
1	170-2285	1	HITCH GP-3 POINT (NOT SERVICED) (SEE BREAKDOWN FOR COMPONENTS)
2	177-0665	2	CYLINDER & SEAL GP (NOT SERVICED) (SEE BREAKDOWN FOR COMPONENTS)
3	136-5317	1	CONTROL & WIRING GP-HITCH (NOT SERVICED) (SEE BREAKDOWN FOR COMPONENTS)
4	152-0445	1	CONTROL GP-HITCH (NOT SERVICED) (SEE BREAKDOWN FOR COMPONENTS)
5	158-2362	1	LINES GP-HITCH (NOT SERVICED) (SEE BREAKDOWN FOR COMPONENTS)

NOTIF
PR: t05c24o40d0408

898

MT700B SERIES TRACK TRACTOR
DRAWBAR, THREE POINT HITCH AND PTO

HITCH AR - 170-2287
WIDE SWING DRAWBAR
ROW ONLY

NO ILLUSTRATION

NOTIF

MT700B SERIES TRACK TRACTOR
DRAWBAR, THREE POINT HITCH AND PTO

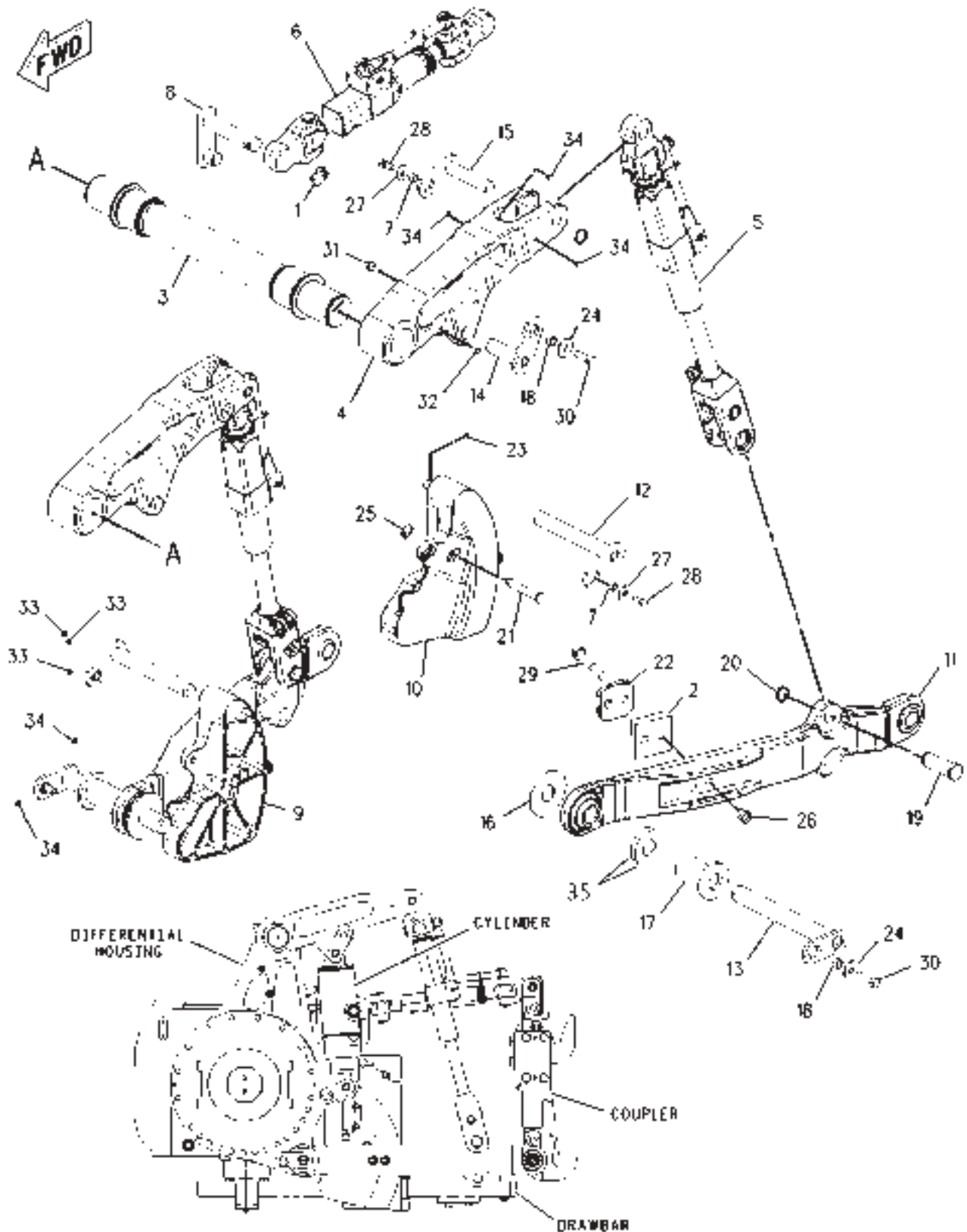
899

HITCH AR - 170-2287
WIDE SWING DRAWBAR
ROW ONLY

ITEM	NUMBER	QTY	DESCRIPTION
-	170-2287	--	HITCH AR (NOT SERVICED)
1	157-1709	1	PLUG GP-SHIPING (NOT SERVICED) (SEE BREAKDOWN FOR COMPONENTS)
2	158-2359	1	PLUG GP-IMPLEMENT VALVE (NOT SERVICED) (SEE BREAKDOWN FOR COMPONENTS)
3	169-0070	1	DRAWBAR GP-SWINGING (NOT SERVICED) (SEE BREAKDOWN FOR COMPONENTS)
4	173-6500	1	PLUG GP-HITCH (NOT SERVICED) (SEE BREAKDOWN FOR COMPONENTS)

NOTIF
PR: t05c24o40d0409

HITCH GP-3 POINT - 157-1714
STANDARD-BALL ENDS



LEFT SIDE VIEW

1571714A

**MT700B SERIES TRACK TRACTOR
DRAWBAR, THREE POINT HITCH AND PTO**

901

**HITCH GP-3 POINT - 157-1714
STANDARD-BALL ENDS**

ITEM	NUMBER	QTY	DESCRIPTION
-	157-1714	--	HITCH GP-3 POINT [A] (NOT SERVICED)
1	CH119-1329	1	PIN-LINCH
2	200-0009	2	SPACER-SWAY BLOCK (25MM THK) [B]
3	169-0077	1	SHAFT GP-SPLINED (NOT SERVICED) (SEE BREAKDOWN FOR COMPONENTS)
4	169-0079	2	ARM-LIFT
5	200-0007	2	LINK GP-LIFT (SEE BREAKDOWN FOR COMPONENTS)
6	197-5030	1	LINK GP-UPPER (SEE BREAKDOWN FOR COMPONENTS)
7	CH175-7515	4	SPACER (13.30X22.23X10.5MM THK)
8	177-0633	1	PIN ASY.
9	179-5810	1	LIMITER ASY. (SWAY)
	157-0202	1	PIN
10	179-5811	1	LIMITER AS (SWAY)
	157-0202	1	PIN
11	224-0776	2	LINK ASY.
12	CH197-7422	2	PIN ASY.
13	CH197-7431	2	PIN ASY.
14	CH197-8803	2	PIN ASY.
15	CH197-8804	2	PIN ASY.
16	CH198-2388	2	SPACER-INNER (45X100X6.4MM THK)
17	502526D1	2	SPACER ASY.
18	CH200-0010	4	SPACER (17.5X25.4X12.5MM THK)
19	CH202-6546	2	PIN
20	400096X1	2	RING-RETAINING
21	CH223-9804	2	PIN
22	204-2660	2	BLOCK [B]
23	CH3B-4629	2	PIN-COTTER
24	400078X1	4	WASHER (16.5X50X5MM THK)
25	CH5D-8159	2	PIN ASY. [C]
26	400286X1	4	NUT (M20X2.5 THD)
27	CH7X-0618	4	WASHER-HARD (13.5X40X5MM THK)
28	400041X1	4	BOLT (M12X1.75X30MM)
29	400236X1	4	BOLT (M20X2.5X120MM)
30	400244X1	4	BOLT (M16X2.0X45MM)
31	5P-0995	1	PLUG-SEAL
32	400289X1	1	PLUG (M7)
33	CH193-5914	4	PLUG
34	CH193-5915	12	PLUG
35	501199D1	4	SPACER
36	200-8764	1	BRACKET ASY. (NOT SHOWN) [C]

CONTINUED

[A] PART OF 157-1710 HITCH AR

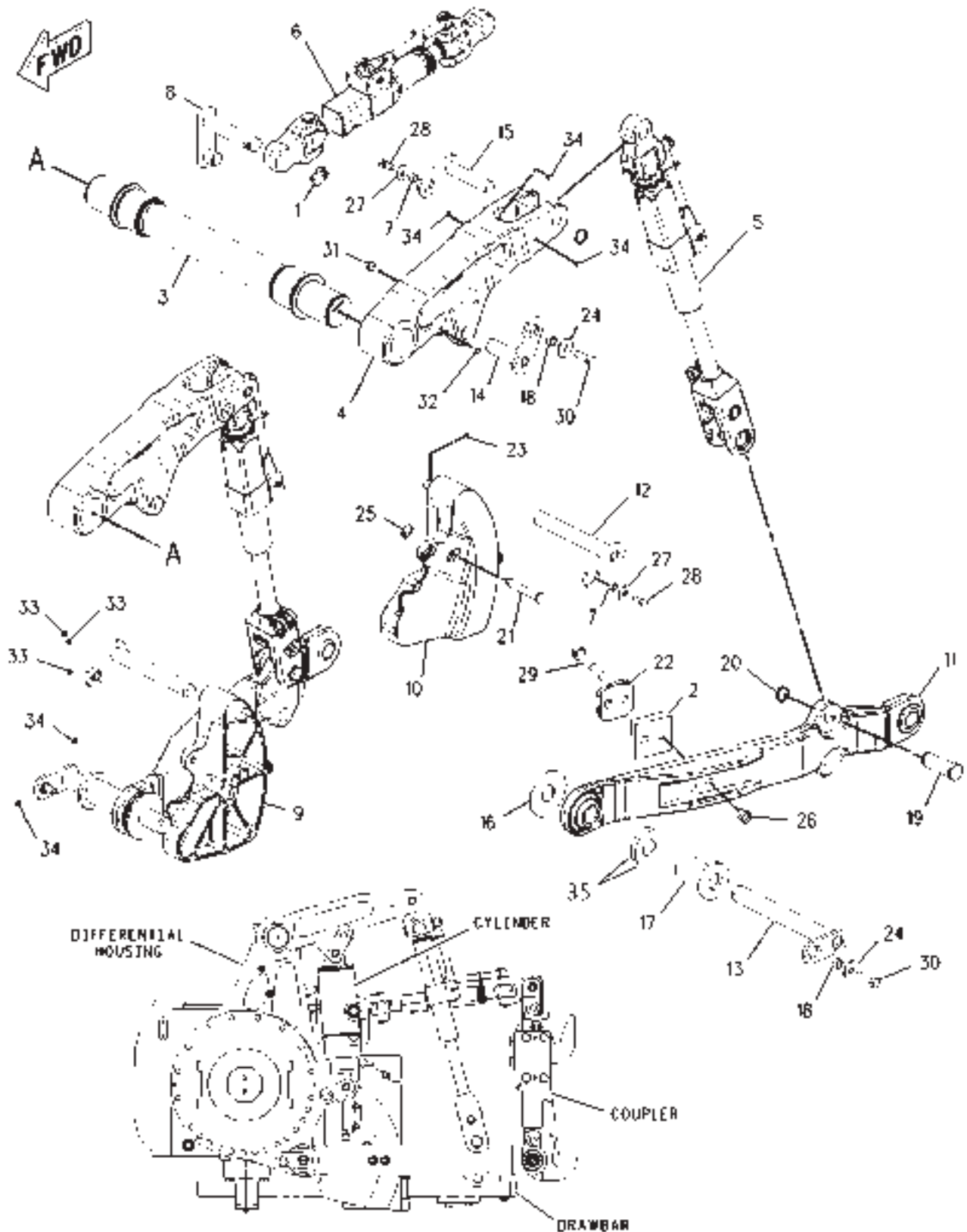
[B] USE ITEM 40 AS REQ'D

[C] THESE PARTS MAY BE INSTALLED TO
STORE UPPER LINK GP IF COUPLER IS
REMOVED FROM TRACTOR

[D] TO ATTACH THE UPPER LINK GP DIRECTLY
TO AN IMPLEMENT. REMOVE THE
IMPLEMENT END-PIVOT FROM THE UPPER
LINK GP AND REPLACE IT WITH ITEM 39.

1571714A
PR: t05c24o40d0410

HITCH GP-3 POINT - 157-1714
STANDARD-BALL ENDS



LEFT SIDE VIEW

1571714A

**MT700B SERIES TRACK TRACTOR
DRAWBAR, THREE POINT HITCH AND PTO**

903

**HITCH GP-3 POINT - 157-1714
STANDARD-BALL ENDS**

ITEM	NUMBER	QTY	DESCRIPTION
-	157-1714	--	HITCH GP-3 POINT [A] (NOT SERVICED)
37	400341X1	1	BOLT M8 X1.25 (NOT SHOWN) [C]
38	5D-4116	1	WASHER HARD (NOT SHOWN) [C]
39	186-0982	1	PIVOT (NOT SHOWN) [D]
40	CH152-4386	2	SHIM (3MM THK) (NOT SHOWN) (USE AS REQUIRED FOR ITEM 2 OR 22)
40	CH185-9481	--	SHIM (6MM THK) (NOT SHOWN) (USE AS REQUIRED FOR ITEM 2 OR 22)
40	CH185-5755	--	SHIM (12MM THK) (NOT SHOWN) (USE AS REQUIRED FOR ITEM 2 OR 22)
41	400236X1	--	BOLT (M20X2.5X120MM) (NOT SHOWN) (USE AS REQUIRED FOR ITEM 2 OR 22)
41	400027X1	--	BOLT (M20X2.5X130MM) (NOT SHOWN) (USE AS REQUIRED FOR ITEM 2 OR 22)

[A] PART OF 157-1710 HITCH AR

[B] USE ITEM 40 AS REQ'D

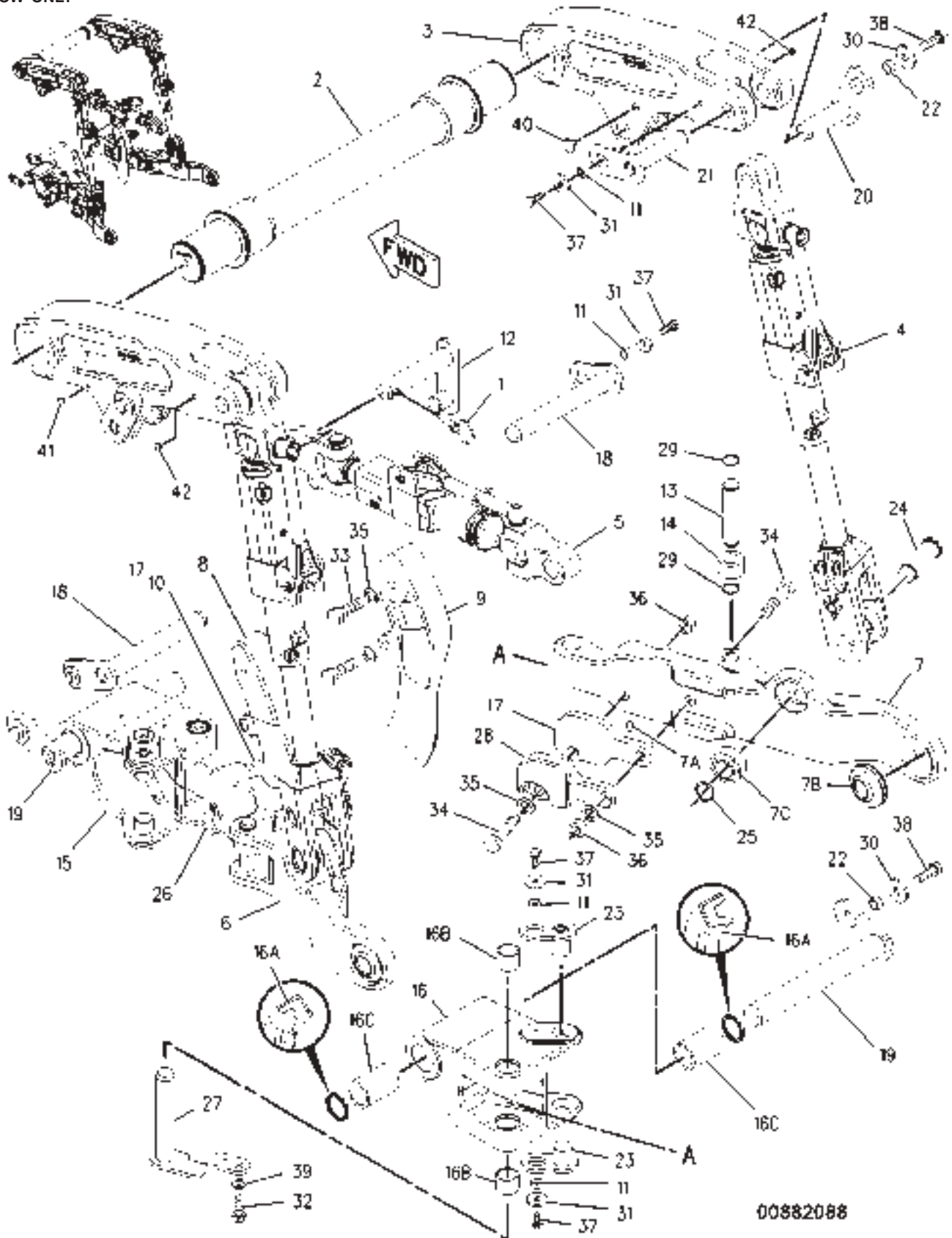
[C] THESE PARTS MAY BE INSTALLED TO
STORE UPPER LINK GP IF COUPLER IS
REMOVED FROM TRACTOR

[D] TO ATTACH THE UPPER LINK GP DIRECTLY
TO AN IMPLEMENT, REMOVE THE
IMPLEMENT END-PIVOT FROM THE UPPER
LINK GP AND REPLACE IT WITH ITEM 39.

1571714A
PR: t05c24o40d0410

MT700B SERIES TRACK TRACTOR
DRAWBAR, THREE POINT HITCH AND PTO

HITCH GP-3 POINT - 157-1719
STEERABLE-BALL ENDS
ROW ONLY



**MT700B SERIES TRACK TRACTOR
DRAWBAR, THREE POINT HITCH AND PTO**

905

**HITCH GP-3 POINT - 157-1719
STEERABLE-BALL ENDS
ROW ONLY**

ITEM	NUMBER	QTY	DESCRIPTION
-	157-1719	--	HITCH GP-3 POINT [A] (NOT SERVICED)
1	CH119-1329	1	PIN-LINCH
2	169-0077	1	ROCKSHAFT GP-SPLINED (NOT SERVICED) (SEE BREAKDOWN FOR COMPONENTS)
3	169-0079	2	ARM-LIFT
4	200-0007	2	LINK GP-LIFT (SEE BREAKDOWN FOR COMPONENTS)
5	197-5030	1	LINK GP-UPPER (SEE BREAKDOWN FOR COMPONENTS)
6	170-2330	1	LINK ASY. (LH) (INCL. 7A,7B, & 7C)
7	170-2331	1	LINK ASY. (RH) (INCL. 7A,7B & 7C)
7A	CH8B-1312	1	DOWEL
7B	CH180-6054	1	BALL JOINT ASY.
7C	CH200-8768	1	BALL JOINT ASY.
8	172-5559	1	STOP (LH)
9	172-5562	1	STOP (RH)
10	172-5563		BLOCK (LH)(SWAY)
11	CH175-7515	8	SPACER (13.30X22.23X10.5MM THK)
12	177-0633	1	PIN ASY.
13	179-5820	2	PIN
14	179-5830	2	SPACER (32X52X30MM THK)
15	197-5033	1	YOKE ASY. (LH STEERABLE HITCH) (INCLUDES 16A, 16B & 16C)
16	197-5034	1	YOKE ASY. (RH STEERABLE HITCH) (INCLUDES 16A, 16B & 16C)
16A	400311X1	2	SEAL-LIP
16B	CH188-2481	2	BEARING-SLEEVE
16C	CH179-5818	2	BEARING
17	179-5851	2	SPACER (SWAY BLOCK)
18	CH197-7422	2	PIN ASY.
19	CH197-7431	2	PIN ASY.
20	CH197-8803	2	PIN ASY.
21	CH197-8804	2	PIN ASY.
22	CH200-0010	4	SPACER (17.5X25.4X12.5MM THK)
23	CH200-2797	4	PIN ASY.
	CH6V-1506	1	FITTING-GREASE
24	CH202-6546	2	PIN
25	400096X1	2	RING-RETAINING
26	CH203-4026	1	PIN ASY.
27	CH203-4027	1	PIN ASY.
28	203-6716	1	BLOCK (RH)(SWAY)
29	400290X1	4	RING-RETAINING

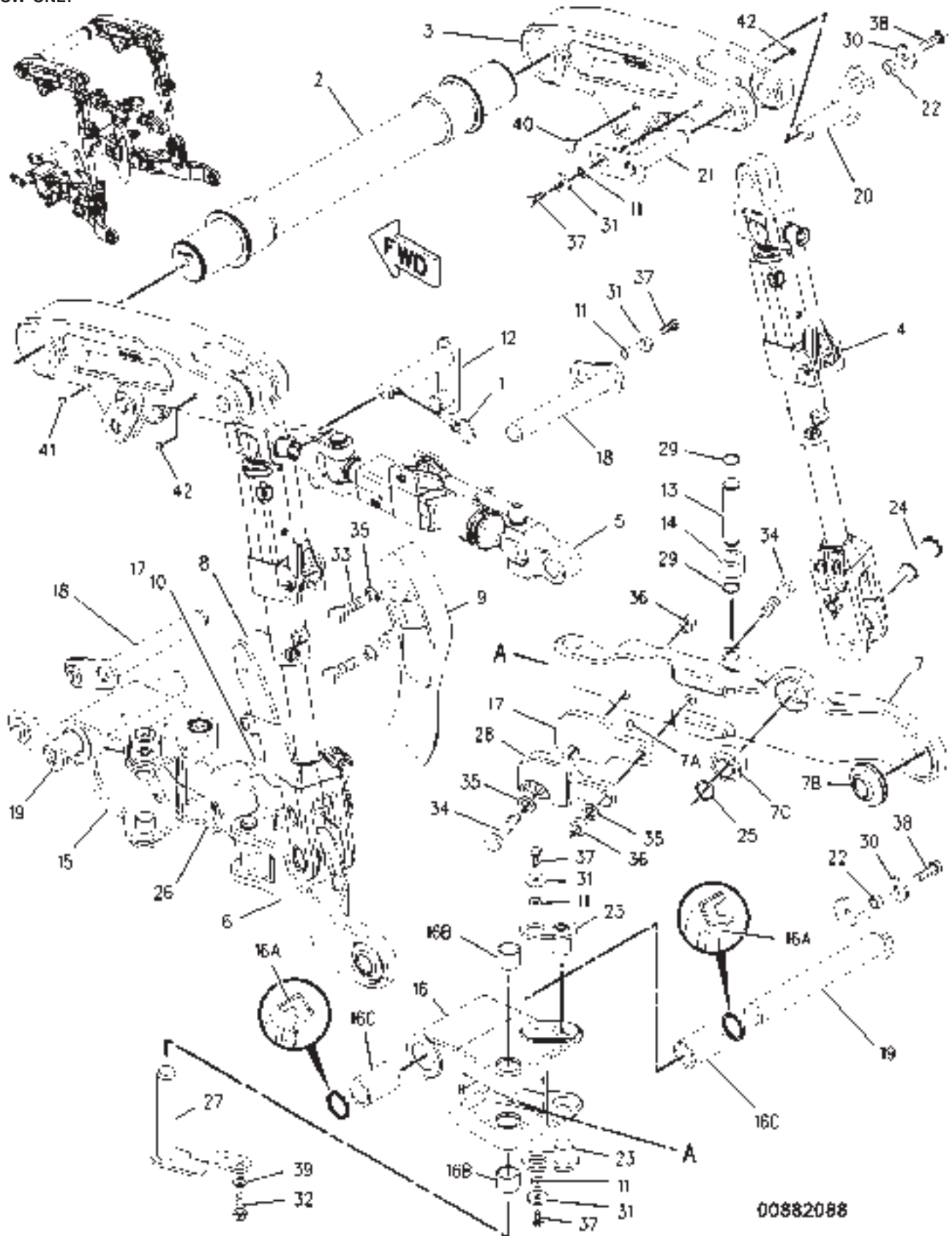
CONTINUED

[A] PART OF 157-1715;177-0679 HITCH AR

00882088
PR: t05c24o40d0411

MT700B SERIES TRACK TRACTOR
DRAWBAR, THREE POINT HITCH AND PTO

HITCH GP-3 POINT - 157-1719
STEERABLE-BALL ENDS
ROW ONLY



**MT700B SERIES TRACK TRACTOR
DRAWBAR, THREE POINT HITCH AND PTO**

907

**HITCH GP-3 POINT - 157-1719
STEERABLE-BALL ENDS
ROW ONLY**

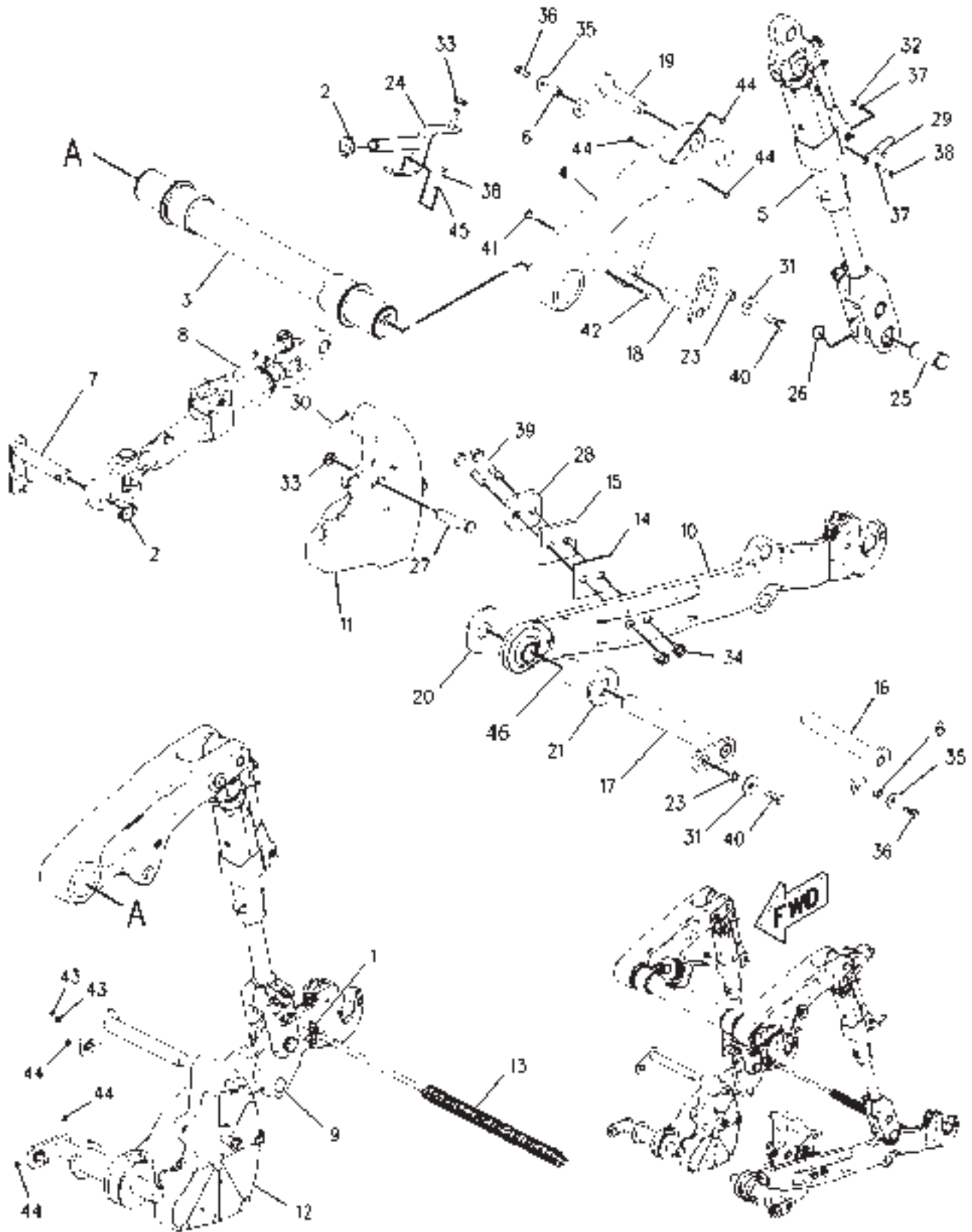
ITEM	NUMBER	QTY	DESCRIPTION
-	157-1719	--	HITCH GP-3 POINT [A] (NOT SERVICED)
30	400078X1	4	WASHER (16.5X50X5MM THK)
31	CH7X-0618	8	WASHER-HARD (13.5X40X5MM THK)
32	400191X1	2	BOLT (M16X2X40MM)
33	400031X1	4	BOLT (M20X2.5X60MM)
34	400193X1	4	BOLT (M20X2.5X90MM)
35	400080X1	8	WASHER-PLATED (22X35X3.5MM THK)
36	400286X1	4	NUT (M20X2.5 THD)
37	400041X1	8	BOLT (M12X1.75X30MM)
38	400244X1	4	BOLT (M16X2.0X45MM)
39	400082X1	2	WASHER (17.5X30X3.5MM THK)
40	400093X1	2	PLUG-SEAL
41	400289X1	2	PLUG
42	CH193-5915	6	PLUG
-	200-8764	1	BRACKET AS (NOT SHOWN) [C]
-	400341X1	1	BOLT-M8X1.25 (NOT SHOWN) [C]
-	400599X1	1	WASHER (NOT SHOWN) [C]
-	CH5D-8159	1	PIN GP-HITCH (NOT SHOWN) [C]
-	186-0982	1	PIVOT (NOT SHOWN) [C]
-	176-7118	2	SHIM [B] (3MM THK)(NOT SHOWN)

[A] PART OF 157-1715; 177-0679 HITCH AR
[B] USED FOR SWAY BLOCK (AS REQ'D)
[C] TO STORE UPPER LINK GP IF COUPLER
IS REMOVED.

00882088
PR: t05c24o40d0411

MT700B SERIES TRACK TRACTOR
DRAWBAR, THREE POINT HITCH AND PTO

HITCH GP-3 POINT - 170-2285
STANDARD-HOOK ENDS
EAME ONLY



1702285A

**MT700B SERIES TRACK TRACTOR
DRAWBAR, THREE POINT HITCH AND PTO**

909

**HITCH GP-3 POINT - 170-2285
STANDARD-HOOK ENDS
EAME ONLY**

ITEM	NUMBER	QTY	DESCRIPTION
-	170-2285	--	HITCH GP-3 POINT [A] (NOT SERVICED)
1	CH5P-0370	1	LOCK PIN
2	CH119-1329	2	PIN-LINCH
3	169-0077	1	ROCKSHAFT GP (NOT SERVICED) (SEE BREAKDOWN FOR COMPONENTS)
4	169-0079	2	ARM-LIFT
5	200-0007	2	LINK GP-LIFT (SEE BREAKDOWN FOR COMPONENTS)
6	CH175-7515	4	SPACER (13.30X22.23X10.5MM THK)
7	177-0633	1	PIN AS
8	197-5032	1	LINK GP-UPPER (SEE BREAKDOWN FOR COMPONENTS)
9	224-0777	1	LINK GP-HITCH-RH (HOOK)
	CH224-0790	1	BALL
	CH224-0792	1	RACE
	CH200-0002	1	HOOK AS (SEE BREAKDOWN FOR COMPONENTS)
10	224-0778	1	LINK GP-HITCH-LH (HOOK)
	CH224-0790	1	BALL
	CH224-0792	1	RACE
	CH200-0002	1	HOOK AS (SEE BREAKDOWN FOR COMPONENTS)
11	179-5810	1	LIMITER AS (SWAY)
	157-0202	1	PIN
12	179-5811	1	LIMITER AS (SWAY)
	157-0202	1	PIN
13	CH185-2789	1	STABILIZER AS
14	CH185-5755	2	SPACER (SWAY BLOCK)
15	CH185-9481	4	SPACER (SWAY BLOCK)
16	CH197-7422	2	PIN AS
17	CH197-7431	2	PIN AS
18	CH197-8803	2	PIN AS
19	CH197-8804	2	PIN AS
20	CH198-2388	2	SPACER-INNER (45X100X6.4MM THK)
21	502526D1	2	SPACER-OUTER
23	200-0010	4	SPACER (17.5X25.4X12.5MM THK)
24	200-8764	1	BRACKET AS
25	CH202-6546	2	PIN
26	400096X1	2	RING-RETAINING
27	CH223-9804	2	PIN (20X119)
28	204-2660	2	BLOCK (SWAY)
29	207-7573	1	BRACKET

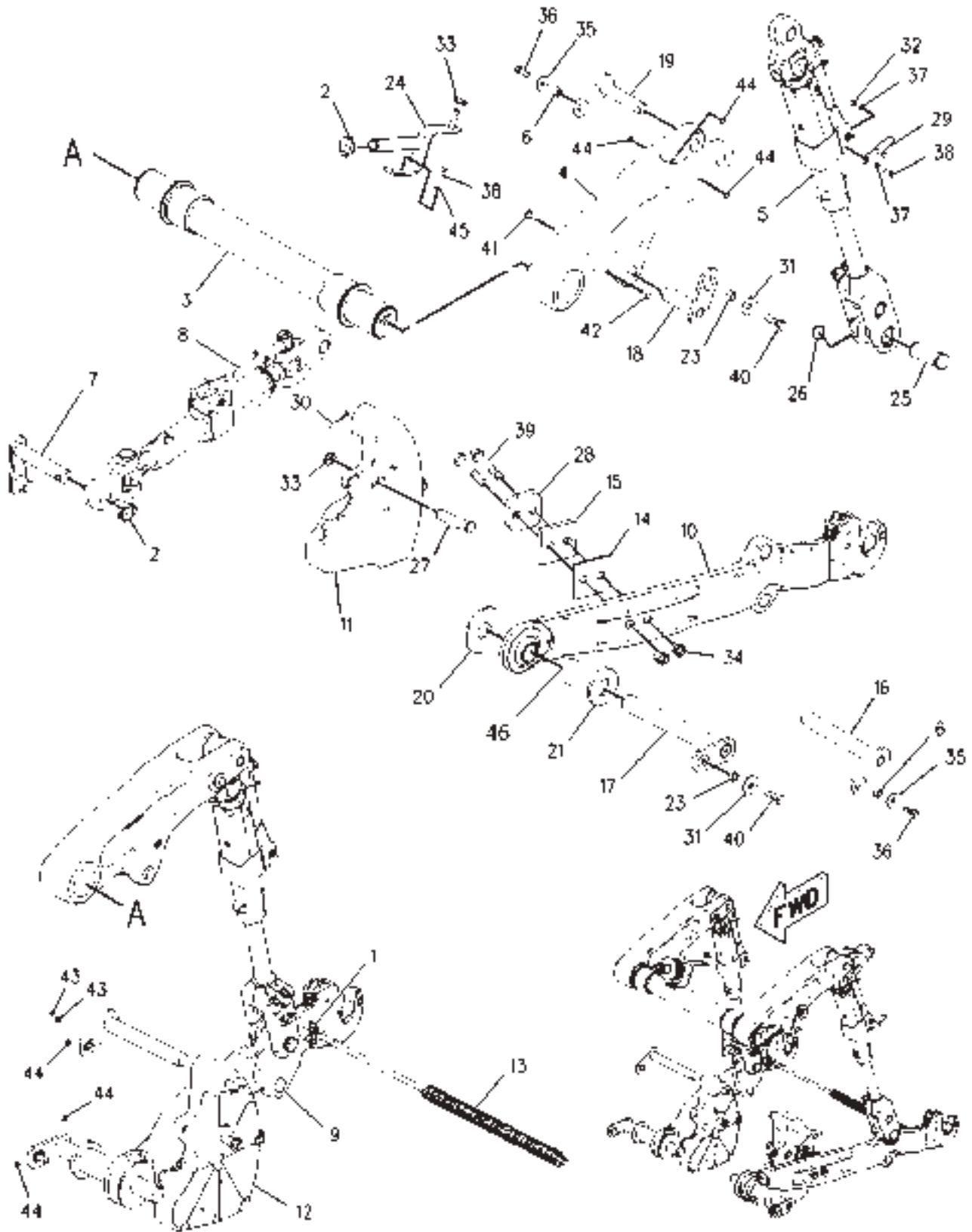
CONTINUED

[A] PART OF 169-0063 HITCH AR

1702285A
PR: t05c24o40d0412

MT700B SERIES TRACK TRACTOR
DRAWBAR, THREE POINT HITCH AND PTO

HITCH GP-3 POINT - 170-2285
STANDARD-HOOK ENDS
EAME ONLY



1702285A

**MT700B SERIES TRACKTRACTOR
DRAWBAR, THREE POINT HITCH AND PTO**

911

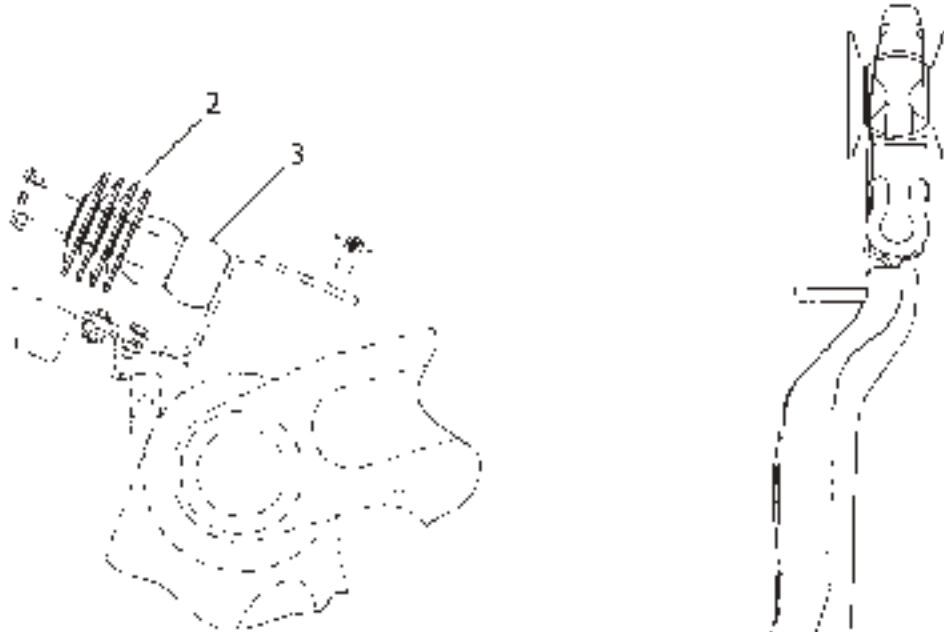
**HITCH GP-3 POINT - 170-2285
STANDARD-HOOK ENDS
EAME ONLY**

ITEM	NUMBER	QTY	DESCRIPTION
-	170-2285	--	HITCH GP-3 POINT [A] (NOT SERVICED)
30	CH3B-4629	2	PIN-COTTER
31	400078X1	4	WASHER (16.5X50X5MM THK)
32	400340X1	1	NUT (M8X1.25 THD)
33	CH5D-8159	3	PIN AS
34	400286X1	4	NUT (M20X2.5 THD)
35	CH7X-0618	4	WASHER-HARD (13.5X40X5MM THK)
36	400041X1	4	BOLT (M12X1.75X30MM)
37	400339X1	2	WASHER-HARD (8.8X16X2MM THK)
38	400341X1	2	BOLT (M8X1.25X25MM)
39	400027X1	4	BOLT (M20X2.5X130MM)
40	400224X1	4	BOLT (M16X2.0X45MM)
41	400093X1	2	PLUG-SEAL
42	400289X1	1	PLUG
43	CH193-5914	4	PLUG
44	CH193-5915	12	PLUG
45	400599X1	1	WASHER-HARD (8.8X20.5X2MM THK)
46	501199D1	4	SPACER
47	CH152-4386	2	SHIM (USE A/R FOR ITEM 28) (NOT SHOWN)

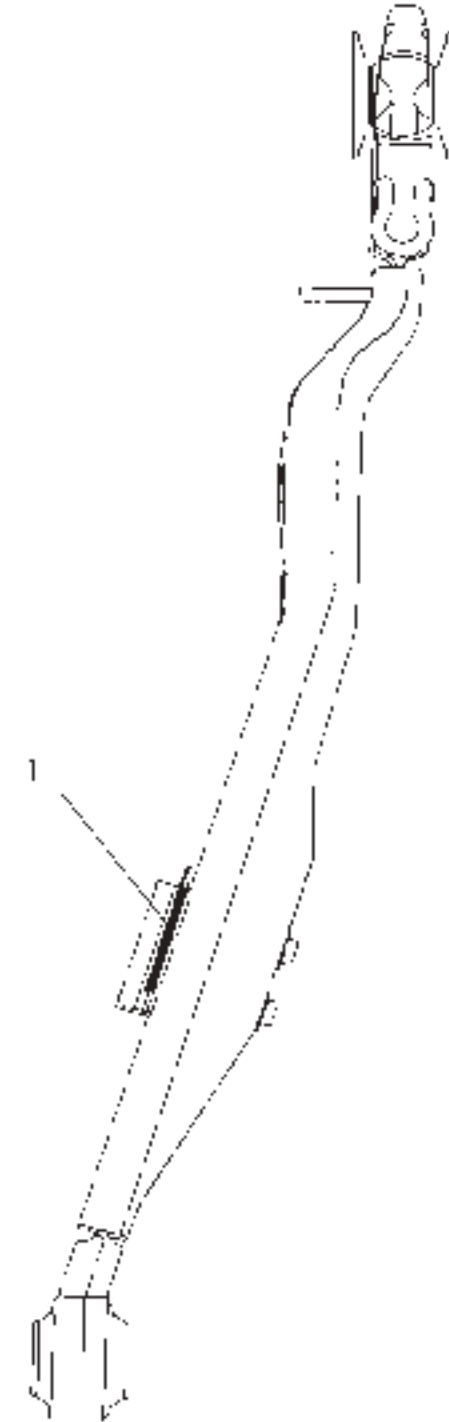
[A] PART OF 169-0063 HITCH AR

1702285A
PR: t05c24o40d0412

HITCH GP-IMPLEMENT - 200-0004
EAME ONLY



LEFT SIDE VIEW IN
STORAGE POSITION



TOP VIEW

2000004A

MT700B SERIES TRACK TRACTOR
DRAWBAR, THREE POINT HITCH AND PTO

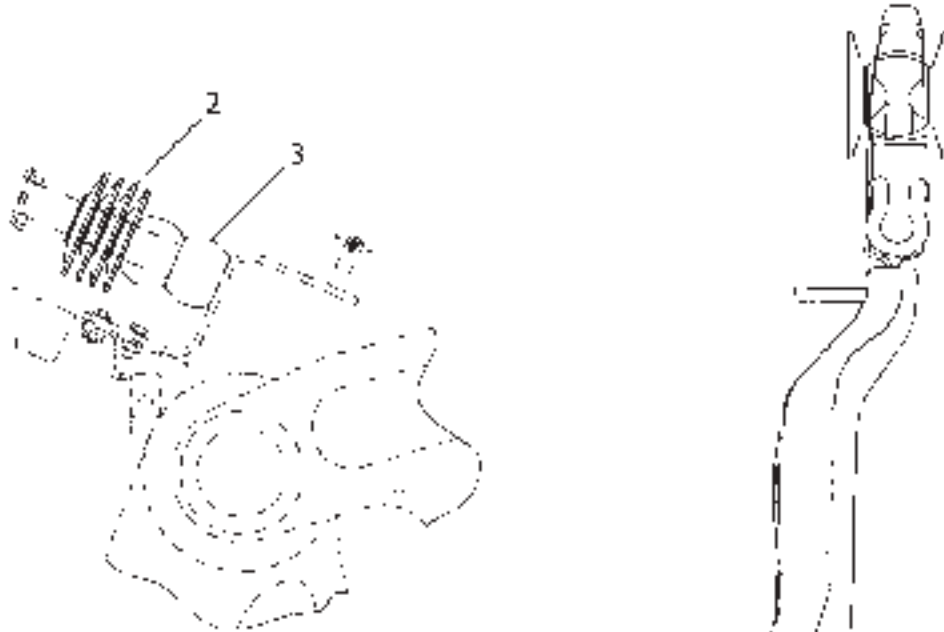
913

HITCH GP-IMPLEMENT - 200-0004
EAME ONLY

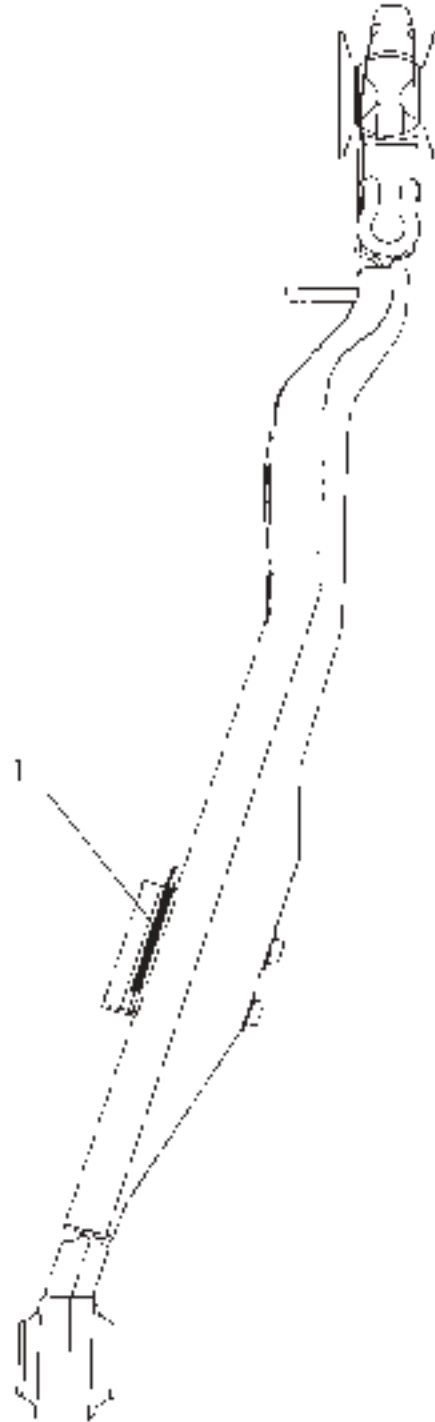
ITEM	NUMBER	QTY	DESCRIPTION
-	200-0004	--	HITCH GP-IMPLEMENT [A] (NOT SERVICED)
1	CH152-4386	2	SHIM
2	CH193-4754	4	SPACER (LOWER HOOK END)
3	CH193-7727	2	BALL-IMPLEMENT HOOK END

2000004A
PR: t05c24o40d0413

HITCH GP-IMPLEMENT - 200-0005
EAME ONLY



LEFT SIDE VIEW IN
STORAGE POSITION



TOP VIEW

2000004A

MT700B SERIES TRACK TRACTOR
DRAWBAR, THREE POINT HITCH AND PTO

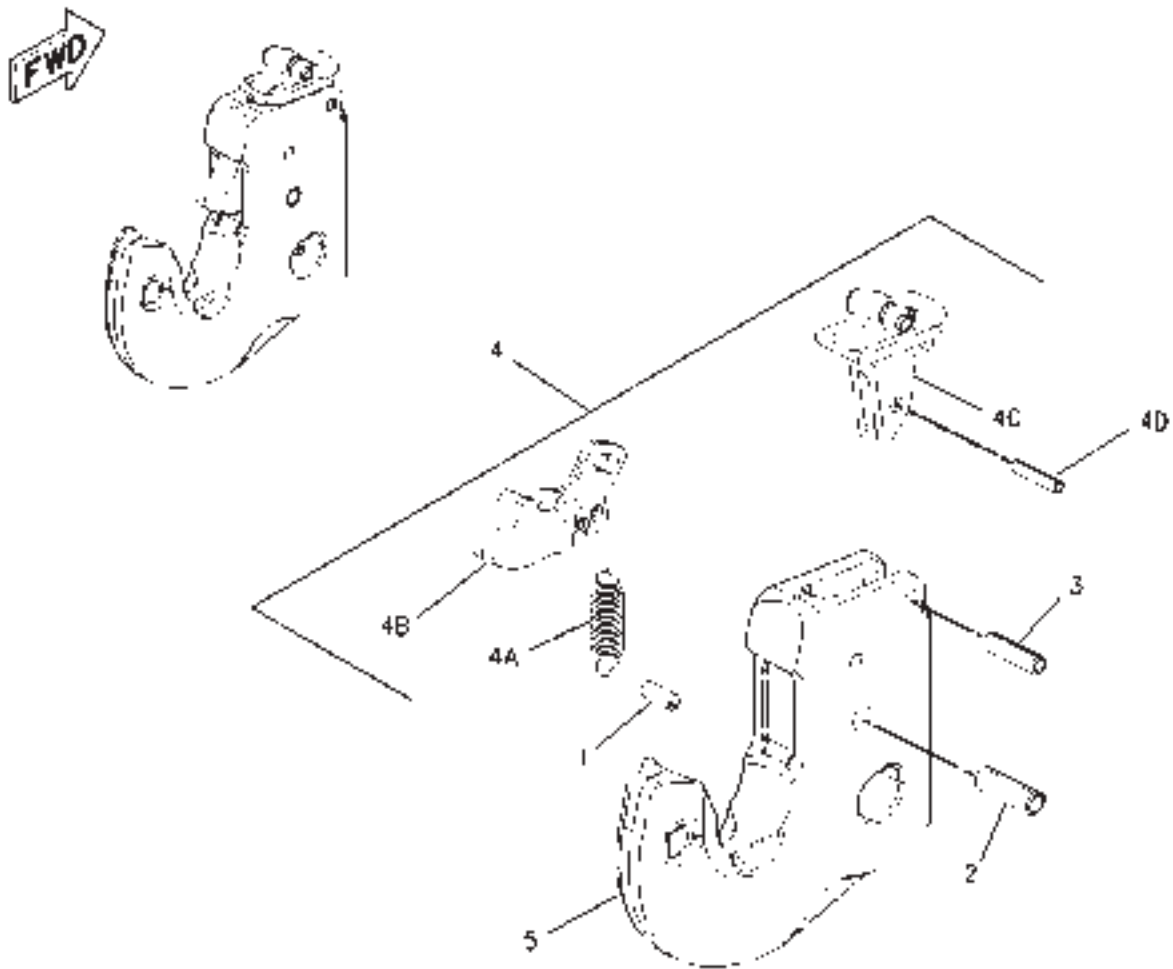
915

HITCH GP-IMPLEMENT - 200-0005
EAME ONLY

ITEM	NUMBER	QTY	DESCRIPTION
-	200-0005	--	HITCH GP-IMPLEMENT [A] (NOT SERVICED)
1	176-7118	2	SHIM
2	CH193-4754	4	SPACER (LOWER HOOK END)
3	CH193-7727	2	BALL-IMPLEMENT HOOK END

2000004A
PR: t05c24o40d0414

HOOK AS-LOWER LINK - CH200-0002
CLAAS
EAME ONLY



00B42291

MT700B SERIES TRACK TRACTOR
DRAWBAR, THREE POINT HITCH AND PTO

917

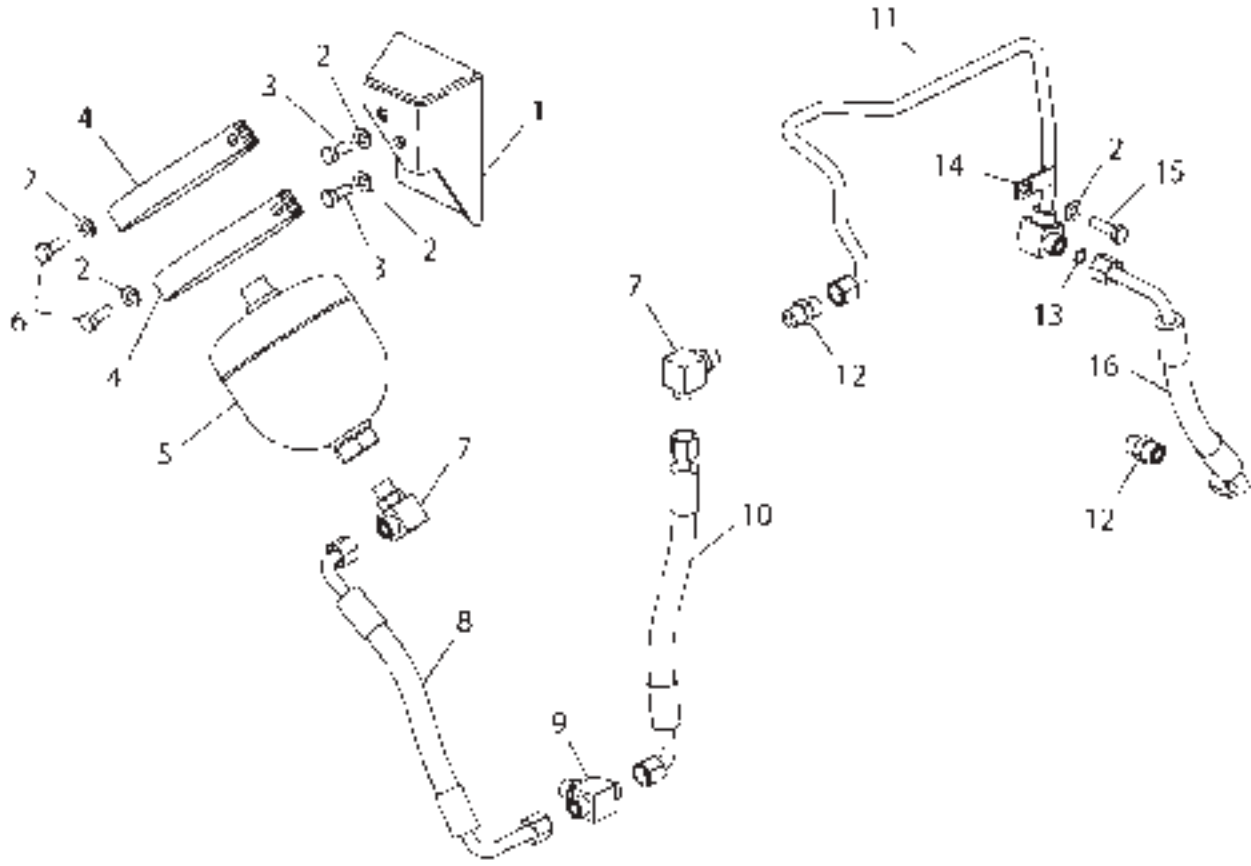
HOOK AS-LOWER LINK - CH200-0002
CLAAS
EAME ONLY

ITEM	NUMBER	QTY	DESCRIPTION
-	CH200-0002	--	HOOK AS-LWR LINK [A]
1	CH5H-3193	1	PIN-SPRING
2	CH5H-4905	1	PIN-SPRING
3	CH8U-6014	1	PIN
4	CH167-8022	1	LATCH KIT (INCLS 4A-4D) (SERVICED COMPLETE)
4A		1	SPRING-TENSION
4B		1	LATCH
4C		1	ACTUATOR AS
4D		1	PIN-SPRING
5		1	HOOK (ORDER COMPLETE ASY)

[A] PART OF 224-0777; 224-0778 LINK AS

00842291
PR: t05c24o40d0415

LINES GP-HITCH (A) - 158-2362
3 POINT LIFT



1582362A

**MT700B SERIES TRACK TRACTOR
DRAWBAR, THREE POINT HITCH AND PTO**

919

**LINES GP-HITCH (A) - 158-2362
3 POINT LIFT**

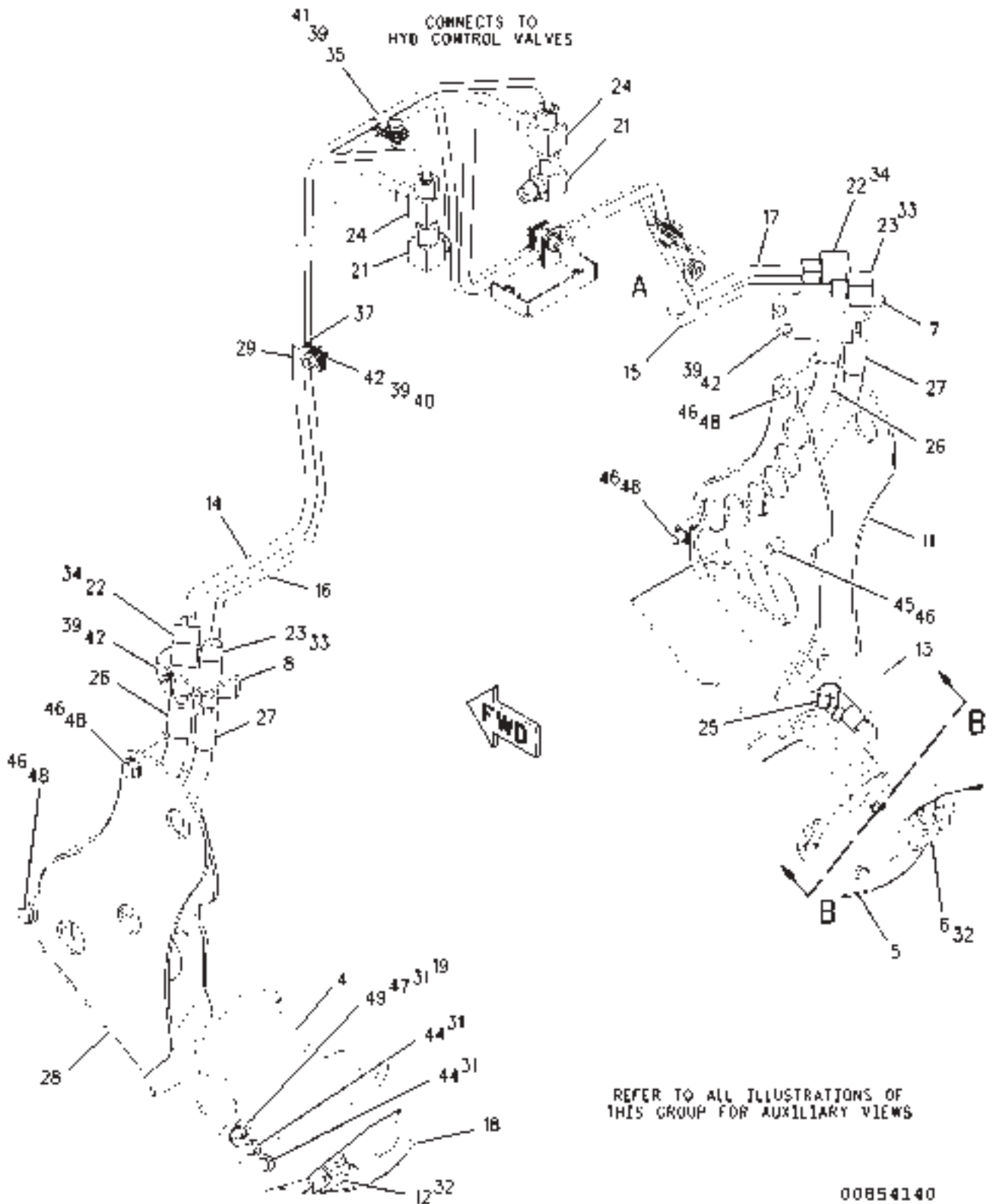
ITEM	NUMBER	QTY	DESCRIPTION
-	158-2362	--	LINES GP-HITCH [A] (NOT SERVICED)
1	216-6388	1	BRACKET AS.
2	400287X1	5	WASHER-HARD 11IDX21ODX2.5 ZND1
3	400039X1	2	BOLT-M10X1.5X25 ZNDI HHD 10.9
4	CH216-6389	2	CLAMP 157 DIAX4 THK
5	214-4304	1	ACCUMULATOR AS-HITCH
6	400058X1	2	BOLT-M10X1.5X30 ZNDI HHD 10.9
7	CH148-8364	2	ELBOW AS-90DEG (8STOR-8ORFS)
	CH3K-0360	1	SEAL-O-RING (16.36IDX2.21DIA)
	CH6V-8398	1	SEAL-O-RING (16.03ODX1.78DIA)
8	CH216-6390	1	HOSE AS.
9	CH148-8436	1	TEE AS-UNION -6 ORFS & O RINGS
10	CH213-4790	1	HOSE AS.
11	213-4795	1	TUBE AS.
12	CH148-8340	2	CONNECTOR AS. (NOT SERVICED)
	CH3K-0360	1	O-RING
	CH6V-8398	1	O-RING
	CH6V-8639	1	CONNECTOR
13	CH6V-8398	1	SEAL-O-RING-16.03ODX1.78DIA
14	CH5M-8429	1	CLIP 30DEG X 19 X 0.8 THK
15	400059X1	1	BOLT-M10X1.5X35 ZNDI HHD 10.9
16	CH213-4791	1	HOSE AS.

[A] PART OF 157-1710;157-1715;169-0063;
169-0064; 177-0678; 177-0679
HITCH AR

1582362A
PR: t05c24o40d0416

MT700B SERIES TRACK TRACTOR
DRAWBAR, THREE POINT HITCH AND PTO

LINES GP-HITCH - 205-5819
4 IMPLEMENTS, HITCH & STEERABLE HITCH
(1 OF 2)



00854140

**MT700B SERIES TRACK TRACTOR
DRAWBAR, THREE POINT HITCH AND PTO**

921

**LINES GP-HITCH - 205-5819
4 IMPLEMENTS, HITCH & STEERABLE HITCH
(1 OF 2)**

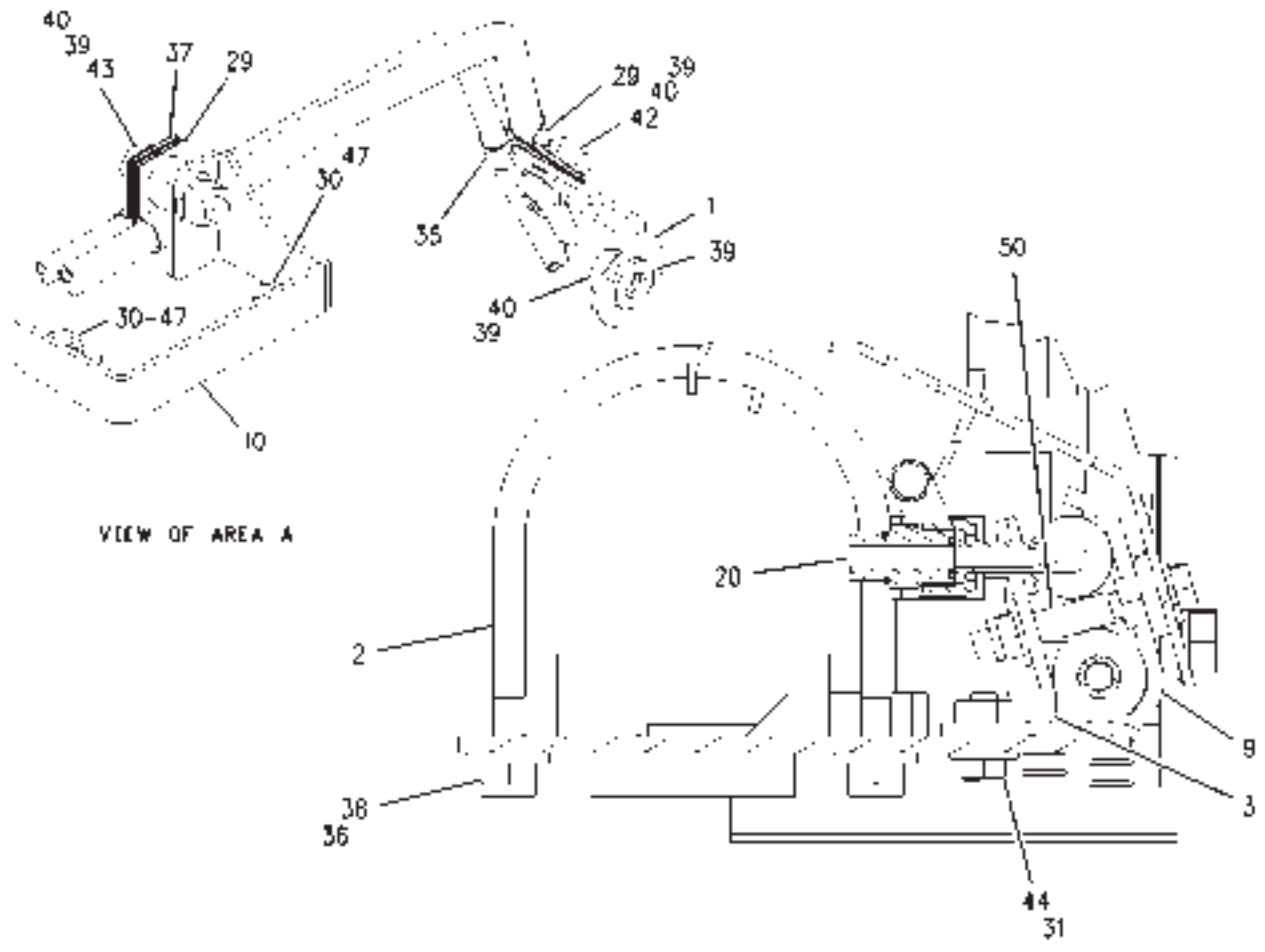
ITEM	NUMBER	QTY	DESCRIPTION
-	205-5819	--	LINES GP-HITCH [A] (NOT SERVICED)
4	212-7773	1	PLATE (LH)
5	198-7441	1	PLATE ASY. (RH)
6	198-7445	1	TUBE ASY.
7	199-2914	1	BRACKET (RH)
8	199-2915	1	BRACKET (LH)
11	205-0984	1	GUARD ASY. (RH)
12	205-1090	1	TUBE ASY.
13	212-7772	1	PLATE (RH)
14	205-5820	1	TUBE ASY.
15	205-5821	1	TUBE ASY.
16	205-5822	1	TUBE ASY.
17	205-5823	1	TUBE ASY.
18	205-6009	1	PLATE ASY. (LH)
19	CH131-3540	2	LOCKNUT (M8X1.25 THD)
21		2	ELBOW (ILLUSTRATION REF ONLY)
22	CH148-8375	2	ELBOW AS-90DEG BLKHD -8ORFS
	CH6V-8398	2	SEAL-O-RING (16.03ODX1.78DIA)
23	CH148-8377	2	ELBOW AS-90DEG BLKHD -6ORFS
	400378X1	2	SEAL-O-RING (12.83ODX1.78DIA)
24	CH148-8444	2	TEE-SWIVEL 3X -8 ORFS
	CH6V-8398	2	SEAL-O-RING (16.03 ID X 1.78 DIA)
25	CH164-5624	2	ELBOW-45DEG (6STORX8ORFS)
	400318X1	1	SEAL-O-RING (11.89IDXDIA1.98)
	CH6V-8398	1	SEAL-O-RING (16.03ODX1.78DIA)
26	CH199-2912	2	HOSE ASY.
27	CH199-2913	2	HOSE ASY.
28	206-1475	1	GUARD ASY. (LH)
29	CH4B-0418	3	CLIP
31	400599X1	8	WASHER-HARD (M8X20.5X2MM THK)
32	CH6V-8398	2	O-RING
33	CH6V-9168	2	NUT (11/16-16 THD)
34	CH6V-9169	2	NUT-BULKHEAD (13/16-16 THD)
35	CH7H-7055	3	CLIP
37	CH8S-8820	2	CLIP
39	400287X1	15	WASHER-HARD (11X21X2.5MM THK)
40	WR522218	4	NUT (M10X1.5 THD)
41	400039X1	1	BOLT (M10X1.5X25MM)
42	400040X1	6	BOLT (M10X1.5X20MM)
44	400053X1	6	BOLT (M8X1.25X20MM)
45	400055X1	2	BOLT (M12X1.75X25MM)
46	400357X1	6	WASHER-HARD (M12X25.5X3MM THK)
47	400339X1	4	WASHER-HARD (8.8X16X2MM THK)
48	400241X1	4	BOLT (M12X1.75X80MM)
49	400242X1	2	BOLT (M8X1.25X60MM)

[A] PART OF 172-4500 VALVE AR;
500772D1 KIT-HITCH 3PT STEERABLE

00854140
PR: t05c24o40d0418

MT700B SERIES TRACK TRACTOR
DRAWBAR, THREE POINT HITCH AND PTO

LINES GP-HITCH - 205-5819
4 IMPLEMENTS, HITCH & STEERABLE HITCH
(2 OF 2)



00860128

**MT700B SERIES TRACKTRACTOR
DRAWBAR, THREE POINT HITCH AND PTO**

923

**LINES GP-HITCH - 205-5819
4 IMPLEMENTS, HITCH & STEERABLE HITCH
(2 OF 2)**

ITEM	NUMBER	QTY	DESCRIPTION
-	205-5819	--	LINES GP-HITCH [A] (NOT SERVICED)
1	CH187-4706	1	BRACKET
2	188-9915	2	U-BOLT
3	CH194-8478	2	BRACKET ASY.
	CH8T-3612	1	NUT-WELD (M8X1.25 THD)
9	CH212-7771	2	BRACKET ASY.
	CH8T-3612	2	NUT-WELD (M8X1.25 THD)
10	203-2783	1	BRACKET ASY.
20		2	CONNECTOR ASY. (ILLUSTRATION REF ONLY)
29	CH4B-0418	3	CLIP
30	400340X1	2	NUT (M8X1.25 THD)
31	400599X1	8	WASHER-HARD (M8X20.5X2MM THK)
35	CH7H-7055	3	CLIP
36	CH7X-7729	4	WASHER (11X25X3MM THK)
37	CH8S-8820	2	CLIP
38	CH8T-0389	4	LOCKNUT (M10X1.5 THD)
39	400287X1	15	WASHER-HARD (11X21X2.5MM THK)
40	WR522218	4	NUT (M10X1.5 THD)
42	400040X1	6	BOLT (M10X1.5X20MM)
43	400052X1	1	BOLT (M10X1.5X40MM)
44	400053X1	6	BOLT (M8X1.25X20MM)
47	400339X1	4	WASHER-HARD (8.8X16X2MM THK)
50	CH212-8262	2	SPACER

[A] PART OF 172-4500 VALVE AR;
500772D1 KIT-HITCH 3PT STEERABLE

00860128
PR: t05c24o40d0417

**MT700B SERIES TRACKTRACTOR
DRAWBAR, THREE POINT HITCH AND PTO**

925

**LINES GP-HITCH - 205-5824
5 VALVES & STEERABLE HITCH**

ITEM	NUMBER	QTY	DESCRIPTION
-	205-5824	--	LINES GP-HITCH [A] (NOT SERVICED)
1	CH187-4706	1	BRACKET
2	CH188-9915	2	BOLT-U 101.5X127 M10X1.5-6H
3	CH194-8478	2	BRACKET AS.-HOSE SUPPORT
4	198-7441	1	PLATE AS.-RH (STEER
5	198-7445	1	TUBE AS.
6	CH199-2912	2	HOSE AS-12.7 ID SAE 100R12
7	CH199-2913	2	HOSE AS-9.5 ID SAE 100R12
8	199-2914	1	BRACKET-RH
9	199-2915	1	BRACKET-LH
10	203-2783	1	BRACKET AS. -PTO VALVE
11	205-0984	1	GUARD AS.-RH
12	205-1090	1	TUBE AS.
13	205-5825	1	TUBE AS.
14	205-5826	1	TUBE AS.
15	205-5827	1	TUBE AS.
16	205-5828	1	TUBE AS.
17	205-6009	1	PLATE AS.-LH
18	206-1475	1	GUARD AS.-LH
19	CH212-7771	2	BRACKET AS.-HOSE CLAMP
20	212-7772	1	PLATE-RH
21	212-7773	1	PLATE-LH
22	CH212-8262	2	SPACER
23	CH131-3540	2	NUT LOCK M8X1.25 ZNDI
24	400367X1	2	CONNECTOR AS (NOT SERVICED)
	400372X1	1	CONNECTOR-6 STOR -6 ORFS
	400318X1	1	SEAL-O-RING (11.89IDDX1.98DIA)
	400378X1	1	SEAL-O-RING (12.83ODX1.78DIA)
25	CH148-8375	2	ELBOW AS-90DEG BLKHD -8ORFS
	CH6V-8398	2	SEAL-O-RING (16.03ODX1.78DIA)
26	CH148-8377	2	ELBOW AS-90DEG BLKHD -6ORFS
	400378X1	2	SEAL-O-RING (12.83ODX1.78DIA)
27	CH148-8444	2	TEE-SWIVEL 3X -8 ORFS
	CH6V-8398	2	SEAL-O-RING (16.03 ID X 1.78 DIA)
28	CH164-5624	2	ELBOW-45DEG (6STORX8ORFS)
	400318X1	1	SEAL-O-RING (11.89IDXDIA1.98)
	CH6V-8398	1	SEAL-O-RING (16.03ODX1.78DIA)
29	CH4B-0418	3	CLIP-LOOP 12.7 ID

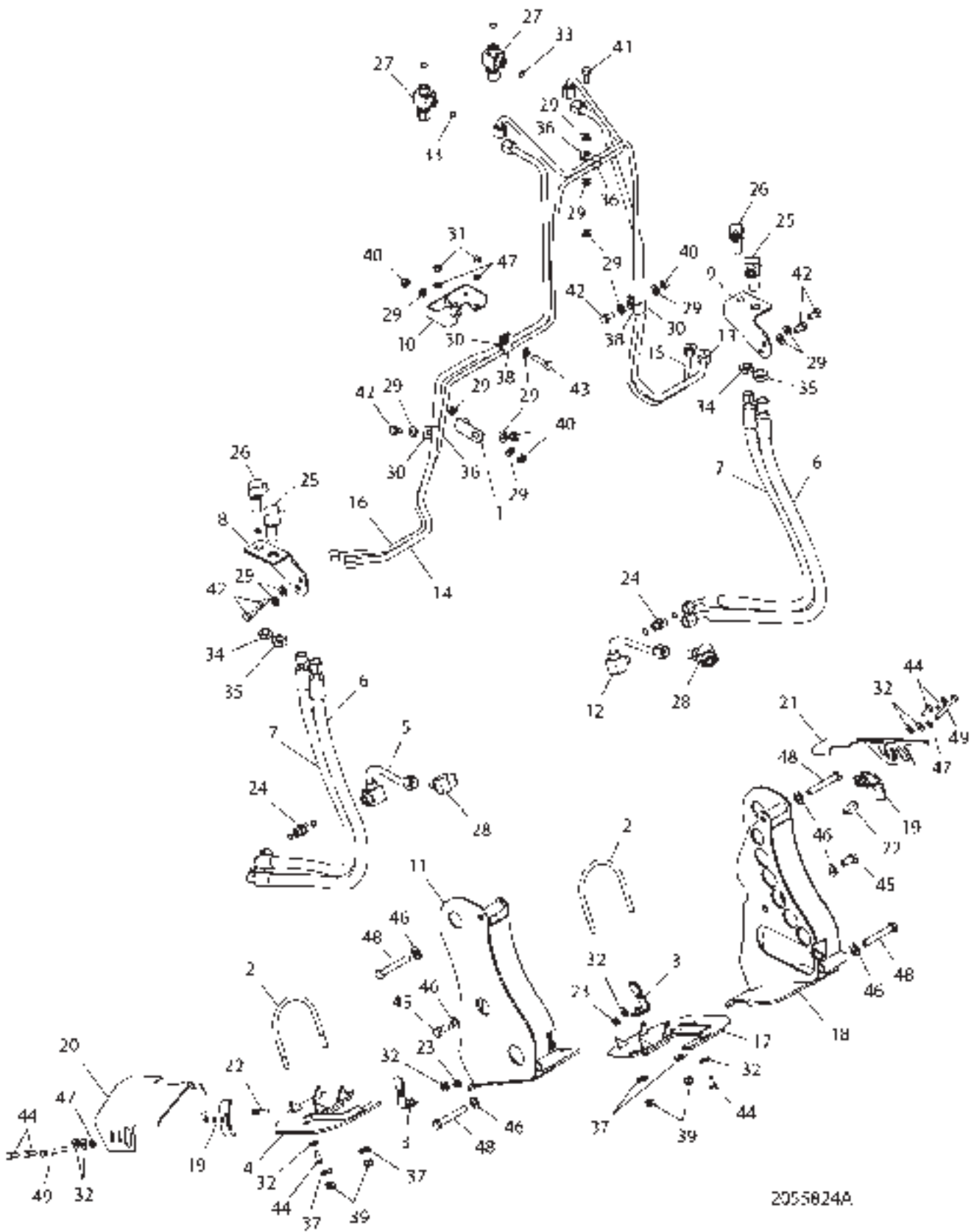
CONTINUED

[A] PART OF 172-4502 VALVE AR

2055824A
PR: t05c24o40d0419

MT700B SERIES TRACK TRACTOR
DRAWBAR, THREE POINT HITCH AND PTO

LINES GP-HITCH - 205-5824
5 VALVES & STEERABLE HITCH



205-5824A

**MT700B SERIES TRACK TRACTOR
DRAWBAR, THREE POINT HITCH AND PTO**

927

**LINES GP-HITCH - 205-5824
5 VALVES & STEERABLE HITCH**

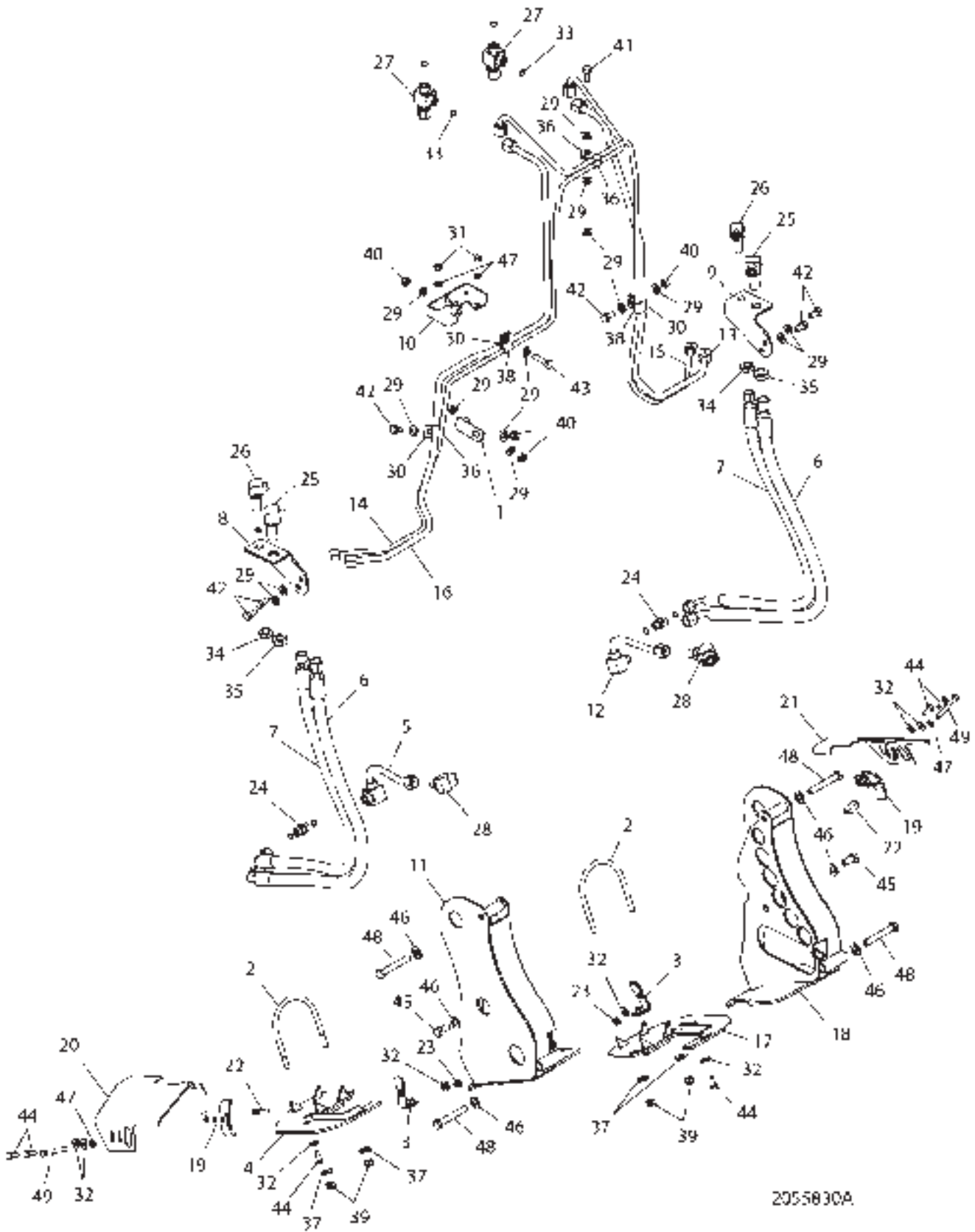
ITEM	NUMBER	QTY	DESCRIPTION
-	205-5824	--	LINES GP-HITCH [A] (NOT SERVICED)
30	400340X1	2	NUT-M8X1.25X13 HEX ZND1
31	400599X1	8	WASHER-HARD,M8X20.5ODX2THK
32	CH6V-8398	2	SEAL-O-RING-16.03ODX1.78DIA
33	400347X1	2	NUT-BULKHEAD 11/16-16
34	400348X1	2	NUT-BULKHEAD 13/16-16
35	CH7H-7055	3	CLIP-LOOP 9.52 ID
36	CH7X-7729	4	WASHER-11IDX5ODX3MM
37	CH8S-8820	2	CLIP-LOOP 9.52 ID
38	CH8T-0389	4	LOCKNUT-M10X1.5 THD
39	400287X1	15	WASHER-HARD 11IDX21ODX2.5 ZND1
40	WR522218	4	NUT-M10-1.5,CL10.9,ZN,H,REG
41	400039X1	1	BOLT-M10X1.5X25 ZNDI HHD 10.9
42	400040X1	6	BOLT-M10X1.5X20 ZNDI HHD 10.9
43	400052X1	1	BOLT-M10X1.5X40 ZNDI HHD 10.9
44	400053X1	6	BOLT-M8X1.25X20 ZNDI HHD 10.9
45	400055X1	2	BOLT-M12X1.75X25 ZNDI HHD 10.9
46	400357X1	6	WASHER-HARD-M12X25.5ODX3THK
47	400339X1	4	WASHER - HARD
48	400241X1	4	BOLT-M12X1.75X80 ZNDI HHD 10.9
49	400242X1	2	BOLT-M8X1.25X60 ZNDI HHD 10.9

[A] PART OF 172-4502 VALVE AR

2055824A
PR: t05c24o40d0419

MT700B SERIES TRACK TRACTOR
DRAWBAR, THREE POINT HITCH AND PTO

LINES GP-HITCH - 205-5830



**MT700B SERIES TRACKTRACTOR
DRAWBAR, THREE POINT HITCH AND PTO**

929

LINES GP-HITCH - 205-5830

ITEM	NUMBER	QTY	DESCRIPTION
-	205-5830	--	LINES GP-HITCH [A] (NOT SERVICED)
1	CH187-4706	1	BRACKET
2	CH188-9915	2	BOLT-U 101.5X127 M10X1.5-6H
3	CH194-8478	2	BRACKET AS.-HOSE SUPPORT
4	198-7441	1	PLATE AS.-RH (STEER)
5	198-7445	1	TUBE AS.
6	CH199-2912	2	HOSE AS-12.7 ID SAE 100R12
7	CH199-2913	2	HOSE AS-9.5 ID SAE 100R12
8	199-2914	1	BRACKET-RH
9	199-2915	1	BRACKET-LH
10	203-2783	1	BRACKET AS. -PTO VALVE
11	205-0984	1	GUARD AS.-RH
12	205-1090	1	TUBE AS.
13	205-5831	1	TUBE AS.
14	205-5832	1	TUBE AS.
15	205-5833	1	TUBE AS.
16	205-5834	1	TUBE AS.
17	205-6009	1	PLATE AS.-LH
18	206-1475	1	GUARD AS.-LH
19	CH212-7771	2	BRACKET AS.-HOSE CLAMP
20	212-7772	1	PLATE-RH
21	212-7773	1	PLATE-LH
22	CH212-8262	2	SPACER
23	CH131-3540	2	NUT LOCK M8X1.25 ZNDI
24	400367X1	2	CONNECTOR AS-6 STOR -6 ORFS
	400372X1	1	CONNECTOR-6 STOR -6 ORFS
	400318X1	1	SEAL-O-RING (11.89IDDX1.98DIA)
	400378X1	1	SEAL-O-RING (12.83ODX1.78DIA)
25	CH148-8375	2	ELBOW AS-90DEG BLKHD -8ORFS
	CH6V-8398	2	SEAL-O-RING (16.03ODX1.78DIA)
26	CH148-8377	2	ELBOW AS-90DEG BLKHD -6ORFS
	400378X1	2	SEAL-O-RING (12.83ODX1.78DIA)
27	CH148-8444	2	TEE-SWIVEL 3X -8 ORFS
	CH6V-8398	2	SEAL-O-RING (16.03 ID X 1.78 DIA)
28	CH164-5624	2	ELBOW-45DEG (6STORX8ORFS)
	400318X1	1	SEAL-O-RING (11.89IDXDIA1.98)
	CH6V-8398	1	SEAL-O-RING (16.03ODX1.78DIA)
29	400287X1	15	WASHER-HARD 11IDX21ODX2.5 ZND1

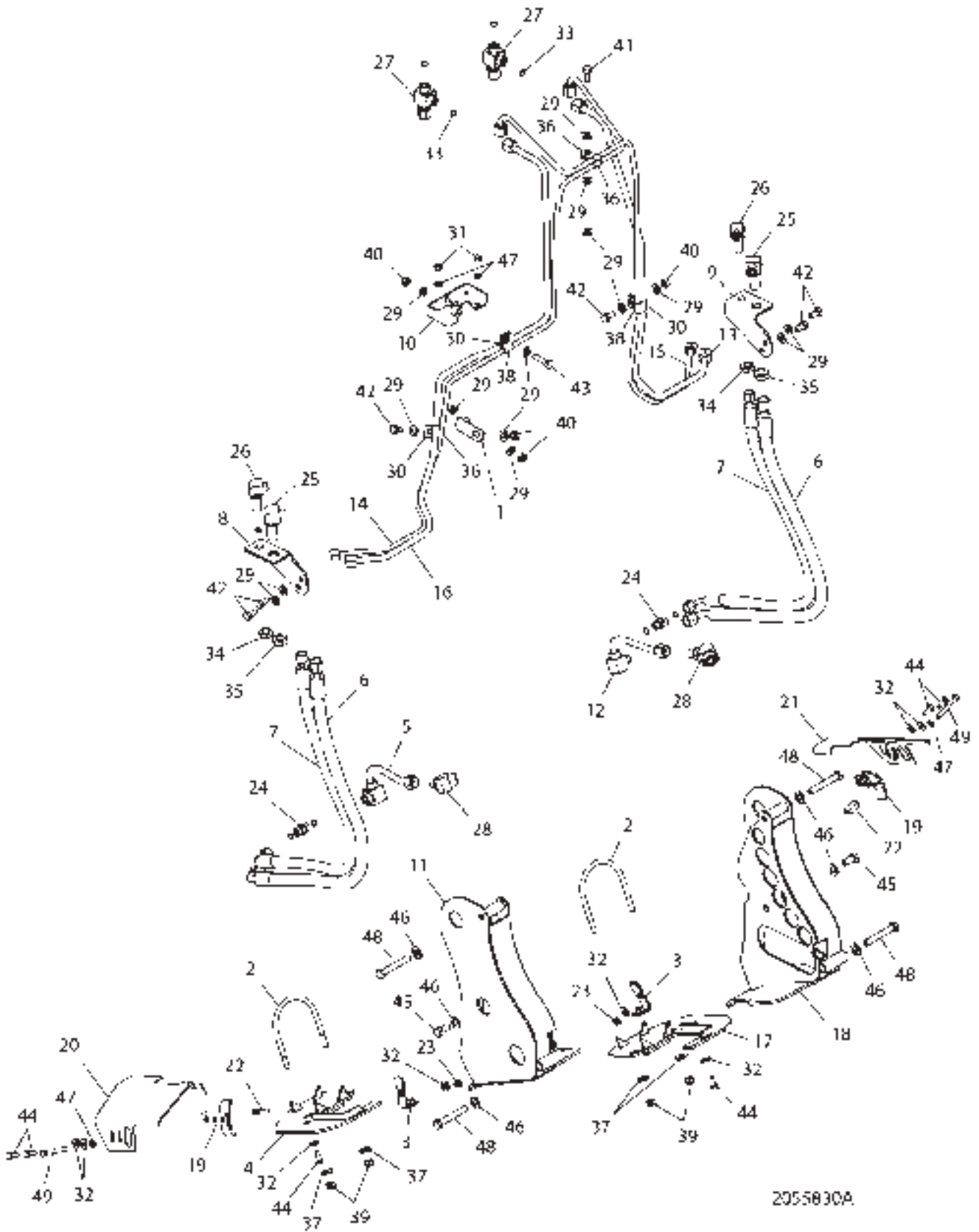
CONTINUED

[A] PART OF 500790D1 VALVE AR

2055830A
PR: t05c24o40d0420

MT700B SERIES TRACK TRACTOR
DRAWBAR, THREE POINT HITCH AND PTO

LINES GP-HITCH - 205-5830



205-5830A

**MT700B SERIES TRACK TRACTOR
DRAWBAR, THREE POINT HITCH AND PTO**

931

LINES GP-HITCH - 205-5830

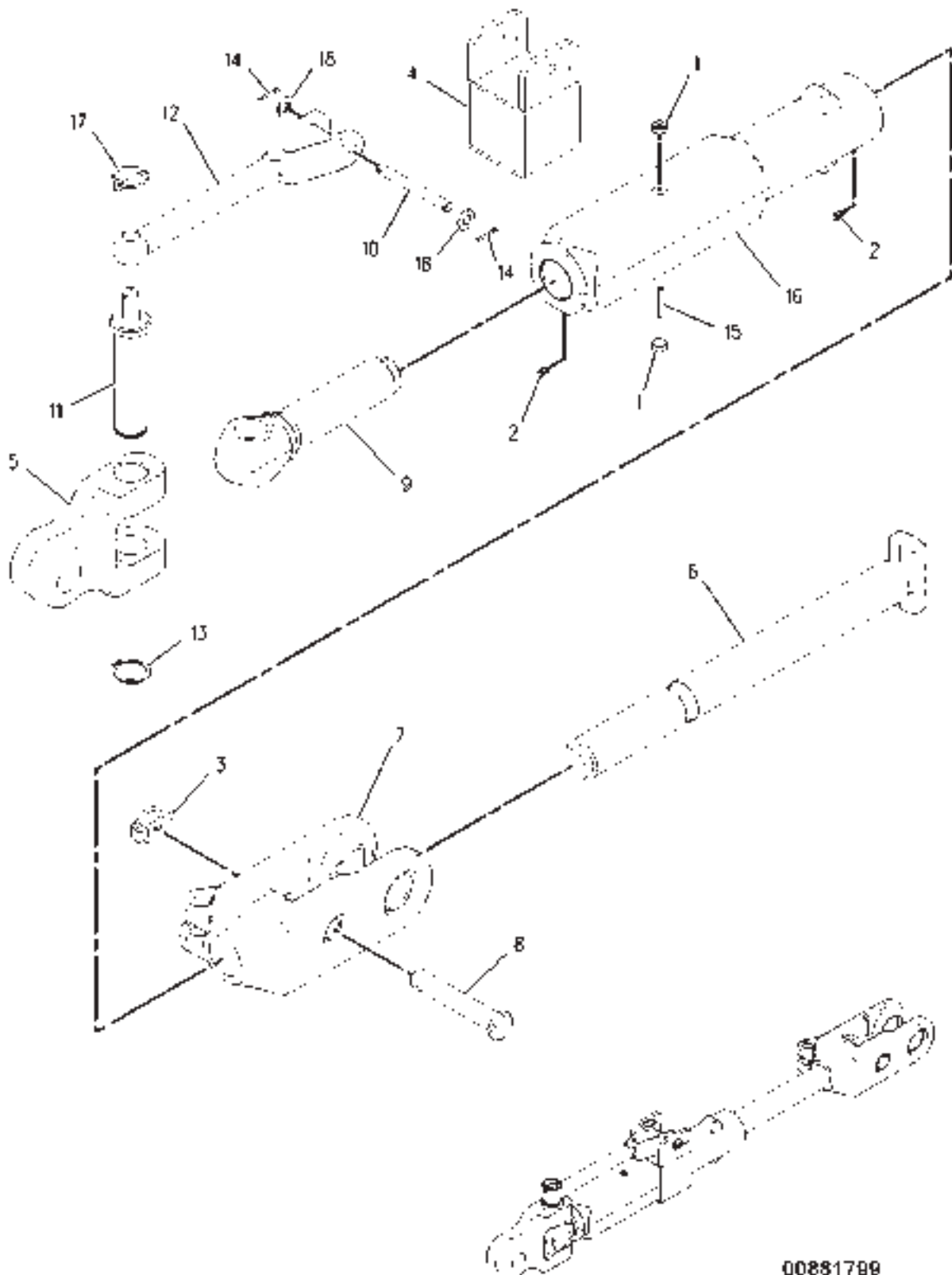
ITEM	NUMBER	QTY	DESCRIPTION
-	205-5830	--	LINES GP-HITCH [A] (NOT SERVICED)
30	CH4B-0418	3	CLIP-LOOP 12.7 ID
31	400340X1	2	NUT-M8X1.25X13 HEX ZND1
32	400599X1	8	WASHER-HARD,M8X20.5ODX2THK
33	CH6V-8398	2	SEAL-O-RING-16.03ODX1.78DIA
34	400347X1	2	NUT-BULKHEAD 11/16-16
35	400348X1	2	NUT-BULKHEAD 13/16-16
36	CH7H-7055	3	CLIP-LOOP 9.52 ID
37	CH7X-7729	4	WASHER-11IDX5ODX3MM
38	CH8S-8820	2	CLIP-LOOP 9.52 ID
39	CH8T-0389	4	LOCKNUT-M10X1.5 THD
40	WR522218	4	NUT-M10-1.5,CL10.9,ZN,H,REG
41	400039X1	1	BOLT-M10X1.5X25 ZNDI HHD 10.9
42	400040X1	6	BOLT-M10X1.5X20 ZNDI HHD 10.9
43	400052X1	1	BOLT-M10X1.5X40 ZNDI HHD 10.9
44	400053X1	6	BOLT-M8X1.25X20 ZNDI HHD 10.9
45	400055X1	2	BOLT-M12X1.75X25 ZNDI HHD 10.9
46	400357X1	6	WASHER-HARD-M12X25.5ODX3THK
47	400339X1	4	WASHER - HARD
48	400241X1	4	BOLT-M12X1.75X80 ZNDI HHD 10.9
49	400242X1	2	BOLT-M8X1.25X60 ZNDI HHD 10.9

[A] PART OF 500790D1 VALVE AR

2055830A
PR: t05c24o40d0420

MT700B SERIES TRACK TRACTOR
DRAWBAR, THREE POINT HITCH AND PTO

LINK GP-LIFT - 200-0007



00881799

MT700B SERIES TRACK TRACTOR
DRAWBAR, THREE POINT HITCH AND PTO

933

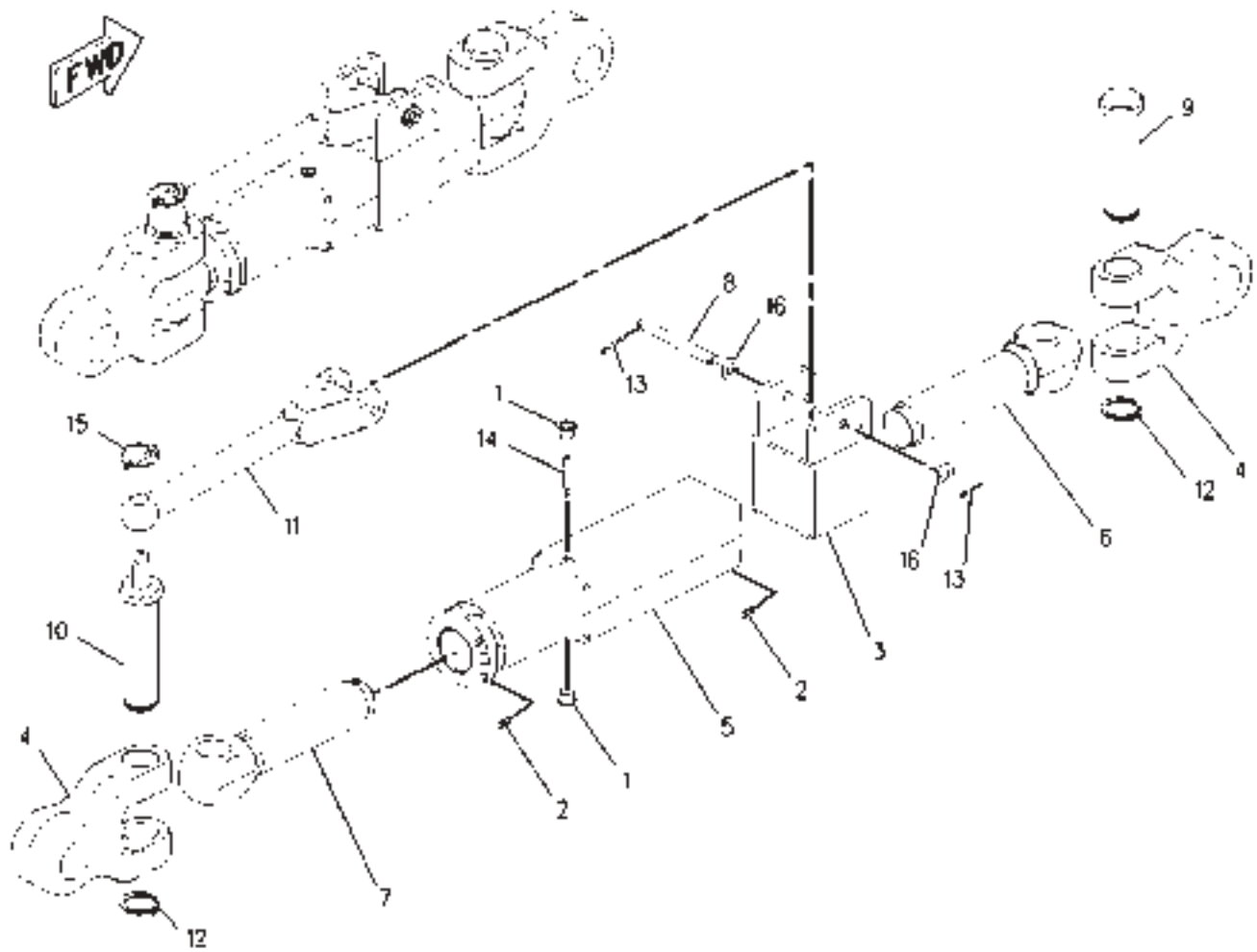
LINK GP-LIFT - 200-0007

ITEM	NUMBER	QTY	DESCRIPTION
-	200-0007	--	LINK GP-LIFT [A]
1	CH0T-0200	2	PLUG-CUP
2	CH6V-1506	2	FITTING-GREASE
3	CH7D-7496	1	PIN ASY.
4	184-5063	1	FRAME ASY.
5	186-0982	1	PIVOT
6	186-0992	1	ROD
7	186-0993	1	CLEVIS
8	CH186-1017	1	PIN
9	186-1020	1	ROD END
10	CH186-1069	1	PIN
11	CH186-1081	1	PIN
12	189-3296	1	HANDLE
13	400290X1	1	RING-RETAINING
14	CH095-0845	2	PIN-COTTER
15	CH095-9230	1	PIN-SPRING
16	186-0991	1	TUBE
17	CH5D-8159	1	PIN ASY.
18	400287X1	2	WASHER-HARD (11X21X2.5MM THK)

[A] PART OF 157-1714;157-1719;170-2285;
170-2286 HITCH GP 3-POINT

00881799
PR: t05c24o40d0421

LINK GP-UPPER - 197-5030
37MM DIAMETER PIN



00876617

MT700B SERIES TRACK TRACTOR
DRAWBAR, THREE POINT HITCH AND PTO

935

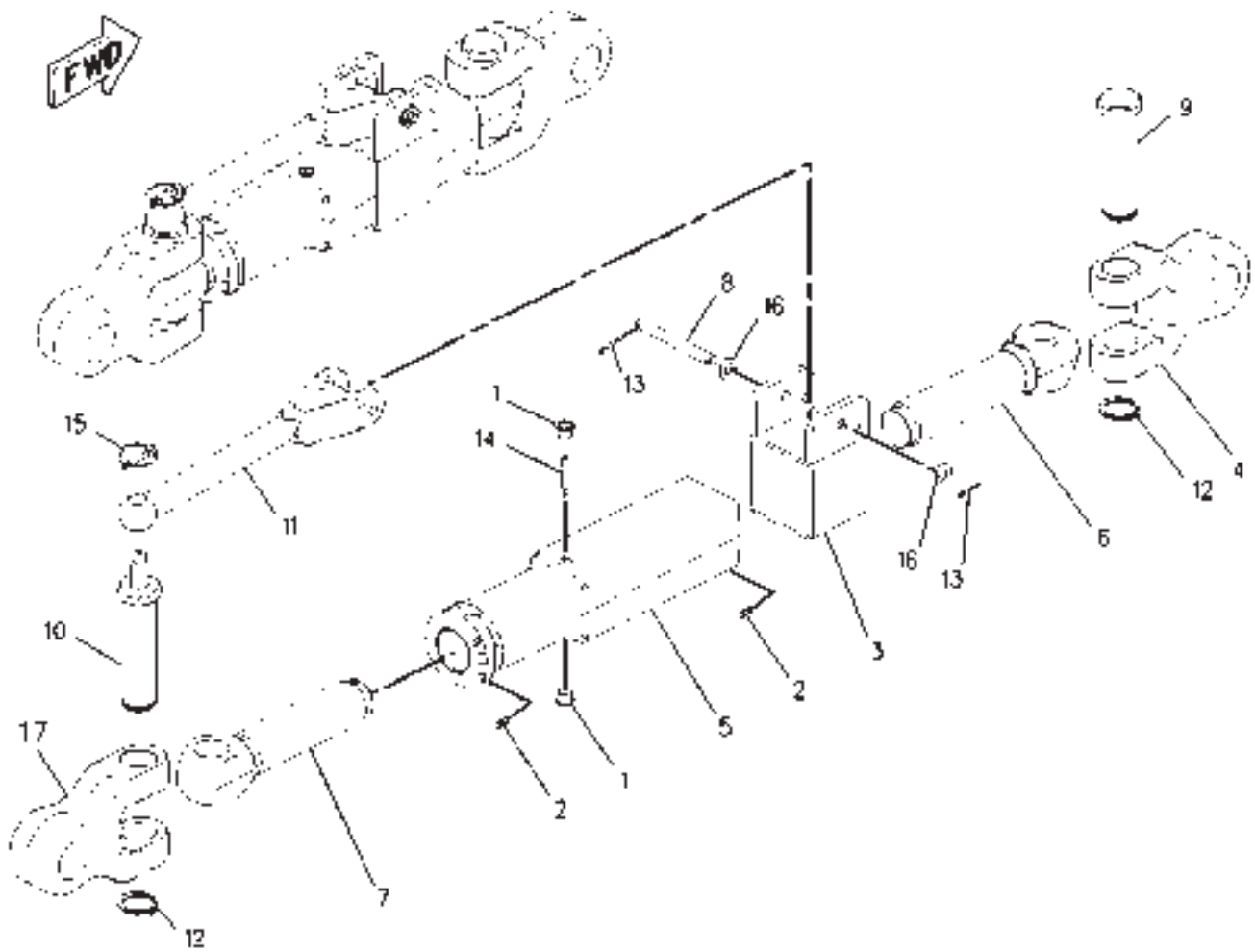
LINK GP-UPPER - 197-5030
37MM DIAMETER PIN

ITEM	NUMBER	QTY	DESCRIPTION
-	197-5030	--	LINK GP-UPPER [A]
1	CH0T-0200	2	PLUG-CUP
2	CH6V-1506	2	FITTING-GREASE
3	184-5063	1	FRAME ASY.
4	186-0983	2	PIVOT
5	186-0988	1	TUBE
6	186-1019	1	ROD END
7	186-1020	1	ROD END
8	CH186-1069	1	PIN
9	CH186-1080	1	PIN
10	CH186-1081	1	PIN
11	189-3296	1	HANDLE
12	400290X1	2	RING-RETAINING
13	CH095-0845	2	PIN-COTTER
14	CH095-9230	1	PIN-SPRING
15	CH5D-8159	1	PIN AS
16	400287X1	2	WASHER-HARD (11X21X2.5MM THK)

[A] PART OF 157-1714; 157-1719
HITCH GP-3 POINT

00878617
PR: t05c24o40d0422

LINK GP-UPPER - 197-5032
32MM DIAMETER PIN
EAME ONLY



1975032A

MT700B SERIES TRACKTRACTOR
DRAWBAR, THREE POINT HITCH AND PTO

937

LINK GP-UPPER - 197-5032
32MM DIAMETER PIN
EAME ONLY

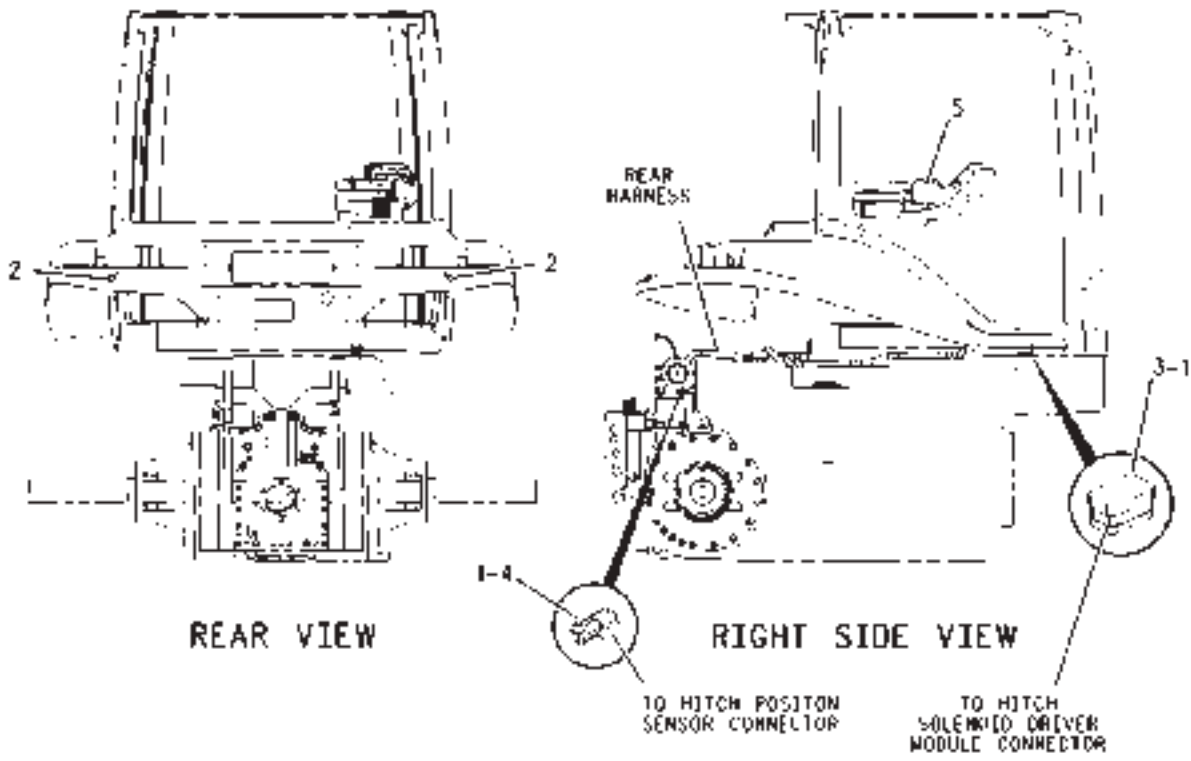
ITEM	NUMBER	QTY	DESCRIPTION
-	197-5032	--	LINK GP-UPPER [A]
1	CH0T-0200	2	PLUG-CUP
2	CH6V-1506	2	FITTING-GREASE
3	184-5063	1	FRAME AS
4	186-0983	1	PIVOT
5	186-0991	1	TUBE
6	186-1019	1	ROD END
7	186-1020	1	ROD END
8	CH186-1069	1	PIN
9	CH186-1080	1	PIN
10	CH186-1081	1	PIN
11	189-3296	1	HANDLE
12	400290X1	2	RING-RETAINING
13	CH095-0845	2	PIN-COTTER
14	CH095-9230	1	PIN-SPRING
15	CH5D-8159	1	PIN AS
16	400287X1	2	WASHER-HARD (11X21X2.5MM THK)
17	186-0982	1	PIVOT

[A] PART OF 170-2285; 170-2286
HITCH GP-3 POINT

1975032A
PR: t05c24o40d0423

MT700B SERIES TRACK TRACTOR
DRAWBAR, THREE POINT HITCH AND PTO

PLUG GP-HITCH - 173-6500
DRAWBAR HITCH APPLICATIONS
ROW ONLY



00897044

MT700B SERIES TRACK TRACTOR
DRAWBAR, THREE POINT HITCH AND PTO

939

PLUG GP-HITCH - 173-6500
DRAWBAR HITCH APPLICATIONS
ROW ONLY

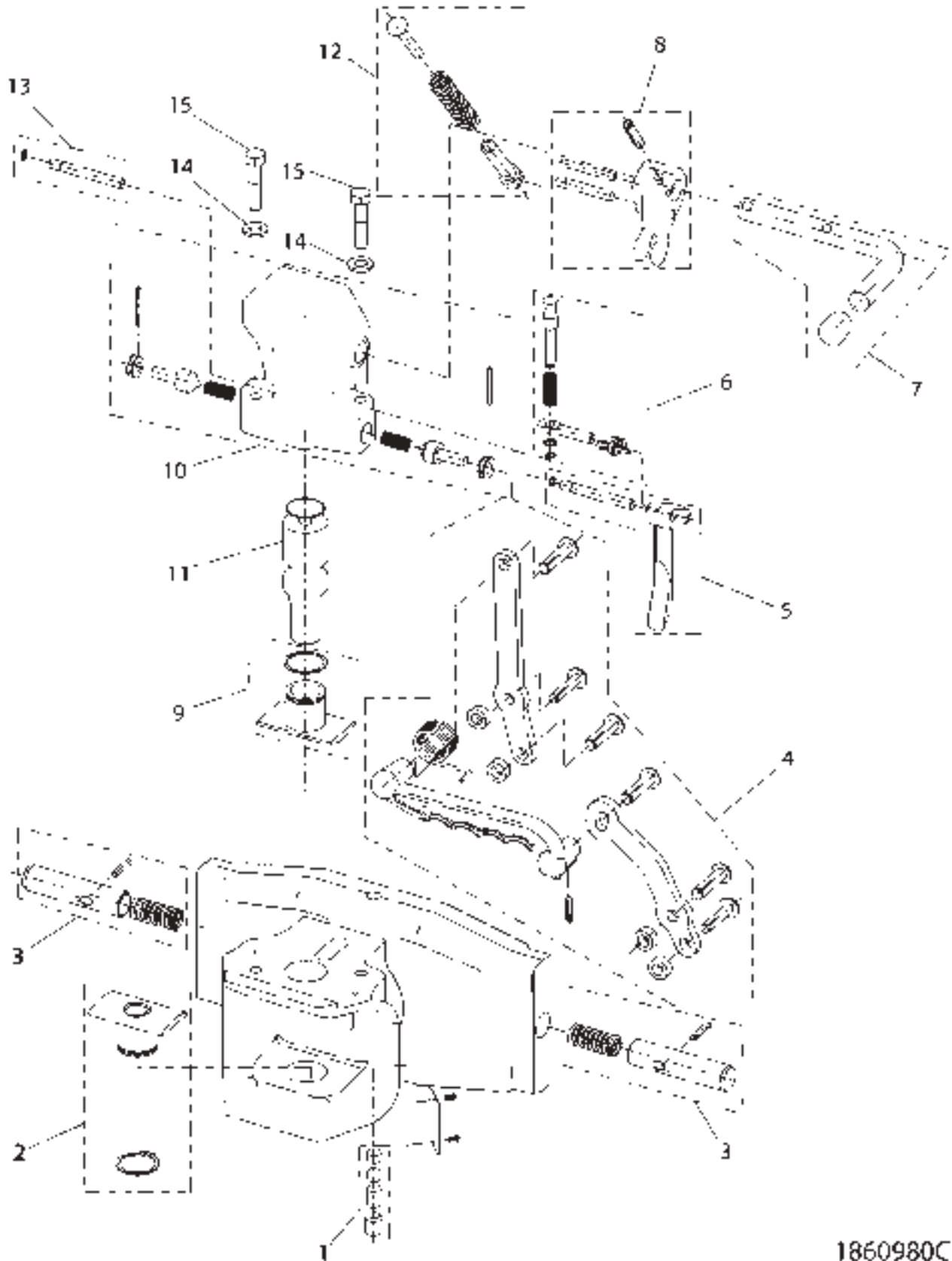
ITEM	NUMBER	QTY	DESCRIPTION
-	173-6500	--	PLUG GP-HITCH [A] (NOT SERVICED)
1	400472X1	73	PLUG (GROMMET SEALING)
2	CH109-2356	2	PLUG
3	CH133-8753	1	RECEPTACLE ASY. (70 PIN)
4	400709X1	1	KIT-RECEPTACLE (3 PIN)
	400717X1		WEDGE
5	CH214-1071	1	PLUG (PTO SWITCH)

[A] PART OF 170-2287 HITCH AR

00897044
PR: t05c24o40d0424

MT700B SERIES TRACK TRACTOR
DRAWBAR, THREE POINT HITCH AND PTO

HOOK GP-TOW (REAR) - 186-0980
EAME ONLY



1860980C

MT700B SERIES TRACK TRACTOR
DRAWBAR, THREE POINT HITCH AND PTO

941

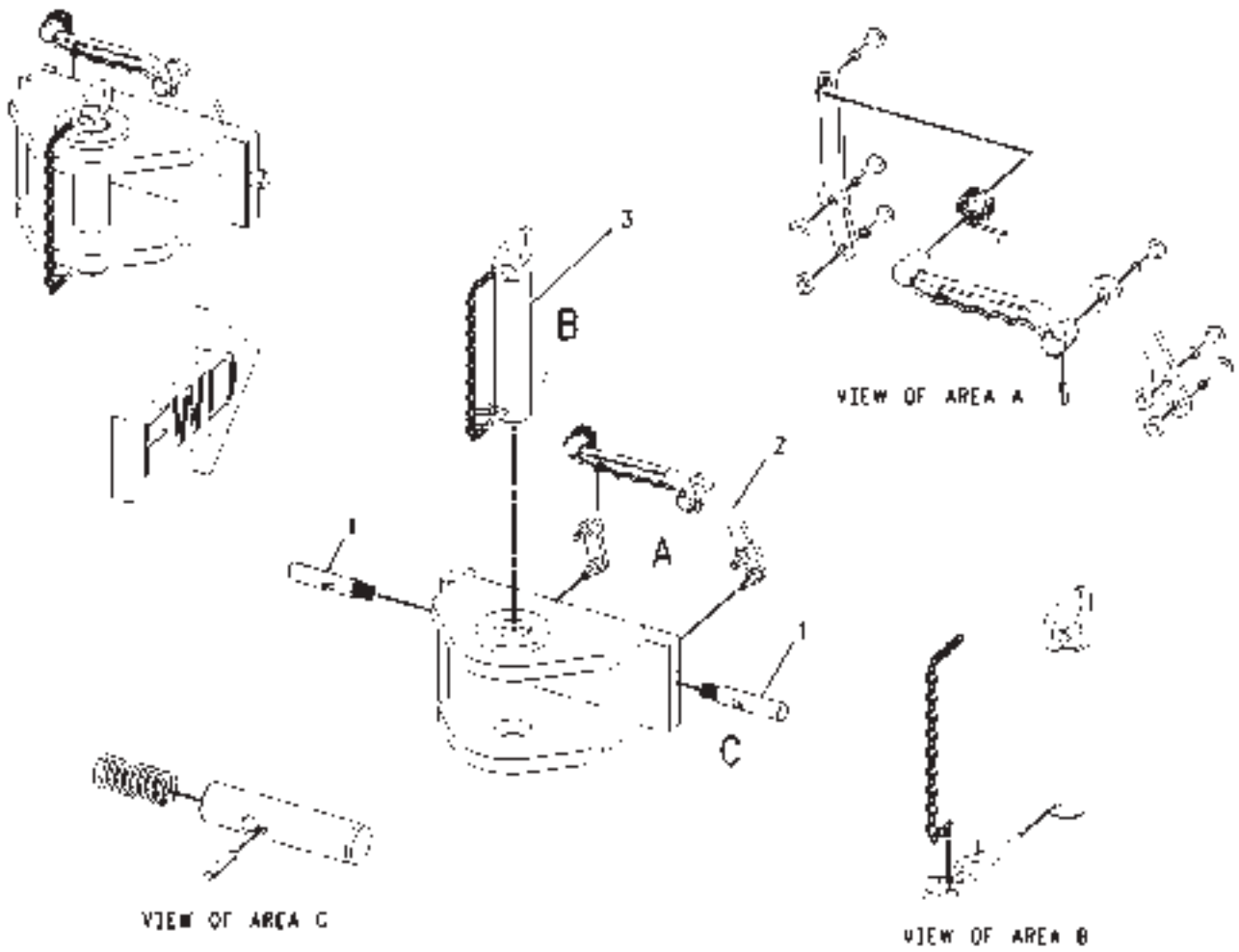
HOOK GP-TOW (REAR) - 186-0980
EAME ONLY

ITEM	NUMBER	QTY	DESCRIPTION
-	186-0980	--	HOOK GP-TOW (REAR)
1	194-4426	1	STOP KIT
2	194-4427	1	PLATE KIT-WEAR
3	194-4428	2	PIN KIT - LOCKING
4	194-4429	1	HANDLE KIT - LATCH
5	194-4430	1	TRIGGER KIT - PIN
6	194-4431	1	TRIGGER KIT - LINKAGE
7	194-4432	1	LEVER KIT-HANDLE
8	194-4433	1	ARM KIT-ROCKER
9	194-4434	1	SLEEVE KIT
10	194-4435	1	HEAD KIT
11	194-4436	1	PIN-DOME
12	194-4437	1	BOLT KIT-BEARING
13	194-4438	1	PIN KIT
14	400287X1	2	WASHER-HARD 11IDX21ODX2.5 ZND1
15	400049X1	2	BOLT-M10X1.5X45 ZNDI HHD 10.9

1860980C
PR: t05c24o40d0425

MT700B SERIES TRACK TRACTOR
DRAWBAR, THREE POINT HITCH AND PTO

HITCH GP-TOW (REAR) - 202-7591
43MM DIA PIN
EAME ONLY (ITALIAN MARKET)



CH089519A

MT700B SERIES TRACKTRACTOR
DRAWBAR, THREE POINT HITCH AND PTO

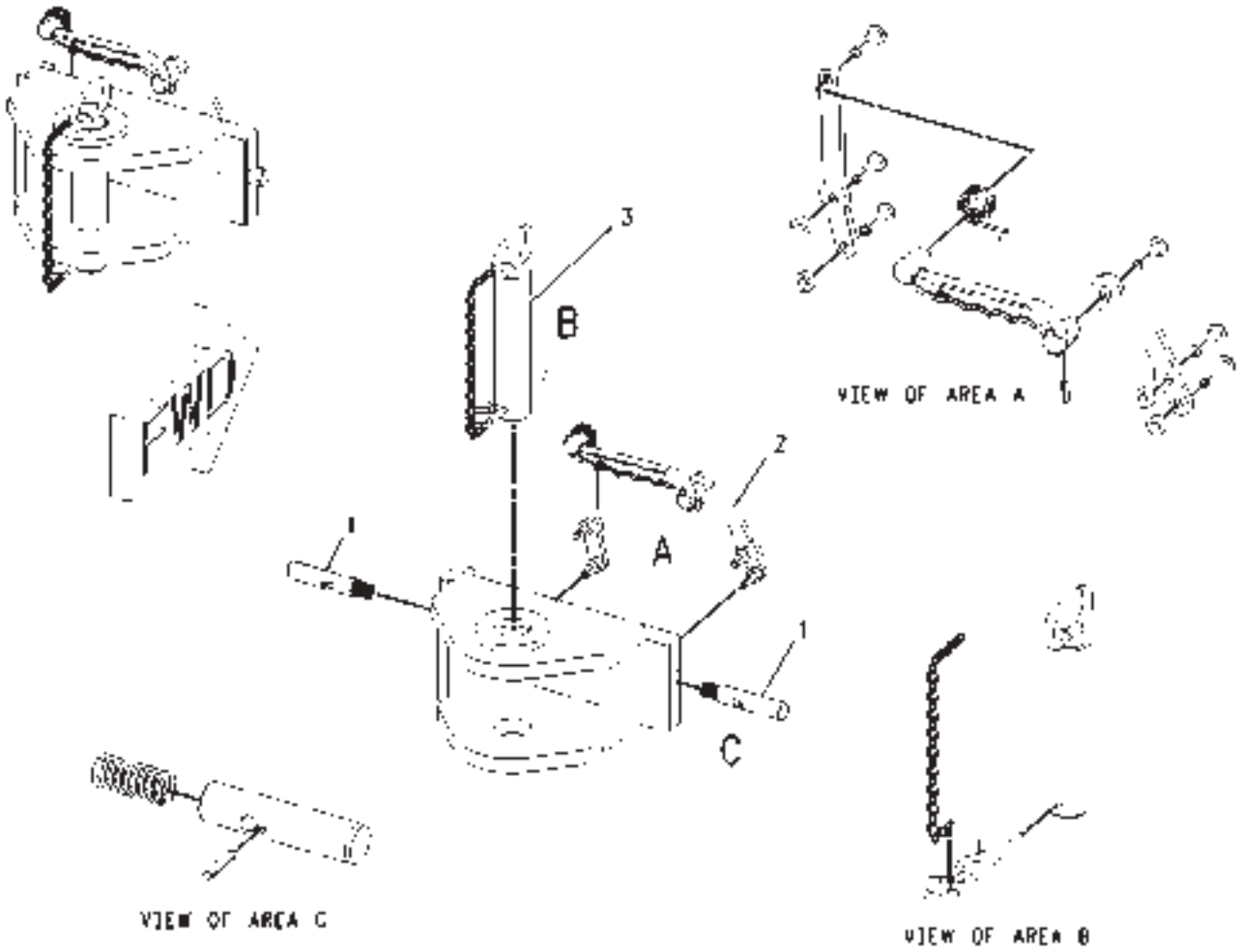
943

HITCH GP-TOW (REAR) - 202-7591
43MM DIA PIN
EAME ONLY (ITALIAN MARKET)

ITEM	NUMBER	QTY	DESCRIPTION
-	202-7591	--	HITCH GP-TOWING (NOT SERVED)
1	194-4428	2	KIT-LOCK PIN (INCLUDES 2 PINS, 2 SPRINGS AND 2 PIN-SPRINGS)
2	194-4429	1	KIT-LINKAGE (INCLUDES HANDLE, LEVER, LINKAGE, 6 PINS, SLEEVE, SPACER AND SPRING
3	202-7601	1	PIN AS (INCLUDES PIN AS, LOCK PIN AND CHAIN)

00895198
PR: t05c24o40d0426

HITCH GP-TOW (REAR) - 202-7592
50MM DIAMETER PIN
EAME ONLY (ITALIAN MARKET)



CH0895198

**MT700B SERIES TRACK TRACTOR
DRAWBAR, THREE POINT HITCH AND PTO**

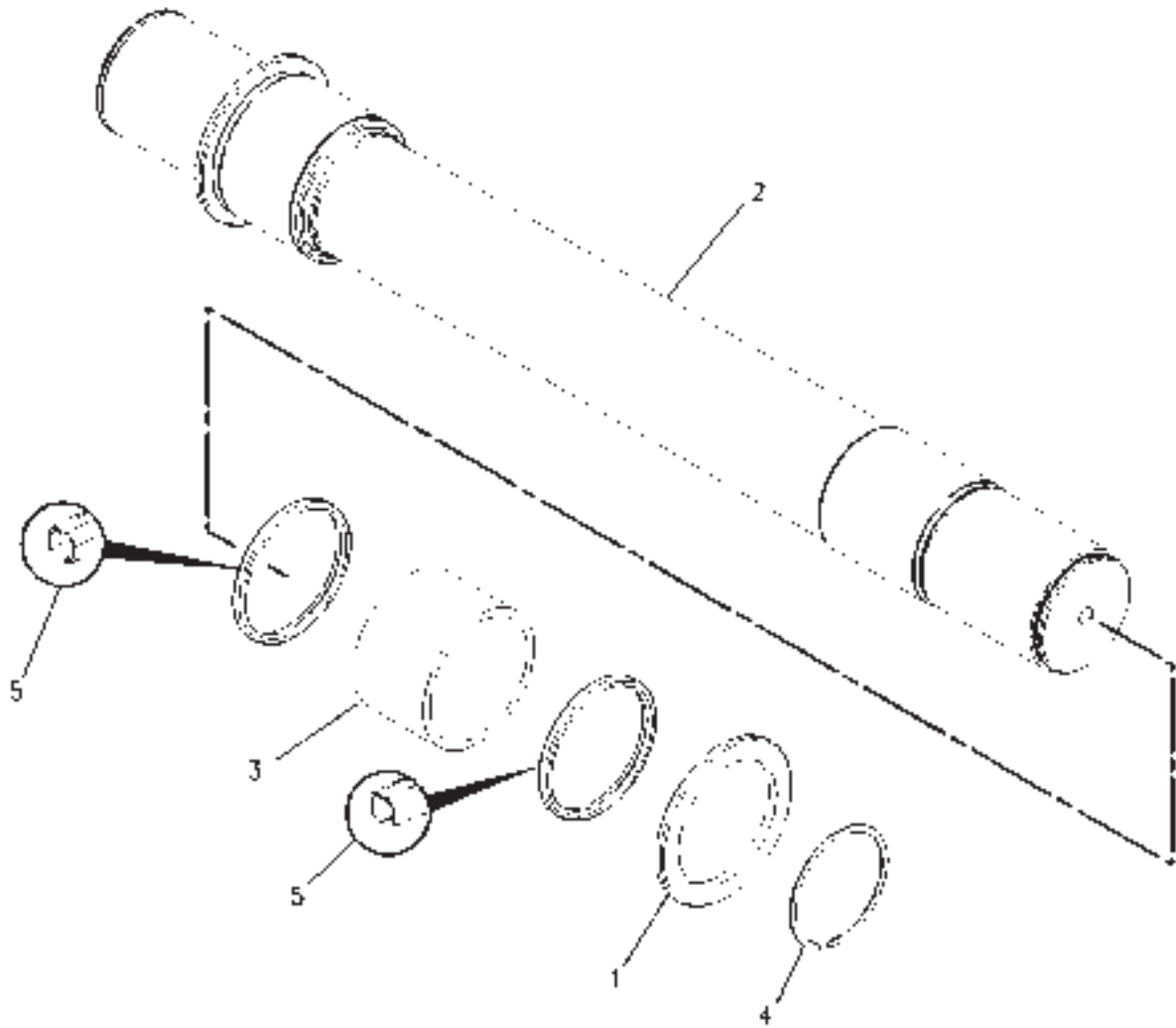
945

**HITCH GP-TOW (REAR) - 202-7592
50MM DIAMETER PIN
EAME ONLY (ITALIAN MARKET)**

ITEM	NUMBER	QTY	DESCRIPTION
-	202-7592	--	HITCH GP-TOWING
1	194-4428	2	KIT-LOCK PIN (INCLUDES 2 PINS, 2 SPRINGS AND 2 PIN-SPRINGS)
2	194-4429	1	KIT-LINKAGE (INCLUDES HANDLE, LEVER, LINKAGE, 6 PINS, SLEEVE, SPACER AND SPRING)
3	202-7602	1	PIN AS (INCLUDES PIN AS, LOCK PIN AND CHAIN)

00895198
PR: t05c24o40d0427

SHAFT GP-SPLINED - 169-0077



00866926

**MT700B SERIES TRACK TRACTOR
DRAWBAR, THREE POINT HITCH AND PTO**

947

SHAFT GP-SPLINED - 169-0077

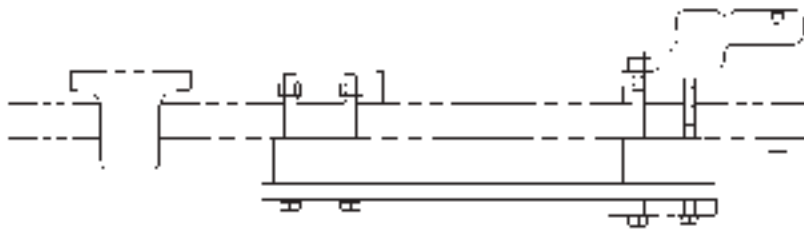
ITEM	NUMBER	QTY	DESCRIPTION
-	169-0077	--	SHAFT GP-SPLINED [A] (NOT SERVICED)
1	CH6K-9070	2	WASHER-THRUST
2	169-0078	1	SHAFT-SPLINED (3 POINT HITCH)
3	CH170-2320	2	BEARING
4	400097X1	2	RING-RETAINING
5	CH7K-9211	4	SEAL-LIP

[A] PART OF 157-1714;157-1719;170-2285;
170-2286 HITCH GP 3 POINT

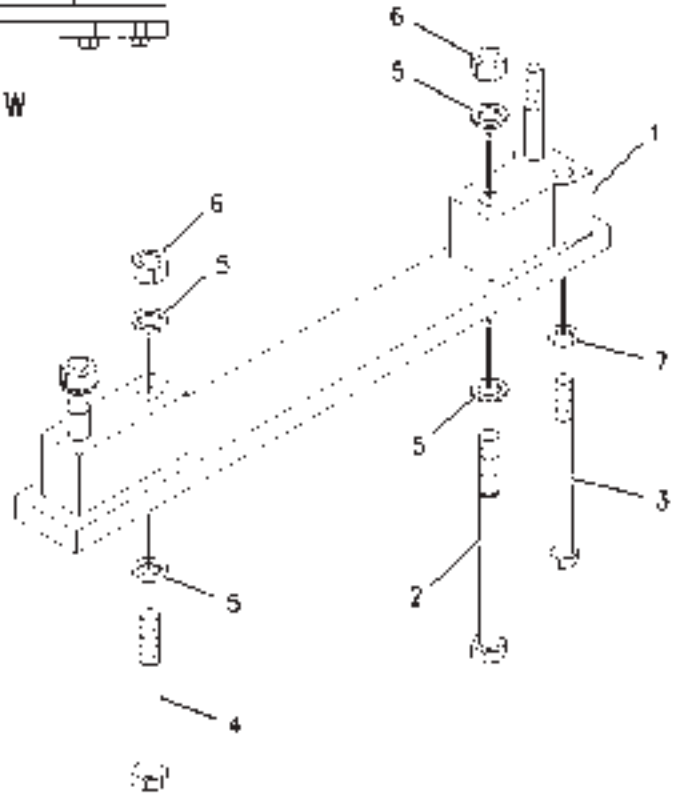
00866926
PR: t05c24o40d0428

MT700B SERIES TRACK TRACTOR
DRAWBAR, THREE POINT HITCH AND PTO

KIT-SUPPORT BRACE-DRAWBAR - 184-5059
ROW ONLY



LEFT SIDE VIEW



00819667

MT700B SERIES TRACK TRACTOR
DRAWBAR, THREE POINT HITCH AND PTO

949

KIT-SUPPORT BRACE-DRAWBAR - 184-5059
ROW ONLY

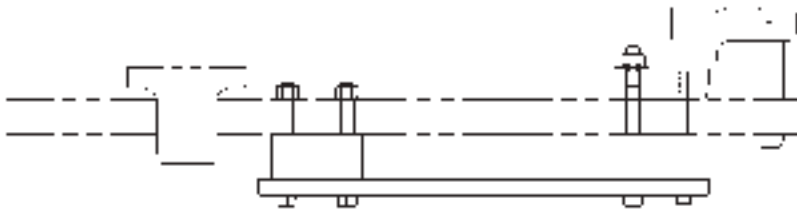
ITEM	NUMBER	QTY	DESCRIPTION
-	184-5059	--	SUPPORT GP-DRAWBAR
1	184-5056	1	SUPPORT ASY.
2	125-3297	1	BOLT-HEX HEAD (M20X2.5X260MM)
3	CH7X-2560	2	BOLT (M16X2X220MM)
4	400034X1	2	BOLT (M20X2.5X200MM)
5	400080X1	6	WASHER-PLATED (22X35X3.5MM THK)
6	400286X1	3	NUT (M20X2.5 THD)
7	400082X1	2	WASHER (17.5X30X3.5MM THK)

00819667
PR: t05c24o40d0429

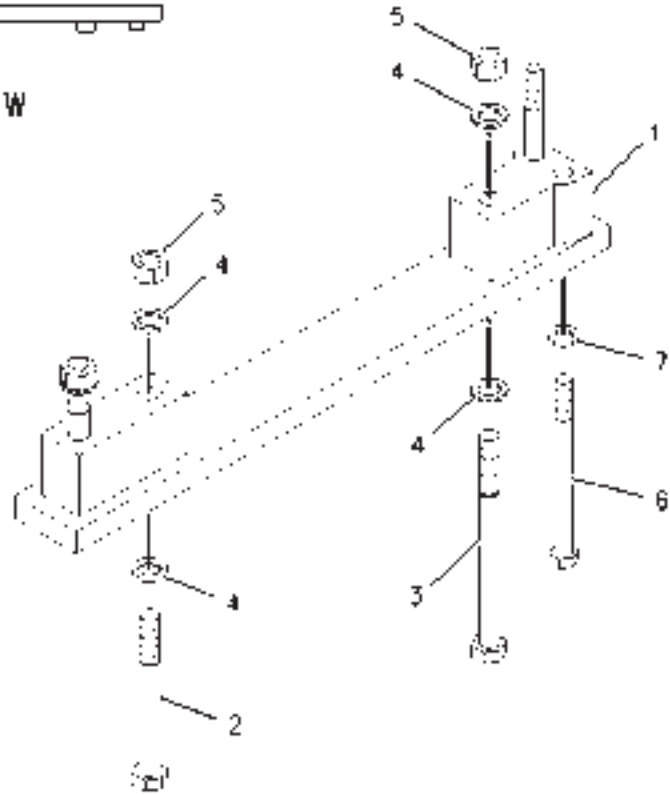
950

MT700B SERIES TRACK TRACTOR
DRAWBAR, THREE POINT HITCH AND PTO

KIT-SUPPORT-DRAWBAR - 200-8769
EAME ONLY



LEFT SIDE VIEW



00819613

MT700B SERIES TRACK TRACTOR
DRAWBAR, THREE POINT HITCH AND PTO

951

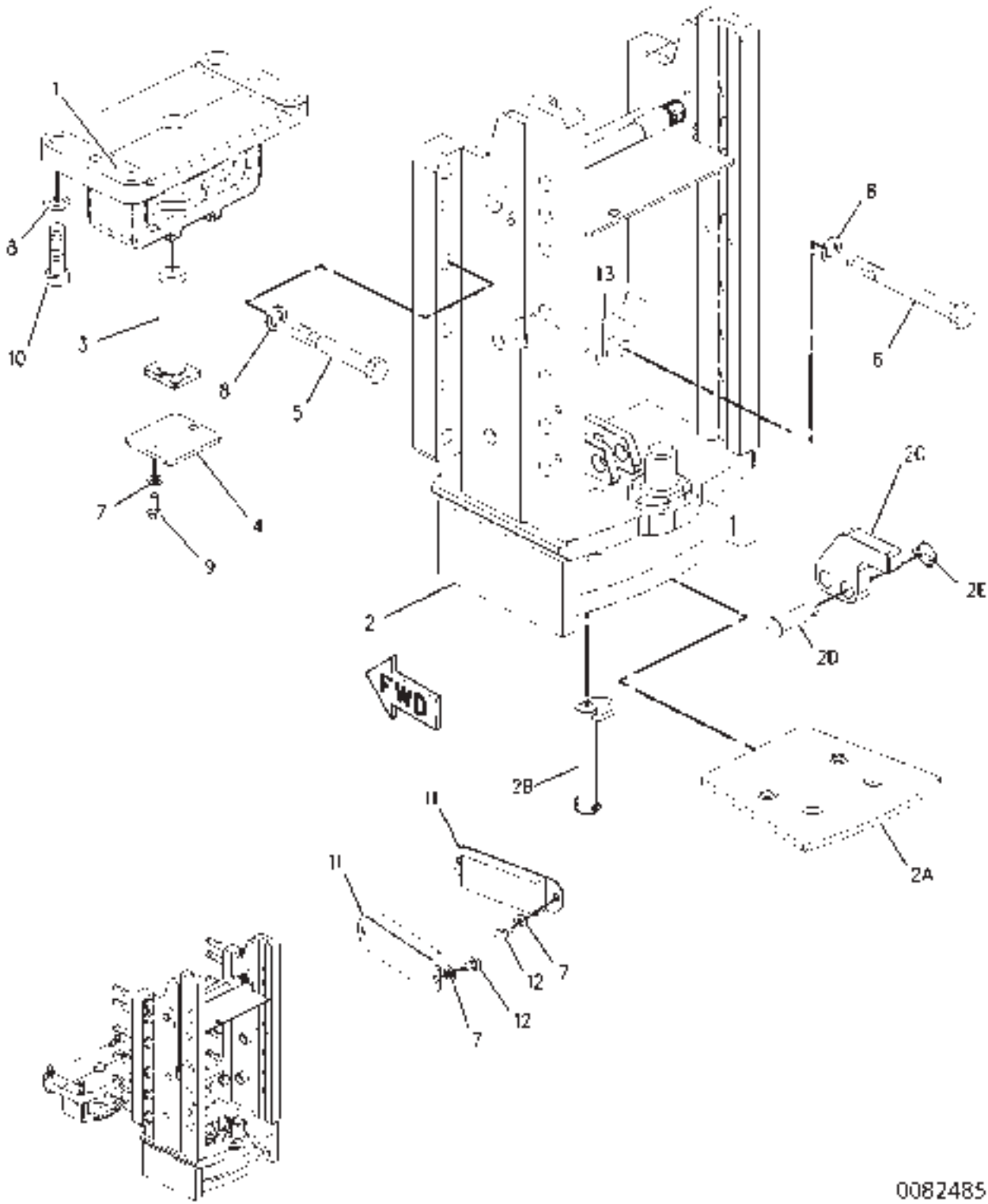
KIT-SUPPORT-DRAWBAR - 200-8769
EAME ONLY

ITEM	NUMBER	QTY	DESCRIPTION
-	200-8769	--	SUPPORT GP-DRAWBAR [A]
1	184-5056	1	SUPPORT AS
2	400034X1	2	BOLT (M20X2.5X200MM)
3	400195X1	1	BOLT (M20X2.5X240MM)
4	400080X1	6	WASHER-PLATED (22X35X3.5MM THK)
5	400286X1	3	NUT (M20X2.5 THD)
6	400237X1	2	BOLT (M16X2X200MM)
7	400082X1	2	WASHER (17.5X30X3.5MM THK)

00819613
PR: t05c24o40d0430

MT700B SERIES TRACK TRACTOR
DRAWBAR, THREE POINT HITCH AND PTO

SUPPORT AR-WITH PITON - 186-0986
EAME ONLY



MT700B SERIES TRACK TRACTOR
DRAWBAR, THREE POINT HITCH AND PTO

953

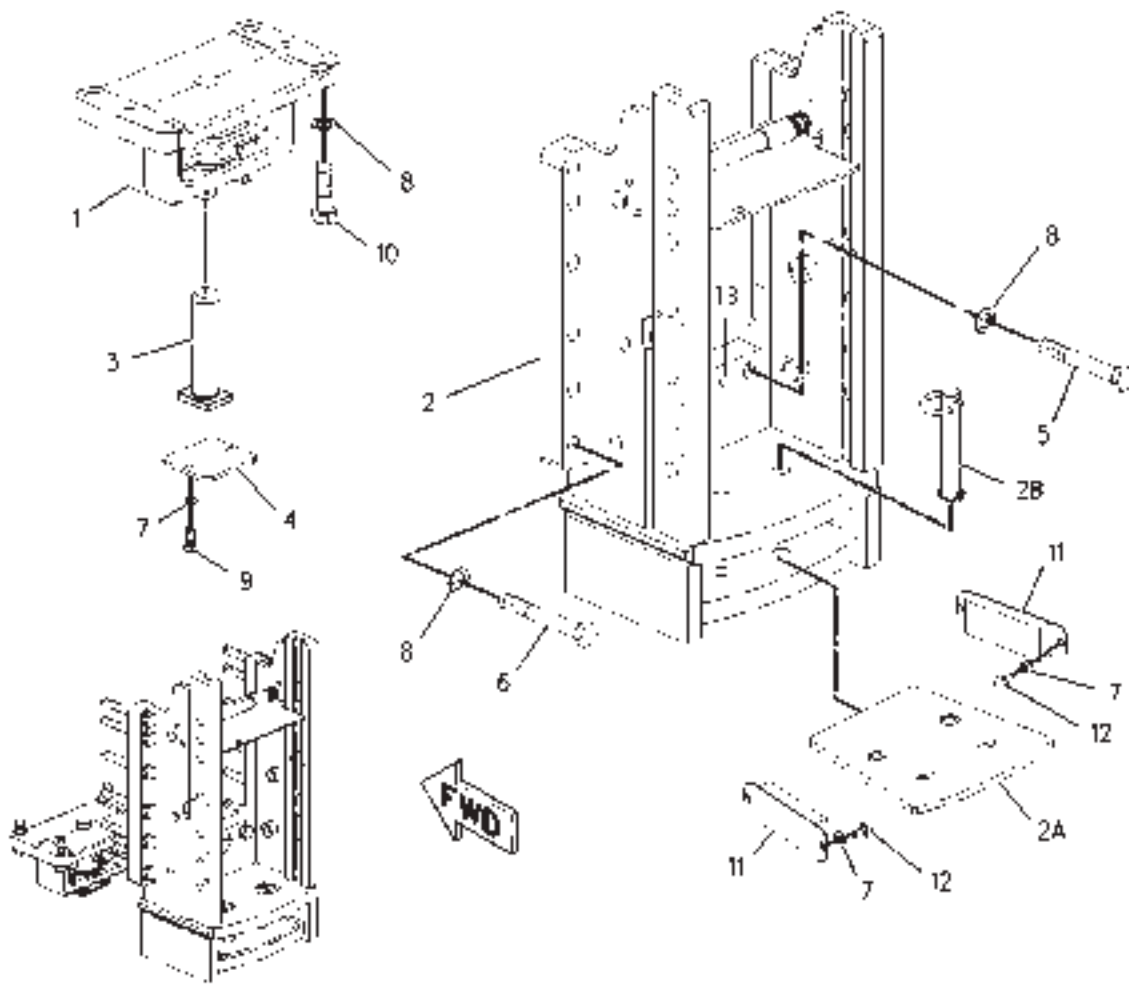
SUPPORT AR-WITH PITON - 186-0986
EAME ONLY

ITEM	NUMBER	QTY	DESCRIPTION
-	186-0986	--	SUPPORT AR-WITH PITON
1	169-0034	1	PIVOT-DRAWBAR
2	186-1005	1	SUPPORT AS (DOES NOT INCLUDE 2A-2E)
2A	186-1012	1	PLATE AS-WEAR
2B	CH186-1013	2	PIN AS-TOWHOOK CAGE
2C	CH186-1021	1	LATCH-PITON
2D	CH186-1083	2	PIN (21X70)
2E	CH5D-8159	2	PIN AS-LINCH (.188DIA)
3	CH201-6700	1	PIN-DRAWBAR
4	201-6701	1	PLATE
5	400269X1	14	BOLT (M20X2.5X150MM)
6	400034X1	2	BOLT (M20X2.5X200MM)
7	400287X1	6	WASHER-HARD (11X21X2.5MM THK)
8	400080X1	20	WASHER-PLATED (22X35X3.5MM THK)
9	400039X1	2	BOLT (M10X1.5X25MM)
10	400122X1	4	BOLT (M20X2.5X70MM)
11	CH200-8749	2	STOP AS
12	400054X1	4	BOLT (M10X1.5X16MM)
13	400090X1	2	PLUG

00824851
PR: t05c24o40d0431

MT700B SERIES TRACK TRACTOR
DRAWBAR, THREE POINT HITCH AND PTO

SUPPORT AR-WITHOUT PITON - 186-0987
EAME ONLY



00847737

MT700B SERIES TRACK TRACTOR
DRAWBAR, THREE POINT HITCH AND PTO

955

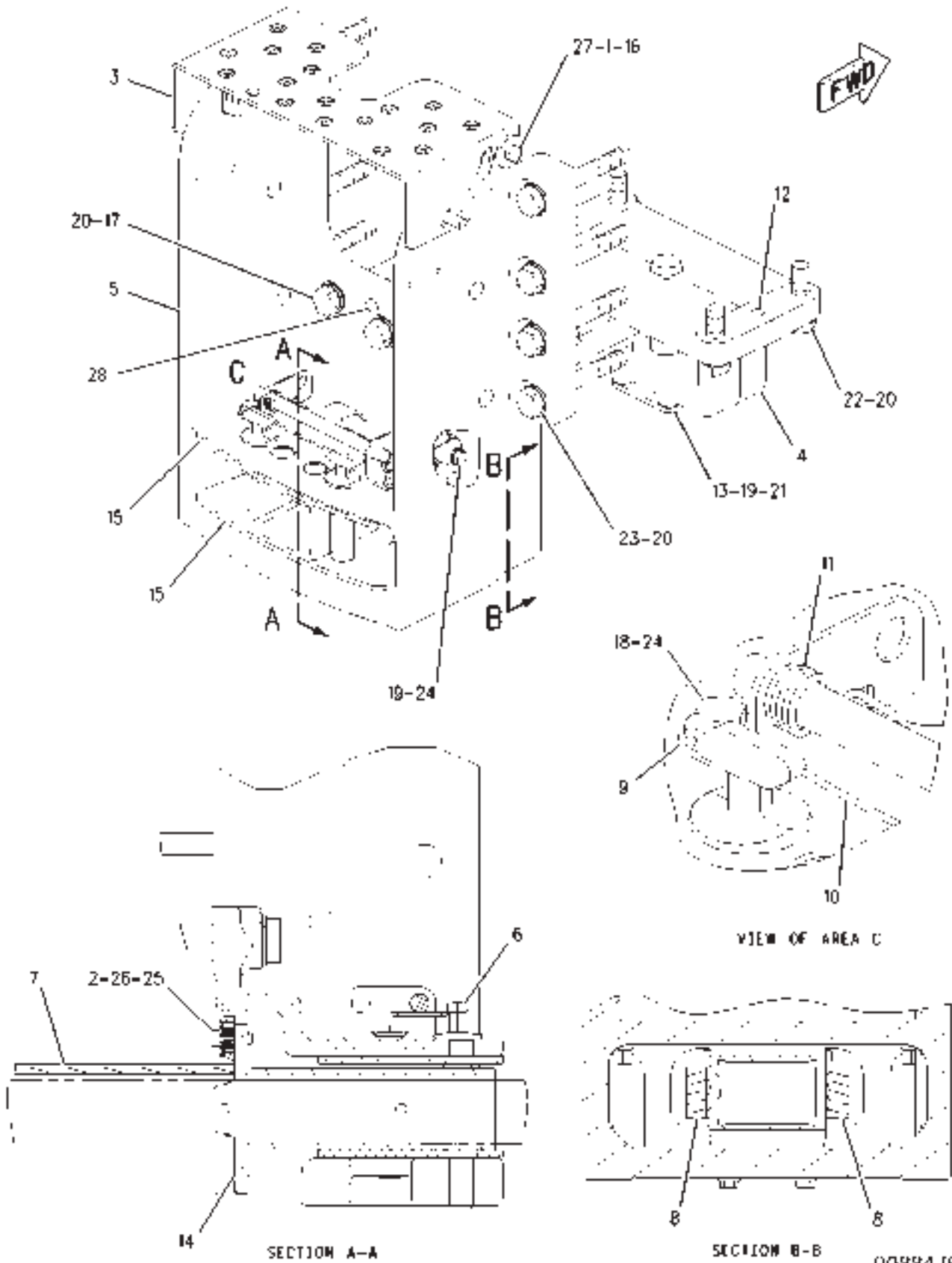
SUPPORT AR-WITHOUT PITON - 186-0987
EAME ONLY

ITEM	NUMBER	QTY	DESCRIPTION
-	186-0987	--	SUPPORT AR-WITHOUT PITON
1	169-0034	1	PIVOT-DRAWBAR
2	186-1011	1	SUPPORT AS (DOES NOT INCL 2A-2B)
2A	186-1012	1	PLATE AS-WEAR
2B	CH186-1013	2	PIN AS
3	CH201-6700	1	PIN-DRAWBAR
4	201-6701	1	PLATE
5	400269X1	14	BOLT (M20X2.5X150MM)
6	400034X1	2	BOLT (M20X2.5X200MM)
7	400287X1	6	WASHER-HARD (11X21X2.5MM THK)
8	400080X1	20	WASHER-PLATED (22X35X3.5MM THK)
9	400039X1	2	BOLT (M10X1.5X25MM)
10	400122X1	4	BOLT (M20X2.5X70MM)
11	CH200-8749	2	STOP AS
12	400054X1	4	BOLT (M10X1.5X16MM)
13	CH193-5917	2	PLUG

00847737
PR: t05c24o40d0432

MT700B SERIES TRACK TRACTOR
DRAWBAR, THREE POINT HITCH AND PTO

SUPPORT AR-DRAWBAR (UK) - 200-0006
EAME ONLY



00884/95

MT700B SERIES TRACK TRACTOR
DRAWBAR, THREE POINT HITCH AND PTO

957

SUPPORT AR-DRAWBAR (UK) - 200-0006
EAME ONLY

ITEM	NUMBER	QTY	DESCRIPTION
-	200-0006	--	SUPPORT AR-DRAWBAR
1	CH6L-1698	2	SPACER (13.87X21.34X12.7MM THK)
2	CH114-5785	2	SPACER (10.5X19X11.5MM THK)
3	156-1334	1	GUARD AS-PTO (INCL PIN)
	CH4H-8380		PIN-SPRING (4.76DIAX19.05 SST)
4	169-0034	1	PIVOT-DRAWBAR
5	169-0076	1	SUPPORT
6	CH190-2585	2	PIN
7	200-8706	1	BRACKET AS
8	CH200-8749	2	STOP AS
9	200-8757	2	BRACKET
10	200-8758	1	LATCH AS
11	CH200-8771	1	SPRING
12	CH201-6700	1	PIN-DRAWBAR
13	201-6701	1	PLATE
14	201-8343	1	SUPPORT AS
15	170-2274	2	PLATE AS-WEAR
16	CH7X-0618	2	WASHER-HARD (13.5X40X5MM THK)
17	400034X1	2	BOLT (M20X2.5X200MM)
18	CH7X-7729	6	WASHER (11X25X3MM THK)
19	400287X1	6	WASHER-HARD (11X21X2.5MM THK)
20	400080X1	16	WASHER-PLATED (22X35X3.5MM THK)
21	400040X1	2	BOLT (M10X1.5X20MM)
22	400122X1	4	BOLT (M20X2.5X70MM)
23	400043X1	10	BOLT (M20X2.5X150MM)
24	400054X1	10	BOLT (M10X1.5X16MM)
25	400058X1	2	BOLT (M10X1.5X30MM)
26	CH8T-4222	2	WASHER-PLATED (11X32X2.5MM THK)
27	400064X1	2	BOLT (M12X1.75X35MM)
28	400090X1	2	PLUG-PROTECTIVE (M20)

00884795
 PR: t05c24o40d0433

958

**MT700B SERIES TRACK TRACTOR
OPERATOR STATION**

**CAB AR-BASIC - 502664D1
ROW ONLY**

NO ILLUSTRATION

NOTIF

**MT700B SERIES TRACKTRACTOR
OPERATOR STATION**

959

**CAB AR-BASIC - 502664D1
ROW ONLY**

ITEM	NUMBER	QTY	DESCRIPTION
1	502502D1	1	CONDITIONER GP-MOUNTING (NOT SERVICED) (SEE BREAKDOWN FOR COMPONENTS)
2	152-0001	1	CAB GP-BASIC (NOT SERVICED) (SEE BREAKDOWN FOR COMPONENTS)
3	152-0417	1	ROOF GP - CAB (NOT SERVICED) (SEE BREAKDOWN FOR COMPONENTS)
4	502658D1	1	LINER GP-OPERATOR (NOT SERVICED) (SEE BREAKDOWN FOR COMPONENTS)
5	152-0420	1	WIRING GP (NOT SERVICED) (SEE BREAKDOWN FOR COMPONENTS)
6	500768D1	1	CONSOLE GP (NOT SERVICED) (SEE BREAKDOWN FOR COMPONENTS)
7	152-0433	1	SEAT GP-TRAINING (NOT SERVICED) (SEE BREAKDOWN FOR COMPONENTS)
8	500839D1	1	CONSOLE GP-MTG & (NOT SERVICED) (SEE BREAKDOWN FOR COMPONENTS)
9	152-0438	1	CONT GP-BRAKE & CLUTCH (NOT SERVICED) (SEE BREAKDOWN FOR COMPONENTS)
10	502656D1	1	TRIM GP (NOT SERVICED) (SEE BREAKDOWN FOR COMPONENTS)
11	166-1211	1	WIRING GP-ARMREST (NOT SERVICED) (SEE BREAKDOWN FOR COMPONENTS)
12	168-1951	1	ANTENNA GP-RADIO (NOT SERVICED) (SEE BREAKDOWN FOR COMPONENTS)
13	208-2879	1	LINES GP-HEATER (NOT SERVICED) (SEE BREAKDOWN FOR COMPONENTS)

NOTIF
PR: t05c24o40d0434

960

**MT700B SERIES TRACK TRACTOR
OPERATOR STATION**

**CAB AR-BASIC - 500847D1
EAME ONLY**

NO ILLUSTRATION

NOTIF

**MT700B SERIES TRACKTRACTOR
OPERATOR STATION**

961

**CAB AR-BASIC - 500847D1
EAME ONLY**

ITEM	NUMBER	QTY	DESCRIPTION
-	500847D1	--	CAB AR-BASIC (NOT SERVICED)
1	502502D1	1	CONDITIONER GP-MOUNTING & (NOT SERVICED) (SEE BREAKDOWN FOR COMPONENTS)
2	152-0002	1	CAB GP (NOT SERVICED) (SEE BREAKDOWN FOR COMPONENTS)
3	152-0005	1	WIRING GP-CAB (NOT SERVICED) (SEE BREAKDOWN FOR COMPONENTS)
4	152-0418	1	LINER GP-OPERATOR (NOT SERVICED) (SEE BREAKDOWN FOR COMPONENTS)
5	152-0419	1	SPEAKER GP-RADIO (NOT SERVICED) (SEE BREAKDOWN FOR COMPONENTS)
6	152-0424	1	VISOR GP-CAB (NOT SERVICED) (SEE BREAKDOWN FOR COMPONENTS)
7	152-0425	1	WIPER GP (NOT SERVICED) (SEE BREAKDOWN FOR COMPONENTS)
8	500768D1	1	CONSOLE GP (NOT SERVICED) (SEE BREAKDOWN FOR COMPONENTS)
9	152-0433	1	SEAT GP-TRAINING (NOT SERVICED) (SEE BREAKDOWN FOR COMPONENTS)
10	500839D1	1	CONSOLE GP-MTG & (NOT SERVICED) (SEE BREAKDOWN FOR COMPONENTS)
11	152-0438	1	CONT GP-BRAKE & CLUTCH (NOT SERVICED) (SEE BREAKDOWN FOR COMPONENTS)
12	152-0444	1	ROOF GP-CAB (NOT SERVICED) (SEE BREAKDOWN FOR COMPONENTS)
13	152-0447	1	CONTROL GP-DECELERATOR (NOT SERVICED) (SEE BREAKDOWN FOR COMPONENTS)
14	152-0450	1	TRIM GP (NOT SERVICED) (SEE BREAKDOWN FOR COMPONENTS)
15	162-4101	1	LIGHTING GP-WARNING (NOT SERVICED) (SEE BREAKDOWN FOR COMPONENTS)
16	166-1211	0	WIRING GP-ARMREST (NOT SERVICED) (SEE BREAKDOWN FOR COMPONENTS)
17	168-1946	1	WIRING GP-CONSOLE (NOT SERVICED) (SEE BREAKDOWN FOR COMPONENTS)
18	168-1951	1	ANTENNA GP-RADIO (NOT SERVICED) (SEE BREAKDOWN FOR COMPONENTS)
19	172-6857	1	CONTROL GP (NOT SERVICED) (SEE BREAKDOWN FOR COMPONENTS)
20	192-5590	1	MIRROR GP-ELECTRIC (NOT SERVICED) (SEE BREAKDOWN FOR COMPONENTS)
21	206-0588	1	MIRROR GP - STARTING (NOT SERVICED) (SEE BREAKDOWN FOR COMPONENTS)
22	208-2879	1	LINES GP-HEATER (NOT SERVICED) (SEE BREAKDOWN FOR COMPONENTS)
23	500761D1	1	COVER GP (NOT SERVICED) (SEE BREAKDOWN FOR COMPONENTS)

NOTIF
PR: t05c24o40d0435

962

**MT700B SERIES TRACK TRACTOR
OPERATOR STATION**

**CAB AR-DELUXE - 502663D1
ROW ONLY**

NO ILLUSTRATION

NOTIF

**MT700B SERIES TRACKTRACTOR
OPERATOR STATION**

963

**CAB AR-DELUXE - 502663D1
ROW ONLY**

ITEM	NUMBER	QTY	DESCRIPTION
-	500847D1	--	CAB AR-BASIC (NOT SERVICED) (SEE BREAKDOWN FOR COMPONENTS)
1	152-0001	1	CAB GP-BASIC (NOT SERVICED) (SEE BREAKDOWN FOR COMPONENTS)
2	152-0417	1	ROOF GP - CAB (NOT SERVICED) (SEE BREAKDOWN FOR COMPONENTS)
3	502658D1	1	LINER GP-OPERATOR (NOT SERVICED) (SEE BREAKDOWN FOR COMPONENTS)
4	152-0419	1	SPEAKER GP-RADIO (NOT SERVICED) (SEE BREAKDOWN FOR COMPONENTS)
5	152-0420	1	WIRING GP (NOT SERVICED) (SEE BREAKDOWN FOR COMPONENTS)
6	152-0424	1	VISOR GP-CAB (NOT SERVICED) (SEE BREAKDOWN FOR COMPONENTS)
7	152-0425	1	WIPER GP (NOT SERVICED) (SEE BREAKDOWN FOR COMPONENTS)
8	500768D1	1	CONSOLE GP (NOT SERVICED) (SEE BREAKDOWN FOR COMPONENTS)
9	152-0433	1	SEAT GP-TRAINING (NOT SERVICED) (SEE BREAKDOWN FOR COMPONENTS)
10	500839D1	1	CONSOLE GP-MTG & (NOT SERVICED) (SEE BREAKDOWN FOR COMPONENTS)
11	152-0438	1	CONT GP-BRAKE & CLUTCH (NOT SERVICED) (SEE BREAKDOWN FOR COMPONENTS)
12	502656D1	1	TRIM GP (NOT SERVICED) (SEE BREAKDOWN FOR COMPONENTS)
13	162-4096	1	WIRING GP-SHUTOFF (NOT SERVICED) (SEE BREAKDOWN FOR COMPONENTS)
14	162-4097	1	WIRING GP-CONSOLE (NOT SERVICED) (SEE BREAKDOWN FOR COMPONENTS)
15	166-1211	1	WIRING GP-ARMREST (NOT SERVICED) (SEE BREAKDOWN FOR COMPONENTS)
16	502501D1	1	CONDITIONER GP-MOUNTING & (NOT SERVICED) (SEE BREAKDOWN FOR COMPONENTS)
17	167-2182	1	BATTERY GP (NOT SERVICED) (SEE BREAKDOWN FOR COMPONENTS)
18	168-1951	1	ANTENNA GP-RADIO (NOT SERVICED) (SEE BREAKDOWN FOR COMPONENTS)
19	173-6501	1	WIRING GP-SHUTOFF (NOT SERVICED) (SEE BREAKDOWN FOR COMPONENTS)
20	192-5590	1	MIRROR GP-ELECTRIC (NOT SERVICED) (SEE BREAKDOWN FOR COMPONENTS)
21	208-2882	1	LINES GP - HEATER (NOT SERVICED) (SEE BREAKDOWN FOR COMPONENTS)
22	210-1570	1	ANTENNA GP-RADIO (NOT SERVICED) (SEE BREAKDOWN FOR COMPONENTS)

NOTIF
PR: t05c24o40d0436

964

**MT700B SERIES TRACK TRACTOR
OPERATOR STATION**

**CAB AR-DELUXE - 500848D1
EAME ONLY**

NO ILLUSTRATION

NOTIF

**MT700B SERIES TRACKTRACTOR
OPERATOR STATION**

965

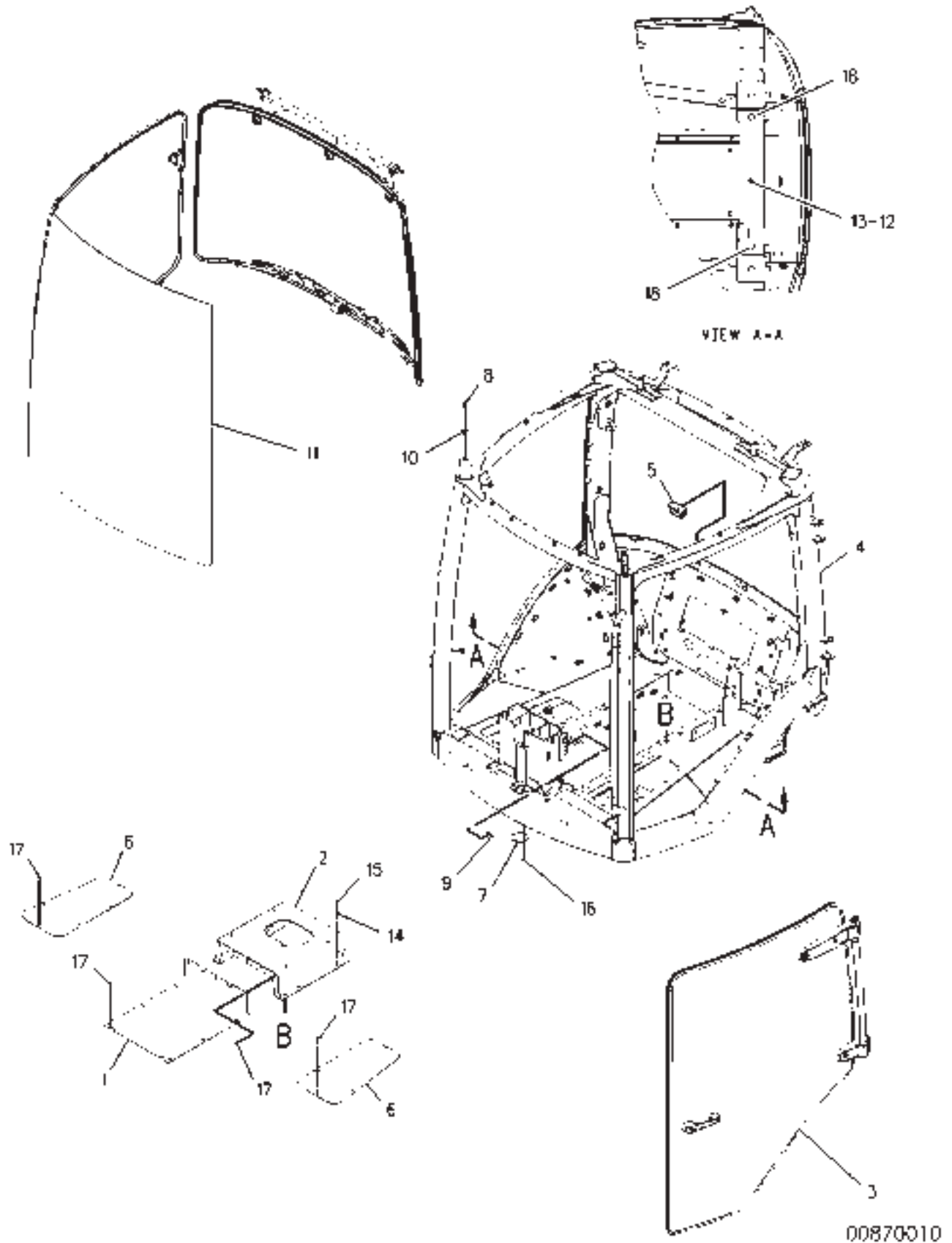
**CAB AR-DELUXE - 500848D1
EAME ONLY**

ITEM	NUMBER	QTY	DESCRIPTION
-	500848D1	--	CAB AR-DELUXE
1	152-0002	1	CAB GP (NOT SERVICED) (SEE BREAKDOWN FOR COMPONENTS)
2	152-0005	1	WIRING GP-CAB (NOT SERVICED) (SEE BREAKDOWN FOR COMPONENTS)
3	152-0418	1	LINER GP-OPERATOR (NOT SERVICED) (SEE BREAKDOWN FOR COMPONENTS)
4	152-0419	1	SPEAKER GP-RADIO (NOT SERVICED) (SEE BREAKDOWN FOR COMPONENTS)
5	152-0424	1	VISOR GP-CAB (NOT SERVICED) (SEE BREAKDOWN FOR COMPONENTS)
6	152-0425	1	WIPER GP (NOT SERVICED) (SEE BREAKDOWN FOR COMPONENTS)
7	500768D1	1	CONSOLE GP (NOT SERVICED) (SEE BREAKDOWN FOR COMPONENTS)
8	152-0433	1	SEAT GP-TRAINING (NOT SERVICED) (SEE BREAKDOWN FOR COMPONENTS)
9	500839D1	1	CONSOLE GP-MTG (NOT SERVICED) (SEE BREAKDOWN FOR COMPONENTS)
10	152-0438	1	CONT GP-BRAKE & CLUTCH (NOT SERVICED) (SEE BREAKDOWN FOR COMPONENTS)
11	152-0444	1	ROOF GP-CAB (NOT SERVICED) (SEE BREAKDOWN FOR COMPONENTS)
12	152-0447	1	CONTROL GP-DECELERATOR (NOT SERVICED) (SEE BREAKDOWN FOR COMPONENTS)
13	152-0450	1	TRIM GP (NOT SERVICED) (SEE BREAKDOWN FOR COMPONENTS)
14	162-4101	1	LIGHTING GP-WARNING (NOT SERVICED) (SEE BREAKDOWN FOR COMPONENTS)
15	166-1211	1	WIRING GP-ARMREST (NOT SERVICED) (SEE BREAKDOWN FOR COMPONENTS)
16	502501D1	1	CONDITIONER GP-MOUNTING (NOT SERVICED) (SEE BREAKDOWN FOR COMPONENTS)
17	168-1946	1	WIRING GP-CONSOLE (NOT SERVICED) (SEE BREAKDOWN FOR COMPONENTS)
18	168-1951	1	ANTENNA GP-RADIO (NOT SERVICED) (SEE BREAKDOWN FOR COMPONENTS)
19	172-6857	1	CONTROL GP (NOT SERVICED) (SEE BREAKDOWN FOR COMPONENTS)
20	173-6501	1	WIRING GP-SHUTOFF (NOT SERVICED) (SEE BREAKDOWN FOR COMPONENTS)
21	192-5590	1	MIRROR GP-ELECTRIC (NOT SERVICED) (SEE BREAKDOWN FOR COMPONENTS)
22	206-0588	1	MIRROR GP - STARTING (NOT SERVICED) (SEE BREAKDOWN FOR COMPONENTS)
23	208-2882	1	LINES GP - HEATER (NOT SERVICED) (SEE BREAKDOWN FOR COMPONENTS)
24	500761D1	1	COVER GP (NOT SERVICED) (SEE BREAKDOWN FOR COMPONENTS)

NOTIF
PR: t05c24o40d0437

MT700B SERIES TRACK TRACTOR
OPERATOR STATION

CAB GP - 152-0001
ROW ONLY



00870010

**MT700B SERIES TRACKTRACTOR
OPERATOR STATION**

967

**CAB GP - 152-0001
ROW ONLY**

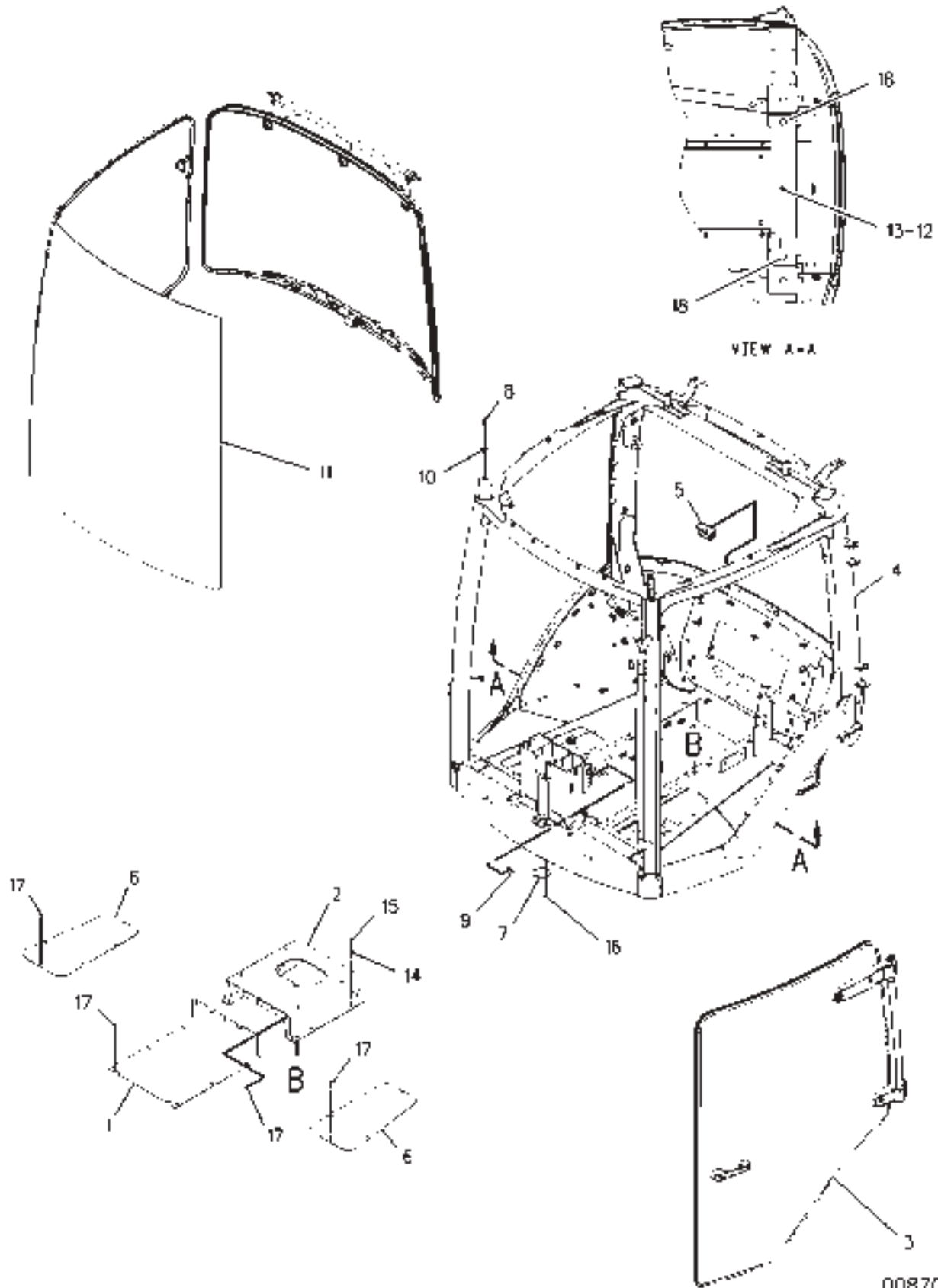
ITEM	NUMBER	QTY	DESCRIPTION
-	152-0001	--	CAB GP (NOT SERVICED)
1	151-8559	1	PLATE
2	151-9961	1	PLATE AS
	400313X1	5	NUT-WELD (M6X1 THD)
	CH7T-1099	4	LINK
	CH8T-0276	4	BOLT (M8X1.25X45MM)
	CH8T-3490	4	NUT-WELD (M10X1.5 THD)
3	500927D1	1	DOOR GP-LH (NOT SERVICED) (SEE BREAKDOWN FOR COMPONENTS)
4	152-0001	1	FRAME AS
5	164-7017	1	SEAL (REAR WIRING)
6	166-4558	2	COVER (FLOOR)
7	180-9966	1	COVER
8	CH187-4902	AR	INSERT
9			NOT USED IN THIS GP
10			NOT USED IN THIS GP
11	151-9994	1	WINDOW GP-CAB (NOT SERVICED) (SEE BREAKDOWN FOR COMPONENTS)
12	CH3E-4353	4	WASHER-HARD (11X25X3MM THK)
13	400190X1	1	BOLT (M12X1.75X16MM)
14	400287X1	6	WASHER-HARD (11X21X2.5MM THK)
15	400058X1	6	BOLT (M10X1.5X30MM)
16	400227X1	5	BOLT (M8X1.25X16MM)
17	CH9X-2042	21	SCREW-TRUSS HEAD (M6X1X12MM)
18	CH225-6215	4	PLUG

[A] PART OF 502663D1; 502664D1 CAB AR

00870010
PR: t05c24o40d0438

MT700B SERIES TRACK TRACTOR
OPERATOR STATION

CAB GP - 152-0002
EAME ONLY



00870010

**MT700B SERIES TRACKTRACTOR
OPERATOR STATION**

969

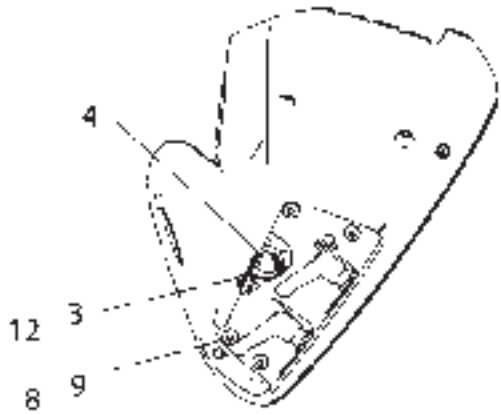
**CAB GP - 152-0002
EAME ONLY**

ITEM	NUMBER	QTY	DESCRIPTION
-	152-0002	--	CAB GP (NOT SERVICED)
1	151-8559	1	PLATE
2	151-9961	1	PLATE AS
	400313X1	5	NUT-WELD (M6X1 THD)
	CH7T-1099	4	LINK
	CH8T-0276	4	BOLT (M8X1.25X45MM)
	CH8T-3490	4	NUT-WELD (M10X1.5 THD)
3	500927D1	1	DOOR GP-LH (NOT SERVICED) (SEE BREAKDOWN FOR COMPONENTS)
4	152-0002	1	FRAME AS
5	164-7017	1	SEAL (REAR WIRING)
6	166-4558	2	COVER (FLOOR)
7	180-9966	1	COVER
8	CH187-4902	6	INSERT
9			NOT USED IN THIS GP
10			NOT USED IN THIS GP
11	151-9995	1	WINDOW GP-CAB (NOT SERVICED) (SEE BREAKDOWN FOR COMPONENTS)
12	CH3E-4353	1	WASHER-HARD (11X25X3MM THK)
13	400190X1	1	BOLT (M12X1.75X16MM)
14	400287X1	6	WASHER-HARD (11X21X2.5MM THK)
15	400058X1	6	BOLT (M10X1.5X30MM)
16	400227X1	5	BOLT (M8X1.25X16MM)
17	CH9X-2042	21	SCREW-TRUSS HEAD (M6X1X12MM)
18	CH9X-3994	4	PLUG PROTECTIVE 25.5 DIA

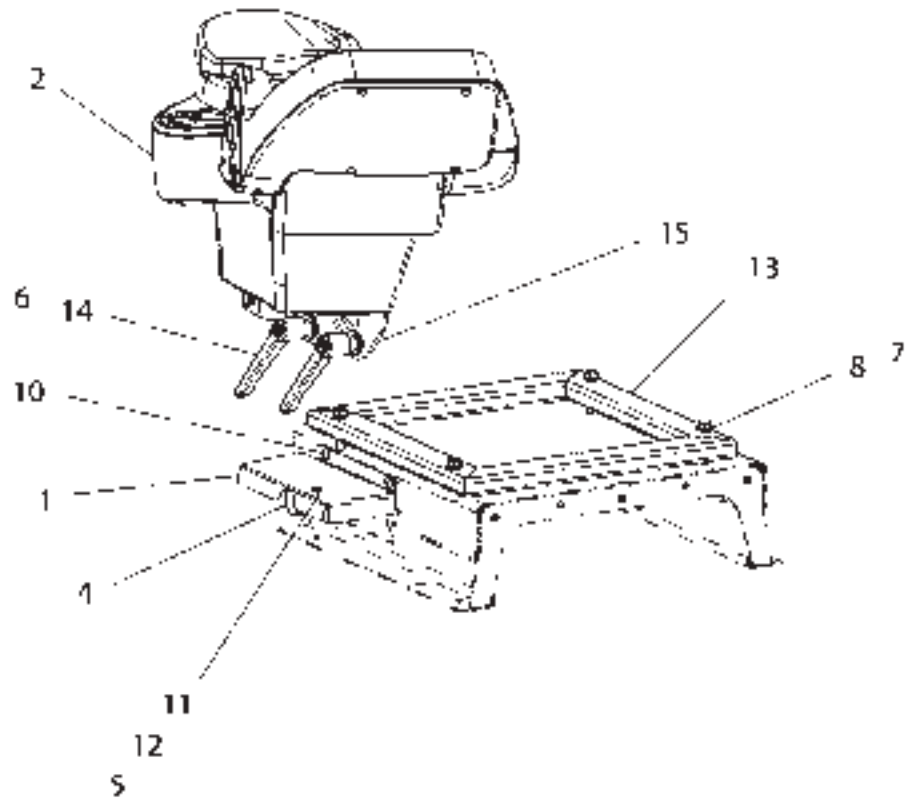
[A] PART OF 502847D1; 502848D1 CAB AR

00870010
PR: t05c24o40d0439

CONSOLE GP-MTG - 500839D1



VIEW OF UNDERSIDE OF ARMREST



500839DC

**MT700B SERIES TRACKTRACTOR
OPERATOR STATION**

971

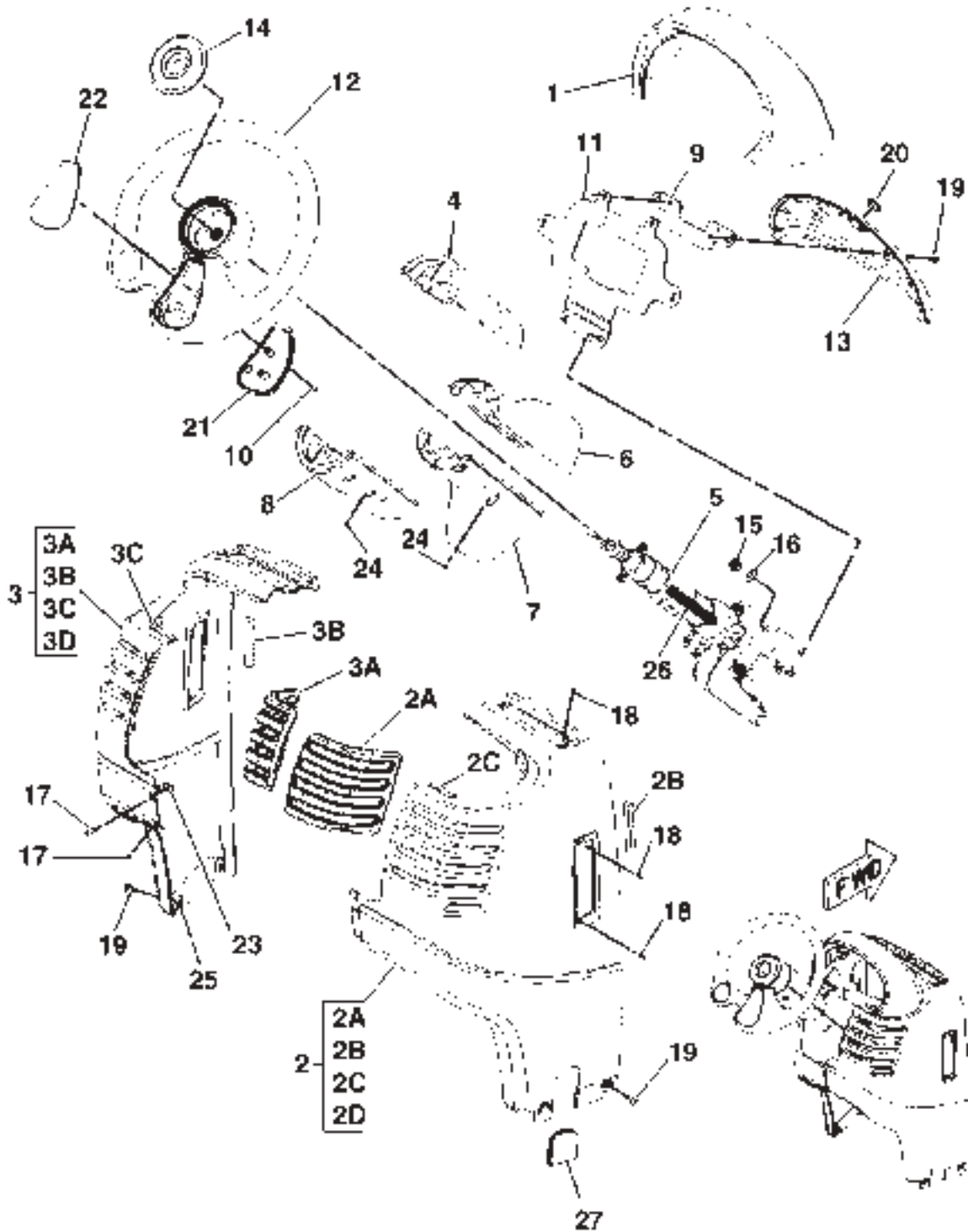
CONSOLE GP-MTG - 500839D1

ITEM	NUMBER	QTY	DESCRIPTION
-	500839D1	--	CONSOLE GP-MOUNTING [A] (NOT SERVICED)
1	178-7952	1	BRACKET - ARMREST
2	152-0434	1	CONSOLE GP-OPERATOR (NOT SERVICED) (SEE BREAKDOWN FOR COMPONENTS)
3	CH3E-8020	1	SCREW-M6X1X25 ORG TORX
4	CH4D-7388	2	CLIP-LOOP 34.9 ID
5	400300X1	1	NUT M6X1
6	CH5P-8247	4	WASHER-HARD 17IDX32ODX3.5MM
7	400161X1	4	BOLT-M10X1.5X50 PH&O HHD 10.9
8	CH6V-5839	8	WASHER-HARD 11IDX21ODX2.5MM
9	CH9X-2039	4	SCREW-M10X1.5X35 ORG TORX
10	CH9X-2044	2	SCREW-M6X1X16MM TRUSS HEAD
11	CH9X-2045	1	SCREW-M6X1X20MM ORG TORX T30
12	CH9X-6165	2	WASHER-6.5IDX22ODX2.5MM
13	500483D1	1	SUPPORT AS
14	500854D1	2	LEVER
15	219-9656	1	BRACKET AS.-ARMREST

[A] PART OF 502663D1; 502664D1;
500847D1; 500848D1 CAB AR

500839DC
PR: t05c24o40d0440

CONSOLE GP - 500768D1



0789409A

**MT700B SERIES TRACK TRACTOR
OPERATOR STATION**

973

CONSOLE GP - 500768D1

ITEM	NUMBER	QTY	DESCRIPTION
-	500768D1	--	CONSOLE GP [A] (NOT SERVICED)
1	CH162-6660	1	COVER
2	200-1770	1	CONSOLE ASM-RH (INCLS 2A-2E)
2A		1	CONSOLE-RIGHT
2B	169-6386	1	SEAL
2C	201-4113	1	BUMPER
2E	201-9789		SEAL
3	200-1771	1	CONSOLE ASM-LH (INCLS 3A-3D)
3A		1	CONSOLE-LEFT
3B	169-6385	1	SEAL
3C	201-4113	1	BUMPER
3D	201-9789		SEAL
4	164-7044	1	COVER-TOP (UPPER COLUMN)
5	CH166-3611	1	STEERING COLUMN GP (SEE BREAKDOWN FOR COMPONENTS)
6	166-3754	1	COVER-TOP (LOWER COLUMN)
7	166-3755	1	COVER (LOWER COLUMN)
8	166-4555	1	COVER (UPPER COLUMN)
9	192-9017	1	BRACKET ASM (INCLUDES BRACKET AND NUT)
	6V-9632	2	NUT-WELD (M6X1)
10	CH186-1682	3	SCREW-PAN HEAD (6-32X0.75IN)
11	179-8220	1	BRACKET ASM
	7T-1099	1	LINK
12	195-5230	1	STEERING WHEEL
13	CH178-7965	1	COVER
14	195-5229	1	BUTTON-HORN
15	CH8T-0389	4	LOCKNUT (M10X1.5)
16	400287X1	4	WASHER-HARD (11X21X2.5)
17	CH9X-1046	2	SCREW (M4X0.7X18MM)
18	CH104-2091	6	SCREW-FLAT HEAD (6-20X0.5IN)
19	CH9X-2044	6	SCREW-TRUSS HEAD (M6X1X16MM)
20	CH7X-1434	1	PLUG
21	195-5227	1	COVER (REMOTE RADIO CONTROL)
22	195-5228	1	COVER
23	400084X1	1	NUT-RETAINER (M4X0.07X0.6-3.8 PANEL)
24	CH119-5026	8	SCREW-PAN HEAD (10-16X0.63IN)
25	400085X1	4	NUT-RETAINER (M6X1X1.63-3.8 PANEL)
26	CH191-1780	AR	CONDUIT-FLEXIBLE (14CM) (REQUIRED ONLY ON TRACTORS NOT EQUIPPED W/REMOTE RADIO CONTROLS)
27	201-4114	1	GROMMET

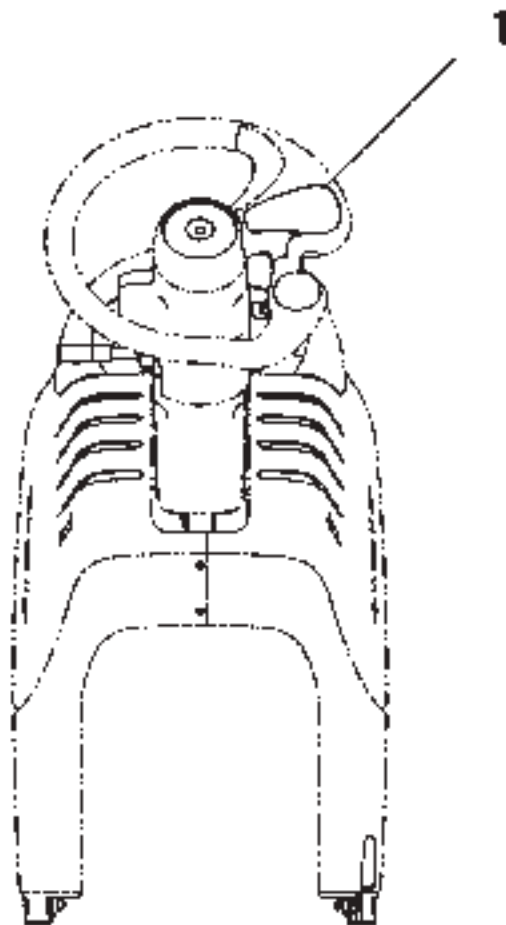
[A] PART OF 502663D1; 502664D1;
500847D1; 500848D1 CAB AR

0789409A
PR: t05c24o40d0441

974

**MT700B SERIES TRACK TRACTOR
OPERATOR STATION**

COVER GP - 500761D1



500761DB

**MT700B SERIES TRACK TRACTOR
OPERATOR STATION**

975

COVER GP - 500761D1

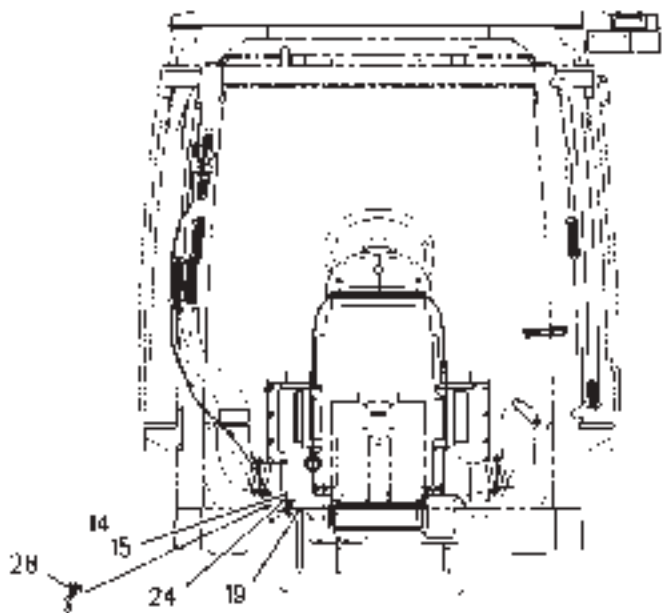
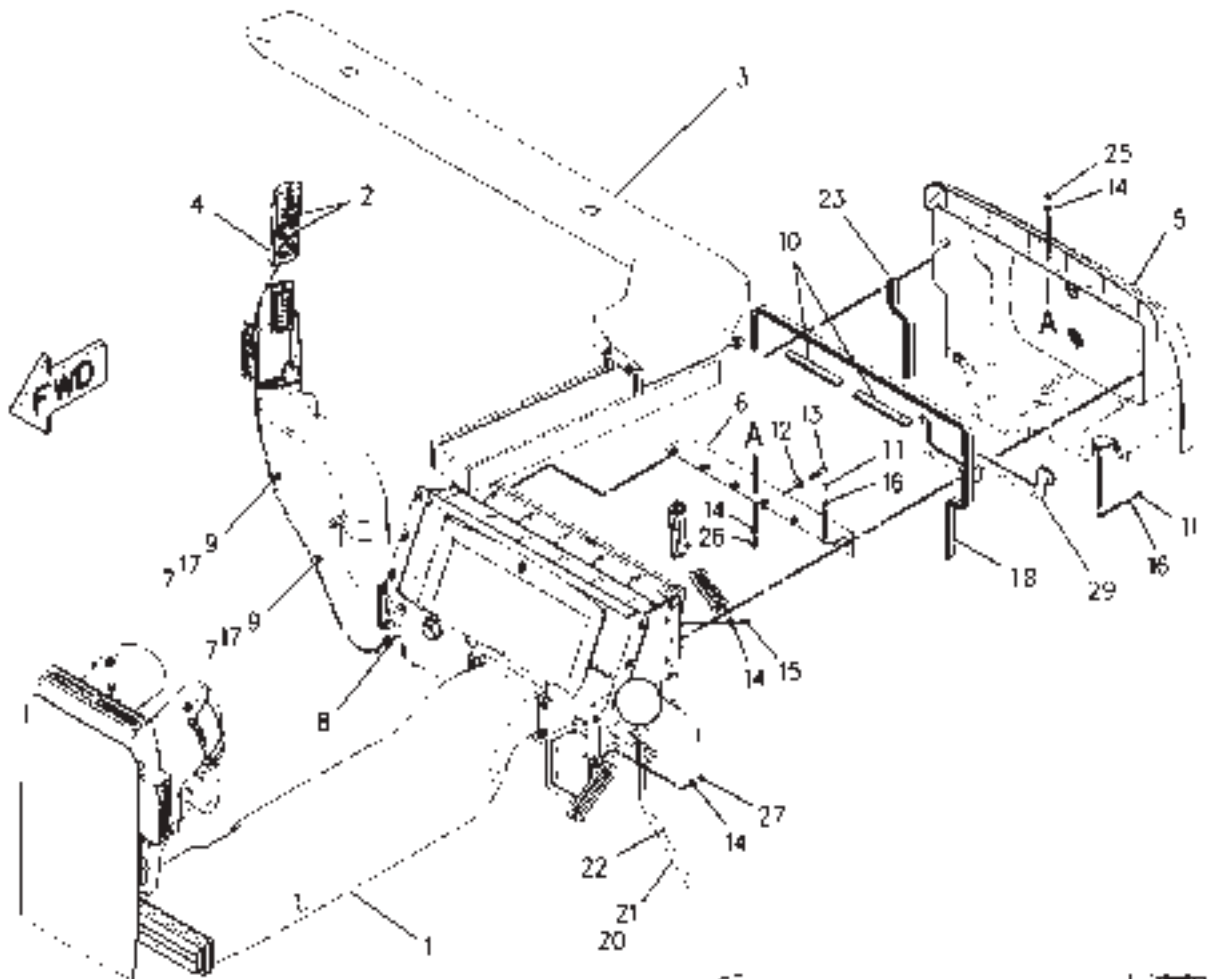
ITEM	NUMBER	QTY	DESCRIPTION
-	500761D1	--	COVER GP [A] (NOT SERVICED)
-	502796D1	--	COVER GP (NOT SERVICED) (REF ONLY)
1	195-5228	1	COVER

[A] PART OF: 500841D1; 500842D1;
502659D1; 502660D1 CAB AR;

500761DB
PR: t05c24o40d0442

MT700B SERIES TRACK TRACTOR
OPERATOR STATION

AIR CONDITIONER & MOUNTING GP - BASIC
502502D1



FRONT VIEW

502502D1

**MT700B SERIES TRACK TRACTOR
OPERATOR STATION**

977

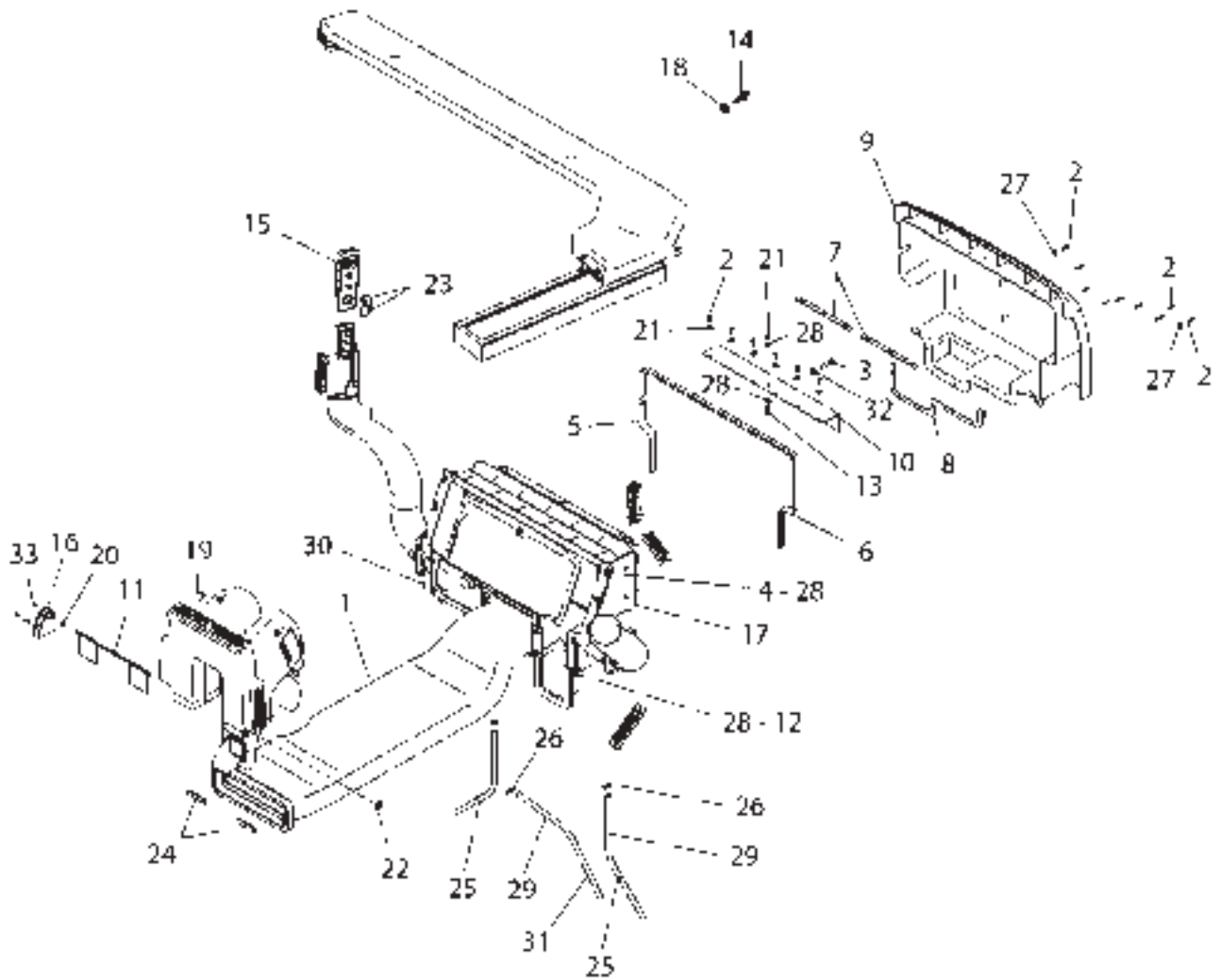
**AIR CONDITIONER & MOUNTING GP - BASIC
502502D1**

ITEM	NUMBER	QTY	DESCRIPTION
-	502502D1	--	AIR CONDITIONER & MTG GP (NOT SERVICED)
1	502500D1	1	AIR CONDITIONER GP (NOT SERVICED) (SEE BREAKDOWN FOR COMPONENTS)
2	CH216-2628	2	KNOB AS (CONTROL)
3	166-4556	1	DUCT GP-CAB AIR (NOT SERVICED) (SEE BREAKDOWN FOR COMPONENTS)
4	166-4586	1	CONTROL GP-AIR & TEMPERATURE (SEE BREAKDOWN FOR COMPONENTS)
5	166-4603	1	COVER
6	174-5770	1	BRACKET AS
7	CH195-7925	3	CLIP
8	400948X1	1	GROMMET
9	400018X1	3	BOLT (M6X1.0X10MM)
10	501147D1	2	STRIP
11	400022X1	15	BOLT (M6X1.0X25MM)
12	CH7X-7729	1	WASHER (11X25X3MM THK)
13	400049X1	1	BOLT (M10X1.5X45MM)
14	400599X1	12	WASHER-HARD (8.8X20.5X2MM THK)
15	400053X1	6	BOLT (M8X1.25X20MM)
16	CH5P-4115	8	WASHER-HARD (7.2X19X2MM THK)
17	CH9X-8267	3	WASHER (6.6X12X2MM THK)
18	501145D1	1	SEAL-FOAM
19	CH3S-5096	3	CLAMP
20	CH7T-9793	3	VALVE (CHECK)
21	CH5P-4829	AR	TUBE (44.1 DM)
22	400837X1	2	STRAP-CABLE
23	501144D1	1	SEAL-FOAM
24	CH8Y-5737	1	CLIP
25	CH131-3540	1	LOCKNUT
26	400341X1	1	BOLT (M8X1.25X25MM)
27	400340X1	4	NUT (M8X1.25 THD)
28	500473D1	1	CLIP
29	502517D1	1	PLATE

PART OF 502663D1; 502664D1;
500847D1 CAB AR

502502DE
PR: t05c24o40d0443

AIR CONDITIONER & MOUNTING GP - DELUXE
502501D1



502501DD

**MT700B SERIES TRACK TRACTOR
OPERATOR STATION**

979

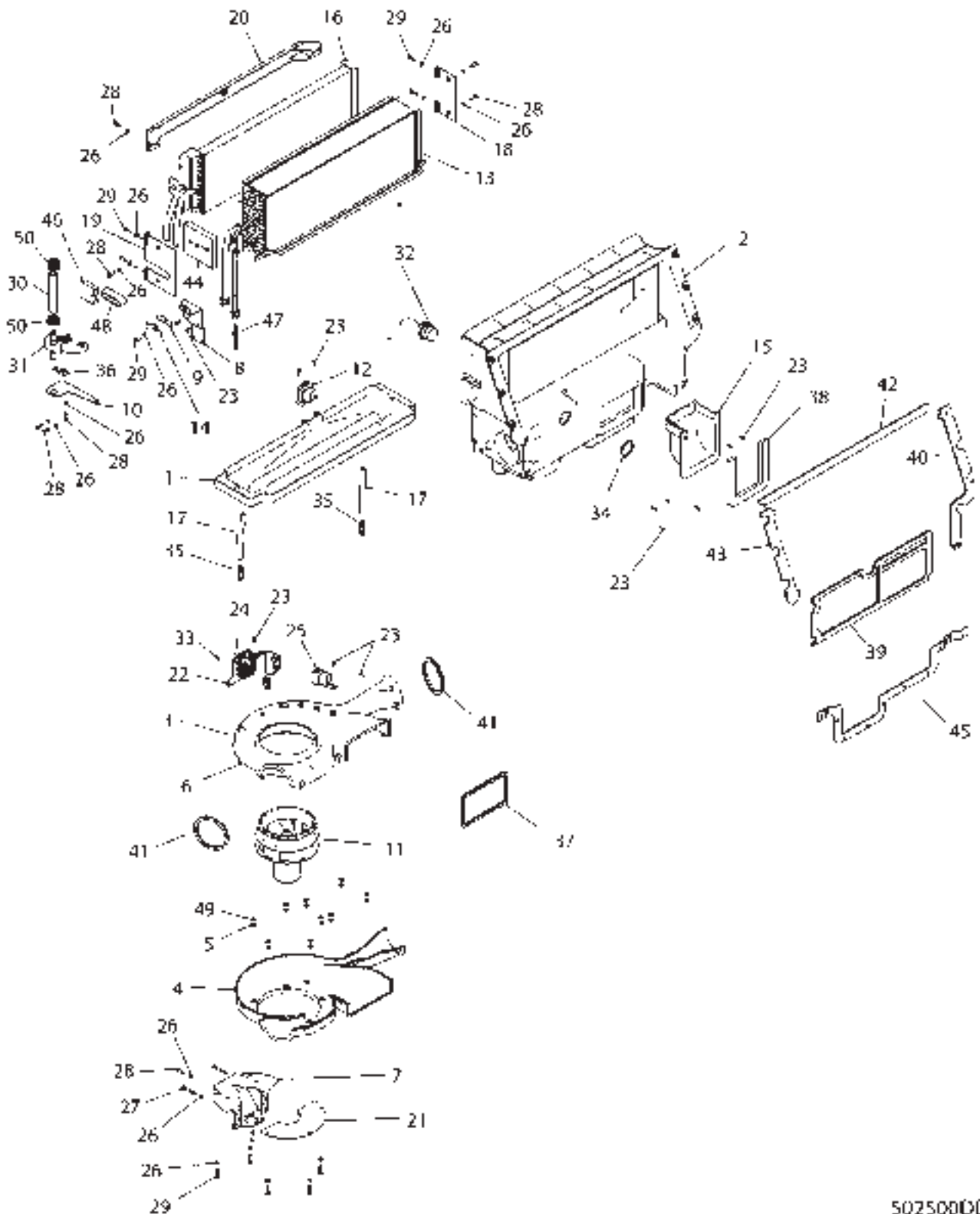
**AIR CONDITIONER & MOUNTING GP - DELUXE
502501D1**

ITEM	NUMBER	QTY	DESCRIPTION
-	502501D1	--	AIR CONDITIONER & MOUNTING GP [A] (NOT SERVICED)
1	166-4556	1	DUCT GP-CAB AIR (NOT SERVICED) (SEE BREAKDOWN FOR COMPONENTS)
2	400022X1	15	BOLT (M6X1.0X25MM)
3	400049X1	1	BOLT (M10X1.5X45MM)
4	400053X1	6	BOLT (M8X1.25X20MM)
5	501144D1	1	SEAL-FOAM
6	501145D1	1	SEAL-FOAM
7	501147D1	2	STRIP
8	502517D1	1	PLATE
9	166-4603	1	COVER
10	174-5770	1	BRACKET AS
11	198-4070	1	DOOR AS
12	400340X1	4	NUT (M8X1.25)
13	400341X1	1	BOLT (M8X1.25X25MM)
14	501697D1	1	SENSOR
15	501740D1	1	CONTROL GP-AIR & TEMPERATURE
16	501745D1	1	ACTUATOR
17	502499D1	1	AIR CONDITIONER GP (NOT SERVICED) (SEE BREAKDOWN FOR COMPONENTS)
18	CH107-5591	1	LOCKNUT (3/4-16)
19	CH128-2162	1	SENSOR GP-LIGHT (SUN LOAD)
20	CH131-3093	1	BUSHING
21	CH131-3540	1	LOCKNUT (M8X1.25)
22	CH192-4765	1	BUSHING
23	CH216-2628	2	KNOB AS-CONTROL
24	CH3E-6600	AR	SEAL (BULK) (16CM)
25	400837X1	2	STRAP-CABLE
26	CH3S-5096	3	CLAMP
27	CH5P-4115	8	WASHER-HARD (7.2X19X2)
28	400599X1	12	WASHER-HARD (8.8X20.5X2)
29	CH5P-6129	AR	TUBE (BULK) (44.1DM)
30	CH6K-6361	1	BUTTON-PLUG
31	CH7T-9793	3	VALVE (CHECK)
32	CH7X-7729	1	WASHER (11X25X3)
33	CH9X-1046	3	SCREW (M4X0.7X18MM)

[A] PART OF: 502663D1; 502664D1;
500848D1 CAB AR

502501DD
PR: t05c24o40d0444

AIR CONDITIONER GP - BASIC
502500D1



502500D0

**MT700B SERIES TRACK TRACTOR
OPERATOR STATION**

981

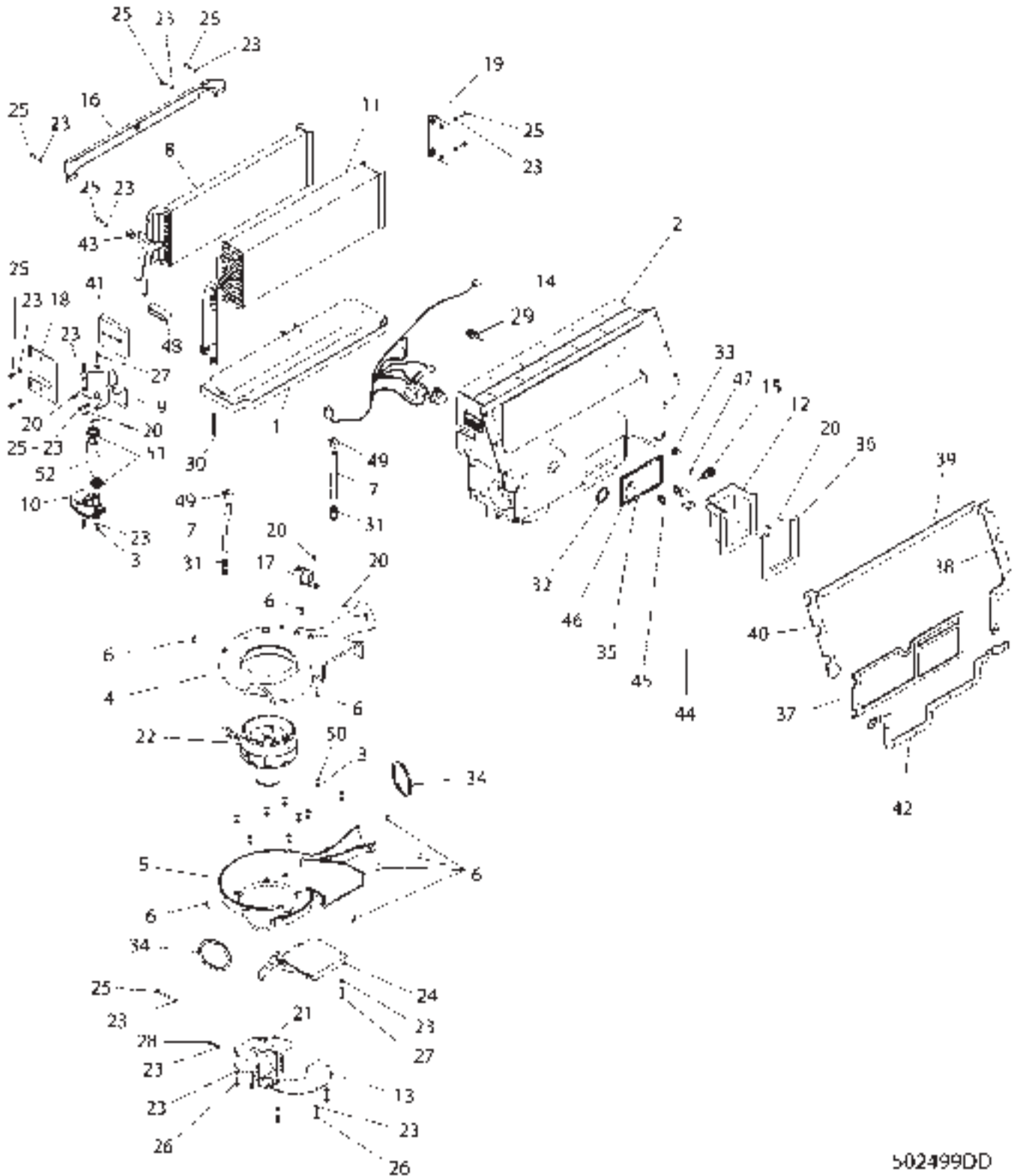
**AIR CONDITIONER GP - BASIC
502500D1**

ITEM	NUMBER	QTY	DESCRIPTION
-	502500D1	--	AIR CONDITIONER GP [A]
1	501705D1	1	PAN - DRAIN
2	501701D2	1	CASE AS
3	501703D1	1	HOUSING - BLOWER
4	501704D1	1	HOUSING - BLOWER
5	400300X1	9	NUT M6X1
6	400296X1	10	CLIP
7	501730D1	1	BRACKET AS.
8	501729D1	1	BRACKET AS.
9	501733D1	1	BRACKET
10	501735D1	1	ANGLE
11	501702D1	1	FAN AS.
12	400299X1	1	SWITCH AS. - THERMOSTAT
13	501709D1	1	COIL AS. - EVAP
14	501734D1	1	BRACKET
15	501706D1	1	DUCT - FRESH AIR
16	501727D1	1	COIL AS. - HEATER
17	400298X1	AR	TUBE - BULK (4 DM)
18	501716D1	1	RETAINER
19	501714D1	1	RETAINER
20	501713D1	1	BRACKET AS.
21	501731D1	1	BRACKET AS.
22	502267D1	1	THERMISTOR KIT
23	400305X1	22	SCREW - SELF TAPPING
24	501728D1	1	RESISTOR
25	400292X1	1	RELAY AS.
26	400310X1	23	WASHER
27	400307X1	4	BOLT M6X1X45
28	400221X1	14	BOLT-M6X1X20MM ZNDI HHD 10.9
29	400022X1	5	BOLT-M6X1X25MM ZNDI HHD 10.9
30	400294X1	AR	HOSE - BULK (13 CM)
31	501710D1	1	VALVE AS. - WATER
32	501711D2	1	HARNESS AS
33	400302X1	2	BOLT - HEX HEAD
34	400306X1	1	NUT - PANEL
35	400309X1	2	CONNECTOR
36	501732D1	1	BRACKET AS.
37	501719D1	1	GASKET
38	501720D2	1	GASKET
39	501721D2	1	GASKET
40	501722D2	1	GASKET
41	501718D1	2	GASKET
42	501723D2	1	GASKET
43	501724D2	1	GASKET
44	501725D1	1	GASKET
45	501726D1	1	GASKET
46	501737D1	1	GASKET
47	400932X1	1	ORIFICE AS. - A/C
48	502528D1	1	TAPE-REFRIGERANT
49	400301X1	9	WASHER-TOOTH
50	400308X1	2	CLAMP-HOSE

[A] PART OF: 502502D1 A/C & MTG GP

502500DD
PR: t05c24o40d0445

AIR CONDITIONER GP-DELUXE
502499D1



502499DD

**MT700B SERIES TRACK TRACTOR
OPERATOR STATION**

983

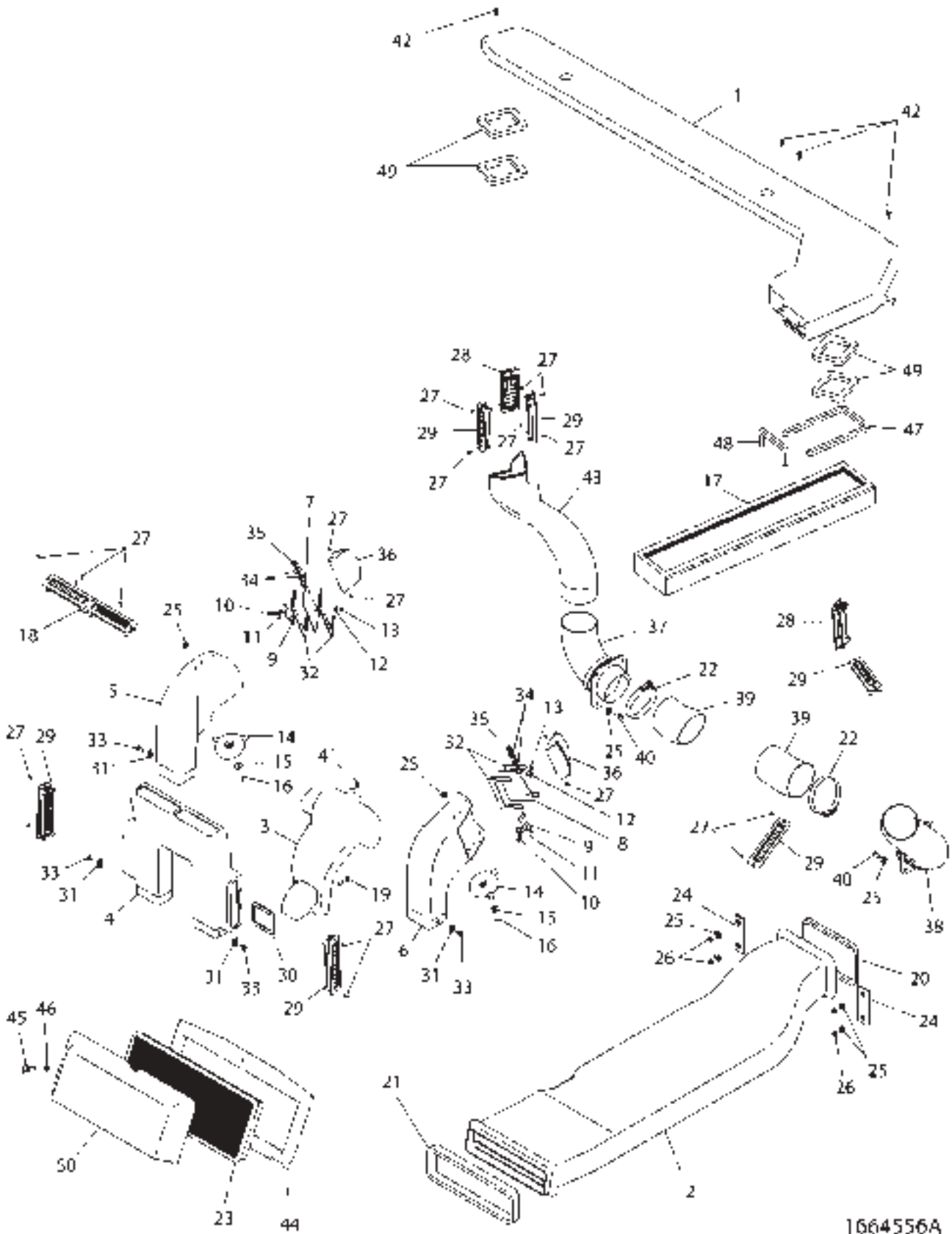
**AIR CONDITIONER GP-DELUXE
502499D1**

ITEM	NUMBER	QTY	DESCRIPTION
-	502499D1	--	CONDITIONER GP-AIR [A] (NOT SERVICED)
1	501705D1	1	PAN - DRAIN
2	501701D2	1	CASE AS
3	400300X1	11	NUT M6X1
4	501703D1	1	HOUSING - BLOWER
5	501704D1	1	HOUSING - BLOWER
6	400296X1	10	CLIP
7	400298X1	4	TUBE - BULK
8	501708D1	1	COIL AS. - HEATER
9	501712D1	1	BRACKET AS.
10	501700D1	1	VALVE AS. - WATER
11	501709D1	1	COIL AS. - EVAP
12	501706D1	1	DUCT - FRESH AIR
13	501731D1	1	BRACKET AS.
14	501707D2	1	HARNES AS
15	501697D1	2	SENSOR GP.
16	501713D1	1	BRACKET AS.
17	400292X1	1	RELAY AS.
18	501714D1	1	RETAINER
19	501716D1	1	RETAINER
20	400305X1	7	SCREW - SELF TAPPING
21	501730D1	1	BRACKET AS.
22	501702D1	1	FAN AS.
23	400310X1	28	WASHER
24	501717D1	1	CONTROL AS.
25	400221X1	11	BOLT-M6X1X20MM ZNDI HHD 10.9
26	400022X1	5	BOLT-M6X1X25MM ZNDI HHD 10.9
27	400185X1	6	BOLT-M6X1X35MM ZNDI HHD 10.9
28	400307X1	4	BOLT M6X1
29	400293X1	1	SENSOR AS.
30	400932X1	1	ORIFICE AS. - A/C
31	400309X1	2	CONNECTOR
32	400295X1	1	NUT - HEX
33	400297X1	1	PLUG
34	501718D1	2	GASKET
35	501719D1	1	GASKET
36	501720D2	1	GASKET
37	501721D2	1	GASKET
38	501722D2	1	GASKET
39	501723D2	1	GASKET
40	501724D2	1	GASKET
41	501725D1	1	GASKET
42	501726D1	1	GASKET
43	501146D1	1	GROMMET - WIRE
44	502033D1	1	BRACKET
45	400780X1	1	NUT-JAM #8 3/4-16 UNF 2B
46	502036D1	1	GASKET HVAC SENSOR PROBE
47	CH217-5909	2	SCREW-1/4-15X12.7 PAN THD CTG
48	502528D1	1	TAPE-REFRIGERANT
49	400109X1	2	CLAMP-HOSE
50	400301X1	9	LOCKWASHER-TOOTH
51	400308X1	2	CLAMP-HOSE
52	501738D1	AR	HOSE-HEATER (3/4ID) (20CM)

[A] PART OF: 502501D1; 502502D1
A/C & MTG GP

502499DD
PR: t05c24o40d0446

DUCT GP-CAB AIR
166-4556



1664556A

**MT700B SERIES TRACK TRACTOR
OPERATOR STATION**

985

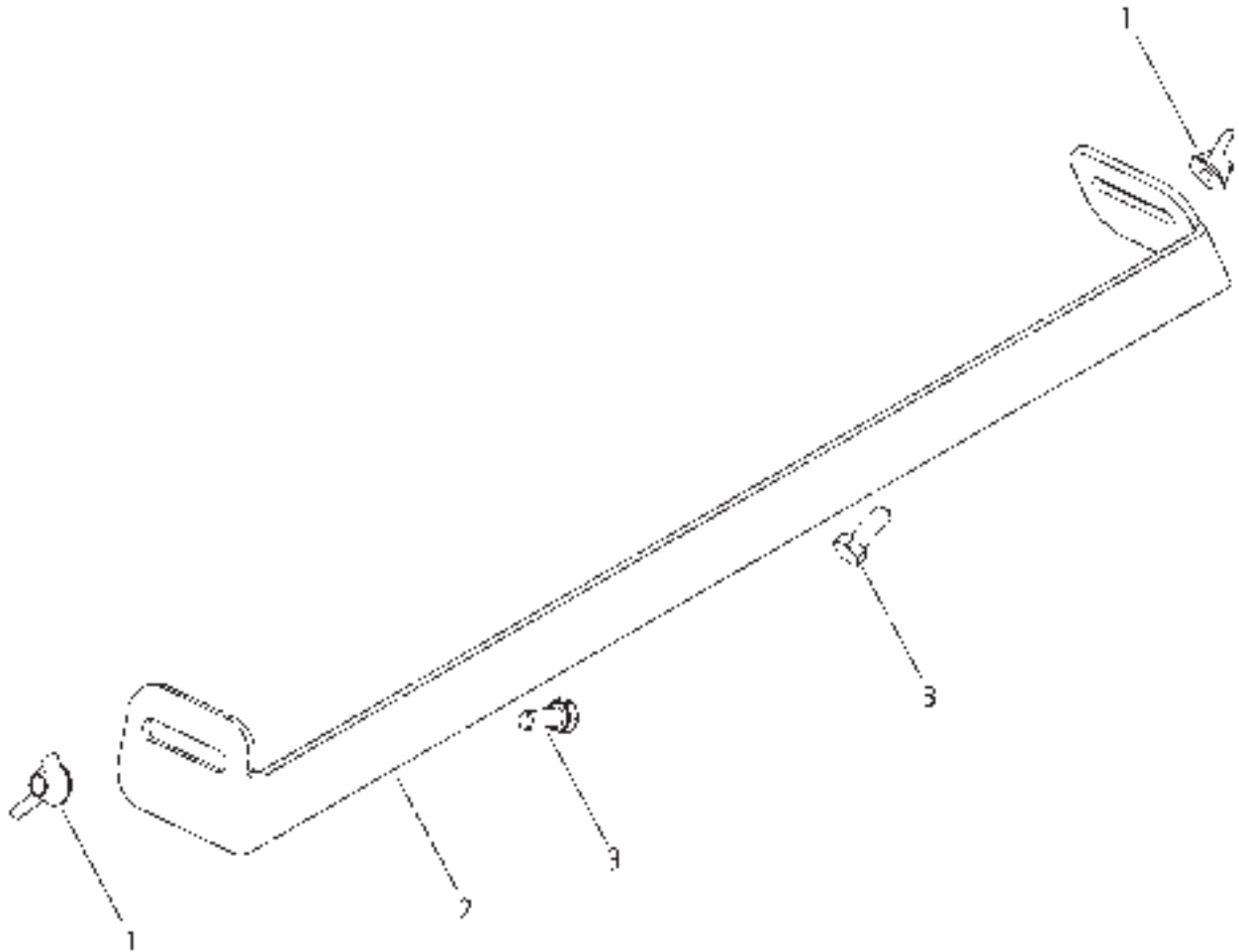
**DUCT GP-CAB AIR
166-4556**

ITEM	NUMBER	QTY	DESCRIPTION
-	166-4556	--	FILTER GP-CAB AIR [A] (NOT SERVICED)
1	162-6691	1	DUCT-ROOF
2	166-4617	1	DUCT-CENTER
3	169-6337	1	DUCT-FRONT (LOWER)
4	500445D1	1	DUCT-FRONT (DEFROST)
5	164-7023	1	DUCT-RH
6	166-4595	1	DUCT-LH
7	179-4221	1	BRACKET ASM-LH
8	179-4223	1	BRACKET ASM-RH
9	179-4225	2	ROD ASM
10	400221X1	2	BOLT (M6X1X20MM)
11	214-4667	2	PLATE
12	CH117-8929	2	WASHER-HARD (6.6IDX22ODX2)
13	400300X1	2	NUT (M6X1)
14	162-6734	2	WHEEL
15	CH9T-2281	2	SPRING
16	CH3B-4605	2	PIN-COTTER
17	501881D1	1	FILTER-AIR (CAB-OUTSIDE)
	501241D1	1	FILTER-AIR (CHARCOAL ACTV) (FIELD OPT)
18	CH164-8478	1	LOUVER ASM
19	CH9X-2046	2	SCREW-TRUSS HEAD (M6X1X35MM)
20	178-7974	1	GASKET
21	501210D1	1	GASKET
22	400127X1	6	CLAMP-HOSE
23	501153D1	1	FILTER-AIR (CAB-RECIRCULATION)
24	169-6373	2	CLAMP-CENTER DUCT
25	400599X1	14	WASHER-HARD (8.8X20.5X2)
26	400340X1	4	NUT (M8X1.25)
27	CH104-2091	26	SCREW-FLAT HEAD (6-20X0.5IN)
28	501826D1	3	LOUVER ASM
29	CH171-4047	6	LOUVER ASM
30	187-4906	1	GASKET
31	400085X1	4	NUT (U-TYPE RETAINER)
32	187-4921	4	SEAL
33	CH9X-2044	4	SCREW-TRUSS HEAD (M6X1X16MM)
34	CH214-1118	4	SPACER (8.4X18X2)
35	CH131-3540	2	LOCKNUT
36	197-3083	2	PLATE
37	201-1186	1	ADAPTER ASM-RH
	210-3258	1	ADAPTER-CONDITIONER
	210-3292	1	GASKET
38	203-6965	1	ADAPTER ASM-LH
	210-3258	1	ADAPTER-CONDITIONER
	210-3292	1	GASKET
39	203-6966	2	HOSE
40	400053X1	8	BOLT (M8X1.25X20MM)
41	400084X1	1	NUT (U-TYPE RETAINER)
42	CH210-4352	4	SCREW-PAN HEAD
43	180-5239	1	DUCT-RH
44	202-0848	1	COVER
45	CH216-9165	1	THUMBSCREW
46	CH2R-2376	1	WASHER (7X16X.8)
47	217-3513	1	SEAL
48	217-3514	1	SEAL
49	222-4774	4	GASKET
50	225-1406	1	COVER-FILTER

[A] PART OF: 502501D1; 502502D1
A/C & MTG GP

1664556A
PR: t05c24o40d0447

KIT-BAFFLE (AIR RECIRCULATION)
501817D1
FIELD INSTALLED



501817DA

**MT700B SERIES TRACK TRACTOR
OPERATOR STATION**

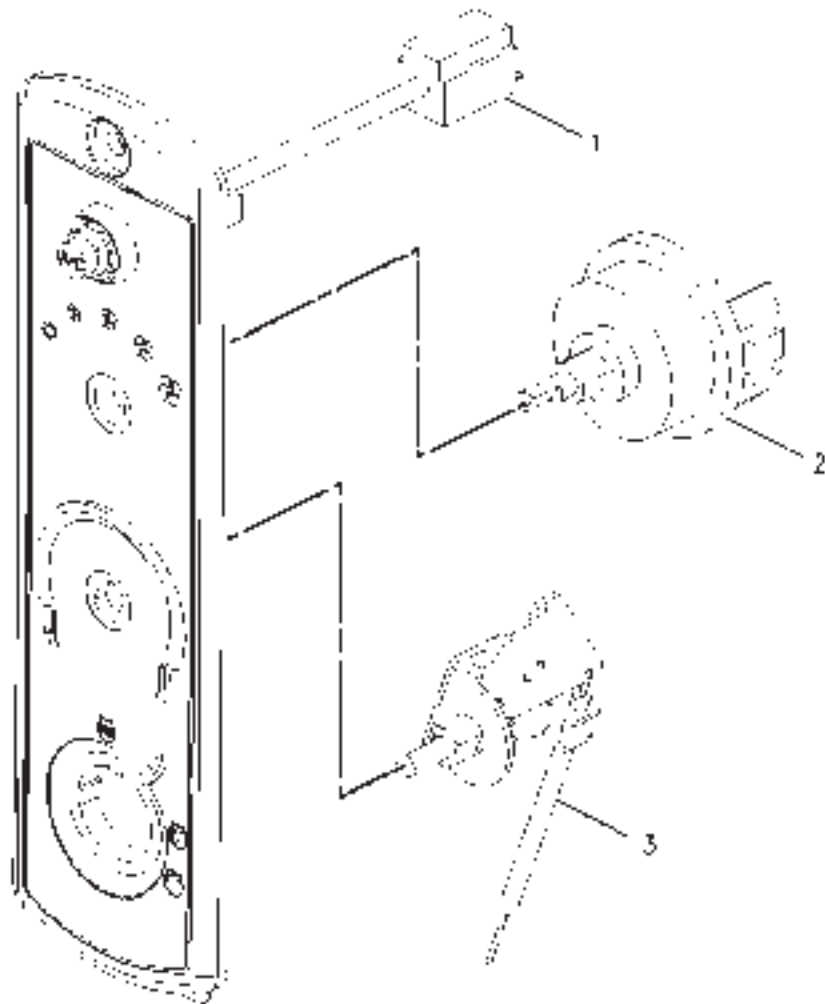
987

**KIT-BAFFLE (AIR RECIRCULATION)
501817D1
FIELD INSTALLED**

ITEM	NUMBER	QTY	DESCRIPTION
-	501817D1	--	KIT-BAFFLE (AIR RECIRCULATION)
1	400718X1	2	NUT-WING
2	501818D1	1	BAFFLE
3	400152X1	2	BOLT (M6X1X16MM)

501817DA
PR: t05c24o40d0448

CONTROL GP-AIR & TEMPERATURE
166-4586



00876899

**MT700B SERIES TRACK TRACTOR
OPERATOR STATION**

989

**CONTROL GP-AIR & TEMPERATURE
166-4586**

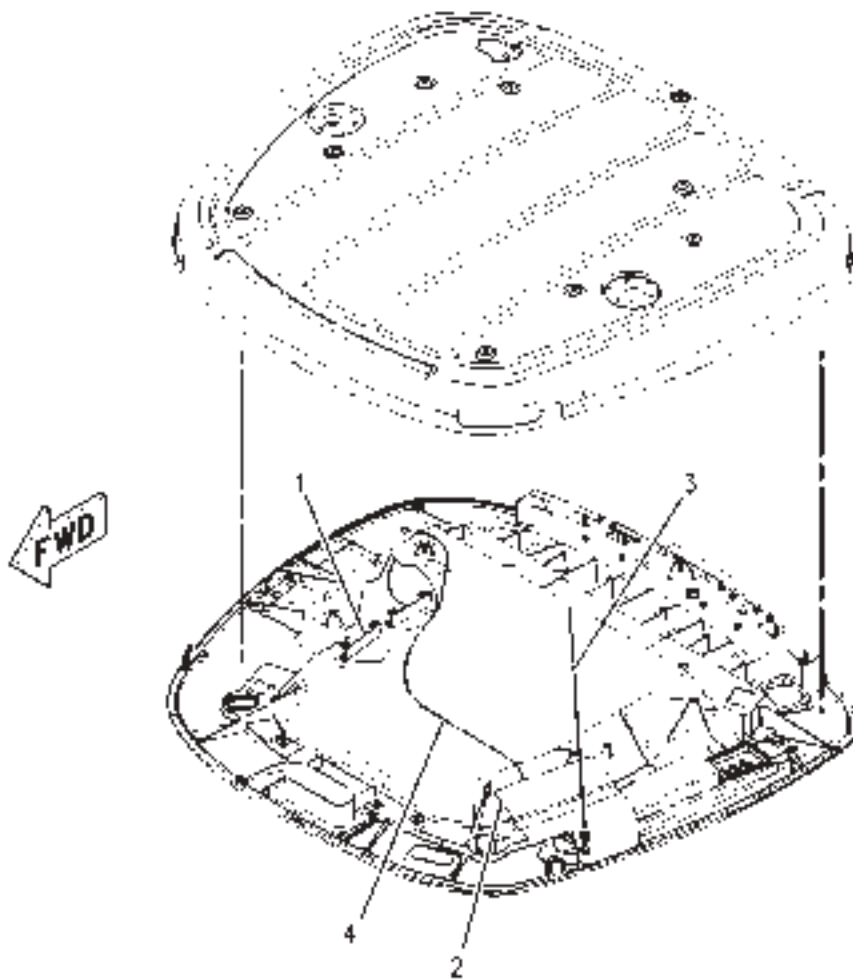
ITEM	NUMBER	QTY	DESCRIPTION
-	166-4586	--	CONTROL GP-AIR & TEMPERATURE [A]
1	CH130-5742	1	SWITCH-AIR CONDITIONER
2	CH157-0217	1	SWITCH ASM-ROTARY (BLOWER FAN SPEED)
	CH6V-8362	6	SCREW-MACHINE (8-32X0.31IN)
	CH9B-7233	6	LOCKWASHER
3	CH208-6662	1	CABLE (CAB TEMPERATURE CONTROL)

[A] PART OF 502502D1 AIR CONDITIONER &
MOUNTING GP

00876899
PR: t05c24o40d0449

MT700B SERIES TRACK TRACTOR
OPERATOR STATION

ANTENNA GP-RADIO - 168-1951



00786383

**MT700B SERIES TRACK TRACTOR
OPERATOR STATION**

991

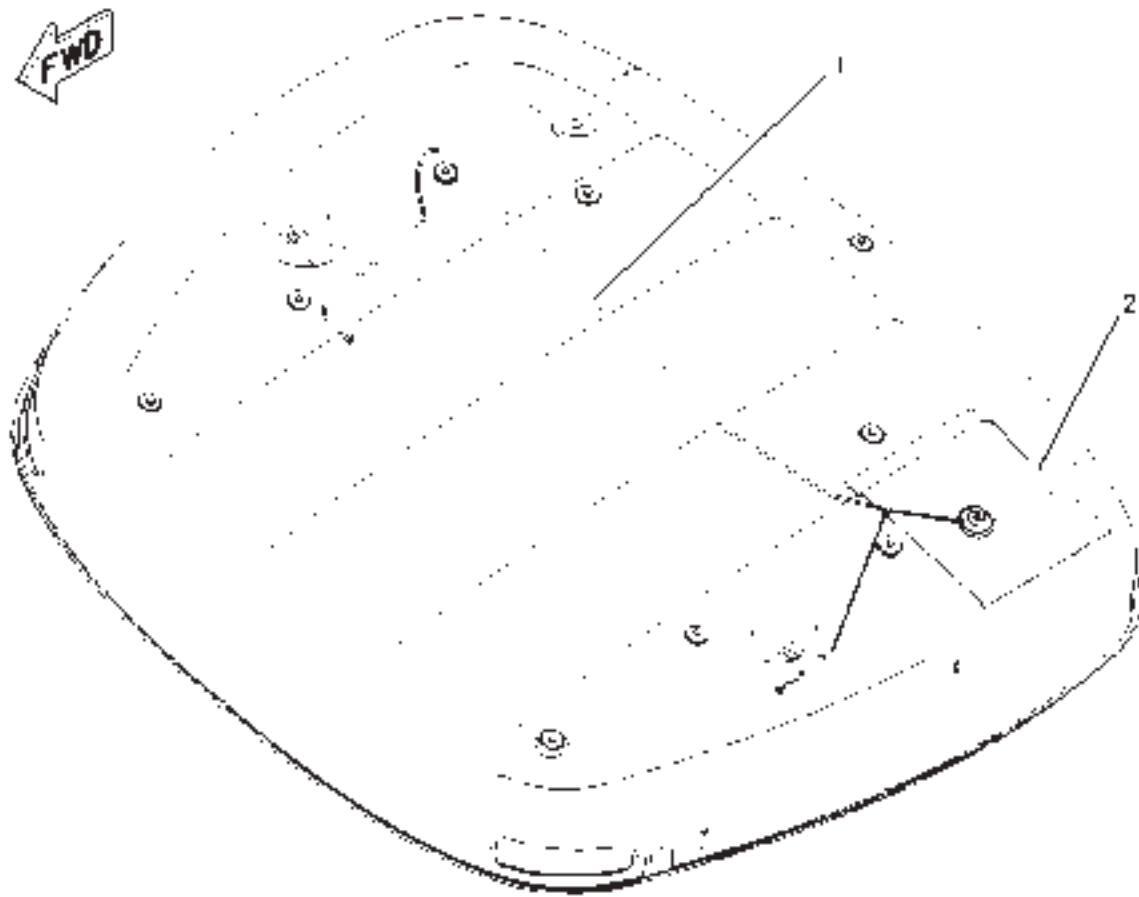
ANTENNA GP-RADIO - 168-1951

ITEM	NUMBER	QTY	DESCRIPTION
-	168-1951	--	ANTENNA GP-RADIO [A] (NOT SERVICED)
1	400128X1	2	COVER
2	136-5330	1	PLATE-GROUNDING
3	CH166-4615	1	ANTENNA
4	171-1576	1	CABLE-ANTENNA

[A] PART OF 502663D1; 502664D1;
500847D1; 500848D1

00786383
PR: t05c24o40d0450

ANTENNA GP-RADIO - 210-1570
BUSINESS BAND



00835371

**MT700B SERIES TRACK TRACTOR
OPERATOR STATION**

993

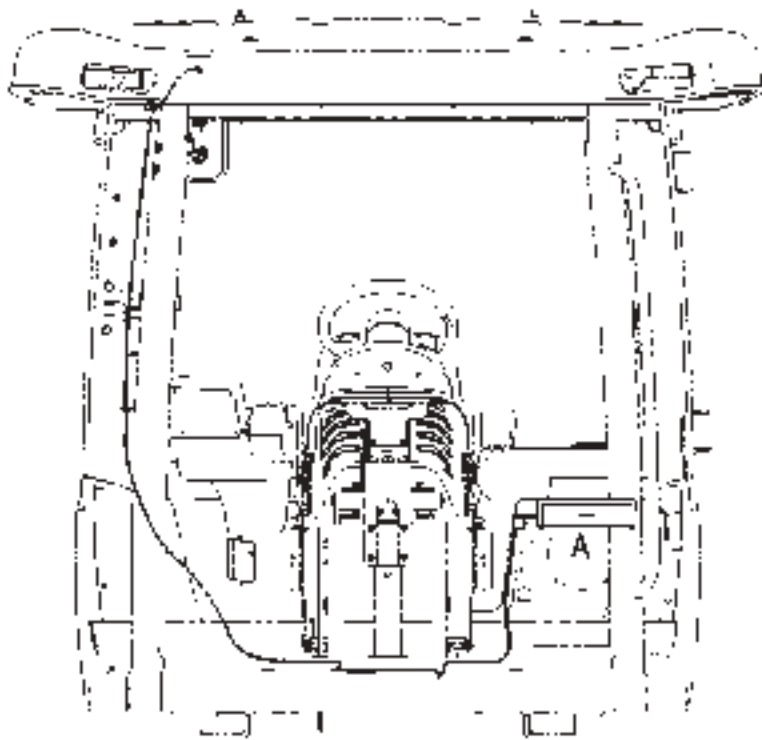
**ANTENNA GP-RADIO - 210-1570
BUSINESS BAND**

ITEM	NUMBER	QTY	DESCRIPTION
-	210-1570	--	ANTENNA GP-RADIO [A] (NOT SERVICED)
1	209-8430	1	CABLE
2	210-2654	1	PLATE-GROUND

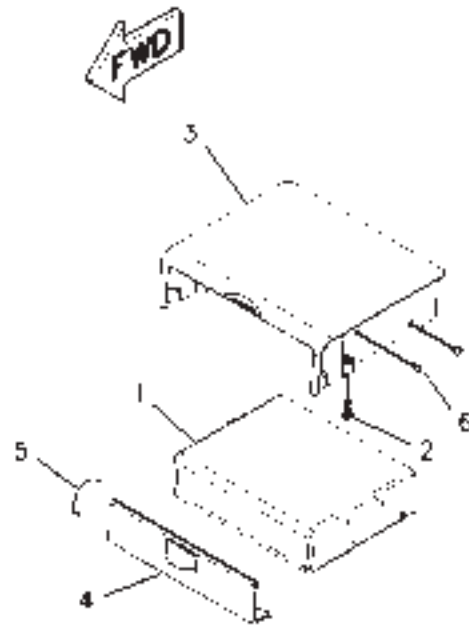
[A] PART OF 502663D1

00835371
PR: t05c24o40d0451

CHANGER GP-COMPACT DISC - 173-6507
ROW



FRONT VIEW



VIEW OF AREA A

00885053

**MT700B SERIES TRACK TRACTOR
OPERATOR STATION**

995

**CHANGER GP-COMPACT DISC - 173-6507
ROW**

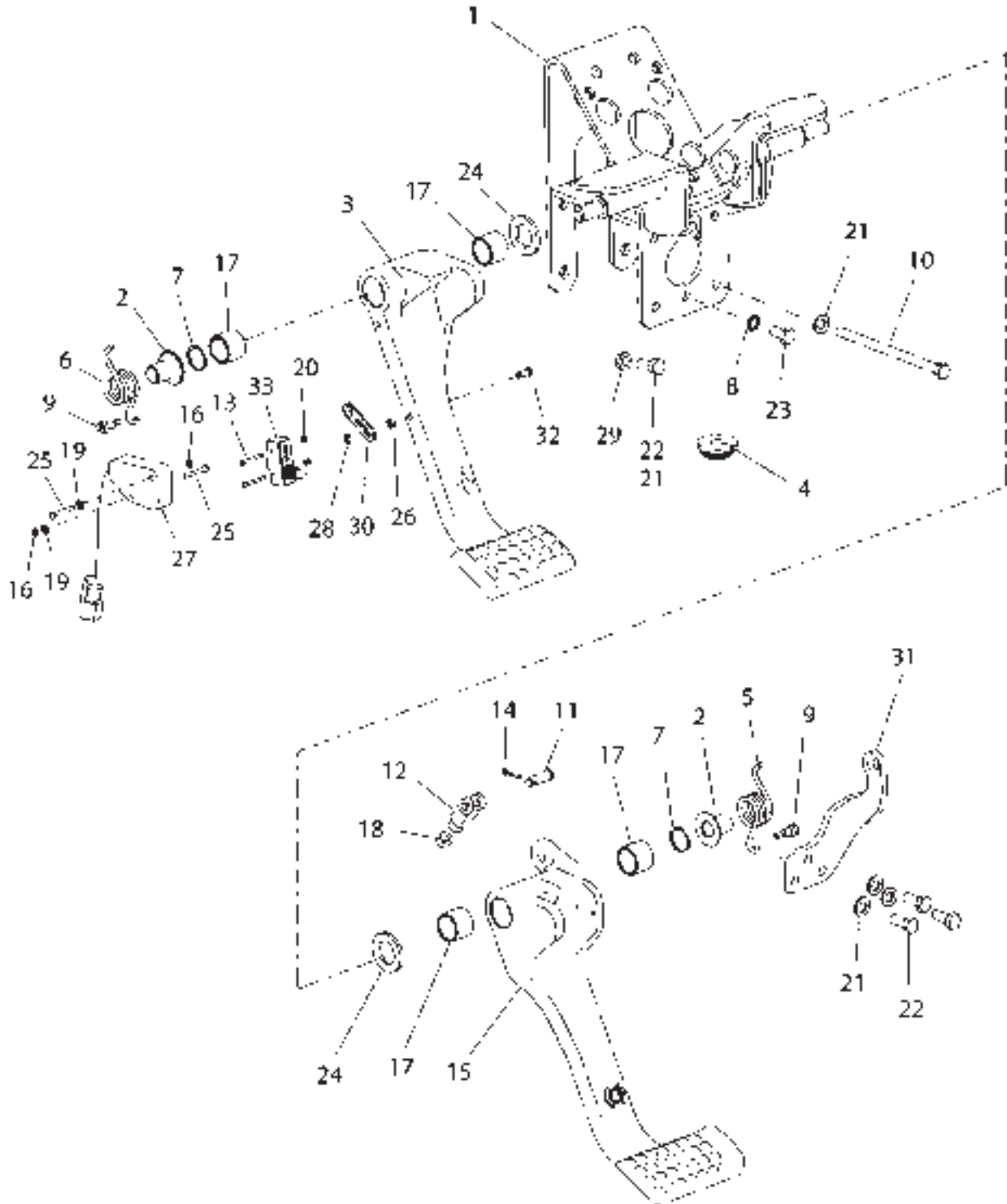
ITEM	NUMBER	QTY	DESCRIPTION
-	173-6507	--	CHANGER GP-COMPACT DISC
1	CH170-7251	1	CHANGER-COMPACT DISC [A]
	170-7253	1	MAGAZINE ASM-COMPACT DISC (6 DISC) [A] (NOT SHOWN, NOT PART OF THIS GROUP)
2	CH9X-2045	2	SCREW-TRUSS HEAD (M6X1X20MM)
3	172-6844	1	FRAME
4	172-6845	1	DOOR
5	CH172-6847	1	SPRING
6	CH7Y-7388	4	SCREW-BUTTON HEAD (M5X0.8X12MM)
-	400486X1	1	CONNECTOR CD CHANGER [B]

[A] CD MAGAZINE TO BE USED WITH
CD CHANGER

[B] MATING CONNECTOR REQUIRED TO
CONNECT TO CD CHANGER

00885053
PR: t05c24o40d0452

CONTROL GP - BRAKE & CLUTCH
152-0438



15204388

**MT700B SERIES TRACKTRACTOR
OPERATOR STATION**

997

**CONTROL GP - BRAKE & CLUTCH
152-0438**

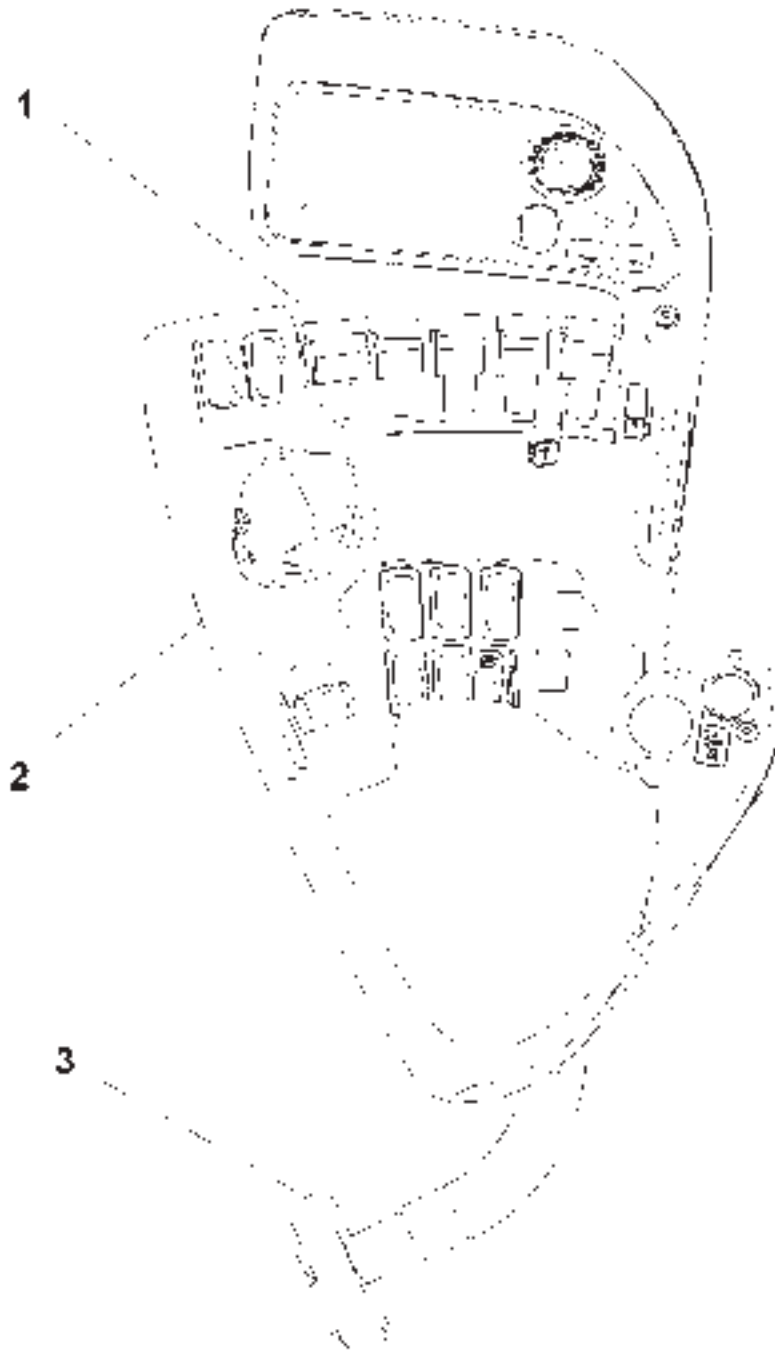
ITEM	NUMBER	QTY	DESCRIPTION
-	152-0438	--	CONTROL GP - BRAKE & CLUTCH [A] (NOT SERVICED)
1	500442D1	1	BRACKET AS.
2	CH192-4767	2	BUSHING-PLASTIC 16.3 ID W/LIP
3	501944D1	1	PEDAL-CLUTCH
4	CH212-4443	1	GROMMET-RUB 12.5 IDX32 ODX2.5
5	400120X1	1	SPRING-TORSION LH 81.3NM/TURN
6	400121X1	1	SPRING-TORSION RH 81.3NM/TURN
7	CH001-5600	2	RING-RETAINING EXT 23.5 IDX1.1
8	CH124-7346	1	WASHER-LOCK, EXT T 10.2ID
9	400004X1	2	BOLT-M6X1X23.25MM PL SHDR HSHD
10	400137X1	4	BOLT-M10X1.5X160 ZNDI HHD 10.9
11	CH1B-0676	1	PIN 9.4DIAX29 STL
12	CH1F-5403	1	ROD END - ADJUSTABLE
13	CH216-9085	2	SCREW-M3X0.5X35MM PAN, CROSS
14	CH3B-4615	1	PIN - COTTER 3.18 DIAX19MM STL
15	500378D1	1	PEDAL-BRAKE
16	CH5C-8312	2	NUT-M4X0.7 THD HEX
17	400124X1	4	BRG-SLEEVE BRZ 25.44 IDX25.4LG
18	CH6V-8183	1	NUT-3/8-24 THD FULL
19	CH8T-0328	2	WASHER-HARD 5.5IDX10ODX1MM
20	CH8T-2658	2	NUT-M3X0.5-6H HHD SLF LOCK
21	400287X1	7	WASHER-HARD 11IDX21ODX2.5 ZND1
22	400039X1	4	BOLT-M10X1.5X25 ZNDI HHD 10.9
23	400040X1	1	BOLT-M10X1.5X20 ZNDI HHD 10.9
24	400081X1	2	WASHER-HARD 26IDX44ODX4MM ZNDI
25	CH9X-2606	2	SCREW-PAN M4X0.7X30
26	CH4E-7808	1	SPACER 10 ODX6.6 IDX4
27	500619D1	1	SENSOR-POSITION
28	400553X1	1	E-CLIP 5MM SHAFT
29	400576X1	1	NUT-HEX JAM M10X1.5 THD
30	500450D1	1	BRACKET AS
31	500493D1	1	PLATE
32	500513D1	1	PIN
33	500717D1	1	SWITCH-PUSH BUTTON

[A] PART OF 502663D1; 502664D1;
500847D1; 500848D1 CAB AR

1520438B
PR: t05c24o40d0453

**MT700B SERIES TRACK TRACTOR
OPERATOR STATION**

ARMREST GP - 500484D2
4 IMP W/PTO-W/O HTCH
ROW ONLY



500484D2

**MT700B SERIES TRACK TRACTOR
OPERATOR STATION**

999

**ARMREST GP - 500484D2
4 IMP W/PTO-W/O HTCH
ROW ONLY**

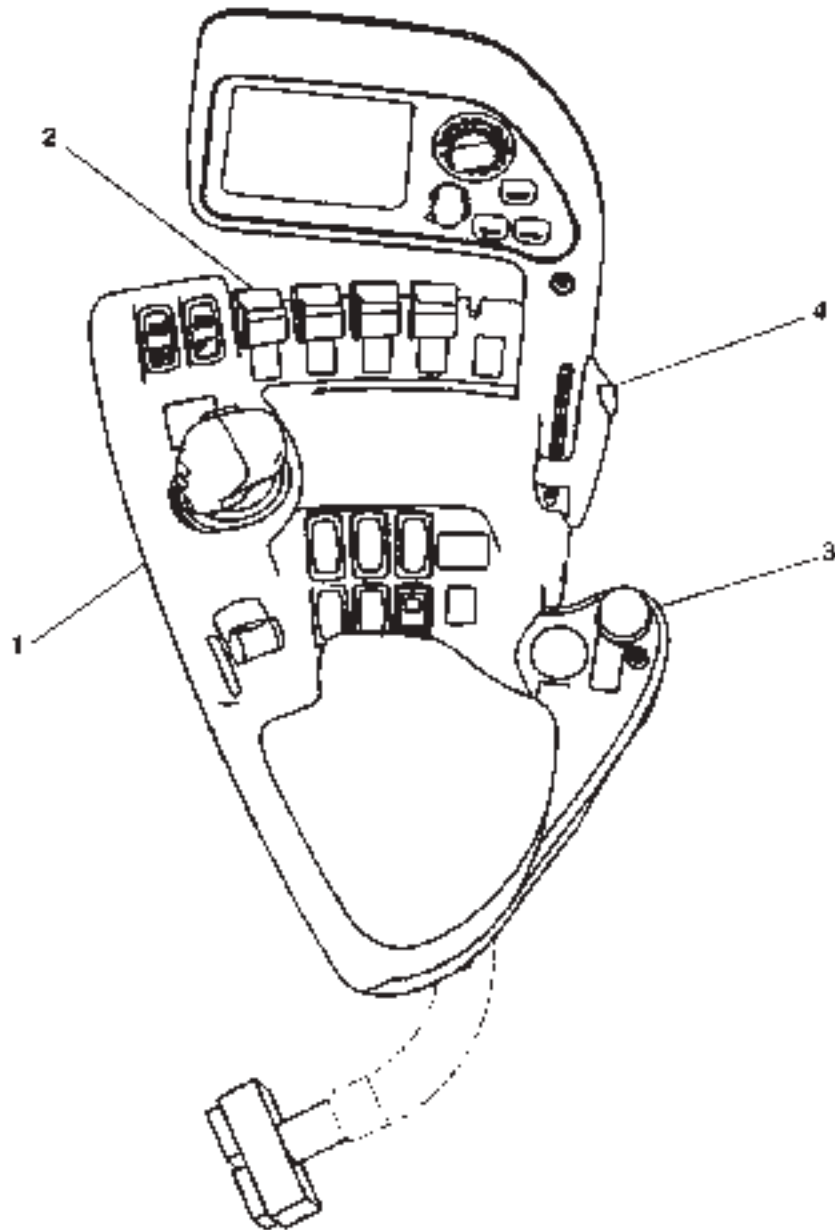
ITEM	NUMBER	QTY	DESCRIPTION
-	500484D2	--	ARMREST GP (NOT SERVICED)
1	152-0434	1	CONSOLE GP-OPERATOR (A) (NOT SERVICED) (SEE BREAKDOWN FOR COMPONENTS)
2	152-0443	1	CONTROL GP (NOT SERVICED) (SEE BREAKDOWN FOR COMPONENTS)
3	166-1211	1	WIRING GP-ARMREST (NOT SERVICED) (SEE BREAKDOWN FOR COMPONENTS)

500484D2
PR: t05c24o40d0454

1000

MT700B SERIES TRACK TRACTOR
OPERATOR STATION

ARMREST GP - 500485D2
4 IMP W/PTO-W/HITCH



500485DA

**MT700B SERIES TRACK TRACTOR
OPERATOR STATION**

1001

**ARMREST GP - 500485D2
4 IMP W/PTO-W/HITCH**

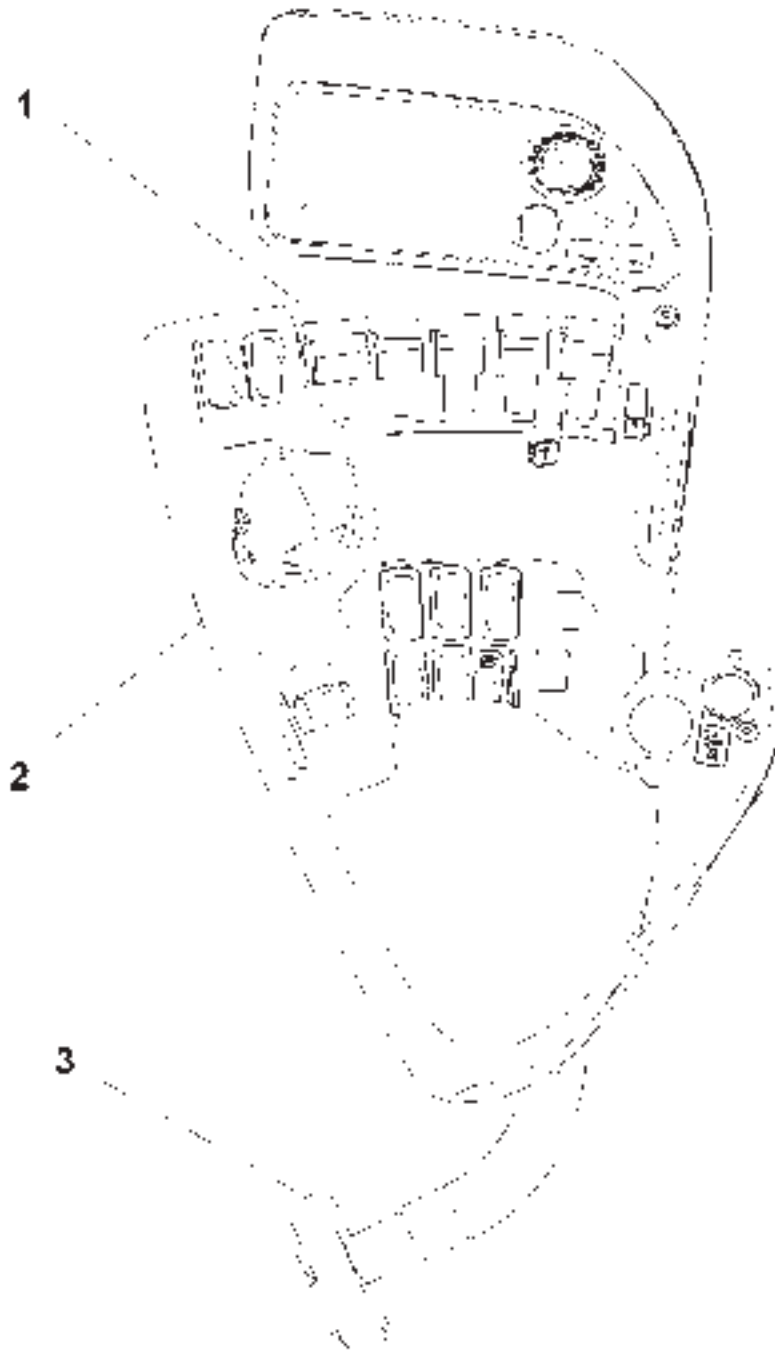
ITEM	NUMBER	QTY	DESCRIPTION
-	500485D2	--	ARMREST GP (NOT SERVICED)
1	152-0434	1	CONSOLE GP-OPERATOR (A) (NOT SERVICED) (SEE BREAKDOWN FOR COMPONENTS)
2	152-0443	1	CONTROL GP (NOT SERVICED) (SEE BREAKDOWN FOR COMPONENTS)
3	166-1211	1	WIRING GP-B (NOT SERVICED) (SEE BREAKDOWN FOR COMPONENTS)
4	152-0445	1	CONTROL GP-HITCH (NOT SERVICED) (SEE BREAKDOWN FOR COMPONENTS)

500485DA
PR: t05c24o40d0455

1002

**MT700B SERIES TRACK TRACTOR
OPERATOR STATION**

ARMREST GP - 500488D2
5 IMP W/PTO-W/O HITCH
ROW ONLY



500488D2

**MT700B SERIES TRACK TRACTOR
OPERATOR STATION**

1003

**ARMREST GP - 500488D2
5 IMP W/PTO-W/O HITCH
ROW ONLY**

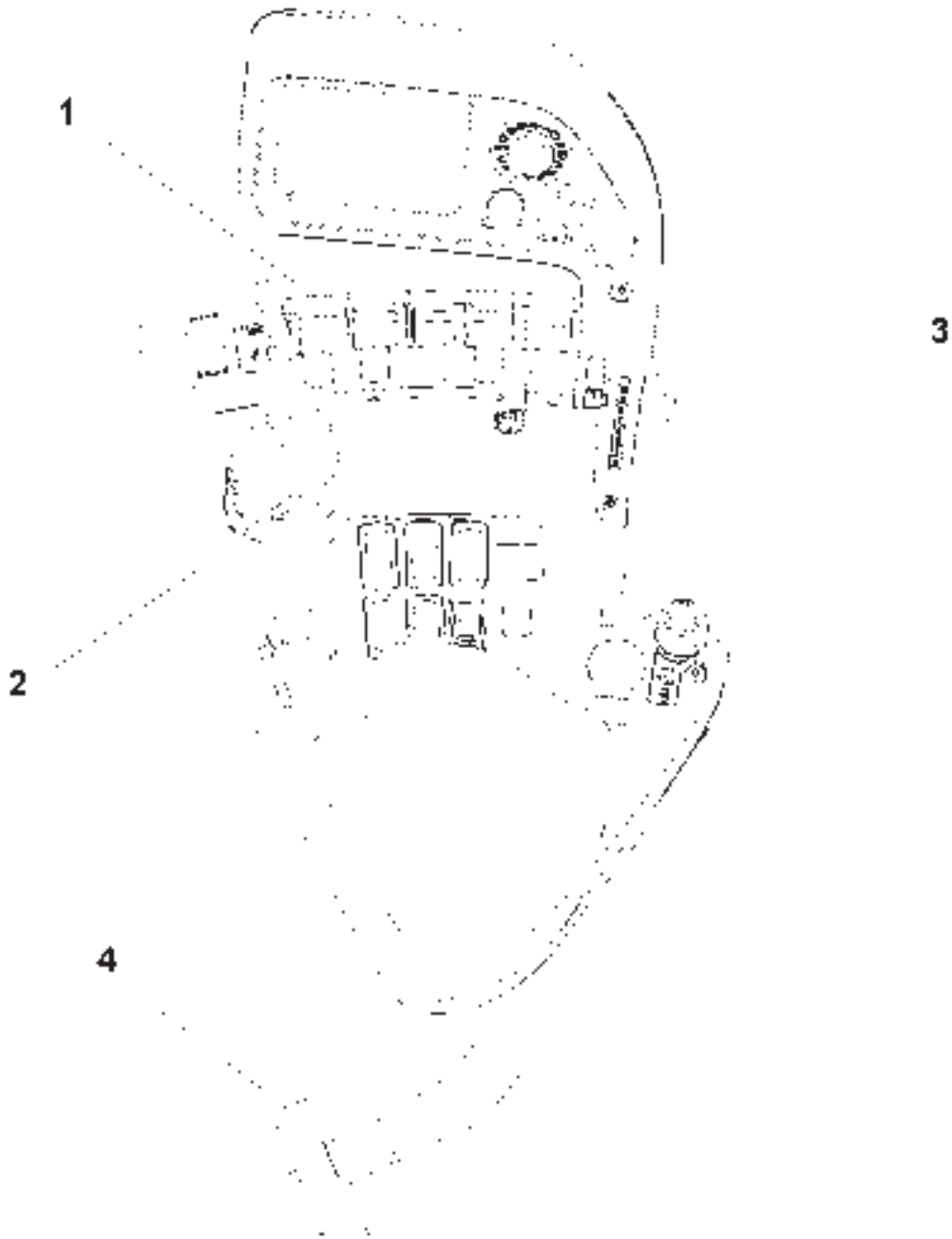
ITEM	NUMBER	QTY	DESCRIPTION
-	500488D2	--	ARMREST GP (NOT SERVICED)
1	166-4590	1	CONTROL GP (NOT SERVICED) (SEE BREAKDOWN FOR COMPONENTS)
2	152-0434	1	CONSOLE GP-OPERATOR (A) (NOT SERVICED) (SEE BREAKDOWN FOR COMPONENTS)
3	166-1211	1	WIRING GP-ARMREST (NOT SERVICED) (SEE BREAKDOWN FOR COMPONENTS)

500488D2
PR: t05c24o40d0456

1004

**MT700B SERIES TRACK TRACTOR
OPERATOR STATION**

ARMREST GP - 500489D2
5 IMP W/PTO-W/HTCH



500489D2

**MT700B SERIES TRACK TRACTOR
OPERATOR STATION**

1005

**ARMREST GP - 500489D2
5 IMP W/PTO-W/HITCH**

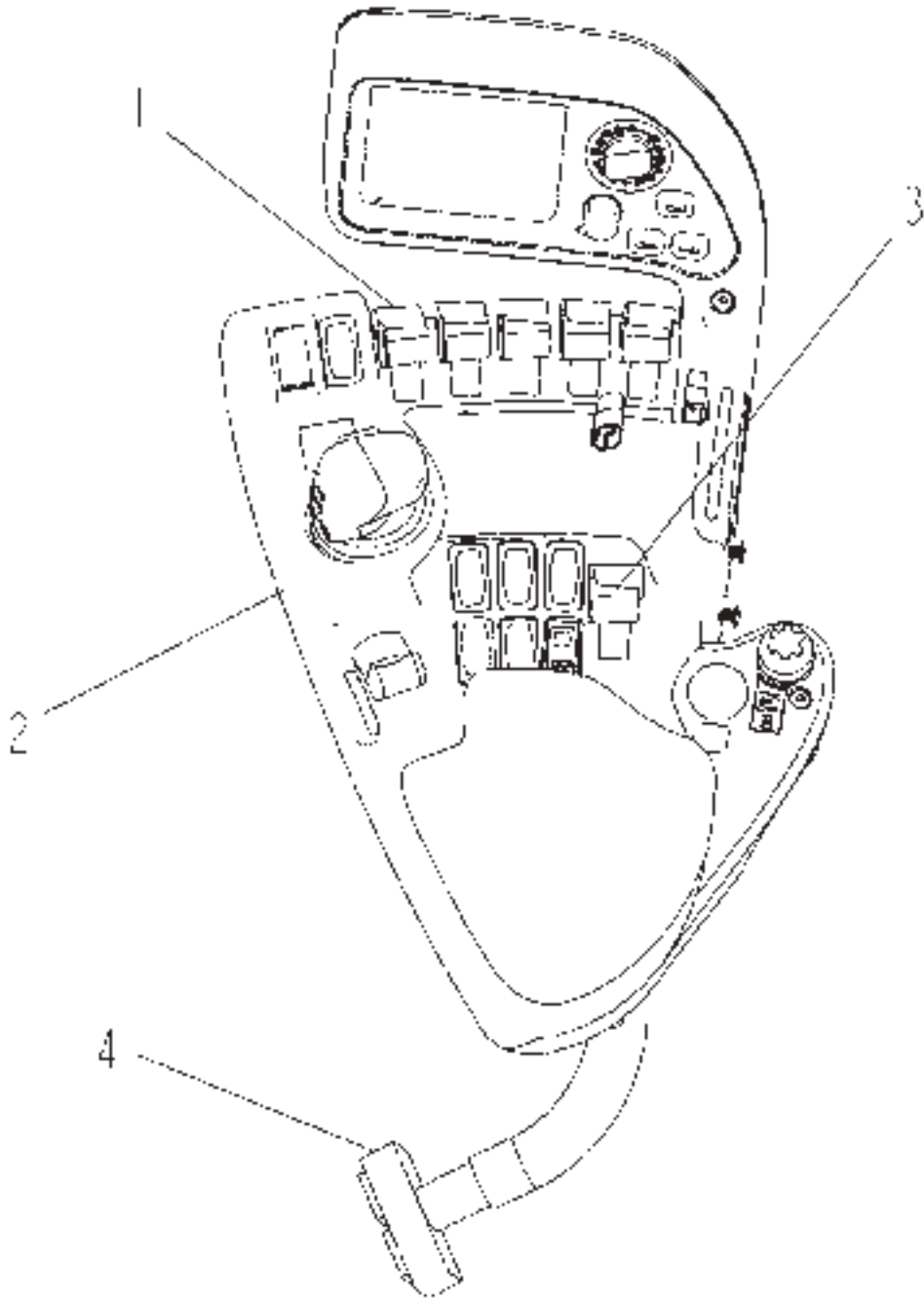
ITEM	NUMBER	QTY	DESCRIPTION
-	500489D2	--	ARMREST GP (NOT SERVICED)
1	166-4590	1	CONTROL GP (NOT SERVICED) (SEE BREAKDOWN FOR COMPONENTS)
2	152-0434	1	CONSOLE GP-OPERATOR (A) (NOT SERVICED) (SEE BREAKDOWN FOR COMPONENTS)
3	152-0445	1	CONTROL GP-HITCH (NOT SERVICED) (SEE BREAKDOWN FOR COMPONENTS)
4	166-1211	1	WIRING GP-ARMREST (NOT SERVICED) (SEE BREAKDOWN FOR COMPONENTS)

500489D2
PR: t05c24o40d0457

1006

**MT700B SERIES TRACKTRACTOR
OPERATOR STATION**

ARMREST GP - 500791D2
6 IMP W/PTO-W/O HITCH
ROW ONLY



500791DB

**MT700B SERIES TRACK TRACTOR
OPERATOR STATION**

1007

**ARMREST GP - 500791D2
6 IMP W/PTO-W/O HITCH
ROW ONLY**

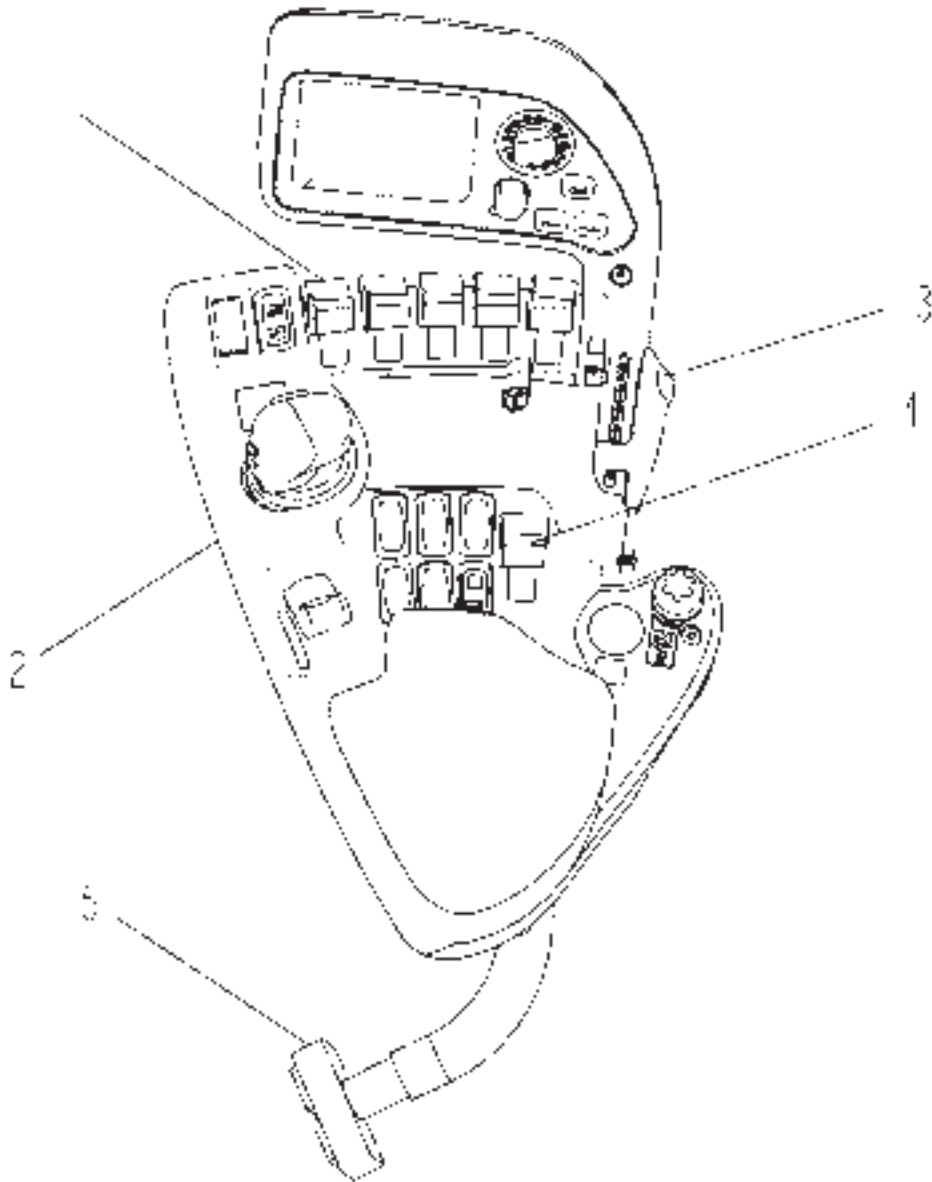
ITEM	NUMBER	QTY	DESCRIPTION
-	500791D2	--	ARMREST GP (NOT SERVICED)
1	166-4590	1	CONTROL GP (NOT SERVICED) (SEE BREAKDOWN FOR COMPONENTS)
2	152-0434	1	CONSOLE GP-OPERATOR (A) (NOT SERVICED) (SEE BREAKDOWN FOR COMPONENTS)
3	152-0448	1	CONTROL GP (NOT SERVICED) (SEE BREAKDOWN FOR COMPONENTS)
4	166-1211	1	WIRING GP-ARMREST (NOT SERVICED) (SEE BREAKDOWN FOR COMPONENTS)

500791DB
PR: t05c24o40d0458

1008

MT700B SERIES TRACK TRACTOR
OPERATOR STATION

ARMREST GP - 500792D2
6 IMP W/PTO-W/HITCH



500792DB

**MT700B SERIES TRACK TRACTOR
OPERATOR STATION**

1009

**ARMREST GP - 500792D2
6 IMP W/PTO-W/HITCH**

ITEM	NUMBER	QTY	DESCRIPTION
-	500792D2	--	ARMREST GP (SEE COMPONENT BREAKDOWN)
1	166-4590	1	CONTROL GP (NOT SERVICED) (SEE BREAKDOWN FOR COMPONENTS)
2	152-0434	1	CONSOLE GP-OPERATOR (A) (NOT SERVICED) (SEE BREAKDOWN FOR COMPONENTS)
3	152-0445	1	CONTROL GP-HITCH (NOT SERVICED) (SEE BREAKDOWN FOR COMPONENTS)
4	152-0448	1	CONTROL GP (NOT SERVICED) (SEE BREAKDOWN FOR COMPONENTS)
5	166-1211	1	WIRING GP-ARMREST (NOT SERVICED) (SEE BREAKDOWN FOR COMPONENTS)

500792DB
PR: t05c24o40d0459

**MT700B SERIES TRACK TRACTOR
OPERATOR STATION**

1011

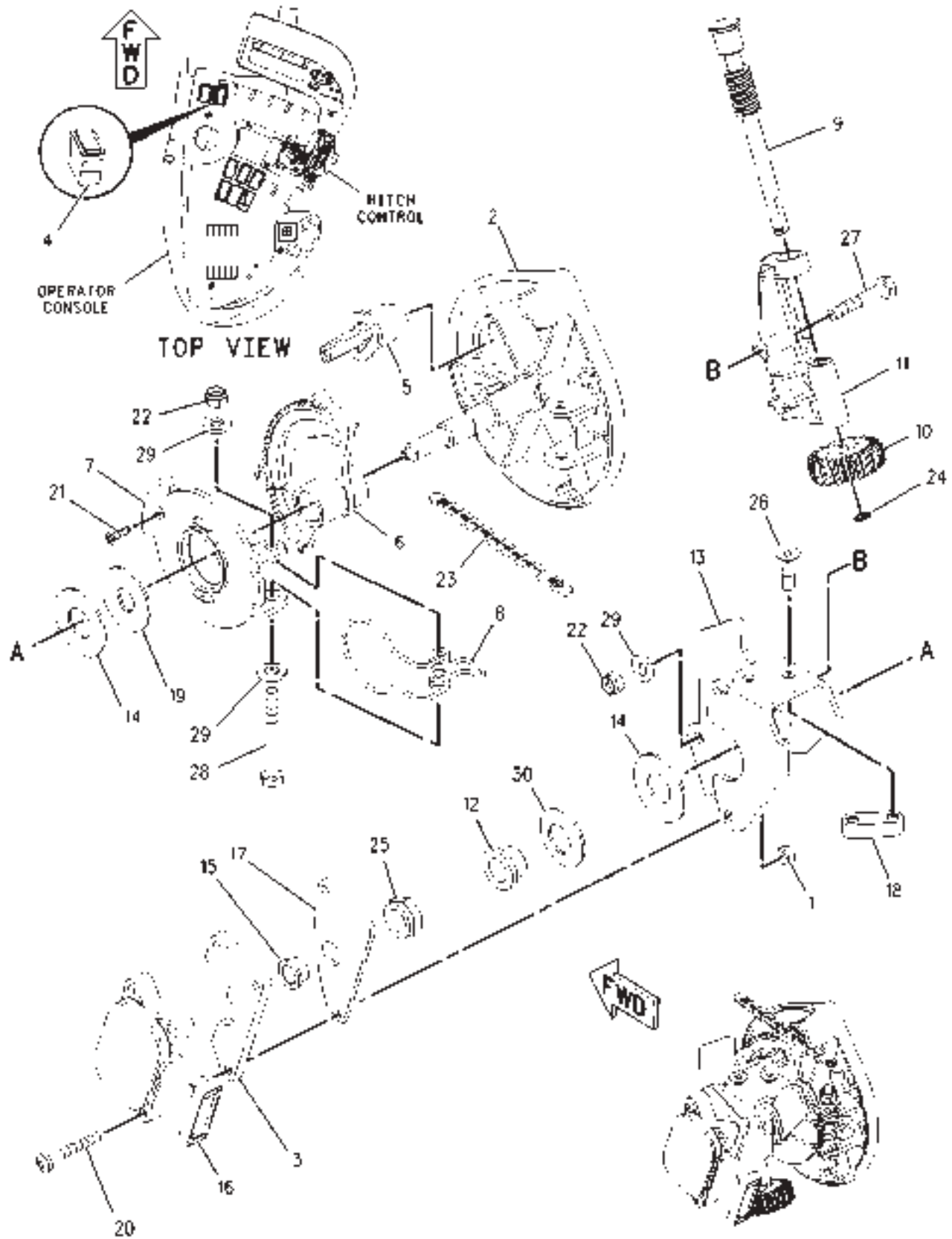
CONSOLE GP-OPERATOR - 152-0434

ITEM	NUMBER	QTY	DESCRIPTION
-	152-0434	--	CONSOLE GP-OPERATOR [A] (NOT SERVICED)
1	400110X1	2	CLIP-TREE
2	CH157-0449	1	KNOB-CONTROL (TRACTOR MGMT CENTER SELECTOR)
3	CH9X-1046	6	SCREW (M4X0.7X18MM)
4	501524D1	1	FILM (TRANSMISSION SHIFT)
5	162-6737	1	CONSOLE ASY. (BOTTOM)
	179-4207	3	INSERT (M6X1 THD)
6	162-6738	1	PAD ASY. (ARM)
6A	162-4105	1	HINGE ASY.
6B	207-2021	3	SCREW
6C	207-2022	5	SCREW
7	164-7042	1	HOUSING ASY.
	173-8818	4	INSERT (M4X0.7 THD)
8	CH165-5975	6	PLUG
9	502064D1	1	CONSOLE ASY. (TOP)
	173-8818	2	INSERT (M4X0.7 THD)
	179-4206	13	INSERT (M5X0.8 THD)
10	166-4608	1	PAD (PALM)
11	CH168-2333	1	KNOB (TRACTOR MGMT CENTER ADJUSTMENT)
12	169-6390	1	PLATE AS
	CH8T-3490	4	NUT-WELD (M10X1.5 THD)
13	CH207-2021	4	SCREW
15	CH9X-2044	7	SCREW-TRUSS HEAD (M6X1X16MM)
16	CH178-7962	1	BUTTON (TRACTOR MGMT CENTER ENTER KEY)
17	CH178-7963	2	BUTTON (TRACTOR MGMT CENTER TAB KEYS)
18	501531D1	1	FILM (THROTTLE INSTRUCTION)
19	180-5237	1	SEAL
20	221-5433	1	COVER
21	207-2031	1	CONTROL GP-GOVERNOR (NOT SERVICED) (SEE BREAKDOWN FOR COMPONENTS)
22	CH207-2039	1	PLUG
23	501521D1	1	FILM-IDENTIFICATION (TRACTOR MGMT CENTER SELECTOR)
24	501522D1	1	FILM-IDENTIFICATION (TRACTOR MGMT CENTER ADJUSTMENT)
25	CH9X-6165	2	WASHER (6.5X22X2.5MM THK)
26	CH2A-3211	2	WASHER (5.5X12.3X.8MM THK)
27	CH5P-0537	1	WASHER-HARD (7.2X14.5X2MM THK)
28	400356X1	1	CLIP-SPRING (M5X.8-6H)
29	CH8T-6693	2	SCREW-MACHINE (M5X0.8X16MM)
30	501532D1	1	FILM-PTO
-	501530D1	1	DECAL SHEET-CONSOLE (NOT SHOWN) (INCLS ALL DECALS)

[A] PART OF 152-0436 SEAT GP
500484D2; 500485D2; 500488D2;
500489D2 ARMREST GP

1520434A
PR: t05c24o40d0460

CONTROL GP-HITCH - 152-0445
REAR 3 POINT



00902355

**MT700B SERIES TRACKTRACTOR
OPERATOR STATION**

1013

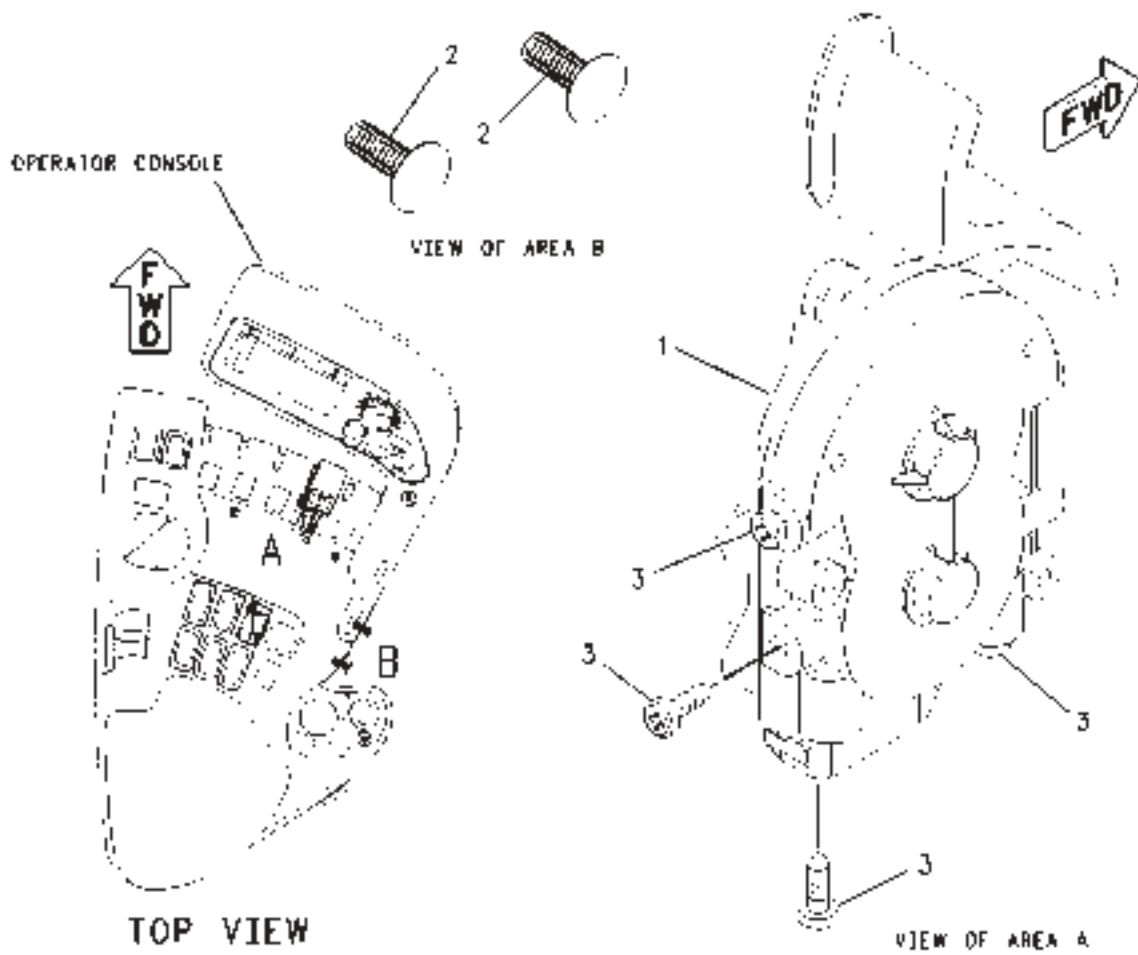
**CONTROL GP-HITCH - 152-0445
REAR 3 POINT**

ITEM	NUMBER	QTY	DESCRIPTION
-	152-0445	--	CONTROL GP-HITCH [A] (NOT SERVICED)
1	CH179-4324	2	LOCKNUT (M5X.8)
2	164-7040	1	HANDLE
3	169-6391	1	SPACER-RUBBER
4	169-8227	1	SWITCH-ROCKER (3 POINT HITCH CONTROL)
5	172-6851	1	BUTTON
6	172-6852	1	GEAR
7	172-6853	1	STOP
8	172-6858	1	SPRING
9	172-6863	1	GEAR
10	172-6864	1	KNOB (HEIGHT ADJ-3 POINT HITCH CONT)
11	172-6865	1	BRACKET
12	CH174-5747	1	BUSHING
13	179-4227	1	BRACKET
14	400334X1	2	WASHER (16.5X37X1.5)
15	CH187-4917	1	BUSHING
16	500382D1	1	SENSOR GP-POSITION
17	CH207-2023	1	PLATE
18	CH207-2024	1	PLATE
19	CH214-2184	1	WASHER
20	400071X1	2	SCREW-HEX SOCKET (M5X0.8X30MM)
21	CH113-0899	1	SCREW-FLAT HEAD (6-20X0.5IN)
22	CH129-3178	3	LOCKNUT (M6X1)
23	501523D1	1	FILM-INSTRUCTION (3 POINT HITCH)
24	CH3P-3547	1	RING-RETAINING
25	CH4K-8341	1	LOCKNUT (1/2-20)
26	400256X1	2	BOLT-HEX SOCKET (M6X1X20MM)
27	400070X1	2	BOLT-HEX SOCKET (M6X1X35MM)
28	400186X1	1	BOLT (M6X1X50MM)
29	CH8T-4205	4	WASHER-HARD (7.2X14.5X2MM)
30	400074X1	1	WASHER-SPRING

[A] PART OF:
500485D2; 500489D2 ARMREST GP

00902355
PR: t05c24o40d0461

CONTROL GP-IMPLEMENT - 136-5355
4TH HANDLE



00880990

**MT700B SERIES TRACK TRACTOR
OPERATOR STATION**

1015

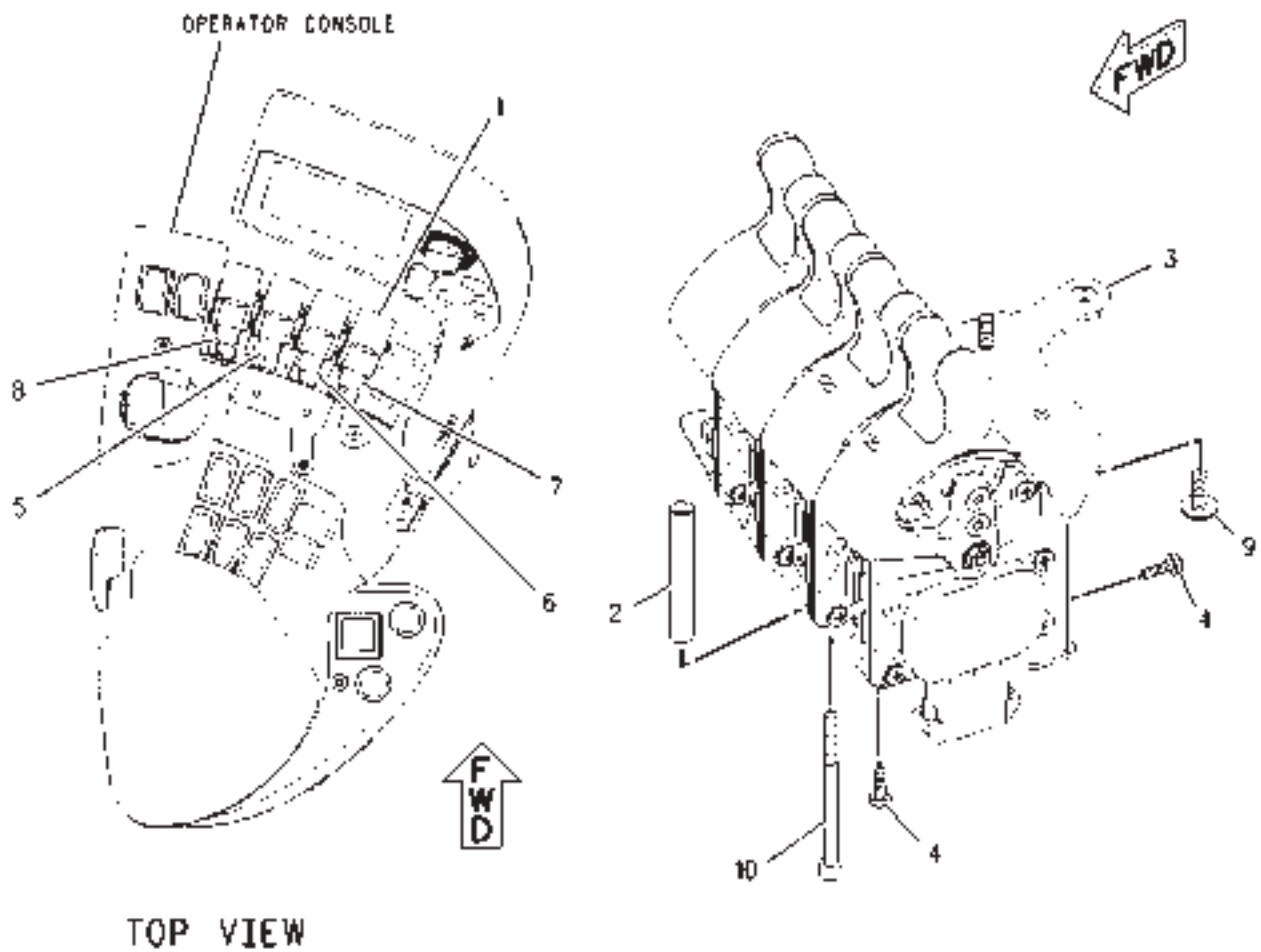
**CONTROL GP-IMPLEMENT - 136-5355
4TH HANDLE**

ITEM	NUMBER	QTY	DESCRIPTION
-	136-5355	--	CONTROL GP-IMPLEMENT [A] (NOT SERVICED)
1	209-8704	1	CONTROL GP-IMPLEMENT (SEE BREAKDOWN FOR COMPONENTS)
2	400110X1	2	CLIP-TREE (8MM)
3	400834X1	4	SCREW-PAN HEAD (8-16X0.5IN)

[A] PART OF 180-4824;180-4827;180-4828;
183-1214 KIT-VALVE

00880990
PR: t05c24o40d0462

CONTROL GP-IMPLEMENT - 4 HANDLES
152-0443



00876314

**MT700B SERIES TRACK TRACTOR
OPERATOR STATION**

1017

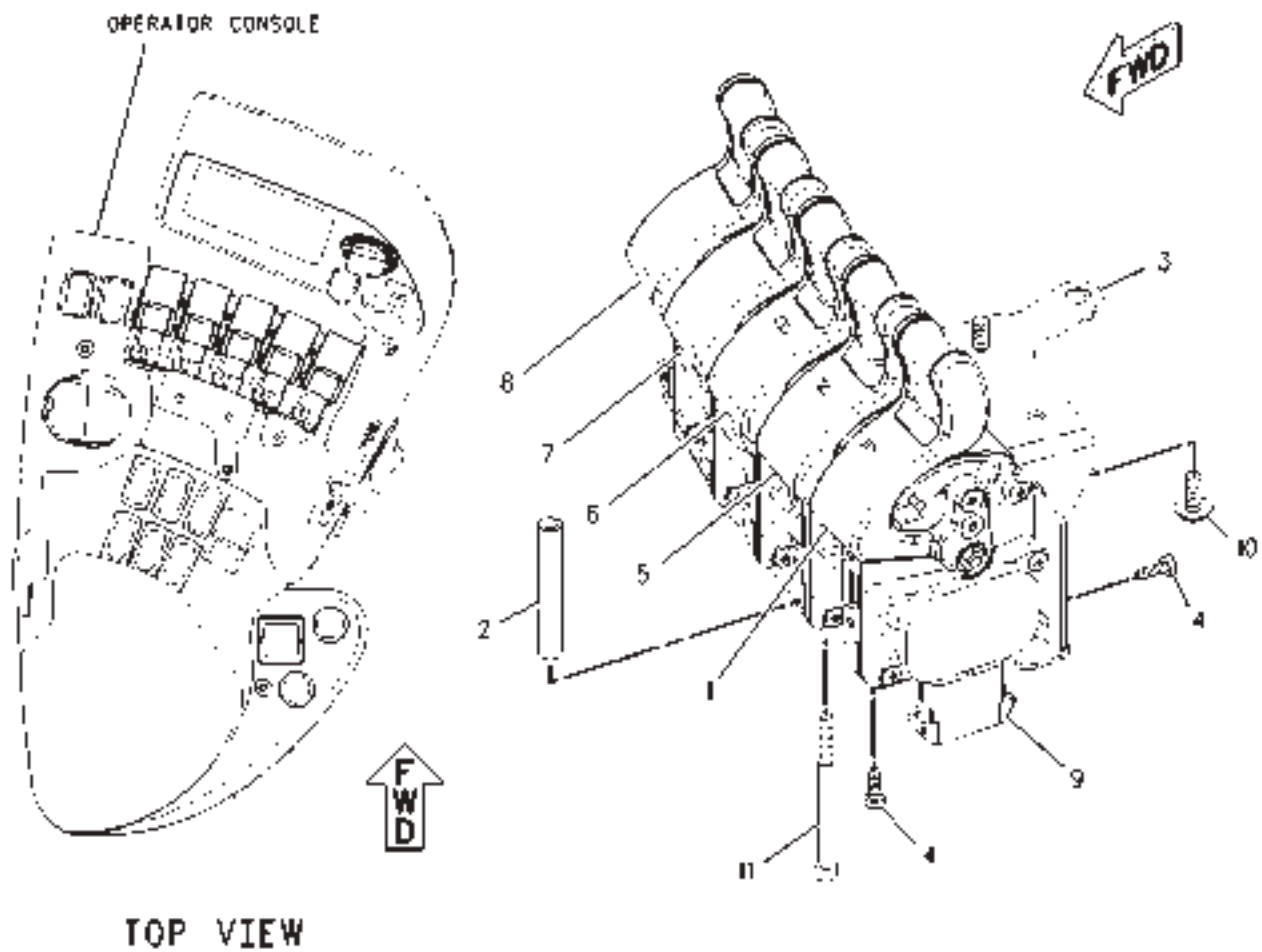
**CONTROL GP-IMPLEMENT - 4 HANDLES
152-0443**

ITEM	NUMBER	QTY	DESCRIPTION
-	152-0443	--	CONTROL GP-IMPLEMENT [A] (NOT SERVICED)
1	209-8704	4	CONTROL GP-IMPLEMENT (SEE BREAKDOWN FOR COMPONENTS)
2	CH195-2626	4	SPACER (6.4X9.6X61)
3	169-6362	1	PLATE ASM
4	CH212-3416	16	SCREW-PAN HEAD (8-16X0.5IN)
5	501526D1	1	FILM (ELECTRO HYDRAULIC LEVER #2)
6	501527D1	1	FILM (ELECTRO HYDRAULIC LEVER #3)
7	501528D1	1	FILM (ELECTRO HYDRAULIC LEVER #4)
8	501525D1	1	FILM (ELECTRO HYDRAULIC LEVER #1)
9	CH207-2021	2	SCREW
10	400254X1	4	BOLT-SOCKET HEAD (M5X.08X70MM)

[A] PART OF:
500484D2; 500485D2 ARMREST GP

00876314
PR: t05c24o40d0463

CONTROL GP-IMPLEMENT - 5 HANDLES
166-4590



00884953

**MT700B SERIES TRACK TRACTOR
OPERATOR STATION**

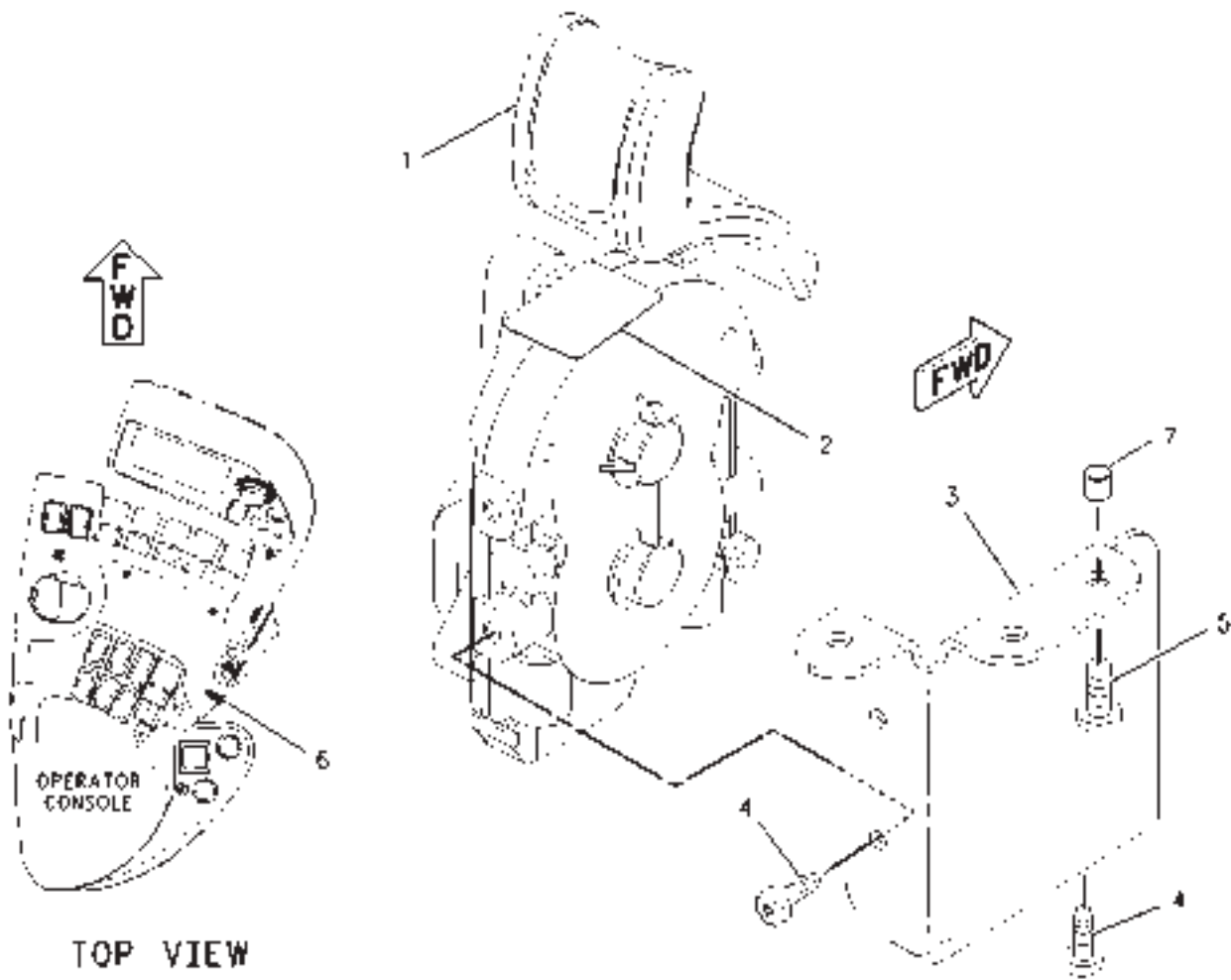
1019

**CONTROL GP-IMPLEMENT - 5 HANDLES
166-4590**

ITEM	NUMBER	QTY	DESCRIPTION
-	166-4590	--	CONTROL GP-IMPLEMENT [A] (NOT SERVICED)
1	501529D1	1	FILM (ELECTRO HYDRAULIC LEVER)
2	CH195-2626	4	SPACER (6.4X9.6X61)
3	169-6362	1	PLATE ASM
4	CH212-3416	20	SCREW-PAN HEAD (8-16X0.5IN)
5	501525D1	1	FILM (ELECTRO HYDRAULIC LEVER)
6	501526D1	1	FILM (ELECTRO HYDRAULIC LEVER)
7	501527D1	1	FILM (ELECTRO HYDRAULIC LEVER)
8	501528D1	1	FILM (ELECTRO HYDRAULIC LEVER)
9	209-8704	5	CONTROL GP-IMPLEMENT (SEE BREAKDOWN FOR COMPONENTS)
10	CH207-2021	2	SCREW
11	400254X1	4	BOLT-SOCKET HEAD (M5X.08X70MM)

00884953
PR: t05c24o40d0464

CONTROL GP-IMPLEMENT-6TH HANDLE
152-0448



TOP VIEW

00679185

**MT700B SERIES TRACK TRACTOR
OPERATOR STATION**

1021

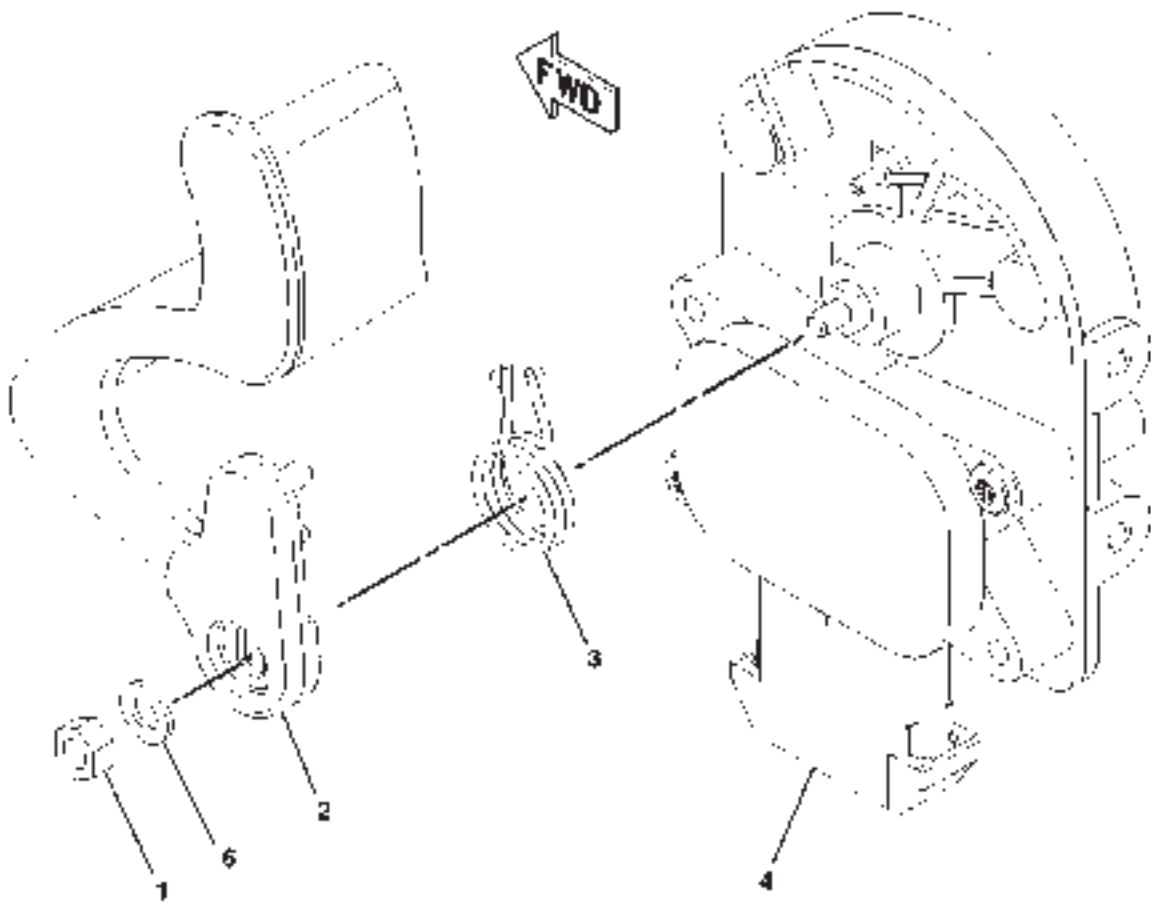
**CONTROL GP-IMPLEMENT-6TH HANDLE
152-0448**

ITEM	NUMBER	QTY	DESCRIPTION
-	152-0448	--	CONTROL GP-IMPLEMENT [A] (NOT SERVICED)
1	209-8704	1	CONTROL GP-IMPLEMENT (SEE BREAKDOWN FOR COMPONENTS)
2	501530D1	1	FILM (ELECTRO HYDRAULIC LEVER)
3	169-6384	1	BRACKET
4	CH212-3416	4	SCREW-PAN HEAD (8-16X0.5 IN)
5	CH6V-9673	3	SCREW-MACHINE (M5X0.8X12MM)
6	400110X1	2	FASTENER
7	CH179-4206	3	INSERT (19/64-24 X M5 X 0.8 ID) (NOT ILLUSTRATED)

[A] PART OF:
172-4504; 183-1215 KIT-VALVE

00879185
PR: t05c24o40d0465

CONTROL GP-IMPLEMENT
209-8704



0894755A

**MT700B SERIES TRACK TRACTOR
OPERATOR STATION**

1023

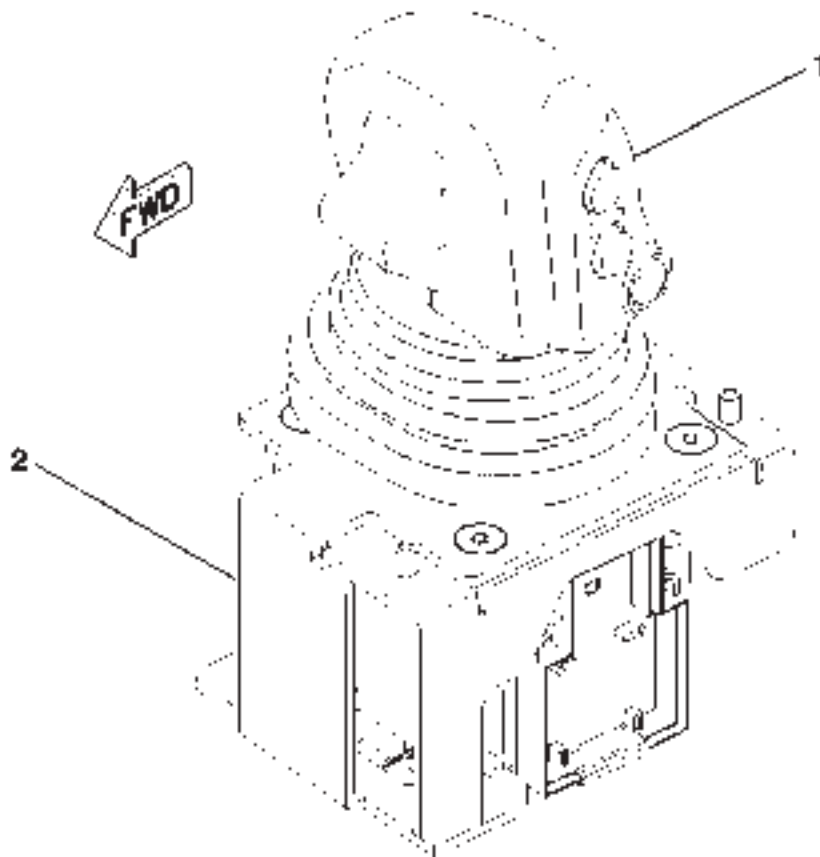
**CONTROL GP-IMPLEMENT
209-8704**

ITEM	NUMBER	QTY	DESCRIPTION
-	209-8704	--	CONTROL GP-IMPLEMENT [A]
1	CH162-6555	1	LOCKNUT (M5X.8)
2		1	HANDLE ASM (NOT SERVICED SEPARATELY)
3	CH206-2491	1	SPRING-TORSION RH
4		1	CONTROL ASM (NOT SERVICED SEPARATELY)
6	CH8T-3016	1	WASHER (5.3X10X1)

[A] PART OF 136-5355;152-0443;152-0448;
166-4590; 178-5026 CONTROL
GP-IMPLEMENT

0894755A
PR: t05c24o40d0466

CONTROL GP-TRANSMISSION
169-6346



01696346

**MT700B SERIES TRACKTRACTOR
OPERATOR STATION**

1025

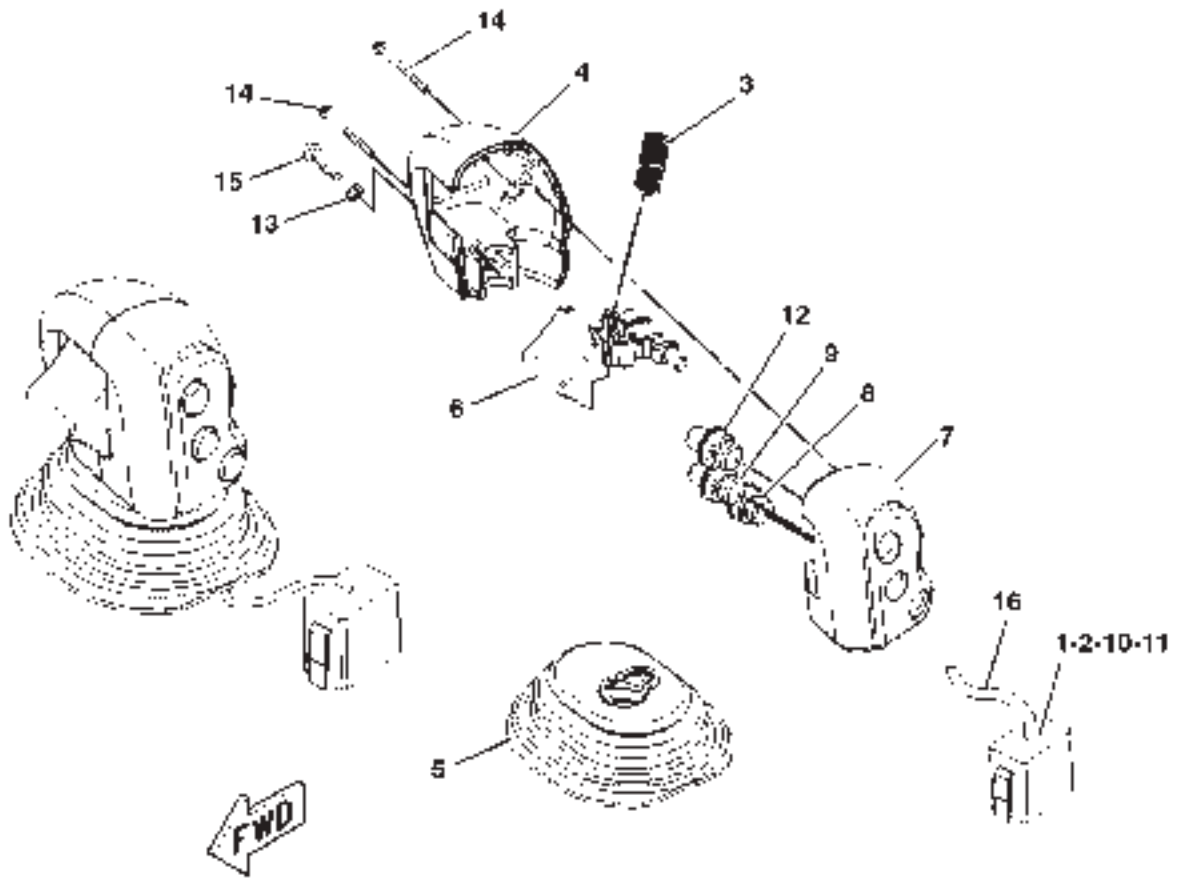
**CONTROL GP-TRANSMISSION
169-6346**

ITEM	NUMBER	QTY	DESCRIPTION
-	169-6346	--	CONTROL GP-TRANSMISSION [A] (NOT SERVICED)
1	169-6347	1	CONTROL GP-TRANSMISSION (NOT SERVICED) (SEE BREAKDOWN FOR COMPONENTS)
2	216-7694	1	CONTROL GP-TRANSMISSION (NO SERVICED COMPONENTS)

[A] PART OF 166-1211 WIRING GP-CONSOLE

01696346
PR: t05c24o40d0467

CONTROL GP-TRANSMISSION
169-6347



**MT700B SERIES TRACKTRACTOR
OPERATOR STATION**

1027

**CONTROL GP-TRANSMISSION
169-6347**

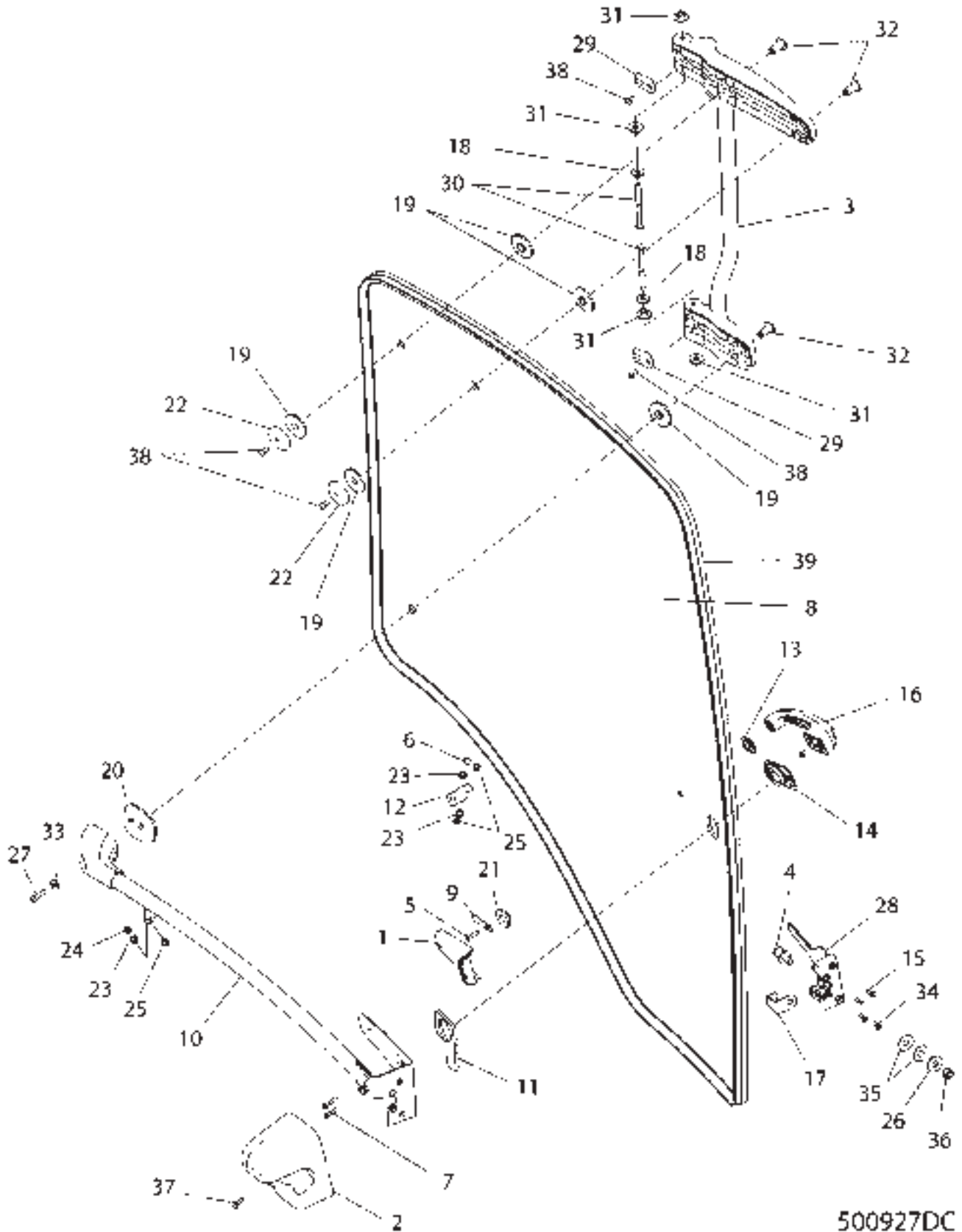
ITEM	NUMBER	QTY	DESCRIPTION
-	169-6347	--	CONTROL GP-TRANSMISSION [A] (NOT SERVICED)
1	400715X1	9	SOCKET-CONNECTOR (16-18AWG)
2	400472X1	3	PLUG (GROMMET SEALING)
3	CH9S-1347	1	SPRING
4	164-7041	1	HANDLE
5	166-4553	1	BOOT
6	168-2334	1	TRIGGER
7	172-6869	1	HANDLE ASM
8	502640D1	1	SWITCH ASM (AUTO SHIFT)
	502122D1	1	CAP-PUSHBUTTON
9	502120D1	1	SWITCH ASM (DOWN SHIFT)
	502122D1	1	CAP-PUSHBUTTON
10		1	WEDGE-PLUG LOCK (12 PIN) (ORDER ITEM 11)
11	CH155-2255	1	KIT-CONNECTING PLUG (12 PIN) (SERVICED ONLY AS COMPLETE KIT) (INCLUDES WEDGE AND PLUG ASM)
12	502121D1	1	SWITCH ASM (UP SHIFT)
	502122D1	1	CAP-PUSHBUTTON
13	CH3B-4501	1	LOCKWASHER (4.42X7.22X1.02M THK)
14	400073X1	2	BOLT-HEX SCKT
15	CH6V-9492	1	SCREW-MACHINE (M4X0.7X25MM)
16		AR	LOOM (BLACK) (19CM) (NOT SERVICED)

[A] PART OF 169-6346 CONTROL
GP-TRANSMISSION

1696347B
PR: t05c24o40d0468

MT700B SERIES TRACK TRACTOR
OPERATOR STATION

DOOR GP-CAB (LH)
500927D1



500927DC

**MT700B SERIES TRACKTRACTOR
OPERATOR STATION**

1029

**DOOR GP-CAB (LH)
500927D1**

ITEM	NUMBER	QTY	DESCRIPTION
-	500927D1	--	DOOR GP-CAB [A] (NOT SERVICED)
1	164-7013	1	COVER
2	164-7014	1	COVER-DOOR LATCH (LH)
3	164-7067	1	HINGE AS-DOOR
4	180-6240	1	STRIKER AS.-LONG BODY
5	400022X1	1	BOLT-M6X1X25MM ZNDI HHD 10.9
6	400053X1	1	BOLT-M8X1.25X20 ZNDI HHD 10.9
7	400065X1	2	BOLT-M6X1X30MM ZNDI HHD 10.9
8	500625D1	1	GLASS
9	500660D1	1	CLIP
10	500931D1	1	TUBE AS
11	502010D1	1	WASHER
12	500957D1	1	BRACKET
13	500929D1	1	GASKET
14	502011D1	1	GASKET
15	400256X1	3	BOLT-M6X1X20MM PL FLSHD 12.9
16	500658D1	1	HANDLE AS
	CH5P-8500	1	KEY
17	123-0380	1	GUARD - STRIKER
18	500624D1	2	WASHER-M10 NYLON
19	400330X1	5	WASHER 15 ID W/LID
20	400331X1	1	WASHER - DOOR
21	400332X1	1	WASHER (DOOR HANDLE)
22	400333X1	2	WASHER - HINGE
23	400339X1	3	WASHER - HARD
24	400340X1	2	NUT-M8X1.25X13 HEX ZND1
25	CH090-9554	2	STUD-BALL
26	CH140-5181	1	WASHER-13IDX35ODX3.2MM
27	CH142-2304	1	SCREW-BTN HD M8X1.25X35 ZNDI
28	CH164-7057	1	LATCH AS.-LH
29	CH164-7070	2	CLAMP
30	CH166-4573	2	PIN - HINGE (DOOR)
31	CH166-4574	4	BUSHING - HINGE (DOOR)
32	CH169-6392	3	BOSS
33	CH3E-4352	1	WASHER-HARD 8.8IDX20.5ODX2.5MM
34	CH8C-6802	1	SCREW-FLHD M6X1X30 HHD 12.9
35	CH8T-0318	2	SHIM-35 ODX13.5 IDX0.8 ZN
36	CH8T-4244	1	NUT-M12X1.75 HEX ZN
37	CH9X-2045	1	SCREW-M6X1X20MM ORG TORX T30
38	CH9X-2616	4	SCREW-BTNHD M8X1.25X16 ORG12.9
39	CH208-2404	AR	SEAL - BULK (520 CM)

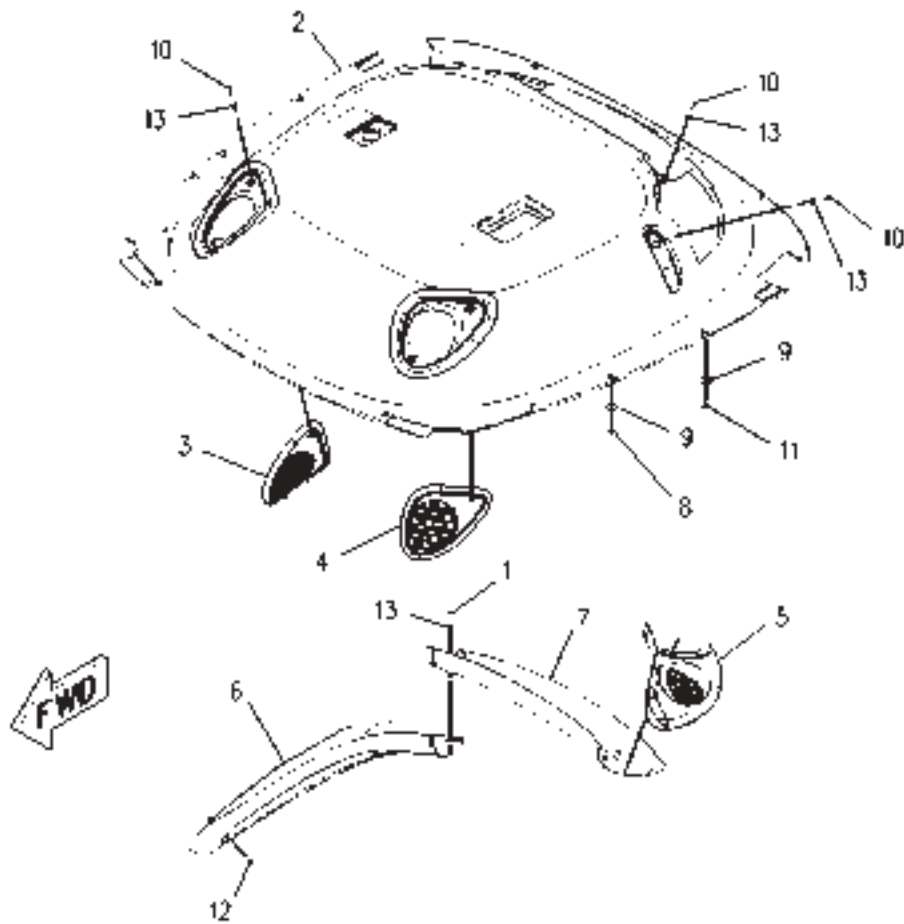
[A] PART OF: 152-0001;152-0002 CAB GP

500927DC
PR: t05c24o40d0469

1030

MT700B SERIES TRACK TRACTOR
OPERATOR STATION

HEADLINER GP - 502658D1
ROW ONLY



00842870

**MT700B SERIES TRACK TRACTOR
OPERATOR STATION**

1031

**HEADLINER GP - 502658D1
ROW ONLY**

ITEM	NUMBER	QTY	DESCRIPTION
-	502658D1	--	HEADLINER GP [A] (NOT SERVICED)
1	CH4V-2264	5	NUT-PUSH
2	162-6687	1	HEADLINER
	502654D1	1	INSULATION, HEADLINER
3	162-6688	1	COVER-FRONT SPEAKER (RH)
4	162-6689	1	COVER-FRONT SPEAKER (LH)
5	162-6690	1	COVER-REAR SPEAKER (LH)
6	162-6692	1	BEZEL
7	168-2305	1	COVER-REAR
8	127-2170	2	SCREW-TRUSS HEAD (M8X1.25X20MM)
9	CH101-2867	10	WASHER-HARD (8.8X25.5X2M THK)
10	CH119-5026	10	SCREW-PAN HEAD (10-16X0.63IN)
11	CH9X-2044	8	SCREW-TRUSS HEAD (M6X1X16MM)
12	CH9X-2045	4	SCREW-TRUSS HEAD (M6X1X20MM)
13	400076X1	15	WASHER (5X16X1.2MM THK)

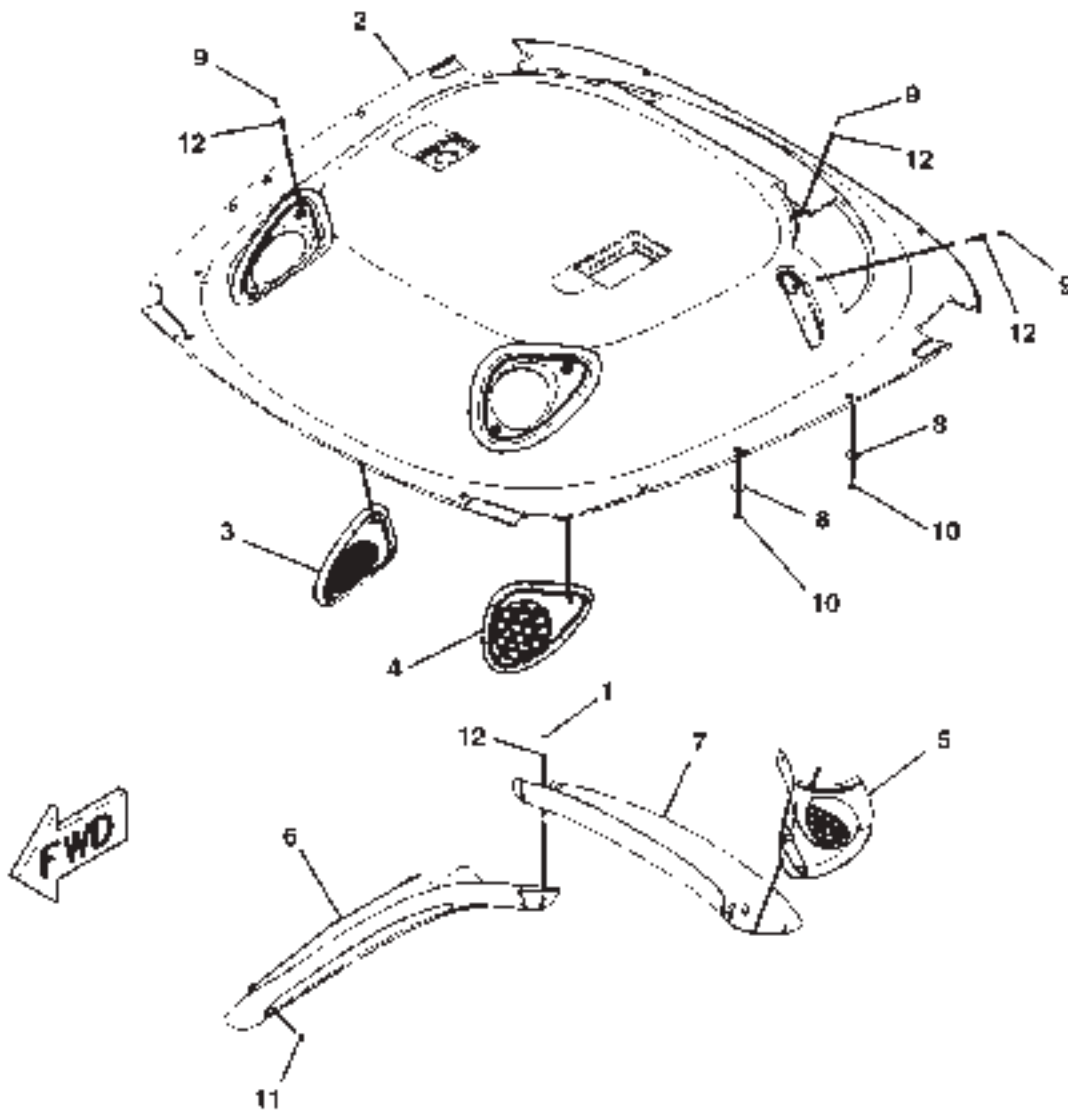
[A] PART OF 502663D1; 502664D1 CAB AR

00842870
PR: t05c24o40d0470

1032

MT700B SERIES TRACK TRACTOR
OPERATOR STATION

HEADLINER GP - 152-0418
EAME ONLY



0842870A

**MT700B SERIES TRACK TRACTOR
OPERATOR STATION**

1033

**HEADLINER GP - 152-0418
EAME ONLY**

ITEM	NUMBER	QTY	DESCRIPTION
-	152-0418	--	HEADLINER GP [A] (NOT SERVICED)
1	CH4V-2264	5	NUT-PUSH
2	162-6687	1	HEADLINER
3	162-6688	1	COVER-FRONT SPEAKER (RH)
4	162-6689	1	COVER-FRONT SPEAKER (LH)
5	162-6690	1	COVER-REAR SPEAKER (LH)
6	162-6692	1	BEZEL
7	168-2305	1	COVER-REAR
8	CH101-2867	10	WASHER-HARD (8.8X25.5X2M THK)
9	CH119-5026	10	SCREW-PAN HEAD (10-16X0.63IN)
10	CH9X-2044	10	SCREW-TRUSS HEAD (M6X1X16MM)
11	CH9X-2045	4	SCREW-TRUSS HEAD (M6X1X20MM)
12	400076X1	15	WASHER (5X16X1.2)

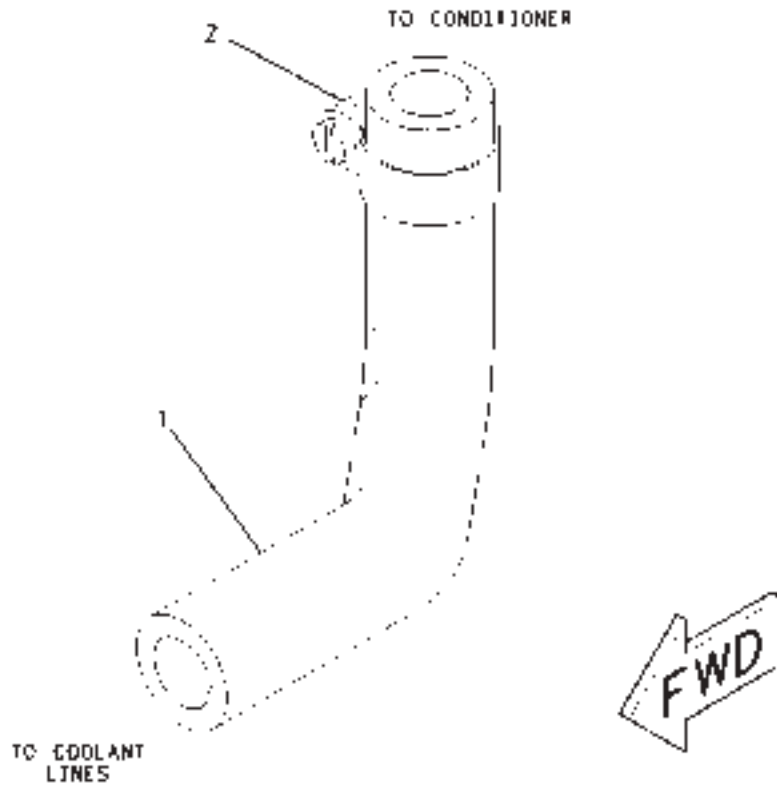
[A] PART OF 500847D1; 500848D1 CAB AR

0842870A
PR: t05c24o40d0471

1034

MT700B SERIES TRACK TRACTOR
OPERATOR STATION

LINES GP-HEATER - 208-2879



00870105

**MT700B SERIES TRACK TRACTOR
OPERATOR STATION**

1035

LINES GP-HEATER - 208-2879

ITEM	NUMBER	QTY	DESCRIPTION
-	208-2879	--	LINES GP-HEATER [A] (NOT SERVICED)
1	CH128-0331	1	HOSE
2	400108X1	1	CLAMP-HOSE

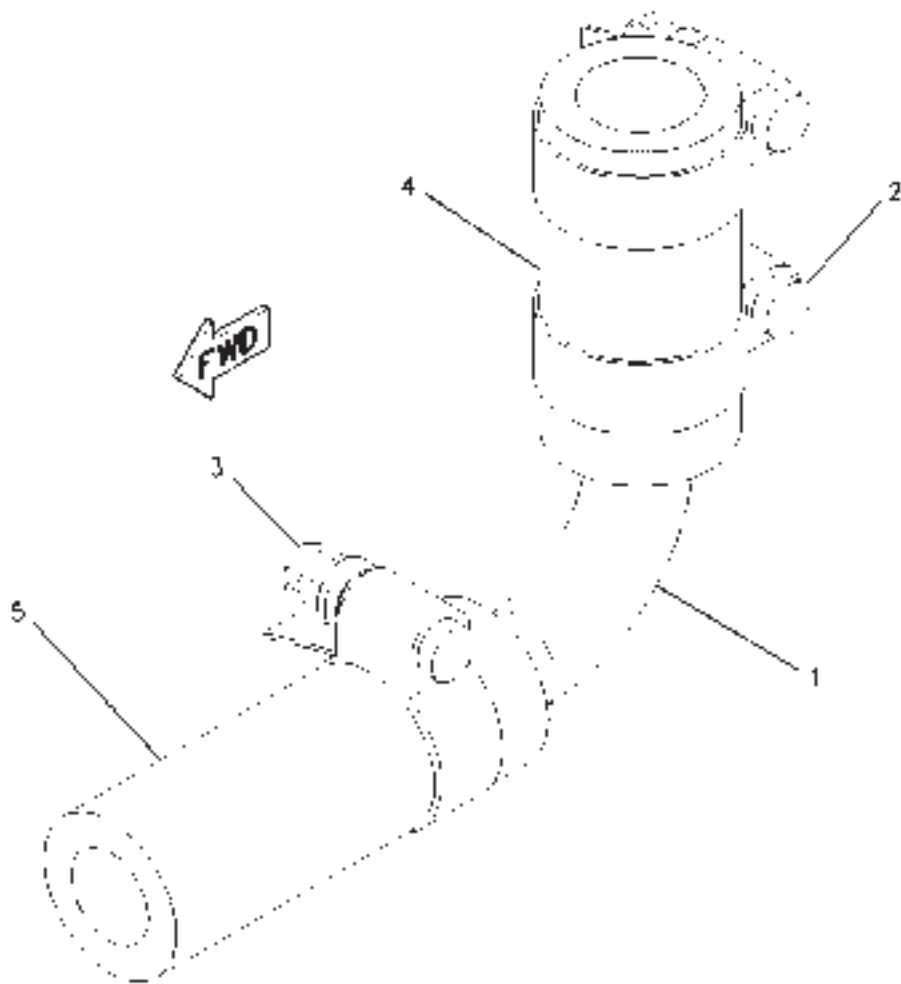
[A] PART OF 502664D1 CAB AR

00870195
PR: t05c24o40d0472

1036

MT700B SERIES TRACK TRACTOR
OPERATOR STATION

LINES GP-HEATER - 208-2882
DELUXE



00874721

**MT700B SERIES TRACK TRACTOR
OPERATOR STATION**

1037

**LINES GP-HEATER - 208-2882
DELUXE**

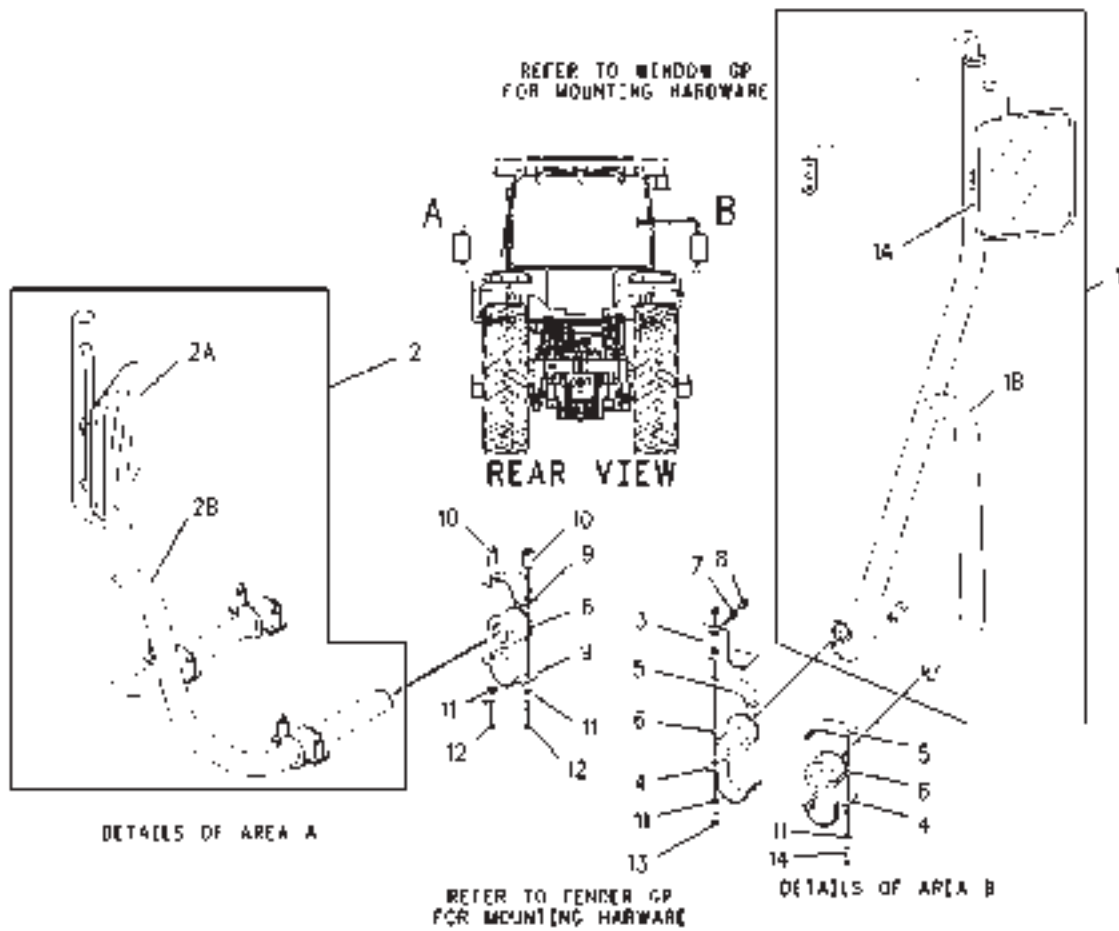
ITEM	NUMBER	QTY	DESCRIPTION
-	208-2882	--	LINES GP-HEATER [A] (NOT SERVICED)
1	CH170-1501	1	TUBE-REDUCER
2	400125X1	2	CLAMP-HOSE
3	400108X1	1	CLAMP-HOSE
4	501738D1	AR	HOSE
5	CH5P-0767	AR	HOSE

[A] PART OF 502663D1;500848D1 CAB AR

00874721
PR: t05c24o40d0473

MT700B SERIES TRACK TRACTOR
OPERATOR STATION

MIRROR GP-REAR VIEW - 192-5592
MANUAL ADJUSTMENT
ROW ONLY



C0904378

**MT700B SERIES TRACKTRACTOR
OPERATOR STATION**

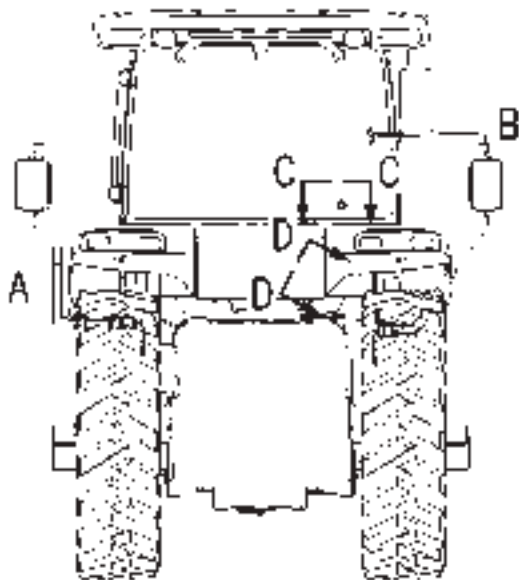
1039

**MIRROR GP-REAR VIEW - 192-5592
MANUAL ADJUSTMENT
ROW ONLY**

ITEM	NUMBER	QTY	DESCRIPTION
-	192-5592	--	MIRROR GP-REAR VIEW (NOT SERVICED)
-	502775D1	--	MIRROR GP-REAR VIEW (FIELD INSTALLED)
1	206-0585	1	MIRROR GP-REAR VIEW (RH) INCLUDES ITEMS 1A AND 1B)
1A	206-0578	1	MIRROR ASY.
	207-0510	1	GLASS-MIRROR
1B	206-0582	1	SUPPORT ASY. (RH)
	502509D1	2	PLUG-TUBE
	502510D1	1	PLUG-TUBE (W/HOLE)
2	206-0586	1	MIRROR GP-REAR VIEW (LH) (INCL. ITEMS 2A AND 2B)
2A	206-0578	1	MIRROR ASY.
	207-0510	1	GLASS-MIRROR
2B	206-0581	1	SUPPORT ASY. (LH)
	502509D1	2	PLUG-TUBE
	502510D1	1	PLUG-TUBE (W/HOLE)
3	206-0591	1	BRACKET ASY.(INCL. BRACKET AND PLATE)
	CH8T-3612	1	NUT-WELD (M8X1.25 THD)
4	CH6V-1572	2	CLIP (SLOT)
5	CH6V-1573	2	CLIP (TAB)
6	400111X1	6	GROMMET
7	400287X1	2	WASHER-HARD (11X21X2.5MM THK)
8	400040X1	2	BOLT (M10X1.5X20MM)
9	CH209-9233	8	CLAMP
10	CH215-6489	8	SPACER (12X22X40MM THK)
11	400599X1	10	WASHER-HARD (M8X20.5X2MM THK)
12	400068X1	8	BOLT (M8X1.25X70MM)
13	400245X1	1	BOLT (M8X1.25X30MM)
14	400060X1	1	BOLT (M8X1.25X40MM)

00904378
PR: t05c24o40d0475

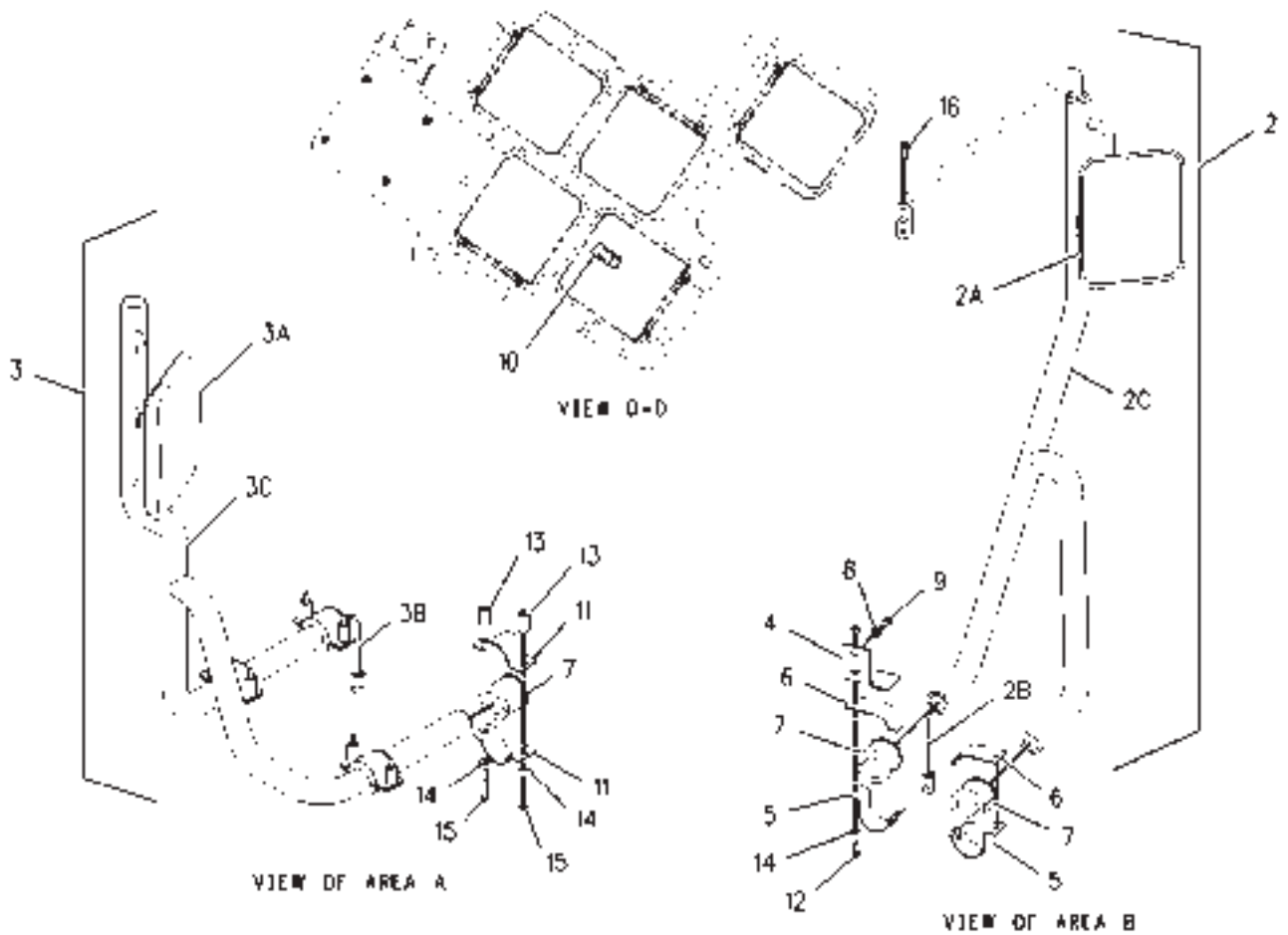
MIRROR GP-REAR VIEW - 192-5590
POWER ADJUSTMENT & HEATED
DELUXE



REAR VIEW



VIEW C-C



VIEW D-D

VIEW OF AREA A

VIEW OF AREA B

**MT700B SERIES TRACK TRACTOR
OPERATOR STATION**

1041

**MIRROR GP-REAR VIEW - 192-5590
POWER ADJUSTMENT & HEATED
DELUXE**

ITEM	NUMBER	QTY	DESCRIPTION
-	192-5590	--	MIRROR GP-REAR VIEW [A] (NOT SERVICED)
1	207-2038	1	SWITCH AS (POWER MIRRORS)
2	206-0583	1	MIRROR GP-REAR VIEW (RH)
2A	206-0579	1	MIRROR AS
	207-0511	1	GLASS-MIRROR
2B	206-0580	1	HARNES AS (POWER MIRRORS)
2C	206-0582	1	SUPPORT AS (RH)
	502509D1	2	PLUG-TUBE
	502510D1	1	PLUG-TUBE (W/HOLE)
3	206-0584	1	MIRROR GP-REAR VIEW (LH)
	CH102-8805	1	KIT-RECEPTACLE (6 PIN) (INCLUDES WEDGE)
3A	206-0579	1	MIRROR AS
	207-0511	1	GLASS-MIRROR
3B	206-0580	1	HARNES AS (POWER MIRRORS)
3C	206-0581	1	SUPPORT AS (LH)
	502509D1	2	PLUG-TUBE
	502510D1	1	PLUG-TUBE (W/HOLE)
4	206-0591	1	BRACKET AS
	CH8T-3612	1	NUT-WELD (M8X1.25 THD)
5	CH6V-1572	2	CLIP (SLOT)
6	CH6V-1573	2	CLIP (TAB)
7	400111X1	6	GROMMET
8	400287X1	2	WASHER-HARD (11X21X2.5MM THK)
9	400040X1	2	BOLT (M10X1.5X20MM)
10	CH146-9439	1	RELAY AS (12 VOLT)
11	CH209-9233	8	CLAMP
12	400245X1	1	BOLT (M8X1.25X30MM)
13	CH215-6489	8	SPACER (12X22X40MM THK)
14	400599X1	9	WASHER-HARD (8.8X20.5X2MM THK)
15	400068X1	8	BOLT (M8X1.25X70MM)
16	CH8C-8585	2	BOLT-BUTTON HEAD (M10X1.5X20MM) [J]

[A] PART OF 502663D1;500848D1 CAB AR

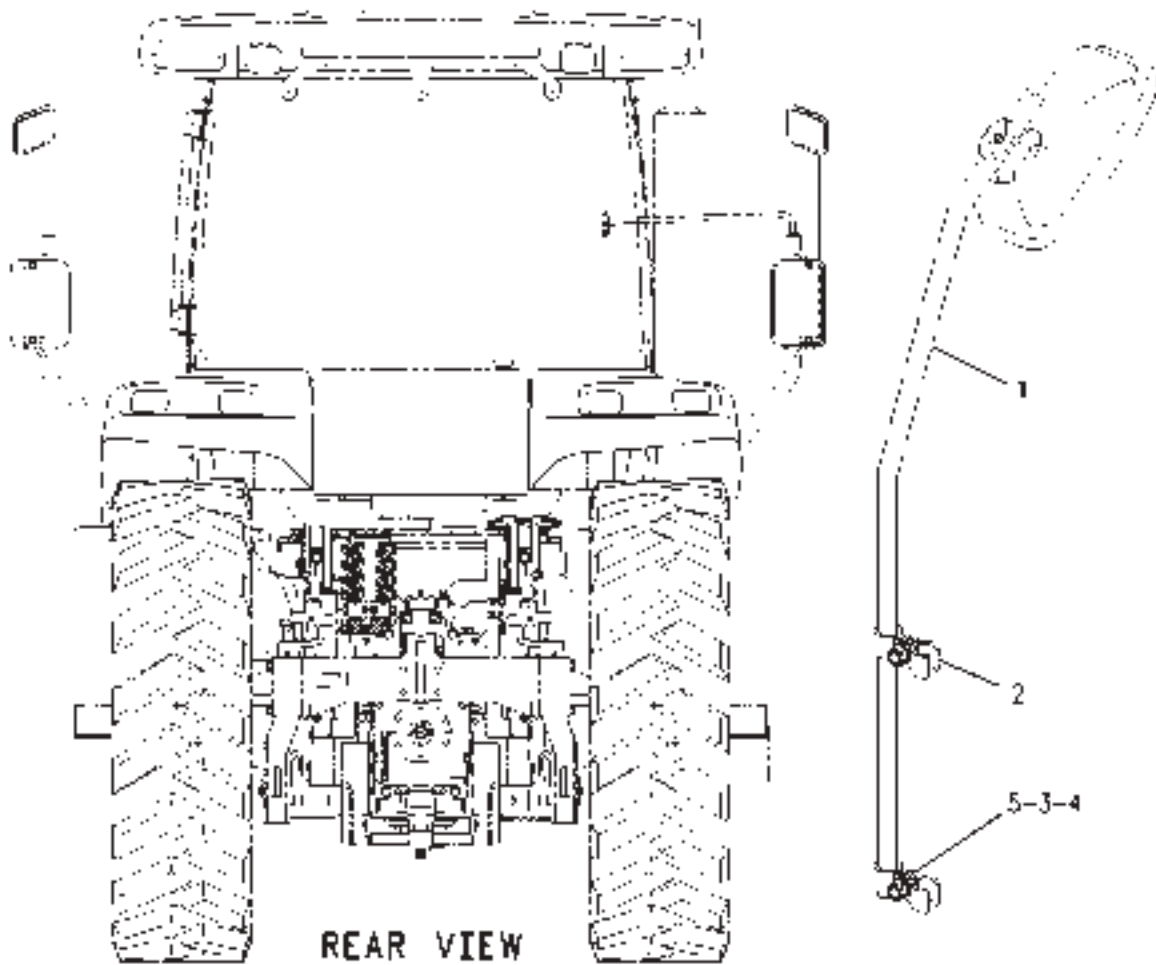
[J] BOLTS REQUIRED FOR EAME MODELS
ROW MODELS UTILIZE EXISTING BOLTS
FROM WINDOW GROUP.

00825419
PR: t05c24o40d0476

1042

MT700B SERIES TRACK TRACTOR
OPERATOR STATION

MIRROR GP - 206-0588
SIDE AREA VIEW
EAME ONLY



00821303

**MT700B SERIES TRACK TRACTOR
OPERATOR STATION**

1043

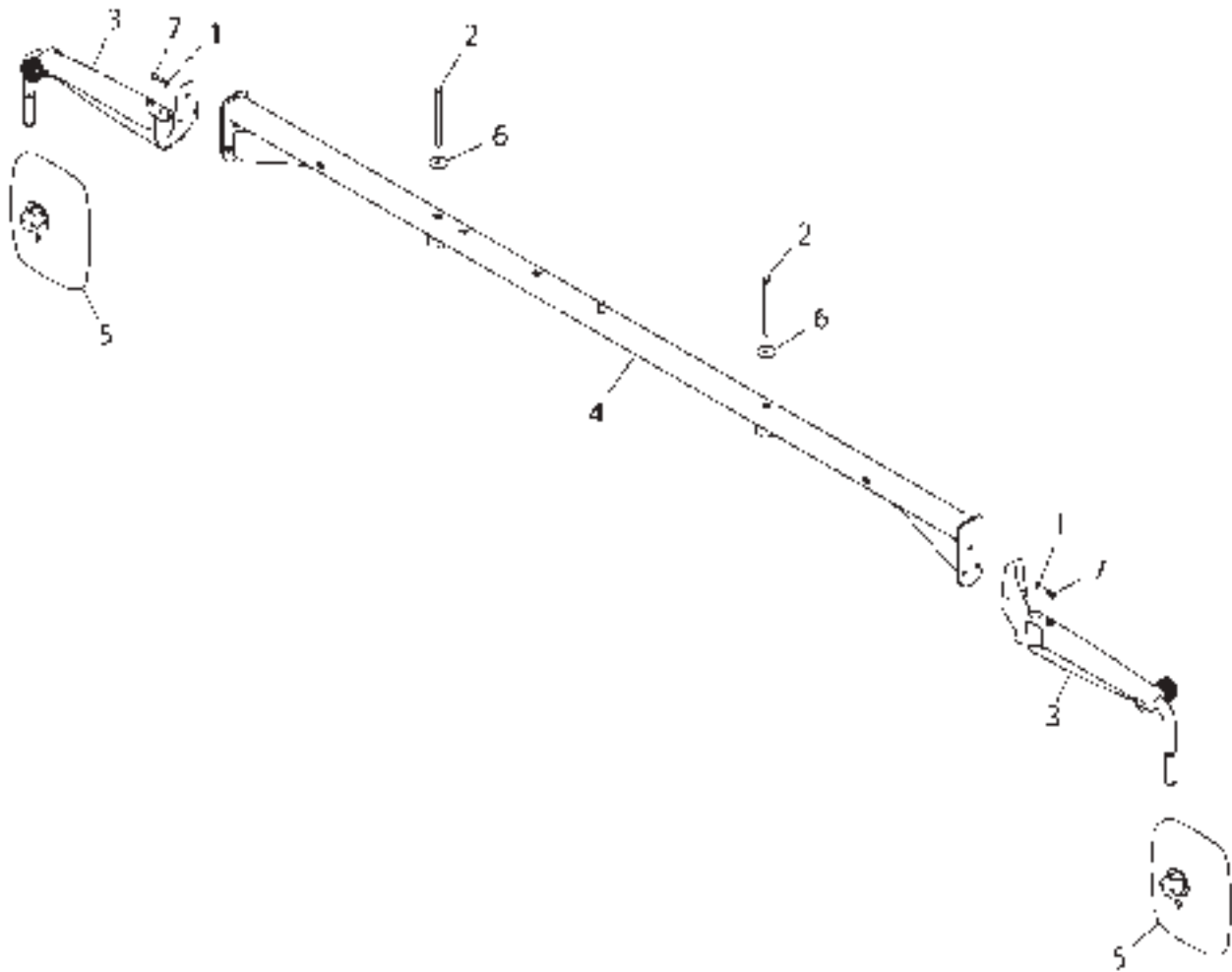
**MIRROR GP - 206-0588
SIDE AREA VIEW
EAME ONLY**

ITEM	NUMBER	QTY	DESCRIPTION
-	206-0588	--	MIRROR GP-SIDE AREA VIEW [A] (NOT SERVICED)
1	206-0589	2	MIRROR AS
2	CH4H-7655	8	CLAMP-TUBE
3	CH8T-0389	4	LOCKNUT (M10X1.5 THD)
4	400287X1	8	WASHER-HARD (11X21X2.5MM THK)
5	400039X1	4	BOLT (M10X1.5X25MM)

[A] PART OF 502663D1;500848D1 CAB AR

00821303
PR: t05c24o40d0477

KIT-EXTRA WIDE MIRRORS - 501557D1
MANUAL ADJUSTMENT
ROW ONLY



501557DA

**MT700B SERIES TRACKTRACTOR
OPERATOR STATION**

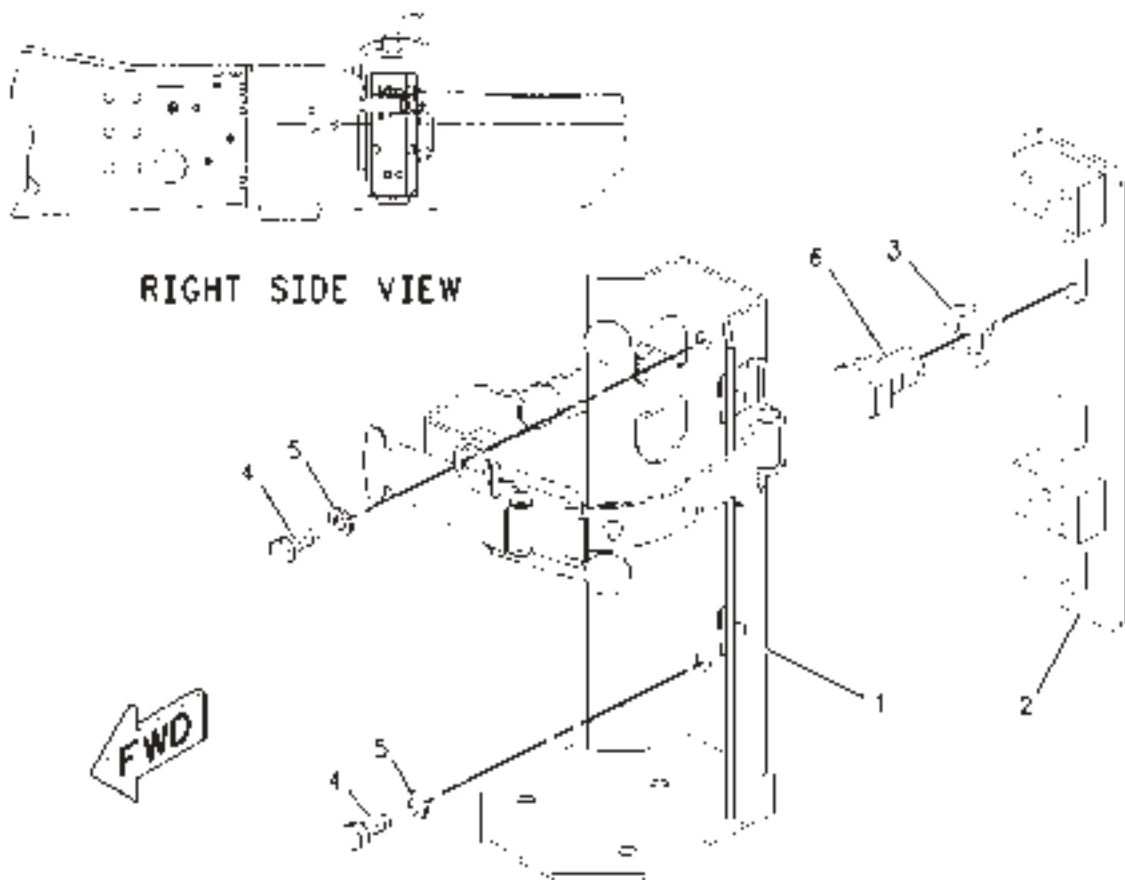
1045

**KIT-EXTRA WIDE MIRRORS - 501557D1
MANUAL ADJUSTMENT
ROW ONLY**

ITEM	NUMBER	QTY	DESCRIPTION
-	501557D1	--	KIT-EXTRA WIDE MIRRORS
1	WR550205	6	LOCKWASHER (0.31 ZN REG)
2	400137X1	2	BOLT (M10X1.5X160MM)
3	501195D1	2	MIRROR ARM
4	501563D1	1	TUBE AS
5	502069D1	2	MIRROR HEAD
6	CH8T-4226	2	WASHER (10.5X45X3MM)
7	400245X1	6	BOLT (M8X1.25X30MM)

501557DA
PR: t05c24o40d0478

KIT-MOUNTING-FIRE EXTINGUISHER
167-0090
ROW ONLY



00897554

**MT700B SERIES TRACK TRACTOR
OPERATOR STATION**

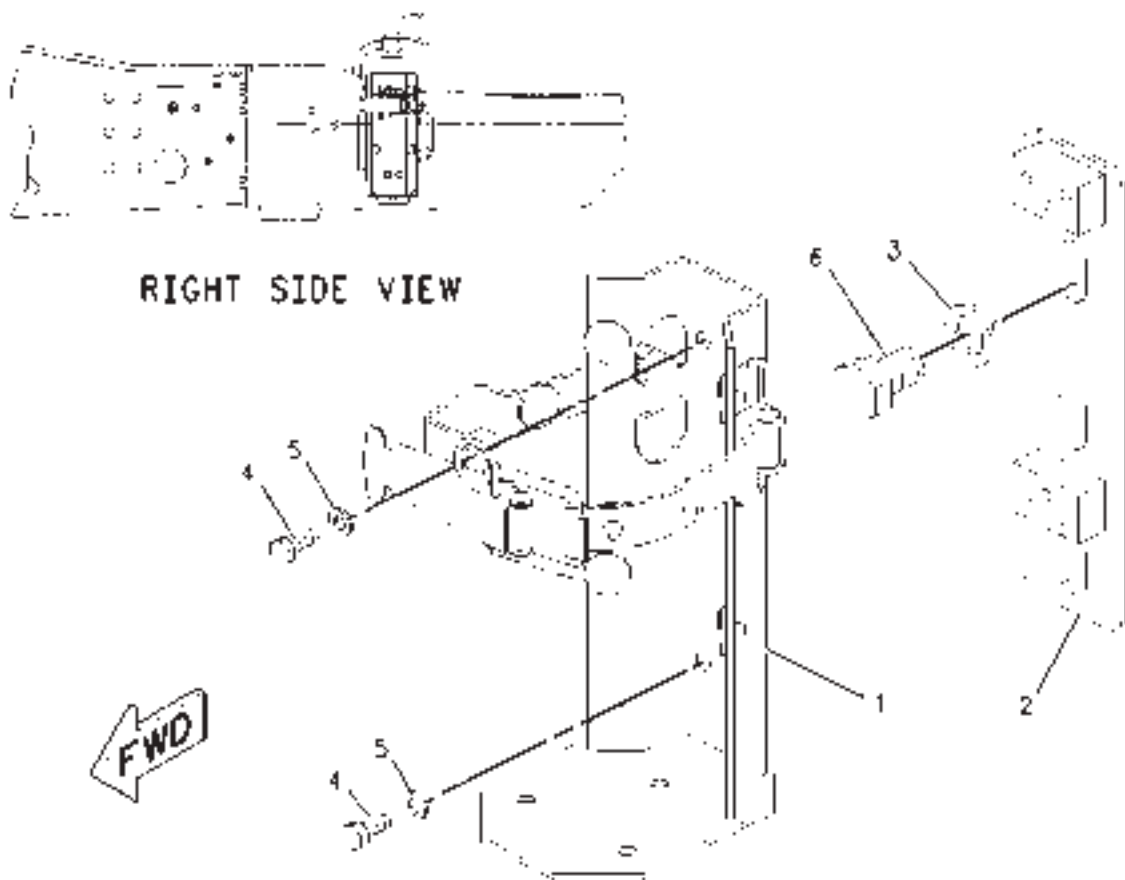
1047

**KIT-MOUNTING-FIRE EXTINGUISHER
167-0090
ROW ONLY**

ITEM	NUMBER	QTY	DESCRIPTION
-	167-0090	--	KIT-MOUNTING-FIRE EXTINGUISHER
1	500505D1	1	BRACKET
2	203-5564	1	BRACKET ASY.
3	400080X1	2	WASHER-PLATED (22X35X3.5MM THK)
4	400053X1	4	BOLT (M8X1.25X20MM)
5	400339X1	4	WASHER-HARD (8.8X16X2MM THK)
6	400326X1	2	BOLT (M20X2.5X30MM)
-	500018D1	--	ADAPTOR KIT-FIRE EX (INCLS ITS 2, 3 & 6)

00897554
PR: t05c24o40d0479

ADAPTOR KIT-FIRE EXTINGUISHER
500018D1
EAME ONLY



00897554

**MT700B SERIES TRACKTRACTOR
OPERATOR STATION**

1049

**ADAPTOR KIT-FIRE EXTINGUISHER
500018D1
EAME ONLY**

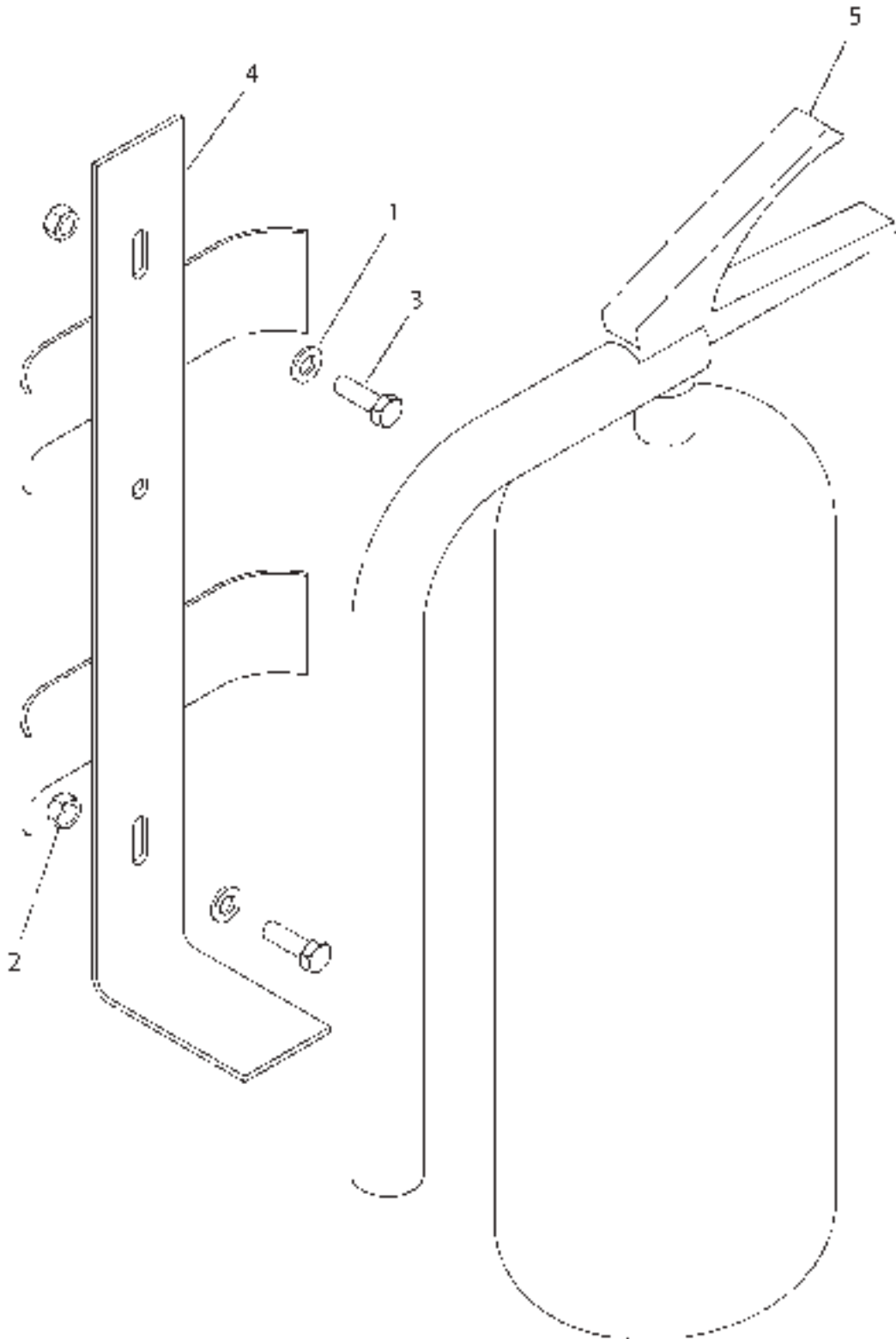
ITEM	NUMBER	QTY	DESCRIPTION
-	500018D1	--	ADAPTOR KIT-FIRE EXTINGUISHER (INCLS ITEMS 2,3 & 6)
1			NOT INCLUDED
2	203-5564	1	BRACKET ASY.
3	400080X1	2	WASHER-PLATED (22X35X3.5MM THK)
4			NOT INCLUDED
5			NOT INCLUDED
6	400326X1	2	BOLT (M20X2.5X30MM)

00897554
PR: t05c24o40d0480

1050

MT700B SERIES TRACK TRACTOR
OPERATOR STATION

MOUNTING GP-WITH FIRE EXTINGUISHER
501785D1
EAME ONLY



501785DA

**MT700B SERIES TRACK TRACTOR
OPERATOR STATION**

1051

**MOUNTING GP-WITH FIRE EXTINGUISHER
501785D1
EAME ONLY**

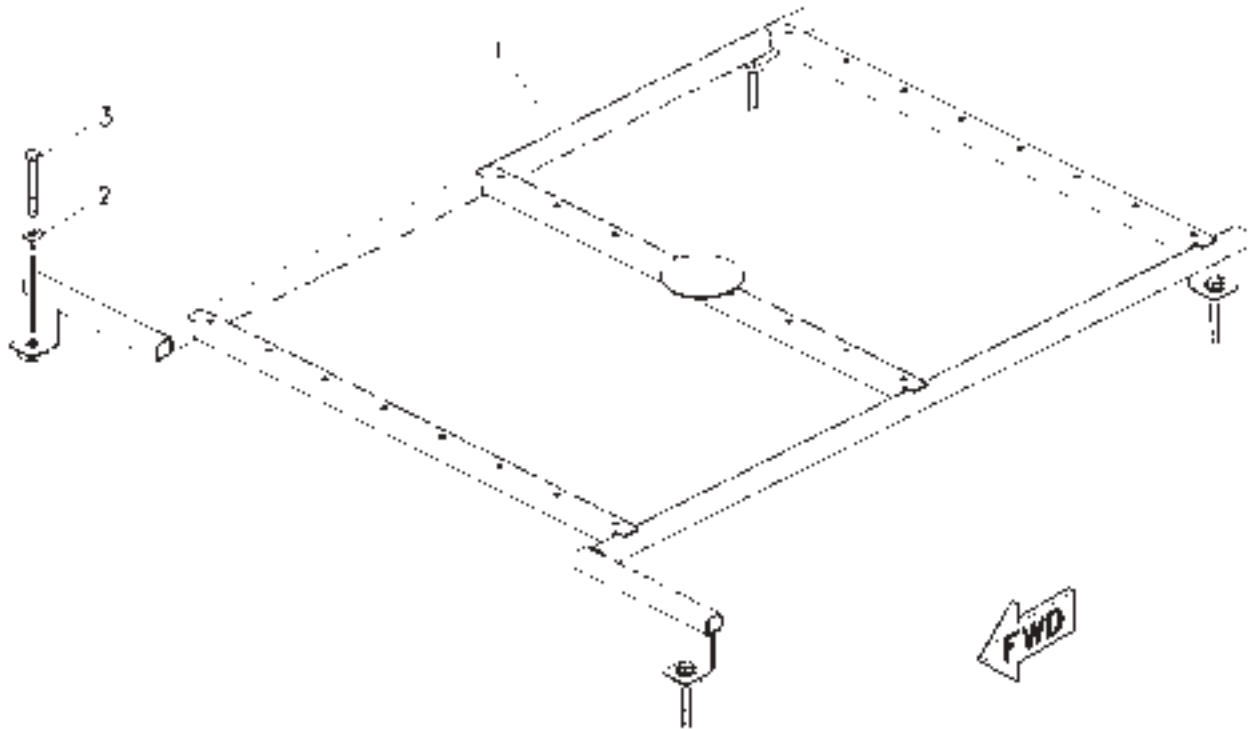
ITEM	NUMBER	QTY	DESCRIPTION
-	501785D1	--	MOUNTING GP-FIRE EXTINGUISHER
1	400339X1	2	WASHER-HARD
2	400340X1	2	NUT
3	400341X1	2	BOLT-HEX HD
4	501775D1	1	BRACKET-FIRE EXTG
5	501785D1	1	EXTENGUISHER-FIRE

501785DA
PR: t05c24o40d0481

1052

MT700B SERIES TRACK TRACTOR
OPERATOR STATION

RACK & MOUNTING GP - 187-4896
GLOBAL POSITION SENSOR



00815845

**MT700B SERIES TRACK TRACTOR
OPERATOR STATION**

1053

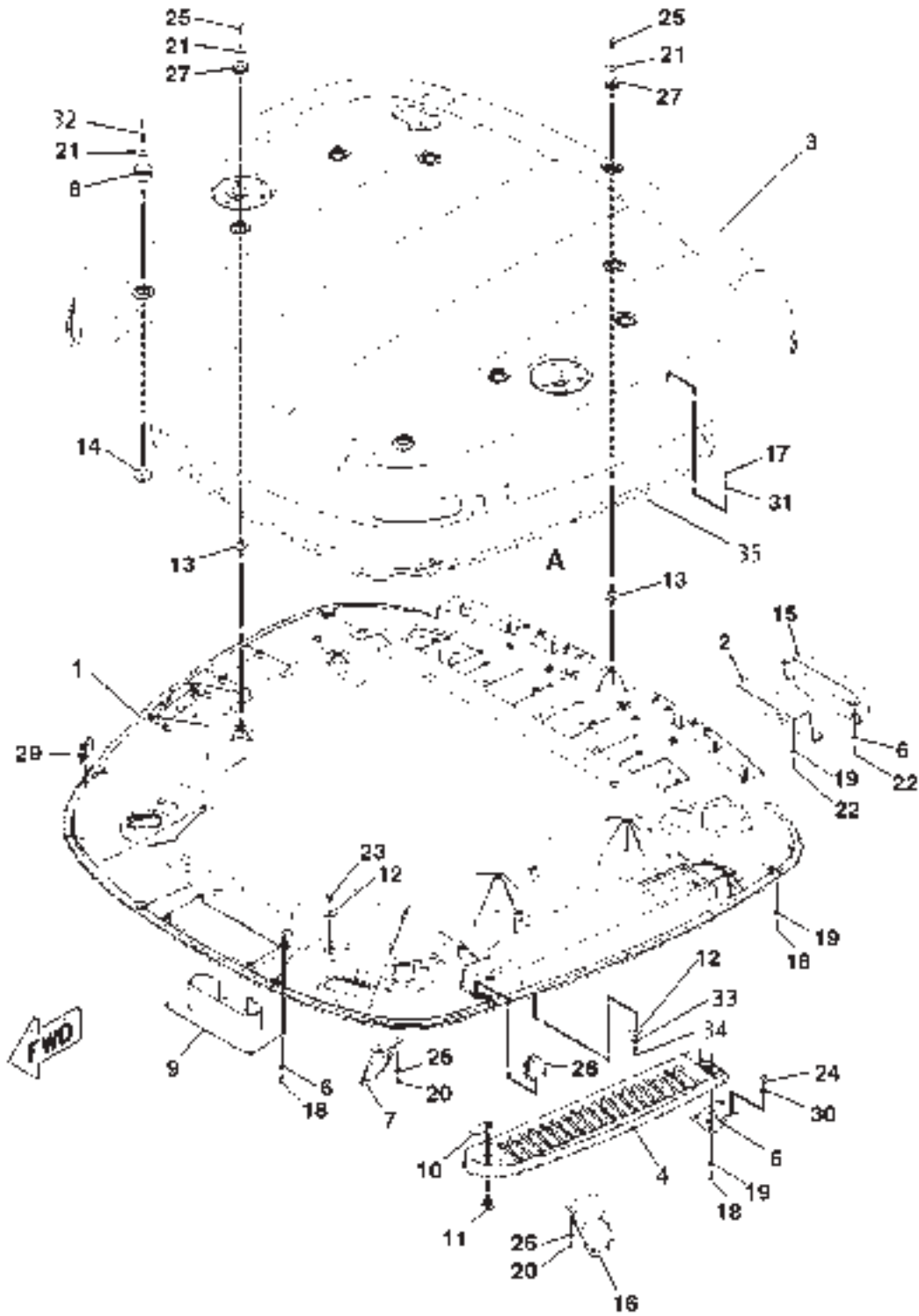
**RACK & MOUNTING GP - 187-4896
GLOBAL POSITION SENSOR**

ITEM	NUMBER	QTY	DESCRIPTION
-	187-4896	--	RACK & MOUNTING GP
1	168-2291	1	RACK AS-STORAGE
	400313X1	22	NUT-WELD (M6X1 THD)
2	CH7X-7729	4	WASHER (11X25X3MM THK)
3	400044X1	4	BOLT (M10X1.50X80MM)

00815845
PR: t05c24o40d0482

MT700B SERIES TRACK TRACTOR
OPERATOR STATION

ROOF GP-CAB - 152-0417
ROW



0892132B

**MT700B SERIES TRACKTRACTOR
OPERATOR STATION**

1055

**ROOF GP-CAB - 152-0417
ROW**

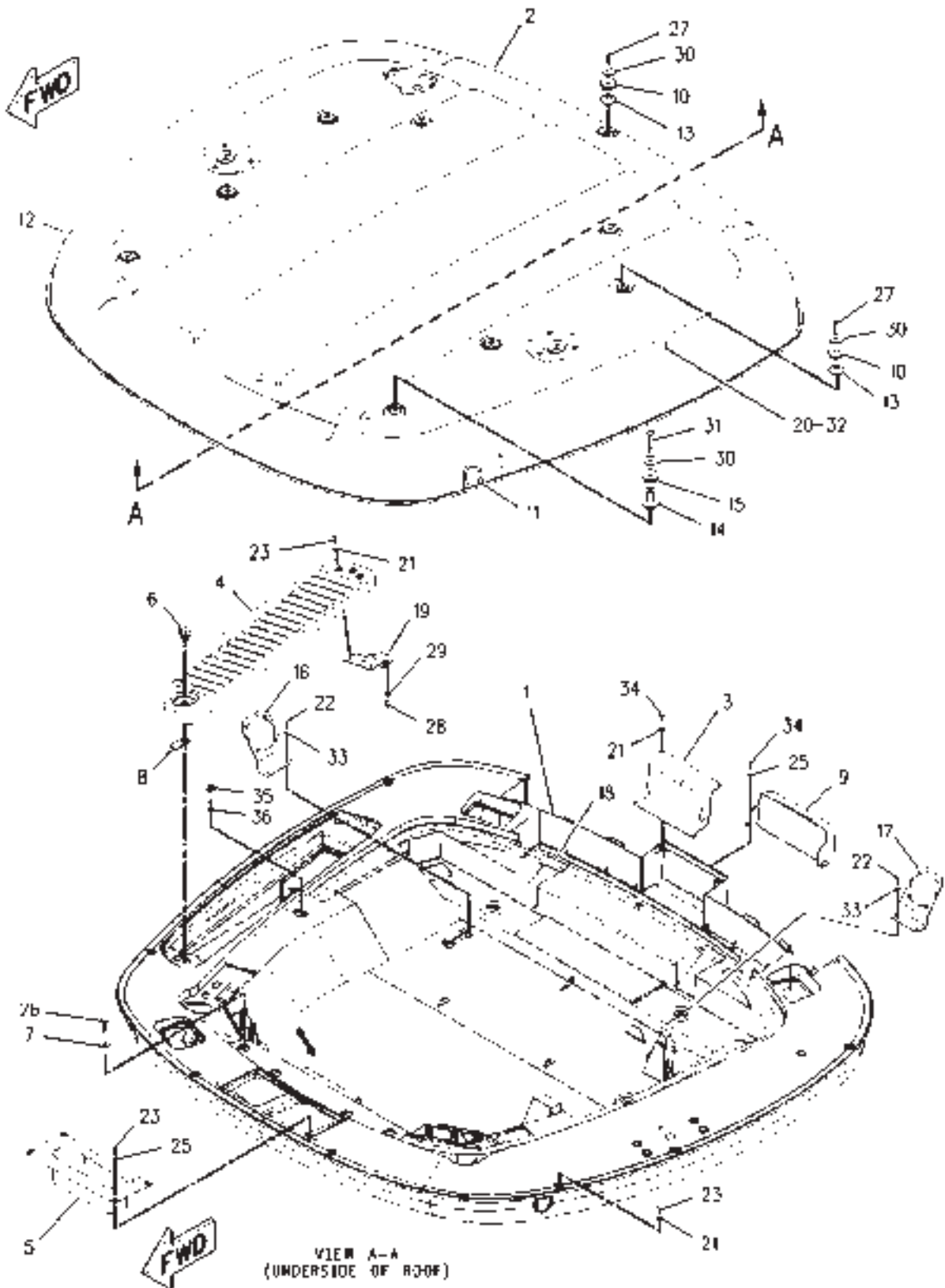
ITEM	NUMBER	QTY	DESCRIPTION
-	152-0417	--	ROOF GP-CAB [A] (NOT SERVICED)
1	152-0441	1	ROOF ASM (INNER)
	CH216-7617	14	INSERT (M6)
	CH222-4435	7	INSERT (M8X1.25)
2	162-6654	1	PLATE
3	162-6655	1	ROOF ASM (OUTER)
	CH216-7616	8	INSERT (M4)
	CH216-7617	7	INSERT (M6)
4	162-6693	1	DOOR-FILTER
5	CH195-2614	1	HINGE ASM
6	CH8T-4205	6	WASHER-HARD (7.2X14.5X2MM)
7	502322D1	1	BRACKET (REAR SPEAKER-RH)
8	CH195-2609	4	GROMMET
9	168-2284	1	COVER
10	CH179-3160	1	CAM-LATCH
11	CH174-6381	1	LATCH
12	400119X1	4	SPACER (13X44X5MM THK)
13	CH195-2607	5	SPACER
14	CH195-2608	4	SPACER
15	179-4203	1	COVER
16	502321D1	1	BRACKET (REAR SPEAKER-LH)
17	CH217-5909	1	SCREW-PAN HEAD (M6X1X16MM)
18	400048X1	14	BOLT (M6X1X20MM)
19	CH5P-4115	14	WASHER-HARD (7.2X19X2)
20	CH110-2028	4	SCREW-PAN HEAD (10-14X.75IN)
21	CH8T-4226	9	WASHER-PLATED (10.5X45X3)
22	400152X1	6	BOLT (M6X1X16MM)
23	400040X1	2	BOLT (M10X1.5X20MM)
24	400227X1	2	BOLT (M8X1.25X16MM)
25	400042X1	5	BOLT (M8X1.25X35MM)
26	400310X1	4	WASHER (6.6X12X2)
27	CH195-2600	5	GROMMET
28	CH195-2601	1	GROMMET-LH
29	CH195-2602	1	GROMMET-RH
30	400339X1	2	WASHER-HARD (8.8X16X2)
31	CH196-2881	1	CLIP
32	400066X1	4	BOLT (M10X1.50X70MM)
33	400287X1	2	WASHER-HARD (11X21X2.5)
34	400058X1	2	BOLT (M10X1.5X30MM)
35	217-2214	1	INSULATION GP-WEATHER (NOT SERVICED) (SEE BREAKDOWN FOR COMPONENTS)

[A] PART OF 502663D1;502664D1 CAB AR

0892132B
PR: t05c24o40d0483

MT700B SERIES TRACK TRACTOR
OPERATOR STATION

ROOF GP-CAB - 152-0444
EAME ONLY



1520444B

**MT700B SERIES TRACKTRACTOR
OPERATOR STATION**

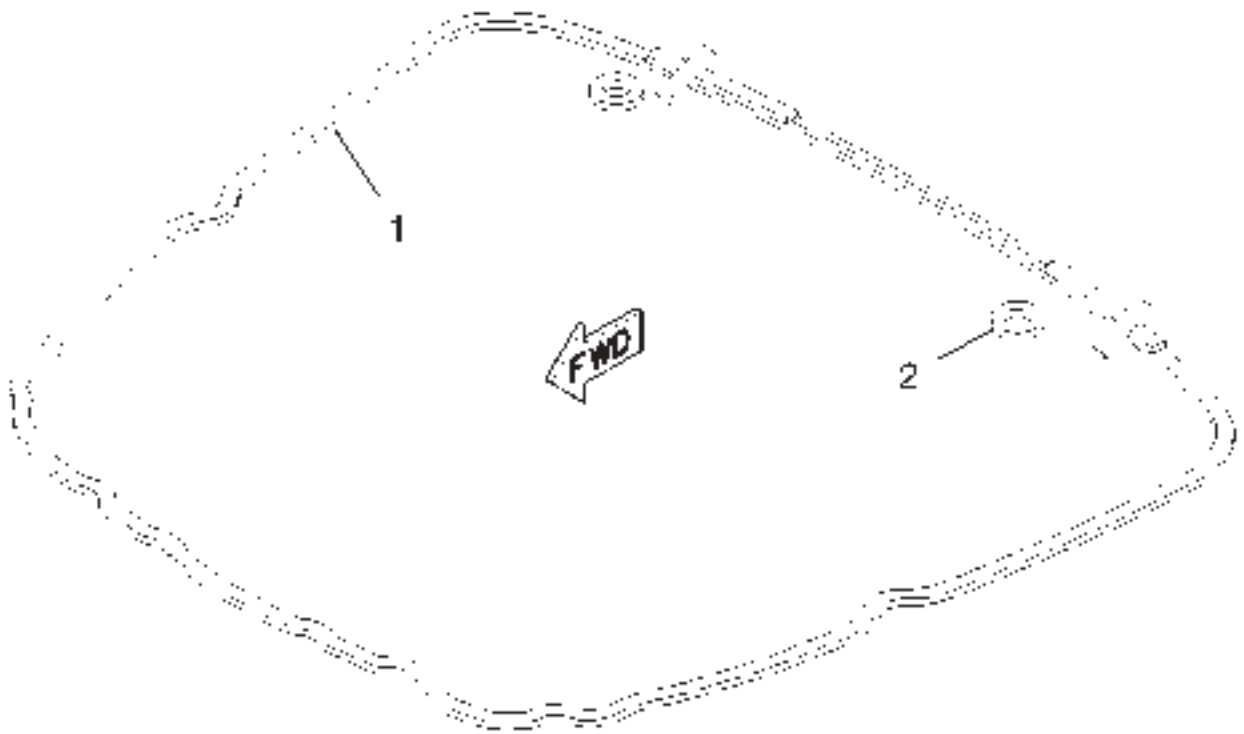
1057

**ROOF GP-CAB - 152-0444
EAME ONLY**

ITEM	NUMBER	QTY	DESCRIPTION
-	152-0444	--	ROOF GP-CAB [A] (NOT SERVICED)
1	152-0441	1	ROOF AS (INNER)
2	162-4111	1	ROOF AS (OUTER)
3	162-6654	1	PLATE
4	162-6693	1	DOOR AS (FILTER)
5	168-2284	1	COVER
6	CH174-6381	1	LATCH AS
7	400119X1	4	SPACER (13X44X5MM THK)
8	CH179-3160	1	CAM-LATCH
9	179-4203	1	COVER
10	CH195-2600	5	GROMMET
11	CH195-2601	1	GROMMET-LH
12	CH195-2602	1	GROMMET-RH
13	CH195-2607	5	SPACER
14	CH195-2608	4	SPACER
15	CH195-2609	4	GROMMET
16	502322D1	1	BRACKET (REAR SPEAKER)(RH)
17	502321D1	1	BRACKET (REAR SPEAKER)(LH)
18	217-2214	1	INSULATION GP-WEATHER (NOT SERVICED) (SEE BREAKDOWN FOR COMPONENTS)
19	CH195-2614	1	HINGE AS
	6V-9632	3	NUT-WELD (M6X1 THD)
20	CH196-2881	1	CLIP
21	CH5P-4115	14	WASHER-HARD (7.2X19X2MM THK)
22	CH110-2028	4	SCREW-PAN HEAD (10-14X.75IN)
23	400048X1	14	BOLT (M6X1.0X20MM)
25	CH8T-4205	6	WASHER-HARD (7.2X14.5X2MM THK)
26	400040X1	4	BOLT (M10X1.5X20MM)
27	400042X1	5	BOLT (M8X1.25X35MM)
28	400227X1	2	BOLT (M8X1.25X16MM)
29	400339X1	2	WASHER-HARD (8.8X16X2MM THK)
30	CH8T-4226	9	WASHER-PLATED (10.5X45X3MM THK)
31	400066X1	4	BOLT (M10X1.50X70MM)
32	CH217-5909	1	SCREW-PAN HEAD (1/4-15X12.7)
33	400310X1	4	WASHER (6.6X12X2MM THK)
34	400152X1	6	BOLT (M6X1X16MM)
35	400287X1	2	WASHER-HARD (11X21X2.5MM THK)
36	400058X1	2	BOLT (M10X1.5X30MM)

[A] PART OF 500847D1; 500848D1 CAB AR

1520444B
PR: t05c24o40d0484



**MT700B SERIES TRACK TRACTOR
OPERATOR STATION**

1059

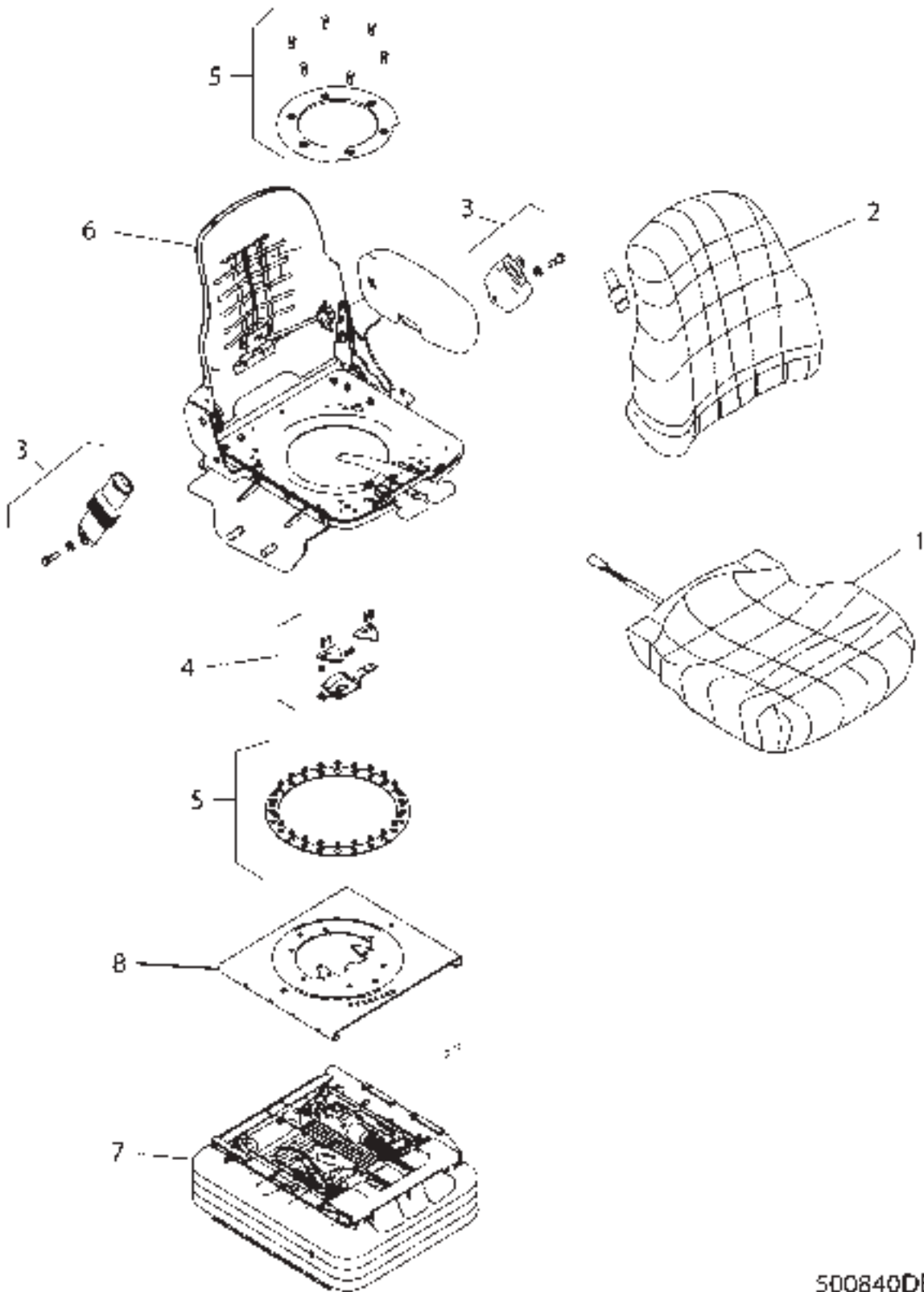
INSULATION GP-WEATHER - 217-2214

ITEM	NUMBER	QTY	DESCRIPTION
-	217-2214	--	INSULATION GP-WEATHER [A] (NOT SERVICED)
1	217-2130	1	SEAL (7620LX24WX12THK ADH BACK)
2	217-2131	2	SEAL (38IDX36ODX12THK ADH BACK)

[A] PART OF 502663D1; 502664D1 CAB AR

2172214C
PR: t05c24o40d0485

SEAT GP-BASIC
500840D1



500840DB

**MT700B SERIES TRACK TRACTOR
OPERATOR STATION**

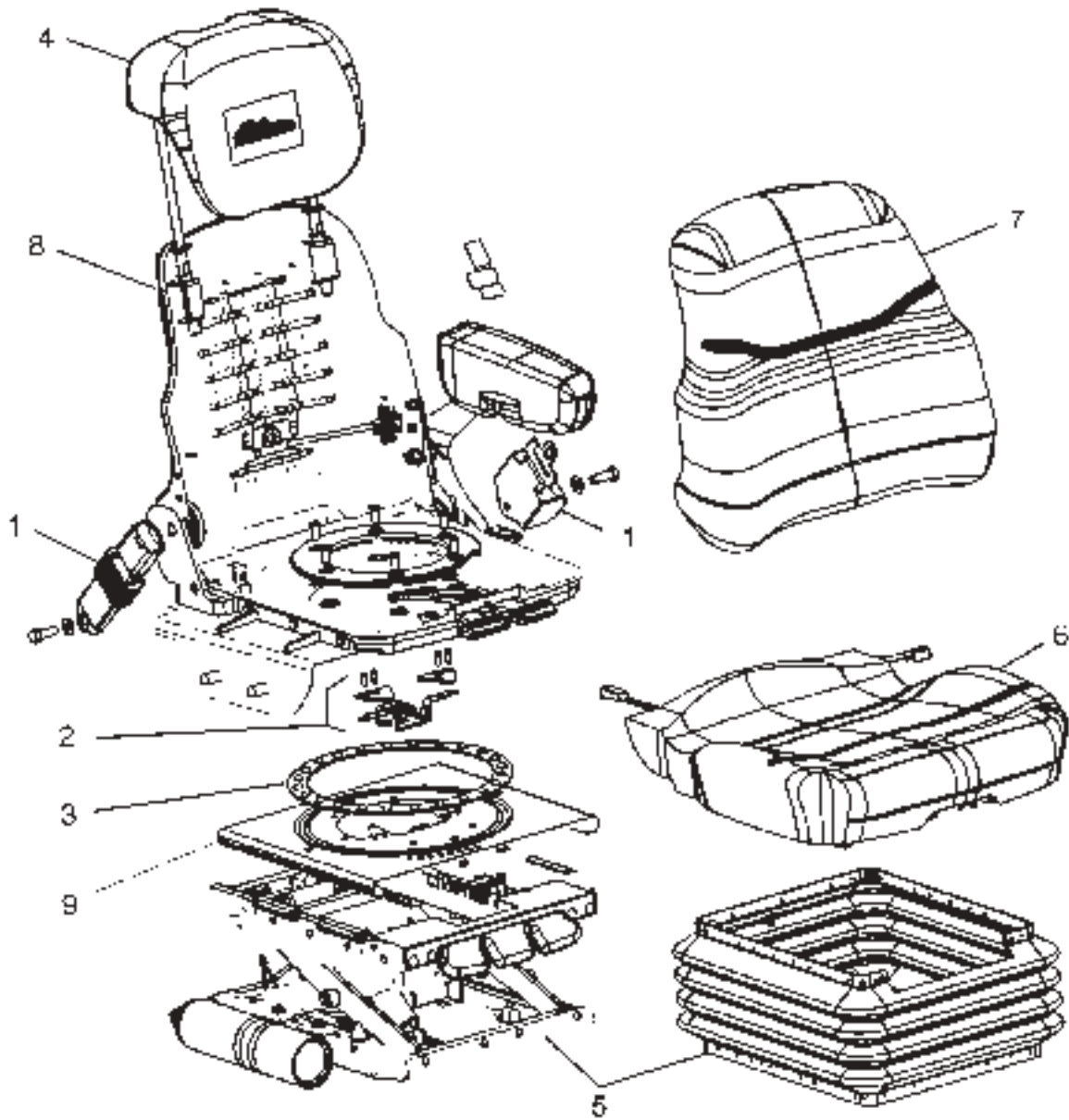
1061

**SEAT GP-BASIC
500840D1**

ITEM	NUMBER	QTY	DESCRIPTION
-	500840D1	--	SEAT GP-BASIC
1	197-4523	1	KIT-SEAT CUSHION AS. (INCLS SWITCH) (SERVICED AS COMPLETE KIT ONLY)
2	197-4524	1	KIT-BACK CUSHION AS. (INCLS 2 SCREWS) (SERVICED AS COMPLETE KIT ONLY)
3	197-4527	1	KIT - SEAT BELT (SERVICED AS COMPLETE KIT ONLY)
4	197-4529	1	KIT-SLIDE LATCH AS. (SERVICED AS COMPLETE KIT ONLY)
5	197-4550	1	KIT - SWIVEL AS. (UPPER) (SERVICED AS COMPLETE KIT ONLY)
6	220-2329	1	KIT-SEAT AS. (LUMBAR) (SEE BREAKDOWN)
7	501898D1	1	KIT-SEAT SUSP AS. (SEE BREAKDOWN)
8		1	PLATE WLMT, SWIVEL (LWR) (NOT SERVICED)

500840DB
PR: t05c24o40d0486

SEAT GP - DELUXE
500853D1



500853DB

**MT700B SERIES TRACK TRACTOR
OPERATOR STATION**

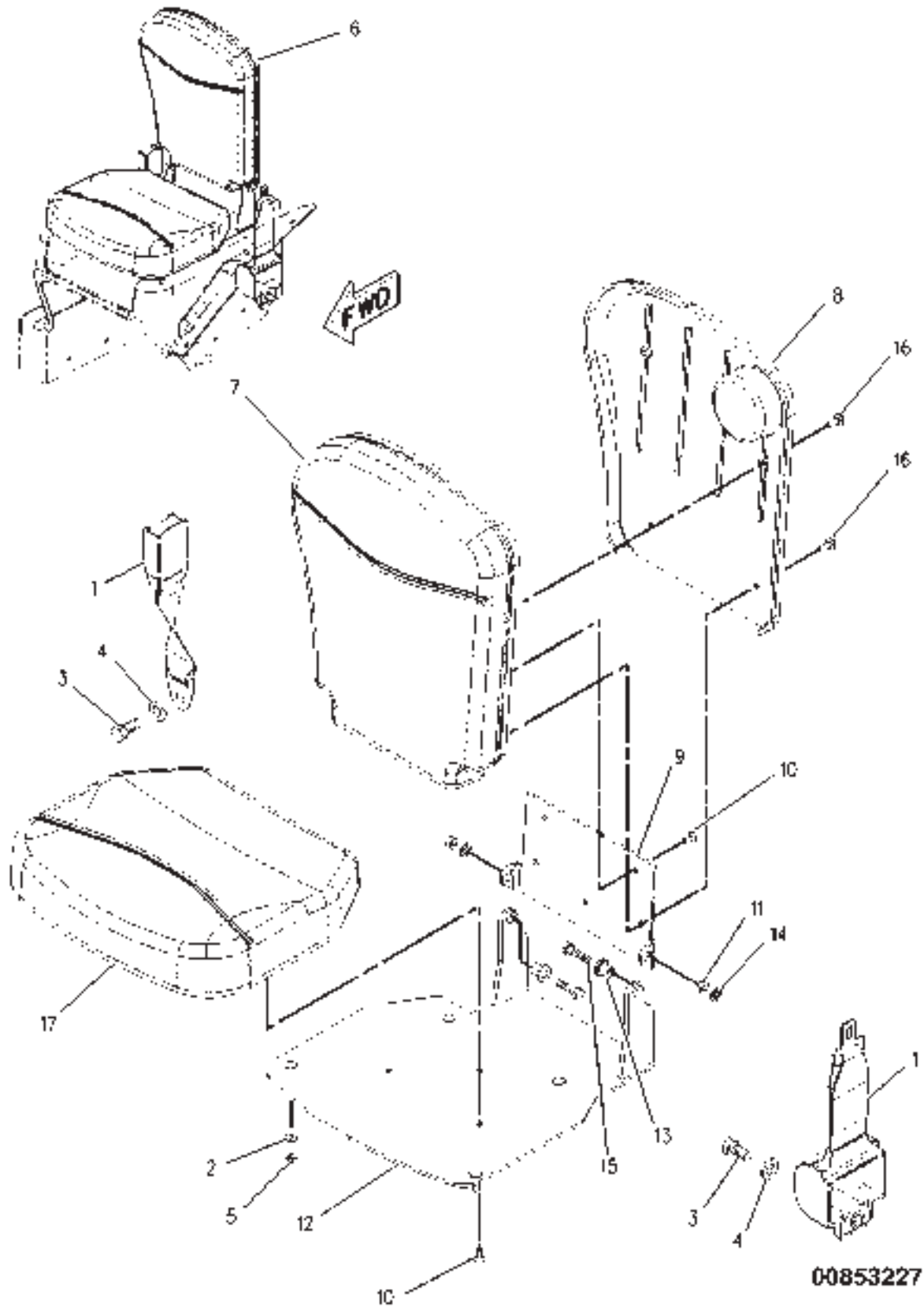
1063

**SEAT GP - DELUXE
500853D1**

ITEM	NUMBER	QTY	DESCRIPTION
-	500853D1	--	SEAT GP-DELUXE
1	197-4527	1	KIT-SEAT BELT (SERVICED AS COMPLETE KIT ONLY)
2	197-4529	1	KIT-SLIDE LATCH AS. (SERVICED AS COMPLETE KIT ONLY)
3	197-4550	1	KIT-SWIVEL AS. (UPPER) (SERVICED AS COMPLETE KIT ONLY)
4	501908D1	1	KIT-HEAD REST AS. (SERVICED AS COMPLETE KIT ONLY)
5	501909D1	1	KIT-SEAT SUSP AS. (SEE BREAKDOWN)
6	501910D1	1	KIT-SEAT CUSHION AS. (SERVICED AS COMPLETE KIT ONLY)
7	501911D1	1	KIT-BACK CUSHION AS. (SERVICED AS COMPLETE KIT ONLY)
8	501912D1	1	KIT-SEAT AS. (LUMBAR) (SEE BREAKDOWN)
9		1	PLATE WLMT-SWIVEL (LOWER) (NOT SERVICED)

500853DB
PR: t05c24o40d0487

SEAT GP-COMPANION - 152-0433



**MT700B SERIES TRACK TRACTOR
OPERATOR STATION**

1065

SEAT GP-COMPANION - 152-0433

ITEM	NUMBER	QTY	DESCRIPTION
-	152-0433	--	SEAT GP-COMPANION [A] (NOT SERVICED)
1	185-2151	1	BELT SET
2	CH9X-6165	4	WASHER (6.5X22X2.5)
3	400055X1	2	BOLT (M12X1.75X25MM)
4	400357X1	2	WASHER-HARD (M12X25.5X3)
5	400300X1	4	NUT (M6X1)
6	164-7062	1	SEAT ASM (INCLUDES ITEMS 7-17)
7	162-6758	1	CUSHION-BACK
8	162-6759	1	COVER-BACK
9	178-9244	1	BRACKET-HINGE
10	CH095-0759	6	SCREW-MACHINE (M6X1X16.6)
11	CH8T-7963	2	LOCKNUT (M8X1.25)
12	169-6351	1	BRACKET ASM-HINGE
13	178-9245	2	BUSHING
14	400339X1	2	WASHER-HARD (8.8X16X2)
15	WR520867	2	BOLT (M8X1.25X25MM)
16	CH9X-2044	4	SCREW-TRUSS HEAD (M6X1X16MM)
17	162-6757	1	CUSHION-BASE

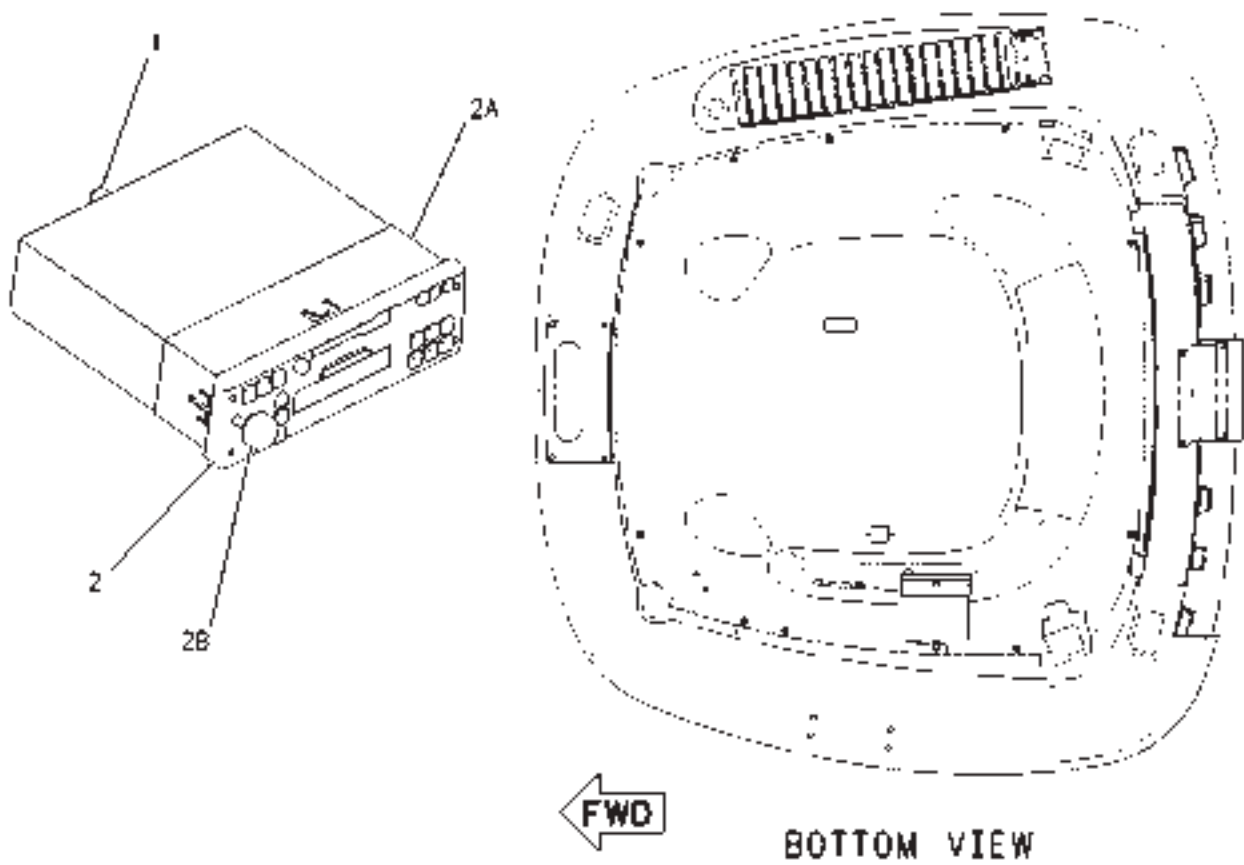
[A] PART OF 502663D1; 502664D1;
500847D1; 500848D1 CAB AR

00853227
PR: t05c24o40d0488

1066

MT700B SERIES TRACKTRACTOR
OPERATOR STATION

RADIO GP-STD - 168-1952
12V HD, AM/FM/WB/CASS W/GREEN BACKLIGHT
ROW



00732187

**MT700B SERIES TRACK TRACTOR
OPERATOR STATION**

1067

**RADIO GP-STD - 168-1952
12V HD, AM/FM/WB/CASS W/GREEN BACKLIGHT
ROW**

ITEM	NUMBER	QTY	DESCRIPTION
-	168-1952	--	RADIO GP
1	CH136-5490	1	BUSHING
2	CH169-6324	1	RADIO GP
2A	CH192-7054	1	EEVE [A]
2B	CH142-9681	1	OB (RADIO VOLUME)
-	400455X1	1	CONNECTOR [B]

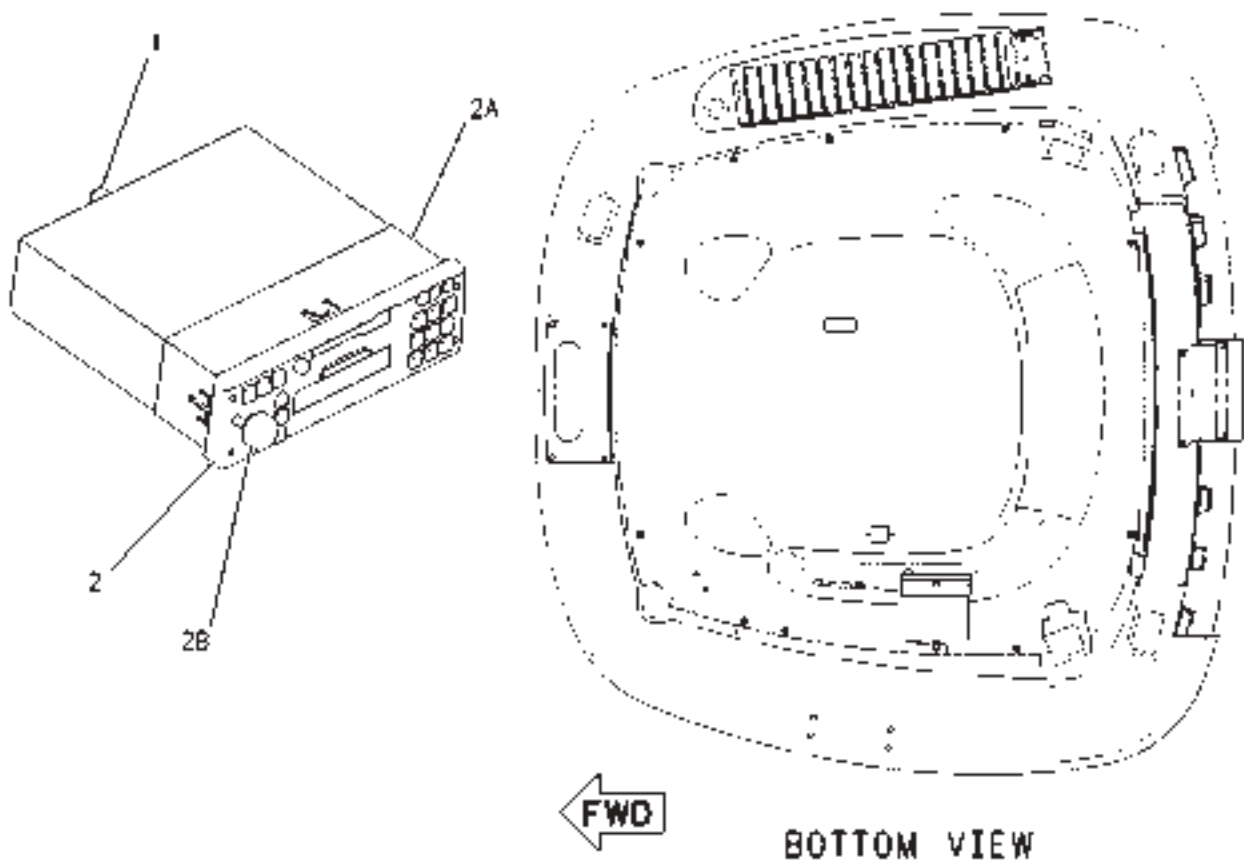
[A] FOR FRONT RADIO MOUNTING
[B] MATING CONNECTOR TO CONNECT RADIO

00732187
PR: t05c24o40d0489

1068

MT700B SERIES TRACKTRACTOR
OPERATOR STATION

RADIO GP-DELUXE - 168-1970
12V HD AM/FM/WB/CAS/REMOTE/GRN BACKLIGHT
ROW



00732192

**MT700B SERIES TRACK TRACTOR
OPERATOR STATION**

1069

**RADIO GP-DELUXE - 168-1970
12V HD AM/FM/WB/CAS/REMOTE/GRN BACKLIGHT
ROW**

ITEM	NUMBER	QTY	DESCRIPTION
-	168-1970	--	RADIO GP
1	CH136-5490	1	BUSHING
2	CH169-6325	1	RADIO GP
2A	CH192-7054	1	SLEEVE [A]
2B	CH142-9681	1	KNOB (RADIO VOLUME)
-	CH170-7251	1	CHANGER-CD [B]
-	400455X1	1	CONNECTOR [C]

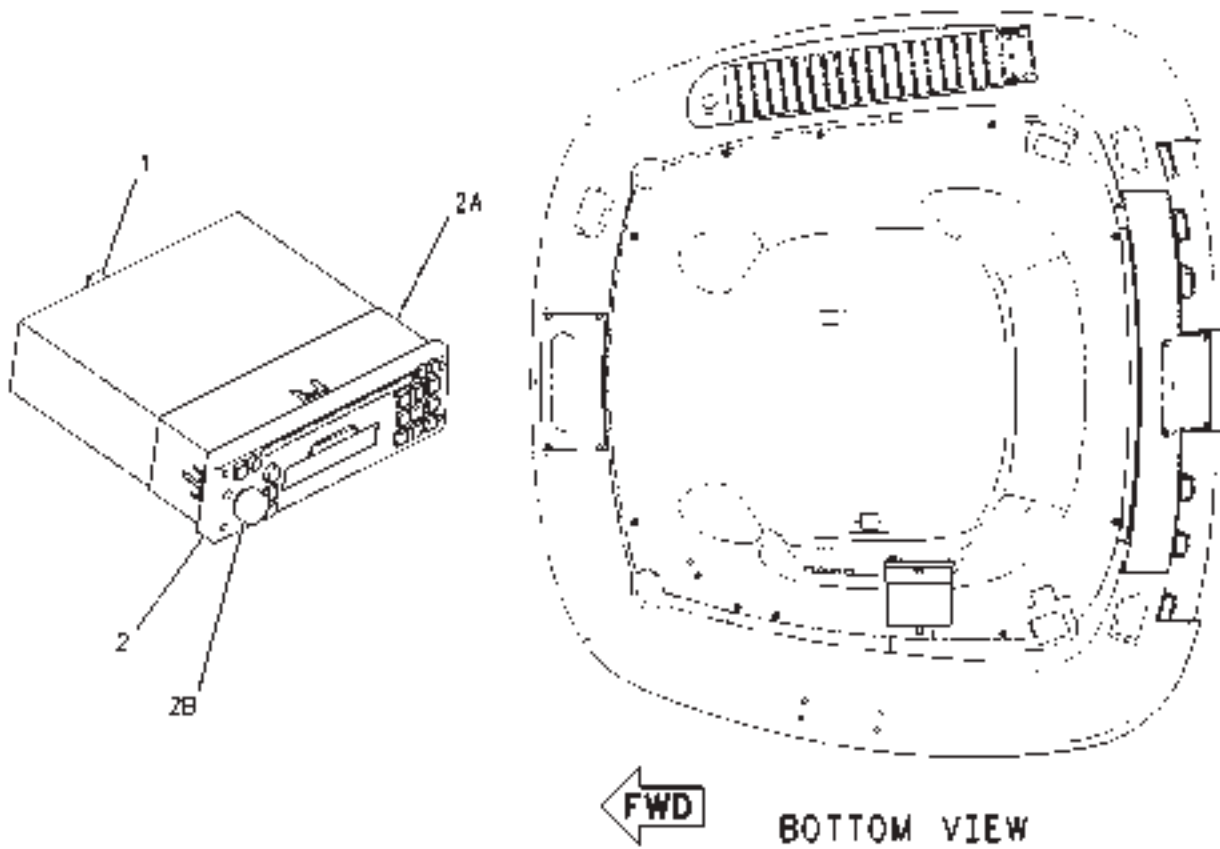
[A] FOR FRONT RADIO MOUNTING
[B] CD CHANGER WITH RADIO COMABIBLE
[C] MATING CONNECTOR REQUIRED TO
CONNECT RADIO

00732192
PR: t05c24o40d0490

1070

MT700B SERIES TRACKTRACTOR
OPERATOR STATION

RADIO GP-DELUXE CD - 170-5739
12V HD AM/FM/WB/CD/REMOTE/GRN BACKLIGHT
ROW



00732194

**MT700B SERIES TRACK TRACTOR
OPERATOR STATION**

1071

**RADIO GP-DELUXE CD - 170-5739
12V HD AM/FM/WB/CD/REMOTE/GRN BACKLIGHT
ROW**

ITEM	NUMBER	QTY	DESCRIPTION
-	170-5739	--	RADIO GP
1	CH136-5490	1	BUSHING
2	CH169-6326	1	RADIO GP
2A	CH192-7054	1	SLEEVE [A]
2B	CH142-9681	1	KNOB (RADIO VOLUME)
-	400455X1	1	CONNECTOR RADIO [B]
-	CH170-7251	1	CHANGER-CD [C]

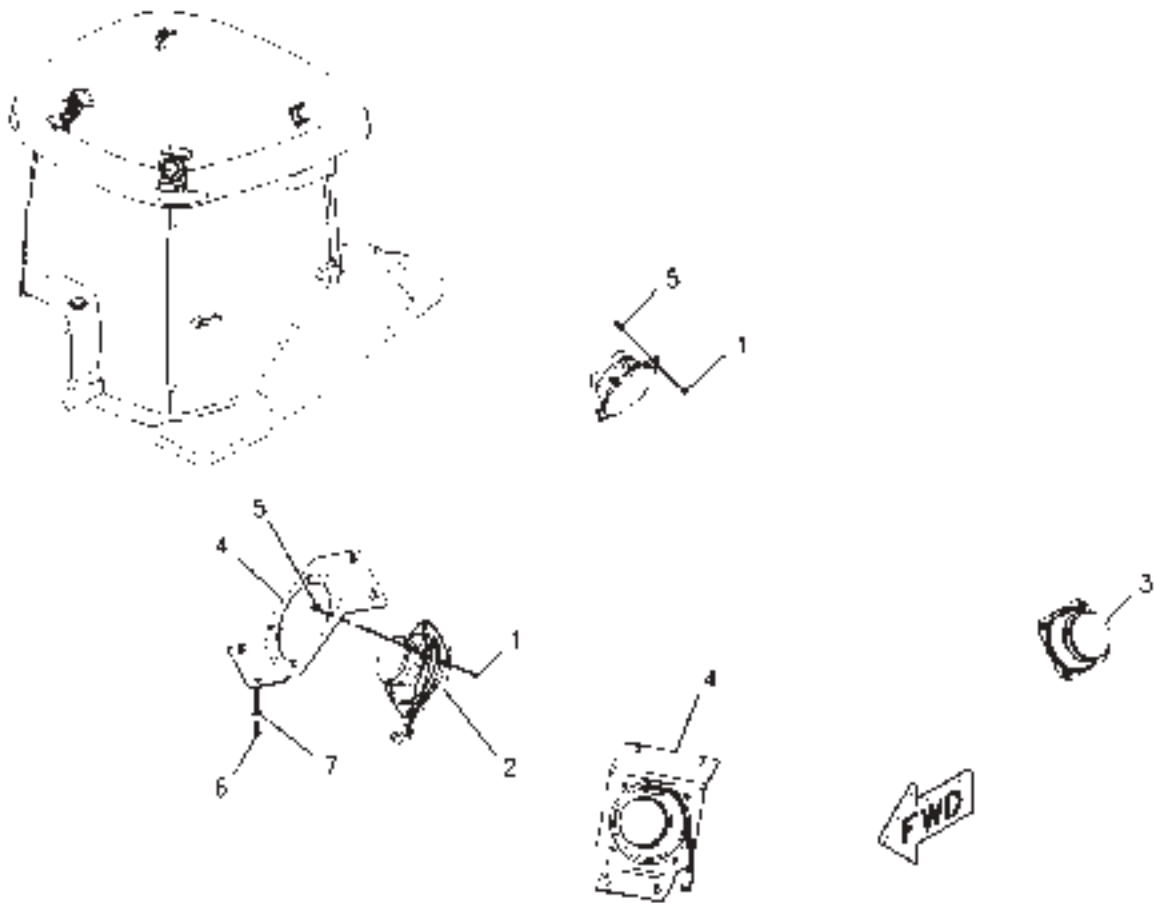
[A] FOR FRONT RADIO MOUNTING
[B] MATING CONNECTOR REQUIRED TO
CONNECT RADIO
[C] CD CHANGER COMPATIBLE WITH RADIO

00732194
PR: t05c24o40d0491

1072

MT700B SERIES TRACK TRACTOR
OPERATOR STATION

SPEAKER GP-RADIO
152-0419



00870222

**MT700B SERIES TRACK TRACTOR
OPERATOR STATION**

1073

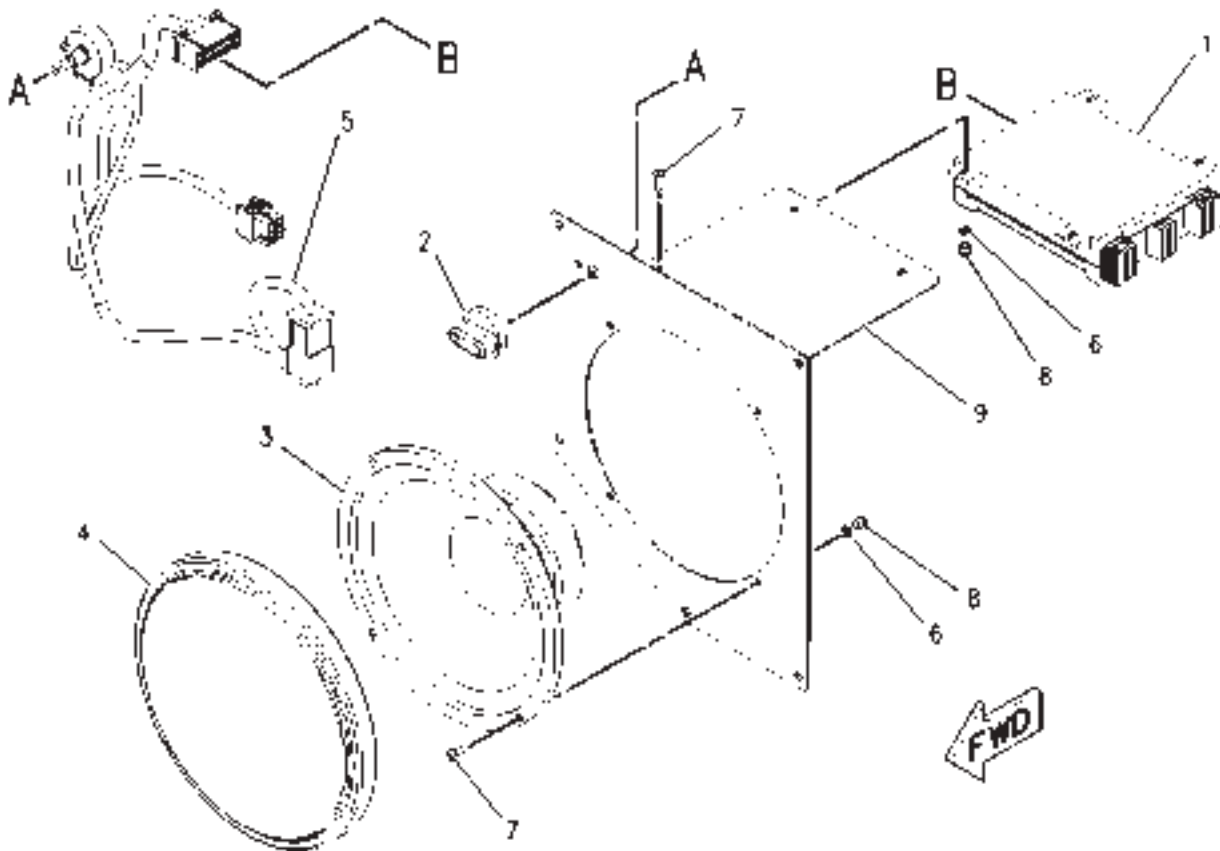
**SPEAKER GP-RADIO
152-0419**

ITEM	NUMBER	QTY	DESCRIPTION
-	502794D1	--	SPEAKER GP-RADIO (ROW & SPECIAL) (NOT SERVICED)
-	152-0419	--	SPEAKER GP-RADIO [A] (NOT SERVICED)
1	CH119-5026	16	SCREW-PAN HEAD (10-16X0.63IN)
2	CH136-5414	2	SPEAKER AS (FRONT)
3	CH136-5415	2	SPEAKER AS (REAR)
4	195-2612	2	BRACKET
5	400086X1	16	NUT
6	CH110-2028	8	SCREW-PAN HEAD (10-14X.75IN)
7	400310X1	8	WASHER (6.6X12X2MM THK)

[A] PART OF 502663D1; 500847D1;
500848D1 CAB AR;
502794D1 SPEAKER GP-RADIO

00870222
PR: t05c24o40d0492

SPEAKER GP-RADIO - SUBWOOFER
173-6506



00786642

**MT700B SERIES TRACK TRACTOR
OPERATOR STATION**

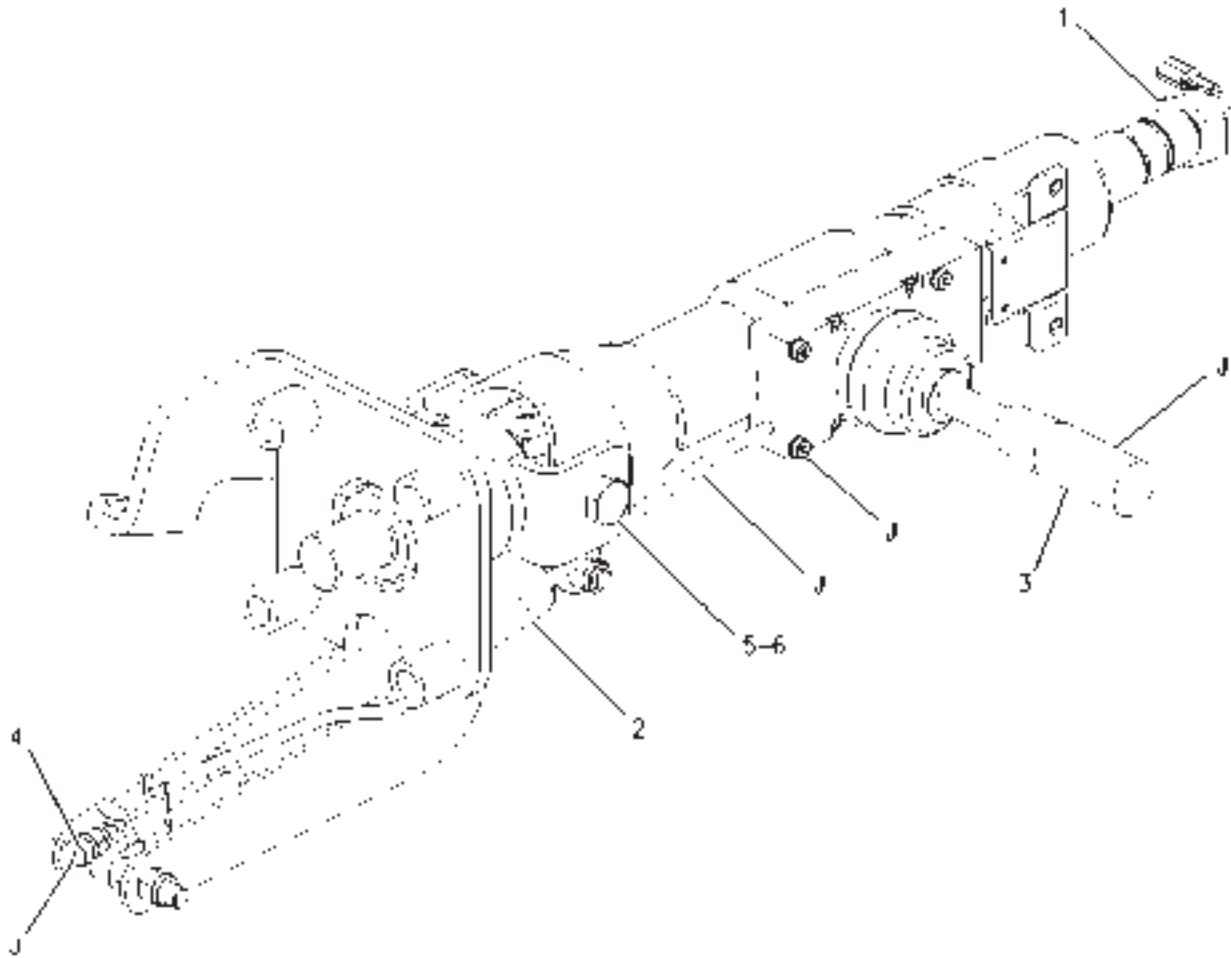
1075

**SPEAKER GP-RADIO - SUBWOOFER
173-6506**

ITEM	NUMBER	QTY	DESCRIPTION
-	173-6506	--	SPEAKER GP-RADIO (NOT SERVICED)
1	CH136-5434	1	AMPLIFIER ASM
2	500419D1	1	KNOB-CONTROL (BASS VOLUME)
3	170-7255	1	SPEAKER
4	172-6842	1	GRILL
5	502191D1	1	HARNESS (SUBWOOFER)
6	CH8C-9660	8	WASHER (4.6X7.9X0.8)
7	CH7Y-3173	8	SCREW-BUTTON HEAD (M4X0.7X12MM)
8	CH8T-2659	8	LOCKNUT (M4X0.7)
9	189-9922	1	PLATE ASM

00786642
PR: t05c24o40d0493

STEERING COLUMN GP - CH166-3611



00830593

**MT700B SERIES TRACK TRACTOR
OPERATOR STATION**

1077

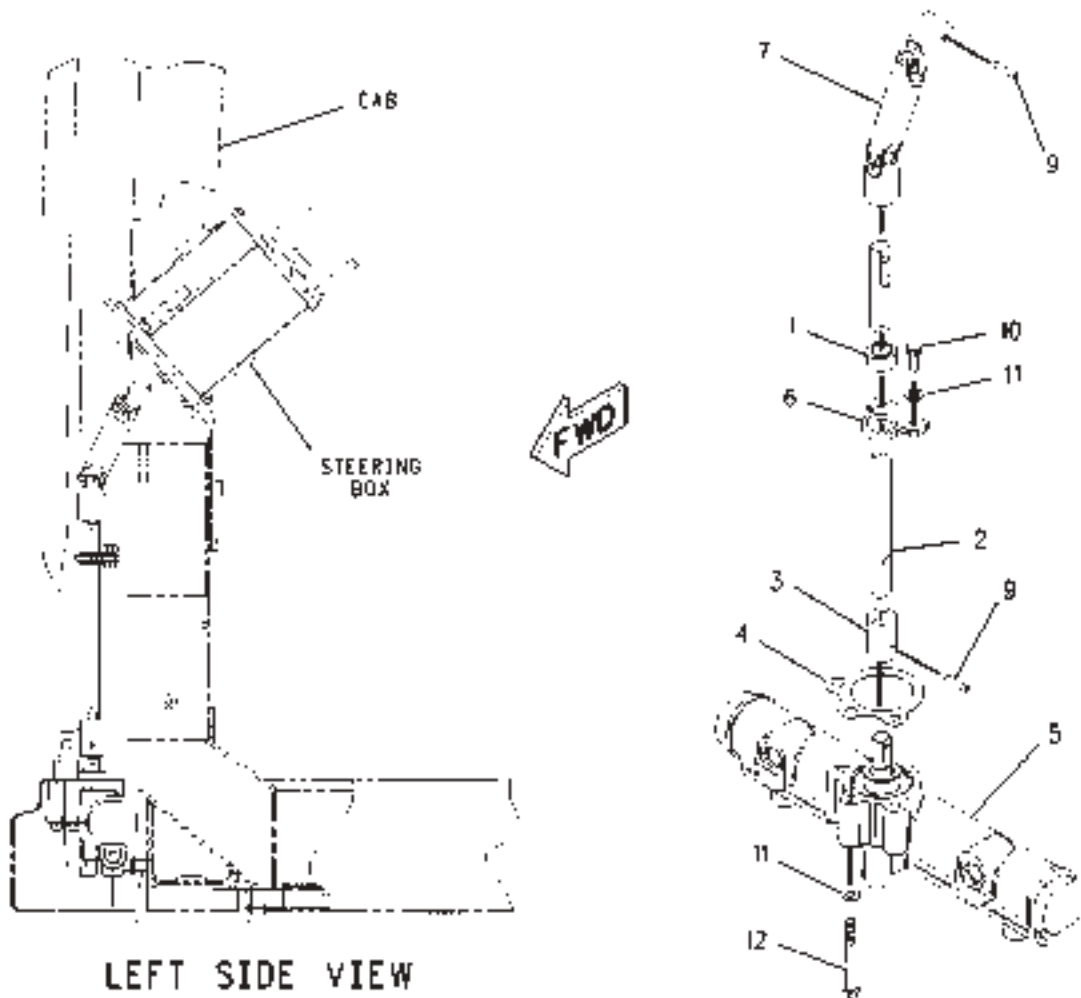
STEERING COLUMN GP - CH166-3611

ITEM	NUMBER	QTY	DESCRIPTION
-	CH166-3611	--	STEERING COLUMN GP [A]
1	CH169-3261	1	NUT (M18X1.5)
2	CH162-8550	1	KIT-GAS STRUT (STEERING COLUMN)
3	CH191-3701	1	CONTROL GP-STEERING COLUMN (TILT/TELESCOPE) (INCL.. LEVER,CLAMP,SCREW & ITEM 4)
4	CH185-3886	1	CLAMP ASM-CABLE
5	CH196-3699	2	PIN-PIVOT
6	CH196-3698	2	BUSHING-PIVOT

[A] PART OF 500768D1 CONSOLE GP

00830593
PR: t05c24o40d0494

CONTROL GP-MOUNTING - 166-4623
EAME ONLY



1664623A

**MT700B SERIES TRACK TRACTOR
OPERATOR STATION**

1079

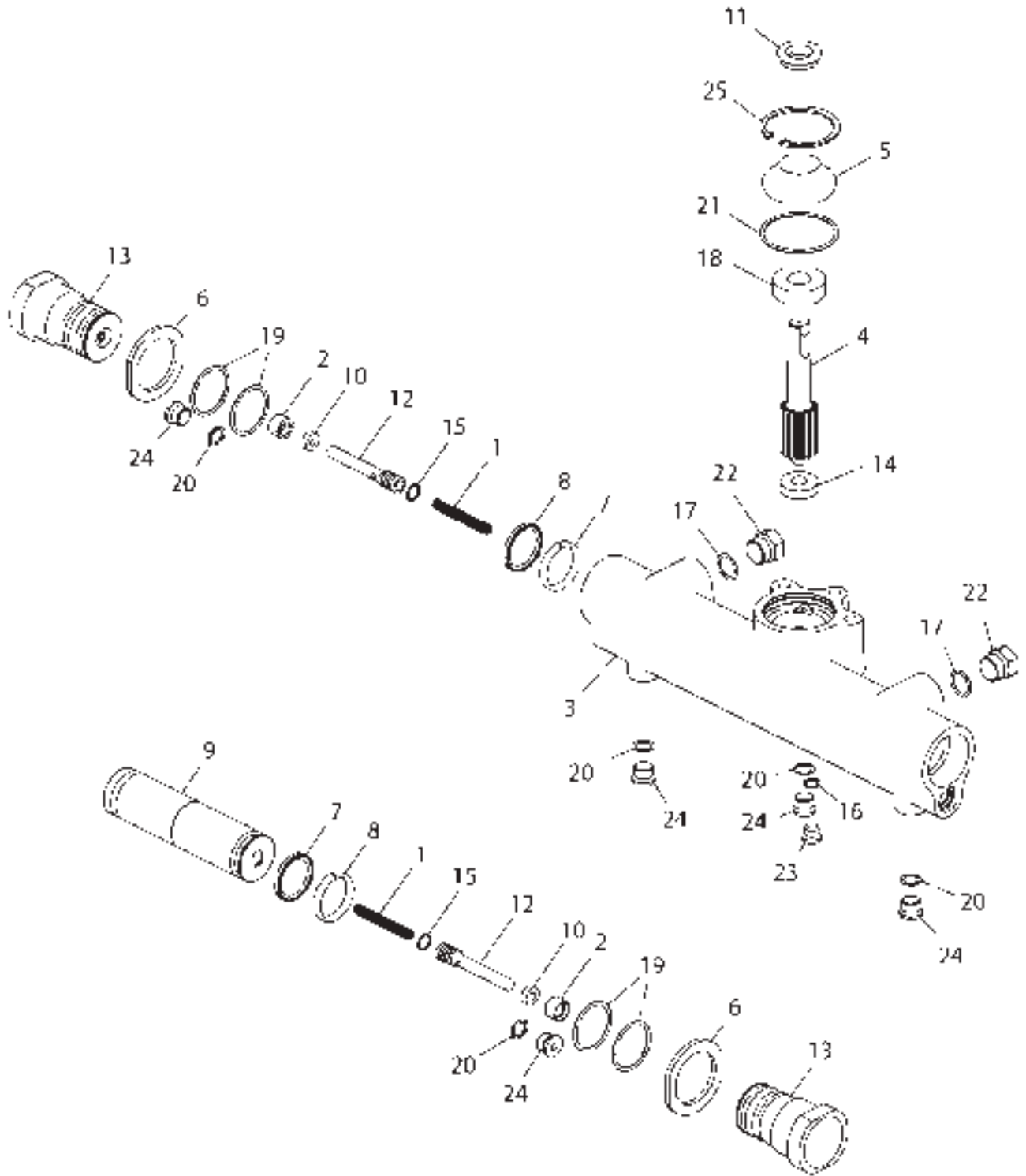
**CONTROL GP-MOUNTING - 166-4623
EAME ONLY**

ITEM	NUMBER	QTY	DESCRIPTION
-	166-4623	--	CONTROL GP-MOUNTING [A] (NOT SERVICED)
1	CH4D-2619	1	BEARING
2	197-2997	1	SHAFT
3	197-2998	1	COLLAR
4	197-2999	1	GASKET
5	197-3000	1	CONTROL GP-SECONDARY STEERING (SEE BREAKDOWN FOR COMPONENTS)
6	201-8438	1	MOUNT
7	197-2996	1	JOINT AS
9	CH8T-0255	2	PIN-SPRING
10	400053X1	2	BOLT (M8X1.25X20MM)
11	400339X1	5	WASHER-HARD (8.8X16X2MM THK)
12	400068X1	3	BOLT (M8X1.25X70MM)

[A] PART OF 177-1589; 502669D1
BASE COMMON AR

1664623A
PR: t05c24o40d0495

CONTROL GP-SECONDARY - 197-3000



1973000A

**MT700B SERIES TRACK TRACTOR
OPERATOR STATION**

1081

CONTROL GP-SECONDARY - 197-3000

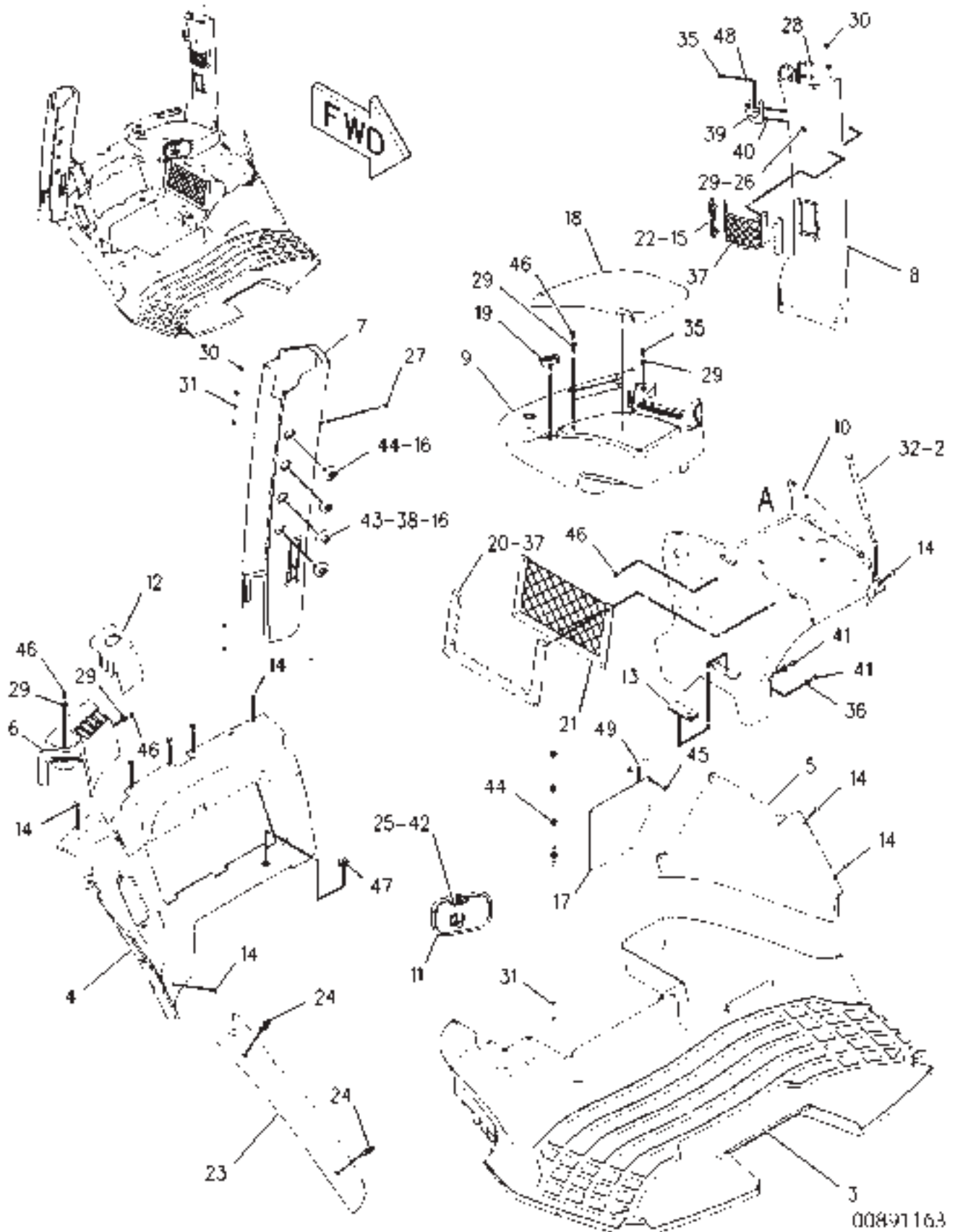
ITEM	NUMBER	QTY	DESCRIPTION
-	197-3000	--	CONTROL GP-SECONDARY [A]
1	179-0090	2	SPRING
2	180-9959	2	RETAINER
3	197-3001	1	HOUSING
4	197-3003	1	PINION
5	197-3006	1	RETAINER-SEAL
6	197-3007	2	NUT-JAM
7	197-3012	2	RING-WEAR
8	197-3013	2	SEAL-PISTON
9	197-3018	1	PISTON
10	197-3023	1	SEAL
11		1	SEAL-LIP 17SFT X 25.58 BORE (NOT SERVICED)
12	201-8320	2	STEM
13	201-8321	2	SEAT
14	CH095-0974	1	BEARING-BALL 12ID X 28OD
15	CH2S-8418	2	RING-RETAINING INT13.44ODX0.89
16	400361X1	1	SEAL-O-RING 8.92 IDX1.83 DIA
17	CH3K-0360	2	SEAL-O-RING 16.36IDX2.21DIA
18	CH6B-0924	1	BEARING-BALL 17ID X 40OD
19	CH6V-4367	4	SEAL-O RING 34.59IDX2.62DIA
20	CH6V-5049	5	SEAL-O RING 11.89IDX1.98 DIA
21	CH6V-5100	1	SEAL-O RING 53.64IDX2.62DIA
22	CH9S-4185	2	PLUG 8 STOR ZN HEX
23	CH9S-8002	1	PLUG-4STOR HEX SOCKET
24	CH9S-8004	5	PLUG - 9/16-18-2A THD HSHD
25	CH9X-2858	1	RING-RETAINING INT 59.2 ODX2

[A] PART OF 166-4623 CONTROL GP MOUNTING

1973000A
PR: t05c24o40d0496

MT700B SERIES TRACK TRACTOR
OPERATOR STATION

TRIM GP-CAB - 502656D1
ROW ONLY



00891163

**MT700B SERIES TRACKTRACTOR
OPERATOR STATION**

1083

**TRIM GP-CAB - 502656D1
ROW ONLY**

ITEM	NUMBER	QTY	DESCRIPTION
-	502656D1		TRIM GP-CAB [A] (NOT SERVICED)
2	CH090-9555	2	CLIP
3	152-0431	1	FLOOR MAT
	207-2041	1	MAT
	502653D1	1	INSULATION, FLOOR SOUND
4	162-6751	1	CONSOLE CENTER
	400110X1	5	CLIP-TREE 8MM DIA X 3-12MM THK
5	162-6752	1	CONSOLE-LH
	CH201-4113	2	BUMPER-12.7X9.5 ADH BACK
	400110X1	4	CLIP-TREE 8MM DIA X 3-12MM THK
6	164-7069	1	COVER
7	169-6342	1	COVER AS (RH)
	400110X1	4	CLIP-TREE 8MM DIA X 3-12MM THK
8	169-6343	1	COVER AS (LH)
	400110X1	4	CLIP-TREE 8MM DIA X 3-12MM THK
9	169-6344	1	COMPARTMENT AS
10	169-6345	1	SUPPORT AS
	400110X1	2	CLIP-TREE 8MM DIA X 3-12MM THK
11	CH169-6352	1	MIRROR (INTERIOR CAB)
12	169-6383	1	COVER-WIRE (DOES NOT INCLUDE SEAL)
-	164-7017	1	SEAL RUBBER (WIRING)
13	174-5774	1	GROMMET-BRAKE
14	400110X1	AR	FASTENER
15	174-5788	2	RETAINER (CELL PHONE)
16	CH174-5789	4	PLUG-MONITOR
17	178-6238	1	COVER-SUBWOOFER
18	179-2957	1	LID AS
19	CH179-2959	1	MAGNET
20	180-2825	1	RETAINER (CARGO NET)
21	184-1704	1	HOLDER-STORAGE
22	190-8326	1	HOLDER-CELL PHONE
23	197-5852	1	COVER AS
24	CH197-5854	2	LATCH
25	CH096-6166	2	WASHER-HARD (4.5X9X1MM THK)
26	CH111-4627	1	SCREW-MACHINE (M6X1.0X30MM)
27	CH121-9870	1	SCREW-MACHINE (M6X1X40MM)
28	CH129-3178	2	LOCKNUT (M6X1 THD)
29	190-8754	5	NUT (U-TYPE RETAINER)
30	400094X1	8	PLUG-RUBBER,25.4MM
31	CH193-5914	6	PLUG
32	501026D1	1	SPRING AS-GAS
35	CH3E-8020	2	SCREW-TRUSS HEAD (M6X1X25MM)
36	400599X1	4	WASHER-HARD (8.8X20.5X2MM THK)
37	CH5V-1496	9	RETAINER-6.4 DIA STUD 13.5 OD
38	CH6V-5839	2	WASHER (11X21X2.5MM THK)
39	CH6V-8928	1	HOOK-COAT
40	400221X1	1	BOLT (M6X1X20MM)
41	400053X1	4	BOLT (M8X1.25X20MM)
42	CH9X-1046	2	SCREW (M4X0.7X18MM)
43	CH9X-2040	2	SCREW-TRUSS HEAD (M10X1.5X25MM)
44	9X-2041	6	SCREW-TRUSS HEAD (M10X1.5X20MM)
45	CH9X-2044	5	SCREW-TRUSS HEAD (M6X1X16MM)
46	CH9X-2045	5	SCREW-TRUSS HEAD (M6X1X20MM)
47	400113X1	1	GROMMET
48	400310X1	2	WASHER (6.6X12X2MM THK)
49	CH9X-2092	AR	STRIP-EDGE

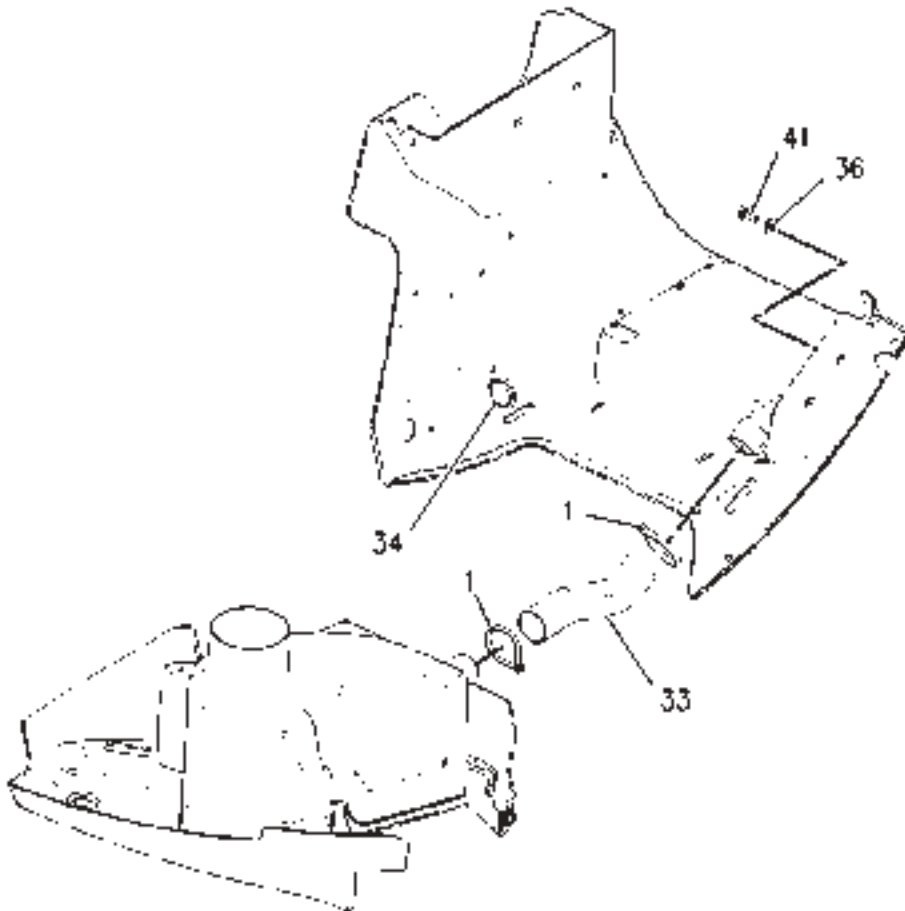
[A] PART OF 502663D1; 502664D1 CAB AR

00891163
PR: t05c24o40d0497

1084

MT700B SERIES TRACK TRACTOR
OPERATOR STATION

TRIM GP-CAB - 502656D1
ROW ONLY



VIEW OF AREA A
(UNDER SIDE VIEW)



00891164

**MT700B SERIES TRACK TRACTOR
OPERATOR STATION**

1085

**TRIM GP-CAB - 502656D1
ROW ONLY**

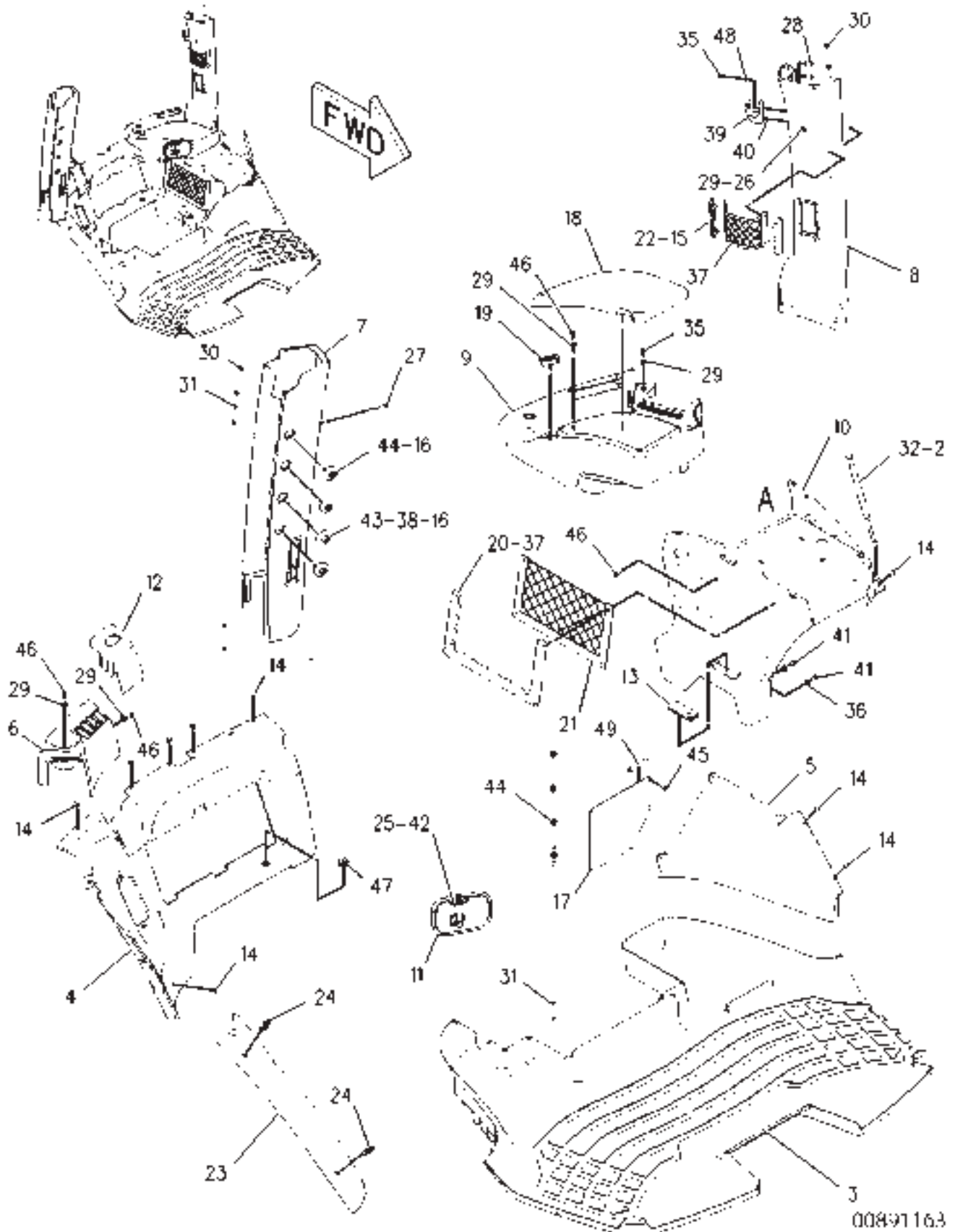
ITEM	NUMBER	QTY	DESCRIPTION
-	502656D1		TRIM GP-CAB [A] (NOT SERVICED)
1	CH7K-1181	2	STRAP-CABLE
33	CH208-5521	1	HOSE (192MM)
34	400106X1	1	PLUG-RUBBER 35MM
36	400599X1	4	WASHER-HARD (8.8X20.5X2MM THK)
41	400053X1	4	BOLT (M8X1.25X20MM)
	CH154-9989	2	SPRING CLIP

[A] PART OF 502663D1; 502664D1 CAB AR

00891164
PR: t05c24o40d0498

MT700B SERIES TRACK TRACTOR
OPERATOR STATION

TRIM GP-CAB - 152-0450
EAME ONLY



00891163

**MT700B SERIES TRACKTRACTOR
OPERATOR STATION**

1087

**TRIM GP-CAB - 152-0450
EAME ONLY**

ITEM	NUMBER	QTY	DESCRIPTION
-	152-0450	--	TRIM GP-CAB [A] (NOT SERVICED)
2	CH090-9555	2	CLIP
3	152-0431	1	FLOOR MAT
	207-2041	1	MAT (NOT ILL.)
	227-4313	1	INSULATION, FLOOR SOUND (NOT ILL.)
4	162-6751	1	CONSOLE CENTER
5	162-6752	1	CONSOLE-LH
6	164-7069	1	COVER
7	169-6342	1	COVER ASY. (RH)
8	169-6343	1	COVER ASY. (LH)
9	169-6344	1	COMPARTMENT ASY.
10	169-6345	1	SUPPORT ASY.
11	CH169-6352	1	MIRROR (INTERIOR CAB)
12	169-6383	1	COVER-WIRE (DOES NOT INCLUDE SEAL)
-	164-7017	1	SEAL RUBBER (WIRING)
13	174-5774	1	GROMMET-BRAKE
14	400110X1	20	CLIP-TREE 8MM DIA X 3-12MM THK
15	174-5788	2	RETAINER
16	CH174-5789	4	PLUG-MONITOR
17	178-6238	1	COVER-SUBWOOFER
18	179-2957	1	LID ASY.
19	CH179-2959	1	MAGNET
20	180-2825	1	RETAINER
21	184-1704	1	HOLDER-STORAGE
22	190-8326	1	HOLDER-CELL PHONE
23	197-5852	1	COVER ASY.
24	CH197-5854	2	LATCH
25	CH096-6166	2	WASHER-HARD (4.5X9X1MM THK)
26	CH111-4627	1	SCREW-MACHINE (M6X1.0X30MM)
27	CH121-9870	1	SCREW-MACHINE (M6X1X40MM)
28	CH129-3178	2	LOCKNUT (M6X1 THD)
29	190-8754	5	NUT (U-TYPE RETAINER)
30	400094X1	8	PLUG-RUBBER,25.4MM
31	CH193-5914	6	PLUG
32	501026D1	1	SPRING ASY-GAS
35	CH3E-8020	2	SCREW-TRUSS HEAD (M6X1X25MM)
36	400599X1	4	WASHER-HARD (M8X20.5X2MM THK)
37	CH5V-1496	9	RETAINER
38	CH6V-5839	4	WASHER (11X21X2.5MM THK)
39	CH6V-8928	1	HOOK-COAT
40	400221X1	1	BOLT (M6X1X20MM)
41	400053X1	4	BOLT (M8X1.25X20MM)
42	CH9X-1046	2	SCREW (M4X0.7X18MM)
43	CH9X-2040	4	SCREW-TRUSS HEAD (M10X1.5X25MM)
44	9X-2041	6	SCREW-TRUSS HEAD (M10X1.5X20MM)
45	CH9X-2044	5	SCREW-TRUSS HEAD (M6X1X16MM)
46	CH9X-2045	5	SCREW-TRUSS HEAD (M6X1X20MM)
47	400113X1	1	GROMMET
48	400310X1	2	WASHER (6.6X12X2MM THK)
49	CH9X-2092	AR	STRIP-EDGE

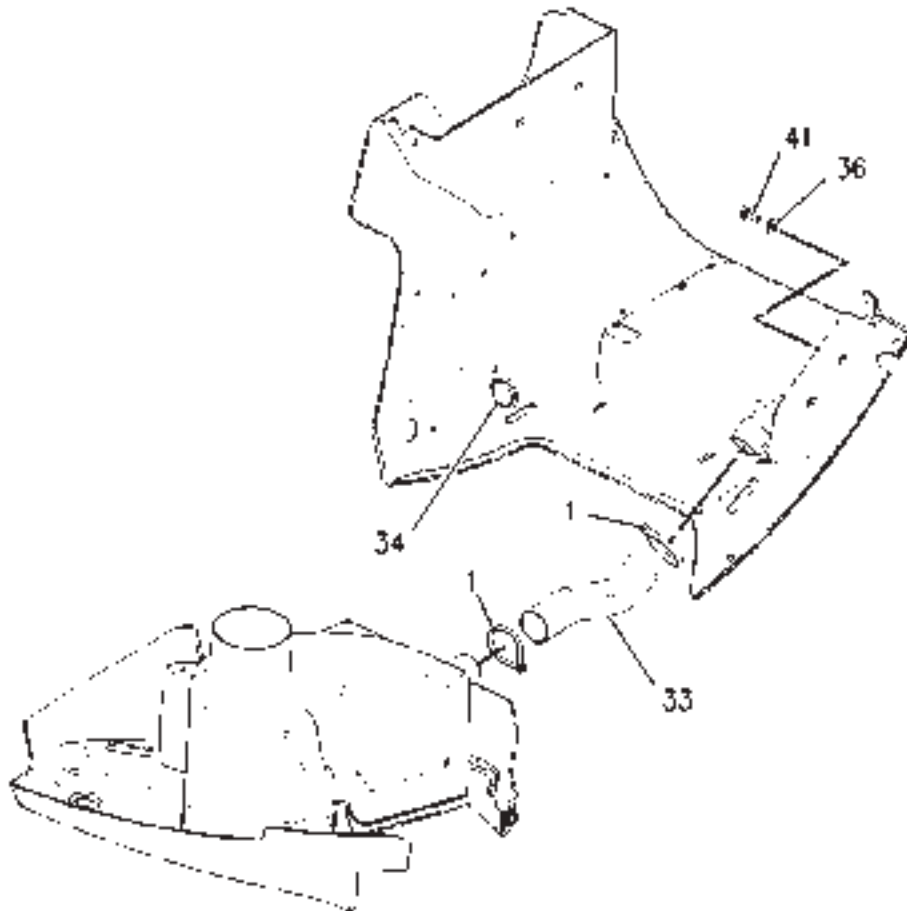
[A] PART OF 500847D1; 500848D1 CAB AR

00891163
PR: t05c24o40d0499

1088

MT700B SERIES TRACK TRACTOR
OPERATOR STATION

TRIM GP-CAB - 152-0450
EAME ONLY



VIEW OF AREA A
(UNDER SIDE VIEW)



00891164

**MT700B SERIES TRACK TRACTOR
OPERATOR STATION**

1089

**TRIM GP-CAB - 152-0450
EAME ONLY**

ITEM	NUMBER	QTY	DESCRIPTION
-	152-0450	--	TRIM GP-CAB [A] (NOT SERVICED)
1	CH7K-1181	2	STRAP-CABLE
33	CH208-5521	1	HOSE (192MM)
34	400106X1	1	PLUG-RUBBER 35MM
36	400599X1	4	WASHER-HARD (M8X20.5X2MM THK)
41	400053X1	4	BOLT (M8X1.25X20MM)
	CH154-9989	2	SPRING CLIP

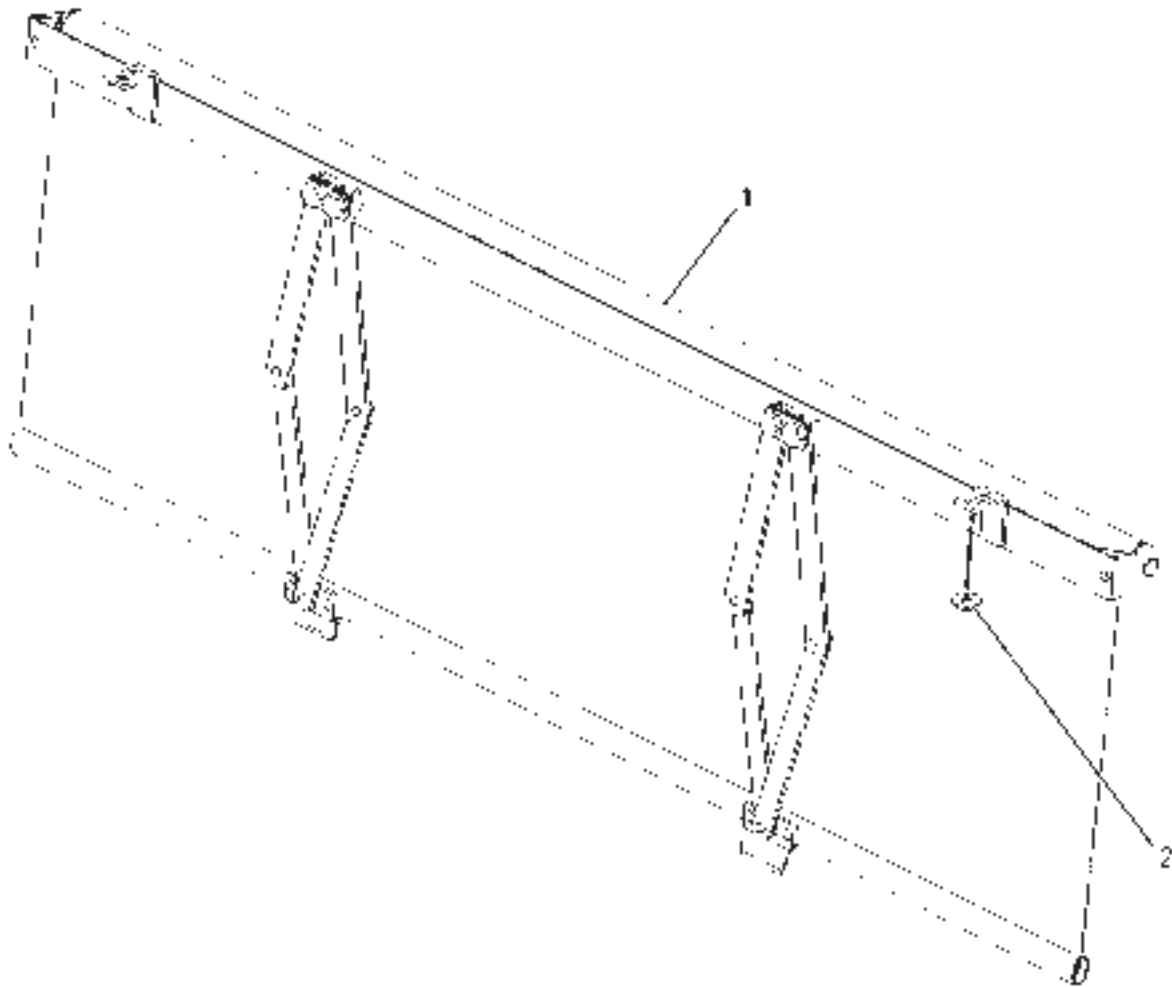
[A] PART OF 500847D1; 500848D1 CAB AR

00891164
PR: t05c24o40d0500

1090

MT700B SERIES TRACK TRACTOR
OPERATOR STATION

VISOR GP-CAB (SUN VISOR) - FRONT
152-0424



00867093

**MT700B SERIES TRACK TRACTOR
OPERATOR STATION**

1091

**VISOR GP-CAB (SUN VISOR) - FRONT
152-0424**

ITEM	NUMBER	QTY	DESCRIPTION
-	502793D1	--	VISOR GP-CAB (SUN VISOR) (NOT SERVICED)
-	152-0424	--	VISOR GP-CAB [A] (NOT SERVICED)
1	CH169-6397	1	SCREEN GP-SUN
2	CH9X-2038	2	WASHER (7X19X2MM THK)

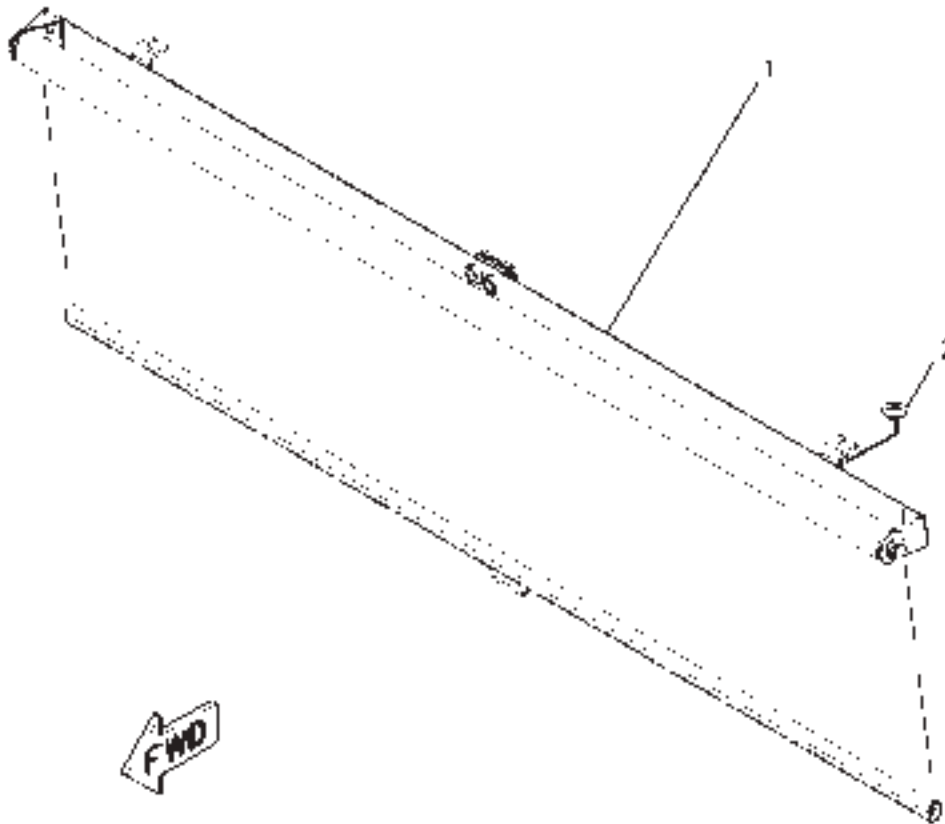
[A] PART OF 500845D1; 500847D1;
500848D1 CAB AR;
502793D1 VISOR GP

00867693
PR: t05c24o40d0501

1092

MT700B SERIES TRACK TRACTOR
OPERATOR STATION

VISOR GP-CAB (SUN VISOR) - REAR
162-4095



00867436

**MT700B SERIES TRACK TRACTOR
OPERATOR STATION**

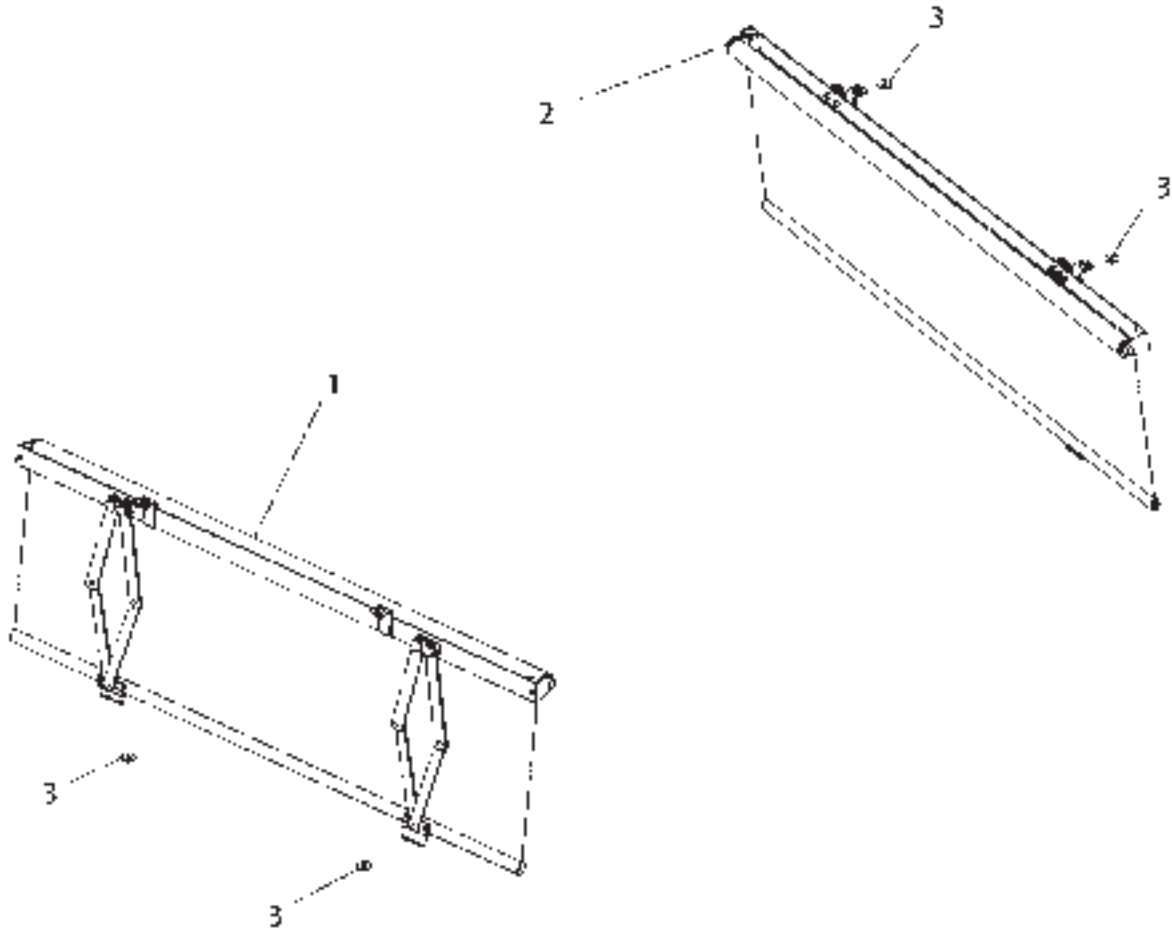
1093

**VISOR GP-CAB (SUN VISOR) - REAR
162-4095**

ITEM	NUMBER	QTY	DESCRIPTION
-	162-4095	--	VISOR GP-CAB (SUN VISOR) (NOT SERVICED)
1	CH169-6397	1	SCREEN GP-SUN
2	CH9X-2038	2	WASHER (7X19X2MM THK)

00867436
PR: t05c24o40d0502

VISOR GP-CAB (SUN VISOR) - SIDE
501886D1



501886D1

**MT700B SERIES TRACKTRACTOR
OPERATOR STATION**

1095

**VISOR GP-CAB (SUN VISOR) - SIDE
501886D1**

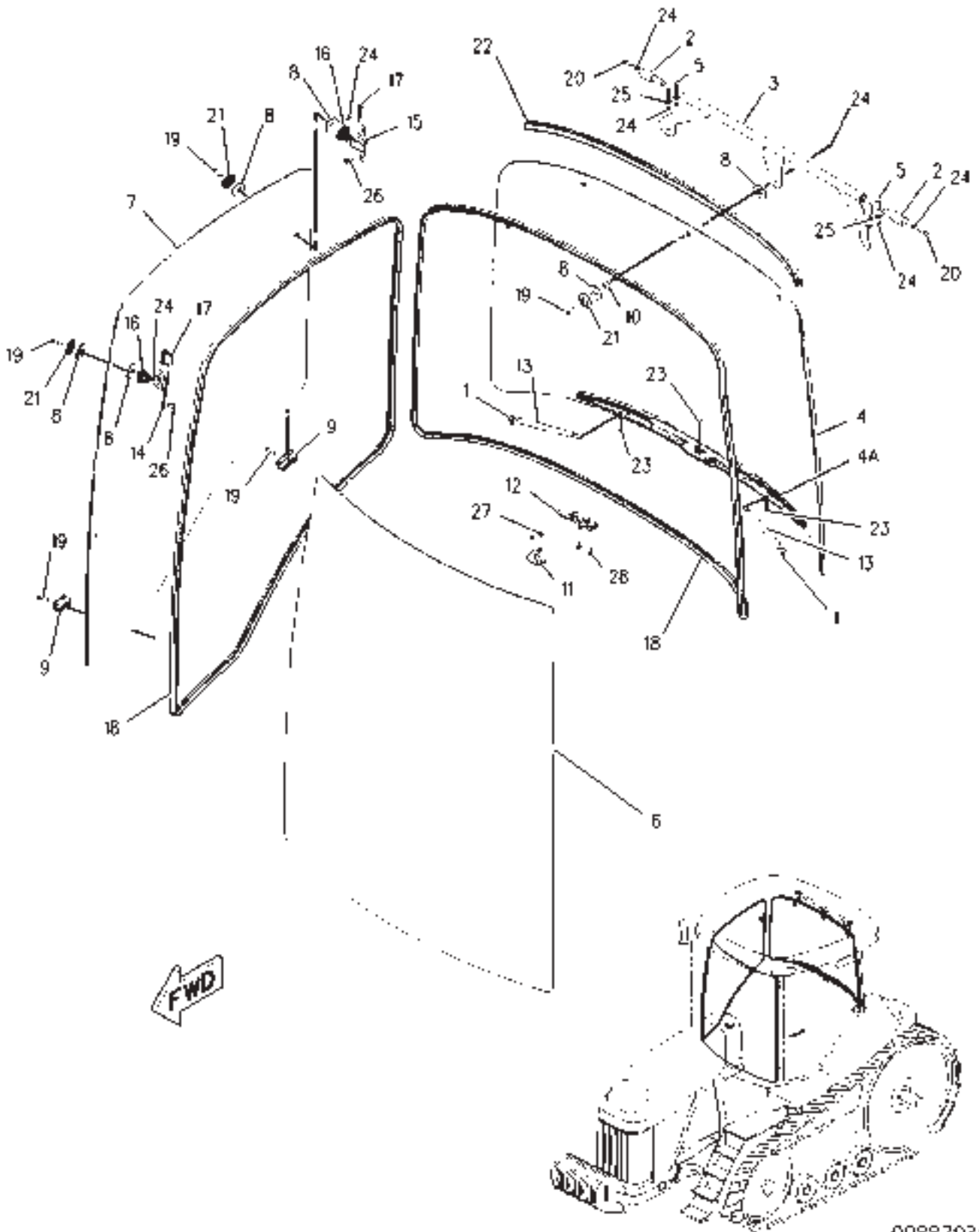
ITEM	NUMBER	QTY	DESCRIPTION
-	501886D1	--	VISOR GP-CAB [A] (NOT SERVICED, ORDER FIELD INSTALLED)
-	502777D1	--	VISOR GP-CAB (FIELD INSTALLED)
1	501885D1	1	SCREEN GP-SUN
2	502026D1	1	SCREEN GP-SUN
3	CH9X-2038	4	WASHER (7X19X2)

[A] PART OF 502777D1 VISOR GP

501886DB
PR: t05c24o40d0503

MT700B SERIES TRACK TRACTOR
OPERATOR STATION

WINDOW GP-CAB - 151-9994
ROW ONLY



**MT700B SERIES TRACKTRACTOR
OPERATOR STATION**

1097

**WINDOW GP-CAB - 151-9994
ROW ONLY**

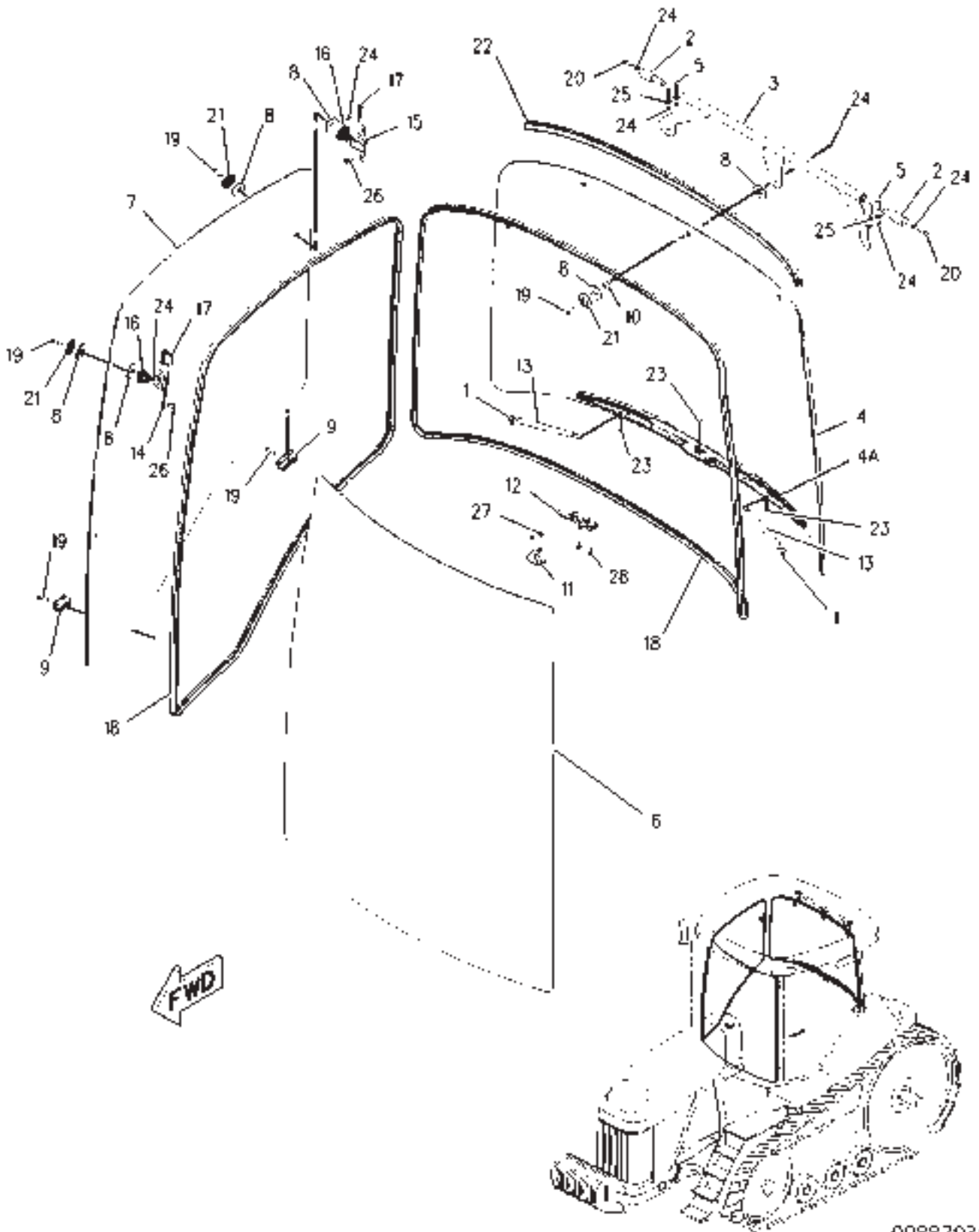
ITEM	NUMBER	QTY	DESCRIPTION
-	151-9994	--	WINDOW GP-CAB [A] (NOT SERVICED)
1	CH8T-2444	4	STUD-BALL
2	151-8541	2	PIN-HINGE
3	151-8545	1	PLATE AS
4	151-9979	1	WINDOW AS-REAR
4A	169-6328	1	SUPPORT AS
5	CH151-9989	2	CLAMP
6	151-9990	1	WINDOW-FRONT
7	151-9984	1	GLASS-RH
8	400330X1	6	WASHER (HINGE)
9	CH168-2309	2	CLAMP
10	CH169-6377	3	BUSHING
11	169-6399	1	PLATE AS
	400313X1	1	NUT-WELD (M6X1 THD)
12	CH170-1445	1	LATCH
13	CH172-6862	2	SPRING AS-GAS
14	178-7953	2	BRACKET
15	178-7954	1	BRACKET
16	178-7955	3	BOSS
17	179-4217	3	PIN
18	CH208-2404	AR	SEAL
19	CH142-2304	8	SCREW-BUTTON HEAD (M8X1.25X35MM)
20	CH160-8756	2	BOLT-HEX HEAD (M8X1.25X30MM)
21	400333X1	3	WASHER (REAR HINGE)
22	207-2036	1	SEAL
23	400300X1	2	NUT (M6X1 THD)
24	400340X1	12	NUT (M8X1.25 THD)
25	400599X1	4	WASHER-HARD (8.8X20.5X2MM THK)
26	CH8C-8585	6	BOLT-BUTTON HEAD (M10X1.5X20MM)
27	CH9X-2043	2	SCREW-TRUSS HEAD (M6X1X14MM)
28	CH9X-2045	3	SCREW-TRUSS HEAD (M6X1X20MM)
-	166-4568	1	CLAMP - WINDOW (NOT ILL.)
-	166-4570	2	CLAMP (NOT ILL.)

[A] PART OF 152-0001 CAB GP

00887936
PR: t05c24o40d0504

MT700B SERIES TRACK TRACTOR
OPERATOR STATION

GLASS GP-WINDSHIELD - 151-9995
EAME ONLY



**MT700B SERIES TRACKTRACTOR
OPERATOR STATION**

1099

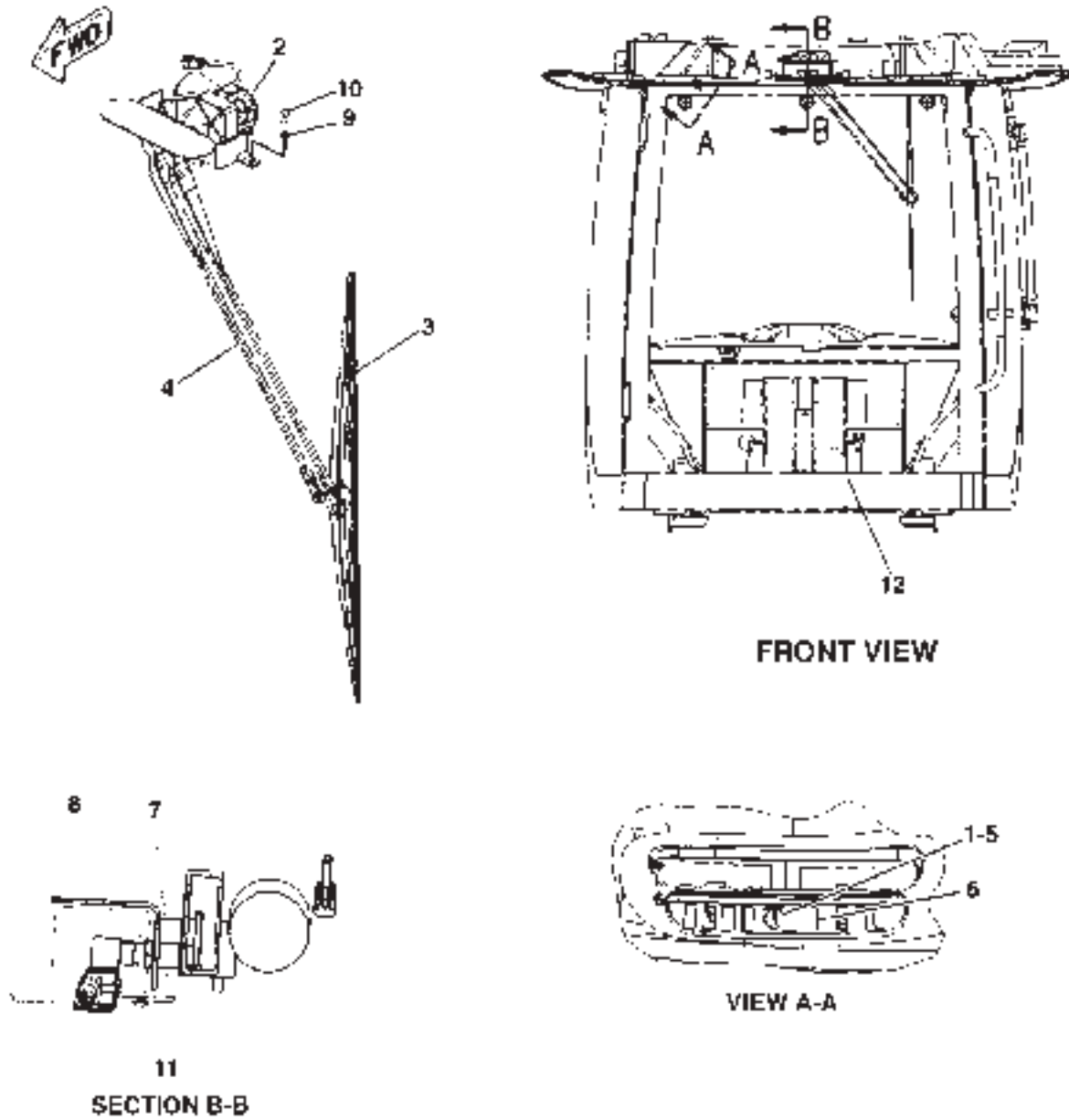
**GLASS GP-WINDSHIELD - 151-9995
EAME ONLY**

ITEM	NUMBER	QTY	DESCRIPTION
-	151-9995	--	GLASS GP-WINDSHIELD [A] (NOT SERVICED)
1	CH8T-2444	4	STUD-BALL
2	151-8541	2	PIN-HINGE
3	151-8545	1	PLATE AS-REAR HINGE
4	151-9979	1	GLASS AS-REAR
4A	169-6328	1	SUPPORT AS
5	CH151-9989	2	CLAMP
6	151-9990	1	GLASS-FRONT
7	151-9991	1	GLASS-RH
8	400333X1	6	WASHER (HINGE)
9	CH168-2309	2	CLAMP-WINDOW (LWR)
10	CH169-6377	3	BUSHING-WINDOW (HINGE)
11	169-6399	1	PLATE AS
	400313X1	2	NUT-WELD (M6X1 THD)
12	CH170-1445	1	LATCH-REAR WINDOW
13	CH172-6862	2	SPRING AS-GAS
14	178-7953	2	BRACKET
15	178-7954	1	BRACKET
16	CH178-7955	3	BOSS
17	CH179-4217	3	PIN
18	CH208-2404	AR	SEAL-BULK (1010 CM) [B, E]
19	CH142-2304	8	SCREW-BUTTON HEAD (M8X1.25X35MM)
20	CH160-8756	2	BOLT-HEX HEAD (M8X1.25X30MM)
21	400330X1	14	WASHER (REAR HINGE)
22	207-2036	1	SEAL
23	400300X1	2	NUT (M6X1 THD)
24	400340X1	12	NUT (M8X1.25 THD)
25	400599X1	4	WASHER-HARD (8.8X20.5X2MM THK)
26	CH8C-8585	6	BOLT-BUTTON HEAD (M10X1.5X20MM)
27	CH9X-2043	2	SCREW-TRUSS HEAD (M6X1X14MM)
28	CH9X-2045	3	SCREW-TRUSS HEAD (M6X1X20MM)

[A] PART OF 152-0002 CAB GP

00887936
PR: t05c24o40d0505

WIPER GP-WINDOW - 152-0422



0874347A

**MT700B SERIES TRACKTRACTOR
OPERATOR STATION**

1101

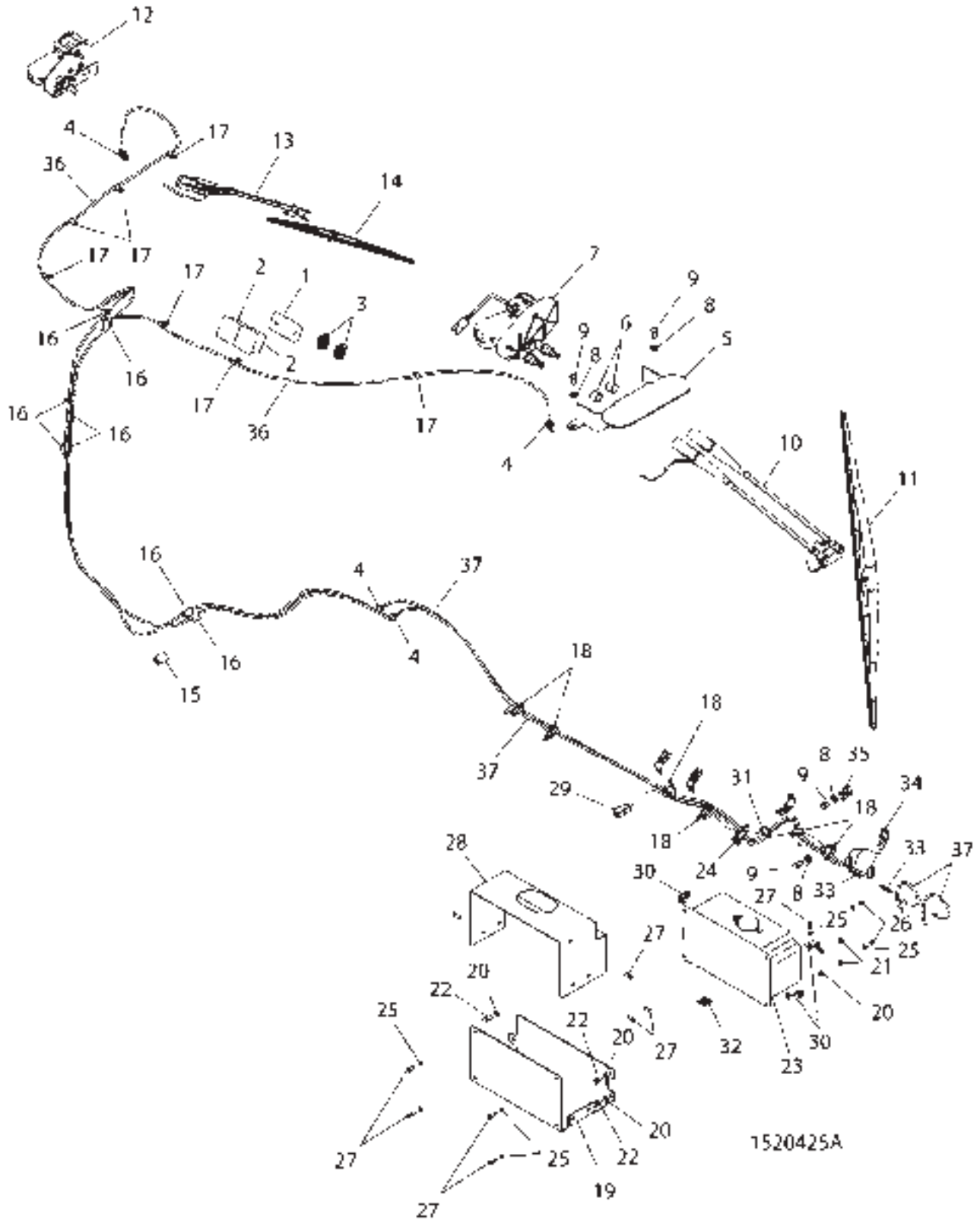
WIPER GP-WINDOW - 152-0422

ITEM	NUMBER	QTY	DESCRIPTION
-	152-0422		WIPER GP-WINDOW (NOT SERVICED)
1	CH216-2628	1	KNOB AS (FRONT WIPER & WASHER)
2	CH170-5696	1	MOTOR GP-WINDOW WIPER (12 VOLT) (SEE BREAKDOWN FOR COMPONENTS)
3	501688D1	1	BLADE-WIPER
4	CH178-3888	1	ARM ASM-WIPER
5	CH112-6174	1	SWITCH ASM-ROTARY(24 VOLT)(FRONT WIPER) (ORDER AS COMPLETE ASM OR ORDER THE FOLLOWING)
	2H-3920	1	LOCKWASHER
	6V-8369	1	NUT (7/16-28)
	186-3735	6	PIN-CONNECTOR
	CH8T-8737	2	PLUG-SEAL
	3E-3389	1	WEDGE
	102-8806	1	KIT-RECEPTACLE (8 PIN) (INCLUDES RECEPTACLE ASM AND WEDGE) (SERVICED AS COMPLETE KIT ONLY)
6	501256D1	1	FILM-INSTRUCTION (WIPER)
7	CH141-1762	2	SPACER (20)
8	169-6323	1	BRACKET
9	400287X1	2	WASHER-HARD (11X21X2.5)
10	400040X1	2	BOLT (M10X1.5X20MM)
11	CH5P-7803	1	BUTTON-PLUG
12	CH193-5914	2	PLUG

0874347A
PR: t05c24o40d0506

MT700B SERIES TRACK TRACTOR
OPERATOR STATION

WIPER GP - 152-0425
DELUXE



**MT700B SERIES TRACKTRACTOR
OPERATOR STATION**

1103

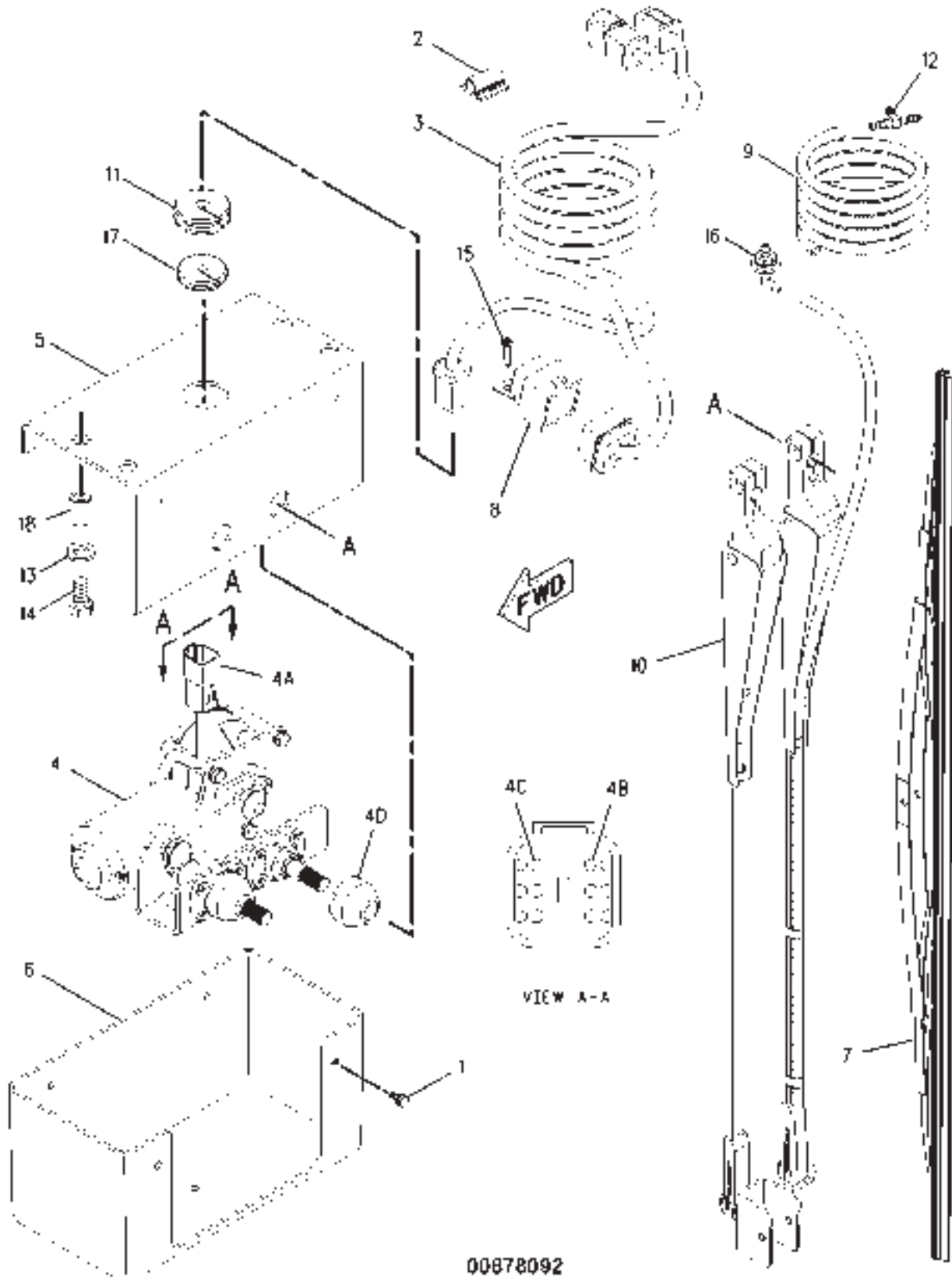
**WIPER GP - 152-0425
DELUXE**

ITEM	NUMBER	QTY	DESCRIPTION
-	152-0425	--	WIPER GP [A] (NOT SERVICED)
-	502791D1	--	WIPER GP (ROW & SPECIAL) (NOT SERVICED)
1	501406D1	1	FILM-INST (NOT SHOWN)
2	CH135-9967	3	SWITCH AS.-WIPER INTMT 12V (SEE BREAKDOWN FOR COMPONENTS)
3	CH216-2628	2	KNOB AS.-CONTROL
4	CH8T-5400	4	CONNECTOR AS.-90 DEG
5	169-6323	1	BRACKET-WIPER MOUNT
6	CH141-1762	2	SPACER-25.4ODX21.2IDX20 STL
7	CH170-5696	1	MOTOR GP - COMPACT DRIVE
	400340X1		NUT
	CH3F-9556		LOCKWASHER
	CH102-8805		RECEPTACLE KIT
	CH8T-8737	1	PLUG
	CH186-3735	5	PIN-CONNECTOR
8	400287X1	2	WASHER-HARD 11IDX21ODX2.5 ZND1
9	400040X1	4	BOLT-M10X1.5X20 ZNDI HDD 10.9
10	501565D1	1	ARM AS. -WIPER(WET)
	501564D1	1	NOZZLE
	501566D1	1	HOSE
11	501688D1	1	BLADE AS. -WIPER
12	CH166-4596	1	MOTOR GP-COMPACT DRIVE 12V
	CH102-8805	1	RECEPTACLE KIT
	CH8T-8737	1	PLUG
	400561X1	5	PIN-CONNECTOR
13	501604D1	1	ARM AS. -WIPER
14	CH134-1935	1	BLADE-WIPER
15	CH146-9439	1	RELAY AS.
16	400282X1	8	CLIP
17	CH9N-2061	7	CLIP-LOOP 60.3 ID
18	400837X1	7	STRAP-CABLE (PLASTIC)
19	224-3912	1	BRACKET AS
20	400339X1	6	WASHER - HARD
21	400340X1	3	NUT-M8X1.25X13 HEX ZND1
22	400053X1	3	BOLT-M8X1.25X20 ZNDI HDD 10.9
23	CH208-9635	1	BOTTLE GP-WINDSHIELD
	209-4481	2	PUMP AS
	209-4482	1	CAP-VENTED
24	CH4P-7429	1	CLIP-LADDER 75DEGX45MM V COAT
25	400310X1	16	WASHER
26	400300X1	4	NUT M6X1
27	400221X1	12	BOLT-M6X1X20MM ZNDI HDD 10.9
28	224-3913	1	COVER
29	502182D1	1	HARNESS AS. - JUMPER
30	227-9819	2	BRACKET AS.
31	CH7K-1181	1	STRAP - CABLE 0.19-4.00
32	501251D1	1	FILM-NO STEP
33	501120D1	2	VALVE AS.
34	CH4P-7581	1	CLIP-LADDER 15DEGX12.5MM V COAT
35	CH4P-8134	1	CLIP-LADDER 75DEGX48MM V COAT
36	WR518622	AR	TUBING AIRLINE 0.25OD POLTHN (27.034FT)
37	WR514360	AR	HOSE WINDSHIELD WASHER 0.18ID (14.436FT)
37	WR514360	AR	HOSE WINDSHIELD WASHER 0.18ID (1.312FT)

[A] PART OF 502663D1; 500847D1;
500848D1 CAB AR

1520425A
PR: t05c24o40d0507

WIPER GP-WINDOW - 162-4103
RH



00878092

**MT700B SERIES TRACKTRACTOR
OPERATOR STATION**

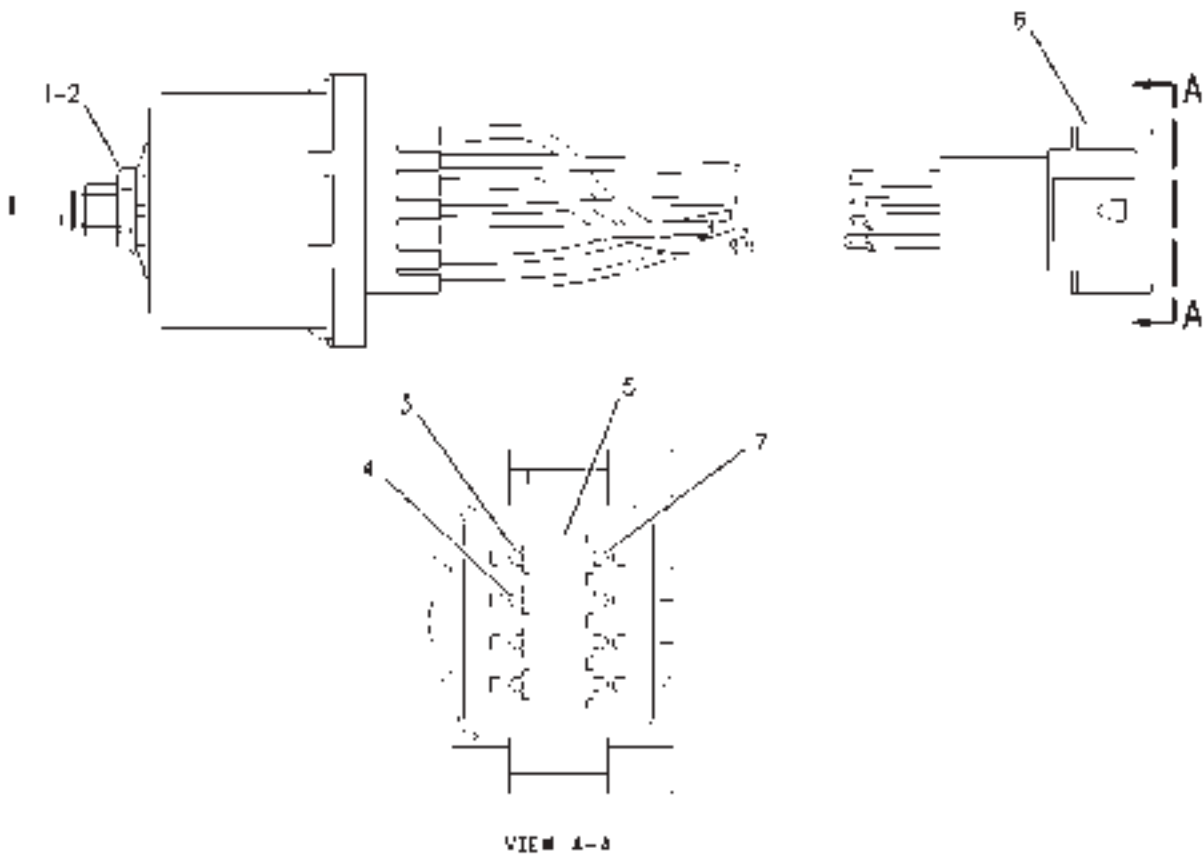
1105

**WIPER GP-WINDOW - 162-4103
RH**

ITEM	NUMBER	QTY	DESCRIPTION
-	162-4103	--	WIPER GP-WINDOW
1	CH030-9613	4	SCREW-FORMING (10-24X0.37IN)
2	400282X1	2	CLIP
3	167-1258	1	HARNESS ASY. (SIDE WIPER)
4	CH211-4837	1	MOTOR GP-DRIVE (RH WINDOW WIPER)
4A	CH102-8805	1	KIT-RECEPTACLE (6 PIN) (INCL 4A-4D)
	CH3E-3383		WEDGE
4B	CH8T-8737	1	PLUG-SEAL
4C	400561X1	5	PIN-CONNECTOR
4D	CH206-5823	2	CAP
5	174-7872	1	BRACKET
6	175-0198	1	COVER
7	CH189-8610	1	BLADE ASY-WIPER (RH WINDOW)
8	400292X1	1	RELAY ASY. (12 VOLT) (RH WINDOW WIPER)
9	WR514360	AR	HOSE (78 CM)
10	501603D1	1	ARM ASY.
11	CH6H-4006	1	GROMMET
12	CH6K-9632	1	TEE
13	400287X1	4	WASHER-HARD (11X21X2.5MM THK)
14	400040X1	4	BOLT (M10X1.5X20MM)
15	CH8T-9501	1	SCREW (10-16X.75IN)
16	CH8T-5400	1	CONNECTOR
17	400114X1	1	GROMMET
18	CH179-4209	4	INSERT

00878092
PR: t05c24o40d0508

SWITCH GP-WIPER - CH135-9967
INTERMITTENT 12 VOLT



00673034

**MT700B SERIES TRACK TRACTOR
OPERATOR STATION**

1107

**SWITCH GP-WIPER - CH135-9967
INTERMITTENT 12 VOLT**

ITEM	NUMBER	QTY	DESCRIPTION
-	CH135-9967	--	SWITCH AS-WIPER [A]
1	CH6V-8369	1	NUT (7/16-28)
2	CH2H-3920	1	LOCKWASHER (11.38MM ID)
3	CH8T-8737	1	PLUG-SEAL
4	400562X1	3	PIN-CONNECTOR
5	CH3E-3389	1	WEDGE-RECEPTACLE LOCK
6	CH102-8806	1	KIT-RECEPTACLE (8 PIN) (INCLUDES RECEPTACLE ASM AND WEDGE) (SERVICED AS COMPLETE KIT ONLY)
7	400861X1	4	PIN-CONNECTOR

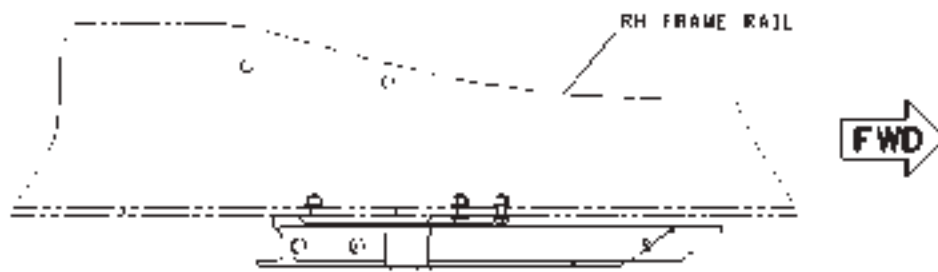
[A] PART OF 152-0425 WIPER GP-WINDOW

00673034
PR: t05c24o40d0509

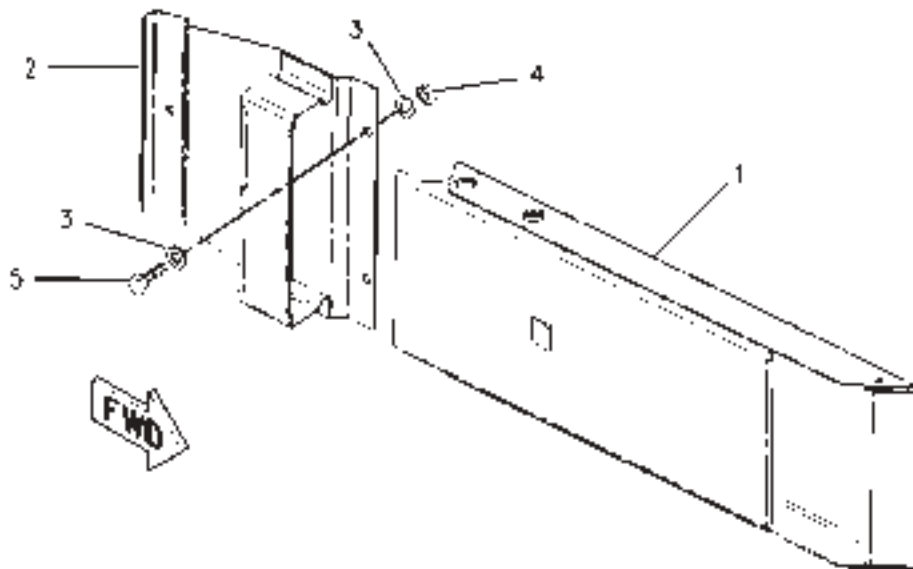
1108

MT700B SERIES TRACK TRACTOR
SERVICE EQUIPMENT AND SUPPLIES

CHOCK GP-WHEEL - 189-8931
EAME ONLY



TOP VIEW



(X)724244

MT700B SERIES TRACK TRACTOR
SERVICE EQUIPMENT AND SUPPLIES

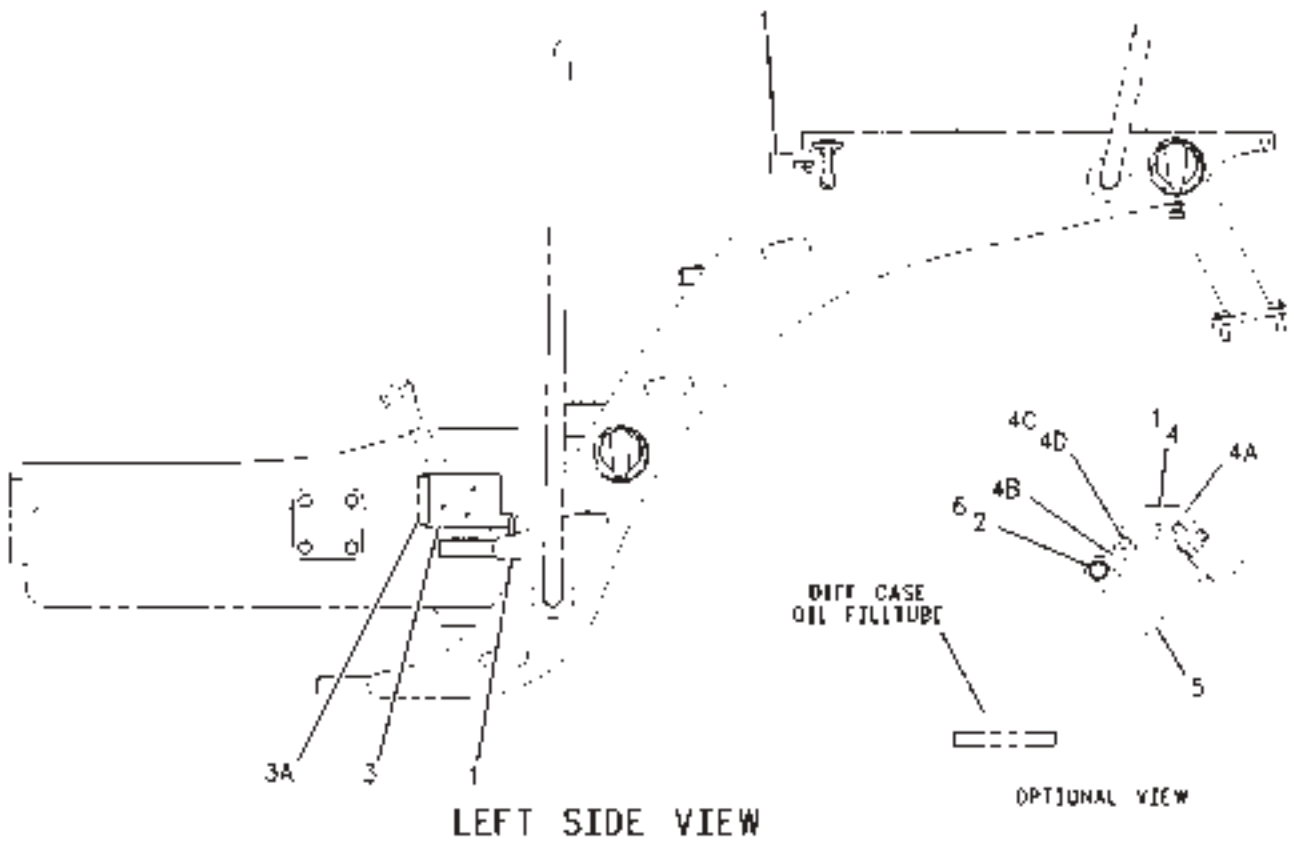
1109

CHOCK GP-WHEEL - 189-8931
EAME ONLY

ITEM	NUMBER	QTY	DESCRIPTION
-	189-8931	--	CHOCK GP-WHEEL
1	151-4059	1	CHOCK-WHEEL
2	CH151-6030	1	BRACKET AS
3	400599X1	6	WASHER-HARD (M8X20.5X2 THK)
4	400340X1	3	NUT (M8X1.25 THD)
5	400245X1	3	BOLT (M8X1.25X30MM)

00724244
PR: t05c24o40d0510

PROTECTION GP-VANDALISM - 180-3725



00877660

**MT700B SERIES TRACK TRACTOR
SERVICE EQUIPMENT AND SUPPLIES**

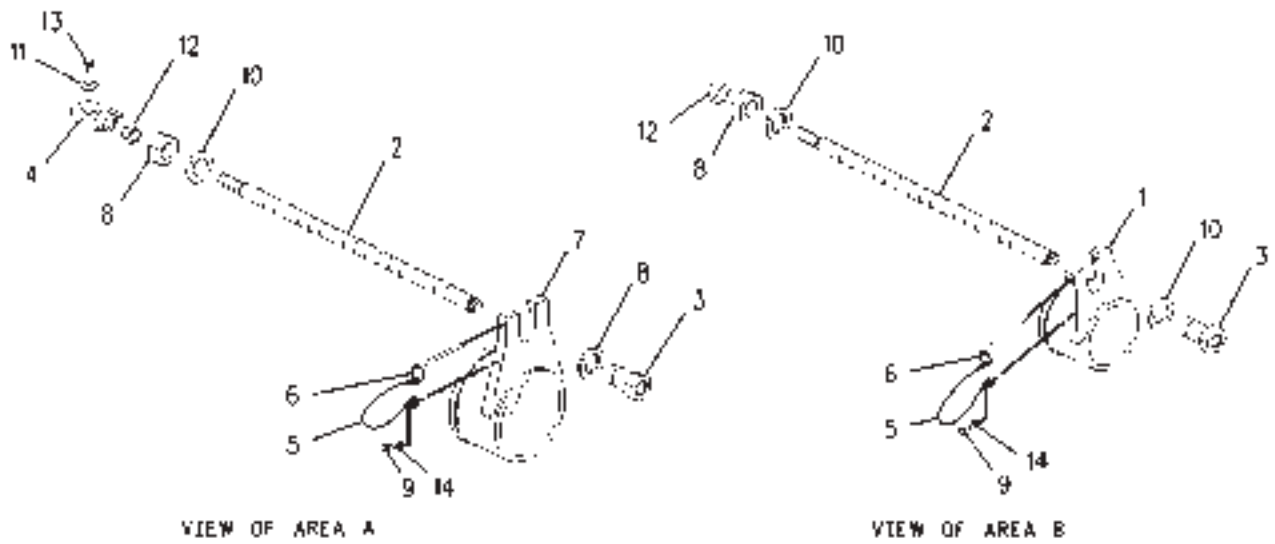
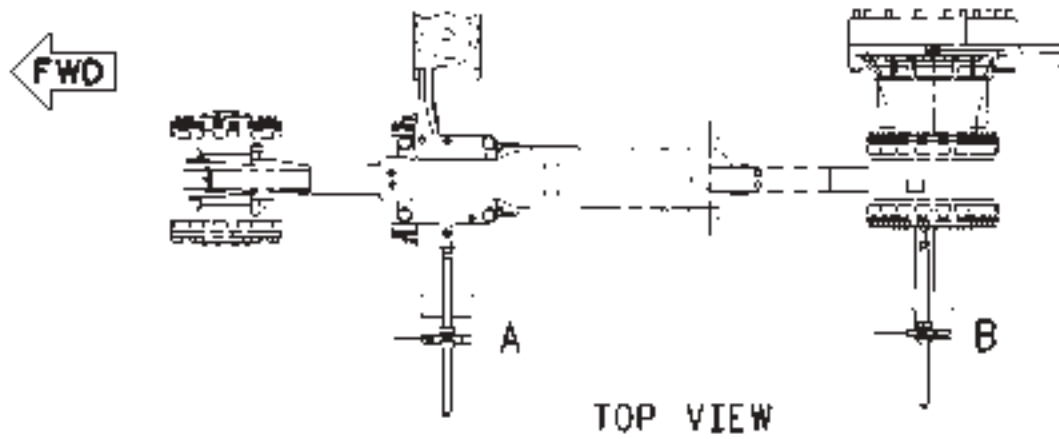
1111

PROTECTION GP-VANDALISM - 180-3725

ITEM	NUMBER	QTY	DESCRIPTION
-	180-3725	--	PROTECTION GP-VANDALISM (NOT SERVICED)
1	CH5P-8502	3	PADLOCK GP (W/KEY)
-	CH5P-8500	--	KEY
2	400135X1	1	BOLT-TAMPERPROOF (1/4-20X1IN)
3	188-1155	1	COVER ASY.
3A	CH8Y-8794	1	HINGE
4	191-8006	1	LOCK ASY.(INCL. 4A THRU 4D)
4A	CH2A-3211	1	WASHER (5.5X12.3X.8MM THK)
4B	CH2P-2717	1	HASP-OIL FILLER
4C	CH8D-9558	1	RIVET
4D	191-8007	1	LUG
5	CH191-8010	1	CLAMP
6	CH3E-9865	1	LOCKNUT (1/4-20 THD)

00877669
PR: t05c24o40d0511

TOOL GP-AXLE GAUGE CHANGE - 203-9712



00816200

**MT700B SERIES TRACK TRACTOR
SERVICE EQUIPMENT AND SUPPLIES**

1113

TOOL GP-AXLE GAUGE CHANGE - 203-9712

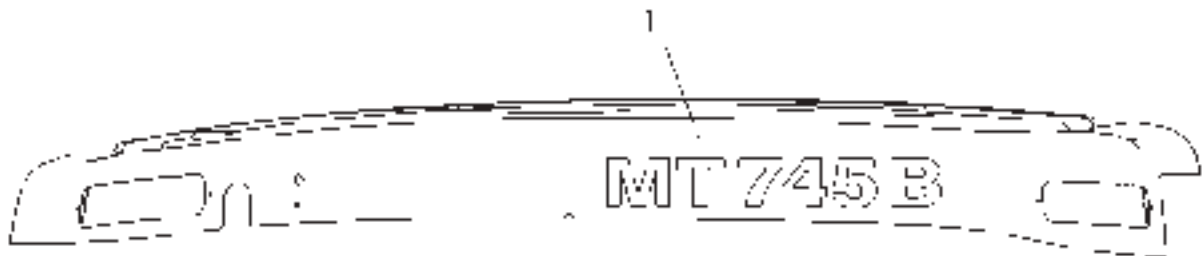
ITEM	NUMBER	QTY	DESCRIPTION
-	203-9712	--	TOOL GP-AXLE GAUGE CHANGE (NOT SERVICED)
-	502763D1	--	TOOL GP-AXLE GAUGE CHANGE (FIELD)
1	198-4474	1	BRACKET ASY.
2	198-4475	2	ROD
3	400354X1	2	NUT-SPECIAL
4	198-4477	1	ADAPTER ASY.
5	203-6604	2	LANYARD
6	203-7787	2	PIN
7	205-8790	1	BRACKET ASY.
8	400083X1	2	NUT-JAM (1 1/4-12-2B LH)
9	400152X1	2	BOLT (M6X1X16MM)
10	CH7X-0533	4	WASHER-HARD (34X55X6MM THK)
11	CH8C-9987	1	WASHER (8.3X28X2.5MM THK)
12	400286X1	2	NUT (M20X2.5 THD)
13	400227X1	1	BOLT (M8X1.25X16MM)
14	CH8T-4205	2	WASHER-HARD (7.2X14.5X2MM THK)

00816200
PR: t05c24o40d0512

1114

MT700B SERIES TRACK TRACTOR
MARKINGS AND PAINT

FILM-MODEL - 501633D1
MT745B



501633DA

**MT700B SERIES TRACK TRACTOR
MARKINGS AND PAINT**

1115

**FILM-MODEL - 501633D1
MT745B**

ITEM	NUMBER	QTY	DESCRIPTION
-	501633D1	--	FILM-MODEL [A] (NOT SERVICED)
1	501407D1	2	FILM-MODEL MT745B

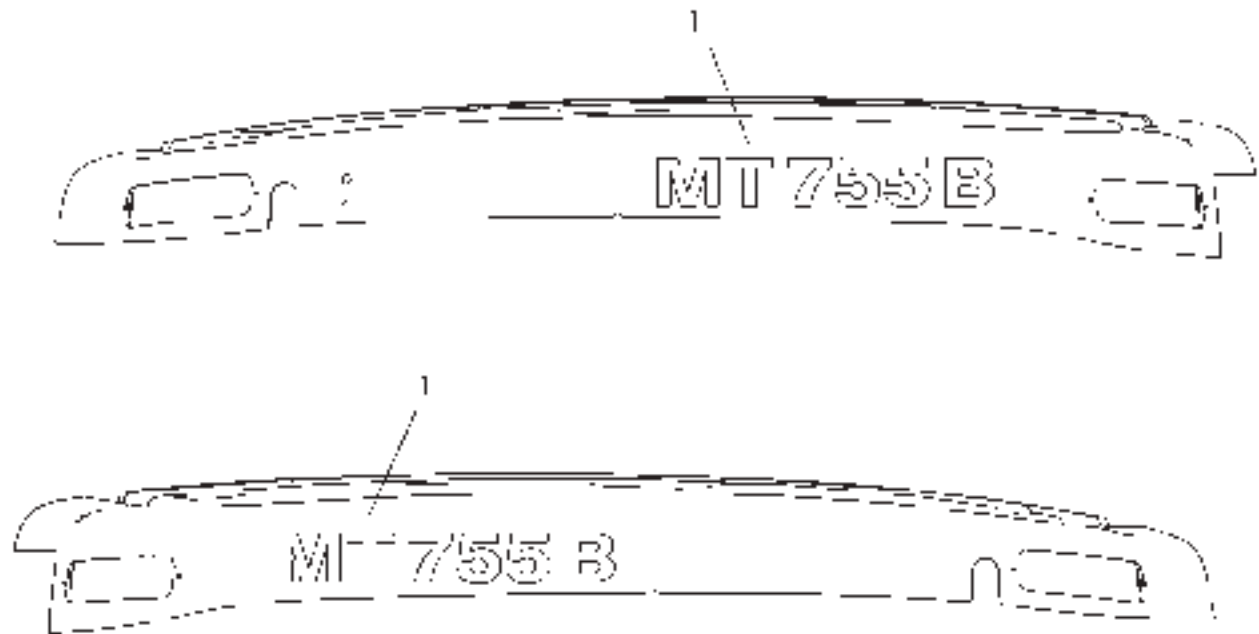
[A] PART OF 501627D1; 501630D1
BASE UNIT AR

501633DA
PR: t05c24o40d0513

1116

MT700B SERIES TRACK TRACTOR
MARKINGS AND PAINT

FILM-MODEL - 501634D1
MT755B



501634DA

MT700B SERIES TRACK TRACTOR
MARKINGS AND PAINT

1117

FILM-MODEL - 501634D1
MT755B

ITEM	NUMBER	QTY	DESCRIPTION
-	501634D1	--	FILM-MODEL [A] (NOT SERVICED)
1	501408D1	2	FILM-MODEL MT755B

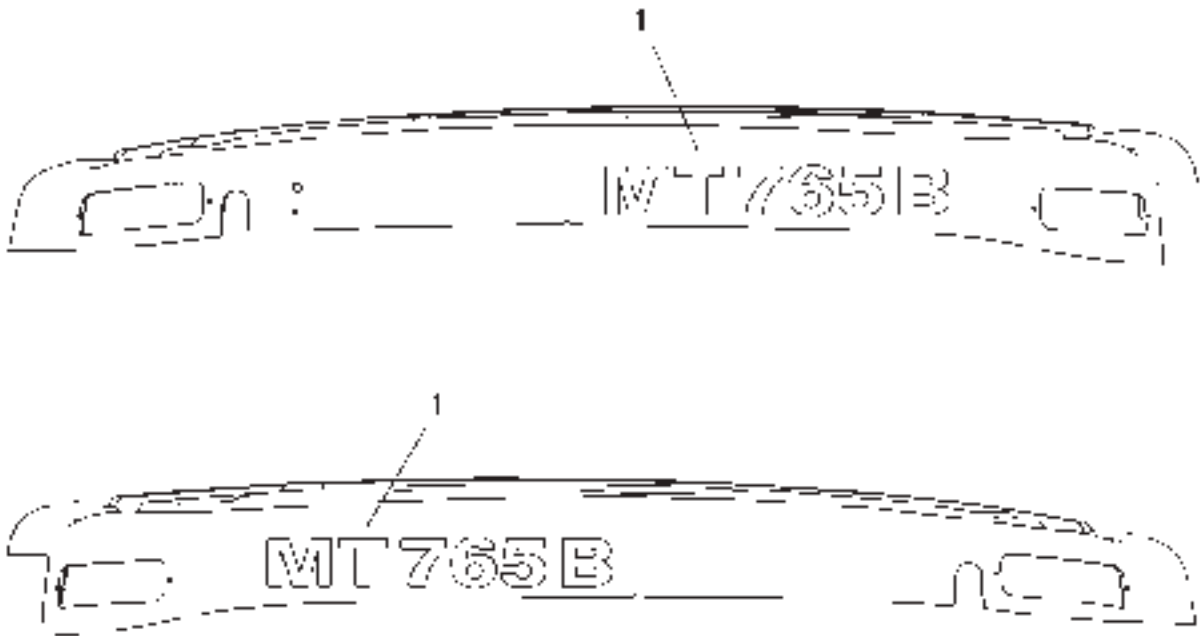
[A] PART OF 501628D1; 501631D1
BASE UNIT AR

501634DA
PR: t05c24o40d0514

1118

MT700B SERIES TRACK TRACTOR
MARKINGS AND PAINT

FILM-MODEL - 501635D1
MT765B



501635DA

**MT700B SERIES TRACK TRACTOR
MARKINGS AND PAINT**

1119

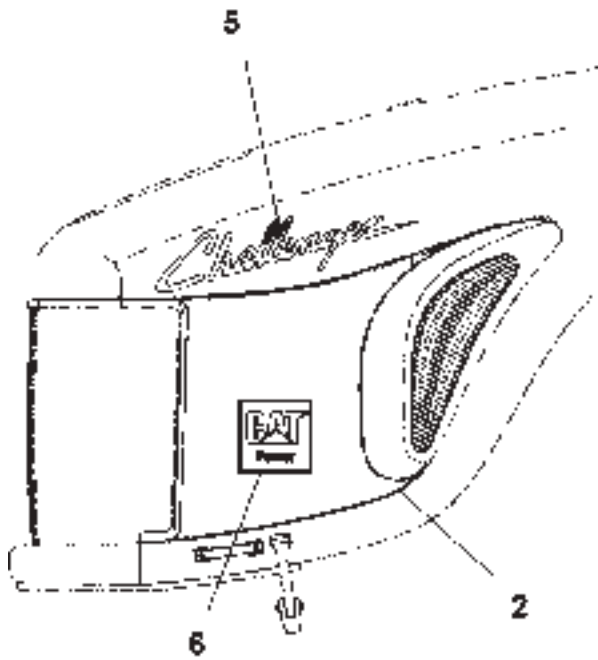
**FILM-MODEL - 501635D1
MT765B**

ITEM	NUMBER	QTY	DESCRIPTION
-	501635D1	--	FILM-MODEL [A] (NOT SERVICED)
1	501409D1	2	FILM-MODEL MT765B

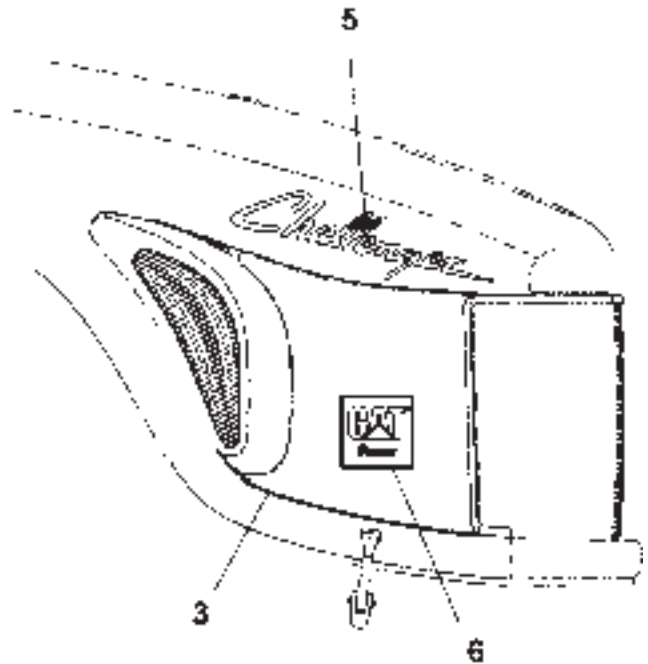
[A] PART OF 501629D1; 501632D1
BASE UNIT AR

501635DA
PR: t05c24o40d0515

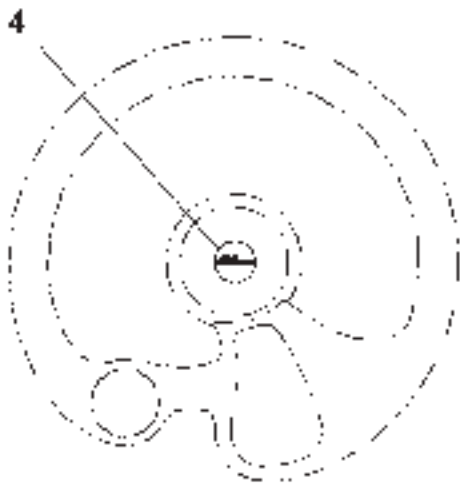
FILM GP-CHALLENGER - 500726D1



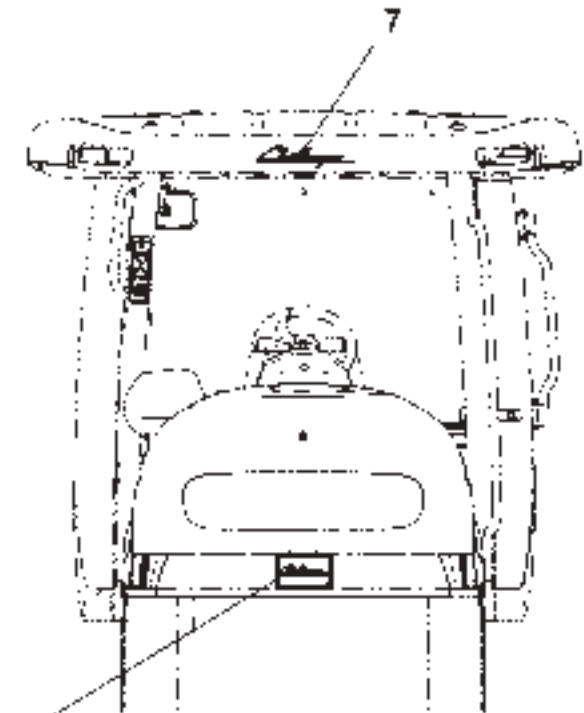
LEFT SIDE VIEW



RIGHT SIDE VIEW



STEERING WHEEL



FRONT VIEW

500736DB

**MT700B SERIES TRACK TRACTOR
MARKINGS AND PAINT**

1121

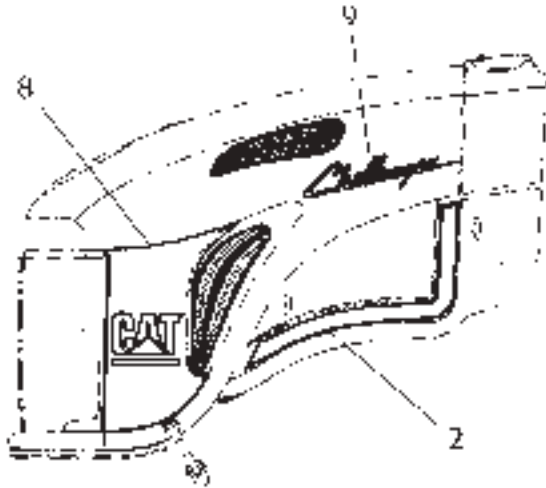
FILM GP-CHALLENGER - 500726D1

ITEM	NUMBER	QTY	DESCRIPTION
-	500726D1	--	FILM GP-CHALLENGER (NOT SERVICED)
1	500729D1	1	EMBLEM AS-CHALLENGER
2	500727D1	1	FILM-HOOD (LH)
3	500728D1	1	FILM-HOOD (RH)
4	500719D1	1	FILM-CHALLENGER
5	500724D1	2	FILM-CHALLENGER
6	500748D2	2	FILM-CAT POWER
7	500749D1	1	FILM-CHALLENGER

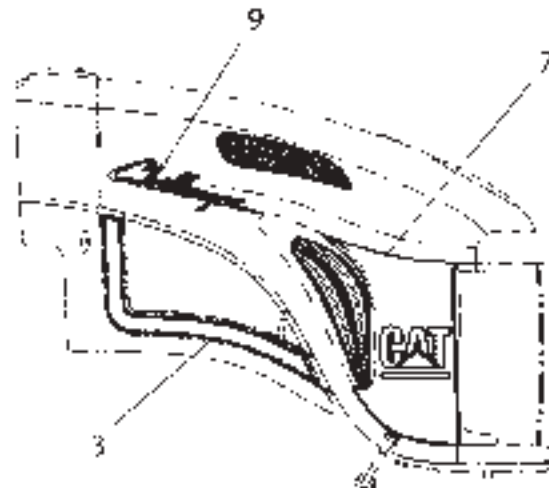
500736DB
PR: t05c24o40d0516

MT700B SERIES TRACK TRACTOR
MARKINGS AND PAINT

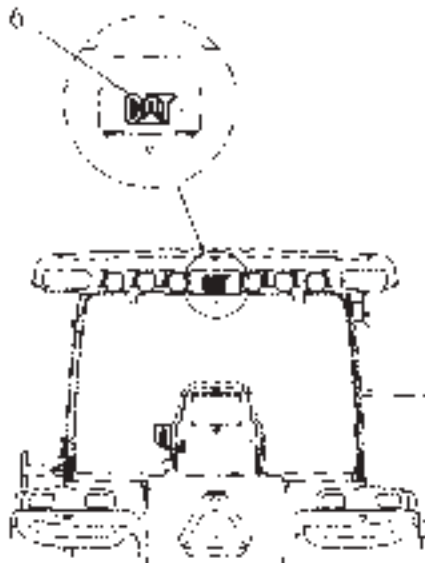
FILM GP-CAT - 502923D1
ROW ONLY



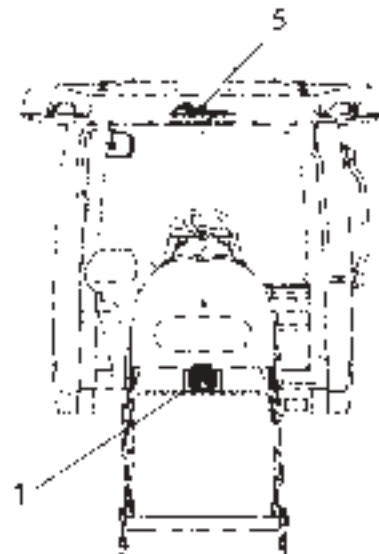
LEFT SIDE OF HOOD



RIGHT SIDE OF HOOD



REAR VIEW OF CAB



FRONT VIEW

502923DA

**MT700B SERIES TRACK TRACTOR
MARKINGS AND PAINT**

1123

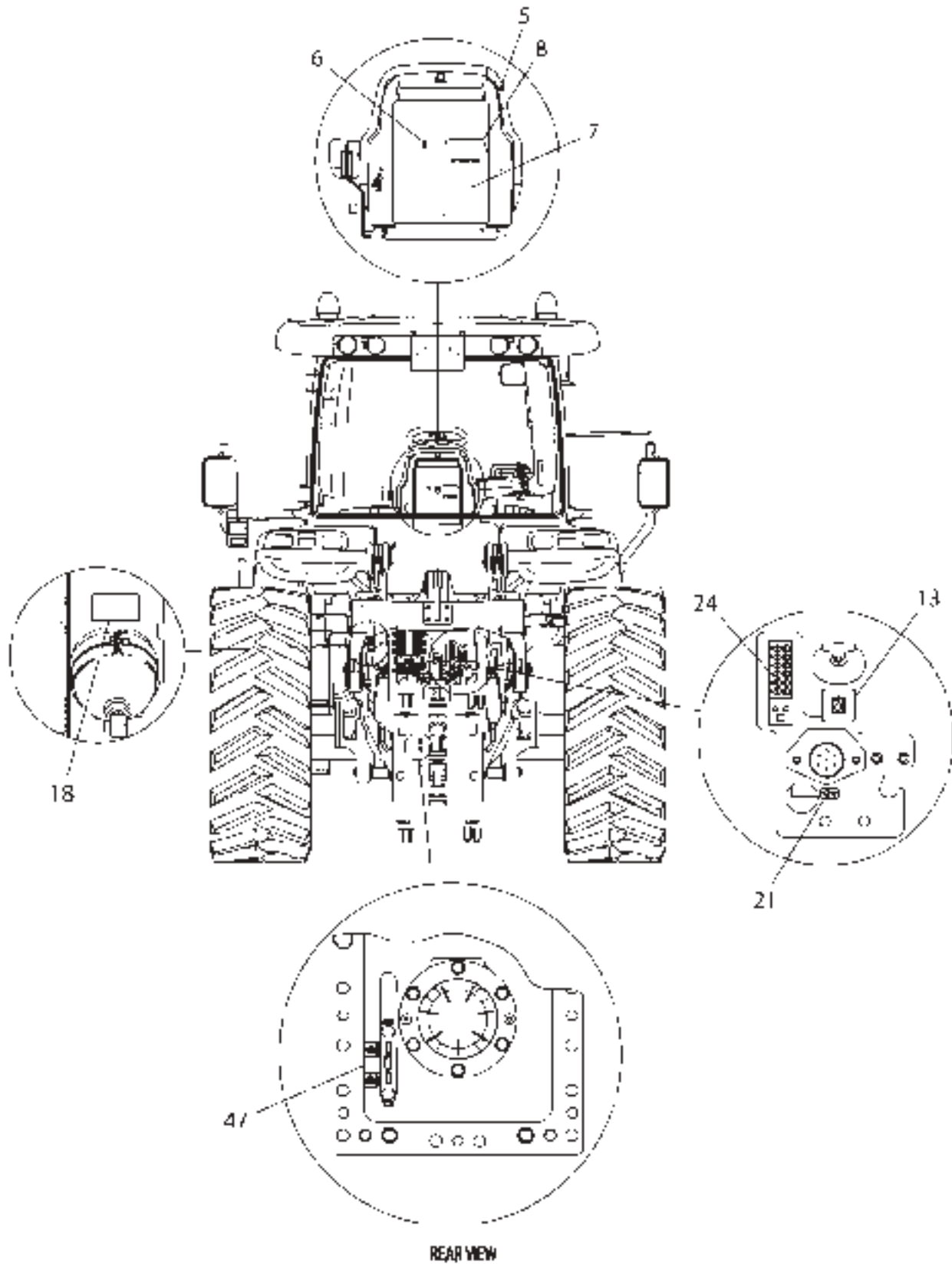
**FILM GP-CAT - 502923D1
ROW ONLY**

ITEM	NUMBER	QTY	DESCRIPTION
-	502923D1	--	FILM GP-CAT (NOT SERVICED)
1	201-5096	1	EMBLEM AS. - CAT
2	218-5153	1	FILM-STRIPE
3	218-5154	1	FILM-STRIPE
4	500719D1	1	FILM-CHALLENGER
5	500749D1	1	FILM-CHALLENGER
6	501481D1	1	FILM-CAT
8	501486D1	1	FILM-HOOD (RIGHT)
9	501487D1	1	FILM-HOOD (LEFT)
7	502922D1	2	FILM-CHALLENGER

502923DA
PR: t05c24o40d0517

MT700B SERIES TRACK TRACTOR
MARKINGS AND PAINT

FILM GP - PAINT - 173-4472
1 OF 7
ROW ONLY



**MT700B SERIES TRACK TRACTOR
MARKINGS AND PAINT**

1125

**FILM GP - PAINT - 173-4472
1 OF 7
ROW ONLY**

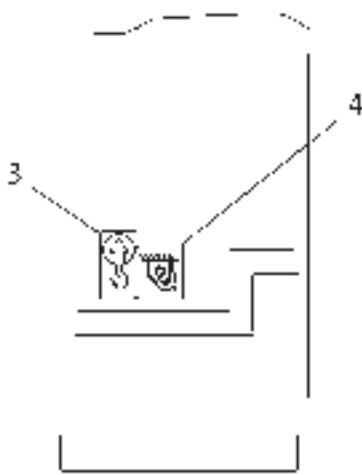
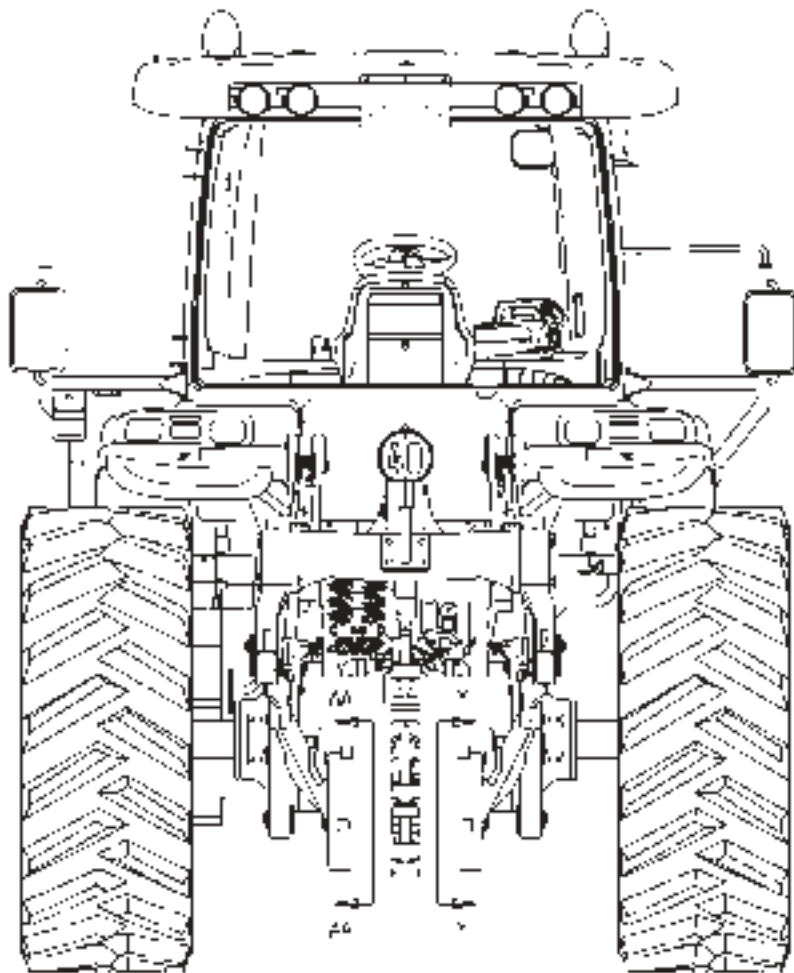
ITEM	NUMBER	QTY	DESCRIPTION
-	173-4472	--	FILM GP - PAINT [A] (NOT SERVICED)
5	CH5P-7958	1	SLEEVE-CABLE SPLICE 2.38 OD
6	CH5P-8500	2	KEY
7	CH6V-2405	1	ENVELOPE - KEY
8	CH7F-3400	1	BAG-POLYETHYLENE 305 X 380
13	501104D1	0	FILM - HYDRAULIC OIL **
18	501250D1	0	FILM - WARNING **
21	501253D1	0	FILM-IDENT (12V) * ***
24	501267D1	0	FILM - HYD COUPLERS (INST) ***
47	501307D1	0	FILM-XMSN OIL FILL **
-	501500D1	1	DECAL SHEET-CAB (INCLUDES * ITEMS)
-	501502D1	1	DECAL SHEET-VEHICLE (INCLUDES ** ITEMS) (NOT SERVICED)
-	501504D1	1	DECAL SHEET-VEHICLE (INCLUDES *** ITEMS)

[A] PART OF 501640D1; 501641D1; 501642D1
BASE COMMON AR

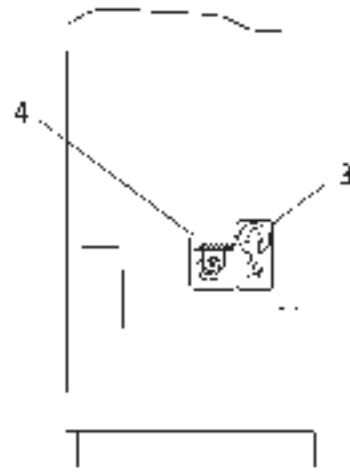
1734472A
PR: t05c24o40d0518

MT700B SERIES TRACK TRACTOR
MARKINGS AND PAINT

FILM GP - PAINT - 173-4472
2 OF 7
ROW ONLY



VIEW 66-66



VIEW 66-66

REAR VIEW

1734472B

**MT700B SERIES TRACKTRACTOR
MARKINGS AND PAINT**

1127

**FILM GP - PAINT - 173-4472
2 OF 7
ROW ONLY**

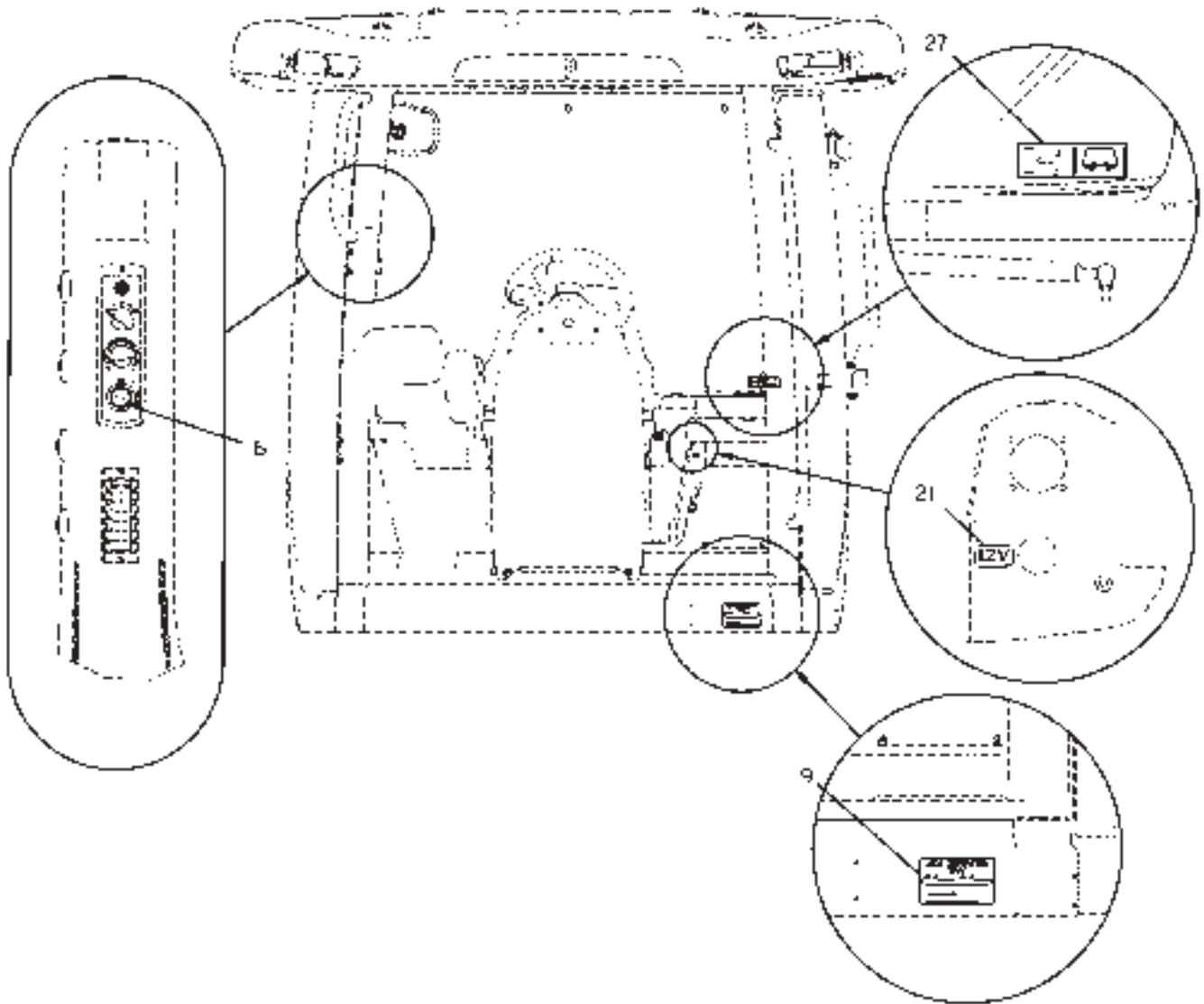
ITEM	NUMBER	QTY	DESCRIPTION
-	173-4472	--	FILM GP - PAINT [A] (NOT SERVICED)
3	500371D1	0	FILM - LIFT
4	500372D1	0	FILM - TIE-DOWN
-	501500D1	1	DECAL SHEET-CAB (INCLUDES * ITEMS)
-	501502D1	1	DECAL SHEET-VEHICLE (INCLUDES ** ITEMS) (NOT SERVICED)
-	501504D1	1	DECAL SHEET-VEHICLE (INCLUDES *** ITEMS)

[A] PART OF 501640D1; 501641D1; 501642D1
BASE COMMON AR

1734472B
PR: t05c24o40d0519

MT700B SERIES TRACK TRACTOR
MARKINGS AND PAINT

FILM GP - PAINT - 173-4472
3 OF 7
ROW ONLY



FRONT VIEW OF CAB

**MT700B SERIES TRACKTRACTOR
MARKINGS AND PAINT**

1129

**FILM GP - PAINT - 173-4472
3 OF 7
ROW ONLY**

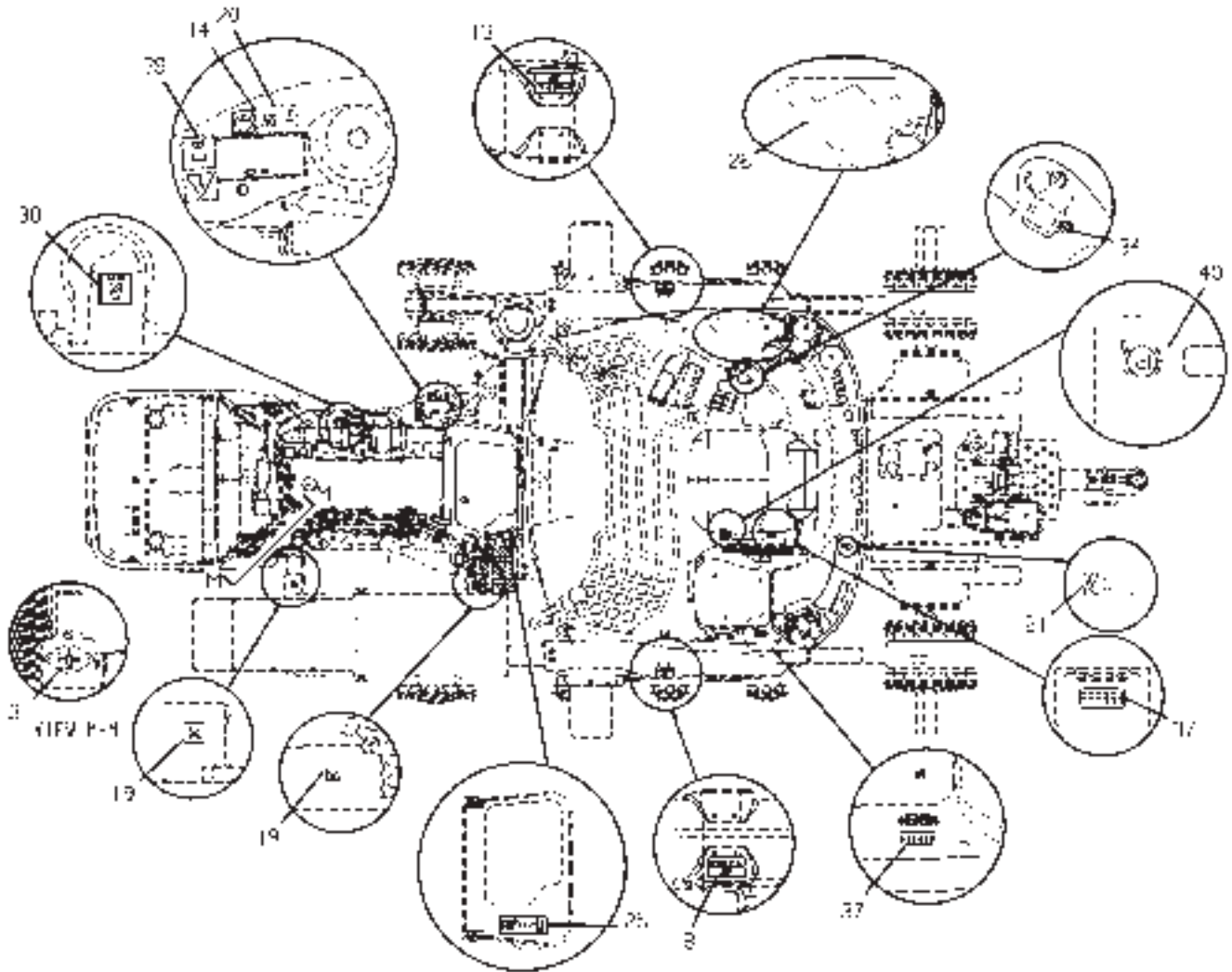
ITEM	NUMBER	QTY	DESCRIPTION
-	173-4472	--	FILM GP - PAINT [A] (NOT SERVICED)
6	CH5P-8500	2	KEY
9	CH8C-3348	2	RIVET-BLIND 1.6-3.18GRIPX3.18
21	501253D1	0	FILM-IDENT (12V) * ***
27	501272D1	0	FILM-ATERNATE EXIT *
-	501500D1	1	DECAL SHEET-CAB (INCLUDES * ITEMS)
-	501502D1	1	DECAL SHEET-VEHICLE (INCLUDES ** ITEMS) (NOT SERVICED)
-	501504D1	1	DECAL SHEET-VEHICLE (INCLUDES *** ITEMS)

[A] PART OF 501640D1; 501641D1; 501642D1
BASE COMMON AR

1734472C
PR: t05c24o40d0520

MT700B SERIES TRACK TRACTOR
MARKINGS AND PAINT

FILM GP - PAINT - 173-4472
4 OF 7
ROW ONLY



1734472D

**MT700B SERIES TRACK TRACTOR
MARKINGS AND PAINT**

1131

**FILM GP - PAINT - 173-4472
4 OF 7
ROW ONLY**

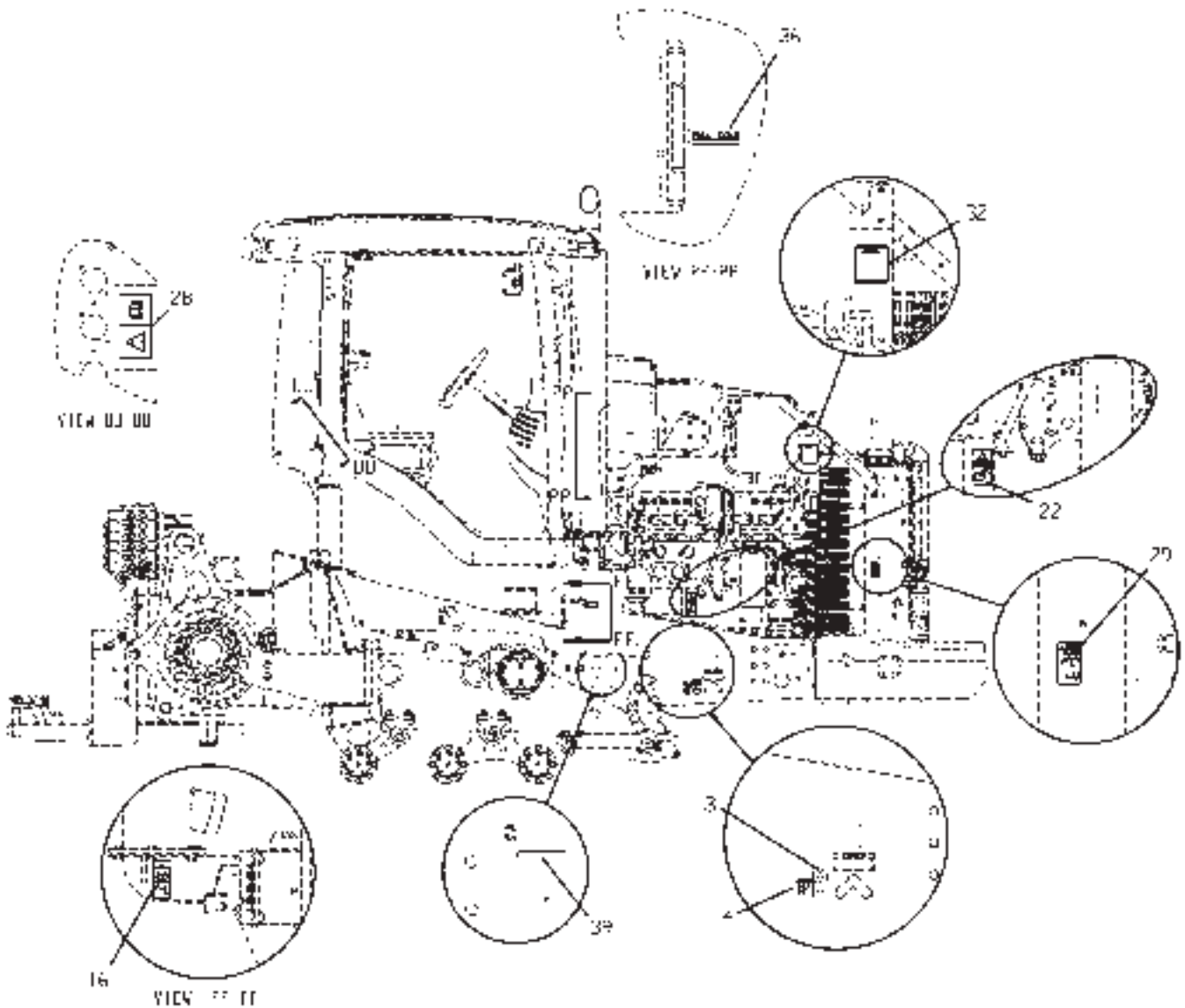
ITEM	NUMBER	QTY	DESCRIPTION
-	173-4472	--	FILM GP - PAINT [A] (NOT SERVICED)
14	501105D1	0	FILM - GROUND GEN **
18	501250D1	0	FILM - WARNING **
19	501251D1	0	FILM - NO STEP **
20	501252D1	0	FILM-IDENT (12V) **
21	501253D1	0	FILM-IDENT (12V) * ***
25	501268D1	0	FILM-WARNING **
26	501270D1	1	FILM-FUSE PANEL
30	501276D1	0	FILM - ENGINE OIL FILTER(INST) **
31	501277D1	0	FILM-BATTERY (INST) ***
34	501281D1	0	FILM-MIRRORS *
37	501286D1	0	FILM-INSTALLATION DATE *
38	501287D1	0	FILM-WARNING ***
40	501289D1	0	FILM-PARK BRAKE *
-	501500D1	1	DECAL SHEET-CAB (INCLUDES * ITEMS)
-	501502D1	1	DECAL SHEET-VEHICLE (INCLUDES ** ITEMS) (NOT SERVICED)
-	501504D1	1	DECAL SHEET-VEHICLE (INCLUDES *** ITEMS)

[A] PART OF 501640D1; 501641D1; 501642D1
BASE COMMON AR

1734472D
PR: t05c24o40d0521

MT700B SERIES TRACK TRACTOR
MARKINGS AND PAINT

FILM GP - PAINT - 173-4472
5 OF 7
ROW ONLY



**MT700B SERIES TRACKTRACTOR
MARKINGS AND PAINT**

1133

**FILM GP - PAINT - 173-4472
5 OF 7
ROW ONLY**

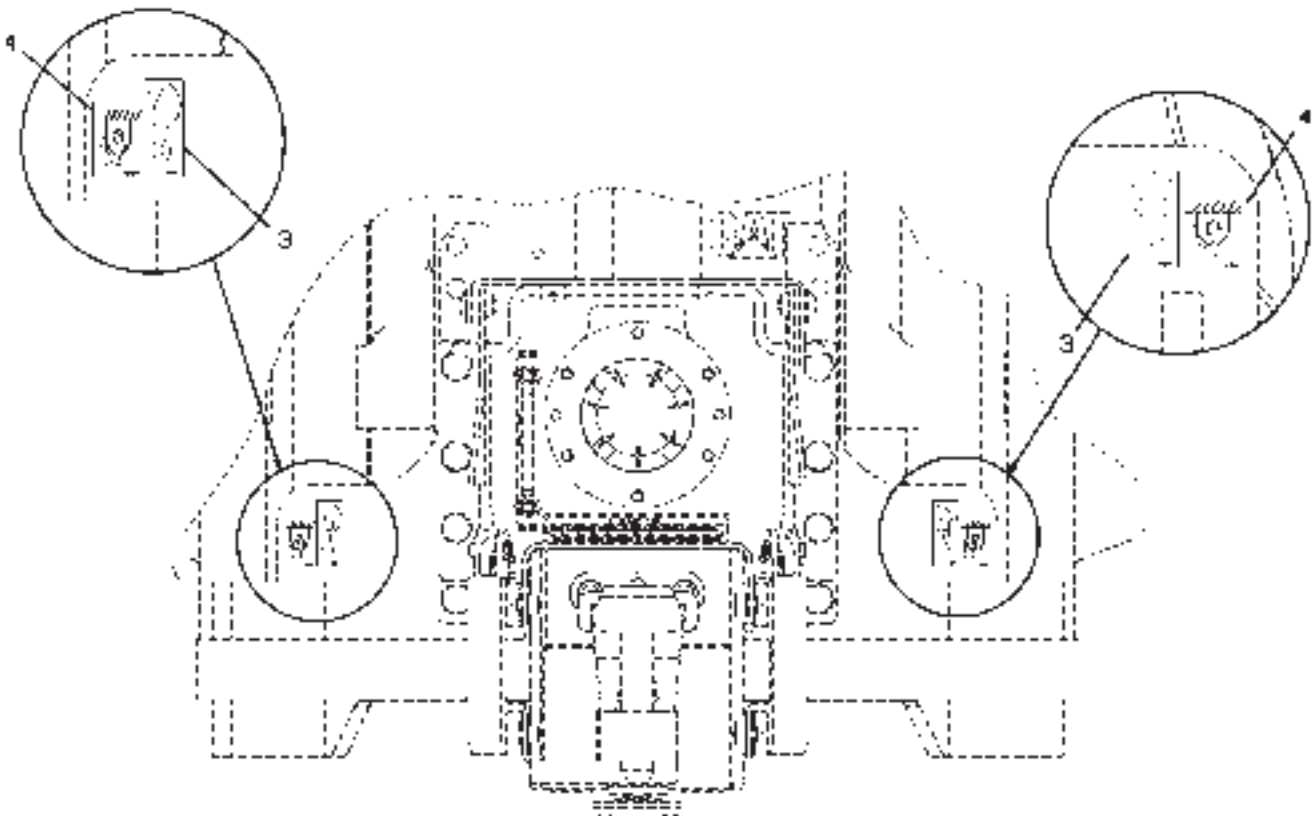
ITEM	NUMBER	QTY	DESCRIPTION
-	173-4472	--	FILM GP - PAINT [A] (NOT SERVICED)
3	500371D1	0	FILM - LIFT
4	500372D1	0	FILM - TIE-DOWN
16	501107D1	0	FILM-WARNING (HOT SURFACE) **
22	501258D1	0	FILM-NOTICE **
28	501274D1	0	FILM-NOTICE *
29	501275D1	0	FILM - WARNING (FAN) **
32	501279D1	0	FILM-BELT (ROUTING) **
36	501285D1	0	FILM-FULL COLD **
39	501288D1	0	FILM-CLEAR COVER **
-	501500D1	1	DECAL SHEET-CAB (INCLUDES * ITEMS)
-	501502D1	1	DECAL SHEET-VEHICLE (INCLUDES ** ITEMS) (NOT SERVICED)
-	501504D1	1	DECAL SHEET-VEHICLE (INCLUDES *** ITEMS)

[A] PART OF 501640D1; 501641D1; 501642D1
BASE COMMON AR

1734472E
PR: t05c24o40d0522

MT700B SERIES TRACK TRACTOR
MARKINGS AND PAINT

FILM GP - PAINT - 173-4472
6 OF 7
ROW ONLY



ALTERNATE PLACEMENT

**MT700B SERIES TRACKTRACTOR
MARKINGS AND PAINT**

1135

**FILM GP - PAINT - 173-4472
6 OF 7
ROW ONLY**

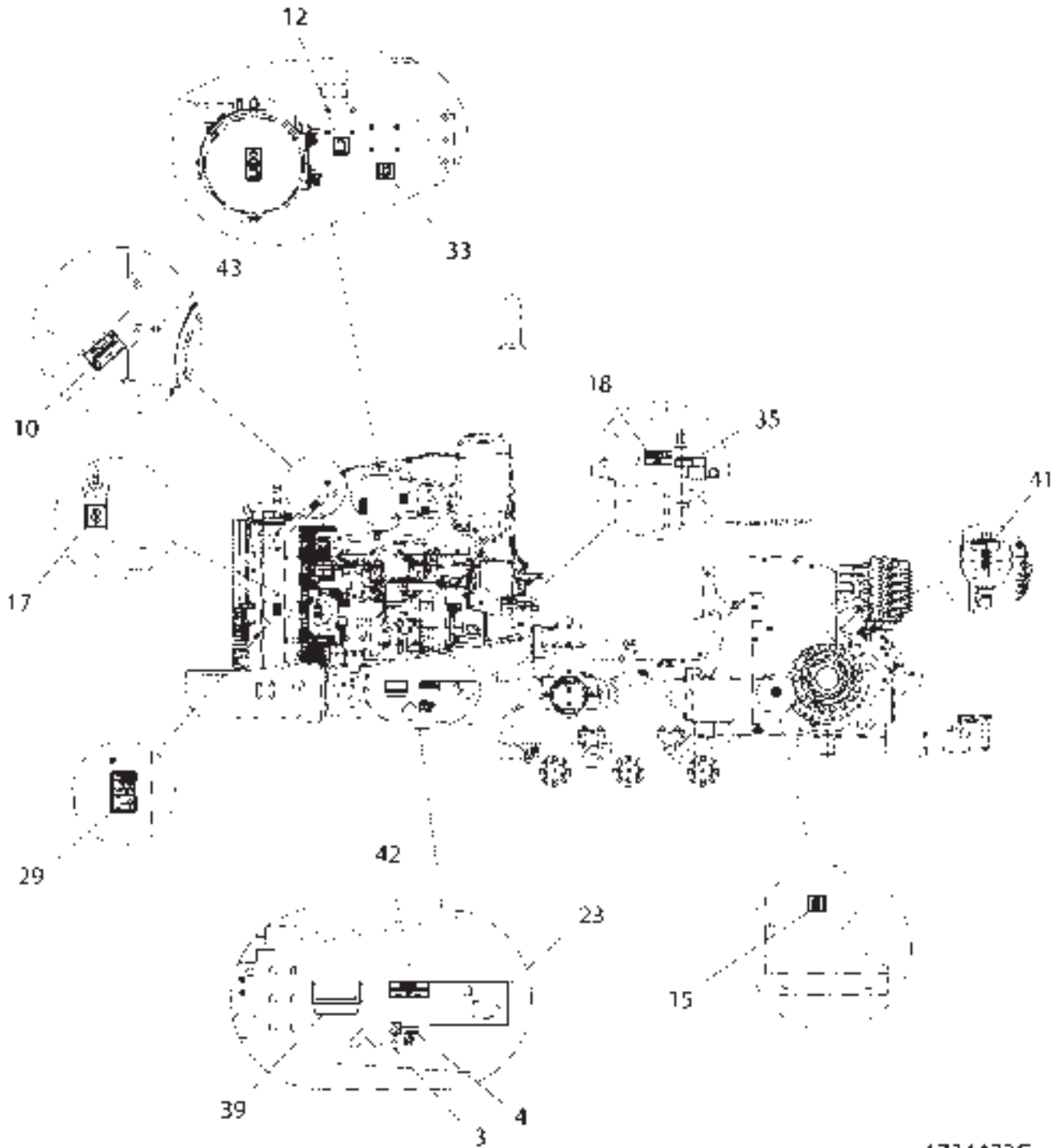
ITEM	NUMBER	QTY	DESCRIPTION
-	173-4472	--	FILM GP - PAINT [A] (NOT SERVICED)
3	500371D1	0	FILM - LIFT
4	500372D1	0	FILM - TIE-DOWN
-	501500D1	1	DECAL SHEET-CAB (INCLUDES * ITEMS)
-	501502D1	1	DECAL SHEET-VEHICLE (INCLUDES ** ITEMS) (NOT SERVICED)
-	501504D1	1	DECAL SHEET-VEHICLE (INCLUDES *** ITEMS)

[A] PART OF 501640D1; 501641D1; 501642D1
BASE COMMON AR

1734472F
PR: t05c24o40d0523

MT700B SERIES TRACK TRACTOR
MARKINGS AND PAINT

FILM GP - PAINT - 173-4472
7 OF 7
ROW ONLY



1734472G

**MT700B SERIES TRACK TRACTOR
MARKINGS AND PAINT**

1137

**FILM GP - PAINT - 173-4472
7 OF 7
ROW ONLY**

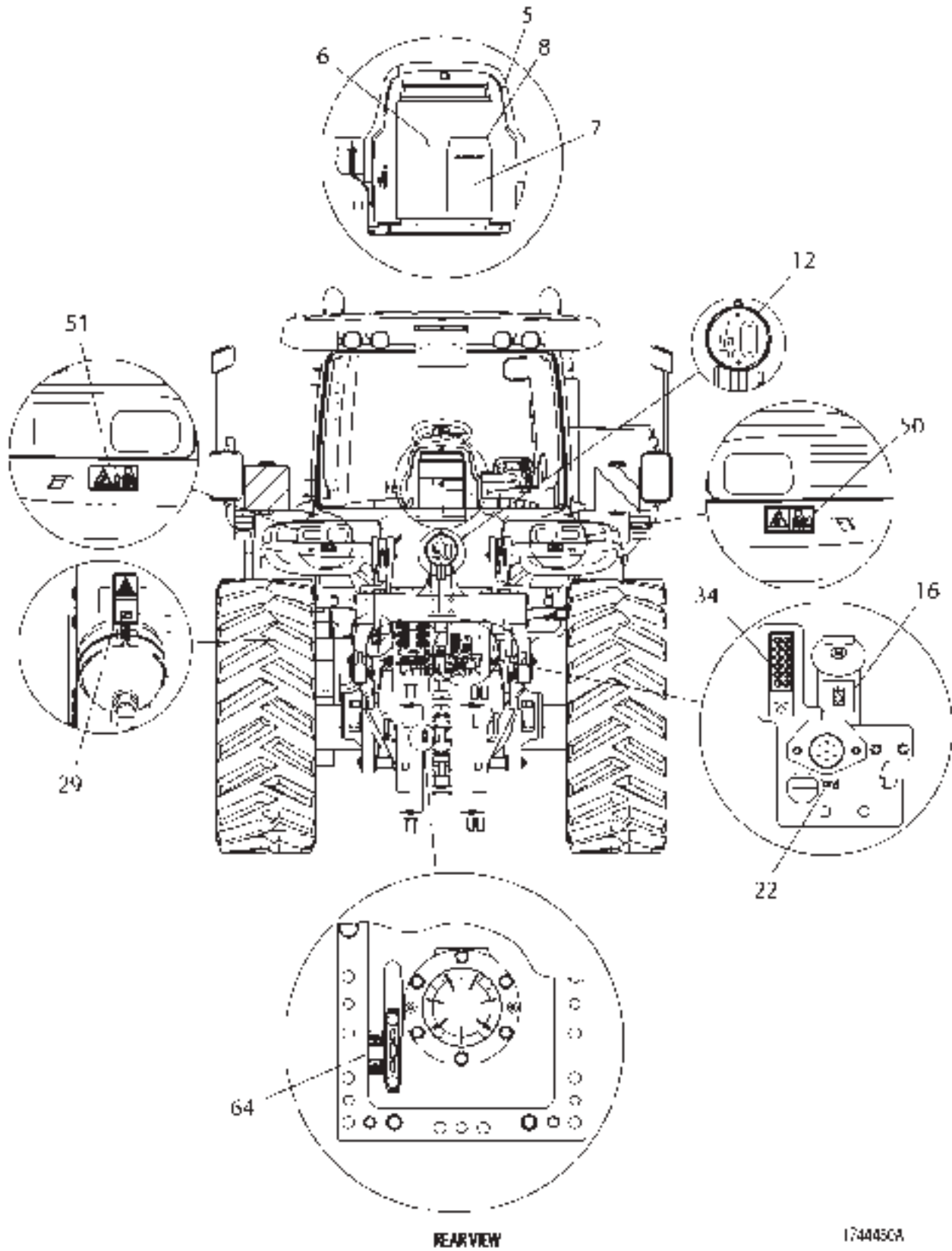
ITEM	NUMBER	QTY	DESCRIPTION
-	173-4472	--	FILM GP - PAINT [A] (NOT SERVICED)
10	502279D1	1	PLATE-INST (A/C)
12	501103D1	0	FILM - INST (FUEL FILTER) **
15	501106D1	0	FILM - IDENT (HYD OIL FILTER) **
17	501108D1	0	FILM - INSTRUCTION **
18	501250D1	0	FILM - WARNING **
23	501266D1	0	FILM-NOTICE **
29	501275D1	0	FILM - WARNING (FAN) **
33	501280D1	0	FILM-WATER SEPARATOR **
35	501284D1	0	FILM-WARNING **
39	501288D1	0	FILM-CLEAR COVER **
41	501304D1	0	FILM-WARNING **
42	501305D1	0	FILM-PATENT **
43	501306D1	0	FILM-AIR CLEANER ***
-	501500D1	1	DECAL SHEET-CAB (INCLUDES * ITEMS)
-	501502D1	1	DECAL SHEET-VEHICLE (INCLUDES ** ITEMS) (NOT SERVICED)
-	501504D1	1	DECAL SHEET-VEHICLE (INCLUDES *** ITEMS)

[A] PART OF 501640D1; 501641D1; 501642D1
BASE COMMON AR

1734472G
PR: t05k17p08b0001

MT700B SERIES TRACK TRACTOR
MARKINGS AND PAINT

FILM & PLATE GP - 174-4480
1 OF 7
EAME ONLY



1744480A

MT700B SERIES TRACK TRACTOR
MARKINGS AND PAINT

1139

FILM & PLATE GP - 174-4480
1 OF 7
EAME ONLY

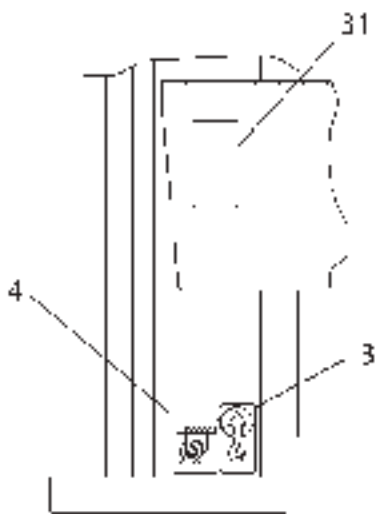
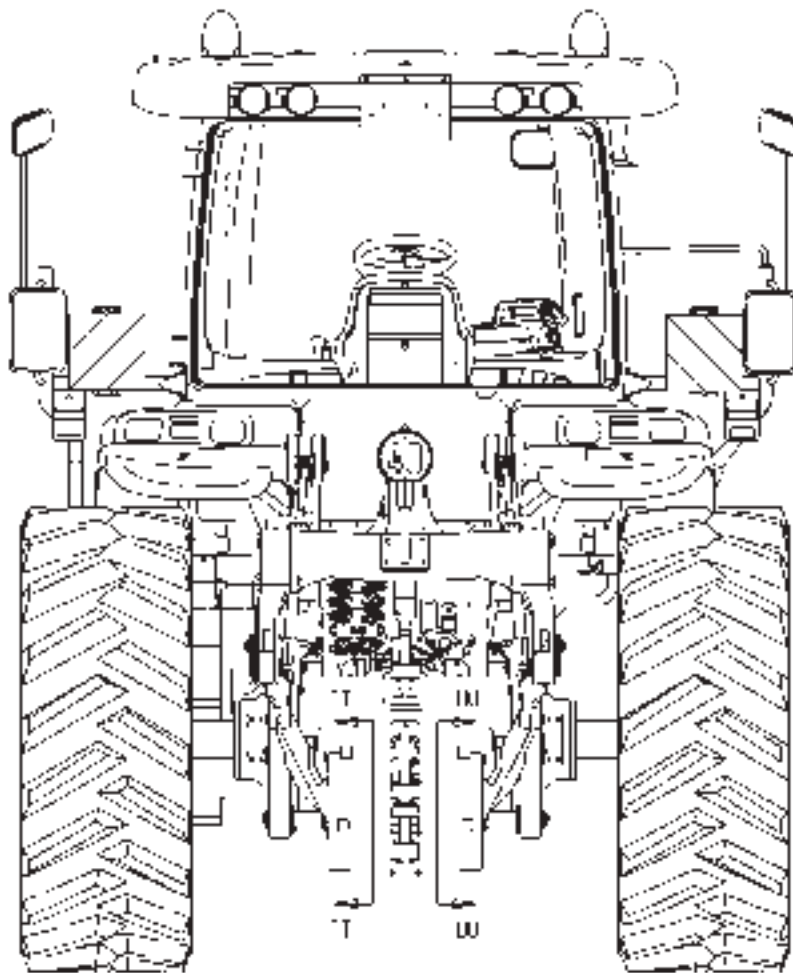
ITEM	NUMBER	QTY	DESCRIPTION
-	174-4480	--	FILM & PLATE GP [A] (NOT SERVICED)
5	CH5P-7958	1	SLEEVE-CABLE SPLICE 2.38 OD
6	CH5P-8500	2	KEY
7	CH6V-2405	1	ENVELOPE-KEY
8	CH7F-3400	1	BAG-POLYETHYLENE 305 X 380
12	207-8227	1	WARNING GP-SPEED (NOT SERVICED)
	CH8T-0328	2	WASHER-HARD 5.5IDX10ODX1MM
	207-7534	1	PLATE
	501282D1	1	FILM-ROADING SPEED
	CH095-0741	2	SCREW-MACHINE M6X1.0X14
	CH5P-3424	2	SCREW-12-14X25.4 PAN, THD FMG
16	501104D1	0	FILM-HYDRAULIC OIL **
22	501253D1	0	FILM-IDENT (12V) * ***
29	501262D1	0	FILM-NOTICE ***
34	501267D1	0	FILM-HYD COUPLERS (INST) ***
50	501295D1	0	FILM-HITCH (RIGHT) ***
51	501296D1	0	FILM-HITCH (LEFT) ***
64	501307D1	0	FILM-XMSN OIL FILL **
-	501501D1	1	DECAL SHEET-CAB (INCLUDES * ITEMS)
-	501502D1	1	DECAL SHEET-VEHICLE (INCLUDES ** ITEMS) (NOT SERVICED)
-	501505D1	1	DECAL SHEET-VEHICLE (INCLUDES *** ITEMS)

[A] PART OF 502669D1 BASE COMMON AR

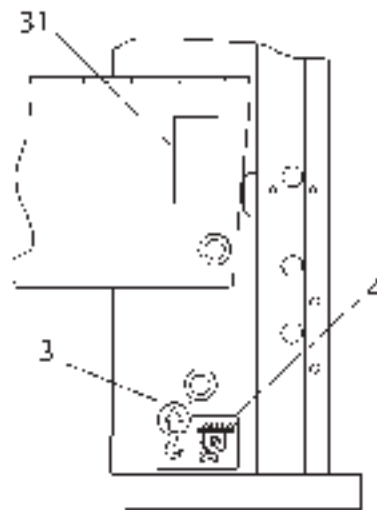
1744480A
PR: t05c24o40d0524

MT700B SERIES TRACK TRACTOR
MARKINGS AND PAINT

FILM & PLATE GP - 174-4480
2 OF 7
EAME ONLY



VIEW TT-TT



VIEW UU-UU

REAR VIEW

1744480B

**MT700B SERIES TRACKTRACTOR
MARKINGS AND PAINT**

1141

**FILM & PLATE GP - 174-4480
2 OF 7
EAME ONLY**

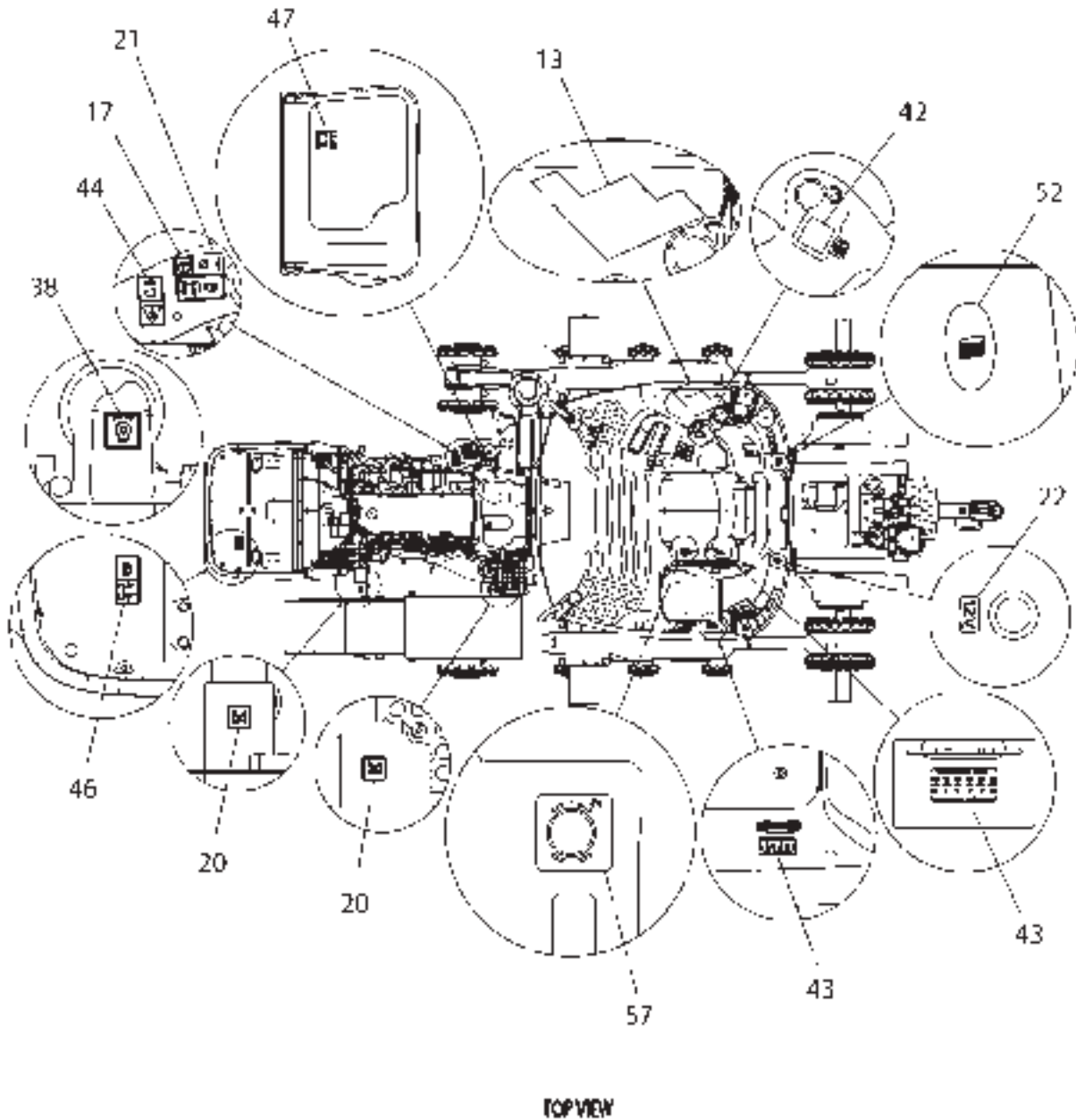
ITEM	NUMBER	QTY	DESCRIPTION
-	174-4480	--	FILM & PLATE GP [A] (NOT SERVICED)
3	500371D1	0	FILM-LIFT
4	500372D1	0	FILM-TIE-DOWN
31	501264D1	0	FILM-NOTICE ***
-	501501D1	1	DECAL SHEET-CAB (INCLUDES * ITEMS)
-	501502D1	1	DECAL SHEET-VEHICLE (INCLUDES ** ITEMS) (NOT SERVICED)
-	501505D1	1	DECAL SHEET-VEHICLE (INCLUDES *** ITEMS)

[A] PART OF 502669D1 BASE COMMON AR

1744480B
PR: t05c24o40d0525

MT700B SERIES TRACK TRACTOR
MARKINGS AND PAINT

FILM & PLATE GP - 174-4480
3 OF 7
EAME ONLY



**MT700B SERIES TRACKTRACTOR
MARKINGS AND PAINT**

1143

**FILM & PLATE GP - 174-4480
3 OF 7
EAME ONLY**

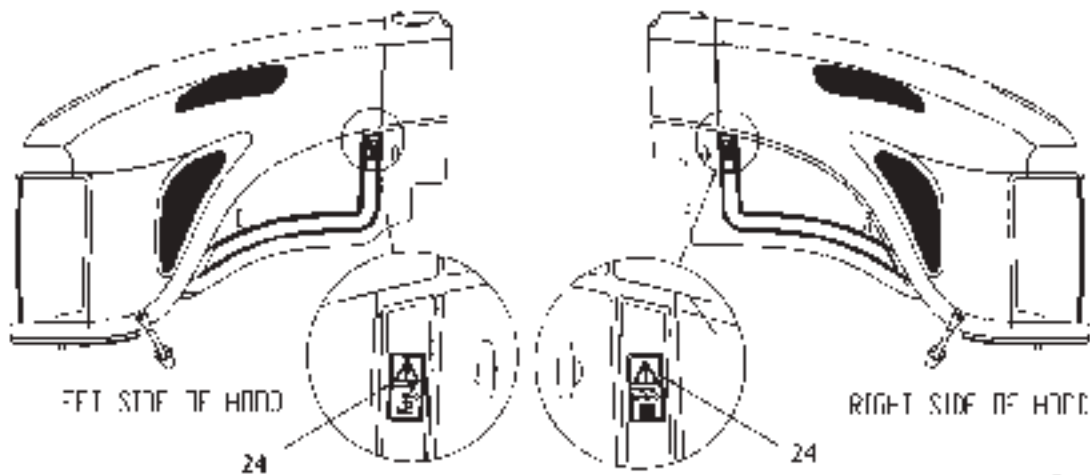
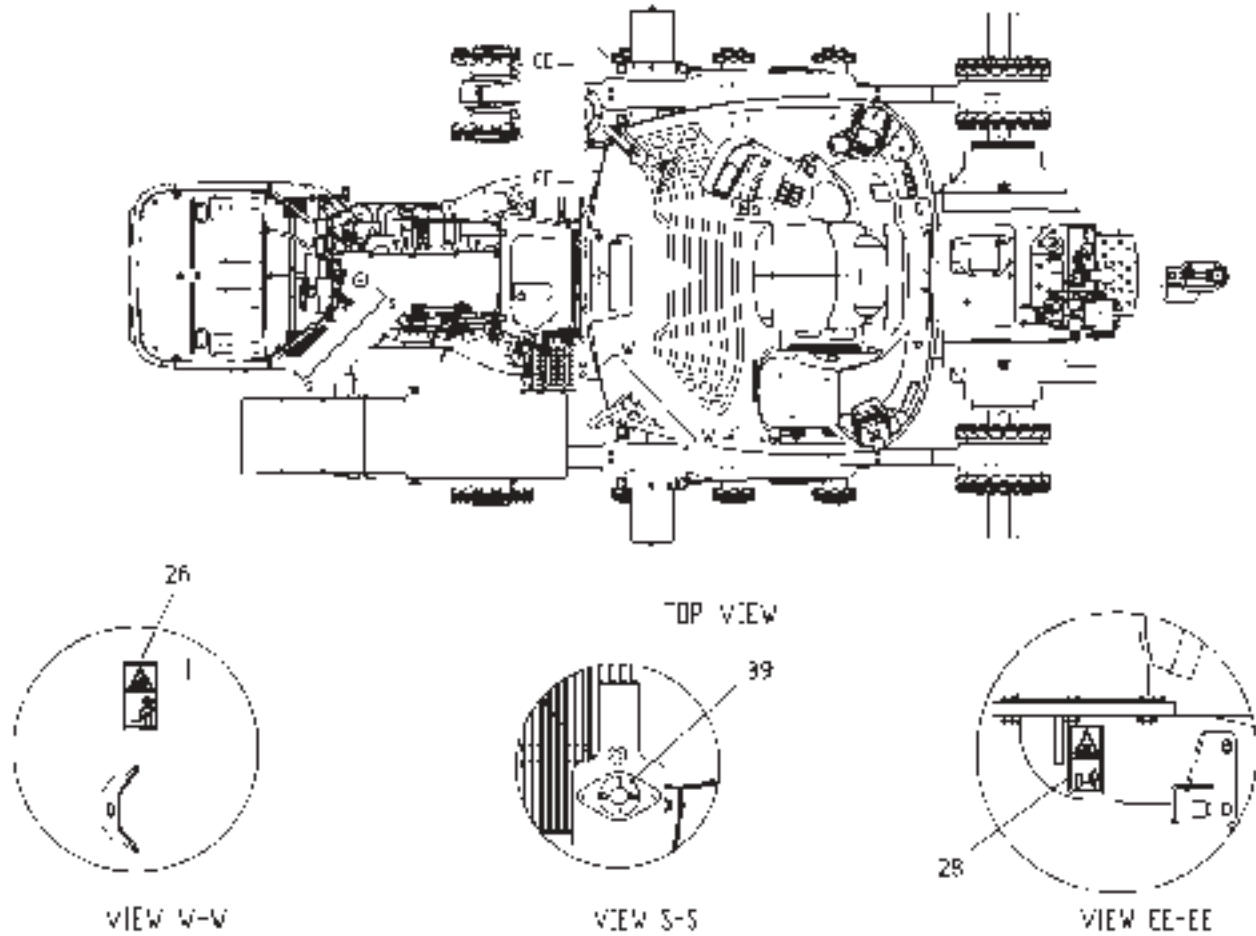
ITEM	NUMBER	QTY	DESCRIPTION
-	174-4480	--	FILM & PLATE GP [A] (NOT SERVICED)
13	501271D1	1	FILM-FUSE PANEL
17	501105D1	0	FILM-GROUND GEN **
20	501251D1	0	FILM-NO STEP **
21	501252D1	0	FILM-IDENT (12V) **
22	501253D1	0	FILM-IDENT (12V) * ***
38	501276D1	0	FILM-ENGINE OIL FILTER(INST) **
42	501281D1	0	FILM-MIRRORS *
43	501286D1	0	FILM-INSTALLATION DATE *
44	501287D1	0	FILM-WARNING ***
46	501291D1	0	FILM-BATTERY ***
47	501292D1	0	FILM-WARNING (OVERFLOW) ***
52	501297D1	0	FILM-WIRE ACCESS *
57	501302D1	0	FILM-BRAKE *
-	501501D1	1	DECAL SHEET-CAB (INCLUDES * ITEMS)
-	501502D1	1	DECAL SHEET-VEHICLE (INCLUDES ** ITEMS) (NOT SERVICED)
-	501505D1	1	DECAL SHEET-VEHICLE (INCLUDES *** ITEMS)

[A] PART OF 502669D1 BASE COMMON AR

1744480C
PR: t05c24o40d0526

MT700B SERIES TRACK TRACTOR
MARKINGS AND PAINT

FILM & PLATE GP - 174-4480
4 OF 7
EAME ONLY



1744480D

**MT700B SERIES TRACKTRACTOR
MARKINGS AND PAINT**

1145

**FILM & PLATE GP - 174-4480
4 OF 7
EAME ONLY**

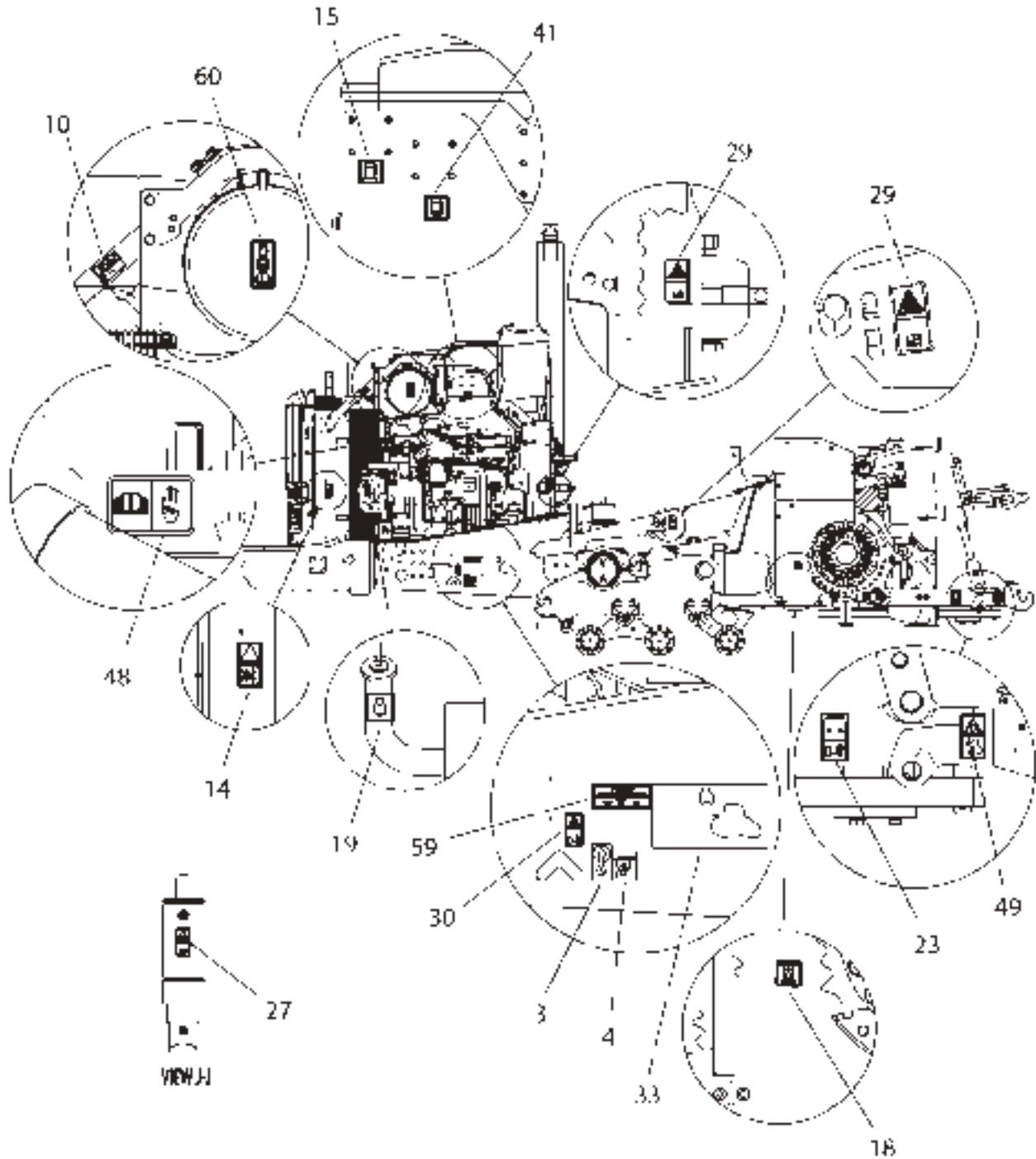
ITEM	NUMBER	QTY	DESCRIPTION
-	174-4480	--	FILM & PLATE GP [A] (NOT SERVICED)
24	501257D1	0	FILM-NOTICE ***
26	501259D1	0	FILM-NOTICE * ***
28	501261D1	0	FILM-NOTICE ***
39	501277D1	0	FILM-BATTERY (INST) ***
-	501501D1	1	DECAL SHEET-CAB (INCLUDES * ITEMS)
-	501502D1	1	DECAL SHEET-VEHICLE (INCLUDES ** ITEMS) (NOT SERVICED)
-	501505D1	1	DECAL SHEET-VEHICLE (INCLUDES *** ITEMS)

[A] PART OF 502669D1 BASE COMMON AR

1744480D
PR: t05c24o40d0527

MT700B SERIES TRACK TRACTOR
MARKINGS AND PAINT

FILM & PLATE GP - 174-4480
5 OF 7
EAME ONLY



LEFT VIEW

1744480E

**MT700B SERIES TRACKTRACTOR
MARKINGS AND PAINT**

1147

**FILM & PLATE GP - 174-4480
5 OF 7
EAME ONLY**

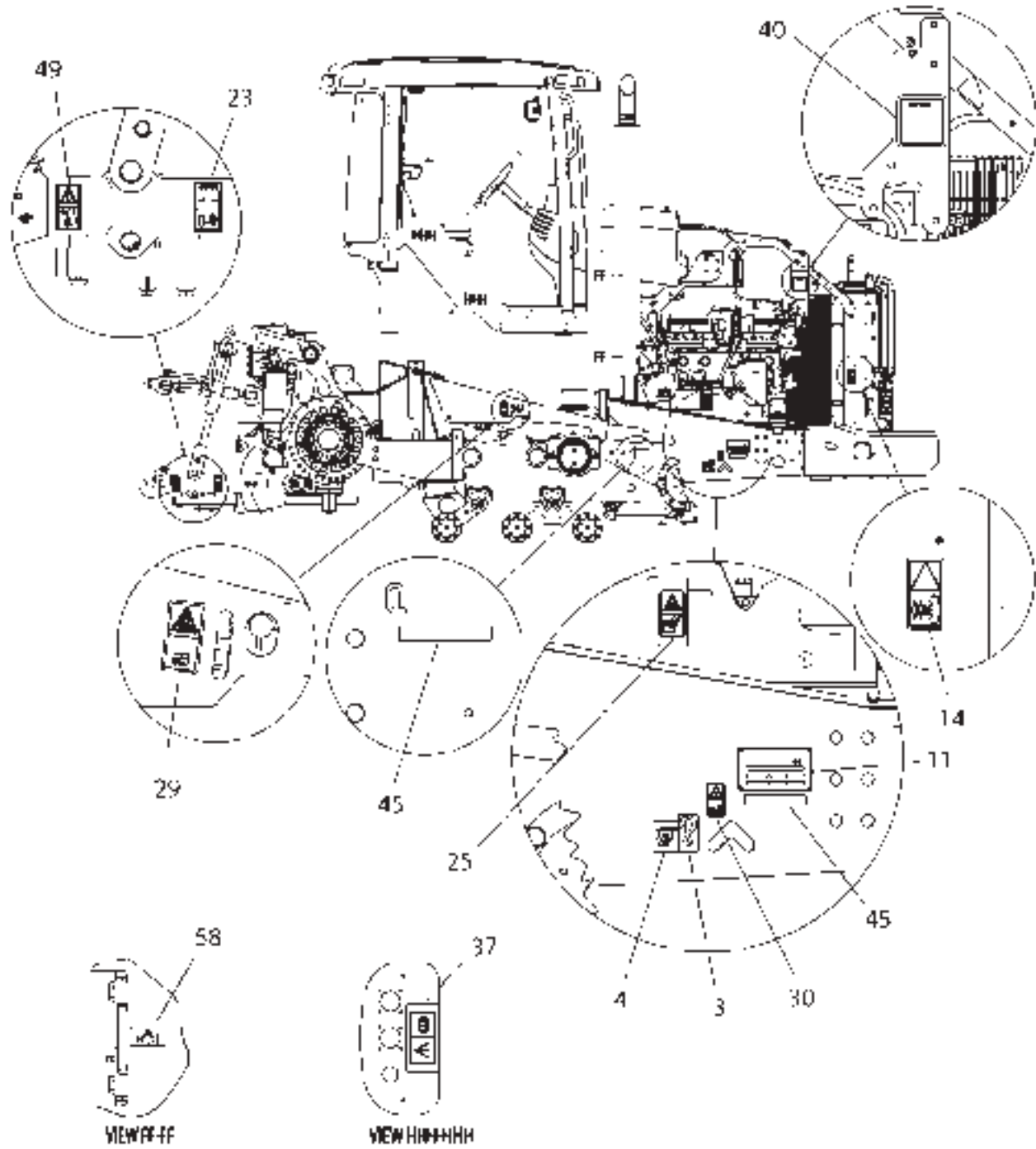
ITEM	NUMBER	QTY	DESCRIPTION
-	174-4480	--	FILM GP-PAINT [A] (NOT SERVICED)
3	500371D1	0	FILM-LIFT
4	500372D1	0	FILM-TIE-DOWN
10	502279D1	1	PLATE-INST (A/C)
14	501290D1	0	FILM-CRUSH/SEVER
15	501103D1	0	FILM-INST (FUEL FILTER) **
18	501106D1	0	FILM-IDENT (HYD OIL FILTER) **
19	501108D1	0	FILM-INSTRUCTION **
23	501254D1	0	FILM-WARNING ***
27	501260D1	0	FILM-NOTICE ***
29	501262D1	0	FILM-NOTICE ***
30	501263D1	0	FILM-NOTICE ***
33	501266D1	0	FILM-NOTICE **
41	501280D1	0	FILM-WATER SEPARATOR **
48	501293D1	0	FILM-WARNING ***
49	501294D1	0	FILM-WARNING (HITCH) ***
59	501305D1	0	FILM-PATENT **
60	501306D1	0	FILM-AIR CLEANER ***
-	501501D1	1	DECAL SHEET-CAB (INCLUDES * ITEMS)
-	501502D1	1	DECAL SHEET-VEHICLE (INCLUDES ** ITEMS) (NOT SERVICED)
-	501505D1	1	DECAL SHEET-VEHICLE (INCLUDES *** ITEMS)

[A] PART OF 502669D1 BASE COMMON AR

1744480E
PR: t05c24o40d0528

MT700B SERIES TRACK TRACTOR
MARKINGS AND PAINT

FILM & PLATE GP - 174-4480
6 OF 7
EAME ONLY



**MT700B SERIES TRACKTRACTOR
MARKINGS AND PAINT**

1149

**FILM & PLATE GP - 174-4480
6 OF 7
EAME ONLY**

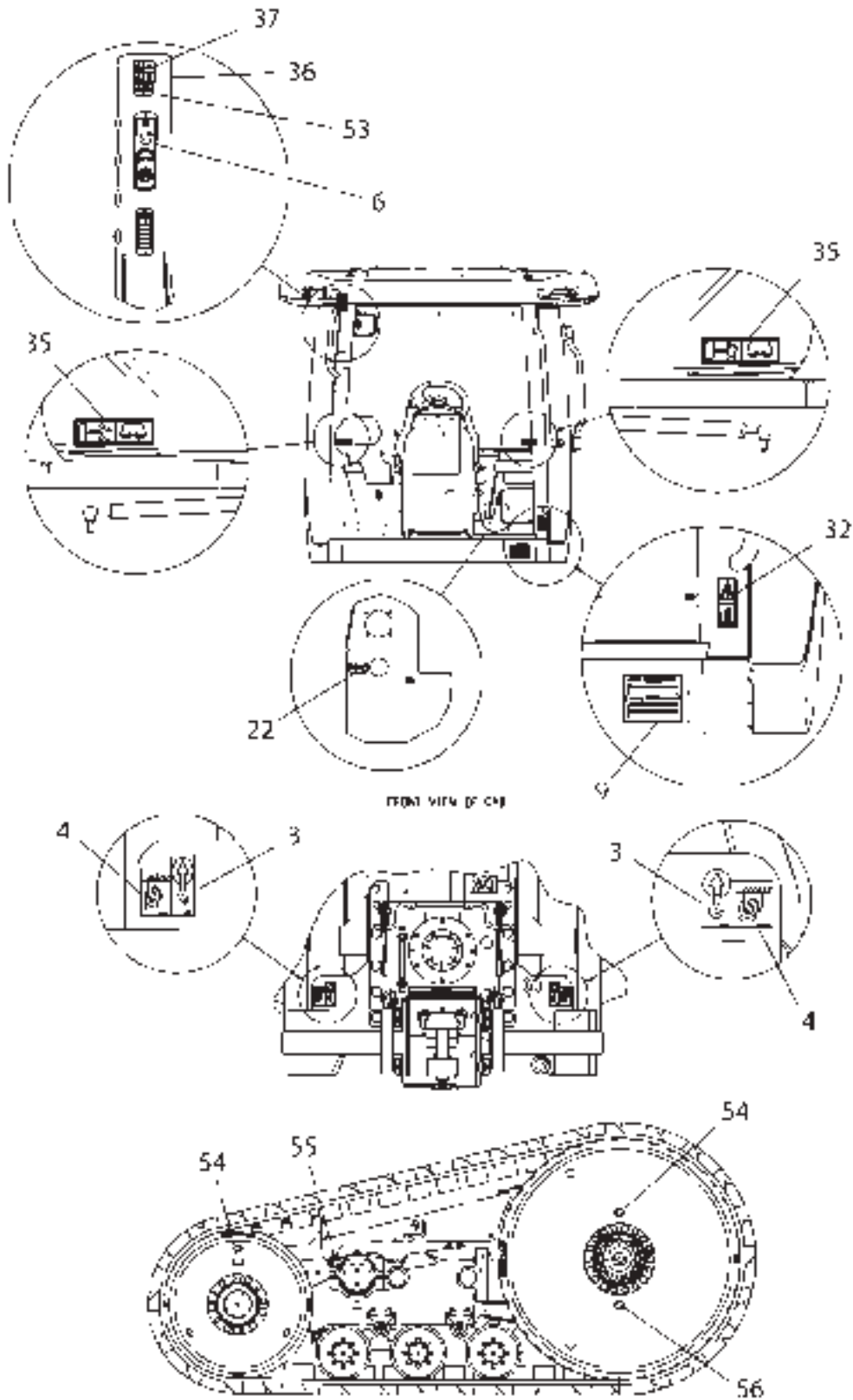
ITEM	NUMBER	QTY	DESCRIPTION
-	174-4480	--	FILM GP-PAINT [A] (NOT SERVICED)
3	500371D1	0	FILM-LIFT
4	500372D1	0	FILM-TIE-DOWN
11	CH168-8389	4	TACK-FASTENER (METAL)
14	501290D1	0	FILM-CRUSH/SEVER
23	501254D1	0	FILM-WARNING ***
25	501258D1	0	FILM-NOTICE **
29	501262D1	0	FILM-NOTICE ***
30	501263D1	0	FILM-NOTICE ***
37	501274D1	0	FILM-NOTICE *
40	501279D1	0	FILM-BELT (ROUTING) **
45	501288D1	0	FILM-CLEAR COVER **
49	501294D1	0	FILM-WARNING (HITCH) ***
58	501303D1	0	FILM-COOLANT (COLD FILL) ***
-	501501D1	1	DECAL SHEET-CAB (INCLUDES * ITEMS)
-	501502D1	1	DECAL SHEET-VEHICLE (INCLUDES ** ITEMS) (NOT SERVICED)
-	501505D1	1	DECAL SHEET-VEHICLE (INCLUDES *** ITEMS)

[A] PART OF 502669D1 BASE COMMON AR

1744480F
PR: t05c24o40d0529

MT700B SERIES TRACK TRACTOR
MARKINGS AND PAINT

FILM & PLATE GP - 174-4480
7 OF 7
EAME ONLY



1744480G

**MT700B SERIES TRACK TRACTOR
MARKINGS AND PAINT**

1151

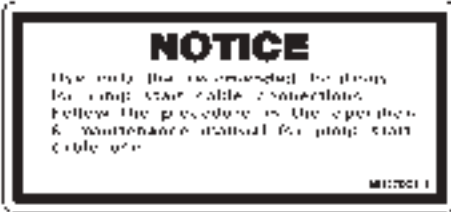
**FILM & PLATE GP - 174-4480
7 OF 7
EAME ONLY**

ITEM	NUMBER	QTY	DESCRIPTION
-	174-4480	--	FILM GP-PAINT [A] (NOT SERVICED)
3	500371D1	0	FILM-LIFT
4	500372D1	0	FILM-TIE-DOWN
6	CH5P-8500	2	KEY
9	CH8C-3348	2	RIVET-BLIND 1.6-3.18GRIPX3.18
22	501253D1	0	FILM-IDENT (12V) * ***
32	501265D1	0	FILM-NOTICE *
35	501272D1	0	FILM-ATERNATE EXIT *
36	501273D1	0	FILM-NOTICE *
37	501274D1	0	FILM-NOTICE *
53	501298D1	0	FILM-WARNING *
54	501299D1	0	FILM-TIGHTENING (BOLT) ***
55	501300D1	0	FILM-TIGHTENING (BOLT) ***
56	501301D1	0	FILM-TIGHTENING (BOLT) ***
-	501501D1	1	DECAL SHEET-CAB (INCLUDES * ITEMS)
-	501502D1	1	DECAL SHEET-VEHICLE (INCLUDES ** ITEMS) (NOT SERVICED)
-	501505D1	1	DECAL SHEET-VEHICLE (INCLUDES *** ITEMS)

[A] PART OF 502669D1 BASE COMMON AR

1744480G
PR: t05c24o40d0530

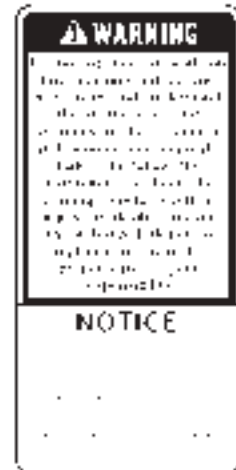
DECAL SHEET-501506D1
ENGLISH
ROW ONLY



11



5



3



2



6



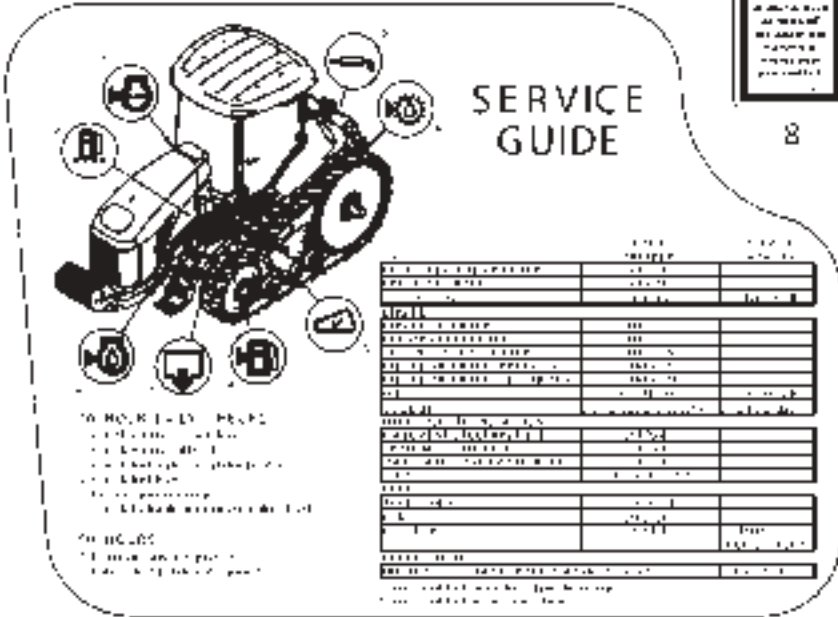
1



10



8



7



9



4

501506DA

**MT700B SERIES TRACK TRACTOR
MARKINGS AND PAINT**

1153

**DECAL SHEET-501506D1
ENGLISH
ROW ONLY**

ITEM	NUMBER	QTY	DESCRIPTION
-	178-4950	--	COMPLETING AR-ENGLISH (NOT SERVICED)
-	501506D1	--	DECAL SHEET [A] (NOT SERVICED)
1	501363D1	1	FILM-WARNING
2	501377D1	1	FILM-WARNING
3	501321D1	1	FILM-WARN UNIV (ENGLISH)
4	501335D1	1	FILM-WARNING
5	501342D1	1	FILM-WARNING
6	501349D1	2	FILM-WARNING
7	501404D1	1	FILM-SVC GUIDE
8	501314D1	1	FILM-CAUTION (ENGLISH)
9	501384D1	1	FILM-WARNING
10	501356D1	1	FILM-WIRE ACCESS
11	501370D1	1	FILM-NOTICE

[A] PART OF 178-4950
COMPLETING AR-ENGLISH

501506DA
PR: t05c24o40d0531

DECAL SHEET-501507D1
DUTCH

WAARSCHUWING
 Overmatig aansluiten van hulpstukken kan
 ontsteking van de motor veroorzaken. Het
 is niet toegestaan om de motor te starten
 met de hulpstukken aangesloten.
 Het is niet toegestaan om de motor te starten
 met de hulpstukken aangesloten.

9

WAARSCHUWING
 Het is niet toegestaan om de motor te starten
 met de hulpstukken aangesloten.
 Het is niet toegestaan om de motor te starten
 met de hulpstukken aangesloten.
OPGELET
 Het is niet toegestaan om de motor te starten
 met de hulpstukken aangesloten.

3

WAARSCHUWING
 Microgolfstralen kunnen ogen
 beschadigen. Om schade te
 voorkomen, moet u de afstands-
 afzender niet in de hand
 nemen of kijken.

6

WAARSCHUWING
 Het is niet toegestaan om de motor te starten
 met de hulpstukken aangesloten.
 Het is niet toegestaan om de motor te starten
 met de hulpstukken aangesloten.

1

OPGELET
 Het is niet toegestaan om de motor te starten
 met de hulpstukken aangesloten.
 Het is niet toegestaan om de motor te starten
 met de hulpstukken aangesloten.

11

WAARSCHUWING
 Het is niet toegestaan om de motor te starten
 met de hulpstukken aangesloten.
 Het is niet toegestaan om de motor te starten
 met de hulpstukken aangesloten.

2

WAARSCHUWING
 Het is niet toegestaan om de motor te starten
 met de hulpstukken aangesloten.
 Het is niet toegestaan om de motor te starten
 met de hulpstukken aangesloten.

4

WAARSCHUWING
 Het is niet toegestaan om de motor te starten
 met de hulpstukken aangesloten.
 Het is niet toegestaan om de motor te starten
 met de hulpstukken aangesloten.

5

PAS DP
 Het is niet toegestaan om de motor te starten
 met de hulpstukken aangesloten.
 Het is niet toegestaan om de motor te starten
 met de hulpstukken aangesloten.

8



10

ONDERHOUDS-OVERZICHT

Code	Naam	Wissel- periode (uur)	Wissel- periode (km)
1	OLIE	100	1000
2	WATERPOMP	100	1000
3	WATERPOMP	100	1000
4	WATERPOMP	100	1000
5	WATERPOMP	100	1000
6	WATERPOMP	100	1000
7	WATERPOMP	100	1000
8	WATERPOMP	100	1000
9	WATERPOMP	100	1000
10	WATERPOMP	100	1000
11	WATERPOMP	100	1000

CONTROLE OMBEHOORLIJKE
 Controleer de oliepeil regelmatig.
 Controleer de banden.
 Controleer de afstelling van de koppeling.
 Controleer de afstelling van de motor.
 Controleer de afstelling van de motor.
 Controleer de afstelling van de motor.

OM DE GRONN
 Regel de afstelling van de motor.
 Regel de afstelling van de motor.

7

**MT700B SERIES TRACK TRACTOR
MARKINGS AND PAINT**

1155

**DECAL SHEET-501507D1
DUTCH**

ITEM	NUMBER	QTY	DESCRIPTION
-	178-4954	--	COMPLETING AR-DUTCH (NOT SERVICED)
-	501507D1	--	DECAL SHEET [A] (INCLUDES 1-11) (NOT SERVICED)
1	501367D1	1	FILM-WARNING
2	501378D1	1	FILM-WARNING
3	501322D1	1	FILM-WARN UNIV (DUTCH)
4	501336D1	1	FILM-WARNING (DUTCH)
5	501343D1	1	FILM-WARNING
6	501350D1	2	FILM-WARNING
7	501401D1	1	FILM-SVC GUIDE (DUTCH)
8	501319D1	1	FILM-CAUTION (DUTCH)
9	501388D1	1	FILM-WARNING
10	501357D1	1	FILM-WIRE ACCESS (DUTCH)
11	501374D1	1	FILM-NOTICE

[A] PART OF 178-4954
COMPLETING AR-DUTCH

501507DA
PR: t05c24o40d0532

**MT700B SERIES TRACK TRACTOR
MARKINGS AND PAINT**

1157

**DECAL SHEET - 501508D1
FRENCH**

ITEM	NUMBER	QTY	DESCRIPTION
-	178-4951	--	COMPLETING AR-FRENCH (NOT SERVICED)
-	501508D1	--	DECAL SHEET [A] (INCLUDES 1-11) (NOT SERVICED)
1	501315D1	1	FILM-CAUTION (FRENCH)
2	501323D1	1	FILM-WARN UNIV. (FRENCH)
3	501337D1	1	FILM-WARNING
4	501344D1	1	FILM-WARNING
5	501351D1	2	FILM-WARNING
6	501358D1	1	FILM-WIRE ACCESS (FRENCH)
7	501364D1	1	FILM-WARNING
8	501371D1	1	FILM-NOTICE
9	501379D1	1	FILM-WARNING
10	501385D1	1	FILM-WARNING
11	501398D1	1	FILM-SVC GUIDE (FRENCH)

[A] PART OF 178-4951
COMPLETING AR-FRENCH

501508DA
PR: t05c24o40d0533

**MT700B SERIES TRACK TRACTOR
MARKINGS AND PAINT**

1159

**DECAL SHEET-501509D1
JAPANESE**

ITEM	NUMBER	QTY	DESCRIPTION
-	178-4955	--	COMPLETING AR-JAPANESE (NOT SERVICED)
-	501509D1	--	DECAL SHEET [A] (INCLUDES 1-11) (NOT SERVICED)
1	501368D1	1	FILM-WARNING
2	501380D1	1	FILM-WARNING
3	501324D1	1	FILM-WARN UNIV. (JAPANESE)
4	501338D1	1	FILM-WARNING
5	501348D1	1	FILM-WARNING
6	501352D1	2	FILM-WARNING
7	501402D1	1	FILM-SVC GUIDE (JAPANESE)
8	501320D1	1	FILM-CAUTION (JAPANESE)
9	501389D1	1	FILM-WARNING
10	501359D1	1	FILM-WIRE ACCESS (JAPANESE)
11	501375D1	1	FILM-NOTICE

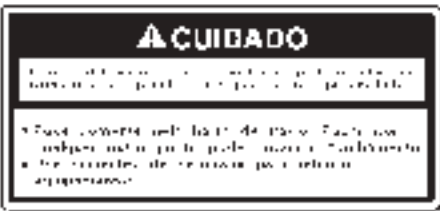
[A] PART OF 178-4955
COMPLETING AR-JAPANESE

501509DA
PR: t05c24o40d0534

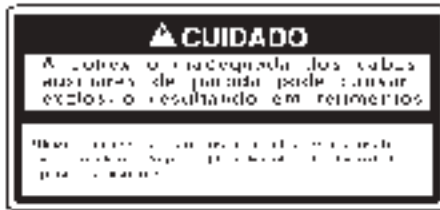
DECAL SHEET-501510D1
PORTUGUESE



1



2



3



4



5



6



7



8



9



10

GUIA DE SERVIÇO

Item	Quantidade	Localização
1. BARRA DE PROTEÇÃO DO MOTOR	1	Trator
2. BARRA DE PROTEÇÃO DO MOTOR	1	Trator
3. BARRA DE PROTEÇÃO DO MOTOR	1	Trator
4. BARRA DE PROTEÇÃO DO MOTOR	1	Trator
5. BARRA DE PROTEÇÃO DO MOTOR	1	Trator
6. BARRA DE PROTEÇÃO DO MOTOR	1	Trator
7. BARRA DE PROTEÇÃO DO MOTOR	1	Trator
8. BARRA DE PROTEÇÃO DO MOTOR	1	Trator
9. BARRA DE PROTEÇÃO DO MOTOR	1	Trator
10. BARRA DE PROTEÇÃO DO MOTOR	1	Trator

VERIFICAÇÕES A SEREM FEITAS ANTES DE USAR

- Verificar o nível do óleo do motor.
- Verificar o nível do óleo hidráulico.
- Verificar o nível do óleo da transmissão.
- Verificar o nível do óleo da caixa de câmbio.
- Verificar o nível do óleo da caixa de direção.
- Verificar o nível do óleo da caixa de roda.
- Verificar o nível do óleo da caixa de roda traseira.
- Verificar o nível do óleo da caixa de roda dianteira.
- Verificar o nível do óleo da caixa de roda dianteira esquerda.
- Verificar o nível do óleo da caixa de roda dianteira direita.

AVISO

1. Não use o trator em áreas com inclinação superior a 30 graus.

2. Não use o trator em áreas com inclinação superior a 45 graus.

3. Não use o trator em áreas com inclinação superior a 60 graus.

4. Não use o trator em áreas com inclinação superior a 75 graus.

5. Não use o trator em áreas com inclinação superior a 90 graus.

6. Não use o trator em áreas com inclinação superior a 105 graus.

7. Não use o trator em áreas com inclinação superior a 120 graus.

8. Não use o trator em áreas com inclinação superior a 135 graus.

9. Não use o trator em áreas com inclinação superior a 150 graus.

10. Não use o trator em áreas com inclinação superior a 165 graus.

LEMBRETE

1. Não use o trator em áreas com inclinação superior a 180 graus.

2. Não use o trator em áreas com inclinação superior a 195 graus.

3. Não use o trator em áreas com inclinação superior a 210 graus.

4. Não use o trator em áreas com inclinação superior a 225 graus.

5. Não use o trator em áreas com inclinação superior a 240 graus.

6. Não use o trator em áreas com inclinação superior a 255 graus.

7. Não use o trator em áreas com inclinação superior a 270 graus.

8. Não use o trator em áreas com inclinação superior a 285 graus.

9. Não use o trator em áreas com inclinação superior a 300 graus.

10. Não use o trator em áreas com inclinação superior a 315 graus.

7

501510DA

**MT700B SERIES TRACK TRACTOR
MARKINGS AND PAINT**

1161

**DECAL SHEET-501510D1
PORTUGUESE**

ITEM	NUMBER	QTY	DESCRIPTION
-	178-4953	--	COMPLETING AR-PORTUGUESE (NOT SERVICED)
-	501510D1	--	DECAL SHEET [A] (INCLUDES 1-11) (NOT SERVICED)
1	501366D1	1	FILM-WARNING
2	501381D1	1	FILM-WARNING
3	501325D1	1	FILM-WARN UNIV. (PORTUGUESE)
4	501339D1	1	FILM-WARNING
5	501345D1	1	FILM-WARNING
6	501353D1	2	FILM-WARNING
7	501400D1	1	FILM-SVC GUIDE (PORTUGUESE)
8	501317D1	1	FILM-CAUTION (PORTUGUESE)
9	501387D1	1	FILM-WARNING
10	501360D1	1	FILM-WIRE ACCESS (PORTUGUESE)
11	501373D1	1	FILM-NOTICE

[A] PART OF 178-4953
COMPLETING AR-PORTUGUESE


501510DA
PR: t05c24o40d0535

DECAL SHEET-501511D1
RUSSIAN

ОСТОРОЖНО

НИКОГДА НЕ ПЫТАЙТЕСЬ ЗАМЕНИТЬ ПОДШИПНИКОВЫЕ КОЛЕСИКИ БЕЗ ПРАВИЛЬНОГО ОБРАЗЦА ЗРЕНИЯ. ВО ИЗБЕЖАНИЕ НЕЩАСТНОГО СЛУЧАЯ НЕ СМОТРИТЕ ПРЯМО В ВЕРХНЕЮ ЧАСТЬ ПЕДАЛИ СИДЕНИЯ.

ОСТОРОЖНО



ВО ВСЕ ВРЕМЯ РАБОТЫ ПРИ ПРОХОЖДЕНИИ ПОДШИПНИКОВЫХ КОЛЕСИКОВ ПОДШИПНИКОВЫЙ КОЛЕСИК НЕ ДОЛЖЕН ПОПАДАТЬ ПОД КОЛЕСИКИ МЕЖДУ ТРАКТОРОМ И СИДЕНИЕМ.

ОСТОРОЖНО

ПРЕДУПРЕЖДЕНИЕ: НЕ ПЫТАЙТЕСЬ ЗАМЕНИТЬ ПОДШИПНИКОВЫЕ КОЛЕСИКИ БЕЗ ПРАВИЛЬНОГО ОБРАЗЦА ЗРЕНИЯ. ВО ИЗБЕЖАНИЕ НЕЩАСТНОГО СЛУЧАЯ НЕ СМОТРИТЕ ПРЯМО В ВЕРХНЕЮ ЧАСТЬ ПЕДАЛИ СИДЕНИЯ.

ОСТОРОЖНО

СЕРВИС И РЕМОНТ ДОЛЖНЫ БЫТЬ ВЫПОЛНЕНЫ КОМПЕТЕННЫМИ ЛЮДЬМИ ИЛИ В СПЕЦИАЛЬНО ПОДГОТОВЛЕННЫХ РАБОТНИКАХ ИЛИ МАСТЕРАХ. НЕ ПЫТАЙТЕСЬ ЗАМЕНИТЬ ПОДШИПНИКОВЫЕ КОЛЕСИКИ БЕЗ ПРАВИЛЬНОГО ОБРАЗЦА ЗРЕНИЯ. ВО ИЗБЕЖАНИЕ НЕЩАСТНОГО СЛУЧАЯ НЕ СМОТРИТЕ ПРЯМО В ВЕРХНЕЮ ЧАСТЬ ПЕДАЛИ СИДЕНИЯ.

ВНИМАНИЕ

ПРИ РАБОТЕ ТРАКТОРА НЕЛЬЗЯ ЗАБЫВАТЬ О НЕОБХОДИМОСТИ ПРОВЕРКИ РАБОТЫ СИСТЕМЫ ТОПЛИВНОГО НАСОСА. НЕ ПЫТАЙТЕСЬ ЗАМЕНИТЬ ПОДШИПНИКОВЫЕ КОЛЕСИКИ БЕЗ ПРАВИЛЬНОГО ОБРАЗЦА ЗРЕНИЯ. ВО ИЗБЕЖАНИЕ НЕЩАСТНОГО СЛУЧАЯ НЕ СМОТРИТЕ ПРЯМО В ВЕРХНЕЮ ЧАСТЬ ПЕДАЛИ СИДЕНИЯ.

ОСТОРОЖНО

ВНЕ ЗАВИСИМО ОТ СЛУЧАЯ НЕЩАСТНОГО СЛУЧАЯ НЕЛЬЗЯ ЗАБЫВАТЬ О НЕОБХОДИМОСТИ ПРОВЕРКИ РАБОТЫ СИСТЕМЫ ТОПЛИВНОГО НАСОСА. НЕ ПЫТАЙТЕСЬ ЗАМЕНИТЬ ПОДШИПНИКОВЫЕ КОЛЕСИКИ БЕЗ ПРАВИЛЬНОГО ОБРАЗЦА ЗРЕНИЯ. ВО ИЗБЕЖАНИЕ НЕЩАСТНОГО СЛУЧАЯ НЕ СМОТРИТЕ ПРЯМО В ВЕРХНЕЮ ЧАСТЬ ПЕДАЛИ СИДЕНИЯ.

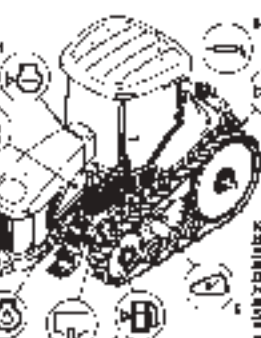
ОСТОРОЖНО

НЕВЕРНОЕ ПОДСОЕДИНЕНИЕ ПРОВОДОВ КАБЕЛЕЙ МОЖЕТ СТАТЬ ПРИЧИНОЙ ВЗРЫВА И НЕЩАСТНОГО СЛУЧАЯ.

ПРИ РАБОТЕ ТРАКТОРА НЕЛЬЗЯ ЗАБЫВАТЬ О НЕОБХОДИМОСТИ ПРОВЕРКИ РАБОТЫ СИСТЕМЫ ТОПЛИВНОГО НАСОСА. НЕ ПЫТАЙТЕСЬ ЗАМЕНИТЬ ПОДШИПНИКОВЫЕ КОЛЕСИКИ БЕЗ ПРАВИЛЬНОГО ОБРАЗЦА ЗРЕНИЯ. ВО ИЗБЕЖАНИЕ НЕЩАСТНОГО СЛУЧАЯ НЕ СМОТРИТЕ ПРЯМО В ВЕРХНЕЮ ЧАСТЬ ПЕДАЛИ СИДЕНИЯ.

ВНИМАНИЕ

ПОСЛЕ РАБОТЫ ТРАКТОРА НЕЛЬЗЯ ЗАБЫВАТЬ О НЕОБХОДИМОСТИ ПРОВЕРКИ РАБОТЫ СИСТЕМЫ ТОПЛИВНОГО НАСОСА. НЕ ПЫТАЙТЕСЬ ЗАМЕНИТЬ ПОДШИПНИКОВЫЕ КОЛЕСИКИ БЕЗ ПРАВИЛЬНОГО ОБРАЗЦА ЗРЕНИЯ. ВО ИЗБЕЖАНИЕ НЕЩАСТНОГО СЛУЧАЯ НЕ СМОТРИТЕ ПРЯМО В ВЕРХНЕЮ ЧАСТЬ ПЕДАЛИ СИДЕНИЯ.




РУКОВОДСТВО ПО ТЕХНИЧЕСКОМУ ОБСЛУЖИВАНИЮ

ДОСТУП ЭЛЕКТРОПРОВОДА

НАИМЕНОВАНИЕ	КОД ЗАПАСНОЙ ЧАСТИ	КОЛИЧЕСТВО	ЕДИНИЦА ИЗМЕРЕНИЯ
1. Вентилятор
2. Ремень привода
3. Фильтр
4. Клапан
5. Датчик
6. Датчик
7. Датчик
8. Датчик
9. Датчик
10. Датчик

ОСТОРОЖНО

ПРИ РАБОТЕ ТРАКТОРА НЕЛЬЗЯ ЗАБЫВАТЬ О НЕОБХОДИМОСТИ ПРОВЕРКИ РАБОТЫ СИСТЕМЫ ТОПЛИВНОГО НАСОСА. НЕ ПЫТАЙТЕСЬ ЗАМЕНИТЬ ПОДШИПНИКОВЫЕ КОЛЕСИКИ БЕЗ ПРАВИЛЬНОГО ОБРАЗЦА ЗРЕНИЯ. ВО ИЗБЕЖАНИЕ НЕЩАСТНОГО СЛУЧАЯ НЕ СМОТРИТЕ ПРЯМО В ВЕРХНЕЮ ЧАСТЬ ПЕДАЛИ СИДЕНИЯ.



ОСТОРОЖНО

ВНЕ ЗАВИСИМО ОТ СЛУЧАЯ НЕЩАСТНОГО СЛУЧАЯ НЕЛЬЗЯ ЗАБЫВАТЬ О НЕОБХОДИМОСТИ ПРОВЕРКИ РАБОТЫ СИСТЕМЫ ТОПЛИВНОГО НАСОСА. НЕ ПЫТАЙТЕСЬ ЗАМЕНИТЬ ПОДШИПНИКОВЫЕ КОЛЕСИКИ БЕЗ ПРАВИЛЬНОГО ОБРАЗЦА ЗРЕНИЯ. ВО ИЗБЕЖАНИЕ НЕЩАСТНОГО СЛУЧАЯ НЕ СМОТРИТЕ ПРЯМО В ВЕРХНЕЮ ЧАСТЬ ПЕДАЛИ СИДЕНИЯ.

**MT700B SERIES TRACK TRACTOR
MARKINGS AND PAINT**

1163

**DECAL SHEET-501511D1
RUSSIAN**

ITEM	NUMBER	QTY	DESCRIPTION
-	178-4956	--	COMPLETING AR-RUSSIAN (NOT SERVICED)
-	501511D1	--	DECAL SHEET [A] (INCLUDES 1-11) (NOT SERVICED)
1	501369D1	1	FILM-WARNING
2	501382D1	1	FILM-WARNING
3	501326D1	1	FILM-WARN UNIV. (RUSSIAN)
4	501340D1	1	FILM-WARNING
5	501346D1	1	FILM-WARNING
6	501354D1	2	FILM-WARNING
7	501403D1	1	FILM-SVC GUIDE (RUSSIAN)
8	501318D1	1	FILM-CAUTION (RUSSIAN)
9	501390D1	1	FILM-WARNING
10	501361D1	1	FILM-WIRE ACCESS (RUSSIAN)
11	501376D1	1	FILM-NOTICE

[A] PART OF 178-4956
COMPLETING AR-RUSSIAN

501511DA
PR: t05c24o40d0536

**MT700B SERIES TRACK TRACTOR
MARKINGS AND PAINT**

1165

**DECAL SHEET-501512D1
SPANISH**

ITEM	NUMBER	QTY	DESCRIPTION
-	178-4952	--	COMPLETING AR-SPANISH (NOT SERVICED)
-	501512D1	--	DECAL SHEET [A] (INCLUDES 1-11) (NOT SERVICED)
1	501365D1	1	FILM-WARNING
2	501383D1	1	FILM-WARNING
3	501372D1	1	FILM-NOTICE
4	501341D1	1	FILM-WARNING
5	501347D1	1	FILM-WARNING
6	501355D1	2	FILM-WARNING
7	501399D1	1	FILM-SVC GUIDE
8	501316D1	1	FILM-CAUTION (SPANISH)
9	501386D1	1	FILM-WARNING
10	501362D1	1	FILM-WIRE ACCESS (SPANISH)
11	501327D1	1	FILM-WARN UNIV (SPANISH)

[A] PART OF 178-4952
COMPLETING AR-SPANISH

501512DA
PR: t05c24o40d0537

1166

**MT700B SERIES TRACK TRACTOR
MARKINGS AND PAINT**

**PAINT
PAINT**

NO ILLUSTRATION

NOTIF

**MT700B SERIES TRACK TRACTOR
MARKINGS AND PAINT**

1167

**PAINT
PAINT**

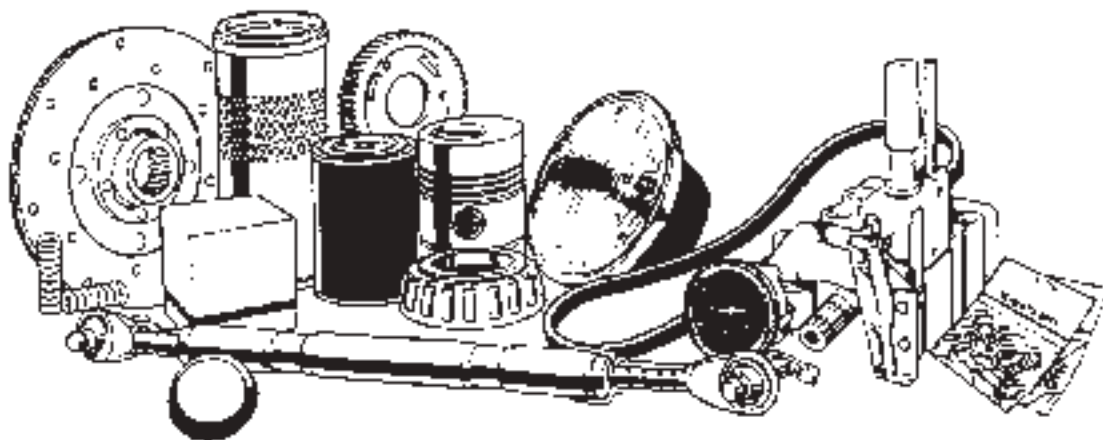
ITEM	NUMBER	QTY	DESCRIPTION
-	4C-4200	AR	YELLOW, AEROSOL
-	4C-6129	AR	YELLOW, 1 GAL
-	4C-6122	AR	YELLOW, 5 GAL
-	4C-6127	AR	YELLOW, 55 GAL
-	4C-4184	AR	YELLOW, FAST DRY-1 GAL
-	4C-4192	AR	YELLOW, FAST DRY-5 GAL
-	4C-4207	AR	YELLOW, FAST DRY-55 GAL
-	9U-7725	AR	YELLOW, WATER REDUCIBLE-1 GAL [C]
-	4C-4198	AR	BLACK, MEDIUM GLOSS, AEROSOL
-	4C-4193	AR	BLACK, MEDIUM GLOSS, 1 GAL
-	4C-4191	AR	BLACK, MEDIUM GLOSS, 5 GAL
-	4C-4206	AR	BLACK, MEDIUM GLOSS, 55 GAL
-	4C-4199	AR	BLACK, MUFFLER
-	4C-6134	AR	YELLOW, TOUCH-UP FOR URETHANE, GAL
-	4C-6126	AR	YELLOW, TOUCH-UP FOR URETHANE, 5 GAL
-	4C-6133	AR	BLACK, TOUCH-UP FOR URETHANE, GAL
-	4C-5843	AR	BLACK GLOSS, AEROSOL
-	173-4060	AR	CHARCOAL GRAY, AEROSOL
-	171-9773	AR	CHARCOAL GRAY, GALLON
-	171-9774	AR	CHARCOAL GRAY, 5 GALLON
-	4C-4205	AR	PRIMER, YELLOW, AEROSOL
-	4C-4190	AR	PRIMER, YELLOW, GAL
-	4C-4197	AR	PRIMER, YELLOW, 5 GAL
-	4C-4211	AR	PRIMER, YELLOW, 55 GAL
-	4C-6130	AR	PAINT, PRIMER THINNER/RETARDER, GAL
-	4C-6123	AR	PAINT, PRIMER THINNER/RETARDER, 5 GAL
-	4C-6135	AR	PAINT, PRIMER THINNER/RETARDER, 55 GAL
-	4C-4189	AR	PAINT, PRIMER THINNER, GAL
-	4C-4196	AR	PAINT, PRIMER THINNER, 5 GAL
-	4C-4210	AR	PAINT, PRIMER THINNER, 55 GAL

[C] ORDER FROM CAT

NOTIF
PR: t05c24o40d0538

RECOMMENDED DEALER STOCK

RECOMMENDED DEALER'S STOCK



**MT700B SERIES TRACKTRACTOR
MAINTENANCE PARTS**

1169

RECOMMENDED DEALER STOCK

ITEM	NUMBER	QTY	DESCRIPTION
-	2D-6642	1	BALL
-	4B-9783	1	BALL
-	400832X1	1	BATTERY MAINT
-	202-0951	1	BELT
-	500251D1	1	BELT
-	185-2151	1	BELT
-	400864X1	1	BULB (12V-50W)
-	CH9X-8118	1	BULB (12V 55W)
-	400862X1	1	BULB/885-12.8V
-	500678D1	1	BULB/HALOGEN/8
-	CH175-1323	1	BULB/HEADLAMP
-	CH8I-4256	1	BULB/HEADLIGHT
-	6V-0852	1	CAP
-	500019D1	1	CAP/FUEL
-	195-9633	2	COUNTERWEIGHT
-	186-0342	1	COUPLING
-	205-8771	1	ELEMENT
-	205-8772	1	ELEMENT
-	CH6I-0273	1	ELEMENT/ASY PRIMARY
-	CH6I-0274	1	ELEMENT/ASY SECONDARY
-	501881D1	1	FILTER,AIR
-	501153D1	1	FILTER/AIR
-	CH1R-0762	1	FILTER/AS.-FUE
-	CH1R-0770	1	FILTER/AS.-SEP
-	501766D1	1	FILTER/ASY-HYD
-	501769D1	1	FILTER/ASY-HYD
-	501771D1	1	FILTER/ASY-HYD
-	CH170-1198	1	FLASHER
-	CH215-1382	1	FLASHER (EAME ONLY)
-	CH175-7057	1	FLASHER/SOLID
-	136-5600	1	FUSE
-	CH141-2759	1	FUSE/MINI 5A
-	CH113-8490	1	FUSE/MINI 10A
-	CH113-8491	1	FUSE/MINI 15A
-	CH113-8492	1	FUSE/MINI 20A
-	CH124-3548	1	FUSE/MINI 30A
-	CH5P-8500	1	KEY-IGNITION
-	172-1619	1	KIT, SEAL
-	209-9680	1	KIT, SEAL
-	502267D1	1	KIT/THERMISTOR
-	171-9687	1	LAMP
-	171-9688	1	LAMP
-	155-0027	1	LAMP
-	155-0020	1	LAMP
-	155-0014	1	LAMP
-	162-4091	1	LAMP
-	162-4092	1	LAMP
-	CH5M-8034	1	LAMP/MINIATURE
-	CH084-4348	1	LAMP/MINITURE
-	179-5822	1	LIMITER
-	204-6819	1	LIMITER
-	202-9223	1	PLATE
-	203-9200	1	PLATE
-	206-4650	1	PLATE
-	175-7513	1	SEAL
-	9X-1813	1	SLEEVE
-	202-9220	1	WEIGHT

RDL
PR: t05c24o40d0539