

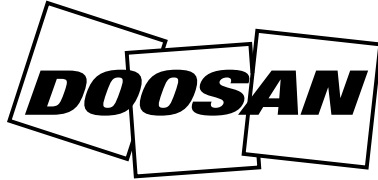


K1049154CEF
September 2012

EXCAVATOR
**Parts
Manual**

DX225LCA

Serial Number 5001 and Up



Parts Manual

DX225LCA EXCAVATOR

Serial Number 5001 and Up

DOOSAN and the DOOSAN logo are registered trademarks of DOOSAN Corporation in the United States and various other countries around the world.

K1049154CEF
September 2012

Copyright DOOSAN 2012

<https://www.truck-manuals.net/>

DX225LCA

Serial Number 5001 and Up

Pub.No. K1049154CEF

Product Label

Instructions

**Trim Out The Label Along
The Lines And Insert Into
Pocket On The Binder Spine**

Pub. No. K1049154CEF

<https://www.truck-manuals.net/>

CONTENTS

● ENGINE PARTS

Fig. 001	CYLINDER BLOCK	BLOC CYLINDRE	001-1
002	TIMING GEAR CASE	CARTER DE DISTRIBUTION	002-1
003	FLYWHEEL HOUSING	CARTER DE VOLANT MOTEUR	003-1
004	CRANK SHAFT	VILEBREQUIN	004-1
005	CYLINDER HEAD	CULLASSE	005-1
006	VALVE MECHANISM	CALAGE D'INJECTION	006-1
007	BREATHER PIPE	CONDUIT DE VENTILATION	007-1
008	OIL PUMP	POMPE A HUILE	008-1
009	OIL FILTER	FILTRE A HUILE	009-1
010	OIL COOLER	REFROIDISSEMENT DE HUILE	010-1
011	OIL PAN	CARTER D'HUILE	011-1
012	THERMOSTAT	THERMOSTAT	012-1
013	WATER PUMP & COOLING FAN	POMPE A EAU VENTILATEUR	013-1
014	INTAKE & EXHAUST MANIFOLD	D'ADMISSION ET D'ECHAPPEMENT	014-1
015	TURBO CHARGER & OIL PIPE	CHARGEUR DE TURBO	015-1
016	FUEL SYSTEM	INJECTEUR ET POMPE-INJECTEUR	016-1
017	FUEL FILTER	FILTRE A GAZOLE	017-1
018	ALTERNATOR MOUNTING	ALTERNATEUR	018-1
019	STARTER	DEMARREUR	019-1
020	OVER HAUL GASKET KIT-TOP	PIECES DE RECHANGE	020-1
021	OVER HAUL GASKET KIT-ALL	PIECES DE RECHANGE	021-1

● BODY PARTS

Fig. 1100	MAIN FRAME	BATI PRINCIPAL	1100-1
1110	COUNTER WEIGHT - 4.1TON(DX225LCA)	MASSE D'EQUILIBRAGE	1110-1
1115	COUNTER WEIGHT - 3.8TON(DX220A)	MASSE D'EQUILIBRAGE	1115-1
1120	ENGINE MOUNTING	MOTEUR	1120-1
1130	RADIATOR MOUNTING	SUPPORT DE RADIATEUR	1130-1
1140	RADIATOR	RADIATEUR	1140-1
1150	MUFFLER	SILENCIEUX	1150-1

1160	CAC PIPING	CHARGEES DE REFROIDISSEUR D'CAIR	1160-1
1170	AIR CLEANER	FILTRE A AIR	1170-1
1180	PUMP MOUNTING	POMPE	1180-1
1190	SWING MOTOR	MOTEUR D'ORIENTATION	1190-1
1200	FUEL TANK	RESERVOIR DE GAZOLE	1200-1
1210	FUEL PIPING	CONDUITES DE GAZOLE	1210-1
1220	OIL TANK	RESERVOIR D'HUILE	1220-1
1230	OIL COOLER PIPING(1)	CONDUITES DE HUILE	1230-1
1240	OIL COOLER PIPING(2)	CONDUITES DE HUILE	1240-1
1250	OIL COOLER PIPING(3)	CONDUITES DE HUILE	1250-1
1260	ENGINE CONTROL	COMMANDE REGIME MOTEUR	1260-1
1270	MAIN PIPING(1) - PUMP	CONDUITES DE BATI PRINCIPAL	1270-1
1271	MAIN PIPING(1) - PUMP	CONDUITES DE BATI PRINCIPAL	1271-1
1280	MAIN PIPING(2) - BOOM	CONDUITES DE BATI PRINCIPAL	1280-1
1290	MAIN PIPING(3) - ARM, BUCKET	CIRCUIT HYDRAULIQUE PRINCIPAL	1290-1
1300	MAIN PIPING(4) - SWING	CONDUITES DE BATI PRINCIPAL	1300-1
1310	MAIN PIPING(5) - CENTER JOINT	CONDUITES DE BATI PRINCIPAL	1310-1
1320	PILOT PIPING(1)	CONDUITES DE PILOTE	1320-1
1330	PILOT PIPING(2)	CONDUITES DE PILOTE	1330-1
1340	PILOT PIPING(3)	CONDUITES DE PILOTE	1340-1
1350	PILOT PIPING(4)	CONDUITES DE PILOTE	1350-1
1360	PILOT PIPING(5)	CONDUITES DE PILOTE	1360-1
1370	PILOT PIPING(6)	CONDUITES DE PILOTE	1370-1
1380	PILOT PIPING(7)	CONDUITES DE PILOTE	1380-1
1390	PILOT PIPING(8)	CONDUITES DE PILOTE	1390-1
1400	CONTROL STAND - L.H.	CONSOLE DE COMMANDE	1400-1
1410	CONTROL STAND - R.H.	CONSOLE DE COMMANDE	1410-1
1420	SEAT SLIDING PLATE	POSEZ GLISSER LE PLAT	1420-1
1430	SEAT PLATE	POSEZ LE PLAT	1430-1
1440	SEAT MOUNTING	SIEGE LE SUPPORT	1440-1
1450	SEAT	SIEGE	1450-1
1460	DUCT COVER	CONDUITES COUVERCLE	1460-1
1470	HEATER COVER	BOITIES DE CHAUFFAGE	1470-1
1480	CABIN MOUNTING	SUPPORT DE CABINE	1480-1
1490	CABIN(1)	CABINE	1490-1
1500	CABIN(2)	CABINE	1500-1

1510	CABIN(3)	CABINE	1510-1
1520	CABIN(4)	CABINE	1520-1
1525	HANDLE - CABIN	HANDLE	1525-1
1530	FLOOR MAT	PLANCHER	1530-1
1540	FLOOR PLATE	TOLE DE PLANCHER	1540-1
1550	HANDLE ASS'Y	HANDLE	1550-1
1560	ROOF COVER	COUVERCLE	1560-1
1570	FOOT REST - L.H.	REPOS DE PIED	1570-1
1580	FOOT REST - R.H.	REPOS DE PIED	1580-1
1590	SUPPORT	SUPPORT	1590-1
1600	BAFFLE	COUVERCLE	1600-1
1610	SIDE DOOR - L.H	ENSEMBLE DE PORTE	1610-1
1620	SIDE DOOR - R.H	ENSEMBLE DE PORTE	1620-1
1630	BATTERY COVER	COUVERCLE	1630-1
1640	COVER	COUVERCLE	1640-1
1650	ENGINE COVER	COUVERTURE DE MOTEUR	1650-1
1660	ACOUSTIC FOAM	ENSEMBLE DE EPONGE	1660-1
1670	UNDER COVER	TOLES IMFERIEVRES	1670-1
1680	LUBRICATION PIPING	LUBRIFICATION	1680-1
1690	ELECTRIC BOX ASS'Y	EQUIPMENT ELECTRIQUE	1690-1
1691	ELECTRIC BOX ASS'Y	EQUIPMENT ELECTRIQUE	1691-1
1700	ELECTRIC PARTS - CABIN	PIECES ELECTRIQUES	1700-1
1710	ELECTRIC PARTS - CONTROL STAND	PIECES ELECTRIQUES	1710-1
1720	ELECTRIC PARTS - RELATED	PIECES ELECTRIQUES	1720-1
1730	ELECTRIC PARTS - ENGINE	PIECES ELECTRIQUES	1730-1
1731	ELECTRIC PARTS - ENGINE	PIECES ELECTRIQUES	1731-1
1740	ALTERNATOR MOUNTING	ALTERNATEUR	1740-1
1750	ELECTRIC PARTS - WORKING LAMP	EQUIPMENT ELECTRIQUE	1750-1
1760	ELECTRIC WIRING	POSE DE FILES ELECTRIQUES	1760-1
1770	HEATER PIPING(1)	CONDUITES DE CHAUFFAGE	1770-1
1780	HEATER PIPING(2)	CONDUITES DE CHAUFFAGE	1780-1
1790	AIRCON UNIT	REFRIGERATION	1790-1
1800	AIRCONDITIONER	REFRIGERATION	1800-1

● TRACK PARTS

Fig. 2100	TRACK FRAME-LONG(DX225LCA)	TRAIN DE ROULEMENT	2100-1
-----------	----------------------------	--------------------	--------

2105	TRACK FRAME-STD(DX220A)	TRAIN DE ROULEMENT	2105-1
2110	TRAVEL DEVICE(DX225LCA)	SYSTEME D'TRANSLATION	2110-1
2115	TRAVEL DEVICE(DX220A)	SYSTEME D'TRANSLATION	2115-1
2120	IDLER(DX225LCA)	BARBOTIN	2120-1
2125	IDLER(DX220A)	BARBOTIN	2125-1
2130	TRACK SPRING	TENDEUR DE CHENILLE	2130-1
2140	UPPER ROLLER	GALET SUPERIEUR	2140-1
2141	UPPER ROLLER	GALET SUPERIEUR	2141-1
2150	LOWER ROLLER	GALET INFERIEUR	2150-1
2160	CENTER JOINT	JOINT CENTRAL	2160-1
2161	CENTER JOINT	JOINT CENTRAL	2161-1
2170	TRACK SHOE ASS'Y - 600G(DX225LCA)	MAILLON DE CHAINE	2170-1
2175	TRACK SHOE ASS'Y - 600G(DX220A)	MAILLON DE CHAINE	2175-1
2180	TRAVEL PIPING - LONG CRAWLER(DX225LCA)	ARMATURE DE VOYAGE	2180-1
2185	TRAVEL PIPING - STD(DX220A)	ARMATURE DE VOYAGE	2185-1

● FRONT PARTS

Fig. 3100	BOOM - 5.7m	FLECHE	3100-1
3110	ARM - 2.9m	BALANCIER	3110-1
3120	BUCKET ASS'Y - 0.92m ³	ENSEMBLE DE GODET	3120-1
3130	BOOM PIPING	CONDUITES DE FLECHE	3130-1
3140	LUBRICATION PIPING - BOOM	LUBRIFICATION	3140-1
3150	ARM PIPING	CONDUITES DE BALANCIER	3150-1
3160	LUBRICATION PIPING - ARM	LUBRIFICATION	3160-1

● HYDRAULIC PARTS

Fig. 4100	MAIN PUMP	POMPE	4100-1
4110	REGULATOR	REGULATEUR	4110-1
4120	GEAR PUMP	POMPE	4120-1
4130	SWING MOTOR	MOTEUR D'ORIENTATION	4130-1
4140	SWING REDUCTION GEAR	REDEUTEUR D'ORIENTATION	4140-1
4150	TRAVEL MOTOR	MOTEUR DE TRANSLATION	4150-1
4160	TRAVEL REDUCTION GEAR	BOITE REDUCTEUR	4160-1
4170	CONTROL VALVE(1)	DISTRIBUTEUR	4170-1
4180	CONTROL VALVE(2)	DISTRIBUTEUR	4180-1
4190	CONTROL VALVE(3)	DISTRIBUTEUR	4190-1

4200	REMOTE CONTROL VALVE	VANNE DE COMMAND A DISTANCE	4200-1
4210	PEDAL VALVE	VANNE	4210-1
4220	SOLENOID VALVE	VANNE	4220-1
4230	BOOM CYLINDER - L.H.	VERIN DE FLECHE	4230-1
4240	BOOM CYLINDER - R.H.	VERIN DE FLECHE	4240-1
4250	ARM CYLINDER	VERIN DE BALANCIER	4250-1
4260	BUCKET CYLINDER - ARM 2.9m	VERIN DE GODET	4260-1
4270	PEDAL VALVE - TWO WAY	VANNE DE PEDALE	4270-1
4280	BUCKET CYLINDER - ARM 2.4m	VERIN DE GODET	4280-1
4290	BUCKET CYLINDER - ARM 3.5m	VERIN DE GODET	4290-1
4300	BUCKET CYLINDER - ARM 6.2m	VERIN DE GODET	4300-1
4310	BOOM CYLINDER - L.H (LOCK VALVE)	VERIN DE FLECHE	4310-1
4320	BOOM CYLINDER - R.H (LOCK VALVE)	VERIN DE FLECHE	4320-1
4330	ARM CYLINDER - LOCK VALVE	VERIN DE BALANCIER	4330-1
4340	GEAR PUMP-ROTATION	POMPE	4340-1

● OTHER PARTS

Fig. 5100	TOOLS	OUTILLAGE	5100-1
5110	SPARE PARTS	PIECES DE RECHANGE	5110-1
5120	NAME PLATE - CABIN(EXPORT)	PLAQUE D'IDENTIFICATION	5120-1
5130	NAME PLATE - EXPORT	PLAQUE D'IDENTIFICATION	5130-1
5140	DECAL - SPEC(DX225LCA)	DECALQUE	5140-1
5145	DECAL - SPEC(DX220A)	DECALQUE	5145-1
5150	DECAL - FUSE BOX	DECAL	5150-1
5160	DECAL - MACHINE NAME(DX225LCA)	DECALQUE	5160-1
5165	DECAL - MACHINE NAME(DX220A)	DECALQUE	5165-1
5170	DECAL - LUBRICATION(EXPORT)	DECAL	5170-1
5180	DECAL - BOOM	DECAL	5180-1
5190	DECAL - SERIAL	DECAL	5190-1
5200	DECAL - LIFTING CAPA(DX225LCA)	DECALQUE	5200-1
5205	DECAL - LIFTING CAPA(DX220A)	DECALQUE	5205-1
5210	DECAL - PATTERN CHANGE	DECAL	5210-1
5220	DECAL - PATTERN CHANGE	DECAL	5220-1

● OPTION PARTS

Fig. 6100	FUEL FILLER PUMP	POMPE	6100-1
-----------	------------------	-------	--------

6110	MAIN PIPING - ONE WAY	CONDUITES DE BATI PRINCIPAL	6110-1
6120	ONE WAY PIPING - WITH FILTER	TUYAUTERIE A SENS UNIQUE	6120-1
6130	MAIN PIPING - TWO WAY	CONDUITES DE BATI PRINCIPAL	6130-1
6140	TWO WAY PIPING - WITH FILTER	TUYAUTERIE DE DEUX MANIERES	6140-1
6150	PILOT PIPING - ONE OR TWO WAY	CONDUITES DE PILOTE	6150-1
6151	PILOT PIPING - ONE OR TWO WAY	CONDUITES DE PILOTE	6151-1
6155	PILOT PIPING - ONE WAY	CONDUITES DE PILOTE	6155-1
6160	PILOT PIPING - TWO WAY(1)	CONDUITES DE PILOTE	6160-1
6170	PILOT PIPING - TWO WAY(2)	CONDUITES DE PILOTE	6170-1
6180	BOOM PIPING - BOOM 5.7m(ONE & TWO WAY)	CONDUITES DE FLECHE	6180-1
6190	ARM PIPING - ARM 2.9m(ONE & TWO WAY)	CONDUITES DE BALANCIER	6190-1
6200	MAIN PIPING - QUICK FIT	CONDUITES DE BATI PRINCIPAL	6200-1
6210	ELECTRIC PARTS - QUICK CLAMP	BRIDE RAPIDE	6210-1
6220	BOOM PIPING - BOOM 5.7m(QUICK CLAMP)	CONDUITES DE FLECHE	6220-1
6230	ARM PIPING - ARM 2.9m(QUICK CLAMP)	CONDUITES DE BALANCIER	6230-1
6240	ALTERNATOR - 80A	ALTERNATEUR	6240-1
6250	CD PLAYER	PLAQUEUR DE CD	6250-1
6260	SUN ROOF COVER	COUVERTURE DE TOIT DU SOLEIL	6260-1
6270	RAIN SHIELD	BOUCLIER DE PLUIE	6270-1
6280	RAIN SHIELD & LAMP MOUNTING	BOUCLIER ET DE LAMPE DE PLUIE	6280-1
6290	CABIN LOWER GUARD	LA CARLINGUE ABAISSENT LA GARDE	6290-1
6300	WINDOW GUARD	GARDE DE FENETRE	6300-1
6310	FLOOR MAT - TWO WAY	PLANCHER	6310-1
6320	FLOOR MAT - ROTATING	PLANCHER	6320-1
6330	FLOOR MAT - TWO WAY & ROTATING	PLANCHER	6330-1
6340	FOGS GUARD ASS'Y	EMBRUME LA GARDE ASS'Y	6340-1
6350	TRACK SHOE ASS'Y - 700G(DX225LCA)	MAILLON DE CHAINE	6350-1
6360	TRACK SHOE ASS'Y - 800G(DX225LCA)	MAILLON DE CHAINE	6360-1
6365	TRACK SHOE ASS'Y - 800G(DX220A)	MAILLON DE CHAINE	6365-1
6370	TRACK SHOE ASS'Y - 900G(DX225LCA)	MAILLON DE CHAINE	6370-1
6380	SWING ALARM - NOT ONE OR TWO WAY	AVERTISSEUR	6380-1
6390	SWING ALARM - ONE OR TWO WAY	AVERTISSEUR	6390-1
6400	RADIO	RADIO	6400-1
6410	LOCK VALVE PIPING - BOOM	CONDUITES DE VERROU VANNE	6410-1
6420	BOOM PIPING - LOCK VALVE	DONDUITER DE FLECHE	6420-1
6430	PILOT PIPING - ARM LOCK V/V	CONDUITES DE PILOTE	6430-1

6440	ARM PIPING - LOCK VALVE	CONDUITES DE BALANCIER	6440-1
6450	ARM PIPING - ARM 2.9m(CLAM SHELL)	CONDUITES DE BALANCIER	6450-1
6460	MAIN PIPING-ROTATION	CONDUITES DE BATI PRINCIPAL	6460-1
6470	PILOT PIPING(1) - ROTATING	CONDUITES DE PILOTE	6470-1
6480	PILOT PIPING(2) - ROTATING	CONDUITES DE PILOTE	6480-1
6490	BOOM PIPING - ROTATING(BOOM 5.7m)	CONDUITES DE FLECHE	6490-1
6500	ARM PIPING - ROTATING(ARM 2.9m)	CONDUITES DE BALANCIER	6500-1
6510	BUCKET ASS'Y - 0.73m ³ (36") - SIDE PIN	ENSEMBLE DE GODET	6510-1
6520	BUCKET ASS'Y - 0.90m ³ (42") - SIDE PIN	ENSEMBLE DE GODET	6520-1
6530	BUCKET ASS'Y - 1.07m ³ (48") - SIDE PIN	ENSEMBLE DE GODET	6530-1
6540	BUCKET ASS'Y - 1.24m ³ (54") - SIDE PIN	ENSEMBLE DE GODET	6540-1
6550	BUCKET ASS'Y - 1.32m ³ (57") - SIDE PIN	ENSEMBLE DE GODET	6550-1
6560	BUCKET ASS'Y - 1.49m ³ (63") - SIDE PIN	ENSEMBLE DE GODET	6560-1
6570	ARM - 2.0m	BALANCIER	6570-1
6580	ARM PIPING - ARM 2.0m	CONDUITES DE BALANCIER	6580-1
6590	LUBRICATION PIPING - ARM 2.0m	LUBRIFICATION	6590-1
6600	ARM PIPING - ARM 2.0m(ONE & TWO WAY)	CONDUITES DE BALANCIER	6600-1
6610	ARM PIPING - ARM 2.0m(QUICK CLAMP)	CONDUITES DE BALANCIER	6610-1
6620	ARM PIPING - ARM 2.0m(CLAM SHELL)	CONDUITES DE BALANCIER	6620-1
6630	ARM PIPING - ARM 2.0m(ROTATING)	CONDUITES DE BALANCIER	6630-1
6640	ARM - 2.4m	BALANCIER	6640-1
6650	ARM PIPING - ARM 2.4m	CONDUITES DE BALANCIER	6650-1
6660	LUBRICATION PIPING - ARM 2.4m	LUBRIFICATION	6660-1
6670	ARM PIPING - ARM 2.4m(ONE & TWO WAY)	CONDUITES DE BALANCIER	6670-1
6680	ARM PIPING - ARM 2.4m(QUICK CLAMP)	CONDUITES DE BALANCIER	6680-1
6690	ARM PIPING - ARM 2.4m(CLAM SHELL)	CONDUITES DE BALANCIER	6690-1
6700	ARM PIPING - ARM 2.4m(ROTATING)	CONDUITES DE BALANCIER	6700-1
6710	ARM - 3.5m	BALANCIER	6710-1
6720	ARM PIPING - ARM 3.5m	CONDUITES DE BALANCIER	6720-1
6730	LUBRICATION PIPING - ARM 3.5m	LUBRIFICATION	6730-1
6740	ARM PIPING - ARM 3.5m(ONE & TWO WAY)	CONDUITES DE BALANCIER	6740-1
6750	ARM PIPING - ARM 3.5m(QUICK CLAMP)	CONDUITES DE BALANCIER	6750-1
6760	ARM PIPING - ARM 3.5m(CLAM SHELL)	CONDUITES DE BALANCIER	6760-1
6770	ARM PIPING - ARM 3.5m(ROTATING)	CONDUITES DE BALANCIER	6770-1
6780	BUCKET ASS'Y - 0.51m ³	ENSEMBLE DE GODET	6780-1
6790	BUCKET ASS'Y - 0.81m ³	ENSEMBLE DE GODET	6790-1

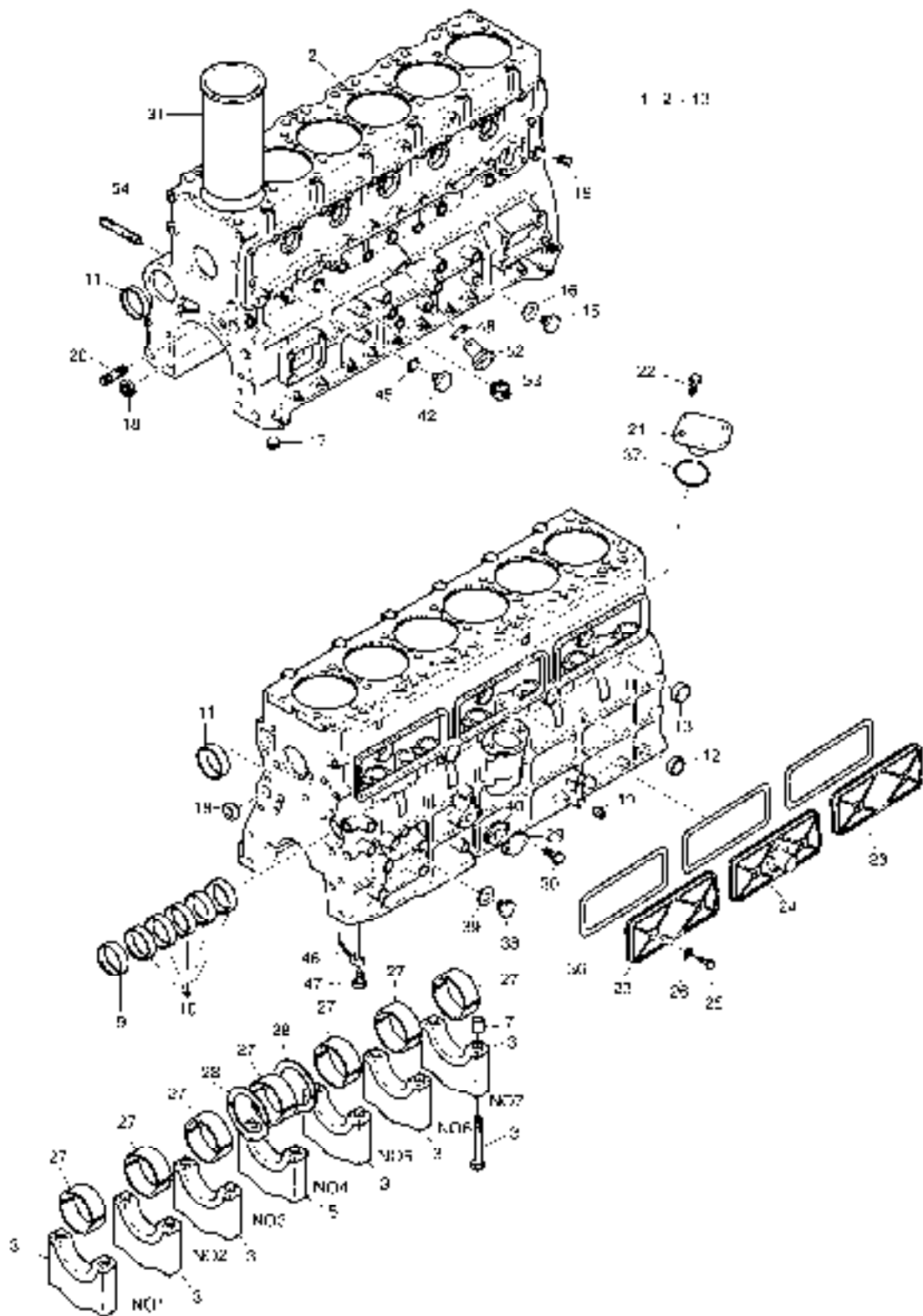
6800	BUCKET ASS'Y - 1.05m ³	ENSEMBLE DE GODET	6800-1
6810	BUCKET ASS'Y - 1.17m ³	ENSEMBLE DE GODET	6810-1
6820	BUCKET ASS'Y - 1.28m ³	ENSEMBLE DE GODET	6820-1
6830	BOOM - 5.2m	ENSEMBLE FLECHE	6830-1
6840	BOOM PIPING - BOOM 5.2m	CONDUITES DE FLECHE	6840-1
6850	LUBRICATION PIPING - BOOM 5.2m	LUBRIFICATION	6850-1
6860	BOOM PIPING - BOOM 5.2m(ONE & TWO WAY)	CONDUITES DE FLECHE	6860-1
6870	BOOM PIPING - BOOM 5.2m(QUICK FIT)	CONDUITES DE FLECHE	6870-1
6880	BOOM PIPING - BOOM 5.2m(ROTATING)	CONDUITES DE FLECHE	6880-1
6890	LOCK VALVE PIPING - BOOM 5.2m	CONDUITES DE BALANCIER	6890-1
6900	BOOM - 8.5m	ENSEMBLE FLECHE	6900-1
6910	ARM - 6.2m	BALANCIER	6910-1
6920	COUNTER WEIGHT - SUPER LONG(DX225LCA)	MASSE D'EQUILIBRAGE	6920-1
6930	COUNTER WEIGHT - 5.3TON(NOISE KIT - DX225LCA)	MASSE D'EQUILIBRAGE	6930-1
6940	BUCKET ASS'Y - 0.39m ³	ENSEMBLE DE GODET	6940-1
6950	BUCKET ASS'Y - 0.45m ³ - DITCH CLEANING	GODET	6950-1
6960	BUCKET ASS'Y - 0.54m ³ - DITCH CLEANING	GODET	6960-1
6970	BOOM PIPING - BOOM 8.5m	CONDUITES DE FLECHE	6970-1
6980	LUBRICATION PIPING - BOOM 8.5m	LUBRIFICATION	6980-1
6990	LOCK VALVE PIPING - BOOM 8.5m	CONDUITES DE BALANCIER	6990-1
7000	BOOM PIPING - BOOM 8.5m(ROTATING)	CONDUITES DE FLECHE	7000-1
7010	ARM PIPING - ARM 6.2m	CONDUITES DE BALANCIER	7010-1
7020	LUBRICATION PIPING - ARM 6.2m	LUBRIFICATION	7020-1
7030	ARM PIPING - ARM 6.2m(ROTATING)	CONDUITES DE BALANCIER	7030-1
7040	TRAVEL ALARM	ALARME DE VOYAGE	7040-1
7050	WORKING LAMP(2-LAMP)	LAMPE FONCTIONNANTE	7050-1
7060	WORKING LAMP(4-LAMP)	LAMPE FONCTIONNANTE	7060-1
7070	WORKING LAMP - REAR	AVERTISSEUR RELAIS	7070-1
7080	ROTATING BEACON	FEU DE CIRCULATION	7080-1
7090	ROTATING BEACON MOUNTING	SUPPORT TOURNANT DE BALISE	7090-1
7100	ROTATING BEACON(TELESCOPIC) WITH LAMP	FEU DE CIRCULATION	7100-1
7110	ROTATING BEACON(TELESCOPIC) W/O LAMP	FEU DE CIRCULATION	7110-1
7120	OVERLOAD WARNING	AVERTISSEMENT DE SURCHARGE	7120-1
7130	LOWER WIPER	ABAISSER L'ESSUIE-GLACE	7130-1
7140	WORKING LAMP(2-LAMP)	LAMPE FONCTIONNANTE	7140-1
7150	WORKING LAMP(4-LAMP)	LAMPE FONCTIONNANTE	7150-1

7160	ROTATING BEACON-WITH FOGS	FEU DE CIRCULATION	7160-1
7170	SIDE DOOR - L.H (TROPICAL)	ENSEMBLE DE PORTE	7170-1
7180	TROPICAL PARTS	PIECES TROPICALES	7180-1
7190	ACOUSTIC FOAM - NOISE KIT	MOUSSE ACOUSTIQUE - KIT DE BRUIT	7190-1
7200	PATTERN CHANGE PIPING(1)	TUYAUTERIE DE CHANGEMENT DE MODELE	7200-1
7210	PATTERN CHANGE PIPING(2)	TUYAUTERIE DE CHANGEMENT DE MODELE	7210-1
7220	COUNTER WEIGHT - 3.8TON(NOISE KIT - DX220)	MASSE D'EQUILIBRAGE	7220-1
7230	ALTERNATOR - 50A	ALTERNATEUR	7230-1
7240	ALTERNATOR	ALTERNATEUR	7240-1
7250	ELECTRIC PARTS - ENGINE(ALTERNATOR - 50A)	PIECES ELECTRIQUES	7250-1

● **WORLDWIDE NETWORK**

Fig. 001 **CYLINDER BLOCK**
BLOC CYLINDRE

Serial No. ;



DATE	SEP. 12, 2012
4th EDITION	

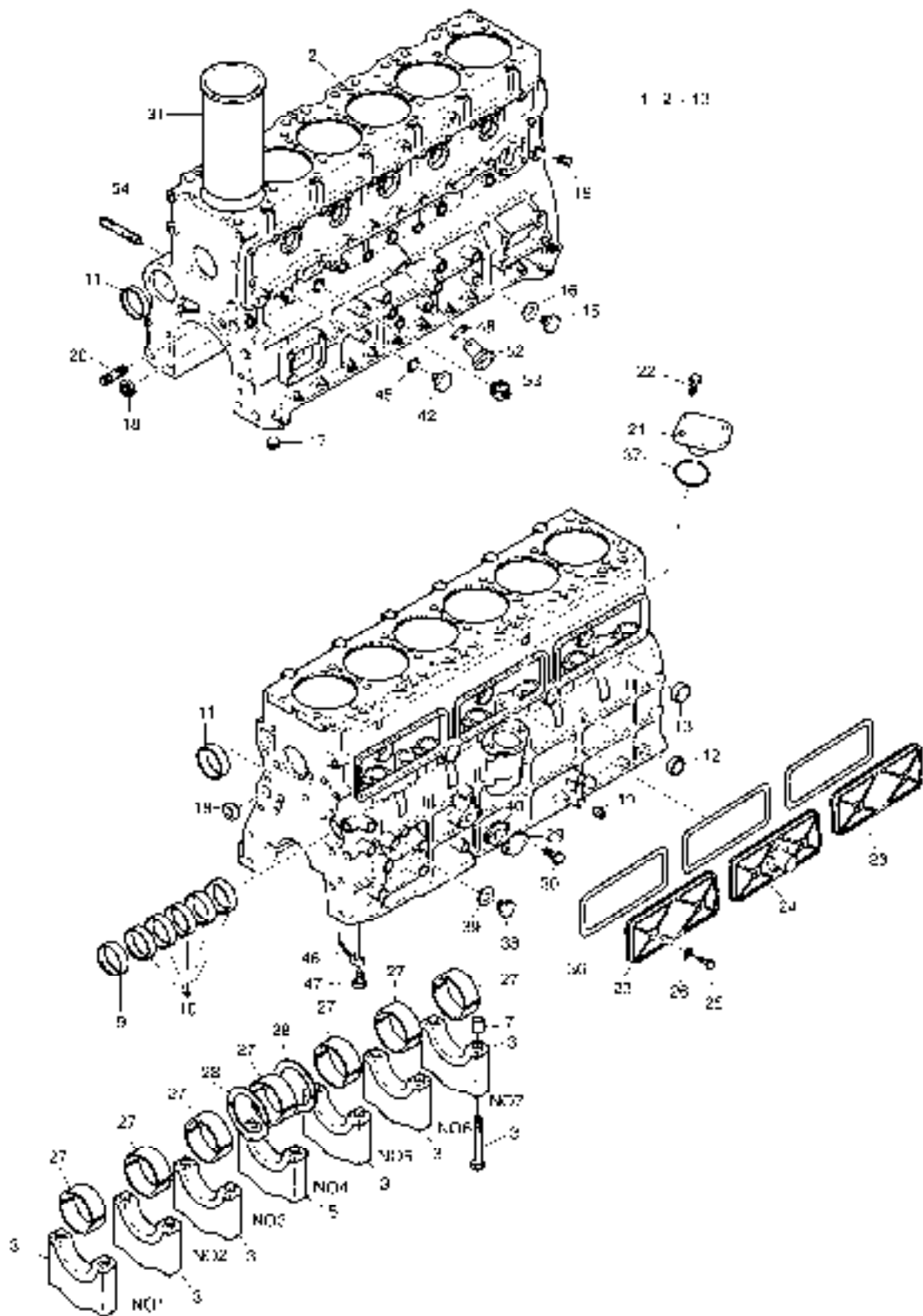
**Fig. 001 CYLINDER BLOCK
BLOC CYLINDRE**

Serial No. ;

Key No.	Part No.	Description	Description	Q'ty	S.C	Serial No.	ICA	Replaceable part	
								Part No.	Q'ty
001 -1	65.01101-6079D	CYLINDER BLOCK ASS'Y	BLOC CYLINDRE	1					
2	65.01101-0030I	BLOCK;CYLINDER	BLOC CYLINDRE	1	D				
3	65.01105-1048A	CAP;BEARING(F.M.R)	PALIER	6	D				
5	65.01105-1047A	CAP;BEARING(NO.4)	PALIER	1	D				
7	65.91710-0001	RING;STOPPER	BAGUE D'ETANCHEITE	2					
8	65.90020-0066A	BOLT;BRG CAP	BOULON A 6 PANS	14					
9	65.04410-0007C	BUSH;CAM SHAFT	DOUILLE	1	B				
10	65.04410-0006C	BUSH;CAM SHAFT	DOUILLE	5	B				
11	65.90302-0009	PLUG;CORE	BOUCHON	2					
12	65.90302-0041	PLUG;CORE	BOUCHON B28D	2					
13	65.90302-0042	PLUG;CORE	BOUCHON	3					
15	65.90310-0030	SCREW;PLUG M12X1.25	VIS	1					
16	06.56190-0704	RING;SEAL	BAGUE D'ETANCHEITE	1					
17	65.90320-0019	PLUG SCREW PT3/8	BOUCHON	1					
18	06.15091-0313	PLUG;CORE	BOUCHON	2					
19	65.90320-0022	PLUG SCREW PT1/8	VIS DE REGLAGE	10					
20	65.90201-0058	BOLT;STUD M14X12.5X45	BOULON A 6 PANS	1					
21	65.91605-0001E	COVER	COUVERCLE	1					
22	06.01913-3113	BOLT ASS'Y M8X20	BOULON A 6 PANS	2					
23	65.01112-0021A	COVER;PUSH ROD CHAMBER	COUVERCLE	2					
24	65.01112-5018	COVER;PUSH ROD CHAMBER	COUVERCLE	1					
25	65.90020-0049	BOLT;HEX.	BOULON A 6 PANS	6					
26	65.96507-0007	PACKING;PUSH ROD CHAMBER	EMBALLAGE	6					
27	65.01110-6090B	METAL;CRANK STD	COUSSINET	7					
	65.01110-6091B	METAL;CRANK 0.25	COUSSINET	7	US				
	65.01110-6092B	METAL;CRANK 0.50	COUSSINET	7	US				
28	65.01150-6008	WASHER;THRUST	RONDELLE	2					
	65.01150-6034A	WASHER;THRUST 0.25	RONDELLE DE BUTEE	2	OS				
	65.01150-6035A	WASHER;THRUST 0.50	RONDELLE DE BUTEE	2	OS				
29	65.91615-0011	COVER;BLIND	COUVERCLE	1					
30	06.01913-3113	BOLT ASS'Y M8X20	BOULON A 6 PANS	2					
31	65.01201-0067	LINER;CYLINDER (ALTV.)	CHEMISE DE CYLINDRE	6	D				
	65.01201-0068	LINER;CYLINDER(1A)	CHEMISE DE CYLINDRE	6					
	65.01201-0069	LINER;CYLINDER(1B)	CHEMISE DE CYLINDRE	6					
	65.01201-0070	LINER;CYLINDER(2A)	CHEMISE DE CYLINDRE	6					
	65.01201-0071	LINER;CYLINDER(2B)	CHEMISE DE CYLINDRE	6					
36	65.01901-0020	GASKET;PUSH ROD CHAMBER	JOINT	3					
37	06.56021-0106	O-RING;O/P DRIVE FLANGE	JOINT TORIQUE	1					

Fig. 001 **CYLINDER BLOCK**
BLOC CYLINDRE

Serial No. ;



DATE	SEP. 12, 2012
4th EDITION	

**Fig. 001 CYLINDER BLOCK
BLOC CYLINDRE**

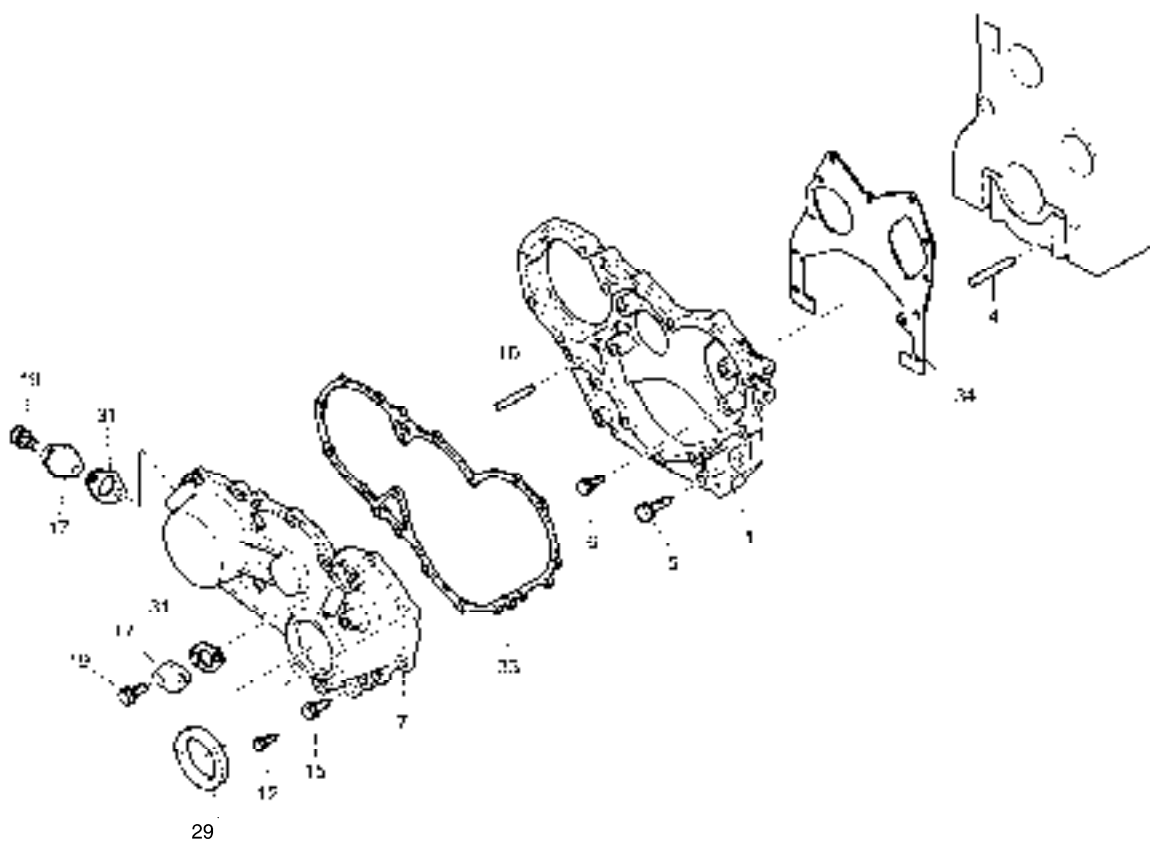
Serial No. ;

Key No.	Part No.	Description	Description	Q'ty	S.C	Serial No.	ICA	Replaceable part	
								Part No.	Q'ty
001 -38	65.90310-0135	PLUG;SCREW	BOUCHON	1					
39	06.56190-0706	SEAL RING A14X20	BAGUE D'ETANCHEITE	1					
40	65.05903A0013	GASKET;FLANGE	JOINT	1					
42	65.90310-0122	PLUG;DRAIN	BOUCHON DE VIDANGE	1					
45	06.56190-0713	RING;SEAL A18X24	BAGUE D'ETANCHEITE	2					
46	65.01601-5010A	OIL JET PIPE	REFROIDISSEUR D'HUILE	6					
47	65.05401-5023	RELIEF VALVE ASSY	COUVERCLE ETANCHE	6					
48	06.56021-0102	O-RING	JOINT TORIQUE	1					
52	65.05401-5002F	RELIEF VALVE ASSY	SOULAGEMENT VANNE	1					
53	65.27441-7006	SWITCH;OIL PRESS.	INTERRUPTEUR	1					
54	65.90201-0182	BOLT;STUD	BOULON A 6 PANS	1					

DATE	SEP. 12, 2012
4th EDITION	

Fig. 002 **TIMING GEAR CASE**
CARTER DE DISTRIBUTION

Serial No. ;



DATE	SEP. 12, 2012
4th EDITION	

**Fig. 002 TIMING GEAR CASE
CARTER DE DISTRIBUTION**

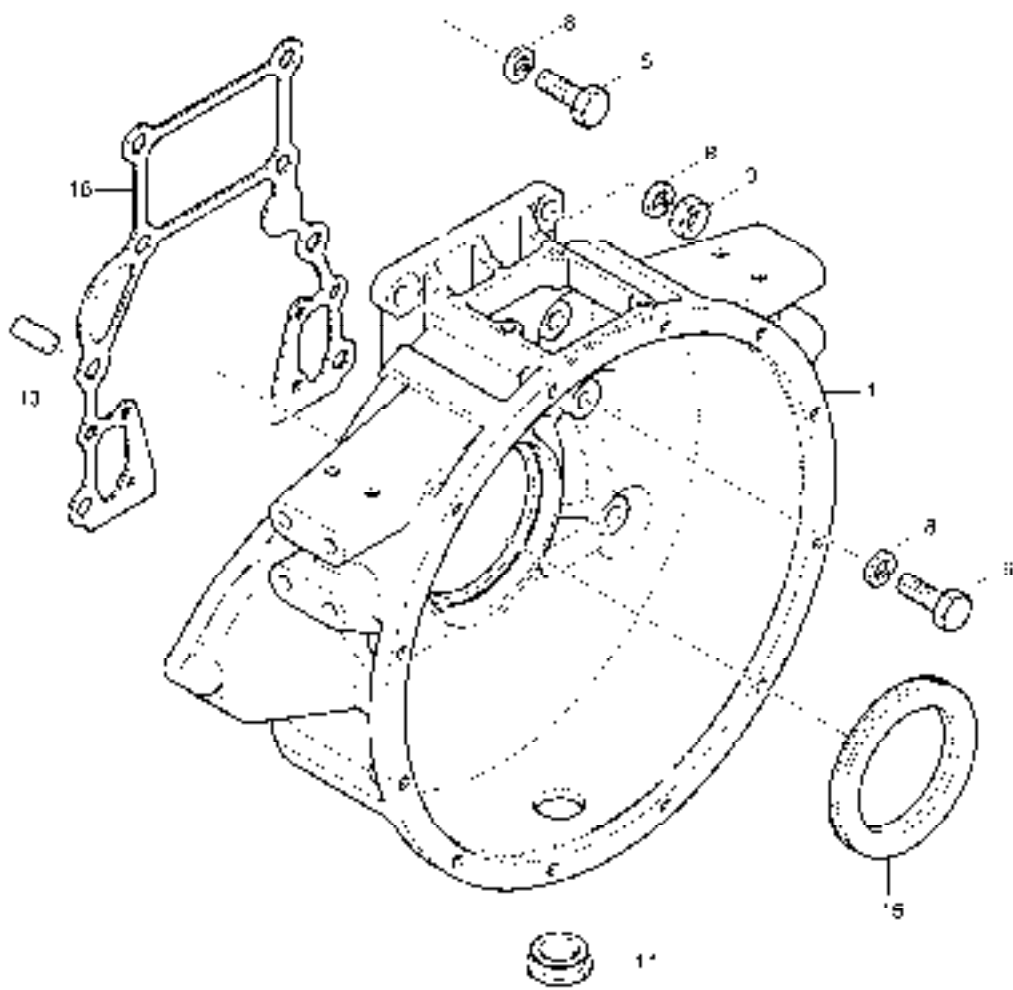
Serial No. ;

Key No.	Part No.	Description	Description	Q'ty	S.C	Serial No.	ICA	Replaceable part	
								Part No.	Q'ty
002 -1	65.01304-0003C	CASE;TIMING GEAR	CARTER	1					
4	06.22022-3119	PIN	GOIJON	1					
5	06.01913-3120	BOLT ASS'Y M8X45	BOULON A 6 PANS	2					
6	06.01913-3113	BOLT ASS'Y M8X20	BOULON A 6 PANS	4					
7	65.01305-5074A	COVER;TIMING GEAR CASE	COUVERCLE	1					
10	06.22022-3111	PIN	GOIJON	1					
12	06.01913-3115	BOLT ASS'Y M8X25	BOULON A 6 PANS	7					
15	06.01913-3122	BOLT ASS'Y M8X55	BOULON A 6 PANS	5					
17	65.01307-0002B	COVER;TIMING CHECK HOLE	COUVERCLE	2					
19	06.01913-2911	BOLT ASS'Y M6X16	BOULON A 6 PANS	4					
29	65.01510-0001	SEAL;OIL(FRONT)	JOINT D`HUILE	1					
31	65.01903-0002C	GASKET	JOINT	2					
33	65.01903B0003	GASKET;TIMING GEAR CASE CC	JOINT	1					
34	65.01903B0004	GASKET;TIMING GEAR CASE(BL	JOINT	1					

DATE	SEP. 12, 2012
4th EDITION	

**Fig. 003 FLYWHEEL HOUSING
CARTER DE VOLANT MOTEUR**

Serial No. ;



DATE	SEP. 12, 2012
4th EDITION	

**Fig. 003 FLYWHEEL HOUSING
CARTER DE VOLANT MOTEUR**

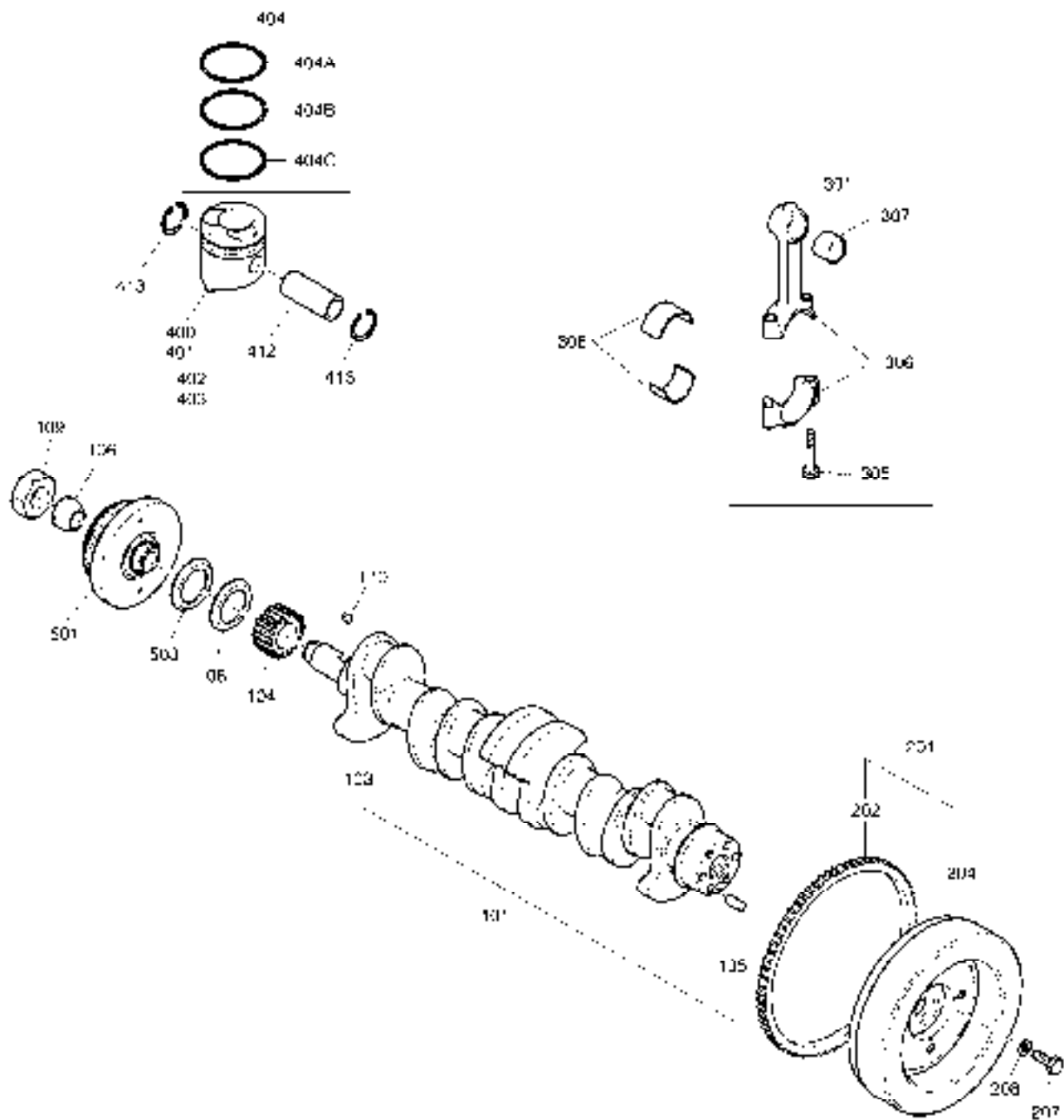
Serial No. ;

Key No.	Part No.	Description	Description	Q'ty	S.C	Serial No.	ICA	Replaceable part	
								Part No.	Q'ty
003 -1	65.01401-0119A	HOUSING;FLYWHEEL	CARTER	1					
5	06.01494-4407	BOLT;HEX. M14X1.5X40	BOULON A 6 PANS	1					
6	06.01494-4409	BOLT;HEX. M14X1.5X50	BOULON A 6 PANS	6					
8	06.16731-2110	WASHER;SPRING	RONDELLE ELASTIQUE	8					
9	06.11063-9217	NUT	ECROU 6 PANS	1					
10	06.22022-3111	PIN	GOUJON	2					
11	65.96401-0007	CAP;RUBBER	CHAPEAU DE CAOUTCHO	1					
15	65.01510-0101	SEAL;OIL(REAR)	JOINT D`HUILE	1					
16	65.01904-0021	GASKET;FLYWHEEL HOUSING	JOINT	1					

DATE	SEP. 12, 2012
4th EDITION	

Fig. 004 CRANK SHAFT VILEBREQUIN

Serial No. ;



DATE	SEP. 12, 2012
4th EDITION	

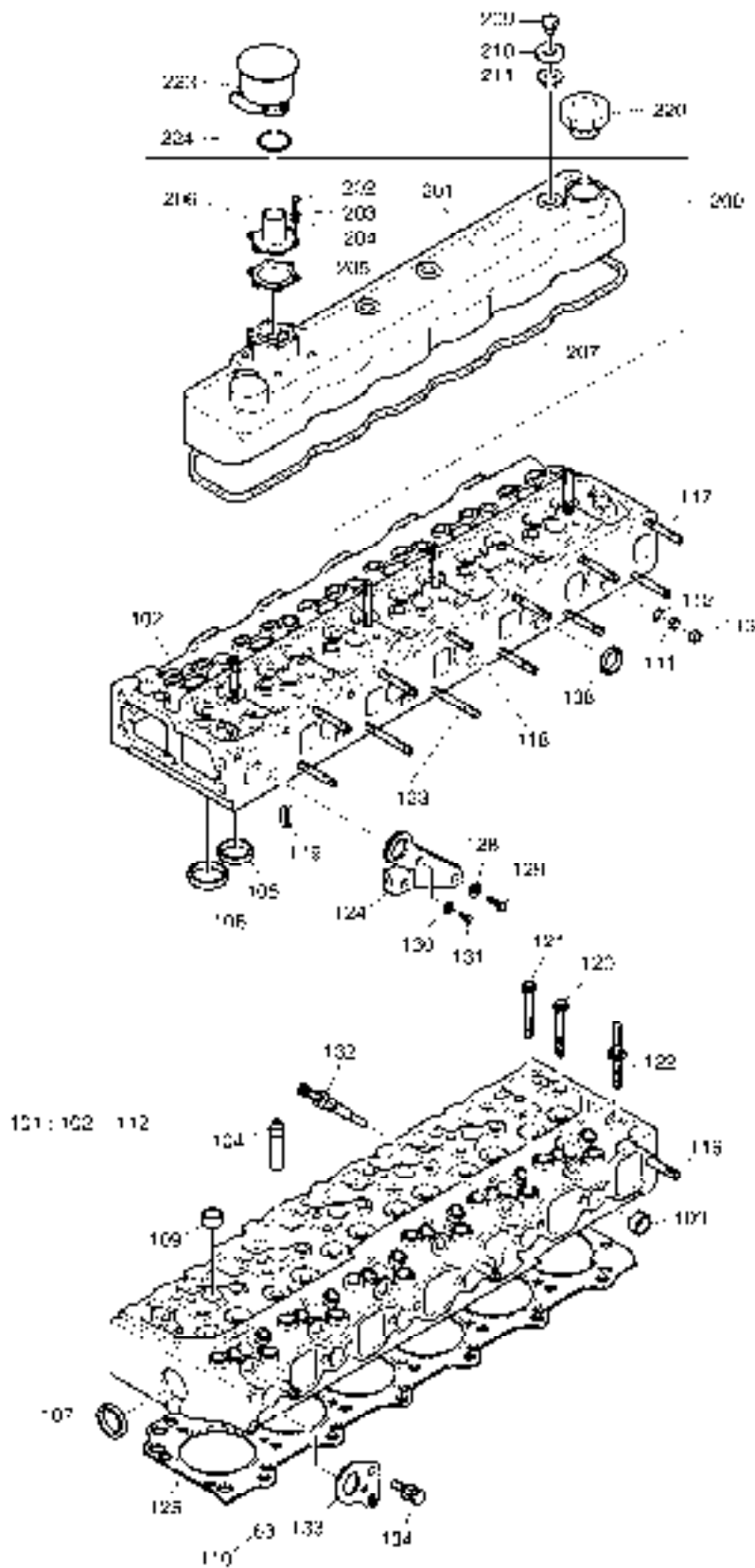
Fig. 004 CRANK SHAFT VILEBREQUIN

Serial No. ;

Key No.	Part No.	Description	Description	Q'ty	S.C	Serial No.	ICA	Replaceable part	
								Part No.	Q'ty
004 -101	65.02101-6018A	CRANK SHAFT ASS'Y	ENSEMBLE VILEBREQUIN	1					
103	65.02101-0045A	SHAFT;CRANK	VILEBREQUIN	1					
105	06.22022-3212	PIN;PARALLEL	GOUPILLE	1					
104	65.02115-0009	GEAR;CRANK SHAFT	PIGNON DE VILEBREQUIN	1					
106	65.93020-0015	BUSH;TAPER	COUSSINET	1					
108	65.02120-0002	RING;OIL THROWER	BAGUE	1					
109	65.90501-0006	NUT	ECROU	1					
110	65.91501-0006	KEY;SLIDING	KEY	1					
201	65.02301-5099A	FLYWHEEL ASS'Y	VOLANT	1					
202	65.02310-0006	GEAR;RING	ENGRENAGE	1					
204	65.02301-0245A	FLY WHEEL	VOLANT	1					
207	06.01494-4506	BOLT M16X1.5X35	BOULON A 6 PANS	6					
208	06.16731-2111	WASHER;SPRING	RONDELLE	6					
301	65.02401-6021	CONNECTING ROD ASS'Y	BIELLE	6					
305	65.02411-0006A	BOLT	BOULON A 6 PANS	2					
306	65.02401-0163D	ROD;CONNECTING	TIGE	1	D				
307	65.02405-0006	BUSH	AMPOULE	1	B				
308	65.02410-6083B	METAL;CON-ROD STD	PALIER	6					
	65.02410-6124B	METAL;CON-ROD 0.125mm	PALIER	6	US				
	65.02410-6125B	METAL;CON-ROD 0.25mm	PALIER	6	US				
400	65.02501-0440	PISTON(ALTV.)	PIISTON	6	D				
401	65.02501-0416	PISTON(ALTV.)	PIISTON	6	D				
	65.02501-0443	PISTON(ALTV.-2)	PIISTON	6	D				
402	65.02501-0417	PISTON-1;A GRADE	PIISTON	6					
	65.02501-0444	PISTON-2;A GRADE	PIISTON	6					
403	65.02501-0418	PISTON-1;B GRADE	PIISTON	6					
	65.02501-0445	PISTON-2;B GRADE	PIISTON	6					
404	65.02503-8058	PISTON RING KIT	BAGUE D'ETANCHEITE	1					
404A	-	. RING;TOP	. BAGUE	6	K				
404B	-	. RING,SECOND	. BAGUE	6	K				
404C	-	. RING;OIL	. BAGUE	6	K				
412	65.02502-0082A	PIN;PISTON	AXE DE PISTON	6					
413	65.90815-0007	RING;RETAINING	BAGUE	12					
501	65.02601-5019	PULLEY;DAMPER	POULIE	1					
503	65.02122-0001	COVER;DUST	PARE-POUSSIERES	1					

Fig. 005 **CYLINDER HEAD**
CULLASSE

Serial No. ;



DATE	SEP. 12, 2012
4th EDITION	

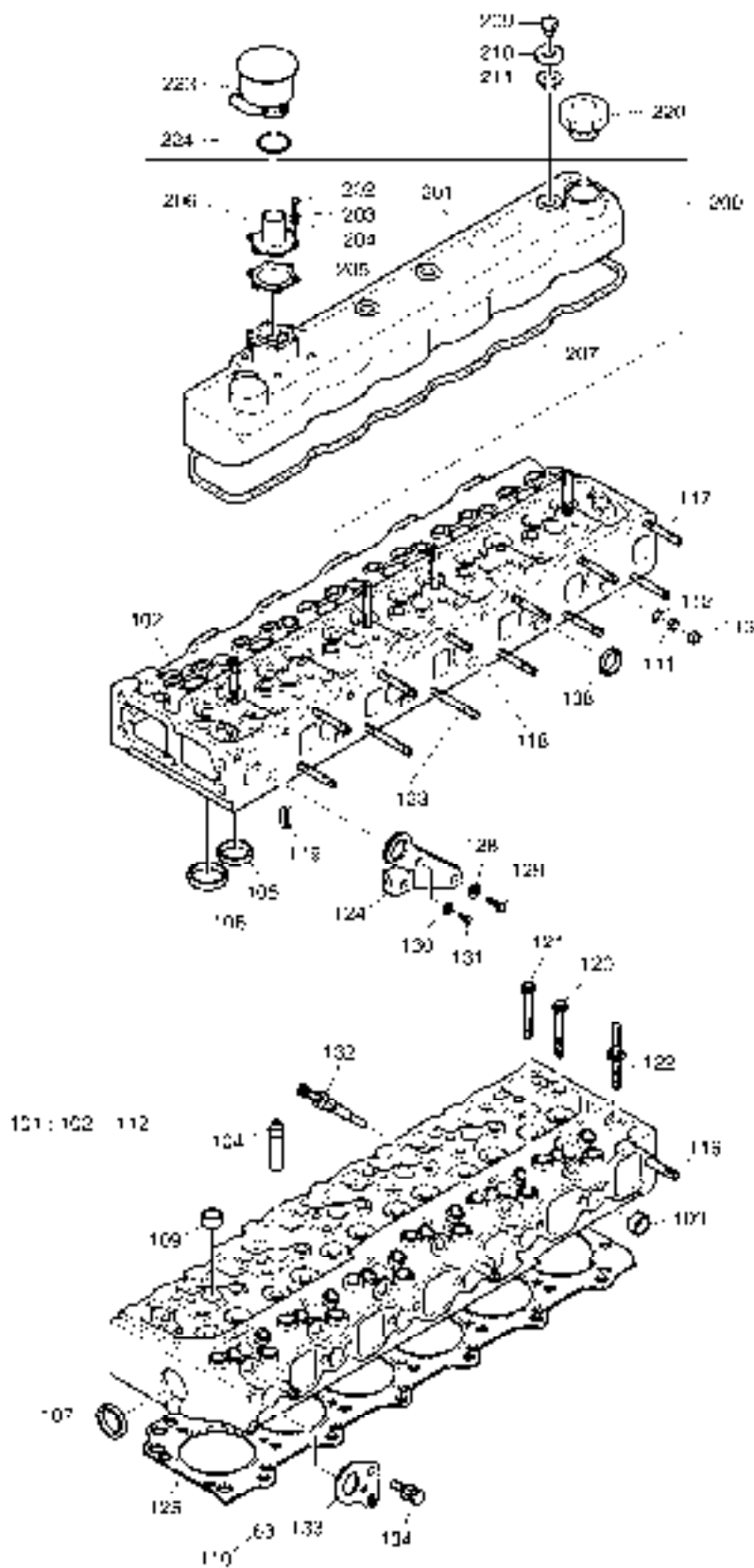
**Fig. 005 CYLINDER HEAD
CULASSE**

Serial No. ;

Key No.	Part No.	Description	Description	Q'ty	S.C	Serial No.	ICA	Replaceable part	
								Part No.	Q'ty
005 -101	65.03101-6071B	CYLINDER HEAD ASS'Y	ENSEMBLE CULASSE	1					
102	65.03101-1043C	HEAD;CYLINDER	CULASSE	1	D				
104	65.03201-1013A	GUIDE;VALVE	GUIDE-SOUPAPE	12	B				
105	65.03203-1054	SEAT;EXHAUST VALVE	SIEGE	6	B				
106	65.03203-1053	SEAT;INLET VALVE	SIEGE	6	B				
107	65.90302-0015	PLUG;CORE(NEAR FACE)	BOUCHON	1					
108	65.90302-0030	PLUG;CORE(EXHAUST MAIN)	BOUCHON	6					
109	65.90302-0019B	PLUG;CORE	COUPELLE	11					
110	65.90302-0045	PLUG;CORE	BOUCHON	3					
111	65.90302-0027	PLUG;CORE	BOUCHON	6					
112	65.90302-0011	PLUG;DRILLED PASS	BOUCHON	6					
113	65.90302-0017	PLUG;WATER JET CORE	BOUCHON	6					
116	06.06225-0706	BOLT;STUD M8X25	GOUJON	3					
117	06.06125-8717	BOLT;STUD	GOUJON	9					
118	06.06125-8709	BOLT;STUD M8X35	GOUJON	1					
119	65.91710-0004	RING;STOPPER	BAGUE	2					
120	65.90021-0002	BOLT;CYLINDER HEAD	BOULON DE CULASSE	18					
121	65.90021-0003	BOLT;CYLINDER HEAD	BOULON DE CULASSE	6					
122	65.90021-0004	BOLT;CYLINDER HEAD	BOULON DE CULASSE	2					
123	06.06125-8723	BOLT;STUD M8X110	GOUJON	2					
124	65.19202-5005	HOOK;LIFTING	CROCHET	1					
125	65.03901-0066A	GASKET;CYLINDER HEAD	JOINT	1					
128	06.16731-2110	WASHER;SPRING	RONDELLE ELASTIQUE	1					
129	06.01733-4409	BOLT;HEX M14X1.5X25	BOULON A 6 PANS	1					
130	06.16731-2108	WASHER;SPRING	RONDELLE	1					
131	06.01733-4208	BOLT M10X1.25X22	BOULON A 6 PANS	1					
132	65.26815-0002	PLUG;DUMMY	PRISE DE LUEUR	6					
133	65.19202-0005	HOOK;LIFTING	CROCHET	1					
134	06.01943-3213	BOLT ASS'Y M10X1.25X20	BOULON A 6 PANS	2					
200	65.03401-6097B	CYLINDER HEAD COVER ASS'Y	COUVRE-CULASSE	1					
201	65.03401-6094	COVER;CYL. HEAD	COUVERCLE	1					
202	06.04190-8808	BOLT M5X16	BOULON A 6 PANS	6					
203	06.16731-2104	WASHER;SPRING	RONDELLE ELASTIQUE	6					
204	06.15010-0308	WASHER;PLAIN	RONDELLE	6					
205	65.03903-0001	PACKING;BREATHER PIPE	EMBALLAGE	1					
206	65.01801-0011	CASE;BREATHER	BOITE	1					
207	65.03905-0002C	GASKET;CYLINDER HEAD COVER	JOINT	1					
209	65.90501-0028	NUT;CYLINDER HEAD COVER	ECROU	4					

Fig. 005 **CYLINDER HEAD**
CULLASSE

Serial No. ;



DATE	SEP. 12, 2012
4th EDITION	

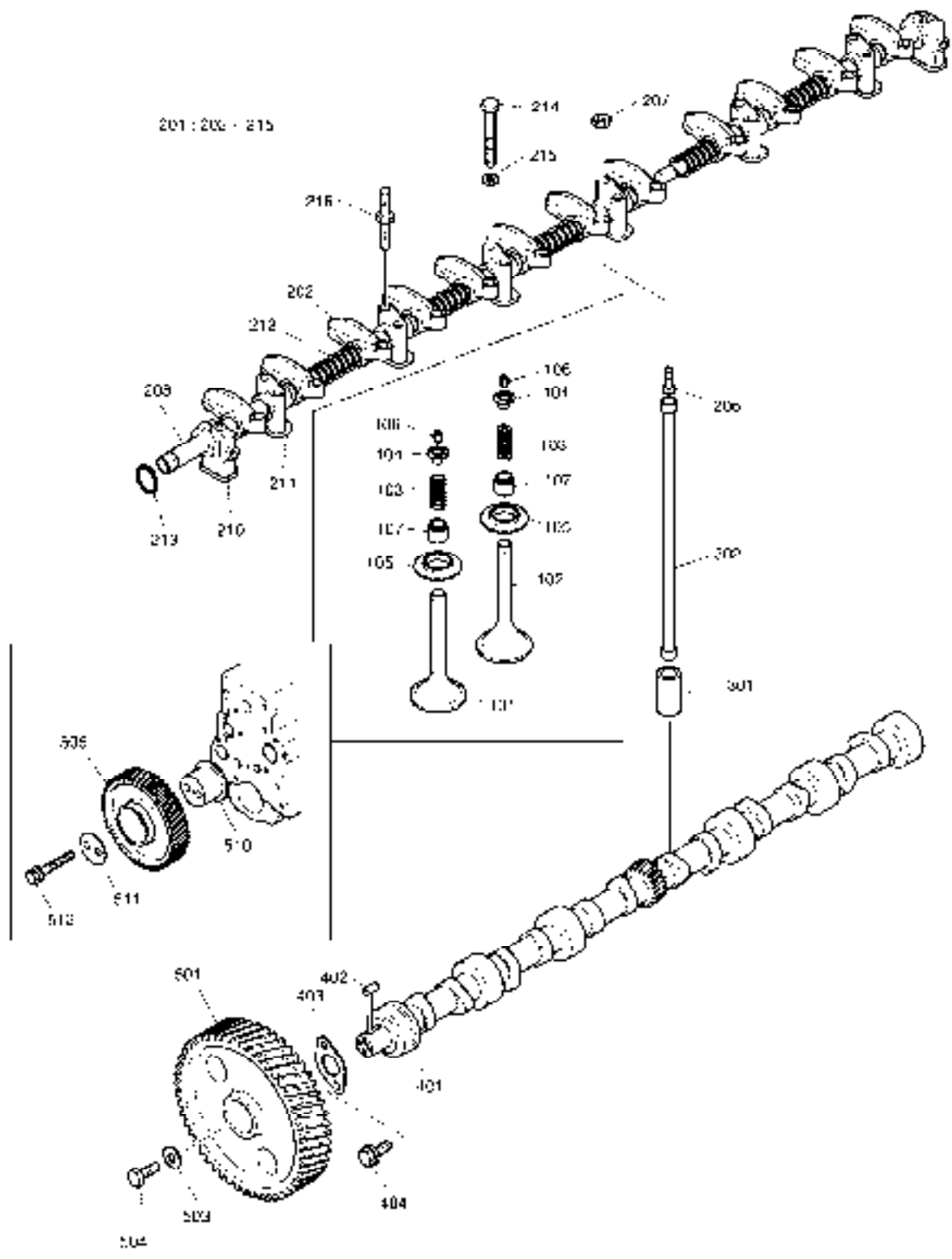
**Fig. 005 CYLINDER HEAD
CULLASSE**

Serial No. ;

Key No.	Part No.	Description	Description	Q'ty	S.C	Serial No.	ICA	Replaceable part	
								Part No.	Q'ty
005 -210	65.90701-0202	WASHER;PLATE	RONDELLE	4					
211	65.03905-0023A	GASKET;CYLINDER HEAD COVER	JOINT	4					
220	65.01810-5011	CAP;OIL FILLER	VIBREUR	1					
223	65.01801-5035A	BREATHER PIPE ASS'Y	CLAPET DE RECHANGE	1					
224	65.96501-0032B	O-RING;BREATHER	JOINT TORIQUE	1					

**Fig. 006 VALVE MECHANISM
CALAGE D'INJECTION**

Serial No. ;



DATE	SEP. 12, 2012
4th EDITION	

**Fig. 006 VALVE MECHANISM
CALAGE D'INJECTION**

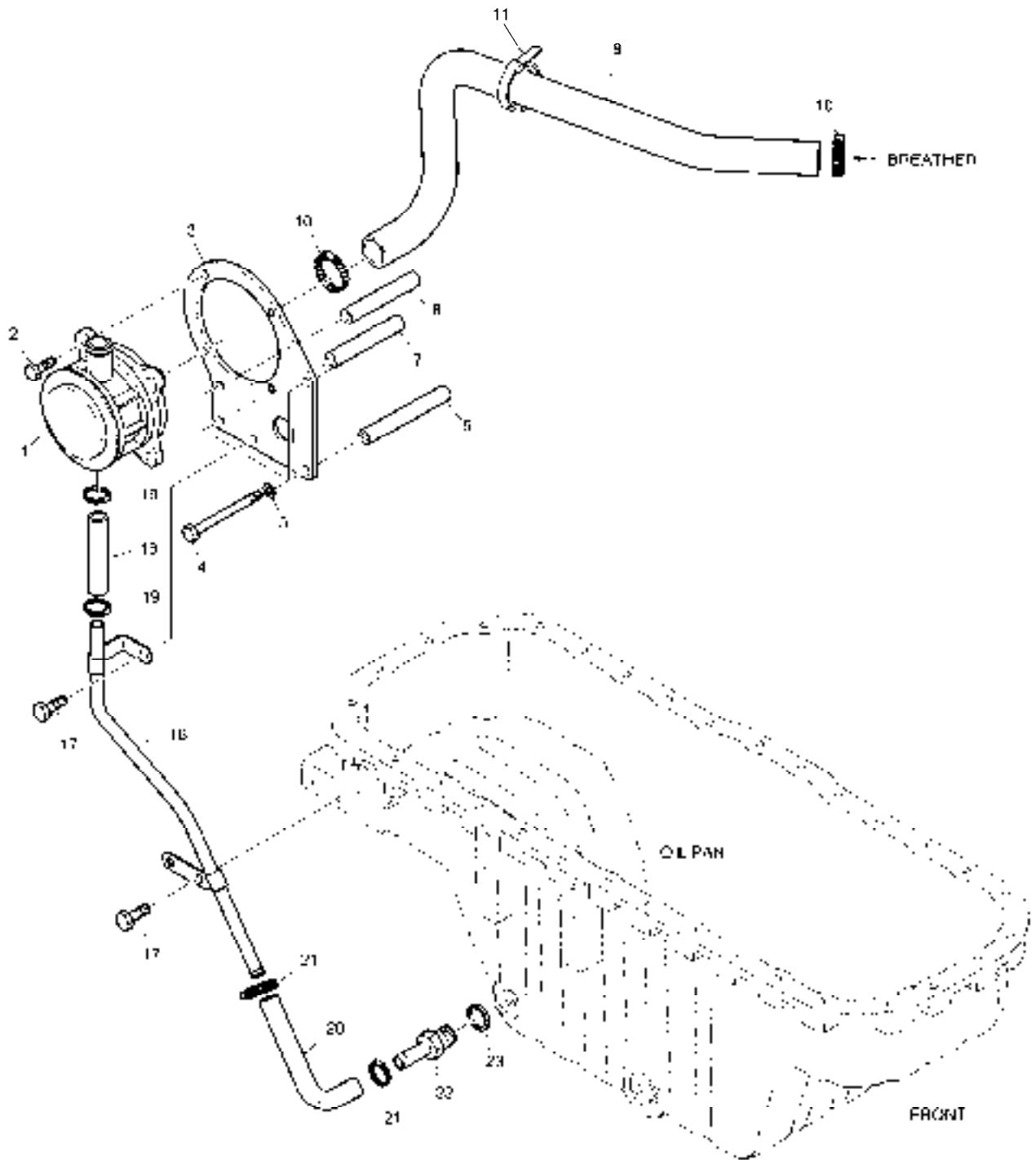
Serial No. ;

Key No.	Part No.	Description	Description	Q'ty	S.C	Serial No.	ICA	Replaceable part	
								Part No.	Q'ty
006 - 101	65.04101-0032	VALVE;INLET	VANNE	6					
102	65.04101-0025A	VALVE;EXHAUST	VANNE	6					
103	65.04102-0005	SPRING;VALVE	RESSORT	12					
104	65.04103-0001B	RETAINER;VALVE SPRING	PLAQUE	12					
105	65.04103-0002	PLATE;SPRING	PLAQUE	12					
106	65.04104-0001	SPLIT;COLLAR	GOUPILLE	24					
107	65.04902-0015	SEAL;VALVE STEM	JOINT	12					
201	65.04200-6019D	ROCKER ARM & SHAFT ASS'Y	AXE DE BRAS DE CULBUTE	1					
202	65.04201-5002C	ROCKER ARM ASS'Y	BALANCIER	12					
206	65.04205-0001	SCREW;ADJUST	VIS DE REGLAGE	12					
207	65.90501-0013	NUT;HEX.	ECROU 6 PANS	12					
208	65.04203-5008C	ROCKER ARM SHAFT ASS'Y	ENSEMBLE AXE DE CULBU	1					
210	65.04202-0009	BRACKET(FRONT)	SUPPORT	1					
211	65.04202-0003C	BRACKET(ROCKER ARM)	SUPPORT	6					
212	65.97601-0048	SPRING;ROCKER ARM	RESSORT D'AXE DE CULB	5					
213	06.29010-0116	RING;SNAP	CIRCLIP	1					
214	06.01013-9118	BOLT;HEX. M8X65	BOULON A 6 PANS	10					
215	06.15010-2311	WASHER	RONDELLE	10					
216	65.90201-0081	BOLT;STUD	GOUJON	4					
301	65.04301-0009	TAPPET	POUSSOIR DE TIGE DE CU	12					
302	65.04302-5006	ROD;PUSH	TIGE DE POUSSOIR	12					
401	65.04401-0018B	SHAFT;CAM	ARBRE A CAMES	1					
402	06.29151-4608	KEY	KEY	1					
403	65.98112-0009A	FLANGE	BRIDE	1					
404	06.01913-3115	BOLT ASS'Y M8X25	BOULON A 6 PANS	2					
501	65.04501-0004	GEAR;CAM SHAFT	PIGNON D'ARBRE A CAME	1					
503	65.90701-0059	WASHER;PLAIN	RONDELLE	1					
504	06.01733-4410	BOLT M14X1.5X28	BOULON A 6 PANS	1					
505	65.04505-5012	IDLE GEAR ASS'Y	BARBOTIN	1					
510	65.04506-0011	SHAFT;IDLE GEAR	GOUJON DE PIGNON FOU	1					
511	65.90720-0016	WASHER;THRUST	RONDELLE DE BUTEE	1					
512	06.01943-3222	BOLT ASS'Y M10X1.25X55	BOULON A 6 PANS	2					

DATE	SEP. 12, 2012
4th EDITION	

**Fig. 007 BREATHER PIPE
CONDUIT DE VENTILATION**

Serial No. ;



DATE	SEP. 12, 2012
4th EDITION	

**Fig. 007 BREATHER PIPE
CONDUIT DE VENTILATION**

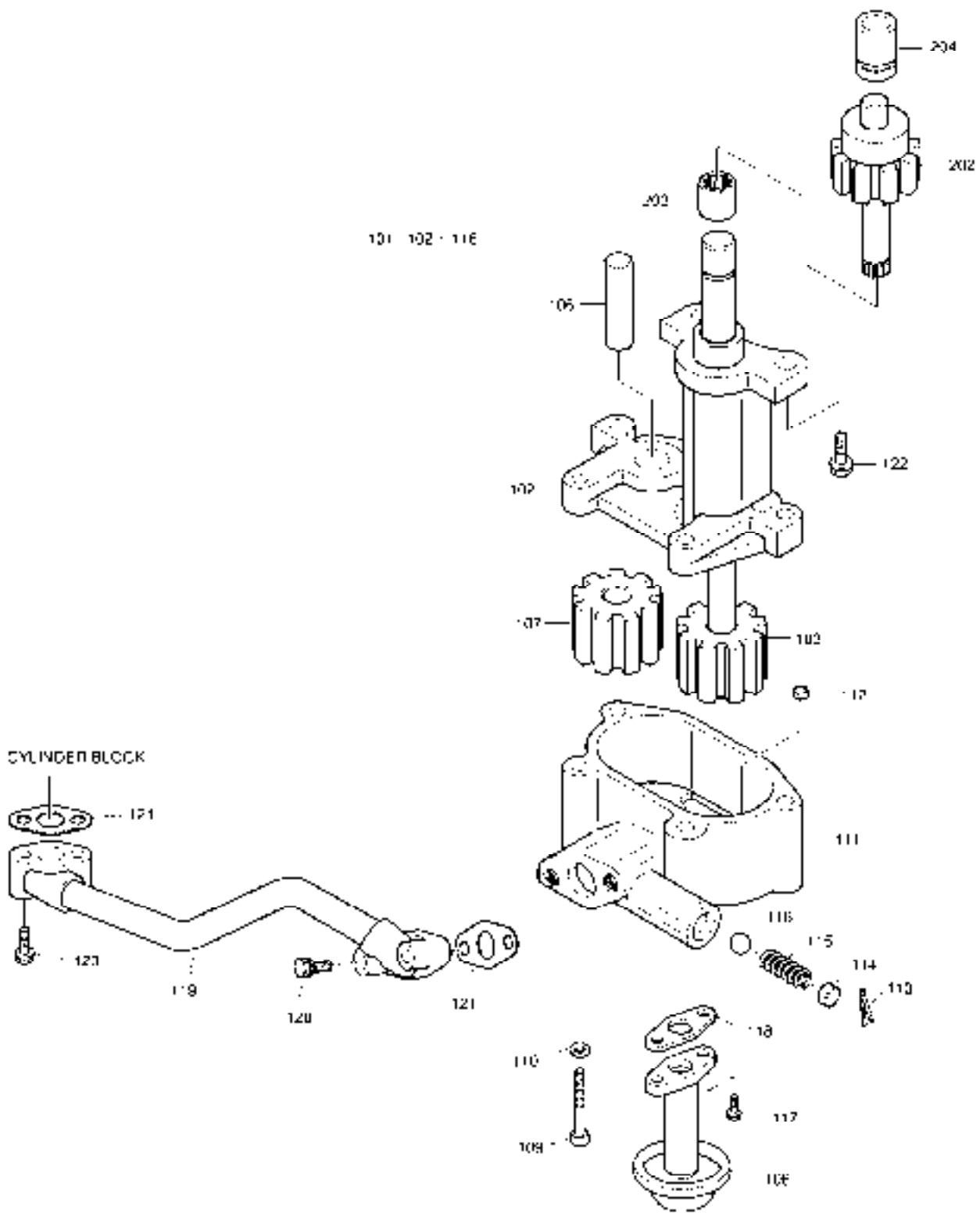
Serial No. ;

Key No.	Part No.	Description	Description	Q'ty	S.C	Serial No.	ICA	Replaceable part	
								Part No.	Q'ty
007 -1	65.01801-5100	HOUSING;BREATHER	CARTER	1					
2	06.01923-3114	BOLT ASS'Y M8X22	BOULON A 6 PANS	4					
3	65.01840-0008A	BRACKET;BREATHER PIPE	SUPPORT	1					
4	65.90001-0139	BOLT;HEX. M8X150	BOULON A 6 PANS	4					
5	06.16731-2107	WASHER	RONDELLE	4					
6	65.91701-0197	SPACER	ENTRETOISE	2					
7	65.91701-0199	SPACER	ENTRETOISE	1					
8	65.91701-0233	SPACER	BAGUE D'ECARTEMENT	1					
9	65.96301-0421	HOSE;RUBBER	FLEXIBLE CAOUTCHOUC	1					
10	06.67020-0105	CLAMP;HOSE	COLLIER	2					
11	65.97460-0002	CABLE TIA	CABLE TIA	2					
16	65.05701-5541	PIPE;OIL	CONDUITES DE HUILE	1					
17	06.01923-3113	BOLT ASS'Y M8X20	BOULON A 6 PANS	3					
18	65.96301-0422A	HOSE;RUBBER	TUYAU FLEXIBLE	1					
19	06.67020-0101	CLAMP;HOSE	COLLIER	2					
20	65.96301-0386	HOSE;RUBBER	TUYAU FLEXIBLE	1					
21	06.67020-0101	CLAMP;HOSE	COLLIER	2					
22	65.98131-0119	NIPPLE	GRAISSEUR	1					
23	06.56190-0719	RING;SEAL	BAGUE	1					

DATE	SEP. 12, 2012
4th EDITION	

**Fig. 008 OIL PUMP
POMPE A HUILE**

Serial No. ;



DATE	SEP. 12, 2012
4th EDITION	

**Fig. 008 OIL PUMP
POMPE A HUILE**

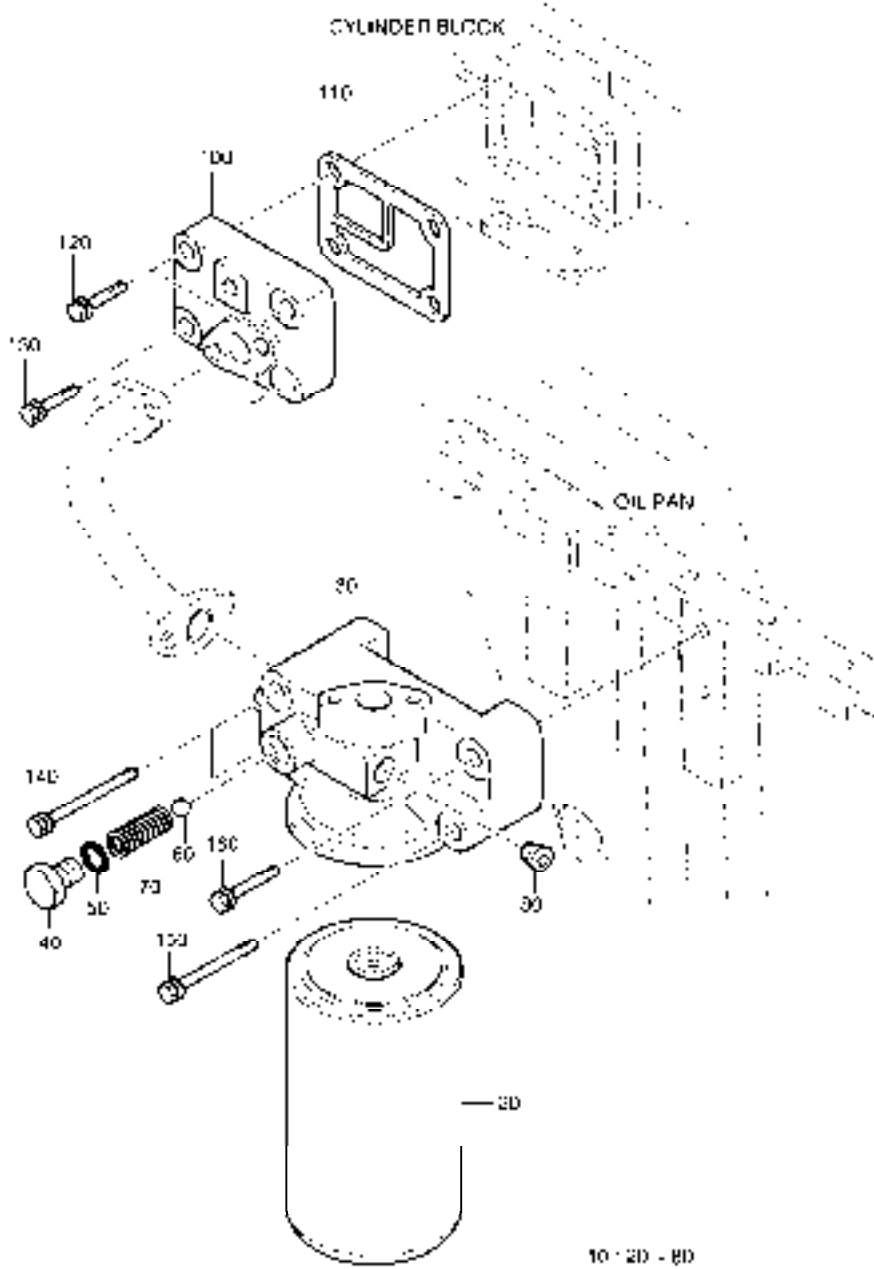
Serial No. ;

Key No.	Part No.	Description	Description	Q'ty	S.C	Serial No.	ICA	Replaceable part	
								Part No.	Q'ty
008 -101	65.05101-7025	OIL PUMP ASS'Y	POMPE D'CHUILE	1					
102	65.05102-0018	HOUSING;OIL PUMP	CARTER	1	D				
103	65.05104-6065	GEAR ASS'Y;OIL PUMP	PIGNON	1					
106	65.05105-0044	SHAFT;OIL PUMP	ARBRE	1					
107	65.05104-0177	GEAR;OIL PUMP	PIGNON	1					
108	65.05705-6023	STRAINER ASS'Y	FILTRE	1					
109	06.01013-9117	BOLT M8X65	BOULON A 6 PANS	4					
110	06.16731-2107	WASHER	RONDELLE	4					
111	65.05103-0051	COVER;OIL PUMP	COUVERCLE	1	D				
112	65.91710-0012	RING;STOPPER	BAGUE	1					
113	06.22070-0913	PIN;SPLIT 4X30	GOUJON	1					
114	65.91305-0007	SEAT;SPRING	RESSORT	1					
115	65.97601-0090	SPRING;COMPRESSION	RESSORT	1					
116	06.31641-0222	BALL;STEEL	BILLE	1					
117	06.01913-3113	BOLT ASS'Y M8X20	BOULON A 6 PANS	2					
118	65.96601-0058	GASKET	JOINT	1					
119	65.05701-5636A	OIL PIPE ASS'Y	CONDUITE	1					
120	06.01923-3120	BOLT ASS'Y M8X45	BOULON A 6 PANS	4					
121	65.05903A0002	GASKET	JOINT	2					
122	06.01944-3215	BOLT ASS'Y M10X1.25X25	BOULON A 6 PANS	2					
202	65.05201-0065	GEAR;OIL PUMP DRIVE	PIGNON	1					
203	65.05207-0006	COUPLING;SLEEVE	FIXATION DE POMPE	1					
204	65.05202-0001B	BUSH;DRIVE GEAR	DOUILLE	1					

DATE	SEP. 12, 2012
4th EDITION	

**Fig. 009 OIL FILTER
FILTRE A HUILE**

Serial No. ;



10-20-80

DATE	SEP. 12, 2012
4th EDITION	

**Fig. 009 OIL FILTER
FILTRE A HUILE**

Serial No. ;

Key No.	Part No.	Description	Description	Q'ty	S.C	Serial No.	ICA	Replaceable part	
								Part No.	Q'ty
009 -10	65.05501-7084A	OIL FILTER ASS'Y	FILTRE A HUILE	1					
20	65.05510-5028A	CARTRIDGE,OIL FILTER	ELEMENT FILTRANT	1					
30	65.05503-5053	HEAD;OIL FILTER	CULASSE	1					
40	65.90310-0036A	PLUG;SCREW	VIS	1					
50	06.56190-0709	SEAL;RING	BAGUE D'ETANCHEITE	1					
60	06.31641-0222	BALL;STEEL	BILLE	1					
70	65.97601-0045	SPRING;COMPRESS	RESSORT	1					
80	65.90350-0005	SCREW;PLUG PT 3/8	VIS	1					
100	65.05520-5001	FLANGE;INTERMEDIATE	BRIDE	1					
110	65.05901C0004	GASKET;OIL FILTER	JOINT	1					
120	06.01953-3219	BOLT ASS'Y M10X1.25X40	BOULON A 6 PANS	3					
130	65.90001-6013	BOLT;HEX.	BOULON A 6 PANS	1					
140	06.01923-3228	BOLT ASS'Y M10X85	BOULON A 6 PANS	2					
150	06.01923-3225	BOLT ASS'Y M10X70	BOULON A 6 PANS	1					
160	06.01923-3222	BOLT ASS'Y	BOULON A 6 PANS	1					

DATE	SEP. 12, 2012
4th EDITION	

**Fig. 010 OIL COOLER
REFROIDISSEMENT DE HUILE**

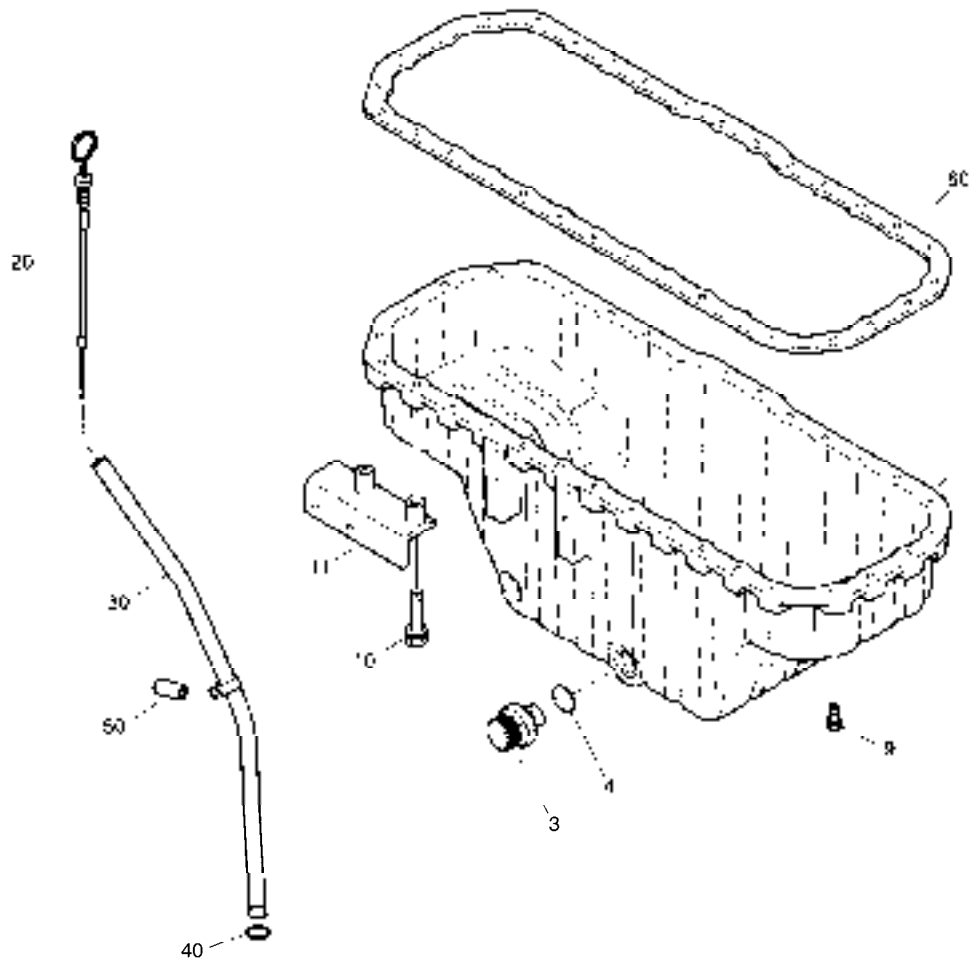
Serial No. ;

Key No.	Part No.	Description	Description	Q'ty	S.C	Serial No.	ICA	Replaceable part	
								Part No.	Q'ty
010 -10	65.05601-7056E	OIL COOLER ASS'Y	ENSEMBLE REFROIDISSEU	1					
11	65.05902-0025	GASKET;ELEMENT	JOINT	2					
15	65.05606-5024	ELEMENT;OIL COOLER	ELEMENT FILTRANT	1					
20	65.05604-0013B	HOUSING;OIL COOLER	BOITIER	1					
25	65.05902A0005	GASKET;OIL COOLER	JOINT	1					
30	06.01923-3120	BOLT ASS'Y M8X45	BOULON A 6 PANS	12					
40	06.01923-3115	BOLT ASS'Y M8X25	BOULON A 6 PANS	14					
50	06.01923-3113	BOLT ASS'Y M8X20	BOULON A 6 PANS	2					
60	65.90201-0103	BOLT;STUD	BOULON DE GOUJON	2					
61	06.15010-2311	WASHER	RONDELLE	2					
62	06.16731-2107	WASHER	RONDELLE	2					
70	65.05701-5531	OIL PIPE ASS'Y	CONDUITES DE HUILE	1					
80	06.01913-3114	BOLT ASS'Y M8X22	BOULON A 6 PANS	8					
90	65.05701-5530	PIPE ASS'Y;OIL	TUYAU	1					
100	65.05903A0001	GASKET	JOINT	4					

DATE	SEP. 12, 2012
4th EDITION	

Fig. 011 OIL PAN
CARTER D'HUILE

Serial No. ;



DATE	SEP. 12, 2012
4th EDITION	

**Fig. 011 OIL PAN
CARTER D'HUILE**

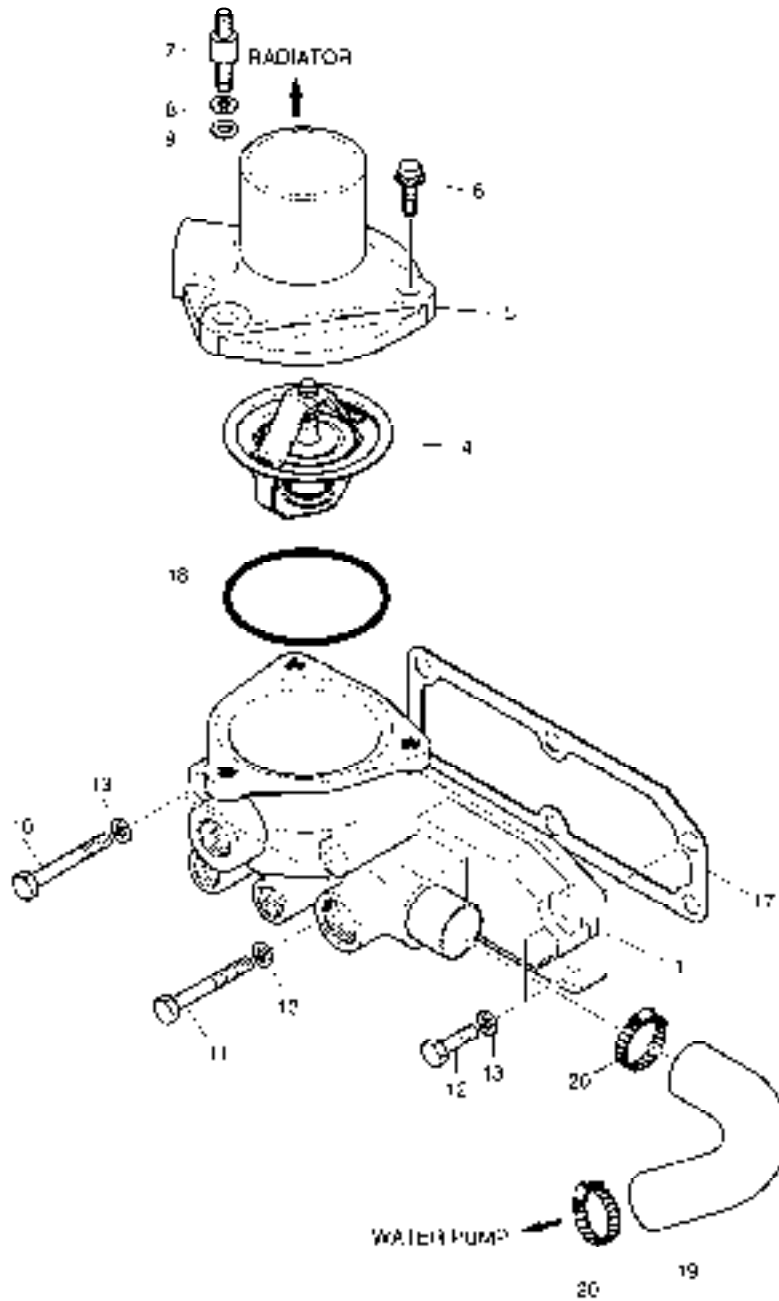
Serial No. ;

Key No.	Part No.	Description	Description	Q'ty	S.C	Serial No.	ICA	Replaceable part	
								Part No.	Q'ty
011 -1	65.05801-5247	PAN;OIL	CAOUTCHOUC	1					
3	65.98125-5022A	JOINT;DRAIN	JOINT	1					
4	06.56190-0732	SEAL;RING	CONTACT DE NIVEAU D'HUILE	1					
9	06.01913-3119	BOLT ASS'Y M8X40	BOULON A 6 PANS	21					
10	06.01913-3123	BOLT;HEX. M8X60	BOULON A 6 PANS	2					
11	65.05740-5007	BRACKET	PLAQUE	1					
20	65.05805-5222A	GAUGE;OIL LEVEL	JAUGE D'HUILE	1					
30	65.05806-5102A	TUBE;GUIDE	DOUILLE ACIER	1					
40	06.56017-0303	O-RING	JOINT TORIQUE	2					
50	65.91701-0086	SPACER	BAGUE D'ECARTEMENT	2					
60	65.05904A0002	GASKET;OIL PAN	JOINT	1					

DATE	SEP. 12, 2012
4th EDITION	

**Fig. 012 THERMOSTAT
THERMOSTAT**

Serial No. ;



DATE	SEP. 12, 2012
4th EDITION	

**Fig. 012 THERMOSTAT
THERMOSTAT**

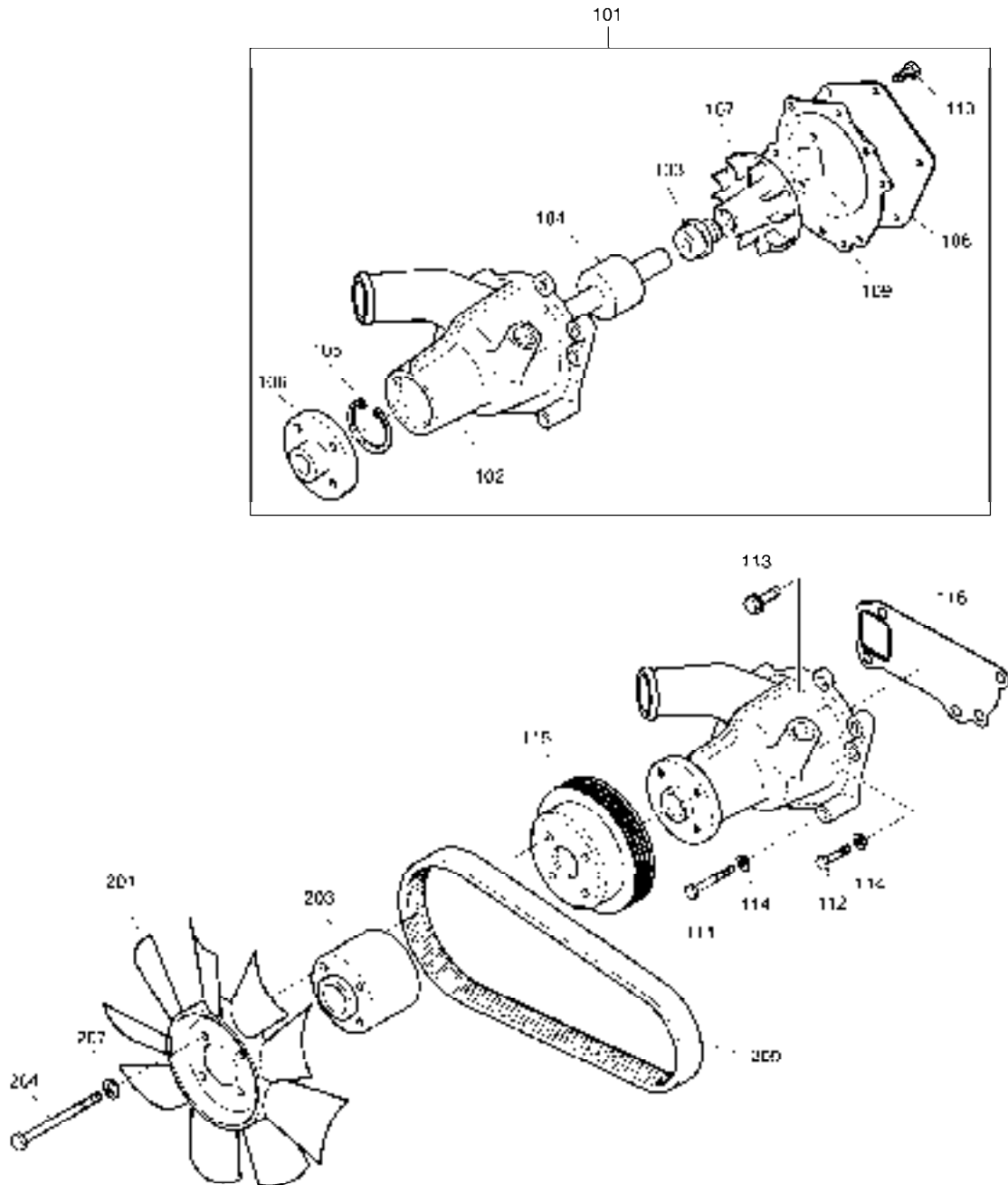
Serial No. ;

Key No.	Part No.	Description	Description	Q'ty	S.C	Serial No.	ICA	Replaceable part	
								Part No.	Q'ty
012 -1	65.06404-5032	HOUSING ASS'Y	ENSEMBLE DE CORPS DE	1					
4	65.06402-5015	THERMOSTAT	FILTRE	1					
5	65.06405-0039	OUTLET;WATER	SORTIE DE L'EAU	1					
6	06.01923-3114	BOLT ASS'Y M8X22	BOULON A 6 PANS	2					
7	65.90201-0037	BOLT;SPACER	BOULON A 6 PANS	1					
8	06.16731-2107	WASHER	RONDELLE	1					
9	06.15010-2311	WASHER	RONDELLE	1					
10	06.01493-4217	BOLT M10X1.25X90	BOULON A 6 PANS	2					
11	06.01493-4216	BOLT M10X1.25X85	BOULON A 6 PANS	1					
12	06.01943-3217	BOLT M10X1.25X30	BOULON A 6 PANS	3					
13	06.16044-0211	WASHER;SPRING	RONDELLE ELASTIQUE	6					
17	65.06904A0004	GASKET;THERMOSTAT HSG	JOINT	1					
18	65.06904-0003	GASKET;THERMOSTAT	JOINT	1					
19	65.96301-0045C	HOSE;RUBBER	TUYAU FLEXIBLE	1					
20	06.67020-0106	CLAMP;HOSE	COLLIER	2					

DATE	SEP. 12, 2012
4th EDITION	

**Fig. 013 WATER PUMP & COOLING FAN
POMPE A EAU VENTILATEUR**

Serial No. ;



DATE	SEP. 12, 2012
4th EDITION	

**Fig. 013 WATER PUMP & COOLING FAN
POMPE A EAU VENTILATEUR**

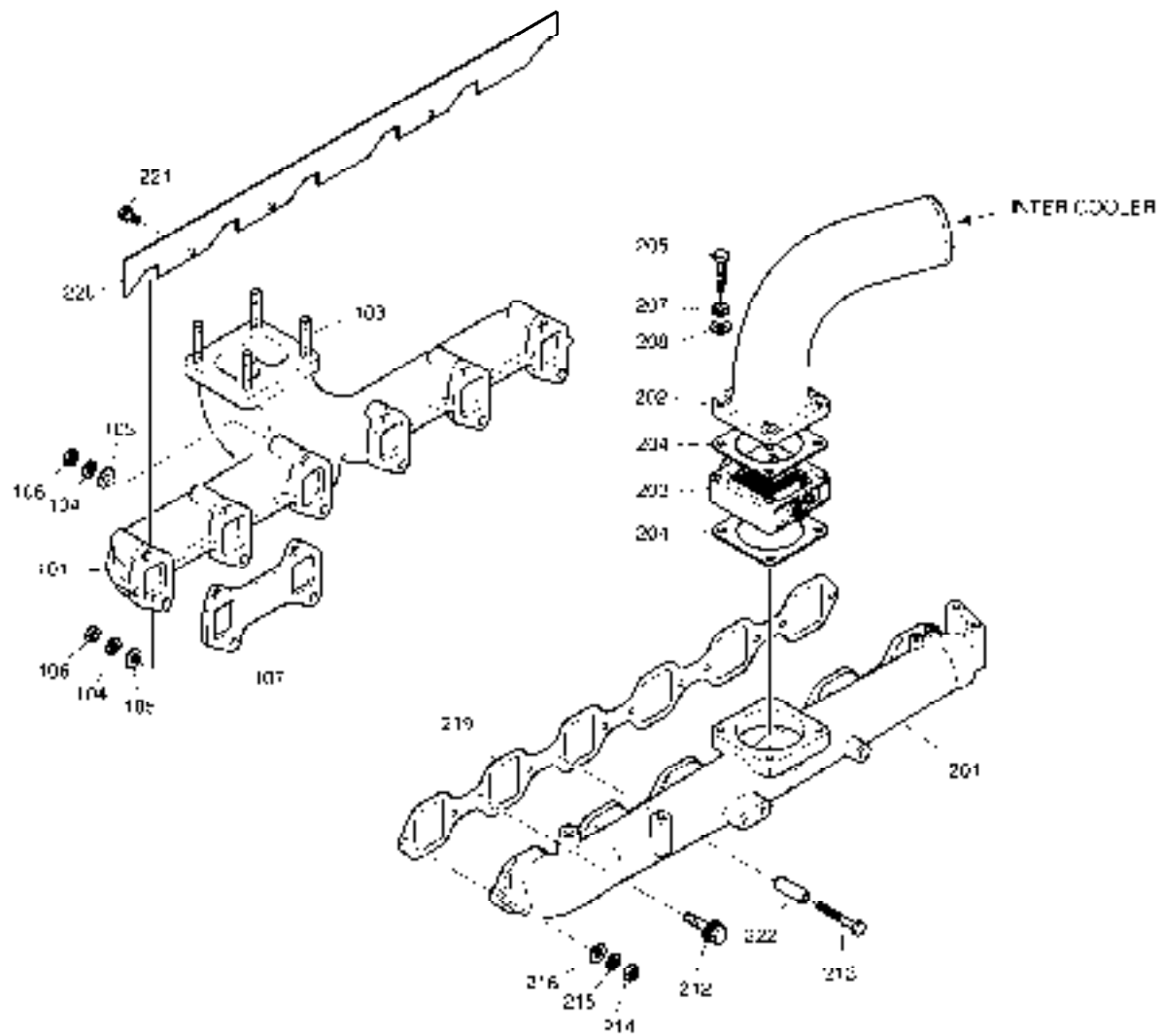
Serial No. ;

Key No.	Part No.	Description	Description	Q'ty	S.C	Serial No.	ICA	Replaceable part	
								Part No.	Q'ty
013 -101	65.06500-6144A	WATER PUMP ASS'Y	POMPE DE EAU	1					
102	65.06501-0214	HOUSING	BOITIER	1	D				
103	65.06520-6007	SEAL;MECHANICAL	JOINT	1					
104	65.93410-0027	BEARING	PALIER	1					
105	06.29020-0132	SNAP RING 55X2	BAGUE ELASTIQUE	1					
106	65.06504-0033	HUB;V-BELT PULLEY	MOYEU	1					
107	65.06506-0085	IMPELLER	TURBINE	1					
108	65.06512-0016	COVER	COUVERCLE	1					
109	65.06901-0035A	GASKET	JOINT	1					
110	06.04200-9009	SCREW;CROSS M8X20	VIS	3					
111	06.01493-4215	BOLT M10X1.25X80	BOULON A 6 PANS	1					
112	06.01493-4212	BOLT M10X1.25X65	BOULON A 6 PANS	2					
113	06.01943-3218	BOLT ASS'Y M10X1.25X35	BOULON A 6 PANS	1					
114	06.16731-2108	WASHER;SPRING	RONDELLE	3					
115	65.06606-0039	PULLEY;FAN	POLLEY	1					
116	65.06901B0002	GASKET;WATER PUMP	JOINT	1					
201	65.06601-5070	FAN;COOLING	VENTILATEUR	1					
203	65.06611-0132	FLANGE;FAN	BRIDE	1					
204	06.01013-9130	BOLT M8X150	BOULON A 6 PANS	4					
207	06.16731-2107	WASHER	RONDELLE	4					
209	65.96801-0124A	BELT;POLY	CEINTURE	1					

DATE	SEP. 12, 2012
4th EDITION	

**Fig. 014 INTAKE & EXHAUST MANIFOLD
D'ADMISSION ET D'ECHAPPEMENT**

Serial No. ;



DATE	SEP. 12, 2012
4th EDITION	

**Fig. 014 INTAKE & EXHAUST MANIFOLD
D'ADMISSION ET D'ECHAPPEMENT**

Serial No. ;

Key No.	Part No.	Description	Description	Q'ty	S.C	Serial No.	ICA	Replaceable part	
								Part No.	Q'ty
014 -101	65.08101-0274	MANIFOLD;EXHAUST	COLLECTEUR	1					
103	06.06175-8208	BOLT;STUD M10X1.25X30	GOUJON	4					
104	06.16731-2107	WASHER	RONDELLE	12					
105	06.15010-2311	WASHER	RONDELLE	12					
106	06.11063-8214	NUT	ECROU	12					
107	65.08901-0028	GASKET;EXHAUST MANIFOLD	JOINT	3					
201	65.08201-5062	MANIFOLD;INTAKE	COLLECTEUR	1					
202	65.08202-0175	STAKE;INTAKE	PIEU DE PRISE	1					
203	65.26803-7028B	AIR HEATER	RECHAUFFEUR D' AIR	1					
204	65.09904-0008	GASKET;AIR HEATER	JOINT	2					
205	06.01923-3124	BOLT ASS'Y M8X65	BOULON A 6PANS	4					
207	06.16731-2107	WASHER	RONDELLE	4					
208	06.15010-2311	WASHER	RONDELLE	4					
212	65.90020-0142	BOLT ASS'Y	BOULON A 6 PANS	7					
213	06.01013-9127	BOLT M8X120	BOULON A 6 PANS	1					
214	06.11063-8214	NUT	ECROU	3					
215	06.16731-2107	WASHER	RONDELLE	3					
216	06.15010-2311	WASHER	RONDELLE	3					
219	65.08902-0034	GASKET;INTAKE MANIFOLD	JOINT	1					
220	65.08120-0026	HEAT;SCREEN	LA CHALEUR D' ECRAN	1					
221	06.01913-3111	BOLT ASS'Y M8X16	BOULON A 6 PANS	3					
222	65.91701-0029	SPACER	ENTRETOISE	1					

DATE	SEP. 12, 2012
4th EDITION	

Fig. 015 TURBO CHARGER & OIL PIPE CHARGEUR DE TURBO

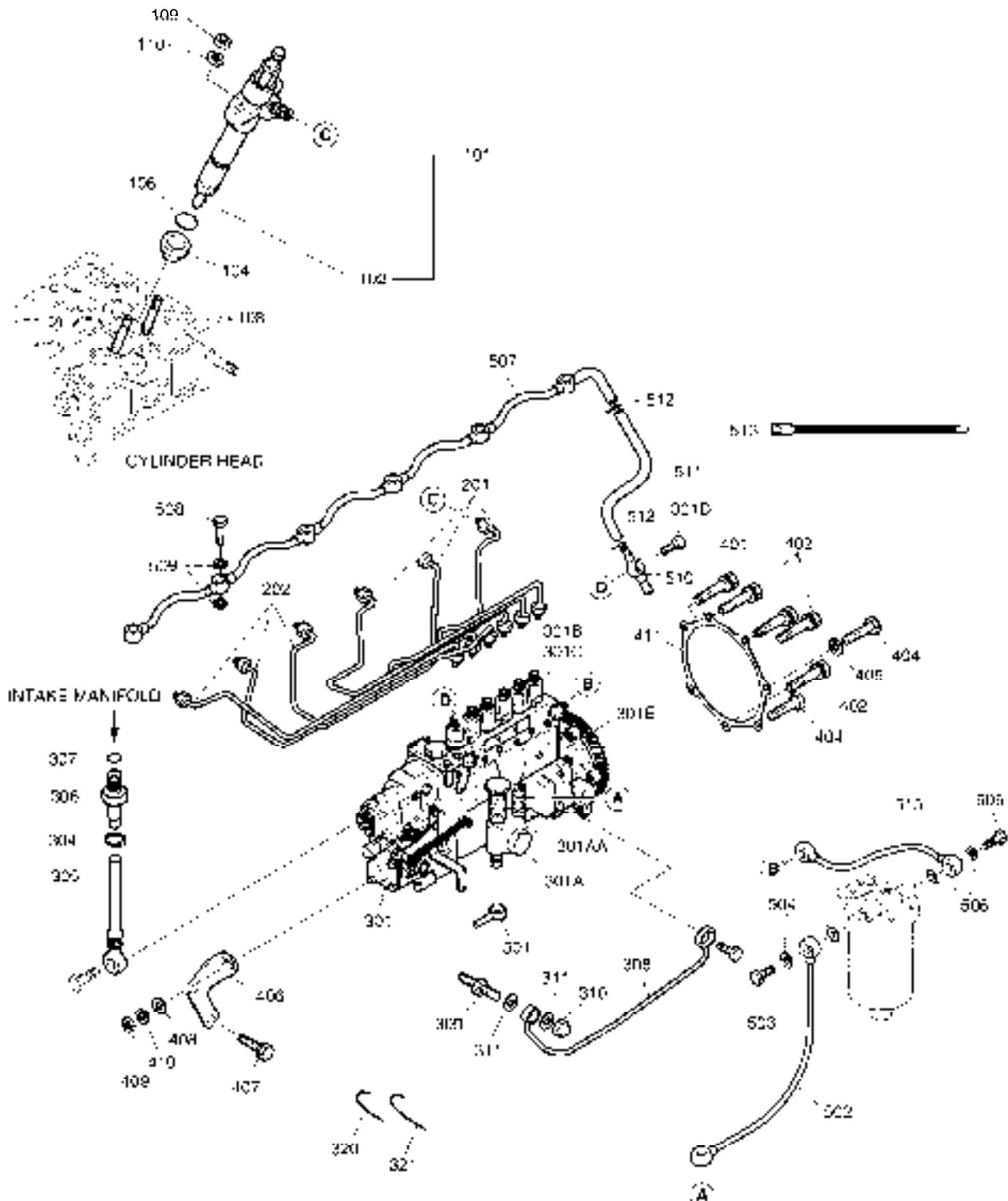
Serial No. ;

Key No.	Part No.	Description	Description	Q'ty	S.C	Serial No.	ICA	Replaceable part	
								Part No.	Q'ty
015 -101	65.09100-7080A	TURBO CHARGER ASS'Y	TURBO CHARGER	1					
102	65.09901-0018A	GASKET	JOINT	1					
103	06.11024-9202	NUT M10X1.25	ECROU	4					
104	06.16731-2108	WASHER;SPRING	RONDELLE	4					
105	65.09901-0020	GASKET;TURBO CHARGER	JOINT	1					
106	65.90201-0096	BOLT;STUD M8X30	BOULON DE GOUJON	4					
107	06.11063-8214	NUT	ECROU	4					
108	06.16731-2107	WASHER	RONDELLE	4					
109	65.98130-0200A	ADAPTER	ADAPTEUR	1					
110	65.05701-5342	OIL PIPE ASS'Y	CONDUITE	1					
111	06.78144-2403	HOLLOW SCREW M12X1.5	VIS CREUSE	1					
112	06.56190-0709	SEAL;RING	BAGUE D'ETANCHEITE	1					
113	06.56190-0704	RING;SEAL	BAGUE D'ETANCHEITE	2					
114	65.98155-0011	UNION;HOLLOW	GRAISSEUR	1					
115	06.56180-0714	RING;SEAL	BAGUE D'ETANCHEITE	2					
116	06.12172-9314	NUT;CAP	CHAPEAU DE ECROU	1					
117	65.97480-0135	HOLDER	POSSESSEUR	1					
118	06.01913-3110	BOLT ASS'Y M8X12	BOULON A 6 PANS	1					
119	65.05701-5343	OIL PIPE ASS'Y	CONDUITE	1					
120	65.96601-0067	GASKET;T/C OIL RETURN	JOINT	1					
121	06.01913-3115	BOLT ASS'Y M8X25	BOULON A 6 PANS	2					
122	65.96301-0280A	HOSE;RUBBER	TUYAU FLEXIBLE	1					
123	06.67020-0106	CLAMP;HOSE	COLLIER	2					
201	65.09411-5054	PIPE;INLET	CONDUITES	1					
202	65.96301-0279	HOSE;RUBBER	TUYAU FLEXIBLE	1					
203	06.67020-0109	CLAMP;HOSE	COLLIER	2					
204	65.09440-0016	BRACKET	SUPPORT	1					
205	06.01923-3215	BOLT ASS'Y M10X25	BOULON A 6 PANS	2					

DATE	SEP. 12, 2012
4th EDITION	

**Fig. 016 FUEL SYSTEM
INJECTEUR ET POMPE-INJECTEUR**

Serial No. ;



DATE	SEP. 12, 2012
4th EDITION	

**Fig. 016 FUEL SYSTEM
INJECTEUR ET POMPE-INJECTEUR**

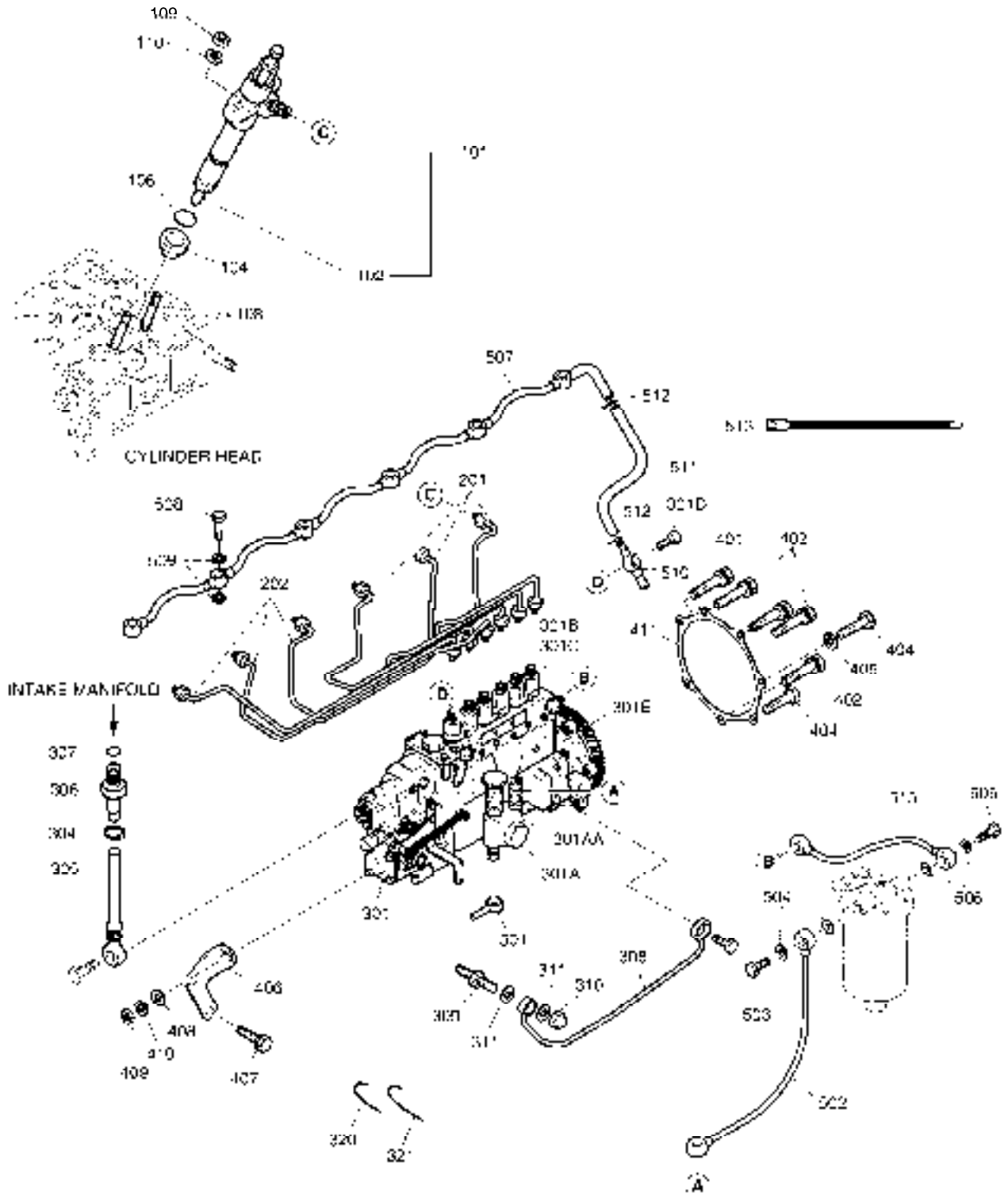
Serial No. ;

Key No.	Part No.	Description	Description	Q'ty	S.C	Serial No.	ICA	Replaceable part	
								Part No.	Q'ty
016 -101	65.10101-7099A	NOZZLE HOLDER ASS'Y	BEC SUPPORT	6					
102	65.10102-6069	NOZZLE	BEC	1					
104	65.96507-0044B	RING;SEAL	BAGUE D'ETANCHEITE	6					
106	65.96507-0050	SEAL;RING	BAGUE D'ETANCHEITE	6					
108	65.90201-0099	BOLT;STUD	GOUJON	12					
109	06.11063-8214	NUT	ECROU	12					
110	06.16731-2107	WASHER	RONDELLE	12					
201	65.10301-6088	PRESSURE PIPE ASS'Y	PIPE DE PRESSION	1					
202	65.10301-6089	PRESSURE PIPE ASS'Y	CONDUITE	1					
301	65.11101-7420A	PUMP;INJECTION	POMPE D'INJECTION	1		-100226	I	400912-00071	1
	400912-00071	PUMP ASSY,INJECTION	POMPE D'INJECTION	1		100227-			
301A	105220-649A	. PUMP,FEED	. POMPE	1					
301A	400908-00004	.. HAND PRIMING PUMP	.. POMPE	1					
301B	131150-2620	. PLUNGER	. POMPE	6					
301C	65.11108-6006S	. VALVE,DELIVERY	. POMPE	1					
301D	131424-1520	. VALVE;OVERFLOW	. VANNE	1					
301E	156639-8820	. COUPLING	. POMPE	1					
304	06.67020-0101	CLAMP;HOSE	COLLIER	1					
305	65.08301-6008	HOSE;AIR	TUYAU FLEXIBLE	1					
306	65.98131-0050	CONN SCREW	TUYAU FLEXIBLE	1					
307	06.56180-0714	RING;SEAL	BAGUE D'ETANCHEITE	1					
308	65.05701-5200	PIPE;OIL	CONDUITE	1					
309	65.98155-0011	UNION;HOLLOW	GRAISSEUR	1					
310	06.12172-9314	NUT;CAP	CHAPEAU DE ECROU	1					
311	06.56180-0714	RING;SEAL	BAGUE D'ETANCHEITE	2					
320	65.11596-0001	WIRE;SEAL	FIL	3					
321	65.11596-0002	WIRE;SEAL	FIL	1					
401	06.01913-3122	BOLT ASS'Y M8X55	BOULON A 6 PANS	1					
402	06.01913-3124	BOLT ASS'Y M8X65	BOULON A 6 PANS	4					
404	06.01283-7128	BOLT;HEX. M8X85	BOULON A 6 PANS	2					
405	06.16731-2107	WASHER	RONDELLE	1					
406	65.11401-0002C	BRACKET;REAR	SUPPORT	1					
407	06.01953-3213	BOLT ASS'Y M10X1.25X20	BOULON A 6 PANS	2					
408	06.15010-2312	WASHER;PLAIN	RONDELLE	1					
409	06.11063-9215	NUT M10X1.25	ECROU	1					
410	06.16731-2108	WASHER;SPRING	RONDELLE	1					
411	65.11902A0001	GASKET;INJECTION PUMP MOUT	JOINT	1					
501	65.12301-5022	PIPE;FUEL(RETURN)	CANALISATION DE GAZOLE	1					

DATE	SEP. 12, 2012
4th EDITION	

**Fig. 016 FUEL SYSTEM
INJECTEUR ET POMPE-INJECTEUR**

Serial No. ;



DATE	SEP. 12, 2012
4th EDITION	

**Fig. 016 FUEL SYSTEM
INJECTEUR ET POMPE-INJECTEUR**

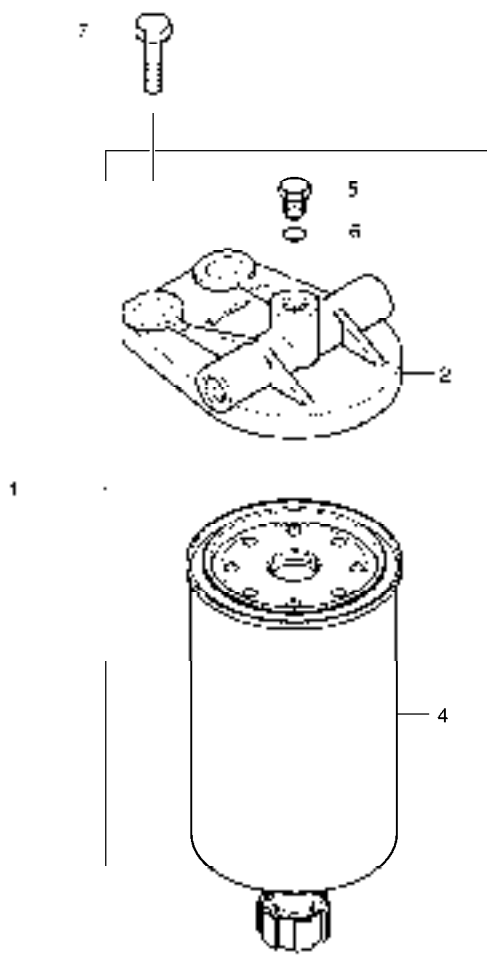
Serial No. ;

Key No.	Part No.	Description	Description	Q'ty	S.C	Serial No.	ICA	Replaceable part	
								Part No.	Q'ty
016 -502	65.96341-0100	HOSE;FUEL	TUYAU A GAZOLE	1					
503	06.78144-2204	SCREW;HOLLOW	VIS CREUSE	1					
504	65.96507-0043	RING;SEAL A14X20	BAGUE D'ETANCHEITE	2					
505	06.78144-2204	SCREW;HOLLOW	VIS CREUSE	1					
506	65.96507-0043	RING;SEAL A14X20	BAGUE D'ETANCHEITE	2					
507	65.12301-5824	PIPE;FUEL	CONDUITES	1					
508	65.98150-0015B	SCREW;HOLLOW	VIS CREUSE	6					
509	06.56180-0712	RING;SEAL	BAGUE	12					
510	65.12301-5825	PIPE;FUEL(RETURN)	CONDUITES	1					
511	65.96301-0176	HOSE;RUBBER	TUYAU FLEXIBLE	1					
512	65.97401-0089	CLIP	CLIP	2					
513	65.97460-0002	CABLE TIA	CABLE TIA	1					
515	65.96341-0100	HOSE;FUEL	TUYAU A GAZOLE	1					

DATE	SEP. 12, 2012
4th EDITION	

**Fig. 017 FUEL FILTER
FILTRE A GAZOLE**

Serial No. ;



DATE	SEP. 12, 2012
4th EDITION	

**Fig. 017 FUEL FILTER
FILTRE A GAZOLE**

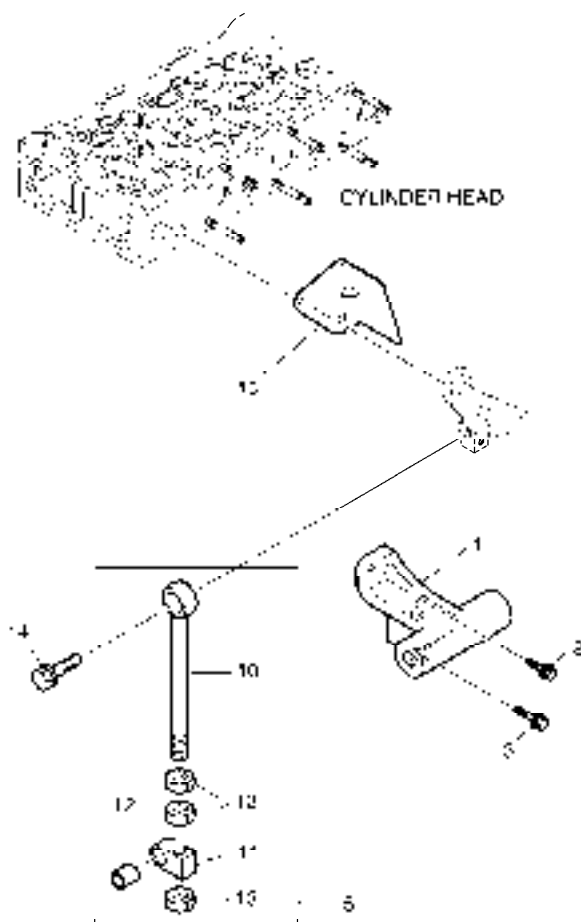
Serial No. ;

Key No.	Part No.	Description	Description	Q'ty	S.C	Serial No.	ICA	Replaceable part	
								Part No.	Q'ty
017 -1	65.12501-7023B	FUEL FILTER ASS'Y	FILTRE A GAZOLE	1					
2	65.12504-5013A	HEAD;FUEL FILTER	COUVERCLE	1					
4	65.12503-5016B	ELEMENT;E/G FUEL FILTER	ELEMENT FILTRANT	1					
5	65.90310-0143	SCREW;PLUG	VIS	1					
6	06.56180-0716	RING;SEAL	BAGUE	1					
7	06.01953-3318	BOLT ASS'Y M12X1.5X35	BOULON A 6 PANS	2					

DATE	SEP. 12, 2012
4th EDITION	

Fig. 018 ALTERNATOR MOUNTING
ALTERNATEUR

Serial No. ;



DATE	SEP. 12, 2012
4th EDITION	

**Fig. 018 ALTERNATOR MOUNTING
ALTERNATEUR**

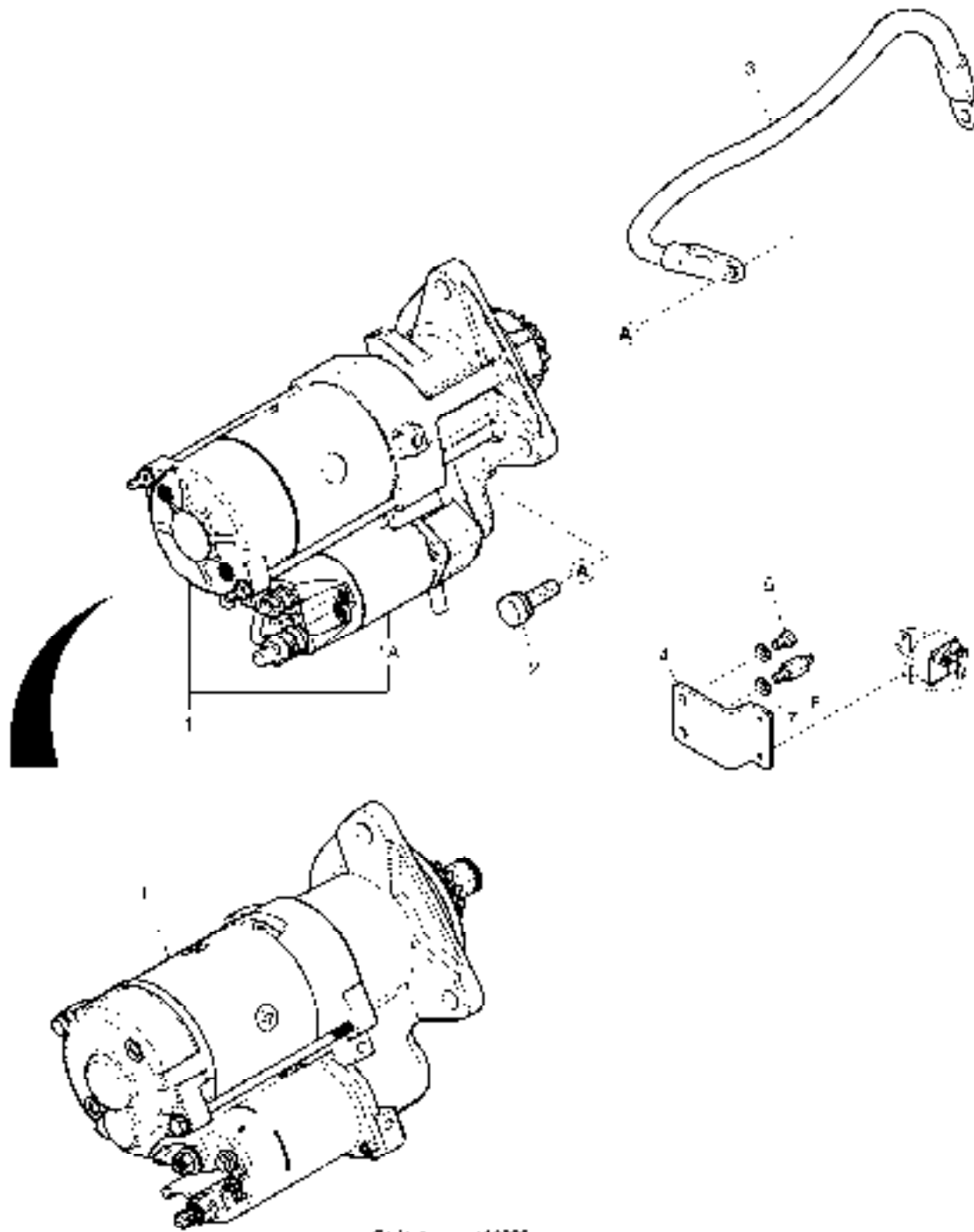
Serial No. ;

Key No.	Part No.	Description	Description	Q'ty	S.C	Serial No.	ICA	Replaceable part	
								Part No.	Q'ty
018 -1	65.19102-0013B	BRACKET	SUPPORT	1					
2	06.01944-3215	BOLT ASS'Y M10X1.25X25	BOULON A 6 PANS	1					
3	06.01943-3218	BOLT ASS'Y M10X1.25X35	BOULON A 6 PANS	2					
5	65.19103-6010A	EYE BOLT ASS'Y	BOUCHON A VIS	1					
10	65.90441-0009A	EYE BOLT	GUIDE	1	D				
11	65.19107-0001A	PIECE;GUIDE	AMPOULE	1	D				
12	65.93020-0055	BUSH	DOUILLE	1	D				
13	06.11063-9217	NUT	ECROU 6 PANS	3	D				
14	06.01943-3319	BOLT ASS'Y M12X1.5X40	BOULON A 6 PANS	1					
15	65.08120-0027	SCREEN;HEAT	BOULON A 6PANS	1					

DATE	SEP. 12, 2012
4th EDITION	

Fig. 019 **STARTER**
 DEMARREUR

Serial No. ;



Serial No. -- 113391

DATE	SEP. 12, 2012
4th EDITION	

**Fig. 019 STARTER
DEMARREUR**

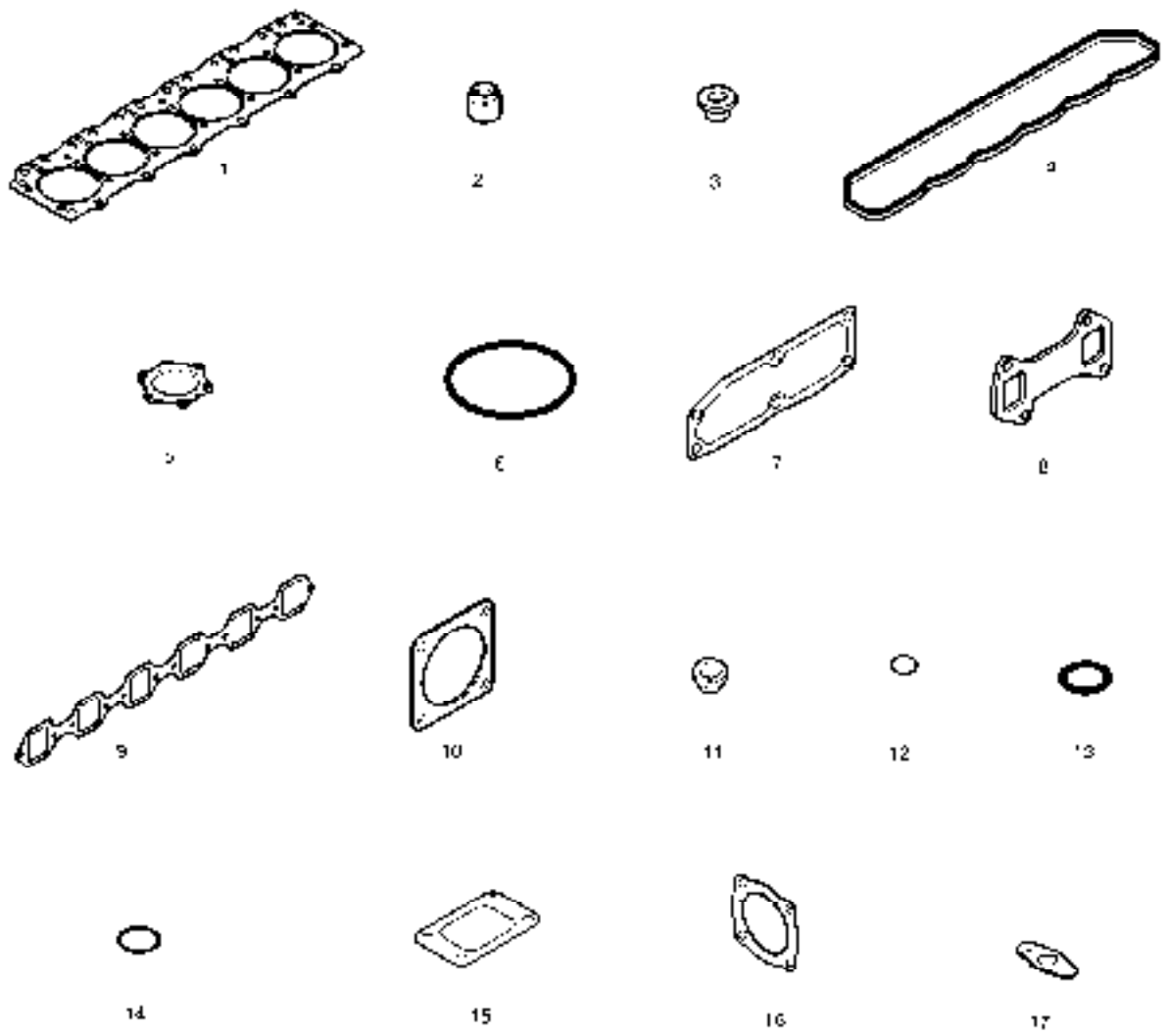
Serial No. ;

Key No.	Part No.	Description	Description	Q'ty	S.C	Serial No.	ICA	Replaceable part	
								Part No.	Q'ty
019 -1	65.26201-7076B	STARTER	DEMARREUR	1		-080707	Y	65.26201-7076C	1
	65.26201-7076C	STARTER	DEMARREUR	1		-090403	Y	300516-00003	1
	300516-00003	STARTER	DEMARREUR	1		-110330	I	300516-00041	1
	300516-00041	STARTER ASSY	DEMARREUR	1		110331-			
1A	65.26212-0006	. RELAY;MAGNETIC	. RELAIS	1		110331-			
2	06.01943-3318	BOLT ASS'Y M12X1.5X35	BOULON A 6 PANS	3					
3	65.29101-5001	WIRE;ELECTRIC	FIL	1					
4	65.97480-0223	HOLDER	POSSESSEUR	1					
5	06.01943-3213	BOLT ASS'Y M10X1.25X20	BOULON A 6 PANS	1					
6	65.90201-0168	BOLT;STUD	BOULON A 6 PANS	1					
7	06.16731-2108	WASHER;SPRING	RONDELLE	1					

DATE	SEP. 12, 2012
4th EDITION	

**Fig. 020 OVER HAUL GASKET KIT-TOP
PIECES DE RECHANGE**

Serial No. ;



DATE	SEP. 12, 2012
4th EDITION	

**Fig. 020 OVER HAUL GASKET KIT-TOP
PIECES DE RECHANGE**

Serial No. ;

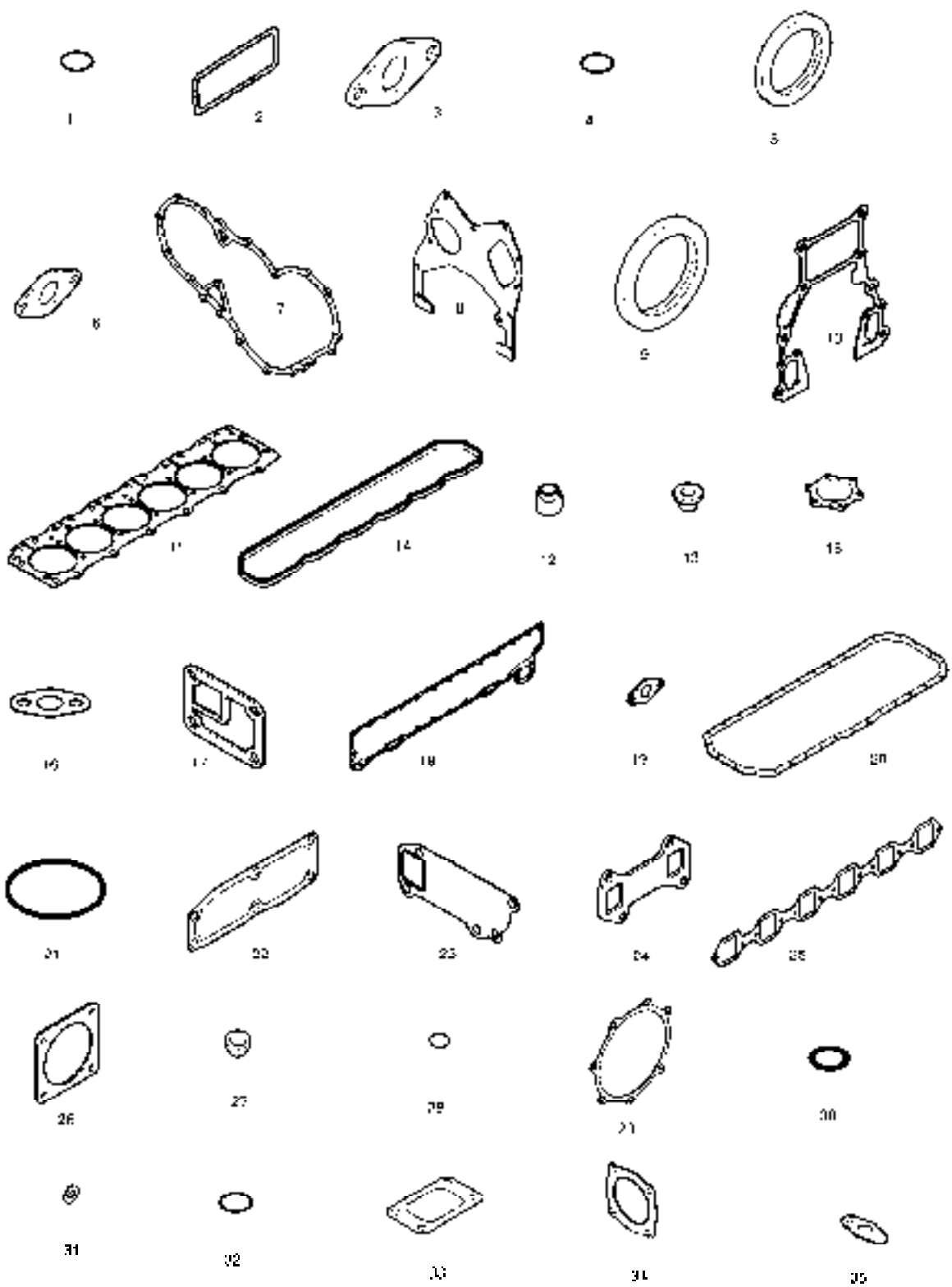
Key No.	Part No.	Description	Description	Q'ty	S.C	Serial No.	ICA	Replaceable part	
								Part No.	Q'ty
020 --	65.99605-8020	OVER HAUL GASKET KIT-TOP	JOINT	1					
1	65.03901-0066A	GASKET;CYLINDER HEAD	JOINT	1					
2	65.04902-0011A	SEAL;VALVE STEM	JOINT	12					
3	65.03905-0023A	GASKET;CYLINDER HEAD COVE	JOINT	4					
4	65.03905-0002B	GASKET;CYLINDER HEAD COVE	JOINT	1					
5	65.03903-0001	PACKING;BREATHER PIPE	EMBALLAGE	1					
6	65.06904-0003	GASKET;THERMOSTAT	JOINT	1					
7	65.06904A0004	GASKET;THERMOSTAT HSG	JOINT	1					
8	65.08901-0028	GASKET;EXHAUST MANIFOLD	JOINT	3					
9	65.08902-0034	GASKET;INTAKE MANIFOLD	JOINT	1					
10	65.09904-0008	GASKET;AIR HEATER	JOINT	2					
11	65.96507-0044B	RING;SEAL	BAGUE D'ETANCHEITE	6					
12	65.96507-0050	SEAL;RING	BAGUE D'ETANCHEITE	6					
13	06.56180-0712	RING;SEAL	BAGUE	12					
14	65.96501-0032B	O-RING;BREATHER	JOINT TORIQUE	1					
15	65.09901-0018A	GASKET	JOINT	1					
16	65.09901-0020	GASKET;TURBO CHARGER	JOINT	1					
17	65.96601-0067	GASKET;T/C OIL RETURN	JOINT	1					

DATE	SEP. 12, 2012
4th EDITION	

Fig. 021

OVER HAUL GASKET KIT-ALL
PIECES DE RECHANGE

Serial No. ;



DATE	SEP. 12, 2012
4th EDITION	

**Fig. 021 OVER HAUL GASKET KIT-ALL
PIECES DE RECHANGE**

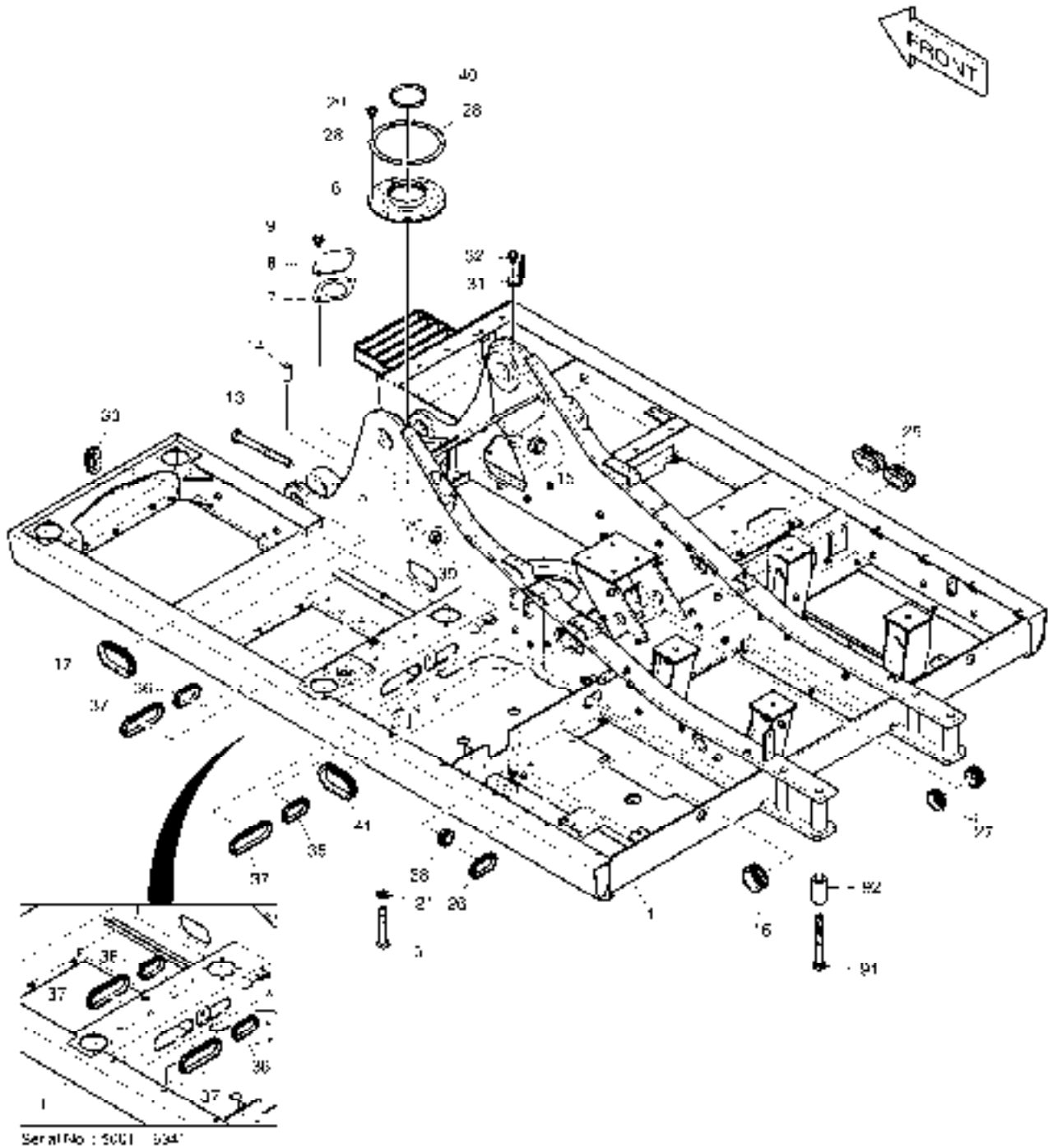
Serial No. ;

Key No.	Part No.	Description	Description	Q'ty	S.C	Serial No.	ICA	Replaceable part	
								Part No.	Q'ty
021 --	65.99601-8027	OVER HAUL GASKET KIT-ALL	JOINT	1					
1	06.56021-0106	O-RING;O/P DRIVE FLANGE	JOINT TORIQUE	1					
2	65.01901-0020	GASKET;PUSH ROD CHAMBER	JOINT	3					
3	65.05903A0013	GASKET;FLANGE	JOINT	1					
4	06.56021-0102	O-RING	JOINT TORIQUE	1					
5	65.01510-0001	SEAL;OIL(FRONT)	JOINT D`HUILE	1					
6	65.01903-0002C	GASKET	JOINT	2					
7	65.01903B0003	GASKET;TIMING GEAR CASE CC	JOINT	1					
8	65.01903B0004	GASKET;TIMING GEAR CASE(BL	JOINT	1					
9	65.01510-0101	SEAL;OIL(REAR)	JOINT D`HUILE	1					
10	65.01904-0021	GASKET;FLYWHEEL HOUSING	JOINT	1					
11	65.03901-0066A	GASKET;CYLINDER HEAD	JOINT	1					
12	65.04902-0015	SEAL;VALVE STEM	JOINT	12					
13	65.03905-0023A	GASKET;CYLINDER HEAD COVE	JOINT	4					
14	65.03905-0002B	GASKET;CYLINDER HEAD COVE	JOINT	1					
15	65.03903-0001	PACKING;BREATHER PIPE	EMBALLAGE	1					
16	65.05903A0002	GASKET	JOINT	2					
17	65.05901C0004	GASKET;OIL FILTER	JOINT	1					
18	65.05902A0005	GASKET;OIL COOLER	JOINT	1					
19	65.05903A0001	GASKET	JOINT	2					
20	65.05904A0002	GASKET;OIL PAN	JOINT	1					
21	65.06904-0003	GASKET;THERMOSTAT	JOINT	1					
22	65.06904A0004	GASKET;THERMOSTAT HSG	JOINT	1					
23	65.06901B0002	GASKET;WATER PUMP	JOINT	1					
24	65.08901-0028	GASKET;EXHAUST MANIFOLD	JOINT	3					
25	65.08902-0034	GASKET;INTAKE MANIFOLD	JOINT	1					
26	65.09904-0008	GASKET;AIR HEATER	JOINT	2					
27	65.96507-0044B	RING;SEAL	BAGUE D'ETANCHEITE	6					
28	65.96507-0050	SEAL;RING	BAGUE D'ETANCHEITE	6					
29	65.11902A0001	GASKET;INJECTION PUMP MOU	JOINT	1					
30	06.56180-0712	RING;SEAL	BAGUE	12					
31	65.96507-0007	PACKING;PUSH ROD CHAMBER	EMBALLAGE	6					
32	65.96501-0032B	O-RING;BREATHER	JOINT TORIQUE	1					
33	65.09901-0018A	GASKET	JOINT	1					
34	65.09901-0020	GASKET;TURBO CHARGER	JOINT	1					
35	65.96601-0067	GASKET;T/C OIL RETURN	JOINT	1					

DATE	SEP. 12, 2012
4th EDITION	

**Fig. 1100 MAIN FRAME
BATI PRINCIPAL**

Serial No. ;



DATE	SEP. 12, 2012
4th EDITION	

Fig. 1100 MAIN FRAME BATI PRINCIPAL

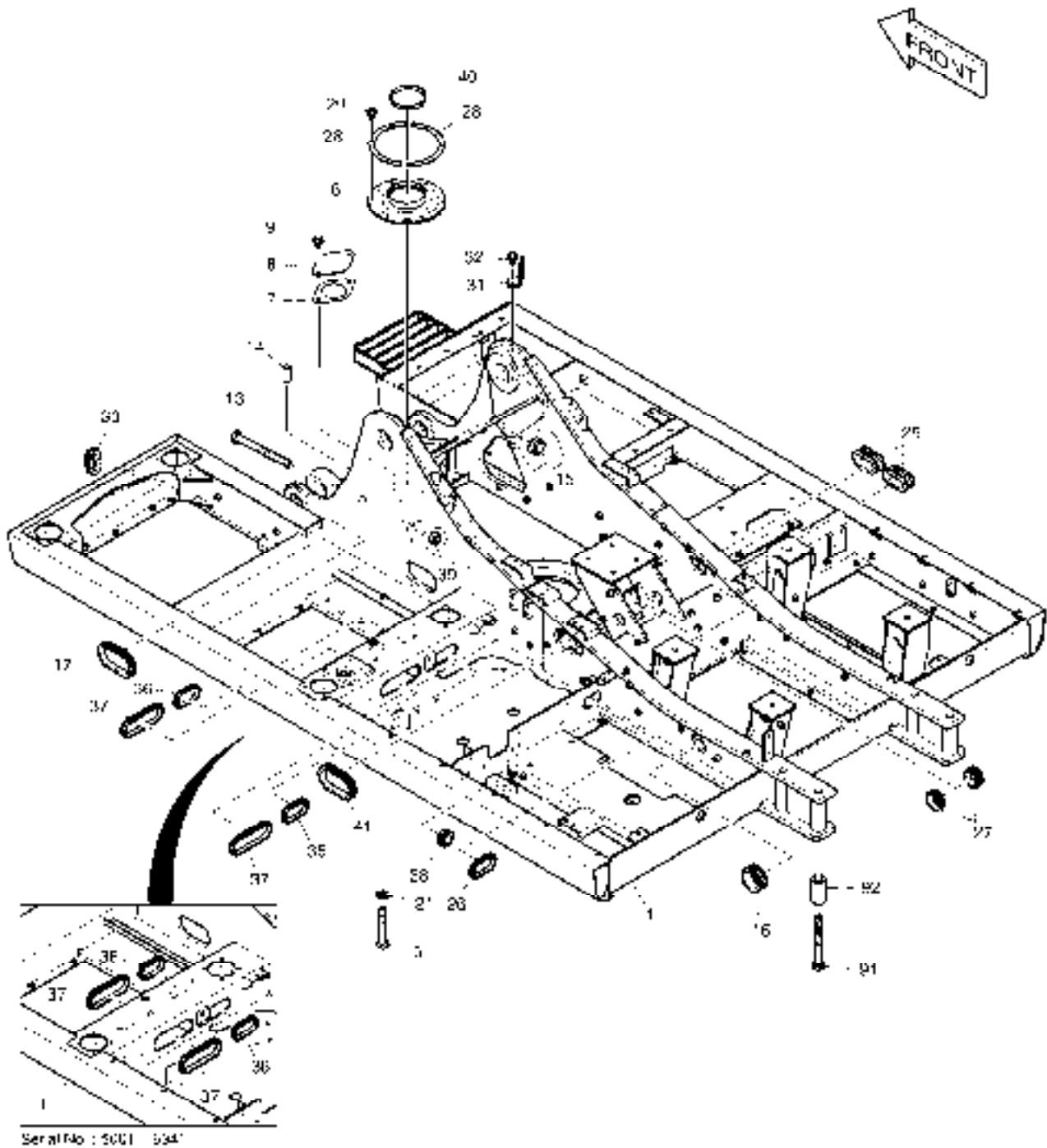
Serial No. ;

Key No.	Part No.	Description	Description	Q'ty	S.C	Serial No.	ICA	Replaceable part	
								Part No.	Q'ty
1100 --	K1045922C	MAIN FRAME	ARMATURE PRINCIPALE	-	D	5001-5589			
	160620-00073	FRAME,MAIN	ARMATURE PRINCIPALE	-	D	5590-			
1	K1045921C	FRAME;MAIN	ARMATURE PRINCIPALE	1		5001-5589	Y	160620-00074	1
	160620-00074	FRAME,MAIN	ARMATURE PRINCIPALE	1		5590-6098	I	160620-00074B	1
	160620-00074B	FRAME,MAIN	ARMATURE PRINCIPALE	1		6099-6341			
	160620-00074E	FRAME,MAIN	ARMATURE PRINCIPALE	1		6342-6978	I	160620-00074G	1
	160620-00074G	FRAME,MAIN	ARMATURE PRINCIPALE	1		6979-7754	I	160620-00074H	1
	160620-00074H	FRAME,MAIN	ARMATURE PRINCIPALE	1		7755-9144	I	160620-00074K	1
	160620-00074K	FRAME,MAIN	ARMATURE PRINCIPALE	1		09145-10721	I	160620-00074L	1
	160620-00074L	FRAME,MAIN	ARMATURE PRINCIPALE	1		10722-11451	I	160620-00074M	1
	160620-00074M	FRAME,MAIN	ARMATURE PRINCIPALE	1		11452-			
5	S0571266	BOLT	BOULON	36					
6	160-00068A	COVER;RUBBER	COUVERTURE	1					
7	180-00463	PACKING	EMBALLAGE	1					
8	621-02938B	COVER	COUVERTURE	1					
9	DS0025023	BOLT;SET	BOULON	2					
13	S0572166	BOLT M20X2.5X200	BOULON	1		5001-6098			
	S0571866	BOLT M20X2.5X170	BOULON A 6 PANS	1		6099-			
14	2123-1107D7	PIN;KNOCK	GOUPILLE	2					
15	2160-1004D48	BUSHING;RUBBER	BOUCHON	1					
16	2160-1004D39	BUSHING;RUBBER	DOUILLE	1					
17	2160-1201D11	BUSHING;RUBBER	DOUILLE	1					
21	2114-9012A	WASHER	RONDELLE	36					
25	2160-1201D13	BUSHING;RUBBER	DOUILLE	2					
26	2160-1201D12	BUSHING;RUBBER	MANCHON CAOUTCHOUC	1					
27	2160-1004D55	BUSHING;RUBBER	DOUILLE	2					
28	191-02990C	PLATE	PLAQUE	2					
29	K1049858	BOLT	BOULON	6					
31	195-02623B	BRACKET	SUPPORT	1					
32	DS0025015	BOLT;SET	BOULON	1					
33	160-00081	CAP	CHAPEAU	1					
36	DS7601020	BUSHING;RUBBER	DOUILLE	2		5001-6341			
	DS7601027	BUSHING;RUBBER	DOUILLE	2		6342-			
37	DS7601021	BUSHING;RUBBER	DOUILLE	2		5001-6341			
	DS7601028	BUSHING;RUBBER	DOUILLE	2		6342-			
38	2160-1004D31	BUSHING;RUBBER	DOUILLE	1					
39	S4013133	NUT	ECROU	1					
40	S8470165	CLAMP;HOSE	COLLIER	1					

DATE	SEP. 12, 2012
4th EDITION	

**Fig. 1100 MAIN FRAME
BATI PRINCIPAL**

Serial No. ;



DATE	SEP. 12, 2012
4th EDITION	

**Fig. 1100 MAIN FRAME
BATI PRINCIPAL**

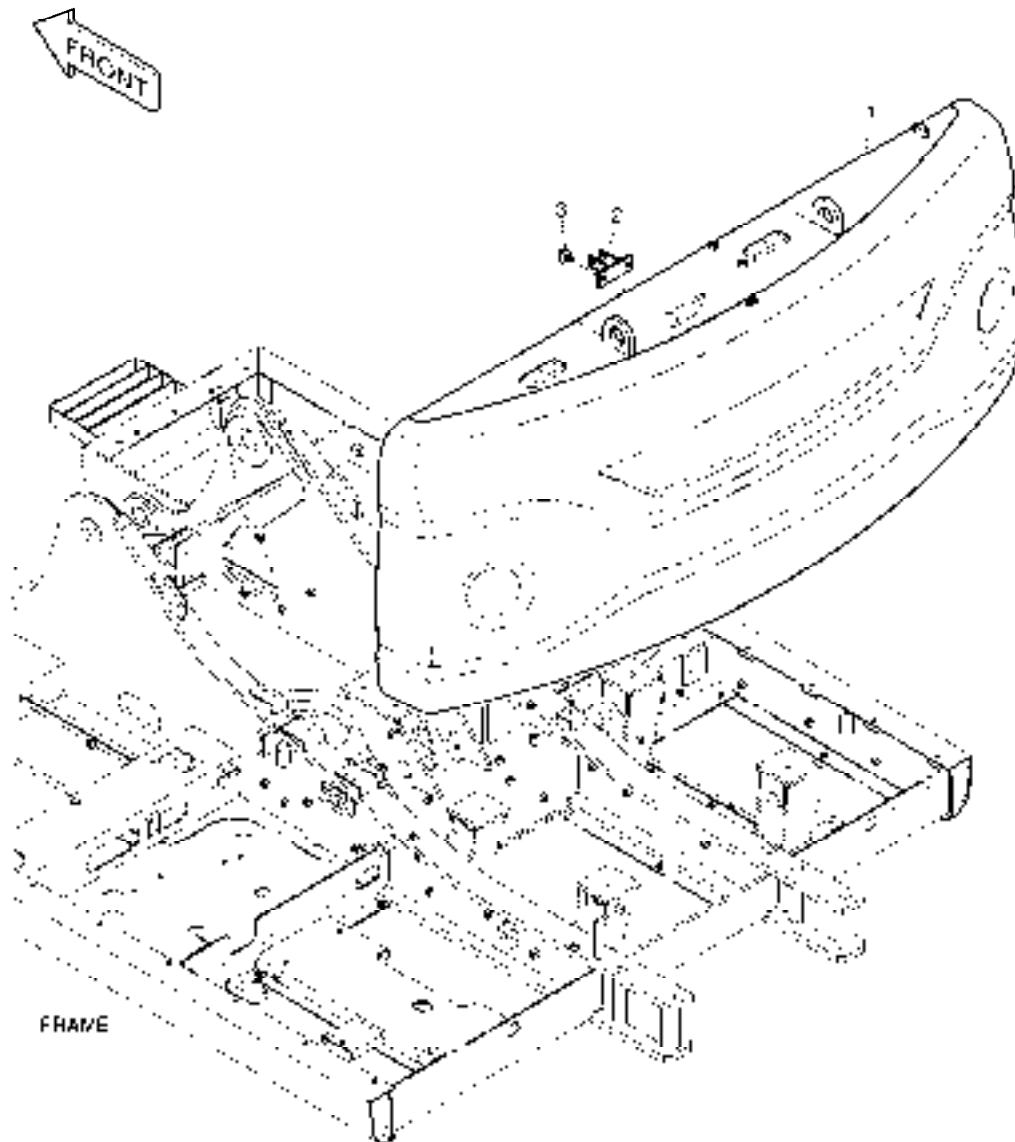
Serial No. ;

Key No.	Part No.	Description	Description	Q'ty	S.C	Serial No.	ICA	Replaceable part	
								Part No.	Q'ty
1100 -41	DS7601046	BUSHING;RUBBER	DOUILLE	1					
91	2120-2137A	BOLT	BOULON	4					
92	2114-1817	SPACER	ENTRETOISE	4					

DATE	SEP. 12, 2012
4th EDITION	

Fig. 1110 COUNTER WEIGHT - 4.1TON(DX225LCA)
MASSE D'EQUILIBRAGE

Serial No. ;



DATE	SEP. 12, 2012
4th EDITION	

**Fig. 1110 COUNTER WEIGHT - 4.1TON(DX225LCA)
MASSE D'EQUILIBRAGE**

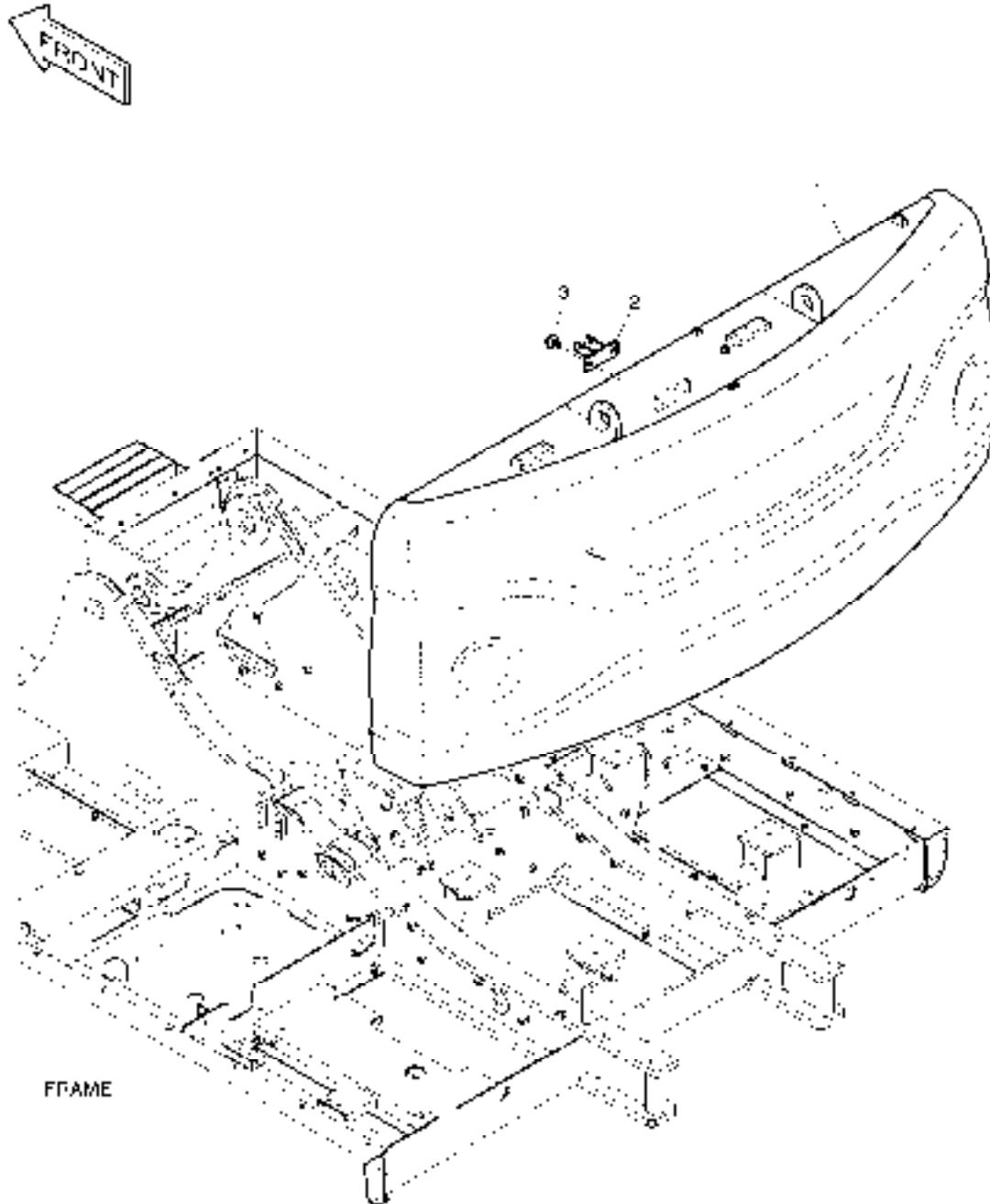
Serial No. ;

Key No.	Part No.	Description	Description	Q'ty	S.C	Serial No.	ICA	Replaceable part	
								Part No.	Q'ty
1110 --	K1045675A	COUNTER WEIGHT;4.1ton	MASSE D'EQUILIBRAGE	1		5001-5284	I	K1045675B	1
	K1045675B	COUNTER WEIGHT;4.1ton	MASSE D'EQUILIBRAGE	1		5285-5950	Y	160702-00048	1
	160702-00048	WEIGHT ASSY,COUNTER;4.1ton	MASSE D'EQUILIBRAGE	1		5951-			
1	K1039183C	COUNTER WEIGHT;4.1ton	MASSE D'EQUILIBRAGE	1		5001-5284	I	K1039183E	1
	K1039183E	COUNTER WEIGHT;4.1ton	MASSE D'EQUILIBRAGE	1		5285-5950	Y	160702-00046	1
	160702-00046	WEIGHT,COUNTER;4.1ton	MASSE D'EQUILIBRAGE	1		5951-			
2	K1002454B	BRACKET	SUPPORT	1					
3	DS0025015	BOLT;SET	BOULON	2					

DATE	SEP. 12, 2012
4th EDITION	

Fig. 1115 COUNTER WEIGHT - 3.8TON(DX220A)
MASSE D'EQUILIBRAGE

Serial No. ;



DATE	SEP. 12, 2012
4th EDITION	

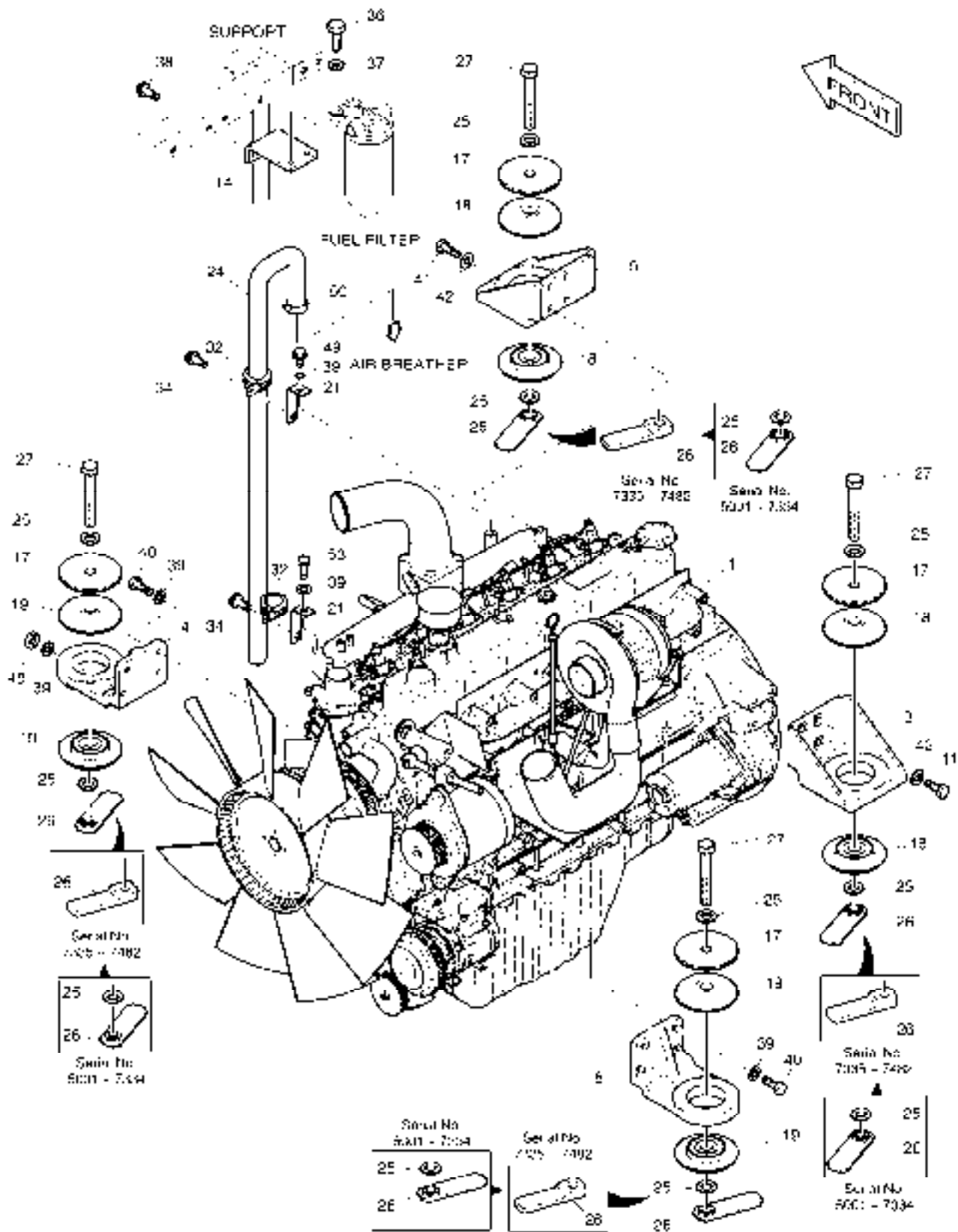
Fig. 1115 COUNTER WEIGHT - 3.8TON(DX220A)
MASSE D'EQUILIBRAGE

Serial No. ;

Key No.	Part No.	Description	Description	Q'ty	S.C	Serial No.	ICA	Replaceable part	
								Part No.	Q'ty
1115 --	160702-00628	WEIGHT ASSY,COUNTER;3.8TON	MASSE D'EQUILIBRAGE	1					
1	-	WEIGHT,COUNTER;3.8TON	MASSE D'EQUILIBRAGE	1	D				
2	K1002454B	BRACKET	SUPPORT	1					
3	DS0025015	BOLT;SET	BOULON	2					

Fig. 1120 ENGINE MOUNTING MOTEUR

Serial No. ;



DATE	SEP. 12, 2012
4th EDITION	

Fig. 1120 ENGINE MOUNTING MOTEUR

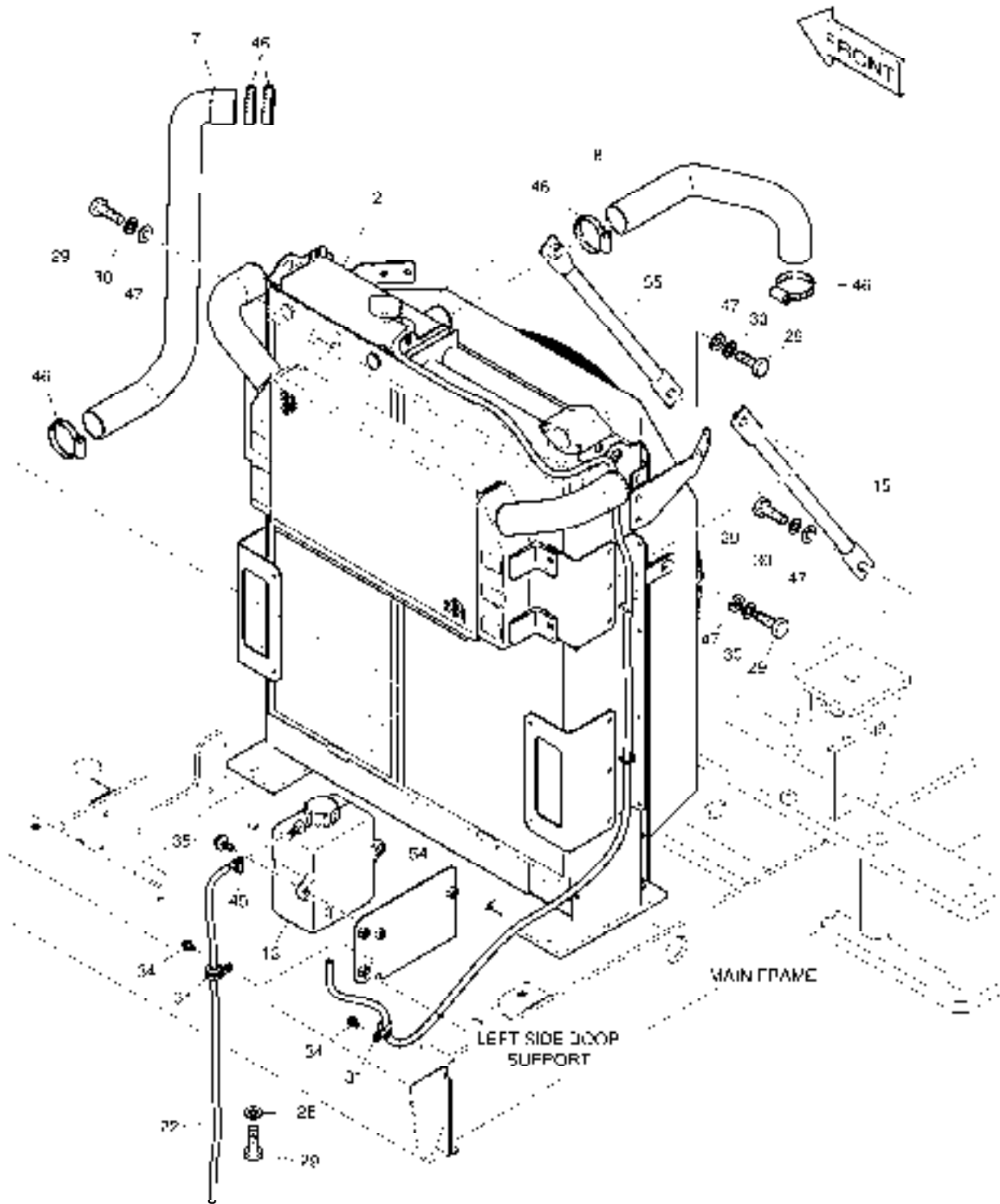
Serial No. ;

Key No.	Part No.	Description	Description	Q'ty	S.C	Serial No.	ICA	Replaceable part	
								Part No.	Q'ty
1120 --	K1045986A	ENGINE ASSY	ENSEMBLE MOTEUR	-	D	5001-5571			
	150109-00018	ENGINE ASSY	ENSEMBLE MOTEUR	-	D	5572-			
1	K1000967A	ENGINE-DB58TIS	ENSEMBLE MOTEUR	1					
3	K1000039A	BRACKET;ENGINE MOUNT	SUPPORT	1		5001-7598	I	110427-00210	1
	110427-00210	BRACKET,ENGINE MOUNTING	SUPPORT	1		7599-			
4	K1000041A	BRACKET;ENGINE MOUNT	SUPPORT	1		5001-7598	I	110427-00212	1
	110427-00212	BRACKET,ENGINE MOUNTING	SUPPORT	1		7599-			
5	K1000040A	BRACKET;ENGINE MOUNT	SUPPORT	1		5001-7598	I	110427-00211	1
	110427-00211	BRACKET,ENGINE MOUNTING	SUPPORT	1		7599-			
6	K1000042A	BRACKET;ENGINE MOUNT	SUPPORT	1		5001-7598	I	110427-00213	1
	110427-00213	BRACKET,ENGINE MOUNTING	SUPPORT	1		7599-			
14	195-02465	BRACKET	SUPPORT	1					
17	2114-1929	WASHER	RONDELLE	4					
18	161-00548	RUBBER	LE CAOUTCHOUC	4					
19	161-00550	RUBBER	LE CAOUTCHOUC	4					
21	K1004487	BRACKET	SUPPORT	2					
24	K1007551	HOSE;AIR	TUYAU FLEXIBLE	1					
25	2114-9012A	WASHER	RONDELLE	8		5001-7334			
	2114-9012A	WASHER	RONDELLE	4		7335-7482			
	2114-9012A	WASHER	RONDELLE	8		7483-			
26	195-02643C	SUPPORT;NUT	APPUI	4		5001-7334			
	110958-00342	SUPPORT;NUT	APPUI	4		7335-7482	I	110958-01083	4
	110958-01083	SUPPORT;NUT	APPUI	4		7483-			
27	S0771466	BOLT	BOULON	4					
32	124-00208D6	CLIP	AGRAFE	2					
34	K1001029	BOLT	BOULON	2					
36	S0515366	BOLT	BOULON A 6 PANS	2					
37	S5010713	WASHER;PLAIN	RONDELLE	2					
38	DS0025015	BOLT;SET	BOULON	2					
39	S5102603	WASHER,SPRING	RONDELLE	10					
40	S0712366	BOLT	BOULON	7					
41	S0786366	BOLT	BOULON	8					
42	S5102703	WASHER;SPRING	RONDELLE	8					
48	S4032633	NUT M10X1.25	ECROU	1					
49	S0711866	BOLT	BOULON	1					
50	S8510044	CLAMP;HOSE	COLLIER	1					
53	S0511866	BOLT	BOULON	1					

DATE	SEP. 12, 2012
4th EDITION	

**Fig. 1130 RADIATOR MOUNTING
SUPPORT DE RADIATEUR**

Serial No. ;



DATE	SEP. 12, 2012
4th EDITION	

**Fig. 1130 RADIATOR MOUNTING
SUPPORT DE RADIATEUR**

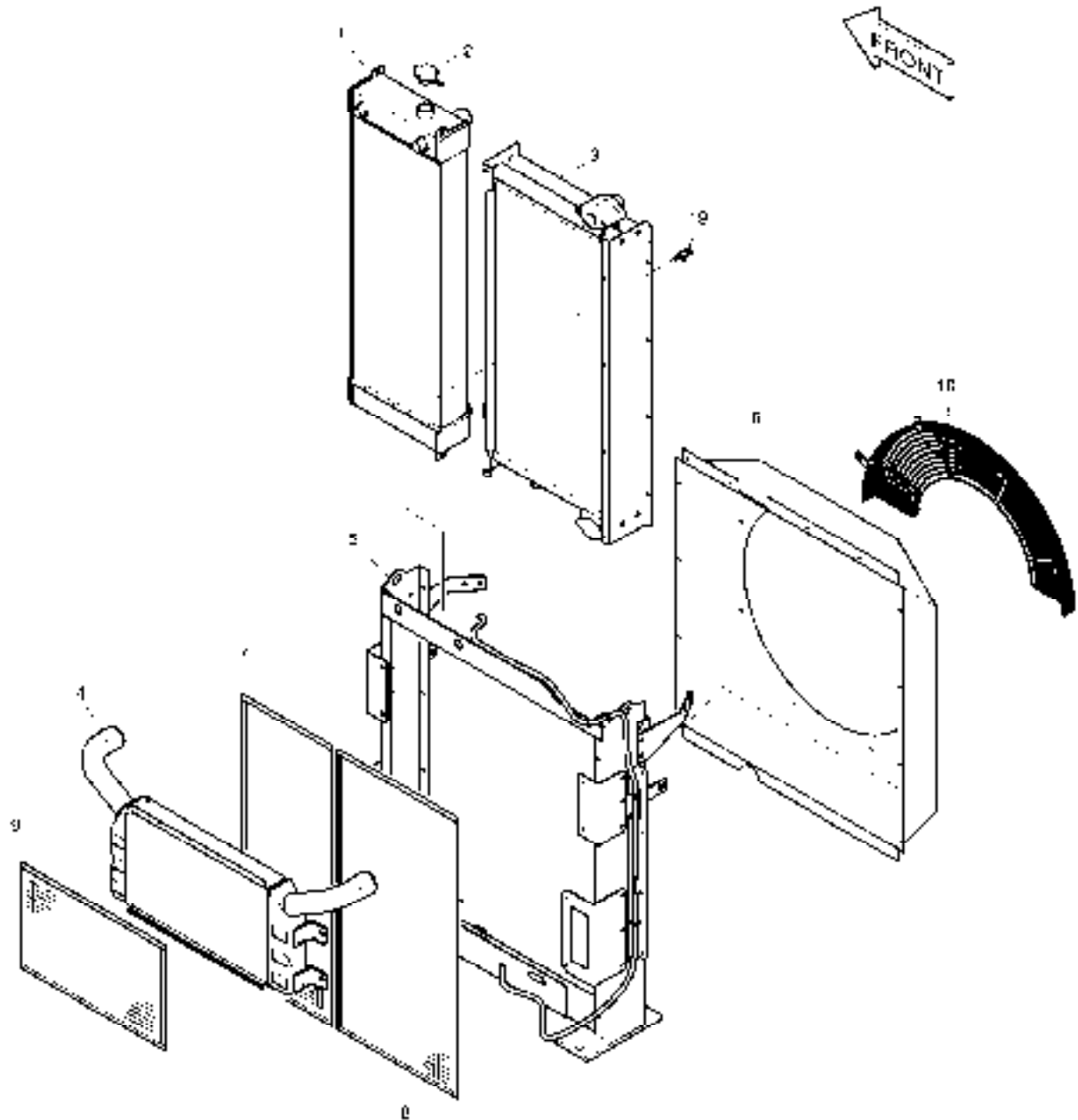
Serial No. ;

Key No.	Part No.	Description	Description	Q'ty	S.C	Serial No.	ICA	Replaceable part	
								Part No.	Q'ty
1130 --	K1045986A	ENGINE ASS'Y	ENSEMBLE MOTEUR	-	D	5001-5571			
	150109-00018	ENGINE ASSY	ENSEMBLE MOTEUR	-	D	5572-			
2	K1000752C	RADIATOR ASS'Y	ENSEMBLE RADIATEUR	1					
7	K1006781	HOSE;WATER	TUYAU FLEXIBLE	1					
8	K1006780	HOSE;WATER	TUYAU FLEXIBLE	1					
13	K1038409	TANK;RESERVE	RESERVOIR	1					
15	K1000563B	STAY	ENTRETOISE	1					
22	K1004515	HOSE	TUYAU	1					
28	2114-1816A	WASHER	RONDELLE	4					
29	S0512466	BOLT	BOULON	8					
30	S5102903	WASHER,SPRING	RONDELLE	4					
31	124-00208D2	CLIP	AGRAFE	2					
34	K1001029	BOLT	BOULON	2					
35	DS0025016	BOLT;SET	BOULON	2					
45	S8450012	CLAMP	AGRAFE	1					
46	S8470075	CLAMP;HOSE	BRIDE	4		5001-9144			
	S8500079	CLAMP;HOSE	COLLIER	5		9145-			
47	S5010913	WASHER,PLAIN	RONDELLE	4					
54	K1040048	BRACKET	SUPPORT	1					
55	K1047774	STAY	ENTRETOISE	1					

DATE	SEP. 12, 2012
4th EDITION	

**Fig. 1140 RADIATOR
RADIATEUR**

Serial No. ;



DATE	SEP. 12, 2012
4th EDITION	

**Fig. 1140 RADIATOR
RADIATEUR**

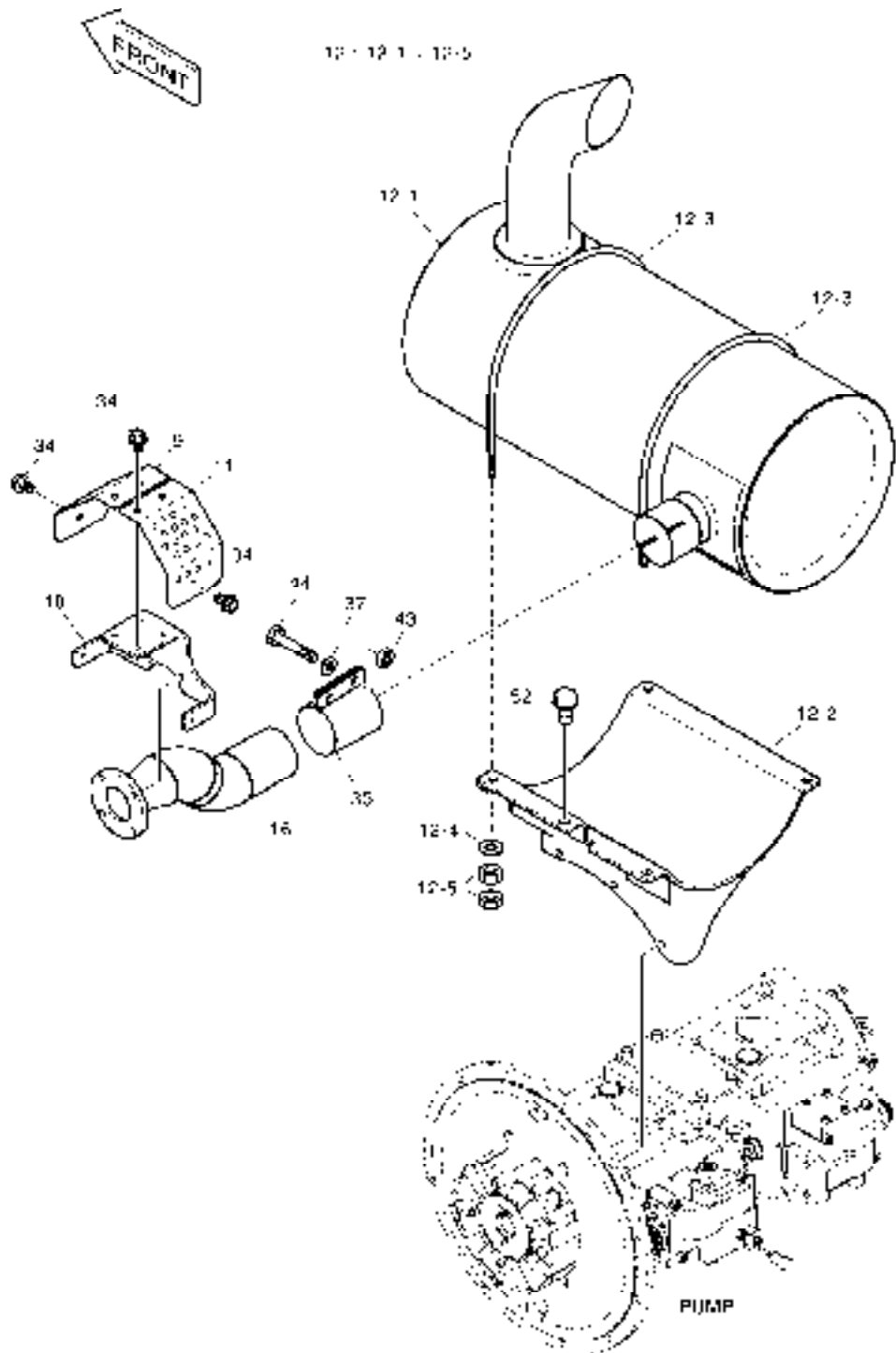
Serial No. ;

Key No.	Part No.	Description	Description	Q'ty	S.C	Serial No.	ICA	Replaceable part	
								Part No.	Q'ty
1140 --	K1000752C	RADIATOR ASS'Y	ENSEMBLE RADIATEUR	1					
1	K1008126	RADIATOR	RADIATEUR	1					
2	K1010769	CAP;PRESSURE	CHAPEAU	1					
3	K1008128	OIL COOLER	REFRIGERANT A HUILE	1					
4	K1010767A	CAC ASS'Y	CHARGE	1					
5	-	FRAME	ARMATURE	1	D				
6	K1008129	SHROUD	MONTURE	1					
7	K1008130	WIRE NET	FIL	1					
8	K1008131	WIRE NET	FIL	1					
9	K1010768	WIRE NET(CAC)	FIL	1					
10	K1008132	GUARD;FAN(UPPER)	GARDE	1					
19	K9003878	COCK ASS'Y	ROBINET ASS'Y	1					

DATE	SEP. 12, 2012
4th EDITION	

**Fig. 1150 MUFFLER
SILENCIEUX**

Serial No. ;



DATE	SEP. 12, 2012
4th EDITION	

**Fig. 1150 MUFFLER
SILENCIEUX**

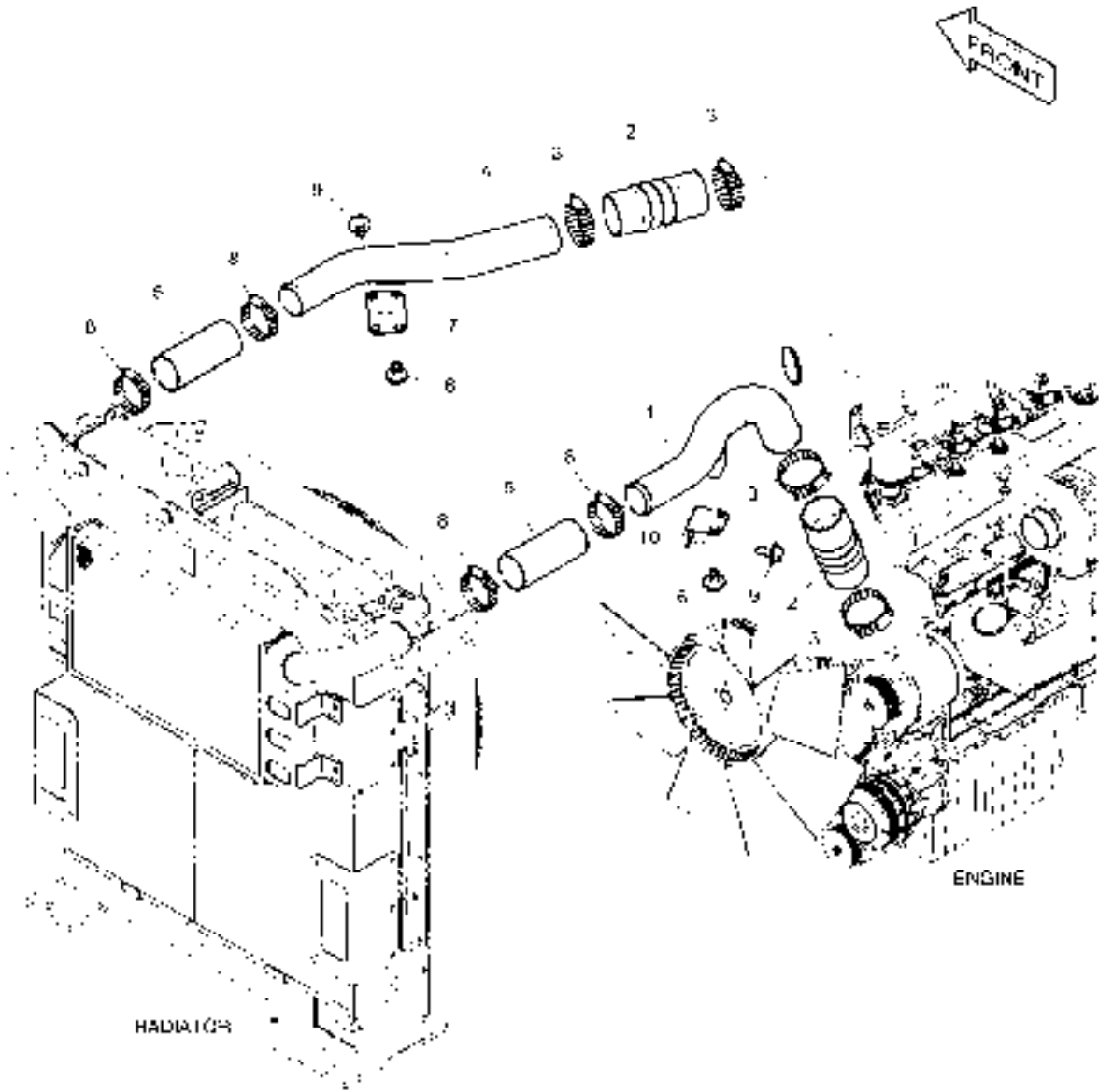
Serial No. ;

Key No.	Part No.	Description	Description	Q'ty	S.C	Serial No.	ICA	Replaceable part	
								Part No.	Q'ty
1150 --	K1045986A	ENGINE ASS'Y	ENSEMBLE MOTEUR	-	D	5001-5571			
	150109-00018	ENGINE ASSY	ENSEMBLE MOTEUR	-	D	5572-			
9	K1006245	COVER	COUVERCLE	1					
10	K1016432	BRACKET	SUPPORT	1					
11	K1016430	COVER	COUVERCLE	1					
12	K1045984	MUFFLER SUB ASS'Y	SILENCIEUX	1					
12-1	K1012192B	. MUFFLER	. SILENCIEUX	1					
12-2	K1045901	. BRACKET	. SUPPORT	1					
12-3	K1039117A	. U-BOLT	. BOULON A 6 PANS	2					
12-4	S5010613	. WASHER;PLAIN	. RONDELLE	4					
12-5	S4012633	. NUT	. ECROU	8					
16	K1045900	PIPE;EXHAUST	TUYAU	1					
33	124-00310A	CLAMP	BRIDE	1					
34	K1001029	BOLT	BOULON	6					
37	S5010713	WASHER;PLAIN	RONDELLE	2					
43	S4012733	NUT	ECROU	2					
44	S0515866	BOLT	BOULON	2					
52	DS0025021	BOLT;SET	BOULON	2					

DATE	SEP. 12, 2012
4th EDITION	

Fig. 1160 CAC PIPING
CHARGEE DE REFROIDISSEUR D'CAIR

Serial No. ;



DATE	SEP. 12, 2012
4th EDITION	

Fig. 1160 CAC PIPING
CHARGEЕ DE REFROIDISSEUR D'CAIR

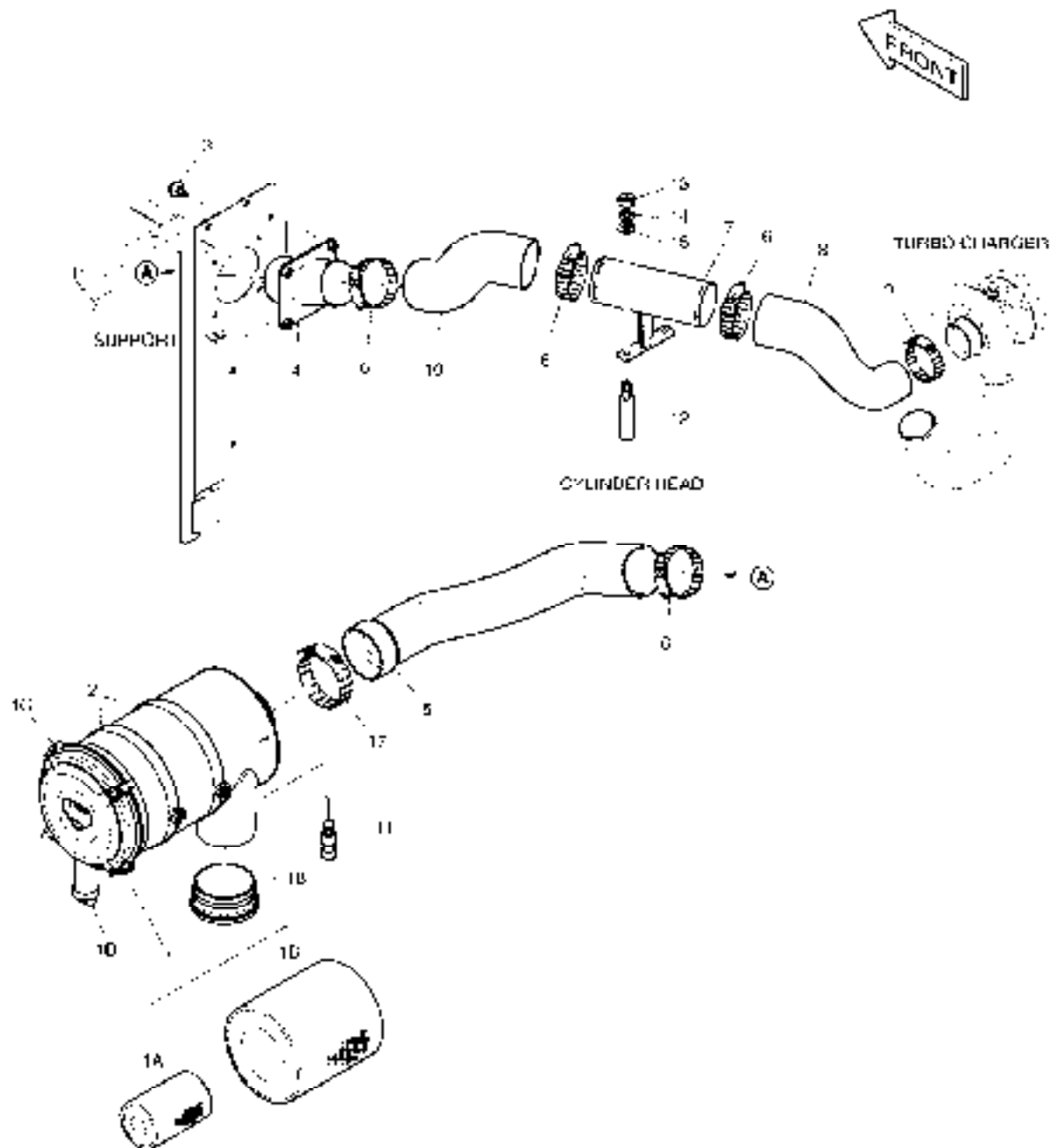
Serial No. ;

Key No.	Part No.	Description	Description	Q'ty	S.C	Serial No.	ICA	Replaceable part	
								Part No.	Q'ty
1160 --	K1046072	CAC PIPING	CHARGEЕ DE REFROIDISS	-	D				
1	K1012144	PIPE	TUYAU	1					
2	K1038559	HOSE;AIR	TUYAU	2					
3	124-00194	CLAMP	COLLIER	4					
4	K1006778B	PIPE	TUYAU	1					
5	K1045910	HOSE;CAC	TUYAU FLEXIBLE	2					
6	DS0025014	BOLT;SET	BOULON	4					
7	K1000663	BRACKET	SUPPORT	1					
8	K1000704A	CLAMP	BRIDE	4					
9	DS0025023	BOLT;SET	BOULON	4					
10	K1012143	BRACKET	SUPPORT	1					

DATE	SEP. 12, 2012
4th EDITION	

**Fig. 1170 AIR CLEANER
FILTRE A AIR**

Serial No. ;



DATE	SEP. 12, 2012
4th EDITION	

**Fig. 1170 AIR CLEANER
FILTRE A AIR**

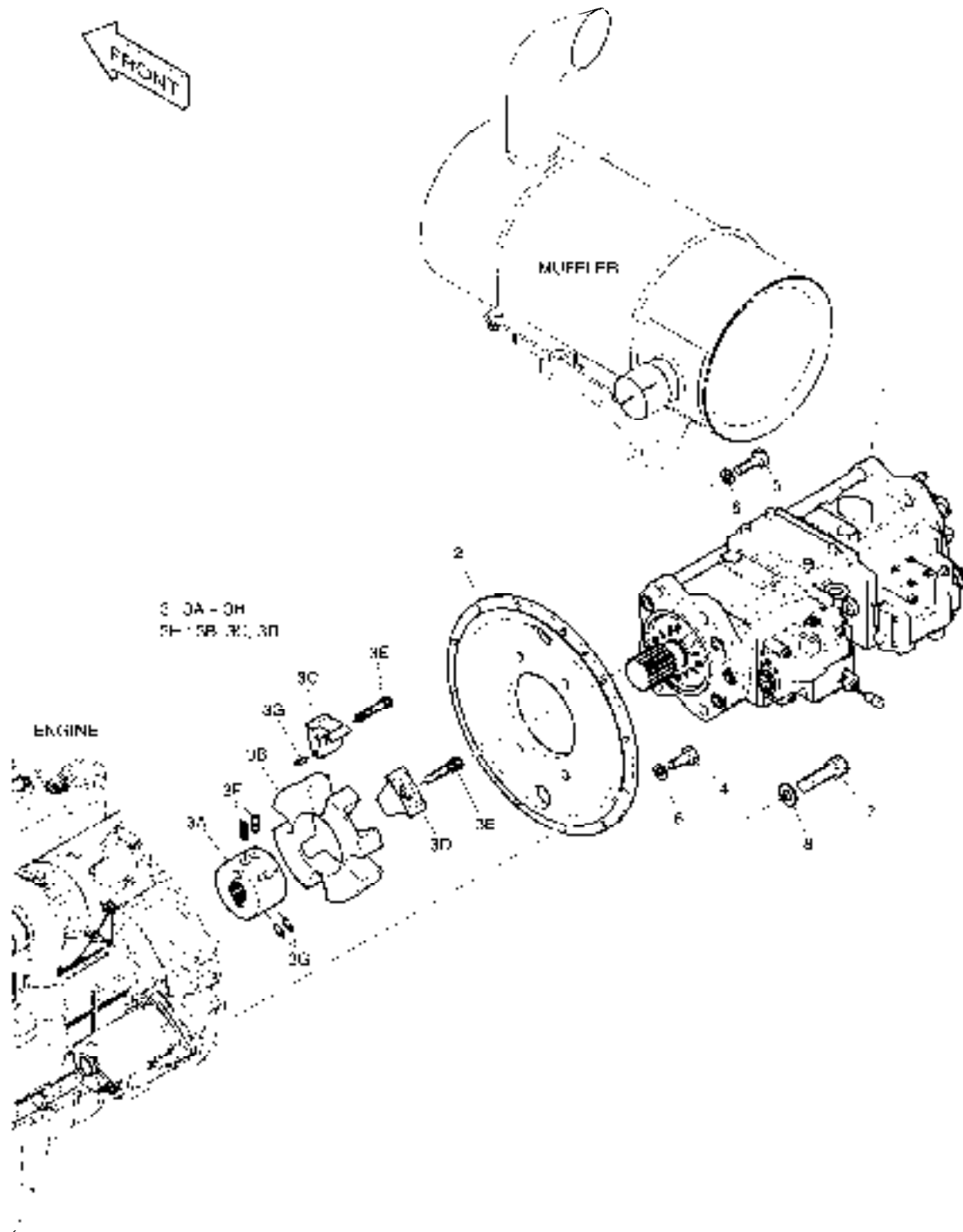
Serial No. ;

Key No.	Part No.	Description	Description	Q'ty	S.C	Serial No.	ICA	Replaceable part	
								Part No.	Q'ty
1170 --	K1000965E	AIR CLEANER ASS'Y	ENSEMBLE FILTRE A AIR	-	D				
1	204-00067	AIR CLEANER	FILTRE A AIR	1					
1A	474-00039	. ELEMENT;INNER	. ELEMENT	1					
1B	474-00040	. ELEMENT;OUTER	. ELEMENT	1					
1C	204-00075	. COVER	. COUVERTURE	1					
1D	204-00070	. VALVE;VACUATOR	. VANNE	1					
2	124-00298B	BAND;AIR CLEANER	BANDE	2					
3	DS0025015	BOLT;SET	BOULON	4					
4	193-00913A	PIPE;AIR	TUYAU	1					
5	K1049854	HOSE;AIR	TUYAU FLEXIBLE	1					
6	S8510118	CLAMP;HOSE	COLLIER DE LA CONDUITE	4					
7	193-00912	PIPE;AIR	TUYAU	1					
8	K1000562	HOSE;AIR	TUYAU FLEXIBLE	1					
9	S8510092	CLAMP;HOSE	COLLIER	1					
10	185-00410C	HOSE;AIR	TUYAU FLEXIBLE	1					
11	170-00004	INDICATOR;DUST	INDICATEUR	1					
12	2120-2165	BOLT	BOUCHON	2					
13	S4012633	NUT	ECROU	2					
14	S5102603	WASHER,SPRING	RONDELLE	2					
15	S5010613	WASHER;PLAIN	RONDELLE	2					
17	S8510143	CLAMP;HOSE	COLLIER DE LA CONDUITE	1					
18	K1003618	CAP;RAIN	CHAPEAU	1					

DATE	SEP. 12, 2012
4th EDITION	

**Fig. 1180 PUMP MOUNTING
POMPE**

Serial No. ;



DATE	SEP. 12, 2012
4th EDITION	

Fig. 1180 PUMP MOUNTING POMPE

Serial No. ;

Key No.	Part No.	Description	Description	Q'ty	S.C	Serial No.	ICA	Replaceable part	
								Part No.	Q'ty
1180 --	401-00502H	PUMP MOUNTING	POMPE	-	D	5001-6004			
	400911-00005	PUMP INSTALLATION	BATI POMPE	-	D	6005-			
1	K1000698G	PUMP;MAIN	POMPE DE BATI PRINCIPAL	1		5001-6004			
	K1000698E	MAIN PUMP	POMPE DE BATI PRINCIPAL	1		6005-8751	I	400914-00212	1
	400914-00212	PUMP,MAIN	POMPE DE BATI PRINCIPAL	1		8752-			
2	229-00025C	COVER;PUMP	COUVERTURE	1					
3	K1013825	COUPLING	FIXATION DE POMPE	1					
3A	-	. HUB	. MOYEU	1	D				
3B	2474-7009	. ELEMENT	. ELEMENT	1					
3C	-	. INSERT(A)	. INSERTION	4	D				
3D	-	. INSERT(R)	. INSERTION	4	D				
3E	K9000422	. SET;SOCKET BOLT	. ENSEMBLE DE BOULON	1					
3F	-	. BOLT;CLAMPING	. BOULON	2	D				
3G	-	. PIN;SPRING	. GOUPILLE	12	D				
3H	2474-7009K	. ELEMENT KIT	. ELEMENT	1					
4	S0512266	BOLT	BOULON	9					
5	S0512366	BOLT	BOULON	3					
6	S5102603	WASHER,SPRING	RONDELLE	12					
7	S2227866	BOLT;SOCKET	BOULON	4					
8	S5111103	WASHER;SPRING	RONDELLE	4					

DATE	SEP. 12, 2012
4th EDITION	

Fig. 1190 SWING MOTOR MOTEUR D'ORIENTATION

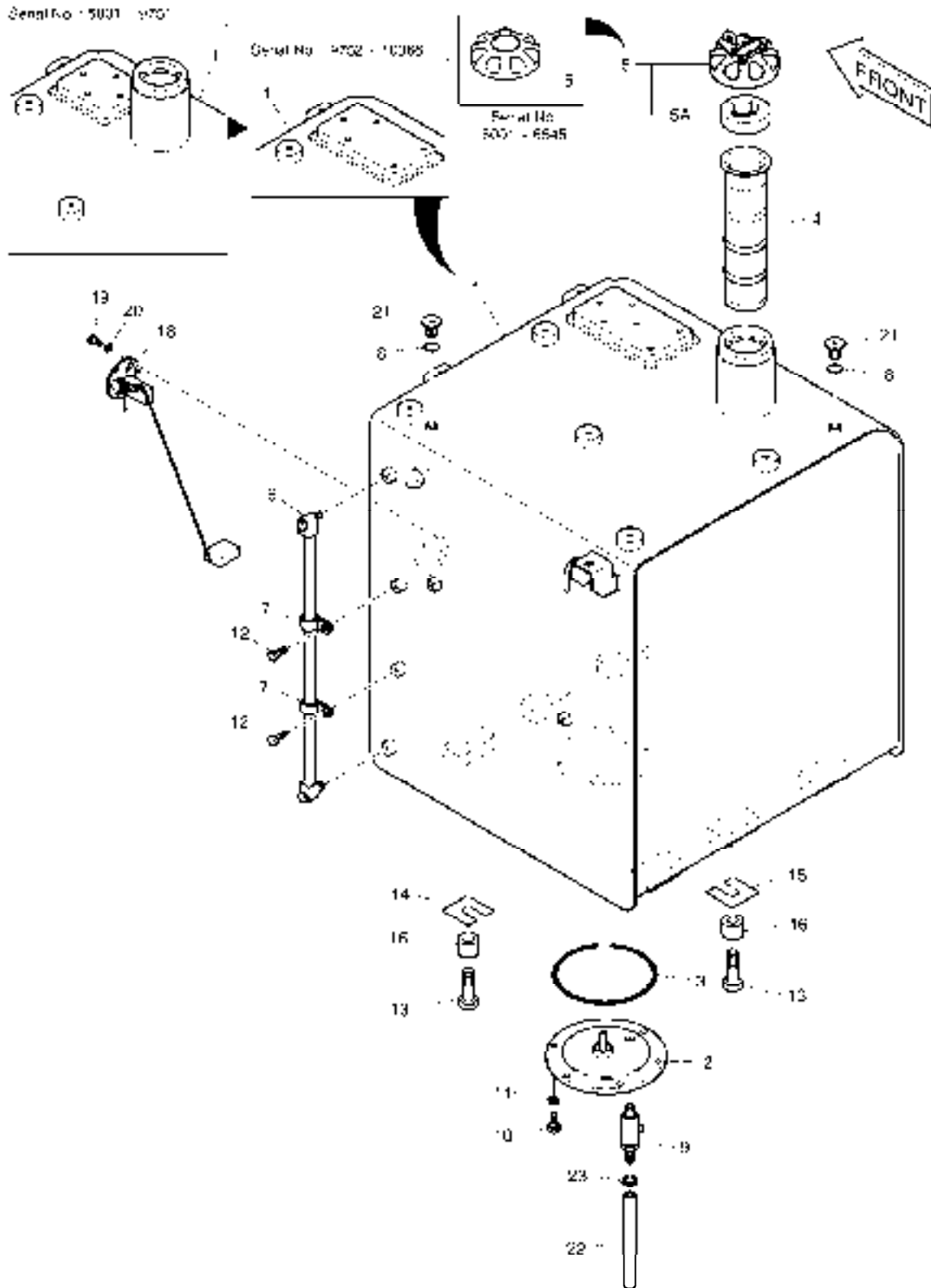
Serial No. ;

Key No.	Part No.	Description	Description	Q'ty	S.C	Serial No.	ICA	Replaceable part	
								Part No.	Q'ty
1190 --	401-00477J	SWING DEVICE ASS'Y	DISPOSITIF D'OSCILLATION	-	D				
1	K1045919	SWING DEVICE SUB ASS'Y	DISPOSITIF D'OSCILLATION	1		5001-6317	I	170301-00111	1
	170301-00111	DEVICE, SWING	DISPOSITIF D'OSCILLATION	1		6318-7334	I	170301-00111A	1
	170301-00111A	DEVICE, SWING; SUB	DISPOSITIF D'OSCILLATION	1		7335-9520	I	170301-00111B	1
	170301-00111B	DEVICE, SWING; SUB	DISPOSITIF D'OSCILLATION	1		9521-			
1A	K1045024	. SWING MOTOR	. MOTEUR D'OSCILLATION	1		5001-7334	I	170303-00049	1
	170303-00049	. MOTOR, SWING	. MOTEUR D'OSCILLATION	1		7335-9520	I	170303-00049B	1
	170303-00049B	. MOTOR, SWING	. MOTEUR D'OSCILLATION	1		9521-			
1B	K1038203	. SWING REDUCTION GEAR ASS	. ENSEMBLE DE REDUCTE	1		5001-6317	I	130426-00010	1
	130426-00010	. GEAR ASSY, REDUCTION	. ENSEMBLE DE REDUCTE	1		6318-			
1C	2181-1110D3	. ADAPTER	. ADAPTEUR	1					
1D	181-00698	. REDUCER	. REDUCTEUR	1					
1E	121-00010D3	. NUT	. ECROU	1					
1F	S8000181	. O-RING	. JOINT CIRCULAIRE	1					
1G	2181-1950D7	. PLUG	. PRISE	1					
1H	2181-1913D24	. REDUCER	. REDUCTEUR	1					
1I	K1000266	. PIPE	. TUYAU	1					
1J	2119-1063B	. CAP	. CHAPEAU	1					
1K	2184-1036D43	. HOSE PF1/2-550L	. TUYAU	1					
1L	S5011113	. WASHER; PLAIN	. RONDELLE	1					
2	2184-1046D50	HOSE	TUYAU FLEXIBLE	1					
3	DS2214051	ADAPTER	ADAPTEUR	1					
4	181-00103	REDUCER	REDUCTEUR	1					
5	S6710041	NIPPLE; GREASE	GRAISSEUR	1					
6	121-00006	NUT	ECROU	1					
7	160-00020	CAP; GREASE NIPPLE	CHAPEAU	1					
8	124-00208D2	CLIP	AGRAFE	2					
9	120-00276	BOLT M8X1.25X12	BOULON A 6 PANS	2					
10	2114-9012A	WASHER	RONDELLE	11					
11	S0570166	BOLT M20X2.5X65	BOULON	11					
12	160-00027	CAP	CHAPEAU	2					
13	2123-4030	PIN; LOCK	GOUPILLE	1					
14	S0511666	BOLT	BOULON	2					

DATE	SEP. 12, 2012
4th EDITION	

**Fig. 1200 FUEL TANK
RESERVOIR DE GAZOLE**

Serial No. ;



DATE	SEP. 12, 2012
4th EDITION	

Fig. 1200 FUEL TANK RESERVOIR DE GAZOLE

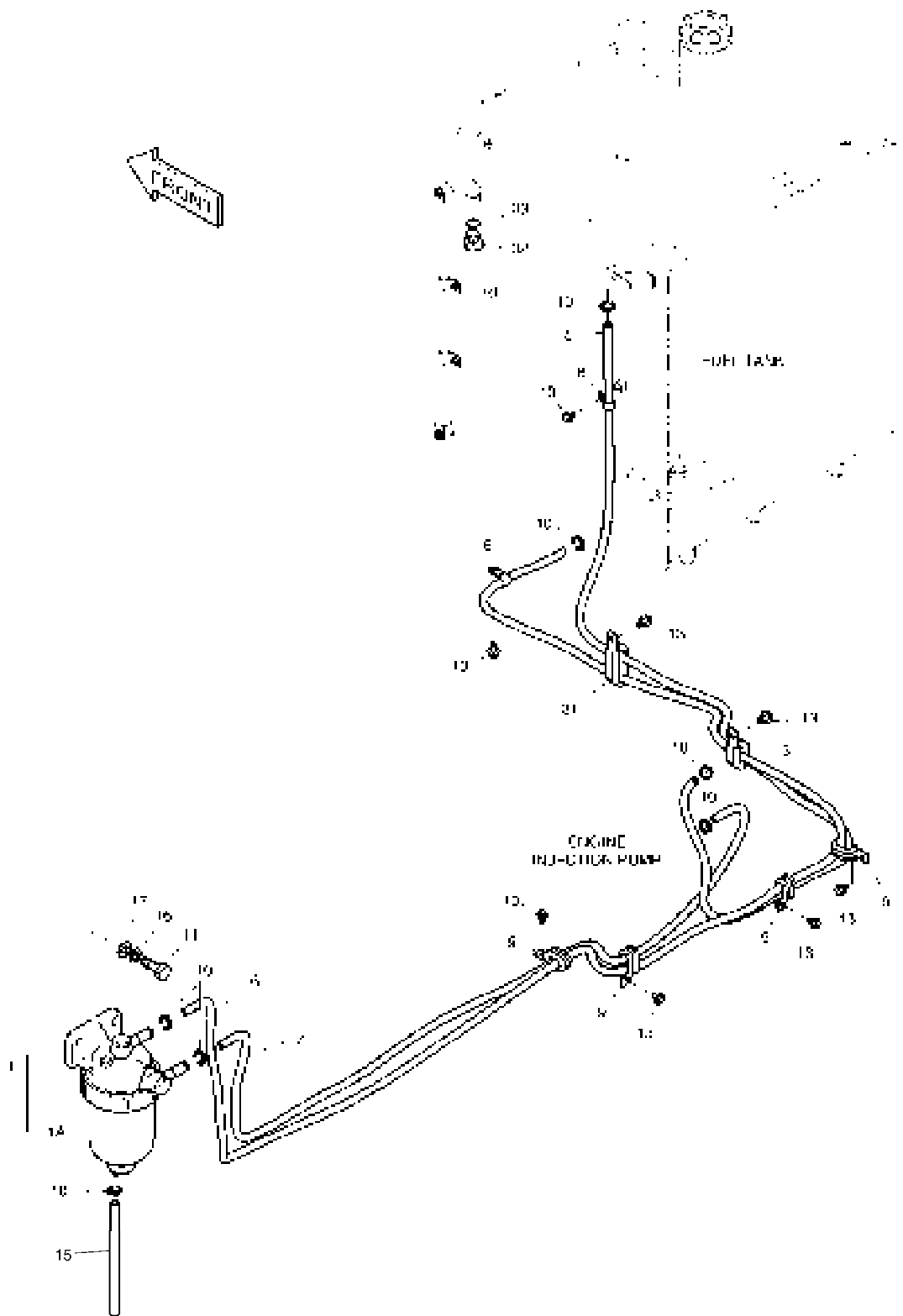
Serial No. ;

Key No.	Part No.	Description	Description	Q'ty	S.C	Serial No.	ICA	Replaceable part	
								Part No.	Q'ty
1200 --	K1045318A	FUEL TANK ASS`Y	RESERVOIR A GAZOLE	-	D	5001-6545			
	450103-00131	TANK ASSY,FUEL	RESERVOIR A GAZOLE	-	D	6546-			
1	K1044948A	TANK;FUEL	RESERVOIR DE CARBURA	1		5001-6978	I	450103-00150	1
	450103-00150	TANK,FUEL	RESERVOIR DE CARBURA	1		6979-9751			
	450103-00150A	TANK,FUEL	RESERVOIR DE CARBURA	1		09752-10366	I	450103-00150B	1
	450103-00150B	TANK,FUEL	RESERVOIR DE CARBURA	1		10367-			
2	473-00033	COVER	COUVERTURE	1					
3	S8011450	O-RING	JOINT CIRCULAIRE	1					
4	471-00105A	FILTER;FUEL STRAINER	FILTRE	1					
5	K1004266	CAP;FUEL	CHAPEAU	1		5001-6545	I	110911-00126	1
	110911-00126	CAP,FUEL	CHAPEAU	1		6546-			
5A	400504-00045	. ELEMENT(FUEL CAP)	. ELEMENT	1		6546-			
6	119-00014AD1	GAUGE;LEVEL	MESURE	1					
7	DS2802021	CLIP	AGRAFE	2					
8	S8000111	O-RING	JOINT TORIQUE	2					
9	186-00017A	COCK;DRAIN	ROBINET	1					
10	S0512066	BOLT M10X1.5X25	BOULON	6					
11	S5102603	WASHER,SPRING	RONDELLE	6					
12	K1001029	BOLT	BOULON	2					
13	S0565466	BOLT	BOULON A 6 PANS	6					
14	2114-1813	SHIM	CALE	3					
15	2114-1814	SHIM	CALE	3					
16	114-00425	SPACER	ENTERTOISE	6					
18	547-00026	SENDER;FUEL	EXPEDITEUR	1		5001-6669	Y	301316-00016	1
	301316-00016	SENDER,FUEL	EXPEDITEUR	1		6670-			
19	S3450833	SCREW	VIS	6					
20	S5100203	WASHER;SPRING	RONDELLE	6					
21	2181-1890D2	PLUG	BOUCHON	2					
22	DS2105053	HOSE	TUYAU FLEXIBLE	1					
23	S8450012	CLAMP	AGRAFE	1					

DATE	SEP. 12, 2012
4th EDITION	

**Fig. 1210 FUEL PIPING
CONDUITES DE GAZOLE**

Serial No. ;



DATE	SEP. 12, 2012
4th EDITION	

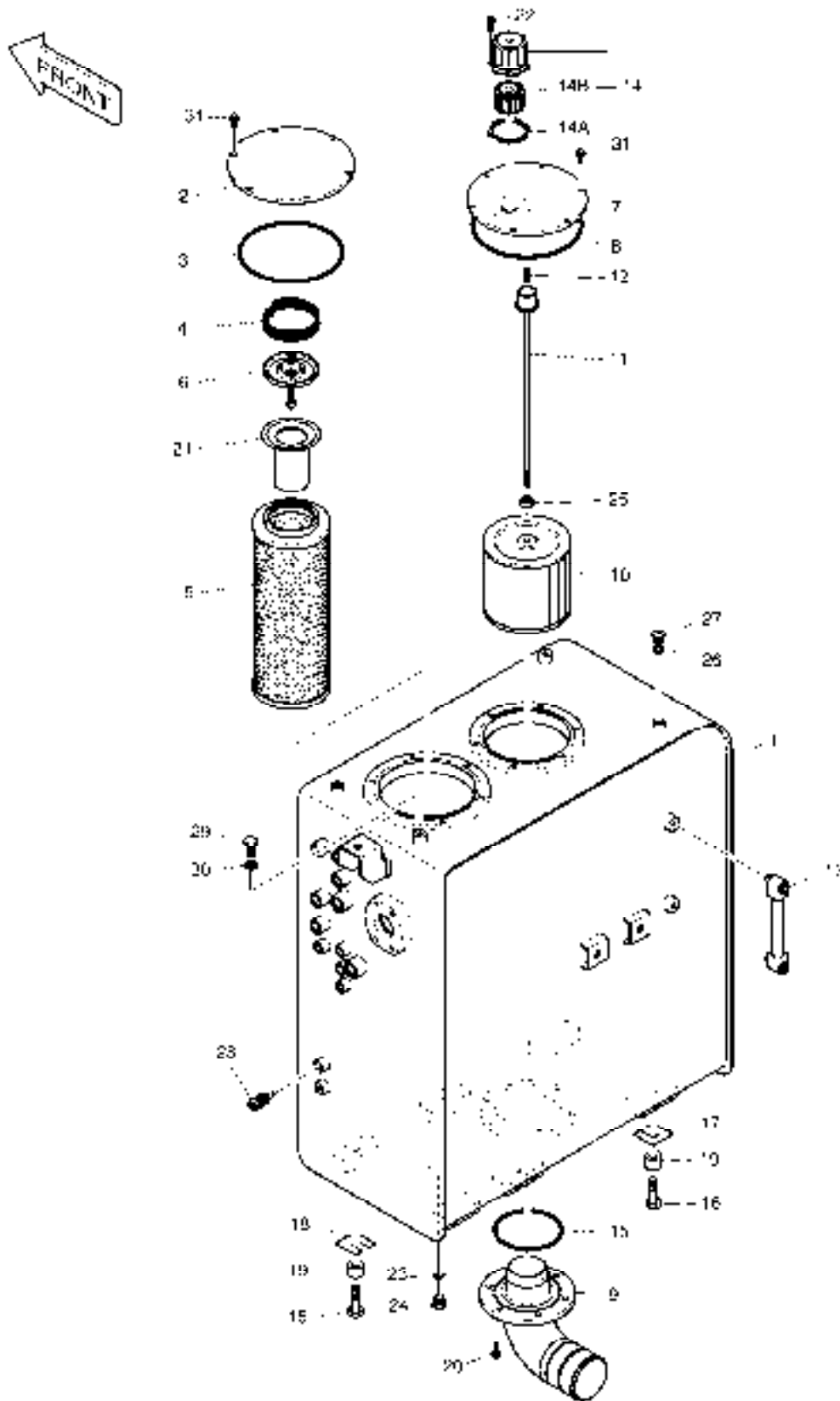
**Fig. 1210 FUEL PIPING
CONDUITES DE GAZOLE**

Serial No. ;

Key No.	Part No.	Description	Description	Q'ty	S.C	Serial No.	ICA	Replaceable part	
								Part No.	Q'ty
1210 --	K1007631B	FUEL PIPING	TUYAUTERIE DE CARBUR	-	D				
1	K1013251	SEPARATOR;WATER	SEPARATEUR	1					
1A	K9002044	. ELEMENT	. ELEMENT	1					
5	DS2105022	HOSE;FUEL	TUYAU FLEXIBLE	1					
6	DS2105026	HOSE	TUYAU FLEXIBLE	1					
7	DS2105018	HOSE	TUYAU FLEXIBLE	1					
8	2124-1509D2	CLIP	ATTACHE	2					
9	124-00209D1	CLIP	AGRAFE	4					
10	S8470014	CLAMP;HOSE	COLLIER	7					
11	S0512266	BOLT	BOULON	2					
13	K1001029	BOLT	BOULON	8					
15	DS2105011	HOSE;FUEL	TUYAU FLEXIBLE	1					
16	S5102603	WASHER,SPRING	RONDELLE	2					
17	S5010613	WASHER;PLAIN	RONDELLE	2					
31	124-00209D1	CLIP	AGRAFE	2					
32	2181-1950D7	PLUG	PRISE	1					
33	S8000181	O-RING	JOINT CIRCULAIRE	1					

**Fig. 1220 OIL TANK
RESERVOIR D'HUILE**

Serial No. ;



DATE	SEP. 12, 2012
4th EDITION	

**Fig. 1220 OIL TANK
RESERVOIR D'HUILE**

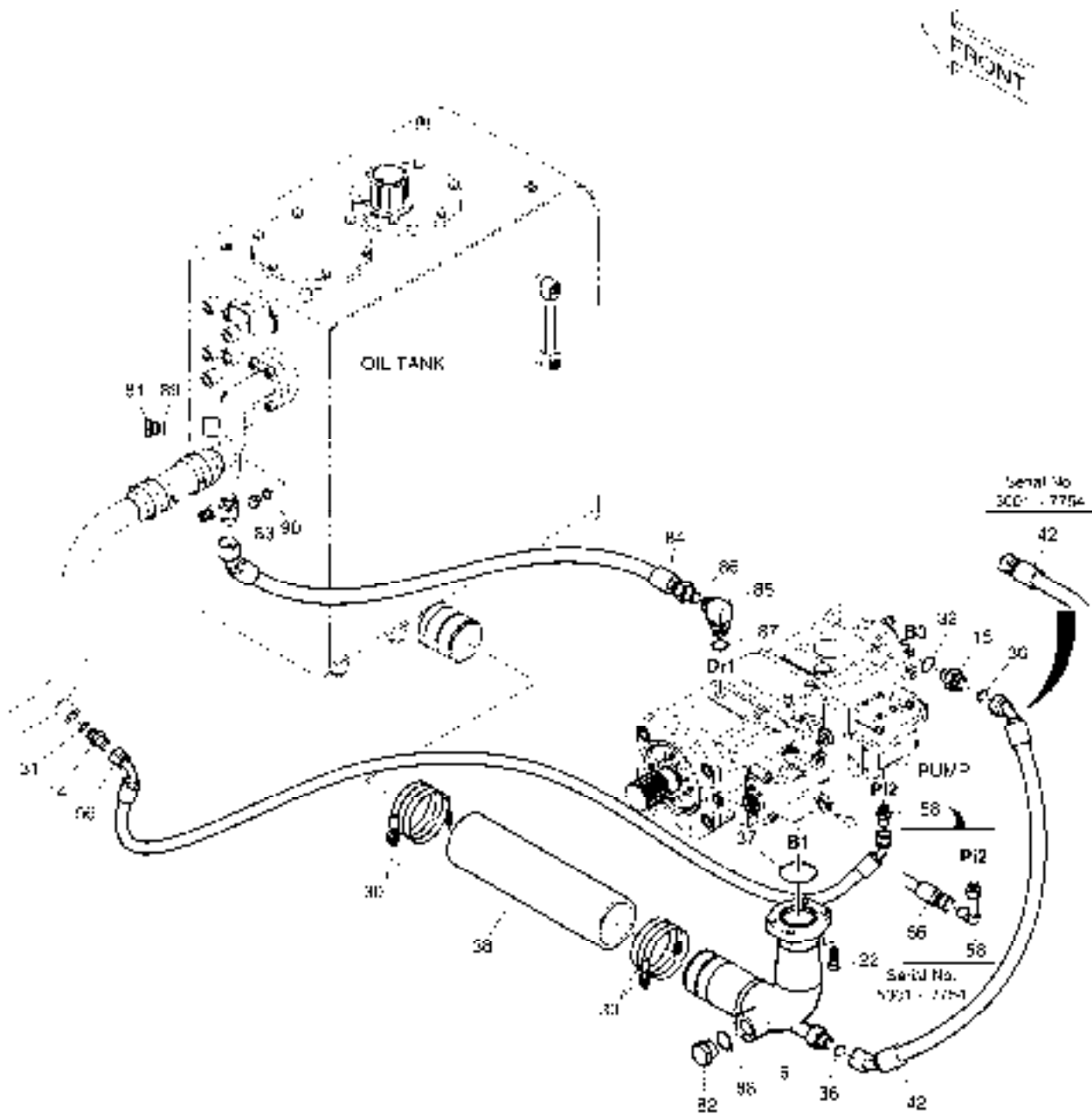
Serial No. ;

Key No.	Part No.	Description	Description	Q'ty	S.C	Serial No.	ICA	Replaceable part	
								Part No.	Q'ty
1220 --	K1046833	OIL TANK ASS'Y	POMPE	-	D				
1	K1046831	TANK;OIL	RESERVOIR DE HUILE	1					
2	K1011675A	COVER	COUVERTURE	1					
3	S8011850	O-RING	JOINT CIRCULAIRE	1					
4	2129-1393	SPRING	RESSORT	1					
5	474-00055	ELEMENT;RETURN FILTER	ELEMENT	1					
6	2426-1175	VALVE;BY-PASS	VANNE	1					
7	473-00052	COVER	COUVERTURE	1					
8	S8011650	O-RING	JOINT CIRCULAIRE	1					
9	K1000269A	PIPE;SUCTION	TUYAU	1					
10	2474-9016A	FILTER;SUCTION	FILTRE	1					
11	136-00002	ROD	TIGE	1					
12	2129-1008	SPRING;COMPRESS	RESSORT	1					
13	119-00025B	GAUGE;LEVEL	MESURE	1					
14	K1012685A	BREATHER;AIR	RENIFLARD D'AIR	1					
14A	K9005662	. GASKET	. JOINT	1					
14B	K1029257	. ELEMENT;AIR BREATHER	. ELEMENT	1					
15	S8011200	O-RING	JOINT CIRCULAIRE	1					
16	S0565466	BOLT	BOULON A 6 PANS	6					
17	2114-1813	SHIM	CALE	3					
18	2114-1814	SHIM	CALE	3					
19	114-00425	SPACER	ENTERTOISE	6					
20	DS0025024	BOLT;SET	BOULON	6					
21	471-00127	STRAINER;BY-PASS	TAMIS	1		05001-11735	I	400411-00001A	1
	400411-00001A	STRAINER;BY-PASS	TAMIS	1		11736-			
22	2120-2166D41	BOLT;SOCKET M5X0.8X8	BOULON	6					
23	S8000181	O-RING	JOINT CIRCULAIRE	1					
24	2181-1950D7	PLUG	PRISE	1					
25	S4012733	NUT	ECROU	1					
26	S8000111	O-RING	JOINT TORIQUE	2					
27	2181-1890D2	PLUG	BOUCHON	2					
28	K1003296	SENSOR;HYD OIL TEMP	SONDE	1					
29	S0514666	BOLT M12X1.75X16	BOULON	2					
30	S5102703	WASHER;SPRING	RONDELLE	2					
31	K1007957	BOLT;SET	BOULON	12					

DATE	SEP. 12, 2012
4th EDITION	

**Fig. 1230 OIL COOLER PIPING(1)
CONDUITES DE HUILE**

Serial No. ;



DATE	SEP. 12, 2012
4th EDITION	

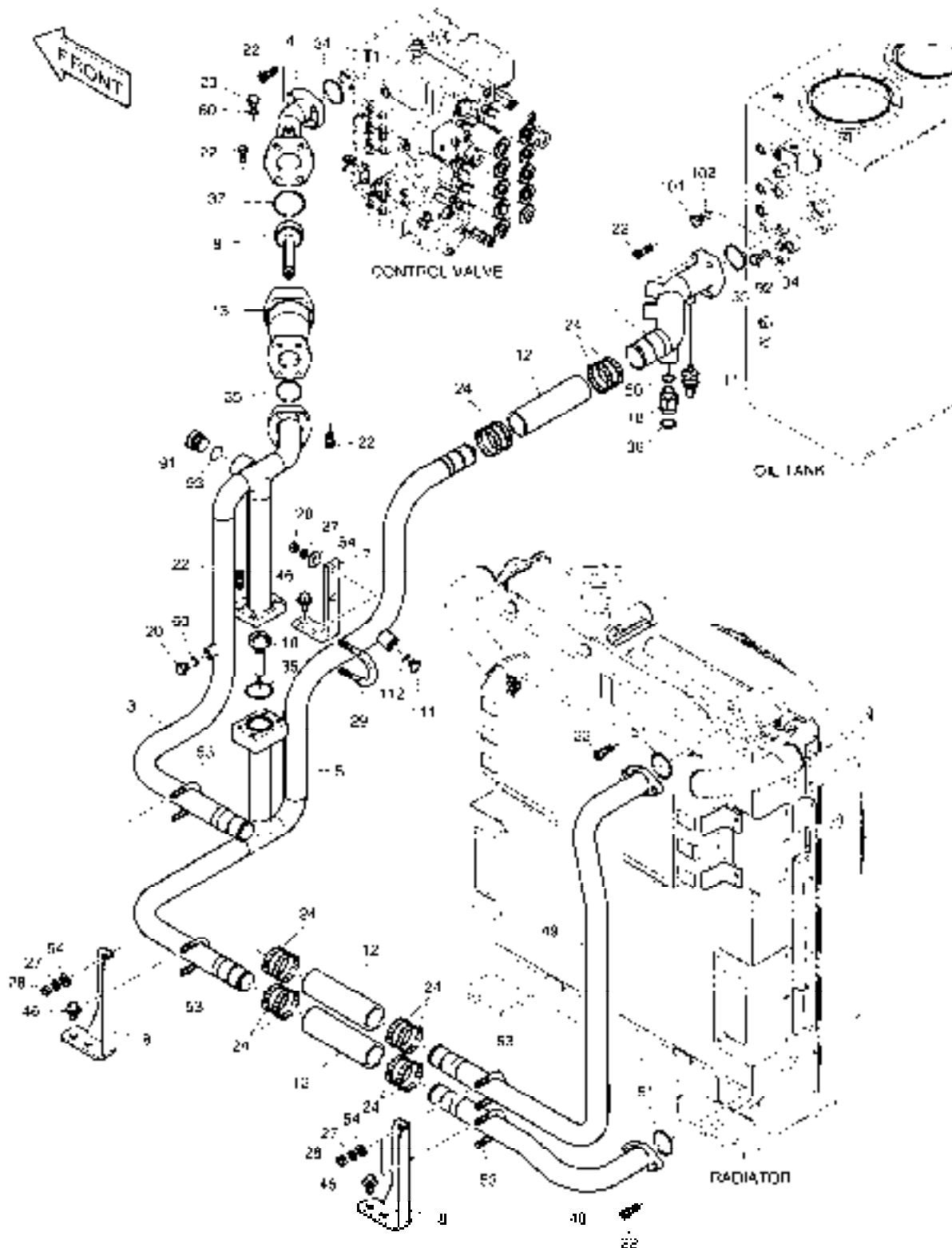
Fig. 1230 OIL COOLER PIPING(1)
CONDUITES DE HUILE

Serial No. ;

Key No.	Part No.	Description	Description	Q'ty	S.C	Serial No.	ICA	Replaceable part	
								Part No.	Q'ty
1230 --	K1039406A	OIL COOLER PIPING	CONDUITES DE HUILE	-	D	5001-7754			
	420212-00225	PIPING,OIL COOLER	CONDUITES DE HUILE	-	D	7755-			
6	140-01603A	PIPE;SUCTION	PIPE;OIL	1		5001-7754	I	420218-00104A	1
	420218-00104A	PIPE,SUCTION	PIPE;OIL	1		7755-			
14	2181-1126D6	ADAPTER	ADAPTEUR	1					
15	2181-4133D5	ADAPTER	ADAPTEUR	1					
22	S2215366	BOLT;SOCKET M12X35	BOULON	4					
30	S8500118	CLAMP;HOSE	COLLIER DE LA CONDUITE	4					
31	S8000181	O-RING	JOINT CIRCULAIRE	1					
32	S8000241	O-RING	JOINT CIRCULAIRE	1					
36	S8030121	O-RING	JOINT CIRCULAIRE	2					
37	2180-1026D31	O-RING	JOINT CIRCULAIRE	1					
38	2185-1737D8	HOSE	TUYAU	1					
42	DS2012136	HOSE	TUYAU FLEXIBLE	1		5001-7754			
	DS2020108	HOSE ASSY,HYDRAULIC	TUYAU FLEXIBLE	1		7755-9656	I	DS2020128	1
	DS2020128	HOSE ASSY,HYDRAULIC	TUYAU FLEXIBLE	1		9657-			
56	DS2055950	HOSE	TUYAU FLEXIBLE	1		5001-7754			
	DS2058331	HOSE ASSY,HYDRAULIC	TUYAU FLEXIBLE	1		7755-			
58	2181-1702D36	ELBOW	COUDE	1		5001-7754			
	2181-1126D115	ADAPTER	COUDE	1		7755-			
81	2181-1950D3	PLUG	PRISE	1					
82	2181-1950D9	PLUG	BOUCHON	1					
83	2181-1950D1	PLUG	BOUCHON	1					
84	DS2012070	HOSE	TUYAU	1					
85	2181-2294D2	ELBOW	COUDE	1					
86	S8030121	O-RING	JOINT CIRCULAIRE	1					
87	S8000241	O-RING	JOINT CIRCULAIRE	1					
88	S8000291	O-RING	JOINT CIRCULAIRE	1					
89	S8000181	O-RING	JOINT CIRCULAIRE	1					
90	S8000111	O-RING	JOINT TORIQUE	1					

**Fig. 1240 OIL COOLER PIPING(2)
CONDUITES DE HUILE**

Serial No. ;



DATE	SEP. 12, 2012
4th EDITION	

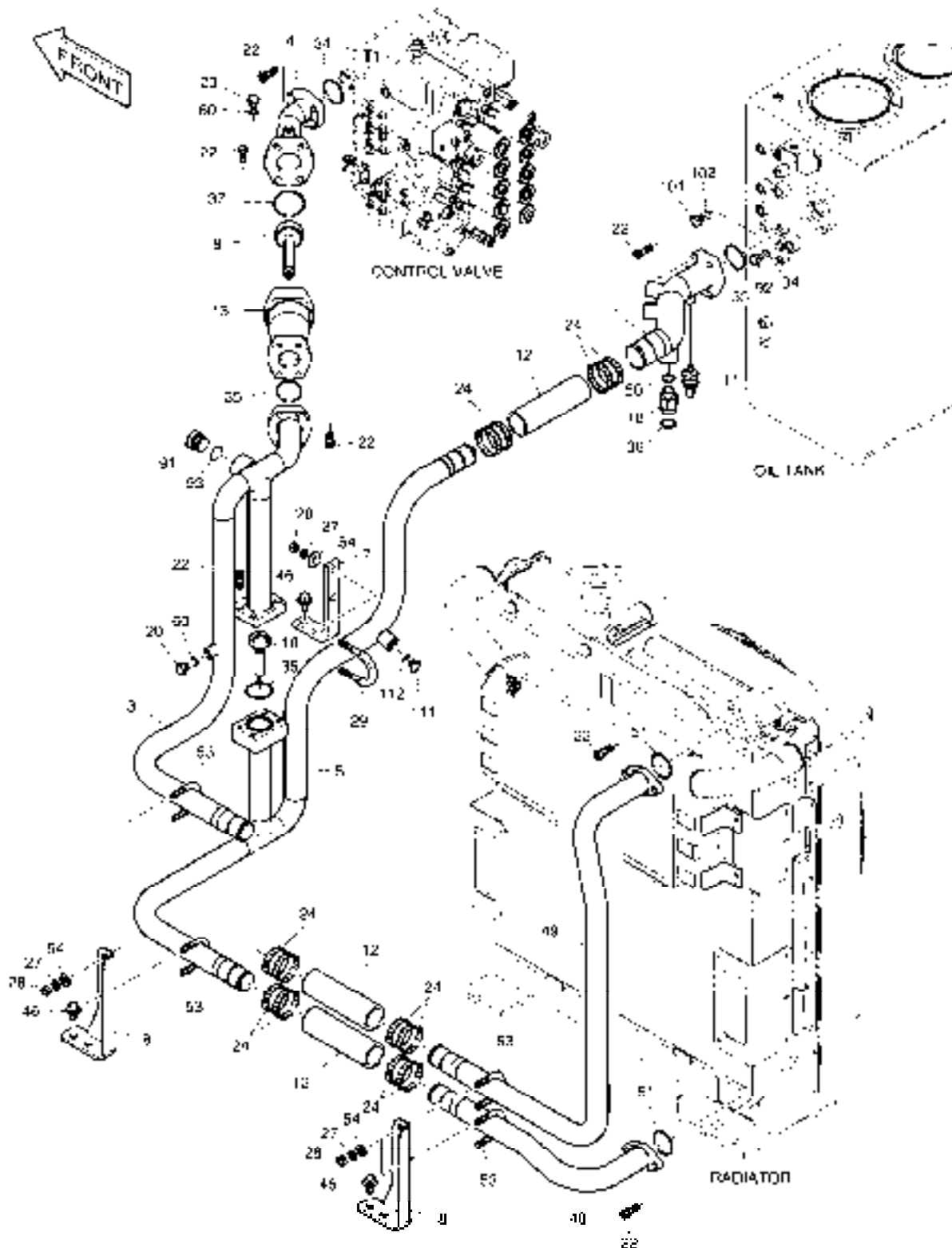
Fig. 1240 OIL COOLER PIPING(2) CONDUITES DE HUILE

Serial No. ;

Key No.	Part No.	Description	Description	Q'ty	S.C	Serial No.	ICA	Replaceable part	
								Part No.	Q'ty
1240 --	K1039406A	OIL COOLER PIPING	CONDUITES DE HUILE	-	D	5001-5589			
	420212-00225	PIPING,OIL COOLER	CONDUITES DE HUILE	-	D	5590-			
1	K1036301	PIPE	TUYAU	1		5001-5589	I	420202-00015	1
	420202-00015	PIPE	TUYAU	1		5590-			
3	K1036303B	PIPE	TUYAU	1					
4	140-01604C	PIPE	TUYAU	1					
5	K1036302B	PIPE	TUYAU	1					
7	K1044617	PLATE	PLAQUE	1					
8	K1039456A	PLATE	PLAQUE	2		5001-5589	I	110406-00039	2
	110406-00039	BRACKET	SUPPORT	2		5590-			
9	K1002341	VALVE;BYPASS	VALVE	1					
10	K1007197	VALVE;BYPASS	VALVE	1					
11	549-00095	SWITCH;PRESSURE	COMMUTATEUR	1					
12	2185-1776D2	HOSE	TUYAU FLEXIBLE	3					
13	K1000644B	PIPE	TUYAU	1					
18	2181-2627D5	ADAPTER	ADAPTEUR	1					
20	2181-1950D1	PLUG	BOUCHON	2					
22	S2215366	BOLT;SOCKET M12X35	BOULON	24					
24	S8500079	CLAMP;HOSE	COLLIER	12					
27	S5102703	WASHER;SPRING	RONDELLE	10					
28	S4012733	NUT	ECROU	10					
29	120-00317	BOLT;U	BOULON	1					
34	2180-1026D24	O-RING	JOINT CIRCULAIRE	1					
35	2180-1026D27	O-RING	JOINT CIRCULAIRE	3					
36	S8030121	O-RING	JOINT CIRCULAIRE	1					
37	2180-1026D31	O-RING	JOINT CIRCULAIRE	1					
46	DS0025018	BOLT;SET	BOULON	6					
48	K1036143A	PIPE	TUYAU	1					
49	K1036299A	PIPE	TUYAU	1					
50	S8000231	O-RING	JOINT CIRCULAIRE	1					
51	2180-1026D28	O-RING	JOINT TORIQUE	2					
53	2120-1413D12	U-BOLT	U-BOULON	4					
54	2114-1058D46	WASHER	RONDELLE	10		5001-5589			
	2114-1058D72	WASHER;PLAIN	RONDELLE	10		5590-			
60	S8000111	O-RING	JOINT TORIQUE	2					
91	2181-1950D9	PLUG	BOUCHON	1					
92	2181-1950D1	PLUG	BOUCHON	1					
93	S8000291	O-RING	JOINT CIRCULAIRE	1					

**Fig. 1240 OIL COOLER PIPING(2)
CONDUITES DE HUILE**

Serial No. ;



DATE	SEP. 12, 2012
4th EDITION	

Fig. 1240 OIL COOLER PIPING(2)
CONDUITES DE HUILE

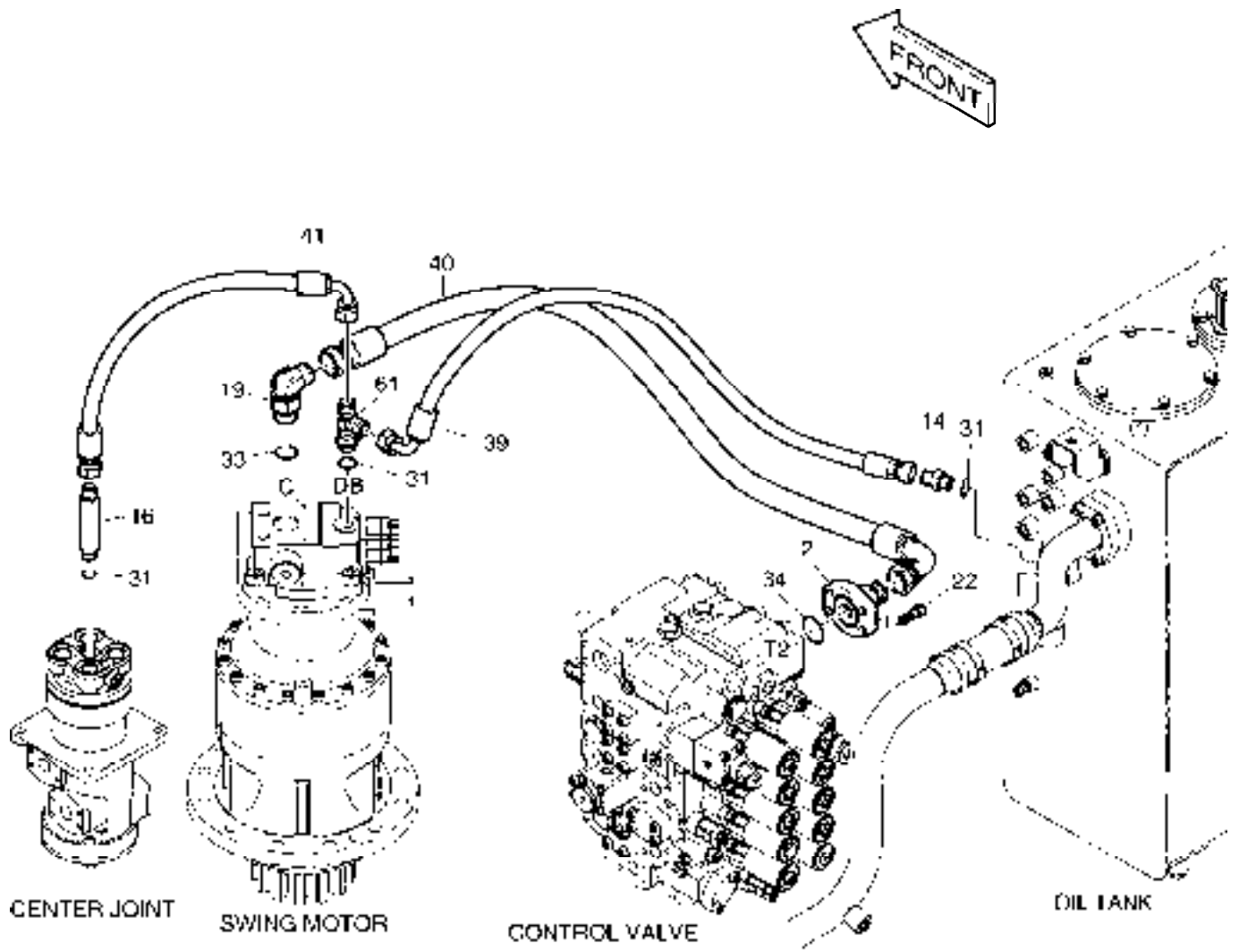
Serial No. ;

Key No.	Part No.	Description	Description	Q'ty	S.C	Serial No.	ICA	Replaceable part	
								Part No.	Q'ty
1240 -94	S8000111	O-RING	JOINT TORIQUE	1					
101	2181-1950D1	PLUG	BOUCHON	1					
102	S8000111	O-RING	JOINT TORIQUE	1					
111	2181-1950D2	PLUG	BOUCHON	1					
112	S8000141	O-RING	JOINT TORIQUE	1					

DATE	SEP. 12, 2012
4th EDITION	

**Fig. 1250 OIL COOLER PIPING(3)
CONDUITES DE HUILE**

Serial No. ;



DATE	SEP. 12, 2012
4th EDITION	

**Fig. 1250 OIL COOLER PIPING(3)
CONDUITES DE HUILE**

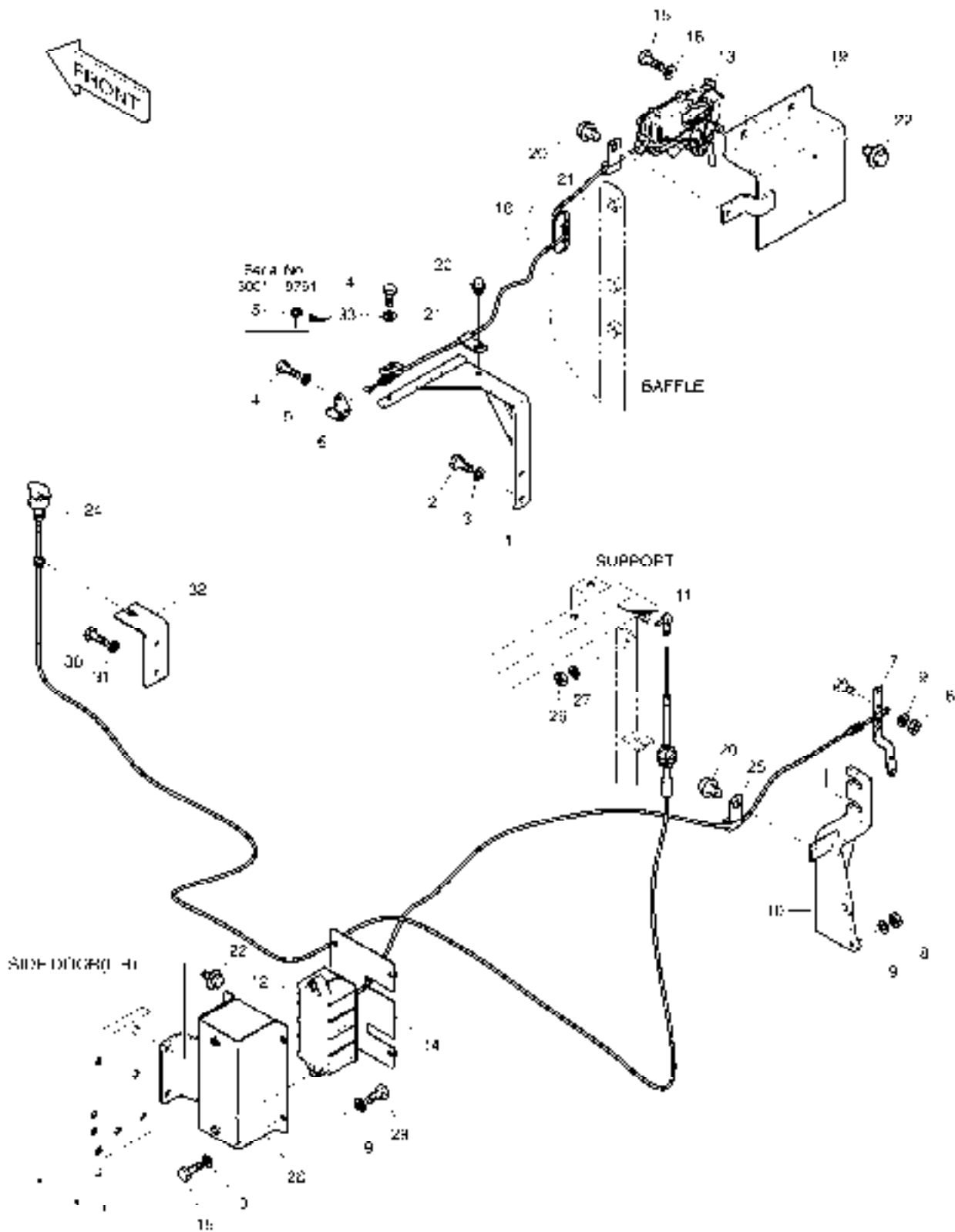
Serial No. ;

Key No.	Part No.	Description	Description	Q'ty	S.C	Serial No.	ICA	Replaceable part	
								Part No.	Q'ty
1250 --	K1039406A	OIL COOLER PIPING	CONDUITES DE HUILE	-	D				
2	140-02009A	PIPE	TUYAU	1					
14	2181-1126D6	ADAPTER	ADAPTEUR	1					
16	DS2213167	ADAPTER	ADAPTEUR	1					
19	2181-1702D73	ELBOW	COUDE	1					
22	S2215366	BOLT;SOCKET M12X35	BOULON	4					
31	S8000181	O-RING	JOINT CIRCULAIRE	3					
33	S8000291	O-RING	JOINT CIRCULAIRE	1					
34	2180-1026D24	O-RING	JOINT CIRCULAIRE	1					
39	2184-1036D293	HOSE PF1/2-600L	TUYAU FLEXIBLE	1					
40	DS20551024	HOSE	TUYAU FLEXIBLE	1					
41	DS2055976	HOSE	TUYAU	1					
61	2181-1951D5	TEE	TE	1					

DATE	SEP. 12, 2012
4th EDITION	

Fig. 1260 ENGINE CONTROL
COMMANDE REGIME MOTEUR

Serial No. ;



DATE	SEP. 12, 2012
4th EDITION	

**Fig. 1260 ENGINE CONTROL
COMMANDE REGIME MOTEUR**

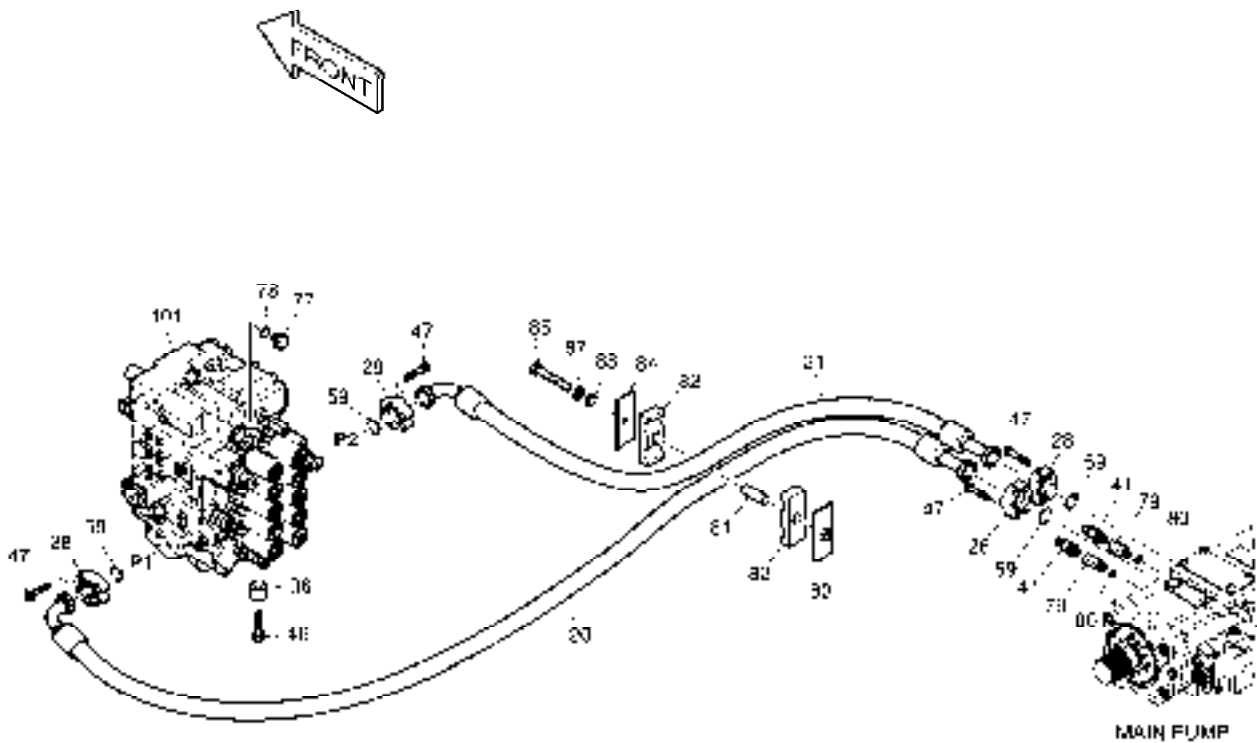
Serial No. ;

Key No.	Part No.	Description	Description	Q'ty	S.C	Serial No.	ICA	Replaceable part	
								Part No.	Q'ty
1260 --	K1046113	ENGINE CONTROL	COMMANDE DE MOTEUR	-	D	5001-9751			
	K1046113A	ENGINE CONTROL ASS'Y	COMMANDE DE MOTEUR	-	D	9752-			
1	2197-1777A	BRACKET	SUPPORT	1					
2	S0711866	BOLT	BOULON	2					
3	S5102603	WASHER,SPRING	RONDELLE	2					
4	S0504566	BOLT M6X1.0X14	BOULON A 6 PANS	3					
5	S5102303	WASHER;SPRING	RONDELLE	3		5001-9751			
	S5102303	WASHER;SPRING	RONDELLE	2		9752-			
6	2150-1122	HOOK;CABLE	CROCHET	1					
7	133-00172	LEVER	LEVIER	1					
8	S4012533	NUT	ECROU	3					
9	S5102503	WASHER,SPRING	RONDELLE	9					
10	195-02079	BRACKET	SUPPORT	1					
11	2138-9006B	JOINT;BALL	JOINT SPHERIQUE	1					
12	523-00006	MOTOR;E/G CONTROL	ENSEMBLE MOTEUR	1					
13	2523-9016	MOTOR;E/G STOP	MOTEUR	1					
14	159-00227	COVER	COUVERCLE	1					
15	S0508966	BOLT	BOULON	6					
16	S5010513	WASHER,PLAIN	RONDELLE	2					
18	160-00040	BUSHING;RUBBER	DOUILLE	1					
19	2197-1802A	BRACKET	SUPPORT	1					
20	K1001029	BOLT	BOULON	3					
21	2124-1509D10	CLIP	ATTACHE	2					
22	DS0025019	BOLT;SET	BOULON	4					
24	K1007835	CABLE;CONTROL	CABLE	1					
25	2124-1509D1	CLIP	AGRAFE	1					
26	S4012233	NUT	ECROU	1					
27	S5102203	WASHER;SPRING	RONDELLE ELASTIQUE	1					
28	195-02157	BRACKET	SUPPORT	1					
29	S0509366	BOLT	BOULON	2					
30	2120-2166D5	BOLT	BOULON	2					
31	2114-1898D14	WASHER;PLAIN	RONDELLE	2					
32	K1003118	BRACKET	SUPPORT	1					
33	120810-00145	WASHER,PLAIN	RONDELLE	1		9752-			

DATE	SEP. 12, 2012
4th EDITION	

**Fig. 1270 MAIN PIPING(1) - PUMP
CONDUITES DE BATI PRINCIPAL**

Serial No. ; 5001 ~ 6004



DATE	SEP. 12, 2012
4th EDITION	

**Fig. 1270 MAIN PIPING(1) - PUMP
CONDUITES DE BATI PRINCIPAL**

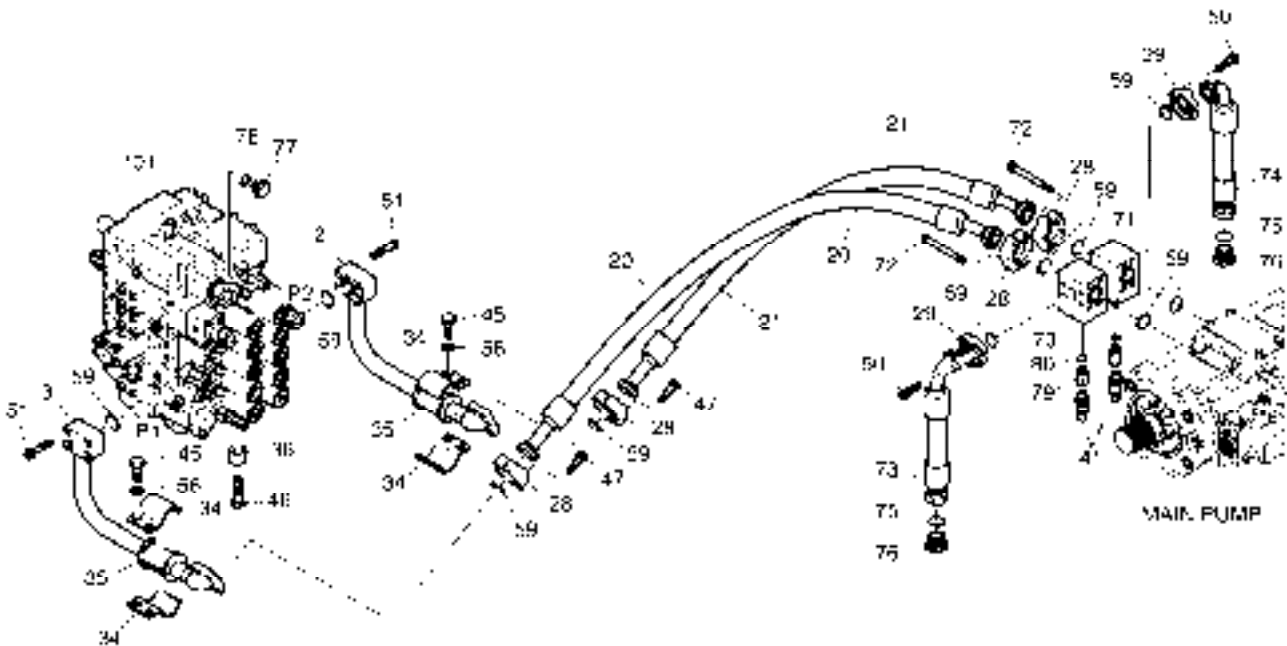
Serial No. ; 5001 ~ 6004

Key No.	Part No.	Description	Description	Q'ty	S.C	Serial No.	ICA	Replaceable part	
								Part No.	Q'ty
1270 --	K1044586B	MAIN PIPING	CIRCUIT HYDRAULIQUE PR	-	D				
20	DS2040687	HOSE	TUYAU FLEXIBLE	1					
21	DS2040709	HOSE	TUYAU FLEXIBLE	1					
28	2181-9081	FLANGE;SPLIT	BRIDE	8					
36	114-00425	SPACER	ENTERTOISE	4					
41	K1048145	SENSOR;PRESSURE	CAPTEUR	2					
46	S0565466	BOLT	BOULON A 6 PANS	4					
47	S2215466	BOLT;SOCKET M12X1.75X40	BOULON	16					
59	2180-1026D19	O-RING	JOINT CIRCULAIRE	4					
77	2181-1950D9	PLUG	BOUCHON	1					
78	S8000291	O-RING	JOINT CIRCULAIRE	1					
79	DS2242029	REDUCER	REDUCTEUR	2					
80	S8000141	O-RING	JOINT TORIQUE	2					
81	K1050297	SPACER	BAGUE D'ECARTEMENT	1					
82	124-00247	CLAMP;HOSE	COLLIER DE LA CONDUITE	2					
83	K1038968	PLATE	PLAQUE	1					
84	2191-3705C	PLATE	PLAQUE	1					
85	S0566266	BOLT	BOULON A 6 PANS	1					
87	S5102903	WASHER,SPRING	RONDELLE	1					
88	S5010913	WASHER,PLAIN	RONDELLE	1					
101	K1025391	VALVE;CONTROL	VALVE	1					

DATE	SEP. 12, 2012
4th EDITION	

Fig. 1271 MAIN PIPING(1) - PUMP
CONDUITES DE BATI PRINCIPAL

Serial No. ; 6005 ~



DATE	SEP. 12, 2012
4th EDITION	

Fig. 1271 MAIN PIPING(1) - PUMP
CONDUITES DE BATI PRINCIPAL

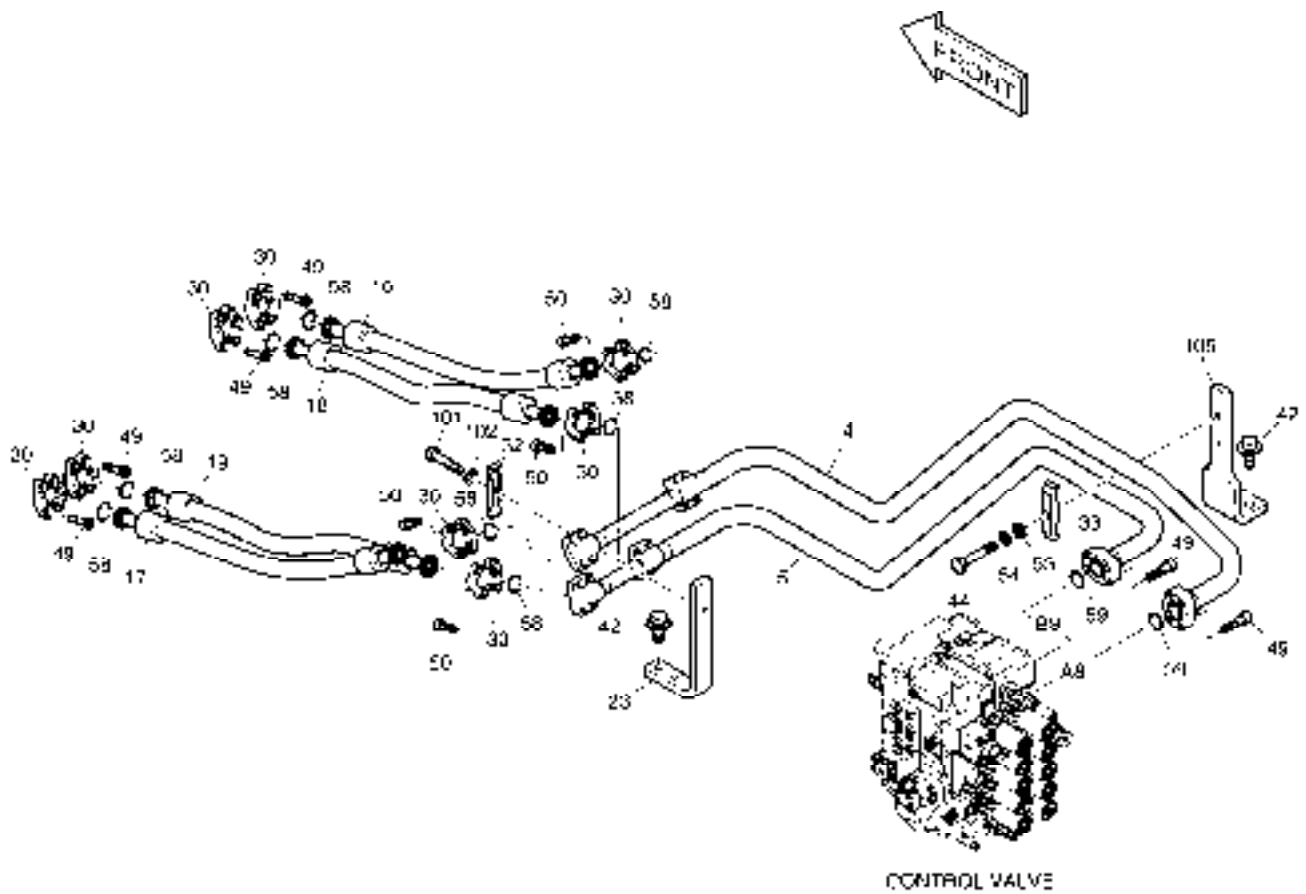
Serial No. ; 6005 ~

Key No.	Part No.	Description	Description	Q'ty	S.C	Serial No.	ICA	Replaceable part	
								Part No.	Q'ty
1271 --	420212-00576	PIPING,MAIN	CONDUITES DE BATI PRIN	-	D				
2	140-01484B	PIPE	TUYAU	1					
3	140-01485B	PIPE	TUYAU	1					
20	DS2097013	HOSE	TUYAU FLEXIBLE	1					
21	DS2097014	HOSE	TUYAU FLEXIBLE	1					
28	2181-9081	FLANGE;SPLIT	BRIDE	8					
29	2181-9078	FLANGE	BRIDE	4					
34	124-00218	CLAMP	COLLIER	4					
35	161-00281	RUBBER	LE CAOUTCHOUC	2					
36	114-00425	SPACER	ENTERTOISE	4					
41	K1048145	SENSOR;PRESSURE	CAPTEUR	2					
45	S0562766	BOLT	BOULON	4					
46	S0565466	BOLT	BOULON A 6 PANS	4					
47	S2215466	BOLT;SOCKET M12X1.75X40	BOULON	8					
50	S2212266	BOLT;SOCKET M10X1.5X30	BOULON A 6 PANS CREUX	8					
51	S2215766	BOLT;SOCKET M12X55	BOULON	8					
56	S5102803	WASHER;SPRING	RONDELLE	4					
59	2180-1026D19	O-RING	JOINT CIRCULAIRE	10					
70	K1006396B	BLOCK	BLOC	1					
71	K1007164B	BLOCK	BLOC	1					
72	S2217066	BOLT;SOCKET	BOULON	8					
73	DS2018100	HOSE	TUYAU	1					
74	DS2018100	HOSE	TUYAU	1					
75	S8030161	O-RING	JOINT CIRCULAIRE	2					
76	2181-2218D6	PLUG	BOUCHON	2					
77	2181-1950D9	PLUG	BOUCHON	1					
78	S8000291	O-RING	JOINT CIRCULAIRE	1					
79	DS2242029	REDUCER	REDUCTEUR	2					
80	S8000141	O-RING	JOINT TORIQUE	2					
101	K1025391	VALVE;CONTROL	VALVE	1					

DATE	SEP. 12, 2012
4th EDITION	

Fig. 1280 MAIN PIPING(2) - BOOM
CONDUITES DE BATI PRINCIPAL

Serial No. ;



DATE	SEP. 12, 2012
4th EDITION	

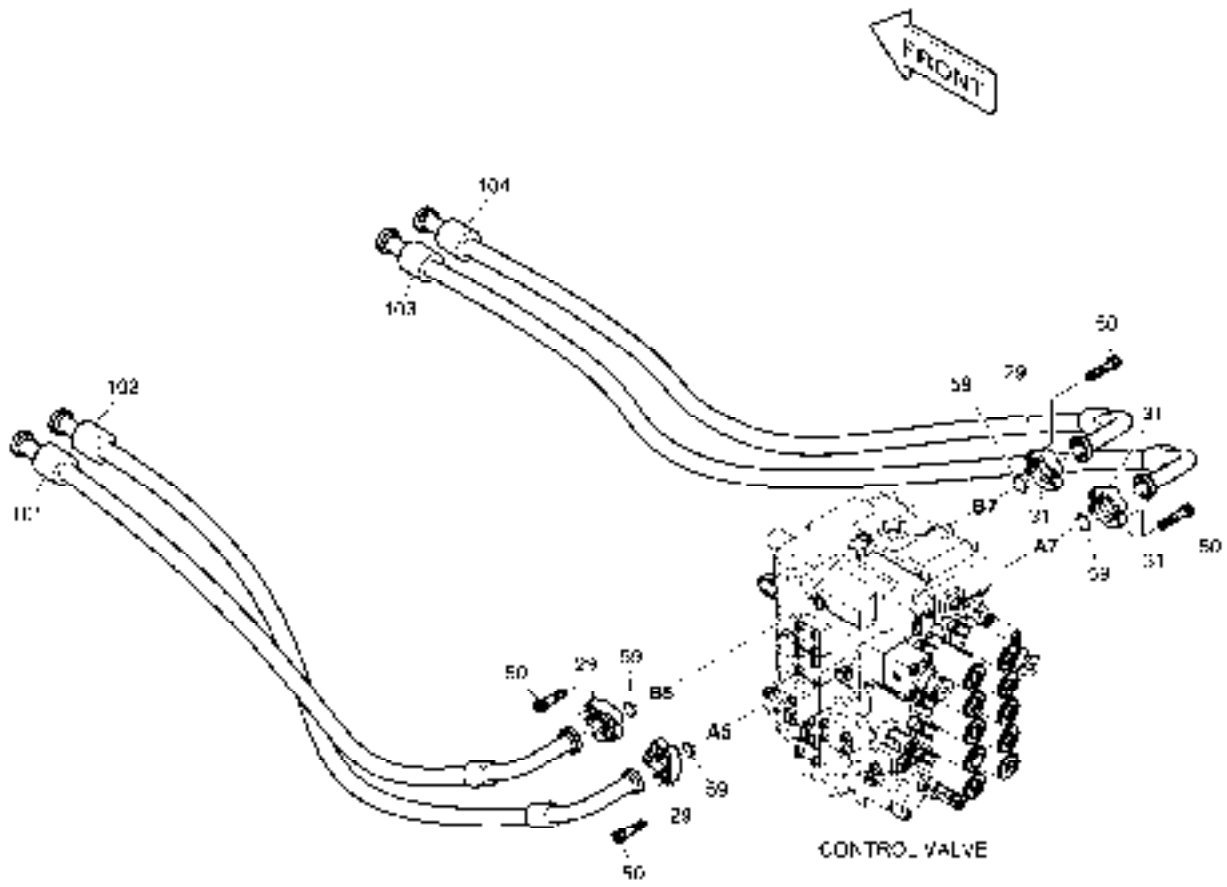
Fig. 1280 MAIN PIPING(2) - BOOM
CONDUITES DE BATI PRINCIPAL

Serial No. ;

Key No.	Part No.	Description	Description	Q'ty	S.C	Serial No.	ICA	Replaceable part	
								Part No.	Q'ty
1280 --	K1044586B	MAIN PIPING	CIRCUIT HYDRAULIQUE PR	-	D				
4	140-01601C	PIPE;BOOM UP	TUYAU	1					
5	140-01602C	PIPE;BOOM DOWN	TUYAU	1					
16	DS2038222	HOSE	TUYAU	1					
17	DS2038222	HOSE	TUYAU	1					
18	DS2038144	HOSE	TUYAU	1					
19	DS2038144	HOSE	TUYAU	1					
23	195-02883B	PLATE	PLAQUE	1					
30	2181-9079	FLANGE	BRIDE	16					
32	2124-1025D6	CLAMP;PIPE	COLLIER	1					
33	2124-1025D5	CLAMP;PIPE	BRIDE	1					
42	DS0025020	BOLT;SET	BOULON	4					
44	S0561066	BOLT M12X1.75X65	BOULON A 6 PANS	1					
49	S2212466	BOLT;SOCKET M10X1.5X40	BOULON	24					
50	S2212266	BOLT;SOCKET M10X1.5X30	BOULON A 6 PANS CREUX	16					
54	S5102703	WASHER;SPRING	RONDELLE	1					
55	S5010713	WASHER;PLAIN	RONDELLE	1					
58	2180-1026D2	O-RING	JOINT CIRCULAIRE	8					
59	2180-1026D19	O-RING	JOINT CIRCULAIRE	2					
101	S0560866	BOLT M12X1.75X55	BOULON	1					
102	S5102703	WASHER;SPRING	RONDELLE	1					
105	195-02884B	PLATE	PLAQUE	1					

DATE	SEP. 12, 2012
4th EDITION	

Fig. 1290 MAIN PIPING(3) - ARM, BUCKET
 CIRCUIT HYDRAULIQUE PRINCIPAL
 Serial No. ;



DATE	SEP. 12, 2012
4th EDITION	

Fig. 1290 MAIN PIPING(3) - ARM, BUCKET
CIRCUIT HYDRAULIQUE PRINCIPAL

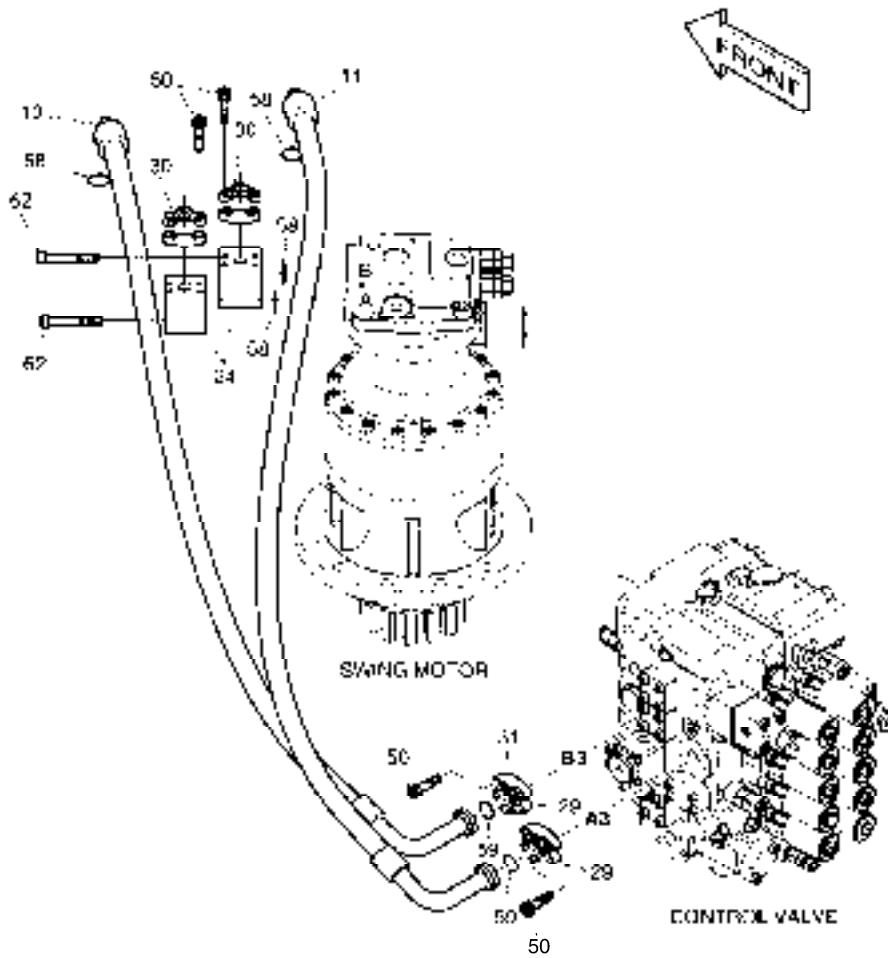
Serial No. ;

Key No.	Part No.	Description	Description	Q'ty	S.C	Serial No.	ICA	Replaceable part	
								Part No.	Q'ty
1290 --	K1044586B	MAIN PIPING	CIRCUIT HYDRAULIQUE PR	-	D				
29	2181-9078	FLANGE	BRIDE	6					
31	2181-9083	FLANGE;SPLIT	BRIDE	3					
50	S2212266	BOLT;SOCKET M10X1.5X30	BOULON A 6 PANS CREUX	16					
59	2180-1026D19	O-RING	JOINT CIRCULAIRE	4					
101	DS2040683	HOSE	TUYAU	1					
102	DS2040684	HOSE	TUYAU	1					
103	DS2040686	HOSE	TUYAU	1					
104	DS2040685	HOSE	TUYAU	1					

DATE	SEP. 12, 2012
4th EDITION	

Fig. 1300 MAIN PIPING(4) - SWING
CONDUITES DE BATI PRINCIPAL

Serial No. ;



DATE	SEP. 12, 2012
4th EDITION	

**Fig. 1300 MAIN PIPING(4) - SWING
CONDUITES DE BATI PRINCIPAL**

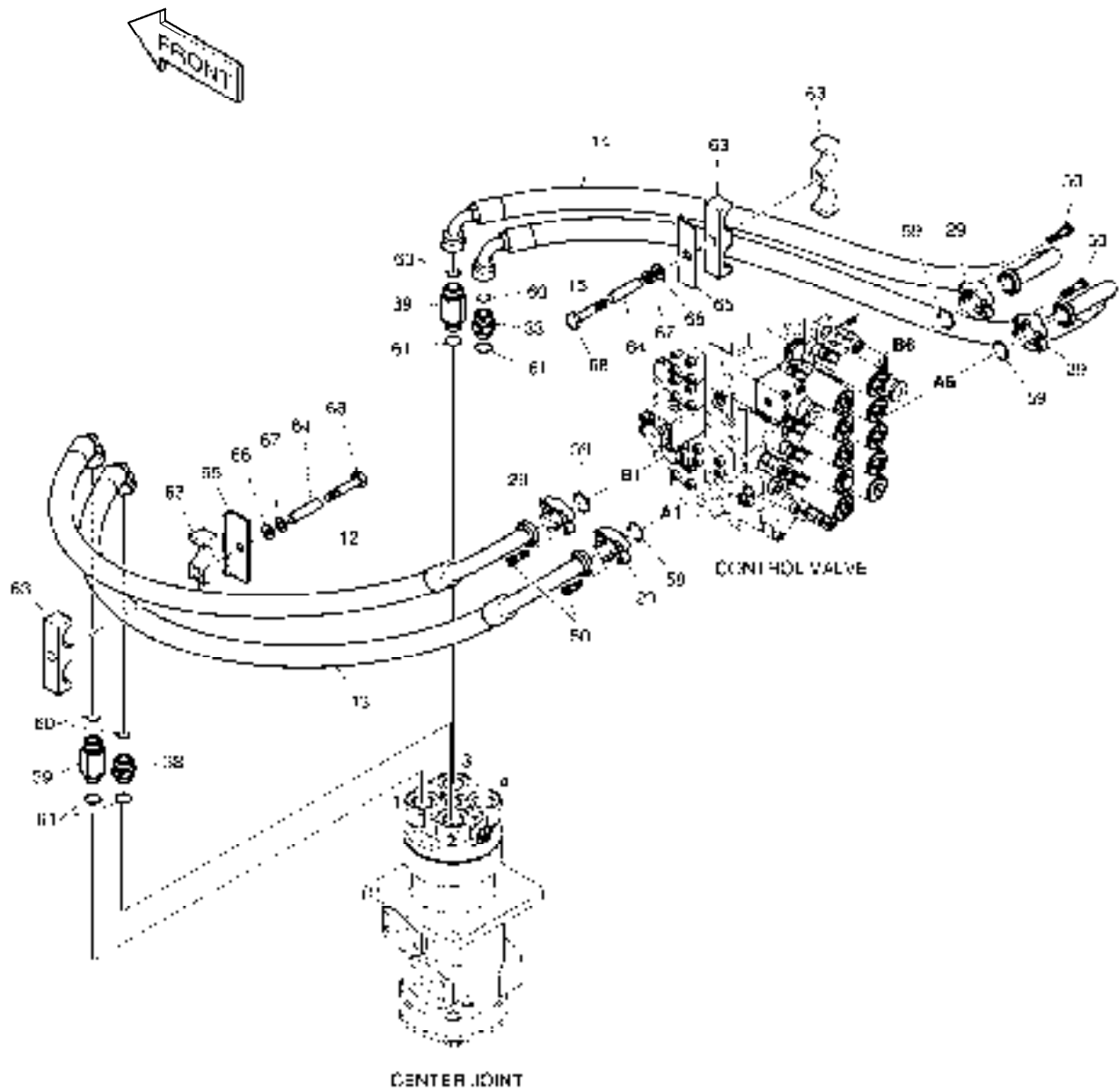
Serial No. ;

Key No.	Part No.	Description	Description	Q'ty	S.C	Serial No.	ICA	Replaceable part	
								Part No.	Q'ty
1300 --	K1044586B	MAIN PIPING	CIRCUIT HYDRAULIQUE PR	-	D				
10	DS2045337	HOSE	TUYAU FLEXIBLE	1					
11	DS2045338	HOSE	TUYAU FLEXIBLE	1					
24	423-00202	BLOCK	BLOC	2					
29	2181-9078	FLANGE	BRIDE	3					
30	2181-9079	FLANGE	BRIDE	4					
31	2181-9083	FLANGE;SPLIT	BRIDE	1					
50	S2212266	BOLT;SOCKET M10X1.5X30	BOULON A 6 PANS CREUX	16					
58	2180-1026D2	O-RING	JOINT CIRCULAIRE	4					
59	2180-1026D19	O-RING	JOINT CIRCULAIRE	2					
62	S2213166	BOLT;SOCKET	BOULON	8					

DATE	SEP. 12, 2012
4th EDITION	

**Fig. 1310 MAIN PIPING(5) - CENTER JOINT
CONDUITES DE BATI PRINCIPAL**

Serial No. ;



DATE	SEP. 12, 2012
4th EDITION	

**Fig. 1310 MAIN PIPING(5) - CENTER JOINT
CONDUITES DE BATI PRINCIPAL**

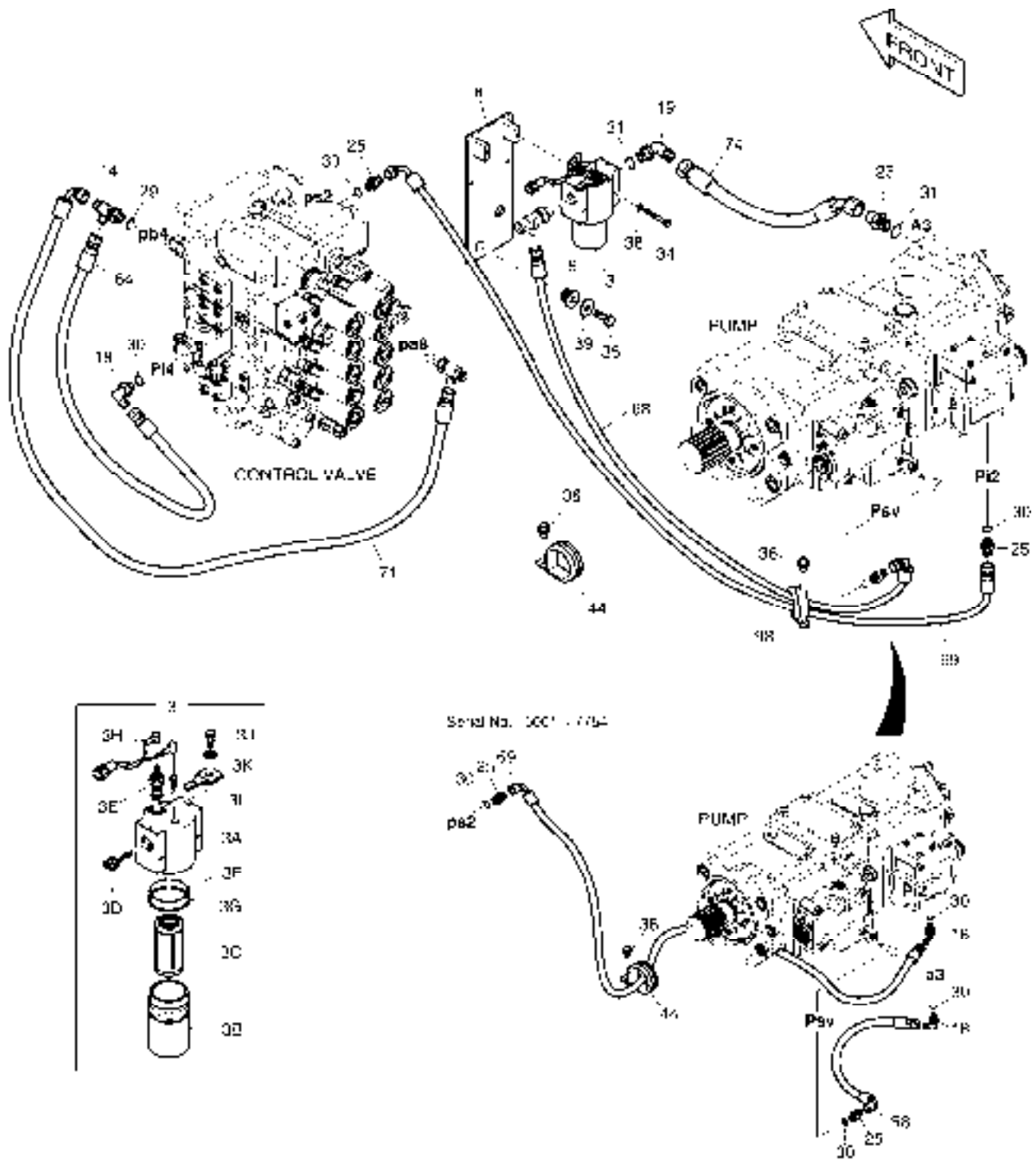
Serial No. ;

Key No.	Part No.	Description	Description	Q'ty	S.C	Serial No.	ICA	Replaceable part	
								Part No.	Q'ty
1310 --	K1044586B	MAIN PIPING	CIRCUIT HYDRAULIQUE PR	-	D				
12	DS2026146	HOSE	TUYAU FLEXIBLE	1					
13	DS2026129	HOSE	TUYAU FLEXIBLE	1					
14	DS2026145	HOSE	TUYAU FLEXIBLE	1					
15	DS2026127	HOSE	TUYAU FLEXIBLE	1					
29	2181-9078	FLANGE	BRIDE	8					
38	2181-2627D1	ADAPTER	ADAPTEUR	2					
39	2181-2627D3	ADAPTER	ADAPTEUR	2					
50	S2212266	BOLT;SOCKET M10X1.5X30	BOULON A 6 PANS CREUX	16					
59	2180-1026D19	O-RING	JOINT CIRCULAIRE	4					
60	S8030121	O-RING	JOINT CIRCULAIRE	4					
61	S8000231	O-RING	JOINT CIRCULAIRE	4					
63	124-00192	CLAMP;HOSE	BRIDE	4					
64	2114-1737	SPACER	ENTRETOISE	2					
65	621-02850B	PLATE	PLAQUE	2					
66	S5010913	WASHER,PLAIN	RONDELLE	2					
67	S5102903	WASHER,SPRING	RONDELLE	2					
68	S0566066	BOLT	BOULON	2					

DATE	SEP. 12, 2012
4th EDITION	

**Fig. 1320 PILOT PIPING(1)
CONDUITES DE PILOTE**

Serial No. ;



DATE	SEP. 12, 2012
4th EDITION	

Fig. 1320 PILOT PIPING(1) CONDUITES DE PILOTE

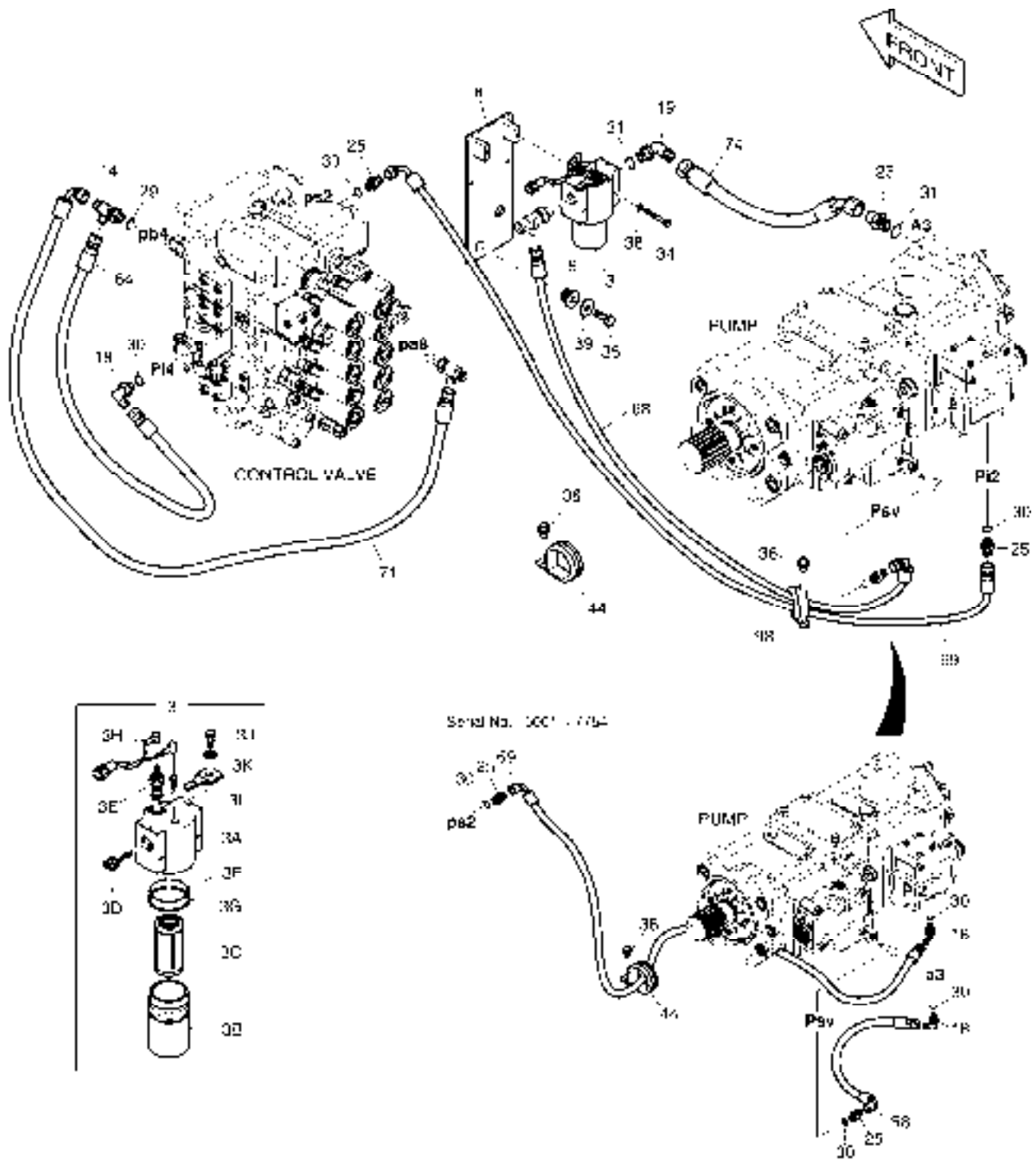
Serial No. ;

Key No.	Part No.	Description	Description	Q'ty	S.C	Serial No.	ICA	Replaceable part	
								Part No.	Q'ty
1320 --	K1044664A	PILOT PIPING	CONDUITES DE PILOTE	-	D				
3	471-00075A	FILTER;PILOT	FILTRE	1					
3A	-	. HEAD	. TETE	1	D				
3B	2472-7003	. CASE	. CARTER	1					
3C	2471-1154	. ELEMENT;FILTER(PILOT)	. ELEMENT	1					
3D	2426-1237	. VALVE;BY-PASS	. VANNE	1					
3E	2471-1155A	. INDICATOR	. INDICATEUR	1					
3F	Y-3738-04	. O-RING	. JOINT CIRCULAIRE	1					
3G	Y-3738-05	. RING;BACK UP	. ANNEAU	1					
3H	530-00236	. HARNESS;PILOT FILTER	. HARNAIS	1					
3I	2197-1661	. BRACKET	. SUPPORT	1					
3J	S0508653	. BOLT	. BOULON	1					
3K	S5102503	. WASHER,SPRING	. RONDELLE	1					
8	195-02716C	BRACKET;FILTER	SUPPORT	1					
9	198-00016	RUBBER	LE CAOUTCHOUC	2					
14	2181-1951D6	TEE	TE	1					
18	2181-1702D4	ELBOW	COUDE	3		5001-7754			
	2181-1702D4	ELBOW	COUDE	1		7755-			
19	2181-1702D2	ELBOW	COUDE	1					
23	2181-1126D6	ADAPTER	ADAPTEUR	1					
25	2181-1126D14	ADAPTER	ADAPTEUR	3					
29	S8000141	O-RING	JOINT TORIQUE	1					
30	S8000111	O-RING	JOINT TORIQUE	5		5001-7754			
	S8000111	O-RING	JOINT TORIQUE	2		7755-			
31	S8000181	O-RING	JOINT CIRCULAIRE	2					
34	S0553766	BOLT	BOULON	2					
35	S0512266	BOLT	BOULON	2					
36	K1001029	BOLT	BOULON	1		5001-7754			
	K1001029	BOLT	BOULON	2		7755-			
38	S5102303	WASHER;SPRING	RONDELLE	2					
39	2114-1058D10	WASHER	RONDELLE	2					
44	124-00208D9	CLIP	AGRAFE	1					
64	DS2094053	HOSE	TUYAU FLEXIBLE	1					
68	DS2093180	HOSE PF1/4-450L	TUYAU FLEXIBLE	1		5001-7754			
	2184-1046D94	HOSE PF1/4-780L	TUYAU FLEXIBLE	1		7755-			
69	DS2093182	HOSE PF1/4-2350L	TUYAU FLEXIBLE	1		5001-7754			
	2184-1046D120	HOSE PF1/4-1950L	TUYAU FLEXIBLE	1		7755-			
71	DS2093003	HOSE PF3/8-1350L	TUYAU	1					

DATE	SEP. 12, 2012
4th EDITION	

**Fig. 1320 PILOT PIPING(1)
CONDUITES DE PILOTE**

Serial No. ;



DATE	SEP. 12, 2012
4th EDITION	

Fig. 1320 PILOT PIPING(1)
CONDUITES DE PILOTE

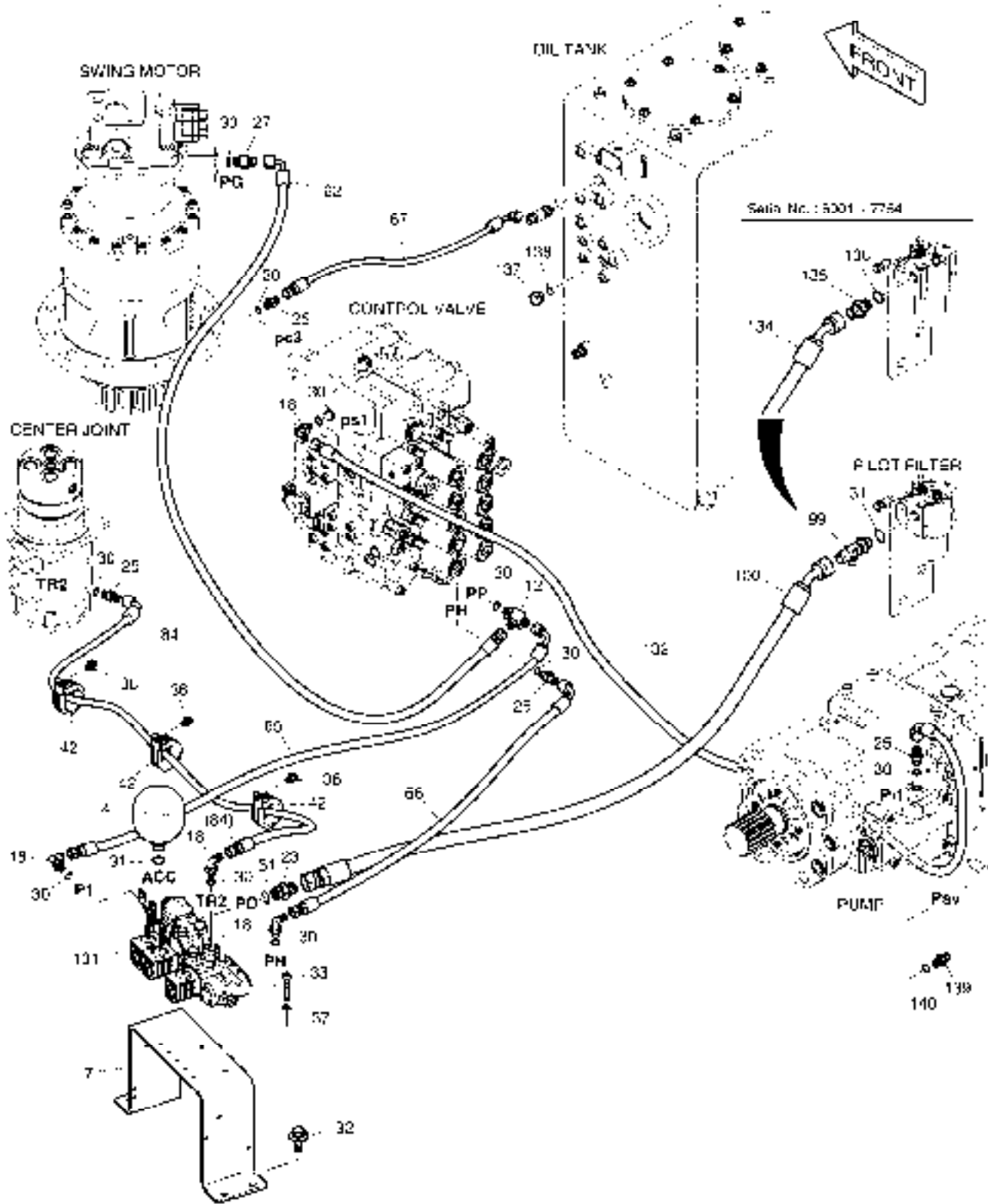
Serial No. ;

Key No.	Part No.	Description	Description	Q'ty	S.C	Serial No.	ICA	Replaceable part	
								Part No.	Q'ty
1320 -74	DS2054133	HOSE	TUYAU FLEXIBLE	1					
98	124-00208D6	CLIP	AGRAFE	1		7755-			

DATE	SEP. 12, 2012
4th EDITION	

**Fig. 1330 PILOT PIPING(2)
CONDUITES DE PILOTE**

Serial No. ;



DATE	SEP. 12, 2012
4th EDITION	

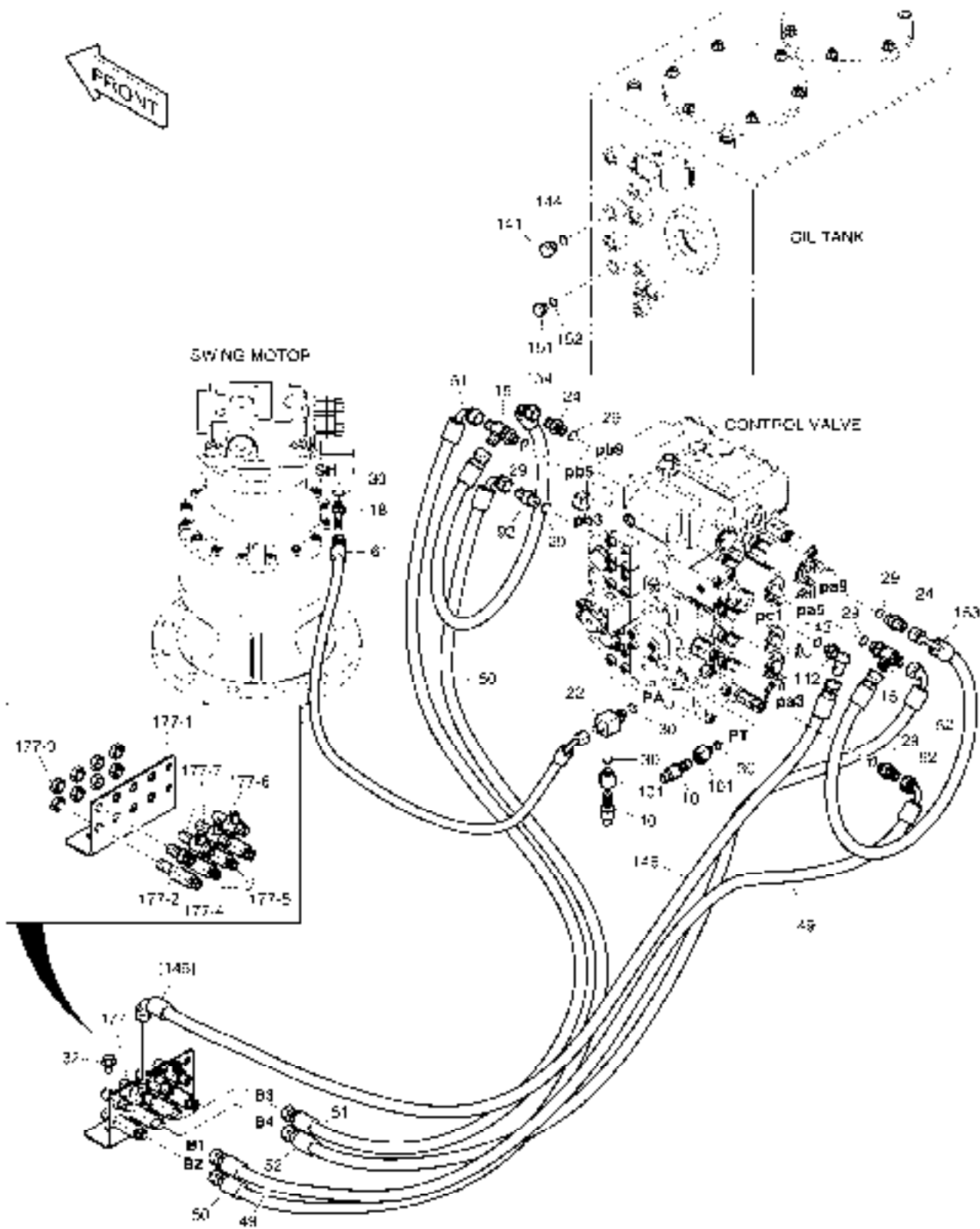
**Fig. 1330 PILOT PIPING(2)
CONDUITES DE PILOTE**

Serial No. ;

Key No.	Part No.	Description	Description	Q'ty	S.C	Serial No.	ICA	Replaceable part	
								Part No.	Q'ty
1330 --	K1044664A	PILOT PIPING	CONDUITES DE PILOTE	-	D				
4	2460-9057A	ACCUMULATOR	ACCUMULATEUR	1					
7	K1039014A	BRACKET	SUPPORT	1					
12	K1038032	TEE	TE	1					
18	2181-1702D4	ELBOW	COUDE	4					
23	2181-1126D6	ADAPTER	ADAPTEUR	1					
25	2181-1126D14	ADAPTER	ADAPTEUR	4					
27	2181-1126D38	ADAPTER	ADAPTEUR	1					
30	S8000111	O-RING	JOINT TORIQUE	10					
31	S8000181	O-RING	JOINT CIRCULAIRE	2		5001-7754			
	S8000181	O-RING	JOINT CIRCULAIRE	3		7755-			
32	DS0025017	BOLT	BOULON	4					
33	S2209666	BOLT;SOCKET	BOULON	2					
36	K1001029	BOLT	BOULON	3					
37	S5110503	WASHER;SPRING	RONDELLE	2					
42	124-00208D7	CLIP	AGRAFE	3					
62	DS2093193	HOSE	TUYAU	1					
65	DS2093080	HOSE	TUYAU FLEXIBLE	1					
66	DS2093212	HOSE	TUYAU FLEXIBLE	1					
67	DS2093017	HOSE	TUYAU	1					
84	DS2093034	HOSE	TUYAU FLEXIBLE	1					
99	2181-1951D19	TEE	TE	1		7755-			
100	2184-1060D70	HOSE PF1/2-1700L	TUYAU FLEXIBLE	1		7755-			
131	K1047557	VALVE;SOLENOID	VALVE	1					
132	DS2093181	HOSE PF1/4-2500L	TUYAU FLEXIBLE	1		5001-7754			
	2184-1046D187	HOSE PF1/4-2600L	TUYAU FLEXIBLE	1		7755-			
134	DS2054336	HOSE PF1/2-1760L	TUYAU FLEXIBLE	1		5001-7754			
135	2181-1126D6	ADAPTER	ADAPTEUR	1		5001-7754			
136	S8000181	O-RING	JOINT CIRCULAIRE	1		5001-7754			
137	2181-1950D1	PLUG	BOUCHON	1					
138	S8000111	O-RING	JOINT TORIQUE	1					
139	2181-1126D14	ADAPTER	ADAPTEUR	1		7755-			
140	S8000111	O-RING	JOINT TORIQUE	1		7755-			

**Fig. 1340 PILOT PIPING(3)
CONDUITES DE PILOTE**

Serial No. ;



DATE	SEP. 12, 2012
4th EDITION	

**Fig. 1340 PILOT PIPING(3)
CONDUITES DE PILOTE**

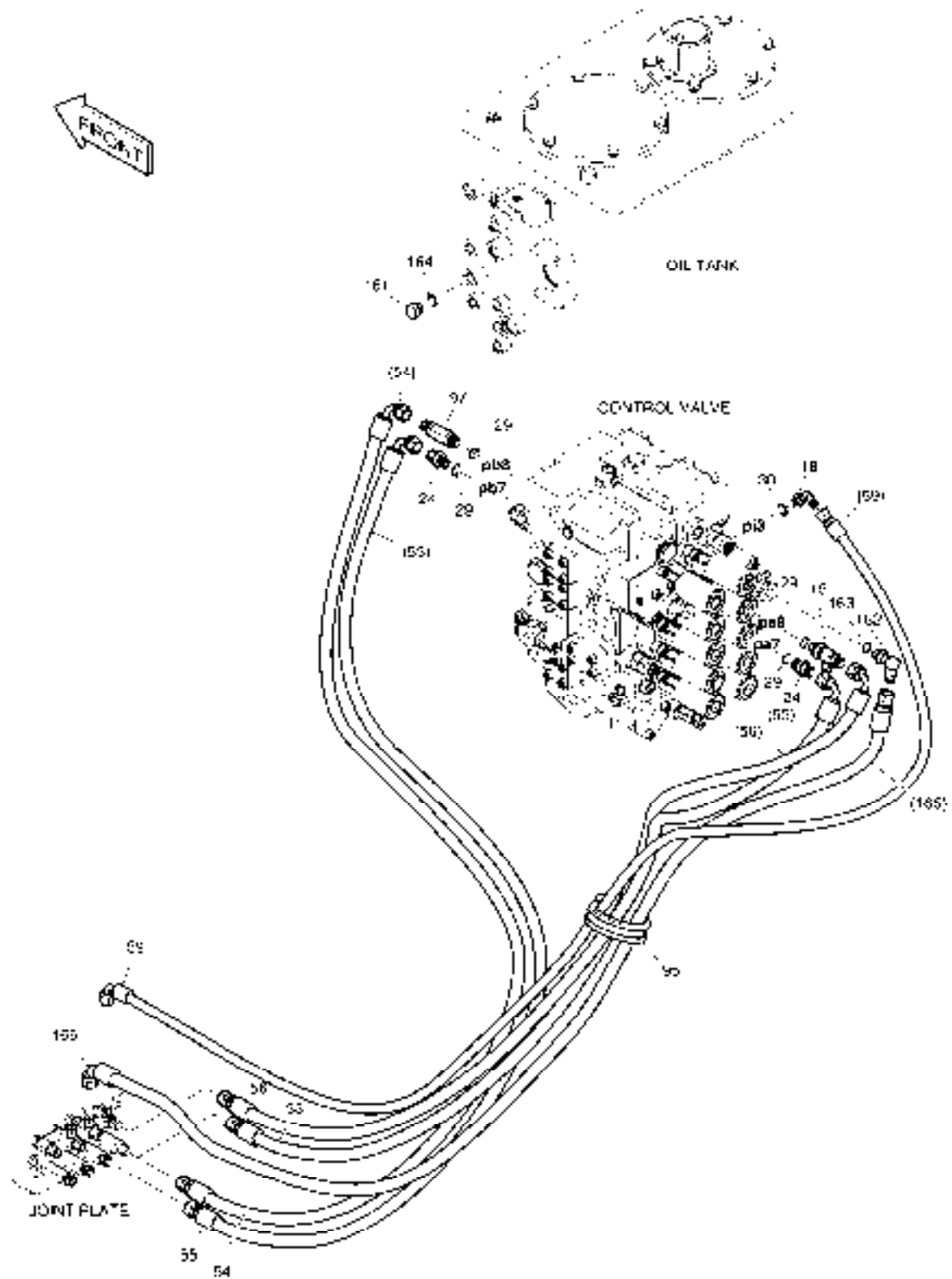
Serial No. ;

Key No.	Part No.	Description	Description	Q'ty	S.C	Serial No.	ICA	Replaceable part	
								Part No.	Q'ty
1340 --	K1044664A	PILOT PIPING	CONDUITES DE PILOTE	-	D				
10	2549-9112	SWITCH;PRESSURE	COMMUTATEUR	2					
15	2181-1951D16	TEE	TE	2					
18	2181-1702D4	ELBOW	COUDE	1					
22	2181-2635	TEE	TE	1					
24	2181-1126D7	ADAPTER	ADAPTEUR	2					
29	S8000141	O-RING	JOINT TORIQUE	6					
30	S8000111	O-RING	JOINT TORIQUE	3		5001-7482			
	S8000111	O-RING	JOINT TORIQUE	5		7483-			
32	DS0025017	BOLT	BOULON	2					
49	DS2093134	HOSE	TUYAU	1					
50	DS2093174	HOSE	TUYAU FLEXIBLE	1					
51	DS2093175	HOSE	TUYAU	1					
52	DS2093178	HOSE	TUYAU	1					
61	DS2093090	HOSE	TUYAU FLEXIBLE	1					
92	181-00144D5	ADAPTER	ADAPTEUR	2					
101	430223-00011	REDUCER	RÉDUCTEUR	2		7483-			
141	2181-1950D2	PLUG	BOUCHON	1					
142	2181-1702D3	ELBOW PFO1/4XPF3/8	COUDE	1					
143	S8000111	O-RING	JOINT TORIQUE	1					
144	S8000141	O-RING	JOINT TORIQUE	1					
145	DS2093134	HOSE	TUYAU	1					
151	2181-1951D1	TEE	TE	1					
152	S8000111	O-RING	JOINT TORIQUE	1					
153	DS2093155	HOSE	TUYAU FLEXIBLE	1					
154	DS2093184	HOSE	TUYAU	1					
177	K1044408	JOINT PLATE SUB ASS'Y	SOUS-MARIN COMMUN AS	1		5001-5645	Y	430216-00004	1
	430216-00004	JOINT PLATE SUB ASS'Y	SOUS-MARIN COMMUN AS	1		5646-			
177-1	K1000354	. BRACKET;JOINT	. SUPPORT	1					
177-2	181-00078D1	. ADAPTER	. ADAPTEUR	1					
177-3	121-00010D1	. NUT	. ECROU	8					
177-4	420-00352D1	. VALVE;SHOCKLESS	. VANNE	1					
177-5	DS2410009	. ADAPTER	. ADAPTEUR	3					
177-6	181-00086D1	. TEE	. TE	1					
177-7	181-00086D2	. TEE	. TE	2					

DATE	SEP. 12, 2012
4th EDITION	

**Fig. 1350 PILOT PIPING(4)
CONDUITES DE PILOTE**

Serial No. ;



DATE	SEP. 12, 2012
4th EDITION	

**Fig. 1350 PILOT PIPING(4)
CONDUITES DE PILOTE**

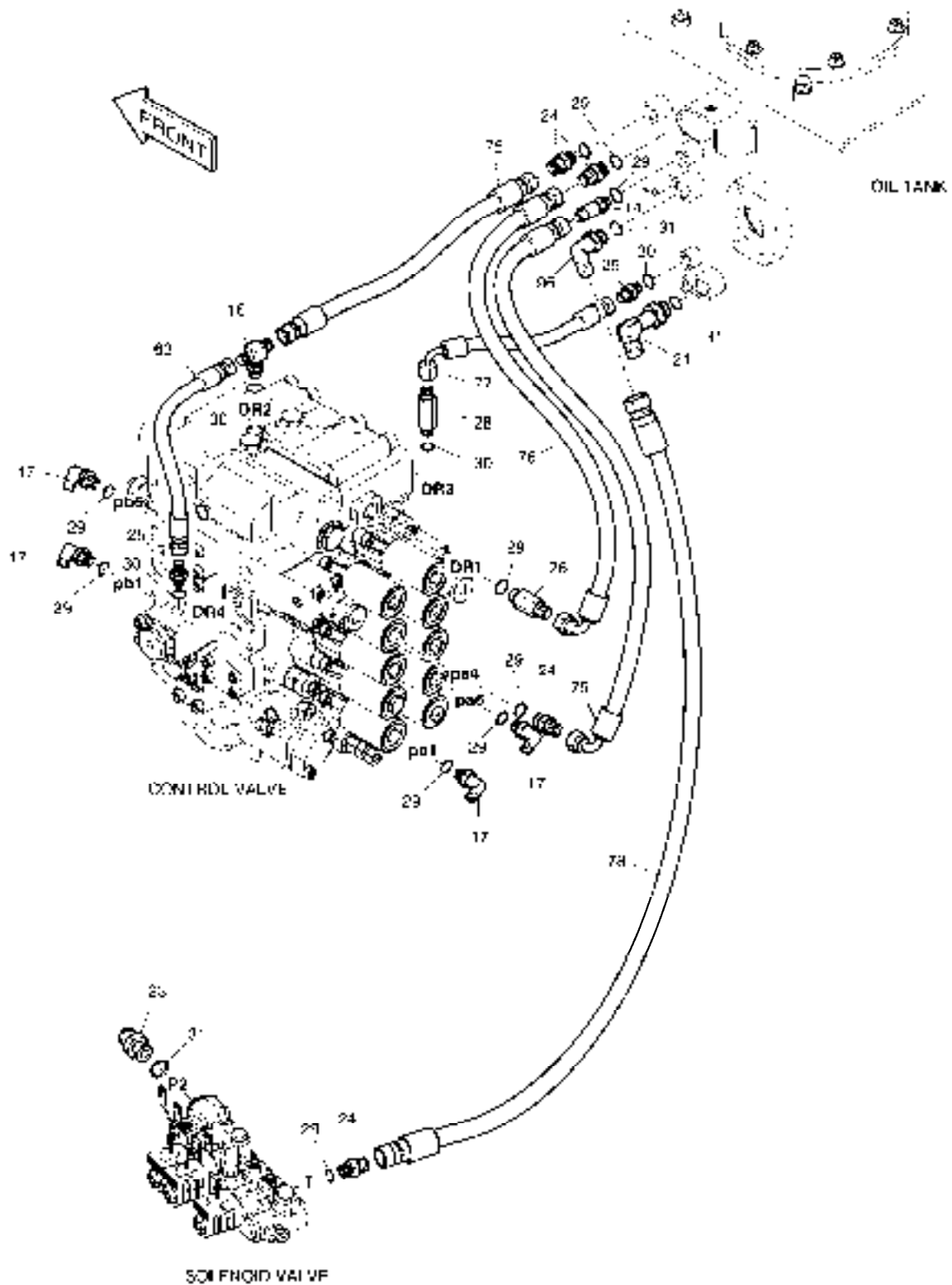
Serial No. ;

Key No.	Part No.	Description	Description	Q'ty	S.C	Serial No.	ICA	Replaceable part	
								Part No.	Q'ty
1350 --	K1044664A	PILOT PIPING	CONDUITES DE PILOTE	-	D				
15	2181-1951D16	TEE	TE	1					
18	2181-1702D4	ELBOW	COUDE	1					
24	2181-1126D7	ADAPTER	ADAPTEUR	2					
29	S8000141	O-RING	JOINT TORIQUE	4					
30	S8000111	O-RING	JOINT TORIQUE	1					
53	DS2093139	HOSE	TUYAU FLEXIBLE	1					
54	DS2093222	HOSE	TUYAU	1					
55	DS2093022	HOSE	TUYAU	1					
56	DS2093173	HOSE	TUYAU	1					
59	DS2093026	HOSE	TUYAU FLEXIBLE	1					
95	124-00208D8	CLIP	AGRAFE	1					
97	K1003664D1	VALVE;SHOCKLESS	VALVE	1					
161	2181-1950D2	PLUG	BOUCHON	1					
162	2181-1702D3	ELBOW PFO1/4XPF3/8	COUDE	1					
163	S8000111	O-RING	JOINT TORIQUE	1					
164	S8000141	O-RING	JOINT TORIQUE	1					
165	DS2093178	HOSE	TUYAU	1					

DATE	SEP. 12, 2012
4th EDITION	

**Fig. 1360 PILOT PIPING(5)
CONDUITES DE PILOTE**

Serial No. ;



DATE	SEP. 12, 2012
4th EDITION	

**Fig. 1360 PILOT PIPING(5)
CONDUITES DE PILOTE**

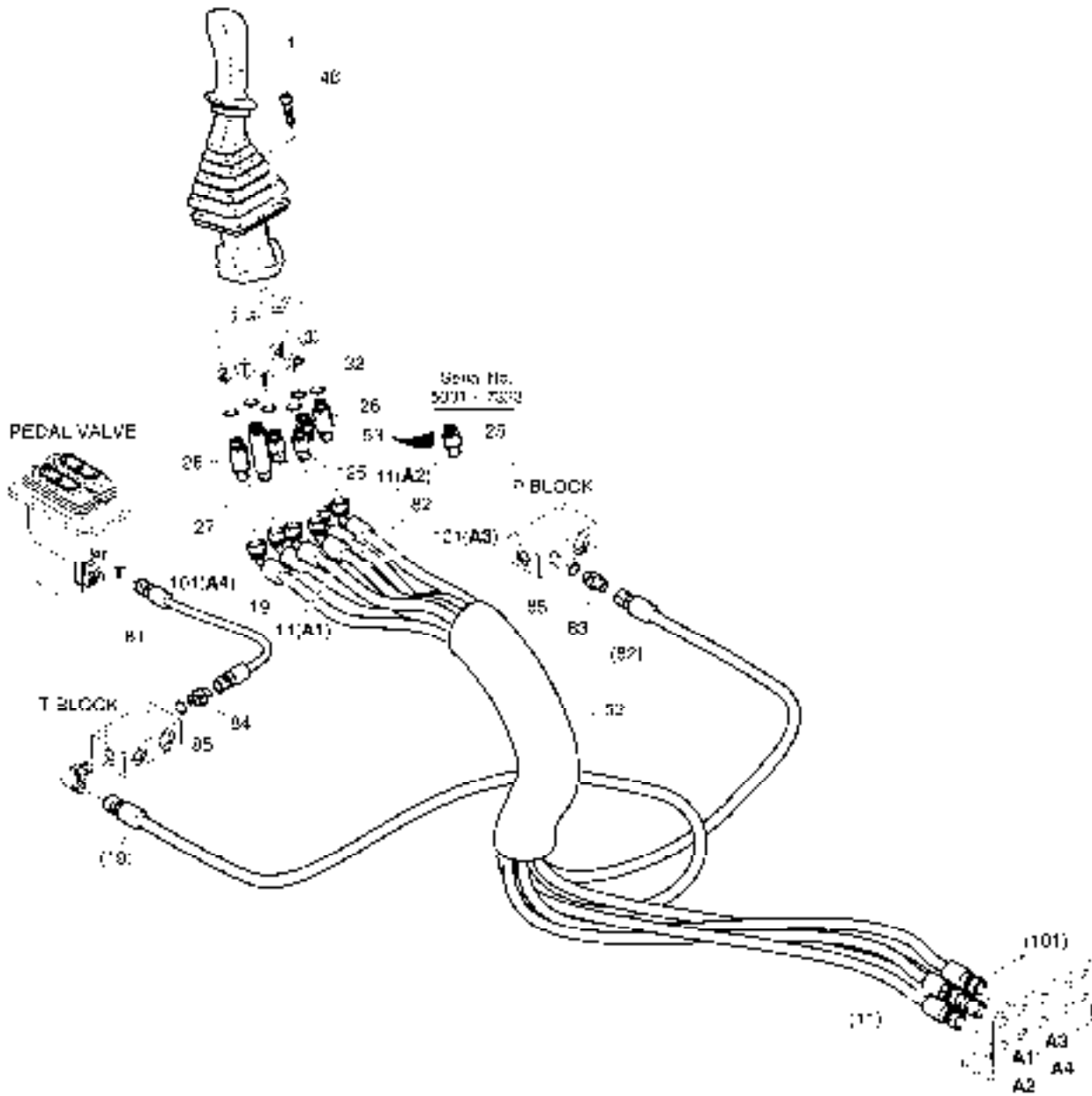
Serial No. ;

Key No.	Part No.	Description	Description	Q'ty	S.C	Serial No.	ICA	Replaceable part	
								Part No.	Q'ty
1360 --	K1044664A	PILOT PIPING	CONDUITES DE PILOTE	-	D				
14	2181-1951D6	TEE	TE	1					
16	2181-2281D21	TEE	TE	1					
17	2181-1702D10	ELBOW	COUDE	4					
21	2181-1702D34	ELBOW	COUDE	1					
23	2181-1126D6	ADAPTER	ADAPTEUR	1					
24	2181-1126D7	ADAPTER	ADAPTEUR	4					
25	2181-1126D14	ADAPTER	ADAPTEUR	2					
26	2181-1126D27	ADAPTER	ADAPTEUR	1					
28	2181-1126D103	ADAPTER	ADAPTEUR	1					
29	S8000141	O-RING	JOINT TORIQUE	10					
30	S8000111	O-RING	JOINT TORIQUE	4					
31	S8000181	O-RING	JOINT CIRCULAIRE	3					
63	DS2094004	HOSE	TUYAU FLEXIBLE	1					
75	DS2094055	HOSE	TUYAU	1					
76	DS2093185	HOSE	TUYAU	1					
77	DS2093130	HOSE	TUYAU	1					
78	DS2094037	HOSE	TUYAU FLEXIBLE	1					
79	DS2093030	HOSE	TUYAU	1					
96	2181-1702D9	ELBOW	COUDE	1					

DATE	SEP. 12, 2012
4th EDITION	

**Fig. 1370 PILOT PIPING(6)
CONDUITES DE PILOTE**

Serial No. ;



DATE	SEP. 12, 2012
4th EDITION	

Fig. 1370 PILOT PIPING(6) CONDUITES DE PILOTE

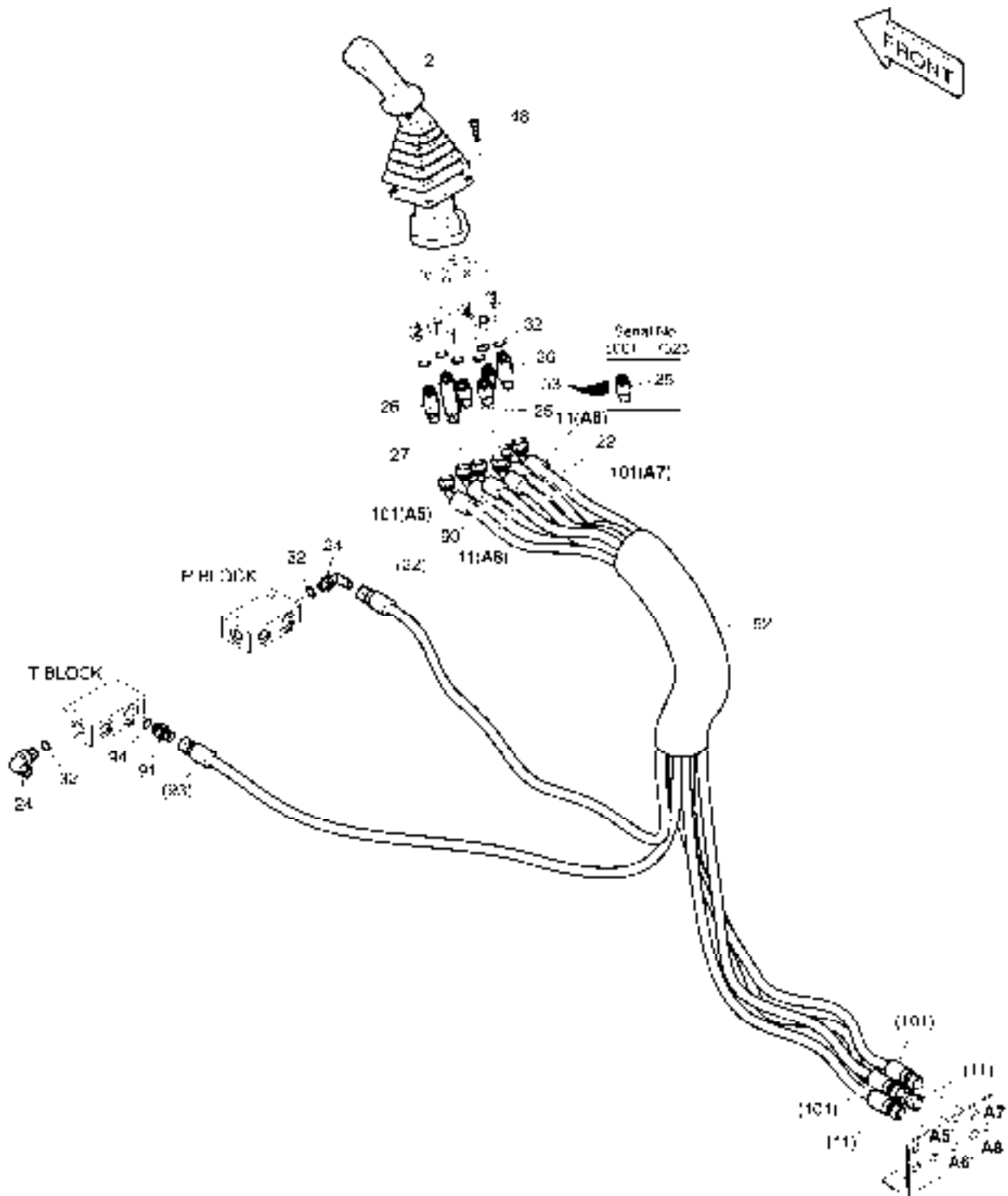
Serial No. ;

Key No.	Part No.	Description	Description	Q'ty	S.C	Serial No.	ICA	Replaceable part	
								Part No.	Q'ty
1370 --	K1044708	PILOT PIPING	CONDUITES DE PILOTE	-	D	5001-6341			
	420212-02892	PIPING,PILOT	CONDUITES DE PILOTE	-	D	6342-7323			
	420212-02892A	PIPING,PILOT	CONDUITES DE PILOTE	-	D	7324-			
1	K1000556H	REMOTE CONTROL VALVE(L.H)	VALVE DE REMOCON	1		5001-6341	I	410113-00022A	1
	410113-00022A	VALVE,JOYSTICK(L.H)	MANETTE DE CONTROLE	1		6342-			
11	DS2095001	HOSE	TUYAU FLEXIBLE	2					
19	DS2095004	HOSE	TUYAU FLEXIBLE	1					
25	DS2213165	ADAPTER	ADAPTEUR	3		5001-7323			
	DS2213165	ADAPTER	ADAPTEUR	2		7324-			
26	2181-1126D27	ADAPTER	ADAPTEUR	2					
27	2181-1126D28	ADAPTER	ADAPTEUR	1					
32	S8000141	O-RING	JOINT TORIQUE	6					
48	S2205066	BOLT;SOCKET M6X1.0X25	BOULON	4					
52	K1003945	PROTECTOR	PROTECTEUR	1					
53	430201-00113	ADAPTER,FILTER	ADAPTEUR	1		7324-			
81	DS2094006	HOSE	TUYAU FLEXIBLE	1					
82	DS2095003	HOSE	TUYAU	1					
83	2181-1126D7	ADAPTER	ADAPTEUR	1					
84	2181-1126D36	ADAPTER	ADAPTEUR	1					
85	S8000141	O-RING	JOINT TORIQUE	2					
101	DS2095001	HOSE	TUYAU FLEXIBLE	2					

DATE	SEP. 12, 2012
4th EDITION	

**Fig. 1380 PILOT PIPING(7)
CONDUITES DE PILOTE**

Serial No. ;



DATE	SEP. 12, 2012
4th EDITION	

**Fig. 1380 PILOT PIPING(7)
CONDUITES DE PILOTE**

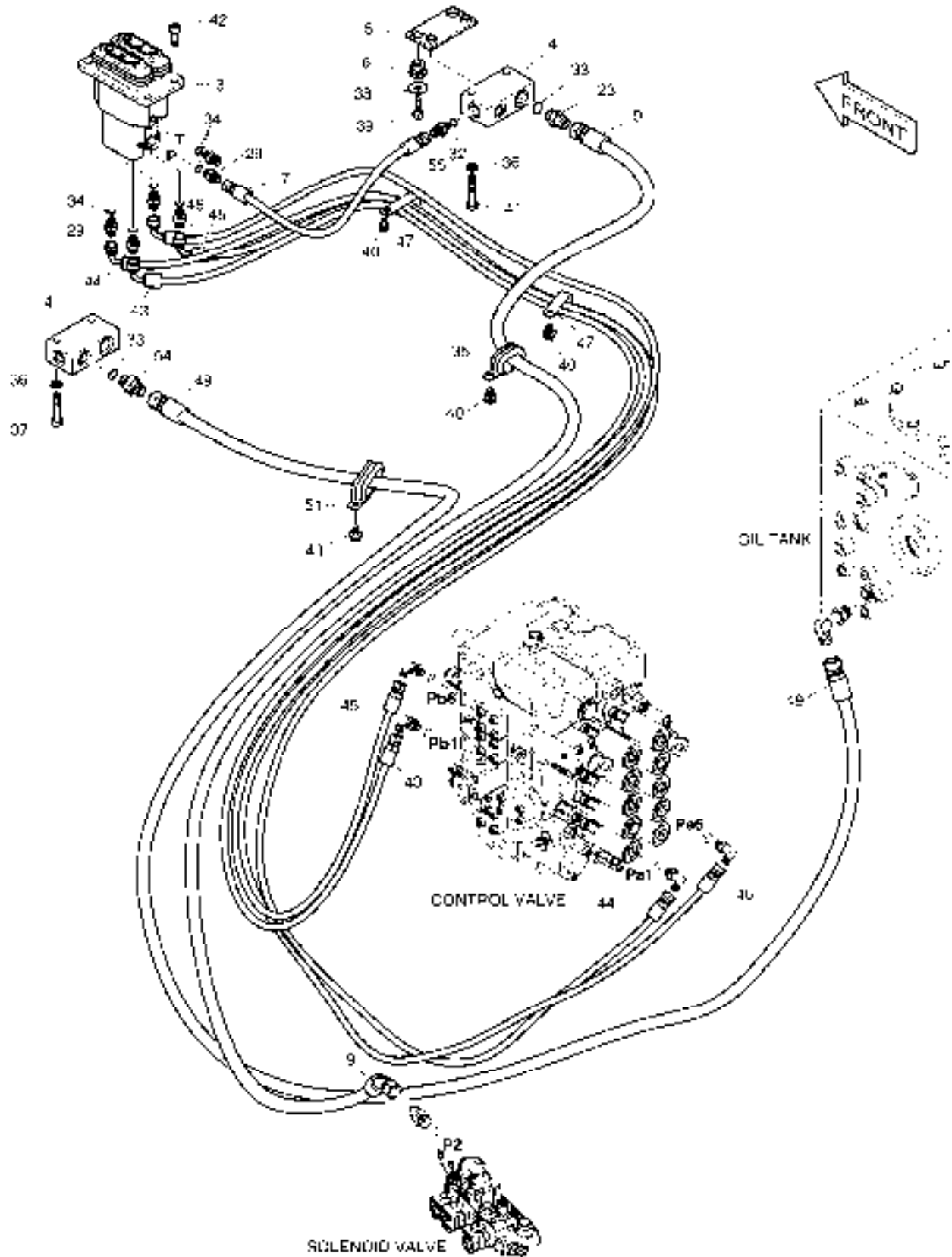
Serial No. ;

Key No.	Part No.	Description	Description	Q'ty	S.C	Serial No.	ICA	Replaceable part	
								Part No.	Q'ty
1380 --	K1044708	PILOT PIPING	CONDUITES DE PILOTE	-	D	5001-6341			
	420212-02892	PIPING,PILOT	CONDUITES DE PILOTE	-	D	6342-7323			
	420212-02892A	PIPING,PILOT	CONDUITES DE PILOTE	-	D	7324-			
2	K1000555H	REMOTE CONTROL VALVE(R.H)	VALVE DE REMOCON	1		5001-6341	I	410113-00021A	1
	410113-00021A	VALVE,JOYSTICK(R.H)	MANETTE DE CONTROLE	1		6342-			
11	DS2095001	HOSE	TUYAU FLEXIBLE	2					
22	DS2095002	HOSE PF3/8-1750L	TUYAU FLEXIBLE	1					
24	2181-1702D5	ELBOW	COUDE	2					
25	DS2213165	ADAPTER	ADAPTEUR	3		5001-7323			
	DS2213165	ADAPTER	ADAPTEUR	2		7324-			
26	2181-1126D27	ADAPTER	ADAPTEUR	2					
27	2181-1126D28	ADAPTER	ADAPTEUR	1					
32	S8000141	O-RING	JOINT TORIQUE	8					
48	S2205066	BOLT;SOCKET M6X1.0X25	BOULON	4					
52	K1003945	PROTECTOR	PROTECTEUR	1					
53	430201-00113	ADAPTER,FILTER	ADAPTEUR	1		7324-			
91	2181-1126D7	ADAPTER	ADAPTEUR	1					
93	DS2095003	HOSE	TUYAU	1					
94	S8000141	O-RING	JOINT TORIQUE	1					
101	DS2095001	HOSE	TUYAU FLEXIBLE	2					

DATE	SEP. 12, 2012
4th EDITION	

**Fig. 1390 PILOT PIPING(8)
CONDUITES DE PILOTE**

Serial No. ;



DATE	SEP. 12, 2012
4th EDITION	

Fig. 1390 PILOT PIPING(8) CONDUITES DE PILOTE

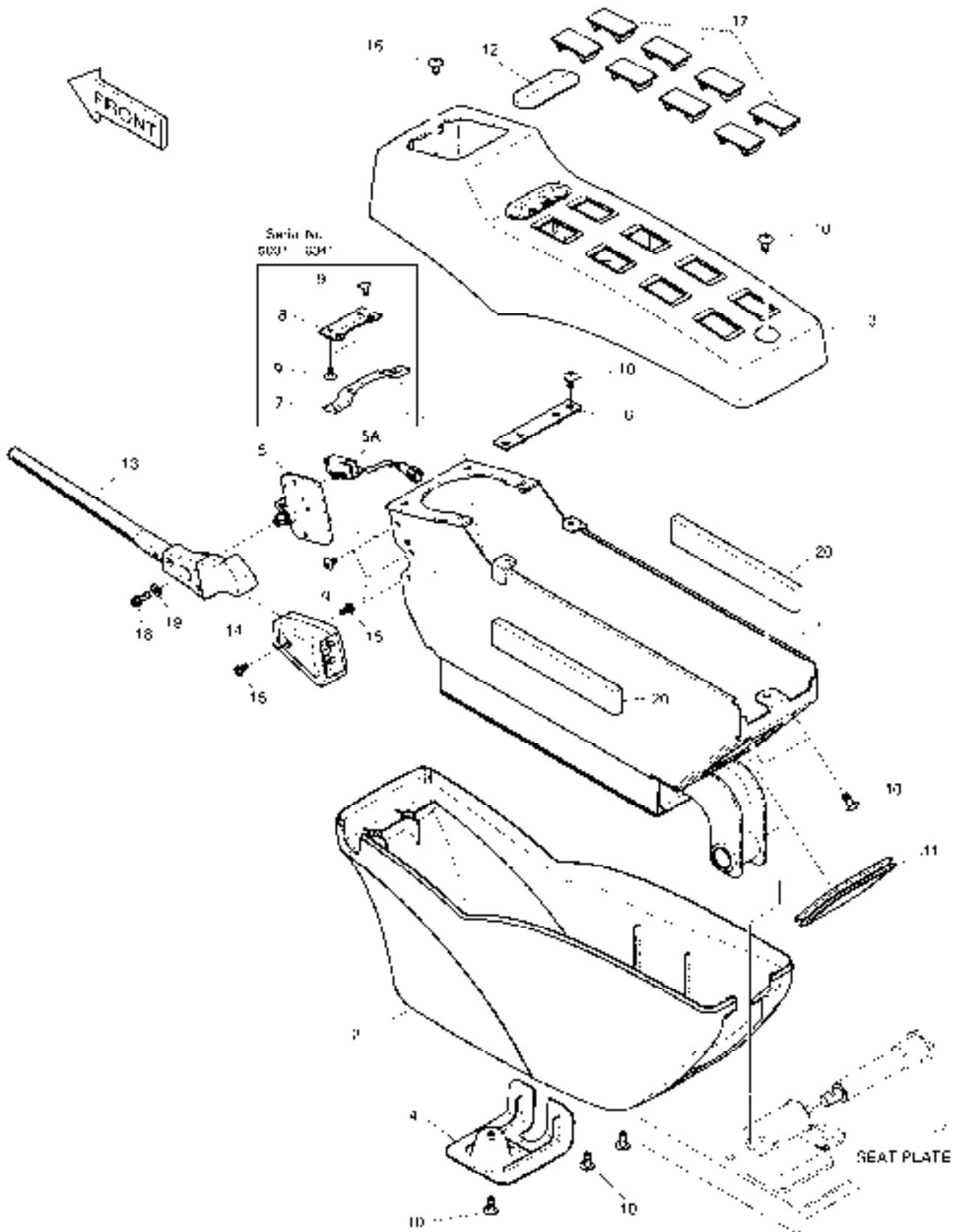
Serial No. ;

Key No.	Part No.	Description	Description	Q'ty	S.C	Serial No.	ICA	Replaceable part	
								Part No.	Q'ty
1390 --	K1044708	PILOT PIPING	CONDUITES DE PILOTE	-	D	5001-6341			
	420212-02892	PIPING,PILOT	CONDUITES DE PILOTE	-	D	6342-7323			
	420212-02892A	PIPING,PILOT	CONDUITES DE PILOTE	-	D	07324-11350			
	420212-02892B	PIPING PILOT	CONDUITES DE PILOTE	-	D	11351-			
3	420-00467A	VALVE;PEDAL	VANNE	1					
4	2423-1470	BLOCK	BLOC	2					
5	621-02151	PLATE	PLAQUE	1					
6	198-00016	RUBBER	LE CAOUTCHOUC	2					
7	DS2094006	HOSE	TUYAU FLEXIBLE	1					
9	DS2054356	HOSE	TUYAU	1					
23	2471-1135	FILTER;ADAPTER	FILTRE DE ADAPTEUR	1					
29	2181-1126D14	ADAPTER	ADAPTEUR	6					
32	S8000141	O-RING	JOINT TORIQUE	1					
33	S8000181	O-RING	JOINT CIRCULAIRE	2					
34	S8000111	O-RING	JOINT TORIQUE	6					
35	124-00209D2	CLIP	AGRAFE	1					
36	2114-2031D5	WASHER;SPRING	RONDELLE	4					
37	S0558666	BOLT	BOULON	2					
38	2114-1058D10	WASHER	RONDELLE	2					
39	S0512266	BOLT	BOULON	2					
40	K1001029	BOLT	BOULON	4					
41	S0558766	BOLT	BOULON	2					
42	S2212266	BOLT;SOCKET M10X1.5X30	BOULON A 6 PANS CREUX	4					
43	DS2093189	HOSE	TUYAU	1					
44	DS2093191	HOSE PF1/4-2880L	TUYAU	1					
45	DS2093190	HOSE	TUYAU FLEXIBLE	1					
46	DS2093192	HOSE	TUYAU FLEXIBLE	1					
47	124-00209D3	CLIP	AGRAFE	2					
49	DS2053833	HOSE	TUYAU FLEXIBLE	1					
51	124-00209D8	CLIP	AGRAFE	1					
54	2181-1126D6	ADAPTER	ADAPTEUR	1					
55	2181-1126D36	ADAPTER	ADAPTEUR	1					

DATE	SEP. 12, 2012
4th EDITION	

**Fig. 1400 CONTROL STAND - L.H.
CONSOLE DE COMMANDE**

Serial No. ;



DATE	SEP. 12, 2012
4th EDITION	

Fig. 1400 CONTROL STAND - L.H. CONSOLE DE COMMANDE

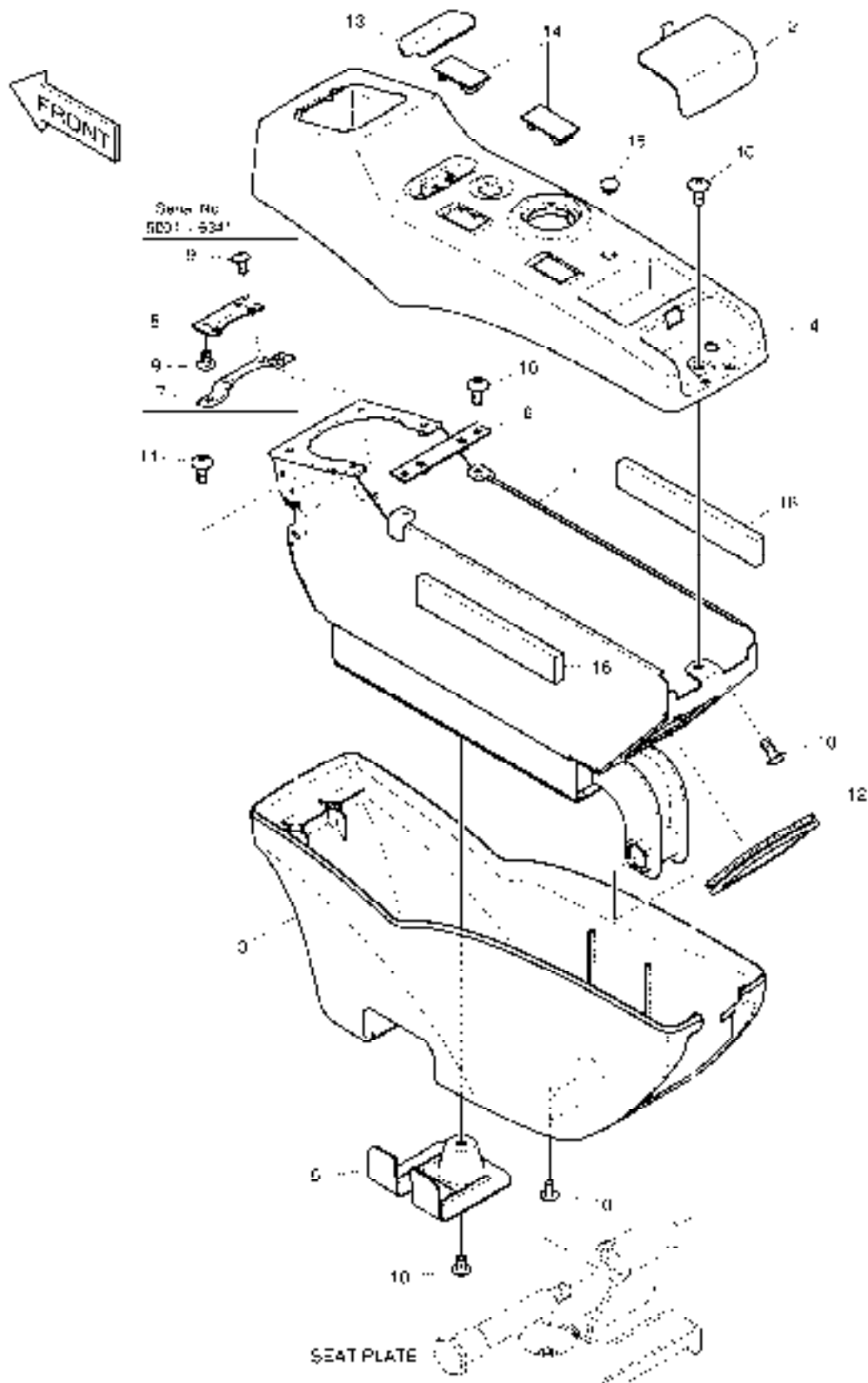
Serial No. ;

Key No.	Part No.	Description	Description	Q'ty	S.C	Serial No.	ICA	Replaceable part	
								Part No.	Q'ty
1400 --	K1002202H	CONTROL STAND L.H.	COMMANDEZ LE GAUCHE	-	D	5001-6341			
	220111-00022	STAND ASSY,CONTROL	COMMANDEZ LE STAND	-	D	6342-			
1	195-02753C	BRACKET;STAND LH	SUPPORT	1					
2	621-02901B	COVER;STAND LH LOWER	COUVERTURE	1					
3	621-03012G	COVER;STAND LH UPPER	COUVERTURE	1		5001-6341	I	220204-00099	1
	220204-00099	COVER,STAND	COUVERCLE	1		6342-			
4	621-03014B	COVER;STAND LOW	COUVERTURE	1					
5	195-02868C	BRACKET;SAFETY	SUPPORT	1					
5A	549-00089	. SWITCH;MICRO	. COMMUTATEUR	1					
6	621-02957B	PLATE;STAND MOUNT	PLAQUE	1					
7	159-00290B	PLATE	PLAQUE	1		5001-6341			
8	159-00287B	PLATE;COVER MOUNT	PLAQUE	1		5001-6341			
9	2120-2166D53	SCREW	VIS	7		5001-6341			
	2120-2166D53	SCREW	VIS	3		6342-			
10	2120-2166D10	SCREW	VIS	10					
11	K1001023	STRIP;WEATHER	BANDE	1					
12	621-03733C	COVER	COUVERTURE	1					
13	K1000840	LEVER	LEVIER	1					
14	K1000842A	COVER	COUVERTURE	1					
15	S3450823	SCREW	VIS	2					
16	2120-2166D52	BOLT M6X1.0X12	BOULON	2					
17	621-02801	COVER;SWITCH	COUVERTURE	8					
18	S2202966	BOLT;SOCKET	BOULON	1					
19	2114-1898D4	WASHER	RONDELLE	1					
20	K1010466	FOAM	MOUSSE	2					

DATE	SEP. 12, 2012
4th EDITION	

**Fig. 1410 CONTROL STAND - R.H.
CONSOLE DE COMMANDE**

Serial No. ;



DATE	SEP. 12, 2012
4th EDITION	

**Fig. 1410 CONTROL STAND - R.H.
CONSOLE DE COMMANDE**

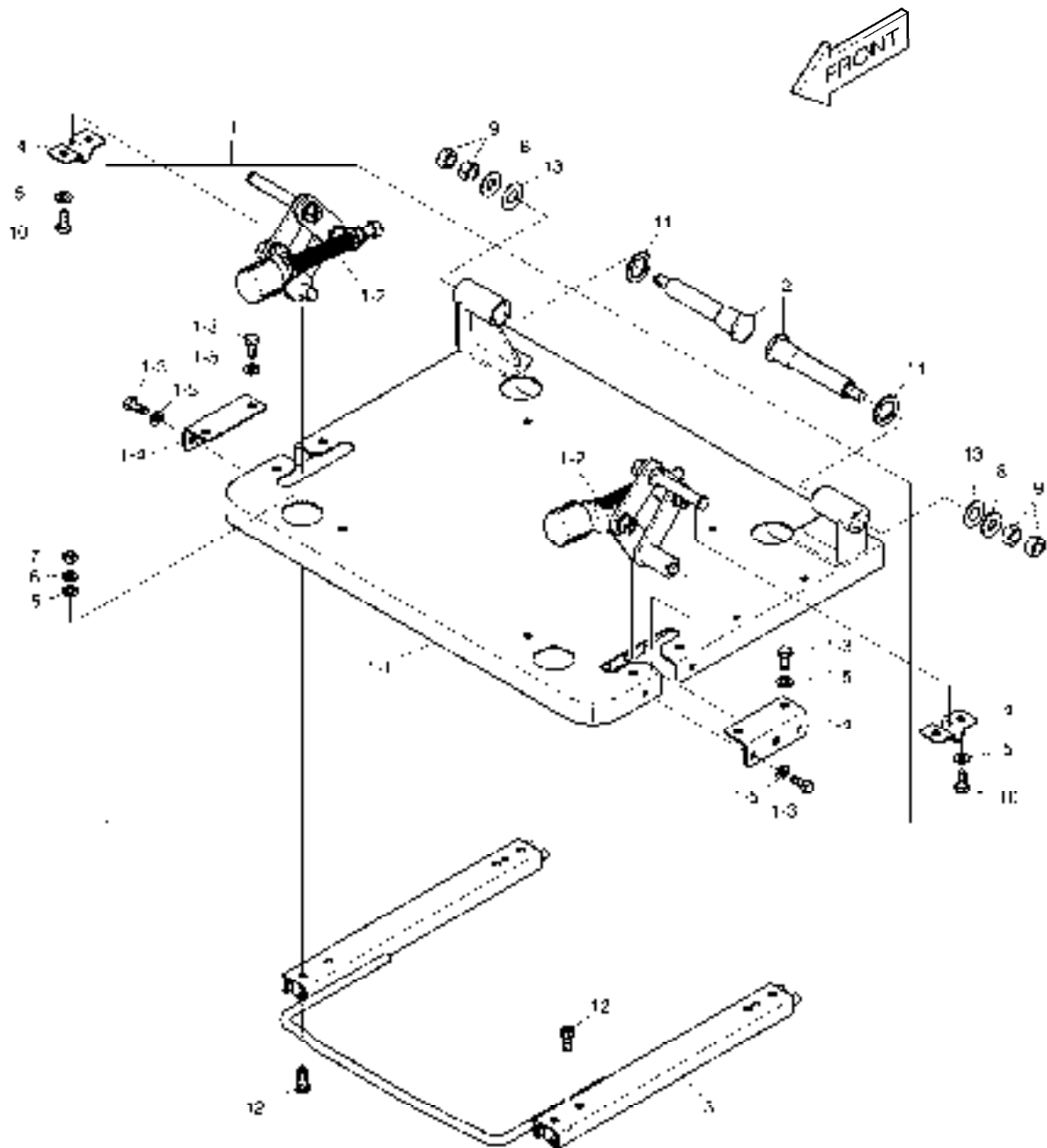
Serial No. ;

Key No.	Part No.	Description	Description	Q'ty	S.C	Serial No.	ICA	Replaceable part	
								Part No.	Q'ty
1410 --	K1002162H	CONTROL STAND-R.H	CONSOLE DE COMMANDE	-	D	5001-6341			
	220111-00023	STAND ASSY,CONTROL	COMMANDEZ LE STAND	-	D	6342-			
1	195-02755C	BRACKET;R.H.	SUPPORT	1					
2	621-02926E	COVER;SWITCH	COUVERTURE	1					
3	621-02900B	COVER;STAND LOWER	COUVERTURE	1					
4	621-02898G	COVER;STAND RH UPPER	COUVERCLE	1		5001-6341	I	220204-00100	1
	220204-00100	COVER,STAND	COUVERCLE	1		6342-			
5	621-03014B	COVER;STAND LOW	COUVERTURE	1					
6	621-02957B	PLATE;STAND MOUNT	PLAQUE	1					
7	159-00290B	PLATE	PLAQUE	1		5001-6341			
8	159-00287B	PLATE;COVER MOUNT	PLAQUE	1		5001-6341			
9	2120-2166D53	SCREW	VIS	4		5001-6341			
10	2120-2166D10	SCREW	VIS	10					
11	2120-2166D52	BOLT M6X1.0X12	BOULON	2					
12	K1001023	STRIP;WEATHER	BANDE	1					
13	621-03733C	COVER	COUVERTURE	1					
14	621-02801	COVER;SWITCH	COUVERTURE	2					
15	K1006995	CAP	CHAPEAU	1					
16	K1010466	FOAM	MOUSSE	2					

DATE	SEP. 12, 2012
4th EDITION	

**Fig. 1420 SEAT SLIDING PLATE
POSEZ GLISSER LE PLAT**

Serial No. ;



DATE	SEP. 12, 2012
4th EDITION	

**Fig. 1420 SEAT SLIDING PLATE
POSEZ GLISSER LE PLAT**

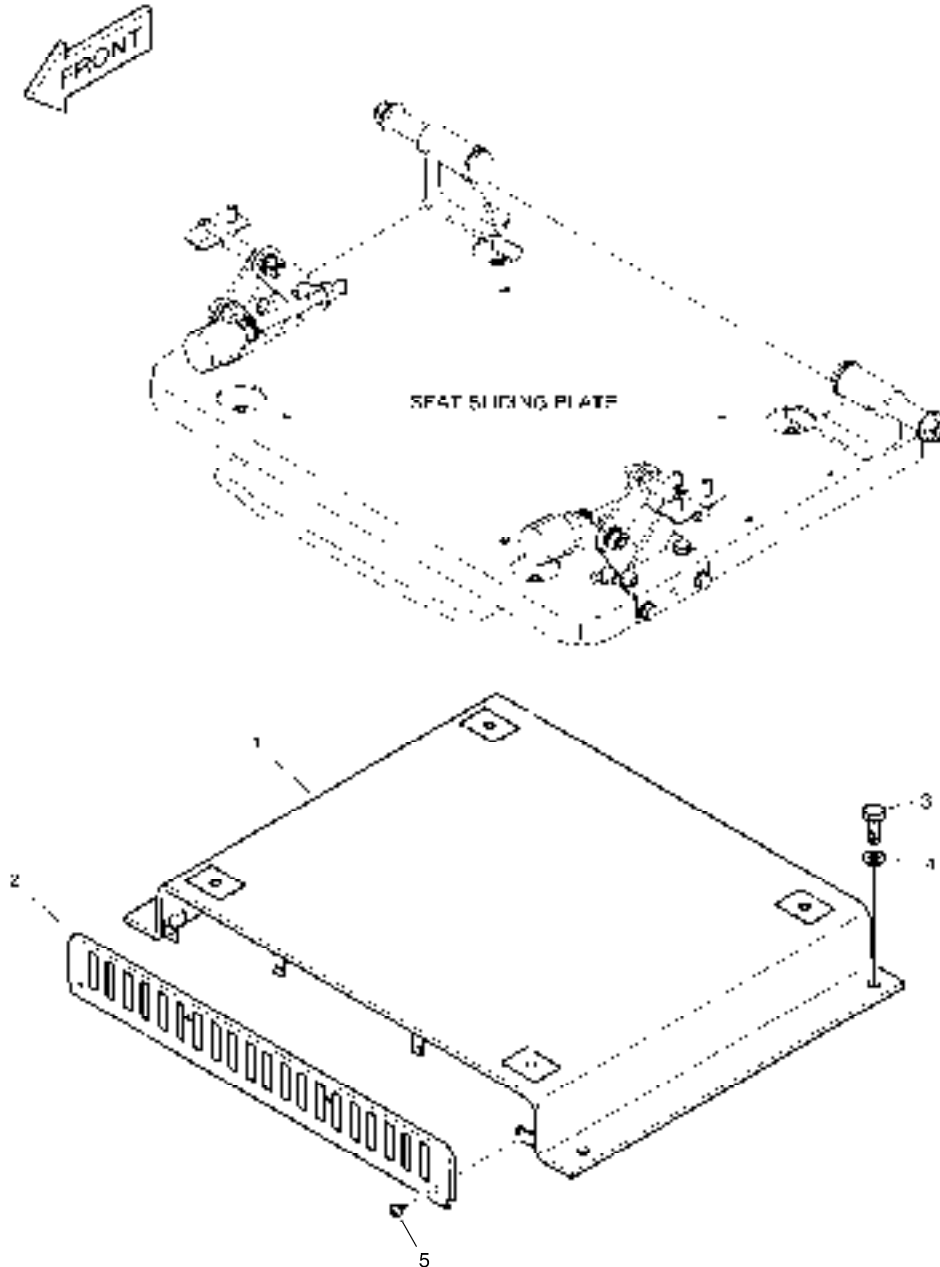
Serial No. ;

Key No.	Part No.	Description	Description	Q'ty	S.C	Serial No.	ICA	Replaceable part	
								Part No.	Q'ty
1420 --	K1002204C	SEAT PLATE ASS'Y	SIEGE	-	D				
1	621-03011E	SEAT PLATE ASS'Y	POSEZ LE PLAT ASS'Y	1					
1-1	621-02895C	. PLATE;SEAT MOUNT	. PLAQUE	1					
1-2	195-02904C	. STAND TILT BRACKET ASS'Y	. PARENTHÈSE D'INCLINA	1					
1-3	2120-2166D5	. BOLT	. BOULON	8					
1-4	621-02925A	. PLATE	. PLAQUE	2					
1-5	2114-1898D14	. WASHER;PLAIN	. RONDELLE	8					
2	123-00524B	PIN;TILT STAND	GOUPILLE	2					
3	K1003381	RAIL	RAIL	1		5001-5299	I	K1040096	1
	K1040096	RAIL	RAIL	1		5300-			
4	621-03005A	PLATE	PLAQUE	2					
5	2114-1898D14	WASHER;PLAIN	RONDELLE	8					
6	2114-2031D4	WASHER;SPRING	RONDELLE	4					
7	2121-1311D2	NUT	ECROU	4					
8	2114-1898D17	WASHER M12	RONDELLE	2					
9	2121-1311D1	NUT	ECROU	4					
10	2120-2166D5	BOLT	BOULON	4					
11	2114-1898D18	WASHER	RONDELLE	2					
12	S2208866	BOLT;SOCKET	BOULON	8					
13	114-00590	WASHER	RONDELLE	2					

DATE	SEP. 12, 2012
4th EDITION	

**Fig. 1430 SEAT PLATE
POSEZ LE PLAT**

Serial No. ;



DATE	SEP. 12, 2012
4th EDITION	

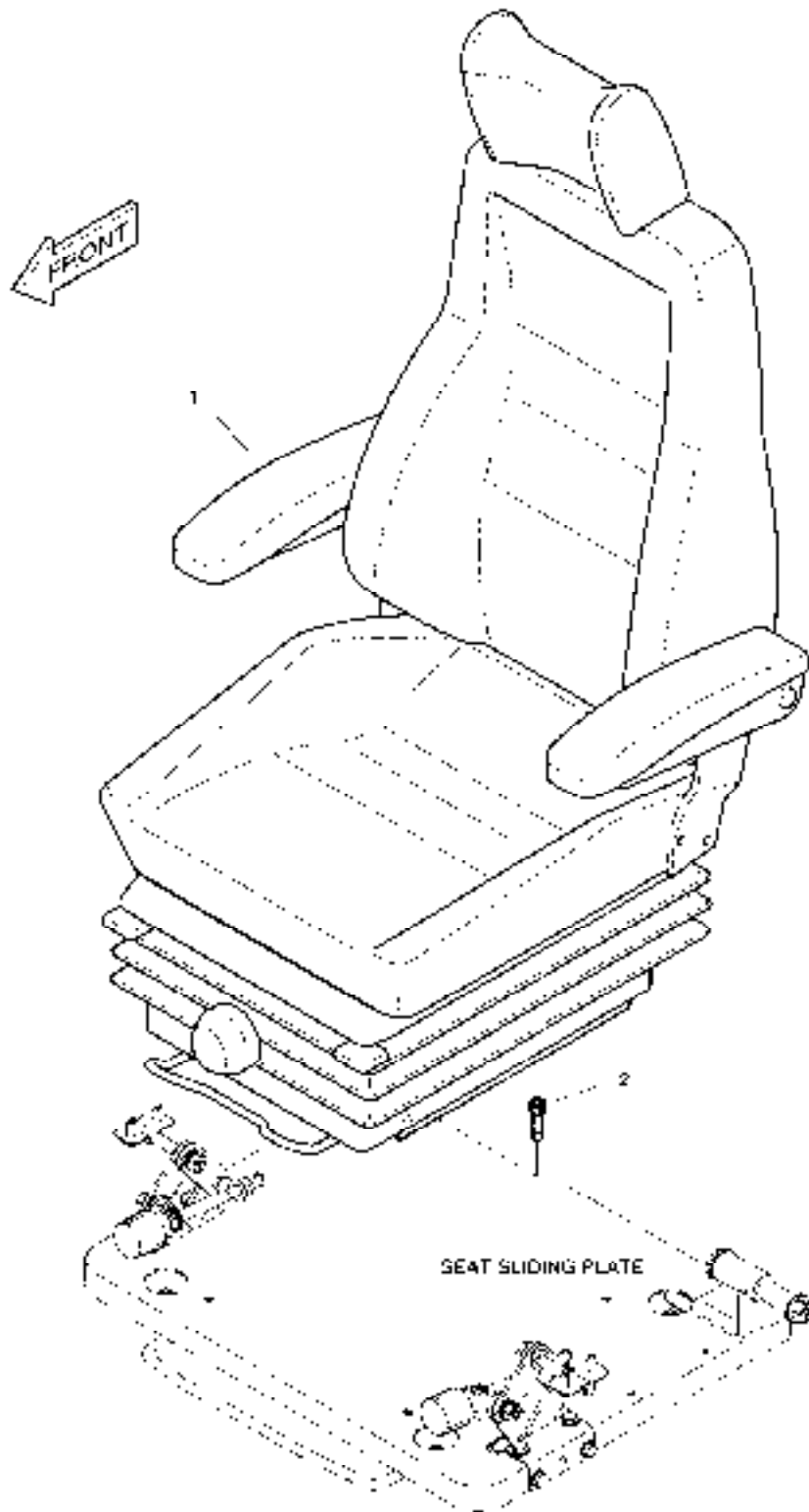
**Fig. 1430 SEAT PLATE
POSEZ LE PLAT**

Serial No. ;

Key No.	Part No.	Description	Description	Q'ty	S.C	Serial No.	ICA	Replaceable part	
								Part No.	Q'ty
1430 --	K1002229A	SEAT PLATE	POSEZ LE PLAT	-	D				
1	K1002230A	BRACKET;SEAT LOWER	SUPPORT	1					
2	K1002231A	PLATE;COVER	PLAQUE	1					
3	2120-2166D10	SCREW	VIS	4					
4	2114-1898D15	WASHER;PLAIN	RONDELLE	4					
5	2120-2166D53	SCREW	VIS	4					

**Fig. 1440 SEAT MOUNTING
SIEGE LE SUPPORT**

Serial No. ;



DATE	SEP. 12, 2012
4th EDITION	

**Fig. 1440 SEAT MOUNTING
SIEGE LE SUPPORT**

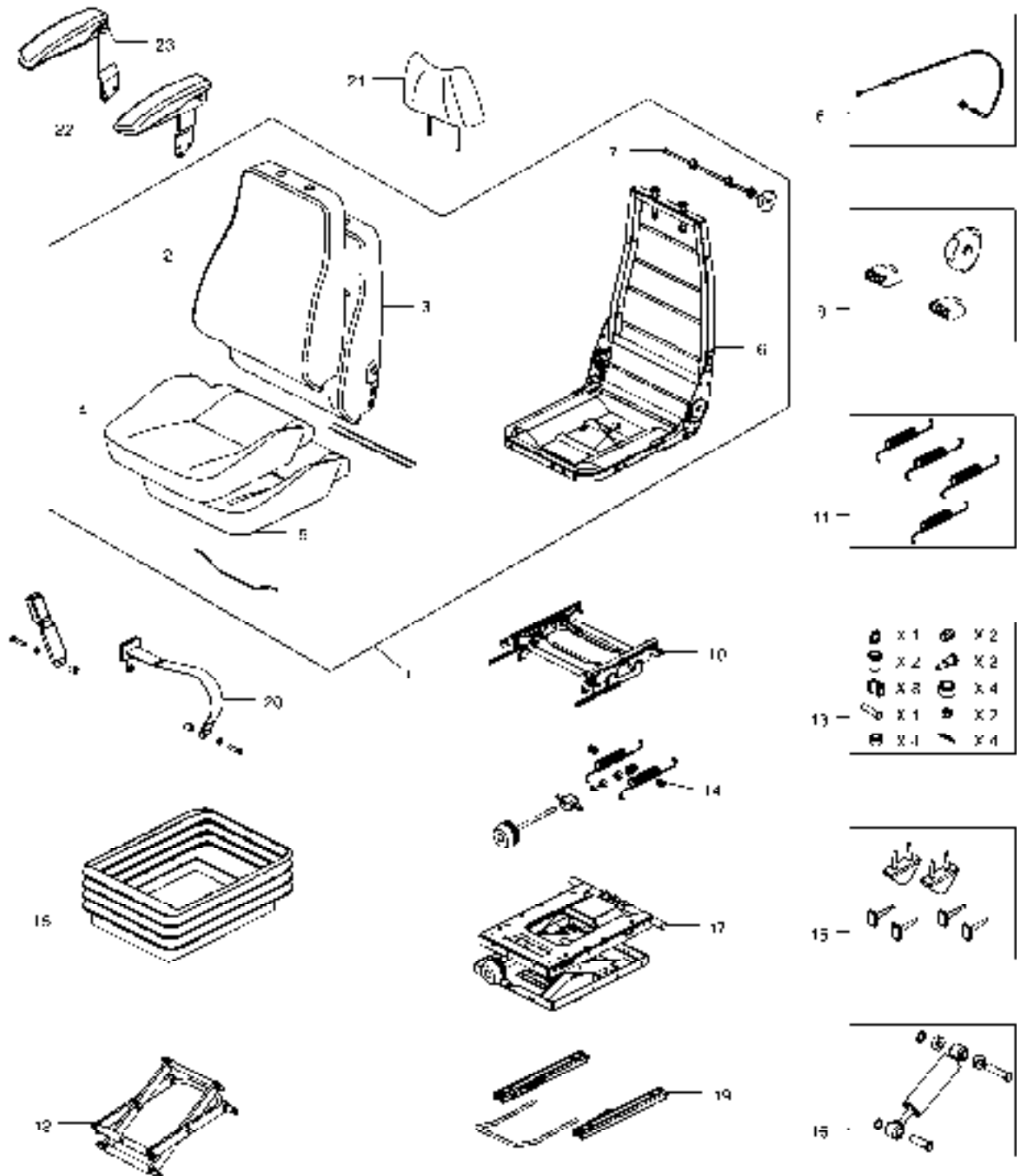
Serial No. ;

Key No.	Part No.	Description	Description	Q'ty	S.C	Serial No.	ICA	Replaceable part	
								Part No.	Q'ty
1440 --	K1002084A	SEAT MOUNTING	SUPPORT DE SIEGE	-	D				
1	901-00045	SEAT ASS'Y	POSEZ ASS'Y	1					
2	S2208866	BOLT;SOCKET	BOULON	4					

DATE	SEP. 12, 2012
4th EDITION	

Fig. 1450 SEAT SIEGE

Serial No. ;



DATE	SEP. 12, 2012
4th EDITION	

Fig. 1450 SEAT SIEGE

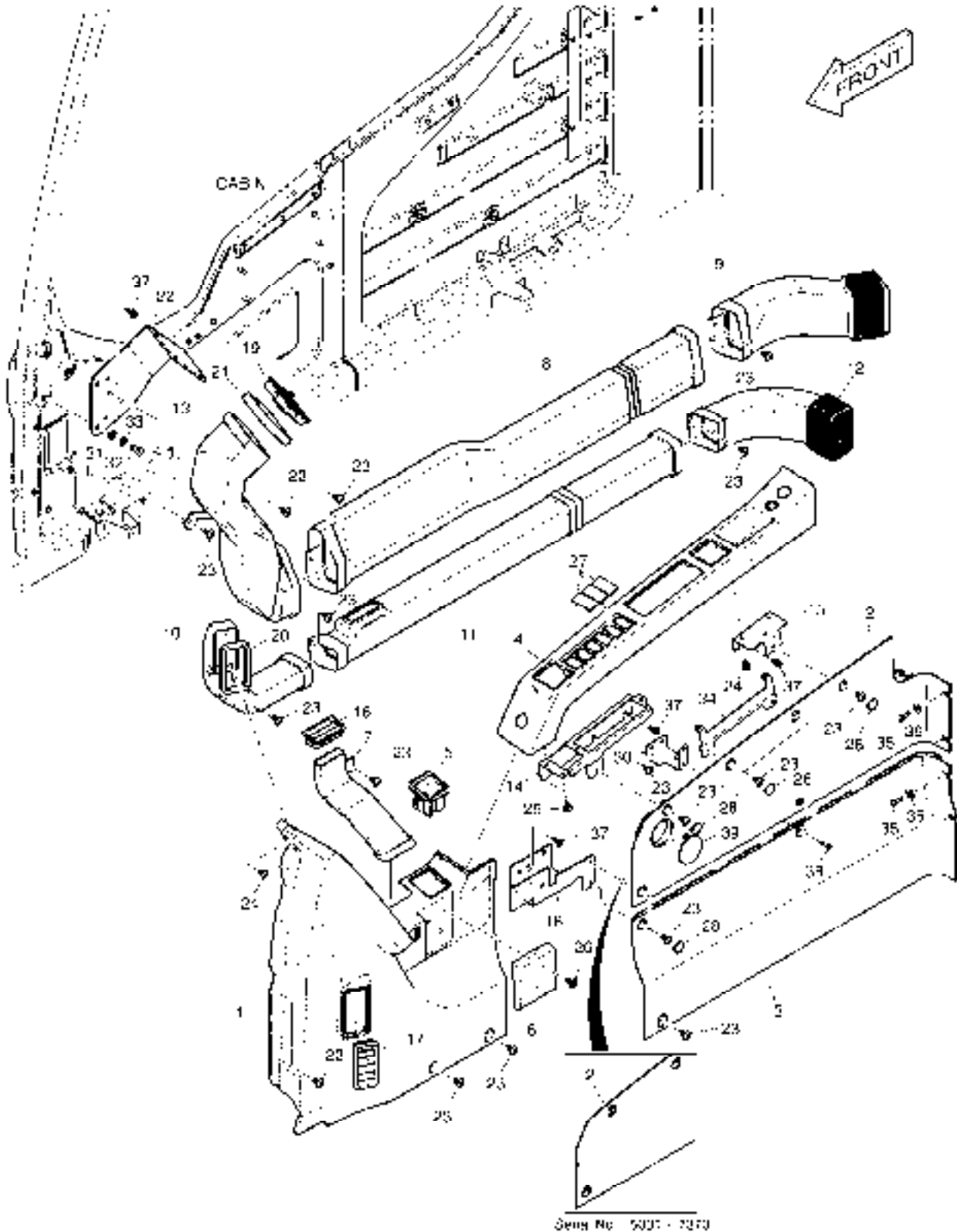
Serial No. ;

Key No.	Part No.	Description	Description	Q'ty	S.C	Serial No.	ICA	Replaceable part	
								Part No.	Q'ty
1450 --	901-00045	SEAT ASS'Y	POSEZ ASS'Y	1					
1	K9001695	UPPER ASS'Y	ASS' SUPERIEUR	1					
2	K9001201	BACK COVER	COUVERTURE ARRIERE	1					
3	K9001202	BACK FOAM	MOUSSE ARRIERE	1					
4	K9001203	SEAT COVER	COUVERTURE DE SIEGE	1					
5	K9001204	SEAT FOAM	POSEZ LA MOUSSE	1					
6	-	FRAME	ARMATURE	1	D				
7	K9001206	LUMBAR KIT	KIT LOMBAIRE	1					
8	K9001207	CABLE;ADJUST	CABLE	1					
9	2.172-00003	HANDLE	POIGNEE	1					
10	K9001208	HEIGHT RISER	CANALISATION VERTICALE	1					
11	K9001209	HEIGHT RISER SPRING KIT	KIT DE RESSORT DE CANA	1					
12	K9001210	LEVER/CENTRE PIVOT KIT	KIT DE PIVOT DE LEVER/CE	1					
13	K9001211	BEARING KIT	KIT DE ROULEMENT	1					
14	K9001212	WEIGHT ADJUST KIT	LE POIDS AJUSTENT LE KIT	1					
15	K9001213	UPSTOP/BUMP STOP KIT	KIT D'ARRET D'UPSTOP/BU	1					
16	K9001214	DAMPER KIT	AMORTISSEUR	1					
17	K9001215	SUSPENSION ASS'Y	SUSPENSION ASS'Y	1					
18	K9001216	SUSPENSION COVER	COUVERTURE DE SUSPEN	1					
19	K9001217	SLIDING RAIL ASS'Y	GLISSEMENT DU RAIL ASS	1					
20	K9001218	BELT;SEAT	CEINTURE	1					
21	K9001219	HEAD REST	REPOS PRINCIPAL	1					
22	K9001220	ARM REST-L.H	REPOS DE BRAS	1					
23	K9001221	ARM REST-R.H	REPOS DE BRAS	1					

DATE	SEP. 12, 2012
4th EDITION	

**Fig. 1460 DUCT COVER
CONDUITES COUVERCLE**

Serial No. ;



Serial No. 5007 - 7373

DATE	SEP. 12, 2012
4th EDITION	

Fig. 1460 DUCT COVER CONDUITES COUVERCLE

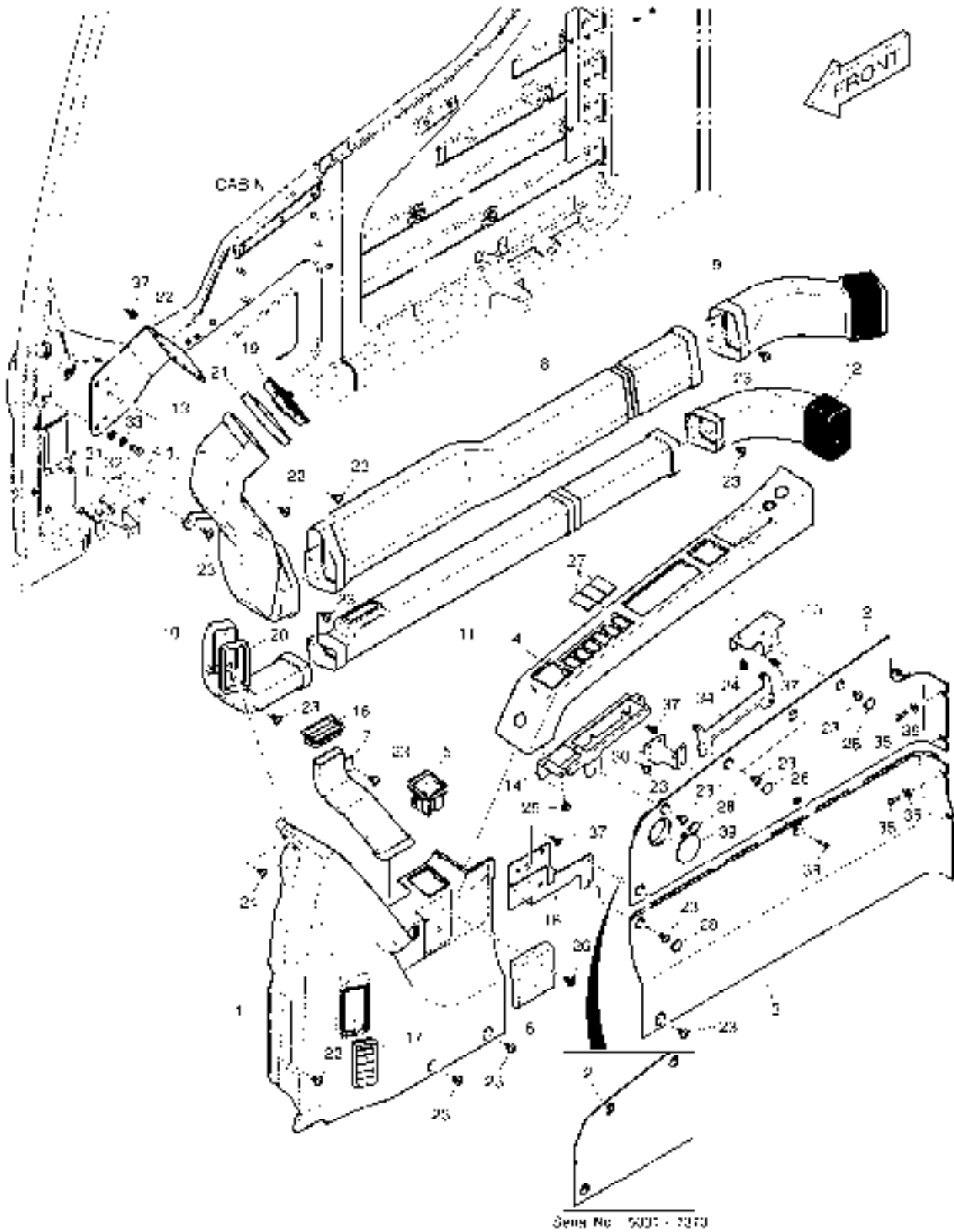
Serial No. ;

Key No.	Part No.	Description	Description	Q'ty	S.C	Serial No.	ICA	Replaceable part	
								Part No.	Q'ty
1460 --	K1048688	SIDE COVER ASS'Y	COUVERCLE	-	D	5001-7373			
	110517-00370	COVER ASSY,SIDE	COUVERCLE	-	D	7374-			
1	621-02903C	COVER;SIDE FRONT	COUVERTURE	1					
2	621-02905C	COVER;SIDE MID UPPER	COUVERTURE	1		5001-7373			
	110517-00364	COVER,SIDE;MID UPPER	COUVERCLE	1		7374-			
3	621-02904C	COVER;SIDE MID LOWER	COUVERTURE	1					
4	621-02909G	COVER;SWITCH	COUVERTURE	1					
5	906-00002A	ASHTRAY ASM	CENDRIER	1					
6	621-02908B	HOLDER;CUP	CONDUIT	1					
7	213-00035B	DUCT;DEFROSTER SIDE	CONDUIT	1					
8	213-00030B	DUCT;FACE MID	CONDUIT	1					
9	213-00031E	DUCT;FACE REAR	CONDUIT	1					
10	213-00032B	DUCT;DEFROSTER FRONT	CONDUIT	1					
11	213-00033B	DUCT;DEFROSTER MID	CONDUIT	1					
12	213-00034E	DUCT;DEFROSTER REAR	CONDUIT	1					
13	213-00029C	DUCT;FACE FRONT	CONDUIT	1					
14	195-02768E	BRACKET;SWITCH	SUPPORT	1					
15	195-02769E	BRACKET;SWITCH	SUPPORT	1					
16	415-00046B	LOUVER DEF SIDE	AUVENT	1					
17	415-00045B	LOUVER DEF FRONT	AUVENT	1					
18	195-02770E	BRACKET;CUP	SUPPORT	1					
19	415-00044B	LOUVER FACE	AUVENT	1					
20	K1001068	FOAM	MOUSSE	1					
21	K1048689	FOAM	MOUSSE	1					
22	K1039212C	PLATE	PLAQUE	1					
23	2120-2166D52	BOLT M6X1.0X12	BOULON	22					
24	2120-2166D53	SCREW	VIS	4					
25	S3654523	SCREW	VIS	4					
26	2120-2166D23	SCREW	VIS	3					
27	621-02801	COVER;SWITCH	COUVERTURE	3					
28	621-03734A	COVER	COUVERTURE	6					
30	K1005007A	PLATE	PLAQUE	1					
31	2114-1898D14	WASHER;PLAIN	RONDELLE	3					
32	2120-2166D5	BOLT	BOULON	3					
33	2114-2031D4	WASHER;SPRING	RONDELLE	3					
34	K1009627	PLATE	PLAQUE	1					
35	2120-2166D36	BOLT	BOULON	4					
36	2114-1898D5	WASHER M6	RONDELLE	4					

DATE	SEP. 12, 2012
4th EDITION	

**Fig. 1460 DUCT COVER
CONDUITES COUVERCLE**

Serial No. ;



Serial No. 5007 - 7373

DATE	SEP. 12, 2012
4th EDITION	

Fig. 1460 DUCT COVER
CONDUITES COUVERCLE

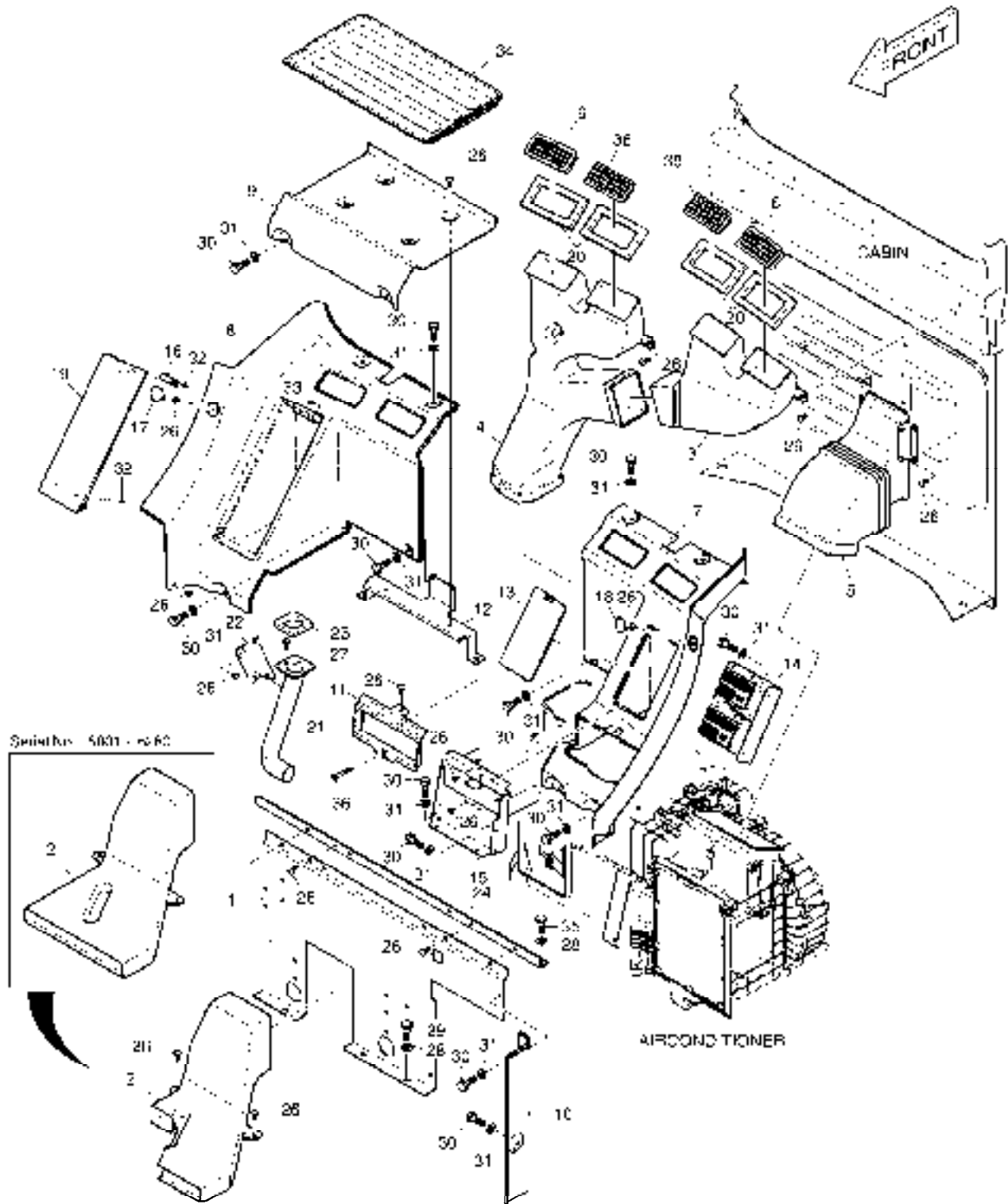
Serial No. ;

Key No.	Part No.	Description	Description	Q'ty	S.C	Serial No.	ICA	Replaceable part	
								Part No.	Q'ty
1460 -37	K1010304	BOLT;FLANGE	BOULON	8					
38	2120-2166D57	BOLT;GREEN	BOULON	2					
39	110910-00265	CAP	CHAPEAU	1		7374-			

DATE	SEP. 12, 2012
4th EDITION	

**Fig. 1470 HEATER COVER
BOITIES DE CHAUFFAGE**

Serial No. ;



DATE	SEP. 12, 2012
4th EDITION	

**Fig. 1470 HEATER COVER
BOITIES DE CHAUFFAGE**

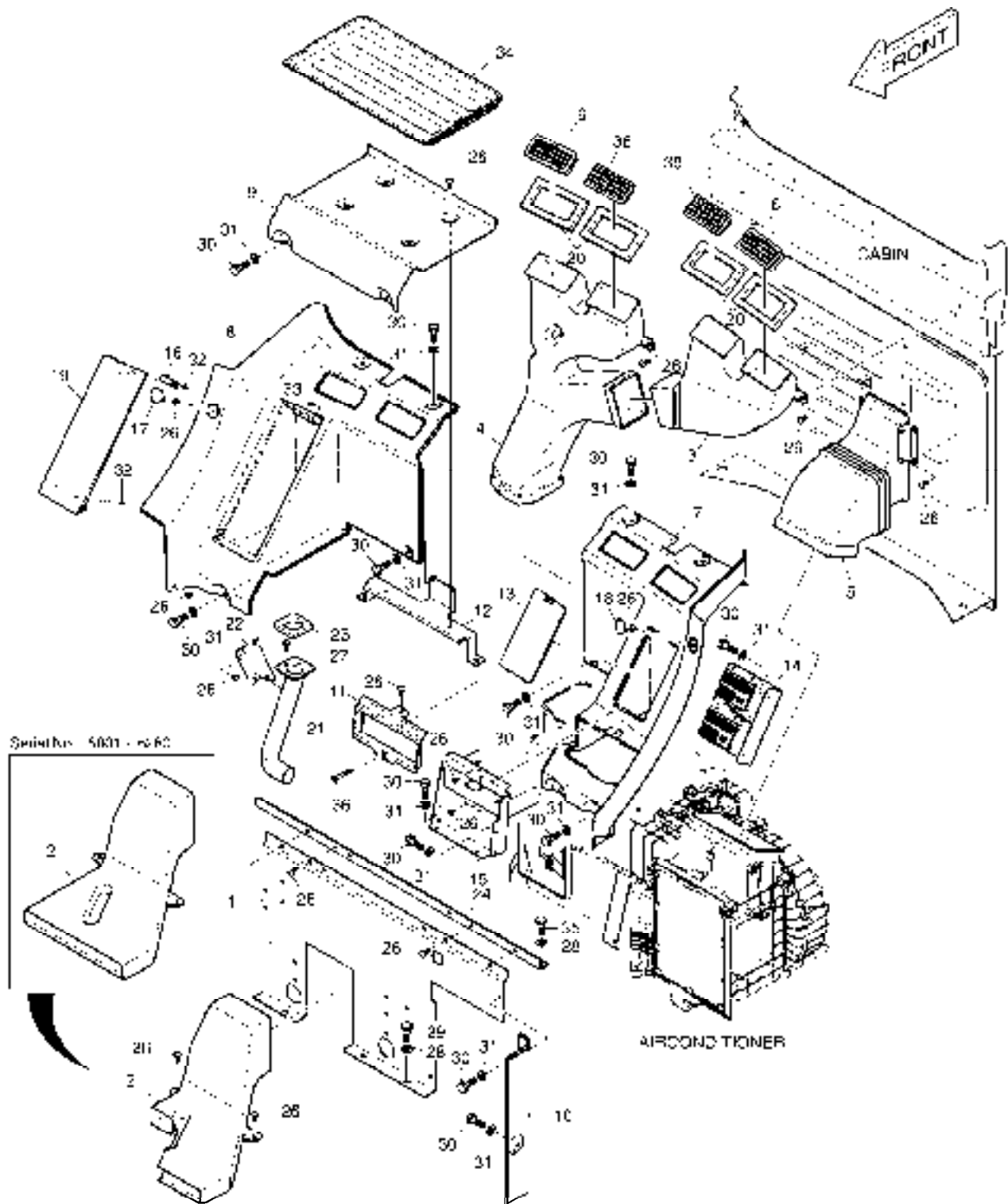
Serial No. ;

Key No.	Part No.	Description	Description	Q'ty	S.C	Serial No.	ICA	Replaceable part	
								Part No.	Q'ty
1470 --	621-02896K	HEATER COVER	COUVERTURE DE RECHA	-	D	5001-6280			
	650103-00002	REAR ASS'Y;COVER	ARRIERE	-	D	06281-12604			
	650103-00002A	REAR ASSY;COVER	ARRIERE	-	D	12605-			
1	621-02894G	COVER;REAR LOWER	COUVERTURE	1					
2	213-00036B	DUCT;FOOT	CONDUIT	1		5001-6280			
	460103-00039	DUCT,FOOT	CONDUIT	1		6281-			
3	213-00037B	DUCT;REAR(L.H.)	CONDUIT	1					
4	213-00038B	DUCT;REAR(R.H.)	CONDUIT	1					
5	213-00039B	DUCT;AIR INLET	CONDUIT	1					
6	415-00043B	NOZZLE;REAR	BEC	2					
7	621-02913C	COVER;REAR(L.H.)	COUVERTURE	1					
8	621-02914C	COVER;REAR(R.H.)	COUVERTURE	1					
9	621-02915B	COVER;REAR CENTER	COUVERTURE	1					
10	621-02907B	COVER;SIDE REAR(L.H.)	COUVERTURE	1					
11	621-02917C	COVER;STEREO UP	COUVERTURE	1					
12	K1001295B	PLATE	PLAQUE	1					
13	621-02919B	COVER;FUSE	COUVERTURE	1					
14	195-02771C	BRACKET;FUSE BOX	SUPPORT	1					
15	195-02772G	BRACKET;STEREO	SUPPORT	1		05001-12604	I	110406-02099	1
	110406-02099	BRACKET;STEREO	SUPPORT	1		12605-			
16	2125-1095A	CATCH;MAGNETIC	CROCHET	1					
17	K1005344A	COVER	COUVERTURE	1					
18	K1005345A	COVER;HOLE	COUVERTURE	1					
19	621-02920C	COVER;BOX	COUVERTURE	1					
20	K1001310	FOAM	MOUSSE	4					
21	213-00040A	DUCT;AIR BOX	CONDUIT	1					
22	195-02774A	BRACKET;AIR DUCT MOUNT	SUPPORT	1					
23	161-00622	FOAM;AIR SEAL	MOUSSE	1					
24	195-02785E	BRACKET;CROSS BAR	SUPPORT	1					
26	2120-2166D10	SCREW	VIS	19					
27	2120-2166D53	SCREW	VIS	2					
28	2114-1898D14	WASHER;PLAIN	RONDELLE	5					
29	2120-2166D12	BOLT;HEX	BOULON	3					
30	2120-2166D36	BOLT	BOULON	19					
31	2114-1898D5	WASHER M6	RONDELLE	19					
32	S3644163	SCREW	VIS	8					
33	K1002385	STOPPER	TAQUET	2					
34	161-00624	PAD;FOAM	GARNITURE	1					

DATE	SEP. 12, 2012
4th EDITION	

**Fig. 1470 HEATER COVER
BOITIES DE CHAUFFAGE**

Serial No. ;



DATE	SEP. 12, 2012
4th EDITION	

**Fig. 1470 HEATER COVER
BOITIES DE CHAUFFAGE**

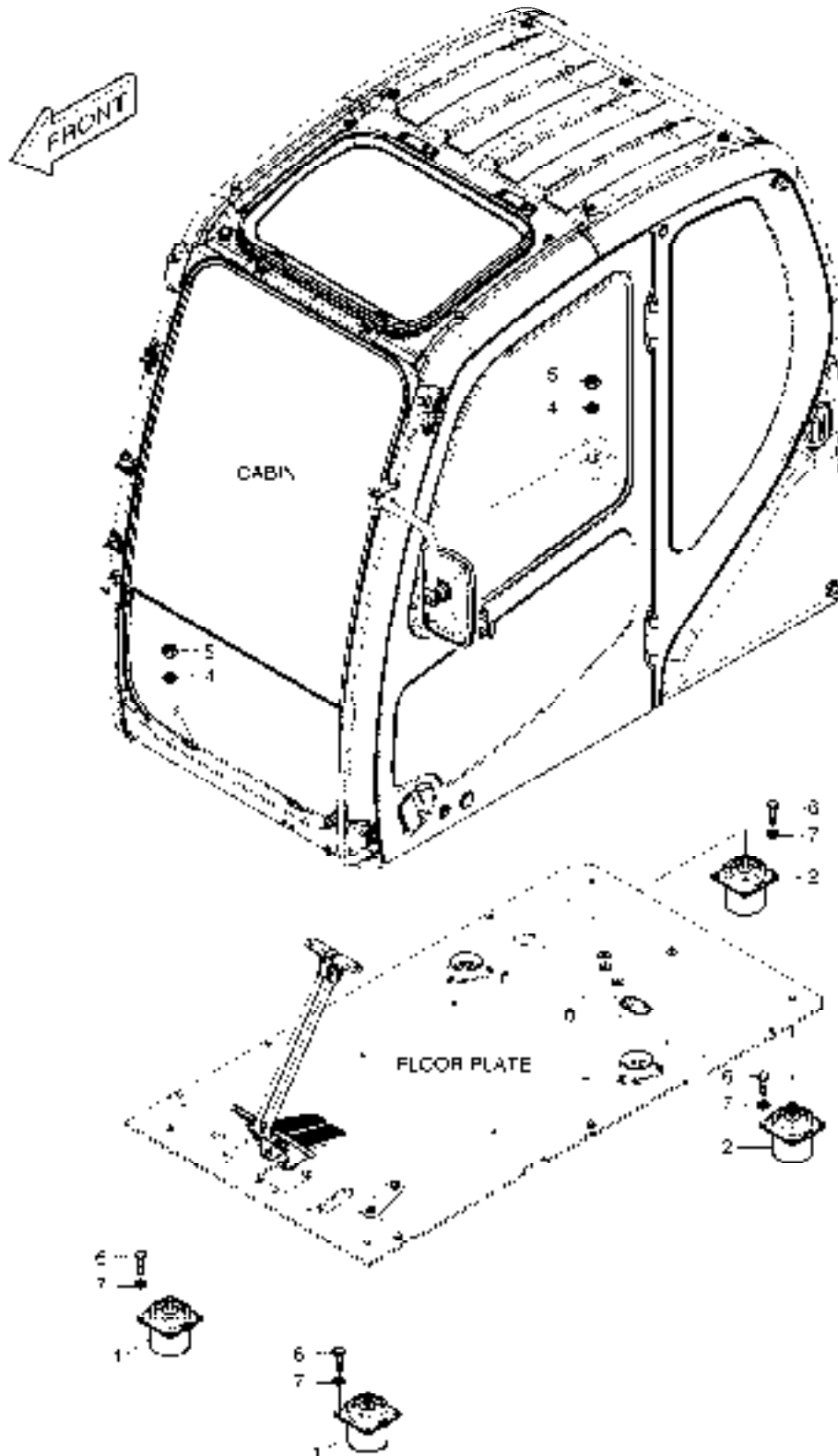
Serial No. ;

Key No.	Part No.	Description	Description	Q'ty	S.C	Serial No.	ICA	Replaceable part	
								Part No.	Q'ty
1470 -35	2120-2166D5	BOLT	BOULON	2					
36	2120-2166D58	BOLT	BOULON	1					
38	K1043726	NOZZLE;REAR	BEC	2					

DATE	SEP. 12, 2012
4th EDITION	

**Fig. 1480 CABIN MOUNTING
SUPPORT DE CABINE**

Serial No. ;



DATE	SEP. 12, 2012
4th EDITION	

**Fig. 1480 CABIN MOUNTING
SUPPORT DE CABINE**

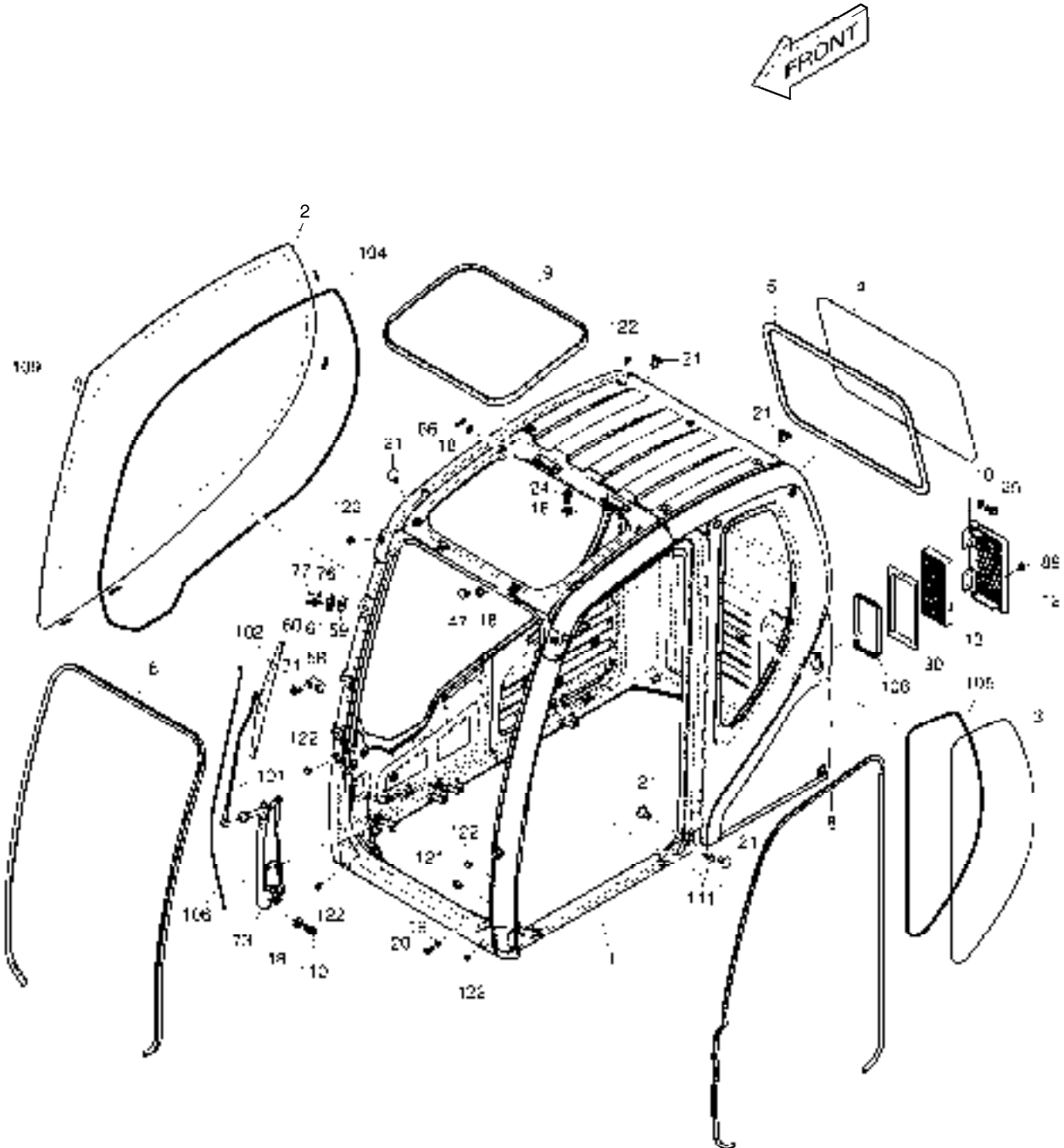
Serial No. ;

Key No.	Part No.	Description	Description	Q'ty	S.C	Serial No.	ICA	Replaceable part	
								Part No.	Q'ty
1480 --	621-03224B	CABIN MOUNT	SUPPORT DE CABINE	-	D				
1	161-00010	RUBBER;MOUNT(FRONT)	LE CAOUTCHOUC	2					
2	161-00011	RUBBER;MOUNT(REAR)	LE CAOUTCHOUC	2					
4	2114-1058D2	WAHSER	RONDELLE	4					
5	2121-9007	NUT	ECROU	4					
6	2120-2166D2	BOLT	BOULON	16					
7	2114-1898D1	WASHER	RONDELLE	16					

DATE	SEP. 12, 2012
4th EDITION	

**Fig. 1490 CABIN(1)
CABINE**

Serial No. ;



DATE	SEP. 12, 2012
4th EDITION	

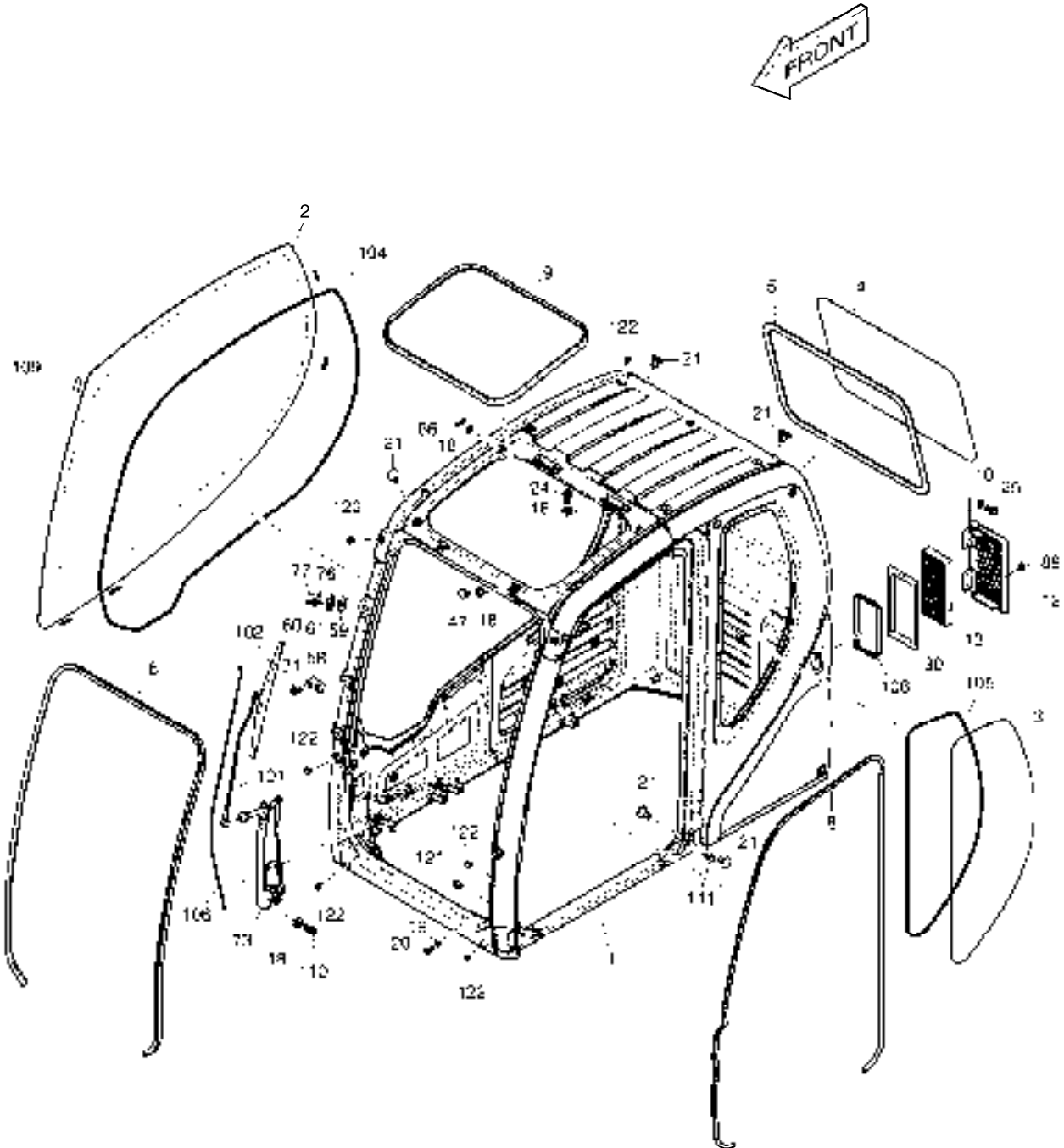
Fig. 1490 CABIN(1) CABINE

Serial No. ;

Key No.	Part No.	Description	Description	Q'ty	S.C	Serial No.	ICA	Replaceable part	
								Part No.	Q'ty
1490 --	622-00351M	CABIN ASS'Y	CABINE	1		5001-6341			
	220101-00192A	CABIN ASSY	CABINE	1		6342-6669	I	220101-00192B	1
	220101-00192B	CABIN ASSY	CABINE	1		6670-9556	I	220101-00192G	1
	220101-00192G	CABIN ASSY	CABINE	1		09557-12300	Y	220101-00192H	1
	220101-00192H	CABIN ASSY	CABINE	1		12301-12604	I	220101-00192K	1
	220101-00192K	CABIN ASSY	CABINE	1		12605-			
1	-	BODY;CABIN	CORPS	1	D				
2	903-00072A	GLASS;RH	VERRE	1					
3	903-00073A	GLASS;LH REAR	VERRE	1					
4	903-00075	GLASS;REAR	VERRE	1					
5	198-00054A	TRIM;REAR GLASS	EQUILIBRE	1					
6	162-00035A	STRIP;WEATHER	BANDE	1		5001-9556	I	220214-00023B	1
	220214-00023B	STRIP;WEATHER	BANDE	1		9557-			
8	162-00039A	STRIP;BODY	BANDE	1					
9	162-00038	TRIM;ROOF	EQUILIBRE	1					
12	621-02864	COVER;FRESH AIR ASM	COUVERTURE	1					
13	471-00119	FILTER;FRESH AIR	FILTRE	1					
18	2114-1898D14	WASHER;PLAIN	RONDELLE	15					
19	2114-1898D3	WASHER;PLAIN	RONDELLE	2					
20	2120-2166D28	BOLT;HEX	BOULON	2					
21	2160-1310	BUSHING;RUBBER	MANCHON CAOUTCHOUC	5					
24	S2208561	BOLT;SOCKET	BOULON	4					
25	2120-2166D12	BOLT;HEX	BOULON	4					
30	161-00640A	SPONGE	EPONGE	1					
31	2120-2166D7	SCREW	VIS	2					
47	2120-2166D5	BOLT	BOULON	2					
58	195-02729	BRACKET;BLADE	SUPPORT	1					
59	161-00598A	RUBBER;WASHER NOZZLE	LE CAOUTCHOUC	1					
60	554-00005	NOZZLE;WASHER	BEC	1					
61	621-02837A	COVER;WASHER NOZZLE	COUVERTURE	1					
66	123-00523	PIN;GAS-SPRING	GOUPILLE	2					
73	538-00011	MOTOR;WIPER	MOTEUR	1		5001-7973			
	300512-00010	MOTOR;WIPER	MOTEUR	1		7974-			
76	2114-1898D13	WASHER;PLAIN	RONDELLE	2					
77	2120-2166D26	SCREW	VIS	2					
89	K1003427	BOLT;KNOB	BOULON	1					
101	541-00015	ARM;WIPER	BRAS	1					
102	507-00006	BLADE;WIPER	LAME	1					

**Fig. 1490 CABIN(1)
CABINE**

Serial No. ;



DATE	SEP. 12, 2012
4th EDITION	

**Fig. 1490 CABIN(1)
CABINE**

Serial No. ;

Key No.	Part No.	Description	Description	Q'ty	S.C	Serial No.	ICA	Replaceable part	
								Part No.	Q'ty
1490 -104	K1002635	DAMPER	AMORTISSEUR	1					
105	K1002636	DAMPER	AMORTISSEUR	1					
106	2185-1660	HOSE	TUYAU FLEXIBLE	1					
108	K1004061	FOAM	MOUSSE	1					
109	K1003522	STOPPER	TAQUET	5					
110	S2208466	BOLT;SOCKET	BOULON	3					
111	2120-2166D53	SCREW	VIS	1					
121	160-00074A	CAP	CHAPEAU	2		5001-6669	I	110910-00038A	2
	110910-00038A	CAP,PLASTIC	CHAPEAU	2		6670-			
122	160-00075A	CAP	CHAPEAU	13		5001-6669	I	110910-00077	13
	110910-00077	CAP,PLASTIC	CHAPEAU	13		6670-			

DATE	SEP. 12, 2012
4th EDITION	

Fig. 1500 CABIN(2) CABINE

Serial No. ;

Key No.	Part No.	Description	Description	Q'ty	S.C	Serial No.	ICA	Replaceable part	
								Part No.	Q'ty
1500 --	622-00351M	CABIN ASS'Y	CABINE	1		5001-6341			
	220101-00192A	CABIN ASSY	CABINE	1		6342-6669	I	220101-00192B	1
	220101-00192B	CABIN ASSY	CABINE	1		6670-9556	I	220101-00192G	1
	220101-00192G	CABIN ASSY	CABINE	1		09557-12300	Y	220101-00192H	1
	220101-00192H	CABIN ASSY	CABINE	1		12301-12604	I	220101-00192K	1
	220101-00192K	CABIN ASSY	CABINE	1		12605-			
7	162-00034B	STRIP;WEATHER	BANDE	1					
18	2114-1898D14	WASHER;PLAIN	RONDELLE	4					
19	2114-1898D3	WASHER;PLAIN	RONDELLE	8					
20	2120-2166D28	BOLT;HEX	BOULON	4					
25	2120-2166D12	BOLT;HEX	BOULON	4					
26	2114-1898D6	WASHER;PLAIN	RONDELLE	2					
29	416-00019B	STOPPER;LOWER	TAQUET	2					
34	161-00195	STOPPER	TAQUET	2					
39	2121-1311D4	NUT	ECROU	2					
49	622-00359K	DOOR;SLIDE	PORTE	1		5001-6341	I	220205-00024	1
	220205-00024	DOOR ASSY;SLIDE	PORTE	1		6342-9556			
	220205-00024B	DOOR ASSY,SLIDE	PORTE	1		9557-			
49-1	K1033991	. PANEL ASSY	. PANNEAU	1					
49-2	195-02739C	. BRACKET;RH LOWER ROLLER	. SUPPORT	1					
49-3	195-02740E	. BRACKET;RH ROLLER UPPER	. SUPPORT	1					
49-4	125-00096A	. CATCH ASS'Y;SLIDE DOOR(L.H)	. CROCHET	1		5001-9556	I	100601-00023	1
	100601-00023	. CATCH ASS'Y;SLIDE(L.H)	. CROCHET	1		9557-			
49-4A	125-00073B	.. CATCH;LH	.. CROCHET	1		5001-9556			
49-4B	621-03724	.. COVER;CATCH LH	.. COUVERTURE	1		5001-9556			
49-4C	133-00248	.. KNOB;SLIDE DOOR CATCH	.. BOUTON	1		5001-9556			
49-5	125-00097A	. CATCH ASS'Y;SLIDE DOOR(R.H)	. CROCHET	1		5001-9556	I	100601-00024	1
	100601-00024	. CATCH ASS'Y;SLIDE(R.H)	. CROCHET	1		9557-			
49-5A	125-00074B	.. CATCH;RH	.. CROCHET	1		5001-9556			
49-5B	621-03725	.. COVER;CATCH RH	.. COUVERTURE	1		5001-9556			
49-5C	133-00248	.. KNOB;SLIDE DOOR CATCH	.. BOUTON	1		5001-9556			
49-6	270-00054B	. ROLLER	. ROULEAU	4		5001-9556	Y	900131-00014A	4
	900131-00014A	. ROLLER;SLIDE DOOR	. ROULEAU	4		9557-			
49-7	K1036331	. BAR	. BARRE	1					
49-8	K1033880	. GLASS;FRONT UPPER	. VERRE	1					
49-10	2114-1898D3	. WASHER;PLAIN	. RONDELLE	6					
49-11	2120-2166D28	. BOLT;HEX	. BOULON	6					
49-12	2120-2166D12	. BOLT;HEX	. BOULON	4					

DATE	SEP. 12, 2012
4th EDITION	

Fig. 1500 CABIN(2) CABINE

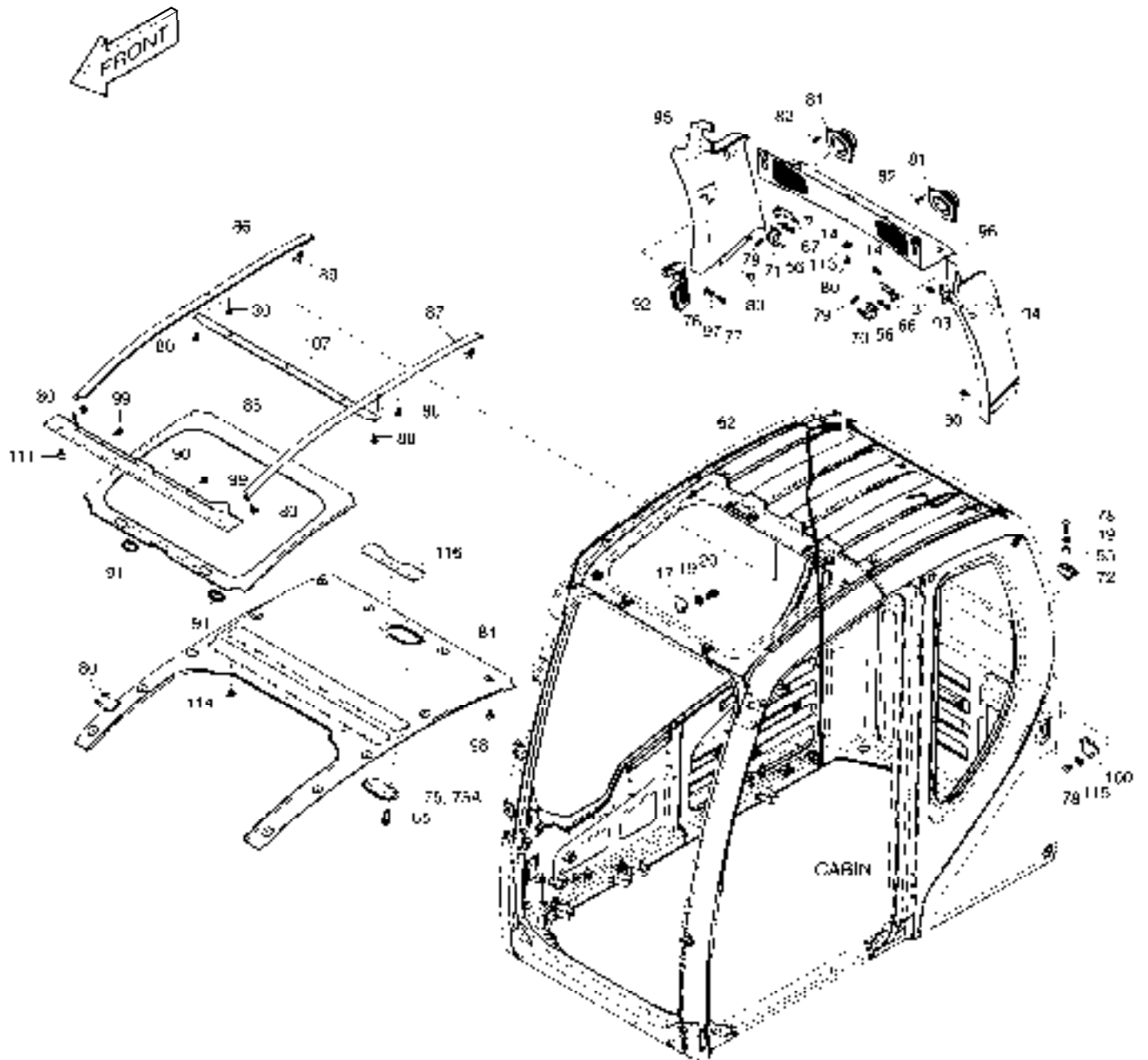
Serial No. ;

Key No.	Part No.	Description	Description	Q'ty	S.C	Serial No.	ICA	Replaceable part	
								Part No.	Q'ty
1500 -49-13	2114-1898D2	. WASHER	. RONDELLE	4		5001-6341			
49-15	2120-2166D52	. BOLT M6X1.0X12	. BOULON	2					
49-16	474-00044A	. SUN SCREEN;FRONT	. ECRAN DE SOLEIL	1					
49-17	K1036967	. DAMPER	. AMORTISSEUR	1					
49-18	K1006368	. RUBBER	. LE CAOUTCHOUC	2					
49-19	K1056987	. PLATE	. PLAQUE	2		6342-			
50	903-00074	GLASS;FRONT LOWER	VITRE	1					
51	142-00128B	STRIKER;RH	BUTEE	1					
52	142-00127C	STRIKER;SLIDE DOOR REAR	BUTEE	2					
53	116-00089B	STOPPER;RUBBER LH	TAQUET	1		05001-12604	I	110956-00328	1
	110956-00328	STOPPER,FRONT(L.H)	TAQUET	1		12605-			
54	116-00090B	STOPPER;RUBBER RH	TAQUET	1		05001-12604	I	110956-00329	1
	110956-00329	STOPPER,FRONT(R.H)	TAQUET	1		12605-			
55	2140-1338	PIPE;SPACER	CONDUITE	4					
57	549-00086	SWITCH;SLIDE	COMMUTATEUR	1					
63	161-00618B	STOPPER;SLIDE DOOR OPEN(L.	TAQUET	1					
64	161-00619B	STOPPER;SLIDE DOOR OPEN(R	TAQUET	1					
78	S3450993	SCREW	VIS	4					
80	2120-2166D52	BOLT M6X1.0X12	BOULON	4					
88	K1003284	STRIKER;LH	BUTEE	1					
103	S4034833	NUT	ECROU	1					
118	K1027768	FOAM	MOUSSE	2		05001-12604	I	180102-00744	2
	180102-00744	FOAM	MOUSSE	2		12605-			
119	K1027769	FOAM	MOUSSE	2		05001-12604	I	180102-00743	2
	180102-00743	FOAM	MOUSSE	2		12605-			
123	198-00036A	STRIP;WEATHER	TAMPON	1		9557-			

DATE	SEP. 12, 2012
4th EDITION	

**Fig. 1510 CABIN(3)
CABINE**

Serial No. ;



DATE	SEP. 12, 2012
4th EDITION	

Fig. 1510 CABIN(3) CABINE

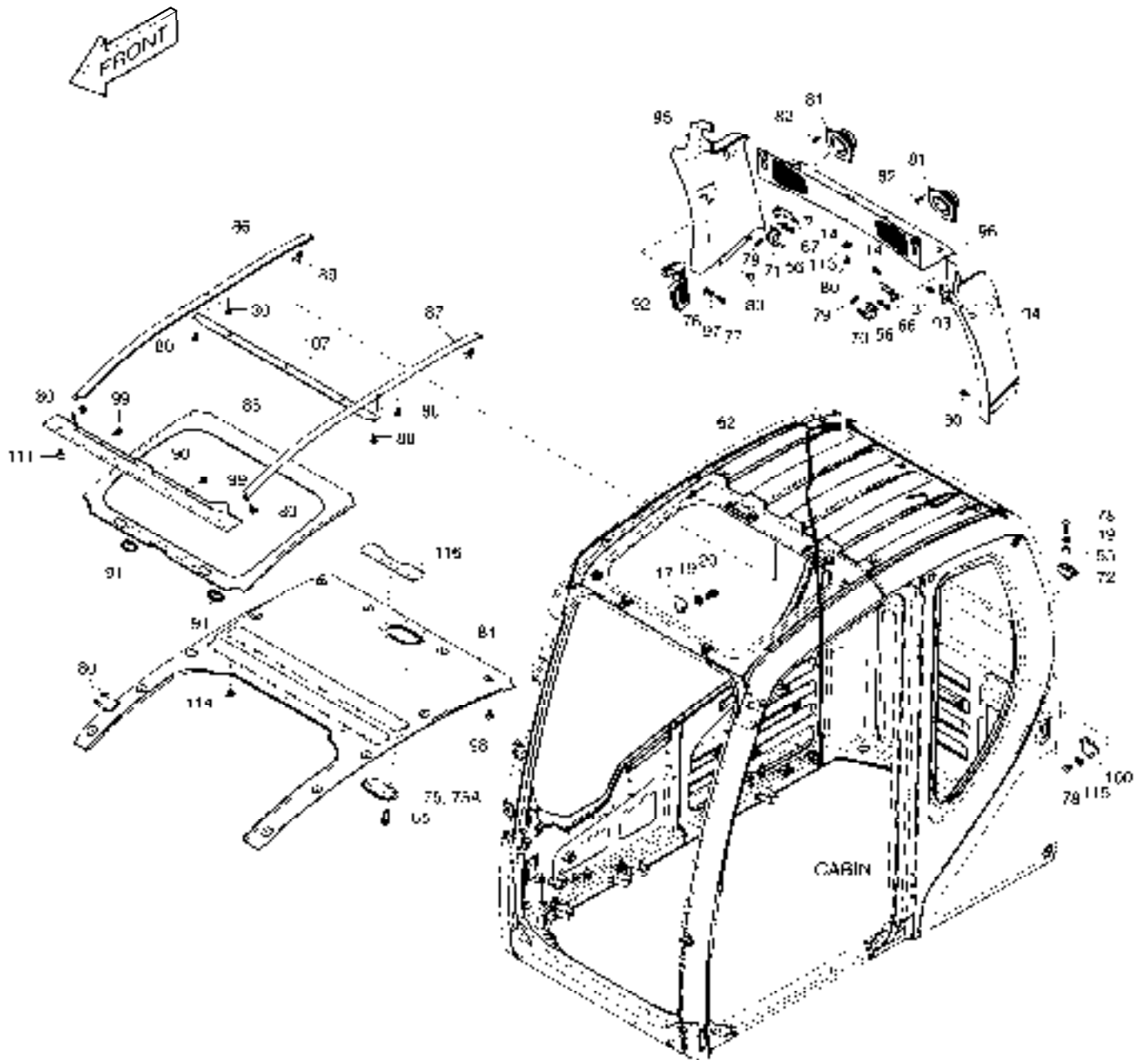
Serial No. ;

Key No.	Part No.	Description	Description	Q'ty	S.C	Serial No.	ICA	Replaceable part	
								Part No.	Q'ty
1510 --	622-00351M	CABIN ASS'Y	CABINE	1		5001-6341			
	220101-00192A	CABIN ASSY	CABINE	1		6342-6669	I	220101-00192B	1
	220101-00192B	CABIN ASSY	CABINE	1		6670-9556	I	220101-00192G	1
	220101-00192G	CABIN ASSY	CABINE	1		09557-12300	Y	220101-00192H	1
	220101-00192H	CABIN ASSY	CABINE	1		12301-12604	I	220101-00192K	1
	220101-00192K	CABIN ASSY	CABINE	1		12605-			
14	2120-2166D10	SCREW	VIS	4					
17	191-03166C	STRIKER PLATE ROOF	TOIT DE PLAT DE BUTEE	1					
19	2114-1898D3	WASHER;PLAIN	RONDELLE	4					
20	2120-2166D28	BOLT;HEX	BOULON	2					
31	2120-2166D7	SCREW	VIS	1					
55	2140-1338	PIPE;SPACER	CONDUITE	2					
56	K1000794	STOPPER;RUBBER	TAQUET	2					
62	530-00417B	HARNESS;CABIN	HARNAIS	1					
65	S3458843	SCREW	VIS	2					
67	621-03113B	PLATE;STOPPER (R.H)	PLAQUE	1					
68	621-03114B	PLATE;STOPPER (L.H)	PLAQUE	1					
70	125-00077	LOCK;REAR GLASS (L.H)	SERRURE	1					
71	125-00078	LOCK;REAR GLASS (R.H)	SERRURE	1					
72	2161-2212	STOPPER;RUBBER	TAQUET	2					
75	534-00079	ROOM LAMP	LAMPE DE PIECE	1					
75A	2515-1021D1	. BULB	. AMPOULE	1					
76	2114-1898D13	WASHER;PLAIN	RONDELLE	2					
77	2120-2166D26	SCREW	VIS	2					
78	S3450993	SCREW	VIS	4					
79	S3452853	SCREW	VIS	4					
80	2120-2166D52	BOLT M6X1.0X12	BOULON	20					
81	2541-9020	SPEAKER	ORATEUR	2					
82	S3450833	SCREW	VIS	8					
84	161-00609E	PAD;ROOF REAR	GARNITURE	1					
85	161-00610E	PAD;ROOF CENTER	GARNITURE	1					
86	359-00022A	RAIL;ROOF PANEL RH	RAIL	1		5001-9556	I	150120-00035	1
	150120-00035	RAIL,ROOF(R.H)	RAIL	1		9557-			
87	359-00021A	RAIL;ROOF PANEL LH	RAIL	1		5001-9556	I	150120-00034	1
	150120-00034	RAIL,ROOF(L.H)	RAIL	1		9557-			
90	161-00613B	PAD;ROOF FRONT	GARNITURE	1		5001-9556	I	161-00613C	1
	161-00613C	PAD;ROOF FRONT	GARNITURE	1		9557-			
91	172-00055A	HANDLE;ROOF	POIGNEE	2					

DATE	SEP. 12, 2012
4th EDITION	

Fig. 1510 CABIN(3)
CABINE

Serial No. ;



DATE	SEP. 12, 2012
4th EDITION	

**Fig. 1510 CABIN(3)
CABINE**

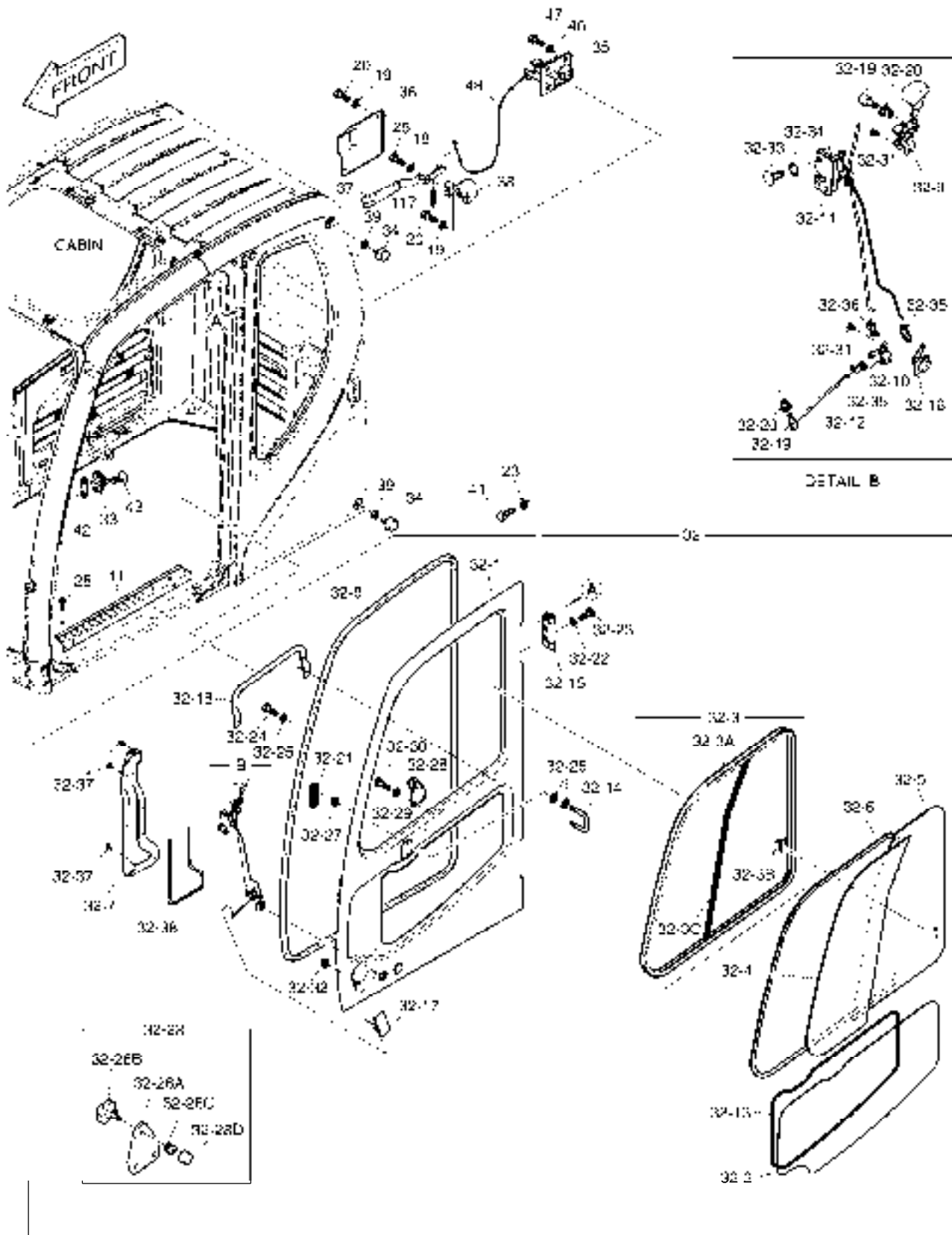
Serial No. ;

Key No.	Part No.	Description	Description	Q'ty	S.C	Serial No.	ICA	Replaceable part	
								Part No.	Q'ty
1510 -92	2199-9058	HAMMER	MARTEAU	1					
93	2150-1133	HOOK;COAT	CROCHET	1					
94	621-02910C	COVER;PILLAR LH	COUVERTURE	1					
95	621-02911C	COVER;PILLAR RH	COUVERTURE	1					
96	621-02912B	COVER;REAR UPPER	COUVERTURE	1					
97	2114-2031D1	WASHER;SPRING	RONDELLE	2					
98	K1006936	SCRIVET	SCRIVET	12					
99	2120-2166D18	SCREW	VIS	2					
100	K1002641	MODULE ASS'Y	MODULE	1					
107	K1003676B	PLATE	PLAQUE	1					
111	2120-2166D53	SCREW	VIS	4					
113	2114-1898D5	WASHER M6	RONDELLE	4					
114	K1006933	SCRIVET	SCRIVET	3					
115	S5010313	WASHER	RONDELLE	2					
116	K1010839	FORM	FORME	1					

DATE	SEP. 12, 2012
4th EDITION	

**Fig. 1520 CABIN(4)
CABINE**

Serial No. ;



DATE	SEP. 12, 2012
4th EDITION	

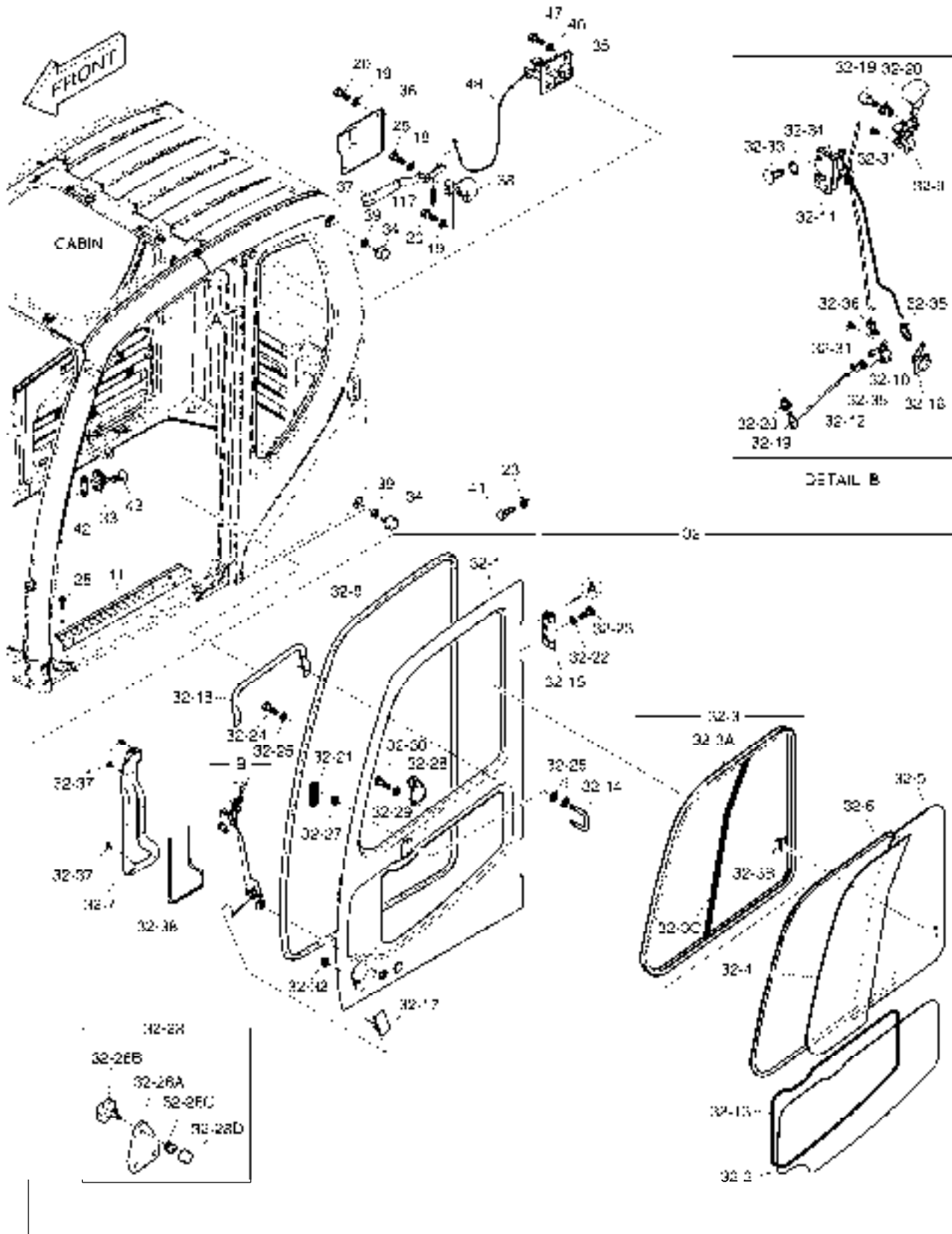
Fig. 1520 CABIN(4) CABINE

Serial No. ;

Key No.	Part No.	Description	Description	Q'ty	S.C	Serial No.	ICA	Replaceable part	
								Part No.	Q'ty
1520 --	622-00351M	CABIN ASS'Y	CABINE	1		5001-6341			
	220101-00192A	CABIN ASSY	CABINE	1		6342-6669	I	220101-00192B	1
	220101-00192B	CABIN ASSY	CABINE	1		6670-9556	I	220101-00192G	1
	220101-00192G	CABIN ASSY	CABINE	1		09557-12300	Y	220101-00192H	1
	220101-00192H	CABIN ASSY	CABINE	1		12301-12604	I	220101-00192K	1
	220101-00192K	CABIN ASSY	CABINE	1		12605-			
11	625-00159B	STEP;CABIN DOOR	ETAPE	1					
18	2114-1898D14	WASHER;PLAIN	RONDELLE	1					
19	2114-1898D3	WASHER;PLAIN	RONDELLE	4					
20	2120-2166D28	BOLT;HEX	BOULON	4					
23	2114-1898D15	WASHER;PLAIN	RONDELLE	6					
25	2120-2166D12	BOLT;HEX	BOULON	1					
28	2120-2150D3	SCREW	VIS	4					
32	622-00353J	DOOR ASS'Y	VERROU	1		5001-6341	I	622-00353K	1
	622-00353K	DOOR ASSY	VERROU	1		6342-			
32-1	-	. DOOR;BODY	. PORTE	1	D				
32-2	903-00069A	. GLASS;DOOR LOWER	. VERRE	1					
32-3	622-00355A	. SASH ASS'Y	. SASH	1					
32-3A	622-00356	.. FRAME ASS'Y;SASH	.. ARMATURE	1					
32-3B	2123-6119	.. LOCK;SASH	.. SERRURE	1					
32-3C	162-00033A	.. BAR;CENTER	.. BARRE	1					
32-4	903-00070B	. GLASS;SASH FRONT	. VERRE	1					
32-5	903-00071B	. GLASS;SASH REAR	. VERRE	1					
32-6	161-00623	. TRIM	. EQUILIBRE	1					
32-7	621-02869C	. COVER;LOCK	. COUVERTURE	1					
32-8	198-00053A	. RUBBER TRIM;DOOR INNER	. LE CAOUTCHOUC	1					
32-9	133-00221	. LEVER ASS'Y;INNER HANDLE	. LEVIER	1					
32-10	137-00092	. LINK;DOOR INNER	. LIEN	1					
32-11	125-00072	. CATCH ASS'Y;DOOR INNER	. CROCHET	1					
32-12	136-00055A	. ROD;OUTER HANDLE	. TIGE	1					
32-13	K1002637	. DAMPER	. AMORTISSEUR	1					
32-14	2150-1132A	. HOOK;CATCH DOOR	. CROCHET	1					
32-15	K1027765	. HINGE ASS'Y;DOOR	. CHARNIERE	2					
32-16	K1003900	. KEY ASS'Y;DOOR	. CLE	1					
32-17	2172-9021	. HANDLE;OUTER	. POIGNEE	1					
32-18	145-00124A	. STAY	. SEJOUR	1					
32-19	2123-2247	. PIN	. GOUPILLE	2					
32-20	2124-1689A	. SNAP	. RUPTURE	2					

**Fig. 1520 CABIN(4)
CABINE**

Serial No. ;



DATE	SEP. 12, 2012
4th EDITION	

Fig. 1520 CABIN(4) CABINE

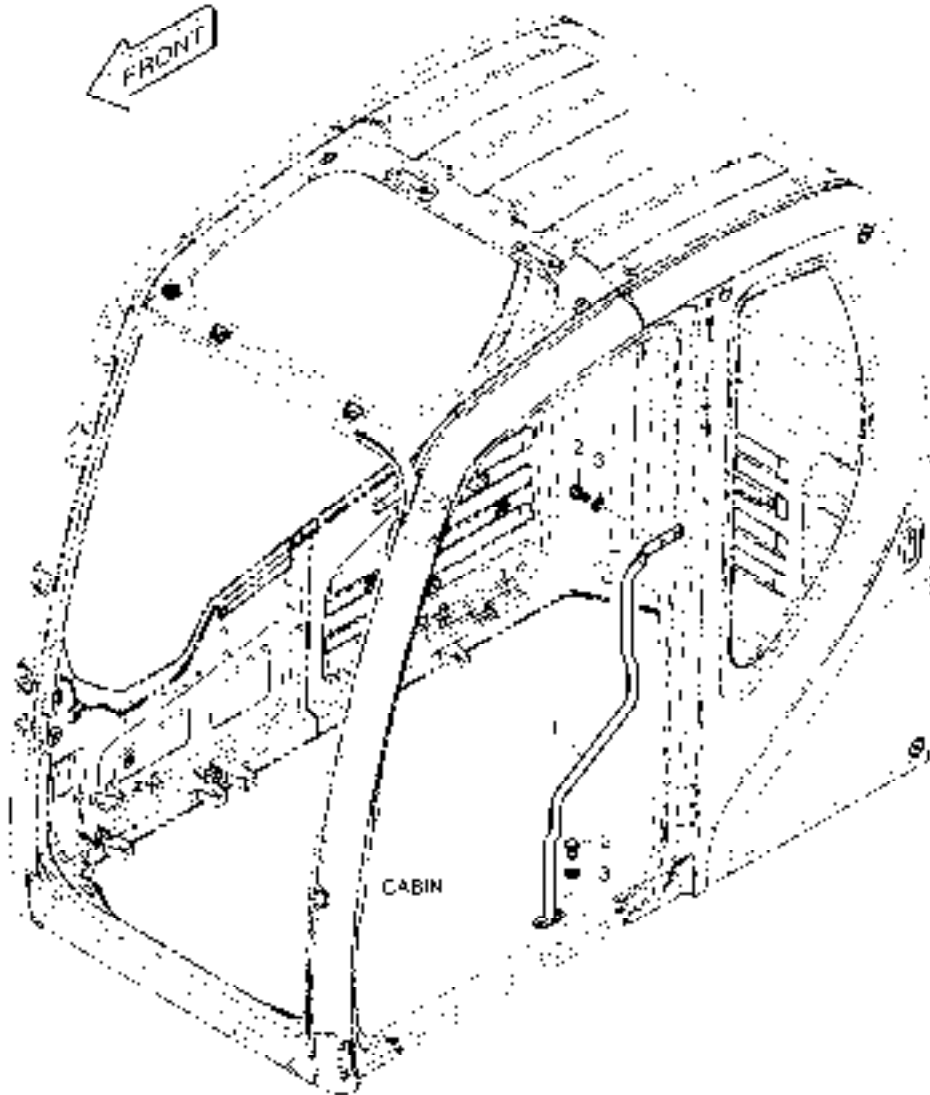
Serial No. ;

Key No.	Part No.	Description	Description	Q'ty	S.C	Serial No.	ICA	Replaceable part	
								Part No.	Q'ty
1520-32-21	621-02867A	. COVER;DOOR INNER	. COUVERTURE	1					
32-22	2114-1898D15	. WASHER;PLAIN	. RONDELLE	6					
32-23	2120-2166D1	. BOLT	. BOULON	6					
32-24	2120-2166D5	. BOLT	. BOULON	2					
32-25	2114-1898D2	. WASHER	. RONDELLE	2					
32-26	2891-1311	. PLATE	. PLAQUE	4					
32-27	S4012533	. NUT	. ECROU	2					
32-28	161-00621B	. STOPPER;RUBBER	. TAQUET	1					
32-28	191-03283	.. PLATE;STOPPER	.. PLAQUE	1					
32-28	4132-1138	.. KNOB	.. BOUTON	1					
32-28	161-00620	.. RUBBER;STOPPER	.. LE CAOUTCHOUC	1					
32-28	116-00092A	.. STOPPER	.. TAQUET	1					
32-29	2114-1898D3	. WASHER;PLAIN	. RONDELLE	2					
32-30	2120-2166D28	. BOLT;HEX	. BOULON	2					
32-31	2120-2166D52	. BOLT M6X1.0X12	. BOULON	5					
32-32	S4012333	. NUT	. ECROU	2					
32-33	2120-2150D3	. SCREW	. VIS	3					
32-34	S5210303	. WASHER;TOOTHED	. RONDELLE	3					
32-35	124-00010	. CLIP;ROD	. AGRAFE	2					
32-36	124-00344	. CLIP;ROD	. AGRAFE	1					
32-37	2120-2166D53	. SCREW	. VIS	8					
32-38	K1006370	. FOAM	. MOUSSE	1					
33	2142-9005	STRIKER;DOOR	BUTEE	1					
34	161-00195	STOPPER	TAQUET	2					
35	2125-9055	LOCK;BACK	SERRURE	1					
36	621-02849A	COVER;BACK LOCK INNER	COUVERTURE	1		5001-9556	I	621-02849B	1
	621-02849B	COVER;BACK LOCK INNER	COUVERCLE	1		9557-			
37	133-00220E	LEVER;BACK LOCK	LEVIER	1					
38	195-02719C	BRACKET;BACK LOCK	SUPPORT	1					
39	2121-1311D4	NUT	ECROU	2					
41	2120-2166D1	BOLT	BOULON	6					
42	2114-1856	SHIM;STRIKER	CALE	1					
43	2120-2150D1	BOLT	BOULON	2					
46	2114-1898D2	WASHER	RONDELLE	4					
47	2120-2166D5	BOLT	BOULON	4					
48	2127-1002A	CABLE;BACK LOCK	CABLE	1					
117	2129-1446	SPRING	RESSORT	1					

DATE	SEP. 12, 2012
4th EDITION	

Fig. 1525 HANDLE - CABIN
HANDLE

Serial No. ;



DATE	SEP. 12, 2012
4th EDITION	

**Fig. 1525 HANDLE - CABIN
HANDLE**

Serial No. ;

Key No.	Part No.	Description	Description	Q'ty	S.C	Serial No.	ICA	Replaceable part	
								Part No.	Q'ty
1525 --	K1038240	HANDLE ASS'Y	POIGNEE	-	D				
1	K1038247	HANDLE	POIGNEE	1					
2	2120-2166D4	BOLT M10X1.5X20	BOULON	4					
3	2114-1898D15	WASHER;PLAIN	RONDELLE	4					

DATE	SEP. 12, 2012
4th EDITION	

**Fig. 1530 FLOOR MAT
PLANCHER**

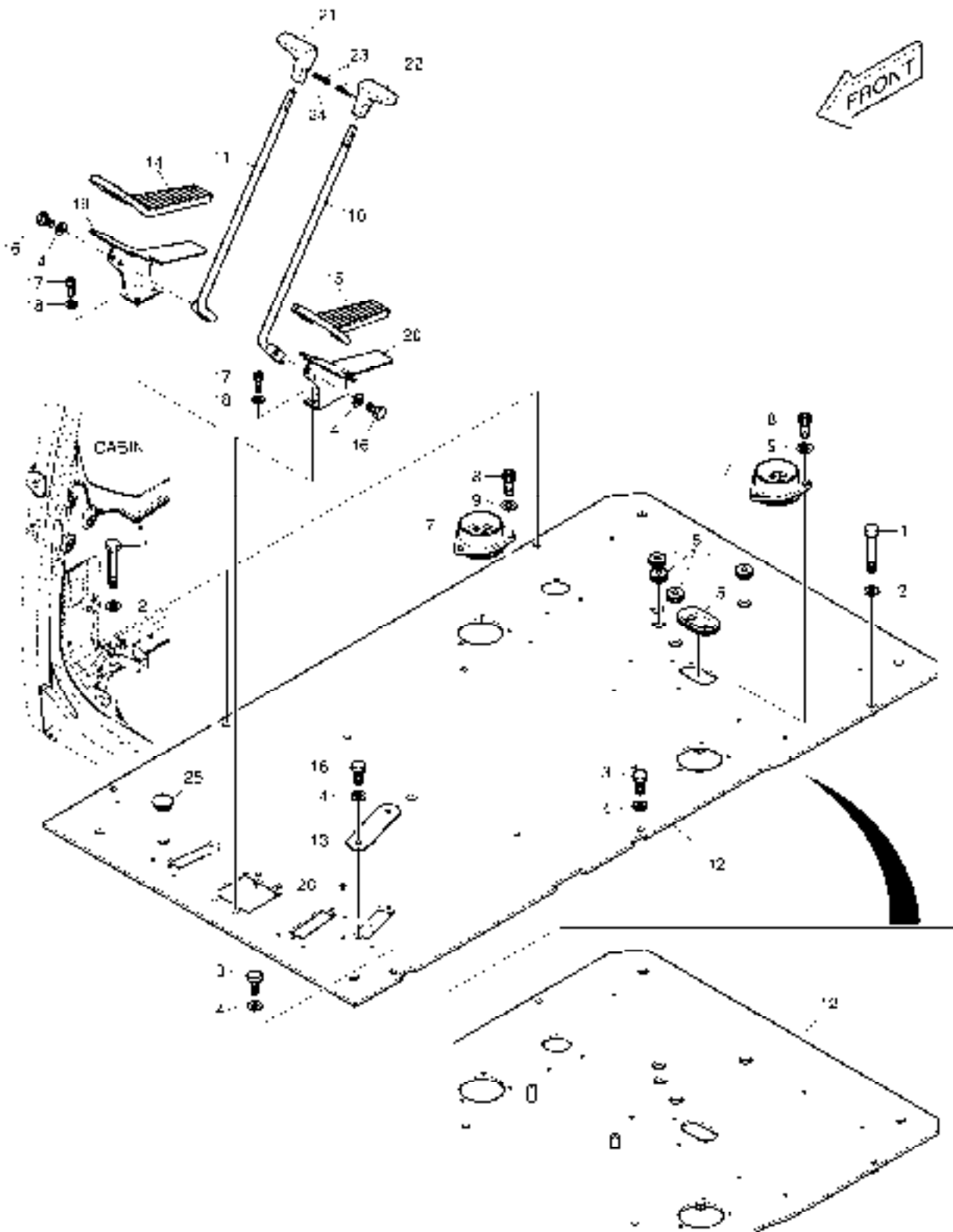
Serial No. ;

Key No.	Part No.	Description	Description	Q'ty	S.C	Serial No.	ICA	Replaceable part	
								Part No.	Q'ty
1530 -1	K1002081B	MAT;FLOOR	TAPIS	1		5001-6341	I	110935-00069	1
	110935-00069	MAT;FLOOR	TAPIS	1		6342-			

DATE	SEP. 12, 2012
4th EDITION	

**Fig. 1540 FLOOR PLATE
TOLE DE PLANCHER**

Serial No. ;



Scra No 5001 5280

DATE	SEP. 12, 2012
4th EDITION	

Fig. 1540 FLOOR PLATE TOLE DE PLANCHER

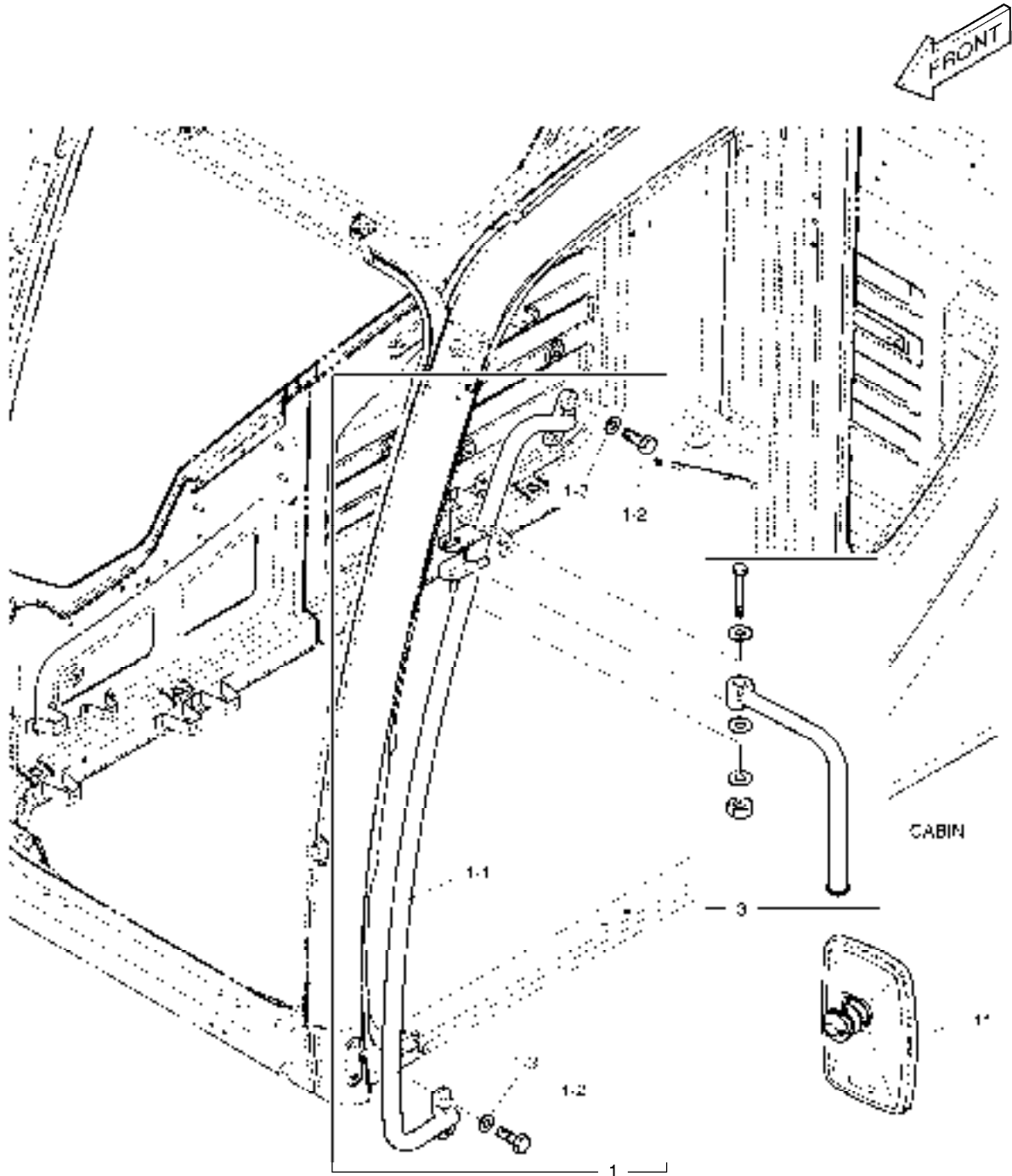
Serial No. ;

Key No.	Part No.	Description	Description	Q'ty	S.C	Serial No.	ICA	Replaceable part	
								Part No.	Q'ty
1540 --	622-00426G	FLOOR PLATE ASS'Y	TOLE DE PLANCHER	-	D	5001-6280			
	250106-00125	PLATE ASSY,FLOOR	TOLE DE PLANCHER	-	D	6281-6341			
	250106-00125A	PLATE ASSY,FLOOR	TOLE DE PLANCHER	-	D	6342-			
1	2120-2166D55	BOLT	BOULON	4					
2	2114-1898D17	WASHER M12	RONDELLE	4					
3	2120-2166D1	BOLT	BOULON	2					
4	2114-1898D1	WASHER	RONDELLE	8					
5	160-00071	BUSHING;RUBBER	MANCHON CAOUTCHOUC	1					
6	160-00072	BUSHING;RUBBER	MANCHON CAOUTCHOUC	4					
7	160-00080B	BUSHING;RUBBER	MANCHON CAOUTCHOUC	2					
8	S2208866	BOLT;SOCKET	BOULON	6					
9	2114-1898D14	WASHER;PLAIN	RONDELLE	6					
10	133-00229A	LEVER;TRAVEL (L.H)	LEVIER	1					
11	133-00230A	LEVER;TRAVEL (R.H)	LEVIER	1					
12	621-02892J	PLATE;FLOOR	PLAQUE	1		5001-6280			
	250106-00126	PLATE,FLOOR	PLAQUE	1		6281-6341			
	250106-00126A	PLATE,FLOOR	PLAQUE	1		6342-			
13	621-01507A	PLATE	PLAQUE	1					
14	161-00381	RUBBER;PEDAL(R.H)	LE CAOUTCHOUC	1					
15	161-00382	RUBBER;PEDAL(L.H)	LE CAOUTCHOUC	1					
16	2120-2166D4	BOLT M10X1.5X20	BOULON	6					
17	S2211866	BOLT;SOCKET	BOULON	4					
18	S5110603	WASHER;SPRING	RONDELLE	4					
19	K1039515	BRACKET;PEDAL(R.H)	SUPPORT	1					
20	K1039514	BRACKET;PEDAL(L.H)	SUPPORT	1					
21	2132-1134B	GRIP;LEVER(R.H)	POIGNEE	1					
22	2132-1133B	GRIP;LEVER(L.H)	POIGNEE	1					
23	S2201766	BOLT;SOCKET	BOULON	2					
24	S5000113	WASHER;PLAIN	RONDELLE	2					
25	2161-2487	CAP;RUBBER	CHAPEAU	1					
26	160-00073A	CAP	CHAPEAU	2					

DATE	SEP. 12, 2012
4th EDITION	

**Fig. 1550 HANDLE ASS'Y
HANDLE**

Serial No. ;



DATE	SEP. 12, 2012
4th EDITION	

**Fig. 1550 HANDLE ASS'Y
HANDLE**

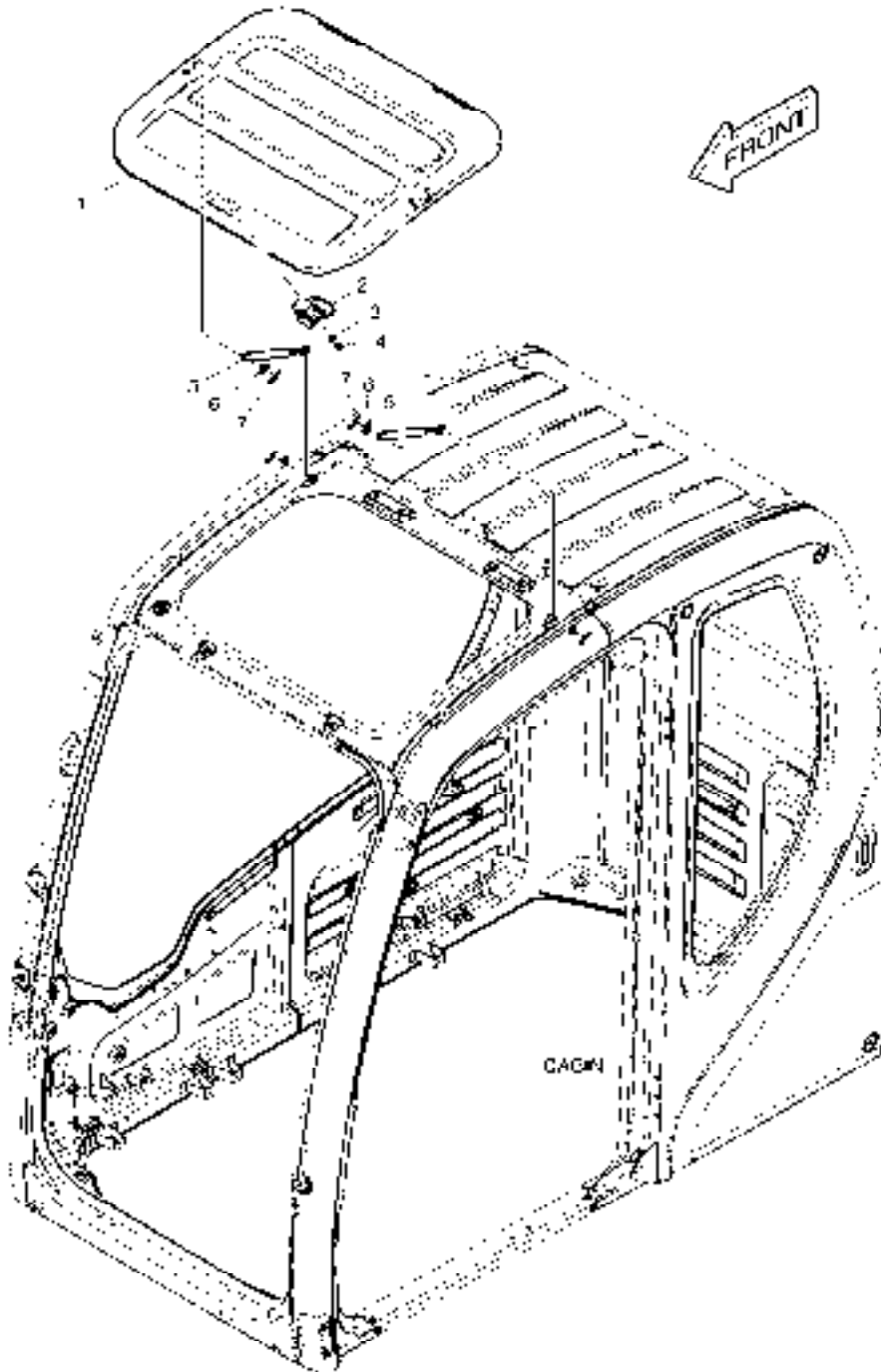
Serial No. ;

Key No.	Part No.	Description	Description	Q'ty	S.C	Serial No.	ICA	Replaceable part	
								Part No.	Q'ty
1550 -1	110925-00007	HANDLE ASS'Y;OUTER	HANDLE	1					
1-1	172-00053B	. HANDLE;OUTER	. POIGNEE	1					
1-2	2120-2166D2	. BOLT	. BOULON	4					
1-3	2114-1898D15	. WASHER;PLAIN	. RONDELLE	4					
3	K1004272	STAY;MIRROR	SEJOUR	1					
11	K1040606	MIRROR;SIDE	MAIN COURANTE	1					

DATE	SEP. 12, 2012
4th EDITION	

**Fig. 1560 ROOF COVER
COUVERCLE**

Serial No. ;



DATE	SEP. 12, 2012
4th EDITION	

Fig. 1560 ROOF COVER COUVERCLE

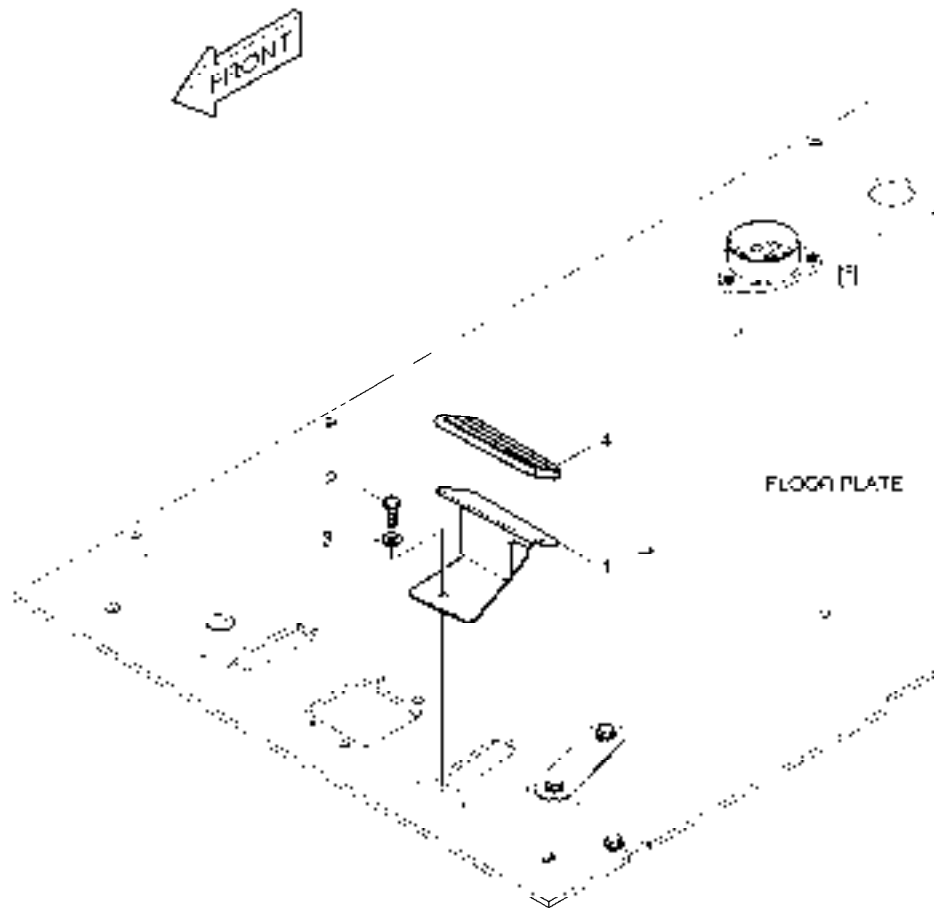
Serial No. ;

Key No.	Part No.	Description	Description	Q'ty	S.C	Serial No.	ICA	Replaceable part	
								Part No.	Q'ty
1560 --	621-03732C	ROOF COVER ASS'Y	COUVERTURE ASS' DE TO	-	D				
1	621-03727B	COVER;ROOF	COUVERTURE	1					
2	123-00516B	LOCK ASS'Y;ROOF COVER	SERRURE	1					
3	2114-1898D3	WASHER;PLAIN	RONDELLE	2					
4	2120-2166D9	SCREW	VIS	2					
5	DS1003009	GAS-SPRING	VERIN PNEUMATIQUE	2					
6	2114-1898D14	WASHER;PLAIN	RONDELLE	2					
7	123-00523	PIN;GAS-SPRING	GOUPILLE	2					

DATE	SEP. 12, 2012
4th EDITION	

Fig. 1570 FOOT REST - L.H.
REPOS DE PIED

Serial No. ;



DATE	SEP. 12, 2012
4th EDITION	

**Fig. 1570 FOOT REST - L.H.
REPOS DE PIED**

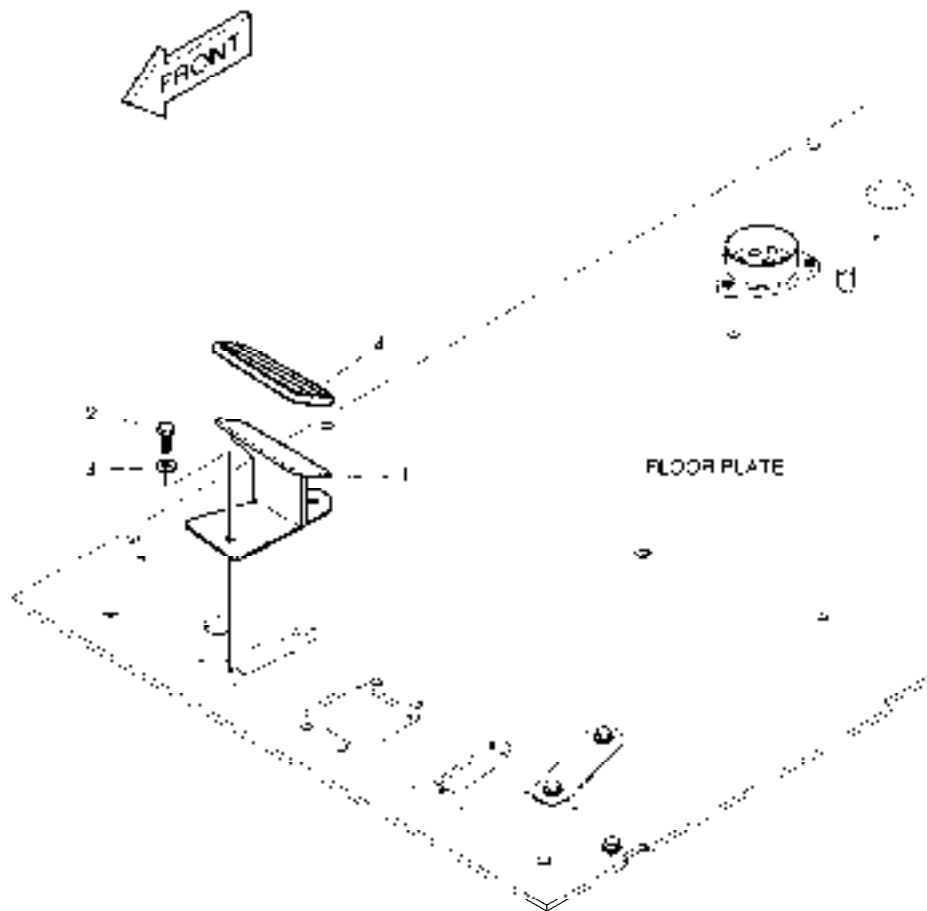
Serial No. ;

Key No.	Part No.	Description	Description	Q'ty	S.C	Serial No.	ICA	Replaceable part	
								Part No.	Q'ty
1570 --	K1002082	FOOT REST(L.H)	REPOS DE PIED	-	D				
1	195-02949A	BRACKET;FOOT REST(L.H)	SUPPORT	1					
2	2120-2166D1	BOLT	BOULON	2					
3	2114-1898D1	WASHER	RONDELLE	2					
4	2160-1345	COVER;FOOT REST	COUVERTURE	1					

DATE	SEP. 12, 2012
4th EDITION	

Fig. 1580 FOOT REST - R.H.
REPOS DE PIED

Serial No. ;



DATE	SEP. 12, 2012
4th EDITION	

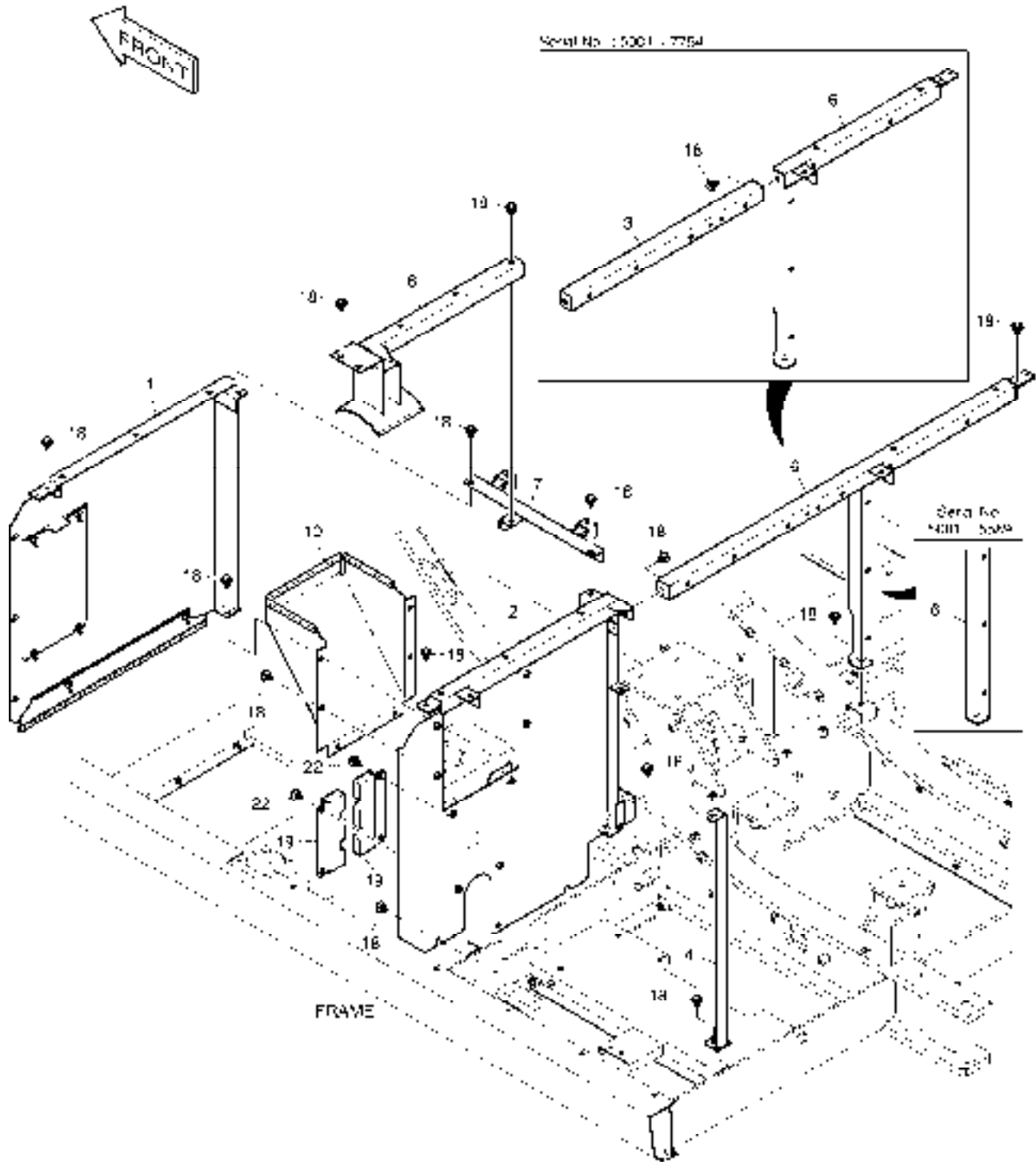
**Fig. 1580 FOOT REST - R.H.
REPOS DE PIED**

Serial No. ;

Key No.	Part No.	Description	Description	Q'ty	S.C	Serial No.	ICA	Replaceable part	
								Part No.	Q'ty
1580 --	K1002083	FOOT REST(R.H)	REPOS DE PIED	-	D				
1	195-02948A	BRACKET;FOOT REST(R.H)	SUPPORT	1					
2	2120-2166D1	BOLT	BOULON	2					
3	2114-1898D1	WASHER	RONDELLE	2					
4	2160-1346	COVER;FOOT REST	COUVERTURE	1					

**Fig. 1590 SUPPORT
SUPPORT**

Serial No. ;



DATE	SEP. 12, 2012
4th EDITION	

Fig. 1590 SUPPORT SUPPORT

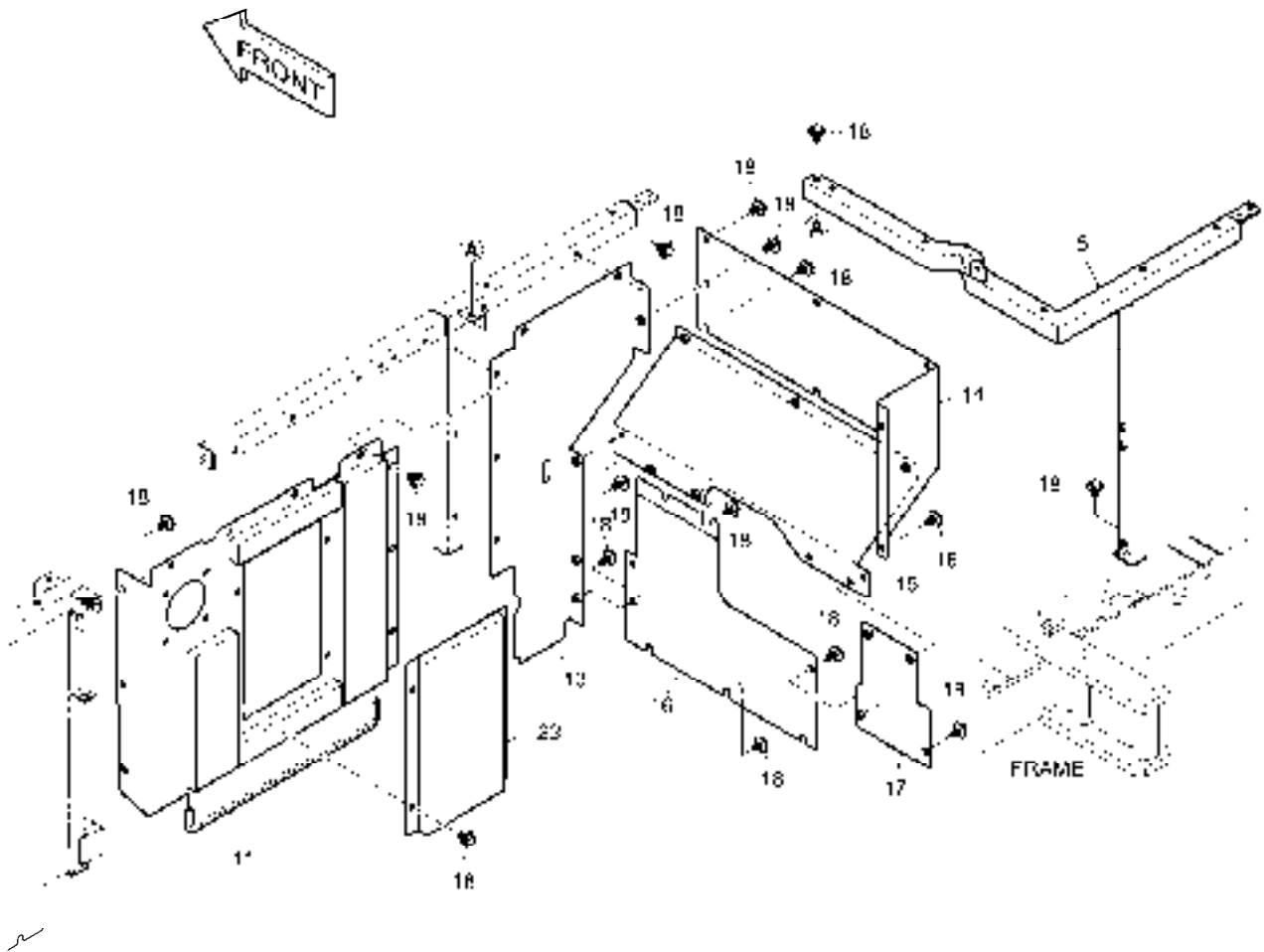
Serial No. ;

Key No.	Part No.	Description	Description	Q'ty	S.C	Serial No.	ICA	Replaceable part	
								Part No.	Q'ty
1590 --	K1045990B	SUPPORT ASS'Y	SUPPORT	-	D	5001-5589			
	110958-00014	SUPPORT & BAFFLE ASSY	SUPPORT	-	D	5590-			
1	K1038954B	SUPPORT	SUPPORT	1					
2	K1045903A	SUPPORT	SUPPORT	1		5001-7754			
	110958-00097	SUPPORT	SUPPORT	1		7755-			
3	K1045907A	SUPPORT	SUPPORT	1		5001-7754			
4	K1030750A	SUPPORT	SUPPORT	1					
6	K1030529A	SUPPORT	SUPPORT	1		5001-5589	I	110958-00015	1
	110958-00015	SUPPORT	SUPPORT	1		5590-7754			
	110958-01055	SUPPORT	SUPPORT	1		7755-			
7	K1030506B	SUPPORT	SUPPORT	1					
8	195-03434E	SUPPORT	APPUI	1					
10	K1039465	COVER;BAFFLE	COUVERCLE	1		5001-5589	I	110502-00025	1
	110502-00025	COVER,BAFFLE	COUVERCLE	1		5590-			
18	DS0025015	BOLT;SET	BOULON	26		5001-7754			
	DS0025015	BOLT;SET	BOULON	25		7755-			
19	K1039427A	COVER	COUVERCLE	2		5001-9751			
	110502-00524	COVER,BAFFLE	COUVERCLE	2		9752-			
22	DS0025022	BOLT;SET	BOULON	4					

DATE	SEP. 12, 2012
4th EDITION	

Fig. 1600 **BAFFLE**
COVERCLE

Serial No. ;



DATE	SEP. 12, 2012
4th EDITION	

**Fig. 1600 BAFFLE
COUVERCLE**

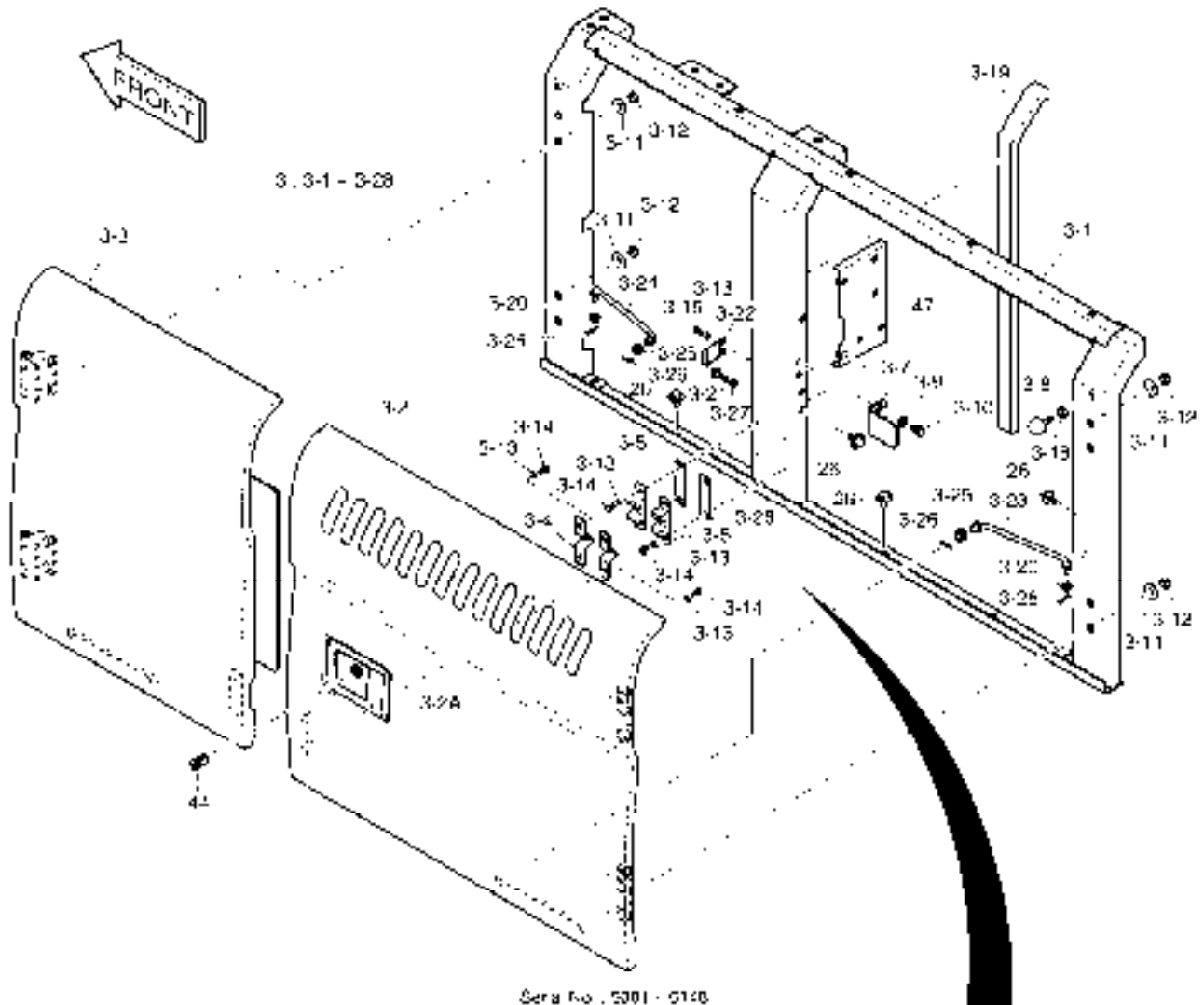
Serial No. ;

Key No.	Part No.	Description	Description	Q'ty	S.C	Serial No.	ICA	Replaceable part	
								Part No.	Q'ty
1600 --	K1045990B	SUPPORT ASS'Y	SUPPORT	-	D	5001-5589			
	110958-00014	SUPPORT & BAFFLE ASSY	SUPPORT	-	D	5590-			
5	K1049826	SUPPORT	SUPPORT	1					
11	K1049011	COVER;BAFFLE	COUVERCLE	1					
13	K1045908	COVER;BAFFLE	COUVERCLE	1					
14	K1030731	COVER;BAFFLE	COUVERCLE	1					
15	K1030732A	COVER;BAFFLE	COUVERCLE	1					
16	K1030735A	COVER;BAFFLE	COUVERCLE	1					
17	K1030734A	COVER;BAFFLE	COUVERCLE	1					
18	DS0025015	BOLT;SET	BOULON	43					
23	K1038966	COVER;BAFFLE	COUVERCLE	1					

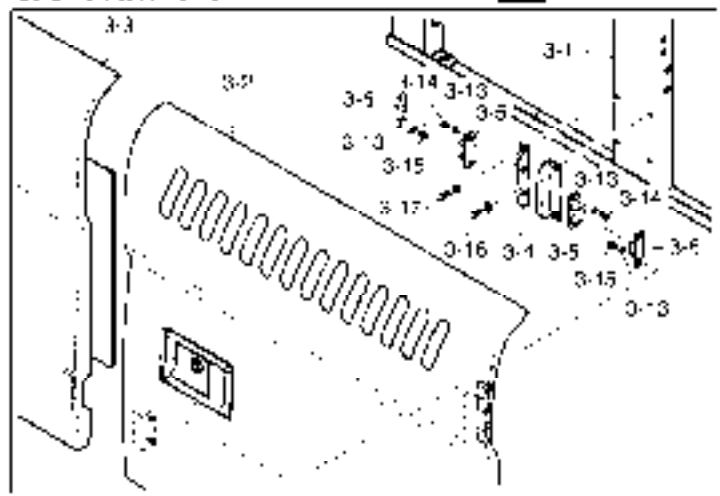
DATE	SEP. 12, 2012
4th EDITION	

**Fig. 1610 SIDE DOOR - L.H
ENSEMBLE DE PORTE**

Serial No. ;



Serial No. 5301 - 6108



DATE	SEP. 12, 2012
4th EDITION	

**Fig. 1610 SIDE DOOR - L.H
ENSEMBLE DE PORTE**

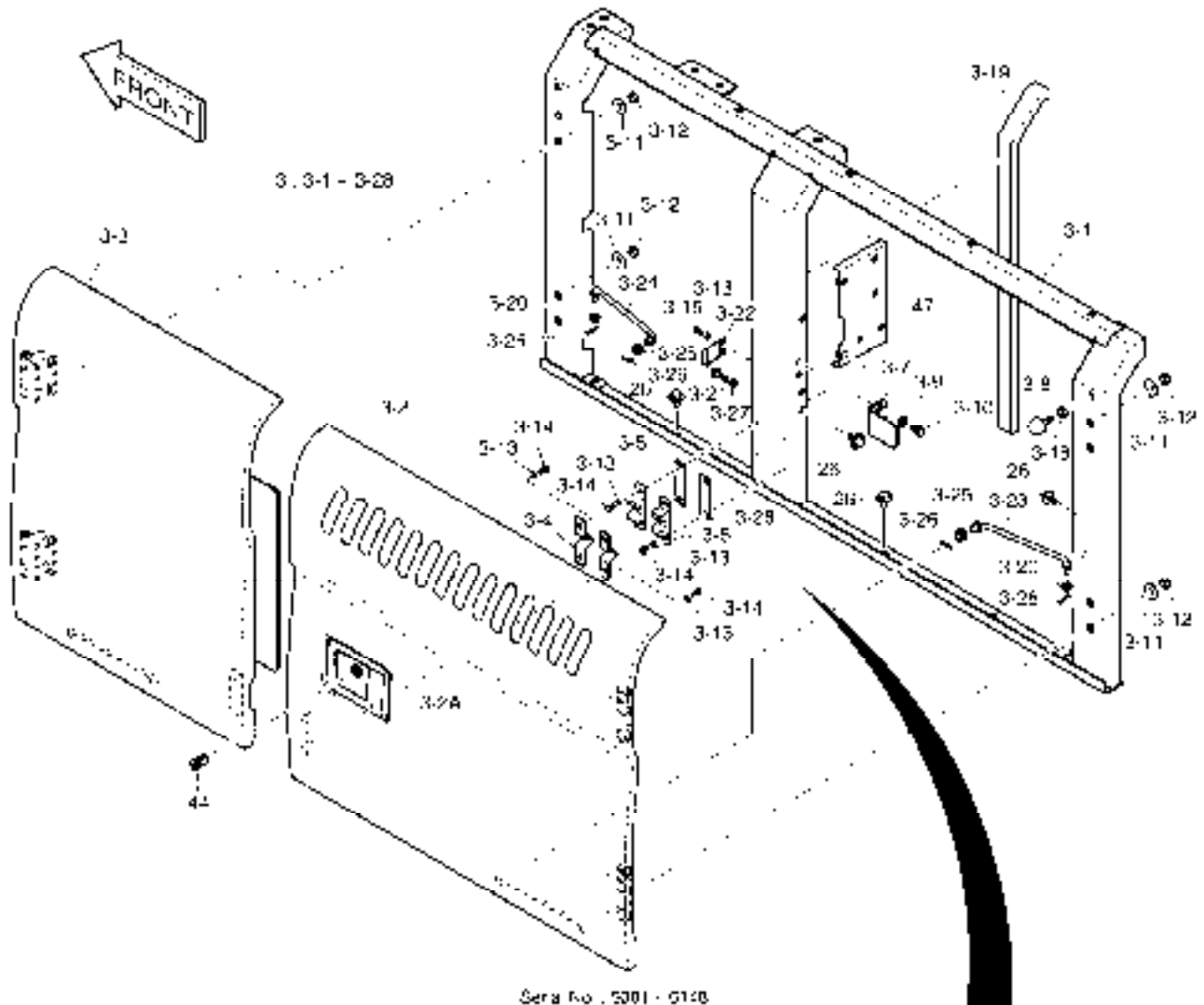
Serial No. ;

Key No.	Part No.	Description	Description	Q'ty	S.C	Serial No.	ICA	Replaceable part	
								Part No.	Q'ty
1610 --	K1039799B	COVER ASS'Y	COUVERCLE	-	D				
3	K1038922B	SIDE DOOR ASS'Y (L.H)	PORTE	1		5001-6148	I	110982-00129	1
	110982-00129	DOOR ASSY,SIDE(L.H)	PORTE	1		6149-6781	I	110982-00129A	1
	110982-00129A	DOOR ASSY,SIDE;(L.H)	PORTE	1		06782- 10481	I	110982-00129B	1
	110982-00129B	DOOR ASSY,SIDE;(L.H)	PORTE	1		10482-			
3-1	K1038917B	. SUPPORT(L.H)	. SUPPORT	1		5001-6148			
	110958-00230	. SUPPORT	. SUPPORT	1		6149-			
3-2	K1038918	. DOOR(R.H)	. DIODE	1		5001-6148			
	110982-00130	. DOOR,SIDE	. DIODE	1		06149- 10481	I	110982-00130A	1
	110982-00130A	. DOOR,SIDE	. DIODE	1		10482-			
3-2A	125-00034A	.. LOCK	.. SERRURE	1					
3-3	K1038919B	. DOOR(L.H)	. DIODE	1		5001-6148			
	110982-00131	. DOOR,SIDE(L.H)	. PORTE	1		6149-			
3-4	2116-1522	. PLATE	. PLAQUE	2		5001-6148			
	250201-00028	. PLATE;STOPPER	. PLAQUE	2		6149-			
3-5	2161-9052	. STOPPER;PLATE	. ARRET	2		5001-6148			
	110956-00002	. STOPPER,RUBBER	. TAQUET	2		6149-6781	I	110956-00002A	2
	110956-00002A	. STOPPER,RUBBER	. TAQUET	2		6782-			
3-6	2161-9053	. STOPPER;RUBBER	. ARRET	2		5001-6148			
3-7	K1038920	. PLATE;LOCK	. PLAQUE	1					
3-8	K1001260A	. STOPPER;RUBBER	. TAQUET	1					
3-9	2114-1058D45	. WASHER	. RONDELLE	2					
3-10	S0511853	. BOLT	. BOULON	2					
3-11	2114-1058D30	. WASHER;PLAIN	. RONDELLE	8					
3-12	S4012733	. NUT	. ECROU	8					
3-13	S5010313	. WASHER	. RONDELLE	10					
3-14	S0504553	. BOLT M6X1.0X14	. BOULON	4		5001-6148			
	S0504553	. BOLT M6X1.0X14	. BOULON	8		6149-			
3-15	S0504453	. BOLT M6X1.0X12	. BOULON	6		5001-6148			
	S0504453	. BOLT M6X1.0X12	. BOULON	2		6149-			
3-16	S5010513	. WASHER,PLAIN	. RONDELLE	4		5001-6148			
3-17	S0508753	. BOLT M8X1.25X18	. BOULON A 6 PANS	4		5001-6148			
3-18	S4012633	. NUT	. ECROU	1					
3-19	-	. FOAM	. MOUSSE	1	D				
3-20	K1000602	. BUSHING	. DOUILLE	2					
3-21	K1048085	. STOPPER;RUBBER	. TAQUET	1					
3-22	K1039869B	. PLATE;LOCK	. PLAQUE	1					
3-23	623-00074B	. STAY	. SEJOUR	1					

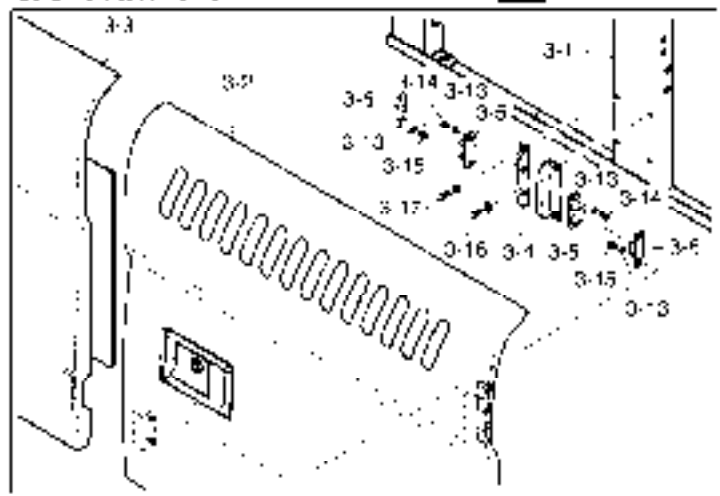
DATE	SEP. 12, 2012
4th EDITION	

Fig. 1610 SIDE DOOR - L.H
ENSEMBLE DE PORTE

Serial No. ;



Serial No. 5301 - 6108



DATE	SEP. 12, 2012
4th EDITION	

**Fig. 1610 SIDE DOOR - L.H
ENSEMBLE DE PORTE**

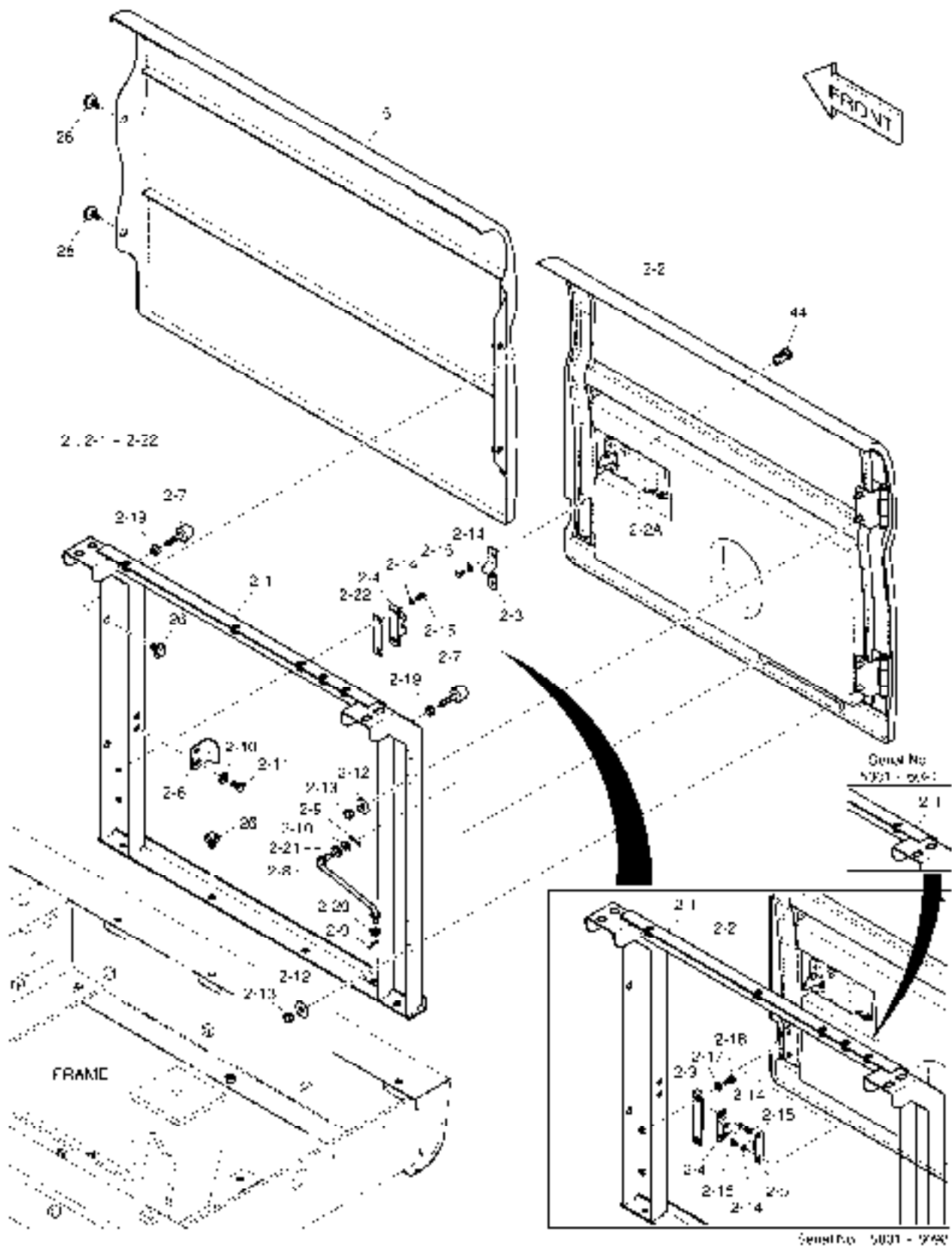
Serial No. ;

Key No.	Part No.	Description	Description	Q'ty	S.C	Serial No.	ICA	Replaceable part	
								Part No.	Q'ty
1610 -3-24	623-00075B	. STAY	. SEJOUR	1					
3-25	K1008335	. BUSHING	. DOUILLE	2					
3-26	2705-9002	. PIN;LOCK	. GOUPILLE	4					
3-27	S4012533	. NUT	. ECROU	1					
3-28	110947-00027	. SHIM	. CALE	2		6149-			
26	DS0025015	BOLT;SET	BOULON	10					
44	K1004630	KEY;CYLINDER	CLE	1					
47	K1045909	PLATE	PLAQUE	1					

DATE	SEP. 12, 2012
4th EDITION	

Fig. 1620 SIDE DOOR - R.H
ENSEMBLE DE PORTE

Serial No. ;



DATE	SEP. 12, 2012
4th EDITION	

**Fig. 1620 SIDE DOOR - R.H
ENSEMBLE DE PORTE**

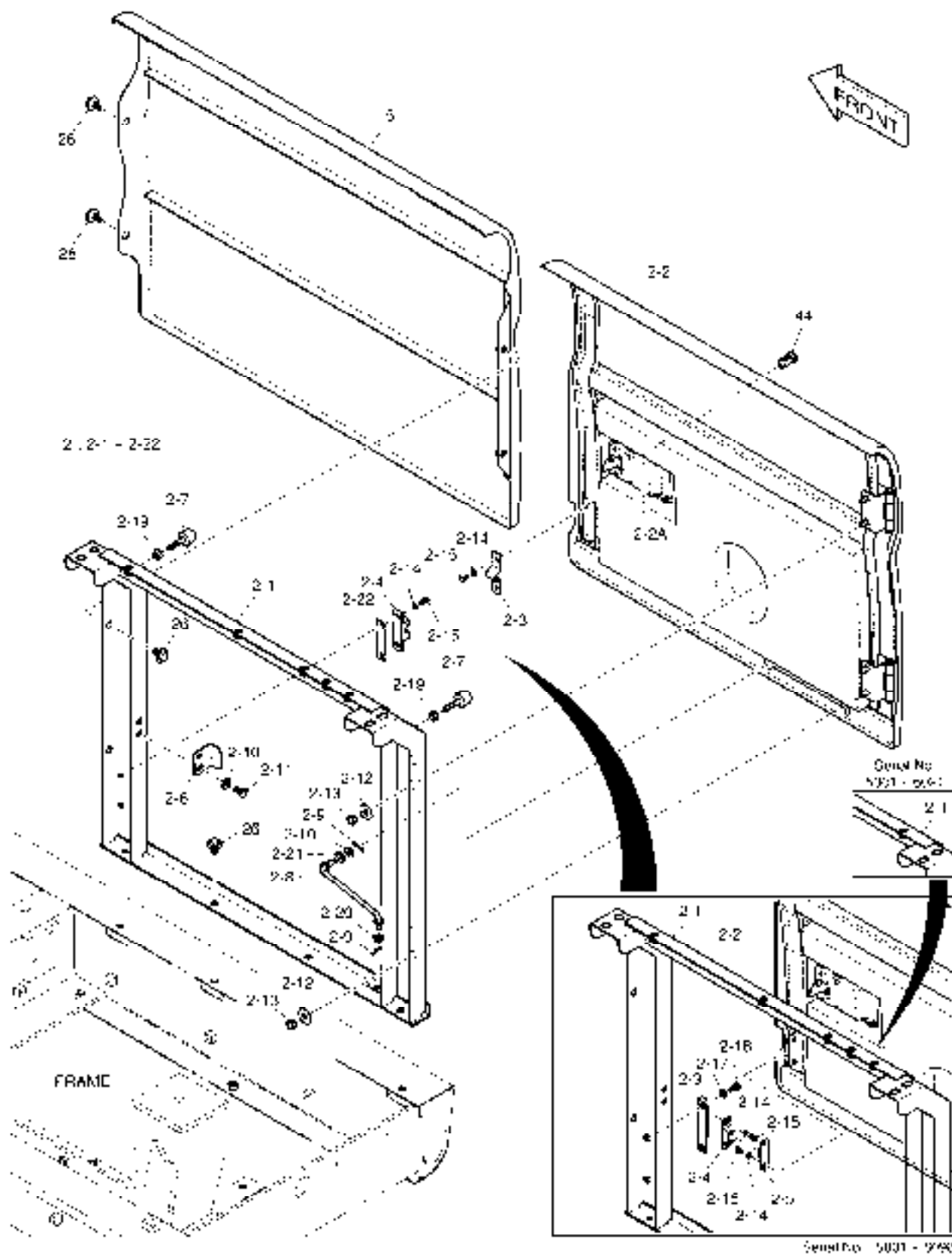
Serial No. ;

Key No.	Part No.	Description	Description	Q'ty	S.C	Serial No.	ICA	Replaceable part	
								Part No.	Q'ty
1620 --	K1046071C	COVER ASS'Y	COUVERCLE	-	D	5001-6021			
	110508-00244	COVER ASSY	COUVERCLE	-	D	6022-			
2	K1043854A	SIDE DOOR ASS'Y (R.H)	PORTE	1		5001-6021	I	110982-00103	1
	110982-00103	DOOR ASSY,SIDE(R.H)	PORTE	1		6022-6098	I	110982-00103A	1
	110982-00103A	DOOR ASSY,SIDE(R.H)	PORTE	1		6099-6669	I	110982-00103B	1
	110982-00103B	DOOR ASSY,SIDE;(R.H)	PORTE	1		06670- 10481	I	110982-00103C	1
	110982-00103C	DOOR ASSY,SIDE;(R.H)	PORTE	1		10482-			
2-1	K1043855A	. SUPPORT(R.H)	. SUPPORT	1		5001-6021			
	110958-00181	. SUPPORT	. SUPPORT	1		6022-6098			
	110958-00181A	. SUPPORT	. SUPPORT	1		6099-			
2-2	621-03449E	. SIDE DOOR	. PORTE	1		5001-6098			
	110982-00128	. DOOR,SIDE	. PORTE	1		06099- 10481	I	110982-00128A	1
	110982-00128A	. DOOR,SIDE	. PORTE	1		10482-			
2-2A	125-00035A	.. LOCK	.. SERRURE	1					
2-3	2116-1522	. PLATE	. PLAQUE	1		5001-6098			
	250201-00028	. PLATE;STOPPER	. PLAQUE	1		6099-			
2-4	2161-9052	. STOPPER;PLATE	. ARRET	1		5001-6098			
	110956-00002	. STOPPER,RUBBER	. TAQUET	1		6099-6669	I	110956-00002A	1
	110956-00002A	. STOPPER,RUBBER	. TAQUET	1		6670-			
2-5	2161-9053	. STOPPER;RUBBER	. ARRET	1		5001-6098			
2-6	621-02726A	. PLATE;LOCK	. PLAQUE	1					
2-7	K1001260A	. STOPPER;RUBBER	. TAQUET	2					
2-8	623-00075B	. STAY	. SEJOUR	1					
2-9	2705-9002	. PIN;LOCK	. GOUPILLE	2					
2-10	2114-1058D45	. WASHER	. RONDELLE	3					
2-11	S0511853	. BOLT	. BOULON	2					
2-12	2114-1058D30	. WASHER;PLAIN	. RONDELLE	4					
2-13	S4012733	. NUT	. ECROU	4					
2-14	S5010313	. WASHER	. RONDELLE	4					
2-15	S0504553	. BOLT M6X1.0X14	. BOULON	2		5001-6098			
	S0504553	. BOLT M6X1.0X14	. BOULON	4		6099-			
2-16	S0504453	. BOLT M6X1.0X12	. BOULON	2		5001-6098			
2-17	S5010513	. WASHER,PLAIN	. RONDELLE	2		5001-6098			
2-18	S0508753	. BOLT M8X1.25X18	. BOULON A 6 PANS	2		5001-6098			
2-19	S4012633	. NUT	. ECROU	2					
2-20	K1000602	. BUSHING	. DOUILLE	1					
2-21	K1008335	. BUSHING	. DOUILLE	1					
2-22	110947-00027	. SHIM	. CALE	1		6099-			

DATE	SEP. 12, 2012
4th EDITION	

Fig. 1620 SIDE DOOR - R.H
ENSEMBLE DE PORTE

Serial No. ;



DATE	SEP. 12, 2012
4th EDITION	

**Fig. 1620 SIDE DOOR - R.H
ENSEMBLE DE PORTE**

Serial No. ;

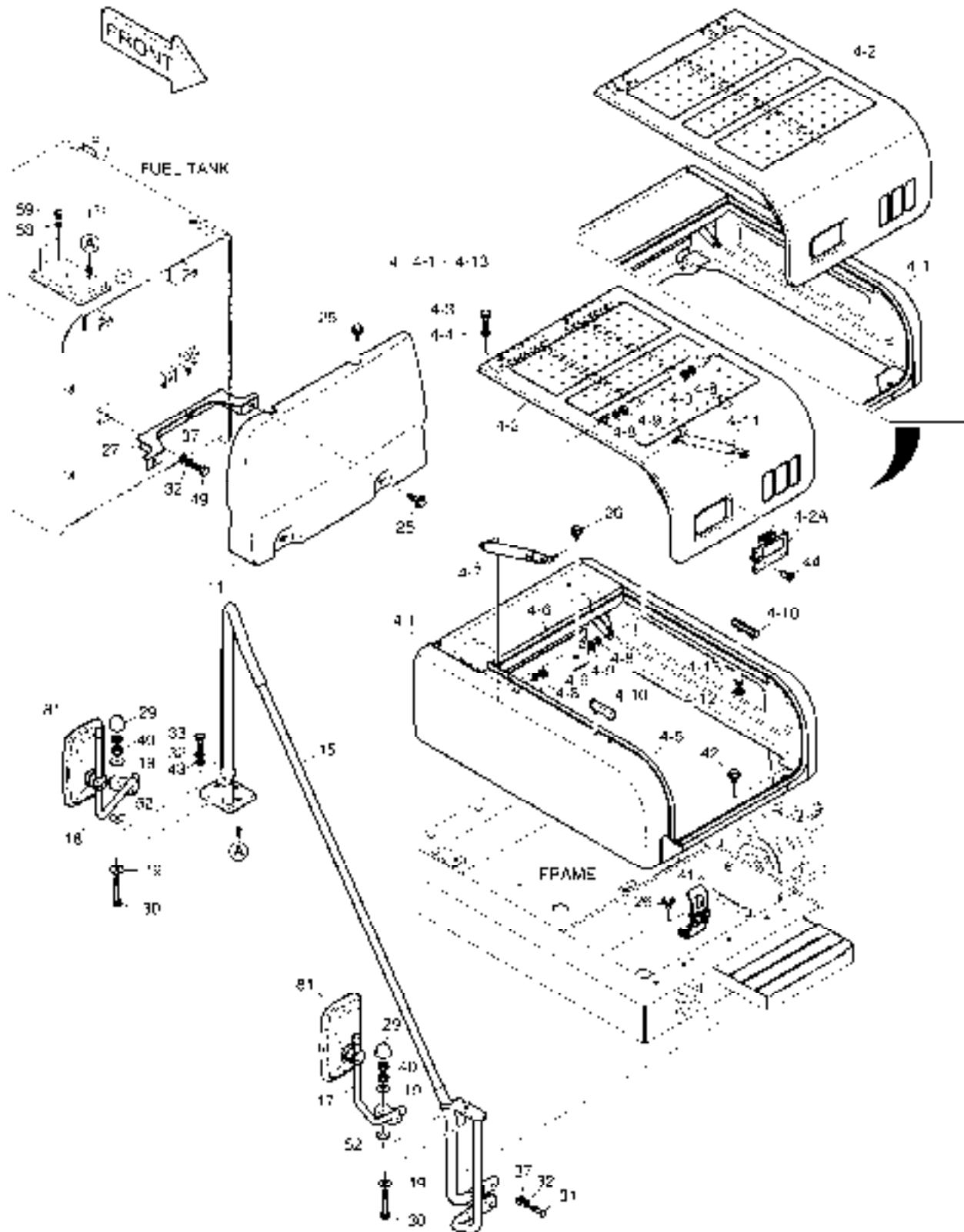
Key No.	Part No.	Description	Description	Q'ty	S.C	Serial No.	ICA	Replaceable part	
								Part No.	Q'ty
1620 -5	621-03642C	COVER;TANK	COUVERCLE	1					
26	DS0025015	BOLT;SET	BOULON	8					
44	K1004630	KEY;CYLINDER	CLE	1					

DATE	SEP. 12, 2012
4th EDITION	

**Fig. 1630 BATTERY COVER
COVERCLE**

Serial No. ;

Serial No. 5201 - 0127



DATE	SEP. 12, 2012
4th EDITION	

Fig. 1630 BATTERY COVER COUVERCLE

Serial No. ;

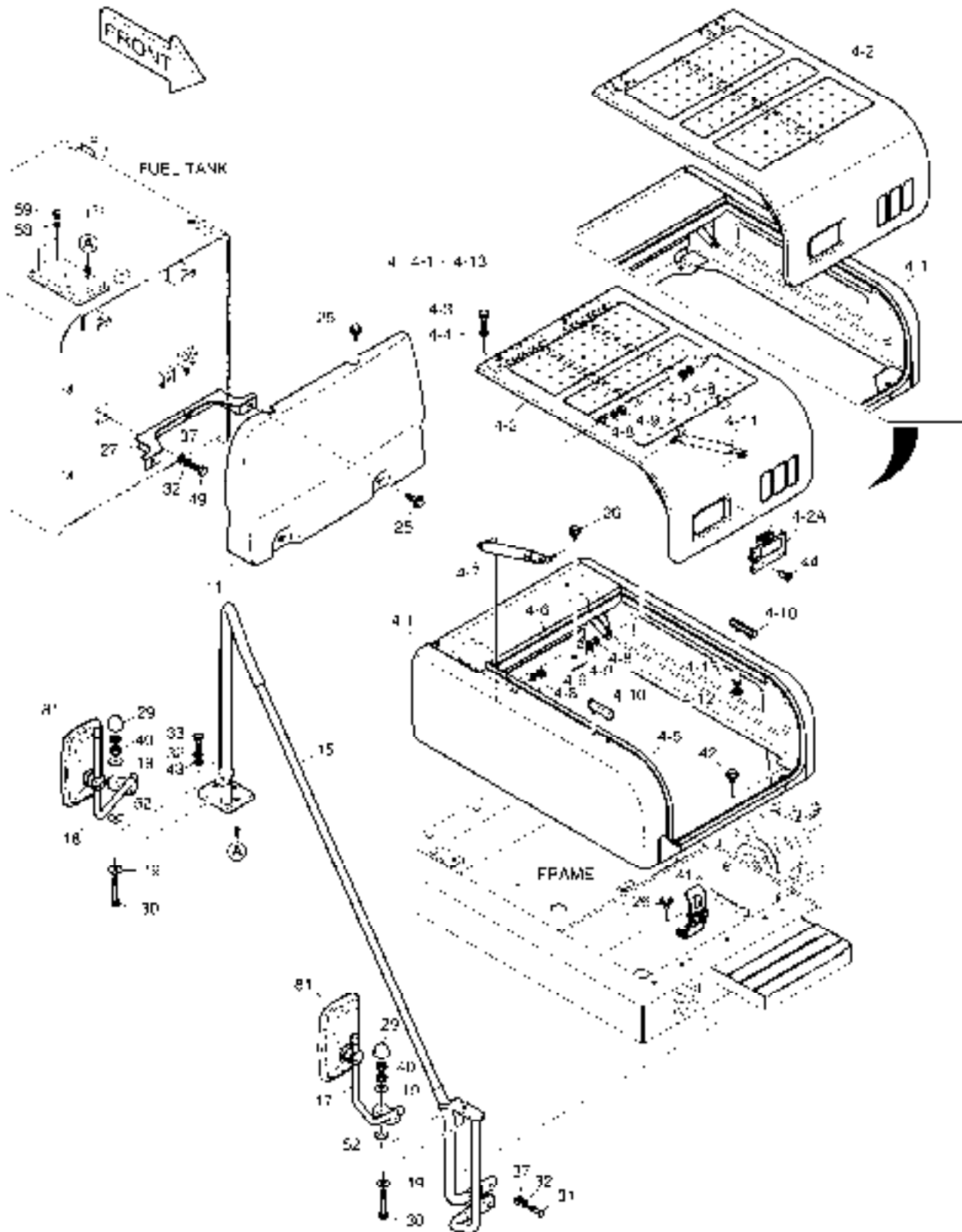
Key No.	Part No.	Description	Description	Q'ty	S.C	Serial No.	ICA	Replaceable part	
								Part No.	Q'ty
1630 --	K1046071C	COVER ASS'Y	COUVERCLE	-	D	5001-6021			
	110508-00244	COVER ASSY	COUVERCLE	-	D	6022-			
4	K1039067B	BATTERY COVER ASS'Y	COUVERCLE	1		5001-5284	I	K1039067C	1
	K1039067C	BATTERY COVER ASS'Y	COUVERCLE	1		5285-6021	I	110503-00016A	1
	110503-00016A	COVER ASSY,BATTERY	COUVERCLE	1		6022-7427	Y	110503-00016B	1
	110503-00016B	COVER ASSY,BATTERY	COUVERCLE	1		07428- 10481	I	110503-00016C	1
	110503-00016C	COVER ASSY,BATTERY	COUVERCLE	1		10482-			
4-1	-	. BATTERY COVER	. COUVERTURE DE BATTE	1	D				
4-2	K1038697A	. COVER	. COUVERCLE	1		5001-5284	I	K1038697B	1
	K1038697B	. COVER	. COUVERCLE	1		5285-6021			
	110503-00008A	. COVER,BATTERY	. COUVERCLE	1		6022-			
4-2A	125-00071B	.. LATCH;FRONT	.. LATCH;FRONT	1					
4-3	S0512066	. BOLT M10X1.5X25	. BOULON	4					
4-4	S5010613	. WASHER;PLAIN	. RONDELLE	4					
4-5	-	. RUBBER	. CAOUTCHOUC	1	D				
4-6	-	. RUBBER	. CAOUTCHOUC	1	D				
4-7	K1001968	. CYLINDER;GAS	. CYLINDRE	1		5001-7427	I	400315-00026	1
	400315-00026	. CYLINDER,GAS	. CYLINDRE	1		7428-			
4-8	S5102503	. WASHER,SPRING	. RONDELLE	4					
4-9	S4012533	. NUT	. ECROU	4					
4-10	K1005305A	. STOPPER;RUBBER	. TAQUET	2					
4-11	DS1001061	. CYLINDER;GAS	. CYLINDRE	1					
4-12	S4012333	. NUT	. ECROU	4					
4-13	S5102303	. WASHER;SPRING	. RONDELLE	4					
11	621-03657B	COVER;TANK	COUVERCLE	1					
15	K1013266B	STAY	RONDELLE	1					
17	K1038110A	STAY;MIRROR	SEJOUR	1					
18	K1038107A	STAY;MIRROR	SEJOUR	1					
19	2114-1058D68	WASHER	RONDELLE	4					
25	DS0025014	BOLT;SET	BOULON	4					
26	DS0025015	BOLT;SET	BOULON	4					
27	195-02706C	BRACKET	SUPPORT	1					
29	161-00580	CAP;RUBBER	BOULON	2					
30	S0561066	BOLT M12X1.75X65	BOULON A 6 PANS	2					
31	S0560666	BOLT	BOULON A 6 PANS	4					
32	S5102703	WASHER;SPRING	RONDELLE	10					
33	S0560566	BOLT M12X1.75X40	BOULON A 6 PANS	4					
37	2114-1154	WASHER	RONDELLE	6					

DATE	SEP. 12, 2012
4th EDITION	

**Fig. 1630 BATTERY COVER
COVERCLE**

Serial No. ;

Serial No. 5201 - 0127



DATE	SEP. 12, 2012
4th EDITION	

**Fig. 1630 BATTERY COVER
COUVERCLE**

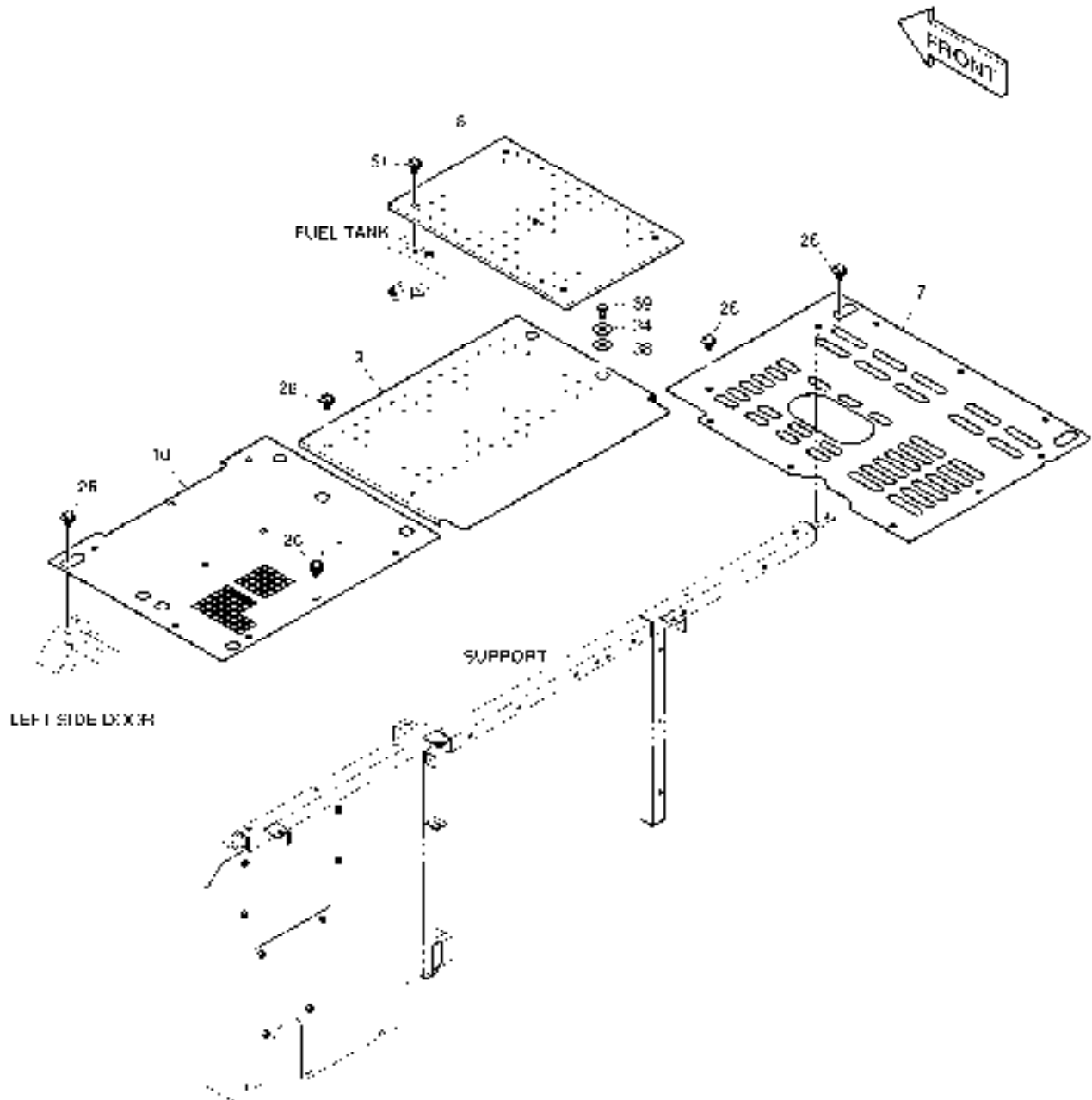
Serial No. ;

Key No.	Part No.	Description	Description	Q'ty	S.C	Serial No.	ICA	Replaceable part	
								Part No.	Q'ty
1630 -40	S4012733	NUT	ECROU	4					
41	195-02624C	BRACKET	SUPPORT	1					
42	DS0025027	BOLT;SET	BOULON	2		5001-6021			
	DS0025025	BOLT;SET	BOULON	2		6022-			
43	S5010713	WASHER;PLAIN	RONDELLE	4					
44	K1004630	KEY;CYLINDER	CLE	1					
49	S0515166	BOLT M12X1.75X28	BOULON A 6 PANS	2					
52	2114-1058D54	WASHER	RONDELLE	2					
58	DS0401164	WASHER	RONDELLE	2		10722-			
59	S0514666	BOLT M12X1.75X16	BOULON	2		10722-			
81	K1040606	MIRROR;SIDE	MAIN COURANTE	2					

DATE	SEP. 12, 2012
4th EDITION	

**Fig. 1640 COVER
COUVERCLE**

Serial No. ;



DATE	SEP. 12, 2012
4th EDITION	

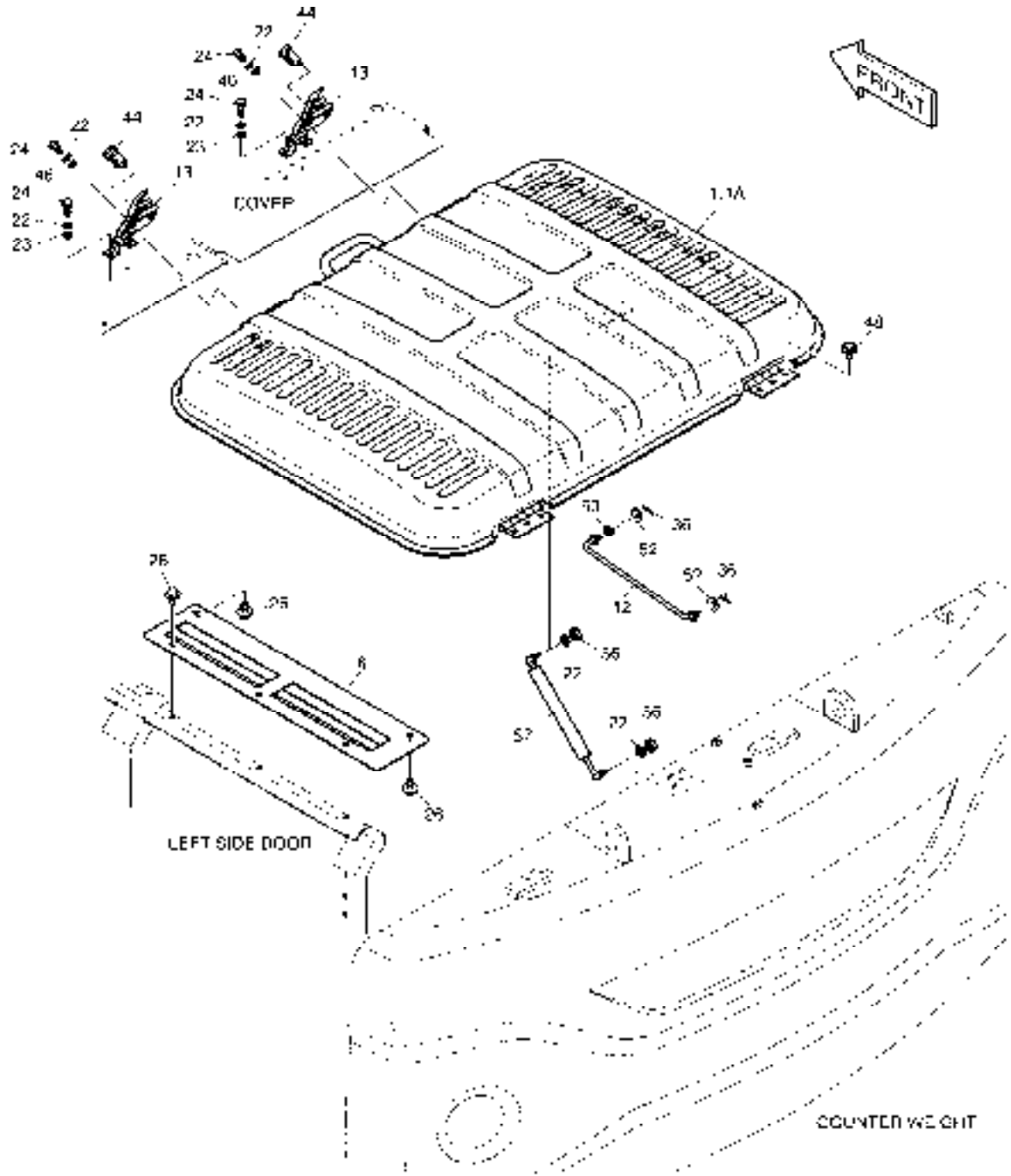
Fig. 1640 COVER COUVERCLE

Serial No. ;

Key No.	Part No.	Description	Description	Q'ty	S.C	Serial No.	ICA	Replaceable part	
								Part No.	Q'ty
1640 --	K1046071C	COVER ASS'Y	COUVERCLE	-	D				
7	K1049827	COVER	COUVERCLE	1					
8	K1039208A	COVER	COUVERCLE	1					
9	K1039209A	COVER	COUVERCLE	1					
10	K1039468B	COVER	COUVERCLE	1		05001-10200	Y	110508-08802	1
	110508-08802	COVER	COUVERCLE	1		10201-			
26	DS0025015	BOLT;SET	BOULON	21					
34	114-00529	SPACER	ENTRETOISE	2					
38	K1002943	RUBBER	LE CAOUTCHOUC	2					
39	S0515266	BOLT	BOULON	2					
51	DS0025022	BOLT;SET	BOULON	5					

**Fig. 1650 ENGINE COVER
COUVERTURE DE MOTEUR**

Serial No. ;



DATE	SEP. 12, 2012
4th EDITION	

Fig. 1650 ENGINE COVER COUVERTURE DE MOTEUR

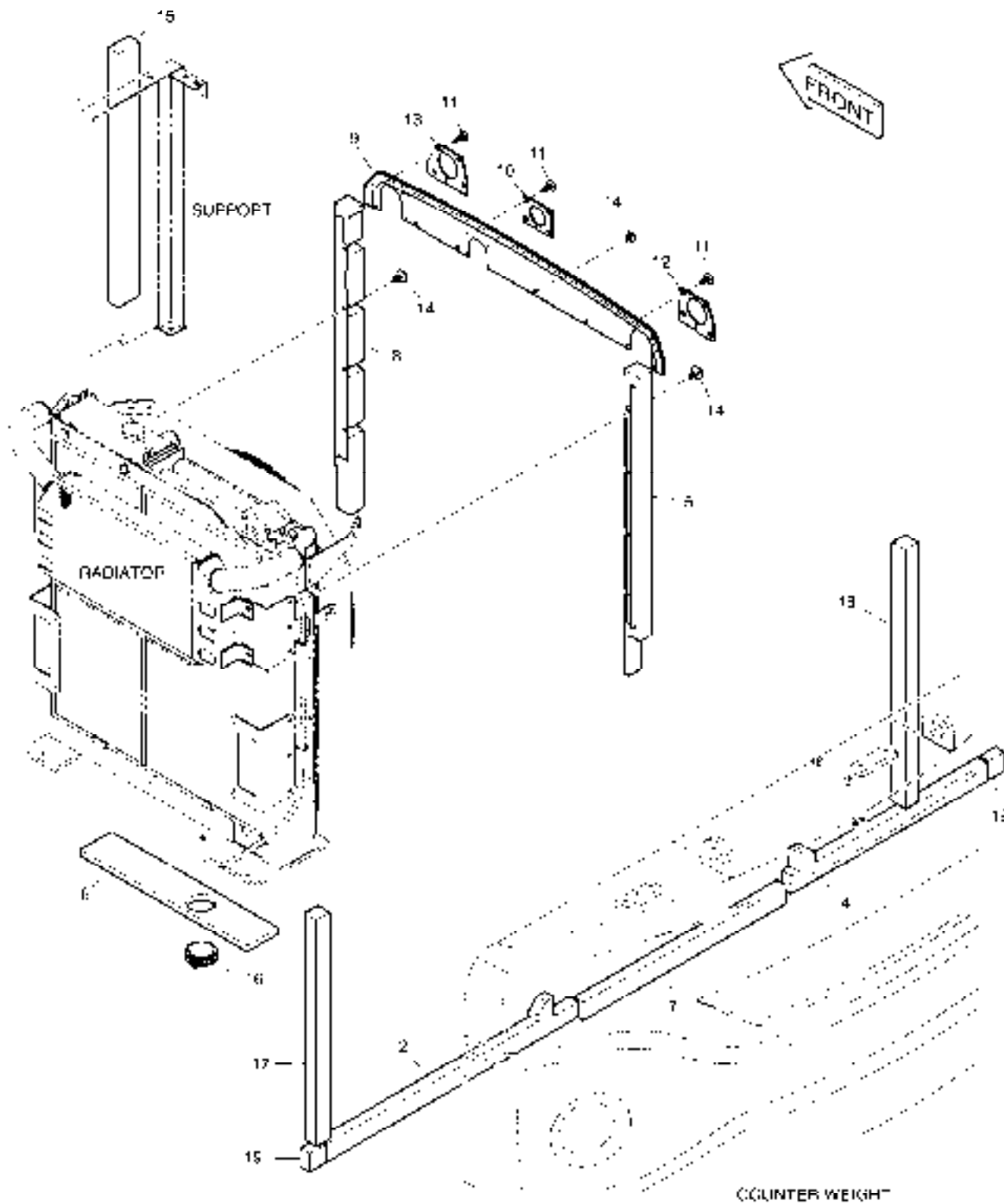
Serial No. ;

Key No.	Part No.	Description	Description	Q'ty	S.C	Serial No.	ICA	Replaceable part	
								Part No.	Q'ty
1650 --	K1046071C	COVER ASS'Y	COUVERCLE	-	D				
1	K1038688C	ENGINE COVER ASS'Y	COUVERCLE	1		5001-6098	I	110506-00047	1
	110506-00047	COVER,ENGINE	COUVERCLE	1		6099-			
1A	1.162-00001	. RUBBER;CUSHION	. LE CAOUTCHOUC	1					
6	K1038870B	COVER	COUVERCLE	1					
12	K1039430C	STAY	ENTRETOISE	1					
13	125-00075A	CATCH	CROCHET	2					
22	S5102503	WASHER,SPRING	RONDELLE	10					
23	2114-1058D56	WASHER	RONDELLE	4					
24	S0508866	BOLT	BOULON	8					
26	DS0025015	BOLT;SET	BOULON	5					
36	2705-9002	PIN;LOCK	GOUPILLE	2					
44	K1004630	KEY;CYLINDER	CLE	2					
46	S5010513	WASHER,PLAIN	RONDELLE	4					
48	DS0025019	BOLT;SET	BOULON	6					
52	2114-1058D54	WASHER	RONDELLE	2					
53	K1013812	BUSHING	DOUILLE	1					
56	S4012533	NUT	ECROU	2					
57	DS1001088	SPRING;GAS	RESSORT	1					

DATE	SEP. 12, 2012
4th EDITION	

**Fig. 1660 ACOUSTIC FOAM
ENSEMBLE DE EPONGE**

Serial No. ;



DATE	SEP. 12, 2012
4th EDITION	

**Fig. 1660 ACOUSTIC FOAM
ENSEMBLE DE EPONGE**

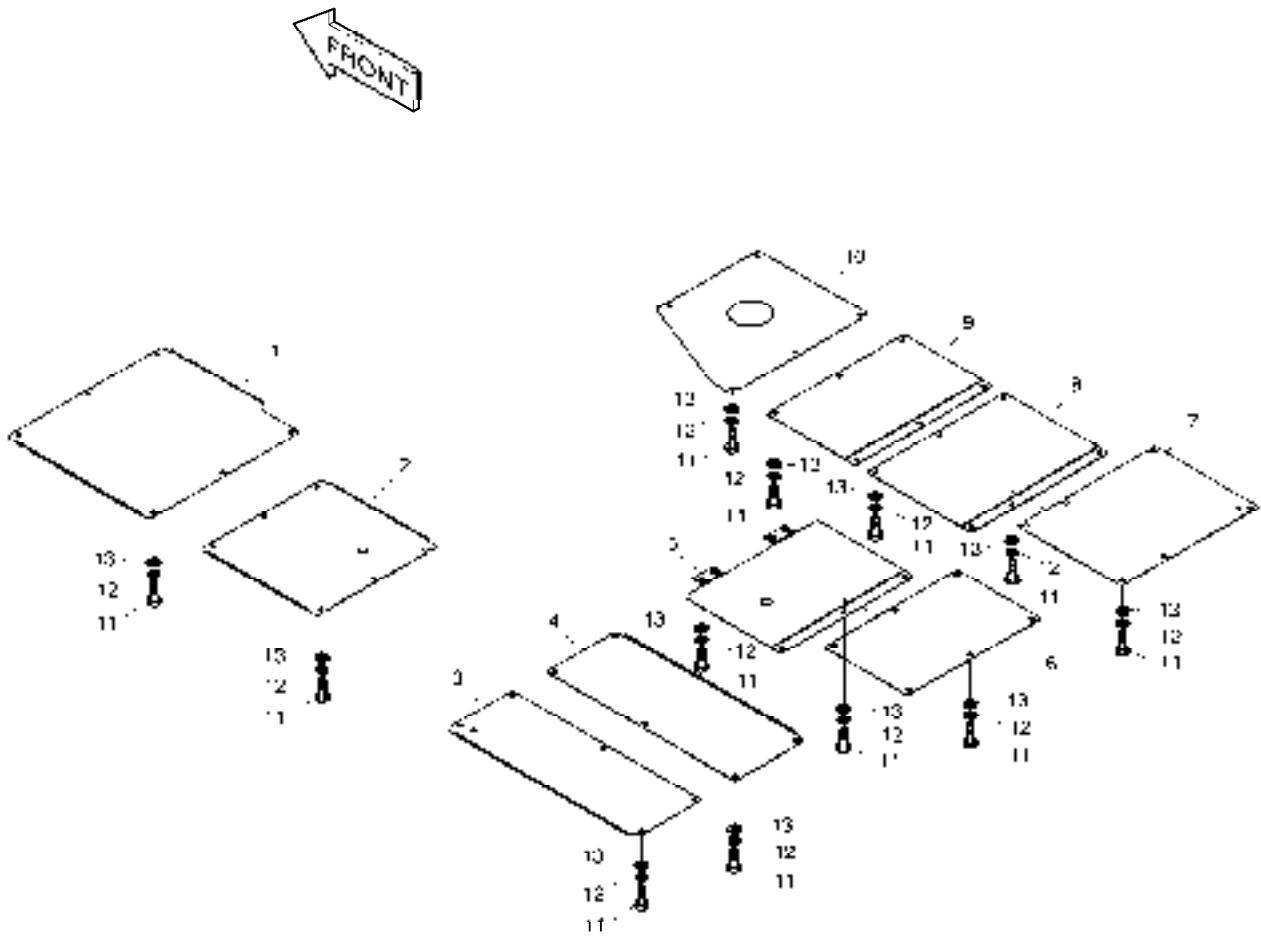
Serial No. ;

Key No.	Part No.	Description	Description	Q'ty	S.C	Serial No.	ICA	Replaceable part	
								Part No.	Q'ty
1660 --	K1045987A	FOAM ASS'Y	EPONGE	-	D				
2	K1000485A	FOAM;POLYURETHANE	EPONGE	1					
4	K1000488A	FOAM;POLYURETHANE	EPONGE	1					
5	K1000489A	COVER	COUVERCLE	1					
6	K1000490A	FOAM;POLYURETHANE	MOUSSE	1					
7	K1000491	FOAM;POLYURETHANE	EPONGE	1					
8	K1000492A	COVER	COUVERCLE	1					
9	K1045902A	COVER	COUVERCLE	1					
10	K1000500	RUBBER	LE CAOUTCHOUC	1					
11	124-00070	CLIP;TREE	AGRAFE	12					
12	K1000504	RUBBER	CAOUTCHOUC	1					
13	K1000852A	RUBBER	CAOUTCHOUC	1					
14	K1001029	BOLT	BOULON	12					
15	161-00614	FOAM	MOUSSE	1					
16	K1007044	BUSHING	BUSHING	1					
17	K1038009	FOAM	MOUSSE	1					
18	K1038010	FOAM	MOUSSE	1					
19	K1038011	FOAM	MOUSSE	2					

DATE	SEP. 12, 2012
4th EDITION	

**Fig. 1670 UNDER COVER
TOLES IMFERIEVRES**

Serial No. ;



DATE	SEP. 12, 2012
4th EDITION	

**Fig. 1670 UNDER COVER
TOLES IMFERIEVRES**

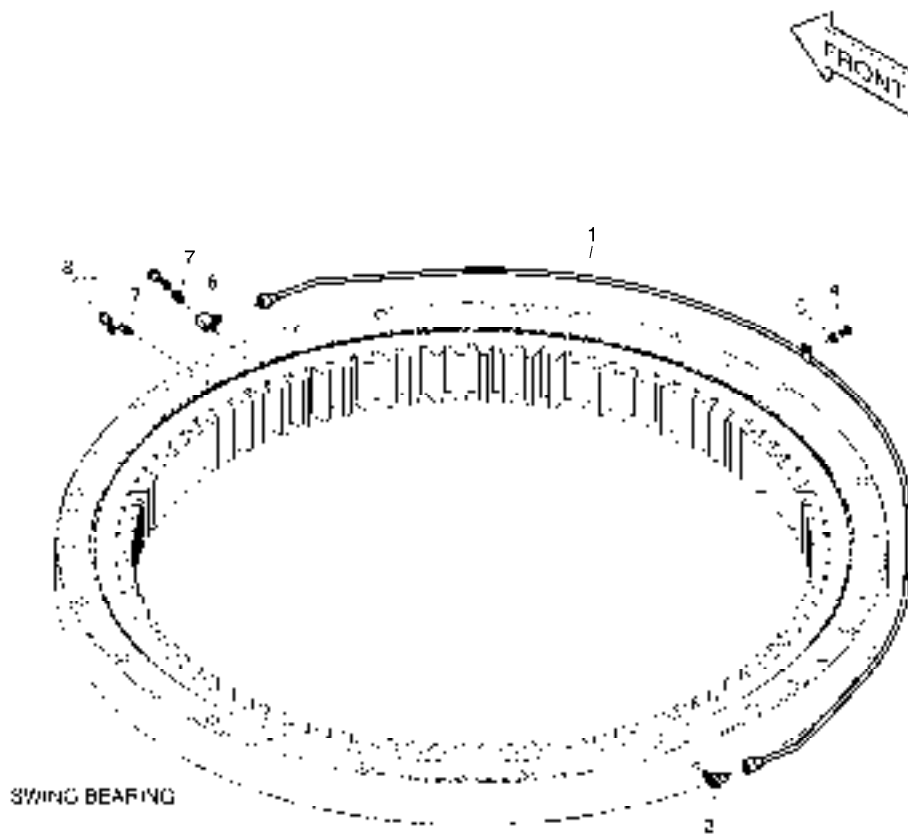
Serial No. ;

Key No.	Part No.	Description	Description	Q'ty	S.C	Serial No.	ICA	Replaceable part	
								Part No.	Q'ty
1670 --	K1045932	UNDER COVER ASS'Y	COUVERCLE	-	D				
1	K1000591A	COVER;UNDER	COUVERCLE	1					
2	K1000592A	COVER;UNDER	COUVERCLE	1					
3	K1024692	COVER;UNDER	COUVERCLE	1					
4	K1039134	COVER;UNDER	COUVERCLE	1					
5	K1045929	COVER;UNDER	COUVERCLE	1					
6	K1039137	COVER;UNDER	COUVERTURE	1					
7	K1041250	COVER;UNDER	COUVERCLE	1					
8	K1041251	COVER;UNDER	COUVERCLE	1					
9	K1041252	COVER;UNDER	COUVERCLE	1					
10	K1000600B	COVER;UNDER	COUVERCLE	1					
11	S0560466	BOLT M12X1.75X35	BOULON	49					
12	S5102703	WASHER;SPRING	RONDELLE	49					
13	DS0401188	WASHER	RONDELLE	49					

DATE	SEP. 12, 2012
4th EDITION	

**Fig. 1680 LUBRICATION PIPING
LUBRIFICATION**

Serial No. ;



DATE	SEP. 12, 2012
4th EDITION	

**Fig. 1680 LUBRICATION PIPING
LUBRIFICATION**

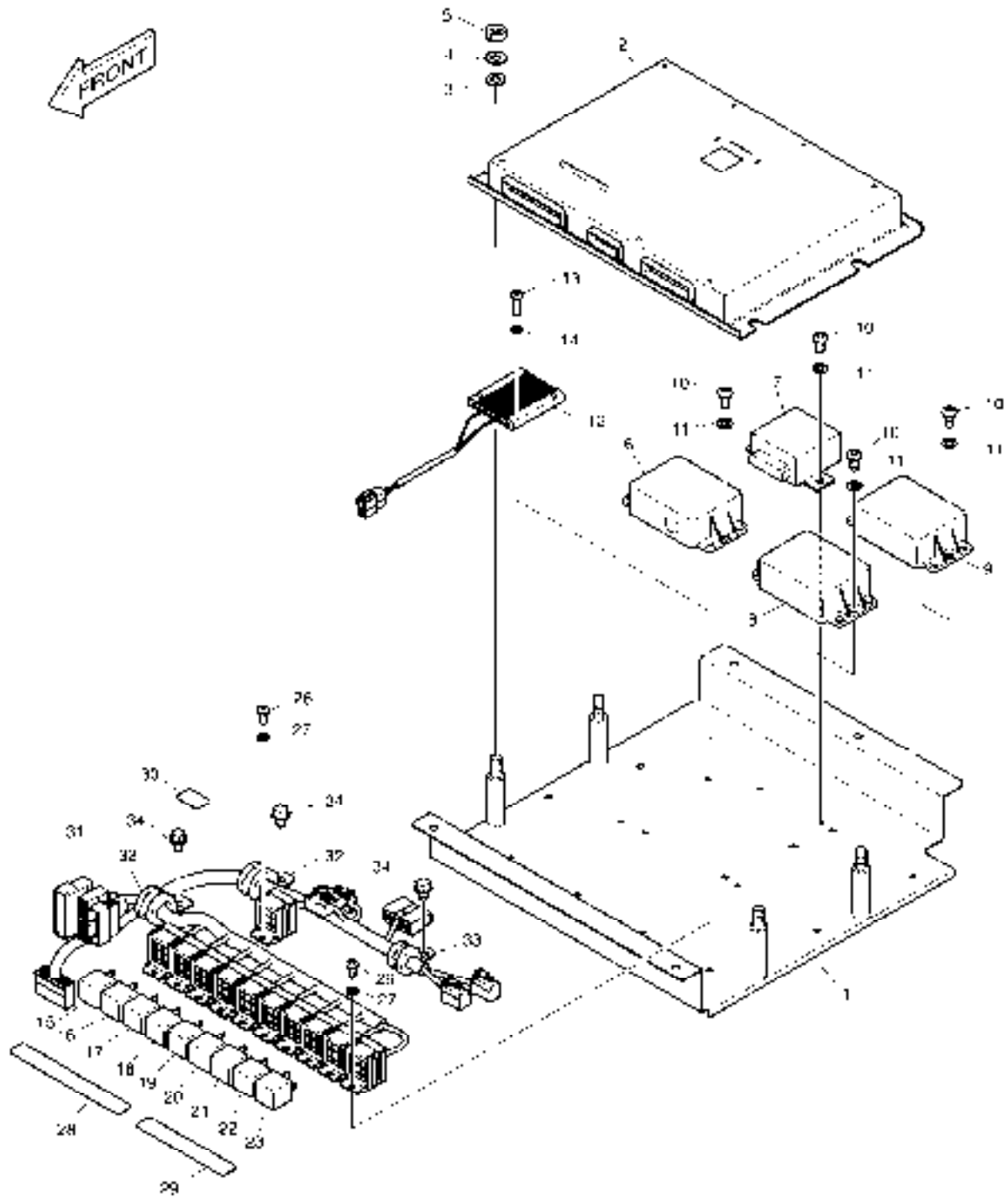
Serial No. ;

Key No.	Part No.	Description	Description	Q'ty	S.C	Serial No.	ICA	Replaceable part	
								Part No.	Q'ty
1680 --	K1007600B	LUBRICATION PIPING	LUBRIFICATION	-	D				
1	K1007665B	PIPE;GREASE	TUYAU	1					
2	2181-1925	ELBOW	COUDE	1					
4	S0504366	BOLT	BOULON	1					
5	S5102303	WASHER;SPRING	RONDELLE	1					
6	2181-2527	TEE	TE	1					
7	S6710041	NIPPLE;GREASE	GRAISSEUR	2					
8	160-00020	CAP;GREASE NIPPLE	CHAPEAU	2					

DATE	SEP. 12, 2012
4th EDITION	

**Fig. 1690 ELECTRIC BOX ASS'Y
EQUIPMENT ELECTRIQUE**

Serial No. ; 5001 ~ 7754



DATE	SEP. 12, 2012
4th EDITION	

Fig. 1690 ELECTRIC BOX ASS'Y EQUIPMENT ELECTRIQUE

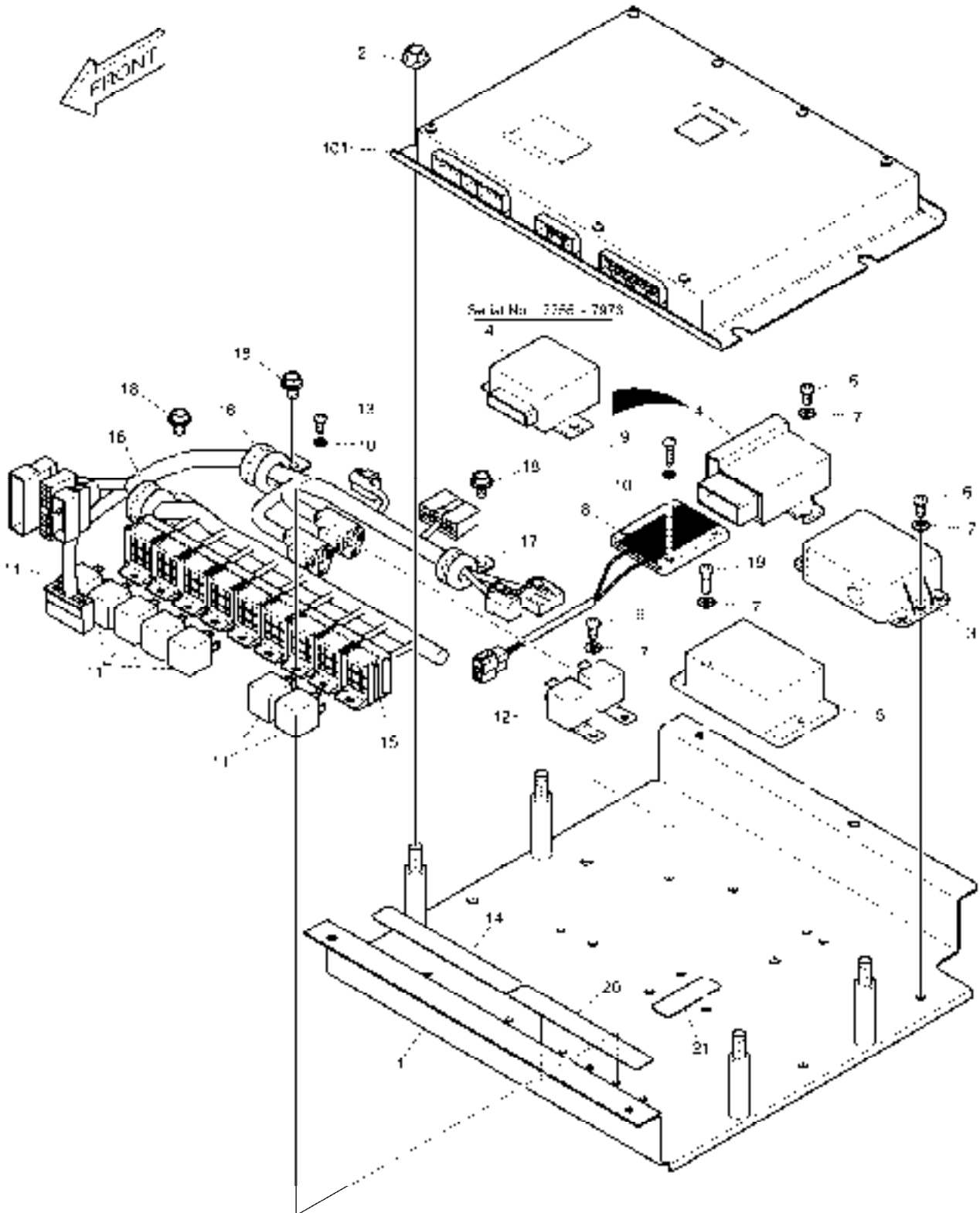
Serial No. ; 5001 ~ 7754

Key No.	Part No.	Description	Description	Q'ty	S.C	Serial No.	ICA	Replaceable part	
								Part No.	Q'ty
1690 --	K1001324E	ELECTRIC BOX ASS'Y	BOITIER ELECTRIQUE	1		5001-6280	Y	300619-00316	1
	300619-00316	ELECTRIC ASSY;ELECTRIC BOX	BOITIER ELECTRIQUE	1		6281-			
1	621-02955C	PLATE;ELECTRIC BOX	PLAQUE	1					
2	K1001369C	CONTROLLER;EPOS	COMMANDE	1		5001-6280	Y	300611-00042	1
	300611-00042	CONTROLLER,EPOS	COMMANDE	1		6281-			
3	S5010613	WASHER;PLAIN	RONDELLE	4					
4	S5102603	WASHER,SPRING	RONDELLE	4					
5	S4012633	NUT	ECROU	4					
6	2543-9015	CONTROLLER;STARTER	CONTROLEUR	1					
7	543-00106	CONTROLLER;WIPER	CONTROLEUR	1					
8	2531-1003	CONVERTER;DC-DC	CONVERTISSEUR	1					
9	2531-1003	CONVERTER;DC-DC	CONVERTISSEUR	1					
10	S3450953	SCREW M6X12	VIS	8					
11	S5102303	WASHER;SPRING	RONDELLE	8					
12	545-00011	RESISTOR;AUXILIARY	RESISTANCE	1					
13	S3450863	SCREW	VIS	2					
14	S5100203	WASHER;SPRING	RONDELLE	2					
15	2544-9033	RELAY	RELAIS	1					
16	2544-9033	RELAY	RELAIS	1					
17	2544-9033	RELAY	RELAIS	1					
18	2544-9033	RELAY	RELAIS	1					
19	2544-9033	RELAY	RELAIS	1					
20	2544-9033	RELAY	RELAIS	1					
21	2544-9033	RELAY	RELAIS	1					
22	2544-9033	RELAY	RELAIS	1					
23	2544-9033	RELAY	RELAIS	1					
26	S3450833	SCREW	VIS	5					
27	S5100203	WASHER;SPRING	RONDELLE	5					
28	190-01192D2	PLATE;NAME(RELAY)	PLAQUE	1					
29	190-01192D7	PLATE;NAME(RELAY)	PLAQUE	1					
30	190-01192D8	PLATE;NAME(RELAY)	PLAQUE	1					
31	K1001370A	HARNESS;ELECTRIC BOX	HARNAIS	1					
32	124-00208D3	CLIP	AGRAFE	2					
33	124-00208D2	CLIP	AGRAFE	1					
34	K1001029	BOLT	BOULON	3					

DATE	SEP. 12, 2012
4th EDITION	

**Fig. 1691 ELECTRIC BOX ASS'Y
EQUIPMENT ELECTRIQUE**

Serial No. ; 7755 ~



DATE	SEP. 12, 2012
4th EDITION	

**Fig. 1691 ELECTRIC BOX ASS'Y
EQUIPMENT ELECTRIQUE**

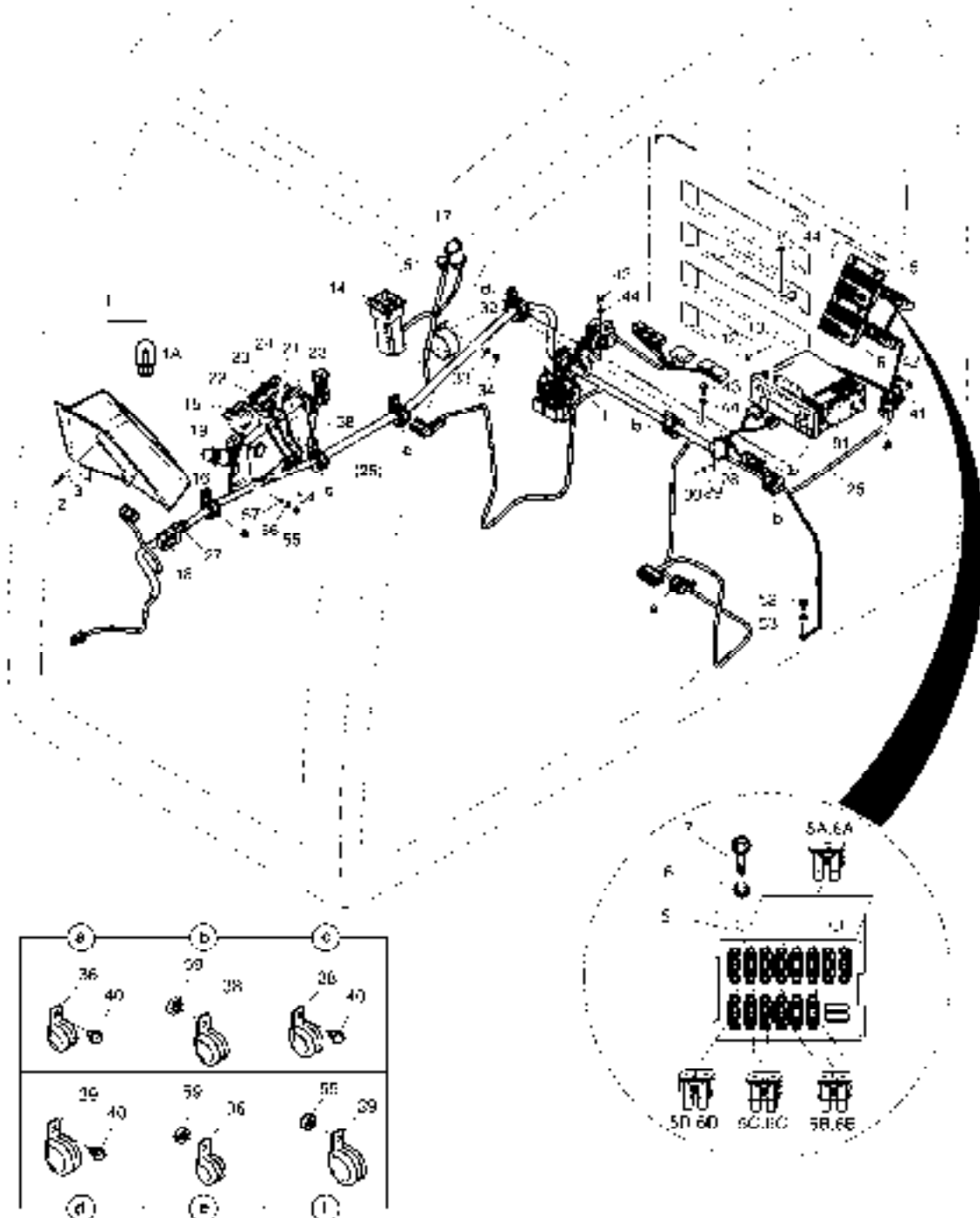
Serial No. ; 7755 ~

Key No.	Part No.	Description	Description	Q'ty	S.C	Serial No.	ICA	Replaceable part	
								Part No.	Q'ty
1691 --	300619-00514A	ELECTRIC ASSY;EBOX	EQUIPMENT ELECTRIQUE	1		7755-9556			
	300619-00514B	ELECTRIC ASSY;EBOX	EQUIPMENT ELECTRIQUE	1		9557-			
1	250201-00795A	PLATE,ELECTRIC BOX	PLAQUE	1					
2	D913109	NUT,FLANGE	ECROU	4					
3	2543-9015	CONTROLLER;STARTER	CONTROLEUR	1					
4	543-00106	CONTROLLER;WIPER	CONTROLEUR	1		7755-7973			
	300611-00271	CONTROLLER;WIPER MOTOR	CONTROLEUR	1		7974-			
5	300612-00001A	CONVERTER;DC	CONVERTISSEUR	1					
6	S3450953	SCREW M6X12	VIS	6					
7	S5102303	WASHER;SPRING	RONDELLE	8					
8	545-00011	RESISTOR;AUXILIARY	RESISTANCE	1					
9	S3450863	SCREW	VIS	2					
10	S5100203	WASHER;SPRING	RONDELLE	6					
11	2544-9033	RELAY	RELAIS	7					
12	301202-00042	RELAY	RELAIS	2					
13	S3450833	SCREW	VIS	4					
14	190-01192D24	PLATE,NAME;RELAY	PLAQUE D'IDENTIFICATION	1					
15	310207-00425A	HARNESS,ELECTRIC BOX	HARNAIS	1					
16	124-00208D3	CLIP	AGRAFE	2					
17	124-00208D2	CLIP	AGRAFE	1					
18	K1001029	BOLT	BOULON	3					
19	S3450983	SCREW M16X20	VIS	2					
20	190-01192D29	PLATE,NAME;RELAY	PLAQUE D'IDENTIFICATION	1					
21	190-01192D26	PLATE,NAME;RELAY	PLAQUE D'IDENTIFICATION	1					
101	300611-00042	CONTROLLER,EPOS	COMMANDE	1		7755-9957	I	300611-00042A	1
	300611-00042A	CONTROLLER,EPOS	COMMANDE	1		09958-12604	I	300611-00042B	1
	300611-00042B	CONTROLLER,EPOS	COMMANDE	1		12605-			

DATE	SEP. 12, 2012
4th EDITION	

**Fig. 1700 ELECTRIC PARTS - CABIN
PIECES ELECTRIQUES**

Serial No. ;



DATE	SEP. 12, 2012
4th EDITION	

Fig. 1700 ELECTRIC PARTS - CABIN PIECES ELECTRIQUES

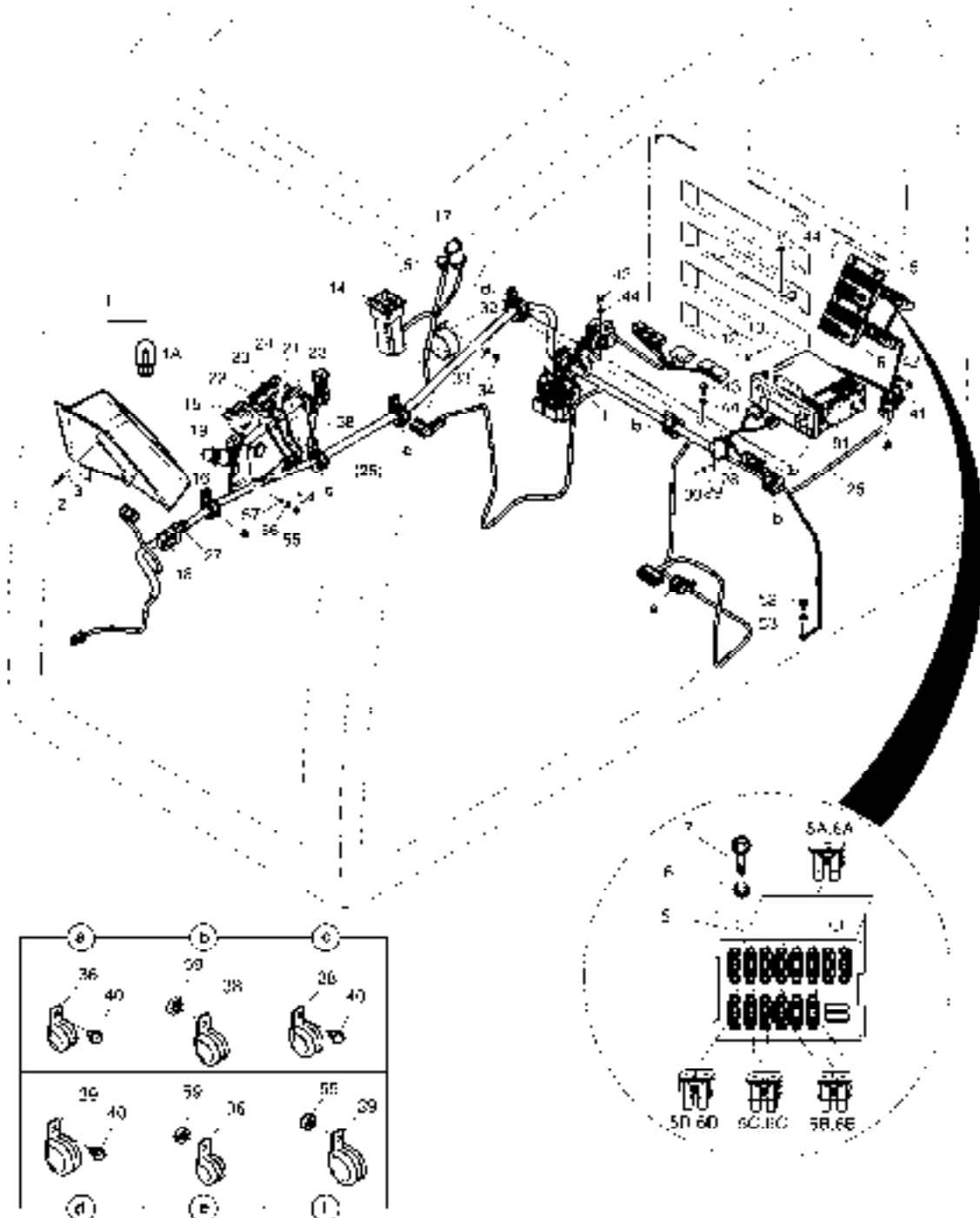
Serial No. ;

Key No.	Part No.	Description	Description	Q'ty	S.C	Serial No.	ICA	Replaceable part	
								Part No.	Q'ty
1700 --	K1001325Q	ELECTRIC PARTS-CABIN	EQUIPMENT ELECTRIQUE	-	D	5001-5626			
	300619-00056	ELECTRIC ASSY;CABIN	EQUIPMENT ELECTRIQUE	-	D	5627-6280			
	300619-00056A	ELECTRIC ASSY;CABIN	EQUIPMENT ELECTRIQUE	-	D	6281-6974			
	300619-00056B	ELECTRIC ASSY;CABIN	EQUIPMENT ELECTRIQUE	-	D	6975-7754			
	300619-00056C	ELECTRIC ASSY;CABIN	EQUIPMENT ELECTRIQUE	-	D	07755-12921			
	300619-00056E	ELECTRIC ASSY;CABIN	EQUIPMENT ELECTRIQUE	-	D	12922-			
1	539-00076E	PANEL;GAUGE	PANNEAU	1		5001-5299			
	K1051986	PANEL;GAUGE	PANNEAU	1		5300-6280	Y	300426-00012	1
	300426-00012	PANEL,GAUGE;3.8INCH	PANNEAU	1		06281-12921	I	300426-00012A	1
	300426-00012A	PANEL,GAUGE;3.8INCH	PANNEAU	1		12922-			
1A	515-00012A	. BULB	. AMPOULE	6					
2	S3450863	SCREW	VIS	4					
3	S5100203	WASHER;SPRING	RONDELLE	4					
4	S5000213	WASHER;PLAIN M5	RONDELLE	4					
5	K1001263A	BOX;FUSE	BOITE	1					
5A	2527-1016	. FUSE;BLADE 10A	. FUSIBLE	8					
5B	2527-1017	. FUSE;BLADE 15A	. FUSIBLE	3					
5C	2527-1018	. FUSE;BLADE 20A	. FUSIBLE	2					
5D	2527-1025	. FUSE;BLADE 30A	. FUSIBLE	1					
6	K1001263A	BOX;FUSE	BOITE	1					
6A	2527-1016	. FUSE;BLADE 10A	. FUSIBLE	8					
6B	2527-1017	. FUSE;BLADE 15A	. FUSIBLE	3					
6C	2527-1018	. FUSE;BLADE 20A	. FUSIBLE	2					
6D	2527-1025	. FUSE;BLADE 30A	. FUSIBLE	1					
7	S3450983	SCREW M16X20	VIS	4					
8	S5102303	WASHER;SPRING	RONDELLE	4					
12	S3450833	SCREW	VIS	4					
13	S5100203	WASHER;SPRING	RONDELLE	4					
14	543-00095	PANEL ASS'Y;WIPER CONTROL	PANNEAU	1					
15	543-00096	RADIO CONTROL PANEL ASS'Y	PANNEAU DE COMMANDE	1					
16	545-00001	LIGHTER;CIGAR	PLUS LEGER	1		5001-7754	I	300730-00006	1
	300730-00006	LIGHTER,CIGAR	PLUS LEGER	1		7755-			
17	527-00006	SOCKET;12V POWER	DOUILLE	1		5001-7754	I	K1053423	1
	K1053423	SOCKET;12V POWER	DOUILLE	1		7755-			
18	2528-9040	METER;HOUR	METRE	1					
19	549-00103	SWITCH;ROCKER(2STEP)	COMMUTATEUR	1					
20	K1002406D11	ACTUATOR;SWITCH	ACTIONNEUR	1					
21	549-00103	SWITCH;ROCKER(2STEP)	COMMUTATEUR	1					

DATE	SEP. 12, 2012
4th EDITION	

**Fig. 1700 ELECTRIC PARTS - CABIN
PIECES ELECTRIQUES**

Serial No. ;



DATE	SEP. 12, 2012
4th EDITION	

Fig. 1700 ELECTRIC PARTS - CABIN PIECES ELECTRIQUES

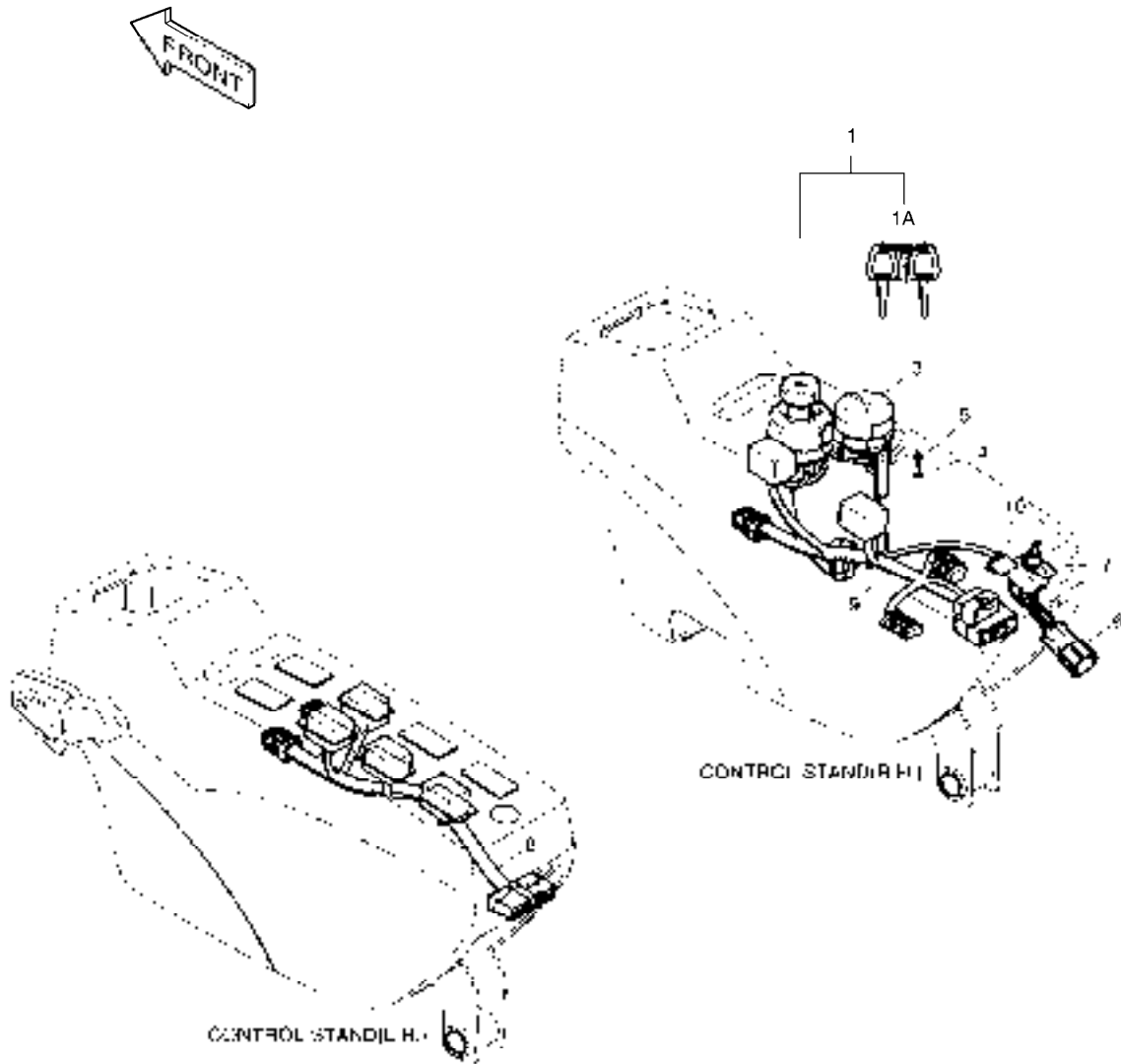
Serial No. ;

Key No.	Part No.	Description	Description	Q'ty	S.C	Serial No.	ICA	Replaceable part	
								Part No.	Q'ty
1700 -22	K1002406D12	ACTUATOR;SWITCH	ACTIONNEUR	1					
23	K1006572	SWITCH;BREAKER/SHEAR;2 LED	COMMUTATEUR	1					
24	K1002406D21	ACTUATOR;SWITCH	ACTIONNEUR	1					
25	K1001371G	HARNESS;CABIN	HARNAIS	1		5001-7754			
	310207-00417B	HARNESS,CABIN	HARNAIS	1		7755-			
27	530-00434B	HARNESS;HOUR METER JOINT	HARNAIS	1					
28	530-00477A	HARNESS;CHECK CONNECTOR	FAISCEAU	1		5001-7754	I	310207-00708	1
	310207-00708	HARNESS;CHECK CONNECTOR	HARNAIS	1		7755-			
29	S5100003	WASHER;SPRING	RONDELLE	4					
30	S3450343	SCREW	VIS	4					
32	2516-1116	BUZZER;PILOT	VIBREUR	1					
33	S5102303	WASHER;SPRING	RONDELLE	2					
34	S3450943	SCREW	VIS	2					
36	124-00208D3	CLIP	AGRAFE	3					
38	124-00208D4	CLIP	ATTACHE	4					
39	124-00208D5	CLIP	ATTACHE	2					
40	K1001029	BOLT	BOULON	5					
41	S5102303	WASHER;SPRING	RONDELLE	1					
42	S3450953	SCREW M6X12	VIS	1					
43	S0508653	BOLT	BOULON	4					
44	S5102503	WASHER,SPRING	RONDELLE	4					
51	547-00023	SENSOR;SUN	SONDE	1					
52	S0508653	BOLT	BOULON	1					
53	S5102503	WASHER,SPRING	RONDELLE	1					
54	K1003111	CONTROLLER;ENGINE THROTT	COMMANDE	1		5001-5626	I	300611-00003	1
	300611-00003	CONTROLLER,ENGINE THROTT	COMMANDE	1		5627-6974	I	300611-00138	1
	300611-00138	CONTROLLER,ENGINE THROTT	COMMANDE	1		6975-			
55	S4012333	NUT	ECROU	4					
56	S5102303	WASHER;SPRING	RONDELLE	4					
57	S5010313	WASHER	RONDELLE	4					
58	K1003113D4	PLATE;NAME	PLAQUE	1					
59	2121-1305	NUT	ECROU	5					
91	K1026654	CAR STEREO	STEREO DE VOITURE	1					

DATE	SEP. 12, 2012
4th EDITION	

**Fig. 1710 ELECTRIC PARTS - CONTROL STAND
PIECES ELECTRIQUES**

Serial No. ;



DATE	SEP. 12, 2012
4th EDITION	

**Fig. 1710 ELECTRIC PARTS - CONTROL STAND
PIECES ELECTRIQUES**

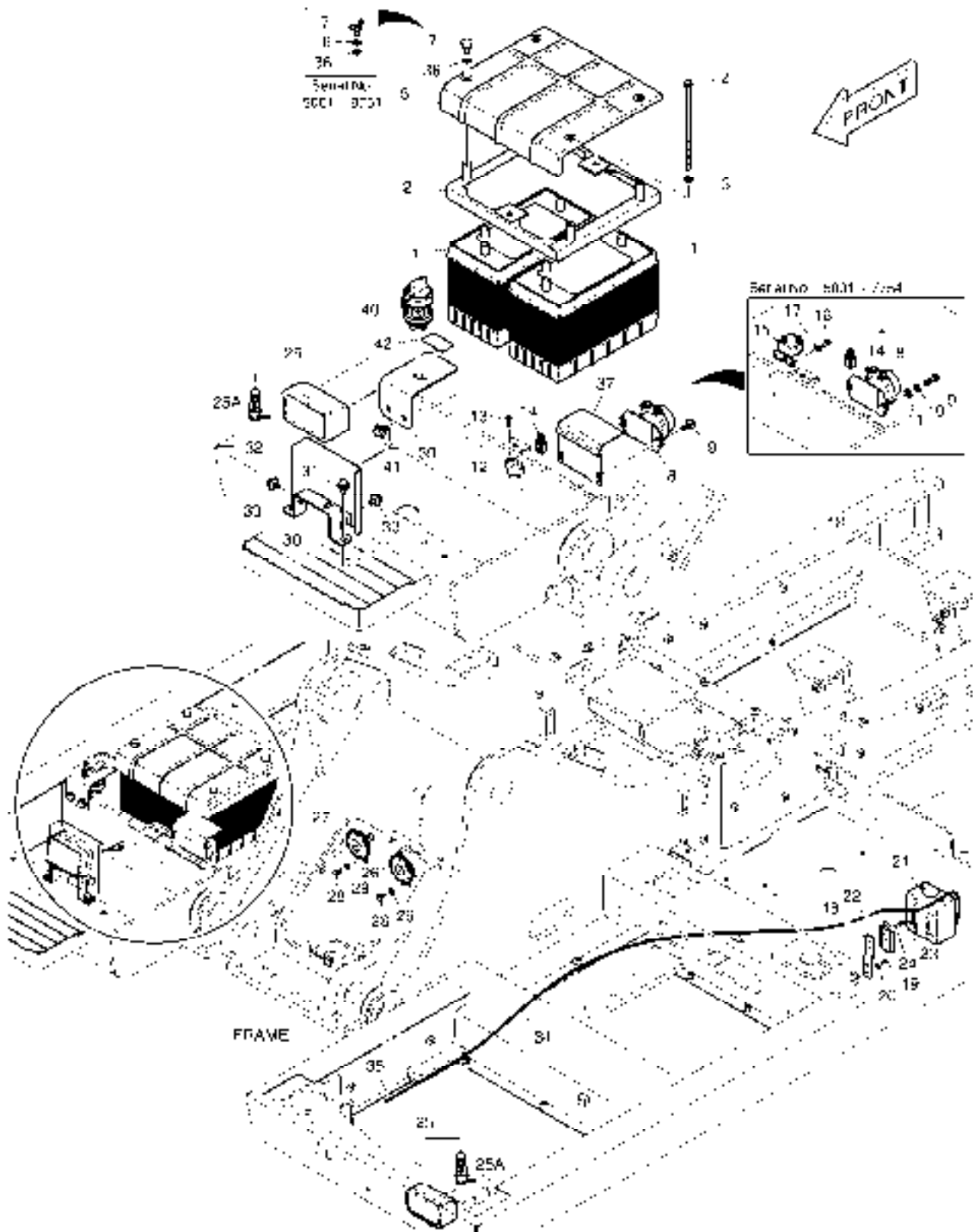
Serial No. ;

Key No.	Part No.	Description	Description	Q'ty	S.C	Serial No.	ICA	Replaceable part	
								Part No.	Q'ty
1710 --	K1001326G	ELECTRIC PARTS-STAND	EQUIPMENT ELECTRIQUE	-	D	5001-6341			
	300619-00793	ELECTRIC ASSY,STAND	EQUIPMENT ELECTRIQUE	-	D	6342-7754			
	300619-00793A	ELECTRIC ASSY,STAND	PIECES ELECTRIQUES	-	D	7755-			
1	K1001858A	SWITCH;STARTER	COMMUTATEUR	1					
1A	K1009605B	. KEY;STARTER	. CLAVETTE	2					
3	K1013846	DIAL;ENGINE CONTROL	CADRAN	1		5001-6341	Y	300661-00004	1
	300661-00004	DIAL,ENGINE CONTROL	CADRAN	1		6342-			
4	S3450583	SCREW	VIS	2					
5	S5100103	WASHER;SPRING	RONDELLE	2					
6	549-00090A	SWITCH;TOGGLE	COMMUTATEUR	1					
7	K1004427	PLATE;NAME	PLAQUE	1					
8	530-00415E	HARNESS;STAND(L.H)	FAISCEAU	1		5001-7754			
	K1002534A	HARNESS;STAND(L.H)	HARNAIS	1		7755-			
9	K1001373C	HARNESS;STAND(R.H)	FAISCEAU	1		5001-7754			
	310207-01182	HARNESS,STAND(R.H)	HARNAIS	1		7755-			
10	K1004426	PLATE;NAME	PLAQUE	1					

DATE	SEP. 12, 2012
4th EDITION	

**Fig. 1720 ELECTRIC PARTS - RELATED
PIECES ELECTRIQUES**

Serial No. ;



DATE	SEP. 12, 2012
4th EDITION	

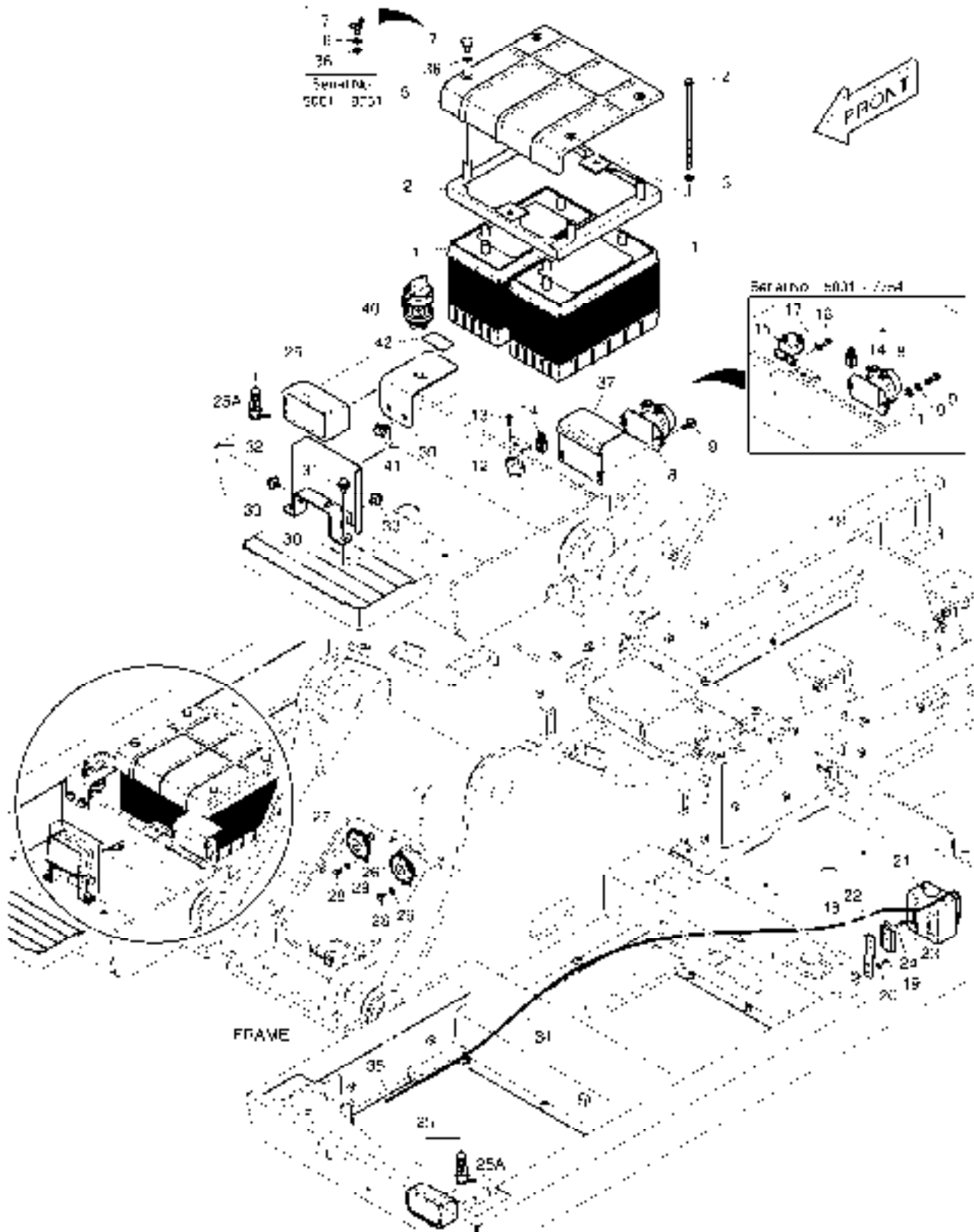
**Fig. 1720 ELECTRIC PARTS - RELATED
PIECES ELECTRIQUES**

Serial No. ;

Key No.	Part No.	Description	Description	Q'ty	S.C	Serial No.	ICA	Replaceable part	
								Part No.	Q'ty
1720 --	K1046733A	ELECTRIC PARTS;CHASSIS	EQUIPMENT ELECTRIQUE	-	D				
1	2506-1104	BATTERY	BATTERIE	2					
2	K1039521A	BRACKET	SUPPORT	1					
3	S5102603	WASHER,SPRING	RONDELLE	2					
4	DS0001079	BOLT	BOULON	2					
5	K1039068	COVER	COUVERTURE	1					
6	S5102503	WASHER,SPRING	RONDELLE	4		5001-9751			
7	S3050863	BOLT;WING	BOULON	4		5001-9751			
	K1018595	BOLT;KNOB	BOULON	4		9752-			
8	2544-9024	RELAY;BATTERY	RELAIS	1					
9	S0509066	BOLT	BOULON	2		5001-7754			
	DS0025039	BOLT;SET	BOULON	2		7755-			
10	S5102503	WASHER,SPRING	RONDELLE	2		5001-7754			
11	S5010503	WASHER	RONDELLE	2		5001-7754			
12	2527-9004	BREAKER;CIRCUIT	BRISEUR	1					
13	2120-1354	SCREW	VIS	2					
14	2527-1023A	LINK;FUSIBLE	LIEN	1					
15	2544-1022	RELAY;STARTER	RELAIS DEMARREUR	1		5001-7754			
16	S0504453	BOLT M6X1.0X12	BOULON	2		5001-7754			
17	S5102303	WASHER;SPRING	RONDELLE	2		5001-7754			
18	K1007668	BRACKET	SUPPORT	1					
19	S0508666	BOLT	BOULON	2					
20	S5102503	WASHER,SPRING	RONDELLE	2					
21	K1000789	TANK;RESERVE	RESERVOIR	1					
22	2195-1534	BRACKET	SUPPORT	1					
23	S0504453	BOLT M6X1.0X12	BOULON	2					
24	S5102303	WASHER;SPRING	RONDELLE	2					
25	534-00085	LAMP;HEAD	LAMPE	2		5001-9751			
	K1055454	LAMP;HEAD	LAMPE	2		9752-			
25A	2515-1016D4	. BULB;HALOGEN	. AMPOULE	1					
26	516-00014	HORN;HIGH	AVERTISSEUR	1		5001-6021	Y	300726-00002	1
	300726-00002	HORN;HIGH	AVERTISSEUR	1		6022-			
27	516-00015	HORN;LOW	AVERTISSEUR	1		5001-6021	Y	300726-00003	1
	300726-00003	HORN;LOW	AVERTISSEUR	1		6022-			
28	S0508666	BOLT	BOULON	2					
29	S5102503	WASHER,SPRING	RONDELLE	2					
30	195-02622C	BRACKET	SUPPORT	1		5001-9751			
	110406-01352	BRACKET	SUPPORT	1		9752-			

**Fig. 1720 ELECTRIC PARTS - RELATED
PIECES ELECTRIQUES**

Serial No. ;



DATE	SEP. 12, 2012
4th EDITION	

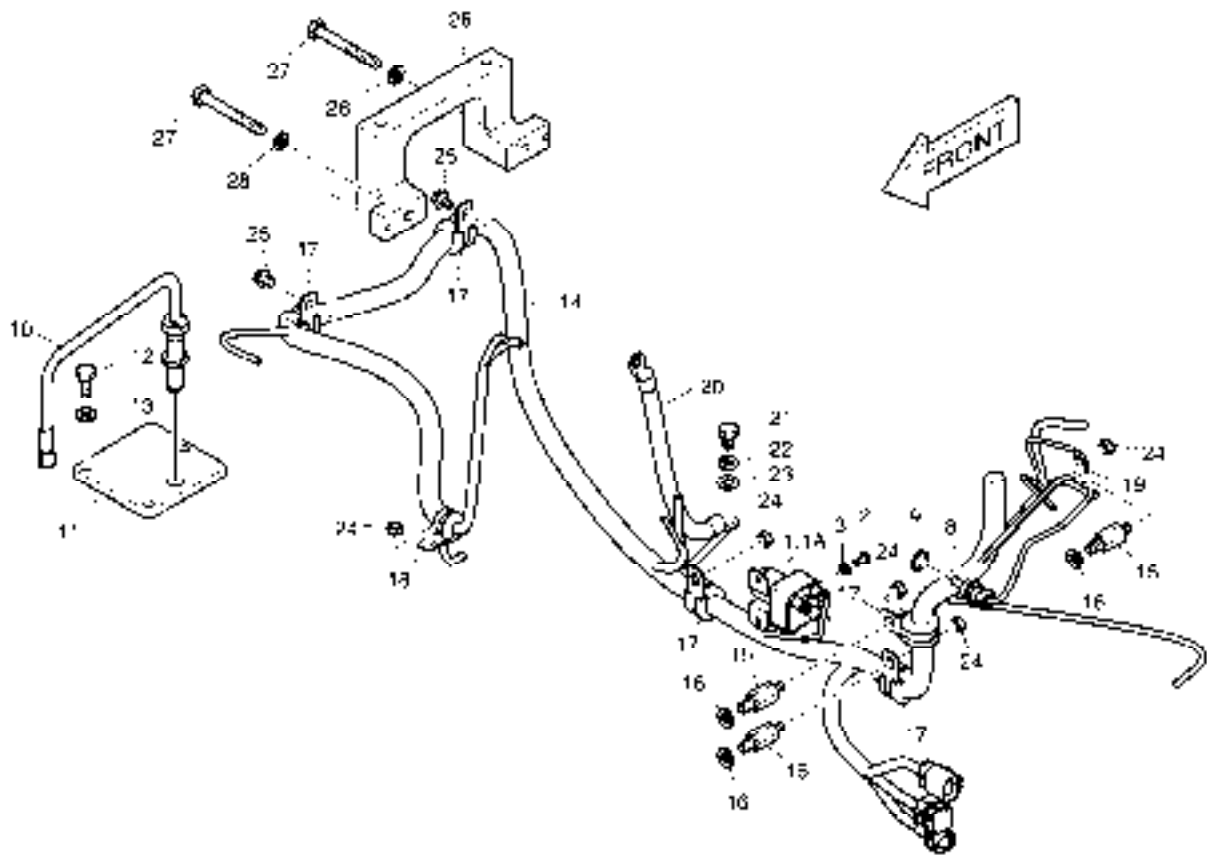
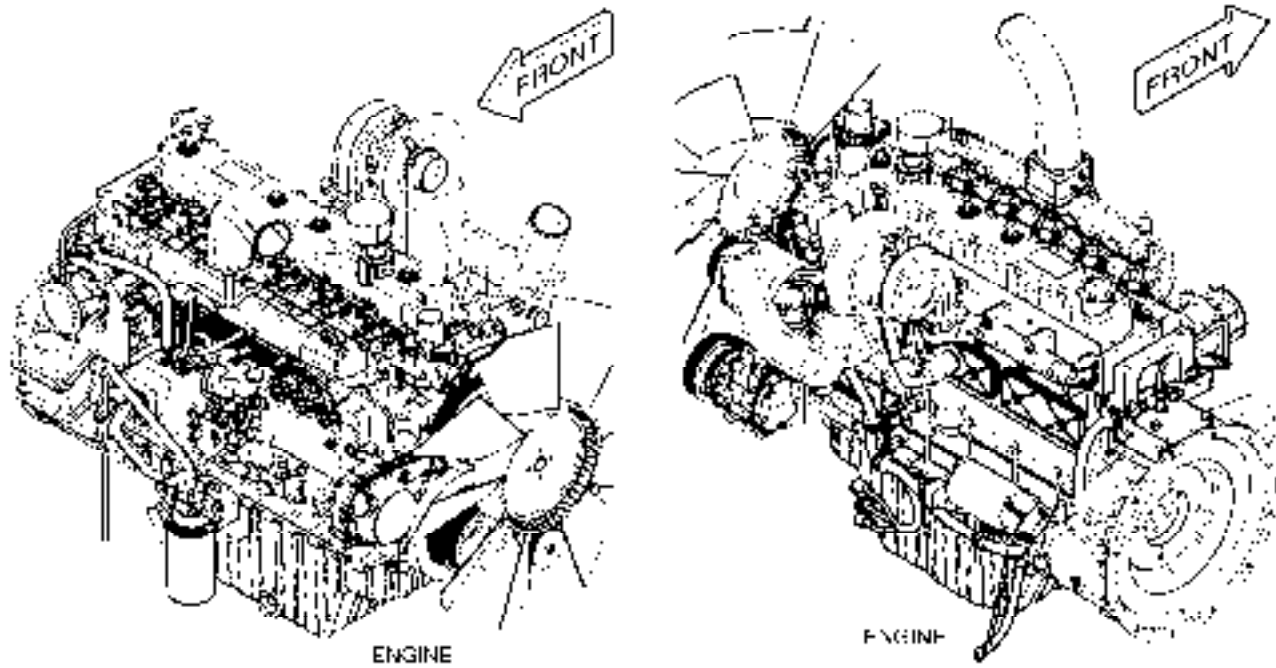
**Fig. 1720 ELECTRIC PARTS - RELATED
PIECES ELECTRIQUES**

Serial No. ;

Key No.	Part No.	Description	Description	Q'ty	S.C	Serial No.	ICA	Replaceable part	
								Part No.	Q'ty
1720 -31	DS0025019	BOLT;SET	BOULON	2					
32	621-02643C	PLATE	PLAQUE	1					
33	DS0025013	BOLT;SET	BOULON	2					
34	4185-1777	HOSE;WATER	TUYAU FLEXIBLE	1					
35	2415-1018	ADAPTER;HOSE	ADAPTEUR	1					
36	S5010513	WASHER,PLAIN	RONDELLE	4					
37	110508-04839	COVER,RELAY	COUVERTURE	1		7755-			
39	110406-00608	BRACKET	SUPPORT	1		9752-			
40	K1057605	SWITCH;DISCONNECTOR	COMMUTATEUR	1		9752-			
41	DS0025015	BOLT;SET	BOULON	2		9752-			
42	600105-00002	NAME PLATE;SWITCH	PLAQUE D'INDETIFICATION	1		9752-			

**Fig. 1730 ELECTRIC PARTS - ENGINE
PIECES ELECTRIQUES**

Serial No. ; 5001 ~ 7754



DATE	SEP. 12, 2012
4th EDITION	

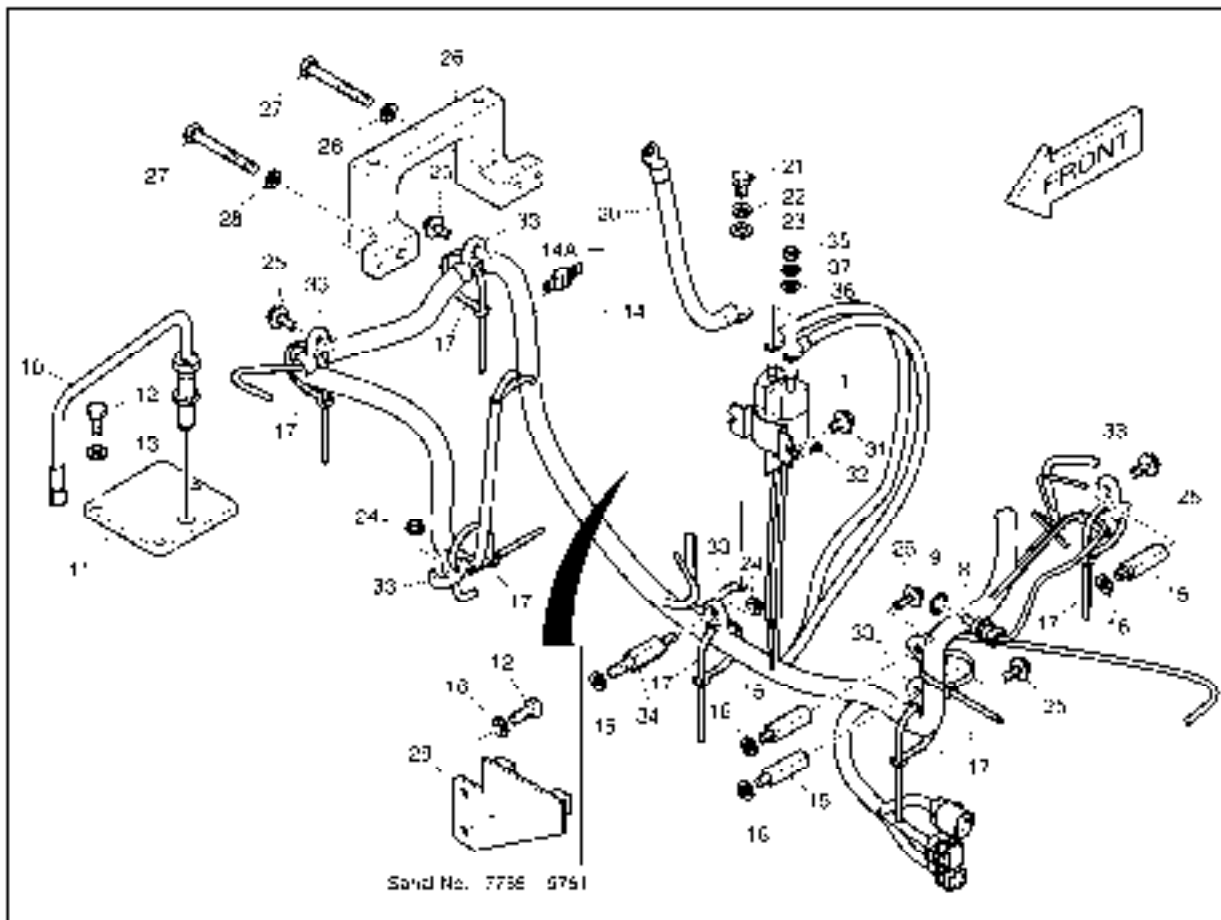
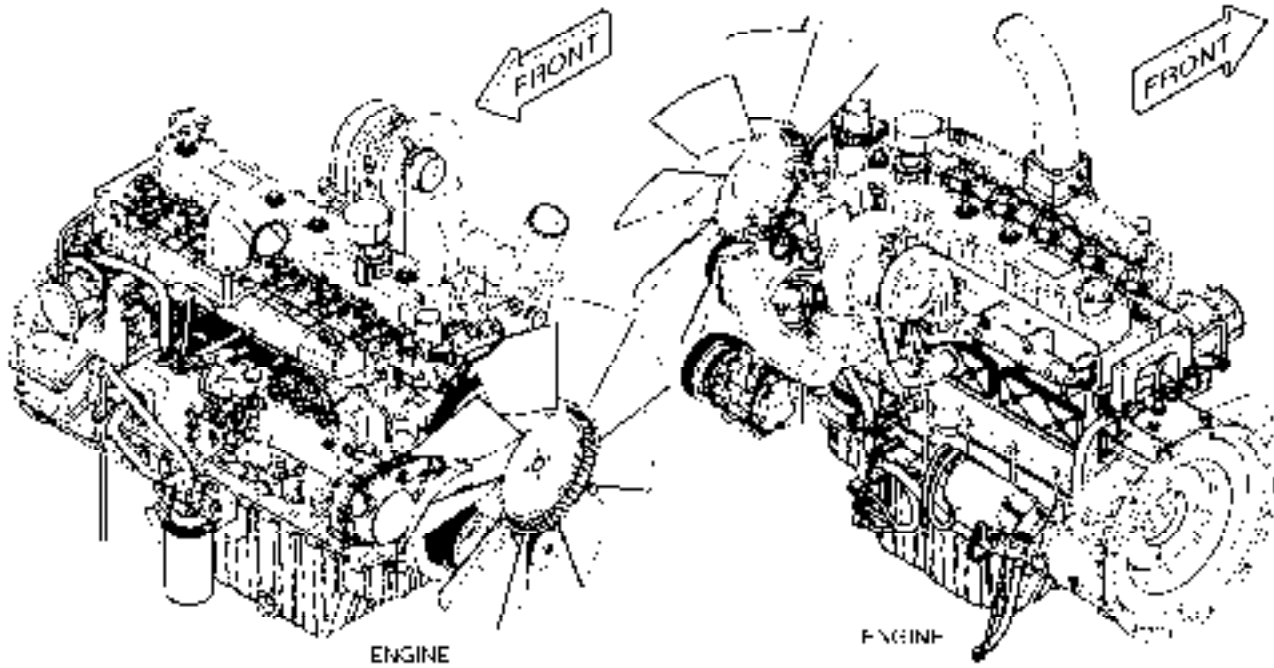
**Fig. 1730 ELECTRIC PARTS - ENGINE
PIECES ELECTRIQUES**

Serial No. : 5001 ~ 7754

Key No.	Part No.	Description	Description	Q'ty	S.C	Serial No.	ICA	Replaceable part	
								Part No.	Q'ty
1730 --	K1001328C	ELECTRIC PARTS;ENGINE	EQUIPMENT ELECTRIQUE	-	D				
1	544-00007	RELAY;PREHEAT	RELAIS	1					
1A	527-00005	. FUSE;PREHEAT RELAY	. FUSIBLE	1					
2	S0504453	BOLT M6X1.0X12	BOULON	2					
3	S5102303	WASHER;SPRING	RONDELLE	2					
8	2547-9038B	SENSOR;WATER TEMP	CAPTEUR	1					
9	S8180251	PACKING	RONDELLE D'ETANCHEITE	1					
10	2547-1015	SENSOR;ENG SPEED	CAPTEUR	1					
11	2197-1793	BRACKET;SPEED SENSOR	SUPPORT	1					
12	S0512066	BOLT M10X1.5X25	BOULON	3					
13	S5102603	WASHER,SPRING	RONDELLE	3					
14	K1001398B	HARNESS;ENGINE	FAISCEAU	1					
15	2120-2235	BOLT;STUD	BOUCHON	3					
16	S5102603	WASHER,SPRING	RONDELLE	3					
17	124-00208D3	CLIP	AGRAFE	5					
18	124-00208D2	CLIP	AGRAFE	1					
19	2124-1509D10	CLIP	ATTACHE	1					
20	553-00001D4	CABLE;E/G EARTH	CABLE	1					
21	S0511653	BOLT	BOULON	1					
22	S5102603	WASHER,SPRING	RONDELLE	1					
23	S5010613	WASHER;PLAIN	RONDELLE	1					
24	2121-1305	NUT	ECROU	5					
25	K1001029	BOLT	BOULON	2					
26	K1010584	BLOCK	BLOC	1					
27	S0759166	BOLT	BOULON	2					
28	S5102603	WASHER,SPRING	RONDELLE	2					

**Fig. 1731 ELECTRIC PARTS - ENGINE
PIECES ELECTRIQUES**

Serial No. ; 7755 ~



DATE	SEP. 12, 2012
4th EDITION	

**Fig. 1731 ELECTRIC PARTS - ENGINE
PIECES ELECTRIQUES**

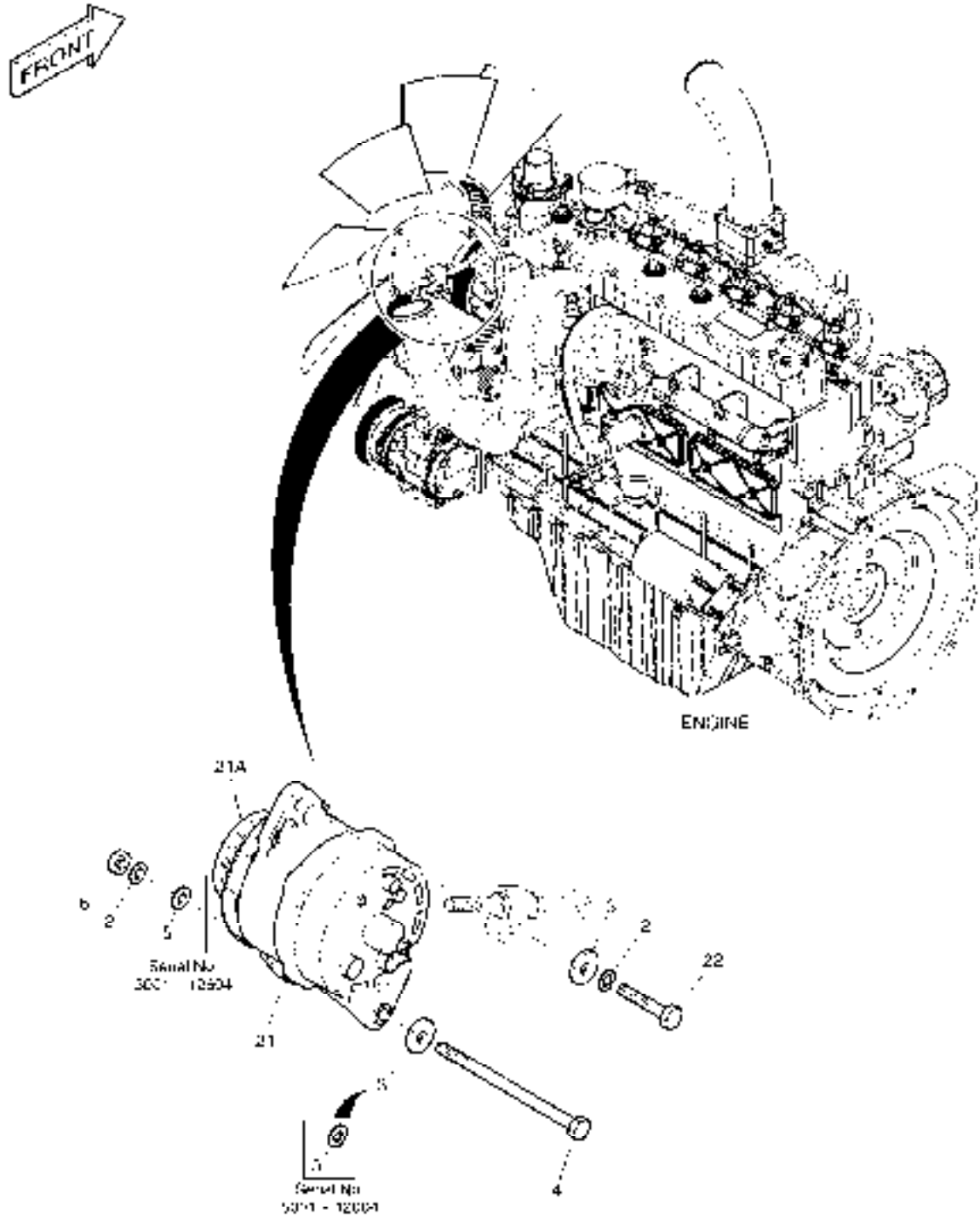
Serial No. ; 7755 ~

Key No.	Part No.	Description	Description	Q'ty	S.C	Serial No.	ICA	Replaceable part	
								Part No.	Q'ty
1731 --	K1001328C	ELECTRIC PARTS;ENGINE	EQUIPMENT ELECTRIQUE	-	D				
1	301202-00067	RELAY	RELAIS	1					
8	2547-9038B	SENSOR;WATER TEMP	CAPTEUR	1					
9	S8180251	PACKING	RONDELLE D'ETANCHEITE	1					
10	2547-1015	SENSOR;ENG SPEED	CAPTEUR	1					
11	2197-1793	BRACKET;SPEED SENSOR	SUPPORT	1					
12	S0512066	BOLT M10X1.5X25	BOULON	4		7755-9751			
	S0512066	BOLT M10X1.5X25	BOULON	2		9752-			
13	S5102603	WASHER,SPRING	RONDELLE	3					
14	310207-01044	HARNESS,ENGINE	FAISCEAU	1					
14A	300803-00086	. FUSE;200A	. FUSIBLE	1					
15	DS0026006	BOLT,STUD	BOULON A 6 PANS	3					
16	S5102603	WASHER,SPRING	RONDELLE	5		7755-9751			
	S5102603	WASHER,SPRING	RONDELLE	3		9752-			
17	310101-00035	TIE,CABLE	CRAVATE	7					
20	553-00001D4	CABLE;E/G EARTH	CABLE	1					
21	S0511653	BOLT	BOULON	1					
22	S5102603	WASHER,SPRING	RONDELLE	1					
23	S5010613	WASHER,PLAIN	RONDELLE	1					
24	2121-1305	NUT	ECROU	2					
25	DS0025049	BOLT	BOULON	5					
26	K1010584	BLOCK	BLOC	1					
27	S0759166	BOLT	BOULON	2					
28	S5102603	WASHER,SPRING	RONDELLE	2					
29	110406-01141	BRACKET	SUPPORT	1		7755-9751			
31	DS0025033	BOLT;SET	BOULON	2					
32	S3450573	SCREW M4X0.7X10	VIS	2					
33	110420-00330	BRACKET	SUPPORT	7					
34	120117-00071	BOLT,STUD	BOULON A 6 PANS	1					
35	S4012533	NUT	ECROU	2		9752-			
36	S5010513	WASHER,PLAIN	RONDELLE	2		9752-			
37	S5102503	WASHER,SPRING	RONDELLE	2		9752-			

DATE	SEP. 12, 2012
4th EDITION	

**Fig. 1740 ALTERNATOR MOUNTING
ALTERNATEUR**

Serial No. ;



DATE	SEP. 12, 2012
4th EDITION	

Fig. 1740 ALTERNATOR MOUNTING ALTERNATEUR

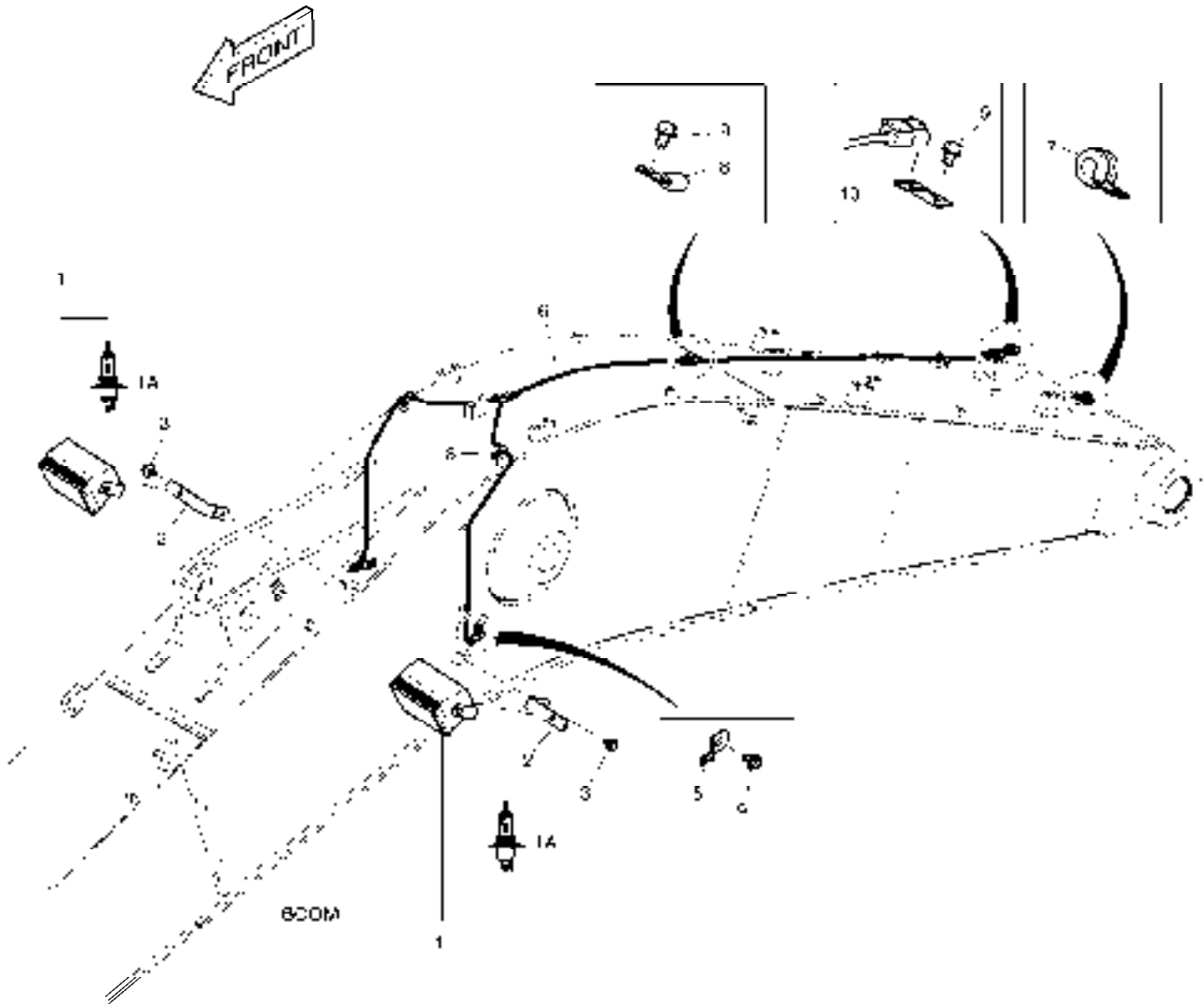
Serial No. ;

Key No.	Part No.	Description	Description	Q'ty	S.C	Serial No.	ICA	Replaceable part	
								Part No.	Q'ty
1740 --	K1007371	ALTERNATOR MOUNTING	SUPPORT D'ALTERNATEUR	-	D	05001-12604			
	300619-01893	ALTERNATOR MOUNTING	SUPPORT D'ALTERNATEUR	-	D	12605-			
2	S5102703	WASHER;SPRING	RONDELLE	2					
3	2114-1058D54	WASHER	RONDELLE	1		05001-12604			
	DS0401188	WASHER	RONDELLE	2		12605-			
4	S0562653	BOLT M12X1.75X160	BOULON	1		05001-12604	I	S0562666	1
	S0562666	BOLT M12X1.75X160	BOULON	1		12605-			
5	S5010713	WASHER;PLAIN	RONDELLE	2		05001-12604			
6	S4012733	NUT	ECROU	1					
21	K1010702	ALTERNATOR 60A	ALTERNATEUR	1		5001-6341	Y	300901-00034	1
	300901-00034	ALTERNATOR;60A	ALTERNATEUR	1		6342-			
21A	130707-00030	. PULLEY,ALTERNATOR	. POULIE	1		5001-6341	Y	130707-00042	1
	130707-00042	. PULLEY,ALTERNATOR	. POULIE	1		6342-			
22	S0760853	BOLT	BOULON	1					

DATE	SEP. 12, 2012
4th EDITION	

**Fig. 1750 ELECTRIC PARTS - WORKING LAMP
EQUIPMENT ELECTRIQUE**

Serial No. ;



DATE	SEP. 12, 2012
4th EDITION	

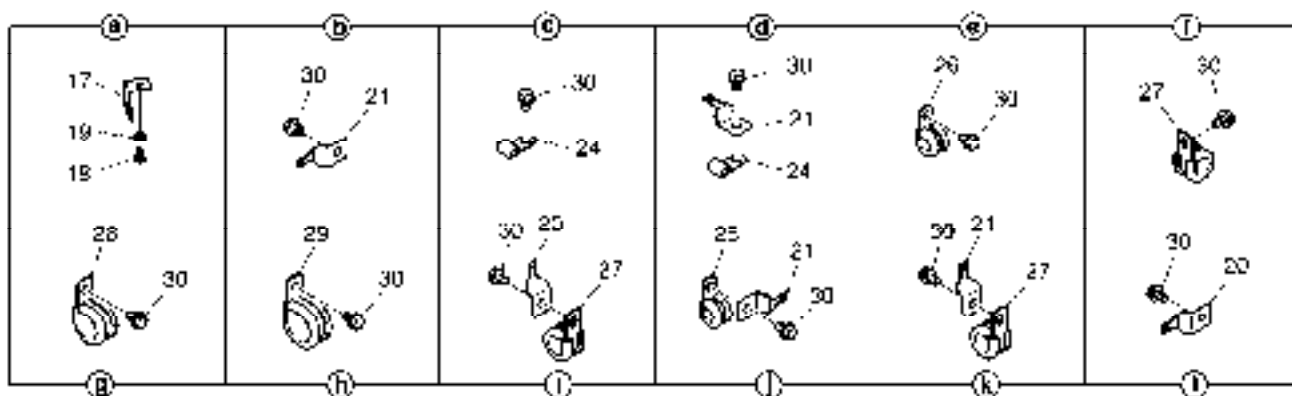
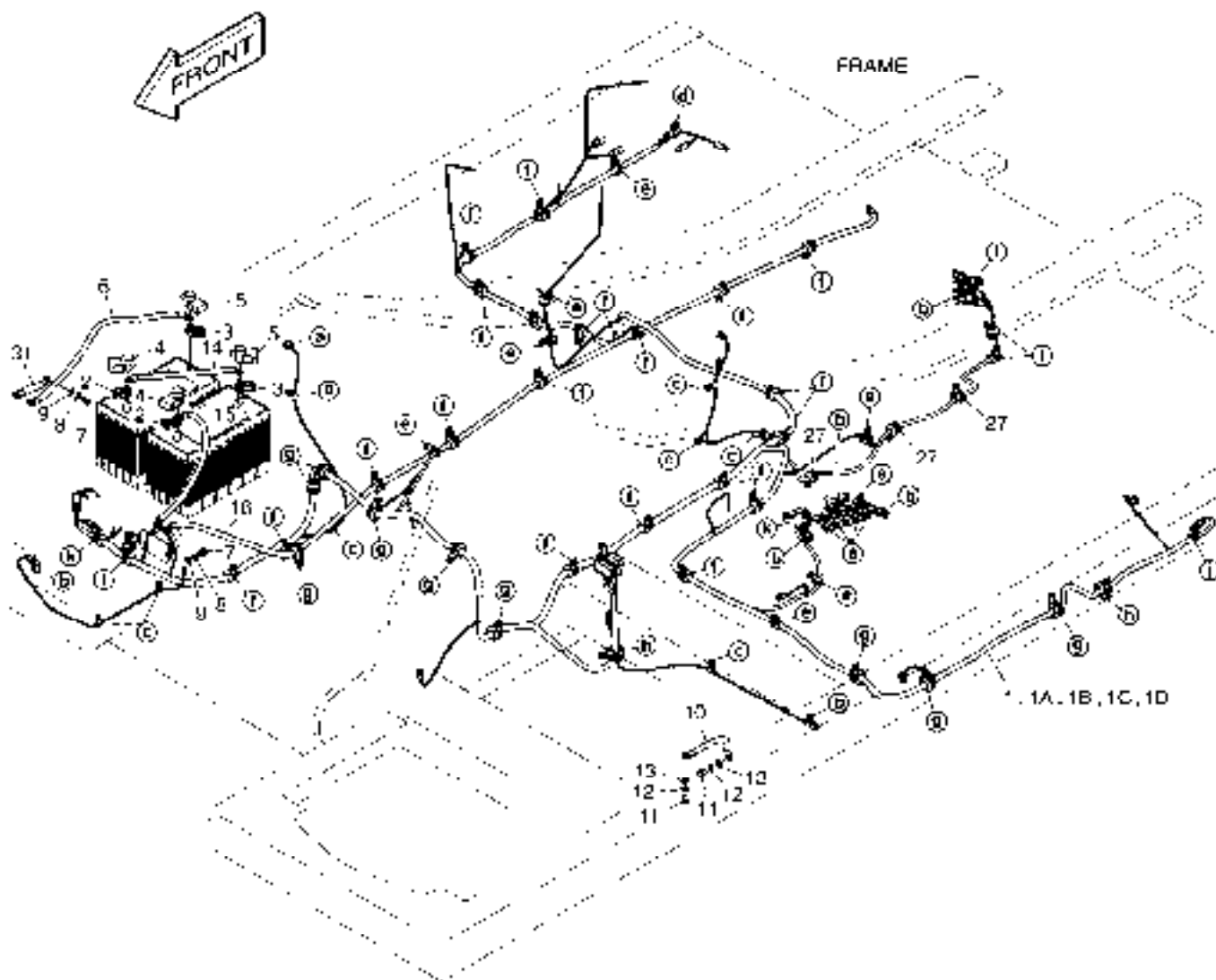
**Fig. 1750 ELECTRIC PARTS - WORKING LAMP
EQUIPMENT ELECTRIQUE**

Serial No. ;

Key No.	Part No.	Description	Description	Q'ty	S.C	Serial No.	ICA	Replaceable part	
								Part No.	Q'ty
1750 --	K1001329A	ELECTRIC PARTS;WORKING LAMP	EQUIPMENT ELECTRIQUE	-	D				
1	534-00064	LAMP ASS'Y;WORKING	LAMPE	2					
1A	2515-1022D1	. BULB;HALOGEN	. AMPOULE	1					
2	2195-2394B	BRACKET	SUPPORT	2					
3	DS0025019	BOLT;SET	BOULON	4					
5	2197-1661	BRACKET	SUPPORT	2					
6	530-00418D2	HARNESS;WORKING LAMP	FAISCEAU	1					
7	124-00208D2	CLIP	AGRAFE	1					
8	2124-1509D1	CLIP	AGRAFE	6					
9	K1001029	BOLT	BOULON	8					
10	2197-1660	BRACKET	SUPPORT	1					

**Fig. 1760 ELECTRIC WIRING
POSE DE FILES ELECTRIQUES**

Serial No. ;



DATE	SEP. 12, 2012
4th EDITION	

Fig. 1760 ELECTRIC WIRING POSE DE FILES ELECTRIQUES

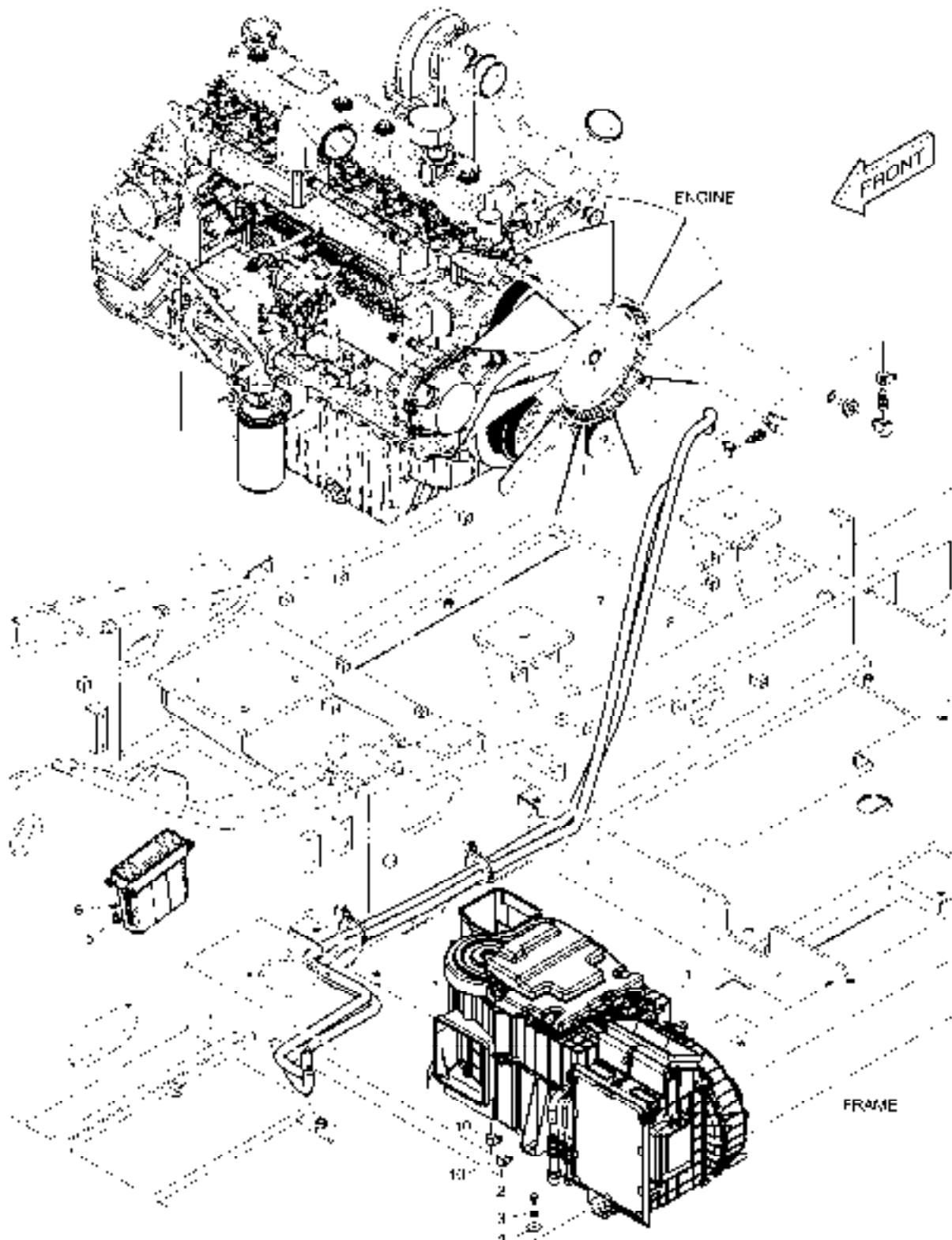
Serial No. ;

Key No.	Part No.	Description	Description	Q'ty	S.C	Serial No.	ICA	Replaceable part	
								Part No.	Q'ty
1760 --	K1046430	ELECTRIC WIRING	POSE DE FILES ELECTRIQUE	-	D	5001-6171			
	300619-00265	ELECTRIC ASSY;WIRING	POSE DE FILES ELECTRIQUE	-	D	6172-			
1	K1001374G	HARNESS;MAIN	FAISCEAU	1		5001-7754			
	310207-01176	HARNESS,MAIN	FAISCEAU	1		7755-			
1A	2548-1027	. DIODE	. DIODE	4					
1B	548-00003A	. DIODE;ZENER	. DIODE	1					
1C	K1000814	. DIODE;4 PIN	. DIODE	1					
1D	K1000815	. DIODE;8 PIN	. DIODE	1					
2	2550-1014D1	TERMINAL;BATTERY(+)	BORNE	2					
3	2550-1014D2	TERMINAL;BATTERY(-)	BORNE	2					
4	2160-1212	CAP;BATT. TML (+)	CHAPEAU	2					
5	2160-1213	CAP;BATT. TML (-)	CHAPEAU	2					
6	2553-1275D78	CABLE;BATT RELAY	CABLE	1					
7	S0511653	BOLT	BOULON	2					
8	S5102603	WASHER,SPRING	RONDELLE	2					
9	S5010613	WASHER;PLAIN	RONDELLE	2					
10	2553-1275D39	CABLE;EARTH	CABLE	1					
11	S0511653	BOLT	BOULON	2					
12	S5102603	WASHER,SPRING	RONDELLE	2					
13	S5010613	WASHER;PLAIN	RONDELLE	2					
14	2553-1275D46	CABLE;BATT-BATT	CABLE	1					
15	2553-1275D7	CABLE;BATT-BATT RELAY 60R	CABLE	1		5001-9751			
	2553-1275D69	CABLE;BATT-BATT RELAY 60R	CABLE	1		9752-			
16	2553-1275D88	CABLE;BATT RY-STARTER	CABLE	1		5001-6171			
	2553-1275D81	CABLE;BATT RY-STARTER	CABLE	1		6172-			
17	2195-3500	BRACKET	SUPPORT	6					
18	S0504453	BOLT M6X1.0X12	BOULON	6					
19	S5102303	WASHER;SPRING	RONDELLE	6					
20	2197-1660	BRACKET	SUPPORT	2					
21	2197-1661	BRACKET	SUPPORT	11					
24	2124-1509D1	CLIP	AGRAFE	9					
26	124-00208D2	CLIP	AGRAFE	9					
27	124-00208D3	CLIP	AGRAFE	26					
28	124-00208D4	CLIP	ATTACHE	9					
29	124-00208D5	CLIP	ATTACHE	2					
30	K1001029	BOLT	BOULON	63					
31	310203-00020	CABLE,EARTH	CABLE	1		9752-			

DATE	SEP. 12, 2012
4th EDITION	

**Fig. 1770 HEATER PIPING(1)
CONDUITES DE CHAUFFAGE**

Serial No. ;



DATE	SEP. 12, 2012
4th EDITION	

Fig. 1770 HEATER PIPING(1)
CONDUITES DE CHAUFFAGE

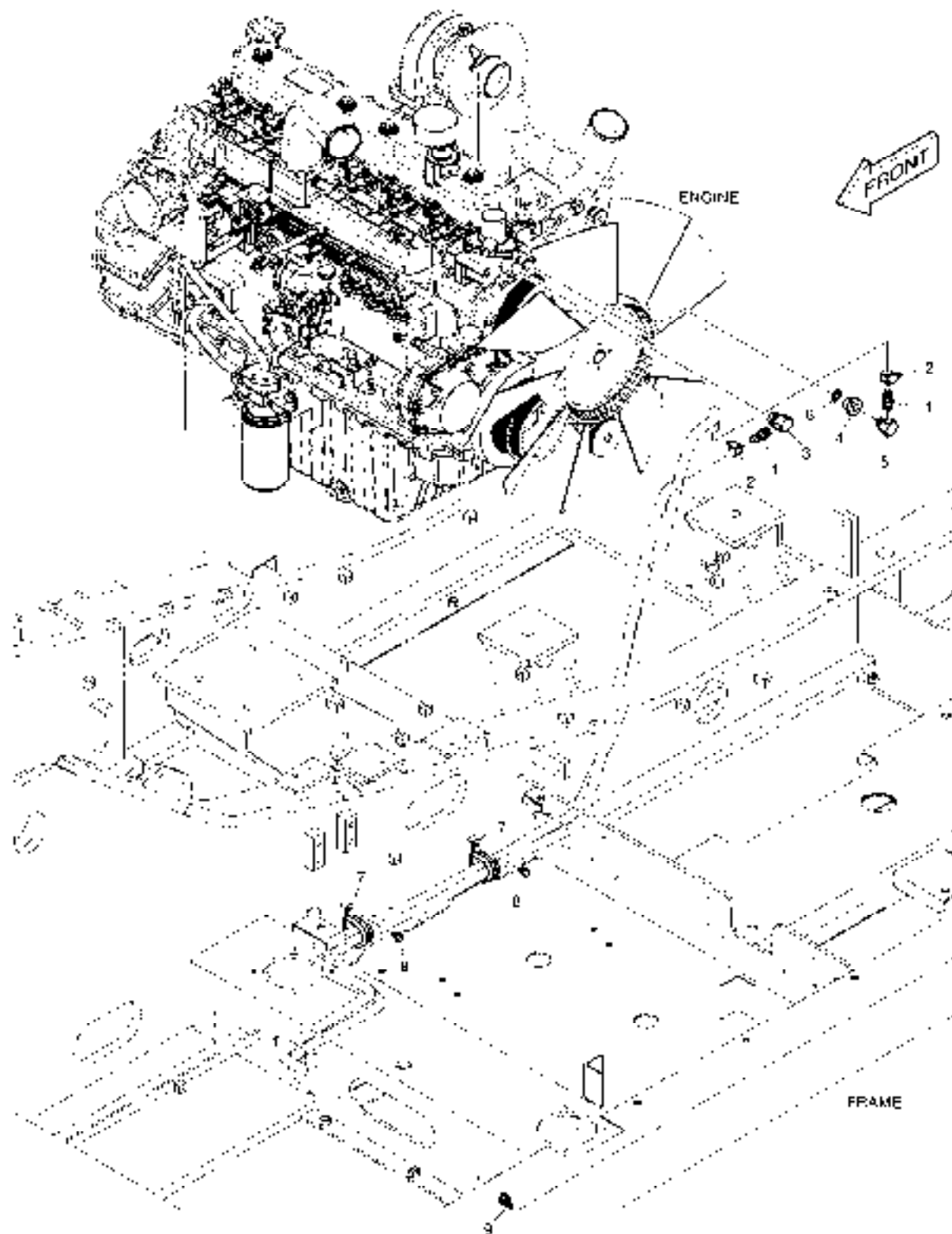
Serial No. ;

Key No.	Part No.	Description	Description	Q'ty	S.C	Serial No.	ICA	Replaceable part	
								Part No.	Q'ty
1770 --	K1001331E	AIR CONDITIONER	REFRIGERATION	-	D				
1	920-00127A	UNIT;AIR CON. & HEATING	UNITE	1					
2	S0508653	BOLT	BOULON	6					
3	S5102503	WASHER,SPRING	RONDELLE	6					
4	2114-1058D29	WASHER	RONDELLE	6					
5	S3450833	SCREW	VIS	4					
6	S5000213	WASHER;PLAIN M5	RONDELLE	4					
7	2185-1308D5	HOSE;RUBBER	TUYAU FLEXIBLE	1					
8	2185-1308D5	HOSE;RUBBER	TUYAU FLEXIBLE	1					
10	S8450016	CLAMP	COLLIER	2					

DATE	SEP. 12, 2012
4th EDITION	

**Fig. 1780 HEATER PIPING(2)
CONDUITES DE CHAUFFAGE**

Serial No. ;



DATE	SEP. 12, 2012
4th EDITION	

Fig. 1780 HEATER PIPING(2)
CONDUITES DE CHAUFFAGE

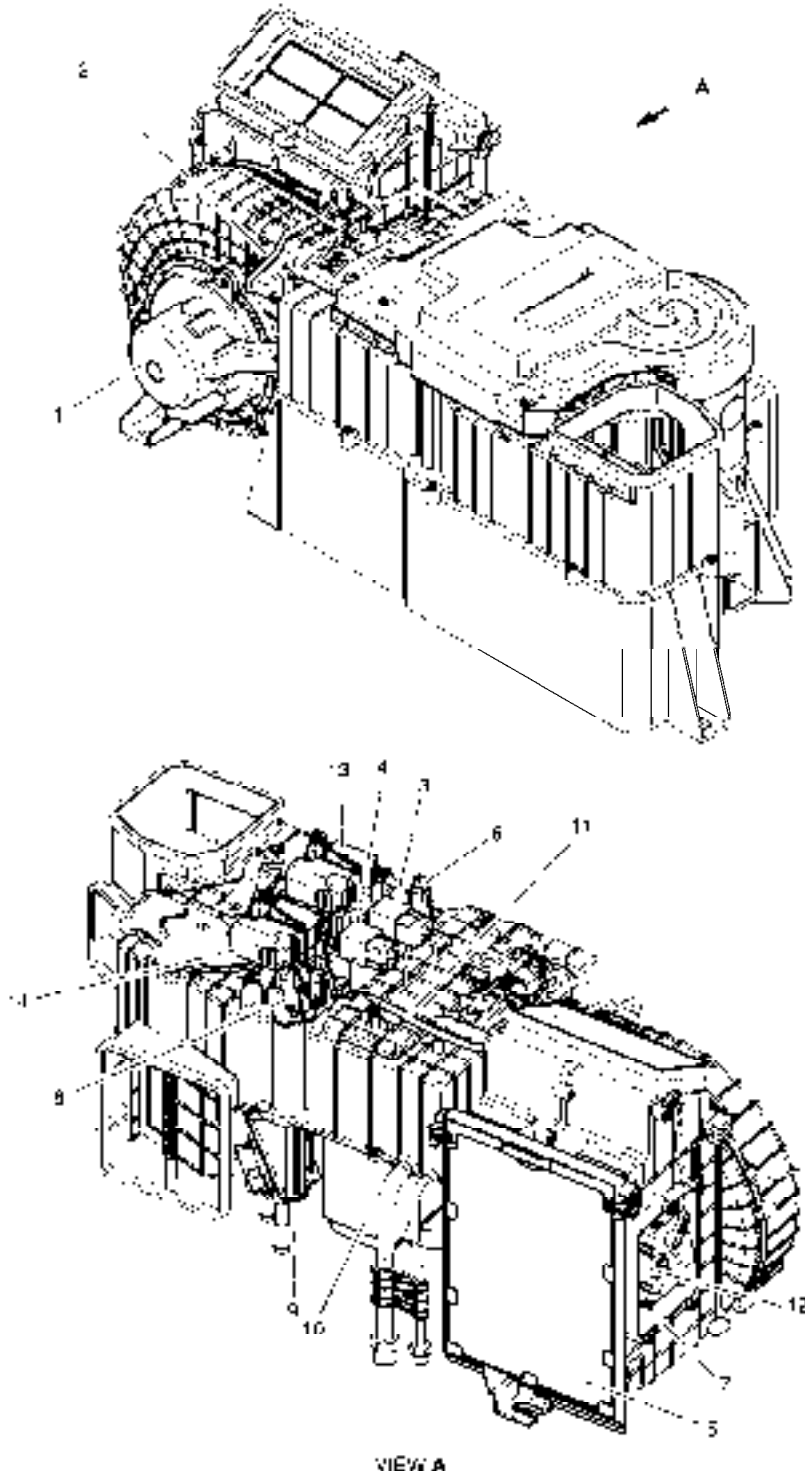
Serial No. ;

Key No.	Part No.	Description	Description	Q'ty	S.C	Serial No.	ICA	Replaceable part	
								Part No.	Q'ty
1780 --	K1045898	AIR CONDITIONER	REFRIGERATION	-	D				
1	2181-2774	NIPPLE;HOSE	MAMELON	2					
2	S8450016	CLAMP	COLLIER	2					
3	2181-1159	ADAPTER	ADAPTEUR	1					
4	2181-1160A	ADAPTER	ADAPTEUR	1					
5	2181-1161A	ADAPTER	ADAPTEUR	1					
6	S8180411	SEAL;COPPER	CACHET	1					
7	124-00208D7	CLIP	AGRAFE	2					
8	K1001029	BOLT	BOULON	2					
9	547-00024A	SENSOR;AMBENT	SONDE	1					

DATE	SEP. 12, 2012
4th EDITION	

Fig. 1790 AIRCON UNIT REFRIGERATION

Serial No. ;



DATE	SEP. 12, 2012
4th EDITION	

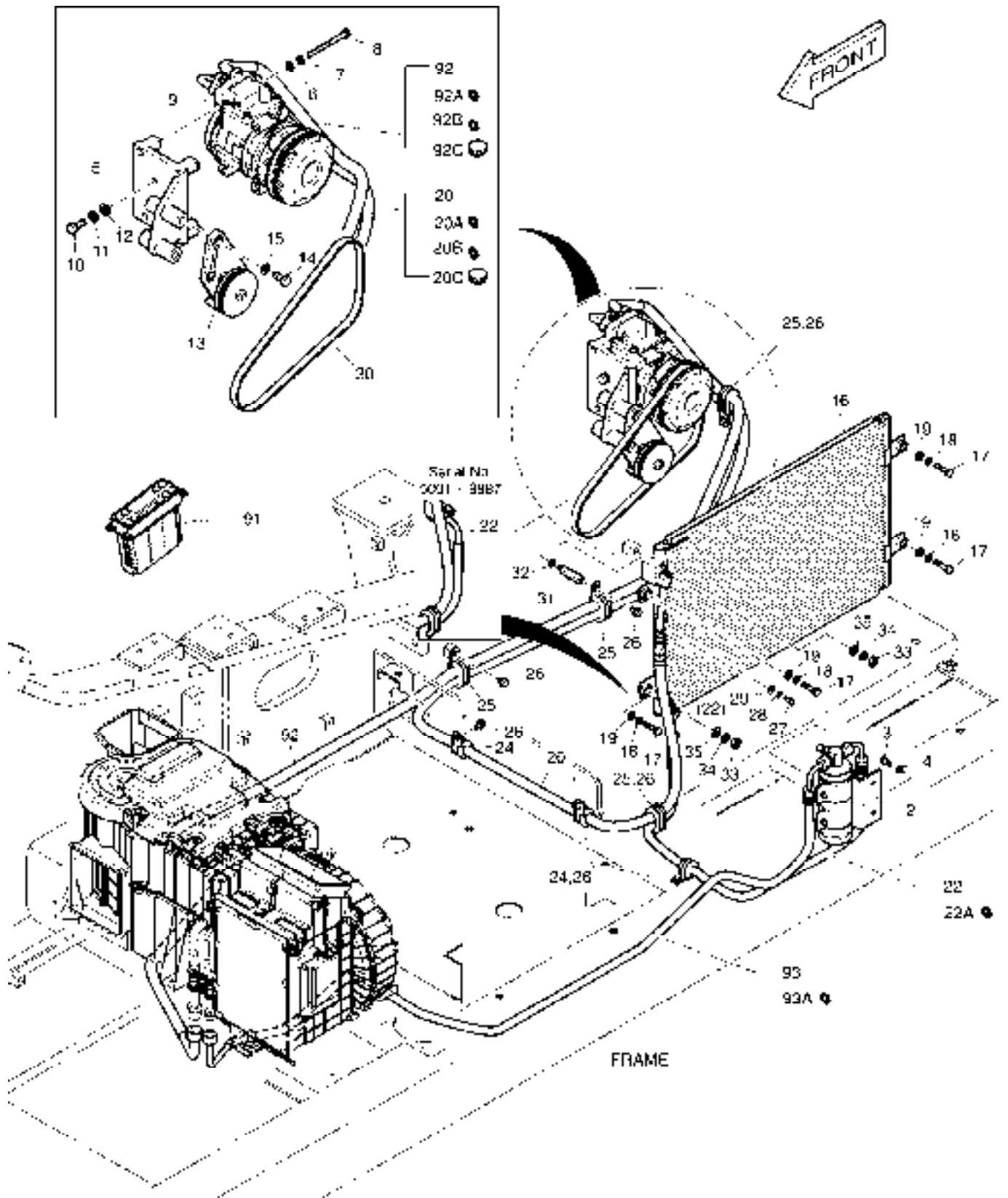
**Fig. 1790 AIRCON UNIT
REFRIGERATION**

Serial No. ;

Key No.	Part No.	Description	Description	Q'ty	S.C	Serial No.	ICA	Replaceable part	
								Part No.	Q'ty
1790 --	920-00127A	UNIT;AIR CON. & HEATING	UNITE	1					
1	K1002206	MOTOR;BLOWER;24V	MOTEUR	1					
2	K1002207	POWER FET	PIGNON	1					
3	K1002208	RELAY;BLOWER 24V	RELAIS	1					
4	K1002209	RELAY;AIRCON 24V	RELAIS	1					
5	K1002210	FILTER;AIR CON.	FILTRE	1					
6	K1002211	SENSOR;TEMP EVAPORATOR	SONDE	1					
7	K1002212	SENSOR;TEMPERATURE	SONDE	1					
8	K1002213	SENSOR;WATER TEMP	SONDE	1					
9	K1002214	CORE;HEATER	NOYAU	1					
10	K1002215	EVAPORATOR	NOYAU DE VAPORISATEUR	1					
11	K1002216	HARNES;AIR CONDITIONER	HARNAIS	1					
12	K1002217	ACTUATOR;INTAKE	ACTIONNEUR	1					
13	K1002218	ACTUATOR;AIR MIX	ACTIONNEUR	1					
14	K1002219	ACTUATOR;MODE	ACTIONNEUR	1					

Fig. 1800 AIRCONDITIONER REFRIGERATION

Serial No. ;



DATE	SEP. 12, 2012
4th EDITION	

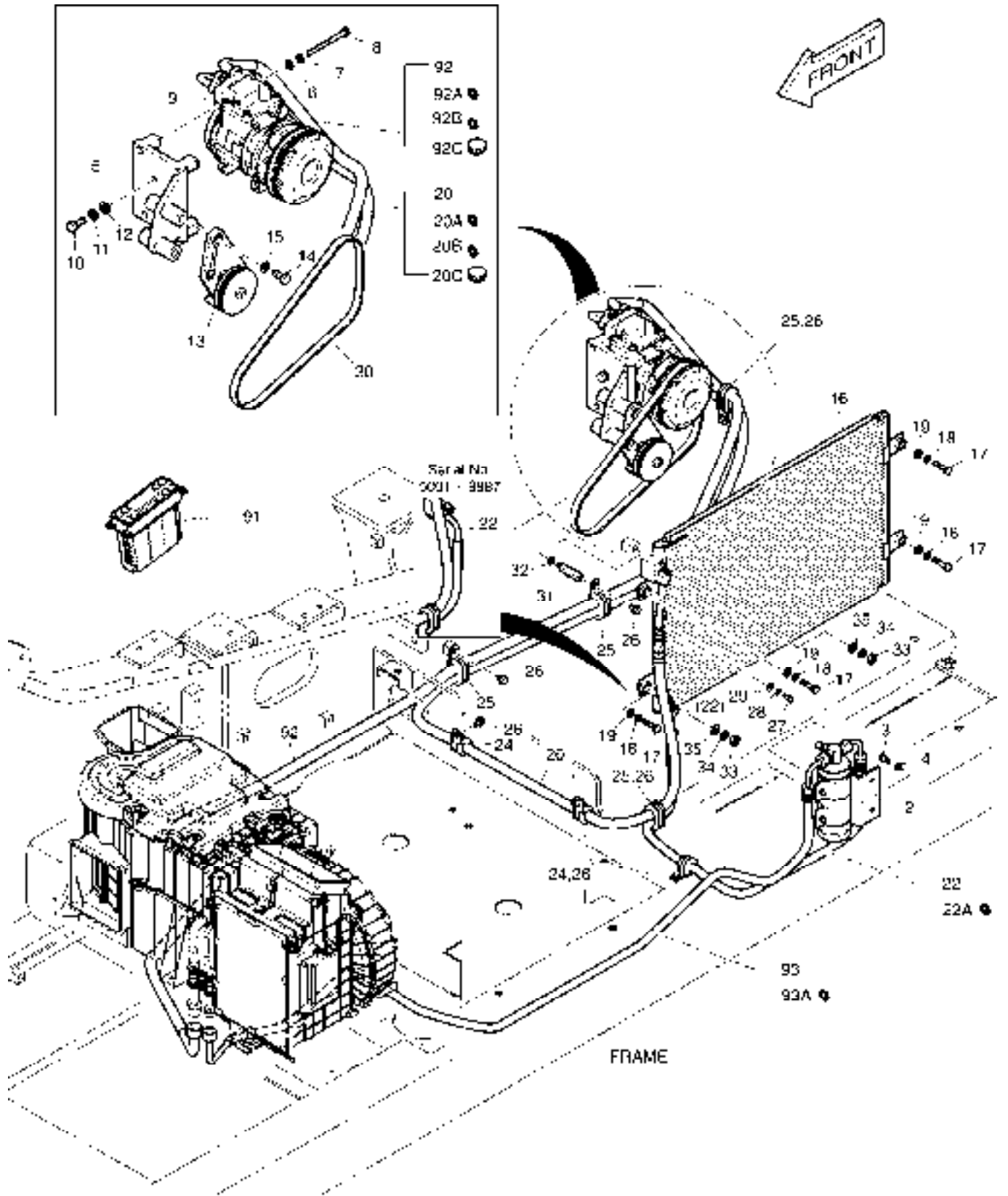
Fig. 1800 AIRCONDITIONER REFRIGERATION

Serial No. ;

Key No.	Part No.	Description	Description	Q'ty	S.C	Serial No.	ICA	Replaceable part	
								Part No.	Q'ty
1800 --	K1001332G	AIR CONDITIONER	CLIMATISEUR	-	D				
2	2204-6039A	RECEIVER DRIER	DESSICCATEUR DE RECE	1					
3	S0508666	BOLT	BOULON	2					
4	S5102503	WASHER,SPRING	RONDELLE	2					
5	2197-1798C	BRACKET;COMPRESSOR	SUPPORT	1					
6	S5010513	WASHER,PLAIN	RONDELLE	4					
7	S5102503	WASHER,SPRING	RONDELLE	4					
8	S0557166	BOLT	BOULON	4					
9	2208-6013B	COMPRESSOR	COMPRESSEUR	1					
10	S0712153	BOLT M10X1.25X28	BOULON A 6 PANS	1					
11	S5102603	WASHER,SPRING	RONDELLE	1					
12	S5010613	WASHER;PLAIN	RONDELLE	1					
13	2107-6006	PULLEY ASS'Y;IDLE	POULIE	1					
14	S0759853	BOLT M10X1.25X115	BOULON A 6 PANS	2					
15	S5102603	WASHER,SPRING	RONDELLE	2					
16	520-00004	CONDENSER;AIR CON	CONDENSATEUR	1					
17	S0509366	BOLT	BOULON	4					
18	S5102503	WASHER,SPRING	RONDELLE	4					
19	2114-1058D29	WASHER	RONDELLE	4					
20	K1001277C	HOSE;DISCHARGE	TUYAU FLEXIBLE	1					
20A	2180-6088	. O-RING;DISCHARGE	. JOINT CIRCULAIRE	1					
20B	K1011384	. O-RING;CONDENSER	. JOINT CIRCULAIRE	1					
20C	1.161-00018	. CAP;CHECK PORT(H)	. CHAPEAU	1					
22	K1001279C	HOSE;LIQUID(1)	TUYAU FLEXIBLE	1		5001-9987	I	420102-00239	1
	420102-00239	HOSE;LIQUID(1)	TUYAU FLEXIBLE	1		9988-			
22A	K1011388	. O-RING	. JOINT CIRCULAIRE	2					
24	124-00208D3	CLIP	AGRAFE	3					
25	124-00209D1	CLIP	AGRAFE	4					
26	K1001029	BOLT	BOULON	7					
27	S0504666	BOLT M6X1.0X16	BOULON	1					
28	S5010303	WASHER	RONDELLE	1					
29	2114-1058D52	WASHER	RONDELLE	1					
30	2106-1019D10	V-BELT 4PK 990L	COURROIE-V	1					
31	2120-2187	BOLT;STUD	BOULON	1					
32	S5102503	WASHER,SPRING	RONDELLE	1					
33	S4012303	NUT	ECROU	2					
34	S5102303	WASHER;SPRING	RONDELLE	2					
35	S5000313	WASHER;PLAIN	RONDELLE	2					

Fig. 1800 AIRCONDITIONER REFRIGERATION

Serial No. ;



DATE	SEP. 12, 2012
4th EDITION	

Fig. 1800 AIRCONDITIONER REFRIGERATION

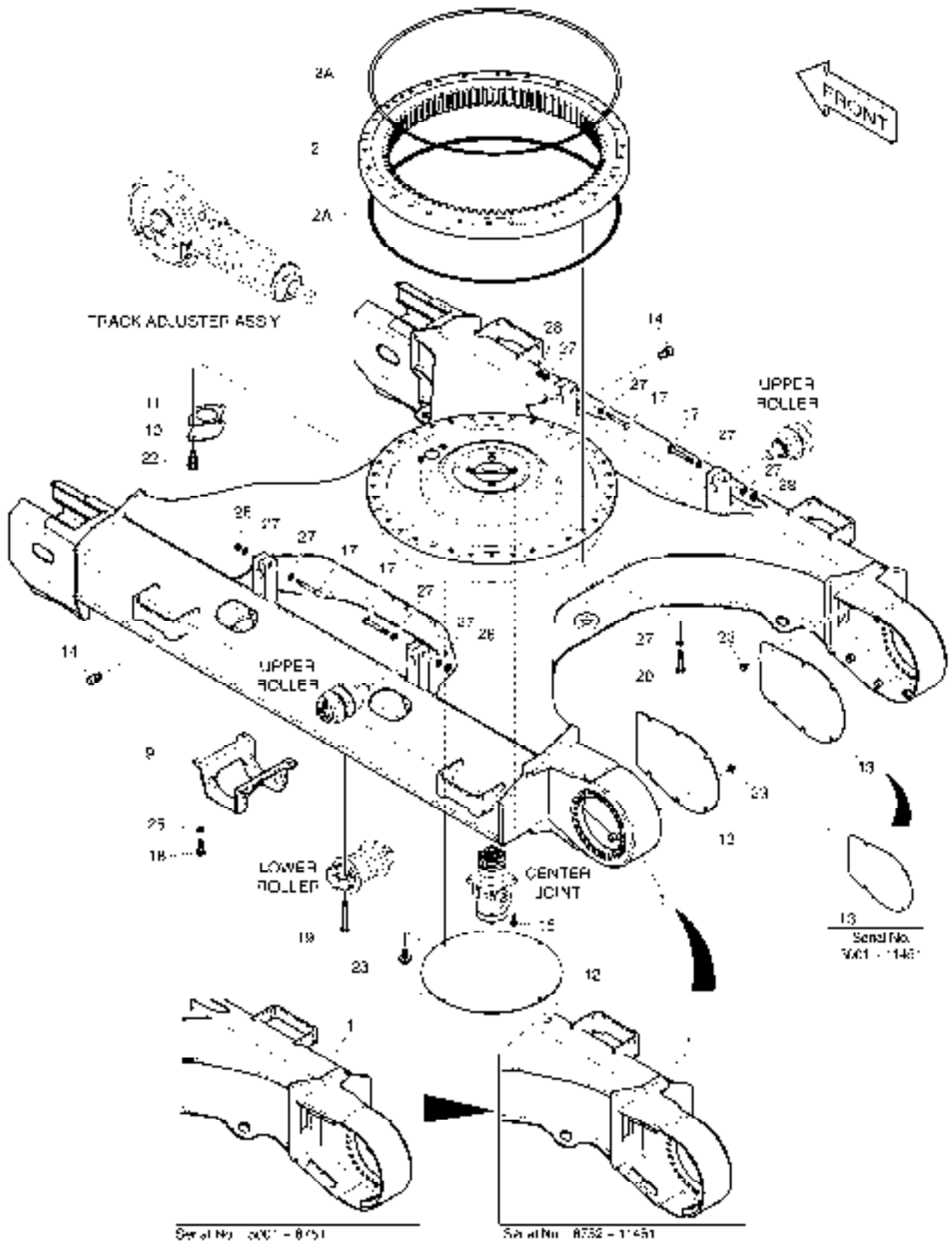
Serial No. ;

Key No.	Part No.	Description	Description	Q'ty	S.C	Serial No.	ICA	Replaceable part	
								Part No.	Q'ty
1800 -91	543-00107	CONTROL PANEL;AIR CON	PANNEAU DE COMMANDE	1					
92	K1001278C	HOSE;SUCTION	TUYAU FLEXIBLE	1					
92A	2180-6086	. O-RING;SUCTION	. JOINT CIRCULAIRE	1					
92B	K1011385	. O-RING;EVAPORATOR	. JOINT CIRCULAIRE	1					
92C	1.161-00019	. CAP;CHECK PORT(L)	. CHAPEAU	1					
93	K1001280C	HOSE;LIQUID(2)	TUYAU	1					
93A	K1011388	. O-RING	. JOINT CIRCULAIRE	2					

DATE	SEP. 12, 2012
4th EDITION	

**Fig. 2100 TRACK FRAME-LONG(DX225LCA)
TRAIN DE ROULEMENT**

Serial No. ;



Serial No. 0601 - 11451

DATE	SEP. 12, 2012
4th EDITION	

**Fig. 2100 TRACK FRAME-LONG(DX225LCA)
TRAIN DE ROULEMENT**

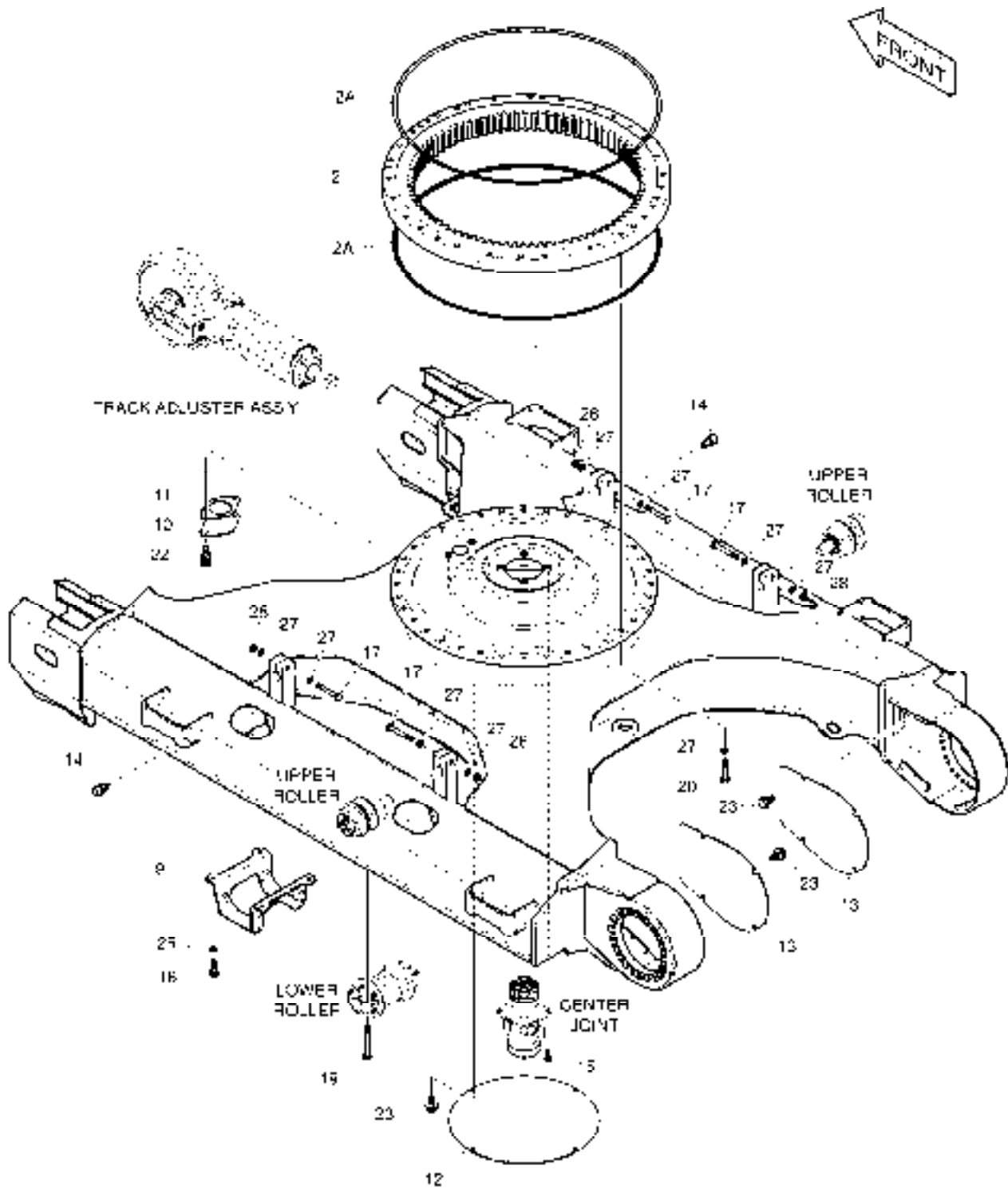
Serial No. ;

Key No.	Part No.	Description	Description	Q'ty	S.C	Serial No.	ICA	Replaceable part	
								Part No.	Q'ty
2100 --	K1039703B	TRACK ASS'Y	TRAIN	-	D	5001-5927			
	650105-00059	UNDERCARRIAGE ASSY	TRAIN	-	D	5928-			
1	604-00277H	FRAME;TRACK	CHASSIS	1		5001-5927	Y	160617-00115	1
	160617-00115	FRAME,TRACK	CHASSIS	1		5928-6978			
	160617-00115A	FRAME,TRACK	CHASSIS	1		6979-8751	I	160617-00115B	1
	160617-00115B	FRAME,TRACK	CHASSIS	1		8752-9680	I	160617-00115C	1
	160617-00115C	FRAME,TRACK	CHASSIS	1		09681-11451	I	160617-00115E	1
	160617-00115E	FRAME,TRACK	CHASSIS	1		11452-			
2	109-00162A	BEARING;SWING	PALIER D'ORIENTATION	1		5001-9144	I	140109-00048	1
	140109-00048	BEARING,SWING	PALIER D'ORIENTATION	1		9145-			
2A	180-00297D3	. SEAL	. JOINT	2		5001-9144			
	401107-00751	. SEAL,SWING BEARING	. JOINT	2		9145-			
9	142-00126A	GUARD;TRACK	GARDE	4		5001-6148	I	200112-00022	4
	200112-00022	GUARD,TRACK	GARDE	4		6149-9144	I	200112-00073	4
	200112-00073	GUARD,TRACK	GARDE	4		9145-9751	I	200112-00073A	4
	200112-00073A	GUARD,TRACK	GARDE	4		9752-			
10	621-02938B	COVER	COUVERTURE	1					
11	180-00463	PACKING	EMBALLAGE	1					
12	621-03166	COVER	COUVERTURE	1					
13	621-03167	COVER;MOTOR	COUVERTURE	2		05001-11451			
	110508-00675	COVER,MOTOR	COUVERCLE	2		11452-			
14	422-00055	VALVE;GREASE	VANNE	2					
15	S0515366	BOLT	BOULON A 6 PANS	4					
17	S0571166	BOLT	BOULON	4					
18	S0721466	BOLT M16X1.5X40	BOULON	16					
19	S0765966	BOLT	BOULON	72					
20	S0770266	BOLT M20X1.5X70	BOULON	36					
22	DS0025016	BOLT;SET	BOULON	2					
23	DS0025019	BOLT;SET	BOULON	12		05001-11451			
	DS0025019	BOLT;SET	BOULON	16		11452-			
25	S5102903	WASHER,SPRING	RONDELLE	16					
27	2114-9012A	WASHER	RONDELLE	44					
28	S4013133	NUT	ECROU	4					

DATE	SEP. 12, 2012
4th EDITION	

**Fig. 2105 TRACK FRAME-STD(DX220A)
TRAIN DE ROULEMENT**

Serial No. ;



DATE	SEP. 12, 2012
4th EDITION	

Fig. 2105 TRACK FRAME-STD(DX220A)
TRAIN DE ROULEMENT

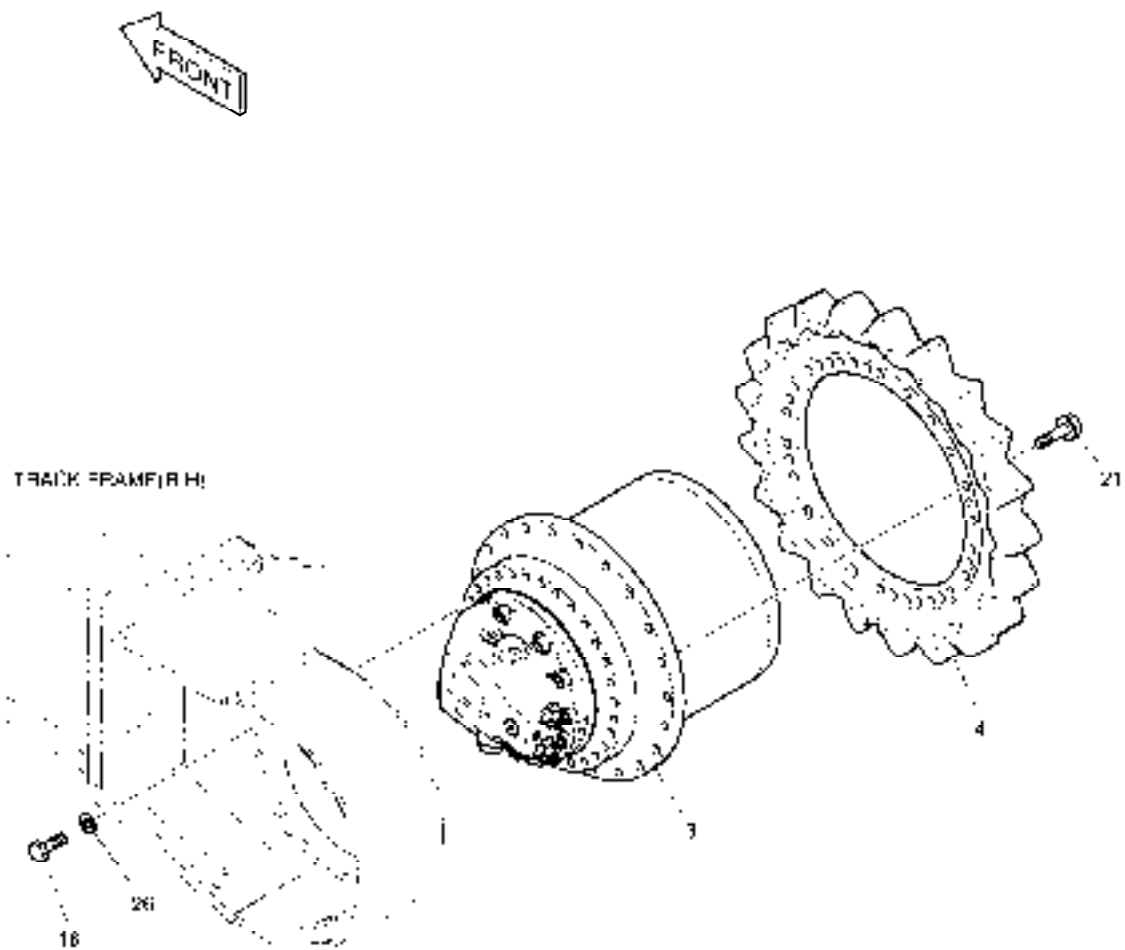
Serial No. ;

Key No.	Part No.	Description	Description	Q'ty	S.C	Serial No.	ICA	Replaceable part	
								Part No.	Q'ty
2105 --	650105-00126	UNDERCARRIAGE ASSY;STD	TRAIN	-	D				
1	160617-00290	FRAME,TRACK	CHASSIS	1					
2	140109-00048	BEARING,SWING	PALIER D'ORIENTATION	1					
2A	401107-00751	. SEAL,SWING BEARING	. JOINT	2					
9	200112-00073A	GUARD,TRACK	GARDE	2					
10	621-02938B	COVER	COUVERTURE	1					
11	180-00463	PACKING	EMBALLAGE	1					
12	110513-00242	COVER,UNDER	COUVERCLE	1					
13	110508-00675	COVER,MOTOR	COUVERCLE	2					
14	422-00055	VALVE;GREASE	VANNE	2					
15	S0515366	BOLT	BOULON A 6 PANS	4					
17	S0571166	BOLT	BOULON	4					
18	S0721466	BOLT M16X1.5X40	BOULON	8					
19	S0765966	BOLT	BOULON	56					
20	S0770266	BOLT M20X1.5X70	BOULON	36					
22	DS0025016	BOLT;SET	BOULON	2					
23	DS0025019	BOLT;SET	BOULON	16					
25	S5102903	WASHER,SPRING	RONDELLE	8					
27	2114-9012A	WASHER	RONDELLE	44					
28	S4013133	NUT	ECROU	4					

DATE	SEP. 12, 2012
4th EDITION	

**Fig. 2110 TRAVEL DEVICE(DX225LCA)
SYSTEME D'TRANSLATION**

Serial No. ;



DATE	SEP. 12, 2012
4th EDITION	

**Fig. 2110 TRAVEL DEVICE(DX225LCA)
SYSTEME D'TRANSLATION**

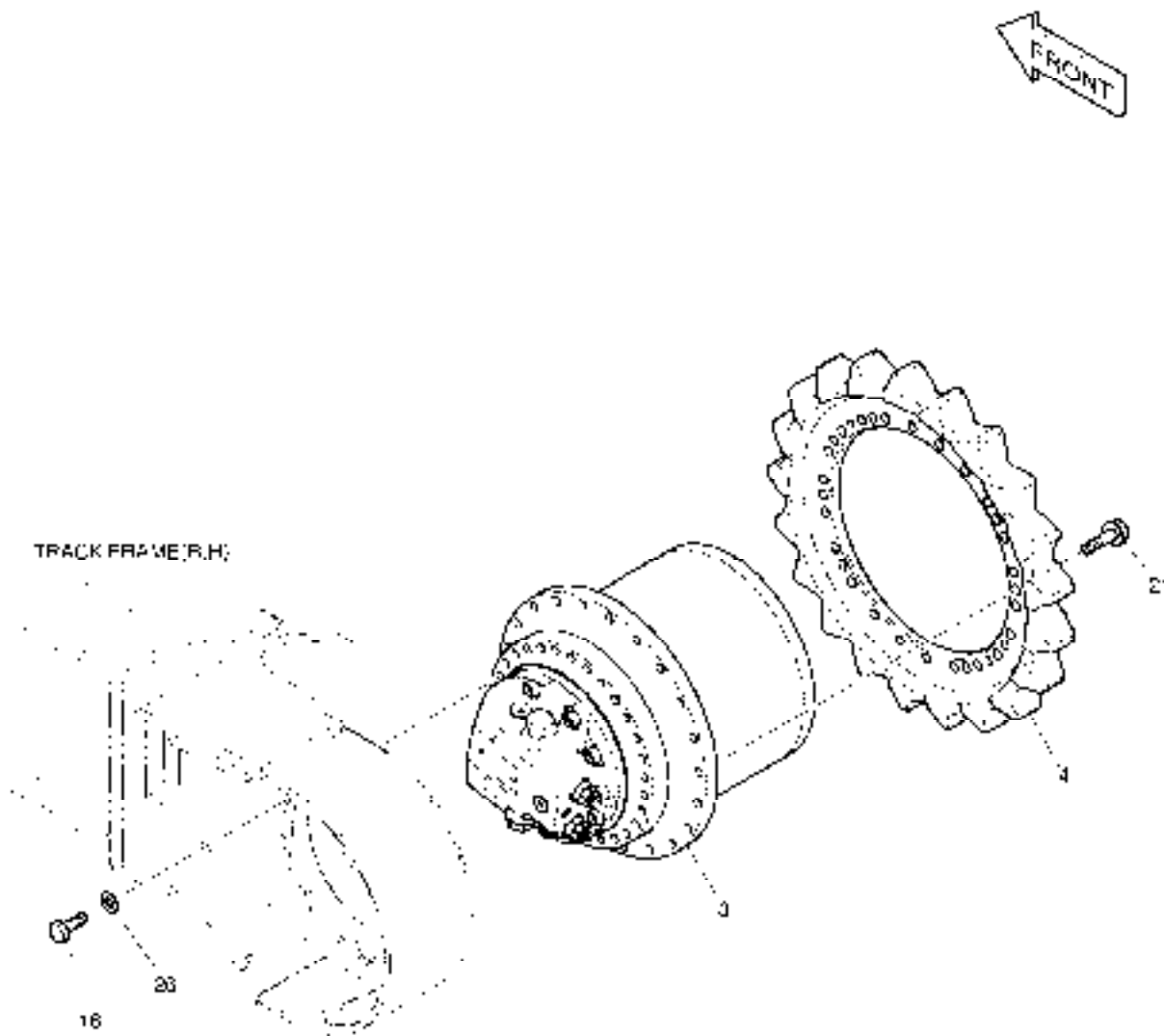
Serial No. ;

Key No.	Part No.	Description	Description	Q'ty	S.C	Serial No.	ICA	Replaceable part	
								Part No.	Q'ty
2110 --	K1039703B	TRACK ASS'Y	TRAIN	-	D				
3	K1037757	TRAVEL DEVICE	DISPOSITIF DE VOYAGE	2		5001-6978	Y	170401-00039	2
	170401-00039	DEVICE,TRAVEL	DISPOSITIF DE VOYAGE	2		6979-7482	I	170401-00039A	2
	170401-00039A	DEVICE,TRAVEL	DISPOSITIF DE VOYAGE	2		07483-10721	I	170401-00039B	2
	170401-00039B	DEVICE,TRAVEL	DISPOSITIF DE VOYAGE	2		10722-			
4	K1000682	SPROCKET	COURONNE DENTEE	2		10001-10997	I	200108-00095	2
	200108-00095	SPROCKET	COURONNE DENTEE	2		10998-			
16	S0565666	BOLT M16X2.0X70	BOULON	60					
21	120-00050B	BOLT;FLANGE	BOULON	60					
26	2114-1816A	WASHER	RONDELLE	60					

DATE	SEP. 12, 2012
4th EDITION	

**Fig. 2115 TRAVEL DEVICE(DX220A)
SYSTEME D'TRANSLATION**

Serial No. ;



DATE	SEP. 12, 2012
4th EDITION	

**Fig. 2115 TRAVEL DEVICE(DX220A)
SYSTEME D'TRANSLATION**

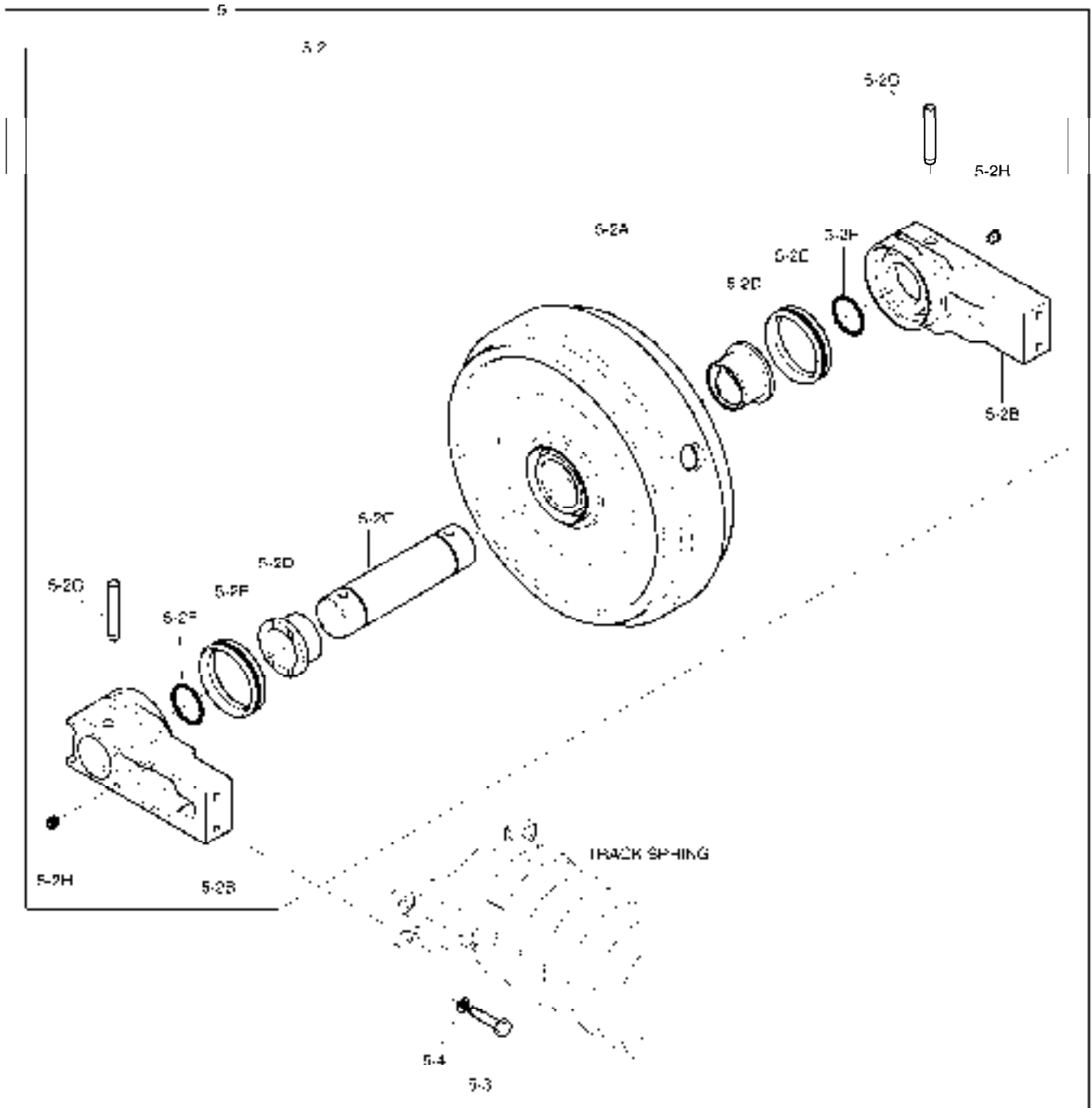
Serial No. ;

Key No.	Part No.	Description	Description	Q'ty	S.C	Serial No.	ICA	Replaceable part	
								Part No.	Q'ty
2115 --	K1039703B	TRACK ASS'Y	TRAIN	-	D				
3	170401-00039B	DEVICE,TRAVEL	DISPOSITIF DE VOYAGE	2					
4	200108-00008A	SPROCKET	PIGNON	2					
16	S0565666	BOLT M16X2.0X70	BOULON	60					
21	120-00050B	BOLT;FLANGE	BOULON	60					
26	2114-1816A	WASHER	RONDELLE	60					

DATE	SEP. 12, 2012
4th EDITION	

**Fig. 2120 IDLER(DX225LCA)
BARBOTIN**

Serial No. ;



DATE	SEP. 12, 2012
4th EDITION	

**Fig. 2120 IDLER(DX225LCA)
BARBOTIN**

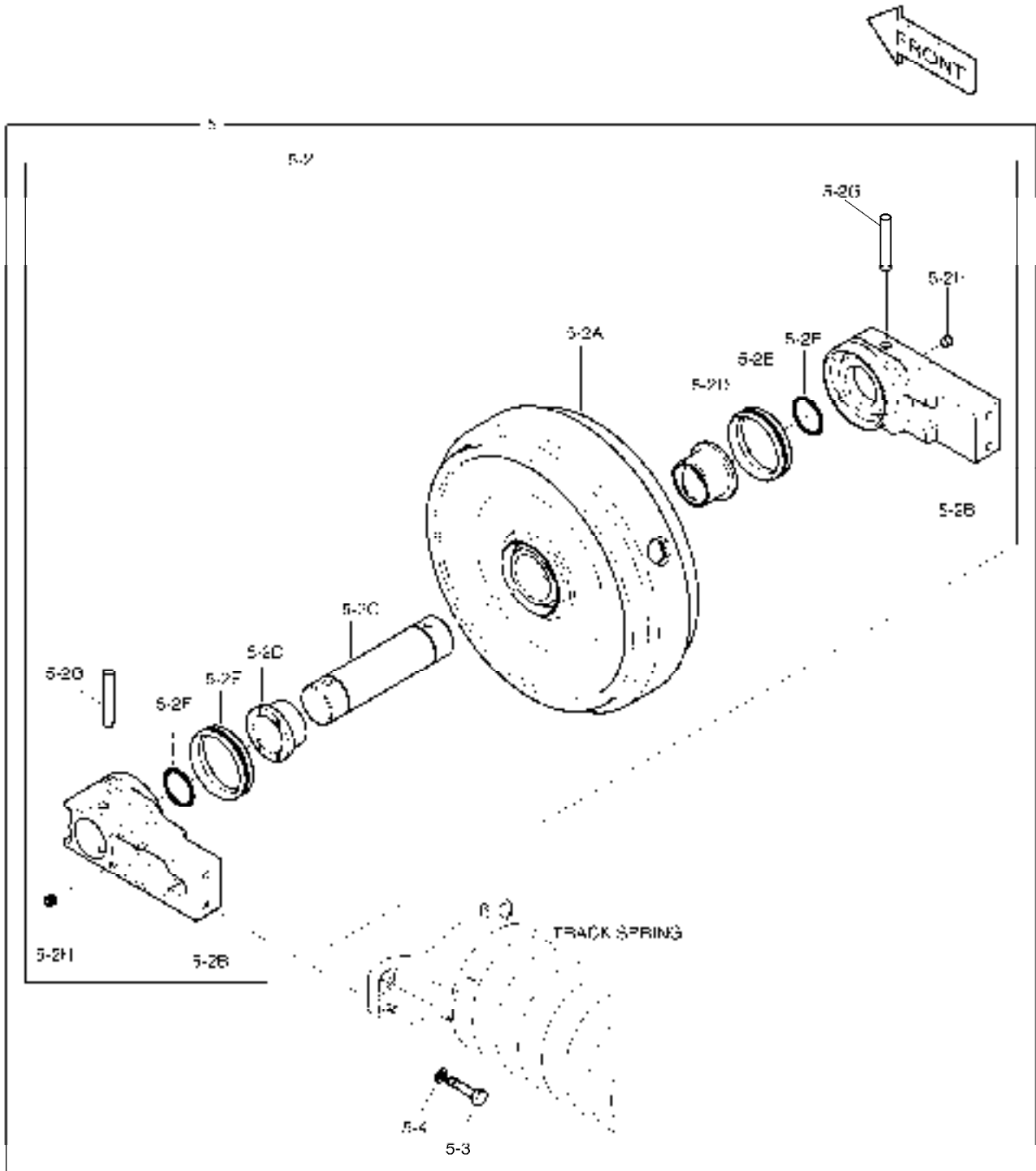
Serial No. ;

Key No.	Part No.	Description	Description	Q'ty	S.C	Serial No.	ICA	Replaceable part	
								Part No.	Q'ty
2120 --	K1039703B	TRACK ASS'Y	TRAIN	-	D				
5	K1039702	ADJUSTER ASS'Y	SUPPORT	2		5001-6176	I	200101-00033	2
	200101-00033	ADJUSTER ASS'Y,TRACK	TENDEUR DE CHENILLE	2		6177-			
5-2	270-00063B	. IDLER ASS'Y	. ENSEMBLE BARBOTIN	1		5001-6176	I	200102-00052	1
	200102-00052	. IDLER ASS'Y	. ENSEMBLE BARBOTIN	1		6177-			
5-2A	-	.. BODY	.. CORPS	1	D				
5-2B	271-00026	.. SUPPORT	.. SUPPORT	2		5001-6176	I	140204-00005	2
	140204-00005	.. SUPPORT	.. APPUI	2		6177-			
5-2C	2220-1013	.. AXLE	.. ESSIEU	1					
5-2D	K1036466	.. BUSHING	.. BUSHING	2					
5-2E	2180-9020	.. SEAL;GROUP	.. CACHET	2					
5-2F	S8010700	.. O-RING	.. JOINT CIRCULAIRE	2					
5-2G	2123-1011	.. PIN	.. GOUPILLE	2					
5-2H	2181-1116D2	.. PLUG	.. BOUCHON	2					
5-3	S0565466	. BOLT	. BOULON A 6 PANS	4					
5-4	S5102903	. WASHER,SPRING	. RONDELLE	4					

DATE	SEP. 12, 2012
4th EDITION	

**Fig. 2125 IDLER(DX220A)
BARBOTIN**

Serial No. ;



DATE	SEP. 12, 2012
4th EDITION	

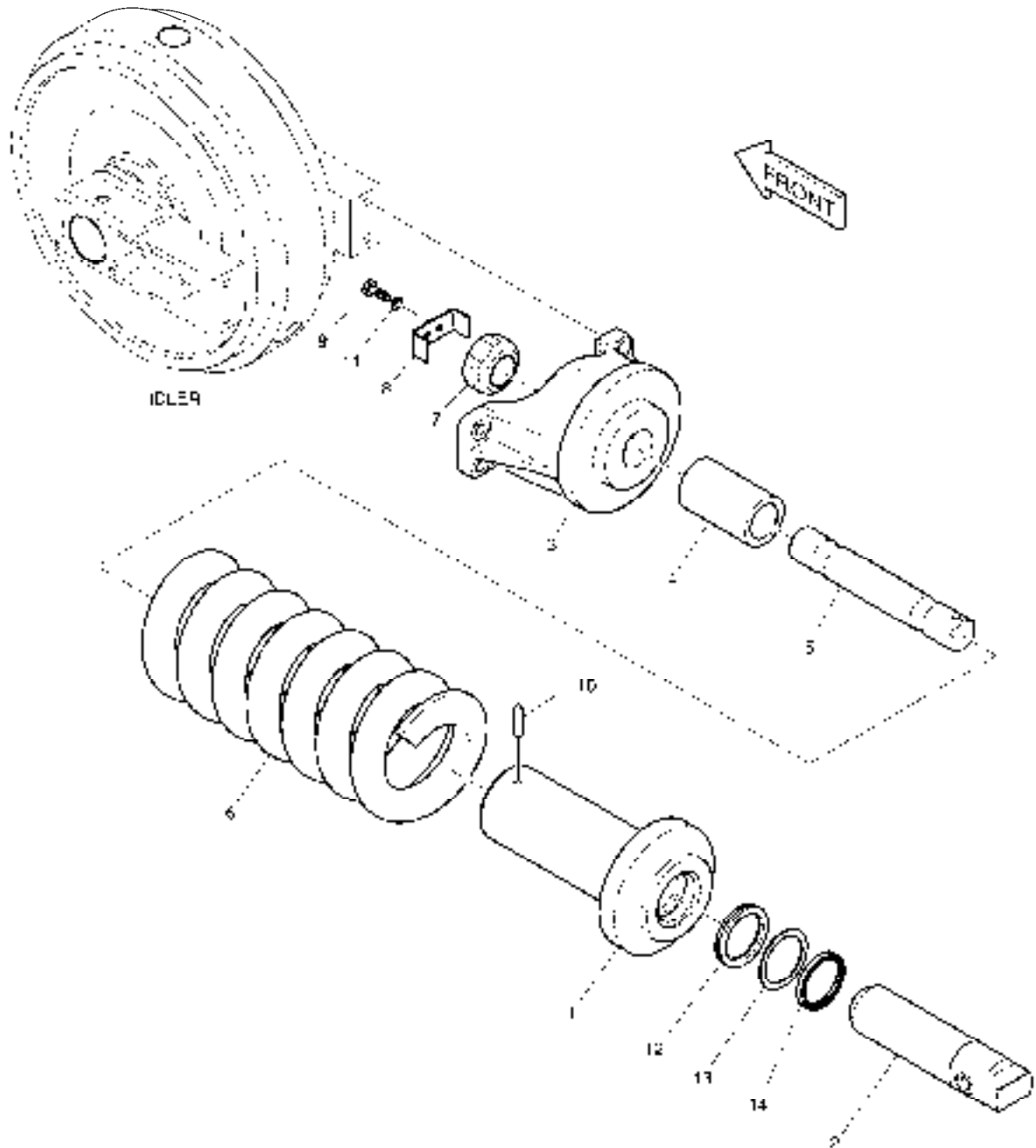
**Fig. 2125 IDLER(DX220A)
BARBOTIN**

Serial No. ;

Key No.	Part No.	Description	Description	Q'ty	S.C	Serial No.	ICA	Replaceable part	
								Part No.	Q'ty
2125 --	650105-00126	UNDERCARRIAGE ASSY;STD	TRAIN	-	D				
5	K1039702	ADJUSTER ASS'Y	SUPPORT	2					
5-2	270-00063B	. IDLER ASS'Y	. ENSEMBLE BARBOTIN	1					
5-2A	-	.. BODY	.. CORPS	1	D				
5-2B	271-00026	.. SUPPORT	.. SUPPORT	2					
5-2C	2220-1013	.. AXLE	.. ESSIEU	1					
5-2D	K1036466	.. BUSHING	.. BUSHING	2					
5-2E	2180-9020	.. SEAL;GROUP	.. CACHET	2					
5-2F	S8010700	.. O-RING	.. JOINT CIRCULAIRE	2					
5-2G	2123-1011	.. PIN	.. GOUPILLE	2					
5-2H	2181-1116D2	.. PLUG	.. BOUCHON	2					
5-3	S0565466	. BOLT	. BOULON A 6 PANS	4					
5-4	S5102903	. WASHER,SPRING	. RONDELLE	4					

**Fig. 2130 TRACK SPRING
TENDEUR DE CHENILLE**

Serial No. ;



DATE	SEP. 12, 2012
4th EDITION	

**Fig. 2130 TRACK SPRING
TENDEUR DE CHENILLE**

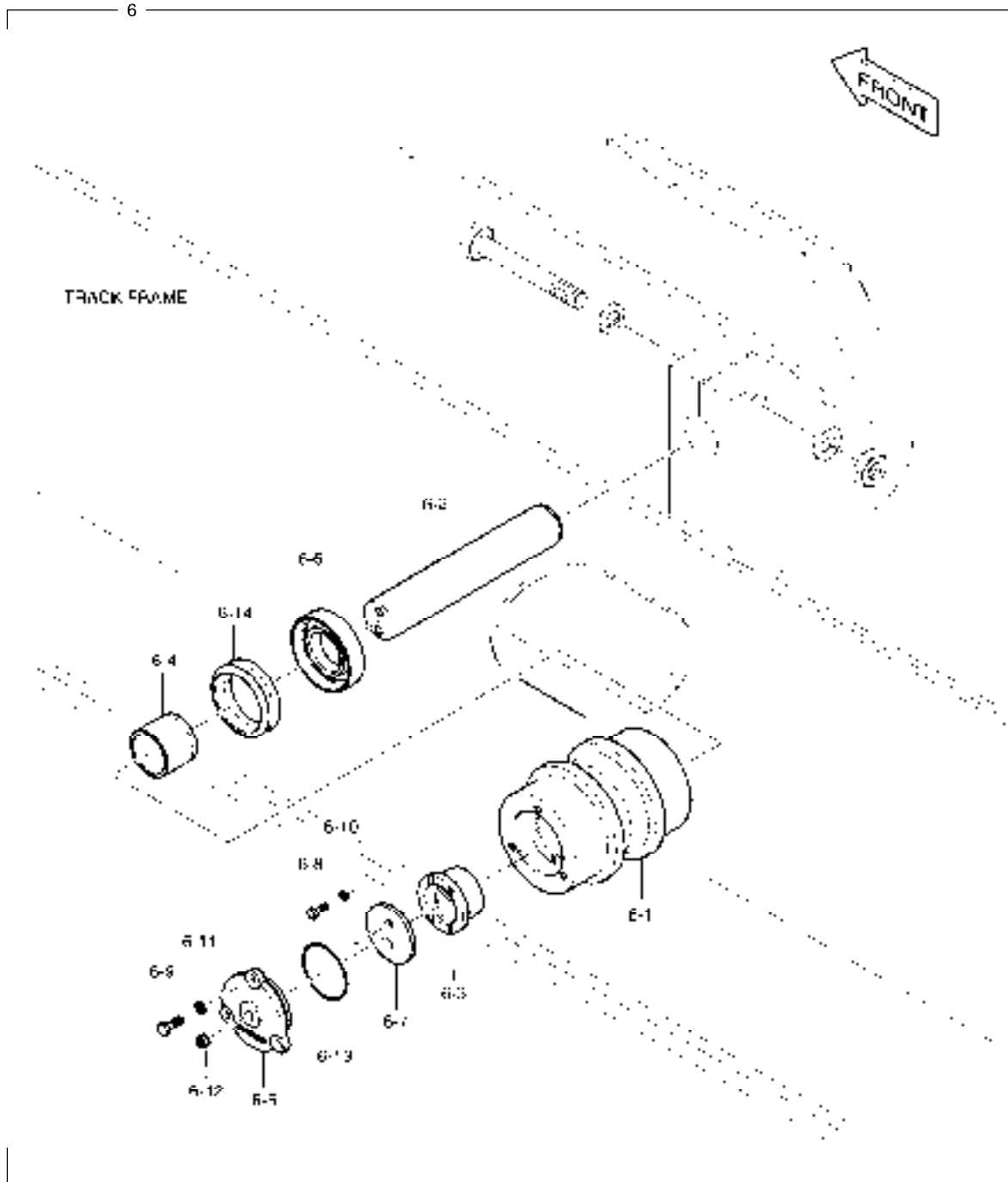
Serial No. ;

Key No.	Part No.	Description	Description	Q'ty	S.C	Serial No.	ICA	Replaceable part	
								Part No.	Q'ty
2130 --	K1038864	TRACK SPRING	RESSORT DE VOIE	2					
1	K1038865	BODY	CORPS	1					
2	K1039450	ROD;PISTON	TIGE	1					
3	K1039451	BRACKET	SUPPORT	1					
4	K1039452	SPACER	ENTRETOISE	1					
5	K1039453	SHAFT	AXE	1					
6	2129-1236	SPRING	RESSORT	1					
7	K1024956	NUT	ECROU	1					
8	621-03707	PLATE	PLAQUE	1					
9	S0512263	BOLT M10X1.5X30	BOLT M10X1.5X30	2					
10	S5741250	PIN;SPRING	GOUPILLE	1					
11	S5102603	WASHER,SPRING	RONDELLE	2					
12	-	PACKING	EMBALLAGE	1	K				
13	-	RING;BACK UP	ANNEAU	1	K				
14	-	SEAL;DUST	CACHET	1	K				
*	K9006882	SEAL KIT;TRACK SPRING	KIT DE JOINT	1					

DATE	SEP. 12, 2012
4th EDITION	

**Fig. 2140 UPPER ROLLER
GALET SUPERIEUR**

Serial No. ; 5001 ~ 6978



DATE	SEP. 12, 2012
4th EDITION	

**Fig. 2140 UPPER ROLLER
GALET SUPERIEUR**

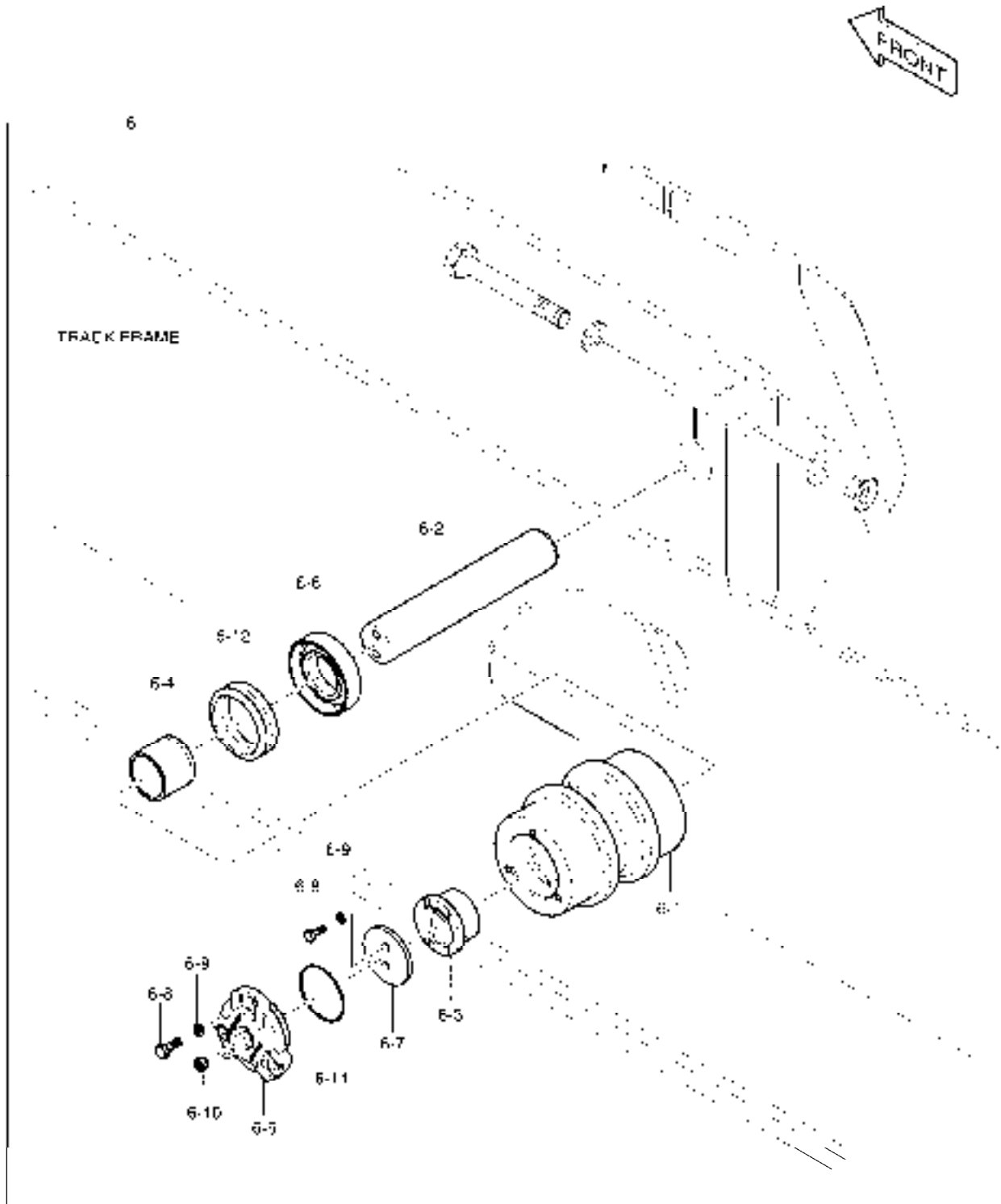
Serial No. : 5001 ~ 6978

Key No.	Part No.	Description	Description	Q'ty	S.C	Serial No.	ICA	Replaceable part	
								Part No.	Q'ty
2140 --	K1039703B	TRACK ASS'Y	TRAIN	-	D				
6	K1037728	ROLLER;UPPER	GALET	4		5001-6176	I	200105-00022	4
	200105-00022	ROLLER,UPPER	GALET SUPERIEUR	4		6177-			
6-1	-	. BODY	. CORPS	1	D				
6-2	K1038389	. SHAFT	. ARBRE	1		5001-6176	I	130712-00208	1
	130712-00208	. SHAFT	. AXE	1		6177-			
6-3	K1038390	. BUSHING	. BUSHING	1					
6-4	K1038391	. BUSHING	. BUSHING	1					
6-5	K1038392	. COVER	. COUVERTURE	1					
6-6	K1038393	. RING;THRUST	. BAGUE	1		5001-6176	I	401003-00094	1
	401003-00094	. RING,THRUST	. ANNEAU	1		6177-			
6-7	K1038394	. WASHER	. RONDELLE	1					
6-8	S0712061	. BOLT	. BOULON	2					
6-9	S0508861	. BOLT M8X1.25X20	. BOULON	3					
6-10	S5102603	. WASHER,SPRING	. RONDELLE	2					
6-11	S5102503	. WASHER,SPRING	. RONDELLE	3					
6-12	2181-1116D2	. PLUG	. BOUCHON	1					
6-13	S8010650	. O-RING	. JOINT CIRCULAIRE	1					
6-14	2180-9005B	. SEAL;FLOATING	. CACHET	2					

DATE	SEP. 12, 2012
4th EDITION	

**Fig. 2141 UPPER ROLLER
GALET SUPERIEUR**

Serial No. ; 6979 ~



DATE	SEP. 12, 2012
4th EDITION	

**Fig. 2141 UPPER ROLLER
GALET SUPERIEUR**

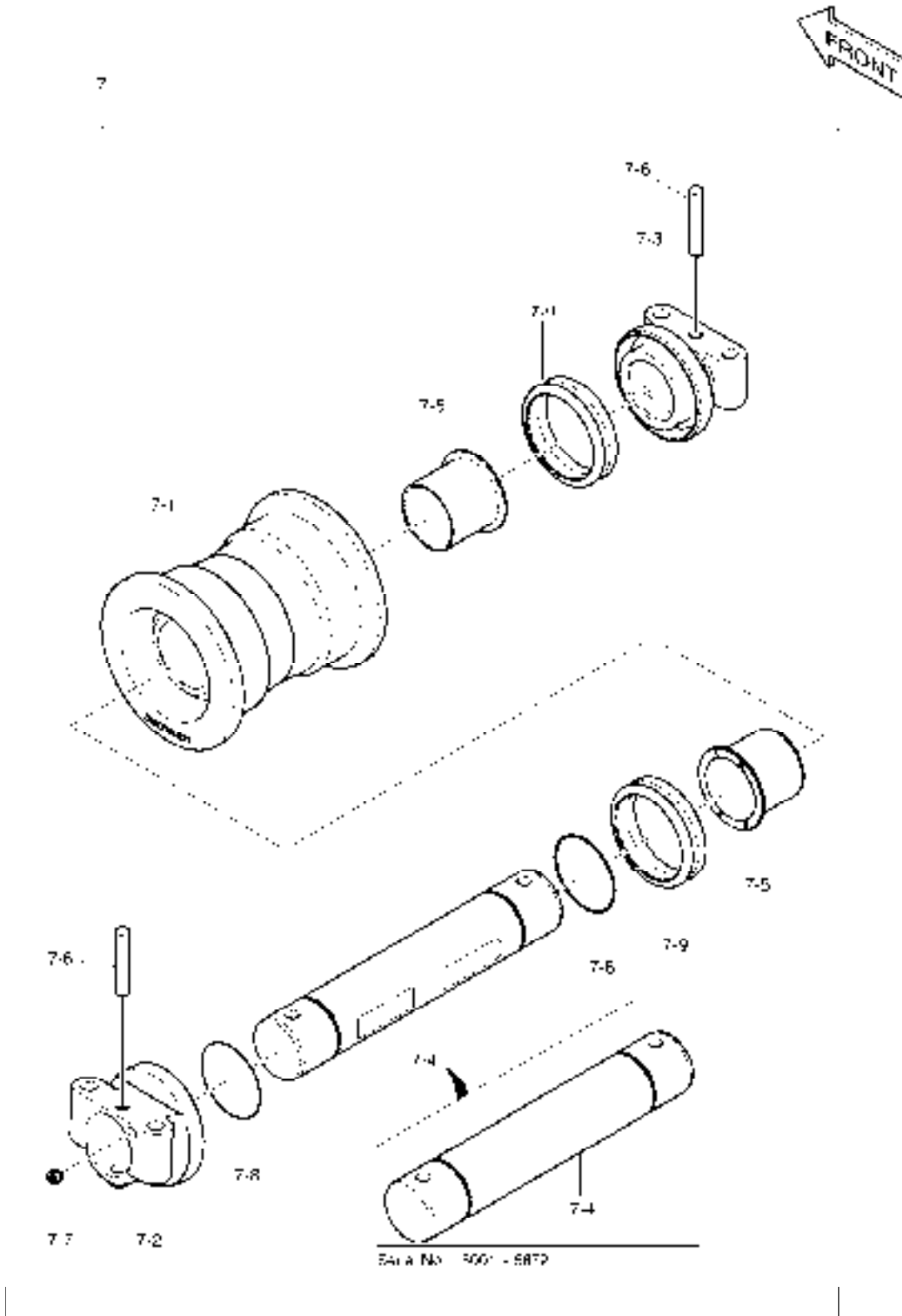
Serial No. ; 6979 ~

Key No.	Part No.	Description	Description	Q'ty	S.C	Serial No.	ICA	Replaceable part	
								Part No.	Q'ty
2141 --	650105-00059	UNDERCARRIAGE ASSY	TRAIN	-	D				
6	200105-00025	ROLLER,UPPER	GALET SUPERIEUR	4					
6-1	-	. BODY ASSY;UPPER ROLLER	. CARTER	1	D				
6-2	130712-00293	. SHAFT;UPPER ROLLER	. AXE	1					
6-3	130702-00066	. BUSHING	. DOUILLE	1					
6-4	130702-00065	. BUSHING	. DOUILLE	1					
6-5	110508-01424	. COVER;UPPER ROLLER	. COUVERCLE	1					
6-6	401003-00145	. RING,THRUST	. BAGUE	1					
6-7	120810-00084	. WASHER;UPPER ROLLER	. RONDELLE	1					
6-8	S0512061	. BOLT M10X1.5X25	. BOULON A 6 PANS	5					
6-9	S5102603	. WASHER,SPRING	. RONDELLE	5					
6-10	2181-6005	. PLUG	. BOUCHON	1					
6-11	2180-6005	. O-RING	. JOINT TORIQUE	1					
6-12	2180-9005B	. SEAL;FLOATING	. CACHET	1					

DATE	SEP. 12, 2012
4th EDITION	

**Fig. 2150 LOWER ROLLER
GALET INFERIEUR**

Serial No. ;



DATE	SEP. 12, 2012
4th EDITION	

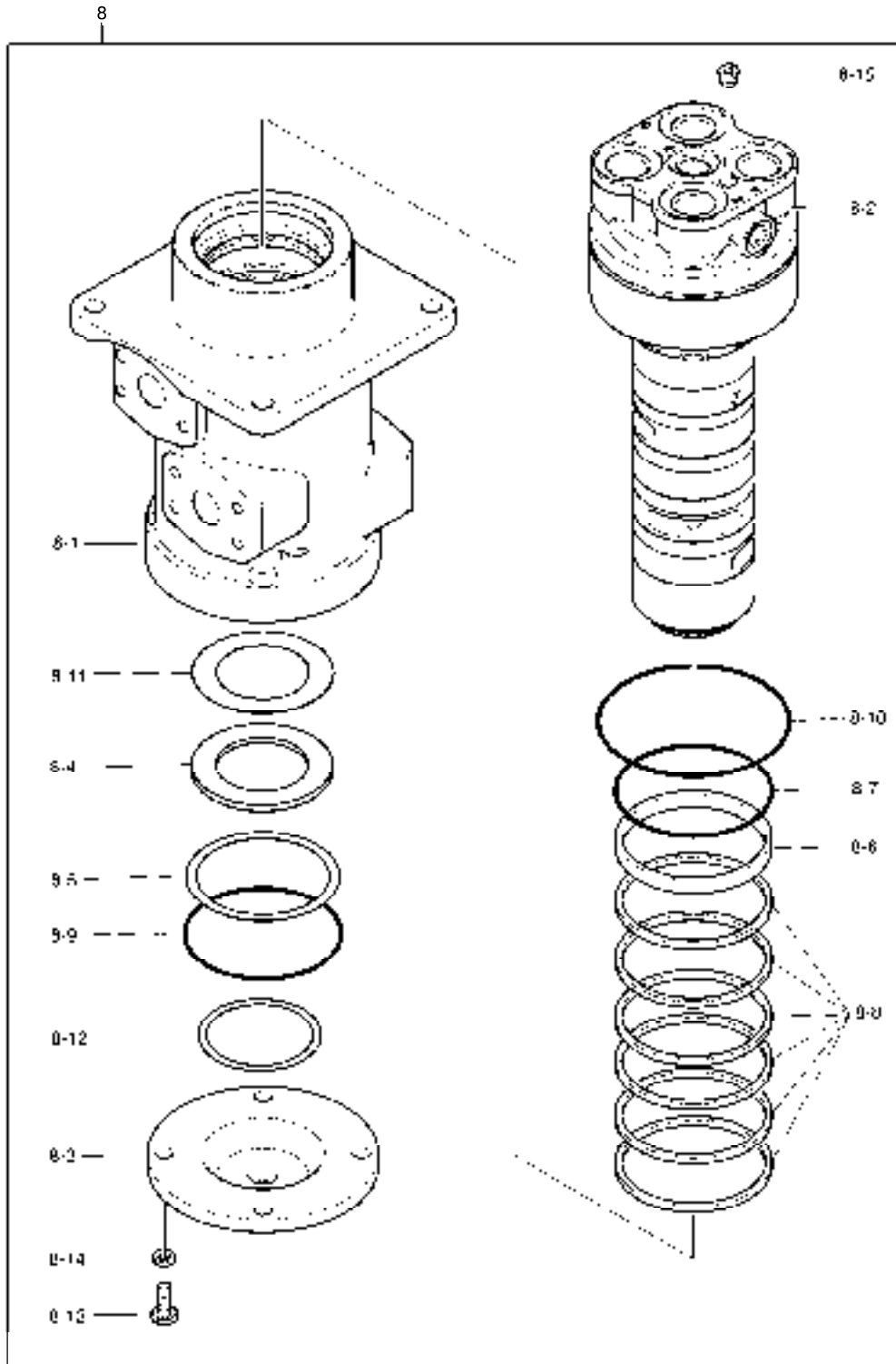
**Fig. 2150 LOWER ROLLER
GALET INFERIEUR**

Serial No. ;

Key No.	Part No.	Description	Description	Q'ty	S.C	Serial No.	ICA	Replaceable part	
								Part No.	Q'ty
2150 --	K1039703B	TRACK ASS'Y	TRAIN	-	D	5001-5871			
	650105-00059	UNDERCARRIAGE ASSY	TRAIN	-	D	5872-			
7	K1037713A	ROLLER;LOWER	GALET	18		5001-5871	Y	200104-00021	18
	200104-00021	ROLLER,LOWER	GALET	18		5872-7686	Y	200104-00044	18
	200104-00044	ROLLER,LOWER	GALET	18		7687-			
7-1	-	. BODY	. CORPS	1	D				
7-2	K1038383A	. COLLAR	. COLLIER	1		5001-5871			
	110917-00013	. COLLAR;A	. BRIDE	1		5872-			
7-3	K1038386A	. COLLAR	. COLLIER	1		5001-5871			
	110917-00014	. COLLAR;B	. BRIDE	1		5872-			
7-4	K1038387	. SHAFT	. AXE	1		5001-5871	I	130712-00125	1
	130712-00125	. SHAFT	. AXE	1		5872-			
7-5	K1013713A	. BUSHING	. BUSHING	2					
7-6	K1013714	. PIN	. GOUPILLE	2					
7-7	2181-1116D2	. PLUG	. BOUCHON	1					
7-8	S8010600	. O-RING	. JOINT CIRCULAIRE	2					
7-9	2180-9098	. SEAL;FLOATING	. CACHET	2					

**Fig. 2160 CENTER JOINT
JOINT CENTRAL**

Serial No. ; 5001 ~ 12604



DATE	SEP. 12, 2012
4th EDITION	

**Fig. 2160 CENTER JOINT
JOINT CENTRAL**

Serial No. ; 5001 ~ 12604

Key No.	Part No.	Description	Description	Q'ty	S.C	Serial No.	ICA	Replaceable part	
								Part No.	Q'ty
2160 --	K1039703B	TRACK ASS'Y	TRAIN	-	D				
8	K1038790	JOINT;CENTER	JOINT	1					
8-1	K1038791	. HUB	. MOYEU	1					
8-2	K1038792	. SPINDLE	. AXE	1					
8-3	K1038793	. COVER	. COUVERTURE	1					
8-4	K1038794	. SPACER	. ENTRETOISE	1					
8-5	S6500600	. RING;RETAINER	. ANNEAU	1					
8-6	-	. RING;WEAR	. ANNEAU	1	K				
8-7	S8000901	. O-RING	. JOINT CIRCULAIRE	1	K				
8-8	-	. SEAL;SLIPPER	. JOINT	6	K				
8-9	S8011000	. O-RING	. JOINT CIRCULAIRE	1	K				
8-10	S8001050	. O-RING	. JOINT CIRCULAIRE	1	K				
8-11	K9006884	. SHIM	. CALE	1					
8-12	K9006883	. SHIM	. CALE	1					
8-13	S0515253	. BOLT M12X1.75X30	. BOULON	4					
8-14	S5102703	. WASHER;SPRING	. RONDELLE	4					
8-15	2181-1116D2	. PLUG	. BOUCHON	1					
*	K1038790KT	SEAL KIT;CENTER JOINT	KIT DE JOINT	1					

DATE	SEP. 12, 2012
4th EDITION	

**Fig. 2161 CENTER JOINT
JOINT CENTRAL**

Serial No. ; 12605 ~

DATE	SEP. 12, 2012
4th EDITION	

**Fig. 2161 CENTER JOINT
JOINT CENTRAL**

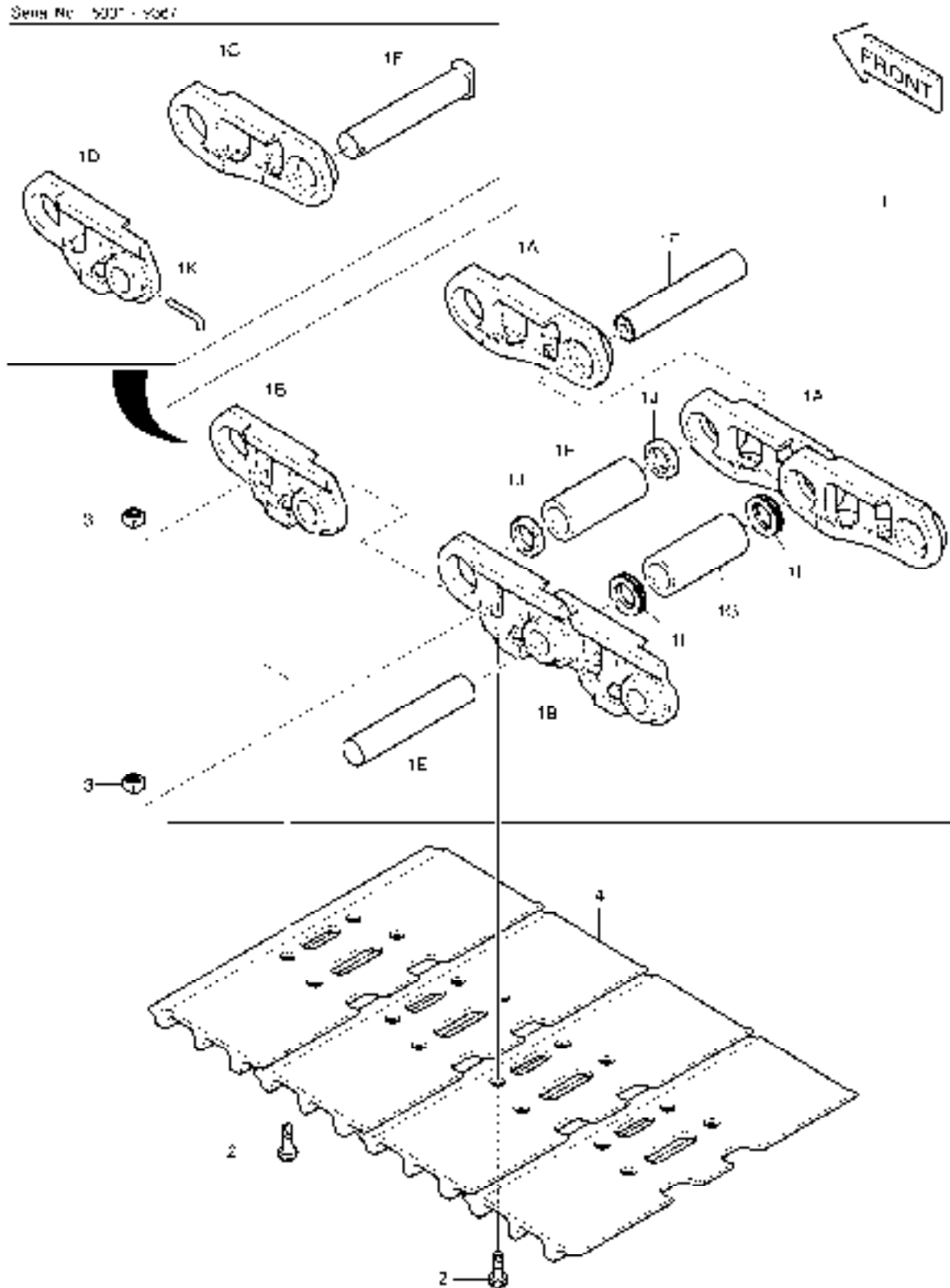
Serial No. ; 12605 ~

Key No.	Part No.	Description	Description	Q'ty	S.C	Serial No.	ICA	Replaceable part	
								Part No.	Q'ty
2161 --	650105-00059	UNDERCARRIAGE ASSY	TRAIN	-	D				
8	400826-00011A	JOINT,CENTER	JOINT CENTRAL	1					
8-1	900122-00112	. HUB	. MOYEU	1					
8-2	130713-01619	. SPINDLE	. AXE	1					
8-3	K1038793	. COVER	. COUVERTURE	1					
8-4	K1038794	. SPACER	. ENTRETOISE	1					
8-5	S6500600	. RING;RETAINER	. ANNEAU	1					
8-6	S8000801	. O-RING	. JOINT TORIQUE	1	K				
8-7	-	. SEAL;DUST	. JOINT	1	K				
8-8	-	. SEAL;SLIPPER	. JOINT	7	K				
8-9	S8011000	. O-RING	. JOINT CIRCULAIRE	1	K				
8-10	S8001050	. O-RING	. JOINT CIRCULAIRE	1	K				
8-11	K9006884	. SHIM	. CALE	1					
8-12	K9006883	. SHIM	. CALE	1					
8-13	S0515253	. BOLT M12X1.75X30	. BOULON	4					
8-14	S5102703	. WASHER;SPRING	. RONDELLE	4					
8-15	2181-1116D2	. PLUG	. BOUCHON	1					
*	401107-01330	SEAL KIT,CENTER JOINT	KIT DE JOINT	1					

DATE	SEP. 12, 2012
4th EDITION	

Fig. 2170 TRACK SHOE ASS'Y - 600G(DX225LCA)
MAILLON DE CHAÎNE

Serial No. ;



DATE	SEP. 12, 2012
4th EDITION	

Fig. 2170 TRACK SHOE ASS'Y - 600G(DX225LCA)
MAILLON DE CHAINE

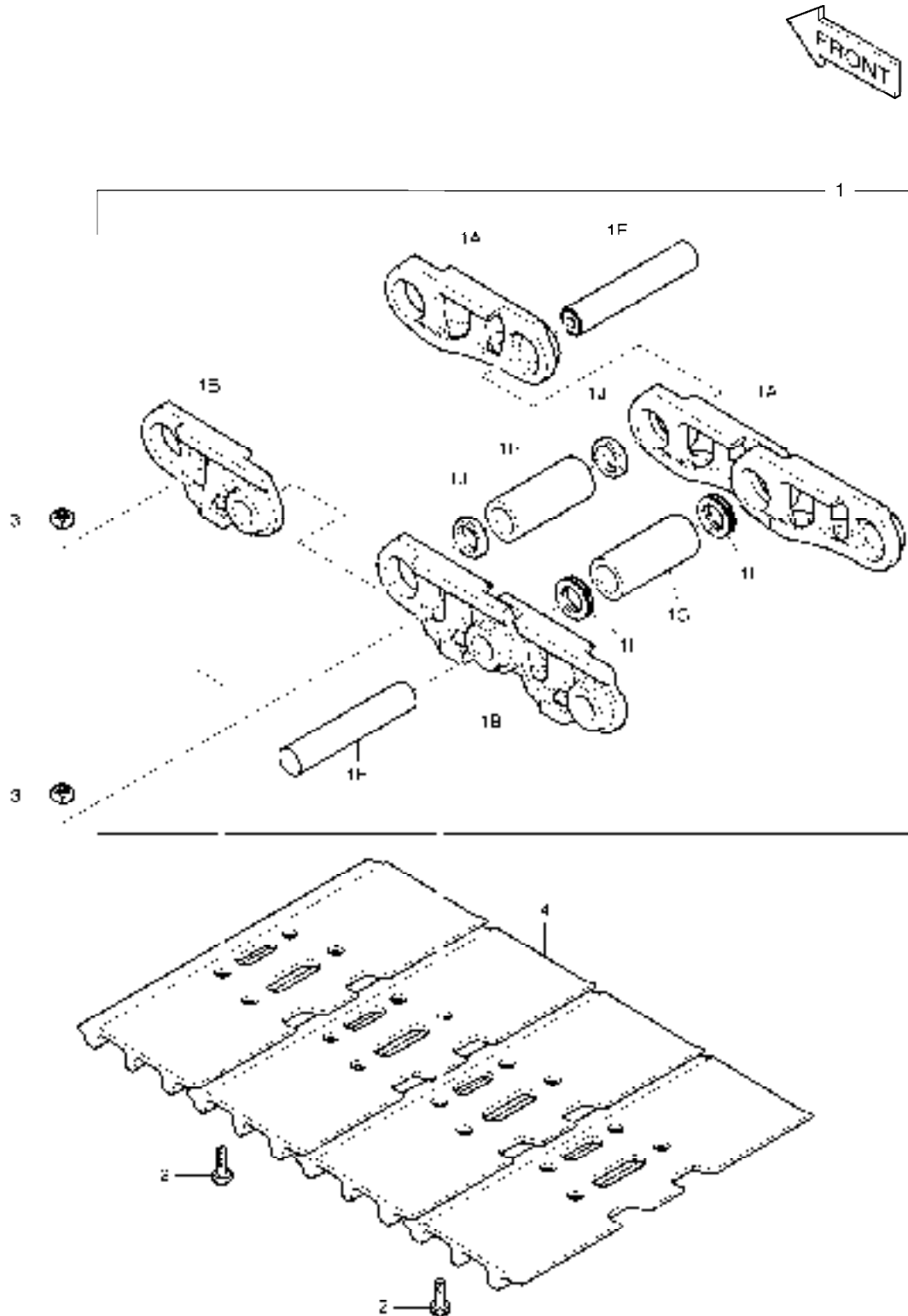
Serial No. ;

Key No.	Part No.	Description	Description	Q'ty	S.C	Serial No.	ICA	Replaceable part	
								Part No.	Q'ty
2170 --	K1038365	TRACK SHOE ASS'Y	MAILLON DE CHAINE	2		5001-9367	I	200106-00346	2
	200106-00346	SHOE ASSY,TRACK;600MM	MAILLON DE CHAINE	2		09368-11735	I	200106-00346A	2
	200106-00346A	SHOE ASSY,TRACK;600MM	MAILLON DE CHAINE	2		11736-			
1	K1038366	TRACK LINK ASS'Y	ENSEMBLE MAILLON DE C	1		5001-9367	I	200103-00102	1
	200103-00102	TRACK LINK ASS'Y	ENSEMBLE MAILLON DE C	1		09368-11735	Y	200103-00102A	1
	200103-00102A	TRACK LINK ASS'Y	ENSEMBLE MAILLON DE C	1		11736-			
1A	K1038367	. LINK;TRACK(RH)	. PIECE DE JONCTION	48		5001-9367			
	K1038367	. LINK;TRACK(RH)	. PIECE DE JONCTION	49		9368-			
1B	K1038368	. LINK;TRACK(LH)	. PIECE DE JONCTION	48		5001-9367			
	K1038368	. LINK;TRACK(LH)	. PIECE DE JONCTION	49		9368-			
1C	K1038429	. LINK;MASTER(RH)	. PIECE DE JONCTION	1		5001-9367			
1D	K1038430	. LINK;MASTER(LH)	. PIECE DE JONCTION	1		5001-9367			
1E	K1038369	. PIN	. GOUPILLE	48					
1F	K1038370	. PIN;MASTER	. GOUPILLE	1		5001-9367			
	120501-01370	. PIN,MASTER	. GOUPILLE	1		9368-			
1G	K1038371	. BUSHING	. DOUILLE	48					
1H	K1038372	. BUSHING;MASTER	. DOUILLE	1					
1I	K1038373	. SEAL;DUST	. CACHET	96					
1J	K1038374	. SPACER	. ENTRETOISE	2					
1K	K1038376	. PIN;SMALL	. GOUPILLE	1		5001-9367			
2	K1038377	BOLT	BOULON	196					
3	K1038378	NUT	ECROU	196					
4	K1038379	SHOE 600mm	CHAUSSURE	49					

DATE	SEP. 12, 2012
4th EDITION	

Fig. 2175 TRACK SHOE ASS'Y - 600G(DX220A)
MAILLON DE CHAÎNE

Serial No. ;



DATE	SEP. 12, 2012
4th EDITION	

Fig. 2175 TRACK SHOE ASS'Y - 600G(DX220A)
MAILLON DE CHAINE

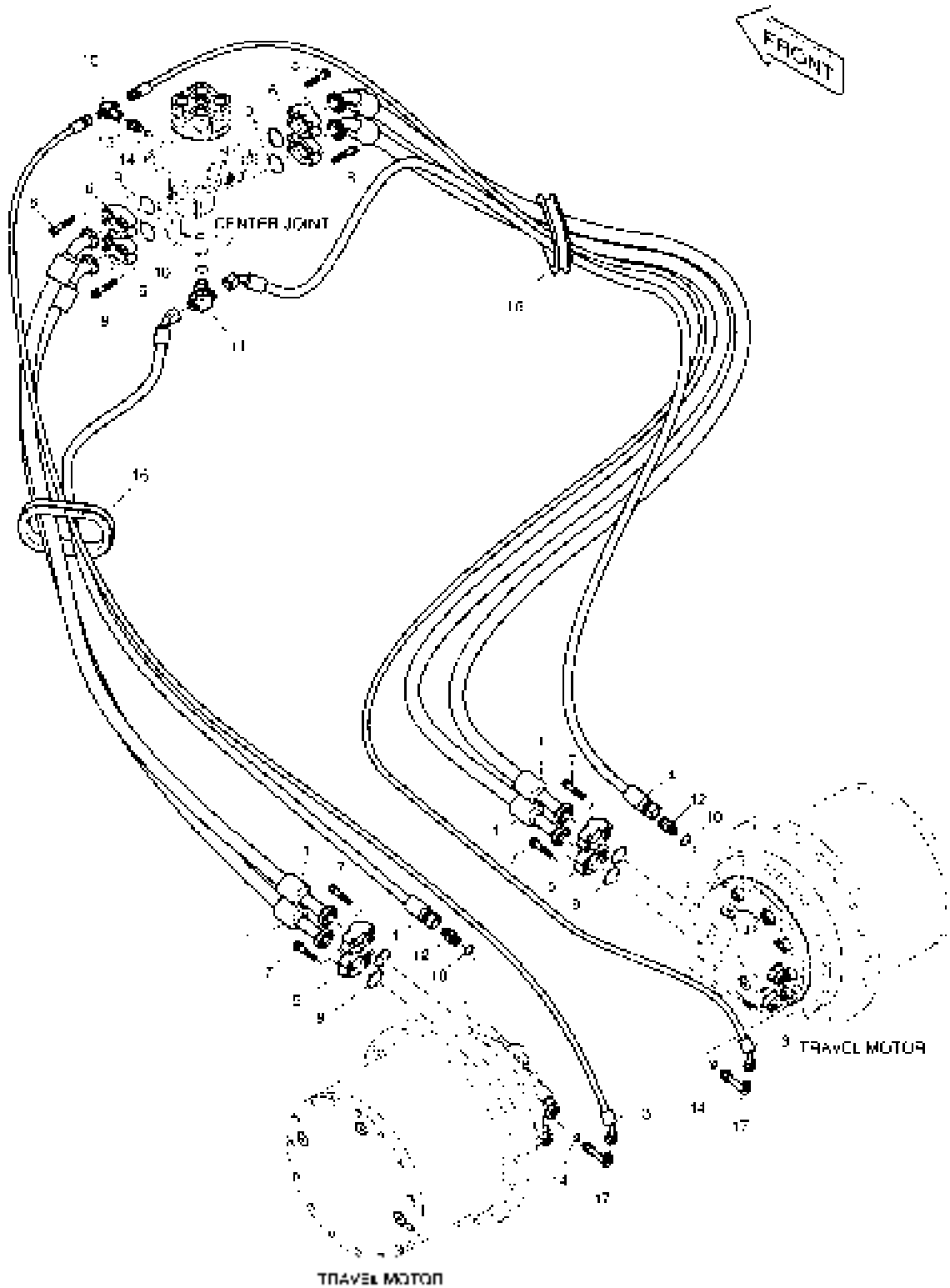
Serial No. ;

Key No.	Part No.	Description	Description	Q'ty	S.C	Serial No.	ICA	Replaceable part	
								Part No.	Q'ty
2175 --	200106-00191	SHOE ASSY,TRACK	MAILLON DE CHAINE	2					
1	200103-00084A	LINK ASSY,TRACK	ENSEMBLE MAILLON DE CHAINE	1					
1A	101539-00136	. LINK;(R.H)	. LIEN	45					
1B	101539-00137	. LINK;(L.H)	. LIEN	45					
1E	2123-6060	. PIN	. GOUPILLE	44					
1F	120501-01341	. PIN,LINK;MASTER	. GOUPILLE	1					
1G	130702-00118	. BUSHING	. DOUILLE	44					
1H	130702-00119	. BUSHING;MASTER	. MANCHON	1					
1I	180-00441	. SEAL;DUST	. JOINT	88					
1J	2114-6035	. SPACER	. ENTERTOISE	2					
2	2120-6017	BOLT	BOULON A 6 PANS	180					
3	120312-00134	NUT,TRACK SHOE;(M20)	ECROU	180					
4	200106-00262D1	SHOE,TRACK(600mm)	SABOT	45					

DATE	SEP. 12, 2012
4th EDITION	

**Fig. 2180 TRAVEL PIPING - LONG CRAWLER(DX225LCA)
ARMATURE DE VOYAGE**

Serial No. ;



DATE	SEP. 12, 2012
4th EDITION	

**Fig. 2180 TRAVEL PIPING - LONG CRAWLER(DX225LCA)
ARMATURE DE VOYAGE**

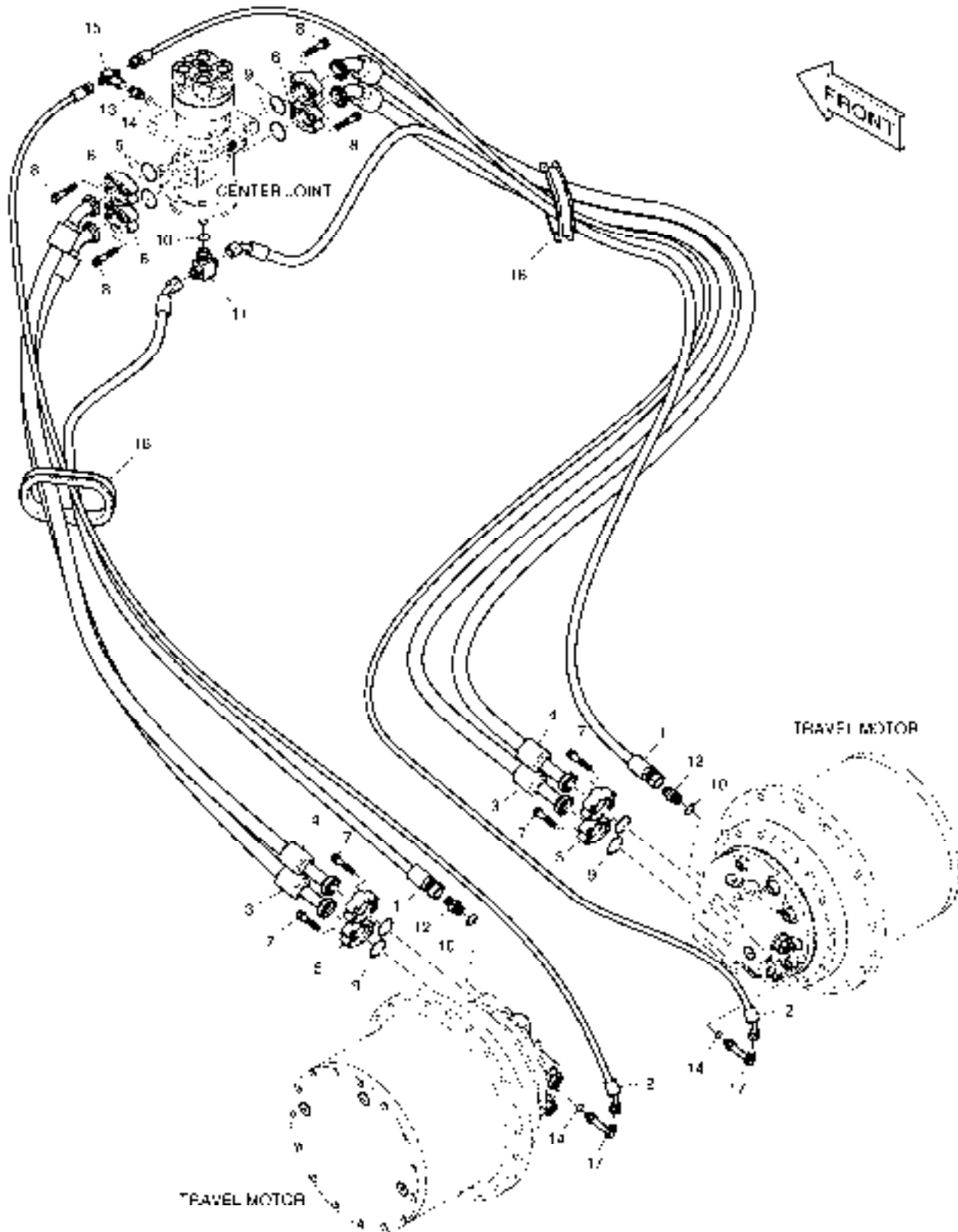
Serial No. ;

Key No.	Part No.	Description	Description	Q'ty	S.C	Serial No.	ICA	Replaceable part	
								Part No.	Q'ty
2180 --	K1044576B	TRAVELLING PIPING	TUYAUTERIE DE DEPLACEMENT	-	D				
1	DS2112002	HOSE	TUYAU FLEXIBLE	4					
3	DS2092177	HOSE	TUYAU FLEXIBLE	2					
4	DS2054217	HOSE	TUYAU FLEXIBLE	2					
5	2181-9078	FLANGE	BRIDE	8					
6	2181-9081	FLANGE;SPLIT	BRIDE	8					
7	S2212266	BOLT;SOCKET M10X1.5X30	BOULON A 6 PANS CREUX	16					
8	S2215466	BOLT;SOCKET M12X1.75X40	BOULON	16					
9	2180-1026D19	O-RING	JOINT CIRCULAIRE	8					
10	S8000181	O-RING	JOINT CIRCULAIRE	3					
11	2181-2281D10	TEE	TE	1					
12	2181-1126D6	ADAPTER	ADAPTEUR	2					
13	2181-1126D14	ADAPTER	ADAPTEUR	1					
14	S8000111	O-RING	JOINT TORIQUE	3					
15	2181-4125	TEE	TE	1					
16	160-00069	BUSHING;RUBBER	MANCHON CAOUTCHOUC	2					
17	2181-1702D56	ELBOW	COUDE	2					

DATE	SEP. 12, 2012
4th EDITION	

**Fig. 2185 TRAVEL PIPING - STD(DX220A)
ARMATURE DE VOYAGE**

Serial No. ;



DATE	SEP. 12, 2012
4th EDITION	

Fig. 2185 TRAVEL PIPING - STD(DX220A)
ARMATURE DE VOYAGE

Serial No. ;

Key No.	Part No.	Description	Description	Q'ty	S.C	Serial No.	ICA	Replaceable part	
								Part No.	Q'ty
2185 --	420212-07632	TRAVELLING PIPING	TUYAUTERIE DE DEPLACE	-	D				
1	2184-1070D49	HOSE PF1/2-1960L	TUYAU FLEXIBLE	2					
2	DS2092087	HOSE	TUYAU FLEXIBLE	2					
3	DS2112012	HOSE	TUYAU FLEXIBLE	2					
4	DS2112011	HOSE	TUYAU FLEXIBLE	2					
5	2181-9078	FLANGE	BRIDE	8					
6	2181-9081	FLANGE;SPLIT	BRIDE	8					
7	S2212266	BOLT;SOCKET M10X1.5X30	BOULON A 6 PANS CREUX	16					
8	S2215466	BOLT;SOCKET M12X1.75X40	BOULON	16					
9	2180-1026D19	O-RING	JOINT CIRCULAIRE	8					
10	S8000181	O-RING	JOINT CIRCULAIRE	3					
11	2181-2281D10	TEE	TE	1					
12	2181-1126D6	ADAPTER	ADAPTEUR	2					
13	2181-1126D14	ADAPTER	ADAPTEUR	1					
14	S8000111	O-RING	JOINT TORIQUE	3					
15	2181-4125	TEE	TE	1					
16	160-00069	BUSHING;RUBBER	MANCHON CAOUTCHOUC	2					
17	2181-1702D56	ELBOW	COUDE	2					

DATE	SEP. 12, 2012
4th EDITION	

Fig. 3100 BOOM - 5.7m FLECHE

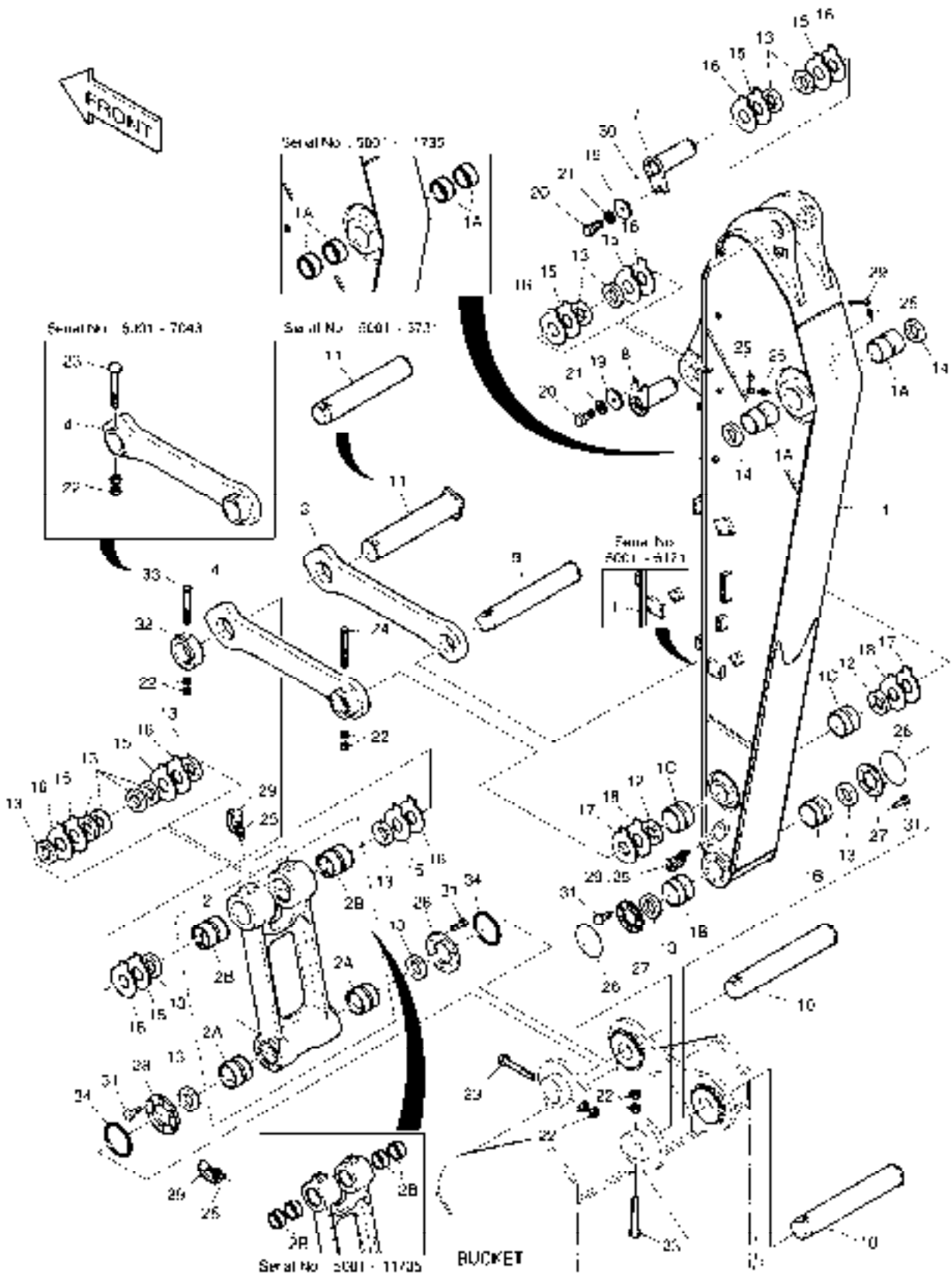
Serial No. ;

Key No.	Part No.	Description	Description	Q'ty	S.C	Serial No.	ICA	Replaceable part	
								Part No.	Q'ty
3100 --	K1037858E	BOOM ASS'Y	FLECHE	-	D	5001-6071			
	230207-00081	BOOM ASS'Y	FLECHE	-	D	6072-			
1	K1037857E	BOOM SUB ASS'Y-5.7M	ENSEMBLE FLECHE	1		05001-11735	Y	230211-00054A	1
	230211-00054A	BOOM,MACHINE;(5.7M)	ENSEMBLE FLECHE	1		11736-			
1A	K1037847A	. BUSHING	. BUSHING	4		05001-11735	Y	131008-00074A	2
	131008-00074A	. BUSHING	. BUSHING	2		11736-			
1B	2180-1106BD6	. SEAL;DUST	. CACHET	2					
2	2123-2180G	PIN	GOUJON	1		5001-8381	I	120501-01812	1
	120501-01812	PIN,BOOM FOOT	GOUJON	1		8382-			
3	123-00409A	PIN	GOUPILLE	2		5001-8240	I	120501-01061	2
	120501-01061	PIN	GOUPILLE	2		8241-			
4	K1007253B	PIN	GOUPILLE	1					
5	2123-2185G	PIN	GOUPILLE	1					
6	2123-2187E	PIN	GOUJON	1		5001-8240	I	120501-01062	1
	120501-01062	PIN	GOUJON	1		8241-			
7	2116-1531A	STOPPER	TAQUET	2					
8	S0567066	BOLT	BOULON	2					
9	S4012933	NUT	ECROU	4					
10	2180-1106BD6	SEAL;DUST	CACHET	2					
11	2180-1106BD24	SEAL;DUST	CACHET	10					
12	DS7752018	SHIM	CALE	4					
13	DS7752012	SHIM	CALE	6					
14	621-03710A	PLATE;STOPPER	PLAQUE	2					
16	2116-1060D6	STOPPER	TAQUET	3					
17	S0521366	BOLT	BOULON	7					
18	S5102903	WASHER,SPRING	RONDELLE	7					
22	DS7752017	SHIM	CALE	2		5001-8973			
	DS7752093	SHIM	CALE	2		8974-			
23	DS7752013	SHIM	CALE	6					
24	DS7752026	SHIM	CALE	2					
25	DS7752027	SHIM	CALE	2					
26	DS7752025	SHIM	CALE	4					
27	DS7752017	SHIM	CALE	2					
28	DS7752093	SHIM	CALE	2		8974-			
44	DS7752028	SHIM	CALE	2		8974-			

DATE	SEP. 12, 2012
4th EDITION	

**Fig. 3110 ARM - 2.9m
BALANCIER**

Serial No. ;



DATE	SEP. 12, 2012
4th EDITION	

Fig. 3110 ARM - 2.9m BALANCIER

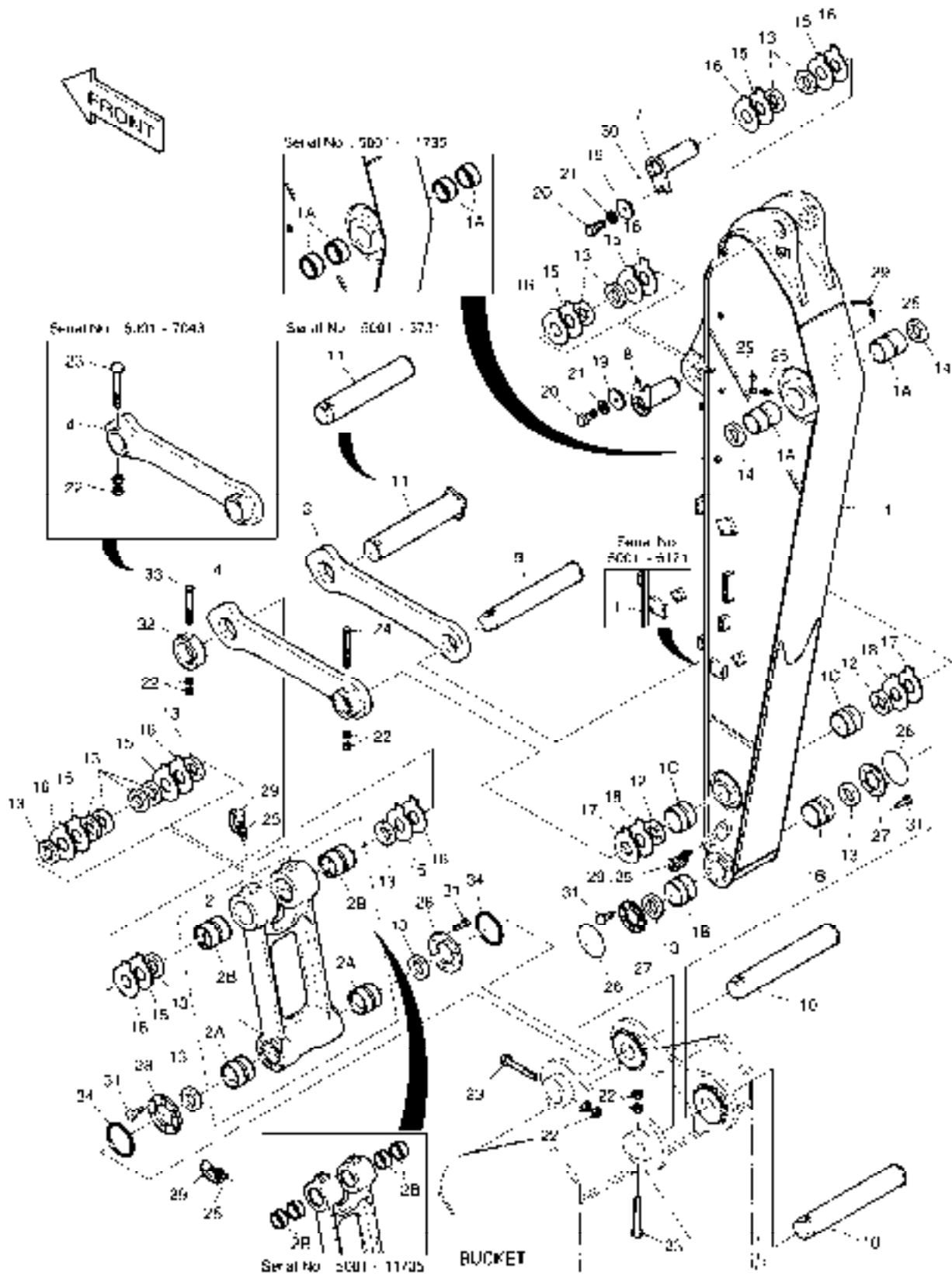
Serial No. ;

Key No.	Part No.	Description	Description	Q'ty	S.C	Serial No.	ICA	Replaceable part	
								Part No.	Q'ty
3110 --	K1037998C	ARM ASS'Y	BALANCIER	-	D	5001-5731			
	230201-00104	ARM ASS'Y	BALANCIER	-	D	5732-			
1	K1037999B	ARM SUB ASS'Y-2.9m	ENSEMBLE BALANCIER	1		5001-6171			
	230204-00083A	ARM;2.9M	ENSEMBLE BALANCIER	1		6172-9957	I	230204-00083B	1
	230204-00083B	ARM;2.9M	ENSEMBLE BALANCIER	1		09958-11735			
	230204-00083E	ARM,MACHINE;2.9M	ENSEMBLE BALANCIER	1		11736-			
1A	K1037848A	. BUSHING	. BUSHING	4		05001-11735	Y	131008-00064A	2
	131008-00064A	. BUSHING	. BUSHING	2		11736-			
1B	K1037849A	. BUSHING	. BUSHING	2		05001-11735	Y	K1000733	2
	K1000733	. BUSHING	. BUSHING	2		11736-			
1C	K1037850A	. BUSHING	. BUSHING	2		05001-11735	Y	K1000734	2
	K1000734	. BUSHING	. BUSHING	2		11736-			
2	K1041214A	PUSH LINK ASS'Y	ENSEMBLE DE ARTICULAT	1		05001-11735	Y	K1002294	1
	K1002294	PUSH LINK ASS'Y	ENSEMBLE DE ARTICULAT	1		11736-			
2A	K1037852A	. BUSHING	. BUSHING	2		05001-11735	Y	110-00249	2
	110-00249	. BUSHING	. BUSHING	2		11736-			
2B	K1037851A	. BUSHING	. BUSHING	4		05001-11735	Y	K1000735	2
	K1000735	. BUSHING	. BUSHING	2		11736-			
3	2155-1299B	LINK;GUIDE(R.H)	ARTICULATION	1		5001-5731	Y	101540-00012	1
	101540-00012	LINK,GUIDE(R.H)	LIEN	1		5732-			
4	2155-1300B	LINK;GUIDE(L.H)	LIEN	1		5001-7043			
	101540-00028	LINK,GUIDE(L.H)	LIEN	1		7044-			
7	K1046927	PIN	GOUJON	1		5001-8240	Y	120501-01063	1
	120501-01063	PIN	GOUJON	1		8241-			
8	K1002130A	PIN	GOUJON	1		5001-8240	Y	120501-01064	1
	120501-01064	PIN	GOUJON	1		8241-			
9	K1007255A	PIN	GOUJON	1		5001-8240	Y	120501-01065	1
	120501-01065	PIN	GOUJON	1		8241-			
10	2123-2192E	PIN	GOUJON	2		5001-8240	Y	120501-01052	2
	120501-01052	PIN	GOUJON	2		8241-			
11	K1007256A	PIN	GOUJON	1		5001-5731	Y	120501-00130	1
	120501-00130	PIN;BUCKET CYL ROD	GOUJON	1		5732-			
12	2180-1106BD4	SEAL;DUST	CACHET	2					
13	2180-1106BD24	SEAL;DUST	CACHET	14					
14	2180-1106BD6	SEAL;DUST	CACHET	2					
15	DS7752012	SHIM	CALE	8					
16	DS7752013	SHIM	CALE	8					
17	DS7752006	SHIM	CALE	2					

DATE	SEP. 12, 2012
4th EDITION	

**Fig. 3110 ARM - 2.9m
BALANCIER**

Serial No. ;



DATE	SEP. 12, 2012
4th EDITION	

**Fig. 3110 ARM - 2.9m
BALANCIER**

Serial No. ;

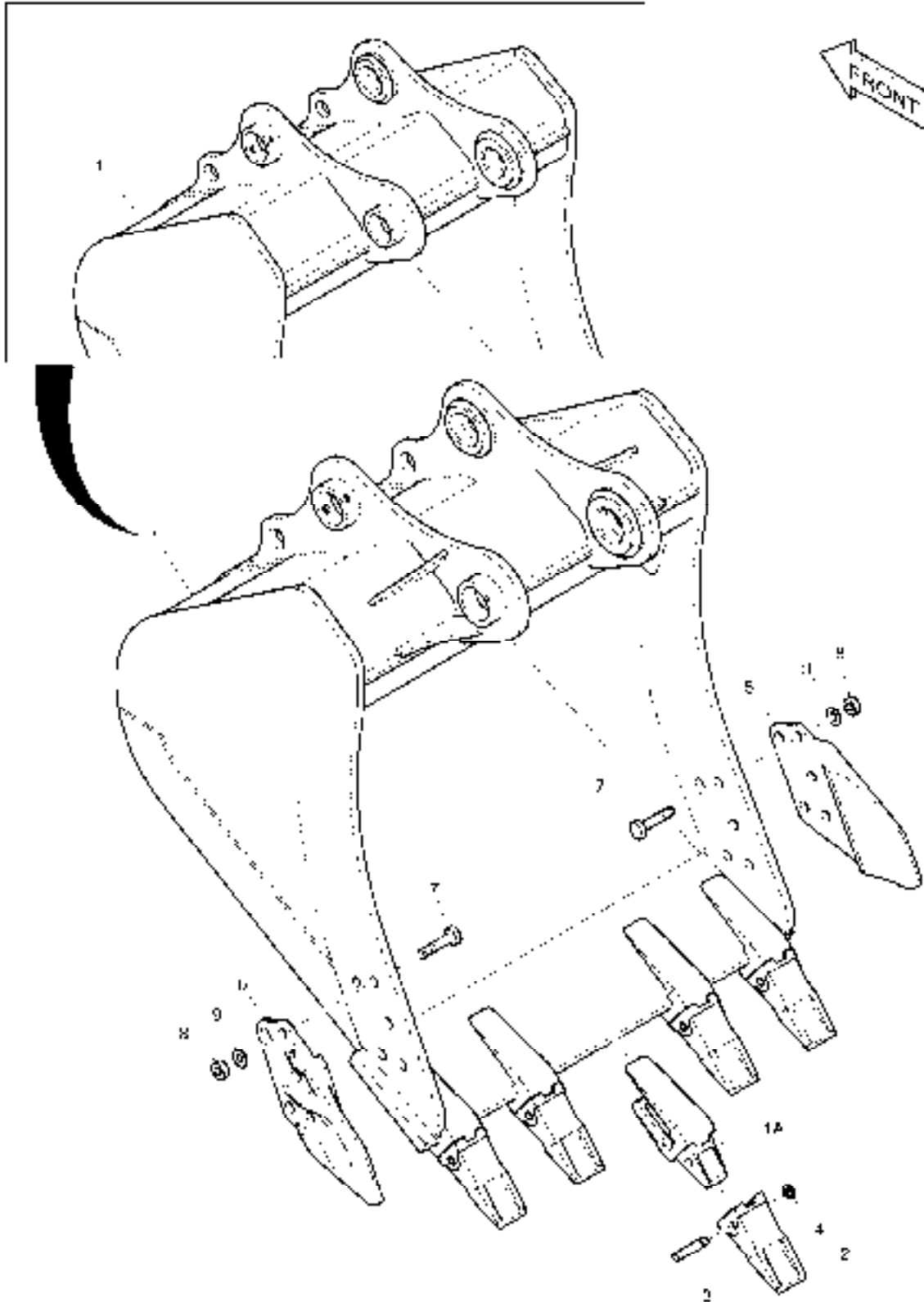
Key No.	Part No.	Description	Description	Q'ty	S.C	Serial No.	ICA	Replaceable part	
								Part No.	Q'ty
3110 -18	DS7752007	SHIM	CALE	2					
19	2116-1060D6	STOPPER	TAQUET	2					
20	S0521366	BOLT	BOULON	2					
21	S5102903	WASHER,SPRING	RONDELLE	2					
22	S4012933	NUT	ECROU	8					
23	DS0001084	BOLT	BOULON	3		5001-7043			
	DS0001084	BOLT	BOULON	2		7044-			
24	DS0001083	BOLT	BOULON	1					
25	S6710041	NIPPLE;GREASE	GRAISSEUR	7					
26	180-00077D5	O-RING	JOINT CIRCULAIRE	2					
27	K1000911	SPACER	ENTRETOISE	2					
28	K1000912B	SPACER	ENTRETOISE	2					
29	160-00020	CAP;GREASE NIPPLE	CHAPEAU	7					
30	2181-1116D1	PLUG	BOUCHON	1					
31	S0712066	BOLT	BOULON	24					
32	2116-1531A	STOPPER	TAQUET	1		7044-			
33	S0567066	BOLT	BOULON	1		7044-			
34	180-00077D3	O-RING	JOINT TORIQUE	2		10998-			

DATE	SEP. 12, 2012
4th EDITION	

**Fig. 3120 BUCKET ASS'Y - 0.92m³
ENSEMBLE DE GODET**

Serial No. ;

Serial No. 0101 13997



DATE	SEP. 12, 2012
4th EDITION	

**Fig. 3120 BUCKET ASS'Y - 0.92m³
ENSEMBLE DE GODET**

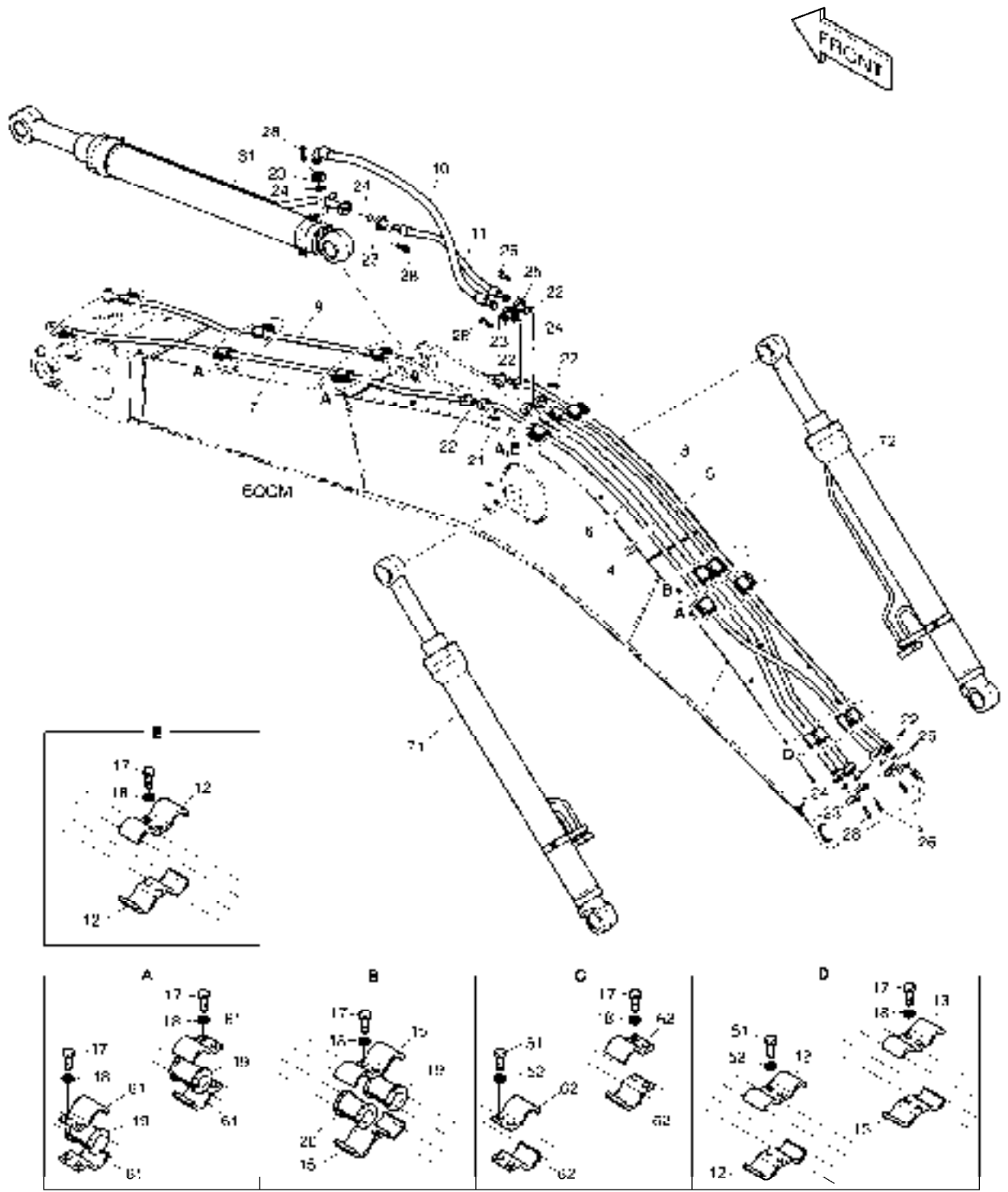
Serial No. ;

Key No.	Part No.	Description	Description	Q'ty	S.C	Serial No.	ICA	Replaceable part	
								Part No.	Q'ty
3120 --	K1000321G	BUCKET ASS'Y-0.92m ³	ENSEMBLE GODET	1		05001-10997	Y	230104-01245	1
	230104-01245	BUCKET ASS'Y-0.92m ³	ENSEMBLE GODET	1		10998-			
1	K1000322G	BUCKET-0.92m ³	GODET	1		05001-10997	I	230104-01246	1
	230104-01246	BUCKET-0.92m ³	GODET	1		10998-			
1A	2713-1218A	. ADAPTER;TOOTH	. ADAPTEUR	5					
2	K1038006A	TOOTH	DENT	5					
3	2705-1020	PIN;LOCKING	GOUPILLE	5					
4	2114-1848A	WASHER;LOCKING	RONDELLE	5					
5	2713-1059A	CUTTER;SIDE(R.H)	COUPEUR	1					
6	2713-1060A	CUTTER;SIDE(L.H)	COUPEUR	1					
7	S0574661	BOLT M24X3.0X65	BOULON	10					
8	S4013333	NUT	ECROU	10					
9	2114-1831A	WASHER;HARDEN	RONDELLE	10					

DATE	SEP. 12, 2012
4th EDITION	

**Fig. 3130 BOOM PIPING
CONDUITES DE FLECHE**

Serial No. ;



DATE	SEP. 12, 2012
4th EDITION	

Fig. 3130 BOOM PIPING CONDUITES DE FLECHE

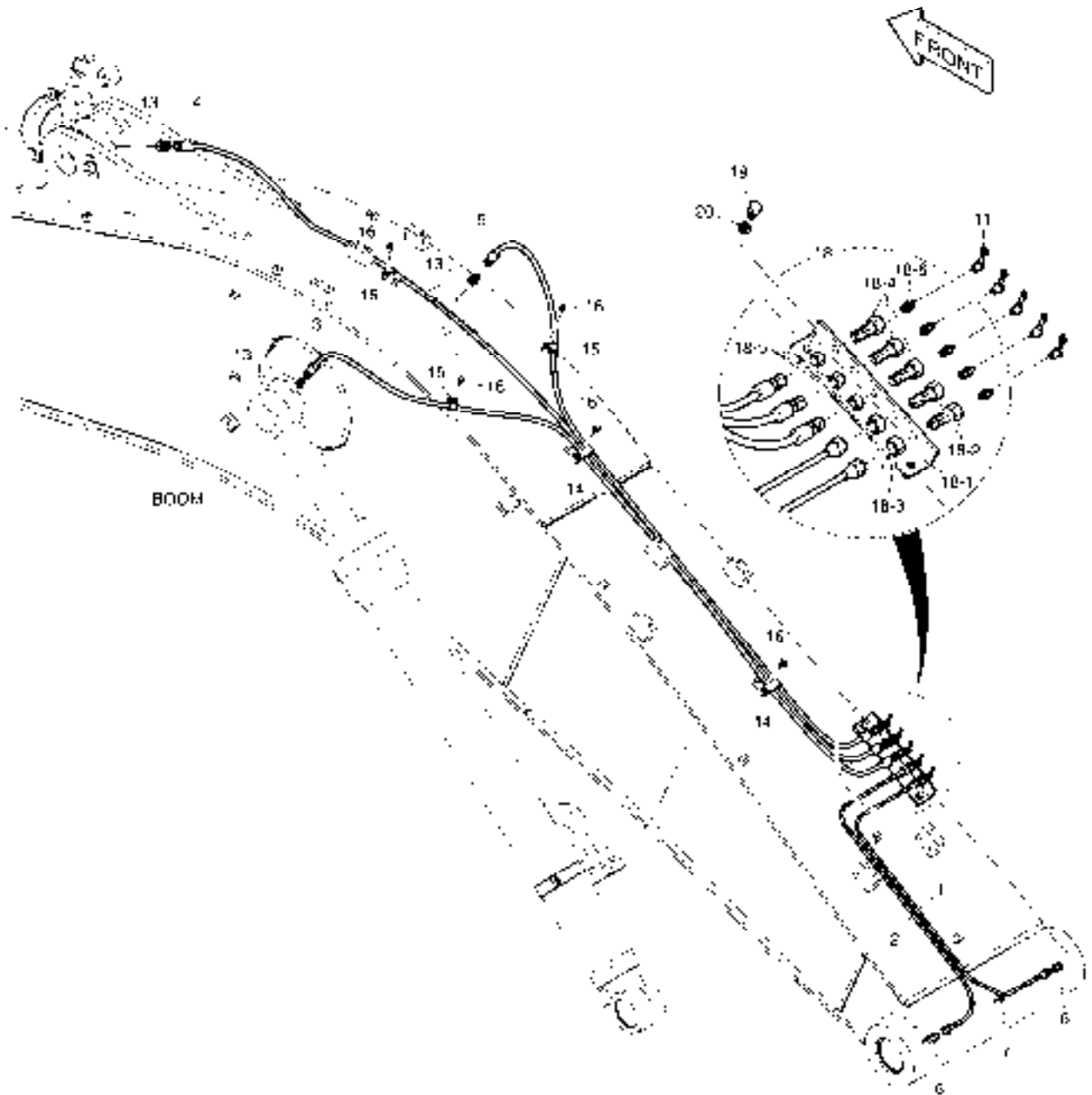
Serial No. ;

Key No.	Part No.	Description	Description	Q'ty	S.C	Serial No.	ICA	Replaceable part	
								Part No.	Q'ty
3130 --	K1041795	BOOM PIPING	TUYAUTERIE DE PERCHE	-	D				
4	K1033273	PIPE	TUYAU	1					
5	K1033274	PIPE	TUYAU	1					
6	K1033265	PIPE	TUYAU	1					
7	K1033267	PIPE	TUYAU	1					
8	K1033266	PIPE	TUYAU	1					
9	K1033268	PIPE	TUYAU	1					
10	DS2040610	HOSE	TUYAU	1					
11	DS2038190	HOSE	TUYAU	1					
12	124-00367	CLAMP;PIPE	BRIDE	4					
13	124-00300	CLAMP;PIPE	BRIDE	2					
15	124-00368	CLAMP;PIPE	BRIDE	2					
17	S0562766	BOLT	BOULON	24					
18	S5102803	WASHER;SPRING	RONDELLE	24					
19	161-00574	RUBBER	LE CAOUTCHOUC	9					
20	161-00281	RUBBER	LE CAOUTCHOUC	1					
21	S2212566	BOLT;SOCKET	BOULON	8					
22	2180-1026D2	O-RING	JOINT CIRCULAIRE	6					
23	2181-9078	FLANGE	BRIDE	8					
24	2180-1026D19	O-RING	JOINT CIRCULAIRE	4					
25	2181-9079	FLANGE	BRIDE	8					
26	S2212366	BOLT;SOCKET M10X1.5X35	BOULON	20					
28	S2212466	BOLT;SOCKET M10X1.5X40	BOULON	12					
51	S0562766	BOLT	BOULON	4					
52	S5102803	WASHER;SPRING	RONDELLE	4					
61	124-00302	CLAMP;PIPE	BRIDE	16					
62	124-00303	CLAMP;PIPE	COLLIER	4					
71	K1044989B	CYLINDER;BOOM (LH)	CYLINDRE	1		5001-9957	Y	400309-00341	1
	400309-00341	CYLINDER,BOOM;(L.H)	CYLINDRE	1		09958-11554	Y	400309-00341A	1
	400309-00341A	CYLINDER,BOOM;(L.H)	CYLINDRE	1		11555-			
72	K1044990B	CYLINDER;BOOM (RH)	CYLINDRE	1		5001-9957	Y	400309-00343	1
	400309-00343	CYLINDER,BOOM;(R.H)	CYLINDRE	1		09958-11554	Y	400309-00343A	1
	400309-00343A	CYLINDER,BOOM;(R.H)	CYLINDRE	1		11555-			
81	K1044991A	CYLINDER;ARM	VERIN DE BALANCIER	1		05001-11735	Y	400305-00219	1
	400305-00219	CYLINDER,ARM	VERIN DE BALANCIER	1		11736-			

DATE	SEP. 12, 2012
4th EDITION	

Fig. 3140 LUBRICATION PIPING - BOOM LUBRIFICATION

Serial No. ;



DATE	SEP. 12, 2012
4th EDITION	

Fig. 3140 LUBRICATION PIPING - BOOM LUBRIFICATION

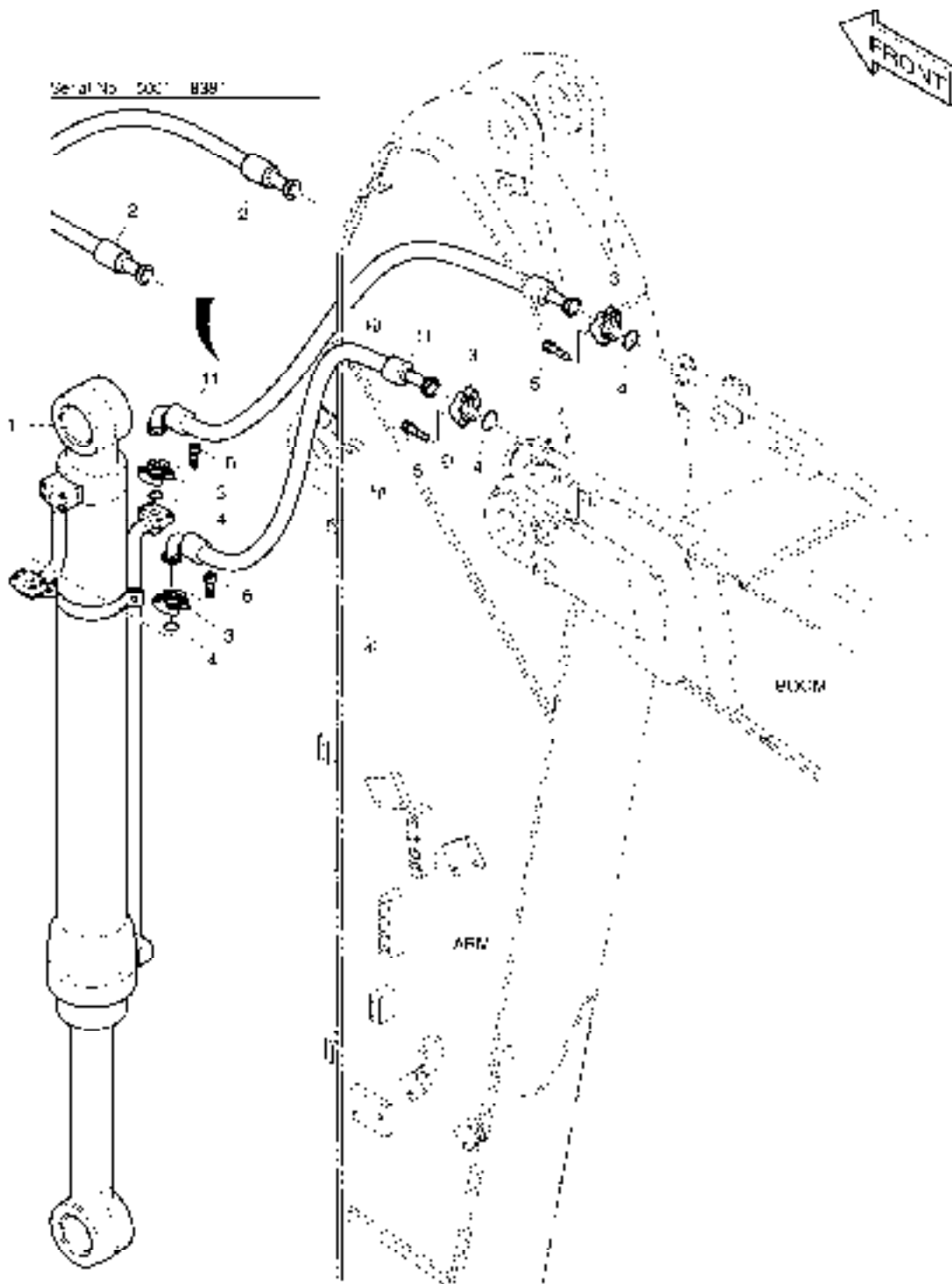
Serial No. ;

Key No.	Part No.	Description	Description	Q'ty	S.C	Serial No.	ICA	Replaceable part	
								Part No.	Q'ty
3140 --	K1041834	LUBRICATION PIPING-BOOM	LUBRIFICATION	-	D				
1	K1038814	PIPE	TUYAU	1					
2	K1038815	PIPE	TUYAU	1					
3	DS2053864	HOSE	TUYAU	1					
4	2184-1045D126	HOSE	TUYAU	1					
5	2184-1045D254	HOSE	TUYAU FLEXIBLE	1					
6	2181-1925	ELBOW	COUDE	2					
7	S3524403	PLUG	PRISE	1					
11	160-00020	CAP;GREASE NIPPLE	CHAPEAU	5					
13	2181-4112	ADAPTER	ADAPTEUR	3					
14	124-00199D4	CLIP	AGRAFE	2					
15	2124-1353D2	CLIP	AGRAFE	3					
16	K1001029	BOLT	BOULON	5					
18	K1038003	GREASE PLATE ASS'Y	TUYAUTERIE DE GRAISSE	1					
18-1	K1037887	. PLATE	. PLAQUE	1					
18-2	181-00525	. REDUCER	. REDUCTEUR	2					
18-3	S4032833	. NUT	. ECROU	2					
18-4	181-00103	. REDUCER	. REDUCTEUR	3					
18-5	121-00006	. NUT	. ECROU	3					
18-6	S6710041	. NIPPLE;GREASE	. GRAISSEUR	5					
19	S0511866	BOLT	BOULON	2					
20	S5102603	WASHER,SPRING	RONDELLE	2					

DATE	SEP. 12, 2012
4th EDITION	

**Fig. 3150 ARM PIPING
CONDUITES DE BALANCIER**

Serial No. ;



DATE	SEP. 12, 2012
4th EDITION	

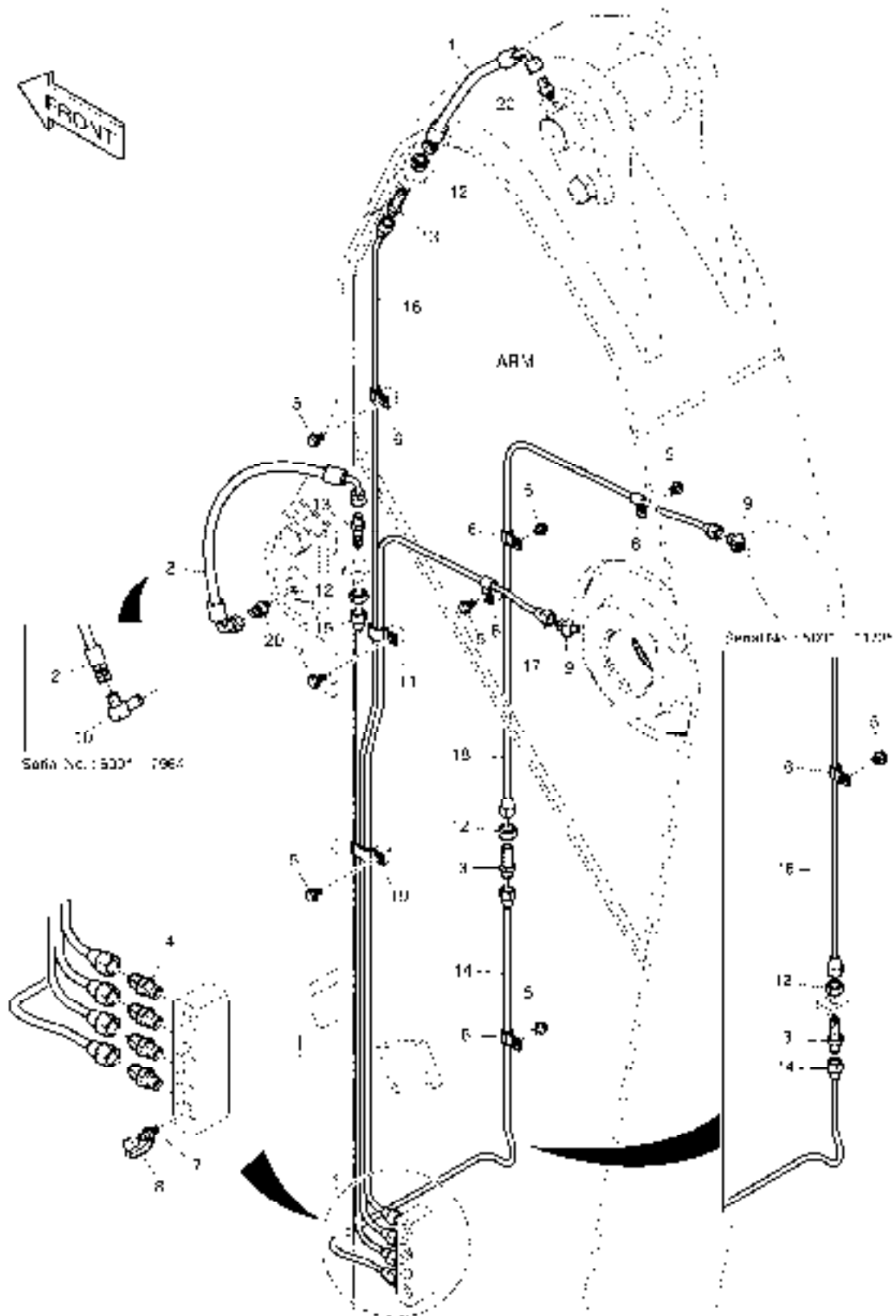
**Fig. 3150 ARM PIPING
CONDUITES DE BALANCIER**

Serial No. :

Key No.	Part No.	Description	Description	Q'ty	S.C	Serial No.	ICA	Replaceable part	
								Part No.	Q'ty
3150 --	K1041817A	ARM PIPING	TUYAUTERIE DU BRAS	-	D	5001-8381			
	420212-05427	ARM PIPING	TUYAUTERIE DU BRAS	-	D	8382-			
1	K1041218A	BUCKET CYLINDER	VERIN DE GODET	1		05001-11589	Y	400310-00214	1
	400310-00214	CYLINDER;BUCKET	VERIN DE GODET	1		11590-			
2	2184-1100D178	HOSE PF3/4-1450L	TUYAU	2		5001-8381	I	DS2130006	2
3	2181-9079	FLANGE	BRIDE	8					
4	2180-1026D2	O-RING	JOINT CIRCULAIRE	4					
5	S2212366	BOLT;SOCKET M10X1.5X35	BOULON	8					
6	S2212266	BOLT;SOCKET M10X1.5X30	BOULON A 6 PANS CREUX	8					
11	DS2130006	HOSE ASSY,HYDRAULIC	TUYAU	2		8382-			

Fig. 3160 LUBRICATION PIPING - ARM LUBRIFICATION

Serial No. ;



DATE	SEP. 12, 2012
4th EDITION	

Fig. 3160 LUBRICATION PIPING - ARM LUBRIFICATION

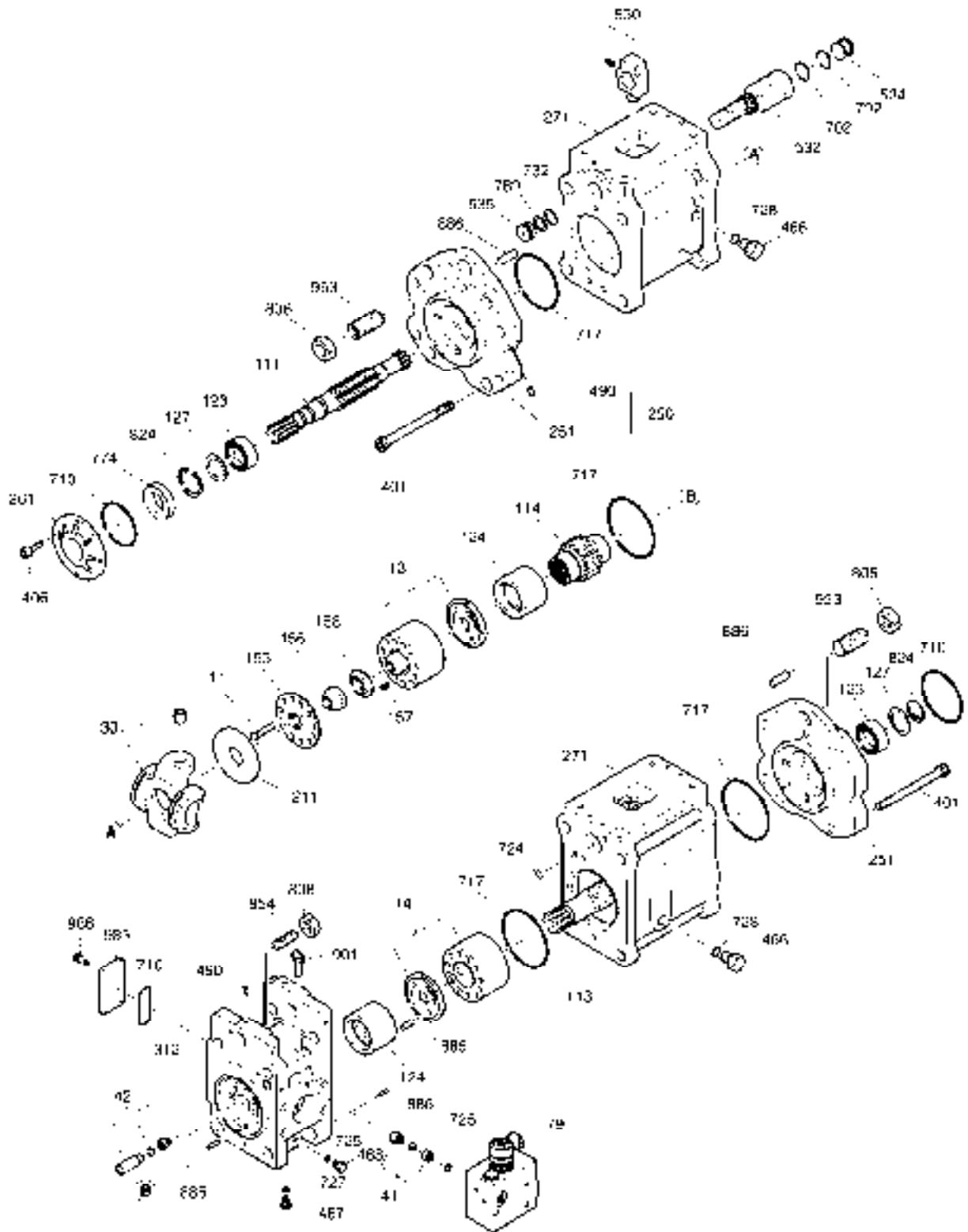
Serial No. ;

Key No.	Part No.	Description	Description	Q'ty	S.C	Serial No.	ICA	Replaceable part	
								Part No.	Q'ty
3160 --	K1047299	LUBRICATION PIPING-ARM	LUBRIFICATION	-	D	5001-7964			
	420212-05309	LUBRICATION PIPING - ARM	LUBRIFICATION	-	D	7965-			
1	DS2055849	HOSE	TUYAU	1					
2	2184-1036D11	HOSE	TUYAU	1		5001-7964			
	DS2059595	HOSE PF1/4-310L	TUYAU	1		7965-			
3	DS2225009	ADAPTER	ADAPTEUR	1					
4	2181-1184	ADAPTER	ADAPTEUR	4					
5	K1001029	BOLT	BOULON	7					
6	DS2802023	CLIP	AGRAFE	5					
7	S6710041	NIPPLE;GREASE	GRAISSEUR	4					
8	160-00020	CAP;GREASE NIPPLE	CHAPEAU	4					
9	K1010730	ELBOW	COUDE	2					
10	2181-1111D11	ELBOW	COUDE	1		5001-7964			
11	DS2805007	CLIP	AGRAFE	1					
12	S4032833	NUT	ECROU	3					
13	2181-1923D12	ADAPTER	ADAPTEUR	2					
14	K1047301	PIPE	TUYAU	1		5001-9957	I	420205-00241	1
	420205-00241	PIPE	TUYAU	1		09958-11735			
	420205-00241A	PIPE	TUYAU	1		11736-			
15	K1047302	PIPE	TUYAU	1					
16	K1047303	PIPE	TUYAU	1					
17	K1047304	PIPE	TUYAU	1					
18	K1047305	PIPE	TUYAU	1		05001-11735			
	420207-02037	PIPE	TUYAU	1		11736-			
19	DS2805008	CLIP	AGRAFE	1					
20	2181-4112	ADAPTER	ADAPTEUR	1		5001-7964			
	2181-4112	ADAPTER	ADAPTEUR	2		7965-			

DATE	SEP. 12, 2012
4th EDITION	

**Fig. 4100 MAIN PUMP
POMPE**

Serial No. ;



DATE	SEP. 12, 2012
4th EDITION	

Fig. 4100 MAIN PUMP POMPE

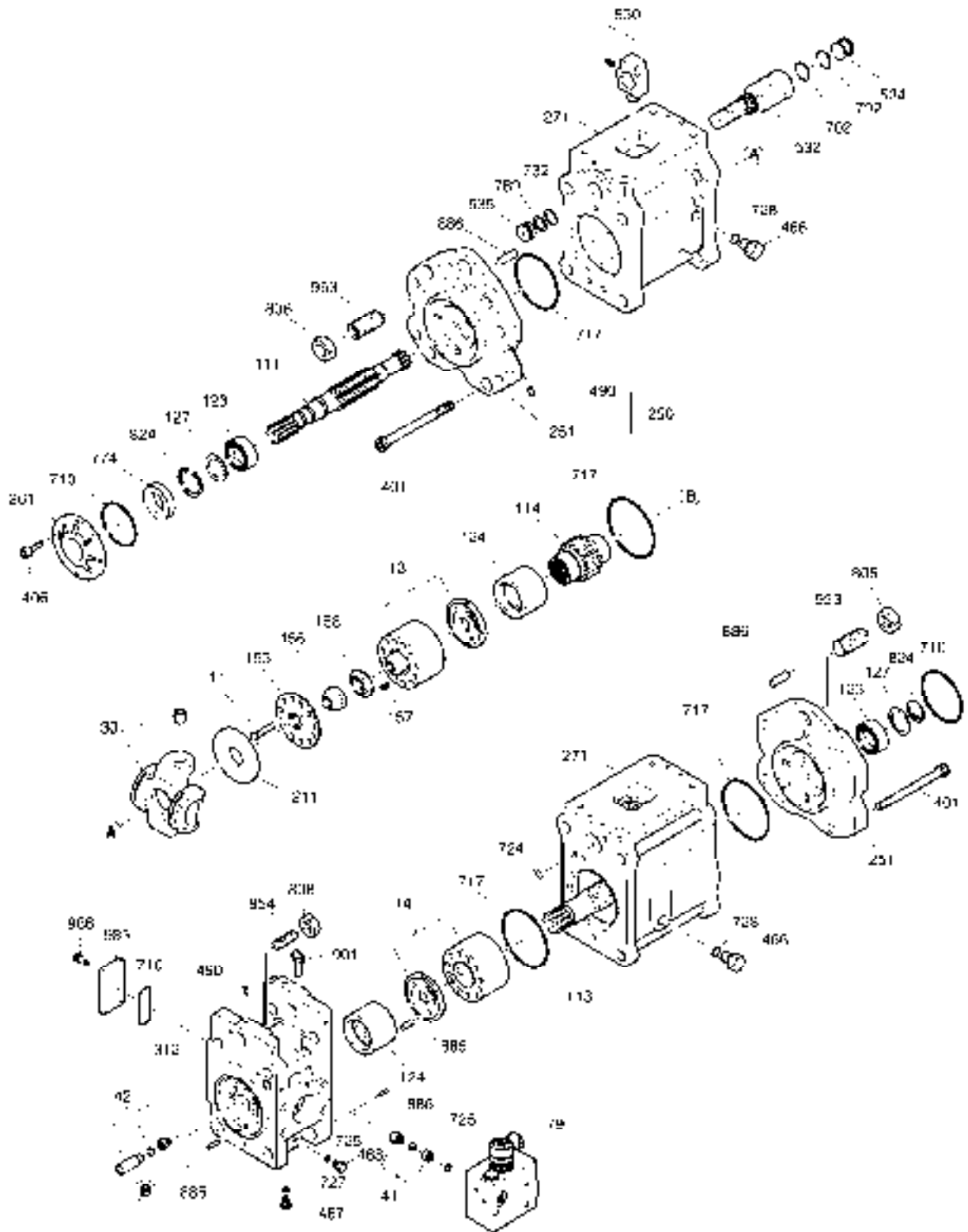
Serial No. ;

Key No.	Part No.	Description	Description	Q'ty	S.C	Serial No.	ICA	Replaceable part	
								Part No.	Q'ty
4100 --	K1000698G	PUMP;MAIN	POMPE DE BATI PRINCIPAL	1		5001-6004			
	K1000698E	MAIN PUMP	POMPE DE BATI PRINCIPAL	1		6005-8751	I	400914-00212	1
	400914-00212	PUMP,MAIN	POMPE DE BATI PRINCIPAL	1		8752-			
11	1.409-00167	PISTON & SHOE ASS'Y	PISTON	2					
13	K9007364	CYLINDER ASS'Y(R)	CYLINDRE	1		5001-6004			
	1.451-00063	CYLINDER ASS'Y(R)	CYLINDRE	1		6005-			
14	K9007365	CYLINDER ASS'Y(L)	CYLINDRE	1		5001-6004			
	1.451-00060	CYLINDER ASS'Y(L)	CYLINDRE	1		6005-			
30	284-00005	SWASH PLATE ASS'Y	CLAPOTIS	2					
41	K9001849	CHECK 1 ASS'Y	CONTROLE	2					
42	K9001850	CHECK 2 ASS'Y	CONTROLE	2					
79	420-00127	VALVE;PROPORTIONAL	VANNE	1					
111	1.405-00060	SHAFT;DRIVING(F)	AXE	1					
113	405-00008	SHAFT;DRIVING(R)	AXE	1					
114	101-00006	GEAR	VITESSE	1					
123	109-00097	BEARING;ROLLER	ROULEMENT	2					
124	109-00098	BEARING;SPACER	ROULEMENT	2					
127	1.109-00124	SPACER;BEARING	ENTRETOISE	4					
153	1.412-00083	PLATE;PUSH	PLAQUE	2					
156	408-00013	BUSH;SPHERICAL	BAGUE	2					
157	129-00044	SPRING;CYLINDER	RESSORT	18					
158	114-00228	SPACER	ENTRETOISE	2					
211	412-00006	PLATE;SHOE	PLAQUE	2					
250	1.197-00005	SUPPORT KIT	APPUI	1					
251	195-00463	SUPPORT	APPUI	2					
261	1.430-00212	COVER;SEAL(F)	COUVERCLE	1					
271	402-00026A	CASING;PUMP	CARTER	2					
312	100201-00158	BLOCK,VALVE	BLOC	1					
401	S2229071	BOLT;SOCKET	BOULON	8					
406	S2208871	BOLT;SOCKET	BOULON	4					
466	2181-1950D5	PLUG PF3/4	PRISE	4					
467	2181-1950D2	PLUG	BOUCHON	2					
468	2181-1890D2	PLUG	BOUCHON	2					
490	181-00519	PLUG	BOUCHON	18	D				
530	123-00150	TILTING PIN ASS'Y	GOUPILLE	2					
532	409-00003	PISTON;SERVO	PISTON	2					
534	416-00004	STOPPER(L)	TAQUET	2					
535	416-00005	STOPPER(S)	TAQUET	2					

DATE	SEP. 12, 2012
4th EDITION	

**Fig. 4100 MAIN PUMP
POMPE**

Serial No. ;



DATE	SEP. 12, 2012
4th EDITION	

Fig. 4100 MAIN PUMP POMPE

Serial No. ;

Key No.	Part No.	Description	Description	Q'ty	S.C	Serial No.	ICA	Replaceable part	
								Part No.	Q'ty
4100 -702	S8010355	O-RING	JOINT CIRCULAIRE	2	K				
710	S8010951	O-RING	JOINT TORIQUE	3	K				
717	S8011451	O-RING	JOINT CIRCULAIRE	4	K				
724	S8000081	O-RING	JOINT CIRCULAIRE	16	K				
725	S8000111	O-RING	JOINT TORIQUE	2	K				
727	S8000141	O-RING	JOINT TORIQUE	2	K				
728	S8000241	O-RING	JOINT CIRCULAIRE	4	K				
732	S8000185	O-RING	JOINT CIRCULAIRE	2	K				
774	K9001851	SEAL;OIL	JOINT D'HUILE	1	K	5001-8751	I	401106-00179	1
	401106-00179	SEAL;OIL	CACHET	1	K	8752-			
789	S8060181	RING;BACKUP	ANNEAU	2	K				
792	S8090350	RING;BACK-UP	ANNEAU	2	K				
806	S4012933	NUT	ECROU	2					
808	S4013133	NUT	ECROU	2					
824	S6500400	RING;RETAINING	ANNEAU	2					
885	123-00151	PIN D8X12L	GOUPILLE	2					
886	S5740870	PIN;SPRING	GOUPILLE	4					
901	S3140025	BOLT;EYE	BOULON	2					
953	S3527808	SCREW;SET M16X30L	VIS	2					
954	120-00130	SCREW;ADJUST	VIS	2					
985	K9001852	COVER	COUVERCLE	1					
986	S2212061	BOLT;SOCKET M10X1.5X25	BOULON A 6 PANS CREUX	4					
*	K9001902	SEAL KIT;MAIN PUMP+REG.	JOINT	1		5001-8751	I	K9001902A	1
	K9001902A	SEAL KIT;MAIN PUMP	KIT D'ETANCHEITE	1		8752-			

DATE	SEP. 12, 2012
4th EDITION	

Fig. 4110 REGULATOR REGULATEUR

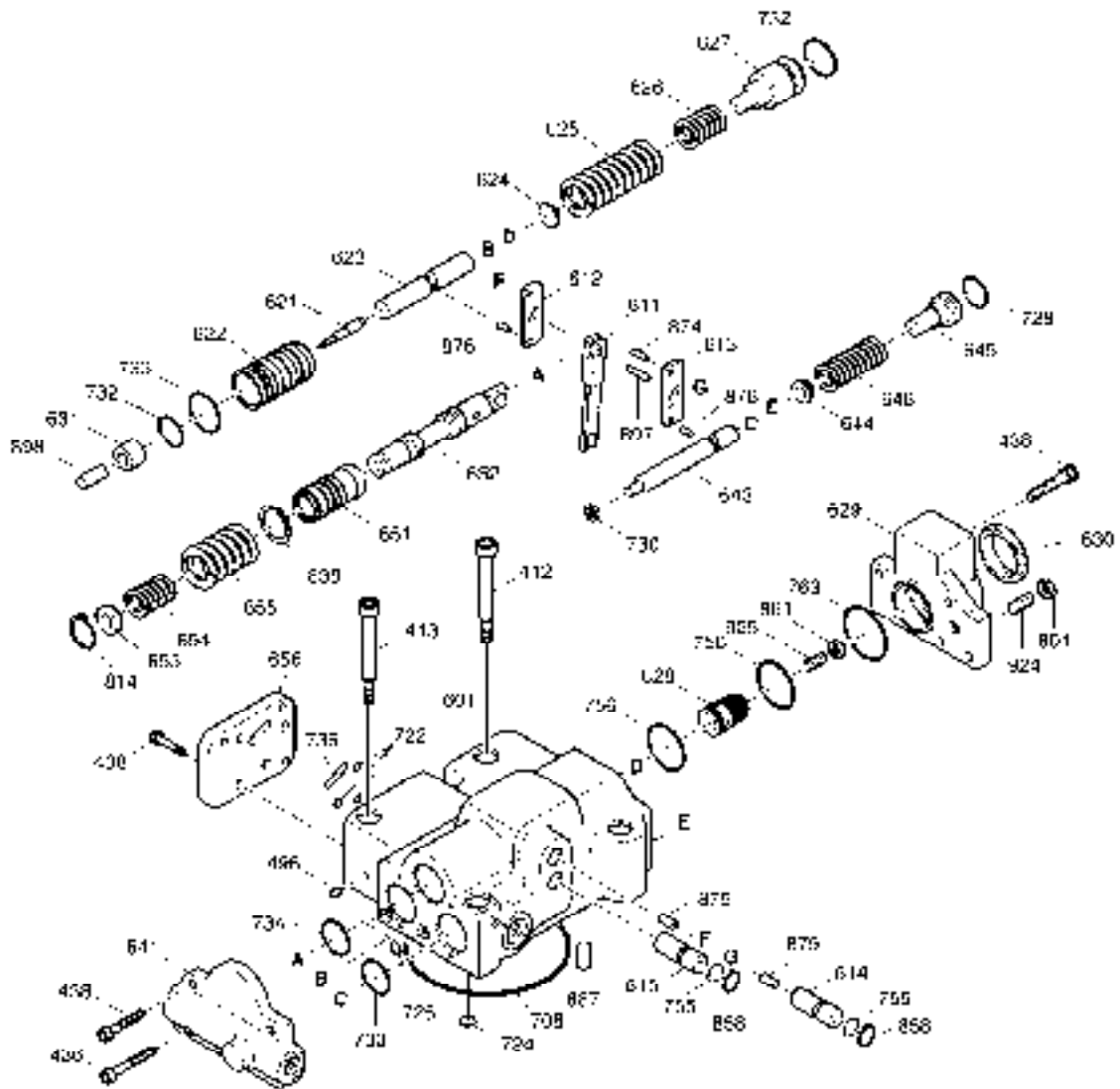
Serial No. ;

Key No.	Part No.	Description	Description	Q'ty	S.C	Serial No.	ICA	Replaceable part	
								Part No.	Q'ty
4110 --	K9001833	REGULATOR ASS'Y	REDUCTEUR	2					
412	S2209661	BOLT;SOCKET	BOULON	2					
413	S2210071	BOLT;SOCKET	BOULON	2					
436	S2205261	BOLT;SOCKET M6X1.0X30	BOULON	2					
438	S2204861	BOLT;SOCKER	BOULON	10					
496	181-00318	PLUG	BOUCHON	5					
601	1.402-00055	CASING(A)	CARTER	1	D				
611	1.357-00014	LEVER;FEEDBACK(A)	LEVIER	1	D				
612	1.357-00005	LEVER 1(A)	LEVIER	1	D				
613	1.357-00008	LEVER 2(B)	LEVIER	1	D				
614	1.181-00136	PLUG;CENTER(A)	BOUCHON	1	D				
615	1.181-00090	PLUG;ADJUST(A)	BOUCHON	1	D				
621	1.409-00189	PISTON;COMPEN	PISTON	1	D				
622	1.402-00036	CASE;PISTON	CARTER	1	D				
623	1.428-00208	ROD;COMPEN	TIGE	1	D				
624	1.131-00165	SEAT;SPRING(C)	SIEGE	1	D				
625	1.131-00143	SPRING;OUTER	RESSORT	1	D				
626	1.131-00139	SPRING;INNER	RESSORT	1	D				
627	K9001834	RING;ADJUST(C)	ANNEAU	1	D				
628	K9001835	SCREW;ADJUST(C)	VIS	1	D				
629	K9001836	COVER C(A)	COUVERCLE	1	D				
630	1.121-00044	NUT;LOCK	ECROU	1	D				
631	K9001837	SLEEVE;PF	DOUILLE	1	D				
641	K9001838	COVER;PILOT	COUVERCLE	1	D				
643	1.409-00204	PISTON;PILOT	PISTON	1	D				
644	1.131-00170	SEAT;SPRING(Q)	SIEGE	1	D				
645	1.115-00171	RING;ADJUST(Q)	ANNEAU	1	D				
646	1.131-00157	SPRING;PILOT	RESSORT	1	D				
651	1.425-00001	SLEEVE	DOUILLE	1	D				
652	1.424-00038	SPOOL(A)	SPOOL	1	D				
653	1.131-00166	SEAT;SPRING	SIEGE	1	D				
654	1.131-00160	SPRING;RETURN	RESSORT	1	D				
655	1.131-00172	SPRING;SET	RESSORT	1	D				
656	1.430-00017	COVER	COUVERTURE	1	D				
708	S8010755	O-RING 1BG-75	JOINT TORIQUE	1	K				
722	S8000061	O-RING	JOINT CIRCULAIRE	3	K				
724	S8000085	O-RING	JOINT CIRCULAIRE	9	K				
725	S8000111	O-RING	JOINT TORIQUE	1	K				

DATE	SEP. 12, 2012
4th EDITION	

**Fig. 4110 REGULATOR
REGULATEUR**

Serial No. ;



DATE	SEP. 12, 2012
4th EDITION	

**Fig. 4110 REGULATOR
REGULATEUR**

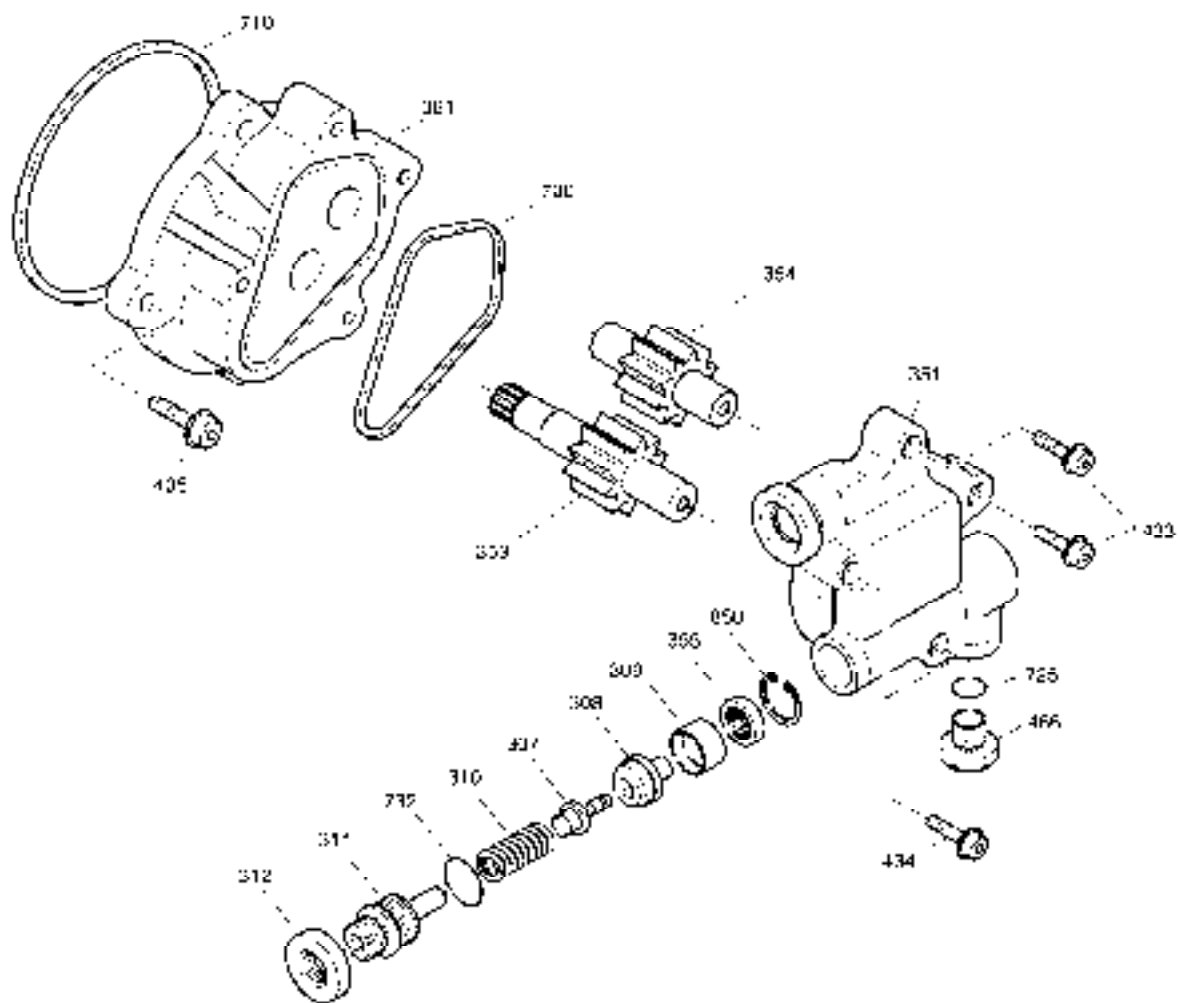
Serial No. ;

Key No.	Part No.	Description	Description	Q'ty	S.C	Serial No.	ICA	Replaceable part	
								Part No.	Q'ty
4110 -728	S8000181	O-RING	JOINT CIRCULAIRE	1	K				
730	S8000221	O-RING	JOINT CIRCULAIRE	1	K				
732	S8000161	O-RING	JOINT TORIQUE	1	K				
733	S8000201	O-RING	JOINT TORIQUE	1	K				
734	S8010251	O-RING	JOINT CIRCULAIRE	1	K				
735	S8002721	O-RING	JOINT CIRCULAIRE	1	K				
755	S8000111	O-RING	JOINT TORIQUE	2	K				
756	S8000261	O-RING	JOINT CIRCULAIRE	1	K				
763	S8010351	O-RING	JOINT CIRCULAIRE	1	K				
801	S4012533	NUT	ECROU	2					
814	S6500100	RING;SNAP	ANNEAU	1					
836	1.115-00366	RING;STOP	ANNEAU	1	D				
858	S6510150	RING;SNAP	ANNEAU	2					
874	1.123-00007	PIN	GOUPILLE	1					
875	1.123-00012	PIN(A)	GOUPILLE	2	D				
876	1.123-00014	PIN(A)	GOUPILLE	2	D				
887	1.123-00009	PIN	GOUPILLE	1	D				
897	1.123-00016	PIN(A)	GOUPILLE	1	D				
898	K9001839	PIN	GOUPILLE	1	D				
924	S3524008	SCREW;SET	VIS	1					
925	120-00199	SCREW;ADJUST(Qi)	VIS	1					

DATE	SEP. 12, 2012
4th EDITION	

**Fig. 4120 GEAR PUMP
POMPE**

Serial No. ;



DATE	SEP. 12, 2012
4th EDITION	

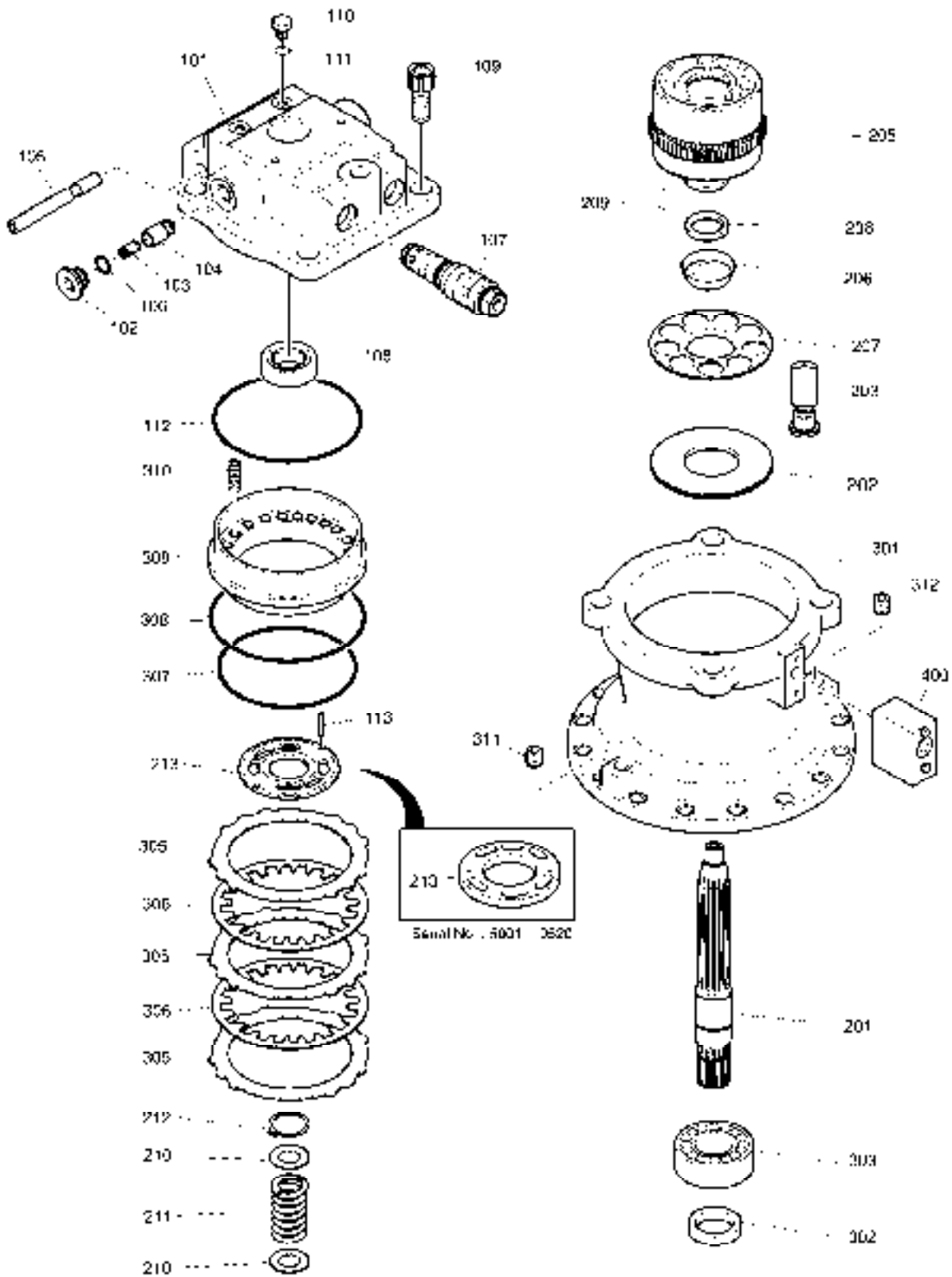
Fig. 4120 GEAR PUMP POMPE

Serial No. ;

Key No.	Part No.	Description	Description	Q'ty	S.C	Serial No.	ICA	Replaceable part	
								Part No.	Q'ty
4120 --	K9001811	PUMP;GEAR	POMPE	1					
307	1.426-00005	POPPET	POUPEE	1					
308	1.427-00002	SEAT	SIEGE	1					
309	180-00211	RING	ANNEAU	1					
310	129-00045	SPRING	RESSORT	1					
311	120-00131	SCREW;ADJUSTING	VIS	1					
312	121-00038	NUT;LOCK	ECROU	1					
351	-	CASE;GEAR	CARTER	1	D				
353	1.403-00037	GEAR;DRIVE	VITESSE	1	D				
354	1.403-00040	GEAR;DRIVEN	VITESSE	1	D				
355	471-00030	FILTER	FILTRE	1					
361	1.402-00017	CASE;FRONT	CARTER	1	D				
433	S2209666	BOLT;SOCKET	BOULON	2					
434	S2209961	BOLT;SOCKET	BOULON	2					
435	S2208871	BOLT;SOCKET	BOULON	4					
466	2181-1950D1	PLUG	BOUCHON	1					
700	115-00043	RING	ANNEAU	1	K				
710	S8010951	O-RING	JOINT TORIQUE	1	K				
725	S8000111	O-RING	JOINT TORIQUE	1	K				
732	S8000161	O-RING	JOINT TORIQUE	1	K				
850	S6510180	RING;SNAP	ANNEAU	1					
*	719212KT	SEAL KIT;GEAR PUMP	KIT D'ETANCHEITE	1					

**Fig. 4130 SWING MOTOR
MOTEUR D'ORIENTATION**

Serial No. ;



DATE	SEP. 12, 2012
4th EDITION	

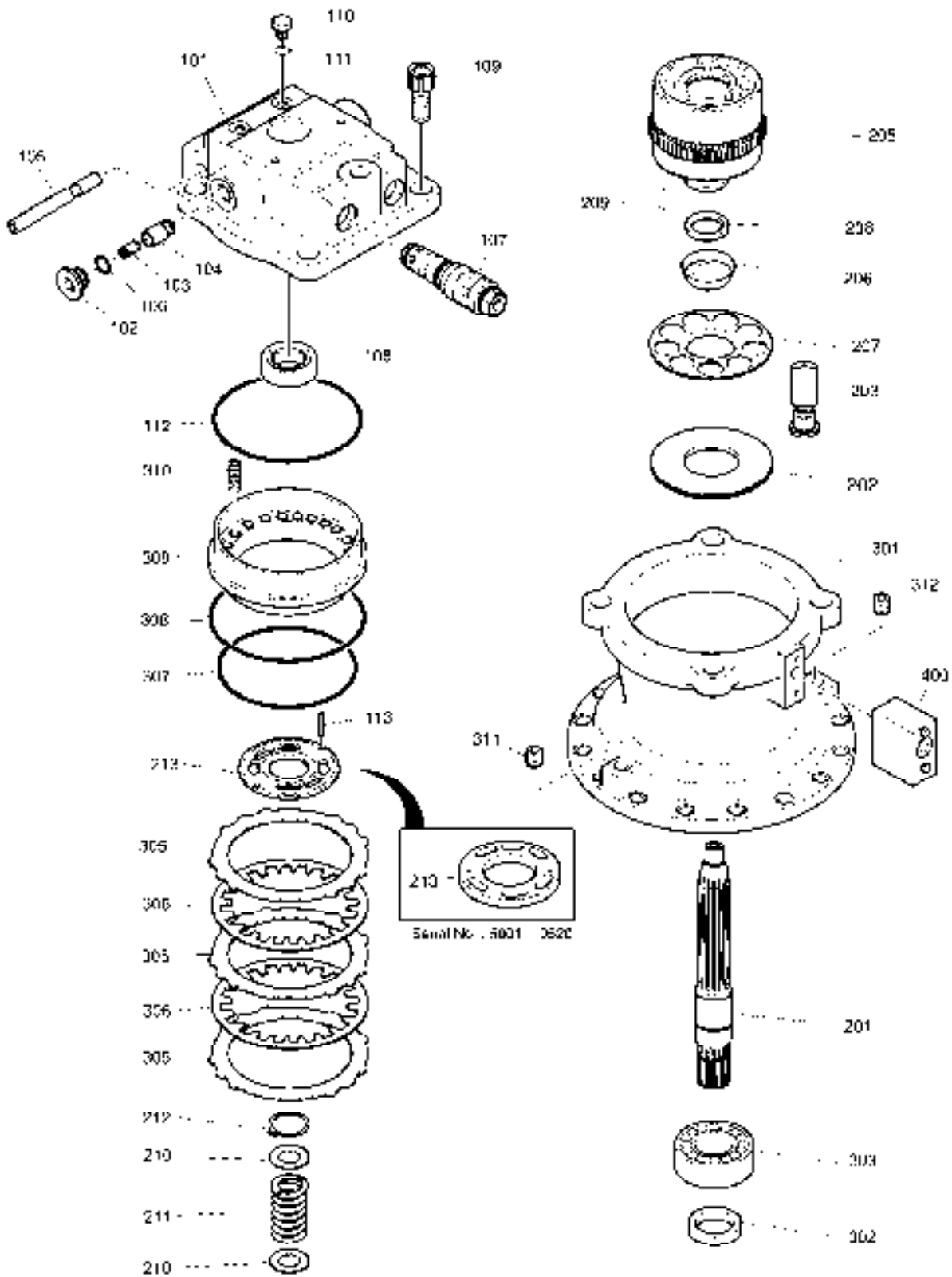
Fig. 4130 SWING MOTOR MOTEUR D'ORIENTATION

Serial No. ;

Key No.	Part No.	Description	Description	Q'ty	S.C	Serial No.	ICA	Replaceable part	
								Part No.	Q'ty
4130 --	K1045024	SWING MOTOR	MOTEUR D'OSCILLATION	1		5001-7334	I	170303-00049	1
	170303-00049	MOTOR, SWING	MOTEUR D'OSCILLATION	1		7335-9520	I	170303-00049B	1
	170303-00049B	MOTOR, SWING	MOTEUR D'OSCILLATION	1		9521-			
101	-	CASING; VALVE	CARTER	1	D				
102	2.121-00009	PLUG	BOUCHON	2					
103	K9001840	SPRING	RESSORT	2					
104	K9001841	PLUNGER	PLONGEUR	2					
105	K9006899	VALVE; SWING REACTIONLESS	VANNE	1		5001-9520	I	410116-00410	1
	410116-00410	VALVE; SWING REACTIONLESS	VANNE	1		9521-			
106	S8000341	O-RING	JOINT CIRCULAIRE	2	K				
107	K9008333	VALVE; RELIEF	VANNE	2		5001-7334	I	K9008333A	2
	K9008333A	VALVE; RELIEF	SOULAGEMENT VANNE	2		7335-9520			
	410127-00095	VALVE; RELIEF	VANNE	2		9521-			
108	S6005050	BEARING; BALL	ROULEMENT	1					
109	S2227561	BOLT; SOCKET	BOULON	4					
110	2181-1950D1	PLUG	BOUCHON	2					
111	S8000111	O-RING	JOINT TORIQUE	2	K				
112	K9001842	O-RING	JOINT CIRCULAIRE	1	K				
113	S5741162	PIN; SPRING	GOUPILLE	2					
201	K9001843	SHAFT; DRIVE	AXE	1					
202	412-00011	PLATE; SHOE	PLAQUE	1					
203	K9001845	PISTON & SHOE ASS'Y	PISTON	1					
205	K9001846	BLOCK; CYLINDER	BLOC	1		5001-9520			
	150102-00439	BLOCK; CYLINDER	BLOC	1		9521-			
206	1.148-00015	BALL; THRUST	BOULE	1					
207	1.412-00092	PLATE; RETAINER	PLAQUE	1					
208	1.114-00009	COLLAR	COLLIER	1					
209	1.109-00134	ROLLER	ROULEAU	5					
210	1.114-00286	WASHER	RONDELLE	2					
211	1.131-00048	SPRING	RESSORT	1					
212	S6510620	RING; SNAP	ANNEAU	1					
213	K9001847	PLATE; TIMING	PLAQUE	1		5001-9520			
	250201-01934	PLATE; TIMING	PLAQUE	1		9521-			
301	K9008334	CASING	CARTER	1		5001-9520	I	K9008334A	1
	K9008334A	CASE	CARTER	1		9521-			
302	K9006399	SEAL; OIL	JOINT D'HUILE	1	K	5001-9520	I	401106-00181	1
	401106-00181	SEAL, OIL	JOINT D'HUILE	1	K	9521-			
303	K9008335	BEARING; ROLLER	A BILLES ROULEMENT	1					

**Fig. 4130 SWING MOTOR
MOTEUR D'ORIENTATION**

Serial No. ;



DATE	SEP. 12, 2012
4th EDITION	

Fig. 4130 SWING MOTOR
MOTEUR D'ORIENTATION

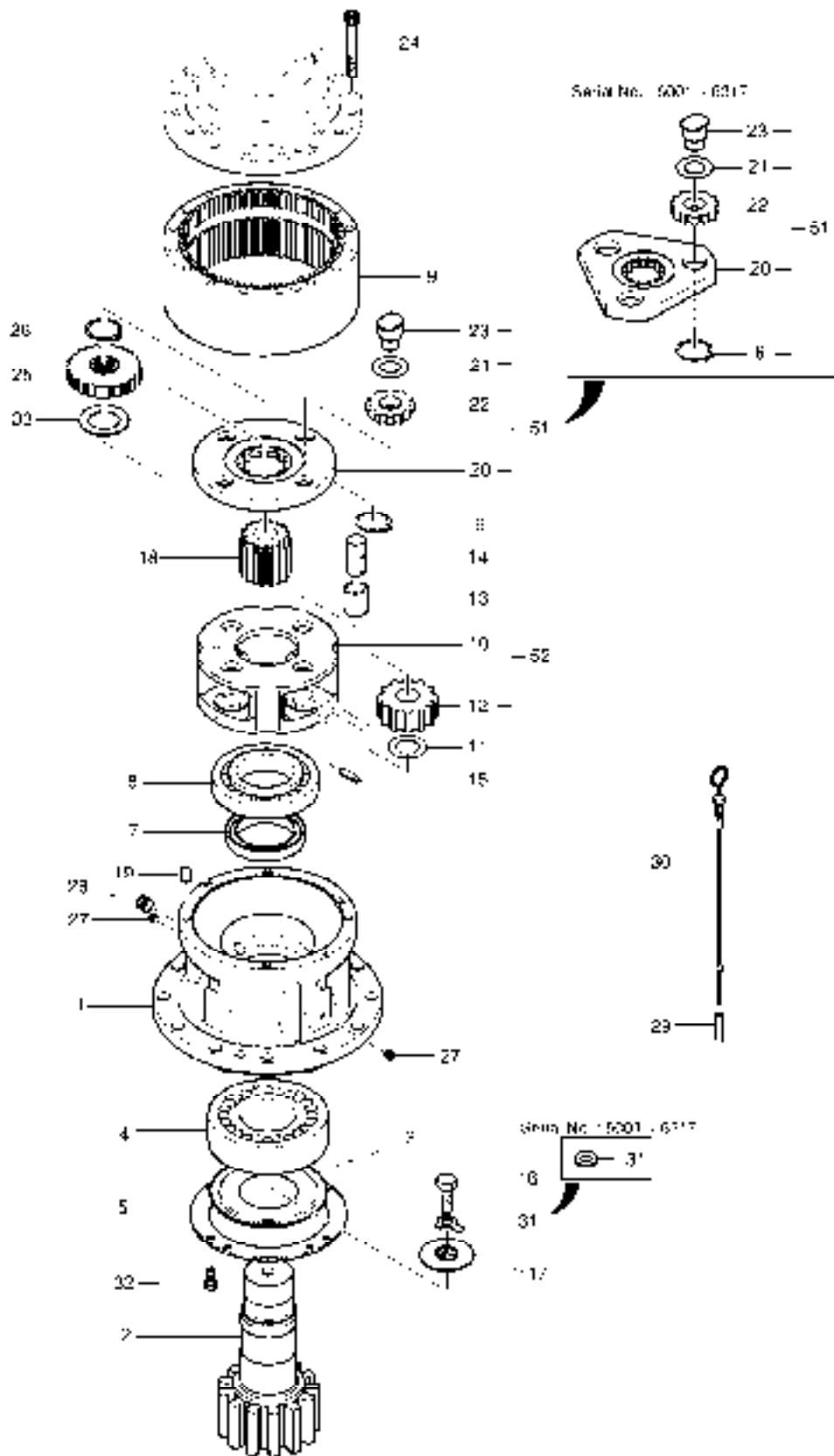
Serial No. ;

Key No.	Part No.	Description	Description	Q'ty	S.C	Serial No.	ICA	Replaceable part	
								Part No.	Q'ty
4130 -305	352-00014	PLATE;SEPARATION	PLAQUE	3					
306	412-00013	PLATE;FRICTION	PLAQUE	2					
307	180-00220	O-RING	JOINT CIRCULAIRE	1	K				
308	180-00221	O-RING	JOINT CIRCULAIRE	1	K				
309	452-00020	PISTON;BRAKE	PISTON	1					
310	129-00062	SPRING;BRAKE	RESSORT	18					
311	2181-1116D4	PLUG;PT	BOUCHON	1					
312	2181-1116D2	PLUG	BOUCHON	1					
400	420-00110	VALVE;BRAKE	VALVE	1		5001-9520	I	410102-00024	1
	410102-00024	VALVE;BRAKE	VANNE	1		9521-			
*	K9008336	SEAL KIT;SWING MOTOR	KIT DE JOINT	1		5001-9520	I	K9008336A	1
	K9008336A	SEAL KIT;SWING MOTOR	KIT DE JOINT	1		9521-			

DATE	SEP. 12, 2012
4th EDITION	

**Fig. 4140 SWING REDUCTION GEAR
REDEUTEUR D'ORIENTATION**

Serial No. ;



DATE	SEP. 12, 2012
4th EDITION	

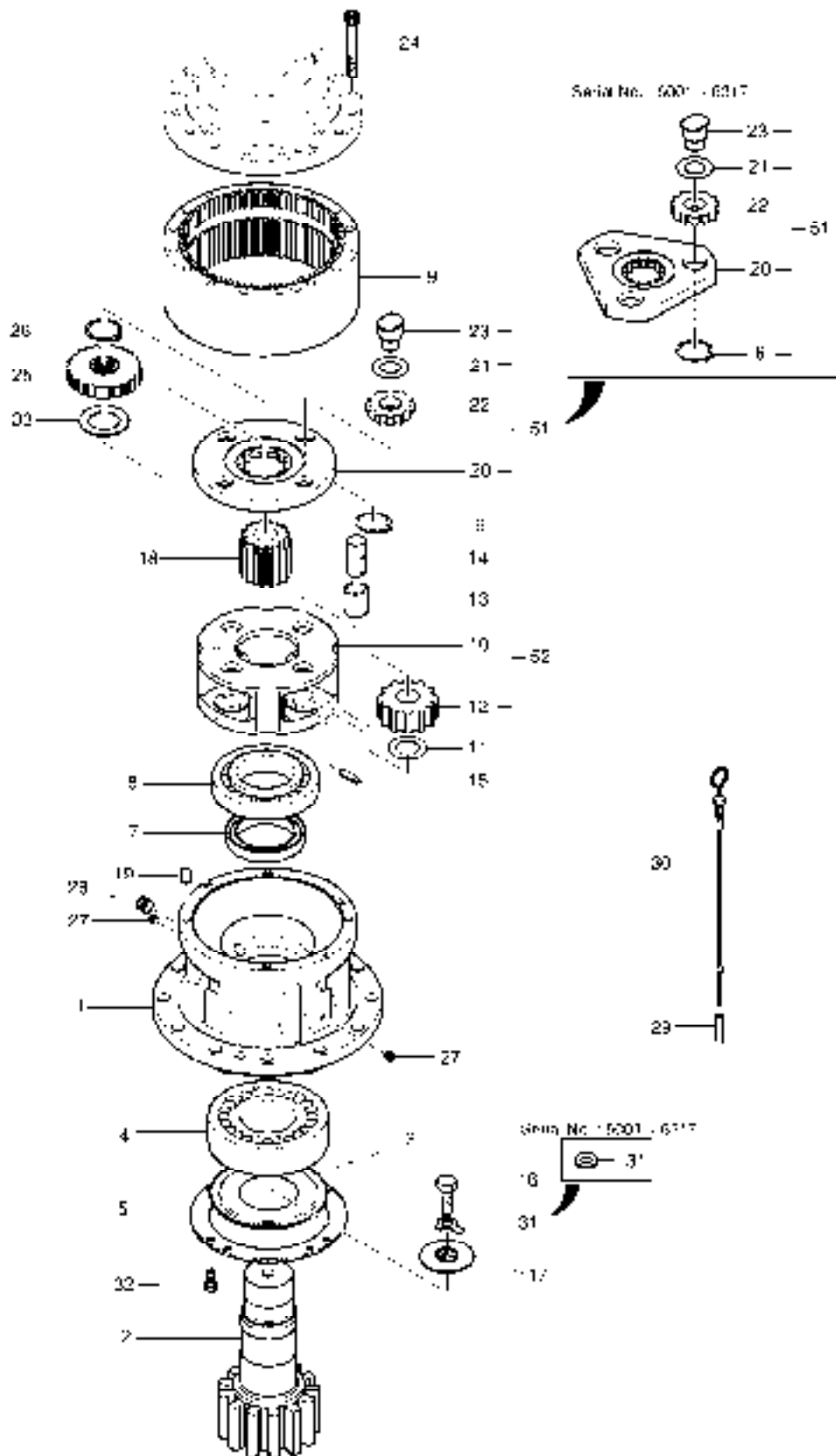
Fig. 4140 SWING REDUCTION GEAR REDEUTEUR D'ORIENTATION

Serial No. ;

Key No.	Part No.	Description	Description	Q'ty	S.C	Serial No.	ICA	Replaceable part	
								Part No.	Q'ty
4140 --	K1038203	SWING REDUCTION GEAR ASS'	ENSEMBLE DE REDUCTEU	1		5001-6317	I	130426-00010	1
	130426-00010	GEAR ASSY,REDUCTION	ENSEMBLE DE REDUCTEU	1		6318-			
1	K1038206	CASING	CARTER	1					
2	K1038207	SHAFT;DRIVE	AXE	1					
3	2412-1040	PLATE	PLAQUE	1					
4	2109-9033	BEARING;ROLLER	ROULEMENT	1					
5	K1038685	PLATE;COVER	PLAQUE	1					
6	S6500380	RING;SNAP	ANNEAU	3		5001-6317			
	S6500380	RING;SNAP	ANNEAU	4		6318-			
7	2180-1254	SEAL;OIL	CACHET	1					
8	109-00174	BEARING;ROLLER	ROULEMENT	1					
9	K1038210	GEAR;RING	PIGNON	1		5001-6317			
	130422-00001A	GEAR,RING	VITESSE	1		6318-			
10	K1038205	CARRIER NO.2	PORTEUR	1					
11	2114-1901A	WASHER;THRUST NO.2	RONDELLE	4					
12	104-00050	GEAR;PLANET NO.2	VITESSE	4					
13	110-00219	BUSH NO.2	BUSH	4					
14	K1038208	PIN NO.2	GOUPILLE	4					
15	S5741200	PIN;SPRING	GOUPILLE	4					
16	S0121061	BOLT	BOULON	1					
17	114-00548	WASHER;THRUST NO.3	RONDELLE	1					
18	104-00048	GEAR;SUN NO.2	VITESSE	1					
19	2705-1030	PIN;KNOCK	GOUPILLE	4					
20	K1038204	CARRIER NO.1	SUPPORT	1		5001-6317			
	100502-00001	CARRIER NO.1	SUPPORT	1		6318-			
21	114-00527	WASHER;THRUST NO.1	RONDELLE	3		5001-6317			
	114-00527	WASHER;THRUST NO.1	RONDELLE	4		6318-			
22	104-00049A	GEAR;PLANET NO.1	PIGNON	3		5001-6317			
	130424-00001	GEAR;PLANET NO.1	PIGNON	4		6318-			
23	123-00435A	PIN ASS'Y NO.1	GOUJON	3		5001-6317			
	120501-00009	PIN ASS'Y;NO1	GOUJON	4		6318-			
24	S2217471	BOLT;SOCKET M12X150	BOULON A 6 PANS CREUX	16		5001-6317			
	120107-00002	BOLT,HEX SOCKET	BOULON A 6 PANS CREUX	16		6318-			
25	104-00047A	GEAR;SUN NO.1	PIGNON	1		5001-6317	I	130425-00001	1
	130425-00001	GEAR,SUN;NO1	PIGNON	1		6318-			
26	S6500450	RING;SNAP	ANNEAU	1					
27	2181-1116D2	PLUG	BOUCHON	2					
28	2181-1116D4	PLUG;PT	BOUCHON	1					

**Fig. 4140 SWING REDUCTION GEAR
REDEUTEUR D'ORIENTATION**

Serial No. ;



DATE	SEP. 12, 2012
4th EDITION	

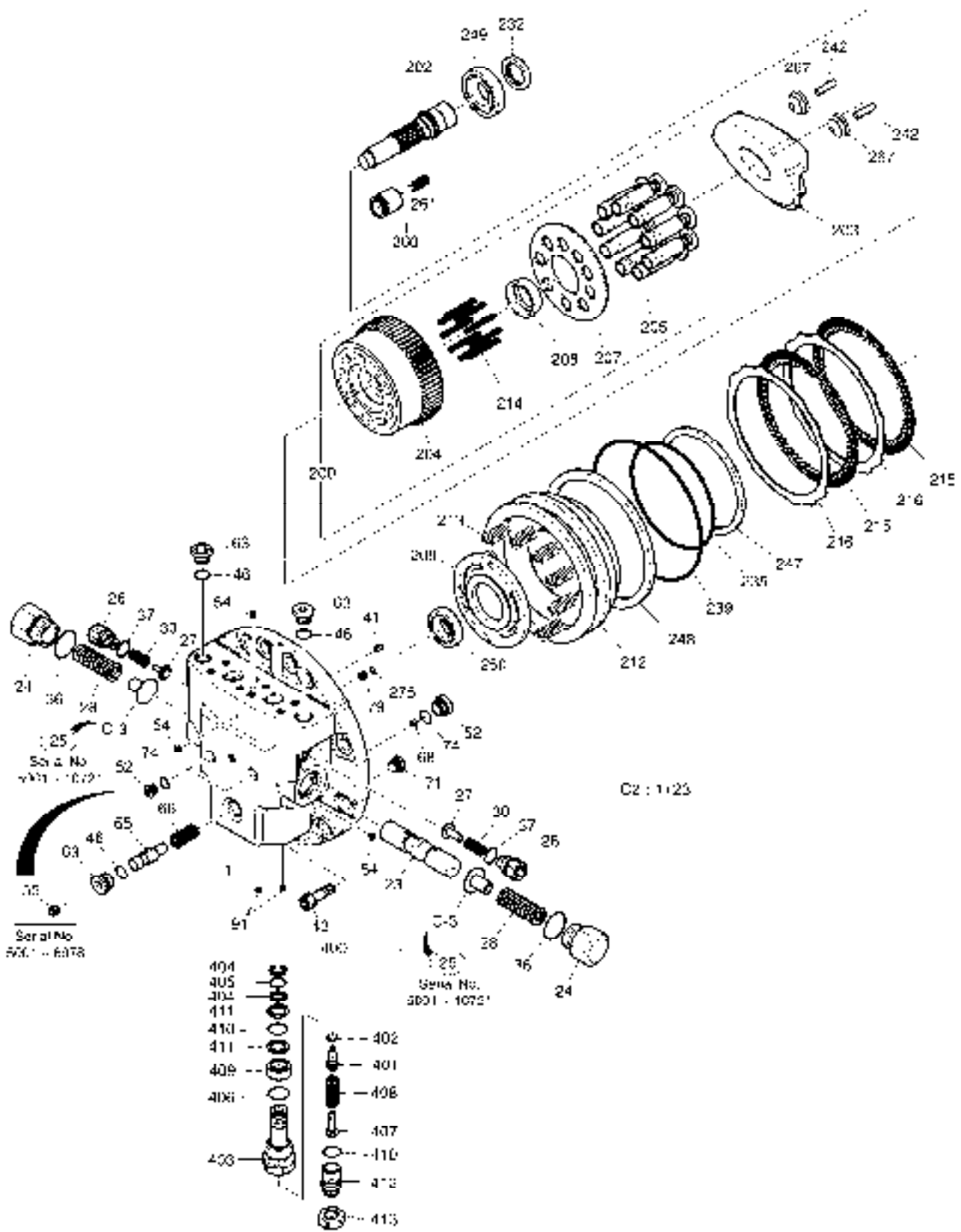
**Fig. 4140 SWING REDUCTION GEAR
REDEUTEUR D'ORIENTATION**

Serial No. ;

Key No.	Part No.	Description	Description	Q'ty	S.C	Serial No.	ICA	Replaceable part	
								Part No.	Q'ty
4140 -29	2140-1406	PIPE;LEVEL GAUGE	TUYAU	1					
30	2119-1065	GAUGE;LEVEL	MESURE	1					
31	S5231090	WASHER;DOUBLE TAP	RONDELLE	1		5001-6317			
	120811-00001	WASHER,DOUBLE TAB	RONDELLE	1		6318-			
32	120-00144	BOLT	BOULON	8					
33	120816-00001	WASHER,THRUST	RONDELLE	1		6318-			
51	K9008337	CARRIER NO1 ASS'Y	PORTEUR	1		5001-6317			
	100502-00022	CARRIER ASS'Y;NO.1	PORTEUR	1		6318-			
52	K9008338	CARRIER NO2 ASS'Y	PORTEUR	1					

**Fig. 4150 TRAVEL MOTOR
MOTEUR DE TRANSLATION**

Serial No. ;



DATE	SEP. 12, 2012
4th EDITION	

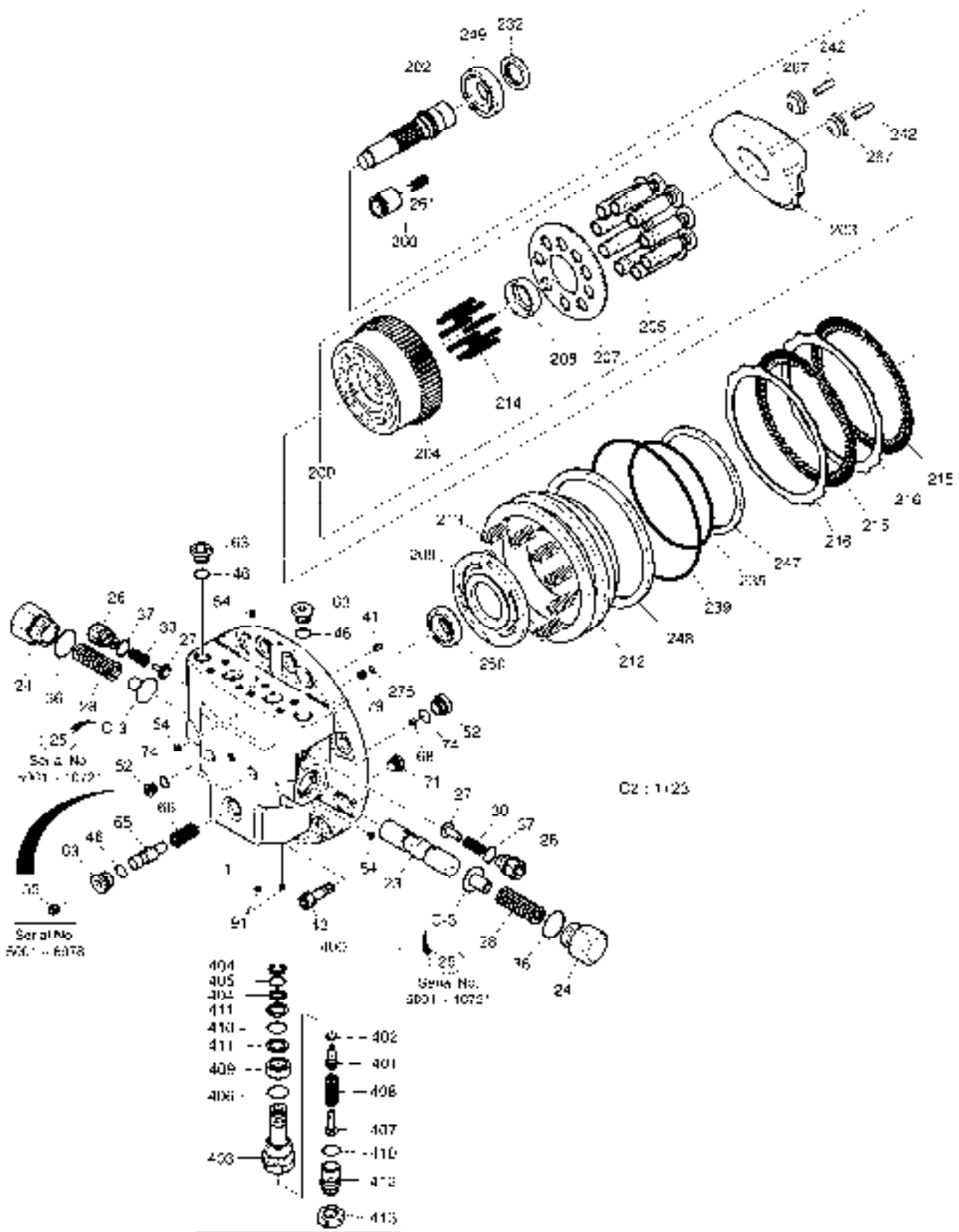
Fig. 4150 TRAVEL MOTOR MOTEUR DE TRANSLATION

Serial No. ;

Key No.	Part No.	Description	Description	Q'ty	S.C	Serial No.	ICA	Replaceable part	
								Part No.	Q'ty
4150 -C	K9007410	CONTROL PART ASS'Y	PANNEAU	1		05001-10721	I	300609-00069	1
	300609-00069	CONTROL PART ASSY	PANNEAU	1		10722-			
C-1	K9007408	. FLANGE ASSY;REAR	. RESERVOIR DESSICATEU	1		5001-6978			
	K9007408A	. FLANGE ASSY;REAR	. RESERVOIR DESSICATEU	1		06979- 10721	I	430215-00552	1
	430215-00552	. FLANGE ASSY;REAR	. RESERVOIR DESSICATEU	1		10722-			
C-2	K9007409	. FLANGE KIT;REAR	. BRIDE ARRIERE	1		5001-6978			
	K9007409A	. FLANGE KIT;REAR	. BRIDE ARRIERE	1		6979-			
C-3	110956-00060	. STOPPER	. TAQUET	2		10722-			
1	-	REAR FLANGE	AMORTISSEUR	1	D				
23	K9007399	MAIN SPOOL	KIT DE RESSORT	1		5001-6978			
	410207-00163	SPOOL,MAIN	SPOOL	1		6979-7482			
	410207-00163A	SPOOL,MAIN	SPOOL	1		07483- 10721			
	410207-00307	SPOOL,MAIN	SPOOL	1		10722-			
24	1.181-00059	PLUG;FOR MAIN	BOUCHON	2					
25	110956-00071	STOPPER	TAQUET	2		05001- 10721			
26	1.181-00067	PLUG;CHECK	BOUCHON	2					
27	1.420-00013	VALVE;CHECK	VALVE	2					
28	1.131-00058	SPRING;FOR MAIN	RESSORT	2					
30	1.129-00006	SPRING;CHECK	RESSORT	2					
36	S8000321	O-RING	JOINT CIRCULAIRE	2	K				
37	S8002731	O-RING	JOINT CIRCULAIRE	2	K				
41	S5700891	PIN;PARALLEL	GOUPILLE	1					
43	S2221471	BOLT;SOCKET	BOULON	12					
46	S8000181	O-RING	JOINT CIRCULAIRE	2	K				
52	2181-1890D2	PLUG	BOUCHON	2		5001-6978			
	2181-1890D2	PLUG	BOUCHON	4		6979-			
54	2181-1116D10	PLUG	BOUCHON	5					
55	2181-1116D2	PLUG	BOUCHON	2		5001-6978			
63	2181-1890D4	PLUG	BOUCHON	2					
65	1.424-00041	SPOOL;2 SPEED	SPOOL	1					
66	1.131-00001	SPRING	RESSORT	1		05001- 10721	I	111601-00354	1
	111601-00354	SPRING	RESSORT	1		10722-			
68	S6250182	BALL;STEEL	BILLE	2					
71	1.415-00005	ORIFICE	ORIFICE	1					
74	S8000111	O-RING	JOINT TORIQUE	2	K	5001-6978			
	S8000111	O-RING	JOINT TORIQUE	4	K	6979-			
79	1.471-00001	FILTER	FILTRE	1		5001-7482			
	1.471-00001A	FILTER	FILTRE	1		7483-			

**Fig. 4150 TRAVEL MOTOR
MOTEUR DE TRANSLATION**

Serial No. ;



DATE	SEP. 12, 2012
4th EDITION	

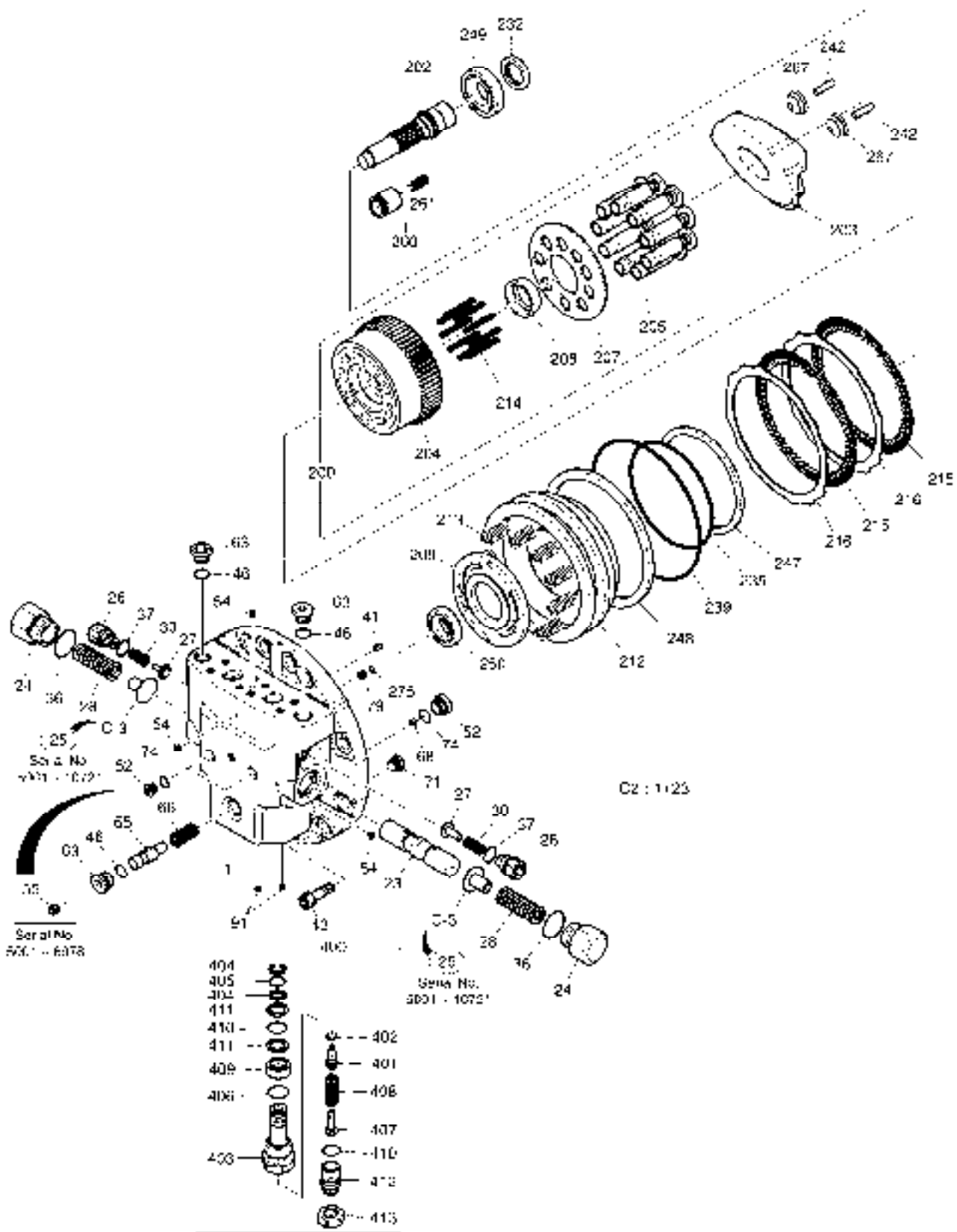
Fig. 4150 TRAVEL MOTOR MOTEUR DE TRANSLATION

Serial No. ;

Key No.	Part No.	Description	Description	Q'ty	S.C	Serial No.	ICA	Replaceable part	
								Part No.	Q'ty
4150 -91	2181-1116D1	PLUG	BOUCHON	2					
-	K9007405	MOTOR;TRAVEL	MOTEUR	1		05001-10721	I	170403-00134	1
	170403-00134	MOTOR,TRAVEL	MOTEUR	1		10722-			
200	K9007407	CYL BLOCK & PISTON KIT	CYLINDRES	1		05001-10721	I	400701-00004	1
	400701-00004	CYL BLOCK & PISTON KIT	CYLINDRES	1		10722-			
205	K9007406	PISTON ASS'Y	PISTON	1		5001-7482			
	K9007406A	PISTON ASSY	PISTON	1		7483-			
204	K9007397	BLOCK;CYLINDER	BLOC-CYLINDRES	1					
207	K9004447	PLATE;RETAINER	PLAQUE	1					
208	K9004448	BALL;THRUST	BILLE	1					
202	K9007415	SHAFT;DRIVE	AXE	1		5001-6978	I	K9007415A	1
	K9007415A	SHAFT,DRIVE	AXE	1		6979-			
203	K9007382	PLATE;SWASH	PLAQUE	1					
209	K9007398	PLATE;TIMING	PLAQUE	1		5001-6978			
	K9007398A	PLATE,TIMING	PLAQUE	1		6979-			
212	K9004453	PISTON;PARKING	PISTON	1					
213	1.131-00049	SPRING	RESSORT	12		5001-7482			
	1.131-00049A	SPRING	RESSORT	12		7483-			
214	K9004449	SPRING	RESSORT	1					
215	412-00013	PLATE;FRICTION	PLAQUE	2					
216	352-00014	PLATE;SEPARATION	PLAQUE	2					
232	K9007401	SEAL;OIL	JOINT D'HUILE	1	K				
235	S8001801	O-RING	JOINT TORIQUE	1	K				
239	S8002101	O-RING	JOINT CIRCULAIRE	1	K				
242	1.123-00053	PIN;PARALLEL	GOUPILLE	4					
247	S8061800	RING;BACK UP	BAGUE ANTIEXTRUSION	1	K				
248	S8062100	RING;BACK UP	BAGUE ANTIEXTRUSION	1	K				
249	K9007400	BEARING;BALL	PALIER	1					
250	1.109-00026	BEARING;BALL	ROULEMENT	1					
260	1.409-00180	PISTON KIT;2 SPEED	PISTON	1		5001-6978			
	130602-00200	PISTON KIT;2 SPEED	KIT DE PISTON	1		6979-			
261	1.131-00042	SPRING	RESSORT	1		5001-6978			
	111601-00117	SPRING,SPEED-ADJUSTING	RESSORT	1		6979-			
267	1.540-00006	PIVOT	PIVOT	2					
275	S8000081	O-RING	JOINT CIRCULAIRE	2	K				
400	K9007413	RELIEF VALVE ASS'Y	CLAPET DE DECHARGE	2		5001-6978			
	410127-00058	VALVE ASSY,RELIEF	CLAPET DE DECHARGE	2		6979-7482			
	410127-00058A	VALVE ASSY,RELIEF	CLAPET DE DECHARGE	2		07483-10721	I	410127-00190	2

**Fig. 4150 TRAVEL MOTOR
MOTEUR DE TRANSLATION**

Serial No. ;



DATE	SEP. 12, 2012
4th EDITION	

Fig. 4150 TRAVEL MOTOR
MOTEUR DE TRANSLATION

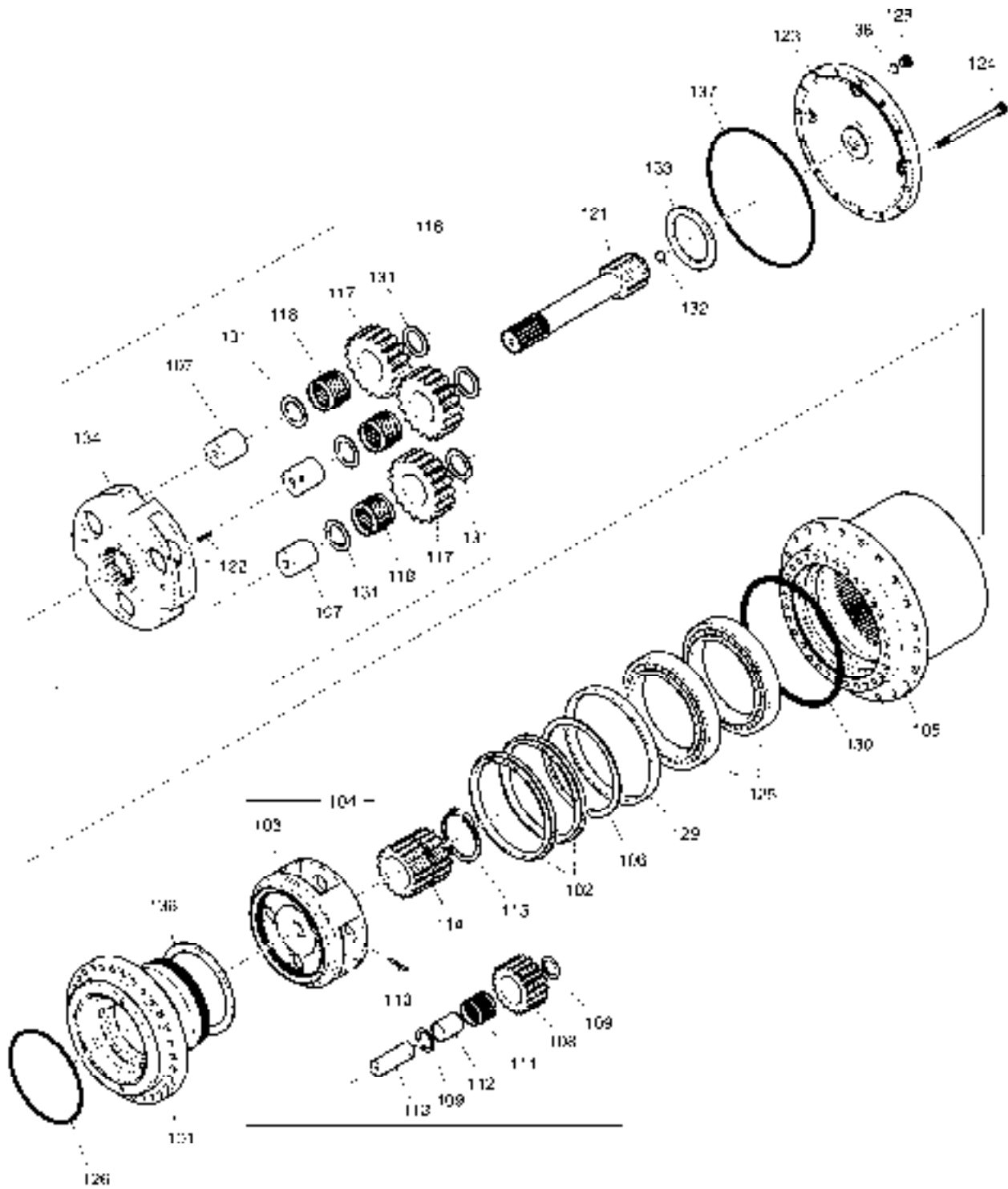
Serial No. ;

Key No.	Part No.	Description	Description	Q'ty	S.C	Serial No.	ICA	Replaceable part	
								Part No.	Q'ty
4150 -	410127-00190	VALVE ASSY,RELIEF	CLAPET DE DECHARGE	2		10722-			
401 -	-	PLUNGER	PLONGEUR	1	D				
402	1.180-00527	SEAL;PISTON	JOINT DE PISTON	1					
403 -	-	BODY	CORPS	1	D				
404	S8060161	RING;BACK-UP	ANNEAU	2					
405	S8000161	O-RING	JOINT TORIQUE	3					
406	S8010291	O-RING	JOINT TORIQUE	1					
407 -	-	RETAINER;SPRING	ARRETOIR	1	D				
408 -	-	SPRING	RESSORT	1	D				
409 -	-	PISTON	PISTON	1	D				
410	S8000221	O-RING	JOINT CIRCULAIRE	2					
411	S8060221	RING;BACK UP	ANNEAU	3					
412 -	-	PLUG;ADJUST	BOUCHON	1	D				
413 -	-	NUT;LOCK	ECROU	1	D				
*	K9008310	SEAL KIT;TRAVEL MOTOR	KIT D'ETANCHEITE	1					

DATE	SEP. 12, 2012
4th EDITION	

**Fig. 4160 TRAVEL REDUCTION GEAR
BOITE REDUCTEUR**

Serial No. ;



DATE	SEP. 12, 2012
4th EDITION	

Fig. 4160 TRAVEL REDUCTION GEAR BOITE REDUCTEUR

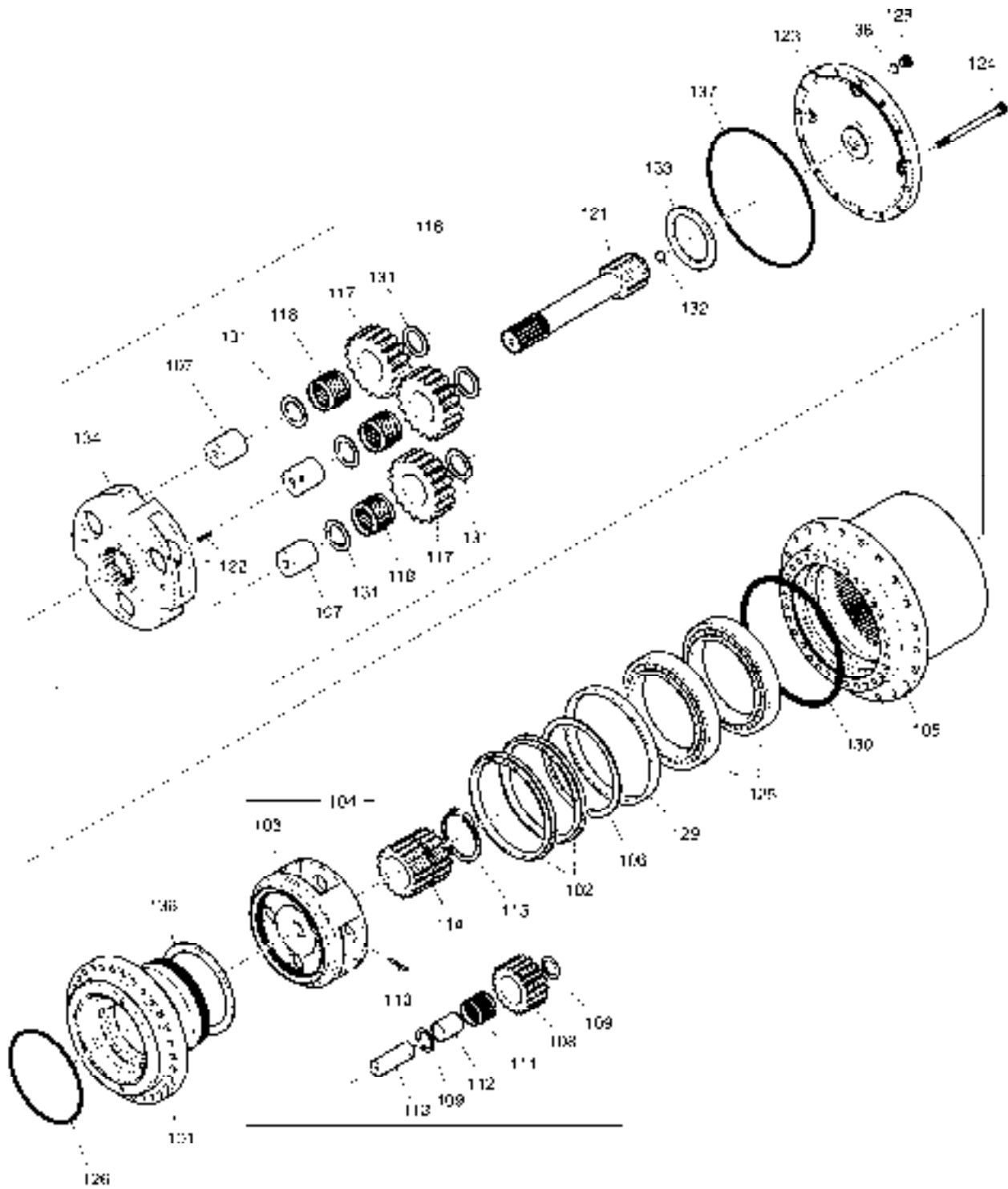
Serial No. ;

Key No.	Part No.	Description	Description	Q'ty	S.C	Serial No.	ICA	Replaceable part	
								Part No.	Q'ty
4160 --	K9007404	REDUCTION GEAR	CLAPET DE TROP-PLEIN	1		05001-10721	I	170402-00028	1
	170402-00028	REDUCTION GEAR	CLAPET DE TROP-PLEIN	1		10722-			
38	S8000181	O-RING	JOINT CIRCULAIRE	3	K				
101	K9007383	SPINDLE	TOUPIE	1		5001-7482	I	K9007383A	1
	K9007383A	SPINDLE	TOUPIE	1		7483-			
102	1.180-00512	SEAL;FLOATING	CACHET	1					
105	K9007384	HUB	PIVOT	1		05001-10721			
	900122-00079	HUB	PIVOT	1		10722-			
106	1.540-00003	PIECE;DISTANCE	GUIDE	1					
104	K9007412	CARRIER NO 2 ASSY	PORTEUR	1					
103	-	CARRIER NO2	PORTEUR	1	D				
108	K9007393	GEAR;PLANETARY	PIGNON	4					
109	K9007394	WASHER;THRUST	RONDELLE	8					
110	S5740960	PIN;SPRING	GOUPILLE	4					
111	K9007402	BEARING;NEEDLE	ROULEMENT A AIGUILLE	4					
112	K9007396	BUSH;FLOATING	DOUILLE	4					
113	K9007392	SHAFT	AXE	4					
114	K9007391	GEAR;SUN	PIGNON	1					
115	S6500750	RING;RETAINING	RONDELLE DE RETENUE	1					
116	K9007411	CARRIER NO 1 ASSY	PORTEUR	1					
107	K9007388	BEARING;SHAFT	ROULEMENT A AIGUILLES	3					
117	K9007387	GEAR;PLANETARY	PIGNON	3					
118	1.216-00017	CAGE;NEEDLE	ROULEMENT A AIGUILLES	3					
122	S5740770	PIN;SPRING	GOUPILLE	3					
131	K9007389	WASHER;THRUST	RONDELLE	6					
134	-	CARRIER NO1.	PORTEUR	1	D				
121	K9007390	GEAR;DRIVE	PIGNON MOTEUR	1					
123	K9007385	COVER	COUVERCLE	1		05001-10721			
	110508-09675	COVER	COUVERCLE	1		10722-			
124	S2212266	BOLT;SOCKET M10X1.5X30	BOULON A 6 PANS CREUX	16					
125	K9007403	BEARING;ANGULAR BALL	A BILLES ROULEMENT	2					
126	S8012300	O-RING	JOINT TORIQUE	1	K				
128	2181-1890D4	PLUG	BOUCHON	3					
129	K9007386	RING;SEAL	JOINT	1		5001-7482	I	K9007386A	1
	K9007386A	RING;SEAL	JOINT	1		7483-			
130	1.180-00144	O-RING	JOINT TORIQUE	1	K				
132	K9004304	WASHER;THRUST	RONDELLE DE BUTEE	1					
133	1.412-00157	PLATE;THRUST	PLAQUE	1					

DATE	SEP. 12, 2012
4th EDITION	

**Fig. 4160 TRAVEL REDUCTION GEAR
BOITE REDUCTEUR**

Serial No. ;



DATE	SEP. 12, 2012
4th EDITION	

**Fig. 4160 TRAVEL REDUCTION GEAR
BOITE REDUCTEUR**

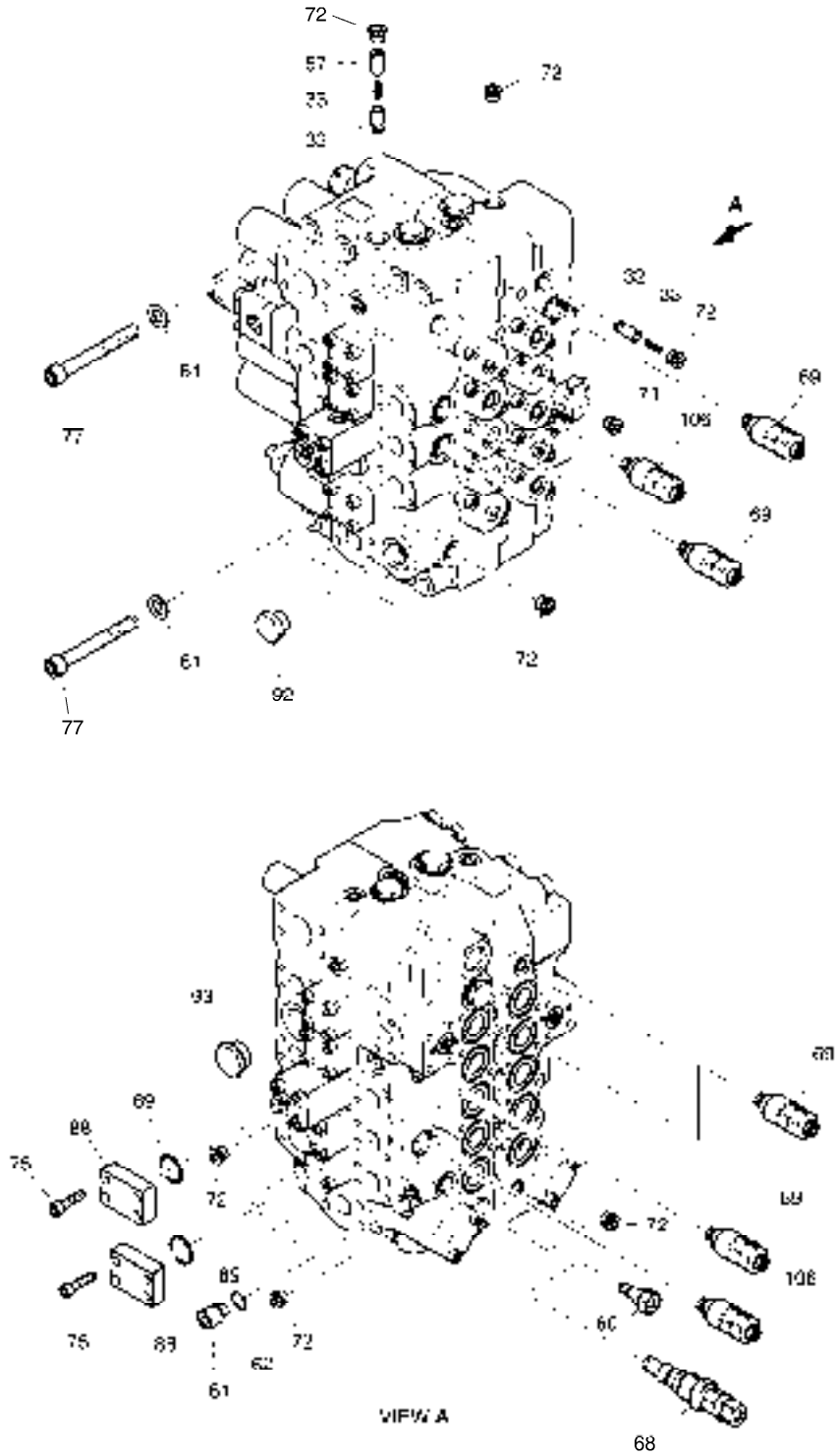
Serial No. ;

Key No.	Part No.	Description	Description	Q'ty	S.C	Serial No.	ICA	Replaceable part	
								Part No.	Q'ty
4160 -136	K9007395	PLATE;SHIM	PLAQUE D'IDENTIFICATION	2		5001-7482	1	K9007395A	2
	K9007395A	SHIM	CALE	2		7483-			
137	401002-00739	RING,O	JOINT CIRCULAIRE	1		10722-			

DATE	SEP. 12, 2012
4th EDITION	

**Fig. 4170 CONTROL VALVE(1)
DISTRIBUTEUR**

Serial No. ;



DATE	SEP. 12, 2012
4th EDITION	

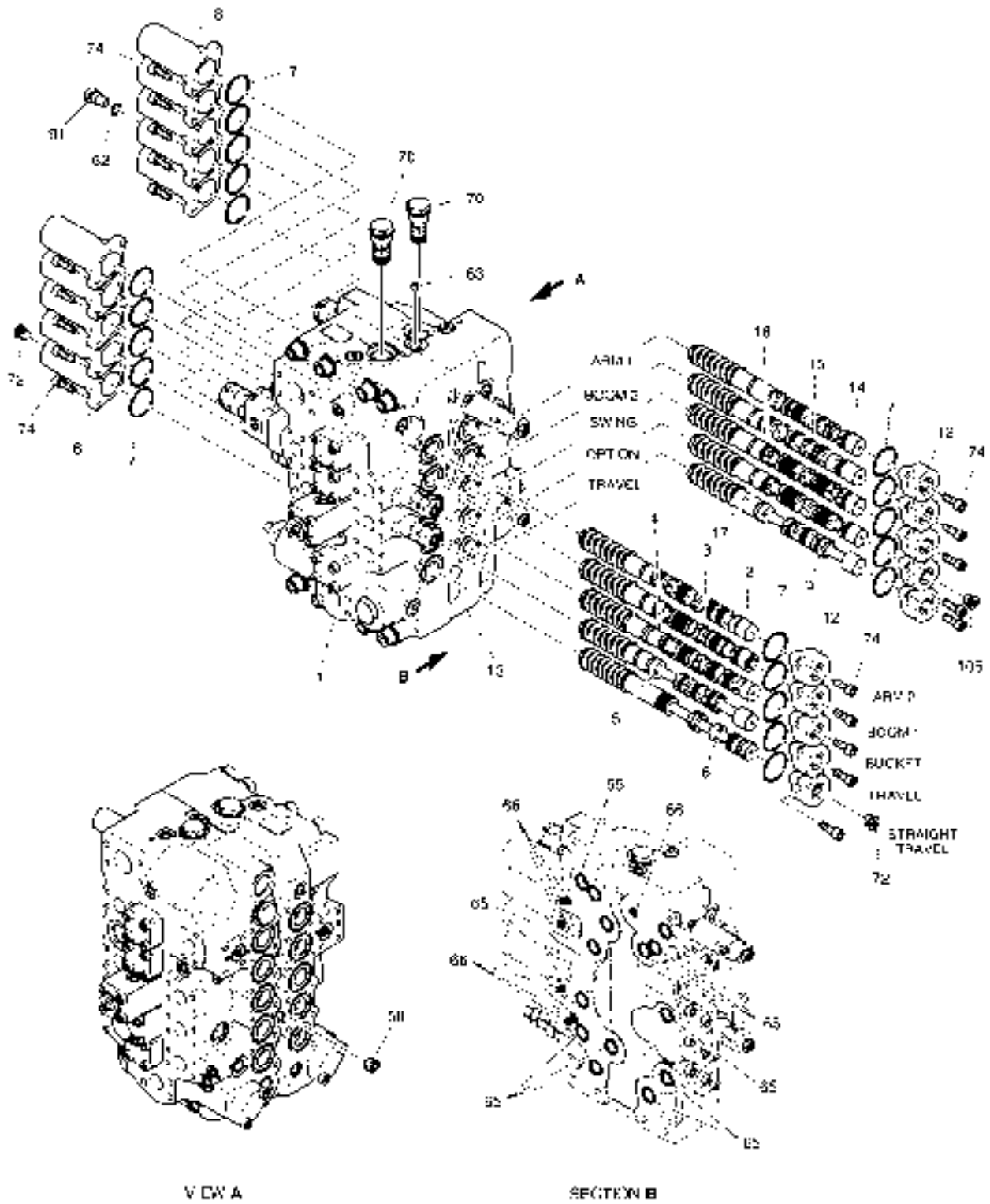
**Fig. 4170 CONTROL VALVE(1)
DISTRIBUTEUR**

Serial No. ;

Key No.	Part No.	Description	Description	Q'ty	S.C	Serial No.	ICA	Replaceable part	
								Part No.	Q'ty
4170 --	K1025391	VALVE;CONTROL	VALVE	1					
32	426-00168	POPET	POPET	2					
33	129-00126	SPRING	RESSORT	2					
57	114-00414	SPACER	ENTRETOISE	1					
60	181-00633	PLUG ASS'Y	PRISE	1					
61	2181-2337D13	REDUCER	REDUCTEUR	1					
62	S8000141	O-RING	JOINT TORIQUE	1	K				
68	K9001804	VALVE;MAIN RELIEF	VANNE	1					
69	420-00258	VALVE;OVERLOAD RELIEF	VANNE	6					
71	181-00565	PLUG ASS'Y	BOUCHON	1					
72	181-00701	PLUG ASS'Y	BOUCHON	12					
75	S2212466	BOLT;SOCKET M10X1.5X40	BOULON	8					
77	S2223266	BOLT;SOCKET M16X130L	BOULON	8					
81	S5010913	WASHER,PLAIN	RONDELLE	8					
88	2181-2434	FLANGE	BRIDE	2					
89	2180-1217D109	O-RING	JOINT CIRCULAIRE	2	K				
92	181-00647	PLUG ASS'Y	BOUCHON	1					
93	181-00649	PLUG ASS'Y	BOUCHON	1					
106	K9001805	VALVE;OVERLOAD RELIEF	VANNE	2					
*	420-00295KT	SEAL KIT;CONTROL VALVE	KIT DE JOINT	1					

Fig. 4180 CONTROL VALVE(2) DISTRIBUTEUR

Serial No. ;



DATE	SEP. 12, 2012
4th EDITION	

Fig. 4180 CONTROL VALVE(2) DISTRIBUTEUR

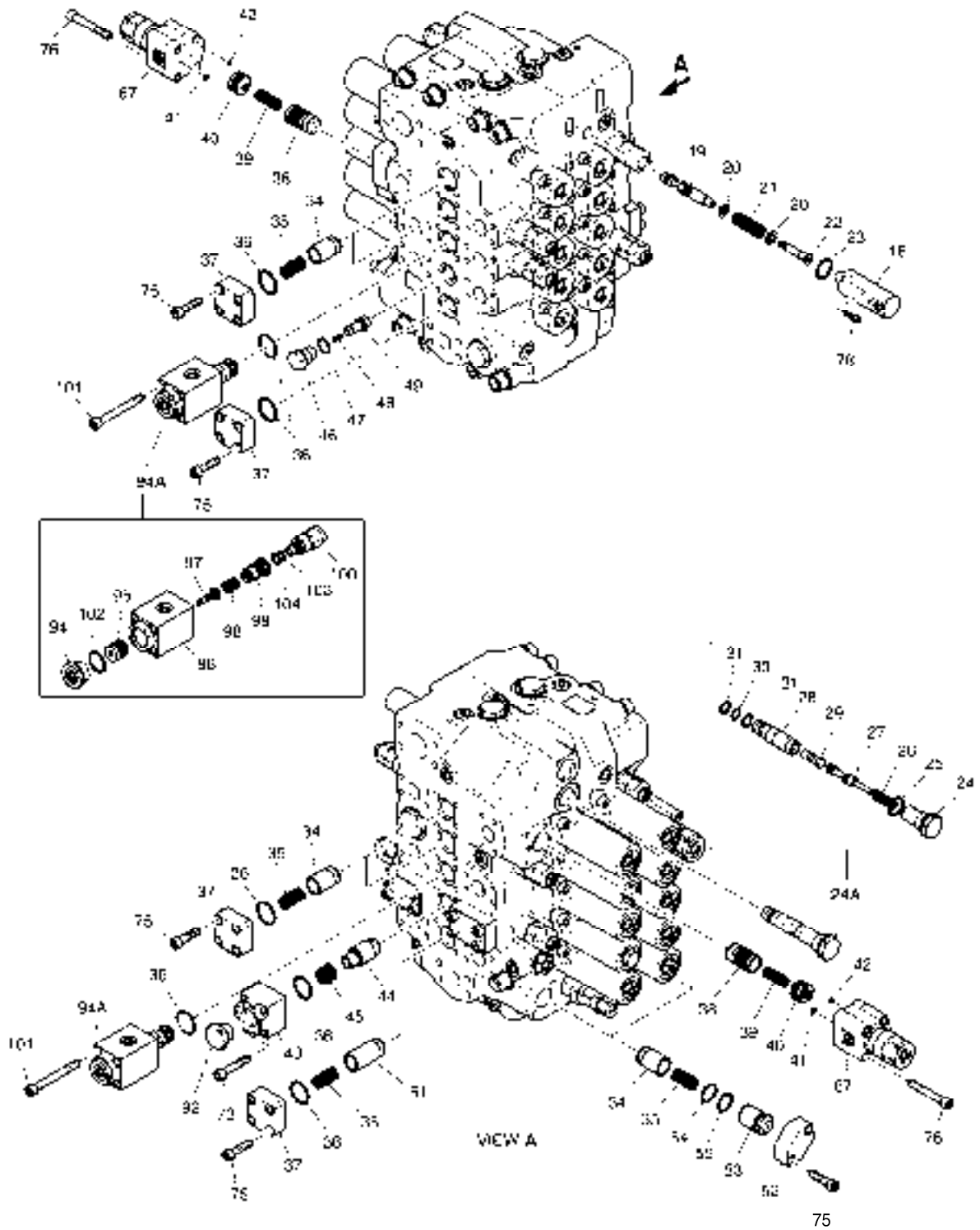
Serial No. ;

Key No.	Part No.	Description	Description	Q'ty	S.C	Serial No.	ICA	Replaceable part	
								Part No.	Q'ty
4180 --	K1025391	VALVE;CONTROL	VALVE	1					
1	423-00096	HOUSING;VALVE	LOGEMENT	1	D				
2	424-00185	SPOOL ASS`Y-ARM2	PLUNGEUR	1					
3	K9003671	SPOOL ASS`Y-BOOM1	SPOOL	1					
4	424-00199	SPOOL ASS`Y-BUCKET	SPOOL	1					
5	K9001807	SPOOL ASS`Y-TRAVEL	SPOOL	2					
6	424-00115	SPOOL ASS`Y-T/S	PLUNGEUR	1					
7	S8010451	O-RING	JOINT CIRCULAIRE	20	K				
8	430-00033	CAP	CHAPEAU	10					
12	430-00035	CAP	CHAPEAU	10					
13	423-00097	HOUSING;VALVE	LOGEMENT	1	D				
14	K9003672	SPOOL ASS`Y-ARM1	SPOOL	1					
15	K9003673	SPOOL ASS`Y-BOOM2	SPOOL	1					
16	K9001809	SPOOL ASS`Y-SWING	SPOOL	1					
17	K9001810	SPOOL ASS`Y-OPTION	SPOOL	1					
50	K9001199	PLUG	BOUCHON	1					
62	S8000141	O-RING	JOINT TORIQUE	1	K				
63	415-00037	PLUG;ORIFICE	BOUCHON	1					
65	180-00403	O-RING	JOINT CIRCULAIRE	14	K				
66	180-00402	O-RING	JOINT CIRCULAIRE	7	K				
70	420-00259	FOOT RELIFE VALVE	CLAPET DE DECHARGE	2					
72	181-00701	PLUG ASS`Y	BOUCHON	2					
74	S2212266	BOLT;SOCKET M10X1.5X30	BOULON A 6 PANS CREUX	40					
91	181-00646	PLUG	BOUCHON	1					
105	181-00701	PLUG ASS`Y	BOUCHON	1					

DATE	SEP. 12, 2012
4th EDITION	

**Fig. 4190 CONTROL VALVE(3)
DISTRIBUTEUR**

Serial No. ;



DATE	SEP. 12, 2012
4th EDITION	

Fig. 4190 CONTROL VALVE(3) DISTRIBUTEUR

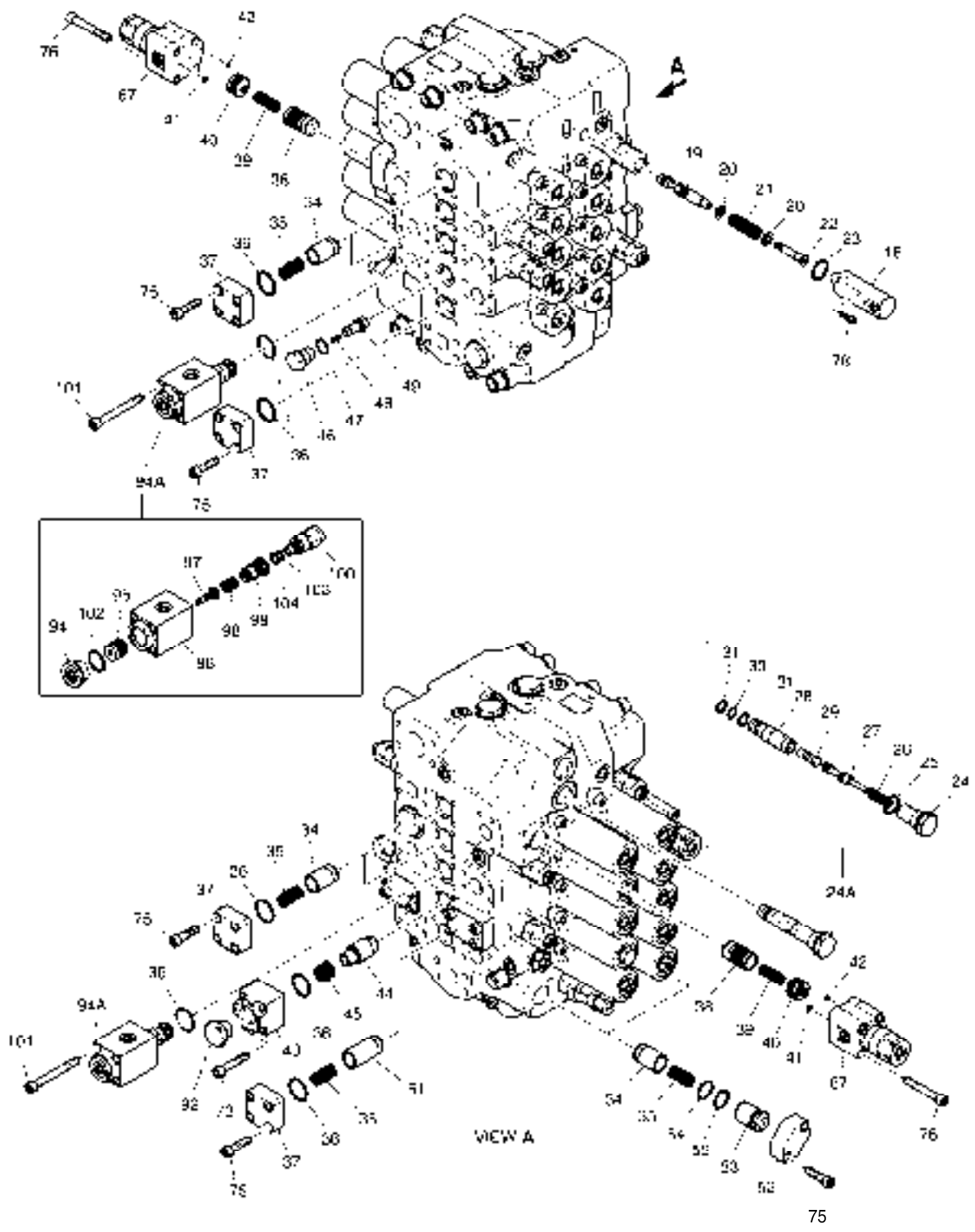
Serial No. ;

Key No.	Part No.	Description	Description	Q'ty	S.C	Serial No.	ICA	Replaceable part	
								Part No.	Q'ty
4190 --	K1025391	VALVE;CONTROL	VALVE	1					
18	430-00038	CAP	CHAPEAU	1					
19	-	SPOOL	PLUNGEUR	1	D				
20	429-00024	SEAT;SPRING	SIEGE	2					
21	129-00124	SPRING	RESSORT	1					
22	430-00040	SPOOL END	PLUNGEUR	1					
23	S8000261	O-RING	JOINT CIRCULAIRE	1	K				
24A	420-00314	. ARM REGEN ASS'Y	. REPOS DE BRAS	1					
24	430-00041	PLUG	BOUCHON	1					
25	S8000241	O-RING	JOINT CIRCULAIRE	1	K				
26	129-00125	SPRING	RESSORT	1					
27	-	SPOOL	PLUNGEUR	1	D				
28	-	SLEEVE	DOUILLE	1	D				
29	-	PISTON	PISTON	1	D				
30	S8000161	O-RING	JOINT TORIQUE	1	K				
31	S8060161	RING;BACK-UP	ANNEAU	2	K				
34	426-00169	POPET	POUPEE	6					
35	129-00127	SPRING	RESSORT	7					
36	S8000321	O-RING	JOINT CIRCULAIRE	9	K				
37	181-00628	FLANGE	BRIDE	6					
38	426-00170	POPET	POPET	2					
39	129-00128	SPRING	RESSORT	2					
40	114-00411	SPACER ASS'Y	ENTRETOISE	2					
41	S8000061	O-RING	JOINT CIRCULAIRE	2	K				
42	S8000041	O-RING	JOINT CIRCULAIRE	2	K				
43	181-00630	FLANGE	BRIDE	1					
44	426-00171	POPPET,LOAD CHECK	POPET	1					
45	129-00130	SPRING	RESSORT	1					
46	430-00042	PLUG	PRISE	1					
47	180-00398	O-RING	JOINT CIRCULAIRE	1	K				
48	129-00129	SPRING	RESSORT	1					
49	426-00172	POPET	POPET	1					
51	426-00173	POPET	POPET	1					
52	181-00631	FLANGE	BRIDE	2					
53	114-00413	SPACER	ENTERTOISE	2					
54	S8010250	O-RING	JOINT CIRCULAIRE	2	K				
55	180-00445	RING;BACK-UP	ANNEAU	2	K				
67	420-00246	ANTI-DRIFT VALVE ASS'Y	VANNE	2					

DATE	SEP. 12, 2012
4th EDITION	

**Fig. 4190 CONTROL VALVE(3)
DISTRIBUTEUR**

Serial No. ;



DATE	SEP. 12, 2012
4th EDITION	

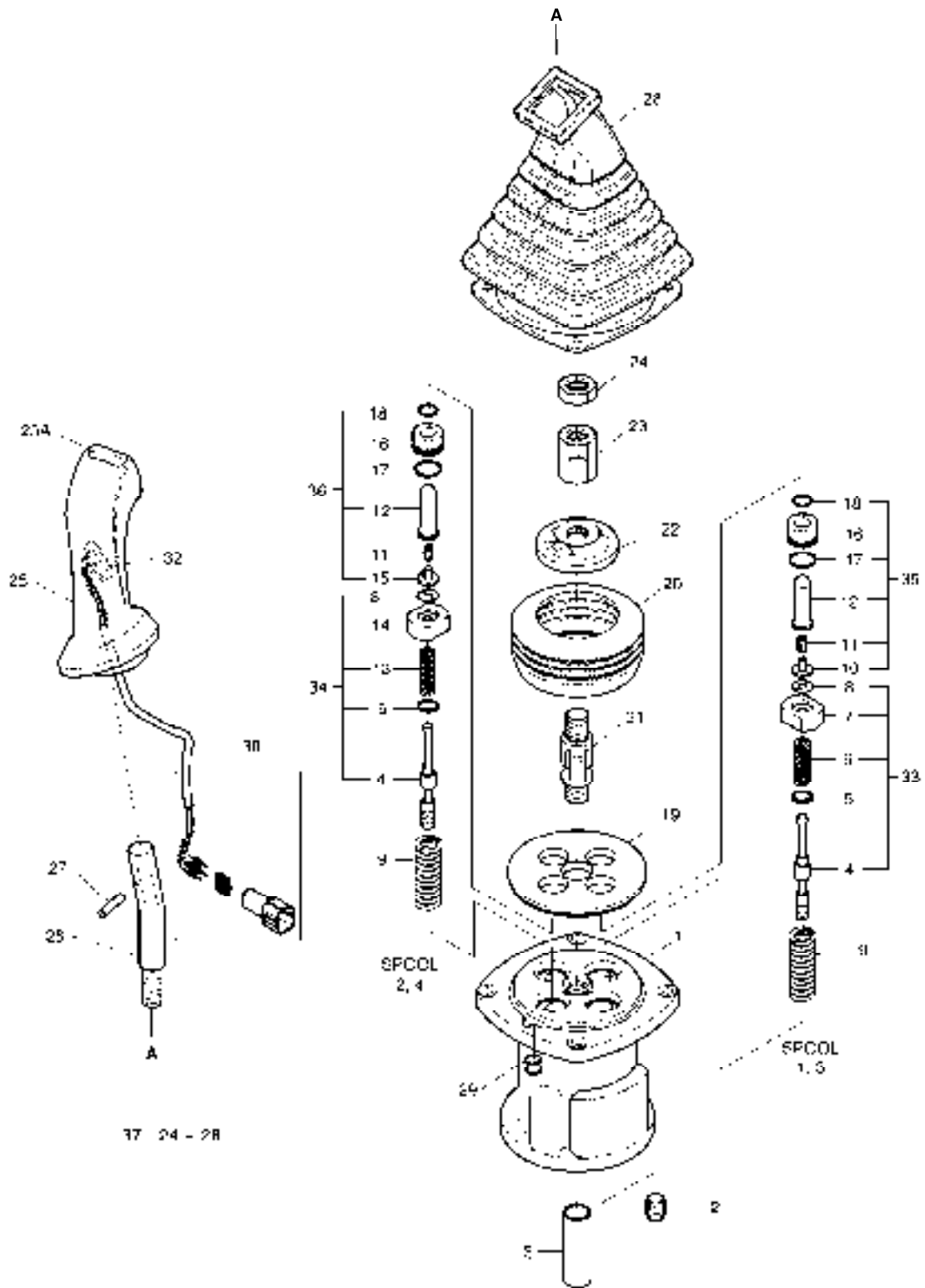
Fig. 4190 CONTROL VALVE(3) DISTRIBUTEUR

Serial No. ;

Key No.	Part No.	Description	Description	Q'ty	S.C	Serial No.	ICA	Replaceable part	
								Part No.	Q'ty
4190 -73	S2212766	BOLT;SOCKET M10X1.5X55	BOULON	4					
75	S2212466	BOLT;SOCKET M10X1.5X40	BOULON	28					
76	S2213066	BOLT;SOCKET M10X1.5X70	BOULON	8					
78	S2204866	BOLT;SOCKET	BOULON	2					
92	181-00647	PLUG ASS'Y	BOUCHON	1					
94A	420-00309	. BOOM PRIORITY VALVE	. VANNE	2					
94	430-00045	PLUG	BOUCHON	2					
95	409-00049	PISTON	PISTON	2					
96	-	BODY	CORPS	2	D				
97	409-00050	PISTON	PISTON	2					
98	129-00139	SPRING	RESSORT	2					
99	-	SLEEVE	DOUILLE	2	D				
100	426-00182	POPET ASS'Y	POPET	2					
102	180-00400	O-RING	JOINT CIRCULAIRE	2	K				
103	S8060121	RING;BACK UP	ANNEAU	2	K				
104	S8000121	O-RING	JOINT CIRCULAIRE	2	K				
101	S2213466	BOLT;SOCKET M10X90	BOULON	8					

**Fig. 4200 REMOTE CONTROL VALVE
VANNE DE COMMAND A DISTANCE**

Serial No. ;



DATE	SEP. 12, 2012
4th EDITION	

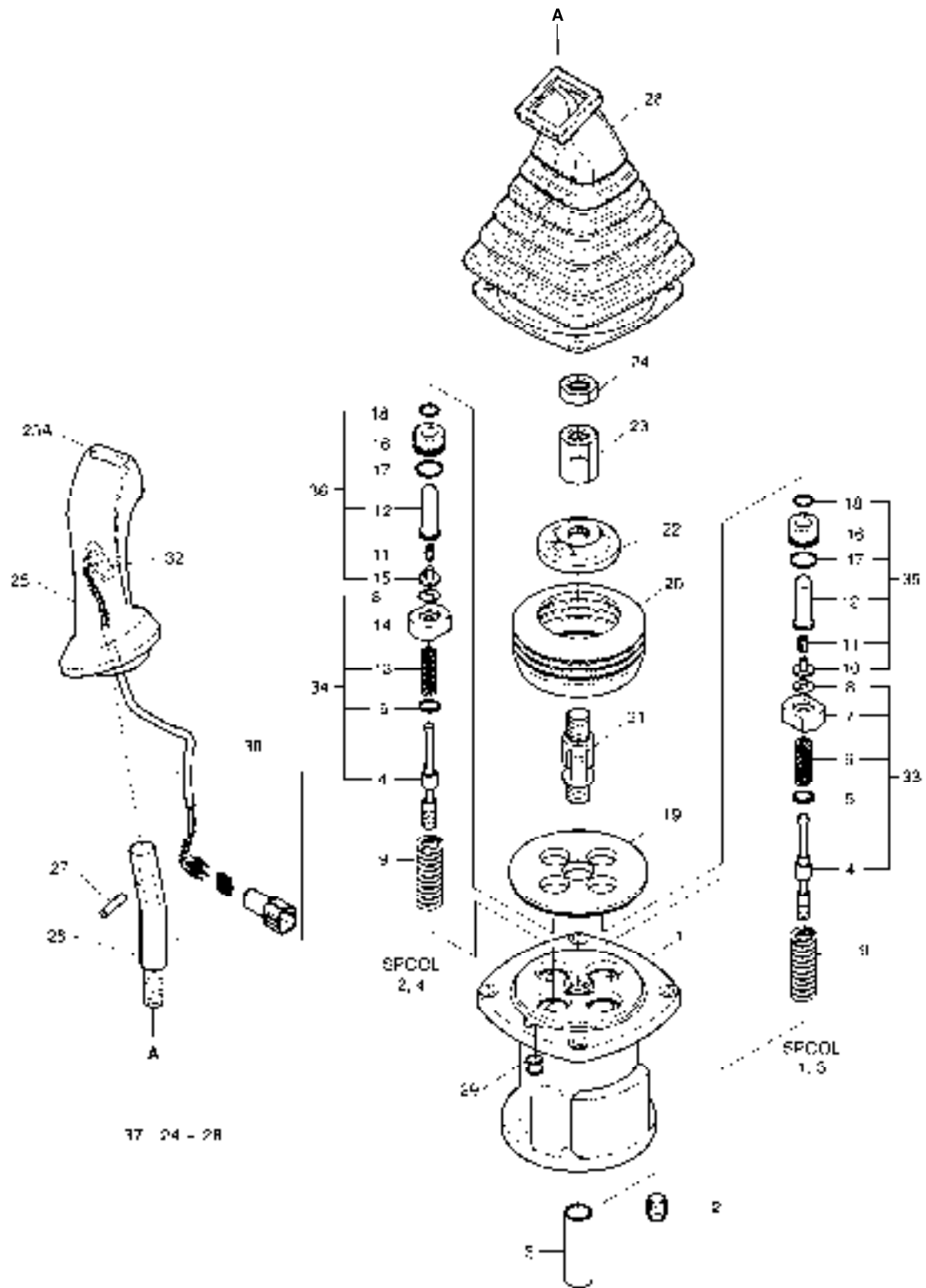
**Fig. 4200 REMOTE CONTROL VALVE
VANNE DE COMMAND A DISTANCE**

Serial No. ;

Key No.	Part No.	Description	Description	Q'ty	S.C	Serial No.	ICA	Replaceable part	
								Part No.	Q'ty
4200 --	K1000556H	REMOTE CONTROL VALVE(L.H)	VALVE DE REMOCON	1		5001-6341	I	410113-00022A	1
	410113-00022A	VALVE,JOYSTICK(L.H)	MANETTE DE CONTROLE	1		6342-			
	K1000555H	REMOTE CONTROL VALVE(R.H)	VALVE DE REMOCON	1		5001-6341	I	410113-00021A	1
	410113-00021A	VALVE,JOYSTICK(R.H)	MANETTE DE CONTROLE	1		6342-			
1	K9001114	CASE	CARTER	1	D				
2	2181-1116D2	PLUG	BOUCHON	4					
3	K9001115	BUSHING	DOUILLE	1					
4	K9001116	SPOOL	PLUNGEUR	4	D				
5	1.114-00012	SHIM	CALE	1	D				
6	K9001117	SPRING	RESSORT	2	D				
7	K9001762	SEAT;SPRING	SIEGE	2	D				
8	K9001763	STOPPER	CHAPEAU	4	D				
9	K9001119	SPRING	RESSORT	4					
10	1.416-00017	STOPPER	CHAPEAU	2	D				
11	K9001121	SPRING	RESSORT	4	D				
12	K9001766	ROD;PUSH	TIGE DE POUSSOIR	4	D				
13	K9001123	SPRING	RESSORT	2	D				
14	K9001767	SEAT;SPRING	SIEGE	2	D				
15	1.416-00018	STOPPER	CHAPEAU	2	D				
16	K9001768	PLUG	BOUCHON	4	D				
17	S8000205	O-RING	JOINT CIRCULAIRE	4					
18	180-00198	SEAL;ROD	CACHET	4					
19	1.412-00017	PLATE	PLAQUE	1					
20	K9001128	BOOT	BOTTE	1					
21	1.138-00004	JOINT ASS'Y	ENSEMBLE DE JOINT	1					
22	K9001129	PLATE;SWASH	PLAQUE	1		5001-6341	I	K9001129A	1
	K9001129A	PLATE;SWASH	PLAQUE	1		6342-			
23	1.121-00028	NUT	ECROU	1					
24	S4012833	NUT	ECROU	1					
25	K9001130	HANDLE ASS'Y(L.H)	HANDLE	1					
	K9001131	HANDLE ASS'Y(R.H)	HANDLE	1					
25A	1.161-00021	. CAP;PEANUT	. CHAPEAU	1					
26	1.178-00004	BAR;HANDLE	BARRE	1					
27	S5740800	PIN;SPRING	GOUPILLE	1					
28	K9001132	BELLOWS	SOUFFLETS	1					
29	1.110-00169	BUSHING	DOUILLE	1					
30	K9001133	CONNECTOR ASS'Y	CONNECTOR	1					
32	K9001001	SWITCH ASS'Y	INTERRUPTEUR	1					

**Fig. 4200 REMOTE CONTROL VALVE
VANNE DE COMMAND A DISTANCE**

Serial No. ;



DATE	SEP. 12, 2012
4th EDITION	

Fig. 4200 REMOTE CONTROL VALVE
VANNE DE COMMAND A DISTANCE

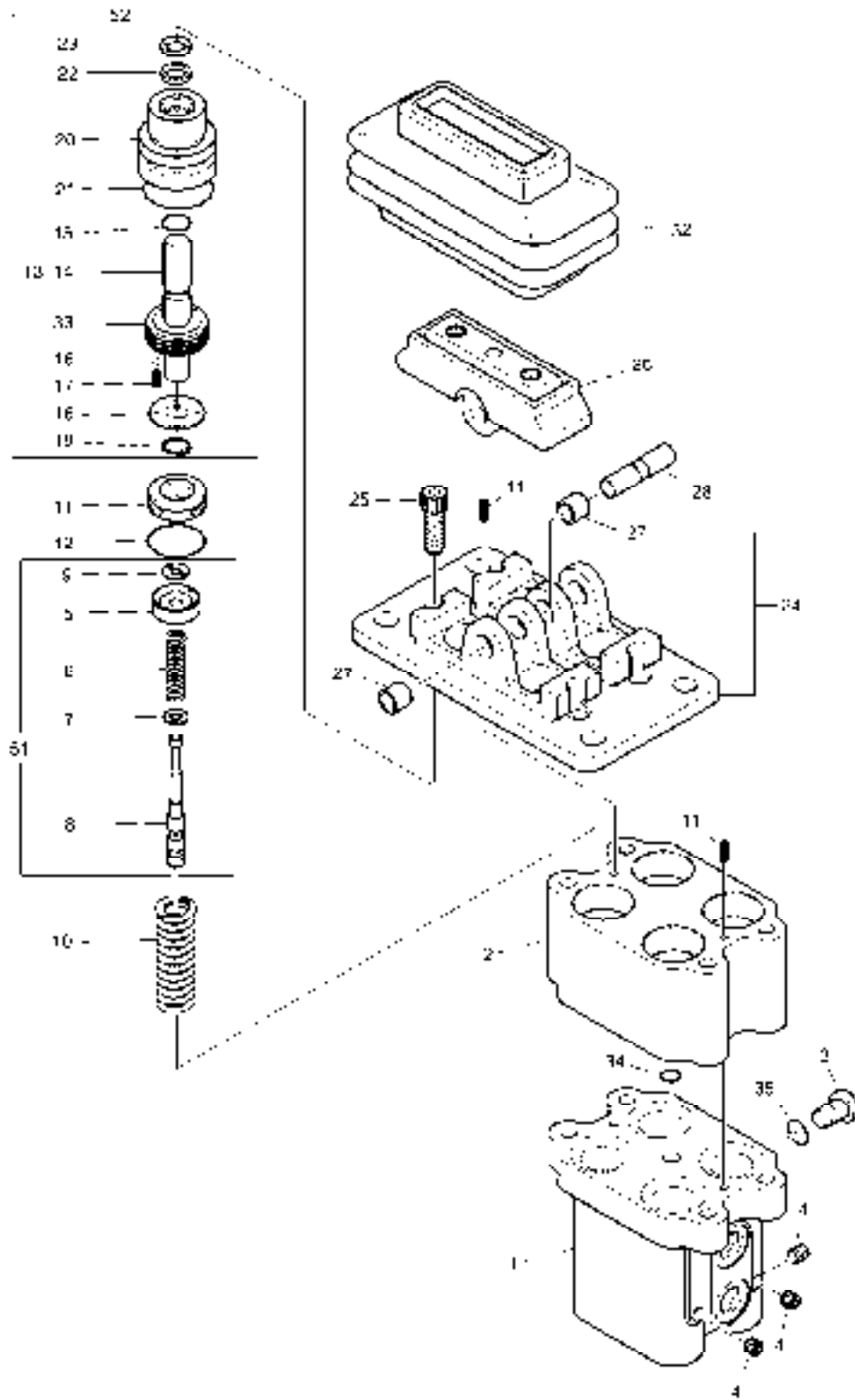
Serial No. ;

Key No.	Part No.	Description	Description	Q'ty	S.C	Serial No.	ICA	Replaceable part	
								Part No.	Q'ty
4200 -33	K9003998	KIT;SPOOL(1,3)	KIT	1		5001-6341			
	410207-00175	SPOOL KIT;(1,3)	KIT DE SPOOL	1		6342-			
34	K9003999	KIT;SPOOL(2,4)	KIT	1		5001-6341			
	410207-00176	SPOOL KIT;(2,4)	KIT DE SPOOL	1		6342-			
35	K9006480	KIT;PLUG(1,3)	KIT	1		5001-6341	I	K9004000	1
	K9004000	KIT;PLUG(1,3)	KIT	1		6342-			
36	K9006481	KIT;PLUG(2,4)	KIT	1		5001-6341	I	K9004001	1
	K9004001	KIT;PLUG(2,4)	KIT	1		6342-			
37	K9001139	KIT;HANDLE(R.H)	KIT	1					
	K9001140	KIT;HANDLE(L.H)	KIT	1					

DATE	SEP. 12, 2012
4th EDITION	

Fig. 4210 PEDAL VALVE
VANNE

Serial No. ;



DATE	SEP. 12, 2012
4th EDITION	

Fig. 4210 PEDAL VALVE VANNE

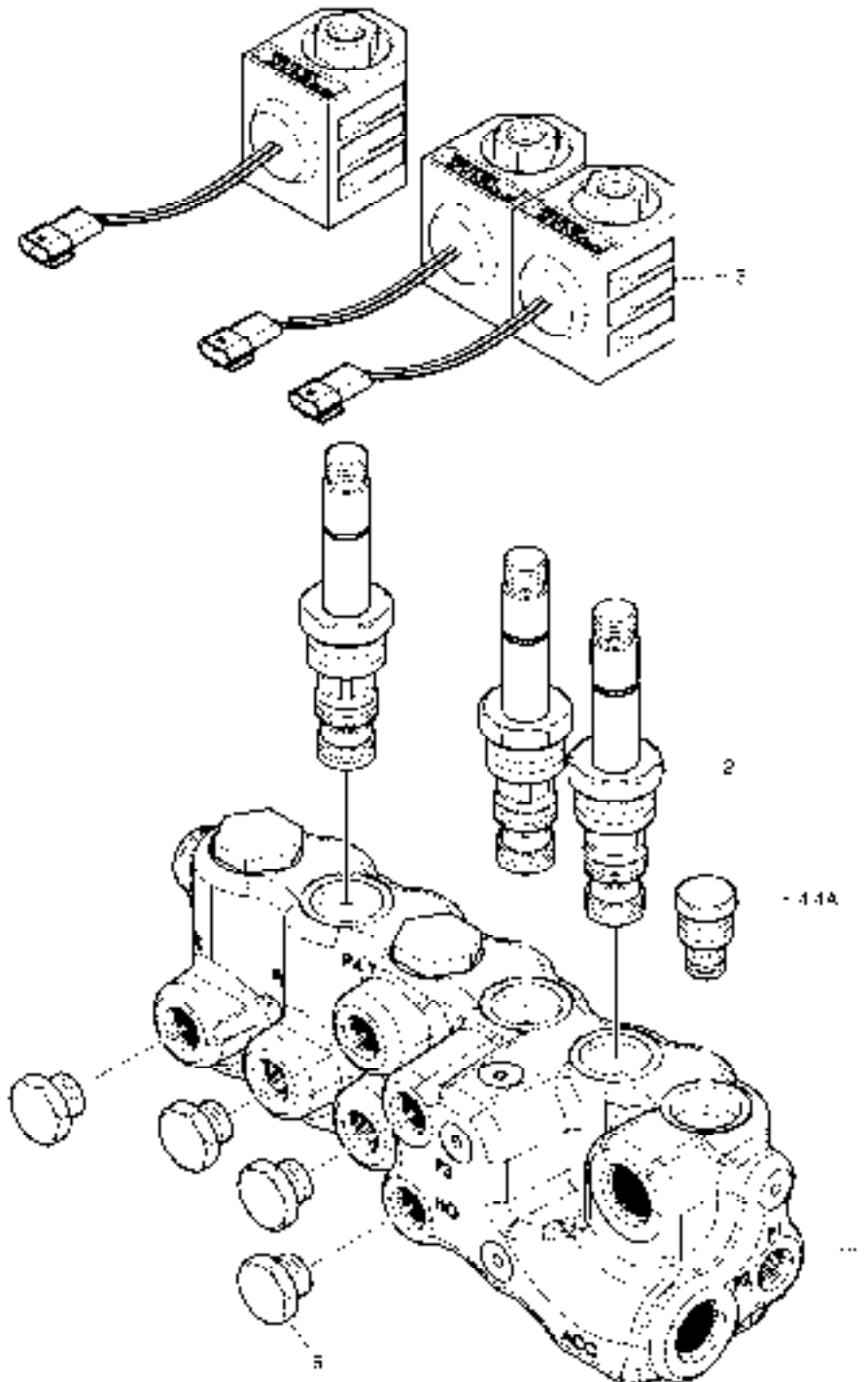
Serial No. ;

Key No.	Part No.	Description	Description	Q'ty	S.C	Serial No.	ICA	Replaceable part	
								Part No.	Q'ty
4210 --	420-00467A	VALVE;PEDAL	VANNE	1					
1	-	BODY	CORPS	1	D				
2	-	BODY	CORPS	1	D				
3	420-00112	PLUG	PRISE	1					
4	2181-1116D1	PLUG	BOUCHON	3					
51	K9006863	KIT;SPOOL	KIT DE SPOOL	4					
5	429-00004	SEAT;SPRING	SIEGE	4					
6	K9001141	SPRING	RESSORT	4					
7	429-00005	SEAT;SPRING	SIEGE	4					
8	424-00042	SPOOL	PLUNGEUR	4					
9	161-00080	STOPPER	TAQUET	4					
10	K9006860	SPRING	RESSORT	4					
11	S5740600	PIN;SPRING	GOUPILLE	4					
12	S8000261	O-RING	JOINT CIRCULAIRE	4					
52	K9006864	KIT;PLUG	KIT DE PRISE	4					
13	-	ROD;PUSH	TIGE	4	D				
14	S5740480	PIN;SPRING	GOUPILLE	4					
15	-	SEAL	CACHET	4	D				
16	148-00012	BALL;STEEL	BOULE	4					
17	129-00043	SPRING	RESSORT	4					
18	159-00017	PLATE	PLAQUE	4					
19	115-00042	RING;SNAP	ANNEAU	4					
20	-	PLUG	PRISE	4	D				
21	S8010251	O-RING	JOINT CIRCULAIRE	4					
22	180-00198	SEAL;ROD	CACHET	4					
23	180-00199	SEAL;DUST	CACHET	4					
33	1.409-00225	PISTON	PISTON	4					
24	K9006865	KIT;COVER	KIT DE COUVERTURE	1					
27	2110-1184D7	BUSH;DU 10X10	DOUILLE	4					
25	S2210071	BOLT;SOCKET	BOULON	4					
26	K9006866	KIT;CAM	KIT DE FAO	2					
28	K9006861	SHAFT;CAM	ARBRE	2					
32	K9006862	BELLOWS	SOUFFLETS	2					
34	S8000081	O-RING	JOINT CIRCULAIRE	1					
35	S8000111	O-RING	JOINT TORIQUE	1					

DATE	SEP. 12, 2012
4th EDITION	

**Fig. 4220 SOLENOID VALVE
VANNE**

Serial No. ;



DATE	SEP. 12, 2012
4th EDITION	

**Fig. 4220 SOLENOID VALVE
VANNE**

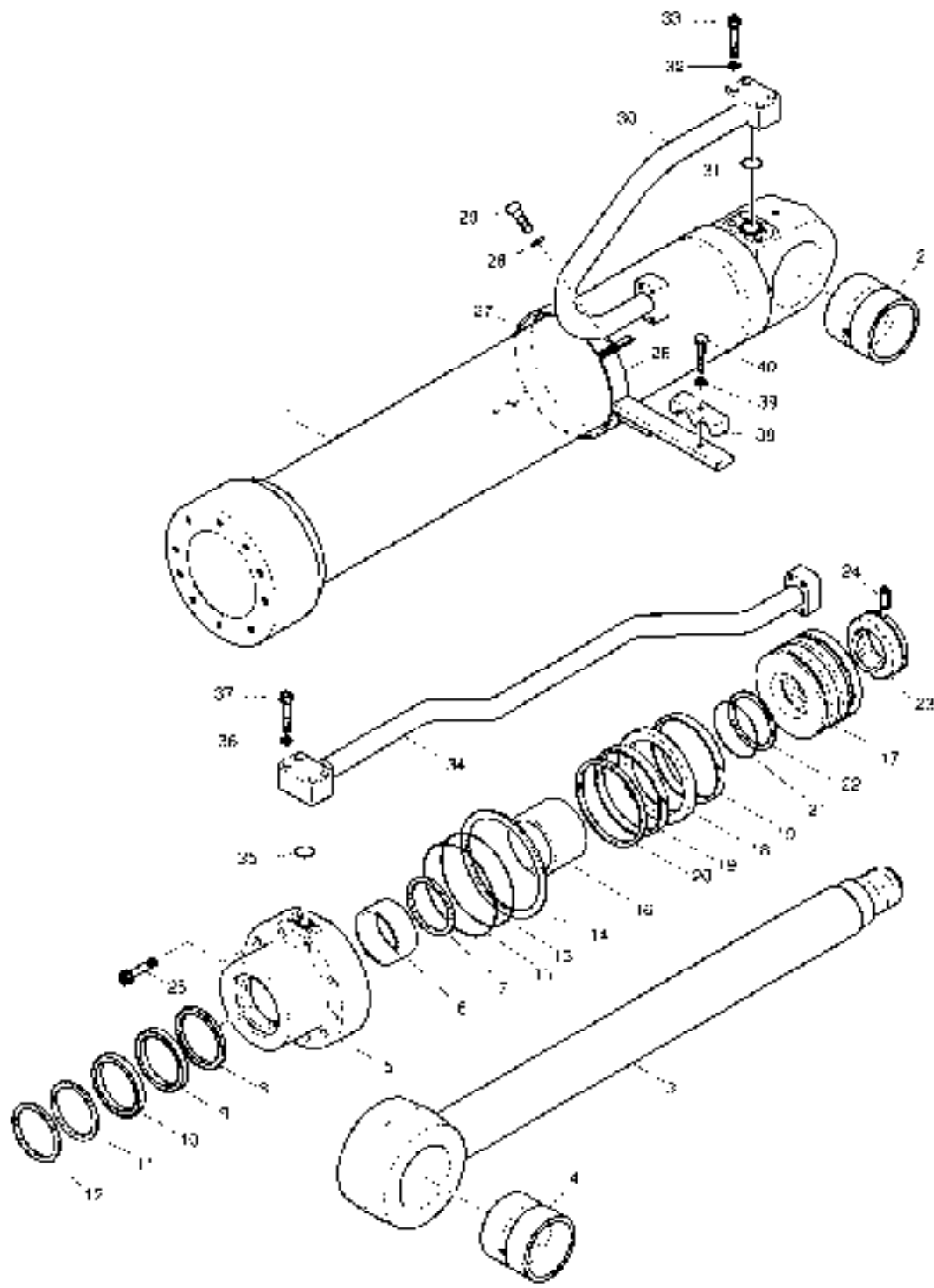
Serial No. ;

Key No.	Part No.	Description	Description	Q'ty	S.C	Serial No.	ICA	Replaceable part	
								Part No.	Q'ty
4220 --	K1047557	VALVE;SOLENOID	VALVE	1					
1	-	BLOCK	BLOC	1	D				
2	K9007363	SPOOL;SOLENOID	PLUNGEUR	3					
3	1.519-00001	COIL 24V	ENROULEMENT	3					
4	K9002065	VALVE;CHECK	VANNE	1					
4A	1.180-00447	. KIT;SEAL	. KIT DE JOINT	1					
5	2181-1950D1	PLUG	BOUCHON	4					

DATE	SEP. 12, 2012
4th EDITION	

**Fig. 4230 BOOM CYLINDER - L.H.
VERIN DE FLECHE**

Serial No. ;



DATE	SEP. 12, 2012
4th EDITION	

**Fig. 4230 BOOM CYLINDER - L.H.
VERIN DE FLECHE**

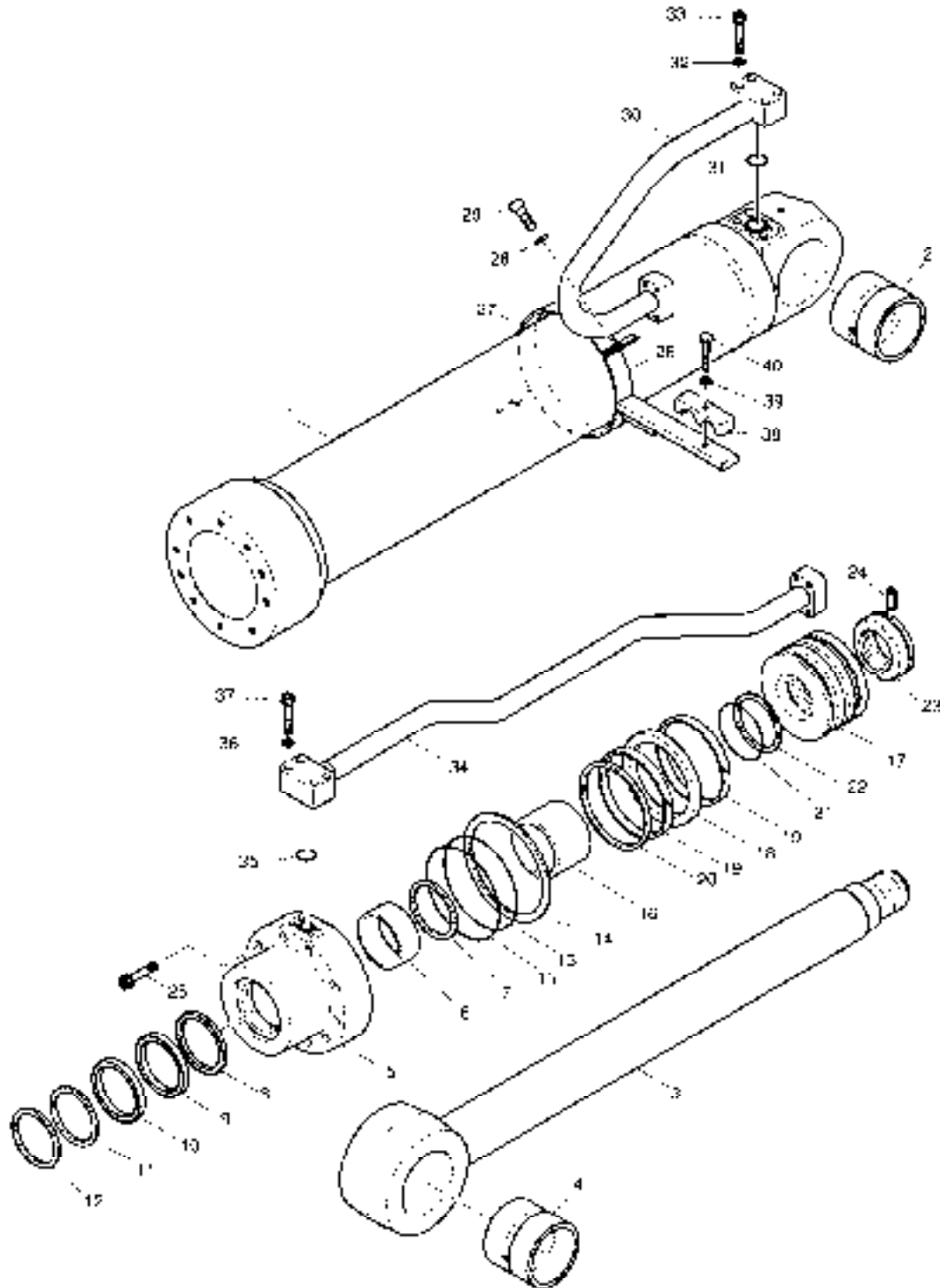
Serial No. ;

Key No.	Part No.	Description	Description	Q'ty	S.C	Serial No.	ICA	Replaceable part	
								Part No.	Q'ty
4230 --	K1044989B	CYLINDER;BOOM (LH)	CYLINDRE	1		5001-9957	Y	400309-00341	1
	400309-00341	CYLINDER,BOOM;(L.H)	CYLINDRE	1		09958- 11554	Y	400309-00341A	1
	400309-00341A	CYLINDER,BOOM;(L.H)	CYLINDRE	1		11555-			
1	K9007361	TUBE ASS'Y	ENSEMBLE TUBE	1		05001- 11554	Y	420406-01077	1
	420406-01077	TUBE ASS'Y	ENSEMBLE TUBE	1		11555-			
2	K1037853A	BUSH	DOUILLE	1		05001- 11554	Y	131008-00067A	1
	131008-00067A	BUSH	DOUILLE	1		11555-			
3	K9007362	ROD ASS'Y	ENSEMBLE TIGE	1		05001- 11554	Y	400337-00454	1
	400337-00454	ROD ASS'Y	ENSEMBLE TIGE	1		11555-			
4	K1037853A	BUSH	DOUILLE	1		05001- 11554	Y	131008-00067A	1
	131008-00067A	BUSH	DOUILLE	1		11555-			
5	K9001856	ROD;COVER	TIGE	1					
6	110-00079	DD-BUSH	COUSSINET	1					
7	115-00050	RING;RETAINING	BAGUE	1					
8	K9001857	SEAL;BUFFER	ETANCHEITE A GRADINS	1	K				
9	K9001858	U-PACKING	JOINT EN U	1	K				
10	K9001877	RING;BACK UP	BAGUE ANTIEXTRUSION	1	K				
11	115-00059	WIPER;DUST	PARE-POUSSIERE	1	K				
12	115-00051	RING;RETAINING	BAGUE D'ARRET	1					
13	S8011201	O-RING	JOINT CIRCULAIRE	1	K				
14	K9001859	RING;BACK UP	ANNEAU	1	K				
15	S8011251	O-RING	JOINT CIRCULAIRE	1	K				
16	1.115-00204	RING;CUSHION	BAGUE D'AMORTISSEMENT	1					
17	K9001860	PISTON	PISTON	1					
18	K9001890	SEAL;SLIPPER	CACHET	1	K				
19	115-00087	RING;WEAR	ANNEAU	2	K				
20	K9001861	RING;DUST	BAGUE	1	K				
21	S8010651	O-RING	JOINT TORIQUE	1	K				
22	1.180-00277	RING;BACK UP	BAGUE ANTIEXTRUSION	2	K				
23	K9001862	NUT;PISTON	ECROU	1					
24	1.120-00219	SCREW;SET	VIS	1					
25	S2222272	BOLT;SOCKET	BOULON	10					
26	K9007358	PIPE BAND ASS'Y	BANDE ASS'Y DE PIPE	1		5001-9957			
	K9007358A	BAND ASSY,PIPE	BANDE ASS'Y DE PIPE	1		9958-			
27	124-00088	BAND;PIPE	ATTACHE	1					
28	S5100603	WASHER;SPRING	RONDELLE	2					
29	S0558153	BOLT	BOULON	2					
30	K9007360	PIPE ASS'Y-H(L.H)	ENSEMBLE CONDUITES	1		5001-9957			

DATE	SEP. 12, 2012
4th EDITION	

**Fig. 4230 BOOM CYLINDER - L.H.
VERIN DE FLECHE**

Serial No. ;



DATE	SEP. 12, 2012
4th EDITION	

**Fig. 4230 BOOM CYLINDER - L.H.
VERIN DE FLECHE**

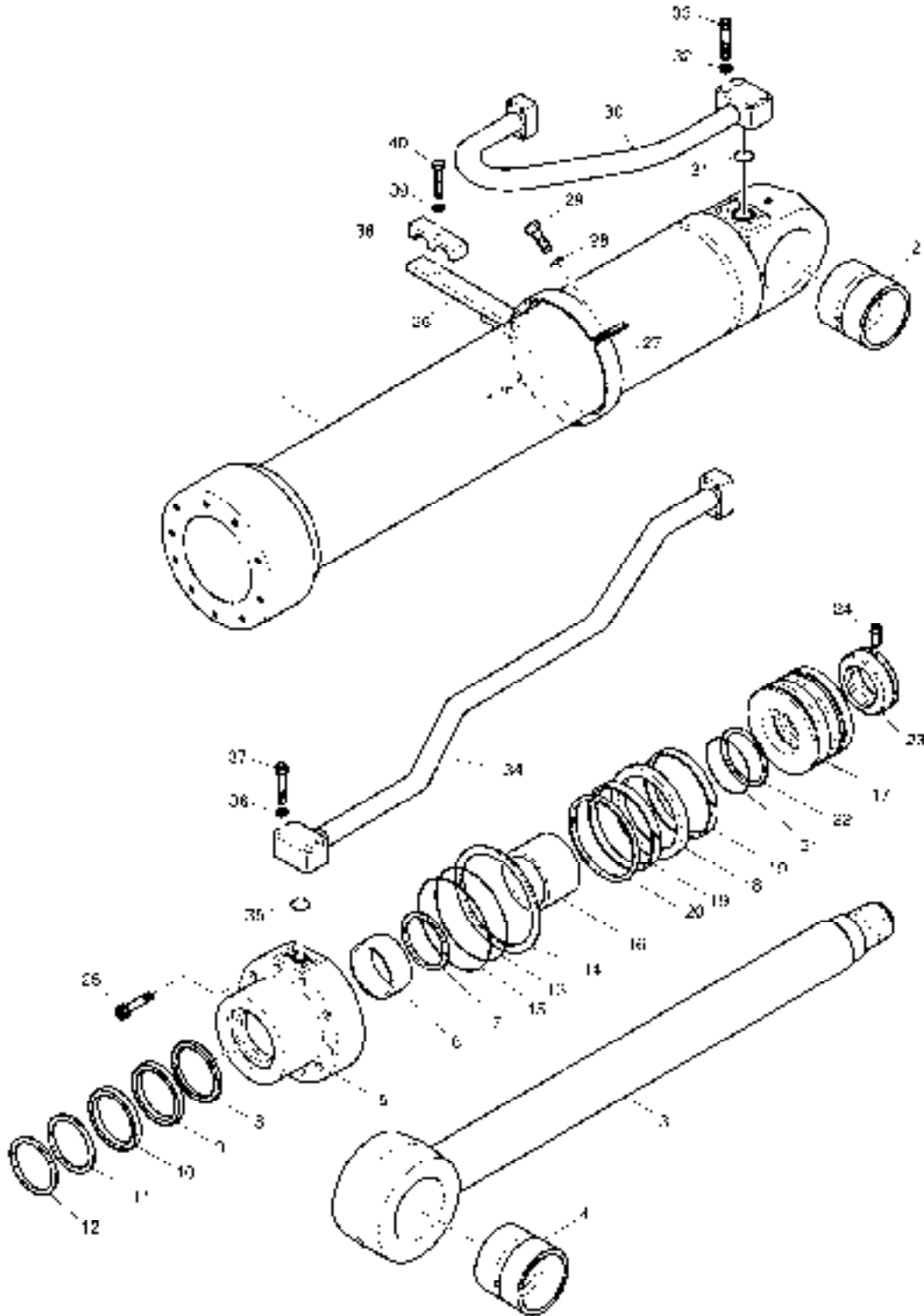
Serial No. ;

Key No.	Part No.	Description	Description	Q'ty	S.C	Serial No.	ICA	Replaceable part	
								Part No.	Q'ty
4230 -	K9007360A	PIPE ASSY;H(L.H)	ENSEMBLE CONDUITES	1		9958-			
31	S8000281	O-RING	JOINT TORIQUE	1					
32	S5100603	WASHER;SPRING	RONDELLE	4					
33	S2212761	BOLT;SOCKET M10X1.5X55	BOULON	4					
34	K9007368	PIPE ASSY-R(L.H)	ENSEMBLE CONDUITES	1		5001-9957			
	K9007368A	PIPE ASSY;R(L.H)	ENSEMBLE CONDUITES	1		9958-			
35	S8000281	O-RING	JOINT TORIQUE	1					
36	S5100603	WASHER;SPRING	RONDELLE	4					
37	S2212761	BOLT;SOCKET M10X1.5X55	BOULON	4					
38	1.124-00157	CLAMP;PIPE	COLLIER	1					
39	S5100703	WASHER;SPRING	RONDELLE	1					
40	S0561053	BOLT M12X1.75X65	BOULON	1					
*	K9001878	SEAL KIT;BOOM CYLINDER	JOINT	1					

DATE	SEP. 12, 2012
4th EDITION	

**Fig. 4240 BOOM CYLINDER - R.H.
VERIN DE FLECHE**

Serial No. ;



DATE	SEP. 12, 2012
4th EDITION	

**Fig. 4240 BOOM CYLINDER - R.H.
VERIN DE FLECHE**

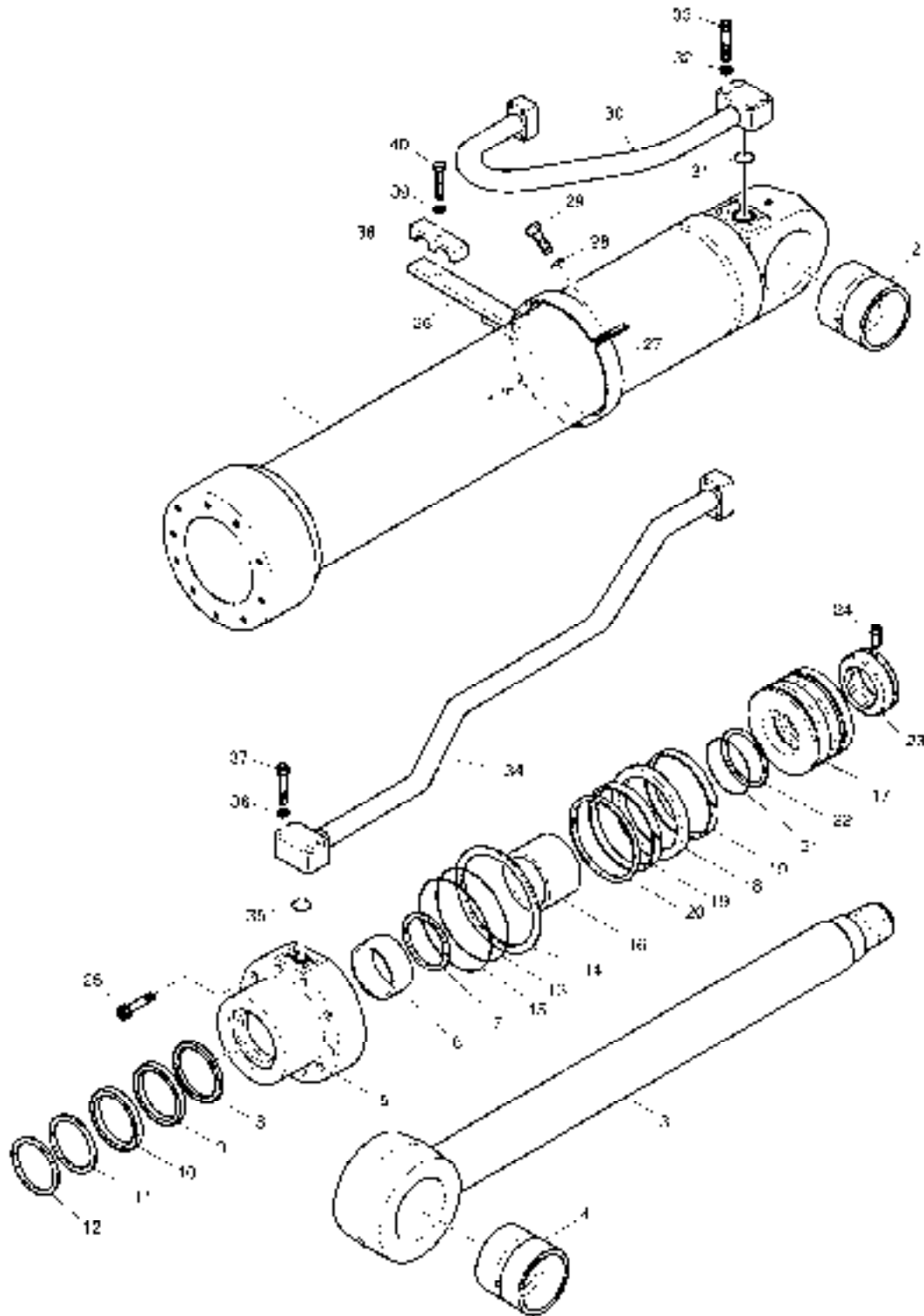
Serial No. ;

Key No.	Part No.	Description	Description	Q'ty	S.C	Serial No.	ICA	Replaceable part	
								Part No.	Q'ty
4240 --	K1044990B	CYLINDER;BOOM (RH)	CYLINDRE	1		5001-9957	Y	400309-00343	1
	400309-00343	CYLINDER,BOOM;(R.H)	CYLINDRE	1		09958- 11554	Y	400309-00343A	1
	400309-00343A	CYLINDER,BOOM;(R.H)	CYLINDRE	1		11555-			
1	K9007361	TUBE ASS'Y	ENSEMBLE TUBE	1		05001- 11554	Y	420406-01077	1
	420406-01077	TUBE ASS'Y	ENSEMBLE TUBE	1		11555-			
2	K1037853A	BUSH	DOUILLE	1		05001- 11554	Y	131008-00067A	1
	131008-00067A	BUSH	DOUILLE	1		11555-			
3	K9007362	ROD ASS'Y	ENSEMBLE TIGE	1		05001- 11554	Y	400337-00454	1
	400337-00454	ROD ASS'Y	ENSEMBLE TIGE	1		11555-			
4	K1037853A	BUSH	DOUILLE	1		05001- 11554	Y	131008-00067A	1
	131008-00067A	BUSH	DOUILLE	1		11555-			
5	K9001856	ROD;COVER	TIGE	1					
6	110-00079	DD-BUSH	COUSSINET	1					
7	115-00050	RING;RETAINING	BAGUE	1					
8	K9001857	SEAL;BUFFER	ETANCHEITE A GRADINS	1	K				
9	K9001858	U-PACKING	JOINT EN U	1	K				
10	K9001877	RING;BACK UP	BAGUE ANTIEXTRUSION	1	K				
11	115-00059	WIPER;DUST	PARE-POUSSIERE	1	K				
12	115-00051	RING;RETAINING	BAGUE D'ARRET	1					
13	S8011201	O-RING	JOINT CIRCULAIRE	1	K				
14	K9001859	RING;BACK UP	ANNEAU	1	K				
15	S8011251	O-RING	JOINT CIRCULAIRE	1	K				
16	1.115-00204	RING;CUSHION	BAGUE D'AMORTISSEMENT	1					
17	K9001860	PISTON	PISTON	1					
18	K9001890	SEAL;SLIPPER	CACHET	1	K				
19	115-00087	RING;WEAR	ANNEAU	2	K				
20	K9001861	RING;DUST	BAGUE	1	K				
21	S8010651	O-RING	JOINT TORIQUE	1	K				
22	1.180-00277	RING;BACK UP	BAGUE ANTIEXTRUSION	2	K				
23	K9001862	NUT;PISTON	ECROU	1					
24	1.120-00219	SCREW;SET	VIS	1					
25	S2222272	BOLT;SOCKET	BOULON	10					
26	K9007358	PIPE BAND ASS'Y	BANDE ASS'Y DE PIPE	1		5001-9957			
	K9007358A	BAND ASSY,PIPE	BANDE ASS'Y DE PIPE	1		9958-			
27	124-00088	BAND;PIPE	ATTACHE	1					
28	S5100603	WASHER;SPRING	RONDELLE	2					
29	S0558153	BOLT	BOULON	2					
30	K9007359	PIPE ASS'Y-H(R.H)	ENSEMBLE CONDUITES	1		5001-9957			

DATE	SEP. 12, 2012
4th EDITION	

**Fig. 4240 BOOM CYLINDER - R.H.
VERIN DE FLECHE**

Serial No. ;



DATE	SEP. 12, 2012
4th EDITION	

**Fig. 4240 BOOM CYLINDER - R.H.
VERIN DE FLECHE**

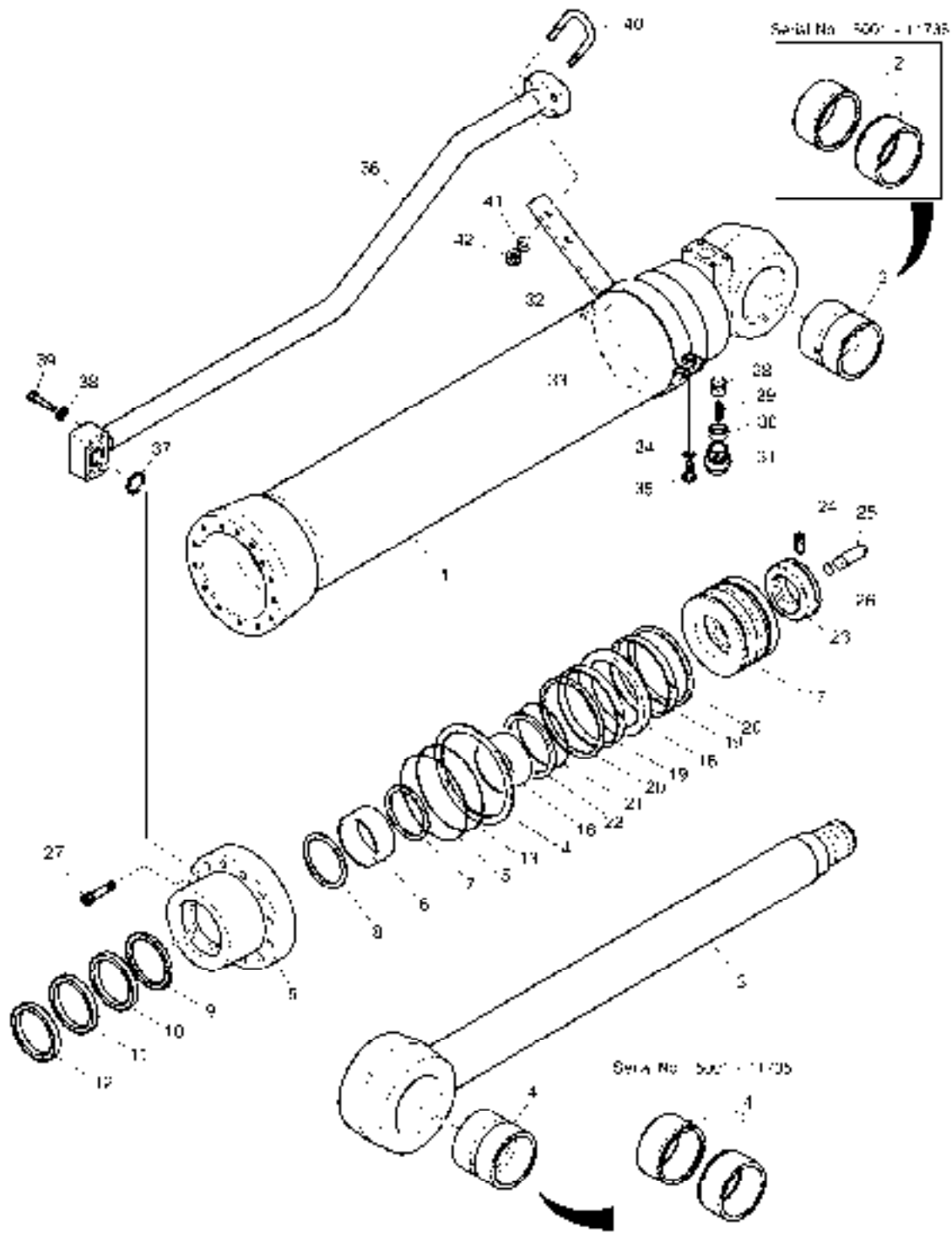
Serial No. ;

Key No.	Part No.	Description	Description	Q'ty	S.C	Serial No.	ICA	Replaceable part	
								Part No.	Q'ty
4240 -	K9007359A	PIPE ASSY;H(R.H)	ENSEMBLE CONDUITES	1		9958-			
31	S8000281	O-RING	JOINT TORIQUE	1					
32	S5100603	WASHER;SPRING	RONDELLE	4					
33	S2212761	BOLT;SOCKET M10X1.5X55	BOULON	4					
34	K9007367	PIPE ASS'Y-R(R.H)	ENSEMBLE CONDUITES	1		5001-9957			
	K9007367A	PIPE ASSY;R(R.H)	ENSEMBLE CONDUITES	1		9958-			
35	S8000281	O-RING	JOINT TORIQUE	1					
36	S5100603	WASHER;SPRING	RONDELLE	4					
37	S2212761	BOLT;SOCKET M10X1.5X55	BOULON	4					
38	1.124-00157	CLAMP;PIPE	COLLIER	1					
39	S5100703	WASHER;SPRING	RONDELLE	1					
40	S0561053	BOLT M12X1.75X65	BOULON	1					
*	K9001878	SEAL KIT;BOOM CYLINDER	JOINT	1					

DATE	SEP. 12, 2012
4th EDITION	

**Fig. 4250 ARM CYLINDER
VERIN DE BALANCIER**

Serial No. ;



DATE	SEP. 12, 2012
4th EDITION	

Fig. 4250 ARM CYLINDER VERIN DE BALANCIER

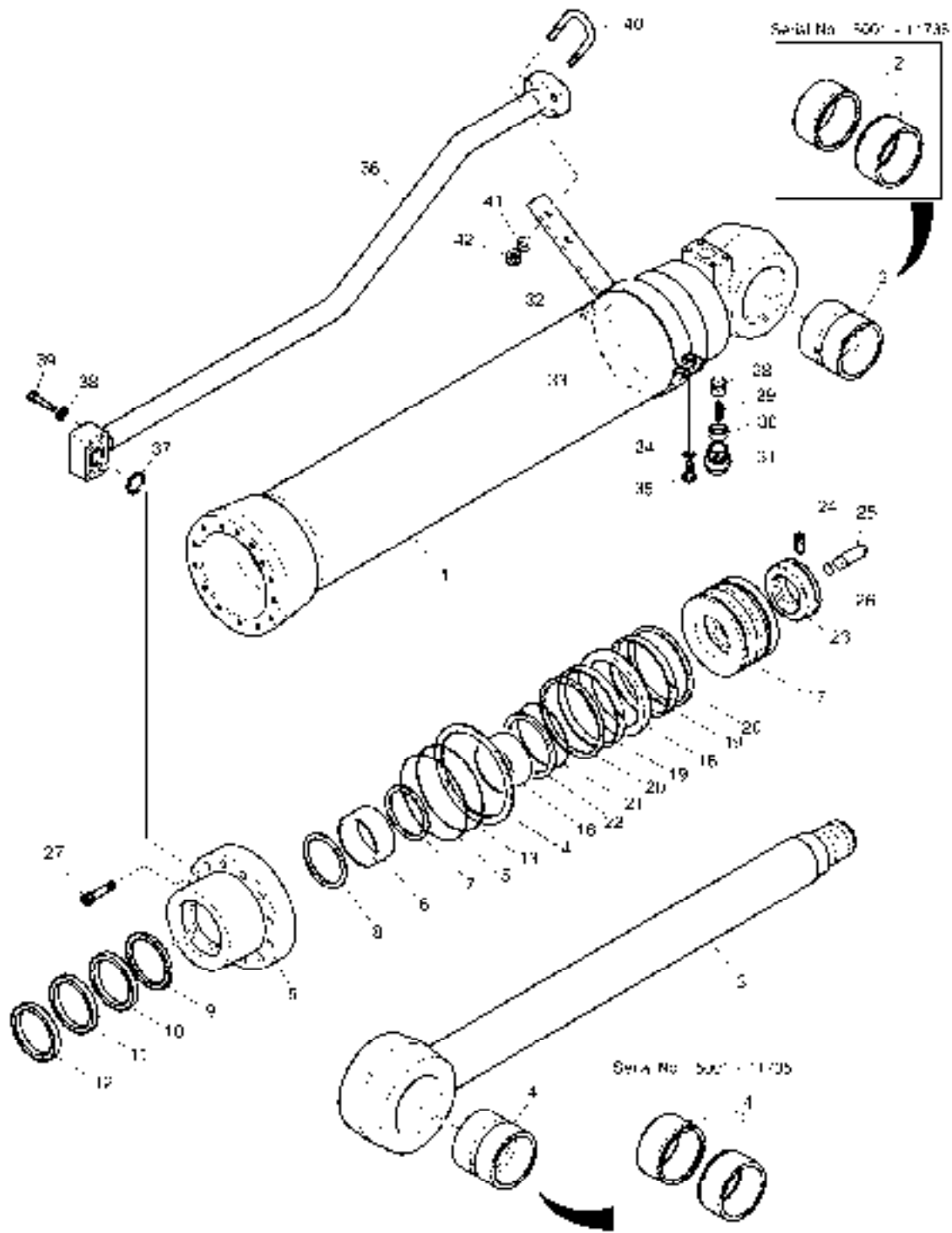
Serial No. :

Key No.	Part No.	Description	Description	Q'ty	S.C	Serial No.	ICA	Replaceable part	
								Part No.	Q'ty
4250 --	K1044991A	CYLINDER;ARM	VERIN DE BALANCIER	1		05001-11735	Y	400305-00219	1
	400305-00219	CYLINDER,ARM	VERIN DE BALANCIER	1		11736-			
1	K9001879A	TUBE ASS'Y	DOUILLE ACIER	1		05001-11735	Y	420406-01072	1
	420406-01072	TUBE ASS'Y	DOUILLE ACIER	1		11736-			
2	K1037854A	BUSH	DOUILLE	2		05001-11735	Y	131008-00130	1
	131008-00130	BUSH	DOUILLE	1		11736-			
3	K9001880	ROD ASS'Y	TIGE	1		05001-11735	Y	400337-00452	1
	400337-00452	ROD ASS'Y	TIGE	1		11736-			
4	K1037854A	BUSH	DOUILLE	2		05001-11735	Y	131008-00130	1
	131008-00130	BUSH	DOUILLE	1		11736-			
5	K9001881	ROD;COVER	TIGE	1					
6	110-00081	DD-BUSH	DD-BUSH	1					
7	115-00073	RING;RETAINING	ANNEAU	1					
8	K9001882	SEAL;BUFFER	CACHET	1	K				
9	K9001883	U-PACKING	U-EMBALLAGE	1	K				
10	K9001884	RING;BACK UP	ANNEAU	1	K				
11	115-00077	WIPER;DUST	ESSUIE-GLACE	1	K				
12	115-00078	RING;RETAINING	ANNEAU	1					
13	S8011351	O-RING	JOINT CIRCULAIRE	1	K				
14	1.180-00662	RING;BACK UP	ANNEAU	1	K				
15	2180-1217D96	O-RING	JOINT CIRCULAIRE	1	K				
16	K9001893	RING;CUSHION	ANNEAU	1					
17	K9001894	PISTON	PISTON	1					
18	K9001148	SEAL;SLIPPER	CACHET	1	K				
19	115-00079	RING;WEAR	ANNEAU	2	K				
20	K9001149	RING;DUST	ANNEAU	2	K				
21	S8010801	O-RING	JOINT CIRCULAIRE	1	K				
22	K9001895	RING;BACK UP	ANNEAU	2	K				
23	K9001896	NUT;RISTON	ECROU	1					
24	1.120-00219	SCREW;SET	VIS	1					
25	K9001897	PLUNGER;CUSHION	PLONGEUR	1					
26	115-00081	RING;STOP	BAGUE	1					
27	S2222272	BOLT;SOCKET	BOULON	14					
28	1.420-00050	VALVE;CHECK	VALVE	1					
29	129-00071	SPRING	RESSORT	1					
30	1.195-00022	SUPPORT;SPRING	APPUI	1					
31	2181-1116D3	PLUG;HEX. SOCKET	BOUCHON	1					
32	K9001898	PIPE BAND ASS'Y-B	ENSEMBLE DE FIXATION	1					

DATE	SEP. 12, 2012
4th EDITION	

**Fig. 4250 ARM CYLINDER
VERIN DE BALANCIER**

Serial No. ;



DATE	SEP. 12, 2012
4th EDITION	

**Fig. 4250 ARM CYLINDER
VERIN DE BALANCIER**

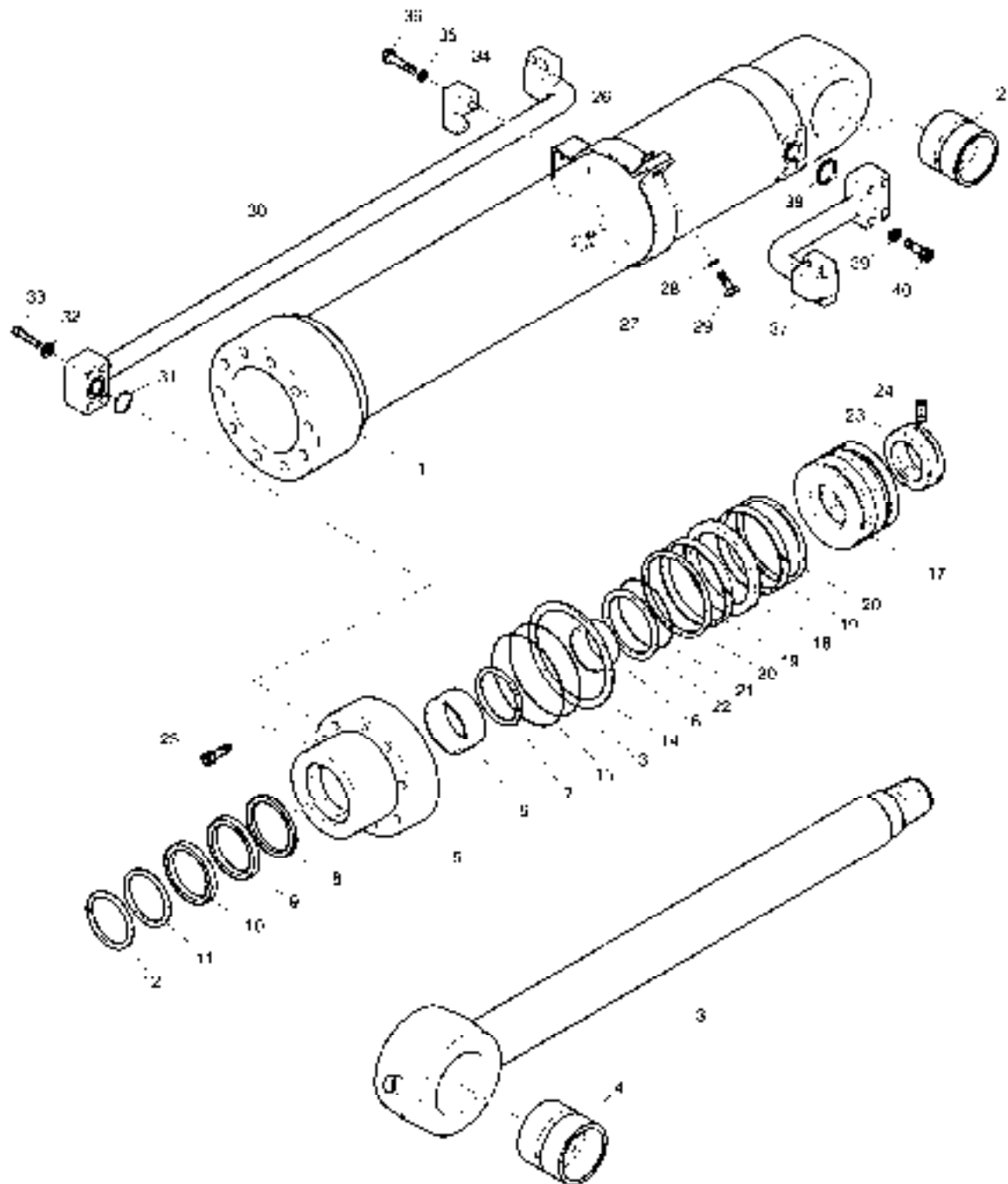
Serial No. ;

Key No.	Part No.	Description	Description	Q'ty	S.C	Serial No.	ICA	Replaceable part	
								Part No.	Q'ty
4250 -33	124-00052	BAND;PIPE	BANDE	1					
34	S5100703	WASHER;SPRING	RONDELLE	2					
35	S0560563	BOLT;HEX	BOULON	2					
36	K9001900	PIPE ASS'Y-R	TUYAU	1					
37	S8000341	O-RING	JOINT CIRCULAIRE	1					
38	S5100703	WASHER;SPRING	RONDELLE	4					
39	S2215961	BOLT;SOCKET	BOULON	4					
40	K9001158	U-BOLT	U-BOULON	1					
41	S5100603	WASHER;SPRING	RONDELLE	2					
42	S4012633	NUT	ECROU	2					
*	K9001901	SEAL KIT;ARM CYLINDER	KIT DE JOINT	1					

DATE	SEP. 12, 2012
4th EDITION	

**Fig. 4260 BUCKET CYLINDER - ARM 2.9m
VERIN DE GODET**

Serial No. ;



DATE	SEP. 12, 2012
4th EDITION	

**Fig. 4260 BUCKET CYLINDER - ARM 2.9m
VERIN DE GODET**

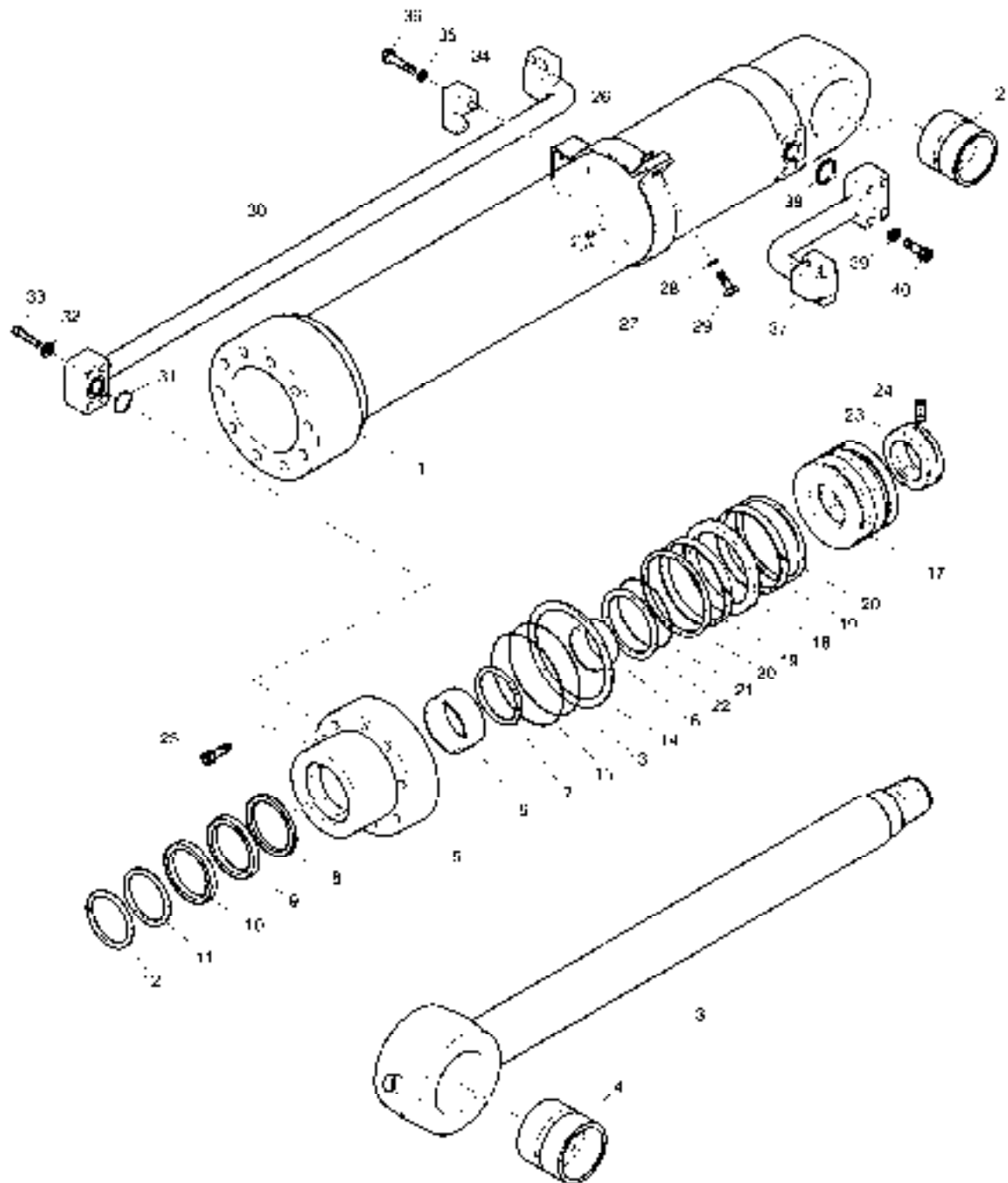
Serial No. ;

Key No.	Part No.	Description	Description	Q'ty	S.C	Serial No.	ICA	Replaceable part	
								Part No.	Q'ty
4260 --	K1041218A	BUCKET CYLINDER	VERIN DE GODET	1		05001-11589	Y	400310-00214	1
	400310-00214	CYLINDER;BUCKET	VERIN DE GODET	1		11590-			
1	K9001868	TUBE ASS'Y	ENSEMBLE TUBE	1		05001-11589	Y	420406-01074	1
	420406-01074	TUBE ASS'Y	ENSEMBLE TUBE	1		11590-			
2	K1037853A	BUSH	DOUILLE	1		05001-11589	Y	131008-00067A	1
	131008-00067A	BUSH	DOUILLE	1		11590-			
3	K9001869A	ROD ASS'Y	TIGE	1		05001-11589	Y	400337-00453	1
	400337-00453	ROD ASSY,CYLINDER	TIGE	1		11590-			
4	K1037853A	BUSH	DOUILLE	1		05001-11589	Y	131008-00067A	1
	131008-00067A	BUSH	DOUILLE	1		11590-			
5	K9001870	COVER;ROD	COUVERTURE	1					
6	110-00097	DD-BUSH	DD-BUSH	1					
7	K9001401	RING;RETAINING	ANNEAU	1					
8	K9001402	SEAL;BUFFER	CACHET	1	K				
9	K9001403	U-PACKING	U-EMBALLAGE	1	K				
10	K9001404	RING;BACK UP	ANNEAU	1	K				
11	115-00084	WIPER;DUST	ESSUIE-GLACE	1	K				
12	115-00063	RING;RETAINING	ANNEAU	1					
13	S8011151	O-RING	JOINT CIRCULAIRE	1	K				
14	1.180-00278	RING;BACK UP	ANNEAU	1	K				
15	S8011201	O-RING	JOINT CIRCULAIRE	1	K				
16	K9001406	RING;CUSHION	ANNEAU	1					
17	K9001871	PISTON	PISTON	1					
18	K9001891	SEAL;SLIPPER	CACHET	1	K				
19	115-00055	RING;WEAR	ANNEAU	2	K				
20	K9001872	RING;DUST	ANNEAU	2	K				
21	180-00276	O-RING	JOINT CIRCULAIRE	1	K				
22	K9001410	RING;BACK UP	ANNEAU	2	K				
23	K9001862	NUT;PISTON	ECROU	1					
24	1.120-00219	SCREW;SET	VIS	1					
25	S2222171	BOLT;SOCKET M16X2.0X75	BOULON	10					
26	K9001873	PIPE BAND ASS'Y	ENSEMBLE DE FIXATION	1					
27	K9001874	BAND;PIPE	BANDE	1					
28	S5100703	WASHER;SPRING	RONDELLE	2					
29	S0560563	BOLT;HEX	BOULON	2					
30	K9001875	PIPE ASS'Y-R	TUYAU	1					
31	S8000281	O-RING	JOINT TORIQUE	1					
32	S5100603	WASHER;SPRING	RONDELLE	4					

DATE	SEP. 12, 2012
4th EDITION	

**Fig. 4260 BUCKET CYLINDER - ARM 2.9m
VERIN DE GODET**

Serial No. ;



DATE	SEP. 12, 2012
4th EDITION	

**Fig. 4260 BUCKET CYLINDER - ARM 2.9m
VERIN DE GODET**

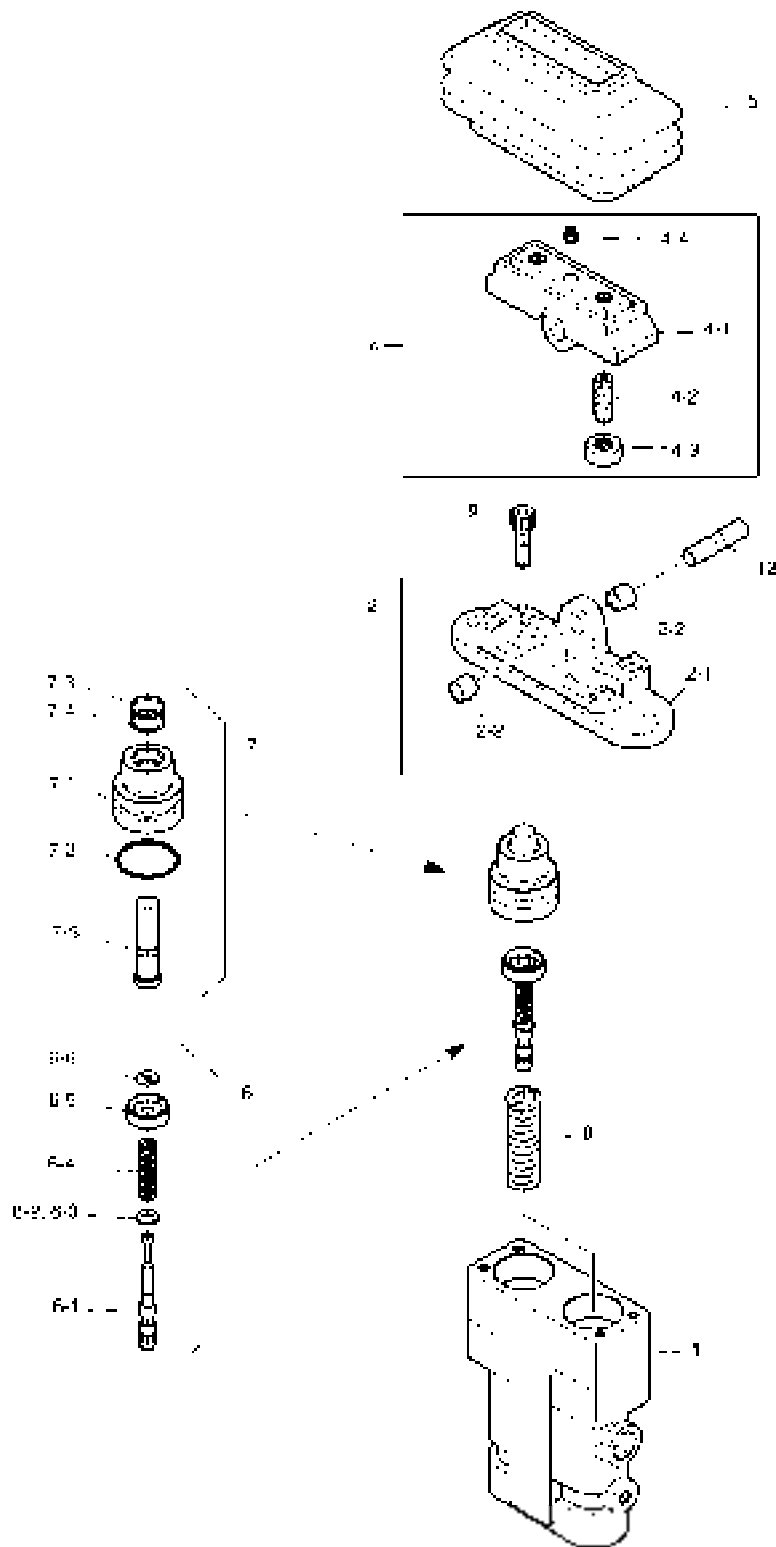
Serial No. ;

Key No.	Part No.	Description	Description	Q'ty	S.C	Serial No.	ICA	Replaceable part	
								Part No.	Q'ty
4260 -33	S2212761	BOLT;SOCKET M10X1.5X55	BOULON	4					
34	K9001413	CLAMP;PIPE	COLLIER	1					
35	S5100603	WASHER;SPRING	RONDELLE	1					
36	S2221873	BOLT	BOULON	1					
37	K9001876	PIPE ASS'Y-H	TUYAU	1					
38	S8000281	O-RING	JOINT TORIQUE	1					
39	S5100603	WASHER;SPRING	RONDELLE	4					
40	S2212761	BOLT;SOCKET M10X1.5X55	BOULON	4					
*	K9001892	SEAL KIT;BUCKET CYLINDER	KIT DE JOINT	1					

DATE	SEP. 12, 2012
4th EDITION	

**Fig. 4270 PEDAL VALVE - TWO WAY
VANNE DE PEDALE**

Serial No. ;



DATE	SEP. 12, 2012
4th EDITION	

**Fig. 4270 PEDAL VALVE - TWO WAY
VANNE DE PEDALE**

Serial No. ;

Key No.	Part No.	Description	Description	Q'ty	S.C	Serial No.	ICA	Replaceable part	
								Part No.	Q'ty
4270 --	K1017382A	PEDAL VALVE	VALVE DE PEDALE	1					
1	-	CASING	CARTER	1	D				
2	K9002934	COVER KIT	COUVERTURE	1					
2-1	-	. COVER	. COUVERTURE	1	D				
2-2	2110-1184D7	. BUSH;DU 10X10	. DOUILLE	2					
4	K9003465	CAM KIT	CAME	1					
4-1	-	. CAM	. CAME	1	D				
4-2	-	. SCREW;SET	. VIS	2	D				
4-3	S4014633	. NUT M10	. ECROU	2					
4-4	S3523601	. SCREW;SET M8X12	. VIS	1					
5	160-00008	BELLOW	SOUFFLET	1					
6	402-00036	SPOOL ASS'Y	SPOOL	2					
6-1	-	. SPOOL	. PLUNGEUR	1	D				
6-2	-	. SHIM	. CALE	1	D				
6-3	-	. SEAT;SPRING	. SIEGE	1	D				
6-4	-	. SPRING	. RESSORT	1	D				
6-5	-	. SEAT;SPRING	. SIEGE	1	D				
6-6	-	. STOPPER	. TAQUET	1	D				
7	1.428-00241A	PLUG ASS'Y	PRISE	2					
7-1	-	. PLUG	. PRISE	1	D				
7-2	-	. O-RING	. JOINT TORIQUE	1	D				
7-3	-	. SEAL;DUST	. CACHET	1	D				
7-4	-	. SEAL;ROD	. CACHET	1	D				
7-5	-	. ROD;PUSH	. TIGE	1	D				
8	K9002935	SPRING	RESSORT	2					
9	S2209261	BOLT;WRENCH M8X30	BOULON A 6 PANS CREUX	2					
12	354-00003	SHAFT;CAM	ARBRE	1					

DATE	SEP. 12, 2012
4th EDITION	

**Fig. 4280 BUCKET CYLINDER - ARM 2.4m
VERIN DE GODET**

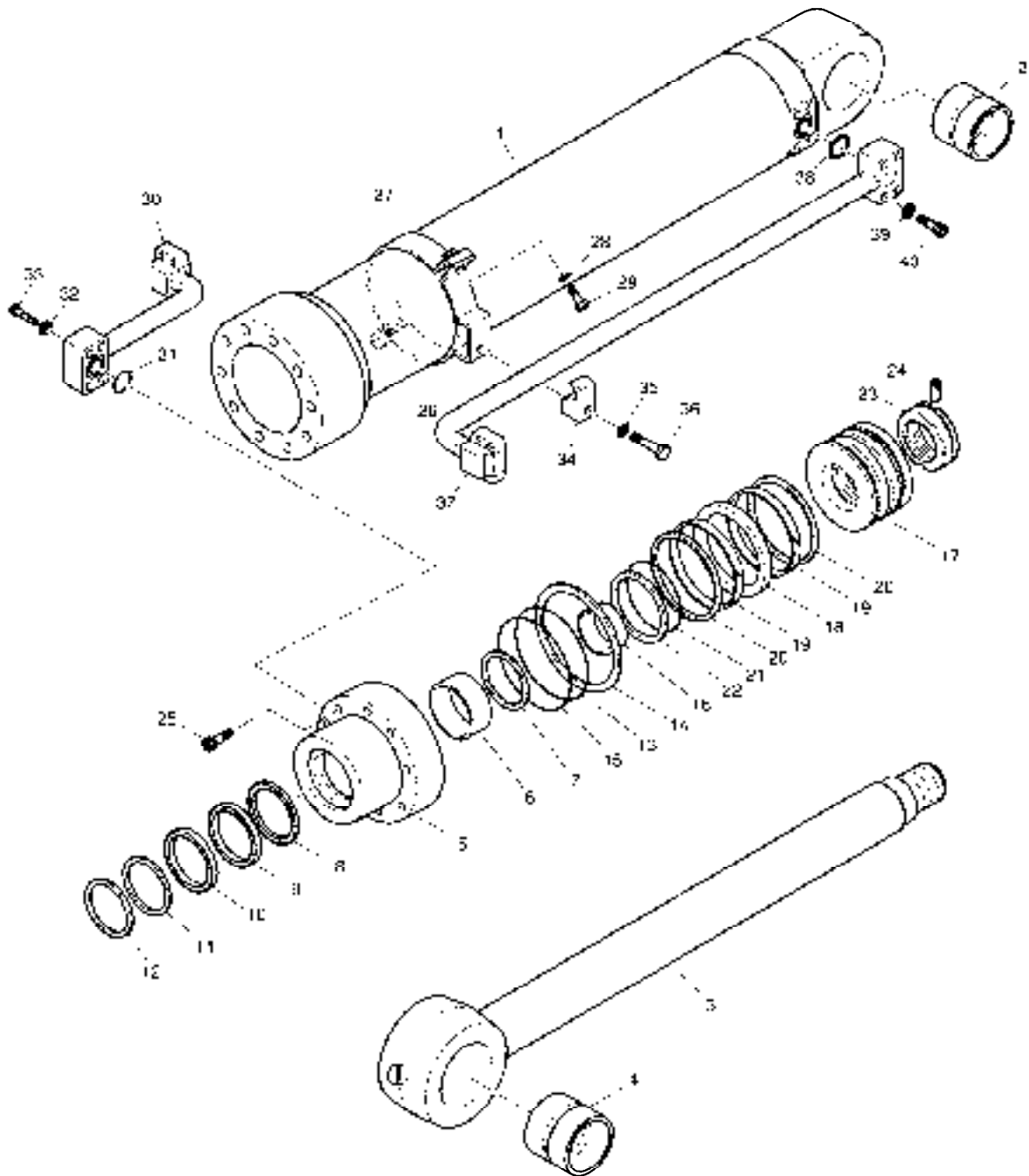
Serial No. ;

Key No.	Part No.	Description	Description	Q'ty	S.C	Serial No.	ICA	Replaceable part	
								Part No.	Q'ty
4280 --	K1046326	CYLINDER;BUCKET	VERIN DE GODET	1		05001-11589	Y	400310-00215	1
	400310-00215	CYLINDER,BUCKET	VERIN DE GODET	1		11590-			
1	K9007373	TUBE ASS'Y	ENSEMBLE TUBE	1		05001-11589	Y	420406-01075	1
	420406-01075	TUBE ASS'Y	ENSEMBLE TUBE	1		11590-			
2	K1037853A	BUSH	DOUILLE	1		05001-11589	Y	131008-00067A	1
	131008-00067A	BUSH	DOUILLE	1		11590-			
3	K9007371	ROD ASS'Y	ENSEMBLE TIGE	1		05001-11589	Y	400337-00453	1
	400337-00453	ROD ASSY,CYLINDER	TIGE	1		11590-			
4	K1037853A	BUSH	DOUILLE	1		05001-11589	Y	131008-00067A	1
	131008-00067A	BUSH	DOUILLE	1		11590-			
5	K9001870	COVER;ROD	COUVERTURE	1					
6	110-00097	DD-BUSH	DD-BUSH	1					
7	K9001401	RING;RETAINING	ANNEAU	1					
8	K9001402	SEAL;BUFFER	CACHET	1	K				
9	K9001403	U-PACKING	U-EMBALLAGE	1	K				
10	K9001404	RING;BACK UP	ANNEAU	1	K				
11	115-00084	WIPER;DUST	ESSUIE-GLACE	1	K				
12	115-00063	RING;RETAINING	ANNEAU	1					
13	S8011151	O-RING	JOINT CIRCULAIRE	1	K				
14	1.180-00278	RING;BACK UP	ANNEAU	1	K				
15	S8011201	O-RING	JOINT CIRCULAIRE	1	K				
16	K9001406	RING;CUSHION	ANNEAU	1					
17	K9001871	PISTON	PISTON	1					
18	K9001891	SEAL;SLIPPER	CACHET	1	K				
19	115-00055	RING;WEAR	ANNEAU	2	K				
20	K9001872	RING;DUST	ANNEAU	2	K				
21	180-00276	O-RING	JOINT CIRCULAIRE	1	K				
22	K9001410	RING;BACK UP	ANNEAU	2	K				
23	K9001862	NUT;PISTON	ECROU	1					
24	1.120-00219	SCREW;SET	VIS	1					
25	S2222171	BOLT;SOCKET M16X2.0X75	BOULON	10					
26	K9001873	PIPE BAND ASS'Y	ENSEMBLE DE FIXATION	1					
27	K9001874	BAND;PIPE	BANDE	1					
28	S5100703	WASHER;SPRING	RONDELLE	2					
29	S0560563	BOLT;HEX	BOULON	2					
30	K9003467	PIPE ASS'Y-R	ENSEMBLE CONDUITES	1					
31	S8000281	O-RING	JOINT TORIQUE	1					
32	S5100603	WASHER;SPRING	RONDELLE	4					

DATE	SEP. 12, 2012
4th EDITION	

**Fig. 4280 BUCKET CYLINDER - ARM 2.4m
VERIN DE GODET**

Serial No. ;



DATE	SEP. 12, 2012
4th EDITION	

**Fig. 4280 BUCKET CYLINDER - ARM 2.4m
VERIN DE GODET**

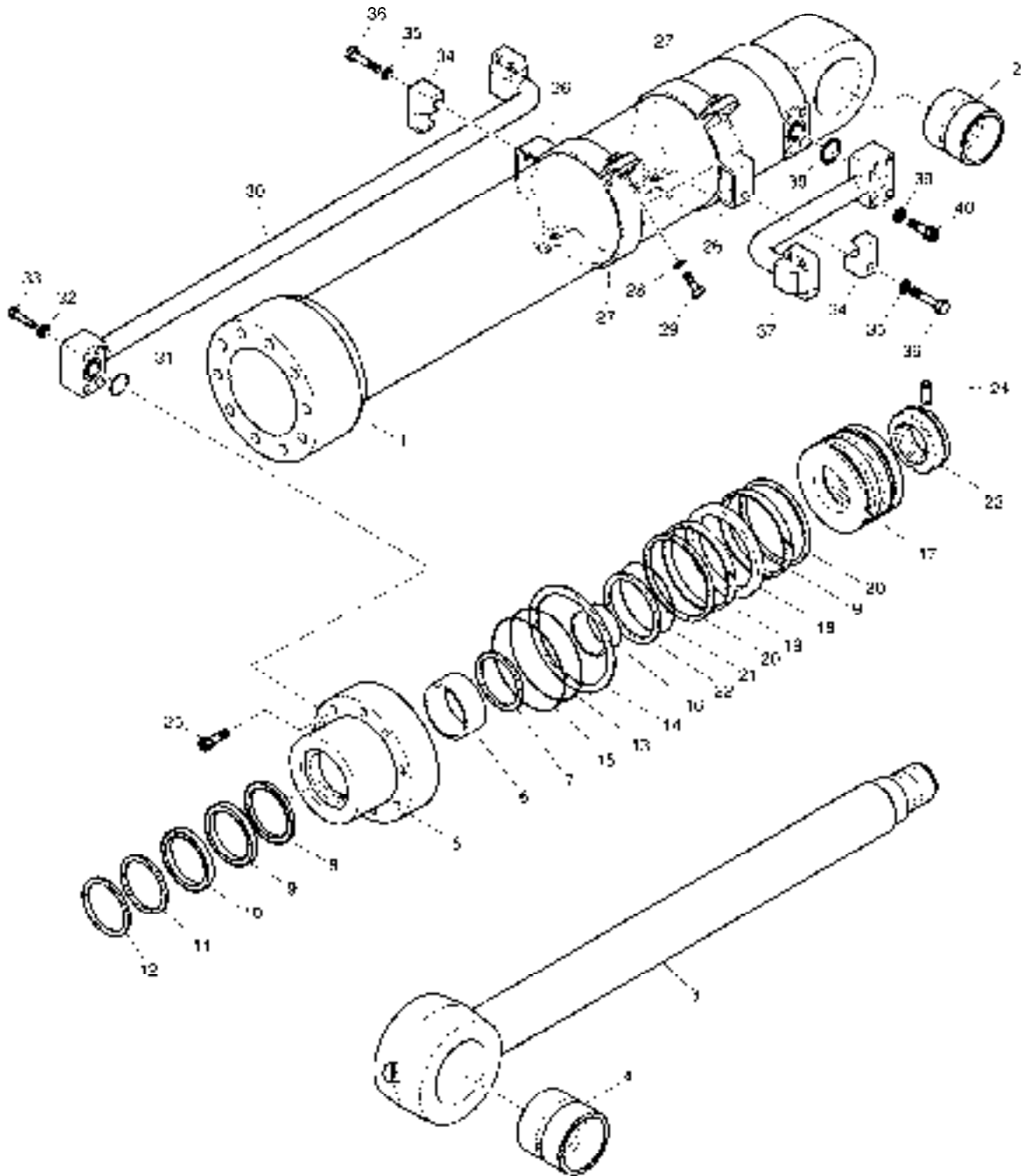
Serial No. ;

Key No.	Part No.	Description	Description	Q'ty	S.C	Serial No.	ICA	Replaceable part	
								Part No.	Q'ty
4280 -33	S2212761	BOLT;SOCKET M10X1.5X55	BOULON	4					
34	K9001413	CLAMP;PIPE	COLLIER	1					
35	S5100603	WASHER;SPRING	RONDELLE	1					
36	S2221873	BOLT	BOULON	1					
37	K9003468	PIPE ASSY-H	ENSEMBLE CONDUITES	1					
38	S8000281	O-RING	JOINT TORIQUE	1					
39	S5100603	WASHER;SPRING	RONDELLE	4					
40	S2212761	BOLT;SOCKET M10X1.5X55	BOULON	4					
*	K9001892	SEAL KIT;BUCKET CYLINDER	KIT DE JOINT	1					

DATE	SEP. 12, 2012
4th EDITION	

**Fig. 4290 BUCKET CYLINDER - ARM 3.5m
VERIN DE GODET**

Serial No. ;



DATE	SEP. 12, 2012
4th EDITION	

**Fig. 4290 BUCKET CYLINDER - ARM 3.5m
VERIN DE GODET**

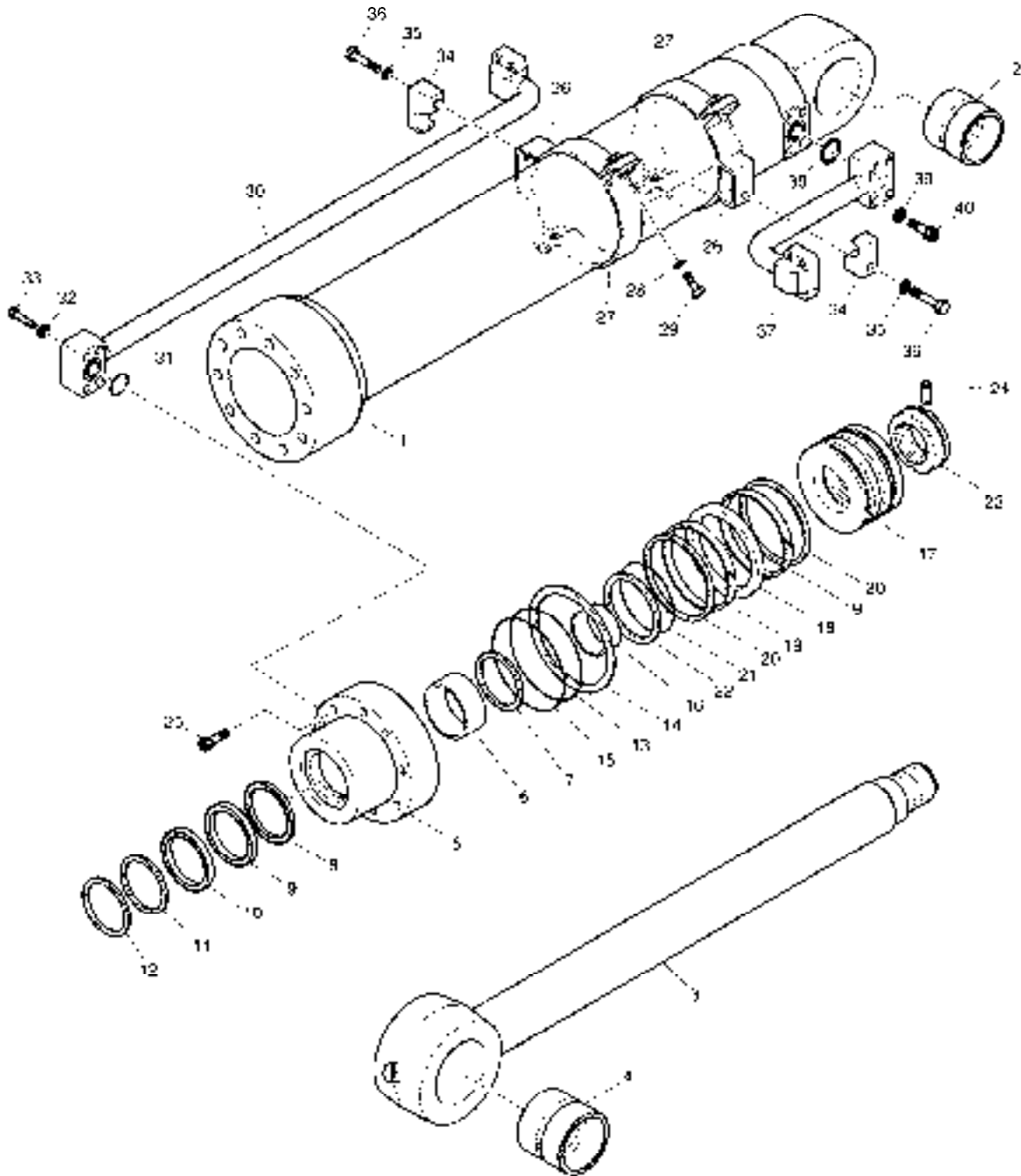
Serial No. ;

Key No.	Part No.	Description	Description	Q'ty	S.C	Serial No.	ICA	Replaceable part	
								Part No.	Q'ty
4290 --	K1046333	BUCKET CYLINDER	VERIN DE GODET	1		05001-11467	Y	400310-00216	1
	400310-00216	BUCKET CYLINDER	VERIN DE GODET	1		11468-			
1	K9007372	TUBE ASS'Y	ENSEMBLE TUBE	1		05001-11467	Y	420406-01076	1
	420406-01076	TUBE ASS'Y	ENSEMBLE TUBE	1		11468-			
2	K1037853A	BUSH	DOUILLE	1		05001-11467	Y	131008-00067A	1
	131008-00067A	BUSH	DOUILLE	1		11468-			
3	K9007371	ROD ASS'Y	ENSEMBLE TIGE	1		05001-11467	Y	400337-00453	1
	400337-00453	ROD ASSY,CYLINDER	TIGE	1		11468-			
4	K1037853A	BUSH	DOUILLE	1		05001-11467	Y	131008-00067A	1
	131008-00067A	BUSH	DOUILLE	1		11468-			
5	K9001870	COVER;ROD	COUVERTURE	1					
6	110-00097	DD-BUSH	DD-BUSH	1					
7	K9001401	RING;RETAINING	ANNEAU	1					
8	K9001402	SEAL;BUFFER	CACHET	1	K				
9	K9001403	U-PACKING	U-EMBALLAGE	1	K				
10	K9001404	RING;BACK UP	ANNEAU	1	K				
11	115-00084	WIPER;DUST	ESSUIE-GLACE	1	K				
12	115-00063	RING;RETAINING	ANNEAU	1					
13	S8011151	O-RING	JOINT CIRCULAIRE	1	K				
14	1.180-00278	RING;BACK UP	ANNEAU	1	K				
15	S8011201	O-RING	JOINT CIRCULAIRE	1	K				
16	K9001406	RING;CUSHION	ANNEAU	1					
17	K9001871	PISTON	PISTON	1					
18	K9001891	SEAL;SLIPPER	CACHET	1	K				
19	115-00055	RING;WEAR	ANNEAU	2	K				
20	K9001872	RING;DUST	ANNEAU	2	K				
21	180-00276	O-RING	JOINT CIRCULAIRE	1	K				
22	K9001410	RING;BACK UP	ANNEAU	2	K				
23	K9001862	NUT;PISTON	ECROU	1					
24	1.120-00219	SCREW;SET	VIS	1					
25	S2222171	BOLT;SOCKET M16X2.0X75	BOULON	10					
26	K9001873	PIPE BAND ASS'Y	ENSEMBLE DE FIXATION	2					
27	K9001874	BAND;PIPE	BANDE	2					
28	S5100703	WASHER;SPRING	RONDELLE	4					
29	S0560563	BOLT;HEX	BOULON	4					
30	K9003470	PIPE ASS'Y-R	ENSEMBLE CONDUITES	1					
31	S8000281	O-RING	JOINT TORIQUE	1					
32	S5100603	WASHER;SPRING	RONDELLE	4					

DATE	SEP. 12, 2012
4th EDITION	

**Fig. 4290 BUCKET CYLINDER - ARM 3.5m
VERIN DE GODET**

Serial No. ;



DATE	SEP. 12, 2012
4th EDITION	

**Fig. 4290 BUCKET CYLINDER - ARM 3.5m
VERIN DE GODET**

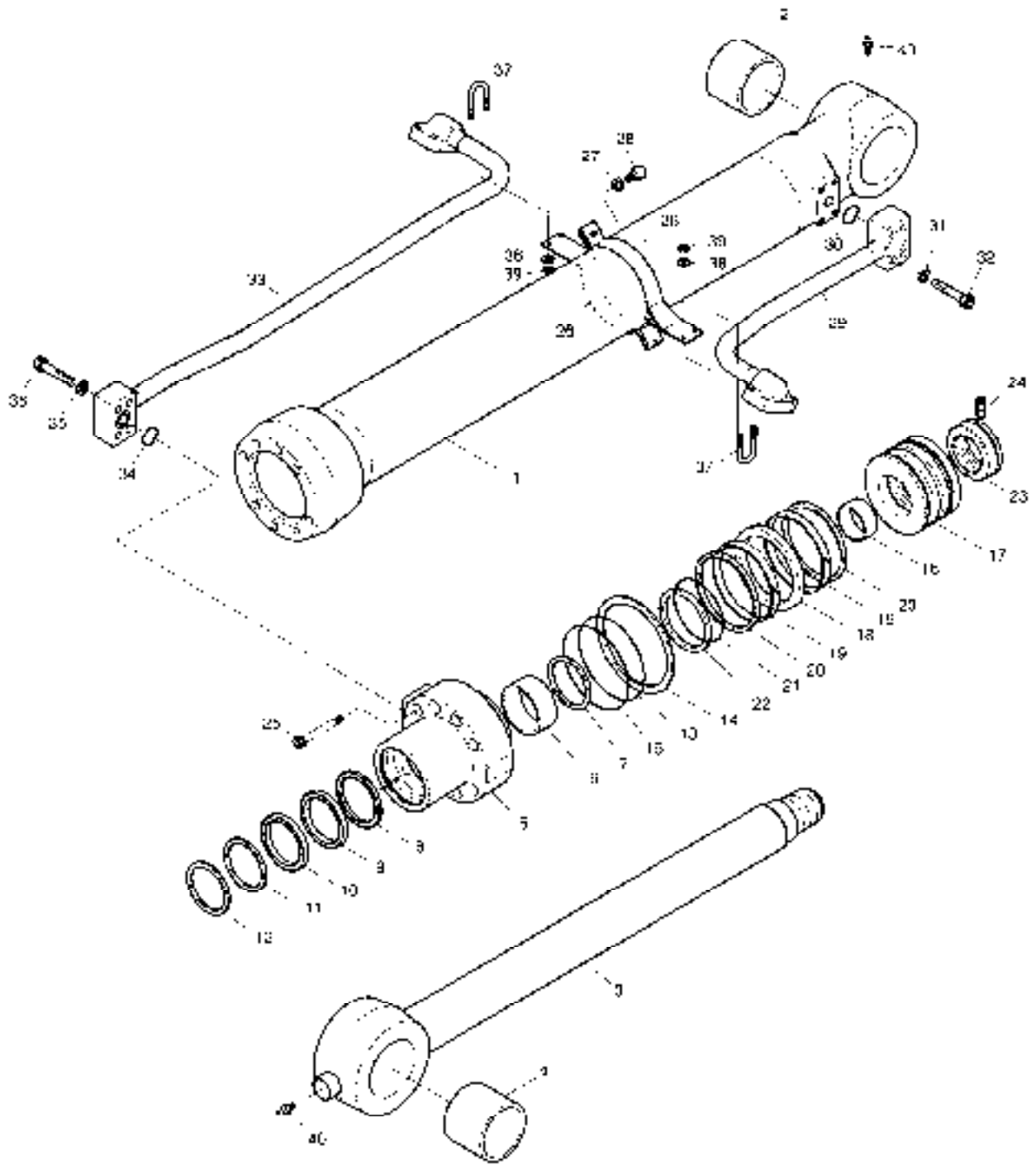
Serial No. ;

Key No.	Part No.	Description	Description	Q'ty	S.C	Serial No.	ICA	Replaceable part	
								Part No.	Q'ty
4290 -33	S2212761	BOLT;SOCKET M10X1.5X55	BOULON	4					
34	K9001413	CLAMP;PIPE	COLLIER	2					
35	S5100603	WASHER;SPRING	RONDELLE	2					
36	S2221873	BOLT	BOULON	2					
37	K9003471	PIPE ASSY-H	ENSEMBLE CONDUITES	1					
38	S8000281	O-RING	JOINT TORIQUE	1					
39	S5100603	WASHER;SPRING	RONDELLE	4					
40	S2212761	BOLT;SOCKET M10X1.5X55	BOULON	4					
*	K9001892	SEAL KIT;BUCKET CYLINDER	KIT DE JOINT	1					

DATE	SEP. 12, 2012
4th EDITION	

**Fig. 4300 BUCKET CYLINDER - ARM 6.2m
VERIN DE GODET**

Serial No. ;



DATE	SEP. 12, 2012
4th EDITION	

**Fig. 4300 BUCKET CYLINDER - ARM 6.2m
VERIN DE GODET**

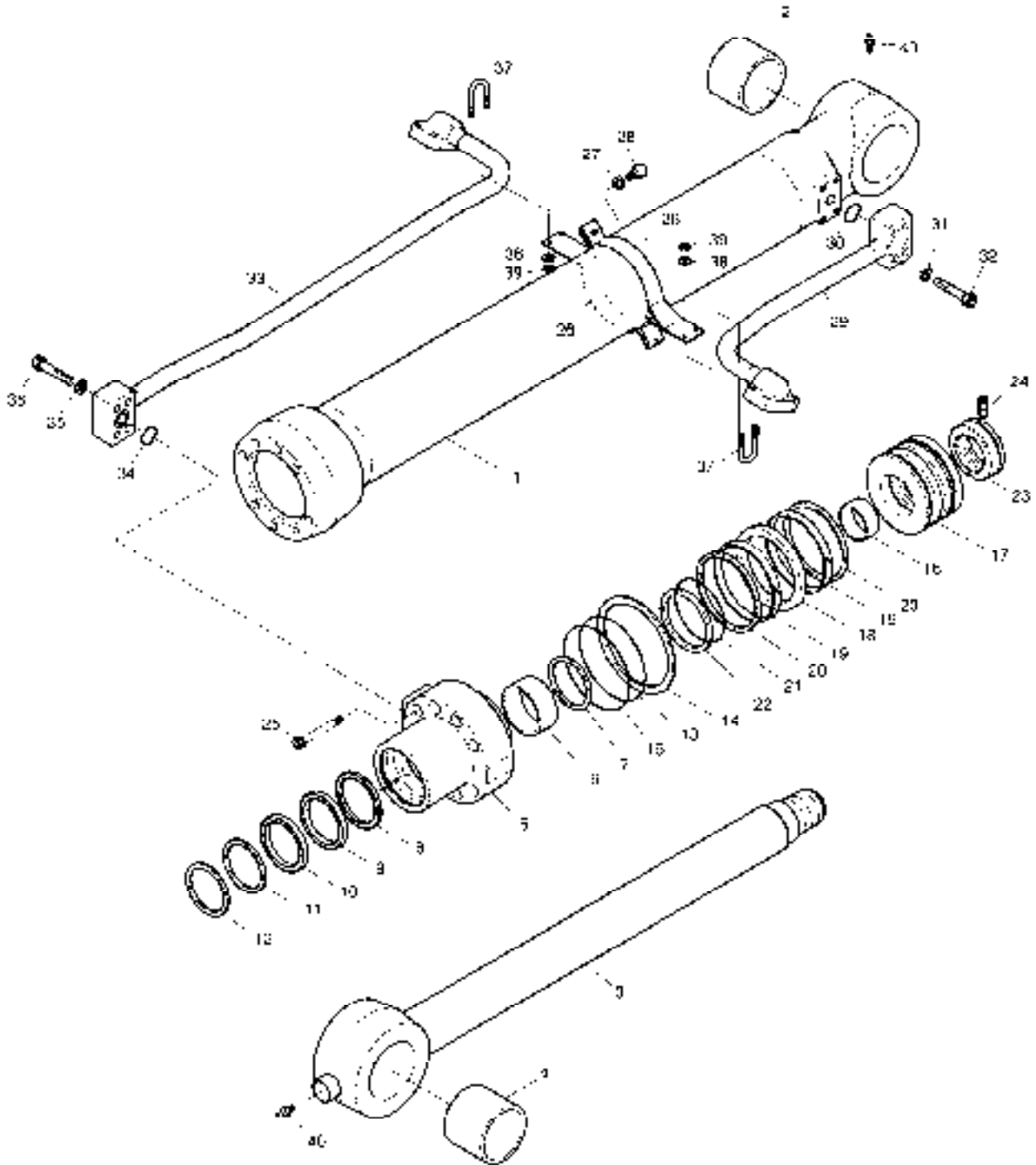
Serial No. ;

Key No.	Part No.	Description	Description	Q'ty	S.C	Serial No.	ICA	Replaceable part	
								Part No.	Q'ty
4300 --	K1011434A	BUCKET CYLINDER	VERIN DE GODET	1					
1	K9001753	TUBE ASS'Y	DOUILLE ACIER	1					
2	K1004106	BUSH;ROLLED	DOUILLE	1					
3	K9001754A	ROD ASS'Y	TIGE	1					
4	K1004106	BUSH;ROLLED	DOUILLE	1					
5	110508-00989	COVER,ROD	COUVERCLE	1					
6	1.110-00068	DD-BUSH	COUSSINET	1					
7	1.115-00032	RING;RETAINING	BAGUE	1					
8	K9001424	SEAL;BUFFER	ETANCHEITE A GRADINS	1	K				
9	K9001425	U-PACKING	JOINT EN U	1	K				
10	K9001426	RING;BACK UP	BAGUE	1	K				
11	1.180-00496	WIPER;DUST	PARE-POUSSIERE	1	K				
12	115-00052	RING;RETAINING	BAGUE	1					
13	S8010901	O-RING	JOINT TORIQUE	1	K				
14	K9001427	RING;BACK UP	BAGUE	1	K				
15	S8010951	O-RING	JOINT TORIQUE	1	K				
16	K9001428	RING;CUSHION	BAGUE	1					
17	K9001429	PISTON	PISTON	1					
18	K9001430	SEAL;SLIPPER	PATIN D'ETANCHEITE	1	K				
19	1.180-00415	RING;WEAR	SEGMENT D'USURE	2	K				
20	K9001431	RING;DUST	BAGUE DE SOUTIEN	2	K				
21	1.180-00117	O-RING	JOINT TORIQUE	1	K				
22	K9001374	BACK UP RING	BAGUE	2	K				
23	K9001375	NUT;PISTION	ECROU	1					
24	1.120-00219	SCREW;SET	VIS	1					
25	S2218961	BOLT	BOULON A 6 PANS CREUX	8					
26	K9001755	PIPE BAND ASS'Y	ENSEMBLE DE FIXATION	2					
27	S5100703	WASHER;SPRING	RONDELLE	4					
28	S0560563	BOLT;HEX	BOULON	4					
29	K9001756	PIPE ASS'Y-H	ENSEMBLE CONDUITES	1					
30	S8000251	O-RING	JOINT TORIQUE	1					
31	S5100703	WASHER;SPRING	RONDELLE	4					
32	S2212761	BOLT;SOCKET M10X1.5X55	BOULON	4					
33	K9001757	PIPE ASS'Y-R	ENSEMBLE CONDUITES	1					
34	S8000251	O-RING	JOINT TORIQUE	1					
35	S5100703	WASHER;SPRING	RONDELLE	4					
36	S2212761	BOLT;SOCKET M10X1.5X55	BOULON	4					
37	K9001158	U-BOLT	U-BOULON	2					

DATE	SEP. 12, 2012
4th EDITION	

**Fig. 4300 BUCKET CYLINDER - ARM 6.2m
VERIN DE GODET**

Serial No. ;



DATE	SEP. 12, 2012
4th EDITION	

**Fig. 4300 BUCKET CYLINDER - ARM 6.2m
VERIN DE GODET**

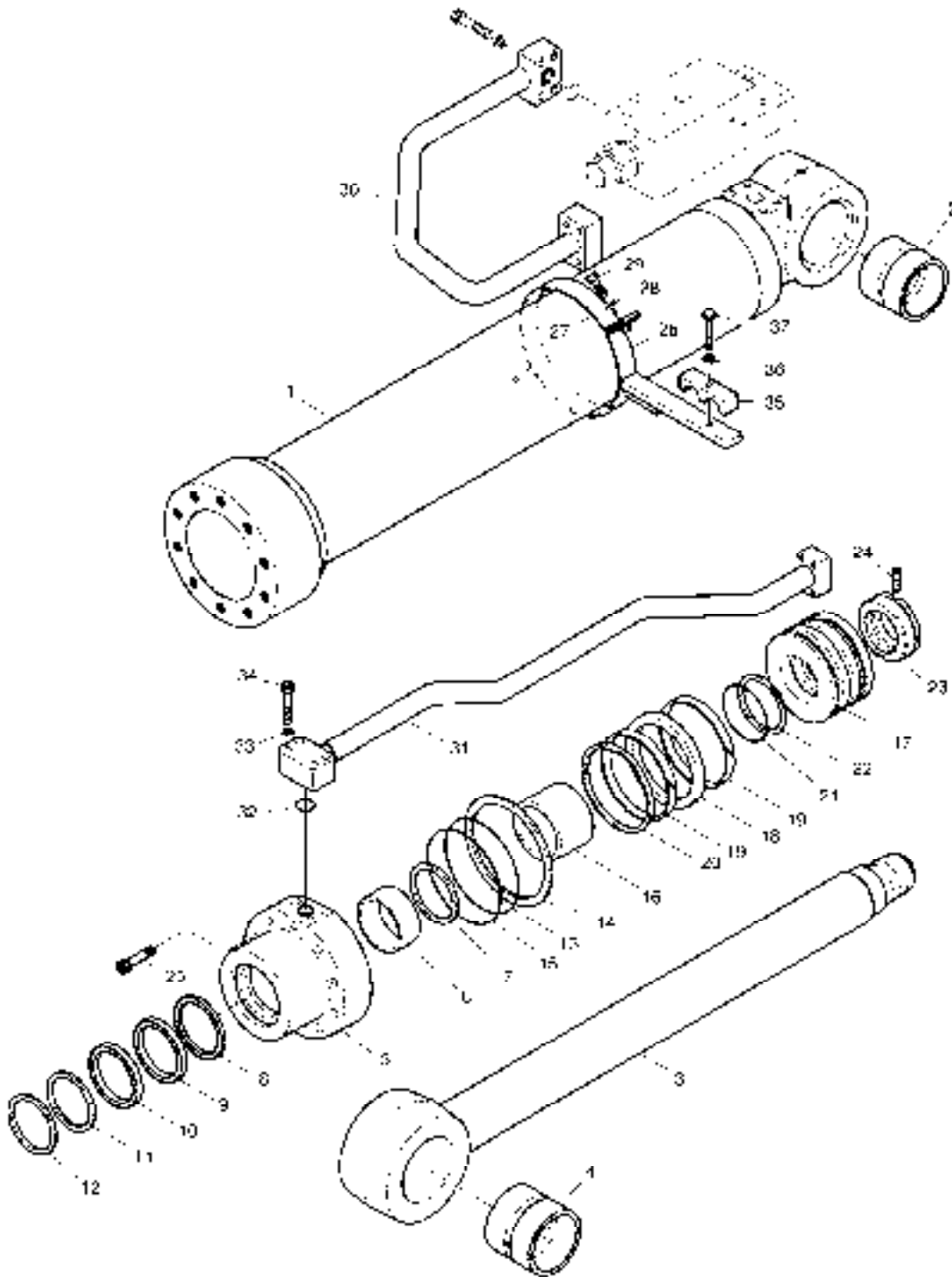
Serial No. ;

Key No.	Part No.	Description	Description	Q'ty	S.C	Serial No.	ICA	Replaceable part	
								Part No.	Q'ty
4300 -38	S5100603	WASHER;SPRING	RONDELLE	4					
39	S4012633	NUT	ECROU	4					
40	S6710032	NIPPLE;GREASE	MAMELON	2					
*	K9001752	SEAL KIT;BUCKET CYL.	KIT DE JOINT	1					

DATE	SEP. 12, 2012
4th EDITION	

Fig. 4310 BOOM CYLINDER - L.H (LOCK VALVE)
VERIN DE FLECHE

Serial No. ;



DATE	SEP. 12, 2012
4th EDITION	

**Fig. 4310 BOOM CYLINDER - L.H (LOCK VALVE)
VERIN DE FLECHE**

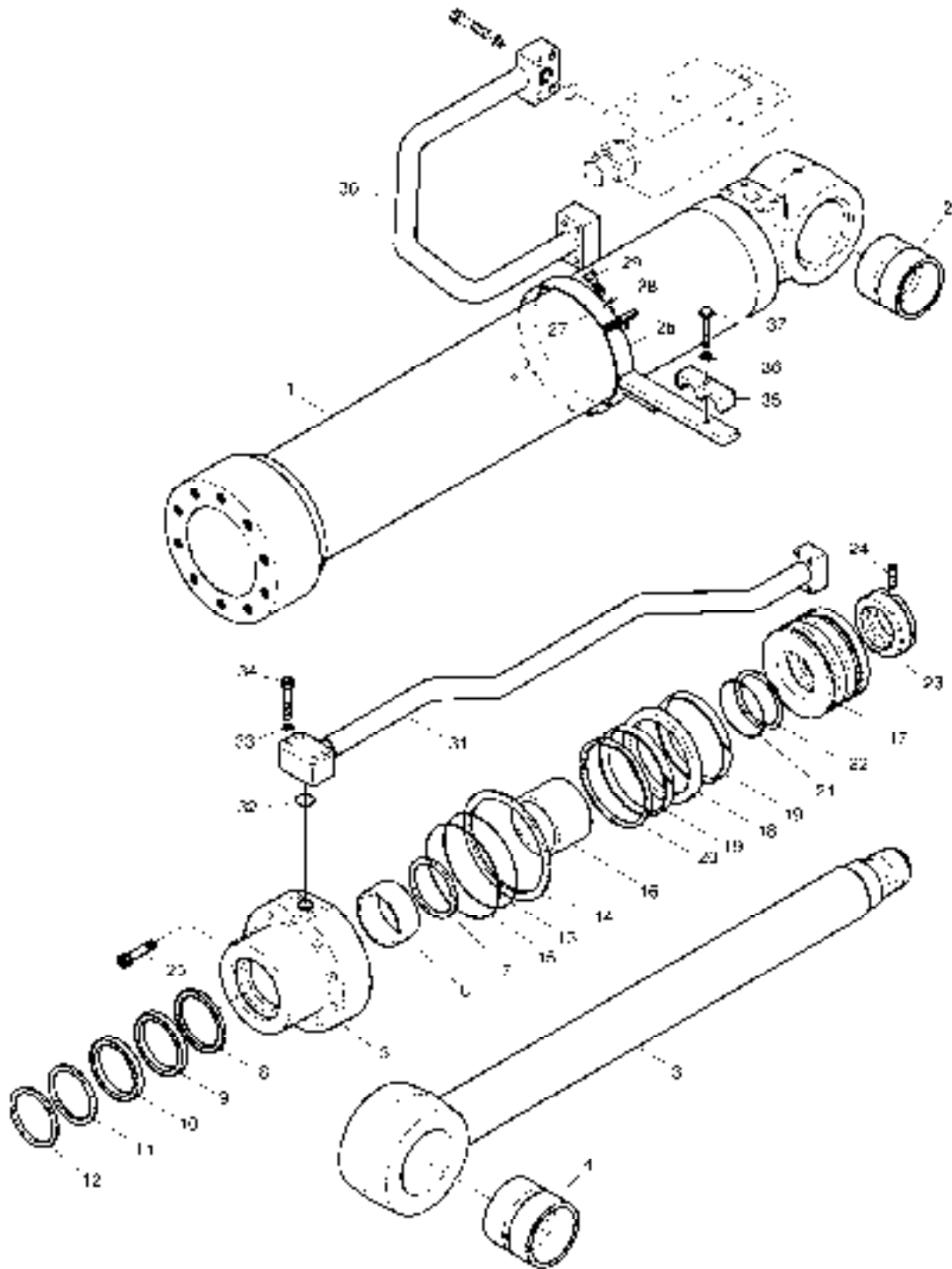
Serial No. ;

Key No.	Part No.	Description	Description	Q'ty	S.C	Serial No.	ICA	Replaceable part	
								Part No.	Q'ty
4310 --	K1041220B	CYLINDER;BOOM(L.H)	VERIN DE FLECHE	1		5001-9957	Y	400309-00345	1
	400309-00345	CYLINDER;BOOM(L.H)	VERIN DE FLECHE	1		09958- 11554	Y	400309-00345A	1
	400309-00345A	CYLINDER;BOOM(L.H)	VERIN DE FLECHE	1		11555-			
1	K9007361	TUBE ASS'Y	ENSEMBLE TUBE	1		05001- 11554	Y	420406-01077	1
	420406-01077	TUBE ASS'Y	ENSEMBLE TUBE	1		11555-			
2	K1037853A	BUSH	DOUILLE	1		05001- 11554	Y	131008-00067A	1
	131008-00067A	BUSH	DOUILLE	1		11555-			
3	K9007362	ROD ASS'Y	ENSEMBLE TIGE	1		05001- 11554	Y	400337-00454	1
	400337-00454	ROD ASS'Y	ENSEMBLE TIGE	1		11555-			
4	K1037853A	BUSH	DOUILLE	1		05001- 11554	Y	131008-00067A	1
	131008-00067A	BUSH	DOUILLE	1		11555-			
5	K9001856	ROD;COVER	TIGE	1					
6	110-00079	DD-BUSH	COUSSINET	1					
7	115-00050	RING;RETAINING	BAGUE	1					
8	K9001857	SEAL;BUFFER	ETANCHEITE A GRADINS	1	K				
9	K9001858	U-PACKING	JOINT EN U	1	K				
10	K9001877	RING;BACK UP	BAGUE ANTIEXTRUSION	1	K				
11	115-00059	WIPER;DUST	PARE-POUSSIERE	1	K				
12	115-00051	RING;RETAINING	BAGUE D'ARRET	1					
13	S8011201	O-RING	JOINT CIRCULAIRE	1	K				
14	K9001859	RING;BACK UP	ANNEAU	1	K				
15	S8011251	O-RING	JOINT CIRCULAIRE	1	K				
16	1.115-00204	RING;CUSHION	BAGUE D'AMORTISSEMENT	1					
17	K9001860	PISTON	PISTON	1					
18	K9001890	SEAL;SLIPPER	CACHET	1	K				
19	115-00087	RING;WEAR	ANNEAU	2	K				
20	K9001861	RING;DUST	BAGUE	1	K				
21	S8010651	O-RING	JOINT TORIQUE	1	K				
22	1.180-00277	RING;BACK UP	BAGUE ANTIEXTRUSION	2	K				
23	K9001862	NUT;PISTON	ECROU	1					
24	1.120-00219	SCREW;SET	VIS	1					
25	S2222272	BOLT;SOCKET	BOULON	10					
26	K9007358	PIPE BAND ASS'Y	BANDE ASS'Y DE PIPE	1		5001-9957			
	K9007358A	BAND ASSY,PIPE	BANDE ASS'Y DE PIPE	1		9958-			
27	124-00088	BAND;PIPE	ATTACHE	1					
28	S5100603	WASHER;SPRING	RONDELLE	2					
29	S0558153	BOLT	BOULON	2					
30	K9007370	PIPE ASS'Y-H(L.H)	ENSEMBLE CONDUITES	1		5001-9957			

DATE	SEP. 12, 2012
4th EDITION	

Fig. 4310 BOOM CYLINDER - L.H (LOCK VALVE)
VERIN DE FLECHE

Serial No. ;



DATE	SEP. 12, 2012
4th EDITION	

Fig. 4310 BOOM CYLINDER - L.H (LOCK VALVE)
VERIN DE FLECHE

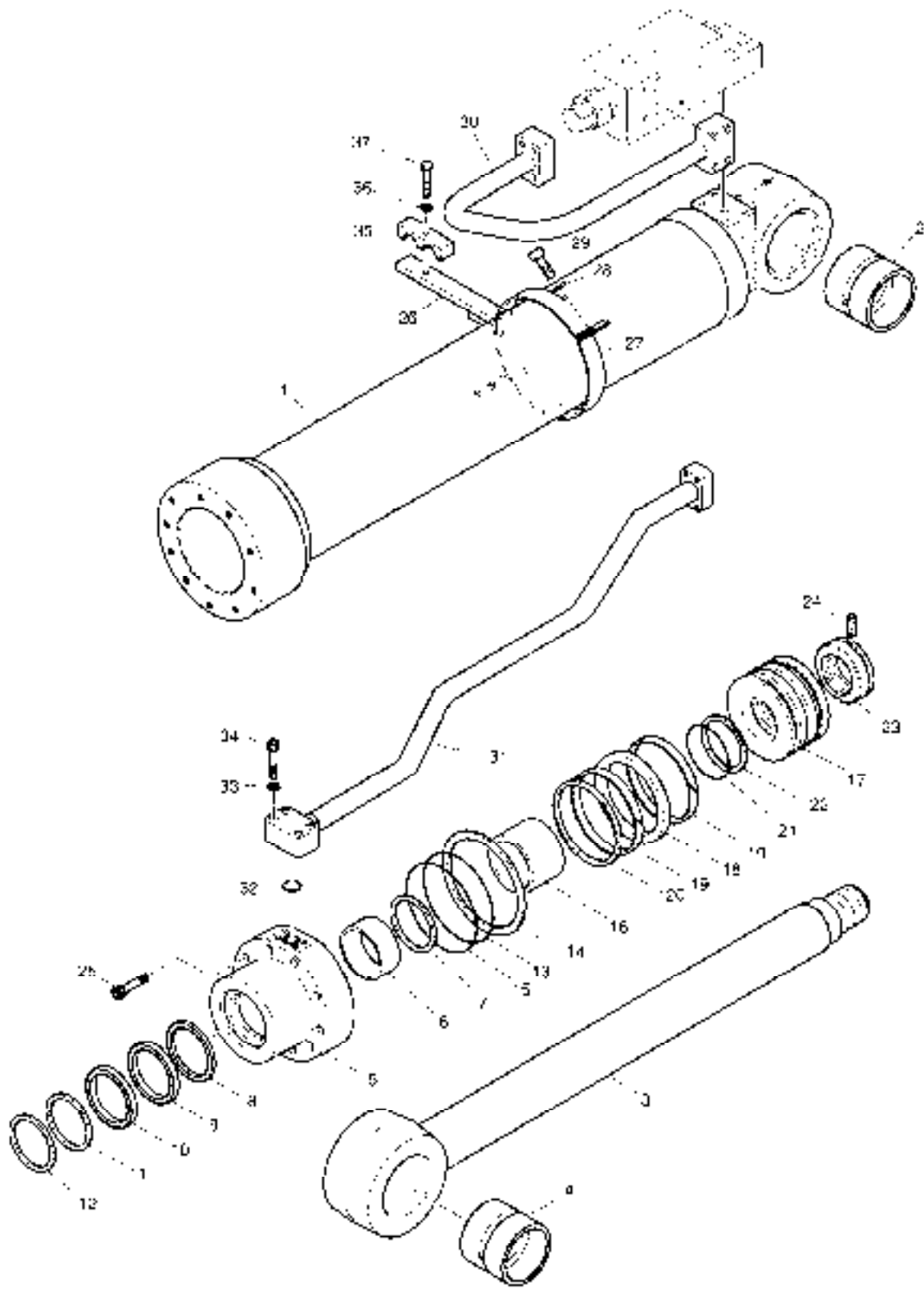
Serial No. ;

Key No.	Part No.	Description	Description	Q'ty	S.C	Serial No.	ICA	Replaceable part	
								Part No.	Q'ty
4310 -	K9007370A	PIPE ASSY;H(L.H)	ENSEMBLE CONDUITES	1		9958-			
31	K9007368	PIPE ASS'Y-R(L.H)	ENSEMBLE CONDUITES	1		5001-9957			
	K9007368A	PIPE ASSY;R(L.H)	ENSEMBLE CONDUITES	1		9958-			
32	S8000281	O-RING	JOINT TORIQUE	1					
33	S5100603	WASHER;SPRING	RONDELLE	4					
34	S2212761	BOLT;SOCKET M10X1.5X55	BOULON	4					
35	1.124-00157	CLAMP;PIPE	COLLIER	1					
36	S5100703	WASHER;SPRING	RONDELLE	1					
37	S0561053	BOLT M12X1.75X65	BOULON	1					
*	K9001878	SEAL KIT;BOOM CYLINDER	JOINT	1					

DATE	SEP. 12, 2012
4th EDITION	

**Fig. 4320 BOOM CYLINDER - R.H (LOCK VALVE)
VERIN DE FLECHE**

Serial No. ;



DATE	SEP. 12, 2012
4th EDITION	

**Fig. 4320 BOOM CYLINDER - R.H (LOCK VALVE)
VERIN DE FLECHE**

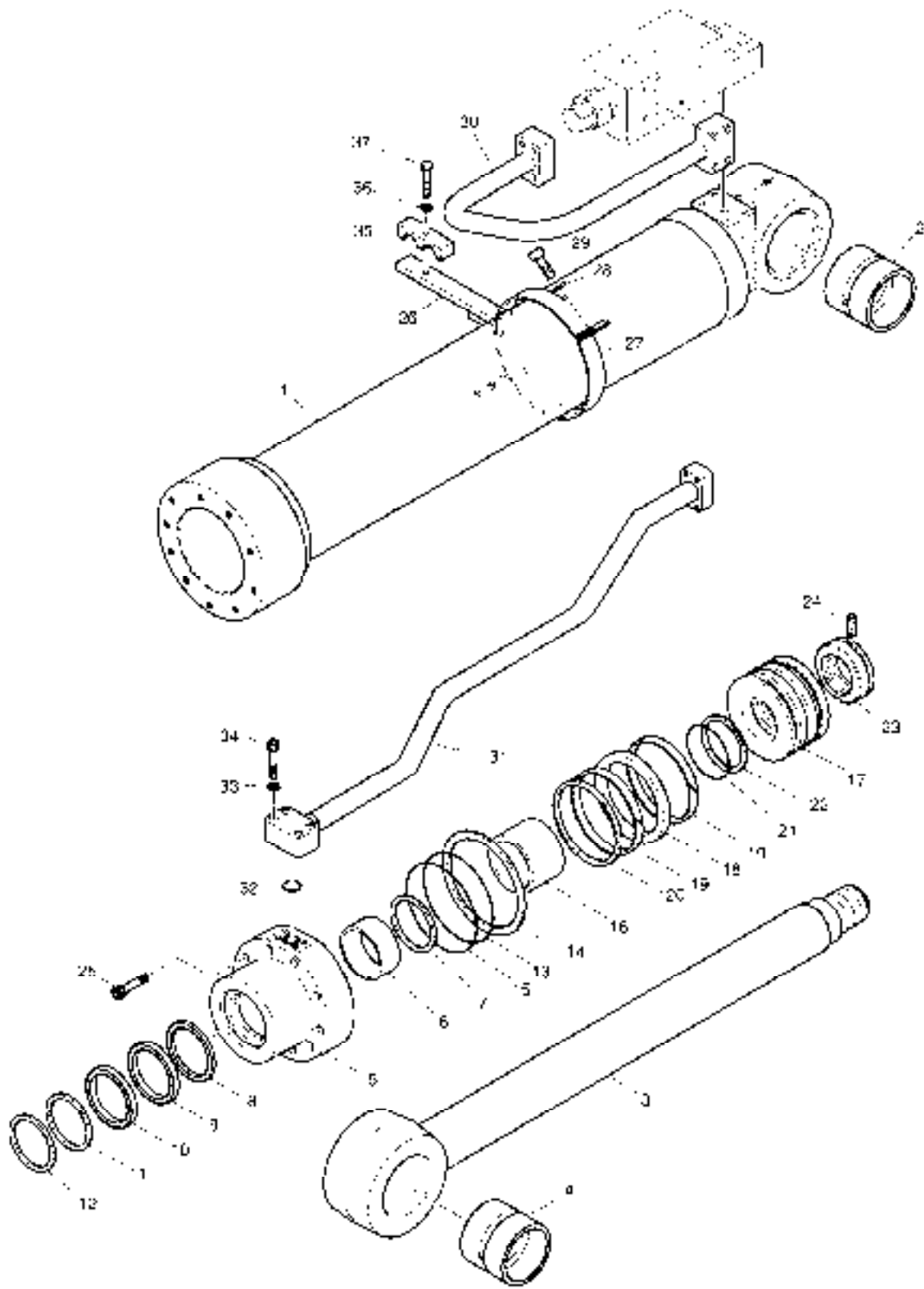
Serial No. ;

Key No.	Part No.	Description	Description	Q'ty	S.C	Serial No.	ICA	Replaceable part	
								Part No.	Q'ty
4320 --	K1041221B	CYLINDER;BOOM(R.H)	VERIN DE FLECHE	1		5001-9957	Y	400309-00347	1
	400309-00347	CYLINDER;BOOM (R.H)	VERIN DE FLECHE	1		09958- 11554	Y	400309-00347A	1
	400309-00347A	CYLINDER;BOOM (R.H)	VERIN DE FLECHE	1		11555-			
1	K9007361	TUBE ASS'Y	ENSEMBLE TUBE	1		05001- 11554	Y	420406-01077	1
	420406-01077	TUBE ASS'Y	ENSEMBLE TUBE	1		11555-			
2	K1037853A	BUSH	DOUILLE	1		05001- 11554	Y	131008-00067A	1
	131008-00067A	BUSH	DOUILLE	1		11555-			
3	K9007362	ROD ASS'Y	ENSEMBLE TIGE	1		05001- 11554	Y	400337-00454	1
	400337-00454	ROD ASS'Y	ENSEMBLE TIGE	1		11555-			
4	K1037853A	BUSH	DOUILLE	1		05001- 11554	Y	131008-00067A	1
	131008-00067A	BUSH	DOUILLE	1		11555-			
5	K9001856	ROD;COVER	TIGE	1					
6	110-00079	DD-BUSH	COUSSINET	1					
7	115-00050	RING;RETAINING	BAGUE	1					
8	K9001857	SEAL;BUFFER	ETANCHEITE A GRADINS	1	K				
9	K9001858	U-PACKING	JOINT EN U	1	K				
10	K9001877	RING;BACK UP	BAGUE ANTIEXTRUSION	1	K				
11	115-00059	WIPER;DUST	PARE-POUSSIERE	1	K				
12	115-00051	RING;RETAINING	BAGUE D'ARRET	1					
13	S8011201	O-RING	JOINT CIRCULAIRE	1	K				
14	K9001859	RING;BACK UP	ANNEAU	1	K				
15	S8011251	O-RING	JOINT CIRCULAIRE	1	K				
16	1.115-00204	RING;CUSHION	BAGUE D'AMORTISSEMENT	1					
17	K9001860	PISTON	PISTON	1					
18	K9001890	SEAL;SLIPPER	CACHET	1	K				
19	115-00087	RING;WEAR	ANNEAU	2	K				
20	K9001861	RING;DUST	BAGUE	1	K				
21	S8010651	O-RING	JOINT TORIQUE	1	K				
22	1.180-00277	RING;BACK UP	BAGUE ANTIEXTRUSION	2	K				
23	K9001862	NUT;PISTON	ECROU	1					
24	1.120-00219	SCREW;SET	VIS	1					
25	S2222272	BOLT;SOCKET	BOULON	10					
26	K9007358	PIPE BAND ASS'Y	BANDE ASS'Y DE PIPE	1		5001-9957			
	K9007358A	BAND ASSY,PIPE	BANDE ASS'Y DE PIPE	1		9958-			
27	124-00088	BAND;PIPE	ATTACHE	1					
28	S5100603	WASHER;SPRING	RONDELLE	2					
29	S0558153	BOLT	BOULON	2					
30	420210-00714	PIPE ASSY;H(R.H)	ENSEMBLE CONDUITES	1		5001-9957			

DATE	SEP. 12, 2012
4th EDITION	

Fig. 4320 BOOM CYLINDER - R.H (LOCK VALVE)
VERIN DE FLECHE

Serial No. ;



DATE	SEP. 12, 2012
4th EDITION	

Fig. 4320 BOOM CYLINDER - R.H (LOCK VALVE)
VERIN DE FLECHE

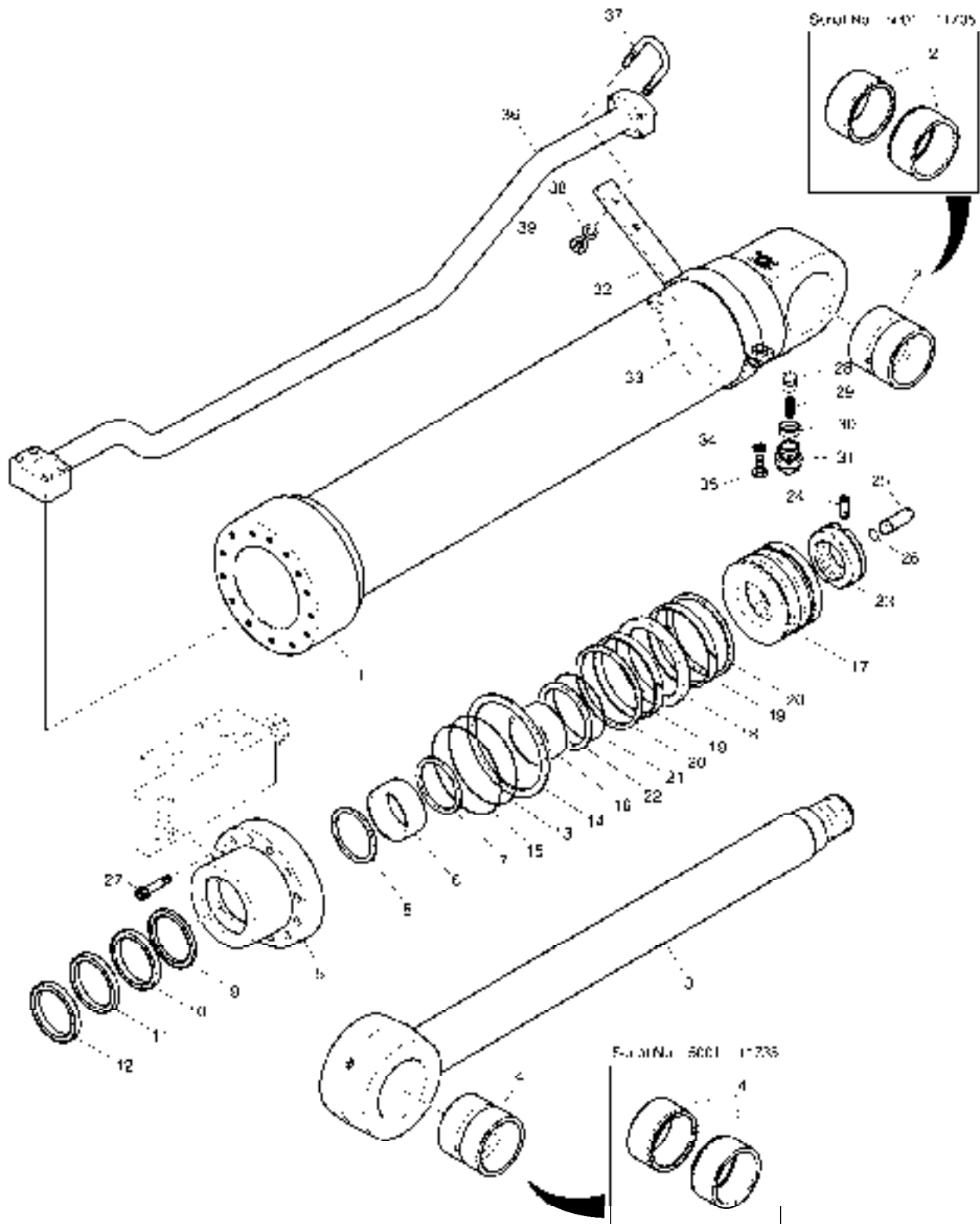
Serial No. ;

Key No.	Part No.	Description	Description	Q'ty	S.C	Serial No.	ICA	Replaceable part	
								Part No.	Q'ty
4320 -	420210-00714A	PIPE ASSY;H(R.H)	ENSEMBLE CONDUITES	1		9958-			
31	K9007367	PIPE ASS'Y-R(R.H)	ENSEMBLE CONDUITES	1		5001-9957			
	K9007367A	PIPE ASSY;R(R.H)	ENSEMBLE CONDUITES	1		9958-			
32	S8000281	O-RING	JOINT TORIQUE	1					
33	S5100603	WASHER;SPRING	RONDELLE	4					
34	S2212761	BOLT;SOCKET M10X1.5X55	BOULON	4					
35	1.124-00157	CLAMP;PIPE	COLLIER	1					
36	S5100703	WASHER;SPRING	RONDELLE	1					
37	S0561053	BOLT M12X1.75X65	BOULON	1					
*	K9001878	SEAL KIT;BOOM CYLINDER	JOINT	1					

DATE	SEP. 12, 2012
4th EDITION	

Fig. 4330 ARM CYLINDER - LOCK VALVE
VERIN DE BALANCIER

Serial No. ;



DATE	SEP. 12, 2012
4th EDITION	

**Fig. 4330 ARM CYLINDER - LOCK VALVE
VERIN DE BALANCIER**

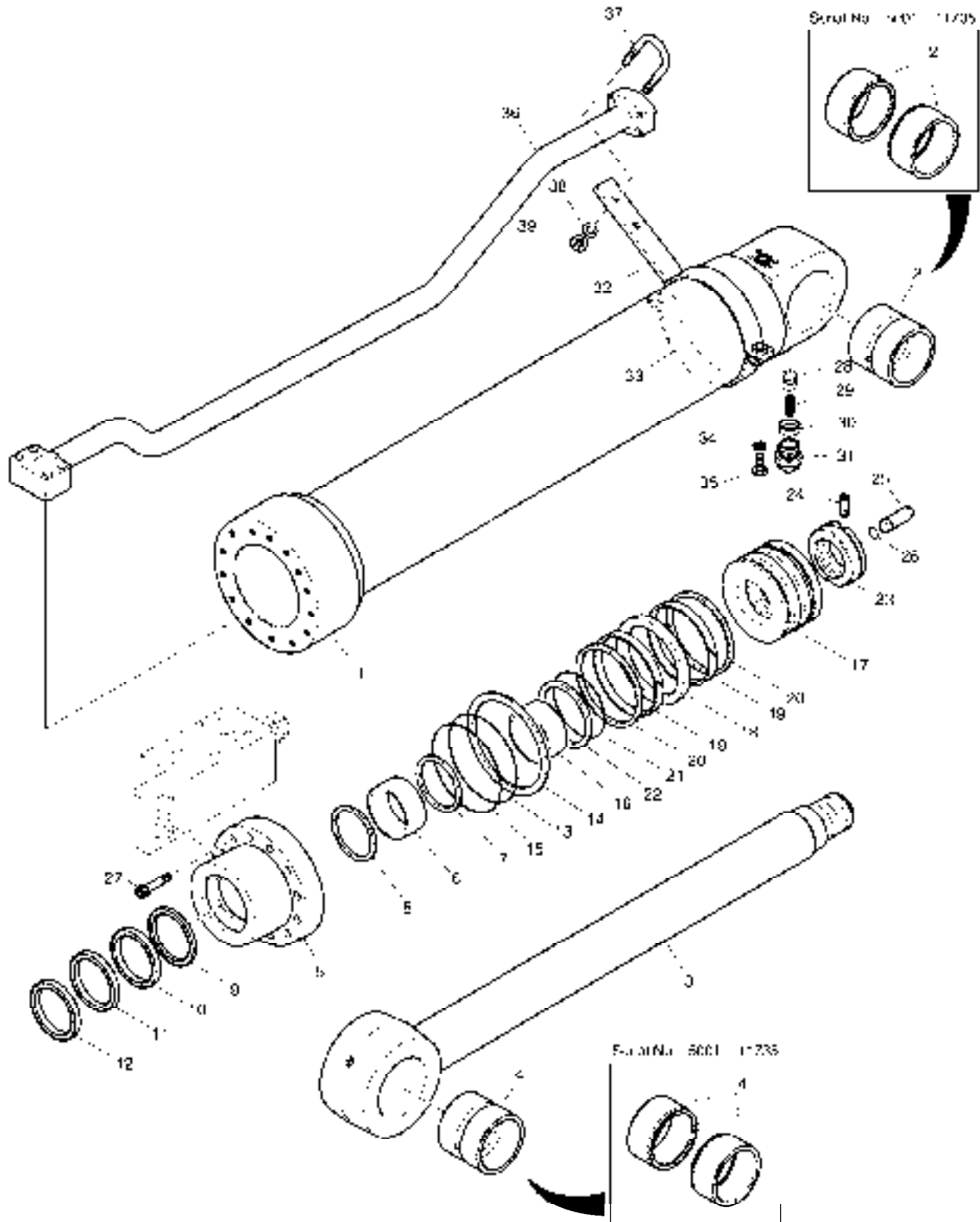
Serial No. ;

Key No.	Part No.	Description	Description	Q'ty	S.C	Serial No.	ICA	Replaceable part	
								Part No.	Q'ty
4330 --	K1041222A	CYLINDER;ARM(LOCK V/V)	CYLINDRE	1		05001-11735	Y	400305-00220	1
	400305-00220	CYLINDER;ARM(LOCK V/V)	CYLINDRE	1		11736-			
1	K9003676	TUBE ASS'Y	ENSEMBLE TUBE	1		05001-11735	Y	420406-01073	1
	420406-01073	TUBE ASS'Y	ENSEMBLE TUBE	1		11736-			
2	K1037854A	BUSH	DOUILLE	2		05001-11735	Y	131008-00130	1
	131008-00130	BUSH	DOUILLE	1		11736-			
3	K9001880	ROD ASS'Y	TIGE	1		05001-11735	Y	400337-00452	1
	400337-00452	ROD ASS'Y	TIGE	1		11736-			
4	K1037854A	BUSH	DOUILLE	2		05001-11735	Y	131008-00130	1
	131008-00130	BUSH	DOUILLE	1		11736-			
5	K9001881	ROD;COVER	TIGE	1					
6	110-00081	DD-BUSH	DD-BUSH	1					
7	115-00073	RING;RETAINING	ANNEAU	1					
8	K9001882	SEAL;BUFFER	CACHET	1	K				
9	K9001883	U-PACKING	U-EMBALLAGE	1	K				
10	K9001884	RING;BACK UP	ANNEAU	1	K				
11	115-00077	WIPER;DUST	ESSUIE-GLACE	1	K				
12	115-00078	RING;RETAINING	ANNEAU	1					
13	S8011351	O-RING	JOINT CIRCULAIRE	1	K				
14	1.180-00662	RING;BACK UP	ANNEAU	1	K				
15	2180-1217D96	O-RING	JOINT CIRCULAIRE	1	K				
16	K9001893	RING;CUSHION	ANNEAU	1					
17	K9001894	PISTON	PISTON	1					
18	K9001148	SEAL;SLIPPER	CACHET	1	K				
19	115-00079	RING;WEAR	ANNEAU	2	K				
20	K9001149	RING;DUST	ANNEAU	2	K				
21	S8010801	O-RING	JOINT CIRCULAIRE	1	K				
22	K9001895	RING;BACK UP	ANNEAU	2	K				
23	K9001896	NUT;RISTON	ECROU	1					
24	1.120-00219	SCREW;SET	VIS	1					
25	K9001897	PLUNGER;CUSHION	PLONGEUR	1					
26	115-00081	RING;STOP	BAGUE	1					
27	S2222272	BOLT;SOCKET	BOULON	14					
28	1.420-00050	VALVE;CHECK	VALVE	1					
29	129-00071	SPRING	RESSORT	1					
30	1.195-00022	SUPPORT;SPRING	APPUI	1					
31	2181-1116D3	PLUG;HEX. SOCKET	BOUCHON	1					
32	K9001898	PIPE BAND ASS'Y-B	ENSEMBLE DE FIXATION	1					

DATE	SEP. 12, 2012
4th EDITION	

Fig. 4330 ARM CYLINDER - LOCK VALVE
VERIN DE BALANCIER

Serial No. ;



DATE	SEP. 12, 2012
4th EDITION	

Fig. 4330 ARM CYLINDER - LOCK VALVE
VERIN DE BALANCIER

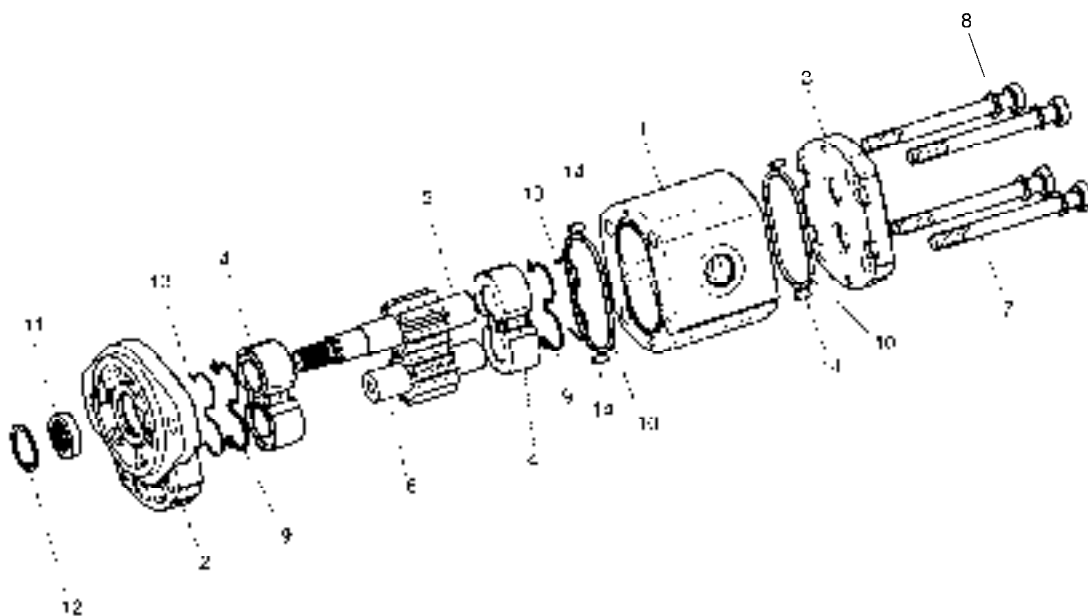
Serial No. ;

Key No.	Part No.	Description	Description	Q'ty	S.C	Serial No.	ICA	Replaceable part	
								Part No.	Q'ty
4330 -33	124-00052	BAND;PIPE	BANDE	1					
34	S5100703	WASHER;SPRING	RONDELLE	2					
35	S0560563	BOLT;HEX	BOULON	2					
36	K9003677	PIPE ASS'Y-R	ENSEMBLE CONDUITES	1					
37	K9001158	U-BOLT	U-BOULON	1					
38	S5100603	WASHER;SPRING	RONDELLE	2					
39	S4012633	NUT	ECROU	2					
*	K9001901	SEAL KIT;ARM CYLINDER	KIT DE JOINT	1					

DATE	SEP. 12, 2012
4th EDITION	

**Fig. 4340 GEAR PUMP-ROTATION
POMPE**

Serial No. ;



DATE	SEP. 12, 2012
4th EDITION	

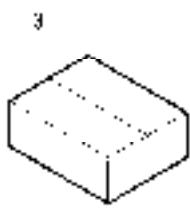
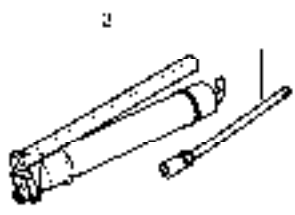
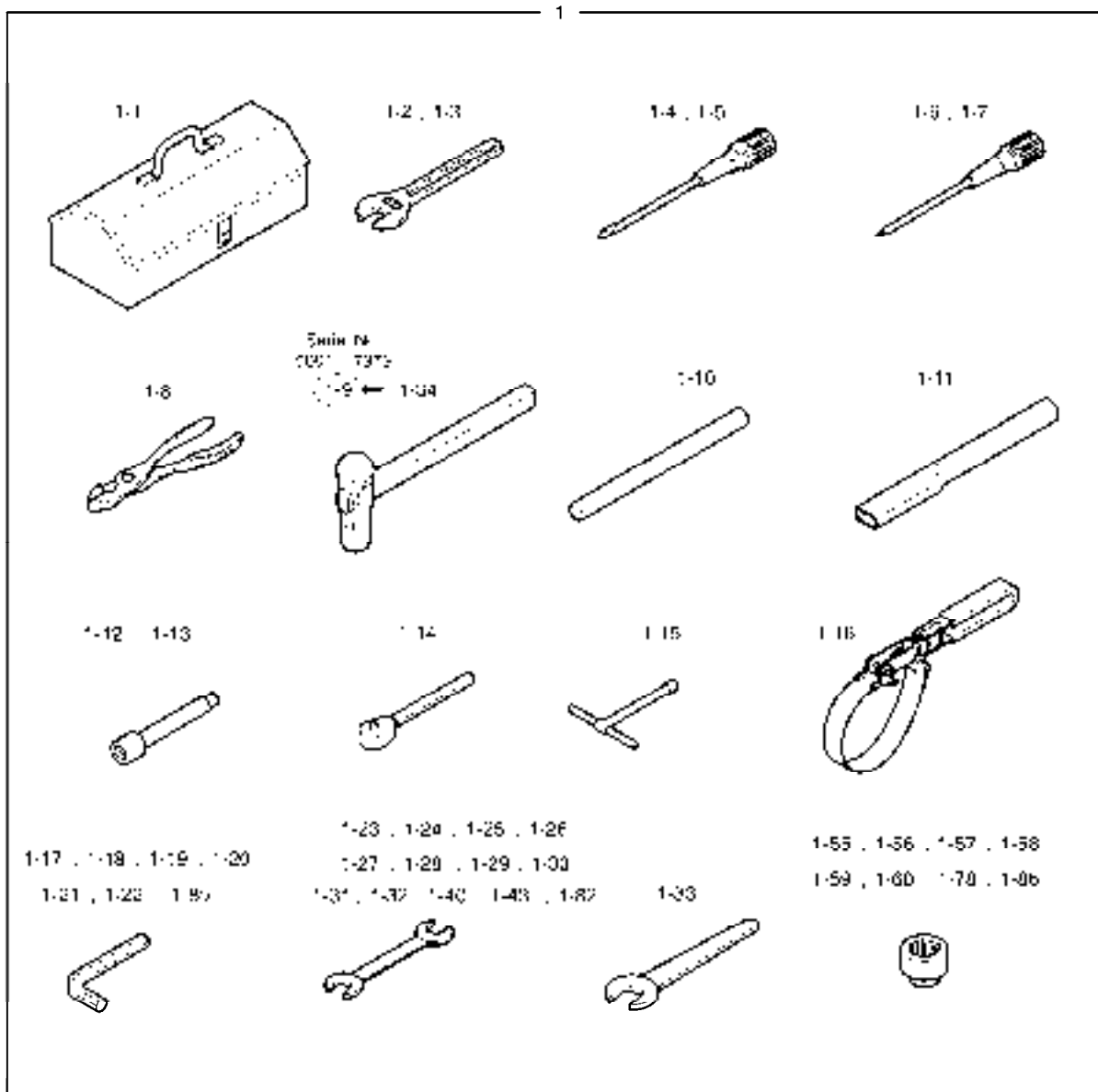
Fig. 4340 GEAR PUMP-ROTATION POMPE

Serial No. ;

Key No.	Part No.	Description	Description	Q'ty	S.C	Serial No.	ICA	Replaceable part	
								Part No.	Q'ty
4340 --	K1000410	GEAR PUMP	POMPE A ENGRENAGES	1					
1	-	BODY	CORPS	1	D				
2	-	COVER;FRONT	COUVERTURE	1	D				
3	-	COVER;REAR	COUVERTURE	1	D				
4	-	PLATE;THRUST	PLAQUE	2	D				
5	-	SHAFT;DRIVE	AXE	1	D				
6	-	GEAR;DRIVEN	VITESSE	1	D				
7	S0559553	BOLT	BOULON	4					
8	S5102603	WASHER,SPRING	RONDELLE	4					
9	-	SEAL	CACHET	2	K				
10	-	SEAL	CACHET	2	K				
11	-	SEAL;SHAFT	CACHET	1	K				
12	-	RING;SNAP	ANNEAU	1	D				
13	-	RING;BACK UP	ANNEAU	2	K				
14	-	PIN;DOWEL	GOUPILLE	4	D				
*	K9001457	SEAL KIT;GEAR PUMP	KIT DE JOINT	1					

**Fig. 5100 TOOLS
OUTILLAGE**

Serial No. ;



DATE	SEP. 12, 2012
4th EDITION	

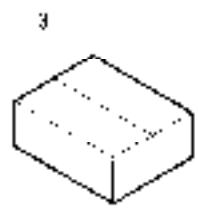
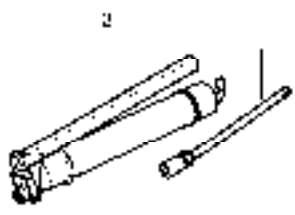
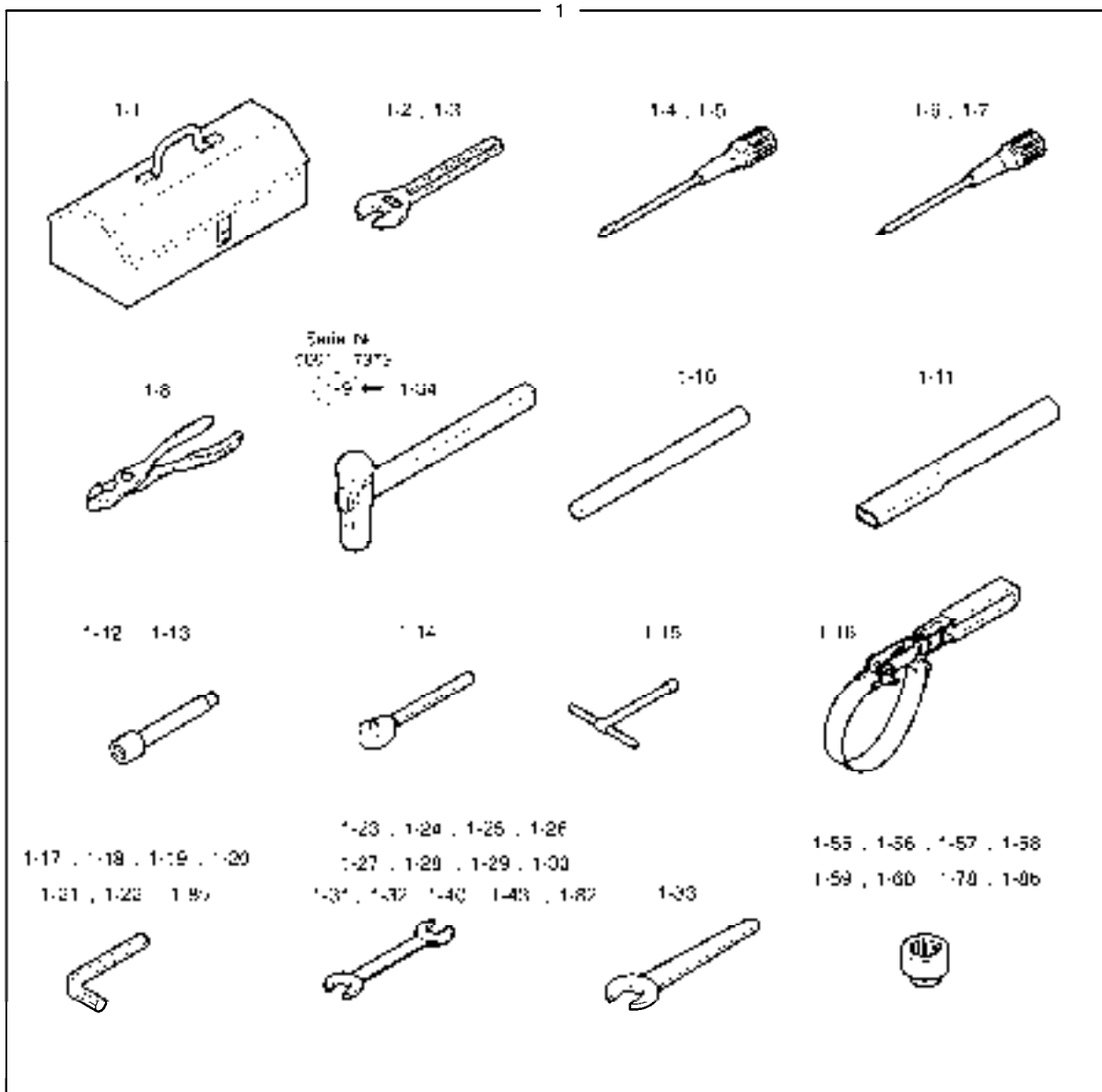
Fig. 5100 TOOLS OUTILLAGE

Serial No. ;

Key No.	Part No.	Description	Description	Q'ty	S.C	Serial No.	ICA	Replaceable part	
								Part No.	Q'ty
5100 --	K1007832	TOOL ASS'Y	ENSEMBLE OUTILLAGE	-	D				
1	2199-1063F34A	TOOL ASS'Y	ENSEMBLE OUTILLAGE	1		5001-7373	I	2199-1063F34B	1
	2199-1063F34B	TOOL ASSY	OUTILLAGE	1		07374-11451	I	2199-1063F34C	1
	2199-1063F34C	TOOL ASSY	ENSEMBLE OUTILLAGE	1		11452-			
1-1	2199-9043	. BOX;TOOL	. BOITE A OUTILS	1	D				
1-2	T6580008	. WRENCH;ADJUSTABLE 6'	. CLE A MOLETTE	1	D				
1-3	T6580020	. WRENCH;ADJUST	. RONDELLE	1	D				
1-4	T7050003	. DRIVER(-)	. CONDUCTEUR	1	D				
1-5	T7050013	. DRIVER	. CONDUCTEUR	1	D				
1-6	T7050021	. DRIVER	. CONDUCTEUR	1	D				
1-7	T7050022	. DRIVER	. CONDUCTEUR	1	D				
1-8	T7500004	. PILER;COMBI	. GERBEUR COMBI	1	D				
1-9	T7260057	. HAMMER	. MARTEAU	1	D	5001-7373			
1-10	2199-1004	. BAR	. BARRE	1					
1-11	2199-1005	. PIPE	. CONDUITE	1					
1-12	T6690012	. BAR;EXTENSION	. BARRE DE PROLONGATIO	1	D				
1-13	T6690013	. BAR;EXTENSION	. BARRE DE PROLONGATIO	1	D				
1-14	T6750003	. HANDLE;RATCHET	. POIGNEE	1	D				
1-15	2199-9009	. CLIP;DRIVER	. AGRAFE	1	D				
1-16	K1008167	. WRENCH;FILTER	. CLE A FILTRE	1					
1-17	T6550005	. L-WRENCH	. CLE MALE	1	D				
1-18	T6550006	. L-WRENCH	. CLE MALE	1	D				
1-19	T6550007	. L-WRENCH	. CLE MALE	1	D				
1-20	T6550009	. L-WRENCH	. CLE MALE	1	D				
1-21	T6550011	. L-WRENCH	. CLE MALE	1	D				
1-22	T6550018	. L-WRENCH 17	. CLE MALE	1	D				
1-23	T6510062	. SPANNER	. CLE PLATE	1	D				
1-24	T6510066	. SPANNER 10x13	. CLE PLATE	1	D				
1-25	T6510070	. SPANNER	. CLE PLATE	1	D				
1-26	T6510072	. SPANNER	. CLE PLATE	1	D				
1-27	T6510075	. SPANNER 19x22	. CLE PLATE	1	D				
1-28	T6510081	. SPANNER 24X27	. CLE PLATE	1	D				
1-29	T6510085	. SPANNER 27X30	. CLE PLATE	1	D				
1-30	T6510089	. SPANNER 32X36	. CLE PLATE	1	D				
1-31	T6510091	. SPANNER 36X41	. CLE PLATE	1	D				
1-32	T6510018	. SPANNER 24	. CLE PLATE	1	D				
1-33	T6510027	. SPANNER 41	. CLE PLATE	1	D				
1-40	T6510079	. SPANNER 22x24	. CLE PLATE	1		7374-			

**Fig. 5100 TOOLS
OUTILLAGE**

Serial No. ;



DATE	SEP. 12, 2012
4th EDITION	

Fig. 5100 TOOLS OUTILLAGE

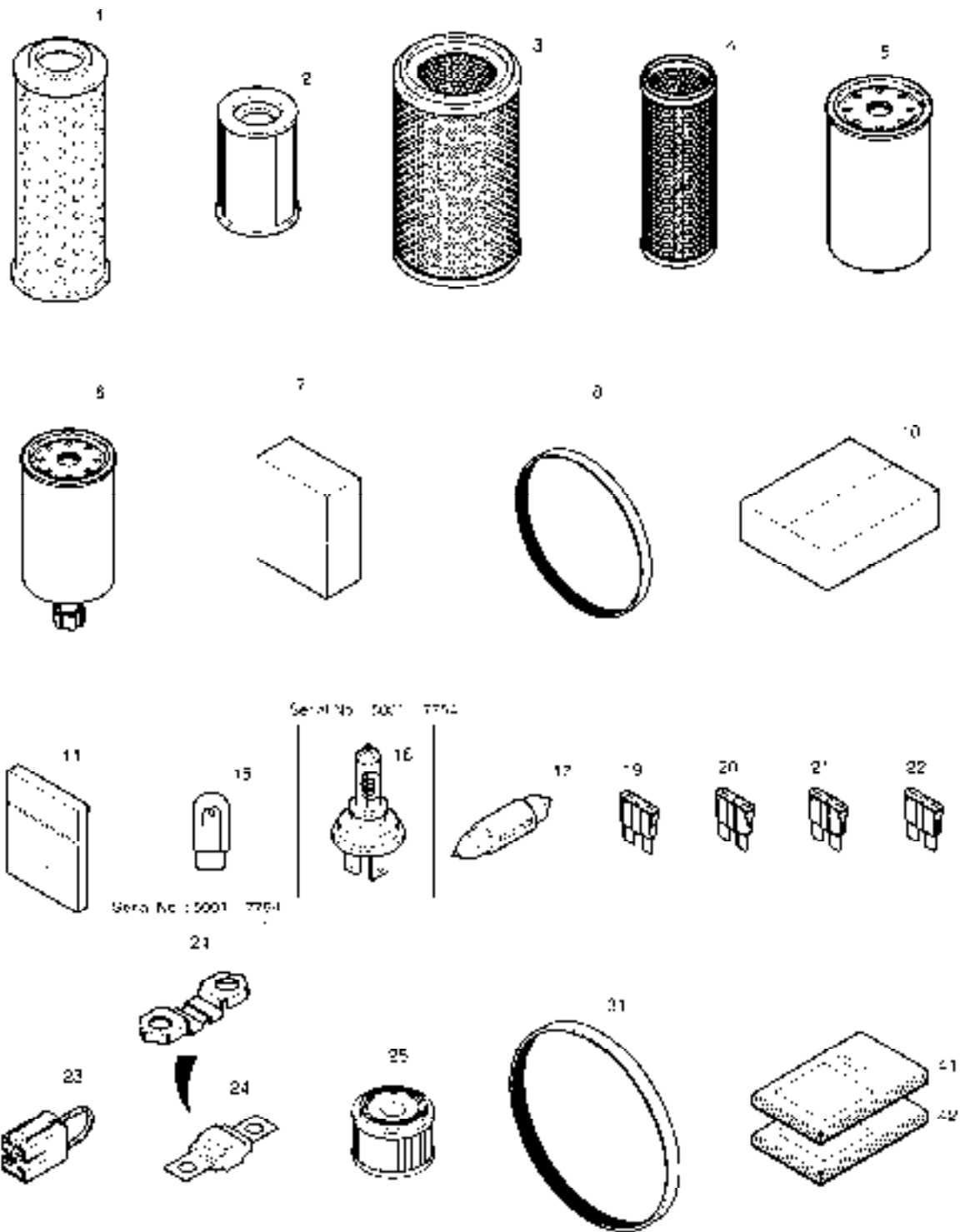
Serial No. ;

Key No.	Part No.	Description	Description	Q'ty	S.C	Serial No.	ICA	Replaceable part	
								Part No.	Q'ty
5100 -1-43	T6510087	. SPANNER 30x32	. CLE PLATE	1		7374-			
1-55	T6600183	. SOCKET M6	. DOUILLE	1	D				
1-56	T6600189	. SOCKET M8	. DOUILLE	1	D				
1-57	T6600197	. SOCKET;WRENCH	. CLE A DOUILLE	1	D				
1-58	T6600201	. SOCKET;WRENCH	. CLE A DOUILLE	1	D				
1-59	T6600211	. SOCKET;WRENCH	. CLE A DOUILLE	1	D				
1-60	T6600223	. SOCKET;WRENCH	. CLE A DOUILLE	1	D				
1-78	T6600217	. SOCKET;WRENCH	. CLE A DOUILLE	1	D				
1-82	T6510069	. SPANNER 12X14	. CLE PLATE	1		7374-			
1-84	850315-00029	. HAMMER	. MARTEAU	1		7374-			
1-85	850334-00008	. WRENCH,L	. CLE MALE	1		7374-			
1-86	T6600191	. SOCKET;WRENCH	. DOUILLE	1		11452-			
2	2199-9008	GREASE GUN	PISTOLET DE GRAISSAGE	1					
3	2199-9007	BOX	BOITE	1					
4	K1007669	HOSE;OIL DRAIN	TUYAU FLEXIBLE	1					

DATE	SEP. 12, 2012
4th EDITION	

**Fig. 5110 SPARE PARTS
PIECES DE RECHANGE**

Serial No. ;



DATE	SEP. 12, 2012
4th EDITION	

Fig. 5110 SPARE PARTS PIECES DE RECHANGE

Serial No. ;

Key No.	Part No.	Description	Description	Q'ty	S.C	Serial No.	ICA	Replaceable part	
								Part No.	Q'ty
5110 --	K1049153B	SPARE PARTS	PIECES DE RECHANGE	-	D				
1	474-00055	ELEMENT;RETURN FILTER	ELEMENT	1					
2	2471-1154	ELEMENT;FILTER(PILOT)	ELEMENT	1					
3	474-00040	ELEMENT;OUTER	ELEMENT	1					
4	474-00039	ELEMENT;INNER	ELEMENT	1					
5	65.05510-5028A	CARTRIDGE,OIL FILTER	ELEMENT FILTRANT	1					
6	65.12503-5016B	ELEMENT;E/G FUEL FILTER	ELEMENT FILTRANT	1					
7	910-00019	OIL;ENGINE	HUILE MOTEUR	6		05001-11217			
	910-00019	OIL;ENGINE	HUILE MOTEUR	7		11218-			
8	2106-1019D10	V-BELT 4PK 990L	COURROIE-V	1					
10	2512-1095D1	BOX;SPARE PARTS	BOITE DE PIECES DE RECH	1					
11	2180-9153	O-RING KIT	KIT DE REPARATION	1					
15	515-00012A	BULB	AMPOULE	2					
16	2515-1022D1	BULB;HALOGEN	AMPOULE	1		5001-7754			
17	2515-1016D4	BULB;HALOGEN	AMPOULE	1		5001-7754			
	2515-1016D4	BULB;HALOGEN	AMPOULE	2		7755-			
19	2527-1016	FUSE;BLADE 10A	FUSIBLE	2					
20	2527-1017	FUSE;BLADE 15A	FUSIBLE	2					
21	2527-1018	FUSE;BLADE 20A	FUSIBLE	1					
22	2527-1025	FUSE;BLADE 30A	FUSIBLE	1					
23	2527-1023A	LINK;FUSIBLE	LIEN	1					
24	527-00005	FUSE;PREHEAT RELAY	FUSIBLE	1		5001-7754			
	300803-00086	FUSE;200A	FUSIBLE	1		7755-			
25	K1029257	ELEMENT;AIR BREATHER	ELEMENT	1					
31	65.96801-0124A	BELT;POLY	CEINTURE	1					
41	K1049154EF	PARTS BOOK	CATALOGUE DES PIECES	1					
42	K1049155E	OPERATION MANUAL	MANUEL D'OPERATION	1					

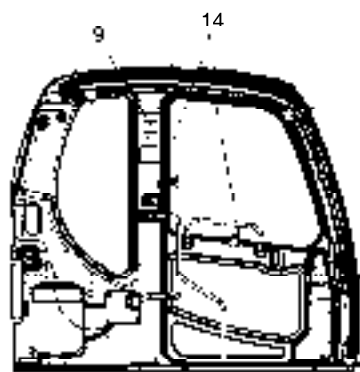
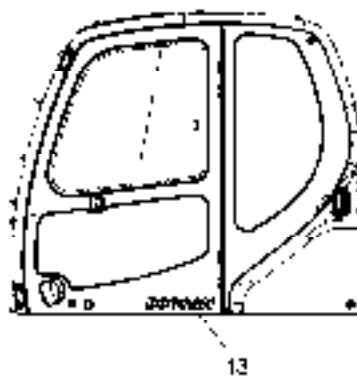
DATE	SEP. 12, 2012
4th EDITION	

**Fig. 5120 NAME PLATE - CABIN(EXPORT)
PLAQUE D'IDENTIFICATION**

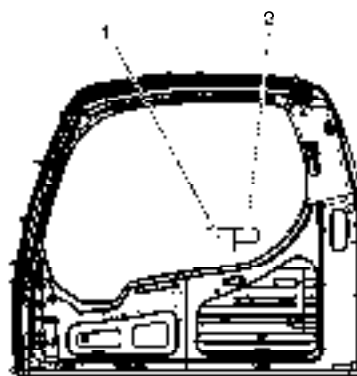
Serial No. ;



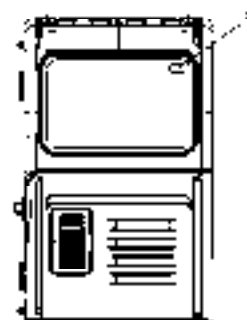
LEFT SIDE VIEW OF
LEFT CONTROL STAND



LEFT SIDE VIEW
OF CABIN INSIDE



RIGHT SIDE VIEW
OF CABIN INSIDE



DATE	SEP. 12, 2012
4th EDITION	

**Fig. 5120 NAME PLATE - CABIN(EXPORT)
PLAQUE D'IDENTIFICATION**

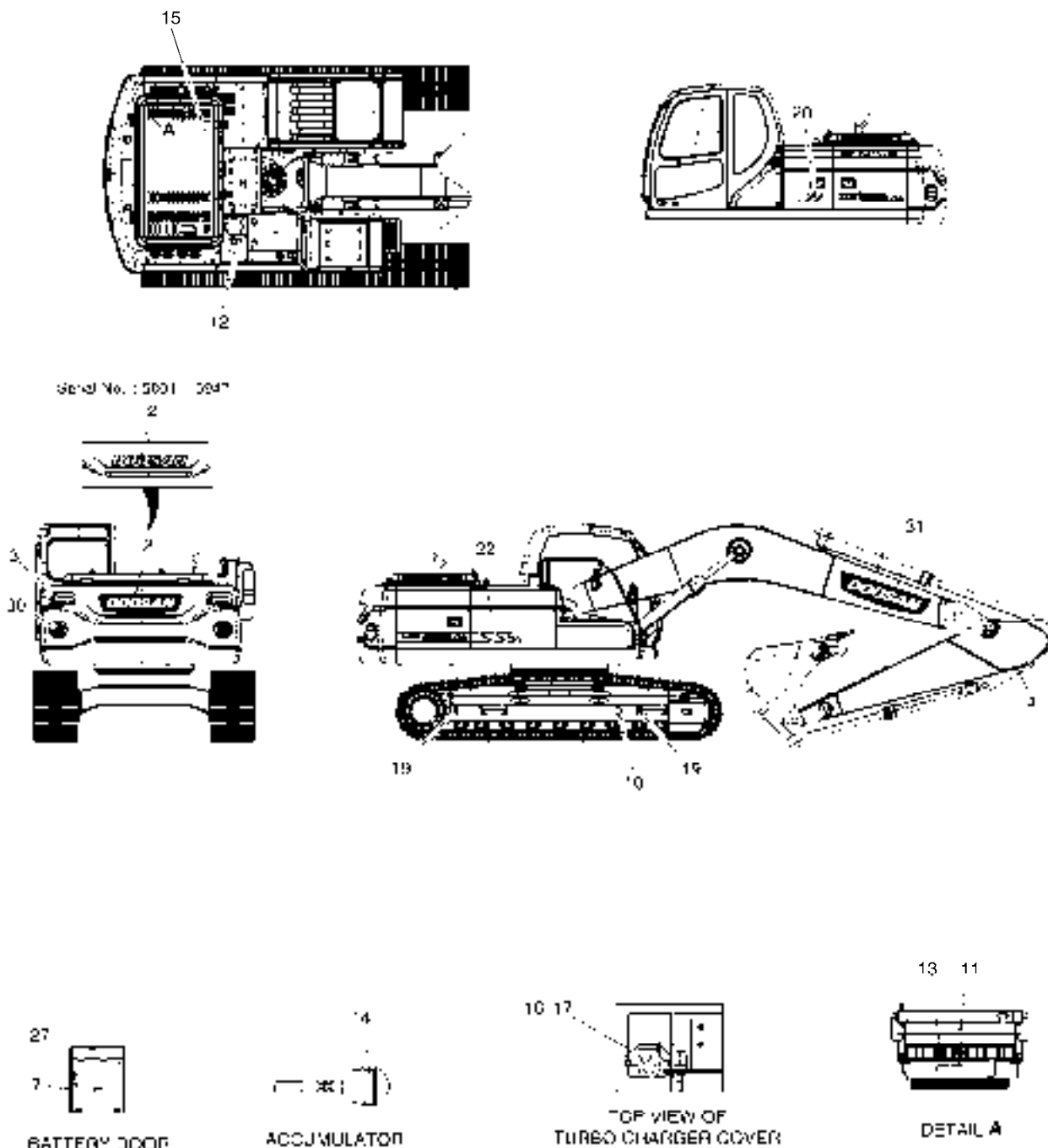
Serial No. ;

Key No.	Part No.	Description	Description	Q'ty	S.C	Serial No.	ICA	Replaceable part	
								Part No.	Q'ty
5120 --	K1007342J	NAME PLATE ASS'Y	PLAQUE D'IDENTIFICATION	-	D	5001-6341			
	950205-00864	DECAL ASSY;CABIN	PLAQUE D'IDENTIFICATION	-	D	6342-			
1	K1034000	PLATE;NAME	PLAQUE D'IDENTIFICATION	1					
2	2190-3297	PLATE;NAME	PLAQUE	1					
3	K1005909	PLATE;NAME	PLAQUE	1					
4	2190-2480	PLATE;NAME	PLAQUE D'IDENTIFICATION	1					
9	2190-3388	PLATE;NAME	PLAQUE D'IDENTIFICATION	1					
10	190-00695A	PLATE;NAME	PLAQUE D'IDENTIFICATION	1					
13	K1011743D6	PLATE;NAME	PLAQUE	1					
14	950205-00862	DECAL	DECALQUE	1		6342-			

DATE	SEP. 12, 2012
4th EDITION	

**Fig. 5130 NAME PLATE - EXPORT
PLAQUE D'IDENTIFICATION**

Serial No. ;



DATE	SEP. 12, 2012
4th EDITION	

**Fig. 5130 NAME PLATE - EXPORT
PLAQUE D'IDENTIFICATION**

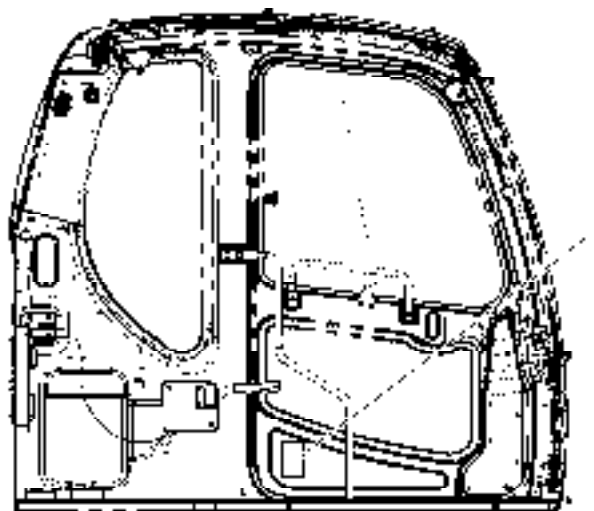
Serial No. ;

Key No.	Part No.	Description	Description	Q'ty	S.C	Serial No.	ICA	Replaceable part	
								Part No.	Q'ty
5130 --	K1023656K	NAME PLATE ASS'Y	PLAQUE D'IDENTIFICATION	-	D	5001-5947			
	950205-00668	DECAL ASSY;EXPORT	PLAQUE D'IDENTIFICATION	-	D	5948-			
2	K1011645D1	PLATE;NAME	PLAQUE D'IDENTIFICATION	1		5001-5947	I	950205-00662	1
	950205-00662	DECAL(DOOSAN)	DECALQUE	1		5948-			
3	2190-3379A	PLATE;NAME	PLAQUE D'IDENTIFICATION	2					
4	190-00652	PLATE;NAME	PLAQUE	2					
7	2190-2533A	PLATE;NAME	PLAQUE D'IDENTIFICATION	1					
10	190-00122	PLATE;NAME	PLAQUE	2					
11	190-00694	PLATE;NAME	PLAQUE D'IDENTIFICATION	1					
12	190-00691A	PLATE;NAME	PLAQUE D'IDENTIFICATION	1					
13	190-00692	PLATE;NAME	PLAQUE D'IDENTIFICATION	1					
14	190-00703	PLATE;NAME	PLAQUE D'IDENTIFICATION	1					
15	190-00522A	PLATE;NAME	PLAQUE	1					
16	190-00648A	PLATE;NAME	PLAQUE	1					
17	2122-1002D4	RIVET	RIVET	4					
19	K1042074	PLATE;NAME	PLAQUE D'IDENTIFICATION	4		5001-5263	I	K1042074A	4
	K1042074A	PLATE;NAME	PLAQUE D'IDENTIFICATION	4		5264-			
20	K1011000	DECAL	DECALQUE	1					
22	K1011002	DECAL	DECALQUE	1					
27	K1015739	PLATE;NAME	PLAQUE D'IDENTIFICATION	1					
30	K1039697	DECAL	DECALQUE	2					
31	950205-00663	DECAL(DOOSAN)	DECALQUE	2		5948-			

DATE	SEP. 12, 2012
4th EDITION	

Fig. 5140 DECAL - SPEC(DX225LCA)
DECALQUE

Serial No. ;



LEFT SIDE VIEW
OF CABIN INSIDE

DATE	SEP. 12, 2012
4th EDITION	

Fig. 5140 DECAL - SPEC(DX225LCA)
DECALQUE

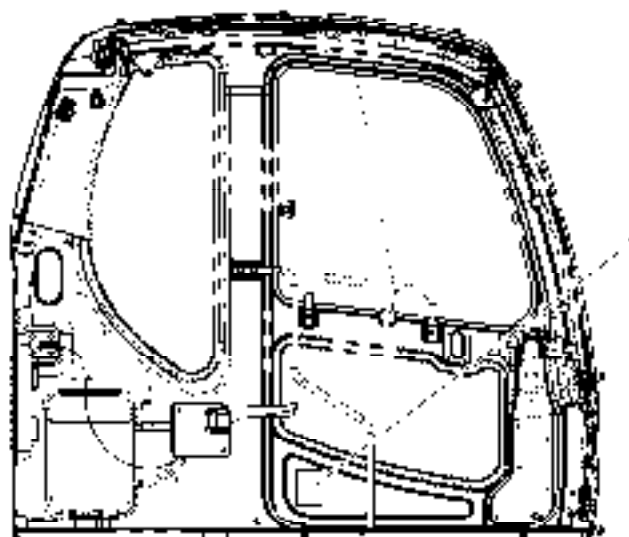
Serial No. ;

Key No.	Part No.	Description	Description	Q'ty	S.C	Serial No.	ICA	Replaceable part	
								Part No.	Q'ty
5140 --	K1049177	NAME PLATE ASS'Y	PLAQUE D'IDENTIFICATION	-	D				
1	2190-2556D179	PLATE;NAME	PLAQUE D'IDENTIFICATION	1					

DATE	SEP. 12, 2012
4th EDITION	

**Fig. 5145 DECAL - SPEC(DX220A)
DECALQUE**

Serial No. ;



LEFT SIDE VIEW
OF CABIN INSIDE

DATE	SEP. 12, 2012
4th EDITION	

**Fig. 5145 DECAL - SPEC(DX220A)
DECALQUE**

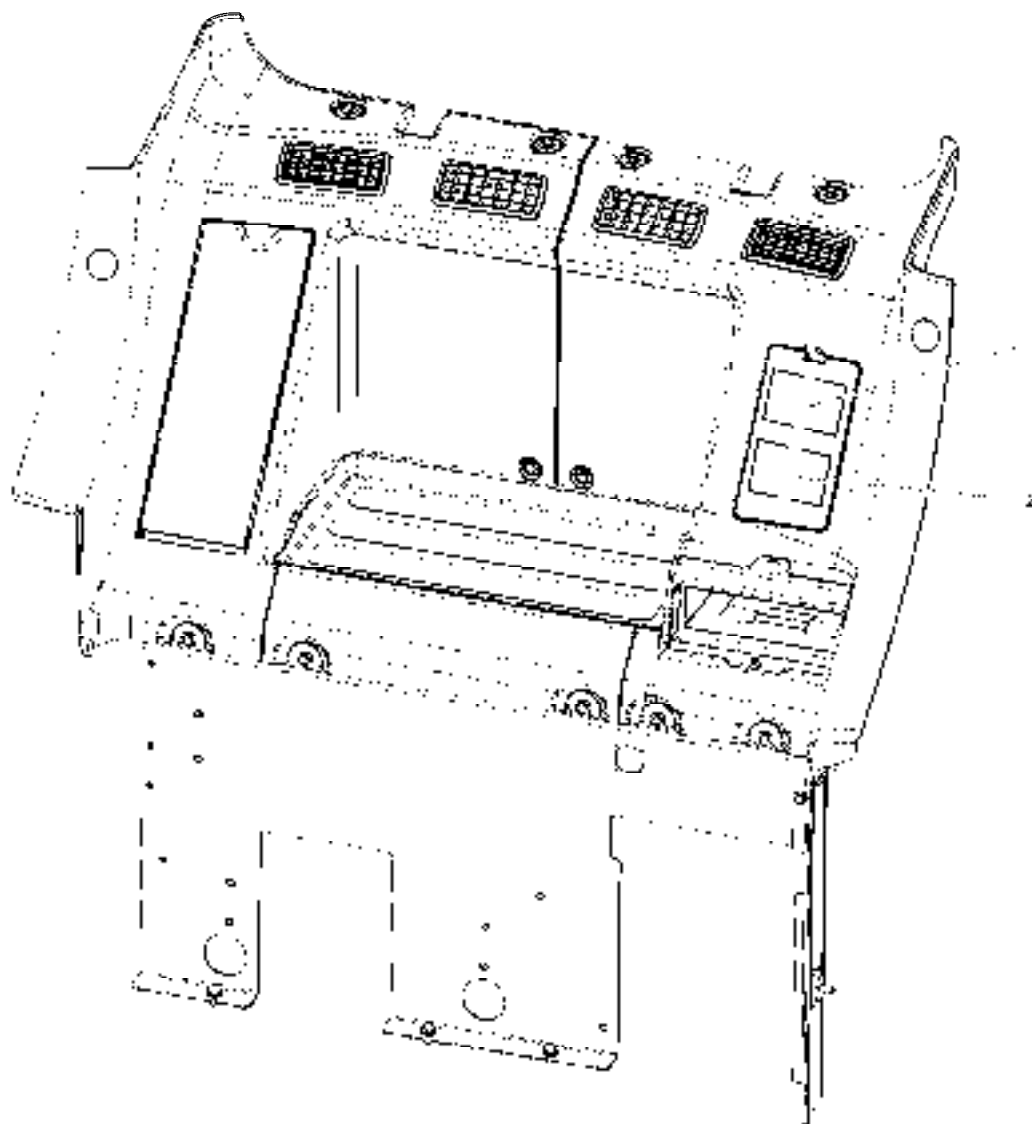
Serial No. ;

Key No.	Part No.	Description	Description	Q'ty	S.C	Serial No.	ICA	Replaceable part	
								Part No.	Q'ty
5145 --	950205-02543	DECAL ASSY;SPEC	DECALQUE	-	D				
1	950205-02544	DECAL;SPEC	DECALQUE	1					

DATE	SEP. 12, 2012
4th EDITION	

Fig. 5150 DECAL - FUSE BOX
DECAL

Serial No. ;



CABIN REAR COVER VIEW

DATE	SEP. 12, 2012
4th EDITION	

**Fig. 5150 DECAL - FUSE BOX
DECAL**

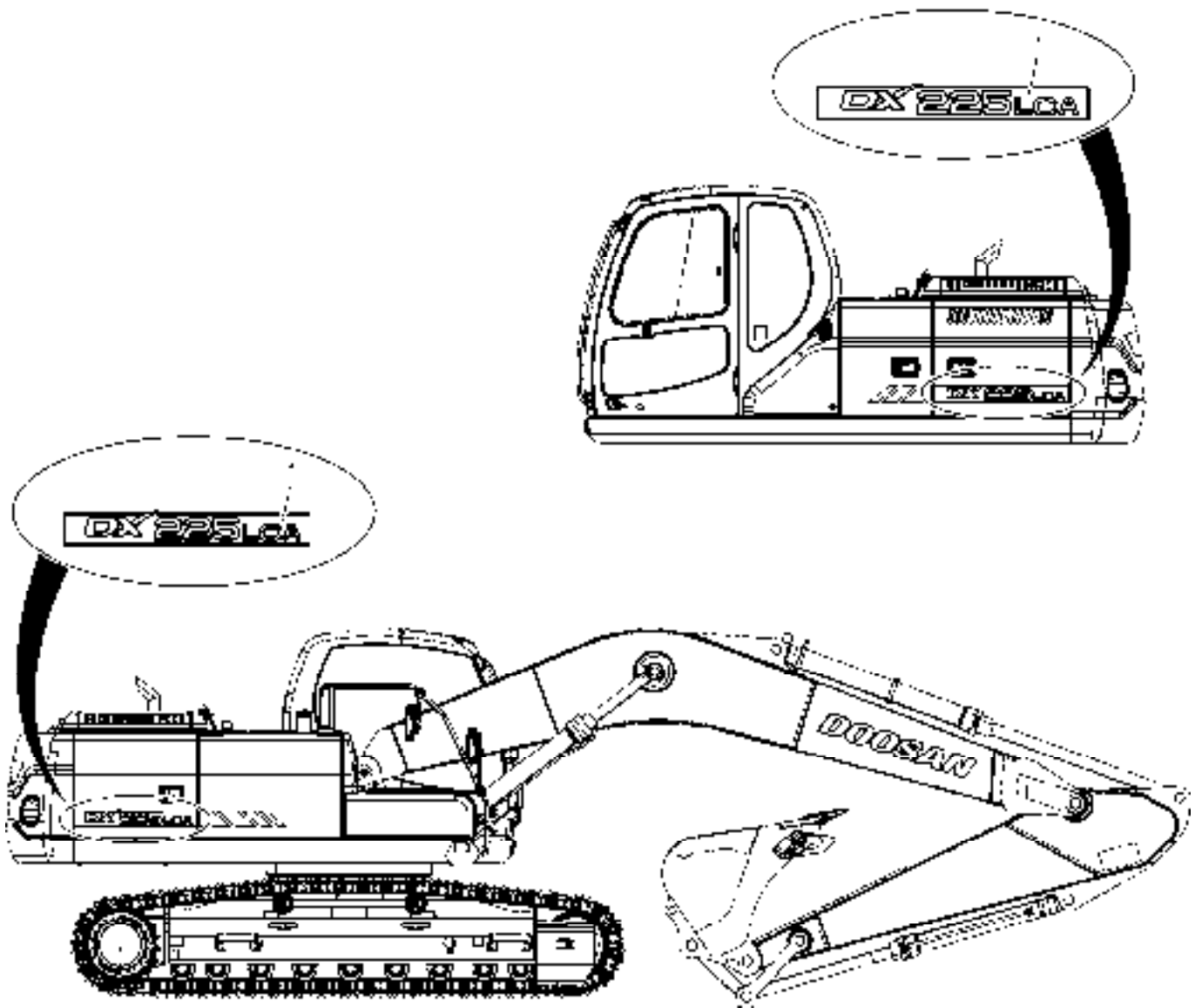
Serial No. ;

Key No.	Part No.	Description	Description	Q'ty	S.C	Serial No.	ICA	Replaceable part	
								Part No.	Q'ty
5150 --	K1049168	NAME PLATE ASS'Y	PLAQUE D'IDENTIFICATION	-	D				
1	K1008019D21	PLATE;NAME	PLAQUE D'IDENTIFICATION	1					
2	K1008019D22	PLATE;NAME	PLAQUE D'IDENTIFICATION	1					

DATE	SEP. 12, 2012
4th EDITION	

Fig. 5160 DECAL - MACHINE NAME(DX225LCA)
DECALQUE

Serial No. ;



DATE	SEP. 12, 2012
4th EDITION	

Fig. 5160 DECAL - MACHINE NAME(DX225LCA)
DECALQUE

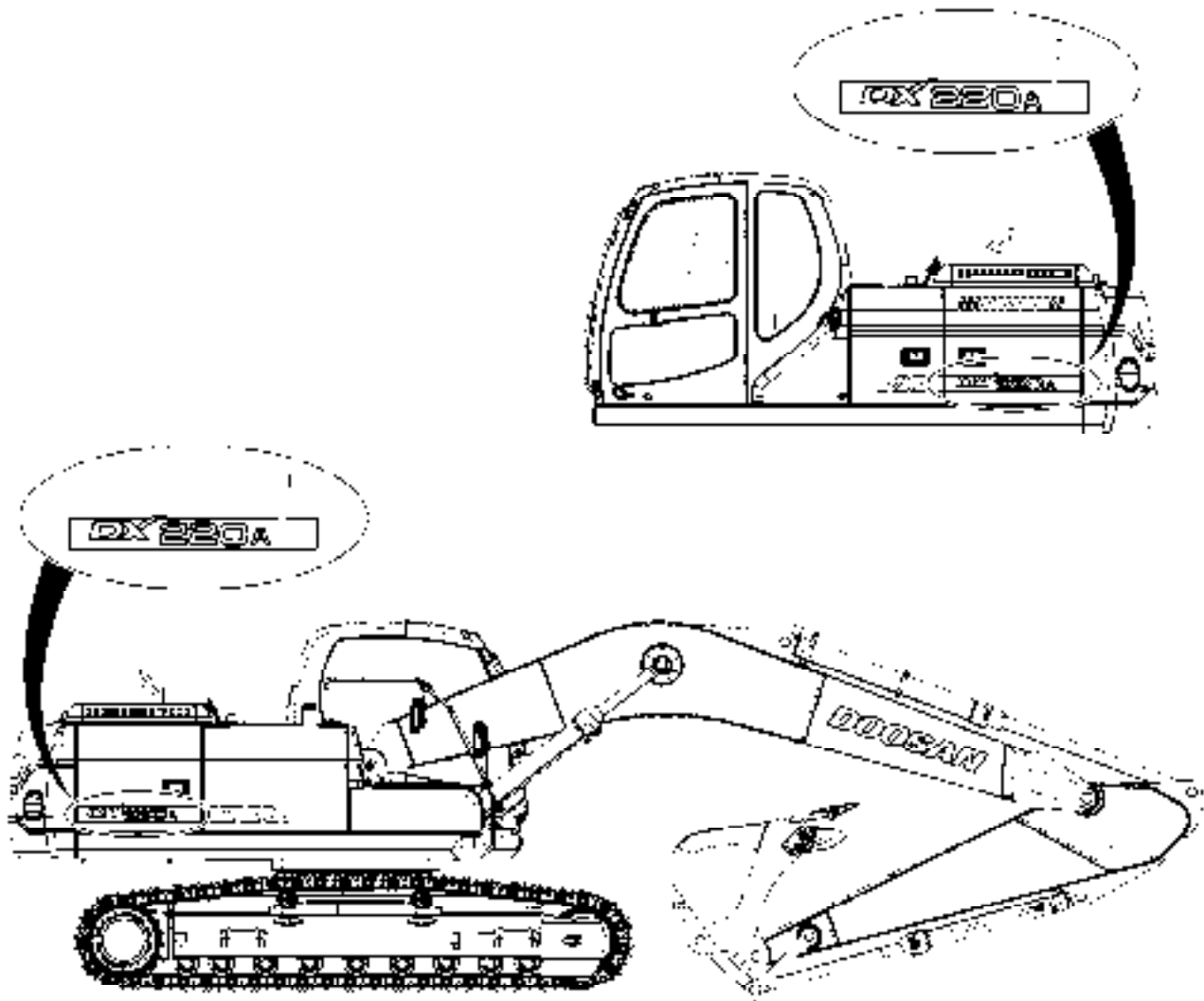
Serial No. ;

Key No.	Part No.	Description	Description	Q'ty	S.C	Serial No.	ICA	Replaceable part	
								Part No.	Q'ty
5160 --	K1049182	NAME PLATE ASS'Y	PLAQUE D'IDENTIFICATION	-	D				
1	K1049184	PLATE;NAME	PLAQUE D'IDENTIFICATION	2					

DATE	SEP. 12, 2012
4th EDITION	

Fig. 5165 DECAL - MACHINE NAME(DX220A)
DECALQUE

Serial No. ;



DATE	SEP. 12, 2012
4th EDITION	

Fig. 5165 DECAL - MACHINE NAME(DX220A)
DECALQUE

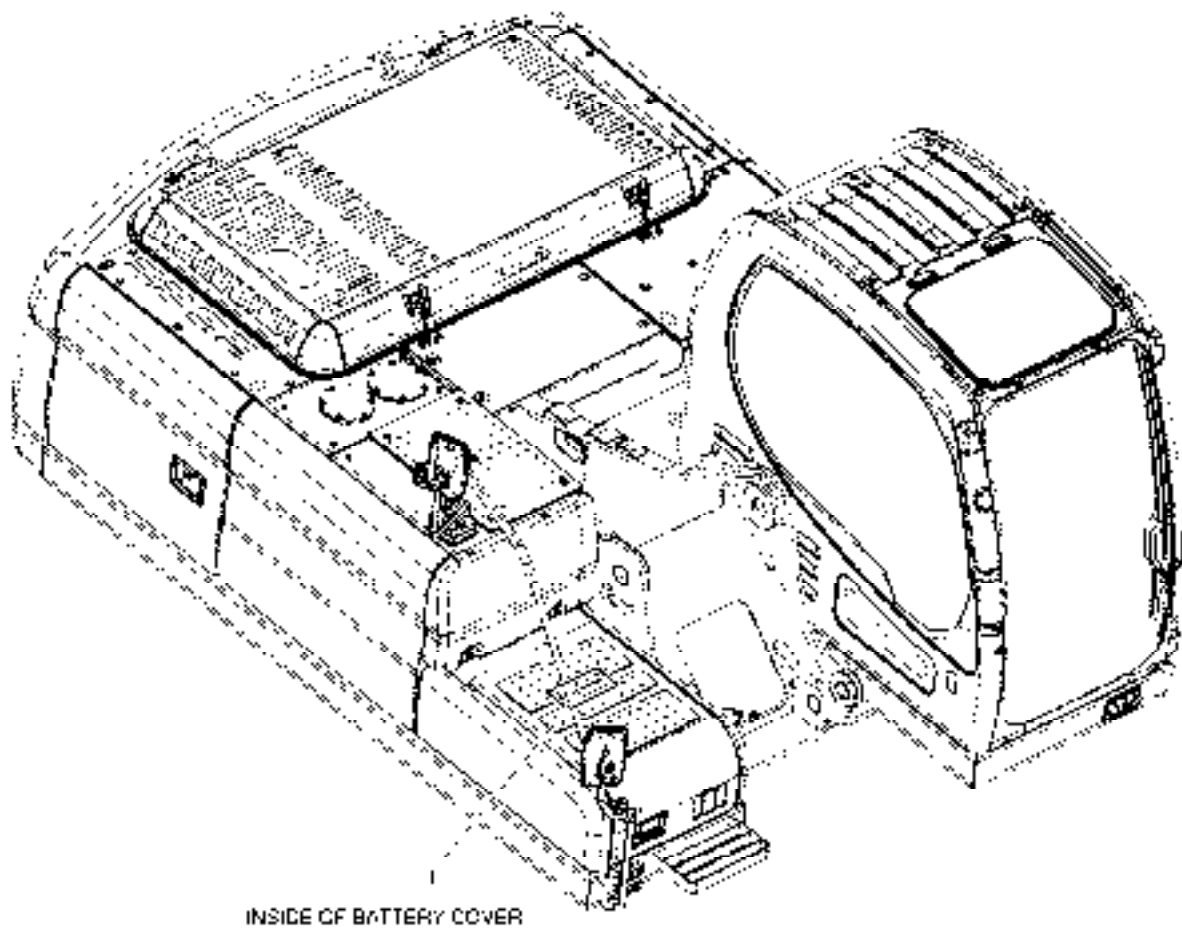
Serial No. ;

Key No.	Part No.	Description	Description	Q'ty	S.C	Serial No.	ICA	Replaceable part	
								Part No.	Q'ty
5165 --	950205-02546	DECAL ASSY;NAME PLATE	DECALQUE	-	D				
1	950205-02547	DECAL	DECALQUE	2					

DATE	SEP. 12, 2012
4th EDITION	

Fig. 5170 DECAL - LUBRICATION(EXPORT)
DECAL

Serial No. ;



DATE	SEP. 12, 2012
4th EDITION	

Fig. 5170 DECAL - LUBRICATION(EXPORT)
DECAL

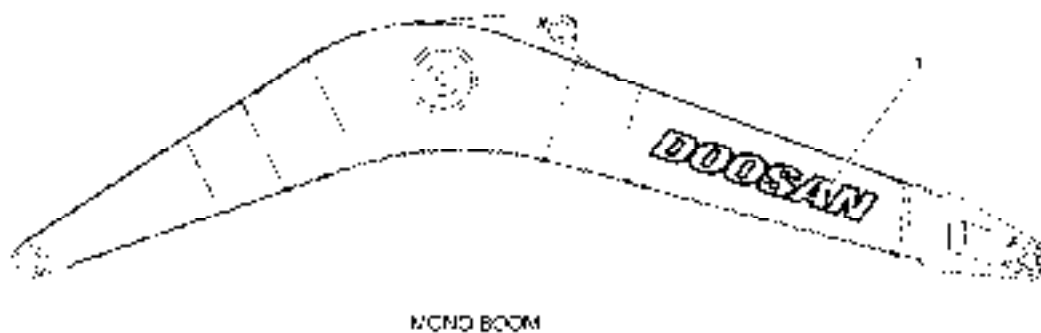
Serial No. ;

Key No.	Part No.	Description	Description	Q'ty	S.C	Serial No.	ICA	Replaceable part	
								Part No.	Q'ty
5170 --	K1049178	NAME PLATE ASS'Y	PLAQUE D'IDENTIFICATION	-	D	05001-11735			
	950209-03552	PLATE ASSY,NAME	PLAQUE D'IDENTIFICATION	-	D	11736-			
1	K1049167	PLATE;NAME	PLAQUE D'IDENTIFICATION	1		05001-11735	I	950209-03553	1
	950209-03553	PLATE,NAME	PLAQUE D'IDENTIFICATION	1		11736-			

DATE	SEP. 12, 2012
4th EDITION	

Fig. 5180 DECAL - BOOM
DECAL

Serial No. ;



DATE	SEP. 12, 2012
4th EDITION	

**Fig. 5180 DECAL - BOOM
DECAL**

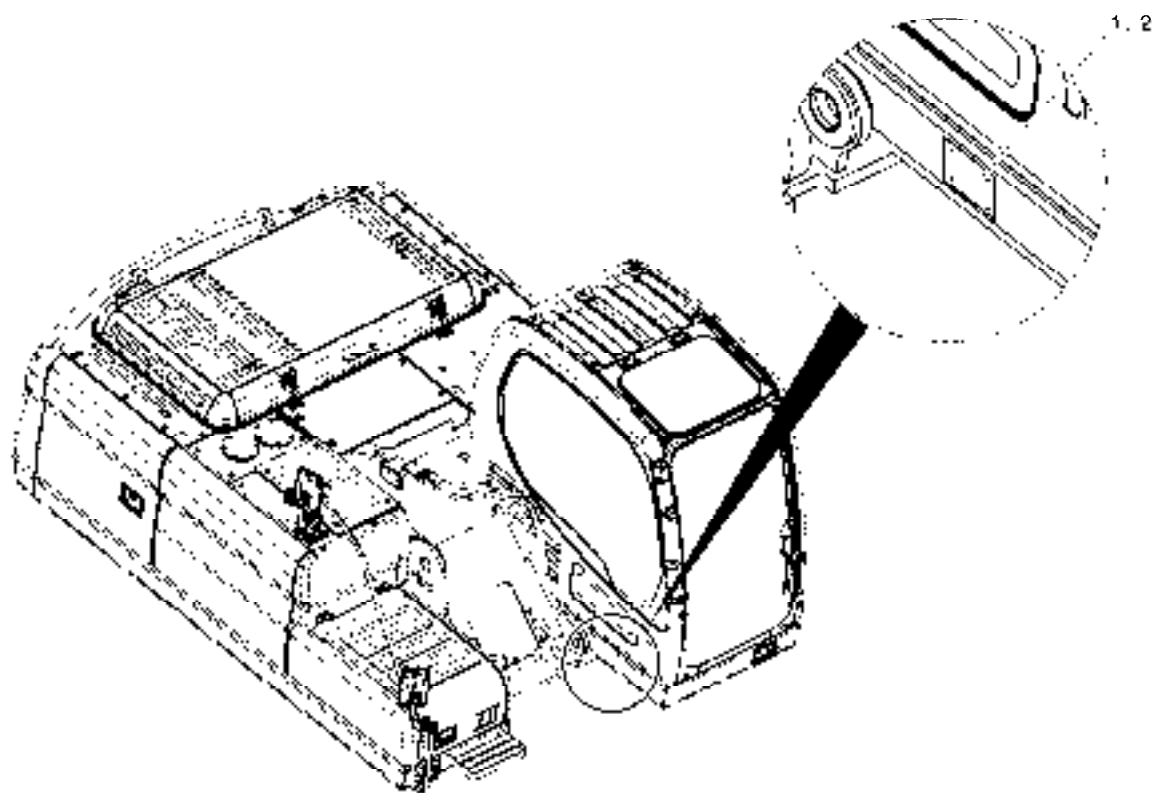
Serial No. ;

Key No.	Part No.	Description	Description	Q'ty	S.C	Serial No.	ICA	Replaceable part	
								Part No.	Q'ty
5180 --	K1047156	NAME PLATE ASS'Y	PLAQUE D'IDENTIFICATION	-	D				
1	K1011645D2	DECAL(DOOSAN)	DECALQUE	1					

DATE	SEP. 12, 2012
4th EDITION	

Fig. 5190 DECAL - SERIAL
DECAL

Serial No. ;



DATE	SEP. 12, 2012
4th EDITION	

**Fig. 5190 DECAL - SERIAL
DECAL**

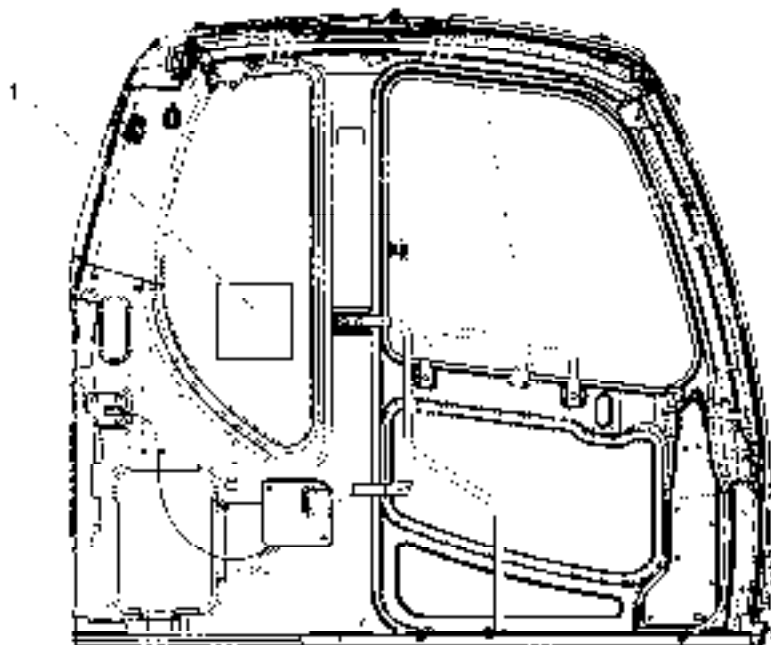
Serial No. ;

Key No.	Part No.	Description	Description	Q'ty	S.C	Serial No.	ICA	Replaceable part	
								Part No.	Q'ty
5190 --	950209-00348	DECAL & NAME PLATE ASSY	PLAQUE D'IDENTIFICATION	-	D				
1	K1027513B	PLATE;NAME	PLAQUE D'IDENTIFICATION	1		01001-11735	I	950209-02979	1
	950209-02979	PLATE;NAME	PLAQUE D'IDENTIFICATION	1		11736-			
2	2122-1002D2	RIVET	RIVET	4					

DATE	SEP. 12, 2012
4th EDITION	

**Fig. 5200 DECAL - LIFTING CAPA(DX225LCA)
DECALQUE**

Serial No. ;



LEFT SIDE VIEW OF CABIN INSIDE

DATE	SEP. 12, 2012
4th EDITION	

Fig. 5200 DECAL - LIFTING CAPA(DX225LCA)
DECALQUE

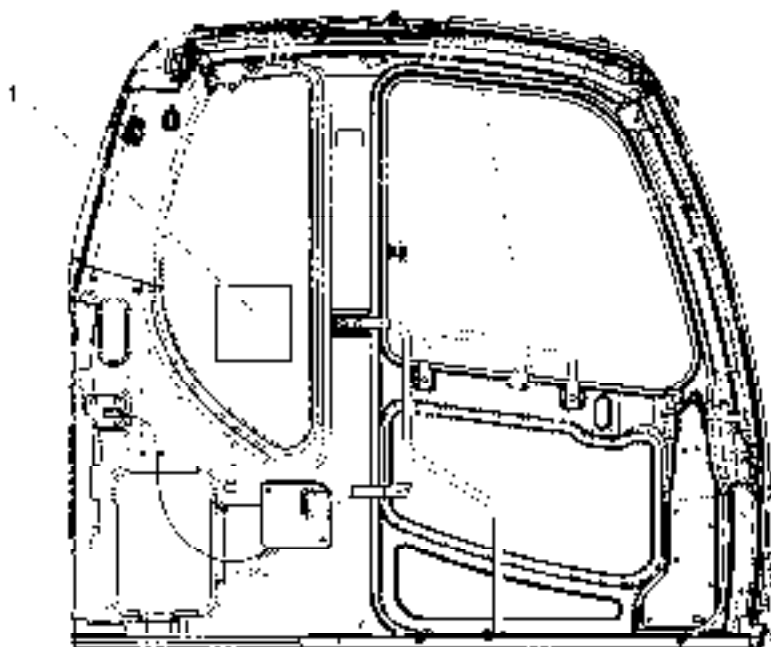
Serial No. ;

Key No.	Part No.	Description	Description	Q'ty	S.C	Serial No.	ICA	Replaceable part	
								Part No.	Q'ty
5200 --	950209-00501	PLATE ASSY,NAME;LIFTING CAP	PLAQUE D'IDENTIFICATION	-	D				
1	950209-00487	PLATE,NAME;LIFTING CAPA.	PLAQUE D'IDENTIFICATION	1					

DATE	SEP. 12, 2012
4th EDITION	

**Fig. 5205 DECAL - LIFTING CAPA(DX220A)
DECALQUE**

Serial No. ;



LEFT SIDE VIEW OF CABIN INSIDE

DATE	SEP. 12, 2012
4th EDITION	

**Fig. 5205 DECAL - LIFTING CAPA(DX220A)
DECALQUE**

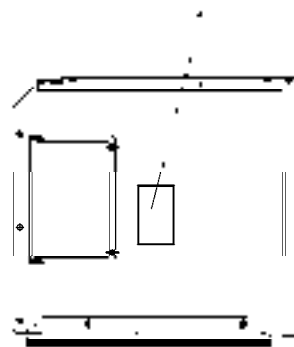
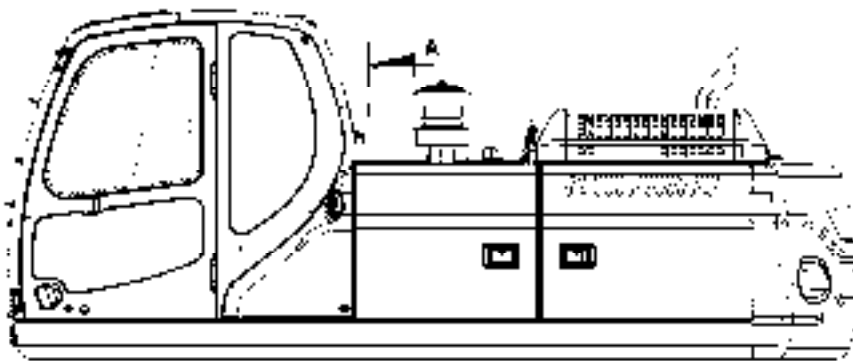
Serial No. ;

Key No.	Part No.	Description	Description	Q'ty	S.C	Serial No.	ICA	Replaceable part	
								Part No.	Q'ty
5205 --	950209-03539	PLATE ASSY,NAME;LIFTING CAP	DECALQUE	-	D				
1	950209-03540	PLATE,NAME	DECALQUE	1					

DATE	SEP. 12, 2012
4th EDITION	

Fig. 5210 DECAL - PATTERN CHANGE
DECAL

Serial No. ;



SECTION A

DATE	SEP. 12, 2012
4th EDITION	

**Fig. 5210 DECAL - PATTERN CHANGE
DECAL**

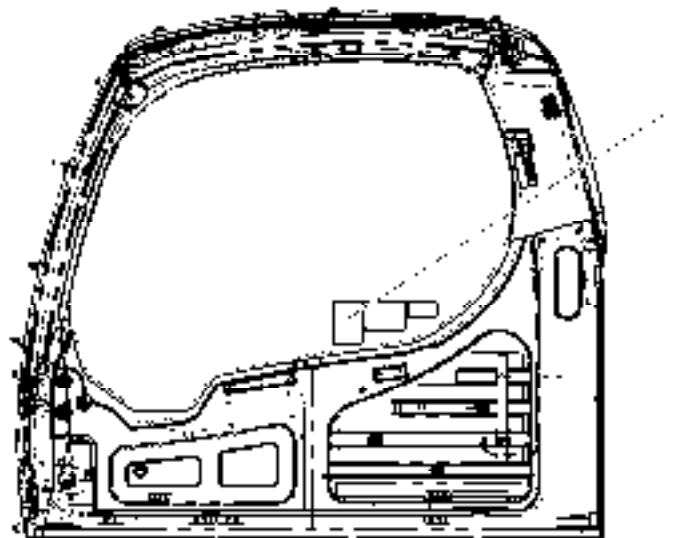
Serial No. ;

Key No.	Part No.	Description	Description	Q'ty	S.C	Serial No.	ICA	Replaceable part	
								Part No.	Q'ty
5210 --	950205-00527	DECAL ASSY;PATTERN CHANGE	DECALQUE	-	D				
1	950205-01404C	DECAL;CONTROL PATTERN	DECALQUE	1					

DATE	SEP. 12, 2012
4th EDITION	

Fig. 5220 DECAL - PATTERN CHANGE
DECAL

Serial No. ;



RIGHT SIDE VIEW OF CAB \ INSIDE

DATE	SEP. 12, 2012
4th EDITION	

**Fig. 5220 DECAL - PATTERN CHANGE
DECAL**

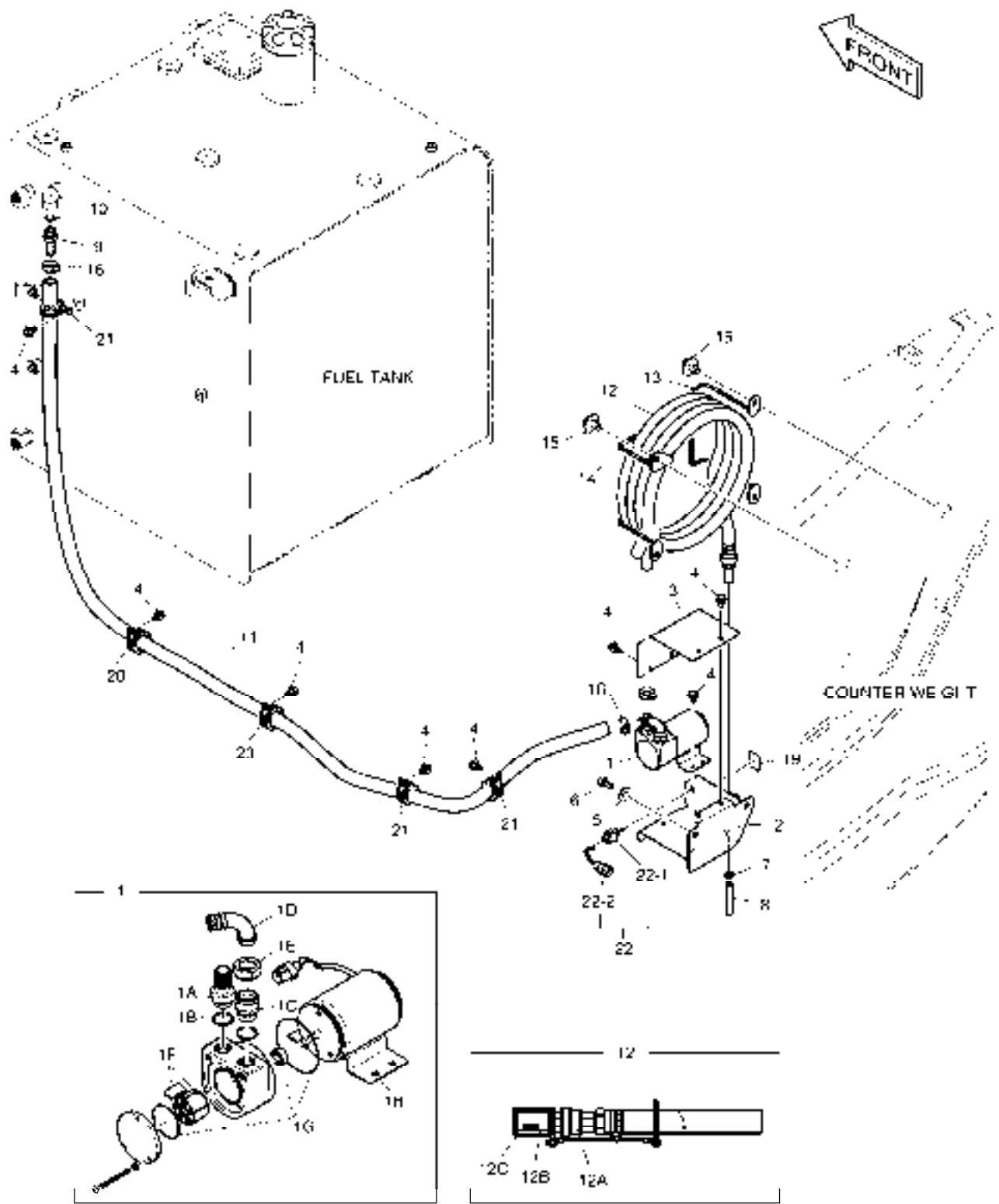
Serial No. ;

Key No.	Part No.	Description	Description	Q'ty	S.C	Serial No.	ICA	Replaceable part	
								Part No.	Q'ty
5220 --	950205-00528	DECAL ASSY;PATTERN CHANGE	DECALQUE	-	D				
1	950205-01404C	DECAL;CONTROL PATTERN	DECALQUE	1					

DATE	SEP. 12, 2012
4th EDITION	

**Fig. 6100 FUEL FILLER PUMP
POMPE**

Serial No. ;



DATE	SEP. 12, 2012
4th EDITION	

Fig. 6100 FUEL FILLER PUMP POMPE

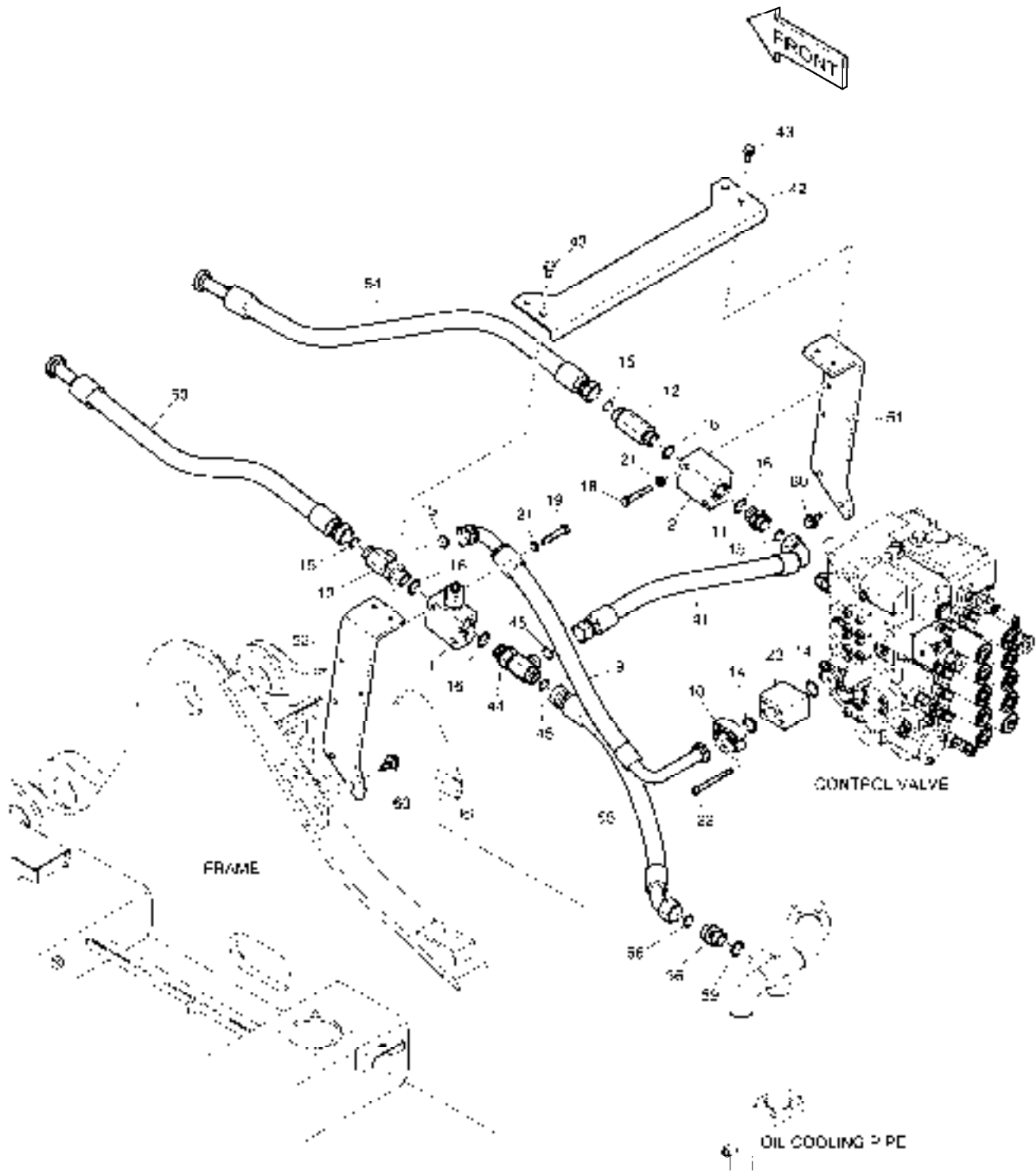
Serial No. ;

Key No.	Part No.	Description	Description	Q'ty	S.C	Serial No.	ICA	Replaceable part	
								Part No.	Q'ty
6100 --	K1000378B	FUEL FILLER PUMP ASS'Y	POMPE	-	D	5001-9367			
	400909-00073	FUEL FILLER PUMP ASS'Y	POMPE	-	D	9368-			
1	401-00449	PUMP;FUEL FILLER	POMPE	1					
1A	2181-2755B	. ADAPTER	. ADAPTEUR	1					
1B	S8180321	. RING;SEAL	. ANNEAU	2					
1C	181-00809	. ADAPTER	. ADAPTEUR	1					
1D	181-00810	. ELBOW	. COUDE	1					
1E	121-00085	. NUT	. ECROU	1					
1F	407-00001	. VANE KIT	. KIT DE PALETTE	1					
1G	2401-1276KT	. SEAL KIT	. KIT DE JOINT	1					
1H	523-00012	. MOTOR;FUEL TRANS. PUMP	. MOTEUR	1					
2	195-02662B	BRACKET	SUPPORT	1					
3	621-02739B	COVER	COUVERTURE	1					
4	K1001029	BOLT	BOULON	11					
5	2114-1058D72	WASHER;PLAIN	RONDELLE	2					
6	DS0025021	BOLT;SET	BOULON	2					
7	S8470014	CLAMP;HOSE	COLLIER	1					
8	DS2079153	HOSE	TUYAU	1		5001-9367	I	DS2105005	1
	DS2105005	HOSE	TUYAU FLEXIBLE	1		09368-10631			
	DS2105146	HOSE	TUYAU	1		10632-			
9	2181-2104D6	ADAPTER	ADAPTEUR	1					
10	S8000181	O-RING	JOINT CIRCULAIRE	1					
11	DS2079171	HOSE	TUYAU	1					
12	185-00167D3	HOSE ASS'Y	TUYAU FLEXIBLE	1					
12A	2420-1258	. VALVE;CHECK	. VALVE	1					
12B	2471-1152	. STRAINER	. TAMIS	1					
12C	2160-1336	. CAP;STRAINER	. CHAPEAU	1					
13	K1011080	BRACKET	SUPPORT	1					
14	K1011081	BRACKET	SUPPORT	1					
15	DS0025019	BOLT;SET	BOULON	4					
16	S8470032	CLAMP;HOSE	COLLIER	3					
19	190-01172	PLATE;NAME(FUEL PUMP)	PLAQUE	1					
20	124-00208D6	CLIP	AGRAFE	2					
21	124-00208D5	CLIP	ATTACHE	3					
22	K1024144	SWITCH;TOGGLE	COMMUTATEUR	1					
22-1	549-00093	. SWITCH	. COMMUTATEUR	1					
22-2	530-00214A	. HARNESS;JOINT	. HARNAIS	1					

DATE	SEP. 12, 2012
4th EDITION	

**Fig. 6110 MAIN PIPING - ONE WAY
CONDUITES DE BATI PRINCIPAL**

Serial No. ;



DATE	SEP. 12, 2012
4th EDITION	

**Fig. 6110 MAIN PIPING - ONE WAY
CONDUITES DE BATI PRINCIPAL**

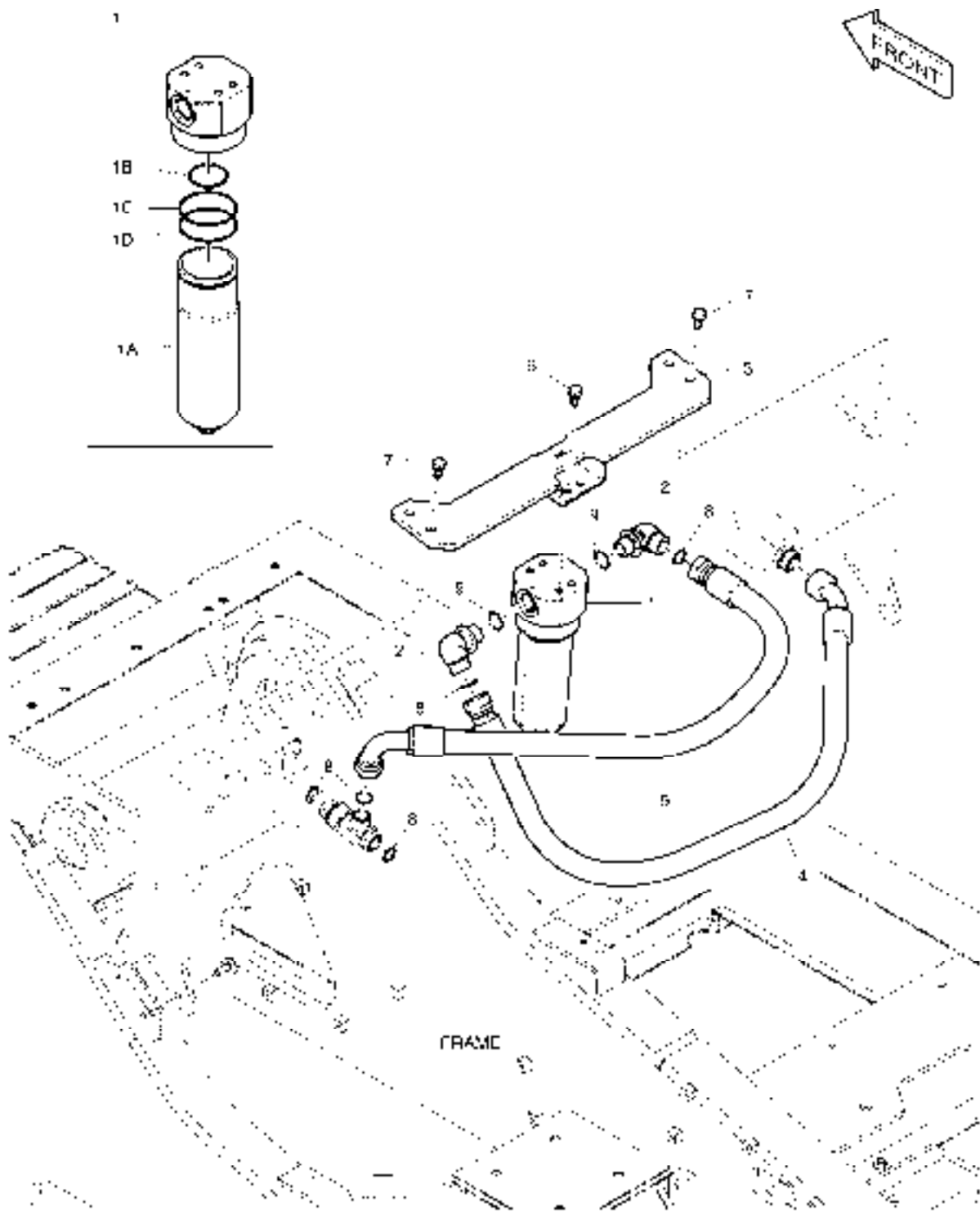
Serial No. ;

Key No.	Part No.	Description	Description	Q'ty	S.C	Serial No.	ICA	Replaceable part	
								Part No.	Q'ty
6110 --	K1044599	MAIN PIPING-ONE WAY	CONDUITES DE BATI PRINCIPAL	-	D	5001-5600			
	420212-00336	PIPING,MAIN;ONE WAY	CONDUITES DE BATI PRINCIPAL	-	D	5601-			
1	426-00267A	VALVE;RELIEF	CLAPET DE RECHARGE	1		5001-5600	I	426-00267B	1
	426-00267B	VALVE;RELIEF	VANNE	1		5601-			
2	423-00193B	BLOCK	BLOC	1					
9	DS2026201	HOSE	TUYAU	1					
10	2181-9078	FLANGE	BRIDE	2					
11	2181-4133D6	ADAPTER	ADAPTEUR	1					
12	DS2232107	ADAPTER	ADAPTEUR	1					
13	2181-2293D4	TEE	TE	1					
14	2180-1026D19	O-RING	JOINT CIRCULAIRE	2					
15	S8030161	O-RING	JOINT CIRCULAIRE	4					
16	S8000291	O-RING	JOINT CIRCULAIRE	4					
18	S0561266	BOLT	BOULON	2					
19	S0561066	BOLT M12X1.75X65	BOULON A 6 PANS	2					
21	S5102703	WASHER;SPRING	RONDELLE	4					
22	S2213466	BOLT;SOCKET M10X90	BOULON	4					
23	2181-2170	BLOCK;SPACER	BLOC	1					
41	DS2013834	HOSE	TUYAU	1					
42	K1000358B	BRACKET	SUPPORT	1					
43	DS0025019	BOLT;SET	BOULON	4					
44	2181-2293D4	TEE	TE	1					
45	S8030161	O-RING	JOINT CIRCULAIRE	2					
51	195-03436B	BRACKET	SUPPORT	1					
52	195-03435B	BRACKET	SUPPORT	1					
53	DS2016055	HOSE	TUYAU	1					
54	DS2016055	HOSE	TUYAU	1					
55	DS2012300	HOSE	TUYAU	1					
56	2181-4133D6	ADAPTER	ADAPTEUR	1					
58	S8030161	O-RING	JOINT CIRCULAIRE	1					
59	S8000291	O-RING	JOINT CIRCULAIRE	1					
60	DS0025020	BOLT;SET	BOULON	4					

DATE	SEP. 12, 2012
4th EDITION	

Fig. 6120 ONE WAY PIPING - WITH FILTER
TUYAUTERIE A SENS UNIQUE

Serial No. ;



DATE	SEP. 12, 2012
4th EDITION	

Fig. 6120 ONE WAY PIPING - WITH FILTER
TUYAUTERIE A SENS UNIQUE

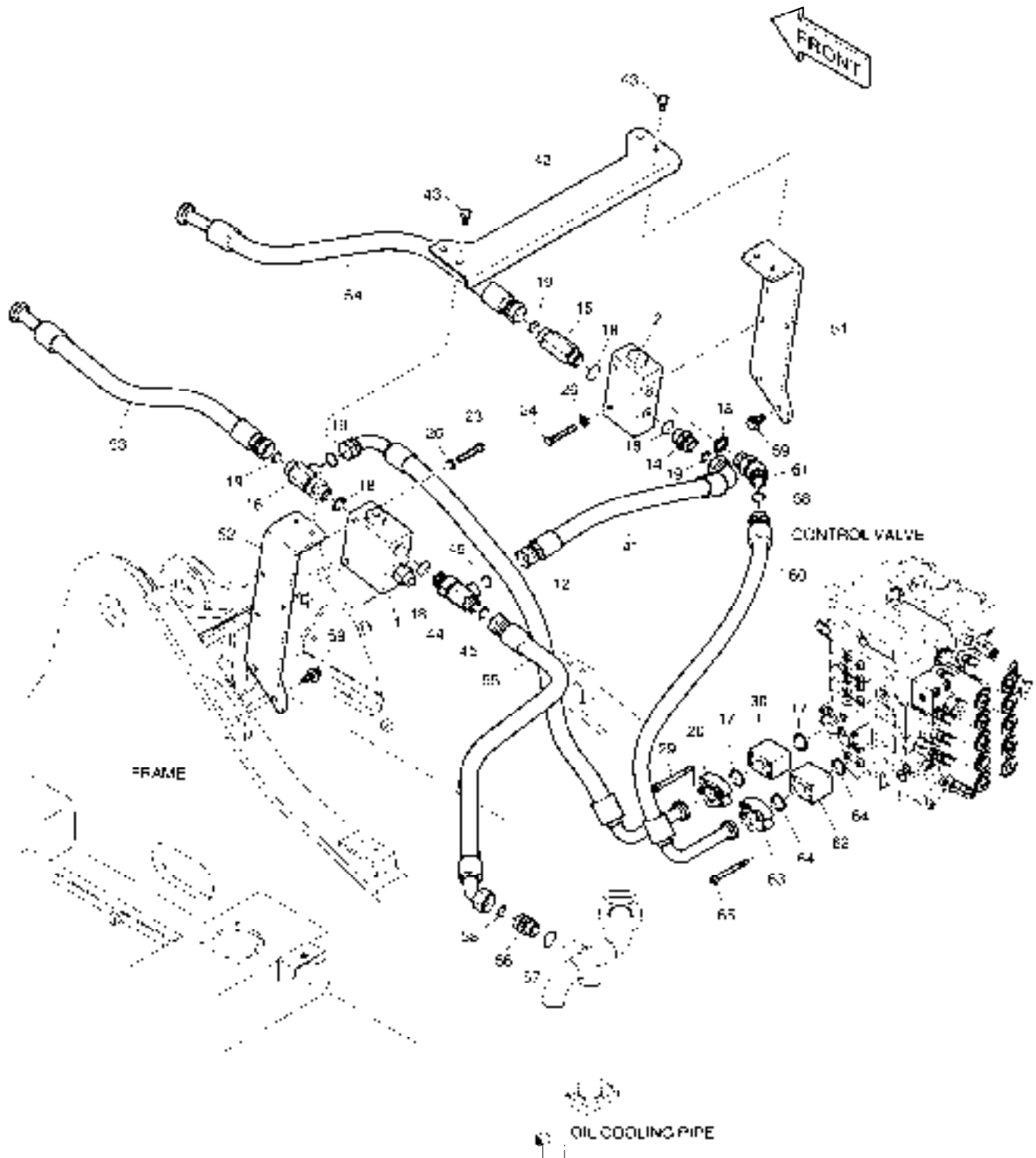
Serial No. ;

Key No.	Part No.	Description	Description	Q'ty	S.C	Serial No.	ICA	Replaceable part	
								Part No.	Q'ty
6120 --	K1007293C	ONE WAY PIPING-WITH FILTER	TUYAUTERIE A SENS UNIC	-	D				
1	471-00114	FILTER;BREAKER	FILTRE	1					
1A	474-00046	. ELEMENT;BREAKER FILTER	. ELEMENT	1					
1B	2180-1026D19	. O-RING	. JOINT CIRCULAIRE	1					
1C	S8010751	. O-RING	. JOINT TORIQUE	1					
1D	401003-00260	. RING,SUPPORT	. JOINT CIRCULAIRE	1					
2	2181-2815D1	ELBOW	COUDE	2					
3	195-03437E	BRACKET	SUPPORT	1					
4	DS2012217	HOSE	TUYAU	1					
5	DS2013220	HOSE	TUYAU	1					
6	DS0025021	BOLT;SET	BOULON	4					
7	DS0025018	BOLT;SET	BOULON	4					
8	S8030161	O-RING	JOINT CIRCULAIRE	4					
9	S8000291	O-RING	JOINT CIRCULAIRE	2					

DATE	SEP. 12, 2012
4th EDITION	

**Fig. 6130 MAIN PIPING - TWO WAY
CONDUITES DE BATI PRINCIPAL**

Serial No. ;



DATE	SEP. 12, 2012
4th EDITION	

**Fig. 6130 MAIN PIPING - TWO WAY
CONDUITES DE BATI PRINCIPAL**

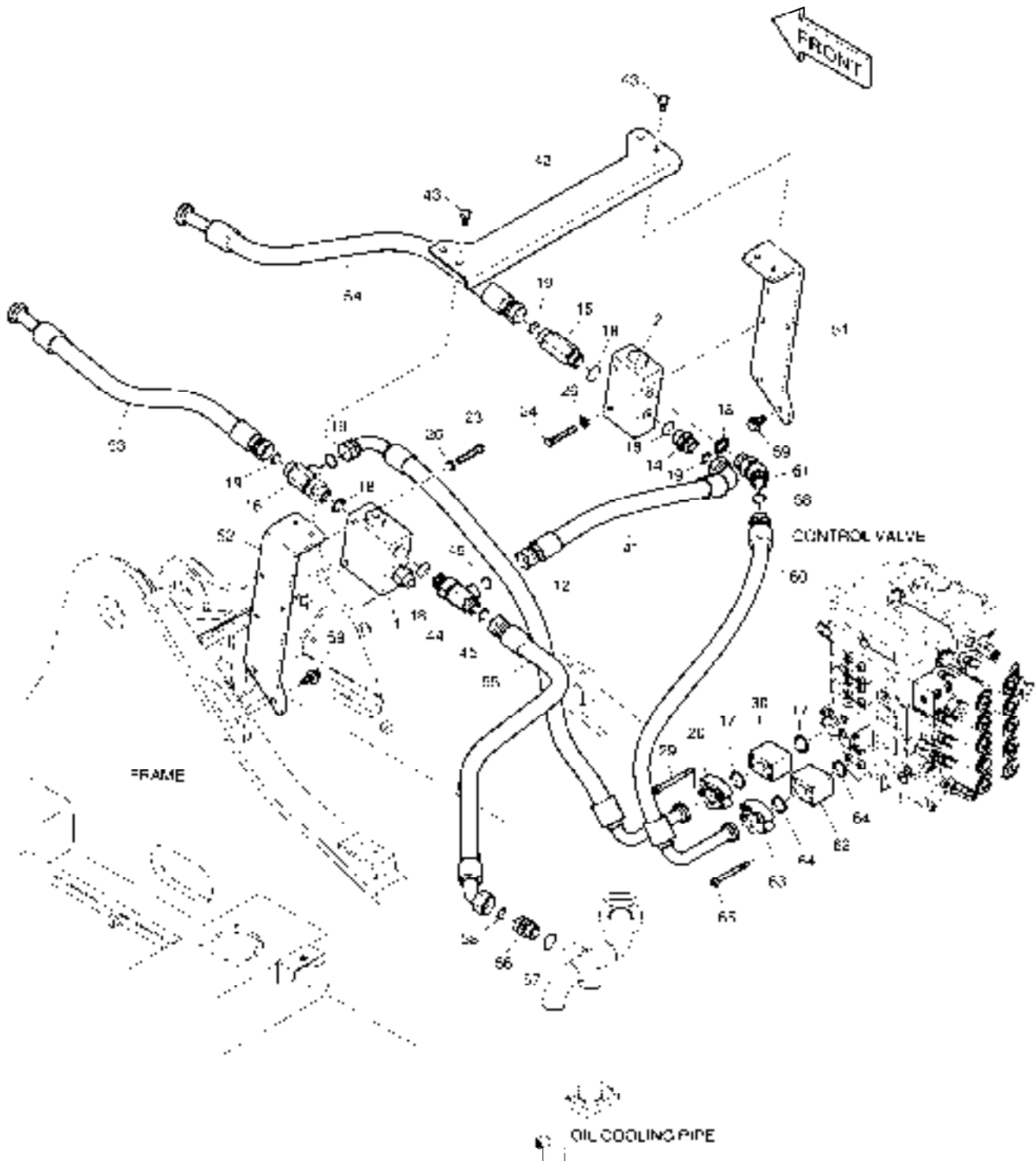
Serial No. ;

Key No.	Part No.	Description	Description	Q'ty	S.C	Serial No.	ICA	Replaceable part	
								Part No.	Q'ty
6130 --	K1044602A	MAIN PIPING-TWO WAY	CONDUITES DE BATI PRINCIPAL	-	D				
1	426-00248A	VALVE;SELECT	VANNE	1		05001-12020	Y	410132-00007	1
	410132-00007	VALVE;SELECT	VANNE	1		12021-			
2	426-00249A	VALVE;SELECT	VANNE	1		05001-12020	Y	410132-00008	1
	410132-00008	VALVE;SELECT	VANNE	1		12021-			
12	DS2026201	HOSE	TUYAU	1					
14	2181-4133D6	ADAPTER	ADAPTEUR	1					
15	DS2232107	ADAPTER	ADAPTEUR	1					
16	2181-2293D4	TEE	TE	1					
17	2180-1026D19	O-RING	JOINT CIRCULAIRE	2					
18	S8000291	O-RING	JOINT CIRCULAIRE	5					
19	S8030161	O-RING	JOINT CIRCULAIRE	4					
20	2181-9078	FLANGE	BRIDE	2					
23	S0561466	BOLT M12X1.75X85	BOULON	2					
24	S0561266	BOLT	BOULON	2					
26	S5102703	WASHER;SPRING	RONDELLE	4					
29	S2213466	BOLT;SOCKET M10X90	BOULON	4					
30	2181-2170	BLOCK;SPACER	BLOC	1					
41	DS2013834	HOSE	TUYAU	1					
42	K1000358B	BRACKET	SUPPORT	1					
43	DS0025019	BOLT;SET	BOULON	4					
44	2181-2293D4	TEE	TE	1					
45	S8030161	O-RING	JOINT CIRCULAIRE	2					
51	195-03436B	BRACKET	SUPPORT	1					
52	195-03435B	BRACKET	SUPPORT	1					
53	DS2016055	HOSE	TUYAU	1					
54	DS2016055	HOSE	TUYAU	1					
55	DS2012387	HOSE	TUYAU FLEXIBLE	1					
56	2181-4133D6	ADAPTER	ADAPTEUR	1					
57	S8000291	O-RING	JOINT CIRCULAIRE	1					
58	S8030161	O-RING	JOINT CIRCULAIRE	2					
59	DS0025020	BOLT;SET	BOULON	4					
60	DS2018201	HOSE	TUYAU	1		5001-5269			
	DS2018216	HOSE	TUYAU FLEXIBLE	1		5270-			
61	2181-2816D2	ELBOW	COUDE	1					
62	2181-2170	BLOCK;SPACER	BLOC	1					
63	2181-9078	FLANGE	BRIDE	2					
64	2180-1026D19	O-RING	JOINT CIRCULAIRE	2					

DATE	SEP. 12, 2012
4th EDITION	

Fig. 6130 MAIN PIPING - TWO WAY
CONDUITES DE BATI PRINCIPAL

Serial No. ;



DATE	SEP. 12, 2012
4th EDITION	

Fig. 6130 MAIN PIPING - TWO WAY
CONDUITES DE BATI PRINCIPAL

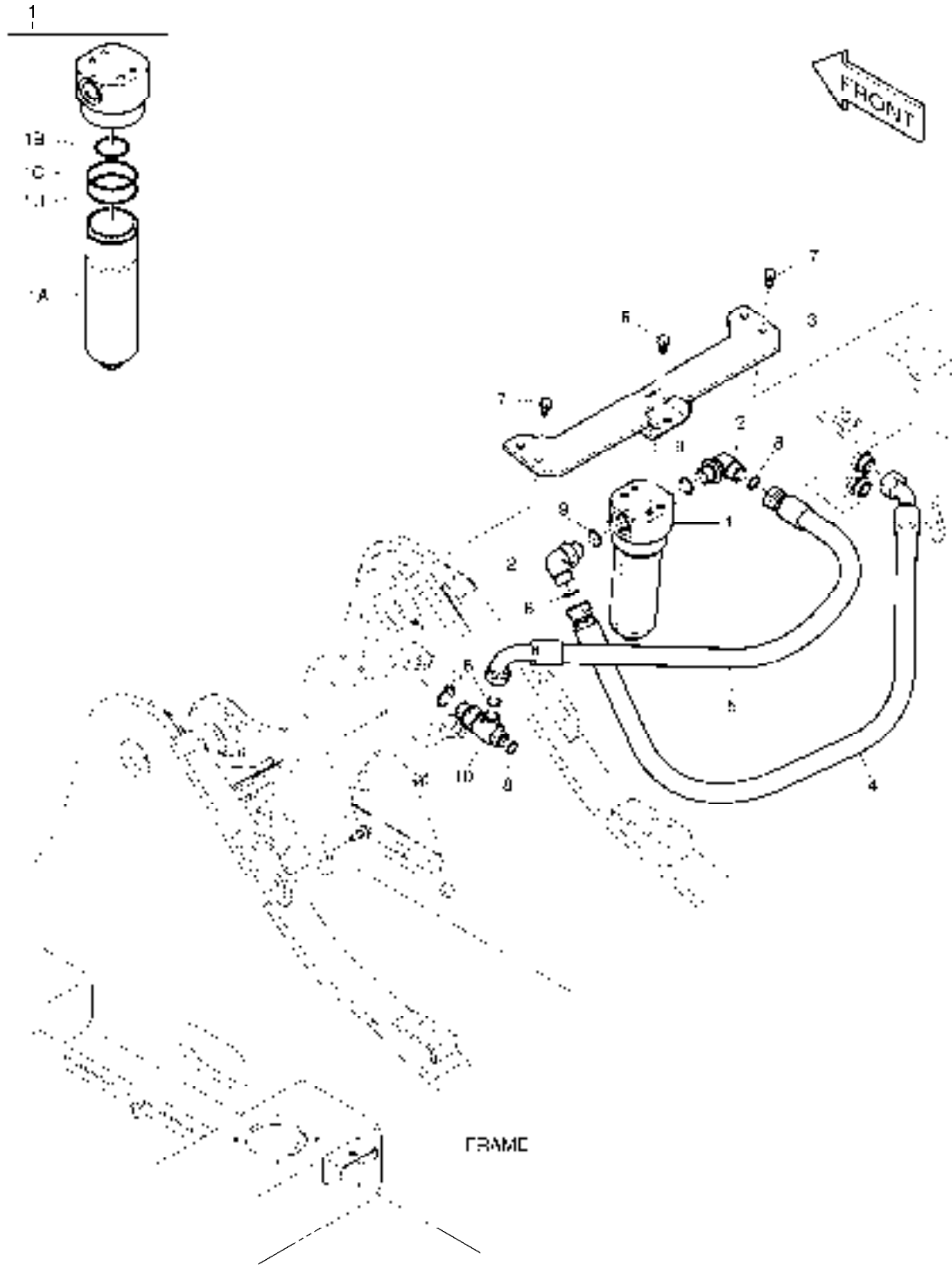
Serial No. ;

Key No.	Part No.	Description	Description	Q'ty	S.C	Serial No.	ICA	Replaceable part	
								Part No.	Q'ty
6130 -65	S2213466	BOLT;SOCKET M10X90	BOULON	4					

DATE	SEP. 12, 2012
4th EDITION	

Fig. 6140 TWO WAY PIPING - WITH FILTER
TUYAUTERIE DE DEUX MANIERES

Serial No. ;



DATE	SEP. 12, 2012
4th EDITION	

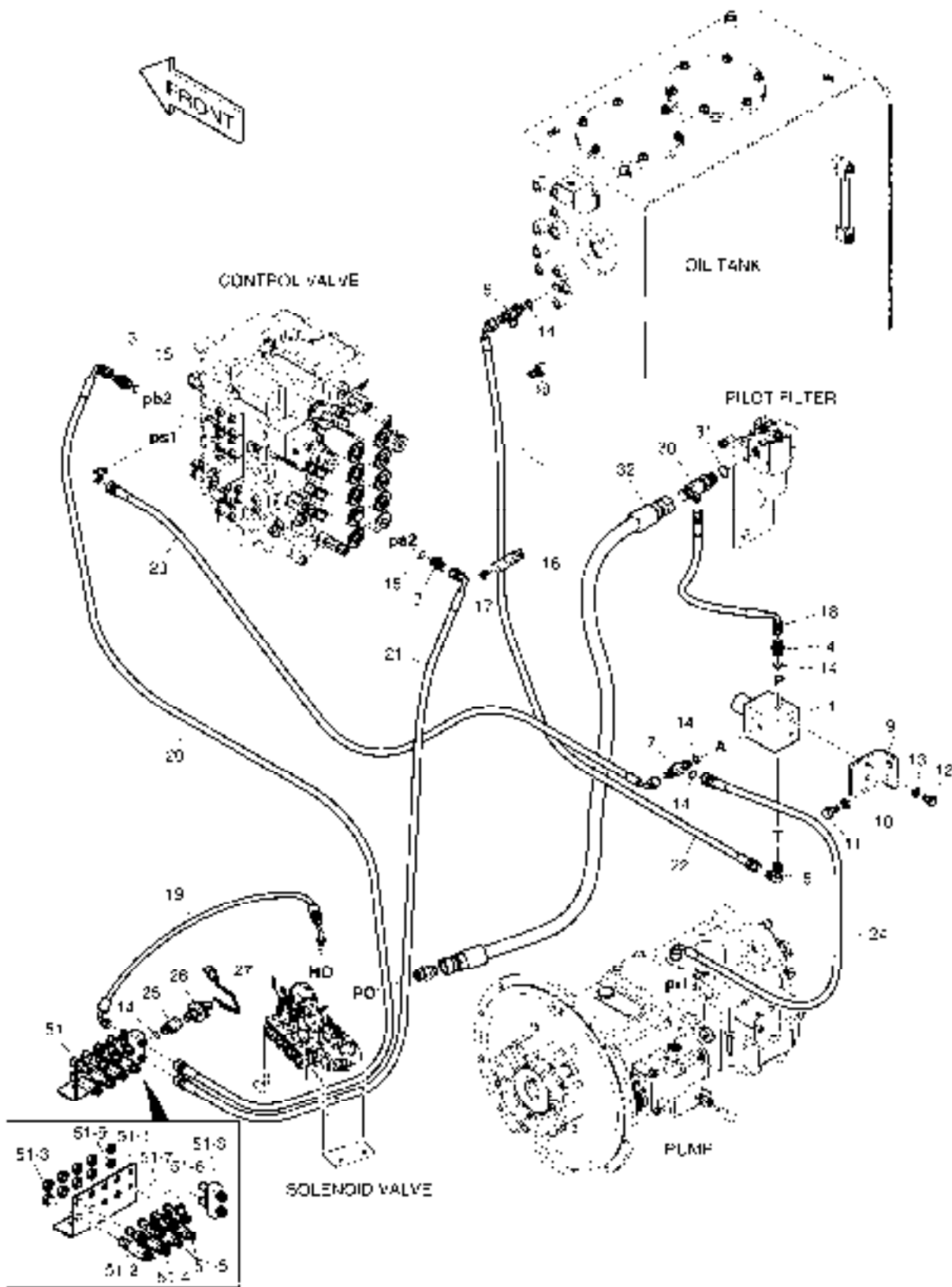
Fig. 6140 TWO WAY PIPING - WITH FILTER
TUYAUTERIE DE DEUX MANIERES

Serial No. ;

Key No.	Part No.	Description	Description	Q'ty	S.C	Serial No.	ICA	Replaceable part	
								Part No.	Q'ty
6140 --	K1000097E	TWO WAY PIPING-WITH FILTER	TUYAUTERIE DE DEUX MA	-	D				
1	471-00114	FILTER;BREAKER	FILTRE	1					
1A	474-00046	. ELEMENT;BREAKER FILTER	. ELEMENT	1					
1B	2180-1026D19	. O-RING	. JOINT CIRCULAIRE	1					
1C	S8010751	. O-RING	. JOINT TORIQUE	1					
1D	401003-00260	. RING,SUPPORT	. JOINT CIRCULAIRE	1					
2	2181-2815D1	ELBOW	COUDE	2					
3	195-03437E	BRACKET	SUPPORT	1					
4	DS2012217	HOSE	TUYAU	1					
5	DS2013220	HOSE	TUYAU	1					
6	DS0025021	BOLT;SET	BOULON	4					
7	DS0025018	BOLT;SET	BOULON	4					
8	S8030161	O-RING	JOINT CIRCULAIRE	4					
9	S8000291	O-RING	JOINT CIRCULAIRE	2					
10	2181-2293D4	TEE	TE	1					

Fig. 6150 PILOT PIPING - ONE OR TWO WAY CONDUITES DE PILOTE

Serial No. ; 5001 ~ 7754



DATE	SEP. 12, 2012
4th EDITION	

Fig. 6150 PILOT PIPING - ONE OR TWO WAY CONDUITES DE PILOTE

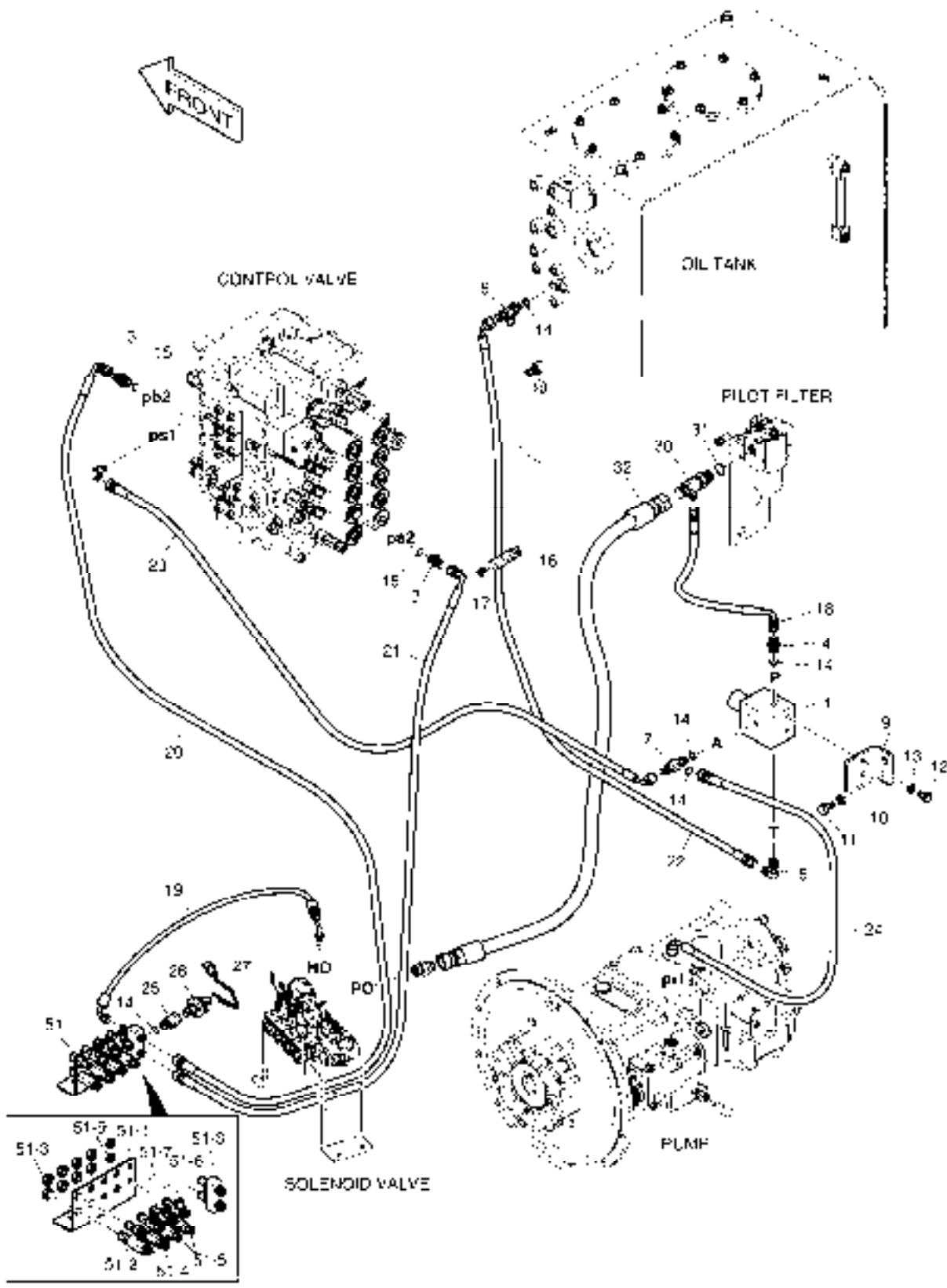
Serial No. ; 5001 ~ 7754

Key No.	Part No.	Description	Description	Q'ty	S.C	Serial No.	ICA	Replaceable part	
								Part No.	Q'ty
6150 --	K1044672	PILOT PIPING-ONE & TWO WAY	CONDUITES DE PILOTE	-	D				
1	426-00266	VALVE;EPPR	VANNE	1					
3	2181-1126D36	ADAPTER	ADAPTEUR	2					
4	2471-1133	ADAPTER;FILTER	ADAPTEUR	1					
5	2181-1702D4	ELBOW	COUDE	1					
6	2181-1951D1	TEE	TE	1					
7	181-00779	TEE;SHUTTLE	TE	1					
9	195-02711B	BRACKET	SUPPORT	1					
10	S5102603	WASHER,SPRING	RONDELLE	2					
11	S0511866	BOLT	BOULON	2					
12	S0508766	BOLT	BOULON	2					
13	S5102503	WASHER,SPRING	RONDELLE	2					
14	S8000111	O-RING	JOINT TORIQUE	5					
15	S8000141	O-RING	JOINT TORIQUE	2					
16	124-00208D6	CLIP	AGRAFE	1					
17	K1001029	BOLT	BOULON	1					
18	DS2093115	HOSE	TUYAU FLEXIBLE	1					
19	DS2093027	HOSE PF1/4-500L	TUYAU FLEXIBLE	1					
20	DS2093021	HOSE	TUYAU	1					
21	DS2093044	HOSE	TUYAU	1					
22	DS2093124	HOSE	TUYAU FLEXIBLE	1					
23	DS2093114	HOSE	TUYAU FLEXIBLE	1					
24	DS2093090	HOSE	TUYAU FLEXIBLE	1					
25	DS2242017	REDUCER	REDUCTEUR	1					
26	549-00010	SWITCH;PRESSURE	COMMUTATEUR	1					
27	530-00067	HARNESS	HARNAIS	1					
30	2181-1951D19	TEE	TE	1					
31	S8000181	O-RING	JOINT CIRCULAIRE	1					
32	DS2054336	HOSE PF1/2-1760L	TUYAU FLEXIBLE	1					
51	K1044992	JOINT PLATE SUB ASS'Y	SOUS-MARIN COMMUN AS	1		5001-5626	Y	430216-00006	1
	430216-00006	JOINT PLATE SUB ASS'Y	SOUS-MARIN COMMUN AS	1		5627-			
51-1	K1000354	. BRACKET;JOINT	. SUPPORT	1					
51-2	181-00078D1	. ADAPTER	. ADAPTEUR	1					
51-3	121-00010D1	. NUT	. ECROU	8					
51-4	420-00352D1	. VALVE;SHOCKLESS	. VANNE	1					
51-5	DS2410009	. ADAPTER	. ADAPTEUR	3					
51-6	181-00086D1	. TEE	. TE	1					
51-7	181-00086D2	. TEE	. TE	2					

DATE	SEP. 12, 2012
4th EDITION	

**Fig. 6150 PILOT PIPING - ONE OR TWO WAY
CONDUITES DE PILOTE**

Serial No. ; 5001 ~ 7754



DATE	SEP. 12, 2012
4th EDITION	

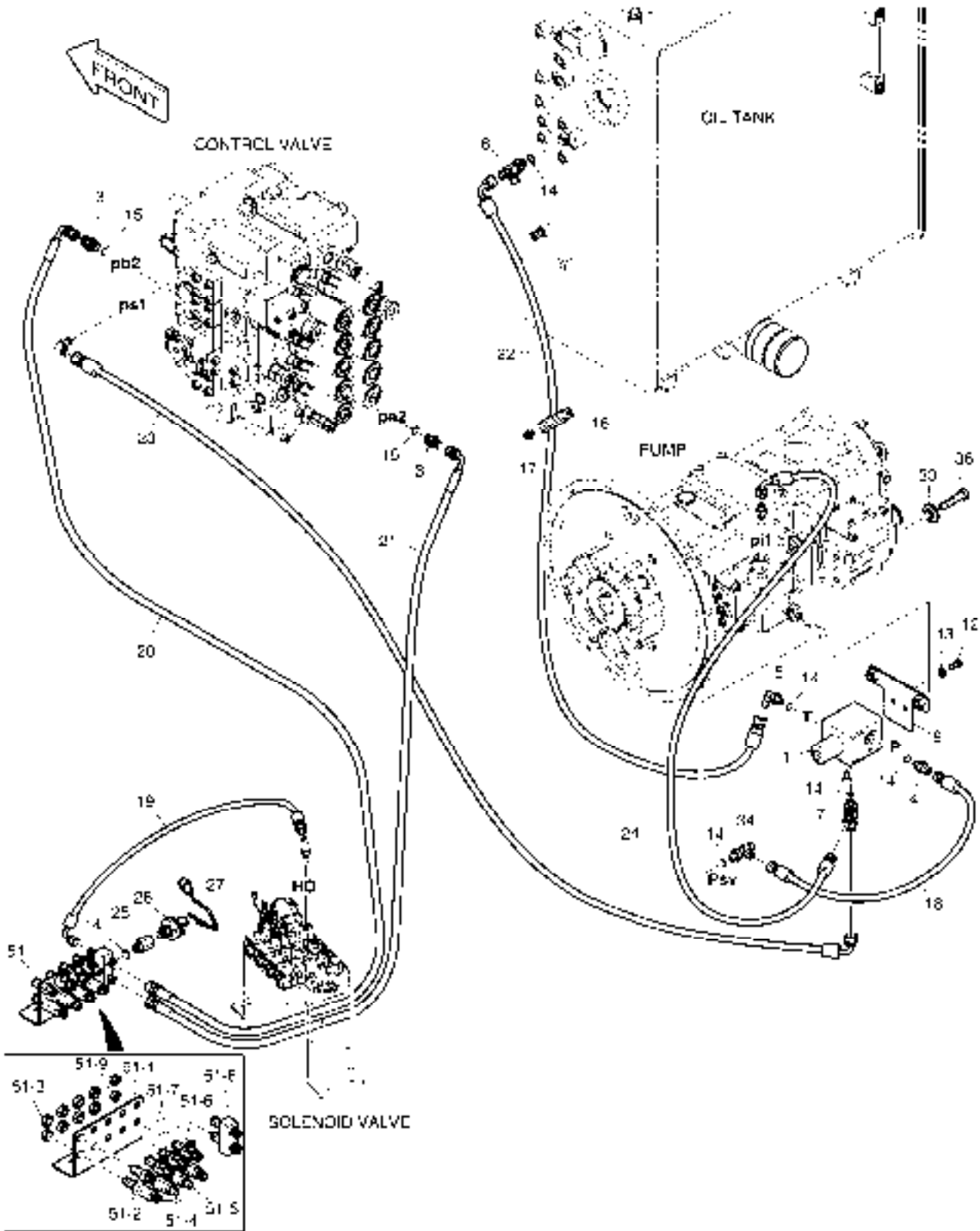
**Fig. 6150 PILOT PIPING - ONE OR TWO WAY
CONDUITES DE PILOTE**

Serial No. ; 5001 ~ 7754

Key No.	Part No.	Description	Description	Q'ty	S.C	Serial No.	ICA	Replaceable part	
								Part No.	Q'ty
6150 -51-8	420-00476	. VALVE;SHUTTLE	. VANNE	1					
51-9	121-00010D7	. NUT	. ECROU	2					

Fig. 6151 PILOT PIPING - ONE OR TWO WAY CONDUITES DE PILOTE

Serial No. ; 7755 ~



DATE	SEP. 12, 2012
4th EDITION	

Fig. 6151 PILOT PIPING - ONE OR TWO WAY CONDUITES DE PILOTE

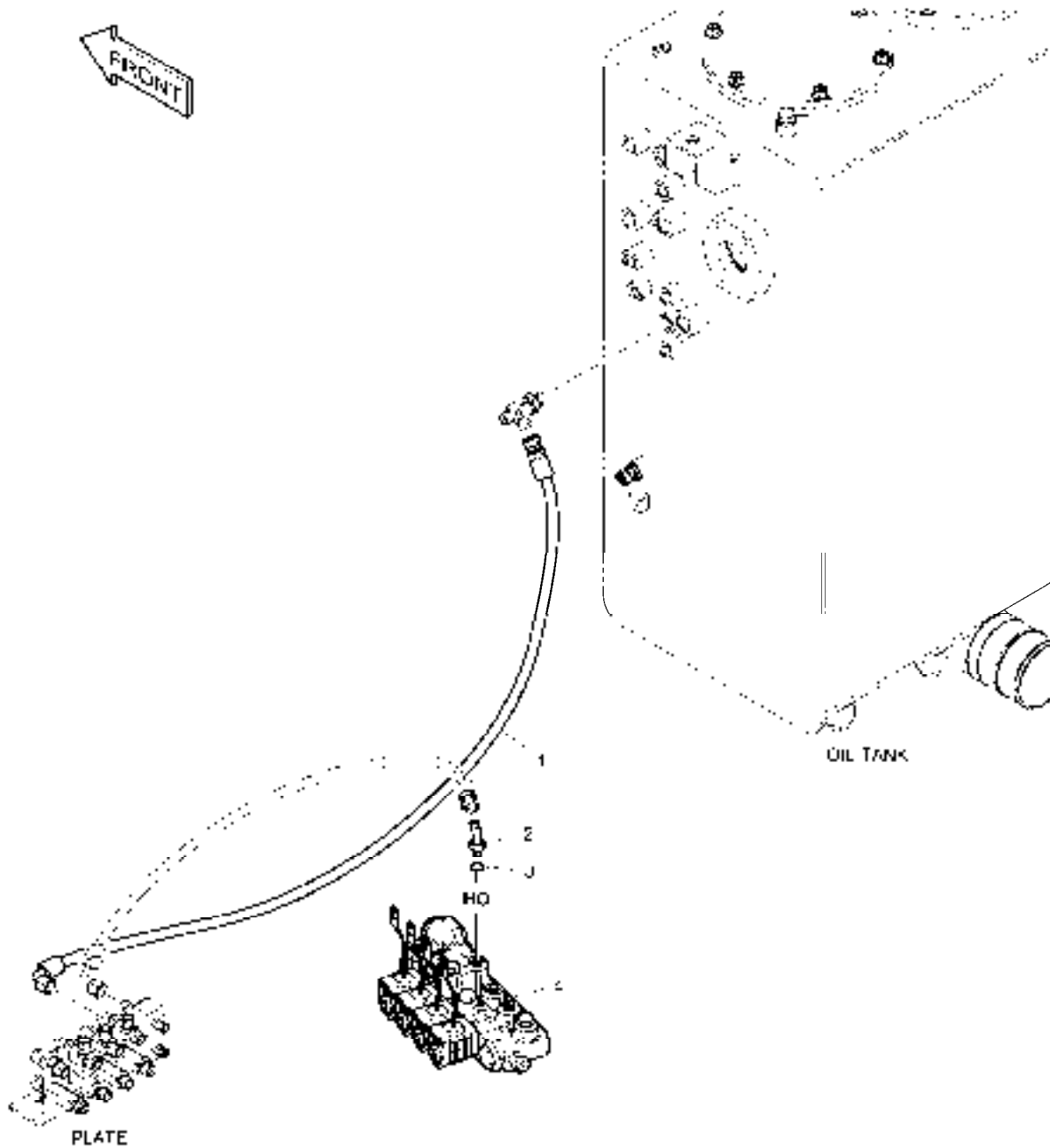
Serial No. ; 7755 ~

Key No.	Part No.	Description	Description	Q'ty	S.C	Serial No.	ICA	Replaceable part	
								Part No.	Q'ty
6151 --	K1044672A	PILOT PIPING-ONE & TWO WAY	CONDUITES DE PILOTE	-	D				
1	426-00266	VALVE;EPPR	VANNE	1					
3	2181-1126D36	ADAPTER	ADAPTEUR	2					
4	2471-1133	ADAPTER;FILTER	ADAPTEUR	1					
5	2181-1702D4	ELBOW	COUDE	1					
6	2181-1951D1	TEE	TE	1					
7	181-00779	TEE;SHUTTLE	TE	1					
9	110425-00065	BRACKET,EPPR VALVE	SUPPORT	1					
12	S0508766	BOLT	BOULON	2					
13	S5102503	WASHER,SPRING	RONDELLE	2					
14	S8000111	O-RING	JOINT TORIQUE	6					
15	S8000141	O-RING	JOINT TORIQUE	2					
16	124-00208D6	CLIP	AGRAFE	1					
17	K1001029	BOLT	BOULON	1					
18	2184-1045D177	HOSE PF1/4-510	TUYAU FLEXIBLE	1					
19	DS2093040	HOSE	TUYAU FLEXIBLE	1					
20	DS2093021	HOSE	TUYAU	1					
21	DS2093044	HOSE	TUYAU	1					
22	2184-1046D169	HOSE PF1/4-1600L	TUYAU FLEXIBLE	1					
23	DS2055788	HOSE PF1/4-2050L	TUYAU FLEXIBLE	1					
24	2184-1046D68	HOSE PF1/4-600L	TUYAU FLEXIBLE	1					
25	DS2242017	REDUCER	REDUCTEUR	1					
26	549-00010	SWITCH;PRESSURE	COMMUTATEUR	1					
27	530-00067	HARNESS	HARNAIS	1					
33	110951-00128	SPACER	BAGUE	2					
34	2181-1951D1	TEE	TE	1					
36	S0560866	BOLT M12X1.75X55	BOULON	2					
51	430216-00006	JOINT PLATE SUB ASS'Y	SOUS-MARIN COMMUN AS	1					
51-1	K1000354	. BRACKET;JOINT	. SUPPORT	1					
51-2	181-00078D1	. ADAPTER	. ADAPTEUR	1					
51-3	121-00010D1	. NUT	. ECROU	8					
51-4	420-00352D1	. VALVE;SHOCKLESS	. VANNE	1					
51-5	DS2410009	. ADAPTER	. ADAPTEUR	3					
51-6	181-00086D1	. TEE	. TE	1					
51-7	181-00086D2	. TEE	. TE	2					
51-8	420-00476	. VALVE;SHUTTLE	. VANNE	1					
51-9	121-00010D7	. NUT	. ECROU	2					

DATE	SEP. 12, 2012
4th EDITION	

**Fig. 6155 PILOT PIPING - ONE WAY
CONDUITES DE PILOTE**

Serial No. ;



DATE	SEP. 12, 2012
4th EDITION	

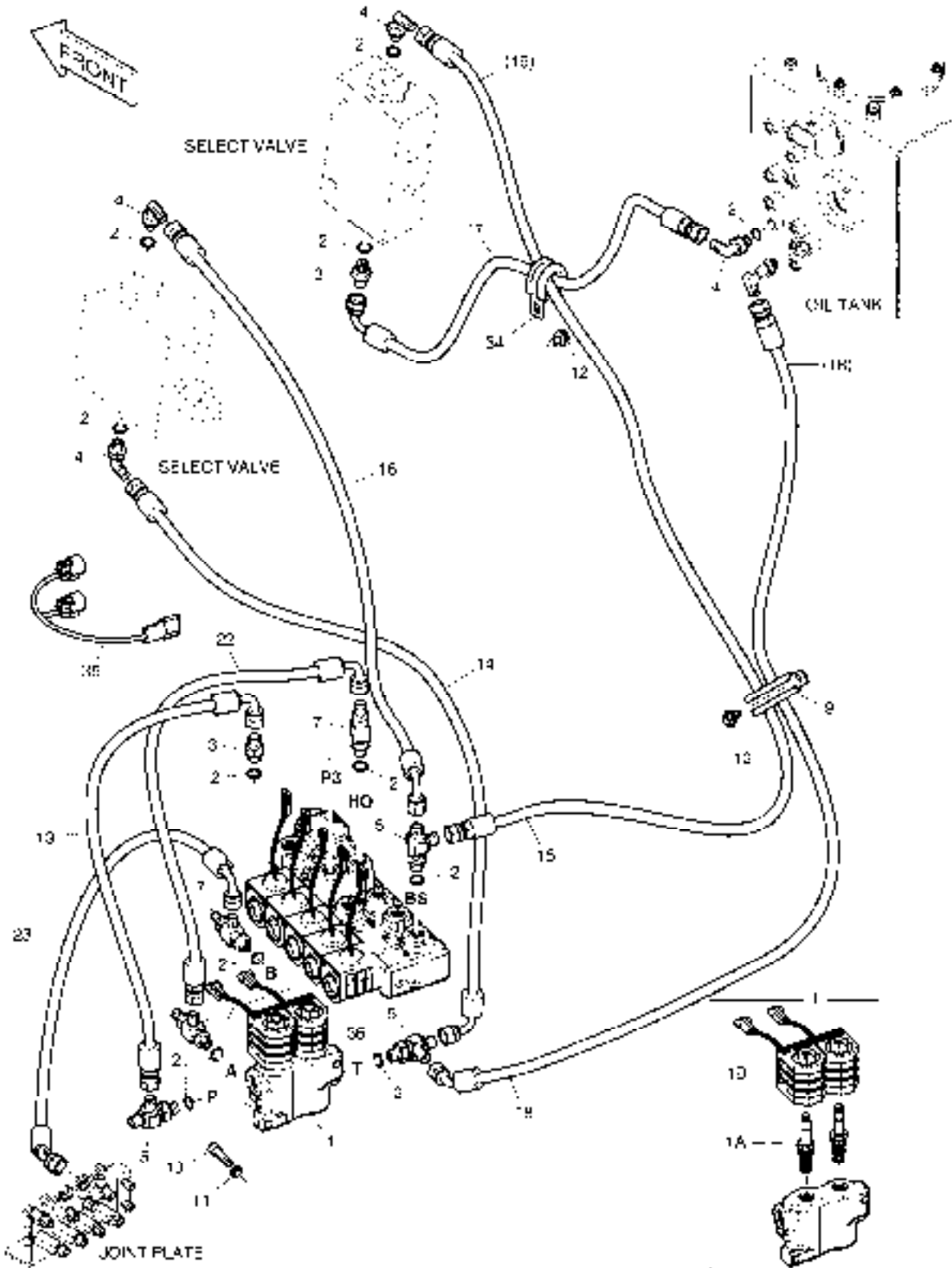
Fig. 6155 PILOT PIPING - ONE WAY CONDUITES DE PILOTE

Serial No. ;

Key No.	Part No.	Description	Description	Q'ty	S.C	Serial No.	ICA	Replaceable part	
								Part No.	Q'ty
6155 --	K1044715A	PILOT PIPING;ONE WAY	CONDUITES DE PILOTE	-	D				
1	DS2093391	HOSE	TUYAU FLEXIBLE	1					
2	2181-1702D4	ELBOW	COUDE	1					
3	S8000111	O-RING	JOINT TORIQUE	1					
4	K1047556	VALVE;SOLENOID	SOUPAPE A SOLENOIDE	1					

**Fig. 6160 PILOT PIPING - TWO WAY(1)
CONDUITES DE PILOTE**

Serial No. ;



DATE	SEP. 12, 2012
4th EDITION	

**Fig. 6160 PILOT PIPING - TWO WAY(1)
CONDUITES DE PILOTE**

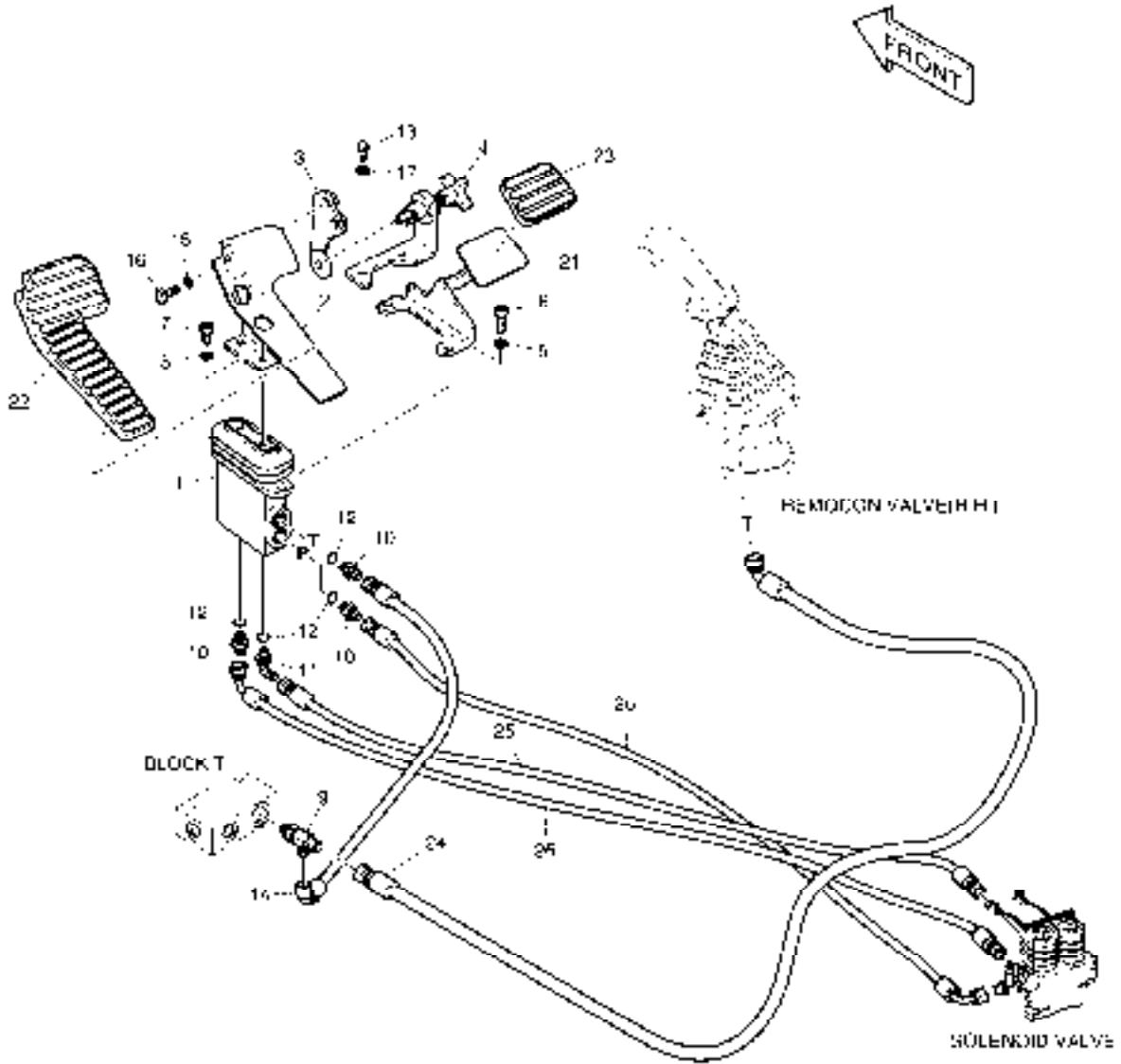
Serial No. ;

Key No.	Part No.	Description	Description	Q'ty	S.C	Serial No.	ICA	Replaceable part	
								Part No.	Q'ty
6160 --	K1044674C	PILOT PIPING;TWO WAY	CONDUITES DE PILOTE	-	D				
1	426-00247B	VALVE;SOLENOID	SOUPAPE A SOLENOIDE	1					
1A	K9007363	. SPOOL;SOLENOID	. PLUNGEUR	2					
1B	1.519-00001	. COIL 24V	. ENROULEMENT	2					
2	S8000111	O-RING	JOINT TORIQUE	11					
3	2181-1126D14	ADAPTER	ADAPTEUR	2					
4	2181-1702D4	ELBOW	COUDE	4					
5	2181-1951D1	TEE	TE	3					
7	181-00779	TEE;SHUTTLE	TE	3					
9	124-00208D6	CLIP	AGRAFE	1					
10	S2209266	BOLT;SOCKET M8X1.25X30	BOULON A 6 PANS CREUX	2					
11	S5110503	WASHER;SPRING	RONDELLE	2					
12	K1001029	BOLT	BOULON	2					
13	DS2093035	HOSE PF1/4-350L	TUYAU FLEXIBLE	1					
14	DS2093193	HOSE	TUYAU	1					
15	DS2094327	HOSE PF1/4-2320L	TUYAU FLEXIBLE	1					
16	DS2093256	HOSE	TUYAU FLEXIBLE	1					
17	DS2093028	HOSE	TUYAU FLEXIBLE	1					
18	DS2092045	HOSE	TUYAU	1					
22	DS2093202	HOSE PF1/4-480L	TUYAU FLEXIBLE	1					
23	DS2090008	HOSE	TUYAU FLEXIBLE	1					
34	124-00208D4	CLIP	ATTACHE	1					
35	K1000816	HARNESS	HARNAIS	1		5001-5229			
	K1003638B	HARNESS;JOINT	HARNAIS	1		5230-			
36	K1045023	VALVE;SOLENOID	SOUPAPE A SOLENOIDE	1					

DATE	SEP. 12, 2012
4th EDITION	

**Fig. 6170 PILOT PIPING - TWO WAY(2)
CONDUITES DE PILOTE**

Serial No. ;



DATE	SEP. 12, 2012
4th EDITION	

**Fig. 6170 PILOT PIPING - TWO WAY(2)
CONDUITES DE PILOTE**

Serial No. ;

Key No.	Part No.	Description	Description	Q'ty	S.C	Serial No.	ICA	Replaceable part	
								Part No.	Q'ty
6170 --	K1044710A	PILOT PIPING-TWO WAY(2)	CIRCUIT DE PILOTE	-	D				
1	K1017382A	PEDAL VALVE	VALVE DE PEDALE	1					
2	195-01683A	BRACKET;PEDAL(R.H)	SUPPORT	1					
3	K1000695A	PLATE	PLAQUE	1					
4	K1000696B	LOCK ASS'Y	SERRURE	1					
5	S5110603	WASHER;SPRING	RONDELLE	4					
6	S2212266	BOLT;SOCKET M10X1.5X30	BOULON A 6 PANS CREUX	2					
7	S2211866	BOLT;SOCKET	BOULON	2					
9	2181-1951D6	TEE	TE	1					
10	2181-1126D14	ADAPTER	ADAPTEUR	3					
11	2181-1702D4	ELBOW	COUDE	1					
12	S8000111	O-RING	JOINT TORIQUE	4					
13	S0508866	BOLT	BOULON	2					
14	DS2093200	HOSE	TUYAU	1					
15	S5102603	WASHER,SPRING	RONDELLE	2					
16	S0512066	BOLT M10X1.5X25	BOULON	2					
17	S5102503	WASHER,SPRING	RONDELLE	2					
21	K1003947A	FOOT REST	REPOS DE PIED	1					
22	161-00381	RUBBER;PEDAL(R.H)	LE CAOUTCHOUC	1					
23	K1006656	RUBBER;PEDAL	LE CAOUTCHOUC	1					
24	DS2095003	HOSE	TUYAU	1					
25	DS2094136	HOSE	TUYAU	1					
26	DS2093219	HOSE	TUYAU FLEXIBLE	2					

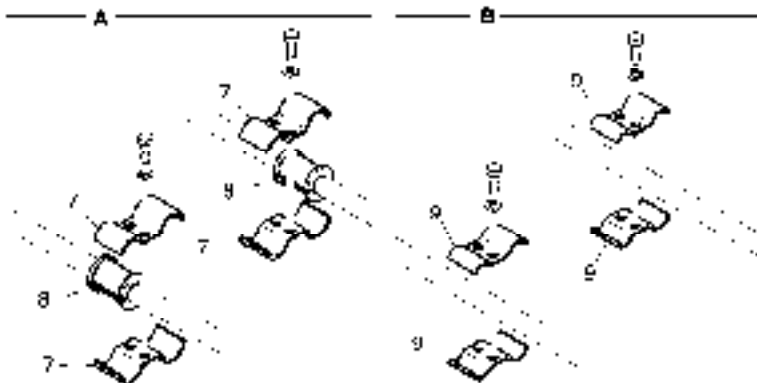
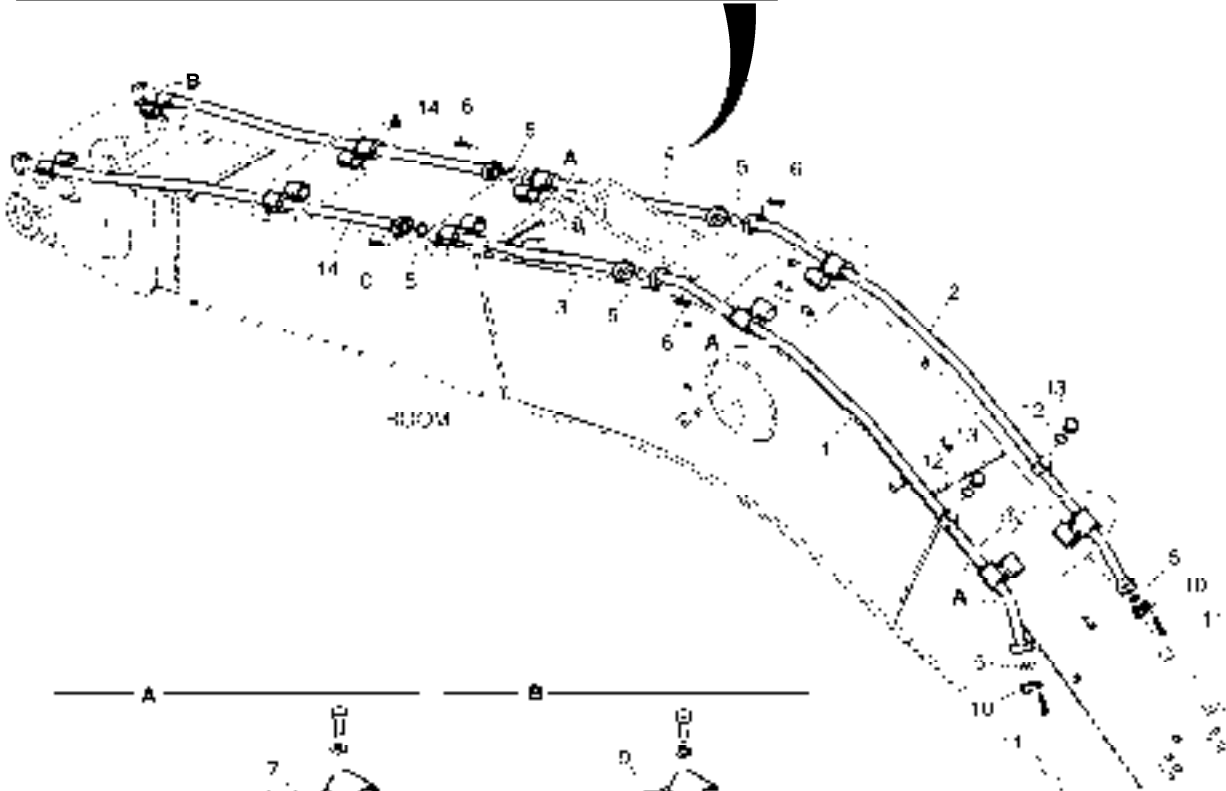
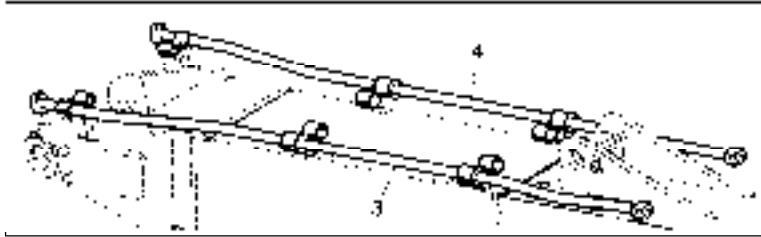
DATE	SEP. 12, 2012
4th EDITION	

Fig. 6180 BOOM PIPING - BOOM 5.7m(ONE & TWO WAY)
CONDUITES DE FLECHE

Serial No. ;



Serial No. 5001 - 10451



DATE	SEP. 12, 2012
4th EDITION	

**Fig. 6180 BOOM PIPING - BOOM 5.7m(ONE & TWO WAY)
CONDUITES DE FLECHE**

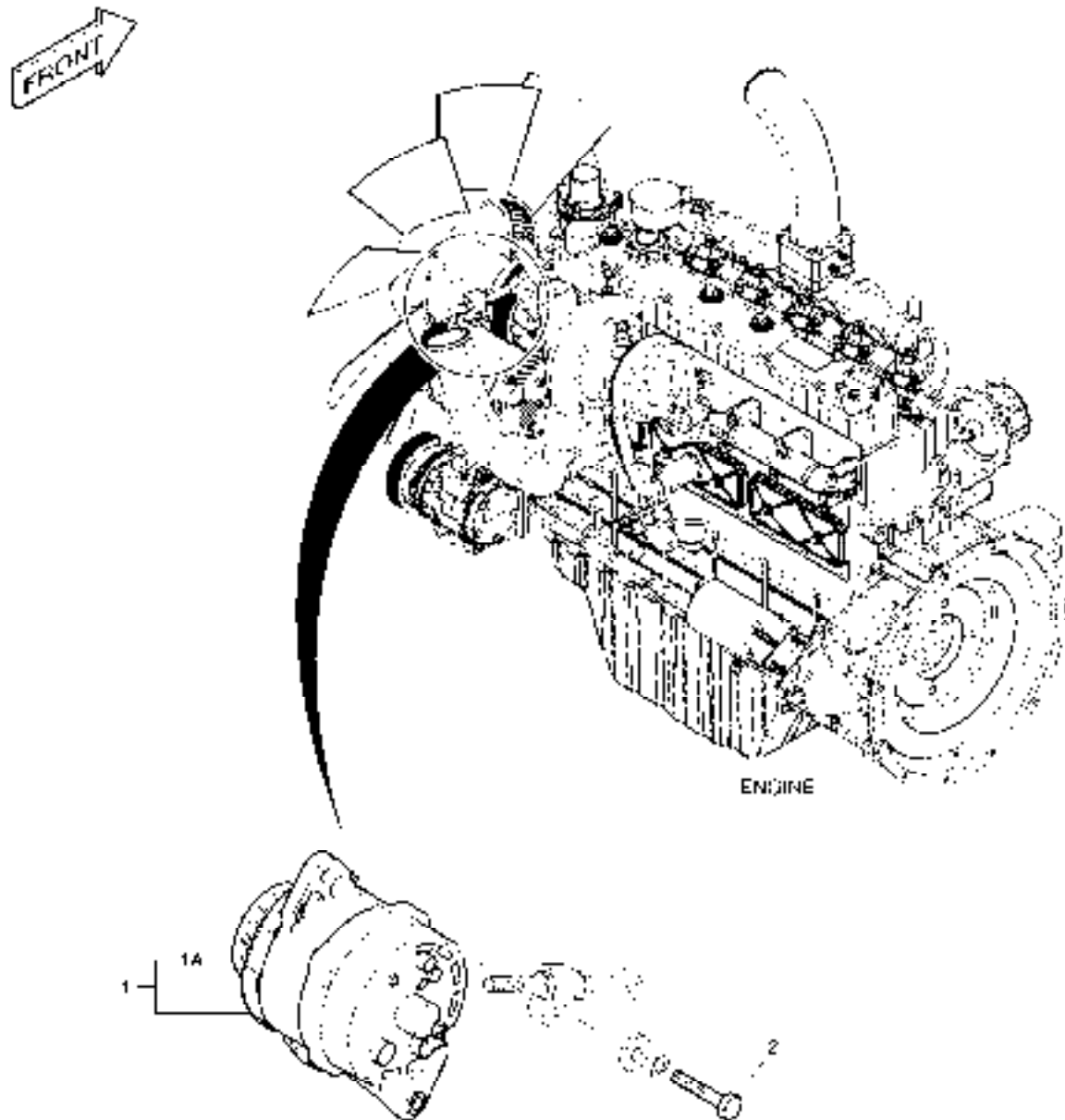
Serial No. ;

Key No.	Part No.	Description	Description	Q'ty	S.C	Serial No.	ICA	Replaceable part	
								Part No.	Q'ty
6180 --	K1041835	BOOM PIPING;ONE & TWO WAY	TUYAUTERIE DE PERCHE	-	D	05433-10481			
	420212-06762	PIPING,BOOM;ONE OR TWO WA	TUYAUTERIE DE PERCHE	-	D	10482-			
1	K1033269	PIPE	TUYAU	1					
2	K1033270	PIPE	TUYAU	1					
3	K1033271	PIPE	TUYAU	1		05433-10481			
	420207-01840	PIPE ASSY,HYDRAULIC	TUYAU	1		10482-			
4	K1033272	PIPE	TUYAU	1		05433-10481			
	420207-01841	PIPE ASSY,HYDRAULIC	TUYAU	1		10482-			
5	2180-1026D19	O-RING	JOINT CIRCULAIRE	4		05433-10481			
	2180-1026D19	O-RING	JOINT CIRCULAIRE	6		10482-			
6	S2212666	BOLT	BOULON	8		05433-10481			
	S2212666	BOLT	BOULON	16		10482-			
7	124-00368	CLAMP;PIPE	BRIDE	16					
8	161-00281	RUBBER	LE CAOUTCHOUC	8					
9	124-00367	CLAMP;PIPE	BRIDE	4					
10	2181-9078	FLANGE	BRIDE	4					
11	S2212466	BOLT;SOCKET M10X1.5X40	BOULON	8					
12	S8000291	O-RING	JOINT CIRCULAIRE	2					
13	2181-1950D9	PLUG	BOUCHON	2					
14	420207-01842	PIPE ASSY,HYDRAULIC	TUYAU	2		10482-			

DATE	SEP. 12, 2012
4th EDITION	

Fig. 6190 ARM PIPING - ARM 2.9m(ONE & TWO WAY)
CONDUITES DE BALANCIER

Serial No. ;



DATE	SEP. 12, 2012
4th EDITION	

Fig. 6190 ARM PIPING - ARM 2.9m(ONE & TWO WAY) CONDUITES DE BALANCIER

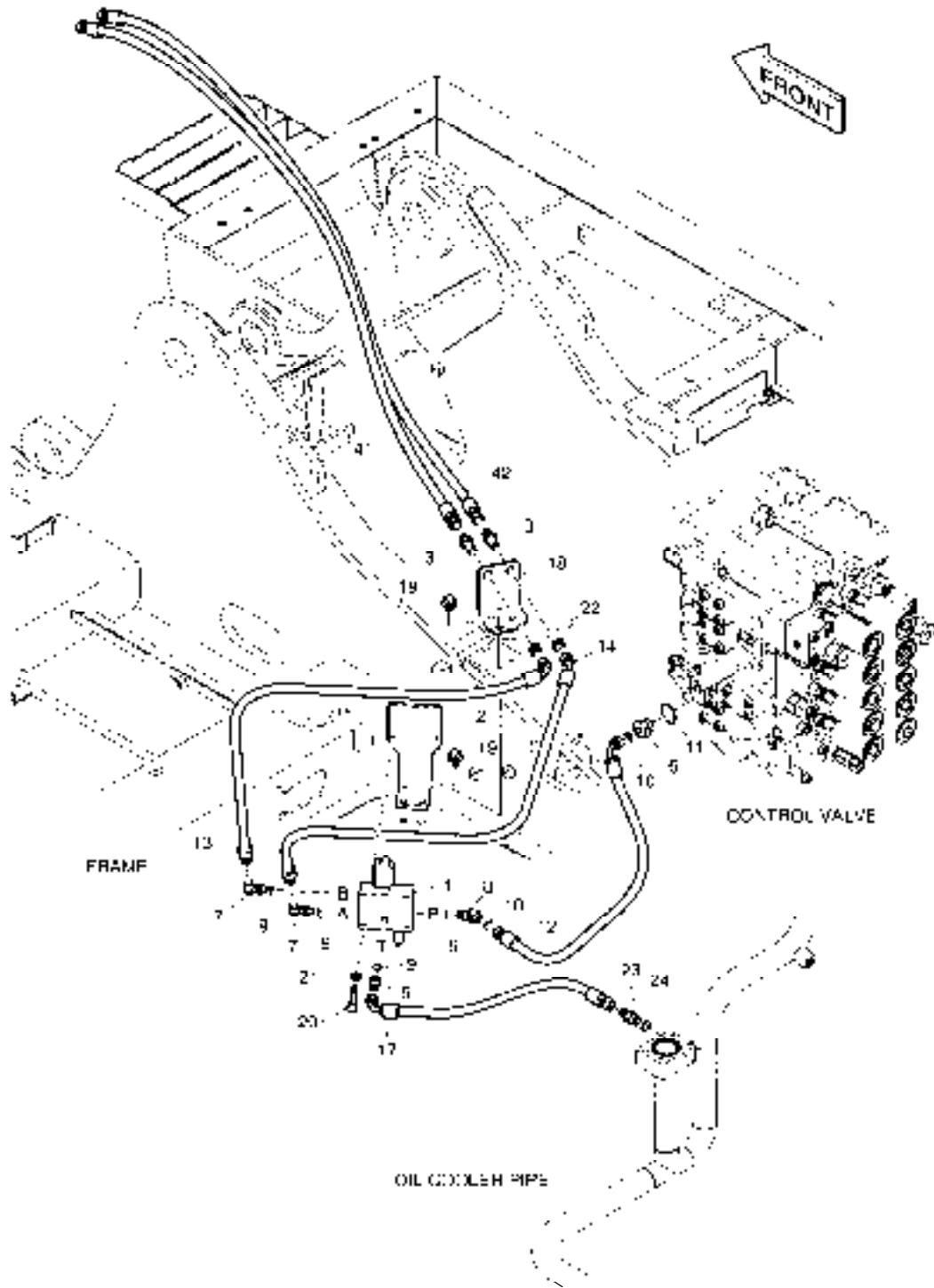
Serial No. ;

Key No.	Part No.	Description	Description	Q'ty	S.C	Serial No.	ICA	Replaceable part	
								Part No.	Q'ty
6190 --	K1041907	ARM PIPING-ONE & TWO WAY	CONDUITES DE BALANCIER	-	D	5001-6171			
	420212-01713	PIPING,ONE & TWO WAY,ARM	CONDUITES DE BALANCIER	-	D	6172-			
1	K1000886A	PIPE	TUYAU	2					
2	2184-1100D78	HOSE	TUYAU	2					
3	2181-9078	FLANGE	BRIDE	8					
4	2180-1026D19	O-RING	JOINT CIRCULAIRE	6					
5	S2212466	BOLT;SOCKET M10X1.5X40	BOULON	16					
6	K1004057	CLAMP;PIPE	COLLIER	8					
8	K1000334A	VALVE;STOP(L.H)	VANNE	1		5001-6171			
10	S0563666	BOLT	BOULON A 6 PANS	4		5001-6171			
	S2215966	BOLT;SOCKET	BOULON	4		6172-			
13	S2212366	BOLT;SOCKET M10X1.5X35	BOULON	8					
17	S5102803	WASHER;SPRING	RONDELLE	12		5001-6171			
	S5102803	WASHER;SPRING	RONDELLE	8		6172-			
18	S0562766	BOLT	BOULON	8					
19	K1000338A	VALVE;STOP(R.H)	VANNE	1		5001-6171			
	S5110703	WASHER;SPRING	RONDELLE	4		6172-			
41	410137-00030A	VALVE ASS'Y,STOP(L.H)	VANNE	1		6172-			
41-1	410137-00067	. VALVE,STOP(L.H)	. VANNE	1		6172-			
41-2	S8000291	. O-RING	. JOINT CIRCULAIRE	1		6172-			
41-3	2181-2816D2	. ELBOW	. COUDE	1		6172-			
41-4	2181-2817D2	. CAP	. CHAPEAU	1		6172-			
41-5	S8030161	. O-RING	. JOINT CIRCULAIRE	1		6172-			
41-6	2181-2816D4	. ELBOW	. COUDE	1		6172-			
41-7	S8000181	. O-RING	. JOINT CIRCULAIRE	1		6172-			
41-8	2181-2817D4	. CAP	. CHAPEAU	1		6172-			
41-9	S8030081	. O-RING	. JOINT CIRCULAIRE	1		6172-			
42	410137-00031A	VALVE ASS'Y,STOP(R.H)	VANNE	1		6172-			
42-1	410137-00069	. VALVE,STOP(R.H)	. VANNE	1		6172-			
42-2	S8000291	. O-RING	. JOINT CIRCULAIRE	1		6172-			
42-3	2181-2816D2	. ELBOW	. COUDE	1		6172-			
42-4	2181-2817D2	. CAP	. CHAPEAU	1		6172-			
42-5	S8030161	. O-RING	. JOINT CIRCULAIRE	1		6172-			
42-6	2181-2816D4	. ELBOW	. COUDE	1		6172-			
42-7	S8000181	. O-RING	. JOINT CIRCULAIRE	1		6172-			
42-8	2181-2817D4	. CAP	. CHAPEAU	1		6172-			
42-9	S8030081	. O-RING	. JOINT CIRCULAIRE	1		6172-			

DATE	SEP. 12, 2012
4th EDITION	

**Fig. 6200 MAIN PIPING - QUICK FIT
CONDUITES DE BATI PRINCIPAL**

Serial No. ;



DATE	SEP. 12, 2012
4th EDITION	

Fig. 6200 MAIN PIPING - QUICK FIT
CONDUITES DE BATI PRINCIPAL

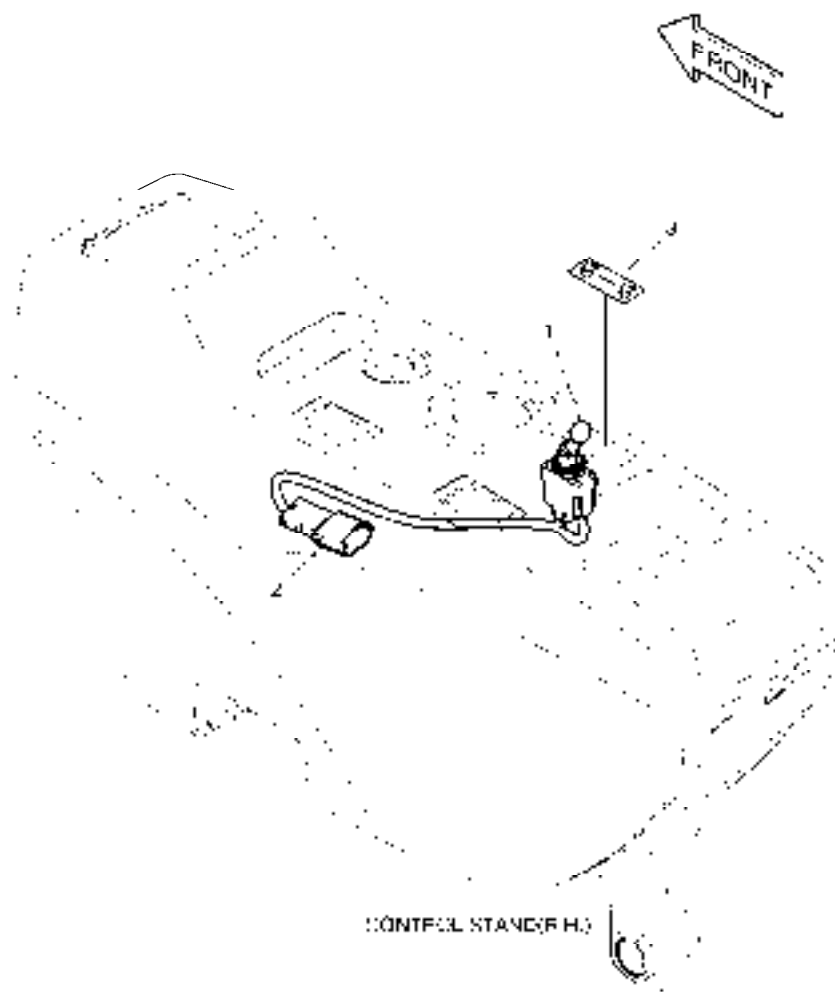
Serial No. ;

Key No.	Part No.	Description	Description	Q'ty	S.C	Serial No.	ICA	Replaceable part	
								Part No.	Q'ty
6200 --	K1027502A	MAIN PIPING-QUICK FIT	CONDUITES DE BATI PRIN	-	D	05001-10481			
	420212-03011	PIPING,MAIN;QUICK FIT	CONDUITES DE BATI PRIN	-	D	10482-			
1	426-00287	VALVE;QUICK-FIT	VALVE	1					
2	195-03123E	BRACKET	SUPPORT	1					
3	181-00078D1	ADAPTER	ADAPTEUR	2					
5	2181-1126D85	ADAPTER	ADAPTEUR	1					
6	DS2404024	ADAPTER	ADAPTEUR	1					
7	2181-1702D3	ELBOW PFO1/4XPF3/8	COUDE	2					
8	DS2338029	ELBOW	COUDE	1					
9	S8000111	O-RING	JOINT TORIQUE	4					
10	S8030061	O-RING	JOINT TORIQUE	2					
11	S8000231	O-RING	JOINT CIRCULAIRE	1					
12	DS2013515	HOSE	TUYAU	1					
13	DS2054293	HOSE	TUYAU	1					
14	DS2054394	HOSE	TUYAU FLEXIBLE	1					
17	DS2093001	HOSE	TUYAU FLEXIBLE	1		05001-10481			
	DS2093300	HOSE	TUYAU FLEXIBLE	1		10482-			
18	K1000351A	PLATE	PLAQUE	1					
19	DS0025019	BOLT;SET	BOULON	4					
20	S0556466	BOLT	BOULON	2					
21	S5102503	WASHER,SPRING	RONDELLE	2					
22	121-00010D1	NUT	ECROU	2					
23	2181-1126D7	ADAPTER	ADAPTEUR	1					
24	S8000141	O-RING	JOINT TORIQUE	1					
41	DS2053868	HOSE	TUYAU	1					
42	DS2053869	HOSE	TUYAU	1					

DATE	SEP. 12, 2012
4th EDITION	

Fig. 6210 **ELECTRIC PARTS - QUICK CLAMP**
BRIDE RAPIDE

Serial No. ;



DATE	SEP. 12, 2012
4th EDITION	

**Fig. 6210 ELECTRIC PARTS - QUICK CLAMP
BRIDE RAPIDE**

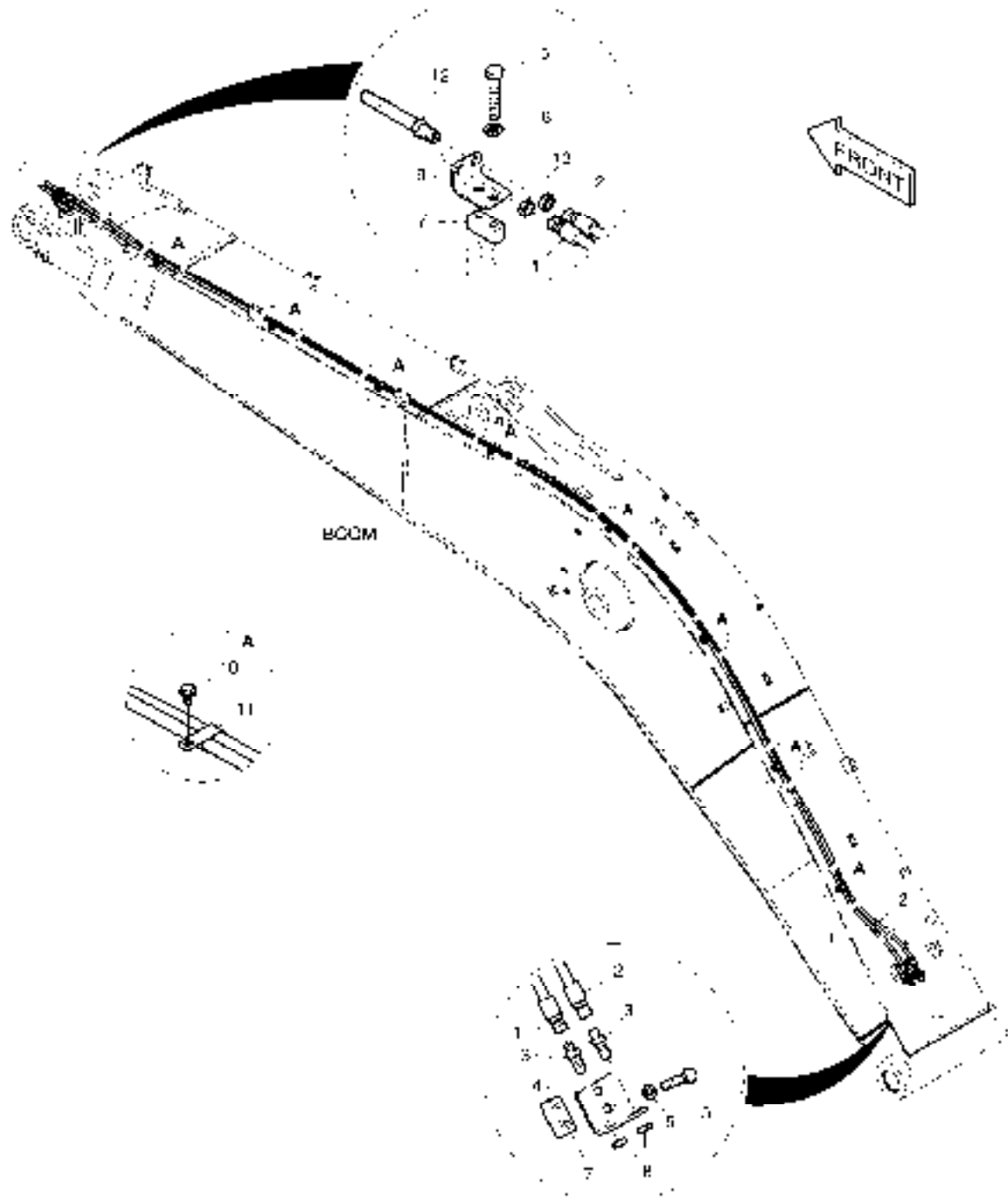
Serial No. ;

Key No.	Part No.	Description	Description	Q'ty	S.C	Serial No.	ICA	Replaceable part	
								Part No.	Q'ty
6210 --	K1007413	QUICK CLAMP PIPING	BRIDE RAPIDE	-	D				
1	549-00092	SWITCH;LOCKOUT TOGGLE	COMMUTATEUR	1					
2	530-00432A	HARNESS;JOINT	HARNAIS	1					
3	K1005776	PLATE;NAME	PLAQUE	1					

DATE	SEP. 12, 2012
4th EDITION	

Fig. 6220 BOOM PIPING - BOOM 5.7m(QUICK CLAMP)
CONDUITES DE FLECHE

Serial No. ;



DATE	SEP. 12, 2012
4th EDITION	

Fig. 6220 BOOM PIPING - BOOM 5.7m(QUICK CLAMP)
CONDUITES DE FLECHE

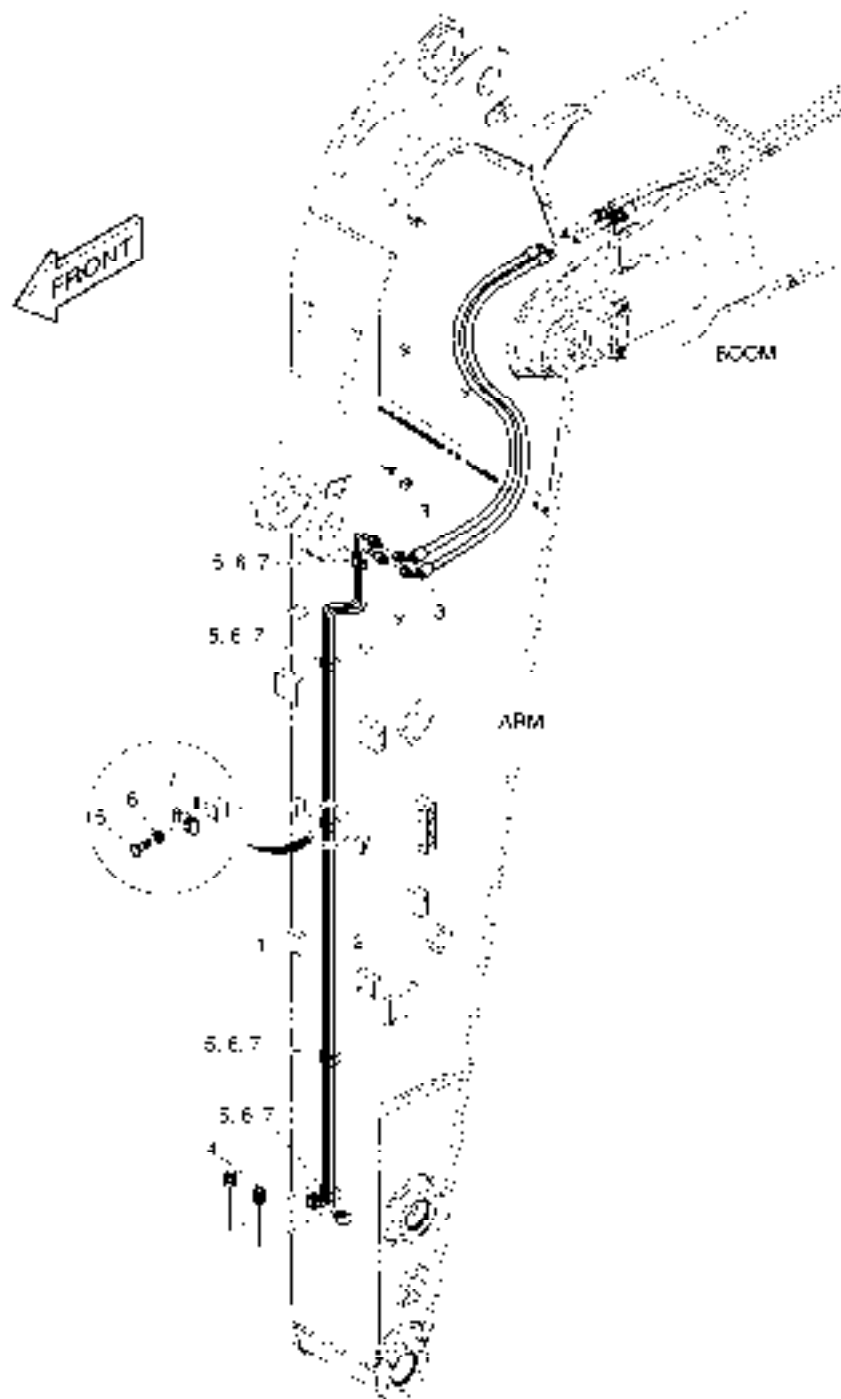
Serial No. ;

Key No.	Part No.	Description	Description	Q'ty	S.C	Serial No.	ICA	Replaceable part	
								Part No.	Q'ty
6220 --	K1041837	BOOM PIPING-QUICK FIT	TUYAUTERIE DE PERCHE	-	D				
1	DS2053849	HOSE	TUYAU	1					
2	DS2053953	HOSE	TUYAU	1					
3	181-00078D5	ADAPTER	ADAPTEUR	2					
4	195-00163	BRACKET	SUPPORT	1					
5	S0563366	BOLT	BOULON	4					
6	S5102803	WASHER;SPRING	RONDELLE	4					
7	K1004006	PLATE	PLAQUE	2					
8	121-00010D1	NUT	ECROU	2					
9	K1010847	BRACKET	SUPPORT	1					
10	K1001029	BOLT	BOULON	8					
11	DS2805009	CLIP	AGRAFE	8					
12	K1000356	ADAPTER	ADAPTEUR	2					
13	121-00010D7	NUT	ECROU	2					

DATE	SEP. 12, 2012
4th EDITION	

Fig. 6230 ARM PIPING - ARM 2.9m(QUICK CLAMP)
CONDUITES DE BALANCIER

Serial No. ;



DATE	SEP. 12, 2012
4th EDITION	

Fig. 6230 ARM PIPING - ARM 2.9m(QUICK CLAMP)
CONDUITES DE BALANCIER

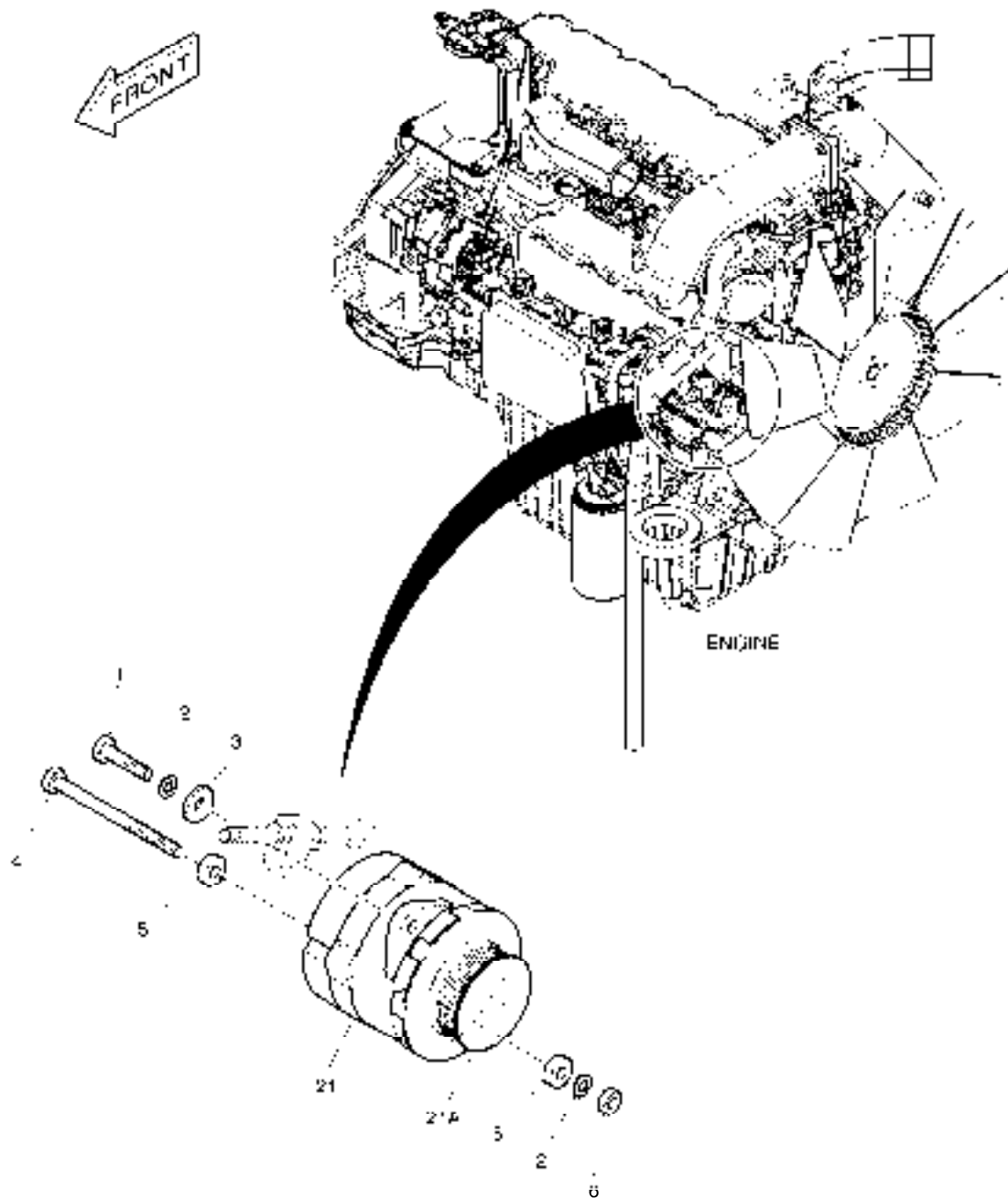
Serial No. ;

Key No.	Part No.	Description	Description	Q'ty	S.C	Serial No.	ICA	Replaceable part	
								Part No.	Q'ty
6230 --	K1041933	ARM PIPING-QUICK CLAMP	TUYAUTERIE DU BRAS	-	D				
1	K1001052	PIPE	TUYAU	1					
2	K1001053	PIPE	TUYAU	1					
3	DS2055866	HOSE	TUYAU	2					
4	2181-2820D1	PLUG	BOUCHON	2					
5	S0508866	BOLT	BOULON	5					
6	S5102503	WASHER, SPRING	RONDELLE	5					
7	K1004011	CLAMP; PIPE	COLLIER	5					

DATE	SEP. 12, 2012
4th EDITION	

**Fig. 6240 ALTERNATOR - 80A
ALTERNATEUR**

Serial No. ;



DATE	SEP. 12, 2012
4th EDITION	

**Fig. 6240 ALTERNATOR - 80A
ALTERNATEUR**

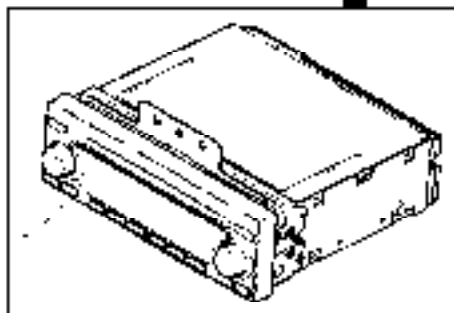
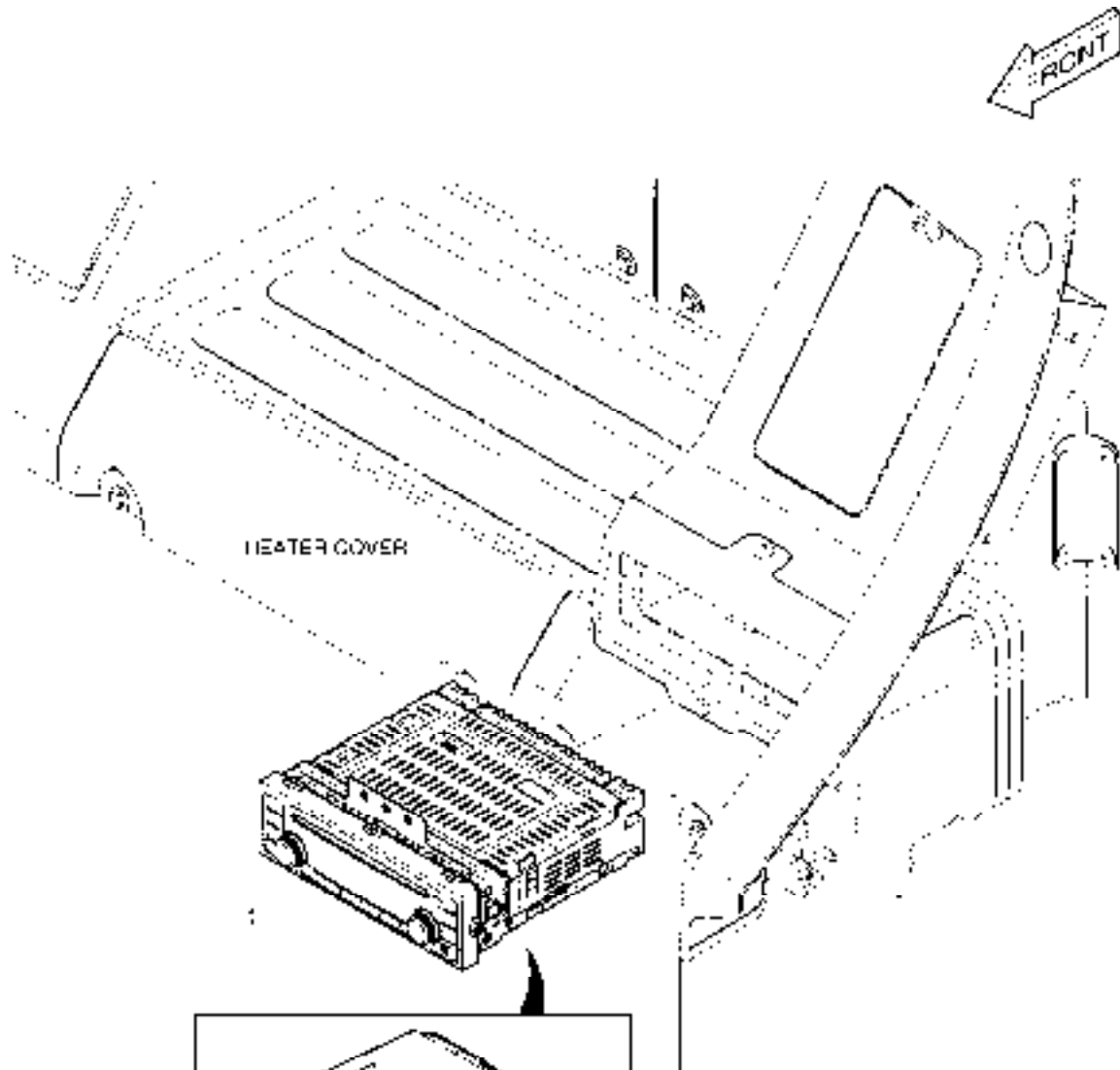
Serial No. ;

Key No.	Part No.	Description	Description	Q'ty	S.C	Serial No.	ICA	Replaceable part	
								Part No.	Q'ty
6240 --	K1008715	ALTERNATOR MOUNTING	SUPPORT D'ALTERNATEUR	-	D				
1	S0760853	BOLT	BOULON	1					
2	S5102703	WASHER;SPRING	RONDELLE	2					
3	2114-1058D54	WASHER	RONDELLE	1					
4	S0562653	BOLT M12X1.75X160	BOULON	1					
5	S5010713	WASHER;PLAIN	RONDELLE	2					
6	S4012733	NUT	ECROU	1					
21	K1010703	ALTERNATOR 80A	ALTERNATEUR	1		5001-6477	Y	300901-00033	1
	300901-00033	ALTERNATOR;80A	ALTERNATEUR	1		6478-			
21A	130707-00030	. PULLEY,ALTERNATOR	. POULIE	1		5001-6477	Y	130707-00042	1
	130707-00042	. PULLEY,ALTERNATOR	. POULIE	1		6478-			

DATE	SEP. 12, 2012
4th EDITION	

**Fig. 6250 CD PLAYER
PLAQUEUR DE CD**

Serial No. ;



Exemple de 6001 - 7754

DATE	SEP. 12, 2012
4th EDITION	

**Fig. 6250 CD PLAYER
PLAQUEUR DE CD**

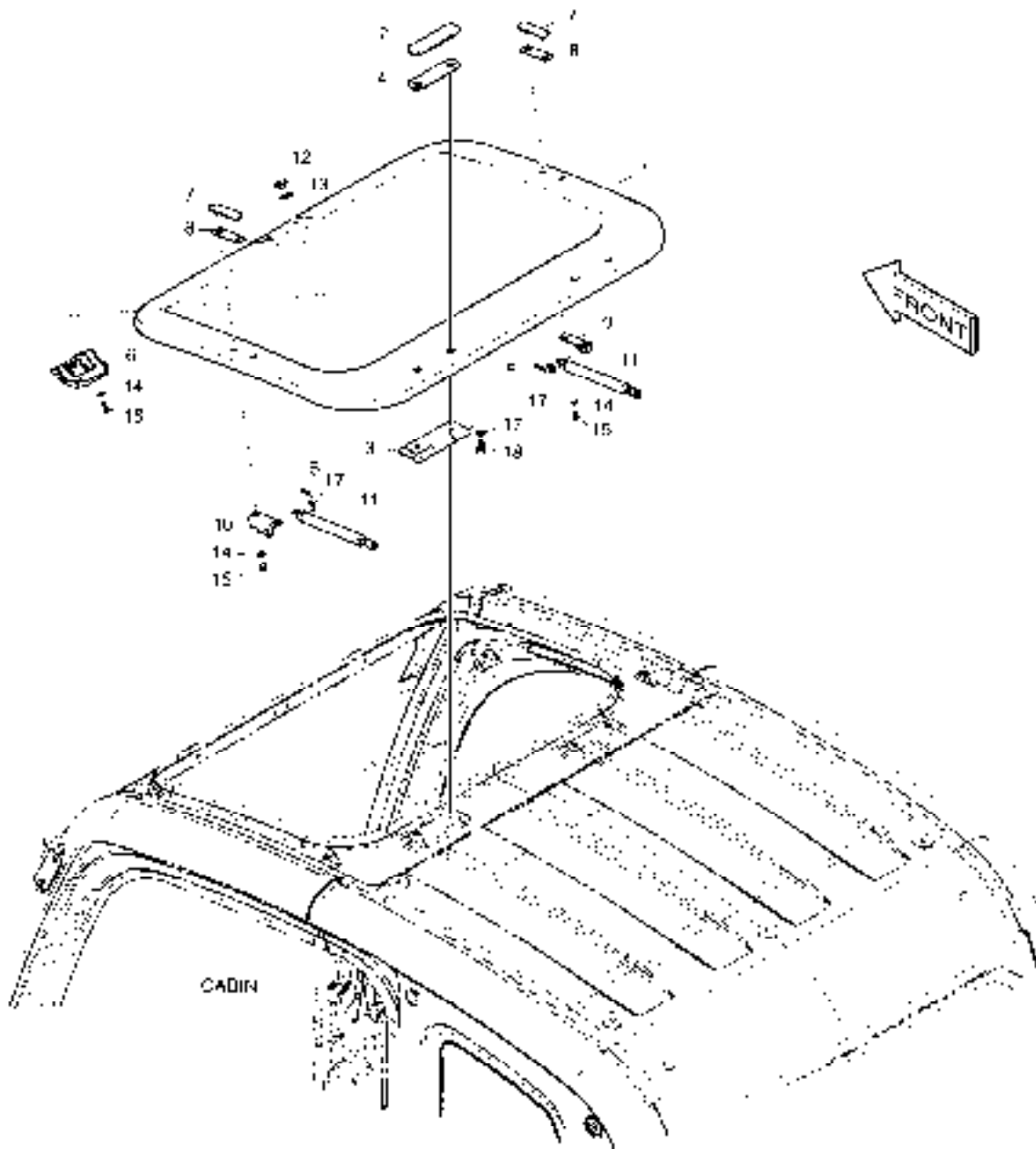
Serial No. ;

Key No.	Part No.	Description	Description	Q'ty	S.C	Serial No.	ICA	Replaceable part	
								Part No.	Q'ty
6250 --	K1007416	CD PLAYER	LECTEUR DE CD	-	D	5001-7754			
	300637-00012	PLAYER,CD;24V(USB)	PLAQUEUR DE CD	-	D	7755-			
1	K1000982	CD PLAYER	PLAQUEUR DE CD	1		5001-7754			
	300637-00009	PLAYER,CD(24V)	PLAQUEUR DE CD	1		7755-			

DATE	SEP. 12, 2012
4th EDITION	

Fig. 6260 SUN ROOF COVER
COUVERTURE DE TOIT DU SOLEIL

Serial No. ;



DATE	SEP. 12, 2012
4th EDITION	

Fig. 6260 SUN ROOF COVER
COUVERTURE DE TOIT DU SOLEIL

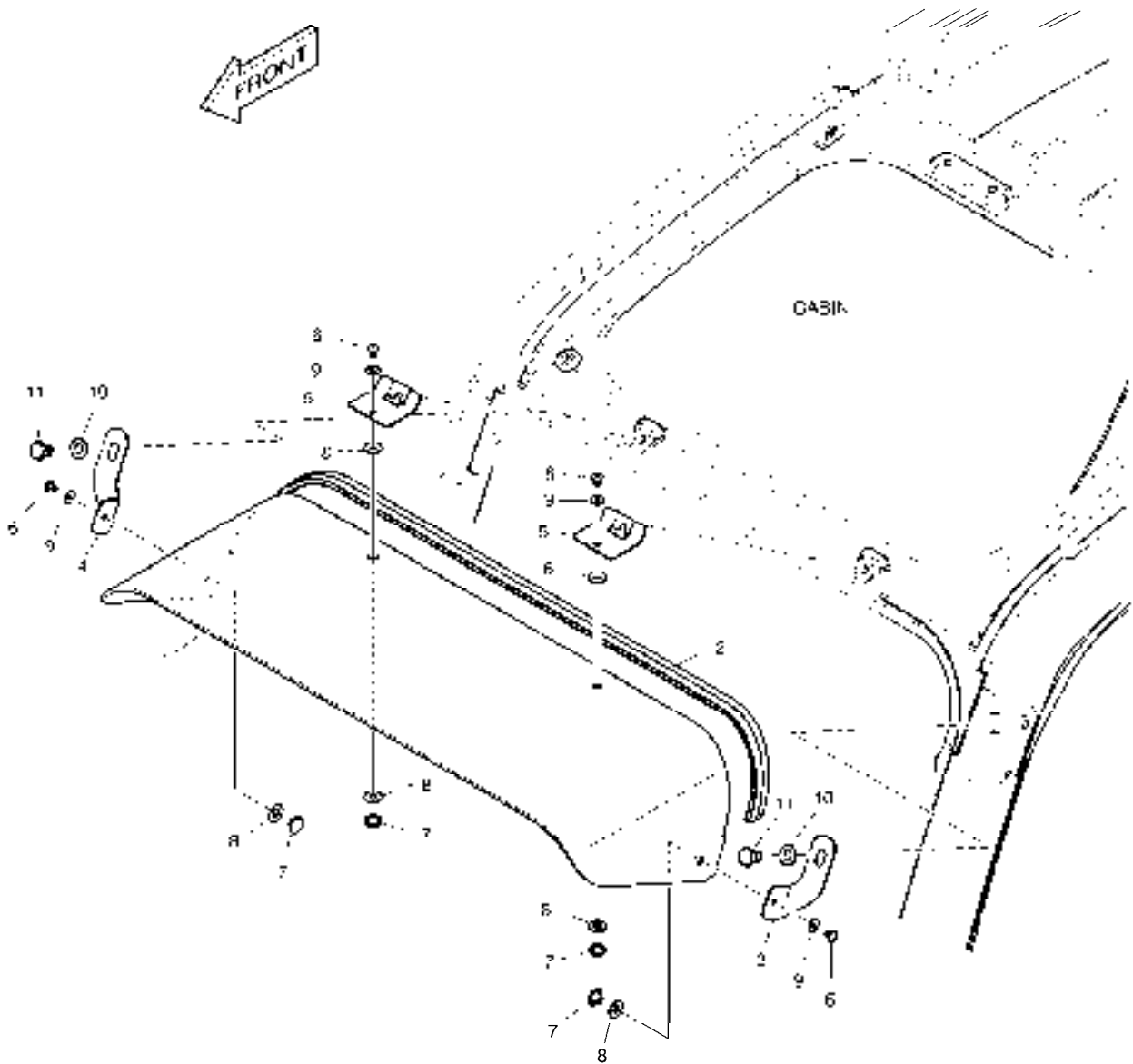
Serial No. ;

Key No.	Part No.	Description	Description	Q'ty	S.C	Serial No.	ICA	Replaceable part	
								Part No.	Q'ty
6260 --	621-02870C	SUN ROOF COVER	COUVERTURE DE TOIT DU	-	D				
1	621-02871B	COVER;SUN ROOF	COUVERTURE	1					
2	621-02872	COVER;ROOF HINGE	COUVERTURE	2					
3	171-00060A	HINGE;ROOF COVER	CHARNIERE	2					
4	161-00599	PAD;RUBBER	GARNITURE	2					
5	123-00523	PIN;GAS-SPRING	GOUPILLE	2					
6	123-00516B	LOCK ASS'Y;ROOF COVER	SERRURE	1					
7	621-02873	COVER;ROOF GAS-CYLINDER	COUVERTURE	2					
8	161-00600	PAD;RUBBER	GARNITURE	2					
9	191-03279A	PLATE;ROOF GAS-SPRING RH	PLAQUE	1					
10	191-03280A	PLATE;ROOF GAS-SPRING LH	PLAQUE	1					
11	DS1003008	GAS-SPRING	VERIN PNEUMATIQUE	2					
12	621-03103	COVER;ROOF HANDLE	COUVERTURE	2					
13	161-00639	RUBBER;ROOF HANDLE	LE CAOUTCHOUC	2					
14	2114-1898D3	WASHER;PLAIN	RONDELLE	6					
15	S3450943	SCREW	VIS	4					
16	2120-2166D7	SCREW	VIS	2					
17	2114-1898D14	WASHER;PLAIN	RONDELLE	6					
18	S2208561	BOLT;SOCKET	BOULON	4					

DATE	SEP. 12, 2012
4th EDITION	

**Fig. 6270 RAIN SHIELD
BOUCLIER DE PLUIE**

Serial No. ;



DATE	SEP. 12, 2012
4th EDITION	

**Fig. 6270 RAIN SHIELD
BOUCLIER DE PLUIE**

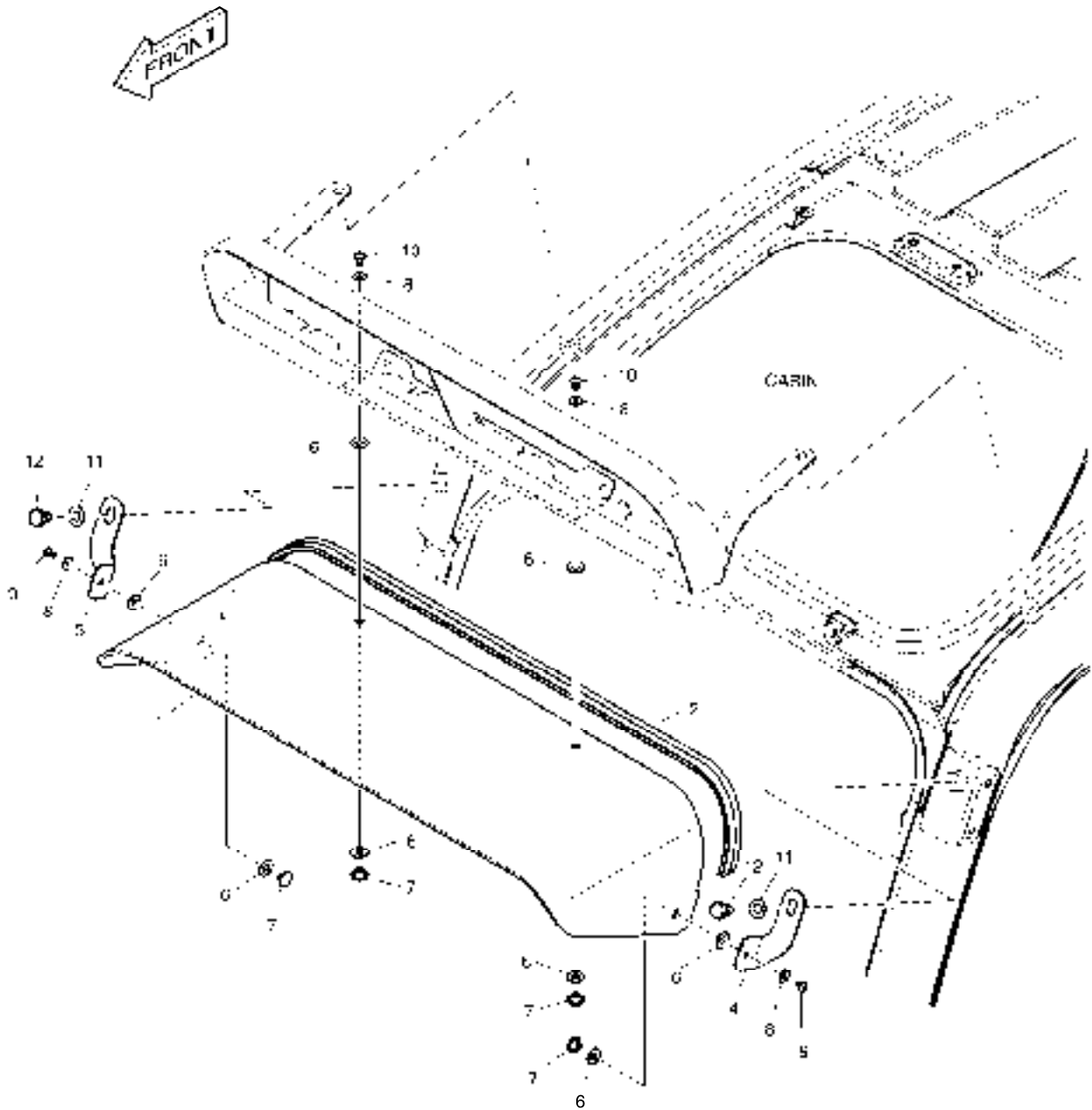
Serial No. ;

Key No.	Part No.	Description	Description	Q'ty	S.C	Serial No.	ICA	Replaceable part	
								Part No.	Q'ty
6270 --	K1002561B	RAIN SHIELD	BOUCLIER DE PLUIE	-	D				
1	159-00294C	COVER;RAIN SHIELD	COUVERTURE	1					
2	162-00040A	STRIP;WEATHER	BANDE	1					
3	K1002574A	BRACKET(L.H)	SUPPORT	1					
4	K1002575A	BRACKET(R.H)	SUPPORT	1					
5	195-03374C	BRACKET;RAIN SHIELD	SUPPORT	2					
6	2120-2166D52	BOLT M6X1.0X12	BOULON	4					
7	621-03103	COVER;ROOF HANDLE	COUVERTURE	4					
8	161-00639	RUBBER;ROOF HANDLE	LE CAOUTCHOUC	6					
9	2114-1898D5	WASHER M6	RONDELLE	4					
10	2114-1898D6	WASHER;PLAIN	RONDELLE	2					
11	2120-2166D37	BOLT	BOULON	2					

DATE	SEP. 12, 2012
4th EDITION	

Fig. 6280 RAIN SHIELD & LAMP MOUNTING
BOUCLIER ET DE LAMPE DE PLUIE

Serial No. ;



DATE	SEP. 12, 2012
4th EDITION	

Fig. 6280 RAIN SHIELD & LAMP MOUNTING
BOUCLIER ET DE LAMPE DE PLUIE

Serial No. ;

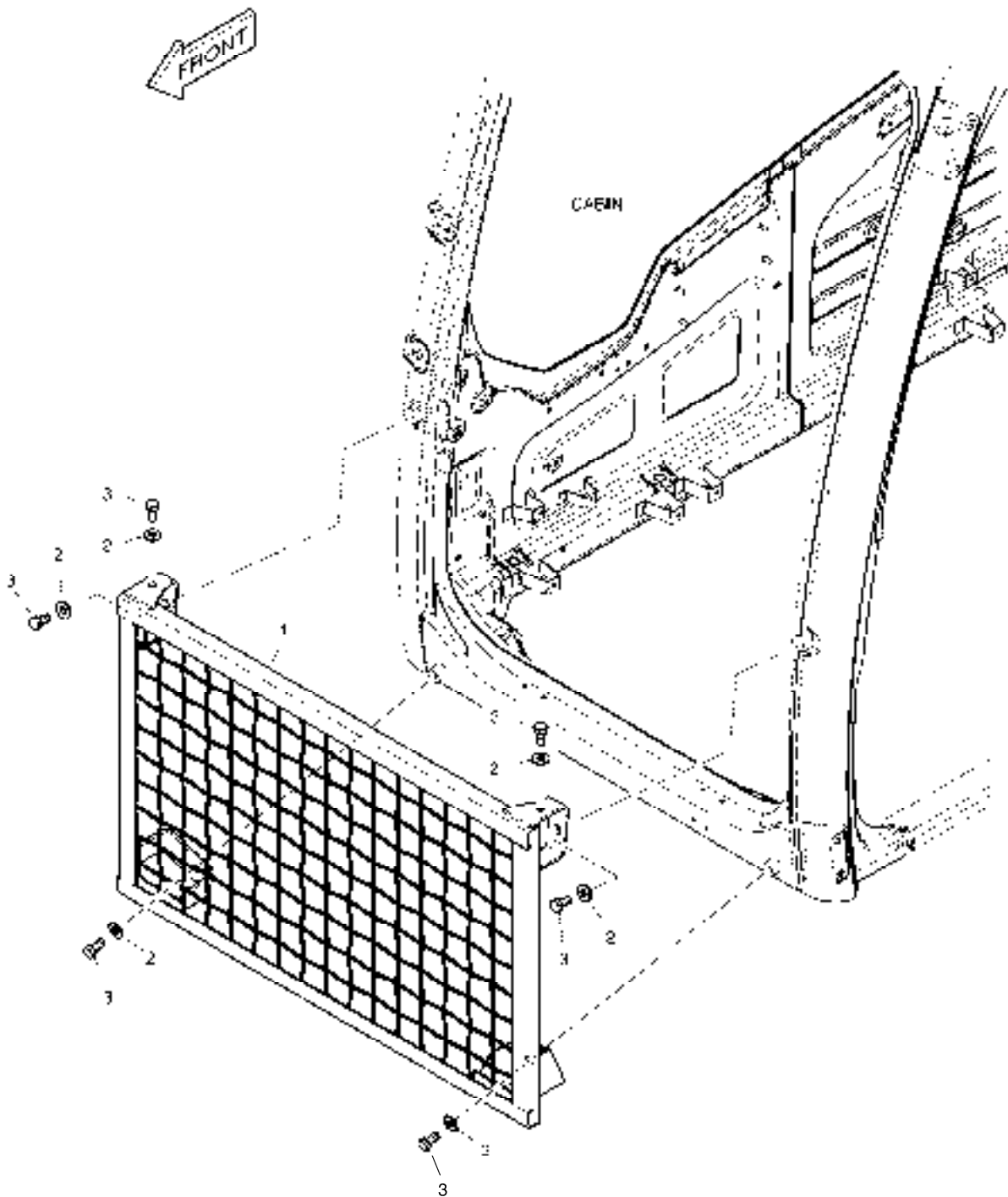
Key No.	Part No.	Description	Description	Q'ty	S.C	Serial No.	ICA	Replaceable part	
								Part No.	Q'ty
6280 --	534-00117B	RAIN SHIELD & LAMP ASS'Y	BOUCLIER DE PLUIE	-	D				
1	159-00294C	COVER;RAIN SHIELD	COUVERTURE	1					
2	162-00040A	STRIP;WEATHER	BANDE	1					
4	K1002574A	BRACKET(L.H)	SUPPORT	1					
5	K1002575A	BRACKET(R.H)	SUPPORT	1					
6	161-00639	RUBBER;ROOF HANDLE	LE CAOUTCHOUC	8					
7	621-03103	COVER;ROOF HANDLE	COUVERTURE	4					
8	2114-1898D5	WASHER M6	RONDELLE	4					
9	2120-2166D52	BOLT M6X1.0X12	BOULON	2					
10	2120-2166D10	SCREW	VIS	2					
11	2114-1898D6	WASHER;PLAIN	RONDELLE	2					
12	2120-2166D37	BOLT	BOULON	2					

DATE	SEP. 12, 2012
4th EDITION	

Fig. 6290

CABIN LOWER GUARD
LA CARLINGUE ABAISSENT LA GARDE

Serial No. ;



DATE	SEP. 12, 2012
4th EDITION	

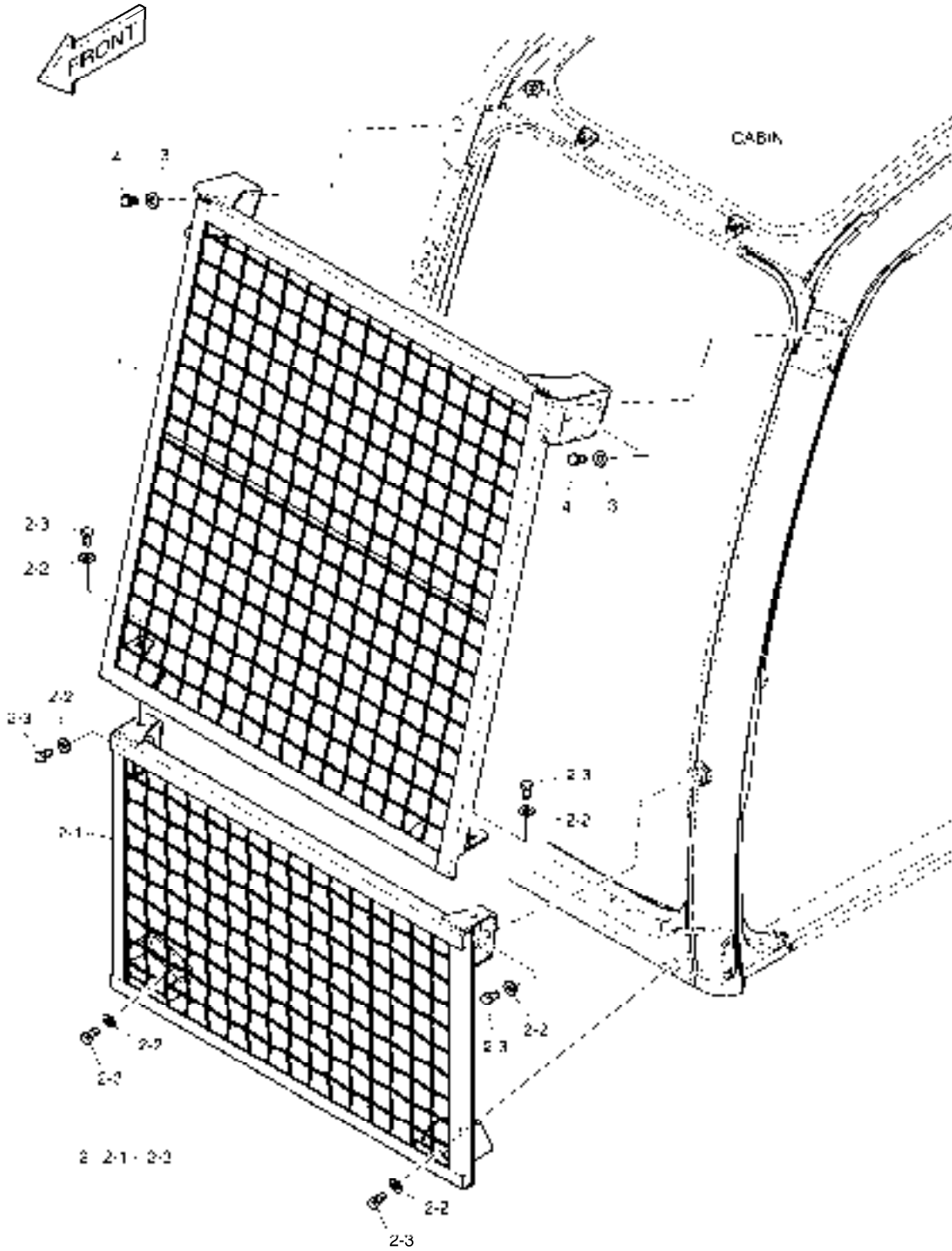
Fig. 6290 CABIN LOWER GUARD
LA CARLINGUE ABAISSENT LA GARDE

Serial No. ;

Key No.	Part No.	Description	Description	Q'ty	S.C	Serial No.	ICA	Replaceable part	
								Part No.	Q'ty
6290 --	623-00086	GUARD;FRONT LOWER	GARDE	-	D				
1	623-00085A	GUARD;FRONT LOWER	GARDE	1					
2	2114-1898D17	WASHER M12	RONDELLE	6					
3	2120-2166D27	BOLT	BOULON	6					

**Fig. 6300 WINDOW GUARD
GARDE DE FENETRE**

Serial No. ;



DATE	SEP. 12, 2012
4th EDITION	

**Fig. 6300 WINDOW GUARD
GARDE DE FENETRE**

Serial No. ;

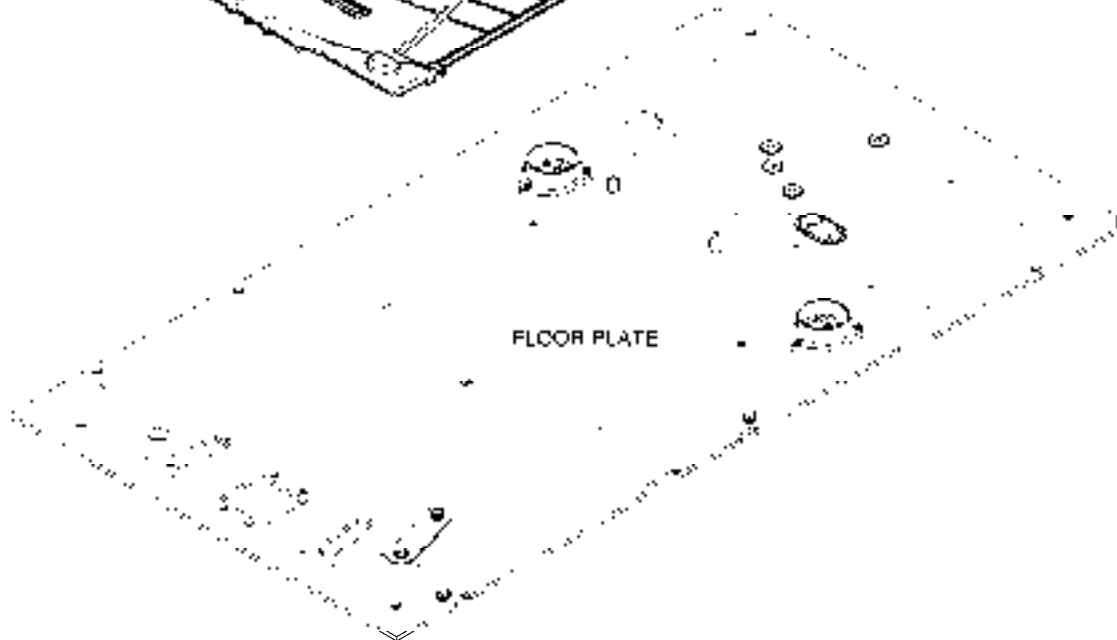
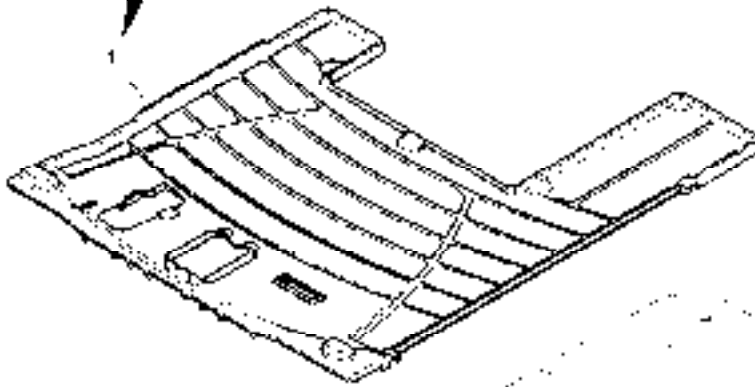
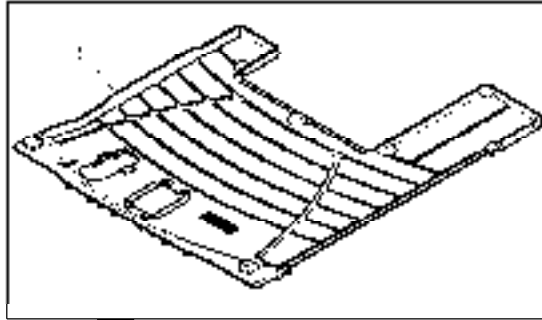
Key No.	Part No.	Description	Description	Q'ty	S.C	Serial No.	ICA	Replaceable part	
								Part No.	Q'ty
6300 --	K1002771	WINDOW GUARD	GARDE DE FENETRE	-	D				
1	K1002759A	GUARD;FRONT UPPER	GARDE	1					
2	623-00086	GUARD;FRONT LOWER	GARDE	1	D				
2-1	623-00085A	. GUARD;FRONT LOWER	. GARDE	1					
2-2	2114-1898D17	. WASHER M12	. RONDELLE	6					
2-3	2120-2166D27	. BOLT	. BOULON	6					
3	2114-1898D17	WASHER M12	RONDELLE	2					
4	2120-2166D27	BOLT	BOULON	2					

DATE	SEP. 12, 2012
4th EDITION	

Fig. 6310 FLOOR MAT - TWO WAY PLANCHER

Serial No. ;

Serial No. 6310 - 6341



DATE	SEP. 12, 2012
4th EDITION	

**Fig. 6310 FLOOR MAT - TWO WAY
PLANCHER**

Serial No. ;

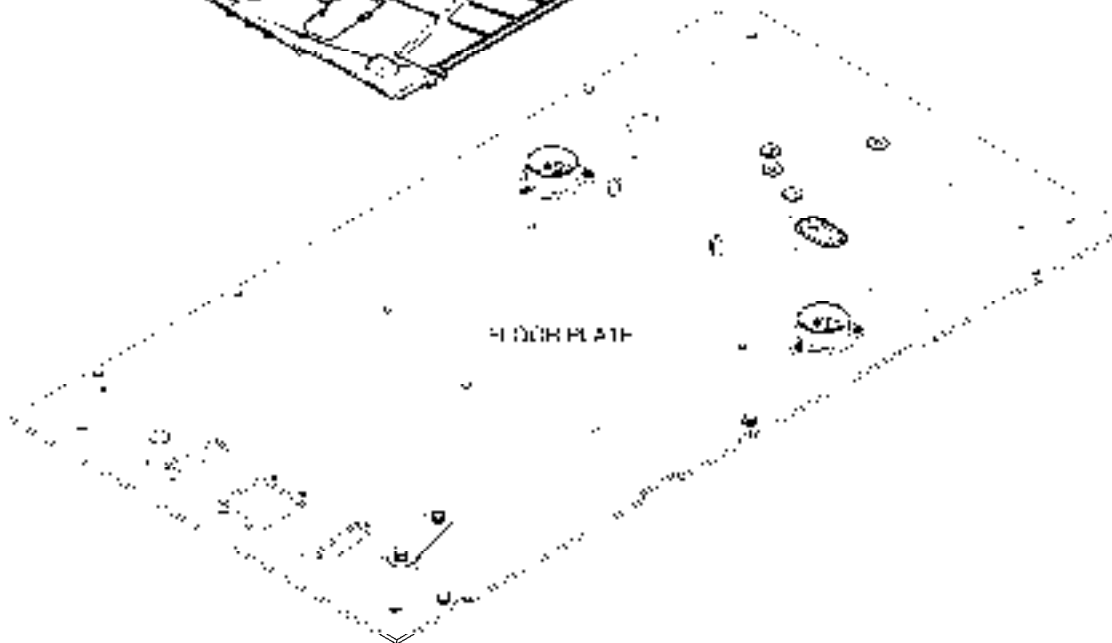
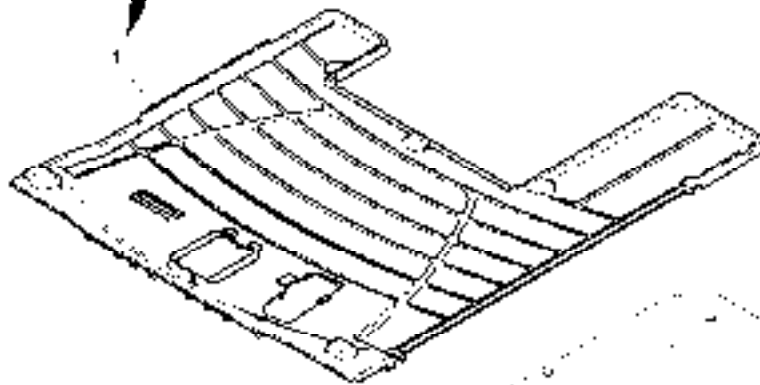
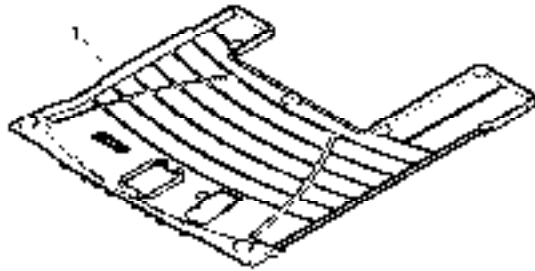
Key No.	Part No.	Description	Description	Q'ty	S.C	Serial No.	ICA	Replaceable part	
								Part No.	Q'ty
6310 -1	K1007092B	MAT;FLOOR	PLAQUE	1		5001-6341	I	110935-00083	1
	110935-00083	MAT;FLOOR	PLAQUE	1		6342-			

DATE	SEP. 12, 2012
4th EDITION	

**Fig. 6320 FLOOR MAT - ROTATING
PLANCHER**

Serial No. ;

590010 - 7001 - 6320



DATE	SEP. 12, 2012
4th EDITION	

**Fig. 6320 FLOOR MAT - ROTATING
PLANCHER**

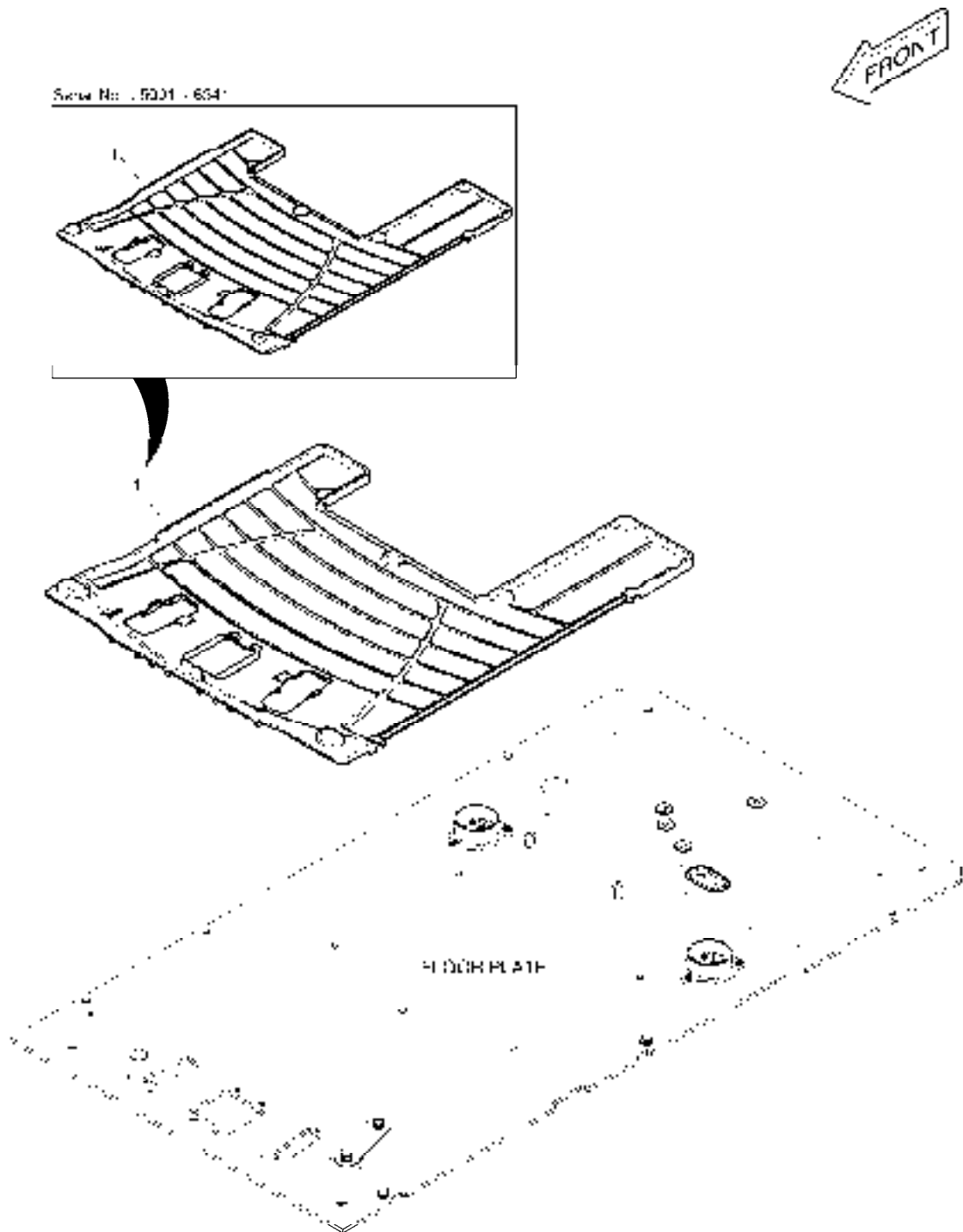
Serial No. ;

Key No.	Part No.	Description	Description	Q'ty	S.C	Serial No.	ICA	Replaceable part	
								Part No.	Q'ty
6320 -1	K1007093B	MAT;FLOOR	PLAQUE	1		5001-6341	I	110935-00084	1
	110935-00084	MAT;FLOOR	PLAQUE	1		6342-			

DATE	SEP. 12, 2012
4th EDITION	

**Fig. 6330 FLOOR MAT - TWO WAY & ROTATING
PLANCHER**

Serial No. ;



DATE	SEP. 12, 2012
4th EDITION	

**Fig. 6330 FLOOR MAT - TWO WAY & ROTATING
PLANCHER**

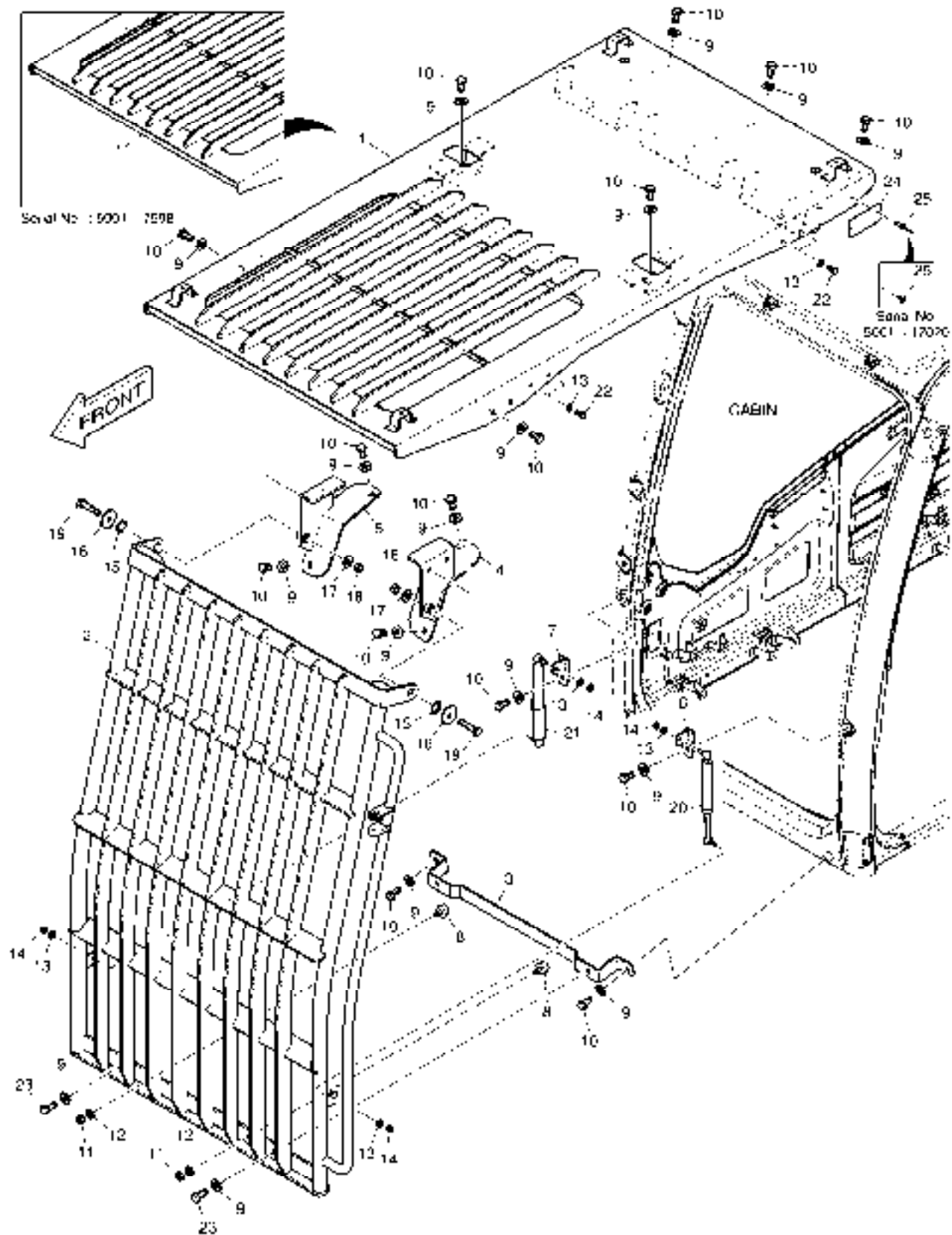
Serial No. ;

Key No.	Part No.	Description	Description	Q'ty	S.C	Serial No.	ICA	Replaceable part	
								Part No.	Q'ty
6330 -1	K1007094B	MAT;FLOOR	PLAQUE	1		5001-6341	I	110935-00085	1
	110935-00085	MAT;FLOOR	PLAQUE	1		6342-			

DATE	SEP. 12, 2012
4th EDITION	

Fig. 6340 FOGS GUARD ASS'Y
EMBRUME LA GARDE ASS'Y

Serial No. ;



DATE	SEP. 12, 2012
4th EDITION	

**Fig. 6340 FOGS GUARD ASS'Y
EMBRUME LA GARDE ASS'Y**

Serial No. ;

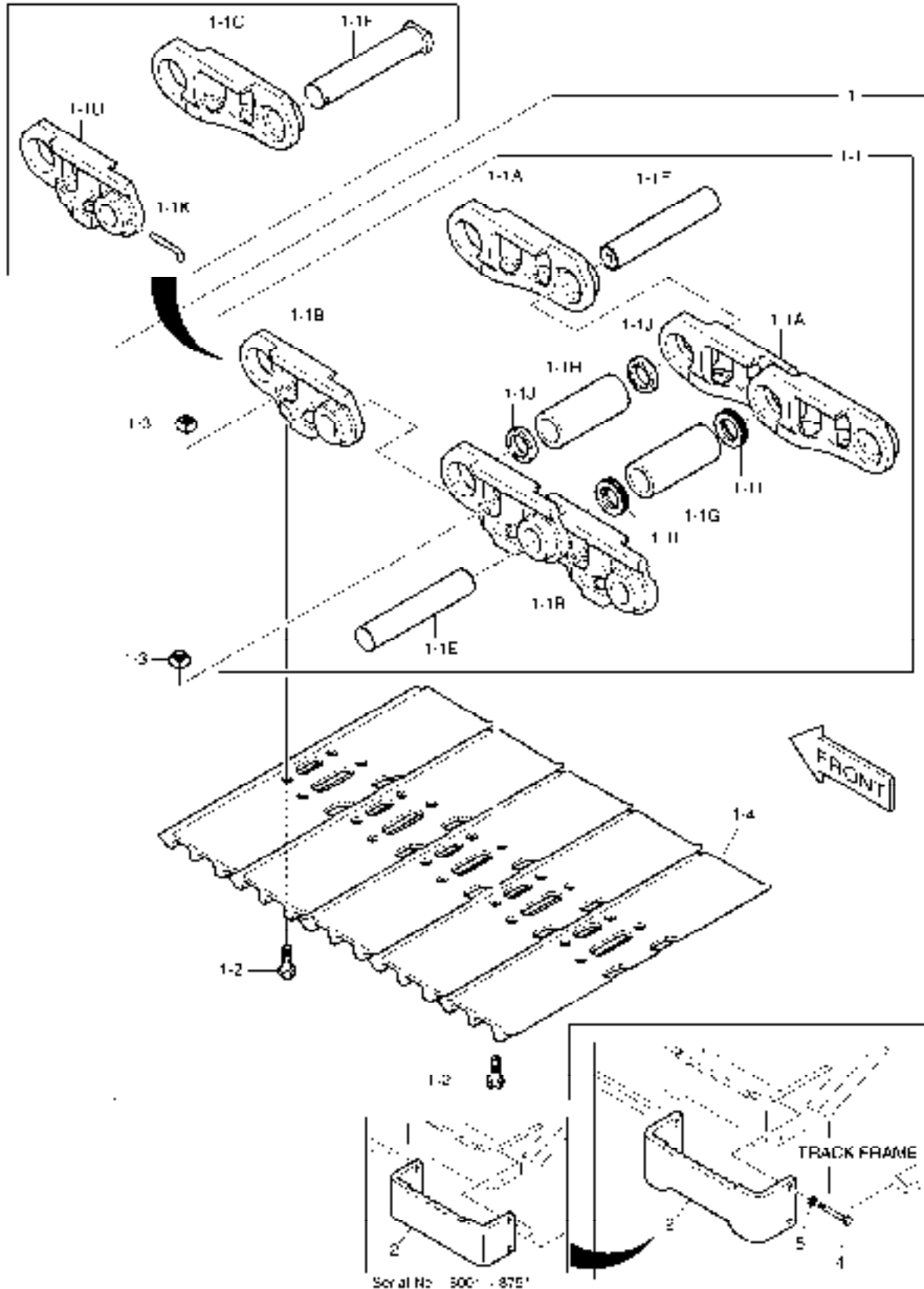
Key No.	Part No.	Description	Description	Q'ty	S.C	Serial No.	ICA	Replaceable part	
								Part No.	Q'ty
6340 --	K1002883A	FOGS GUARD ASS'Y	EMBRUME LA GARDE ASS'	-	D	5001-7598			
	110921-01181	GUARD ASSY;FOGS	EMBRUME LA GARDE ASS'	-	D	07599-12020			
	110921-01181A	GUARD ASSY;FOGS	EMBRUME LA GARDE ASS'	-	D	12021-			
1	K1002811A	GUARD;ROOF	GARDE	1		5001-7598	I	110921-01182	1
	110921-01182	GUARD;FOGS	GARDE	1		07599-12020	Y	110921-01182A	1
	110921-01182A	GUARD;FOGS	GARDE	1		12021-			
2	K1002846	GUARD;FRONT	GARDE	1		05001-12020	Y	220103-00574	1
	220103-00574	GUARD,FOGS(FRONT)	GARDE	1		12021-			
3	K1002842A	BRACKET	SUPPORT	1					
4	K1002838	BRACKET(L.H)	SUPPORT	1					
5	K1002839A	BRACKET(R.H)	SUPPORT	1					
6	K1002840	BRACKET(L.H)	SUPPORT	1					
7	K1002841	BRACKET(R.H)	SUPPORT	1					
8	161-00195	STOPPER	TAQUET	2					
9	2114-1898D17	WASHER M12	RONDELLE	19					
10	2120-2166D27	BOLT	BOULON	17					
11	2121-1311D4	NUT	ECROU	2					
12	2114-1898D1	WASHER	RONDELLE	2					
13	2114-1898D2	WASHER	RONDELLE	8					
14	2121-1311D2	NUT	ECROU	4					
15	2114-1058D31	WASHER	RONDELLE	2					
16	2114-1898D10	WASHER M12	RONDELLE	2					
17	2114-1898D6	WASHER;PLAIN	RONDELLE	2					
18	2121-1311D1	NUT	ECROU	2					
19	S0515766	BOLT M12X1.75X55	BOULON	2					
20	K1005823	CYLINDER;GAS	CYLINDRE	1					
21	K1005822	CYLINDER;GAS	CYLINDRE	1					
22	2120-2166D5	BOLT	BOULON	4					
23	2120-2166D32	BOLT	BOULON	2					
24	K1007231A	NAME;PLATE	PLAQUE D'IDENTIFICATION	1		05001-12020			
	950209-02452A	PLATE,NAME	PLAQUE D'IDENTIFICATION	1		12021-			
25	2120-2166D52	BOLT M6X1.0X12	BOULON	2		05001-12020			
	2122-1002D2	RIVET	RIVET	2		12021-			

DATE	SEP. 12, 2012
4th EDITION	

Fig. 6350 TRACK SHOE ASS'Y - 700G(DX225LCA)
MAILLON DE CHAÎNE

Serial No. ;

Serial No. 500' - 9367



DATE	SEP. 12, 2012
4th EDITION	

Fig. 6350 TRACK SHOE ASS'Y - 700G(DX225LCA)
MAILLON DE CHAINE

Serial No. ;

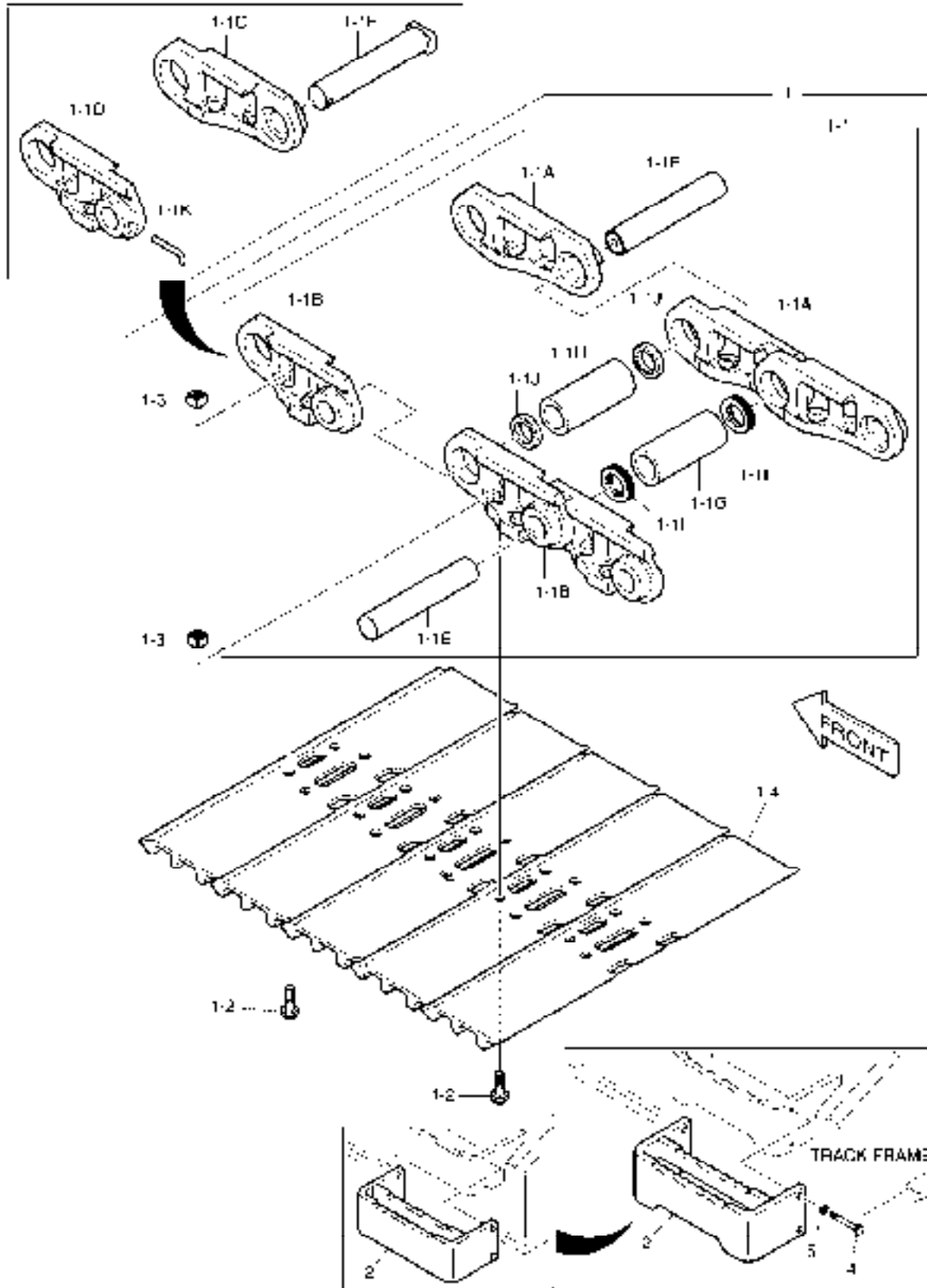
Key No.	Part No.	Description	Description	Q'ty	S.C	Serial No.	ICA	Replaceable part	
								Part No.	Q'ty
6350 --	K1045589A	TRACK SHOE ASS'Y	MAILLON DE CHAINE	-	D	5001-8751			
	200106-00317	SHOE ASSY,TRACK;700MM	MAILLON DE CHAINE	-	D	8752-			
1	K1045506	TRACK SHOE ASS'Y	MAILLON DE CHAINE	2		5001-9367	I	200106-00347	2
	200106-00347	SHOE ASSY,TRACK;700MM	MAILLON DE CHAINE	2		09368-11735	I	200106-00347A	2
	200106-00347A	SHOE ASSY,TRACK;700MM	MAILLON DE CHAINE	2		11736-			
1-1	K1038366	. TRACK LINK ASS'Y	. ENSEMBLE MAILLON DE C	1		5001-9367	I	200103-00102	1
	200103-00102	. TRACK LINK ASS'Y	. ENSEMBLE MAILLON DE C	1		09368-11735	Y	200103-00102A	1
	200103-00102A	. TRACK LINK ASS'Y	. ENSEMBLE MAILLON DE C	1		11736-			
1-1A	K1038367	.. LINK;TRACK(RH)	.. PIECE DE JONCTION	48		5001-9367			
	K1038367	.. LINK;TRACK(RH)	.. PIECE DE JONCTION	49		9368-			
1-1B	K1038368	.. LINK;TRACK(LH)	.. PIECE DE JONCTION	48		5001-9367			
	K1038368	.. LINK;TRACK(LH)	.. PIECE DE JONCTION	49		9368-			
1-1C	K1038429	.. LINK;MASTER(RH)	.. PIECE DE JONCTION	1		5001-9367			
1-1D	K1038430	.. LINK;MASTER(LH)	.. PIECE DE JONCTION	1		5001-9367			
1-1E	K1038369	.. PIN	.. GOUPILLE	48					
1-1F	K1038370	.. PIN;MASTER	.. GOUPILLE	1		5001-9367			
	120501-01370	.. PIN;MASTER	.. GOUPILLE	1		9368-			
1-1G	K1038371	.. BUSHING	.. DOUILLE	48					
1-1H	K1038372	.. BUSHING;MASTER	.. DOUILLE	1					
1-1I	K1038373	.. SEAL;DUST	.. CACHET	96					
1-1J	K1038374	.. SPACER	.. ENTRETOISE	2					
1-1K	K1038376	.. PIN;SMALL	.. GOUPILLE	1		5001-9367			
1-2	K1038377	. BOLT	. BOULON	196					
1-3	K1038378	. NUT	. ECROU	196					
1-4	K1045478	. SHOE 700mm	. SABOT	49					
2	K1050307	STEP	ETAPE	4		5001-8751	I	110955-00106	4
	110955-00106	STEP	ETAPE	4		08752-11451			
	110955-00106B	STEP	ETAPE	4		11452-			
4	S0558266	BOLT	BOULON	16		05001-11451			
	S0560466	BOLT M12X1.75X35	BOULON	16		11452-			
5	S5102603	WASHER,SPRING	RONDELLE	16		05001-11451			
	S5102703	WASHER;SPRING	RONDELLE	16		11452-			

DATE	SEP. 12, 2012
4th EDITION	

Fig. 6360 TRACK SHOE ASS'Y - 800G(DX225LCA)
MAILLON DE CHAÎNE

Serial No. ;

Serial No. 5001 - 9357



Serial No. 5001 - 9751

DATE	SEP. 12, 2012
4th EDITION	

Fig. 6360 TRACK SHOE ASS'Y - 800G(DX225LCA)
MAILLON DE CHAINE

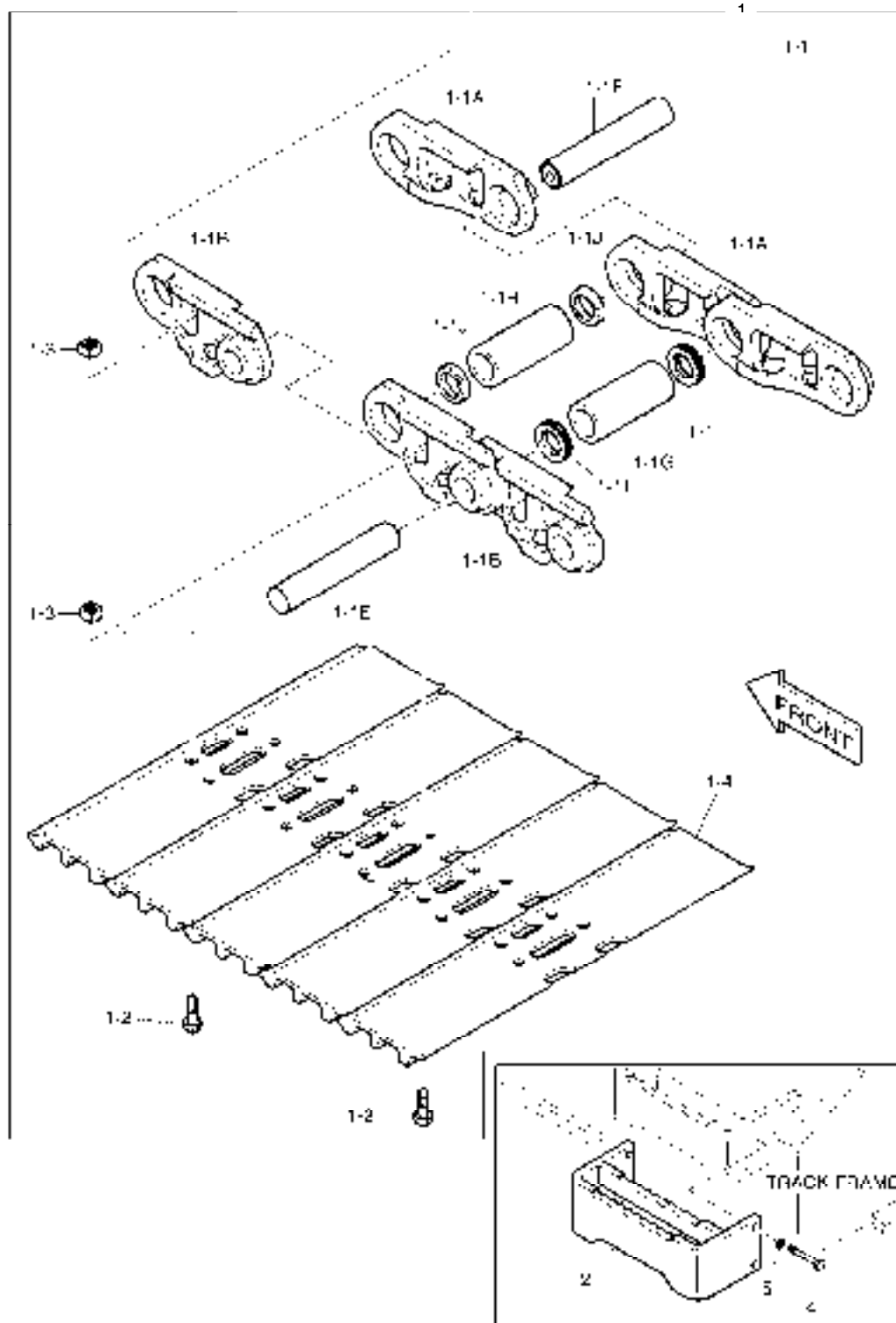
Serial No. ;

Key No.	Part No.	Description	Description	Q'ty	S.C	Serial No.	ICA	Replaceable part	
								Part No.	Q'ty
6360 --	K1045590A	TRACK SHOE ASS'Y	MAILLON DE CHAINE	-	D	5001-8751			
	200106-00318	SHOE ASSY,TRACK;800MM	MAILLON DE CHAINE	-	D	8752-			
1	K1045507	SHOE ASSY,TRACK;800MM	MAILLON DE CHAINE	2		5001-9367	I	200106-00348	2
	200106-00348	SHOE ASSY,TRACK;800MM	MAILLON DE CHAINE	2		09368-11735	Y	200106-00348A	2
	200106-00348A	SHOE ASSY,TRACK;800MM	MAILLON DE CHAINE	2		11736-			
1-1	K1038366	. TRACK LINK ASS'Y	. ENSEMBLE MAILLON DE C	1		5001-9367	I	200103-00102	1
	200103-00102	. TRACK LINK ASS'Y	. ENSEMBLE MAILLON DE C	1		09368-11735	Y	200103-00102A	1
	200103-00102A	. TRACK LINK ASS'Y	. ENSEMBLE MAILLON DE C	1		11736-			
1-1A	K1038367	.. LINK;TRACK(RH)	.. PIECE DE JONCTION	48		5001-9367			
	K1038367	.. LINK;TRACK(RH)	.. PIECE DE JONCTION	49		9368-			
1-1B	K1038368	.. LINK;TRACK(LH)	.. PIECE DE JONCTION	48		5001-9367			
	K1038368	.. LINK;TRACK(LH)	.. PIECE DE JONCTION	49		9368-			
1-1C	K1038429	.. LINK;MASTER(RH)	.. PIECE DE JONCTION	1		5001-9367			
1-1D	K1038430	.. LINK;MASTER(LH)	.. PIECE DE JONCTION	1		5001-9367			
1-1E	K1038369	.. PIN	.. GOUPILLE	48					
1-1F	K1038370	.. PIN;MASTER	.. GOUPILLE	1		5001-9367			
	120501-01370	.. PIN;MASTER	.. GOUPILLE	1		9368-			
1-1G	K1038371	.. BUSHING	.. DOUILLE	48					
1-1H	K1038372	.. BUSHING;MASTER	.. DOUILLE	1					
1-1I	K1038373	.. SEAL;DUST	.. CACHET	96					
1-1J	K1038374	.. SPACER	.. ENTRETOISE	2					
1-1K	K1038376	.. PIN;SMALL	.. GOUPILLE	1		5001-9367			
1-2	K1038377	. BOLT	. BOULON	196					
1-3	K1038378	. NUT	. ECROU	196					
1-4	K1045479	. SHOE 800mm	. SABOT	49					
2	K1050308	STEP	MARCHER	4		5001-8751	I	110955-00107	4
	110955-00107	STEP	MARCHER	4		08752-11451			
	110955-00107B	STEP	MARCHER	4		11452-			
4	S0558266	BOLT	BOULON	16		05001-11451			
	S0560466	BOLT M12X1.75X35	BOULON	16		11452-			
5	S5102603	WASHER,SPRING	RONDELLE	16		05001-11451			
	S5102703	WASHER;SPRING	RONDELLE	16		11452-			

DATE	SEP. 12, 2012
4th EDITION	

Fig. 6365 TRACK SHOE ASS'Y - 800G(DX220A)
MAILLON DE CHAÎNE

Serial No. ;



DATE	SEP. 12, 2012
4th EDITION	

Fig. 6365 TRACK SHOE ASS'Y - 800G(DX220A)
MAILLON DE CHAINE

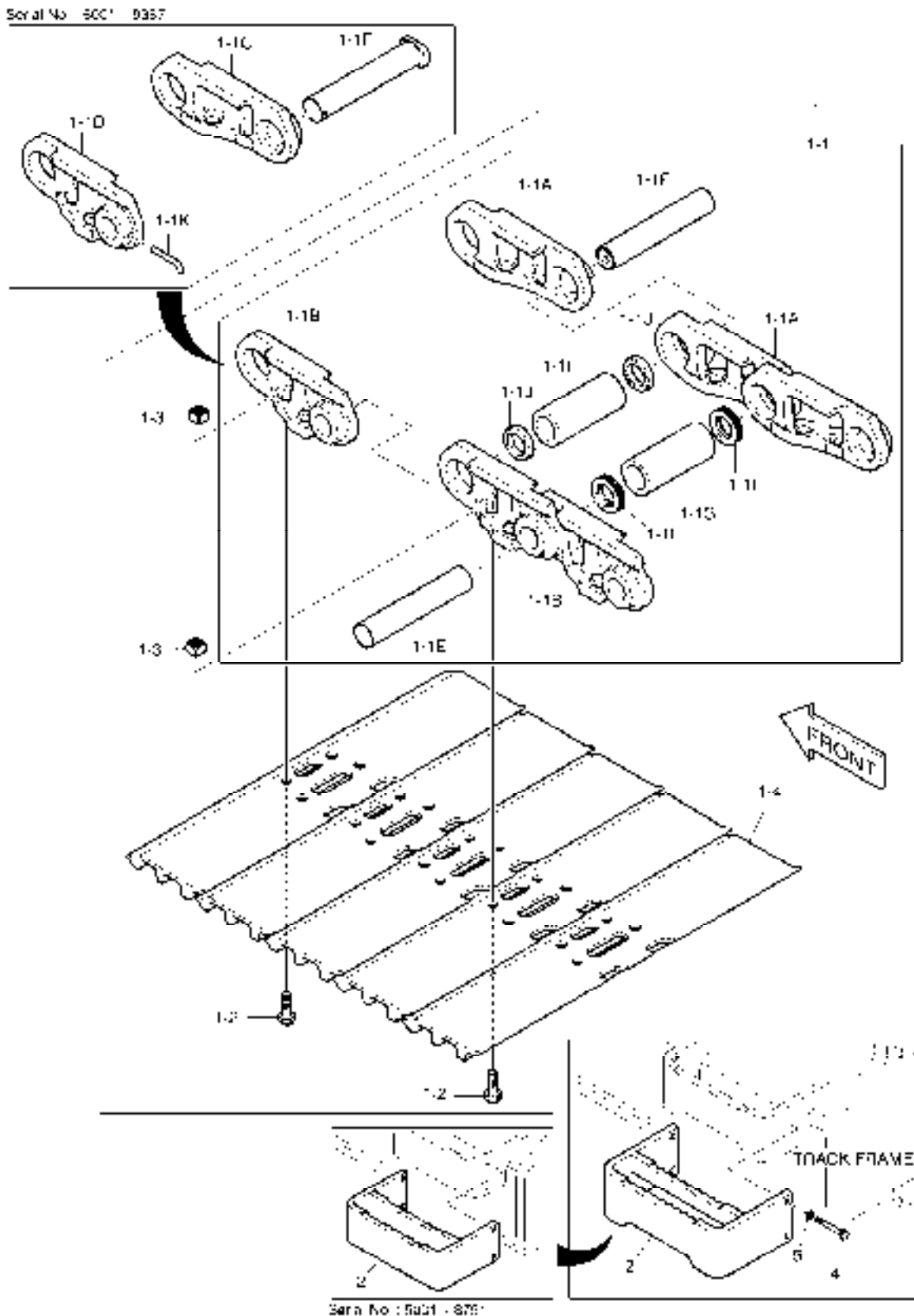
Serial No. ;

Key No.	Part No.	Description	Description	Q'ty	S.C	Serial No.	ICA	Replaceable part	
								Part No.	Q'ty
6365 --	200106-00440	TRACK SHOE ASS'Y	MAILLON DE CHAINE	-	D				
1	200106-00432	SHOE ASSY,TRACK;800MM	MAILLON DE CHAINE	2					
1-1	200103-00084A	. LINK ASSY,TRACK	. ENSEMBLE MAILLON DE C	1					
1-1A	101539-00136	.. LINK;(R.H)	.. LIEN	45					
1-1B	101539-00137	.. LINK;(L.H)	.. LIEN	45					
1-1E	2123-6060	.. PIN	.. GOUPILLE	44					
1-1F	120501-01341	.. PIN,LINK;MASTER	.. GOUPILLE	1					
1-1G	130702-00118	.. BUSHING	.. DOUILLE	44					
1-1H	130702-00119	.. BUSHING;MASTER	.. MANCHON	1					
1-1I	180-00441	.. SEAL;DUST	.. JOINT	88					
1-1J	2114-6035	.. SPACER	.. ENTERTOISE	2					
1-2	2120-6017	. BOLT	. BOULON A 6 PANS	180					
1-3	120312-00134	. NUT,TRACK SHOE;(M20)	. ECROU	180					
1-4	200106-00262D3	. SHOE,TRACK(800mm)	. SABOT	45					
2	110955-00107B	STEP	MARCHER	4					
4	S0560466	BOLT M12X1.75X35	BOULON	16					
5	S5102703	WASHER;SPRING	RONDELLE	16					

DATE	SEP. 12, 2012
4th EDITION	

Fig. 6370 TRACK SHOE ASS'Y - 900G(DX225LCA)
MAILLON DE CHAÎNE

Serial No. ;



DATE	SEP. 12, 2012
4th EDITION	

Fig. 6370 TRACK SHOE ASS'Y - 900G(DX225LCA)
MAILLON DE CHAINE

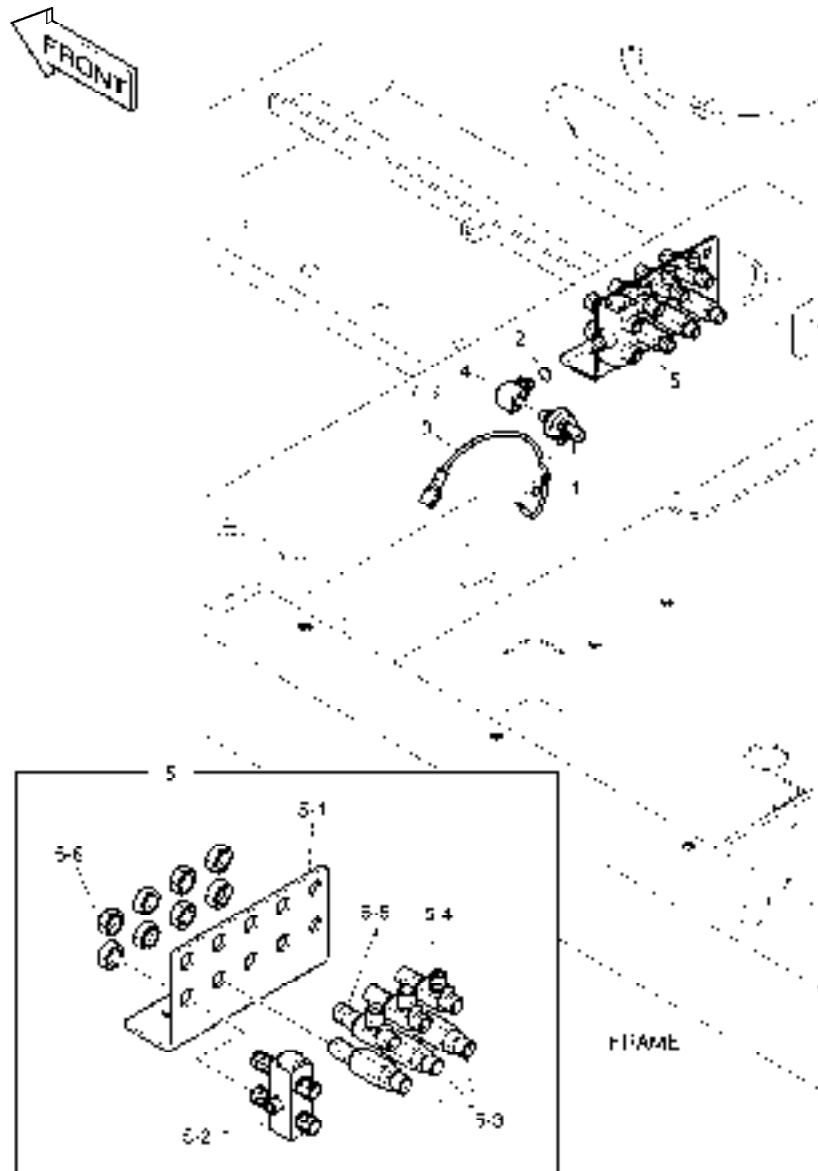
Serial No. ;

Key No.	Part No.	Description	Description	Q'ty	S.C	Serial No.	ICA	Replaceable part	
								Part No.	Q'ty
6370 --	K1045591A	TRACK SHOE ASS'Y	MAILLON DE CHAINE	-	D	5001-8751			
	200106-00319	SHOE ASSY,TRACK;900MM	MAILLON DE CHAINE	-	D	8752-			
1	K1045508	TRACK SHOE ASS'Y	MAILLON DE CHAINE	2		5001-9367	I	200106-00349	2
	200106-00349	SHOE ASSY,TRACK;900MM	MAILLON DE CHAINE	2		09368- 11735	I	200106-00349A	2
	200106-00349A	SHOE ASSY,TRACK;900MM	MAILLON DE CHAINE	2		11736-			
1-1	K1038366	. TRACK LINK ASS'Y	. ENSEMBLE MAILLON DE C	1		5001-9367	I	200103-00102	1
	200103-00102	. TRACK LINK ASS'Y	. ENSEMBLE MAILLON DE C	1		09368- 11735	Y	200103-00102A	1
	200103-00102A	. TRACK LINK ASS'Y	. ENSEMBLE MAILLON DE C	1		11736-			
1-1A	K1038367	.. LINK;TRACK(RH)	.. PIECE DE JONCTION	48		5001-9367			
	K1038367	.. LINK;TRACK(RH)	.. PIECE DE JONCTION	49		9368-			
1-1B	K1038368	.. LINK;TRACK(LH)	.. PIECE DE JONCTION	48		5001-9367			
	K1038368	.. LINK;TRACK(LH)	.. PIECE DE JONCTION	49		9368-			
1-1C	K1038429	.. LINK;MASTER(RH)	.. PIECE DE JONCTION	1		5001-9367			
1-1D	K1038430	.. LINK;MASTER(LH)	.. PIECE DE JONCTION	1		5001-9367			
1-1E	K1038369	.. PIN	.. GOUPILLE	48					
1-1F	K1038370	.. PIN;MASTER	.. GOUPILLE	1		5001-9367			
	120501-01370	.. PIN;MASTER	.. GOUPILLE	1		9368-			
1-1G	K1038371	.. BUSHING	.. DOUILLE	48					
1-1H	K1038372	.. BUSHING;MASTER	.. DOUILLE	1					
1-1I	K1038373	.. SEAL;DUST	.. CACHET	96					
1-1J	K1038374	.. SPACER	.. ENTRETOISE	2					
1-1K	K1038376	.. PIN;SMALL	.. GOUPILLE	1		5001-9367			
1-2	K1038377	. BOLT	. BOULON	196					
1-3	K1038378	. NUT	. ECROU	196					
1-4	K1045480	. SHOE 900mm	. SABOT	49					
2	K1050309	STEP	MARCHER	4		5001-8751	I	110955-00108	4
	110955-00108	STEP	MARCHER	4		8752-9751	I	110955-00108A	4
	110955-00108A	STEP	MARCHER	4		09752- 11451			
	110955-00108C	STEP	MARCHER	4		11452-			
4	S0558266	BOLT	BOULON	16		05001- 11451			
	S0560466	BOLT M12X1.75X35	BOULON	16		11452-			
5	S5102603	WASHER,SPRING	RONDELLE	16		05001- 11451			
	S5102703	WASHER;SPRING	RONDELLE	16		11452-			

DATE	SEP. 12, 2012
4th EDITION	

**Fig. 6380 SWING ALARM - NOT ONE OR TWO WAY
AVERTISSEUR**

Serial No. ;



DATE	SEP. 12, 2012
4th EDITION	

**Fig. 6380 SWING ALARM - NOT ONE OR TWO WAY
AVERTISSEUR**

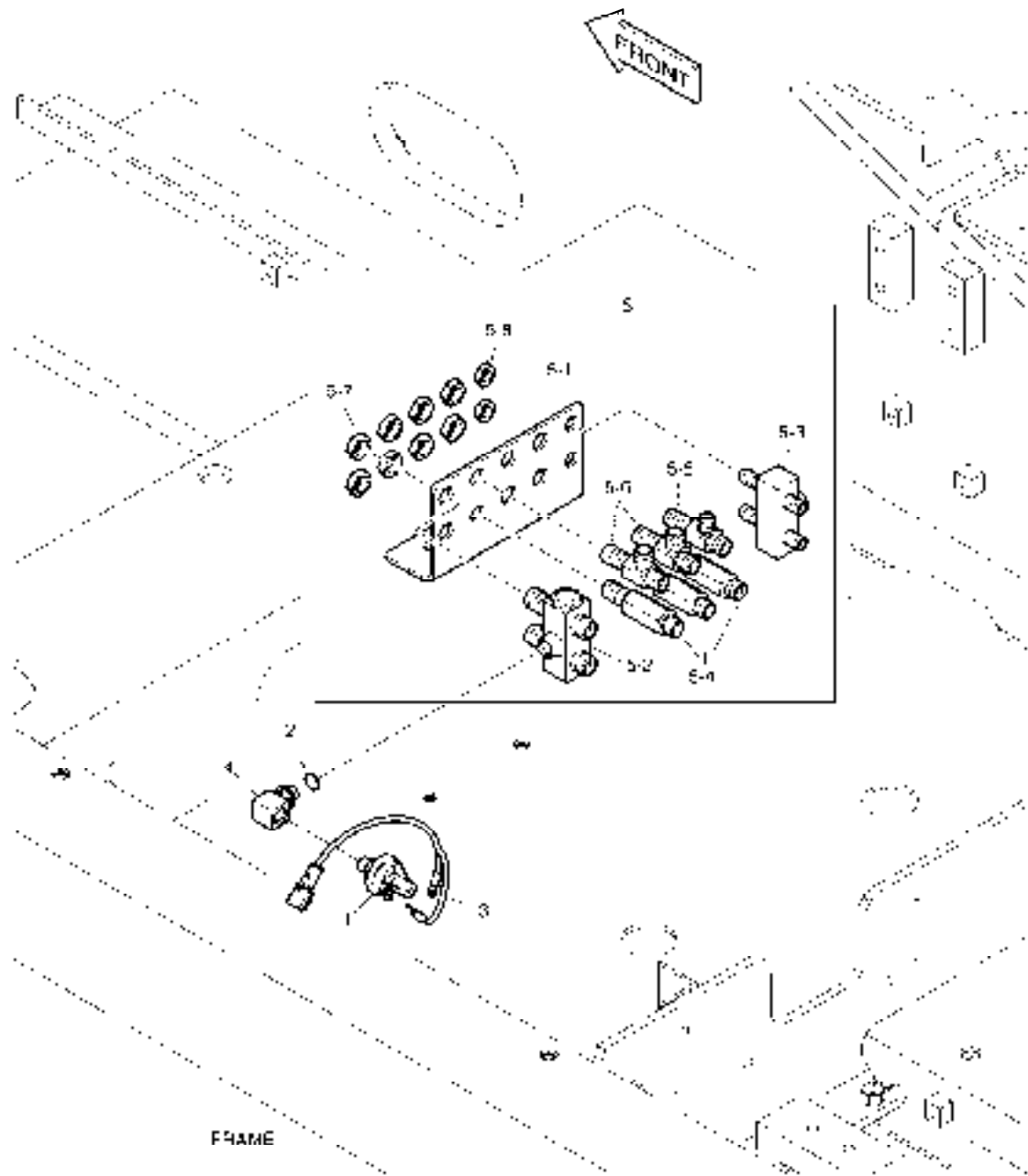
Serial No. ;

Key No.	Part No.	Description	Description	Q'ty	S.C	Serial No.	ICA	Replaceable part	
								Part No.	Q'ty
6380 --	K1044685	SWING ALARM	AVERTISSEUR	-	D	5001-5645			
	420212-00478	PIPING,PILOT;S/ALARM	AVERTISSEUR	-	D	5646-			
1	549-00010	SWITCH;PRESSURE	COMMUTATEUR	1					
2	S8000111	O-RING	JOINT TORIQUE	1					
3	530-00067	HARNESS	HARNAIS	1					
4	2181-2295D4	ELBOW	COUDE	1		5001-5645			
	K1002778	ELBOW PF1/4-UNF1/2-20	COUDE	1		5646-			
5	K1044409	JOINT PLATE;SUB ASS'Y	SUPPORT	1		5001-5645	Y	430216-00005	1
	430216-00005	JOINT PLATE SUB ASS'Y	SOUS-MARIN COMMUN AS	1		5646-			
5-1	K1000354	. BRACKET;JOINT	. SUPPORT	1					
5-2	420-00282	. VALVE;SHUTTLE	. VANNE	1					
5-3	DS2410009	. ADAPTER	. ADAPTEUR	3					
5-4	181-00086D1	. TEE	. TE	1					
5-5	181-00086D2	. TEE	. TE	2					
5-6	121-00010D1	. NUT	. ECROU	8					

DATE	SEP. 12, 2012
4th EDITION	

**Fig. 6390 SWING ALARM - ONE OR TWO WAY
AVERTISSEUR**

Serial No. ;



DATE	SEP. 12, 2012
4th EDITION	

Fig. 6390 SWING ALARM - ONE OR TWO WAY AVERTISSEUR

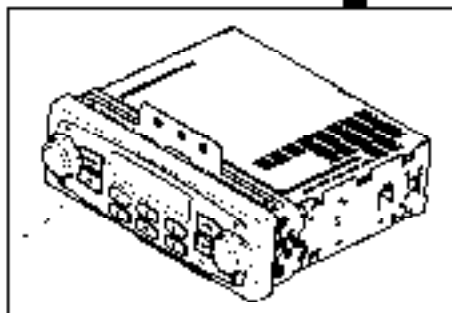
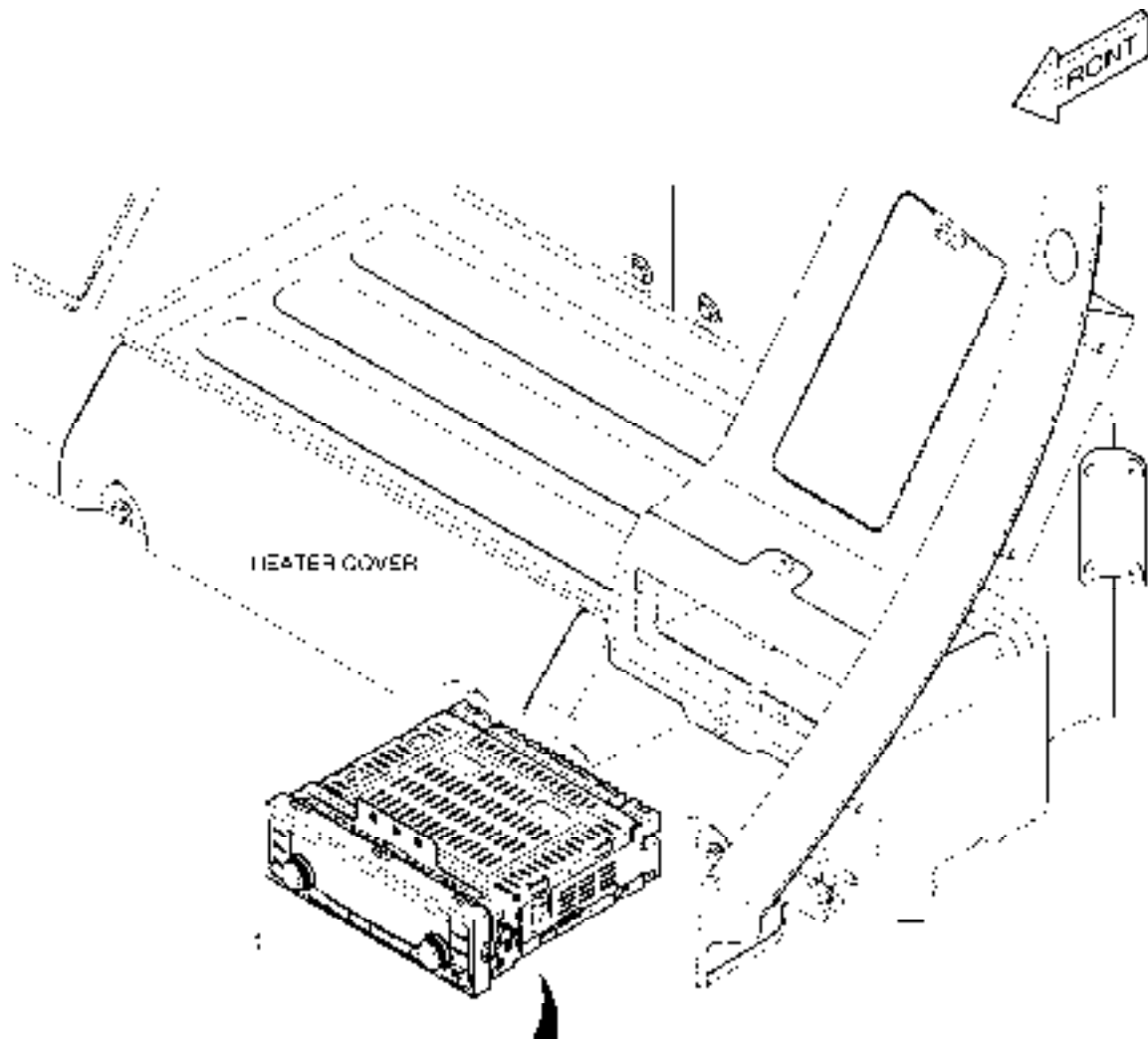
Serial No. ;

Key No.	Part No.	Description	Description	Q'ty	S.C	Serial No.	ICA	Replaceable part	
								Part No.	Q'ty
6390 --	K1044995	PILOT PIPING;SWING ALARM	CONDUITES DE PILOTE	-	D	5001-5589			
	420212-00266	PIPING,PILOT;ONE OR TWO WAY	CONDUITES DE PILOTE	-	D	5590-			
1	549-00010	SWITCH;PRESSURE	COMMUTATEUR	1					
2	S8000111	O-RING	JOINT TORIQUE	1					
3	530-00067	HARNESS	HARNAIS	1					
4	K1002778	ELBOW PF1/4-UNF1/2-20	COUDE	1					
5	K1044993	PILOT JOINT PLATE;SUB ASS'Y	PLAT COMMUN PILOTE	1		5001-5645	Y	430216-00007	1
	430216-00007	JOINT PLATE SUB ASS'Y	SOUS-MARIN COMMUN AS	1		5646-			
5-1	K1000354	. BRACKET;JOINT	. SUPPORT	1					
5-2	420-00282	. VALVE;SHUTTLE	. VANNE	1					
5-3	420-00476	. VALVE;SHUTTLE	. VANNE	1					
5-4	DS2410009	. ADAPTER	. ADAPTEUR	3					
5-5	181-00086D1	. TEE	. TE	1					
5-6	181-00086D2	. TEE	. TE	2					
5-7	121-00010D1	. NUT	. ECROU	8					
5-8	121-00010D7	. NUT	. ECROU	2					

DATE	SEP. 12, 2012
4th EDITION	

**Fig. 6400 RADIO
RADIO**

Serial No. ;



Radio No. 5001 - 7754

DATE	SEP. 12, 2012
4th EDITION	

Fig. 6400 RADIO RADIO

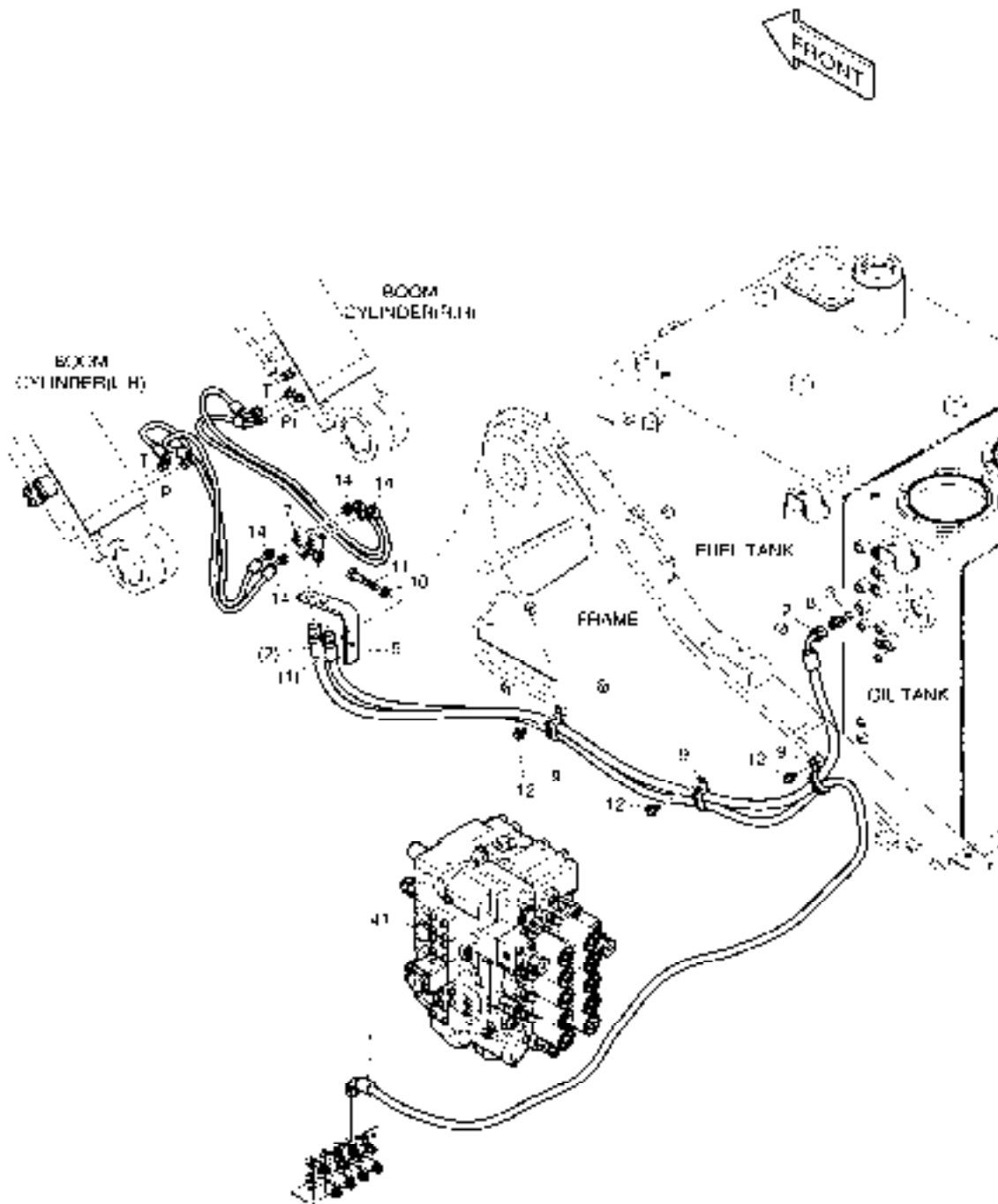
Serial No. ;

Key No.	Part No.	Description	Description	Q'ty	S.C	Serial No.	ICA	Replaceable part	
								Part No.	Q'ty
6400 --	K1033652	RADIO;STEREO	RADIO	-	D	5001-7754			
	300654-00039	STEREO,CAR;RADIO,24V(USB)	RADIO	-	D	7755-			
1	K1033644	RADIO;STEREO(12V)	RADIO	1		5001-7754			
	300654-00037	RADIO(24V)	RADIO	1		7755-			

DATE	SEP. 12, 2012
4th EDITION	

Fig. 6410 LOCK VALVE PIPING - BOOM
CONDUITES DE VERROU VANNE

Serial No. ;



DATE	SEP. 12, 2012
4th EDITION	

Fig. 6410 LOCK VALVE PIPING - BOOM
CONDUITES DE VERROU VANNE

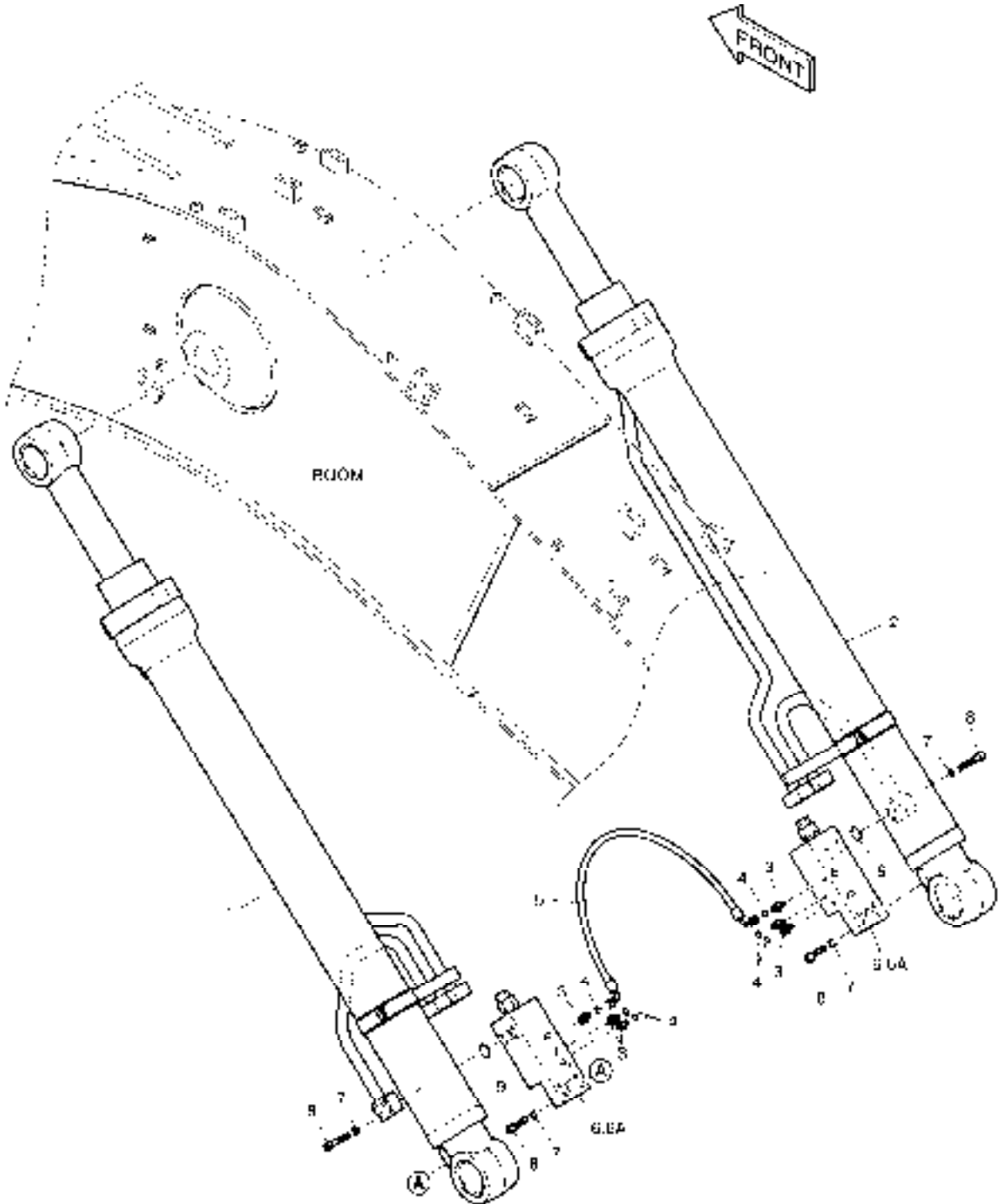
Serial No. ;

Key No.	Part No.	Description	Description	Q'ty	S.C	Serial No.	ICA	Replaceable part	
								Part No.	Q'ty
6410 --	K1044690	LOCK VALVE PIPING;BOOM	FERMEZ LA TUYAUTERIE A	-	D				
1	DS2093438	HOSE	TUYAU FLEXIBLE	1					
2	DS2093104	HOSE	TUYAU FLEXIBLE	1					
3	S8000141	O-RING	JOINT TORIQUE	1					
5	K1000140A	PLATE	PLAQUE	1					
7	181-00008	TEE	TE	2					
8	2181-1126D7	ADAPTER	ADAPTEUR	1					
9	124-00209D1	CLIP	AGRAFE	3					
10	S5102703	WASHER;SPRING	RONDELLE	1					
11	S0561066	BOLT M12X1.75X65	BOULON A 6 PANS	1					
12	K1001029	BOLT	BOULON	3					
14	DS2090009	HOSE	TUYAU	4					
41	K1044591	VALVE;CONTROL	VANNE	1					

DATE	SEP. 12, 2012
4th EDITION	

Fig. 6420 BOOM PIPING - LOCK VALVE
DONDUTER DE FLECHE

Serial No. ;



DATE	SEP. 12, 2012
4th EDITION	

Fig. 6420 BOOM PIPING - LOCK VALVE
DONDUITER DE FLECHE

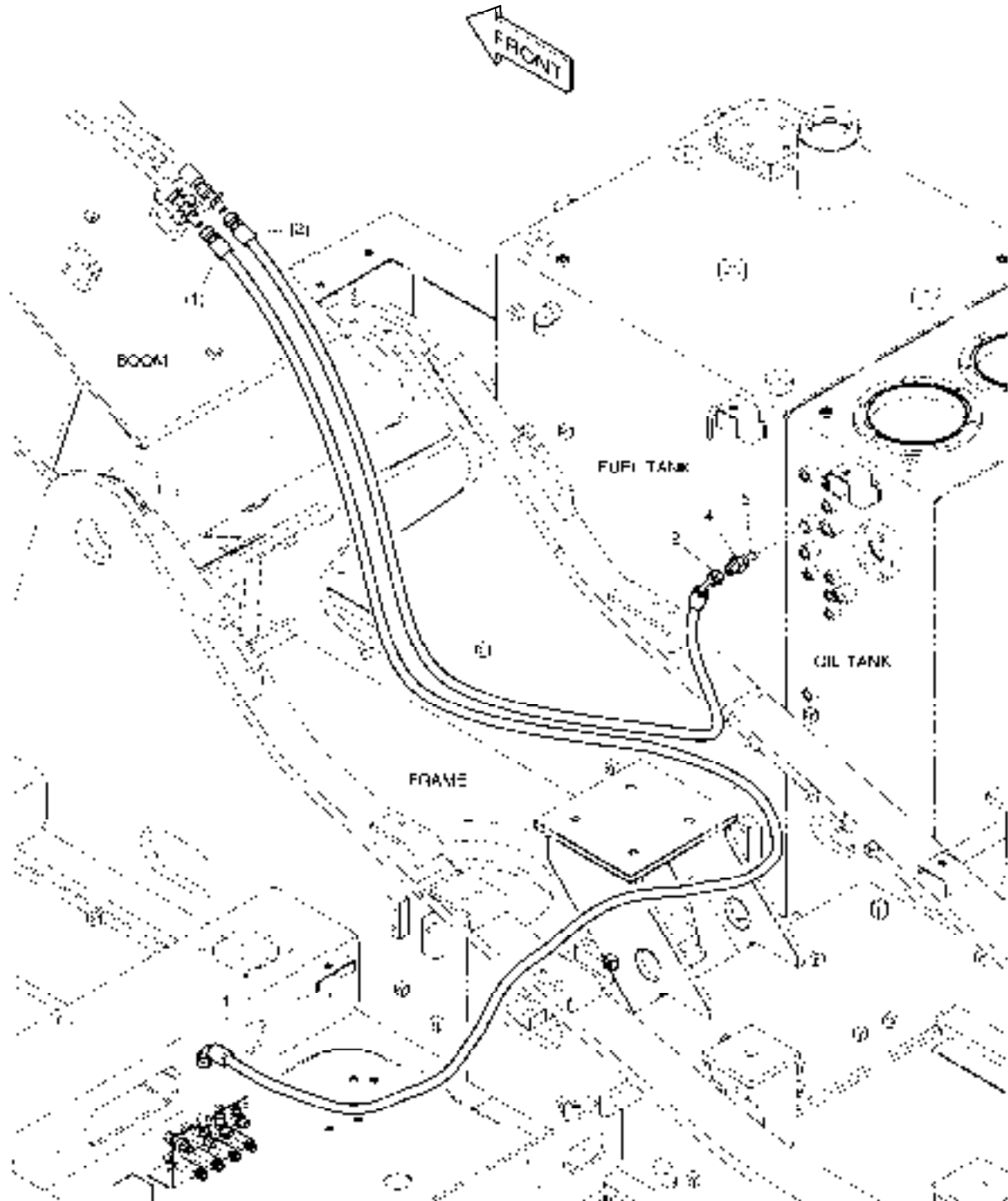
Serial No. ;

Key No.	Part No.	Description	Description	Q'ty	S.C	Serial No.	ICA	Replaceable part	
								Part No.	Q'ty
6420 --	K1041838B	BOOM LOCK V/V PIPING(5.7M)	CONDUITES DE PILOTE	-	D				
1	K1041220B	CYLINDER;BOOM(L.H)	VERIN DE FLECHE	1		5001-9957	Y	400309-00345	1
	400309-00345	CYLINDER;BOOM(L.H)	VERIN DE FLECHE	1		09958- 11554	Y	400309-00345A	1
	400309-00345A	CYLINDER;BOOM(L.H)	VERIN DE FLECHE	1		11555-			
2	K1041221B	CYLINDER;BOOM(R.H)	VERIN DE FLECHE	1		5001-9957	Y	400309-00347	1
	400309-00347	CYLINDER;BOOM (R.H)	VERIN DE FLECHE	1		09958- 11554	Y	400309-00347A	1
	400309-00347A	CYLINDER;BOOM (R.H)	VERIN DE FLECHE	1		11555-			
3	2181-1126D14	ADAPTER	ADAPTEUR	6					
4	S8000111	O-RING	JOINT TORIQUE	6					
5	DS2059383	HOSE PF1/4-800L	TUYAU	1					
6	420-00226	VALVE;LOCK	VALVE	2					
6A	K9000998	. SEAL KIT	. KIT DE JOINT	1					
7	S5110603	WASHER;SPRING	RONDELLE	16					
8	S2212766	BOLT;SOCKET M10X1.5X55	BOULON	16					
9	S8000281	O-RING	JOINT TORIQUE	2					

DATE	SEP. 12, 2012
4th EDITION	

Fig. 6430 PILOT PIPING - ARM LOCK V/V
CONDUITES DE PILOTE

Serial No. ;



DATE	SEP. 12, 2012
4th EDITION	

Fig. 6430 PILOT PIPING - ARM LOCK V/V
CONDUITES DE PILOTE

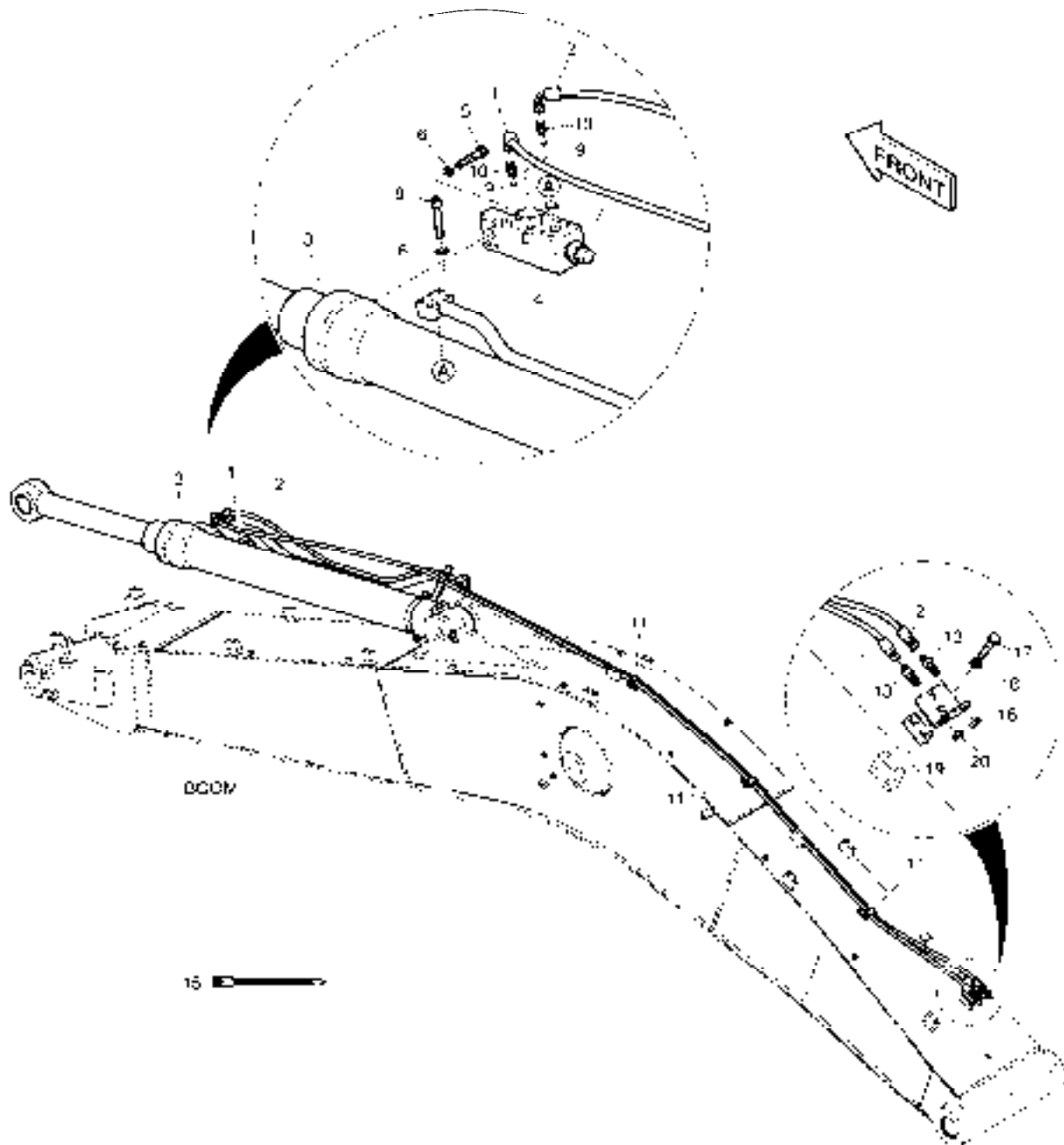
Serial No. ;

Key No.	Part No.	Description	Description	Q'ty	S.C	Serial No.	ICA	Replaceable part	
								Part No.	Q'ty
6430 --	K1044691	LOCK VALVE PIPING;ARM	FERMEZ LA TUYAUTERIE A	-	D				
1	DS2093240	HOSE	TUYAU FLEXIBLE	1					
2	DS2093196	HOSE	TUYAU	1					
4	2181-1126D7	ADAPTER	ADAPTEUR	1					
5	S8000141	O-RING	JOINT TORIQUE	1					

DATE	SEP. 12, 2012
4th EDITION	

Fig. 6440 ARM PIPING - LOCK VALVE
CONDUITES DE BALANCIER

Serial No. ;



DATE	SEP. 12, 2012
4th EDITION	

**Fig. 6440 ARM PIPING - LOCK VALVE
CONDUITES DE BALANCIER**

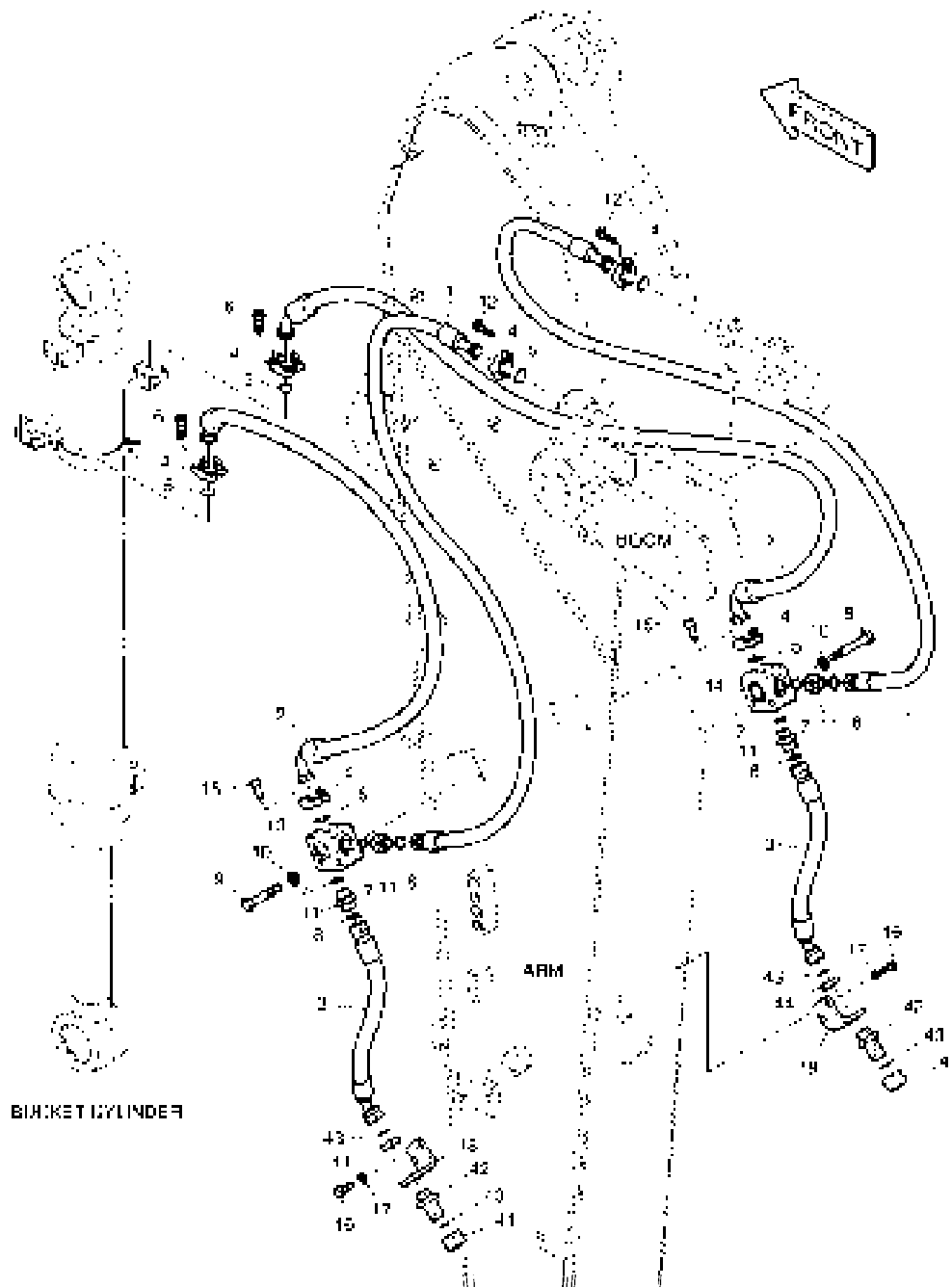
Serial No. ;

Key No.	Part No.	Description	Description	Q'ty	S.C	Serial No.	ICA	Replaceable part	
								Part No.	Q'ty
6440 --	K1041839A	ARM PIPING;LOCK V/V	CONDUITES DE BALANCIER	-	D				
1	DS2055666	HOSE	TUYAU	1					
2	DS2055666	HOSE	TUYAU	1					
3	K1041222A	CYLINDER;ARM(LOCK V/V)	CYLINDRE	1		05001-11735	Y	400305-00220	1
	400305-00220	CYLINDER;ARM(LOCK V/V)	CYLINDRE	1		11736-			
4	420-00004A	VALVE;LOCK	VANNE	1		05001-12020			
	410114-00154	VALVE;LOCK	VANNE	1		12021-			
4A	K9000999	. SEAL KIT	. KIT DE JOINT	1		05001-12020			
	401107-01315	. SEAL KIT	. KIT DE JOINT	1		12021-			
5	S2215766	BOLT;SOCKET M12X55	BOULON	4					
6	S5110703	WASHER;SPRING	RONDELLE	8					
7	S8000341	O-RING	JOINT CIRCULAIRE	1					
8	S2215966	BOLT;SOCKET	BOULON	8					
9	S8000111	O-RING	JOINT TORIQUE	2					
10	2181-1126D85	ADAPTER	ADAPTEUR	2					
11	DS2805009	CLIP	AGRAFE	4					
13	181-00078D1	ADAPTER	ADAPTEUR	2					
15	2124-1084D2	CLIP;BAND	AGRAFE	30					
16	195-00163	BRACKET	SUPPORT	1					
17	S0563366	BOLT	BOULON	2					
18	S5102803	WASHER;SPRING	RONDELLE	2					
19	K1004006	PLATE	PLAQUE	1					
20	121-00010D1	NUT	ECROU	2					

DATE	SEP. 12, 2012
4th EDITION	

Fig. 6450 ARM PIPING - ARM 2.9m(CLAMSHELL)
CONDUITES DE BALANCIER

Serial No. ;



DATE	SEP. 12, 2012
4th EDITION	

**Fig. 6450 ARM PIPING - ARM 2.9m(CLAMSHELL)
CONDUITES DE BALANCIER**

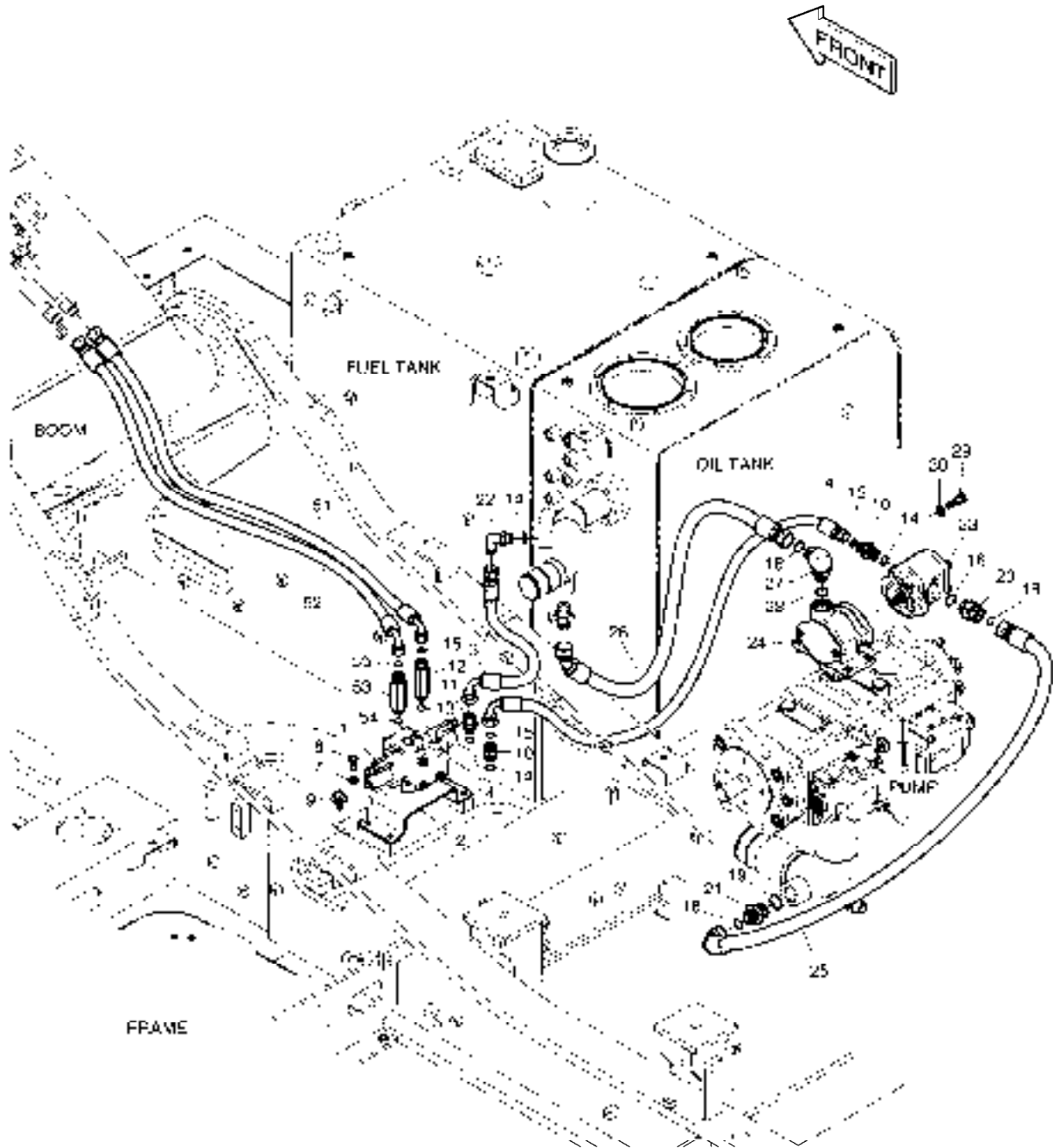
Serial No. ;

Key No.	Part No.	Description	Description	Q'ty	S.C	Serial No.	ICA	Replaceable part	
								Part No.	Q'ty
6450 --	K1041937A	ARM PIPING-CLAMSHELL	TUYAUTERIE DU BRAS	-	D				
1	DS2016092	HOSE	TUYAU	2					
2	DS2043128	HOSE	TUYAU	2					
3	DS2012518	HOSE	TUYAU	2					
4	2181-9079	FLANGE	BRIDE	12					
5	2180-1026D2	O-RING	JOINT CIRCULAIRE	6					
6	S2212266	BOLT;SOCKET M10X1.5X30	BOULON A 6 PANS CREUX	8					
7	S8030121	O-RING	JOINT CIRCULAIRE	4					
8	S8000231	O-RING	JOINT CIRCULAIRE	4					
9	S0563466	BOLT	BOULON	4					
10	S5102803	WASHER;SPRING	RONDELLE	4					
11	2181-4133D5	ADAPTER	ADAPTEUR	4					
12	S2212366	BOLT;SOCKET M10X1.5X35	BOULON	8					
13	K1002939	VALVE;SWITCH(L.H)	VALVE	1					
14	K1002940	VALVE;SWITCH(R.H)	VALVE	1					
15	S2212066	BOLT;SOCKET M10X1.5X25	BOULON	8					
16	S0512066	BOLT M10X1.5X25	BOULON	4					
17	S5102603	WASHER,SPRING	RONDELLE	4					
18	K1014759	BRACKET	SUPPORT	1					
19	K1015093	BRACKET	SUPPORT	1					
41	2181-2817D1	CAP	CHAPEAU	2					
42	DS2415007	ADAPTER	ADAPTEUR	2					
43	S8030121	O-RING	JOINT CIRCULAIRE	4					
44	121-00010D8	NUT	ECROU	2					

DATE	SEP. 12, 2012
4th EDITION	

**Fig. 6460 MAIN PIPING-ROTATION
CONDUITES DE BATI PRINCIPAL**

Serial No. ;



DATE	SEP. 12, 2012
4th EDITION	

**Fig. 6460 MAIN PIPING-ROTATION
CONDUITES DE BATI PRINCIPAL**

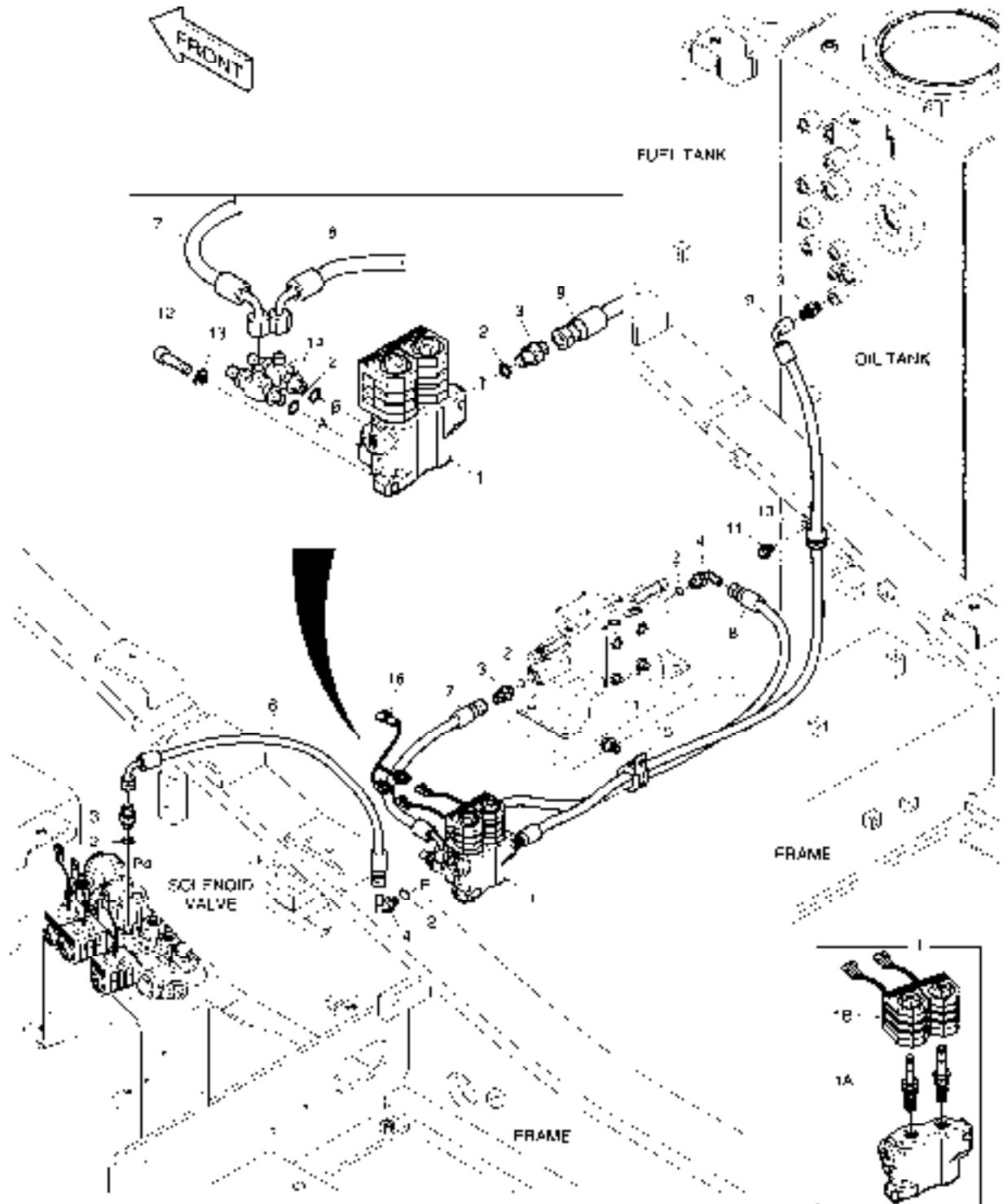
Serial No. ;

Key No.	Part No.	Description	Description	Q'ty	S.C	Serial No.	ICA	Replaceable part	
								Part No.	Q'ty
6460 --	K1027501	MAIN PIPING;ROTATING	CIRCUIT HYDRAULIQUE PR	-	D				
1	426-00284B	VALVE;ONE SPOOL	VANNE	1					
2	K1000352A	BRACKET	PARENTHÈSE	1					
3	DS2055292	HOSE	TUYAU	1					
4	DS2013517	HOSE	TUYAU FLEXIBLE	1					
7	S5102503	WASHER,SPRING	RONDELLE	3					
8	S0508966	BOLT	BOULON	3					
9	DS0025017	BOLT	BOULON	4					
10	2181-4133D3	ADAPTER	ADAPTEUR	2					
11	2181-1126D6	ADAPTER	ADAPTEUR	1					
12	DS2232108	ADAPTER	ADAPTEUR	1					
13	S8000141	O-RING	JOINT TORIQUE	1					
14	S8000181	O-RING	JOINT CIRCULAIRE	4					
15	S8030081	O-RING	JOINT CIRCULAIRE	3					
16	S8000231	O-RING	JOINT CIRCULAIRE	1					
18	S8030121	O-RING	JOINT CIRCULAIRE	3					
19	S8000291	O-RING	JOINT CIRCULAIRE	1					
20	2181-2627D1	ADAPTER	ADAPTEUR	1					
21	2181-4133D12	ADAPTER	ADAPTEUR	1					
22	2181-1702D2	ELBOW	COUDE	1					
23	K1000410	GEAR PUMP	POMPE A ENGRENAGES	1					
24	K1001252B	PTO ASS'Y	PTO ASS'Y	1					
25	2184-1197D31	HOSE	TUYAU FLEXIBLE	1					
26	DS2012392	HOSE	TUYAU FLEXIBLE	1					
27	2181-2294D2	ELBOW	COUDE	1					
28	S8000241	O-RING	JOINT CIRCULAIRE	1					
29	S2212266	BOLT;SOCKET M10X1.5X30	BOULON A 6 PANS CREUX	2					
30	S5102603	WASHER,SPRING	RONDELLE	2					
51	DS2013672	HOSE	TUYAU	1					
52	DS2013672	HOSE	TUYAU	1					
53	DS2232108	ADAPTER	ADAPTEUR	1					
54	S8000141	O-RING	JOINT TORIQUE	1					
55	S8030081	O-RING	JOINT CIRCULAIRE	1					

DATE	SEP. 12, 2012
4th EDITION	

**Fig. 6470 PILOT PIPING(1) - ROTATING
CONDUITES DE PILOTE**

Serial No. ;



DATE	SEP. 12, 2012
4th EDITION	

**Fig. 6470 PILOT PIPING(1) - ROTATING
CONDUITES DE PILOTE**

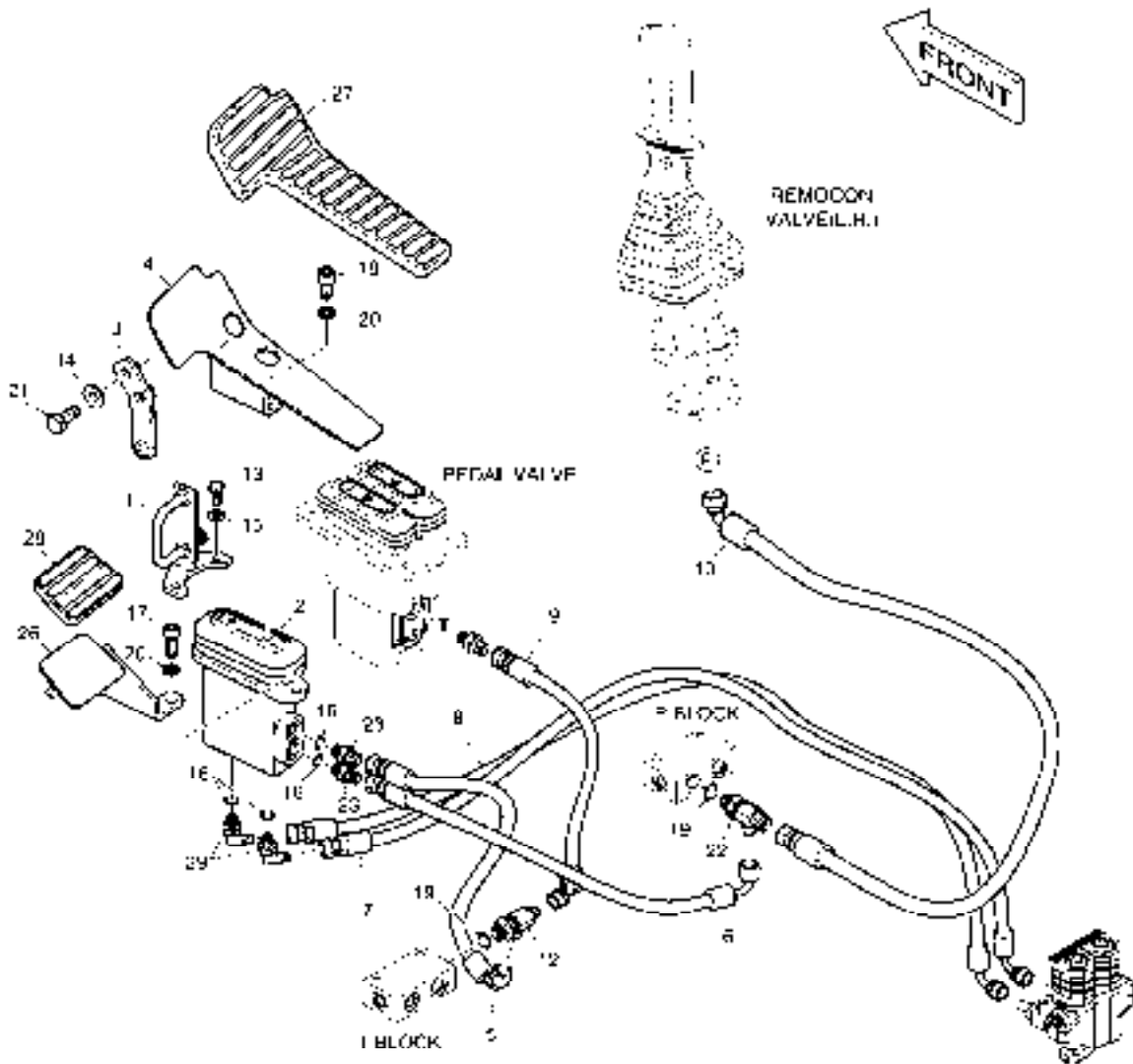
Serial No. ;

Key No.	Part No.	Description	Description	Q'ty	S.C	Serial No.	ICA	Replaceable part	
								Part No.	Q'ty
6470 --	K1044684	PILOT PIPING;ROTATING	CONDUITES DE PILOTE	-	D				
1	426-00247B	VALVE;SOLENOID	SOUPAPE A SOLENOIDE	1					
1A	K9007363	. SPOOL;SOLENOID	. PLUNGEUR	2					
1B	1.519-00001	. COIL 24V	. ENROULEMENT	2					
2	S8000111	O-RING	JOINT TORIQUE	7					
3	2181-1126D14	ADAPTER	ADAPTEUR	4					
4	2181-1702D4	ELBOW	COUDE	2					
6	DS2093040	HOSE	TUYAU FLEXIBLE	1					
7	DS2093027	HOSE PF1/4-500L	TUYAU FLEXIBLE	1					
8	DS2093074	HOSE	TUYAU FLEXIBLE	1					
9	DS2093201	HOSE	TUYAU	1					
10	124-00208D2	CLIP	AGRAFE	1					
11	K1001029	BOLT	BOULON	2					
12	S2209266	BOLT;SOCKET M8X1.25X30	BOULON A 6 PANS CREUX	2					
13	S5110503	WASHER;SPRING	RONDELLE	2					
14	181-00779	TEE;SHUTTLE	TE	2					
15	124-00208D4	CLIP	ATTACHE	1					
16	K1000817	HARNESS	FAISCEAU	1					

DATE	SEP. 12, 2012
4th EDITION	

Fig. 6480 PILOT PIPING(2) - ROTATING
CONDUITES DE PILOTE

Serial No. ;



DATE	SEP. 12, 2012
4th EDITION	

Fig. 6480 PILOT PIPING(2) - ROTATING CONDUITES DE PILOTE

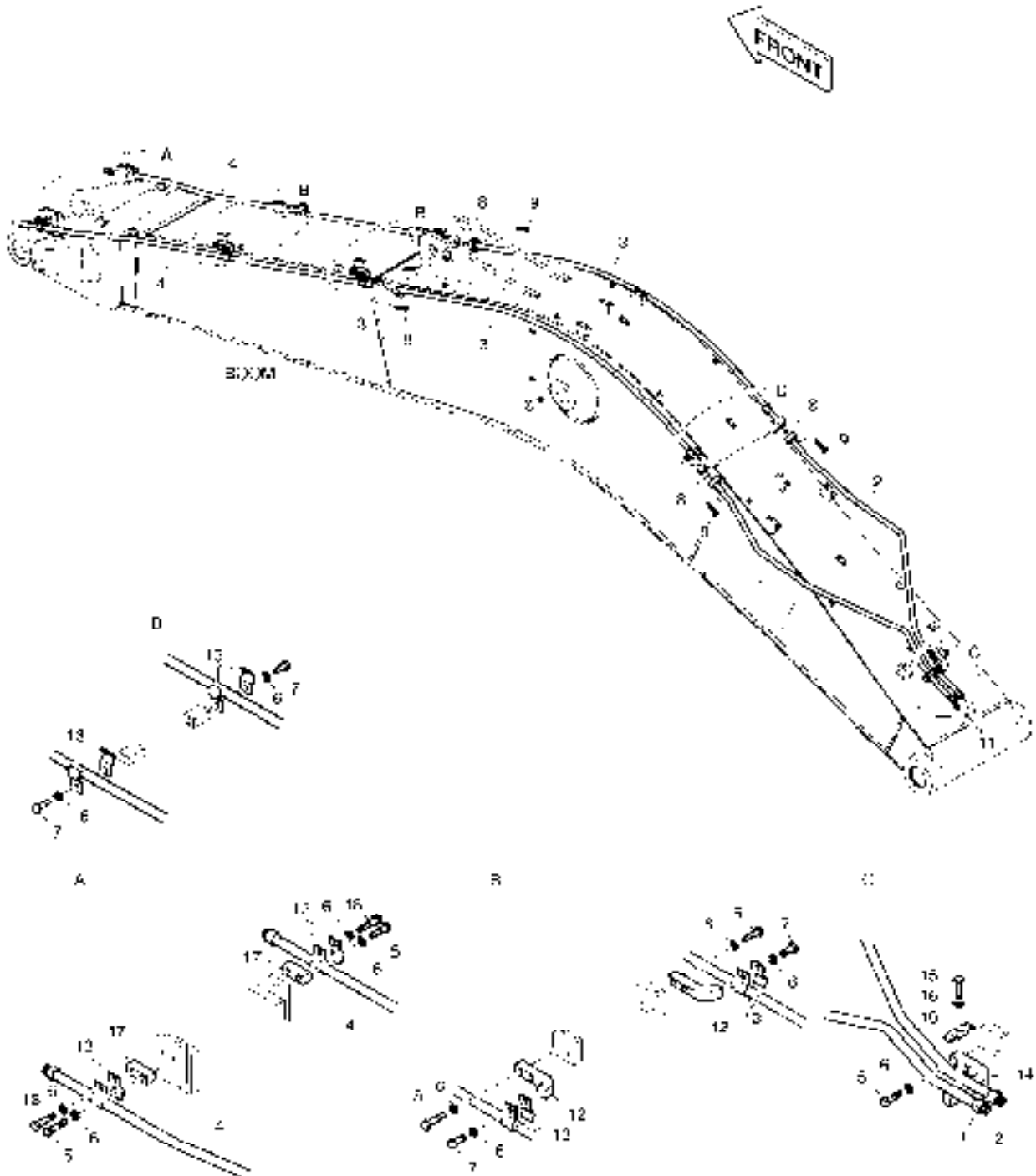
Serial No. ;

Key No.	Part No.	Description	Description	Q'ty	S.C	Serial No.	ICA	Replaceable part	
								Part No.	Q'ty
6480 --	K1007262E	PILOT PIPING-ROTATING	CIRCUIT DE PILOTE	-	D				
1	K1001873A	PLATE	PLAQUE	1					
2	K1017382A	PEDAL VALVE	VALVE DE PEDALE	1					
3	K1001871B	PLATE	PLAQUE	1					
4	195-01684A	BRACKET;PEDAL(L.H)	SUPPORT	1					
5	DS2093130	HOSE	TUYAU	1					
6	DS2093202	HOSE PF1/4-480L	TUYAU FLEXIBLE	1					
7	DS2093204	HOSE PF1/4-2430L	TUYAU FLEXIBLE	1					
8	DS2093205	HOSE	TUYAU	1					
9	DS2092046	HOSE	TUYAU	1					
10	DS2095003	HOSE	TUYAU	1					
12	2181-1951D7	TEE	TE	1					
13	S0508866	BOLT	BOULON	2					
14	S5102603	WASHER,SPRING	RONDELLE	2					
15	S5102503	WASHER,SPRING	RONDELLE	2					
16	S8000111	O-RING	JOINT TORIQUE	4					
17	S2212266	BOLT;SOCKET M10X1.5X30	BOULON A 6 PANS CREUX	2					
18	S2211866	BOLT;SOCKET	BOULON	2					
19	S8000141	O-RING	JOINT TORIQUE	2					
20	S5110603	WASHER;SPRING	RONDELLE	4					
21	S0512066	BOLT M10X1.5X25	BOULON	2					
22	2181-1951D6	TEE	TE	1					
23	2181-1126D14	ADAPTER	ADAPTEUR	2					
26	K1003948A	FOOT REST	REPOS DE PIED	1					
27	161-00382	RUBBER;PEDAL(L.H)	LE CAOUTCHOUC	1					
28	K1006656	RUBBER;PEDAL	LE CAOUTCHOUC	1					
29	2181-1702D4	ELBOW	COUDE	2					

DATE	SEP. 12, 2012
4th EDITION	

Fig. 6490 BOOM PIPING - ROTATING(BOOM 5.7m)
CONDUITES DE FLECHE

Serial No. ;



DATE	SEP. 12, 2012
4th EDITION	

Fig. 6490 BOOM PIPING - ROTATING(BOOM 5.7m)
CONDUITES DE FLECHE

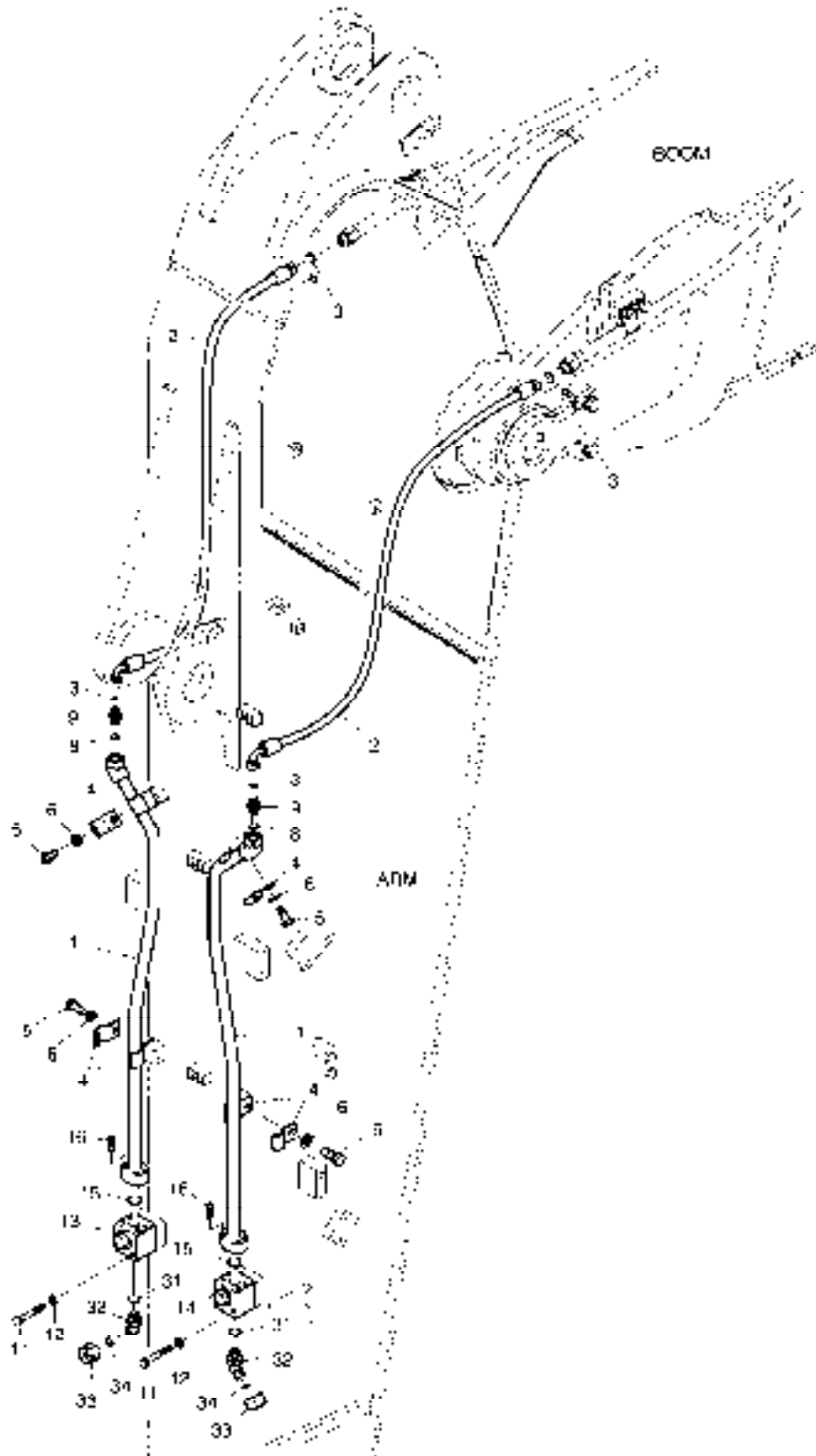
Serial No. ;

Key No.	Part No.	Description	Description	Q'ty	S.C	Serial No.	ICA	Replaceable part	
								Part No.	Q'ty
6490 --	K1041836	BOOM PIPING;ROTATING	BOOM PIPING	-	D				
1	K1038610	PIPE	TUYAU	1					
2	K1038611	PIPE	TUYAU	1					
3	K1038612	PIPE	TUYAU	2					
4	K1001048	PIPE	TUYAU	2					
5	S0560666	BOLT	BOULON A 6 PANS	12					
6	S5102703	WASHER;SPRING	RONDELLE	20					
7	S0515266	BOLT	BOULON	6					
8	2180-1026D30	O-RING	JOINT CIRCULAIRE	4					
9	S2209466	BOLT;SOCKET	BOULON	16					
10	K1004028	CLAMP;PIPE	BRIDE	1					
11	S8030081	O-RING	JOINT CIRCULAIRE	2					
12	621-02700A	PLATE	PLAQUE	4					
13	124-00299A	CLAMP;PIPE	COLLIER	16					
14	621-02798	PLATE	PLAQUE	1					
15	S0558466	BOLT	BOULON	1					
16	S5102603	WASHER,SPRING	RONDELLE	1					
17	K1002121	PLATE	PLAQUE	2					
18	S0560866	BOLT M12X1.75X55	BOULON	2					

DATE	SEP. 12, 2012
4th EDITION	

Fig. 6500 ARM PIPING - ROTATING (ARM 2.9m)
CONDUITES DE BALANCIER

Serial No. ;



DATE	SEP. 12, 2012
4th EDITION	

Fig. 6500 ARM PIPING - ROTATING (ARM 2.9m)
CONDUITES DE BALANCIER

Serial No. ;

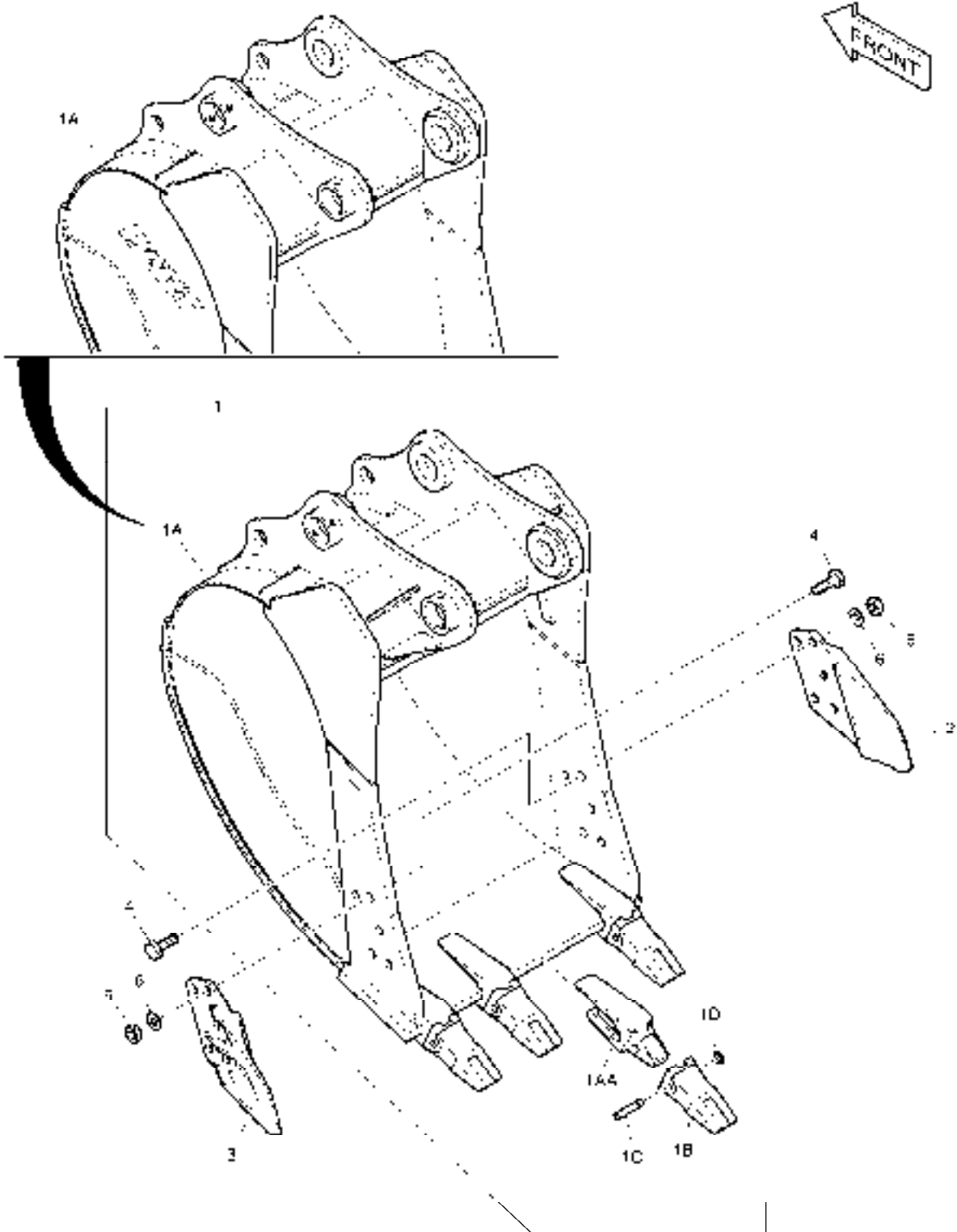
Key No.	Part No.	Description	Description	Q'ty	S.C	Serial No.	ICA	Replaceable part	
								Part No.	Q'ty
6500 --	K1041925	ARM PIPING-ROTATION	CONDUITES DE BALANCIER	-	D				
1	K1001050A	PIPE	TUYAU	2					
2	DS2013387	HOSE	TUYAU	2					
3	S8030081	O-RING	JOINT CIRCULAIRE	4					
4	124-00299A	CLAMP;PIPE	COLLIER	8					
5	S0515266	BOLT	BOULON	4					
6	S5102703	WASHER;SPRING	RONDELLE	4					
8	S8000181	O-RING	JOINT CIRCULAIRE	2					
9	2181-4133D3	ADAPTER	ADAPTEUR	2					
11	S0558966	BOLT	BOULON	4					
12	S5102603	WASHER;SPRING	RONDELLE	4					
13	K1006227	VALVE;SWITCH(R.H)	VANNE	1					
14	K1006228	VALVE;SWITCH(L.H)	VANNE	1					
15	2180-1026D30	O-RING	JOINT CIRCULAIRE	2					
16	S2209266	BOLT;SOCKET M8X1.25X30	BOULON A 6 PANS CREUX	8					
31	S8000181	O-RING	JOINT CIRCULAIRE	2					
32	2181-2816D4	ELBOW	COUDE	2					
33	2181-2817D4	CAP	CHAPEAU	2					
34	S8030081	O-RING	JOINT CIRCULAIRE	2					

DATE	SEP. 12, 2012
4th EDITION	

**Fig. 6510 BUCKET ASS'Y - 0.73m³(36'') - SIDE PIN
ENSEMBLE DE GODET**

Serial No. ;

Serial No 3CC1 10997



DATE	SEP. 12, 2012
4th EDITION	

**Fig. 6510 BUCKET ASS'Y - 0.73m³(36'') - SIDE PIN
ENSEMBLE DE GODET**

Serial No. ;

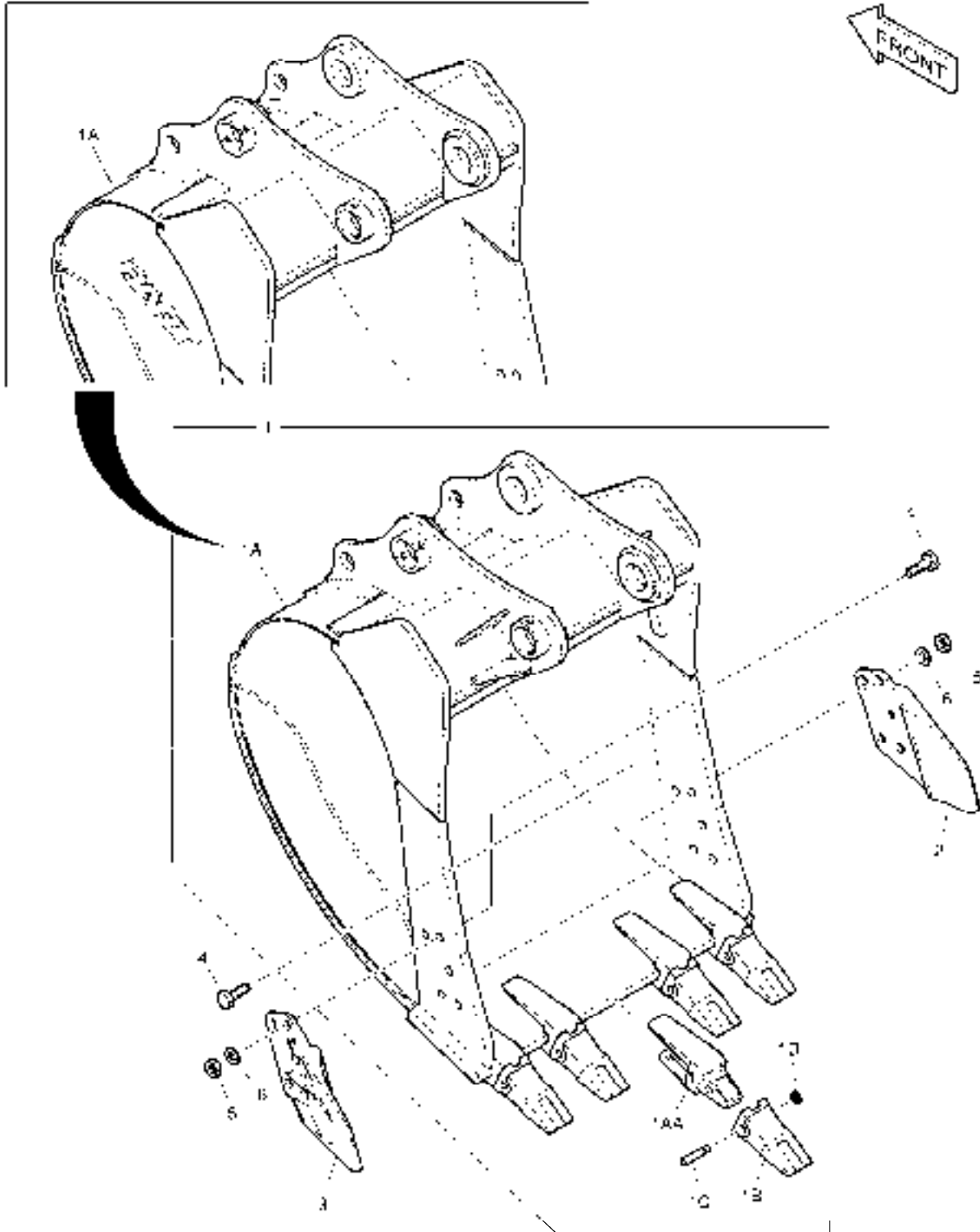
Key No.	Part No.	Description	Description	Q'ty	S.C	Serial No.	ICA	Replaceable part	
								Part No.	Q'ty
6510 --	K1013100A	BUCKET ASS'Y-0.73m ³ (H.D)	GODET	1		05001-10997	I	230104-01259	1
	230104-01259	BUCKET ASS'Y-0.73m ³ (H.D)	GODET	1		10998-			
1	K1013101A	BUCKET;WITH TOOTH-0.73m ³	GODET	1	D				
1A	K1013102	. BUCKET;WELD-0.73m ³	. GODET	1		05001-10997	I	230104-01261	1
	230104-01261	. BUCKET;WELD-0.73m ³	. GODET	1		10998-			
1AA	2713-1218A	.. ADAPTER;TOOTH	.. ADAPTEUR	4					
1B	713-00024A	. TOOTH;POINT	. DENT	4					
1C	2705-1020	. PIN;LOCKING	. GOUPILLE	4					
1D	2114-1848A	. WASHER;LOCKING	. RONDELLE	4					
2	2713-1059A	CUTTER;SIDE(R.H)	COUPEUR	1					
3	2713-1060A	CUTTER;SIDE(L.H)	COUPEUR	1					
4	S0574861	BOLT M24X3.0X75	BOULON	10					
5	S4013333	NUT	ECROU	10					
6	2114-1831A	WASHER;HARDEN	RONDELLE	10					

DATE	SEP. 12, 2012
4th EDITION	

**Fig. 6520 BUCKET ASS'Y - 0.90m³(42'') - SIDE PIN
ENSEMBLE DE GODET**

Serial No. ;

Serial No. 5001 10927



DATE	SEP. 12, 2012
4th EDITION	

**Fig. 6520 BUCKET ASS'Y - 0.90m³(42'') - SIDE PIN
ENSEMBLE DE GODET**

Serial No. ;

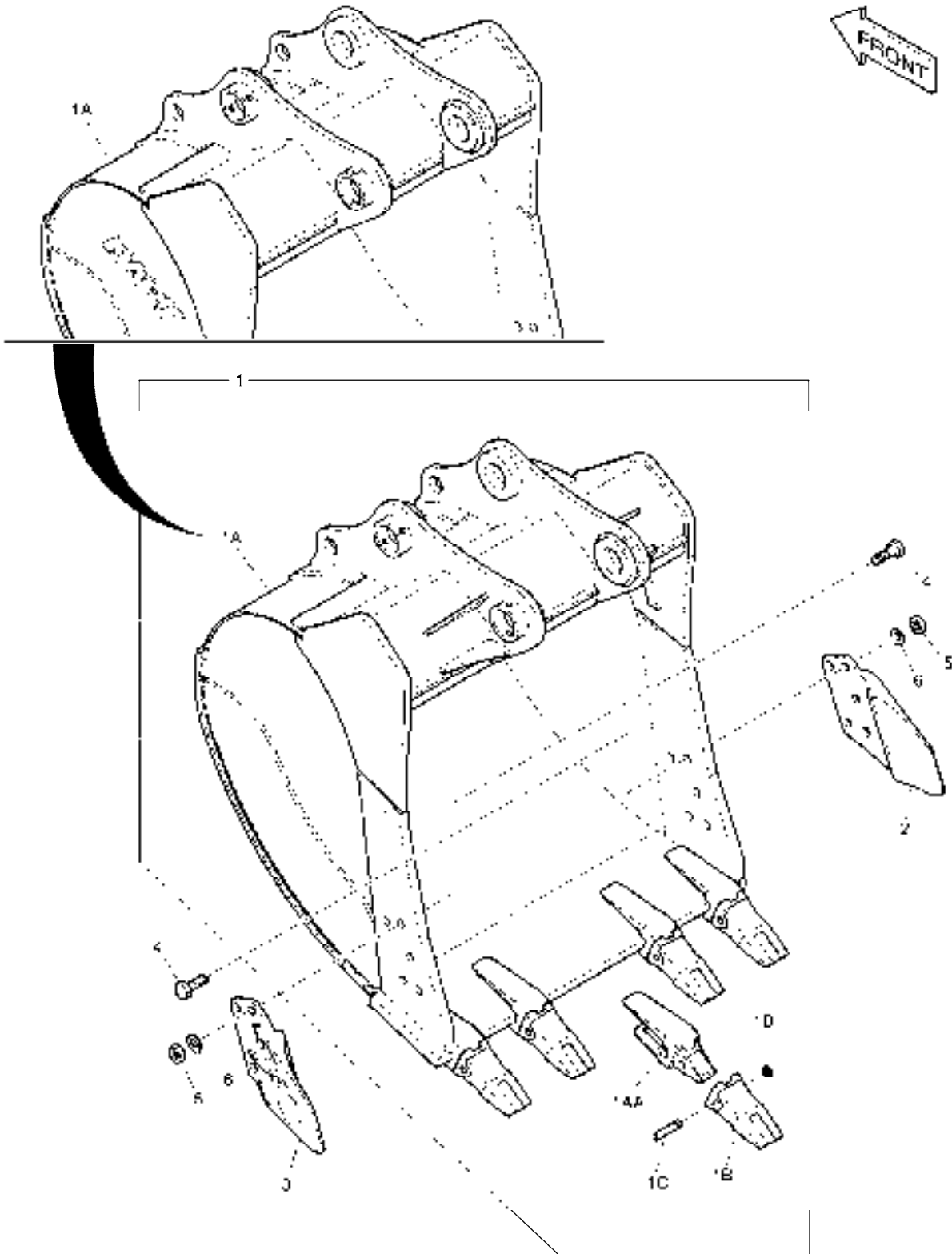
Key No.	Part No.	Description	Description	Q'ty	S.C	Serial No.	ICA	Replaceable part	
								Part No.	Q'ty
6520 --	K1013103A	BUCKET ASS'Y-0.90m ³ (H.D)	GODET	1		05001-10997	I	230104-01262	1
	230104-01262	BUCKET ASS'Y-0.90m ³ (H.D)	GODET	1		10998-			
1	K1013104A	BUCKET;WITH TOOTH-0.9m ³	GODET	1	D				
1A	K1013105	. BUCKET;WELD-0.9m ³	. GODET	1		05001-10997	I	230104-01264	1
	230104-01264	. BUCKET;WELD-0.9m ³	. GODET	1		10998-			
1AA	2713-1218A	.. ADAPTER;TOOTH	.. ADAPTEUR	5					
1B	713-00024A	. TOOTH;POINT	. DENT	5					
1C	2705-1020	. PIN;LOCKING	. GOUPILLE	5					
1D	2114-1848A	. WASHER;LOCKING	. RONDELLE	5					
2	2713-1059A	CUTTER;SIDE(R.H)	COUPEUR	1					
3	2713-1060A	CUTTER;SIDE(L.H)	COUPEUR	1					
4	S0574861	BOLT M24X3.0X75	BOULON	10					
5	S4013333	NUT	ECROU	10					
6	2114-1831A	WASHER;HARDEN	RONDELLE	10					

DATE	SEP. 12, 2012
4th EDITION	

**Fig. 6530 BUCKET ASS'Y - 1.07m³(48'') - SIDE PIN
ENSEMBLE DE GODET**

Serial No. ;

Serial No. 500 - 10097



DATE	SEP. 12, 2012
4th EDITION	

**Fig. 6530 BUCKET ASS'Y - 1.07m³(48'') - SIDE PIN
ENSEMBLE DE GODET**

Serial No. ;

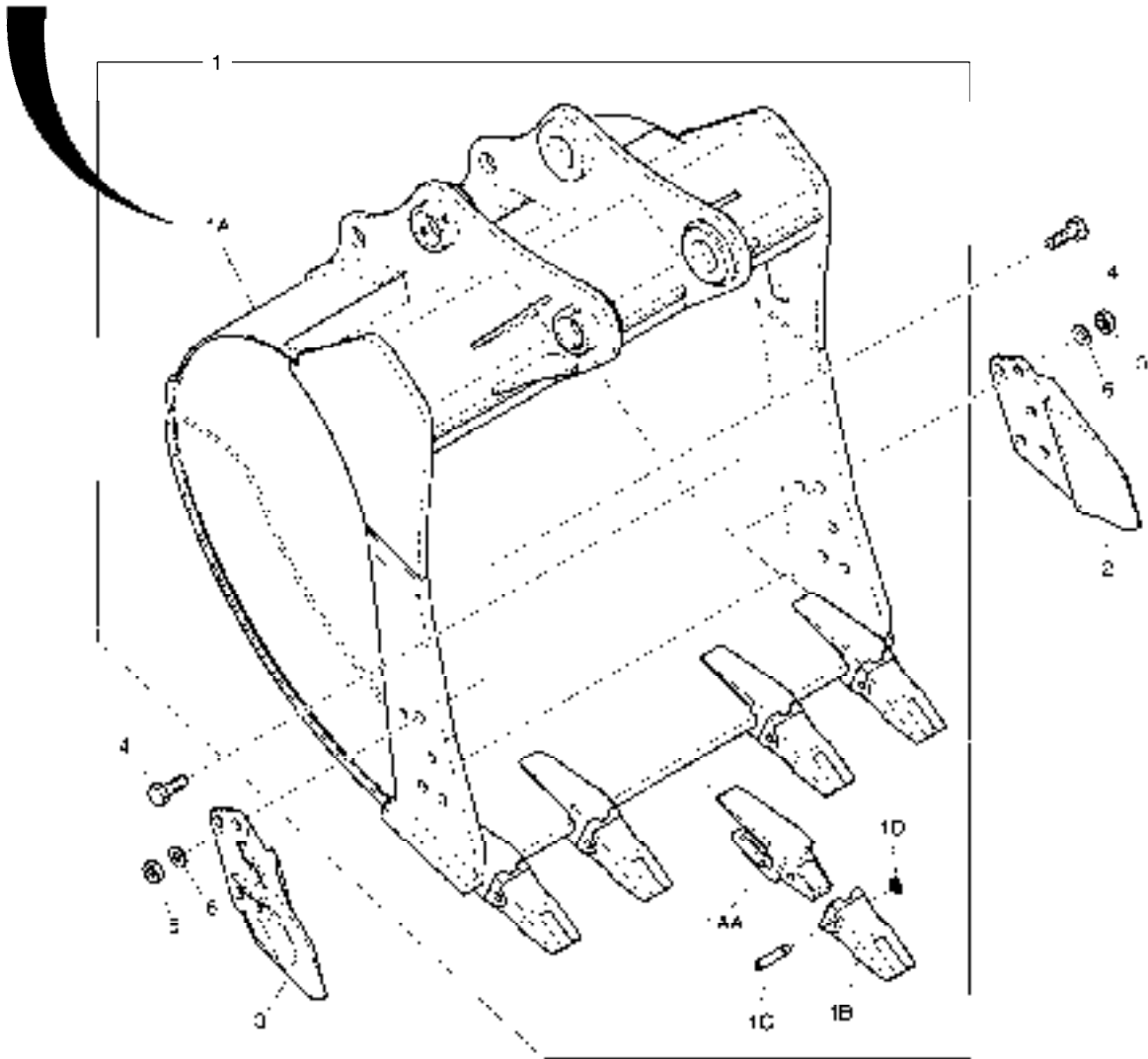
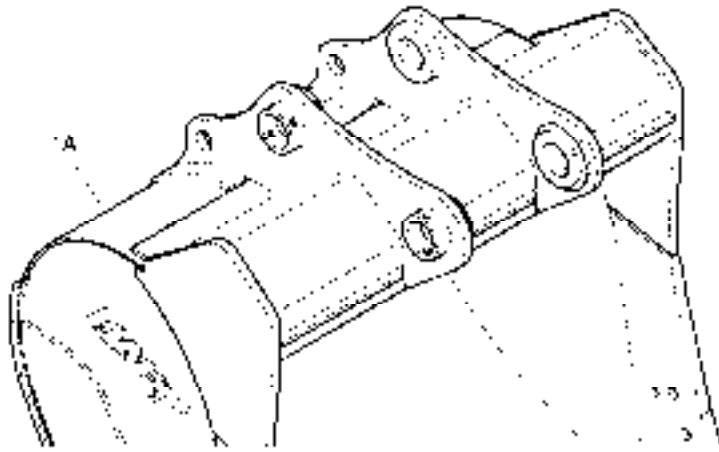
Key No.	Part No.	Description	Description	Q'ty	S.C	Serial No.	ICA	Replaceable part	
								Part No.	Q'ty
6530 --	K1013106A	BUCKET ASS'Y-1.07m ³	GODET	1		05001-10997	I	230104-01266	1
	230104-01266	BUCKET ASS'Y-1.07m ³	GODET	1		10998-			
1	K1013108A	BUCKET;WITH TOOTH-1.07m ³	GODET	1	D				
1A	K1013109A	. BUCKET;WELD (48")	. GODET	1		05001-10997	I	230104-01268	1
	230104-01268	. BUCKET;WELD (48")	. GODET	1		10998-			
1AA	2713-1218A	.. ADAPTER;TOOTH	.. ADAPTEUR	5					
1B	713-00024A	. TOOTH;POINT	. DENT	5					
1C	2705-1020	. PIN;LOCKING	. GOUPILLE	5					
1D	2114-1848A	. WASHER;LOCKING	. RONDELLE	5					
2	2713-1059A	CUTTER;SIDE(R.H)	COUPEUR	1					
3	2713-1060A	CUTTER;SIDE(L.H)	COUPEUR	1					
4	S0574861	BOLT M24X3.0X75	BOULON	10					
5	S4013333	NUT	ECROU	10					
6	2114-1831A	WASHER;HARDEN	RONDELLE	10					

DATE	SEP. 12, 2012
4th EDITION	

**Fig. 6540 BUCKET ASS'Y - 1.24m³(54'') - SIDE PIN
ENSEMBLE DE GODET**

Serial No. ;

Geno No. : 5201 10597



DATE	SEP. 12, 2012
4th EDITION	

**Fig. 6540 BUCKET ASS'Y - 1.24m³(54'') - SIDE PIN
ENSEMBLE DE GODET**

Serial No. ;

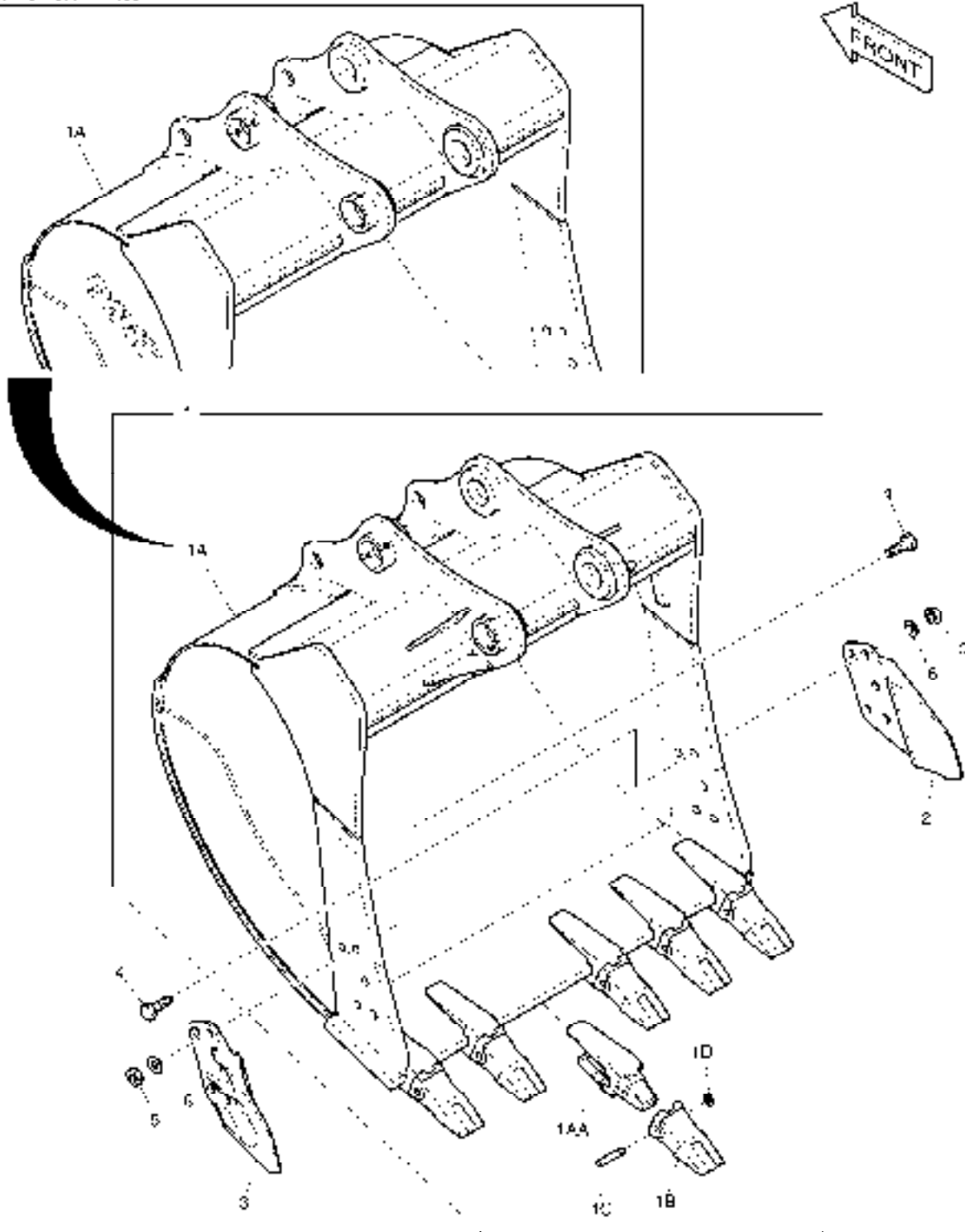
Key No.	Part No.	Description	Description	Q'ty	S.C	Serial No.	ICA	Replaceable part	
								Part No.	Q'ty
6540 --	K1013110A	BUCKET ASS'Y-1.24m ³ (H.D)	GODET	1		05001-10997	I	230104-01269	1
	230104-01269	BUCKET ASS'Y-1.24m ³ (H.D)	GODET	1		10998-			
1	K1013111A	BUCKET;WITH TOOTH-1.24m ³	GODET	1	D				
1A	K1013112	. BUCKET;WELD-1.24m ³	. GODET	1		05001-10997	I	230104-01271	1
	230104-01271	. BUCKET;WELD-1.24m ³	. GODET	1		10998-			
1AA	2713-1218A	.. ADAPTER;TOOTH	.. ADAPTEUR	5					
1B	713-00024A	. TOOTH;POINT	. DENT	5					
1C	2705-1020	. PIN;LOCKING	. GOUPILLE	5					
1D	2114-1848A	. WASHER;LOCKING	. RONDELLE	5					
2	2713-1059A	CUTTER;SIDE(R.H)	COUPEUR	1					
3	2713-1060A	CUTTER;SIDE(L.H)	COUPEUR	1					
4	S0574861	BOLT M24X3.0X75	BOULON	10					
5	S4013333	NUT	ECROU	10					
6	2114-1831A	WASHER;HARDEN	RONDELLE	10					

DATE	SEP. 12, 2012
4th EDITION	

**Fig. 6550 BUCKET ASS'Y - 1.32m³(57'') - SIDE PIN
ENSEMBLE DE GODET**

Serial No. ;

Serial No. 0001 - 10997



DATE	SEP. 12, 2012
4th EDITION	

**Fig. 6550 BUCKET ASS'Y - 1.32m³(57'') - SIDE PIN
ENSEMBLE DE GODET**

Serial No. ;

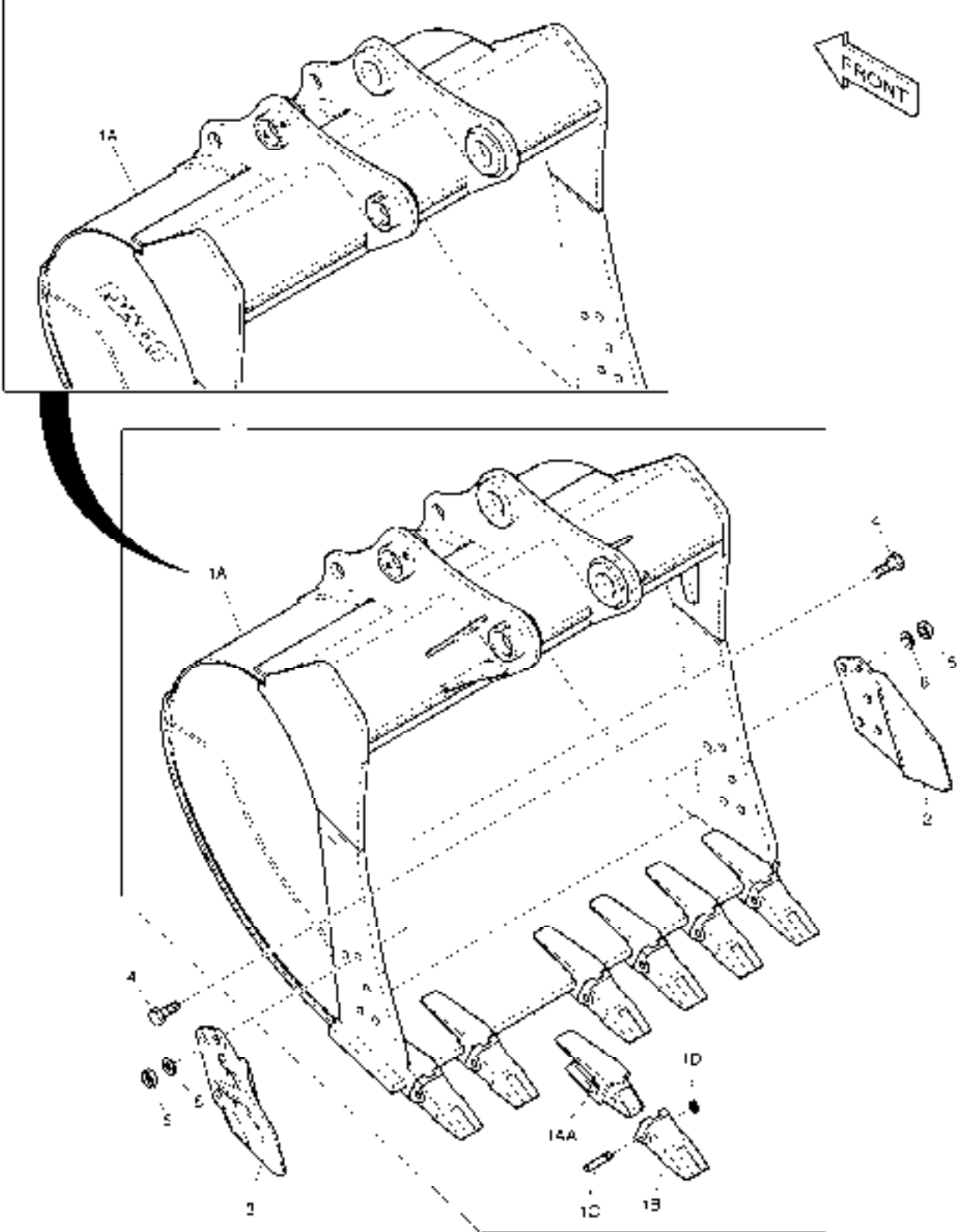
Key No.	Part No.	Description	Description	Q'ty	S.C	Serial No.	ICA	Replaceable part	
								Part No.	Q'ty
6550 --	K1013113A	BUCKET ASS'Y-1.32m ³ (H.D)	GODET	1		05001-10997	I	230104-01272	1
	230104-01272	BUCKET ASS'Y-1.32m ³ (H.D)	GODET	1		10998-			
1	K1013114A	BUCKET;WITH TOOTH-1.32m ³	GODET	1	D				
1A	K1013115	. BUCKET;WELD-1.32m ³	. GODET	1		05001-10997	I	230104-01274	1
	230104-01274	. BUCKET;WELD-1.32m ³	. GODET	1		10998-			
1AA	2713-1218A	.. ADAPTER;TOOTH	.. ADAPTEUR	6					
1B	713-00024A	. TOOTH;POINT	. DENT	6					
1C	2705-1020	. PIN;LOCKING	. GOUPILLE	6					
1D	2114-1848A	. WASHER;LOCKING	. RONDELLE	6					
2	2713-1059A	CUTTER;SIDE(R.H)	COUPEUR	1					
3	2713-1060A	CUTTER;SIDE(L.H)	COUPEUR	1					
4	S0574861	BOLT M24X3.0X75	BOULON	10					
5	S4013333	NUT	ECROU	10					
6	2114-1831A	WASHER;HARDEN	RONDELLE	10					

DATE	SEP. 12, 2012
4th EDITION	

**Fig. 6560 BUCKET ASS'Y - 1.49m³(63'') - SIDE PIN
ENSEMBLE DE GODET**

Serial No. ;

5:001 10507



DATE	SEP. 12, 2012
4th EDITION	

**Fig. 6560 BUCKET ASS'Y - 1.49m³(63'') - SIDE PIN
ENSEMBLE DE GODET**

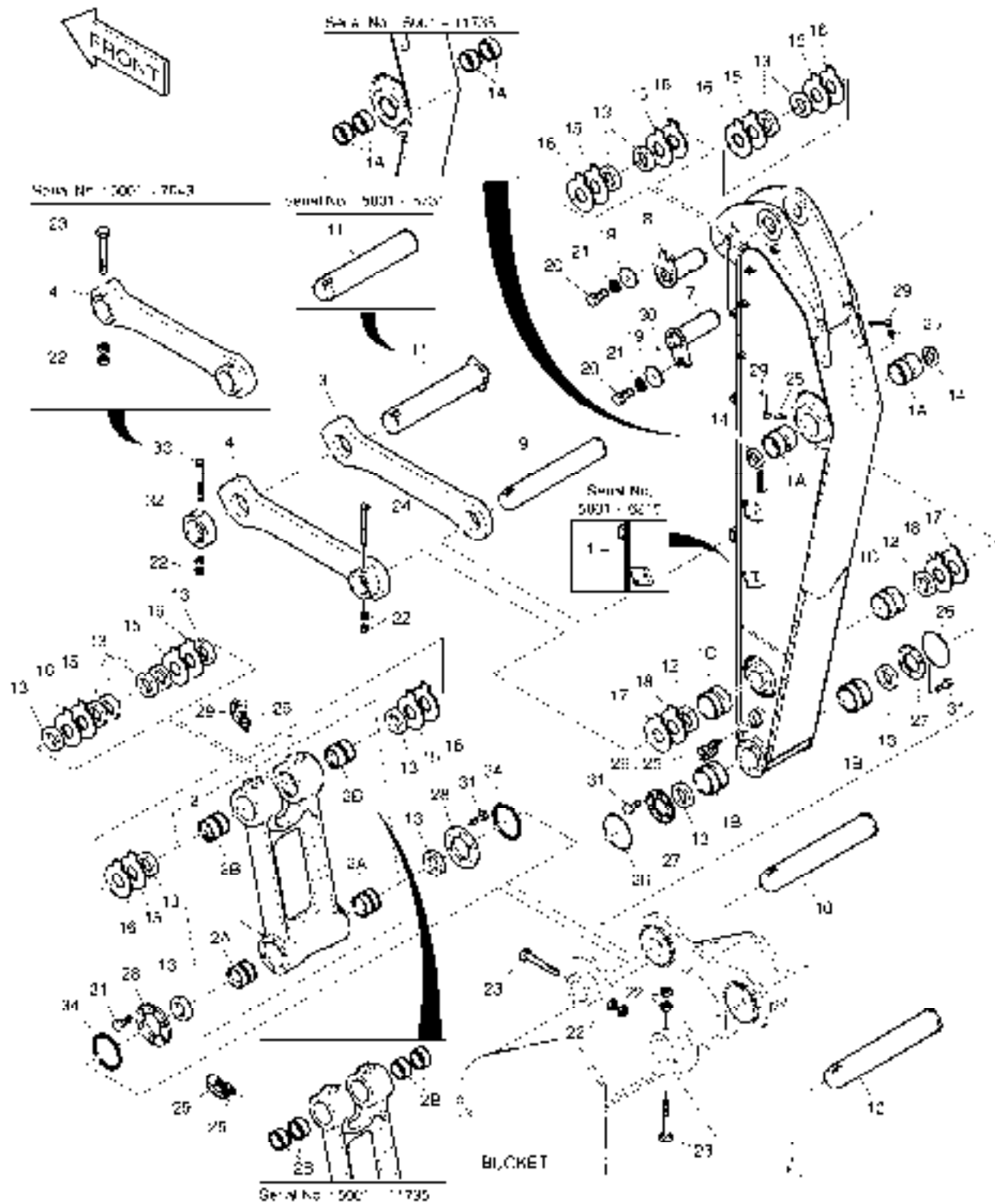
Serial No. ;

Key No.	Part No.	Description	Description	Q'ty	S.C	Serial No.	ICA	Replaceable part	
								Part No.	Q'ty
6560 --	K1013117A	BUCKET ASS'Y-1.49m ³ (H.D)	GODET	1		05001-10997	I	230104-01275	1
	230104-01275	BUCKET ASS'Y-1.49m ³ (H.D)	GODET	1		10998-			
1	K1013118A	BUCKET;WITH TOOTH-1.49m ³	GODET	1	D				
1A	K1013119	. BUCKET;WELD-1.49m ³	. GODET	1		05001-10997	I	230104-01277	1
	230104-01277	. BUCKET;WELD-1.49m ³	. GODET	1		10998-			
1AA	2713-1218A	.. ADAPTER;TOOTH	.. ADAPTEUR	7					
1B	713-00024A	. TOOTH;POINT	. DENT	7					
1C	2705-1020	. PIN;LOCKING	. GOUPILLE	7					
1D	2114-1848A	. WASHER;LOCKING	. RONDELLE	7					
2	2713-1059A	CUTTER;SIDE(R.H)	COUPEUR	1					
3	2713-1060A	CUTTER;SIDE(L.H)	COUPEUR	1					
4	S0574861	BOLT M24X3.0X75	BOULON	10					
5	S4013333	NUT	ECROU	10					
6	2114-1831A	WASHER;HARDEN	RONDELLE	10					

DATE	SEP. 12, 2012
4th EDITION	

Fig. 6570 ARM - 2.0m
BALANCIER

Serial No. ;



DATE	SEP. 12, 2012
4th EDITION	

Fig. 6570 ARM - 2.0m BALANCIER

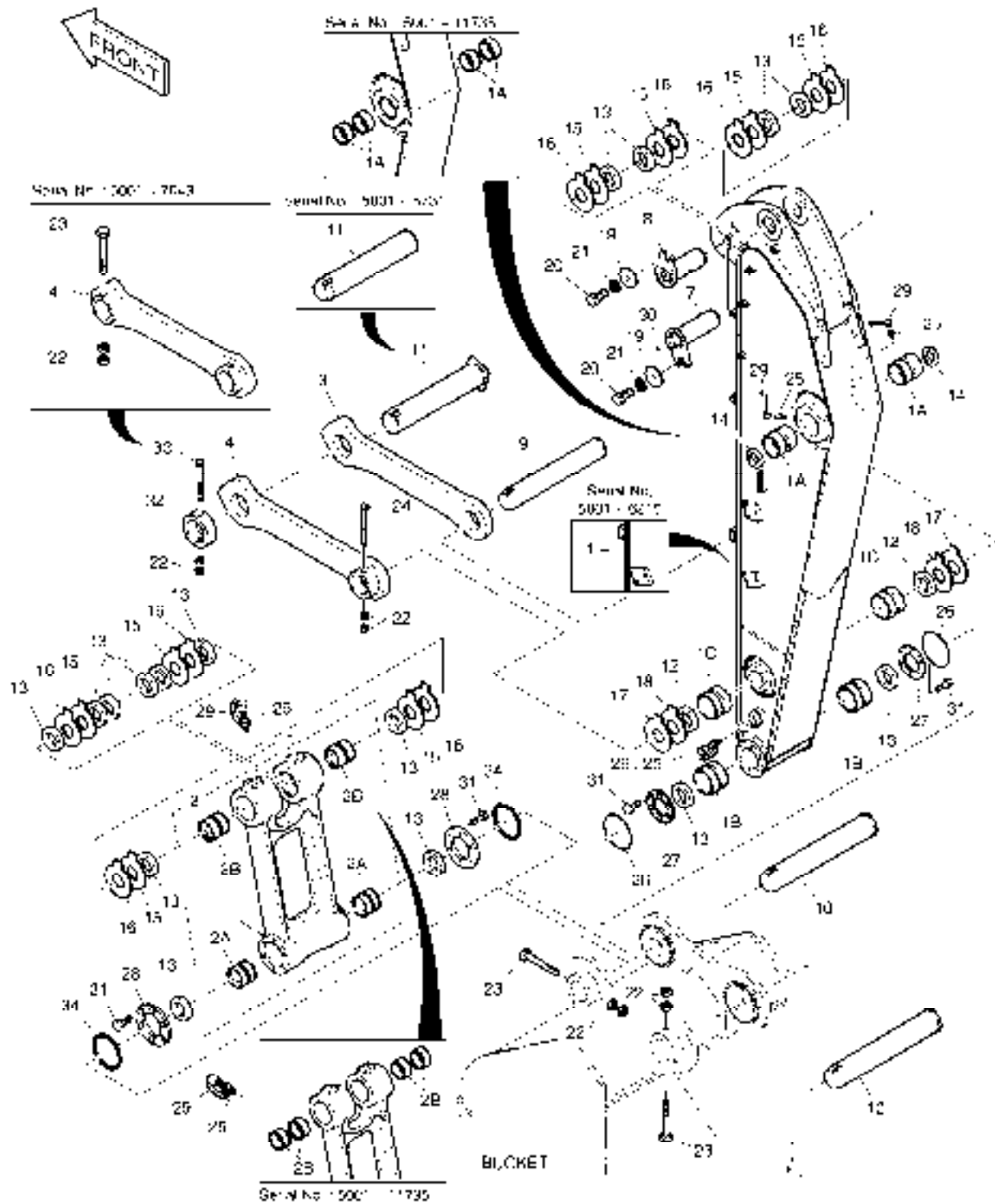
Serial No. ;

Key No.	Part No.	Description	Description	Q'ty	S.C	Serial No.	ICA	Replaceable part	
								Part No.	Q'ty
6570 --	K1046238E	ARM ASS'Y	BALANCIER	-	D	5001-5731			
	230201-00106	ARM ASSY;2.0M	BALANCIER	-	D	5732-			
1	K1046248B	ARM SUB ASS'Y-2.0m	ENSEMBLE BALANCIER	1		5001-6215			
	230204-00085A	ARM;2.0M	ENSEMBLE BALANCIER	1		06216- 11735			
	230204-00085C	ARM ASS'Y-2.0M	ENSEMBLE BALANCIER	1		11736-			
1A	K1037848A	. BUSHING	. BUSHING	4		05001- 11735	Y	131008-00064A	2
	131008-00064A	. BUSHING	. BUSHING	2		11736-			
1B	K1037849A	. BUSHING	. BUSHING	2		05001- 11735	Y	K1000733	2
	K1000733	. BUSHING	. BUSHING	2		11736-			
1C	K1037850A	. BUSHING	. BUSHING	2		05001- 11735	Y	K1000734	2
	K1000734	. BUSHING	. BUSHING	2		11736-			
2	K1041214A	PUSH LINK ASS'Y	ENSEMBLE DE ARTICULAT	1		05001- 11735	Y	K1002294	1
	K1002294	PUSH LINK ASS'Y	ENSEMBLE DE ARTICULAT	1		11736-			
2A	K1037852A	. BUSHING	. BUSHING	2		05001- 11735	Y	110-00249	2
	110-00249	. BUSHING	. BUSHING	2		11736-			
2B	K1037851A	. BUSHING	. BUSHING	4		05001- 11735	Y	K1000735	2
	K1000735	. BUSHING	. BUSHING	2		11736-			
3	2155-1299B	LINK;GUIDE(R.H)	ARTICULATION	1		5001-5731	Y	101540-00012	1
	101540-00012	LINK,GUIDE(R.H)	LIEN	1		5732-			
4	2155-1300B	LINK;GUIDE(L.H)	LIEN	1		5001-7043			
	101540-00028	LINK,GUIDE(L.H)	LIEN	1		7044-			
7	K1046927	PIN	GOUJON	1		5001-8240	Y	120501-01063	1
	120501-01063	PIN	GOUJON	1		8241-			
8	K1002130A	PIN	GOUJON	1		5001-8240	Y	120501-01064	1
	120501-01064	PIN	GOUJON	1		8241-			
9	K1007255A	PIN	GOUJON	1		5001-8240	Y	120501-01065	1
	120501-01065	PIN	GOUJON	1		8241-			
10	2123-2192E	PIN	GOUJON	2		5001-8240	Y	120501-01052	2
	120501-01052	PIN	GOUJON	2		8241-			
11	K1007256A	PIN	GOUJON	1		5001-5731	Y	120501-00130	1
	120501-00130	PIN;BUCKET CYL ROD	GOUJON	1		5732-			
12	2180-1106BD4	SEAL;DUST	CACHET	2					
13	2180-1106BD24	SEAL;DUST	CACHET	14					
14	2180-1106BD6	SEAL;DUST	CACHET	2					
15	DS7752012	SHIM	CALE	8					
16	DS7752013	SHIM	CALE	8					
17	DS7752006	SHIM	CALE	2					
18	DS7752007	SHIM	CALE	2					

DATE	SEP. 12, 2012
4th EDITION	

**Fig. 6570 ARM - 2.0m
BALANCIER**

Serial No. ;



DATE	SEP. 12, 2012
4th EDITION	

**Fig. 6570 ARM - 2.0m
BALANCIER**

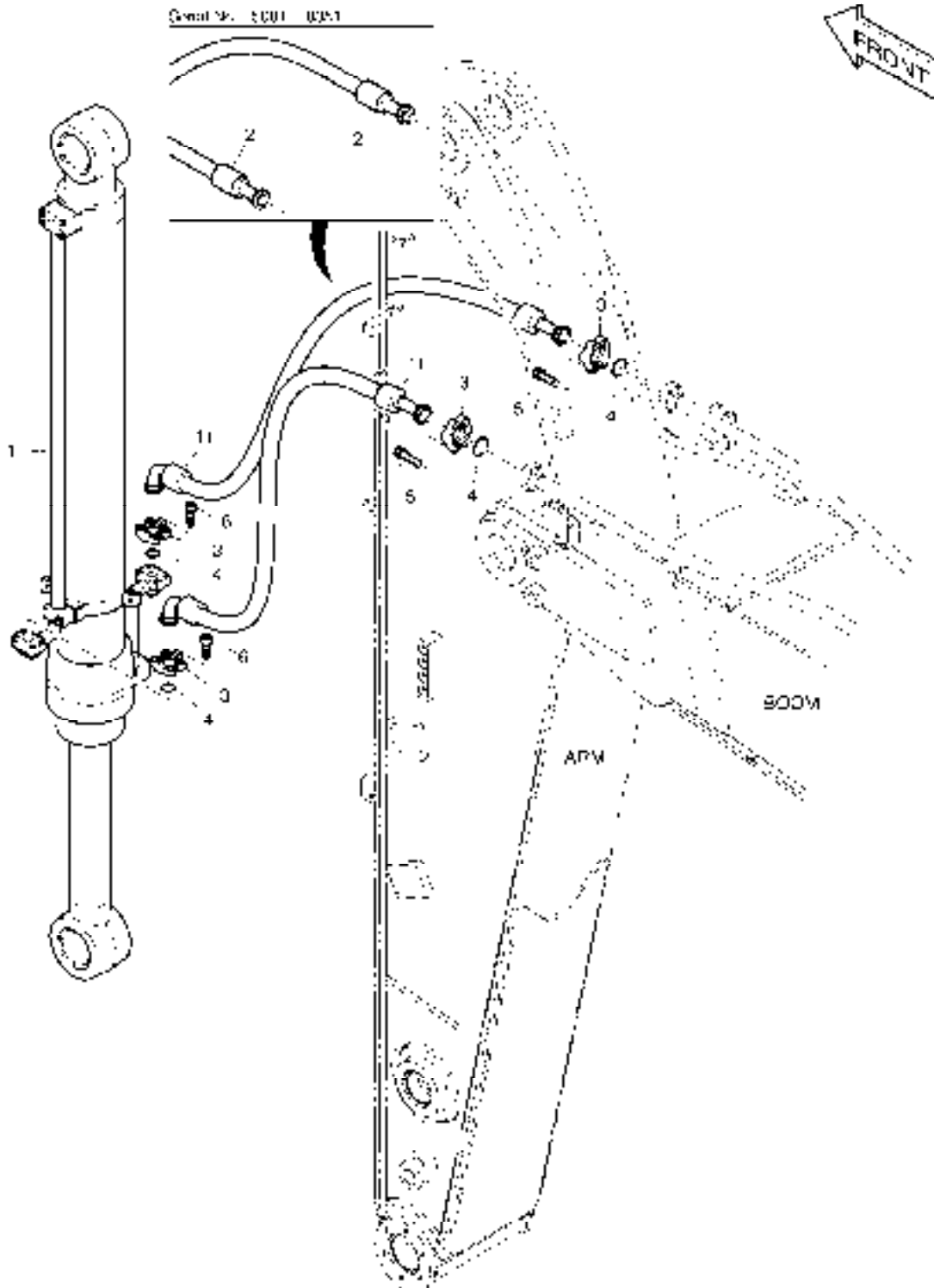
Serial No. ;

Key No.	Part No.	Description	Description	Q'ty	S.C	Serial No.	ICA	Replaceable part	
								Part No.	Q'ty
6570 -19	2116-1060D6	STOPPER	TAQUET	2					
20	S0521366	BOLT	BOULON	2					
21	S5102903	WASHER,SPRING	RONDELLE	2					
22	S4012933	NUT	ECROU	8					
23	DS0001084	BOLT	BOULON	3		5001-7043			
	DS0001084	BOLT	BOULON	2		7044-			
24	DS0001083	BOLT	BOULON	1					
25	S6710041	NIPPLE;GREASE	GRAISSEUR	7					
26	180-00077D5	O-RING	JOINT CIRCULAIRE	2					
27	K1000911	SPACER	ENTRETOISE	2					
28	K1000912B	SPACER	ENTRETOISE	2					
29	160-00020	CAP;GREASE NIPPLE	CHAPEAU	7					
30	2181-1116D1	PLUG	BOUCHON	1					
31	S0712066	BOLT	BOULON	24					
32	2116-1531A	STOPPER	TAQUET	1		7044-			
33	S0567066	BOLT	BOULON	1		7044-			
34	180-00077D3	O-RING	JOINT TORIQUE	2		10998-			

DATE	SEP. 12, 2012
4th EDITION	

Fig. 6580 ARM PIPING - ARM 2.0m
CONDUITES DE BALANCIER

Serial No. ;



DATE	SEP. 12, 2012
4th EDITION	

Fig. 6580 ARM PIPING - ARM 2.0m
CONDUITES DE BALANCIER

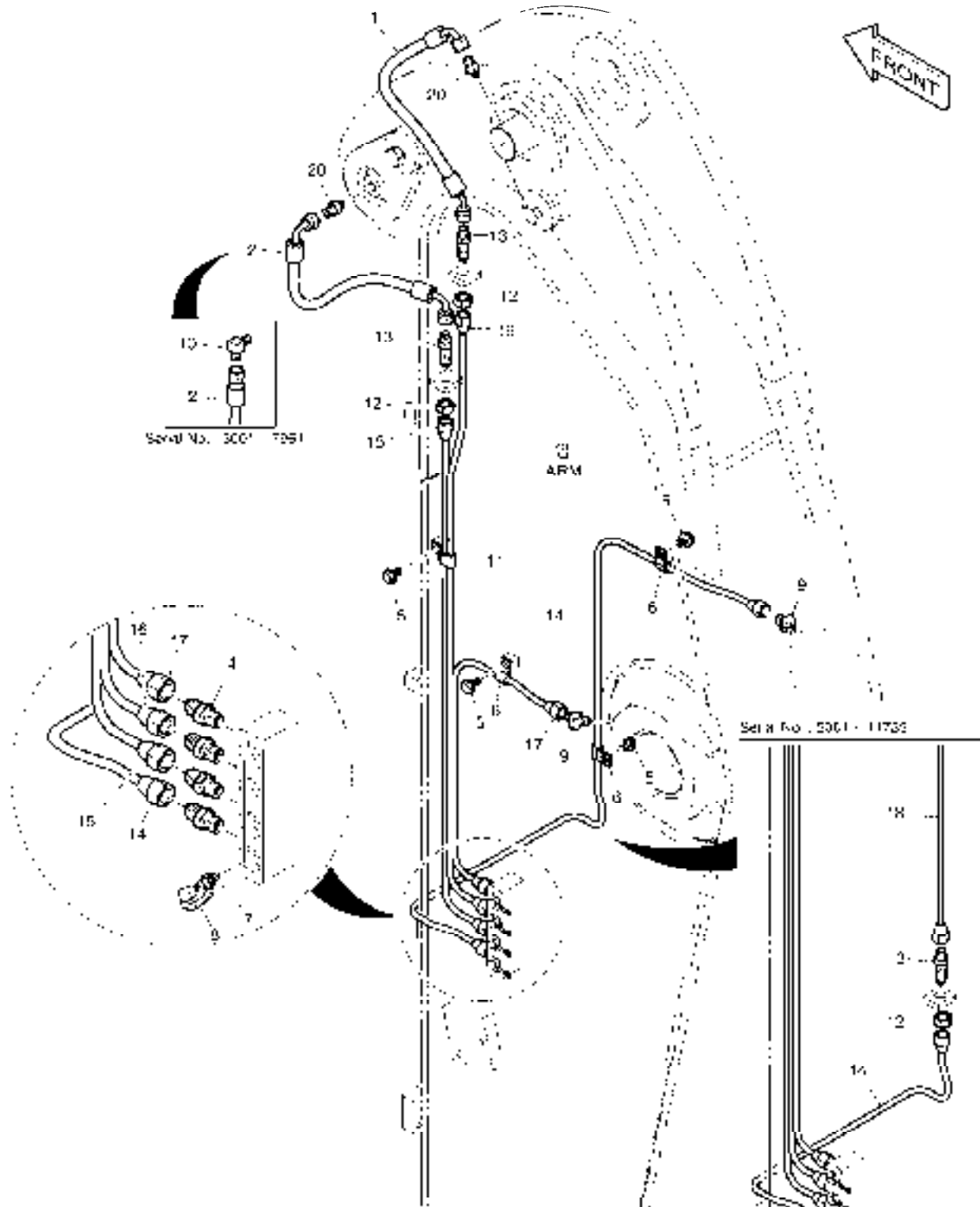
Serial No. ;

Key No.	Part No.	Description	Description	Q'ty	S.C	Serial No.	ICA	Replaceable part	
								Part No.	Q'ty
6580 --	K1046325	ARM PIPING	CONDUITES DE BALANCIER	-	D	5001-8381			
	420212-05428	ARM PIPING	CONDUITES DE BALANCIER	-	D	8382-			
1	K1046326	CYLINDER;BUCKET	VERIN DE GODET	1		05001-11589	Y	400310-00215	1
	400310-00215	CYLINDER;BUCKET	VERIN DE GODET	1		11590-			
2	DS2040368	HOSE	TUYAU FLEXIBLE	2		5001-8381			
3	2181-9079	FLANGE	BRIDE	8					
4	2180-1026D2	O-RING	JOINT CIRCULAIRE	4					
5	S2212366	BOLT;SOCKET M10X1.5X35	BOULON	8					
6	S2212266	BOLT;SOCKET M10X1.5X30	BOULON A 6 PANS CREUX	8					
11	DS2130011	HOSE ASSY,HYDRAULIC	TUYAU FLEXIBLE	2		8382-			

DATE	SEP. 12, 2012
4th EDITION	

Fig. 6590 LUBRICATION PIPING - ARM 2.0m LUBRIFICATION

Serial No. ;



DATE	SEP. 12, 2012
4th EDITION	

Fig. 6590 LUBRICATION PIPING - ARM 2.0m LUBRIFICATION

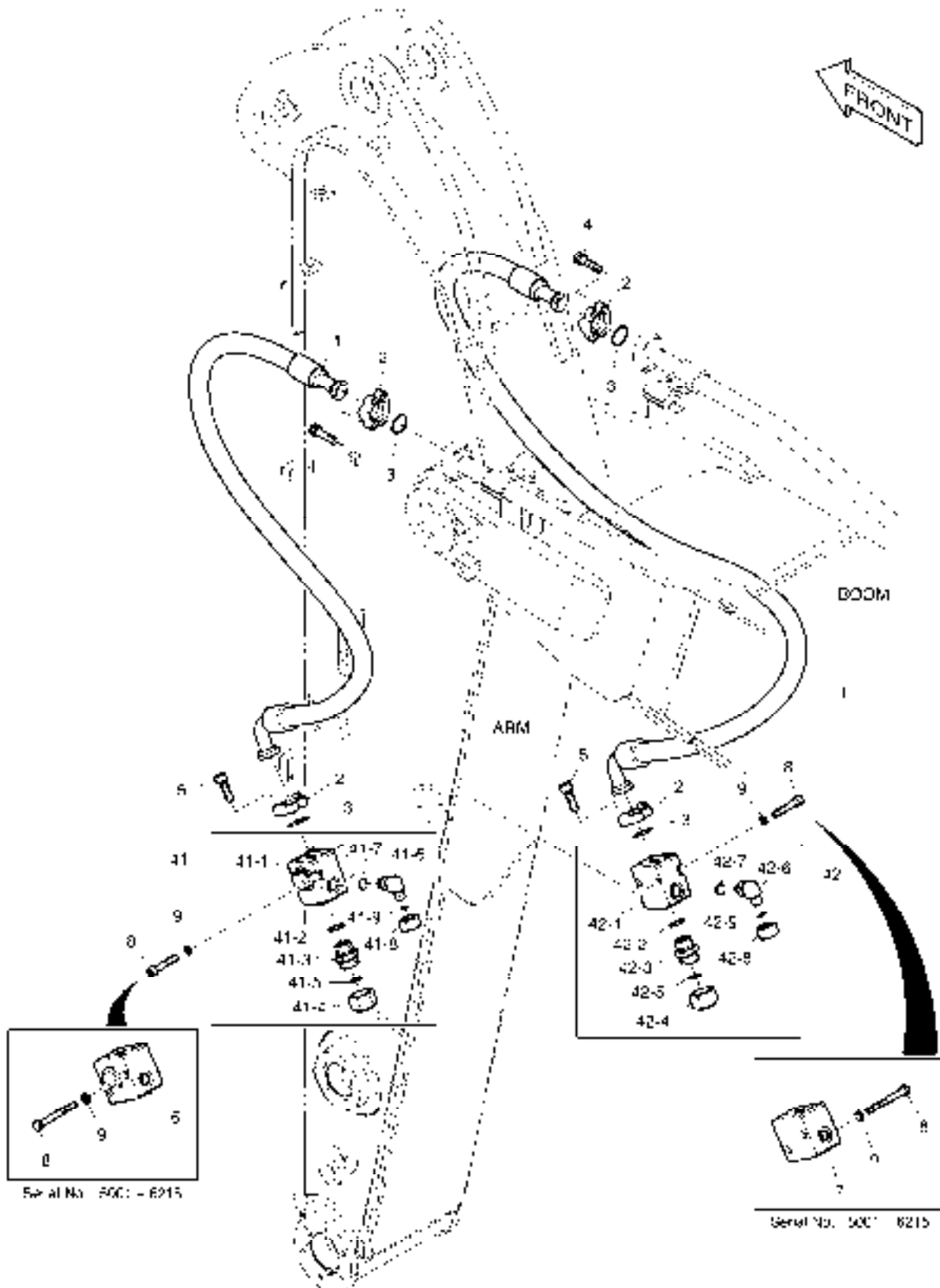
Serial No. ;

Key No.	Part No.	Description	Description	Q'ty	S.C	Serial No.	ICA	Replaceable part	
								Part No.	Q'ty
6590 --	K1013396A	LUBRICATION PIPING-ARM	LUBRIFICATION	-	D	5001-7964			
	420212-05310	PIPING,LUBRICATION;2.0M	LUBRIFICATION	-	D	7965-			
1	DS2058279	HOSE	TUYAU FLEXIBLE	1					
2	2184-1036D11	HOSE	TUYAU	1		5001-7964			
	DS2059595	HOSE PF1/4-310L	TUYAU	1		7965-			
3	DS2225009	ADAPTER	ADAPTEUR	1		05001-11735			
4	2181-1184	ADAPTER	ADAPTEUR	4					
5	K1001029	BOLT	BOULON	3		05001-11735			
	K1001029	BOLT	BOULON	4		11736-			
6	DS2802023	CLIP	AGRAFE	2		05001-11735			
	DS2802023	CLIP	AGRAFE	3		11736-			
7	S6710041	NIPPLE;GREASE	GRAISSEUR	4					
8	160-00020	CAP;GREASE NIPPLE	CHAPEAU	4					
9	K1010730	ELBOW	COUDE	2					
10	2181-1111D11	ELBOW	COUDE	1		5001-7964			
11	DS2805007	CLIP	AGRAFE	1					
12	S4032833	NUT	ECROU	3		05001-11735			
	S4032833	NUT	ECROU	2		11736-			
13	2181-1923D12	ADAPTER	ADAPTEUR	2					
14	K1013397	PIPE	TUYAU	1		05001-11735			
	420205-00304	PIPE	TUYAU	1		11736-			
15	K1025403	PIPE	TUYAU	1					
16	K1025404	PIPE	TUYAU	1					
17	K1025405	PIPE	TUYAU	1					
18	K1025406	PIPE	TUYAU	1		05001-11735			
20	2181-4112	ADAPTER	ADAPTEUR	1		5001-7964			
	2181-4112	ADAPTER	ADAPTEUR	2		7965-			

DATE	SEP. 12, 2012
4th EDITION	

Fig. 6600 ARM PIPING - ARM 2.0m(ONE & TWO WAY)
CONDUITES DE BALANCIER

Serial No. ;



Serial No. 5001 - 6215

Serial No. 5001 - 6215

DATE	SEP. 12, 2012
4th EDITION	

Fig. 6600 ARM PIPING - ARM 2.0m(ONE & TWO WAY) CONDUITES DE BALANCIER

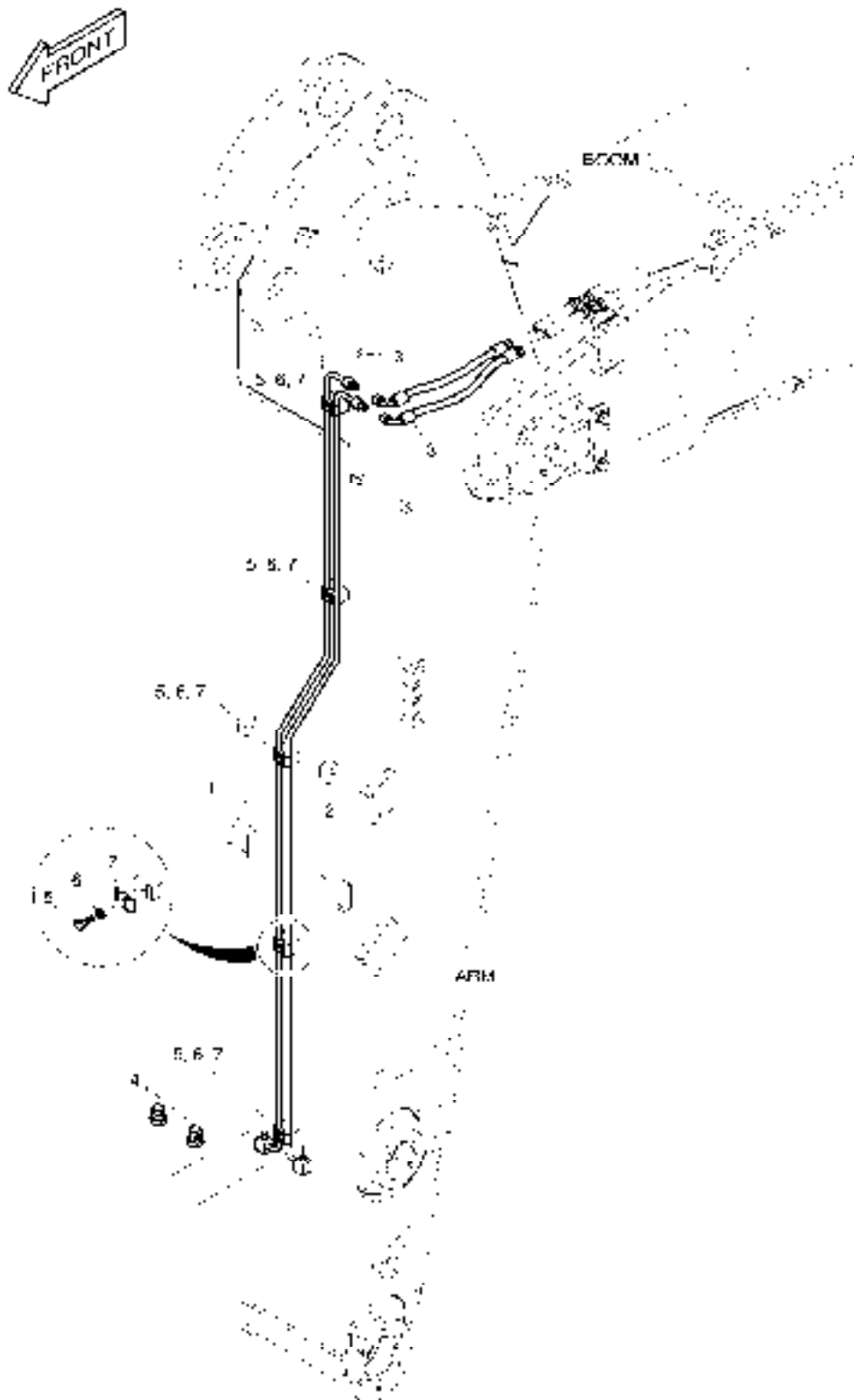
Serial No. ;

Key No.	Part No.	Description	Description	Q'ty	S.C	Serial No.	ICA	Replaceable part	
								Part No.	Q'ty
6600 --	K1013398A	ARM PIPING-ONE & TWO WAY	CONDUITES DE BALANCIER	-	D	5001-6215			
	420212-01715	ARM PIPING,ONE & TWO WAY	CONDUITES DE BALANCIER	-	D	6216-			
1	2184-1100D78	HOSE	TUYAU	2					
2	2181-9078	FLANGE	BRIDE	8					
3	2180-1026D19	O-RING	JOINT CIRCULAIRE	4					
4	S2212466	BOLT;SOCKET M10X1.5X40	BOULON	8					
5	S2212266	BOLT;SOCKET M10X1.5X30	BOULON A 6 PANS CREUX	8					
6	K1000334A	VALVE;STOP(L.H)	VANNE	1		5001-6215			
7	K1000338A	VALVE;STOP(R.H)	VANNE	1		5001-6215			
8	S0563666	BOLT	BOULON A 6 PANS	4		5001-6215			
	S2215966	BOLT;SOCKET	BOULON	4		6216-			
9	S5102803	WASHER;SPRING	RONDELLE	4		5001-6215			
	S5110703	WASHER;SPRING	RONDELLE	4		6216-			
41	410137-00032A	VALVE ASS'Y,STOP(L.H)	VANNE	1		6216-			
41-1	410137-00067	. VALVE,STOP(L.H)	. VANNE	1		6216-			
41-2	S8000291	. O-RING	. JOINT CIRCULAIRE	1		6216-			
41-3	2181-4133D6	. ADAPTER	. ADAPTEUR	1		6216-			
41-4	2181-2817D2	. CAP	. CHAPEAU	1		6216-			
41-5	S8030161	. O-RING	. JOINT CIRCULAIRE	1		6216-			
41-6	2181-2815D3	. ELBOW	. COUDE	1		6216-			
41-7	S8000181	. O-RING	. JOINT CIRCULAIRE	1		6216-			
41-8	2181-2817D4	. CAP	. CHAPEAU	1		6216-			
41-9	S8030081	. O-RING	. JOINT CIRCULAIRE	1		6216-			
42	410137-00033A	VALVE ASS'Y,STOP(R.H)	VANNE	1		6216-			
42-1	410137-00069	. VALVE,STOP(R.H)	. VANNE	1		6216-			
42-2	S8000291	. O-RING	. JOINT CIRCULAIRE	1		6216-			
42-3	2181-4133D6	. ADAPTER	. ADAPTEUR	1		6216-			
42-4	2181-2817D2	. CAP	. CHAPEAU	1		6216-			
42-5	S8030161	. O-RING	. JOINT CIRCULAIRE	1		6216-			
42-6	2181-2815D3	. ELBOW	. COUDE	1		6216-			
42-7	S8000181	. O-RING	. JOINT CIRCULAIRE	1		6216-			
42-8	2181-2817D4	. CAP	. CHAPEAU	1		6216-			
42-9	S8030081	. O-RING	. JOINT CIRCULAIRE	1		6216-			

DATE	SEP. 12, 2012
4th EDITION	

Fig. 6610 ARM PIPING - ARM 2.0m(QUICK CLAMP)
CONDUITES DE BALANCIER

Serial No. ;



DATE	SEP. 12, 2012
4th EDITION	

Fig. 6610 ARM PIPING - ARM 2.0m(QUICK CLAMP)
CONDUITES DE BALANCIER

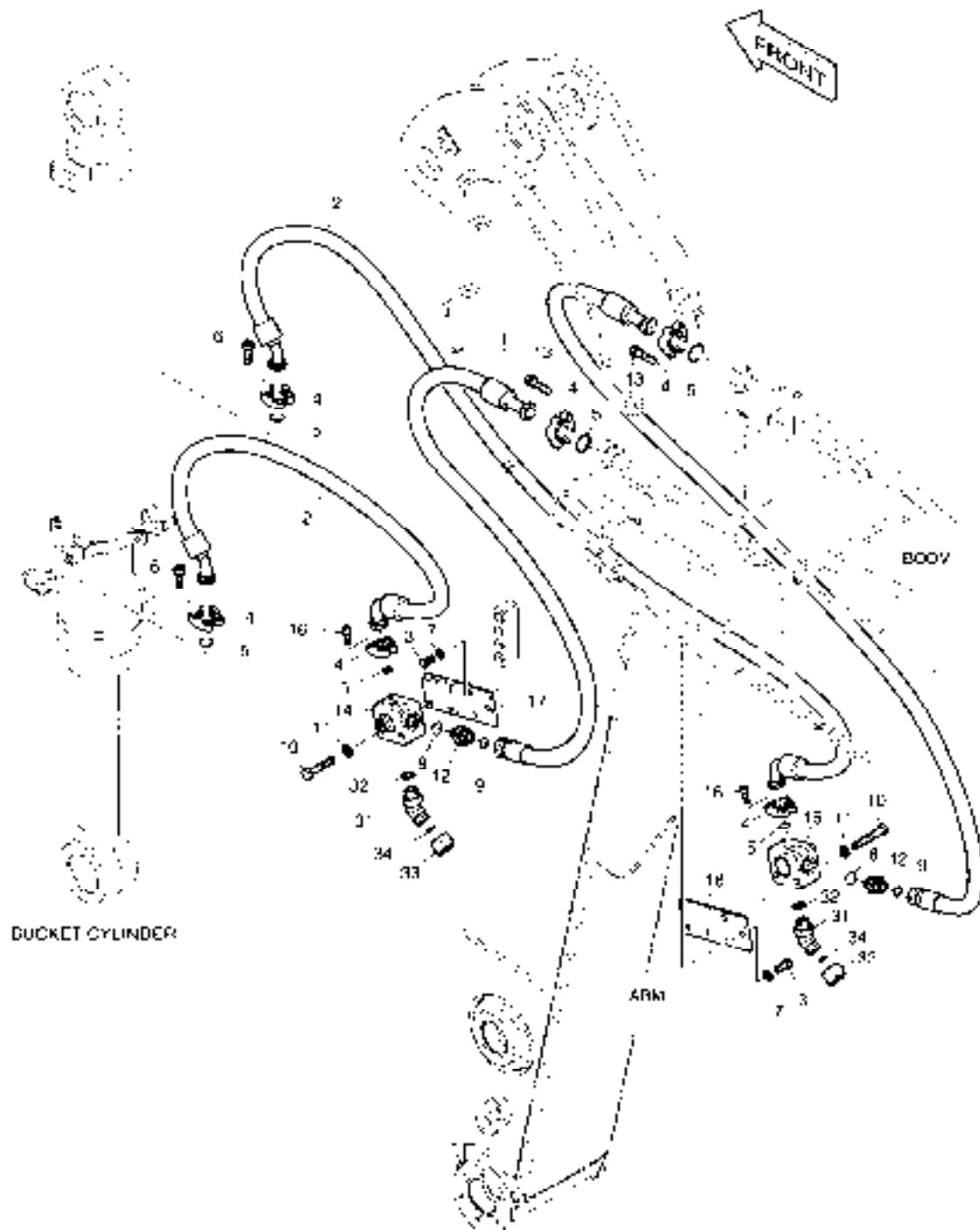
Serial No. ;

Key No.	Part No.	Description	Description	Q'ty	S.C	Serial No.	ICA	Replaceable part	
								Part No.	Q'ty
6610 --	K1013404A	ARM PIPING-QUICK CLAMP	CONDUITES DE BALANCIER	-	D				
1	K1025408	PIPE	TUYAU	1					
2	K1025409	PIPE	TUYAU	1					
3	DS2055691	HOSE	TUYAU FLEXIBLE	2					
4	2181-2820D1	PLUG	BOUCHON	2					
5	S0508866	BOLT	BOULON	5					
6	S5102503	WASHER, SPRING	RONDELLE	5					
7	K1004011	CLAMP; PIPE	COLLIER	5					

DATE	SEP. 12, 2012
4th EDITION	

Fig. 6620 ARM PIPING - ARM 2.0m(CLAMSHELL)
CONDUITES DE BALANCIER

Serial No. ;



DATE	SEP. 12, 2012
4th EDITION	

Fig. 6620 ARM PIPING - ARM 2.0m(CLAMSHELL)
CONDUITES DE BALANCIER

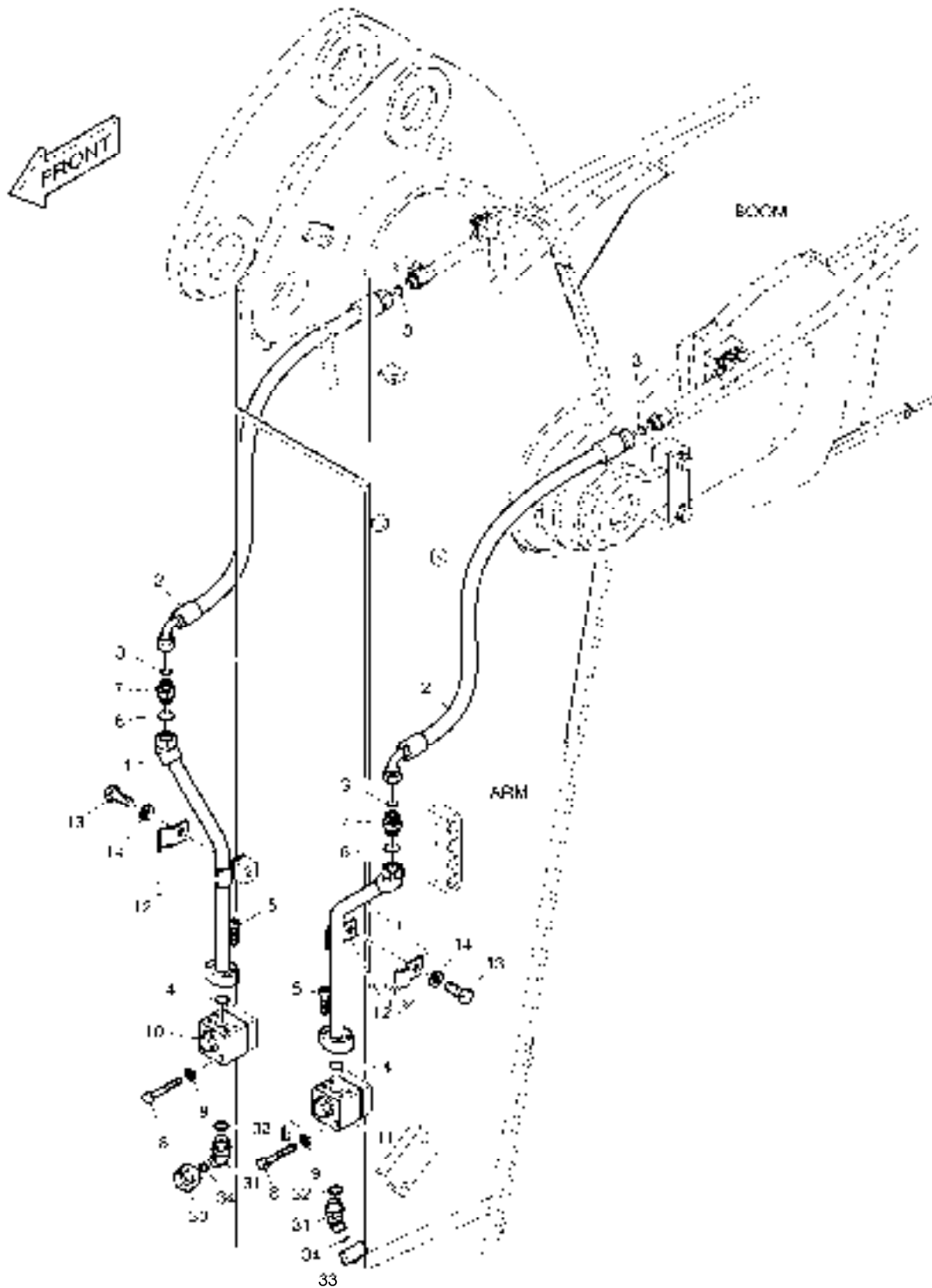
Serial No. ;

Key No.	Part No.	Description	Description	Q'ty	S.C	Serial No.	ICA	Replaceable part	
								Part No.	Q'ty
6620 --	K1013405A	ARM PIPING-CLAMSHELL	CONDUITES DE BALANCIER	-	D				
1	DS2016045	HOSE	TUYAU FLEXIBLE	2					
2	DS2043108	HOSE	TUYAU FLEXIBLE	2					
3	S0515066	BOLT	BOULON	6					
4	2181-9079	FLANGE	BRIDE	12					
5	2180-1026D2	O-RING	JOINT CIRCULAIRE	6					
6	S2212266	BOLT;SOCKET M10X1.5X30	BOULON A 6 PANS CREUX	8					
7	S5102703	WASHER;SPRING	RONDELLE	6					
8	S8030121	O-RING	JOINT CIRCULAIRE	2					
9	S8000231	O-RING	JOINT CIRCULAIRE	2					
10	S0563466	BOLT	BOULON	4					
11	S5102803	WASHER;SPRING	RONDELLE	4					
12	2181-4133D5	ADAPTER	ADAPTEUR	2					
13	S2212366	BOLT;SOCKET M10X1.5X35	BOULON	8					
14	K1002939	VALVE;SWITCH(L.H)	VALVE	1					
15	K1002940	VALVE;SWITCH(R.H)	VALVE	1					
16	S2212066	BOLT;SOCKET M10X1.5X25	BOULON	8					
17	K1025286	BRACKET(L.H)	SUPPORT	1					
18	K1025336	BRACKET(R.H)	SUPPORT	1					
31	2181-2816D1	ELBOW	COUDE	2					
32	S8000231	O-RING	JOINT CIRCULAIRE	2					
33	2181-2817D1	CAP	CHAPEAU	2					
34	S8030121	O-RING	JOINT CIRCULAIRE	2					

DATE	SEP. 12, 2012
4th EDITION	

Fig. 6630 ARM PIPING - ARM 2.0m(ROTATING)
CONDUITES DE BALANCIER

Serial No. ;



DATE	SEP. 12, 2012
4th EDITION	

Fig. 6630 ARM PIPING - ARM 2.0m(ROTATING)
CONDUITES DE BALANCIER

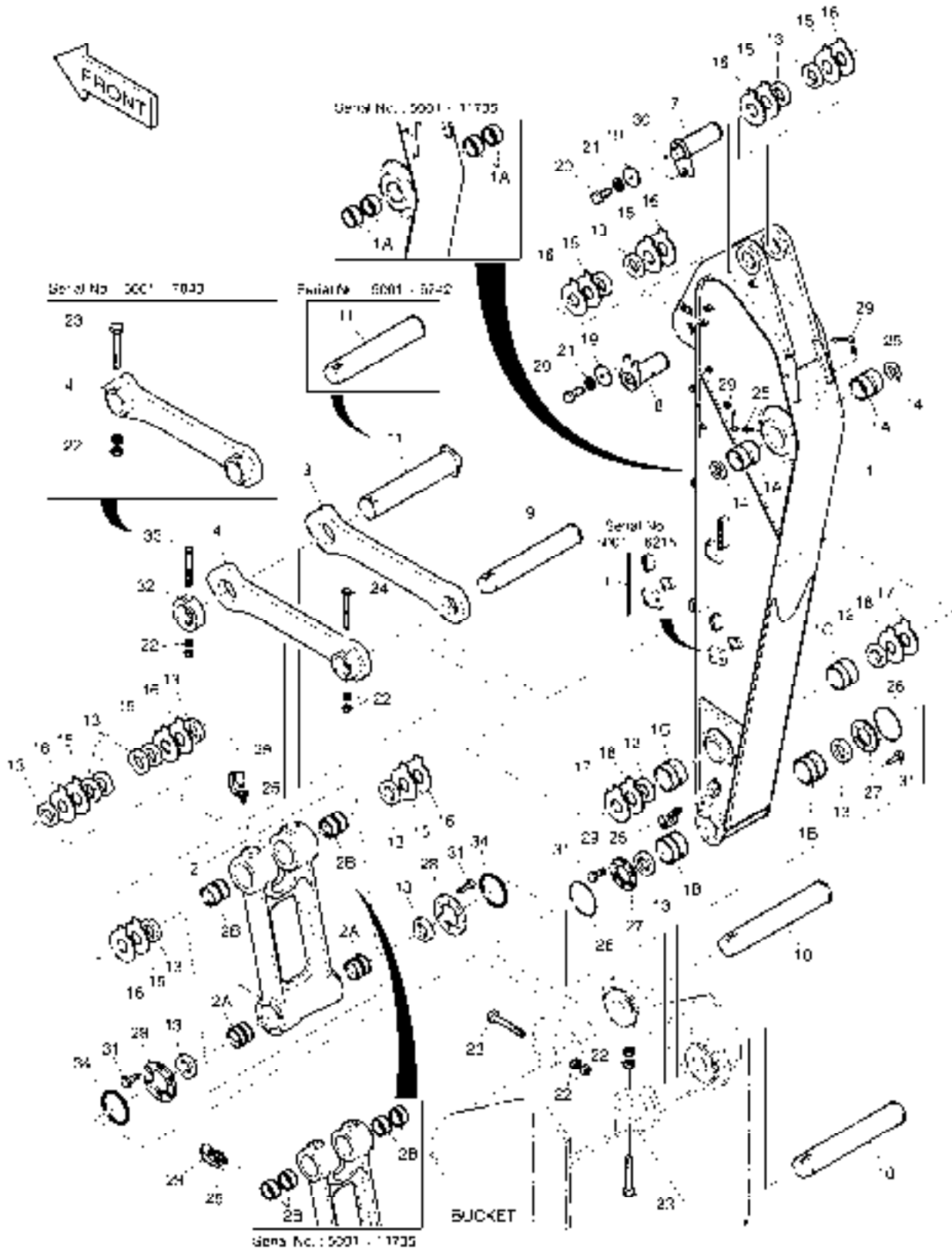
Serial No. ;

Key No.	Part No.	Description	Description	Q'ty	S.C	Serial No.	ICA	Replaceable part	
								Part No.	Q'ty
6630 --	K1013401A	ARM PIPING;ROTATING	CONDUITES DE BALANCIER	-	D				
1	K1025407	PIPE	TUYAU	2					
2	DS2013893	HOSE	TUYAU FLEXIBLE	2					
3	S8030081	O-RING	JOINT CIRCULAIRE	4					
4	2180-1026D30	O-RING	JOINT CIRCULAIRE	2					
5	S2209266	BOLT;SOCKET M8X1.25X30	BOULON A 6 PANS CREUX	8					
6	S8000181	O-RING	JOINT CIRCULAIRE	2					
7	2181-4133D3	ADAPTER	ADAPTEUR	2					
8	S0558966	BOLT	BOULON	4					
9	S5102603	WASHER,SPRING	RONDELLE	4					
10	K1006227	VALVE;SWITCH(R.H)	VANNE	1					
11	K1006228	VALVE;SWITCH(L.H)	VANNE	1					
12	124-00299A	CLAMP;PIPE	COLLIER	2					
13	S0515266	BOLT	BOULON	2					
14	S5102703	WASHER;SPRING	RONDELLE	2					
31	2181-2816D4	ELBOW	COUDE	2					
32	S8000181	O-RING	JOINT CIRCULAIRE	2					
33	2181-2817D4	CAP	CHAPEAU	2					
34	S8030081	O-RING	JOINT CIRCULAIRE	2					

DATE	SEP. 12, 2012
4th EDITION	

**Fig. 6640 ARM - 2.4m
BALANCIER**

Serial No. ;



DATE	SEP. 12, 2012
4th EDITION	

Fig. 6640 ARM - 2.4m BALANCIER

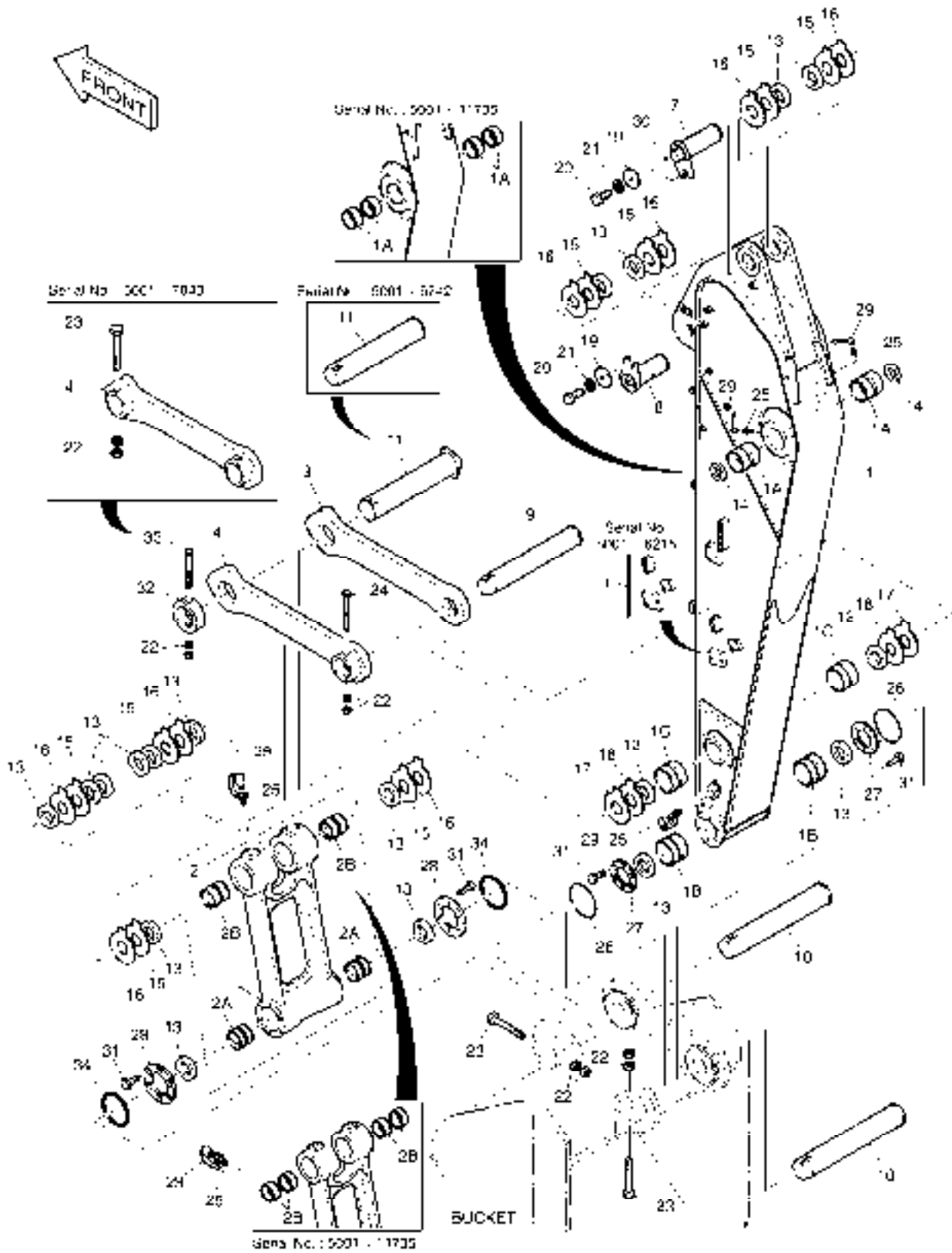
Serial No. ;

Key No.	Part No.	Description	Description	Q'ty	S.C	Serial No.	ICA	Replaceable part	
								Part No.	Q'ty
6640 --	K1046237E	ARM ASS'Y	BALANCIER	-	D	5001-5742			
	230201-00105	ARM ASS'Y	BALANCIER	-	D	5743-			
1	K1046246B	ARM SUB ASS'Y-2.4m	ENSEMBLE BALANCIER	1		5001-6215			
	230204-00084A	ARM;2.4M	ENSEMBLE BALANCIER	1		06216- 11735			
	230204-00084C	ARM,MACHINE;2.4M	ENSEMBLE BALANCIER	1		11736-			
1A	K1037848A	. BUSHING	. BUSHING	4		05001- 11735	Y	131008-00064A	2
	131008-00064A	. BUSHING	. BUSHING	2		11736-			
1B	K1037849A	. BUSHING	. BUSHING	2		05001- 11735	Y	K1000733	2
	K1000733	. BUSHING	. BUSHING	2		11736-			
1C	K1037850A	. BUSHING	. BUSHING	2		05001- 11735	Y	K1000734	2
	K1000734	. BUSHING	. BUSHING	2		11736-			
2	K1041214A	PUSH LINK ASS'Y	ENSEMBLE DE ARTICULAT	1		05001- 11735	Y	K1002294	1
	K1002294	PUSH LINK ASS'Y	ENSEMBLE DE ARTICULAT	1		11736-			
2A	K1037852A	. BUSHING	. BUSHING	2		05001- 11735	Y	110-00249	2
	110-00249	. BUSHING	. BUSHING	2		11736-			
2B	K1037851A	. BUSHING	. BUSHING	4		05001- 11735	Y	K1000735	2
	K1000735	. BUSHING	. BUSHING	2		11736-			
3	2155-1299B	LINK;GUIDE(R.H)	ARTICULATION	1		5001-5742	Y	101540-00012	1
	101540-00012	LINK,GUIDE(R.H)	LIEN	1		5743-			
4	2155-1300B	LINK;GUIDE(L.H)	LIEN	1		5001-7043			
	101540-00028	LINK,GUIDE(L.H)	LIEN	1		7044-			
7	K1046927	PIN	GOUJON	1		5001-8240	Y	120501-01063	1
	120501-01063	PIN	GOUJON	1		8241-			
8	K1002130A	PIN	GOUJON	1		5001-8240	Y	120501-01064	1
	120501-01064	PIN	GOUJON	1		8241-			
9	K1007255A	PIN	GOUJON	1		5001-8240	Y	120501-01065	1
	120501-01065	PIN	GOUJON	1		8241-			
10	2123-2192E	PIN	GOUJON	2		5001-8240	Y	120501-01052	2
	120501-01052	PIN	GOUJON	2		8241-			
11	K1007256A	PIN	GOUJON	1		5001-5742	Y	120501-00130	1
	120501-00130	PIN;BUCKET CYL ROD	GOUJON	1		5743-			
12	2180-1106BD4	SEAL;DUST	CACHET	2					
13	2180-1106BD24	SEAL;DUST	CACHET	14					
14	2180-1106BD6	SEAL;DUST	CACHET	2					
15	DS7752012	SHIM	CALE	8					
16	DS7752013	SHIM	CALE	8					
17	DS7752006	SHIM	CALE	2					
18	DS7752007	SHIM	CALE	2					

DATE	SEP. 12, 2012
4th EDITION	

**Fig. 6640 ARM - 2.4m
BALANCIER**

Serial No. ;



DATE	SEP. 12, 2012
4th EDITION	

**Fig. 6640 ARM - 2.4m
BALANCIER**

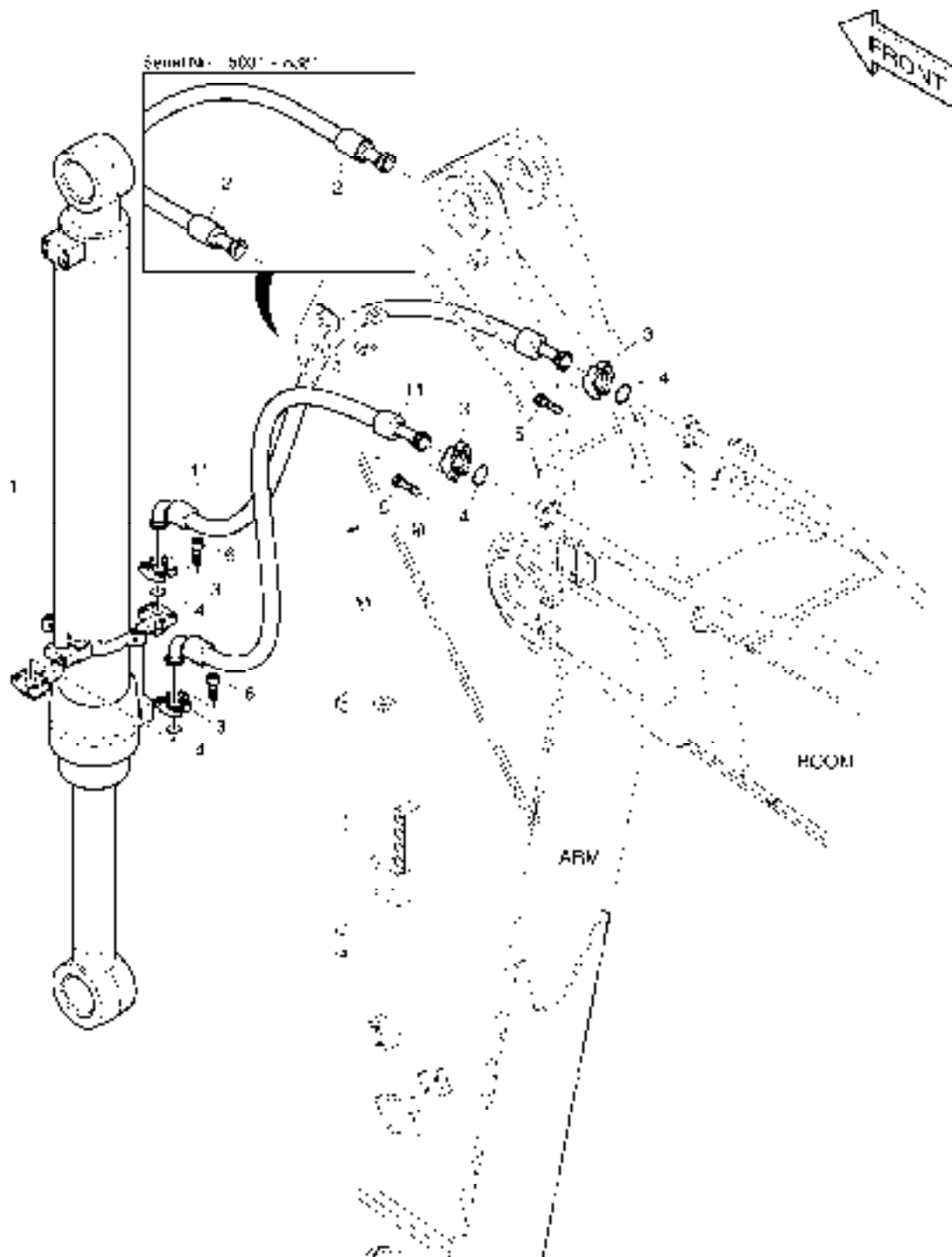
Serial No. ;

Key No.	Part No.	Description	Description	Q'ty	S.C	Serial No.	ICA	Replaceable part	
								Part No.	Q'ty
6640 -19	2116-1060D6	STOPPER	TAQUET	2					
20	S0521366	BOLT	BOULON	2					
21	S5102903	WASHER,SPRING	RONDELLE	2					
22	S4012933	NUT	ECROU	8					
23	DS0001084	BOLT	BOULON	3		5001-7043			
	DS0001084	BOLT	BOULON	2		7044-			
24	DS0001083	BOLT	BOULON	1					
25	S6710041	NIPPLE;GREASE	GRAISSEUR	7					
26	180-00077D5	O-RING	JOINT CIRCULAIRE	2					
27	K1000911	SPACER	ENTRETOISE	2					
28	K1000912B	SPACER	ENTRETOISE	2					
29	160-00020	CAP;GREASE NIPPLE	CHAPEAU	7					
30	2181-1116D1	PLUG	BOUCHON	1					
31	S0712066	BOLT	BOULON	24					
32	2116-1531A	STOPPER	TAQUET	1		7044-			
33	S0712066	BOLT	BOULON	1		7044-			
34	180-00077D3	O-RING	JOINT TORIQUE	2		10998-			

DATE	SEP. 12, 2012
4th EDITION	

Fig. 6650 ARM PIPING - ARM 2.4m
CONDUITES DE BALANCIER

Serial No. ;



DATE	SEP. 12, 2012
4th EDITION	

Fig. 6650 ARM PIPING - ARM 2.4m
CONDUITES DE BALANCIER

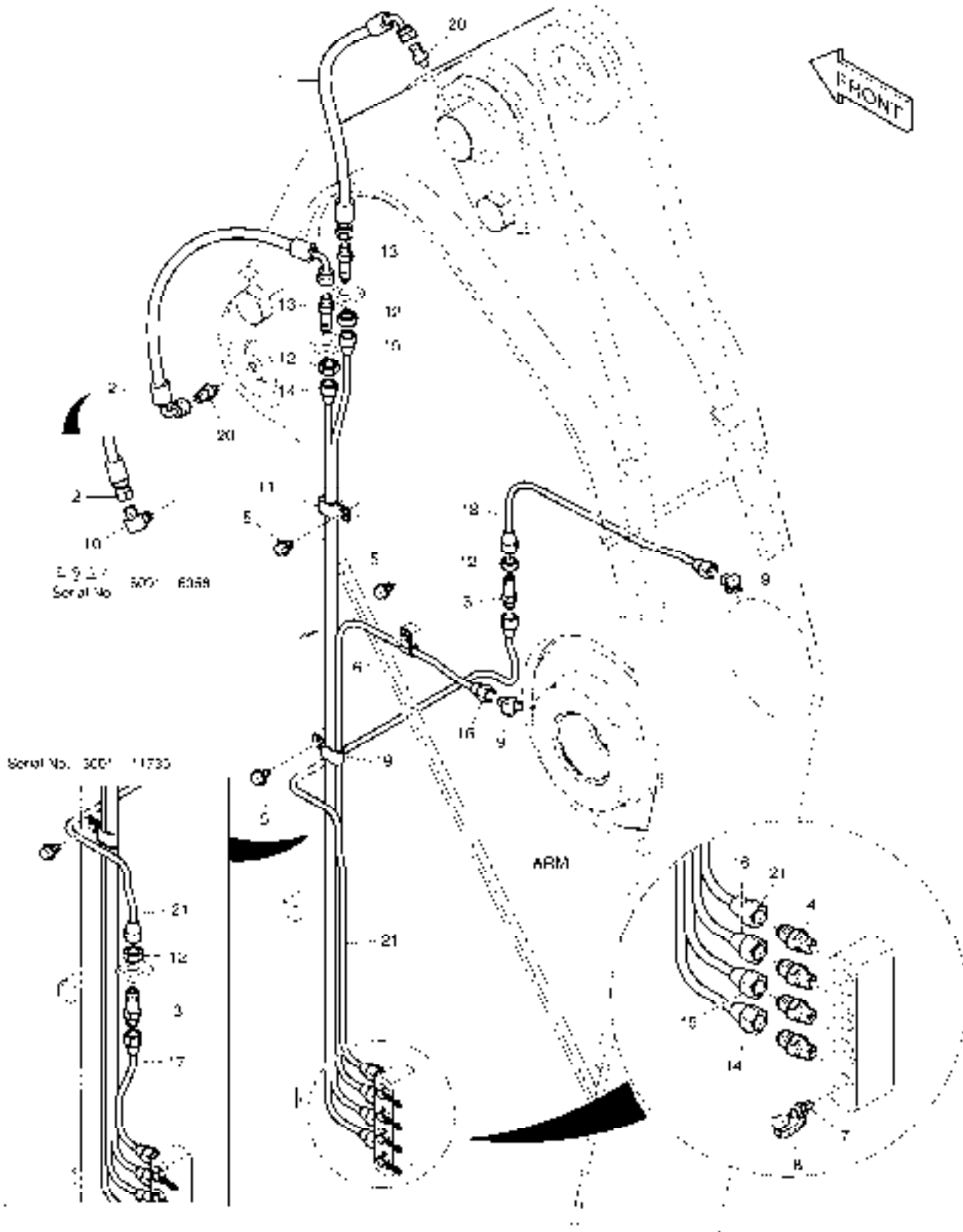
Serial No. ;

Key No.	Part No.	Description	Description	Q'ty	S.C	Serial No.	ICA	Replaceable part	
								Part No.	Q'ty
6650 --	K1046328	ARM PIPING	CONDUITES DE BALANCIER	-	D	5001-8381			
	420212-05429	ARM PIPING	CONDUITES DE BALANCIER	-	D	8382-			
1	K1046326	CYLINDER;BUCKET	VERIN DE GODET	1		05001-11589	Y	400310-00215	1
	400310-00215	CYLINDER;BUCKET	VERIN DE GODET	1		11590-			
2	2184-1100D59	HOSE 3/4-1750L	TUYAU	2		5001-8381			
3	2181-9079	FLANGE	BRIDE	8					
4	2180-1026D2	O-RING	JOINT CIRCULAIRE	4					
5	S2212366	BOLT;SOCKET M10X1.5X35	BOULON	8					
6	S2212266	BOLT;SOCKET M10X1.5X30	BOULON A 6 PANS CREUX	8					
11	DS2130008	HOSE ASSY,HYDRAULIC	TUYAU	2		8382-9290	I	DS20401141	2
	DS20401141	HOSE ASSY,HYDRAULIC	TUYAU	2		9291-			

DATE	SEP. 12, 2012
4th EDITION	

Fig. 6660 LUBRICATION PIPING - ARM 2.4m LUBRIFICATION

Serial No. ;



DATE	SEP. 12, 2012
4th EDITION	

Fig. 6660 LUBRICATION PIPING - ARM 2.4m
LUBRIFICATION

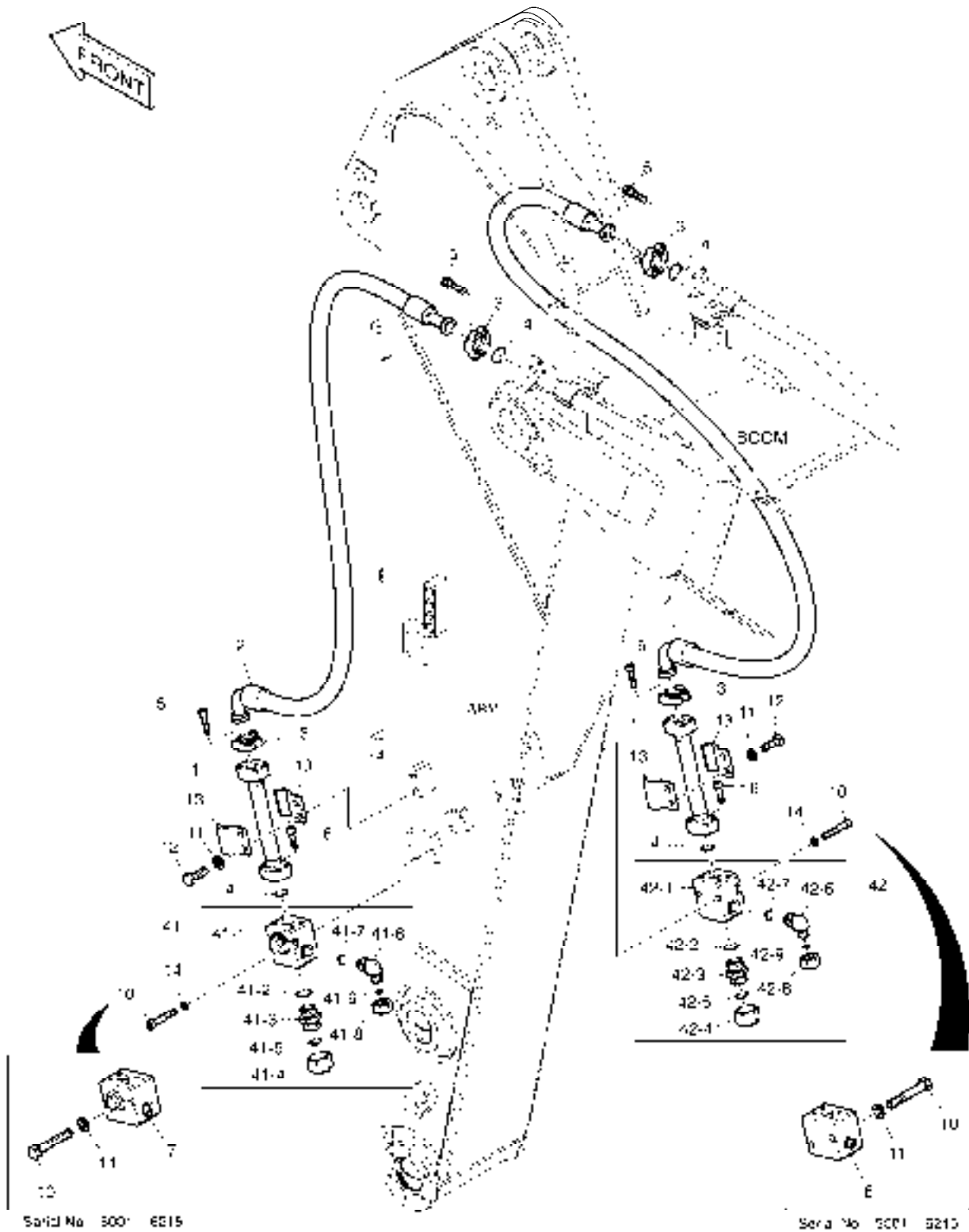
Serial No. ;

Key No.	Part No.	Description	Description	Q'ty	S.C	Serial No.	ICA	Replaceable part	
								Part No.	Q'ty
6660 --	K1013410A	LUBRICATION PIPING-ARM	LUBRIFICATION	-	D	5001-7964			
	420212-05311	PIPING,LUBRICATION;2.4M	LUBRIFICATION	-	D	7965-			
1	DS2055920	HOSE	TUYAU	1					
2	DS2055891	HOSE	TUYAU	1		5001-7964			
	DS2059600	HOSE PF1/4-330L	TUYAU	1		7965-			
3	DS2225009	ADAPTER	ADAPTEUR	2		05001-11735			
	DS2225009	ADAPTER	ADAPTEUR	1		11736-			
4	2181-1184	ADAPTER	ADAPTEUR	4					
5	K1001029	BOLT	BOULON	3					
6	DS2802023	CLIP	AGRAFE	1					
7	S6710041	NIPPLE;GREASE	GRAISSEUR	4					
8	160-00020	CAP;GREASE NIPPLE	CHAPEAU	4					
9	K1010730	ELBOW	COUDE	2					
10	2181-1111D11	ELBOW	COUDE	1		5001-7964			
11	DS2805007	CLIP	AGRAFE	1					
12	S4032833	NUT	ECROU	4		05001-11735			
	S4032833	NUT	ECROU	3		11736-			
13	2181-1923D12	ADAPTER	ADAPTEUR	2					
14	K1025464	PIPE	TUYAU	1					
15	K1025465	PIPE	TUYAU	1					
16	K1025466	PIPE	TUYAU	1					
17	K1010271	PIPE	TUYAU	1		05001-11735			
18	K1025467	PIPE	TUYAU	1					
19	DS2805008	CLIP	AGRAFE	1					
20	2181-4112	ADAPTER	ADAPTEUR	1		5001-7964			
	2181-4112	ADAPTER	ADAPTEUR	2		7965-			
21	K1013687	PIPE	TUYAU	1		05001-11735			
	420205-00283	PIPE	TUYAU	1		11736-			

DATE	SEP. 12, 2012
4th EDITION	

Fig. 6670 ARM PIPING - ARM 2.4m(ONE & TWO WAY)
CONDUITES DE BALANCIER

Serial No. ;



DATE	SEP. 12, 2012
4th EDITION	

Fig. 6670 ARM PIPING - ARM 2.4m(ONE & TWO WAY) CONDUITES DE BALANCIER

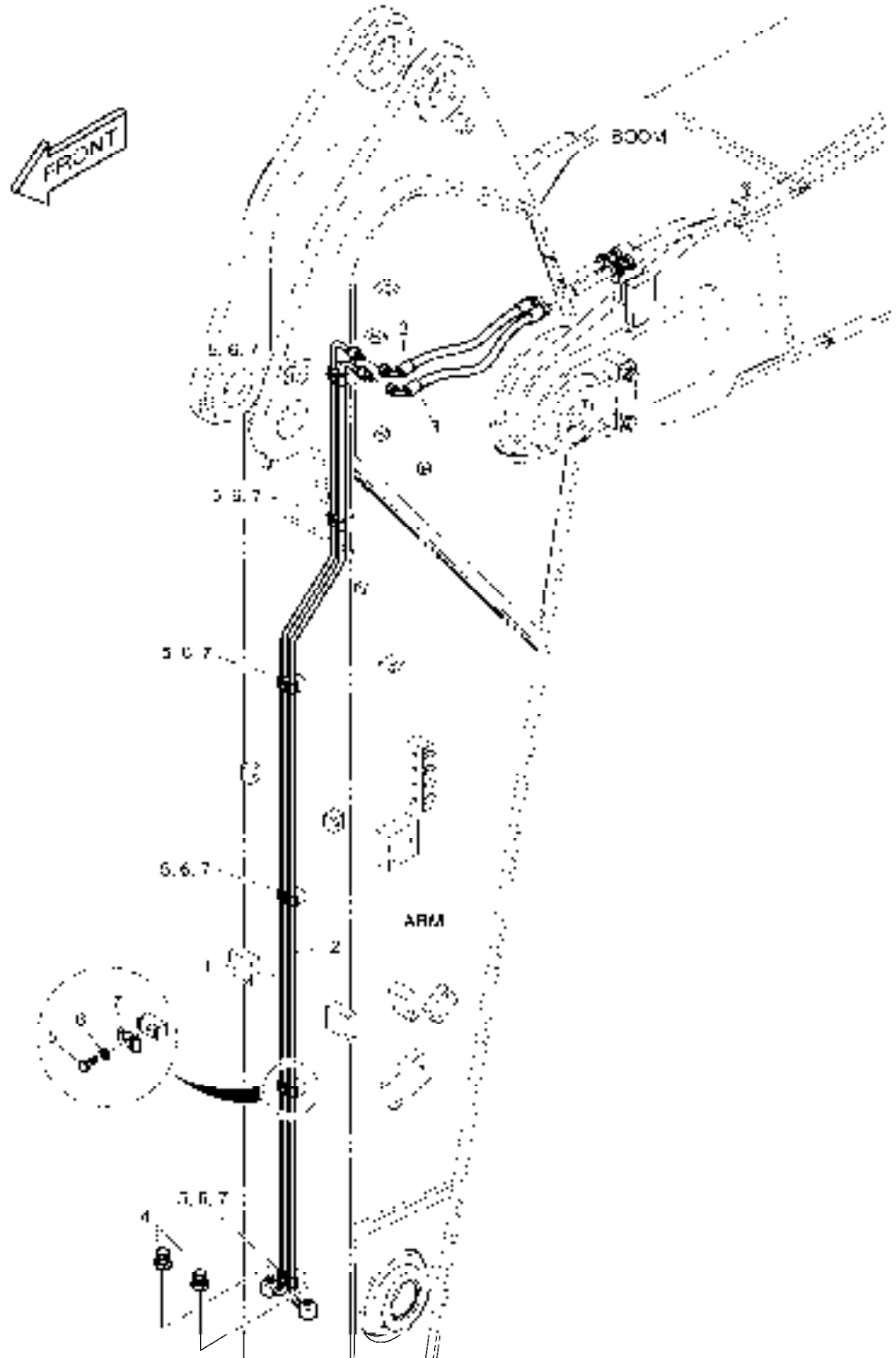
Serial No. ;

Key No.	Part No.	Description	Description	Q'ty	S.C	Serial No.	ICA	Replaceable part	
								Part No.	Q'ty
6670 --	K1013411B	ARM PIPING-ONE & TWO WAY	CONDUITES DE BALANCIER	-	D	5001-6215			
	420212-01717	ARM PIPING,ONE & TWO WAY	CONDUITES DE BALANCIER	-	D	6216-			
1	K1025246	PIPE	TUYAU	2					
2	2184-1100D90	HOSE	TUYAU	2					
3	2181-9078	FLANGE	BRIDE	8					
4	2180-1026D19	O-RING	JOINT CIRCULAIRE	6					
5	S2212466	BOLT;SOCKET M10X1.5X40	BOULON	16					
6	S2212366	BOLT;SOCKET M10X1.5X35	BOULON	8					
7	K1000334A	VALVE;STOP(L.H)	VANNE	1		5001-6215			
8	K1000338A	VALVE;STOP(R.H)	VANNE	1		5001-6215			
10	S0563666	BOLT	BOULON A 6 PANS	4		5001-6215			
	S2215966	BOLT;SOCKET	BOULON	4		6216-			
11	S5102803	WASHER;SPRING	RONDELLE	8		5001-6215			
	S5102803	WASHER;SPRING	RONDELLE	4		6216-			
12	S0562766	BOLT	BOULON	4					
13	K1004057	CLAMP;PIPE	COLLIER	4					
14	S5110703	WASHER;SPRING	RONDELLE	4		6216-			
41	410137-00032A	VALVE ASS'Y,STOP(L.H)	VANNE	1		6216-			
41-1	410137-00067	. VALVE,STOP(L.H)	. VANNE	1		6216-			
41-2	S8000291	. O-RING	. JOINT CIRCULAIRE	1		6216-			
41-3	2181-4133D6	. ADAPTER	. ADAPTEUR	1		6216-			
41-4	2181-2817D2	. CAP	. CHAPEAU	1		6216-			
41-5	S8030161	. O-RING	. JOINT CIRCULAIRE	1		6216-			
41-6	2181-2815D3	. ELBOW	. COUDE	1		6216-			
41-7	S8000181	. O-RING	. JOINT CIRCULAIRE	1		6216-			
41-8	2181-2817D4	. CAP	. CHAPEAU	1		6216-			
41-9	S8030081	. O-RING	. JOINT CIRCULAIRE	1		6216-			
42	410137-00033A	VALVE ASS'Y,STOP(R.H)	VANNE	1		6216-			
42-1	410137-00069	. VALVE,STOP(R.H)	. VANNE	1		6216-			
42-2	S8000291	. O-RING	. JOINT CIRCULAIRE	1		6216-			
42-3	2181-4133D6	. ADAPTER	. ADAPTEUR	1		6216-			
42-4	2181-2817D2	. CAP	. CHAPEAU	1		6216-			
42-5	S8030161	. O-RING	. JOINT CIRCULAIRE	1		6216-			
42-6	2181-2815D3	. ELBOW	. COUDE	1		6216-			
42-7	S8000181	. O-RING	. JOINT CIRCULAIRE	1		6216-			
42-8	2181-2817D4	. CAP	. CHAPEAU	1		6216-			
42-9	S8030081	. O-RING	. JOINT CIRCULAIRE	1		6216-			

DATE	SEP. 12, 2012
4th EDITION	

Fig. 6680 ARM PIPING - ARM 2.4m(QUICK CLAMP)
CONDUITES DE BALANCIER

Serial No. ;



DATE	SEP. 12, 2012
4th EDITION	

Fig. 6680 ARM PIPING - ARM 2.4m(QUICK CLAMP)
CONDUITES DE BALANCIER

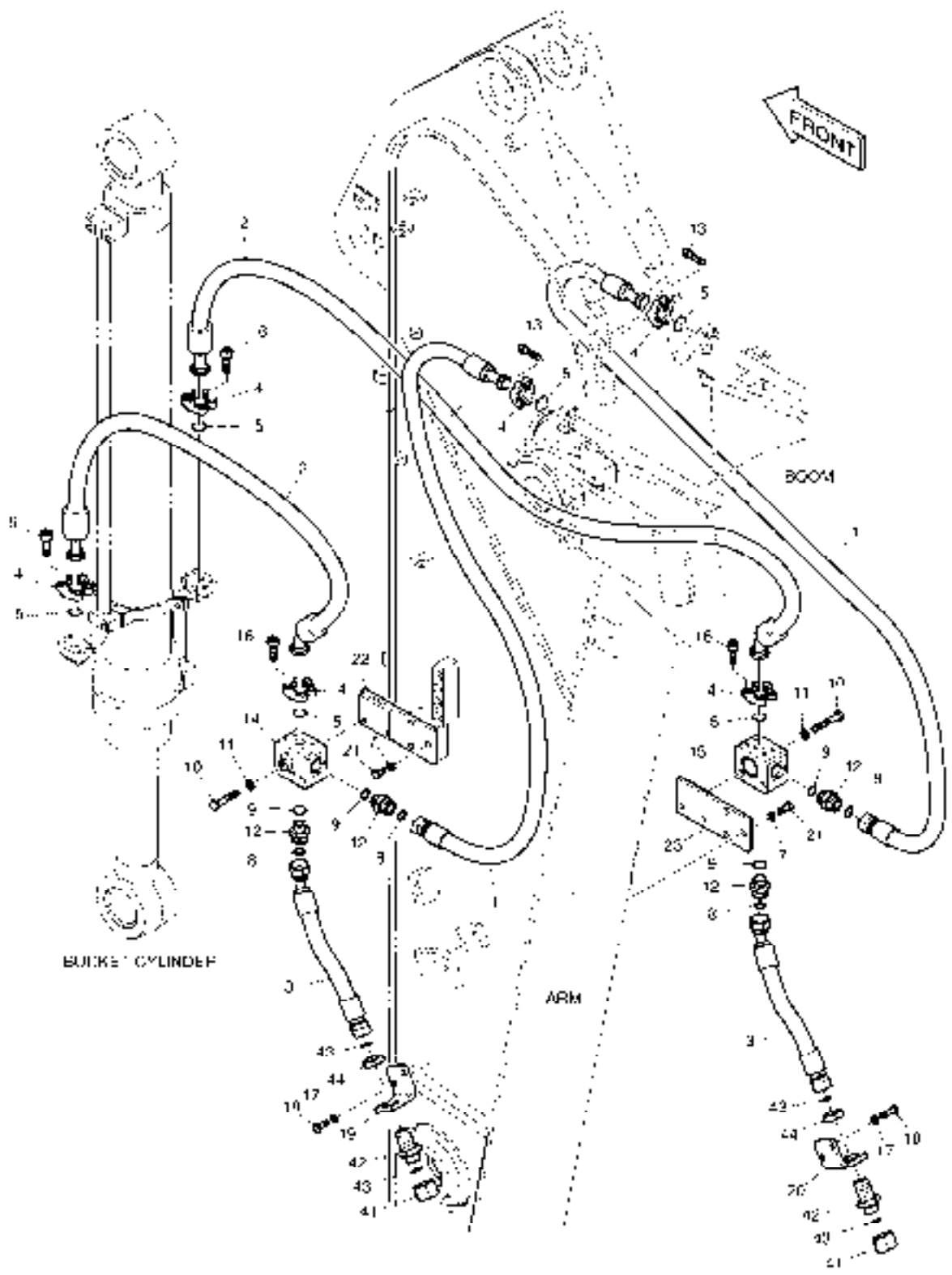
Serial No. ;

Key No.	Part No.	Description	Description	Q'ty	S.C	Serial No.	ICA	Replaceable part	
								Part No.	Q'ty
6680 --	K1013434A	ARM PIPING-QUICK CLAMP	TUYAUTERIE DU BRAS	-	D				
1	K1025462	PIPE	TUYAU	1					
2	K1025463	PIPE	TUYAU	1					
3	DS2055867	HOSE	TUYAU	2					
4	2181-2820D1	PLUG	BOUCHON	2					
5	S0508866	BOLT	BOULON	6					
6	S5102503	WASHER, SPRING	RONDELLE	6					
7	K1004011	CLAMP; PIPE	COLLIER	6					

DATE	SEP. 12, 2012
4th EDITION	

Fig. 6690 ARM PIPING - ARM 2.4m(CLAMSHELL)
CONDUITES DE BALANCIER

Serial No. ;



DATE	SEP. 12, 2012
4th EDITION	

**Fig. 6690 ARM PIPING - ARM 2.4m(CLAMSHELL)
CONDUITES DE BALANCIER**

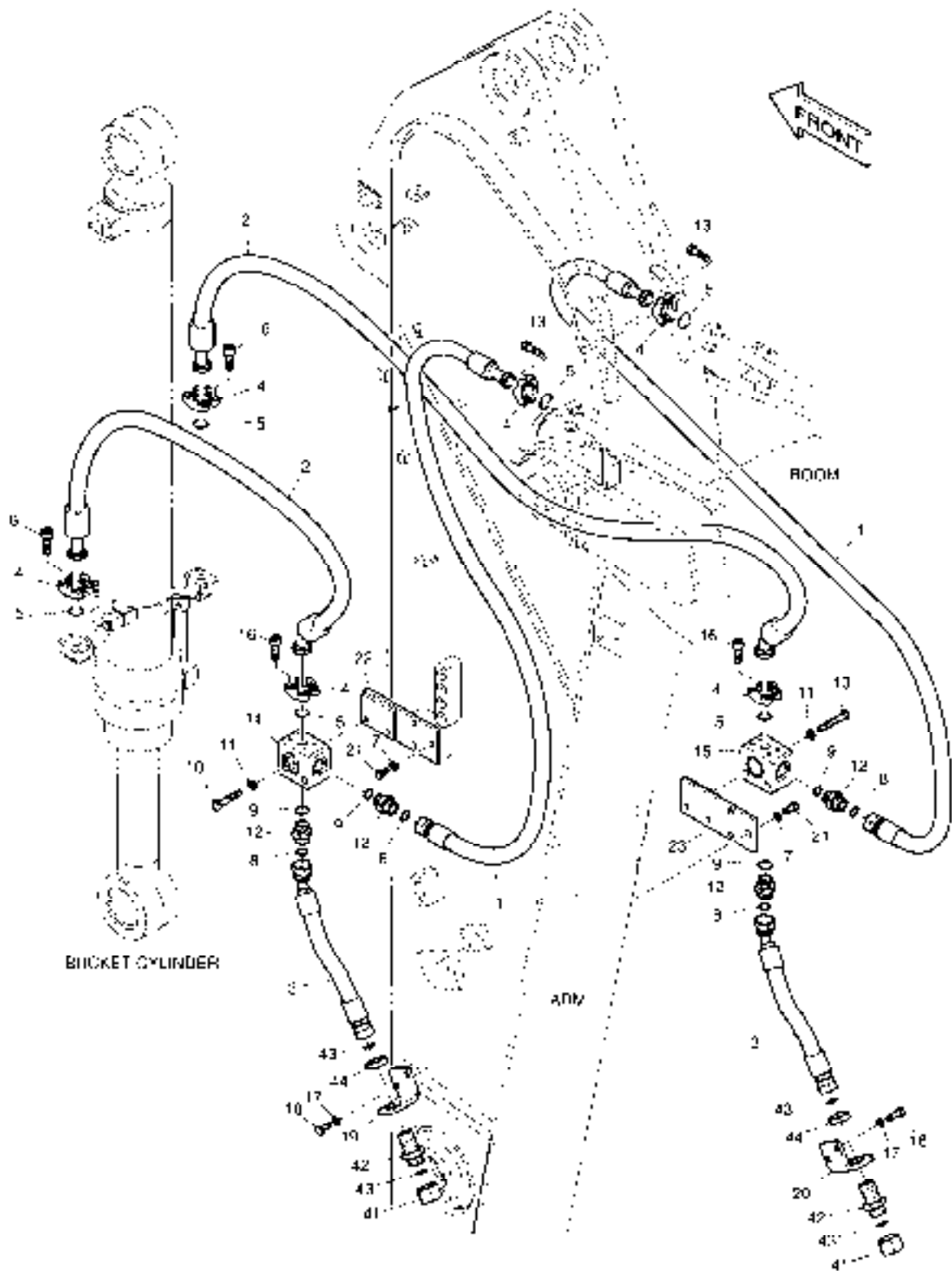
Serial No. ;

Key No.	Part No.	Description	Description	Q'ty	S.C	Serial No.	ICA	Replaceable part	
								Part No.	Q'ty
6690 --	K1013436B	ARM PIPING-CLAMSHELL	TUYAUTERIE DU BRAS	-	D				
1	DS2016074	HOSE	TUYAU	2					
2	DS2039122	HOSE	TUYAU	2					
3	DS2012342	HOSE	TUYAU FLEXIBLE	2					
4	2181-9079	FLANGE	BRIDE	12					
5	2180-1026D2	O-RING	JOINT CIRCULAIRE	6					
6	S2212266	BOLT;SOCKET M10X1.5X30	BOULON A 6 PANS CREUX	8					
7	S5102703	WASHER;SPRING	RONDELLE	6					
8	S8030121	O-RING	JOINT CIRCULAIRE	4					
9	S8000231	O-RING	JOINT CIRCULAIRE	4					
10	S0563466	BOLT	BOULON	4					
11	S5102803	WASHER;SPRING	RONDELLE	4					
12	2181-4133D5	ADAPTER	ADAPTEUR	4					
13	S2212366	BOLT;SOCKET M10X1.5X35	BOULON	8					
14	K1002939	VALVE;SWITCH(L.H)	VALVE	1					
15	K1002940	VALVE;SWITCH(R.H)	VALVE	1					
16	S2212066	BOLT;SOCKET M10X1.5X25	BOULON	8					
17	S5102603	WASHER,SPRING	RONDELLE	4					
18	S0512066	BOLT M10X1.5X25	BOULON	4					
19	K1014759	BRACKET	SUPPORT	1					
20	K1015093	BRACKET	SUPPORT	1					
21	S0515066	BOLT	BOULON	6					
22	K1025286	BRACKET(L.H)	SUPPORT	1					
23	K1025336	BRACKET(R.H)	SUPPORT	1					
41	2181-2817D1	CAP	CHAPEAU	2					
42	DS2415007	ADAPTER	ADAPTEUR	2					
43	S8030121	O-RING	JOINT CIRCULAIRE	4					
44	121-00010D8	NUT	ECROU	2					

DATE	SEP. 12, 2012
4th EDITION	

Fig. 6700 ARM PIPING - ARM 2.4m(ROTATING)
CONDUITES DE BALANCIER

Serial No. ;



DATE	SEP. 12, 2012
4th EDITION	

Fig. 6700 ARM PIPING - ARM 2.4m(ROTATING)
CONDUITES DE BALANCIER

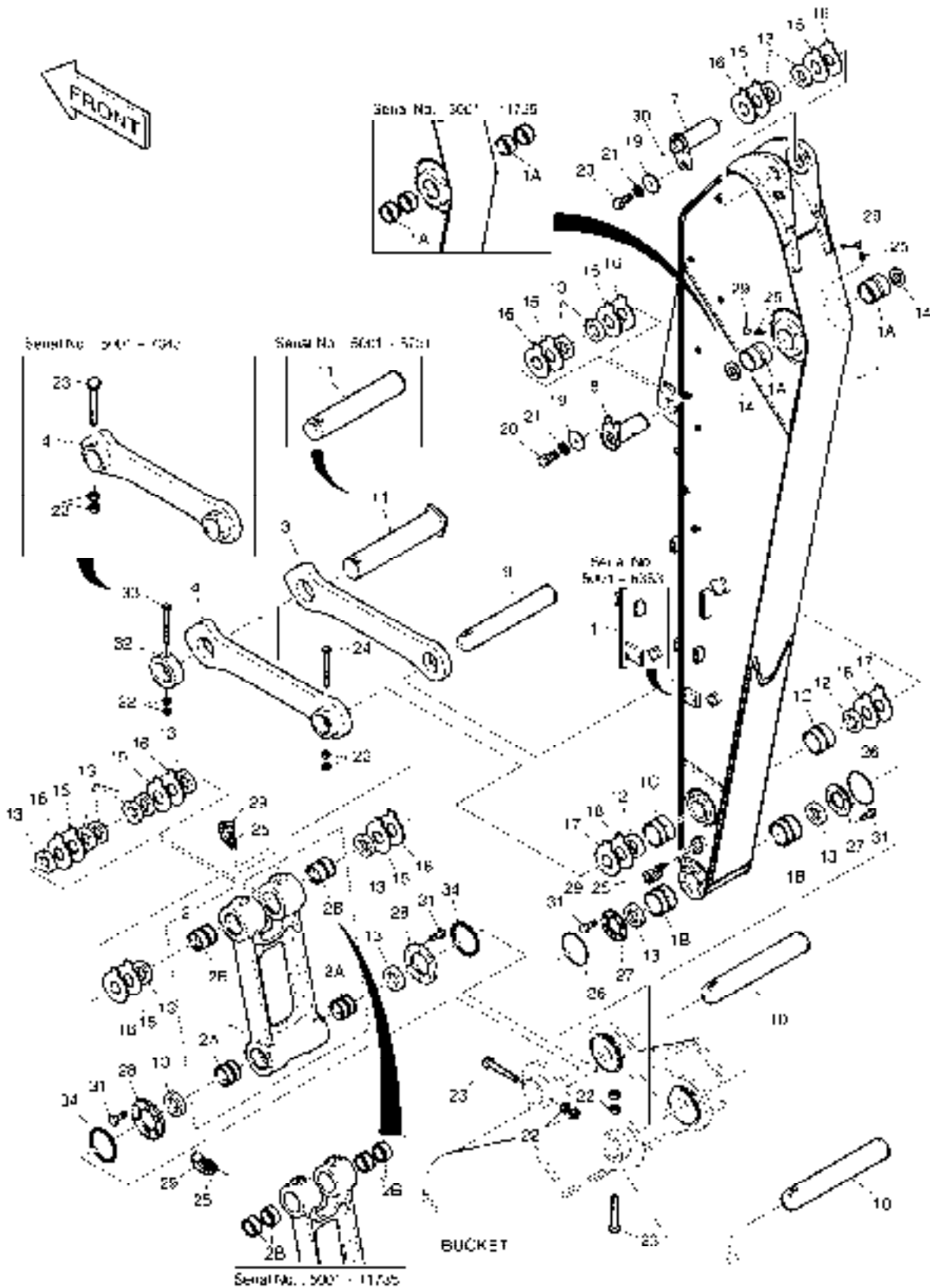
Serial No. ;

Key No.	Part No.	Description	Description	Q'ty	S.C	Serial No.	ICA	Replaceable part	
								Part No.	Q'ty
6700 --	K1013414A	ARM PIPING;ROTATING	TUYAUTERIE DU BRAS	-	D				
1	K1025460	PIPE	TUYAU	2					
2	DS2013356	HOSE ORS1/2-1250L	TUYAU	2					
3	S8030081	O-RING	JOINT CIRCULAIRE	4					
4	124-00299A	CLAMP;PIPE	COLLIER	4					
5	S0515266	BOLT	BOULON	2					
6	S5102703	WASHER;SPRING	RONDELLE	2					
8	S8000181	O-RING	JOINT CIRCULAIRE	2					
9	2181-4133D3	ADAPTER	ADAPTEUR	2					
11	S0558966	BOLT	BOULON	4					
12	S5102603	WASHER,SPRING	RONDELLE	4					
13	K1006227	VALVE;SWITCH(R.H)	VANNE	1					
14	K1006228	VALVE;SWITCH(L.H)	VANNE	1					
15	2180-1026D30	O-RING	JOINT CIRCULAIRE	2					
16	S2209266	BOLT;SOCKET M8X1.25X30	BOULON A 6 PANS CREUX	8					
31	S8000181	O-RING	JOINT CIRCULAIRE	2					
32	2181-2816D4	ELBOW	COUDE	2					
33	2181-2817D4	CAP	CHAPEAU	2					
34	S8030081	O-RING	JOINT CIRCULAIRE	2					

DATE	SEP. 12, 2012
4th EDITION	

Fig. 6710 ARM - 3.5m
BALANCIER

Serial No. ;



DATE	SEP. 12, 2012
4th EDITION	

Fig. 6710 ARM - 3.5m BALANCIER

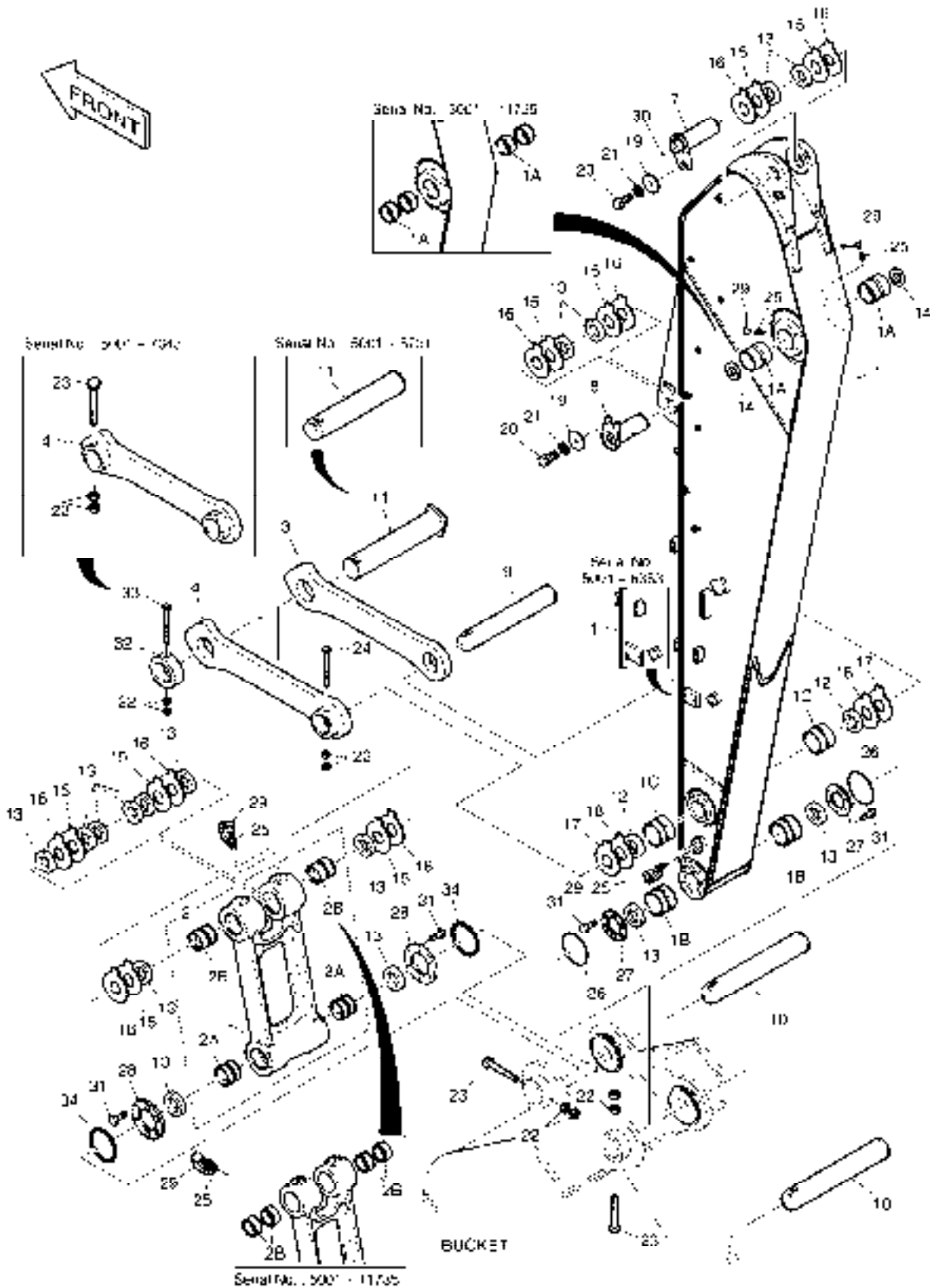
Serial No. ;

Key No.	Part No.	Description	Description	Q'ty	S.C	Serial No.	ICA	Replaceable part	
								Part No.	Q'ty
6710 --	K1046239E	ARM ASS'Y	BALANCIER	-	D	5001-5731			
	230201-00107	ARM ASSY	BALANCIER	-	D	5732-			
1	K1046250B	ARM SUB ASS'Y-3.5m	ENSEMBLE BALANCIER	1		5001-6353			
	230204-00086A	ARM;3.5M	ENSEMBLE BALANCIER	1		06354- 11735			
	230204-00086C	ARM ASS'Y-3.5M	ENSEMBLE BALANCIER	1		11736-			
1A	K1037848A	. BUSHING	. BUSHING	4		05001- 11735	Y	131008-00064A	2
	131008-00064A	. BUSHING	. BUSHING	2		11736-			
1B	K1037849A	. BUSHING	. BUSHING	2		05001- 11735	Y	K1000733	2
	K1000733	. BUSHING	. BUSHING	2		11736-			
1C	K1037850A	. BUSHING	. BUSHING	2		05001- 11735	Y	K1000734	2
	K1000734	. BUSHING	. BUSHING	2		11736-			
2	K1041214A	PUSH LINK ASS'Y	ENSEMBLE DE ARTICULAT	1		05001- 11735	Y	K1002294	1
	K1002294	PUSH LINK ASS'Y	ENSEMBLE DE ARTICULAT	1		11736-			
2A	K1037852A	. BUSHING	. BUSHING	2		05001- 11735	Y	110-00249	2
	110-00249	. BUSHING	. BUSHING	2		11736-			
2B	K1037851A	. BUSHING	. BUSHING	4		05001- 11735	Y	K1000735	2
	K1000735	. BUSHING	. BUSHING	2		11736-			
3	2155-1299B	LINK;GUIDE(R.H)	ARTICULATION	1		5001-5731	Y	101540-00012	1
	101540-00012	LINK,GUIDE(R.H)	LIEN	1		5732-			
4	2155-1300B	LINK;GUIDE(L.H)	LIEN	1		5001-7043			
	101540-00028	LINK,GUIDE(L.H)	LIEN	1		7044-			
7	K1046927	PIN	GOUJON	1		5001-8240	Y	120501-01063	1
	120501-01063	PIN	GOUJON	1		8241-			
8	K1002130A	PIN	GOUJON	1		5001-8240	Y	120501-01064	1
	120501-01064	PIN	GOUJON	1		8241-			
9	K1007255A	PIN	GOUJON	1		5001-8240	Y	120501-01065	1
	120501-01065	PIN	GOUJON	1		8241-			
10	2123-2192E	PIN	GOUJON	2		5001-8240	Y	120501-01052	2
	120501-01052	PIN	GOUJON	2		8241-			
11	K1007256A	PIN	GOUJON	1		5001-5731	Y	120501-00130	1
	120501-00130	PIN;BUCKET CYL ROD	GOUJON	1		5732-			
12	2180-1106BD4	SEAL;DUST	CACHET	2					
13	2180-1106BD24	SEAL;DUST	CACHET	14					
14	2180-1106BD6	SEAL;DUST	CACHET	2					
15	DS7752012	SHIM	CALE	8					
16	DS7752013	SHIM	CALE	8					
17	DS7752006	SHIM	CALE	2					
18	DS7752007	SHIM	CALE	2					

DATE	SEP. 12, 2012
4th EDITION	

Fig. 6710 ARM - 3.5m
BALANCIER

Serial No. ;



DATE	SEP. 12, 2012
4th EDITION	

**Fig. 6710 ARM - 3.5m
BALANCIER**

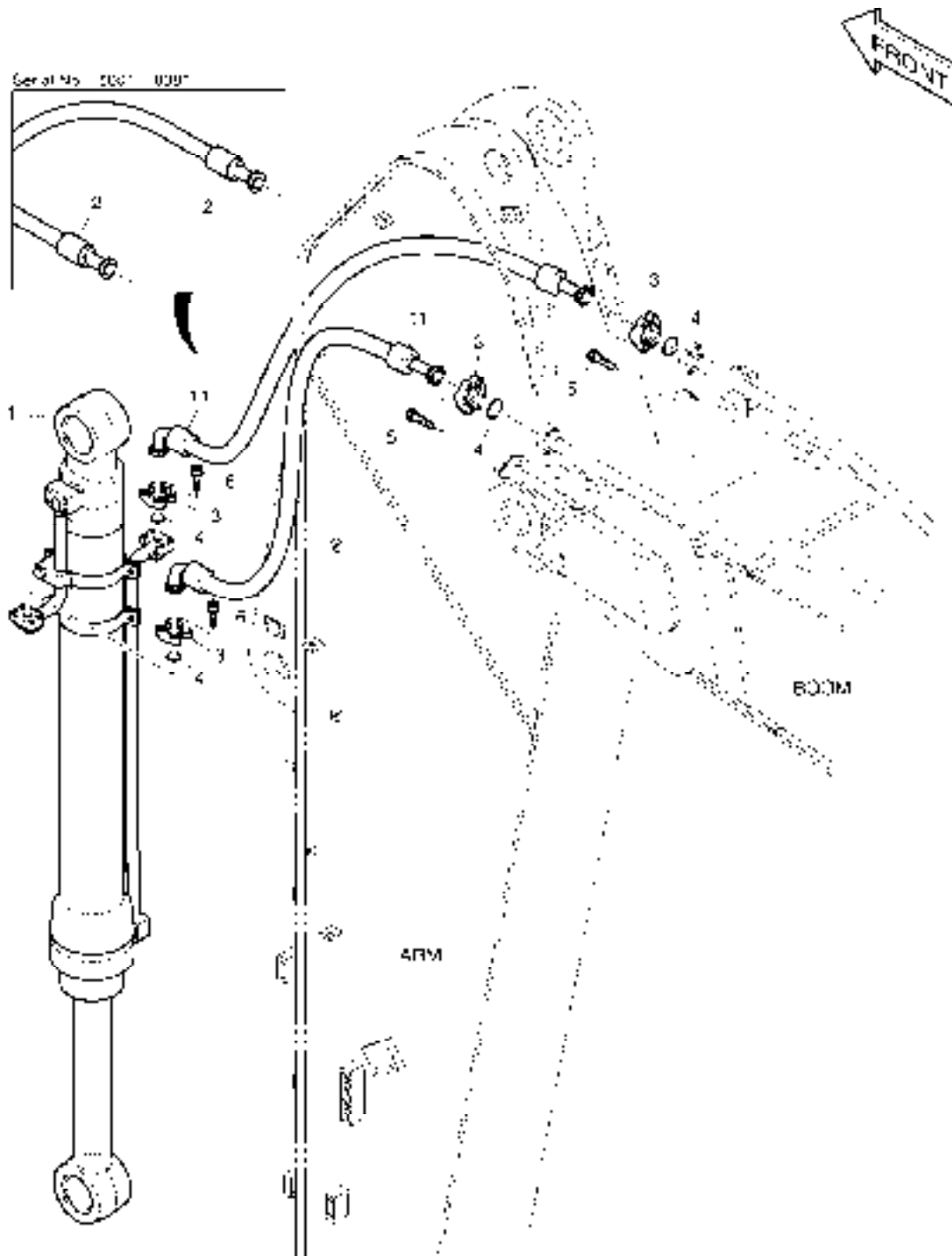
Serial No. ;

Key No.	Part No.	Description	Description	Q'ty	S.C	Serial No.	ICA	Replaceable part	
								Part No.	Q'ty
6710 -19	2116-1060D6	STOPPER	TAQUET	2					
20	S0521366	BOLT	BOULON	2					
21	S5102903	WASHER,SPRING	RONDELLE	2					
22	S4012933	NUT	ECROU	8					
23	DS0001084	BOLT	BOULON	3		5001-7043			
	DS0001084	BOLT	BOULON	2		7044-			
24	DS0001083	BOLT	BOULON	1					
25	S6710041	NIPPLE;GREASE	GRAISSEUR	7					
26	180-00077D5	O-RING	JOINT CIRCULAIRE	2					
27	K1000911	SPACER	ENTRETOISE	2					
28	K1000912B	SPACER	ENTRETOISE	2					
29	160-00020	CAP;GREASE NIPPLE	CHAPEAU	7					
30	2181-1116D1	PLUG	BOUCHON	1					
31	S0712066	BOLT	BOULON	24					
32	2116-1531A	STOPPER	TAQUET	1		7044-			
33	S0567066	BOLT	BOULON	1		7044-			
34	180-00077D3	O-RING	JOINT TORIQUE	2		10998-			

DATE	SEP. 12, 2012
4th EDITION	

Fig. 6720 ARM PIPING - ARM 3.5m
CONDUITES DE BALANCIER

Serial No. ;



DATE	SEP. 12, 2012
4th EDITION	

Fig. 6720 ARM PIPING - ARM 3.5m
CONDUITES DE BALANCIER

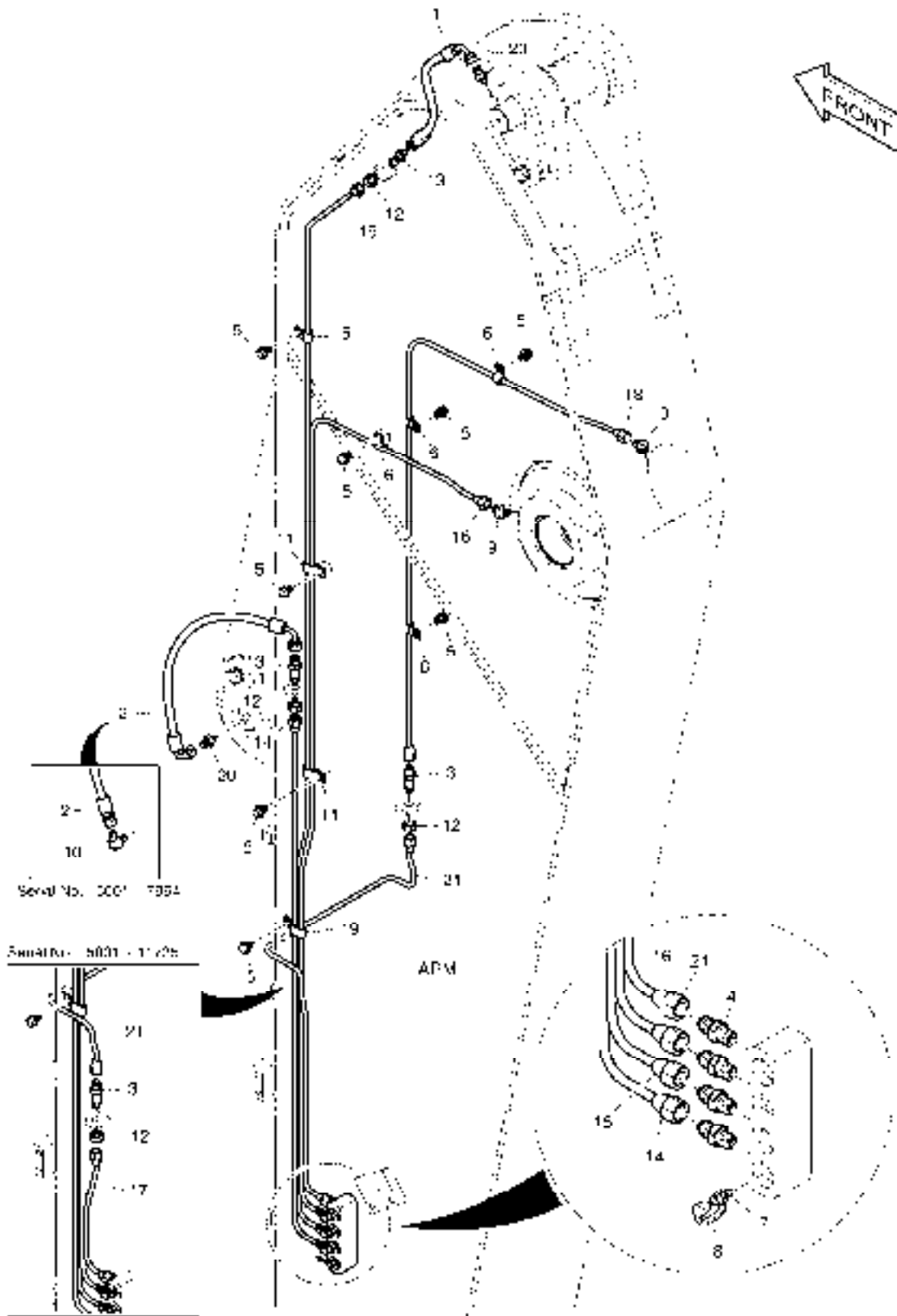
Serial No. ;

Key No.	Part No.	Description	Description	Q'ty	S.C	Serial No.	ICA	Replaceable part	
								Part No.	Q'ty
6720 --	K1046332	ARM PIPING	CONDUITES DE BALANCIER	-	D	5001-8381			
	420212-05430	ARM PIPING	CONDUITES DE BALANCIER	-	D	8382-			
1	K1046333	BUCKET CYLINDER	VERIN DE GODET	1		05001-11467	Y	400310-00216	1
	400310-00216	BUCKET CYLINDER	VERIN DE GODET	1		11468-			
2	DS2040488	HOSE	TUYAU FLEXIBLE	2		5001-8381	I	DS2130012	2
3	2181-9079	FLANGE	BRIDE	8					
4	2180-1026D2	O-RING	JOINT CIRCULAIRE	4					
5	S2212366	BOLT;SOCKET M10X1.5X35	BOULON	8					
6	S2212266	BOLT;SOCKET M10X1.5X30	BOULON A 6 PANS CREUX	8					
11	DS2130012	HOSE ASSY,HYDRAULIC	TUYAU FLEXIBLE	2		8382-			

DATE	SEP. 12, 2012
4th EDITION	

Fig. 6730 LUBRICATION PIPING - ARM 3.5m LUBRIFICATION

Serial No. ;



DATE	SEP. 12, 2012
4th EDITION	

Fig. 6730 LUBRICATION PIPING - ARM 3.5m
LUBRIFICATION

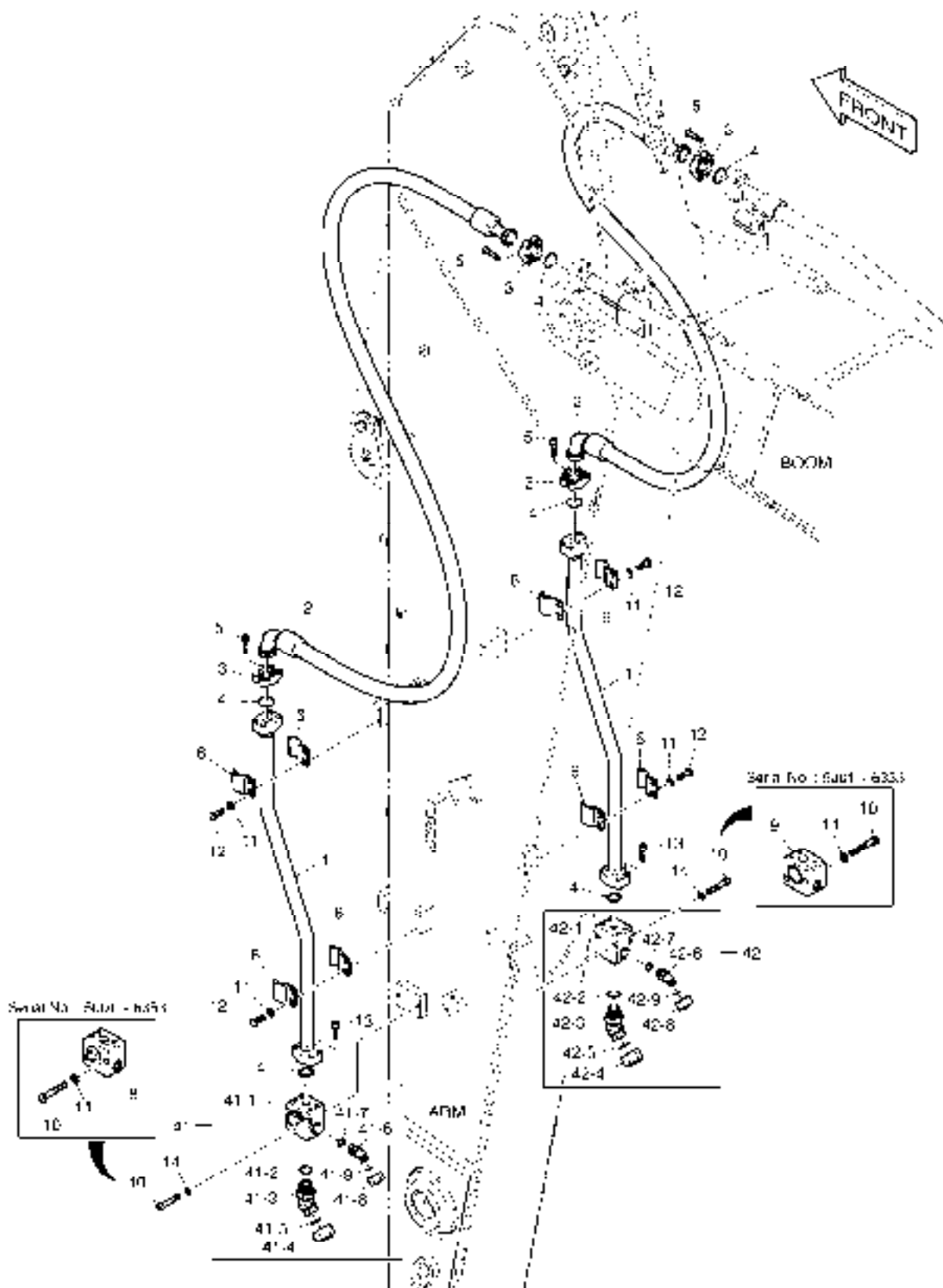
Serial No. ;

Key No.	Part No.	Description	Description	Q'ty	S.C	Serial No.	ICA	Replaceable part	
								Part No.	Q'ty
6730 --	K1013379	LUBRICATION PIPING	LUBRIFICATION	-	D	5001-7964			
	420212-05312	PIPING,LUBRICATION;3.5M	LUBRIFICATION	-	D	7965-			
1	DS2055849	HOSE	TUYAU	1					
2	DS2055822	HOSE	TUYAU FLEXIBLE	1		5001-7964			
	DS2059598	HOSE PF1/4-360L	TUYAU FLEXIBLE	1		7965-			
3	DS2225009	ADAPTER	ADAPTEUR	2		05001-11735			
	DS2225009	ADAPTER	ADAPTEUR	1		11736-			
4	2181-1184	ADAPTER	ADAPTEUR	4					
5	K1001029	BOLT	BOULON	9					
6	DS2802023	CLIP	AGRAFE	6					
7	S6710041	NIPPLE;GREASE	GRAISSEUR	4					
8	160-00020	CAP;GREASE NIPPLE	CHAPEAU	4					
9	K1000057	ELBOW	COUDE	2					
10	2181-1111D11	ELBOW	COUDE	1		5001-7964			
11	DS2805007	CLIP	AGRAFE	2					
12	S4032833	NUT	ECROU	4		05001-11735			
	S4032833	NUT	ECROU	3		11736-			
13	2181-1923D12	ADAPTER	ADAPTEUR	2					
14	K1010218	PIPE	TUYAU	1					
15	K1013684	PIPE	TUYAU	1					
16	K1013685	PIPE	TUYAU	1					
17	K1010221	PIPE	TUYAU	1		05001-11735			
18	K1013686	PIPE	TUYAU	1					
19	DS2805008	CLIP	AGRAFE	1					
20	2181-4112	ADAPTER	ADAPTEUR	1		5001-7964			
	2181-4112	ADAPTER	ADAPTEUR	2		7965-			
21	K1013687	PIPE	TUYAU	1		05001-11735			
	420205-00284	PIPE	TUYAU	1		11736-			

DATE	SEP. 12, 2012
4th EDITION	

Fig. 6740 ARM PIPING - ARM 3.5m(ONE & TWO WAY)
CONDUITES DE BALANCIER

Serial No. ;



DATE	SEP. 12, 2012
4th EDITION	

Fig. 6740 ARM PIPING - ARM 3.5m(ONE & TWO WAY)
CONDUITES DE BALANCIER

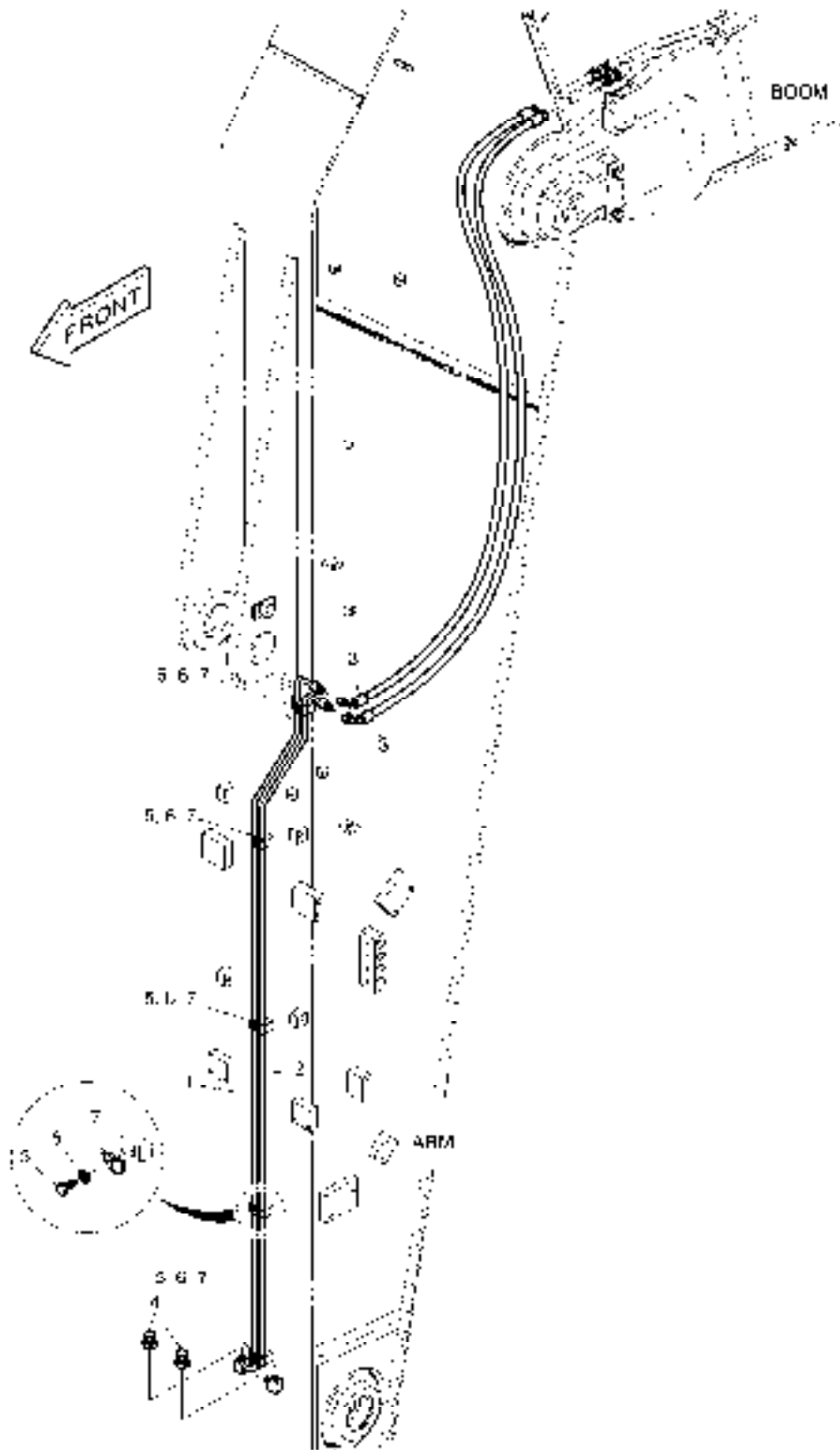
Serial No. ;

Key No.	Part No.	Description	Description	Q'ty	S.C	Serial No.	ICA	Replaceable part	
								Part No.	Q'ty
6740 --	K1013382A	ARM PIPING-ONE & TWO WAY	CONDUITES DE BALANCIER	-	D	5001-6353			
	420212-01719	ARM PIPING,ONE & TWO WAY	CONDUITES DE BALANCIER	-	D	6354-			
1	K1008100	PIPE	TUYAU	2					
2	DS2040489	HOSE	TUYAU FLEXIBLE	2					
3	2181-9078	FLANGE	BRIDE	8					
4	2180-1026D19	O-RING	JOINT CIRCULAIRE	6					
5	S2212466	BOLT;SOCKET M10X1.5X40	BOULON	16					
6	K1004057	CLAMP;PIPE	COLLIER	8					
8	K1000334A	VALVE;STOP(L.H)	VANNE	1		5001-6353			
9	K1000338A	VALVE;STOP(R.H)	VANNE	1		5001-6353			
10	S0563666	BOLT	BOULON A 6 PANS	4		5001-6353			
	S2215966	BOLT;SOCKET	BOULON	4		6354-			
11	S5102803	WASHER;SPRING	RONDELLE	12		5001-6353			
	S5102803	WASHER;SPRING	RONDELLE	8		6354-			
12	S0562766	BOLT	BOULON	8					
13	S2212366	BOLT;SOCKET M10X1.5X35	BOULON	8					
14	S5110703	WASHER;SPRING	RONDELLE	4		6354-			
41	410137-00030A	VALVE ASS'Y,STOP(L.H)	VANNE	1		6354-			
41-1	410137-00067	. VALVE,STOP(L.H)	. VANNE	1		6354-			
41-2	S8000291	. O-RING	. JOINT CIRCULAIRE	1		6354-			
41-3	2181-2816D2	. ELBOW	. COUDE	1		6354-			
41-4	2181-2817D2	. CAP	. CHAPEAU	1		6354-			
41-5	S8030161	. O-RING	. JOINT CIRCULAIRE	1		6354-			
41-6	2181-2816D4	. ELBOW	. COUDE	1		6354-			
41-7	S8000181	. O-RING	. JOINT CIRCULAIRE	1		6354-			
41-8	2181-2817D4	. CAP	. CHAPEAU	1		6354-			
41-9	S8030081	. O-RING	. JOINT CIRCULAIRE	1		6354-			
42	410137-00031A	VALVE ASS'Y,STOP(R.H)	VANNE	1		6354-			
42-1	410137-00069	. VALVE,STOP(R.H)	. VANNE	1		6354-			
42-2	S8000291	. O-RING	. JOINT CIRCULAIRE	1		6354-			
42-3	2181-2816D2	. ELBOW	. COUDE	1		6354-			
42-4	2181-2817D2	. CAP	. CHAPEAU	1		6354-			
42-5	S8030161	. O-RING	. JOINT CIRCULAIRE	1		6354-			
42-6	2181-2816D4	. ELBOW	. COUDE	1		6354-			
42-7	S8000181	. O-RING	. JOINT CIRCULAIRE	1		6354-			
42-8	2181-2817D4	. CAP	. CHAPEAU	1		6354-			
42-9	S8030081	. O-RING	. JOINT CIRCULAIRE	1		6354-			

DATE	SEP. 12, 2012
4th EDITION	

Fig. 6750 ARM PIPING - ARM 3.5m(QUICK CLAMP)
CONDUITES DE BALANCIER

Serial No. ;



DATE	SEP. 12, 2012
4th EDITION	

Fig. 6750 ARM PIPING - ARM 3.5m(QUICK CLAMP)
CONDUITES DE BALANCIER

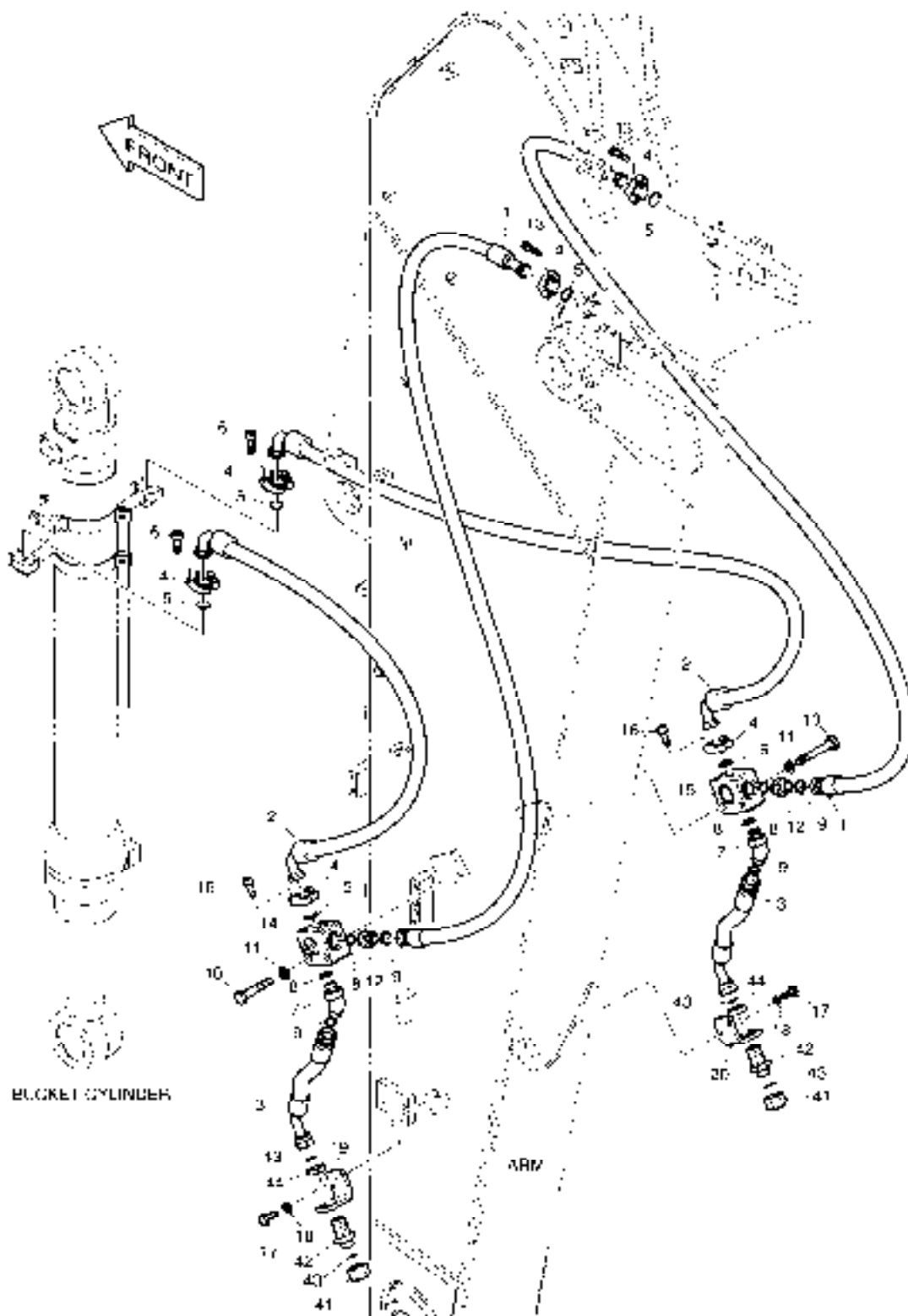
Serial No. ;

Key No.	Part No.	Description	Description	Q'ty	S.C	Serial No.	ICA	Replaceable part	
								Part No.	Q'ty
6750 --	K1013389	ARM PIPING-QUICK CLAMP	CONDUITES DE BALANCIER	-	D				
1	K1008111	PIPE	TUYAU	1					
2	K1008112	PIPE	TUYAU	1					
3	DS2055921	HOSE	TUYAU FLEXIBLE	2					
4	2181-2820D1	PLUG	BOUCHON	2					
5	S0508866	BOLT	BOULON	5					
6	S5102503	WASHER, SPRING	RONDELLE	5					
7	K1004011	CLAMP; PIPE	COLLIER	5					

DATE	SEP. 12, 2012
4th EDITION	

Fig. 6760 ARM PIPING - ARM 3.5m(CLAMSHELL)
CONDUITES DE BALANCIER

Serial No. ;



DATE	SEP. 12, 2012
4th EDITION	

**Fig. 6760 ARM PIPING - ARM 3.5m(CLAMSHELL)
CONDUITES DE BALANCIER**

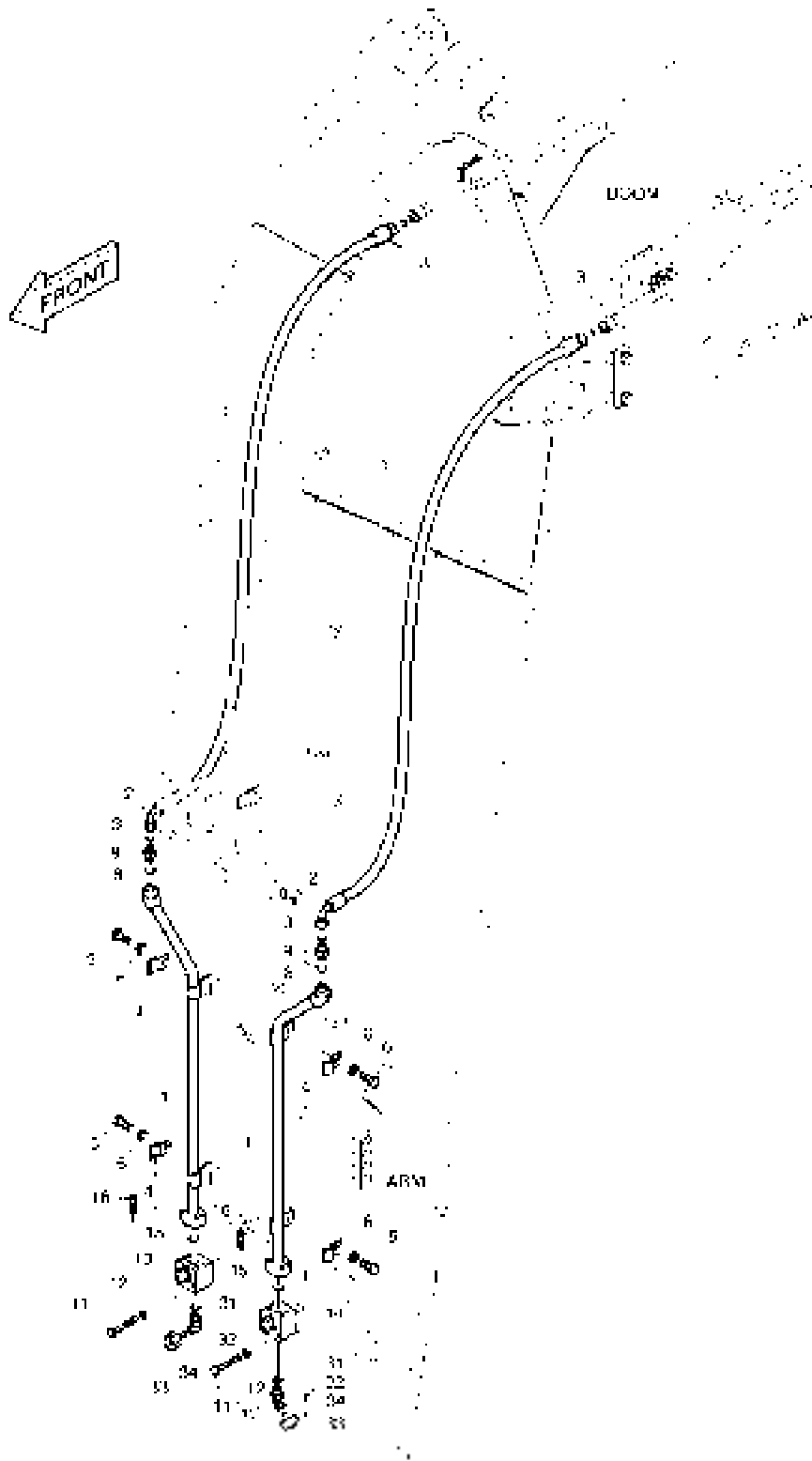
Serial No. ;

Key No.	Part No.	Description	Description	Q'ty	S.C	Serial No.	ICA	Replaceable part	
								Part No.	Q'ty
6760 --	K1013391	ARM PIPING-CLAMSHELL	CONDUITES DE BALANCIER	-	D				
1	DS2016065	HOSE	TUYAU FLEXIBLE	2					
2	DS2045406	HOSE	TUYAU FLEXIBLE	2					
3	DS2012341	HOSE	TUYAU FLEXIBLE	2					
4	2181-9079	FLANGE	BRIDE	12					
5	2180-1026D2	O-RING	JOINT CIRCULAIRE	6					
6	S2212266	BOLT;SOCKET M10X1.5X30	BOULON A 6 PANS CREUX	8					
7	2181-2816D1	ELBOW	COUDE	2					
8	S8030121	O-RING	JOINT CIRCULAIRE	4					
9	S8000231	O-RING	JOINT CIRCULAIRE	4					
10	S0563466	BOLT	BOULON	4					
11	S5102803	WASHER;SPRING	RONDELLE	4					
12	2181-4133D5	ADAPTER	ADAPTEUR	2					
13	S2212366	BOLT;SOCKET M10X1.5X35	BOULON	8					
14	K1002939	VALVE;SWITCH(L.H)	VALVE	1					
15	K1002940	VALVE;SWITCH(R.H)	VALVE	1					
16	S2212066	BOLT;SOCKET M10X1.5X25	BOULON	8					
17	S0512066	BOLT M10X1.5X25	BOULON	4					
18	S5102603	WASHER,SPRING	RONDELLE	4					
19	K1014759	BRACKET	SUPPORT	1					
20	K1015093	BRACKET	SUPPORT	1					
41	2181-2817D1	CAP	CHAPEAU	2					
42	DS2415007	ADAPTER	ADAPTEUR	2					
43	S8030121	O-RING	JOINT CIRCULAIRE	4					
44	121-00010D8	NUT	ECROU	2					

DATE	SEP. 12, 2012
4th EDITION	

Fig. 6770 ARM PIPING - ARM 3.5m(ROTATING)
CONDUITES DE BALANCIER

Serial No. ;



DATE	SEP. 12, 2012
4th EDITION	

Fig. 6770 ARM PIPING - ARM 3.5m(ROTATING)
CONDUITES DE BALANCIER

Serial No. ;

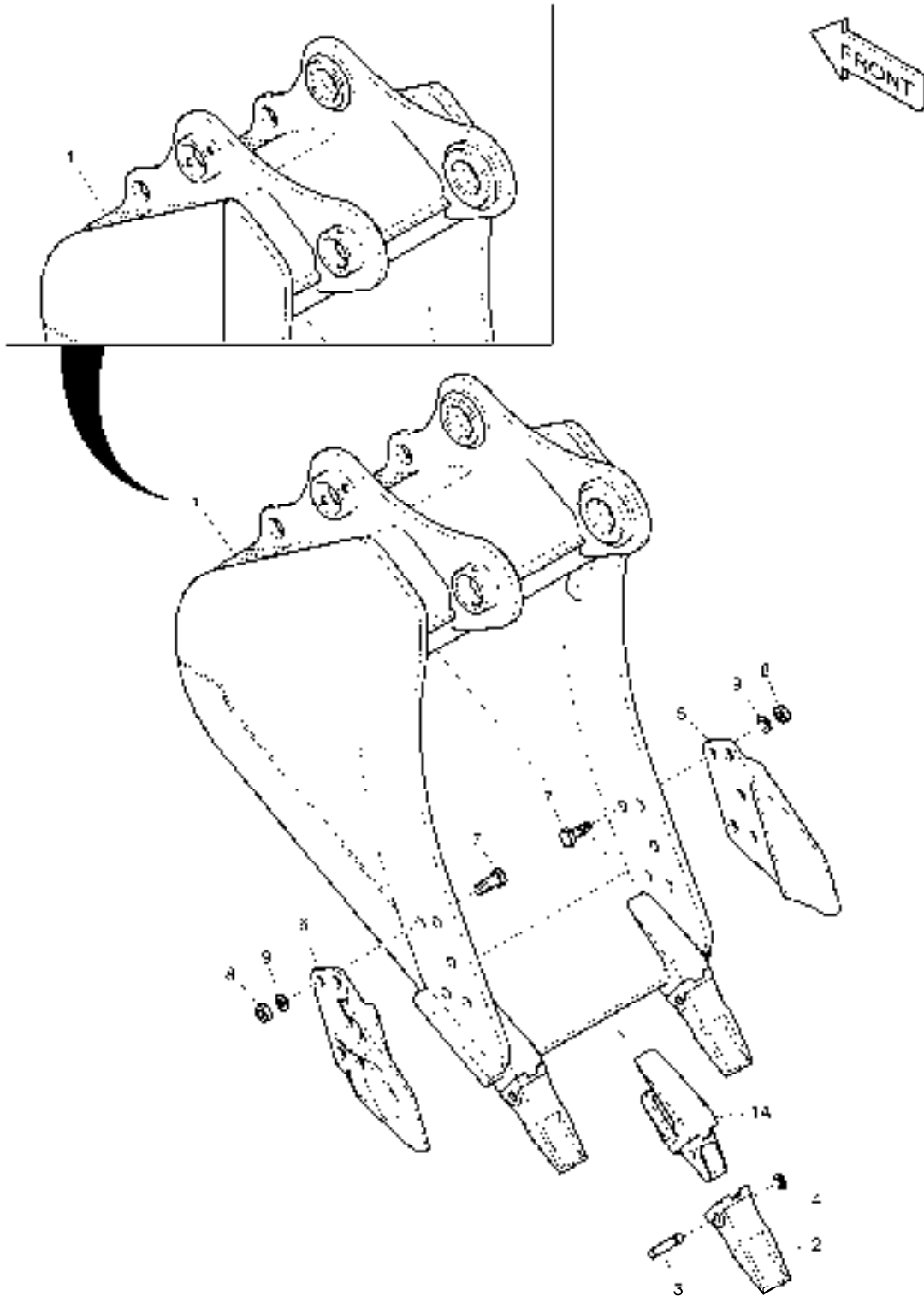
Key No.	Part No.	Description	Description	Q'ty	S.C	Serial No.	ICA	Replaceable part	
								Part No.	Q'ty
6770 --	K1013385	ARM PIPING;ROTATING	CONDUITES DE BALANCIER	-	D				
1	K1010215	PIPE	TUYAU	2					
2	DS2013700	HOSE	TUYAU FLEXIBLE	2					
3	S8030081	O-RING	JOINT CIRCULAIRE	4					
4	124-00299A	CLAMP;PIPE	COLLIER	8					
5	S0515266	BOLT	BOULON	4					
6	S5102703	WASHER;SPRING	RONDELLE	4					
8	S8000181	O-RING	JOINT CIRCULAIRE	2					
9	2181-4133D3	ADAPTER	ADAPTEUR	2					
11	S0558966	BOLT	BOULON	4					
12	S5102603	WASHER,SPRING	RONDELLE	4					
13	K1006227	VALVE;SWITCH(R.H)	VANNE	1					
14	K1006228	VALVE;SWITCH(L.H)	VANNE	1					
15	2180-1026D30	O-RING	JOINT CIRCULAIRE	2					
16	S2209266	BOLT;SOCKET M8X1.25X30	BOULON A 6 PANS CREUX	8					
31	S8000181	O-RING	JOINT CIRCULAIRE	2					
32	2181-2816D4	ELBOW	COUDE	2					
33	2181-2817D4	CAP	CHAPEAU	2					
34	S8030081	O-RING	JOINT CIRCULAIRE	2					

DATE	SEP. 12, 2012
4th EDITION	

Fig. 6780 BUCKET ASS'Y - 0.51m³
ENSEMBLE DE GODET

Serial No. ;

Serial No. : 5331 10557



DATE	SEP. 12, 2012
4th EDITION	

**Fig. 6780 BUCKET ASS'Y - 0.51m³
ENSEMBLE DE GODET**

Serial No. ;

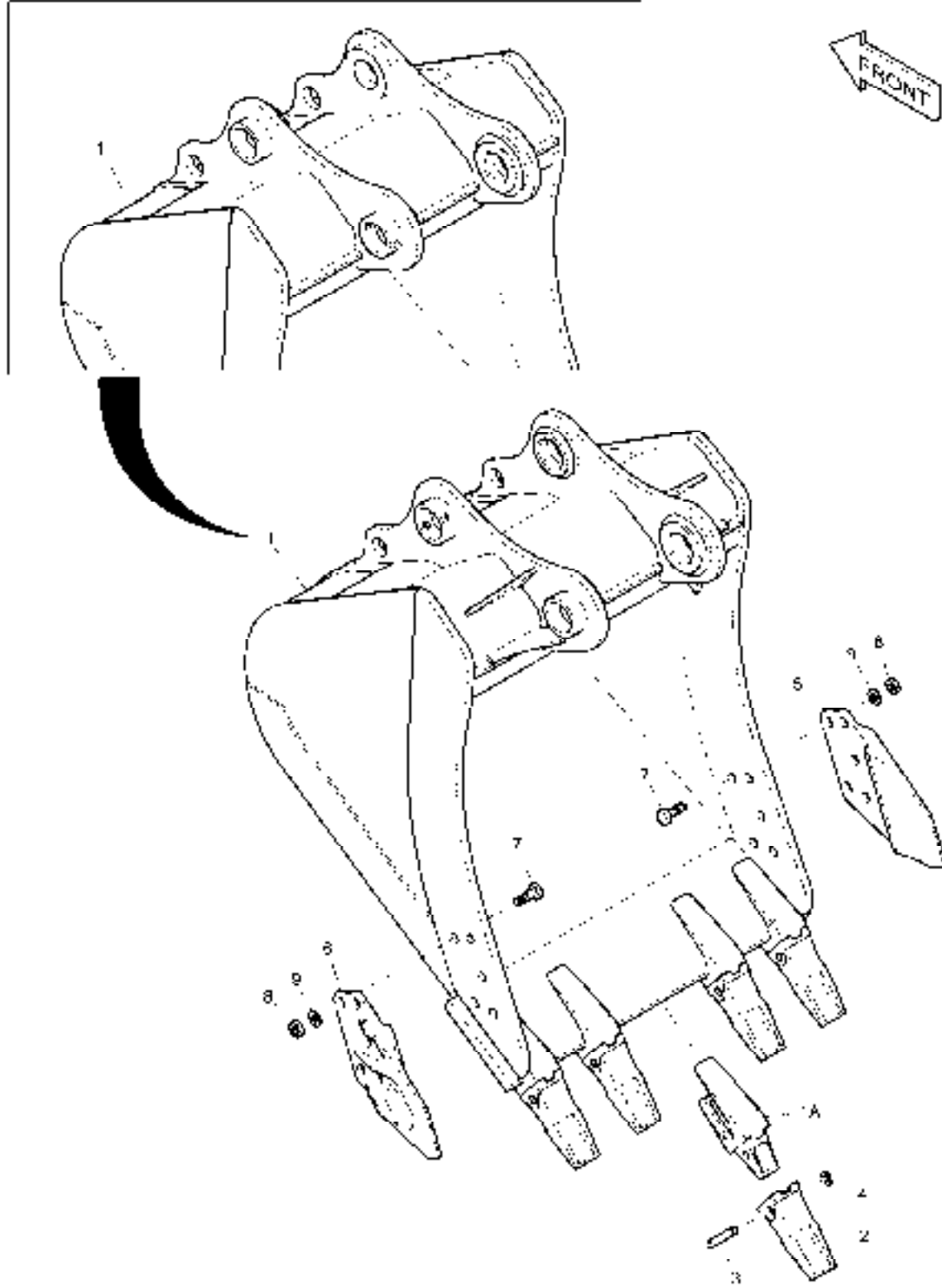
Key No.	Part No.	Description	Description	Q'ty	S.C	Serial No.	ICA	Replaceable part	
								Part No.	Q'ty
6780 --	K1011476E	BUCKET ASS'Y-0.51m ³	GODET	1		05001-10997	I	230104-01249	1
	230104-01249	BUCKET ASS'Y-0.51m ³	GODET	1		10998-			
1	K1011477E	BUCKET-0.51m ³	GODET	1		05001-10997	I	230104-01250	1
	230104-01250	BUCKET-0.51m ³	GODET	1		10998-			
1A	2713-1218A	. ADAPTER;TOOTH	. ADAPTEUR	3					
2	K1038006A	TOOTH	DENT	3					
3	2705-1020	PIN;LOCKING	GOUPILLE	3					
4	2114-1848A	WASHER;LOCKING	RONDELLE	3					
5	2713-1059A	CUTTER;SIDE(R.H)	COUPEUR	1					
6	2713-1060A	CUTTER;SIDE(L.H)	COUPEUR	1					
7	S0574661	BOLT M24X3.0X65	BOULON	10					
8	S4013333	NUT	ECROU	10					
9	2114-1831A	WASHER;HARDEN	RONDELLE	10					

DATE	SEP. 12, 2012
4th EDITION	

**Fig. 6790 BUCKET ASS'Y - 0.81m³
ENSEMBLE DE GODET**

Serial No. ;

Serial No. 5001 10907



DATE	SEP. 12, 2012
4th EDITION	

Fig. 6790 BUCKET ASS'Y - 0.81m³
ENSEMBLE DE GODET

Serial No. ;

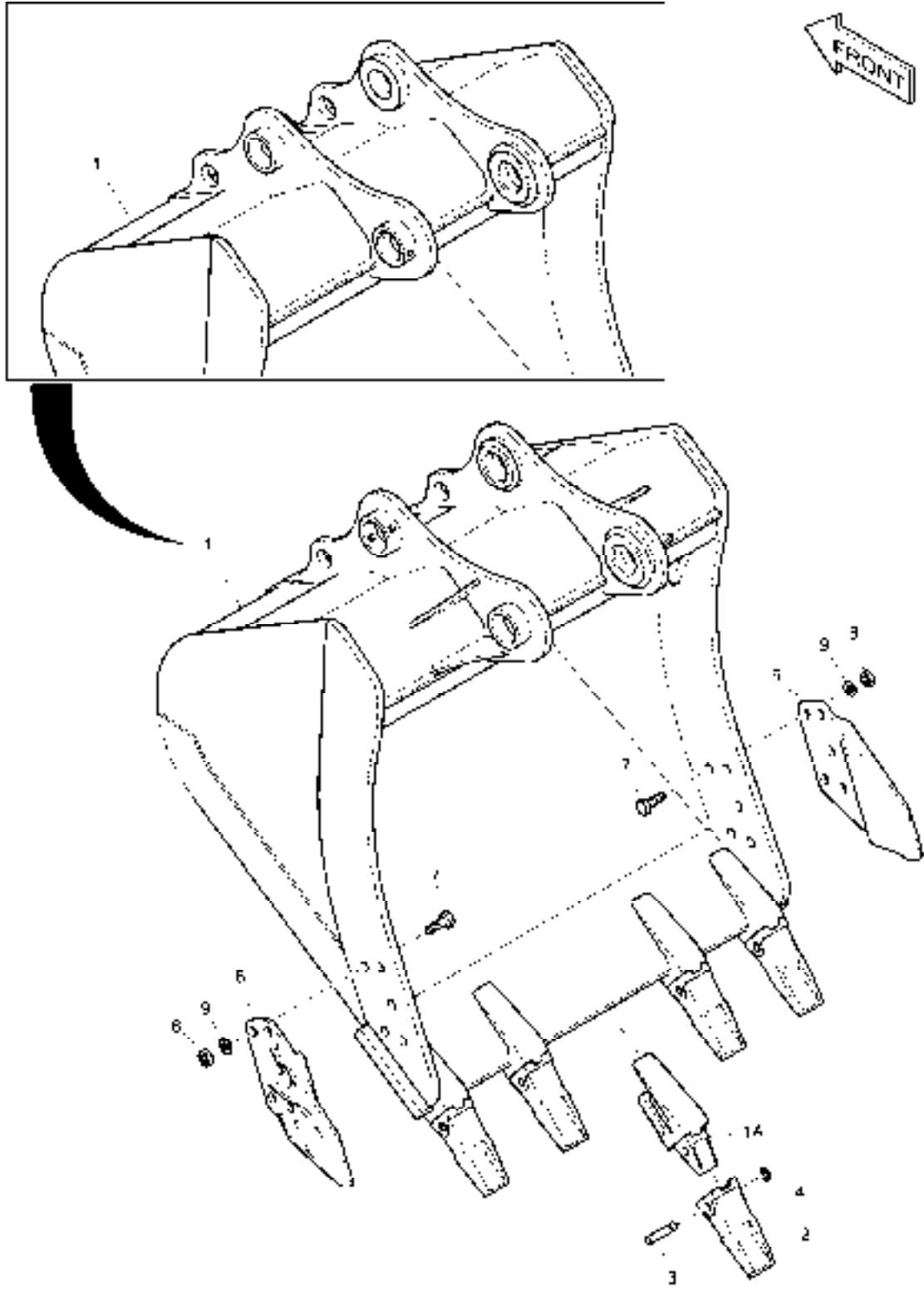
Key No.	Part No.	Description	Description	Q'ty	S.C	Serial No.	ICA	Replaceable part	
								Part No.	Q'ty
6790 --	K1011478E	BUCKET ASS'Y-0.81m ³	GODET	1		05001-10997	I	230104-01251	1
	230104-01251	BUCKET ASS'Y-0.81m ³	GODET	1		10998-			
1	K1011479E	BUCKET-0.81m ³	GODET	1		05001-10997	I	230104-01252	1
	230104-01252	BUCKET-0.81m ³	GODET	1		10998-			
1A	2713-1218A	. ADAPTER;TOOTH	. ADAPTEUR	5					
2	K1038006A	TOOTH	DENT	5					
3	2705-1020	PIN;LOCKING	GOUPILLE	5					
4	2114-1848A	WASHER;LOCKING	RONDELLE	5					
5	2713-1059A	CUTTER;SIDE(R.H)	COUPEUR	1					
6	2713-1060A	CUTTER;SIDE(L.H)	COUPEUR	1					
7	S0574661	BOLT M24X3.0X65	BOULON	10					
8	S4013333	NUT	ECROU	10					
9	2114-1831A	WASHER;HARDEN	RONDELLE	10					

DATE	SEP. 12, 2012
4th EDITION	

**Fig. 6800 BUCKET ASS'Y - 1.05m³
ENSEMBLE DE GODET**

Serial No. ;

Sanalhc . 5331 10997



DATE	SEP. 12, 2012
4th EDITION	

Fig. 6800 BUCKET ASS'Y - 1.05m³
ENSEMBLE DE GODET

Serial No. ;

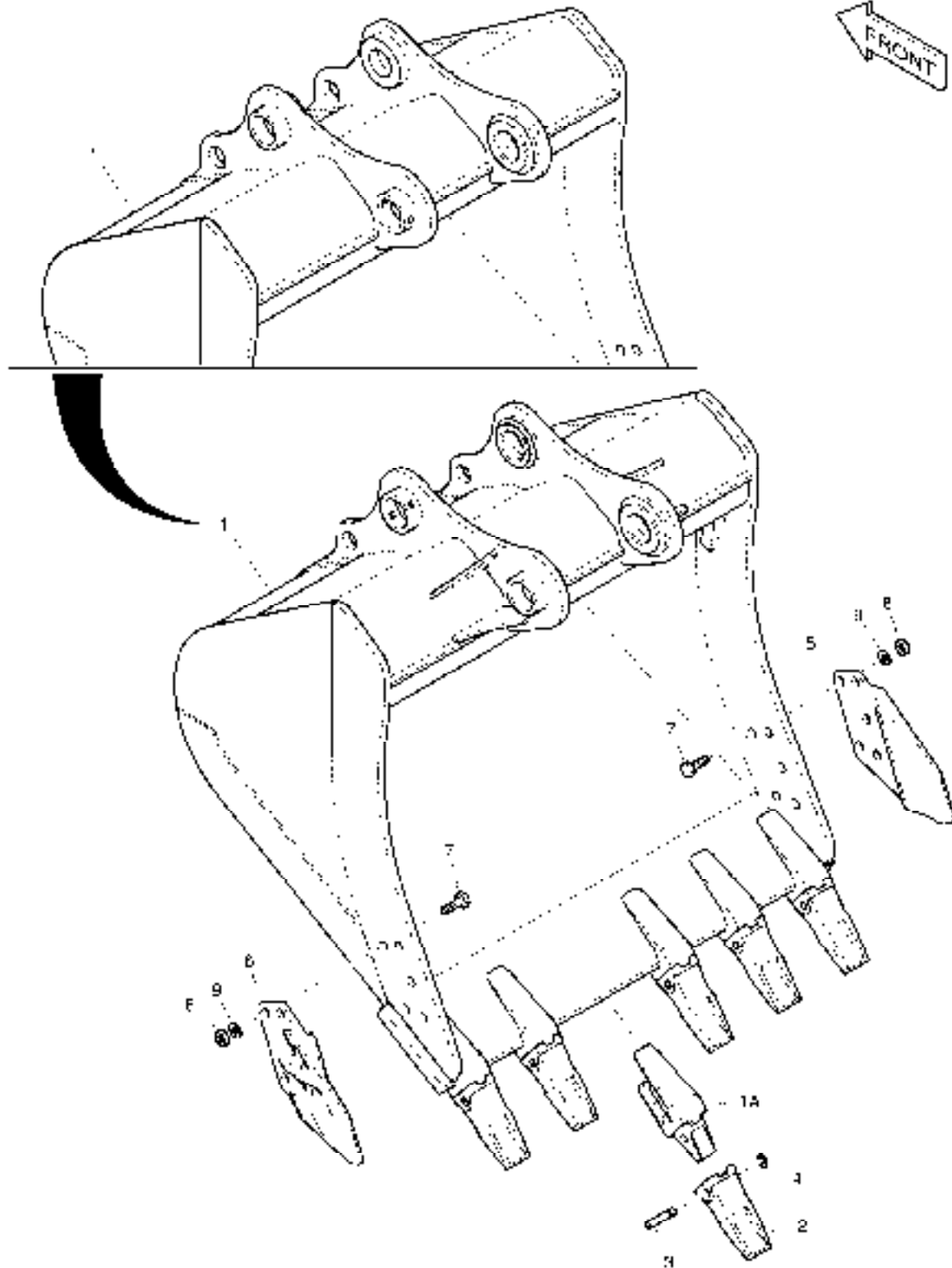
Key No.	Part No.	Description	Description	Q'ty	S.C	Serial No.	ICA	Replaceable part	
								Part No.	Q'ty
6800 --	K1011480E	BUCKET ASS'Y-1.05m ³	GODET	1		05001-10997	I	230104-01253	1
	230104-01253	BUCKET ASS'Y-1.05m ³	GODET	1		10998-			
1	K1011481E	BUCKET-1.05m ³	GODET	1		05001-10997	I	230104-01254	1
	230104-01254	BUCKET-1.05m ³	GODET	1		10998-			
1A	2713-1218A	. ADAPTER;TOOTH	. ADAPTEUR	5					
2	K1038006A	TOOTH	DENT	5					
3	2705-1020	PIN;LOCKING	GOUPILLE	5					
4	2114-1848A	WASHER;LOCKING	RONDELLE	5					
5	2713-1059A	CUTTER;SIDE(R.H)	COUPEUR	1					
6	2713-1060A	CUTTER;SIDE(L.H)	COUPEUR	1					
7	S0574661	BOLT M24X3.0X65	BOULON	10					
8	S4013333	NUT	ECROU	10					
9	2114-1831A	WASHER;HARDEN	RONDELLE	10					

DATE	SEP. 12, 2012
4th EDITION	

**Fig. 6810 BUCKET ASS'Y - 1.17m³
ENSEMBLE DE GODET**

Serial No. ;

Serial No. 500 - 1.000



DATE	SEP. 12, 2012
4th EDITION	

**Fig. 6810 BUCKET ASS'Y - 1.17m³
ENSEMBLE DE GODET**

Serial No. ;

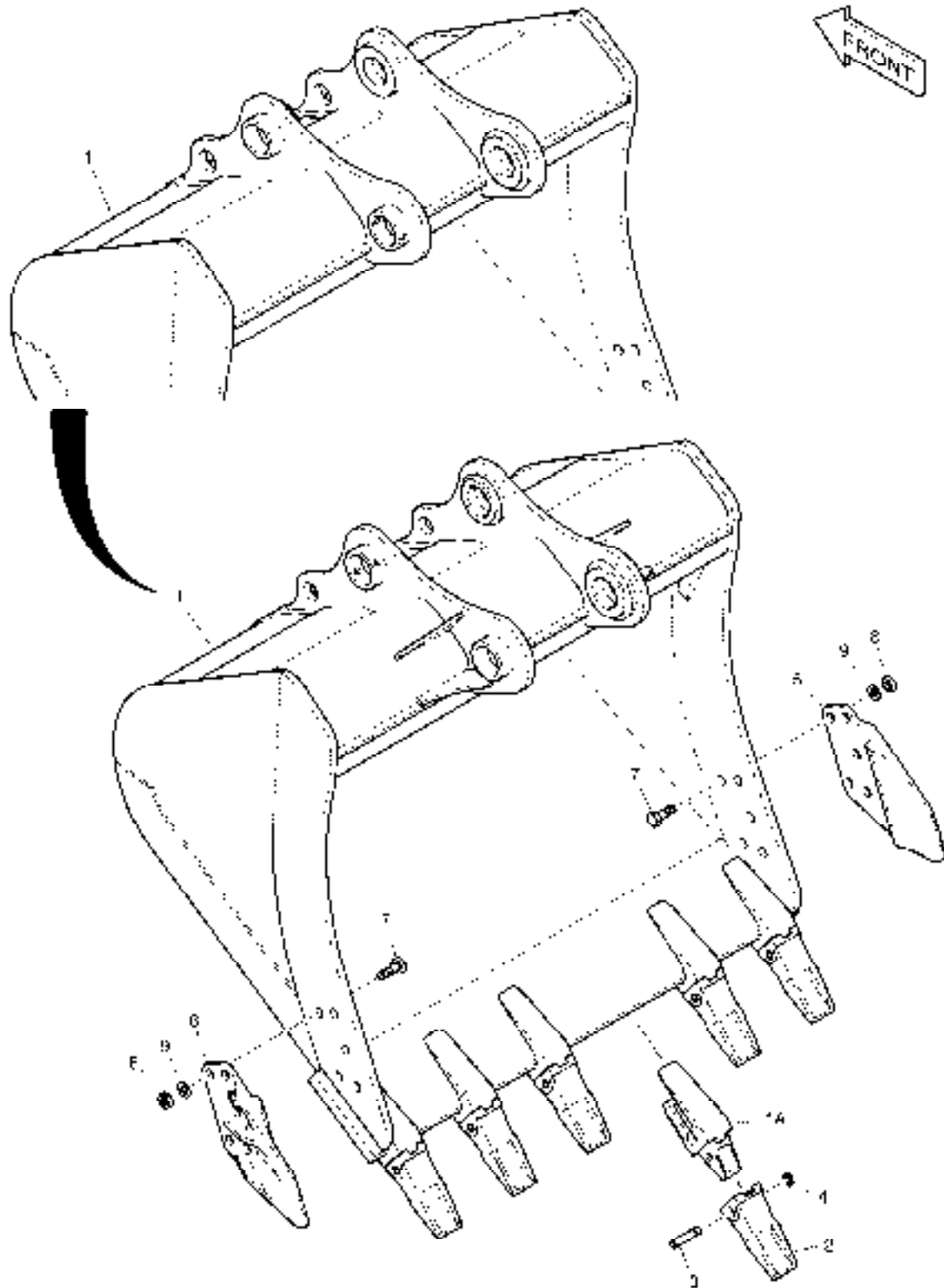
Key No.	Part No.	Description	Description	Q'ty	S.C	Serial No.	ICA	Replaceable part	
								Part No.	Q'ty
6810 --	K1011482E	BUCKET ASS'Y-1.17m ³	GODET	1		05001-10997	I	230104-01255	1
	230104-01255	BUCKET ASS'Y-1.17m ³	GODET	1		10998-			
1	K1011483E	BUCKET-1.17m ³	GODET	1		05001-10997	I	230104-01256	1
	230104-01256	BUCKET-1.17m ³	GODET	1		10998-			
1A	2713-1218A	. ADAPTER;TOOTH	. ADAPTEUR	6					
2	K1038006A	TOOTH	DENT	6					
3	2705-1020	PIN;LOCKING	GOUPILLE	6					
4	2114-1848A	WASHER;LOCKING	RONDELLE	6					
5	2713-1059A	CUTTER;SIDE(R.H)	COUPEUR	1					
6	2713-1060A	CUTTER;SIDE(L.H)	COUPEUR	1					
7	S0574661	BOLT M24X3.0X65	BOULON	10					
8	S4013333	NUT	ECROU	10					
9	2114-1831A	WASHER;HARDEN	RONDELLE	10					

DATE	SEP. 12, 2012
4th EDITION	

**Fig. 6820 BUCKET ASS'Y - 1.28m³
ENSEMBLE DE GODET**

Serial No. ;

Serial No. 3CC' '3997



DATE	SEP. 12, 2012
4th EDITION	

**Fig. 6820 BUCKET ASS'Y - 1.28m³
ENSEMBLE DE GODET**

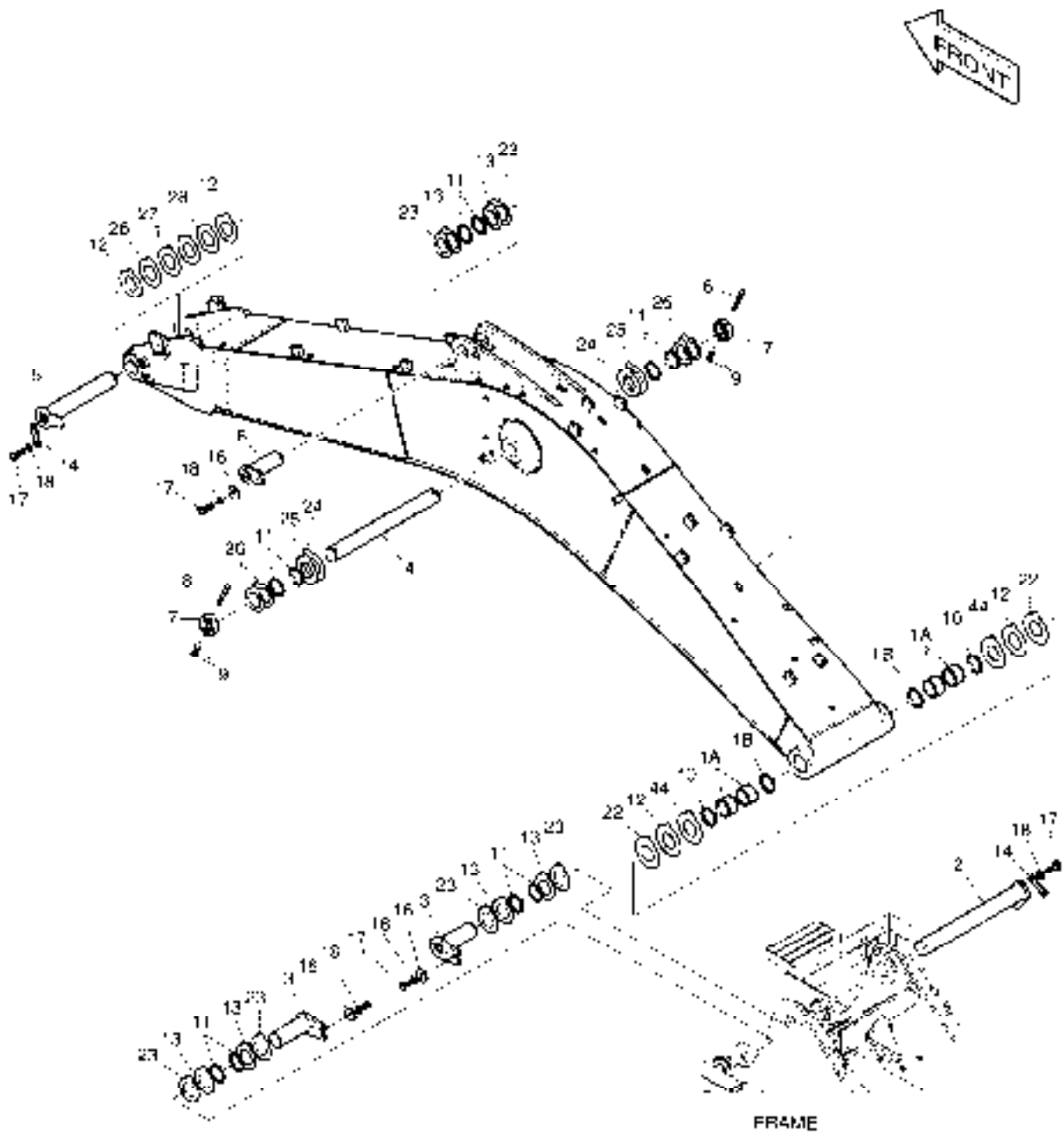
Serial No. ;

Key No.	Part No.	Description	Description	Q'ty	S.C	Serial No.	ICA	Replaceable part	
								Part No.	Q'ty
6820 --	K1011484E	BUCKET ASS'Y-1.28m ³	GODET	1		05001-10997	I	230104-01257	1
	230104-01257	BUCKET ASS'Y-1.28m ³	GODET	1		10998-			
1	K1011485E	BUCKET-1.28m ³	GODET	1		05001-10997	I	230104-01258	1
	230104-01258	BUCKET-1.28m ³	GODET	1		10998-			
1A	2713-1218A	. ADAPTER;TOOTH	. ADAPTEUR	6					
2	K1038006A	TOOTH	DENT	6					
3	2705-1020	PIN;LOCKING	GOUPILLE	6					
4	2114-1848A	WASHER;LOCKING	RONDELLE	6					
5	2713-1059A	CUTTER;SIDE(R.H)	COUPEUR	1					
6	2713-1060A	CUTTER;SIDE(L.H)	COUPEUR	1					
7	S0574661	BOLT M24X3.0X65	BOULON	10					
8	S4013333	NUT	ECROU	10					
9	2114-1831A	WASHER;HARDEN	RONDELLE	10					

DATE	SEP. 12, 2012
4th EDITION	

**Fig. 6830 BOOM - 5.2m
ENSEMBLE FLECHE**

Serial No. ;



DATE	SEP. 12, 2012
4th EDITION	

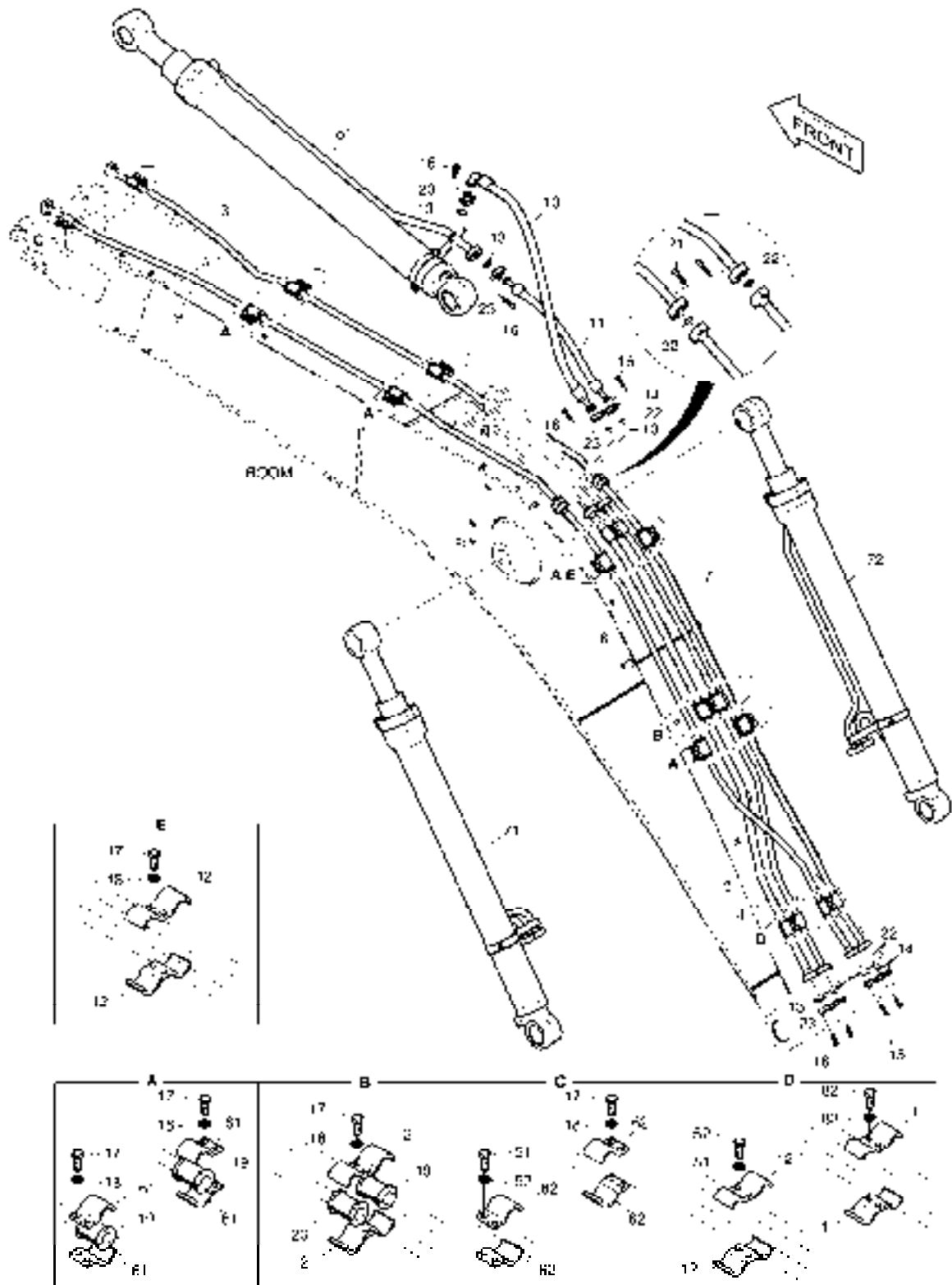
**Fig. 6830 BOOM - 5.2m
ENSEMBLE FLECHE**

Serial No. ;

Key No.	Part No.	Description	Description	Q'ty	S.C	Serial No.	ICA	Replaceable part	
								Part No.	Q'ty
6830 --	K1045659E	BOOM ASS'Y	FLECHE	-	D	5001-7378			
	230207-00082	BOOM ASSY;(5.2M)	FLECHE	-	D	7379-			
1	K1045661C	BOOM SUB ASS'Y-5.2M	ENSEMBLE FLECHE	1					
1A	K1037847A	. BUSHING	. BUSHING	4					
1B	2180-1106BD6	. SEAL;DUST	. CACHET	2					
2	2123-2180G	PIN	GOUJON	1		5001-8381	I	120501-01812	1
	120501-01812	PIN,BOOM FOOT	GOUJON	1		8382-			
3	123-00409A	PIN	GOUPILLE	2		5001-8240	I	120501-01061	2
	120501-01061	PIN	GOUPILLE	2		8241-			
4	K1007253B	PIN	GOUPILLE	1					
5	2123-2185G	PIN	GOUPILLE	1					
6	2123-2187E	PIN	GOUJON	1		5001-8240	I	120501-01062	1
	120501-01062	PIN	GOUJON	1		8241-			
7	2116-1531A	STOPPER	TAQUET	2					
8	S0567066	BOLT	BOULON	2					
9	S4012933	NUT	ECROU	4					
10	2180-1106BD6	SEAL;DUST	CACHET	2					
11	2180-1106BD24	SEAL;DUST	CACHET	10					
12	DS7752018	SHIM	CALE	4					
13	DS7752012	SHIM	CALE	6					
14	621-03710A	PLATE;STOPPER	PLAQUE	2					
16	2116-1060D6	STOPPER	TAQUET	3					
17	S0521366	BOLT	BOULON	7					
18	S5102903	WASHER,SPRING	RONDELLE	7					
22	DS7752017	SHIM	CALE	2		5001-8973			
	DS7752093	SHIM	CALE	2		8974-			
23	DS7752013	SHIM	CALE	6					
24	DS7752026	SHIM	CALE	2					
25	DS7752027	SHIM	CALE	2					
26	DS7752025	SHIM	CALE	4					
27	DS7752017	SHIM	CALE	2					
28	DS7752093	SHIM	CALE	2		8974-			
44	DS7752028	SHIM	CALE	2		8974-			

**Fig. 6840 BOOM PIPING - BOOM 5.2m
CONDUITES DE FLECHE**

Serial No. ;



DATE	SEP. 12, 2012
4th EDITION	

Fig. 6840 BOOM PIPING - BOOM 5.2m
CONDUITES DE FLECHE

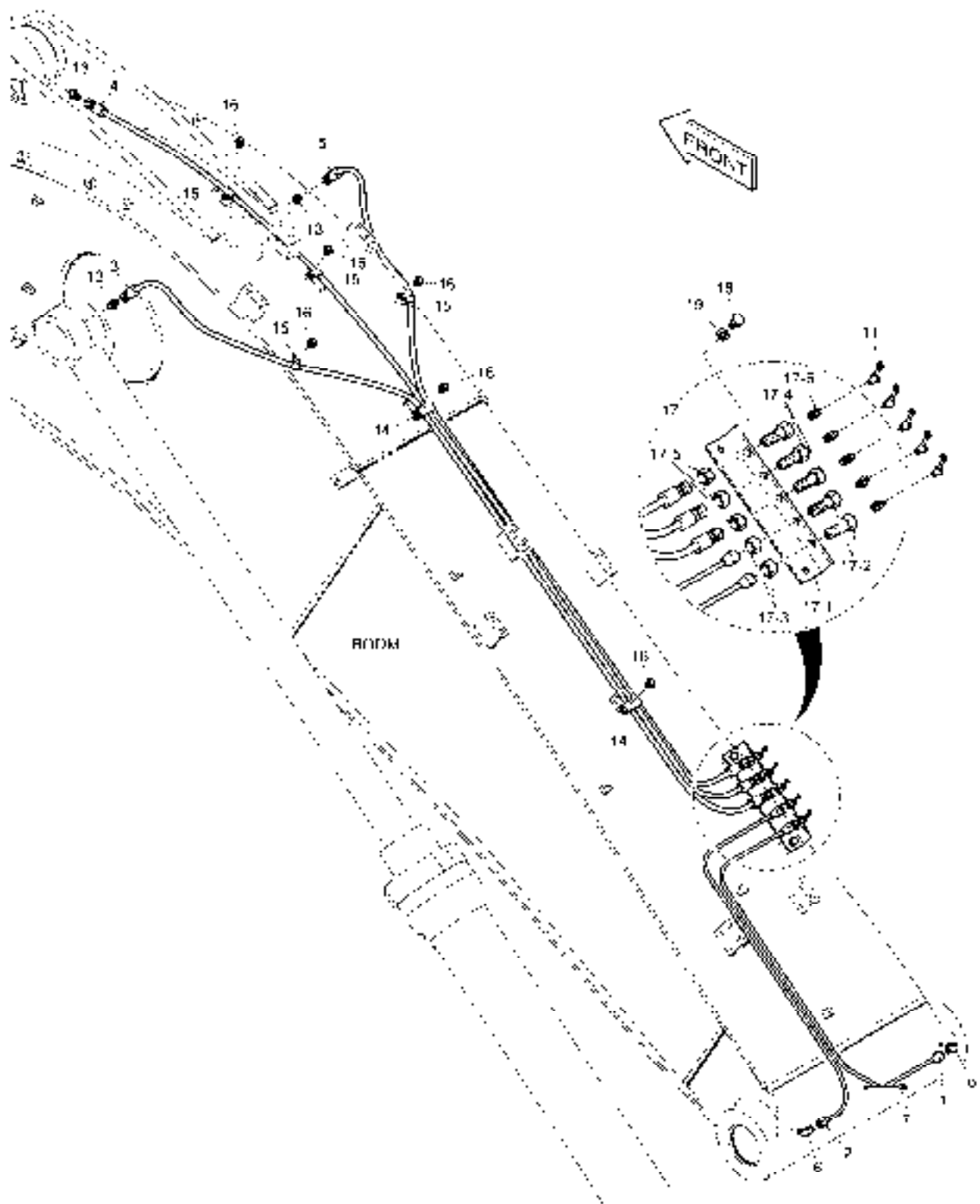
Serial No. ;

Key No.	Part No.	Description	Description	Q'ty	S.C	Serial No.	ICA	Replaceable part	
								Part No.	Q'ty
6840 --	K1045913	BOOM PIPING	BOOM PIPING	-	D				
1	124-00300	CLAMP;PIPE	BRIDE	2					
2	124-00368	CLAMP;PIPE	BRIDE	2					
3	K1046104	PIPE	CONDUITES	1					
4	K1045927	PIPE	CONDUITES	1					
5	K1045928	PIPE	CONDUITES	1					
6	K1045937	PIPE	CONDUITES	1					
7	K1045938	PIPE	CONDUITES	1					
9	K1046162	PIPE	CONDUITES	1					
10	DS2040638	HOSE	TUYAU FLEXIBLE	1					
11	DS2038193	HOSE	TUYAU FLEXIBLE	1					
12	124-00367	CLAMP;PIPE	BRIDE	4					
13	2180-1026D19	O-RING	JOINT CIRCULAIRE	4					
14	2181-9079	FLANGE	BRIDE	8					
15	S2212366	BOLT;SOCKET M10X1.5X35	BOULON	20					
16	S2212466	BOLT;SOCKET M10X1.5X40	BOULON	12					
17	S0562766	BOLT	BOULON	22					
18	S5102803	WASHER;SPRING	RONDELLE	22					
19	161-00574	RUBBER	LE CAOUTCHOUC	9					
20	161-00281	RUBBER	LE CAOUTCHOUC	1					
21	S2212566	BOLT;SOCKET	BOULON	8					
22	2180-1026D2	O-RING	JOINT CIRCULAIRE	6					
23	2181-9078	FLANGE	BRIDE	8					
51	S0562766	BOLT	BOULON	4					
52	S5102803	WASHER;SPRING	RONDELLE	4					
61	124-00302	CLAMP;PIPE	BRIDE	16					
62	124-00303	CLAMP;PIPE	COLLIER	4					
71	K1044989B	CYLINDER;BOOM (LH)	CYLINDRE	1		5001-9957	Y	400309-00341	1
	400309-00341	CYLINDER,BOOM;(L.H)	CYLINDRE	1		09958-11554	Y	400309-00341A	1
	400309-00341A	CYLINDER,BOOM;(L.H)	CYLINDRE	1		11555-			
72	K1044990B	CYLINDER;BOOM (RH)	CYLINDRE	1		5001-9957	Y	400309-00343	1
	400309-00343	CYLINDER,BOOM;(R.H)	CYLINDRE	1		09958-11554	Y	400309-00343A	1
	400309-00343A	CYLINDER,BOOM;(R.H)	CYLINDRE	1		11555-			
81	K1044991A	CYLINDER;ARM	VERIN DE BALANCIER	1		05001-11735	Y	400305-00219	1
	400305-00219	CYLINDER,ARM	VERIN DE BALANCIER	1		11736-			
82	S0562766	BOLT	BOULON	2					
83	S5102803	WASHER;SPRING	RONDELLE	2					

DATE	SEP. 12, 2012
4th EDITION	

Fig. 6850 LUBRICATION PIPING - BOOM 5.2m LUBRIFICATION

Serial No. ;



DATE	SEP. 12, 2012
4th EDITION	

Fig. 6850 LUBRICATION PIPING - BOOM 5.2m
LUBRIFICATION

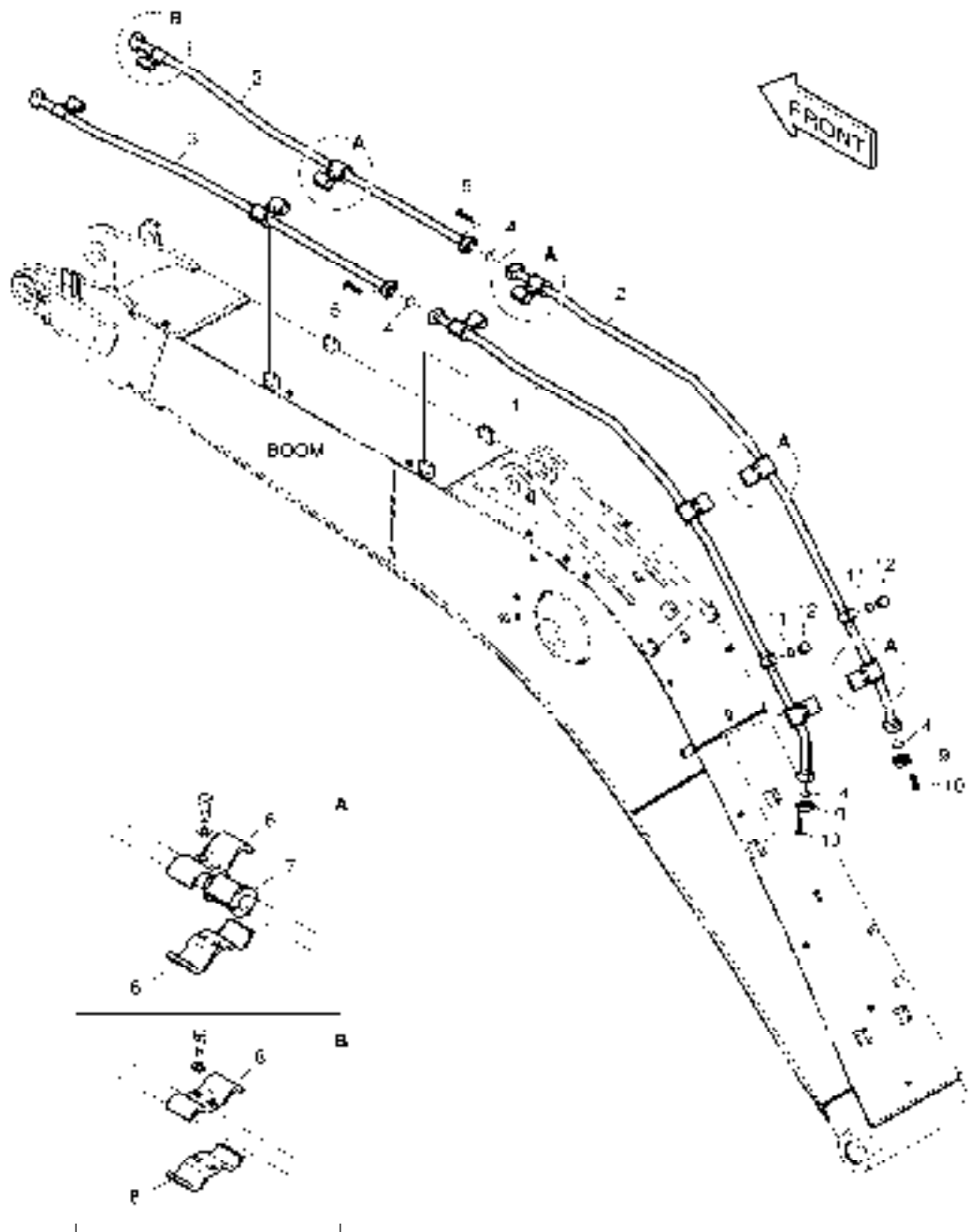
Serial No. ;

Key No.	Part No.	Description	Description	Q'ty	S.C	Serial No.	ICA	Replaceable part	
								Part No.	Q'ty
6850 --	K1045915	LUBRICATION PIPING-BOOM 5.2	LUBRIFICATION	-	D				
1	K1038814	PIPE	TUYAU	1					
2	K1038815	PIPE	TUYAU	1					
3	DS20531021	HOSE	TUYAU FLEXIBLE	1					
4	DS2053997	HOSE	TUYAU FLEXIBLE	1					
5	DS2053867	HOSE PF1/4-2140L	TUYAU FLEXIBLE	1					
6	2181-1925	ELBOW	COUDE	2					
7	S3524403	PLUG	PRISE	1					
11	160-00020	CAP;GREASE NIPPLE	CHAPEAU	5					
13	2181-4112	ADAPTER	ADAPTEUR	3					
14	124-00199D4	CLIP	AGRAFE	2					
15	2124-1353D2	CLIP	AGRAFE	4					
16	K1001029	BOLT	BOULON	6					
17	K1038003	GREASE PLATE ASS'Y	TUYAUTERIE DE GRAISSE	1					
17-1	K1037887	. PLATE	. PLAQUE	1					
17-2	181-00525	. REDUCER	. REDUCTEUR	2					
17-3	S4032833	. NUT	. ECROU	2					
17-4	181-00103	. REDUCER	. REDUCTEUR	3					
17-5	121-00006	. NUT	. ECROU	3					
17-6	S6710041	. NIPPLE;GREASE	. GRAISSEUR	5					
18	S0511866	BOLT	BOULON	2					
19	S5102603	WASHER,SPRING	RONDELLE	2					

DATE	SEP. 12, 2012
4th EDITION	

Fig. 6860 BOOM PIPING - BOOM 5.2m(ONE & TWO WAY)
CONDUITES DE FLECHE

Serial No. ;



DATE	SEP. 12, 2012
4th EDITION	

Fig. 6860 BOOM PIPING - BOOM 5.2m(ONE & TWO WAY)
CONDUITES DE FLECHE

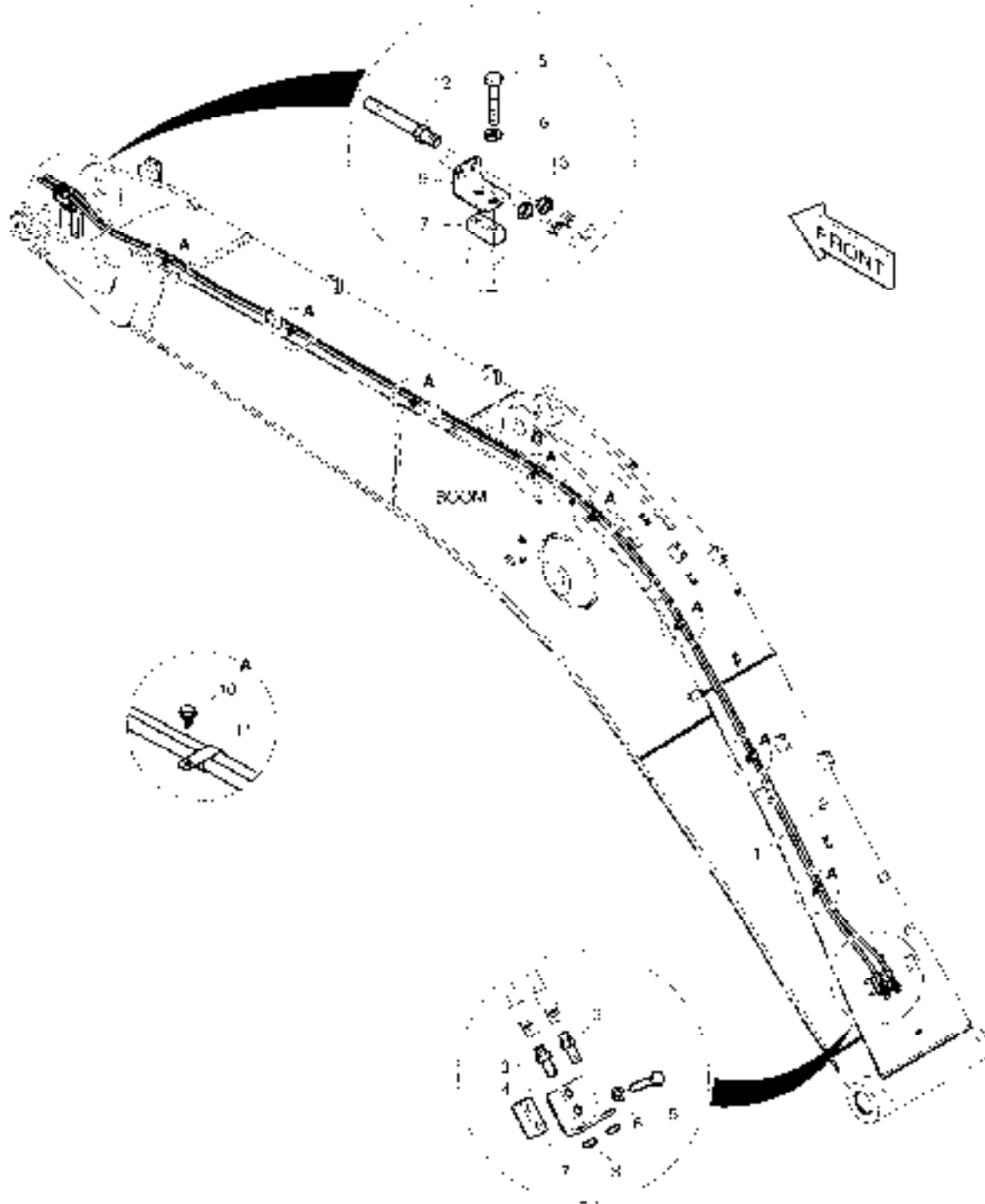
Serial No. ;

Key No.	Part No.	Description	Description	Q'ty	S.C	Serial No.	ICA	Replaceable part	
								Part No.	Q'ty
6860 --	K1045916	BOOM PIPING-ONE & TWO WAY	BOOM PIPING	-	D	10001-10481			
	420212-06763	PIPING,BOOM	BOOM PIPING	-	D	10482-			
1	K1045959	PIPE	TUYAU	1		10001-10481			
	420207-01846	PIPE	TUYAU	1		10482-			
2	K1045960	PIPE	TUYAU	1		10001-10481			
	420207-01847	PIPE	TUYAU	1		10482-			
3	K1000882A	PIPE	TUYAU	2		10001-10481			
	420207-01848	PIPE	TUYAU	2		10482-			
4	2180-1026D19	O-RING	JOINT CIRCULAIRE	4					
5	S2212666	BOLT	BOULON	8					
6	124-00368	CLAMP;PIPE	BRIDE	16					
7	161-00281	RUBBER	LE CAOUTCHOUC	8					
8	124-00367	CLAMP;PIPE	BRIDE	4					
9	2181-9078	FLANGE	BRIDE	4					
10	S2212466	BOLT;SOCKET M10X1.5X40	BOULON	8					
11	S8000291	O-RING	JOINT CIRCULAIRE	2					
12	2181-1950D9	PLUG	BOUCHON	2					

DATE	SEP. 12, 2012
4th EDITION	

Fig. 6870 BOOM PIPING - BOOM 5.2m(QUICK FIT)
CONDUITES DE FLECHE

Serial No. ;



DATE	SEP. 12, 2012
4th EDITION	

**Fig. 6870 BOOM PIPING - BOOM 5.2m(QUICK FIT)
CONDUITES DE FLECHE**

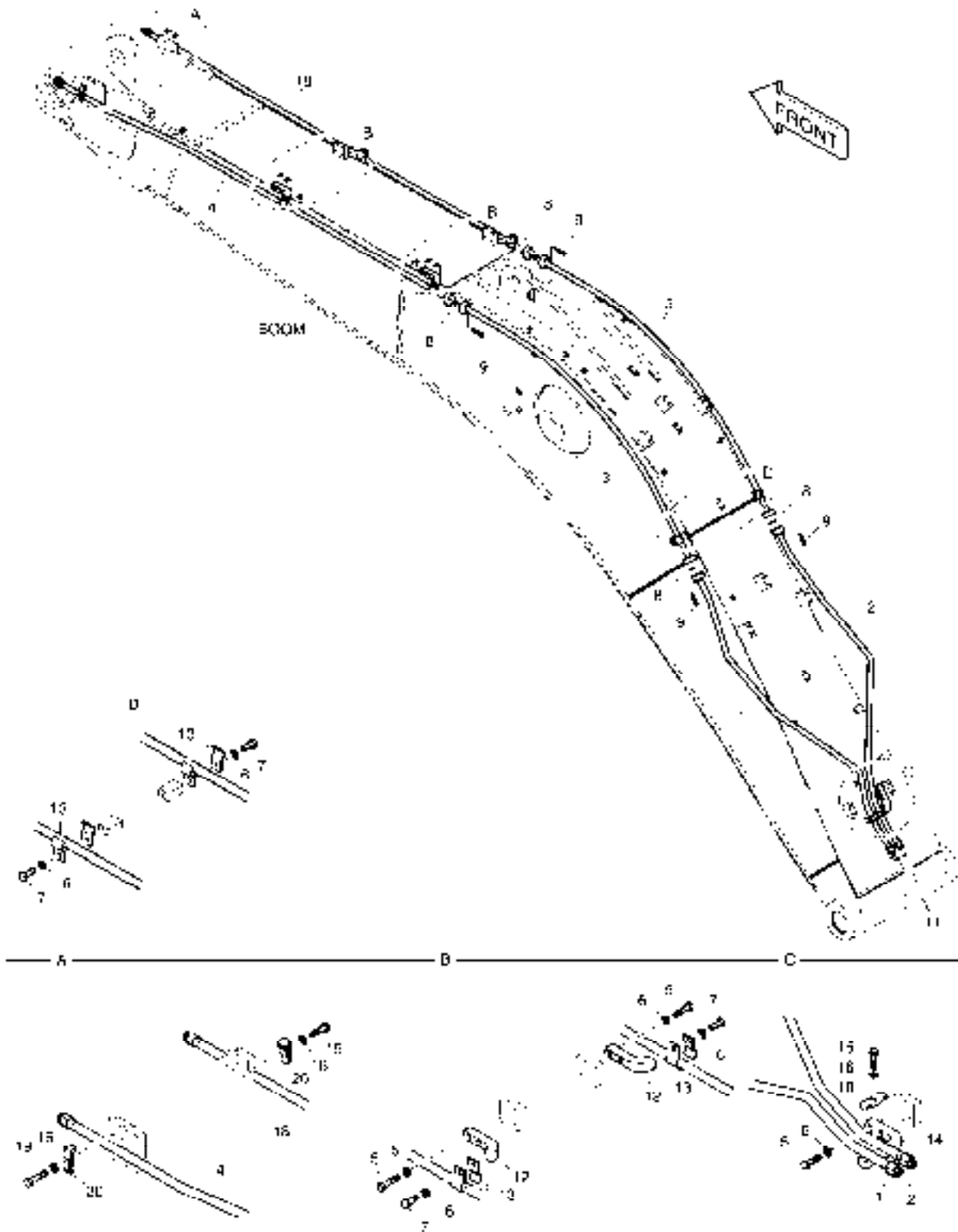
Serial No. ;

Key No.	Part No.	Description	Description	Q'ty	S.C	Serial No.	ICA	Replaceable part	
								Part No.	Q'ty
6870 --	K1046026	BOOM PIPING-QUICK FIT	CONDUITES DE FLECHE	-	D				
1	DS2053854	HOSE	TUYAU FLEXIBLE	1					
2	DS2053878	HOSE	TUYAU FLEXIBLE	1					
3	181-00078D5	ADAPTER	ADAPTEUR	2					
4	195-00163	BRACKET	SUPPORT	1					
5	S0563366	BOLT	BOULON	4					
6	S5102803	WASHER;SPRING	RONDELLE	4					
7	K1004006	PLATE	PLAQUE	2					
8	121-00010D1	NUT	ECROU	2					
9	K1010847	BRACKET	SUPPORT	1					
10	K1001029	BOLT	BOULON	8					
11	DS2805009	CLIP	AGRAFE	8					
12	K1000356	ADAPTER	ADAPTEUR	2					
13	121-00010D7	NUT	ECROU	2					

DATE	SEP. 12, 2012
4th EDITION	

Fig. 6880 BOOM PIPING - BOOM 5.2m(ROTATING)
CONDUITES DE FLECHE

Serial No. ;



DATE	SEP. 12, 2012
4th EDITION	

Fig. 6880 BOOM PIPING - BOOM 5.2m(ROTATING)
CONDUITES DE FLECHE

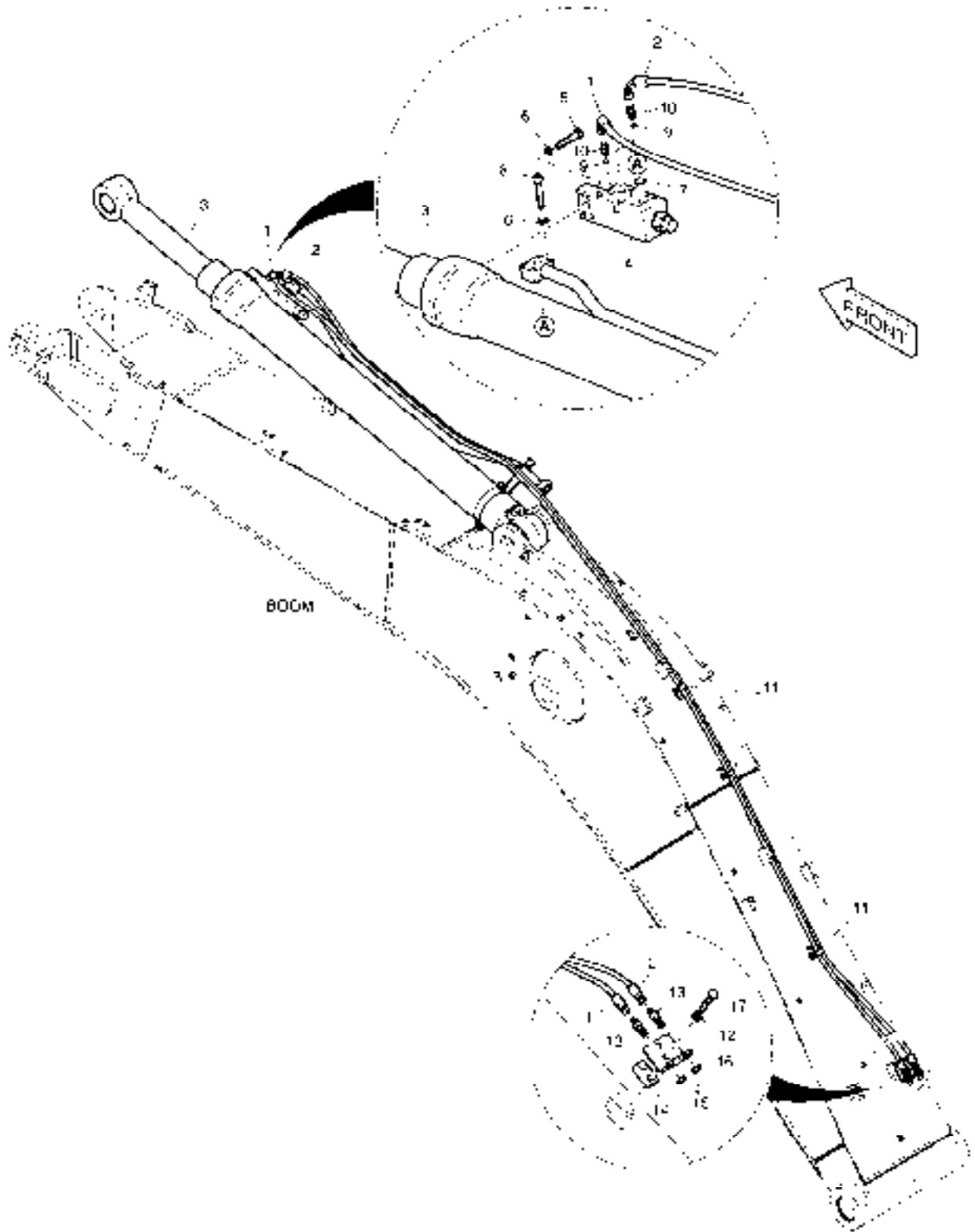
Serial No. ;

Key No.	Part No.	Description	Description	Q'ty	S.C	Serial No.	ICA	Replaceable part	
								Part No.	Q'ty
6880 --	K1045914	BOOM PIPING;ROTATING	BOOM PIPING	-	D				
1	K1038610	PIPE	TUYAU	1					
2	K1038611	PIPE	TUYAU	1					
3	K1046013	PIPE	TUYAU	2					
4	K1025402	PIPE	TUYAU	1					
5	S0560666	BOLT	BOULON A 6 PANS	10					
6	S5102703	WASHER;SPRING	RONDELLE	16					
7	S0515266	BOLT	BOULON	6					
8	2180-1026D30	O-RING	JOINT CIRCULAIRE	4					
9	S2209466	BOLT;SOCKET	BOULON	16					
10	K1004028	CLAMP;PIPE	BRIDE	1					
11	S8030081	O-RING	JOINT CIRCULAIRE	2					
12	621-02700A	PLATE	PLAQUE	4					
13	124-00299A	CLAMP;PIPE	COLLIER	12					
14	621-02798	PLATE	PLAQUE	1					
15	S0558466	BOLT	BOULON	1					
16	S5102603	WASHER,SPRING	RONDELLE	3					
18	K1025450	PIPE	TUYAU	1					
19	S0558566	BOLT	BOULON	2					
20	2124-1026D1	CLAMP;PIPE	BRIDE	2					

DATE	SEP. 12, 2012
4th EDITION	

Fig. 6890 LOCK VALVE PIPING - BOOM 5.2m
CONDUITES DE BALANCIER

Serial No. ;



DATE	SEP. 12, 2012
4th EDITION	

Fig. 6890 LOCK VALVE PIPING - BOOM 5.2m
CONDUITES DE BALANCIER

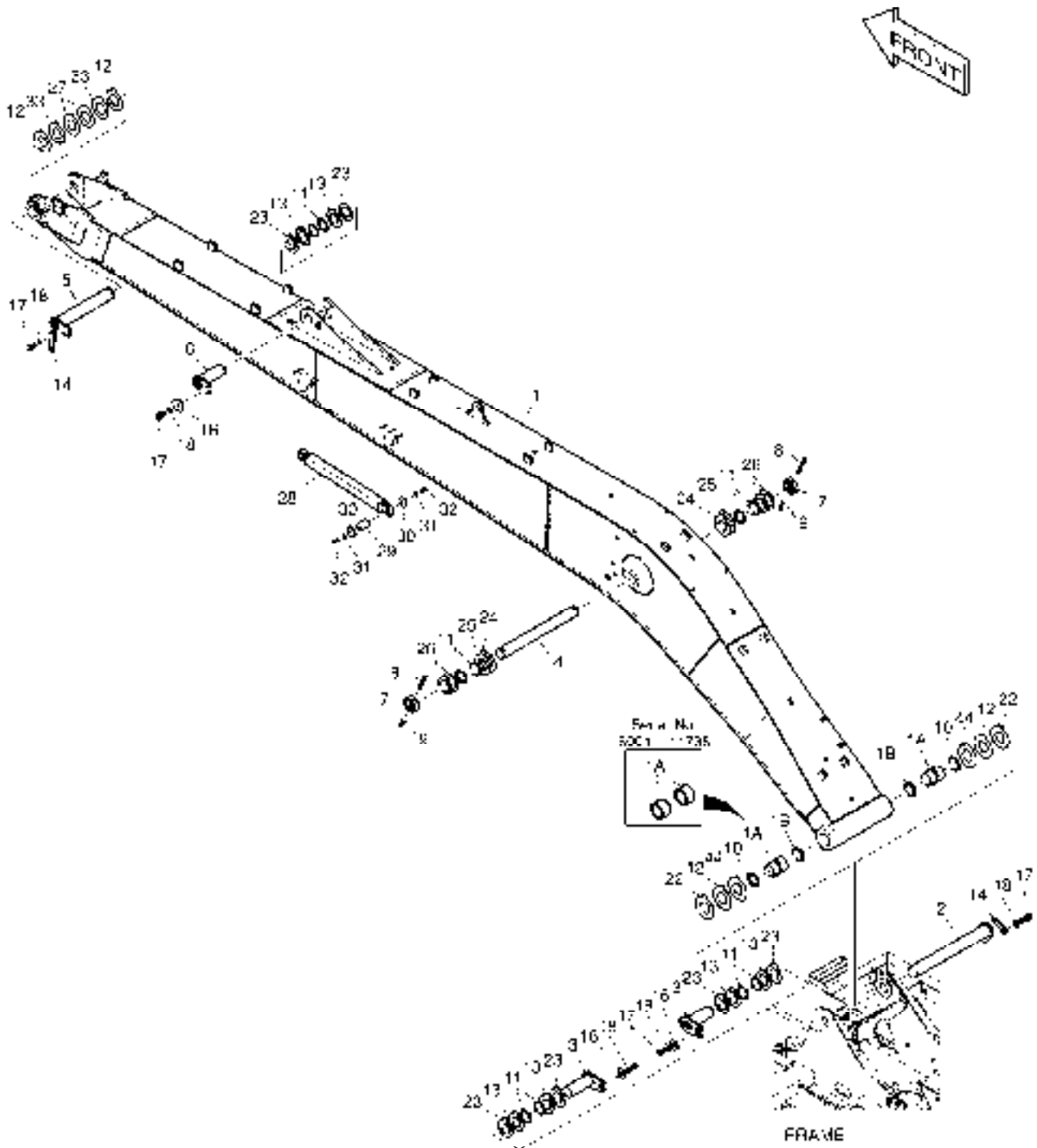
Serial No. ;

Key No.	Part No.	Description	Description	Q'ty	S.C	Serial No.	ICA	Replaceable part	
								Part No.	Q'ty
6890 --	K1046041A	LOCK VALVE PIPING;ARM	FERMEZ LA TUYAUTERIE A	-	D				
1	DS2055672	HOSE	TUYAU FLEXIBLE	1					
2	DS2055672	HOSE	TUYAU FLEXIBLE	1					
3	K1041222A	CYLINDER;ARM(LOCK V/V)	CYLINDRE	1		05001-11735	Y	400305-00220	1
	400305-00220	CYLINDER;ARM(LOCK V/V)	CYLINDRE	1		11736-			
4	420-00004A	VALVE;LOCK	VANNE	1		05001-12020			
	410114-00154	VALVE;LOCK	VANNE	1		12021-			
4A	K9000999	. SEAL KIT	. KIT DE JOINT	1		05001-12020			
	401107-01315	. SEAL KIT	. KIT DE JOINT	1		12021-			
5	S2215766	BOLT;SOCKET M12X55	BOULON	4					
6	S5110703	WASHER;SPRING	RONDELLE	8					
7	S8000341	O-RING	JOINT CIRCULAIRE	1					
8	S2215966	BOLT;SOCKET	BOULON	4					
9	S8000111	O-RING	JOINT TORIQUE	2					
10	2181-1126D85	ADAPTER	ADAPTEUR	2					
11	DS2805009	CLIP	AGRAFE	3					
12	S5102803	WASHER;SPRING	RONDELLE	2					
13	181-00078D1	ADAPTER	ADAPTEUR	2					
14	K1004006	PLATE	PLAQUE	1					
15	121-00010D1	NUT	ECROU	2					
16	195-00163	BRACKET	SUPPORT	1					
17	S0563366	BOLT	BOULON	2					

DATE	SEP. 12, 2012
4th EDITION	

**Fig. 6900 BOOM - 8.5m
ENSEMBLE FLECHE**

Serial No. ;



DATE	SEP. 12, 2012
4th EDITION	

**Fig. 6900 BOOM - 8.5m
ENSEMBLE FLECHE**

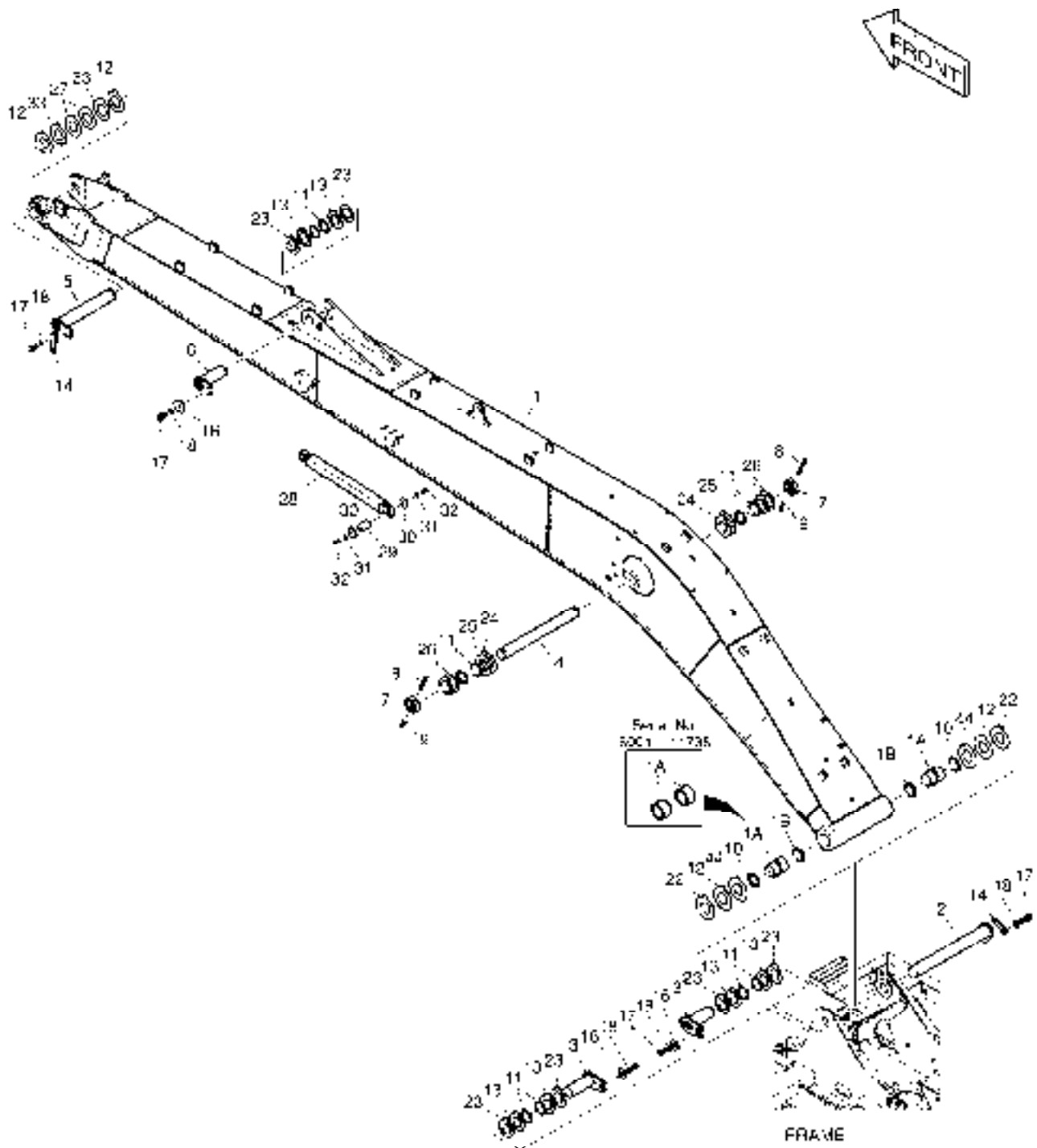
Serial No. ;

Key No.	Part No.	Description	Description	Q'ty	S.C	Serial No.	ICA	Replaceable part	
								Part No.	Q'ty
6900 --	K1045700C	BOOM ASS'Y	FLECHE	-	D	5001-8240			
	230207-00127	BOOM ASSY	FLECHE	-	D	8241-			
1	K1045701C	BOOM SUB ASS'Y-8.5M	ENSEMBLE FLECHE	1		05001-11735	Y	230211-00144A	1
	230211-00144A	BOOM,MACHINE 8.5m	ENSEMBLE FLECHE	1		11736-			
1A	K1037847A	. BUSHING	. BUSHING	4		05001-11735	Y	131008-00074A	2
	131008-00074A	. BUSHING	. BUSHING	2		11736-			
1B	2180-1106BD6	. SEAL;DUST	. CACHET	2					
2	2123-2180G	PIN	GOUJON	1		5001-8381	I	120501-01812	1
	120501-01812	PIN,BOOM FOOT	GOUJON	1		8382-			
3	123-00409A	PIN	GOUPILLE	2		5001-8240	I	120501-01061	2
	120501-01061	PIN	GOUPILLE	2		8241-			
4	K1007253B	PIN	GOUPILLE	1					
5	2123-2185G	PIN	GOUPILLE	1					
6	2123-2187E	PIN	GOUJON	1		5001-8240	I	120501-01062	1
	120501-01062	PIN	GOUJON	1		8241-			
7	2116-1531A	STOPPER	TAQUET	2					
8	S0567066	BOLT	BOULON	2					
9	S4012933	NUT	ECROU	4					
10	2180-1106BD6	SEAL;DUST	CACHET	2					
11	2180-1106BD24	SEAL;DUST	CACHET	10					
12	DS7752018	SHIM	CALE	4					
13	DS7752012	SHIM	CALE	6					
14	621-03710A	PLATE;STOPPER	PLAQUE	2					
16	2116-1060D6	STOPPER	TAQUET	3					
17	S0521366	BOLT	BOULON	7					
18	S5102903	WASHER,SPRING	RONDELLE	7					
22	DS7752017	SHIM	CALE	2		5001-8973			
	DS7752093	SHIM	CALE	2		8974-			
23	DS7752013	SHIM	CALE	6					
24	DS7752026	SHIM	CALE	2					
25	DS7752027	SHIM	CALE	2					
26	DS7752025	SHIM	CALE	4					
27	DS7752017	SHIM	CALE	2					
28	K1017764	ROD;TIE	GERBEUR COMBI	1					
29	2123-1915A	PIN	GOUJON	2					
30	2116-1472A	PLATE;STOPPER	PLAQUE	4					
31	S5102703	WASHER;SPRING	RONDELLE	4					
32	S0515053	BOLT M12X1.75X25	BOULON A 6 PANS	4					

DATE	SEP. 12, 2012
4th EDITION	

**Fig. 6900 BOOM - 8.5m
ENSEMBLE FLECHE**

Serial No. ;



DATE	SEP. 12, 2012
4th EDITION	

**Fig. 6900 BOOM - 8.5m
ENSEMBLE FLECHE**

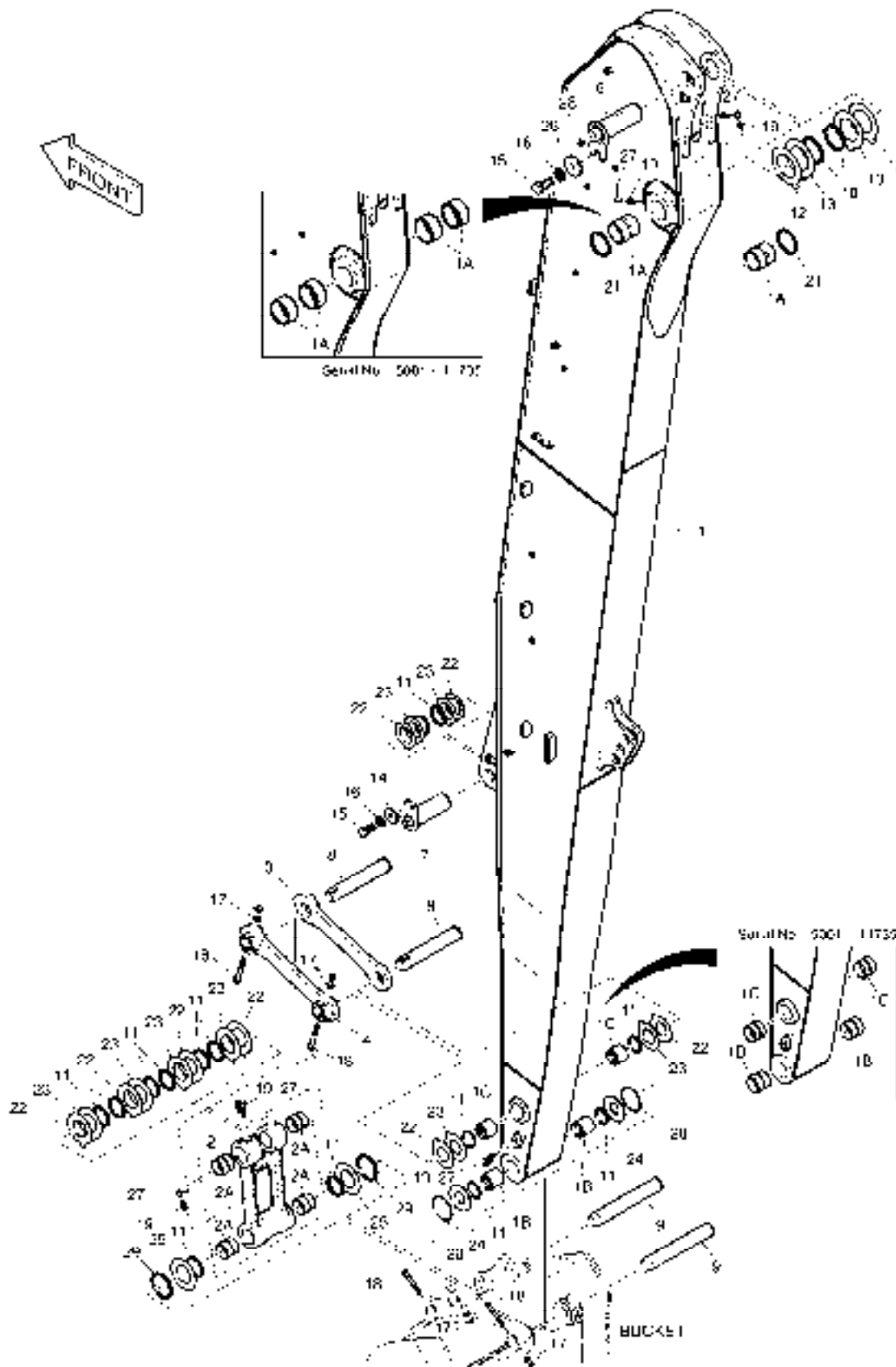
Serial No. ;

Key No.	Part No.	Description	Description	Q'ty	S.C	Serial No.	ICA	Replaceable part	
								Part No.	Q'ty
6900 -33	DS7752093	SHIM	CALE	2		8974-			
44	DS7752028	SHIM	CALE	2		8974-			

DATE	SEP. 12, 2012
4th EDITION	

**Fig. 6910 ARM - 6.2m
BALANCIER**

Serial No. ;



DATE	SEP. 12, 2012
4th EDITION	

Fig. 6910 ARM - 6.2m BALANCIER

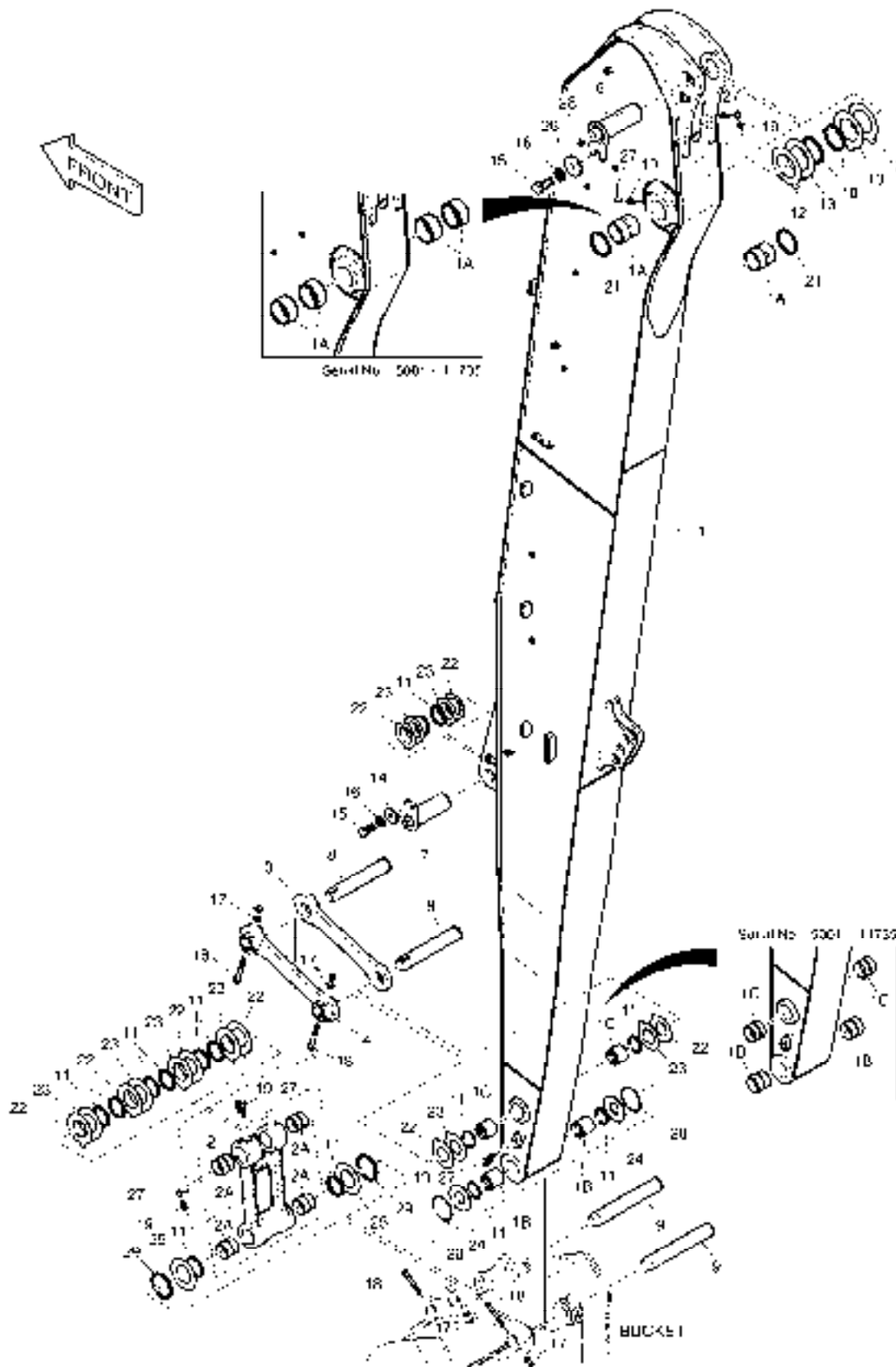
Serial No. ;

Key No.	Part No.	Description	Description	Q'ty	S.C	Serial No.	ICA	Replaceable part	
								Part No.	Q'ty
6910 --	K1046272B	ARM ASS'Y (6.2m)	ENSEMBLE BALANCIER	-	D	5001-6298			
	230201-00137	ARM ASSY;(6.2M)	ENSEMBLE BALANCIER	-	D	6299-			
1	K1046275B	ARM;MACH-6.2m	BALANCIER	1		5001-6298	I	230204-00067	1
	230204-00067	ARM,MACHINE;(6.2M)	BALANCIER	1		06299- 11735	Y	230204-00168B	1
	230204-00168B	ARM,MACHINE;(6.2M)	BALANCIER	1		11736-			
1A	K1037848A	. BUSHING	. BUSHING	4		05001- 11735	Y	131008-00064A	2
	131008-00064A	. BUSHING	. BUSHING	2		11736-			
1B	110-00242	. BUSHING	. DOUILLE	2		5001-6298	I	2110-1329A	2
	2110-1329A	. BUSHING	. DOUILLE	2		06299- 11735	Y	131004-00020A	2
	131004-00020A	. BUSHING	. DOUILLE	2		11736-			
1C	110-00243	. BUSHING	. DOUILLE	2		5001-6298	I	2110-1330A	2
	2110-1330A	. BUSHING	. DOUILLE	2		06299- 11735	Y	131004-00021A	2
	131004-00021A	. BUSHING	. DOUILLE	2		11736-			
2	155-00061	LINK;PUSH ASS'Y	ARTICULATION	1		5001-5298	I	101541-00012	1
	101541-00012	LINK;PUSH ASS'Y	ARTICULATION	1		6299-			
2A	110-00245	. BUSHING	. DOUILLE	4		5001-6298	I	2110-1366A	4
	2110-1366A	. BUSHING	. MANCHON	4		6299-			
3	2155-1306B	LINK;GUIDE(R.H)	ARTICULATION	1					
4	2155-1307B	LINK;GUIDE(L.H)	ARTICULATION	1					
6	K1046927	PIN	GOUJON	1		5001-8240	Y	120501-01063	1
	120501-01063	PIN	GOUJON	1		8241-			
7	K1014836	PIN	GOUPILLE	1		5001-8240	I	120501-01066	1
	120501-01066	PIN	GOUPILLE	1		8241-			
8	K1007038A	PIN	GOUPILLE	2		5001-8240	I	120501-01041	2
	120501-01041	PIN	GOUPILLE	2		8241-			
9	K1038517	PIN	GOUPILLE	2		5001-8240	I	120501-01042	2
	120501-01042	PIN	GOUPILLE	2		8241-			
10	2180-1106BD24	SEAL;DUST	CACHET	2					
11	2180-1106BD3	SEAL;DUST	PARE-POUSSIERES	14					
12	DS7752012	SHIM	CALE	2					
13	DS7752013	SHIM	CALE	2					
14	2116-1060D6	STOPPER	TAQUET	1					
15	S0521366	BOLT	BOULON	2					
16	S5102903	WASHER,SPRING	RONDELLE	2					
17	S4012933	NUT	ECROU	8					
18	S0566766	BOLT	BOULON A 6 PANS	4					
19	S6710041	NIPPLE;GREASE	GRAISSEUR	7					
20	180-00077D3	O-RING	JOINT TORIQUE	2					

DATE	SEP. 12, 2012
4th EDITION	

**Fig. 6910 ARM - 6.2m
BALANCIER**

Serial No. ;



DATE	SEP. 12, 2012
4th EDITION	

**Fig. 6910 ARM - 6.2m
BALANCIER**

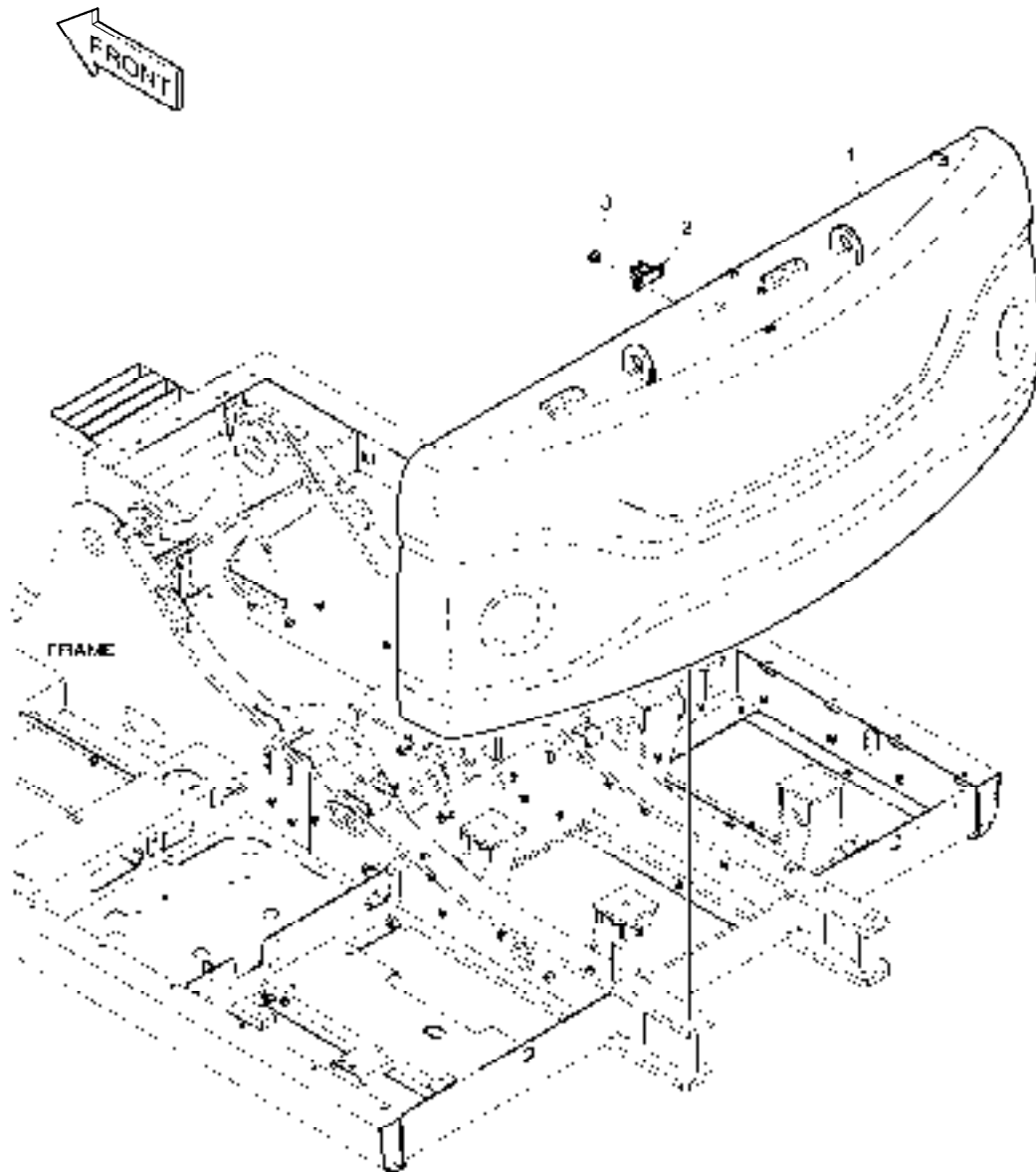
Serial No. ;

Key No.	Part No.	Description	Description	Q'ty	S.C	Serial No.	ICA	Replaceable part	
								Part No.	Q'ty
6910 -21	2180-1106BD14	SEAL;DUST	CACHET	2					
22	DS7752001	SHIM	CALE	8					
23	DS7752002	SHIM	CALE	8					
24	2114-1994B	SPACER	ENTRETOISE	2					
25	2114-1995B	SPACER	ENTRETOISE	2					
26	2116-1060D6	STOPPER	TAQUET	1					
27	160-00020	CAP;GREASE NIPPLE	CHAPEAU	7					
28	2181-1116D1	PLUG	BOUCHON	1					
29	DS2854017	RING,O	JOINT TORIQUE	2		10998-			

DATE	SEP. 12, 2012
4th EDITION	

Fig. 6920 COUNTER WEIGHT - SUPER LONG(DX225LCA)
MASSE D'EQUILIBRAGE

Serial No. ;



DATE	SEP. 12, 2012
4th EDITION	

**Fig. 6920 COUNTER WEIGHT - SUPER LONG(DX225LCA)
MASSE D'EQUILIBRAGE**

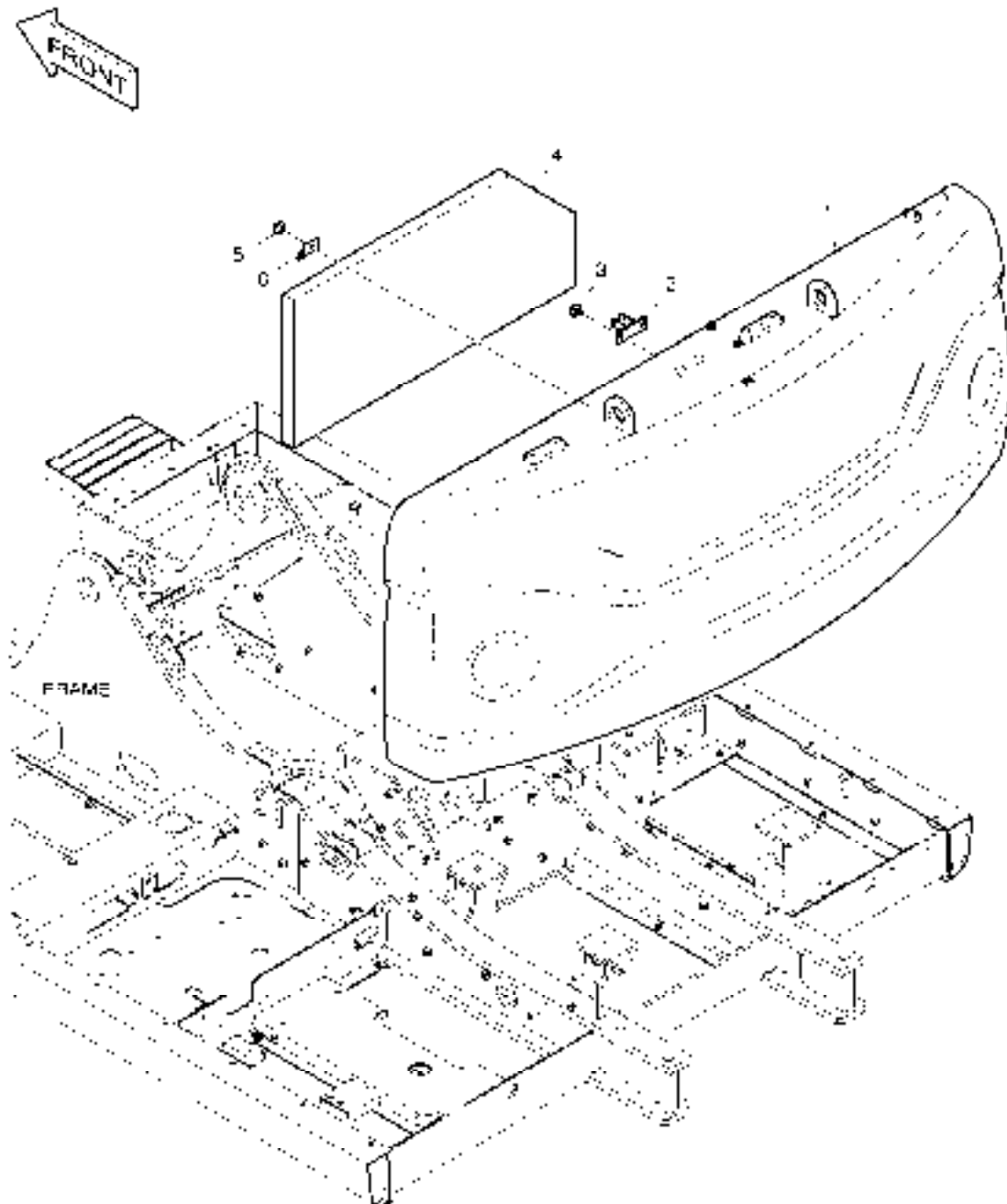
Serial No. ;

Key No.	Part No.	Description	Description	Q'ty	S.C	Serial No.	ICA	Replaceable part	
								Part No.	Q'ty
6920 --	K1045677A	COUNTER WEIGHT;5.3ton	MASSE D'EQUILIBRAGE	1		5001-5284	I	K1045677B	1
	K1045677B	COUNTER WEIGHT;5.3ton	MASSE D'EQUILIBRAGE	1		5285-6048	Y	160702-00056	1
	160702-00056	WEIGHT ASSY,COUNTER;5.3TON	MASSE D'EQUILIBRAGE	1		6049-			
1	K1044939B	COUNTER WEIGHT;5.3ton	MASSE D'EQUILIBRAGE	1		5001-5284	I	K1044939C	1
	K1044939C	COUNTER WEIGHT;5.3ton	MASSE D'EQUILIBRAGE	1		5285-6048	Y	160702-00055	1
	160702-00055	WEIGHT,COUNTER;5.3TON	MASSE D'EQUILIBRAGE	1		6049-			
2	K1002454B	BRACKET	SUPPORT	1					
3	DS0025015	BOLT;SET	BOULON	2					

DATE	SEP. 12, 2012
4th EDITION	

Fig. 6930 COUNTER WEIGHT - 5.3TON(NOISE KIT - DX225LCA)
MASSE D'EQUILIBRAGE

Serial No. ;



DATE	SEP. 12, 2012
4th EDITION	

**Fig. 6930 COUNTER WEIGHT - 5.3TON(NOISE KIT - DX225LCA)
MASSE D'EQUILIBRAGE**

Serial No. ;

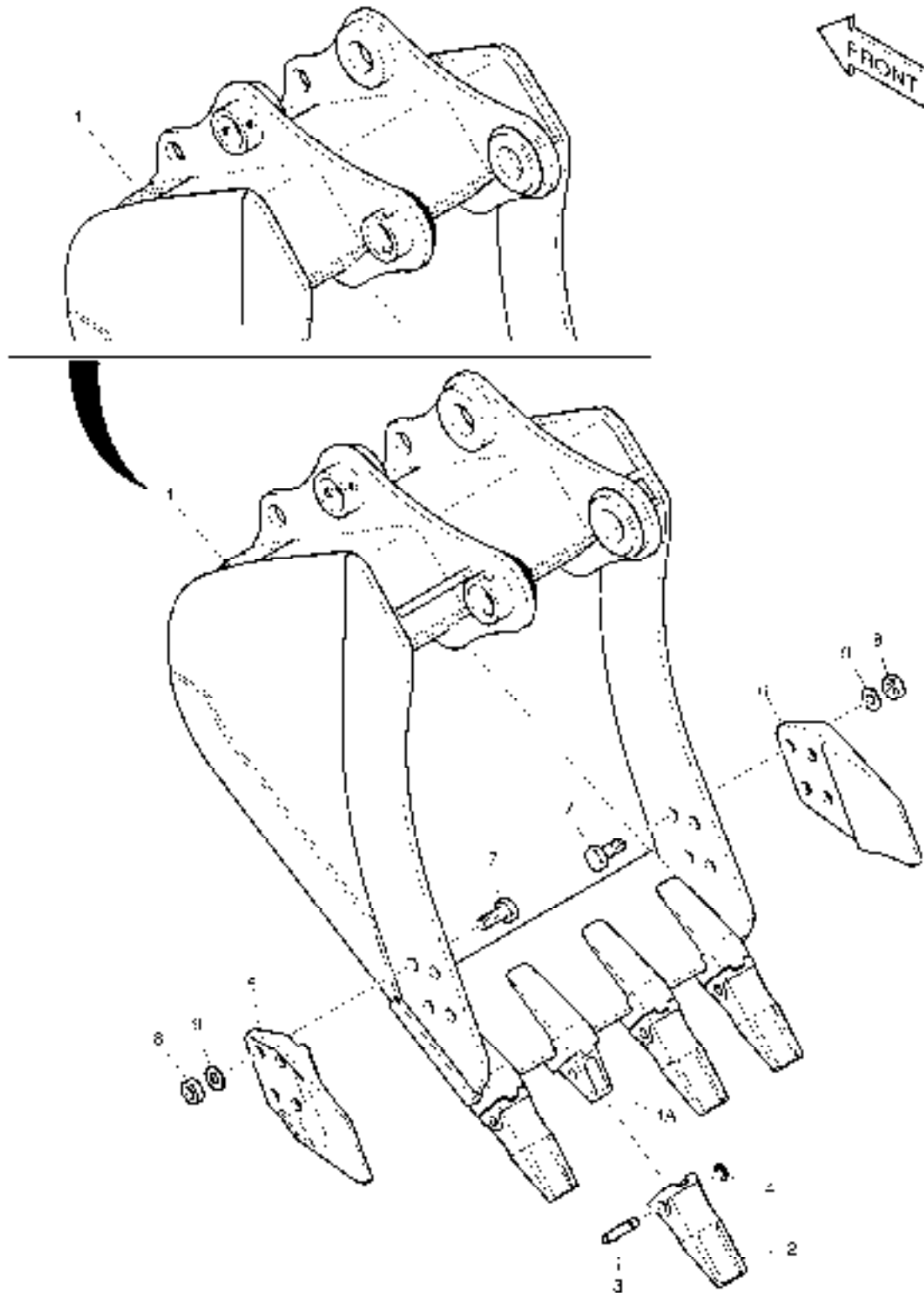
Key No.	Part No.	Description	Description	Q'ty	S.C	Serial No.	ICA	Replaceable part	
								Part No.	Q'ty
6930 --	K1045678A	COUNTER WEIGHT ASS'Y;FOAM	MASSE D'EQUILIBRAGE	1		5001-5284	I	K1045678B	1
	K1045678B	COUNTER WEIGHT ASS'Y;FOAM	MASSE D'EQUILIBRAGE	1		5285-5950	Y	160702-00057	1
	160702-00057	WEIGHT ASSY,COUNTER;5.3TON	MASSE D'EQUILIBRAGE	1		5951-			
1	K1044939B	COUNTER WEIGHT;5.3ton	MASSE D'EQUILIBRAGE	1		5001-5284	I	K1044939C	1
	K1044939C	COUNTER WEIGHT;5.3ton	MASSE D'EQUILIBRAGE	1		5285-5950	Y	160702-00055	1
	160702-00055	WEIGHT,COUNTER;5.3TON	MASSE D'EQUILIBRAGE	1		5951-			
2	K1002454B	BRACKET	SUPPORT	1					
3	DS0025015	BOLT;SET	BOULON	2					
4	K1011304	FOAM	EPONGE	1					
5	DS0025022	BOLT;SET	BOULON	2					
6	621-01572	PLATE	PLAQUE	2					

DATE	SEP. 12, 2012
4th EDITION	

Fig. 6940 BUCKET ASS'Y - 0.39m³
ENSEMBLE DE GODET

Serial No. ;

Essai No. 5531 - 10997



DATE	SEP. 12, 2012
4th EDITION	

Fig. 6940 BUCKET ASS'Y - 0.39m³
ENSEMBLE DE GODET

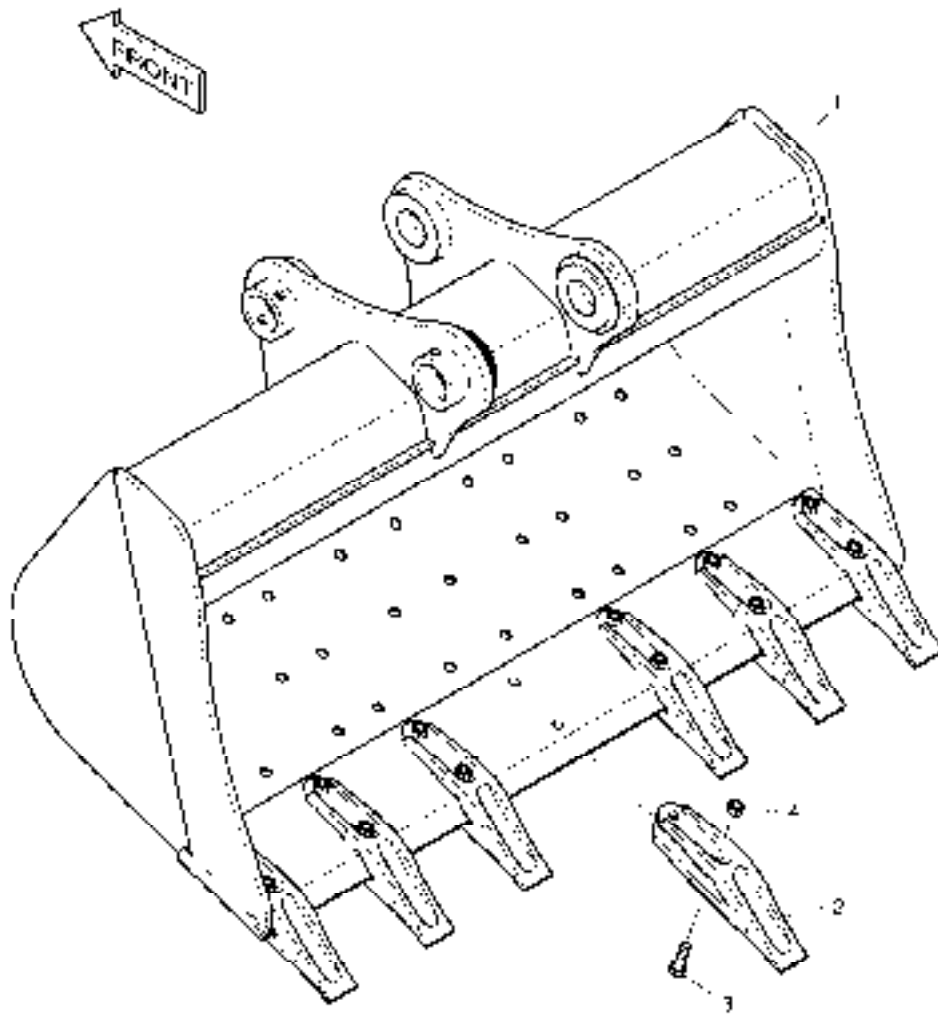
Serial No. ;

Key No.	Part No.	Description	Description	Q'ty	S.C	Serial No.	ICA	Replaceable part	
								Part No.	Q'ty
6940 --	K1007635E	BUCKET ASS'Y- 0.39m ³	ENSEMBLE DE GODET	1		05001-10997	I	230104-01198	1
	230104-01198	BUCKET ASS'Y- 0.39m ³	ENSEMBLE DE GODET	1		10998-			
1	K1007636E	BUCKET - 0.39m ³	GODET	1		05001-10997	I	230104-01199	1
	230104-01199	BUCKET - 0.39m ³	GODET	1		10998-			
1A	2713-1222B	. ADAPTER;TOOTH	. DENT DE ADAPTEUR	4					
2	713-00057C	POINT;TOOTH	DENT	4					
3	2705-1022	PIN;LOCKING	GOUPILLE DE BLOCAGE	4					
4	2114-1859	WASHER;LOCKING	RONDELLE	4					
5	2713-1229A	CUTTER;SIDE(L.H)	COIN DE GODET GAUCHE	1					
6	2713-1228A	CUTTER;SIDE(R.H)	COIN DE GODET DROIT	1					
7	S0574561	BOLT M24X3.0X60	BOULON A 6 PANS	8					
8	S4013333	NUT	ECROU	8					
9	2114-1831A	WASHER;HARDEN	RONDELLE	8					

DATE	SEP. 12, 2012
4th EDITION	

Fig. 6950 BUCKET ASS'Y - 0.45m³ - DITCH CLEANING
GODET

Serial No. ;



DATE	SEP. 12, 2012
4th EDITION	

**Fig. 6950 BUCKET ASS'Y - 0.45m³ - DITCH CLEANING
GODET**

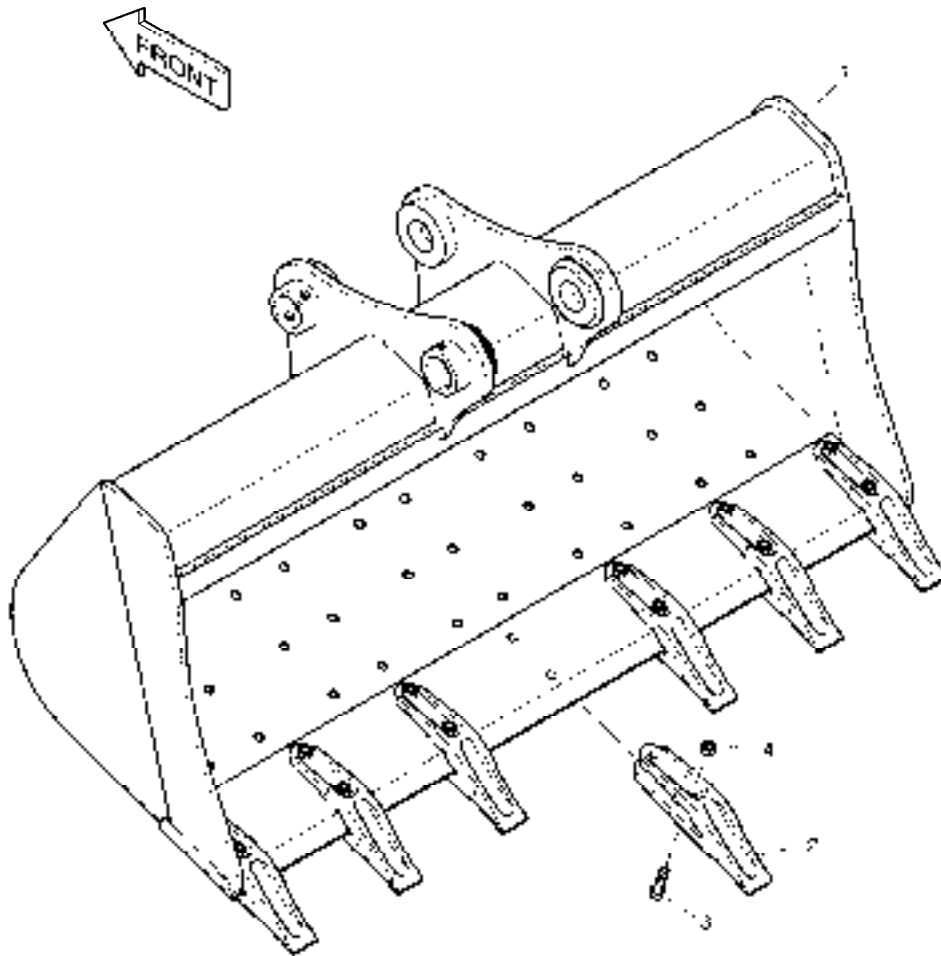
Serial No. ;

Key No.	Part No.	Description	Description	Q'ty	S.C	Serial No.	ICA	Replaceable part	
								Part No.	Q'ty
6950 --	K1010821B	BUCKET ASS'Y-0.45m ³	GODET	1					
1	K1010822B	BUCKET-0.45m ³	GODET	1					
2	4713-4004B	TOOTH	OUTILLAGE	7					
3	S0565466	BOLT	BOULON A 6 PANS	14					
4	S4012933	NUT	ECROU	14					

DATE	SEP. 12, 2012
4th EDITION	

Fig. 6960 BUCKET ASS'Y - 0.54m³ - DITCH CLEANING
GODET

Serial No. ;



DATE	SEP. 12, 2012
4th EDITION	

**Fig. 6960 BUCKET ASS'Y - 0.54m³ - DITCH CLEANING
GODET**

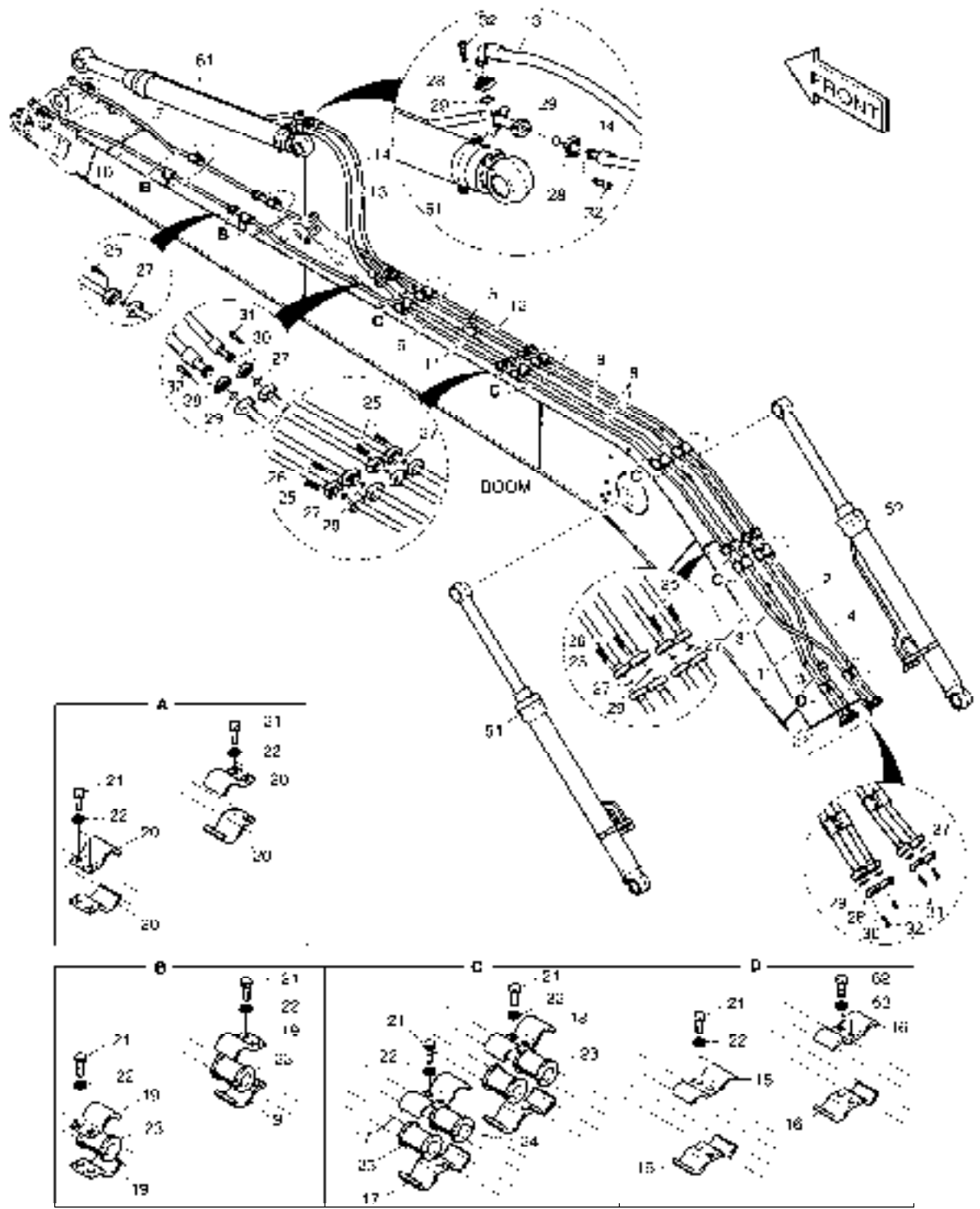
Serial No. ;

Key No.	Part No.	Description	Description	Q'ty	S.C	Serial No.	ICA	Replaceable part	
								Part No.	Q'ty
6960 --	K1010823B	BUCKET ASS'Y-0.54m ³	GODET	1					
1	K1010824B	BUCKET-0.54m ³	GODET	1					
2	4713-4004B	TOOTH	OUTILLAGE	7					
3	S0565466	BOLT	BOULON A 6 PANS	14					
4	S4012933	NUT	ECROU	14					

DATE	SEP. 12, 2012
4th EDITION	

**Fig. 6970 BOOM PIPING - BOOM 8.5m
CONDUITES DE FLECHE**

Serial No. ;



DATE	SEP. 12, 2012
4th EDITION	

Fig. 6970 BOOM PIPING - BOOM 8.5m
CONDUITES DE FLECHE

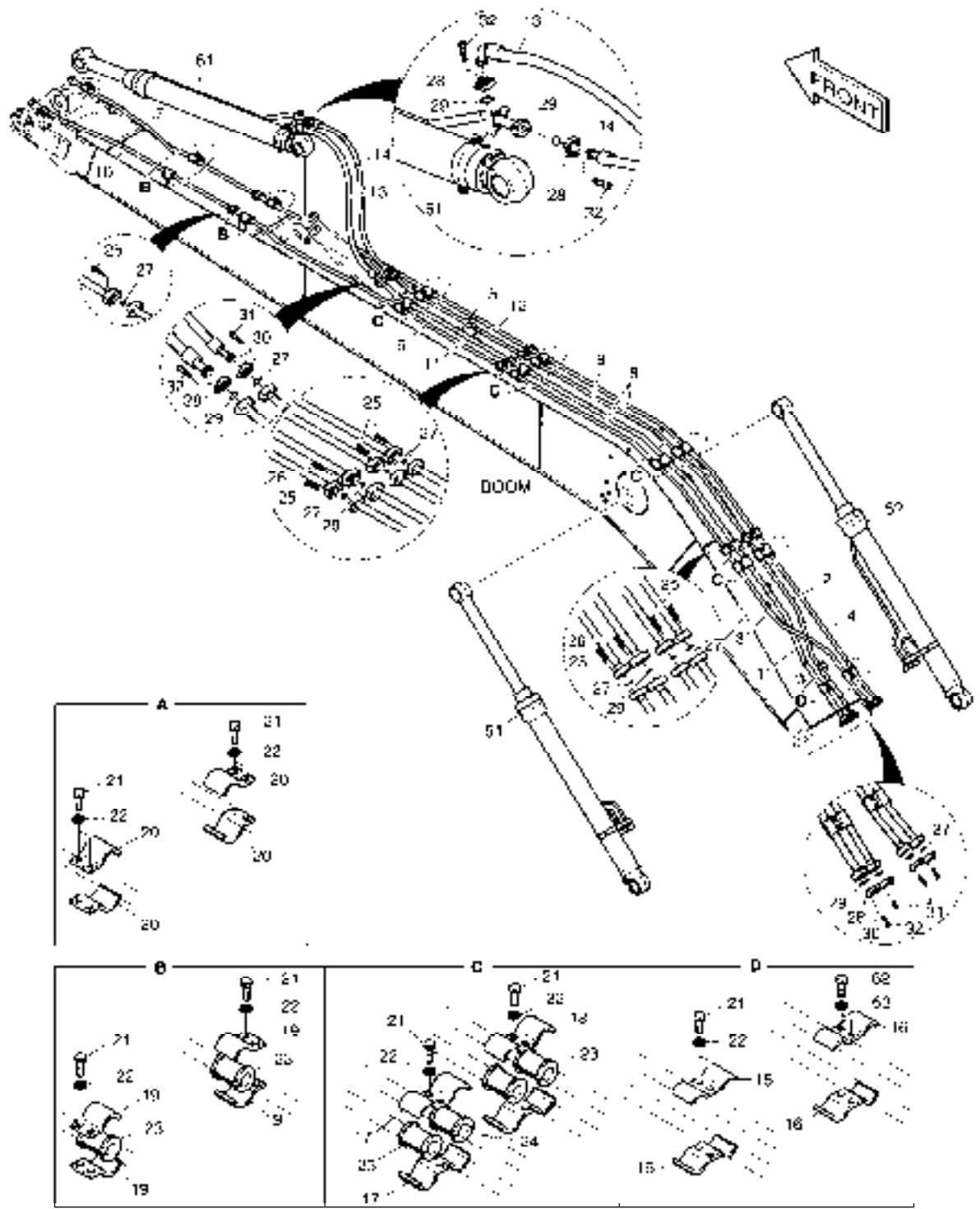
Serial No. ;

Key No.	Part No.	Description	Description	Q'ty	S.C	Serial No.	ICA	Replaceable part	
								Part No.	Q'ty
6970 --	K1045837	BOOM PIPING	BOOM PIPING	-	D				
1	K1045852	PIPE	TUYAU	1					
2	K1045853	PIPE	TUYAU	1					
3	K1045854	PIPE	TUYAU	1					
4	K1045855	PIPE	TUYAU	1					
5	K1018659	PIPE	TUYAU	1					
6	K1018660	PIPE	TUYAU	1					
7	K1018706	PIPE	TUYAU	1					
8	K1045856	PIPE	TUYAU	3					
9	K1045857	PIPE	TUYAU	1					
10	K1018109	PIPE	TUYAU	1					
11	K1018709	PIPE	TUYAU	1					
12	K1018710	PIPE	TUYAU	1					
13	DS2040637	HOSE	TUYAU FLEXIBLE	1					
14	DS2038226	HOSE	TUYAU FLEXIBLE	1					
15	124-00367	CLAMP;PIPE	BRIDE	2					
16	124-00300	CLAMP;PIPE	BRIDE	2					
17	124-00368	CLAMP;PIPE	BRIDE	8					
18	K1011211	CLAMP	COLLIER	8					
19	124-00302	CLAMP;PIPE	BRIDE	8					
20	124-00303	CLAMP;PIPE	COLLIER	4					
21	S0562766	BOLT	BOULON	18					
22	S5102803	WASHER;SPRING	RONDELLE	18					
23	161-00574	RUBBER	LE CAOUTCHOUC	16					
24	161-00281	RUBBER	LE CAOUTCHOUC	4					
25	S2212566	BOLT;SOCKET	BOULON	32					
26	S2212666	BOLT	BOULON	8					
27	2180-1026D2	O-RING	JOINT CIRCULAIRE	12					
28	2181-9078	FLANGE	BRIDE	8					
29	2180-1026D19	O-RING	JOINT CIRCULAIRE	6					
30	2181-9079	FLANGE	BRIDE	8					
31	S2212366	BOLT;SOCKET M10X1.5X35	BOULON	16					
32	S2212466	BOLT;SOCKET M10X1.5X40	BOULON	16					
51	K1044989B	CYLINDER;BOOM (LH)	CYLINDRE	1		5001-6901	Y	400309-00341	1
	400309-00341	CYLINDER,BOOM;(L.H)	CYLINDRE	1		06902-11554	Y	400309-00341A	1
	400309-00341A	CYLINDER,BOOM;(L.H)	CYLINDRE	1		11555-			
52	K1044990B	CYLINDER;BOOM (RH)	CYLINDRE	1		5001-6901	Y	400309-00343	1
	400309-00343	CYLINDER,BOOM;(R.H)	CYLINDRE	1		06902-11554	Y	400309-00343A	1

DATE	SEP. 12, 2012
4th EDITION	

**Fig. 6970 BOOM PIPING - BOOM 8.5m
CONDUITES DE FLECHE**

Serial No. ;



DATE	SEP. 12, 2012
4th EDITION	

Fig. 6970 BOOM PIPING - BOOM 8.5m
CONDUITES DE FLECHE

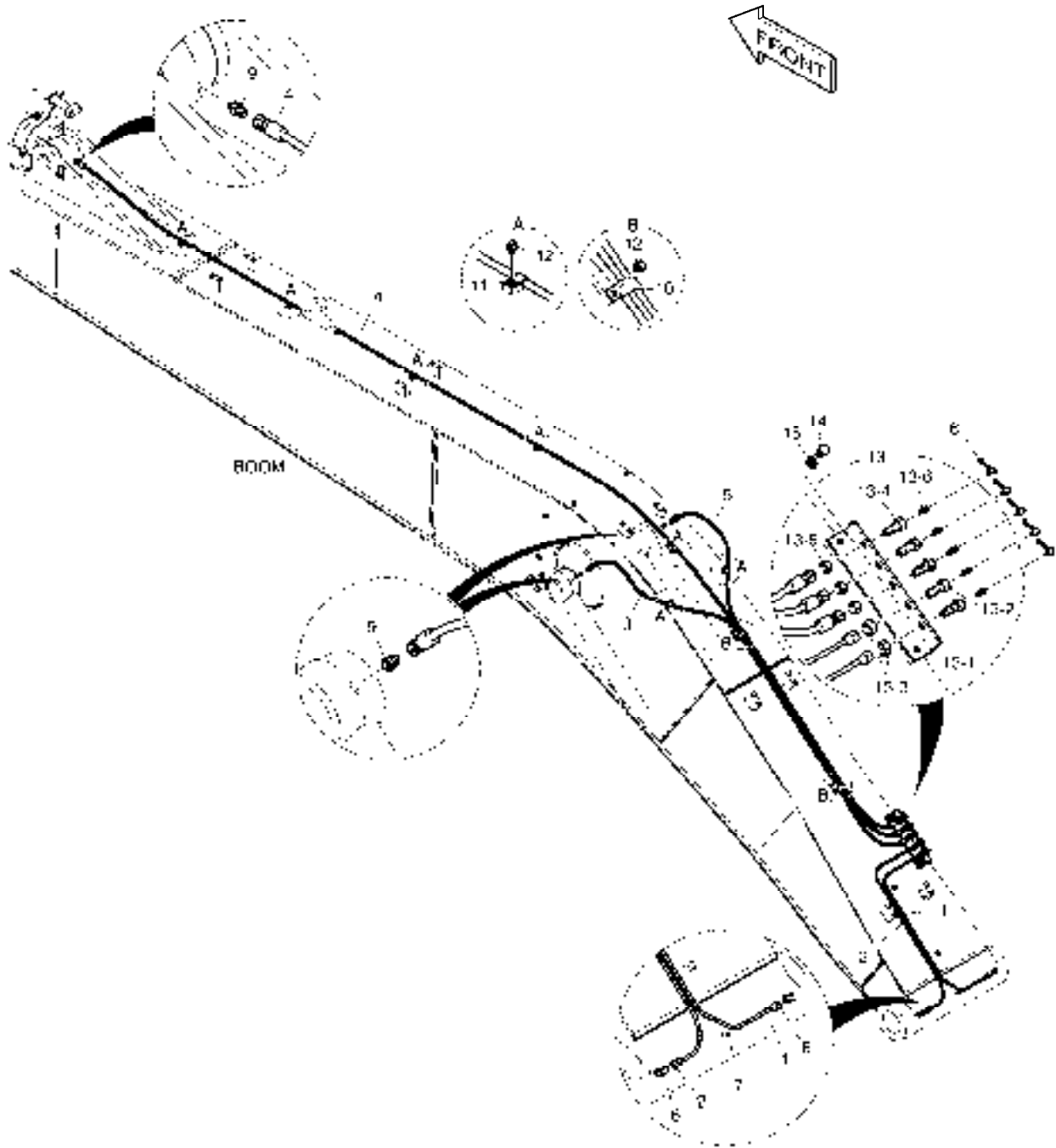
Serial No. ;

Key No.	Part No.	Description	Description	Q'ty	S.C	Serial No.	ICA	Replaceable part	
								Part No.	Q'ty
6970 -	400309-00343A	CYLINDER,BOOM;(R.H)	CYLINDRE	1		11555-			
61	K1044991A	CYLINDER;ARM	VERIN DE BALANCIER	1		05001-11735	Y	400305-00219	1
	400305-00219	CYLINDER,ARM	VERIN DE BALANCIER	1		11736-			
62	S0562766	BOLT	BOULON	2					
63	S5102803	WASHER;SPRING	RONDELLE	2					

DATE	SEP. 12, 2012
4th EDITION	

Fig. 6980 LUBRICATION PIPING - BOOM 8.5m LUBRIFICATION

Serial No. ;



DATE	SEP. 12, 2012
4th EDITION	

Fig. 6980 LUBRICATION PIPING - BOOM 8.5m LUBRIFICATION

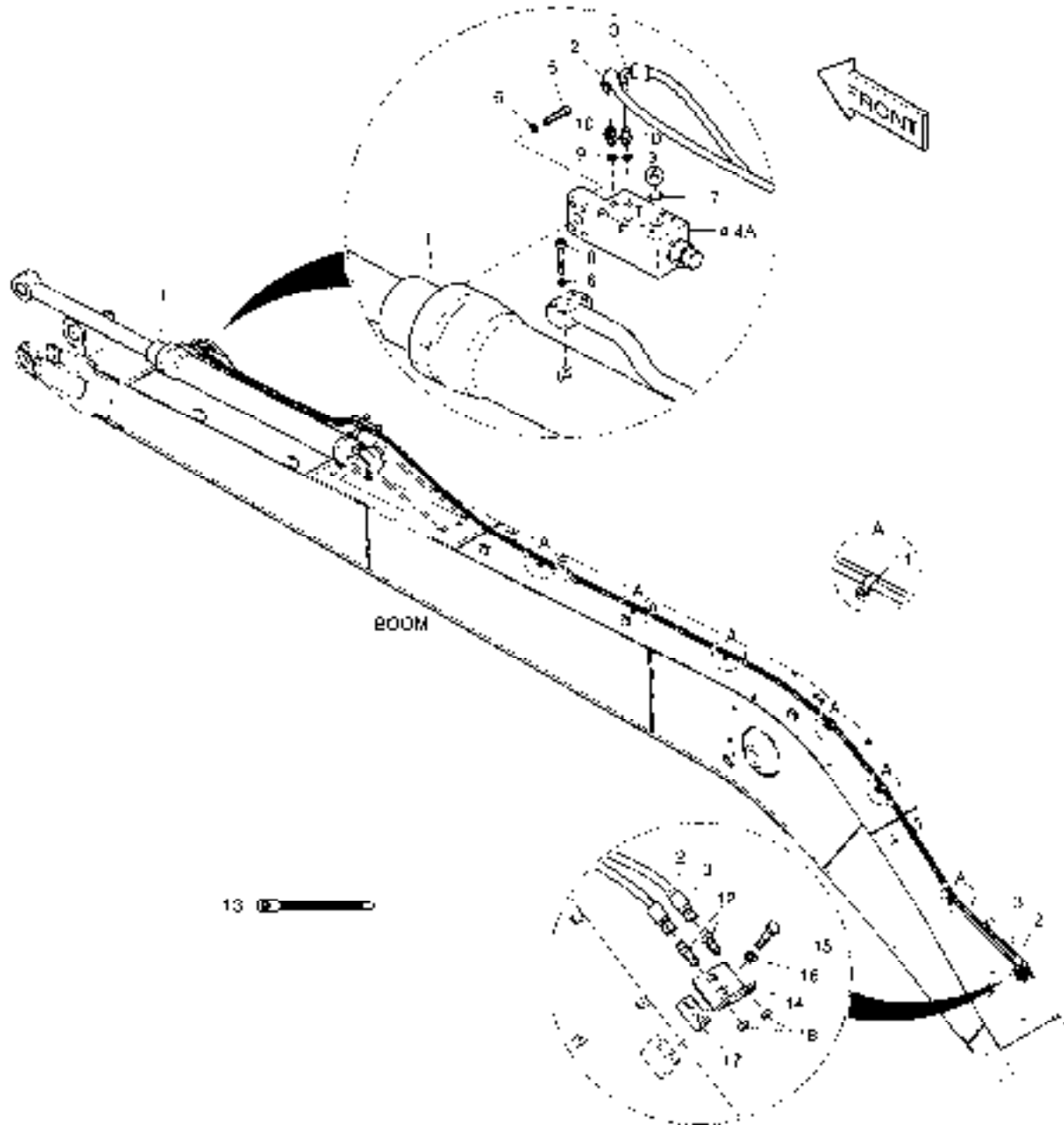
Serial No. ;

Key No.	Part No.	Description	Description	Q'ty	S.C	Serial No.	ICA	Replaceable part	
								Part No.	Q'ty
6980 --	K1045838	LUBRICATION PIPING(8.5M BOO	LUBRIFICATION	-	D				
1	K1038814	PIPE	TUYAU	1					
2	K1038815	PIPE	TUYAU	1					
3	DS2053864	HOSE	TUYAU	1					
4	DS2053884	HOSE	TUYAU FLEXIBLE	1					
5	2184-1045D254	HOSE	TUYAU FLEXIBLE	1					
6	2181-1925	ELBOW	COUDE	2					
7	S3524403	PLUG	PRISE	1					
8	160-00020	CAP;GREASE NIPPLE	CHAPEAU	5					
9	2181-4112	ADAPTER	ADAPTEUR	3					
10	124-00199D4	CLIP	AGRAFE	2					
11	2124-1353D2	CLIP	AGRAFE	7					
12	K1001029	BOLT	BOULON	9					
13	K1038003	GREASE PLATE ASS'Y	TUYAUTERIE DE GRAISSE	1					
13-1	K1037887	. PLATE	. PLAQUE	1					
13-2	181-00525	. REDUCER	. REDUCTEUR	2					
13-3	S4032833	. NUT	. ECROU	2					
13-4	181-00103	. REDUCER	. REDUCTEUR	3					
13-5	121-00006	. NUT	. ECROU	3					
13-6	S6710041	. NIPPLE;GREASE	. GRAISSEUR	5					
14	S0511866	BOLT	BOULON	2					
15	S5102603	WASHER,SPRING	RONDELLE	2					

DATE	SEP. 12, 2012
4th EDITION	

Fig. 6990 LOCK VALVE PIPING - BOOM 8.5m
CONDUITES DE BALANCIER

Serial No. ;



DATE	SEP. 12, 2012
4th EDITION	

Fig. 6990 LOCK VALVE PIPING - BOOM 8.5m
CONDUITES DE BALANCIER

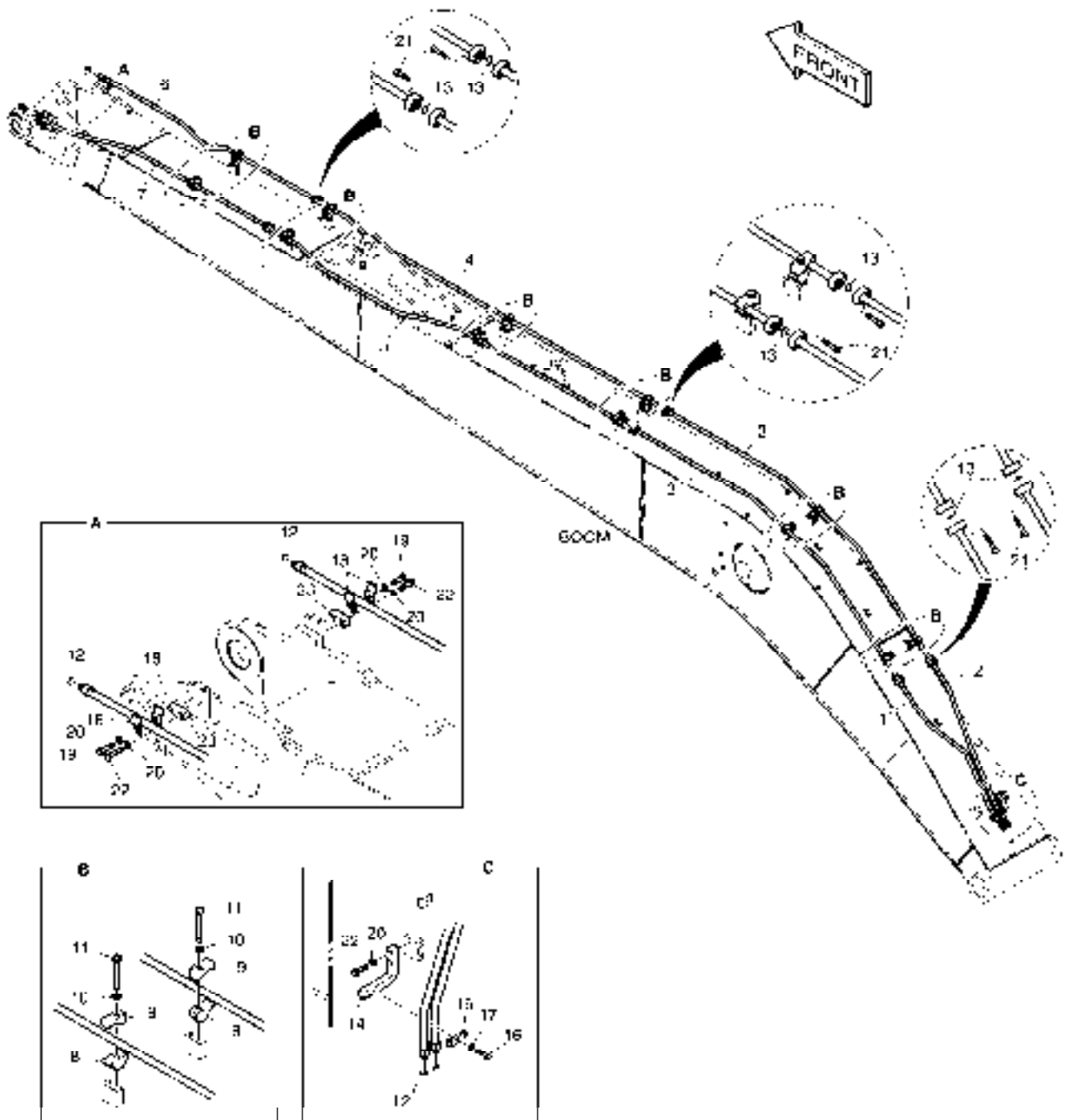
Serial No. ;

Key No.	Part No.	Description	Description	Q'ty	S.C	Serial No.	ICA	Replaceable part	
								Part No.	Q'ty
6990 --	K1045842A	LOCK VALVE PIPING	FERMEZ LA TUYAUTERIE A	-	D				
1	K1041222A	CYLINDER;ARM(LOCK V/V)	CYLINDRE	1		05001-11735	Y	400305-00220	1
	400305-00220	CYLINDER;ARM(LOCK V/V)	CYLINDRE	1		11736-			
2	DS2055957	HOSE	TUYAU FLEXIBLE	1					
3	DS2055957	HOSE	TUYAU FLEXIBLE	1					
4	420-00004A	VALVE;LOCK	VANNE	1		05001-12020			
	410114-00154	VALVE;LOCK	VANNE	1		12021-			
4A	K9000999	. SEAL KIT	. KIT DE JOINT	1		05001-12020			
	401107-01315	. SEAL KIT	. KIT DE JOINT	1		12021-			
5	S2215766	BOLT;SOCKET M12X55	BOULON	4					
6	S5110703	WASHER;SPRING	RONDELLE	8					
7	S8000341	O-RING	JOINT CIRCULAIRE	1					
8	S2215966	BOLT;SOCKET	BOULON	4					
9	S8000111	O-RING	JOINT TORIQUE	2					
10	2181-1126D85	ADAPTER	ADAPTEUR	2					
11	DS2805009	CLIP	AGRAFE	7					
12	181-00078D1	ADAPTER	ADAPTEUR	2					
13	2124-1084D2	CLIP;BAND	AGRAFE	30					
14	195-00163	BRACKET	SUPPORT	1					
15	S0563366	BOLT	BOULON	2					
16	S5102803	WASHER;SPRING	RONDELLE	2					
17	K1004006	PLATE	PLAQUE	1					
18	121-00010D1	NUT	ECROU	2					

DATE	SEP. 12, 2012
4th EDITION	

Fig. 7000 BOOM PIPING - BOOM 8.5m(ROTATING)
CONDUITES DE FLECHE

Serial No. ;



DATE	SEP. 12, 2012
4th EDITION	

Fig. 7000 BOOM PIPING - BOOM 8.5m(ROTATING)
CONDUITES DE FLECHE

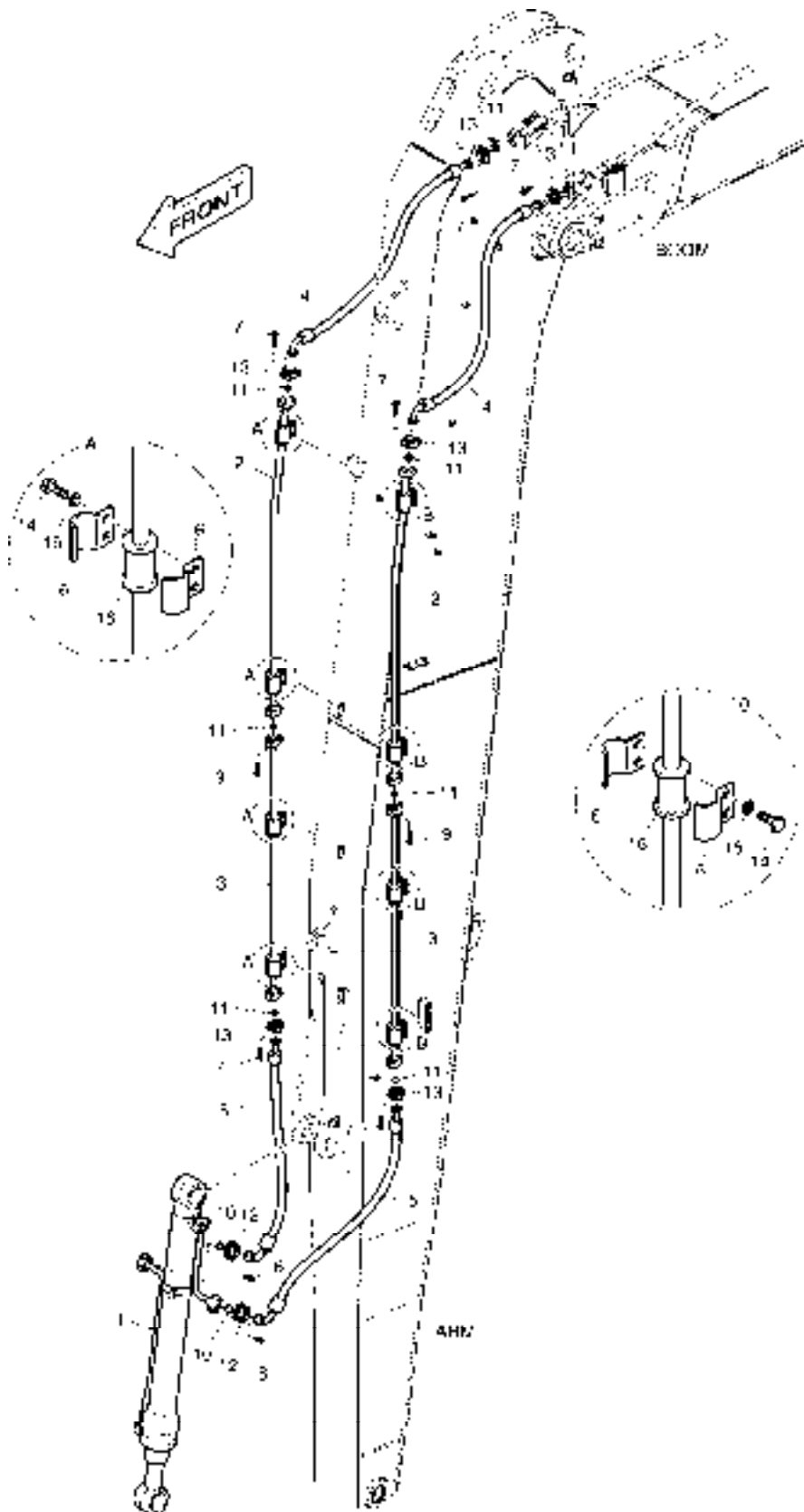
Serial No. ;

Key No.	Part No.	Description	Description	Q'ty	S.C	Serial No.	ICA	Replaceable part	
								Part No.	Q'ty
7000 --	K1045843	ROTATION PIPING	TUYAUTERIE DE ROTATIO	-	D				
1	K1042763	PIPE	TUYAU	1					
2	K1042764	PIPE	TUYAU	1					
3	K1046064	PIPE	TUYAU	2					
4	K1036841	PIPE	TUYAU	1					
5	K1036842	PIPE	TUYAU	1					
6	K1036843	PIPE	TUYAU	1					
7	K1036844	PIPE	TUYAU	1					
8	K1006930	CLAMP;PIPE	COLLIER	12					
9	K1006931	CLAMP;PIPE	BRIDE	12					
10	S5102803	WASHER;SPRING	RONDELLE	12					
11	S0564166	BOLT	BOULON A 6 PANS	12					
12	S8030081	O-RING	JOINT CIRCULAIRE	4					
13	2180-1026D30	O-RING	JOINT CIRCULAIRE	6					
14	621-02798	PLATE	PLAQUE	1					
15	K1004028	CLAMP;PIPE	BRIDE	1					
16	S0558466	BOLT	BOULON	1					
17	S5102603	WASHER,SPRING	RONDELLE	1					
18	124-00299A	CLAMP;PIPE	COLLIER	4					
19	S0560866	BOLT M12X1.75X55	BOULON	2					
20	S5102703	WASHER;SPRING	RONDELLE	6					
21	S2209466	BOLT;SOCKET	BOULON	24					
22	S0560666	BOLT	BOULON A 6 PANS	4					
23	K1002121	PLATE	PLAQUE	2					

DATE	SEP. 12, 2012
4th EDITION	

Fig. 7010 ARM PIPING - ARM 6.2m
CONDUITES DE BALANCIER

Serial No. ;



DATE	SEP. 12, 2012
4th EDITION	

Fig. 7010 ARM PIPING - ARM 6.2m
CONDUITES DE BALANCIER

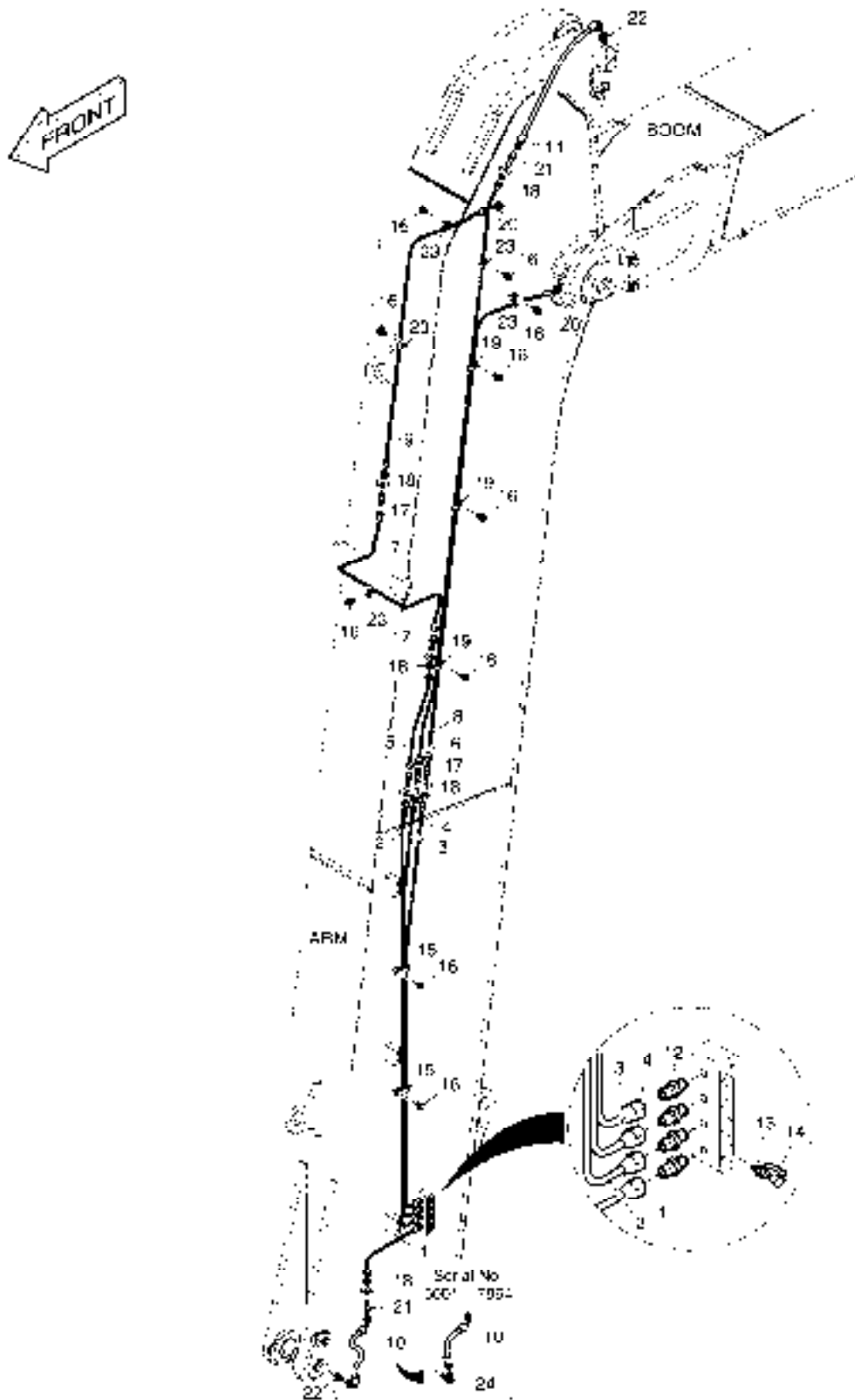
Serial No. ;

Key No.	Part No.	Description	Description	Q'ty	S.C	Serial No.	ICA	Replaceable part	
								Part No.	Q'ty
7010 --	K1046335A	ARM PIPING (ARM 6.2m)	CONDUITES DE BALANCIER	-	D				
1	K1011434A	BUCKET CYLINDER	VERIN DE GODET	1					
2	K1018712	PIPE	TUYAU	2					
3	K1018713	PIPE	TUYAU	2					
4	DS2040543	HOSE	TUYAU FLEXIBLE	2					
5	DS2040544	HOSE	TUYAU FLEXIBLE	2					
6	124-00302	CLAMP;PIPE	BRIDE	16					
7	S2212366	BOLT;SOCKET M10X1.5X35	BOULON	24					
8	S2212466	BOLT;SOCKET M10X1.5X40	BOULON	8					
9	S2212566	BOLT;SOCKET	BOULON	8					
10	2180-1026D19	O-RING	JOINT CIRCULAIRE	2					
11	2180-1026D2	O-RING	JOINT CIRCULAIRE	8					
12	2181-9078	FLANGE	BRIDE	4					
13	2181-9079	FLANGE	BRIDE	12					
14	S0562766	BOLT	BOULON	16					
15	S5102803	WASHER;SPRING	RONDELLE	16					
16	161-00574	RUBBER	LE CAOUTCHOUC	8					

DATE	SEP. 12, 2012
4th EDITION	

Fig. 7020 LUBRICATION PIPING - ARM 6.2m LUBRIFICATION

Serial No. ;



DATE	SEP. 12, 2012
4th EDITION	

Fig. 7020 LUBRICATION PIPING - ARM 6.2m LUBRIFICATION

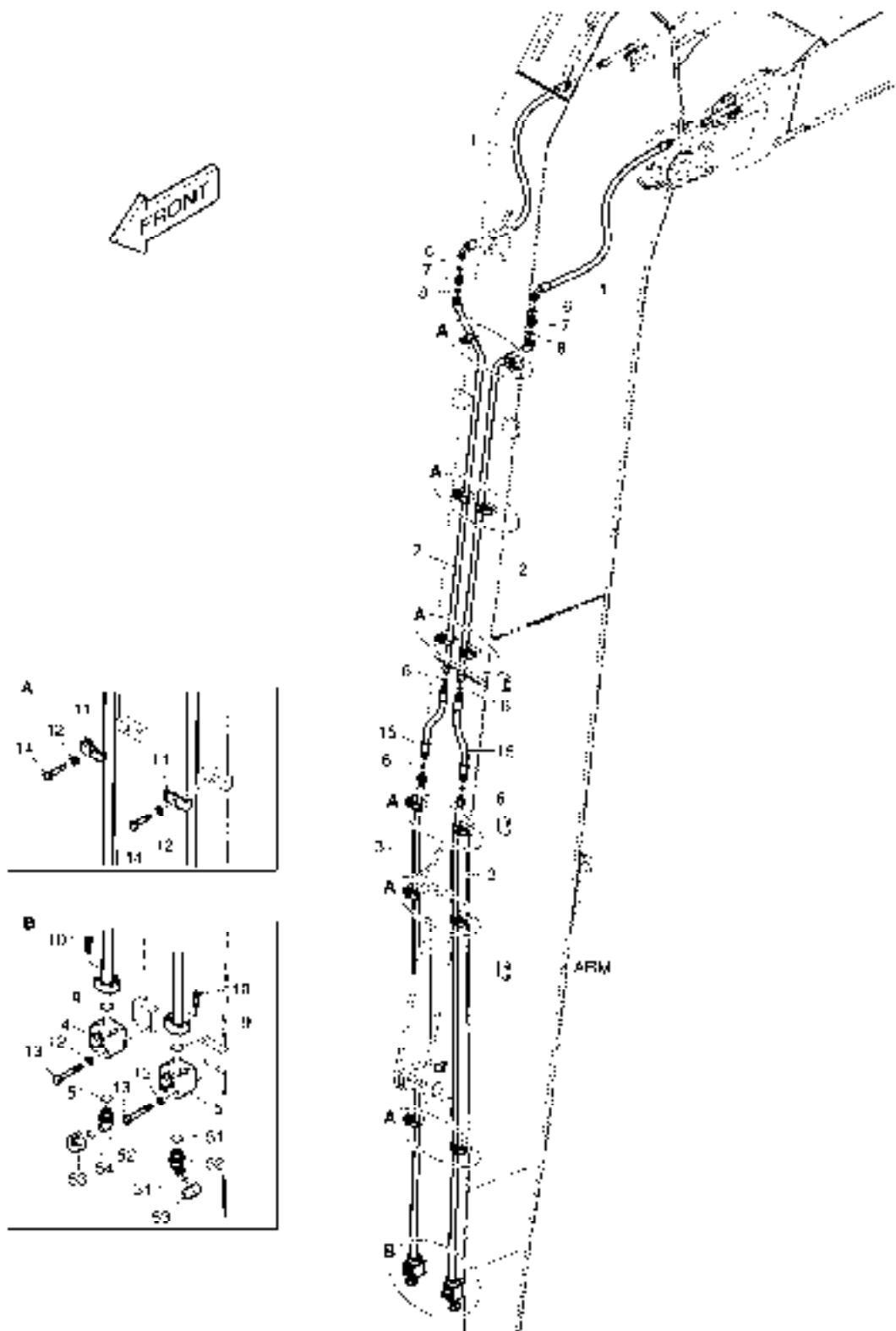
Serial No. ;

Key No.	Part No.	Description	Description	Q'ty	S.C	Serial No.	ICA	Replaceable part	
								Part No.	Q'ty
7020 --	K1018590	LUBRICATION PIPING (6.2M_ARM)	LUBRIFICATION	-	D	5001-7964			
	420212-05313	PIPING,LUBRICATION;6.2M	LUBRIFICATION	-	D	7965-			
1	K1011522	PIPE	TUYAU	1					
2	K1018714	PIPE	TUYAU	1					
3	K1018715	PIPE	TUYAU	1					
4	K1018762	PIPE	TUYAU	1					
5	K1011527	PIPE	CONDUITE	1					
6	K1018763	PIPE	TUYAU	1					
7	K1018764	PIPE	TUYAU	1					
8	K1018765	PIPE	TUYAU	1					
9	K1018766	PIPE	TUYAU	1					
10	2184-1036D38	HOSE	TUYAU FLEXIBLE	1		5001-7964			
	DS2059593	HOSE PF1/4-350L	TUYAU FLEXIBLE	1		7965-8751			
	DS2059607	HOSE PF1/4-350L	TUYAU FLEXIBLE	1		8752-			
11	2184-1036D199	HOSE	TUYAU FLEXIBLE	1					
12	2181-1184	ADAPTER	ADAPTEUR	4					
13	S6710041	NIPPLE;GREASE	GRAISSEUR	4					
14	160-00020	CAP;GREASE NIPPLE	CHAPEAU	4					
15	DS2805008	CLIP	AGRAFE	2					
16	K1001029	BOLT	BOULON	10					
17	DS2225009	ADAPTER	ADAPTEUR	5					
18	S4032833	NUT	ECROU	7					
19	DS2805007	CLIP	AGRAFE	3					
20	K1010730	ELBOW	COUDE	2					
21	2181-1923D12	ADAPTER	ADAPTEUR	2					
22	2181-4112	ADAPTER	ADAPTEUR	1		5001-7964			
	2181-4112	ADAPTER	ADAPTEUR	2		7965-			
23	DS2802023	CLIP	AGRAFE	5					
24	2181-1111D11	ELBOW	COUDE	1		5001-7964			

DATE	SEP. 12, 2012
4th EDITION	

Fig. 7030 ARM PIPING - ARM 6.2m(ROTATING)
CONDUITES DE BALANCIER

Serial No. ;



DATE	SEP. 12, 2012
4th EDITION	

Fig. 7030 ARM PIPING - ARM 6.2m(ROTATING)
CONDUITES DE BALANCIER

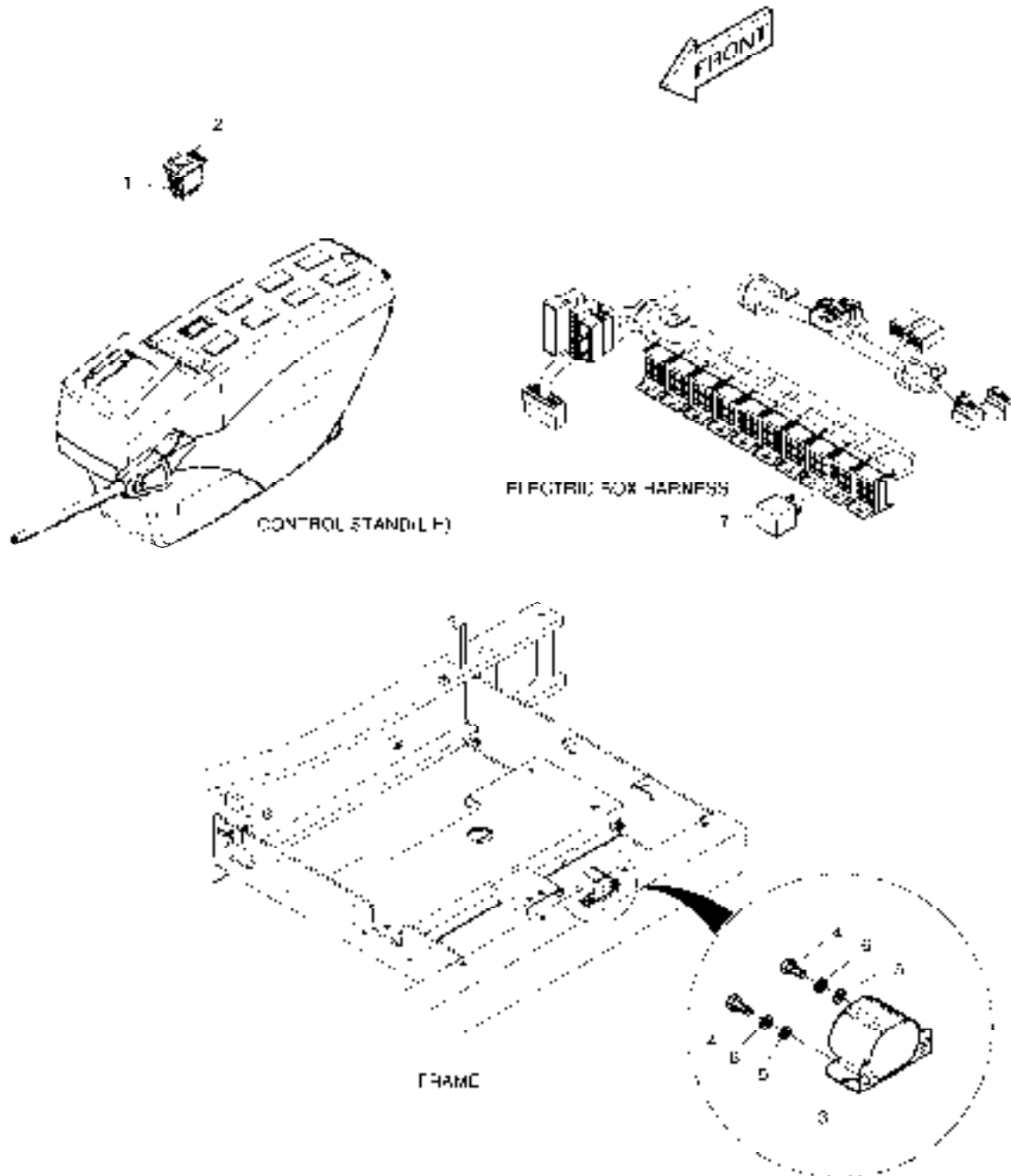
Serial No. ;

Key No.	Part No.	Description	Description	Q'ty	S.C	Serial No.	ICA	Replaceable part	
								Part No.	Q'ty
7030 --	K1042809	ROTATION PIPING	TUYAUTERIE DE ROTATIO	-	D				
1	DS20131208	HOSE	TUYAU FLEXIBLE	2					
2	K1042810	PIPE	TUYAU	2					
3	K1042813	PIPE	TUYAU	2					
4	K1006227	VALVE;SWITCH(R.H)	VANNE	1					
5	K1006228	VALVE;SWITCH(L.H)	VANNE	1					
6	S8030081	O-RING	JOINT CIRCULAIRE	6					
7	2181-4133D3	ADAPTER	ADAPTEUR	2					
8	S8000181	O-RING	JOINT CIRCULAIRE	2					
9	2180-1026D30	O-RING	JOINT CIRCULAIRE	2					
10	S2209266	BOLT;SOCKET M8X1.25X30	BOULON A 6 PANS CREUX	8					
11	2124-1026D1	CLAMP;PIPE	BRIDE	12					
12	S5102603	WASHER,SPRING	RONDELLE	16					
13	S0558966	BOLT	BOULON	4					
14	S0558566	BOLT	BOULON	12					
15	DS2011770	HOSE	TUYAU FLEXIBLE	2					
51	S8000181	O-RING	JOINT CIRCULAIRE	2					
52	2181-2816D4	ELBOW	COUDE	2					
53	2181-2817D4	CAP	CHAPEAU	2					
54	S8030081	O-RING	JOINT CIRCULAIRE	2					

DATE	SEP. 12, 2012
4th EDITION	

**Fig. 7040 TRAVEL ALARM
ALARME DE VOYAGE**

Serial No. ;



DATE	SEP. 12, 2012
4th EDITION	

**Fig. 7040 TRAVEL ALARM
ALARME DE VOYAGE**

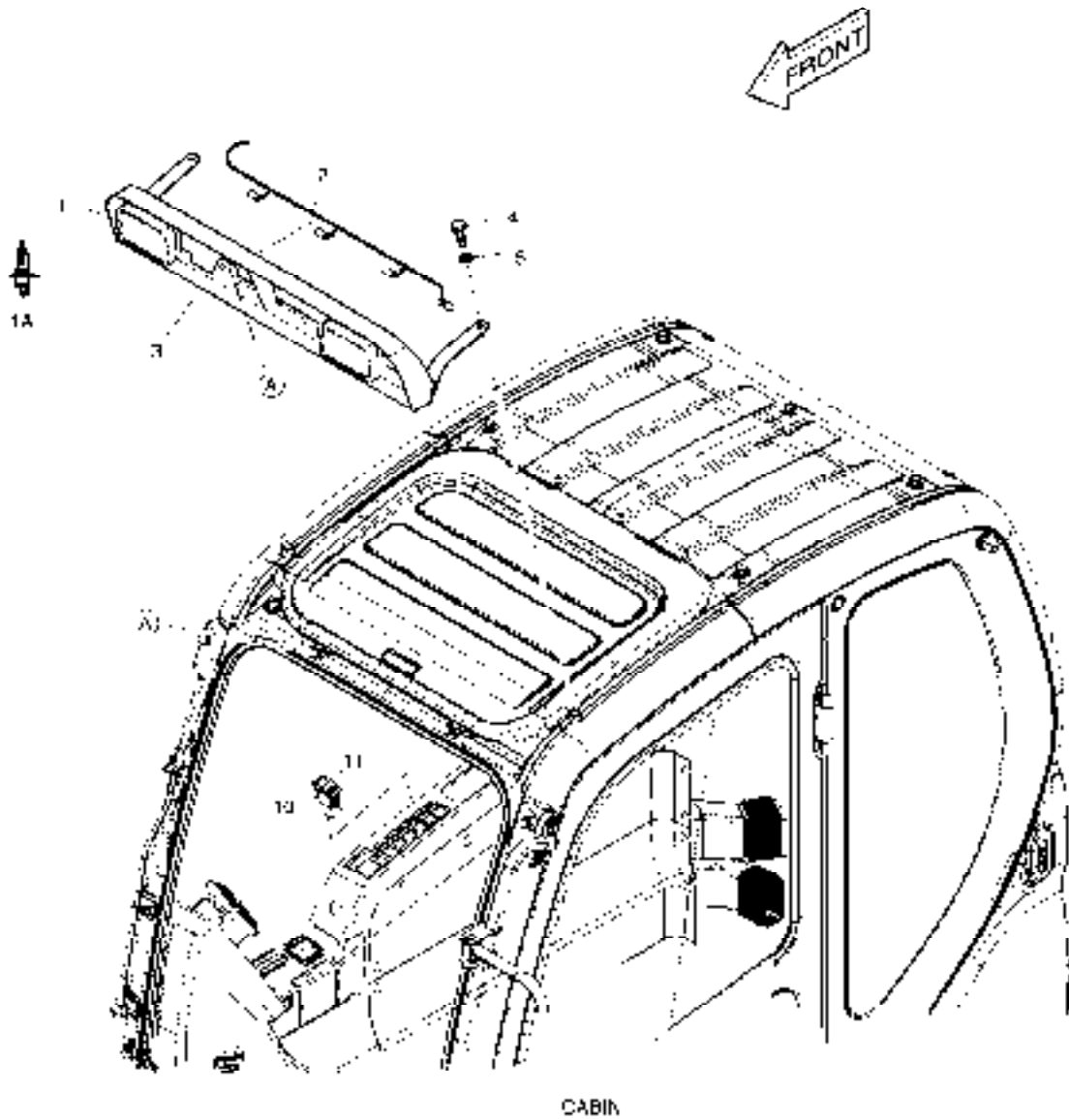
Serial No. ;

Key No.	Part No.	Description	Description	Q'ty	S.C	Serial No.	ICA	Replaceable part	
								Part No.	Q'ty
7040 --	K1007400B	TRAVEL ALARM	ALARME DE VOYAGE	-	D	5001-7754			
	300619-01069	ELECTRIC ASSY;ALARM	ALARME DE VOYAGE	-	D	7755-			
1	549-00103	SWITCH;ROCKER(2STEP)	COMMUTATEUR	1					
2	K1002406D14	ACTUATOR;SWITCH	ACTIONNEUR	1					
3	516-00011	BUZZER;ALARM	VIBREUR	1					
4	S0508653	BOLT	BOULON	2					
5	S5010513	WASHER,PLAIN	RONDELLE	2					
6	S5102503	WASHER,SPRING	RONDELLE	2					
7	2544-9033	RELAY	RELAIS	1					

DATE	SEP. 12, 2012
4th EDITION	

**Fig. 7050 WORKING LAMP(2-LAMP)
LAMPE FONCTIONNANTE**

Serial No. ;



DATE	SEP. 12, 2012
4th EDITION	

**Fig. 7050 WORKING LAMP(2-LAMP)
LAMPE FONCTIONNANTE**

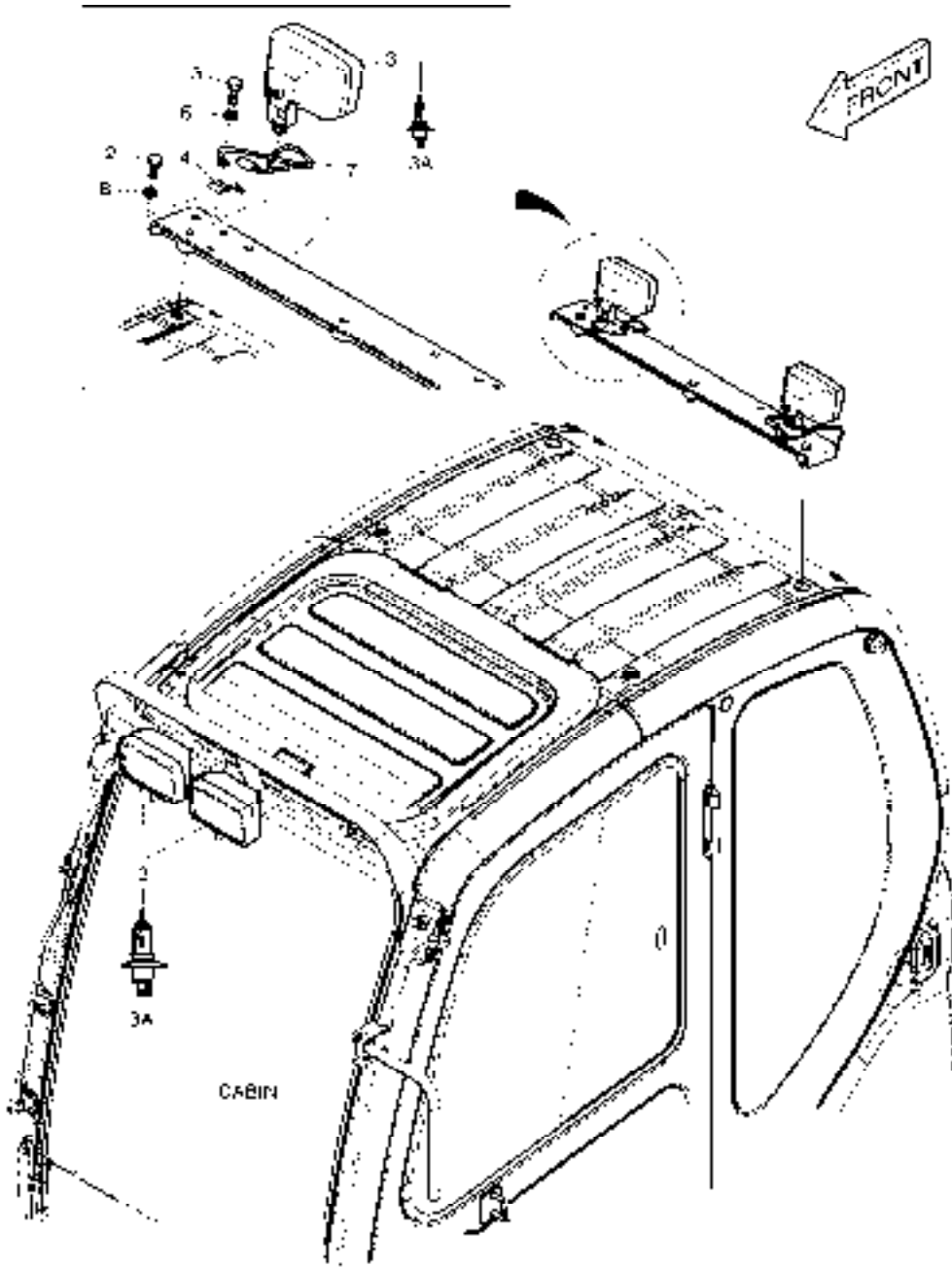
Serial No. ;

Key No.	Part No.	Description	Description	Q'ty	S.C	Serial No.	ICA	Replaceable part	
								Part No.	Q'ty
7050 --	K1007403B	WORKING LAMP-2 LAMP	LAMPE FONCTIONNANTE	-	D				
1	534-00085	LAMP;HEAD	LAMPE	2					
1A	2515-1016D4	. BULB;HALOGEN	. AMPOULE	1					
2	530-00430A	HARNESS;FRONT CABIN LAMP	HARNAIS	1					
3	195-02908E	BRACKET;FRONT LAMP	SUPPORT	1					
4	2120-2166D54	BOLT;GREEN M12X1.75X20	BOULON	2					
5	2114-1898D6	WASHER;PLAIN	RONDELLE	2					
10	549-00103	SWITCH;ROCKER(2STEP)	COMMUTATEUR	1					
11	K1002406D13	ACTUATOR;SWITCH	ACTIONNEUR	1					

DATE	SEP. 12, 2012
4th EDITION	

**Fig. 7060 WORKING LAMP(4-LAMP)
LAMPE FONCTIONNANTE**

Serial No. ;



DATE	SEP. 12, 2012
4th EDITION	

**Fig. 7060 WORKING LAMP(4-LAMP)
LAMPE FONCTIONNANTE**

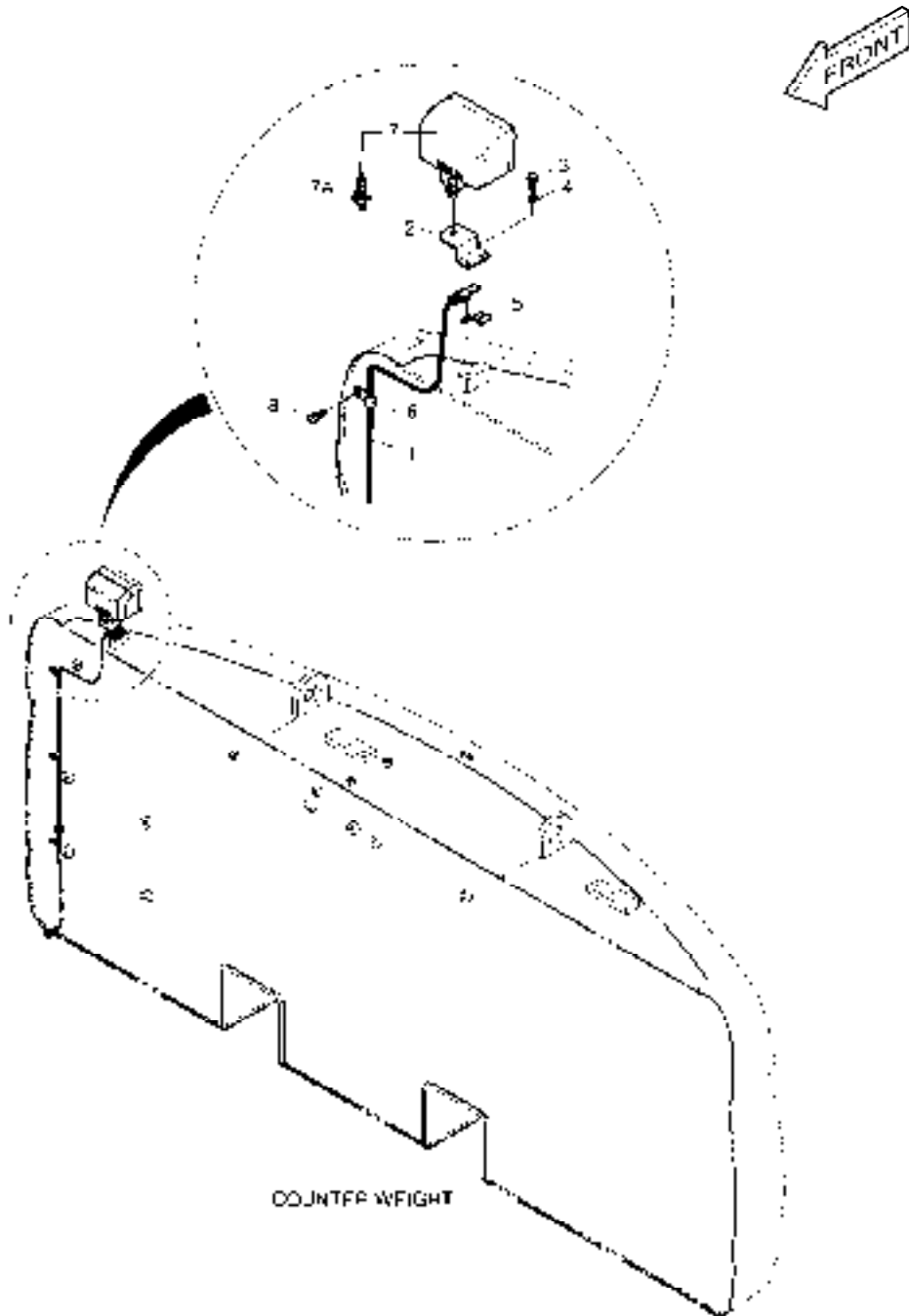
Serial No. ;

Key No.	Part No.	Description	Description	Q'ty	S.C	Serial No.	ICA	Replaceable part	
								Part No.	Q'ty
7060 --	K1007404A	WORKING LAMP	LAMPE FONCTIONNANTE	-	D				
1	195-02910C	BRACKET;REAR LAMP	SUPPORT	1					
2	S0515653	BOLT	BOULON	3					
3	534-00085	LAMP;HEAD	LAMPE	4					
3A	2515-1016D4	. BULB;HALOGEN	. AMPOULE	1					
4	2197-1661	BRACKET	SUPPORT	2					
5	S0508853	BOLT	BOULON	2					
6	S5102503	WASHER,SPRING	RONDELLE	2					
7	530-00463A	HARNESS;REAR CABIN LAMP	HARNAIS	2					
8	S5010713	WASHER;PLAIN	RONDELLE	3					

DATE	SEP. 12, 2012
4th EDITION	

**Fig. 7070 WORKING LAMP - REAR
AVERTISSEUR RELAIS**

Serial No. ;



DATE	SEP. 12, 2012
4th EDITION	

**Fig. 7070 WORKING LAMP - REAR
AVERTISSEUR RELAIS**

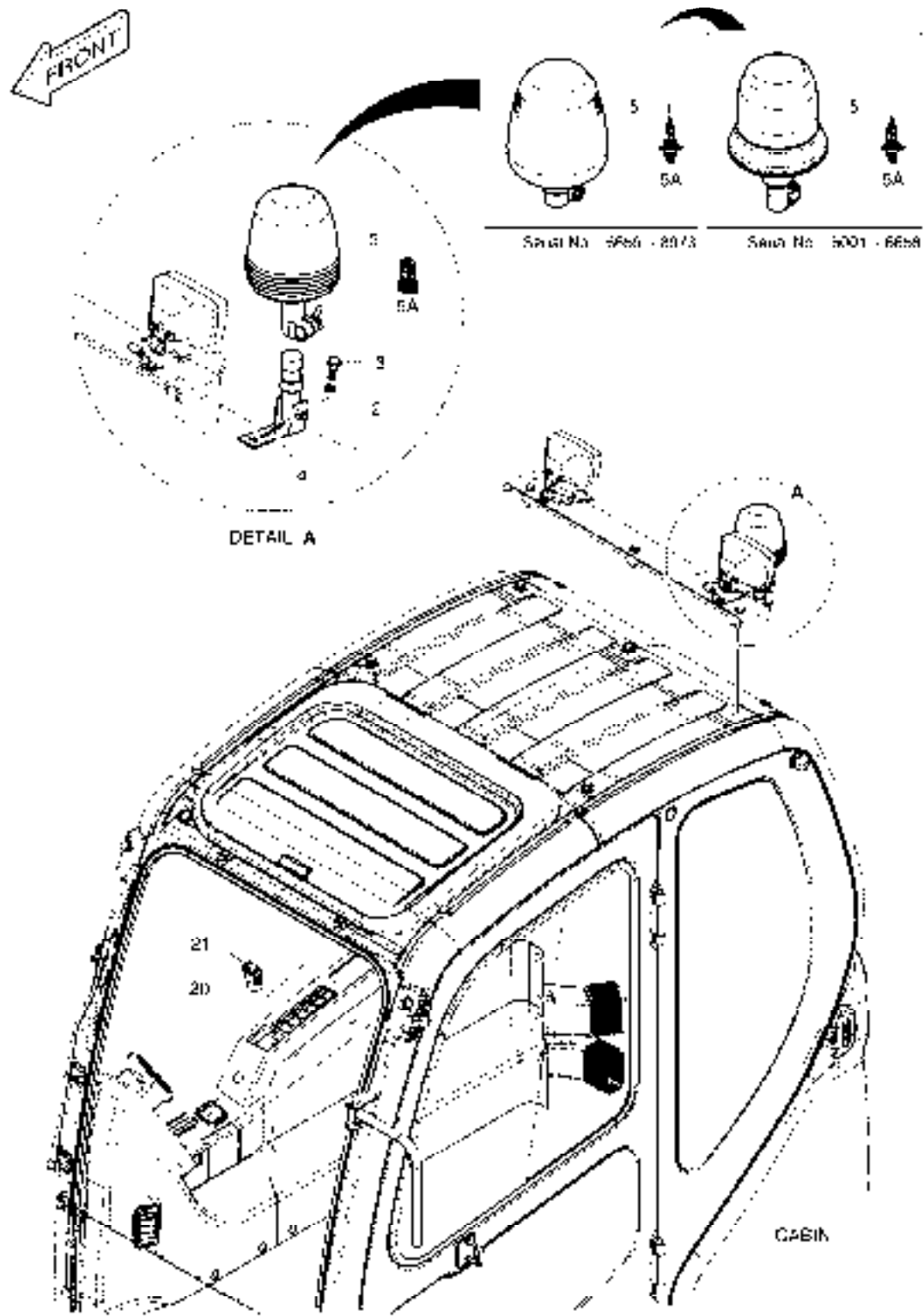
Serial No. ;

Key No.	Part No.	Description	Description	Q'ty	S.C	Serial No.	ICA	Replaceable part	
								Part No.	Q'ty
7070 --	K1007405	WORKING LAMP-REAR LAMP	AVERTISSEUR RELAIS	-	D				
1	530-00431	HARNESS;REAR LAMP	HARNAIS	1					
2	195-02775A	PLATE	PLAQUE	1					
3	S0508853	BOLT	BOULON	2					
4	S5102503	WASHER,SPRING	RONDELLE	2					
5	2197-1661	BRACKET	SUPPORT	1					
6	2124-1509D1	CLIP	AGRAFE	3					
7	534-00085	LAMP;HEAD	LAMPE	1					
7A	2515-1016D4	. BULB;HALOGEN	. AMPOULE	1					
8	K1001029	BOLT	BOULON	3					

DATE	SEP. 12, 2012
4th EDITION	

**Fig. 7080 ROTATING BEACON
FEU DE CIRCULATION**

Serial No. ;



DATE	SEP. 12, 2012
4th EDITION	

Fig. 7080 ROTATING BEACON FEU DE CIRCULATION

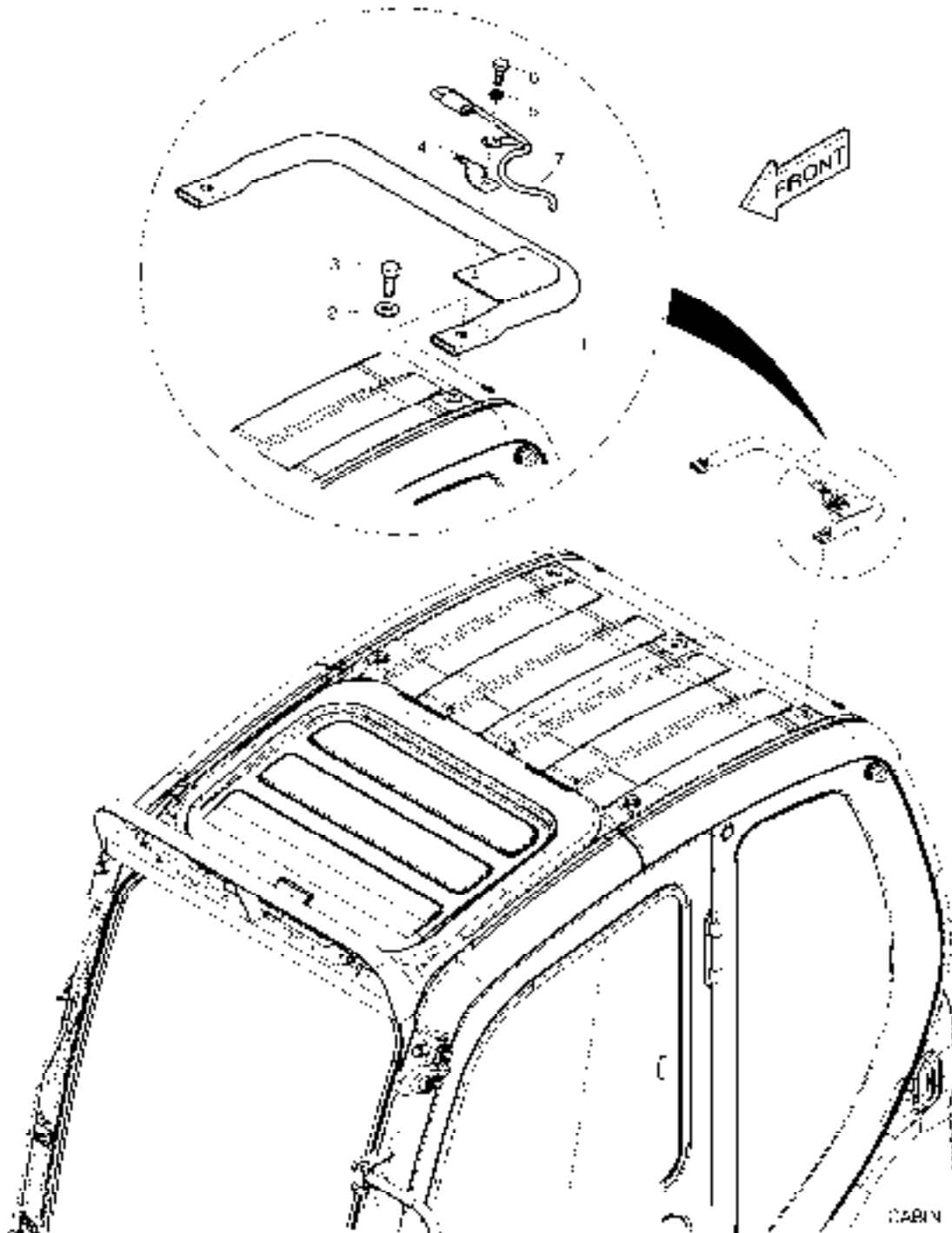
Serial No. ;

Key No.	Part No.	Description	Description	Q'ty	S.C	Serial No.	ICA	Replaceable part	
								Part No.	Q'ty
7080 --	500-00307A	BEACON;ROTATING	FEU DE CIRCULATION	-	D	5001-6658			
	300705-00013A	BEACON ASSY,ROTATING	FEU DE CIRCULATION	-	D	6659-8973			
	300705-00013B	BEACON ASSY,ROTATING	FEU DE CIRCULATION	-	D	8974-			
1	160-00061	BUSH;MOUNTING	DOUILLE	1		5001-6658	I	131002-00085	1
	131002-00085	BUSHING ASSY	DOUILLE	1		6659-			
2	S5102503	WASHER,SPRING	RONDELLE	1					
3	S0508853	BOLT	BOULON	1					
4	530-00464	HARNESS;ROTATING BEACON	HARNAIS	1					
5	K1038193	BEACON;ROTATING	FEU DE CIRCULATION	1		5001-6658	I	534-00062	1
	534-00062	LAMP;ROTATING BEACON	LAMPE	1		6659-8973	I	300705-00037	1
	300705-00037	LAMP;ROTATING BEACON	LAMPE	1		8974-			
5A	K9007240	. BULB;HALOGEN 24V 70W	. AMPOULE	1		5001-6658			
	515-00013	. BULB;HALOGEN 24V 70W	. AMPOULE	1		6659-8973			
	300710-00023	. BULB;STROBE	. AMPOULE	1		8974-			
20	549-00101	SWITCH;ROCKER(1STEP)	COMMUTATEUR	1					
21	K1002406D3	ACTUATOR	ACTIONNEUR	1					

DATE	SEP. 12, 2012
4th EDITION	

Fig. 7090 ROTATING BEACON MOUNTING
SUPPORT TOURNANT DE BALISE

Serial No. ;



DATE	SEP. 12, 2012
4th EDITION	

**Fig. 7090 ROTATING BEACON MOUNTING
SUPPORT TOURNANT DE BALISE**

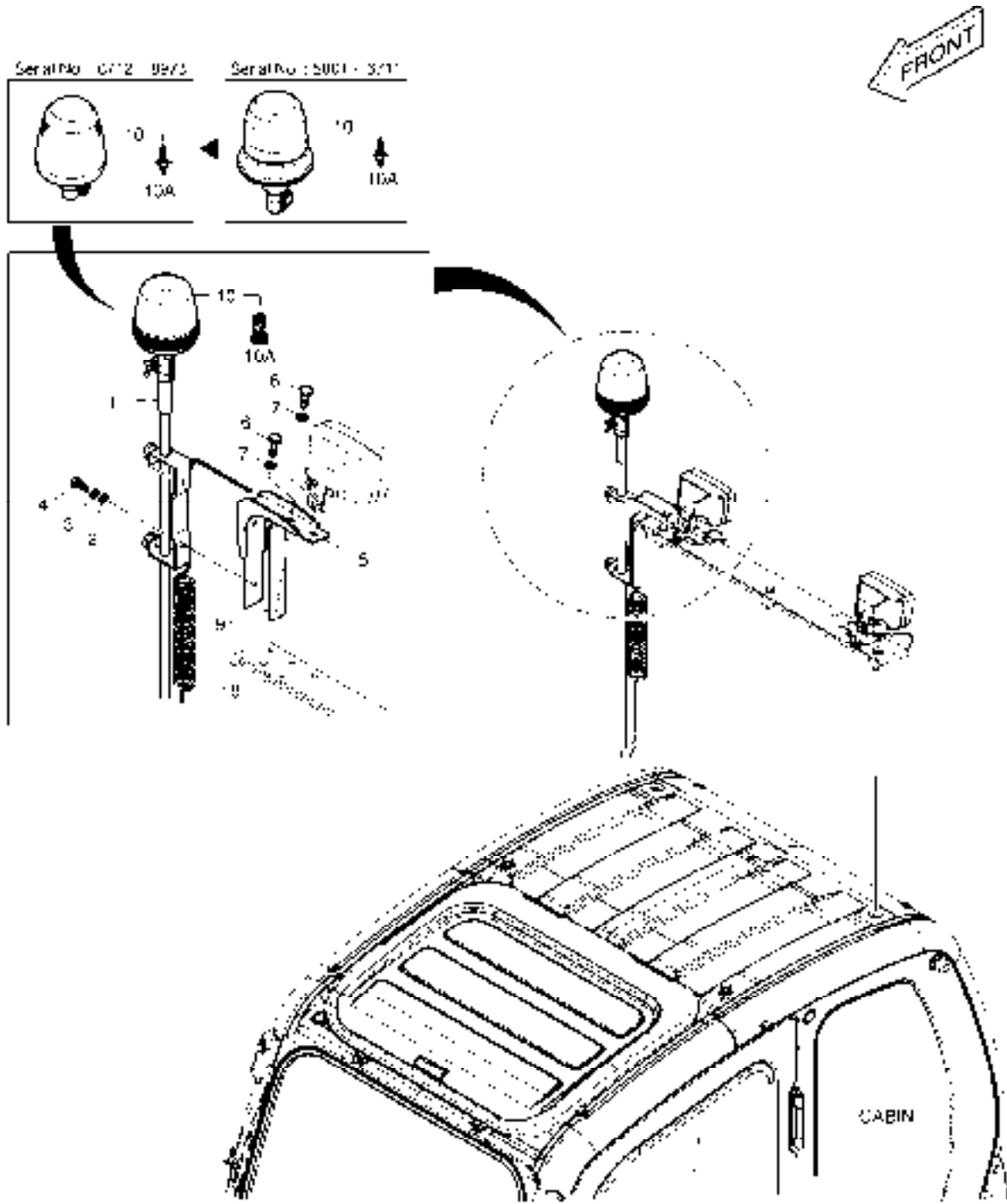
Serial No. ;

Key No.	Part No.	Description	Description	Q'ty	S.C	Serial No.	ICA	Replaceable part	
								Part No.	Q'ty
7090 --	K1007408	ROTATING BEACON MOUNTING	SUPPORT TOURNANT DE	-	D				
1	195-02909A	BRACKET;BEACON	SUPPORT	1					
2	2114-1898D1	WASHER	RONDELLE	2					
3	S0512053	BOLT	BOULON	2					
4	2197-1661	BRACKET	SUPPORT	1					
5	S5102503	WASHER,SPRING	RONDELLE	1					
6	S0508853	BOLT	BOULON	1					
7	530-00463A	HARNESS;REAR CABIN LAMP	HARNAIS	1					

DATE	SEP. 12, 2012
4th EDITION	

**Fig. 7100 ROTATING BEACON(TELESCOPIC) WITH LAMP
FEU DE CIRCULATION**

Serial No. ;



DATE	SEP. 12, 2012
4th EDITION	

Fig. 7100 ROTATING BEACON(TELESCOPIC) WITH LAMP FEU DE CIRCULATION

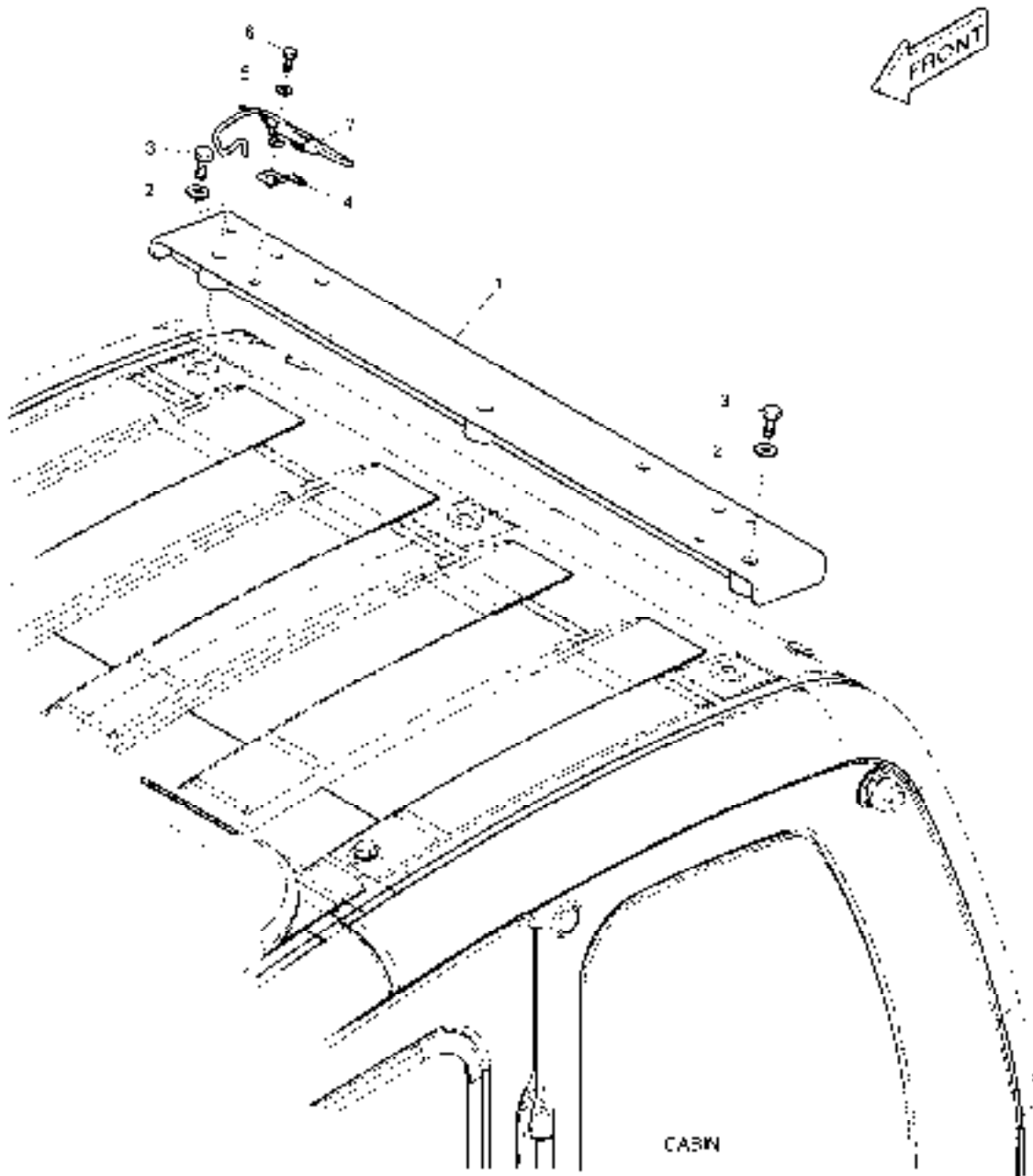
Serial No. ;

Key No.	Part No.	Description	Description	Q'ty	S.C	Serial No.	ICA	Replaceable part	
								Part No.	Q'ty
7100 --	500-00309C	BEACON;ROTATING	FEU DE CIRCULATION	-	D	5001-6711			
	300705-00032	BEACON,ROTATING	FEU DE CIRCULATION	-	D	6712-8973			
	300705-00032A	BEACON ASSY,ROTATING	FEU DE CIRCULATION	-	D	8974-			
1	195-01805	SUPPORT;BEACON	APPUI	1					
2	S5010513	WASHER,PLAIN	RONDELLE	2					
3	S5102503	WASHER,SPRING	RONDELLE	2					
4	S0508653	BOLT	BOULON	2					
5	195-02925A	BRACKET	SUPPORT	1					
6	S0512053	BOLT	BOULON	2					
7	S5100603	WASHER;SPRING	RONDELLE	2					
8	K1010065	HARNESS;JOINT	HARNAIS	1					
9	161-00404	RUBBER	LE CAOUTCHOUC	1					
10	K1038193	BEACON;ROTATING	FEU DE CIRCULATION	1		5001-6711	I	534-00062	1
	534-00062	LAMP;ROTATING BEACON	LAMPE	1		6712-8973	I	300705-00037	1
	300705-00037	LAMP;ROTATING BEACON	LAMPE	1		8974-			
10A	K9007240	. BULB;HALOGEN 24V 70W	. AMPOULE	1		5001-6711			
	515-00013	. BULB;HALOGEN 24V 70W	. AMPOULE	1		6712-8973			
	300710-00023	. BULB;STROBE	. AMPOULE	1		8974-			

DATE	SEP. 12, 2012
4th EDITION	

**Fig. 7110 ROTATING BEACON(TELESCOPIC) W/O LAMP
FEU DE CIRCULATION**

Serial No. ;



DATE	SEP. 12, 2012
4th EDITION	

**Fig. 7110 ROTATING BEACON(TELESCOPIC) W/O LAMP
FEU DE CIRCULATION**

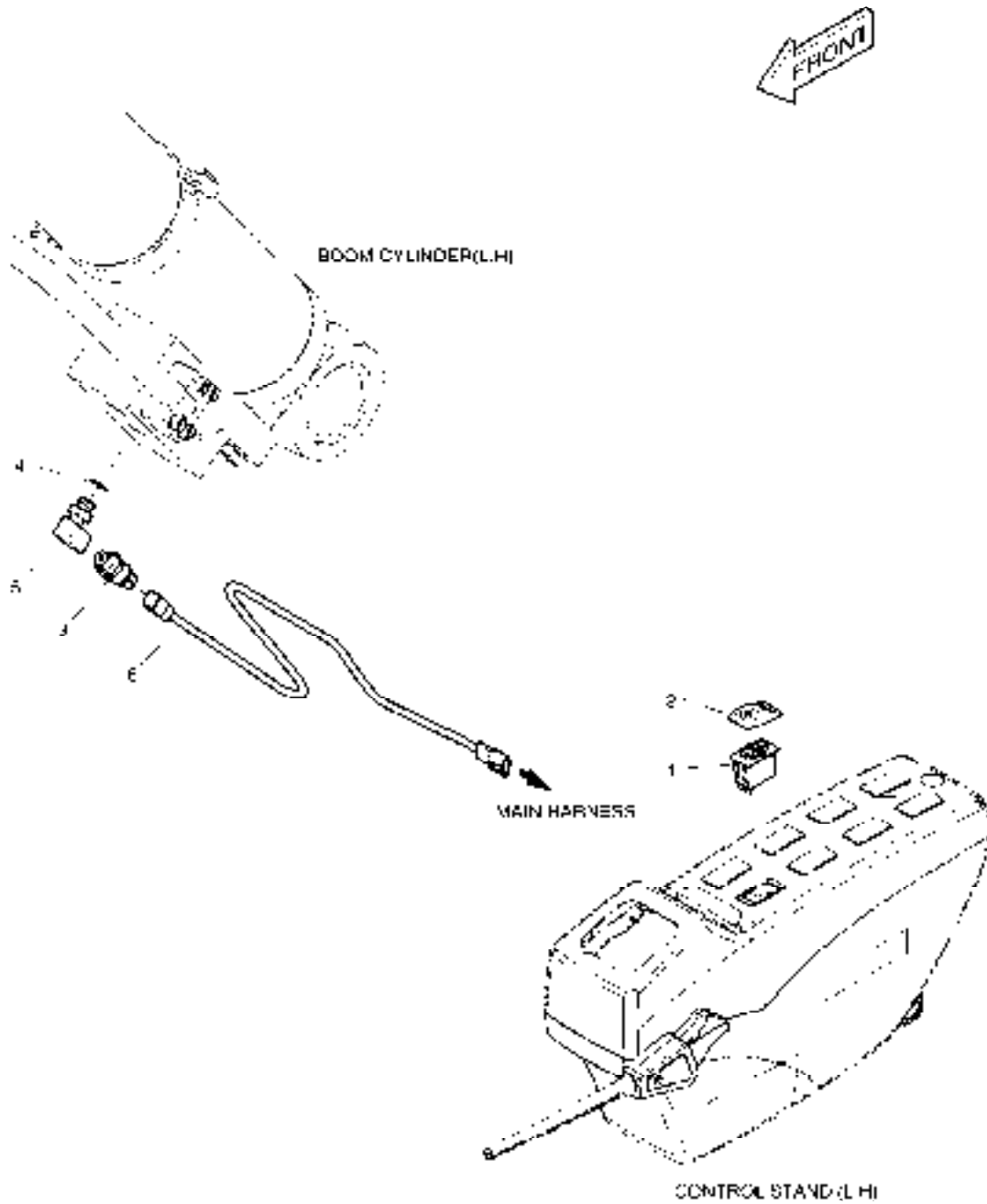
Serial No. ;

Key No.	Part No.	Description	Description	Q'ty	S.C	Serial No.	ICA	Replaceable part	
								Part No.	Q'ty
7110 --	K1007410A	ROTATING BEACON-TELESCOP	FEU DE CIRCULATION	-	D				
1	195-02910C	BRACKET;REAR LAMP	SUPPORT	1					
2	S5010713	WASHER;PLAIN	RONDELLE	3					
3	S0515653	BOLT	BOULON	3					
4	2197-1661	BRACKET	SUPPORT	1					
5	S5102503	WASHER,SPRING	RONDELLE	1					
6	S0508853	BOLT	BOULON	1					
7	530-00463A	HARNESS;REAR CABIN LAMP	HARNAIS	1					

DATE	SEP. 12, 2012
4th EDITION	

**Fig. 7120 OVERLOAD WARNING
AVERTISSEMENT DE SURCHARGE**

Serial No. ;



DATE	SEP. 12, 2012
4th EDITION	

**Fig. 7120 OVERLOAD WARNING
AVERTISSEMENT DE SURCHARGE**

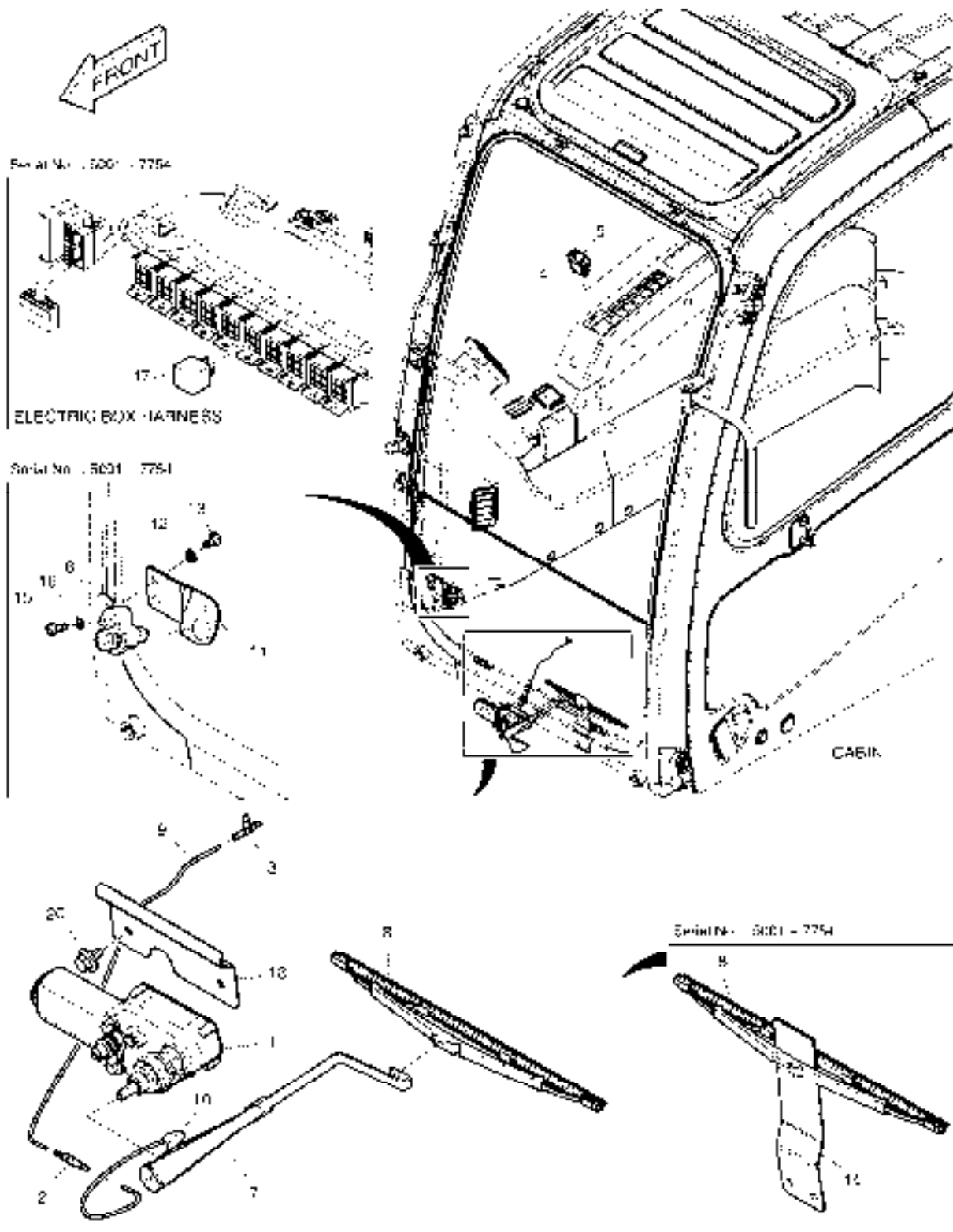
Serial No. ;

Key No.	Part No.	Description	Description	Q'ty	S.C	Serial No.	ICA	Replaceable part	
								Part No.	Q'ty
7120 --	K1007411	OVER LOAD WARNING	AVERTISSEMENT DE SURC	-	D				
1	549-00102	SWITCH	COMMUTATEUR	1					
2	K1002406D4	ACTUATOR	ACTIONNEUR	1					
3	2547-9045	SENSOR;PRESSURE	SONDE	1					
4	S8000161	O-RING	JOINT TORIQUE	1					
5	DS2308021	ELBOW	COUDE	1					
6	K1002153	HARNESS;JOINT	HARNAIS	1					

DATE	SEP. 12, 2012
4th EDITION	

Fig. 7130 LOWER WIPER
ABAISSER L'ESSUIE-GLACE

Serial No. ;



DATE	SEP. 12, 2012
4th EDITION	

**Fig. 7130 LOWER WIPER
ABAISSER L'ESSUIE-GLACE**

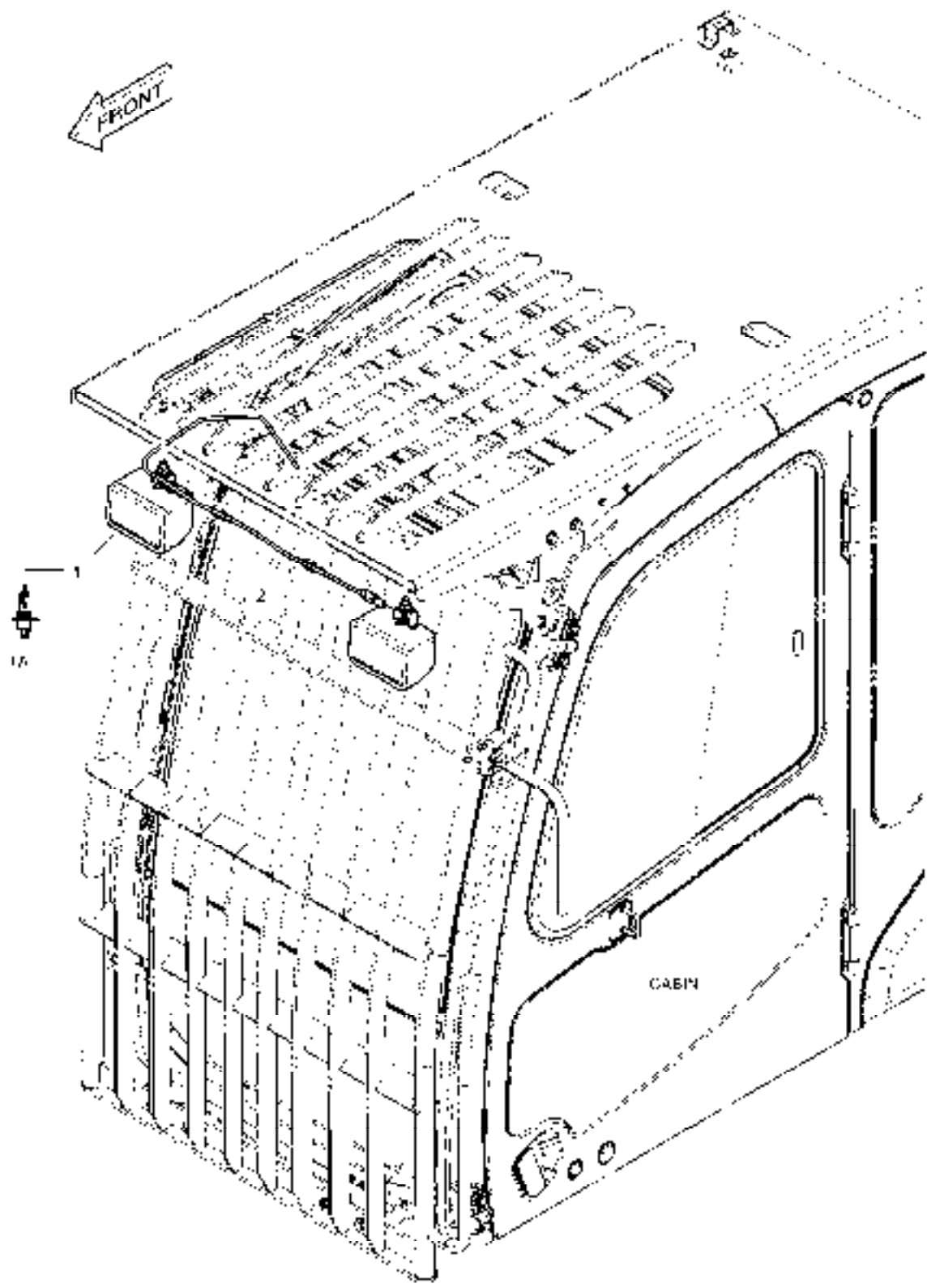
Serial No. ;

Key No.	Part No.	Description	Description	Q'ty	S.C	Serial No.	ICA	Replaceable part	
								Part No.	Q'ty
7130 --	K1007412E	LOWER WIPER ASS'Y	ABAISSER L'ESSUIE-GLA	-	D	5001-7754			
	300619-01062	LOWER WIPER, NON ROPS	ABAISSER L'ESSUIE-GLA	-	D	7755-			
1	538-00012	MOTOR; WIPER	MOTEUR	1					
2	426-00282	VALVE; LOWER WIPER CHECK	VANNE	1					
3	181-00804	TEE	TE	1					
4	549-00101	SWITCH; ROCKER(1STEP)	COMMUTATEUR	1					
5	K1002406D5	ACTUATOR	ACTIONNEUR	1					
6	549-00077	SWITCH	COMMUTATEUR	1		5001-7754			
7	541-00016	ARM; WIPER	BRAS	1					
8	507-00007	BLADE; WIPER	LAME	1					
9	K1002866	HOSE	TUYAU FLEXIBLE	1					
10	K1002867D1	TUBE	TUBE	1					
11	195-03444	BRACKET; SWITCH	SUPPORT	1		5001-7754			
12	2114-1898D3	WASHER; PLAIN	RONDELLE	2		5001-7754			
13	2120-2166D9	SCREW	VIS	2		5001-7754			
14	191-03736E	PLATE; STOPPER	PLAQUE	1		5001-7754			
15	S3450833	SCREW	VIS	1		5001-7754			
16	S5100203	WASHER; SPRING	RONDELLE	1		5001-7754			
17	2544-9033	RELAY	RELAIS	1		5001-7754			
18	110423-00050	BRACKET; LOWER WIPER	SUPPORT	1		7755-			
20	DS0025033	BOLT; SET	BOULON	2		7755-			

DATE	SEP. 12, 2012
4th EDITION	

**Fig. 7140 WORKING LAMP(2-LAMP)
LAMPE FONCTIONNANTE**

Serial No. ;



DATE	SEP. 12, 2012
4th EDITION	

**Fig. 7140 WORKING LAMP(2-LAMP)
LAMPE FONCTIONNANTE**

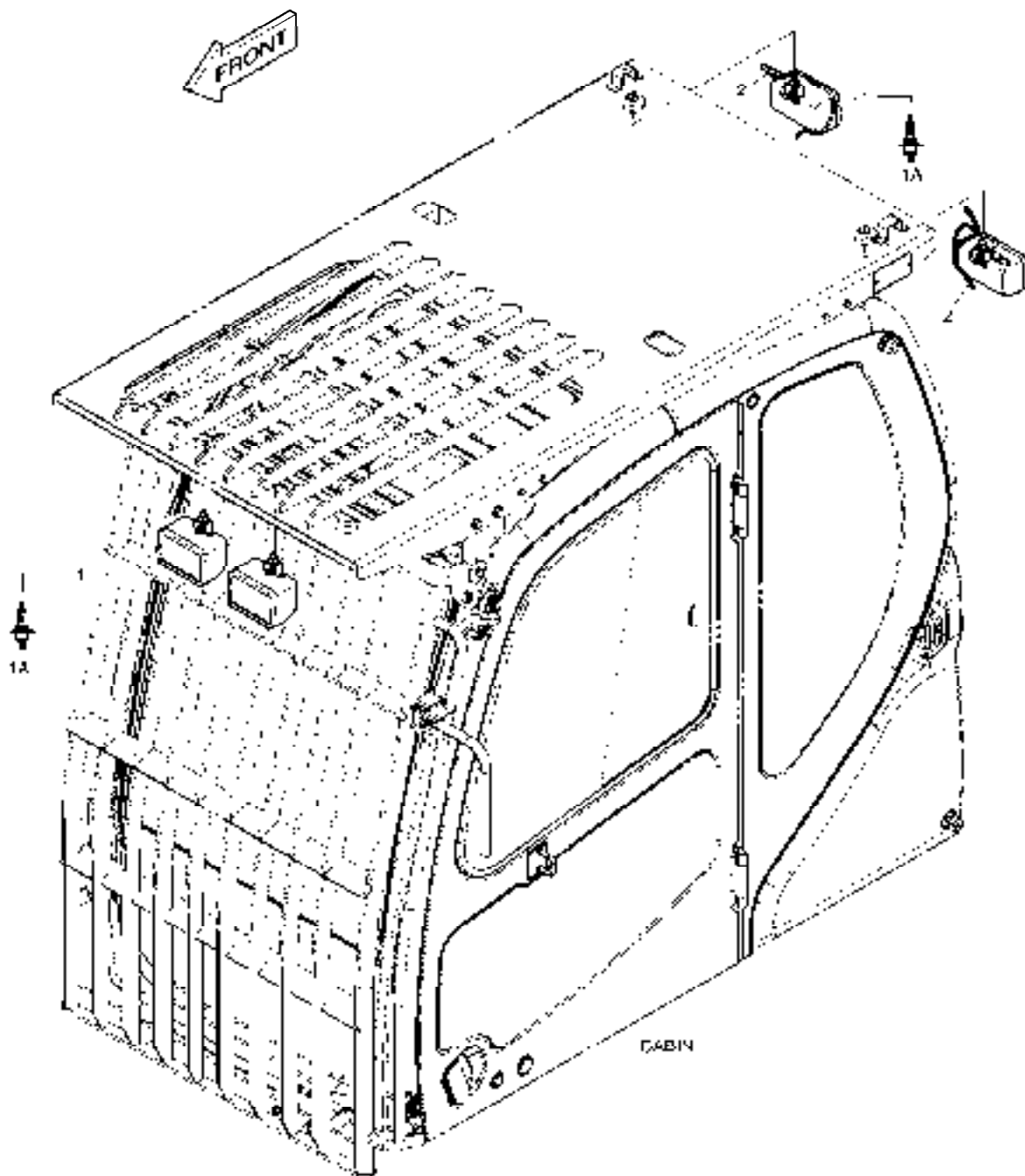
Serial No. ;

Key No.	Part No.	Description	Description	Q'ty	S.C	Serial No.	ICA	Replaceable part	
								Part No.	Q'ty
7140 --	K1007418	WORKING LAMP ASS'Y	LAMPE FONCTIONNANTE	-	D				
1	534-00085	LAMP;HEAD	LAMPE	2					
1A	2515-1016D4	. BULB;HALOGEN	. AMPOULE	1					
2	K1006663	HARNESS;JOINT	HARNAIS	1					

DATE	SEP. 12, 2012
4th EDITION	

**Fig. 7150 WORKING LAMP(4-LAMP)
LAMPE FONCTIONNANTE**

Serial No. ;



DATE	SEP. 12, 2012
4th EDITION	

**Fig. 7150 WORKING LAMP(4-LAMP)
LAMPE FONCTIONNANTE**

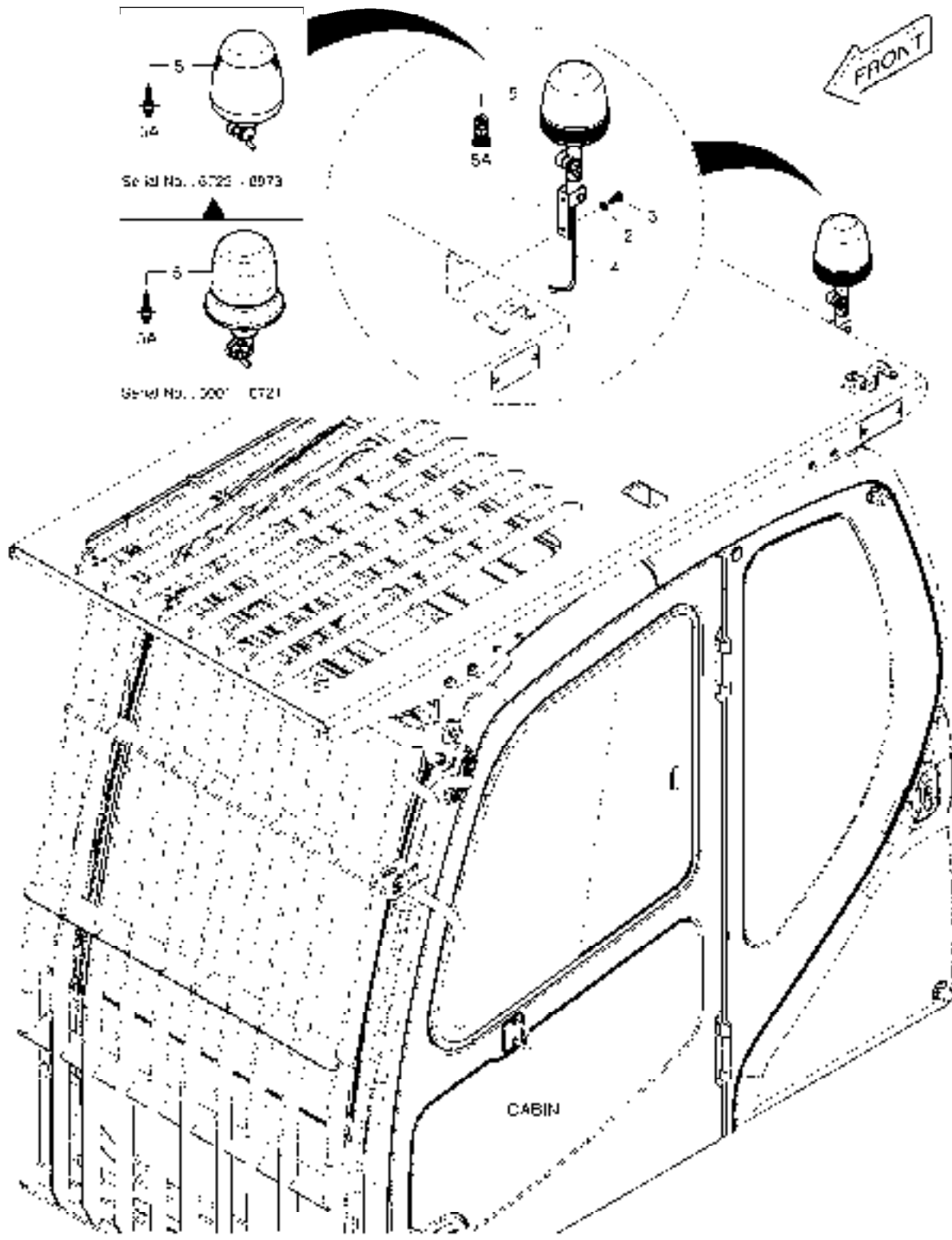
Serial No. ;

Key No.	Part No.	Description	Description	Q'ty	S.C	Serial No.	ICA	Replaceable part	
								Part No.	Q'ty
7150 --	K1007419	WORKING LAMP ASS'Y	LAMPE FONCTIONNANTE	-	D				
1	534-00085	LAMP;HEAD	LAMPE	4					
1A	2515-1016D4	. BULB;HALOGEN	. AMPOULE	1					
2	530-00463A	HARNESS;REAR CABIN LAMP	HARNAIS	2					

DATE	SEP. 12, 2012
4th EDITION	

**Fig. 7160 ROTATING BEACON-WITH FOGS
FEU DE CIRCULATION**

Serial No. ;



DATE	SEP. 12, 2012
4th EDITION	

Fig. 7160 ROTATING BEACON-WITH FOGS FEU DE CIRCULATION

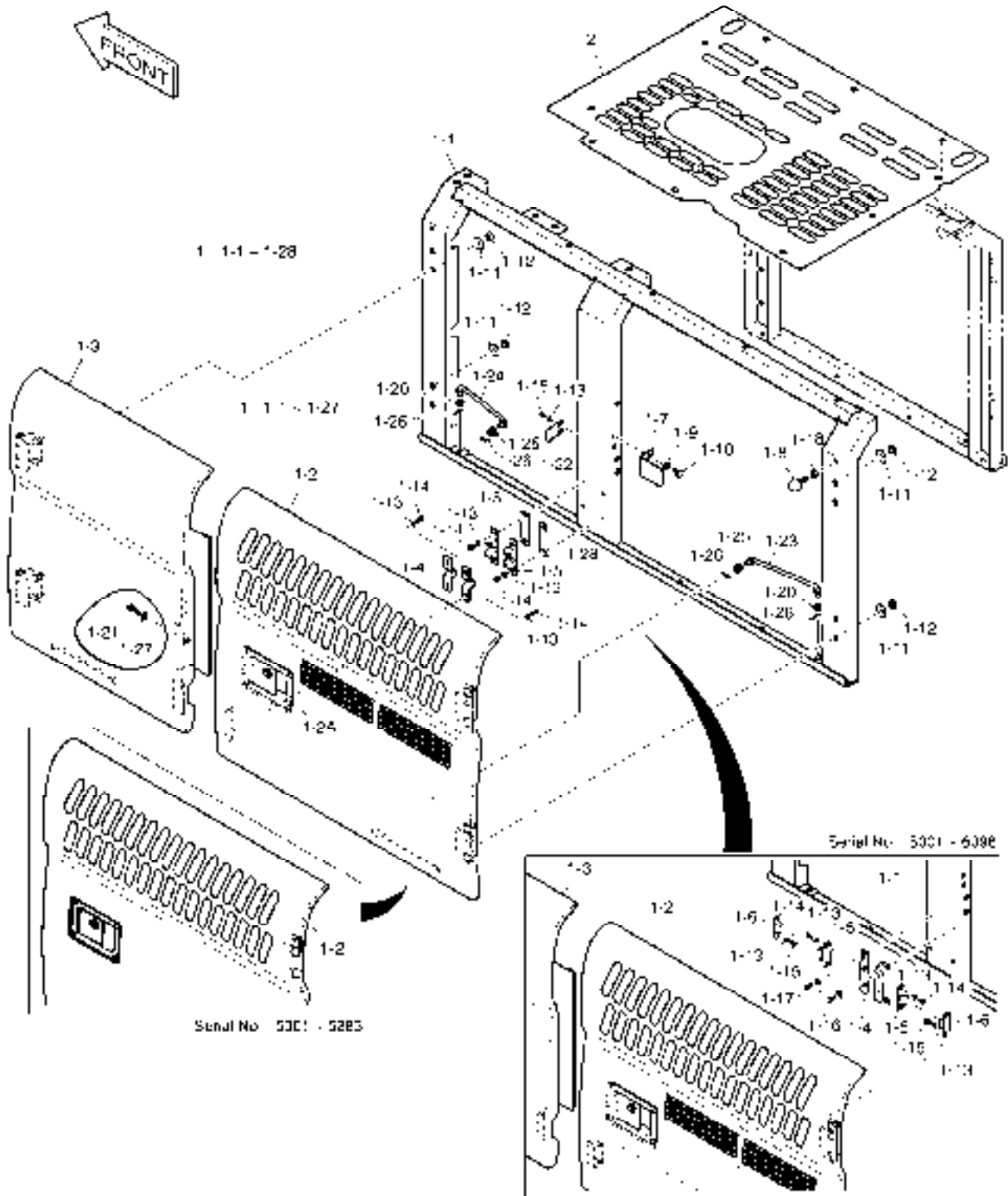
Serial No. ;

Key No.	Part No.	Description	Description	Q'ty	S.C	Serial No.	ICA	Replaceable part	
								Part No.	Q'ty
7160 --	K1006803A	ROTATING BEACON	FEU DE CIRCULATION	-	D	5001-6721			
	300705-00014A	BEACON ASSY,ROTATING;6 LAM	FEU DE CIRCULATION	-	D	6722-8973			
	300705-00014B	BEACON ASSY,ROTATING	FEU DE CIRCULATION	-	D	8974-			
1	160-00061	BUSH;MOUNTING	DOUILLE	1		5001-6721	I	131002-00085	1
	131002-00085	BUSHING ASSY	DOUILLE	1		6722-			
2	S5102503	WASHER,SPRING	RONDELLE	2					
3	S0508853	BOLT	BOULON	2					
4	530-00464	HARNESS;ROTATING BEACON	HARNAIS	1					
5	K1038193	BEACON;ROTATING	FEU DE CIRCULATION	1		5001-6721	I	534-00062	1
	534-00062	LAMP;ROTATING BEACON	LAMPE	1		6722-8973	I	300705-00037	1
	300705-00037	LAMP;ROTATING BEACON	LAMPE	1		8974-			
5A	K9007240	. BULB;HALOGEN 24V 70W	. AMPOULE	1		5001-6721			
	515-00013	. BULB;HALOGEN 24V 70W	. AMPOULE	1		6722-8973			
	300710-00023	. BULB;STROBE	. AMPOULE	1		8974-			

DATE	SEP. 12, 2012
4th EDITION	

Fig. 7170 SIDE DOOR - L.H (TROPICAL)
ENSEMBLE DE PORTE

Serial No. ;



DATE	SEP. 12, 2012
4th EDITION	

Fig. 7170 SIDE DOOR - L.H (TROPICAL) ENSEMBLE DE PORTE

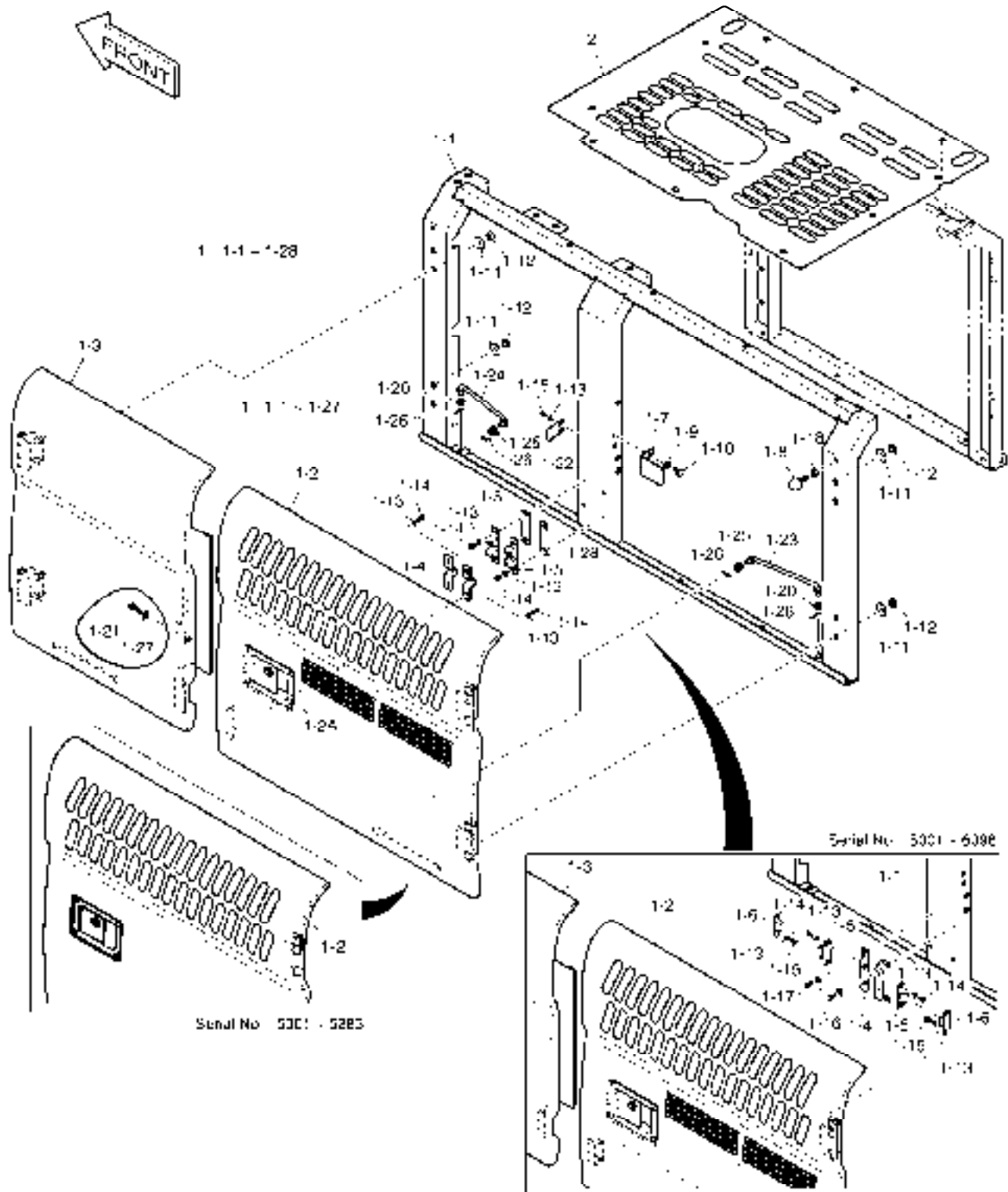
Serial No. ;

Key No.	Part No.	Description	Description	Q'ty	S.C	Serial No.	ICA	Replaceable part	
								Part No.	Q'ty
7170 --	K1046175A	COVER;TROPICAL	COUVERCLE	-	D	5001-5283			
	K1052773	COVER;TROPICAL	COUVERCLE	-	D	5284-			
1	K1046174A	DOOR ASSY;SIDE(L.H)	ENSEMBLE PORTE	1		5001-5283	I	K1052774	1
	K1052774	DOOR ASSY;SIDE(L.H)	ENSEMBLE PORTE	1		5284-6098	I	110982-00132	1
	110982-00132	DOOR ASSY,SIDE(L.H)	ENSEMBLE DE PORTE	1		6099-6669	I	110982-00132A	1
	110982-00132A	DOOR ASSY,SIDE;TROPICAL(L.H)	ENSEMBLE DE PORTE	1		6670-			
1-1	K1038917B	. SUPPORT(L.H)	. SUPPORT	1		5001-6098			
	110958-00230	. SUPPORT	. SUPPORT	1		6099-			
1-2	K1045433	. DOOR;SIDE	. PORTE	1		5001-5283	I	K1052775	1
	K1052775	. DOOR;SIDE	. PORTE	1		5284-6098			
	110982-00133	. DOOR,SIDE	. PORTE	1		6099-			
1-2A	125-00034A	.. LOCK	.. SERRURE	1					
1-3	K1038919B	. DOOR(L.H)	. DIODE	1		5001-6098			
	110982-00131	. DOOR,SIDE(L.H)	. PORTE	1		6099-			
1-4	2116-1522	. PLATE	. PLAQUE	2		5001-6098			
	250201-00028	. PLATE;STOPPER	. PLAQUE	2		6099-			
1-5	2161-9052	. STOPPER;PLATE	. ARRET	2		5001-6098			
	110956-00002	. STOPPER,RUBBER	. TAQUET	2		6099-6669	I	110956-00002A	2
	110956-00002A	. STOPPER,RUBBER	. TAQUET	2		6670-			
1-6	2161-9053	. STOPPER;RUBBER	. ARRET	2		5001-6098			
1-7	K1038920	. PLATE;LOCK	. PLAQUE	1					
1-8	K1001260A	. STOPPER;RUBBER	. TAQUET	1					
1-9	2114-1058D45	. WASHER	. RONDELLE	2					
1-10	S0511853	. BOLT	. BOULON	2					
1-11	2114-1058D30	. WASHER;PLAIN	. RONDELLE	8					
1-12	S4012733	. NUT	. ECROU	8					
1-13	S5010313	. WASHER	. RONDELLE	10					
1-14	S0504553	. BOLT M6X1.0X14	. BOULON	4		5001-6098			
	S0504553	. BOLT M6X1.0X14	. BOULON	8		6099-			
1-15	S0504453	. BOLT M6X1.0X12	. BOULON	6		5001-6098			
	S0504453	. BOLT M6X1.0X12	. BOULON	2		6099-			
1-16	S5010513	. WASHER,PLAIN	. RONDELLE	4		5001-6098			
1-17	S0508753	. BOLT M8X1.25X18	. BOULON A 6 PANS	4		5001-6098			
1-18	S4012633	. NUT	. ECROU	3					
1-20	K1000602	. BUSHING	. DOUILLE	2					
1-21	K1048085	. STOPPER;RUBBER	. TAQUET	1					
1-22	K1039869B	. PLATE;LOCK	. PLAQUE	1					
1-23	623-00074B	. STAY	. SEJOUR	1					

DATE	SEP. 12, 2012
4th EDITION	

**Fig. 7170 SIDE DOOR - L.H (TROPICAL)
ENSEMBLE DE PORTE**

Serial No. ;



DATE	SEP. 12, 2012
4th EDITION	

Fig. 7170 SIDE DOOR - L.H (TROPICAL)
ENSEMBLE DE PORTE

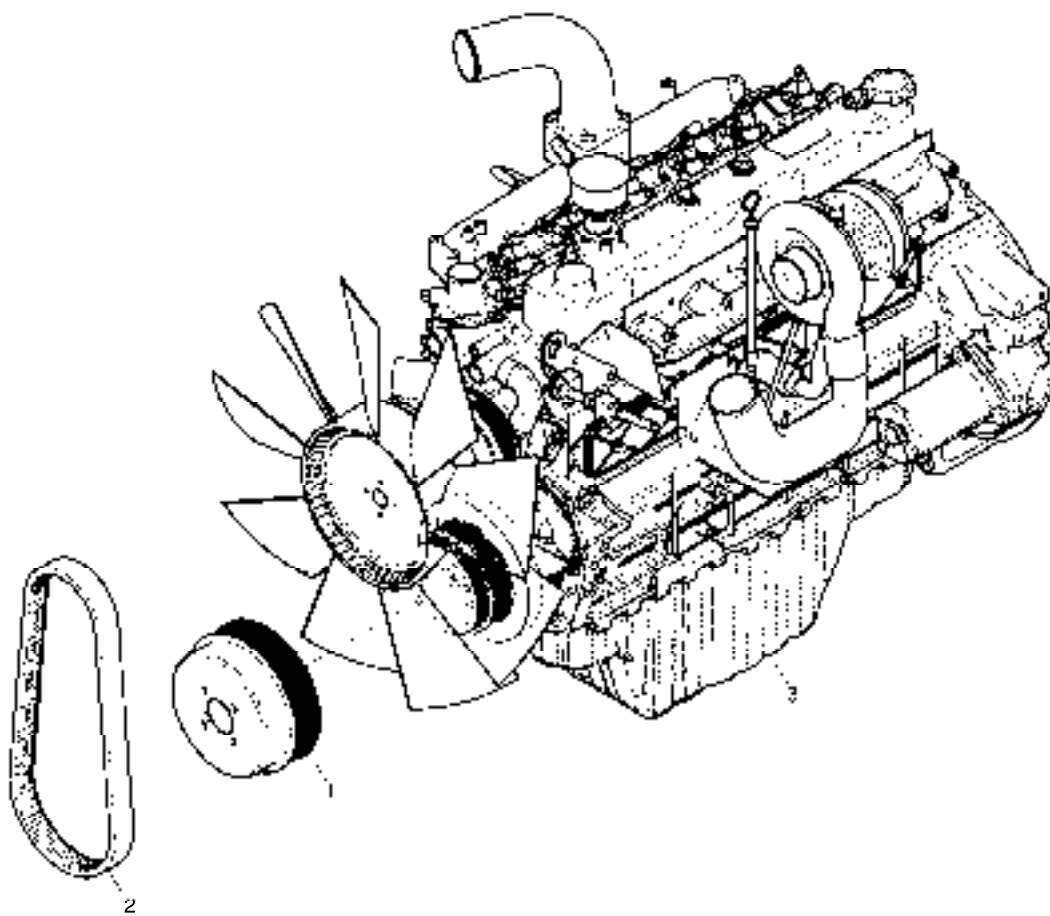
Serial No. ;

Key No.	Part No.	Description	Description	Q'ty	S.C	Serial No.	ICA	Replaceable part	
								Part No.	Q'ty
7170 -1-24	623-00075B	. STAY	. SEJOUR	1					
1-25	K1008335	. BUSHING	. DOUILLE	2					
1-26	2705-9002	. PIN;LOCK	. GOUPILLE	4					
1-27	S4012533	. NUT	. ECROU	1					
1-28	110947-00027	. SHIM	. CALE	2		6099-			
2	K1052808	COVER;MUFFLER	COUVERCLE	1		5230-			

DATE	SEP. 12, 2012
4th EDITION	

**Fig. 7180 TROPICAL PARTS
PIECES TROPICALES**

Serial No. ;



DATE	SEP. 12, 2012
4th EDITION	

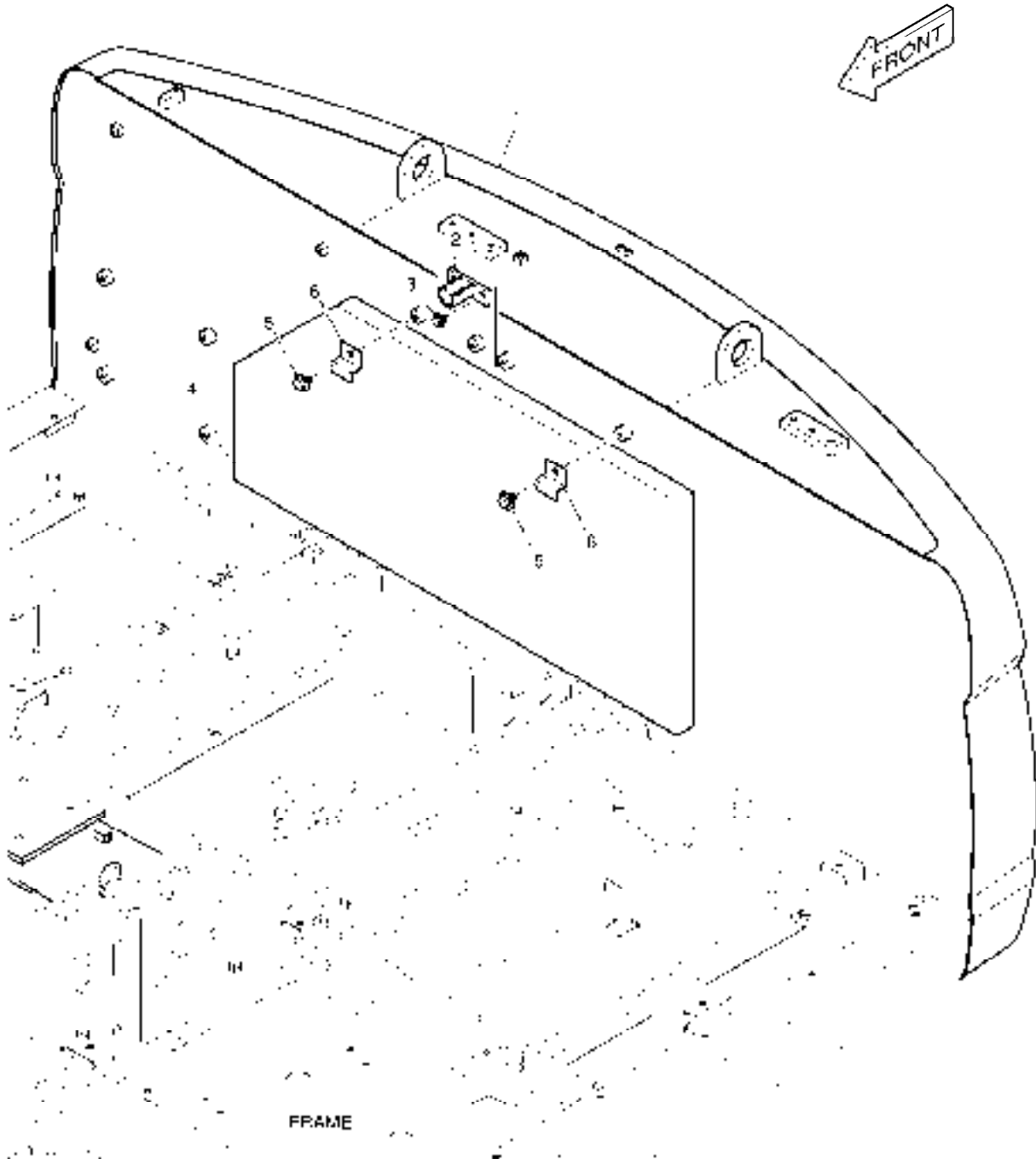
**Fig. 7180 TROPICAL PARTS
PIECES TROPICALES**

Serial No. ;

Key No.	Part No.	Description	Description	Q'ty	S.C	Serial No.	ICA	Replaceable part	
								Part No.	Q'ty
7180 --	K1052091A	TROPICAL PARTS	PIECES TROPICALES	-	D	5001-5571			
	150109-00016	ENGINE ASSY;TROPICAL	PIECES TROPICALES	-	D	5572-			
1	107-00005	PULLEY;BELT	POULIE	1		5001-5229			
	K1052729	PULLEY;BELT	POULIE	1		5230-			
2	2106-1019D18	V-BELT;ALTERNATOR	COURROIE-V	1		5001-5229			
	65.96801-0194	BELT;FAN	COURROIE	1		5230-			
3	ECOEN	ENGINE ASS'Y;TIER-2(TROPICAL	ENSEMBLE MOTEUR	1		5572-			

DATE	SEP. 12, 2012
4th EDITION	

Fig. 7190 ACOUSTIC FOAM - NOISE KIT
MOUSSE ACOUSTIQUE - KIT DE BRUIT
Serial No. ;



DATE	SEP. 12, 2012
4th EDITION	

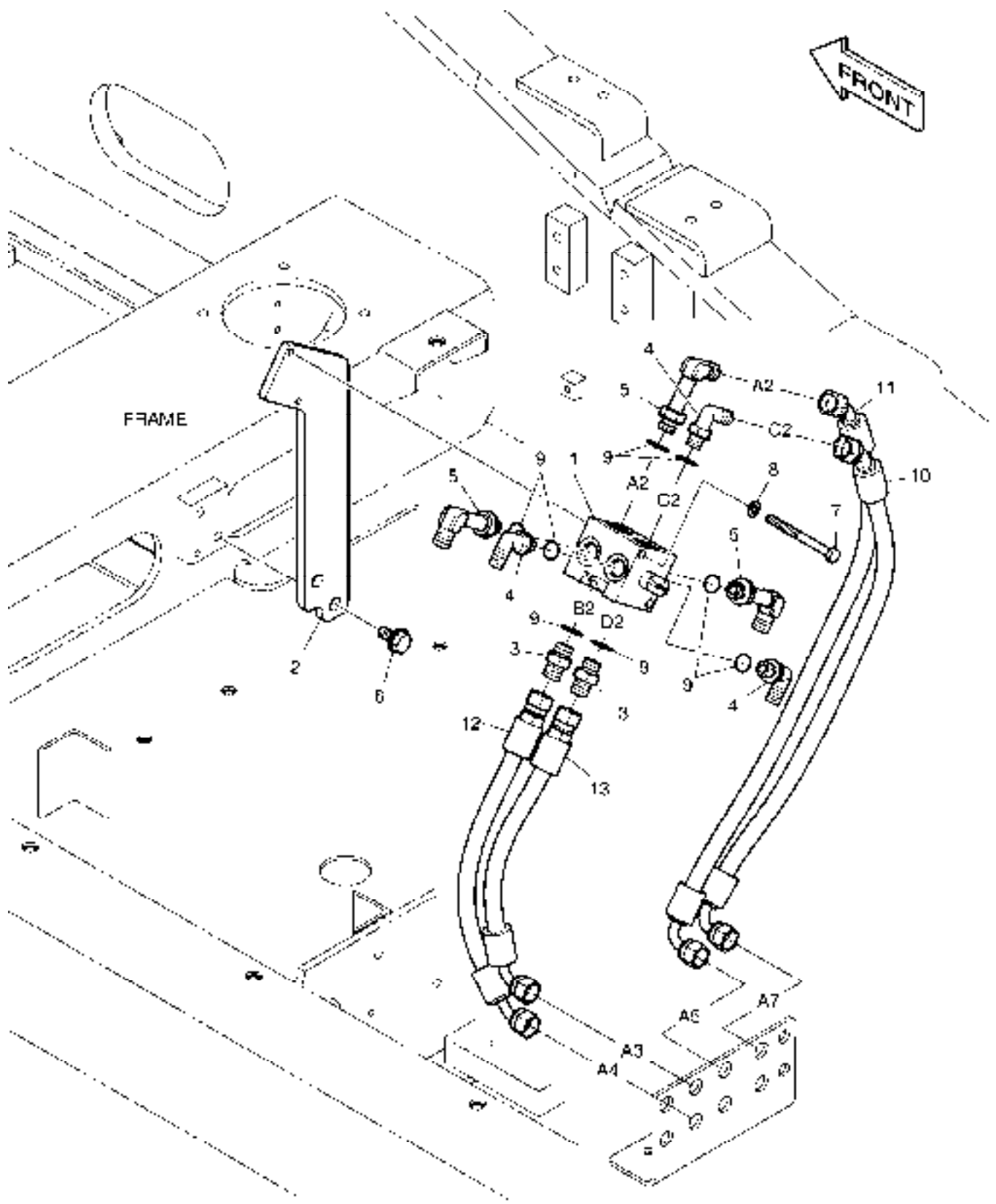
Fig. 7190 ACOUSTIC FOAM - NOISE KIT
MOUSSE ACOUSTIQUE - KIT DE BRUIT

Serial No. ;

Key No.	Part No.	Description	Description	Q'ty	S.C	Serial No.	ICA	Replaceable part	
								Part No.	Q'ty
7190 --	K1045676A	COUNTER WEIGHT ASS'Y	MASSE D'EQUILIBRAGE	1		5001-5284	I	K1045676B	1
	K1045676B	COUNTER WEIGHT ASS'Y	MASSE D'EQUILIBRAGE	1		5285-5950	Y	160702-00049	1
	160702-00049	WEIGHT ASSY,COUNTER;4.1ton	MASSE D'EQUILIBRAGE	1		5951-			
1	K1039183C	COUNTER WEIGHT;4.1ton	MASSE D'EQUILIBRAGE	1		5001-5284	I	K1039183E	1
	K1039183E	COUNTER WEIGHT;4.1ton	MASSE D'EQUILIBRAGE	1		5285-5950	Y	160702-00046	1
	160702-00046	WEIGHT,COUNTER;4.1ton	MASSE D'EQUILIBRAGE	1		5951-			
2	K1002454B	BRACKET	SUPPORT	1					
3	DS0025015	BOLT;SET	BOULON	2					
4	K1011304	FOAM	EPONGE	1					
5	DS0025022	BOLT;SET	BOULON	2					
6	621-01572	PLATE	PLAQUE	2					

DATE	SEP. 12, 2012
4th EDITION	

Fig. 7200 **PATTERN CHANGE PIPING(1)**
TUYAUTERIE DE CHANGEMENT DE MODELE
 Serial No. ;



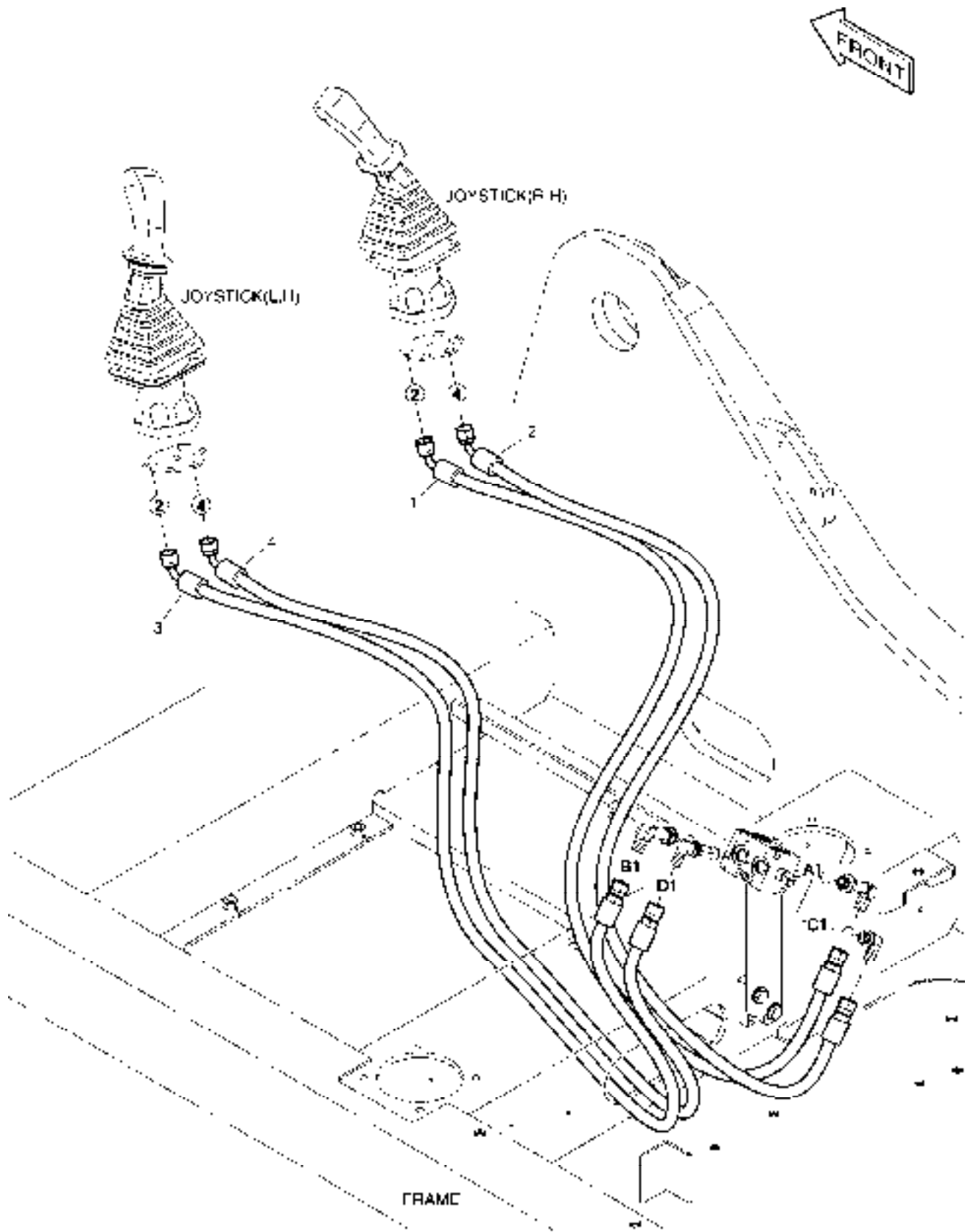
DATE	SEP. 12, 2012
4th EDITION	

Fig. 7200 PATTERN CHANGE PIPING(1)
TUYAUTERIE DE CHANGEMENT DE MODELE
 Serial No. ;

Key No.	Part No.	Description	Description	Q'ty	S.C	Serial No.	ICA	Replaceable part	
								Part No.	Q'ty
7200 --	420212-07077	PIPING,PILOT;PATTERN CHANG	TUYAUTERIE DE CHANGEI	-	D				
1	K1014874	VALVE;SELECTOR	VANNE	1					
2	K1015780	BRACKET	SUPPORT	1					
3	2181-1126D7	ADAPTER	ADAPTEUR	2					
4	2181-1702D5	ELBOW	COUDE	3					
5	2181-1702D51	ELBOW	COUDE	3					
6	DS0025018	BOLT;SET	BOULON	2					
7	S0557066	BOLT	BOULON A 6 PANS	2					
8	S5102503	WASHER,SPRING	RONDELLE	2					
9	S8000141	O-RING	JOINT TORIQUE	8					
10	DS2090019	HOSE	TUYAU FLEXIBLE	1					
11	DS2090022	HOSE	TUYAU FLEXIBLE	1					
12	DS2092080	HOSE	TUYAU FLEXIBLE	1					
13	DS2095031	HOSE	TUYAU FLEXIBLE	1					

DATE	SEP. 12, 2012
4th EDITION	

Fig. 7210 PATTERN CHANGE PIPING(2)
TUYAUTERIE DE CHANGEMENT DE MODELE
 Serial No. ;



DATE	SEP. 12, 2012
4th EDITION	

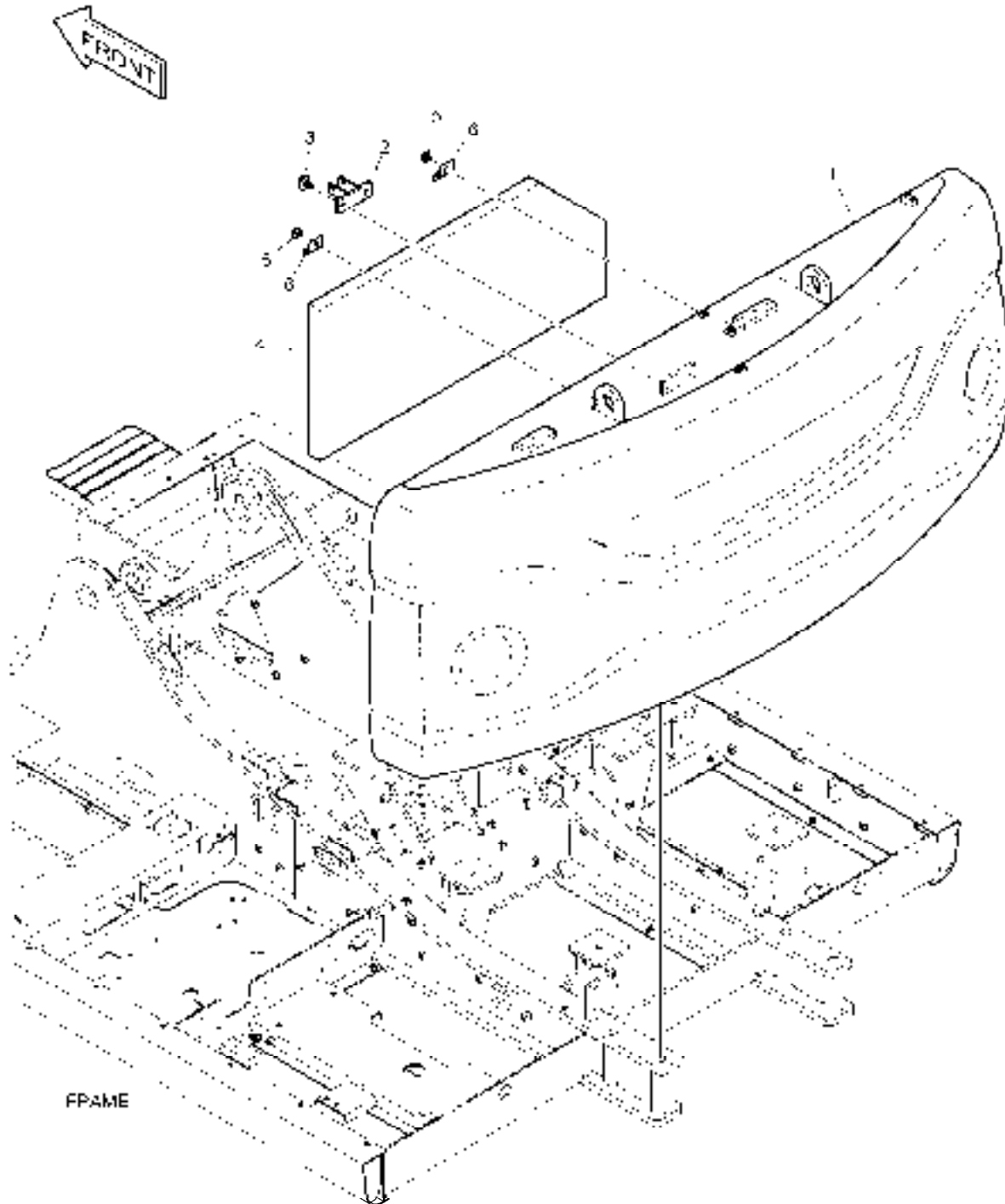
Fig. 7210 PATTERN CHANGE PIPING(2)
TUYAUTERIE DE CHANGEMENT DE MODELE
 Serial No. ;

Key No.	Part No.	Description	Description	Q'ty	S.C	Serial No.	ICA	Replaceable part	
								Part No.	Q'ty
7210 --	420212-07078	PIPING,PILOT;PATTERN CHANG	TUYAUTERIE DE CHANGEI	-	D				
1	DS2095029	HOSE	TUYAU FLEXIBLE	1					
2	DS2095029	HOSE	TUYAU FLEXIBLE	1					
3	DS2095030	HOSE PF3/8-1970L	TUYAU FLEXIBLE	1					
4	DS2095030	HOSE PF3/8-1970L	TUYAU FLEXIBLE	1					

DATE	SEP. 12, 2012
4th EDITION	

Fig. 7220 COUNTER WEIGHT - 3.8TON(NOISE KIT - DX220A)
MASSE D'EQUILIBRAGE

Serial No. ;



DATE	SEP. 12, 2012
4th EDITION	

Fig. 7220 COUNTER WEIGHT - 3.8TON(NOISE KIT - DX220A)
MASSE D'EQUILIBRAGE

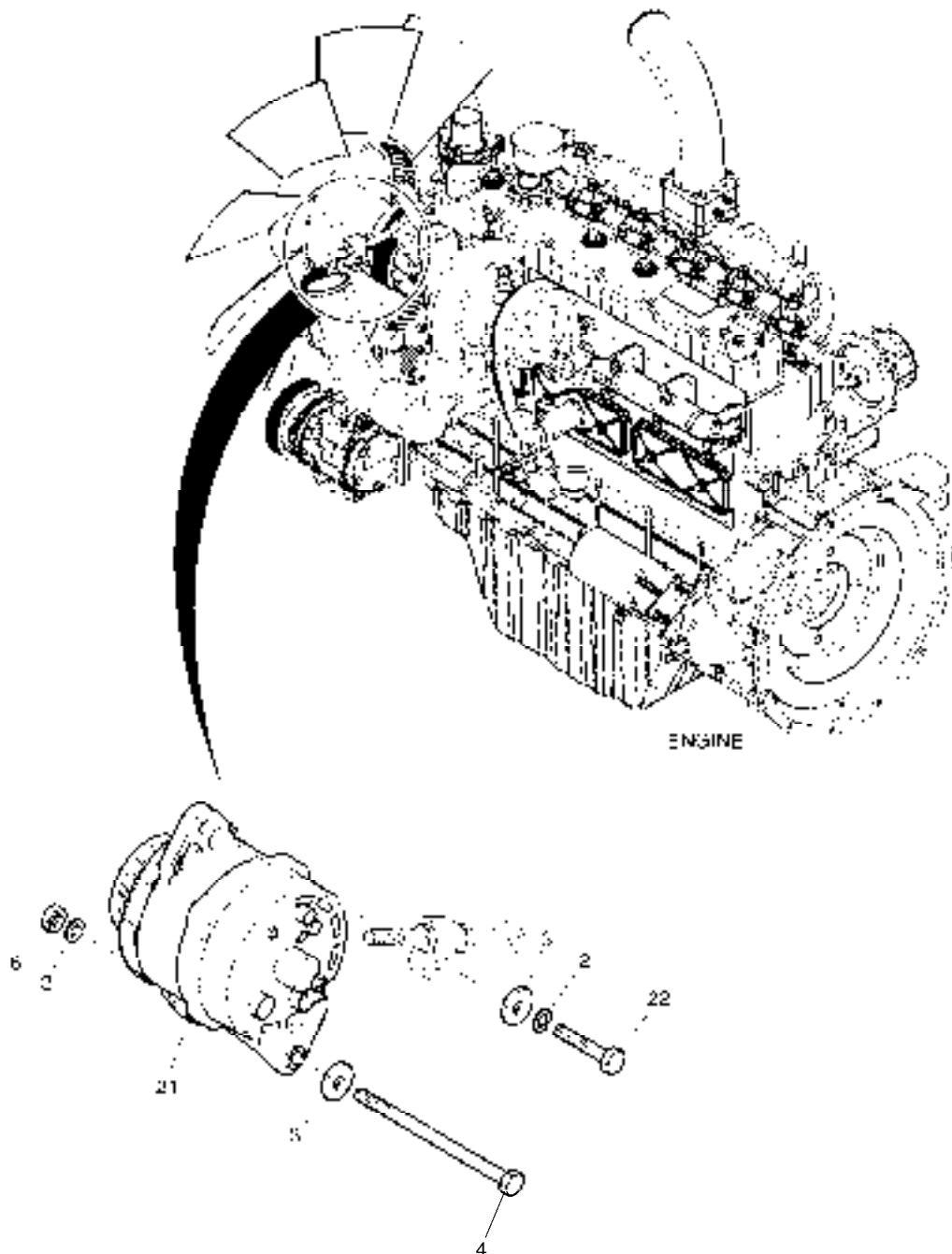
Serial No. ;

Key No.	Part No.	Description	Description	Q'ty	S.C	Serial No.	ICA	Replaceable part	
								Part No.	Q'ty
7220 --	160702-00629	WEIGHT ASSY,COUNTER;3.8TON	MASSE D'EQUILIBRAGE	1					
1	-	WEIGHT,COUNTER;3.8TON	MASSE D'EQUILIBRAGE	1	D				
2	K1002454B	BRACKET	SUPPORT	1					
3	DS0025015	BOLT;SET	BOULON	2					
4	K1011304	FOAM	EPONGE	1					
5	DS0025022	BOLT;SET	BOULON	2					
6	621-01572	PLATE	PLAQUE	2					

DATE	SEP. 12, 2012
4th EDITION	

**Fig. 7230 ALTERNATOR - 50A
ALTERNATEUR**

Serial No. ;



DATE	SEP. 12, 2012
4th EDITION	

Fig. 7230 ALTERNATOR - 50A
ALTERNATEUR

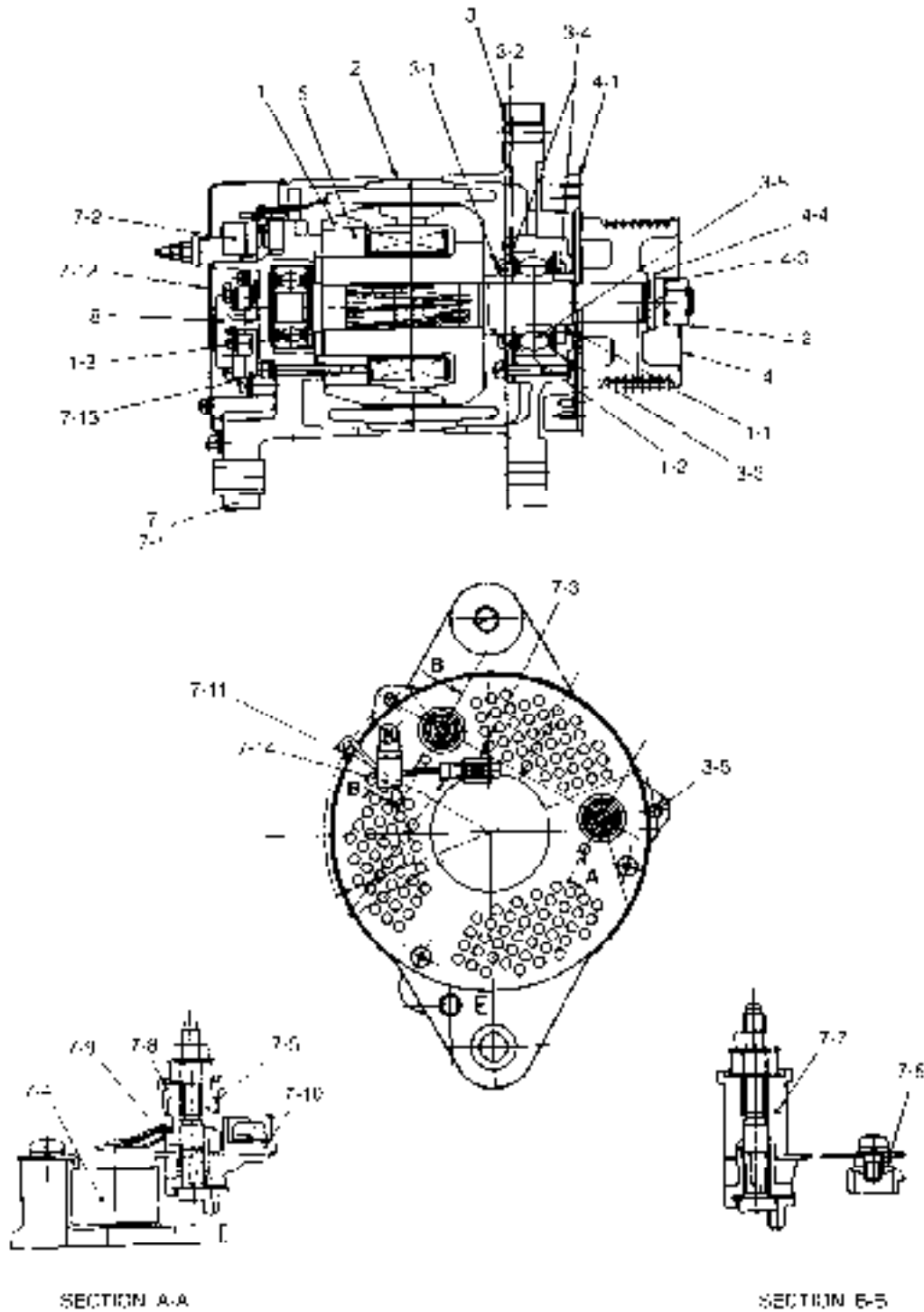
Serial No. ;

Key No.	Part No.	Description	Description	Q'ty	S.C	Serial No.	ICA	Replaceable part	
								Part No.	Q'ty
7230 --	300619-01896	ALTERNATOR ASSY;50A	ALTERNATEUR	-	D				
2	S5102703	WASHER;SPRING	RONDELLE	2					
3	DS0401188	WASHER	RONDELLE	2					
4	S0562666	BOLT M12X1.75X160	BOULON	1					
6	S4012733	NUT	ECROU	1					
21	2502-9009	ALTERNATOR 50A	ALTERNATEUR	1					
22	S0786653	BOLT	BOULON A 6 PANS	1					

DATE	SEP. 12, 2012
4th EDITION	

**Fig. 7240 ALTERNATOR
ALTERNATEUR**

Serial No. ;



DATE	SEP. 12, 2012
4th EDITION	

Fig. 7240 ALTERNATOR ALTERNATEUR

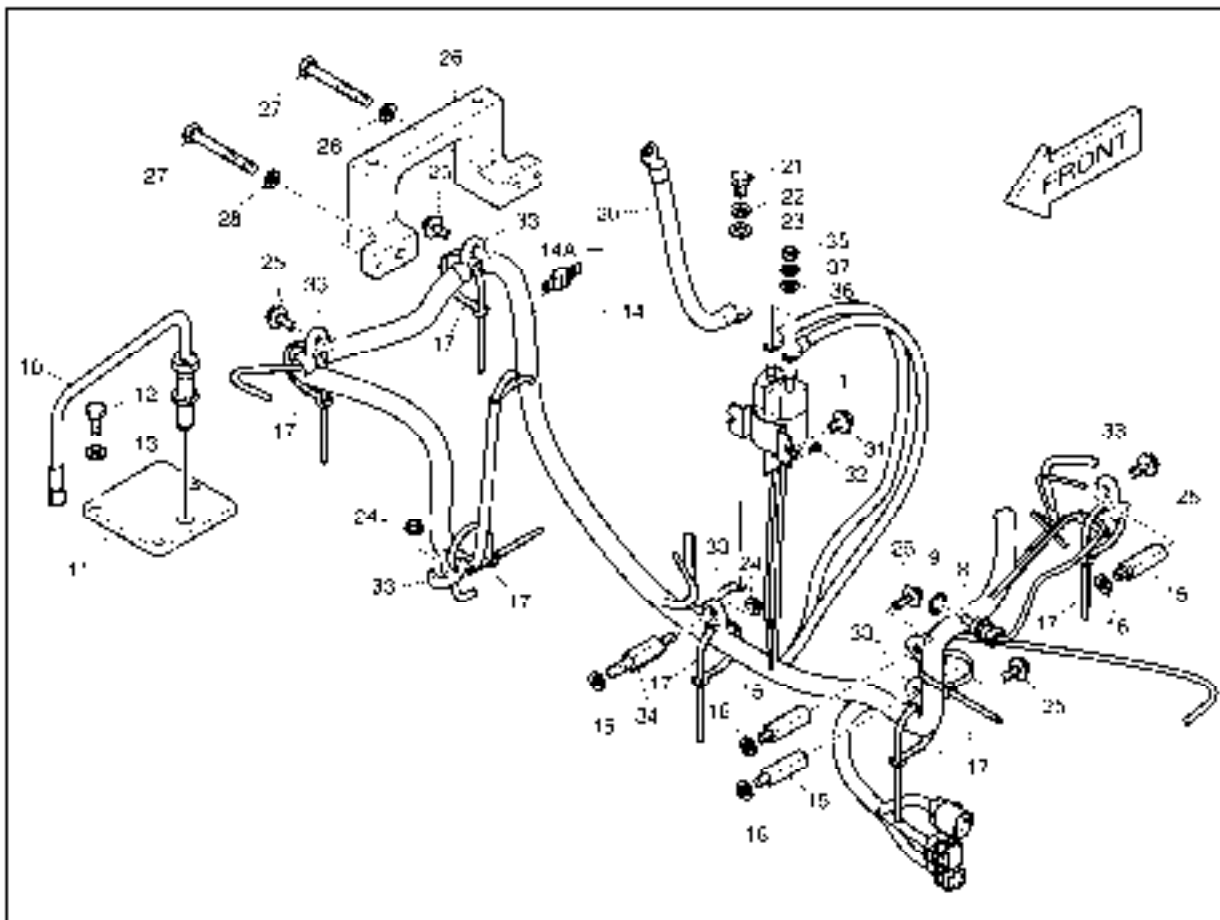
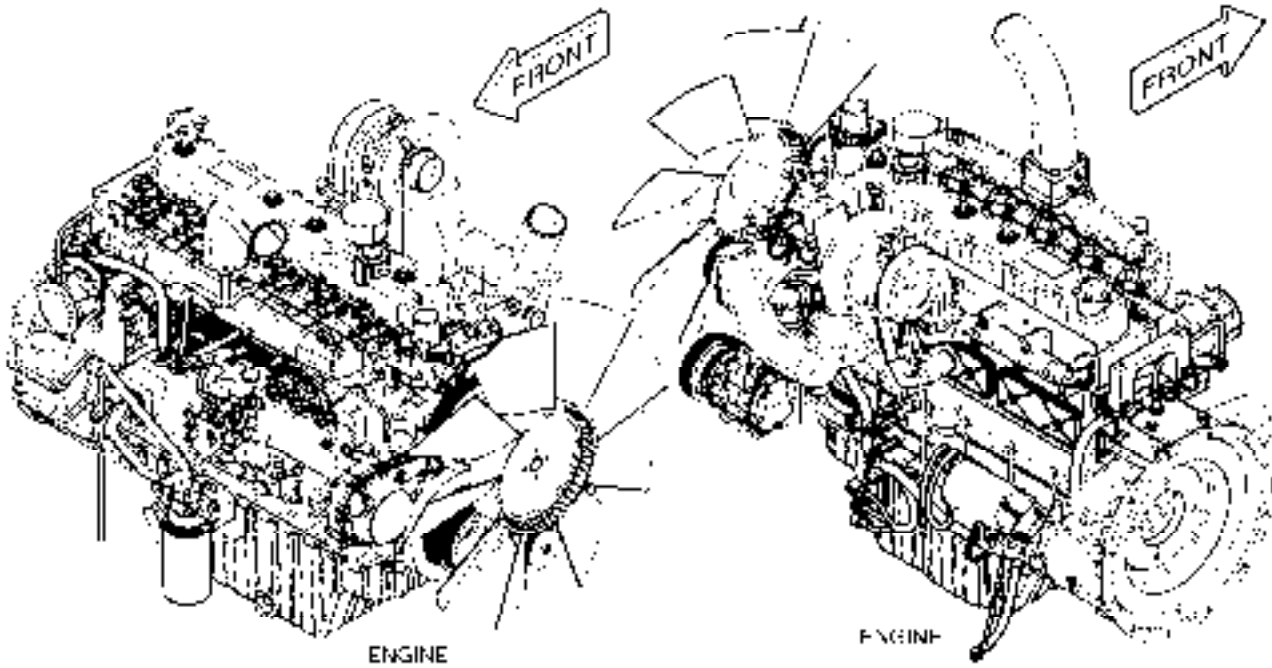
Serial No. ;

Key No.	Part No.	Description	Description	Q'ty	S.C	Serial No.	ICA	Replaceable part	
								Part No.	Q'ty
7240 --	2502-9009	ALTERNATOR 50A	ALTERNATEUR	1					
1	0-35100-0300	ROTOR ASS'Y	ROTOR	1					
1-1	1-33923-0790	. COLLAR	. BRIDE	1					
1-2	0-35923-0160	. COLLAR	. BAGUE	1					
1-3	0-09201-0980	. BEARING;BALL	. PALIER	1					
2	0-35200-0440	STATOR ASS'Y	STATOR	1					
3	0-35300-0310	F. BRACKET ASS'Y	SUPPORT	1					
3-1	0-35926-0070	. RETAINER	. BAGUE DE SOUTIEN	1					
3-2	0-35926-0090	. RETAINER	. BAGUE DE SOUTIEN	1					
3-3	1-33926-0730	. RETAINER	. BAGUE	1					
3-4	0-35951-0060	. PACKING	. JOINT	2					
3-5	0-09201-1140	. BEARING;BALL	. PALIER	1					
3-6	0-0275-06802	. BOLT	. BOULON A 6 PANS	3					
4	0-35411-0870	PULLEY	POULIE	1					
4-1	0-35421-0170	. FAN	. VENTILATEUR	1					
4-2	0-0280-16022	. NUT	. ECROU	1					
4-3	1-0335-16002	. WASHER;SPRING	. RONDELLE	1					
4-4	1-0330-16012	. WASHER;PLAIN	. RONDELLE	1					
5	0-35120-0230	COIL;FIELD	ENROULEMENT	1					
7	0-35700-0890	R. BRACKET ASS'Y	SUPPORT	1					
7-1	0-35710-1090	. BRACKET;REAR	. SUPPORT	1					
7-2	0-35730-0510	. RECTIFIER ASS'Y	. RECTIFIER	1					
7-3	0-35780-0750	. TERMINAL ASS'Y	. COSSE	1					
7-4	0-09170-2501	. CONDENSER	. CONDENSEUR	1					
7-5	0-35923-0130	. COLLAR	. BAGUE	1					
7-6	0-35923-0200	. COLLAR	. BAGUE	1					
7-7	0-35943-0140	. BUSH;INSULATE	. DOUILLE	1					
7-8	0-35943-0150	. BUSH;INSULATE	. DOUILLE	1					
7-9	0-35943-0160	. BUSH;INSULATE	. DOUILLE	1					
7-10	0-35943-0170	. BUSH;INSULATE	. DOUILLE	1					
7-11	1-33953-0150	. BUSH;GUM	. DOUILLE	1					
7-12	0-35761-0250	. COVER	. COUVERCLE	1					
7-13	0-0056-05302	. SCREW	. VIS	3					
7-14	1-33931-0021	. CLIP	. ATTACHE	1					
8	0-35719-0200	REGULATOR ASS'Y	REGULATEUR	1					

DATE	SEP. 12, 2012
4th EDITION	

**Fig. 7250 ELECTRIC PARTS - ENGINE(ALTERNATOR - 50A)
PIECES ELECTRIQUES**

Serial No. ;



DATE	SEP. 12, 2012
4th EDITION	

**Fig. 7250 ELECTRIC PARTS - ENGINE(ALTERNATOR - 50A)
PIECES ELECTRIQUES**

Serial No. ;

Key No.	Part No.	Description	Description	Q'ty	S.C	Serial No.	ICA	Replaceable part	
								Part No.	Q'ty
7250 --	300619-01900	ELECTRIC ASSY;ENGINE	PIECES ELECTRIQUES	-	D				
1	301202-00067	RELAY	RELAIS	1					
8	2547-9038B	SENSOR;WATER TEMP	CAPTEUR	1					
9	S8180251	PACKING	RONDELLE D'ETANCHEITE	1					
10	2547-1015	SENSOR;ENG SPEED	CAPTEUR	1					
11	2197-1793	BRACKET;SPEED SENSOR	SUPPORT	1					
12	S0512066	BOLT M10X1.5X25	BOULON	3					
13	S5102603	WASHER,SPRING	RONDELLE	3					
14	310207-02450	HARNESS ASSY,ENGINE	HARNAIS	1					
14A	300803-00086	. FUSE;200A	. FUSIBLE	1					
15	DS0026006	BOLT,STUD	BOULON A 6 PANS	3					
16	S5102603	WASHER,SPRING	RONDELLE	4					
17	310101-00035	TIE,CABLE	CRAVATE	7					
20	553-00001D4	CABLE;E/G EARTH	CABLE	1					
21	S0511653	BOLT	BOULON	1					
22	S5102603	WASHER,SPRING	RONDELLE	1					
23	S5010613	WASHER,PLAIN	RONDELLE	1					
24	2121-1305	NUT	ECROU	2					
25	DS0025049	BOLT	BOULON	5					
26	K1010584	BLOCK	BLOC	1					
27	S0759166	BOLT	BOULON	2					
28	S5102603	WASHER,SPRING	RONDELLE	2					
31	DS0025033	BOLT;SET	BOULON	2					
32	S3450573	SCREW M4X0.7X10	VIS	2					
33	110420-00330	BRACKET	SUPPORT	7					
34	120117-00071	BOLT,STUD	BOULON A 6 PANS	1					
35	S4012533	NUT	ECROU	2					
36	S5010513	WASHER,PLAIN	RONDELLE	2					
37	S5102503	WASHER,SPRING	RONDELLE	2					

Part No.	Fig No.	Key No.	Part No.	Fig No.	Key No.	Part No.	Fig No.	Key No.
0-0056-05302	7240	7-13	06.01913-3114	010	80	06.12172-9314	015	116
0-0275-06802	7240	3-6	06.01913-3115	002	12		016	310
0-0280-16022	7240	4-2		006	404	06.15010-0308	005	204
0-09170-2501	7240	7-4		015	121	06.15010-2311	006	215
0-09201-0980	7240	1-3	06.01913-3119	011	9		010	61
0-09201-1140	7240	3-5	06.01913-3120	002	5		012	9
0-35100-0300	7240	1	06.01913-3122	002	15		014	105
0-35120-0230	7240	5		016	401		014	208
0-35200-0440	7240	2	06.01913-3123	011	10		014	216
0-35300-0310	7240	3	06.01913-3124	016	402	06.15010-2312	016	408
0-35411-0870	7240	4	06.01923-3113	007	17	06.15091-0313	001	18
0-35421-0170	7240	4-1		010	50	06.16044-0211	012	13
0-35700-0890	7240	7	06.01923-3114	007	2	06.16731-2104	005	203
0-35710-1090	7240	7-1		012	6	06.16731-2107	007	5
0-35719-0200	7240	8	06.01923-3115	010	40		008	110
0-35730-0510	7240	7-2	06.01923-3120	008	120		010	62
0-35761-0250	7240	7-12		010	30		012	8
0-35780-0750	7240	7-3	06.01923-3124	014	205		013	207
0-35923-0130	7240	7-5	06.01923-3215	015	205		014	104
0-35923-0160	7240	1-2	06.01923-3222	009	160		014	207
0-35923-0200	7240	7-6	06.01923-3225	009	150		014	215
0-35926-0070	7240	3-1	06.01923-3228	009	140		015	108
0-35926-0090	7240	3-2	06.01943-3213	005	134		016	110
0-35943-0140	7240	7-7		019	5		016	405
0-35943-0150	7240	7-8	06.01943-3217	012	12	06.16731-2108	005	130
0-35943-0160	7240	7-9	06.01943-3218	013	113		013	114
0-35943-0170	7240	7-10		018	3		015	104
0-35951-0060	7240	3-4	06.01943-3222	006	512		016	410
06.01013-9117	008	109	06.01943-3318	019	2		019	7
06.01013-9118	006	214	06.01943-3319	018	14	06.16731-2110	003	8
06.01013-9127	014	213	06.01944-3215	008	122		005	128
06.01013-9130	013	204		018	2	06.16731-2111	004	208
06.01283-7128	016	404	06.01953-3213	016	407	06.22022-3111	002	10
06.01493-4212	013	112	06.01953-3219	009	120		003	10
06.01493-4215	013	111	06.01953-3318	017	7	06.22022-3119	002	4
06.01493-4216	012	11	06.04190-8808	005	202	06.22022-3212	004	105
06.01493-4217	012	10	06.04200-9009	013	110	06.22070-0913	008	113
06.01494-4407	003	5	06.06125-8709	005	118	06.29010-0116	006	213
06.01494-4409	003	6	06.06125-8717	005	117	06.29020-0132	013	105
06.01494-4506	004	207	06.06125-8723	005	123	06.29151-4608	006	402
06.01733-4208	005	131	06.06175-8208	014	103	06.31641-0222	008	116
06.01733-4409	005	129	06.06225-0706	005	116		009	60
06.01733-4410	006	504	06.11024-9202	015	103	06.56017-0303	011	40
06.01913-2911	002	19	06.11063-8214	014	106	06.56021-0102	001	48
06.01913-3110	015	118		014	214		021	4
06.01913-3111	014	221		015	107	06.56021-0106	001	37
06.01913-3113	001	22		016	109		021	1
	001	30	06.11063-9215	016	409	06.56180-0712	016	509
	002	6	06.11063-9217	003	9		020	13
	008	117		018	13		021	30

Part No.	Fig No.	Key No.	Part No.	Fig No.	Key No.	Part No.	Fig No.	Key No.
06.56180-0714	015	115	1.120-00219	4310	24	1.180-00527	4150	402
	016	307		4320	24	1.180-00662	4250	14
	016	311		4330	24		4330	14
06.56180-0716	017	6	1.121-00028	4200	23	1.181-00059	4150	24
06.56190-0704	001	16	1.121-00044	4110	630	1.181-00067	4150	26
	015	113	1.123-00007	4110	874	1.181-00090	4110	615
06.56190-0706	001	39	1.123-00009	4110	887	1.181-00136	4110	614
06.56190-0709	009	50	1.123-00012	4110	875	1.195-00022	4250	30
	015	112	1.123-00014	4110	876		4330	30
06.56190-0713	001	45	1.123-00016	4110	897	1.197-00005	4100	250
06.56190-0719	007	23	1.123-00053	4150	242	1.216-00017	4160	118
06.56190-0732	011	4	1.124-00157	4230	38	1.357-00005	4110	612
06.67020-0101	007	19		4240	38	1.357-00008	4110	613
	007	21		4310	35	1.357-00014	4110	611
	016	304		4320	35	1.402-00017	4120	361
06.67020-0105	007	10	1.129-00006	4150	30	1.402-00036	4110	622
06.67020-0106	012	20	1.131-00001	4150	66	1.402-00055	4110	601
	015	123	1.131-00042	4150	261	1.403-00037	4120	353
06.67020-0109	015	203	1.131-00048	4130	211	1.403-00040	4120	354
06.78144-2204	016	503	1.131-00049	4150	213	1.405-00060	4100	111
	016	505	1.131-00049A	4150	213	1.409-00167	4100	11
06.78144-2403	015	111	1.131-00058	4150	28	1.409-00180	4150	260
1-0330-16012	7240	4-4	1.131-00139	4110	626	1.409-00189	4110	621
1-0335-16002	7240	4-3	1.131-00143	4110	625	1.409-00204	4110	643
1-33923-0790	7240	1-1	1.131-00157	4110	646	1.409-00225	4210	33
1-33926-0730	7240	3-3	1.131-00160	4110	654	1.412-00017	4200	19
1-33931-0021	7240	7-14	1.131-00165	4110	624	1.412-00083	4100	153
1-33953-0150	7240	7-11	1.131-00166	4110	653	1.412-00092	4130	207
1.109-00026	4150	250	1.131-00170	4110	644	1.412-00157	4160	133
1.109-00124	4100	127	1.131-00172	4110	655	1.415-00005	4150	71
1.109-00134	4130	209	1.138-00004	4200	21	1.416-00017	4200	10
1.110-00068	4300	6	1.148-00015	4130	206	1.416-00018	4200	15
1.110-00169	4200	29	1.161-00018	1800	20C	1.420-00013	4150	27
1.114-00009	4130	208	1.161-00019	1800	92C	1.420-00050	4250	28
1.114-00012	4200	5	1.161-00021	4200	25A		4330	28
1.114-00286	4130	210	1.162-00001	1650	1A	1.424-00038	4110	652
1.115-00032	4300	7	1.178-00004	4200	26	1.424-00041	4150	65
1.115-00171	4110	645	1.180-00117	4300	21	1.425-00001	4110	651
1.115-00204	4230	16	1.180-00144	4160	130	1.426-00005	4120	307
	4240	16	1.180-00277	4230	22	1.427-00002	4120	308
	4310	16		4240	22	1.428-00208	4110	623
	4320	16		4310	22	1.428-00241A	4270	7
1.115-00366	4110	836		4320	22	1.430-00017	4110	656
1.120-00219	4230	24	1.180-00278	4260	14	1.430-00212	4100	261
	4240	24		4280	14	1.451-00060	4100	14
	4250	24		4290	14	1.451-00063	4100	13
	4260	24	1.180-00415	4300	19	1.471-00001	4150	79
	4280	24	1.180-00447	4220	4A	1.471-00001A	4150	79
	4290	24	1.180-00496	4300	11	1.519-00001	4220	3
	4300	24	1.180-00512	4160	102		6160	1B

Part No.	Fig No.	Key No.	Part No.	Fig No.	Key No.	Part No.	Fig No.	Key No.
1.519-00001	6470	1B	110406-00608	1720	39	110955-00106	6350	2
1.540-00003	4160	106	110406-01141	1731	29	110955-00106B	6350	2
1.540-00006	4150	267	110406-01352	1720	30	110955-00107	6360	2
100201-00158	4100	312	110406-02099	1470	15	110955-00107B	6360	2
100502-00001	4140	20	110420-00330	1731	33		6365	2
100502-00022	4140	51		7250	33	110955-00108	6370	2
100601-00023	1500	49-4	110423-00050	7130	18	110955-00108A	6370	2
100601-00024	1500	49-5	110425-00065	6151	9	110955-00108C	6370	2
101-00006	4100	114	110427-00210	1120	3	110956-00002	1610	3-5
101539-00136	2175	1A	110427-00211	1120	5		1620	2-4
	6365	1-1A	110427-00212	1120	4		7170	1-5
101539-00137	2175	1B	110427-00213	1120	6	110956-00002A	1610	3-5
	6365	1-1B	110502-00025	1590	10		1620	2-4
101540-00012	3110	3	110502-00524	1590	19		7170	1-5
	6570	3	110503-00008A	1630	4-2	110956-00060	4150	C-3
	6640	3	110503-00016A	1630	4	110956-00071	4150	25
	6710	3	110503-00016B	1630	4	110956-00328	1500	53
101540-00028	3110	4	110503-00016C	1630	4	110956-00329	1500	54
	6570	4	110506-00047	1650	1	110958-00014	1590	-
	6640	4	110508-00244	1620	-		1600	-
	6710	4		1630	-	110958-00015	1590	6
101541-00012	6910	2	110508-00675	2100	13	110958-00097	1590	2
104-00047A	4140	25		2105	13	110958-00181	1620	2-1
104-00048	4140	18	110508-00989	4300	5	110958-00181A	1620	2-1
104-00049A	4140	22	110508-01424	2141	6-5	110958-00230	1610	3-1
104-00050	4140	12	110508-04839	1720	37		7170	1-1
105220-649A	016	301A	110508-08802	1640	10	110958-00342	1120	26
107-00005	7180	1	110508-09675	4160	123	110958-01055	1590	6
109-00097	4100	123	110513-00242	2105	12	110958-01083	1120	26
109-00098	4100	124	110517-00364	1460	2	110982-00103	1620	2
109-00162A	2100	2	110517-00370	1460	-	110982-00103A	1620	2
109-00174	4140	8	110910-00038A	1490	121	110982-00103B	1620	2
110-00079	4230	6	110910-00077	1490	122	110982-00103C	1620	2
	4240	6	110910-00265	1460	39	110982-00128	1620	2-2
	4310	6	110911-00126	1200	5	110982-00128A	1620	2-2
	4320	6	110917-00013	2150	7-2	110982-00129	1610	3
110-00081	4250	6	110917-00014	2150	7-3	110982-00129A	1610	3
	4330	6	110921-01181	6340	-	110982-00129B	1610	3
110-00097	4260	6	110921-01181A	6340	-	110982-00130	1610	3-2
	4280	6	110921-01182	6340	1	110982-00130A	1610	3-2
	4290	6	110921-01182A	6340	1	110982-00131	1610	3-3
110-00219	4140	13	110925-00007	1550	1		7170	1-3
110-00242	6910	1B	110935-00069	1530	1	110982-00132	7170	1
110-00243	6910	1C	110935-00083	6310	1	110982-00132A	7170	1
110-00245	6910	2A	110935-00084	6320	1	110982-00133	7170	1-2
110-00249	3110	2A	110935-00085	6330	1	111601-00117	4150	261
	6570	2A	110947-00027	1610	3-28	111601-00354	4150	66
	6640	2A		1620	2-22	114-00228	4100	158
	6710	2A		7170	1-28	114-00411	4190	40
110406-00039	1240	8	110951-00128	6151	33	114-00413	4190	53

Part No.	Fig No.	Key No.	Part No.	Fig No.	Key No.	Part No.	Fig No.	Key No.
114-00414	4170	57	119-00014AD1	1200	6	120501-01370	6360	1-1F
114-00425	1200	16	119-00025B	1220	13		6370	1-1F
	1220	19	120-00050B	2110	21	120501-01812	3100	2
	1270	36		2115	21		6830	2
	1271	36	120-00130	4100	954		6900	2
114-00527	4140	21	120-00131	4120	311	120810-00084	2141	6-7
114-00529	1640	34	120-00144	4140	32	120810-00145	1260	33
114-00548	4140	17	120-00199	4110	925	120811-00001	4140	31
114-00590	1420	13	120-00276	1190	9	120816-00001	4140	33
115-00042	4210	19	120-00317	1240	29	121-00006	1190	6
115-00043	4120	700	120107-00002	4140	24		3140	18-5
115-00050	4230	7	120117-00071	1731	34		6850	17-5
	4240	7		7250	34		6980	13-5
	4310	7	120312-00134	2175	3	121-00010D1	1340	177-3
	4320	7		6365	1-3		6150	51-3
115-00051	4230	12	120501-00009	4140	23		6151	51-3
	4240	12	120501-00130	3110	11		6200	22
	4310	12		6570	11		6220	8
	4320	12		6640	11		6380	5-6
115-00052	4300	12		6710	11		6390	5-7
115-00055	4260	19	120501-01041	6910	8		6440	20
	4280	19	120501-01042	6910	9		6870	8
	4290	19	120501-01052	3110	10		6890	15
115-00059	4230	11		6570	10		6990	18
	4240	11		6640	10	121-00010D3	1190	1E
	4310	11		6710	10	121-00010D7	6150	51-9
	4320	11	120501-01061	3100	3		6151	51-9
115-00063	4260	12		6830	3		6220	13
	4280	12		6900	3		6390	5-8
	4290	12	120501-01062	3100	6		6870	13
115-00073	4250	7		6830	6	121-00010D8	6450	44
	4330	7		6900	6		6690	44
115-00077	4250	11	120501-01063	3110	7		6760	44
	4330	11		6570	7	121-00038	4120	312
115-00078	4250	12		6640	7	121-00085	6100	1E
	4330	12		6710	7	123-00150	4100	530
115-00079	4250	19		6910	6	123-00151	4100	885
	4330	19	120501-01064	3110	8	123-00409A	3100	3
115-00081	4250	26		6570	8		6830	3
	4330	26		6640	8		6900	3
115-00084	4260	11		6710	8	123-00435A	4140	23
	4280	11	120501-01065	3110	9	123-00516B	1560	2
	4290	11		6570	9		6260	6
115-00087	4230	19		6640	9	123-00523	1490	66
	4240	19		6710	9		1560	7
	4310	19	120501-01066	6910	7		6260	5
	4320	19	120501-01341	2175	1F	123-00524B	1420	2
116-00089B	1500	53		6365	1-1F	124-00010	1520	32-35
116-00090B	1500	54	120501-01370	2170	1F	124-00052	4250	33
116-00092A	1520	32-28D		6350	1-1F		4330	33

Part No.	Fig No.	Key No.	Part No.	Fig No.	Key No.	Part No.	Fig No.	Key No.
124-00070	1660	11	124-00298B	1170	2	129-00126	4170	33
124-00088	4230	27	124-00299A	6490	13	129-00127	4190	35
	4240	27		6500	4	129-00128	4190	39
	4310	27		6630	12	129-00129	4190	48
	4320	27		6700	4	129-00130	4190	45
124-00192	1310	63		6770	4	129-00139	4190	98
124-00194	1160	3		6880	13	130422-00001A	4140	9
124-00199D4	3140	14		7000	18	130424-00001	4140	22
	6850	14	124-00300	3130	13	130425-00001	4140	25
	6980	10		6840	1	130426-00010	1190	1B
124-00208D2	1130	31		6970	16		4140	-
	1190	8	124-00302	3130	61	130602-00200	4150	260
	1690	33		6840	61	130702-00065	2141	6-4
	1691	17		6970	19	130702-00066	2141	6-3
	1730	18		7010	6	130702-00118	2175	1G
	1750	7	124-00303	3130	62		6365	1-1G
	1760	26		6840	62	130702-00119	2175	1H
	6470	10		6970	20		6365	1-1H
124-00208D3	1690	32	124-00310A	1150	33	130707-00030	1740	21A
	1691	16	124-00344	1520	32-36		6240	21A
	1700	36	124-00367	3130	12	130707-00042	1740	21A
	1730	17		6180	9		6240	21A
	1760	27		6840	12	130712-00125	2150	7-4
	1800	24		6860	8	130712-00208	2140	6-2
124-00208D4	1700	38		6970	15	130712-00293	2141	6-2
	1760	28	124-00368	3130	15	130713-01619	2161	8-2
	6160	34		6180	7	131002-00085	7080	1
	6470	15		6840	2		7160	1
124-00208D5	1700	39		6860	6	131004-00020A	6910	1B
	1760	29		6970	17	131004-00021A	6910	1C
	6100	21	125-00034A	1610	3-2A	131008-00064A	3110	1A
124-00208D6	1120	32		7170	1-2A		6570	1A
	1320	98	125-00035A	1620	2-2A		6640	1A
	6100	20	125-00071B	1630	4-2A		6710	1A
	6150	16	125-00072	1520	32-11		6910	1A
	6151	16	125-00073B	1500	49-4A	131008-00067A	4230	2
	6160	9	125-00074B	1500	49-5A		4230	4
124-00208D7	1330	42	125-00075A	1650	13		4240	2
	1780	7	125-00077	1510	70		4240	4
124-00208D8	1350	95	125-00078	1510	71		4260	2
124-00208D9	1320	44	125-00096A	1500	49-4		4260	4
124-00209D1	1210	31	125-00097A	1500	49-5		4280	2
	1210	9	129-00043	4210	17		4280	4
	1800	25	129-00044	4100	157		4290	2
	6410	9	129-00045	4120	310		4290	4
124-00209D2	1390	35	129-00062	4130	310		4310	2
124-00209D3	1390	47	129-00071	4250	29		4310	4
124-00209D8	1390	51		4330	29		4320	2
124-00218	1271	34	129-00124	4190	21		4320	4
124-00247	1270	82	129-00125	4190	26	131008-00074A	3100	1A

Part No.	Fig No.	Key No.	Part No.	Fig No.	Key No.	Part No.	Fig No.	Key No.
131008-00074A	6900	1A	160-00020	1190	7	160702-00056	6920	-
131008-00130	4250	2		1680	8	160702-00057	6930	-
	4250	4		3110	29	160702-00628	1115	-
	4330	2		3140	11	160702-00629	7220	-
	4330	4		3160	8	161-00010	1480	1
131150-2620	016	301B		6570	29	161-00011	1480	2
131424-1520	016	301D		6590	8	161-00080	4210	9
133-00172	1260	7		6640	29	161-00195	1500	34
133-00220E	1520	37		6660	8		1520	34
133-00221	1520	32-9		6710	29		6340	8
133-00229A	1540	10		6730	8	161-00281	1271	35
133-00230A	1540	11		6850	11		3130	20
133-00248	1500	49-4C		6910	27		6180	8
	1500	49-5C		6980	8		6840	20
136-00002	1220	11		7020	14		6860	7
136-00055A	1520	32-12	160-00027	1190	12		6970	24
137-00092	1520	32-10	160-00040	1260	18	161-00381	1540	14
140-01484B	1271	2	160-00061	7080	1		6170	22
140-01485B	1271	3		7160	1	161-00382	1540	15
140-01601C	1280	4	160-00068A	1100	6		6480	27
140-01602C	1280	5	160-00069	2180	16	161-00404	7100	9
140-01603A	1230	6		2185	16	161-00548	1120	18
140-01604C	1240	4	160-00071	1540	5	161-00550	1120	19
140-02009A	1250	2	160-00072	1540	6	161-00574	3130	19
140109-00048	2100	2	160-00073A	1540	26		6840	19
	2105	2	160-00074A	1490	121		6970	23
140204-00005	2120	5-2B	160-00075A	1490	122		7010	16
142-00126A	2100	9	160-00080B	1540	7	161-00580	1630	29
142-00127C	1500	52	160-00081	1100	33	161-00598A	1490	59
142-00128B	1500	51	160617-00115	2100	1	161-00599	6260	4
145-00124A	1520	32-18	160617-00115A	2100	1	161-00600	6260	8
148-00012	4210	16	160617-00115B	2100	1	161-00609E	1510	84
150102-00439	4130	205	160617-00115C	2100	1	161-00610E	1510	85
150109-00016	7180	-	160617-00115E	2100	1	161-00613B	1510	90
150109-00018	1120	-	160617-00290	2105	1	161-00613C	1510	90
	1130	-	160620-00073	1100	-	161-00614	1660	15
	1150	-	160620-00074	1100	1	161-00618B	1500	63
150120-00034	1510	87	160620-00074B	1100	1	161-00619B	1500	64
150120-00035	1510	86	160620-00074E	1100	1	161-00620	1520	32-28C
155-00061	6910	2	160620-00074G	1100	1	161-00621B	1520	32-28
156639-8820	016	301E	160620-00074H	1100	1	161-00622	1470	23
159-00017	4210	18	160620-00074K	1100	1	161-00623	1520	32-6
159-00227	1260	14	160620-00074L	1100	1	161-00624	1470	34
159-00287B	1400	8	160620-00074M	1100	1	161-00639	6260	13
	1410	8	160702-00046	1110	1		6270	8
159-00290B	1400	7		7190	1		6280	6
	1410	7	160702-00048	1110	-	161-00640A	1490	30
159-00294C	6270	1	160702-00049	7190	-	162-00033A	1520	32-3C
	6280	1	160702-00055	6920	1	162-00034B	1500	7
160-00008	4270	5		6930	1	162-00035A	1490	6

Part No.	Fig No.	Key No.	Part No.	Fig No.	Key No.	Part No.	Fig No.	Key No.
162-00038	1490	9	180102-00743	1500	119	181-00809	6100	1C
162-00039A	1490	8	180102-00744	1500	118	181-00810	6100	1D
162-00040A	6270	2	181-00008	6410	7	185-00167D3	6100	12
	6280	2	181-00078D1	1340	177-2	185-00410C	1170	10
170-00004	1170	11		6150	51-2	186-00017A	1200	9
170301-00111	1190	1		6151	51-2	190-00122	5130	10
170301-00111A	1190	1		6200	3	190-00522A	5130	15
170301-00111B	1190	1		6440	13	190-00648A	5130	16
170303-00049	1190	1A		6890	13	190-00652	5130	4
	4130	-		6990	12	190-00691A	5130	12
170303-00049B	1190	1A	181-00078D5	6220	3	190-00692	5130	13
	4130	-		6870	3	190-00694	5130	11
170401-00039	2110	3	181-00086D1	1340	177-6	190-00695A	5120	10
170401-00039A	2110	3		6150	51-6	190-00703	5130	14
170401-00039B	2110	3		6151	51-6	190-01172	6100	19
	2115	3		6380	5-4	190-01192D2	1690	28
170402-00028	4160	-		6390	5-5	190-01192D24	1691	14
170403-00134	4150	-	181-00086D2	1340	177-7	190-01192D26	1691	21
171-00060A	6260	3		6150	51-7	190-01192D29	1691	20
172-00053B	1550	1-1		6151	51-7	190-01192D7	1690	29
172-00055A	1510	91		6380	5-5	190-01192D8	1690	30
180-00077D3	3110	34		6390	5-6	191-02990C	1100	28
	6570	34	181-00103	1190	4	191-03166C	1510	17
	6640	34		3140	18-4	191-03279A	6260	9
	6710	34		6850	17-4	191-03280A	6260	10
	6910	20		6980	13-4	191-03283	1520	32-28A
180-00077D5	3110	26	181-00144D5	1340	92	191-03736E	7130	14
	6570	26	181-00318	4110	496	193-00912	1170	7
	6640	26	181-00519	4100	490	193-00913A	1170	4
	6710	26	181-00525	3140	18-2	195-00163	6220	4
180-00198	4200	18		6850	17-2		6440	16
	4210	22		6980	13-2		6870	4
180-00199	4210	23	181-00565	4170	71		6890	16
180-00211	4120	309	181-00628	4190	37		6990	14
180-00220	4130	307	181-00630	4190	43	195-00463	4100	251
180-00221	4130	308	181-00631	4190	52	195-01683A	6170	2
180-00276	4260	21	181-00633	4170	60	195-01684A	6480	4
	4280	21	181-00646	4180	91	195-01805	7100	1
	4290	21	181-00647	4170	92	195-02079	1260	10
180-00297D3	2100	2A		4190	92	195-02157	1260	28
180-00398	4190	47	181-00649	4170	93	195-02465	1120	14
180-00400	4190	102	181-00698	1190	1D	195-02622C	1720	30
180-00402	4180	66	181-00701	4170	72	195-02623B	1100	31
180-00403	4180	65		4180	105	195-02624C	1630	41
180-00441	2175	11		4180	72	195-02643C	1120	26
	6365	1-11	181-00779	6150	7	195-02662B	6100	2
180-00445	4190	55		6151	7	195-02706C	1630	27
180-00463	1100	7		6160	7	195-02711B	6150	9
	2100	11		6470	14	195-02716C	1320	8
	2105	11	181-00804	7130	3	195-02719C	1520	38

Part No.	Fig No.	Key No.	Part No.	Fig No.	Key No.	Part No.	Fig No.	Key No.
195-02729	1490	58	200103-00102A	6350	1-1	2114-1058D31	6340	15
195-02739C	1500	49-2		6360	1-1	2114-1058D45	1610	3-9
195-02740E	1500	49-3		6370	1-1		1620	2-10
195-02753C	1400	1	200104-00021	2150	7		7170	1-9
195-02755C	1410	1	200104-00044	2150	7	2114-1058D46	1240	54
195-02768E	1460	14	200105-00022	2140	6	2114-1058D52	1800	29
195-02769E	1460	15	200105-00025	2141	6	2114-1058D54	1630	52
195-02770E	1460	18	200106-00191	2175	-		1650	52
195-02771C	1470	14	200106-00262D1	2175	4		1740	3
195-02772G	1470	15	200106-00262D3	6365	1-4		6240	3
195-02774A	1470	22	200106-00317	6350	-	2114-1058D56	1650	23
195-02775A	7070	2	200106-00318	6360	-	2114-1058D68	1630	19
195-02785E	1470	24	200106-00319	6370	-	2114-1058D72	1240	54
195-02868C	1400	5	200106-00346	2170	-		6100	5
195-02883B	1280	23	200106-00346A	2170	-	2114-1154	1630	37
195-02884B	1280	105	200106-00347	6350	1	2114-1737	1310	64
195-02904C	1420	1-2	200106-00347A	6350	1	2114-1813	1200	14
195-02908E	7050	3	200106-00348	6360	1		1220	17
195-02909A	7090	1	200106-00348A	6360	1	2114-1814	1200	15
195-02910C	7060	1	200106-00349	6370	1		1220	18
	7110	1	200106-00349A	6370	1	2114-1816A	1130	28
195-02925A	7100	5	200106-00432	6365	1		2110	26
195-02948A	1580	1	200106-00440	6365	-		2115	26
195-02949A	1570	1	200108-00008A	2115	4	2114-1817	1100	92
195-03123E	6200	2	200108-00095	2110	4	2114-1831A	3120	9
195-03374C	6270	5	200112-00022	2100	9		6510	6
195-03434E	1590	8	200112-00073	2100	9		6520	6
195-03435B	6110	52	200112-00073A	2100	9		6530	6
	6130	52		2105	9		6540	6
195-03436B	6110	51	204-00067	1170	1		6550	6
	6130	51	204-00070	1170	1D		6560	6
195-03437E	6120	3	204-00075	1170	1C		6780	9
	6140	3	2106-1019D10	1800	30		6790	9
195-03444	7130	11		5110	8		6800	9
198-00016	1320	9	2106-1019D18	7180	2		6810	9
	1390	6	2107-6006	1800	13		6820	9
198-00036A	1500	123	2109-9033	4140	4		6940	9
198-00053A	1520	32-8	2110-1184D7	4210	27	2114-1848A	3120	4
198-00054A	1490	5		4270	2-2		6510	1D
2.121-00009	4130	102	2110-1329A	6910	1B		6520	1D
2.172-00003	1450	9	2110-1330A	6910	1C		6530	1D
200101-00033	2120	5	2110-1366A	6910	2A		6540	1D
200102-00052	2120	5-2	2114-1058D10	1320	39		6550	1D
200103-00084A	2175	1		1390	38		6560	1D
	6365	1-1	2114-1058D2	1480	4		6780	4
200103-00102	2170	1	2114-1058D29	1770	4		6790	4
	6350	1-1		1800	19		6800	4
	6360	1-1	2114-1058D30	1610	3-11		6810	4
	6370	1-1		1620	2-12		6820	4
200103-00102A	2170	1		7170	1-11	2114-1856	1520	42

Part No.	Fig No.	Key No.	Part No.	Fig No.	Key No.	Part No.	Fig No.	Key No.
2114-1859	6940	4	2114-1898D5	6270	9	2120-2165	1170	12
2114-1898D1	1480	7		6280	8	2120-2166D1	1520	32-23
	1540	4	2114-1898D6	1500	26		1520	41
	1570	3		6270	10		1540	3
	1580	3		6280	11		1570	2
	6340	12		6340	17		1580	2
	7090	2		7050	5	2120-2166D10	1400	10
2114-1898D10	6340	16	2114-1901A	4140	11		1410	10
2114-1898D13	1490	76	2114-1929	1120	17		1430	3
	1510	76	2114-1994B	6910	24		1470	26
2114-1898D14	1260	31	2114-1995B	6910	25		1510	14
	1420	1-5	2114-2031D1	1510	97		6280	10
	1420	5	2114-2031D4	1420	6	2120-2166D12	1470	29
	1460	31		1460	33		1490	25
	1470	28	2114-2031D5	1390	36		1500	25
	1490	18	2114-6035	2175	1J		1500	49-12
	1500	18		6365	1-1J		1520	25
	1520	18	2114-9012A	1100	21	2120-2166D18	1510	99
	1540	9		1120	25	2120-2166D2	1480	6
	1560	6		1190	10		1550	1-2
	6260	17		2100	27	2120-2166D23	1460	26
2114-1898D15	1430	4		2105	27	2120-2166D26	1490	77
	1520	23	2116-1060D6	3100	16		1510	77
	1520	32-22		3110	19	2120-2166D27	6290	3
	1525	3		6570	19		6300	2-3
	1550	1-3		6640	19		6300	4
2114-1898D17	1420	8		6710	19		6340	10
	1540	2		6830	16	2120-2166D28	1490	20
	6290	2		6900	16		1500	20
	6300	2-2		6910	14		1500	49-11
	6300	3		6910	26		1510	20
	6340	9	2116-1472A	6900	30		1520	20
2114-1898D18	1420	11	2116-1522	1610	3-4		1520	32-30
2114-1898D2	1500	49-13		1620	2-3	2120-2166D32	6340	23
	1520	32-25		7170	1-4	2120-2166D36	1460	35
	1520	46	2116-1531A	3100	7		1470	30
	6340	13		3110	32	2120-2166D37	6270	11
2114-1898D3	1490	19		6570	32		6280	12
	1500	19		6640	32	2120-2166D4	1525	2
	1500	49-10		6710	32		1540	16
	1510	19		6830	7	2120-2166D41	1220	22
	1520	19		6900	7	2120-2166D5	1260	30
	1520	32-29	2119-1063B	1190	1J		1420	1-3
	1560	3	2119-1065	4140	30		1420	10
	6260	14	2120-1354	1720	13		1460	32
	7130	12	2120-1413D12	1240	53		1470	35
2114-1898D4	1400	19	2120-2137A	1100	91		1490	47
2114-1898D5	1460	36	2120-2150D1	1520	43		1520	32-24
	1470	31	2120-2150D3	1520	28		1520	47
	1510	113		1520	32-33		6340	22

Part No.	Fig No.	Key No.	Part No.	Fig No.	Key No.	Part No.	Fig No.	Key No.
2120-2166D52	1400	16	2123-2180G	3100	2	213-00037B	1470	3
	1410	11		6830	2	213-00038B	1470	4
	1460	23		6900	2	213-00039B	1470	5
	1500	49-15	2123-2185G	3100	5	213-00040A	1470	21
	1500	80		6830	5	2132-1133B	1540	22
	1510	80		6900	5	2132-1134B	1540	21
	1520	32-31	2123-2187E	3100	6	2138-9006B	1260	11
	6270	6		6830	6	2140-1338	1500	55
	6280	9		6900	6		1510	55
	6340	25	2123-2192E	3110	10	2140-1406	4140	29
2120-2166D53	1400	9		6570	10	2142-9005	1520	33
	1410	9		6640	10	2150-1122	1260	6
	1430	5		6710	10	2150-1132A	1520	32-14
	1460	24	2123-2247	1520	32-19	2150-1133	1510	93
	1470	27	2123-4030	1190	13	2155-1299B	3110	3
	1490	111	2123-6060	2175	1E		6570	3
	1510	111		6365	1-1E		6640	3
	1520	32-37	2123-6119	1520	32-3B		6710	3
2120-2166D54	7050	4	2124-1025D5	1280	33	2155-1300B	3110	4
2120-2166D55	1540	1	2124-1025D6	1280	32		6570	4
2120-2166D57	1460	38	2124-1026D1	6880	20		6640	4
2120-2166D58	1470	36		7030	11		6710	4
2120-2166D7	1490	31	2124-1084D2	6440	15	2155-1306B	6910	3
	1510	31		6990	13	2155-1307B	6910	4
	6260	16	2124-1353D2	3140	15	2160-1004D31	1100	38
2120-2166D9	1560	4		6850	15	2160-1004D39	1100	16
	7130	13		6980	11	2160-1004D48	1100	15
2120-2187	1800	31	2124-1509D1	1260	25	2160-1004D55	1100	27
2120-2235	1730	15		1750	8	2160-1201D11	1100	17
2120-6017	2175	2		1760	24	2160-1201D12	1100	26
	6365	1-2		7070	6	2160-1201D13	1100	25
2121-1305	1700	59	2124-1509D10	1260	21	2160-1212	1760	4
	1730	24		1730	19	2160-1213	1760	5
	1731	24	2124-1509D2	1210	8	2160-1310	1490	21
	7250	24	2124-1689A	1520	32-20	2160-1336	6100	12C
2121-1311D1	1420	9	2125-1095A	1470	16	2160-1345	1570	4
	6340	18	2125-9055	1520	35	2160-1346	1580	4
2121-1311D2	1420	7	2127-1002A	1520	48	2161-2212	1510	72
	6340	14	2129-1008	1220	12	2161-2487	1540	25
2121-1311D4	1500	39	2129-1236	2130	6	2161-9052	1610	3-5
	1520	39	2129-1393	1220	4		1620	2-4
	6340	11	2129-1446	1520	117		7170	1-5
2121-9007	1480	5	213-00029C	1460	13	2161-9053	1610	3-6
2122-1002D2	5190	2	213-00030B	1460	8		1620	2-5
	6340	25	213-00031E	1460	9		7170	1-6
2122-1002D4	5130	17	213-00032B	1460	10	2172-9021	1520	32-17
2123-1011	2120	5-2G	213-00033B	1460	11	2180-1026D19	1270	59
	2125	5-2G	213-00034E	1460	12		1271	59
2123-1107D7	1100	14	213-00035B	1460	7		1280	59
2123-1915A	6900	29	213-00036B	1470	2		1290	59

Part No.	Fig No.	Key No.	Part No.	Fig No.	Key No.	Part No.	Fig No.	Key No.	
2180-1026D19	1300	59	2180-1106BD24	6570	13	2181-1116D2	2140	6-12	
	1310	59		6640	13		2150	7-7	
	2180	9		6710	13		2160	8-15	
	2185	9		6830	11		2161	8-15	
	3130	24		6900	11		4130	312	
	6110	14		6910	10		4140	27	
	6120	1B		2180-1106BD3	6910		11	4150	55
	6130	17			2180-1106BD4		3110	12	4200
	6130	64		6570			12	2181-1116D3	4250
	6140	1B		6640	12		4330		31
	6180	5	6710	12	2181-1116D4	4130	311		
	6190	4	2180-1106BD6	3100		10	4140	28	
	6600	3		3100	1B	2181-1126D103	1360	28	
	6670	4	3110	14	2181-1126D115		1230	58	
	6740	4	6570	14		2181-1126D14	1320	25	
	6840	13	6640	14	1330		139		
	6860	4	6710	14	1330	25			
	6970	29	6830	10	1360	25			
	7010	10	6830	1B	1390	29			
	2180-1026D2	1280	58	6900	10	2180	13		
1300		58	6900	1B	2185	13			
3130		22	2180-1217D109	4170	89	6160	3		
3150		4		2180-1217D96	4250	15	6170	10	
6450		5	4330		15	6420	3		
6580		4	2180-1254	4140	7	6470	3		
6620		5	2180-6005	2141	6-11	6480	23		
6650		4	2180-6086	1800	92A	2181-1126D27	1360	26	
6690		5	2180-6088	1800	20A		1370	26	
6720		4	2180-9005B	2140	6-14	1380	26		
6760		5		2141	6-12	2181-1126D28	1370	27	
6840		22	2180-9020	2120	5-2E		1380	27	
6970		27		2125	5-2E	2181-1126D36	1370	84	
7010		11	2180-9098	2150	7-9		1390	55	
2180-1026D24		1240	34	2180-9153	5110	11	6150	3	
	1250	34	2181-1110D3	1190	1C	6151	3		
2180-1026D27	1240	35	2181-1111D11	3160	10	2181-1126D38	1330	27	
2180-1026D28	1240	51		6590	10		2181-1126D6	1230	14
2180-1026D30	6490	8	6660	10	1250	14			
	6500	15	6730	10	1320	23			
	6630	4	7020	24	1330	135			
	6700	15	2181-1116D1	3110	30	1330	23		
	6770	15		4150	91	1360	23		
	6880	8	4210	4	1390	54			
	7000	13	6570	30	2180	12			
	7030	9	6640	30	2185	12			
	2180-1026D31	1230	37	6710	30	6460	11		
		1240	37	6910	28	2181-1126D7	1340	24	
2180-1106BD14	6910	21	2181-1116D10	4150	54		1350	24	
2180-1106BD24	3100	11	2181-1116D2	2120	5-2H	1360	24		
	3110	13		2125	5-2H	1370	83		

Part No.	Fig No.	Key No.	Part No.	Fig No.	Key No.	Part No.	Fig No.	Key No.
2181-1126D7	1380	91	2181-1923D12	3160	13	2181-2170	6130	62
	6200	23		6590	13	2181-2218D6	1271	76
	6410	8		6660	13	2181-2281D10	2180	11
	6430	4		6730	13		2185	11
	7200	3		7020	21	2181-2281D21	1360	16
2181-1126D85	6200	5	2181-1925	1680	2	2181-2293D4	6110	13
	6440	10		3140	6		6110	44
	6890	10		6850	6		6130	16
	6990	10		6980	6		6130	44
2181-1159	1780	3	2181-1950D1	1230	83		6140	10
2181-1160A	1780	4		1240	101	2181-2294D2	1230	85
2181-1161A	1780	5		1240	20		6460	27
2181-1184	3160	4		1240	92	2181-2295D4	6380	4
	6590	4		1330	137	2181-2337D13	4170	61
	6660	4		4120	466	2181-2434	4170	88
	6730	4		4130	110	2181-2527	1680	6
	7020	12		4220	5	2181-2627D1	1310	38
2181-1702D10	1360	17	2181-1950D2	1240	111		6460	20
2181-1702D2	1320	19		1340	141	2181-2627D3	1310	39
	6460	22		1350	161	2181-2627D5	1240	18
2181-1702D3	1340	142		4100	467	2181-2635	1340	22
	1350	162	2181-1950D3	1230	81	2181-2755B	6100	1A
	6200	7	2181-1950D5	4100	466	2181-2774	1780	1
2181-1702D34	1360	21	2181-1950D7	1190	1G	2181-2815D1	6120	2
2181-1702D36	1230	58		1210	32		6140	2
2181-1702D4	1320	18		1220	24	2181-2815D3	6600	41-6
	1330	18	2181-1950D9	1230	82		6600	42-6
	1340	18		1240	91		6670	41-6
	1350	18		1270	77		6670	42-6
	6150	5		1271	77	2181-2816D1	6620	31
	6151	5		6180	13		6760	7
	6155	2		6860	12	2181-2816D2	6130	61
	6160	4	2181-1951D1	1340	151		6190	41-3
	6170	11		6150	6		6190	42-3
	6470	4		6151	34		6740	41-3
	6480	29		6151	6		6740	42-3
2181-1702D5	1380	24		6160	5	2181-2816D4	6190	41-6
	7200	4	2181-1951D16	1340	15		6190	42-6
2181-1702D51	7200	5		1350	15		6500	32
2181-1702D56	2180	17	2181-1951D19	1330	99		6630	31
	2185	17		6150	30		6700	32
2181-1702D73	1250	19	2181-1951D5	1250	61		6740	41-6
2181-1702D9	1360	96	2181-1951D6	1320	14		6740	42-6
2181-1890D2	1200	21		1360	14		6770	32
	1220	27		6170	9		7030	52
	4100	468		6480	22	2181-2817D1	6450	41
	4150	52	2181-1951D7	6480	12		6620	33
2181-1890D4	4150	63	2181-2104D6	6100	9		6690	41
	4160	128	2181-2170	6110	23		6760	41
2181-1913D24	1190	1H		6130	30	2181-2817D2	6190	41-4

Part No.	Fig No.	Key No.	Part No.	Fig No.	Key No.	Part No.	Fig No.	Key No.
2181-2817D2	6190	42-4	2181-4133D6	6600	41-3	2184-1045D126	3140	4
	6600	41-4		6600	42-3	2184-1045D177	6151	18
	6600	42-4		6670	41-3	2184-1045D254	3140	5
	6670	41-4		6670	42-3		6980	5
	6670	42-4	2181-6005	2141	6-10	2184-1046D120	1320	69
	6740	41-4	2181-9078	1271	29	2184-1046D169	6151	22
	6740	42-4		1290	29	2184-1046D187	1330	132
2181-2817D4	6190	41-8		1300	29	2184-1046D50	1190	2
	6190	42-8		1310	29	2184-1046D68	6151	24
	6500	33		2180	5	2184-1046D94	1320	68
	6600	41-8		2185	5	2184-1060D70	1330	100
	6600	42-8		3130	23	2184-1070D49	2185	1
	6630	33		6110	10	2184-1100D178	3150	2
	6670	41-8		6130	20	2184-1100D59	6650	2
	6670	42-8		6130	63	2184-1100D78	6190	2
	6700	33		6180	10		6600	1
	6740	41-8		6190	3	2184-1100D90	6670	2
	6740	42-8		6600	2	2184-1197D31	6460	25
	6770	33		6670	3	2185-1308D5	1770	7
	7030	53		6740	3		1770	8
	2181-2820D1	6230	4		6840	23	2185-1660	1490
6610		4		6860	9	2185-1737D8	1230	38
6680		4		6970	28	2185-1776D2	1240	12
6750		4		7010	12	2190-2480	5120	4
						2190-2533A	5130	7
2181-4112	3140	13	2181-9079	1280	30	2190-2556D179	5140	1
	3160	20		1300	30	2190-3297	5120	2
	6590	20		3130	25	2190-3379A	5130	3
	6660	20		3150	3	2190-3388	5120	9
	6730	20		6450	4	2191-3705C	1270	84
	6850	13		6580	3	2195-1534	1720	22
	6980	9		6620	4	2195-2394B	1750	2
	7020	22		6650	3	2195-3500	1760	17
2181-4125	2180	15		6690	4	2197-1660	1750	10
	2185	15		6720	3		1760	20
2181-4133D12	6460	21		6760	4		1760	20
2181-4133D3	6460	10		6840	14	2197-1661	1320	31
	6500	9		6970	30		1750	5
	6630	7		7010	13		1760	21
	6700	9	2181-9081	1270	28		7060	4
	6770	9		1271	28		7070	5
	7030	7		2180	6		7090	4
	2181-4133D5	1230	15		2185	6		7110
6450		11	2181-9083	1290	31	2197-1777A	1260	1
6620		12		1300	31	2197-1793	1730	11
6690		12	2184-1036D11	3160	2		1731	11
6760		12		6590	2		7250	11
2181-4133D6	6110	11	2184-1036D199	7020	11	2197-1798C	1800	5
	6110	56	2184-1036D293	1250	39	2197-1802A	1260	19
	6130	14	2184-1036D38	7020	10	2199-1004	5100	1-10
	6130	56	2184-1036D43	1190	1K	2199-1005	5100	1-11

Part No.	Fig No.	Key No.	Part No.	Fig No.	Key No.	Part No.	Fig No.	Key No.
2199-1063F34A	5100	1	230104-01254	6800	1	2471-1154	1320	3C
2199-1063F34B	5100	1	230104-01255	6810	-		5110	2
2199-1063F34C	5100	1	230104-01256	6810	1	2471-1155A	1320	3E
2199-9007	5100	3	230104-01257	6820	-	2472-7003	1320	3B
2199-9008	5100	2	230104-01258	6820	1	2474-7009	1180	3B
2199-9009	5100	1-15	230104-01259	6510	-	2474-7009K	1180	3H
2199-9043	5100	1-1	230104-01261	6510	1A	2474-9016A	1220	10
2199-9058	1510	92	230104-01262	6520	-	250106-00125	1540	-
220101-00192A	1490	-	230104-01264	6520	1A	250106-00125A	1540	-
	1500	-	230104-01266	6530	-	250106-00126	1540	12
	1510	-	230104-01268	6530	1A	250106-00126A	1540	12
	1520	-	230104-01269	6540	-	2502-9009	7230	21
220101-00192B	1490	-	230104-01271	6540	1A		7240	-
	1500	-	230104-01272	6550	-	250201-00028	1610	3-4
	1510	-	230104-01274	6550	1A		1620	2-3
	1520	-	230104-01275	6560	-		7170	1-4
220101-00192G	1490	-	230104-01277	6560	1A	250201-00795A	1691	1
	1500	-	230201-00104	3110	-	250201-01934	4130	213
	1510	-	230201-00105	6640	-	2506-1104	1720	1
	1520	-	230201-00106	6570	-	2512-1095D1	5110	10
220101-00192H	1490	-	230201-00107	6710	-	2515-1016D4	1720	25A
	1500	-	230201-00137	6910	-		5110	17
	1510	-	230204-00067	6910	1		7050	1A
	1520	-	230204-00083A	3110	1		7060	3A
220101-00192K	1490	-	230204-00083B	3110	1		7070	7A
	1500	-	230204-00083E	3110	1		7140	1A
	1510	-	230204-00084A	6640	1		7150	1A
	1520	-	230204-00084C	6640	1	2515-1021D1	1510	75A
220103-00574	6340	2	230204-00085A	6570	1	2515-1022D1	1750	1A
220111-00022	1400	-	230204-00085C	6570	1		5110	16
220111-00023	1410	-	230204-00086A	6710	1	2516-1116	1700	32
220204-00099	1400	3	230204-00086C	6710	1	2523-9016	1260	13
220204-00100	1410	4	230204-00168B	6910	1	2527-1016	1700	5A
220205-00024	1500	49	230207-00081	3100	-		1700	6A
220205-00024B	1500	49	230207-00082	6830	-		5110	19
220214-00023B	1490	6	230207-00127	6900	-	2527-1017	1700	5B
2204-6039A	1800	2	230211-00054A	3100	1		1700	6B
2208-6013B	1800	9	230211-00144A	6900	1		5110	20
2220-1013	2120	5-2C	2401-1276KT	6100	1G	2527-1018	1700	5C
	2125	5-2C	2412-1040	4140	3		1700	6C
229-00025C	1180	2	2415-1018	1720	35		5110	21
230104-01198	6940	-	2420-1258	6100	12A	2527-1023A	1720	14
230104-01199	6940	1	2423-1470	1390	4		5110	23
230104-01245	3120	-	2426-1175	1220	6	2527-1025	1700	5D
230104-01246	3120	1	2426-1237	1320	3D		1700	6D
230104-01249	6780	-	2460-9057A	1330	4		5110	22
230104-01250	6780	1	2471-1133	6150	4	2527-9004	1720	12
230104-01251	6790	-		6151	4	2528-9040	1700	18
230104-01252	6790	1	2471-1135	1390	23	2531-1003	1690	8
230104-01253	6800	-	2471-1152	6100	12B		1690	9

Part No.	Fig No.	Key No.	Part No.	Fig No.	Key No.	Part No.	Fig No.	Key No.
2541-9020	1510	81	2705-1022	6940	3	300426-00012A	1700	1
2543-9015	1690	6	2705-1030	4140	19	300512-00010	1490	73
	1691	3	2705-9002	1610	3-26	300516-00003	019	1
2544-1022	1720	15		1620	2-9	300516-00041	019	1
2544-9024	1720	8		1650	36	300609-00069	4150	C
2544-9033	1690	15		7170	1-26	300611-00003	1700	54
	1690	16	271-00026	2120	5-2B	300611-00042	1690	2
	1690	17		2125	5-2B		1691	101
	1690	18	2713-1059A	3120	5	300611-00042A	1691	101
	1690	19		6510	2	300611-00042B	1691	101
	1690	20		6520	2	300611-00138	1700	54
	1690	21		6530	2	300611-00271	1691	4
	1690	22		6540	2	300612-00001A	1691	5
	1690	23		6550	2	300619-00056	1700	-
	1691	11		6560	2	300619-00056A	1700	-
	7040	7		6780	5	300619-00056B	1700	-
	7130	17		6790	5	300619-00056C	1700	-
2547-1015	1730	10		6800	5	300619-00056E	1700	-
	1731	10		6810	5	300619-00265	1760	-
	7250	10		6820	5	300619-00316	1690	-
2547-9038B	1730	8	2713-1060A	3120	6	300619-00514A	1691	-
	1731	8		6510	3	300619-00514B	1691	-
	7250	8		6520	3	300619-00793	1710	-
2547-9045	7120	3		6530	3	300619-00793A	1710	-
2548-1027	1760	1A		6540	3	300619-01062	7130	-
2549-9112	1340	10		6550	3	300619-01069	7040	-
2550-1014D1	1760	2		6560	3	300619-01893	1740	-
2550-1014D2	1760	3		6780	6	300619-01896	7230	-
2553-1275D39	1760	10		6790	6	300619-01900	7250	-
2553-1275D46	1760	14		6800	6	300637-00009	6250	1
2553-1275D69	1760	15		6810	6	300637-00012	6250	-
2553-1275D7	1760	15		6820	6	300654-00037	6400	1
2553-1275D78	1760	6	2713-1218A	3120	1A	300654-00039	6400	-
2553-1275D81	1760	16		6510	1AA	300661-00004	1710	3
2553-1275D88	1760	16		6520	1AA	300705-00013A	7080	-
270-00054B	1500	49-6		6530	1AA	300705-00013B	7080	-
270-00063B	2120	5-2		6540	1AA	300705-00014A	7160	-
	2125	5-2		6550	1AA	300705-00014B	7160	-
2705-1020	3120	3		6560	1AA	300705-00032	7100	-
	6510	1C		6780	1A	300705-00032A	7100	-
	6520	1C		6790	1A	300705-00037	7080	5
	6530	1C		6800	1A		7100	10
	6540	1C		6810	1A		7160	5
	6550	1C		6820	1A	300710-00023	7080	5A
	6560	1C	2713-1222B	6940	1A		7100	10A
	6780	3	2713-1228A	6940	6		7160	5A
	6790	3	2713-1229A	6940	5	300726-00002	1720	26
	6800	3	284-00005	4100	30	300726-00003	1720	27
	6810	3	2891-1311	1520	32-26	300730-00006	1700	16
	6820	3	300426-00012	1700	1	300803-00086	1731	14A

Part No.	Fig No.	Key No.	Part No.	Fig No.	Key No.	Part No.	Fig No.	Key No.
300803-00086	5110	24	400309-00345A	6420	1	405-00008	4100	113
	7250	14A	400309-00347	4320	-	407-00001	6100	1F
300901-00033	6240	21		6420	2	408-00013	4100	156
300901-00034	1740	21	400309-00347A	4320	-	409-00003	4100	532
301202-00042	1691	12		6420	2	409-00049	4190	95
301202-00067	1731	1	400310-00214	3150	1	409-00050	4190	97
	7250	1		4260	-	410102-00024	4130	400
301316-00016	1200	18	400310-00215	4280	-	410113-00021A	1380	2
310101-00035	1731	17		6580	1		4200	-
	7250	17		6650	1	410113-00022A	1370	1
310203-00020	1760	31	400310-00216	4290	-		4200	-
310207-00417B	1700	25		6720	1	410114-00154	6440	4
310207-00425A	1691	15	400315-00026	1630	4-7		6890	4
310207-00708	1700	28	400337-00452	4250	3		6990	4
310207-01044	1731	14		4330	3	410116-00410	4130	105
310207-01176	1760	1	400337-00453	4260	3	410127-00058	4150	400
310207-01182	1710	9		4280	3	410127-00058A	4150	400
310207-02450	7250	14		4290	3	410127-00095	4130	107
352-00014	4130	305	400337-00454	4230	3	410127-00190	4150	400
	4150	216		4240	3	410132-00007	6130	1
354-00003	4270	12		4310	3	410132-00008	6130	2
359-00021A	1510	87		4320	3	410137-00030A	6190	41
359-00022A	1510	86	400411-00001A	1220	21		6740	41
400305-00219	3130	81	400504-00045	1200	5A	410137-00031A	6190	42
	4250	-	400701-00004	4150	200		6740	42
	6840	81	400826-00011A	2161	8	410137-00032A	6600	41
	6970	61	400908-00004	016	301AA		6670	41
400305-00220	4330	-	400909-00073	6100	-	410137-00033A	6600	42
	6440	3	400911-00005	1180	-		6670	42
	6890	3	400912-00071	016	301	410137-00067	6190	41-1
	6990	1	400914-00212	1180	1		6600	41-1
400309-00341	3130	71		4100	-		6670	41-1
	4230	-	401-00449	6100	1		6740	41-1
	6840	71	401-00477J	1190	-	410137-00069	6190	42-1
	6970	51	401-00502H	1180	-		6600	42-1
400309-00341A	3130	71	401002-00739	4160	137		6670	42-1
	4230	-	401003-00094	2140	6-6		6740	42-1
	6840	71	401003-00145	2141	6-6	410207-00163	4150	23
	6970	51	401003-00260	6120	1D	410207-00163A	4150	23
400309-00343	3130	72		6140	1D	410207-00175	4200	33
	4240	-	401106-00179	4100	774	410207-00176	4200	34
	6840	72	401106-00181	4130	302	410207-00307	4150	23
	6970	52	401107-00751	2100	2A	412-00006	4100	211
400309-00343A	3130	72		2105	2A	412-00011	4130	202
	4240	-	401107-01315	6440	4A	412-00013	4130	306
	6840	72		6890	4A		4150	215
	6970	52		6990	4A	4132-1138	1520	32-28B
400309-00345	4310	-	401107-01330	2161	*	415-00037	4180	63
	6420	1	402-00026A	4100	271	415-00043B	1470	6
400309-00345A	4310	-	402-00036	4270	6	415-00044B	1460	19

Part No.	Fig No.	Key No.	Part No.	Fig No.	Key No.	Part No.	Fig No.	Key No.
415-00045B	1460	17	420212-00576	1271	-	426-00171	4190	44
415-00046B	1460	16	420212-01713	6190	-	426-00172	4190	49
416-00004	4100	534	420212-01715	6600	-	426-00173	4190	51
416-00005	4100	535	420212-01717	6670	-	426-00182	4190	100
416-00019B	1500	29	420212-01719	6740	-	426-00247B	6160	1
4185-1777	1720	34	420212-02892	1370	-		6470	1
420-00004A	6440	4		1380	-	426-00248A	6130	1
	6890	4		1390	-	426-00249A	6130	2
	6990	4	420212-02892A	1370	-	426-00266	6150	1
420-00110	4130	400		1380	-		6151	1
420-00112	4210	3		1390	-	426-00267A	6110	1
420-00127	4100	79	420212-02892B	1390	-	426-00267B	6110	1
420-00226	6420	6	420212-03011	6200	-	426-00282	7130	2
420-00246	4190	67	420212-05309	3160	-	426-00284B	6460	1
420-00258	4170	69	420212-05310	6590	-	426-00287	6200	1
420-00259	4180	70	420212-05311	6660	-	429-00004	4210	5
420-00282	6380	5-2	420212-05312	6730	-	429-00005	4210	7
	6390	5-2	420212-05313	7020	-	429-00024	4190	20
420-00295KT	4170	*	420212-05427	3150	-	430-00033	4180	8
420-00309	4190	94A	420212-05428	6580	-	430-00035	4180	12
420-00314	4190	24A	420212-05429	6650	-	430-00038	4190	18
420-00352D1	1340	177-4	420212-05430	6720	-	430-00040	4190	22
	6150	51-4	420212-06762	6180	-	430-00041	4190	24
	6151	51-4	420212-06763	6860	-	430-00042	4190	46
420-00467A	1390	3	420212-07077	7200	-	430-00045	4190	94
	4210	-	420212-07078	7210	-	430201-00113	1370	53
420-00476	6150	51-8	420212-07632	2185	-		1380	53
	6151	51-8	420218-00104A	1230	6	430215-00552	4150	C-1
	6390	5-3	420406-01072	4250	1	430216-00004	1340	177
420102-00239	1800	22	420406-01073	4330	1	430216-00005	6380	5
420202-00015	1240	1	420406-01074	4260	1	430216-00006	6150	51
420205-00241	3160	14	420406-01075	4280	1		6151	51
420205-00241A	3160	14	420406-01076	4290	1	430216-00007	6390	5
420205-00283	6660	21	420406-01077	4230	1	430223-00011	1340	101
420205-00284	6730	21		4240	1	450103-00131	1200	-
420205-00304	6590	14		4310	1	450103-00150	1200	1
420207-01840	6180	3		4320	1	450103-00150A	1200	1
420207-01841	6180	4	422-00055	2100	14	450103-00150B	1200	1
420207-01842	6180	14		2105	14	452-00020	4130	309
420207-01846	6860	1	423-00096	4180	1	460103-00039	1470	2
420207-01847	6860	2	423-00097	4180	13	471-00030	4120	355
420207-01848	6860	3	423-00193B	6110	2	471-00075A	1320	3
420207-02037	3160	18	423-00202	1300	24	471-00105A	1200	4
420210-00714	4320	30	424-00042	4210	8	471-00114	6120	1
420210-00714A	4320	30	424-00115	4180	6		6140	1
420212-00225	1230	-	424-00185	4180	2	471-00119	1490	13
	1240	-	424-00199	4180	4	471-00127	1220	21
420212-00266	6390	-	426-00168	4170	32	4713-4004B	6950	2
420212-00336	6110	-	426-00169	4190	34		6960	2
420212-00478	6380	-	426-00170	4190	38	473-00033	1200	2

Part No.	Fig No.	Key No.	Part No.	Fig No.	Key No.	Part No.	Fig No.	Key No.
473-00052	1220	7	534-00062	7160	5	600105-00002	1720	42
474-00039	1170	1A	534-00064	1750	1	604-00277H	2100	1
	5110	4	534-00079	1510	75	621-01507A	1540	13
474-00040	1170	1B	534-00085	1720	25	621-01572	6930	6
	5110	3		7050	1		7190	6
474-00044A	1500	49-16		7060	3		7220	6
474-00046	6120	1A		7070	7	621-02151	1390	5
	6140	1A		7140	1	621-02643C	1720	32
474-00055	1220	5		7150	1	621-02700A	6490	12
	5110	1	534-00117B	6280	-		6880	12
500-00307A	7080	-	538-00011	1490	73	621-02726A	1620	2-6
500-00309C	7100	-	538-00012	7130	1	621-02739B	6100	3
507-00006	1490	102	539-00076E	1700	1	621-02798	6490	14
507-00007	7130	8	541-00015	1490	101		6880	14
515-00012A	1700	1A	541-00016	7130	7		7000	14
	5110	15	543-00095	1700	14	621-02801	1400	17
515-00013	7080	5A	543-00096	1700	15		1410	14
	7100	10A	543-00106	1690	7		1460	27
	7160	5A		1691	4	621-02837A	1490	61
516-00011	7040	3	543-00107	1800	91	621-02849A	1520	36
516-00014	1720	26	544-00007	1730	1	621-02849B	1520	36
516-00015	1720	27	545-00001	1700	16	621-02850B	1310	65
520-00004	1800	16	545-00011	1690	12	621-02864	1490	12
523-00006	1260	12		1691	8	621-02867A	1520	32-21
523-00012	6100	1H	547-00023	1700	51	621-02869C	1520	32-7
527-00005	1730	1A	547-00024A	1780	9	621-02870C	6260	-
	5110	24	547-00026	1200	18	621-02871B	6260	1
527-00006	1700	17	548-00003A	1760	1B	621-02872	6260	2
530-00067	6150	27	549-00010	6150	26	621-02873	6260	7
	6151	27		6151	26	621-02892J	1540	12
	6380	3		6380	1	621-02894G	1470	1
	6390	3		6390	1	621-02895C	1420	1-1
530-00214A	6100	22-2	549-00077	7130	6	621-02896K	1470	-
530-00236	1320	3H	549-00086	1500	57	621-02898G	1410	4
530-00415E	1710	8	549-00089	1400	5A	621-02900B	1410	3
530-00417B	1510	62	549-00090A	1710	6	621-02901B	1400	2
530-00418D2	1750	6	549-00092	6210	1	621-02903C	1460	1
530-00430A	7050	2	549-00093	6100	22-1	621-02904C	1460	3
530-00431	7070	1	549-00095	1240	11	621-02905C	1460	2
530-00432A	6210	2	549-00101	7080	20	621-02907B	1470	10
530-00434B	1700	27		7130	4	621-02908B	1460	6
530-00463A	7060	7	549-00102	7120	1	621-02909G	1460	4
	7090	7	549-00103	1700	19	621-02910C	1510	94
	7110	7		1700	21	621-02911C	1510	95
	7150	2		7040	1	621-02912B	1510	96
530-00464	7080	4		7050	10	621-02913C	1470	7
	7160	4	553-00001D4	1730	20	621-02914C	1470	8
530-00477A	1700	28		1731	20	621-02915B	1470	9
534-00062	7080	5		7250	20	621-02917C	1470	11
	7100	10	554-00005	1490	60	621-02919B	1470	13

Part No.	Fig No.	Key No.	Part No.	Fig No.	Key No.	Part No.	Fig No.	Key No.
621-02920C	1470	19	623-00075B	7170	1-24	65.02120-0002	004	108
621-02925A	1420	1-4	623-00085A	6290	1	65.02122-0001	004	503
621-02926E	1410	2		6300	2-1	65.02301-0245A	004	204
621-02938B	1100	8	623-00086	6290	-	65.02301-5099A	004	201
	2100	10		6300	2	65.02310-0006	004	202
	2105	10	625-00159B	1520	11	65.02401-0163D	004	306
621-02955C	1690	1	65.01101-0030I	001	2	65.02401-6021	004	301
621-02957B	1400	6	65.01101-6079D	001	1	65.02405-0006	004	307
	1410	6	65.01105-1047A	001	5	65.02410-6083B	004	308
621-03005A	1420	4	65.01105-1048A	001	3	65.02410-6124B	004	308
621-03011E	1420	1	65.01110-6090B	001	27	65.02410-6125B	004	308
621-03012G	1400	3	65.01110-6091B	001	27	65.02411-0006A	004	305
621-03014B	1400	4	65.01110-6092B	001	27	65.02501-0416	004	401
	1410	5	65.01112-0021A	001	23	65.02501-0417	004	402
621-03103	6260	12	65.01112-5018	001	24	65.02501-0418	004	403
	6270	7	65.01150-6008	001	28	65.02501-0440	004	400
	6280	7	65.01150-6034A	001	28	65.02501-0443	004	401
621-03113B	1510	67	65.01150-6035A	001	28	65.02501-0444	004	402
621-03114B	1510	68	65.01201-0067	001	31	65.02501-0445	004	403
621-03166	2100	12	65.01201-0068	001	31	65.02502-0082A	004	412
621-03167	2100	13	65.01201-0069	001	31	65.02503-8058	004	404
621-03224B	1480	-	65.01201-0070	001	31	65.02601-5019	004	501
621-03449E	1620	2-2	65.01201-0071	001	31	65.03101-1043C	005	102
621-03642C	1620	5	65.01304-0003C	002	1	65.03101-6071B	005	101
621-03657B	1630	11	65.01305-5074A	002	7	65.03201-1013A	005	104
621-03707	2130	8	65.01307-0002B	002	17	65.03203-1053	005	106
621-03710A	3100	14	65.01401-0119A	003	1	65.03203-1054	005	105
	6830	14	65.01510-0001	002	29	65.03401-6094	005	201
	6900	14		021	5	65.03401-6097B	005	200
621-03724	1500	49-4B	65.01510-0101	003	15	65.03901-0066A	005	125
621-03725	1500	49-5B		021	9		020	1
621-03727B	1560	1	65.01601-5010A	001	46		021	11
621-03732C	1560	-	65.01801-0011	005	206	65.03903-0001	005	205
621-03733C	1400	12	65.01801-5035A	005	223		020	5
	1410	13	65.01801-5100	007	1		021	15
621-03734A	1460	28	65.01810-5011	005	220	65.03905-0002B	020	4
622-00351M	1490	-	65.01840-0008A	007	3		021	14
	1500	-	65.01901-0020	001	36	65.03905-0002C	005	207
	1510	-		021	2	65.03905-0023A	005	211
	1520	-	65.01903-0002C	002	31		020	3
622-00353J	1520	32		021	6		021	13
622-00353K	1520	32	65.01903B0003	002	33	65.04101-0025A	006	102
622-00355A	1520	32-3		021	7	65.04101-0032	006	101
622-00356	1520	32-3A	65.01903B0004	002	34	65.04102-0005	006	103
622-00359K	1500	49		021	8	65.04103-0001B	006	104
622-00426G	1540	-	65.01904-0021	003	16	65.04103-0002	006	105
623-00074B	1610	3-23		021	10	65.04104-0001	006	106
	7170	1-23	65.02101-0045A	004	103	65.04200-6019D	006	201
623-00075B	1610	3-24	65.02101-6018A	004	101	65.04201-5002C	006	202
	1620	2-8	65.02115-0009	004	104	65.04202-0003C	006	211

Part No.	Fig No.	Key No.	Part No.	Fig No.	Key No.	Part No.	Fig No.	Key No.
65.04202-0009	006	210	65.05903A0001	010	100	65.09904-0008	014	204
65.04203-5008C	006	208		021	19		020	10
65.04205-0001	006	206	65.05903A0002	008	121		021	26
65.04301-0009	006	301		021	16	65.10101-7099A	016	101
65.04302-5006	006	302	65.05903A0013	001	40	65.10102-6069	016	102
65.04401-0018B	006	401		021	3	65.10301-6088	016	201
65.04410-0006C	001	10	65.05904A0002	011	60	65.10301-6089	016	202
65.04410-0007C	001	9		021	20	65.11101-7420A	016	301
65.04501-0004	006	501	65.06402-5015	012	4	65.11108-6006S	016	301C
65.04505-5012	006	505	65.06404-5032	012	1	65.11401-0002C	016	406
65.04506-0011	006	510	65.06405-0039	012	5	65.11596-0001	016	320
65.04902-0011A	020	2	65.06500-6144A	013	101	65.11596-0002	016	321
65.04902-0015	006	107	65.06501-0214	013	102	65.11902A0001	016	411
	021	12	65.06504-0033	013	106		021	29
65.05101-7025	008	101	65.06506-0085	013	107	65.12301-5022	016	501
65.05102-0018	008	102	65.06512-0016	013	108	65.12301-5824	016	507
65.05103-0051	008	111	65.06520-6007	013	103	65.12301-5825	016	510
65.05104-0177	008	107	65.06601-5070	013	201	65.12501-7023B	017	1
65.05104-6065	008	103	65.06606-0039	013	115	65.12503-5016B	017	4
65.05105-0044	008	106	65.06611-0132	013	203		5110	6
65.05201-0065	008	202	65.06901-0035A	013	109	65.12504-5013A	017	2
65.05202-0001B	008	204	65.06901B0002	013	116	65.19102-0013B	018	1
65.05207-0006	008	203		021	23	65.19103-6010A	018	5
65.05401-5002F	001	52	65.06904-0003	012	18	65.19107-0001A	018	11
65.05401-5023	001	47		020	6	65.19202-0005	005	133
65.05501-7084A	009	10		021	21	65.19202-5005	005	124
65.05503-5053	009	30	65.06904A0004	012	17	65.26201-7076B	019	1
65.05510-5028A	009	20		020	7	65.26201-7076C	019	1
	5110	5		021	22	65.26212-0006	019	1A
65.05520-5001	009	100	65.08101-0274	014	101	65.26803-7028B	014	203
65.05601-7056E	010	10	65.08120-0026	014	220	65.26815-0002	005	132
65.05604-0013B	010	20	65.08120-0027	018	15	65.27441-7006	001	53
65.05606-5024	010	15	65.08201-5062	014	201	65.29101-5001	019	3
65.05701-5200	016	308	65.08202-0175	014	202	65.90001-0139	007	4
65.05701-5342	015	110	65.08301-6008	016	305	65.90001-6013	009	130
65.05701-5343	015	119	65.08901-0028	014	107	65.90020-0049	001	25
65.05701-5530	010	90		020	8	65.90020-0066A	001	8
65.05701-5531	010	70		021	24	65.90020-0142	014	212
65.05701-5541	007	16	65.08902-0034	014	219	65.90021-0002	005	120
65.05701-5636A	008	119		020	9	65.90021-0003	005	121
65.05705-6023	008	108		021	25	65.90021-0004	005	122
65.05740-5007	011	11	65.09100-7080A	015	101	65.90201-0037	012	7
65.05801-5247	011	1	65.09411-5054	015	201	65.90201-0058	001	20
65.05805-5222A	011	20	65.09440-0016	015	204	65.90201-0081	006	216
65.05806-5102A	011	30	65.09901-0018A	015	102	65.90201-0096	015	106
65.05901C0004	009	110		020	15	65.90201-0099	016	108
	021	17		021	33	65.90201-0103	010	60
65.05902-0025	010	11	65.09901-0020	015	105	65.90201-0168	019	6
65.05902A0005	010	25		020	16	65.90201-0182	001	54
	021	18		021	34	65.90302-0009	001	11

Part No.	Fig No.	Key No.	Part No.	Fig No.	Key No.	Part No.	Fig No.	Key No.
65.90302-0011	005	112	65.96501-0032B	005	224	713-00024A	6550	1B
65.90302-0015	005	107		020	14		6560	1B
65.90302-0017	005	113		021	32	713-00057C	6940	2
65.90302-0019B	005	109	65.96507-0007	001	26	719212KT	4120	*
65.90302-0027	005	111		021	31	850315-00029	5100	1-84
65.90302-0030	005	108	65.96507-0043	016	504	850334-00008	5100	1-85
65.90302-0041	001	12		016	506	900122-00079	4160	105
65.90302-0042	001	13	65.96507-0044B	016	104	900122-00112	2161	8-1
65.90302-0045	005	110		020	11	900131-00014A	1500	49-6
65.90310-0030	001	15		021	27	901-00045	1440	1
65.90310-0036A	009	40	65.96507-0050	016	106		1450	-
65.90310-0122	001	42		020	12	903-00069A	1520	32-2
65.90310-0135	001	38		021	28	903-00070B	1520	32-4
65.90310-0143	017	5	65.96601-0058	008	118	903-00071B	1520	32-5
65.90320-0019	001	17	65.96601-0067	015	120	903-00072A	1490	2
65.90320-0022	001	19		020	17	903-00073A	1490	3
65.90350-0005	009	80		021	35	903-00074	1500	50
65.90441-0009A	018	10	65.96801-0124A	013	209	903-00075	1490	4
65.90501-0006	004	109		5110	31	906-00002A	1460	5
65.90501-0013	006	207	65.96801-0194	7180	2	910-00019	5110	7
65.90501-0028	005	209	65.97401-0089	016	512	920-00127A	1770	1
65.90701-0059	006	503	65.97460-0002	007	11		1790	-
65.90701-0202	005	210		016	513	950205-00527	5210	-
65.90720-0016	006	511	65.97480-0135	015	117	950205-00528	5220	-
65.90815-0007	004	413	65.97480-0223	019	4	950205-00662	5130	2
65.91305-0007	008	114	65.97601-0045	009	70	950205-00663	5130	31
65.91501-0006	004	110	65.97601-0048	006	212	950205-00668	5130	-
65.91605-0001E	001	21	65.97601-0090	008	115	950205-00862	5120	14
65.91615-0011	001	29	65.98112-0009A	006	403	950205-00864	5120	-
65.91701-0029	014	222	65.98125-5022A	011	3	950205-01404C	5210	1
65.91701-0086	011	50	65.98130-0200A	015	109		5220	1
65.91701-0197	007	6	65.98131-0050	016	306	950205-02543	5145	-
65.91701-0199	007	7	65.98131-0119	007	22	950205-02544	5145	1
65.91701-0233	007	8	65.98150-0015B	016	508	950205-02546	5165	-
65.91710-0001	001	7	65.98155-0011	015	114	950205-02547	5165	1
65.91710-0004	005	119		016	309	950209-00348	5190	-
65.91710-0012	008	112	65.99601-8027	021	-	950209-00487	5200	1
65.93020-0015	004	106	65.99605-8020	020	-	950209-00501	5200	-
65.93020-0055	018	12	650103-00002	1470	-	950209-02452A	6340	24
65.93410-0027	013	104	650103-00002A	1470	-	950209-02979	5190	1
65.96301-0045C	012	19	650105-00059	2100	-	950209-03539	5205	-
65.96301-0176	016	511		2141	-	950209-03540	5205	1
65.96301-0279	015	202		2150	-	950209-03552	5170	-
65.96301-0280A	015	122		2161	-	950209-03553	5170	1
65.96301-0386	007	20	650105-00126	2105	-	D913109	1691	2
65.96301-0421	007	9		2125	-	DS0001079	1720	4
65.96301-0422A	007	18	713-00024A	6510	1B	DS0001083	3110	24
65.96341-0100	016	502		6520	1B		6570	24
	016	515		6530	1B		6640	24
65.96401-0007	003	11		6540	1B		6710	24

Part No.	Fig No.	Key No.	Part No.	Fig No.	Key No.	Part No.	Fig No.	Key No.
DS0001084	3110	23	DS0025021	6140	6	DS2013893	6630	2
	6570	23	DS0025022	1590	22	DS2016045	6620	1
	6640	23		1640	51	DS2016055	6110	53
	6710	23		6930	5		6110	54
DS0025013	1720	33		7190	5		6130	53
DS0025014	1160	6		7220	5		6130	54
	1630	25	DS0025023	1100	9	DS2016065	6760	1
DS0025015	1100	32		1160	9	DS2016074	6690	1
	1110	3	DS0025024	1220	20	DS2016092	6450	1
	1115	3	DS0025025	1630	42	DS2018100	1271	73
	1120	38	DS0025027	1630	42		1271	74
	1170	3	DS0025033	1731	31	DS2018201	6130	60
	1590	18		7130	20	DS2018216	6130	60
	1600	18		7250	31	DS2020108	1230	42
	1610	26	DS0025039	1720	9	DS2020128	1230	42
	1620	26	DS0025049	1731	25	DS2026127	1310	15
	1630	26		7250	25	DS2026129	1310	13
	1640	26	DS0026006	1731	15	DS2026145	1310	14
	1650	26		7250	15	DS2026146	1310	12
	1720	41	DS0401164	1630	58	DS2026201	6110	9
	6920	3	DS0401188	1670	13		6130	12
	6930	3		1740	3	DS2038144	1280	18
	7190	3		7230	3		1280	19
	7220	3	DS1001061	1630	4-11	DS2038190	3130	11
DS0025016	1130	35	DS1001088	1650	57	DS2038193	6840	11
	2100	22	DS1003008	6260	11	DS2038222	1280	16
	2105	22	DS1003009	1560	5		1280	17
DS0025017	1330	32	DS2011770	7030	15	DS2038226	6970	14
	1340	32	DS2012070	1230	84	DS2039122	6690	2
	6460	9	DS2012136	1230	42	DS20401141	6650	11
DS0025018	1240	46	DS2012217	6120	4	DS2040368	6580	2
	6120	7		6140	4	DS2040488	6720	2
	6140	7	DS2012300	6110	55	DS2040489	6740	2
	7200	6	DS2012341	6760	3	DS2040543	7010	4
DS0025019	1260	22	DS2012342	6690	3	DS2040544	7010	5
	1650	48	DS2012387	6130	55	DS2040610	3130	10
	1720	31	DS2012392	6460	26	DS2040637	6970	13
	1750	3	DS2012518	6450	3	DS2040638	6840	10
	2100	23	DS20131208	7030	1	DS2040683	1290	101
	2105	23	DS2013220	6120	5	DS2040684	1290	102
	6100	15		6140	5	DS2040685	1290	104
	6110	43	DS2013356	6700	2	DS2040686	1290	103
	6130	43	DS2013387	6500	2	DS2040687	1270	20
	6200	19	DS2013515	6200	12	DS2040709	1270	21
DS0025020	1280	42	DS2013517	6460	4	DS2043108	6620	2
	6110	60	DS2013672	6460	51	DS2043128	6450	2
	6130	59		6460	52	DS2045337	1300	10
DS0025021	1150	52	DS2013700	6770	2	DS2045338	1300	11
	6100	6	DS2013834	6110	41	DS2045406	6760	2
	6120	6		6130	41	DS20531021	6850	3

Part No.	Fig No.	Key No.	Part No.	Fig No.	Key No.	Part No.	Fig No.	Key No.
DS2053833	1390	49	DS2090008	6160	23	DS2093189	1390	43
DS2053849	6220	1	DS2090009	6410	14	DS2093190	1390	45
DS2053854	6870	1	DS2090019	7200	10	DS2093191	1390	44
DS2053864	3140	3	DS2090022	7200	11	DS2093192	1390	46
	6980	3	DS2092045	6160	18	DS2093193	1330	62
DS2053867	6850	5	DS2092046	6480	9		6160	14
DS2053868	6200	41	DS2092080	7200	12	DS2093196	6430	2
DS2053869	6200	42	DS2092087	2185	2	DS2093200	6170	14
DS2053878	6870	2	DS2092177	2180	3	DS2093201	6470	9
DS2053884	6980	4	DS2093001	6200	17	DS2093202	6160	22
DS2053953	6220	2	DS2093003	1320	71		6480	6
DS2053997	6850	4	DS2093017	1330	67	DS2093204	6480	7
DS2054133	1320	74	DS2093021	6150	20	DS2093205	6480	8
DS2054217	2180	4		6151	20	DS2093212	1330	66
DS2054293	6200	13	DS2093022	1350	55	DS2093219	6170	26
DS2054336	1330	134	DS2093026	1350	59	DS2093222	1350	54
	6150	32	DS2093027	6150	19	DS2093240	6430	1
DS2054356	1390	9		6470	7	DS2093256	6160	16
DS2054394	6200	14	DS2093028	6160	17	DS2093300	6200	17
DS20551024	1250	40	DS2093030	1360	79	DS2093391	6155	1
DS2055292	6460	3	DS2093034	1330	84	DS2093438	6410	1
DS2055666	6440	1	DS2093035	6160	13	DS2094004	1360	63
	6440	2	DS2093040	6151	19	DS2094006	1370	81
DS2055672	6890	1		6470	6		1390	7
	6890	2	DS2093044	6150	21	DS2094037	1360	78
DS2055691	6610	3		6151	21	DS2094053	1320	64
DS2055788	6151	23	DS2093074	6470	8	DS2094055	1360	75
DS2055822	6730	2	DS2093080	1330	65	DS2094136	6170	25
DS2055849	3160	1	DS2093090	1340	61	DS2094327	6160	15
	6730	1		6150	24	DS2095001	1370	101
DS2055866	6230	3	DS2093104	6410	2		1370	11
DS2055867	6680	3	DS2093114	6150	23		1380	101
DS2055891	6660	2	DS2093115	6150	18		1380	11
DS2055920	6660	1	DS2093124	6150	22	DS2095002	1380	22
DS2055921	6750	3	DS2093130	1360	77	DS2095003	1370	82
DS2055950	1230	56		6480	5		1380	93
DS2055957	6990	2	DS2093134	1340	145		6170	24
	6990	3		1340	49		6480	10
DS2055976	1250	41	DS2093139	1350	53	DS2095004	1370	19
DS2058279	6590	1	DS2093155	1340	153	DS2095029	7210	1
DS2058331	1230	56	DS2093173	1350	56		7210	2
DS2059383	6420	5	DS2093174	1340	50	DS2095030	7210	3
DS2059593	7020	10	DS2093175	1340	51		7210	4
DS2059595	3160	2	DS2093178	1340	52	DS2095031	7200	13
	6590	2		1350	165	DS2097013	1271	20
DS2059598	6730	2	DS2093180	1320	68	DS2097014	1271	21
DS2059600	6660	2	DS2093181	1330	132	DS2105005	6100	8
DS2059607	7020	10	DS2093182	1320	69	DS2105011	1210	15
DS2079153	6100	8	DS2093184	1340	154	DS2105018	1210	7
DS2079171	6100	11	DS2093185	1360	76	DS2105022	1210	5

Part No.	Fig No.	Key No.	Part No.	Fig No.	Key No.	Part No.	Fig No.	Key No.
DS2105026	1210	6	DS2805008	6660	19	DS7752025	6830	26
DS2105053	1200	22		6730	19		6900	26
DS2105146	6100	8		7020	15	DS7752026	3100	24
DS2112002	2180	1	DS2805009	6220	11		6830	24
DS2112011	2185	4		6440	11		6900	24
DS2112012	2185	3		6870	11	DS7752027	3100	25
DS2130006	3150	11		6890	11		6830	25
DS2130008	6650	11		6990	11		6900	25
DS2130011	6580	11	DS2854017	6910	29	DS7752028	3100	44
DS2130012	6720	11	DS7601020	1100	36		6830	44
DS2213165	1370	25	DS7601021	1100	37		6900	44
	1380	25	DS7601027	1100	36	DS7752093	3100	22
DS2213167	1250	16	DS7601028	1100	37		3100	28
DS2214051	1190	3	DS7601046	1100	41		6830	22
DS2225009	3160	3	DS7752001	6910	22		6830	28
	6590	3	DS7752002	6910	23		6900	22
	6660	3	DS7752006	3110	17		6900	33
	6730	3		6570	17	ECOEN	7180	3
	7020	17		6640	17	K1000039A	1120	3
DS2232107	6110	12		6710	17	K1000040A	1120	5
	6130	15	DS7752007	3110	18	K1000041A	1120	4
DS2232108	6460	12		6570	18	K1000042A	1120	6
	6460	53		6640	18	K1000057	6730	9
DS2242017	6150	25		6710	18	K1000097E	6140	-
	6151	25	DS7752012	3100	13	K1000140A	6410	5
DS2242029	1270	79		3110	15	K1000266	1190	11
	1271	79		6570	15	K1000269A	1220	9
DS2308021	7120	5		6640	15	K1000321G	3120	-
DS2338029	6200	8		6710	15	K1000322G	3120	1
DS2404024	6200	6		6830	13	K1000334A	6190	8
DS2410009	1340	177-5		6900	13		6600	6
	6150	51-5		6910	12		6670	7
	6151	51-5	DS7752013	3100	23		6740	8
	6380	5-3		3110	16	K1000338A	6190	19
	6390	5-4		6570	16		6600	7
DS2415007	6450	42		6640	16		6670	8
	6690	42		6710	16		6740	9
	6760	42		6830	23	K1000351A	6200	18
DS2802021	1200	7		6900	23	K1000352A	6460	2
DS2802023	3160	6		6910	13	K1000354	1340	177-1
	6590	6	DS7752017	3100	22		6150	51-1
	6660	6		3100	27		6151	51-1
	6730	6		6830	22		6380	5-1
	7020	23		6830	27		6390	5-1
DS2805007	3160	11		6900	22	K1000356	6220	12
	6590	11		6900	27		6870	12
	6660	11	DS7752018	3100	12	K1000358B	6110	42
	6730	11		6830	12		6130	42
	7020	19		6900	12	K1000378B	6100	-
DS2805008	3160	19	DS7752025	3100	26	K1000410	4340	-

Part No.	Fig No.	Key No.	Part No.	Fig No.	Key No.	Part No.	Fig No.	Key No.
K1000410	6460	23	K1000817	6470	16	K1001029	6870	10
K1000485A	1660	2	K1000840	1400	13		6980	12
K1000488A	1660	4	K1000842A	1400	14		7020	16
K1000489A	1660	5	K1000852A	1660	13		7070	8
K1000490A	1660	6	K1000882A	6860	3	K1001048	6490	4
K1000491	1660	7	K1000886A	6190	1	K1001050A	6500	1
K1000492A	1660	8	K1000911	3110	27	K1001052	6230	1
K1000500	1660	10		6570	27	K1001053	6230	2
K1000504	1660	12		6640	27	K1001068	1460	20
K1000555H	1380	2		6710	27	K1001252B	6460	24
	4200	-	K1000912B	3110	28	K1001260A	1610	3-8
K1000556H	1370	1		6570	28		1620	2-7
	4200	-		6640	28		7170	1-8
K1000562	1170	8		6710	28	K1001263A	1700	5
K1000563B	1130	15	K1000965E	1170	-		1700	6
K1000591A	1670	1	K1000967A	1120	1	K1001277C	1800	20
K1000592A	1670	2	K1000982	6250	1	K1001278C	1800	92
K1000600B	1670	10	K1001023	1400	11	K1001279C	1800	22
K1000602	1610	3-20		1410	12	K1001280C	1800	93
	1620	2-20	K1001029	1120	34	K1001295B	1470	12
	7170	1-20		1130	34	K1001310	1470	20
K1000644B	1240	13		1150	34	K1001324E	1690	-
K1000663	1160	7		1200	12	K1001325Q	1700	-
K1000682	2110	4		1210	13	K1001326G	1710	-
K1000695A	6170	3		1260	20	K1001328C	1730	-
K1000696B	6170	4		1320	36		1731	-
K1000698E	1180	1		1330	36	K1001329A	1750	-
	4100	-		1390	40	K1001331E	1770	-
K1000698G	1180	1		1660	14	K1001332G	1800	-
	4100	-		1690	34	K1001369C	1690	2
K1000704A	1160	8		1691	18	K1001370A	1690	31
K1000733	3110	1B		1700	40	K1001371G	1700	25
	6570	1B		1730	25	K1001373C	1710	9
	6640	1B		1750	9	K1001374G	1760	1
	6710	1B		1760	30	K1001398B	1730	14
K1000734	3110	1C		1780	8	K1001858A	1710	1
	6570	1C		1800	26	K1001871B	6480	3
	6640	1C		3140	16	K1001873A	6480	1
	6710	1C		3160	5	K1001968	1630	4-7
K1000735	3110	2B		6100	4	K1002081B	1530	1
	6570	2B		6150	17	K1002082	1570	-
	6640	2B		6151	17	K1002083	1580	-
	6710	2B		6160	12	K1002084A	1440	-
K1000752C	1130	2		6220	10	K1002121	6490	17
	1140	-		6410	12		7000	23
K1000789	1720	21		6470	11	K1002130A	3110	8
K1000794	1510	56		6590	5		6570	8
K1000814	1760	1C		6660	5		6640	8
K1000815	1760	1D		6730	5		6710	8
K1000816	6160	35		6850	16	K1002153	7120	6

Part No.	Fig No.	Key No.	Part No.	Fig No.	Key No.	Part No.	Fig No.	Key No.
K1002162H	1410	-	K1002759A	6300	1	K1004028	6880	10
K1002202H	1400	-	K1002771	6300	-		7000	15
K1002204C	1420	-	K1002778	6380	4	K1004057	6190	6
K1002206	1790	1		6390	4		6670	13
K1002207	1790	2	K1002811A	6340	1		6740	6
K1002208	1790	3	K1002838	6340	4	K1004061	1490	108
K1002209	1790	4	K1002839A	6340	5	K1004106	4300	2
K1002210	1790	5	K1002840	6340	6		4300	4
K1002211	1790	6	K1002841	6340	7	K1004266	1200	5
K1002212	1790	7	K1002842A	6340	3	K1004272	1550	3
K1002213	1790	8	K1002846	6340	2	K1004426	1710	10
K1002214	1790	9	K1002866	7130	9	K1004427	1710	7
K1002215	1790	10	K1002867D1	7130	10	K1004487	1120	21
K1002216	1790	11	K1002883A	6340	-	K1004515	1130	22
K1002217	1790	12	K1002939	6450	13	K1004630	1610	44
K1002218	1790	13		6620	14		1620	44
K1002219	1790	14		6690	14		1630	44
K1002229A	1430	-		6760	14		1650	44
K1002230A	1430	1	K1002940	6450	14	K1005007A	1460	30
K1002231A	1430	2		6620	15	K1005305A	1630	4-10
K1002294	3110	2		6690	15	K1005344A	1470	17
	6570	2		6760	15	K1005345A	1470	18
	6640	2	K1002943	1640	38	K1005776	6210	3
	6710	2	K1003111	1700	54	K1005822	6340	21
K1002341	1240	9	K1003113D4	1700	58	K1005823	6340	20
K1002385	1470	33	K1003118	1260	32	K1005909	5120	3
K1002406D11	1700	20	K1003284	1500	88	K1006227	6500	13
K1002406D12	1700	22	K1003296	1220	28		6630	10
K1002406D13	7050	11	K1003381	1420	3		6700	13
K1002406D14	7040	2	K1003427	1490	89		6770	13
K1002406D21	1700	24	K1003522	1490	109		7030	4
K1002406D3	7080	21	K1003618	1170	18	K1006228	6500	14
K1002406D4	7120	2	K1003638B	6160	35		6630	11
K1002406D5	7130	5	K1003664D1	1350	97		6700	14
K1002454B	1110	2	K1003676B	1510	107		6770	14
	1115	2	K1003900	1520	32-16		7030	5
	6920	2	K1003945	1370	52	K1006245	1150	9
	6930	2		1380	52	K1006368	1500	49-18
	7190	2	K1003947A	6170	21	K1006370	1520	32-38
	7220	2	K1003948A	6480	26	K1006396B	1271	70
K1002534A	1710	8	K1004006	6220	7	K1006572	1700	23
K1002561B	6270	-		6440	19	K1006656	6170	23
K1002574A	6270	3		6870	7		6480	28
	6280	4		6890	14	K1006663	7140	2
K1002575A	6270	4		6990	17	K1006778B	1160	4
	6280	5	K1004011	6230	7	K1006780	1130	8
K1002635	1490	104		6610	7	K1006781	1130	7
K1002636	1490	105		6680	7	K1006803A	7160	-
K1002637	1520	32-13		6750	7	K1006930	7000	8
K1002641	1510	100	K1004028	6490	10	K1006931	7000	9

Part No.	Fig No.	Key No.	Part No.	Fig No.	Key No.	Part No.	Fig No.	Key No.
K1006933	1510	114	K1008019D22	5150	2	K1011304	7190	4
K1006936	1510	98	K1008100	6740	1		7220	4
K1006995	1410	15	K1008111	6750	1	K1011384	1800	20B
K1007038A	6910	8	K1008112	6750	2	K1011385	1800	92B
K1007044	1660	16	K1008126	1140	1	K1011388	1800	22A
K1007092B	6310	1	K1008128	1140	3		1800	93A
K1007093B	6320	1	K1008129	1140	6	K1011434A	4300	-
K1007094B	6330	1	K1008130	1140	7		7010	1
K1007164B	1271	71	K1008131	1140	8	K1011476E	6780	-
K1007197	1240	10	K1008132	1140	10	K1011477E	6780	1
K1007231A	6340	24	K1008167	5100	1-16	K1011478E	6790	-
K1007253B	3100	4	K1008335	1610	3-25	K1011479E	6790	1
	6830	4		1620	2-21	K1011480E	6800	-
	6900	4		7170	1-25	K1011481E	6800	1
K1007255A	3110	9	K1008715	6240	-	K1011482E	6810	-
	6570	9	K1009605B	1710	1A	K1011483E	6810	1
	6640	9	K1009627	1460	34	K1011484E	6820	-
	6710	9	K1010065	7100	8	K1011485E	6820	1
K1007256A	3110	11	K1010215	6770	1	K1011522	7020	1
	6570	11	K1010218	6730	14	K1011527	7020	5
	6640	11	K1010221	6730	17	K1011645D1	5130	2
	6710	11	K1010271	6660	17	K1011645D2	5180	1
K1007262E	6480	-	K1010304	1460	37	K1011675A	1220	2
K1007293C	6120	-	K1010466	1400	20	K1011743D6	5120	13
K1007342J	5120	-		1410	16	K1012143	1160	10
K1007371	1740	-	K1010584	1730	26	K1012144	1160	1
K1007400B	7040	-		1731	26	K1012192B	1150	12-1
K1007403B	7050	-		7250	26	K1012685A	1220	14
K1007404A	7060	-	K1010702	1740	21	K1013100A	6510	-
K1007405	7070	-	K1010703	6240	21	K1013101A	6510	1
K1007408	7090	-	K1010730	3160	9	K1013102	6510	1A
K1007410A	7110	-		6590	9	K1013103A	6520	-
K1007411	7120	-		6660	9	K1013104A	6520	1
K1007412E	7130	-		7020	20	K1013105	6520	1A
K1007413	6210	-	K1010767A	1140	4	K1013106A	6530	-
K1007416	6250	-	K1010768	1140	9	K1013108A	6530	1
K1007418	7140	-	K1010769	1140	2	K1013109A	6530	1A
K1007419	7150	-	K1010821B	6950	-	K1013110A	6540	-
K1007551	1120	24	K1010822B	6950	1	K1013111A	6540	1
K1007600B	1680	-	K1010823B	6960	-	K1013112	6540	1A
K1007631B	1210	-	K1010824B	6960	1	K1013113A	6550	-
K1007635E	6940	-	K1010839	1510	116	K1013114A	6550	1
K1007636E	6940	1	K1010847	6220	9	K1013115	6550	1A
K1007665B	1680	1		6870	9	K1013117A	6560	-
K1007668	1720	18	K1011000	5130	20	K1013118A	6560	1
K1007669	5100	4	K1011002	5130	22	K1013119	6560	1A
K1007832	5100	-	K1011080	6100	13	K1013251	1210	1
K1007835	1260	24	K1011081	6100	14	K1013266B	1630	15
K1007957	1220	31	K1011211	6970	18	K1013379	6730	-
K1008019D21	5150	1	K1011304	6930	4	K1013382A	6740	-

Part No.	Fig No.	Key No.	Part No.	Fig No.	Key No.	Part No.	Fig No.	Key No.
K1013385	6770	-	K1018714	7020	2	K1030734A	1600	17
K1013389	6750	-	K1018715	7020	3	K1030735A	1600	16
K1013391	6760	-	K1018762	7020	4	K1030750A	1590	4
K1013396A	6590	-	K1018763	7020	6	K1033265	3130	6
K1013397	6590	14	K1018764	7020	7	K1033266	3130	8
K1013398A	6600	-	K1018765	7020	8	K1033267	3130	7
K1013401A	6630	-	K1018766	7020	9	K1033268	3130	9
K1013404A	6610	-	K1023656K	5130	-	K1033269	6180	1
K1013405A	6620	-	K1024144	6100	22	K1033270	6180	2
K1013410A	6660	-	K1024692	1670	3	K1033271	6180	3
K1013411B	6670	-	K1024956	2130	7	K1033272	6180	4
K1013414A	6700	-	K1025246	6670	1	K1033273	3130	4
K1013434A	6680	-	K1025286	6620	17	K1033274	3130	5
K1013436B	6690	-		6690	22	K1033644	6400	1
K1013684	6730	15	K1025336	6620	18	K1033652	6400	-
K1013685	6730	16		6690	23	K1033880	1500	49-8
K1013686	6730	18	K1025391	1270	101	K1033991	1500	49-1
K1013687	6660	21		1271	101	K1034000	5120	1
	6730	21		4170	-	K1036143A	1240	48
K1013713A	2150	7-5		4180	-	K1036299A	1240	49
K1013714	2150	7-6		4190	-	K1036301	1240	1
K1013812	1650	53	K1025402	6880	4	K1036302B	1240	5
K1013825	1180	3	K1025403	6590	15	K1036303B	1240	3
K1013846	1710	3	K1025404	6590	16	K1036331	1500	49-7
K1014759	6450	18	K1025405	6590	17	K1036466	2120	5-2D
	6690	19	K1025406	6590	18		2125	5-2D
	6760	19	K1025407	6630	1	K1036841	7000	4
K1014836	6910	7	K1025408	6610	1	K1036842	7000	5
K1014874	7200	1	K1025409	6610	2	K1036843	7000	6
K1015093	6450	19	K1025450	6880	18	K1036844	7000	7
	6690	20	K1025460	6700	1	K1036967	1500	49-17
	6760	20	K1025462	6680	1	K1037713A	2150	7
K1015739	5130	27	K1025463	6680	2	K1037728	2140	6
K1015780	7200	2	K1025464	6660	14	K1037757	2110	3
K1016430	1150	11	K1025465	6660	15	K1037847A	3100	1A
K1016432	1150	10	K1025466	6660	16		6830	1A
K1017382A	4270	-	K1025467	6660	18		6900	1A
	6170	1	K1026654	1700	91	K1037848A	3110	1A
	6480	2	K1027501	6460	-		6570	1A
K1017764	6900	28	K1027502A	6200	-		6640	1A
K1018109	6970	10	K1027513B	5190	1		6710	1A
K1018590	7020	-	K1027765	1520	32-15		6910	1A
K1018595	1720	7	K1027768	1500	118	K1037849A	3110	1B
K1018659	6970	5	K1027769	1500	119		6570	1B
K1018660	6970	6	K1029257	1220	14B		6640	1B
K1018706	6970	7		5110	25		6710	1B
K1018709	6970	11	K1030506B	1590	7	K1037850A	3110	1C
K1018710	6970	12	K1030529A	1590	6		6570	1C
K1018712	7010	2	K1030731	1600	14		6640	1C
K1018713	7010	3	K1030732A	1600	15		6710	1C

Part No.	Fig No.	Key No.	Part No.	Fig No.	Key No.	Part No.	Fig No.	Key No.	
K1037851A	3110	2B	K1038193	7160	5	K1038376	6360	1-1K	
	6570	2B	K1038203	1190	1B		6370	1-1K	
	6640	2B		4140	-	K1038377	2170	2	
	6710	2B	K1038204	4140	20		6350	1-2	
K1037852A	3110	2A	K1038205	4140	10		6360	1-2	
	6570	2A	K1038206	4140	1		6370	1-2	
	6640	2A	K1038207	4140	2	K1038378	2170	3	
	6710	2A	K1038208	4140	14		6350	1-3	
K1037853A	4230	2	K1038210	4140	9		6360	1-3	
	4230	4	K1038240	1525	-		6370	1-3	
	4240	2	K1038247	1525	1	K1038379	2170	4	
	4240	4	K1038365	2170	-	K1038383A	2150	7-2	
	4260	2	K1038366	2170	1	K1038386A	2150	7-3	
	4260	4		6350	1-1	K1038387	2150	7-4	
	4280	2		6360	1-1	K1038389	2140	6-2	
	4280	4		6370	1-1	K1038390	2140	6-3	
	4290	2	K1038367	2170	1A	K1038391	2140	6-4	
	4290	4		6350	1-1A	K1038392	2140	6-5	
	4310	2		6360	1-1A	K1038393	2140	6-6	
	4310	4		6370	1-1A	K1038394	2140	6-7	
	4320	2	K1038368	2170	1B	K1038409	1130	13	
	4320	4		6350	1-1B	K1038429	2170	1C	
	K1037854A	4250	2		6360	1-1B		6350	1-1C
		4250	4		6370	1-1B		6360	1-1C
4330		2	K1038369	2170	1E		6370	1-1C	
4330		4		6350	1-1E	K1038430	2170	1D	
K1037857E	3100	1		6360	1-1E		6350	1-1D	
K1037858E	3100	-		6370	1-1E		6360	1-1D	
K1037887	3140	18-1	K1038370	2170	1F		6370	1-1D	
	6850	17-1		6350	1-1F	K1038517	6910	9	
	6980	13-1		6360	1-1F	K1038559	1160	2	
K1037998C	3110	-		6370	1-1F	K1038610	6490	1	
K1037999B	3110	1	K1038371	2170	1G		6880	1	
K1038003	3140	18		6350	1-1G	K1038611	6490	2	
	6850	17		6360	1-1G		6880	2	
	6980	13		6370	1-1G	K1038612	6490	3	
K1038006A	3120	2	K1038372	2170	1H	K1038685	4140	5	
	6780	2		6350	1-1H	K1038688C	1650	1	
	6790	2		6360	1-1H	K1038697A	1630	4-2	
	6800	2		6370	1-1H	K1038697B	1630	4-2	
	6810	2	K1038373	2170	1I	K1038790	2160	8	
	6820	2		6350	1-1I	K1038790KT	2160	*	
K1038009	1660	17		6360	1-1I	K1038791	2160	8-1	
K1038010	1660	18		6370	1-1I	K1038792	2160	8-2	
K1038011	1660	19	K1038374	2170	1J	K1038793	2160	8-3	
K1038032	1330	12		6350	1-1J		2161	8-3	
K1038107A	1630	18		6360	1-1J	K1038794	2160	8-4	
K1038110A	1630	17		6370	1-1J		2161	8-4	
K1038193	7080	5	K1038376	2170	1K	K1038814	3140	1	
	7100	10		6350	1-1K		6850	1	

Part No.	Fig No.	Key No.	Part No.	Fig No.	Key No.	Part No.	Fig No.	Key No.
K1038814	6980	1	K1039703B	2100	-	K1043726	1470	38
K1038815	3140	2		2110	-	K1043854A	1620	2
	6850	2		2115	-	K1043855A	1620	2-1
	6980	2		2120	-	K1044408	1340	177
K1038864	2130	-		2140	-	K1044409	6380	5
K1038865	2130	1		2150	-	K1044576B	2180	-
K1038870B	1650	6		2160	-	K1044586B	1270	-
K1038917B	1610	3-1	K1039799B	1610	-		1280	-
	7170	1-1	K1039869B	1610	3-22		1290	-
K1038918	1610	3-2		7170	1-22		1300	-
K1038919B	1610	3-3	K1040048	1130	54		1310	-
	7170	1-3	K1040096	1420	3	K1044591	6410	41
K1038920	1610	3-7	K1040606	1550	11	K1044599	6110	-
	7170	1-7		1630	81	K1044602A	6130	-
K1038922B	1610	3	K1041214A	3110	2	K1044617	1240	7
K1038954B	1590	1		6570	2	K1044664A	1320	-
K1038966	1600	23		6640	2		1330	-
K1038968	1270	83		6710	2		1340	-
K1039014A	1330	7	K1041218A	3150	1		1350	-
K1039067B	1630	4		4260	-		1360	-
K1039067C	1630	4	K1041220B	4310	-	K1044672	6150	-
K1039068	1720	5		6420	1	K1044672A	6151	-
K1039117A	1150	12-3	K1041221B	4320	-	K1044674C	6160	-
K1039134	1670	4		6420	2	K1044684	6470	-
K1039137	1670	6	K1041222A	4330	-	K1044685	6380	-
K1039183C	1110	1		6440	3	K1044690	6410	-
	7190	1		6890	3	K1044691	6430	-
K1039183E	1110	1		6990	1	K1044708	1370	-
	7190	1	K1041250	1670	7		1380	-
K1039208A	1640	8	K1041251	1670	8		1390	-
K1039209A	1640	9	K1041252	1670	9	K1044710A	6170	-
K1039212C	1460	22	K1041795	3130	-	K1044715A	6155	-
K1039406A	1230	-	K1041817A	3150	-	K1044939B	6920	1
	1240	-	K1041834	3140	-		6930	1
	1250	-	K1041835	6180	-	K1044939C	6920	1
K1039427A	1590	19	K1041836	6490	-		6930	1
K1039430C	1650	12	K1041837	6220	-	K1044948A	1200	1
K1039450	2130	2	K1041838B	6420	-	K1044989B	3130	71
K1039451	2130	3	K1041839A	6440	-		4230	-
K1039452	2130	4	K1041907	6190	-		6840	71
K1039453	2130	5	K1041925	6500	-		6970	51
K1039456A	1240	8	K1041933	6230	-	K1044990B	3130	72
K1039465	1590	10	K1041937A	6450	-		4240	-
K1039468B	1640	10	K1042074	5130	19		6840	72
K1039514	1540	20	K1042074A	5130	19		6970	52
K1039515	1540	19	K1042763	7000	1	K1044991A	3130	81
K1039521A	1720	2	K1042764	7000	2		4250	-
K1039697	5130	30	K1042809	7030	-		6840	81
K1039702	2120	5	K1042810	7030	2		6970	61
	2125	5	K1042813	7030	3	K1044992	6150	51

Part No.	Fig No.	Key No.	Part No.	Fig No.	Key No.	Part No.	Fig No.	Key No.
K1044993	6390	5	K1045916	6860	-	K1046335A	7010	-
K1044995	6390	-	K1045919	1190	1	K1046430	1760	-
K1045023	6160	36	K1045921C	1100	1	K1046733A	1720	-
K1045024	1190	1A	K1045922C	1100	-	K1046831	1220	1
	4130	-	K1045927	6840	4	K1046833	1220	-
K1045318A	1200	-	K1045928	6840	5	K1046927	3110	7
K1045433	7170	1-2	K1045929	1670	5		6570	7
K1045478	6350	1-4	K1045932	1670	-		6640	7
K1045479	6360	1-4	K1045937	6840	6		6710	7
K1045480	6370	1-4	K1045938	6840	7		6910	6
K1045506	6350	1	K1045959	6860	1	K1047156	5180	-
K1045507	6360	1	K1045960	6860	2	K1047299	3160	-
K1045508	6370	1	K1045984	1150	12	K1047301	3160	14
K1045589A	6350	-	K1045986A	1120	-	K1047302	3160	15
K1045590A	6360	-		1130	-	K1047303	3160	16
K1045591A	6370	-		1150	-	K1047304	3160	17
K1045659E	6830	-	K1045987A	1660	-	K1047305	3160	18
K1045661C	6830	1	K1045990B	1590	-	K1047556	6155	4
K1045675A	1110	-		1600	-	K1047557	1330	131
K1045675B	1110	-	K1046013	6880	3		4220	-
K1045676A	7190	-	K1046026	6870	-	K1047774	1130	55
K1045676B	7190	-	K1046041A	6890	-	K1048085	1610	3-21
K1045677A	6920	-	K1046064	7000	3		7170	1-21
K1045677B	6920	-	K1046071C	1620	-	K1048145	1270	41
K1045678A	6930	-		1630	-		1271	41
K1045678B	6930	-		1640	-	K1048688	1460	-
K1045700C	6900	-		1650	-	K1048689	1460	21
K1045701C	6900	1	K1046072	1160	-	K1049011	1600	11
K1045837	6970	-	K1046104	6840	3	K1049153B	5110	-
K1045838	6980	-	K1046113	1260	-	K1049154EF	5110	41
K1045842A	6990	-	K1046113A	1260	-	K1049155E	5110	42
K1045843	7000	-	K1046162	6840	9	K1049167	5170	1
K1045852	6970	1	K1046174A	7170	1	K1049168	5150	-
K1045853	6970	2	K1046175A	7170	-	K1049177	5140	-
K1045854	6970	3	K1046237E	6640	-	K1049178	5170	-
K1045855	6970	4	K1046238E	6570	-	K1049182	5160	-
K1045856	6970	8	K1046239E	6710	-	K1049184	5160	1
K1045857	6970	9	K1046246B	6640	1	K1049826	1600	5
K1045898	1780	-	K1046248B	6570	1	K1049827	1640	7
K1045900	1150	16	K1046250B	6710	1	K1049854	1170	5
K1045901	1150	12-2	K1046272B	6910	-	K1049858	1100	29
K1045902A	1660	9	K1046275B	6910	1	K1050297	1270	81
K1045903A	1590	2	K1046325	6580	-	K1050307	6350	2
K1045907A	1590	3	K1046326	4280	-	K1050308	6360	2
K1045908	1600	13		6580	1	K1050309	6370	2
K1045909	1610	47		6650	1	K1051986	1700	1
K1045910	1160	5	K1046328	6650	-	K1052091A	7180	-
K1045913	6840	-	K1046332	6720	-	K1052729	7180	1
K1045914	6880	-	K1046333	4290	-	K1052773	7170	-
K1045915	6850	-		6720	1	K1052774	7170	1

Part No.	Fig No.	Key No.	Part No.	Fig No.	Key No.	Part No.	Fig No.	Key No.
K1052775	7170	1-2	K9001215	1450	17	K9001768	4200	16
K1052808	7170	2	K9001216	1450	18	K9001804	4170	68
K1053423	1700	17	K9001217	1450	19	K9001805	4170	106
K1055454	1720	25	K9001218	1450	20	K9001807	4180	5
K1056987	1500	49-19	K9001219	1450	21	K9001809	4180	16
K1057605	1720	40	K9001220	1450	22	K9001810	4180	17
K9000422	1180	3E	K9001221	1450	23	K9001811	4120	-
K9000998	6420	6A	K9001374	4300	22	K9001833	4110	-
K9000999	6440	4A	K9001375	4300	23	K9001834	4110	627
	6890	4A	K9001401	4260	7	K9001835	4110	628
	6990	4A		4280	7	K9001836	4110	629
K9001001	4200	32		4290	7	K9001837	4110	631
K9001114	4200	1	K9001402	4260	8	K9001838	4110	641
K9001115	4200	3		4280	8	K9001839	4110	898
K9001116	4200	4		4290	8	K9001840	4130	103
K9001117	4200	6	K9001403	4260	9	K9001841	4130	104
K9001119	4200	9		4280	9	K9001842	4130	112
K9001121	4200	11		4290	9	K9001843	4130	201
K9001123	4200	13	K9001404	4260	10	K9001845	4130	203
K9001128	4200	20		4280	10	K9001846	4130	205
K9001129	4200	22		4290	10	K9001847	4130	213
K9001129A	4200	22	K9001406	4260	16	K9001849	4100	41
K9001130	4200	25		4280	16	K9001850	4100	42
K9001131	4200	25		4290	16	K9001851	4100	774
K9001132	4200	28	K9001410	4260	22	K9001852	4100	985
K9001133	4200	30		4280	22	K9001856	4230	5
K9001139	4200	37		4290	22		4240	5
K9001140	4200	37	K9001413	4260	34		4310	5
K9001141	4210	6		4280	34		4320	5
K9001148	4250	18		4290	34	K9001857	4230	8
	4330	18	K9001424	4300	8		4240	8
K9001149	4250	20	K9001425	4300	9		4310	8
	4330	20	K9001426	4300	10		4320	8
K9001158	4250	40	K9001427	4300	14	K9001858	4230	9
	4300	37	K9001428	4300	16		4240	9
	4330	37	K9001429	4300	17		4310	9
K9001199	4180	50	K9001430	4300	18		4320	9
K9001201	1450	2	K9001431	4300	20	K9001859	4230	14
K9001202	1450	3	K9001457	4340	*		4240	14
K9001203	1450	4	K9001695	1450	1		4310	14
K9001204	1450	5	K9001752	4300	*		4320	14
K9001206	1450	7	K9001753	4300	1	K9001860	4230	17
K9001207	1450	8	K9001754A	4300	3		4240	17
K9001208	1450	10	K9001755	4300	26		4310	17
K9001209	1450	11	K9001756	4300	29		4320	17
K9001210	1450	12	K9001757	4300	33	K9001861	4230	20
K9001211	1450	13	K9001762	4200	7		4240	20
K9001212	1450	14	K9001763	4200	8		4310	20
K9001213	1450	15	K9001766	4200	12		4320	20
K9001214	1450	16	K9001767	4200	14	K9001862	4230	23

Part No.	Fig No.	Key No.	Part No.	Fig No.	Key No.	Part No.	Fig No.	Key No.
K9001862	4240	23	K9001891	4290	18	K9006861	4210	28
	4260	23	K9001892	4260	*	K9006862	4210	32
	4280	23		4280	*	K9006863	4210	51
	4290	23		4290	*	K9006864	4210	52
	4310	23	K9001893	4250	16	K9006865	4210	24
	4320	23		4330	16	K9006866	4210	26
K9001868	4260	1	K9001894	4250	17	K9006882	2130	*
K9001869A	4260	3		4330	17	K9006883	2160	8-12
K9001870	4260	5	K9001895	4250	22		2161	8-12
	4280	5		4330	22	K9006884	2160	8-11
	4290	5	K9001896	4250	23		2161	8-11
K9001871	4260	17		4330	23	K9006899	4130	105
	4280	17	K9001897	4250	25	K9007240	7080	5A
	4290	17		4330	25		7100	10A
K9001872	4260	20	K9001898	4250	32		7160	5A
	4280	20		4330	32	K9007358	4230	26
	4290	20	K9001900	4250	36		4240	26
K9001873	4260	26	K9001901	4250	*		4310	26
	4280	26		4330	*		4320	26
	4290	26	K9001902	4100	*	K9007358A	4230	26
K9001874	4260	27	K9001902A	4100	*		4240	26
	4280	27	K9002044	1210	1A		4310	26
	4290	27	K9002065	4220	4		4320	26
K9001875	4260	30	K9002934	4270	2	K9007359	4240	30
K9001876	4260	37	K9002935	4270	8	K9007359A	4240	30
K9001877	4230	10	K9003465	4270	4	K9007360	4230	30
	4240	10	K9003467	4280	30	K9007360A	4230	30
	4310	10	K9003468	4280	37	K9007361	4230	1
	4320	10	K9003470	4290	30		4240	1
K9001878	4230	*	K9003471	4290	37		4310	1
	4240	*	K9003671	4180	3		4320	1
	4310	*	K9003672	4180	14	K9007362	4230	3
	4320	*	K9003673	4180	15		4240	3
K9001879A	4250	1	K9003676	4330	1		4310	3
K9001880	4250	3	K9003677	4330	36		4320	3
	4330	3	K9003878	1140	19	K9007363	4220	2
K9001881	4250	5	K9003998	4200	33		6160	1A
	4330	5	K9003999	4200	34		6470	1A
K9001882	4250	8	K9004000	4200	35	K9007364	4100	13
	4330	8	K9004001	4200	36	K9007365	4100	14
K9001883	4250	9	K9004304	4160	132	K9007367	4240	34
	4330	9	K9004447	4150	207		4320	31
K9001884	4250	10	K9004448	4150	208	K9007367A	4240	34
	4330	10	K9004449	4150	214		4320	31
K9001890	4230	18	K9004453	4150	212	K9007368	4230	34
	4240	18	K9005662	1220	14A		4310	31
	4310	18	K9006399	4130	302	K9007368A	4230	34
	4320	18	K9006480	4200	35		4310	31
K9001891	4260	18	K9006481	4200	36	K9007370	4310	30
	4280	18	K9006860	4210	10	K9007370A	4310	30

Part No.	Fig No.	Key No.	Part No.	Fig No.	Key No.	Part No.	Fig No.	Key No.
K9007371	4280	3	K9008335	4130	303	S0509366	1260	29
	4290	3	K9008336	4130	*		1800	17
K9007372	4290	1	K9008336A	4130	*	S0511653	1730	21
K9007373	4280	1	K9008337	4140	51		1731	21
K9007382	4150	203	K9008338	4140	52		1760	11
K9007383	4160	101	S0121061	4140	16		1760	7
K9007383A	4160	101	S0504366	1680	4		7250	21
K9007384	4160	105	S0504453	1610	3-15	S0511666	1190	14
K9007385	4160	123		1620	2-16	S0511853	1610	3-10
K9007386	4160	129		1720	16		1620	2-11
K9007386A	4160	129		1720	23		7170	1-10
K9007387	4160	117		1730	2	S0511866	1120	53
K9007388	4160	107		1760	18		3140	19
K9007389	4160	131		7170	1-15		6150	11
K9007390	4160	121	S0504553	1610	3-14		6850	18
K9007391	4160	114		1620	2-15		6980	14
K9007392	4160	113		7170	1-14	S0512053	7090	3
K9007393	4160	108	S0504566	1260	4		7100	6
K9007394	4160	109	S0504666	1800	27	S0512061	2141	6-8
K9007395	4160	136	S0508653	1320	3J	S0512066	1200	10
K9007395A	4160	136		1700	43		1630	4-3
K9007396	4160	112		1700	52		1730	12
K9007397	4150	204		1770	2		1731	12
K9007398	4150	209		7040	4		6170	16
K9007398A	4150	209		7100	4		6450	16
K9007399	4150	23	S0508666	1720	19		6480	21
K9007400	4150	249		1720	28		6690	18
K9007401	4150	232		1800	3		6760	17
K9007402	4160	111	S0508753	1610	3-17		7250	12
K9007403	4160	125		1620	2-18	S0512263	2130	9
K9007404	4160	-		7170	1-17	S0512266	1180	4
K9007405	4150	-	S0508766	6150	12		1210	11
K9007406	4150	205		6151	12		1320	35
K9007406A	4150	205	S0508853	7060	5		1390	39
K9007407	4150	200		7070	3	S0512366	1180	5
K9007408	4150	C-1		7080	3	S0512466	1130	29
K9007408A	4150	C-1		7090	6	S0514666	1220	29
K9007409	4150	C-2		7110	6		1630	59
K9007409A	4150	C-2		7160	3	S0515053	6900	32
K9007410	4150	C	S0508861	2140	6-9	S0515066	6620	3
K9007411	4160	116	S0508866	1650	24		6690	21
K9007412	4160	104		6170	13	S0515166	1630	49
K9007413	4150	400		6230	5	S0515253	2160	8-13
K9007415	4150	202		6480	13		2161	8-13
K9007415A	4150	202		6610	5	S0515266	1640	39
K9008310	4150	*		6680	5		6490	7
K9008333	4130	107		6750	5		6500	5
K9008333A	4130	107	S0508966	1260	15		6630	13
K9008334	4130	301		6460	8		6700	5
K9008334A	4130	301	S0509066	1720	9		6770	5

Part No.	Fig No.	Key No.	Part No.	Fig No.	Key No.	Part No.	Fig No.	Key No.
S0515266	6880	7	S0560563	4330	35	S0564166	7000	11
S0515366	1120	36	S0560566	1630	33	S0565466	1200	13
	2100	15	S0560666	1630	31		1220	16
	2105	15		6490	5		1270	46
S0515653	7060	2		6880	5		1271	46
	7110	3		7000	22		2120	5-3
S0515766	6340	19	S0560866	1280	101		2125	5-3
S0515866	1150	44		6151	36		6950	3
S0521366	3100	17		6490	18		6960	3
	3110	20		7000	19	S0565666	2110	16
	6570	20	S0561053	4230	40		2115	16
	6640	20		4240	40	S0566066	1310	68
	6710	20		4310	37	S0566266	1270	85
	6830	17		4320	37	S0566766	6910	18
	6900	17	S0561066	1280	44	S0567066	3100	8
	6910	15		1630	30		3110	33
S0553766	1320	34		6110	19		6570	33
S0556466	6200	20		6410	11		6710	33
S0557066	7200	7	S0561266	6110	18		6830	8
S0557166	1800	8		6130	24		6900	8
S0558153	4230	29	S0561466	6130	23	S0570166	1190	11
	4240	29	S0562653	1740	4	S0571166	2100	17
	4310	29		6240	4		2105	17
	4320	29	S0562666	1740	4	S0571266	1100	5
S0558266	6350	4		7230	4	S0571866	1100	13
	6360	4	S0562766	1271	45	S0572166	1100	13
	6370	4		3130	17	S0574561	6940	7
S0558466	6490	15		3130	51	S0574661	3120	7
	6880	15		6190	18		6780	7
	7000	16		6670	12		6790	7
S0558566	6880	19		6740	12		6800	7
	7030	14		6840	17		6810	7
S0558666	1390	37		6840	51		6820	7
S0558766	1390	41		6840	82	S0574861	6510	4
S0558966	6500	11		6970	21		6520	4
	6630	8		6970	62		6530	4
	6700	11		7010	14		6540	4
	6770	11	S0563366	6220	5		6550	4
	7030	13		6440	17		6560	4
S0559553	4340	7		6870	5	S0711866	1120	49
S0560466	1670	11		6890	17		1260	2
	6350	4		6990	15	S0712061	2140	6-8
	6360	4	S0563466	6450	9	S0712066	3110	31
	6365	4		6620	10		6570	31
	6370	4		6690	10		6640	31
S0560563	4250	35		6760	10		6640	33
	4260	29	S0563666	6190	10		6710	31
	4280	29		6600	8	S0712153	1800	10
	4290	29		6670	10	S0712366	1120	40
	4300	28		6740	10	S0721466	2100	18

Part No.	Fig No.	Key No.	Part No.	Fig No.	Key No.	Part No.	Fig No.	Key No.
S0721466	2105	18	S2212066	6450	15	S2212466	6840	16
S0759166	1730	27		6620	16		6860	10
	1731	27		6690	16		6970	32
	7250	27		6760	16		7010	8
S0759853	1800	14	S2212266	1271	50	S2212566	3130	21
S0760853	1740	22		1280	50		6840	21
	6240	1		1290	50		6970	25
S0765966	2100	19		1300	50		7010	9
	2105	19		1310	50	S2212666	6180	6
S0770266	2100	20		1390	42		6860	5
	2105	20		2180	7		6970	26
S0771466	1120	27		2185	7	S2212761	4230	33
S0786366	1120	41		3150	6		4230	37
S0786653	7230	22		4160	124		4240	33
S2201766	1540	23		4180	74		4240	37
S2202966	1400	18		6170	6		4260	33
S2204861	4110	438		6450	6		4260	40
S2204866	4190	78		6460	29		4280	33
S2205066	1370	48		6480	17		4280	40
	1380	48		6580	6		4290	33
S2205261	4110	436		6600	5		4290	40
S2208466	1490	110		6620	6		4300	32
S2208561	1490	24		6650	6		4300	36
	6260	18		6690	6		4310	34
S2208866	1420	12		6720	6		4320	34
	1440	2		6760	6	S2212766	4190	73
	1540	8	S2212366	3130	26		6420	8
S2208871	4100	406		3150	5	S2213066	4190	76
	4120	435		6190	13	S2213166	1300	62
S2209261	4270	9		6450	12	S2213466	4190	101
S2209266	6160	10		6580	5		6110	22
	6470	12		6620	13		6130	29
	6500	16		6650	5		6130	65
	6630	5		6670	6	S2215366	1230	22
	6700	16		6690	13		1240	22
	6770	16		6720	5		1250	22
	7030	10		6740	13	S2215466	1270	47
S2209466	6490	9		6760	13		1271	47
	6880	9		6840	15		2180	8
	7000	21		6970	31		2185	8
S2209661	4110	412		7010	7	S2215766	1271	51
S2209666	1330	33	S2212466	1280	49		6440	5
	4120	433		3130	28		6890	5
S2209961	4120	434		4170	75		6990	5
S2210071	4110	413		4190	75	S2215961	4250	39
	4210	25		6180	11	S2215966	6190	10
S2211866	1540	17		6190	5		6440	8
	6170	7		6600	4		6600	8
	6480	18		6670	5		6670	10
S2212061	4100	986		6740	5		6740	10

Part No.	Fig No.	Key No.	Part No.	Fig No.	Key No.	Part No.	Fig No.	Key No.
S2215966	6890	8	S3523601	4270	4-4	S4012933	6910	17
	6990	8	S3524008	4110	924		6950	4
S2217066	1271	72	S3524403	3140	7		6960	4
S2217471	4140	24		6850	7	S4013133	1100	39
S2218961	4300	25		6980	7		2100	28
S2221471	4150	43	S3527808	4100	953		2105	28
S2221873	4260	36	S3644163	1470	32		4100	808
	4280	36	S3654523	1460	25	S4013333	3120	8
	4290	36	S4012233	1260	26		6510	5
S2222171	4260	25	S4012303	1800	33		6520	5
	4280	25	S4012333	1520	32-32		6530	5
	4290	25		1630	4-12		6540	5
S2222272	4230	25		1700	55		6550	5
	4240	25	S4012533	1260	8		6560	5
	4250	27		1520	32-27		6780	8
	4310	25		1610	3-27		6790	8
	4320	25		1630	4-9		6800	8
	4330	27		1650	56		6810	8
S2223266	4170	77		1731	35		6820	8
S2227561	4130	109		4110	801		6940	8
S2227866	1180	7		7170	1-27	S4014633	4270	4-3
S2229071	4100	401		7250	35	S4032633	1120	48
S3050863	1720	7	S4012633	1150	12-5	S4032833	3140	18-3
S3140025	4100	901		1170	13		3160	12
S3450343	1700	30		1610	3-18		6590	12
S3450573	1731	32		1620	2-19		6660	12
	7250	32		1690	5		6730	12
S3450583	1710	4		4250	42		6850	17-3
S3450823	1400	15		4300	39		6980	13-3
S3450833	1200	19		4330	39		7020	18
	1510	82		7170	1-18	S4034833	1500	103
	1690	26	S4012733	1150	43	S5000113	1540	24
	1691	13		1220	25	S5000213	1700	4
	1700	12		1240	28		1770	6
	1770	5		1610	3-12	S5000313	1800	35
	7130	15		1620	2-13	S5010303	1800	28
S3450863	1690	13		1630	40	S5010313	1510	115
	1691	9		1740	6		1610	3-13
	1700	2		6240	6		1620	2-14
S3450943	1700	34		7170	1-12		1700	57
	6260	15		7230	6		7170	1-13
S3450953	1690	10	S4012833	4200	24	S5010503	1720	11
	1691	6	S4012933	3100	9	S5010513	1260	16
	1700	42		3110	22		1610	3-16
S3450983	1691	19		4100	806		1620	2-17
	1700	7		6570	22		1650	46
S3450993	1500	78		6640	22		1720	36
	1510	78		6710	22		1731	36
S3452853	1510	79		6830	9		1800	6
S3458843	1510	65		6900	9		7040	5

Part No.	Fig No.	Key No.	Part No.	Fig No.	Key No.	Part No.	Fig No.	Key No.
S5010513	7100	2	S5100603	4290	35	S5102503	1800	18
	7170	1-16		4290	39		1800	32
	7250	36		4300	38		1800	4
S5010613	1150	12-4	S5100703	4310	28	1800	7	
	1170	15		4310	33	2140	6-11	
	1210	17		4320	28	6150	13	
	1630	4-4		4320	33	6151	13	
	1690	3		4330	38	6170	17	
	1730	23		7100	7	6200	21	
	1731	23		4230	39	6230	6	
	1760	13		4240	39	6460	7	
	1760	9		4250	34	6480	15	
	1800	12		4250	38	6610	6	
S5010713	7250	23	4260	28	6680	6		
	1120	37	4280	28	6750	6		
	1150	37	4290	28	7040	6		
	1280	55	4300	27	7060	6		
	1630	43	4300	31	7070	4		
	1740	5	4300	35	7080	2		
	6240	5	4310	36	7090	5		
	7060	8	4320	36	7100	3		
	7110	2	4330	34	7110	5		
	S5010913	1130	47	S5102203	1260	27	7160	2
1270		88	S5102303	1260	5	7200	8	
1310		66	1320	38	7250	37		
4170		81	1630	4-13	S5102603	1120	39	
S5011113	1190	1L	1680	5	1170	14		
S5100003	1700	29	1690	11	1180	6		
S5100103	1710	5	1691	7	1200	11		
S5100203	1200	20	1700	33	1210	16		
	1690	14	1700	41	1260	3		
	1690	27	1700	56	1690	4		
	1691	10	1700	8	1720	3		
	1700	13	1720	17	1730	13		
	1700	3	1720	24	1730	16		
	7130	16	1730	3	1730	22		
	S5100603	4230	28	1760	19	1730	28	
		4230	32	1800	34	1731	13	
		4230	36	S5102503	1260	9	1731	16
4240		28	1320	3K	1731	22		
4240		32	1630	4-8	1731	28		
4240		36	1650	22	1760	12		
4250		41	1700	44	1760	8		
4260		32	1700	53	1800	11		
4260		35	1720	10	1800	15		
4260		39	1720	20	2130	11		
4280	32	1720	29	2140	6-10			
4280	35	1720	6	2141	6-9			
4280	39	1731	37	3140	20			
4290	32	1770	3	4340	8			

Part No.	Fig No.	Key No.	Part No.	Fig No.	Key No.	Part No.	Fig No.	Key No.					
S5102603	6150	10	S5102703	6900	31	S5110703	6600	9					
	6170	15		7000	20		6670	14					
	6350	5		7230	2		6740	14					
	6360	5		S5102803	1271		56	6890	6				
	6370	5			3130		18	6990	6				
	6450	17			3130		52	S5111103	1180	8			
	6460	30			6190		17		S5210303	1520	32-34		
	6480	14			6220		6		S5231090	4140	31		
	6490	16			6440		18		S5700891	4150	41		
	6500	12			6450		10		S5740480	4210	14		
	6630	9			6600		9		S5740600	4210	11		
	6690	17			6620		11		S5740770	4160	122		
	6700	12			6670		11		S5740800	4200	27		
	6760	18			6690		11		S5740870	4100	886		
	6770	12			6740		11		S5740960	4160	110		
	6850	19			6760		11		S5741162	4130	113		
	6880	16			6840		18		S5741200	4140	15		
	6980	15			6840		52		S5741250	2130	10		
	7000	17			6840		83		S6005050	4130	108		
	7030	12			6870		6		S6250182	4150	68		
	7250	13			6890		12		S6500100	4110	814		
	7250	16			6970		22		S6500380	4140	6		
	7250	22			6970		63		S6500400	4100	824		
	7250	28			6990		16		S6500450	4140	26		
	S5102703	1120			42		S5102903		7000	10	S6500600	2160	8-5
		1220			30				7010	15		2161	8-5
		1240			27				1130	30	S6500750	4160	115
		1280			102				1270	87	S6510150	4110	858
1280		54	1310		67	S6510180			4120	850			
1630		32	2100		25	S6510620			4130	212			
1670		12	2105		25	S6710032			4300	40			
1740		2	2120	5-4	S6710041	1190			5				
2160		8-14	2125	5-4		1680			7				
2161		8-14	3100	18		3110		25					
6110		21	3110	21		3140		18-6					
6130		26	6570	21		3160		7					
6240		2	6640	21		6570		25					
6350		5	6710	21		6590		7					
6360		5	6830	18		6640		25					
6365		5	6900	18		6660		7					
6370		5	6910	16		6710		25					
6410		10	S5110503	1330		37		6730	7				
6490		6		6160		11		6850	17-6				
6500		6		6470		13		6910	19				
6620		7		S5110603		1540		18	6980	13-6			
6630		14				6170		5	7020	13			
6690		7				6420		7	S8000041	4190	42		
6700		6				6480		20		S8000061	4110	722	
6770		6				S5110703		6190		19		4190	41
6880		6						6440		6	S8000081	4100	724

Part No.	Fig No.	Key No.	Part No.	Fig No.	Key No.	Part No.	Fig No.	Key No.
S8000081	4150	275	S8000141	1350	164	S8000181	6630	32
	4210	34		1350	29		6630	6
S8000085	4110	724		1360	29		6670	41-7
S8000111	1200	8		1370	32		6670	42-7
	1220	26		1370	85		6700	31
	1230	90		1380	32		6700	8
	1240	102		1380	94		6740	41-7
	1240	60		1390	32		6740	42-7
	1240	94		4100	727		6770	31
	1320	30		4170	62		6770	8
	1330	138		4180	62		7030	51
	1330	140		6150	15		7030	8
	1330	30		6151	15	S8000185	4100	732
	1340	143		6200	24	S8000201	4110	733
	1340	152		6410	3	S8000205	4200	17
	1340	30		6430	5	S8000221	4110	730
	1350	163		6460	13		4150	410
	1350	30		6460	54	S8000231	1240	50
	1360	30		6480	19		1310	61
	1390	34		7200	9		6200	11
	2180	14	S8000161	4110	732		6450	8
	2185	14		4120	732		6460	16
	4100	725		4150	405		6620	32
	4110	725		4190	30		6620	9
	4110	755		7120	4		6690	9
	4120	725	S8000181	1190	1F		6760	9
	4130	111		1210	33	S8000241	1230	32
	4150	74		1220	23		1230	87
	4210	35		1230	31		4100	728
	6150	14		1230	89		4190	25
	6151	14		1250	31		6460	28
	6155	3		1320	31	S8000251	4300	30
	6160	2		1330	136		4300	34
	6170	12		1330	31	S8000261	4110	756
	6200	9		1360	31		4190	23
	6380	2		1390	33		4210	12
	6390	2		2180	10	S8000281	4230	31
	6420	4		2185	10		4230	35
	6440	9		4110	728		4240	31
	6470	2		4150	46		4240	35
	6480	16		4160	38		4260	31
	6890	9		6100	10		4260	38
	6990	9		6150	31		4280	31
S8000121	4190	104		6190	41-7		4280	38
S8000141	1240	112		6190	42-7		4290	31
	1270	80		6460	14		4290	38
	1271	80		6500	31		4310	32
	1320	29		6500	8		4320	32
	1340	144		6600	41-7		6420	9
	1340	29		6600	42-7	S8000291	1230	88

Part No.	Fig No.	Key No.	Part No.	Fig No.	Key No.	Part No.	Fig No.	Key No.
S8000291	1240	93	S8010700	2125	5-2F	S8030081	6740	41-9
	1250	33	S8010751	6120	1C		6740	42-9
	1270	78		6140	1C		6770	3
	1271	78	S8010755	4110	708		6770	34
	6110	16	S8010801	4250	21		6880	11
	6110	59		4330	21		7000	12
	6120	9	S8010901	4300	13		7030	54
	6130	18	S8010951	4100	710		7030	6
	6130	57		4120	710	S8030121	1230	36
	6140	9		4300	15		1230	86
	6180	12	S8011000	2160	8-9		1240	36
	6190	41-2		2161	8-9		1310	60
	6190	42-2	S8011151	4260	13		6450	43
	6460	19		4280	13		6450	7
	6600	41-2		4290	13		6460	18
	6600	42-2	S8011200	1220	15		6620	34
	6670	41-2	S8011201	4230	13		6620	8
	6670	42-2		4240	13		6690	43
	6740	41-2		4260	15		6690	8
	6740	42-2		4280	15		6760	43
	6860	11		4290	15		6760	8
S8000321	4150	36		4310	13	S8030161	1271	75
	4190	36		4320	13		6110	15
S8000341	4130	106	S8011251	4230	15		6110	45
	4250	37		4240	15		6110	58
	6440	7		4310	15		6120	8
	6890	7		4320	15		6130	19
	6990	7	S8011351	4250	13		6130	45
S8000801	2161	8-6		4330	13		6130	58
S8000901	2160	8-7	S8011450	1200	3		6140	8
S8001050	2160	8-10	S8011451	4100	717		6190	41-5
	2161	8-10	S8011650	1220	8		6190	42-5
S8001801	4150	235	S8011850	1220	3		6600	41-5
S8002101	4150	239	S8012300	4160	126		6600	42-5
S8002721	4110	735	S8030061	6200	10		6670	41-5
S8002731	4150	37	S8030081	6190	41-9		6670	42-5
S8010250	4190	54		6190	42-9		6740	41-5
S8010251	4110	734		6460	15		6740	42-5
	4210	21		6460	55	S8060121	4190	103
S8010291	4150	406		6490	11	S8060161	4150	404
S8010351	4110	763		6500	3		4190	31
S8010355	4100	702		6500	34	S8060181	4100	789
S8010451	4180	7		6600	41-9	S8060221	4150	411
S8010600	2150	7-8		6600	42-9	S8061800	4150	247
S8010650	2140	6-13		6630	3	S8062100	4150	248
S8010651	4230	21		6630	34	S8090350	4100	792
	4240	21		6670	41-9	S8180251	1730	9
	4310	21		6670	42-9		1731	9
	4320	21		6700	3		7250	9
S8010700	2120	5-2F		6700	34	S8180321	6100	1B

Part No.	Fig No.	Key No.	Part No.	Fig No.	Key No.	Part No.	Fig No.	Key No.
S8180411	1780	6	T7050003	5100	1-4			
S8450012	1130	45	T7050013	5100	1-5			
	1200	23	T7050021	5100	1-6			
S8450016	1770	10	T7050022	5100	1-7			
	1780	2	T7260057	5100	1-9			
S8470014	1210	10	T7500004	5100	1-8			
	6100	7	Y-3738-04	1320	3F			
S8470032	6100	16	Y-3738-05	1320	3G			
S8470075	1130	46						
S8470165	1100	40						
S8500079	1130	46						
	1240	24						
S8500118	1230	30						
S8510044	1120	50						
S8510092	1170	9						
S8510118	1170	6						
S8510143	1170	17						
T6510018	5100	1-32						
T6510027	5100	1-33						
T6510062	5100	1-23						
T6510066	5100	1-24						
T6510069	5100	1-82						
T6510070	5100	1-25						
T6510072	5100	1-26						
T6510075	5100	1-27						
T6510079	5100	1-40						
T6510081	5100	1-28						
T6510085	5100	1-29						
T6510087	5100	1-43						
T6510089	5100	1-30						
T6510091	5100	1-31						
T6550005	5100	1-17						
T6550006	5100	1-18						
T6550007	5100	1-19						
T6550009	5100	1-20						
T6550011	5100	1-21						
T6550018	5100	1-22						
T6580008	5100	1-2						
T6580020	5100	1-3						
T6600183	5100	1-55						
T6600189	5100	1-56						
T6600191	5100	1-86						
T6600197	5100	1-57						
T6600201	5100	1-58						
T6600211	5100	1-59						
T6600217	5100	1-78						
T6600223	5100	1-60						
T6690012	5100	1-12						
T6690013	5100	1-13						
T6750003	5100	1-14						