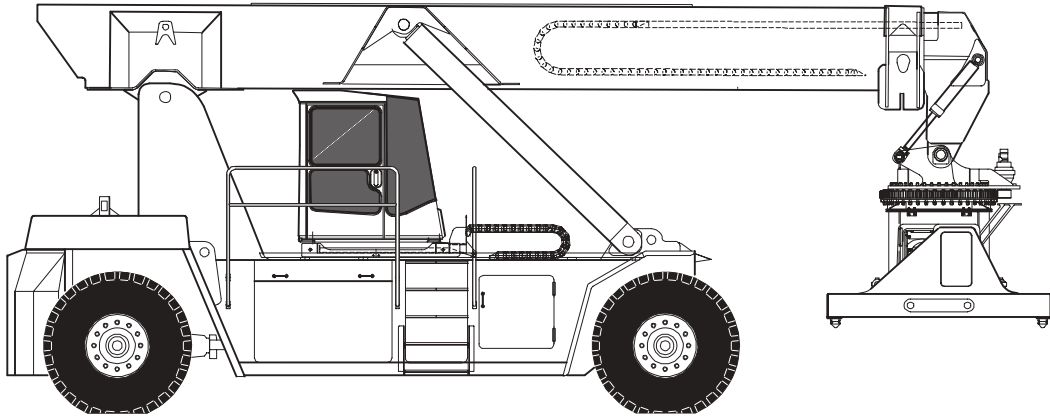


ContMaster

SPARE PART LIST

Model	DRS4527-S5
Serial no.	45436, 45454, 45455, 45463, 45464, 45465, 45466, 45468
Year	2000



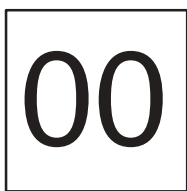
It is forbidden to copy this document or reproduce it or surrender it to a third party. It must not be used for any other purposes than those approved by us.

Kalmar Industries Oy Ab

Kalmar Industries Oy Ab
Container Handling
PO Box 387
FIN-33101 Tampere Finland
Tel. +358 3 265 8111
Fax.+358 3 265 8220

REFERENCE INDEX

00	Instructions
01	Power Unit
02	Transmission
03	Hydraulic System
04	Electrical System
05	Cab
06	Working Devices
07	Frame and Shields
08	Equipment



INSTRUCTIONS
BEDIENANWEISUNG

Instructions on Spare Parts Lists and How to Order

These spare parts lists are made for **ordering spare parts from the dealers authorized by Kalmar Industries Oy Ab**. By using these spare parts lists and giving detailed information of the parts to the dealer, your order and delivery will be handled faster.

The spare parts lists consist of pages where the information on the parts of the machine is given (machine number and model are on the front page).

Drawings of the spare parts are shown on an illustration page in exploded views or plane views, and detailed information is given on the opposing text page. Each illustration page has an drawing with reference numbers, and a heading box with information referring to the corresponding text page. A text page contains a heading box and detailed information on each part: part number, name, order number, quantity, and standard.


The spare parts lists are divided into sections given in the main index. Each section consists of modules presented on the front page of the section.

The spare parts lists are delivered in the language ordered by the customer. Either one or two languages can be used.

The following information must be given in the spare part order:

1. Complete information on the machine, including machine number, and possibly model, engine number, and gearbox number.
2. The group, page, and part numbers of the ordered parts, and their exact quantities.
3. Information on delivery and how the dealer is able to contact the customer.

Module Front Page

	Revision VOK01/98-06-09	Date 98-06-09	Module NV03-0100	Page 1/3
---	-----------------------------------	-------------------------	----------------------------	--------------------

Version and the date when the changes were made.

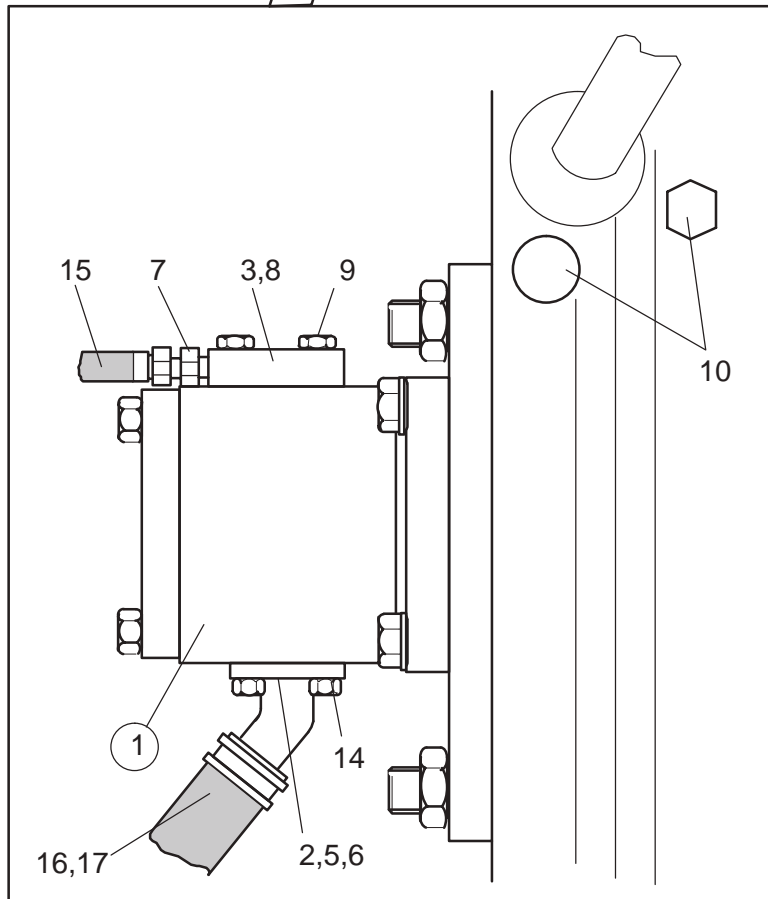
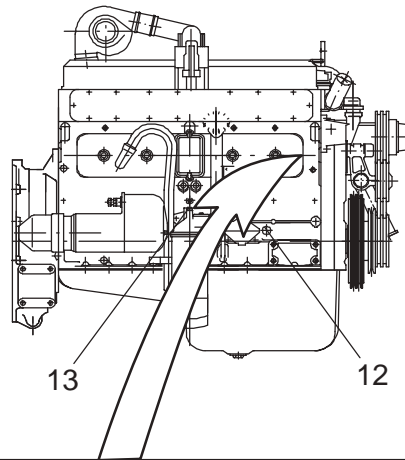
Completion date of module.

NV03-0100
Hydr. pump for brake ——— Module name

Illustration Page

An illustration page contains drawings either as exploded views or plane views with the reference numbers of the parts.

Page 2	Module NV03-0100	Date 98-06-09	Description Pump mounting	
------------------	----------------------------	-------------------------	-------------------------------------	---



N5502850A

Text Page

A text page contains the following information:

1. Drawing number refers to the corresponding illustration page. The letter after the number indicates the version.
2. Date indicates when the page was made.
3. Name is the name of the unit dealt with on the pair of pages.
4. Module is a manufacturing reference.
6. Running page numbering within each group.
7. Reference numbers refer to the corresponding drawing.
8. Name is the name of the part.
9. Order number defines the spare part.
10. Quantity indicates the number of the parts in this unit.
11. Spare part recommendation gives information on the wear of parts. (Not used)
12. Notes include the standards and the dimensions of the parts.

Ref.	Description	Order no.	Qty	S	Notes
1	Pump Se sida 7	K0301071H	1		
2	Joint	N5413000	1		
3	Joint	N5336220	1		
5	Ring	N5242160	1		
6	Gasket	61440222	1		
7	Joint	643445162	1		
8	Gasket	61450167	1		
9	Screw	53160113	4		ISO4014 M6x40
10	Plug	N5396520	2		
12	Plug	64305904	1		
13	Plug	64305902	1		
14	Screw	53060108	4		ISO4017 M6x20
15	Hose	VL5402929	1		
16	Hose	68512532	x		
17	Clamp	60282743	2		
x) Order as required (min. delivery length 1m).					

N5502850A

01 POWER UNIT

KV01–0100

Engine and Transmission Mounting
Montagem do motor e da transmissão

KV01–0101

Engine
Motor

KV01–0102

Cooling system
Sistema de arrefecimento

KV01–0103

Hydraulic Transmission
Transmissão hidráulica

KV01–0110

Dipstick/ Gearbox
Vareta de óleo/caixa de câmbio

KV01–0105

Fuel System
Sistema de combustível

KV01–0106

Fuel System
Sistema de combustível

KV01–0107


Control equipment for power unit
Equipamento de controle da unidade de
potência

KV01–0108

Exhaust Manifold
Tubulação de escape

KV01–0109


Air Filter
Filtro de ar

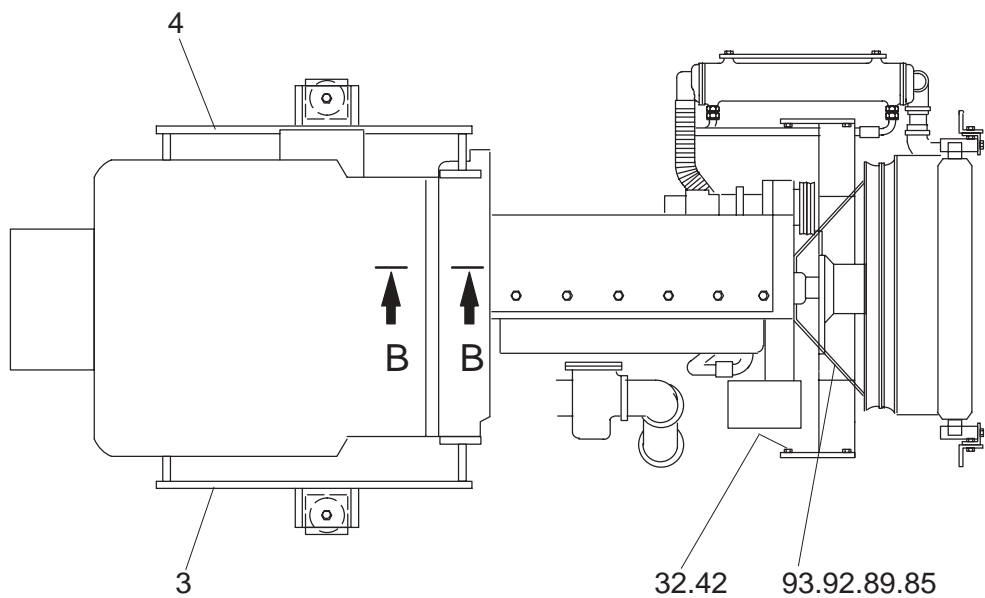
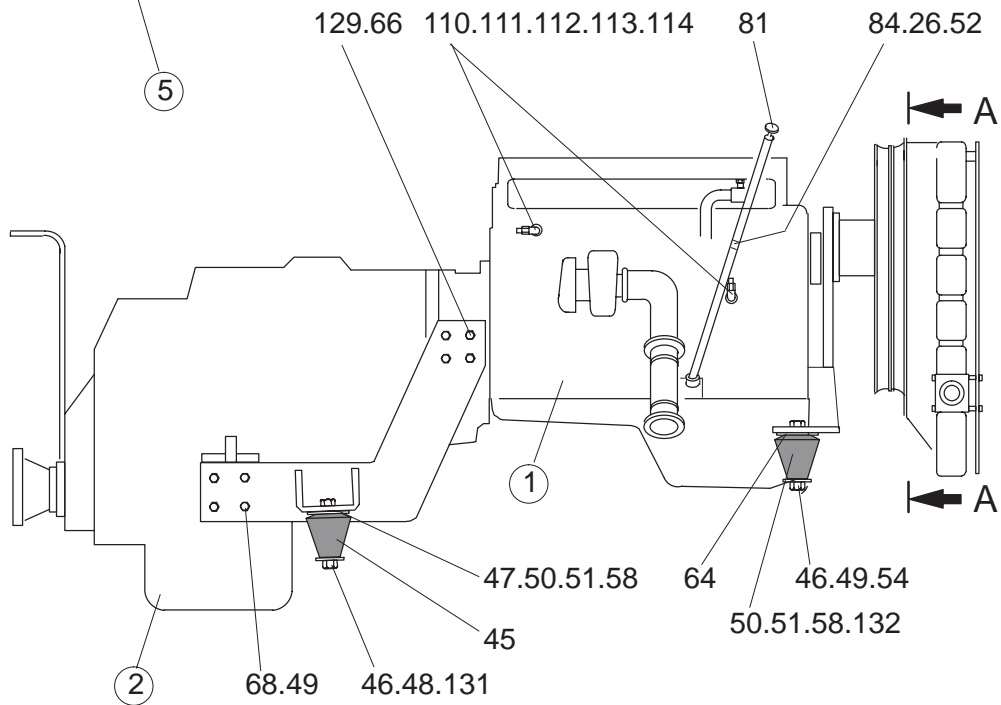
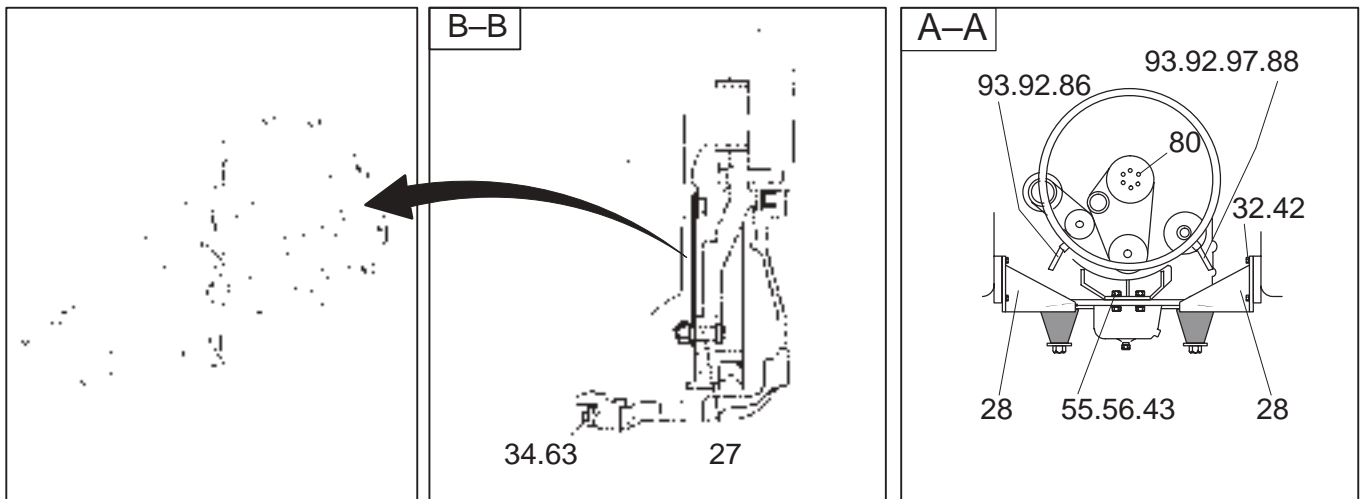
	Revision Revisão	<input type="checkbox"/>	Date Data 98-10-06	Module Módulo KV01-0100	Page Página 1/3
--	---------------------	--------------------------	---------------------------------	--------------------------------------	------------------------------

KV01-0100

Engine and Transmission Mounting

Montagem do motor e da transmissão

Page Página 2	Module Módulo KV01-0100	Date Data 93-01-12	Description Descrição Power unit, mount.	
----------------------------	--------------------------------------	---------------------------------	---	--





Description
Descrição
Power unit, mount.



Date
Data
93-01-12

Module
Módulo
KV01-0100

Page
Página
3

Item.	Description	Order no.	Qty	S	Notes
*1	Engine Motor	T5614260	1		Cummi MTA11-C330
**2	Gearbox Caixa de velocidades	K0201082H	1		Clark 15.5HR36431-3
3	Support Suporte	T5516910	1		
4	Support Suporte	T5516920	1		
**5	Disc set Jogo de discos	T0209036H	1		Clark 802558 16"
26	Tube Tubo	K5680630	1		
27	Screw Parafuso	53061183	8		ISO4017 M10X1.25X40
28	Support Suporte	T5518300	2		
32	Screw Parafuso	53060222	8		ISO4017 M12x35
34	Screw Parafuso	53060185	12		ISO4017 M10x50
42	Washer Anilha	50062012	8		DIN6796 12
43	Washer Anilha	50012200	4		DIN125 21
45	Rubber mounting Suporte de borracha	770172246	2		METAL 17-0146-60
46	Limitador Limitador	770152470	4		Metal 15/247
47	Limitador Limitador	T5517930	2		Metal 15/247
48	Screw Parafuso	53160485	2		ISO4014 M24X200
49	Screw Parafuso	53065384	8		SMS1943 UNC3/4x45
50	Screw Parafuso	53060143	16		ISO4017 M8X40
52	Fitting União	64308009	1		VL054100/6-3/4-16UNF
51	Nut Porca	51010080	16		DIN985 M8
54	Screw Parafuso	53060487	2		ISO4014 M24X220
55	Screw Parafuso	53060389	2		ISO4017 M20X70
56	Nut Porca	51010200	2		DIN985 M20
58	Washer Anilha	50012080	16		DIN125 8.4
63	Washer Anilha	50082100	22		DIN137 10
64	Limitador Limitador	T5516430	2		
66	Screw Parafuso	53060307	8		ISO4017 M16x60
68	Washer Anilha	50082200	8		DIN137 20
80	Screw Parafuso	T5515880	6		
81	Dipstick Vareta	K5680602	1		
84	Support Suporte	T5515920	1		
85	Fastener Ligador	T5515820	1		
86	Fastener Ligador	T5515810	1		
88	Fastener Ligador	T5515840	1		
89	Screw Parafuso	53060218	2		ISO4017 M12x20
92	Screw Parafuso	53060136	4		ISO4017 M8x16
93	Washer Anilha	50012080	4		DIN125 8.4
97	Screw Parafuso	53060178	1		ISO4017 M10x20
110	Fitting União	64306010	2		VLO54110/16 7/8-14UNF
111	Fitting União	64345716	2		VLS620.33 16JIC/7/8-14
112	Nut Porca	64163910	2		VLS620.50 16JIC
113	Sleeve Casquilho	64160916	2		VLS620.51 16JIC
114	Tube Tubo	24162033	x		DIN2391 16x2.0
129	Screw Parafuso	53060305	8		ISO4017 M16x50
131	Nut Porca	51010240	2		DIN985 M24
132	Rubber mounting Suporte de borracha	770172245	2		METAL 17-0146-45

*) See engine module

***) See gearbox module



Revision
Revisão
VOK71/00-12-11



Date
Data
98-10-06


Module
Módulo
KV01-0101

Page
Página
1/125

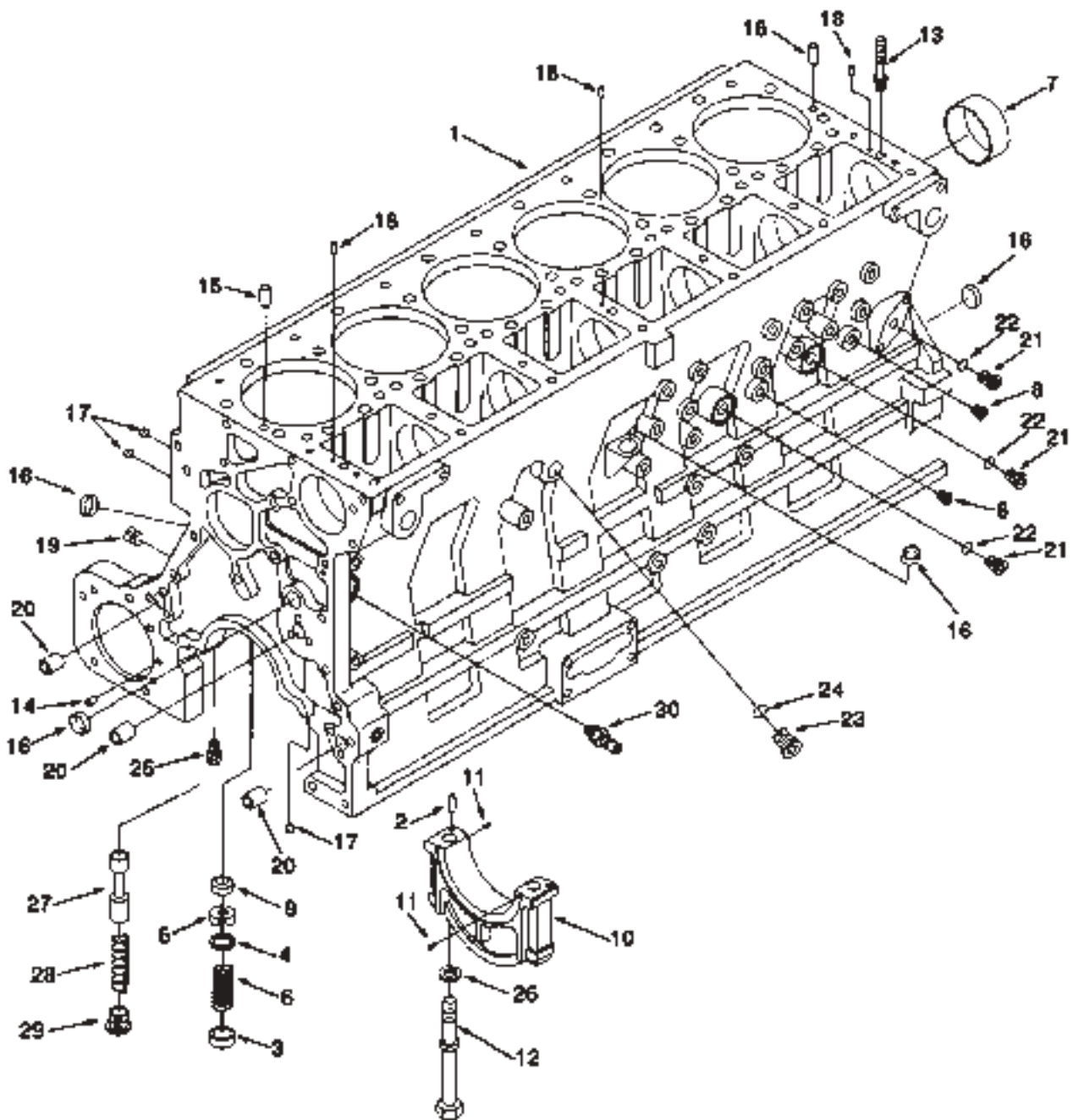
KV01-0101

Engine

Motor

Page Página	Module Módulo	Date Data	Description Descrição	
2	KV01-0101	93-01-12	Cylinderblock	

1A





Description
Descrição
Cylinderblock



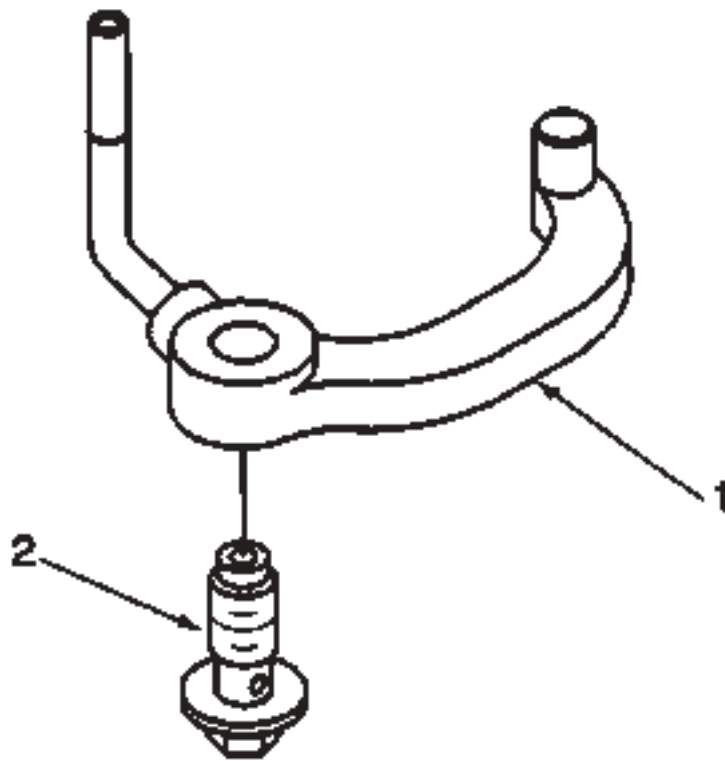
Date
Data
93-01-12

Module
Módulo
KV01-0101

Page
Página
3

Item.	Description	Order no.	Qty	S	Notes
-	Engine see page 3-125	Motor T5614260	1		Cummi MTA11-C330
1A	Cylinderblock	Bloco de motor 800040993	1		Cummi 3803717
2	Dowel pin	Perne-guia 800038860	2		Cummi 148555 no. 4
3	Plug	Ficha 800038861	1		Cummi 179063
4	Washer	Anilha 800038862	1		Cummi 3014754
5	Disc	Disco 800038863	1		Cummi 3014755
6	Spring	Mola 800038864	1		Cummi 3014756
7	Bushing	Casquilho 800038865	7		Cummi 3820566
8	Plug	Ficha 800038866	2		Cummi 3008466
9	Valve seat	Sede de valvula 800038867	1		Cummi 3026758
10	Bearing cap	Tampa rolamento 800038868	1		Cummi 3027490no.4
11	Pin	Pin 800040926	2		Cummi 3028252
10a	Bearing cap	Tampa rolamento 800038870	6		Cummi 3026961no.1.2.3.5.6.7
12	Screw	Parafuso 800038871	14		Cummi 3027493
13	Stud bolt	Perne-parafuso 800040927	7		Cummi 3895832
14	Dowel pin	Perne-guia 800038873	1		Cummi 70550
15	Dowel pin	Perne-guia 800038874	2		Cummi 142207
16	Plug	Ficha 800038875	4		Cummi 3007635
17	Plug	Ficha 800038876	8		Cummi 3007632
18	Dowel pin	Perne-guia 800038877	3		Cummi 3008446
19	Plug	Ficha 800038878	4		Cummi 3008468
20	Guide bushing	Casquilho guia 800038879	1		Cummi 3026231
21	Plug	Ficha 800038880	1		Cummi 3037536
22	O-ring	O'ring 800038125	1		Cummi 3037537
23	Plug	Ficha 800038881	1		Cummi 3046202
24	O-ring	O'ring 800039212	1		Cummi 3046201
25	Sensor	Sensor 800039225	1		Cummi 3069728
26	Washer	Anilha 800039202	14		Cummi 3019631
27	Piston	Pistão 800039223	1		Cummi 3068979
28	Spring	Mola 800034046	1		Cummi 3010146
29	Plug	Ficha 800038820	1		Cummi 3821725
30	Fitting	União 800034006	1		Cummi 3042619

Page Página	Module Módulo	Date Data	Description Descrição	<input type="checkbox"/>	
4	KV01-0101	97-01-30	Nozzle		





Description
Descrição
Nozzle




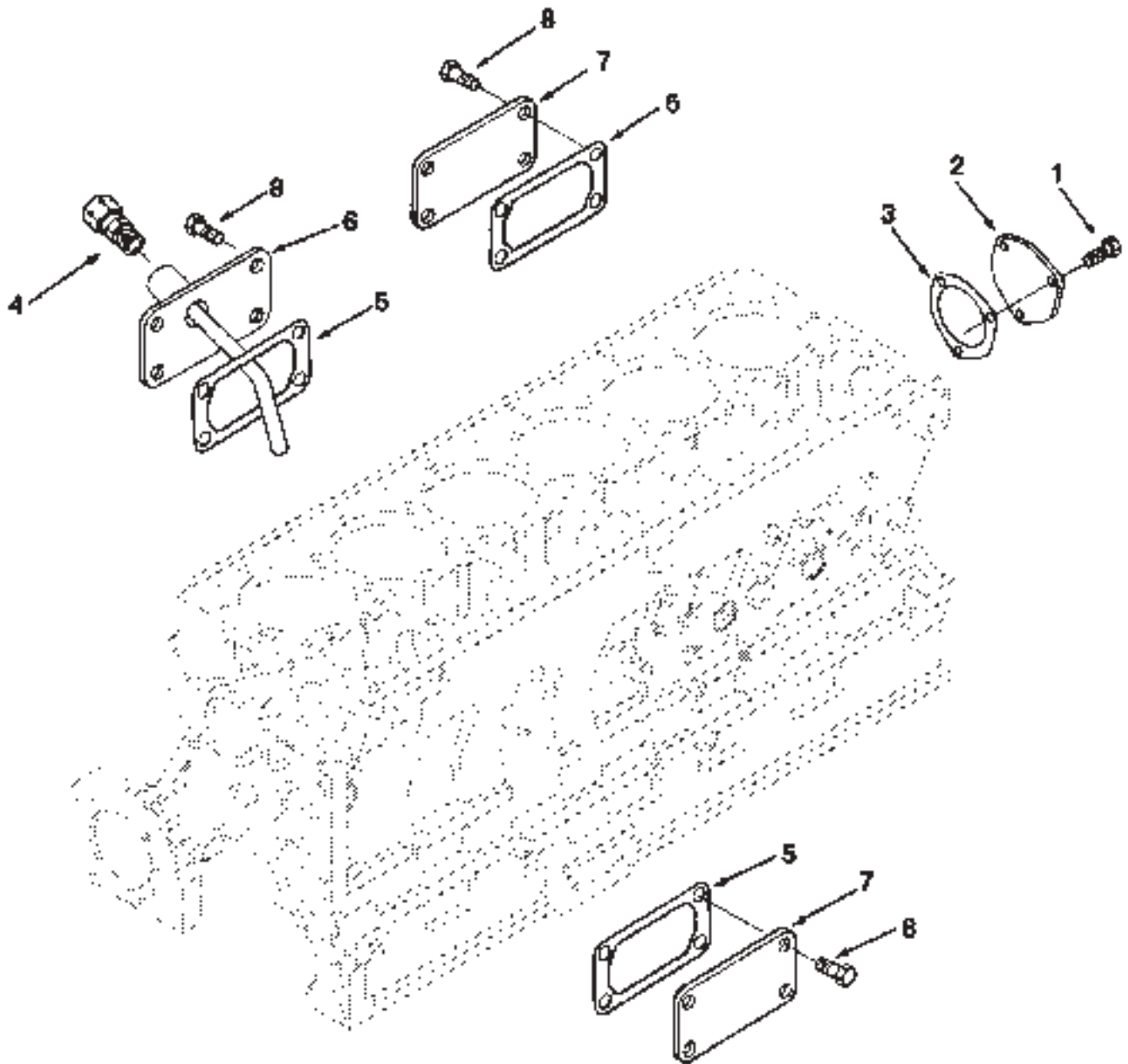
Date
Data
97-01-30

Module
Módulo
KV01-0101

Page
Página
5

Item.	Description	Order no.	Qty	S	Notes
1	Nozzle Bico injector	800040928	6		Cummi 3080708
2	Hollow bolt	800039228	6		Cummi 3070393

Page Página	Module Módulo	Date Data	Description Descrição	<input type="checkbox"/>	
6	KV01-0101	97-01-30	Shield plates		





Description
Descrição
Shield plates



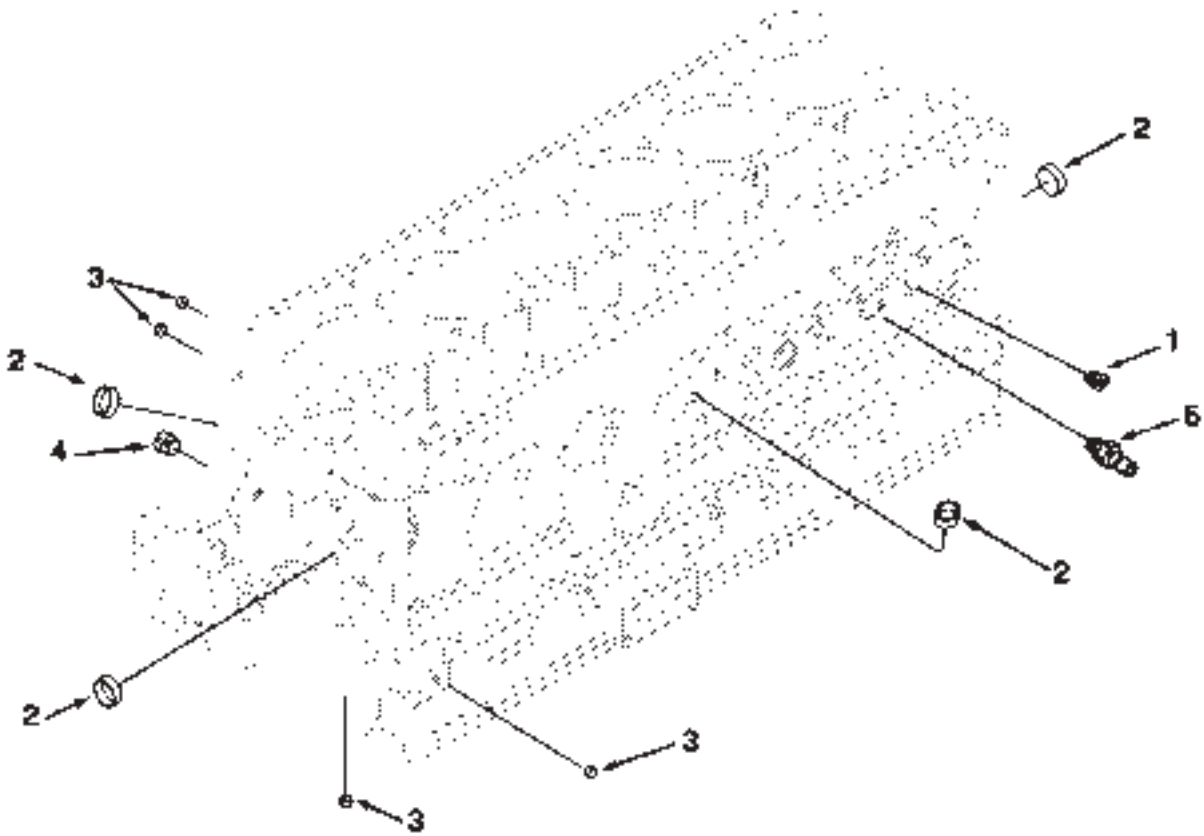
Date
Data
97-01-30

Module
Módulo
KV01-0101

Page
Página
7

Item.	Description	Order no.	Qty	S	Notes
1	Screw Parafuso	800038942	3		Cummi 3009887
2	Cover Tampa	800039055	1		Cummi 3025295
3	Gasket Junta	800039056	1		Cummi 3025296
4	Fitting União	800039062	1		Cummi 163759
5	Gasket Junta	800039061	3		Cummi 3883472
6	Cover Tampa	800039059	1		Cummi 3820470
7	Cover Tampa	800039060	2		Cummi 3028684
8	Screw Parafuso	800038933	12		Cummi 3036230

Page Página	Module Módulo	Date Data	Description Descrição	<input type="checkbox"/>	
8	KV01-0101	97-01-30	Plugs		





Description
Descrição
Plugs

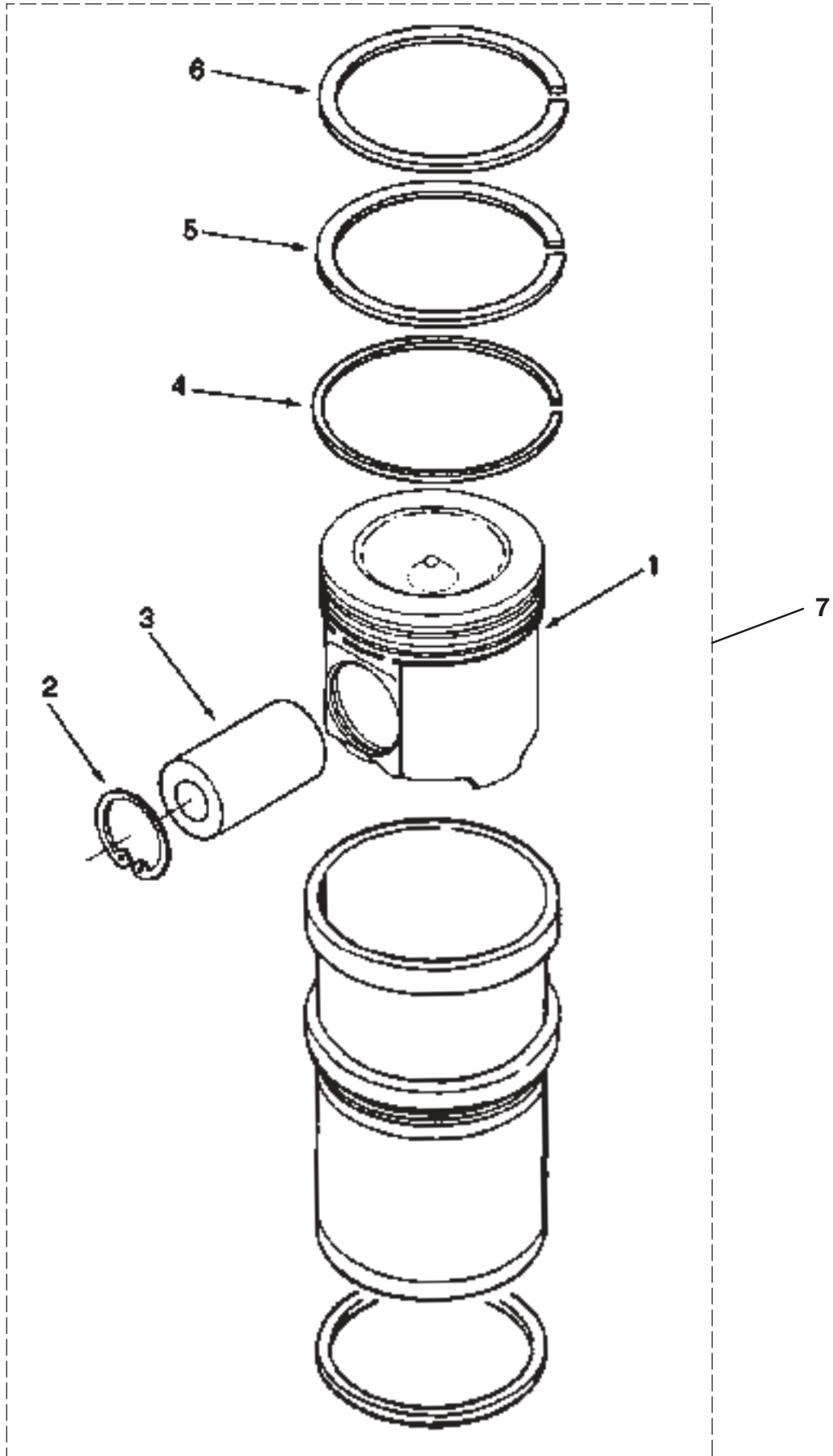


Date
Data
97-01-30

Module
Módulo
KV01-0101

Page
Página
9

Item.	Description	Order no.	Qty	S	Notes
1	Plug Ficha	800033758	1		Cummi 3008466
2	Plug Ficha	800038875	4		Cummi 3007635
3	Plug Ficha	800038876	9		Cummi 3007632
4	Plug Ficha	800038878	1		Cummi 3008468
5	Nipple Lubrificador	800039135	1		Cummi 3042619





Description
Descrição
Piston kit



Date
Data
97-01-30

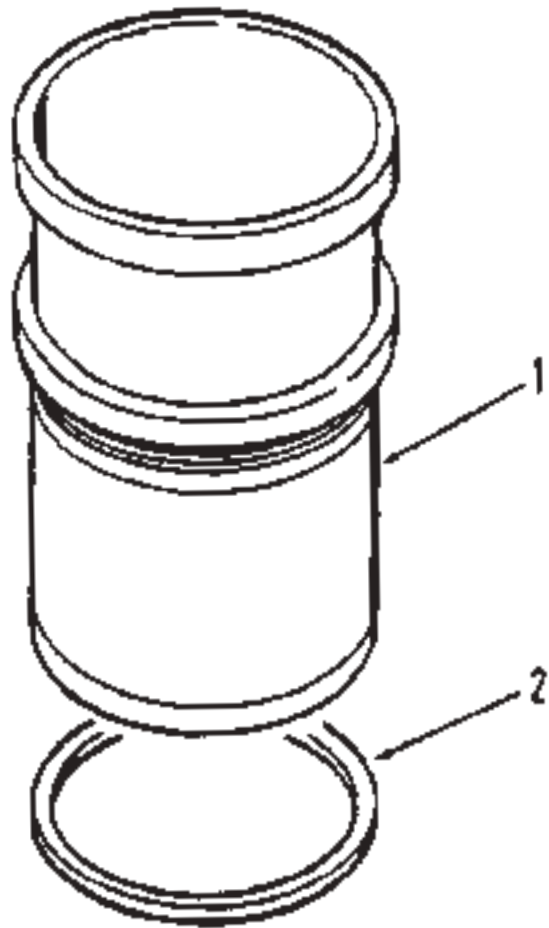
Module
Módulo
KV01-0101

Page
Página
11

Item.	Description	Order no.	Qty	S	Notes
*1	Piston	800040929	6		Cummi 3803976
7	Cylinder, compl.	800040930	6		Cummi 3803977

*)Incl. parts 1-6

*)





Description
Descrição
Cylinder liner



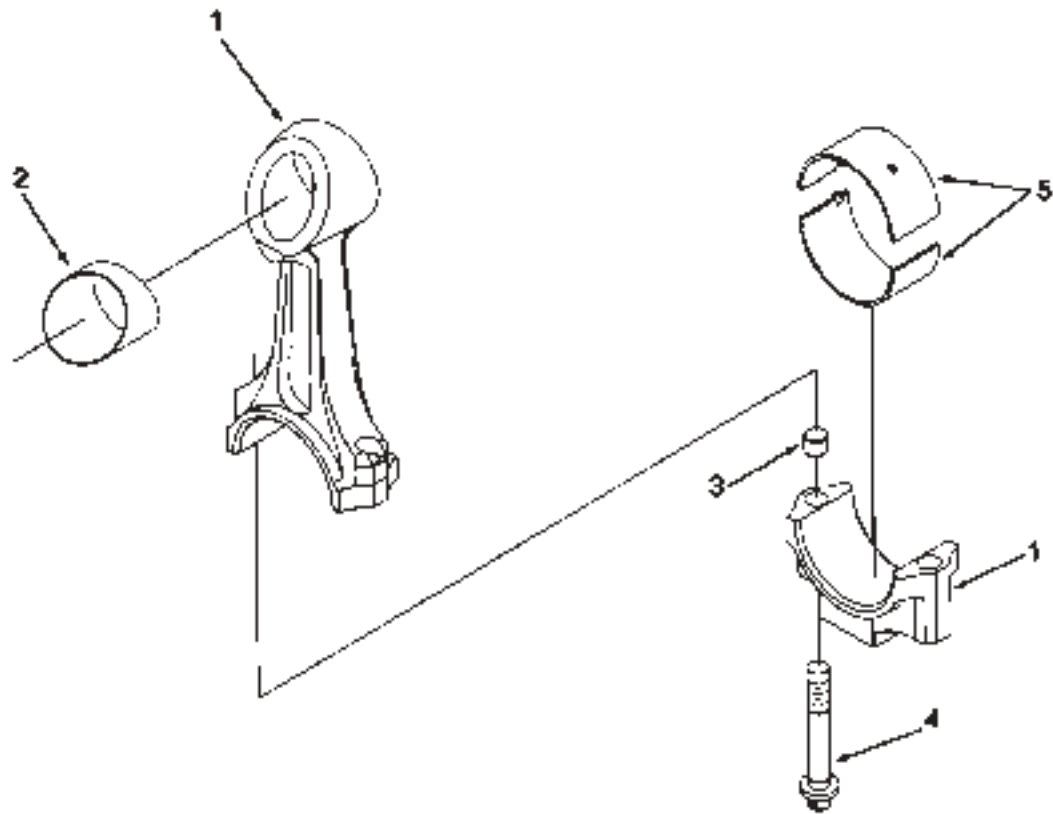
Date
Data
97-01-30

Module
Módulo
KV01-0101

Page
Página
13

Item.	Description	Order no.	Qty	S	Notes
1	Cylinder liner Camisa do bloco	800040931	6		Cummi 3803703
2	Shim Anilha	800038829	x		Cummi 3032623 0.005"
3	Shim Anilha	800038830	x		Cummi 3034663 0.008"

x) Order as required.
x)





Description
Descrição
Connecting rod



Date
Data
99-10-05

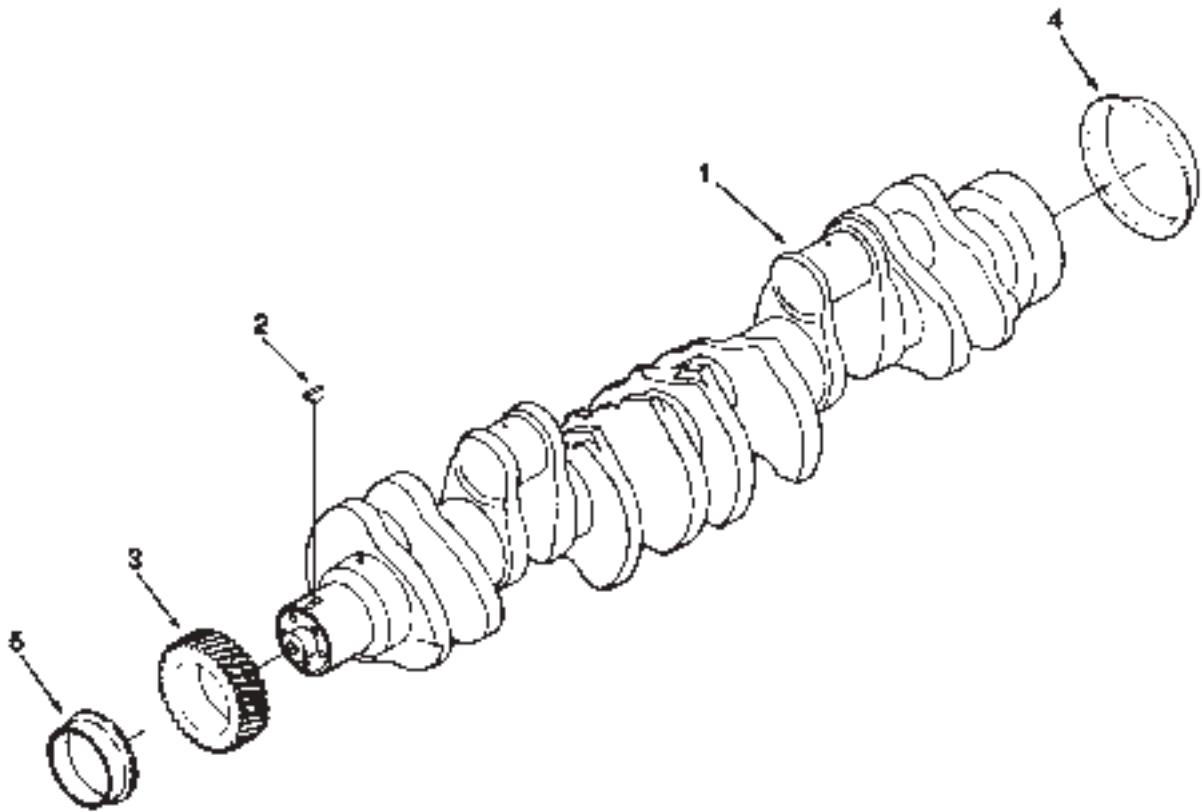
Module
Módulo
KV01-0101

Page
Página
15

Item.	Description	Order no.	Qty	S	Notes
*1	Connecting rod Biela	800042198	6		Cummi 3899450
5	Big-end bearing Bronze de biela	800039047	12		Cummi 3016760 std.
5A	Big-end bearing Bronze de biela	800039154	12		Cummi 3016761 0,25mm oversize
5B	Big-end bearing Bronze de biela	800039155	12		Cummi 3016762 0,50mm oversize
5C	Big-end bearing Bronze de biela	800039156	12		Cummi 3016763 0,75mm oversize
5D	Big-end bearing Bronze de biela	800039157	12		Cummi 3016764 1,00mm oversize

*)Incl. parts 1-4
*)

Page Página 16	Module Módulo KV01-0101	Date Data 97-01-30	Description Descrição Crankshaft	<input type="checkbox"/>	
-----------------------------	--------------------------------------	---------------------------------	---	--------------------------	--





Description
Descrição
Crankshaft



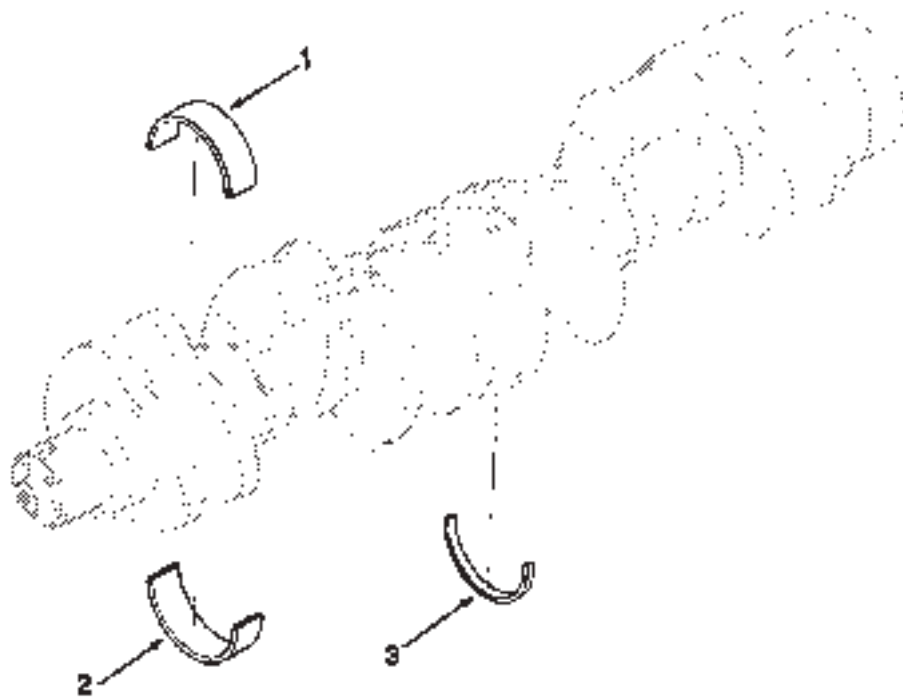
Date
Data
97-01-30

Module
Módulo
KV01-0101

Page
Página
17

Item.	Description	Order no.	Qty	S	Notes
1	Crankshaft Cambota	800040933	1		Cummi 3073707
2	Key Chaveta	800038856	1		Cummi S-300
3	Gear Engrenagem	800040932	1		Cummi 3084445
4	Sleeve Casquilho	800038858	1		Cummi 3819774
5	Sleeve Casquilho	800038859	1		Cummi 3820918

Page Página 18	Module Módulo KV01-0101	Date Data 97-01-30	Description Descrição Bearings	<input type="checkbox"/>	
-----------------------------	--------------------------------------	---------------------------------	---	--------------------------	--





Description
Descrição
Bearings



Date
Data
97-01-30

Module
Módulo
KV01-0101

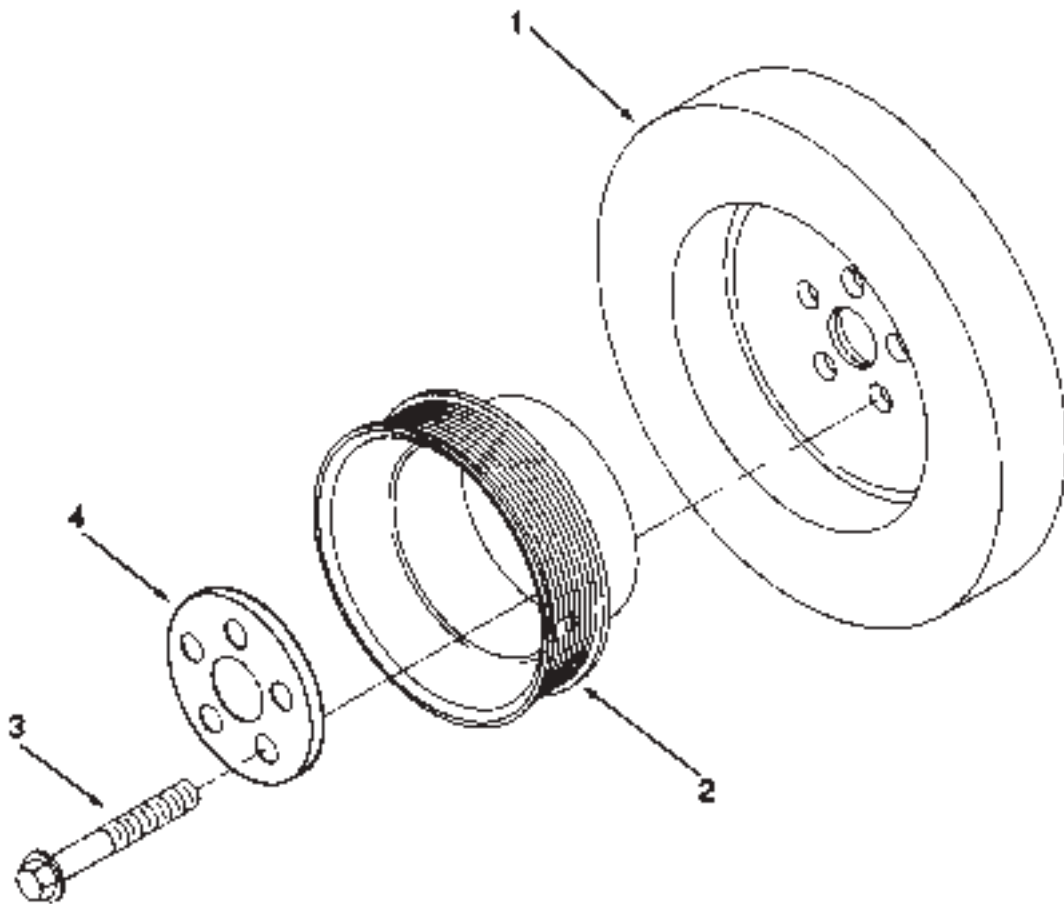
Page
Página
19

Item.	Description	Order no.	Qty	S	Notes
*a	Bushing set Jogo casquilhas	800038783	1		Cummi 3801150 std.
*b	Bushing set Jogo casquilhas	800038784	1		Cummi 3801151 0.010" oversize
*c	Bushing set Jogo casquilhas	800038785	1		Cummi 3801152 0.020" oversize
*d	Bushing set Jogo casquilhas	800038786	1		Cummi 3801153 0.030" oversize
*e	Bushing set Jogo casquilhas	800038787	1		Cummi 3801154 0.040" oversize
3b	Bearing Rolamento	800038788	4		Cummi 3050589 0.010" oversize

*)Incl. parts 1-3

*)

Page Página 20	Module Módulo KV01-0101	Date Data 99-10-05	Description Descrição Vibration damper	<input type="checkbox"/>	
-----------------------------	--------------------------------------	---------------------------------	---	--------------------------	--





Description
Descrição
Vibration damper

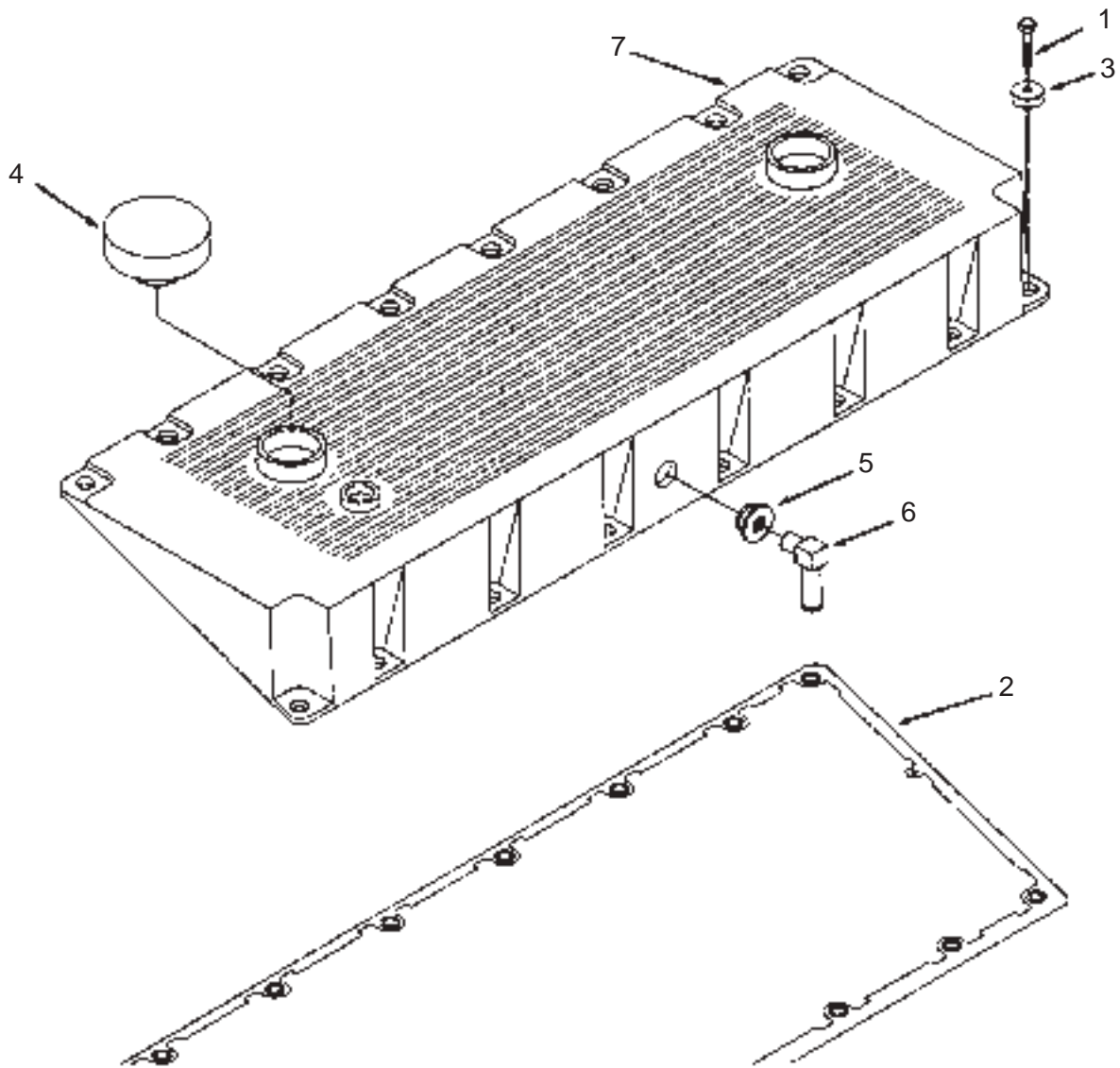


Date
Data
99-10-05

Module
Módulo
KV01-0101

Page
Página
21

Item.	Description	Order no.	Qty	S	Notes
1	Vibration damper Amortecedor	800040934	1		Cummi 3073587
2	Belt pulley Polia	800042199	1		Cummi 3073676
3	Screw Parafuso	800042200	5		Cummi 3896231
4	Plate Placa	800040936	1		Cummi 3896043





Description
Descrição
Valve cover

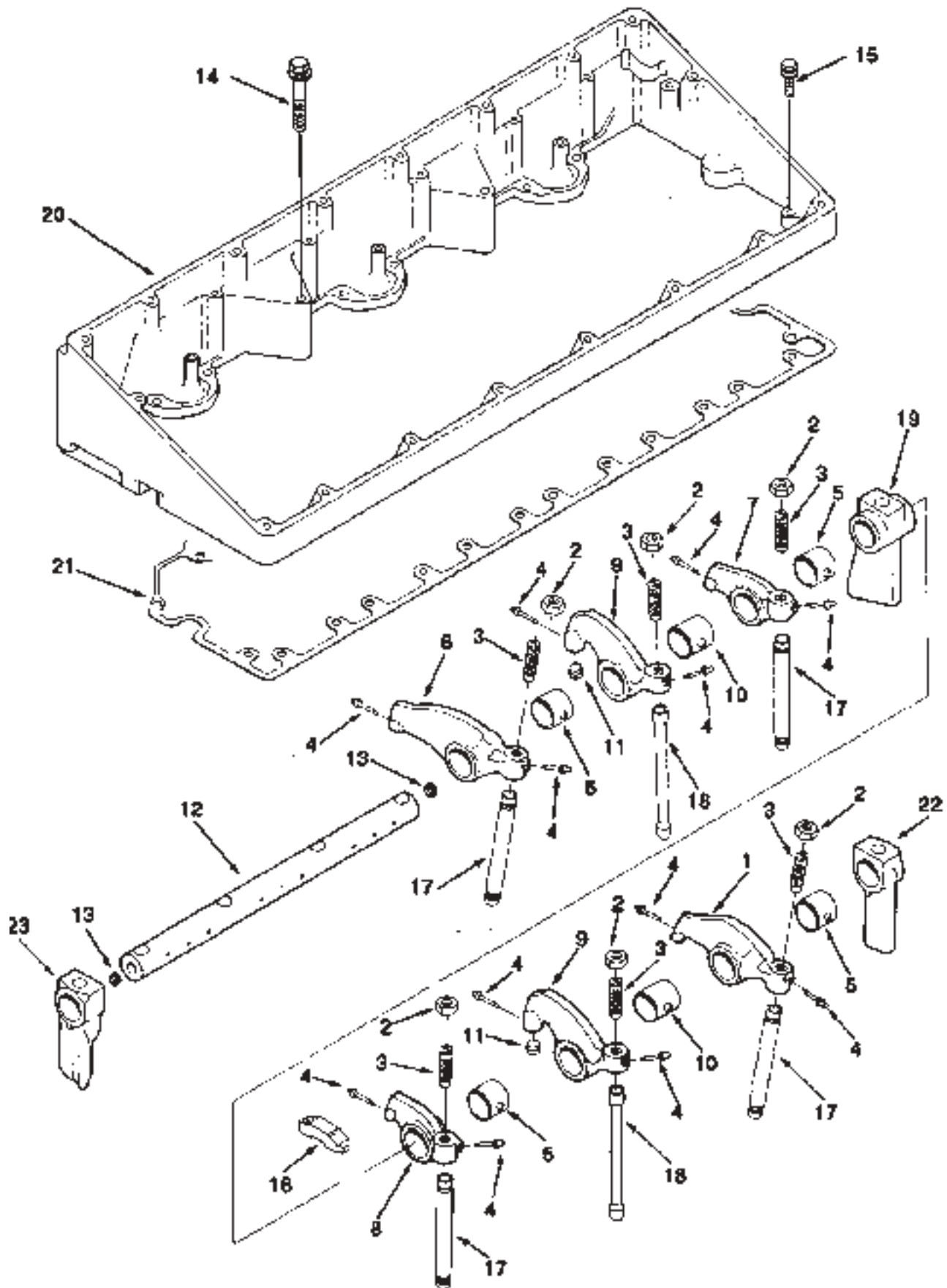


Date
Data
97-01-30

Module
Módulo
KV01-0101

Page
Página
23

Item.	Description	Order no.	Qty	S	Notes
1	Screw Parafuso	800039102	16		Cummi 3335042
2	Gasket Junta	800039250	1		Cummi 3883220
3	Insulator Isolador	800039101	16		Cummi 3883223
4	Cap Tampão	800039204	1		Cummi 3029173
5	Seal ring Vedante	800039211	1		Cummi 3042401
6	Breather Respirador	800040937	1		Cummi 3047134
7	Valve cover Tampa de valvula	800040938	1		Cummi 3896845





Description
Descrição
Valve mechanism



Date
Data
97-01-30

Module
Módulo
KV01-0101

Page
Página
25

Item.	Description	Order no.	Qty	S	Notes
*1	Valve lever Alavanca de valvula	800039216	3		Cummi 3064600
**6	Valve lever Alavanca de valvula	800039215	3		Cummi 3064597
***7	Valve lever Alavanca de valvula	800039220	3		Cummi 3068350
#8	Valve lever Alavanca de valvula	800039221	3		Cummi 3068351
##9	Valve lever Alavanca de valvula	800039224	6		Cummi 3069020
11	Shaft Eixo	800039237	2		Cummi 3803166
13	Plug Ficha	800038800	2		Cummi 3019630
14	Screw Parafuso	800039256	4		Cummi 3892105
15	Screw Parafuso	800038808	20		Cummi 3821846
16	Cross piece Cruzeta	800039227	6		Cummi 3070175
17	Push rod Vareta	800039222	12		Cummi 3068390
18	Push rod Vareta	800039219	6		Cummi 3067830
19	Support Suporte	800039259	4		Cummi 3892654
20	Housing Caixa	800039251	1		Cummi 3883241
21	Gasket Junta	800040939	1		Cummi 3896697
22	Support Suporte	800039257	2		Cummi 3892652
23	Support Suporte	800039258	2		Cummi 3892653

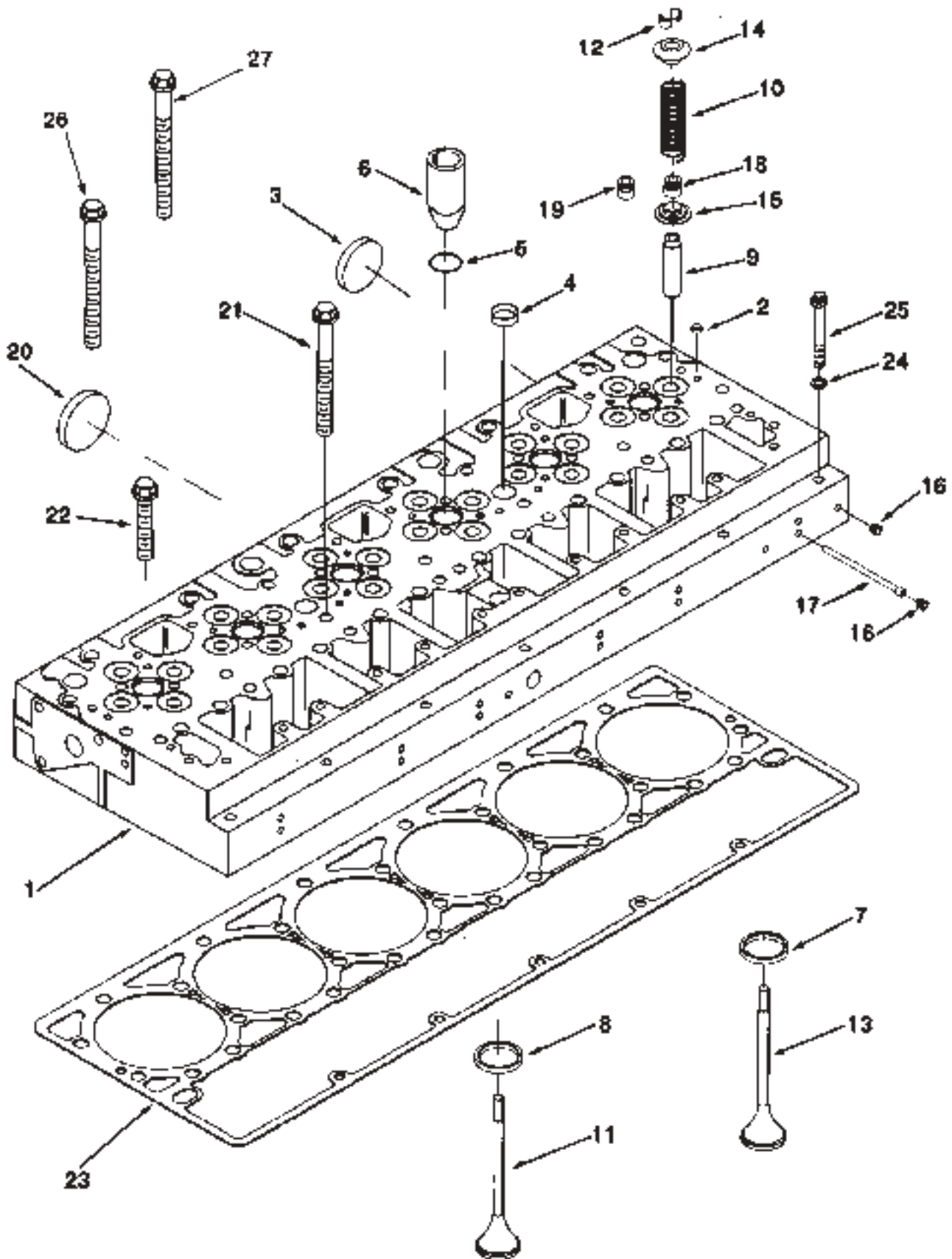
*)Incl. parts 1-5
*

**)Incl. parts 2-6
**)

***)Incl. parts 2-5.7
***)

#)Incl. parts 2-5.8
#)

##)Incl. parts 2-4.9.10
##)





Description
Descrição
Cylinder head



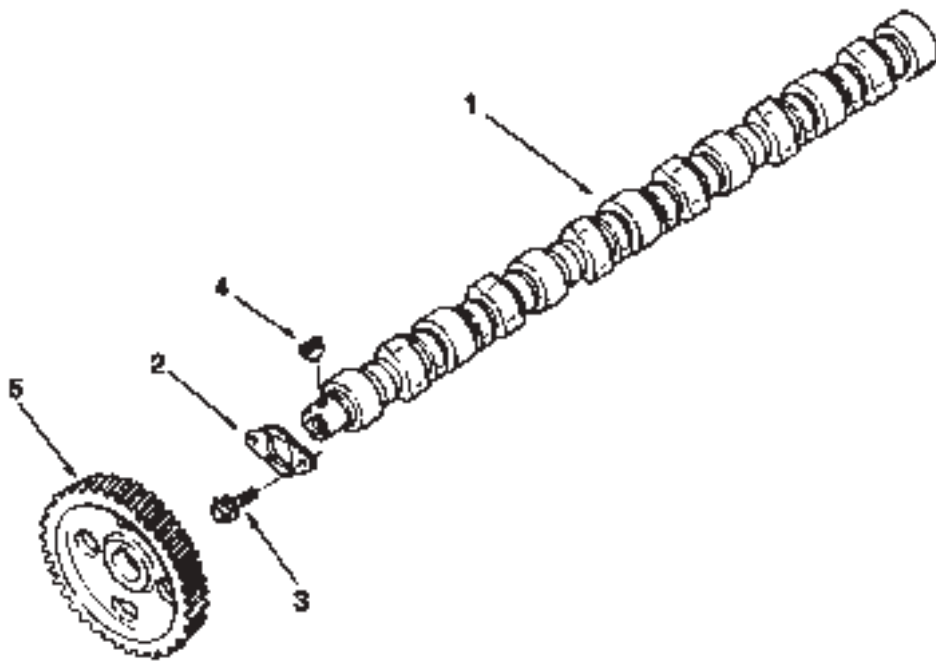
Date
Data
99-10-05

Module
Módulo
KV01-0101

Page
Página
27

Item.	Description	Order no.	Qty	S	Notes
1	Cylinder head	Cabeça de motor	800040940	1	Cummi 3084650
2	Plug	Ficha	800038876	2	Cummi 3007632
3	Plug	Ficha	800039014	2	Cummi 206741
4	Plug	Ficha	800038875	8	Cummi 3007635
5	O-ring	O'ring	800039016	6	Cummi 3007759
6	Sleeve	Casquilho	800037968	6	Cummi 3070486
7	Valve seat	Sede de valvula	800039203	12	Cummi 3028070
8	Valve seat	Sede de valvula	800039245	12	Cummi 3820180
9	Guide	Guia	800039019	24	Cummi 3073512
10	Spring	Mola	800040941	24	Cummi 3895860
11	Intake valve	Valvula admissão	800039238	12	Cummi 3803310
12	Sleeve	Casquilho	800042193	24	Cummi 3275354
13	Exhaust valve	Válvula de escape	800040942	12	Cummi 3803730
14	Retainer	Retentor	800039252	24	Cummi 3883512
15	Guide	Guia	800040943	24	Cummi 3070072
16	Plug	Ficha	800039029	16	Cummi 3008465
17	Plug	Ficha	800039030	6	Cummi 3820749
18	Gasket	Junta	800039031	12	Cummi 3073509
19	Gasket	Junta	800042201	12	Cummi 3328781
20	Plug	Ficha	800040944	2	Cummi 3895479
21	Screw	Parafuso	800039033	29	Cummi 3045850
22	Screw	Parafuso	800039034	3	Cummi 3045849
23	Gasket	Junta	800040945	1	Cummi 3899378
24	Washer	Anilha	800039037	7	Cummi 3882885
25	Screw	Parafuso	800039036	6	Cummi 3882793
26	Screw	Parafuso	800040946	5	Cummi 3896712
27	Screw	Parafuso	800040947	2	Cummi 3896839

Page Página 28	Module Módulo KV01-0101	Date Data 97-01-31	Description Descrição Camshaft	<input type="checkbox"/>	
-----------------------------	--------------------------------------	---------------------------------	---	--------------------------	--





Description
Descrição
Camshaft




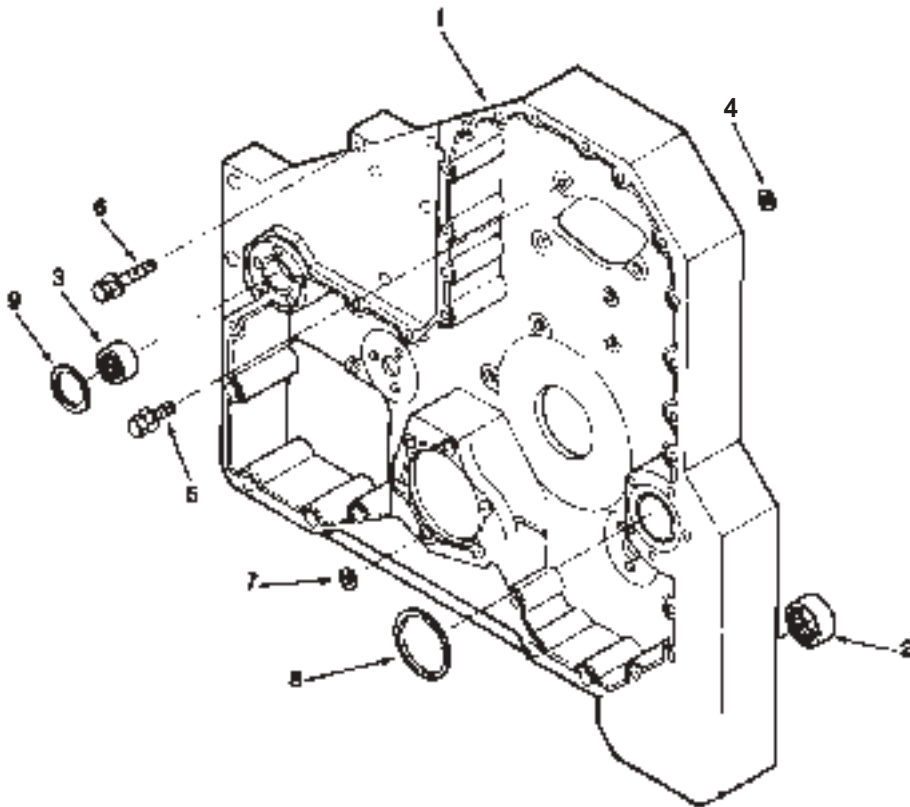
Date
Data
97-01-31

Module
Módulo
KV01-0101

Page
Página
29

Item.	Description	Order no.	Qty	S	Notes
1	Camshaft Veio de excetricos	800040948	1		Cummi 3087856
2	Support Suporte	800039268	1		Cummi 3896335
3	Screw Parafuso	800039040	2		Cummi 3822067
4	Key Chaveta	800040949	1		Cummi 3009953
5	Gear Engrenagem	800039007	1		Cummi 3038989

Page Página	Module Módulo	Date Data	Description Descrição	<input type="checkbox"/>	
30	KV01-0101	97-01-30	Gear housing		





Description
Descrição
Gear housing

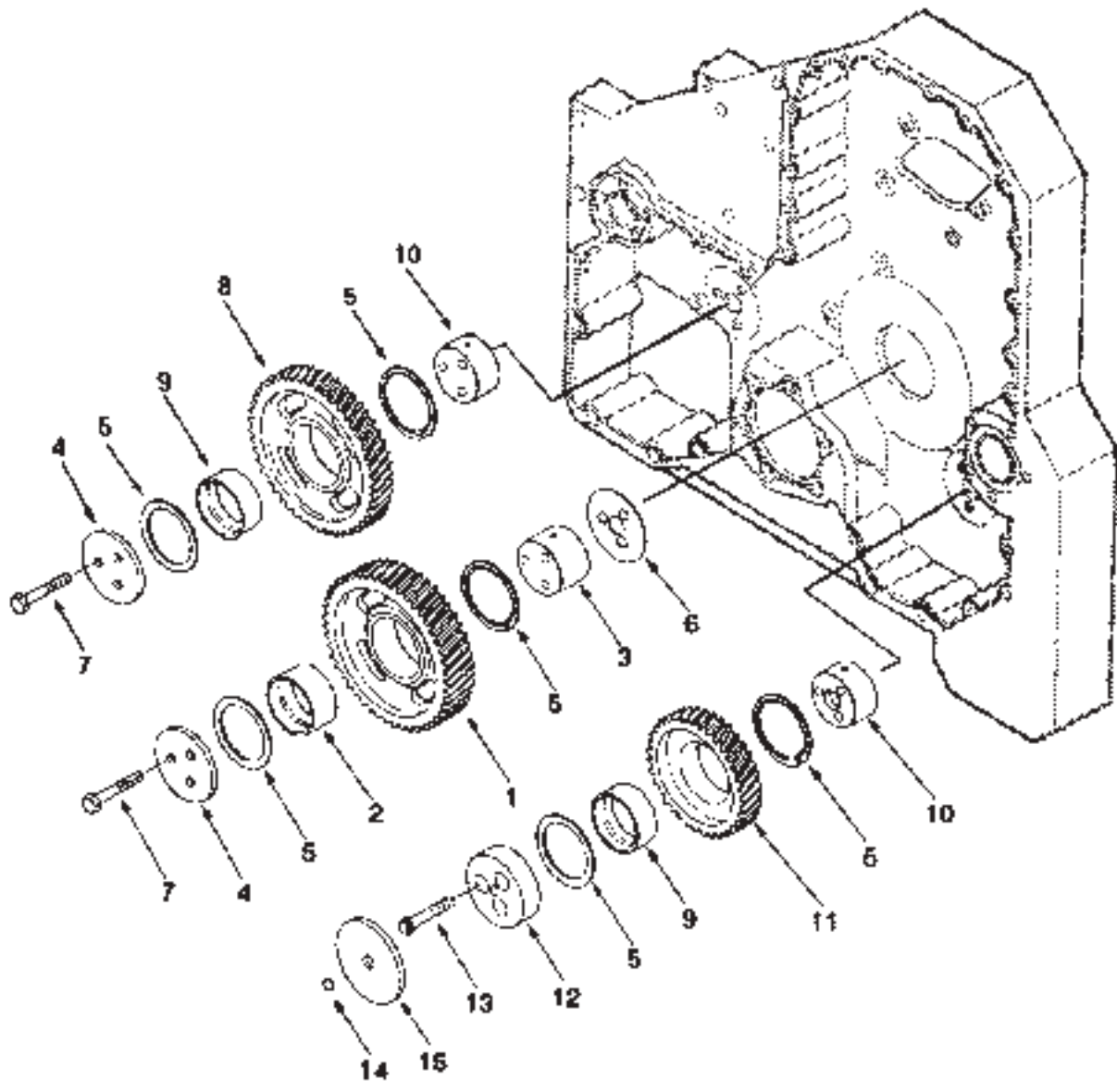


Date
Data
97-01-30

Module
Módulo
KV01-0101

Page
Página
31

Item.	Description	Order no.	Qty	S	Notes
1	Housing Caixa	800039265	1		Cummi 3895536
2	Needle bearing Rolamento agulhas	800039190	1		Cummi 3025354
3	Needle bearing Rolamento agulhas	800039262	1		Cummi 3893913
4	O-ring O'ring	800039249	1		Cummi 3883150
5	Screw Parafuso	800038823	12		Cummi 3818060
6	Screw Parafuso	800038824	5		Cummi 3820186
7	Seal ring Vedante	800038825	6		Cummi 3201659
8	Seal ring Vedante	800038826	1		Cummi 3820945
9	Seal ring Vedante	800038827	1		Cummi 3820946

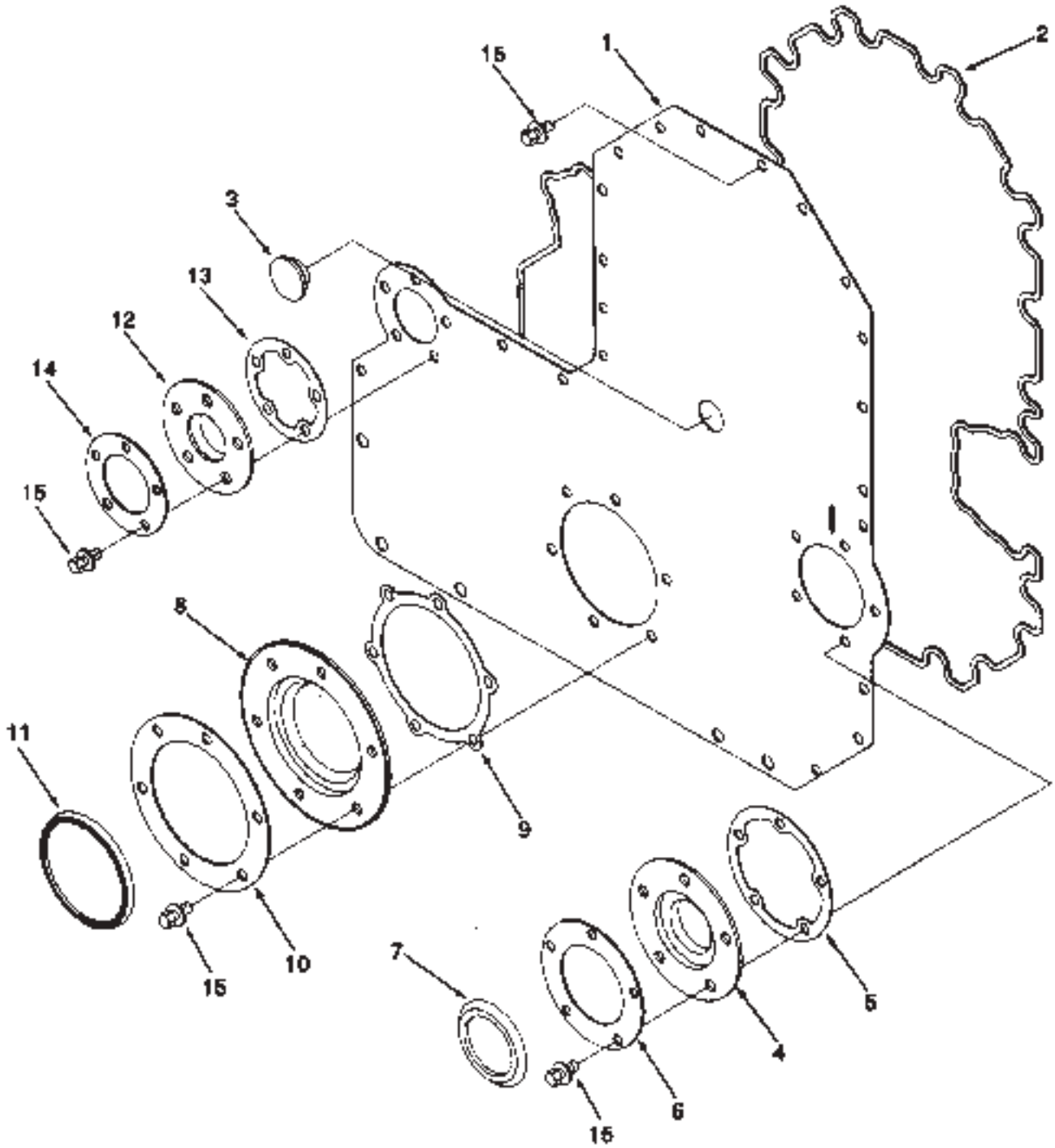


Item.	Description	Order no.	Qty	S	Notes
***1	Gear Engrenagem	800041010	1		Cummi 3084532
2	Bushing Casquilho	800041011	1		Cummi 3026188
3	Shaft Eixo	800038832	1		Cummi 3026166
4	Lock plate Freio	800038833	2		Cummi 3026233
5	Thrust bearing Rolamento axial	800039236	6		Cummi 3084899
6	Plate Placa	800038835	1		Cummi 3041038
7	Screw Parafuso	800038836	6		Cummi 3039398
**8	Gear Engrenagem	800038837	1		Cummi 3084533
9	Bushing Casquilho	800041012	1		Cummi 3026189
10	Shaft Eixo	800038841	1		Cummi 3026167
*11	Gear Engrenagem	800038842	1		Cummi 3038996
12	Lock plate Freio	800038845	1		Cummi 3882528
13	Screw Parafuso	800038846	3		Cummi 3882922
14	Seal ring Vedante	800038847	1		Cummi 3883510
15	Spacer Espaçador peça	800038848	1		Cummi 3882513

***)Incl. parts 2-7
***)

**Incl. parts 4.5.7.8-10
**)

*)Incl. parts 5.9.10.12-15
*)





Description
Descrição
Cover

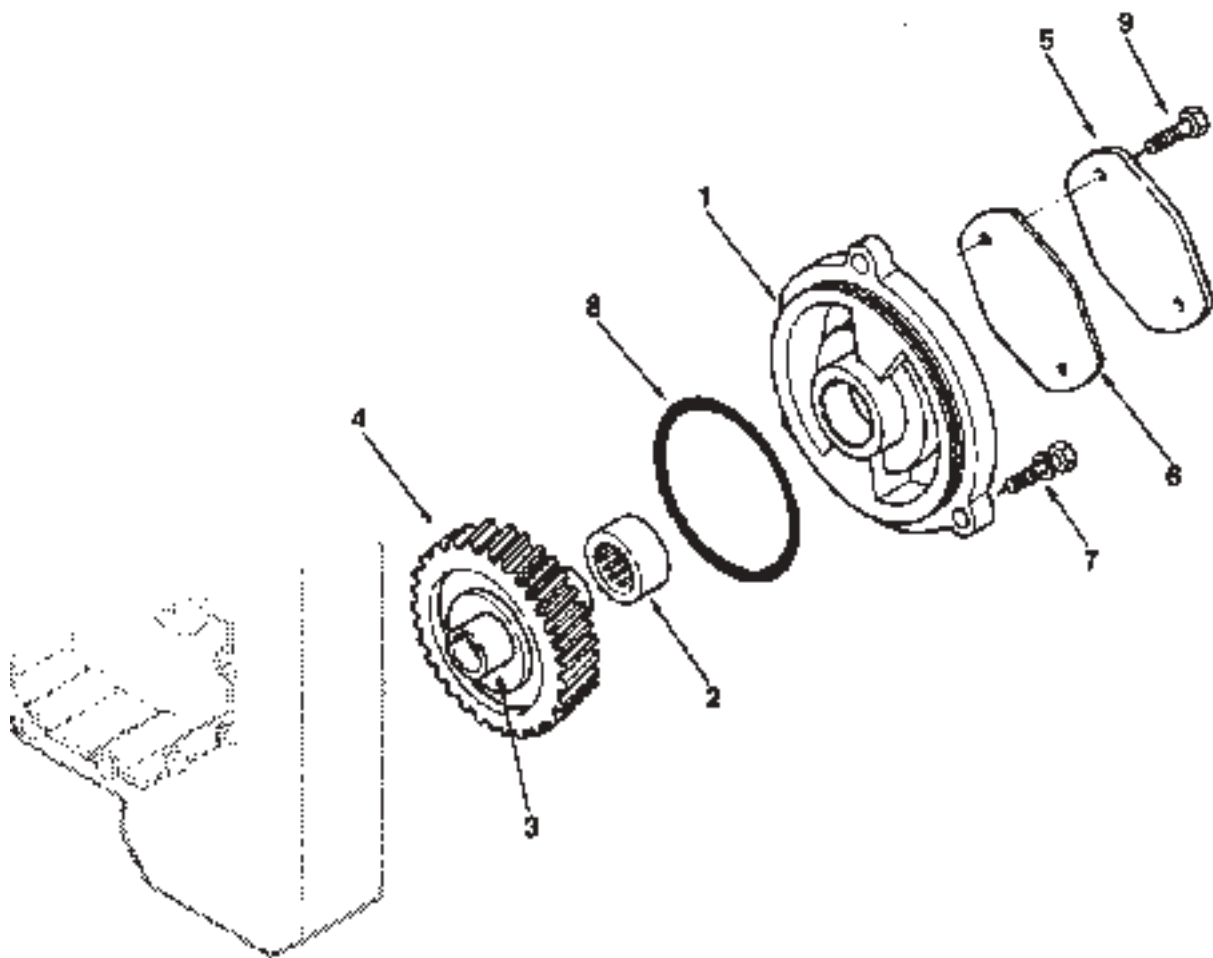


Date
Data
97-01-30

Module
Módulo
KV01-0101

Page
Página
35

Item.	Description	Order no.	Qty	S	Notes
1	Cover Tampa	800040463	1		Cummi 3892697
2	Gasket Junta	800039263	1		Cummi 3893964
3	Plug Ficha	800040450	1		Cummi 3892666
4	Gasket Junta	800040451	1		Cummi 3892794
5	Gasket Junta	800040452	1		Cummi 3892083
6	Ring Anel	800040453	1		Cummi 3892085
7	Seal ring Vedante	800040454	1		Cummi 3895021
8	Gasket Junta	800040455	1		Cummi 3892795
9	Gasket Junta	800040456	1		Cummi 3892081
10	Ring Anel	800040457	1		Cummi 3892086
11	Seal ring Vedante	800040458	1		Cummi 3895023
12	Gasket Junta	800040459	1		Cummi 3892796
13	Gasket Junta	800040460	1		Cummi 3892082
14	Ring Anel	800040461	1		Cummi 3892084
15	Screw+washer Parafuso+porca	800040462	38		Cummi 3883217 M8X1.25X20





Description
Descrição
Gear



Date
Data
97-02-05

Module
Módulo
KV01-0101

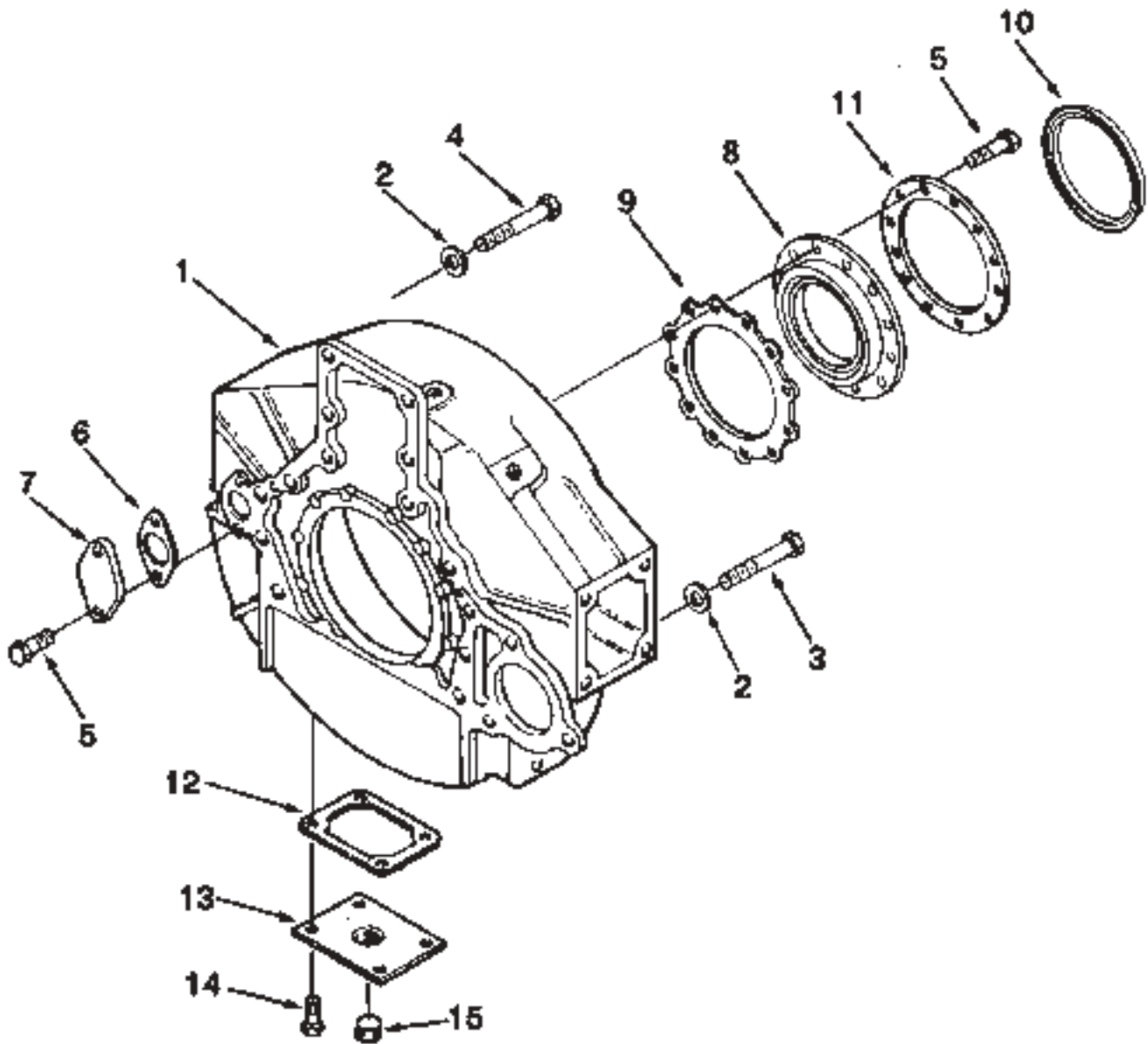
Page
Página
37

Item.	Description	Order no.	Qty	S	Notes
*1	Support	Suporte	800040950	1	Cummi 3820754
2	Needle bearing	Rolamento agulhas	800039190	1	Cummi 3025354
3	Adapter		800040951	1	Cummi 3025321
**4	Gear	Engrenagem	800040952	1	Cummi 3028421
5	Plate	Placa	800033712	1	Cummi 204048
6	Gasket	Junta	800040953	1	Cummi 3558515
7	Screw	Parafuso	800038808	3	Cummi 3821846
8	O-ring	O'ring	800040954	1	Cummi 3883042
9	Screw	Parafuso	800038997	2	Cummi 3819521

*)incl. part 2
*)

**)incl. part 3
**)

Page Página 38	Module Módulo KV01-0101	Date Data 97-01-30	Description Descrição Flywheel housing	<input type="checkbox"/> Kalmar
-----------------------------	--------------------------------------	---------------------------------	---	--





Description
Descrição
Flywheel housing



Date
Data
97-01-30

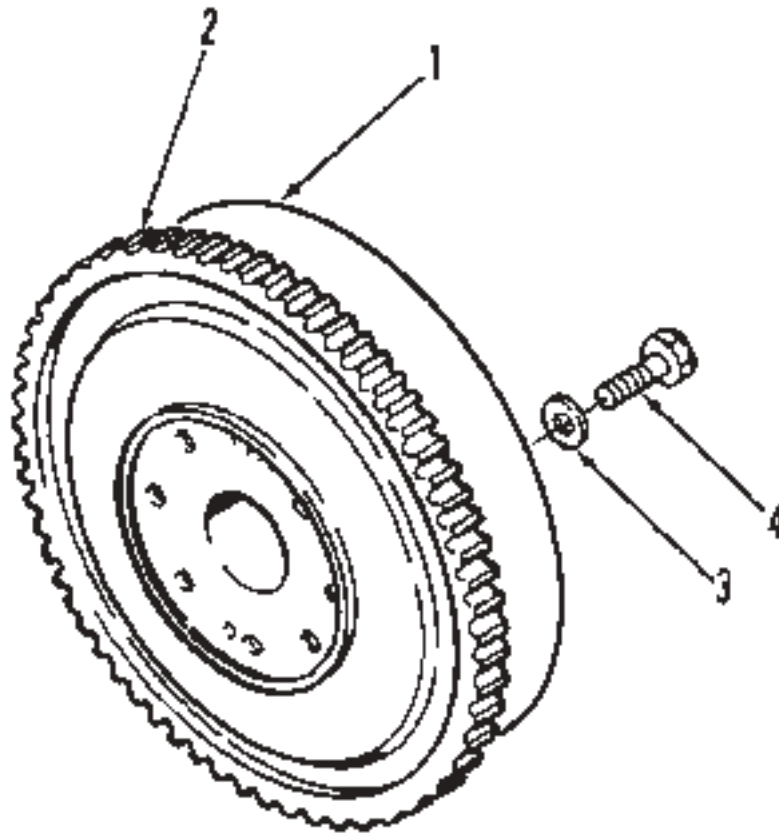
Module
Módulo
KV01-0101

Page
Página
39

Item.	Description	Order no.	Qty	S	Notes
1	Flywheel housing Caixa do volante	800038944	1		Cummi 3821684
2	Washer Anilha	800038945	14		Cummi 127316
3	Screw Parafuso	800038946	12		Cummi 3022148
4	Screw Parafuso	800038947	2		Cummi 3018006
5	Screw Parafuso	800038948	2		Cummi 3025802
6	Gasket Junta	800038949	1		Cummi 3026134
7	Cover Tampa	800038950	1		Cummi 3026135
*8	Gasket set Jogo juntas	800038951	1		Cummi 3803727
10	Gasket Junta	800040992	1		Cummi 3896346
11	Ring Anel	800040991	1		Cummi 3883622
12	Gasket Junta	800038952	1		Cummi 182459
13	Cover Tampa	800038953	1		Cummi 200685
14	Screw Parafuso	800038954	4		Cummi 3335044
15	Plug Ficha	800033612	1		Cummi 3008469

*)incl. part 9
*)

Page Página 40	Module Módulo KV01-0101	Date Data 97-01-30	Description Descrição Flywheel	<input type="checkbox"/>	
-----------------------------	--------------------------------------	---------------------------------	---	--------------------------	--





Description
Descrição
Flywheel



Date
Data
97-01-30

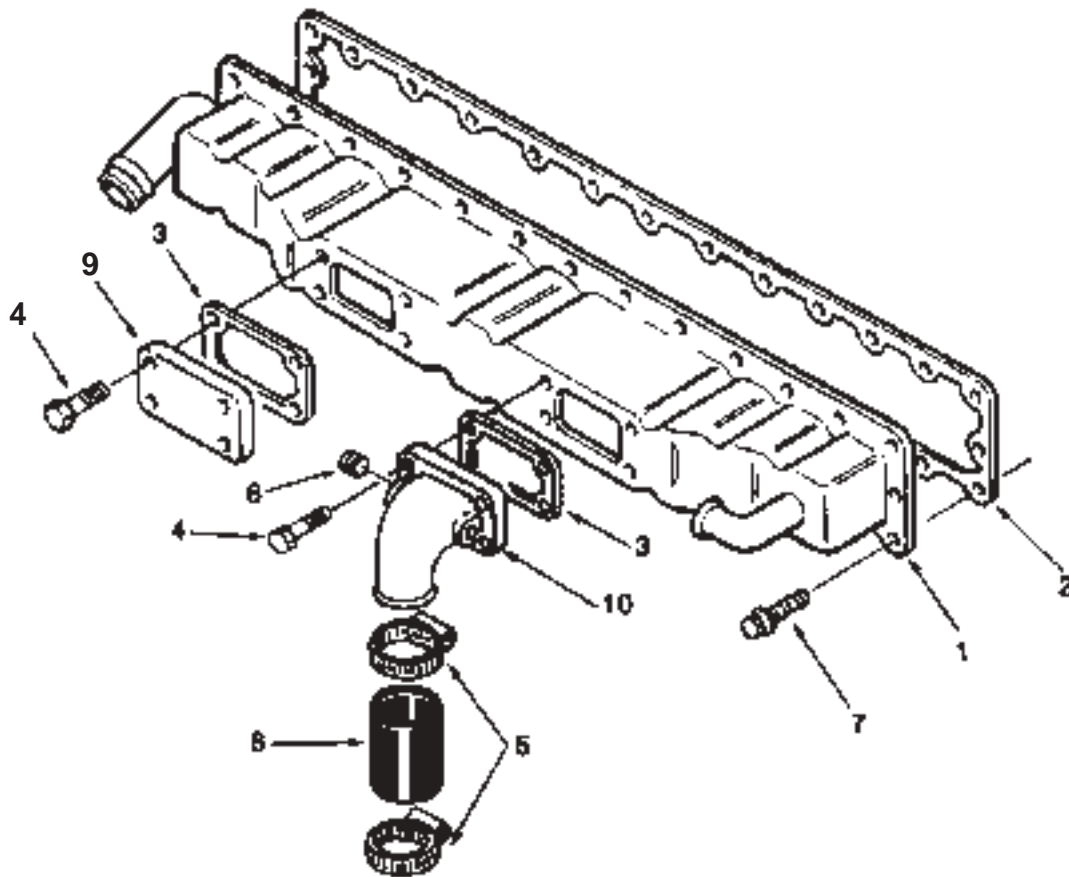
Module
Módulo
KV01-0101

Page
Página
41

Item.	Description	Order no.	Qty	S	Notes
*1	Flywheel Volante	800040955	1		Cummi 3898566
2	Gear rim Cremalheira	800034398	1		Cummi 4851
3	Washer Anilha	800040956	8		Cummi 3899664
4	Screw Parafuso	800033961	8		Cummi 3009419

*)incl. part 2
*)

Page Página	Module Módulo	Date Data	Description Descrição	<input type="checkbox"/>	
42	KV01-0101	97-01-30	After cooler		





Description
Descrição
After cooler

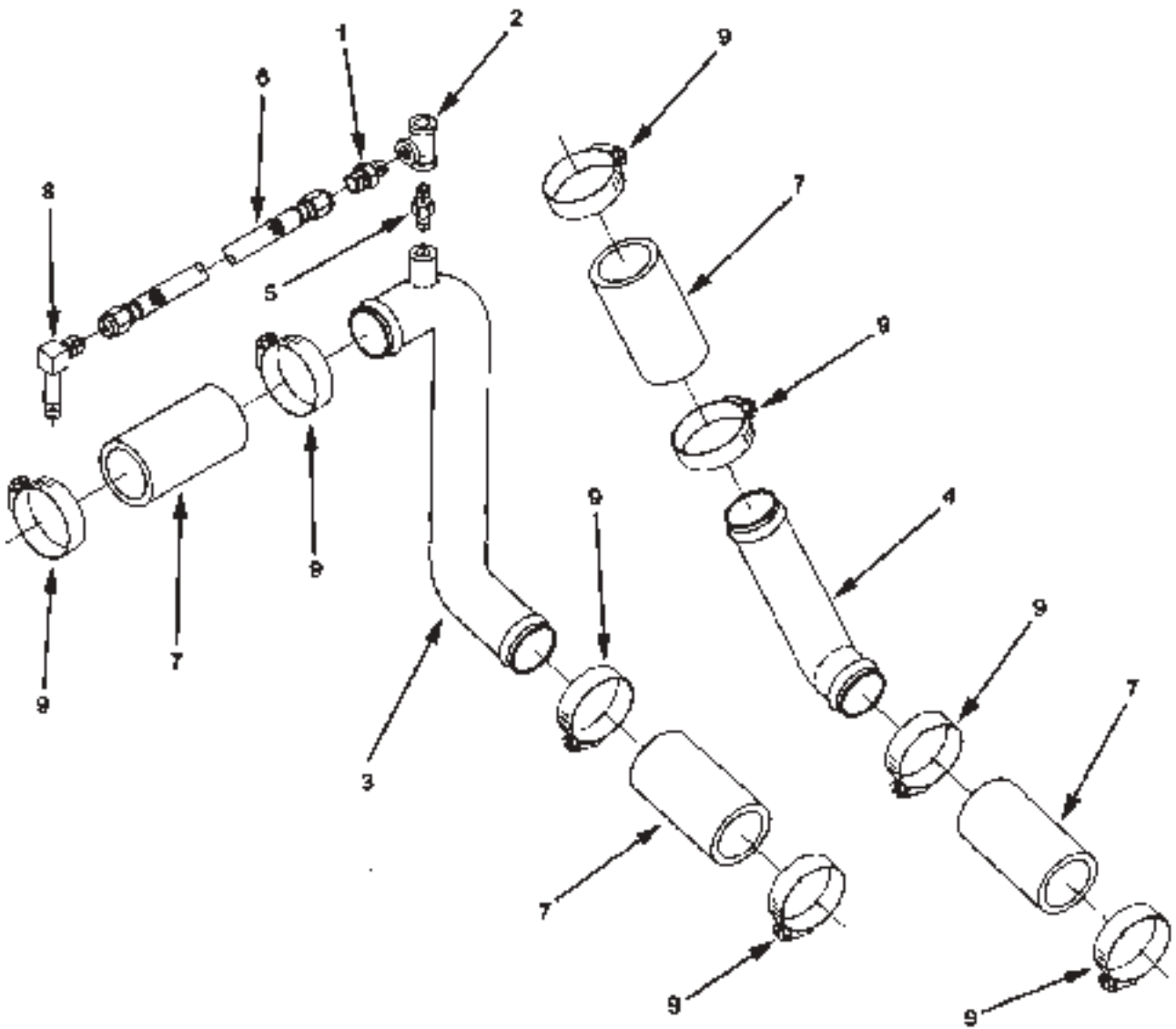


Date
Data
97-01-30

Module
Módulo
KV01-0101

Page
Página
43

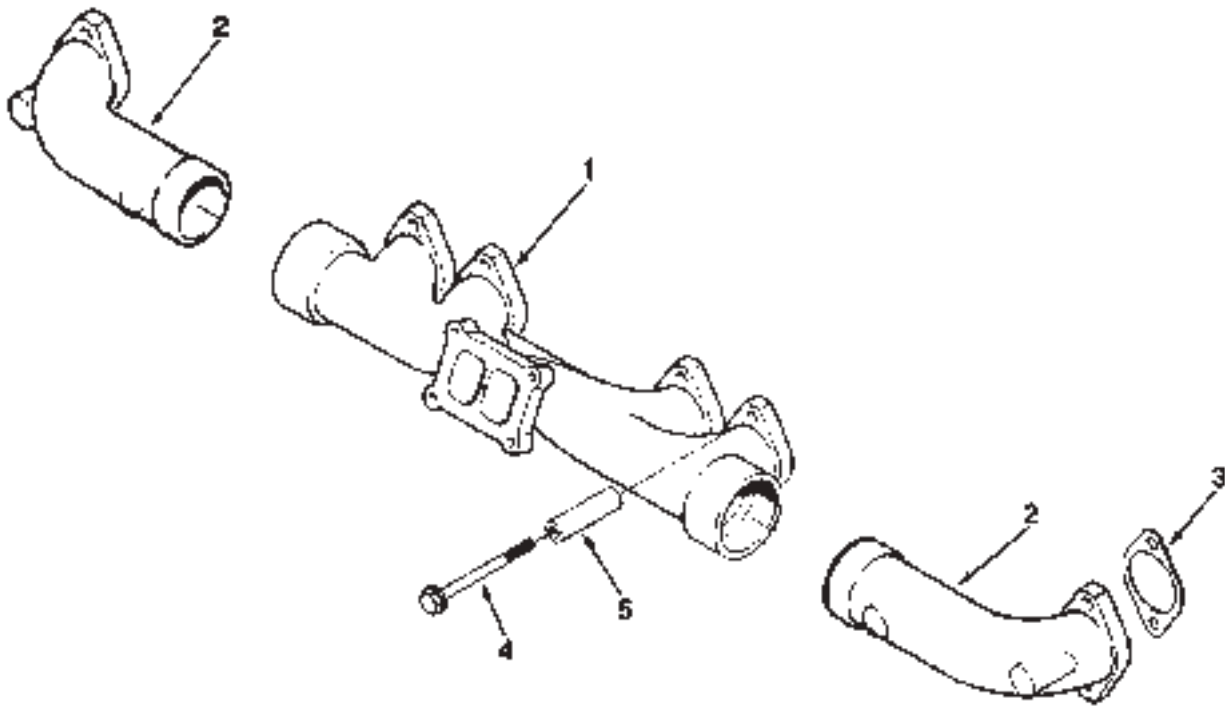
Item.	Description	Order no.	Qty	S	Notes
1	Radiator Radiador	800038993	1		Cummi 3801801
2	Gasket Junta	800039198	1		Cummi 3818843
3	Gasket Junta	800039199	2		Cummi 3818844
4	Screw Parafuso	800038994	4		Cummi 3820317
5	Clamp Abraçadeira	800038995	2		Cummi 3892347
6	Plug Ficha	800038996	2		Cummi 3031511
7	Screw Parafuso	800038997	22		Cummi 3819521
8	Hose Tubo	800038998	1		Cummi 3025152
9	Plate Placa	800039001	1		Cummi 3028384
10	Connecting pipe União	800040957	1		Cummi 3071336



Description
Descrição**Aftercooler plumbing**Date
Data**97-01-30**Module
Módulo**KV01-0101**Page
Página**45**

Item.	Description	Order no.	Qty	S	Notes
1	Fitting União	800038931	1		Cummi 68138
2	Union/T União/T	800039106	1		Cummi 70802
3	Tube Tubo	800040958	1		Cummi 3899396
4	Tube Tubo	800039109	1		Cummi 3027449
5	Fitting União	800039107	1		Cummi 3064941
6	Hose Tubo	800039104	1		Cummi 3819787
7	Hose Tubo	800039111	4		Cummi 3820666
8	Fitting União	800039270	1		Cummi 3820804
9	Clamp Abraçadeira	800039267	8		Cummi 3895734

Page Página 46	Module Módulo KV01-0101	Date Data 97-01-31	Description Descrição Exhaust manifold	<input type="checkbox"/>	
-----------------------------	--------------------------------------	---------------------------------	---	--------------------------	--





Description
Descrição
Exhaust manifold



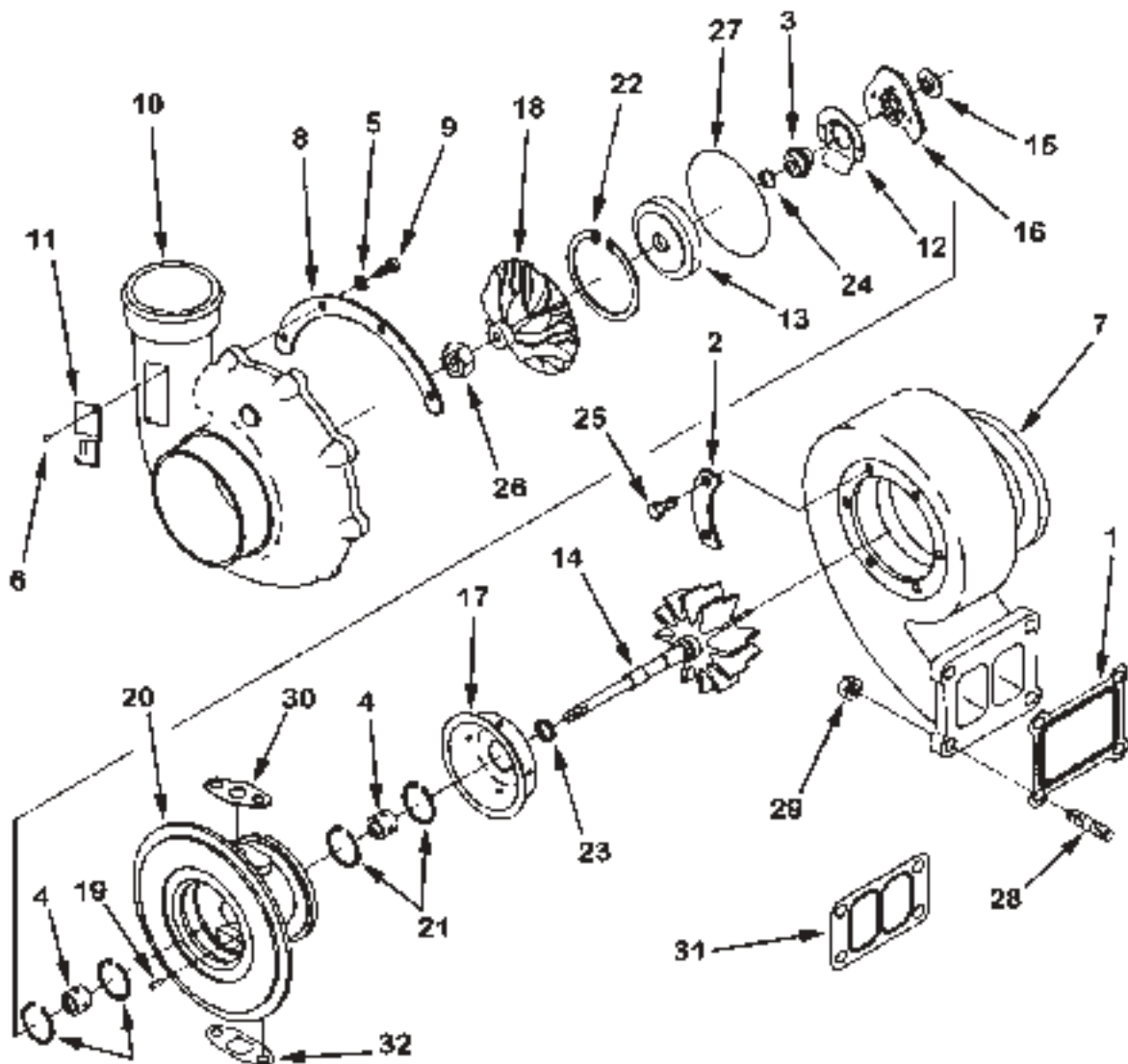
Date
Data
97-01-31

Module
Módulo
KV01-0101

Page
Página
47

Item.	Description	Order no.	Qty	S	Notes
1	Exhaust manifold Colector de escape	800039269	1		Cummi 3896414
2	Exhaust manifold Colector de escape	800039218	2		Cummi 3067406
3	Gasket Junta	800039069	6		Cummi 3819760
4	Screw Parafuso	800039243	12		Cummi 3818121
5	Spacer Espaçador peça	800039244	12		Cummi 3818124

1A





Description
Descrição
Turbocharger



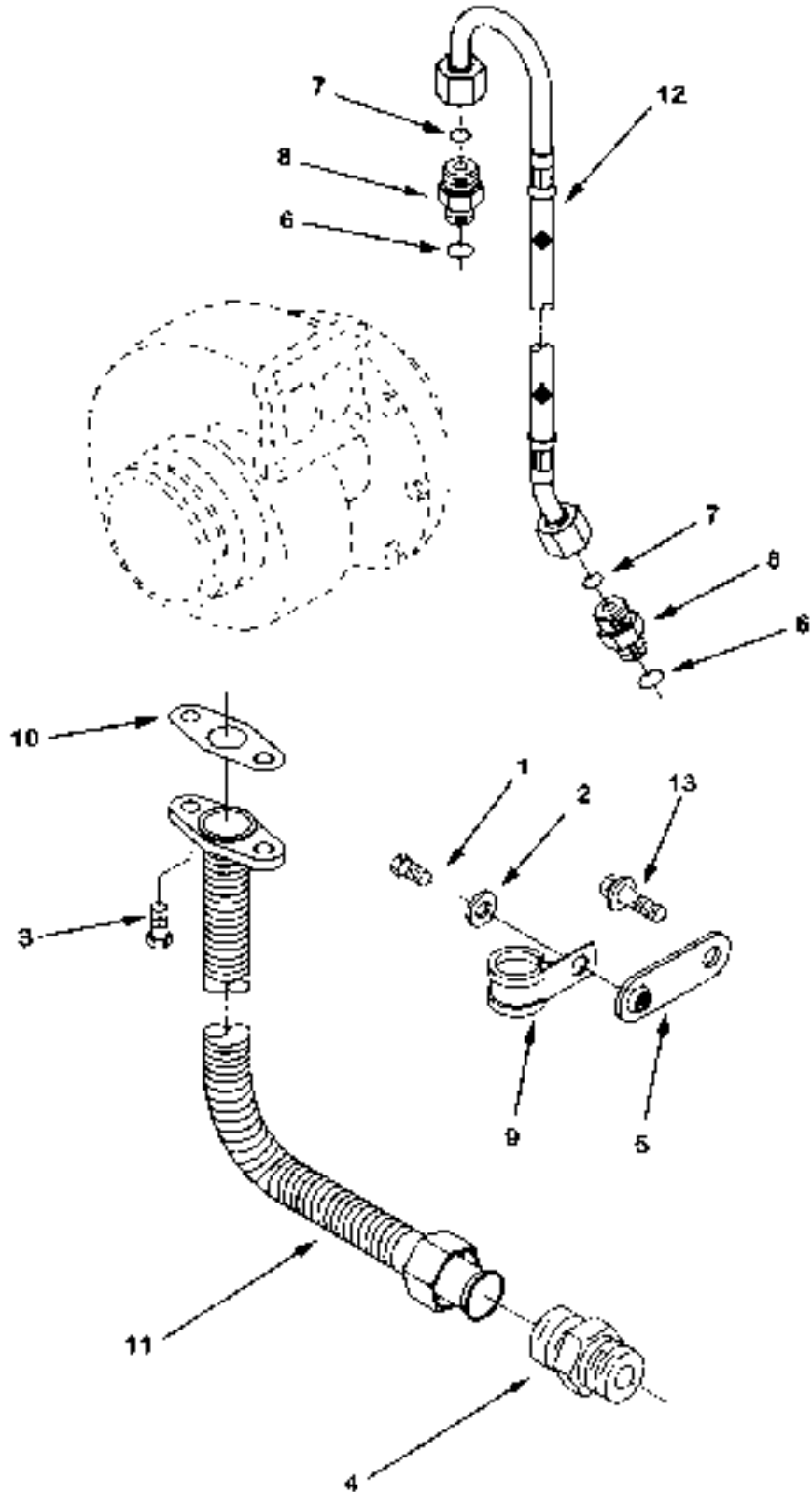
Date
Data
99-10-22

Module
Módulo
KV01-0101

Page
Página
49

Item.	Description	Order no.	Qty	S	Notes
*1A	Turbocharger Turbo compressor	800042215	1		Cummi 3537245

*) Compl.
*)





Description
Descrição
Turbocharger/Pipework



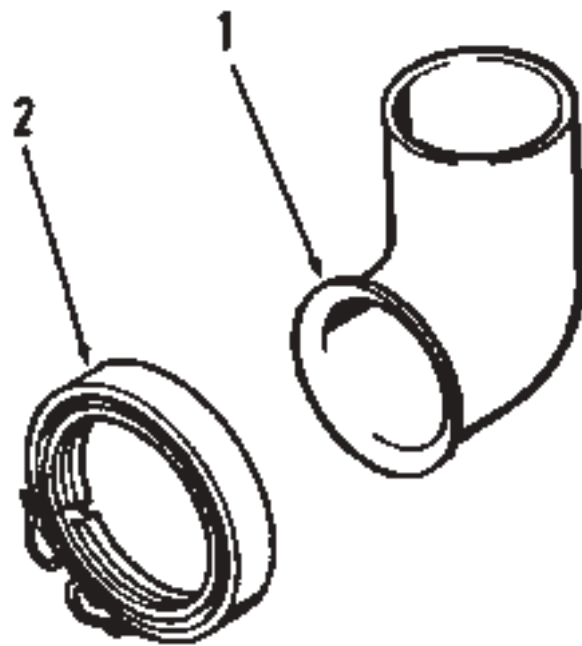
Date
Data
98-01-22

Module
Módulo
KV01-0101

Page
Página
51

Item.	Description	Order no.	Qty	S	Notes
1	Screw Parafuso	800034176	1		CUMMI S-171-A
2	Washer Anilha	800039130	1		CUMMI 3009329
3	Screw Parafuso	800039089	2		CUMMI 3025802
4	Anilha União	800039098	1		CUMMI 3819720
	Fitting União				
	Anilha União				
5	Support Suporte	800041376	1		CUMMI 3883347
6	O-ring O'ring	800038125	1		CUMMI 3037537
7	O-ring O'ring	800041378	1		CUMMI 3922794
8	Anilha União	800041379	1		CUMMI 3085824
	Fitting União				
	Anilha União				
9	O'ring Clip	800039096	2		CUMMI 3892099
	O'ring Grampo				
10	Gasket Junta	800041380	1		CUMMI 3899343
11	Tube Tubo	800041381	1		CUMMI 3899567
12	Hose Tubo	800041382	1		CUMMI 3899849
13	Screw Parafuso	800038823	1		CUMMI 3818060

Page Página 52	Module Módulo KV01-0101	Date Data 97-01-31	Description Descrição Exhaust connector	<input type="checkbox"/>	
-----------------------------	--------------------------------------	---------------------------------	--	--------------------------	--





Description
Descrição
Exhaust connector

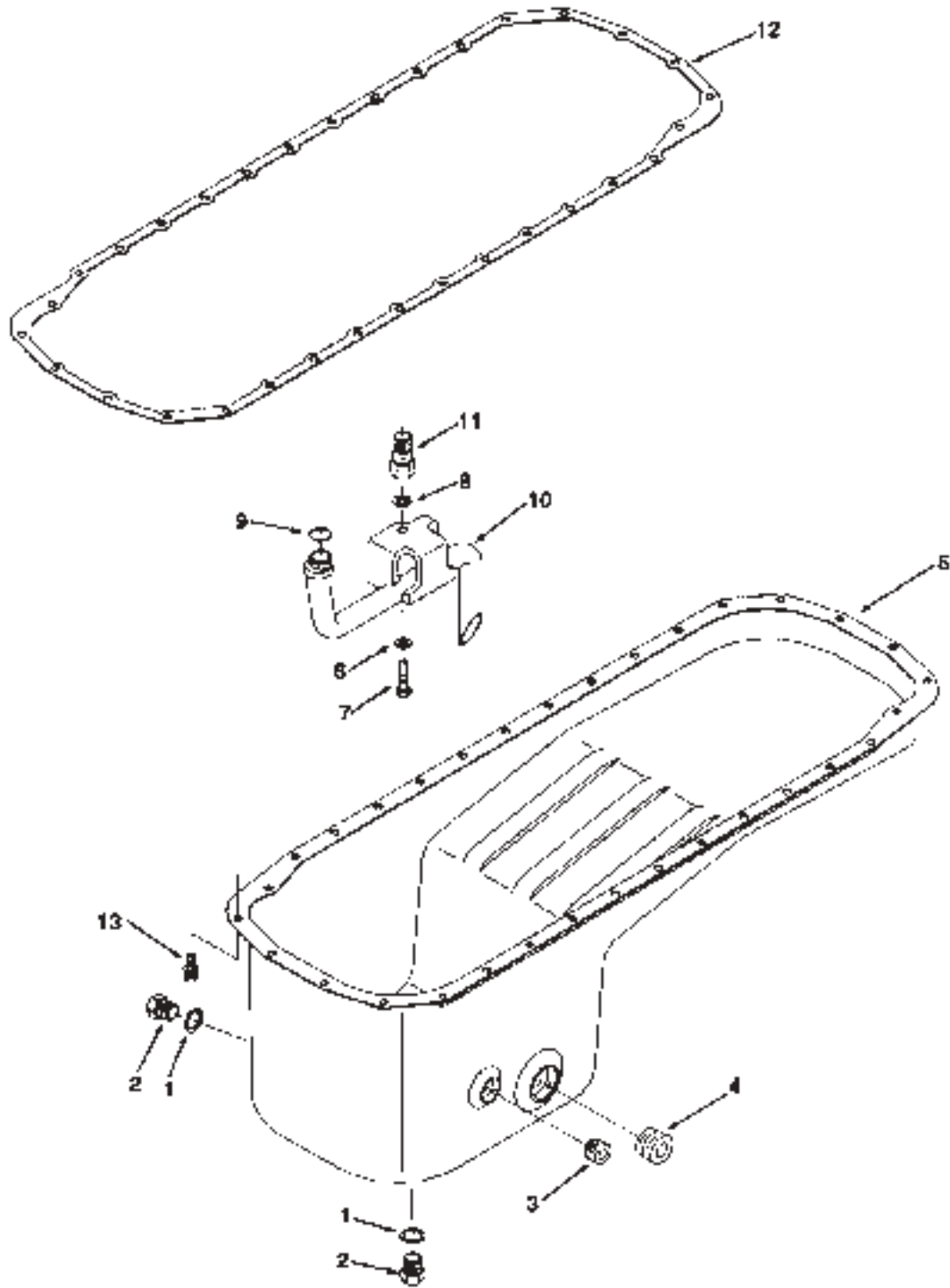


Date
Data
97-01-31

Module
Módulo
KV01-0101

Page
Página
53

Item.	Description	Order no.	Qty	S	Notes
1	Connecting pipe União	800039138	1		Cummi 200766
2	Clamp Abraçadeira	800040960	1		Cummi 3896337



Description
Descrição

Oil sump

Date
Data

97-01-30

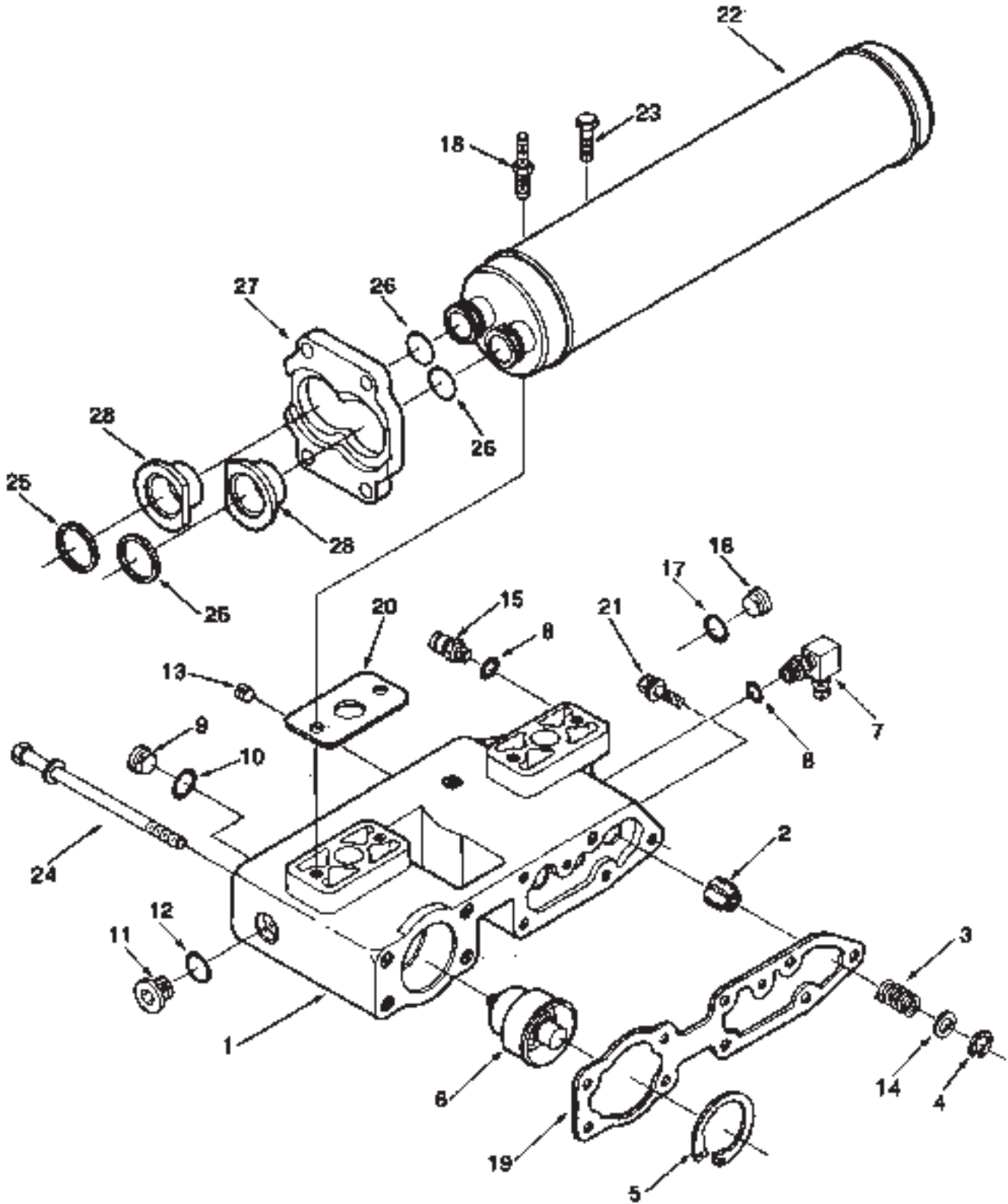
Module
Módulo

KV01-0101

Page
Página

55

Item.	Description	Order no.	Qty	S	Notes
1	Washer Anilha	800033980	2		Cummi 67946
2	Plug Ficha	800037973	2		Cummi 3055069
3	Plug Ficha	800038878	1		Cummi 3008468
4	Plug Ficha	800039118	1		Cummi 3008470
5	Oil sump Carterde óleo	800040961	1		Cummi 3896242
6	Washer Anilha	800038885	1		Cummi 3009330
7	Screw Parafuso	800040962	1		Cummi 3254405
8	Retainer Retentor	800040963	1		Cummi 3896022
9	O-ring O'ring	800039052	2		Cummi 3032787
10	Tube Tubo	800040964	1		Cummi 3895713
11	Plug Ficha	800039118	1		Cummi 3008470
12	Gasket Junta	800039051	1		Cummi 3882733
13	Screw Parafuso	800040965	32		Cummi 3896723



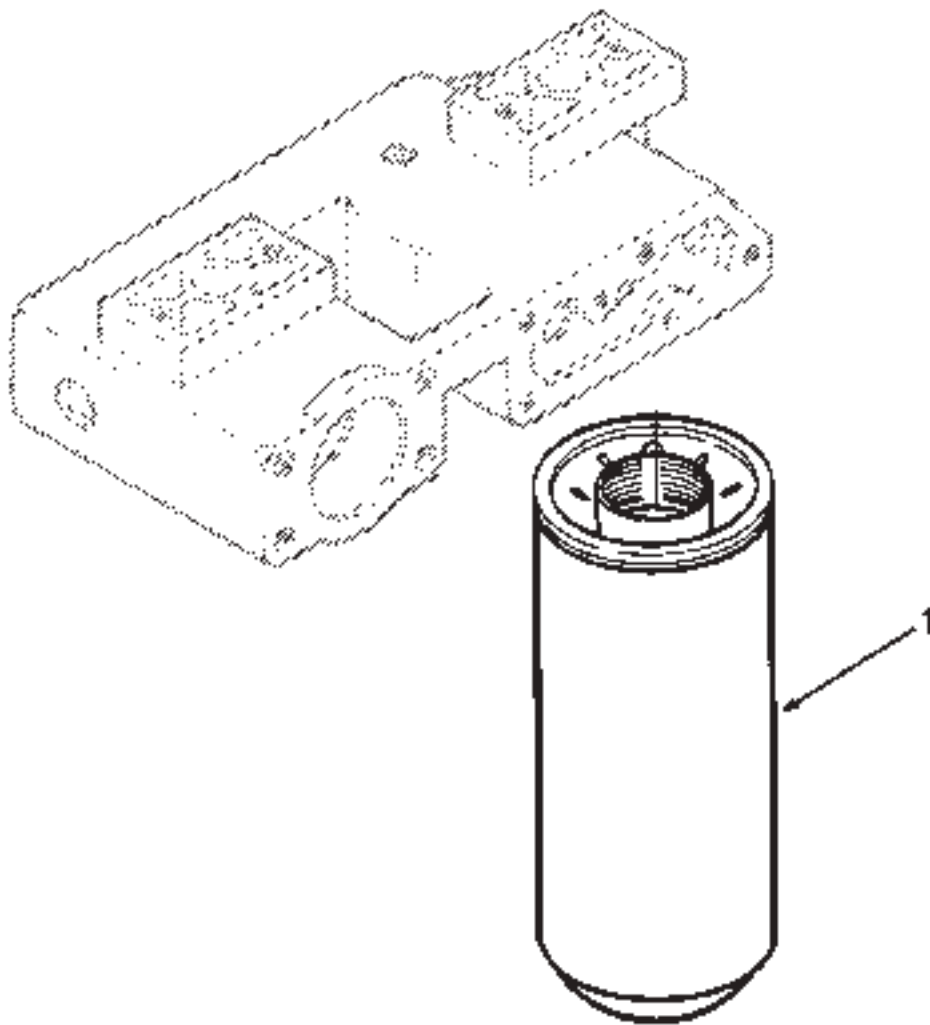
Description
Descrição**Oilcooler**Date
Data**97-01-31**Module
Módulo**KV01-0101**Page
Página**57**

Item.	Description	Order no.	Qty	S	Notes
*1	Filter mount. Suporte do filtro	800041013	1		Cummi 3895946
2	Valve Valvula	800039246	1		Cummi 3820320
3	Spring Mola	800039248	1		Cummi 3882586
4	Circlip Freio	800041014	1		Cummi 3820631
5	Circlip Freio	800041015	1		Cummi 3820782
6	Thermostat Termostato	800039213	1		Cummi 3059408
7	Fitting União	800041070	1		Cummi 3037537
9	Plug Ficha	800041017	1		Cummi 3046202
10	Seal ring Vedante	800041018	1		Cummi 3046201
12	Seal ring Vedante	800041019	1		Cummi 3040817
11	Plug Ficha	800041020	1		Cummi 3040815
13	Plug Ficha	800041021	1		Cummi 3008466
14	Plug Ficha	800041022	1		Cummi 3882585
15	Fitting União	800041023	1		Cummi 3042619
16	Plug Ficha	800041024	1		Cummi 3202101
17	Seal ring Vedante	800041025	1		Cummi 3046943
18	Screw Parafuso	800038985	2		Cummi 3883394
19	Gasket Junta	800038987	1		Cummi 3820629
20	Gasket Junta	800038988	2		Cummi 3892625
21	Screw Parafuso	800038989	3		Cummi 3819448
22	Oil cooler Radiador de oleo	800039247	1		Cummi 3081359
23	Screw Parafuso	800038922	6		Cummi 3034836
24	Screw Parafuso	800041026	6		Cummi 3892106
25	Seal ring Vedante	800041027	1		Cummi 3080769
26	O-ring O'ring	800041028	2		Cummi 109080
27	Retainer Retentor	800041029	1		Cummi 3080400
28	Adapter	800041030	2		Cummi 3080401

*)Incl. parts 1-17

*)

Page Página	Module Módulo	Date Data	Description Descrição	<input type="checkbox"/>	
58	KV01-0101	00-05-10	Oil filter		





Description
Descrição
Oil filter

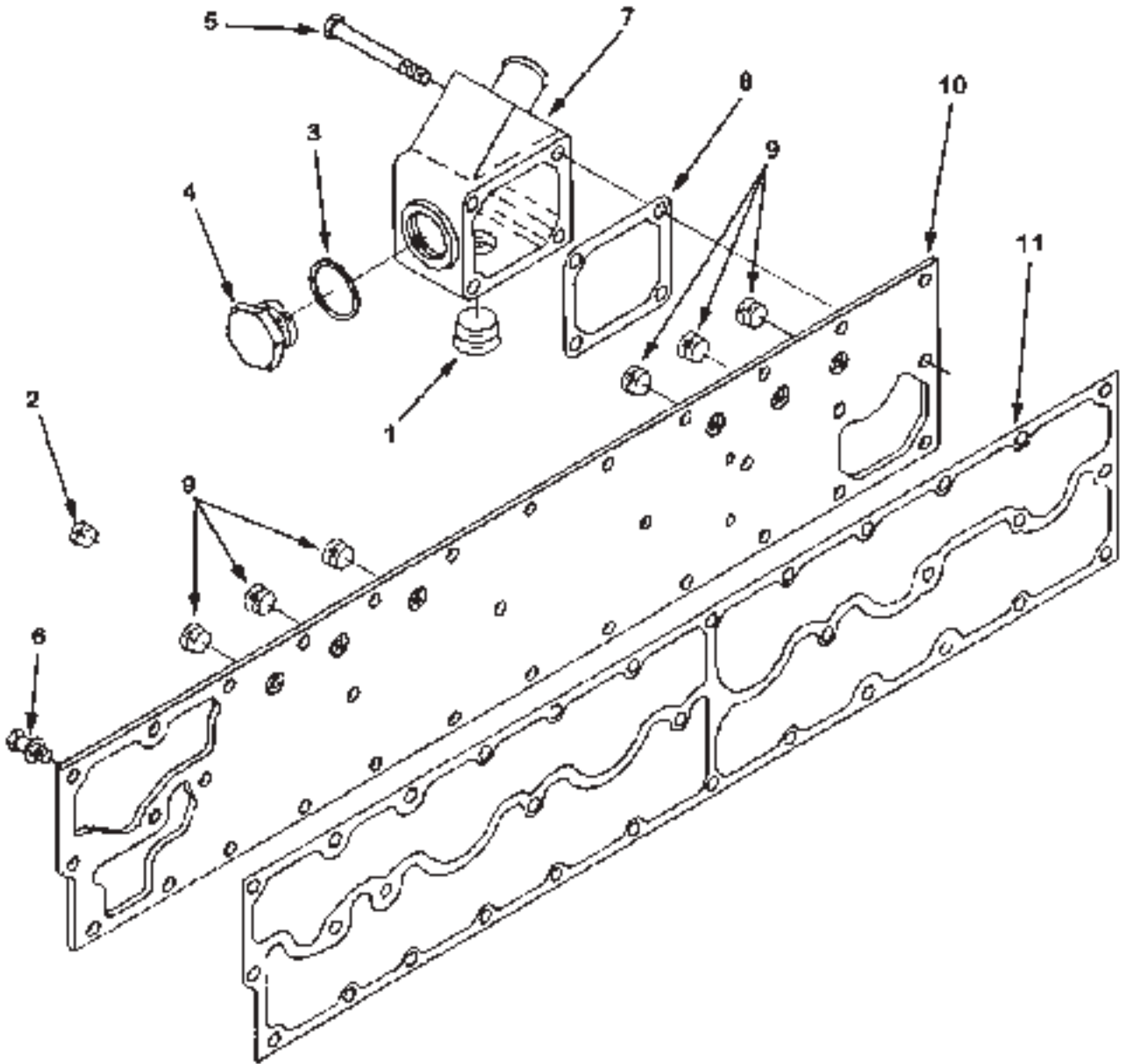


Date
Data
00-05-10

Module
Módulo
KV01-0101

Page
Página
59

Item.	Description	Order no.	Qty	S	Notes
1	Oil filter Filtro de óleo	807201927	1		Fleetg LF9009





Description
Descrição
Plumbing for oil cooler



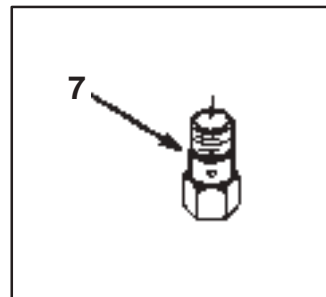
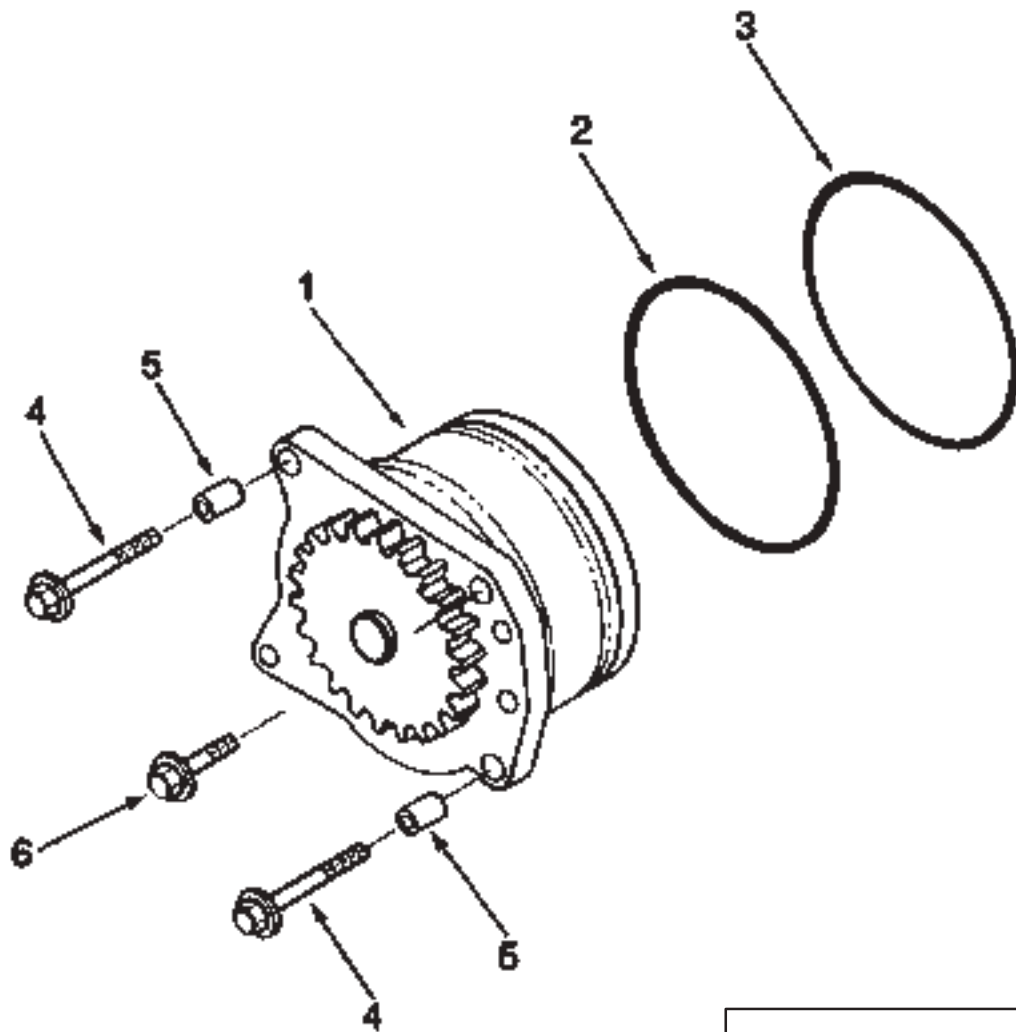
Date
Data
97-02-03

Module
Módulo
KV01-0101

Page
Página
61

Item.	Description	Order no.	Qty	S	Notes
1	Plug Ficha	800039118	1		Cummi 3008470
2	Plug Ficha	800038887	1		Cummi 3013786
3	Washer Anilha	800039120	1		Cummi 3026156
4	Plug Ficha	800039121	1		Cummi 3026195
5	Screw Parafuso	800040966	4		Cummi 3081348
6	Screw Parafuso	800038823	18		Cummi 3818060
7	Housing Caixa	800039125	1		Cummi 3821853
8	Gasket Junta	800040967	1		Cummi 3893690
9	Plug Ficha	800038878	6		Cummi 3008468
*10	Plate Placa	800040968	1		Cummi 3895736
11	Gasket Junta	800040969	1		Cummi 3899229

*)incl. part 9
*)





Description
Descrição
Oil pump



Date
Data
97-02-03

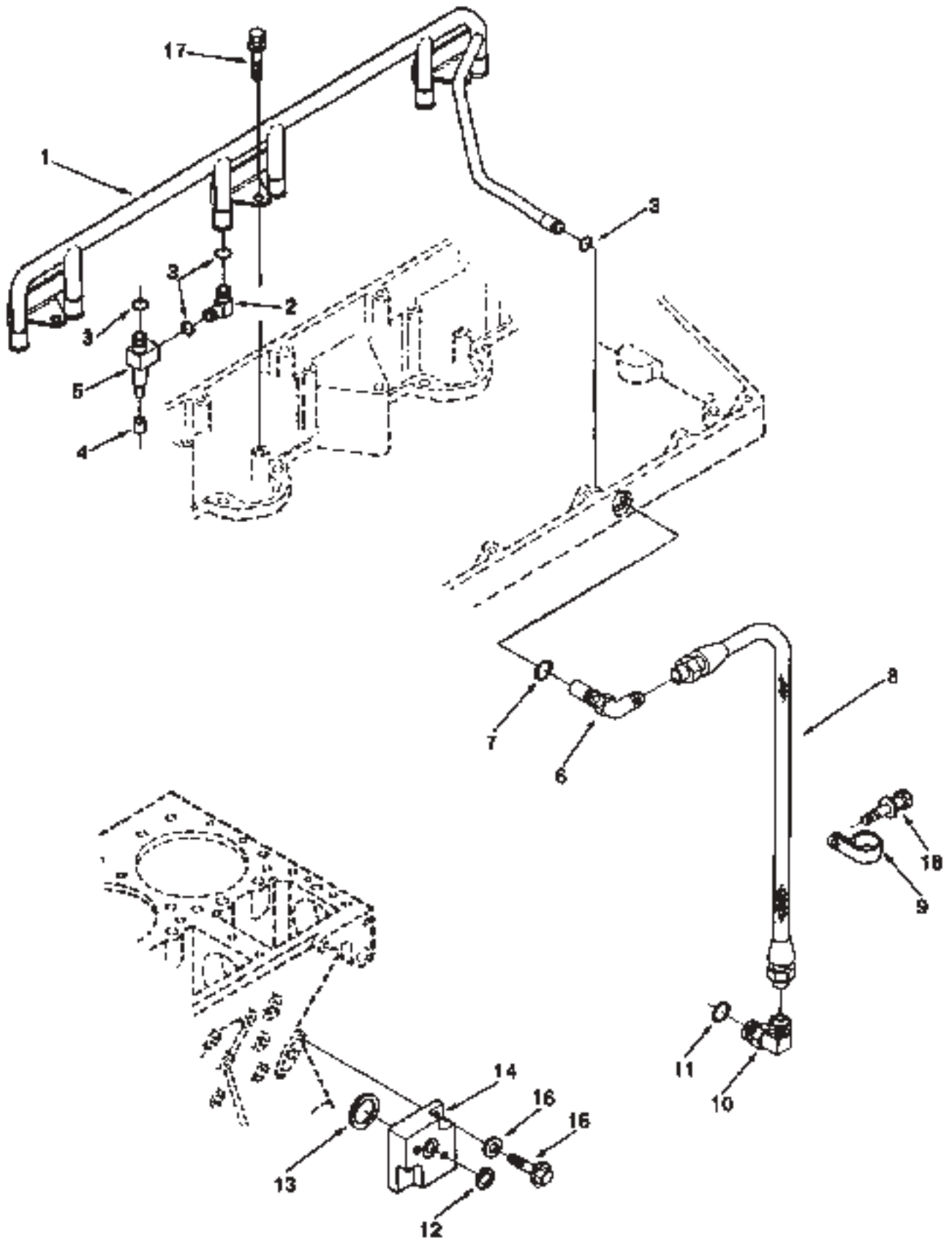
Module
Módulo
KV01-0101

Page
Página
63

Item.	Description	Order no.	Qty	S	Notes
*1a	Oil pump	Bomba de óleo	800040970	1	Cummi 3895756
2	O-ring	O'ring	800039206	1	Cummi 3033248
3	O-ring	O'ring	800039205	1	Cummi 3033247
4	Screw	Parafuso	800040971	2	Cummi 3895438
5	Spacer	Espaçador peça	800040972	2	Cummi 3895439
6	Screw	Parafuso	800040973	1	Cummi 3895440
7	Plug	Ficha	800039063	1	Cummi 3895718

*)Incl. parts 1-11

*)





Description
Descrição
Pipework



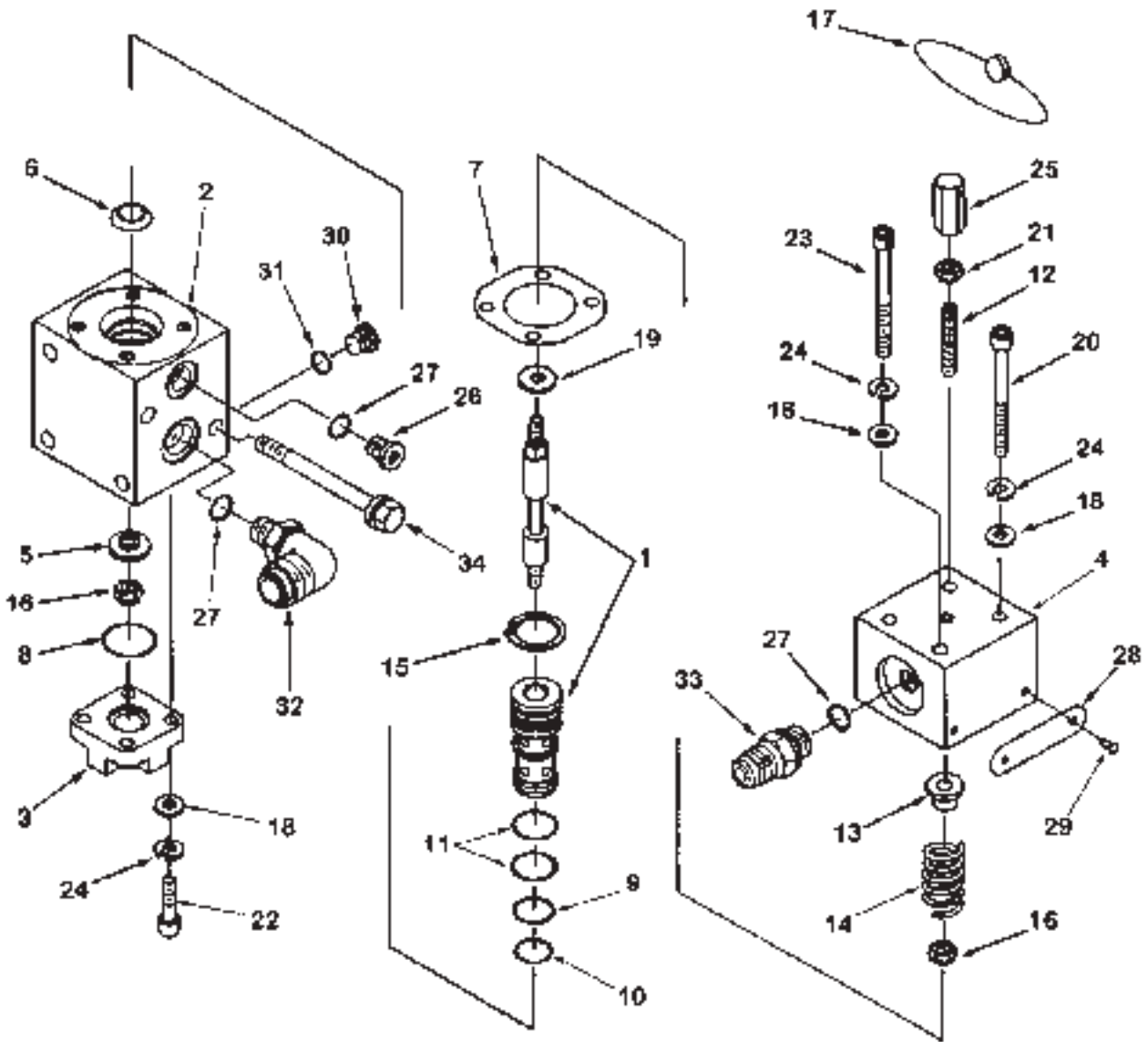
Date
Data
97-03-26


Module
Módulo
KV01-0101

Page
Página
65

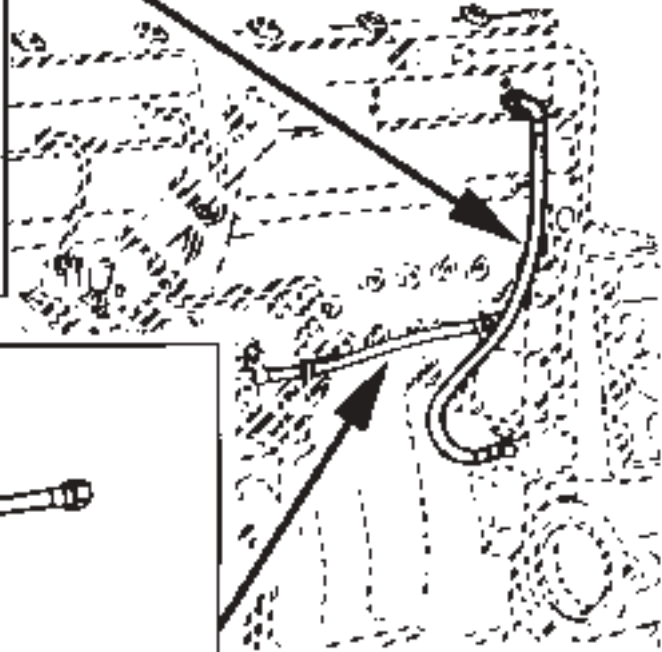
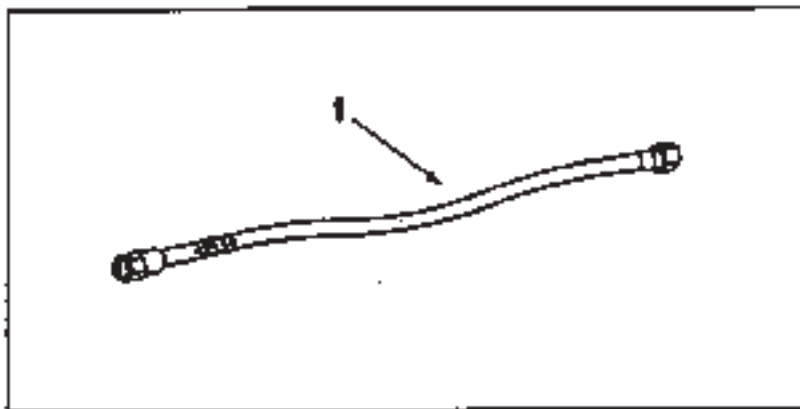
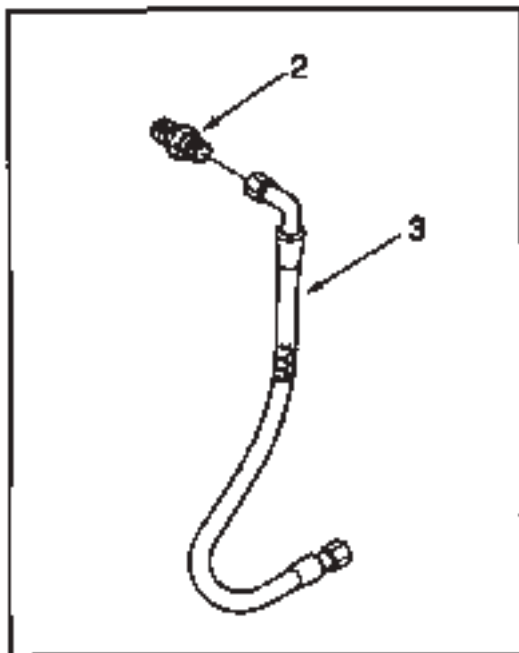
Item.	Description	Order no.	Qty	S	Notes
1	Tube Tubo	800041166	1		Cummi 3899910
2	Fitting União	800041032	1		Cummi 3882587
3	O-ring O'ring	800041033	3		Cummi 3882589
4	Seal ring Vedante	800041034	1		Cummi 3050867
5	Fitting União	800041035	1		Cummi 3882588
6	Fitting União	800041036	1		Cummi 3882913
7	O-ring O'ring	800041019	1		Cummi 3040817
8	Hose Tubo	800041038	1		Cummi 3883446
9	Clip Grampo	800041039	1		Cummi 3821556
10	Valve Valvula	800041040	1		Cummi 3896027
11	O-ring O'ring	800041041	1		Cummi 3037537
12	Seal ring Vedante	800041167	1		Cummi 3328463
13	Seal ring Vedante	800041168	1		Cummi 3328464
14	Adapter	800041044	1		Cummi 3070130
15	Screw Parafuso	800041045	2		Cummi 3900630
16	Washer Anilha	800041046	2		Cummi 3009329
17	Screw Parafuso	800041047	3		Cummi 3821783
18	Screw Parafuso	800041048	1		Cummi 3818060

1A



		Description Descrição Valve	<input type="checkbox"/>	Date Data 97-02-03	Module Módulo KV01-0101	Page Página 67
Item.	Description	Order no.	Qty	S	Notes	
1A	Valve compl. Válvula compl.	800041049	1		Cummi	3090731
32	Fitting União	800042228	1		Cummi	3037662
*	Repair kit Jogo de reparação	800041050	1		Cummi	3803282

*)Incl. parts 5.7-11.14.17.19.22.27.31.27
*)





Description
Descrição
Hoses

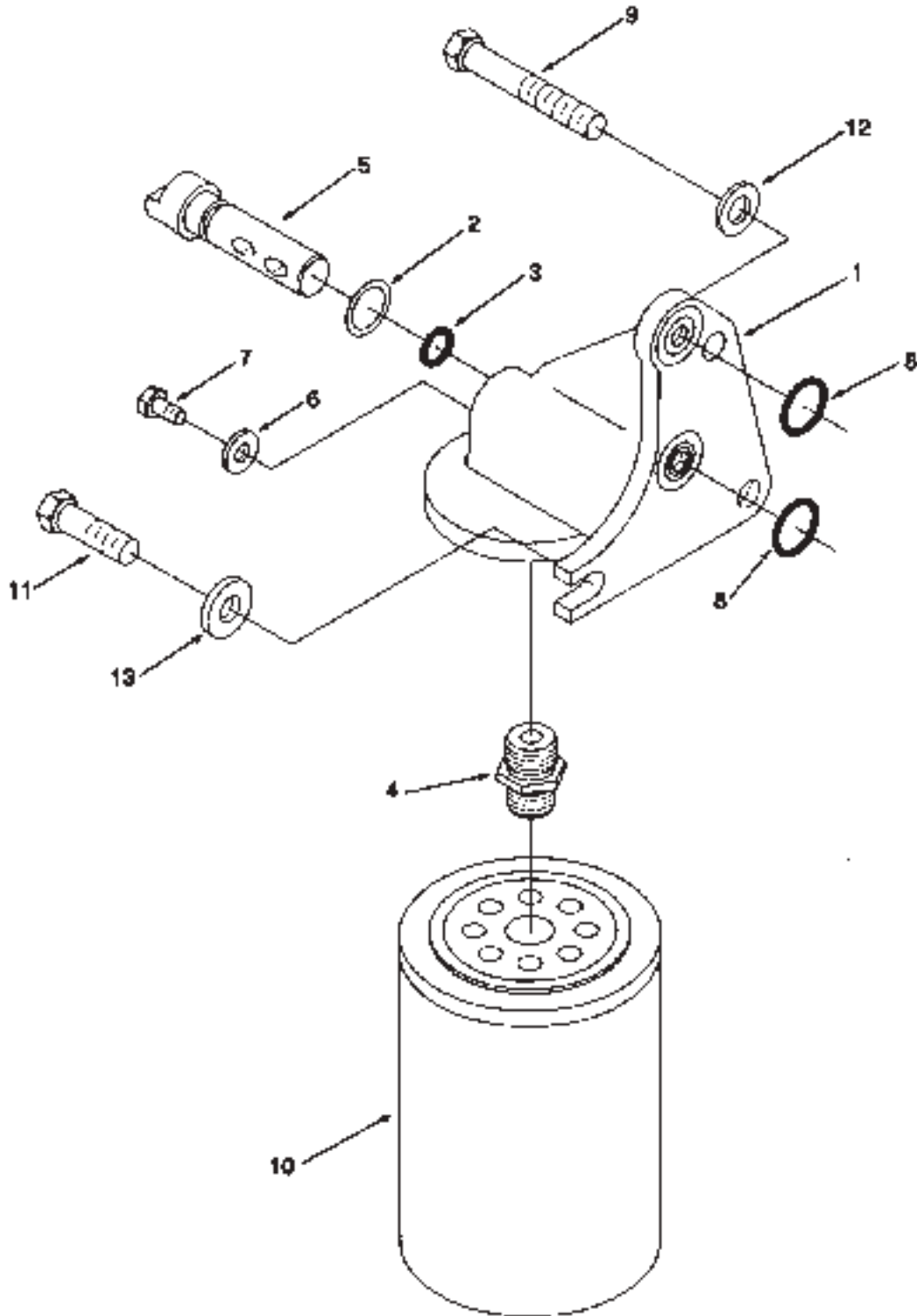


Date
Data
97-02-03

Module
Módulo
KV01-0101

Page
Página
69

Item.	Description	Order no.	Qty	S	Notes
1	Hose Tubo	800041051	1		Cummi 3892420
2	Fitting União	800041052	1		Cummi 68138
3	Hose Tubo	800041053	1		Cummi 3071583





Description
Descrição
Water filter



Date
Data
97-02-03

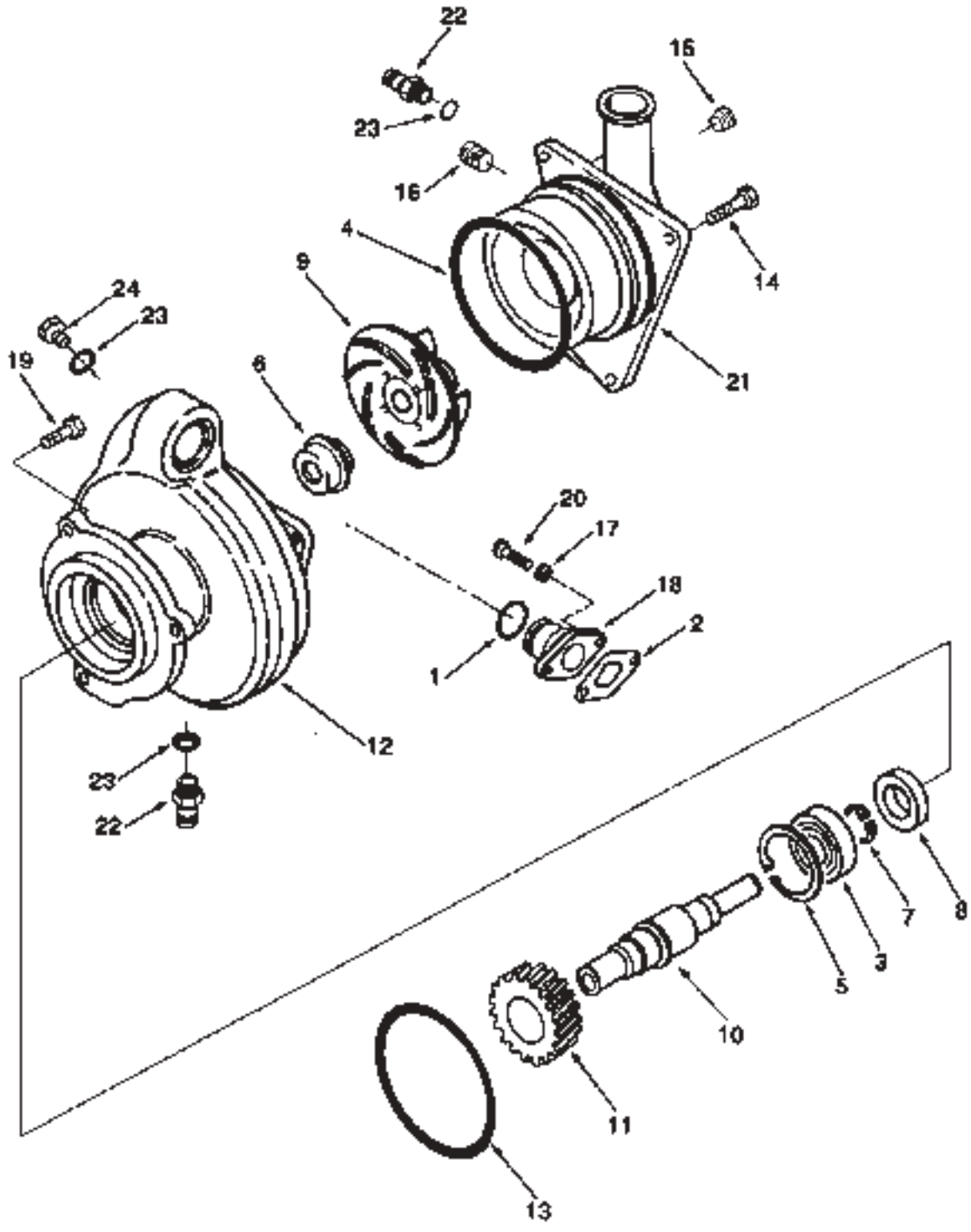
Module
Módulo
KV01-0101

Page
Página
71

Item.	Description	Order no.	Qty	S	Notes
*1	Housing Caixa	800039113	1		Cummi 3819767
8	O-ring O'ring	800039114	2		Cummi 3819751
9	Screw Parafuso	800039115	1		Cummi 3017499
10	Filter Filtro	800039116	1		Cummi 3316053
11	Screw Parafuso	800038808	2		Cummi 3821846
12	Washer Anilha	800038885	1		Cummi 3009330

*)Incl. parts 1-7

*)





Description
Descrição
Water pump



Date
Data
97-02-04

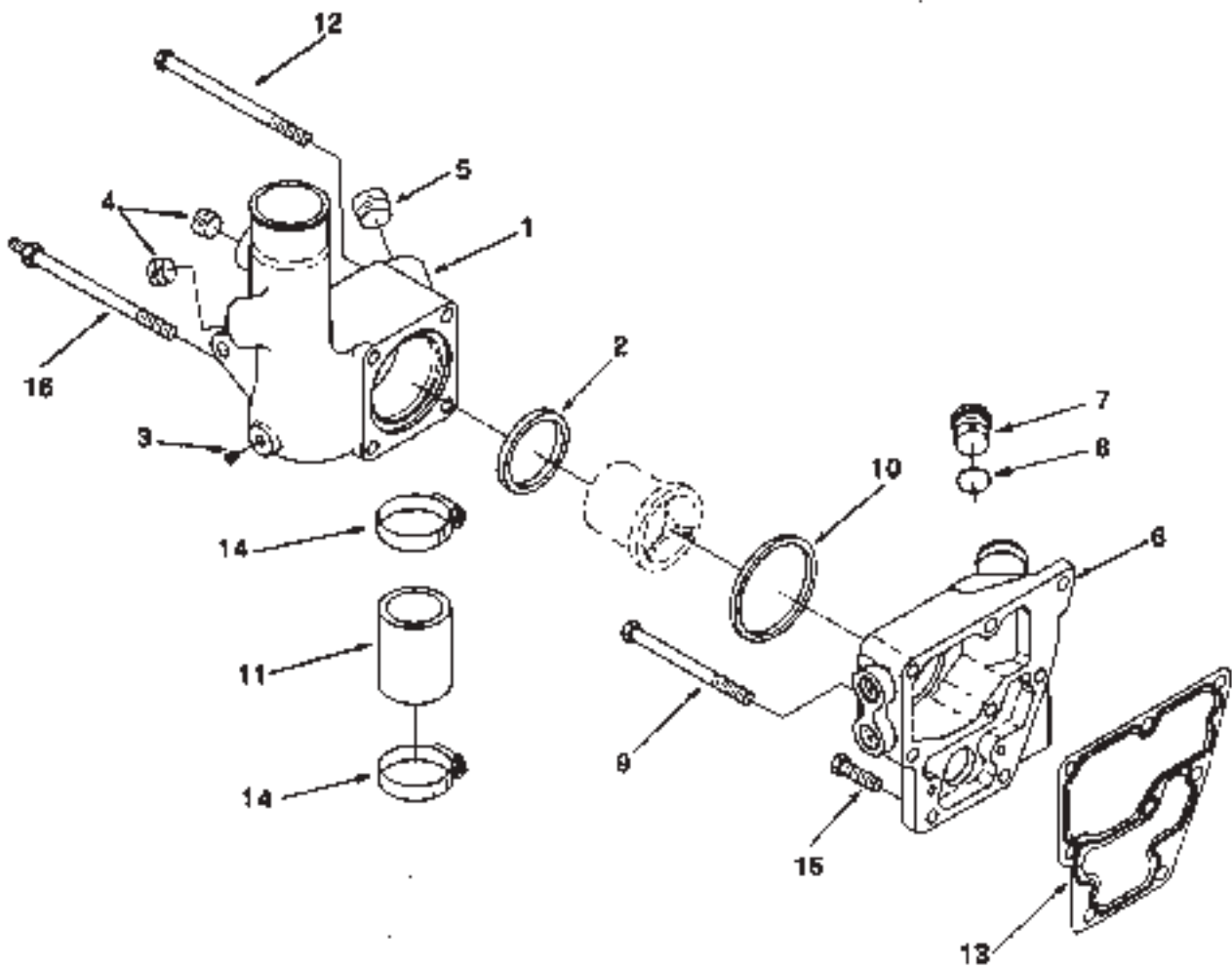
Module
Módulo
KV01-0101

Page
Página
73

Item.	Description	Order no.	Qty	S	Notes
*1	Water pump compl. Bomba de água, compl.	800039127	1		Cummi 3803403
15	Plug Ficha	800038878	1		Cummi 3008468
16	Plug Ficha	800039118	1		Cummi 3008470
17	Washer Anilha	800039130	2		Cummi 3009329
18	Fitting União	800039131	1		Cummi 3821718
19	Screw Parafuso	800038922	3		Cummi 3034836
20	Screw Parafuso	800039133	2		Cummi 3820831
21	Cover Tampa	800040974	1		Cummi 3073695
22	Fitting União	800039135	1		Cummi 3042619
24	Plug Ficha	800038880	1		Cummi 3037536
**	Repair kit Jogo de reparação	800039137	1		Cummi 3803261

*)Incl. parts 1-14
*)

**)Incl. parts 3-9,13
**)





Description
Descrição
Thermostat housing



Date
Data
97-02-04

Module
Módulo
KV01-0101

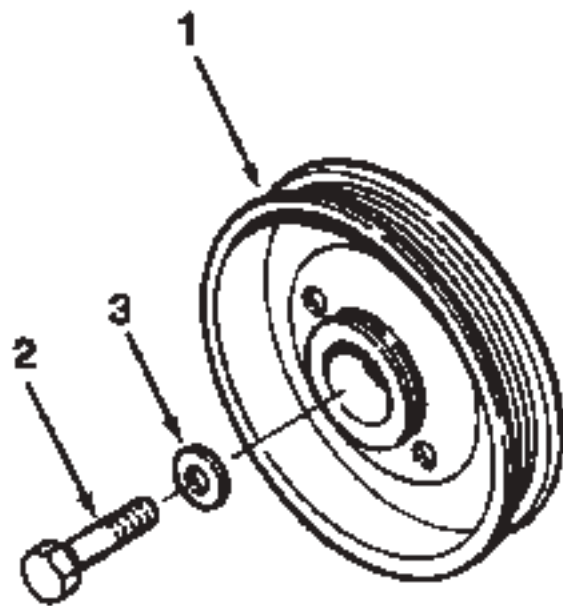
Page
Página
75

Item.	Description	Order no.	Qty	S	Notes
*1	Thermostathousing Caixa do termostato	800040975	1		Cummi 3895455
2	Seal ring Vedante	800034116	1		Cummi 186780
6	Support Suporte	800040976	1		Cummi 3076794
7	Plug Ficha	800038880	1		Cummi 3037536
8	O-ring O'ring	800038125	1		Cummi 3037537
9	Screw Parafuso	800039078	2		Cummi 3022502
10	Seal ring Vedante	800040977	1		Cummi 3080770
11	Hose Tubo	800039077	1		Cummi 3820667
12	Screw Parafuso	800040978	2		Cummi 3081347
13	Gasket Junta	800040979	1		Cummi 3893692
14	Clamp Abraçadeira	800039081	2		Cummi 3008690
15	Screw Parafuso	800038916	3		Cummi 3820988
16	Screw Parafuso	800040980	3		Cummi 3081350

*)Incl. parts 1-5

*)

Page Página 76	Module Módulo KV01-0101	Date Data 97-02-05	Description Descrição Belt pulley	<input type="checkbox"/>	
-----------------------------	--------------------------------------	---------------------------------	--	--------------------------	--





Description
Descrição
Belt pulley



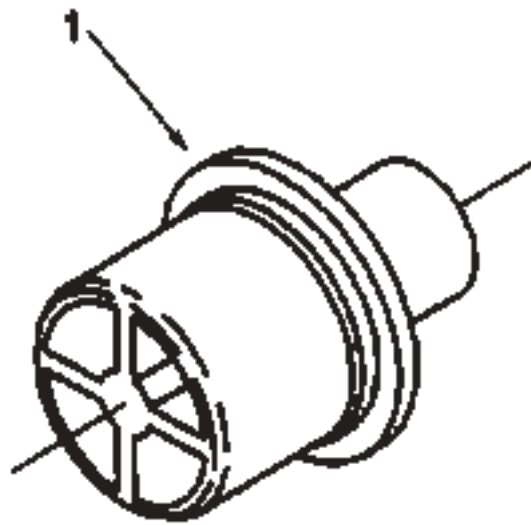
Date
Data
97-02-05

Module
Módulo
KV01-0101

Page
Página
77

Item.	Description	Order no.	Qty	S	Notes
1	Belt pulley Polia	800038776	1		Cummi 3883324
2	Screw Parafuso	800038777	1		Cummi 3018671
3	Washer Anilha	800038778	1		Cummi 3041247

Page Página 78	Module Módulo KV01-0101	Date Data 97-02-04	Description Descrição Thermostat	<input type="checkbox"/>	
-----------------------------	--------------------------------------	---------------------------------	---	--------------------------	--





Description
Descrição
Thermostat



Date
Data
97-02-04

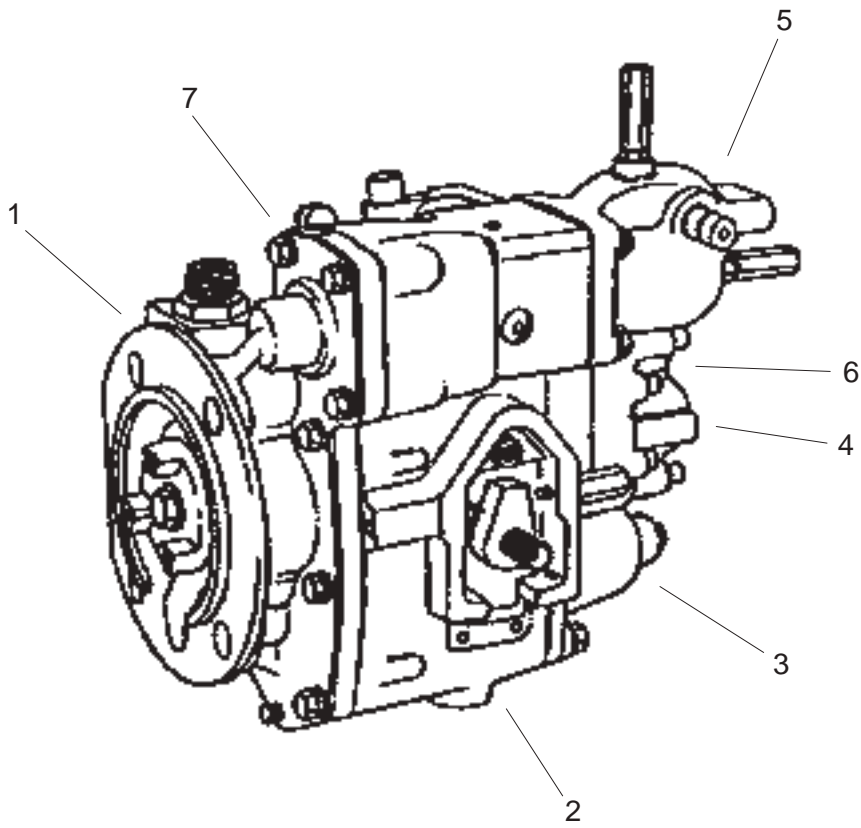
Module
Módulo
KV01-0101

Page
Página
79

Item.	Description	Order no.	Qty	S	Notes
1	Thermostat Termostato	800038897	1		Cummi 3076489

Page Página 80	Module Módulo KV01-0101	Date Data 97-02-04	Description Descrição Injection pump	<input type="checkbox"/>	
-----------------------------	--------------------------------------	---------------------------------	---	--------------------------	--

1A





Description
Descrição
Injection pump




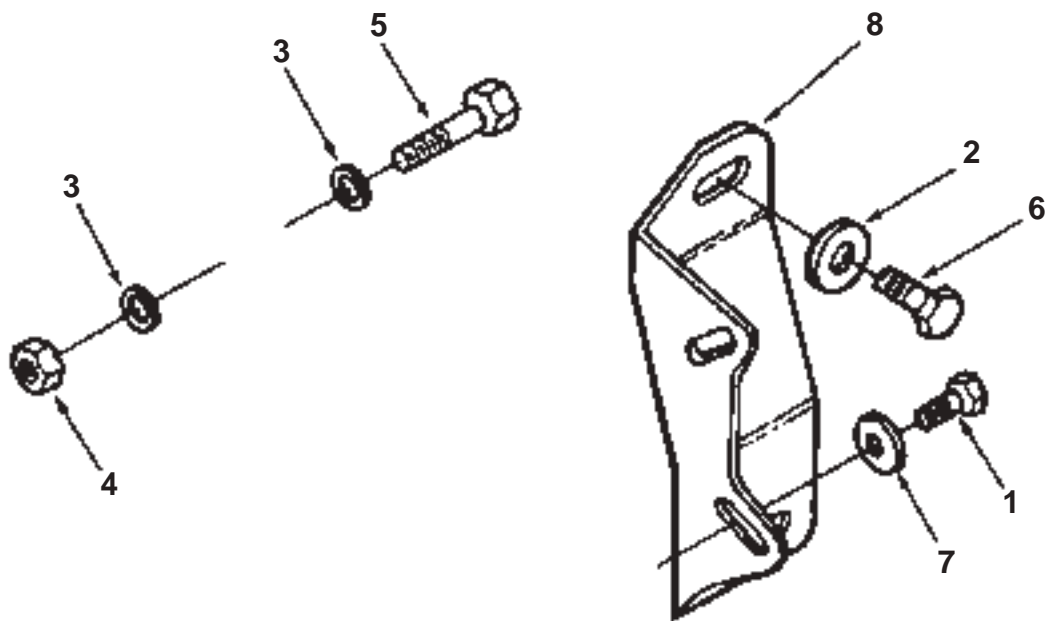
Date
Data
97-02-04

Module
Módulo
KV01-0101

Page
Página
81

Item.	Description	Order no.	Qty	S	Notes
1A	Injection pump	Bomba injectora	800039254	1	Cummi 3883776
1	Cover	Tampa	800034230	1	Cummi 3030274
2	Housing	Caixa	800040537	1	Cummi 3069255
3	Spring pack	Pacote de molas	800040538	1	Cummi 3021977
4	Bearing,assy.	Rolamento, montado	800041411	1	Cummi 3034243
5	Spring pack	Pacote de molas	800040540	1	Cummi 3020523
6	Damper	Batente amortecedor	800040541	1	Cummi BM76340
7	Shim	Anilha	800040735	1	Cummi 3070751

Page Página 82	Module Módulo KV01-0101	Date Data 97-02-04	Description Descrição Fuel pump mount.	<input type="checkbox"/> 
-----------------------------	--------------------------------------	---------------------------------	---	---





Description
Descrição
Fuel pump mount.




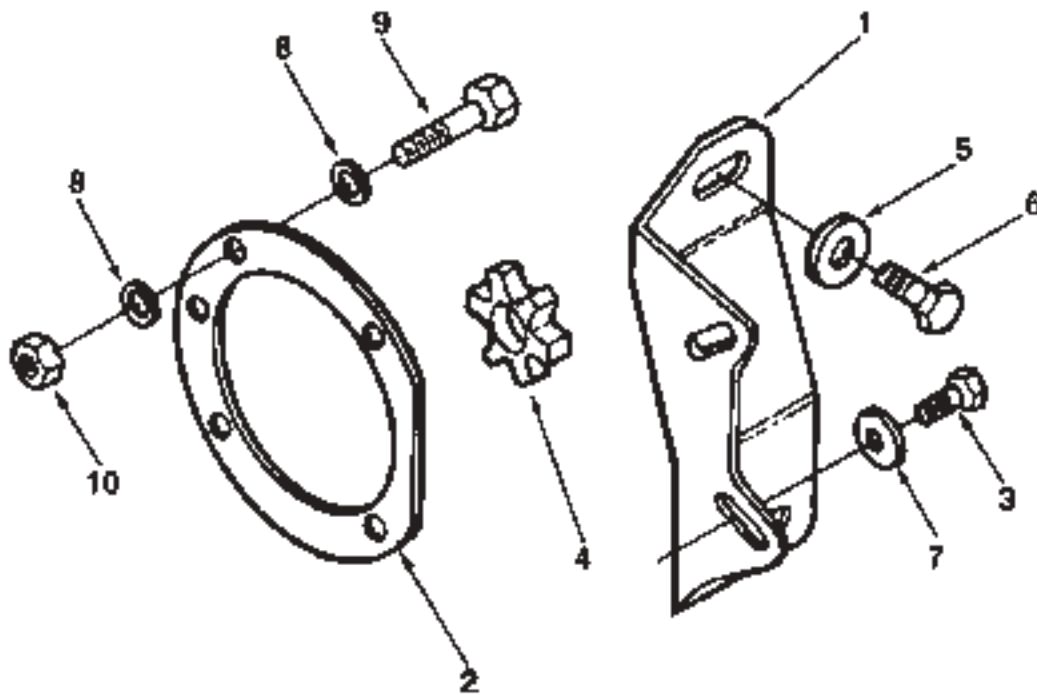
Date
Data
97-02-04

Module
Módulo
KV01-0101

Page
Página
83

Item.	Description	Order no.	Qty	S	Notes
1	Screw Parafuso	800038960	2		Cummi S-167-A
2	Washer Anilha	800038962	2		Cummi 3003163
3	Washer Anilha	800038885	8		Cummi 3009330
4	Nut Porca	800038816	4		Cummi 3044360
5	Screw Parafuso	800038964	4		Cummi 3064109
6	Screw Parafuso	800038954	2		Cummi 3335044
7	Washer Anilha	800038963	2		Cummi 3821657
8	Lug Suporte	800038958	1		Cummi 3893850

Page Página 84	Module Módulo KV01-0101	Date Data 97-02-04	Description Descrição Fuel pump mount.	<input type="checkbox"/> 
-----------------------------	--------------------------------------	---------------------------------	---	---





Description
Descrição
Fuel pump mount.

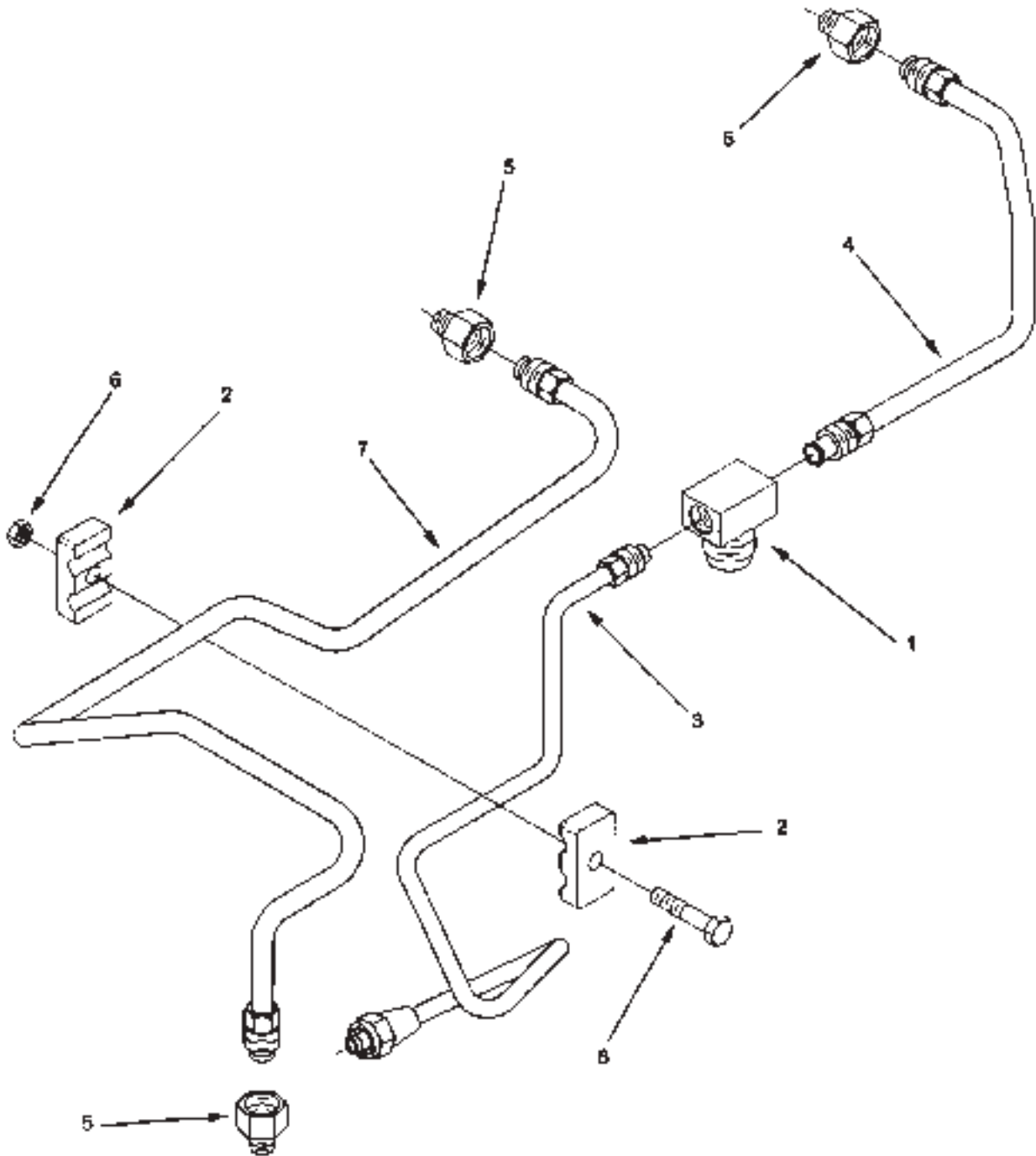


Date
Data
97-02-04

Module
Módulo
KV01-0101

Page
Página
85

Item.	Description	Order no.	Qty	S	Notes
1	Lug Suporte	800038958	1		Cummi 3893850
2	Gasket Junta	800038959	1		Cummi 3069103
3	Screw Parafuso	800038960	2		Cummi S-167-A
4	Clutch Embraiagem	800038961	1		Cummi 3046200
5	Washer Anilha	800038962	2		Cummi 3003163
6	Screw Parafuso	800038954	2		Cummi 3335044
7	Washer Anilha	800038963	2		Cummi 3821657
8	Washer Anilha	800038885	8		Cummi 3009330
9	Screw Parafuso	800038964	4		Cummi 3064109
10	Nut Porca	800038816	4		Cummi 3044360





Description
Descrição
Fuel plumbing



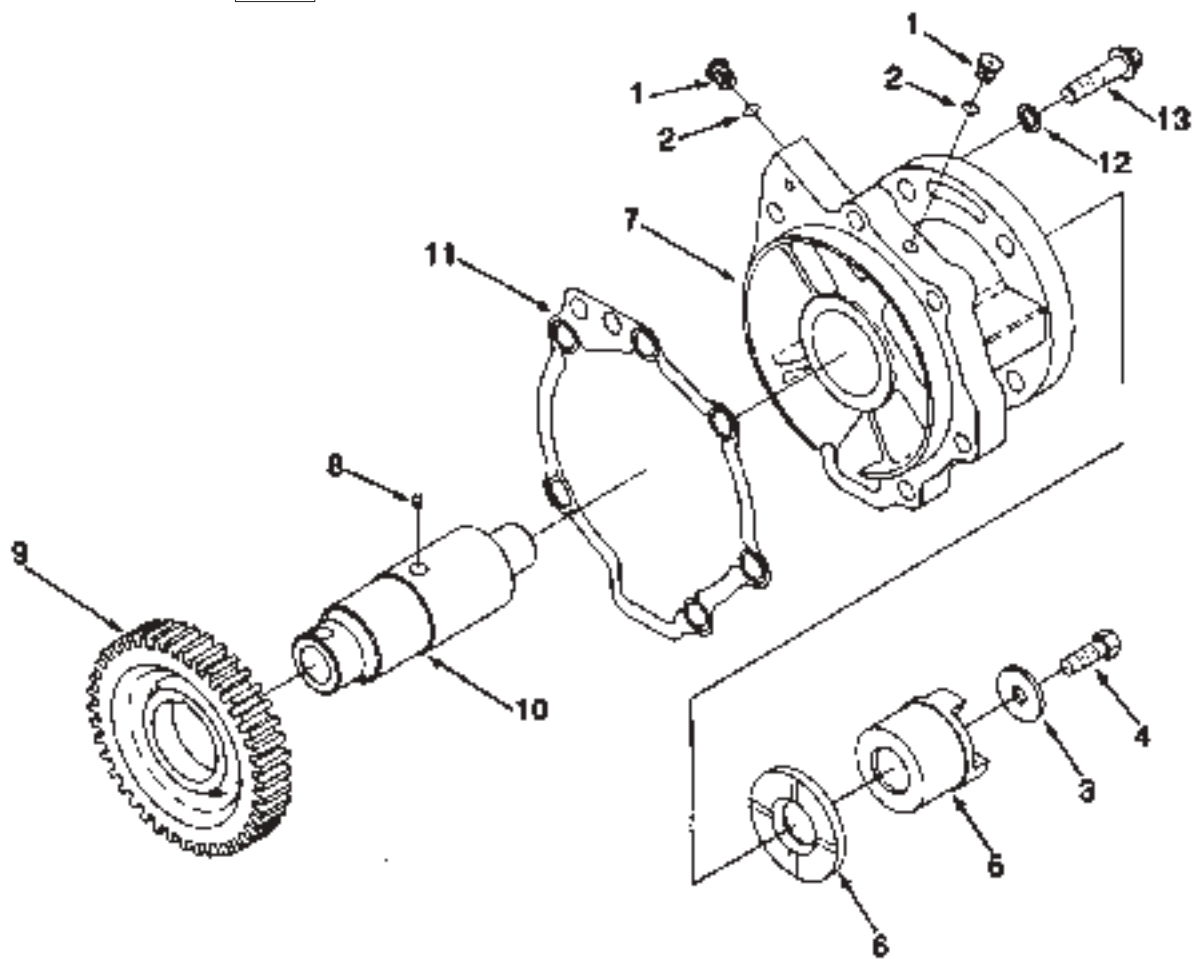
Date
Data
97-02-04

Module
Módulo
KV01-0101

Page
Página
87

Item.	Description	Order no.	Qty	S	Notes
1	Union/T União/T	800039200	1		Cummi 203862
2	Clamp Abraçadeira	800038971	2		Cummi 3007024
3	Tube Tubo	800038968	1		Cummi 3600687
4	Tube Tubo	800038967	1		Cummi 3600875
5	Fitting União	800038974	3		Cummi 3820091
6	Nut Porca	800038970	1		Cummi 3883244
7	Tube Tubo	800040981	1		Cummi 3893951
8	Screw Parafuso	800038973	1		Cummi 3900619

1a





Description
Descrição
Fuel pump drive



Date
Data
97-02-04

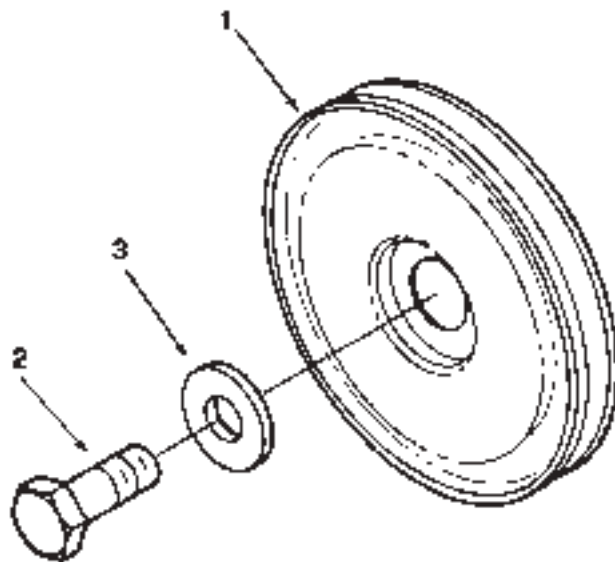
Module
Módulo
KV01-0101

Page
Página
89

Item.	Description	Order no.	Qty	S	Notes
*1a	Drive gear Engrenagem motriz	800040982	1		Cummi 3896047
11	Gasket Junta	800040983	1		Cummi 3883538
12	Washer Anilha	800039037	6		Cummi 3882885
13	Screw Parafuso	800040984	6		Cummi 3883123

*)Incl. parts 1-10
*)

Page Página 90	Module Módulo KV01-0101	Date Data 97-01-30	Description Descrição V-belt pulley	<input type="checkbox"/>	
-----------------------------	--------------------------------------	---------------------------------	--	--------------------------	--





Description
Descrição
V-belt pulley

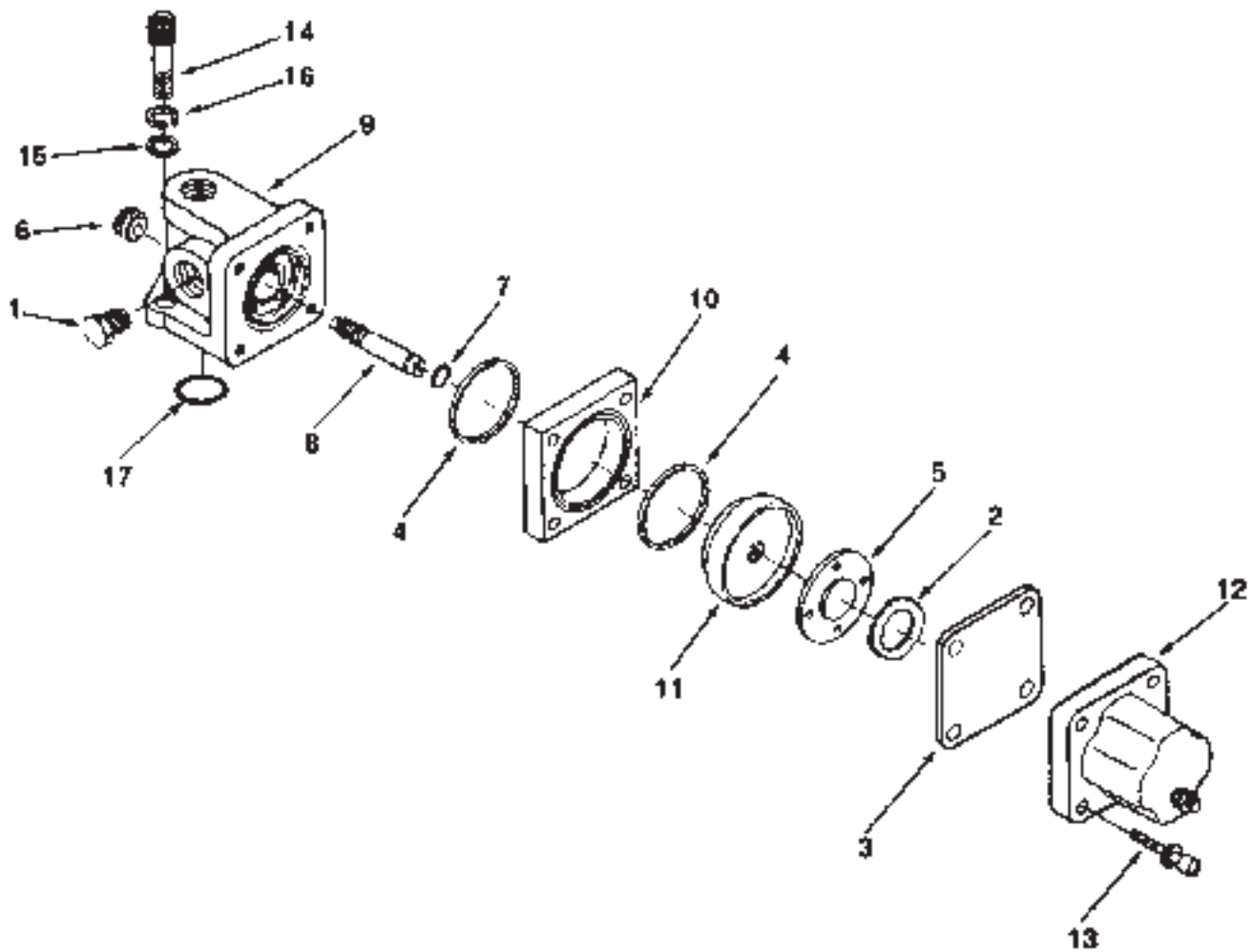


Date
Data
97-01-30

Module
Módulo
KV01-0101

Page
Página
91

Item.	Description	Order no.	Qty	S	Notes
1	Belt pulley Polia	800038779	1		Cummi 3046203
2	Screw Parafuso	800038780	1		Cummi 3818229
3	Washer Anilha	800038781	1		Cummi 3818463





Description
Descrição
Fuel valve



Date
Data
97-02-04

Module
Módulo
KV01-0101

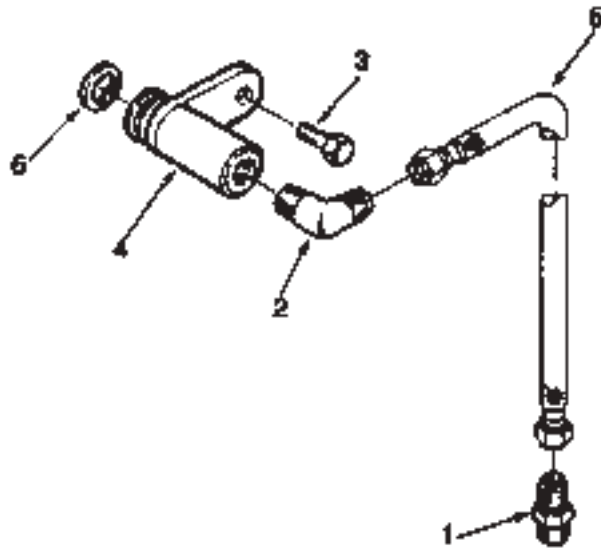
Page
Página
93

Item.	Description	Order no.	Qty	S	Notes
*1	Valve compl. Válvula compl.	800038976	1		Cummi 3018453
12	Solenoid Bobina	800038007	1		Cummi 3054609
14	Screw Parafuso	800038009	2		Cummi S-189-C
15	Washer Anilha	800038010	2		Cummi 67684
16	Washer Anilha	800038011	2		Cummi 181466
17	Seal ring Vedante	800038012	1		Cummi 154087

*)Incl. parts 1-13

*)

Page Página 94	Module Módulo KV01-0101	Date Data 97-02-04	Description Descrição Air pipe	<input type="checkbox"/>	
-----------------------------	--------------------------------------	---------------------------------	---	--------------------------	--





Description
Descrição
Air pipe



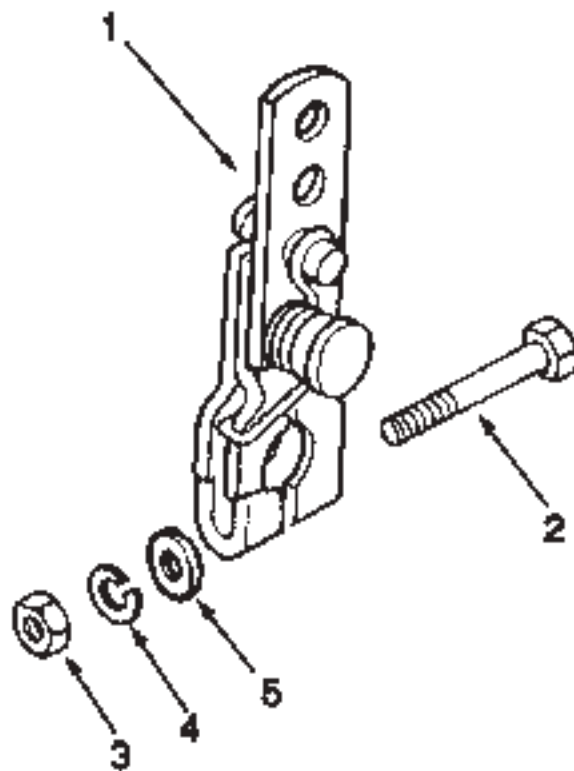
Date
Data
97-02-04

Module
Módulo
KV01-0101

Page
Página
95

Item.	Description	Order no.	Qty	S	Notes
1	Fitting União	800038931	1		Cummi 68138
2	Elbow União	800038932	1		Cummi 68139
3	Screw Parafuso	800038933	1		Cummi 3036230
4	Connecting pipe União	800038934	1		Cummi 3600825
5	Hose Tubo	800039261	1		Cummi 3893673
6	O-ring O'ring	800038936	1		Cummi 3819871

Page Página 96	Module Módulo KV01-0101	Date Data 97-02-04	Description Descrição Throttle linkage	<input type="checkbox"/>	
-----------------------------	--------------------------------------	---------------------------------	---	--------------------------	--





Description
Descrição
Throttle linkage

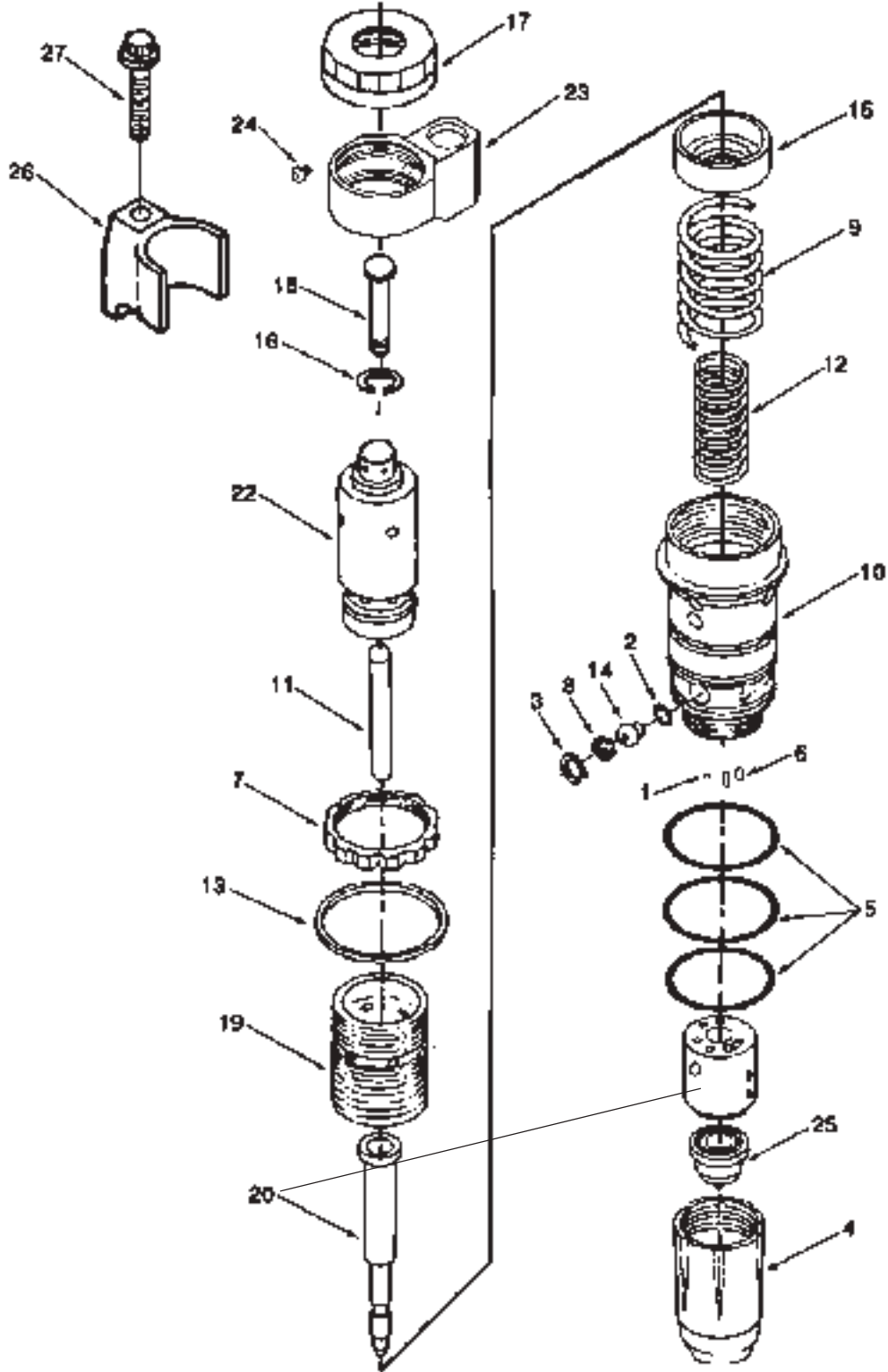


Date
Data
97-02-04

Module
Módulo
KV01-0101

Page
Página
97

Item.	Description	Order no.	Qty	S	Notes
1	Throttle linkage Alavancas do acelerador	800039084	1		Cummi 110481
2	Screw Parafuso	800039085	1		Cummi S-159-B
3	Nut Porca	800039086	1		Cummi S-270
4	Washer Anilha	800039087	1		Cummi S-600
5	Washer Anilha	800039088	1		Cummi 70704





Description
Descrição
Injector



Date
Data
01-01-23

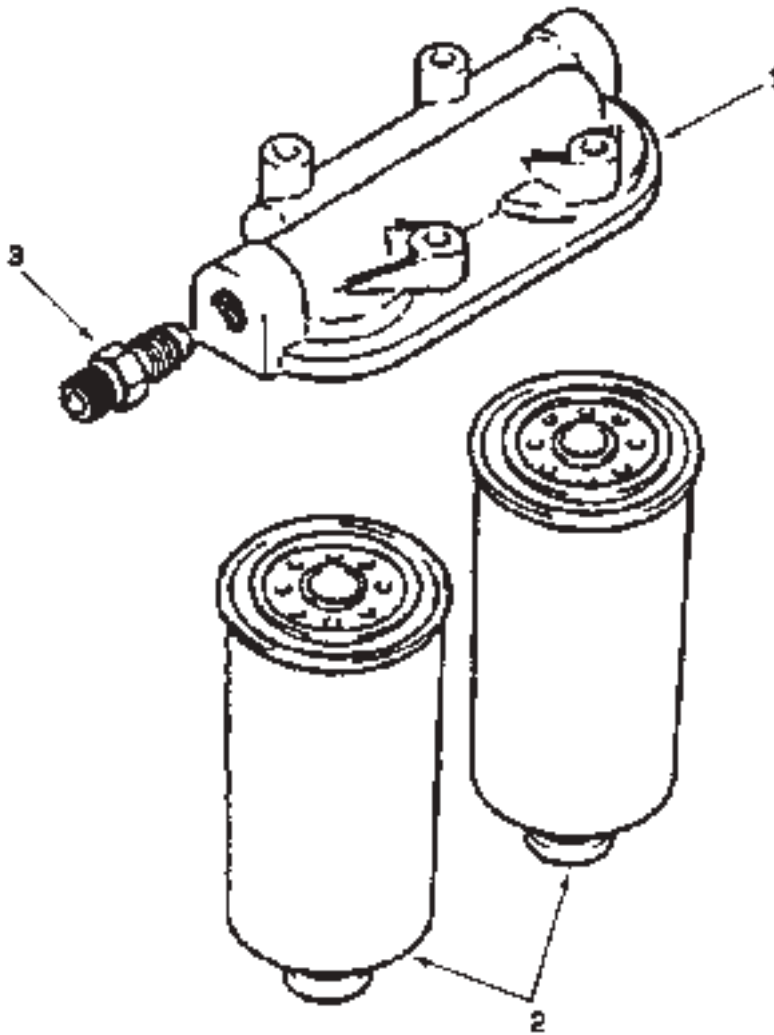
Module
Módulo
KV01-0101

Page
Página
99

Item.	Description	Order no.	Qty	S	Notes
*-	Injector	Injector	800042202	6	Cummi 3406604
1	Ball	Esfera	800034237	1	Cummi 167157
2	Gasket	Junta	800034238	1	Cummi 173086
3	Retainer	Retentor	800033239	1	Cummi 174299
4	Retainer	Retentor	800041055	1	Cummi 3066693
5	Seal ring	Vedante	800034241	3	Cummi 193736
6	Pin	Pin	800041056	2	Cummi 203426
7	Nut	Porca	800040605	1	Cummi 3068860
8	Strainer	Tensor	800042203	1	Cummi 3054999
9	Spring	Mola	800041057	1	Cummi 3060615
10	Adapter		800041058	1	Cummi 3064881
11	Link	Ligação	800040606	1	Cummi 3062009
12	Spring	Mola	800041059	1	Cummi 3060614
13	Washer	Anilha	800041060	1	Cummi 3068088
14	Plug	Ficha	800034251	1	Cummi 3045047
15	Retainer	Retentor	800041061	1	Cummi 3066707
16	Retainer	Retentor	800034253	1	Cummi 3052231
17	Cap	Tampão	800040607	1	Cummi 3068859
18	Link	Ligação	800041062	1	Cummi 3070155
19	Screw	Parafuso	800040609	1	Cummi 3055742
20	Nozzle	Bico injector	800041063	1	Cummi 3069718
22	Lifting lever	Haste	800041064	1	Cummi 3075383
23	Nut	Porca	800041065	1	Cummi 3074258
24	Plug	Ficha	800041066	1	Cummi 3074257
25	Cup	Taça	800042205	1	Cummi 3406605
26	Clip	Grampo	800041068	6	Cummi 3882991
27	Screw	Parafuso	800041069	6	Cummi 3882793

*)Incl. parts 1-25
*)

Page Página 100	Module Módulo KV01-0101	Date Data 97-02-04	Description Descrição Fuel filter	<input type="checkbox"/>	
------------------------------	--------------------------------------	---------------------------------	--	--------------------------	--





Description
Descrição
Fuel filter



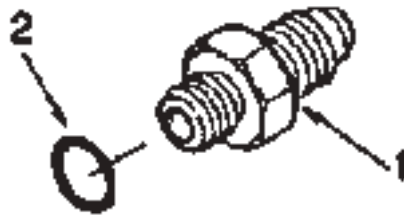
Date
Data
97-02-04

Module
Módulo
KV01-0101

Page
Página
101

Item.	Description	Order no.	Qty	S	Notes
1	Frame Estrutura de suporte	800038937	1		Cummi 212013
2	Fuel filter Filtro de combustivel	800040985	2		Cummi 3315843
3	Fitting União	800038939	1		Cummi 129866

Page Página 102	Module Módulo KV01-0101	Date Data 97-02-04	Description Descrição Fuel pump fitting	<input type="checkbox"/>	
------------------------------	--------------------------------------	---------------------------------	--	--------------------------	--





Description
Descrição
Fuel pump fitting



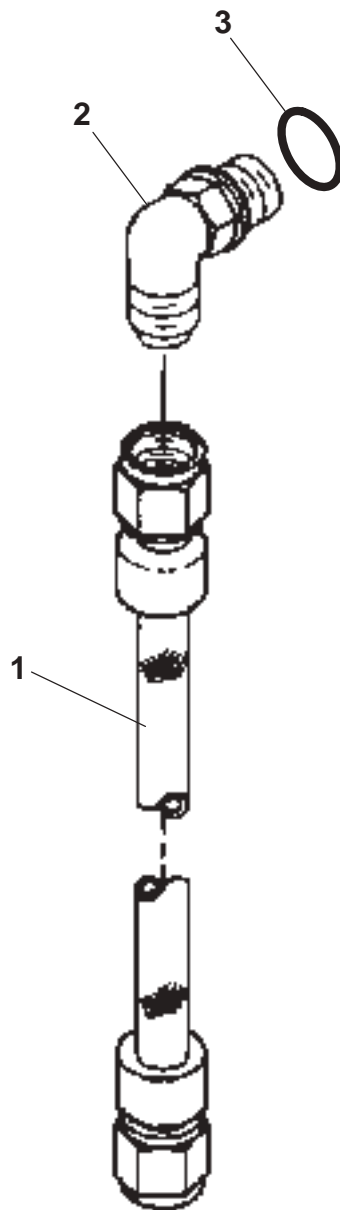
Date
Data
97-02-04

Module
Módulo
KV01-0101

Page
Página
103

Item.	Description	Order no.	Qty	S	Notes
1	Fitting União	800038943	1		Cummi 203850
2	O-ring O'ring	800039210	1		Cummi 3040817

Page Página 104	Module Módulo KV01-0101	Date Data 97-02-04	Description Descrição Fuel hose	<input type="checkbox"/>	
------------------------------	--------------------------------------	---------------------------------	--	--------------------------	--





Description
Descrição
Fuel hose



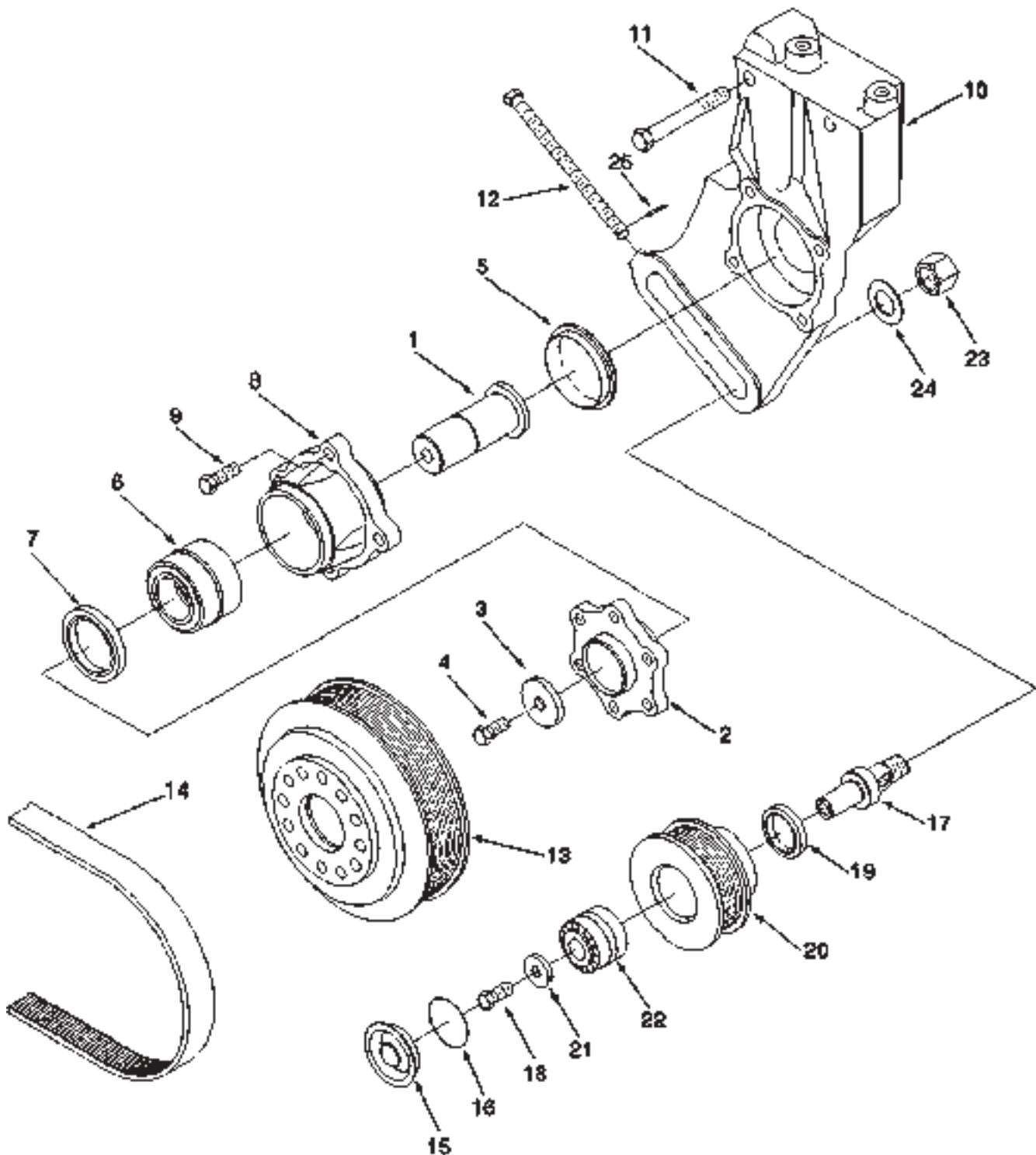
Date
Data
97-02-04

Module
Módulo
KV01-0101

Page
Página
105

Item.	Description	Order no.	Qty	S	Notes
1	Hose Tubo	800040986	1		Cummi 3892461
2	Fitting União	800034199	1		Cummi 129859
3	O-ring O'ring	800039210	1		Cummi 3040817

Page Página 106	Module Módulo KV01-0101	Date Data 99-10-05	Description Descrição Fan hub	<input type="checkbox"/> Kalmar
------------------------------	--------------------------------------	---------------------------------	--	--





Description
Descrição
Fan hub



Date
Data
99-10-05

Module
Módulo
KV01-0101

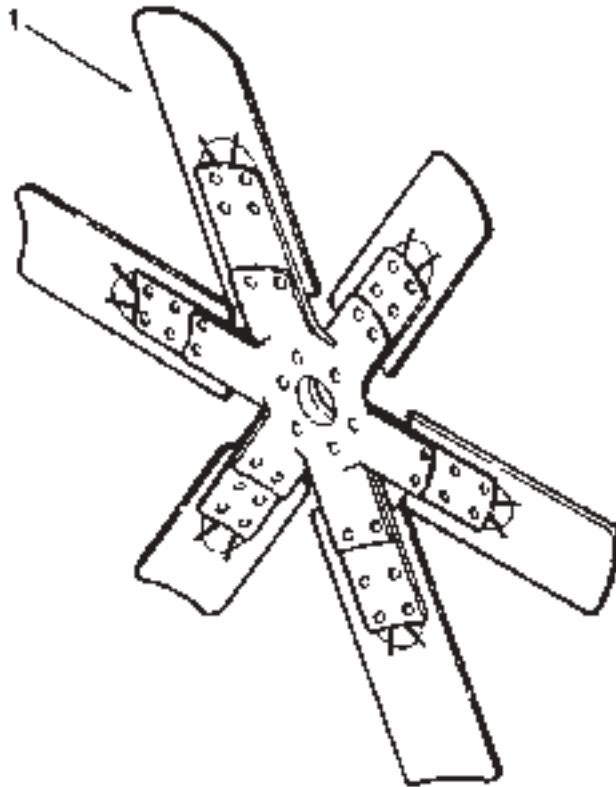
Page
Página
107

Item.	Description	Order no.	Qty	S	Notes
*8	Hub	Cubo	800038921	1	Cummi 3065358
9	Screw	Parafuso	800038922	4	Cummi 3034836
10	Support	Suporte	800038923	1	Cummi 3892321
11	Screw	Parafuso	800038924	3	Cummi 3892354
12	Screw	Parafuso	800038902	1	Cummi 3040245
13	Belt pulley	Polia	800042206	1	Cummi 3046207
14	Belt	Correia	800042184	1	Cummi 3034943
**20	Belt pulley	Polia	800038927	1	Cummi 3062602
26	Nut	Porca	800038928	1	Cummi 3034319
27	Washer	Anilha	800038929	1	Cummi 3034320
28	Pin	Pin	800038930	1	Cummi 107695

*)Incl. parts 1-8
*)

**)Incl. parts 15-22
**)

Page Página 108	Module Módulo KV01-0101	Date Data 97-02-04	Description Descrição Fan	<input type="checkbox"/>	
------------------------------	--------------------------------------	---------------------------------	--	--------------------------	--





Description
Descrição
Fan



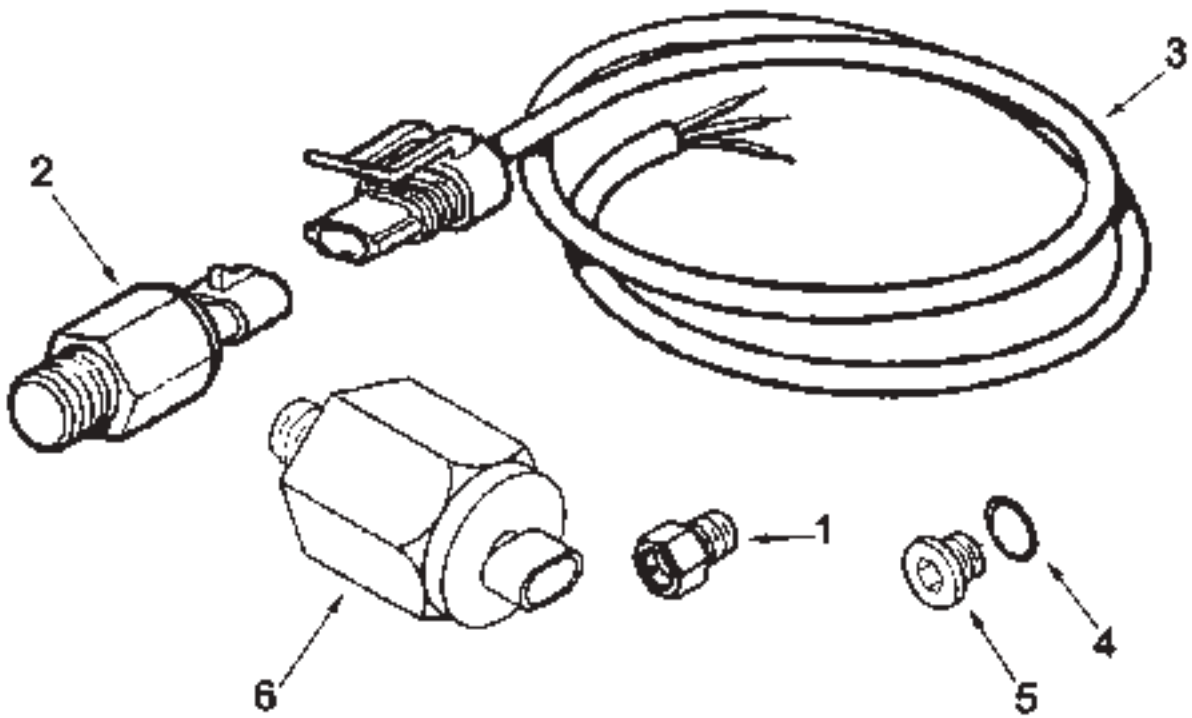
Date
Data
97-02-04

Module
Módulo
KV01-0101

Page
Página
109

Item.	Description	Order no.	Qty	S	Notes
1	Fan Ventoinha	800038957	1		Cummi 215184

Page Página 110	Module Módulo KV01-0101	Date Data 97-02-05	Description Descrição Thermoswitch	<input type="checkbox"/>	
------------------------------	--------------------------------------	---------------------------------	---	--------------------------	--





Description
Descrição
Thermoswitch



Date
Data
97-02-05

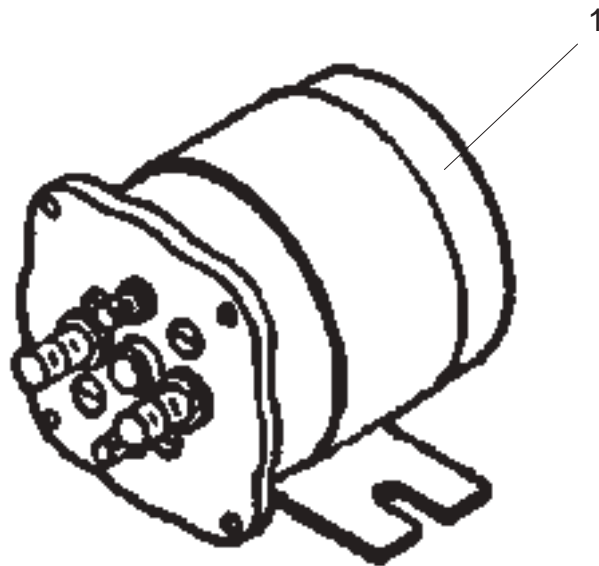
Module
Módulo
KV01-0101

Page
Página
111

Item.	Description	Order no.	Qty	S	Notes
1	Fitting União	800040518	1		Cummi S-955
2	Switch Interruptor	800039005	1		Cummi 3056344
3	Wiring set Conjunto instalação elect.	800039006	2		Cummi 3056356
4	O-ring O'ring	800038125	1		Cummi 3037537
*5	Plug Ficha	800040987	1		Cummi 3076720
6	Switch Interruptor	800040988	1		Cummi 3255283

*)incl. part 4
*)

Page Página 112	Module Módulo KV01-0101	Date Data 97-02-14	Description Descrição Magnetic switch	<input type="checkbox"/>	
------------------------------	--------------------------------------	---------------------------------	--	--------------------------	--





Description
Descrição
Magnetic switch




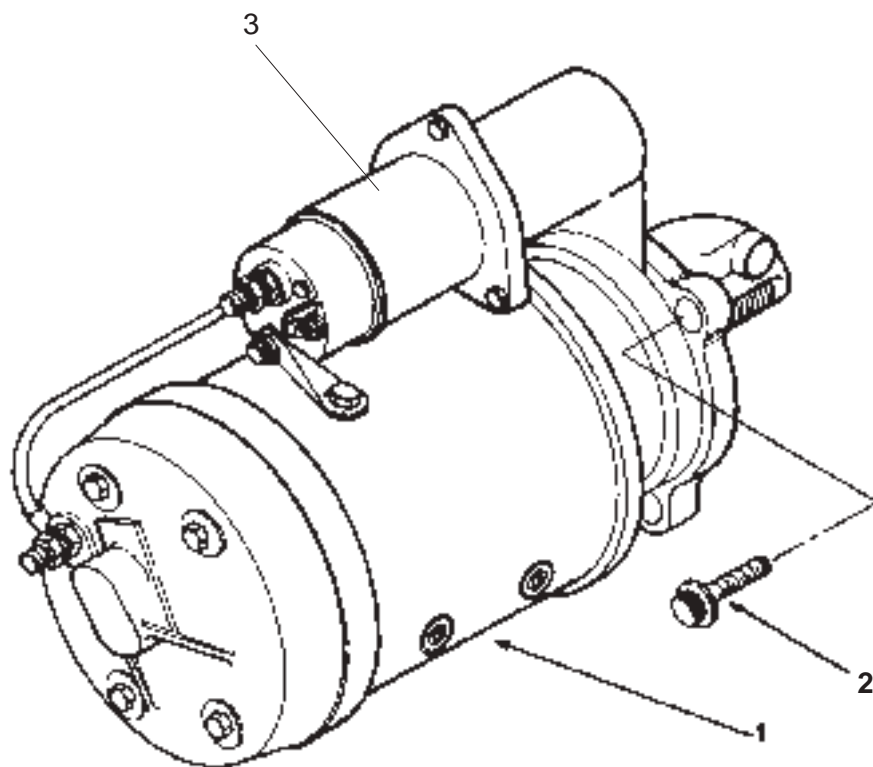
Date
Data
97-02-14

Module
Módulo
KV01-0101

Page
Página
113

Item.	Description	Order no.	Qty	S	Notes
1	Magnetic coupling Acoplamento magnético	800038920	1		Cummi 3050692

Page Página 114	Module Módulo KV01-0101	Date Data 00-12-11	Description Descrição Starter motor	<input type="checkbox"/>	
------------------------------	--------------------------------------	---------------------------------	--	--------------------------	--





Description
Descrição
Starter motor

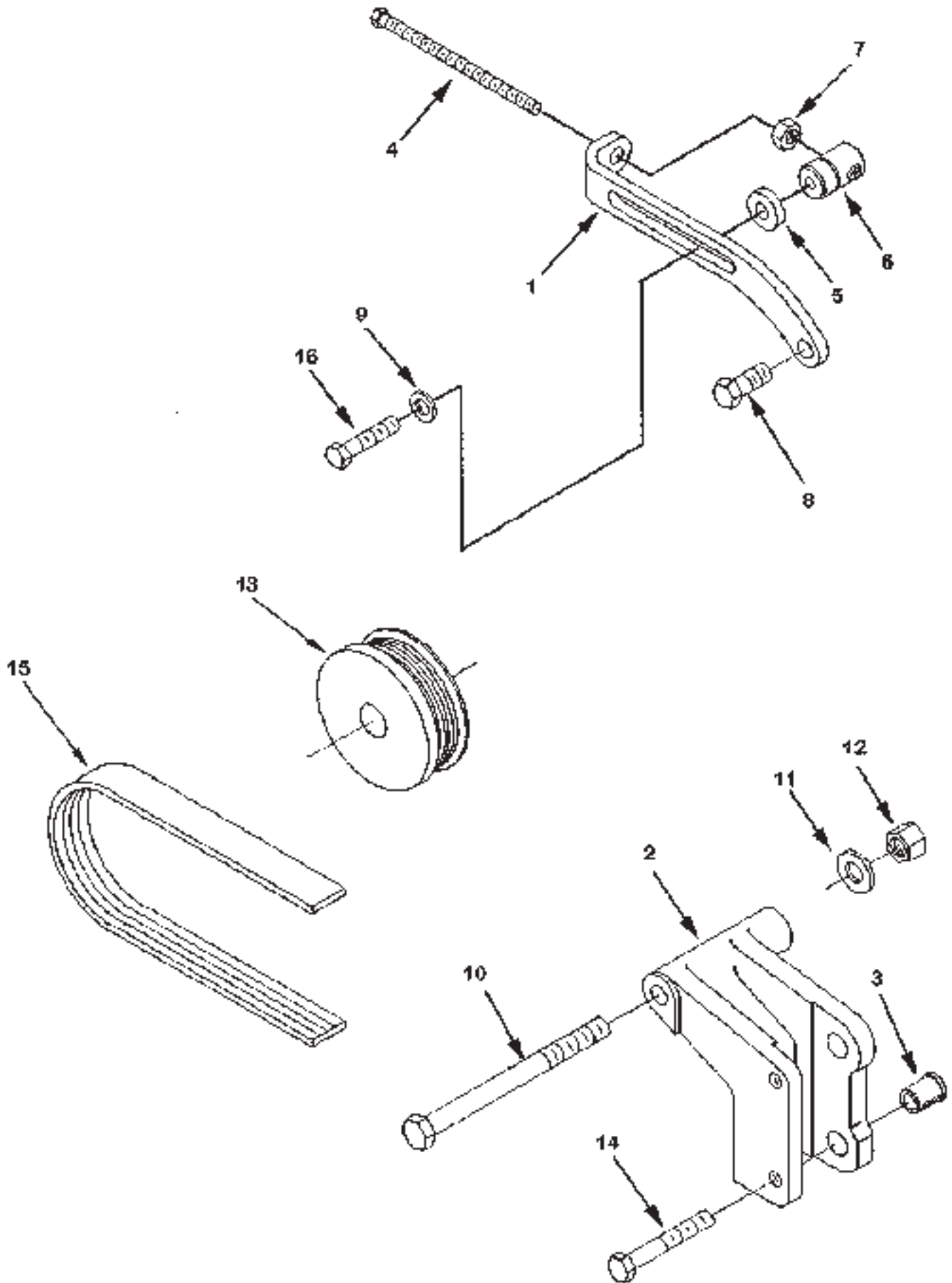


Date
Data
00-12-11

Module
Módulo
KV01-0101

Page
Página
115

Item.	Description	Order no.	Qty	S	Notes
1	Starter motor Motor de arranque	800042945	1		Cummi 135161
2	Screw Parafuso	800039004	3		Cummi 3600596
3	Solenoid Bobina	800043530	1		Cummi 3804755





Description
Descrição
Alternator mount.



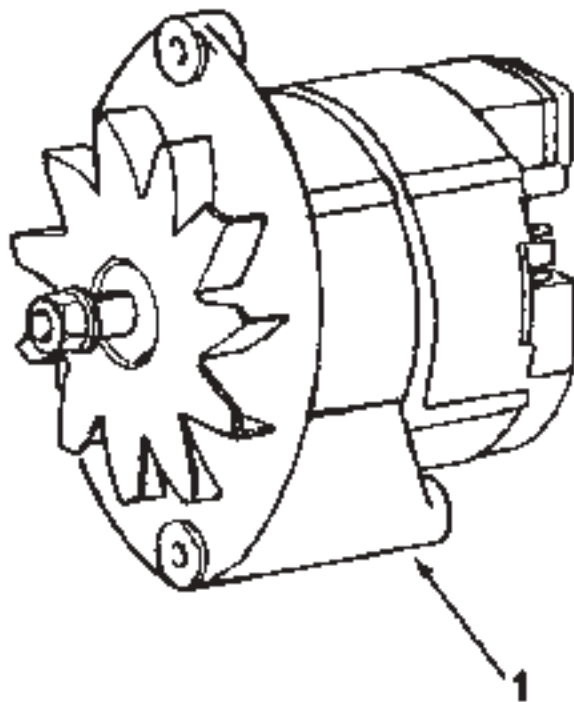
Date
Data
99-10-05

Module
Módulo
KV01-0101

Page
Página
117

Item.	Description	Order no.	Qty	S	Notes
1	Lever Alavanca	800038899	1		Cummi 3821836
2	Support Suporte	800042207	1		Cummi 3883158
3	Sleeve Casquilho	800042208	2		Cummi 3883157
4	Screw Parafuso	800038902	1		Cummi 3040245
5	Spacing washer Anilha espaçadora	800038903	1		Cummi 3029507
6	Retainer Retentor	800038904	1		Cummi 3820876
7	Nut Porca	800042209	1		Cummi 3895300
8	Screw Parafuso	800038900	1		Cummi 3335059
9	Washer Anilha	800038796	1		Cummi 3009330
10	Screw Parafuso	800042210	1		Cummi 3895516
11	Washer Anilha	800042211	1		Cummi 3895517
12	Nut Porca	800038909	1		Cummi 70897
13	Belt pulley Polia	800038910	1		Cummi 3046204
14	Screw Parafuso	800042212	2		Cummi 3081346
15	Belt Correia	800042197	1		Cummi 3028521
16	Screw Parafuso	800038913	1		Cummi S-120

Page Página 118	Module Módulo KV01-0101	Date Data 00-08-10	Description Descrição Alternator	<input type="checkbox"/>	
------------------------------	--------------------------------------	---------------------------------	---	--------------------------	--





Description
Descrição
Alternator



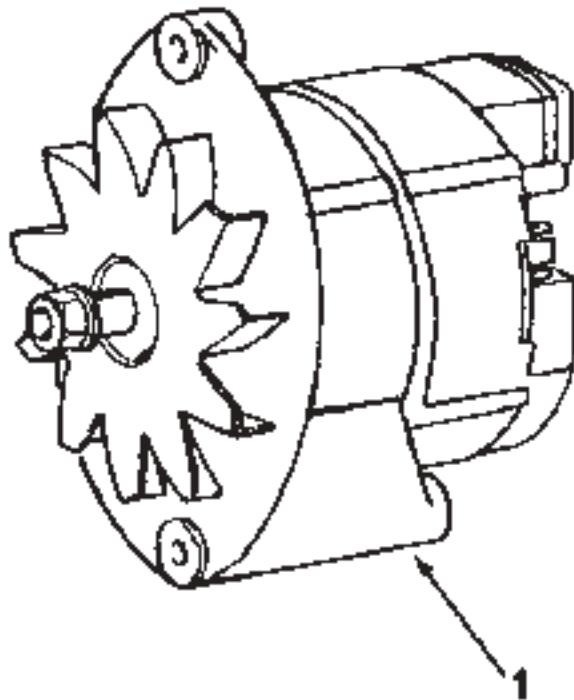
Date
Data
00-08-10

Module
Módulo
KV01-0101

Page
Página
119

Item.	Description	Order no.	Qty	S	Notes
1	Alternator Alternador	65269874	1		Cummi EE2036 24V 100A

Page Página 120	Module Módulo KV01-0101	Date Data 97-02-05	Description Descrição Alternator	<input type="checkbox"/>	
------------------------------	--------------------------------------	---------------------------------	---	--------------------------	--





Description
Descrição
Alternator



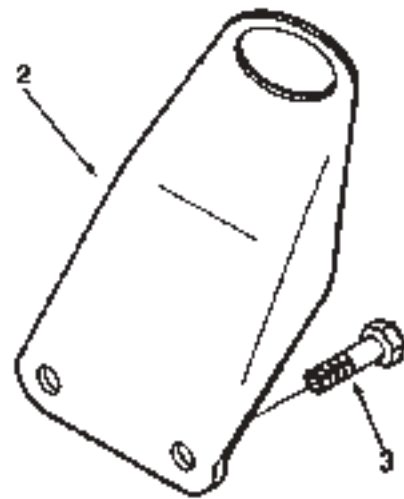
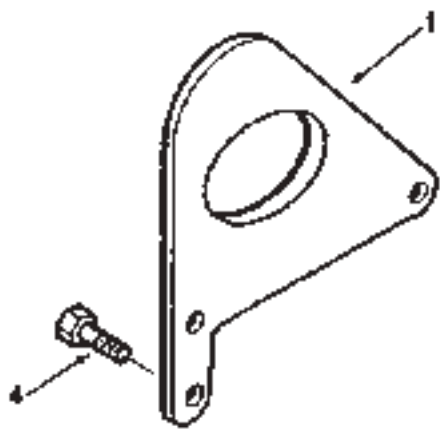
Date
Data
97-02-05

Module
Módulo
KV01-0101

Page
Página
121

Item.	Description	Order no.	Qty	S	Notes
1	Alternator Alternador	800038898	1		Cummi 3056492 75A

Page Página 122	Module Módulo KV01-0101	Date Data 97-02-05	Description Descrição Lifting bracket	<input type="checkbox"/>	
------------------------------	--------------------------------------	---------------------------------	--	--------------------------	--





Description
Descrição
Lifting bracket



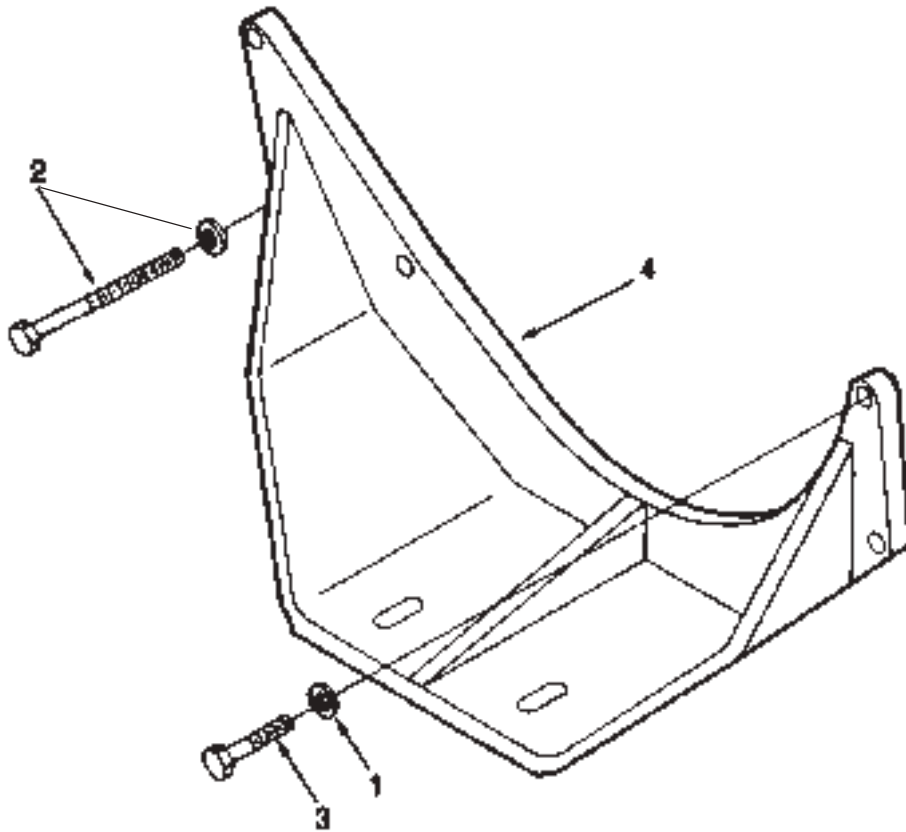
Date
Data
97-02-05

Module
Módulo
KV01-0101

Page
Página
123

Item.	Description	Order no.	Qty	S	Notes
1	Lug Suporte	800040989	1		Cummi 3883586
2	Lug Suporte	800040990	1		Cummi 3896347
3	Screw Parafuso	800038981	2		Cummi 3893834
4	Screw Parafuso	800038954	3		Cummi 3335044

Page Página 124	Module Módulo KV01-0101	Date Data 97-02-05	Description Descrição Engine support	<input type="checkbox"/>	
------------------------------	--------------------------------------	---------------------------------	---	--------------------------	--





Description
Descrição
Engine support



Date
Data
97-02-05

Module
Módulo
KV01-0101

Page
Página
125


Item.	Description	Order no.	Qty	S	Notes
1	Washer Anilha	800034256	1		Cummi 203518
2	Screw Parafuso	800039256	5		Cummi 3892105
3	Screw Parafuso	800038916	1		Cummi 3820988
4	Support Suporte	800038917	1		Cummi 3819975

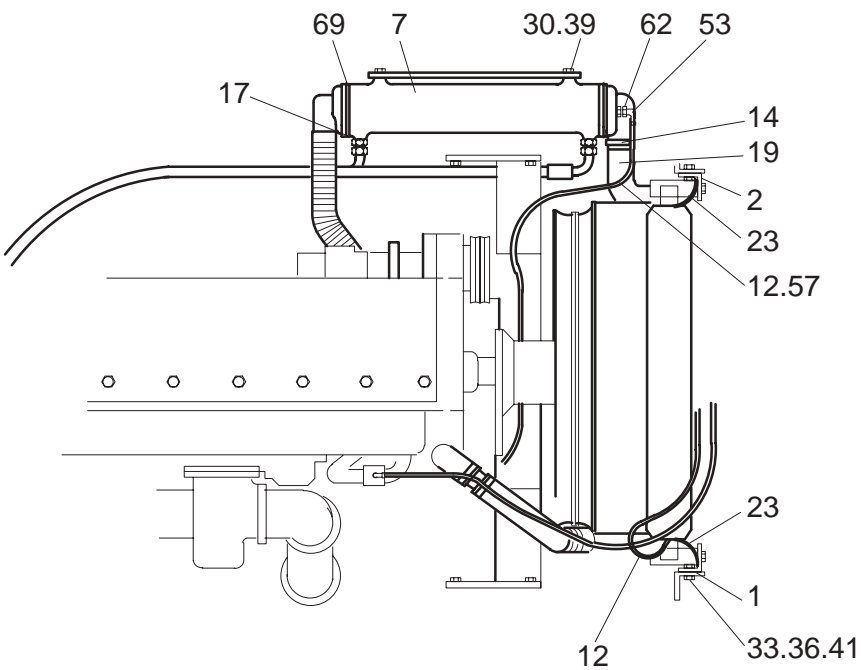
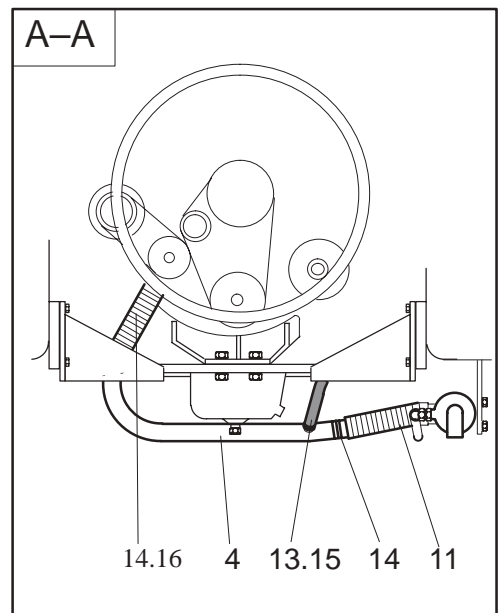
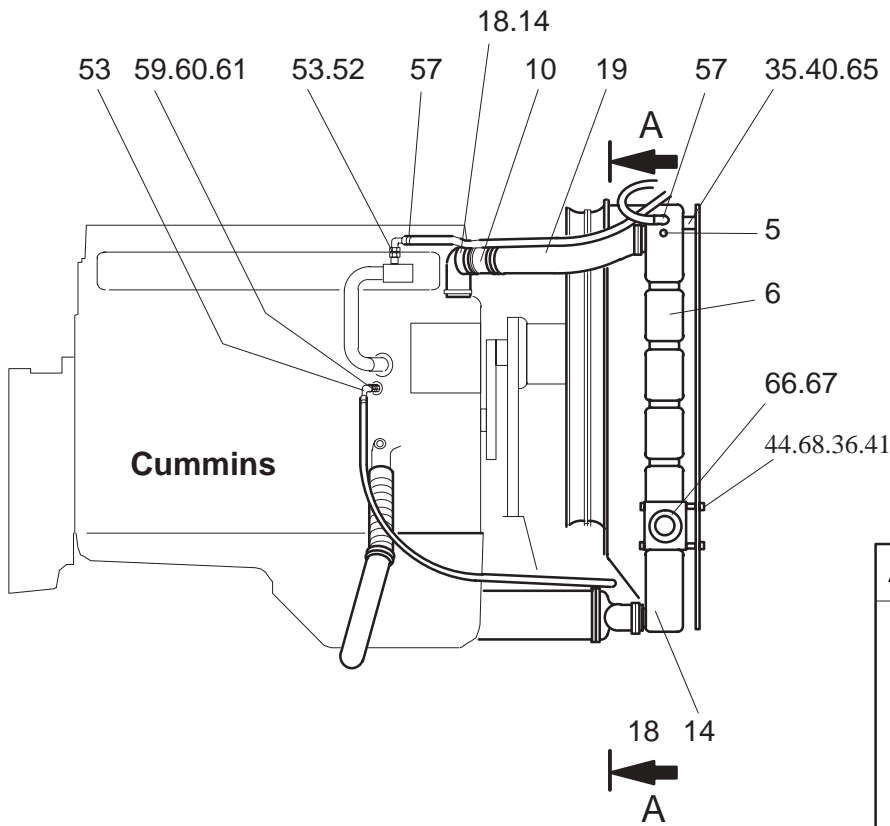
	Revision Revisão	<input type="checkbox"/>	Date Data 98-10-06	Module Módulo KV01-0102	Page Página 1/5
--	---------------------	--------------------------	---------------------------------	--------------------------------------	------------------------------


KV01-0102

Cooling system

Sistema de arrefecimento


Page Página 2	Module Módulo KV01-0102	Date Data 97-03-14	Description Descrição Cooling system	
----------------------------	--------------------------------------	---------------------------------	---	--

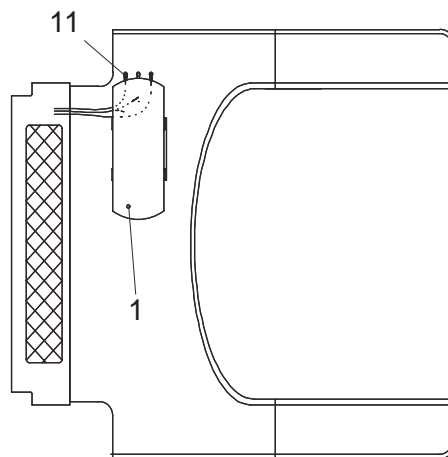
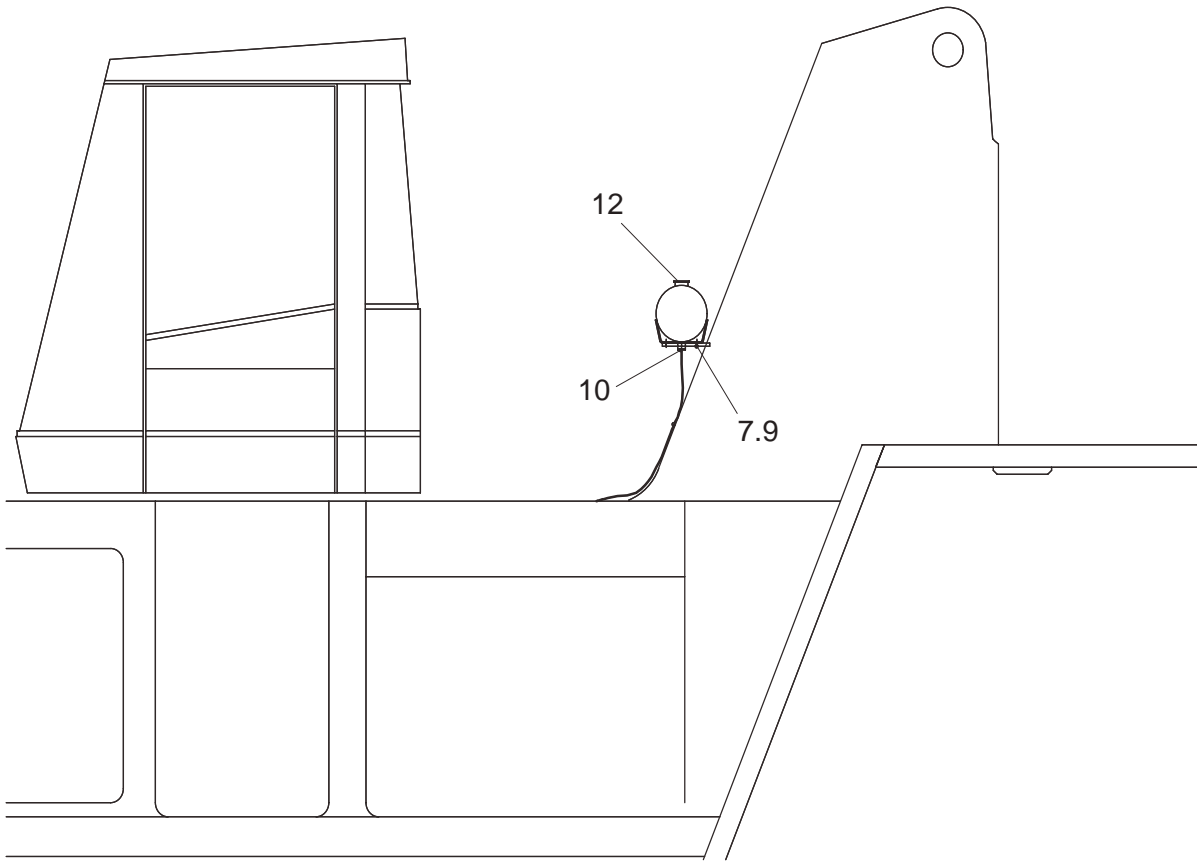


		Description Descrição	<input type="checkbox"/>	Date Data	Module Módulo	Page Página
		Cooling system		97-03-14	KV01-0102	3
Item.	Description		Order no.	Qty	S	Notes
1	Support	Suporte	T5503330	1		
2	Support	Suporte	T5503340	1		
4	Tube	Tubo	T5512300	1		
5	Plug	Ficha	T5202910	1		
6	Radiator	Radiador	T5519810	1		
7	Oil cooler	Radiador de oleo	T1302009H	1		Bowma FG 140-3217-4
10	Tube	Tubo	T5508380	1		
11	Hose	Tubo	770573590	1		Nyro 57x359
12	Hose	Tubo	68511310	x		VLS616.0110
13	Hose	Tubo	68512532	x		VLS616.04LVU 032
14	Clip	Grampo	60275775	11		63-73
15	Clip	Grampo	60282743	1		Norma S-43/20
16	Hose	Tubo	68512575	x		VLS616.04LVU 075
17	Fitting	União	643445302	2		VLS620.2130JIC/R1 1/4
18	Hose	Tubo	T5213100	1		
19	Hose	Tubo	K5035200	2		
23	Gasket set	Jogo juntas	T5504810	1		
30	Screw	Parafuso	53060138	7		ISO4017 M8x20
33	Screw	Parafuso	58130543	6		SFS2219 M12x30
35	Nut	Porca	50410100	6		ISO4032 M10-8
36	Nut	Porca	50410120	4		ISO4032 M12-8
39	Washer	Anilha	50012080	6		DIN125 8.4
40	Washer	Anilha	50012100	4		DIN125 10.5
41	Washer	Anilha	50012120	4		DIN125 13
44	Screw	Parafuso	53160239	4		ISO4014 M12x140
52	Fitting	União	64306002	1		VLO54110/7 9/16-18UNF
53	Fitting	União	64312206	1		Hymat PS285-6 3/8
57	Clip	Grampo	60275720	6		16-19
59	Fitting	União	64306013	1		VLO54110/17 7/8-14UNF
60	Fitting	União	643461163	1		VLS620.3716/10JIC
61	Nut	Porca	54163910	1		VLS62050 16JIC
62	Fitting	União	64306006	1		VLO54110/8 9/16-18UNF
65	Damper	Batente amortecedor	770001381	2		Metal 17/1381 M10
66	Support	Suporte	T5515050	4		
67	Damper	Batente amortecedor	T5515060	2		Metal 17/1381 M10
68	Sleeve	Casquilho	T5515070	4		
69	Seal ring	Vedante	807201617	2		BOWMAN OS52VT

x) Order as required (min. delivery length 1 m).

Note! Cummins engine

Page Página	Module Módulo	Date Data	Description Descrição	
4	KV01-0102	97-03-14	Expansion tank	





Description
Descrição
Expansion tank



Date
Data
97-03-14

Module
Módulo
KV01-0102

Page
Página
5

Item.	Description		Order no.	Qty	S	Notes
1	Expansion tank	Tanque de expansão	T5518370	1		
7	Screw	Parafuso	53060178	4		ISO4017 M10X20
9	Nut	Porca	51010100	4		DIN985 M10
10	Clip	Grampo	60282743	1		NORMA S-43/20
11	Clip	Grampo	60275720	2		16-19
12	Cap	Tampão	800041574	1		S.Jäähd. 5644 50kPa

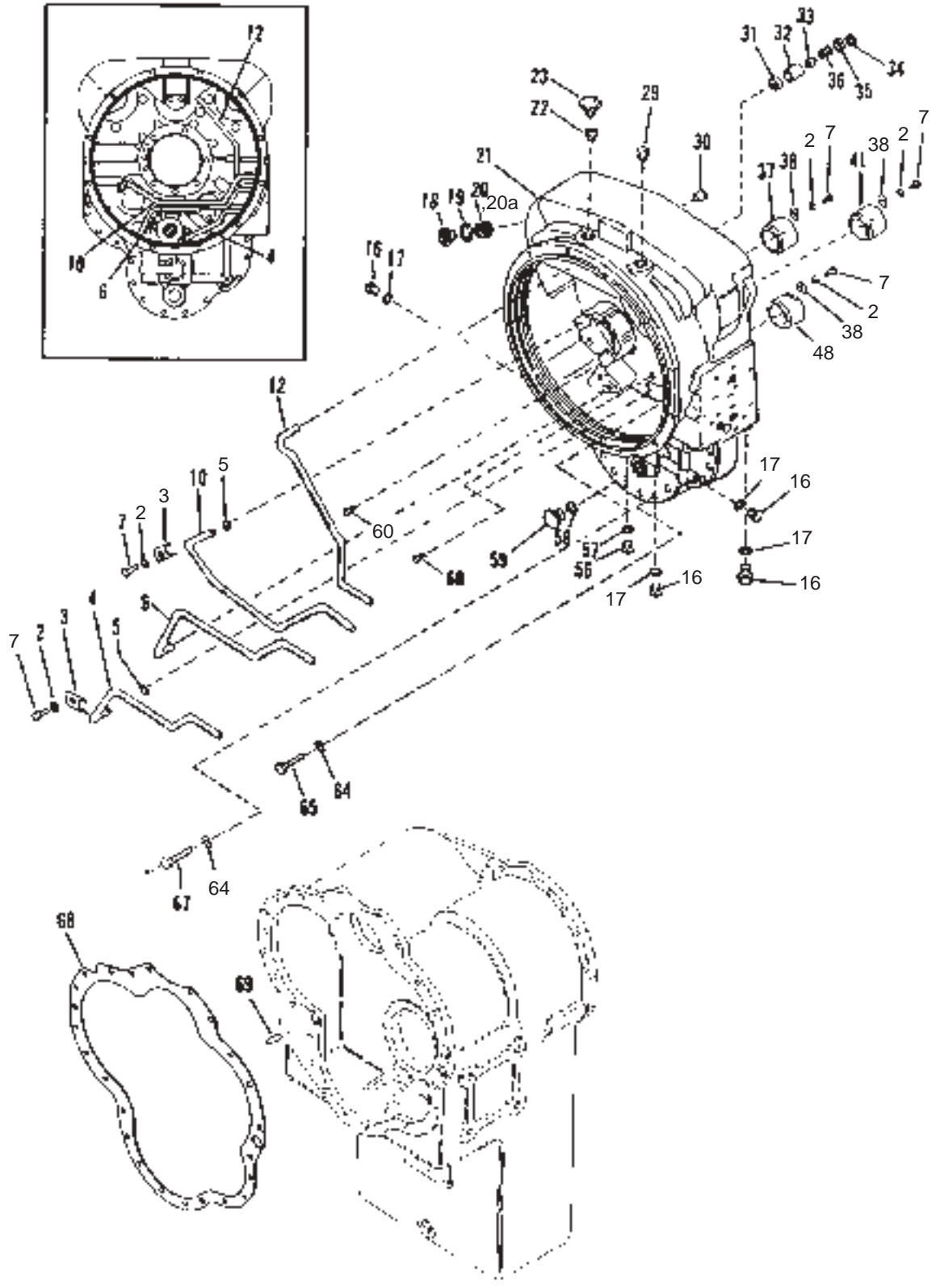
	Revision Revisão	<input type="checkbox"/>	Date Data 98-10-06	Module Módulo KV01-0103	Page Página 1/35
--	---------------------	--------------------------	---------------------------------	--------------------------------------	-------------------------------

KV01-0103

Hydraulic Transmission

Transmissão hidráulica

1



Description
Descrição

Gearbox

Date
Data

97-02-25

Module
Módulo

KV01-0103

Page
Página

3

Item.	Description	Order no.	Qty	S	Notes
1	Gearbox, compl. see page 3-35 Caixa de velocidades, compl.	K0201082H	1		Clark 15.5HR36431-3
2	Washer Anilha	800811008	5		Clark 4E5
3	Fastener Ligador	800820037	2		Clark 243676
4	Tube Tubo	800820361	1		Clark 245824
5	O-ring O'ring	800820039	2		Clark 60K30016
6	Tube Tubo	800820038	1		Clark 245823
7	Screw Parafuso	800811009	5		Clark 1C510
10	Tube Tubo	800820043	1		Clark 243695
12	Tube Tubo	800820041	1		Clark 243696
16	Plug Ficha	800820709	5		Clark 47K3
17	Seal ring Vedante	800820198	5		Clark 91F3
18	Plug Ficha	800817201	1		Clark 1KM18
19	Seal ring Vedante	800818711	1		Clark 60K30020
20	Sleeve Casquilho	800820710	1		Clark 248166
20a	Shim Anilha	800820711	x		Clark 248167
*21	Converter Anilha	800821083	1		Clark 249727
22	Sleeve Casquilho	800811227	1		Clark 19F8
23	Breather Respirador	800815611	1		Clark 238535
29	Plug Ficha	800815350	1		Clark 11F12
30	Connecting pipe União	800811017	2		Clark 222067
31	Seat Sede de valvula	800811275	1		Clark 233278
32	Retainer Retentor	800820362	1		Clark 246884
33	Piston Pistão	800601111	1		Clark 222318
34	Circlip Freio	800820712	1		Clark 247474
35	Washer Anilha	800820364	1		Clark 239609
36	Spring Mola	800820365	1		Clark 247115
37	Sleeve Casquilho	800820036	1		Clark 232346
38	Lock washer Anilha de freio	800811013	3		Clark 230851
41	Sleeve Casquilho	800814162	1		Clark 237576
48	Sleeve Casquilho	800821084	1		Clark 249198
56	Plug Ficha	800816736	1		Clark 24K6
57	Seal ring Vedante	800815177	1		Clark 91F6
58	Gasket Junta	800811025	1		Clark 219373
59	Cover Tampa	800811024	1		Clark 219370
60	Plug Ficha	800815614	2		Clark 239244
64	Washer Anilha	800601139	23		Clark 4E07
65	Screw Parafuso	800820713	14		Clark 17C728
67	Screw Parafuso	800820714	9		Clark 17C724
68	Gasket Junta	800820042	1		Clark 243698
69	Dowel pin Perne-guia	800811047	2		Clark 214295

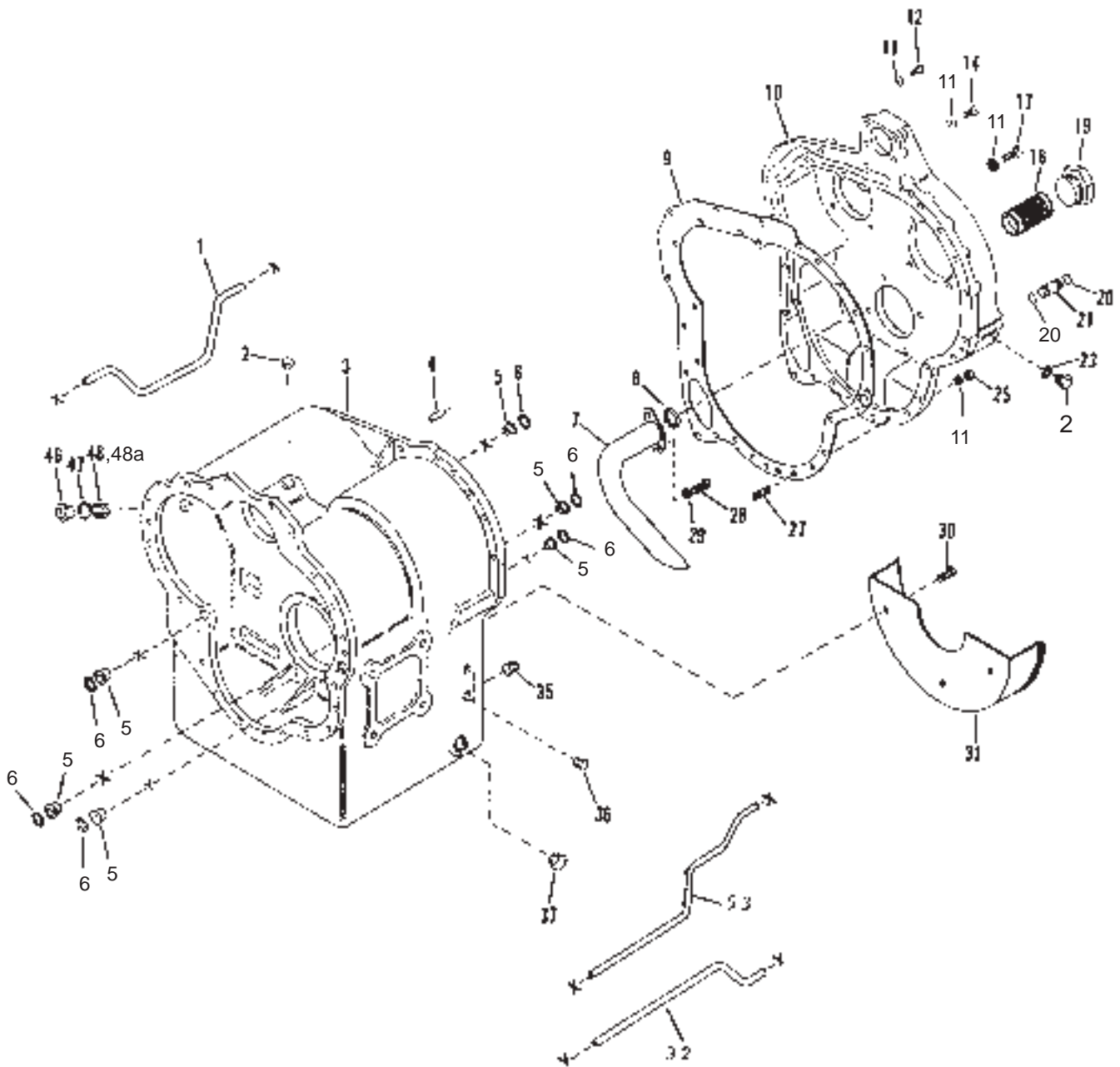
x)Order as required.

x)

*)Incl. parts 2-17,30-41,56,57,60

*)

Page Página	Module Módulo	Date Data	Description Descrição	<input type="checkbox"/>	
4	KV01-0103	96-06-18	Transmission case		





Item.	Description	Order no.	Qty	S	Notes
1	Tube Tubo	800820276	1		Clark 243671
2	Plug Ficha	800820056	2		Clark 24K-5
*3	Housing Caixa	800821085	1		Clark 249838
4	Dowel pin Perne-guia	800811047	2		Clark 214295
5	Connecting pipe União	800811017	6		Clark 222067
6	O-ring O'ring	800811208	6		Clark 60K40026
7	Tube Tubo	800820367	1		Clark 246687
8	Seal ring Vedante	800820368	1		Clark 60K40120
9	Gasket Junta	800820716	1		Clark 248594
10	Cover Tampa	800821086	1		Clark 249841
11	Washer Anilha	800601139	28		Clark 4E7
12	Screw Parafuso	800820048	3		Clark 17C724
14	Screw Parafuso	800820050	5		Clark 17C732
17	Screw Parafuso	800820051	16		Clark 17C776
18	Strainer Tensor	800820370	1		Clark 246852
19	Plug Ficha	800820053	1		Clark 24K13
20	Seal ring Vedante	800820054	4		Clark 60K20012
21	Muff Manga	800820055	1		Clark 243154
23	O-ring O'ring	800820371	2		Clark 91F5
25	Nut Porca	800814166	4		Clark 64D7
27	Screw Parafuso	800820255	4		Clark 246824
28	Screw Parafuso	800820372	2		Clark 1C612
29	Washer Anilha	800820373	2		Clark 4E6
30	Screw Parafuso	800601132	3		Clark 233128
31	Oil baffle Placa de óleo	800820374	1		Clark 246688
32	Tube Tubo	800820057	1		Clark 243713
35	Plug Ficha	800821087	1		Clark 119470
36	Plug Ficha	800811037	2		Clark 40K4
37	Plug Ficha	800820718	1		Clark 16F16
46	Plug Ficha	800818710	1		Clark 1KM18
47	Seal ring Vedante	800818711	1		Clark 60K30020
48	Sleeve Casquilho	800820710	1		Clark 248166
48a	Shim Anilha	800820711	x		Clark 248167
53	Tube Tubo	800820719	1		Clark 248595

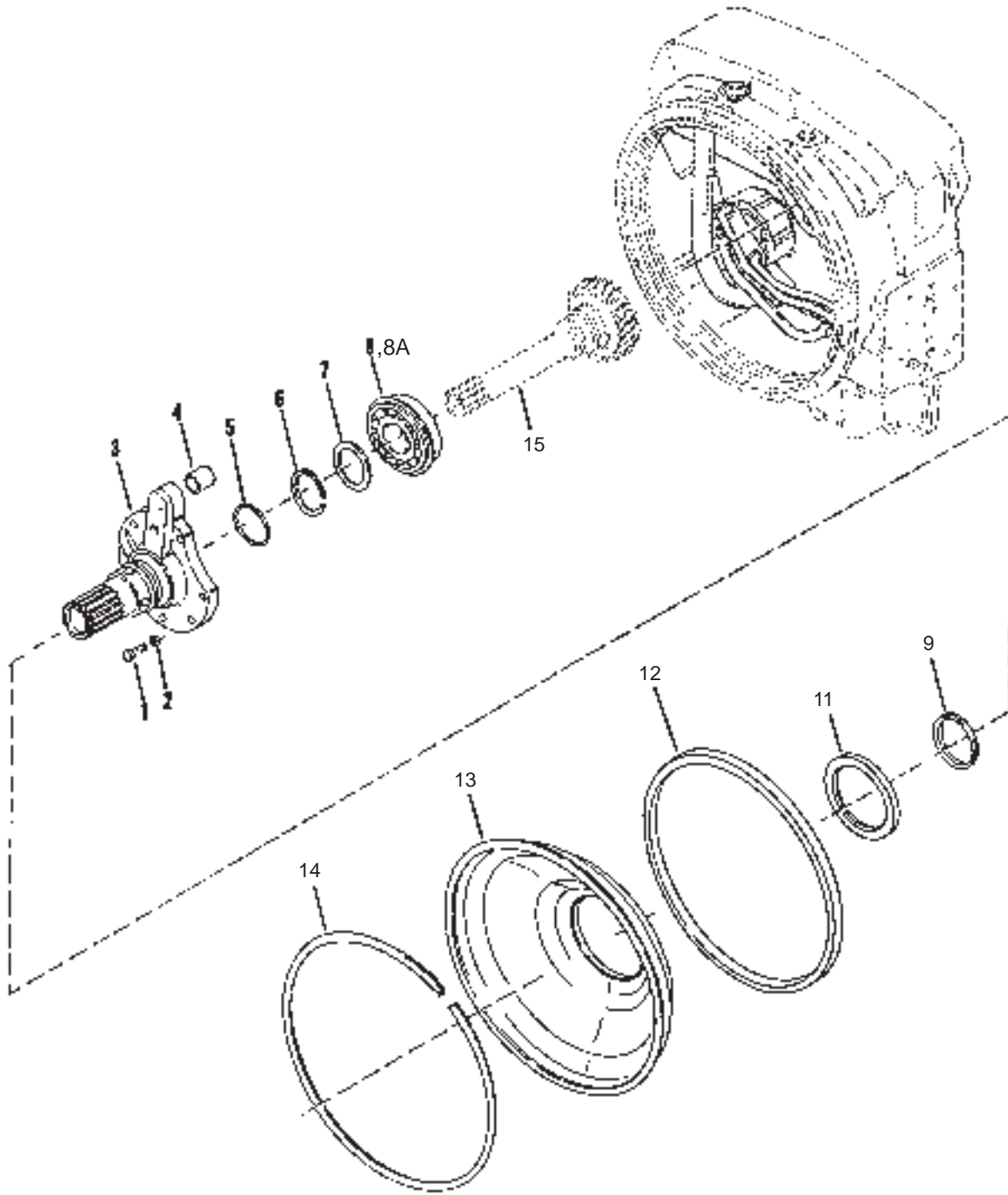
x)Order as required.

x)

*)Incl. parts 1,5,32,53

*)

Page Página	Module Módulo	Date Data	Description Descrição	<input type="checkbox"/>	
6	KV01-0103	97-02-25	Turbine axle		





Description
Descrição
Turbine axle



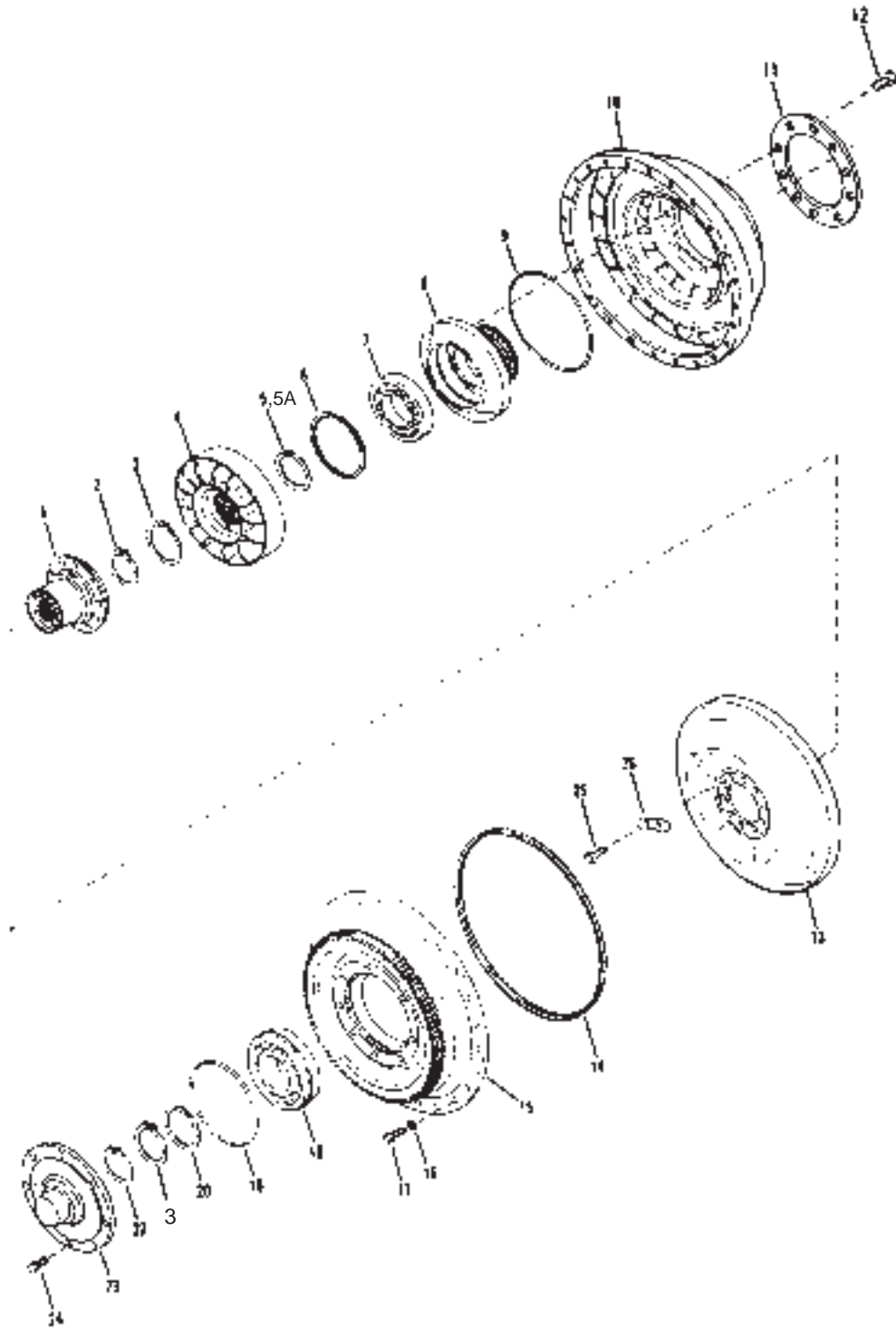
Date
Data
97-02-25

Module
Módulo
KV01-0103

Page
Página
7

Item.	Description	Order no.	Qty	S	Notes
1	Screw Parafuso	800821128	7		Clark 1C628
2	Washer Anilha	800601193	7		Clark 4E8
3	Support Suporte	800820059	1		Clark 243709
4	Tube Tubo	800820060	1		Clark 243644
5	Piston ring Segmento	800820720	1		Clark 248178
6	Circlip Freio	800820062	1		Clark 247463
7	Washer Anilha	800820063	1		Clark 236081
8	Bearing Rolamento	800820064	1		Clark 241997 Front
8A	Bearing Rolamento	800820064	1		Clark 249859 Rear
9	Ring Anel	800821088	1		Clark 250090
11	Seal ring Vedante	800814156	1		Clark 235593
12	Seal ring Vedante	800820066	1		Clark 229804
13	Cover Tampa	800820067	1		Clark 229813
14	Circlip Freio	800820068	1		Clark 229805
15	Shaft Eixo	800821089	1		Clark 249318

Page Página	Module Módulo	Date Data	Description Descrição	<input type="checkbox"/>	Kalmar
8	KV01-0103	97-02-25	Turbine hub		





Description
Descrição
Turbine hub



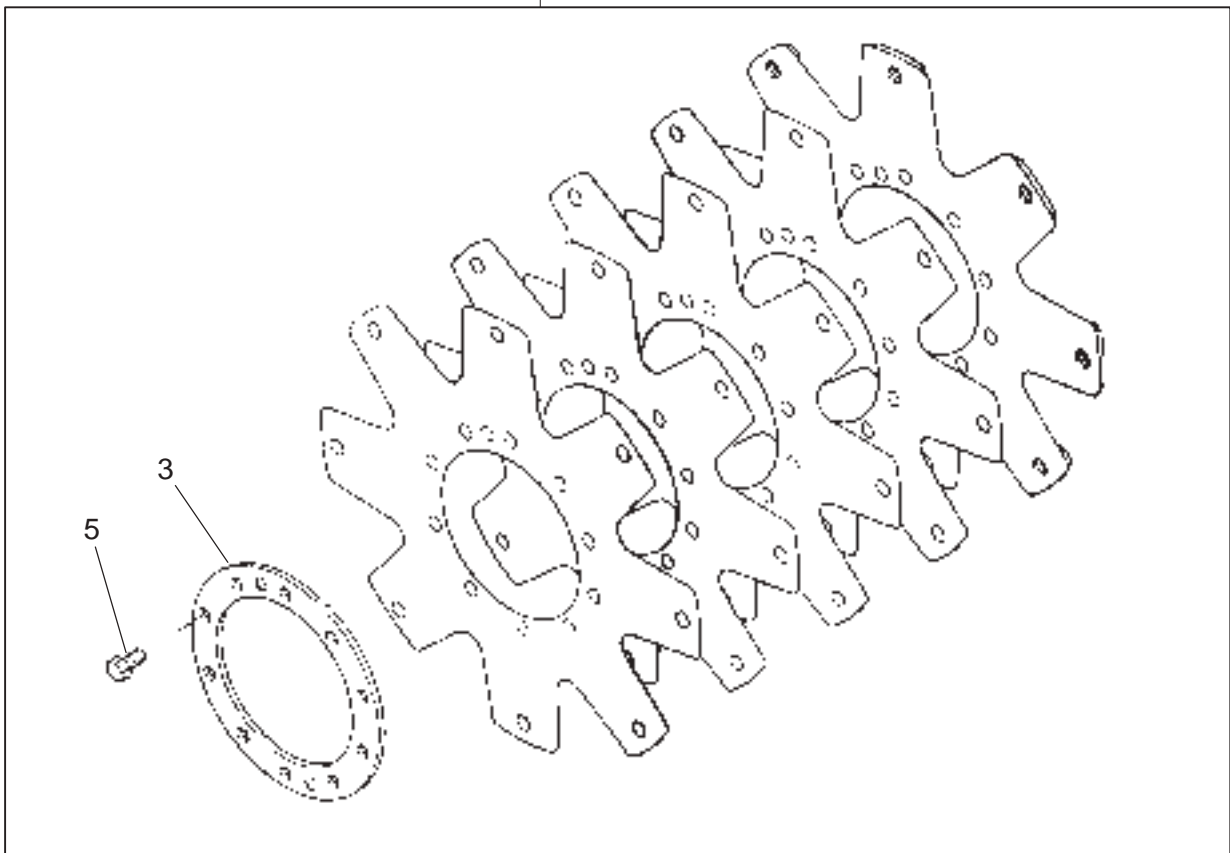
Date
Data
97-02-25

Module
Módulo
KV01-0103

Page
Página
9

Item.	Description	Order no.	Qty	S	Notes
1	Turbine hub Cubo da turbina	800820070	1		Clark 241993
2	Circlip Freio	800820743	1		Clark 248062
3	Circlip Freio	800820062	2		Clark 247463
4	Wheel Roda	800820072	1		Clark 246378
5	Spacing ring Anel espaçador	800820073	1		Clark 243587
5A	Pin Pin	800820257			Clark 302602
6	Circlip Freio	800820074	1		Clark 223988
7	Bearing Rolamento	800820075	1		Clark 225778
8	Wheel hub Cubo da roda	800820076	1		Clark 222266
9	Seal ring Vedante	800820077	1		Clark 60K40700
10	Wheel Roda	800820078	1		Clark 243085
11	Support ring Anel de suporte	800820079	1		Clark 245576
12	Screw Parafuso	800820080	8		Clark 245577
13	Turbine Turbina	800820081	1		Clark 243086
14	Seal ring Vedante	800820082	1		Clark 218776
15	Cover Tampa	800821075	1		Clark 249182
16	Washer Anilha	800601139	32		Clark 4E7
17	Screw Parafuso	800811286	32		Clark 1C724
18	Bearing Rolamento	800820084	1		Clark 225781
19	Seal ring Vedante	800820085	1		Clark 60K40608
20	Spacing ring Anel espaçador	800820063	1		Clark 236081
22	Circlip Freio	800820090	1		Clark 246238
23	Cover Tampa	800821076	1		Clark 249181
24	Screw Parafuso	800821074	14		Clark 249055
25	Screw Parafuso	800820088	10		Clark 2C712
26	Lock washer Anilha de freio	800820089	5		Clark 241368

1





Description
Descrição
Flex-plate kit



Date
Data
97-11-07

Module
Módulo
KV01-0103

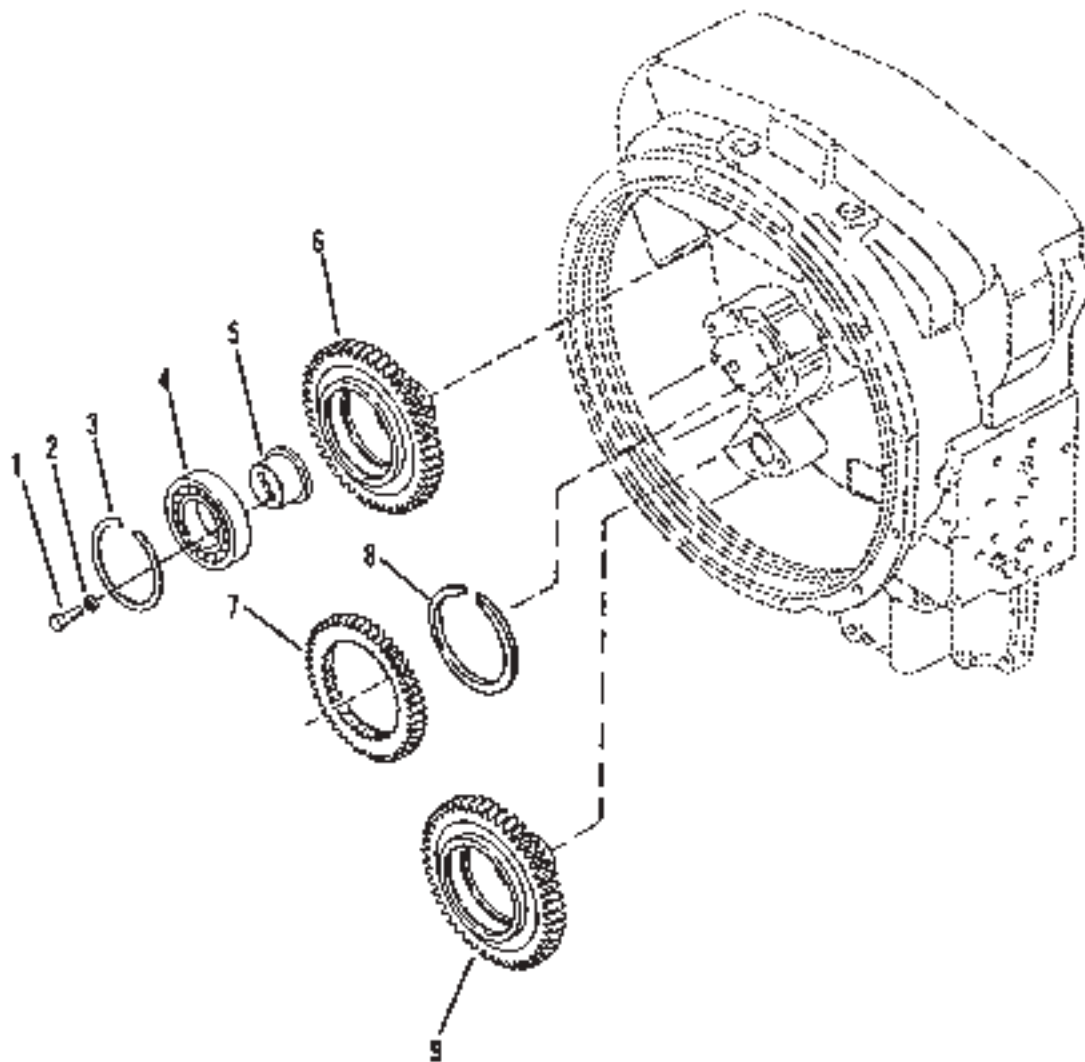
Page
Página
11

Item.	Description	Order no.	Qty	S	Notes
x1	Disc set Jogo de discos	T0209036H	1		Clark 802558 16"
xx1	Disc set Jogo de discos	T0209037H	1		Clark 802587 15"
3	Ring Anel	800821073	1		Clark 249054
5	Screw Parafuso	800821074	14		Clark 249055

x) Use only with Cummins engine
x)

xx) Use only with Scania engine
xx)

Page Página 12	Module Módulo KV01-0103	Date Data 94-09-23	Description Descrição Gears	<input type="checkbox"/>	
-----------------------------	--------------------------------------	---------------------------------	--	--------------------------	--





Description
Descrição
Gears



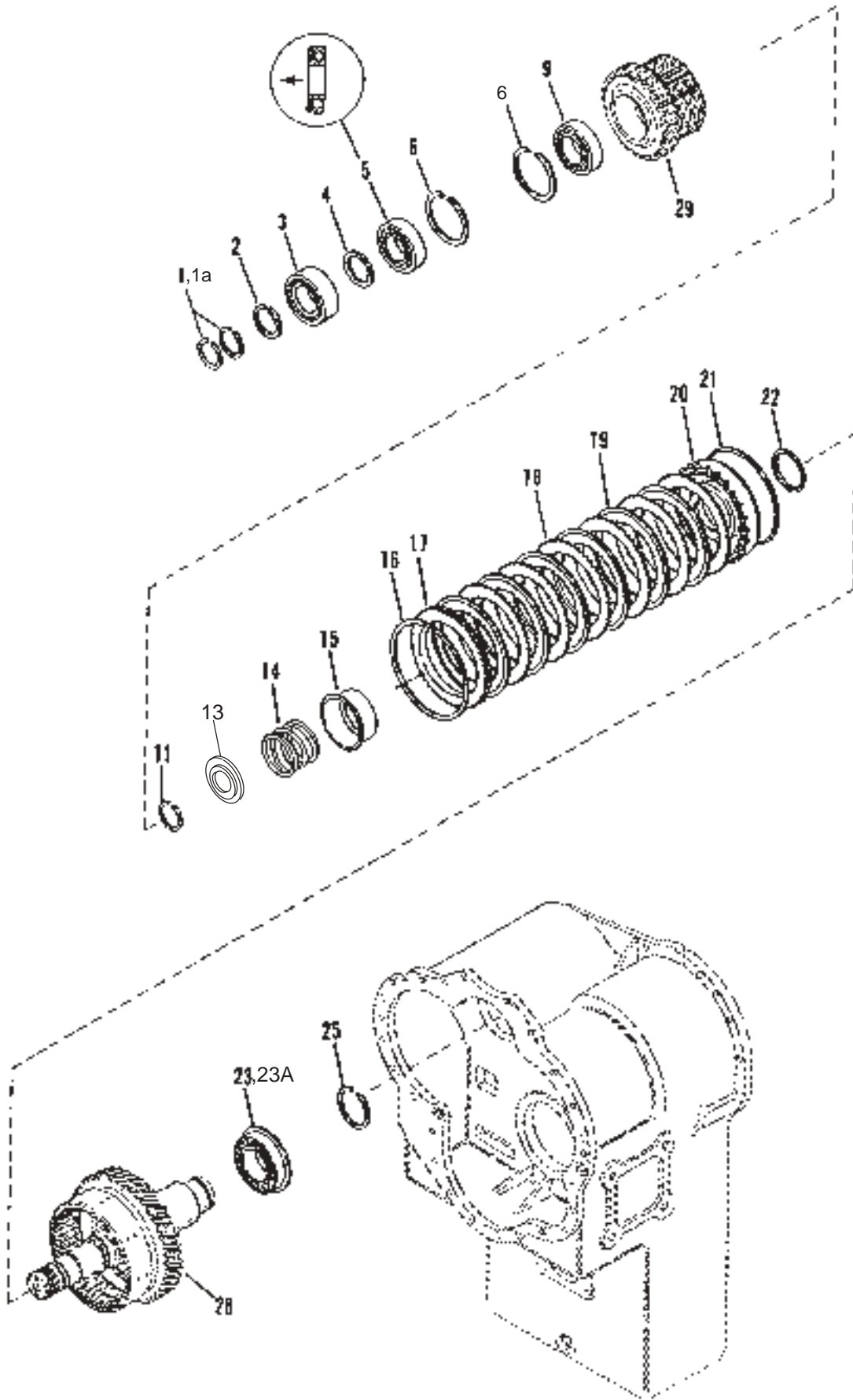
Date
Data
94-09-23

Module
Módulo
KV01-0103

Page
Página
13

Item.	Description	Order no.	Qty	S	Notes
1	Screw Parafuso	800820091	6		Clark 2C824
2	Washer Anilha	800601193	6		Clark 4E8
3	Circlip Freio	800820375	3		Clark 247483
4	Bearing Rolamento	800815648	3		Clark 225605
5	Support ring Anel de suporte	800820093	3		Clark 243674
6	Gear Engrenagem	800820094	1		Clark 243699
7	Gear Engrenagem	800820095	1		Clark 243700
8	Circlip Freio	800601161	1		Clark 224009
9	Gear Engrenagem	800820096	2		Clark 243648

Page Página 14	Module Módulo KV01-0103	Date Data 96-06-18	Description Descrição Clutch shaft	
-----------------------------	--------------------------------------	---------------------------------	---	--





Description
Descrição
Clutch shaft



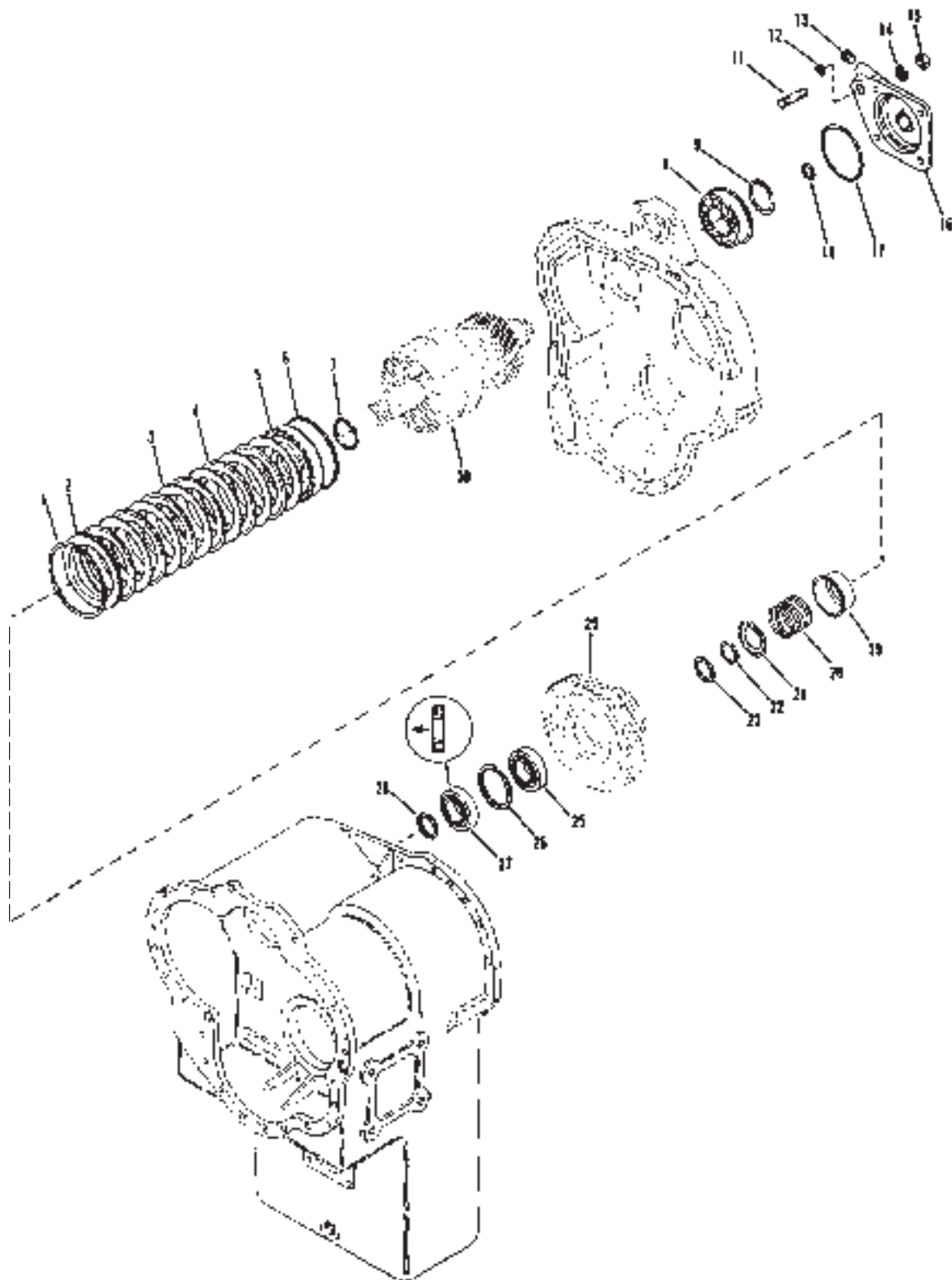
Date
Data
96-06-18

Module
Módulo
KV01-0103

Page
Página
15

Item.	Description	Order no.	Qty	S	Notes
1	Piston ring Segmento	800821050	2		Clark 249779
2	Circlip Freio	800820090	1		Clark 246238
3	Bearing Rolamento	800820097	1		Clark 244345
4	Spacing ring Anel espaçador	800820098	1		Clark 243663
5	Bearing Rolamento	800816827	1		Clark 233488
6	Circlip Freio	800816828	2		Clark 223881
9	Bearing Rolamento	800820100	1		Clark 237972
11	Circlip Freio	800815640	1		Clark 234350
13	Retainer Retentor	800821091	1		Clark 250260
14	Spring Mola	800821092	1		Clark 250259
15	Retainer Retentor	800821093	1		Clark 249852
16	Circlip Freio	800820103	1		Clark 243636
17	Ring Anel	800820376	1		Clark 247276
18	Clutch disc Disco de embraiagem	800820377	6		Clark 247273
19	Clutch disc Disco de embraiagem	800820378	6		Clark 244979
20	Piston Pistão	800820107	1		Clark 245927
21	Seal ring Vedante	800820108	1		Clark 245915
22	Seal ring Vedante	800811153	1		Clark 230857
23	Bearing Rolamento	800811082	1		Clark 230968
23A	Circlip Freio	800821094	1		Clark 249843
25	Circlip Freio	800820296	1		Clark 249936
28	Shaft Eixo	800821095	1		Clark 249926
29	Gear Engrenagem	800821096	1		Clark 249920

Page Página 16	Module Módulo KV01-0103	Date Data 97-02-25	Description Descrição Clutch shaft	<input type="checkbox"/> 
-----------------------------	--------------------------------------	---------------------------------	---	---





Description
Descrição
Clutch shaft

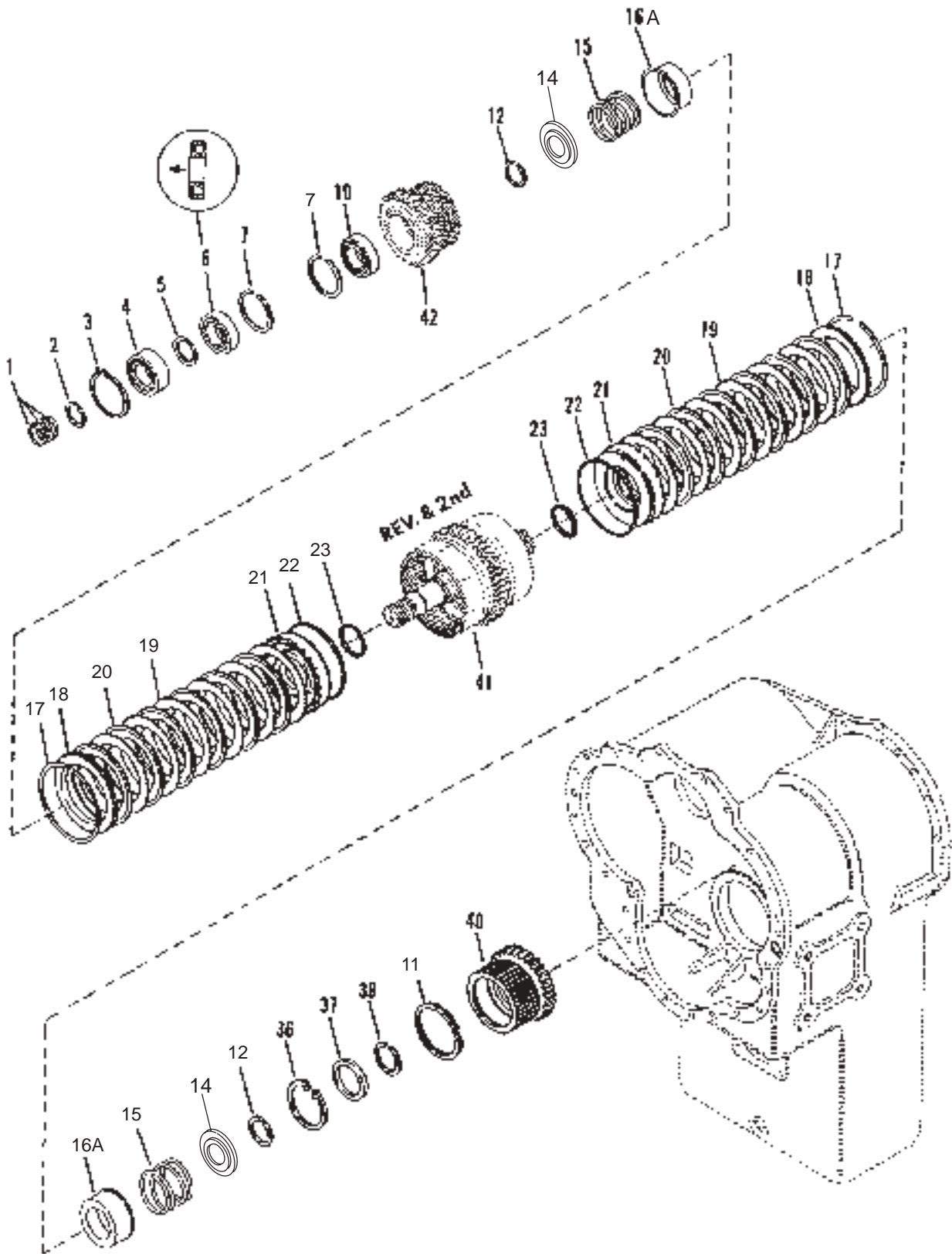


Date
Data
97-02-25

Module
Módulo
KV01-0103

Page
Página
17

Item.	Description	Order no.	Qty	S	Notes
1	Circlip Freio	800811147	1		Clark 215190
2	Plate Placa	800816832	1		Clark 236810
3	Clutch disc Disco de embraiagem	800820380	6		Clark 247274
4	Clutch disc Disco de embraiagem	800816831	6		Clark 236989
5	Piston Pistão	800820143	1		Clark 245925
6	Gasket Junta	800811152	1		Clark 224771
7	Gasket Junta	800811153	1		Clark 230857
8	Bearing Rolamento	800811082	1		Clark 230968
9	Washer Anilha	800820110	1		Clark 237384
11	Screw Parafuso	800815680	4		Clark 238903
12	Seal ring Vedante	800820262	1		Clark 60K30016
13	Plug Ficha	800820139	1		Clark 47K3
14	Washer Anilha	800811090	4		Clark 4E9
15	Nut Porca	802305878	4		Clark 64D9
16	Cover Tampa	800821247	1		Clark 249842
17	Seal ring Vedante	800816986	1		Clark 60K40520
18	Piston ring Segmento	800821053	1		Clark 250215
19	Spring plate Prato de mola	800820102	1		Clark 245655
20	Spring Mola	800821092	1		Clark 250259
21	Spring plate Prato de mola	800820264	1		Clark 247297
22	Circlip Freio	800811245	1		Clark 232076
23	Circlip Freio	800811073	1		Clark 230888
25	Bearing Rolamento	800820265	1		Clark 244093
26	Circlip Freio	800601147	1		Clark 223901
27	Bearing Rolamento	800820132	1		Clark 244242
28	Circlip Freio	800811073	1		Clark 230888
29	Gear Engrenagem	800821245	1		Clark 249930
30	Shaft Eixo	800821246	1		Clark 249867





Description
Descrição
Clutch shaft

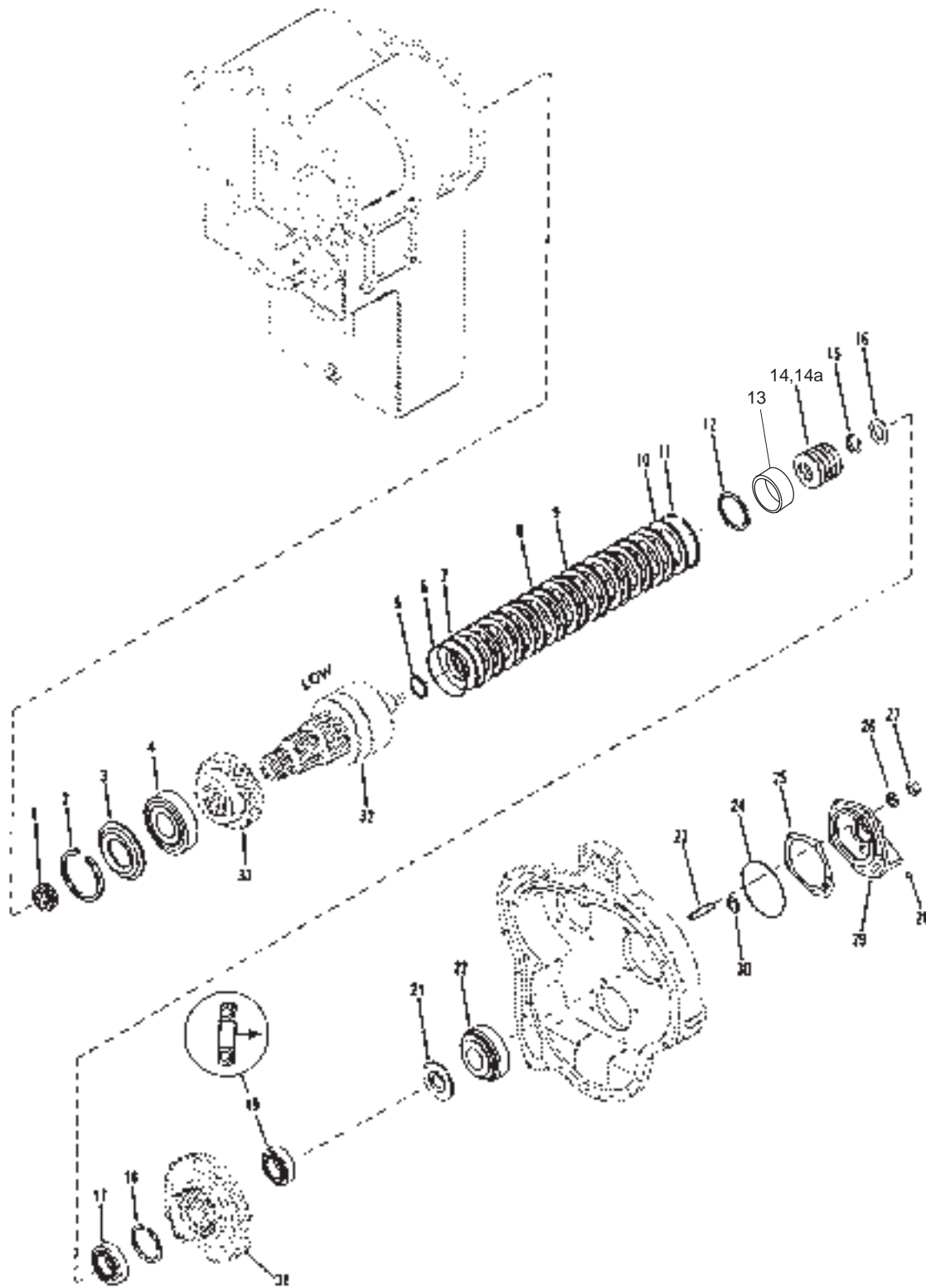


Date
Data
96-06-18

Module
Módulo
KV01-0103

Page
Página
19

Item.	Description	Order no.	Qty	S	Notes
1	Piston ring Segmento	800821050	3		Clark 249779
2	Circlip Freio	800820090	1		Clark 246238
3	Circlip Freio	800811244	1		Clark 230889
4	Bearing Rolamento	800820121	1		Clark 243200
5	Spacing ring Anel espaçador	800820098	1		Clark 243663
6	Bearing Rolamento	800816827	1		Clark 233488
7	Circlip Freio	800816828	2		Clark 223881
10	Bearing Rolamento	800820100	1		Clark 237972
12	Circlip Freio	800815640	2		Clark 234350
14	Retainer Retentor	800821097	2		Clark 250260
15	Spring Mola	800821098	2		Clark 250259
16	Retainer Retentor	800821099	2		Clark 249852
17	Circlip Freio	800820103	2		Clark 243636
18	Ring Anel	800820376	2		Clark 247276
19	Clutch disc Disco de embraiagem	800820377	12		Clark 247273
20	Clutch disc Disco de embraiagem	800820378	12		Clark 244979
21	Piston Pistão	800820107	2		Clark 245927
22	Seal ring Vedante	800820108	2		Clark 245915
23	Seal ring Vedante	800811153	2		Clark 230857
36	Circlip Freio	800820122	1		Clark 223859
37	Ring Anel	800820123	1		Clark 243726
38	Circlip Freio	800820124	1		Clark 243204
40	Hub Cubo	800821100	1		Clark 249865
41	Shaft Eixo	800821101	1		Clark 249924
42	Gear Engrenagem	800821096	1		Clark 249920





Description
Descrição
Clutch shaft



Date
Data
97-02-25

Module
Módulo
KV01-0103

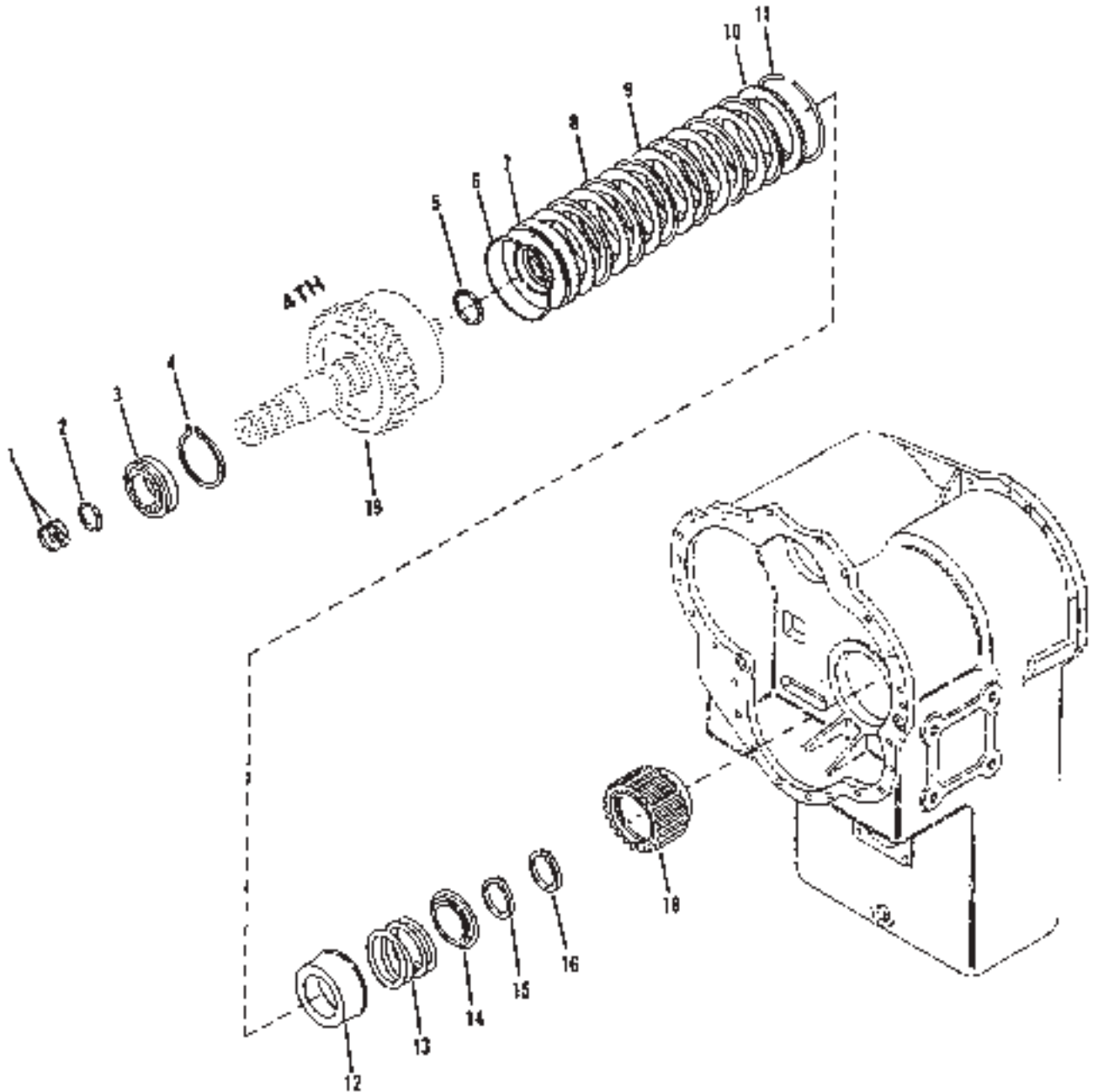
Page
Página
21

Item.	Description	Order no.	Qty	S	Notes
1	Bearing Rolamento	800815359	1		Clark 230469
2	Circlip Freio	800815654	1		Clark 223997
3	Spacing ring Anel espaçador	800820127	1		Clark 243160
4	Bearing Rolamento	800821103	1		Clark 249851+249850
5	Seal ring Vedante	800811153	1		Clark 230857
6	Seal ring Vedante	800820108	1		Clark 245915
7	Piston Pistão	800820129	1		Clark 245928
8	Clutch disc Disco de embraiagem	800820378	9		Clark 244979
9	Clutch disc Disco de embraiagem	800820377	9		Clark 247273
10	Ring Anel	800820376	1		Clark 247276
11	Circlip Freio	800820103	1		Clark 243636
13	Retainer Retentor	800820102	1		Clark 245655
14	Spring Mola	800821105	1		Clark 250259
14a	Retainer Retentor	800820264	1		Clark 247297
15	Circlip Freio	800811245	1		Clark 232076
16	Spacing ring Anel espaçador	800821107	1		Clark 249935
17	Bearing Rolamento	800820131	1		Clark 244093
18	Circlip Freio	800601147	1		Clark 223901
19	Bearing Rolamento	800820132	1		Clark 244242
21	Washer Anilha	800821108	1		Clark 249225
22	Bearing Rolamento	800820134	1		Clark 243255
23	Stud bolt Perne-parafuso	800815671	4		Clark 247988
24	Seal ring Vedante	800815670	1		Clark 60K40420
25	Spacing plate Disco separador	800820730	x		Clark 247547.004
25	Spacing plate Disco separador	800820731	x		Clark 247548.007
25	Spacing plate Disco separador	800820732	x		Clark 247549.010
25	Spacing plate Disco separador	800820733	x		Clark 247550.020
26	Washer Anilha	800601139	4		Clark 4E7
27	Nut Porca	800814166	4		Clark 64D7
28	Plug Ficha	800820139	1		Clark 47K3
29	Bearing housing Caixa rolamento	800821109	1		Clark 249226
30	Piston ring Segmento	800821050	1		Clark 249779
31	Gear Engrenagem	800821110	1		Clark 249860
32	Shaft Eixo	800821111	1		Clark 249858
33	Gear Engrenagem	800821112	1		Clark 249884

x)Order as required.

x)

Page Página 22	Module Módulo KV01-0103	Date Data 97-02-25	Description Descrição Clutch shaft	<input type="checkbox"/> 
-----------------------------	--------------------------------------	---------------------------------	---	---





Description
Descrição
Clutch shaft



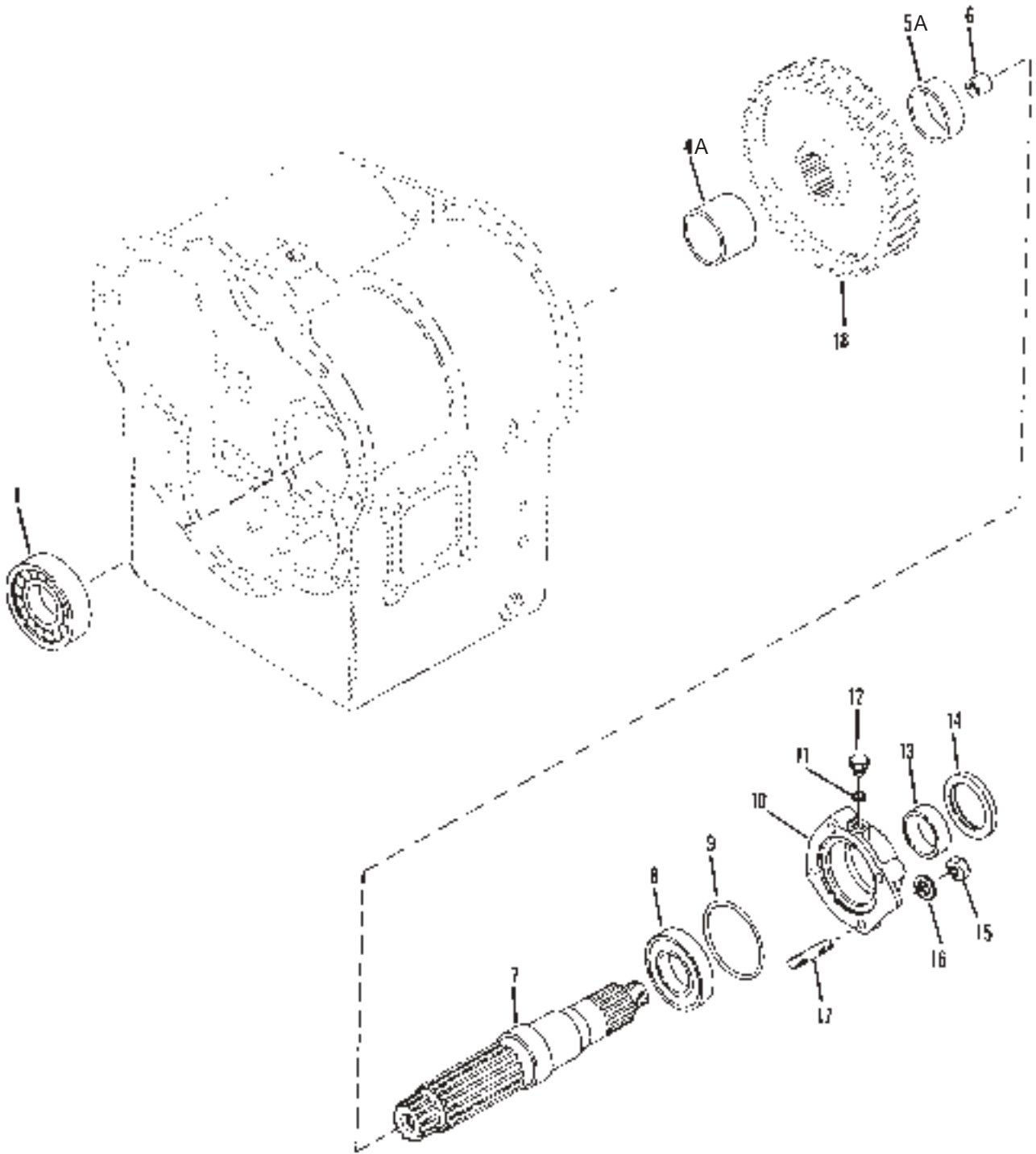
Date
Data
97-02-25

Module
Módulo
KV01-0103

Page
Página
23

Item.	Description	Order no.	Qty	S	Notes
1	Piston ring	Segmento	800821050	2	Clark 249779
2	Circlip	Freio	800821113	1	Clark 239003
3	Bearing	Rolamento	800821114	1	Clark 249199
4	Circlip	Freio	800815568	1	Clark 234229
5	Seal ring	Vedante	800811153	1	Clark 230857
6	Seal ring	Vedante	800820108	1	Clark 245915
7	Piston	Pistão	800820107	1	Clark 245927
8	Clutch disc	Disco de embraiagem	800820378	6	Clark 244979
9	Clutch disc	Disco de embraiagem	800820259	6	Clark 247273
10	Plate	Placa	800820104	1	Clark 247276
11	Circlip	Freio	800820103	1	Clark 243636
12	Washer	Anilha	800811060	1	Clark 232088
13	Spring	Mola	800821116	1	Clark 250259
14	Retainer	Retentor	800811058	1	Clark 232089
15	Circlip	Freio	800815640	1	Clark 234350
16	Circlip	Freio	800820145	1	Clark 243979
18	Hub	Cubo	800821118	1	Clark 249866
19	Shaft	Eixo	800821119	1	Clark 249928

Page Página 24	Module Módulo KV01-0103	Date Data 97-02-26	Description Descrição Output shaft	<input type="checkbox"/> Kalmar
-----------------------------	--------------------------------------	---------------------------------	---	--





Description
Descrição
Output shaft

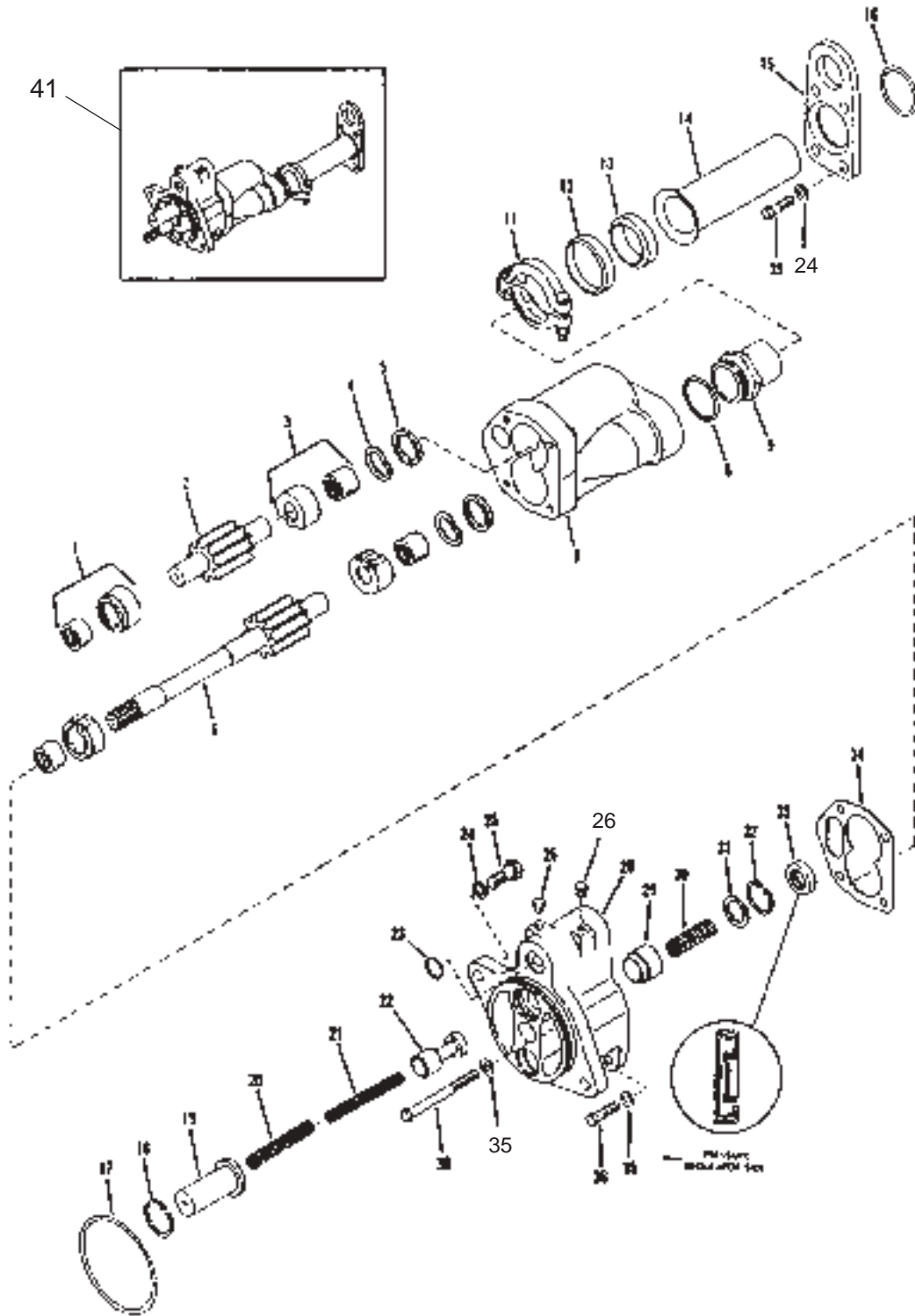


Date
Data
97-02-26

Module
Módulo
KV01-0103

Page
Página
25

Item.	Description	Order no.	Qty	S	Notes
1	Bearing Rolamento	800820148	1		Clark 243977
4A	Spacing ring Anel espaçador	800821120	1		Clark 249931
5A	Spacing ring Anel espaçador	800821120	1		Clark 249931
6	Bearing Rolamento	800811072	1		Clark 230886
7	Shaft Eixo	800821121	1		Clark 249933
8	Bearing Rolamento	800821122	1		Clark 249934
9	Seal ring Vedante	800821123	1		Clark 60K40600
10	Cover Tampa	800821124	1		Clark 249932
11	Seal ring Vedante	800818711	1		Clark 60K30020
12	Plug Ficha	800817201	1		Clark 1KM18
13	Spacing ring Anel espaçador	800820343	1		Clark 244441
14	Seal ring Vedante	800820157	1		Clark 225763
15	Nut Porca	802305878	4		Clark 64D9
16	Washer Anilha	800821125	4		Clark 4E9
17	Stud bolt Perne-parafuso	800820158	4		Clark 244078
18	Gear Engrenagem	800820159	1		Clark 244420



Item.	Description	Order no.	Qty	S	Notes
1	Bearing Rolamento	800816738	2		Clark 233283
2	Shaft Eixo	800820161	1		Clark 238119
3	Bearing Rolamento	800816740	2		Clark 234641
4	Ring Anel	800813987	2		Clark 234640
5	Seal ring Vedante	800813968	2		Clark 234643
6	Shaft Eixo	800820162	1		Clark 243731
*7	Pump Bomba	800821248	1		Clark 250227
8	Seal ring Vedante	800820164	1		Clark 91F12
9	Fitting União	800820165	1		Clark 243642
11	Clip Grampo	800820166	1		Clark 243641
12	Circlip Freio	800820167	1		Clark 243640
13	Gasket Junta	800820168	1		Clark 243639
14	Tube Tubo	800821249	1		Clark 250226
15	Flange União	800820170	1		Clark 243702
16	Seal ring Vedante	800820171	1		Clark 60K60124
17	Seal ring Vedante	800820118	1		Clark 60K40424
18	Circlip Freio	800820172	1		Clark 244718
19	Retainer Retentor	800820173	1		Clark 243974
20	Spring Mola	800820389	1		Clark 247801
21	Spring Mola	800820390	1		Clark 247802
22	Spool Bobina	800820176	1		Clark 243688
23	O-ring O'ring	800811208	1		Clark 60K40026
24	Washer Anilha	800601193	6		Clark 4E8
25	Screw Parafuso	800820177	2		Clark 1C824
26	Plug Ficha	800820178	2		Clark 24K3
**28	Valve Valvula	800820391	1		Clark 247755
29	Safety valve Valvula segurança	800820392	1		Clark 247752
30	Spring Mola	800820181	1		Clark 243646
31	Circlip Freio	800820182	1		Clark 243722
32	Circlip Freio	800820868	1		Clark 247486
33	Seal ring Vedante	800811287	1		Clark 456294
34	Gasket Junta	800815806	1		Clark 238116
35	Washer Anilha	800601119	4		Clark 4E6
36	Screw Parafuso	800815801	2		Clark 1C620
38	Screw Parafuso	800820184	2		Clark 1C664
39	Screw Parafuso	800601163	4		Clark 1C820
◆41	Pump+valve	800821250	1		Clark 250228

*)Incl. parts 1-6,10


*)

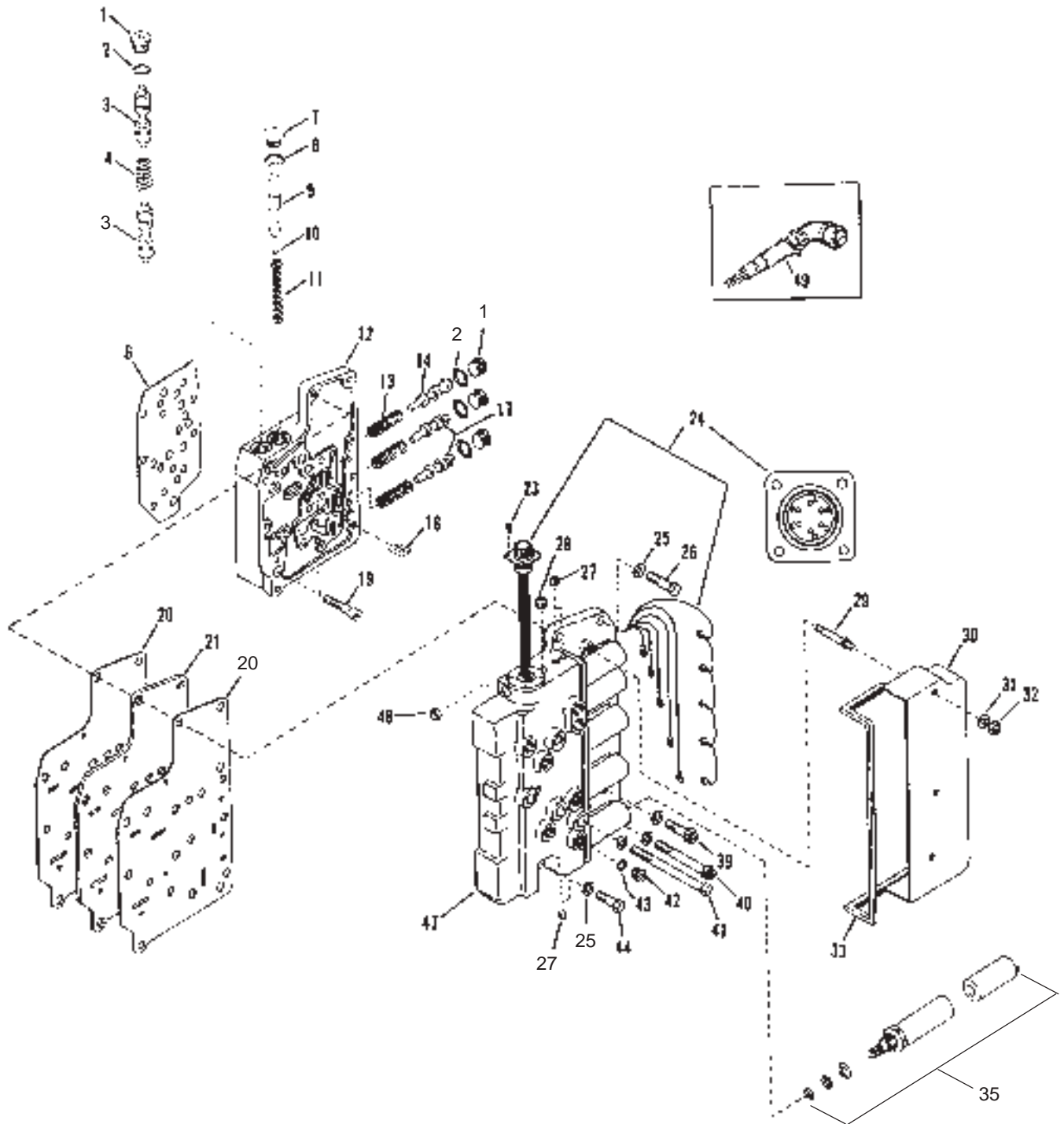
***)Incl. parts 18-22,26-33

***)

◆)Incl. parts 7,28,34-38

◆)

Page Página 28	Module Módulo KV01-0103	Date Data 94-09-27	Description Descrição Valve housing	
-----------------------------	--------------------------------------	---------------------------------	--	--

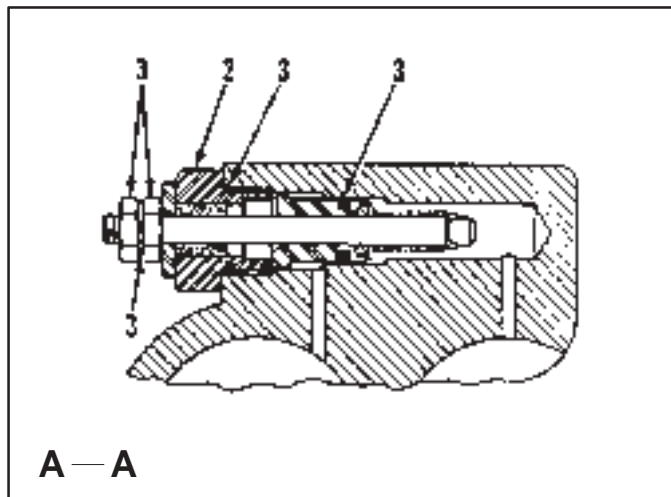
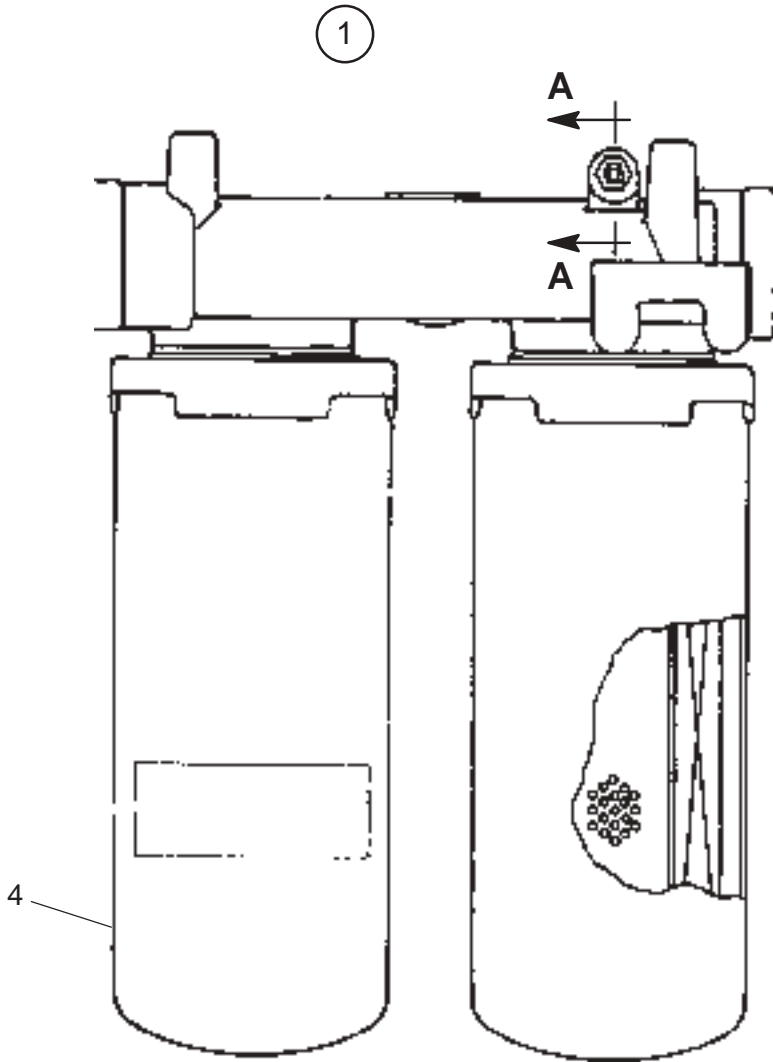


Item.	Description	Order no.	Qty	S	Notes
1	Plug Ficha	800816556	4		Clark 47K6
2	Seal ring Vedante	800815177	4		Clark 91F6
3	Spool Bobina	800820202	2		Clark 246015
4	Spring Mola	800820203	1		Clark 246016
6	Gasket Junta	800820736	1		Clark 248461
7	Plug Ficha	800816847	1		Clark 47K7
8	O-ring O'ring	800811160	1		Clark 91F7
*9	Spool Bobina	800820205	1		Clark 244038
10	Plug Ficha	800816837	1		Clark 239243
11	Spring Mola	800816578	1		Clark 234181
**12	Housing Caixa	800820274	1		Clark 246147
13	Spring Mola	800816558	3		Clark 240381
14	Spool Bobina	800820275	1		Clark 244037
17	Spool Bobina	800820208	2		Clark 244036
18	Guard Protecção	800815711	1		Clark 234170
19	Screw Parafuso	800820209	2		Clark 73G628
20	Gasket Junta	800820737	2		Clark 248460
21	Gasket Junta	800820186	1		Clark 244062
23	Screw Parafuso	800820187	4		Clark 42G404
24	Wiring set Conjunto instalação elect.	800820188	1		Clark 244057
25	Washer Anilha	800601119	14		Clark 4E6
26	Screw Parafuso	800815801	2		Clark 1C620
27	Plug Ficha	800811162	4		Clark 16F1
28	Plug Ficha	800811035	1		Clark 16F2
29	Screw Parafuso	800820191	3		Clark 244060
30	Cover Tampa	800820192	1		Clark 244058
31	Washer Anilha	800811041	3		Clark 25E13
32	Nut Porca	800820193	3		Clark 64D4
33	Gasket Junta	800820194	1		Clark 244059
35	Solenoid Bobina	800816715	4		Clark 240224
39	Screw Parafuso	800820195	4		Clark 93G620
40	Screw Parafuso	800820196	2		Clark 93G648
41	Screw Parafuso	800820197	5		Clark 1C668
42	Plug Ficha	800820139	8		Clark 47K3
43	Seal ring Vedante	800820198	8		Clark 91F3
44	Screw Parafuso	800601192	1		Clark 1C616
◆47	Housing Caixa	800820199	1		Clark 245092
48	Plug Ficha	800815621	1		Clark 16F6
49	Wire Fio electrico	800818740	1		Clark 242156

*)Incl. parts 10
*)

***)Incl. parts 1-4,13-17
**)

◆)Incl. parts 27,28,42,43
◆)





Description
Descrição
Oil filter



Date
Data
94-09-28

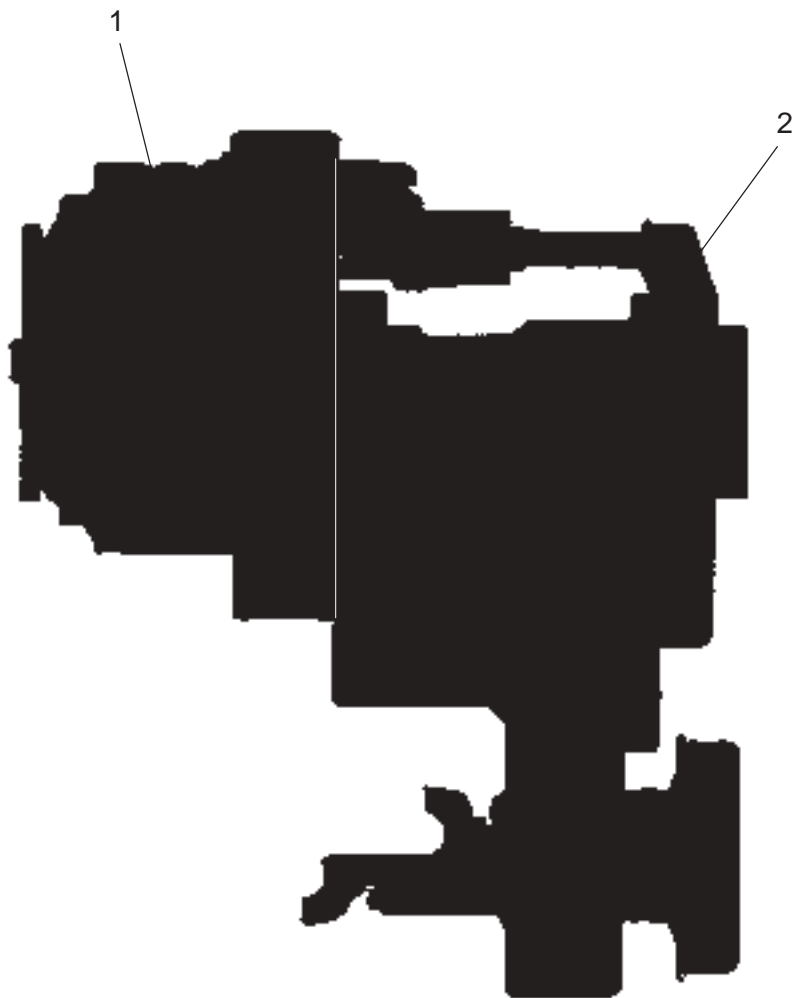
Module
Módulo
KV01-0103

Page
Página
31

Item.	Description	Order no.	Qty	S	Notes
1	Oil filter Filtro de óleo	800820210	1		Clark 246787
**2	Indicator Indicador	800820212	1		Clark 244780
3	Gasket+nut Junta+porca	800820213	1		Clark 244781
4	Filter element Elemento de filtro	800820026	2		Clark 243622

**incl. part 3
**)

Page Página 32	Module Módulo KV01-0103	Date Data 94-09-29	Description Descrição Sealing kit	<input type="checkbox"/>	
-----------------------------	--------------------------------------	---------------------------------	--	--------------------------	--





Description
Descrição
Sealing kit



Date
Data
94-09-29

Module
Módulo
KV01-0103

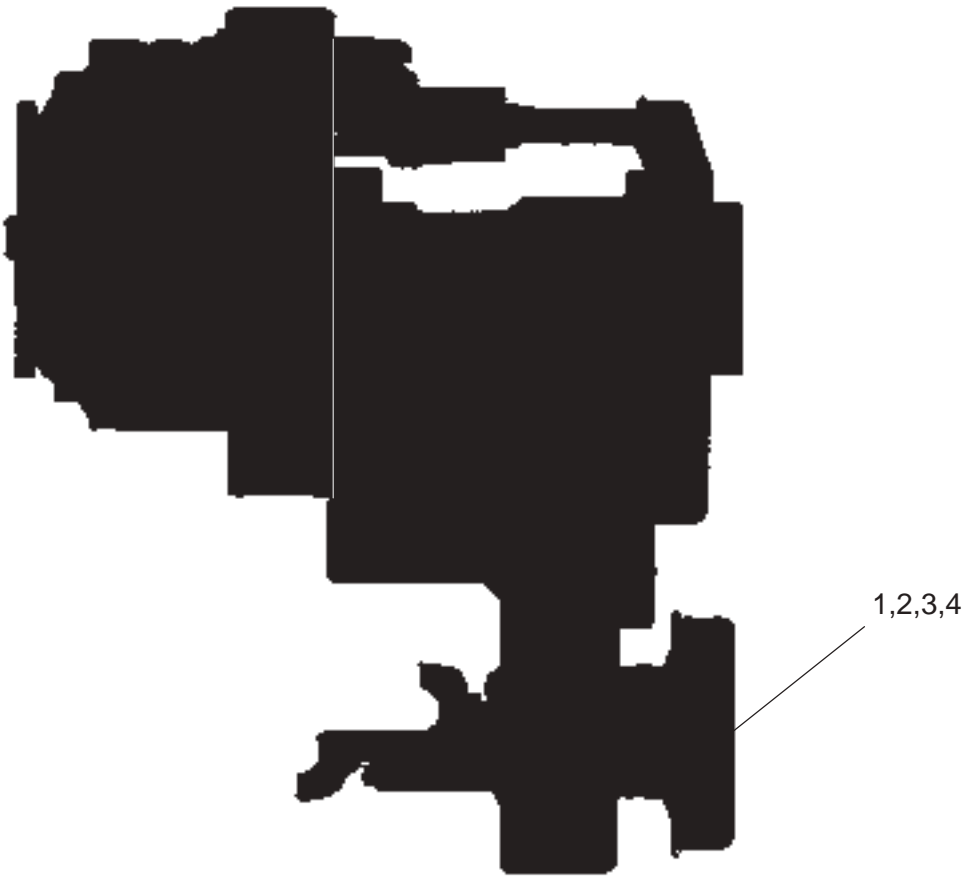
Page
Página
33

Item.	Description	Order no.	Qty	S	Notes
*1	Gasket set Jogo juntas	800820214	1		Clark 802371
**2	Gasket set Jogo juntas	800820215	1		Clark 802374

*)Gasket set for converter
*)

**)Gasket set for transmission
**)

Page Página 34	Module Módulo KV01-0103	Date Data 94-10-03	Description Descrição Flange	<input type="checkbox"/>	
-----------------------------	--------------------------------------	---------------------------------	---	--------------------------	--





Description
Descrição
Flange




Date
Data
94-10-03

Module
Módulo
KV01-0103

Page
Página
35

Item.	Description	Order no.	Qty	S	Notes
1	Flange União	800820277	1		Clark 219365
2	Nut Porca	800811094	1		Clark 215634
3	Washer Anilha	800820217	1		Clark 222181
4	Seal ring Vedante	800820278	1		Clark 25K60204

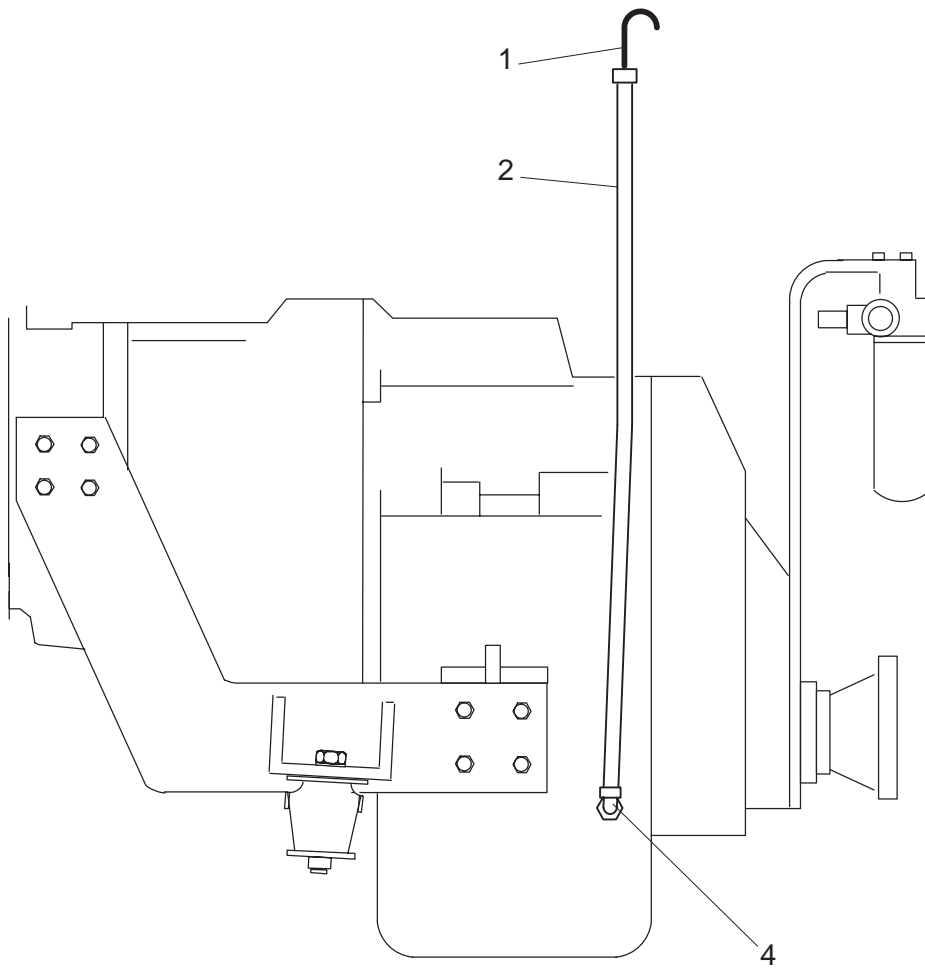
	Revision Revisão	<input type="checkbox"/>	Date Data 98-10-15	Module Módulo KV01-0110	Page Página 1/3
--	---------------------	--------------------------	---------------------------------	--------------------------------------	------------------------------

KV01-0110

Dipstick/ Gearbox

Vareta de óleo/caixa de câmbio

Page Página 2	Module Módulo KV01-0110	Date Data 98-10-15	Description Descrição Power take-off, mount.	
----------------------------	--------------------------------------	---------------------------------	---	--





Description
Descrição
Power take-off,mount.




Date
Data
98-10-15

Module
Módulo
KV01-0110

Page
Página
3

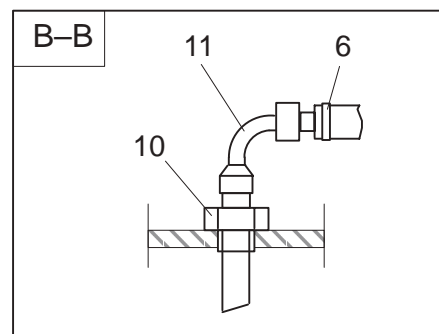
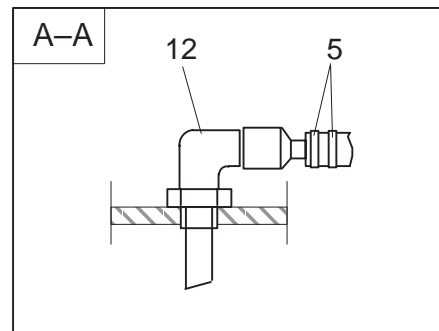
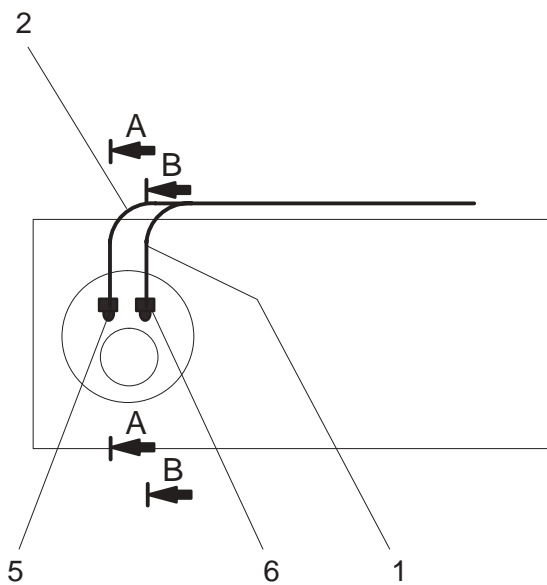
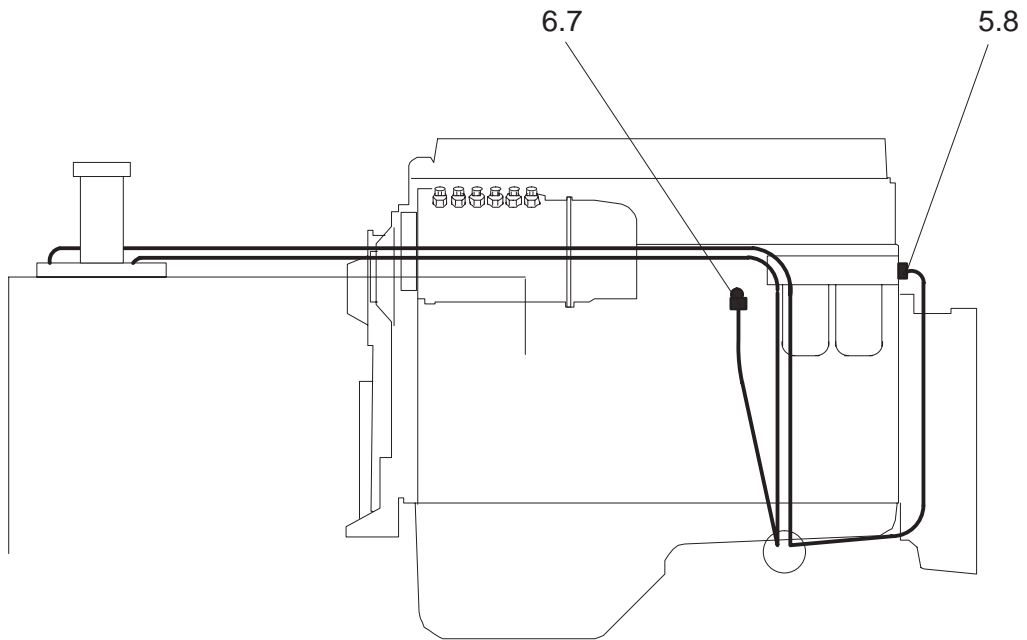
Item.	Description	Order no.	Qty	S	Notes
1	Dipstick Vareta	K5680601	1		
2	Tube Tubo	K5680610	1		
4	Fitting União	64306015	1		VL054110/11 3/4-16UNF


	Revision Revisão	<input type="checkbox"/>	Date Data 98-10-06	Module Módulo KV01-0105	Page Página 1/3
--	---------------------	--------------------------	---------------------------------	--------------------------------------	------------------------------

KV01-0105


Fuel System

Sistema de combustível



		Description Descrição Fuel system			<input type="checkbox"/>	Date Data 93-04-07	Module Módulo KV01-0105	Page Página 3
Item.	Description		Order no.	Qty	S	Notes		
1	Hose	Tubo	68510313	x		OILI	10013 B+Ö	
2	Hose	Tubo	68510316	x		OILI	10016 B+Ö	
5	Hose clip	Abraçadeira	60275729	3			23-27	
6	Hose clip	Abraçadeira	60275722	2			19-23	
7	Fitting	União	64302208	1		Aeroq	4797-8	
8	Fitting	União	64302210	1		Aeroq	4797-10	
10	Fitting	União	643445162	1			VLS62021 16JIC/R1/2	
11	Fitting	União	64312208	1		HYMAT	PS285-10-8 1/2	
12	Tube	Tubo	T5519040	1				

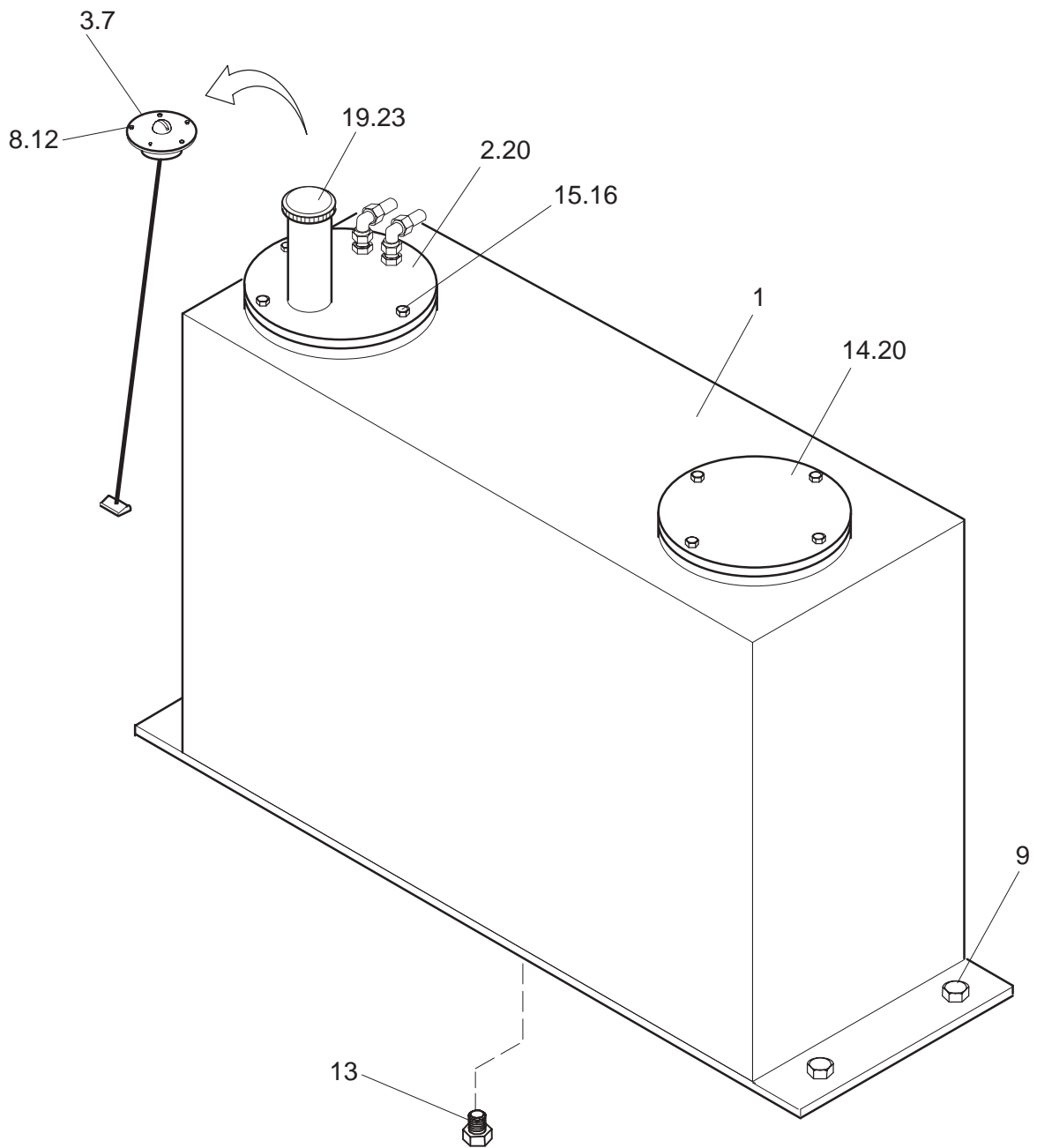
x) Order as required (min. delivery length 1 m).

	Revision Revisão	<input type="checkbox"/>	Date Data 98-10-06	Module Módulo KV01-0106	Page Página 1/3
--	---------------------	--------------------------	---------------------------------	--------------------------------------	------------------------------

KV01-0106

Fuel System

Sistema de combustível





Description
Descrição
Fuel Tank




Date
Data
97-03-18

Module
Módulo
KV01-0106

Page
Página
3

Item.	Description	Order no.	Qty	S	Notes
1	Fuel tank	Depósito de combustível	T5506350	1	
*2	Cover	Tampa	T5519010	1	
3	Seal ring	Vedante	65494371	1	VDO 2251006
7	Sensor	Sensor	654612571	1	VDO 224.082/014/002 686mm
8	Screw	Parafuso	53060104	6	ISO4017 M6x10
9	Screw	Parafuso	53060180	4	ISO4017 M10x25
12	Washer	Anilha	50052060	6	DIN7980 6
13	Plug	Ficha	730000610	1	No61 M22x1.5
14	Cover	Tampa	T5047970	1	
15	Screw	Parafuso	53060138	8	ISO4017 M8x20
16	Seal ring	Vedante	61588081	8	DIN7603 A8x11.5
19	Cap	Tampão	K2309057H	1	Sisu 0954006040
20	Seal ring	Vedante	61442990	2	SMS1586 O299.3X5.7
23	Pin	Pino	59415178	1	DIN94 3.2x16

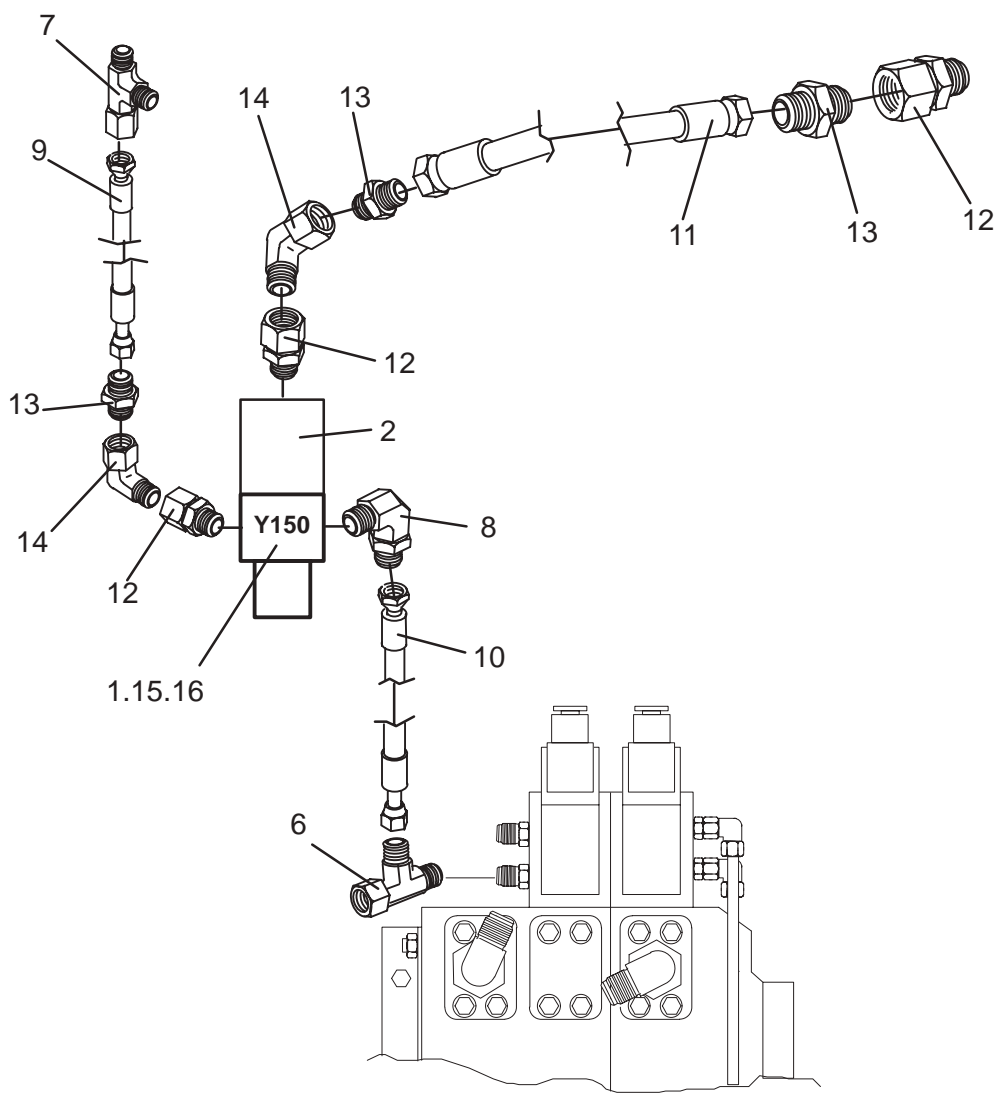
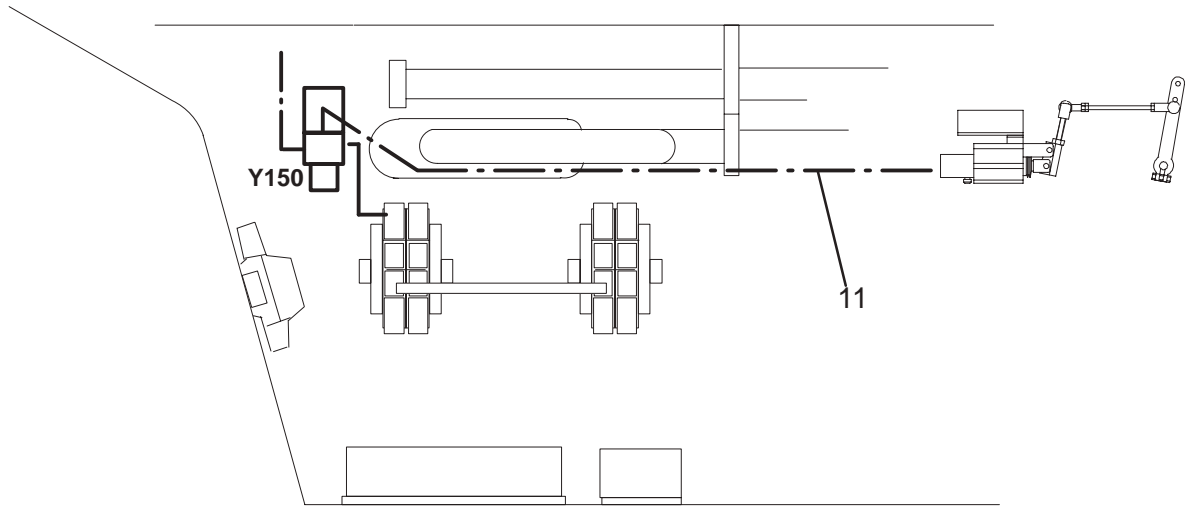
* incl. parts 19.20.23

	Revision Revisão	<input type="checkbox"/>	Date Data 98-10-06	Module Módulo KV01-0107	Page Página 1/5
--	---------------------	--------------------------	---------------------------------	--------------------------------------	------------------------------

KV01-0107

Control equipment for power unit

Equipamento de controle da unidade de potência





Description
Descrição
Valve, mounth.



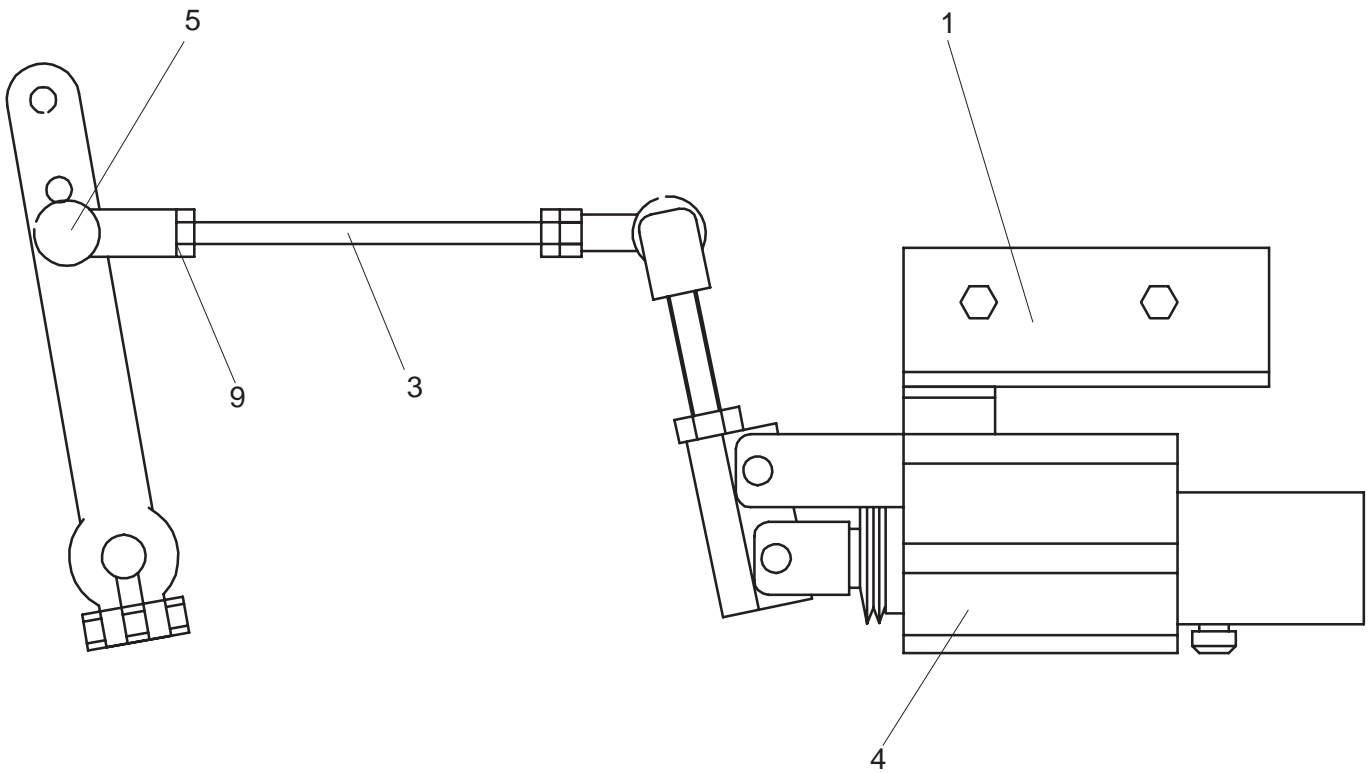
Date
Data
96-02-09

Module
Módulo
KV01-0107

Page
Página
3

Item.	Description	Order no.	Qty	S	Notes
1	Valve Valvula	65267363	1		CONVER G 068541-0124
2	Support Suporte	T5613840	1		
6	Union/T União/T	643485101	1		PARKE 6R6XS
7	Union/T União/T	643485102	1		PARKE 10R6XS
8	Fitting União	643449101	1		VLS62025 10JIC/R1/4
9	Hose Tubo	VL5402906	1		
10	Hose Tubo	VL5400005	1		
11	Hose Tubo	VL5403629	1		
12	Fitting União	642559101	3		VLS62022 10JIC/R1/4
13	Union/reducer União/	643056062	3		VLS62038 16/10JIC
14	Fitting União	64345710	2		VLS62033 10JIC/9/16-18
15	Solenoid Bobina	800041414	1		RMH 68540-24
16	Gasket set Jogo juntas	800041413	1		RMH R685

Page Página 4	Module Módulo KV01-0107	Date Data 96-02-09	Description Descrição Adjustingdevice	<input type="checkbox"/>	
----------------------------	--------------------------------------	---------------------------------	--	--------------------------	--





Description
Descrição
Adjustingdevice



Date
Data
96-02-09

Module
Módulo
KV01-0107

Page
Página
5

Item.	Description	Order no.	Qty	S	Notes
1	Support	T5613690	1		
3	Rod	T5613810	1		
4	Cylinder	65267364	1		876400-002
5	Elbow	769014268	1		DIN71802 A10
9	Nut	50410060	2		ISO4032 M6-8



Revision
Revisão



Date
Data
98-10-06

Module
Módulo
KV01-0108

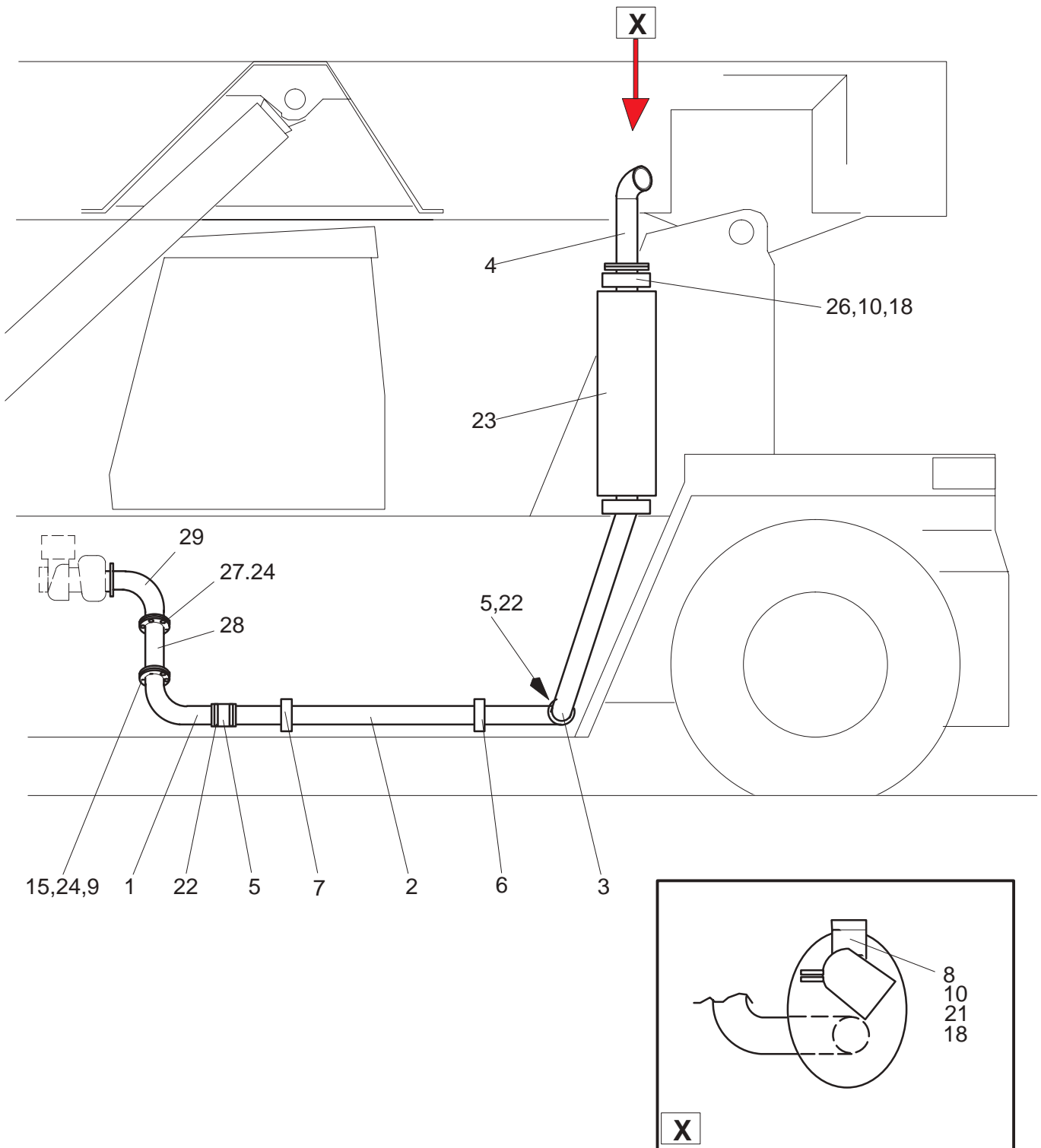
Page
Página
1/3

KV01-0108

Exhaust Manifold

Tubulação de escape

Page Página	Module Módulo	Date Data	Description Descrição	
2	KV01-0108	97-10-08	Exhaust manifold	





Description
Descrição
Exhaust manifold



Date
Data
97-10-08

Module
Módulo
KV01-0108

Page
Página
3

Item.	Description	Order no.	Qty	S	Notes
1	Tube Tubo	K5672190	1		
2	Tube Tubo	K5672180	1		
3	Tube Tubo	K5673100	1		
4	Tube Tubo	K5673590	1		
5	Sleeve Casquilho	T5506120	2		
6	Support Suporte	T5612710	2		
7	Fastener Ligador	N5512780	3		
8	Support Suporte	K5673390	1		
9	Support Suporte	K5673110	1		
10	Screw Parafuso	53060182	6		ISO4017 M10x35
13	Screw Parafuso	53060181	6		ISO4017 M10x30
15	Screw Parafuso	58130503	6		SFS2219 M10x30
18	Nut Porca	50410100	20		ISO4032 M10-8
21	Washer Anilha	50012100	16		DIN125 10;5
22	Clip Grampo	T0909036H	4		Starl 1845 110-114
23	Muffler Silenciador	T0909052H	1		Turbof 5"
24	Gasket Junta	807001270	2		Scani 222499
26	Clamp Grampo	T5612920	2		
27	Flange União	T5506160	1		
28	Flexible pipe Tubo flexível	807001271	1		Scani 232006
29	Tube Tubo	800039138	1		Cummi 200766

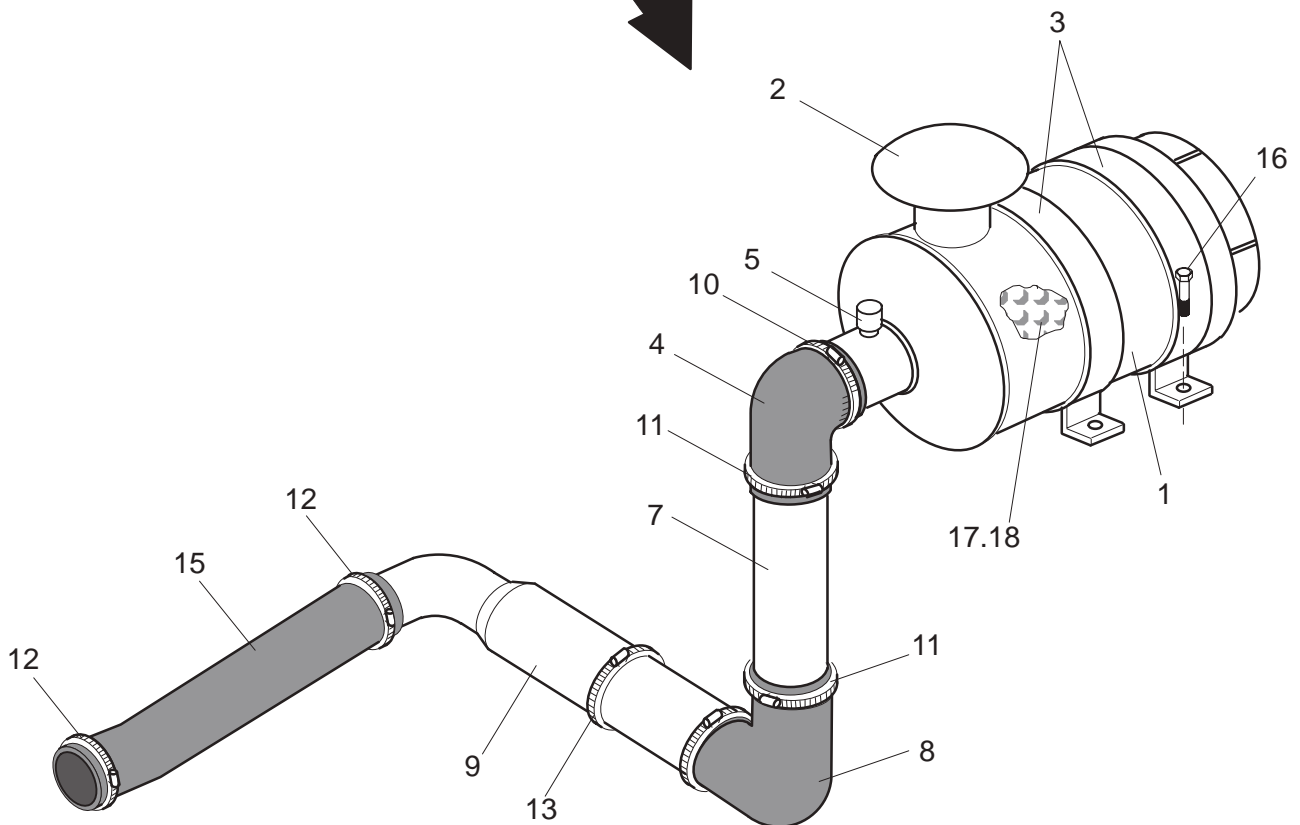
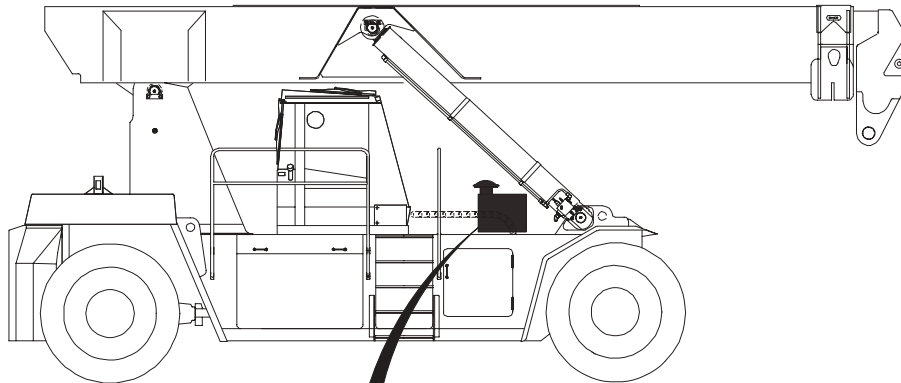
	Revision Revisão	<input type="checkbox"/>	Date Data 98-10-06	Module Módulo KV01-0109	Page Página 1/3
--	---------------------	--------------------------	---------------------------------	--------------------------------------	------------------------------


KV01-0109

Air Filter

Filtro de ar

Page Página	Module Módulo	Date Data	Description Descrição	
2	KV01-0109	98-02-02	Air Filter	



		Description Descrição Air Filter			<input type="checkbox"/>	Date Data 98-02-02	Module Módulo KV01-0109	Page Página 3
Item.	Description	Order no.	Qty	S	Notes			
*1	Air filter, compl. Filtro de ar	K1001086H	1		DONAL	FRG15-0092		
2	Rain protection Protecção contra a chuva	K1001087H	1		DONAL	GAH00-0607		
3	Clamp Grampo	K1001089H	2		DONAL	P01-6845		
4	Rubber bend Curva de borracha	K1001102H	1		DONAL	P14-3895		
5	Vacuum gauge Indicador de vácuo	M1009001H	1		DONAL	RA-XOO-2351		
7	Tube Tubo	K5671420	1					
8	Rubber bend Curva de borracha	K5154670	1					
9	Tube Tubo	K5671370	1					
10	Clip Grampo	602817170	1		NORMA	GBS170/25-2TLG		
11	Clip Grampo	602817146	3		NORMA	GBS146/20-2TLG		
12	Clip Grampo	602827915	2		NORMA	S115/25 SK		
13	Clip Grampo	602817165	2		NORMA	136-163 (130-65ABA)		
15	Hose Tubo	68512597	x		VLS616.04	100		
16	Screw Parafuso	53060176	4		ISO4017	M10x16		
15	Washer Anilha	50012120	8		DIN125	13		
16	Screw Parafuso	53060216	8		ISO4017	M12x16		
17	Filter element Elemento de filtro	800041164	1		DONAL	P77-7768		
18	Safety cartridge Cartucho de segurança	800041165	1		DONAL	P77-7869		

*incl. parts 17-18

x) Order as required (min. delivery length 1 m).

02

POWER TRANSMISSION

KV02-0109

Drive shaft

Eixo motriz

KV02-0101


Propeller Shaft

Eixo cardã

KV02-0111

Steering axle


Eixo da direcção

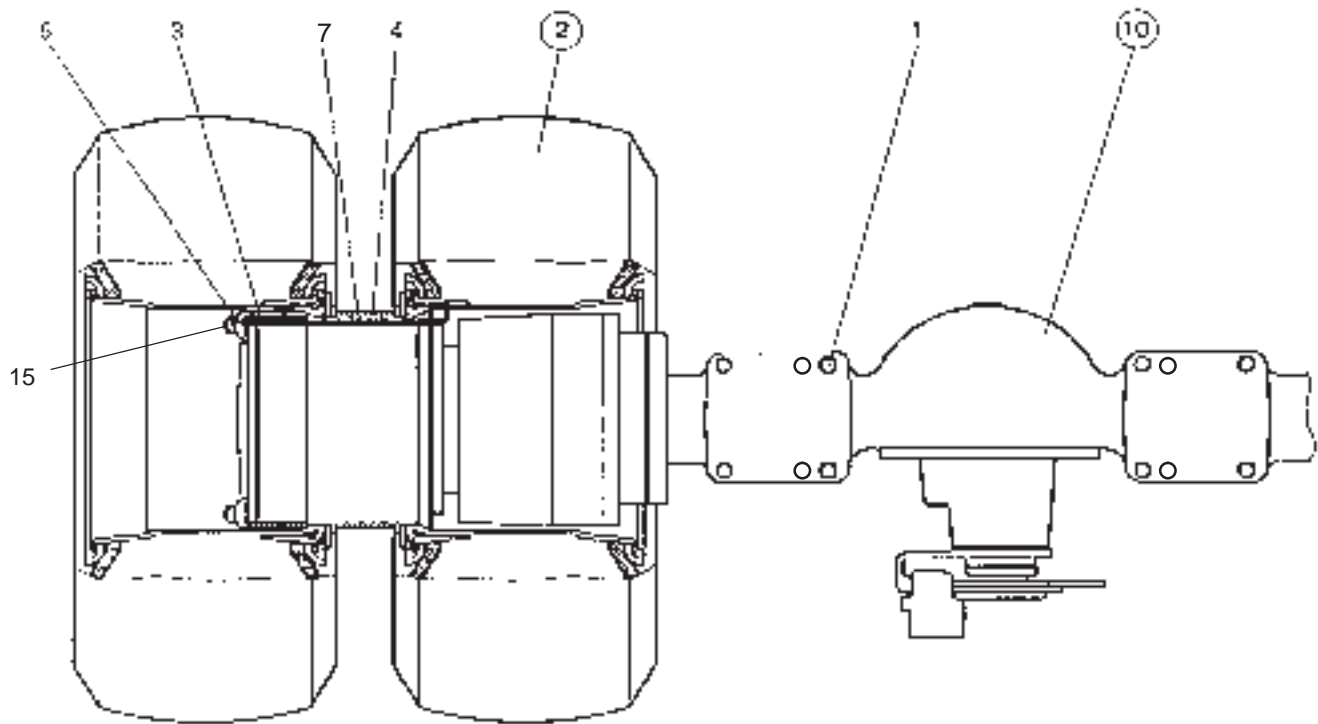
	Revision Revisão	<input type="checkbox"/>	Date Data 00-04-06	Module Módulo KV02-0109	Page Página 1/17
--	---------------------	--------------------------	---------------------------------	--------------------------------------	-------------------------------

KV02-0109

Drive shaft

Eixo motriz

Page Página	Module Módulo	Date Data	Description Descrição	<input type="checkbox"/>	
2	KV02-0109	00-04-06	Drive shaft, mount.		





Description
Descrição
Drive shaft, mount.

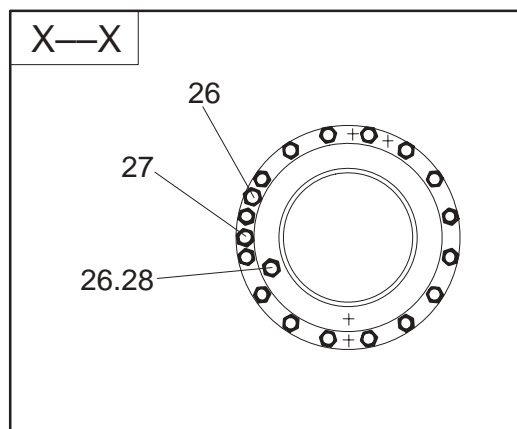
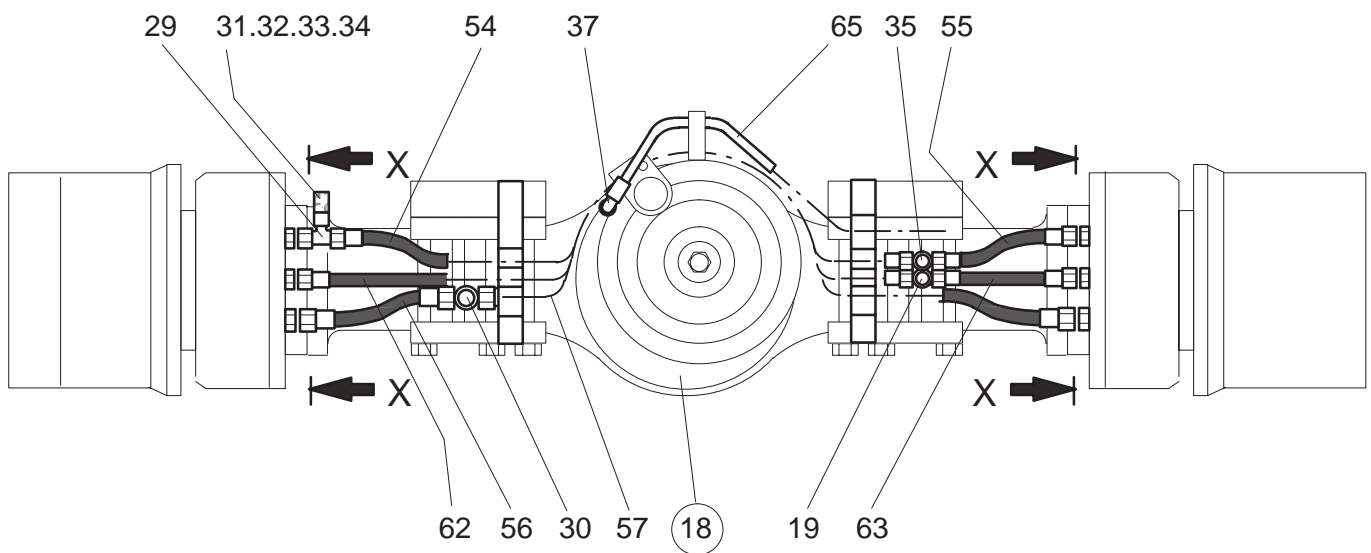


Date
Data
00-04-06

Module
Módulo
KV02-0109

Page
Página
3

Item.	Description	Order no.	Qty	S	Notes	
1	Screw	Parafuso	53160658	12	150	ISO4014 M36x400
2	Wheel see page 17	Roda	T5514563	4	100	
3	Ring	Anel	K5680650	2	150	
4	Ring	Anel	T5377560	2	150	
5	Plate	Placa	K5149190	2		
7	Extension	Extensão	T0409081H	2	50	EHA 1462
10	Drive shaft see page 5	Veio de transmissão		1		
15	Extension	Extensão	T0409060H	2	50	EHA 1500





Description
Descrição
Hoses




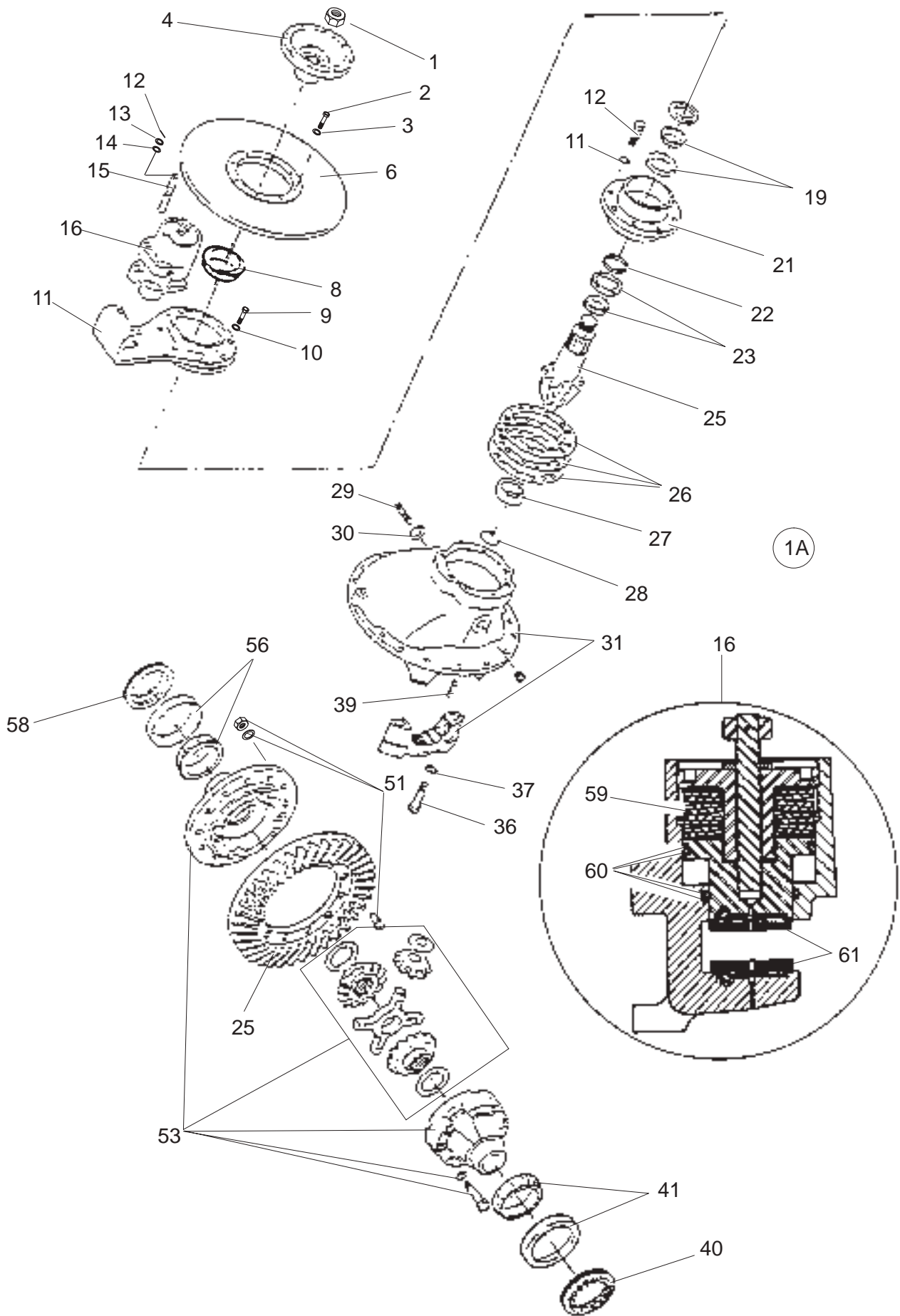
Date
Data
00-04-06

Module
Módulo
KV02-0109

Page
Página
5

Item.	Description	Order no.	Qty	S	Notes
18	Drive axle, compl. see page 7-15	Eixo motor, compl. K0401203H	1		Rockw PRC7534W4H132
19	Fitting	União 64306906	2		VLS620.31 10JIC
26	Fitting	União 64308014	4		VLO54100/10-7/8-14UNF
27	Fitting	União 64308006	2		VLO54100/3-9/16-18UNF
28	Fitting	União K5146010	2		
29	Fitting	União 643485102	1		Parke LS 10R6XS
30	Fitting	União 64306916	1		VLS620.31 25JIC
31	Fitting	União 64332191	1		EMA 3/R1/4-ED/A3C
32	Fitting	União 64348521	2		Parke 6TT4MXS
33	Fitting	União 64348526	1		Parke 10TT4MXS
34	Nut	Porca 64163910	1		VLS620.50 16JIC
35	Fitting	União K5142290	1		5.0
37	Fitting	União 64306005	1		Parke 6-4F50XS 7/16
54	Hose	Tubo VL5402923	1		
55	Hose	Tubo VL5402904	1		
56	Hose	Tubo VL5405504	1		
57	Hose	Tubo VL5405523	1		
62	Hose	Tubo VL5400024	1		
63	Hose	Tubo VL5400004	1		
65	Hose	Tubo VL5400543	1		

Page Página 6	Module Módulo KV02-0109	Date Data 00-04-03	Description Descrição Differential, compl.	
----------------------------	--------------------------------------	---------------------------------	---	--





Description
Descrição
Differential, compl.



Date
Data
00-04-03

Module
Módulo
KV02-0109

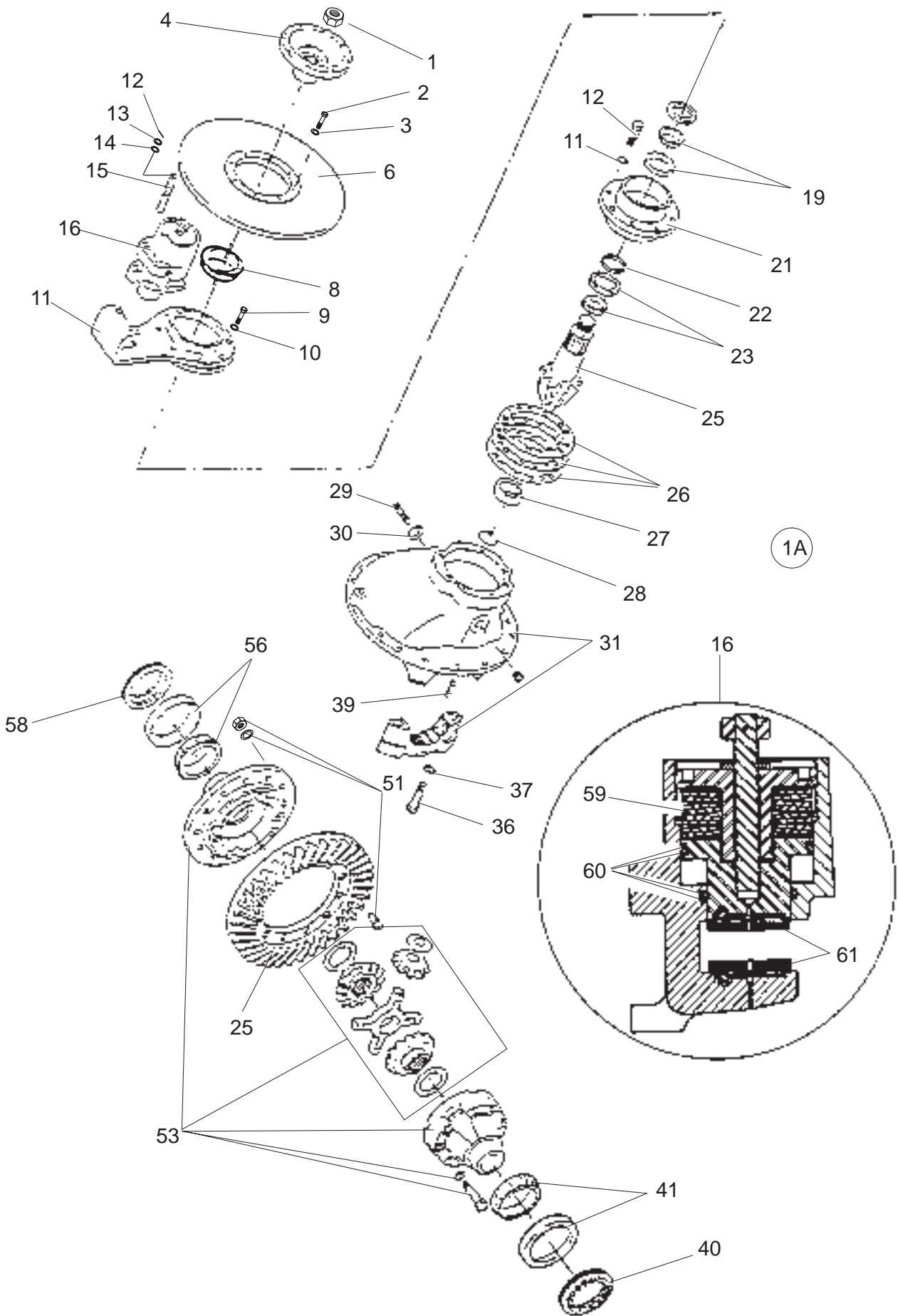
Page
Página
7

Item.	Description		Order no.	Qty	S	Notes
1A	Differential	Diferencial	801904141	1		Rockw A73200J1752
1	Nut	Porca	801903981	1		Rockw 40X1233
*1	Washer	Anilha	801903982	1		Rockw 1229N1730
2	Screw	Parafuso	801904142	8		Rockw S18121
3	Washer	Anilha	802305472	8		Rockw 1229C1511
4	Flange	União	801903984	1		Rockw 3260K1753
6	Brake disc	Disco do travão	801904143	1		Rockw 3218X1428
8	Seal ring	Vedante	801904144	1		Rockw A1205Q2591
9	Screw	Parafuso	801903987	8		Rockw MS2120751
10	Washer	Anilha	801904145	8		Rockw MWA512
11	Fastener	Ligador	801903988	1		Rockw 3268V1712
12	Pin	Pino	801903989	4		Rockw 2297V6106
13	Washer	Anilha	802307734	4		Rockw 1229V1504Z
14	Ring	Anel	802310530	4		Rockw 3780U151
15	Pin	Pin	802310543	2		Rockw 1259A1041
16	Brake,compl.	Travão, compl.	801904146	1		Good Y PD1591-16-3
19	Bearing	Rolamento	801904147	1		Rockw 1228S591,1228T592
**21	Bearing housing	Caixa rolamento	801904148	1		Rockw A3226D1356
22A	Spacing ring	Anel espaçador	801904149	x		Rockw 2203Q8389 .13.35
22A	Spacing ring	Anel espaçador	801904150	x		Rockw 2203R8390 .13.38
22A	Spacing ring	Anel espaçador	801904151	x		Rockw 2203H8536 .12.70
22A	Spacing ring	Anel espaçador	801904152	x		Rockw 2203J8538 .13.73
22A	Spacing ring	Anel espaçador	801904153	x		Rockw 2203H8539 .12.75
22A	Spacing ring	Anel espaçador	801904154	x		Rockw 2203L8540 .12.78
22A	Spacing ring	Anel espaçador	801904155	x		Rockw 2203M8541 .12.80
22A	Spacing ring	Anel espaçador	801904156	x		Rockw 2203N8542 .13.83
22A	Spacing ring	Anel espaçador	801904157	x		Rockw 2203P8544 .12.85
22A	Spacing ring	Anel espaçador	801904158	x		Rockw 2203Q8545 .12.88
22A	Spacing ring	Anel espaçador	801904159	x		Rockw 2203R8546 .12.90
22A	Spacing ring	Anel espaçador	801904160	x		Rockw 2203S8547 .12.93
22A	Spacing ring	Anel espaçador	801904161	x		Rockw 2203T8548 .12.95
22A	Spacing ring	Anel espaçador	801904162	x		Rockw 2203U8549 .12.98
22A	Spacing ring	Anel espaçador	801904163	x		Rockw 2203V8550 .13.00
22A	Spacing ring	Anel espaçador	801904164	x		Rockw 2203W8551 .13.03
22A	Spacing ring	Anel espaçador	801904165	x		Rockw 2203X8552 .13.02
22A	Spacing ring	Anel espaçador	801904166	x		Rockw 2203Y8553 .13.08
22A	Spacing ring	Anel espaçador	801904167	x		Rockw 2203Z8554 .13.10
22A	Spacing ring	Anel espaçador	801904168	x		Rockw 2203H8555 .13.13
22A	Spacing ring	Anel espaçador	801904169	x		Rockw 2203H8556 .13.15

*Alternative
)

**Incl. parts 19,23
**)

x)Order as required.
x)





Description
Descrição
Differential, compl.



Date
Data
00-04-03

Module
Módulo
KV02-0109

Page
Página
9

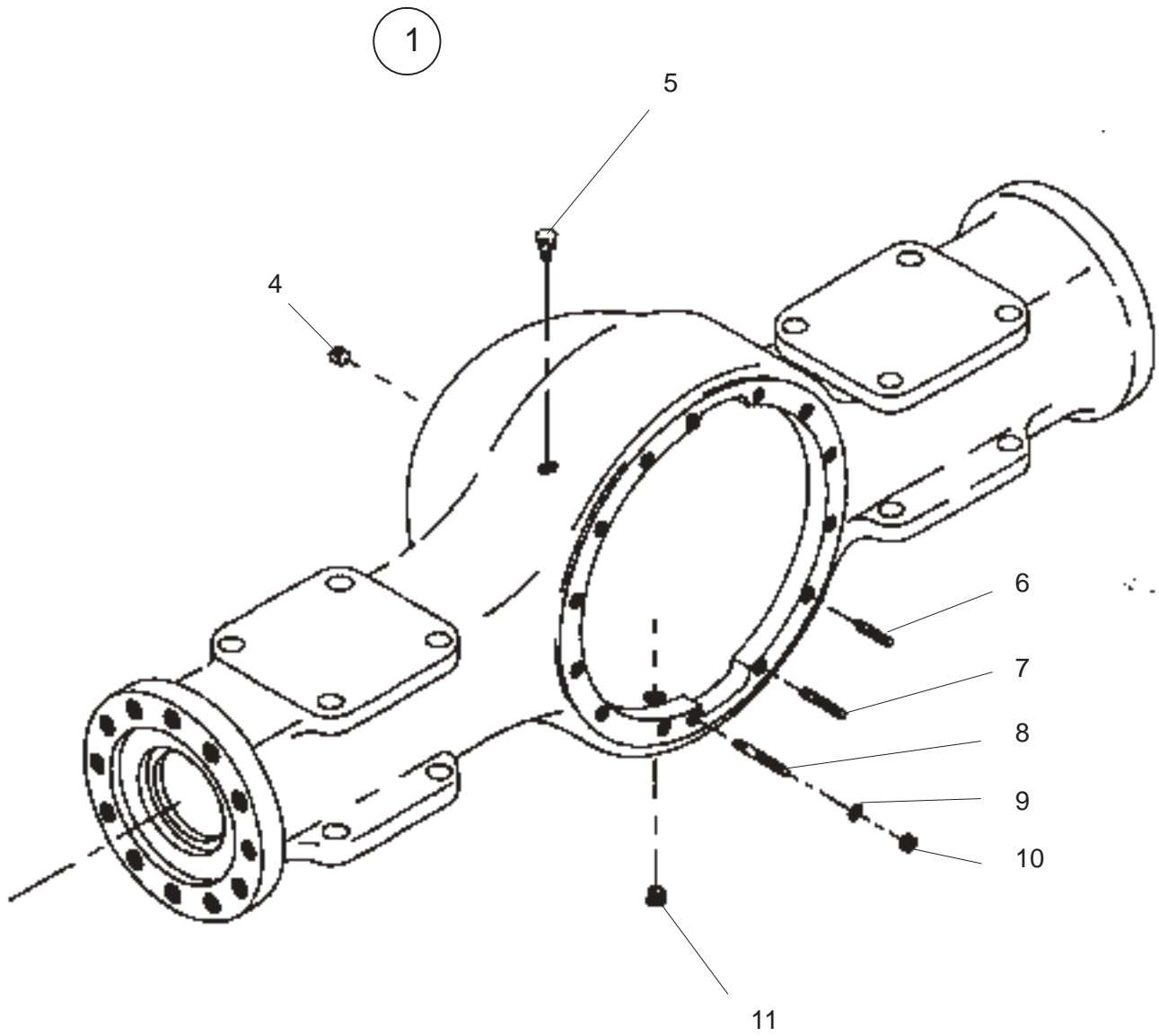
Item.	Description	Order no.	Qty	S	Notes
22A	Spacing ring Anel espaçador	801904170	x		Rockw 2203H8557 .13.18
22A	Spacing ring Anel espaçador	801904171	x		Rockw 2203H8558 .13.20
22A	Spacing ring Anel espaçador	801904172	x		Rockw 2203H8559 .13.23
22A	Spacing ring Anel espaçador	801904173	x		Rockw 2203H8560 .13.25
22A	Spacing ring Anel espaçador	801904174	x		Rockw 2203H8561 .13.28
22A	Spacing ring Anel espaçador	801904175	x		Rockw 2203H8562 .13.31
22A	Spacing ring Anel espaçador	801904176	x		Rockw 2203J8564 .13.33
22A	Spacing ring Anel espaçador	801904177	x		Rockw 2203J9422 .12.965
22A	Spacing ring Anel espaçador	801904178	x		Rockw 2203K9423 .13.015
22A	Spacing ring Anel espaçador	801904179	x		Rockw 2203L9424 .13.065
22A	Spacing ring Anel espaçador	801904180	x		Rockw 2203M9425 .13.115
22A	Spacing ring Anel espaçador	801904181	x		Rockw 2203N9426 .13.165
23	Bearing Rolamento	801904182	1		Rockw 1228U593,1228V594
25	Gear set Conjunto engrenagens	801904183	1		Rockw A410102512
26A	Spacing washer Anilha espaçadora	801904184	x		Rockw 2203A8815 ..125
26A	Spacing washer Anilha espaçadora	801904185	x		Rockw 2203B8816 ..200
26A	Spacing washer Anilha espaçadora	801904186	x		Rockw 2203C8817 ..500
27	Bearing Rolamento	801904012	1		Rockw 1228S1267
28	Circlip Freio	802308719	1		Rockw 1229-L-1624
29	Screw Parafuso	802308725	1		Rockw 15-X-1167
30	Nut Porca	802308724	1		Rockw 1227-D-472
31	Housing Caixa	801904187	1		Rockw A23200J1752
36	Screw Parafuso	801904014	4		Rockw 41X1018
37	Washer Anilha	801904015	4		Rockw 42X1024
39	Pin Pin	801904188	4		Rockw 1246F656
40	Adjusting ring Anel de afinação	801904189	1		Rockw 2214X1012
41	Bearing Rolamento	801904190	2		Rockw 1228Y597+1228Z598
51	Through bolt kit Jogo de parafusos	801904021	1		Rockw 2608
*53	Differential Diferencial	801904191	1		Rockw ks. Baan
56	Bearing Rolamento	801904192	1		Rockw 1228X596+1228W595
58	Adjusting ring Anel de afinação	801904193	1		Rockw 2214W1011
59	Spring Mola	802704916	8		Rockw 9684003 Good year
60	Gasket set Jogo juntas	801904194	1		Rockw Good year
61	Brake pad set Jogo de calços do travão	801903566	1		Rockw 9640323 Good year

*)Incl. parts 43-50

*)

x)Order as required.

x)





Description
Descrição
Frame, assy

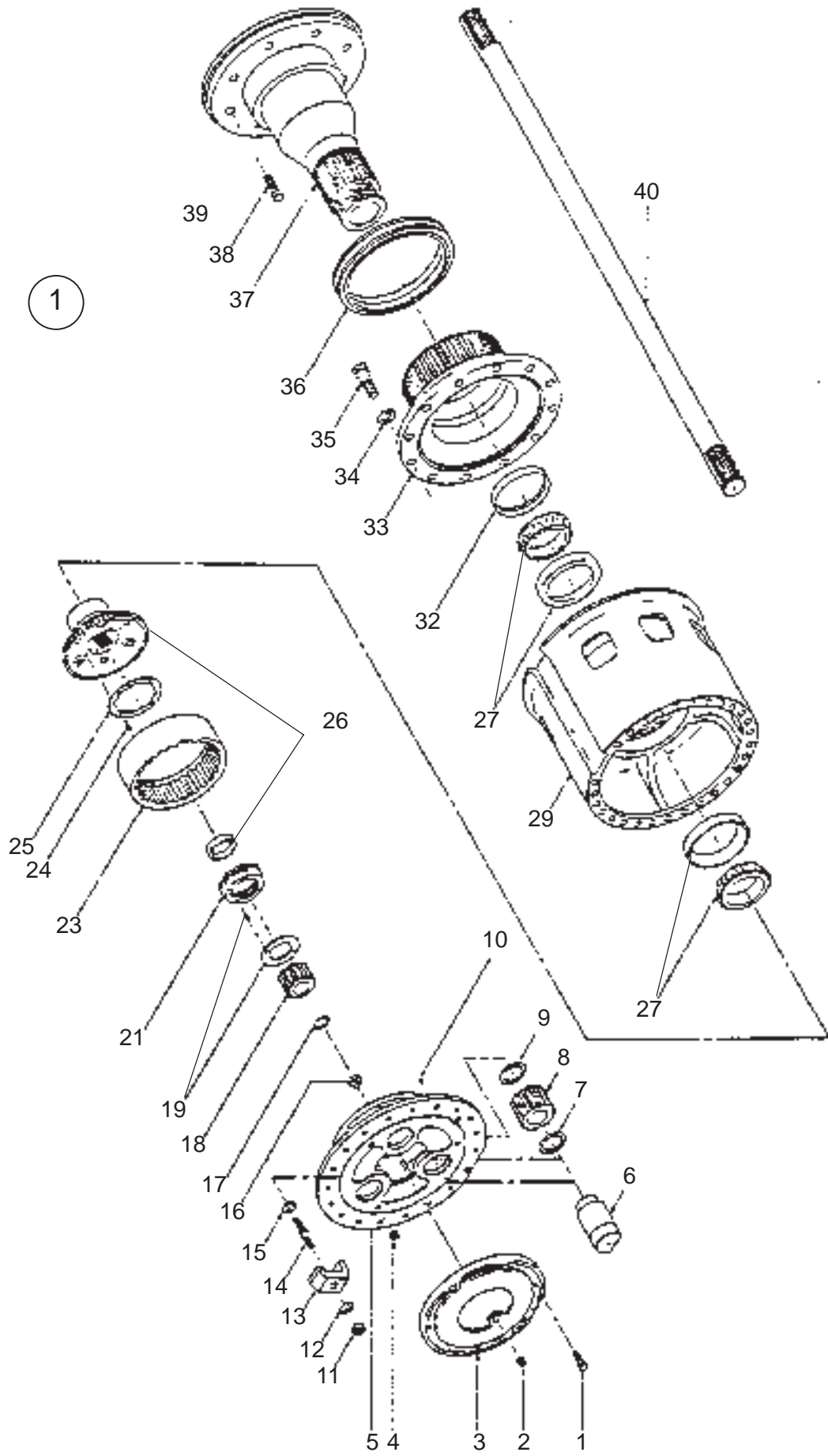


Date
Data
00-03-31

Module
Módulo
KV02-0109

Page
Página
11

Item.	Description	Order no.	Qty	S	Notes
1	Frame	Estrutura de suporte	801904104	1	Rockw A-3201-V-8524
4	Plug	Ficha	802305323	1	Rockw P-212
5	Breather	Respirador	802307763	1	Rockw A-1199-P-1394
6	Screw	Parafuso	801904136	2	Rockw SN1020 1
7	Screw	Parafuso	802305314	6	Rockw 4-X-1445
8	Screw	Parafuso	801904137	4	Rockw SN1034 1
9	Washer	Anilha	802308737	14	Rockw 1229-W-1557
10	Nut	Porca	802305316	14	Rockw NL.110-1
11	Plug	Ficha	802308024	1	Rockw 1850-T-150

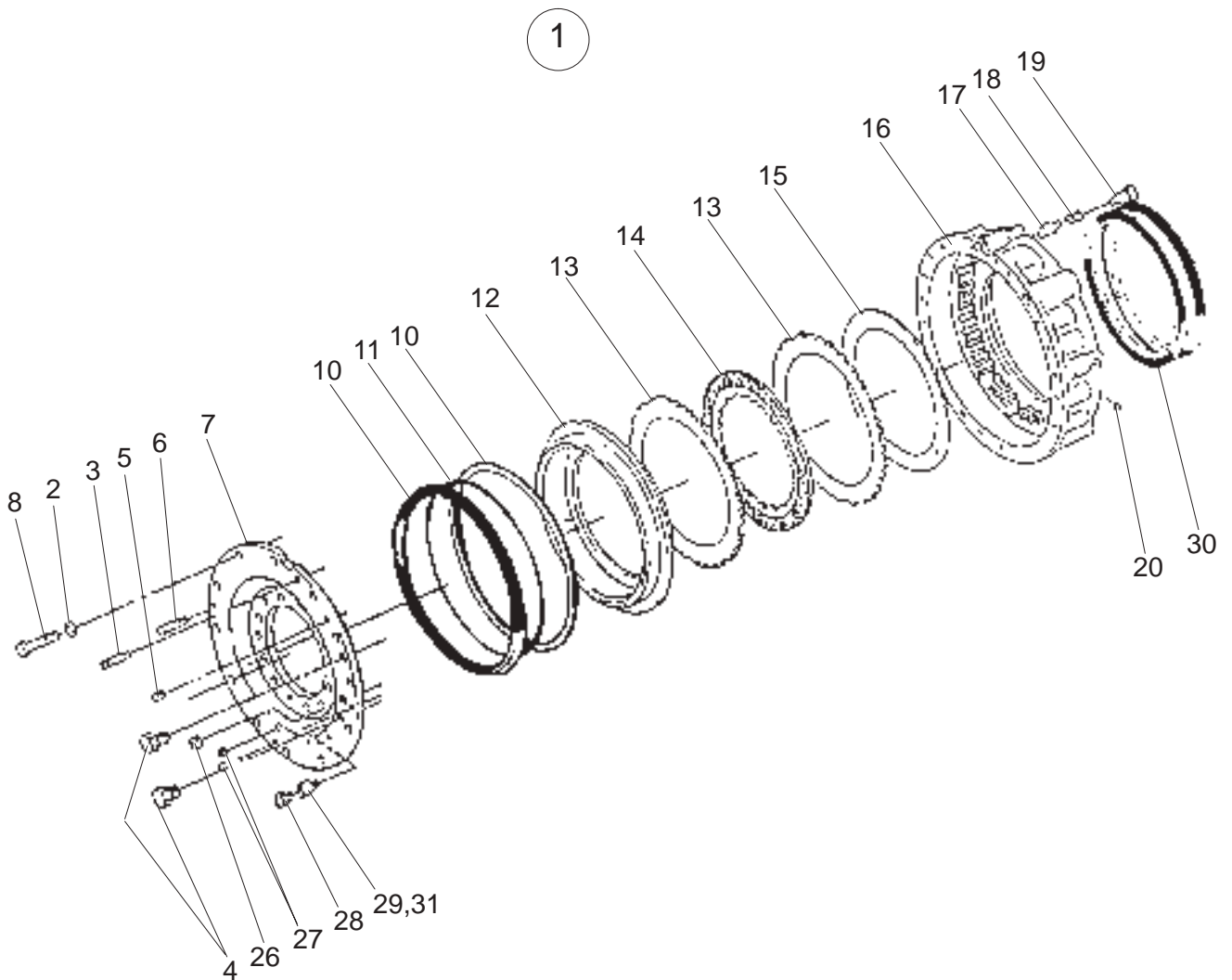


		Description Descrição			Date Data	Module Módulo	Page Página
		Wheel end			00-03-31	KV02-0109	13
Item.	Description		Order no.	Qty	S	Notes	
1A	Wheel hub	Cubo da roda	801904140	1		Rockw	S 763 6 EVS-C77
1	Screw	Parafuso	801903676	6		Rockw	S-289A 1
2	Plug	Ficha	802305323	1		Rockw	P-212
*3	Cover	Tampa	801904105	1		Rockw	A3262G1260
4	Plug	Ficha	802308024	1		Rockw	1850-T-150
**5	Hub	Cubo	801904026	1		Rockw	A1 3298H1178
6	Shaft	Eixo	801904027	3		Rockw	3198-Q-95
7	Washer	Anilha	802308752	3		Rockw	1229-G-3101
8	Gear	Engrenagem	801904028	3		Rockw	3891W1921
9	Washer	Anilha	801904030	3		Rockw	1829M897
10	Plug	Ficha	802305446	3		Rockw	1898-S-1137
11	Nut	Porca	802308751	7		Rockw	N-112-1
12	Washer	Anilha	801903679	7		Rockw	1229V1556
13	Fastener	Ligador	802308761	7		Rockw	2257H1074
14	Screw	Parafuso	802309630	7		Rockw	20-X-2044
15	Washer	Anilha	802305281	7		Rockw	1229M1625
16	Plug	Ficha	802308742	1		Rockw	2297-T-4570
17	Circlip	Freio	801904029	1		Rockw	1229U3141
18	Gear	Engrenagem	801904030	1		Rockw	3892S5531
19	Washer	Anilha	801904031	1		Rockw	A1229S3113
21	Nut	Porca	801904032	1		Rockw	1227U1555
23	Gear	Engrenagem	801904033	1		Rockw	3892Y5537
24	Screw	Parafuso	802308754	2		Rockw	S-277-A-1
25	Circlip	Freio	801904034	1		Rockw	1220U1087
26	Hub	Cubo	801904035	1		Rockw	A3204N1054
27	Bearing	Rolamento	801904036	2		Rockw	M238849+M238810
29	Hub	Cubo	801904037	1		Rockw	A333U4285
32	Seal ring	Vedante	801904038	1		Rockw	A1205B2082
33	Driver	Pinhão motriz	802308759	1		Rockw	3267-R-1032
34	Washer	Anilha	802310546	6		Rockw	1229S4413
35	Screw	Parafuso	801904138	6		Rockw	S-11622A-1
36	Seal ring	Vedante	801904139	1		Rockw	A1205G2581
37	Shaft	Eixo	801904039	1		Rockw	3213T1892
38	Screw	Parafuso	801903680	18		Rockw	SP 1042
40	Shaft LH	Eixo	801904041	1		Rockw	3802G1957SHORT LH
40	Shaft RH	Eixo	801904040	1		Rockw	3802H1958 LONG RH

x)Order as required.
x)

*)incl. part 16
*)

**)Incl. parts 6-10
**)





Description
Descrição
Wet disc brake




Date
Data
00-04-06

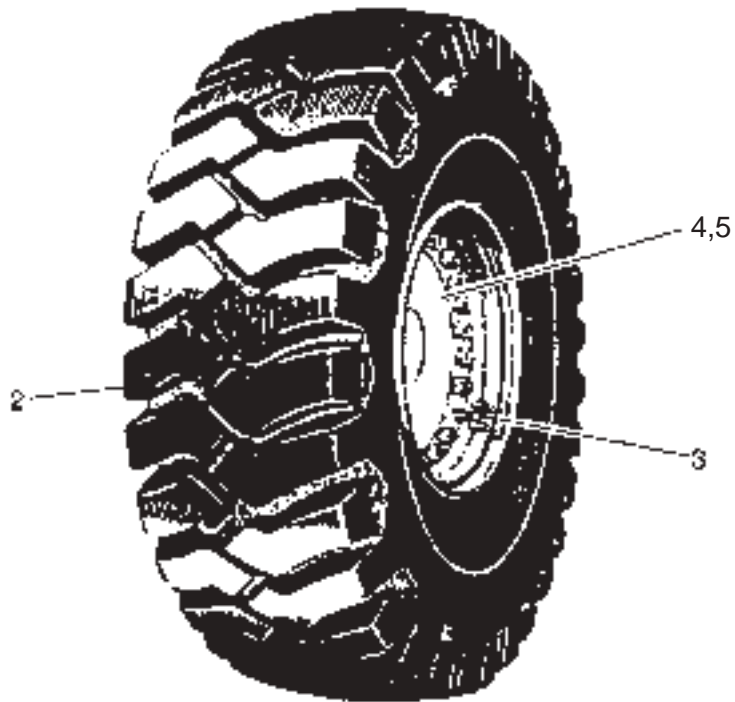
Module
Módulo
KV02-0109


Page
Página
15

Item.	Description	Order no.	Qty	S	Notes
1	Wet disc brake compl Travão de disco húmido, compl.	801904195	1		Rockw B149A4
2	Washer Anilha	802305281	32		Rockw 1229-M-1625
3	Valve Valvula	801904196	2		Rockw 1199-K-1337Z
4	Plug Ficha	801904197	4		Rockw P212
5	Plug Ficha	801904198	2		Rockw 1705F292
6	Plug Ficha	802308769	2		Rockw A-1250-Q-1083
7	Cover Tampa	801904200	1		Rockw 3267W1193
7	Cover, LH Tampa	801904273	1		Rockw 3267X1194
8	Screw Parafuso	802308764	32		Rockw S-21424-1
10	Gasket Junta	802308774	4		Rockw 1205-X-1714
11	Seal ring Vedante	801904273	2		Rockw 2258U1321
12	Piston Pistão	801904274	2		Rockw 2230J218
13	Plate Placa	802308777	20		Rockw 3281-W-23
14	Plate Placa	802309501	20		Rockw A-3281-K-37
15	Plate Placa	801904275	2		Rockw 1244B1588
16	Housing Caixa	801904276	2		Rockw 3267N1054
17	Guide Guia	802308781	8		Rockw 2297-T-5012
18	Spring Mola	802309502	8		Rockw 2258-V-802
19	Plug Ficha	802308766	8		Rockw A-1250-L-1000
20	Plug Ficha	802305369	6		Rockw P-42
26	Plug Ficha	802305323	2		Rockw P-212
27	Plug Ficha	802309618	4		Rockw 1850-T-124
28	Plug Ficha	801904277	4		Rockw A61250E1019
29	Intermediate piece Peça intermedia	802309620	2		Rockw A-2206-P-1004
30	Gasket Junta	801904139	1		Rockw A1205G2581
31	Seal ring Vedante	802308770	4		Rockw OR5-X-889

Page Página 16	Module Módulo KV02-0109	Date Data 97-04-18	Description Descrição Wheel 18.00"	<input type="checkbox"/>	
-----------------------------	--------------------------------------	---------------------------------	---	--------------------------	--

1



		Description Descrição Wheel 18.00"		<input type="checkbox"/>	Date Data 97-04-18	Module Módulo KV02-0109	Page Página 17
Item.	Description	Order no.	Qty	S	Notes		
1	Wheel, compl. Roda, compl.	T5514560	1		DUNLOP PG6D		
1	Wheel, compl. Roda, compl.	T5514561	1		TOYO 18.00		
1	Wheel, compl. Roda, compl.	T5514562	1		GOODYEAR 18.00-R25		
1	Wheel, compl. Roda, compl.	T5514563	1		BRIDGESTONE 18.00-R25		
1	Wheel, compl. Roda, compl.	T5514564	1		MICHELIN 18.00-R25		
2	Tyre Pneu	686919372	1		DUNLOP PG6D 18.00-25/40		
2	Tyre Pneu	C0100006	1		TOYO 18.00 18.00-25-36 G18 E4TL		
2	Tyre Pneu	686919386	1		GOODYEAR 18.00-R25		
2	Tyre Pneu	686919389	1		BRIDGESTONE 18.00-25PR40ELS2		
2	Tyre Pneu	6869193741	1		MICHELIN 18.00R25 XZM		
3	Valve Valvula	T0409059H	1		Valme EHA 3100 TR650		
4	Rim Anel metalico	T0406019H	1		NAGB 13,00-25/2.5 NO 25052		
4	Rim Anel metalico	T0406048H	1		LEMMERZ 13,00-25 52005157		
5	O-ring	61443255	1		OR 325		

Note!

The manufacturer of tyre must be mentioned in spare part order!

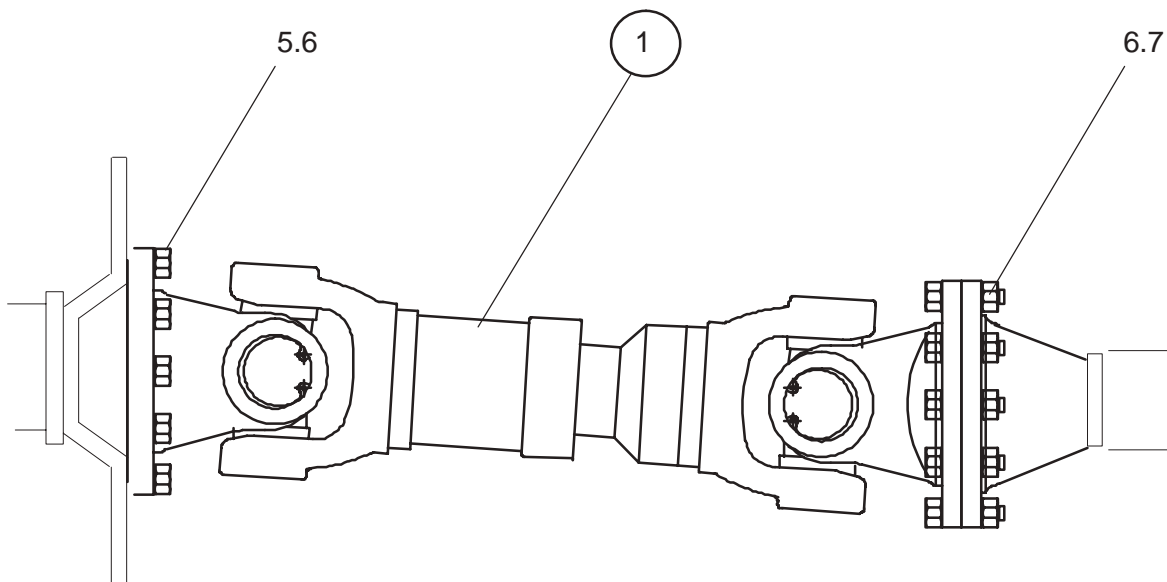


KV02-0101

Propeller Shaft

Eixo cardã

Page Página	Module Módulo	Date Data	Description Descrição	<input type="checkbox"/>	
2	KV02-0101	97-10-08	Propell. shaft		





Description
Descrição
Propell. shaft




Date
Data
97-10-08

Module
Módulo
KV02-0101

Page
Página
3

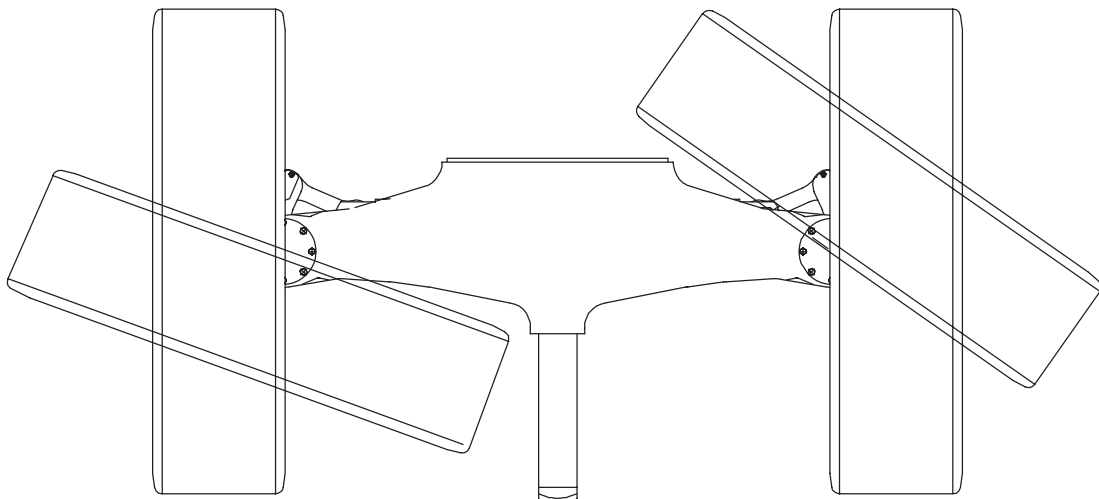
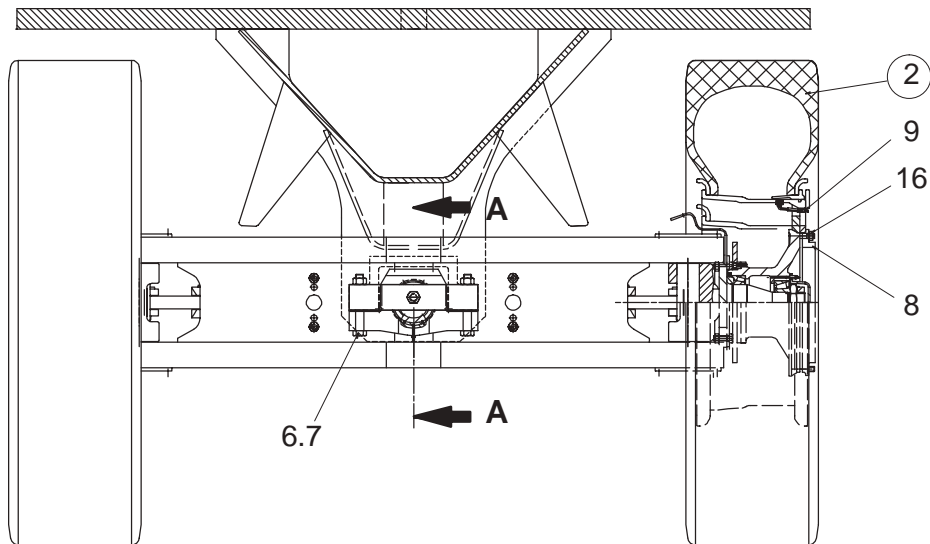
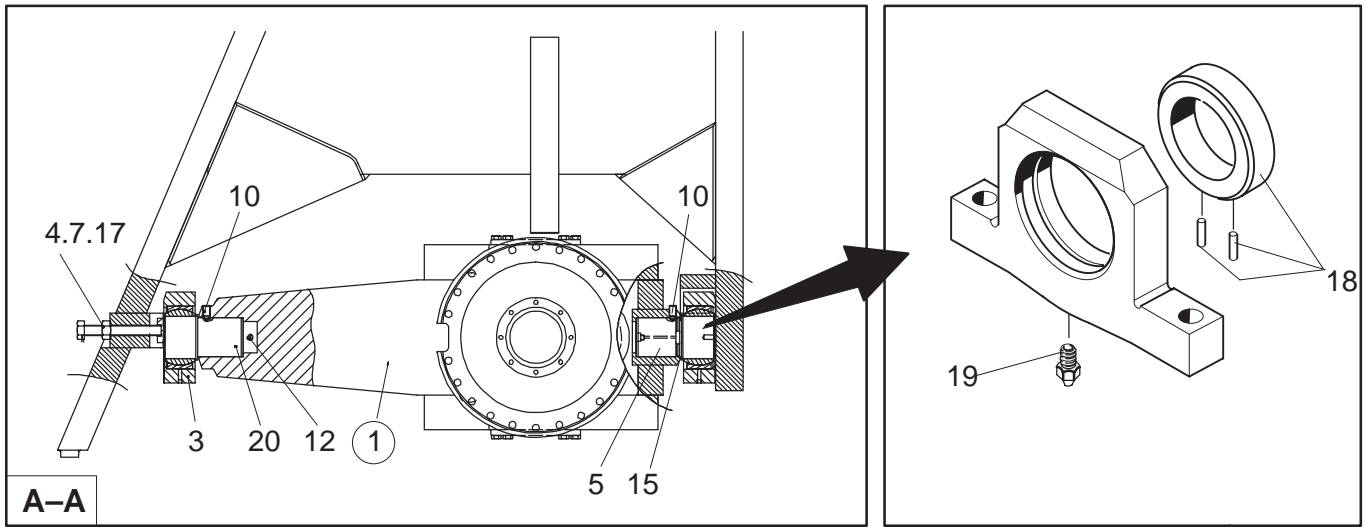
Item.	Description	Order no.	Qty	S	Notes
1	Propeller shaft Veio transmissão	T2001121H	1		GWB 0.687.45.01.00.403-0001 L=529
5	Sleeve Casquilho	T5508030	12		
6	Screw Parafuso	T5508040	24		SFS2064 M 10.9 M14x40
7	Nut Porca	50414111	24		BS1768 7/16UNF 8

	Revision Revisão	<input type="checkbox"/>	Date Data 00-06-27	Module Módulo KV02-0111	Page Página 1/11
--	---------------------	--------------------------	---------------------------------	--------------------------------------	-------------------------------

KV02-0111

Steering axle

Eixo da direcção





Description
Descrição
Steering axle



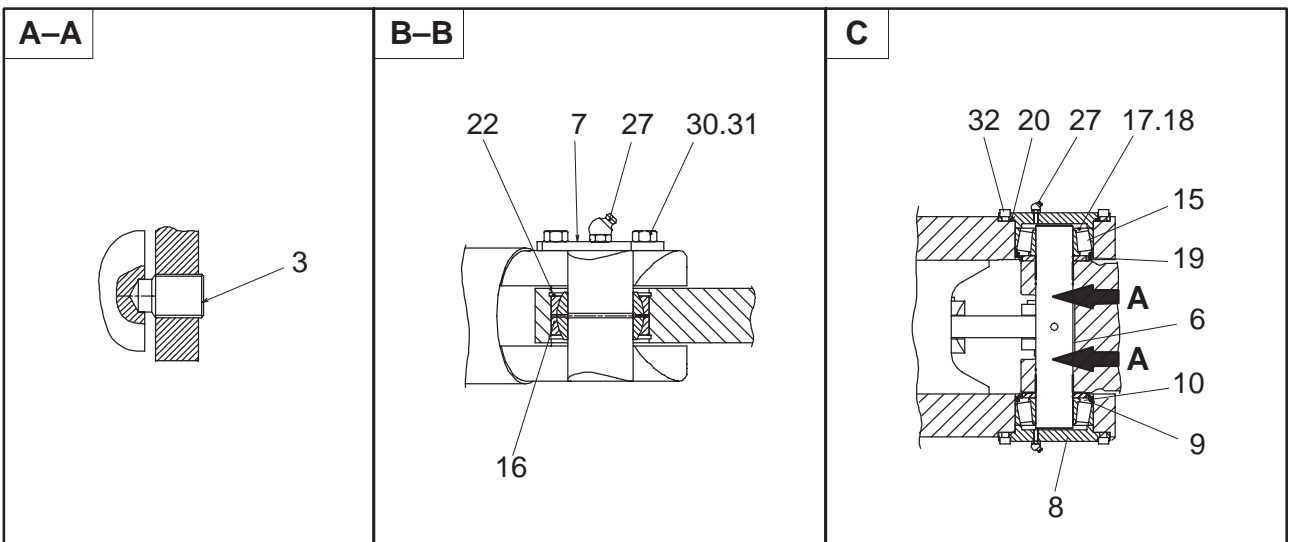
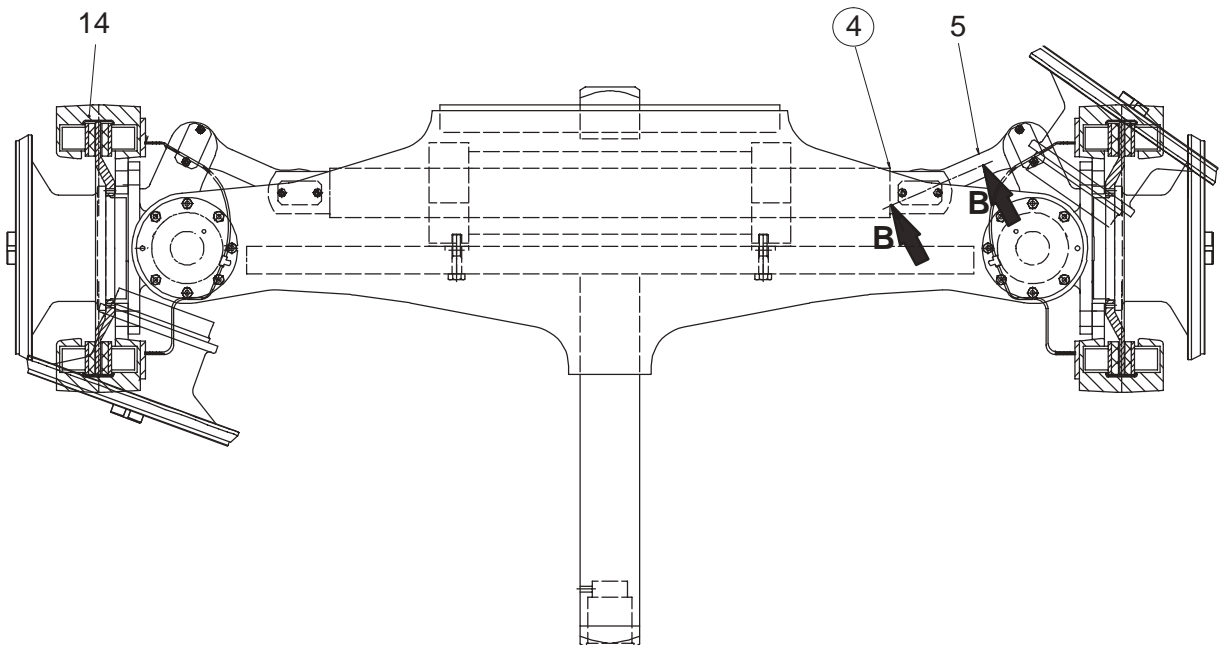
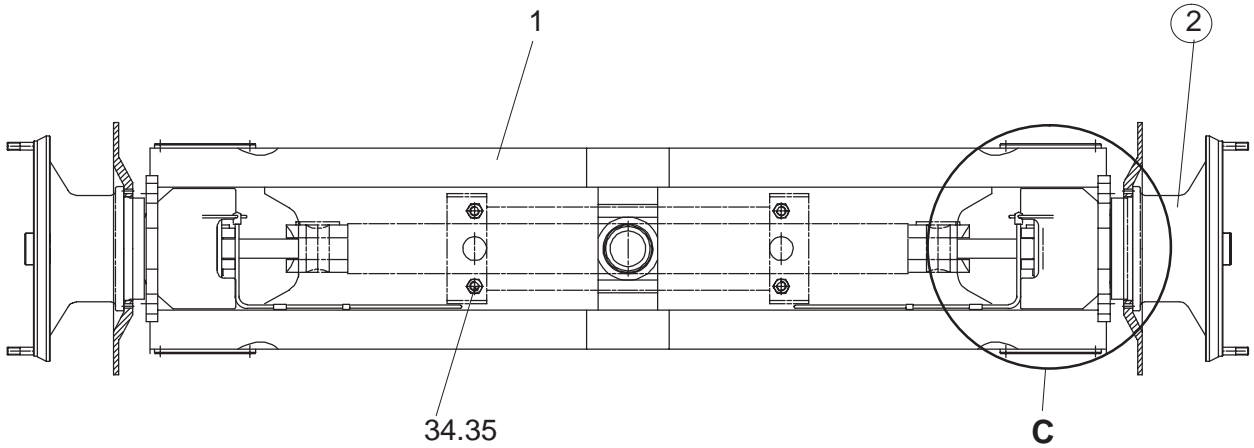
Date
Data
99-09-21

Module
Módulo
KV02-0111

Page
Página
3

Item.	Description	Order no.	Qty	S	Notes
1	Steering axle, assy see page 5		1		
2	Wheel see page 11	T5514563	2		
*3	Bearing	K5680290	2		
4	Screw	T5469320	1		
5	Shaft+sensor	K5677690	1		TAMTR ATLK40T
6	Screw	53160567	4		ISO4014 M30X220
7	Nut	50410300	5		ISO4032 M30-8
8	Mounting plate	T5298940	2		
9	Extension	T0409060H	2		EHA 1500 56mm
10	Screw	T5276510	2		SIMRI AS110-120-7/10
15	Scraper	61441092	1		SMS1586 O109.1X5.7
16	Nut	50410200	46		ISO4032 M20-8
17	Washer	K5673160	1		
18	Bearing+pin	801904053	1		61132992(1kpl)+K5680200(2kpl)
19	Grease fitting	64411203	2		DIN71412 A R 1/8
20	Shaft	K5677890	1		

*incl. part 18.19



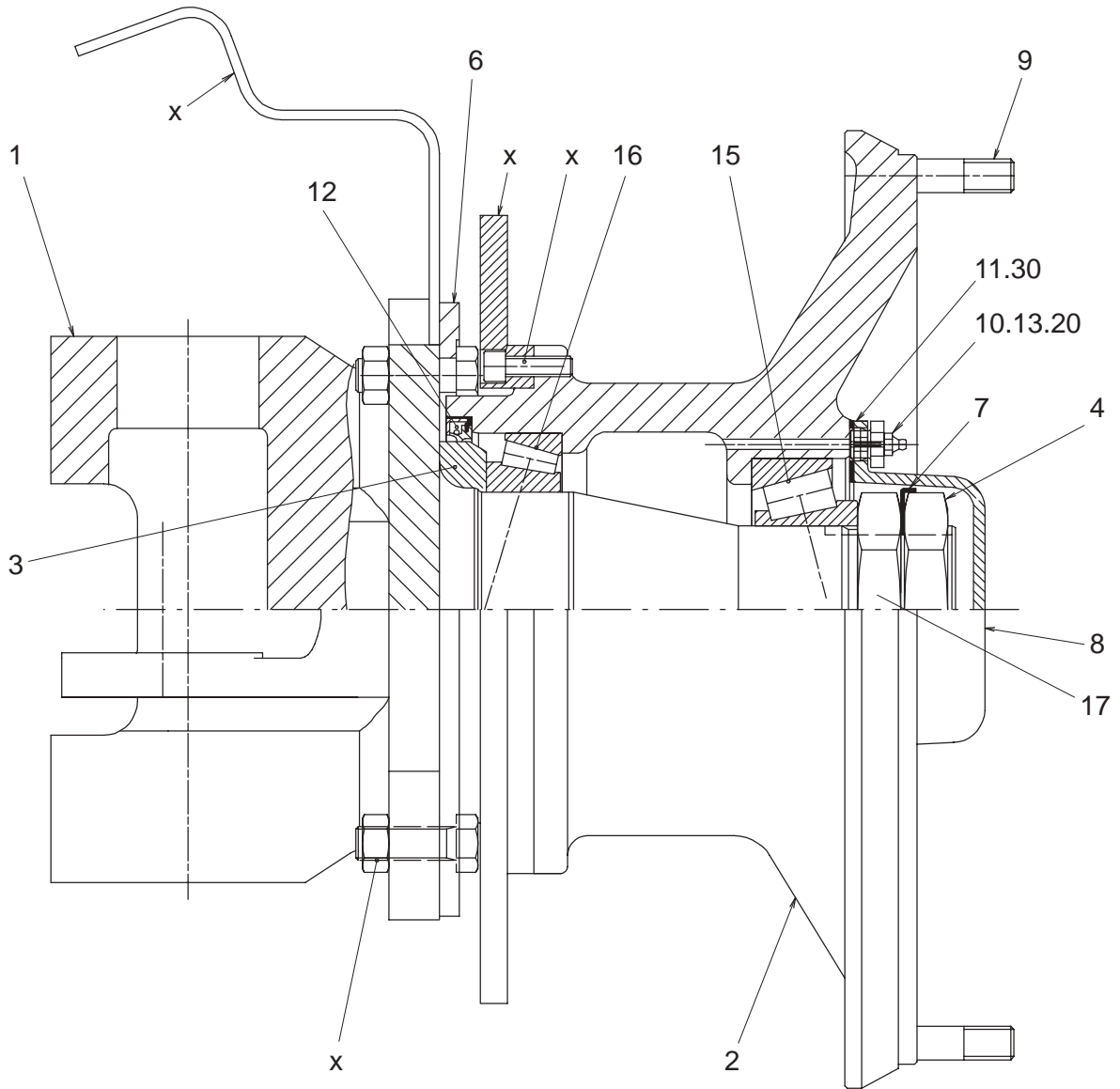


Item.	Description	Order no.	Qty	S	Notes
1	Shaft Eixo	K5680310	1		
2	Wheel hub Cubo da roda	K5670363	2		
3	Screw Parafuso	T5276510	2		
4	Cylinder Cilindro see page 9	C5592581R	1		
5	Lever Alavanca	K5670440	2		
6	Pin Pin	K5670380	2		
7	Shaft Eixo	K5670430	4		
8	Cover Tampa	K5670390	4		
9	Sleeve Casquilho	K5670400	4		
10	Sleeve Casquilho	K5670410	4		
*14	Brake Travão				
15	Bearing Rolamento	61261170	4		SKF 32317 B12/CL7A
16	Bearing Rolamento	611326031	4		GE 60 DO.2RS
17	Shim Anilha	616571501	20		Seege PS 150x180x0.1
18	Shim Anilha	616571505	8		Seege PS 150x180x0.5
19	Scraper Vedante raspador	61461601	4		Simri AS160-175-9-12
20	O-ring O'ring	61441893	4		SMS1586 189.3X5.7
22	Circlip Freio	61733090	8		DIN472/1 90x3
27	Grease fitting Bico de lubrificação	64411110	8		TES8085 M10X1
30	Screw Parafuso	53060220	8		ISO4017 M12x25
31	Washer Anilha	50082120	8		DIN137 12
32	Screw Parafuso	58170629	32		DIN912 M16X60 12.9
34	Screw Parafuso	53160477	4		ISO4014 M24x120
35	Washer Anilha	50042240	4		DIN127 24

*) Only by special order .

*)

Page Página 6	Module Módulo KV02-0111	Date Data 98-08-27	Description Descrição Wheel hub	
----------------------------	--------------------------------------	---------------------------------	--	--





Description
Descrição
Wheel hub



Date
Data
98-08-27

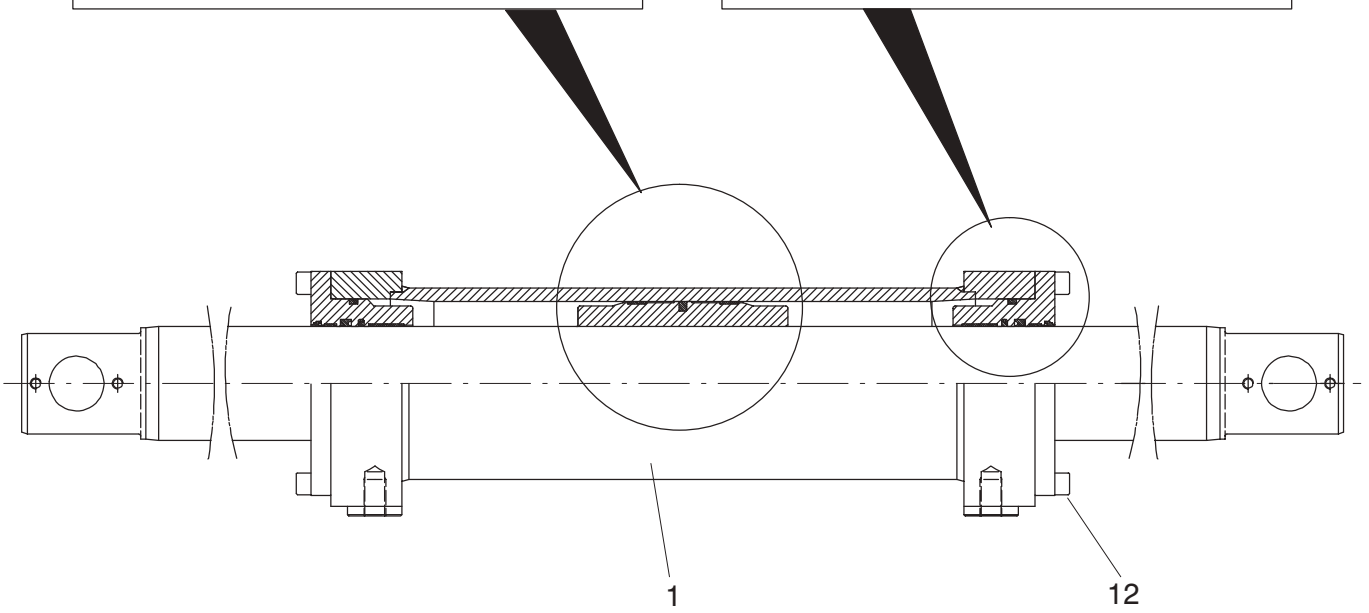
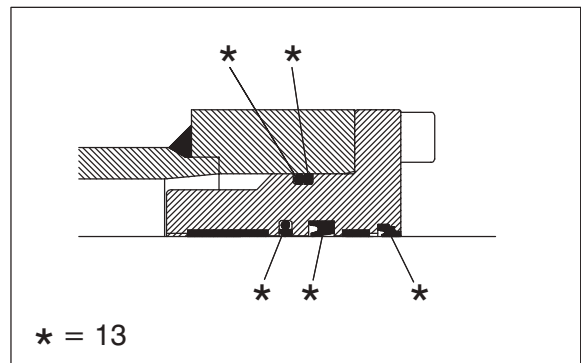
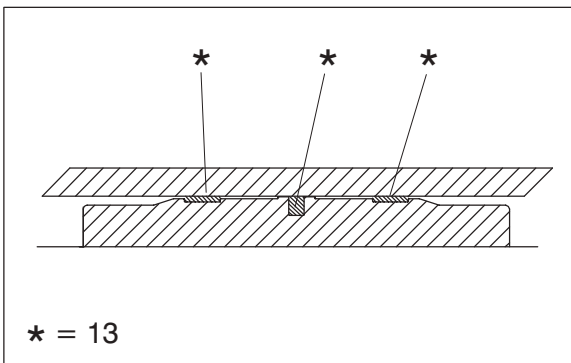
Module
Módulo
KV02-0111


Page
Página
7


Item.	Description	Order no.	Qty	S	Notes
1	Stub axle	Manga de eixo	K5670370	1	
2	Wheel hub	Cubo da roda	K5670880	1	
3	Slide ring	Anel guia	K5680190	1	
4	Nut	Porca	K5670860	1	
7	Washer	Anilha	K5680170	1	
8	Cover	Tampa	T5085790	1	
9	Screw	Parafuso	T5519190	23	
10	Fitting	União	K5673050	1	
11	Gasket	Junta	T5019160	1	
12	Gasket	Junta	61420015	1	DIN3760 C200x230x15
13	Seal ring	Vedante	61588210	1	DIN7603 A21X26
15	Bearing	Rolamento	61261200	1	SKF 33220
16	Bearing	Rolamento	61260280	1	SKF 32028 X
17	Nut	Porca	K5680220	1	
20	Grease fitting	Bico de lubrificação	64411203	1	DIN71412 AR1/8
30	Screw	Parafuso	53060220	8	ISO4017 M12x25

x) Only by special order .

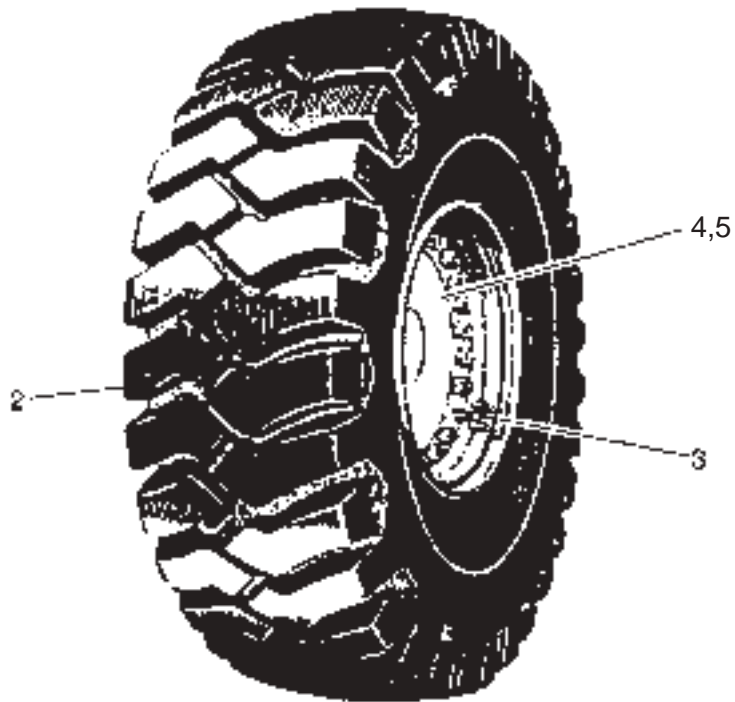
x)




		Description Descrição Cylinder	<input type="checkbox"/>	Date Data 00-06-26	Module Módulo KV02-0111	Page Página 9
Item.	Description	Order no.	Qty	S	Notes	
1	Cylinder Cilindro	C5592581R	1		Ruotsissa tehty, tiiv. sarja eril. kuin ennen DIN912 M16X50	
12	Screw Parafuso	58130627	24			
13	Gasket set Jogo juntas	A26334.4000	1			

Page Página 10	Module Módulo KV02-0111	Date Data 97-04-18	Description Descrição Wheel 18.00"	<input type="checkbox"/>	
-----------------------------	--------------------------------------	---------------------------------	---	--------------------------	--

1



		Description Descrição	<input type="checkbox"/>	Date Data	Module Módulo	Page Página
		Wheel 18.00"		97-04-18	KV02-0111	11
Item.	Description	Order no.	Qty	S	Notes	
1	Wheel, compl. Roda, compl.	T5514560	1		DUNLOP PG6D	
1	Wheel, compl. Roda, compl.	T5514561	1		TOYO 18.00	
1	Wheel, compl. Roda, compl.	T5514562	1		GOODYEAR 18.00-R25	
1	Wheel, compl. Roda, compl.	T5514563	1		BRIDGESTONE 18.00-R25	
1	Wheel, compl. Roda, compl.	T5514564	1		MICHELIN 18.00-R25	
2	Tyre Pneu	686919372	1		DUNLOP PG6D 18.00-25/40	
2	Tyre Pneu	C0100006	1		TOYO 18.00 18.00-25-36 G18 E4TL	
2	Tyre Pneu	686919386	1		GOODYEAR 18.00-R25	
2	Tyre Pneu	686919389	1		BRIDGESTONE 18.00-25PR40ELS2	
2	Tyre Pneu	6869193741	1		MICHELIN 18.00R25 XZM	
3	Valve Valvula	T0409059H	1		Valme EHA 3100 TR650	
4	Rim Anel metalico	T0406019H	1		NAGB 13,00-25/2.5 NO 25052	
4	Rim Anel metalico	T0406048H	1		LEMMERZ 13,00-25 52005157	
5	O-ring	61443255	1		OR 325	

Note!

The manufacturer of tyre must be mentioned in spare part order!

03

HYDRAULIC SYSTEM

KV03–0117

Hydr. Equipment for Frame
Equipamento hidráulico

KV03–0118

Hydr. equipment for steering device
Equipamento hidráulico do sistema de direção

KV03–0102

Hydr. tank
Reservatório de óleo hidráulico

KV03–0103

Oil cooler
Radiateur de óleo

KV03–0119

Hydr.valve
Válvula hidráulica

KV03–0105

Hydr. pump
Bomba hidráulica

KV03–0116

Brake equipment
Equipamento de travão

KV03–0107

Hydr.brake pump
Bomba do freio hidráulico

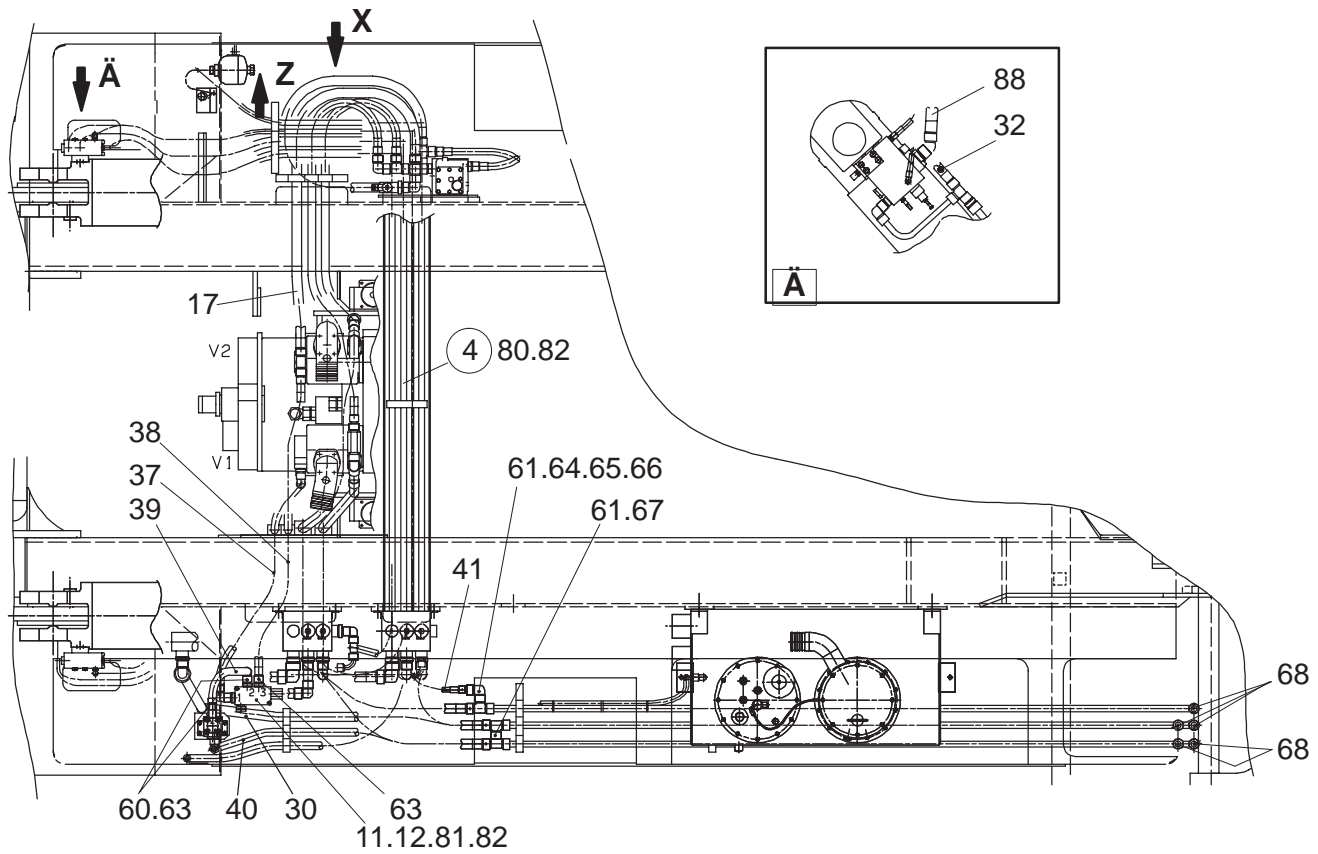
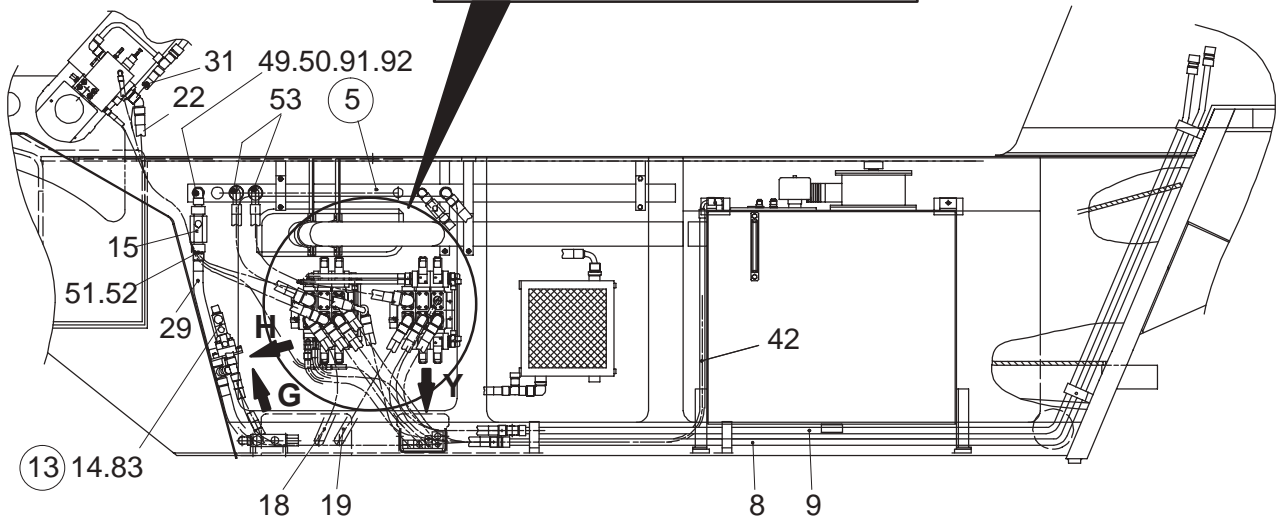
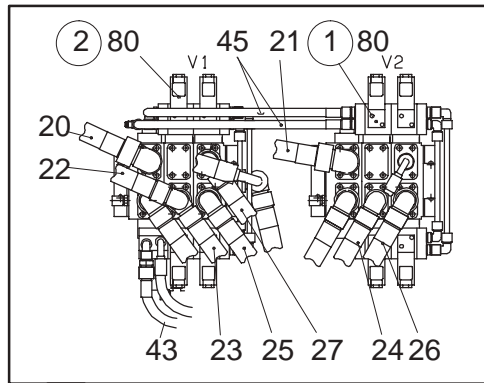


KV03-0117

Hydr. Equipment for Frame

Equipamento hidráulico

Page Página 2	Module Módulo KV03-0117	Date Data 00-03-15	Description Descrição Hydraulics for frame	
----------------------------	--------------------------------------	---------------------------------	---	--

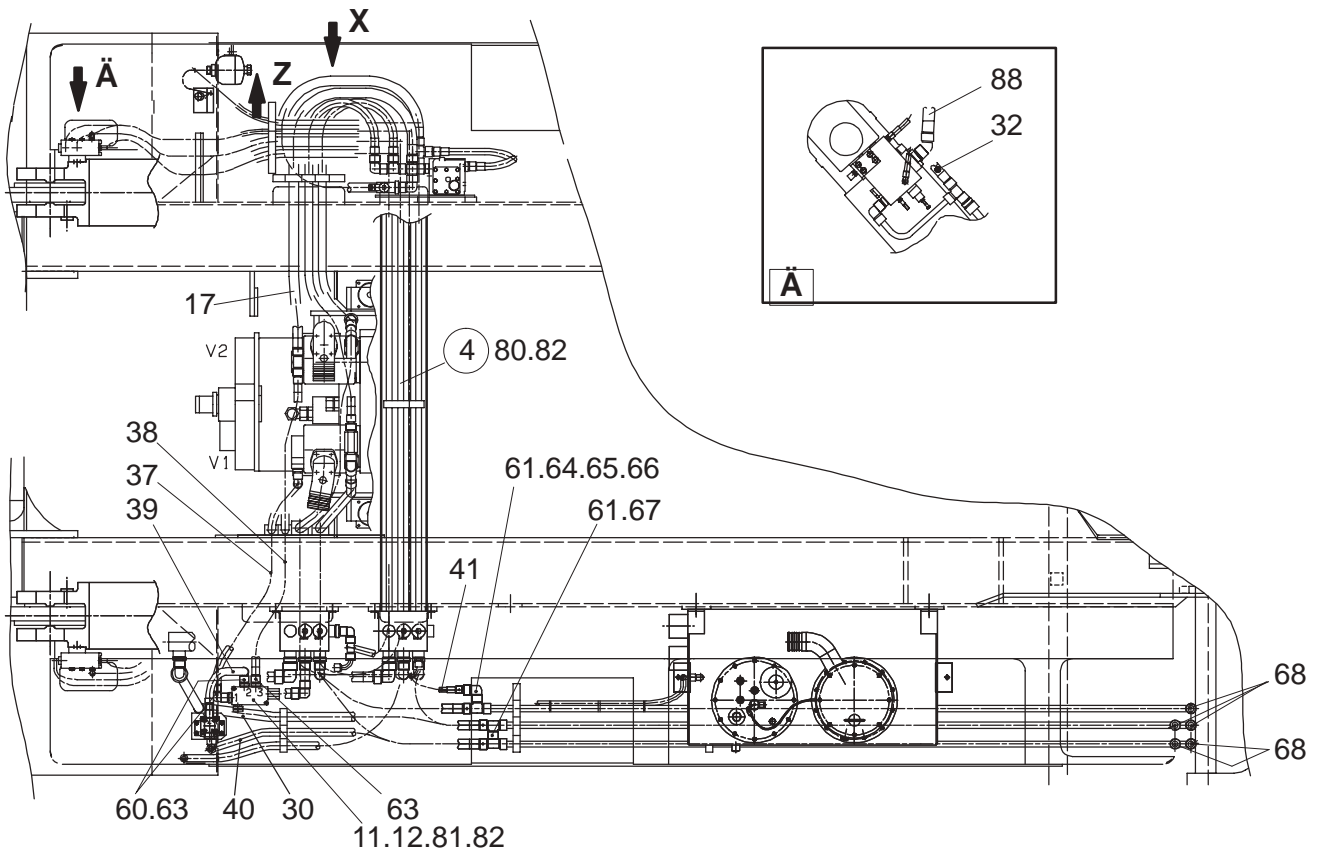
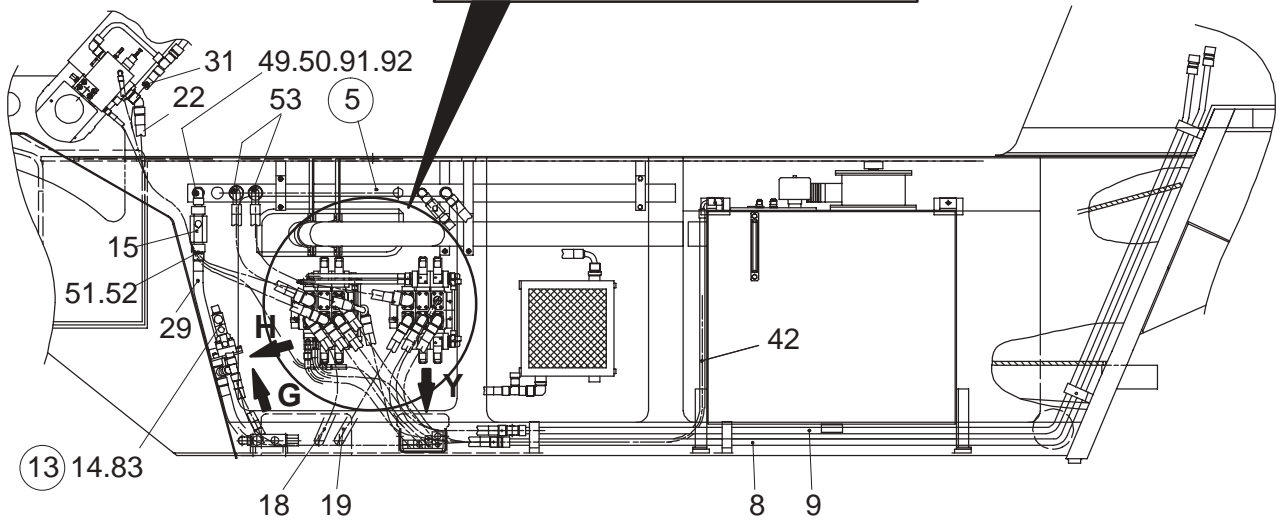
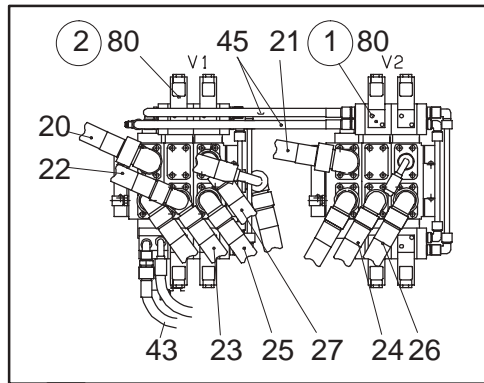




Item.	Description	Order no.	Qty	S	Notes
**1	Valve Valvula		1		K5671380
**2	Valve Valvula		1		K5688250
4	Pipework Tubagem		1		K5677160
5	Pipework see page 13		1		K5671070
8	Tube Tubo	T5504130	3		
9	Tube Tubo	T5504140	2		
11	Sleeve Casquilho	T5517220	2		
12	Valve Valvula	T0807040H	1		FLUID 2F96-P-6W-6W-25
13	Valve Valvula	N0806059H	1		REXRO DB10B2-5X/315
14	Plate Placa	N0809032H	1		REXRO G17/1
15	Valve Valvula	K0807033H	1		PARKE VCL20F-65-A-A
17	Hose Tubo	VL5405521	1		
18	Hose Tubo	VL5405528	1		
19	Hose Tubo	VL5405521	1		
20	Hose Tubo	T5537224	1		
21	Hose Tubo	T5537221	1		
22	Hose Tubo	VL5405518	1		
23	Hose Tubo	VL5405510	1		
24	Hose Tubo	VL5405509	1		
25	Hose Tubo	VL5405514	1		
26	Hose Tubo	VL5405511	1		
27	Hose Tubo	VL5405513	1		
29	Hose Tubo	VL5404510	1		
30	Hose Tubo	VL5405522	1		
31	Hose Tubo	VL5405020	1		
32	Hose Tubo	VL5404526	1		
37	Hose Tubo	VL5405017	1		
38	Hose Tubo	VL5404521	1		
39	Hose Tubo	VL5404511	1		
40	Hose Tubo	VL5404517	1		
41	Hose Tubo	VL5403612	1		
42	Hose Tubo	VL5403632	1		
43	Hose Tubo	VL5403611	1		
45	Hose Tubo	VL5400011	2		

**) See valve module

**)





Description
Descrição
Hydraulics for frame

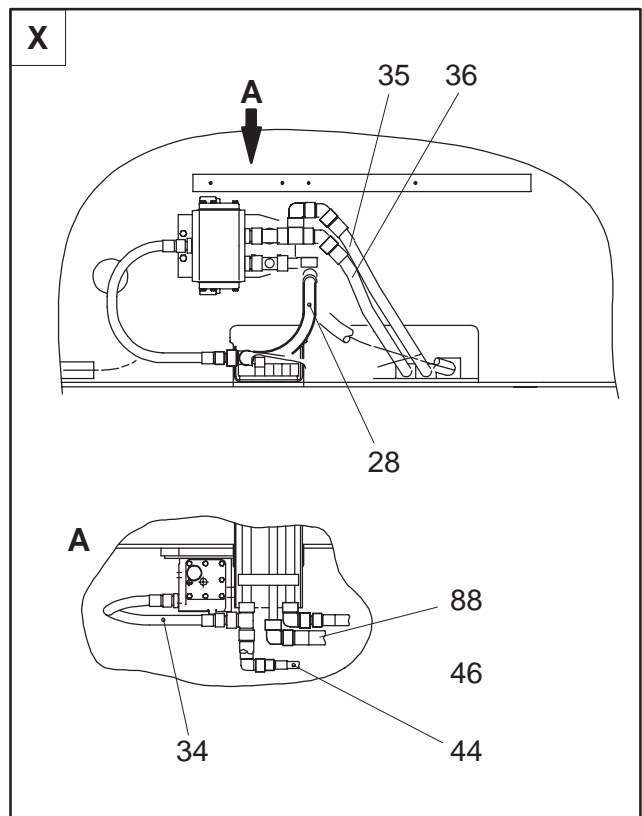
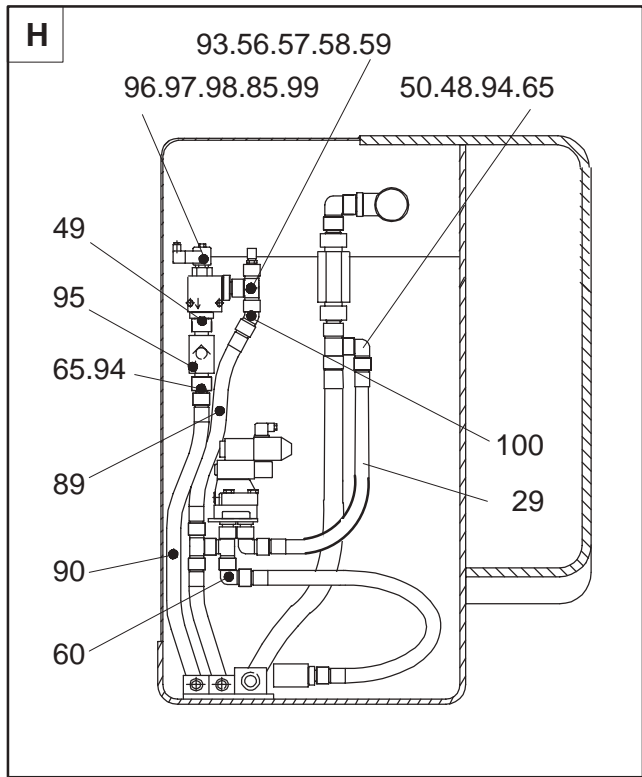
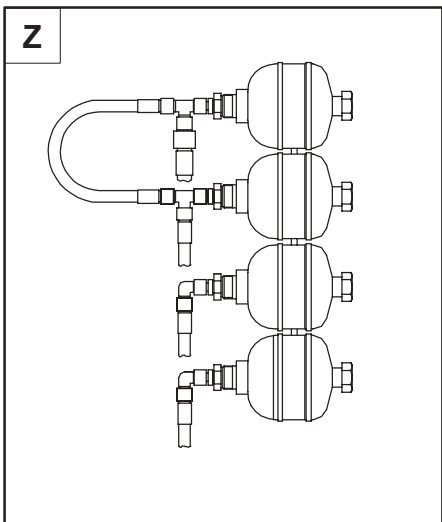
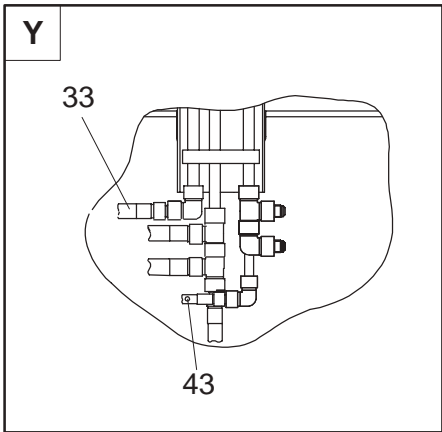
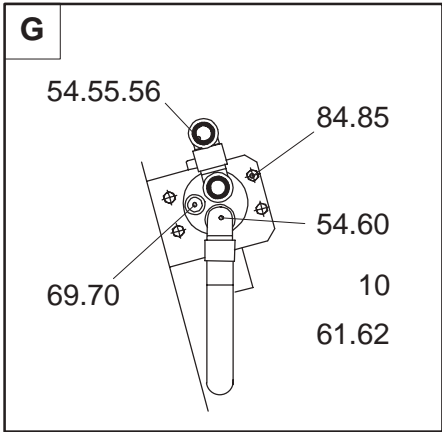


Date
Data
00-03-15

Module
Módulo
KV03-0117

Page
Página
5

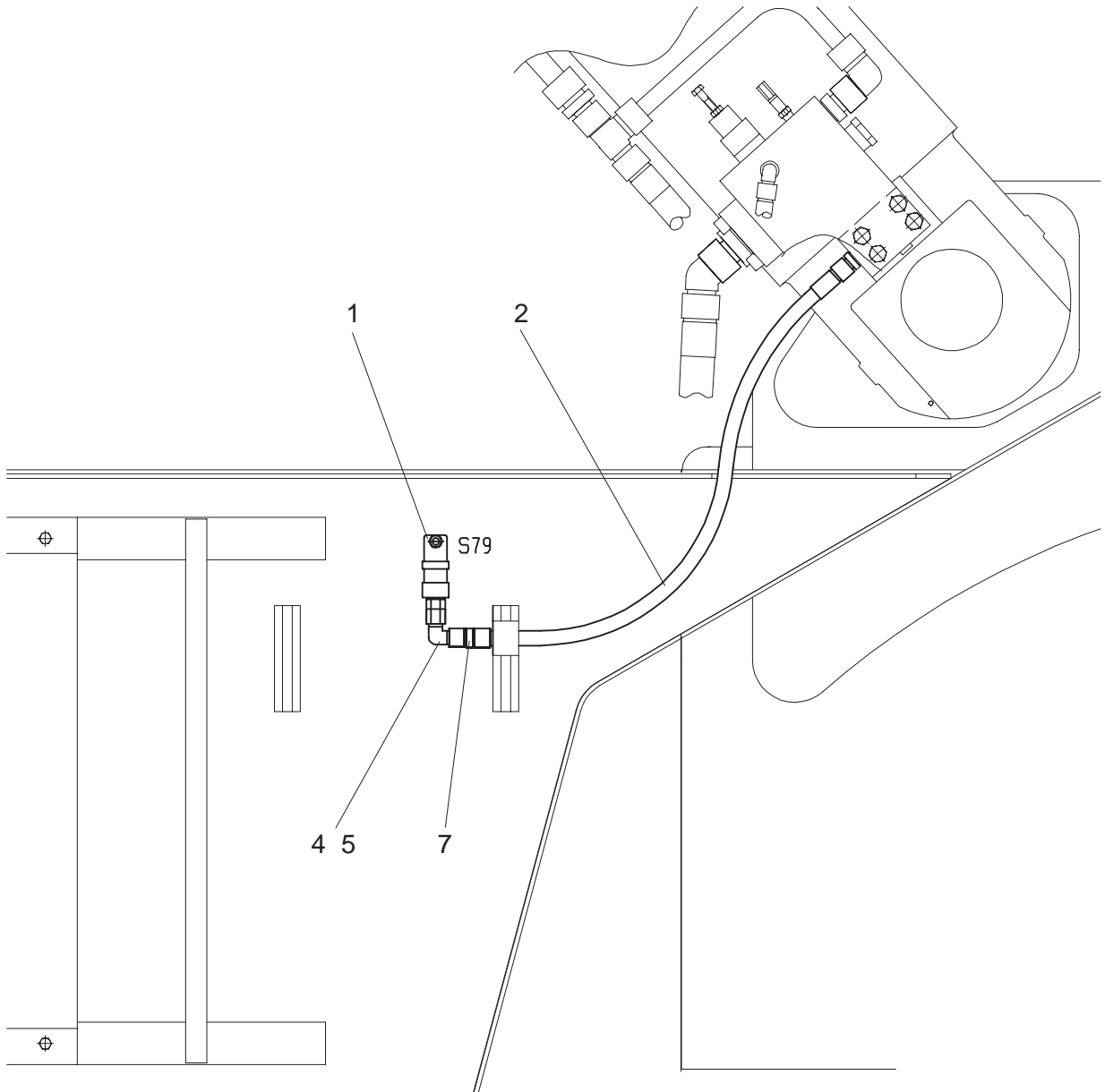
Item.	Description	Order no.	Qty	S	Notes
48	Fitting União	643485122	1		Parke 16R6XS
49	Fitting União	64255925	2		VLS62022 25JIC/R1
50	Fitting União	64345725	3		VLS62033 25JIC/1 5/16
51	Nut Porca	64163931	1		VLS620.50 30JIC
52	Fitting União	643461309	1		VLS620.37 30/ 25JIC
53	Fitting União	643445302	1		VLS620.21 30JIC/R1/ 1/4
60	Fitting União	64345720	3		VLS62033 20JIC/1 1/16
61	Fitting União	64345925	2		VLS62035 25JIC/1 5/16
62	Fitting União	643065121	1		VLS62038 25/20JIC
63	Fitting União	643445202	3		VLS62021 20JIC/R3/4
64	Fitting União	64345325	1		VLS62029 25JIC
65	Nut Porca	64163926	3		VLS620.50 25JIC
66	Fitting União	643461257	1		VLS62037 25/16JIC
67	Fitting União	64306916	1		VLS62031 25JIC
68	Fitting União	64306516	1		VLS62027 25JIC
80	Screw Parafuso	53060178	12		ISO4017 M10X20
81	Screw Parafuso	53060196	2		ISO4014 M10X110
82	Nut Porca	51010100	6		DIN985 M10
83	Screw Parafuso	58130547	4		DIN912 M12X50
88	Hose Tubo	VL5405527	1		
91	Nut Porca	64163931	1		VLS620.50 30JIC
92	Fitting União	643461309	1		VLS62037 30/25JIC





Item.	Description	Order no.	Qty	S	Notes
28	Hose Tubo	VL5405509	1	100	
33	Hose Tubo	VL5404509	1	100	
34	Hose Tubo	VL5404513	1	100	
35	Hose Tubo	VL5404524	1	100	
36	Hose Tubo	VL5404518	1	100	
43	Hose Tubo	VL5403611	1	100	
44	Hose Tubo	VL5402924	1	100	
48	Fitting União	643485122	1		Parke 16R6XS
49	Fitting União	64255925	2		VLS62022 25JIC/R1
50	Fitting União	64345725	3		VLS62033 25JIC/1 5/16
51	Nut Porca	64163931	1		VLS620.50 30JIC
52	Fitting União	643461309	1		VLS620.37 30/ 25JIC
53	Fitting União	643445302	1		VLS620.21 30JIC/R1/ 1/4
54	Fitting União	643445201	2		VLS620.21 20JIC/R1/2
55	Fitting União	64348512	1		Parke 12R6XS
56	Fitting União	64345920	2		VLS62035 20JIC/1 1/16
57	Fitting União	64348528	1		Parke TT4XS20-1/4
58	Nut Porca	64163920	1		VLS620.50 20JIC
59	Fitting União	64332191	1		EMA3/R1/4-ED/A3C
60	Fitting União	64345720	3		VLS62033 20JIC/1 1/16
61	Fitting União	64345925	2		VLS62035 25JIC/1 5/16
62	Fitting União	643065121	1		VLS62038 25/20JIC
63	Fitting União	643445202	3		VLS62021 20JIC/R3/4
64	Fitting União	64345325	1		VLS62029 25JIC
65	Nut Porca	64163926	3		VLS620.50 25JIC
66	Fitting União	643461257	1		VLS62037 25/16JIC
67	Fitting União	64306916	1		VLS62031 25JIC
68	Fitting União	64306516	6		VLS62027 25JIC
69	Gasket Junta	61450147	1	100	VLS623.02 U14.7X22X1.5
70	Plug Ficha	64002608	1		DIN908 G1/4A
84	Screw Parafuso	58130465	4		DIN912 M8X40
85	Nut Porca	50410080	6		ISO4032 M8-8
88	Hose Tubo	VL5405527	1		
89	Hose Tubo	VL5404509	1		
90	Hose Tubo	VL5404519	1		
92	Fitting União	643461309	1		VLS62037 30/25JIC
93	Fitting União	643445203	1		Parke 12-16F40X-S G1
94	Fitting União	643461259	2		VLS62037 25/20JIC
95	Valve Valvula	638381605	1		Parke VCL-16F-05-A-A
96	Valve Valvula	K0808027H	1		STERL GS06-08-OON
97	Frame Estrutura de suporte	K0808028H	1		STERL LB1-0575S
98	Coil Indutora	K0808029H	1		STERL CCS-24V
99	Screw Parafuso	53060145	2		ISO4017 M8X50
100	Fitting União	64348912	1		Parke 45A 12V6XS1.1/16-12
101	Fitting União	64348916	1		Parke 45A 16V6XS1.5/16-12

Page Página 8	Module Módulo KV03-0117	Date Data 00-03-16	Description Descrição Pressure switch/ lift	
----------------------------	--------------------------------------	---------------------------------	--	--





Description
Descrição
Pressure switch/ lift

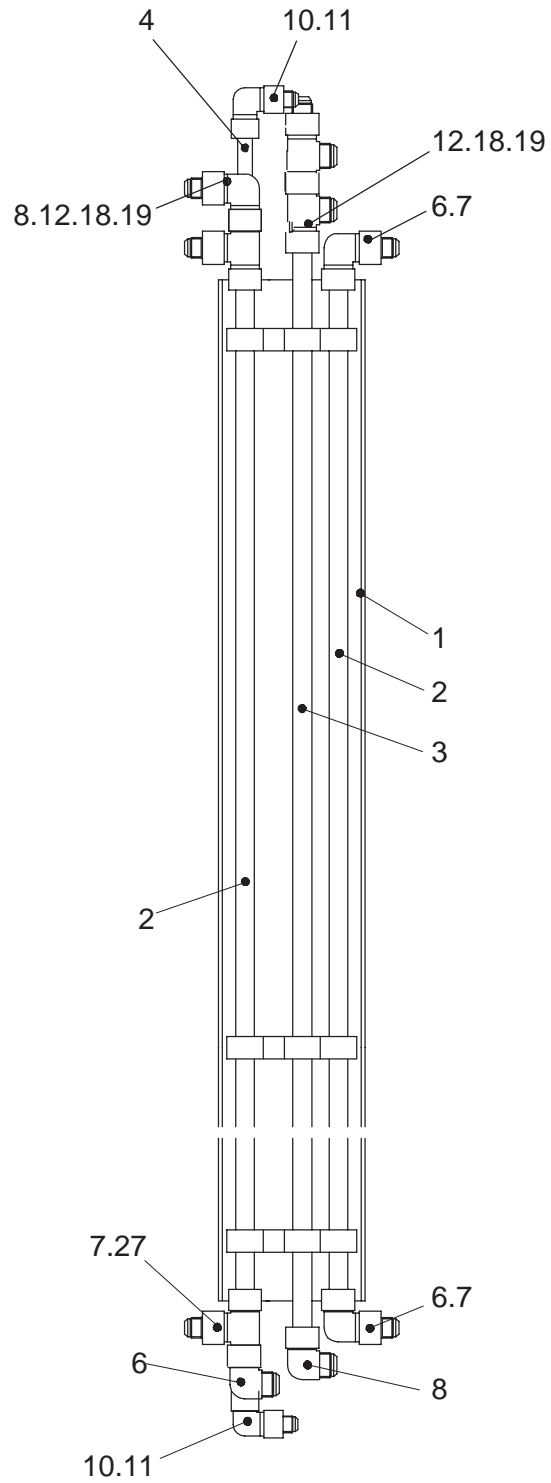


Date
Data
00-03-16

Module
Módulo
KV03-0117

Page
Página
9

Item.	Description	Order no.	Qty	S	Notes
1	Pressure switch Interruptor de pressão	65238773	1		181-46003-1 90bar
2	Hose Tubo	VL5400012	1		
4	Fitting União	64345710	1		VLS62029 10JIC
5	Measuring connector Ligação para manómetros	64348521	1		PARKE 6TT4XS
7	Fitting União	K5680131	1		





Description
Descrição
Hydraulics for frame

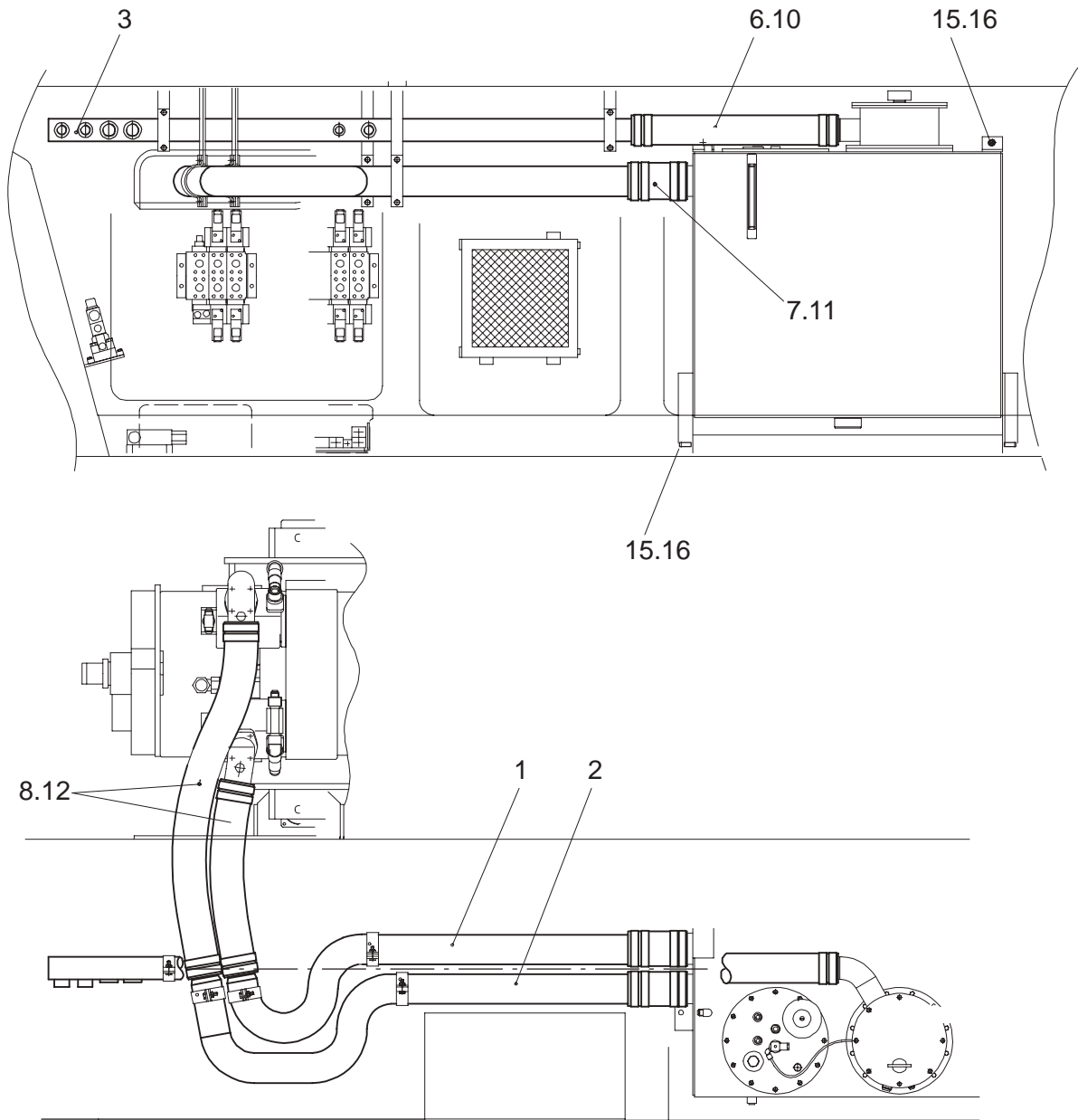


Date
Data
00-03-15

Module
Módulo
KV03-0117

Page
Página
11

Item.	Description	Order no.	Qty	S	Notes
1	Housing Caixa	K5671560	1		
2	Tube Tubo	VL5532040	2		
3	Tube Tubo	VL5532140	1		
4	Tube Tubo	VL5522290	1		
6	Fitting União	64345725	3		VLS62033 25JIC/1 5/16
7	Fitting União	643065121	3		VLS62038 25/20JIC
8	Fitting União	64345325	2		VLS62029 25JIC
10	Fitting União	64345720	2		VLS62033 20JIC/1 1/16
11	Fitting União	643065101	2		VLS62038 20/16JIC
12	Fitting União	643485122	3		Parke 16R6XS
18	Nut Porca	64163926	3		VLS620.50 25JIC
19	Fitting União	643461259	3		VLS62037 25/20JIC
27	Fitting União	64345925	1		VLS62035 25JIC/1 5/16





Description
Descrição
Hydraulics for frame




Date
Data
98-02-02

Module
Módulo
KV03-0117

Page
Página
13


Item.	Description	Order no.	Qty	S	Notes
1	Tube Tubo	K5671170	1		
2	Tube Tubo	K5671160	1		
3	Tube Tubo	K5671270	1		
6	Hose Tubo	68512575	X		ARES HEL075
7	Hose Tubo	68512597	X		VLS61604 100 L=200MM
8	Hose Tubo	68510289	X		MALMÖ 090
10	Clip Grampo	60282794	4		NORMA S-94/25
11	Clip Grampo	602827915	8		NORMA S-115/25
12	Clip Grampo	60282796	8		KERKO 2R105
15	Screw Parafuso	53060220	4		ISO4017 M12X25
16	Washer Anilha	50032120	4		DIN1440 12

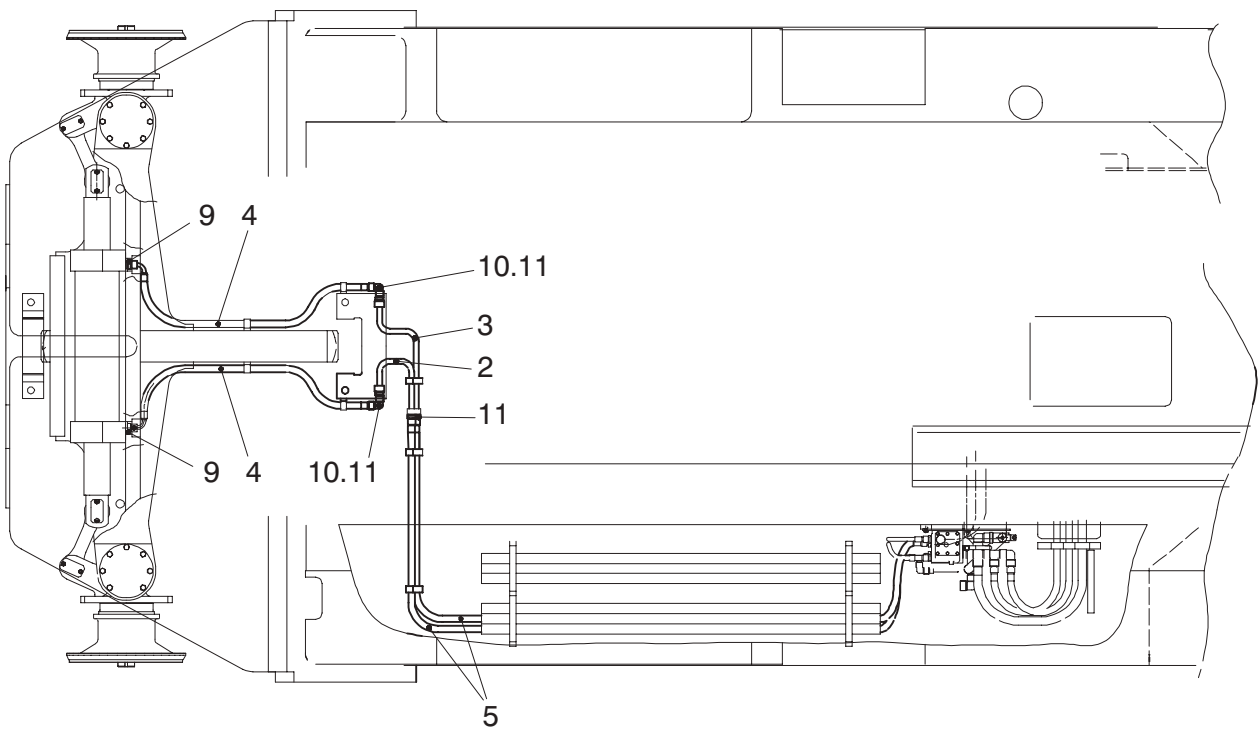
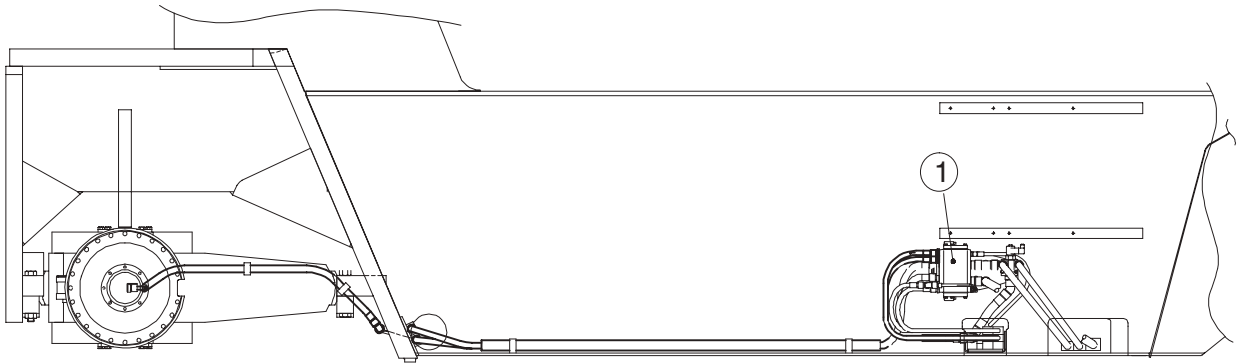
	Revision Revisão	<input type="checkbox"/>	Date Data 00-03-16	Module Módulo KV03-0118	Page Página 1/7
--	---------------------	--------------------------	---------------------------------	--------------------------------------	------------------------------

KV03-0118

Hydr. equipment for steering device

Equipamento hidráulico do sistema de direção

Page Página 2	Module Módulo KV03-0118	Date Data 00-03-15	Description Descrição Hydr.tubing for steer.	
----------------------------	--------------------------------------	---------------------------------	---	--





Description
Descrição
Hydr.tubing for steer.



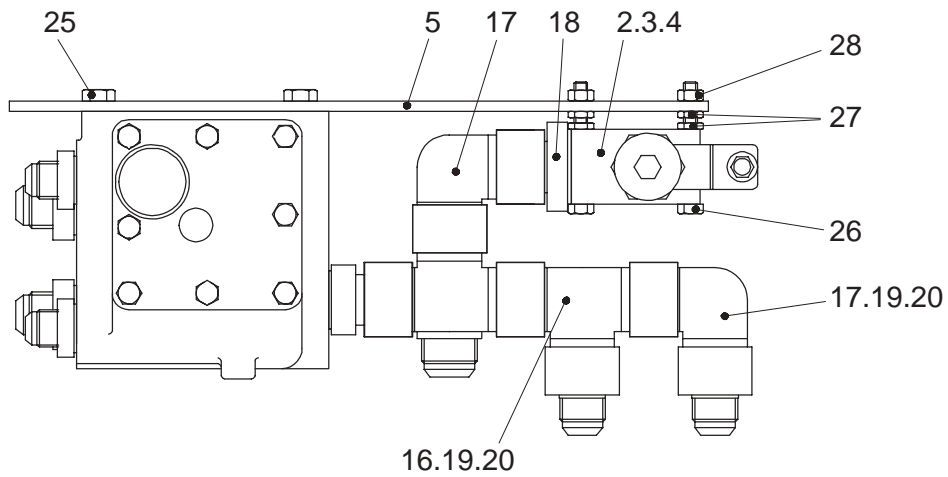
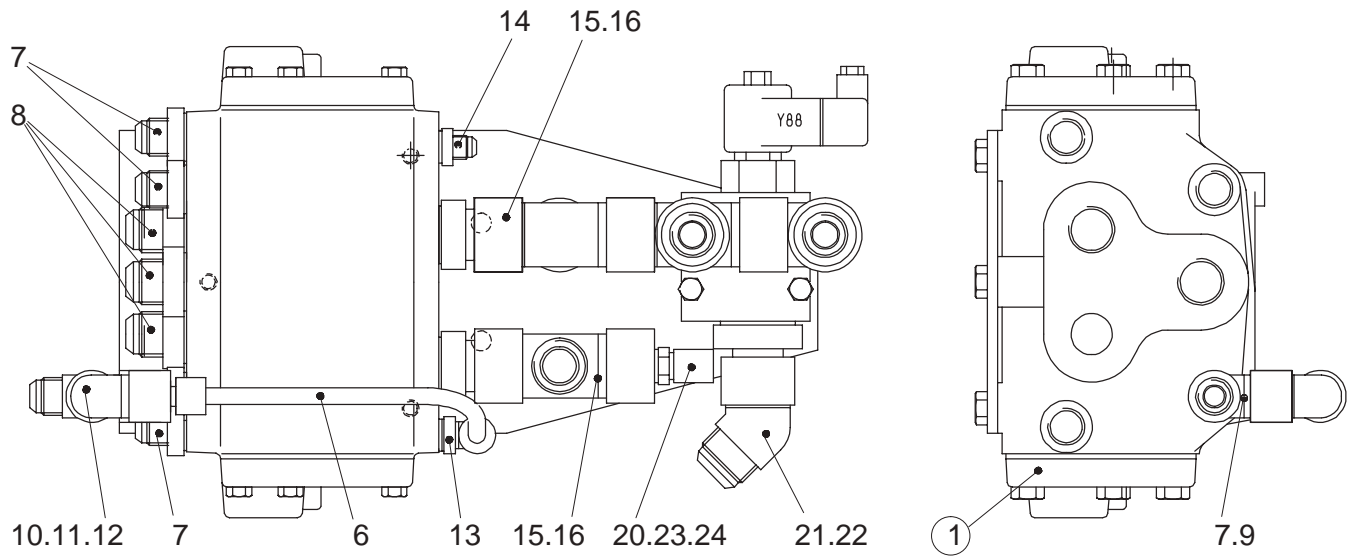
Date
Data
00-03-15

Module
Módulo
KV03-0118

Page
Página
3

Item.	Description	Order no.	Qty	S	Notes
1	Valve Valvula		1		K5671400
2	Tube Tubo	K5672110	1		
3	Tube Tubo	K5672120	1		
4	Hose Tubo	VL5405019	2		
5	Hose Tubo	VL5404545	2		
9	Fitting União	643445202	2		VLS62021 20J1C/R3/4
10	Fitting União	64345720	2		VLS62033 20JIC/1 1/16
11	Fitting União	643065121	4		VLS62038 25/20JIC

Page Página 4	Module Módulo KV03-0118	Date Data 93-01-12	Description Descrição Valve	
----------------------------	--------------------------------------	---------------------------------	--	--





Description
Descrição
Valve



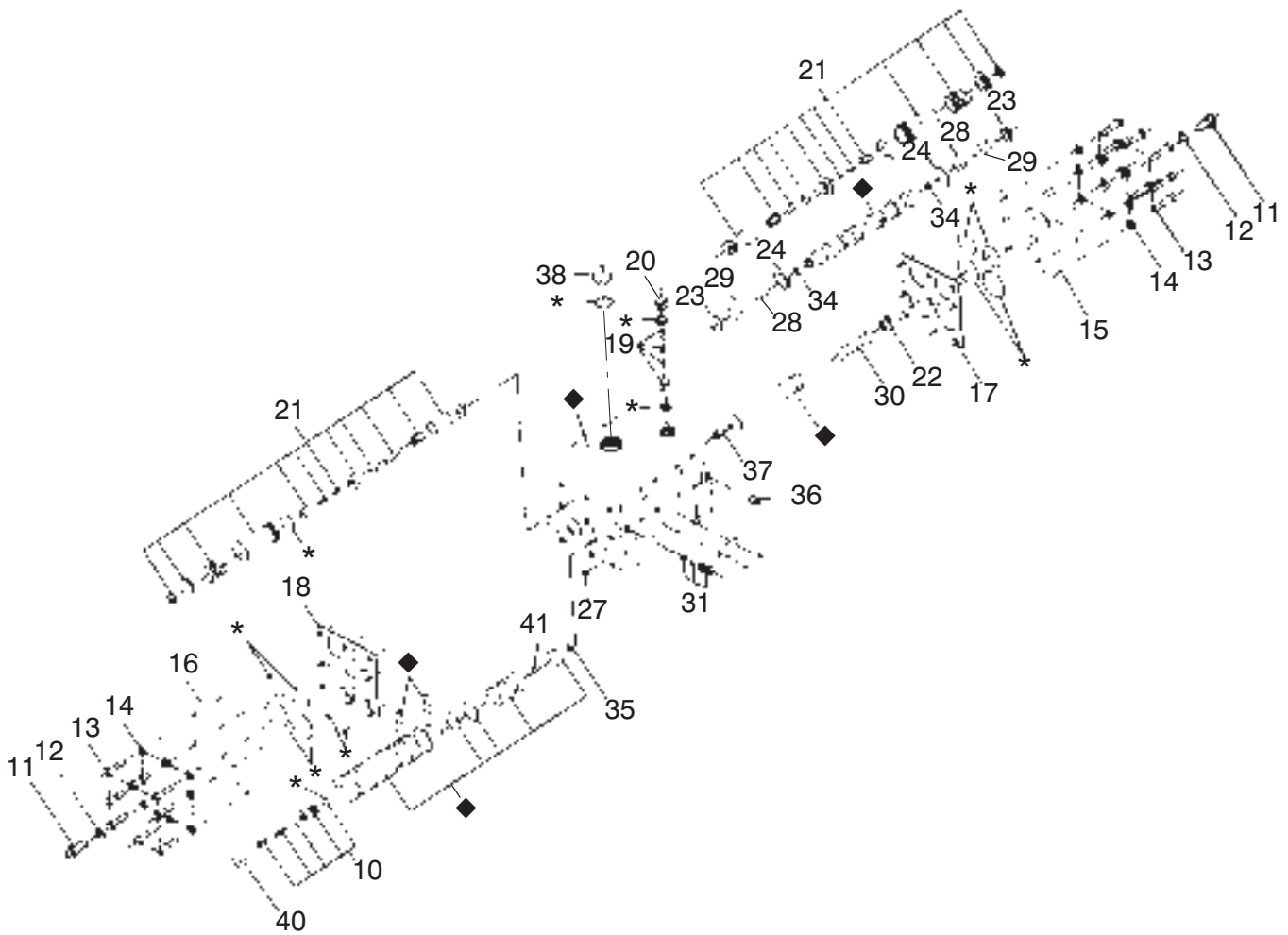
Date
Data
93-01-12

Module
Módulo
KV03-0118

Page
Página
5

Item.	Description	Order no.	Qty	S	Notes
1	Valve see page 7	T1209025H	1		Danfo OSQA5CN
2	Valve	K0808042H	1		STERL GS06-16-0-ON
3	Coil	K0808029H	1		STERL CCS-24V
4	Frame	K0808028	1		STERL LB1-0575S
5	Plate	K5671530	1		
6	Tube	K5671540	1		
7	Fitting	643445162	4		VLS620.21 20JIC/R1/2
8	Fitting	643445202	3		VLS620.21 20JIC/R3/4
9	Fitting	643485102	1		Parke 10R6XS
10	Fitting	64345716	1		VLS620.33 16JIC/7/8-14
11	Fitting	643461163	1		VLS620.37 16/10JIC
12	Nut	64163910	1		VLS620.50 16JIC
13	Fitting	643449101	1		VLS620.25 10JIC/R1/4
14	Fitting	643445101	1		VLS620.21 10JIC/R1/4
15	Fitting	643445251	2		VLS620.21 25JIC/R3/4
16	Fitting	643485122	3		Parke 16R6XS
17	Fitting	64345725	2		VLS620.33 25/1 5/16JIC
18	Fitting	64255925	1		VLS620.22 25JIC/R1
19	Fitting	642461259	2		VLS620.37 25/20JIC
20	Nut	64163926	3		VLS620.50 25JIC
21	Fitting	643445252	1		VLS620.21 25JIC/R1
22	Fitting	64348916	4		Parke 45A 16V6XS1.5/16-12
23	Measuring connector Ligação para manómetros	64348529	1		Parke 16TT4XS25-1/4
24	Measuring connector Ligação para manómetros	64332191	1		EMA 3/R1/4-ED/A3C
25	Screw	53060178	3		ISO4017 M10X20
26	Screw	53160149	2		ISO4014 M8X70
27	Nut	50510080	4		ISO4035 M8-04
28	Nut	51010080	2		DIN985 M8

Page Página	Module Módulo	Date Data	Description Descrição	
6	KV03-0118	99-08-27	Valve	





Description
Descrição
Valve




Date
Data
99-08-27

Module
Módulo
KV03-0118

Page
Página
7

Item.	Description	Order no.	Qty	S	Notes
1	Valve Valvula	T1209025H	1		Danfo OSQA5CN 150F0041
10	Valve Valvula	804106736	1		Danfo 150F0245
11	Screw Parafuso	804106737	2		Danfo 681X1150
12	Washer Anilha	804106738	2		Danfo 684X9010
13	Screw Parafuso	804301231	16		Danfo 681X1578
14	Washer Anilha	804106739	16		Danfo 684X9062
15	Cover Tampa	804106740	1		Danfo 150F0405
16	Cover Tampa	804106741	1		Danfo 150F0406
17	Plate Placa	804106742	1		Danfo 150F0439
18	Plate Placa	804106743	1		Danfo 150F0438
19	Valve Valvula	804106744	1		Danfo 150F0252
20	Plug Ficha	804106745	1		Danfo 631X2026
21	Valve Valvula	804106746	1		Danfo 150F0252
22	Retainer Retentor	804106747	1		Danfo 150F0422
23	Retainer Retentor	804106748	2		Danfo 150F0430
24	Guide Guia	804106749	2		Danfo 150F0429
27	Nozzle Bico injector	804106750	1		Danfo 150F0426
28	Spring Mola	804106751	2		Danfo 663X1031
29	Spring Mola	804106752	2		Danfo 663X1033
30	Spring Mola	804106753	1		Danfo 663X1030
31	Valve Valvula	804106754	1		Danfo 150F0478
32	Plug Ficha	804106755	1		Danfo 631X2036
33	Washer Anilha	804106756	1		Danfo 684X2120
34	Nozzle Bico injector	804106757	2		Danfo 155B8308
35	Nozzle Bico injector	804106758	1		Danfo 155B8308
36	Nozzle Bico injector	804106759	1		Danfo 150F0456
38	Plug Ficha	804106760	1		Danfo 150F0506
40	Spring Mola	804106761	1		Danfo 663X1032
41	Spring Mola	804106762	1		Danfo 663X1028
*	Gasket set Jogo juntas	804106962	1		Danfo 150F0278

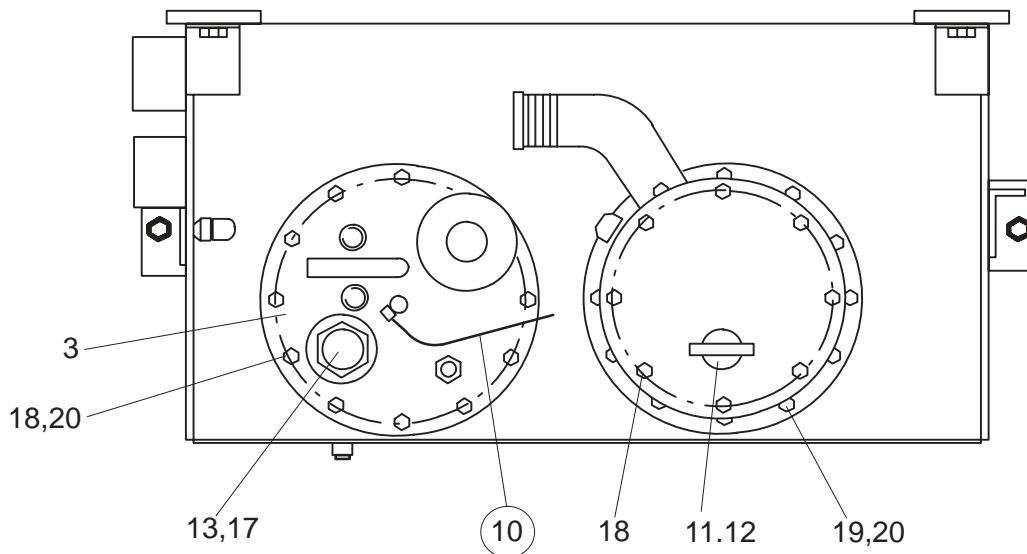
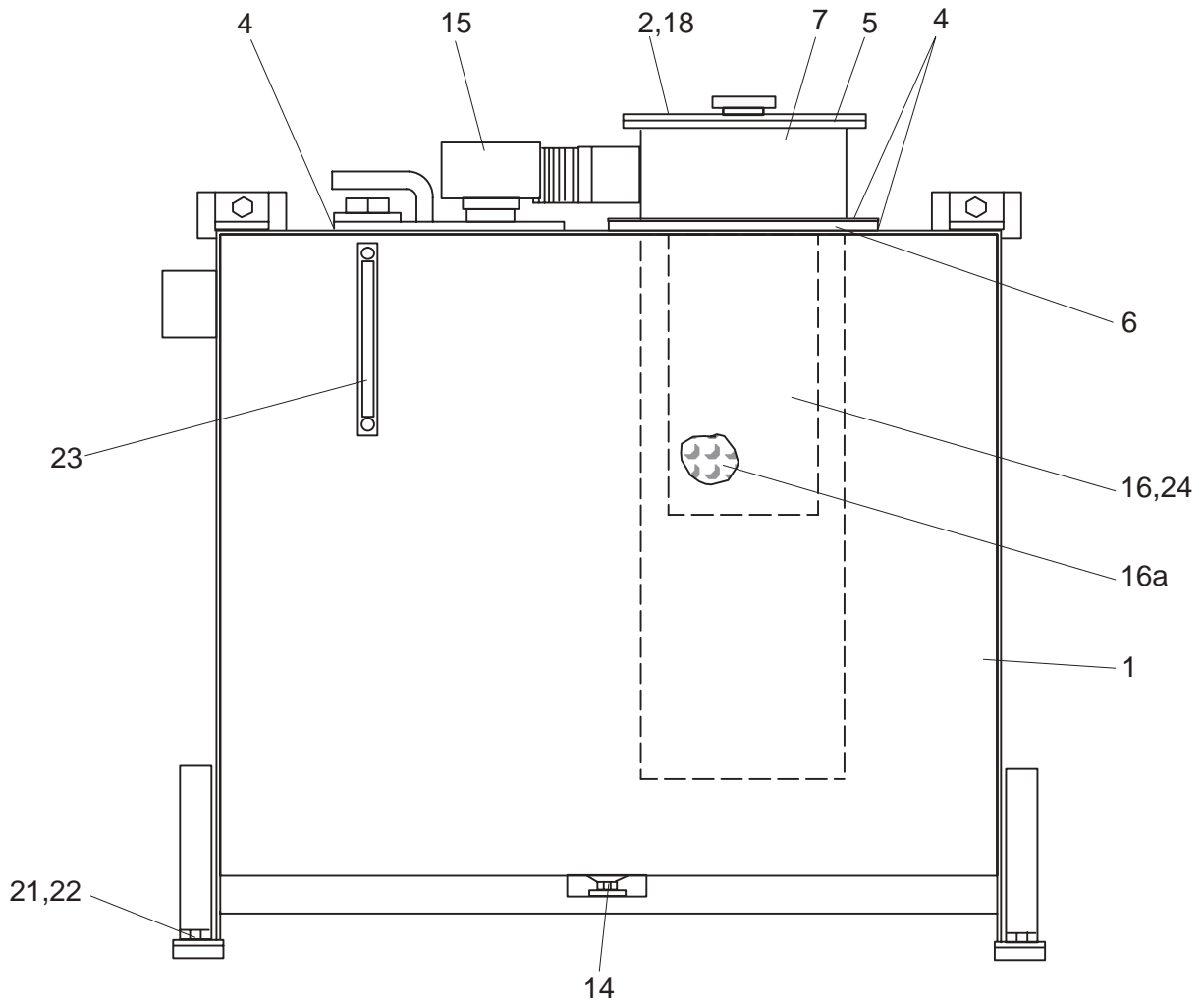
◆) Not spare part
)

	Revision Revisão VOK47/00-09-12	<input type="checkbox"/>	Date Data 98-10-06	Module Módulo KV03-0102	Page Página 1/5
--	--	--------------------------	---------------------------------	--------------------------------------	------------------------------

KV03-0102

Hydr. tank

Reservatório de óleo hidráulico





Description
Descrição
Hydr. tank, compl.

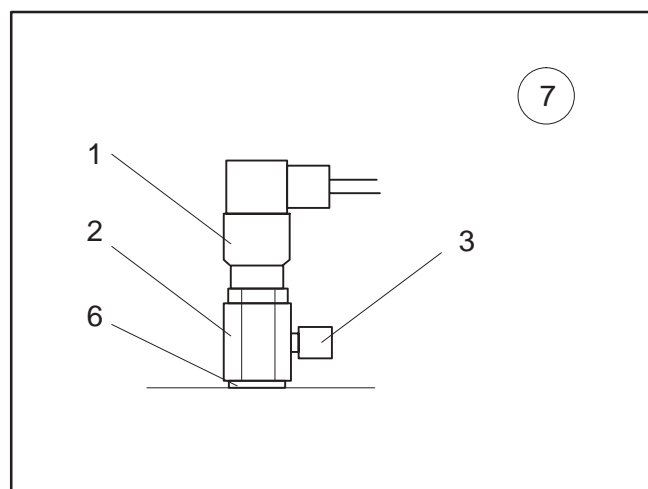
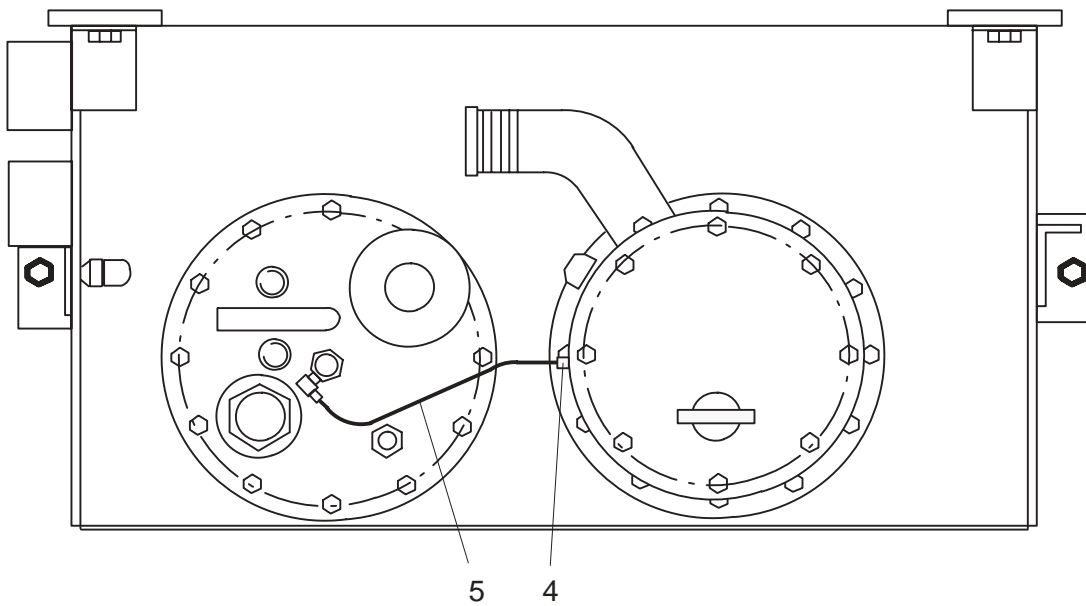



Date
Data
99-08-26

Module
Módulo
KV03-0102

Page
Página
3

Item.	Description	Order no.	Qty	S	Notes
1	Container Deposito	K5671310	1		
2	Cover Tampa	K5181050	1		
3	Cover Tampa	T5516770	1		
4	Gasket Junta	T5014410	3		
5	Gasket Junta	T5014420	1	06	
6	Tube Tubo	T5506870	1		
7	Flange União	T5506880	1		
10	Switch Interruptor see page 5		1		
11	Plug Ficha	T5516800	1		
12	Gasket Junta	61450427	1	100	VLS623.02 U42.7X53X3
13	Gasket Junta	T3209050H	1	100	2" kupariasbesti
14	Plug Ficha	730000610	1		NO 61 M22x1.5 kartio
15	Breather Respirador	T1001012H	1		Finnf FF2025.F025-X52
16	Filter Filtro	K1001059H	1		Finnf FFP AVL-21113-10
16a	Filter element Elemento de filtro	K1001060H	1		Finnf FFP AVL-11113-10
17	Plug Ficha	64002650	1		DIN908ST G 2 A
18	Screw Parafuso	53060138	20		ISO4017 M8x20 8.8
19	Screw Parafuso	53060143	12		ISO4017 M8x40 8.8
20	Seal ring Vedante	61588141	24	06	DIN7603 8x11.5
23	Graduated glass Vidro graduado	63865254	1		Hytar LM254-1T
24	Gasket set Jogo juntas	804107072	1		Parker 918045040



		Description Descrição Indicator	<input type="checkbox"/>	Date Data 93-01-12	Module Módulo KV03-0102	Page Página 5
Item.	Description	Order no.	Qty	S	Notes	
1	Switch Interruptor	T1009067H	1		Finne	FPC E1050919010
2	Fitting União	T1009066H	1		Finne	FPC 1050910003
3	Fitting União	64120006	1		DIN2353	GL 6
4	Fitting União	64104006	1		DIN2353	BLL 6
5	Tube Tubo	68585903	x			PA11 6x3
6	Gasket Junta	61450107	1			VLS 623.02 U 10.7x18x1.5
**7	Signal light module Módulo da luz de sinalização	K5167140	1			

x) Order as required (min. delivery length hoses 1 m, pipes 3 m).
x)

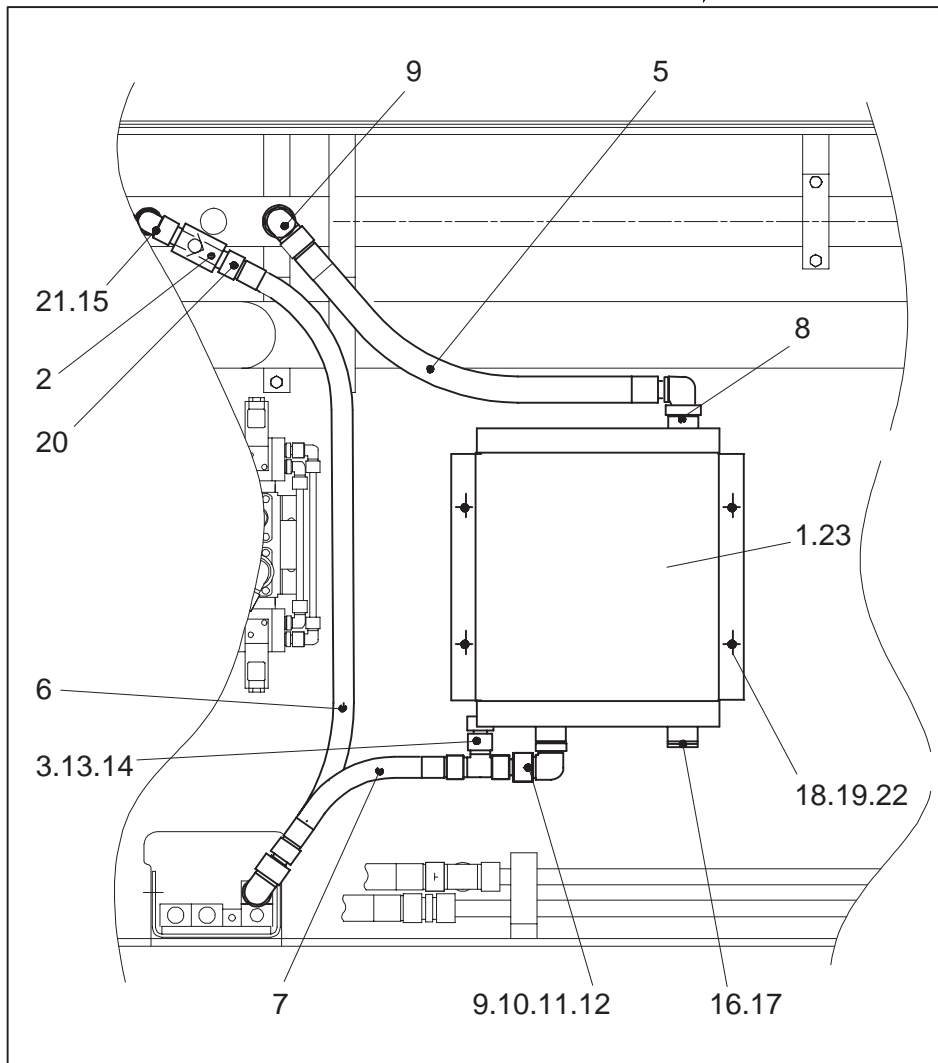
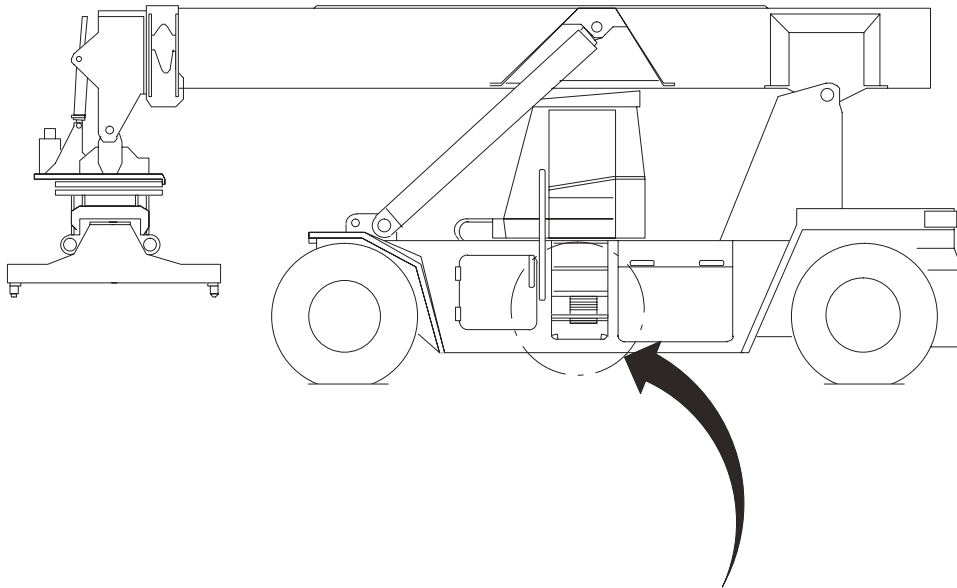
**) See cabin module
**)

KV03-0103

Oil cooler

Radiateur de óleo

Page Página	Module Módulo	Date Data	Description Descrição	
2	KV03-0103	98-09-01	Oil cooler	





Description
Descrição
Oil cooler



Date
Data
98-09-01

Module
Módulo
KV03-0103

Page
Página
3

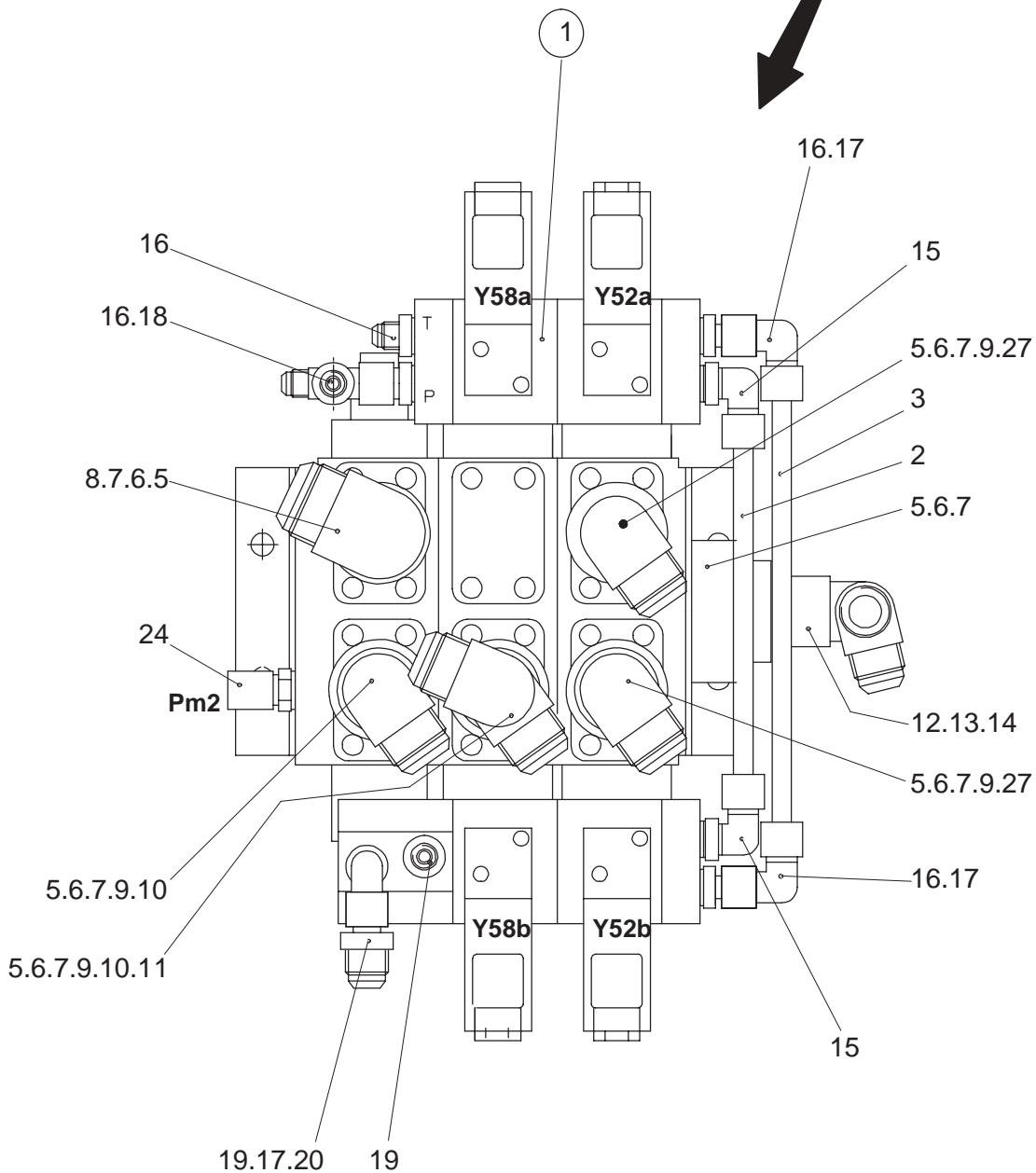
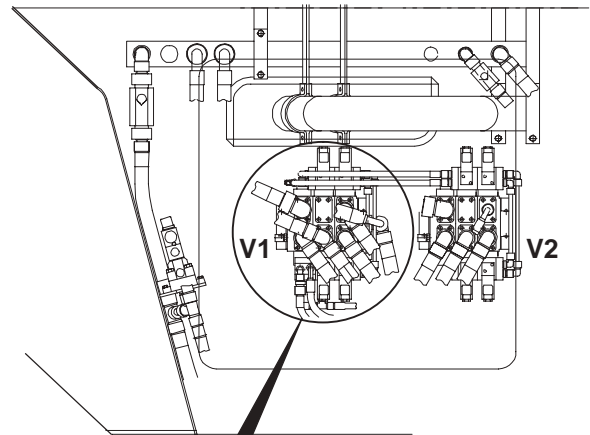
Item.	Description	Order no.	Qty	S	Notes	
1	Oil cooler	Radiador de oleo	T1302017H	1	400	OLAER TBBBBBD-16-24V
2	Valve	Valvula	T0808067H	1		REXRO S20A5X 5BAR
3	Thermoswitch	Interruptor termico	65238838	1	200	TK-70 R1/4
4	Shield	Proteccão	K5671710	1		
5	Hose	Tubo	VL5406012	1	100	
6	Hose	Tubo	VL5404516	1	100	
7	Hose	Tubo	VL5404510	1	100	
8	Fitting	União	643445252	1		VLS62021 25JIC/R1
9	Fitting	União	643449252	2		VLS62025 25JIC/R1
10	Nut	Porca	64163926	1		VLS62050 25JIC
11	Fitting	União	643461259	1		VLS62037 25/20JIC
12	Fitting	União	64348512	1		Parke 12R6X-S
13	Nut	Porca	64163920	1		VLS62050 20JIC
14	Measuring connector Ligação para manómetros		64348528	1		Parke TT4XS20-1/4
15	Fitting	União	64345720	1		VLS62033 20JIC/1 1/16
16	Plug	Ficha	64002625	1		DIN908 R1
17	Gasket	Junta	61450343	1	100	U 34.3x43x2
18	Screw	Parafuso	53060221	4		SFS2064 M12x30
19	Nut	Porca	51010120	4		DIN985 M12
20	Fitting	União	643445203	1		Parke 12-16F40X
21	Fitting	União	64255921	1		VLS62022 20JIC/R3/4
22	Washer	Anilha	50012120	4		DIN125 13
23	Fan, compl	Ventilador, compl.	806601600	1		T&B VA01-24



KV03-0119

Hydr.valve

Válvula hidráulica





Description
Descrição
I-valve, compl.

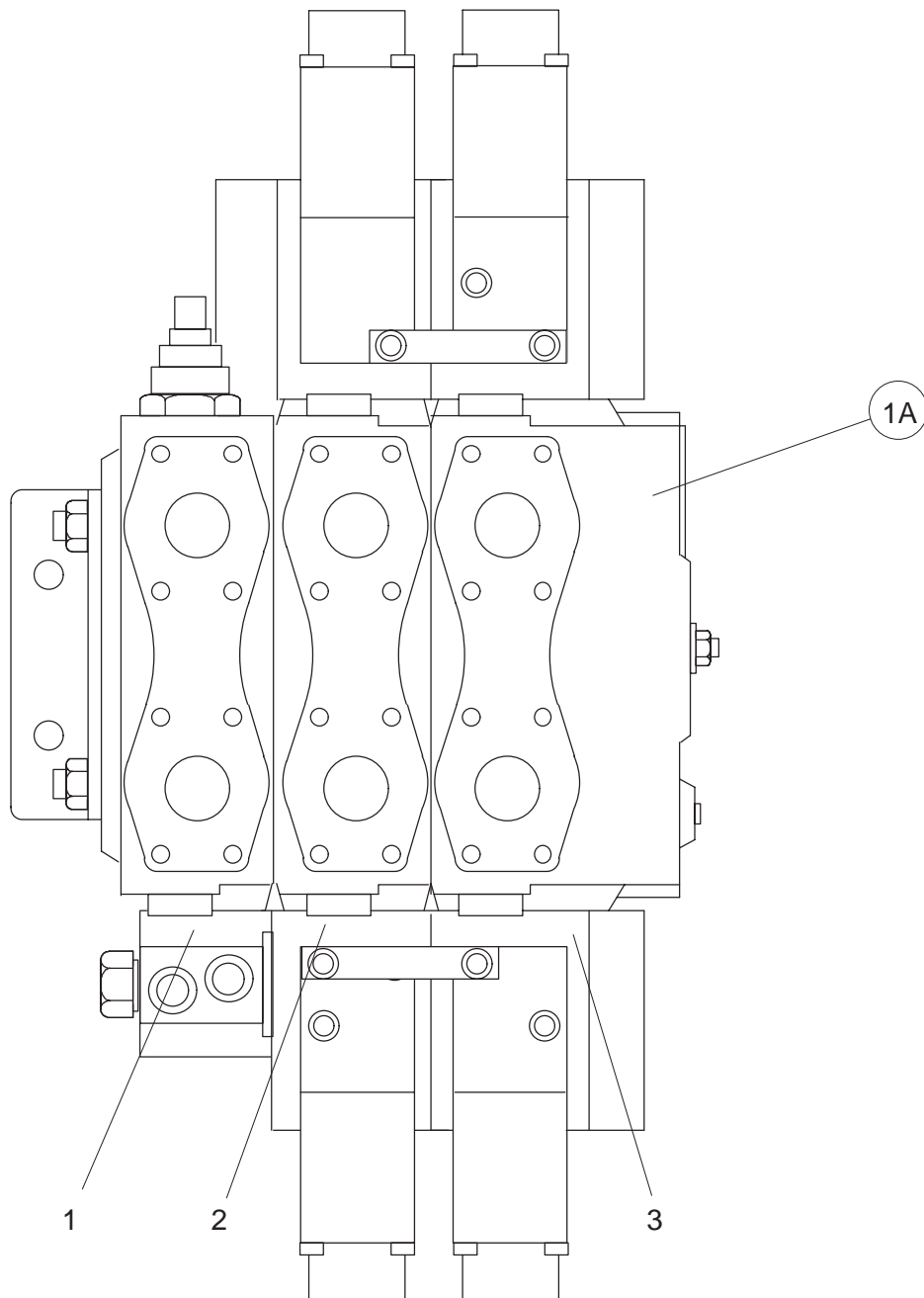


Date
Data
00-03-15

Module
Módulo
KV03-0119

Page
Página
3

Item.	Description	Order no.	Qty	S	Notes
1	Valve compl. Válvula compl. see page 5-17	K0808071H	1		VOAC HV08-20213C
2	Tube Tubo	T5635141	1		
3	Tube Tubo	T5635142	1		
5	Fitting União	K5132250	6		
6	Gasket Junta	61450343	6	100	U34,3x43x2
7	Screw Parafuso	58190502	24		SFS2219 M10x25
8	Fitting União	643449301	1		VLS62025 30JIC/R1
9	Fitting União	643445252	4		VLS62021 25JIC/R1
10	Fitting União	64345725	2		LS62033 25JIC/1 5/16
11	Fitting União	643485122	1		Parke 16-R6X-S
12	Fitting União	643445203	1		Parke 12-16F40X-S G1
13	Fitting União	64345720	1		VLS62033 25JIC/1 5/16
14	Fitting União	64348512	1		Parke 12R6XS
15	Fitting União	643449101	2		VLS62025 10JIC/R1/4
16	Fitting União	643445101	4		VLS62021 10JIC/R1/4
17	Fitting União	64345710	3		VLS62033 10JIC/9/16-18
18	Fitting União	643485101	1		Parke 6R6XS
19	Fitting União	642559101	2		VLS62022 10/R1/4
20	Fitting União	643065062	2		VLS62038 16/10JIC
24	Measuring connector Ligação para manômetros	64332191	1		EMA 3/R1/4-ED/A3C
27	Fitting União	64348916	2		Parke 45A 16V6XS1.5/16-12





Description
Descrição
Valve




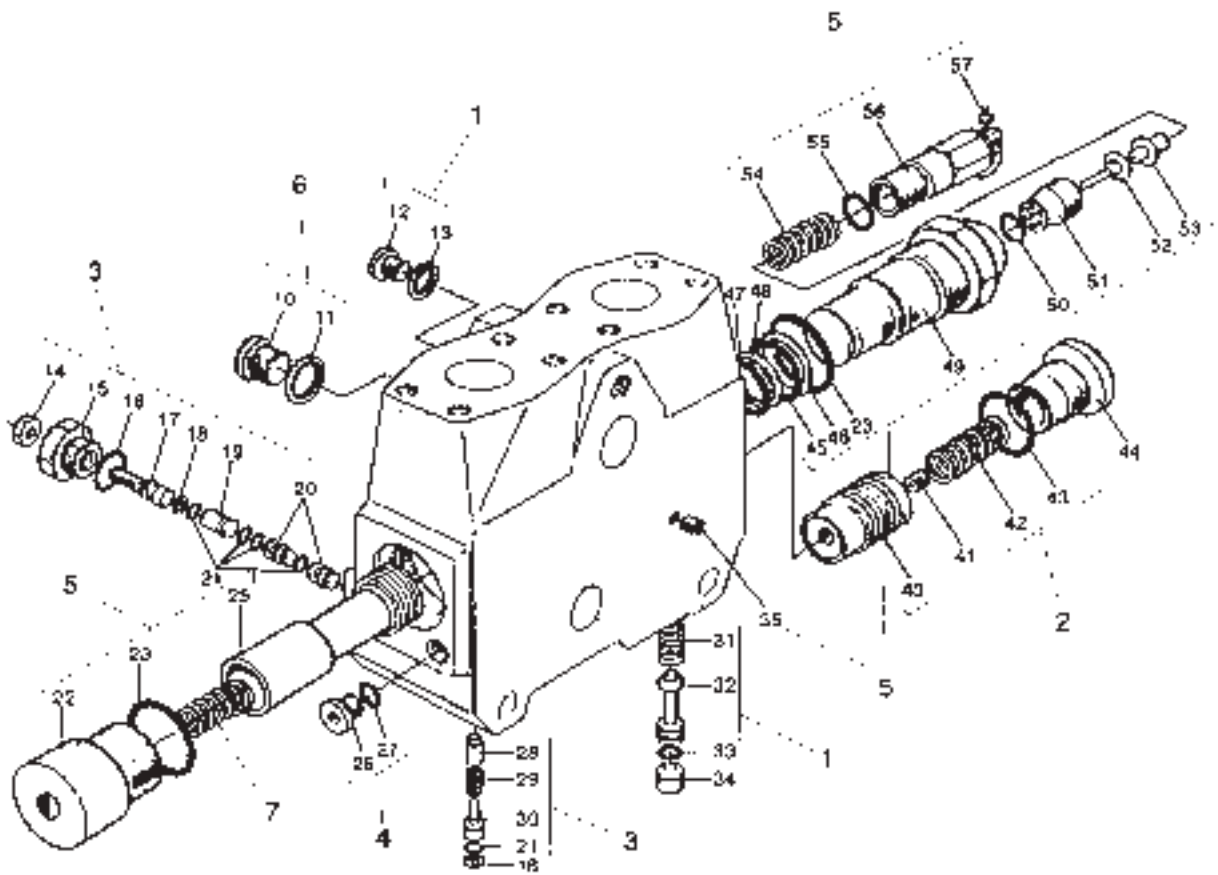
Date
Data
93-01-12

Module
Módulo
KV03-0119

Page
Página
5

Item.	Description	Order no.	Qty	S	Notes
1A	Valve compl. see page 7-17	K0808071H	1		VOAC HV08-20213C
1	Block	804106553	1		VOAC HV08-00175A
2	Block	804106552	1		VOAC HV08-00232
3	Block	804106563	1		VOAC HV08-00174

Page Página	Module Módulo	Date Data	Description Descrição	<input type="checkbox"/>
6	KV03-0119	93-01-12	Valve, compl.	





Description
Descrição
Valve, compl.



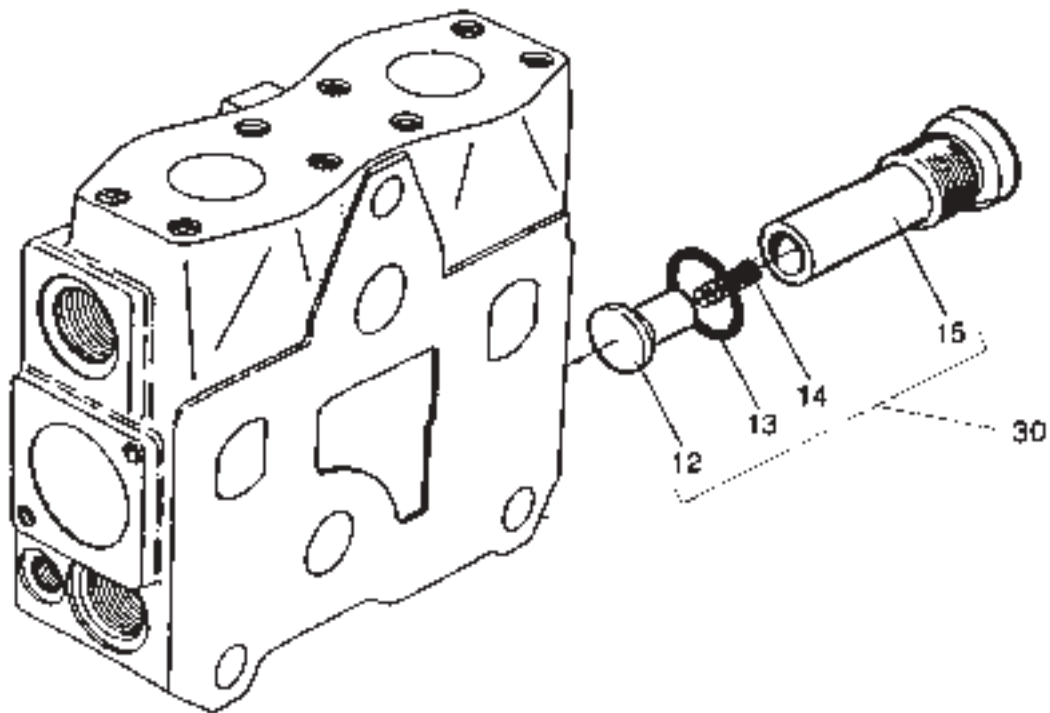
Date
Data
93-01-12

Module
Módulo
KV03-0119

Page
Página
7

Item.	Description	Order no.	Qty	S	Notes
1	Valve Valvula	804705425	1		VOAC 91200892-01
2	Valve Valvula	804705446	1		VOAC 91200892-36
3	Valve Valvula	804705433	1		VOAC 91200892-02
4	Plug Ficha	804705442	1		VOAC 91200892-23
5	Valve Valvula	804705441	1		VOAC 91215810-24
6	Plug Ficha	804705422	1		VOAC 91215810-30
7	Spring Mola	804705469	1		VOAC 91282344 19BAR
*	Gasket set Jogo juntas	804106881	1		VOAC 91256287 1kpl 91256286 1kpl 91266014 2kpl 91256045 5kpl 91256243 2kpl 91256185 1kpl 91256047 1kpl 91256990 1kpl 06632125 1kpl 91256707 1kpl 91256088 1kpl 06611521 1kpl 91256188 1kpl 91256320 1kpl

Page Página	Module Módulo	Date Data	Description Descrição	<input type="checkbox"/>	
8	KV03-0119	93-01-12	One way valve		





Description
Descrição
One way valve

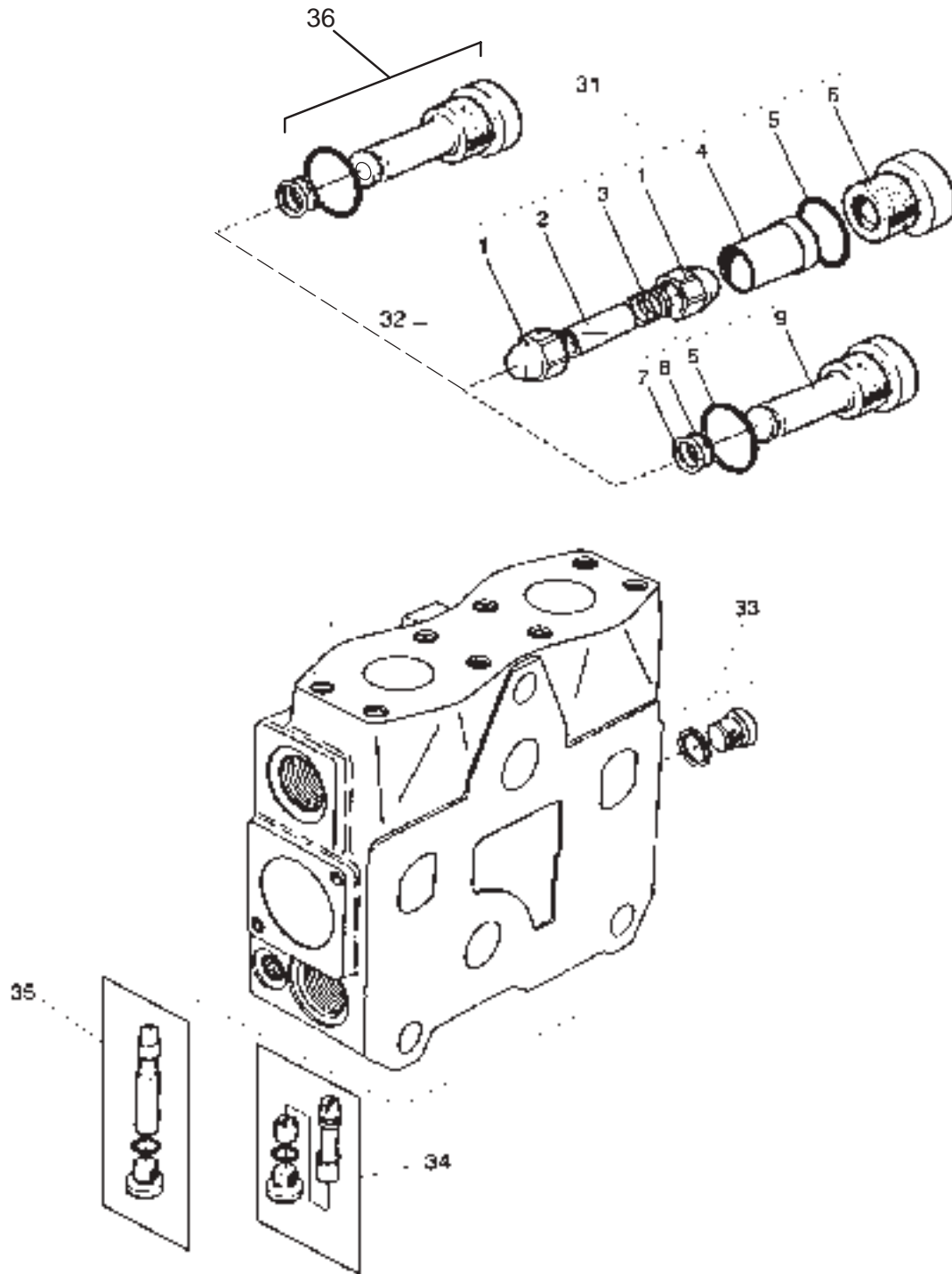


Date
Data
93-01-12

Module
Módulo
KV03-0119

Page
Página
9

Item.	Description	Order no.	Qty	S	Notes
30	Valve compl. Válvula compl.	804705450	2		VOAC 91200892-19





Description
Descrição
Valve



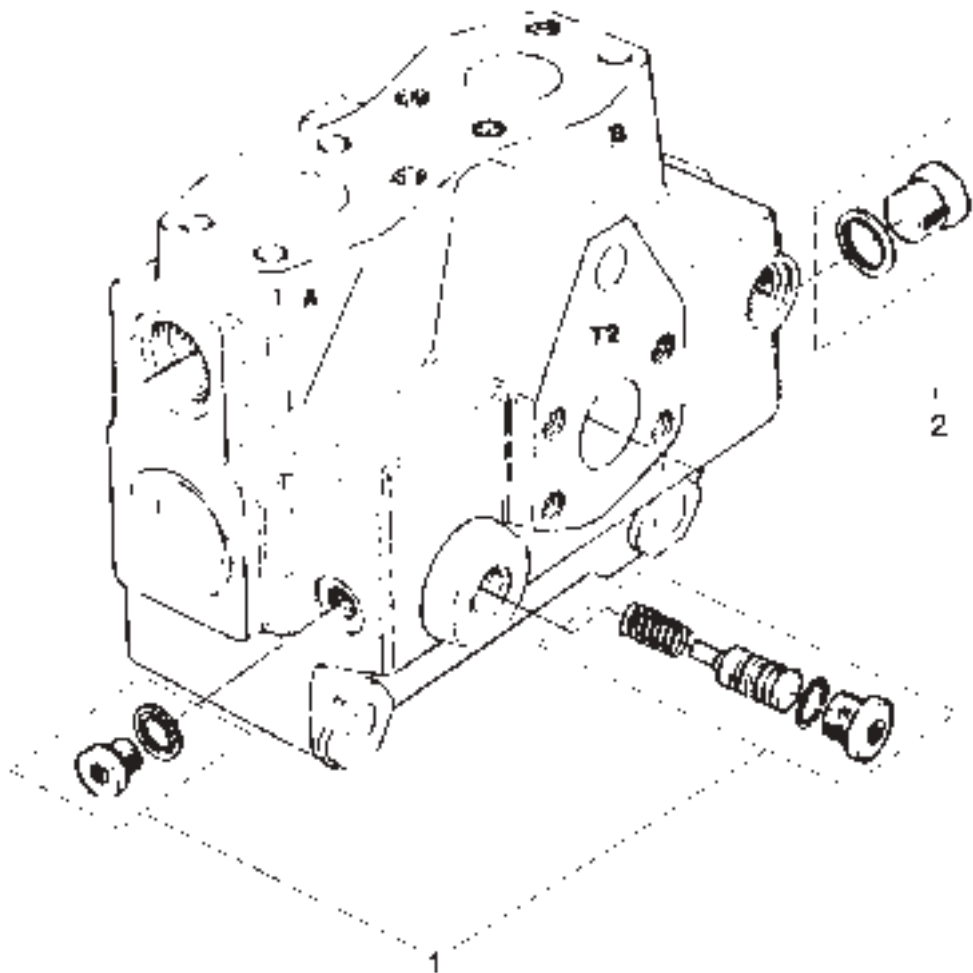
Date
Data
93-01-12

Module
Módulo
KV03-0119

Page
Página
11

Item.	Description	Order no.	Qty	S	Notes
31	Valve compl. Válvula compl.	804705452	1		VOAC 91215810-42
32	Plug Fica	804705732	3		VOAC 91215810-41
33	Plug Fica	804705442	1		VOAC 91200892-23
34	Spindle Veio	806815643	3		VOAC 91200892-34
35	Plug Fica	806815642	1		VOAC 91200892-33
36	Plug Fica	804106830	1		VOAC 38997-02
*	Gasket set Jogo juntas	804106883	1		VOAC 91256889 4kpl 06611500-23 2kpl 91256215 2kpl 91256185 6kpl

Page Página	Module Módulo	Date Data	Description Descrição	<input type="checkbox"/>	
12	KV03-0119	93-01-12	Valve		





Description
Descrição
Valve



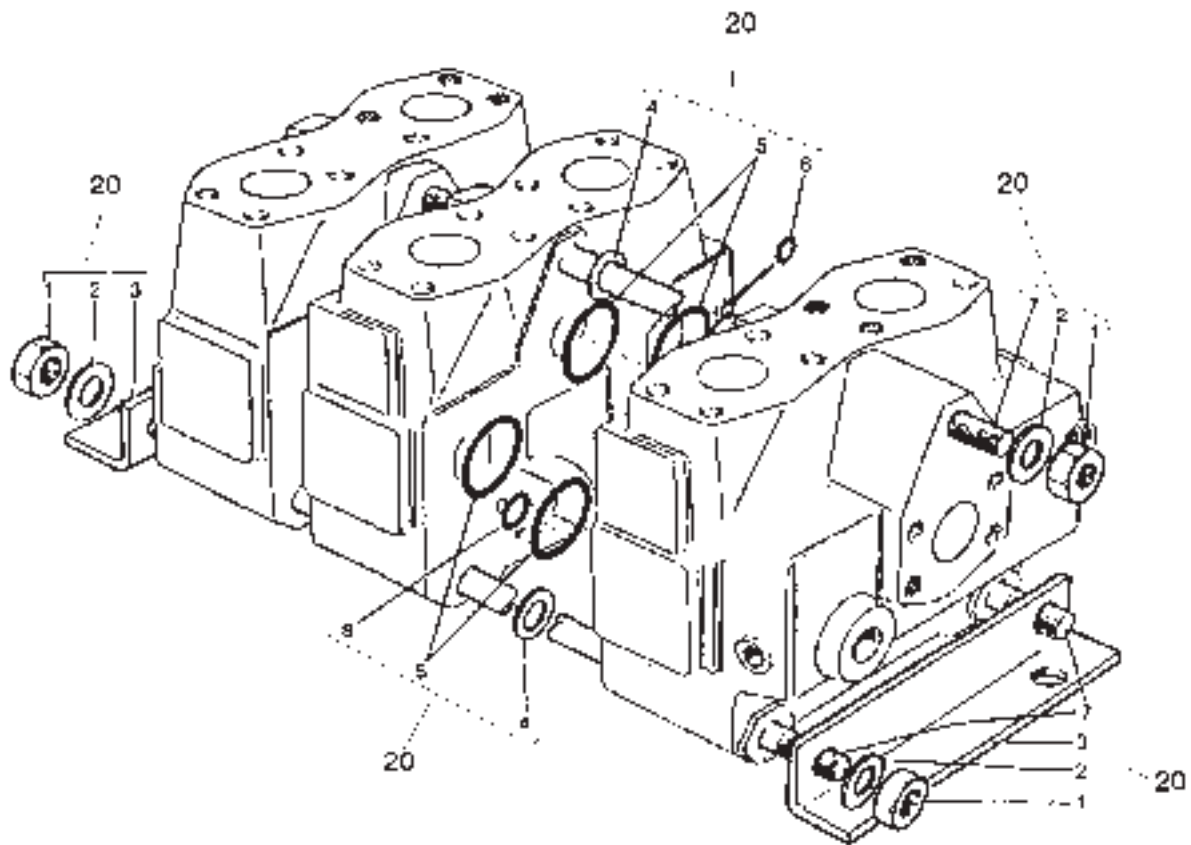
Date
Data
93-01-12

Module
Módulo
KV03-0119

Page
Página
13

Item.	Description	Order no.	Qty	S	Notes
1	Plug Ficha	804705490	3		VOAC 91215810-21
2	Plug Ficha	804705422	1		VOAC 91215810-30

Page Página 14	Module Módulo KV03-0119	Date Data 93-01-12	Description Descrição Valve	<input type="checkbox"/> Kalmar
-----------------------------	--------------------------------------	---------------------------------	--	--





Description
Descrição
Valve

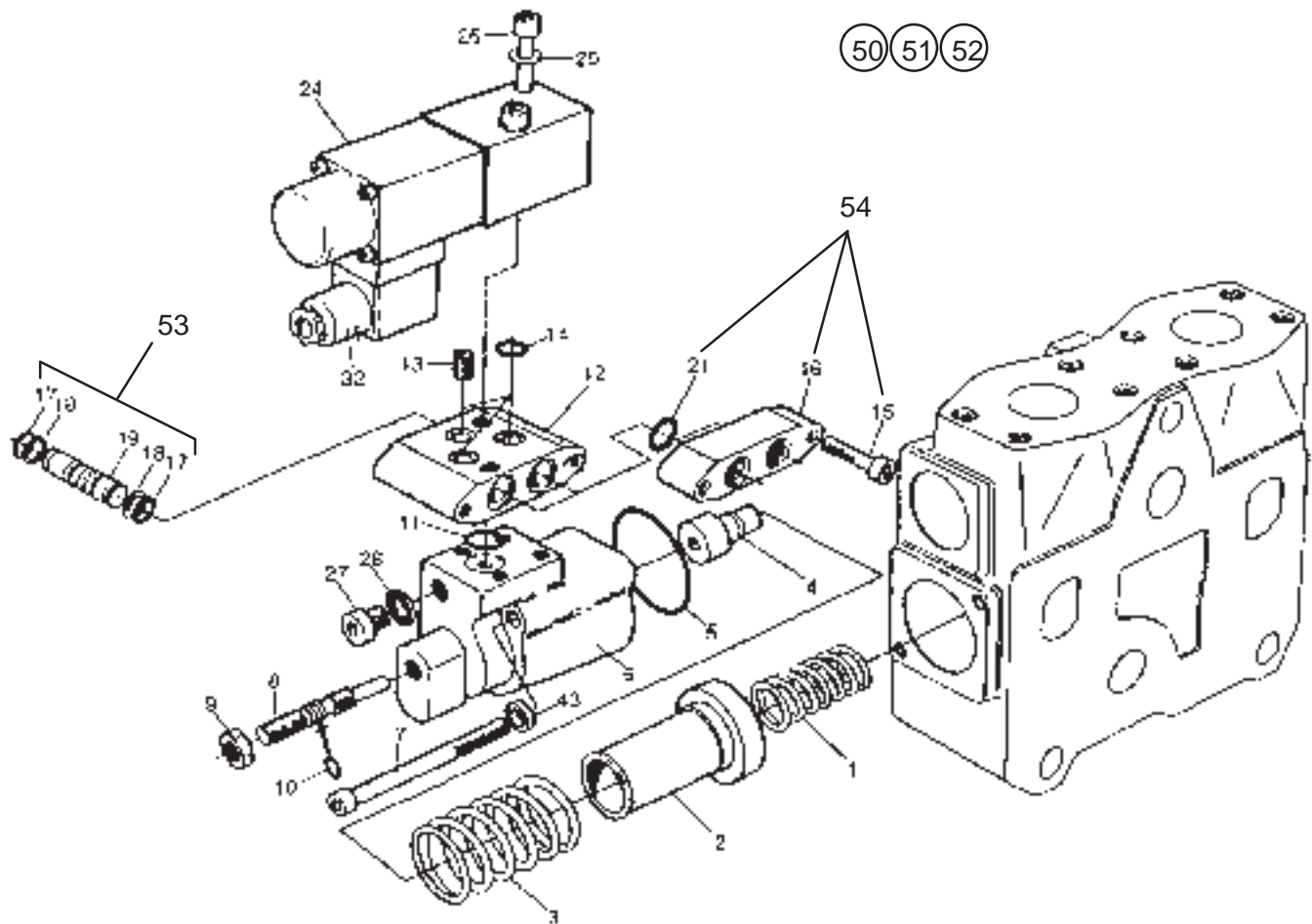



Date
Data
93-01-12

Module
Módulo
KV03-0119

Page
Página
15

Item.	Description	Order no.	Qty	S	Notes
20	Mounting set	804705781	1	100	Monsu 91200892-07
*	Gasket set	T0809139H	1		VOAC 91200892-12

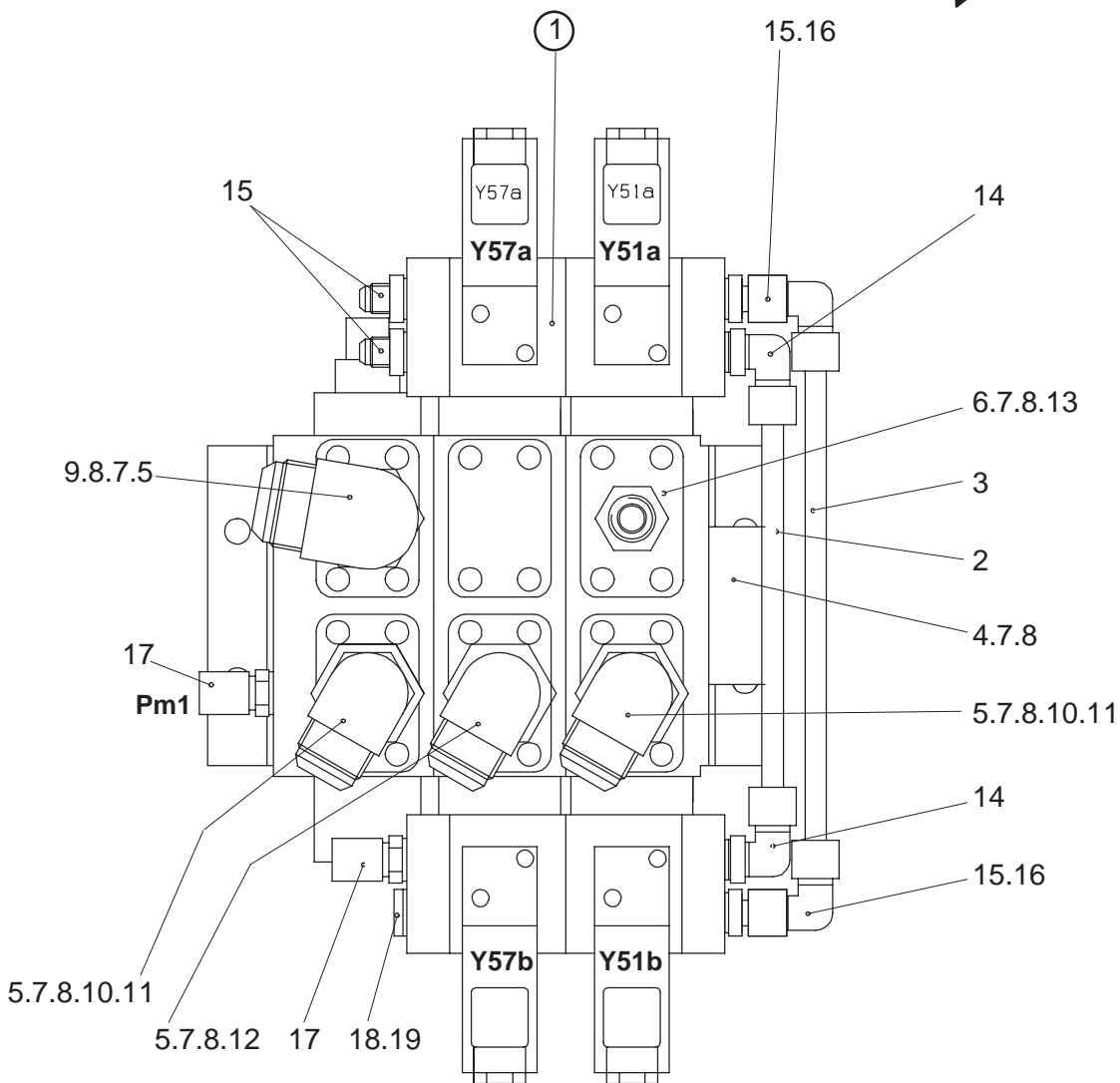
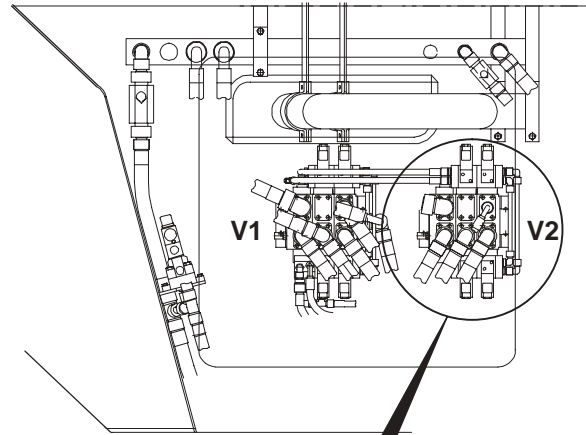


		Description Descrição Valve			<input type="checkbox"/>	Date Data 93-01-12	Module Módulo KV03-0119	Page Página 17
Item.	Description	Order no.	Qty	S	Notes			
*50	Valve compl. Válvula compl.	N0806090H	4		VOAC	PVE101-N-24		
**51	Spring set Jogo de molas	804705458	1		VOAC	91200892-58		
◆52	Cylinder Cilindro	804705461	1		VOAC	91200892-59		
53	Spindle Veio	804705472	2		VOAC	91200892-60		
54	Fitting União	804705466	1		VOAC	91200791-32		
◆◆	Gasket set Jogo juntas	804106884	1		VOAC	06632100-03 4kpl 91256045 4kpl 91256049 4kpl 91256003 12kpl 06636114 8kpl 91283315 8kpl 91256009 8kpl 91256286 4kpl		

*)incl. parts 24-26,32

***)incl. parts 1-4

◆)incl. parts 5-12,14,27,28,43





Description
Descrição
II-valve, compl.

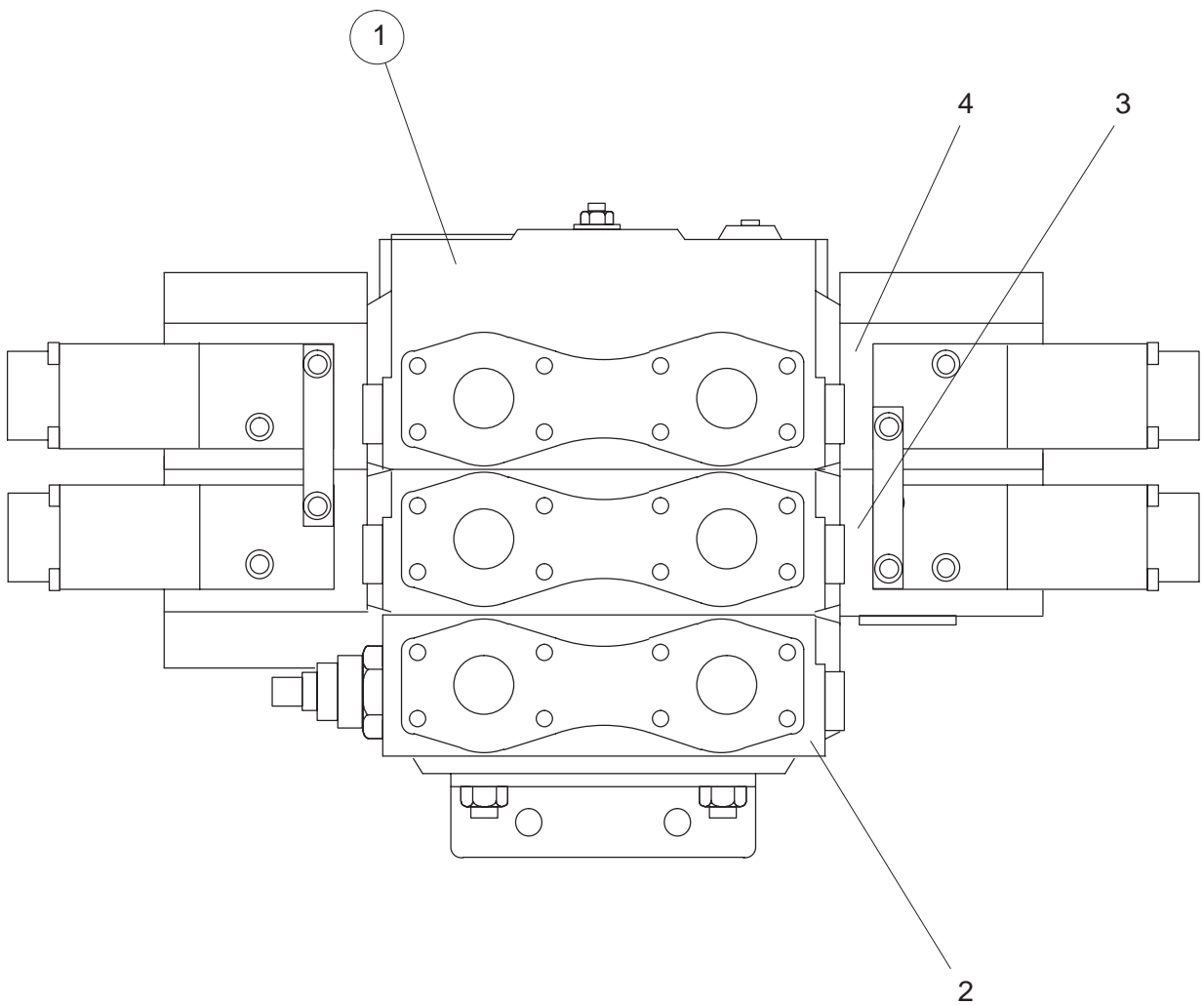


Date
Data
93-01-12

Module
Módulo
KV03-0119

Page
Página
19

Item.	Description	Order no.	Qty	S	Notes
1	Valve compl. Válvula compl. see page 21-33	K0808073H	1		VOAC HV08-20225A
2	Tube Tubo	T5635141	1		
3	Tube Tubo	T5635142	1		
4	Fitting União	K5132260	1		
5	Fitting União	K5132250	4		
6	Flange União	T5615600	1		
7	Gasket Junta	61450343	6	100	U34.3X43X2
8	Screw Parafuso	58190502	24		SFS2219 M10x25
9	Fitting União	643449301	1		VLS62025 130JIC/R1
10	Fitting União	643445252	2		VLS62021 25JIC/R1
11	Fitting União	64345725	2		VLS62033 25JIC/1 5/16
12	Fitting União	643449252	1		VLS62025 25JIC/R1
13	Fitting União	643445162	1		VLS62021 16JIC/R1/2
14	Fitting União	643449101	2		VLS62025 10JIC/R1/4
15	Fitting União	643445101	4		VLS62021 10JIC/R1/4
16	Fitting União	64345710	2		VLS62033 10JIC/9/16-18
17	Measuring connector Ligação para manómetros	64332191	2	75	Mall.A:R 1/4"/M16x2/WD
18	Gasket Junta	61450147	1	100	VLS62302 U14.7X22X1.5
19	Plug Ficha	64002608	1		DIN908 G1/4A





Description
Descrição
Valve

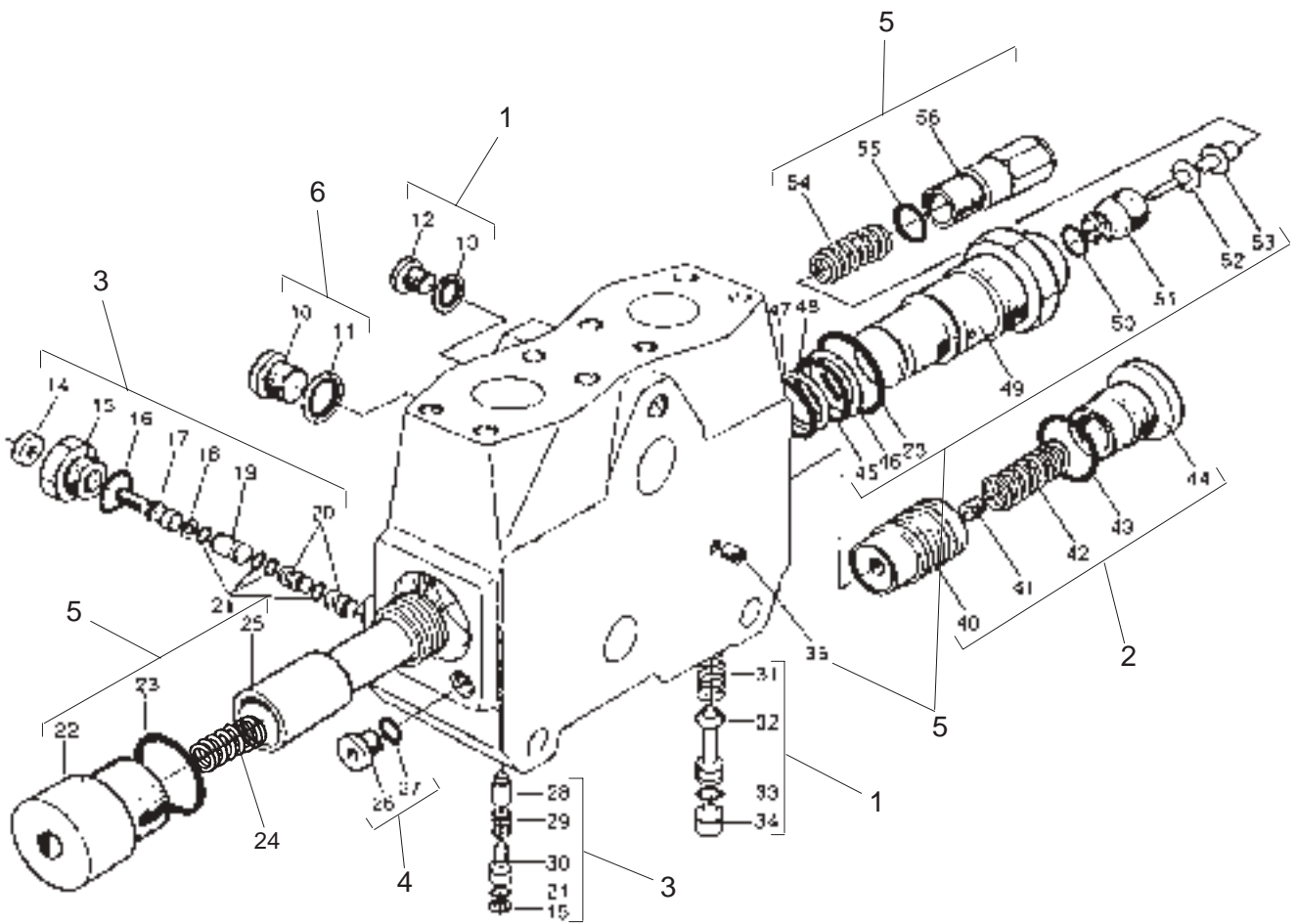


Date
Data
93-01-12

Module
Módulo
KV03-0119

Page
Página
21

Item.	Description	Order no.	Qty	S	Notes
1	Valve compl. Válvula compl. see page 23-33	K0808073H	1		VOAC HV08-2119
2	Block Bloco	804106553	1		VOAC HV08-00175A
3	Block Bloco	804106800	1		VOAC HV08-00306
4	Block Bloco	804106801	1		VOAC HV08-00307





Description
Descrição
Valve, compl.

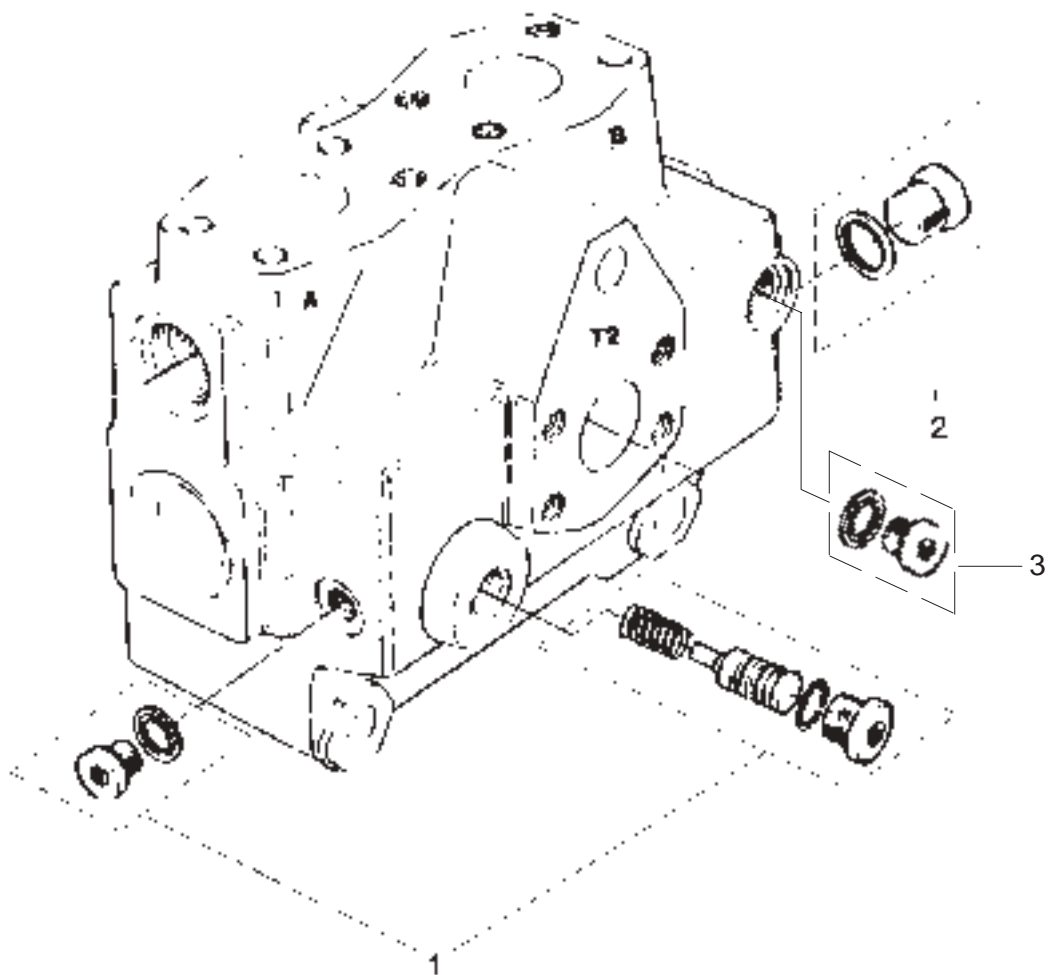


Date
Data
93-01-12

Module
Módulo
KV03-0119

Page
Página
23

Item.	Description	Order no.	Qty	S	Notes
1	Valve Valvula	804705425	1		Monsu 91200892-01
2	Valve Valvula	804705446	1		Monsu 91200892-36
3	Valve Valvula	804705433	1		Monsu 91200892-02
4	Plug Ficha	804705442	1		Monsu 91200892-23
5	Valve Valvula	804705441	1		Monsu 91215810-24 (ei sis.pos.24)
6	Plug Ficha	804705422	1		Monsu 91215810-30
24	Spring Mola	804106803	1		Parker 91282344
*	Gasket set Jogo juntas	804106881	1		VOAC 91256287 1kpl 91256286 1kpl 91266014 2kpl 91256045 5kpl 91256243 2kpl 91256185 1kpl 91256047 1kpl 91256990 1kpl 06632125 1kpl 91256707 1kpl 91256088 1kpl 06611521 1kpl 91256188 1kpl 91256320 1kpl





Description
Descrição
Valve



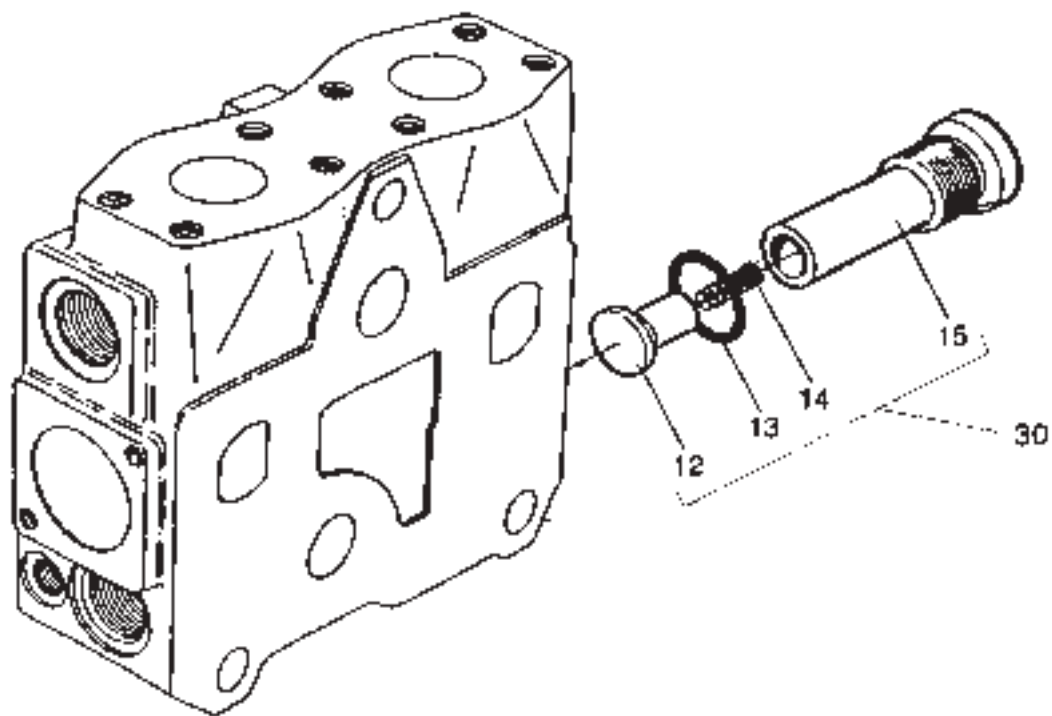
Date
Data
93-01-12

Module
Módulo
KV03-0119

Page
Página
25

Item.	Description	Order no.	Qty	S	Notes
1	Plug Ficha	804705490	3		VOAC 91215810-21
2	Plug Ficha	804705422	1		VOAC 91215810-30
3	Plug Ficha	804106802	1		Parker 91200892-25

Page Página 26	Module Módulo KV03-0119	Date Data 93-01-12	Description Descrição One way valve	<input type="checkbox"/> 
-----------------------------	--------------------------------------	---------------------------------	--	---





Description
Descrição
One way valve

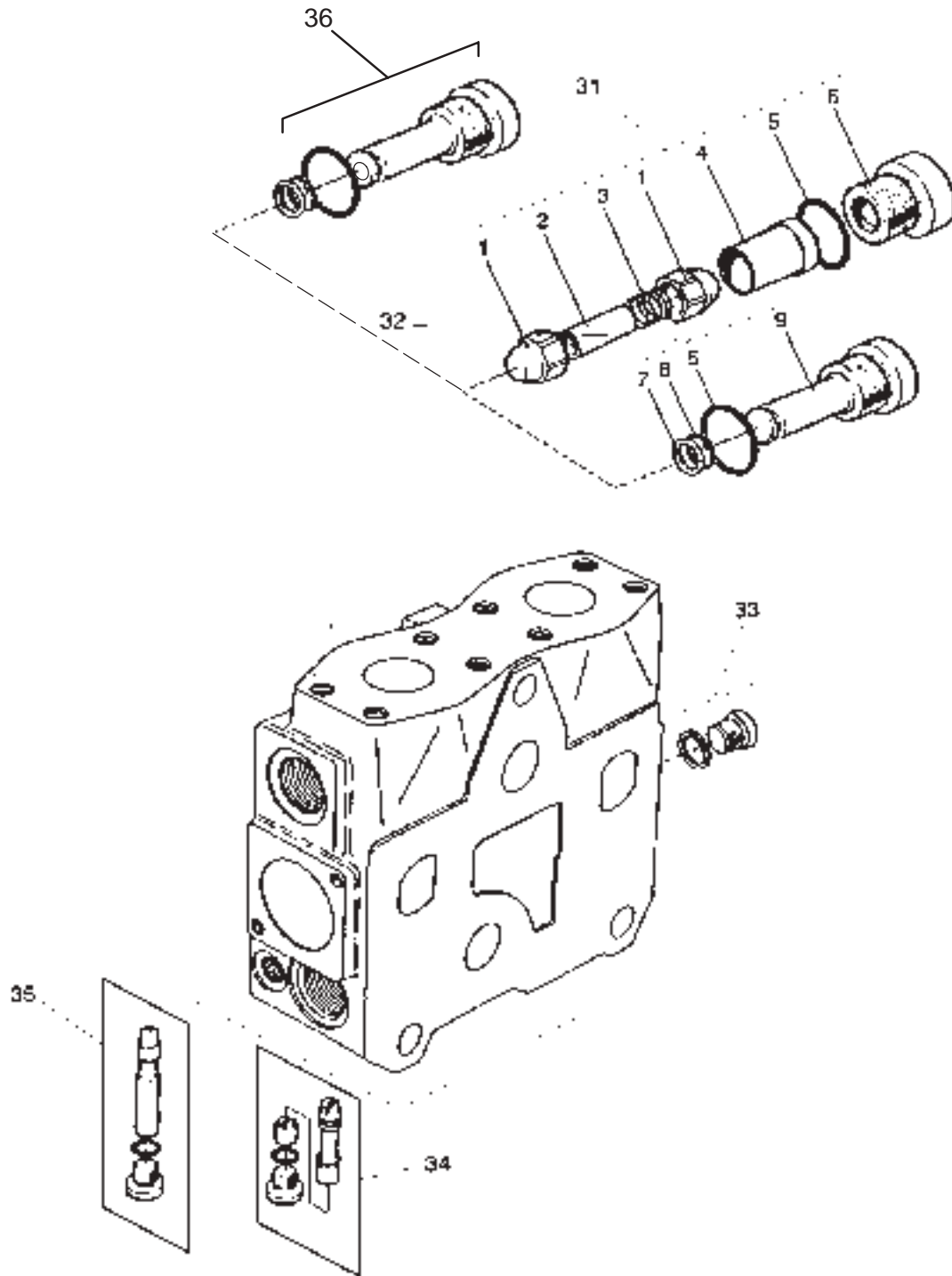


Date
Data
93-01-12

Module
Módulo
KV03-0119

Page
Página
27

Item.	Description	Order no.	Qty	S	Notes
30	Valve compl. Válvula compl.	804705450	2		VOAC 91200892-19





Description
Descrição
Valve



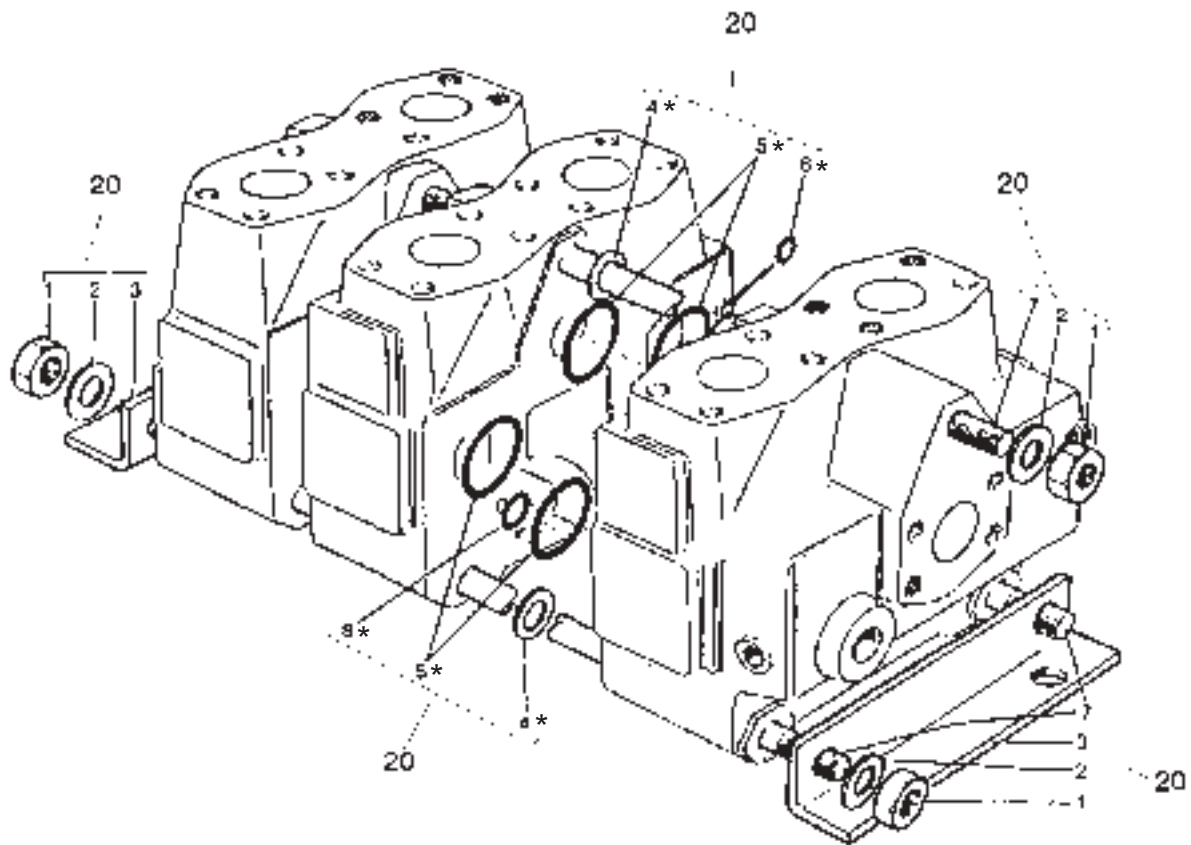
Date
Data
93-01-12

Module
Módulo
KV03-0119

Page
Página
29

Item.	Description	Order no.	Qty	S	Notes
31	Valve compl. Válvula compl.	804705452	1		VOAC 91215810-42
32	Plug Fica	804705732	3		VOAC 91215810-41
33	Plug Fica	804705442	1		VOAC 91200892-23
34	Spindle Veio	806815643	3		VOAC 91200892-34
35	Plug Fica	806815642	1		VOAC 91200892-33
36	Plug Fica	804106830	1		VOAC 38997-02
*	Gasket set Jogo juntas	804106883	1		VOAC 91256889 4kpl 06611500-23 2kpl 91256215 2kpl 91256185 6kpl

Page Página	Module Módulo	Date Data	Description Descrição	<input type="checkbox"/>	
30	KV03-0119	93-01-12	Valve		





Description
Descrição
Valve

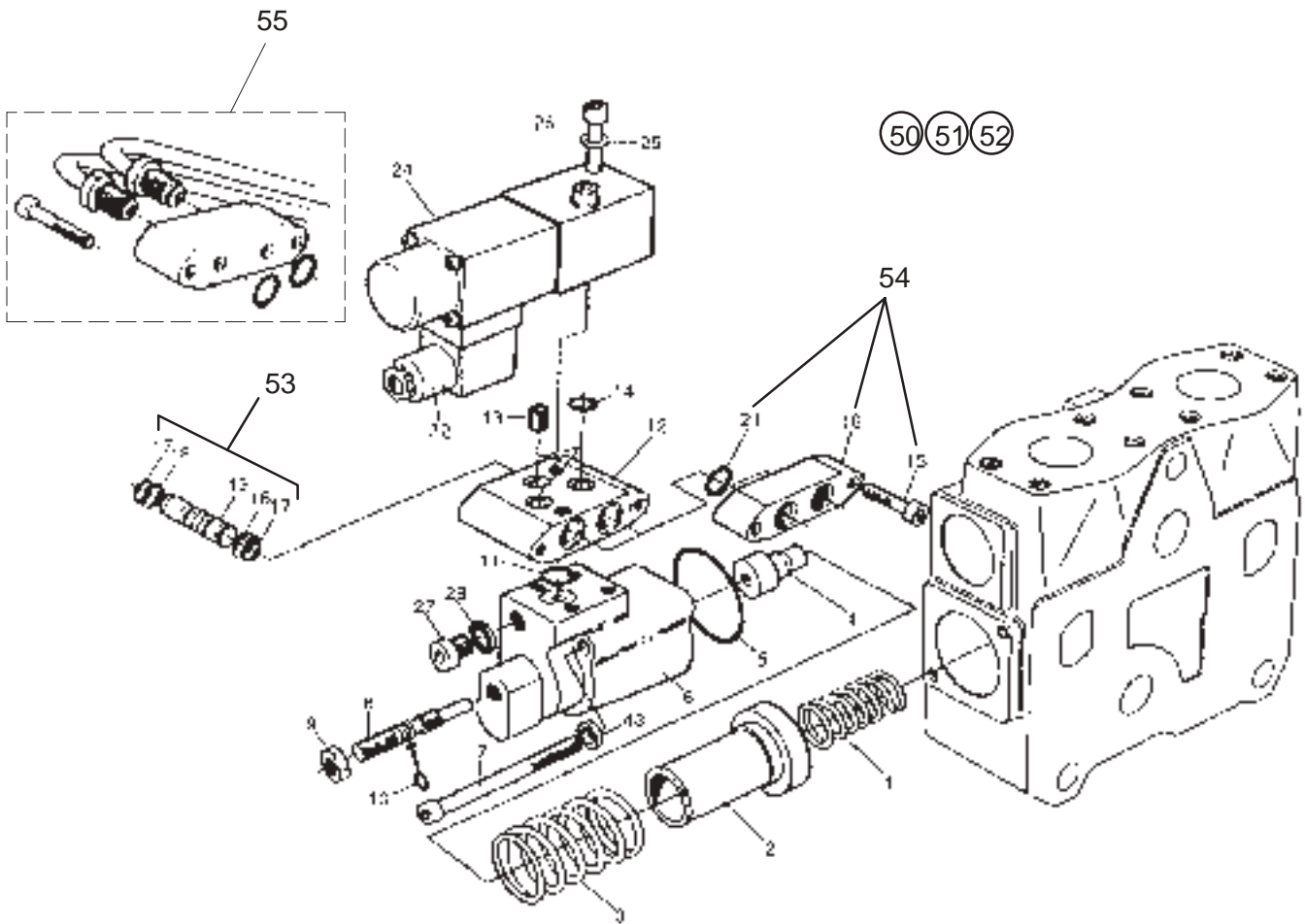



Date
Data
93-01-12

Module
Módulo
KV03-0119

Page
Página
31

Item.	Description	Order no.	Qty	S	Notes
20	Mounting set	804705781	1	100	Monsu 91200892-07
*	Gasket set	804106804	1		Parker 91200892-12



		Description Descrição Valve			<input type="checkbox"/>	Date Data 93-01-12	Module Módulo KV03-0119	Page Página 33
Item.	Description	Order no.	Qty	S	Notes			
*50	Valve compl. Válvula compl.	804106805	4		Parker 82349302-50 PVE101-N-241			
**51	Spring set Jogo de molas	804705458	1		VOAC 91200892-58			
◆52	Cylinder Cilindro	804705461	1		VOAC 91200892-59			
53	Spindle Veio	804705472	2		VOAC 91200892-60			
54	Fitting União	804705466	1		VOAC 91200791-32			
55	Intermediate piece Peça intermedia	804106806	1		Parker 91200892-61			
◆◆	Gasket set Jogo juntas	804106884	1		VOAC 06632100-03 4kpl 91256045 4kpl 91256049 4kpl 91256003 12kpl 06636114 8kpl 91283315 8kpl 91256009 8kpl 91256286 4kpl			

*)incl. parts 24-26,32

**)incl. parts 1-4

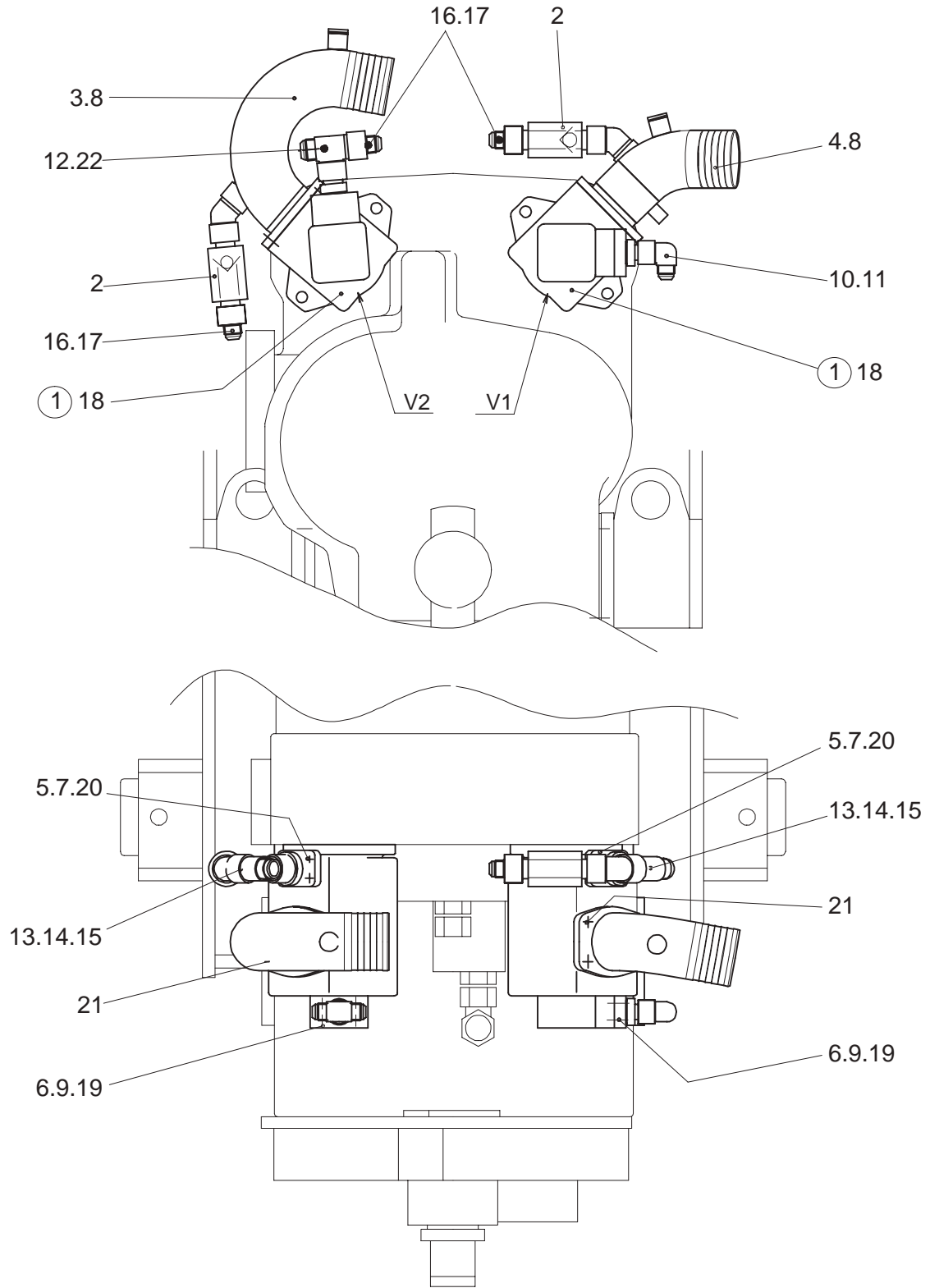
◆)incl. parts 5-12,14,27,28,43



KV03-0105

Hydr. pump

Bomba hidráulica





Description
Descrição
Hydr. pumps

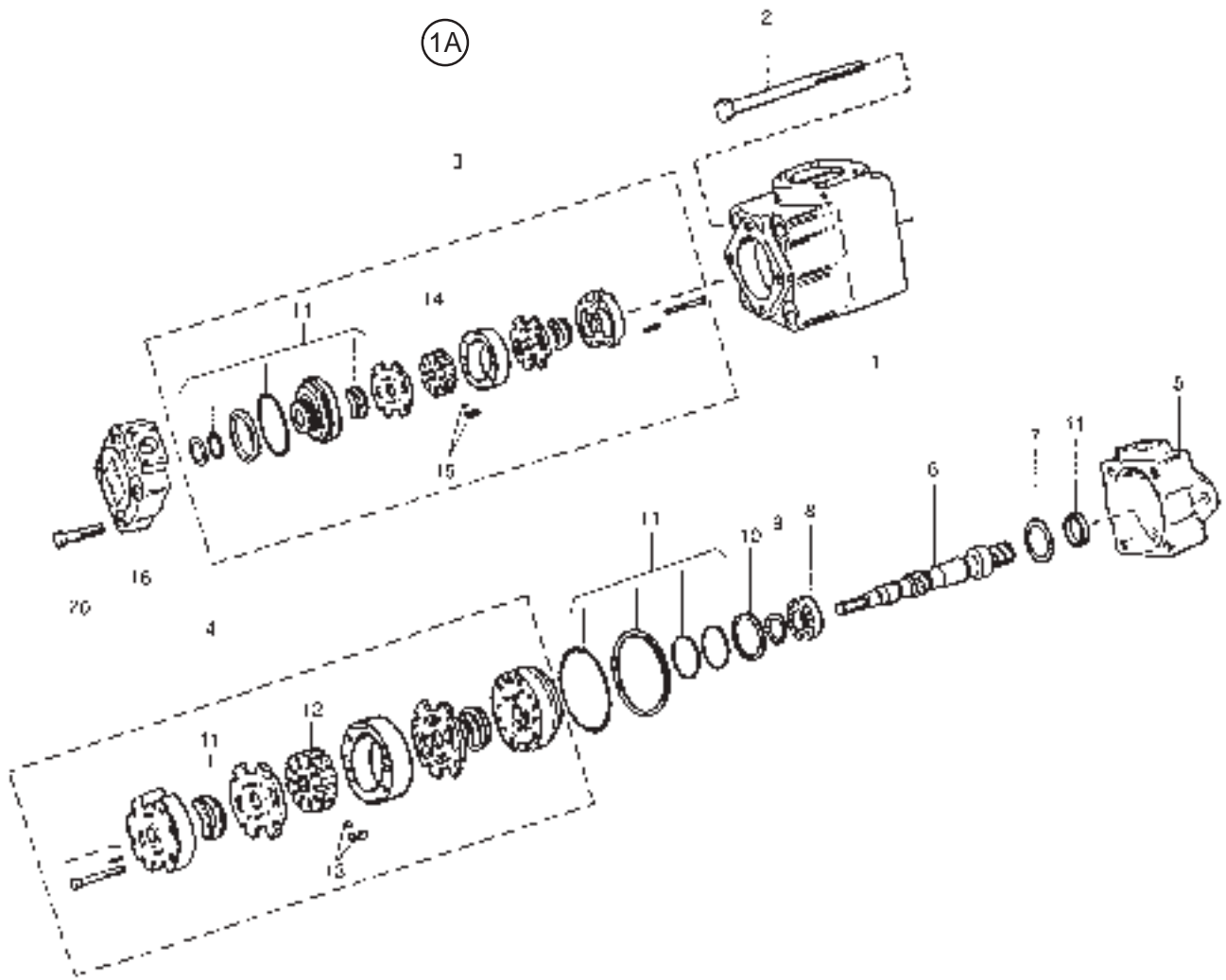


Date
Data
93-01-12

Module
Módulo
KV03-0105

Page
Página
3

Item.	Description	Order no.	Qty	S	Notes
1	Pump see page 5	Bomba K0301122H	2		Vicke 3525VQ38A21-11C
2	Valve	Valvula 638381605	2		Parke VCL-16F-05-A-A
3	Tube	Tubo K5671030	1		
4	Tube	Tubo K5671020	1		
5	Flange	União T5156380	2		
6	Fitting	União N5371540	2		
7	O-ring	O'ring 61440392	2		SMS1586 39,2x3
8	O-ring	O'ring 61440845	2		SMS1586 84.5X3
9	Gasket	Junta 61450343	2		VLS62302 U34.3X43X2
10	Fitting	União 643445202	1		VLS620.21 20JIC/R3/4
11	Fitting	União 64345720	1		VLS620.33 20JIC/1 1/16
12	Fitting	União 64345925	1		VLS620.35 25JIC/1 5/16
13	Fitting	União 64255925	2		VLS620.22 25JIC/R1
14	Fitting	União 643485122	2		Parke 16R6XS
15	Fitting	União 64348916	2		Parke 16V6XS1.5/15-12
16	Nut	Porca 64163926	3		VLS62050 25JIC
17	Fitting	União 643461259	3		VLS620.37 25JIC
18	Screw	Parafuso 58135625	4		SMS1960 UNC5/8X38
19	Screw	Parafuso 58135502	8		SMS1960 UNC3/8X25
20	Screw	Parafuso 53065081	8		BS1768 UNC7/16X32A2C
21	Screw	Parafuso 53065301	8		SMS1943 UNC5/8X32
22	Fitting	União 643445251	1		VLS620.21 25JIC/R3/4





Description
Descrição
Pump



Date
Data
93-01-12

Module
Módulo
KV03-0105

Page
Página
5

Item.	Description	Order no.	Qty	S	Notes
1A	Pump	Bomba	K0301122H	1	Vicke 3525VQ38A21-11CC20
1	Housing	Caixa	804705760	1	Vicke 230189
2	Bolt	Perno	804705761	4	Vicke 42955
3	Repair kit	Jogo de reparação	804705762	1	75 Vicke 421238
4	Repair kit	Jogo de reparação	808601635	1	75 Vicke 413419
5	Housing	Caixa	804104851	1	Vicke 942355
6	Shaft	Eixo	804705763	1	200 Vicke 243449
7	Washer	Anilha	804301162	1	Vicke 193220
8	Bearing	Rolamento	804104850	1	Vicke 38441
9	Circlip	Freio	804102213	1	Vicke 119982
10	Circlip	Freio	804102212	1	Vicke 193144
11	Gasket set	Jogo juntas	804705764	1	75 Vicke 920056
12	Rotor	Rotor	804102705	1	Vicke 262154
13	Vane kit	Jogo de palhetas	804102205	1	Vicke 922700
14	Rotor	Rotor	804102599	1	Vicke 270597
15	Vane kit	Jogo de palhetas	804103763	1	Vicke 922701
16	Cover	Tampa	804705765	1	Vicke 231532
20	Screw	Parafuso	804705766	4	Vicke 11163

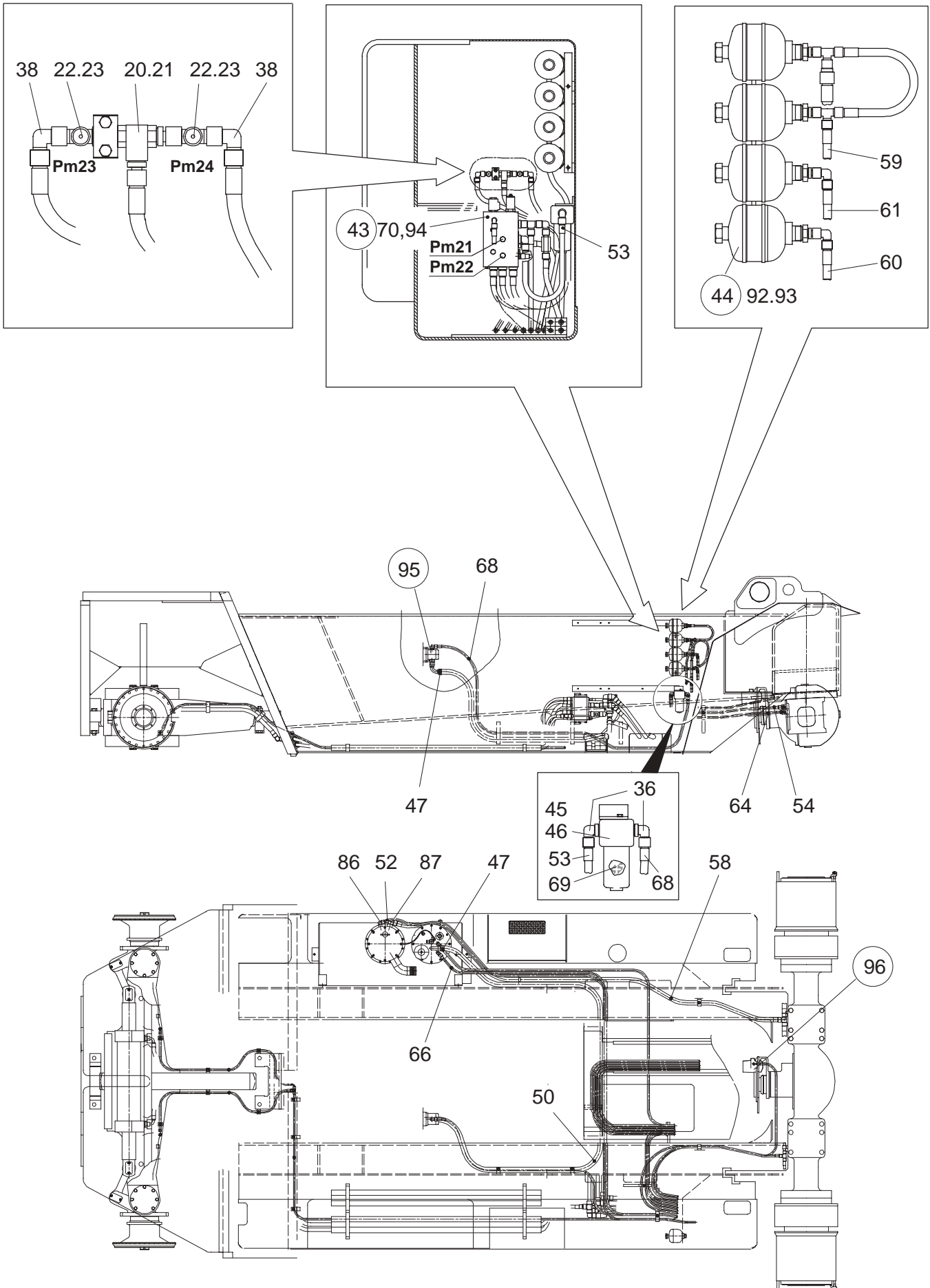
	Revision VOK34/99-05-06	<input type="checkbox"/>	Date 98-09-09	Module KV03-0116	Page 1/7
--	-----------------------------------	--------------------------	-------------------------	----------------------------	--------------------


KV03-0116

Brake equipment

Equipamento de travão

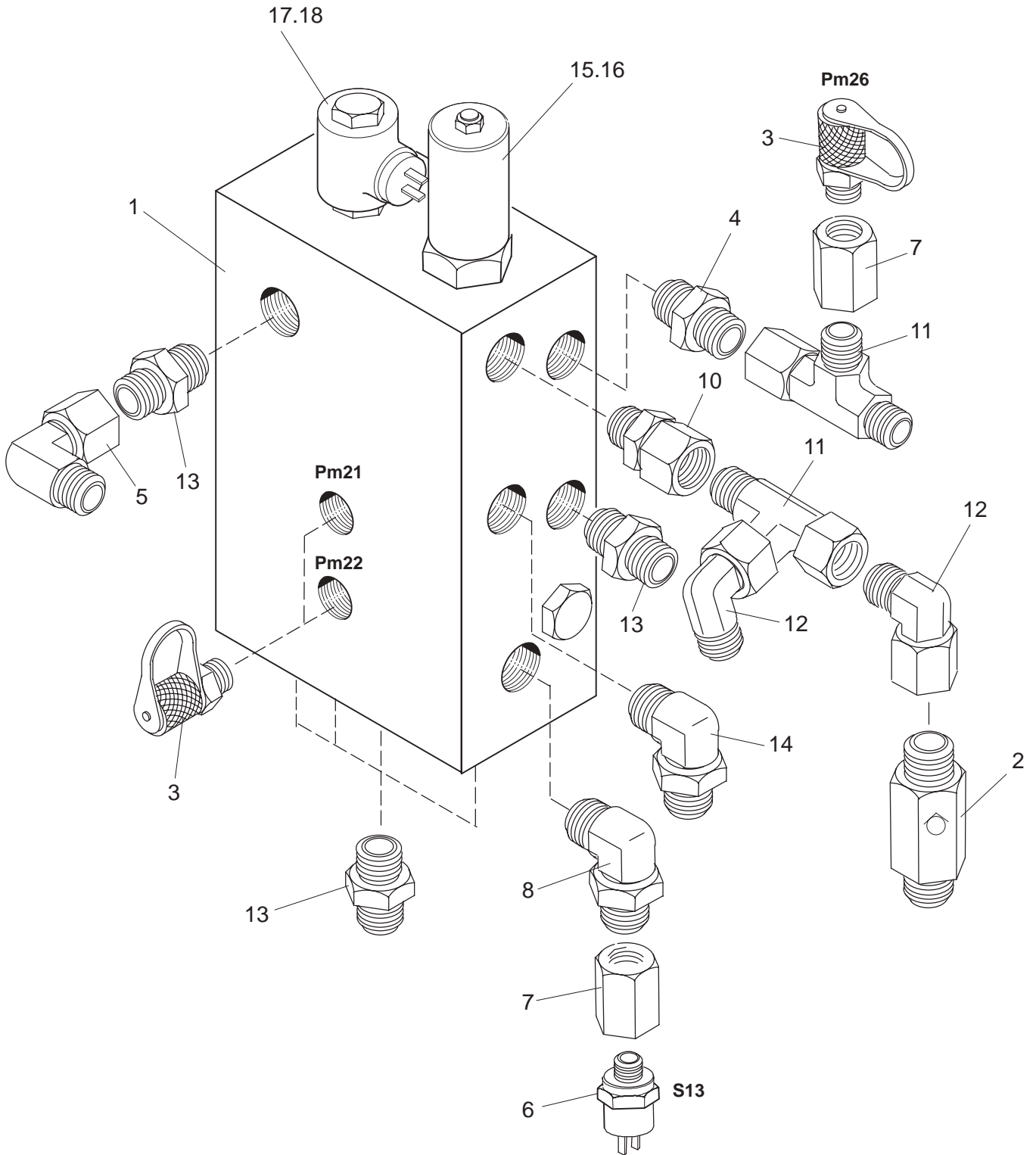
Page Página 2	Module Módulo KV03-0116	Date Data 99-06-28	Description Descrição Brake Equipment	
----------------------------	--------------------------------------	---------------------------------	--	--



		Description Descrição	<input type="checkbox"/>	Date Data	Module Módulo	Page Página
		Brake Equipment		99-06-28	KV03-0116	3
Item.	Description	Order no.	Qty	S	Notes	
20	Valve Valvula	63880224	1		Park	HFDK 221A2S R1/4
21	Fitting União	643445101	3	200		VLS620.21 10JIC/R1/4
22	Measuring connector Ligação para manômetros	64332191	2		EMA	3/R1/1-ED/A3C
23	Measuring connector Ligação para manômetros	64348521	2		Park	6TT4MXS
36	Fitting União	643449161	2	200		VLS620.25 16JIC/R1/2
38	Fitting União	64345710	2	200		VLS620.33 10JIC/9/16-18
43	Valves see page 5		1			K5677630
44	Press. accumulator Acumulador de pressão		1			K5677640
45	O-ring O'ring	61440532	1		SIMME	OR53,64X2,62
46	Filter Filtro	T1001030H	1		Park	14P-1-10B-XX1
47	Clip Grampo	60282743	4	200	Norma	S-43/20
50	Hose Tubo	68512532	x	100	HEL	032
52	Hose Tubo	VL5402954	1	100		
53	Hose Tubo	VL5402909	1	100		
54	Hose Tubo	VL5402926	1	100		
58	Hose Tubo	VL5405546	1	100		
59	Hose Tubo	VL5400018	1	100		
60	Hose Tubo	VL5400015	1	100		
61	Hose Tubo	VL5400015	1	100		
64	Hose Tubo	VL5400028	1	100		
66	Hose Tubo	VL5400052	1	100		
68	Hose Tubo	VL5402936	1	100		
69	Filter element Elemento de filtro	T1009047H	1		Parke	14P-1-10B G01369
86	Fitting União	64345716	1			VLS620.33 16JIC/7/8-14
87	Fitting União	64345725	1			VLS620.33 25JIC/1 5/16
92	Screw Parafuso	53060181	2		ISO4017	M10X30
93	Nut Porca	51010100	2		DIN985	M10
94	Washer Anilha	50012100	2		DIN125	10.5
◆95	Pump Bomba					
**96	Brake Travão					

◆) See module: Hydr. brake pump

***) See module: Drive shaft x) Order as required (min. delivery length 1 m).
x)





Description
Descrição
Valves

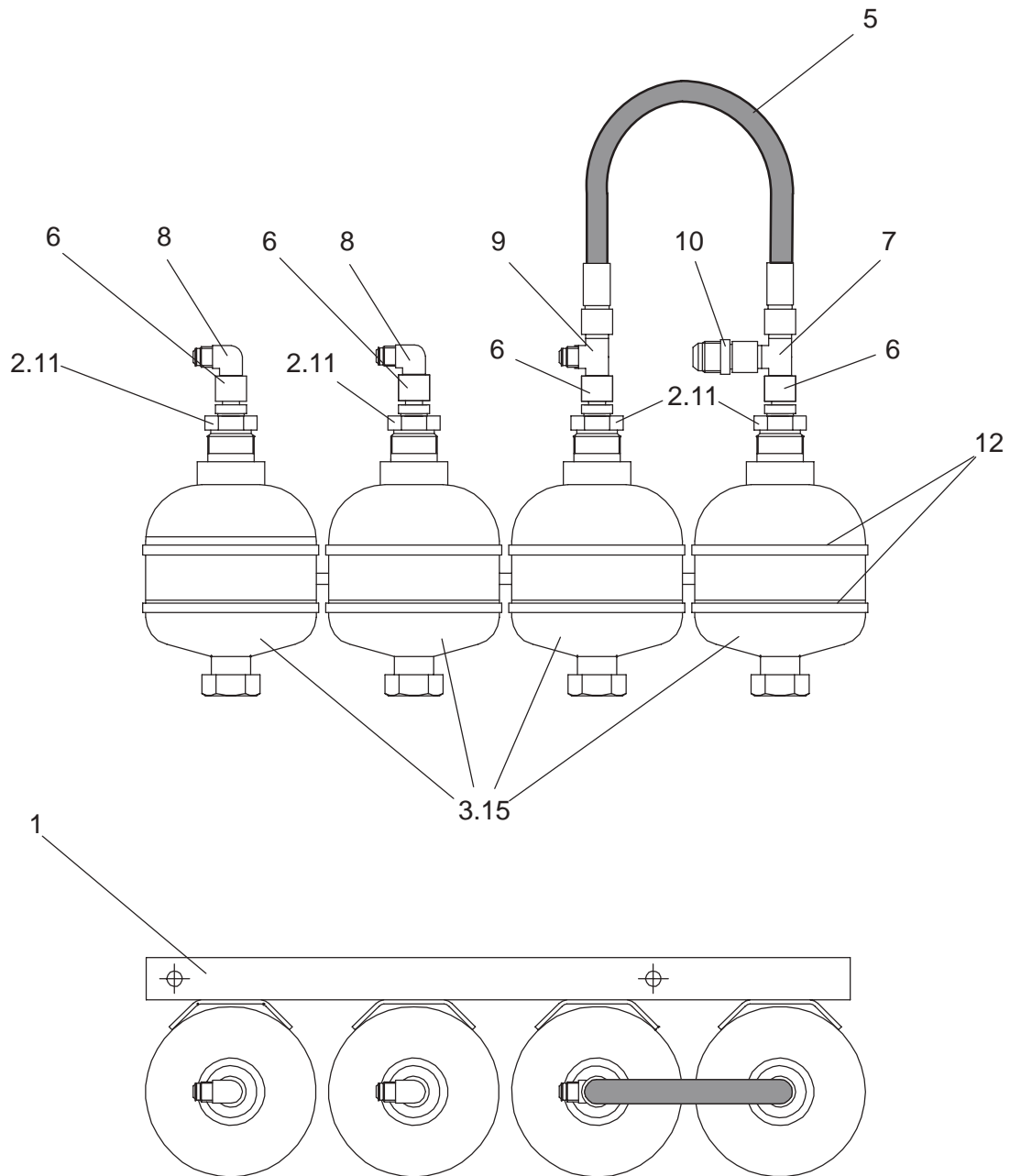


Date
Data
99-05-06

Module
Módulo
KV03-0116

Page
Página
5

Item.	Description	Order no.	Qty	S	Notes
1	Valve Valvula	K0808100H	1		Parke V-F1-10282
2	Valve Valvula	K0809080H	1		Parke VCL-10F-65-A-A,5
3	Measuring connector Ligação para manômetros	64332191	3		AR1/4/M16X2/WD
4	Restrictor Restritor	T5643322	1		16JIC/R1/2" A=2.0
5	Fitting União	64345710	1		VLS62033 10JIC/9/16-8
6	Switch Interruptor	65238768	1		169-42003-1 90.0BAR
7	Measuring connector Ligação para manômetros	64348521	2		Parke TT4XS10-1/4
8	Fitting União	643445101	1		VLS620.21 10JIC/R1/4
9	Fitting União	643445162	1		VLS620.21 16JIC/R1/2
10	Fitting União	642559161	1		VLS620.22 16JIC/R1/2
11	Fitting União	643485102	2		Parke LS 10R6XS
12	Fitting União	64345716	2		VLS620.33 16JIC/7/8-14
13	Fitting União	643445103	6		VLS620.21 10JIC/R1/2
14	Fitting União	643449161	1		VLS620.25 16JIC/R1/2
15	Valve Valvula	802705414	1		Parke M1B125
16	Gasket set Jogo juntas	802705415	1		Parke SK30096N-1
17	Solenoid Bobina	802705416	1		Parke 851020-024VDC
18	Gasket set Jogo juntas	802705417	1		Parke SK10-3





Description
Descrição
Pressure Accumulators



Date
Data
98-03-27

Module
Módulo
KV03-0116

Page
Página
7


Item.	Description	Order no.	Qty	S	Notes
1	Fastener Ligador	K5211880	1		
2	Union/reducer União/	K5044750	4		
3	Press. accumulator Acumulador de pressão	T1611014H	4	50	F100367942, o.75L
5	Hose Tubo	VL5400005	1	200	
6	Fitting União	642559101	4	200	VLS620.2210JIC/R1/4
7	Union/T União/T	64345910	1	200	VLS620.3510JIC/9/16-18
8	Fitting União	64345310	2	200	VLS620.3310JIC
9	Union/T União/T	64306906	1	200	VLS620.31 10JIC
10	Union/reducer União/	643065062	1		VLS620.38 16/10JIC
11	Gasket Junta	61450215	4	200	VLS623.02 U21.5x28.7x2.5
12	Clip Grampo	60275794	8	100	110-136(104-38ABA)
15	Charging device Dispositivo de enchimento	806108230	1		BOSCH 0.538.103.012

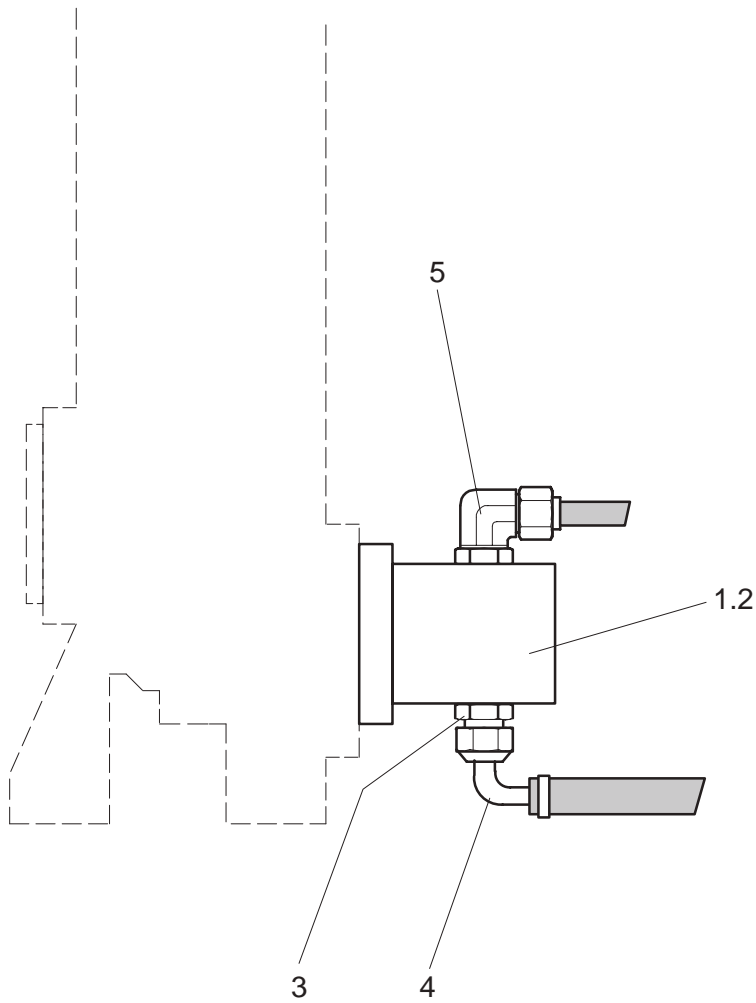
	Revision Revisão	<input type="checkbox"/>	Date Data 98-10-06	Module Módulo KV03-0107	Page Página 1/3
--	---------------------	--------------------------	---------------------------------	--------------------------------------	------------------------------

KV03-0107

Hydr.brake pump

Bomba do freio hidráulico

Page Página 2	Module Módulo KV03-0107	Date Data 98-02-02	Description Descrição Hydr. pump for brakes	
----------------------------	--------------------------------------	---------------------------------	--	--





Description
Descrição
Hydr. pump for brakes



Date
Data
98-02-02

Module
Módulo
KV03-0107

Page
Página
3

Item.	Description	Order no.	Qty	S	Notes
1	Pump Bomba	K0301139H	1		David 2SPG16S SAEA-14G
2	Gasket set Jogo juntas	804106557	1		David 012002900000000
3	Fitting União	643445251	1		VLS620.2125/JIC/R3/4
4	Fitting União	64313300	1		HI-FLE 90 08-570540-16-20
5	Fitting União	643449161	1		VLS620.2516JIC/R1/2

04

ELECTRIC SYSTEM

KV04–0129

Electric Equipment for Frame
Equipamento elétrico da estrutura

KV04–0101


Electric Equipment for power unit
Equipamento elétrico da unidade de potência

KV04–0120

Overload Protection
Proteção contra sobrecarga

KV04–0107

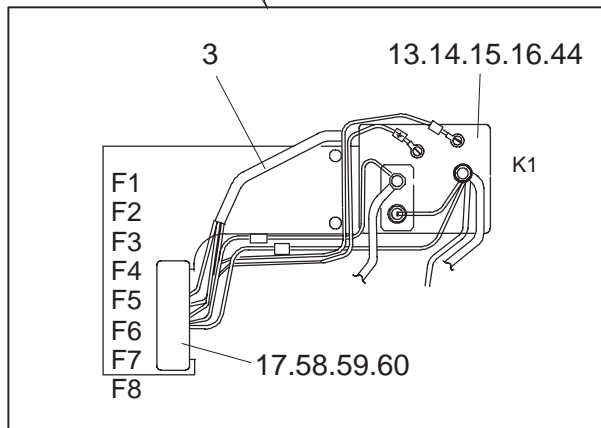
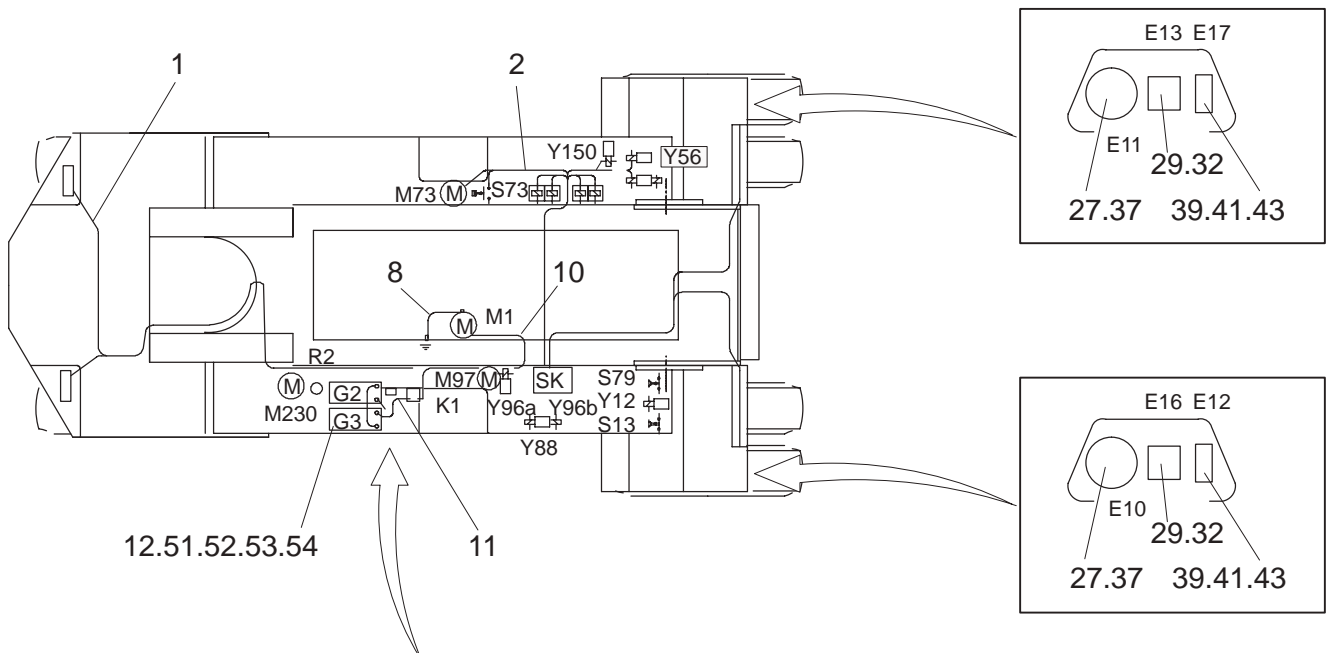
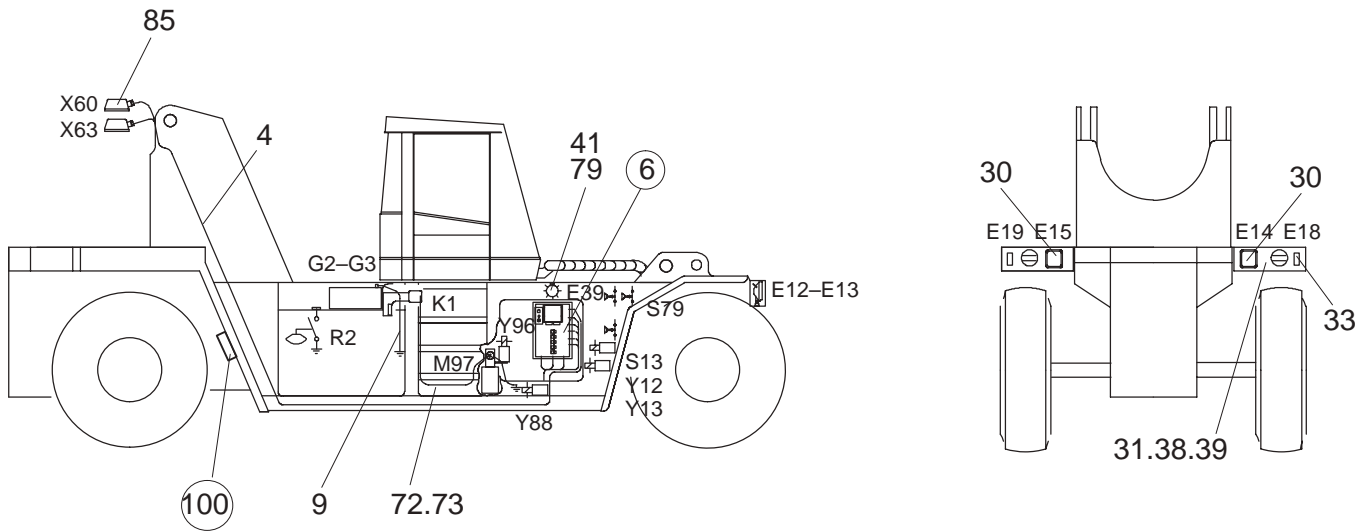
Buzzer
Buzina

	Revision Revisão	<input type="checkbox"/>	Date Data 00-09-12	Module Módulo KV04-0129	Page Página 1/5
--	---------------------	--------------------------	---------------------------------	--------------------------------------	------------------------------

KV04-0129

Electric Equipment for Frame

Equipamento elétrico da estrutura





Description
Descrição
EI. equipm. to frame



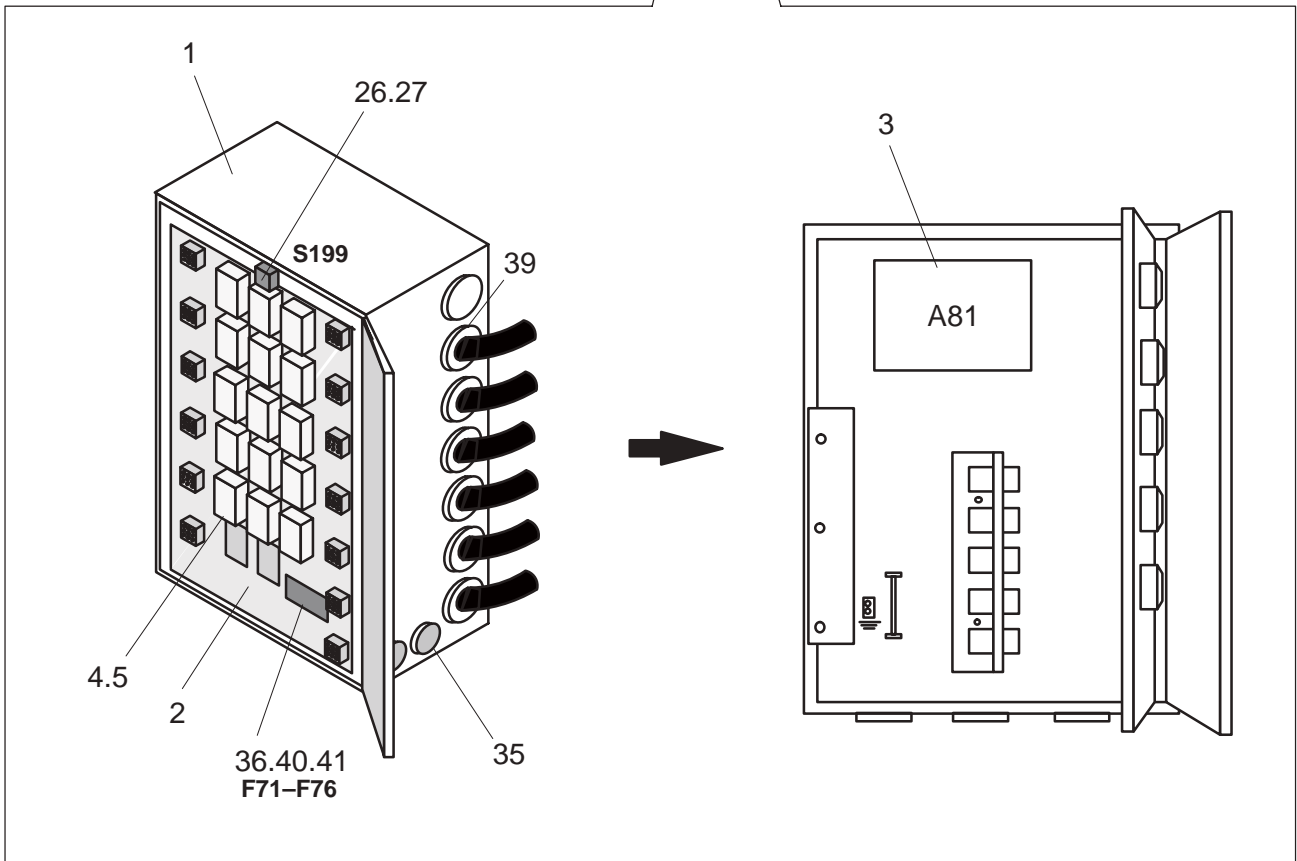
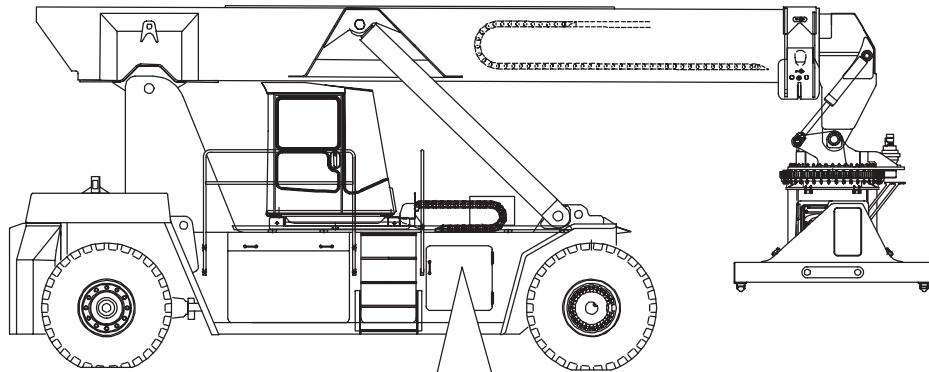
Date
Data
00-09-12


Module
Módulo
KV04-0129

Page
Página
3


Item.	Description	Order no.	Qty	S	Notes
1	Wiring set Conjunto instalação elect.	K5204890	1		
2	Wiring to hydr. Cablagem para a hidráulica	T5654850	1		
3	Wiring set Conjunto instalação elect.	T5654890	1		
4	Wiring set Conjunto instalação elect.	T5654870	1		
6	Electric central see page 5 Central electrica				
8	Cable Cabo	K5162270	2		
9	Cable Cabo	K5164370	1		
10	Cable Cabo	K5160410	1		
11	Cable Cabo	K5164360	1		
12	Battery Bateria	65269604	2		SALAM 12G 158/X3
13	Relay Relé	652381554	1		BOSCH 0 333 301 010
14	Diode Díodo	65267080	1		IR 70 HF20
15	Shield rubber Protecção de borracha	770005001	5		BOSC 2000558000
16	Cooling plate Placa de arrefecimento	K5149370	1		
17	Fuse box Caixa de fusíveis	65273289	1		MERIT 150203
27	Light Luz	65713109	2		BOSCH 0 301 304 100
29	Light Luz	65714011	2		HELLA 2BA 003 014-011
30	Light Luz	65713319	2		HERRM NORDIC-902064
31	Light Luz	65716119	2		HELLA 2SD 001 685-232
32	Reflector Reflector	65765018	2		TALMU 12 6301-210
33	Reflector Reflector	65765017	2		TALMU 106-6801-100
37	Bulb Luz	65088591	2		PHILI 75/70W 24V P43T 13342
38	Bulb Luz	65084521	6		PHILI 21W 24V BA15S 13498
39	Bulb Luz	65084505	2		PHILI 5W 24V BA15S 13821
41	Bulb Luz	65083505	2		PHILI 4W 24V BA9S 13929
43	Socket housing Ligador	65212111	2		AMP 0-0480100-1
44	Diode Díodo	65267074	1		6A100 1200V 6A
51	Cable shoe Sapata do cabo	65210507	2		TYYPPI 229 P
52	Cable shoe Sapata do cabo	65210508	2		TYYPPI 230 N
58	Fuse Fusível	65270125	6		SAE J 1284 LATTA 25A
59	Fuse Fusível	65270110	1		SAE J 1284 LATTA10A
60	Fuse Fusível	65270120	1		SAE J 1284 LATTA20A
72	Cable Cabo	K5164380	1		
73	Cable Cabo	K5164390	1		
79	Light Luz	65702033	1		HELLA 2JA 001 330-001
*	Automatic shifter Mecan. de comutação automática	806108340	1		TSP ETA1610-21 10A
*	Automatic shifter Mecan. de comutação automática	806108338	7		TSP ETA1610-21 20A

*Optional
)



		Description Descrição Power central			<input type="checkbox"/>	Date Data 00-03-16	Module Módulo KV04-0129	Page Página 5
Item.	Description		Order no.	Qty	S	Notes		
1	Housing	Caixa	K5166320	1				
2	Circuit card, big	Circuito impresso grande	K5206601	1		PIKO	HCC-RSD V3	
3	Control unit	Unidade de controle	806109452	1		652673689	huom!	
4	Relay	Relé	65238147	2		BOSCH	0.332.204.201 24V	
5	Relay	Relé	652381060	17		IDECI	RH2B-ULC-DC24	
26	Push button	Botão de premir	65233401	1		K&M	Q18LT-GN/WB	
27	Contact part	Parte de contacto	65233412	1		K&M	E10 sulkeutuva	
35	Push button	Botão de premir	652331396	2		K&M	RLT-GN/BK11F+MT-D	
36	Fuse	Fusivel	65270110	2			SAE J 1284 1715610A	
39	Gasket	Junta	652173905	1		THORS	20-26 76	
40	Fuse	Fusivel	65270115	3			SAE J 1284 1715615A	
41	Fuse	Fusivel	65270105	1			SAE J 1284 171565A	

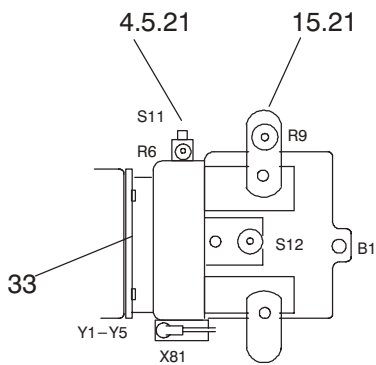
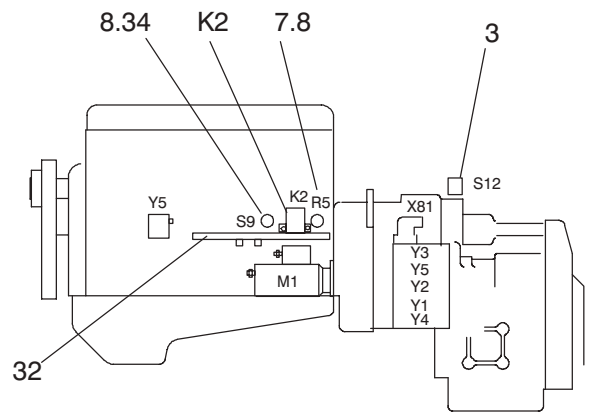
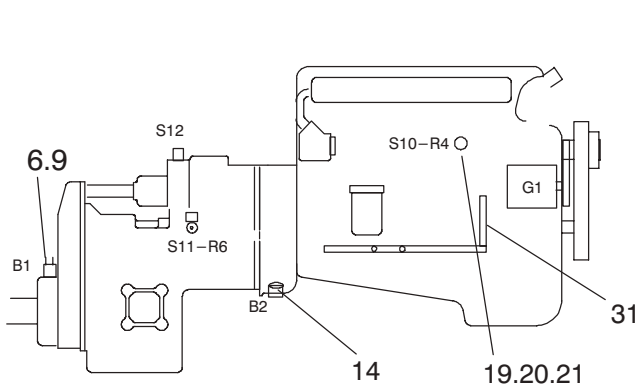
huom! Ohjausyksikkö A81 (MITRON MCC1812) pitää ohjelmoida konekohtaisesti kurottajalinjalla.

	Revision Revisão	<input type="checkbox"/>	Date Data 98-10-06	Module Módulo KV04-0101	Page Página 1/3
--	---------------------	--------------------------	---------------------------------	--------------------------------------	------------------------------

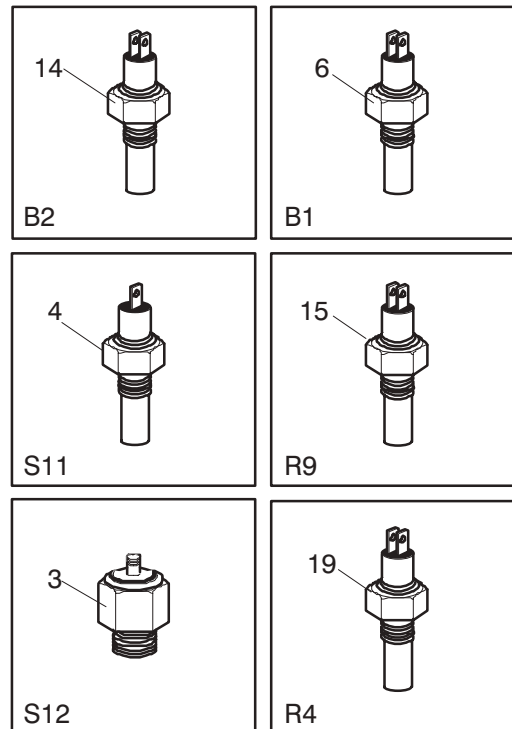
KV04-0101

Electric Equipment for power unit

Equipamento elétrico da unidade de potência



①



Description
Descrição

El. equipm. for power unit

Date
Data

98-01-26

Module
Módulo

KV04-0101

Page
Página

3

Item.	Description	Order no.	Qty	S	Notes
1	Wiring set	Conjunto instalação elect.	K5167730	1	
3	Pressure switch	Interruptor de pressão	65238757	1	166-41203-1 15.8BAR
4	Sensor	Sensor	65494233	1	VDO 232.011/017/032
5	Sensor	Sensor	65494322	1	VDO 323.801/012/002
6	Pulse counter	Contador de impulsos	65494935	1	VDO 340.804/003/005
7	Sensor	Sensor	65494360	1	VDO 360.081/029/010
8	Fitting	União	K5166000	2	
9	Seal ring	Vedante	61440173	1	SMS1586 O17.3x2.4
14	Pulse counter	Contador de impulsos	65494934	1	VDO 340.804-007-001
15	Sensor	Sensor	65494320	1	VDO 323.801/001/006
19	Sensor	Sensor	65494321	1	VDO 323.803/001/006
20	Fitting	União	T3483340	1	
21	Seal ring	Vedante	61588140	3	DIN7603 A14x18
31	Support	Suporte	K5166500	1	
32	Support	Suporte	K5166510	1	
33	Support	Suporte	K5166520	1	
34	Pressure switch	Interruptor de pressão	800037946	1	Cummi 3056344
*K2	Relay	Relé		1	

*)See engine module

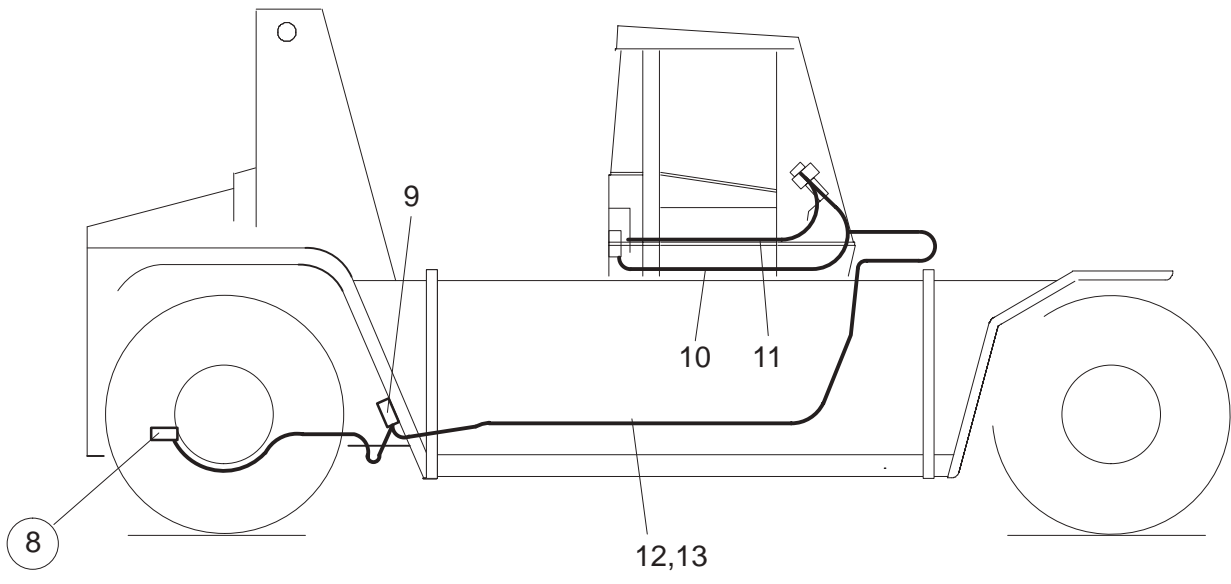
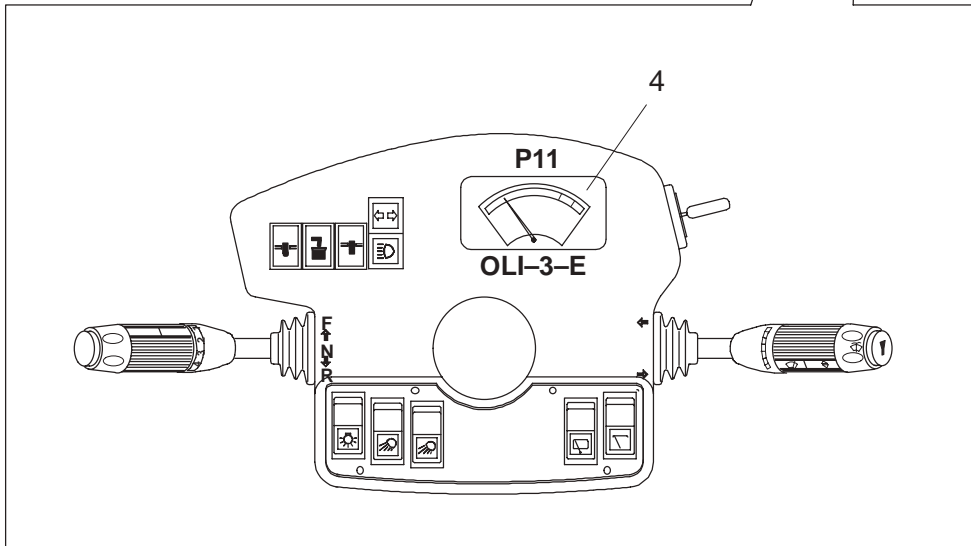
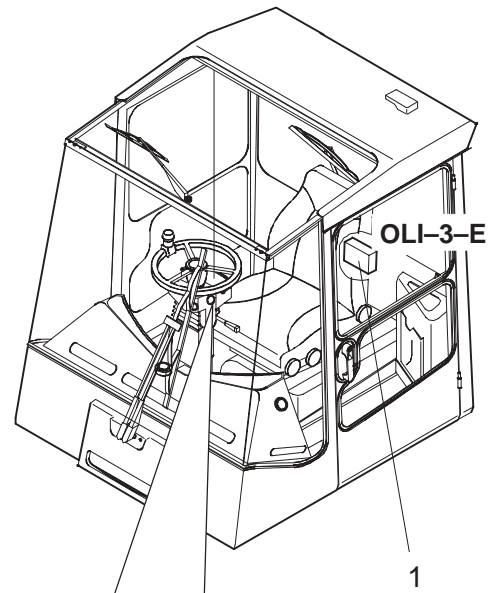
*)


	Revision Revisão VOK021/00	<input type="checkbox"/>	Date Data 00-03-17	Module Módulo KV04-0120	Page Página 1/5
--	---	--------------------------	---------------------------------	--------------------------------------	------------------------------

KV04-0120

Overload Protection

Proteção contra sobrecarga



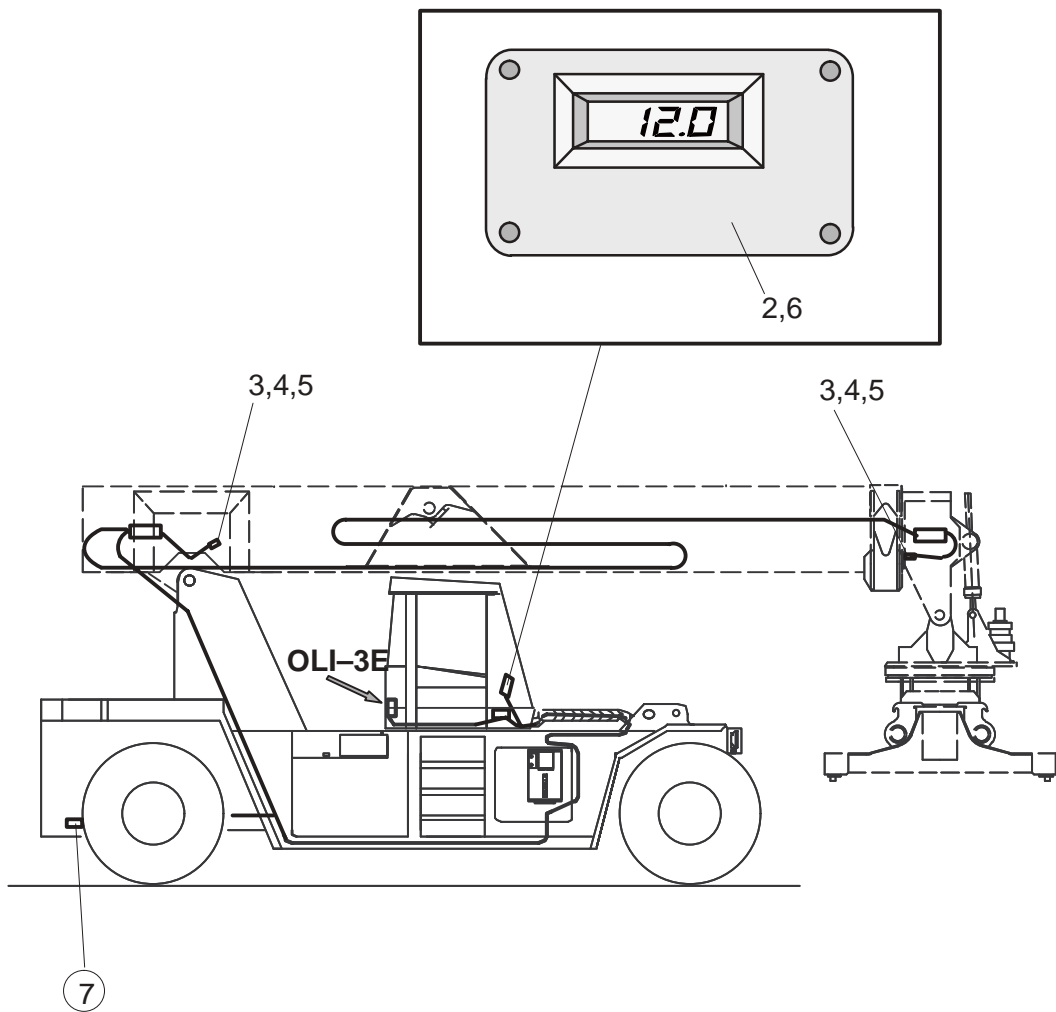
		Description Descrição Overloadprotection			<input type="checkbox"/>	Date Data 00-04-13	Module Módulo KV04-0120	Page Página 3
Item.	Description		Order no.	Qty	S	Notes		
1	CPU unit	CPU	652372361	1		TAMTR	OLI-3-E	
2	Switch	Interruptor	65231707	1		SWF	511007 By-pass	
3	Symbol	Simbolo	65232062	1		SWF	596620	
4	Gauge	Indicador	65237237	1		TAMTR	SW-80	
**8	Sensor	Sensor						
9	Switch box	Caixa de comutação	65237238	1		TAMTR	98x64x34 AL	
10	Wiring set	Conjunto instalação elect.	M5505230	1				
11	Wiring set	Conjunto instalação elect.	M5510600	1				
12	Wire	Fio electrico	659991260	x		UNITR	LIYCY/TP 2X2X0,5SKS	
13	Tube	Tubo	65200120	x		POLYF	1200100 TSP	

**) See steering axle module

**)

x) Order as required (min. delivery length hoses 1 m, pipes 3 m).

x)





Description
Descrição
Display Unit



Date
Data
98-01-26

Module
Módulo
KV04-0120

Page
Página
5

Item.	Description	Order no.	Qty	S	Notes
*2	Display unit	C08000133	1		VK-1:EN/L PIV.7594
3	Switch	65237156	2		OMRON 3N5359160
4	Connection	65214319	2		AMP 1-0826886-2 3N
5	Contact part	65214320	6		ECON 0-0925601-3
6	Support	T5616140	1		
**7	Sensor				


*Optional
)

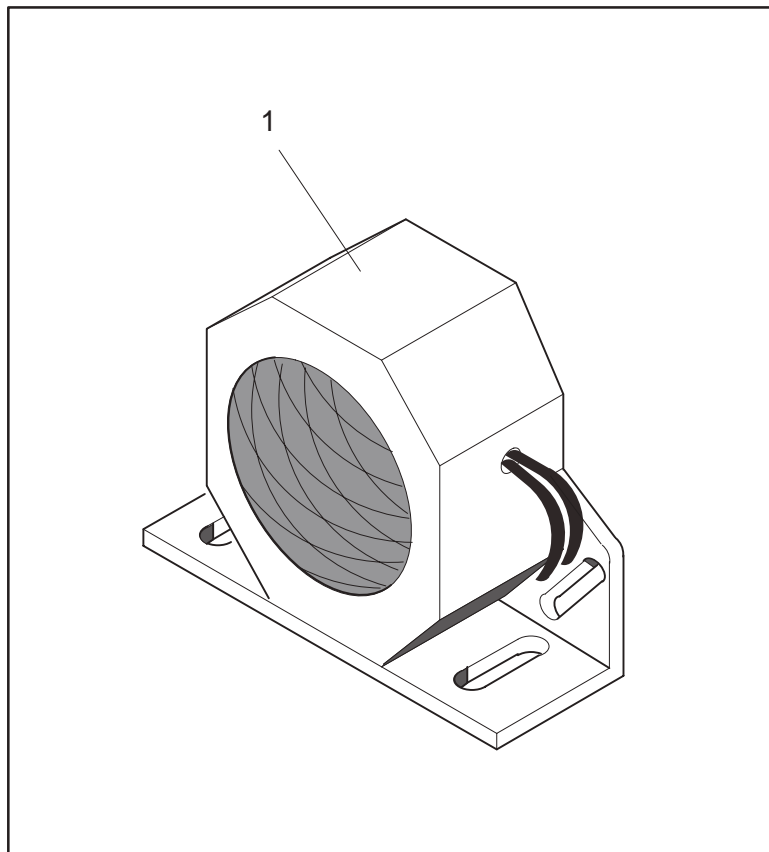
**) See steering axle module
**)

KV04-0107

Buzzer

Buzina

Page Página	Module Módulo	Date Data	Description Descrição	<input type="checkbox"/>	
2	KV04-0107	98-04-03	Buzzer, mount.		





Description
Descrição
Buzzer, mount.



Date
Data
98-04-03

Module
Módulo
KV04-0107

Page
Página
3

Item.	Description	Order no.	Qty	S	Notes
1	Buzzer Besouro	65260734	1		Briga SA-950 DB

05 CABIN

KV05-0104

Cabin
Cabine

KV05-0105

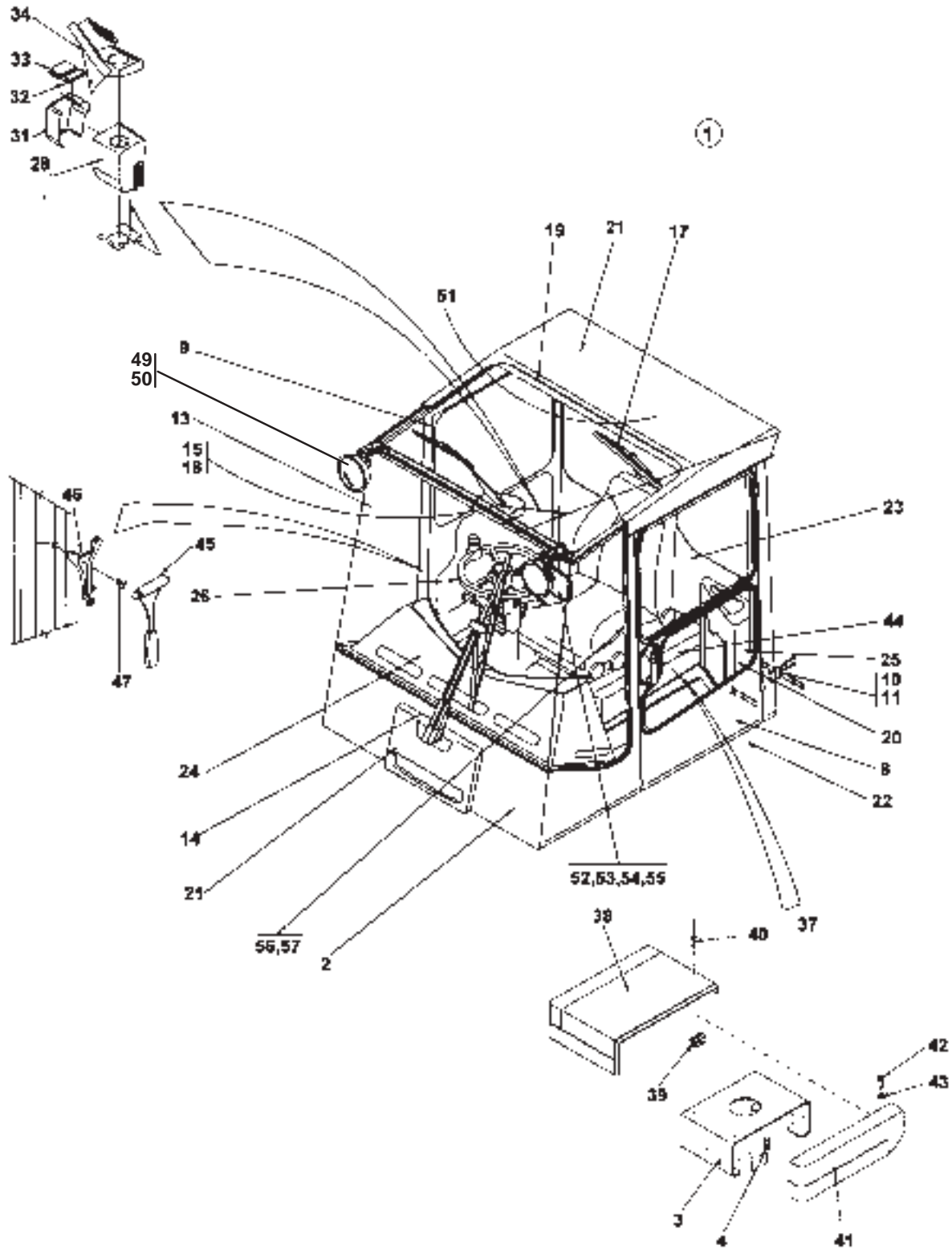
Cab transfer unit
Unidade de transferência da cabine



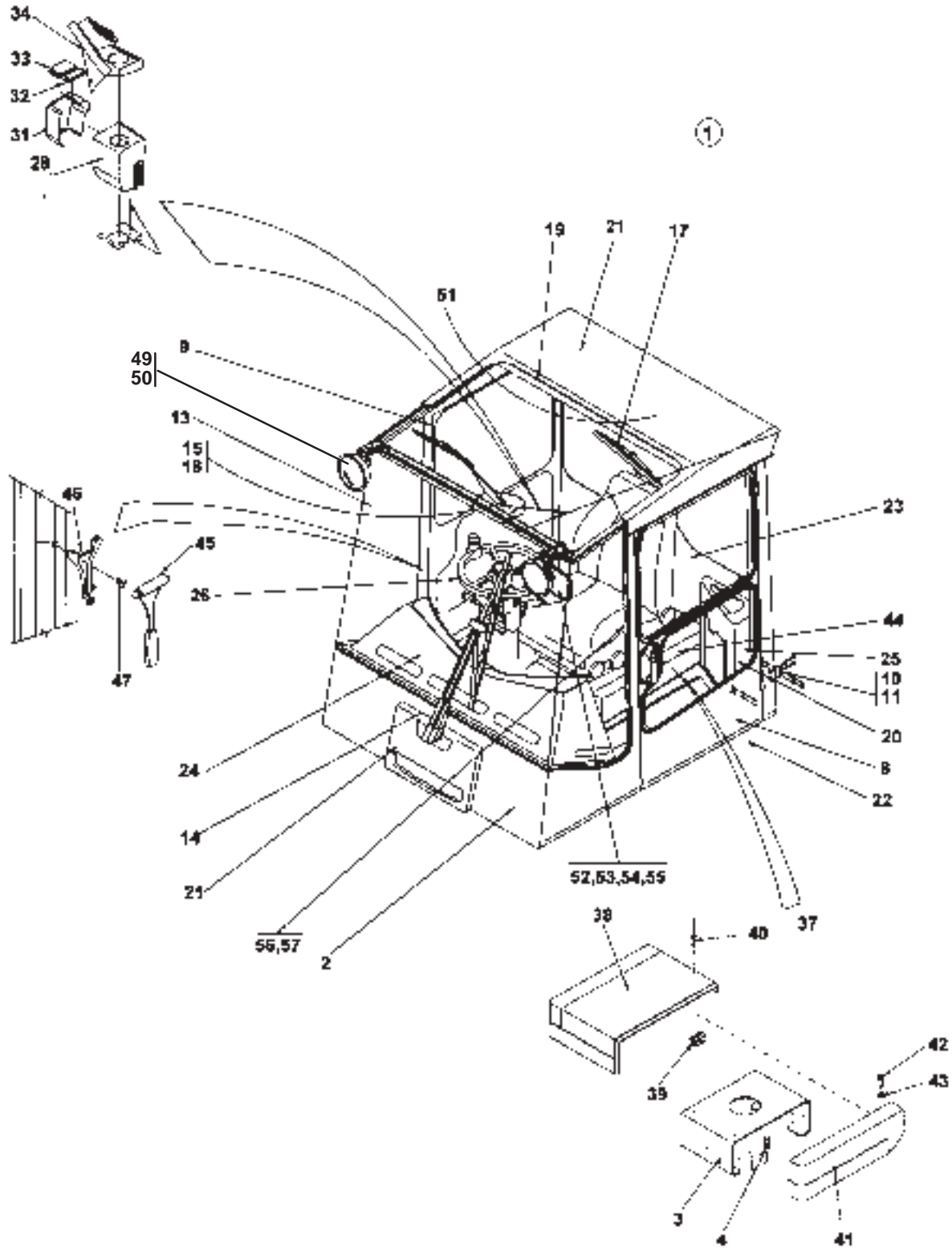
KV05-0104

Cabin

Cabine



Item.	Description	Order no.	Qty	S	Notes
1	Cab	Cabina	A26600.0100	1	
2	Frame	Estrutura de suporte	A23463.0100	1	
3	Housing	Caixa	A24446.0100	1	
4	Screw	Parafuso	920099.061	4	
8	Door	Porta	A26139.0100	1	
9	Door	Porta	A26139.0200	1	
10	PysäytinStopper	Stop			
11	PysäytinStopper	Stop			
14	Wiper arm see page 37	Braço do limpa-vidros			
15	Wiper arm see page 39	Braço do limpa-vidros			
16	Cover	Tampa	A26153.0100	1	
17	Wiper arm see page 41	Braço do limpa-vidros			
18	Sun panel see page 45	Painel solar			
19	Sun panel see page 47	Painel solar			
20	Insulator see page 67	Isolador			
21	Insulator see page 71	Isolador			
22	Insulator see page 69	Isolador			
23	Insulator see page 65	Isolador			
24	Housing see page 61	Caixa			
25	Housing see page 59	Caixa			
26	Steering column see page 81	Coluna de direcção			
28	Cover	Tampa	A25717.0100	1	
31	Cover	Tampa	A25889.0100	1	
32	Plate	Placa	A25975.0200	1	
33	Plate	Placa	A25975.0100	1	
34	Cover	Tampa	A26250.0100	1	
37	Cover	Tampa	A26591.0100	1	
38	Cover	Tampa	A26885.0100	1	
39	Lock washer	Anilha de freio	923611.0009	3	
40	Rivet	Rebite	99340	6	
41	Cover	Tampa	A26886.0100	1	
42	Pin	Pin	923611.0008	3	
43	Washer	Anilha	923611.0010	3	
44	Cover	Tampa	A27002.0100	1	
45	Hammer	Martelo	923725.0001	1	
46	Fastener	Ligador	923725.0002	1	
47	Screw	Parafuso	920517.0008	2	
49	Working ligh	Farol de trabalho	65713265	2	HBA 172H-24V Optional
50	Bulb	Luz	65089570	2	70W 24V PK22S 13336 Optional





Description
Descrição
Cabin



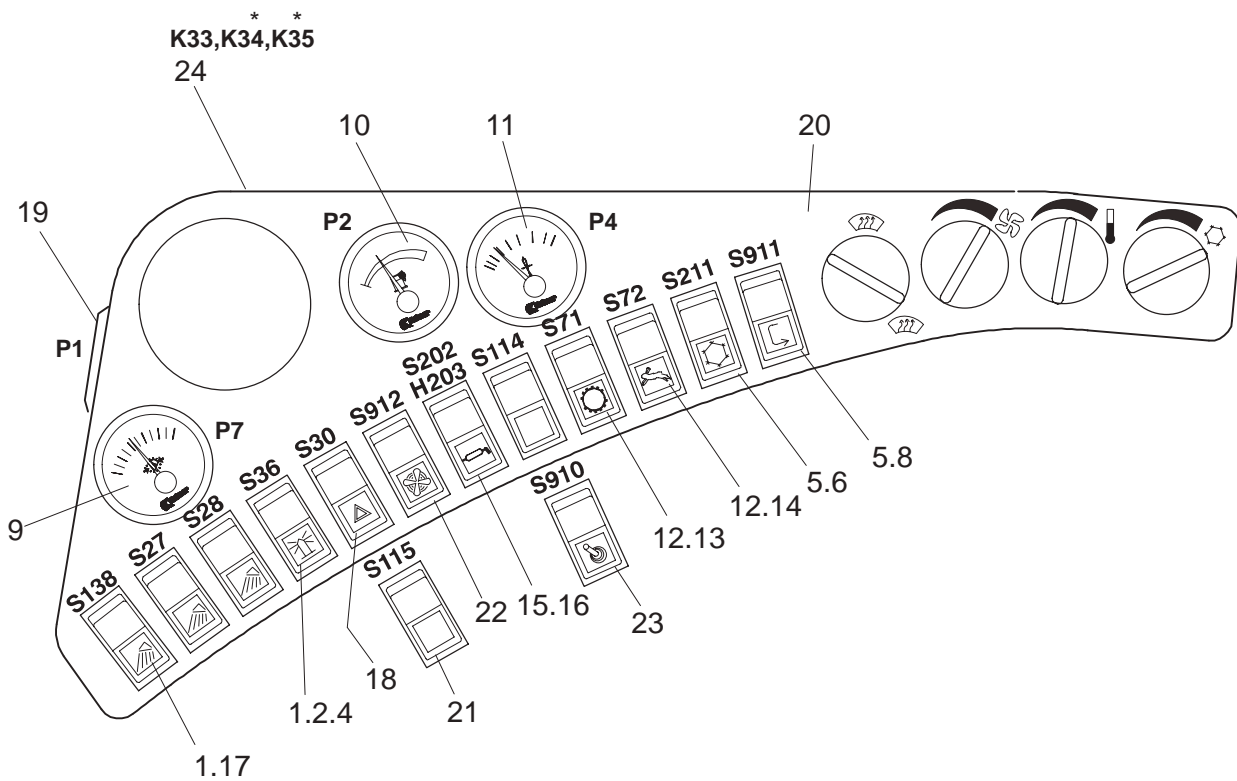
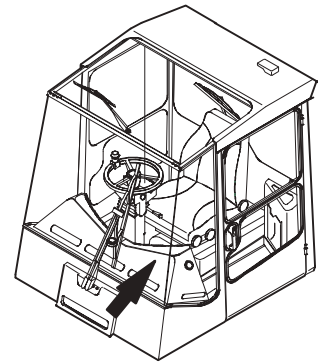
Date
Data
00-04-06

Module
Módulo
KV05-0104

Page
Página
5

Item.	Description		Order no.	Qty	S	Notes
51	Interior light	Luz interior	920149.008	1		24V 21W
-	Bulb	Luz	920483.001	1		
52	Mirror	Espelho	921702.0008	1		
53	Arm	Braço	922159.0003	1		
54	Screw	Parafuso	920749.0004	1		
55	Washer	Anilha	920098.025	1		
56	Handle	Manete	920973.0002	2		
57	Screw	Parafuso	920749.0005	4		

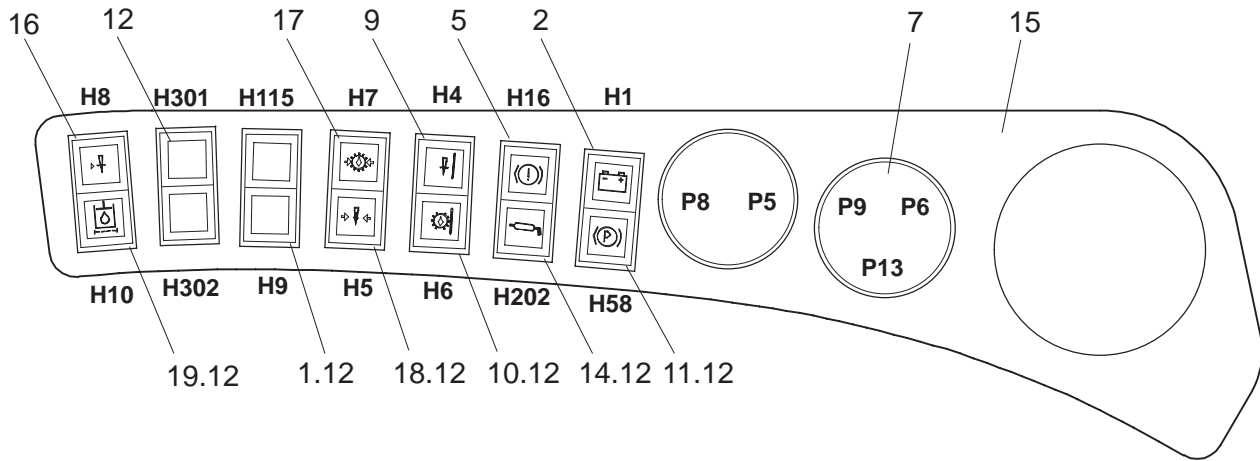
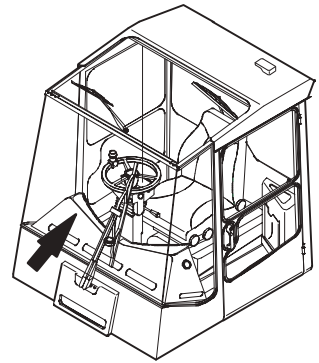
Page Página 6	Module Módulo KV05-0104	Date Data 98-02-05	Description Descrição Dashboard	
----------------------------	--------------------------------------	---------------------------------	--	--




Item.	Description		Order no.	Qty	S	Notes
1	Switch	Interruptor	65231700	2		SWF 511000
2	Symbol	Simbolo	65232028	1		SWF 596628(vilkkumajakka)
3	Covering plate	Cobertura	65211650	x		SWF 596273
4	Socket	Suporte	65104020	x		SWF 596710
5	Switch	Interruptor	65231705	2		SWF 511105
6	Symbol	Simbolo	X921418.0049	1		Lidhult (ilmastointi)
8	Symbol	Simbolo	X921418.0080	1		SWF 589754 (ilman kiertojärj.)
9	Press.meter,eng.oil	Indic. pressão óleo motor	X920454.022	1		VDO 350.040019 (Huom! USA:n yksiköillä 65400517)
10	Fuelmeter	Indicador de combustivel	X922036.0010	1		VDO 301010006 (922036.0010)Huom!USA:n yksiköillä
11	Temp.meter,engine	Indic. temperatura do motor	806817489	1		VDO 310040018 (Huom! USA:n yksiköillä 65400515)
*12	Switch	Interruptor	65231717	2		SWF 511117
*13	Symbol	Simbolo	65232082	1		SWF 596182(autom.vaihtaja)
*14	Symbol	Simbolo	65232097	1		SWF 595971(nopeusalue)
*15	Switch	Interruptor	65231727	1		SWF 511127
*16	Symbol	Simbolo	65232061	1		SWF 596615
17	Symbol	Simbolo	65232013	4		SWF 596313(työvalo)
*18	Warning device	Dispositivo avisador	T3111407H	1		Var.vilkku (Hazard)
19	Hour counter	Conta-horas	X920453.008	1		12-24V 331032006
20	Dashboard plate	Placa de instrumentos	XA25079.0100	1		
*21	Switch	Interruptor	806818098	1		SWF 511.197 (pyör.rajojen ohitus)
*22	Switch	Interruptor	65231707	1		SWF 511007(puhallin)
*23	Switch	Interruptor	806818097	1		SWF 511.019(miniratti)
24	Relay	Rele	X922156.008	1		Hella 5WG 002450-187
-	Wiring set	Conjunto instalação elect.	M5510550	1		

*Optional
)*Opcoes

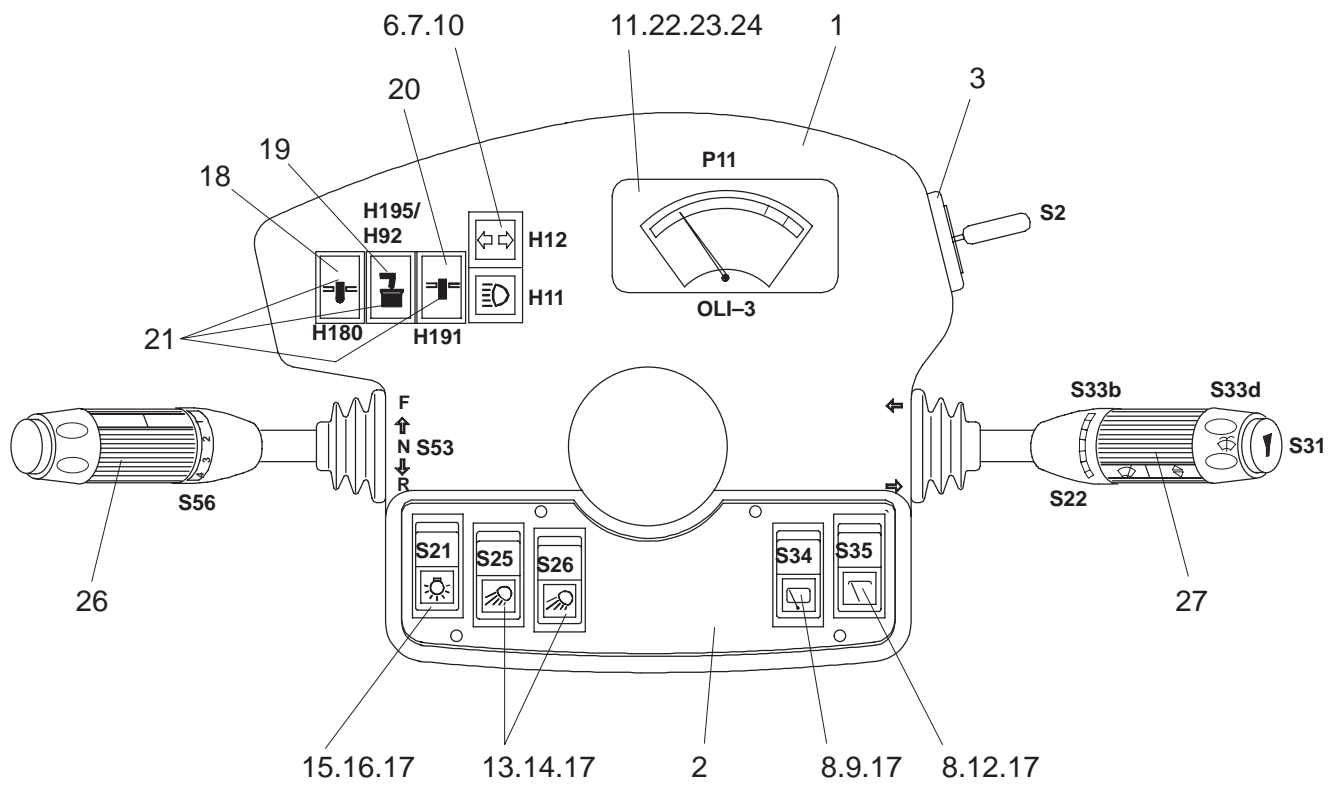
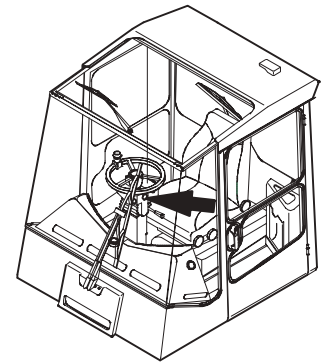
x)Order as required.
x) Quantidade como ne cessidade




		Description Descrição	<input type="checkbox"/>	Date Data	Module Módulo	Page Página
		Dashboard		00-03-21	KV05-0104	9
Item.	Description	Order no.	Qty	S	Notes	
1	Covering plate Cobertura	65211650	x		SWF	596273
2	Symbol Símbolo	806816969	1		SWF	596153 (lataus)
5	Symbol Símbolo	X921418.0033	1		SWF	596144 (jarruvirhe)
7	Covering plate Cobertura	X922010.0004	2			D=52mm
9	Symbol Símbolo	X921418.0043	1			S589785 (jäähd.nest.lämpö)
10	Symbol Símbolo	X921418.0038	1			S589780 (vaiht.öljynlämpö)
11	Symbol Símbolo	65232073	1		SWF	596173 (seisontajarru)
12	Signal light module Módulo da luz de sinalização	65232563	x		SWF	511503 T187-801-2311
*14	Symbol Símbolo	65211700	1		SWF	596620 (keskuspainevoit.)
15	Dashboard plate Placa de instrumentos	XA25080.0100	1			
*16	Symbol Símbolo	806816972	1		VDO	84438532/0015(veden pin-nankorkeus)
17	Symbol Símbolo	806817484	1			980036019(vaiht.öljynpaine)
18	Symbol Símbolo	806816966	1		VDO	84438532/0013 (moot.öljynpaine)
19	Symbol Símbolo	806816973	1		VDO	84438532/0030(paluusuod.)
-	Wiring set Conjunto instalação elect.	M5510560	1			

*Optional
)*Opcoes

x)Order as required.
x) Quantidade como ne cessidade

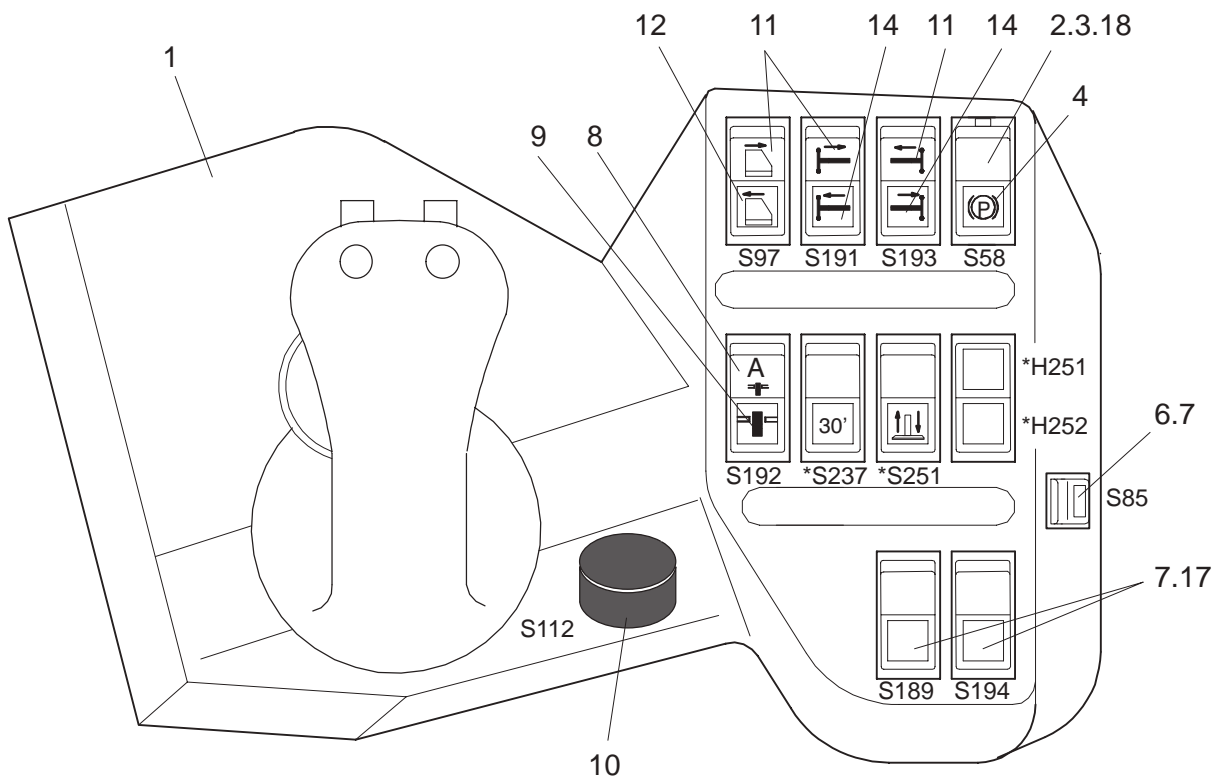
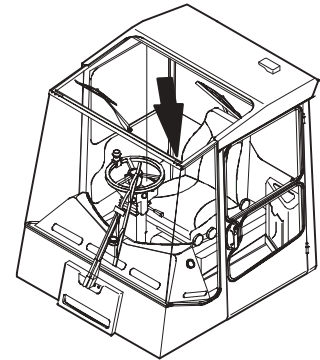


		Description Descrição	<input type="checkbox"/>	Date Data	Module Módulo	Page Página
		Dashboard		00-03-21	KV05-0104	11
Item.	Description	Order no.	Qty	S	Notes	
1	Instrument panel ???	XA33149.0200	1			
2	Dashboard plate Placa de instrumentos	XA33374.0200	1			
3	Ignition switch Interruptor de ignição	806818009			Merit	330262
6	Symbol Símbolo	806815044	1		SWF	595200 (ajosuunta)
7	Signal light module Módulo da luz de sinalização	65232563	x		SWF	511503 T187-801-2311
8	Switch Interruptor	X920971.0019	2		SWF	511095
9	Symbol Símbolo	806818010	1		SWF	S589789 (takalasin pyyh.)
10	Symbol Símbolo	806818011	1		SWF	S596169 (kaukovalot)
11	Gauge Indicador	806818012	1		Tamtron	SW80
12	Symbol Símbolo	X921418.0050	1			(kattolasinpyyh.)
13	Switch Interruptor	65231700	2		SWF	511000
14	Symbol Símbolo	65232013	1		SWF	596313 (työvalot)
15	Switch Interruptor	65231780	1		SWF	511080
16	Symbol Símbolo	65232051	1		SWF	596651 (ajovalot)
**17	Socket Suporte	65104020	x		SWF	596710
*18	Signal light module Módulo da luz de sinalização	X5425			VDO	231.020/009/019
*19	Signal light module Módulo da luz de sinalização	X5823			VDO	231.020/009/050
*20	Signal light module Módulo da luz de sinalização	X5423			VDO	231.020/009/016
*21	Sticker Autocolante	XA26849.0100	1			
22	Cover Tampa	M5510190	1			
24	Mounting plate Prato de suporte	M5510200	1			
25	Bulb Luz	65075500	x		Phili	13516 W2x4,6D1,2
26	Gear selector Selector de velocidades	X920476.006	1			S202861
27	Switch Interruptor	X920476.014	1			S202859
-	Wiring set Conjunto instalação elect.	M5510500	1			

*Optional
)*Opcoes

x)Order as required.
x) Quantidade como ne cessidade

**))incl. part 25
**)



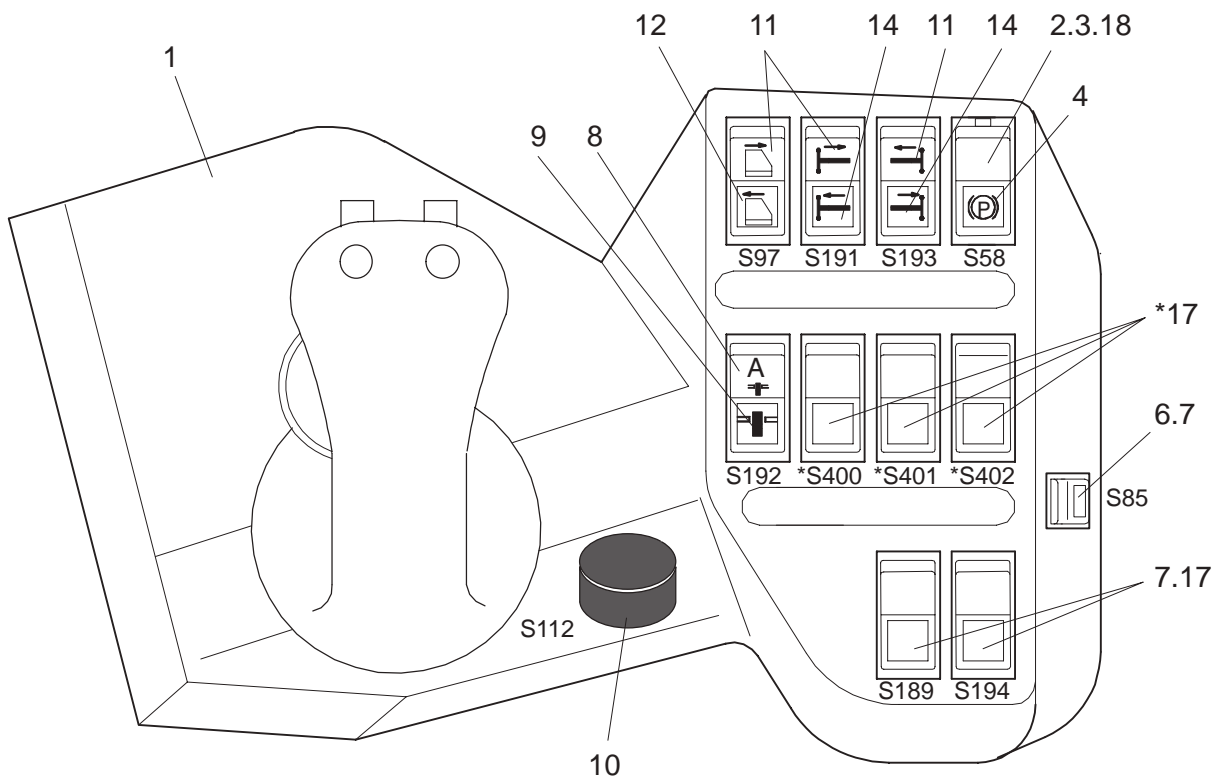
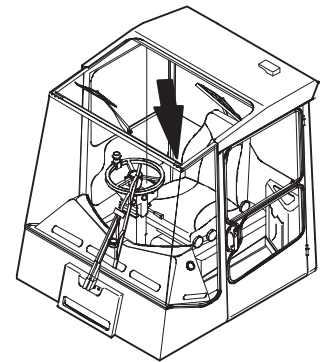


Item.	Description	Order no.	Qty	S	Notes
1	Housing Caixa	XA26250.0100	1		
2	Switch Interruptor	65231781	2		SWF 511181
**3	Socket Suporte	65104020	x		SWF 596710
4	Symbol Simbolo	65232073	1		SWF 596173(seisontajarru)
6	Switch Interruptor	65231707	1		SWF 511007
7	Symbol Simbolo	65211700	3		SWF 596620 (by-pass)
8	Switch Interruptor	X920971.0024	1		SWF 511062
9	Symbol Simbolo	X921418.0054	1		921418.0054 (karojen lukit.)
10	Switch Interruptor	X922730.0005	1		SK616 227-AE 922730.0005
11	Switch Interruptor	806108106	3		SWF 511055
12	Symbol Simbolo	X921418.0075	1		SWF (hytin siirto)
14	Symbol Simbolo	X921418.0044	2		(toplifit ulos)
17	Switch Interruptor	65231705	2		SWF 511105
18	Bulb Luz	65075500	x		Phili 13516 W2x4,6D1,2

*Optional
)*Opcoes

x)Order as required.
x) Quantidade como ne cessidade

**incl. part 18
**)



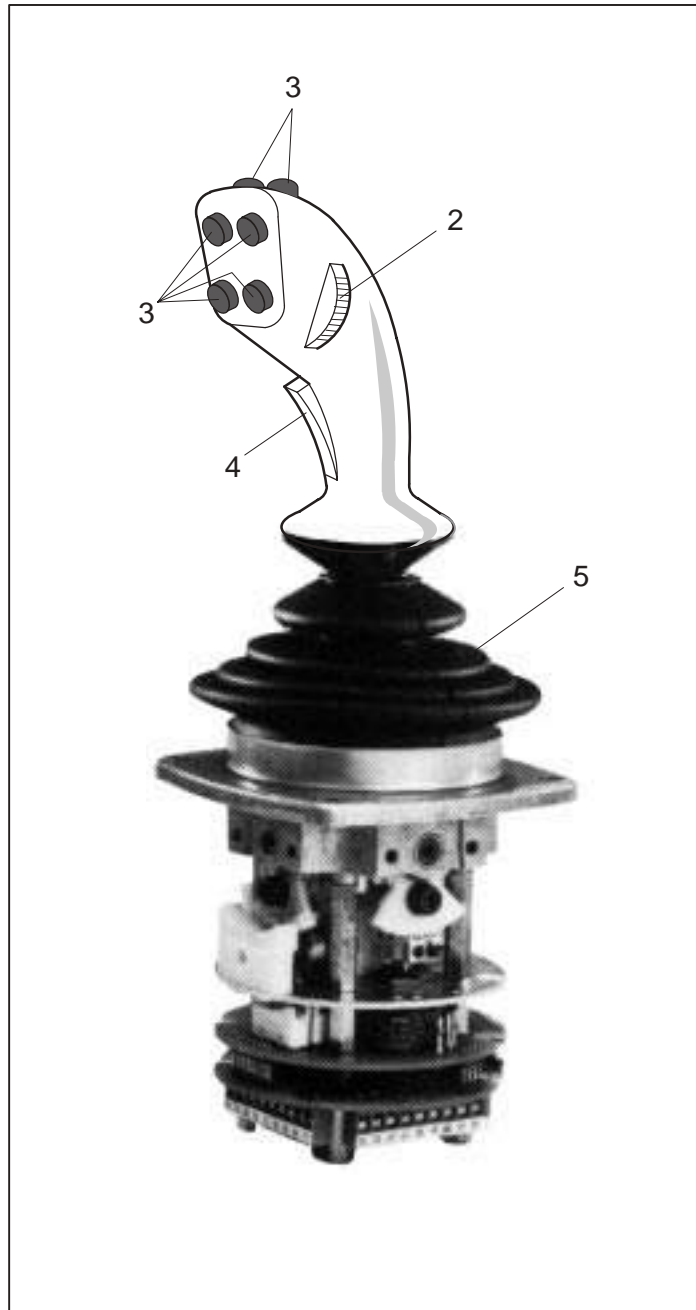


Item.	Description	Order no.	Qty	S	Notes
1	Housing Caixa	XA26250.0100	1		
2	Switch Interruptor	65231781	2		SWF 511181
**3	Socket Suporte	65104020	x		SWF 596710
4	Symbol Simbolo	65232073	1		SWF 596173(seisontajarru)
6	Switch Interruptor	65231707	1		SWF 511007
7	Symbol Simbolo	65211700	3		SWF 596620 (by-pass)
8	Switch Interruptor	X920971.0024	1		SWF 511062
9	Symbol Simbolo	X921418.0054	1		921418.0054 (karojen lukit.)
10	Switch Interruptor	X922730.0005	1		SK616 227-AE 922730.0005
11	Switch Interruptor	806108106	3		SWF 511055
12	Symbol Simbolo	X921418.0075	1		SWF (hytin siirto)
14	Symbol Simbolo	X921418.0044	2		(toplift ulos)
17	Switch Interruptor	65231705	5		SWF 511105
18	Bulb Luz	65075500	x		Phili 13516 W2x4,6D1,2

*) Use only with lift arms
*)

x) Order as required.
x) Quantidade como ne cessidade

**incl. part 18
**)





Description
Descrição
Steering arm



Date
Data
00-04-04

Module
Módulo
KV05-0104

Page
Página
17

Item.	Description	Order no.	Qty	S	Notes
1	Steering arm Braço direcção	M0605236H	1		Gesman V8B3DDDDDDKPA11 -2ZPP+2ZPP+2ZP-X
2	Potentiometer Potenciómetro	806817814	1		Gesman B3-P11
3	Switch Interruptor	806817812	6		Gesman B3-D
4	Switch Interruptor	806817813	1		Gesman B3-K
5	Bellows Fole	806818008	1		Gesman V8-F

Page Página 18	Module Módulo KV05-0104	Date Data 00-09-28	Description Descrição Display unit	
-----------------------------	--------------------------------------	---------------------------------	---	--





Description
Descrição
Display unit



Date
Data
00-09-28

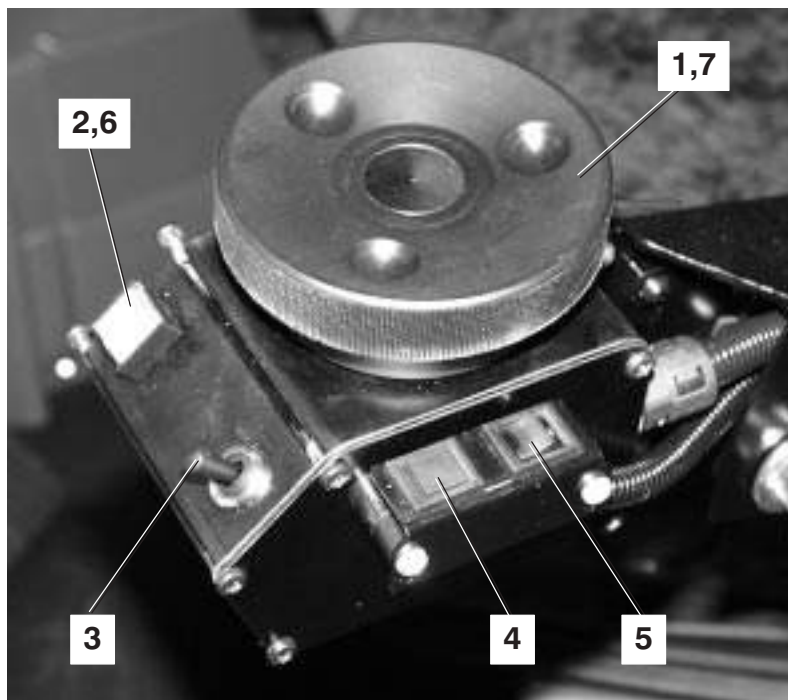
Module
Módulo
KV05-0104

Page
Página
19

Item.	Description	Order no.	Qty	S	Notes
1	Display unit Visor	65267398	1		MITRON 97MBKP-16

*Optional

Page Página 20	Module Módulo KV05-0104	Date Data 00-08-16	Description Descrição Steering wheel	
-----------------------------	--------------------------------------	---------------------------------	---	--





Description
Descrição
Steering wheel




Date
Data
00-08-16

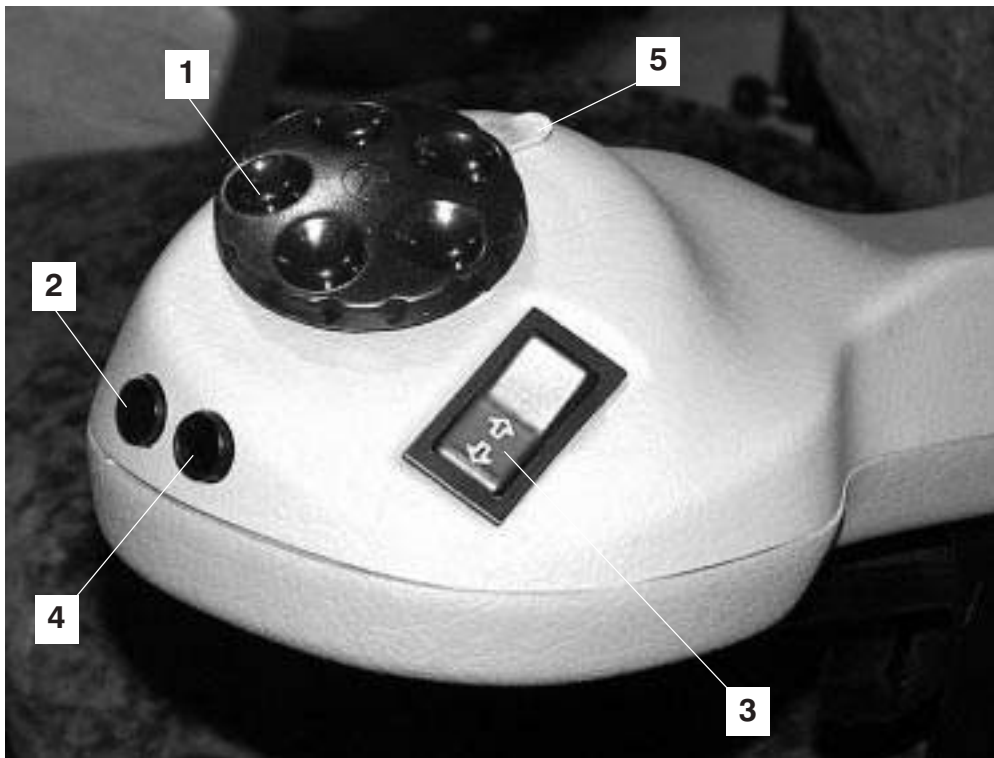
Module
Módulo
KV05-0104


Page
Página
21

Item.	Description	Order no.	Qty	S	Notes
*1	Steering wheel	K1209030H	1		RMH 891110-002
2	Switch	806817960	1		RMH 861537 ON/OFF
3	Switch	806817959	1		RMH 861487 ajosuunnan valinta
4	Switch	806818099	1		C&K 8221 J81 ZGE22 äänimerkki
5	Switch	806817067	1		C&K 7201
6	Symbol	806817961	1		RMH 861539
7	Diode	806817962	1		RMH 861530

*Optional
)

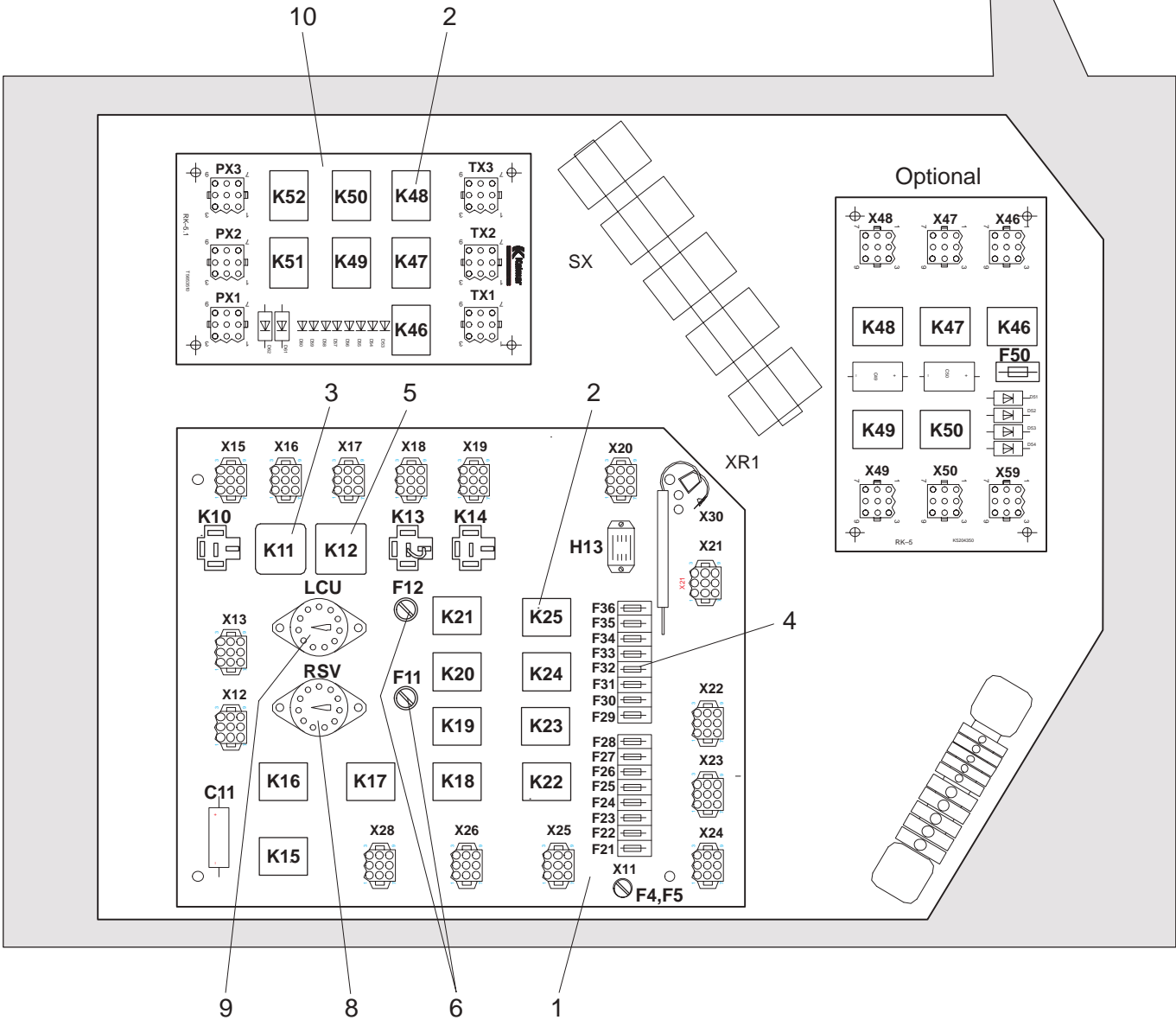
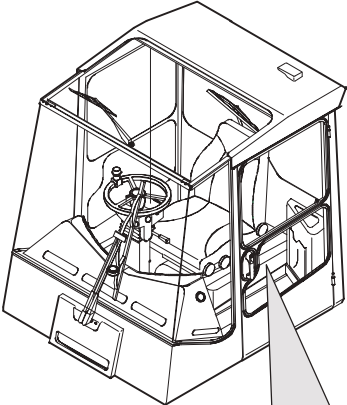
Page Página 22	Module Módulo KV05-0104	Date Data 00-09-28	Description Descrição Cabin, mount.		
-----------------------------	--------------------------------------	---------------------------------	--	--	--



		Description Descrição Cabin, mount.			<input type="checkbox"/>	Date Data 00-09-28	Module Módulo KV05-0104	Page Página 23
Item.	Description	Order no.	Qty	S	Notes			
*1	Steering wheel	Volante	XA33484.0100	1				
2	Switch	Interruptor	M5511502	1		C&K	7201+johtosarja, virtakytkin	
**3	Switch	Interruptor	806818079	1		SWF	511050, ajosuunnan valinta	
4	Switch	Interruptor	XA34435.0100	1			äänimerkki	
5	Lever	Alavanca	XA36498.0100	1			herkkyuden säätö	
6	Symbol	Simbolo	65232001	1		SWF	596301	
7	Bulb	Luz	806818156	1		SWF	596710	

*)Optional
*)

**)Incl. parts 6,7
**)





Description
Descrição
Circuit card



Date
Data
00-03-22

Module
Módulo
KV05-0104

Page
Página
25

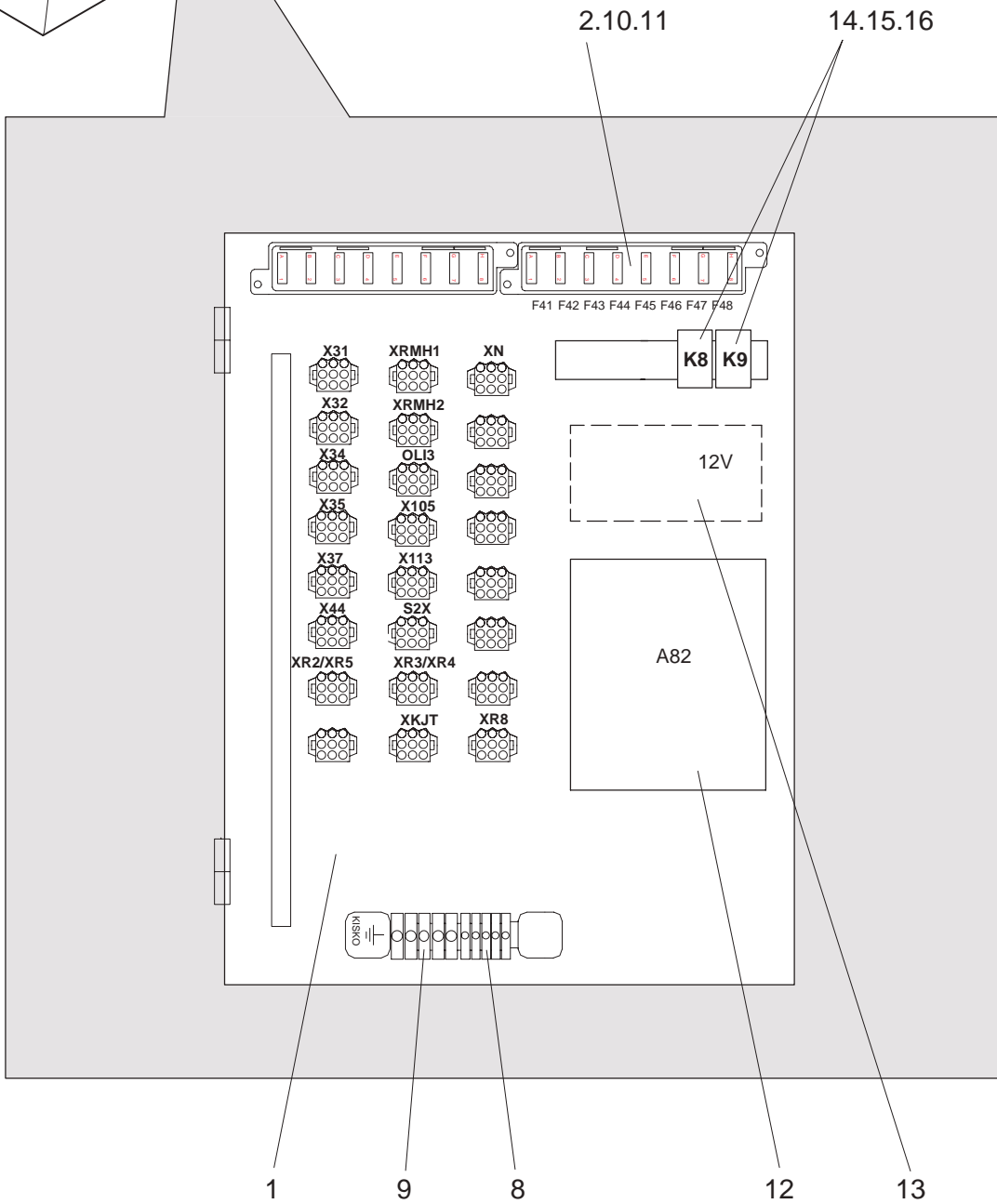
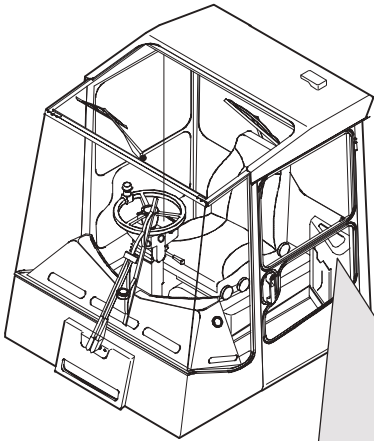
Item.	Description	Order no.	Qty	S	Notes
*1A	Circuit card	Circuito impresso	M5503440	1	
1	Circuit card	Circuito impresso	806818160	1	437089
2	Relay	Relé	652381060	18	Idec RH2B-ULC-DC24
3	Relay	Relé	65238147	1	Bosch 0332209211 24VBosch 0332209211-100
4	Fuse	Fusivel	65270110	16	SAE J 1284 latta 17156 10A
5	Relay	Relé	65238142	1	Hella 4AZ003 787-021
6	Fuse	Fusivel	65270392	2	Hella 5x20 hidas 2A
**8	Direction wacht	Vigia de direcção	652338820	1	Pikos RSV-002
9	Control unit	Unidade de controle	652338821	1	Pikos LCU-002
10	Circuit card	Circuito impresso	T5653510	1	RK5.1


*)Incl. parts 1-6

*)

***)Not used with autom. gear shift

***)



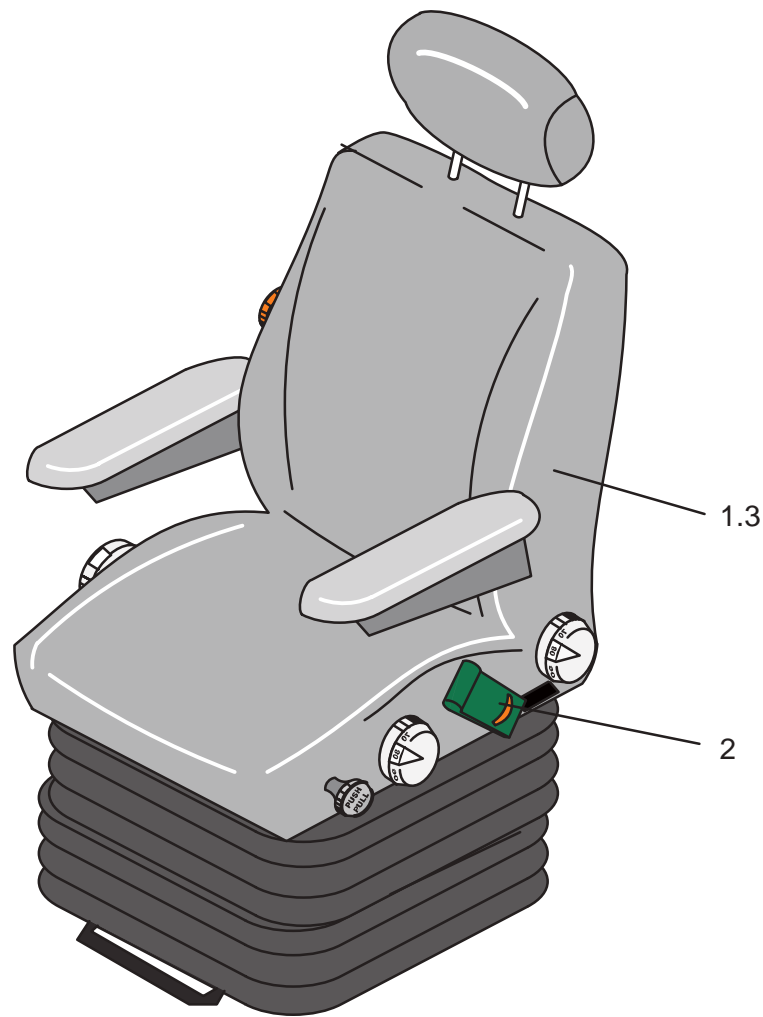
		Description Descrição Mounting plate	<input type="checkbox"/>	Date Data 00-09-28	Module Módulo KV05-0104	Page Página 27
Item.	Description	Order no.	Qty	S	Notes	

**1	Mounting plate	Placa de montagem	M5503550	1		
2	Fuse box	Caixa de fusíveis	65273289	1		Merit 150300, 8 lattasul.
8	Connection	União	652119094	5		Weidm 3165.0 ZB4
9	Connection	União	652119093	5		Weidm 3166.0 ZB16
10	Fuse	Fusível	65270110	5		SAE 10A J 1284 latta
11	Fuse	Fusível	65270115	3		SAE 15A J 1284 latta
13	Voltage reducer	Redutor de voltagem	X923447.0006	1		24/12V 6/8A 810-2412
*12	Control unit	Unidade de controle	806818155	1		652673689 huom!
*14	Relay	Relé	65238128	1		KLÖKN TE 69-A MULTI
*15	Relay	Relé	652381060	1		IDEC RH2B-ULC-DC24
*16	Socket	Suporte	652381061	1		IDEC SH2B-05

*Optional
)

**)Incl. parts 2-11
**)

huom! Ohjauksyksikkö A82 (MITRON MCC1812) pitää ohjelmoida konekohtaisesti kurottajalinjalla.





Description
Descrição
Seat

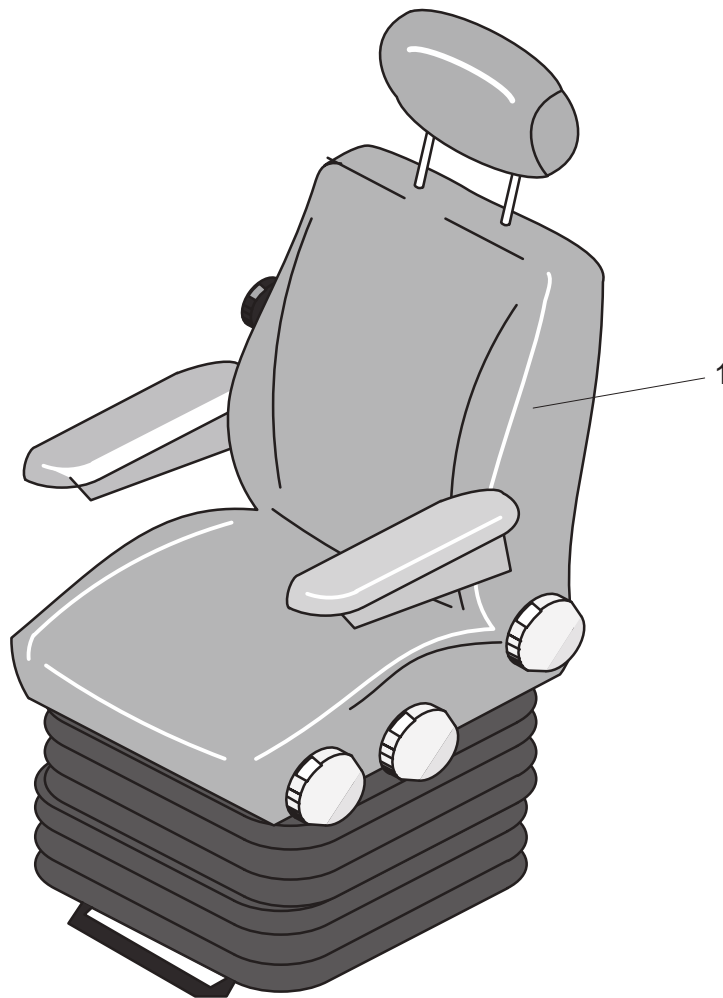



Date
Data
98-11-17

Module
Módulo
KV05-0104

Page
Página
29

Item.	Description	Order no.	Qty	S	Notes
1	Seat Cadeira	806817796	1	75	BE-GE 9100
2	Safety belt Cinto de segurança	T2313018H	1		KLIPP 907215+kinn.osat
3	Compressor Compressor	806817895	1		BE-GE 603008
-	Wiring set Conjunto instalação elect.	M5509080	1		



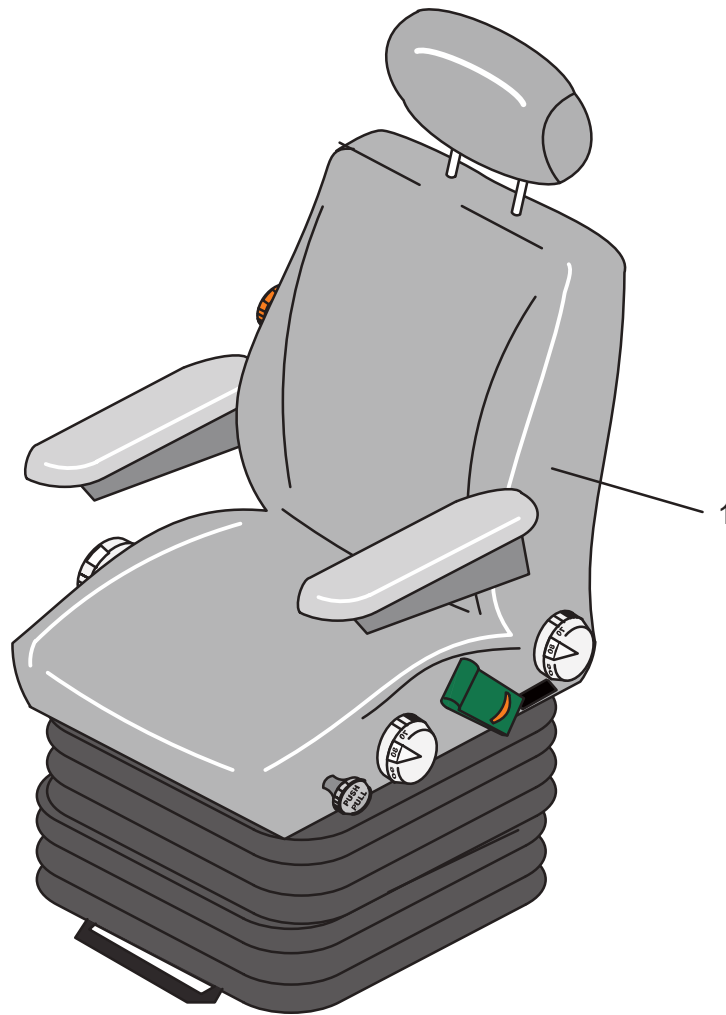
		Description Descrição Seat	<input type="checkbox"/>	Date Data 00-03-22	Module Módulo KV05-0104	Page Página 31
Item.	Description	Order no.	Qty	S	Notes	

*1	Seat	Cadeira	N2501152H	1	75	BE-GE 9200M
-	Safety belt	Cinto de segurança	N2509009H	1		AUTOL NR65003

*)Mechanical suspended

*)

Page Página 32	Module Módulo KV05-0104	Date Data 98-11-17	Description Descrição Seat	<input type="checkbox"/>	
-----------------------------	--------------------------------------	---------------------------------	---	--------------------------	--





Description
Descrição
Seat



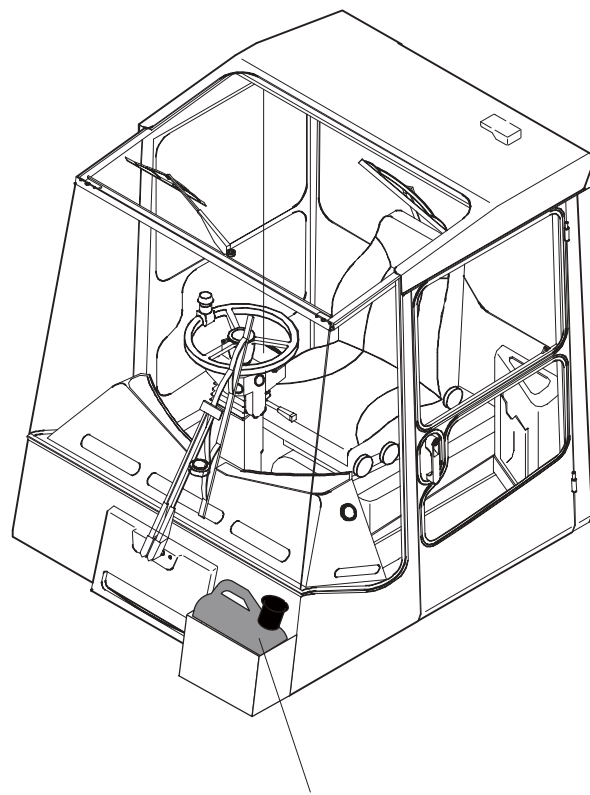
Date
Data
98-11-17

Module
Módulo
KV05-0104

Page
Página
33

Item.	Description	Order no.	Qty	S	Notes
1	Seat Cadeira	N2501162H	1	75	ISRI 6500K/575

Page Página 34	Module Módulo KV05-0104	Date Data 00-05-10	Description Descrição Windshield wiper	
-----------------------------	--------------------------------------	---------------------------------	---	--



1.2



Description
Descrição
Windshield wiper



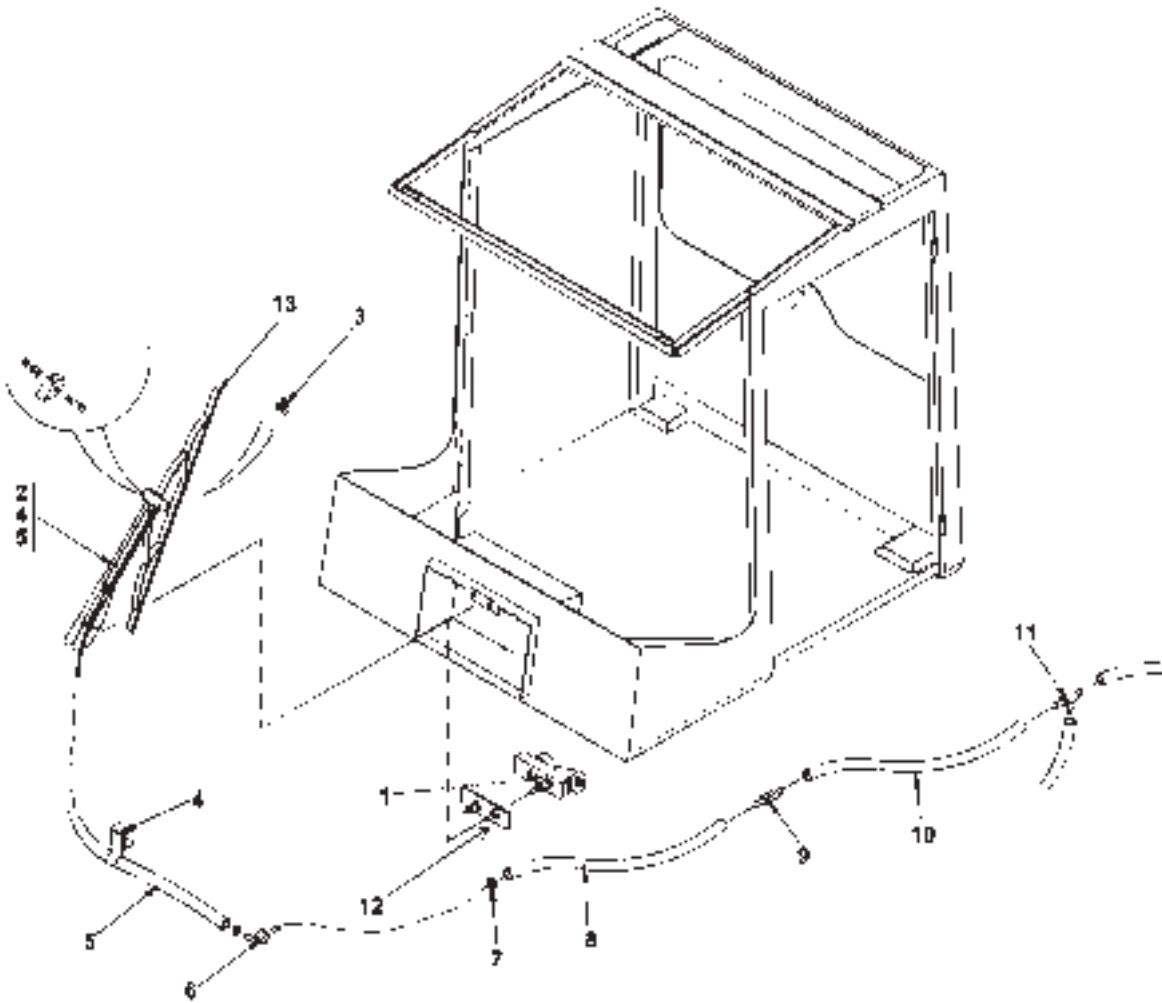
Date
Data
00-05-10

Module
Módulo
KV05-0104

Page
Página
35

Item.	Description	Order no.	Qty	S	Notes
1	Container Deposito	M4316200	1		GWS 565
2	Engine Motor	T3111009H	3		Casca 24.00.2.35

Page Página	Module Módulo	Date Data	Description Descrição	<input type="checkbox"/>	
36	KV05-0104	00-04-07	Windshield wiper		





Description
Descrição
Windshield wiper



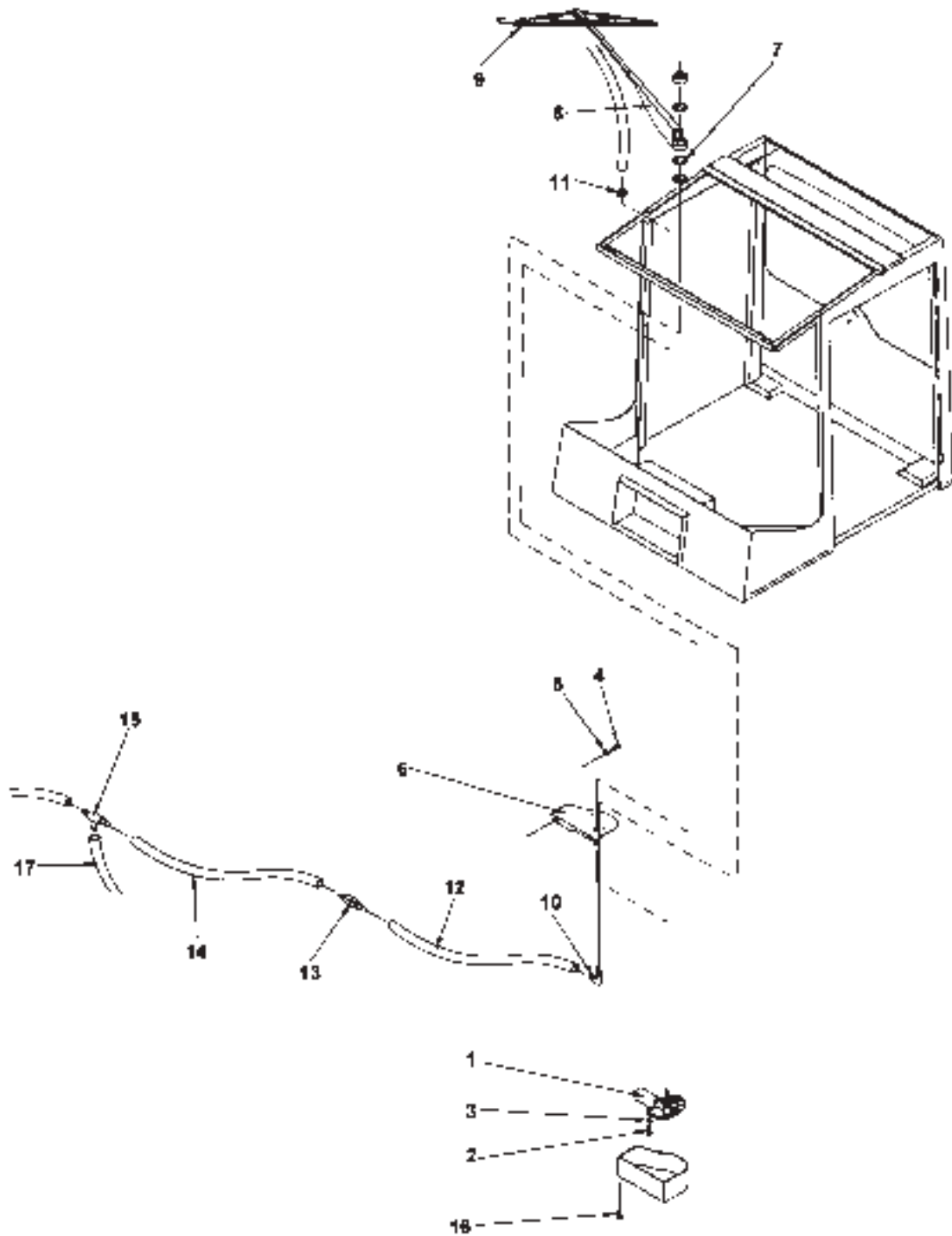
Date
Data
00-04-07

Module
Módulo
KV05-0104

Page
Página
37

Item.	Description	Order no.	Qty	S	Notes
1	Engine Motor	920887.0011	1		
2	Wiper arm Braço do limpa-vidros	920888.0005	1		
3	Nozzle Bico injector	920170.003	1		
4	Hose holder Abraçadeira	920170.008	1		Bosch 3392 380 021
5	Hose Tubo	921400.0002	x		L=850
6	Elbow União	922780.0002	1		
7	Nut Porca	50410080	3		ISO4032 M8
8	Hose Tubo	90396	x		L=1900
9	Valve Valvula	5400	1		
10	Hose Tubo	90396	x		L=100
11	Branch tee União	5859	1		
12	Fitting set Jogo de montagem	920890.0009	1		
13	Blade Escova	920183.019	1		

x)Order as required (min. delivery length 1 m).
x)





Description
Descrição
Windshield wiper



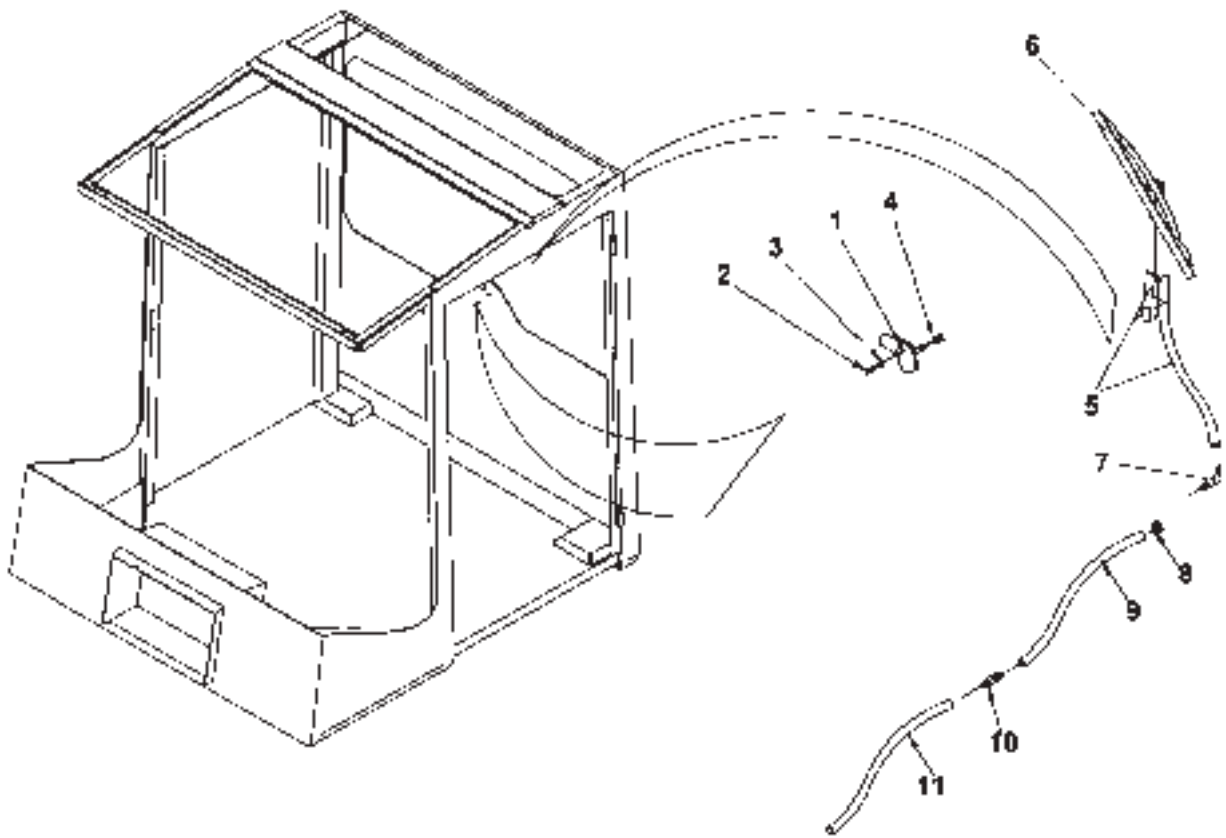
Date
Data
00-04-10

Module
Módulo
KV05-0104

Page
Página
39

Item.	Description	Order no.	Qty	S	Notes
1	Engine Motor	920890.0011	1		
2	Screw Parafuso	920099.024	2		SFS2064 M6x16
3	Washer Anilha	98151	2		ISO7089 6.4
4	Screw Parafuso	920099.021	2		SFS2064 M8x12
5	Washer Anilha	920098.025	2		DIN125 8.4
6	Attachment Ligação	A26490.0100	1		
7	Fitting set Jogo de montagem	920890.0004	1		
8	Wiper arm Braço do limpa-vidros	920893.0014	1		
9	Blade Escova	920183.020	1		
10	Nozzle Bico injector	922780.0002	1		
11	Nut Porca	3052	1		
12	Hose Tubo	90396	x		L=4000
13	Valve Valvula	5400	1		
14	Hose Tubo	921400.0002	x		L=1000
15	Branch tee União	5859	1		
16	Screw Parafuso	920749.0002	2		
17	Hose Tubo	90396	x		L=100

x)Order as required (min. delivery length 1 m).
x)





Description
Descrição
Windshield wiper



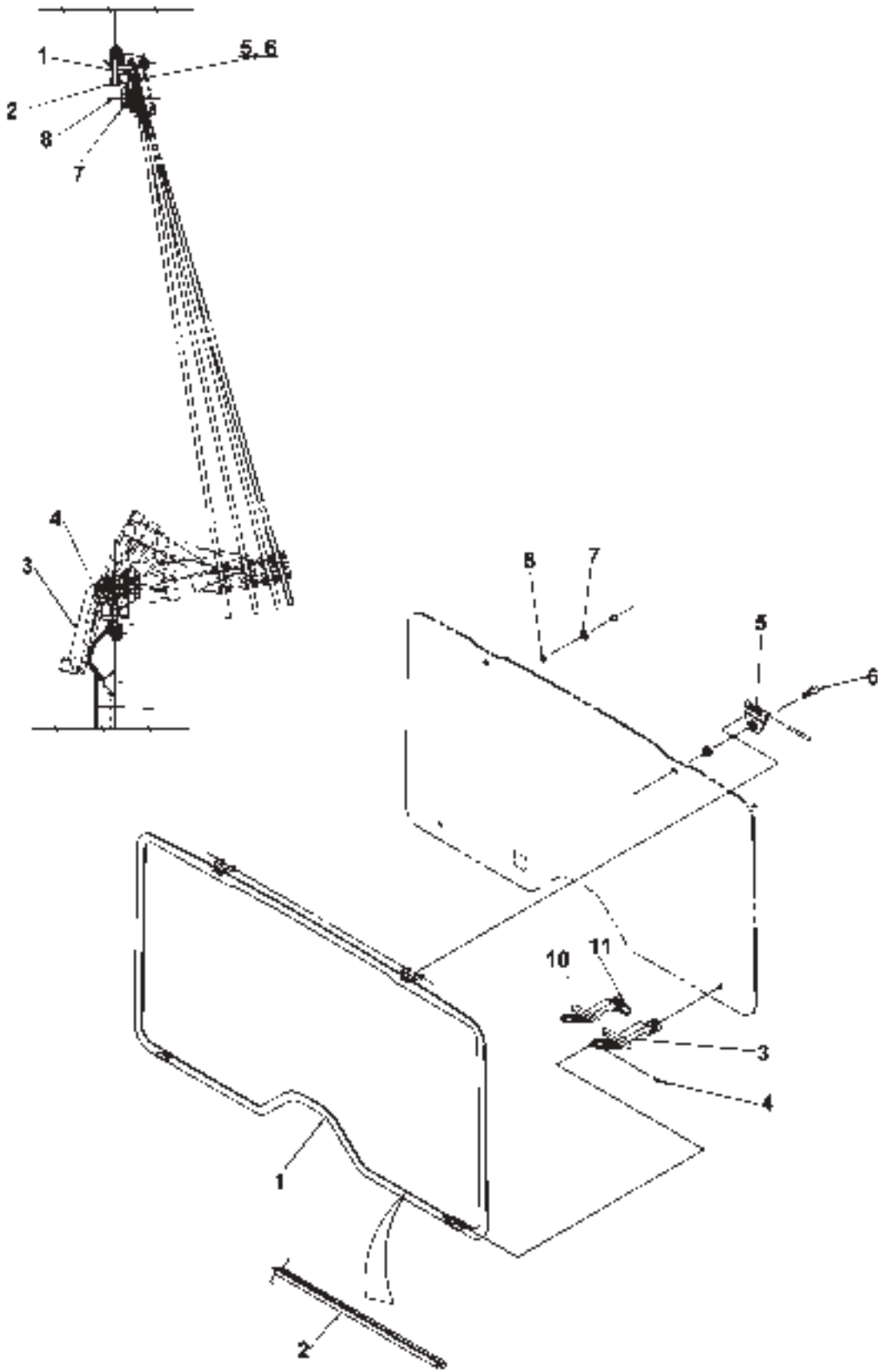
Date
Data
00-04-10

Module
Módulo
KV05-0104

Page
Página
41

Item.	Description	Order no.	Qty	S	Notes
1	Engine Motor	920890.0011	1		
2	Screw Parafuso	920099.024	2		SFS2064 M6X16
3	Washer Anilha	98151	2		ISO7089 6.4
4	Fitting set Jogo de montagem	920890.0004	1		
5	Wiper arm Braço do limpa-vidros	920893.0014	1		
6	Blade Escova	920183.020	1		
7	Nozzle Bico injector	922780.0002	1		
8	Nut Porca	3052	3		
9	Hose Tubo	90396	x		L=1000
10	Valve Valvula	5400	1		
11	Hose Tubo	90396	x		L=1000

x)Order as required (min. delivery length 1 m).
x)





Description
Descrição
Glasses



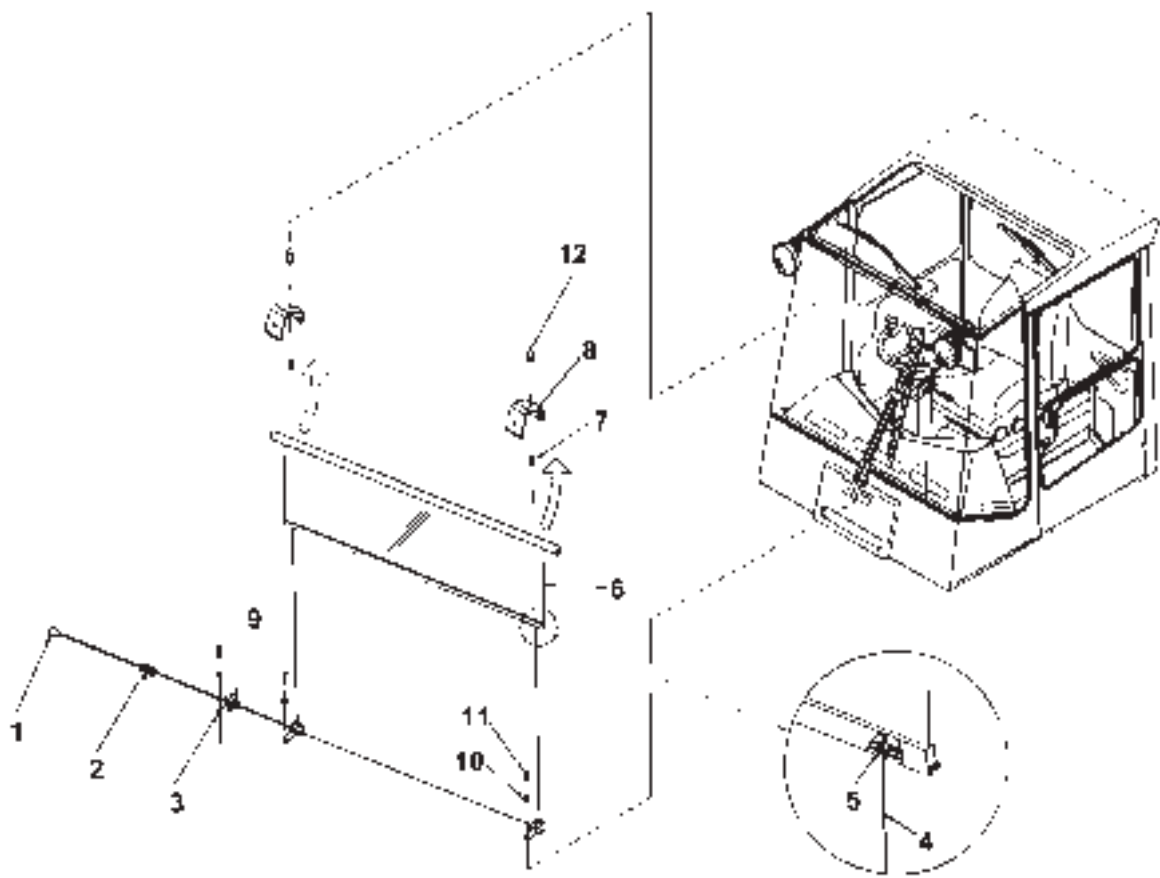
Date
Data
00-04-07

Module
Módulo
KV05-0104

Page
Página
43

Item.	Description	Order no.	Qty	S	Notes
1	Frame	Estrutura de suporte	A29673.0100	1	
2	Rubber seal	Vedante borracha	920946.0010	x	
3	Catch	Fecho	922376.0002	2	
4	Pin	Pin	920463.023	2	
5	Hinge	Dobradica	921517.0006	2	
6	Screw	Parafuso	920043.075	2	
7	Washer	Anilha	920165.003	2	
8	Nut	Porca	921901.0004	2	
10	Catch	Fecho	A29687.0100	2	
11	Pin	Pino	4697	2	

x) Order as required (min. delivery length 1 m).





Description
Descrição
Visor

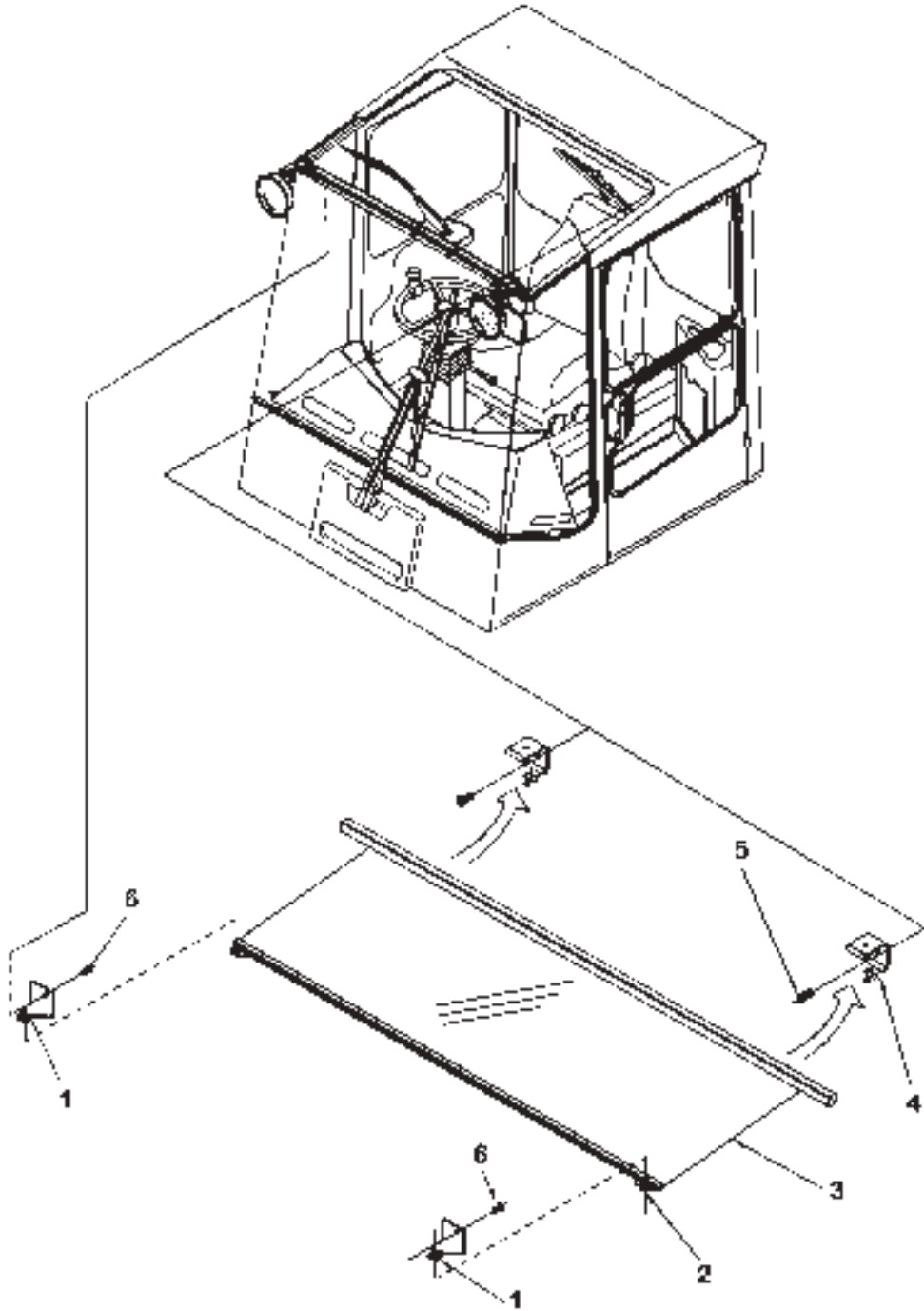


Date
Data
00-04-07

Module
Módulo
KV05-0104

Page
Página
45

Item.	Description	Order no.	Qty	S	Notes
1	Knob	Punho	923811.0005	1	
2	Support	Suporte	923811.0008	1	
3	Ring	Anel	923811.0007	3	
4	Extractor	Extractor	923811.0003	5	
5	Washer	Anilha	923811.0004	2	
6	Visor	Cortina	923810.0001	1	
7	Screw	Parafuso	920749.0005	2	
8	Clamp	Abraçadeira	923811.0001	2	
9	Ring	Anel	923811.0006	3	
10	Washer	Anilha	923550.0003	3	
11	Screw	Parafuso	920371.010	3	
12	Screw	Parafuso	920950.0003	2	





Description
Descrição
Visor

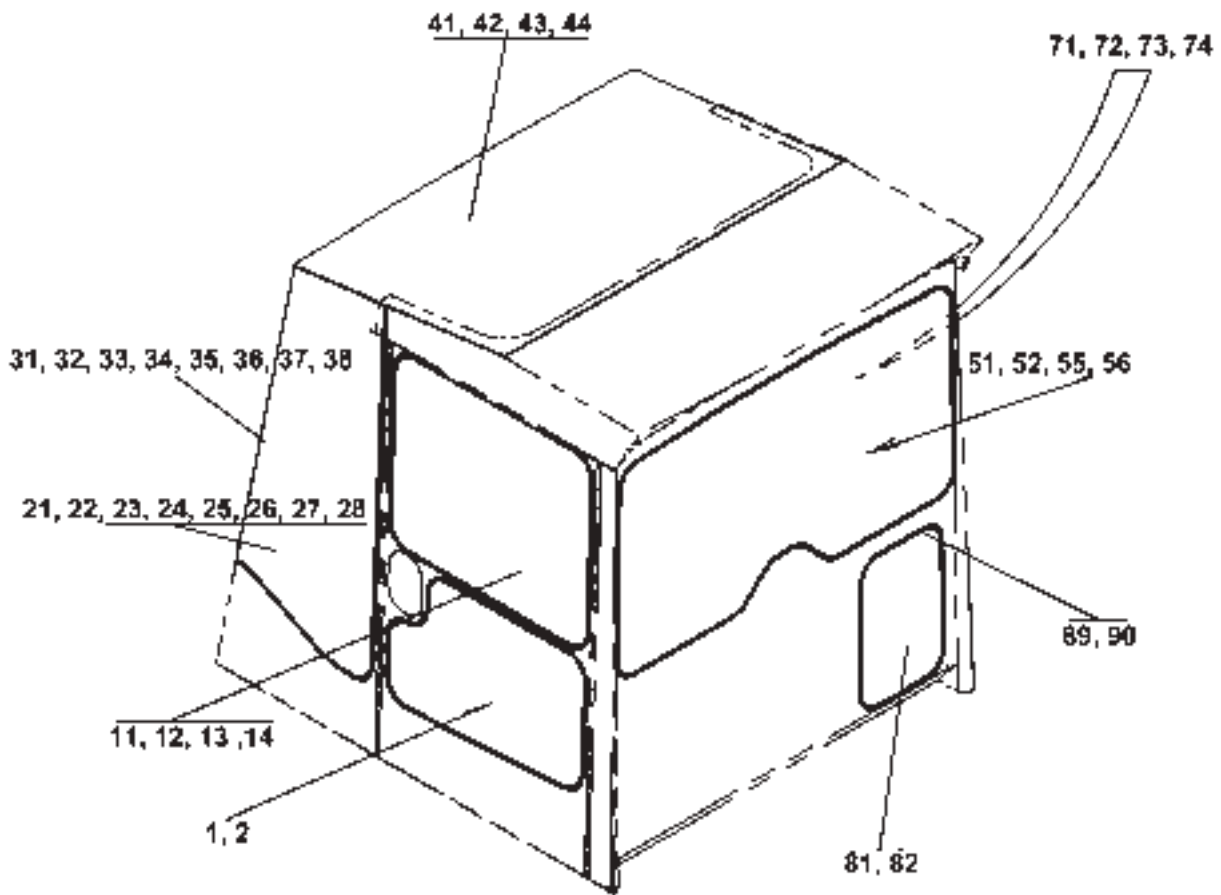



Date
Data
00-04-07

Module
Módulo
KV05-0104

Page
Página
47

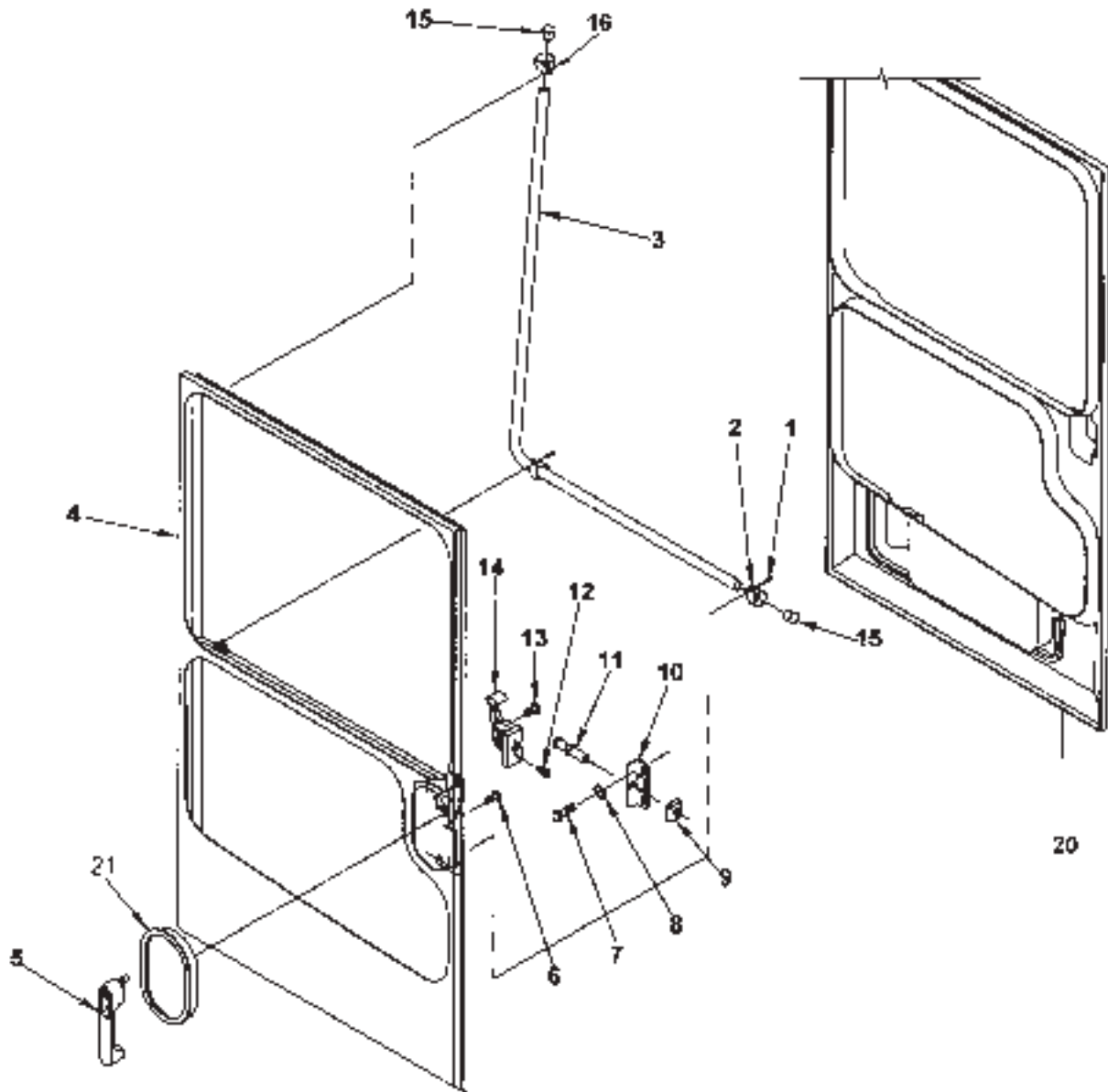
Item.	Description	Order no.	Qty	S	Notes
1	Support	923811.0010	2		
2	Extractor	923811.0002	2		
3	Visor	923810.0001	1		
4	Clamp	923811.0001	2		
5	Screw	920749.0005	2		
6	Screw	920749.0002	2		



		Description Descrição	<input type="checkbox"/>	Date Data	Module Módulo	Page Página
		Glasses		00-04-07	KV05-0104	49
Item.	Description	Order no.	Qty	S	Notes	
1	Glass	Vidro	A24081.0100	1		
2	Glass,green	Vidro, verde	A24081.0200	1		
11	Glass	Vidro	A24079.0100	1		
12	Glass,green	Vidro, verde	A24079.0200	1		
13	Sliding glas	Vidro deslizante	A24080.0100	1		
14	Sliding glas,green	Vidro deslizante, verde	A24080.0200	1		
21	Glass	Vidro	A24078.0100	2		T=5, 1292x584
22	Glass,green	Vidro, verde	A24078.0200	2		T=5,1292x584
23	Glass	Vidro	A24078.0600	2		T=6, 1292x584
24	Glass,green	Vidro, verde	A24078.0700	2		T=6, 1292x584
25	Glass	Vidro	A29503.0100	2		T=5, 1260x506
26	Glass,green	Vidro, verde	A29503.0200	2		T=5,1260x506
31	Windscreen	Para brisas	A24076.0100	1		T=5,1411x1111
32	Windscreen, green	Para brisas, verde	A24076.0200	1		T=5,1411x1111
33	Windscreen	Para brisas	A24076.0300	1		T=6,1411x1111
34	Windscreen, green	Para brisas, verde	A24076.0400	1		T=6,1411x1111
35	Windscreen	Para brisas	A29504.0100	1		T=5,1379x1085
36	Windscreen, green	Para brisas, verde	A29504.0200	1		T=5, 1379x1085
37	Windscreen	Para brisas	A29504.0300	1		T=6,1379x1085
38	Windscreen, green	Para brisas, verde	A29504.0400	1		T=6, 1379x1085
41	Glass	Vidro	A24075.0100	1		T=6
42	Glass, bronze	Vidro, bronze	A24075.0100	1		
*43	Glass	Vidro	A30224.0100	1		T=5,
*44	Glass,green	Vidro, verde	A30224.0200	1		T=5
51	Glass	Vidro	A24077.0100	1		T=5,
52	Glass,green	Vidro, verde	A24077.0200	1		T=5
55	Glass	Vidro	A29676.0100	1		T=6,
56	Glass,green	Vidro, verde	A29676.0200	1		T=6
71	Glass	Vidro	A24079.0100	1		
72	Glass,green	Vidro, verde	A24079.0200	1		
73	Sliding glas	Vidro deslizante	A27726.0100	1		
74	Sliding glas,green	Vidro deslizante, verde	A27726.0200	1		
81	Glass	Vidro	A17020.0100	1		
82	Glass,green	Vidro, verde	A17020.0200	1		
89	Rubber seal	Vedante borracha	920934.0005	x		
90	Strip	Faixa	920932.0001	x		

x) Order as required (min. delivery length 1 m).

*) May not be mounted without roof protect.



1A



Description
Descrição
Door, Rh



Date
Data
00-03-24

Module
Módulo
KV05-0104

Page
Página
51

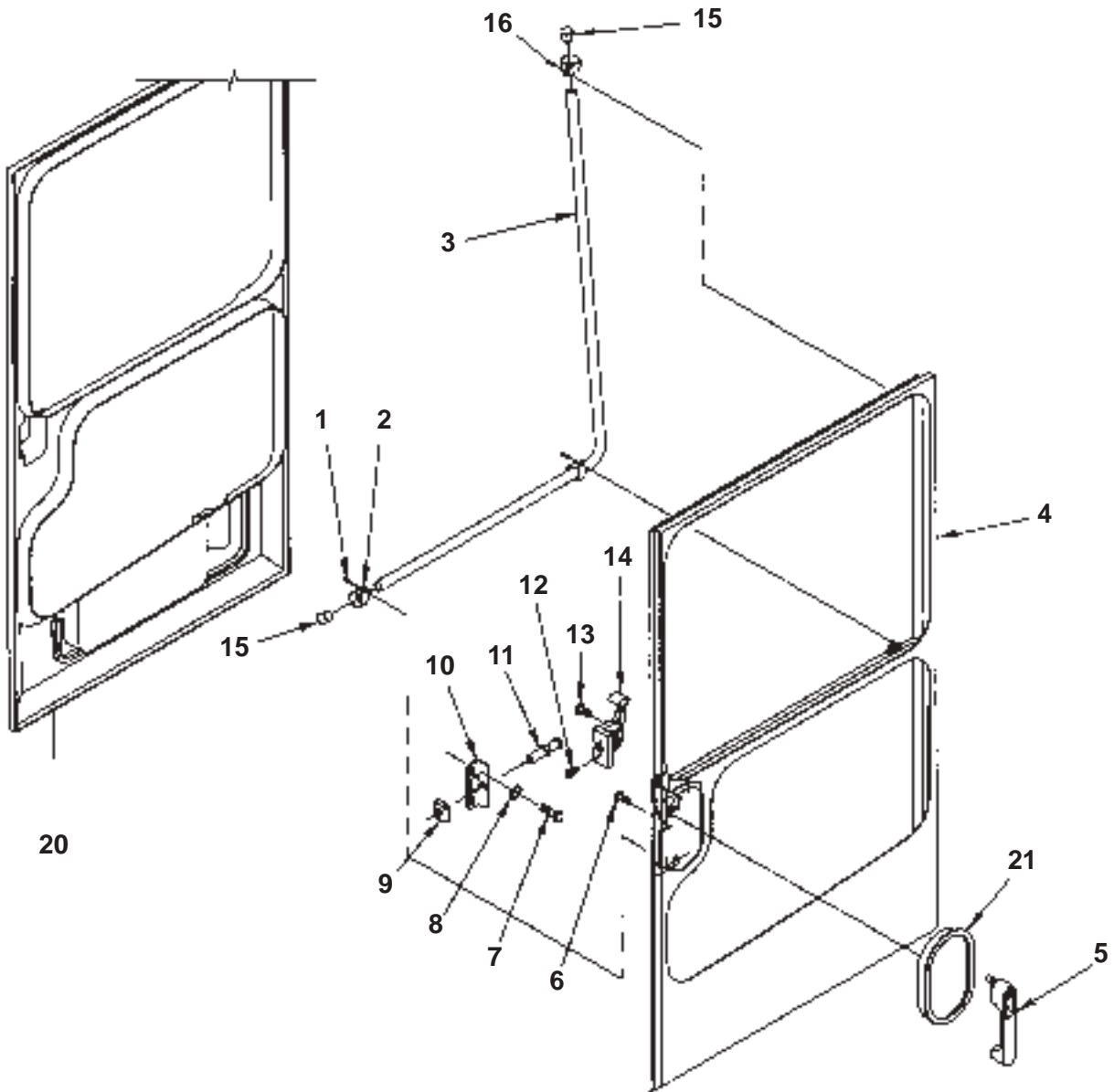
Item.	Description	Order no.	Qty	S	Notes
*1A	Door	Porta	A26139.0200	1	
1	Screw	Parafuso	920749.0004	3	
2	Fastener	Ligador	920125.016	3	
3	Handle	Manete	A24988.0100	1	
4	Door	Porta	A22882.0200	1	
5	Handle	Manete	923455.0001	1	
6	Screw	Parafuso	920749.0005	3	
7	Screw	Parafuso	3062	2	
8	Washer	Anilha	98151	2	
9	Nut	Porca	A06303.0200	1	
10	Fastener	Ligador	A23480.0100	3	
11	Lock pin	Cavilha segurança	923455.0002	1	
12	Screw	Parafuso	920043.064	4	
13	Screw	Parafuso	920043.053	4	
14	Handle	Manete	923455.0014	1	
15	Cover	Tampa	922010.0009	2	
16	Screw	Parafuso	A27813.0100	1	
20	Insulator	Isolador	A26587.0100	x	
21	Insulator	Isolador	A26593.0100	x	

*)Incl. parts 1-21

*)

x) Order as required.

x)



1A

Description
Descrição

Door, LH

Date
Data

00-03-24

Module
Módulo

KV05-0104

Page
Página

53

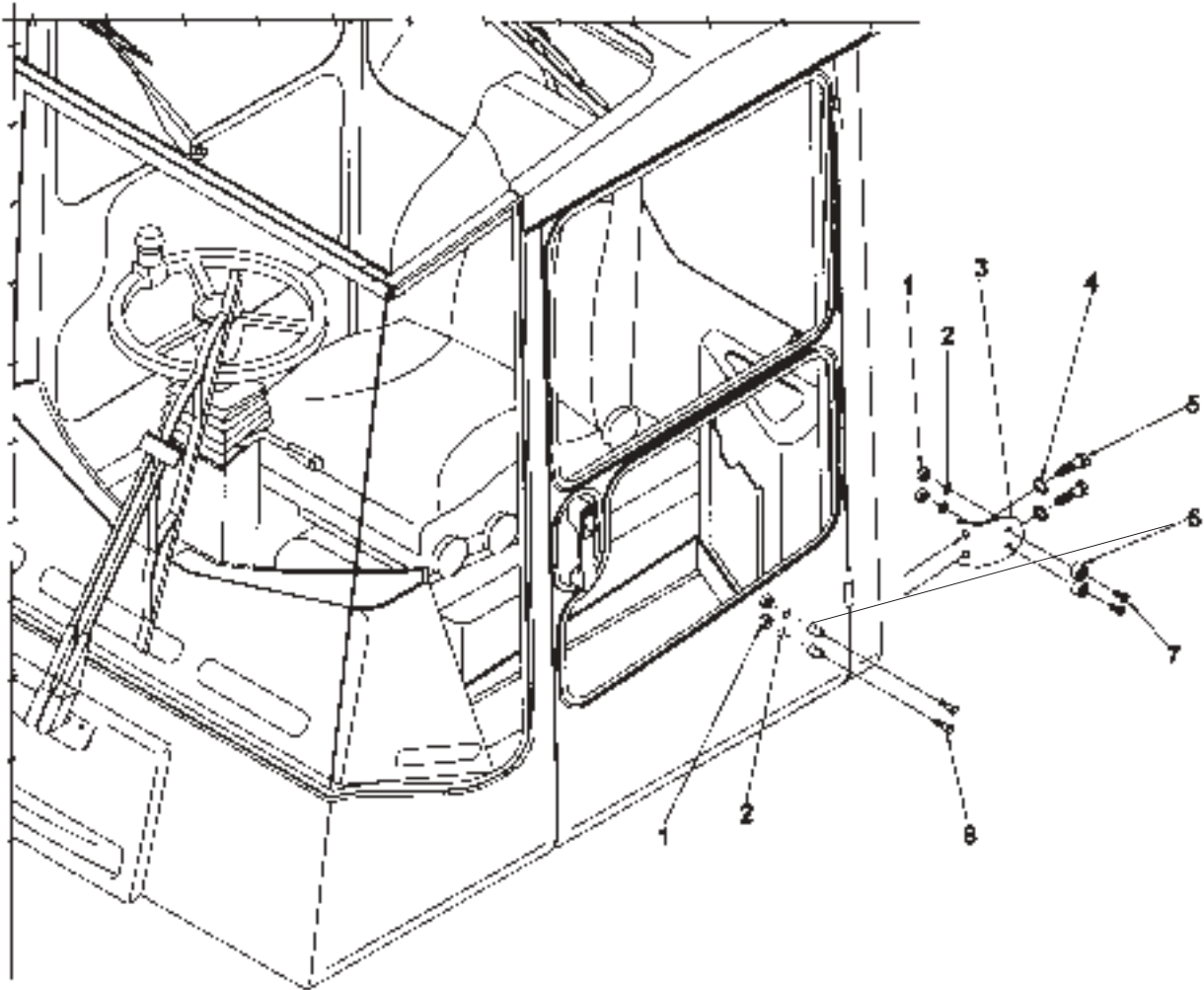
Item.	Description	Order no.	Qty	S	Notes
*1A	Door	Porta	A26139.0100	1	
1	Screw	Parafuso	920749.0004	3	
2	Fastener	Ligador	920125.016	3	
3	Handle	Manete	A24988.0100	1	
4	Door	Porta	A22882.0100	1	
5	Handle	Manete	923455.0001	1	
6	Screw	Parafuso	920749.0005	3	
7	Screw	Parafuso	3062	2	
8	Washer	Anilha	98151	2	
9	Nut	Porca	A06303.0200	1	
10	Fastener	Ligador	A23480.0100	3	
11	Lock pin	Cavilha segurança	923455.0002	1	
12	Screw	Parafuso	920043.064	4	
13	Screw	Parafuso	920043.053	4	
14	Handle	Manete	923455.0015	1	
15	Cover	Tampa	922010.0009	2	
16	Screw	Parafuso	A27813.0100	1	
20	Insulator	Isolador	A26587.0100	x	
21	Insulator	Isolador	A26593.0100	x	

*)Incl. parts 11-21

*)

x) Order as required.

x)



Description
Descrição

Door, LH

Date
Data

00-04-06

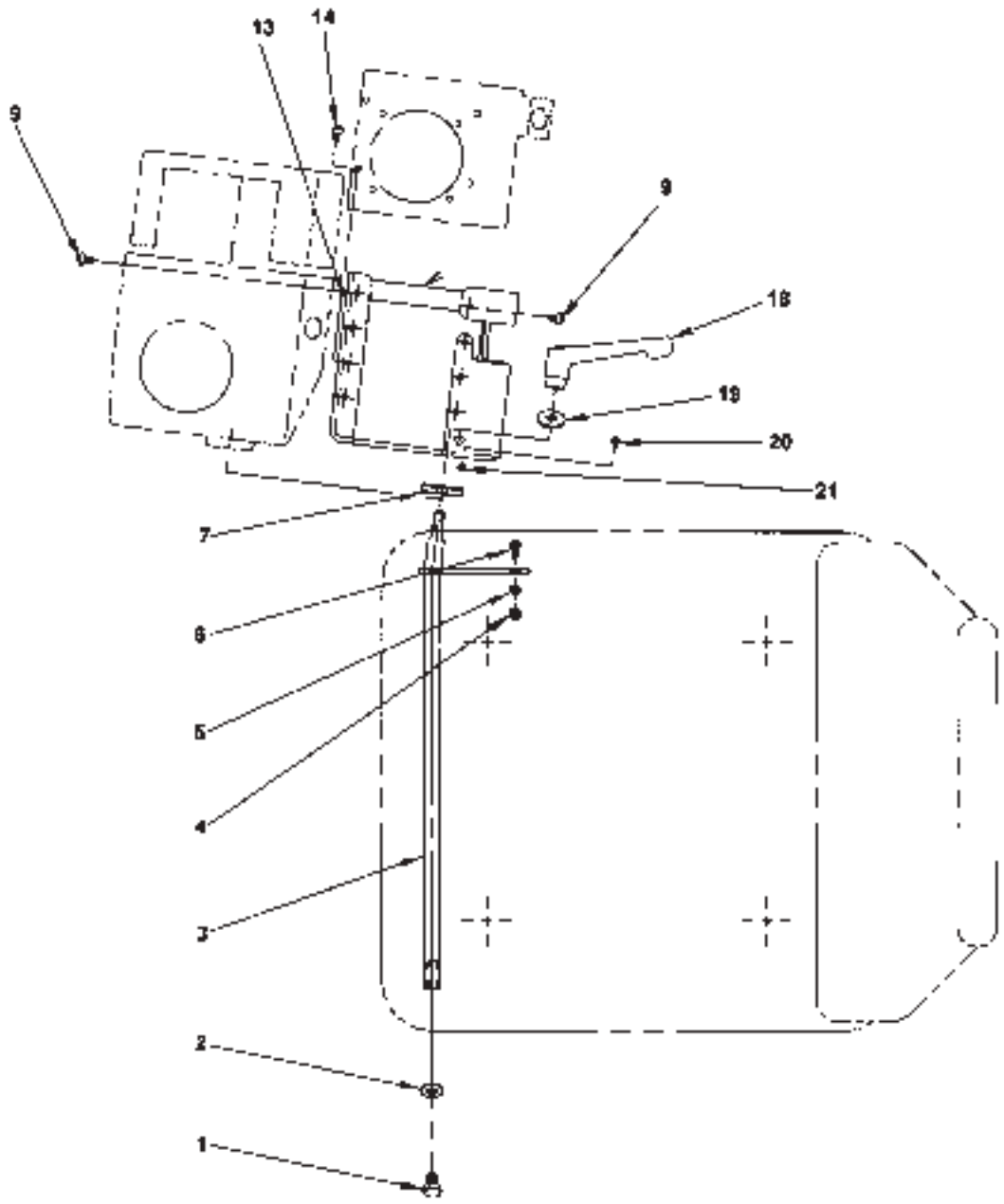
Module
Módulo

KV05-0104

Page
Página

55

Item.	Description	Order no.	Qty	S	Notes
1	Nut Porca	920076.002	8		DIN985 M6
2	Washer Anilha	98151	8		ISO7089 6.4
3	Mounting plate Prato de suporte	A25973.0200	2		
4	Washer Anilha	920098.009	4		ISO7089 13
5	Screw Parafuso	3102	4		SFS2064 M12X25
6	Fastener Ligador	923418.0004	4		
7	Screw Parafuso	4820	4		SFS2176 M6x20
8	Screw Parafuso	3065	4		





Description
Descrição
Bracket

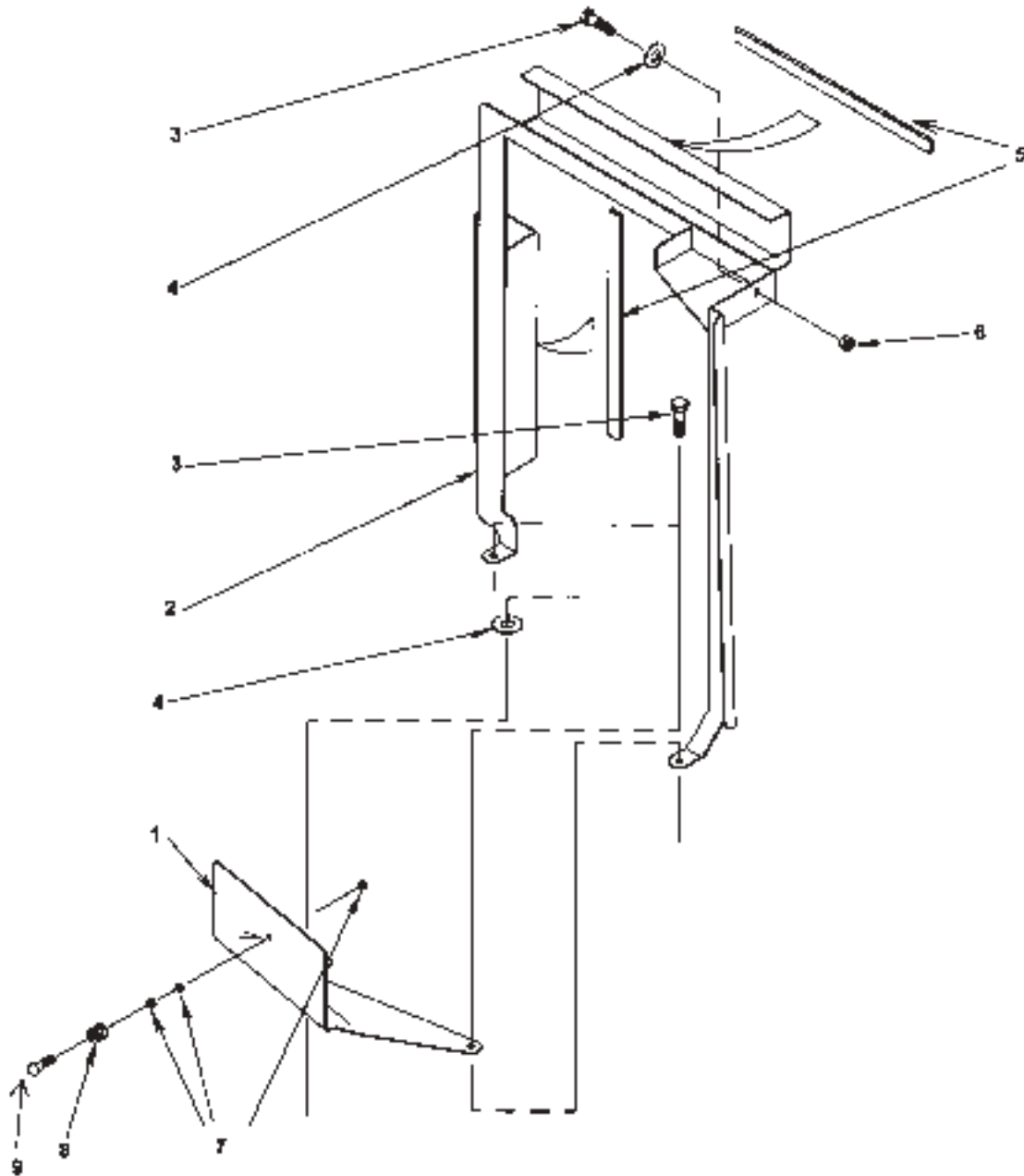


Date
Data
00-04-10

Module
Módulo
KV05-0104

Page
Página
57

Item.	Description	Order no.	Qty	S	Notes
1	Screw Parafuso	920042.003	1		
2	Washer Anilha	98150	6		
3	Fastener Ligador	A06297.0500	1		
4	Nut Porca	920076.002	1		
5	Washer Anilha	98151	1		
6	Screw Parafuso	920043.044	1		
7	Flange União	A06933.0100	1		
9	Screw Parafuso	920749.0005	3		
13	Bracket Prateleira	A23895.0100	1		
14	Screw Parafuso	920749.0005	6		
18	Lever Alavanca	921060.0004	1		
19	Washer Anilha	920165.005	1		
20	Screw Parafuso	920100.202	1		
21	Nut Porca	920076.014	1		





Description
Descrição
Bracket



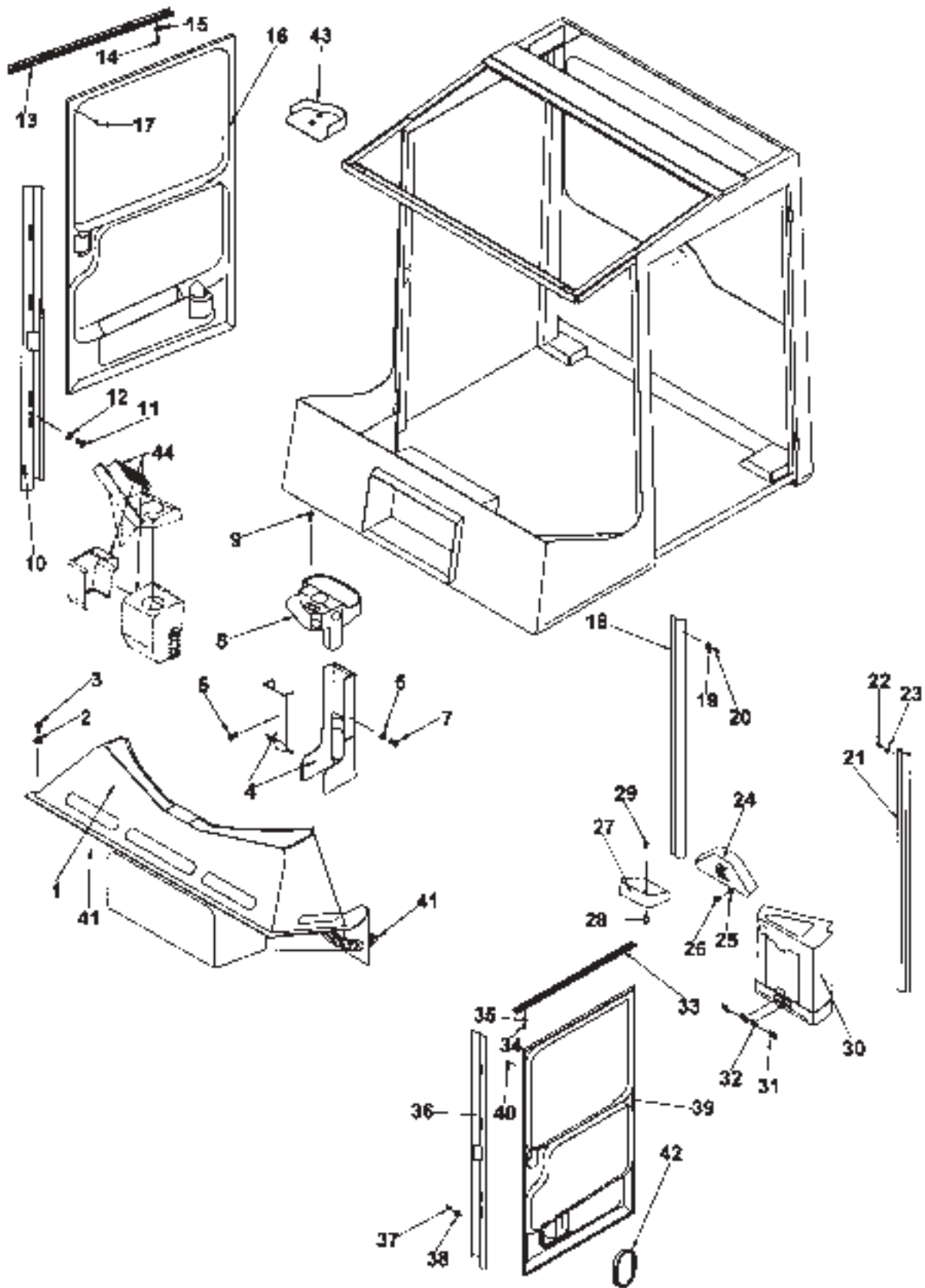
Date
Data
00-04-10

Module
Módulo
KV05-0104

Page
Página
59

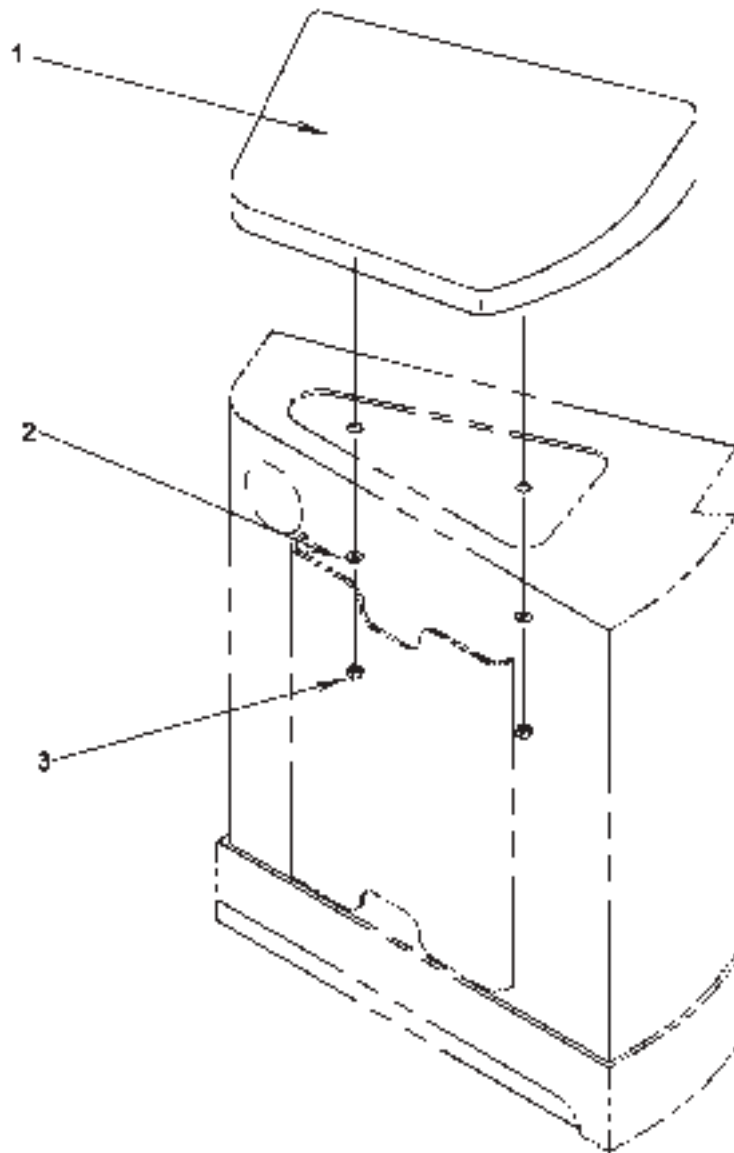
Item.	Description	Order no.	Qty	S	Notes
1	Plate Placa	A26086.0100	1		
2	Bracket Prateleira	A26083.0100	1		
3	Screw Parafuso	3062	3		
4	Washer Anilha	922904.0001	2		
5	Strip Faixa	922084.0008	x		
6	Nut Porca	920076.002	1		
7	Nut Porca	3049	3		
8	Pin Pin	923526.0005	1		
9	Screw Parafuso	A28073.0100	1		

x)Order as required (min. delivery length 1 m).
x)



Item.	Description	Order no.	Qty	S	Notes
1	Instrument panel	Painel de instrumentos	A26152.0100	1	
2	Washer	Anilha	923550.0003	4	
3	Screw	Parafuso	920371.010	4	
4	Housing	Caixa	A26671.0100	1	
5	Screw	Parafuso	920749.0001	1	
6	Washer	Anilha	923550.0003	4	
7	Screw	Parafuso	920371.010	4	
8	Instrument panel	Painel de instrumentos	A26672.0100	1	
9	Screw	Parafuso	920749.0001	2	
10	Strip	Faixa	A26144.0100	1	
11	Screw	Parafuso	920371.010	6	
12	Washer	Anilha	923550.0003	6	
13	Strip	Faixa	A26140.0100	1	
14	Screw	Parafuso	920371.010	6	
15	Washer	Anilha	923550.0003	6	
16	Upholstery plate	Placa de forro	A26148.0100	1	
17	Screw	Parafuso	920371.010	3	
18	Strip	Faixa	A26141.0100	1	
19	Washer	Anilha	923550.0003	6	
20	Screw	Parafuso	920371.010	6	
21	Strip	Faixa	A26882.0100	1	
22	Washer	Anilha	923550.0003	6	
23	Screw	Parafuso	920371.010	6	
24	Housing	Caixa	A26145.0100	1	
25	Washer	Anilha	923550.0003	2	
26	Screw	Parafuso	920371.010	2	
27	Housing	Caixa	A26143.0100	1	
28	Screw	Parafuso	920950.0002	1	
29	Screw	Parafuso	920749.0005	1	
30	Housing	Caixa	A26147.0100	1	
31	Clamp	Abraçadeira	923808.0002	2	
32	Lock	Fecho	923808.0001	2	
33	Strip	Faixa	A26140.0100	1	
34	Screw	Parafuso	920371.010	6	
35	Washer	Anilha	923550.0003	6	
36	Strip	Faixa	A26881.0100	1	
37	Screw	Parafuso	920371.010	6	
38	Washer	Anilha	923550.0003	6	
39	Upholstery plate	Placa de forro	A26880.0100	1	
40	Screw	Parafuso	920371.010	3	
41	Hose	Tube	923301.0018	x	
42	Housing	Caixa	A26149.0100	2	
43	Housing	Caixa	A26153.0100	1	

x)Order as required (min. delivery length 1 m).
x)





Description
Descrição
Auxiliaryseat

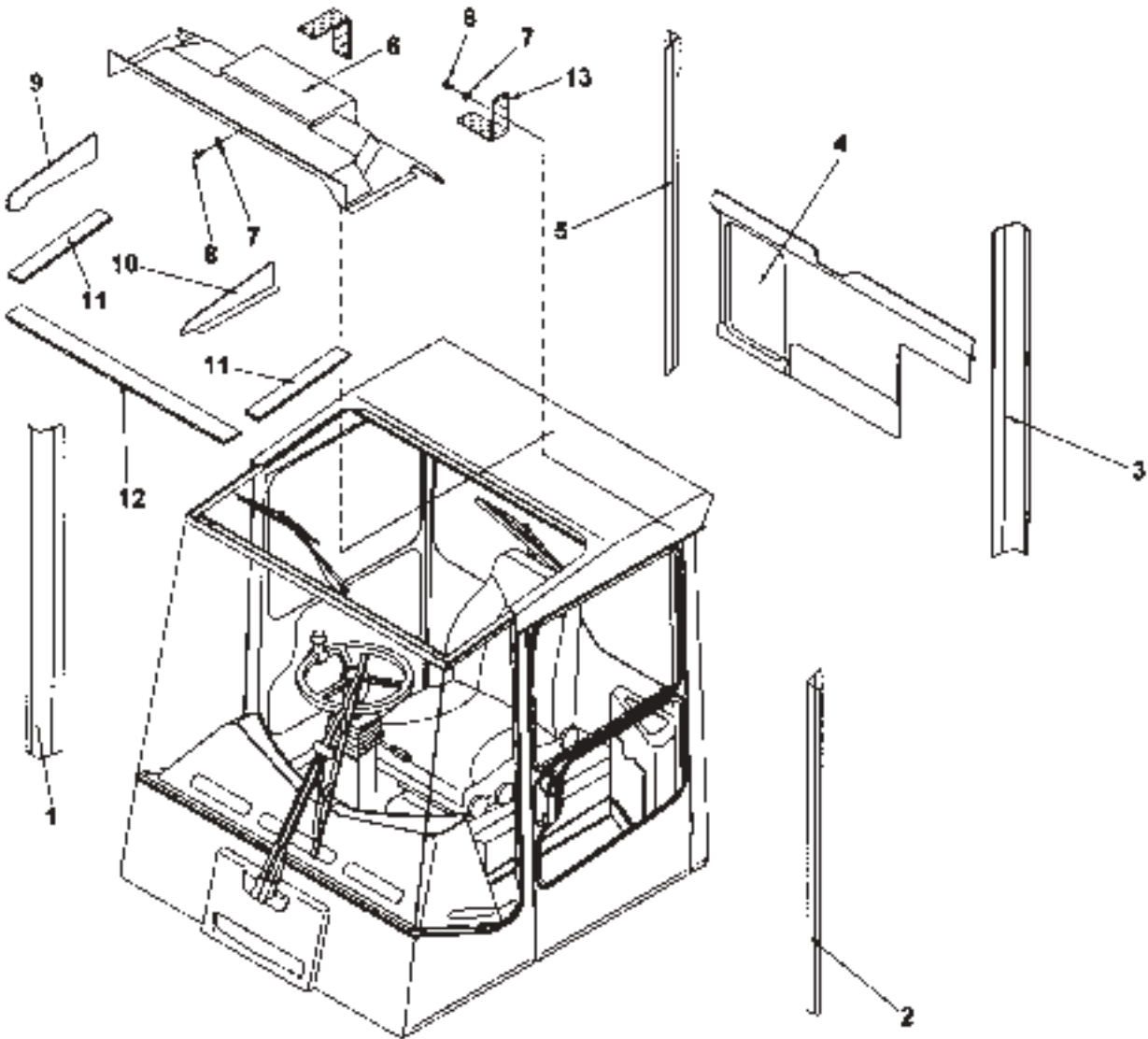


Date
Data
00-04-11

Module
Módulo
KV05-0104

Page
Página
63

Item.	Description	Order no.	Qty	S	Notes
1	Seat Cadeira	A28015.0100	1		
2	Washer Anilha	922904.0001	2		
3	Screw Parafuso	920076.002	2		





Description
Descrição
Upholstery

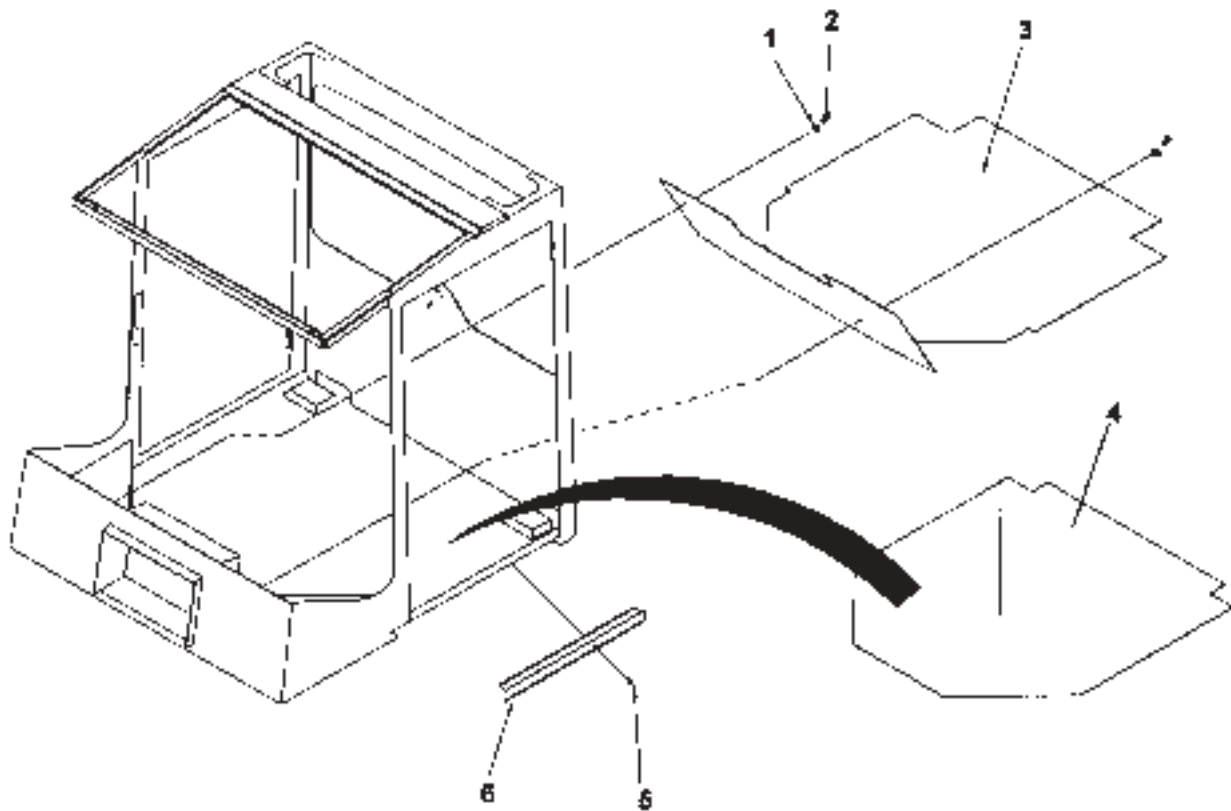


Date
Data
00-04-10

Module
Módulo
KV05-0104

Page
Página
65

Item.	Description	Order no.	Qty	S	Notes
1	Strip,RH Faixa, direita	A26589.0100	1		
2	Strip,LH Faixa, esquerda	A26590.0100	1		
3	Strip,LH Faixa, esquerda	A26815.0100	1		
4	Upholstery plate Placa de forro	A26150.0100	1		
5	Strip,RH Faixa, direita	A26579.0100	1		
6	Roof Tecto	A26151.0100	1		
7	Washer Anilha	923550.0003	14		
8	Screw Parafuso	920371.01	14		
9	Strip,RH Faixa, direita	A26574.0100	1		
10	Strip,LH Faixa, esquerda	A26575.0100	1		
11	Strip Faixa	A26595.0200	2		
12	Strip Faixa	A26595.0100	1		





Description
Descrição
Upholstery

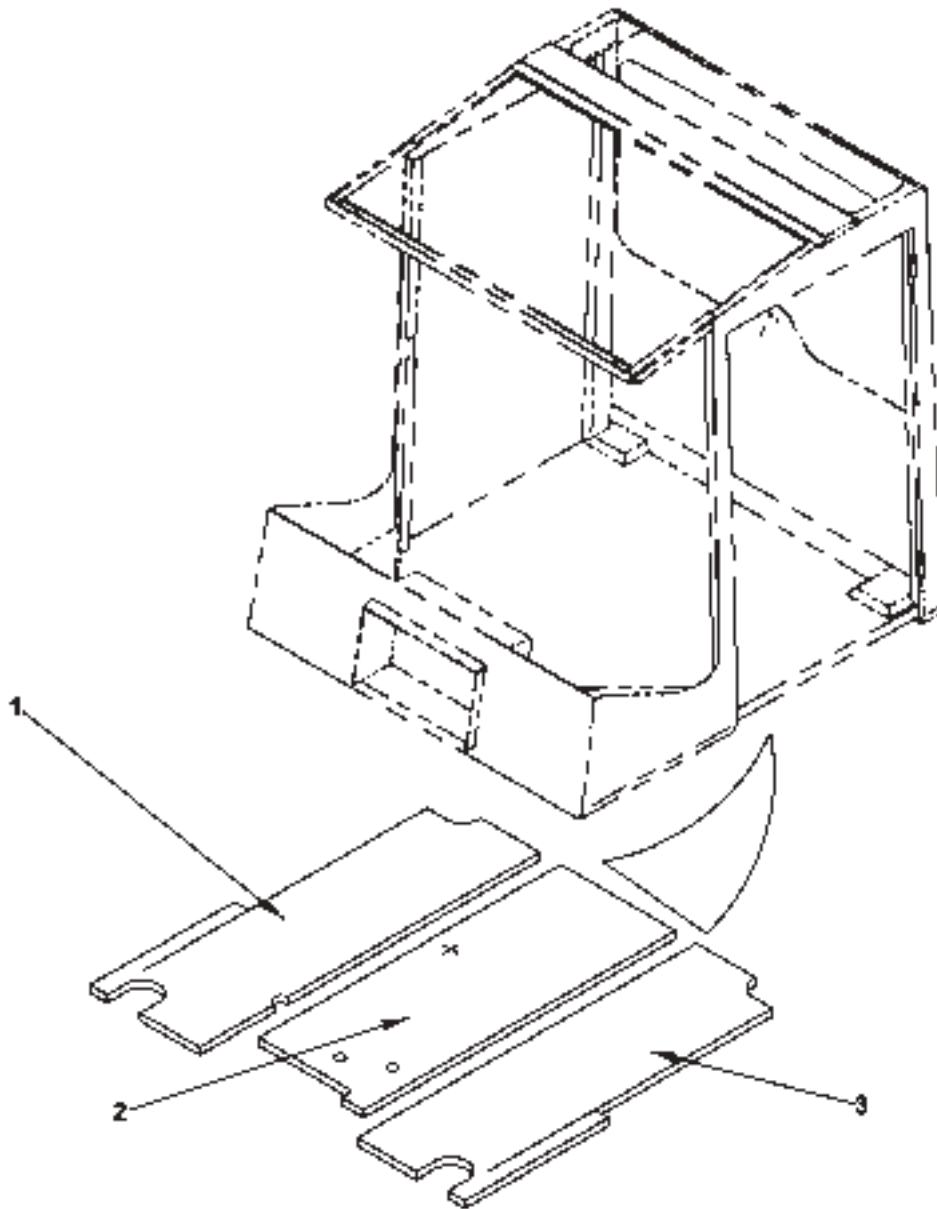


Date
Data
00-04-10

Module
Módulo
KV05-0104

Page
Página
67

Item.	Description	Order no.	Qty	S	Notes
1	Washer Anilha	923550.0003	6		
2	Screw Parafuso	920371.010	6		
3	Floormat Tapete	A26577.0100	1		
4	Insulator Isolador	A26578.0100	1		
5	Rivet Rebite	920926.0002	8		
6	Strip Faixa	A26287.0100	2		





Description
Descrição
Upholstery

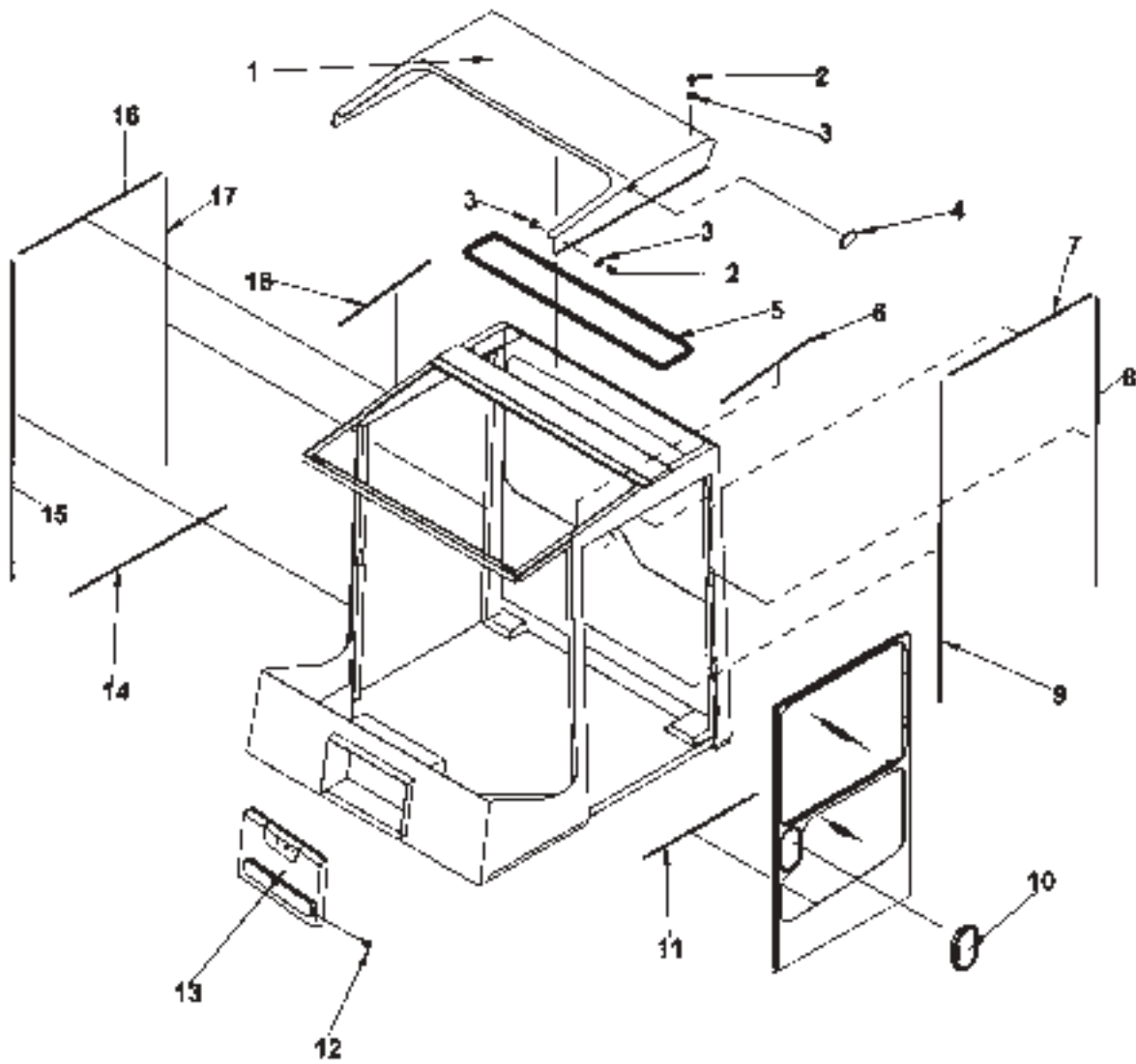


Date
Data
00-04-10

Module
Módulo
KV05-0104

Page
Página
69

Item.	Description	Order no.	Qty	S	Notes
1	Insulator Isolador	A26914.0100	1		
2	Insulator Isolador	A26913.0100	1		
3	Insulator Isolador	A26915.0100	1		





Description
Descrição
Upholstery



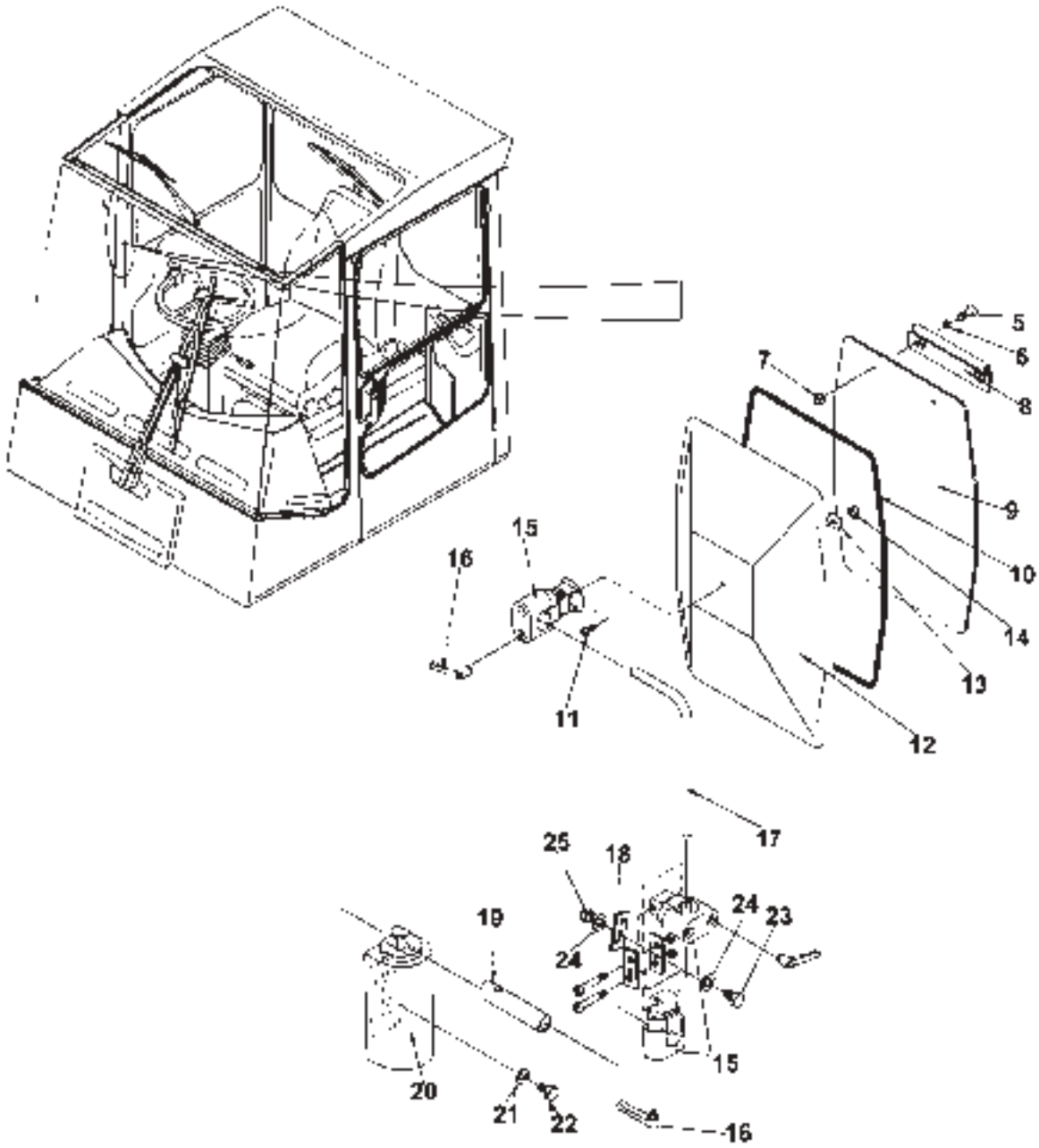
Date
Data
00-04-10

Module
Módulo
KV05-0104

Page
Página
71

Item.	Description	Order no.	Qty	S	Notes
1	Roof Tecto	A24523.0100	1		
2	Screw Parafuso	920042.003	4		
3	Washer Anilha	98150	6		
4	Plate Placa	A26863.0100	2		
5	Strip Faixa	920946.0007	x		L=3000MM
6	Strip Faixa	922084.0008	x		L=450MM
7	Strip Faixa	920946.0012	x		L=900MM
8	Strip Faixa	920946.0012	x		L=1550MM
9	Strip Faixa	920946.0012	x		L=1550MM
10	Cover Tampa	A26149.0100	2		
11	Strip Faixa	920946.0012	x		L=850MM
12	Screw Parafuso	920719.0001	4		
13	Cover Tampa	A26142.0100	1		
14	Strip Faixa	920946.0012	x		L=850MM
15	Strip Faixa	920946.0012	x		L=1550MM
16	Strip Faixa	920946.0012	x		L=900MM
17	Strip Faixa	920946.0012	x		L=1550MM
18	Strip Faixa	922084.0008	x		L=450MM

x) Order as required (min. delivery length 1 m).





Description
Descrição
Mirror

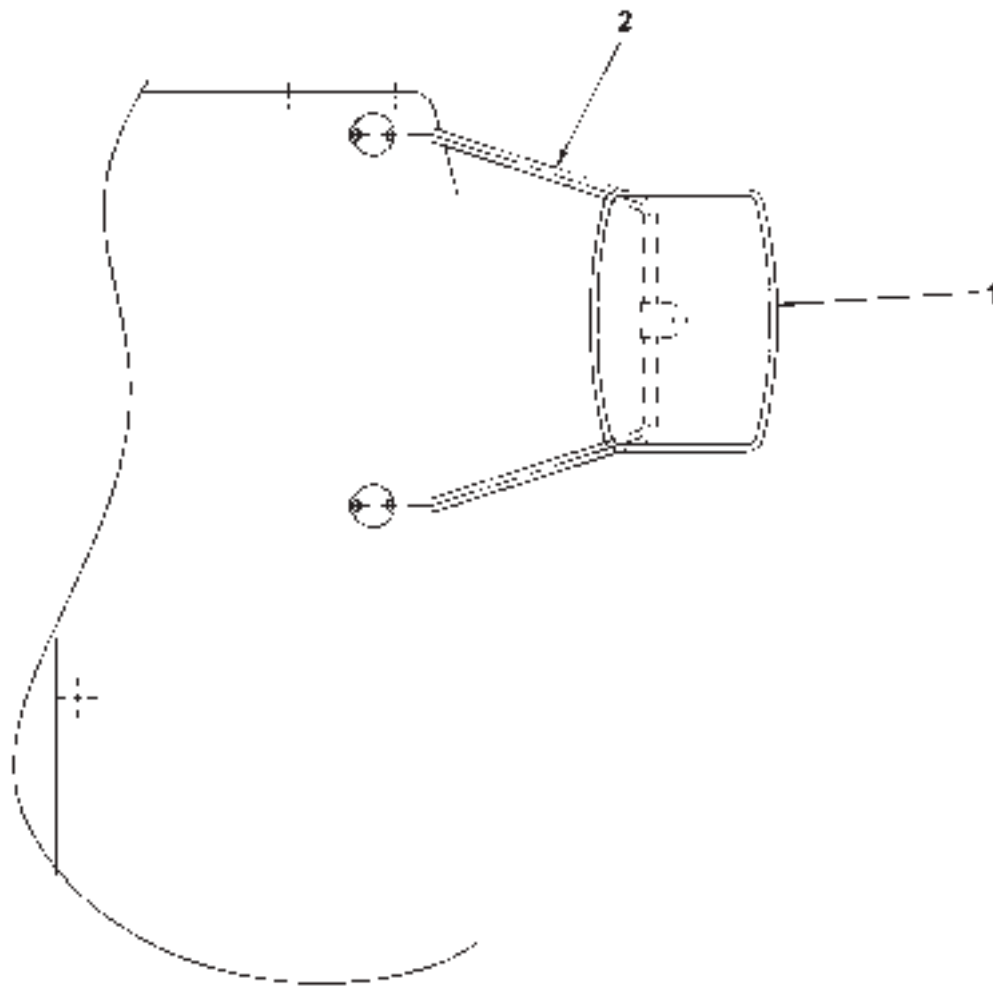


Date
Data
00-04-11

Module
Módulo
KV05-0104

Page
Página
73

Item.	Description	Order no.	Qty	S	Notes
5	Screw Parafuso	A27814.0100	2		
6	Washer Anilha	A27819.0100	2		
7	Nut Porca	920076.014	1		
8	Fastener Ligador	A28850.0100	1		
9	Mirror Espelho	A28850.0100	1		
10	Frame ???	921702.0014	1		
11	Screw Parafuso	920099.024	1		
12	Plate Placa	921702.0013	1		
13	Washer Anilha	922904.0001	1		
14	Nut Porca	920076.002	1		
15	Fastener Ligador	922159.0009	3		
16	Lever Alavanca	921060.0006	3		
17	Arm Braço	922155.0008	1		
18	Plate Placa	A28848.0100	3		
19	Tube Tubo	A28849.0100	1		
20	Bracket Prateleira	923824.0003	1		
21	Washer Anilha	920098.025	3		
22	Screw Parafuso	920099.027	3		
23	Screw Parafuso	920099.064	1		
24	Washer Anilha	98151	2		
25	Nut Porca	920076.002	1		





Description
Descrição
Mirror

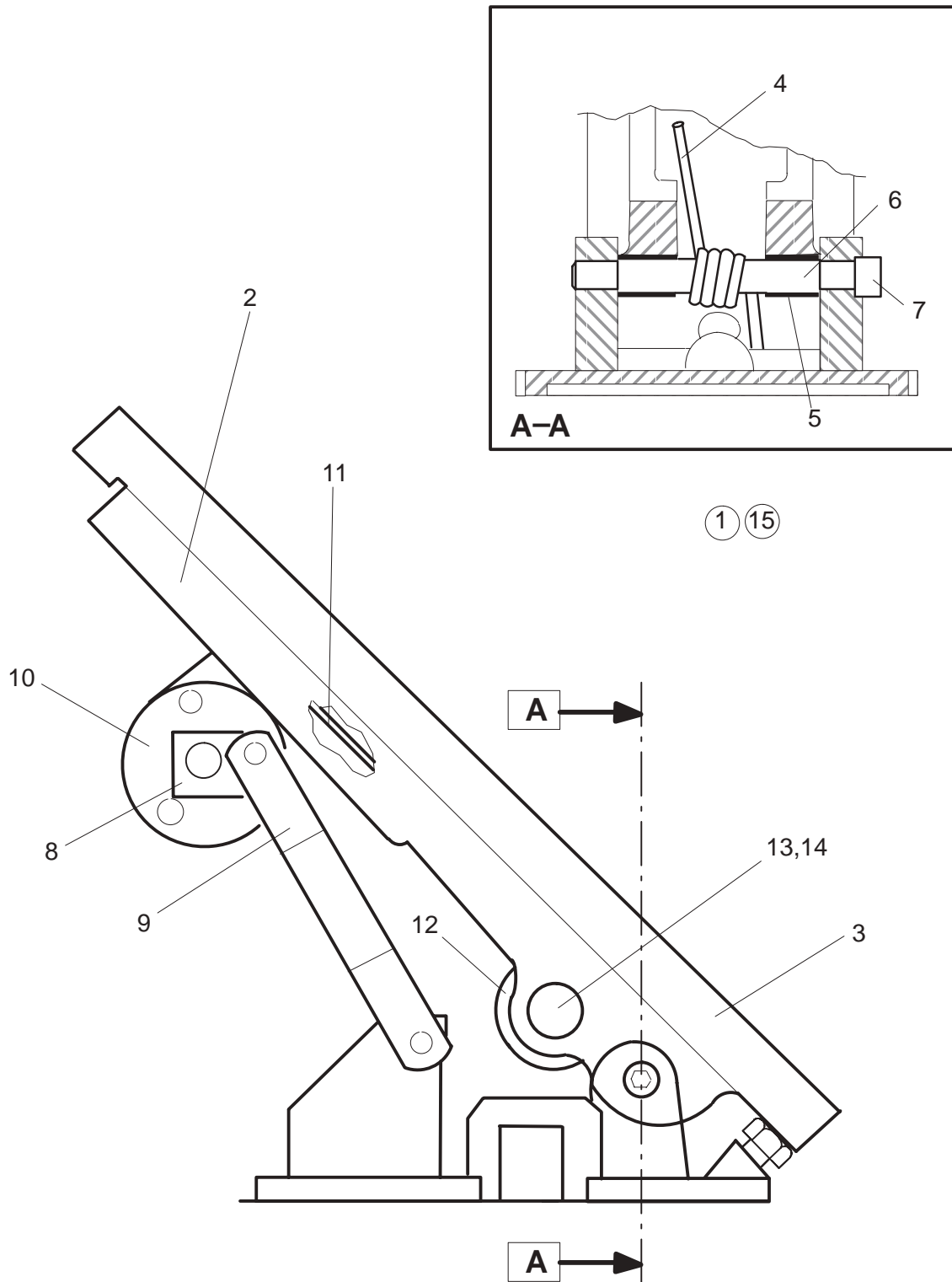


Date
Data
00-04-11

Module
Módulo
KV05-0104

Page
Página
75

Item.	Description	Order no.	Qty	S	Notes
1	Mirror Espelho	921702.0002	2		
2	Bracket Prateleira	5597	2		





Description
Descrição
Accelerator Pedal

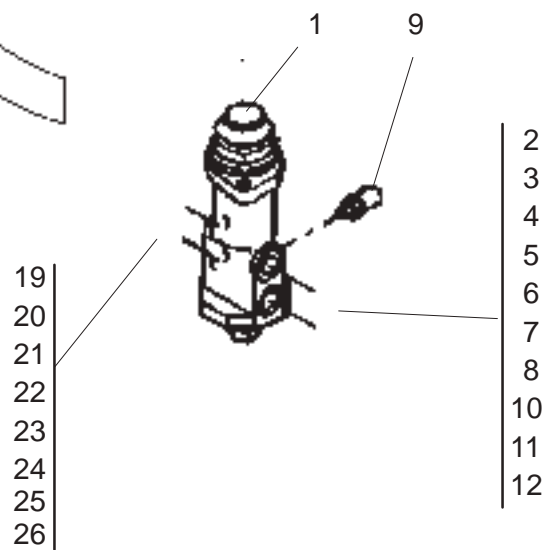
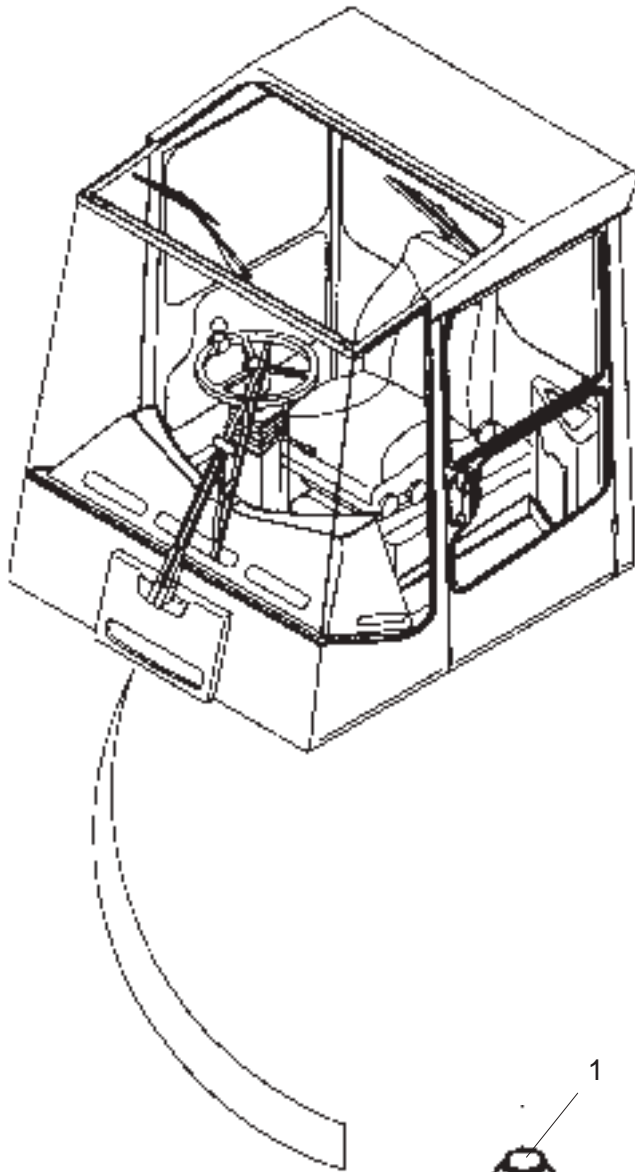


Date
Data
98-02-05

Module
Módulo
KV05-0104

Page
Página
77

Item.	Description	Order no.	Qty	S	Notes
1	Pedal,compl. Pedal	65267361	1		RMH 45 878345-018
2	Pedal Pedal	806817766	1		RMH 8788519
3	Rubber plate Prato de borracha	806817767	1		RMH 872105
4	Spring Mola	806817768	1		RMH 74059
5	Bearing Rolamento	806817769	2		RMH 67020
6	Pin Pin	806817770	1		RMH 57023
7	Screw Parafuso	806817771	1		RMH 50098
8	Lever Alavanca	806817772	1		RMH 878502
9	Lever Alavanca	806817773	1		RMH 100013
10	Potentiometer Potenciómetro	806817774	1		RMH 878551
11	Pattern card Placa modelo	806817775	1		RMH 78079
12	Roller Rolete	806817776	1		RMH 872106
13	Shaft Eixo	806817777	1		RMH 57025
14	Circlip Freio	806817778	2		RMH 58010
15	Wiring set Conjunto instalação elect.	65267362	1		ELECT HARNESS 061234-025





Description
Descrição
Brake valve, mount.

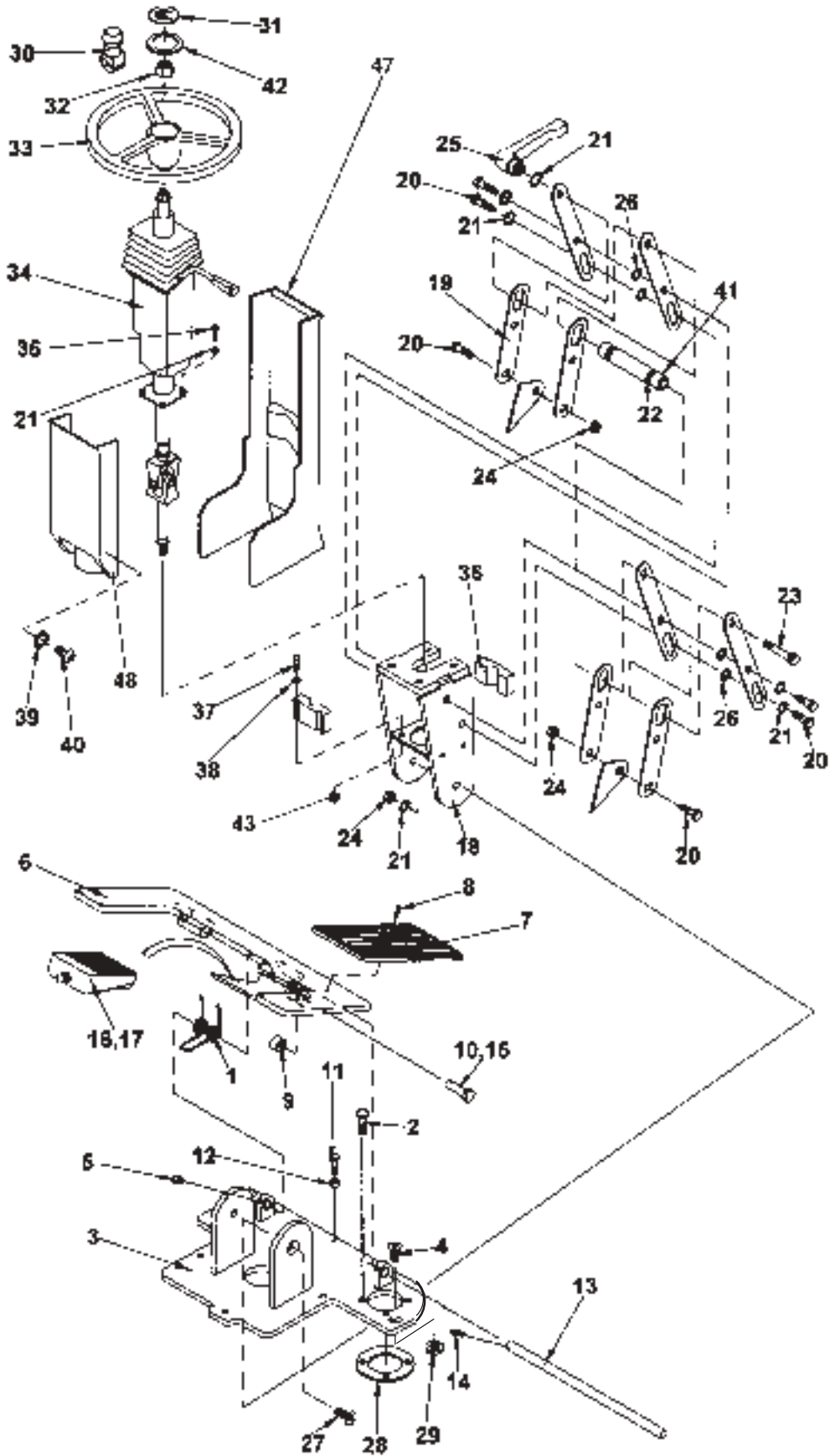


Date
Data
00-12-29

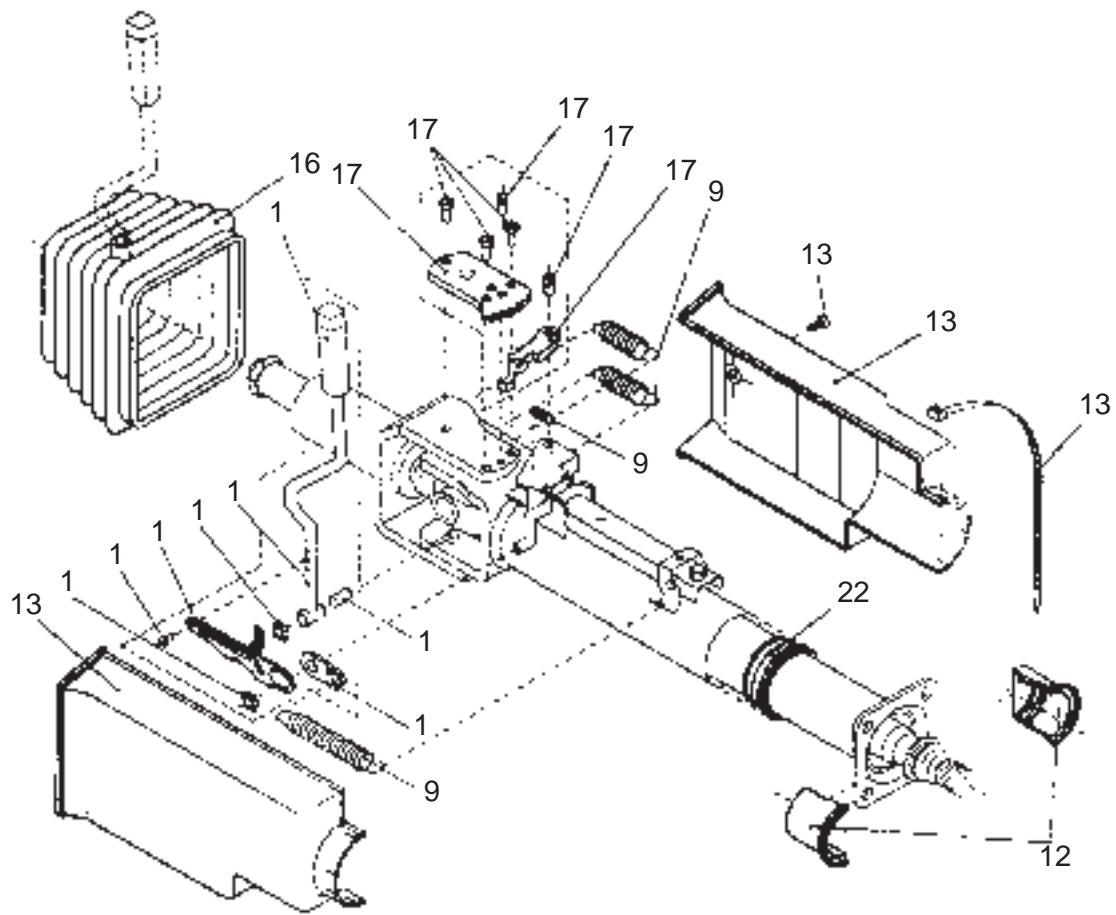
Module
Módulo
KV05-0104

Page
Página
79

Item.	Description	Order no.	Qty	S	Notes
1	Pedal valve	Válvula do pedal	802705426	1	MICO 20-100-665/TS
2	Washer	Anilha	50012080	2	DIN125 8,4
3	Screw	Parafuso	53065140	2	SMS1943 UNC 5/6X25
4	Connection	União	643485144	4	PARKER KUL C50XS10-9/16
5	Connection	União	64308006	2	VLS54100 3-9/16-18UNF
6	Connection	União	643485101	1	PARKER LS 6RXS
7	Measuring connector Ligação para manómetros	64348521	1	1	PARKER 6TT4MXS
8	Gasket	Junta	61588140	1	DIN 7603 A 14X1 CU
9	Pressure switch	Interruptor de pressão	65238761	1	169-41903-1 90BAR
10	Branch tee	União	64345910	1	VLS62035 10JIC/9/16-18
11	Connection	União	64345710	2	VLS62033 10JIC/9/16-18
12	Connection	União	643065062	1	VLS62038 16/10JIC
19	Hose	Tubo	VL05400005	2	
20	Hose	Tubo	VL05402980	1	
21	Hose	Tubo	VL05400057	1	
22	Hose	Tubo	VL05400057	1	
23	Hose	Tubo	VL05400056	1	
24	Hose	Tubo	VL05400056	1	
25	Sleeve	Casquilho	M5511120	1	halk. 26mm
26	Sleeve	Casquilho	XA10676.0100	1	



Item.	Description	Order no.	Qty	S	Notes
1	Spring Mola	A08460.0200	1		
2	Screw Parafuso	920099.061	4		
3	Plate Placa	A24642.0200	1		
4	Screw Parafuso	920099.027	2		
5	Grease fitting Bico de lubrificação	921068.0001	2		
6	Plate Placa	A11729.0300	1		
7	Pedal Pedal	A11126.0100	2		
8	Screw Parafuso	920749.0002	6		
9	Sleeve Casquilho	A10676.0100	1		
10	Bolt Perno	920539.0004	2		
11	Screw Parafuso	920099.024	2		
12	Nut Porca	3051	2		
13	Shaft Eixo	427033.0100	1		
14	Screw Parafuso	920069.020	2		
15	Pin Pino	95013	2		
16	Switch, dragdecoupl. Comutador, desligar	923466.0002	1		
17	Screw Parafuso	920749.0002	2		
18	Support Suporte	A24641.0100	1		
19	Plate Placa	A24648.0100	8		
20	Screw Parafuso	920042.003	6		
21	Washer Anilha	98150	11		
22	Spacing washer Anilha espaçadora	427032.1100	1		
23	Screw Parafuso	920802.0005	1		
24	Nut Porca	5957	4		
25	Lever Alavanca	921060.0004	1		
26	Washer Anilha	920098.009	4		
27	Screw Parafuso	920043.066	2		
28	Spacing washer Anilha espaçadora	427032.1100	1		
29	Spring washer Anilha dne mola	921401.0001	12		
30	Knob Punho	922284.0002	1		
31	Plate Placa	923798.0001	1		
32	Adapter	920207.040	1		
33	Steering wheel Volante	920207.020	1		
34	Steering column Coluna de direcção	920207.044	1		
35	Screw Parafuso	920042.005	4		
36	Bearing Rolamento	A25775.0100	2		
37	Screw Parafuso	3073	4		
38	Washer Anilha	4565	4		
39	Washer Anilha	923550.0003	6		
40	Screw Parafuso	920371.010	6		
41	Spacing washer Anilha espaçadora	427032.0200	2		
42	Shield cover Tampa de protecção	920207.021	1		
43	Nut Porca	920076.002	4		





Description
Descrição
Steer. column

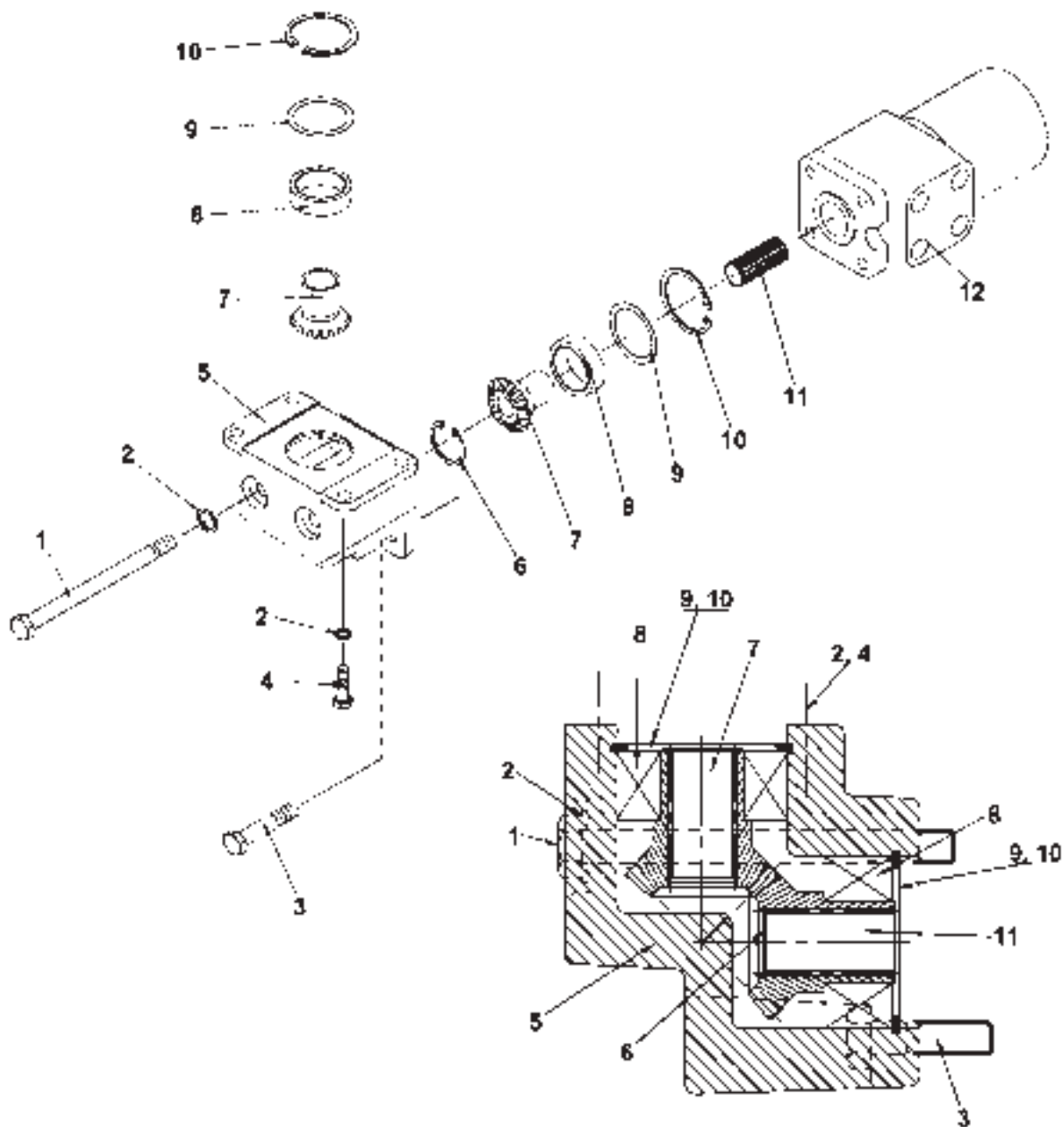


Date
Data
00-03-23

Module
Módulo
KV05-0104

Page
Página
83

Item.	Description	Order no.	Qty	S	Notes
1	Handle Manete	923764.0304	1		
9	Spring set Jogo de molas	923764.0305	1		
12	Bearing Rolamento	923764.0306	1		
13	Cover Tampa	923764.0307	1		
16	Rubber membrane Membrana de borracha	923764.0308	1		
17	Lock plate Freio	923764.0309	1		
22	Sleeve Casquilho	923764.0310	1		





Description
Descrição
Angle gear



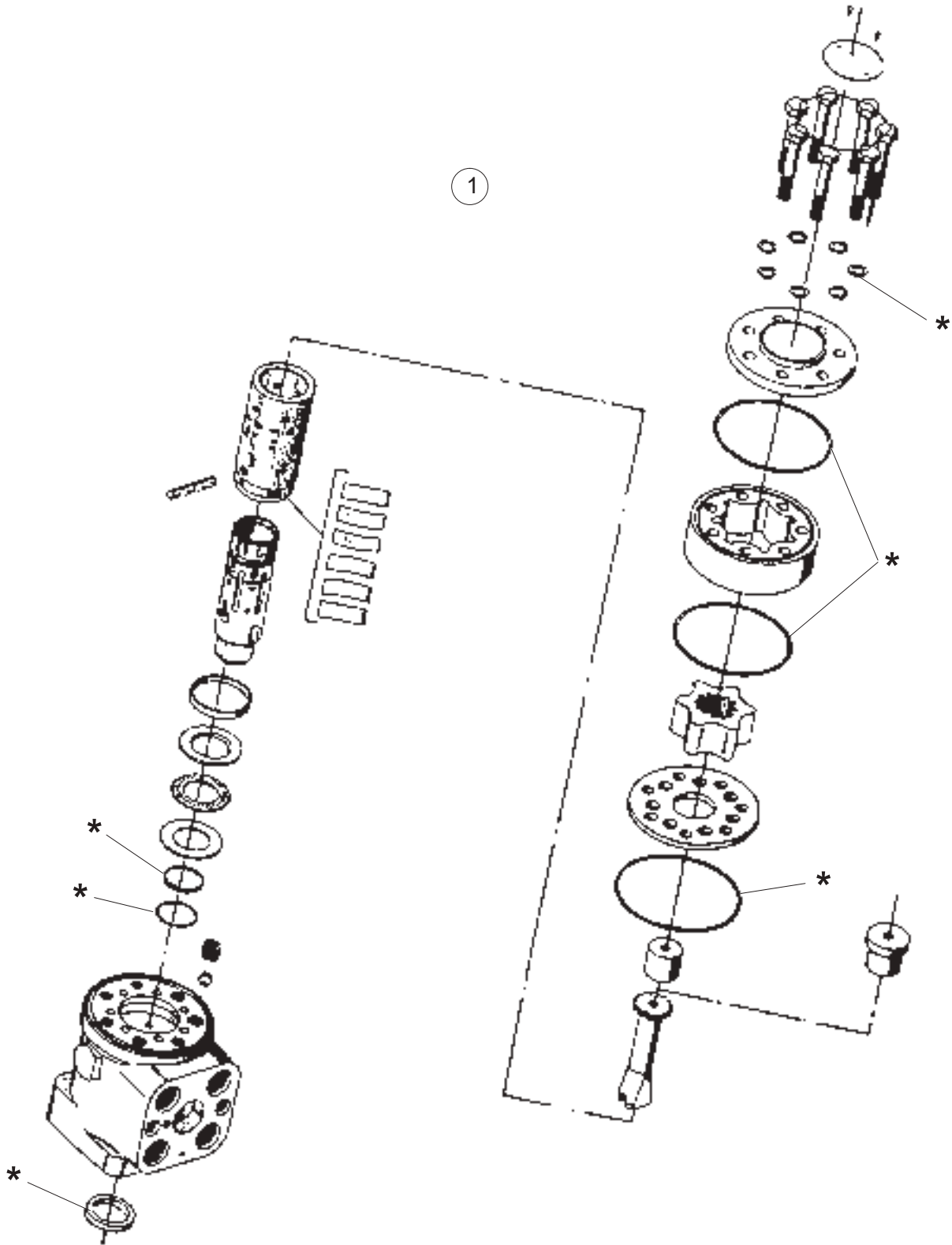
Date
Data
00-04-10

Module
Módulo
KV05-0104

Page
Página
85

Item.	Description	Order no.	Qty	S	Notes
1	Screw	Parafuso	920042.020	2	
2	Washer	Anilha	98150	6	
3	Screw	Parafuso	920042.006	2	
4	Screw	Parafuso	920042.006	4	
5	Housing	Caixa	A24461.0200	1	
6	Circlip	Freio	920037.013	1	
7	Gear	Engrenagem	A24824.0100	2	
8	Bearing	Rolamento	920047.010	2	
9	Shim	Anilha	920071.0035	4	
10	Circlip	Freio	921703.0001	2	
11	Pin	Pin	A24825.0100	1	
12	Steering valve see page 87	Valvula direcção			

* =2





Description
Descrição
Regulat.valve, compl.

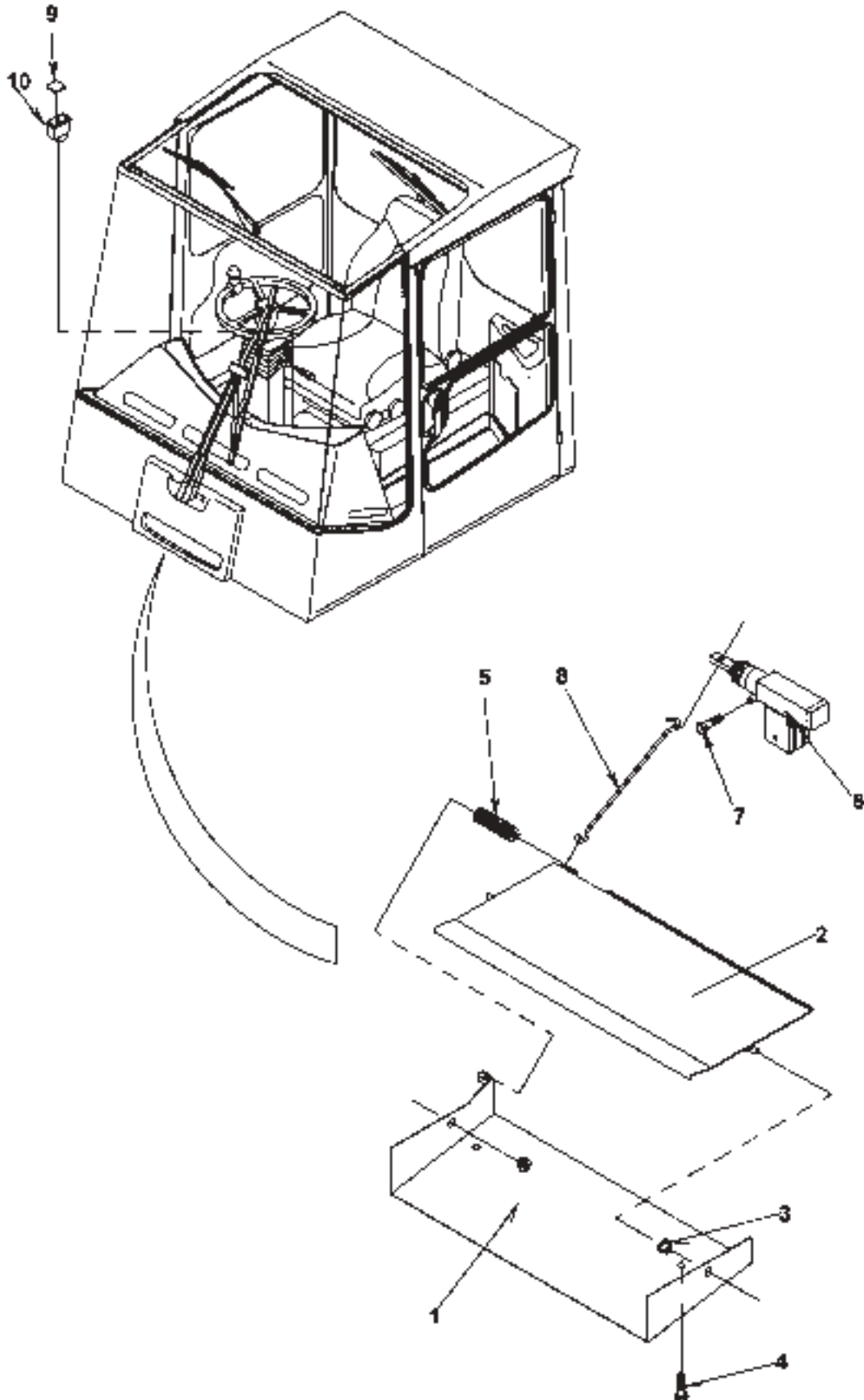


Date
Data
95-05-02

Module
Módulo
KV05-0104

Page
Página
87

Item.	Description	Order no.	Qty	S	Notes
1	Valve compl. Válvula compl.	T1209024H	1		Danfo OSPCX200LS 150G6058(oli OSPBX200LS)
2	Gasket set Jogo juntas	804106471	1		Danfo 150-4206





Description
Descrição
Conditioning

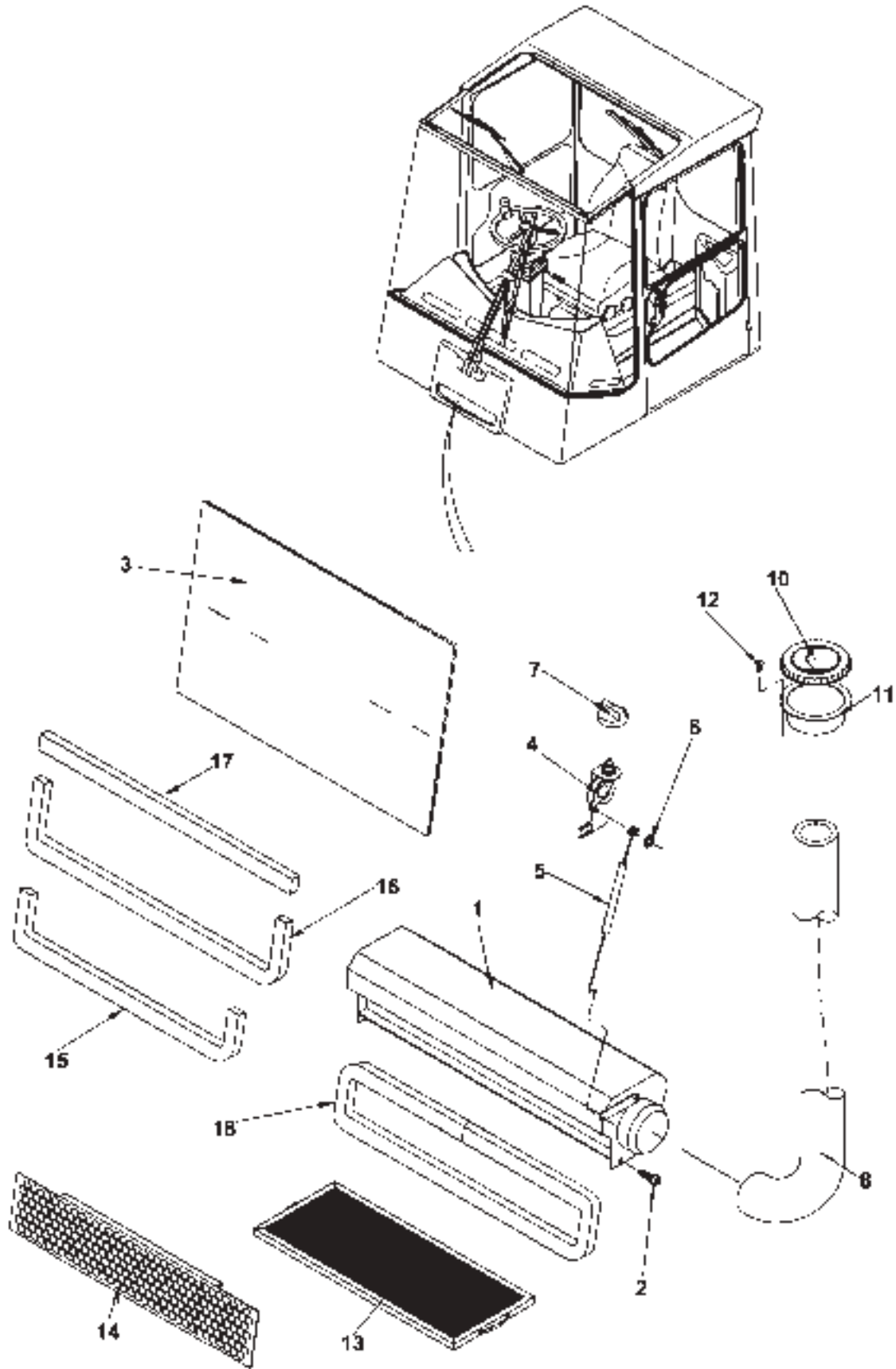


Date
Data
00-04-10

Module
Módulo
KV05-0104

Page
Página
89

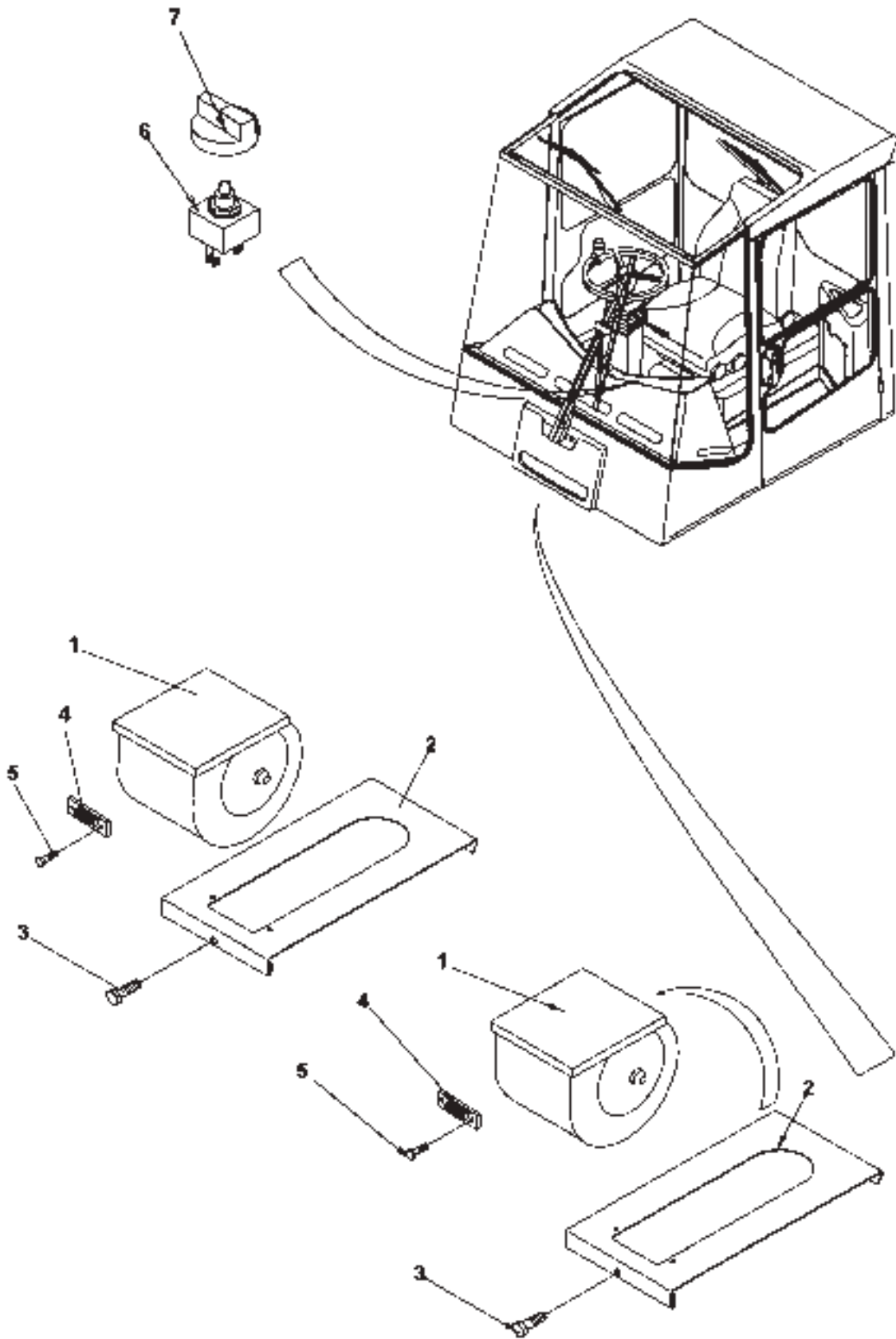
Item.	Description	Order no.	Qty	S	Notes
1	Bracket	Prateleira	A26263.0100	1	
2	Plate	Placa	A26264.0100	1	
3	Bearing	Rolamento	923464.0003	2	
4	Screw	Parafuso	922089.0010	2	
5	Spring	Mola	922904.0001	1	
6	Motor	Motor	923805.0001	1	12V
6	Motor	Motor	923805.0002	1	24V
7	Screw	Parafuso	920100.006	2	
8	Lever	Alavanca	A26267.0100	1	
9	Symbol	Simbolo	921418.0080	1	
10	Switch	Interruptor	920971.0009	1	





Item.	Description	Order no.	Qty	S	Notes
1	Housing	Caixa	923804.0100	1	
2	Screw	Parafuso	922089.0001	4	
3	Insulator	Isolador	A26262.0100	1	
4	Regulator	Regulador	923803.0001	1	
5	Cable	Cabo	A26563.0100	1	
6	Lock washer	Anilha de freio	923676.0001	1	
7	Knob	Punho	923458.0763	1	
8	Hose	Tubo	920931.0002	x	L=1200
10	Air jet	Jacto de ar	920931.0002	2	
11	Fan ring	Anel do ventilador	922789.0008	2	
12	Screw	Parafuso	4578	4	
13	Filter element	Elemento de filtro	A26266.0100	1	
14	Grid	Grelha	A26373.0100	1	
15	Sealing rubber	Vedante borracha	10243.001	x	
16	Sealing rubber	Vedante borracha	10243.001	x	
17	Sealing rubber	Vedante borracha	10243.001	x	
18	Sealing rubber	Vedante borracha	10243.001	x	

x)Order as required (min. delivery length 1 m).
x)





Description
Descrição
Conditioning

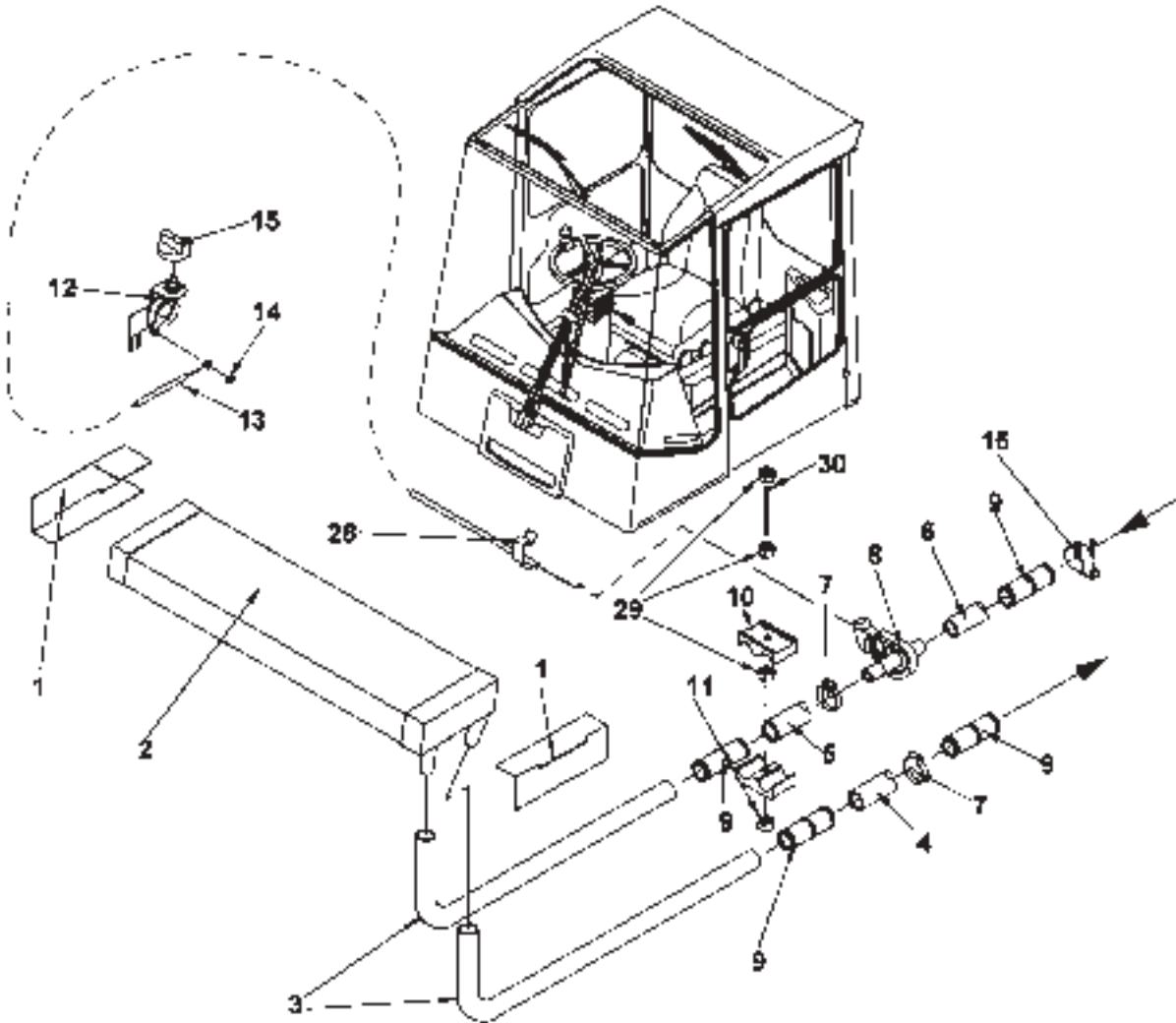


Date
Data
00-04-10

Module
Módulo
KV05-0104

Page
Página
93

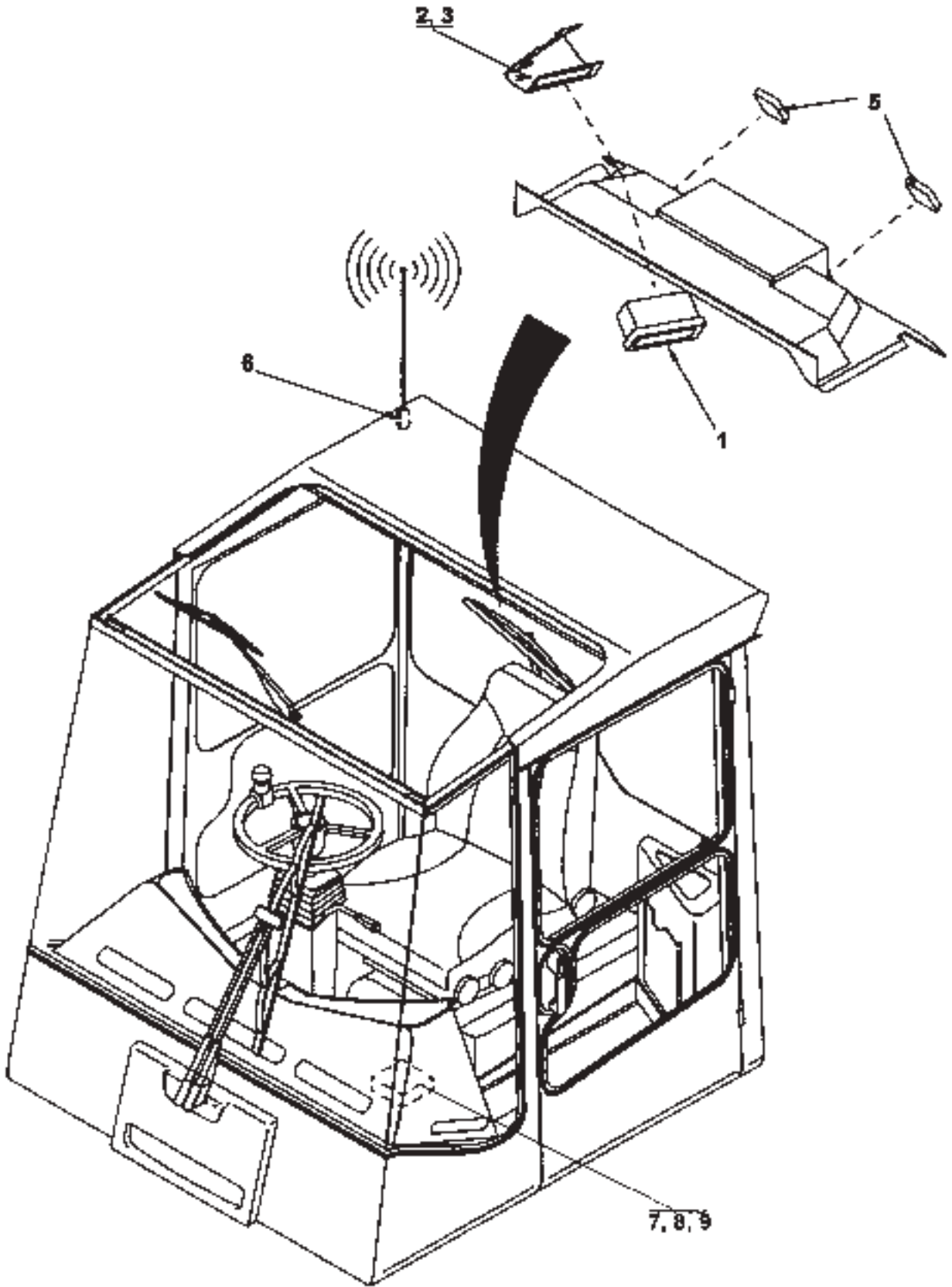
Item.	Description	Order no.	Qty	S	Notes
1	Fan Ventoinha	923436.0343	2		
2	Clamp Abraçadeira	A26261.0100	2		
3	Screw Parafuso	922089.0010	2		
4	Resistance unit Unidade de resistencia	920882.0002	2		
5	Screw Parafuso	922089.0001	4		
6	Switch Interruptor	920437.004	1		
8	Knob Punho	923458.0763	1		



Item.	Description	Order no.	Qty	S	Notes
1	Mounting plate Prato de suporte	A26569.0100	2		
2	Cell Elemento	923691.0004	1		
*2	Cell Elemento	923691.0007	1		
3	Hose Tubo	920897.0011	2		
4	Hose Tubo	407480.0600	1		
5	Hose Tubo	407480.2000	1		
6	Hose Tubo	407480.2100	1		
7	Hose clip Abraçadeira	3246	6		
8	Valve Valvula	922264.0003	1		
9	Connection União	922496.0003	4		
10	Fastener Ligador	352670.0500	1		
11	Nut Porca	920076.003	1		
12	Regulator Regulador	923803.0002	1		
13	Cable Cabo	A26565.0100	1		
14	Lock washer Anilha de freio	923676.0001	1		
15	Knob Punho	923458.0763	1		
16	Fastener Ligador	920125.010	1		
28	Fastener Ligador	9210055.0002	1		
29	Nut Porca	3052	3		
30	Rod Veio	422914.0100	1		

*) Used only with air conditioning

*)





Description
Descrição
Radio

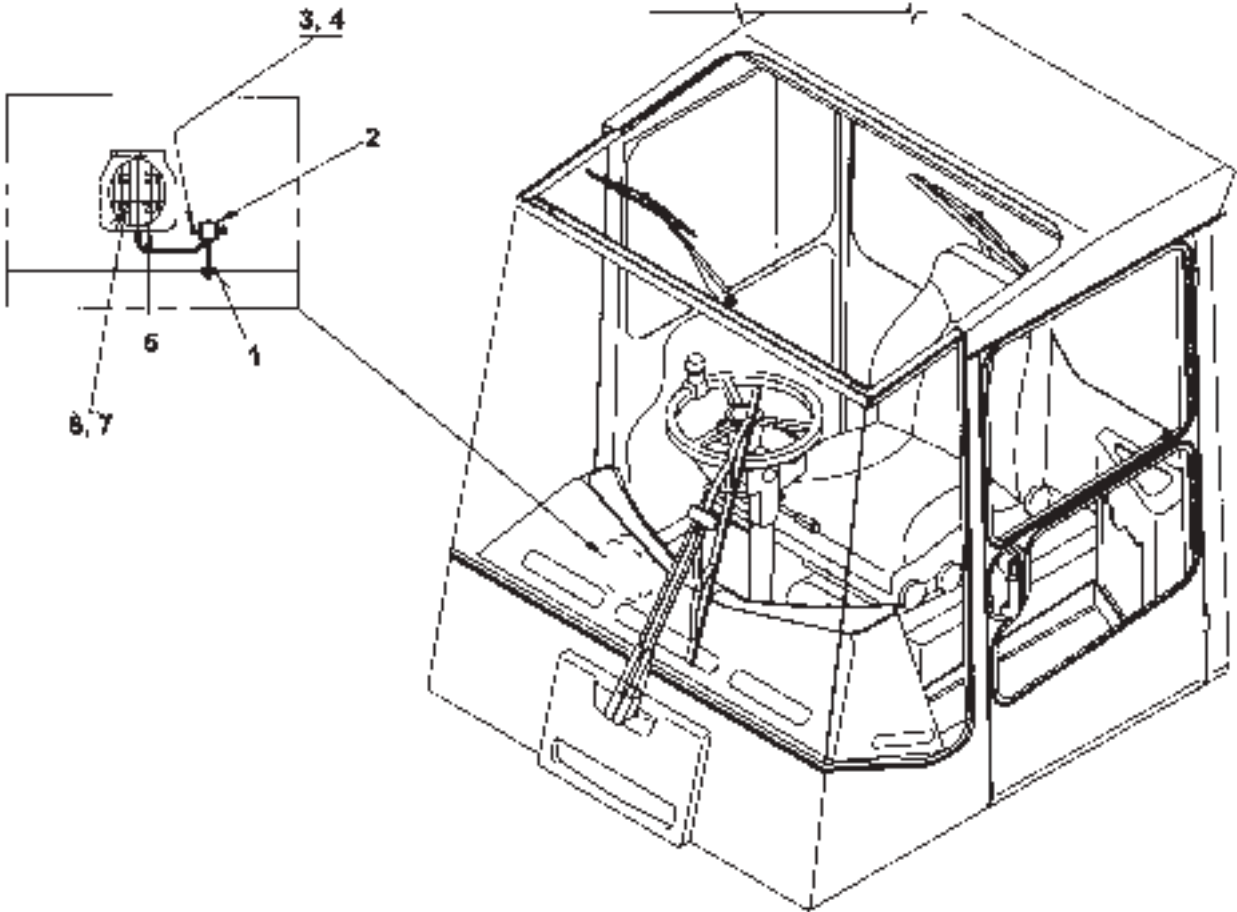


Date
Data
00-04-10

Module
Módulo
KV05-0104

Page
Página
97

Item.	Description	Order no.	Qty	S	Notes
1	Radio	Radio	920167.005	1	
2	Support	Suporte	A27765.0100	1	
3	Screw	Parafuso	922089.0010	2	
5	Loud speaker	Altifalante	920168.003	2	
6	Antenna	Antena	806816919	1	Bensi 2114 (M2304059H)
7	Voltage reducer	Redutor de voltagem	65266120	1	Scanf SE8 24V/12V 8A
8	Rubber mounting	Suporte de borracha	A27812.0100	4	
9	Screw	Parafuso	A27814.0100	4	





Description
Descrição
Heater



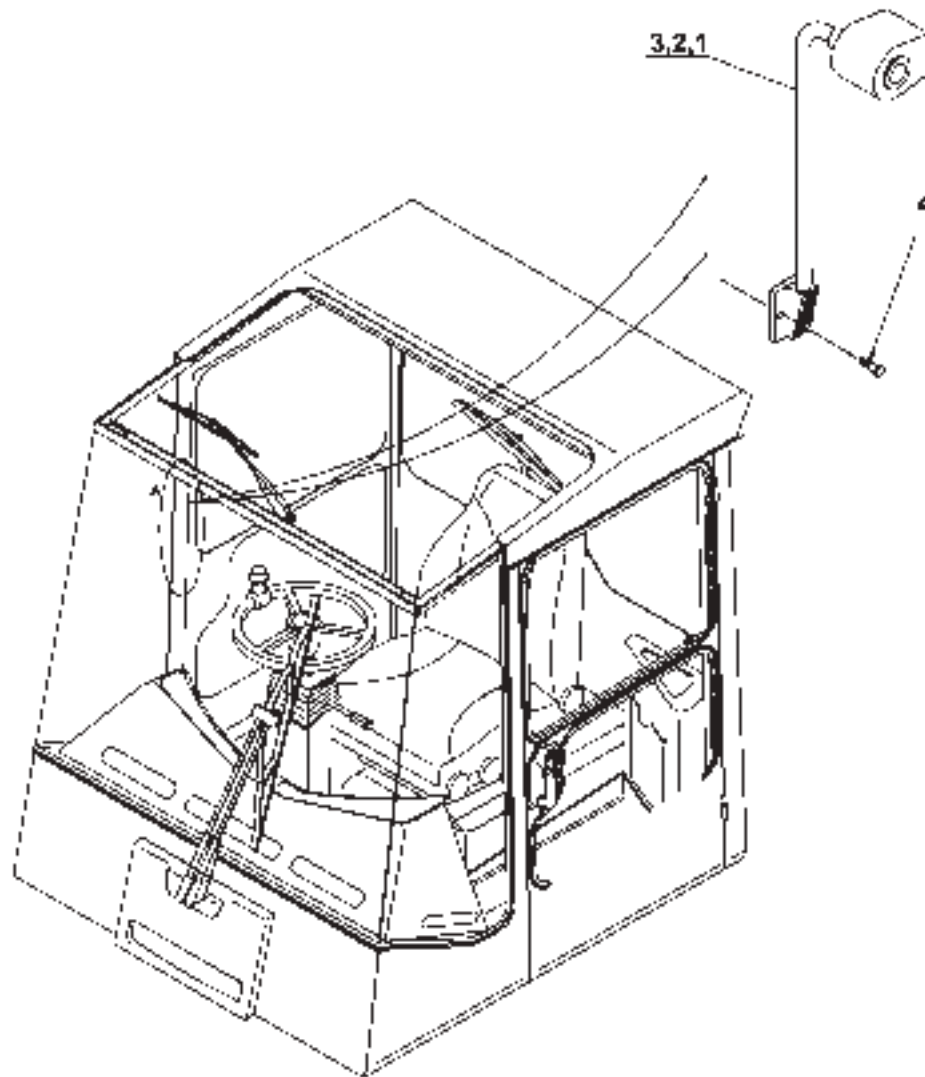
Date
Data
00-04-10

Module
Módulo
KV05-0104

Page
Página
99

Item.	Description	Order no.	Qty	S	Notes
-	Optional				
1	Inlet ring Anel interior	921078.0002	1		
2	Wiring set Conjunto instalação elect.	922007.0002	1		
3	Screw Parafuso	920100.046	2		
4	Sleeve Casquilho	A27812.0100	2		
5	Heater, compl. Aquecedor, compl.	922558.0002	1		
6	Sleeve Casquilho	A27812.0100	4		
7	Screw Parafuso	A27814.0100	4		

Page Página 100	Module Módulo KV05-0104	Date Data 00-04-11	Description Descrição Light	<input type="checkbox"/> 
------------------------------	--------------------------------------	---------------------------------	--	---





Description
Descrição
Light



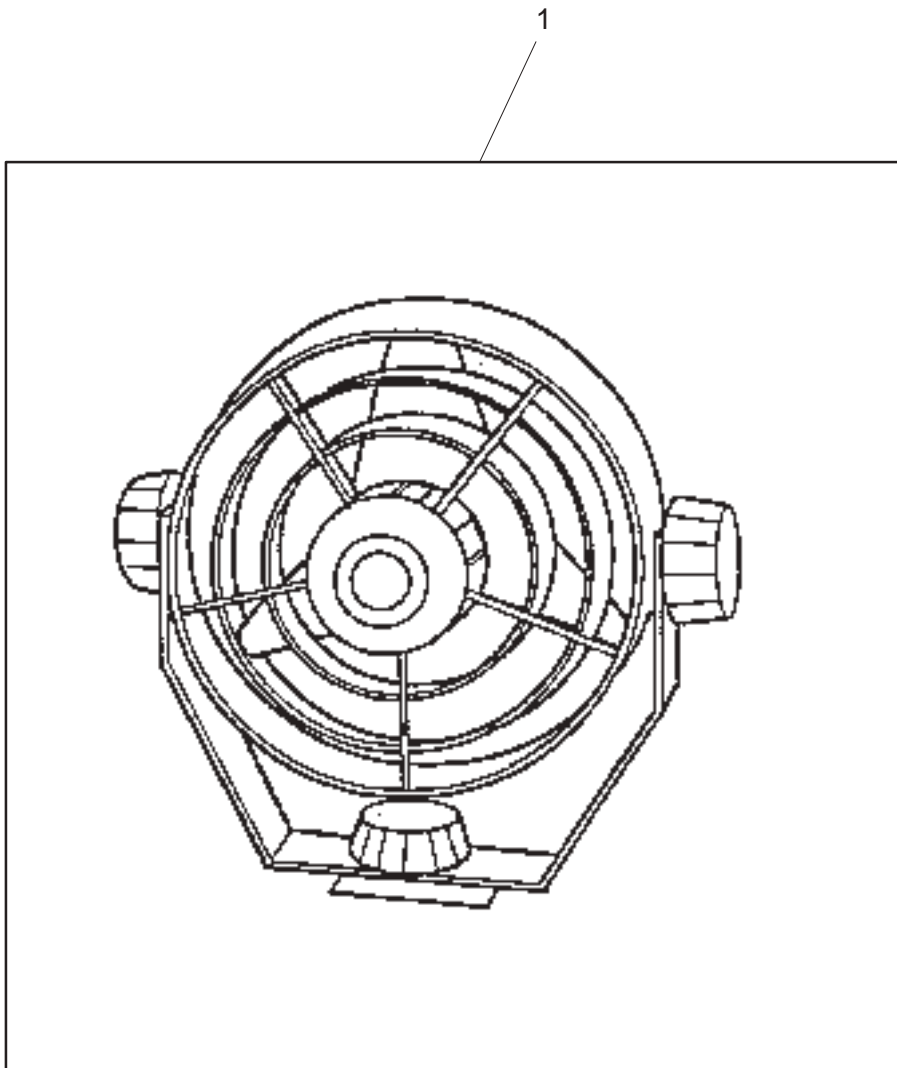
Date
Data
00-04-11

Module
Módulo
KV05-0104

Page
Página
101

Item.	Description	Order no.	Qty	S	Notes
-	Optional				
1	Light Luz	922006.0001	1		
2	Wire Fio electrico	921087.0001	3		
3	Pin Pin	922202.0001	2		
4	Screw Parafuso	920100.046	2		

Page Página 102	Module Módulo KV05-0104	Date Data 93-01-12	Description Descrição Fan	<input type="checkbox"/>	
------------------------------	--------------------------------------	---------------------------------	--	--------------------------	--





Description
Descrição
Fan



Date
Data
93-01-12

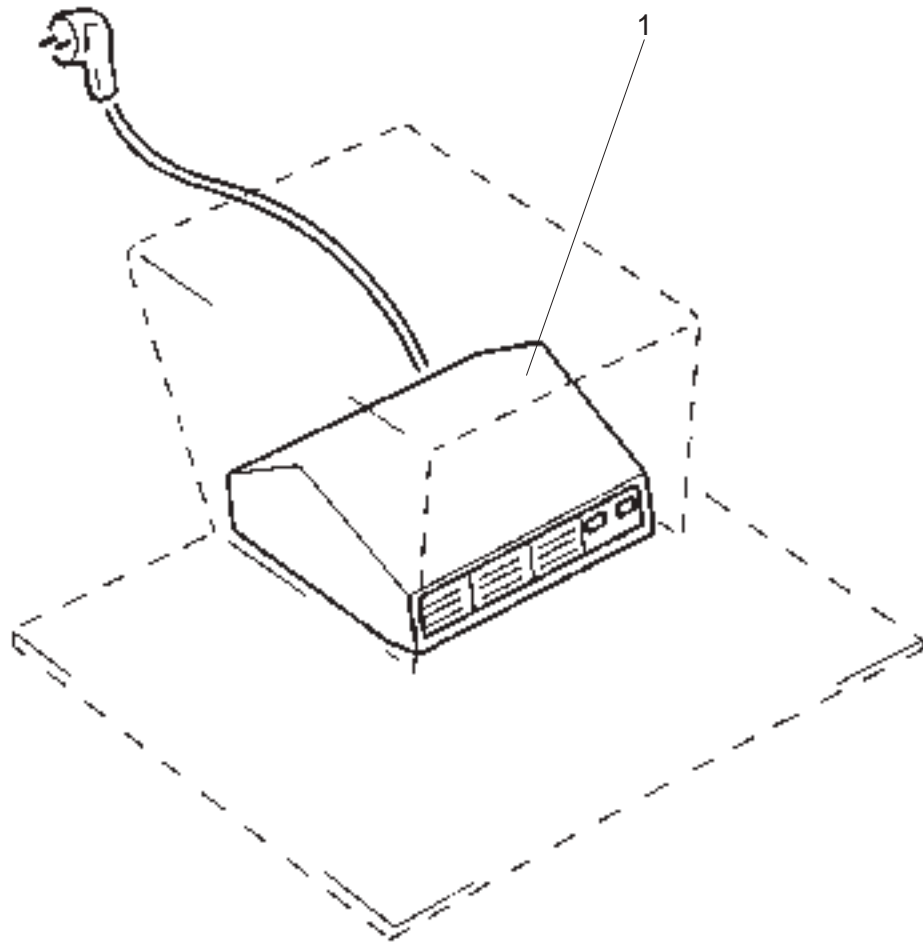
Module
Módulo
KV05-0104

Page
Página
103

Item.	Description	Order no.	Qty	S	Notes
*1	Fan Ventoinha	N3205111H	1		HELLA 8EV003361-01124V

*Optional
)

Page Página 104	Module Módulo KV05-0104	Date Data 94-01-17	Description Descrição Heater	<input type="checkbox"/>	
------------------------------	--------------------------------------	---------------------------------	---	--------------------------	--





Description
Descrição
Heater




Date
Data
94-01-17

Module
Módulo
KV05-0104

Page
Página
105

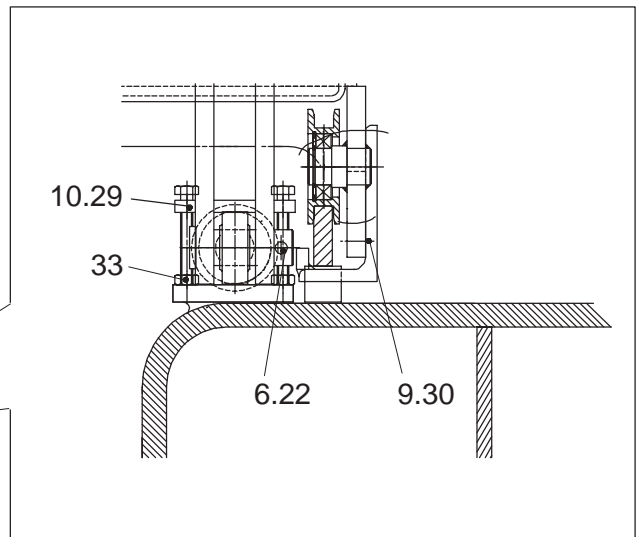
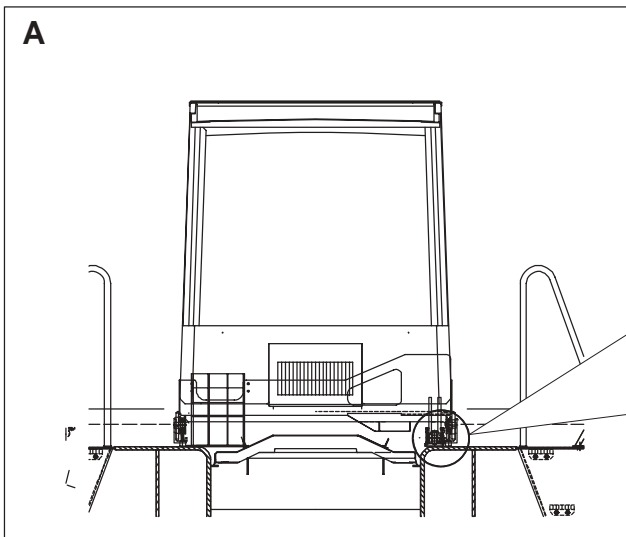
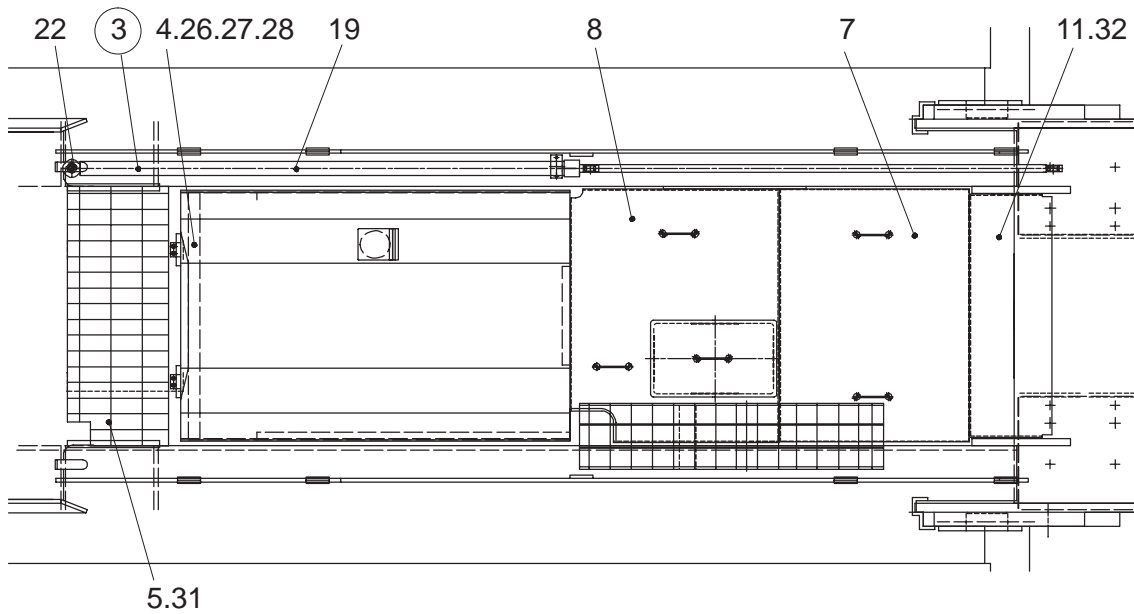
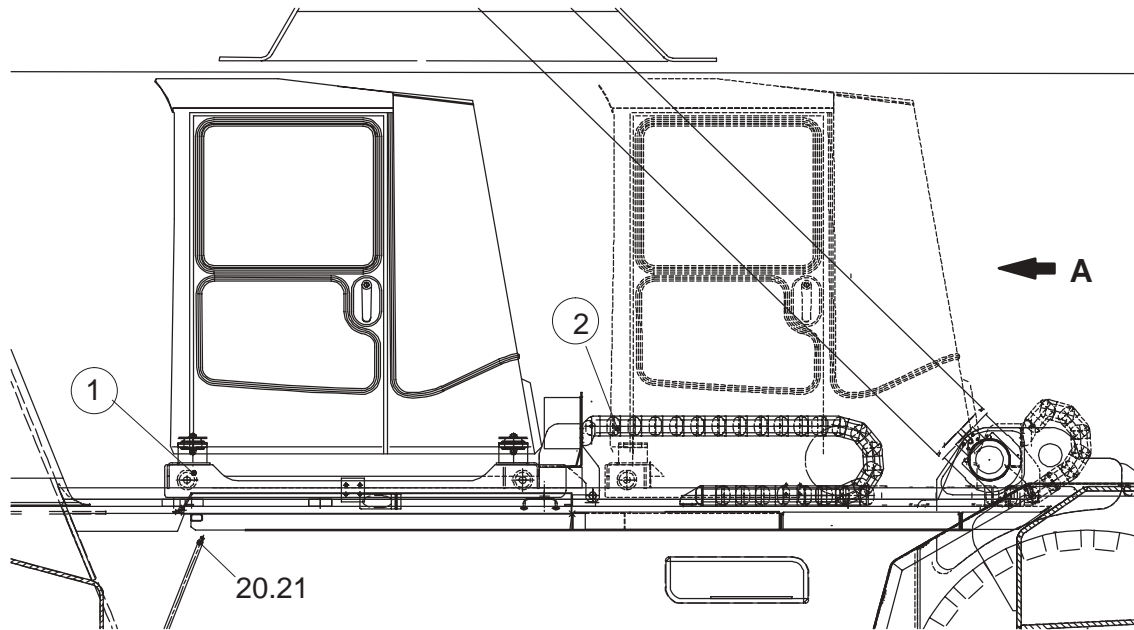
Item.	Description	Order no.	Qty	S	Notes
1	Heater, compl. Aquecedor, compl.	K2301200H	1		Calix 1200

	Revision Revisão	<input type="checkbox"/>	Date Data 00-04-12	Module Módulo KV05-0105	Page Página 1/13
--	---------------------	--------------------------	---------------------------------	--------------------------------------	-------------------------------

KV05-0105

Cab transfer unit

Unidade de transferência da cabine





Description
Descrição
Cabin, mount.



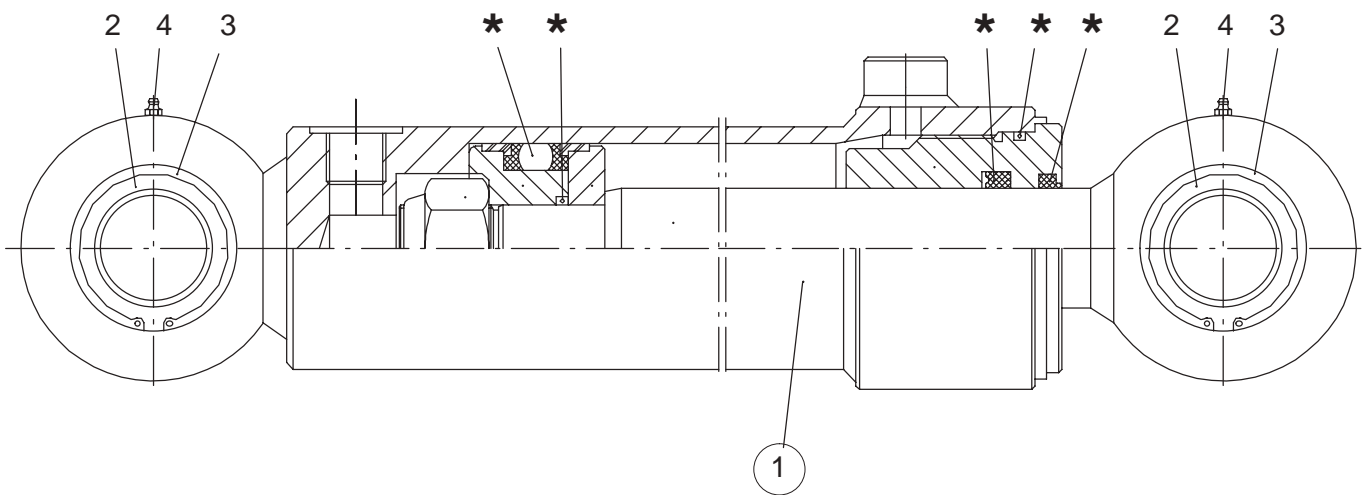
Date
Data
00-04-11

Module
Módulo
KV05-0105

Page
Página
3

Item.	Description	Order no.	Qty	S	Notes
1	Base see page 7	Base	1		
2	Chain	Corrente			
3	Hydraulics see page 11	Hidráulica			
4	Shield cover	Tampa de protecção	K5688060	1	
5	Grate	Grade	K5671220	1	
6	Pin	Pin	K5688140	1	
7	Shield cover	Tampa de protecção	K5688170	1	
8	Shield cover	Tampa de protecção	K5688180	1	
9	Lock washer	Anilha de freio	K5688190	2	
10	Support	Suporte	K5688200	1	
11	Plate	Placa	K5688480	1	
19	Cylinder	Cilindro	K0702012H	1	NORRH A00 50/32*2000
20	Gas spring	Amortecedor de gás	T1902017H	2	SUSPA 16-6-474-400-1
21	Elbow	Cotovelo	769014277	4	DIN71802 AS13
22	Pin	Pino	59551367	2	V95/R
26	Screw	Parafuso	53060181	4	ISO4017 M10X30
27	Nut	Porca	51010100	4	DIN985-8 N M10
28	Washer	Anilha	50012100	8	DIN125 10,5
29	Screw	Parafuso	53160153	2	ISO4014 M8X90
30	Screw	Parafuso	53160220	8	ISO4014 M12X25
31	Fastener	Ligador	T2302020H	4	FINNR S-33
32	Screw	Parafuso	53060136	2	ISO4017 M8X16
33	Nut	Porca	50410080	2	ISO4032 M 8-8

Page Página	Module Módulo	Date Data	Description Descrição	
4	KV05-0105	00-03-23	Cylinder	





Description
Descrição
Cylinder

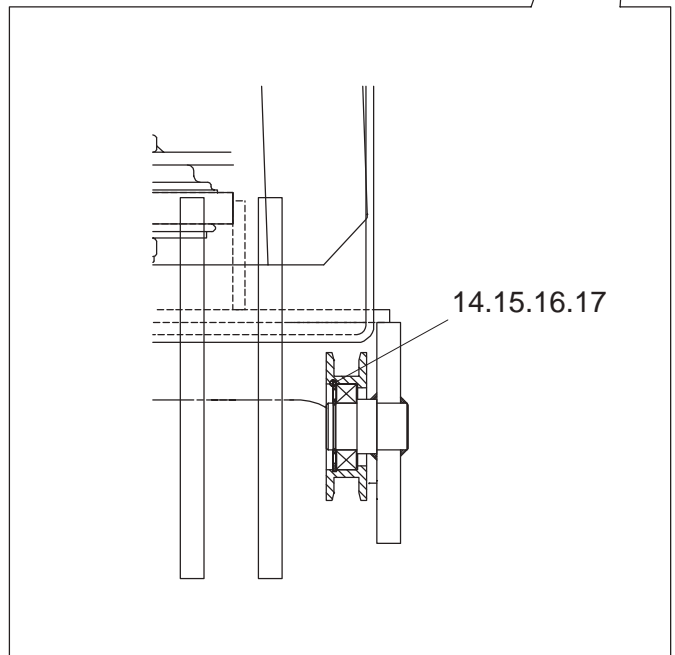
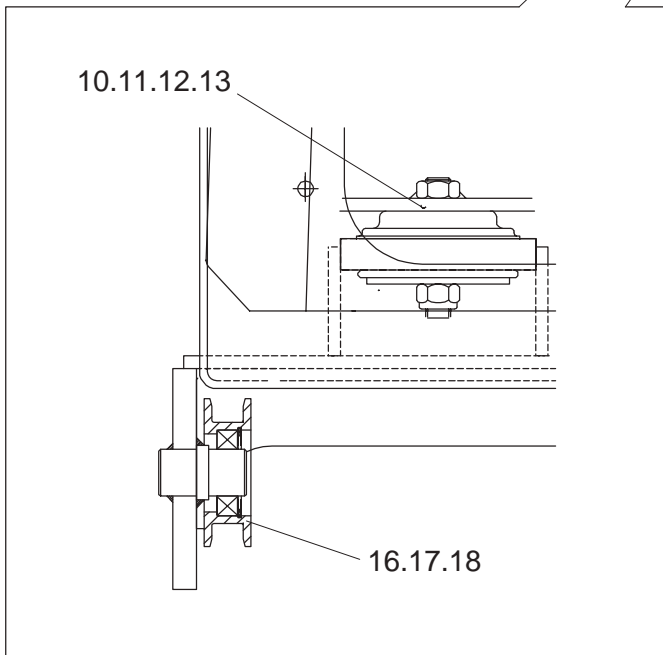
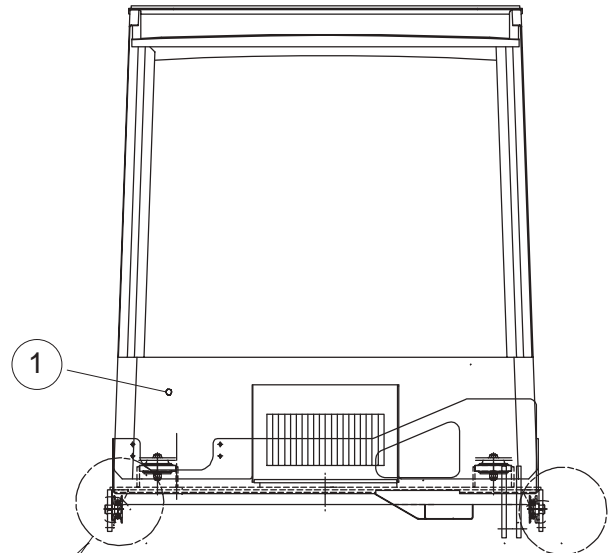
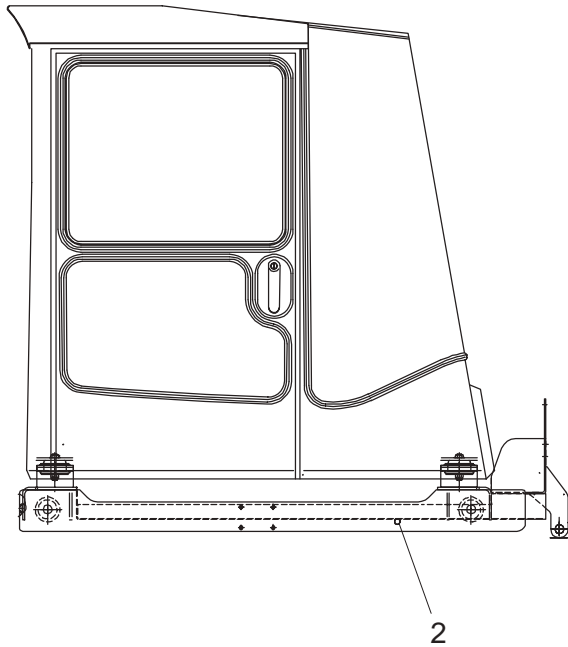


Date
Data
00-03-23

Module
Módulo
KV05-0105

Page
Página
5

Item.	Description	Order no.	Qty	S	Notes
1	Cylinder, compl. Cilindro, compl.	K0702012H	1		Norrh. A-00-50/32x2000
2	Bearing Rolamento	61131303	2		GE 30 DO.2RS
3	Circlip Freio	61733047	2		DIN 472/1 47X1.75
4	Grease fitting Bico de lubrificação	64411203	2		DIN71412 R1/8
*	Gasket set Jogo juntas	807605542	1		Norrh. 40108-05





Description
Descrição
Cabin, mount.



Date
Data
00-04-11

Module
Módulo
KV05-0105

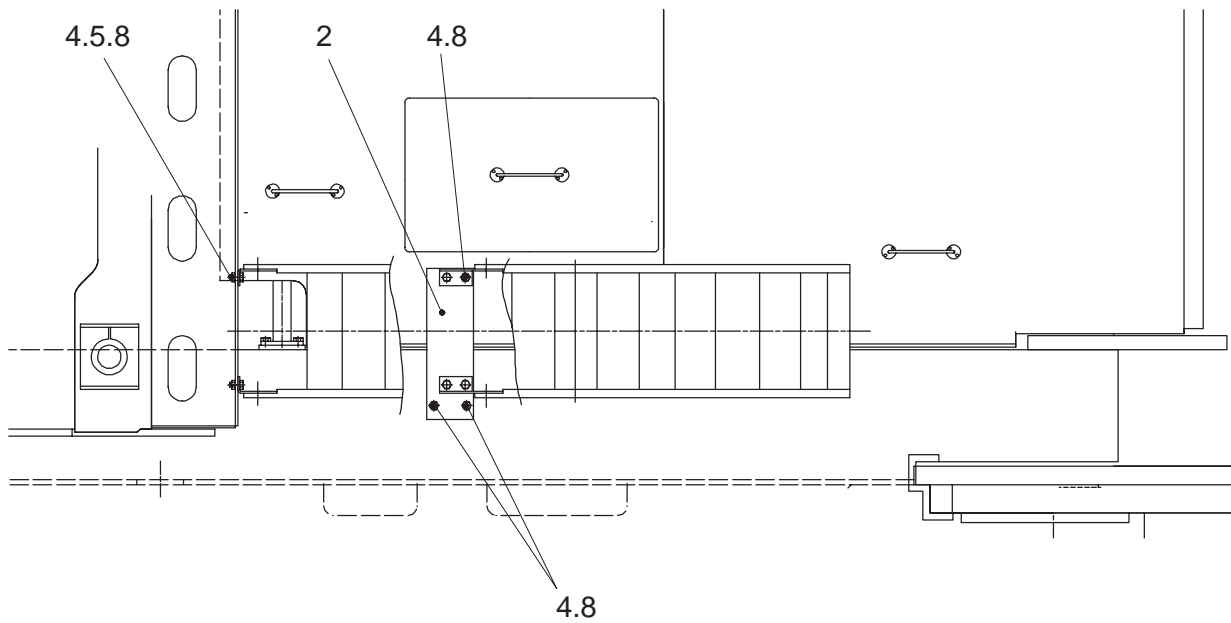
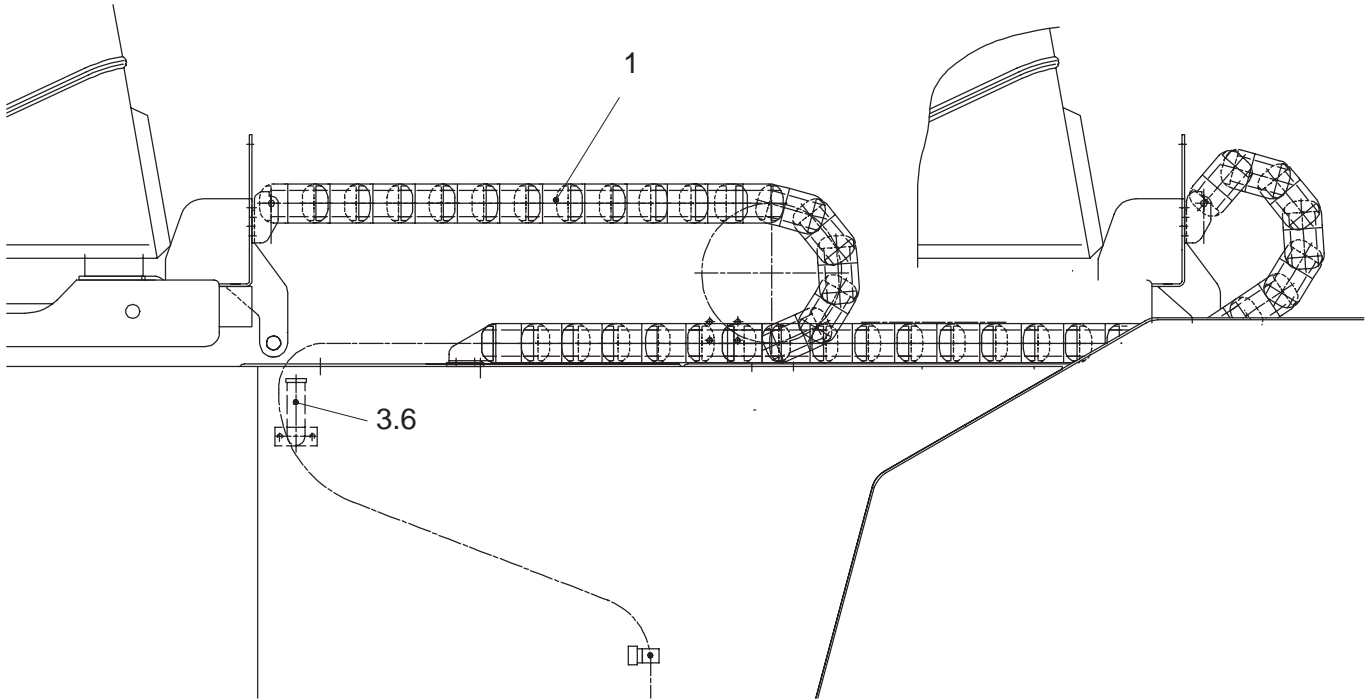
Page
Página
7

Item.	Description	Order no.	Qty	S	Notes
*1	Cab	Cabina			
2	Base	Base	K567940	1	
10	Screw	Parafuso	K5683260	4	
11	Washer	Anilha	K5683250	4	
12	Damper	Batente amortecedor	770165045	4	METAL 17-1650-1-45
13	Nut	Porca	51010160	4	DIN985-8 N M16
14	Roller	Rolete	K5688120	2	
15	Circlip	Freio	61730030	2	DIN471/1 30X1.5
16	Circlip	Freio	61733055	4	DIN471/1 55X2
17	Bearing	Rolamento	610310601	4	SKF KU 6006-2RS
18	Roller	Rolete	K5688310	2	

*)See cabin module

*)

Page Página 8	Module Módulo KV05-0105	Date Data 00-04-11	Description Descrição Cabin, mount.	
----------------------------	--------------------------------------	---------------------------------	--	--





Description
Descrição
Cabin, mount.

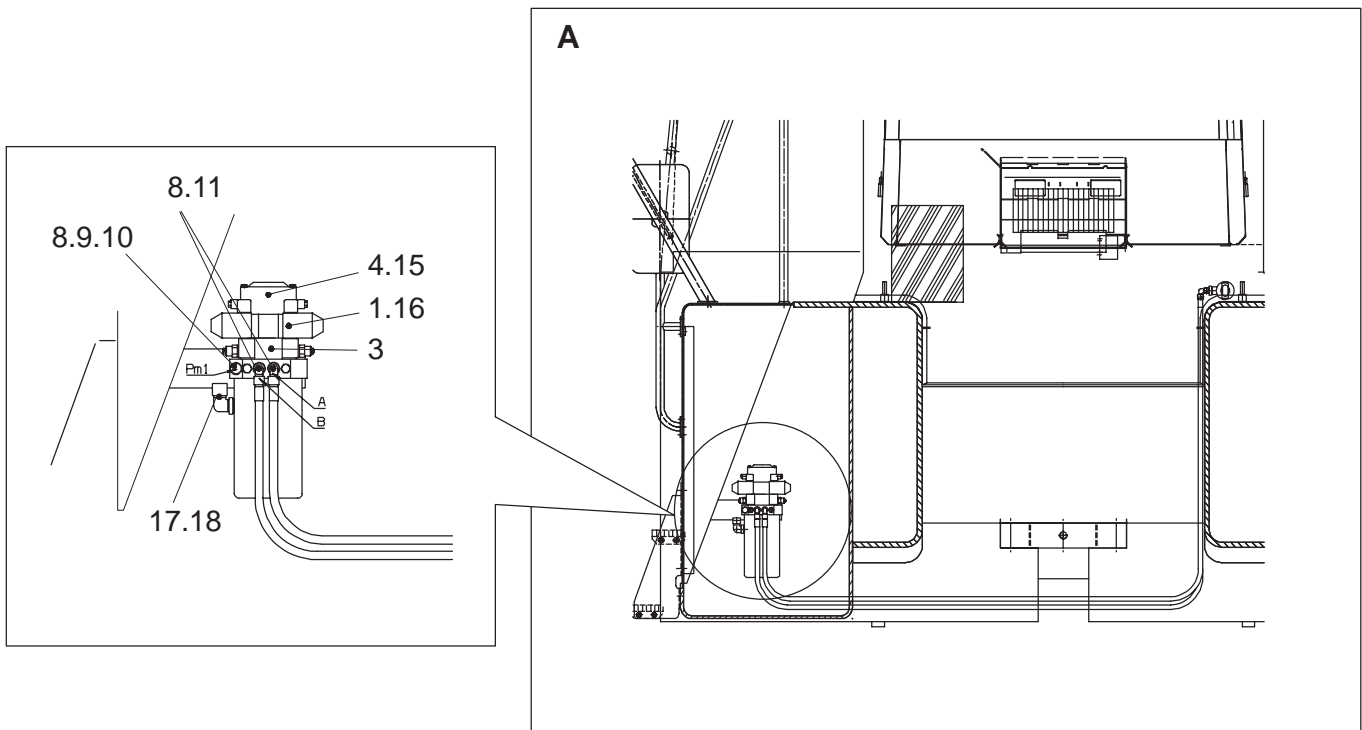
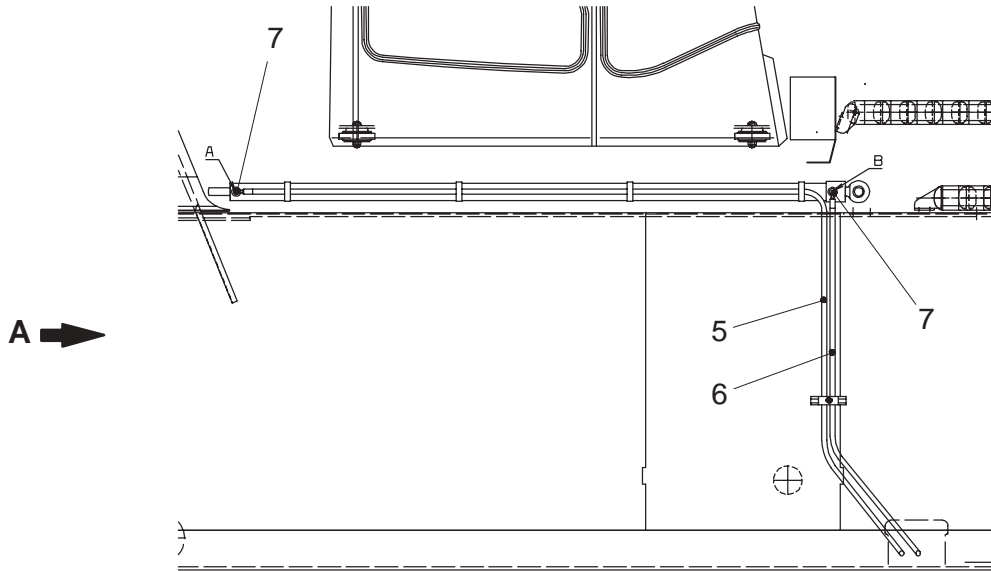


Date
Data
00-04-11

Module
Módulo
KV05-0105

Page
Página
9

Item.	Description	Order no.	Qty	S	Notes
1	Chain Corrente	T2302106H	1		IGUS 40.25.150,21LENK
2	Fastener Ligador	K5688210	1		
3	Screw Parafuso	53060176	2		ISO4017 M10X16
4	Screw Parafuso	53060178	2		ISO4017 M10X20
5	Nut Porca	51010100	8		DIN985-8 N M10
6	Support Suporte	K5688450	1		
8	Washer Anilha	50012100	10		DIN125 10.5





Description
Descrição
Cabin, mount.

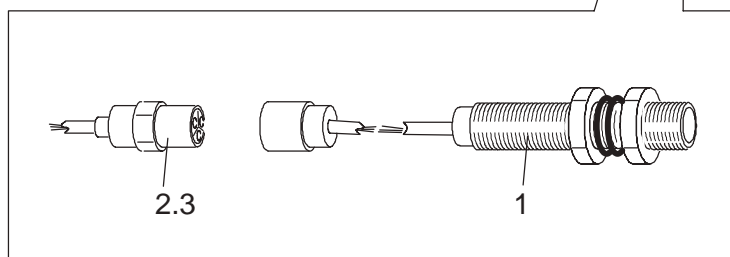
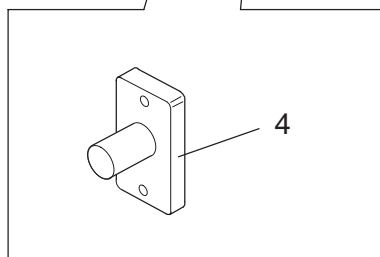
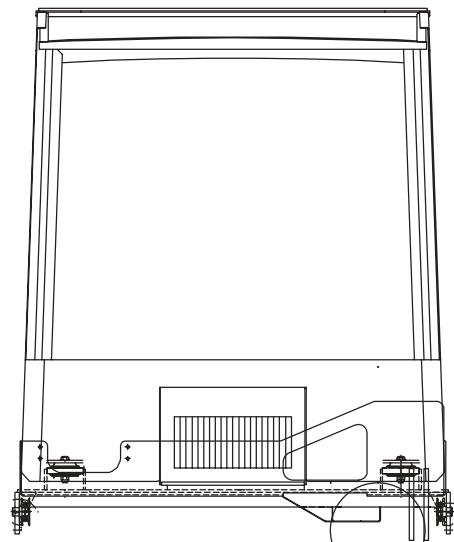
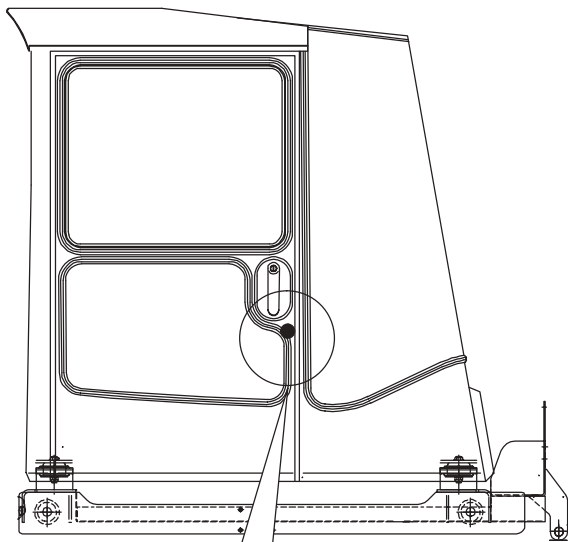


Date
Data
00-04-11

Module
Módulo
KV05-0105

Page
Página
11

Item.	Description	Order no.	Qty	S	Notes
1	Valve Valvula	N0806144H	1		VICKE DG4V-3-56C-MU
3	Valve Valvula	K0800001H	1		SUN CBCH-LCN-EBY
4	Pump Bomba	K0300100H	1		SMITH MK3-2RS10V28NN
5	Hose Tubo	VL5400553	1		
6	Hose Tubo	VL5400542	1		
7	Fitting União	643445103	2		VLS6202110JIC/R1/2
8	Fitting União	643445102	3		VLS6202110JIC/R3/8
9	Measuring connector Ligação para manômetros	64348521	1		PARKER 6TT4MXS
10	Measuring connector Ligação para manômetros	64348521	1		PARKER 6TT4MXS
11	Elbow União	64345710	2		VLS62033 10JIC/9/16-18
15	Screw Parafuso	53060176	2		ISO4017 M10X16
16	Through bolt kit Jogo de parafusos	K0809124H	1		VICKE BK869720M M5X75
17	Fitting União	643449161	3		VLS62025 16JIC/R1/2
18	Plug Ficha	64308210	1		PARKER 10FNTXS





Description
Descrição
Cabin, mount.



Date
Data
00-04-11

Module
Módulo
KV05-0105

Page
Página
13

Item.	Description	Order no.	Qty	S	Notes
1	Sensor Sensor	65237156	2		N5359160
2	Connection União	65214319	2		1-0826886-2 3N
3	Contact part Parte de contacto	65214320	2		0-0925601-3
4	Switch Interruptor	806109516	2		Hella 6ZF 003549-021

06 WORKING DEVICES

KV06-0114

Boom

Barra

KV06-0108

Spreader

Spreader



Revision
Revisão



Date
Data
00-10-05


Module
Módulo
KV06-0114

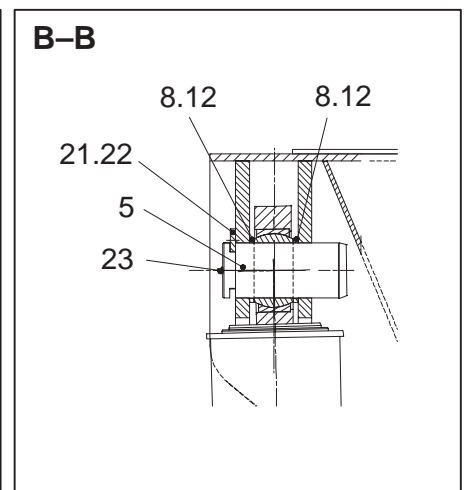
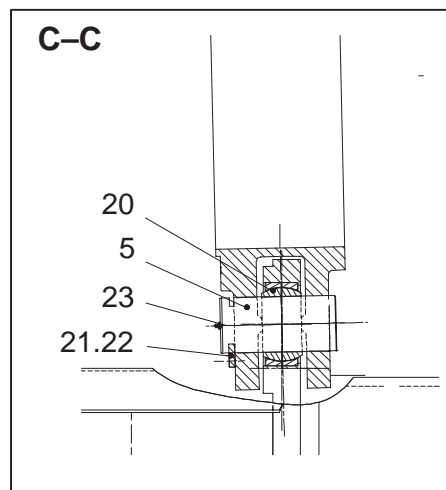
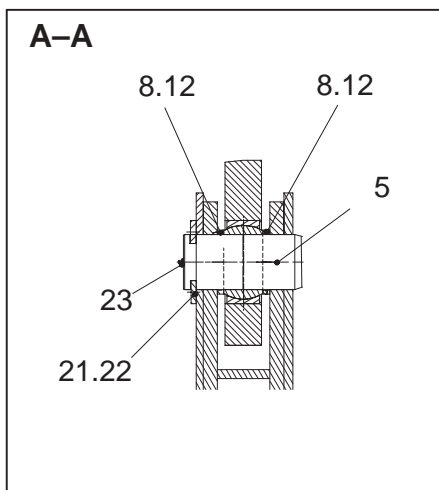
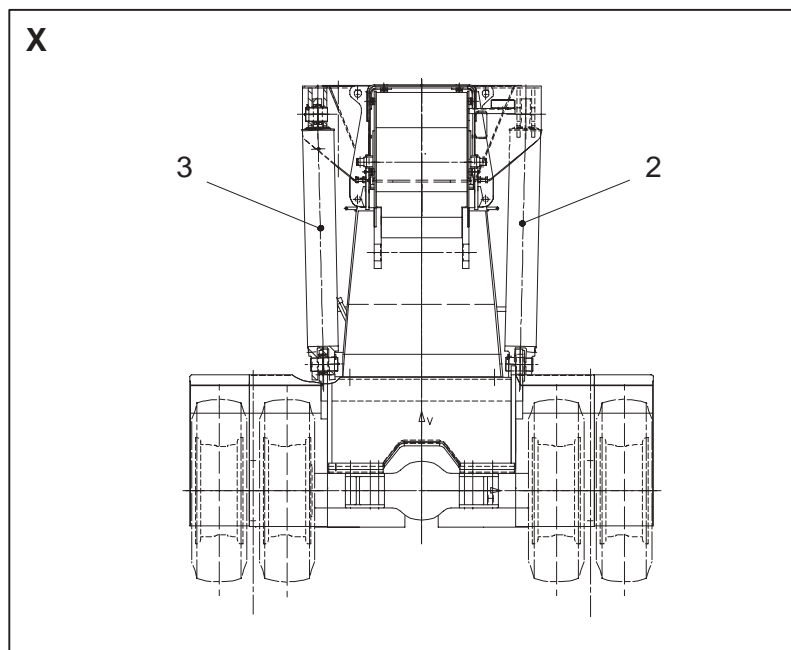
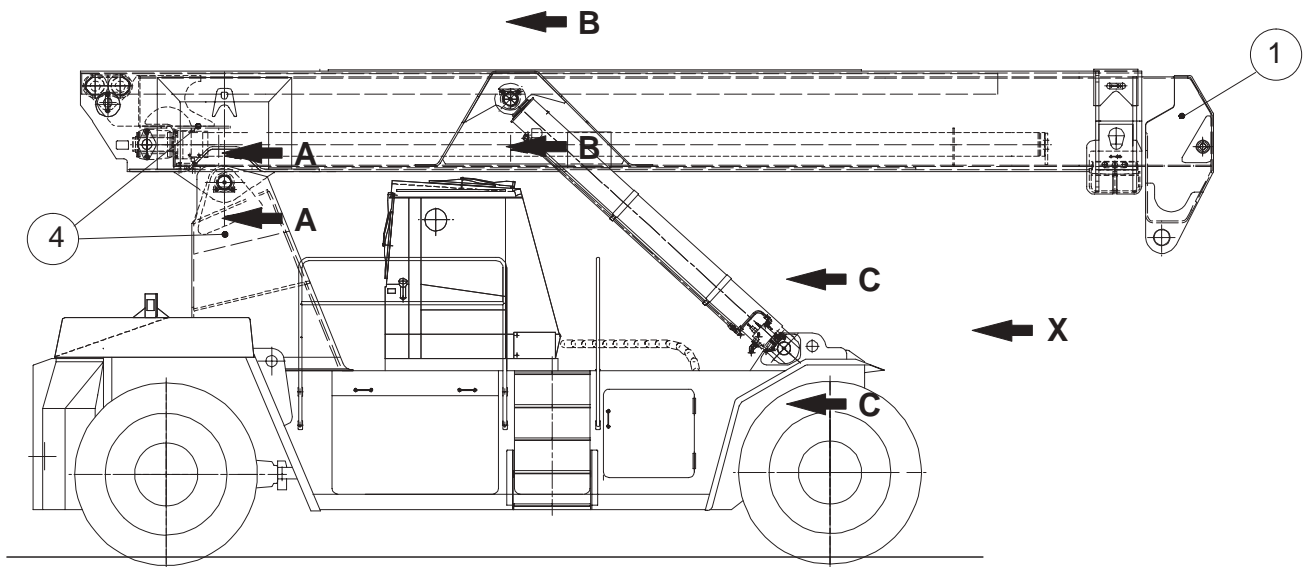
Page
Página
1/29

KV06-0114

Boom

Barra

Page Página 2	Module Módulo KV06-0114	Date Data 00-12-01	Description Descrição Lift boom, mount.	
----------------------------	--------------------------------------	---------------------------------	--	--





Description
Descrição
Lift boom, mount.

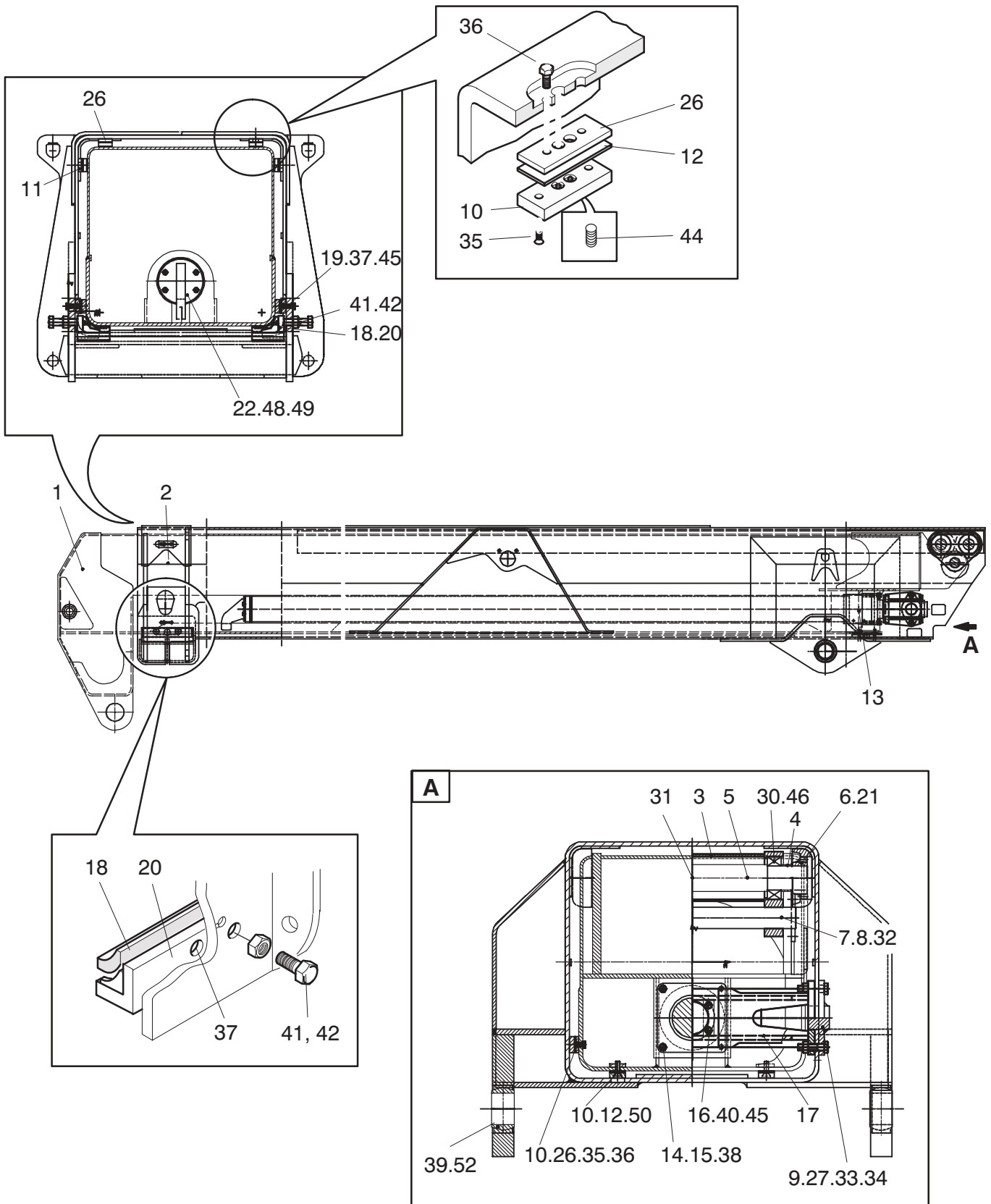


Date
Data
00-12-01

Module
Módulo
KV06-0114

Page
Página
3

Item.	Description	Order no.	Qty	S	Notes
1	Bar see page 5	Barra K5687130	1		
2	Lift cylinder see page 7	Cilindro elevação K5687350	1		
3	Lift cylinder see page 9	Cilindro elevação K5687360	1		
4	Hydraulic equipment see page 25	Equipamento hidráulico K5687170	1		
5	Shaft	Eixo K5687780	6		D120-260
8	Adjusting ring	Anel de afinação T5509922	8		
12	Adjusting ring	Anel de afinação K5691680	8		S12
20	Bearing	Rolamento 61132992	2		INA GE120DO2RS
21	Axle retainer	Retentor do eixo 61760050	8		50
22	Screw	Parafuso 53060383	14		SFS2064 M20x40
23	Grease fitting	Bico de lubrificação 64411203	6		Alemi 509F-R1/8K





Description
Descrição
Lift boom, compl.



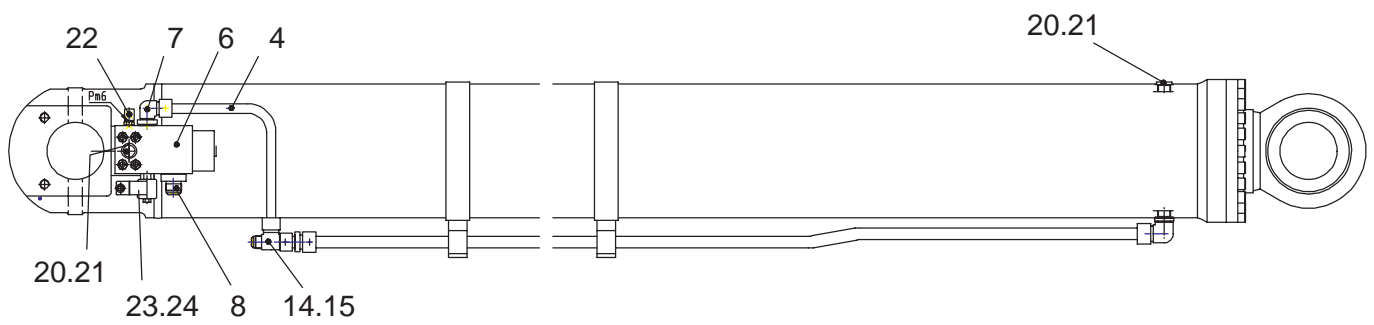
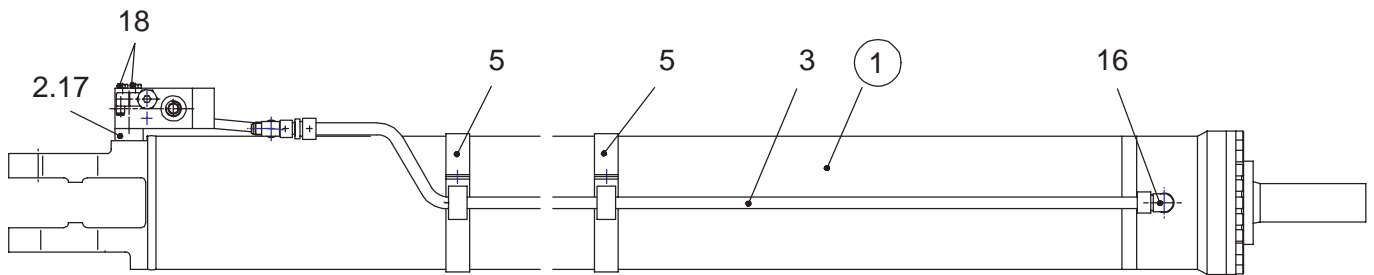
Date
Data
00-03-17

Module
Módulo
KV06-0114

Page
Página
5

Item.	Description	Order no.	Qty	S	Notes
1	Extension boom Longarina de extensão	K5687150	1		
2	Bar Barra	K5687140	1		
3	Bracket Prateleira	T5503770	1		
4	Spacing ring Anel espaçador	T5371420	4		
5	Shaft Eixo	T5503800	2		
6	Roller Rolete	T5503850	4		
7	Shaft Eixo	K5673320	1		
8	Lock washer Anilha de freio	T5371450	2		
9	Lug Suporte	T5672480	2		
10	Slide piece Calha	T5371480	10		
11	Plate Placa	K5133030	4		
12	Shim Anilha	T5371520	30		S=2
13	Cylinder Cilindro	C5592643	1		
	see page 13				
14	Sleeve Casquilho	T5371380	4		
15	Cover Tampa	T5503930	1		
16	Lock plate Freio	T5371360	2		
17	Support Suporte	K5672410	1		
18	Slide piece Calha	K5672040	2		
19	Spacing plate Disco separador	T5371500	2		
20	Guide Guia	K5672400	2		
21	Shim Anilha	T5371460	20		S=1
22	Support Suporte	T5673270	1		
26	Spacing plate Disco separador	T5503840	2		
27	Shim Anilha	K5675260	2		S=1
30	Bearing Rolamento	61236418	4		23218CC
31	Grease fitting Bico de lubrificação	64411203	1		DIN71412 AR1/8
32	Screw Parafuso	53060303	4		SFS2064 M16x40
33	Screw Parafuso	53160475	4		ISO4014 M24x100
34	Nut Porca	50410240	4		SFS2067 M24
35	Screw Parafuso	58830624	16		DIN7991 M16x35
36	Screw Parafuso	53060301	16		ISO4017 M16x30
37	Grease fitting Bico de lubrificação	64411203	8		Alemi 509FR1/8K
38	Screw Parafuso	53060323	4		SFS2063 M16x180
39	Bearing Rolamento	61132992	2		SKF GE120 ES.2RS
40	Screw Parafuso	53060307	4		ISO4017 M16x60
41	Screw Parafuso	53060553	4		ISO4017 M30x90
42	Nut Porca	50410300	4		ISO4032 M30-8
44	Plug Ficha	64002606	6		DIN908 G1/8A
45	Nut Porca	50410160	4		ISO4032 M16-8
46	Gasket Junta	61463751	4		AVNIL 22218(6218)
48	Screw Parafuso	53060220	4		SFS2064 M12x25
49	Washer Anilha	50062012	4		DIN6796 12
50	Screw Parafuso	58830630	4		DIN7991 M16x55
52	Circlip Freio	61733180	2		DIN472/1 180x4

Page Página 6	Module Módulo KV06-0114	Date Data 00-03-16	Description Descrição Lift jack, compl.	
----------------------------	--------------------------------------	---------------------------------	--	--





Description
Descrição
Lift jack, compl.



Date
Data
00-03-16

Module
Módulo
KV06-0114

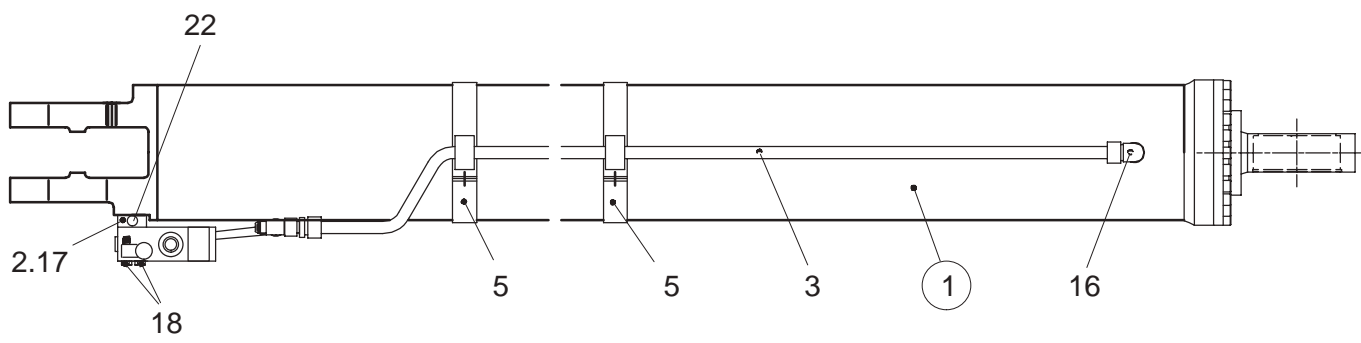
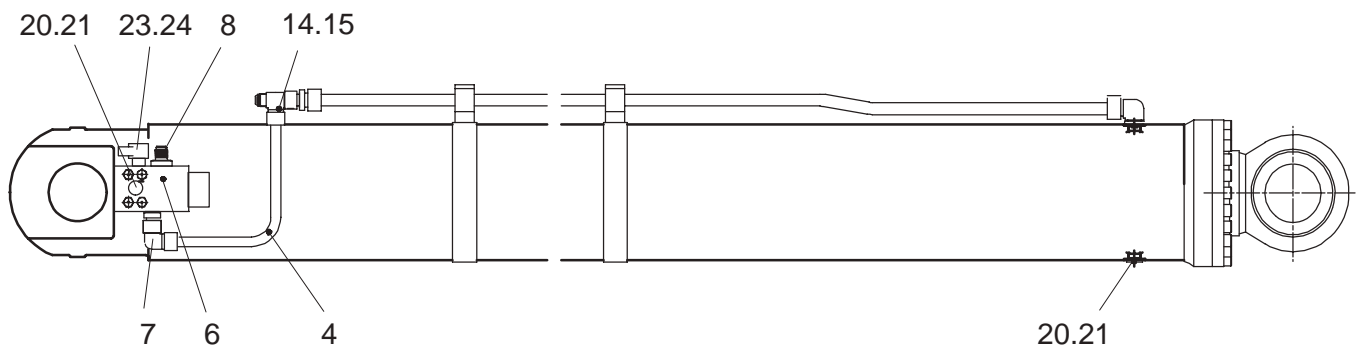
Page
Página
7

Item.	Description	Order no.	Qty	S	Notes
1	Lift cylinder see page 11	A386120100	1		
2	Intermediate block	Bloco intermedio	K5676030	1	
3	Tube	Tubo	K5687810	1	
4	Tube	Tubo	K5676010	1	
5	Clamp	Grampo	T5504240	2	
*6	Valve	Valvula	K0808089H	1	PARKE V-FI-10239A (M22530)
7	Fitting	União	643449202	1	VLS62025 20JIC/R3/4
8	Fitting	União	643445252	1	VLS62021 25JIC/R1
14	Fitting	União	64348512	1	PARKE 12R6XS
15	Fitting	União	643065121	1	VLS62038 25/20JIC
16	Fitting	União	643449251	1	VLS62025 25JIC/R3/4
17	Seal ring	Vedante	61440322	2	SMS1586 O32.2X3
18	Screw	Parafuso	53160238	4	ISO4014 M12X130
20	Plug	Ficha	64002620	2	DIN908 3/4A
21	Gasket	Junta	61450272	2	VLS623.02 U27.2X36X2
22	Measuring connector Ligação para manómetros		64332191	1	EMA 3/R1/4-ED/A3C
23	Coil	Indutora	804107074	1	PARKE S8LDD024 24VDC
24	Valve	Valvula	804107075	1	PARKE DSH081C

*)Incl. parts 23,24

*)

Page Página 8	Module Módulo KV06-0114	Date Data 00-03-16	Description Descrição Lift jack, compl.	
----------------------------	--------------------------------------	---------------------------------	--	--





Description
Descrição
Lift jack, compl.



Date
Data
00-03-16

Module
Módulo
KV06-0114

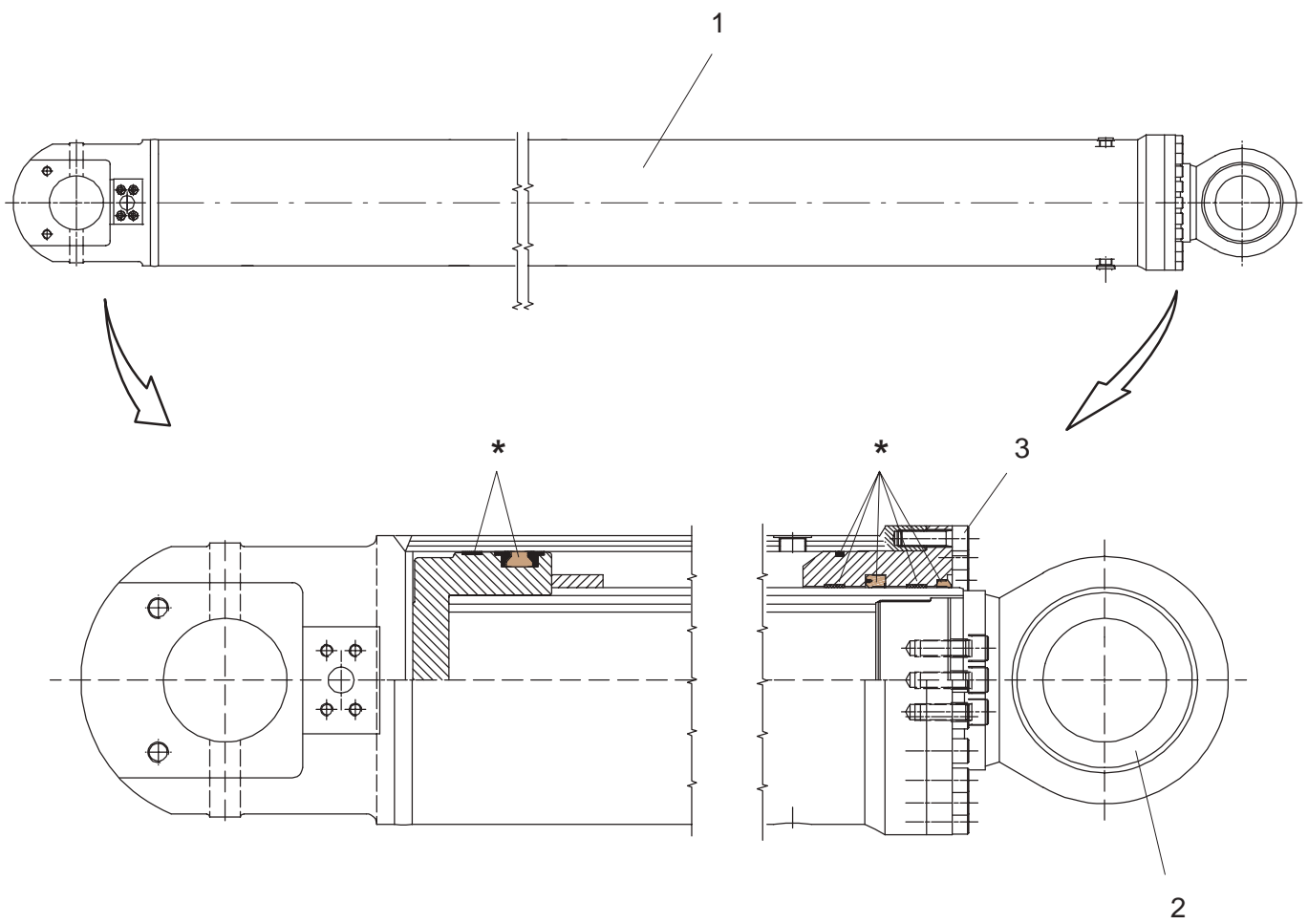
Page
Página
9

Item.	Description	Order no.	Qty	S	Notes
1	Lift cylinder see page 11	A386120100	1		
2	Intermediate block	K5676030	1		
3	Tube	K5687820	1		
4	Tube	K5676010	1		
5	Clamp	T5504240	2		
*6	Valve	K0808089H	1		PARKE M22530
7	Fitting	643449202	1		VLS62025 20JIC/R3/4
8	Fitting	643445252	1		VLS62021 25JIC/R1
14	Fitting	64348512	1		PARKE LS 12R6XS
15	Fitting	643065121	1		VLS62038 25/20JIC
16	Fitting	643449251	1		VLS62025 25JIC/R3/4
17	Seal ring	61440322	2		SMS1586 O32.2X3
18	Screw	53160238	4		ISO4014 M12X130
20	Plug	64002620	2		DIN908 3/4A
21	Gasket	61450272	2		VLS623.02 U27.2X36X2
22	Fitting	643445101	1		VLS62021 10JIC/R1/4
23	Coil	804107074	1		PARKE S8LDD024 24VDC
24	Valve	804107075	1		PARKE DSH081C

*)Incl. parts 23.24

*)

Page Página 10	Module Módulo KV06-0114	Date Data 00-03-06	Description Descrição Cylinder	
-----------------------------	--------------------------------------	---------------------------------	---	--





Description
Descrição
Cylinder



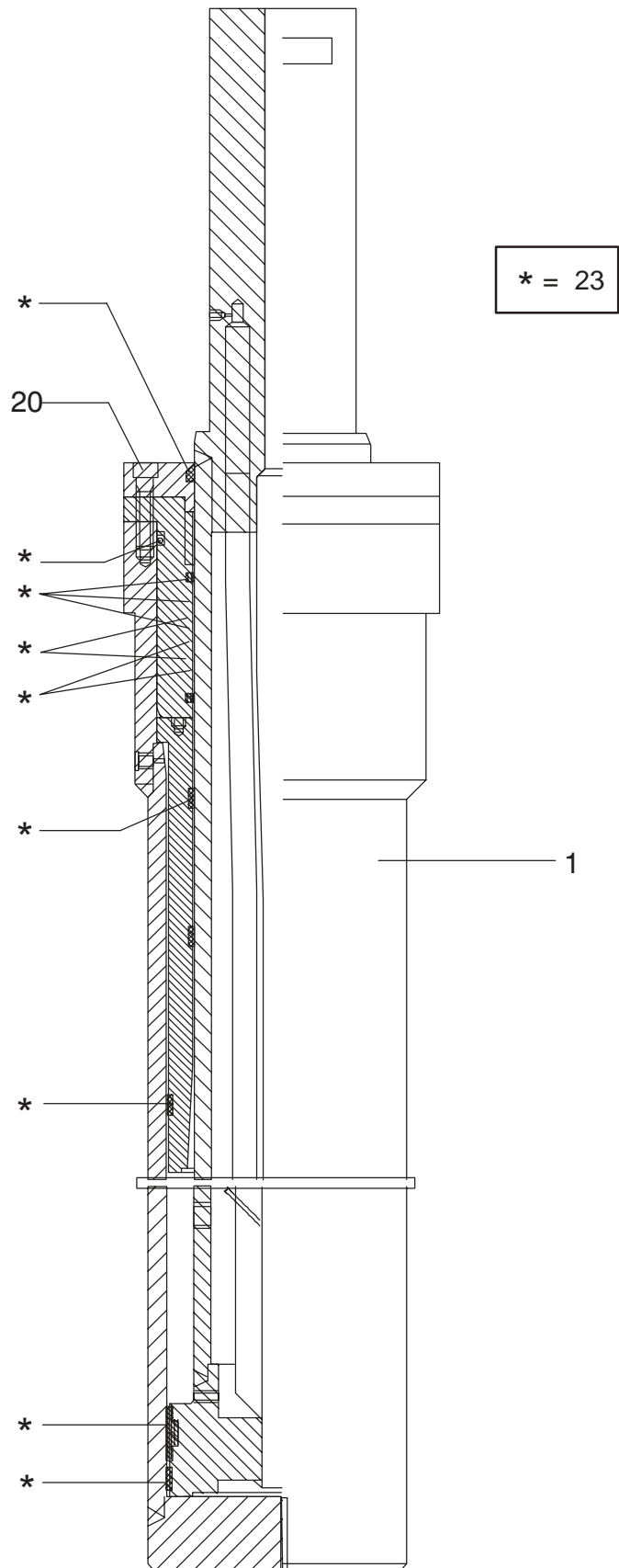
Date
Data
00-03-06

Module
Módulo
KV06-0114

Page
Página
11

Item.	Description	Order no.	Qty	S	Notes
1	Cylinder, compl. Cilindro, compl.	A38612.0100	1		INA GE120DO.2RS
2	Bearing Rolamento	61132992	1		
3	Screw Parafuso	921899.147	24		
*	Gasket set Jogo juntas	454452.6700	1		

Page Página 12	Module Módulo KV06-0114	Date Data 00-03-17	Description Descrição Cylinder, compl.	
-----------------------------	--------------------------------------	---------------------------------	---	--





Description
Descrição
Cylinder, compl.

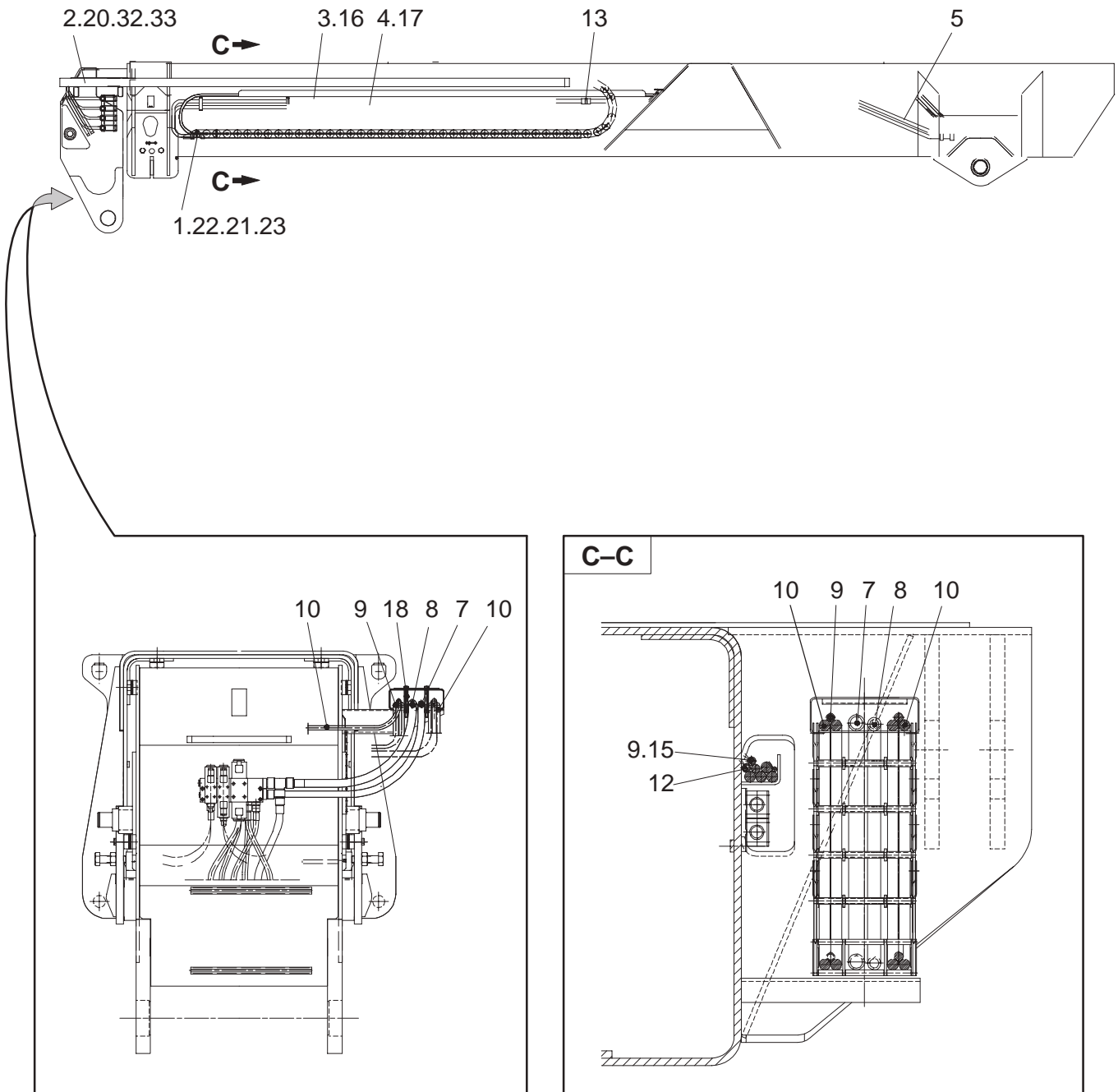


Date
Data
00-03-17

Module
Módulo
KV06-0114

Page
Página
13

Item.	Description	Order no.	Qty	S	Notes
1	Cylinder, compl. Cilindro, compl.	C5592643	1		A
20	Screw Parafuso	58130549	24		SFS2219 M12x60
*23	Gasket set Jogo juntas	C5599180	1		





Description
Descrição
Liftbalk



Date
Data
98-02-05

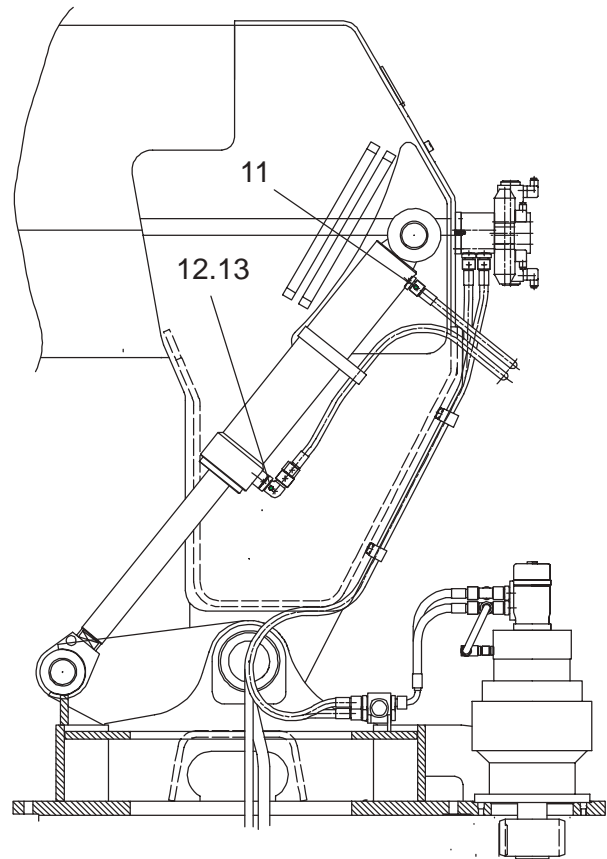
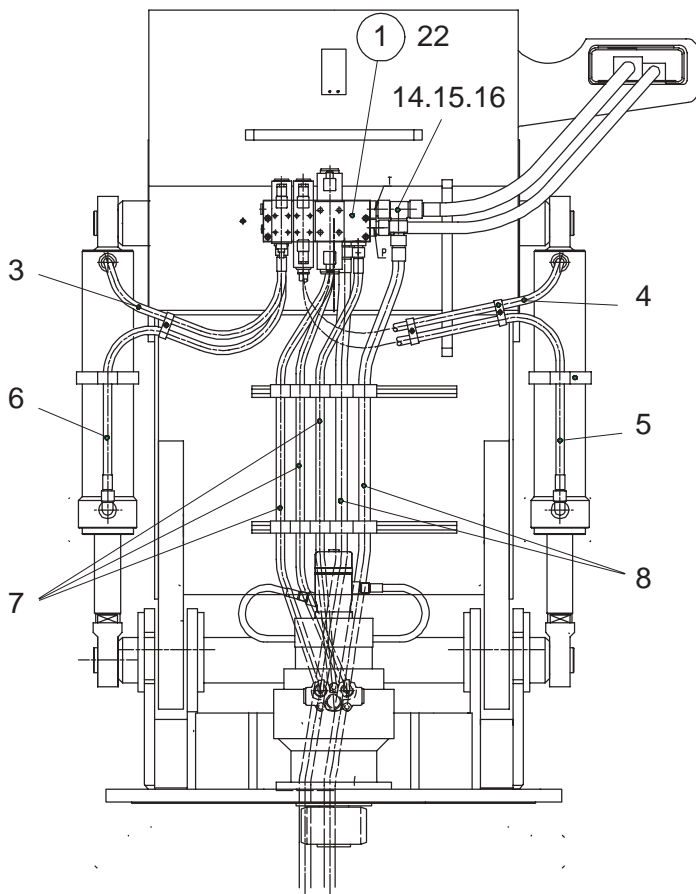
Module
Módulo
KV06-0114

Page
Página
15

Item.	Description	Order no.	Qty	S	Notes
1	Chain	Corrente	K2302150H	1	EKD SLR320/250X4900
2	Channel	Canal	K5672860	1	
3	Tube	Tubo	K5672850	1	
4	Tube	Tubo	K5672900	1	
5	Tube	Tubo	K5672890	2	
7	Hose	Tubo	K5672841	1	
8	Hose	Tubo	K5673331	1	
9	Hose	Tubo	VL5400086	2	
10	Cable	Cabo	659996624	xx	NEOFL 24x1.0 MM2 NR
12	Hose	Tubo	VL5400086	1	
13	Fitting	União	64306520	2	VLS62027 30JIC
15	Fitting	União	64306506	1	VLS62027 10JIC
16	Union/reducer	União/	643065122	1	VLS62038 30/20JIC
17	Union/reducer	União/	643065161	1	VLS62038 30/25JIC
18	Tube	Tubo	24162033	x	DIN2391 16X2.0
20	Screw	Parafuso	53160197	4	ISO4014 M10x120
21	Nut	Porca	51010080	4	DIN985 M8
22	Washer	Anilha	50012080	4	DIN125 8.4
23	Screw	Parafuso	58130463	4	DIN912 M8X30
32	Washer	Anilha	50012100	4	DIN125 10.5
33	Nut	Porca	51010100	4	DIN985 M10

x) Order as required (min. delivery length hoses 1 m, pipes 3 m).
x)

xx) Order as required (min. delivery length 1 m).
xx)





Description
Descrição
Hydr.equipment

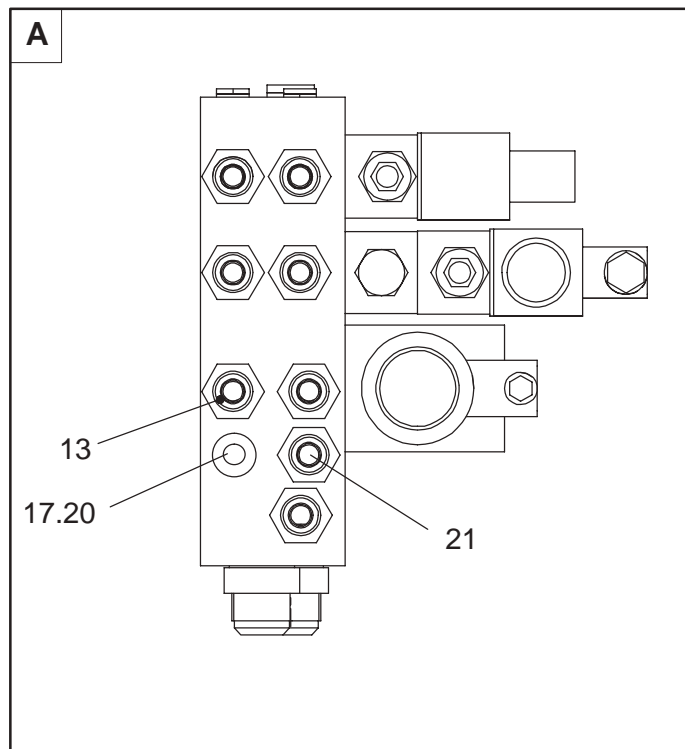
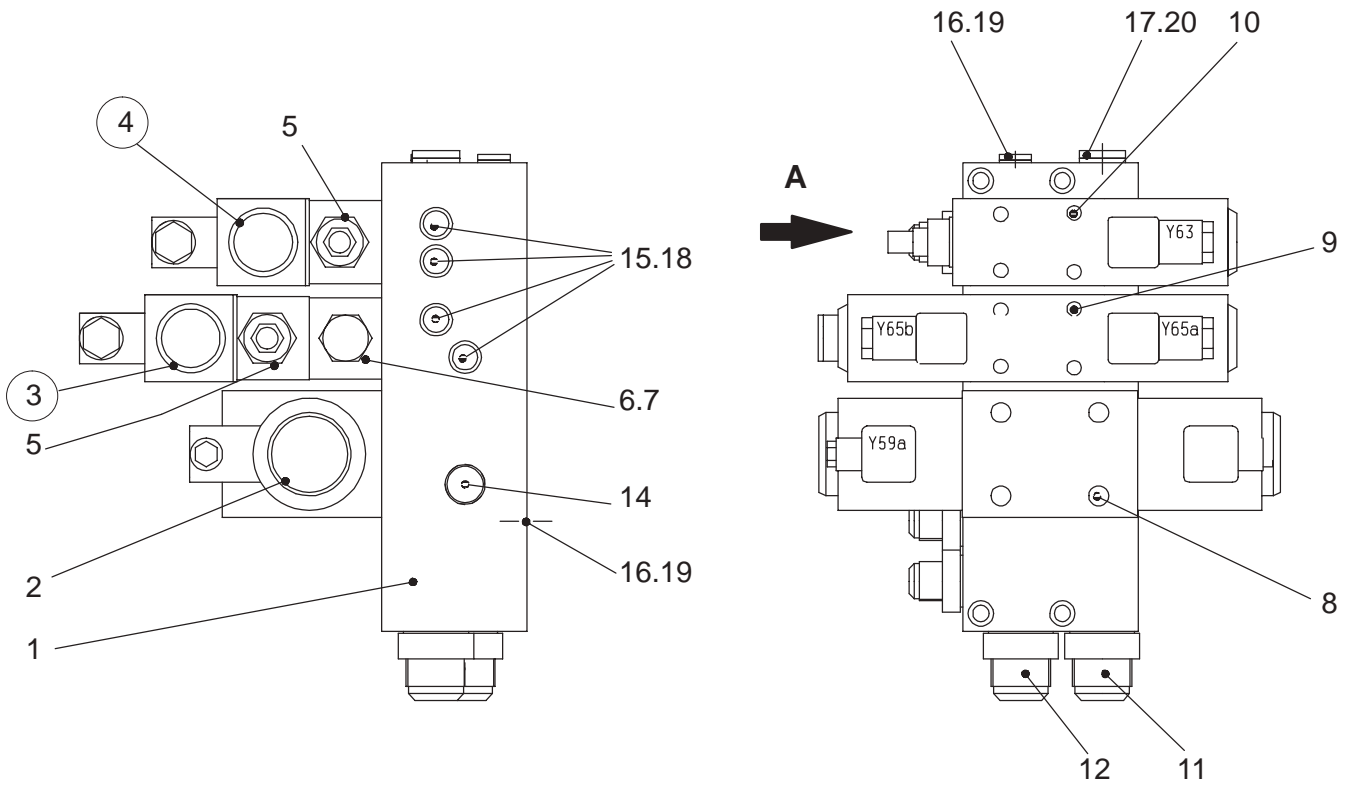



Date
Data
00-03-17

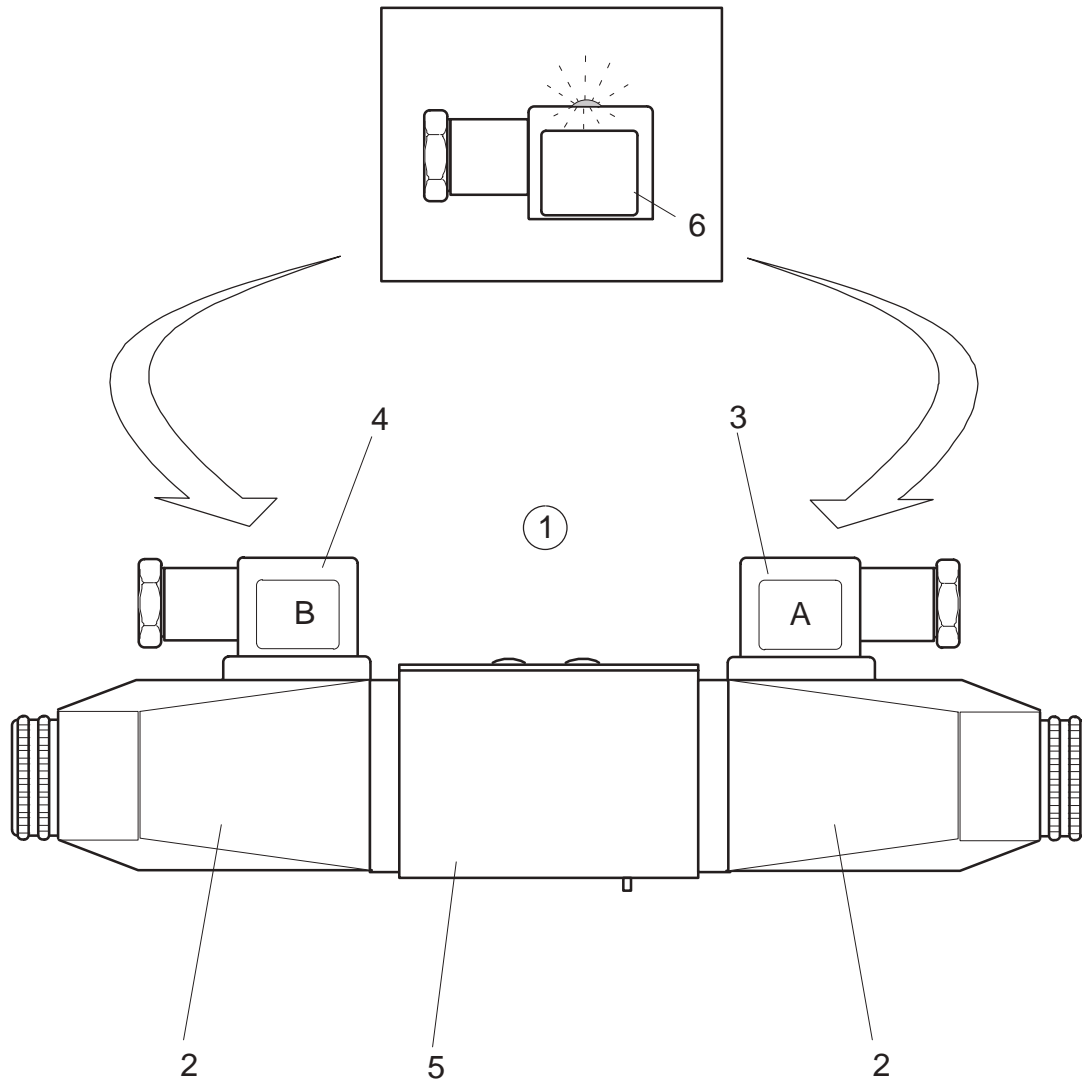
Module
Módulo
KV06-0114

Page
Página
17

Item.	Description	Order no.	Qty	S	Notes
1	Valve set see page 19	Grupo de válvulas K5688430			
3	Hose	Tubo VL5402913	1		
4	Hose	Tubo VL5402915	1		
5	Hose	Tubo VL5402919	1		
6	Hose	Tubo VL5402917	1		
7	Hose	Tubo VL5402920	3		
8	Hose	Tubo VL5404549	1		
11	Fitting	União 643445163	2		VLS62021 16JIC/R3/4
12	Fitting	União 643449202	2		VLS62025 20JIC/R3/4
13	Fitting	União 643461207	2		VLS62037 12-10TRTXS
14	Fitting	União 643485122	1		PARKE 16R6XS
15	Fitting	União 643461259	1		VLS62037 25/20JIC
16	Nut	Porca 64163926	1		VLS62050 25JIC
22	Screw	Parafuso 58130473	4		SFS2219 M8X80



		Description Descrição	<input type="checkbox"/>	Date Data	Module Módulo	Page Página
		Valve mount.		00-03-20	KV06-0114	19
Item.	Description		Order no.	Qty	S	Notes
1	Block	Bloco	K5672310	1		
*2	Valve compl.	Válvula compl.	K0809128H	1		VICKE KDG4V-5-2C-50N
*	Gasket set	Jogo juntas	804106878	1		VICKE 565110
3	Valve compl. see page 21	Válvula compl.	T0804028H	1		VICKE DG4V-3-2C-MU-H7
4	Valve compl. see page 23	Válvula compl.	K0804068H	1		VICKE DG4V-3-24A-MU-H7-60
**5	Valve compl.	Válvula compl.	T0806105H	2		VICKE DGMFN-3-Y-A2W-B2
**	Gasket set	Jogo juntas	804106879	1		VICKE 920084
6	Valve compl.	Válvula compl.	K0806115H	2		VICKE RV2-10-C-O-50
7	Plate	Placa	K0809088H	1		MGZ-06-AT-BT
8	Through bolt kit	Jogo de parafusos	T0810002H	1		VICKE BK466310
9	Through bolt kit	Jogo de parafusos	T0809114H	1		VICKE BK466841M
10	Through bolt kit	Jogo de parafusos	T0809057H	1		VICKE BK464125M L=70
11	Fitting	União	643445251	1		VLS62021 25JIC/R3/4
12	Fitting	União	643445202	1		VLS62021 20JIC/R3/4
13	Fitting	União	643445162	7		VLS62021 16JIC/R1/2
14	Measuring connector Ligação para manômetros		64332191	1		EMA3/R1/4-ED/A3C
15	Plug	Ficha	64002606	4		DIN908 G 1/8 A
16	Plug	Ficha	64002608	3		DIN908 G 1/4 A
17	Plug	Ficha	64002615	2		DIN908 G 1/2 A
18	Gasket	Junta	61450107	4		VLS62302 U 10.7x18x1.5
19	Gasket	Junta	61450147	3		VLS62302 U 14.7x22x1.5
20	Gasket	Junta	61450215	2		VLS62302 U 21.5x28x2.5
21	Fitting	União	643445201	1		VLS62021 20JIC/R1/2





Description
Descrição
Valve



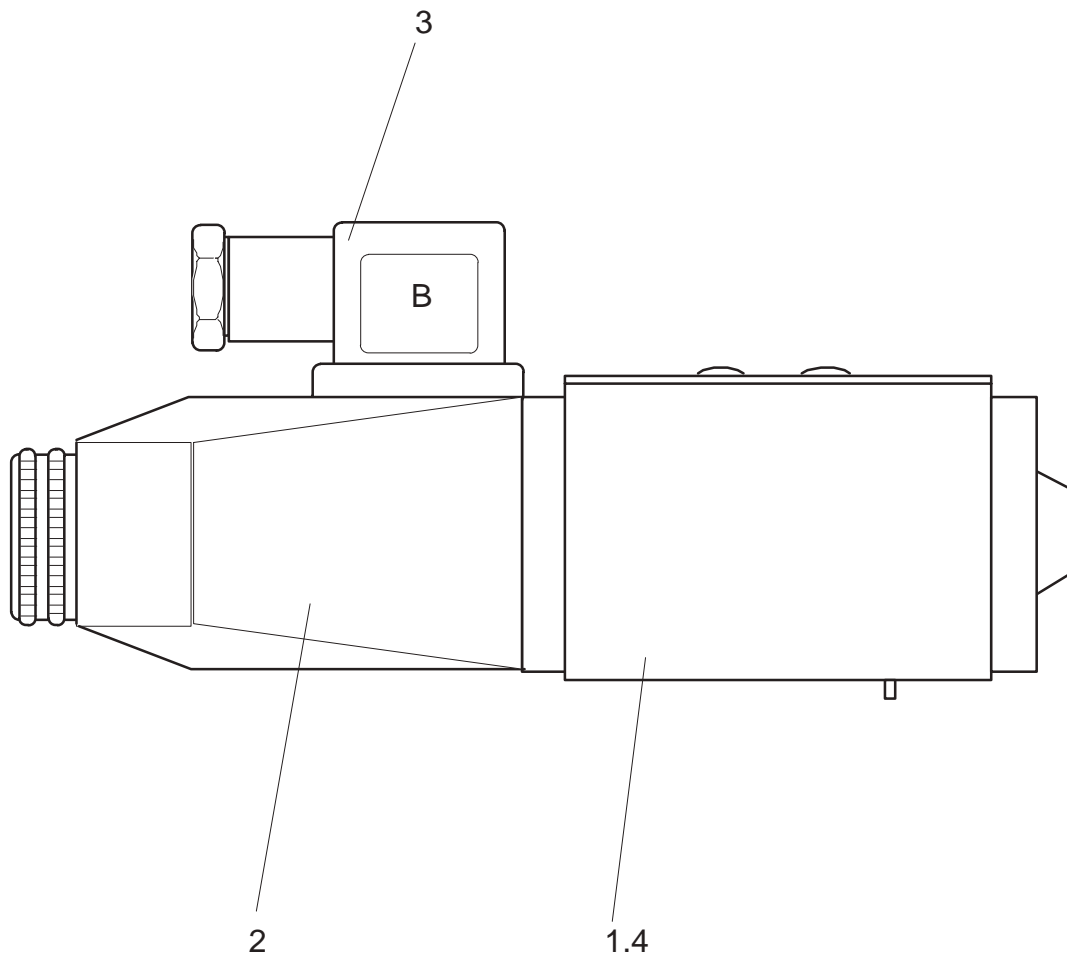
Date
Data
93-01-12

Module
Módulo
KV06-0114

Page
Página
21

Item.	Description	Order no.	Qty	S	Notes
1	Valve Valvula	T0804028H	1	150	Vicke DG4V-3-2C-MU-H7-60
2	Solenoid Bobina	804705817	2	150	Vicke 507848 24VDC
3	Contact plug Ficha	804702941	1	100	Vicke 710776 harmaa
4	Contact plug Ficha	804702940	1	100	Vicke 710775 musta
5	Gasket set Jogo juntas	804705818	1	50	Vicke 858995
*6	Contact plug Ficha	65210860	1		MPM S18209TC321

*Alternative
)





Description
Descrição
Valve

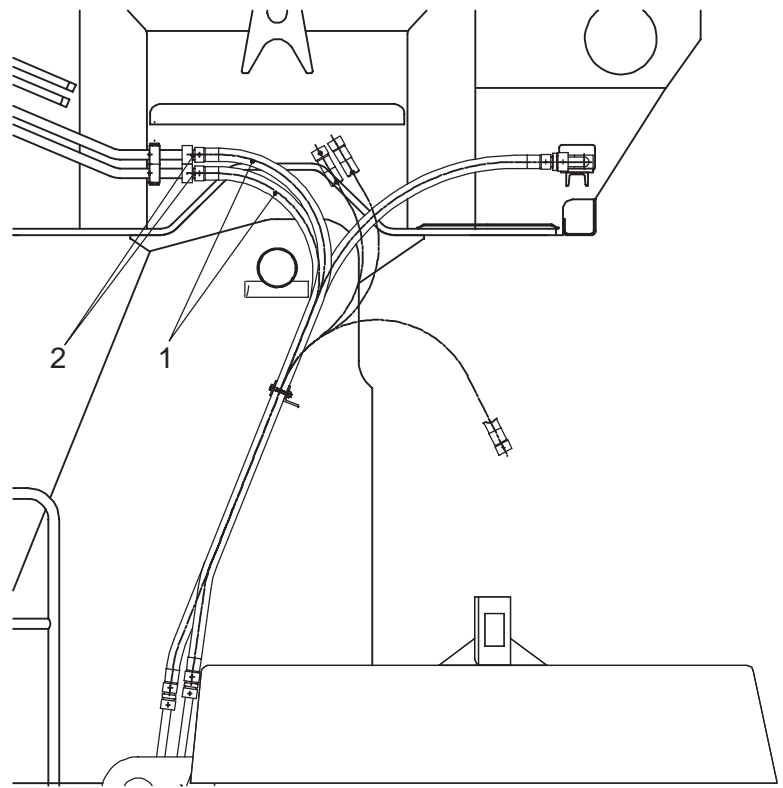
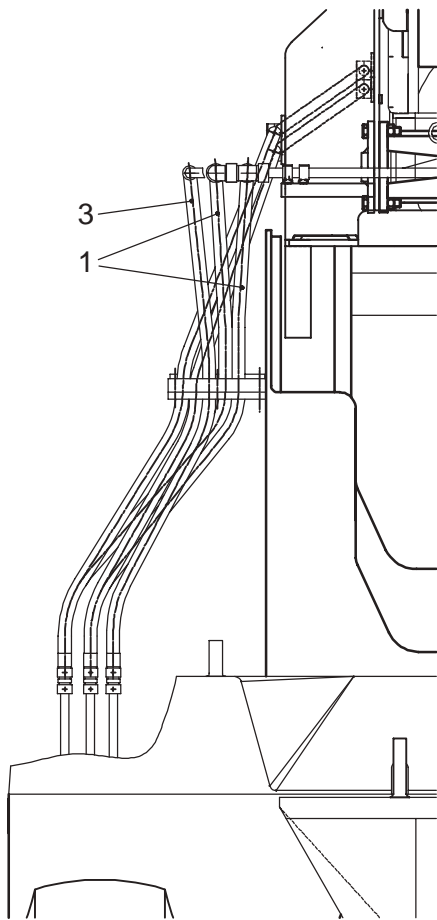


Date
Data
00-03-68

Module
Módulo
KV06-0114

Page
Página
23

Item.	Description	Order no.	Qty	S	Notes
1	Valve Valvula	K0804068H	1		Vicke DG4V-3-24A-MU-H7
2	Solenoid Bobina	804705817	1		Vicke 507848 24VDC
3	Contact plug Ficha	N0809069H	1		Vicke 710775 musta
4	Gasket set Jogo juntas	804705818	1		Vicke 858995





Description
Descrição
Hydr.equipment

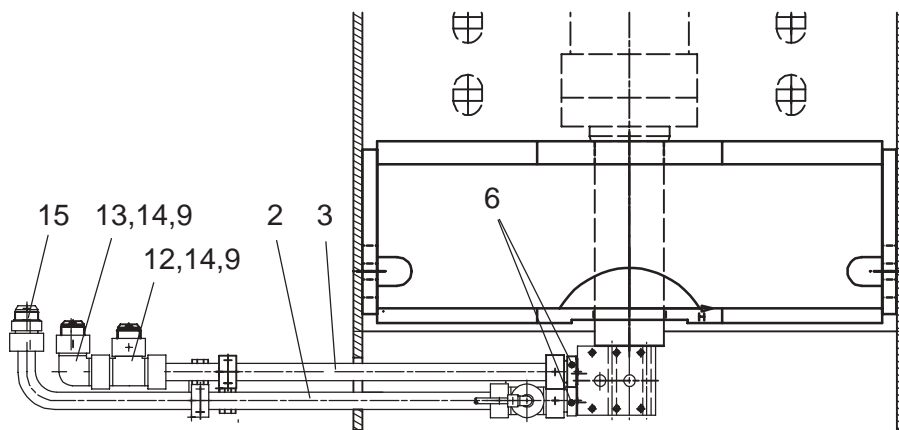
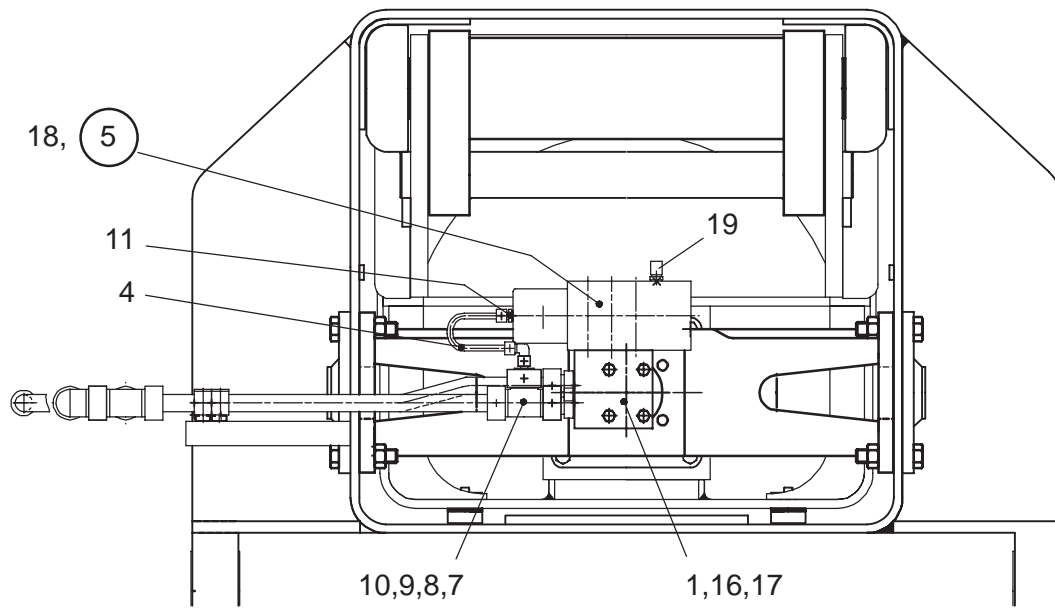


Date
Data
00-03-16

Module
Módulo
KV06-0114

Page
Página
25

Item.	Description	Order no.	Qty	S	Notes
1	Hose Tubo	VL05405528	4		VLS62038 30/25
2	Fitting União	643065161	2		
3	Hose Tubo	VL05405526	1		





Description
Descrição
Valve mount.

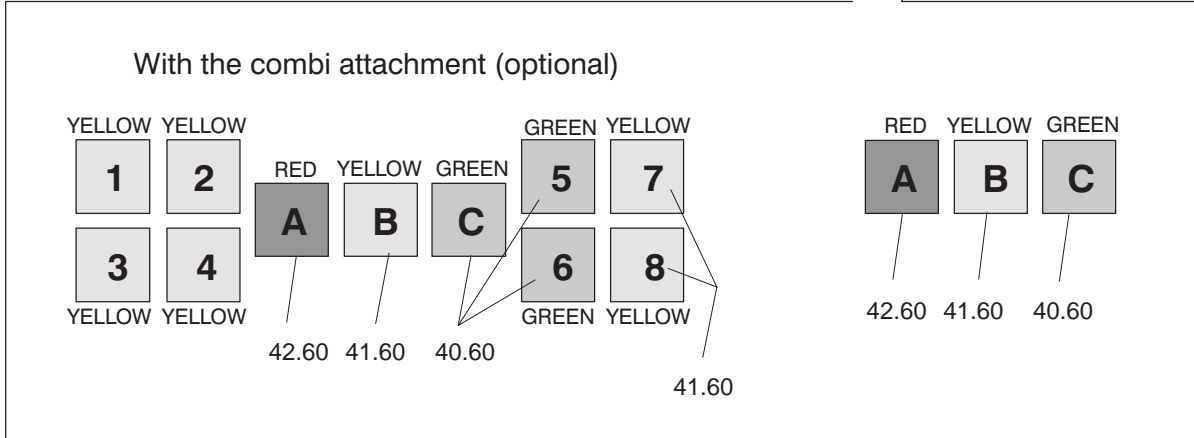
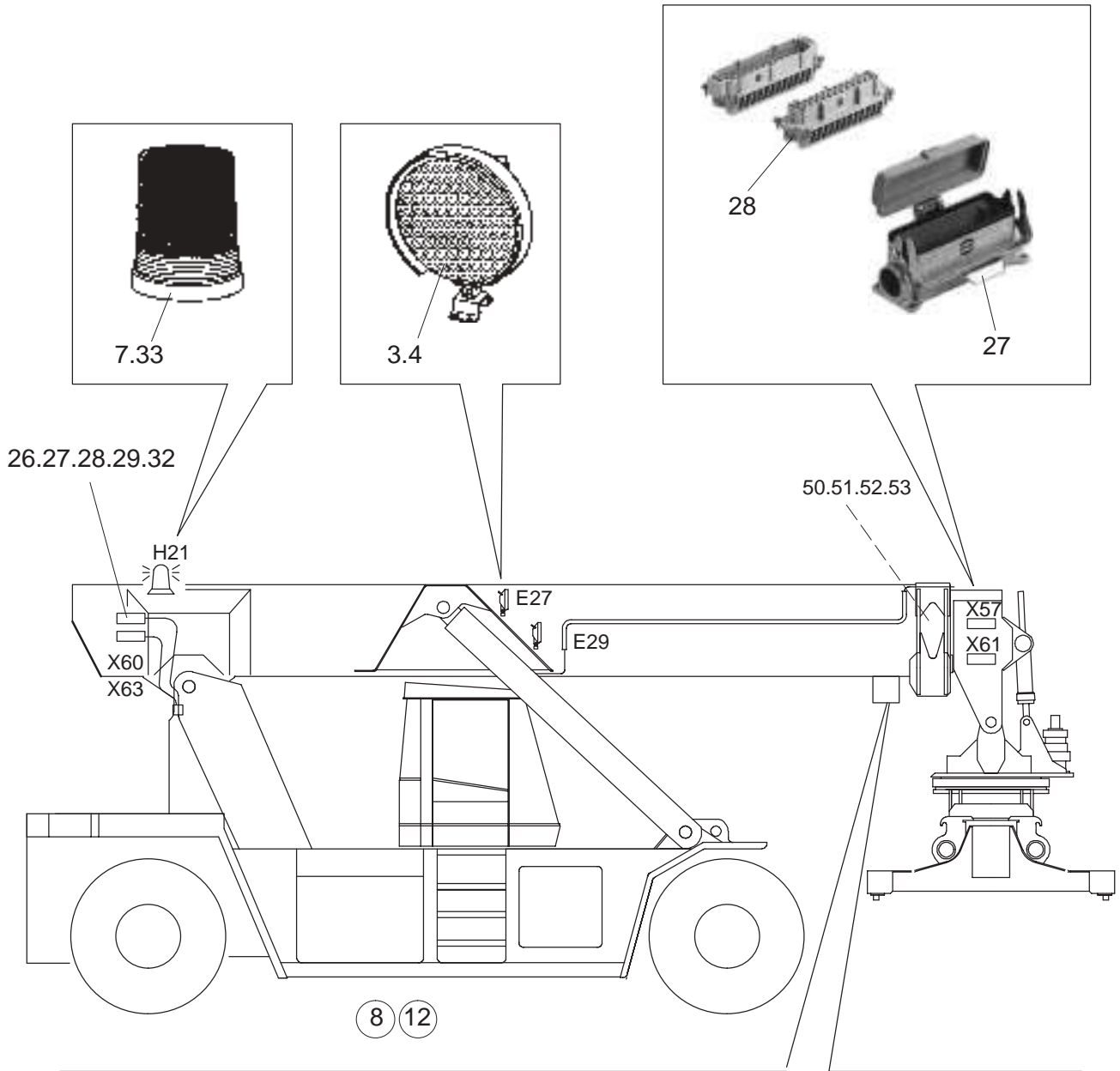


Date
Data
97-07-04

Module
Módulo
KV06-0114

Page
Página
27

Item.	Description	Order no.	Qty	S	Notes
1	Fitting União	T5506050	1		
2	Tube Tubo	K5211730	1		
3	Tube Tubo	T5504260	1		
4	Tube Tubo	K5211740	1		
5	Valve compl. Válvula compl.	T0806089H	1		Rexro FD32PA2XB40V
6	Fitting União	643445301	2		VLS62021 30JIC/R1
7	Fitting União	643485123	1		Parke 20R6XS
8	Fitting União	643461301	1		VLS62037 30/10JIC
9	Nut Porca	64163931	3		VLS62050 30JIC
10	Fitting União	64345710	1		VLS62033 10JIC/9/16-18
11	Fitting União	643445101	1		VLS62021 10JIC/R1/4
12	Fitting União	64306920	1		VLS62031 30JIC
13	Fitting União	64345730	1		VLS62033 30JIC/1 5/8
14	Fitting União	643461309	1		VLS62037 30/25JIC
15	Fitting União	643065161	1		VLS62038 30/25
16	Gasket Junta	61440263	2		SMS1586 26.2x3
17	Screw Parafuso	53160239	4		ISO4014 M12x140
18	Screw Parafuso	53160199	6		ISO4014 M10x140
19	Measuring connector Ligação para manômetros	64332191	1		EMA 3/R/1/4-ED/A3C





Description
Descrição
El.equipm. for boom



Date
Data
00-10-05

Module
Módulo
KV06-0114

Page
Página
29

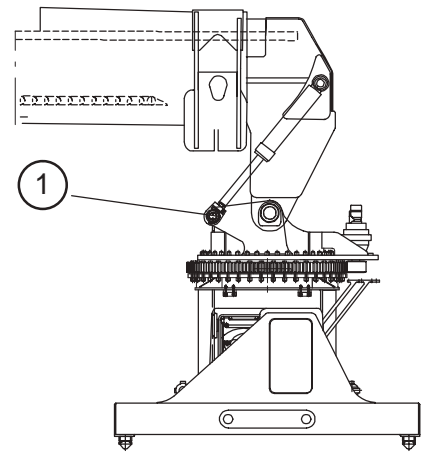
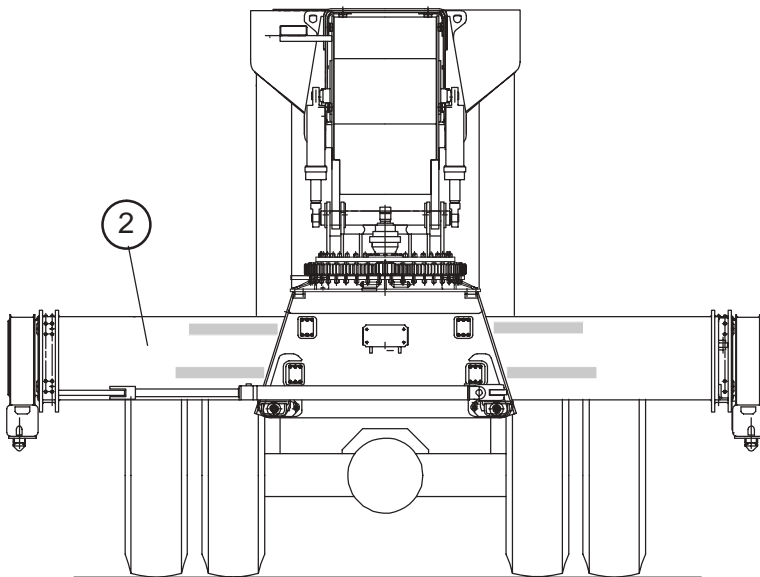
Item.	Description	Order no.	Qty	S	Notes
3	Working ligh	Farol de trabalho	65713251	4	Bosch 0306980003
4	Bulb	Luz	65089570	4	Phili 70W 24V 133
7	Flashing	Luz intermitente	65714010	1	Hella 2RL 004 958 111
8	Wiring set	Conjunto instalação elect.	T5654900	1	
12	Wiring to hydr.	Cablagem para a hidráulica	T5654880	1	
27	Housing	Caixa	65243529	4	Harti 09300240295
28	Inner part	Parte interior	65241444	4	Harti 09330242701
32	Dowel pin	Perne-guia	65244901	4	HARTI 09.30.000.9901
33	Glass	Vidro	806107851	1	Hella 9EL 856418-001
40	Light	Luz	65714015	1	Hella 2BA378091-001
41	Light	Luz	65714011	1	Hella 2BA003014-017
42	Light	Luz	65716031	1	Hella 2DA003014-031
50	Connection	União	65210860	5	OEM MPM S18209TC321
51	Inductive Switch		65237156	2	3N5359160
52	Connection	União	65214319	6	AMP 1-0826886-2 3N
53	Contact part	Parte de contacto	65214320	2	ECONAMP 0-0925601-3
60	Bulb	Luz	65080505	3	Phili 10W 24V BA15S 13814

KV06-0108

Spreader

Spreader

Page Página 2	Module Módulo KV06-0108	Date Data 00-03-21	Description Descrição Lift, mount	
----------------------------	--------------------------------------	---------------------------------	--	--





Description
Descrição
Lift, mount



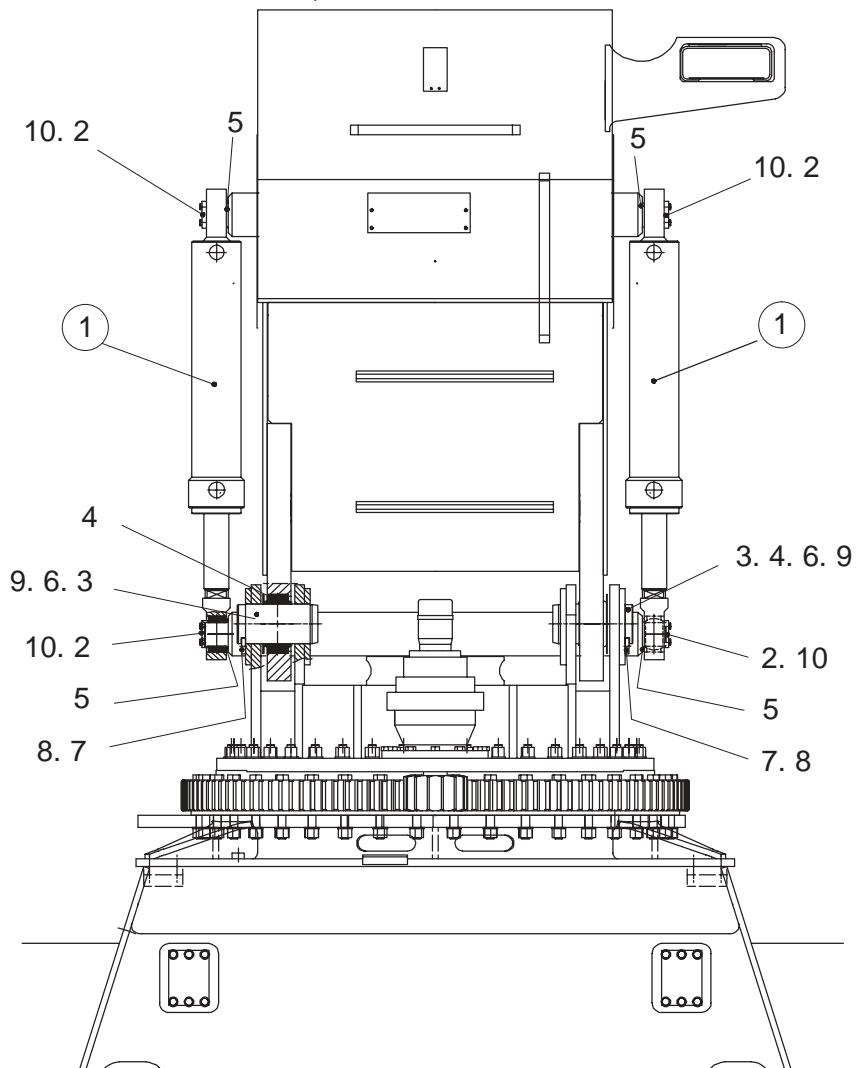
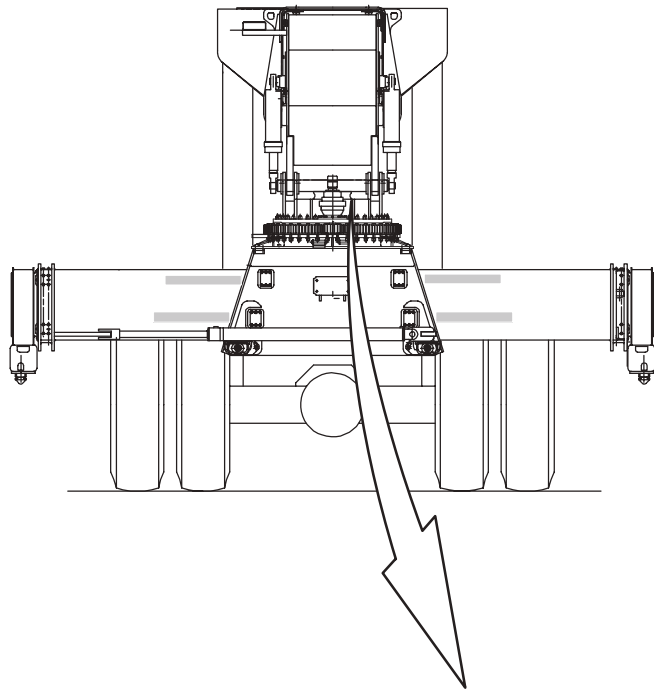
Date
Data
00-03-21

Module
Módulo
KV06-0108

Page
Página
3

Item.	Description	Order no.	Qty	S	Notes
1	Spreader see page 5	Separador	1		
2	Lift frame, compl. see page 11	Quadro de levantamento, compl.	1		

Page Página 4	Module Módulo KV06-0108	Date Data 00-03-21	Description Descrição Lift, mount	
----------------------------	--------------------------------------	---------------------------------	--	--





Description
Descrição
Lift, mount



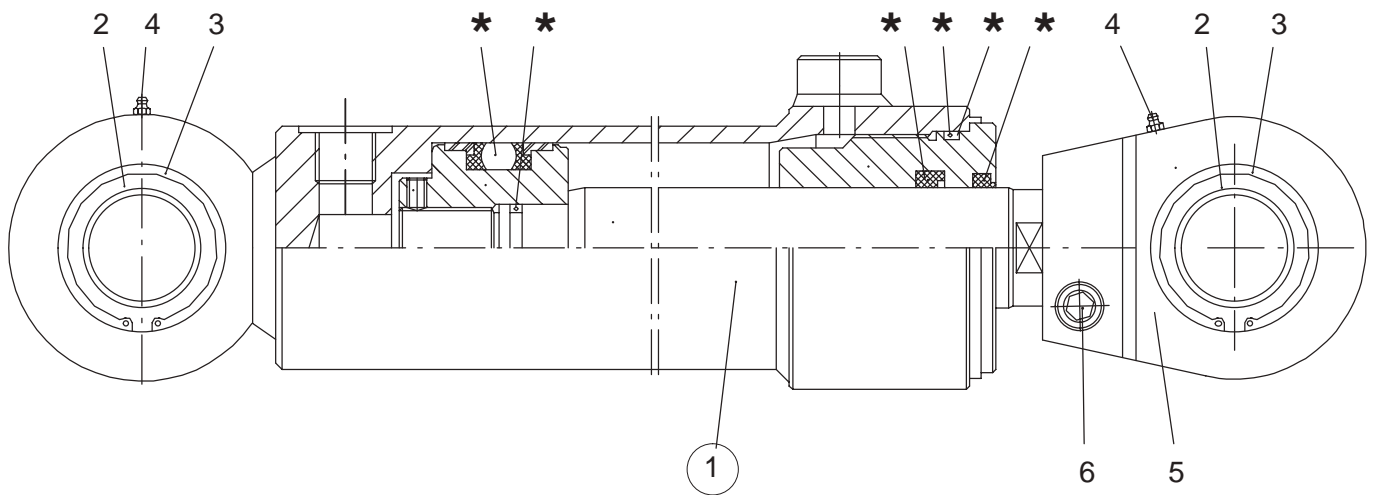
Date
Data
00-03-21

Module
Módulo
KV06-0108

Page
Página
5

Item.	Description	Order no.	Qty	S	Notes
1	Cylinder, compl. see page 7	Cilindro, compl. K0702013H	2		
2	Lock plate	Freio T5617620	4		
3	Shaft	Eixo K5688150	2		
4	Bearing	Rolamento 61132990	2		INA GE100 DO.2RS
5	Ring	Anel K5671700	4		
6	Shim	Anilha T5084600	8		
7	Axle retainer	Retentor do eixo 61760040	2		VLS464.01 40
8	Screw	Parafuso 53060302	4		ISO4017 M16x35
9	Adjusting ring	Anel de afinação T5618061	4		
10	Screw	Parafuso 53060138	8		ISO4017 M8x20

Page Página	Module Módulo	Date Data	Description Descrição	<input type="checkbox"/>	
6	KV06-0108	00-03-23	Cylinder		





Description
Descrição
Cylinder



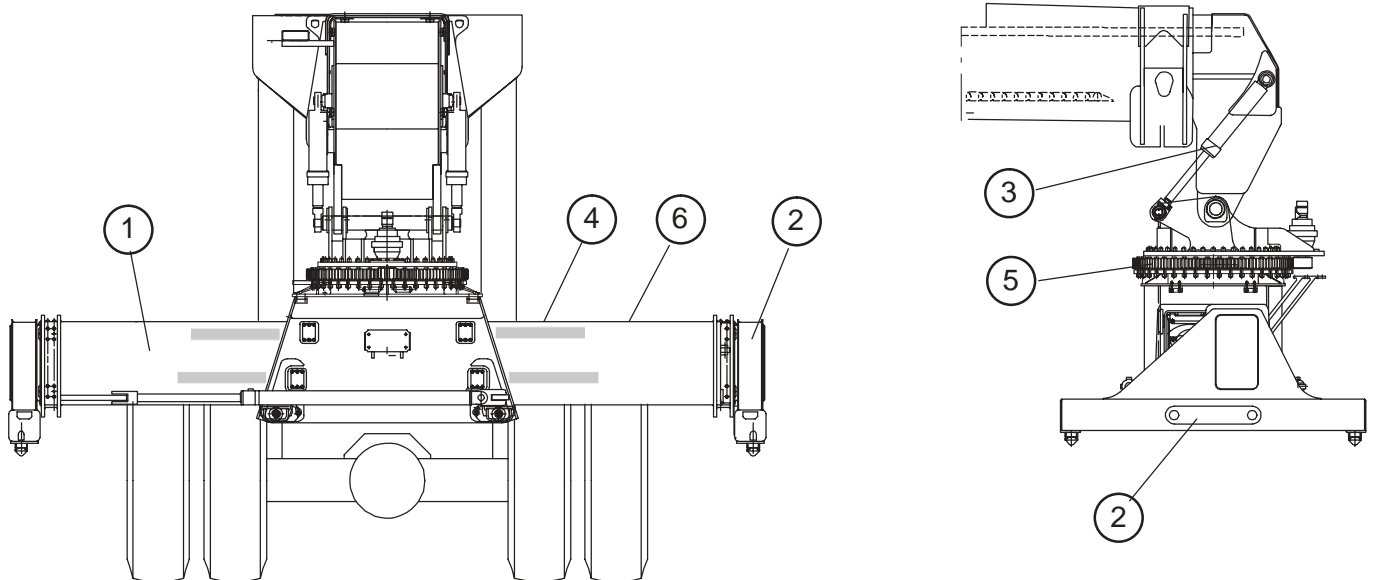
Date
Data
00-03-23

Module
Módulo
KV06-0108

Page
Página
7

Item.	Description	Order no.	Qty	S	Notes
1	Cylinder, compl. Cilindro, compl.	K0702013H	1		Norrh. A-05-110/63x500
2	Bearing Rolamento	611326031	2		GE 60 DO.2RS
3	Circlip Freio	61733090	2		DIN 472/1 90X3
4	Grease fitting Bico de lubrificação	64411203	2		DIN71412 R1/8
5	Eye nut Porca com olhal	807605548	1		Norrh. 40107-61
6	Screw Parafuso	58130626	1		DIN912 M16x45
*	Gasket set Jogo juntas	807605541	1		Norrh. 40107-05

Page Página	Module Módulo	Date Data	Description Descrição	
8	KV06-0108	00-03-21	Hoisting device	





Description
Descrição
Hoisting device




Date
Data
00-03-21

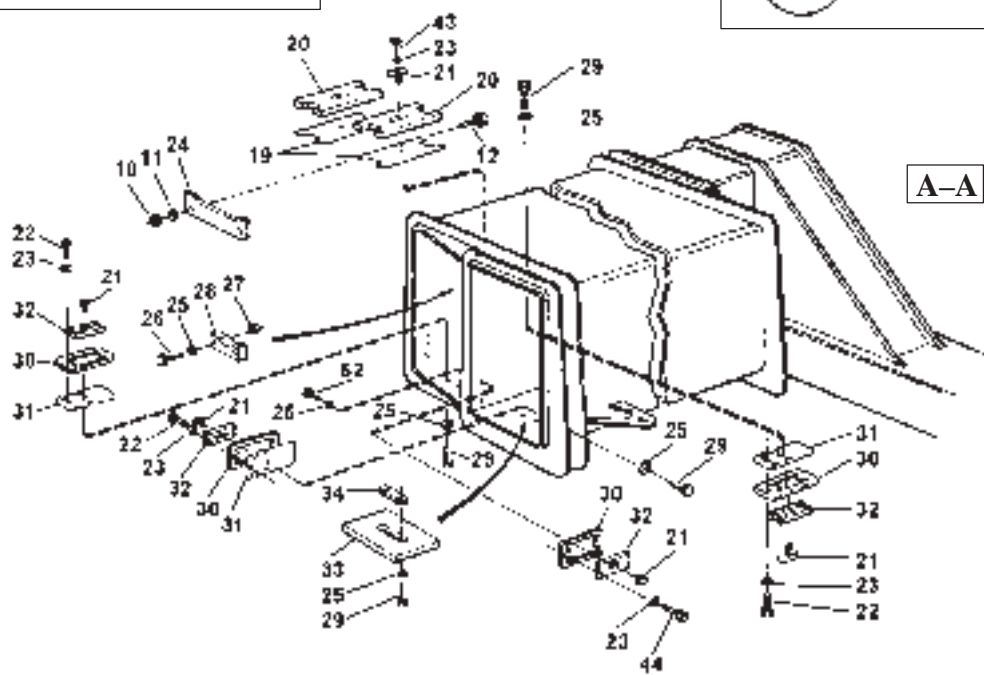
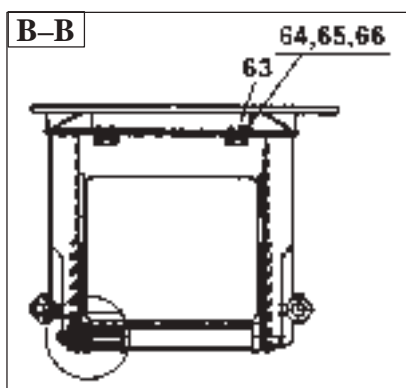
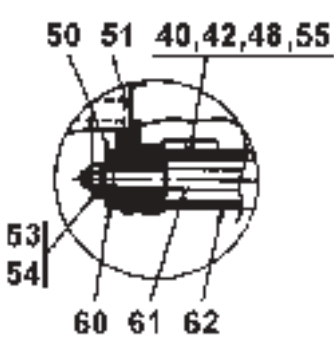
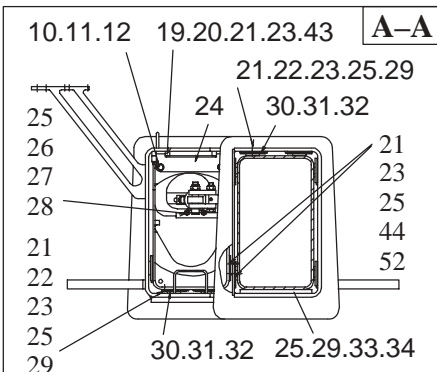
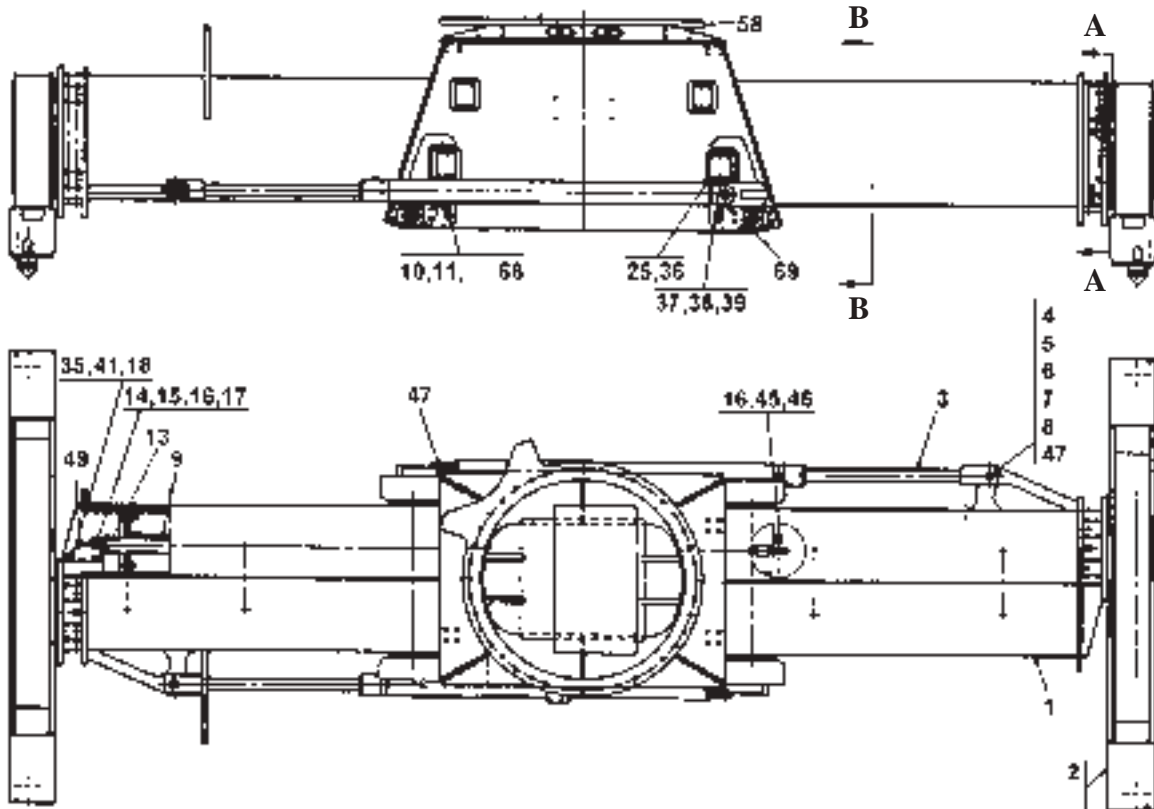
Module
Módulo
KV06-0108

Page
Página
9

Item.	Description	Order no.	Qty	S	Notes
1	Lift frame, compl. see page 11	quadro de levantamento, compl. K5686300	1		
2	T-balk, compl. see page 19	Trave em T, compl. K5686270	2		
3	Hydr/rotation shaft see page 23	Hidr/veio de rotação K5687750	1		
4	Hydr/lift frame see page 23	Hidr/quadro de elevação K5687320	1		
5	Drive device see page 35	Transmissão K5686200	1		
6	El.equipment see page 33	Equipamento eléctrico T5653630	1		

Item.	Description		Order no.	Qty	S	Notes
1	Frame	Estrutura de suporte	K5686280	1		
2	T-balk	Trave em T	K5686240	2		
3	Cylinder, compl. see page 15	Cilindro, compl.	K0702001H	2		A24057.0100 02
4	Shaft	Eixo	K5679090	4		SF2484.035
5	Circlip	Freio	61730050	8	DIN471	50x2
6	Circlip	Freio	61733075	8	DIN472	75x2,5
7	Bearing	Rolamento	61131503	4	INA	GE50DO.2RS
8	Grease fitting	Bico de lubrificação	64411203	4	DIN71412	509F-1/8
9	Cylinder, compl. see page 17	Cilindro, compl.	K0702003H	2		A24818.0100
10	Nut	Porca	51010160	8	DIN985	M16
11	Washer	Anilha	50012160	8	DIN125	17
12	Screw	Parafuso	53160309	4	ISO4014	M16X70
13	Screw	Parafuso	56270546	4	DIN916	M12x45
14	Tube	Tubo	24303042	2		L=80
15	Screw	Parafuso	58170719	2	DIN912	M24x120-12.9
16	Nut	Porca	51010240	4	DIN985	M24
17	Washer	Anilha	50012240	4	DIN125	25
18	Screw	Parafuso	53160397	4	ISO4014	M20X120
19	Shim	Anilha	K5678980	4		A19155.0100
20	Slide piece	Calha	K5678900	4		A19157.0100
21	Nut	Porca	K5679060	26		A09775.0100
22	Screw	Parafuso	53060141	14	ISO4017	M8x30
23	Washer	Anilha	50012080	26	DIN125	8.4
24	Lock washer	Anilha de freio	K5678930	2		A19151.0100
25	Washer	Anilha	50012120	148	DIN125	13
26	Screw	Parafuso	53060227	4	ISO4017	M12x60
27	Nut	Porca	51010120	4	DIN985	M12
28	Slide piece	Calha	K5678890	2		A04370.0100
29	Screw	Parafuso	53060220	60	ISO4017	M12x35
30	Lock washer	Anilha de freio	K5678940	22		A19152.0100
31	Shim	Anilha	K5678990	38		A19154.0100
32	Slide piece	Calha	K5678880	22		A05897.0600
33	Slide piece	Calha	K5678190	2		A19149.0100
34	Lock washer	Anilha de freio	K5678950	2		A19153.0100
35	Nut	Porca	51010200	4	DIN985	M20
36	Screw	Parafuso	53060223	48	ISO4017	M12x40
37	Slide piece	Calha	K5678180	8		923420.0003
38	Cover	Tampa	K5678920	8		460695.0200
39	Shim	Anilha	K5678960	20		460735.0100
40	Slide piece	Calha	K5678180	4		A21182.0100
41	Lock washer	Anilha de freio	50192200	8		M20
42	Lock washer	Anilha de freio	K5679050	4		A22398.0100
43	Screw	Parafuso	53060142	4	ISO4017	M8x35
44	Screw	Parafuso	53060138	8	ISO4017	M8x20
45	Tube	Tubo	24303042	2		L=33
46	Screw	Parafuso	58170722	2	DIN912	M24x150-12.9
47	Spacing ring	Anel espaçador	K5679020	4		A01401.0100
48	Screw	Parafuso	58830460	4	DIN7991	M8x20-10..9
49	Lug	Suporte	K5679030	4		A11205.0100
50	Tubular pin	Pino tubular	59539465	4	DIN1481	8x40
51	Bearing	Rolamento	61807035	4	D&E	LI WB802 WF 7035
52	Screw	Parafuso	53060218	32	ISO4017	M12x20

Page Página 12	Module Módulo KV06-0108	Date Data 00-03-27	Description Descrição Lift frame, compl.	
-----------------------------	--------------------------------------	---------------------------------	---	--





Description
Descrição
Lift frame, compl.

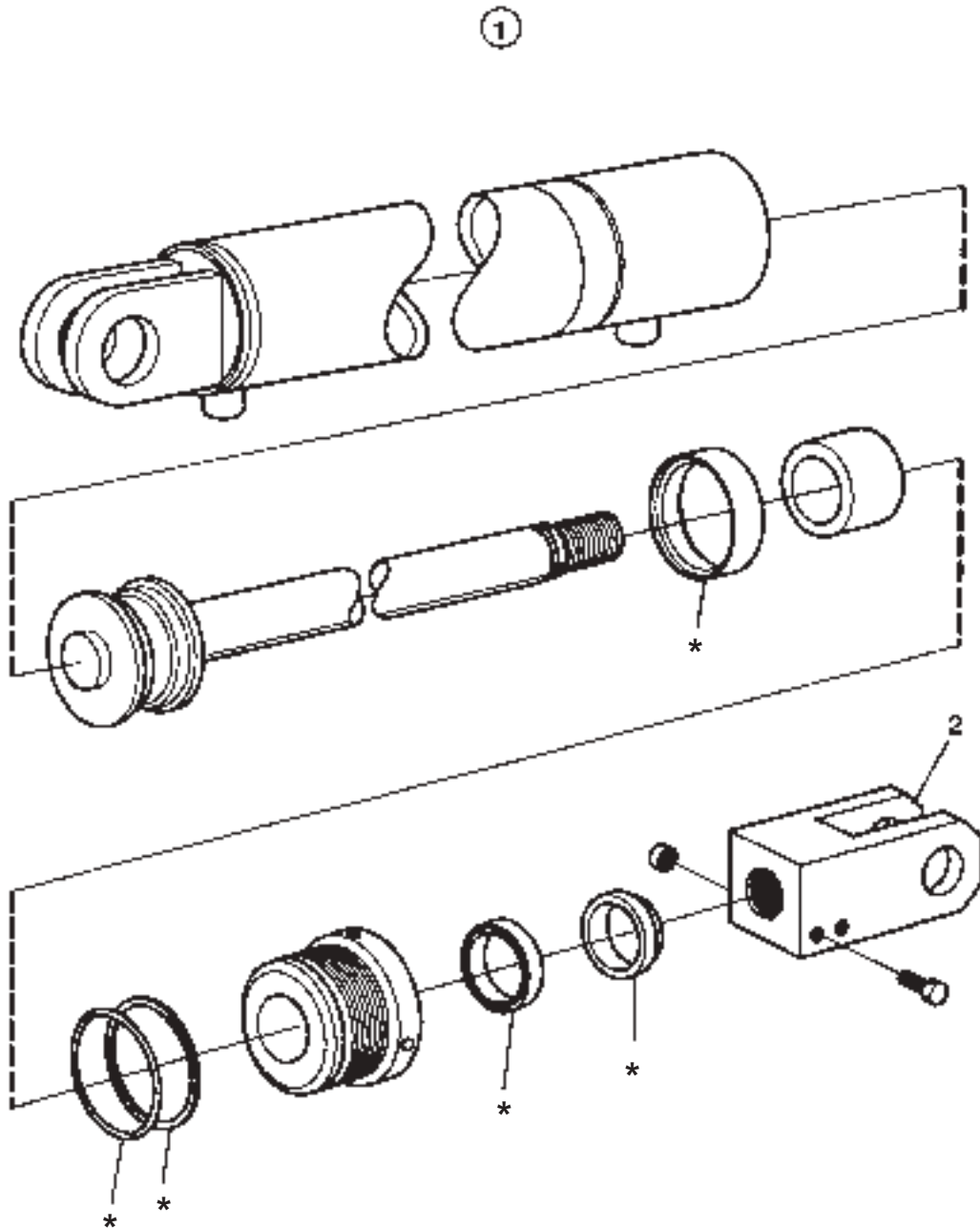


Date
Data
00-03-27

Module
Módulo
KV06-0108

Page
Página
13

Item.	Description	Order no.	Qty	S	Notes
53	Nut Porca	51010300	4		DIN985 M30
54	Lock washer Anilha de freio	50192300	4		M30
55	Shim Anilha	K5679010	1		A31386.0100
58	Side sifting frame	K5686290	1		
60	Shaft Eixo	K5679230	4		A22271.0100
61	Rod Veio	K5679040	2		A22273.0100
62	Support Suporte	K5678840	2		A22391.0100
63	Slide piece Calha	K5678170	4		A22274.0100
64	Screw Parafuso	58130511	16		DIN912 M10x70
65	Washer Anilha	50012100	16		DIN125 10.5
66	Nut Porca	51010100	16		DIN985 M10
68	Screw Parafuso	58170629	4		DIN912 M16x60-12.9
69	Grease fitting Bico de lubrificação	64414203	4		DIN71412 519F-1/8



* = 3



Description
Descrição
Cylinder

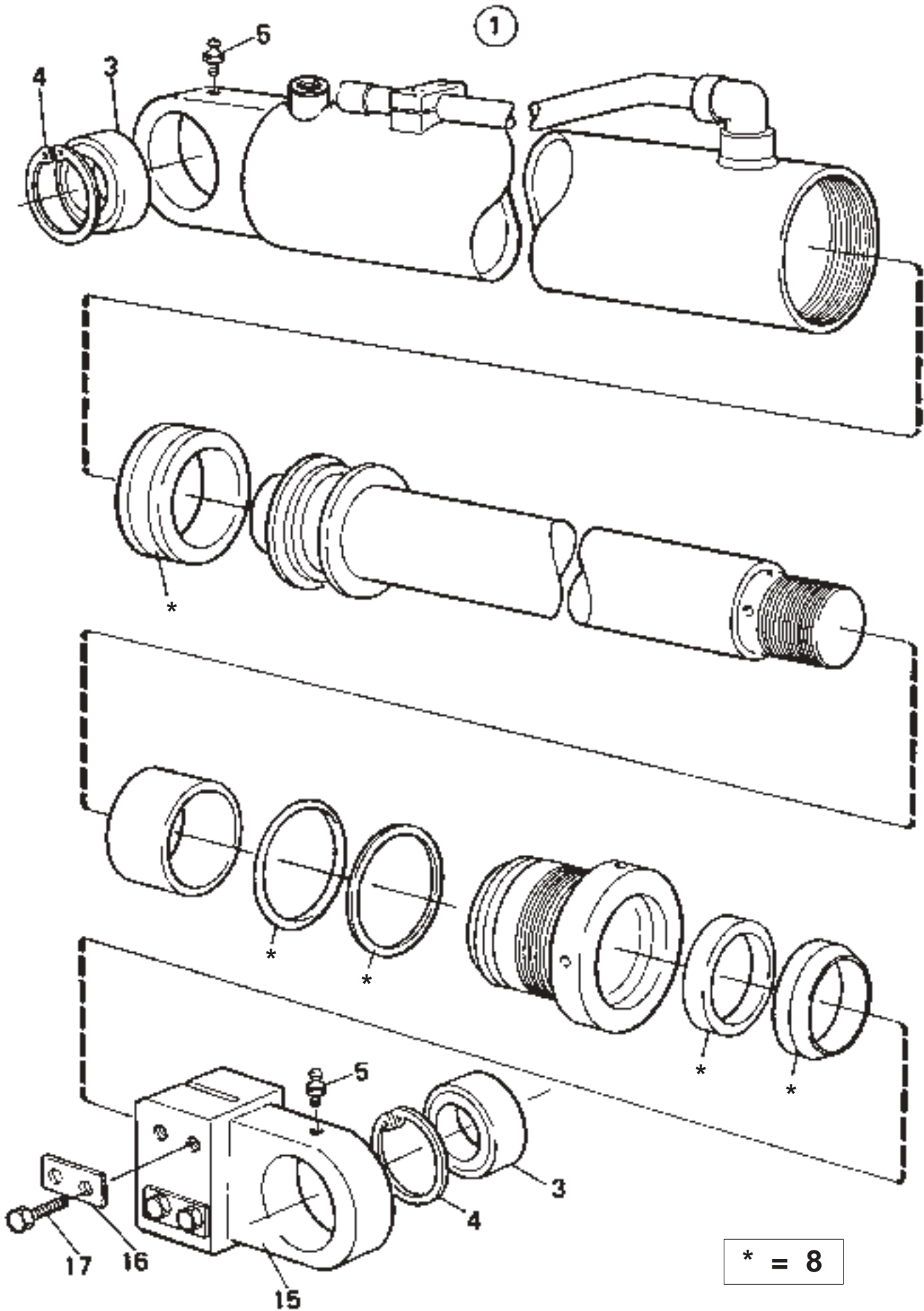


Date
Data
00-03-27

Module
Módulo
KV06-0108

Page
Página
15

Item.	Description	Order no.	Qty	S	Notes
1	Cylinder, compl. Cilindro, compl.	K0702001H	1		A24057.0100.
2	Fastener Ligador	A19633.0100	1		
3	Gasket set Jogo juntas	454452.5800	1		





Description
Descrição
Cylinder

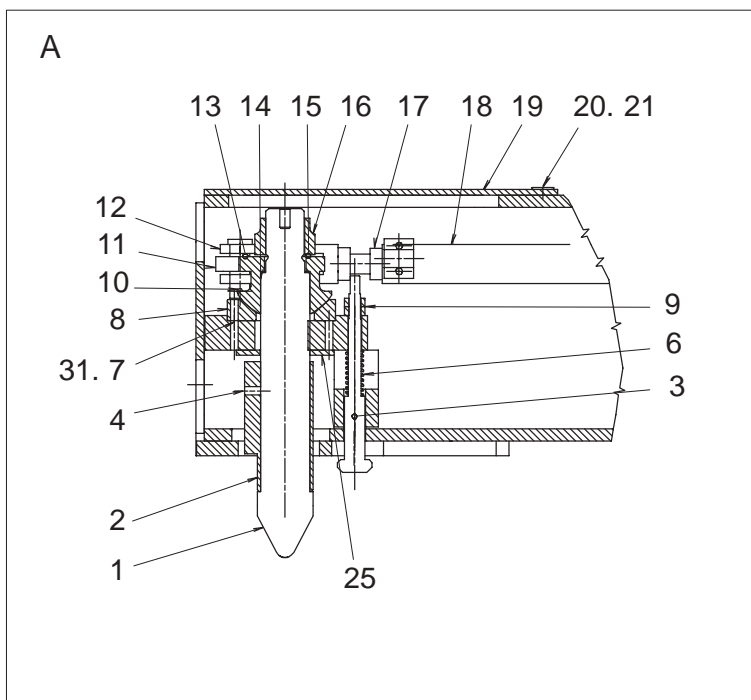
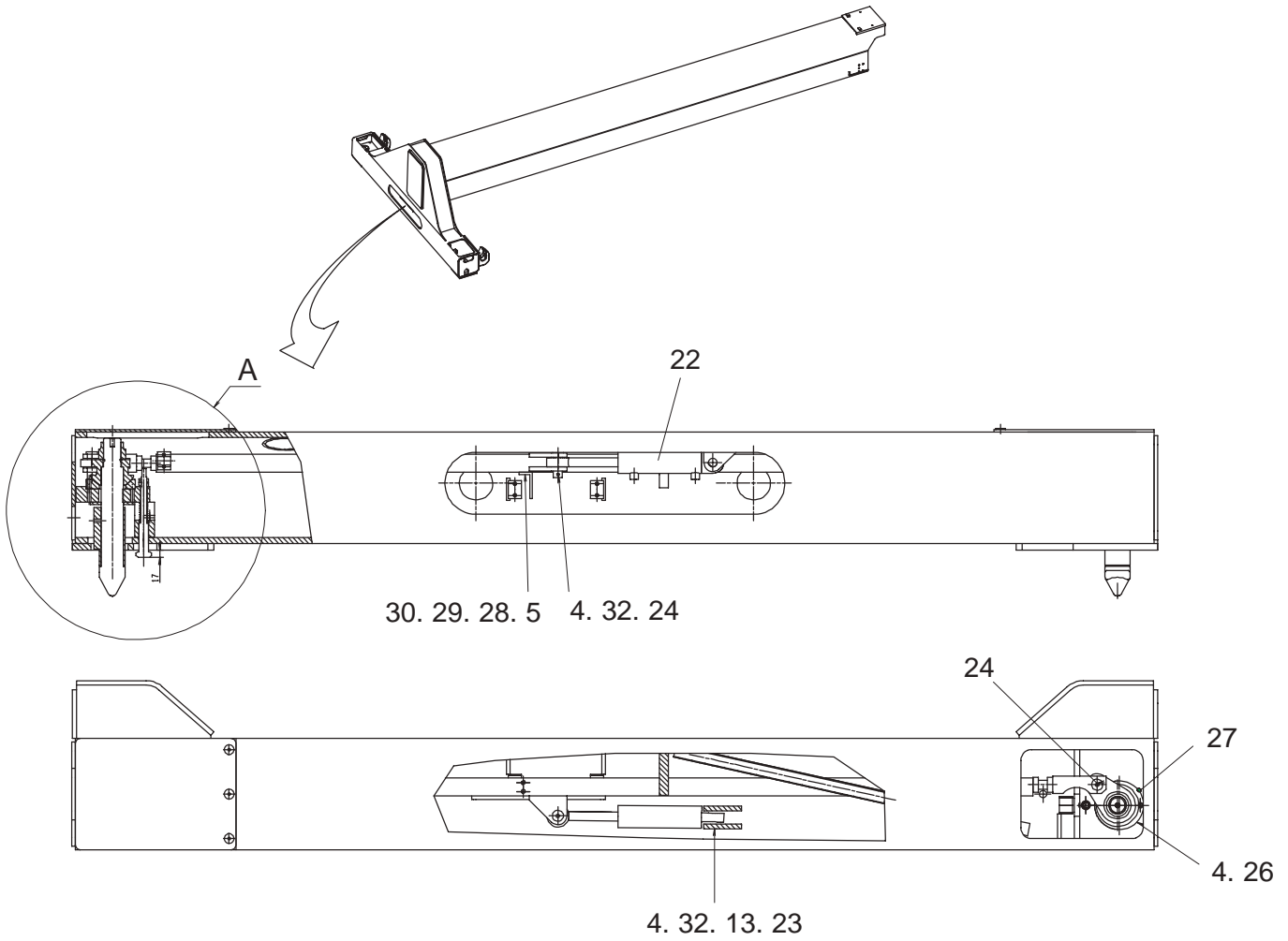


Date
Data
00-03-27

Module
Módulo
KV06-0108

Page
Página
17

Item.	Description	Order no.	Qty	S	Notes
1	Cylinder, compl. Cilindro, compl.	K0702003H	1		A24818.0100.
3	Bearing Rolamento	921463.0001	2		
4	Circlip Freio	95070	2		
5	Grease nipple Lubrificador	160	2		
8	Gasket set Jogo juntas	920744.0033	1		
15	Fastener Ligador	A11037.0100	1		
16	Locking plate Chaveta	457188.0400	2		
17	Screw Parafuso	920042.010	4		





Description
Descrição
T-beam, compl.



Date
Data
00-03-21

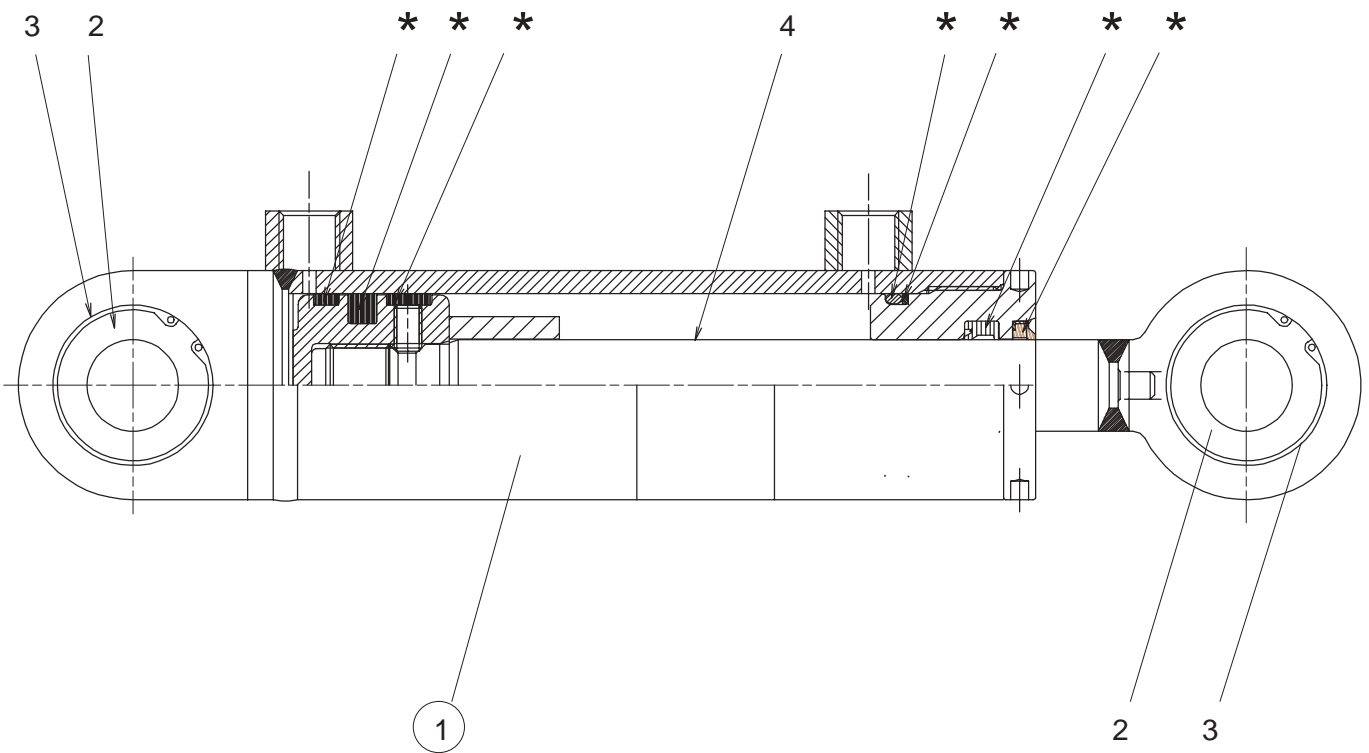
Module
Módulo
KV06-0108

Page
Página
19

Item.	Description	Order no.	Qty	S	Notes
1	Catch	Gancho	K5679210	2	A31389.01
2	Guide bushing	Casquilho guia	K5679120	2	A15912.01
3	Feeler	Contacto	K5686380	2	
4	Grease fitting	Bico de lubrificação	64411203	6	DIN71412 1/8" 509-F
5	Lug	Suporte	K5679190	1	A30654.01
6	Spring	Mola	K5686390	2	
7	Tubular pin	Pino tubular	59539465	2	DIN1481 8x40
8	Bearing housing	Caixa rolamento	K5679220	2	K5679160
9	Nut	Porca	50410120	2	ISO4032 M12
10	Cotter pin	Contrapino	59415267	2	DIN94 4X50
11	Pivoted level	Alavanca basculante	K5679160	2	A12097.01
12	Swivel head	Articulação	K5679130	2	A12090.01
13	Support ring	Anel de suporte	K5679330	14	921464.0034
14	Key	Chaveta	K5679390	2	
15	Lock washer	Anilha de freio	50192390	2	M39
16	Nut	Porca	51010390	2	DIN985 M39
17	Nut	Porca	50410200	2	ISO4032 M20
18	Rod	Veio	K5679140	1	A09566.01
19	Rubber plate	Prato de borracha	K5678910	2	A15913.01
20	Washer	Anilha	50025060	6	DIN440 6
21	Rivet	Rebite	59752666	6	4.8x20
22	Cylinder see page 21	Cilindro	K0702002H	1	
23	Axle pin	Cavilha	K5679080	1	A12098.02
24	Shaft	Eixo	K5679110	3	SE4041
25	Washer	Anilha	K5679270	2	A30952.01
26	Grease fitting	Bico de lubrificação	64418203	2	DIN71412 1/8" 509-F
27	Plug	Ficha	64002606	2	DIN908 G1/8
28	Screw	Parafuso	53160147	2	ISO4014 M8X60
29	Washer	Anilha	50012080	2	DIN125 8.4
30	Nut	Porca	51010080	2	DIN985 M8
31	Tubular pin	Pino tubular	59539343	2	DIN1481 5x32
32	Pin	Pino	59552346	2	

Page Página 20	Module Módulo KV06-0108	Date Data 00-03-22	Description Descrição Cylinder	
-----------------------------	--------------------------------------	---------------------------------	---	--

*= 7





Description
Descrição
Cylinder



Date
Data
00-03-22

Module
Módulo
KV06-0108

Page
Página
21

Item.	Description	Order no.	Qty	S	Notes
1	Cylinder, compl. Cilindro, compl.	K0702002H	1		A33088.0100
2	Bearing Rolamento	61131201	1		SKF GE 20 ES.2RS
3	Circlip Freio	61733035	2		DIN472/1 35x1.5
4	Piston Pistão	A33089.000003	1		
7	Gasket set Jogo juntas	454452.8300	1		



Description
Descrição
Hydr. equipment




Date
Data
00-09-14

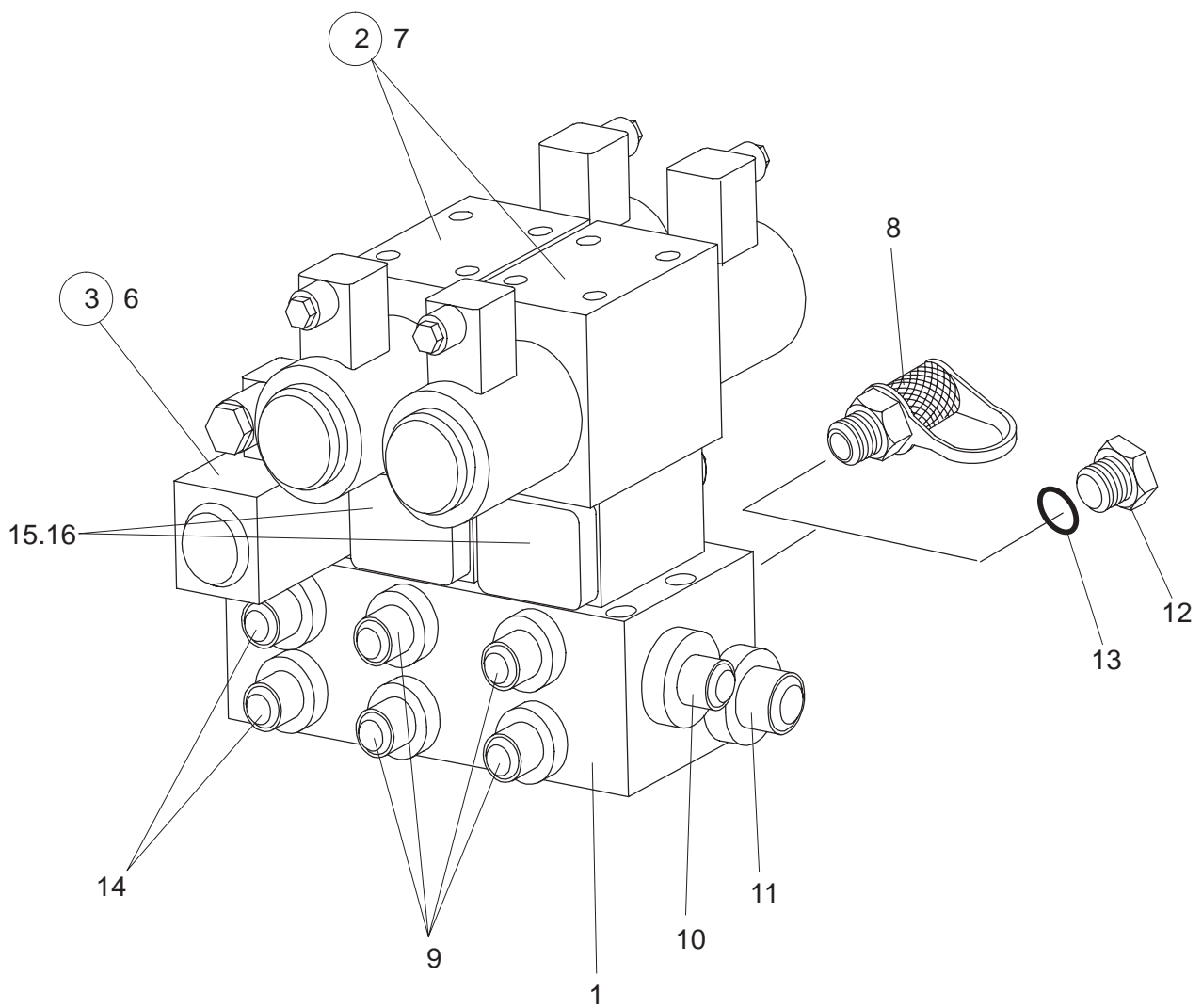
Module
Módulo
KV06-0108

Page
Página
23

Item.	Description	Order no.	Qty	S	Notes
1	Valve, mount. see page 25	Válvula, mont.	1		K5680420
2	Valve, mount. see page 31	Válvula, mont.	1		K5687340
3	Support	Suporte	2		337524.01
4	Cable shelf	Prateleira de cabos	2		337523.01
5	Cable chain	Corrente de cabos	2		922772.0005
6	Support	Suporte	1		
7	Tube	Tubo	2		
8	Tube	Tubo	2		
9	Tube	Tubo	2		L=4700
10	Hose	Tubo	2		
11	Hose	Tubo	2		
12	Hose	Tubo	1		
13	Hose	Tubo	1		
14	Hose	Tubo	1		
15	Hose	Tubo	1		
16	Hose	Tubo	1		
17	Hose	Tubo	2		
18	Hose	Tubo	1		
19	Hose	Tubo	1		
22	Hose	Tubo	1		
23	Hose	Tubo	1		
24	Hose	Tubo	1		
25	Hose	Tubo	3		
26	Hose	Tubo	1		
27	Hose	Tubo	1		
28	Hose	Tubo	1		
29	Fitting	União	4		VLS62021 6JICR1/4
30	Fitting	União	4		4C6MXS
31	Fitting	União	4		VLS62031 16JIC
32	Fitting	União	2		VLS62033 16JIC/7/8-14
33	Fitting	União	4		VLS62037 16/6JIC
34	Nut	Porca	4		VLS62050 16JIC
35	Fitting	União	4		VLS62027 16JIC
36	Fitting	União	2		VLS62031 20JIC
38	Fitting	União	6		VLS62021 16JIC/R1/2
39	Fitting	União	2		VLS62021 16JIC/R3/8
47	Shield	Proteção	1		
53	Nut	Porca	6		DIN985 M8
55	Screw	Parafuso	8		DIN7991 M8X30
56	Nut	Porca	4		DIN985 M10
57	Screw	Parafuso	4		DIN912 M10X50
58	Screw	Parafuso	4		DIN912 M8X100
59	Screw	Parafuso	2		ISO4017 M10X30
60	Washer	Anilha	2		DIN125 10.5
66	Fitting	União	2		VLS62037 12-10TRTXS
70	Hose	Tubo	2		
71	Hose	Tubo	2		
72	Fitting	União	8		VLS62021 JIC/R3/8
73	Fitting	União	4		4C6MXS
74	Screw	Parafuso	4		ISO4014 M8X60
75	Valve	Valvula	4		SUN CBCA LAN 210
76	Valve housing	Corpo de valvula	2		SUN YEU
77	Sleeve	Casquilho	4		

K5687320B

Page Página 24	Module Módulo KV06-0108	Date Data 98-02-05	Description Descrição Valve mount.	
-----------------------------	--------------------------------------	---------------------------------	---	--





Description
Descrição
Valve mount.

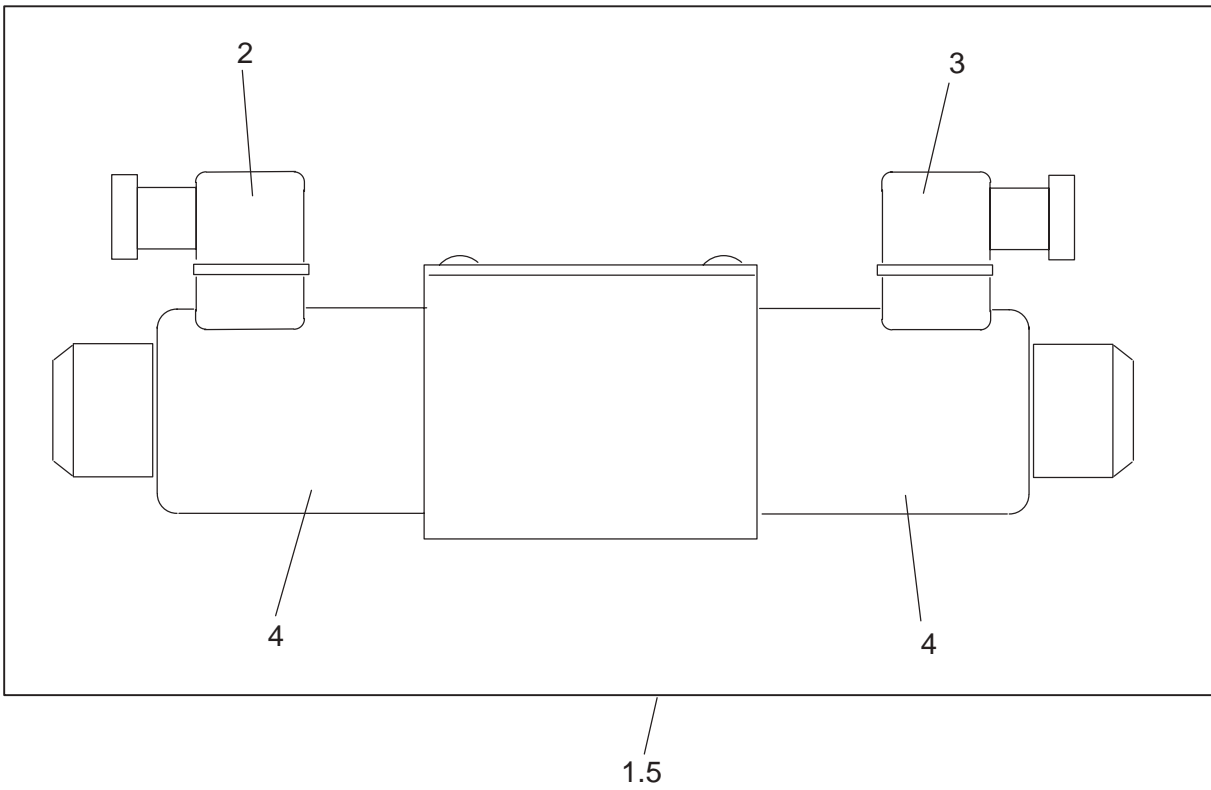


Date
Data
98-02-05

Module
Módulo
KV06-0108

Page
Página
25

Item.	Description	Order no.	Qty	S	Notes
1	Block	Bloco	K5673710	1	
2	Valve compl. see page 27	Válvula compl.	T0806093H	2	Vicke DG4V-5-2CJ-MU-H6
3	Valve compl. see page 29	Válvula compl.	T0804028H	1	Vicke DG4V-3-2C-MU-H7
6	Through bolt kit	Jogo de parafusos	T0810001H	1	Vicke BK616452M
7	Through bolt kit	Jogo de parafusos	T0809120H	2	Vicke BK534576M
8	Measuring connector Ligação para manômetros		64332191	2	EMA3/R1/4-ED/A3C
9	Fitting	União	643445162	4	VLS62021 16JIC/R1/2
10	Fitting	União	643445163	1	VLS62021 16JIC/R3/4
11	Fitting	União	643445202	1	VLS62021 20JIC/R3/4
12	Plug	Ficha	64002608	2	DIN908 G 1/4 A
13	Gasket	Junta	61450147	2	VLS623.02 14.7x22x1.5
14	Fitting	União	T5636351	2	
15	Valve compl.	Válvula compl.	K0809129H	2	Sun CBEA LAN
16	Housing	Caixa	K0809130H	2	Sun BBB





Description
Descrição
Valve

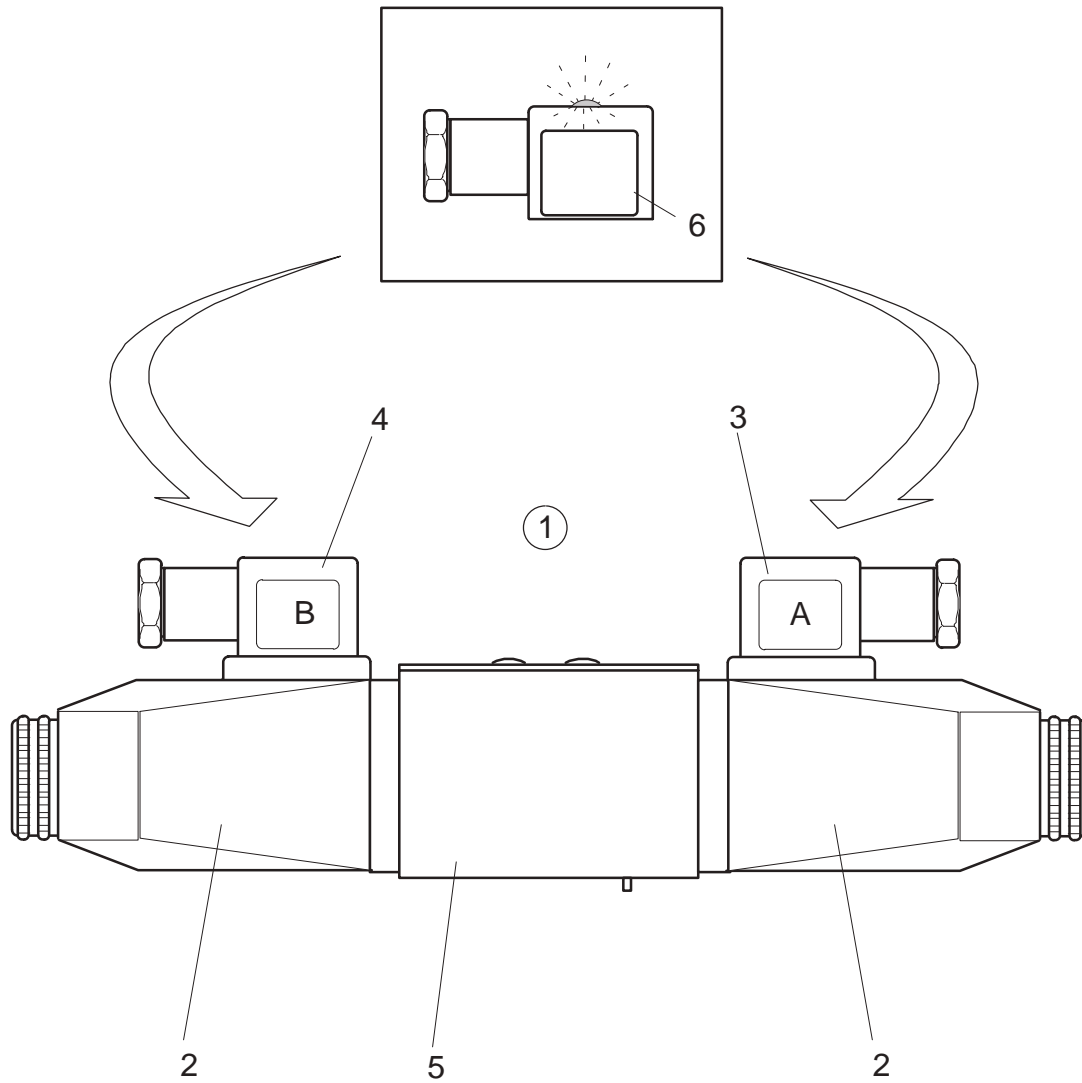


Date
Data
93-01-12

Module
Módulo
KV06-0108

Page
Página
27

Item.	Description	Order no.	Qty	S	Notes
1	Valve Valvula	T0806093H	1	200	Vicke DG4V-5-2CJ-MU-H6-20
2	Contact plug Ficha	804702941	1	150	Vicke 710776
3	Contact plug Ficha	804702940	1	150	Vicke 710775
4	Solenoid Bobina	804704766	2	200	Vicke 617477
5	Gasket set Jogo juntas	804704765	1	50	Vicke 459058





Description
Descrição
Valve



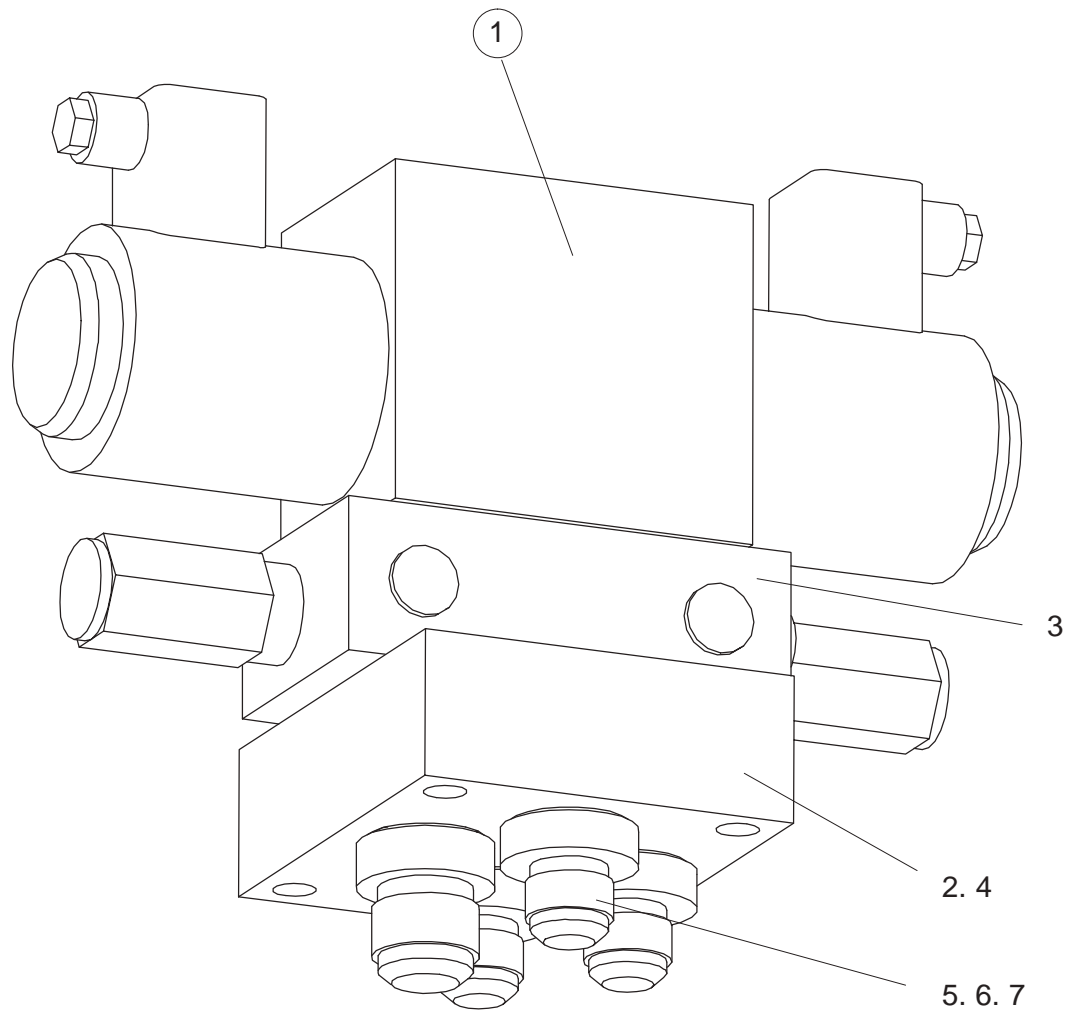
Date
Data
93-01-12

Module
Módulo
KV06-0108

Page
Página
29

Item.	Description	Order no.	Qty	S	Notes
1	Valve Valvula	T0804028H	1	150	Vicke DG4V-3-2C-MU-H7-60
2	Solenoid Bobina	804705817	2	150	Vicke 507848 24VDC
3	Contact plug Ficha	804702941	1	100	Vicke 710776 harmaa
4	Contact plug Ficha	804702940	1	100	Vicke 710775 musta
5	Gasket set Jogo juntas	804705818	1	50	Vicke 858995
*6	Contact plug Ficha	65210860	1		MPM S18209TC321

*Alternative
)





Description
Descrição
Valve mount.

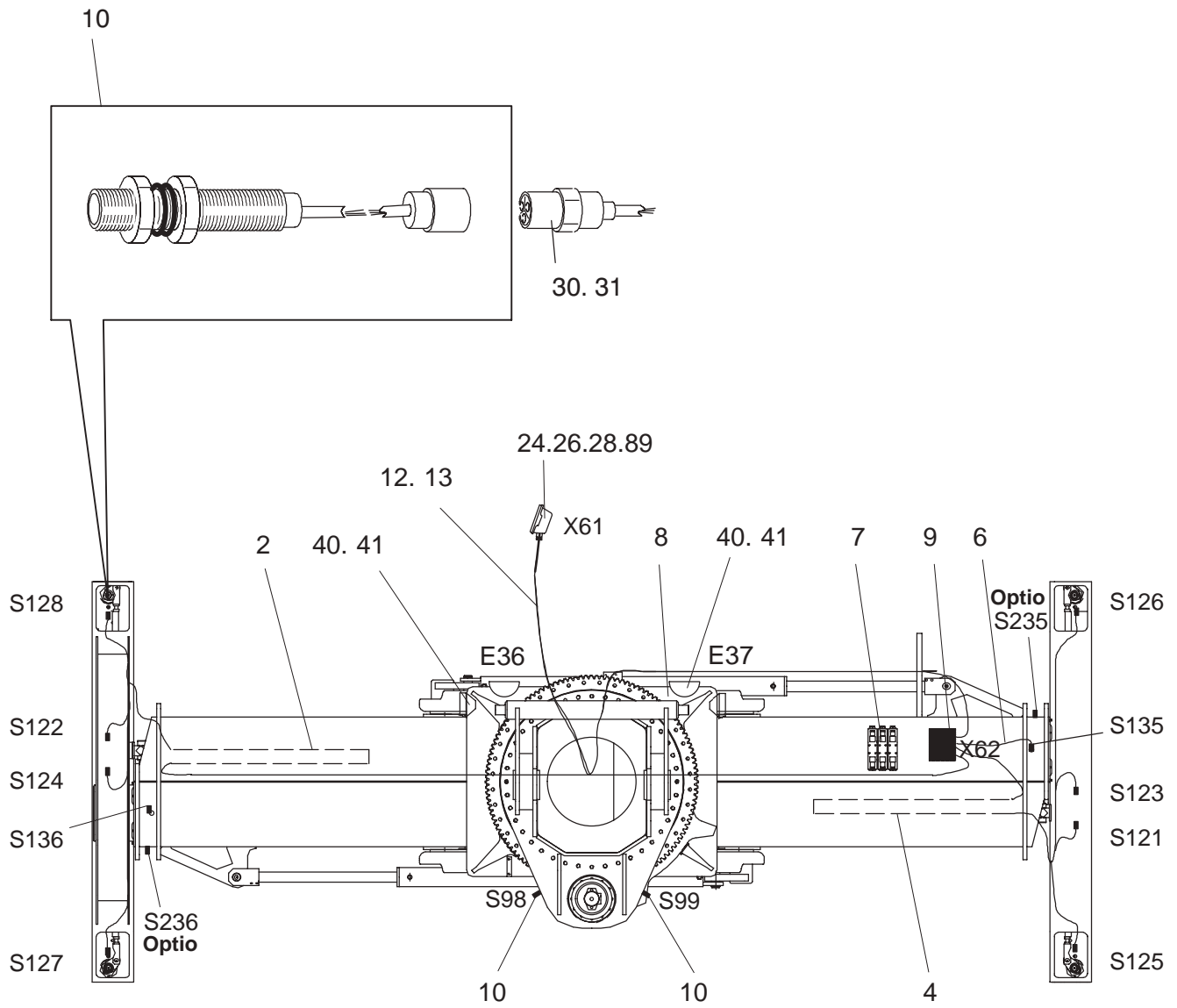


Date
Data
00-03-27

Module
Módulo
KV06-0108

Page
Página
31

Item.	Description	Order no.	Qty	S	Notes
1	Valve compl. see page 27	T0806093H	1		Vicke DG4V-5-2CJ-MU-H6
2	Mounting plate	T0809014H	1		Vicke 743402
3	Valve compl.	K0804095H	1		Beren NG10 BF323490
4	Through bolt kit	K0809150H	1		Vicke SF638873
5	Fitting	643445162	1		VLS62021 16JIC/R1/2
6	Fitting	643445201	1		VLS62021 20JIC/R1/2
7	Fitting	T5611490	1		





Description
Descrição
El. equipm. for lift frame

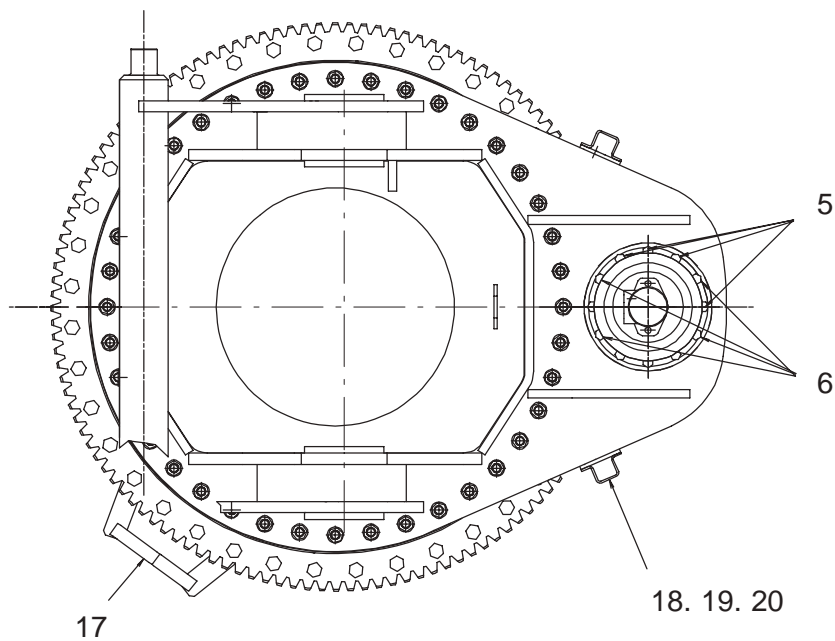
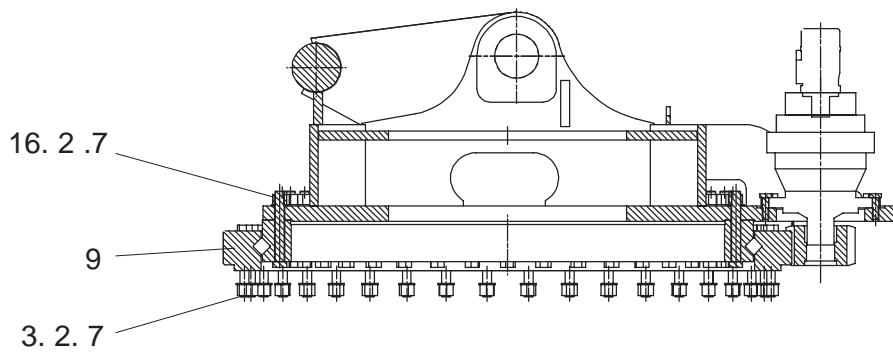
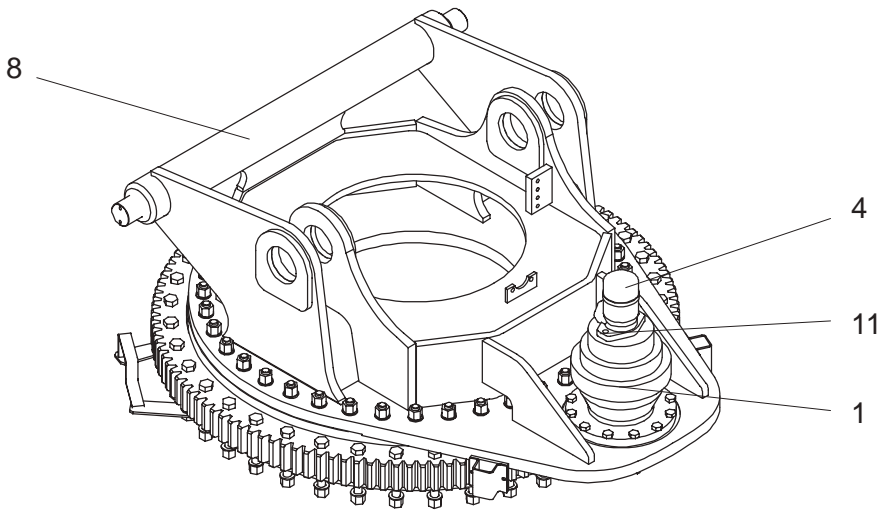


Date
Data
00-03-30

Module
Módulo
KV06-0108

Page
Página
33

Item.	Description	Order no.	Qty	S	Notes
2	Wiring set	Conjunto instalação elect.	T5653640	1	
4	Wiring set	Conjunto instalação elect.	T5653650	1	
6	Wiring set	Conjunto instalação elect.	T5653660	1	
7	Wiring set	Conjunto instalação elect.	T5653670	1	
8	Wiring set	Conjunto instalação elect.	T5653700	1	
9	Housing	Caixa	T5653690	1	
10	Sensor	Sensor	65237156	12	N5359160
12	Wire	Fio electrico	65999484	X	HARTI 09 30 024 1540
13	Shield	Proteccão	K2320002H	2	HARTI 09 33 024 2601
24	Housing	Caixa	65243528	2	HARTI 09 30 024 1540
26	Inner part	Parte interior	65245444	2	HARTI 09 33 024 2601
28	Sleeve	Casquilho	65214403	2	HARTI 090000051042601
29	Dowel pin	Perne-guia	65244901	4	HARTI 09 33 000 9901
30	Connection	União	65214319	12	1-0826886-2 3N
31	Contact part	Parte de contacto	65214320	36	0-0925601-3
40	Working ligh	Farol de trabalho	65713265	2	HBA 172H-24V
41	Bulb	Luz	65089570	2	70W 24V PK22S 13336





Description
Descrição
Turning device




Date
Data
00-03-23

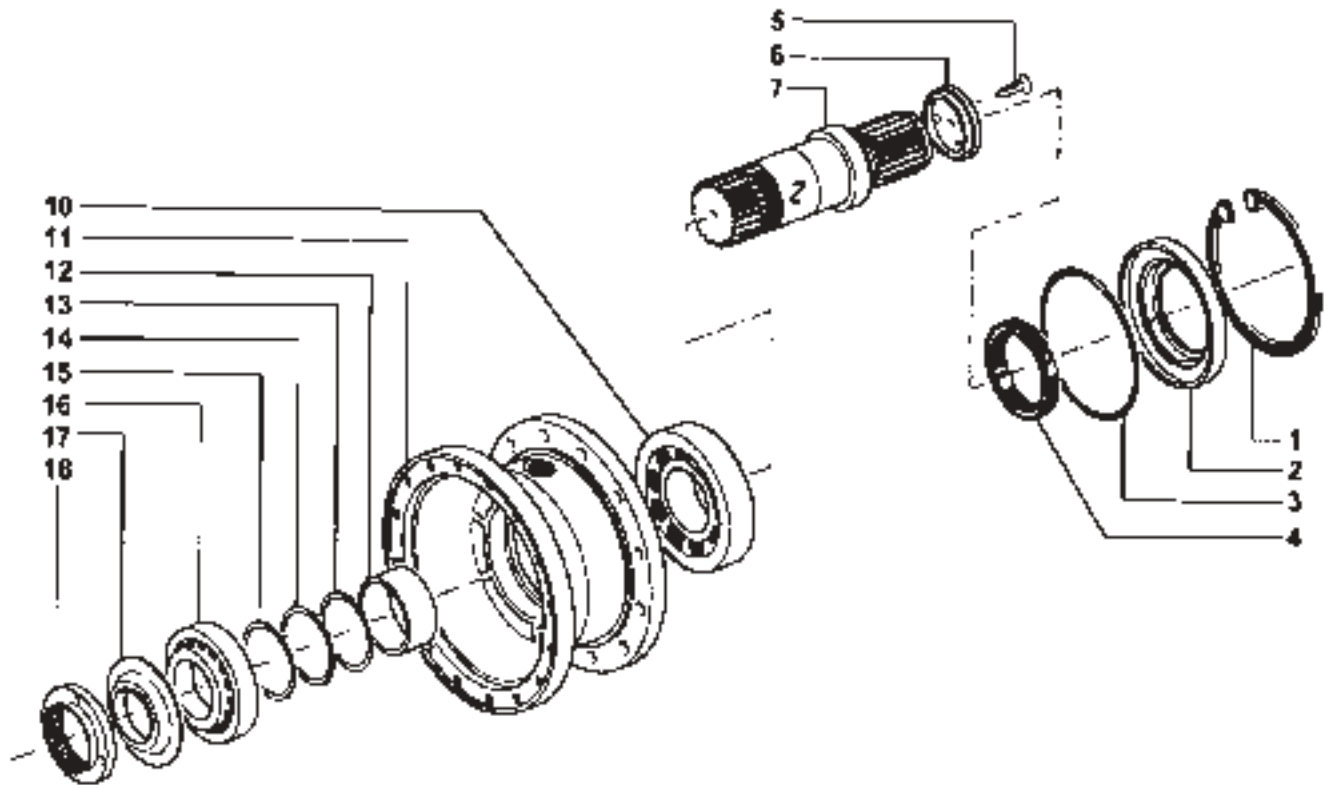
Module
Módulo
KV06-0108

Page
Página
35

Item.	Description	Order no.	Qty	S	Notes
1	Gearbox, compl. see page 37-45 Caixa de velocidades, compl.	K0202005H	1		
2	Washer Anilha	50012200	80		DIN125 21
3	Screw Parafuso	53160400	40		ISO4014 M20x150
4	Hydr.motor see page 47 Motor hidráulico	T0306054H	1		Danfo OMP160 1510314
5	Screw Parafuso	53160265	8		ISO4014 M14x50
6	Screw Parafuso	T5507780	4		
7	Nut Porca	51010200	80		DIN985 M20
8	Support Suporte	K5686100	1		
9	Bearing Rolamento	61299960	1		Roll 06.1116.00ZZ10
11	Screw Parafuso	58130543	2		DIN912 M12x30
16	Screw Parafuso	53190401	40		ISO4014 M20x160
17	Lug Suporte	K5686410	1		
18	Cover Tampa	K5686410	2		
19	Screw Parafuso	53060140	4		ISO4017 M8x25
20	Nut Porca	51010080	4		DIN985 M8

Page Página 36	Module Módulo KV06-0108	Date Data 00-03-23	Description Descrição Planet transmission,compl.	<input type="checkbox"/> 
-----------------------------	--------------------------------------	---------------------------------	---	---

1A





Description
Descrição
Planet transmission, compl.

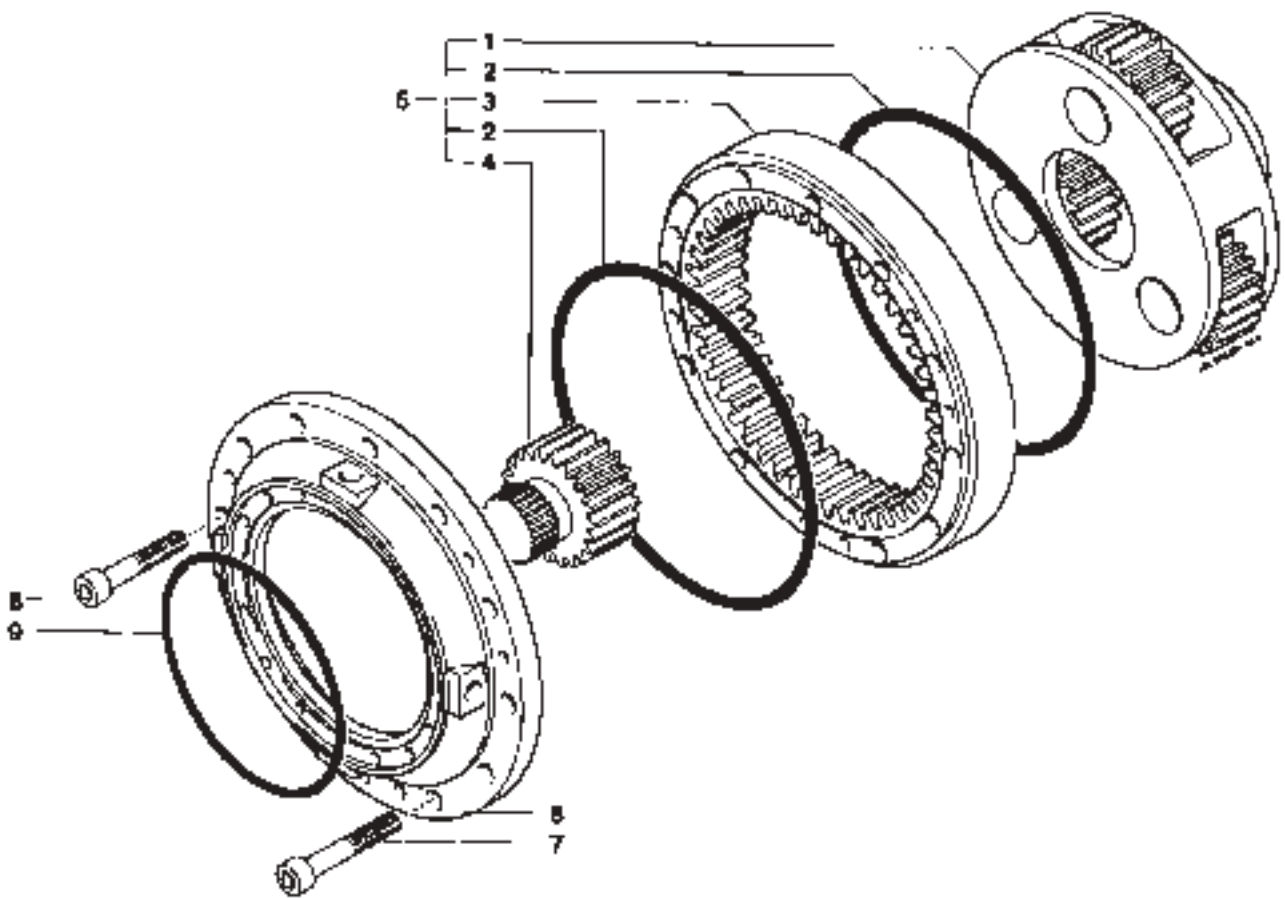


Date
Data
00-03-23

Module
Módulo
KV06-0108

Page
Página
37

Item.	Description	Order no.	Qty	S	Notes
*1A	Gearbox, compl. Caixa de velocidades, compl.	K0202005H	1		Trasm 306L222.5HZ5BPHE2S5AP2T
1	Circlip Freio	800822580	1		Trasm 718299114A
2	Cover Tampa	800822581	1		Trasm 6657000700
3	O-ring O'ring	800822582	1		Trasm 715303307A
4	Gasket Junta	800819068	1		Trasm 710310004
5	Screw Parafuso	800822583	3		Trasm 720886004A
6	End plate Placa terminal	800822584	1		Trasm 6670500030
7	Shaft Eixo	800822585	1		Trasm 6630030400
10	Bearing Rolamento	800819060	1		Trasm 712758066
11	Housing Caixa	800822586	1		Trasm 6650002400
12	Sleeve Casquilho	800822587	1		Trasm 6662002860
13	Spacing ring Anel espaçador	800822588	1		Trasm 712770181A
14	Spacing ring Anel espaçador	800822589	1		Trasm 712770182A
15	Spacing ring Anel espaçador	800822590	1		Trasm 712770183A
16	Bearing Rolamento	800819062	1		Trasm 712758038
17	Ring Anel	800822591	1		Trasm 712710060A
17	Nut Porca	800822592	1		Trasm 6660000091





Description
Descrição
Planet transmission

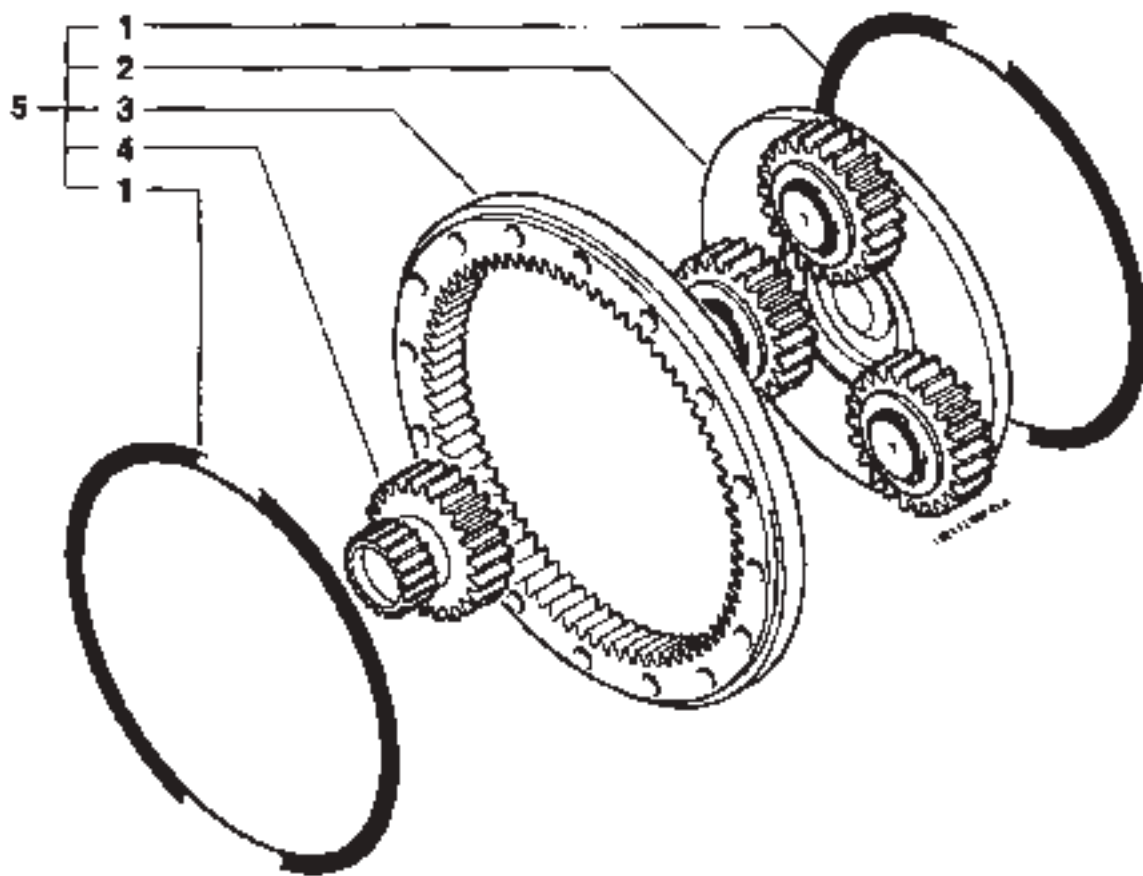


Date
Data
00-03-23

Module
Módulo
KV06-0108

Page
Página
39

Item.	Description	Order no.	Qty	S	Notes
1	Gear set Conjunto engrenagens	800822593	1		Trasm 2T235334020
2	O-ring O'ring	800819071	2		Trasm 715303295
3	Gear rim Cremalheira	800822594	1		Trasm 6641010030
4	Sun gear Roda solar	800822595	1		Trasm 6643010060
5	Reduction gear Engrenagem de redução	800822596	1		Trasm 2T235634020
6	Cover Tampa	800822597	1		Trasm 6653500580
7	Screw Parafuso	800822598	12		Trasm 720955014A
8	Screw Parafuso	800822599	4		Trasm 720955012A
9	O-ring O'ring	800822600	1		Trasm 715303268A





Description
Descrição
Planet transmission



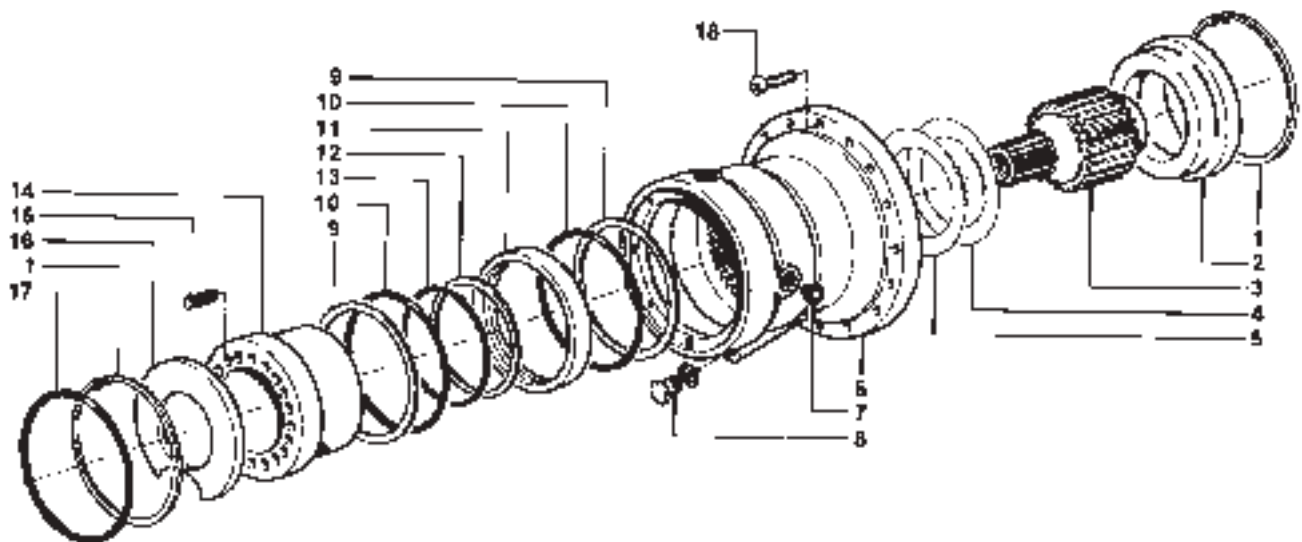
Date
Data
00-03-23

Module
Módulo
KV06-0108

Page
Página
41

Item.	Description	Order no.	Qty	S	Notes
1	O-ring O'ring	800822601	2		Trasm 715303268A
2	Gear set Conjunto engrenagens	800822602	1		Trasm 2T235332030
3	Gear rim Cremalheira	800822603	1		Trasm 6641000360
4	Sun gear Roda solar	800822604	1		Trasm 6643000190
5	Reduction gear Engrenagem de redução	800822605	1		Trasm 2T235632030

Page Página 42	Module Módulo KV06-0108	Date Data 00-03-23	Description Descrição Planet transmission	<input type="checkbox"/> 
-----------------------------	--------------------------------------	---------------------------------	--	---





Description
Descrição
Planet transmission

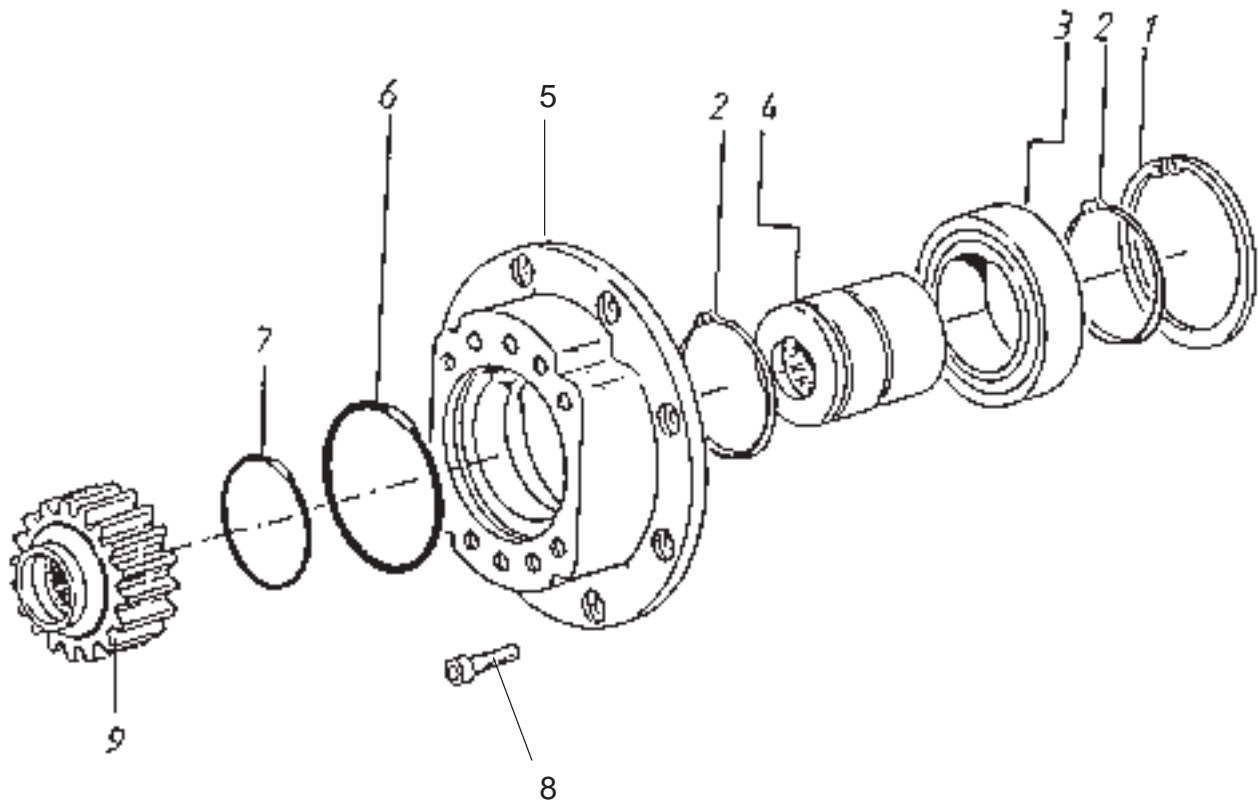


Date
Data
00-03-23

Module
Módulo
KV06-0108

Page
Página
43

Item.	Description	Order no.	Qty	S	Notes
1	Circlip Freio	800822606	2		Trasm 718299106A
2	Sleeve Casquilho	800822607	1		Trasm 6660300500
3	Shaft Eixo	800822608	1		Trasm 6633030481
4	Brake disc Disco do travão	800819087	5		Trasm 680700040
5	Brake disc Disco do travão	800819086	6		Trasm 680900040
6	Housing Caixa	800822609	1		Trasm 718299106
7	Plug Ficha	800822610	1		Trasm 718416002
8	Plug Ficha	800822611	1		Trasm 6682500271
9	Ring Anel	800822612	2		Trasm 722369001
10	O-ring O'ring	800822613	2		Trasm 715307255
11	Sleeve Casquilho	800822614	1		Trasm 6662050090
12	Ring Anel	800822615	1		Trasm 722369002
13	O-ring O'ring	800822616	1		Trasm 715307250
14	Piston Pistão	800822617	1		Trasm 6635050140
15	Spring Mola	800822618	12		Trasm 6680300070
16	Sleeve Casquilho	800822619	1		Trasm 6660300240
17	O-ring O'ring	800822620	1		Trasm 715303245A
18	Screw Parafuso	800822621	8		Trasm 720954010A





Description
Descrição
Planet transmission

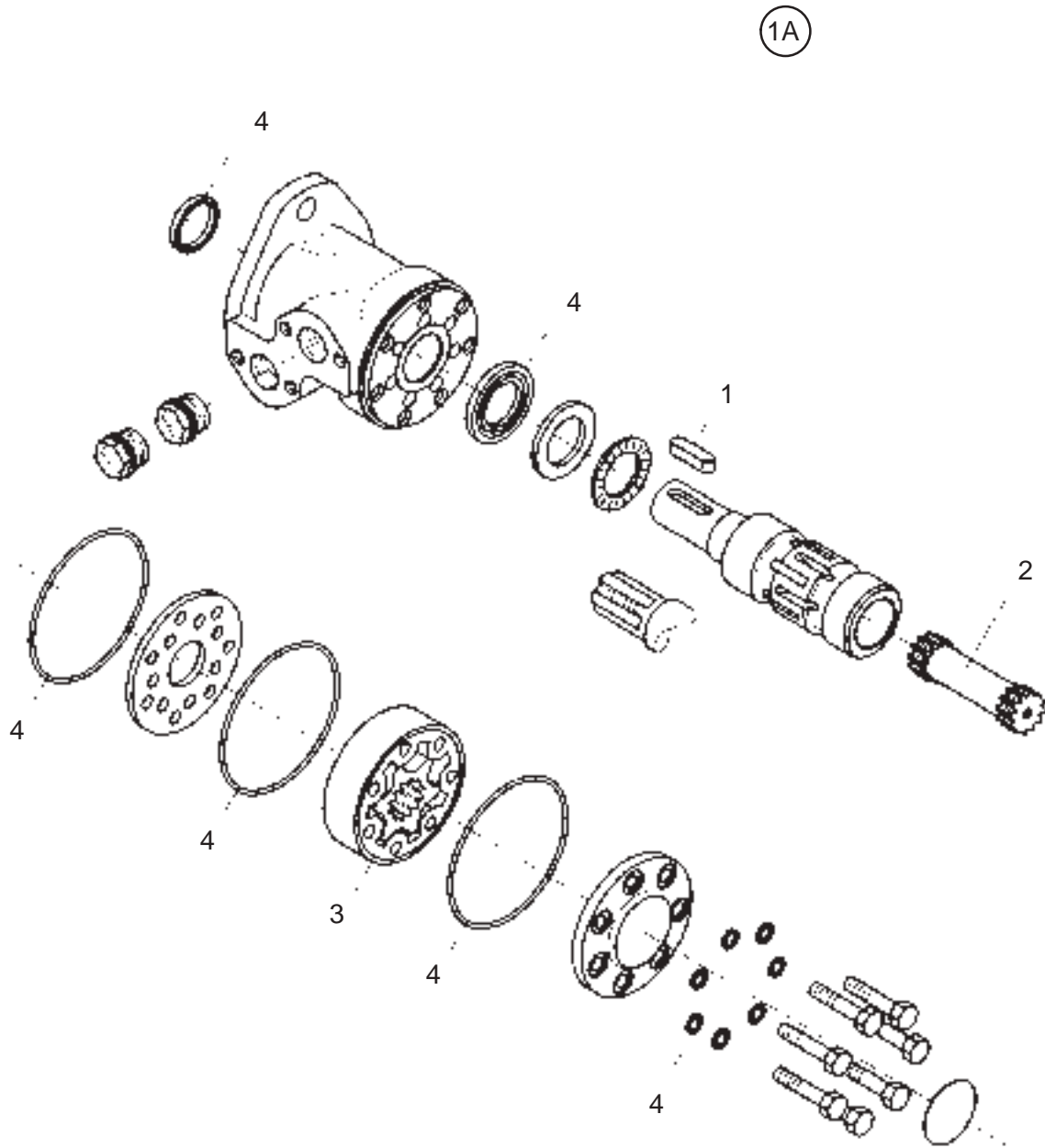


Date
Data
00-03-23

Module
Módulo
KV06-0108

Page
Página
45

Item.	Description	Order no.	Qty	S	Notes
1	Circlip Freio	800822622	1		Trasm 718299074A
2	Circlip Freio	800819091	2		Trasm 718298748
3	Bearing Rolamento	800822623	1		Trasm 712753054A
4	Clutch Embraiagem	800822624	1		Trasm 6645000921
5	Flange União	800822625	1		Trasm 6654504000
6	O-ring O'ring	800819094	1		Trasm 715303242
7	O-ring O'ring	800822626	1		Trasm 715303284A
8	Screw Parafuso	800822627	8		Trasm 720954005A
9	Gear Engrenagem	800819096	1		Trasm 644060170





Description
Descrição
Hydr. motor, compl.

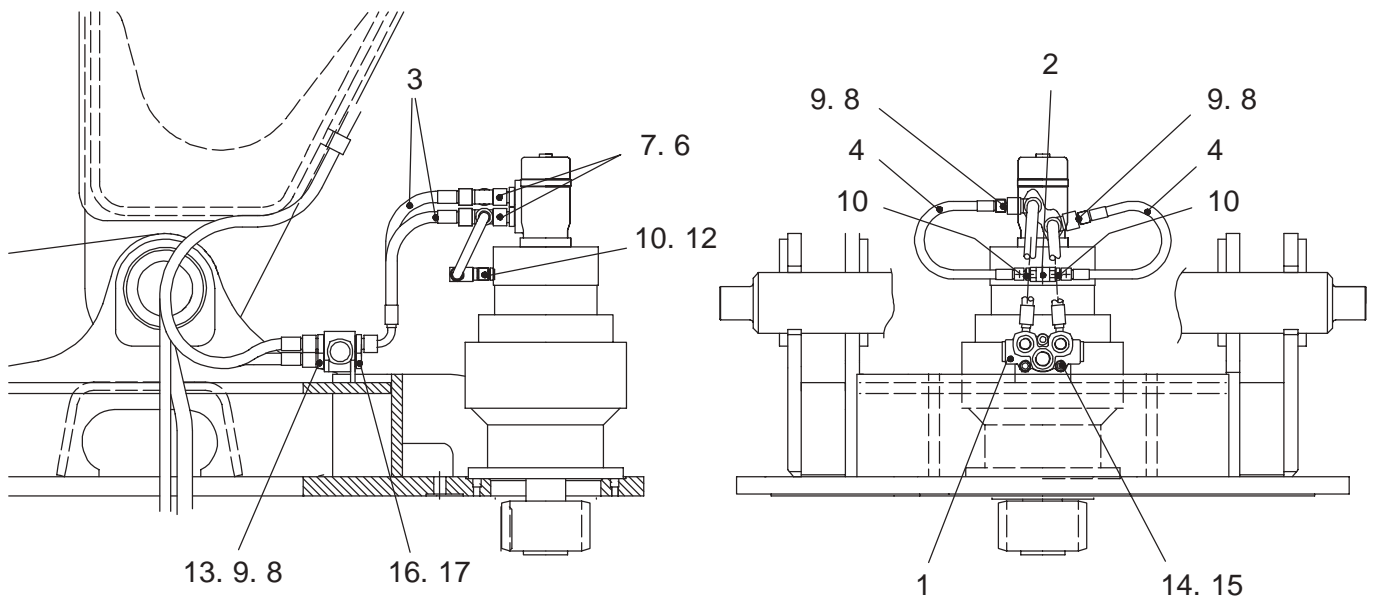


Date
Data
00-03-23

Module
Módulo
KV06-0108

Page
Página
47

Item.	Description	Order no.	Qty	S	Notes
1A	Hydr.motor	Motor hidráulico	T0306054H	1	Danfo OMP160 151-0314
1	Key	Chaveta	804301070	1	Danfo 682X8035
2	Shaft	Eixo	804302801	1	Danfo 151-2690
3	Gear set	Conjunto engrenagens	804302802	1	Danfo 151-1129
4	Repair kit	Jogo de reparação	804302803	1	Danfo 151-1286





Description
Descrição
Hydr. equipment



Date
Data
00-03-23

Module
Módulo
KV06-0108

Page
Página
49

Item.	Description	Order no.	Qty	S	Notes
1	Valve Valvula	T0802028H	1		MONSU HVPB13R-A125G-A
2	Valve Valvula	63880224	1		PARKE HFDK 221 A2 R1/4
3	Hose Tubo	VL5403607	2		
4	Hose Tubo	VL5400007	2		
6	Fitting União	643445162	6		VLS62021 16JIC/R1/2
7	Fitting União	643485102	2		PARKE LS 10R6XS
8	Fitting União	643461163	2		VLS62037 16/10JIC
9	Nut Porca	64163910	2		VLS 62050 16JIC
10	Fitting União	643445101	4		VLS62021 10JIC/R1/4
12	Fitting União	642559101	1		VLS62022 10JIC/R1/4
13	Fitting União	643445163	1		VLS62021 16JIC/R3/4
14	Screw Parafuso	53160189	2		ISO4014 M10x70
15	Nut Porca	51010100	2		DIN 985 M10
16	Plug Ficha	64002620	1		DIN 908 G3/4
17	Gasket Junta	61450272	1		U 27.2X36X2

07 FRAME AND SHIELDS

KV07-0108

Equipment
Equipamento

KV07-0106

Counterweight
Contrapeso

KV07-0109

Protections
Proteções

KV07-0103

Installation of batteries
Instalação das baterias



Revision
Revisão



Date
Data
00-03-28

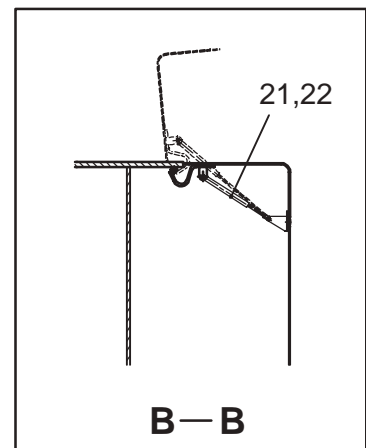
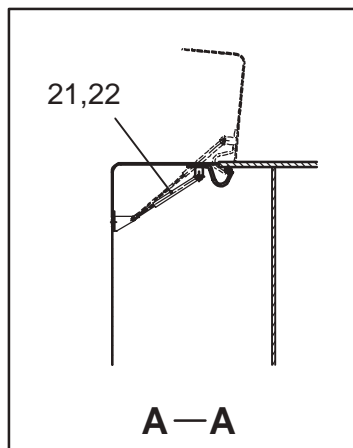
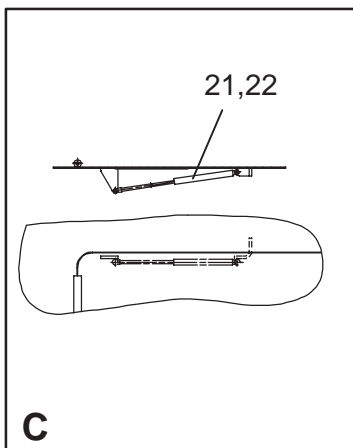
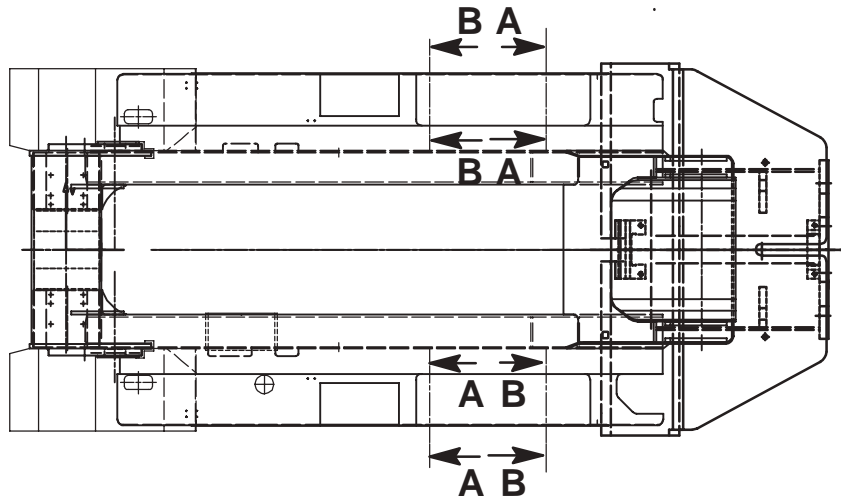
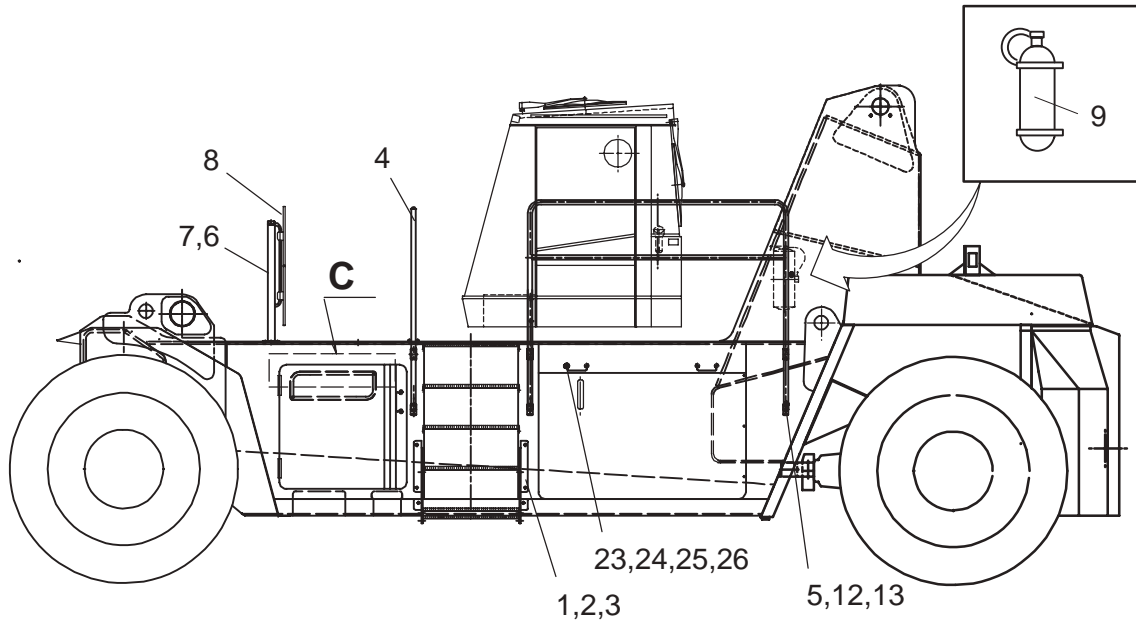
Module
Módulo
KV07-0108

Page
Página
1/3

KV07-0108

Equipment

Equipamento





Description
Descrição
Equipment



Date
Data
00-03-28

Module
Módulo
KV07-0108

Page
Página
3

Item.	Description	Order no.	Qty	S	Notes
1	Support plate	Placa de encosto	K5672630	2	
2	Support plate,RH	Placa de encosto	K5672620	2	
3	Foot board	Degrau	T2302036H	10	WEL TH6 700X160FZV
4	Guard	Protecção	K5672570	2	
5	Guard	Protecção	K5687830	2	
6	Support, left	Suporte, esquerdo	T5514211	1	
7	Support, right	Suporte, direito	T5514212	1	
8	Mirror	Espelho	69550015	4	No 1239-435 kupera
9	Extinguisher	Extintor	T2305003H	1	PRESTO P6 GS.6 KG.A-BIII-E
12	Screw	Parafuso	53060138	30	ISO4017 M8x20
13	Nut	Porca	50410080	28	ISO4032 M8
21	Gas spring	Amortecedor de gas	T1902005H	6	Stabi 03-08-200-300N
22	Nut	Porca	51010080	12	DIN985 M8
23	Handle	Manete	60108517	6	Primo 131/150 MS/KR
24	Screw	Parafuso	53060046	24	ISO4017 M4x16
25	Nut	Porca	50410040	24	ISO4032 M4
26	Washer	Anilha	50012040	24	DIN125 4.3

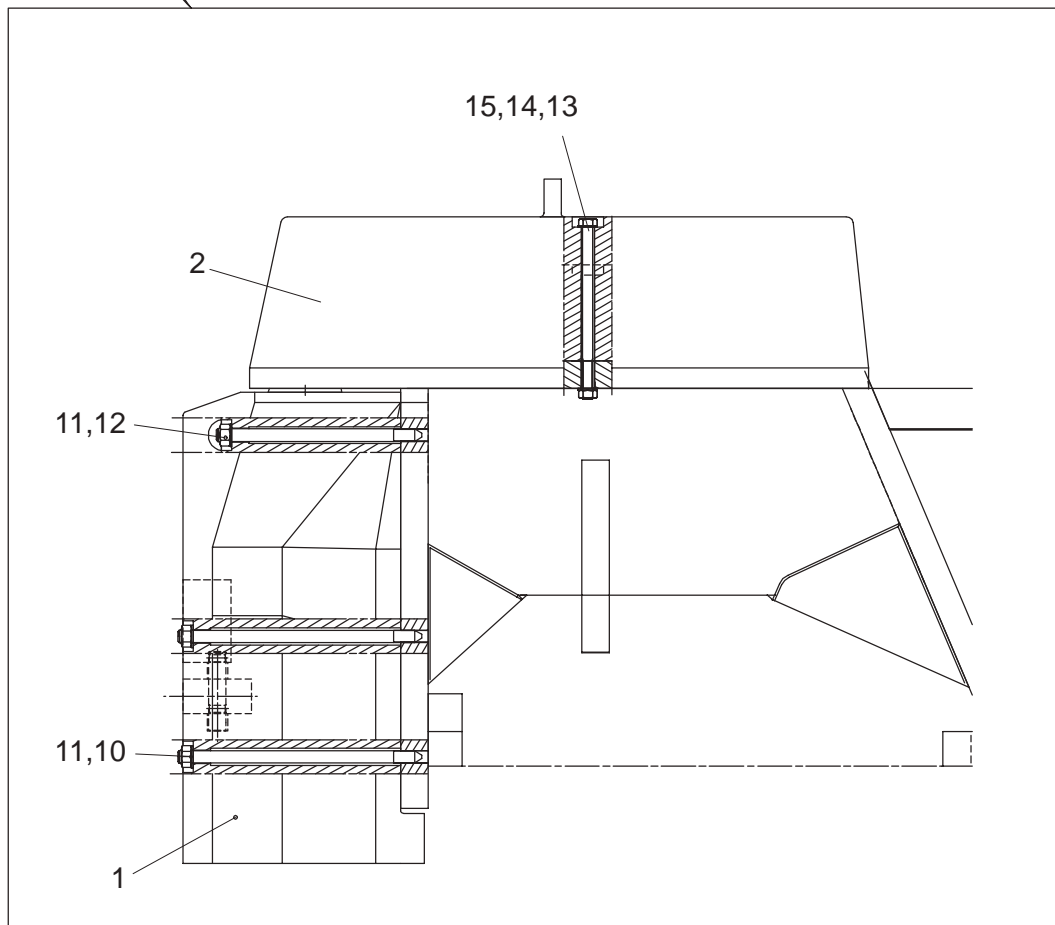
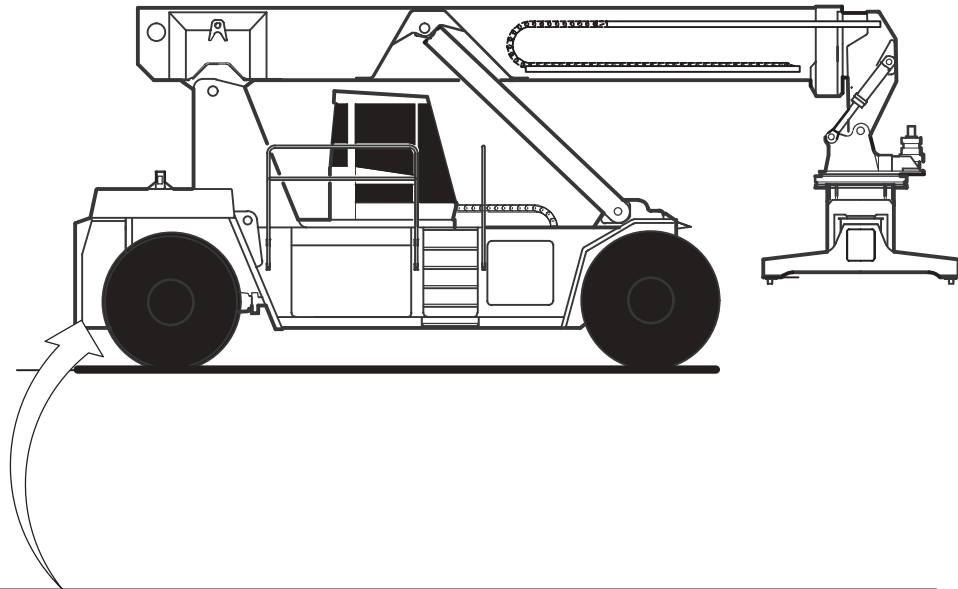
	Revision	<input type="checkbox"/>	Date	Module	Page
			99-03-15	KV07-0106	1/3

KV07-0106

Counterweight

Contrapeso

Page Página	Module Módulo	Date Data	Description Descrição	
2	KV07-0106	99-04-15	Counterweight	





Description
Descrição
Counterweight



Date
Data
99-04-15

Module
Módulo
KV07-0106

Page
Página
3

Item.	Description	Order no.	Qty	S	Notes
1	Counterweight Contrapeso	K5670800V	1		backweight
2	Counterweight Contrapeso	K5670830V	1		upperweight
10	Screw Parafuso	K5670891	4		
11	Washer Anilha	50012360	6		DIN125 37
12	Screw Parafuso	K5670892	2		
13	Screw Parafuso	K5673341	2		
14	Washer Anilha	50012300	4		DIN125 31
15	Nut Porca	51010300	2		DIN985 M30

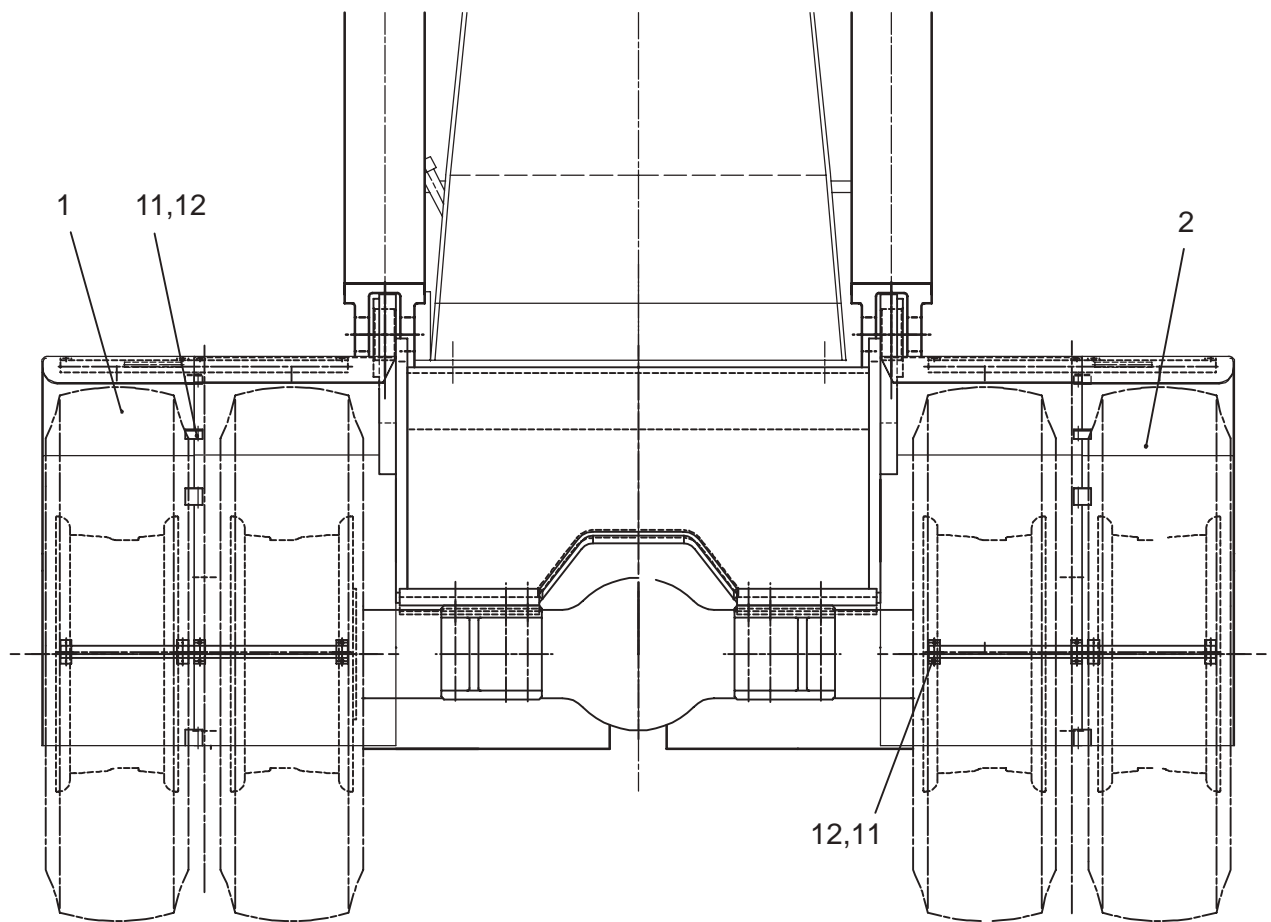


KV07-0109

Protections

Proteções

Page Página	Module Módulo	Date Data	Description Descrição	<input type="checkbox"/>	
2	KV07-0109	97-06-30	Mud guard		





Description
Descrição
Mud guard



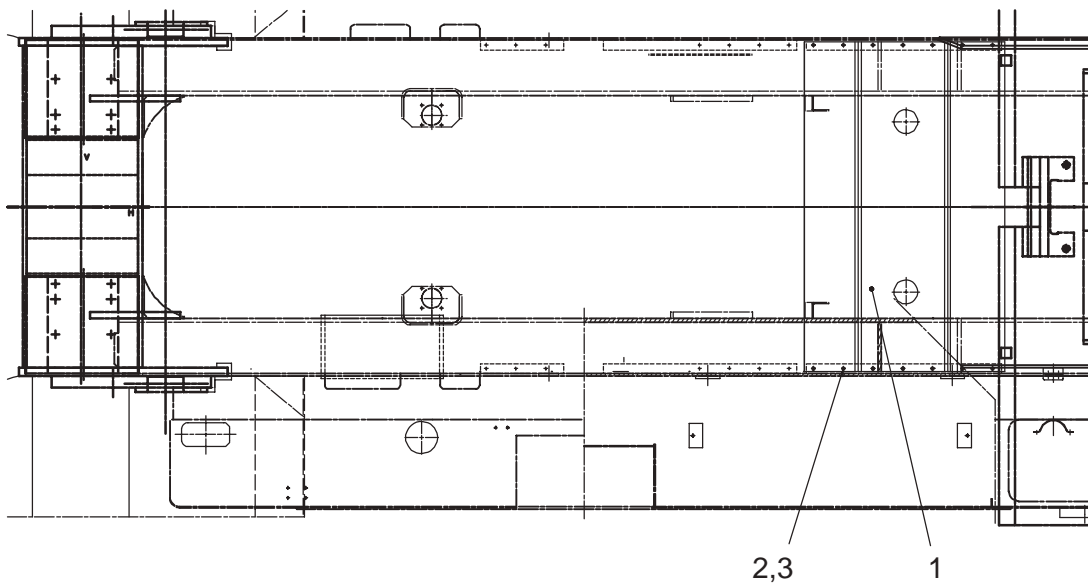
Date
Data
97-06-30

Module
Módulo
KV07-0109

Page
Página
3

Item.	Description	Order no.	Qty	S	Notes
1	Mud guard	K5673300	1		left
2	Mud guard	K5673310	1		right
11	Screw	53060138	52		ISO4017 M8x20
12	Nut	51010080	52		DIN985 M8

Page Página	Module Módulo	Date Data	Description Descrição	
4	KV07-0109	97-06-27	Protections lower	





Description
Descrição
Protections lower




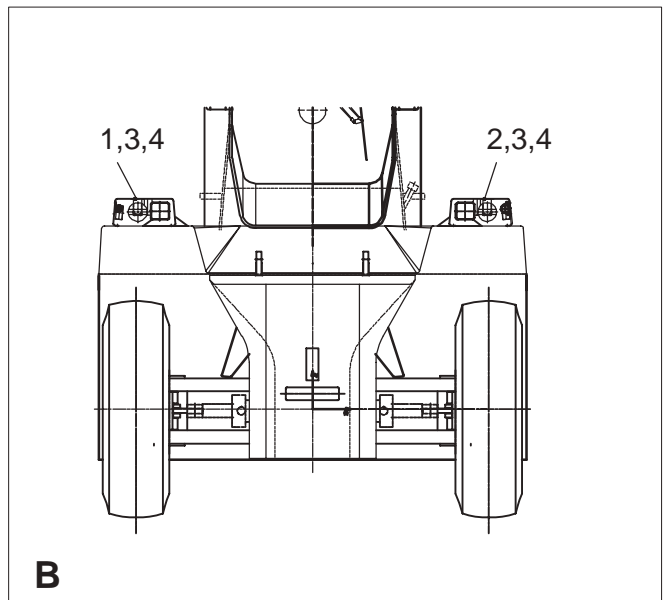
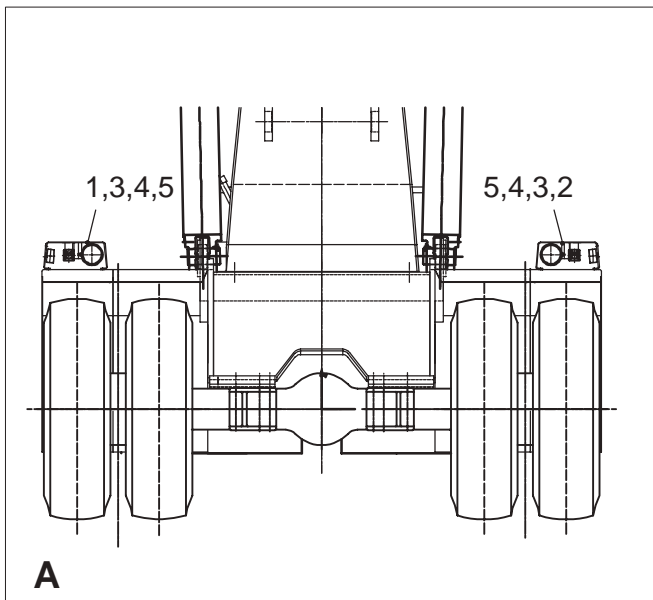
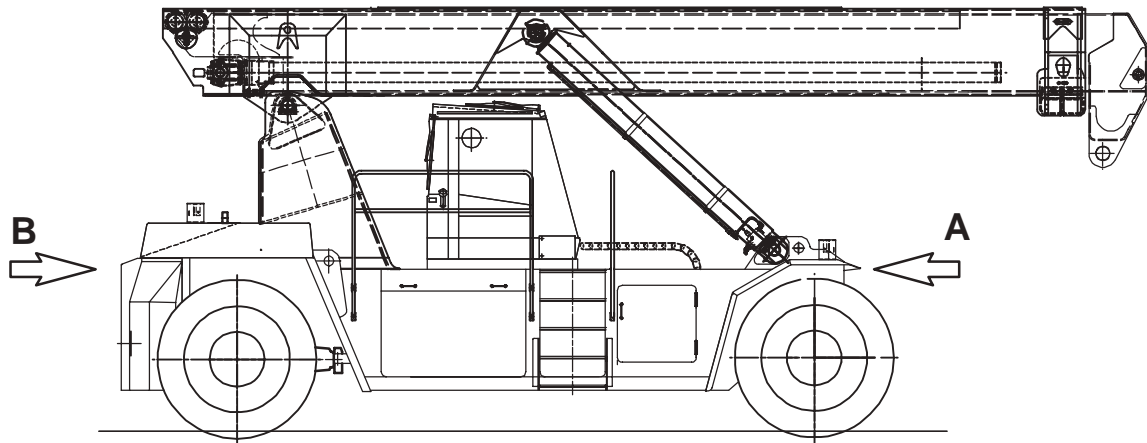
Date
Data
97-06-27

Module
Módulo
KV07-0109

Page
Página
5

Item.	Description	Order no.	Qty	S	Notes
1	Cover Tampa	K5672520	1		
2	Screw Parafuso	59085500	14		M8x20
3	Washer Anilha	50025080	14		DIN440 8

Page Página 6	Module Módulo KV07-0109	Date Data 97-06-30	Description Descrição Light housing	
----------------------------	--------------------------------------	---------------------------------	--	--





Description
Descrição
Light housing



Date
Data
97-06-30

Module
Módulo
KV07-0109

Page
Página
7


Item.	Description	Order no.	Qty	S	Notes
1	Light housing Caixa da luz	K5672940	2		
2	Light housing Caixa da luz	K5672930	2		
3	Screw Parafuso	53060140	20		ISO4017 M8x25
4	Washer Anilha	50012080	20		DIN125 8.4
5	Nut Porca	50410080	8		ISO4032 M8

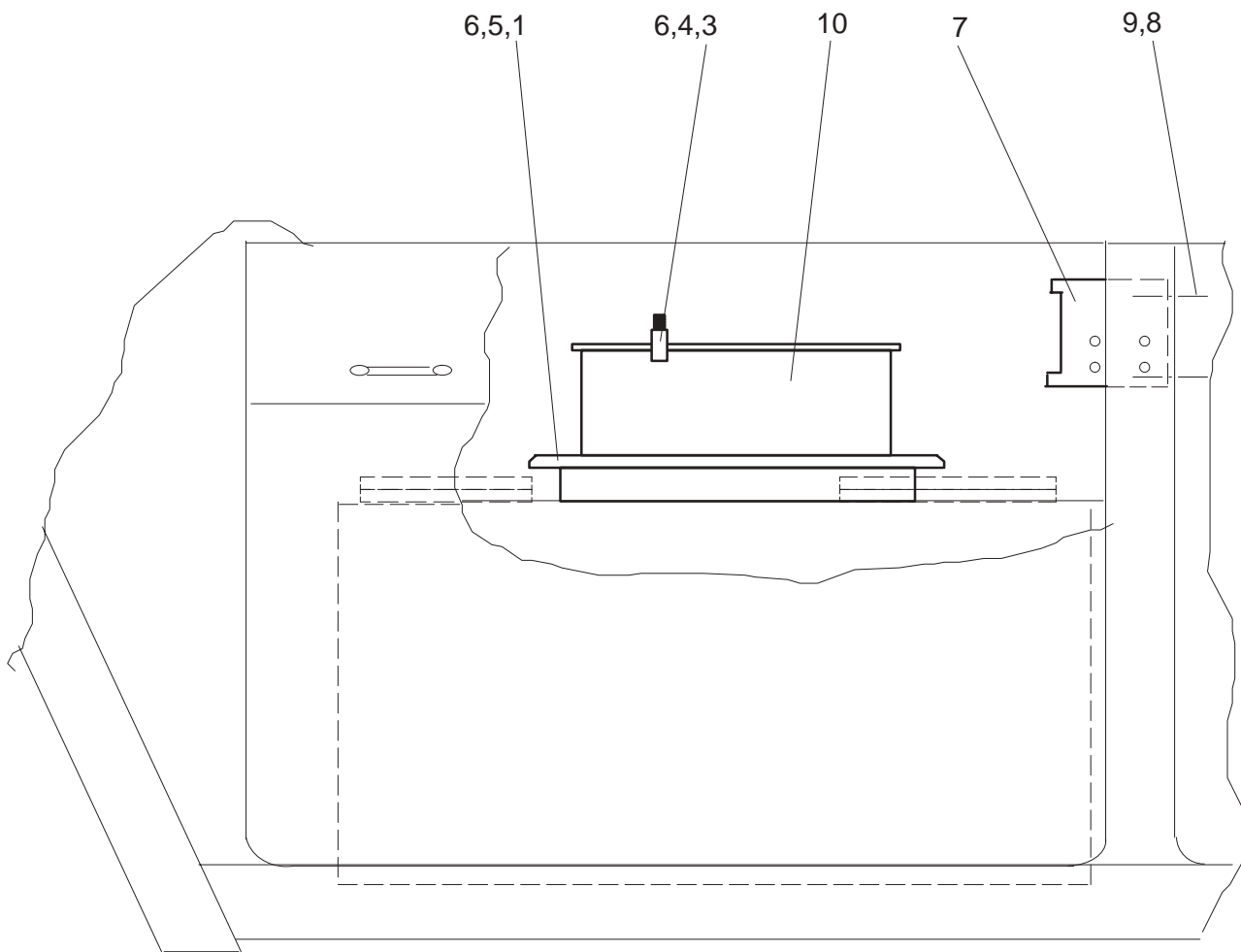
	Revision Revisão	<input type="checkbox"/>	Date Data 98-10-06	Module Módulo KV07-0103	Page Página 1/3
--	---------------------	--------------------------	---------------------------------	--------------------------------------	------------------------------

KV07-0103

Installation of batteries

Instalação das baterias

Page Página	Module Módulo	Date Data	Description Descrição	
2	KV07-0103	98-02-05	Batteries mount.	





Description
Descrição
Batteries mount.



Date
Data
98-02-05

Module
Módulo
KV07-0103

Page
Página
3

Item.	Description	Order no.	Qty	S	Notes
1	Bracket	T5614030	1		
3	Clamp	T5614051	1		
4	Shaft	T5462650	1		
5	Screw	53060180	4		ISO4017 M10x25
6	Nut	51010100	6		DIN985 M10
7	Fastener	T5614040	1		
8	Screw	53060140	2		ISO4017 M8x25
9	Nut	51010080	2		DIN985 M8
*10	Battery				

*) See electric equipment for frame module

*)

08 EQUIPMENT

KV08-0102

Centralized lubrication system
Sistema de lubrificação

KV08-0105


Air conditioner
Ar condicionado

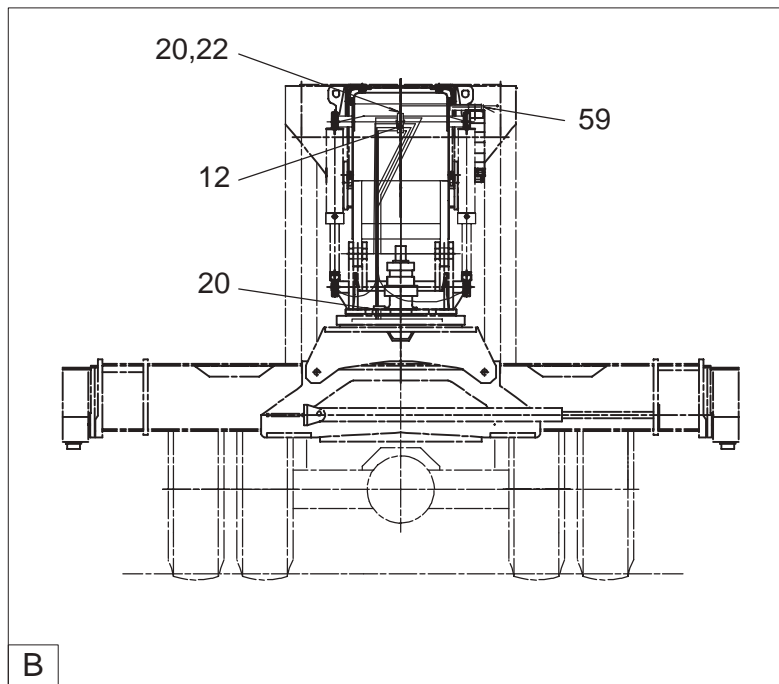
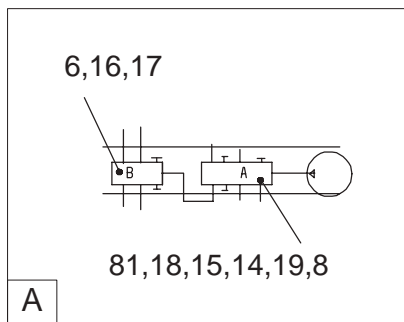
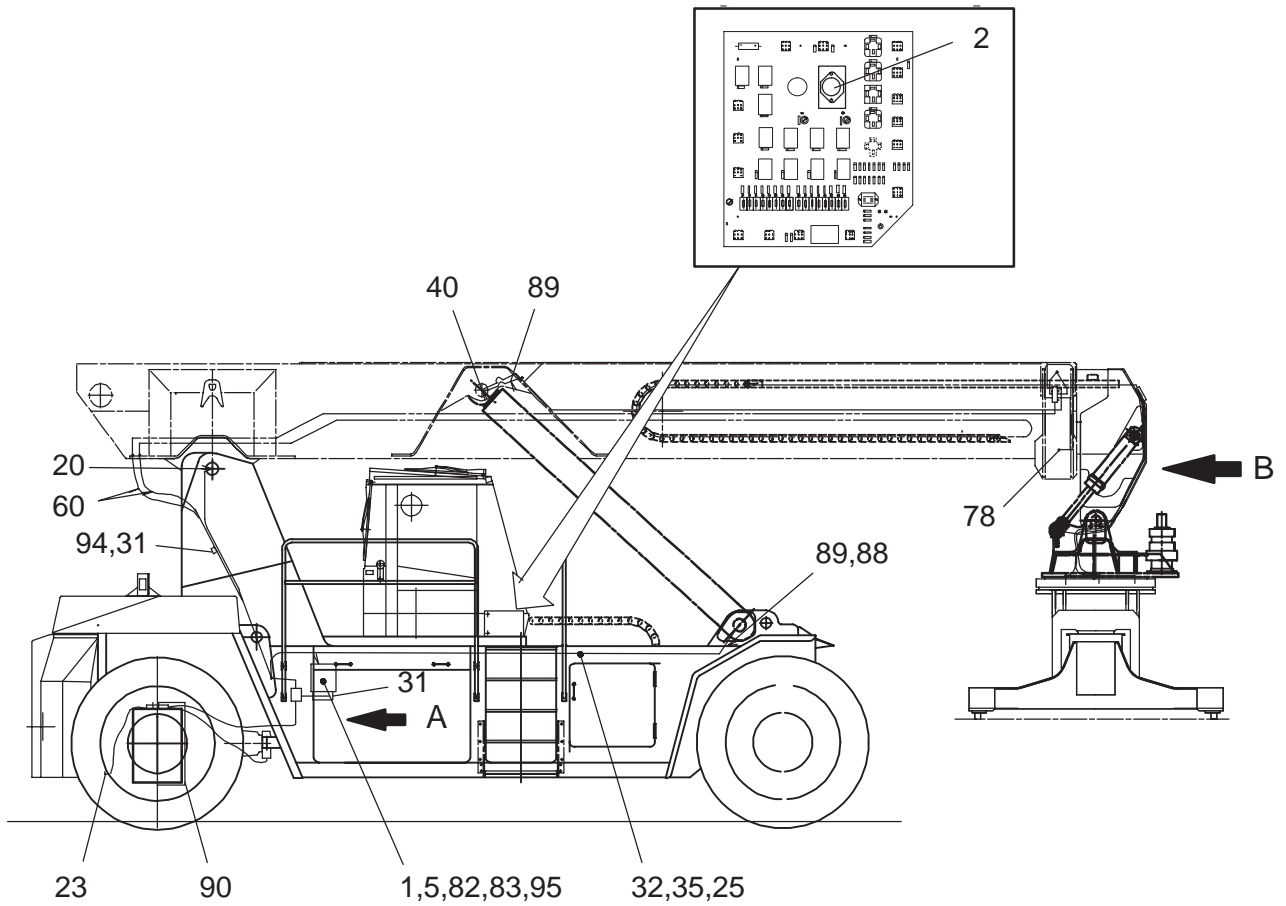
	Revision Revisão	<input type="checkbox"/>	Date Data 99-02-15	Module Módulo KV08-0102	Page Página 1/9
--	---------------------	--------------------------	---------------------------------	--------------------------------------	------------------------------


KV08-0102

Centralized lubrication system

Sistema de lubrificação

Page Página 2	Module Módulo KV08-0102	Date Data 98-02-02	Description Descrição Centr. lubrication system	
----------------------------	--------------------------------------	---------------------------------	--	--




		Description Descrição	<input type="checkbox"/>	Date Data	Module Módulo	Page Página
		Centr. lubrication system		98-02-02	KV08-0102	3
Item.	Description	Order no.	Qty	S	Notes	
1	Pump Bomba	K3300529H	1	400	LINC	P203-4XLBO-24
* 2	Control unit Unidade de controle	652338821	1	200		LCU-002
5	Pump unit Elemento de bomba	K3300505H	1		LINC	600-26877-2 -24
6	Distributor Distribuidor	K3300509H	1	200	LINC	SSV6 619-26473-1
8	Distributor Distribuidor	K3300510H	1	200	LINC	SSV8 619-25730-2
12	Distributor Distribuidor	K3300512H	1	200	LINC	SSV12 619-25731-2
14	Valve Valvula	K3300514H	5	200	LINC	504-30364-2
15	Ring Anel	64158006	6	200	DIN3861	LL 6
16	Nut Porca	64161006	6	200	DIN3870	ALL 6
17	Cone Cone	K3300517H	35	200	LINC	MS 404-23034-1
18	Fitting União	K3300518H	35	200	LINC	404-20236-4-1
19	Plug Ficha	K3300519H	11	200	LINC	M10X1 303-17499-2
20	Fitting União	64104006	15	200	DIN2353	BLL6
22	Fitting União	T5080380	2	200		
23	Fitting União	64119006	30	200	DIN2353	GLL6
25	Clip Grampo	60287306	15		NORMA	RSGU1.6-12
31	Screw Parafuso	53060138	2		ISO4017	M8X20
32	Fastener Ligador	65215503	10		DIN72571	1X6
35	Screw Parafuso	59725256	40		SMS1549	4.2X10
40	Extension Extensão	T5038610	15			
60	Hose Tubo	T5514232	2			
78	Fitting União	K5181790	2	200		
81	Gasket Junta	K3300520H	15	200	LINC	209-12158-2
82	Valve Valvula	K3300507H	3	200	LINC	209-12158-2
83	Filter Filtro	N3300523H	1	200	SAFEM	STS 11770465
88	Sleeve Casquilho	64336553	10		TECAL	E5/3
89	Tube Tubo	68585903	x			6X3 PA11 KOVA MUSTA
90	Tube Tubo	24061033	x		DIN2391	6X1
94	Nut Porca	63890006	4			VLS620510
95	Safety valve Valvula segurança	K3300551H	1		LINC	624-28898-1C

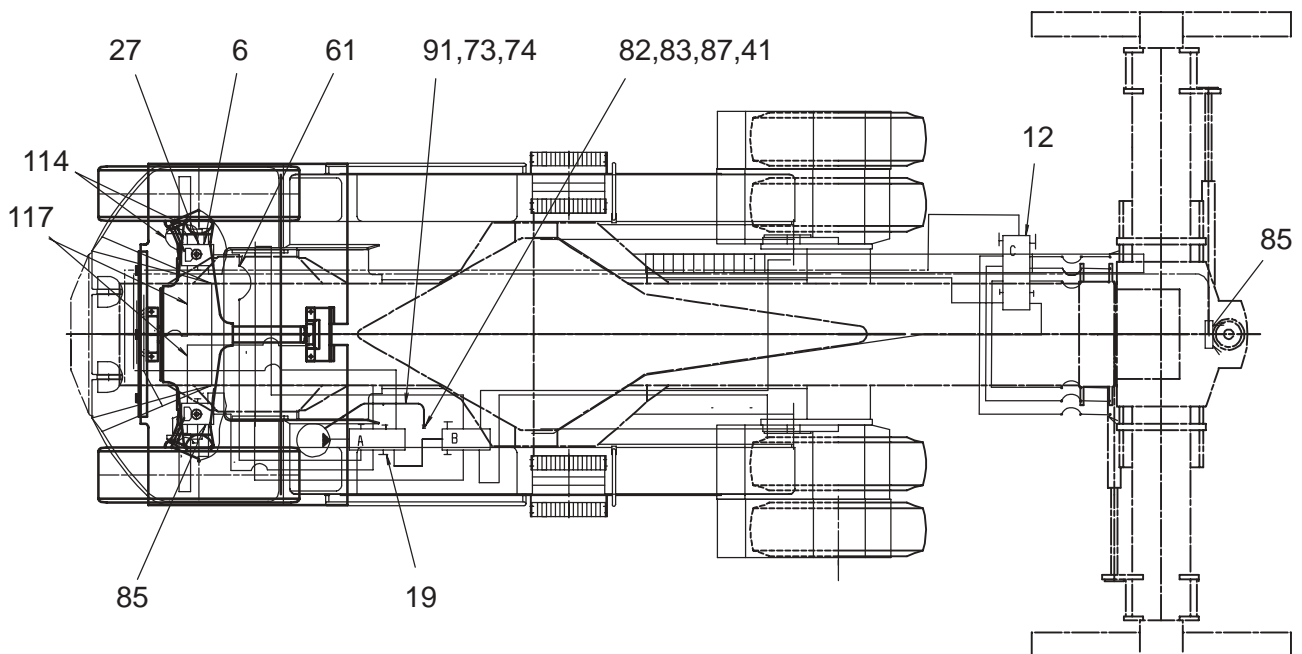
*) See Cabin

*)

x) Order as required (min. delivery length hoses 1 m, pipes 3 m).

x)

Page Página	Module Módulo	Date Data	Description Descrição	
4	KV08-0102	97-07-01	Centr. lubrication system	





Description
Descrição
Centr. lubrication system



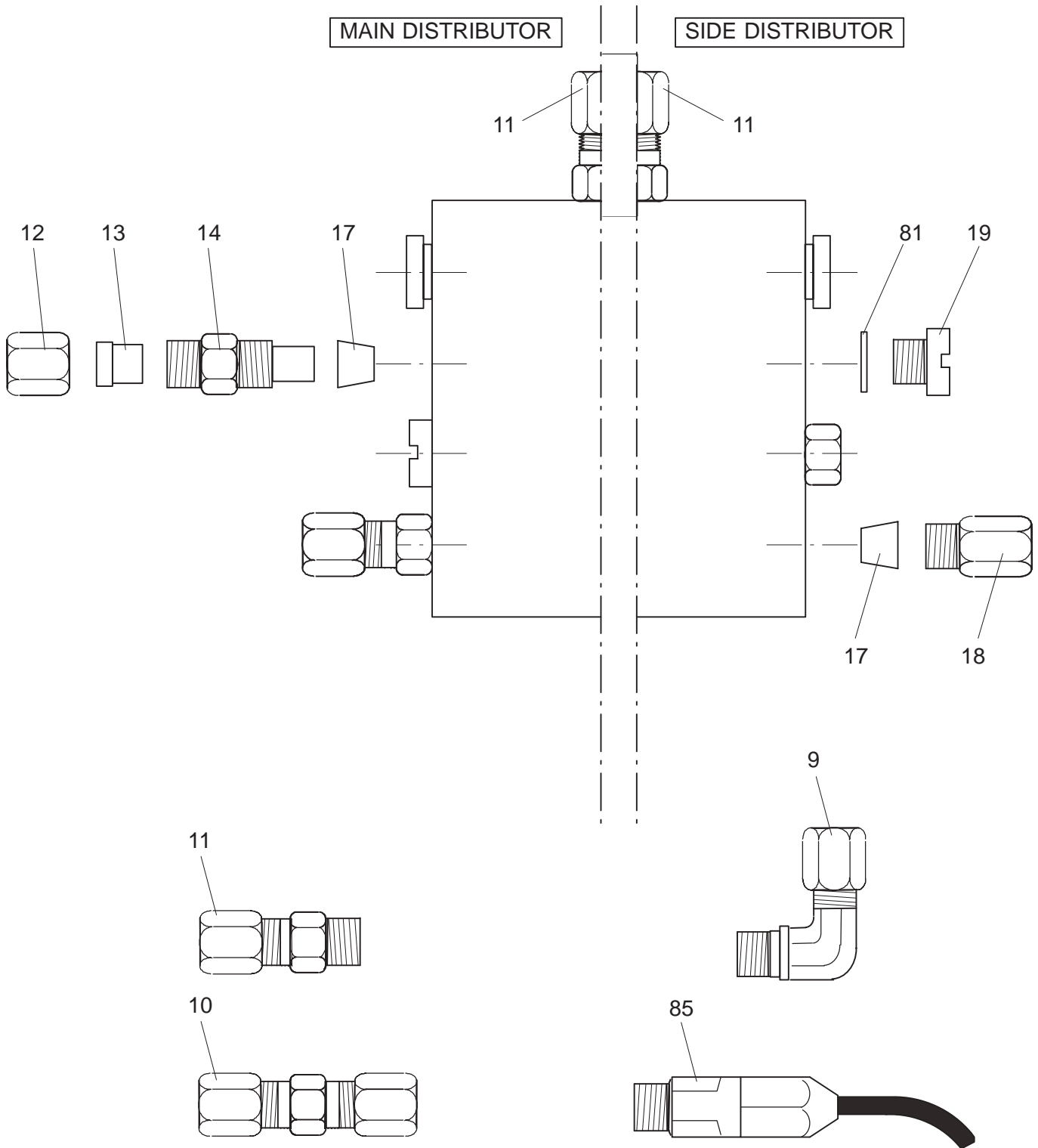
Date
Data
97-07-01

Module
Módulo
KV08-0102

Page
Página
5

Item.	Description	Order no.	Qty	S	Notes
6	Distributor Distribuidor	K3300509H	2	200	LINC SSV6 619-26473-1
12	Distributor Distribuidor	K3300512H	1	200	LINC SSV12 619-25731-2
19	Plug Ficha	K3300519H	11	200	LINC M10X1 303-17499-2
27	Fitting União	K3300525H	12	200	
41	Lug Suporte	K5215840	1		
61	Hose Tubo	K5172736	2		
73	Nut Porca	641639061	2		VLS62050 10JIC
74	Sleeve Casquilho	64160910	2		VLS62051 10JIC
82	Valve Valvula	K3300507H	3	200	LINC 209-12158-2
83	Filter Filtro	N3300523H	1	200	SAFEM STS 11770465
85	Sensor Sensor	K3300506H	2	200	LINC 623-25798-1
87	Fitting União	64348521	1	200	PARKE 6TT4XS
91	Tube Tubo	24101042	x		DIN2391 10x1
103	Hose Tubo	K3300400H	6		
114	Hose Tubo	K5189757	4		
117	Hose Tubo	K5189758	2		

x) Order as required (min. delivery length hoses 1 m, pipes 3 m).
x)





Description
Descrição
Lubricating sytem




Date
Data
95-12-20

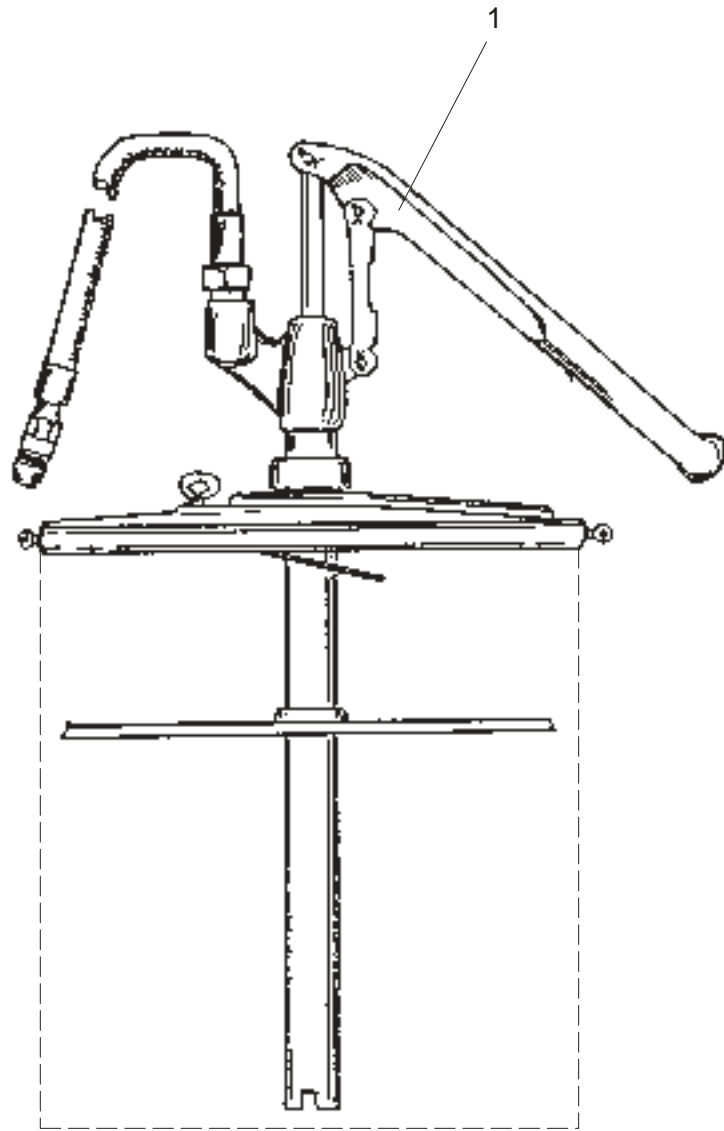
Module
Módulo
KV08-0102

Page
Página
7

Item.	Description	Order no.	Qty	S	Notes
9	Fitting União	805810592	x		ERMET WE6LL R1/8"
9	Fitting União	805811408	x		ERMET WE6LL M8x1
9	Fitting União	805811409	x		ERMET WE6LL M6x1
10	Fitting União	805811404	x		ERMET G6LL
11	Fitting União	64104006	x		ERMET GE6LL R1/8"
11	Fitting União	805811406	x		ERMET GE6LL M8x1
11	Fitting União	805811407	x		ERMET GE6LL M6x1
12	Nut Porca	K3300516H	x		LINCOLN 223-12374-9
13	Cutting ring Anel de corte	K3300515H	x		LINCOLN 223-12295-2
14	Valve Valvula	K3300514H	x		LINCOLN 504-30364-2
17	Cone Cone	K3300517H	x		LINCOLN MS 404-23034-1
18	Fitting União	K3300518H	x		LINCOLN LA 404-20236-4-1
19	Plug Ficha	K3300519H	x		LINCOLN 303-17499-2 M10X1
81	Gasket Junta	K3300520H	x		LINCOLN 209-12158-2
85	Sensor Sensor	K3300506H	x		LINCOLN 623-25798-1

x) Order as required.
x)

Page Página 8	Module Módulo KV08-0102	Date Data 95-12-20	Description Descrição Lubricating sytem	<input type="checkbox"/> 
----------------------------	--------------------------------------	---------------------------------	--	---





Description
Descrição
Lubricating sytem



Date
Data
95-12-20

Module
Módulo
KV08-0102

Page
Página
9

Item.	Description	Order no.	Qty	S	Notes
1	Pump Bomba	805811411	1		LINCO 1292



Revision
Revisão
VOK48/00.10.03



Date
Data
00-03-30

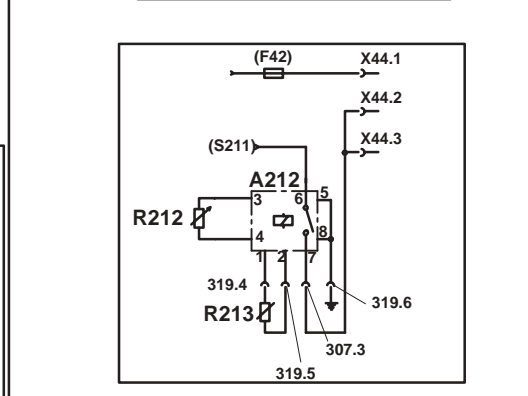
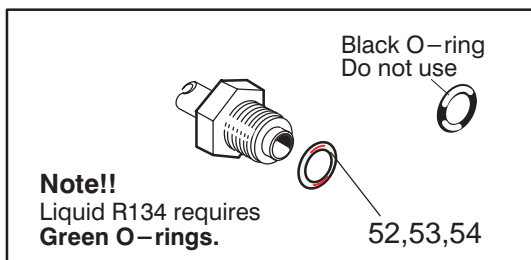
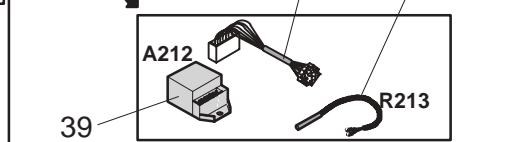
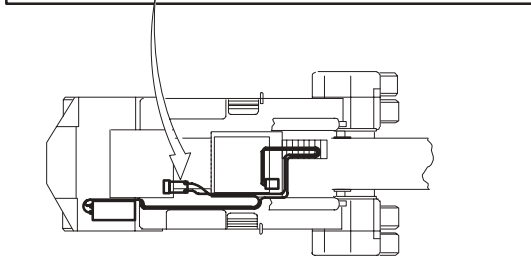
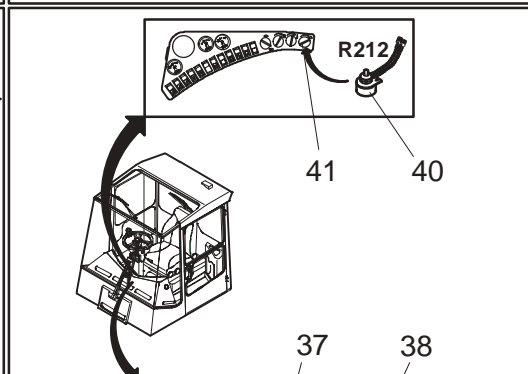
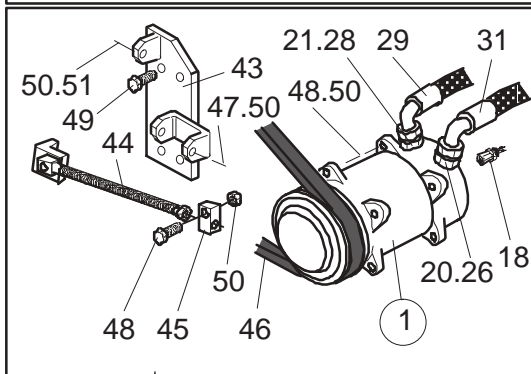
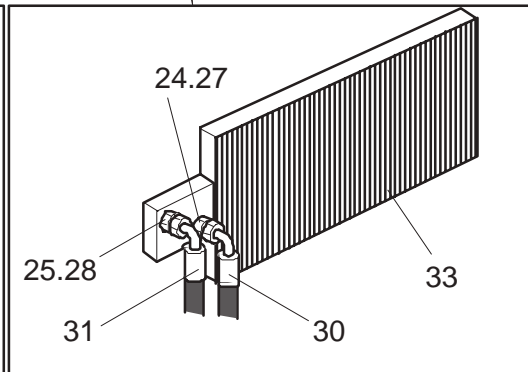
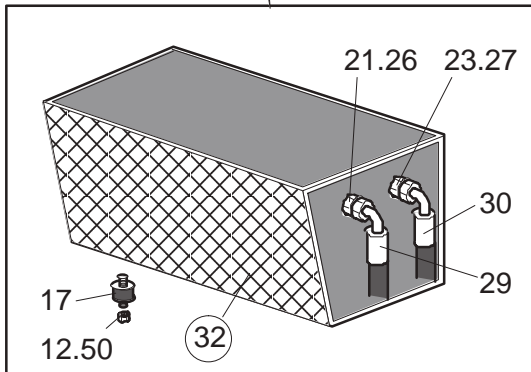
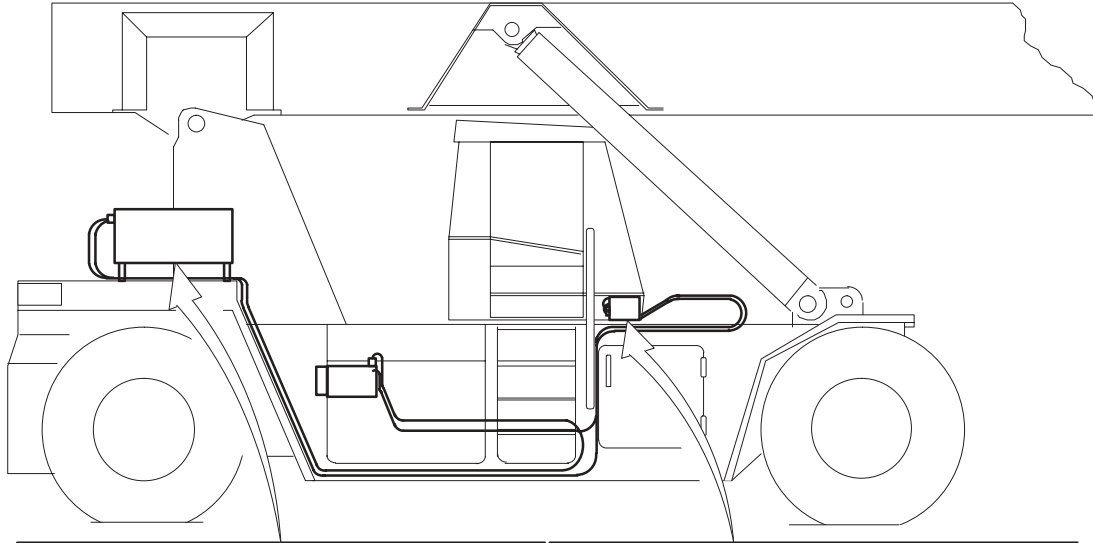
Module
Módulo
KV08-0105

Page
Página
1/5

KV08-0105

Air conditioner

Ar condicionado





Description
Descrição
Air conditioner



Date
Data
00-03-29

Module
Módulo
KV08-0105

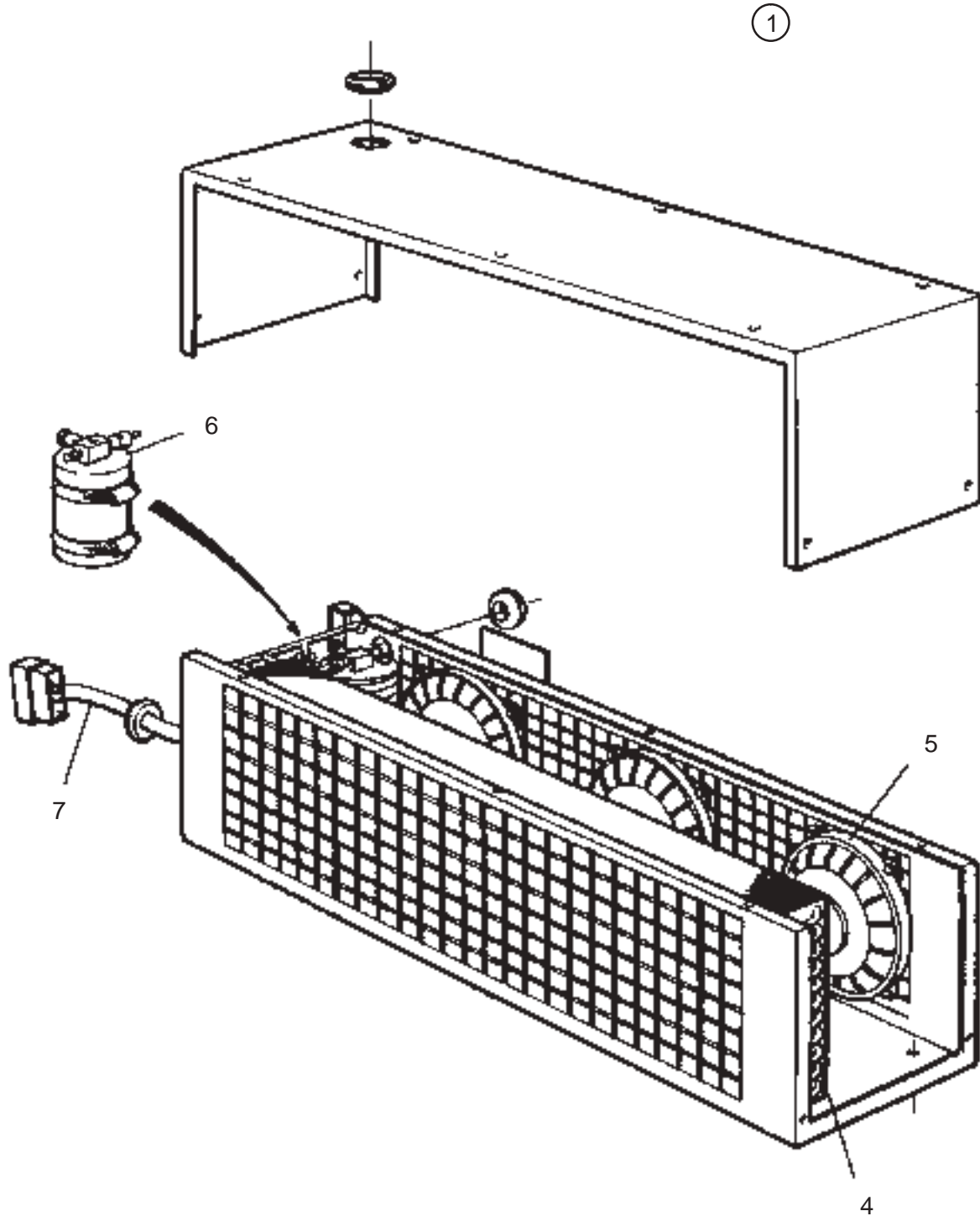
Page
Página
3

Item.	Description	Order no.	Qty	S	Notes
					T5611800
*1	Compressor Compressor	N3220620H	1		Selte TM-16HD 24V
12	Washer Anilha	50012100	4		DIN125 10.5
17	Damper Batente amortecedor	770001381	4		Metal 17/1381 M10
18	Vacuum control unit Unidade de controlo de vácuo	65238705	1		Kysor 5404996
20	Fitting União	643211081	1		Termo 51719-08-08 90SK
21	Fitting União	643211101	1		Termo 517610 90ast/sk
22	Fitting União	64321108	1		Termo 517608 90ast/sk
23	Fitting União	64321106	1		Termo 517606 90ast/sk
24	Fitting União	64320507	1		Finnklima 20517410 suora/uk
25	Fitting União	64320506	1		Termo 517406 suora/sk/o
26	Stuffing sleeve Casquilho	68555810	2		Finnk 515208
27	Stuffing sleeve Casquilho	68555808	2		Finnk 515206
28	Stuffing sleeve Casquilho	68555813	2		Finnk 515210
29	Hose Tubo	68555710	x		Klima 255-08 13/32
30	Hose Tubo	68555708	x		Klima 255-06 5/16
31	Hose Tubo	68555713	x		Klima 255-10 1/2
32	Condenser Condensador	K3201015H	1		923691.0002
33	Evaporator Evaporador	923691.0007	1		
37	Wiring set Conjunto instalação elect.	806817715	1		Velsa 4M4548950
38	Sensor Sensor	806817637	1		Klima 20.100.00.345
39	Thermostat Termostato	806818007	1		Behr 20.100.00.0227
40	Potentiometer Potenciómetro	806817522	1		Behr 20.100.00.0228
41	Knob Punho	806817497	1		25-0142
43	Support, right Suporte, direito	T5515750	1		
44	Rod Veio	K5170760	1		
45	Fastener Ligador	K5170770	1		
46	V-belt Correia	68422033	1		A33
47	Screw Parafuso	53060182	2		ISO4017 M10x35
48	Screw Parafuso	53060185	2		ISO4017 M10x50
49	Screw Parafuso	53060178	4		ISO4017 M10x20
50	Nut Porca	51010100	14		DIN985 N M10
51	Screw Parafuso	53060183	1		ISO4017 M10x40
52	O-ring O'ring	643242061	2		7028-06(R134)green
53	O-ring O'ring	643244101	2		7028-10(R134)green
54	O-ring O'ring	643243081	2		7028-08(R134)green

*) Compl.

*)

Page Página	Module Módulo	Date Data	Description Descrição	<input type="checkbox"/>	
4	KV08-0105	00-03-30	Condenser		





Description
Descrição
Condenser



Date
Data
00-03-30

Module
Módulo
KV08-0105

Page
Página
5

Item.	Description	Order no.	Qty	S	Notes
*1	Condenser Condensador	K3201015H	1		923691.0002
4	Cell Elemento	923705.0474	1		
5	Fan Ventoinha	923705.0469	3		
6	Drier Secador	9237050470	1		
7	Wiring set Conjunto instalação elect.	923705.0472	1		

*)Note!

*)

When ordering Spare Parts, please be sure to communicate the following information:
Liquid R134

